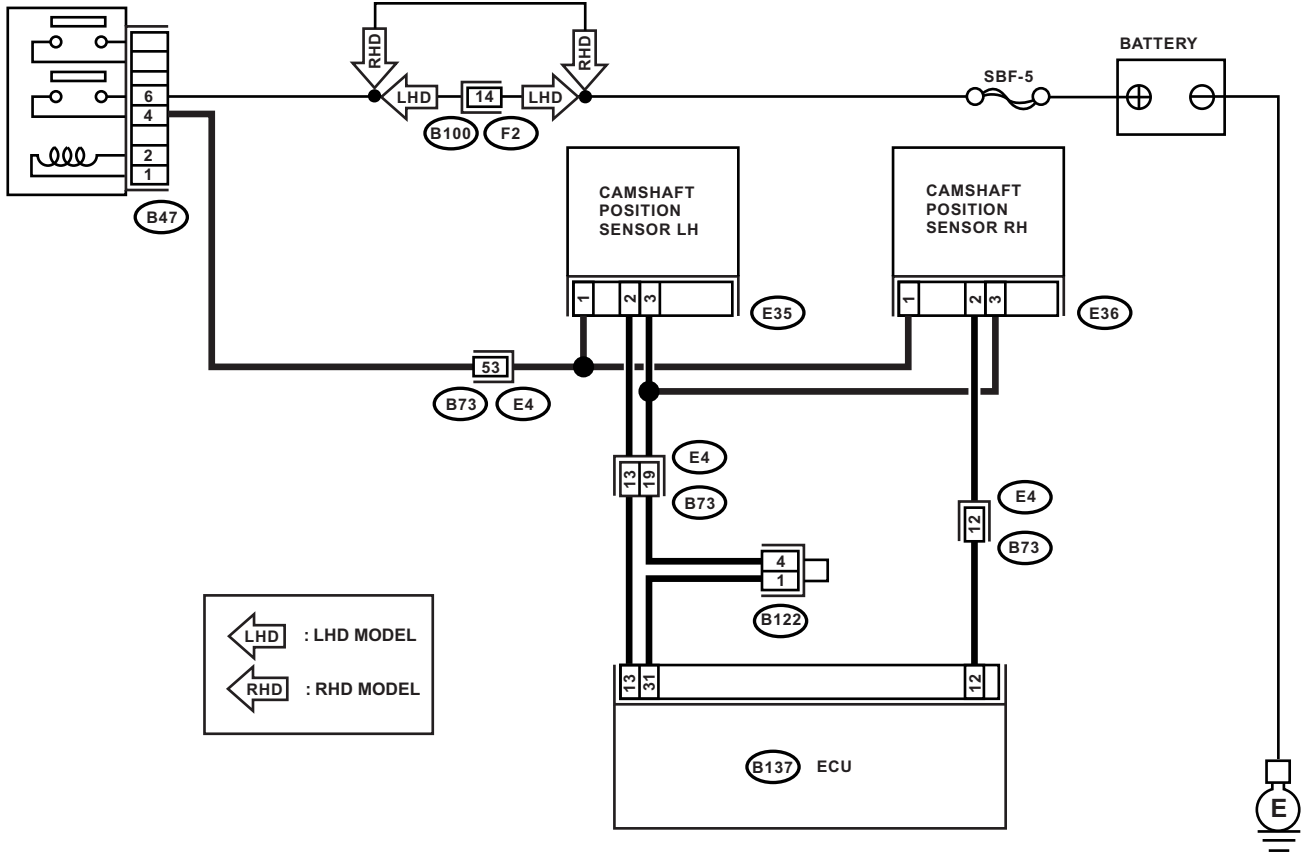


MAIN RELAY



E35

B47

B122

F2

B137

B73

