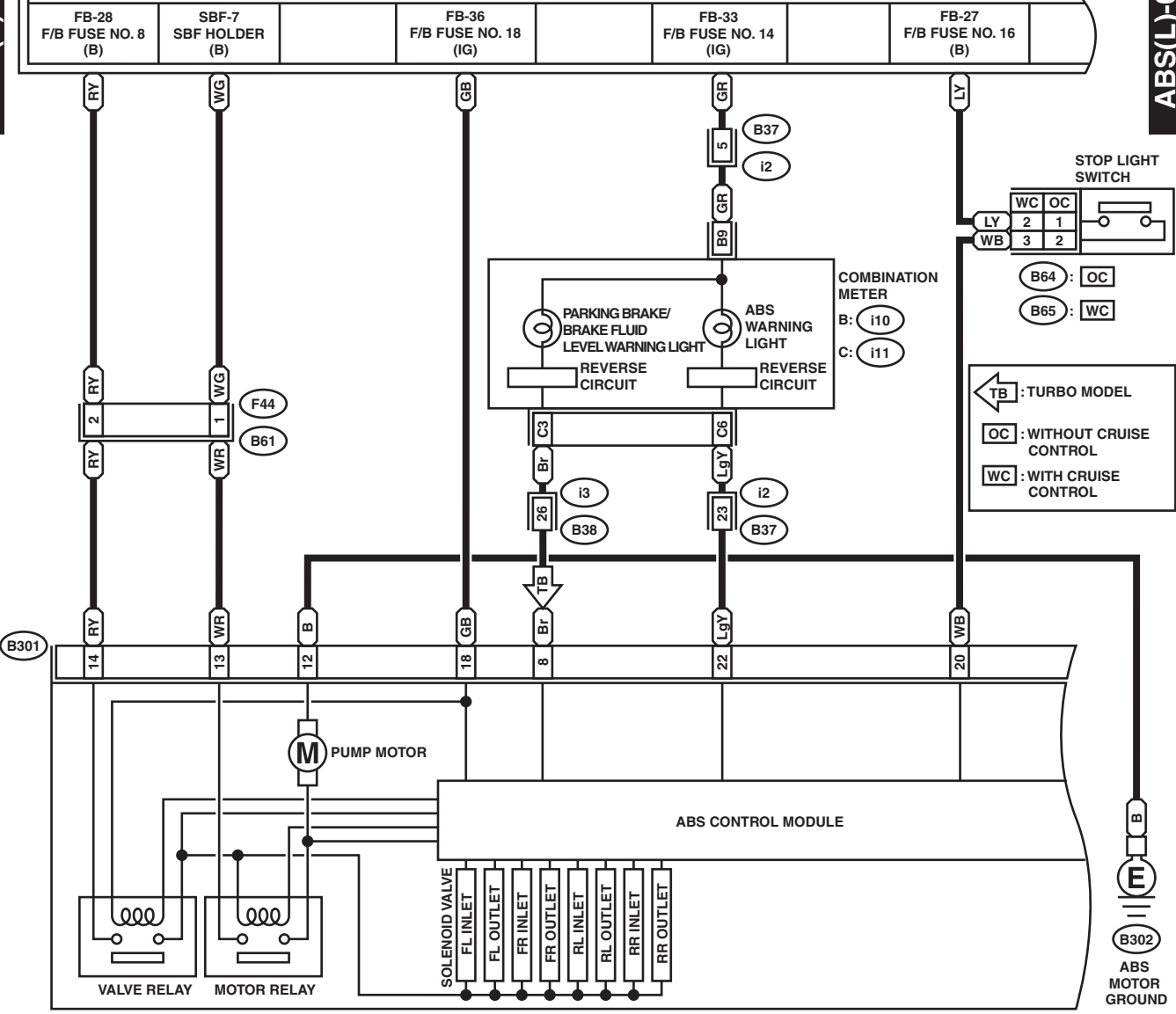


TO POWER SUPPLY CIRCUIT



STOP LIGHT SWITCH

LY	WC	OC
	2	1
WB	3	2

B64 : OC  
B65 : WC

← TB : TURBO MODEL

OC : WITHOUT CRUISE CONTROL  
WC : WITH CRUISE CONTROL

OC : B64 (BLACK)      WC : B65 (BLACK)      F44 (BLACK)      C : i11 (GREEN)      B37

1	2
3	4

1	2
3	4

1	2	3	4
5	6	7	8

1	2	3	4	5	6	7	8	9	10
---	---	---	---	---	---	---	---	---	----

1	2	3	4	5	6	7	8	9	10	11		
12	13	14	15	16	17	18	19	20	21	22	23	24

B : i10 (GREEN)

1	2	3	4	5	6	7	8	9	10	11	12	13	14		
15	16	17	18	19	20	21	22	23	24	25	26	27	28	29	30

B301 (BLACK)

12	13	14	15							
1	2	3	4	5	6	7	8	9	10	11
16	17	18	19	20	21	22	23	24	25	26

B38

1	2	3	4
5	6	7	8
9	10	11	12
13	14	15	16
17	18	19	20
21	22	23	24
25	26	27	28
29	30	31	32