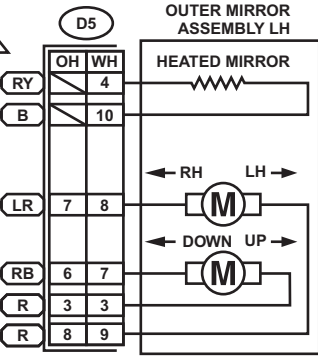
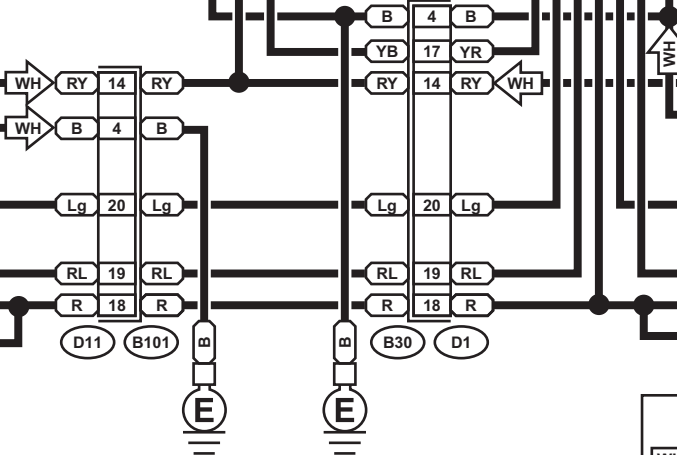
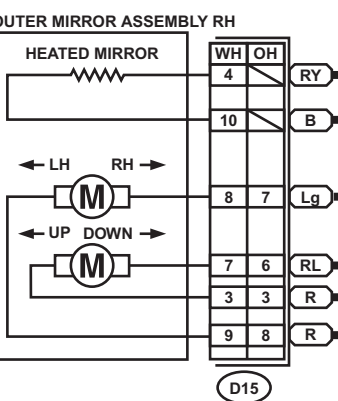


REF. TO CLEARANCE LIGHT AND ILLUMINATION LIGHT SYSTEM [ILM(L)-01]



REF. TO GROUND CIRCUIT [GND(L)-0] REF. TO GROUND CIRCUIT [GND(L)-02*03]

OH : WITHOUT HEATED MIRROR
WH : WITH HEATED MIRROR

