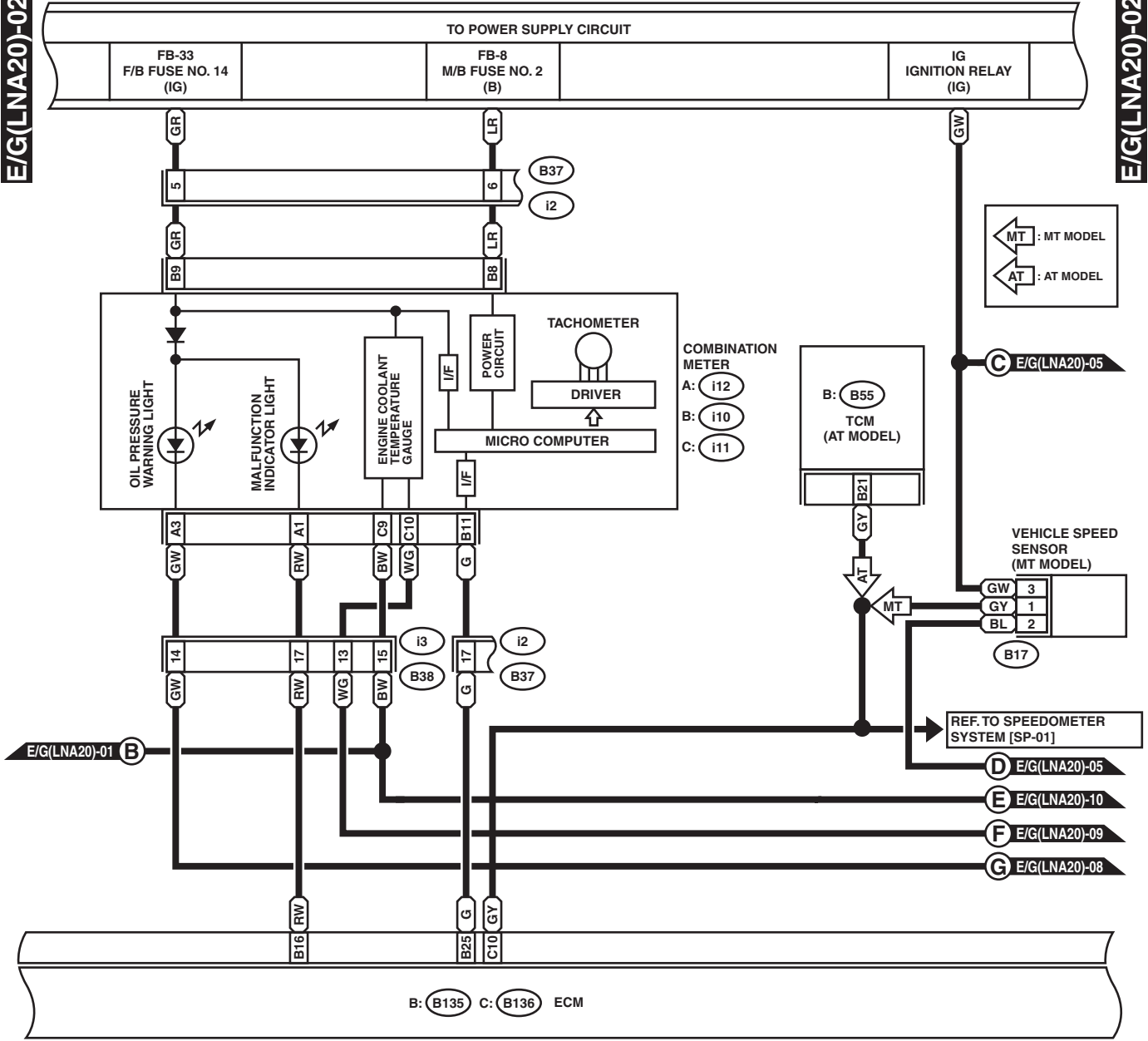


TO POWER SUPPLY CIRCUIT



← MT : MT MODEL
 ← AT : AT MODEL

COMBINATION METER
 A: i12
 B: i10
 C: i11

B: B55
 TCM
 (AT MODEL)

VEHICLE SPEED SENSOR
 (MT MODEL)

GW	3
GY	1
BL	2

B17

REF. TO SPEEDOMETER SYSTEM [SP-01]

D E/G(LNA20)-05
 E E/G(LNA20)-10
 F E/G(LNA20)-09
 G E/G(LNA20)-08

B: B135 C: B136 ECM

B17 HR (BLACK)

C: i11 (GREEN)

A: i12 (GREEN)

B37

1	2	3
---	---	---

1	2	3	4	5	6	7	8	9	10
---	---	---	---	---	---	---	---	---	----

1	2	3	4	5	6		
7	8	9	10	11	12	13	14

1	2	3	4	5	6	7	8	9	10	11		
12	13	14	15	16	17	18	19	20	21	22	23	24

B: B55 HR

B: i10 (GREEN)

B38

B: B135

C: B136

1	2	3	4	5	6	7	8	9	10	11	12	13	14		
15	16	17	18	19	20	21	22	23	24	25	26	27	28	29	30

1	2	3	4	5	6	7	8	9			
10	11	12	13	14	15	16	17	18	19	20	21
22	23	24	25	26	27	28	29	30	31	32	

1	2	3	4	5	6	7					
8	9	10	11	12	13	14	15	16	17	18	19
20	21	22	23	24	25	26	27				
28	29	30	31	32	33	34	35				

1	2	3	4	5	6					
7	8	9	10	11	12	13	14	15	16	
17	18	19	20	21	22	23	24	25	26	27
28	29	30	31	32	33	34	35			