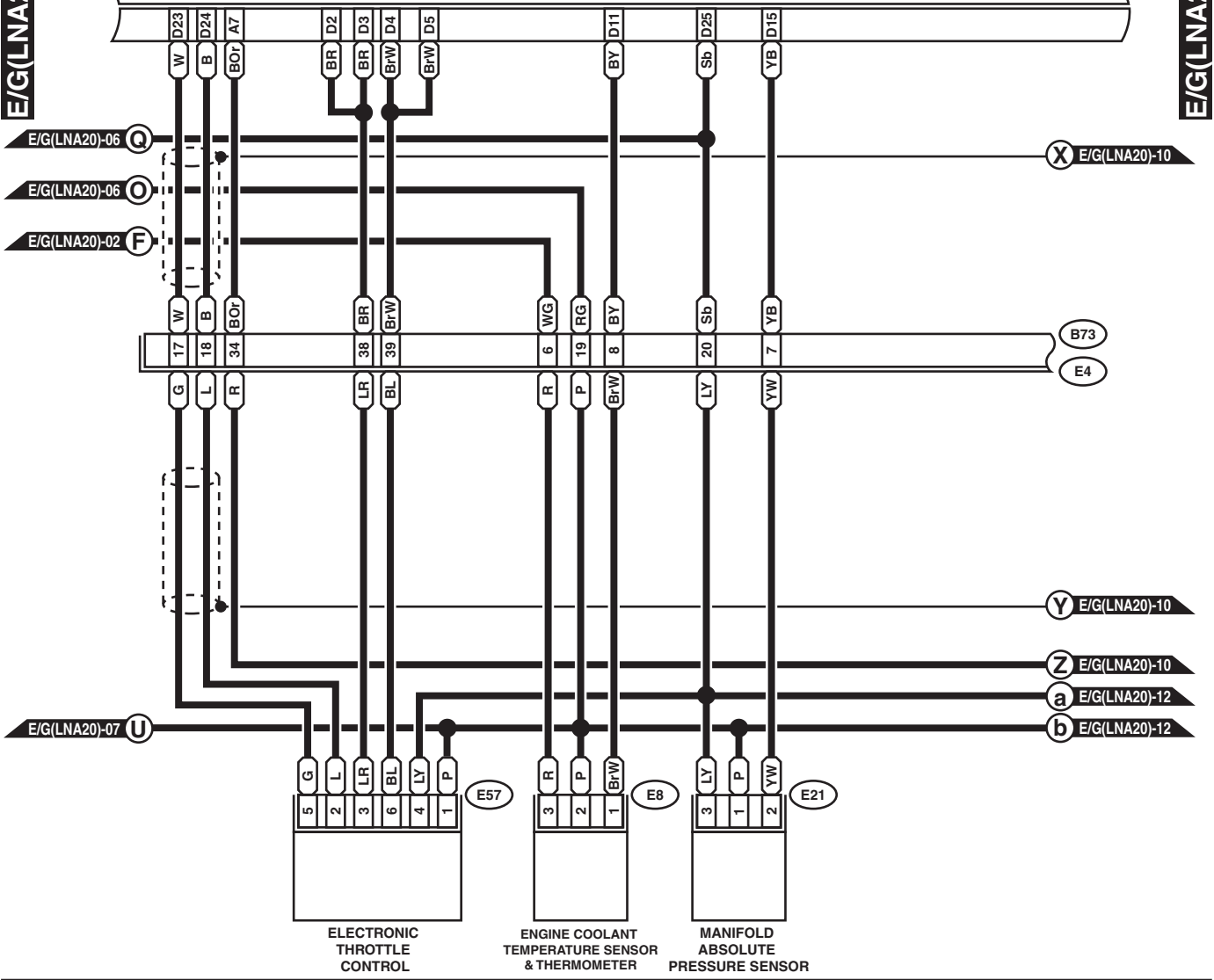


A: B134 D: B137 ECM



ELECTRONIC THROTTLE CONTROL

ENGINE COOLANT TEMPERATURE & THERMOMETER

MANIFOLD ABSOLUTE PRESSURE SENSOR

E8 (LIGHT GRAY)

E21 (GRAY)

E57 (BLACK)

D: B137 HR

A: B134 HR



B73 (BLACK)



1	2	3	4	5	6	7
8	9	10	11	12	13	14
15	16	17	18	19	20	21
22	23	24	25	26	27	28
29	30	31	32	33	34	35

1	2	3	4	5	6	7
8	9	10	11	12	13	14
15	16	17	18	19	20	21
22	23	24	25	26	27	28
29	30	31	32	33	34	35

