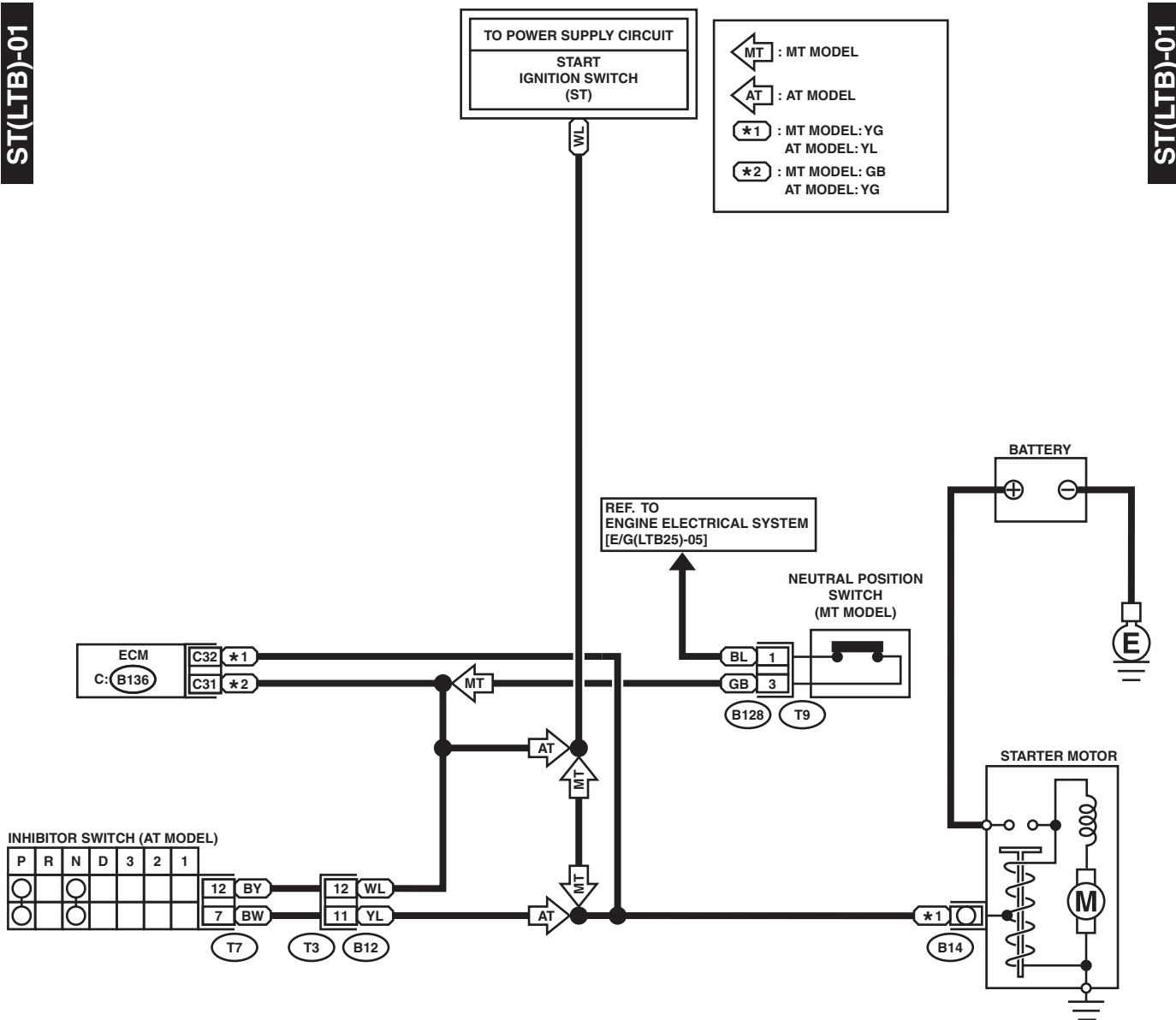


TO POWER SUPPLY CIRCUIT
START
IGNITION SWITCH
(ST)

← MT : MT MODEL
 ← AT : AT MODEL
 *1 : MT MODEL: YG
 AT MODEL: YL
 *2 : MT MODEL: GB
 AT MODEL: YG



B128 HR (GRAY)

1	2
3	4

B12 HR (GRAY)

1	2	3	4
5	6	7	8
9	10	11	12

T7 (BLACK)

1	2	3	4	5	6
7	8	9	10	11	12

C: B136 HR

1	2	3	4	5	6
7	8	9	10	11	12
13	14	15	16	17	18
19	20	21	22	23	24
25	26	27	28	29	30
31	32	33	34	35	