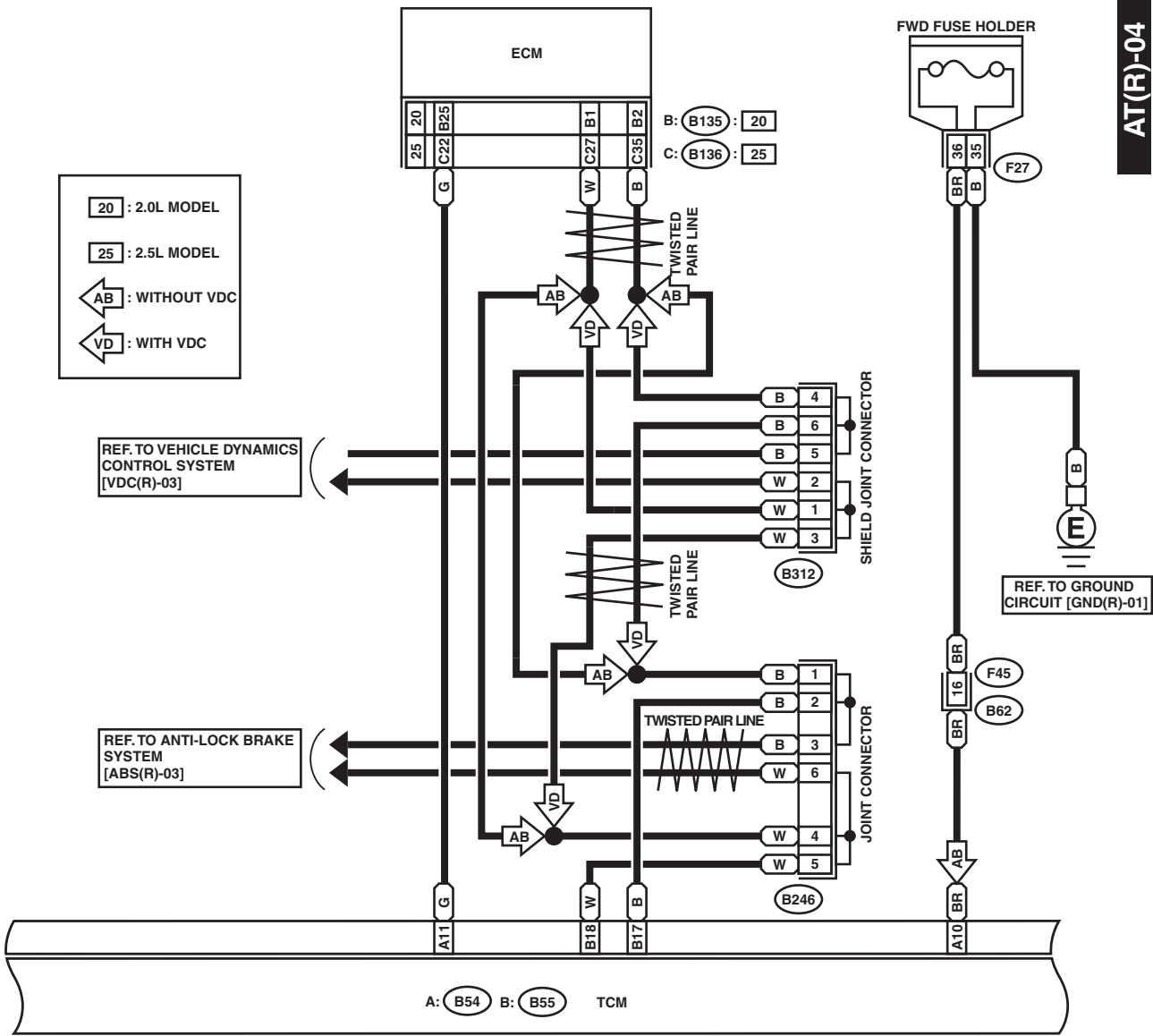


20 : 2.0L MODEL
25 : 2.5L MODEL
AB : WITHOUT VDC
VD : WITH VDC

REF. TO VEHICLE DYNAMICS CONTROL SYSTEM [VDC(R)-03]

REF. TO ANTI-LOCK BRAKE SYSTEM [ABS(R)-03]



A: B54 B: B55 TCM

B246

B312

F45 (BLACK)

A: B54 HR

B: B55 HR

B: B135 HR

C: B136 HR

F27 (BLACK)

1	2	5	6	7	10	15	16	17	20	25	26	27	30	35
3	4	8	11	18	21	28	31	34	36					

RELAY HOLDER

1	2	3	4	5	6	7	8		
9	10	11	12	13	14	15	16	17	18

1	2	3	4	5	6	7					
8	9	10	11	12	13	14	15	16	17	18	19
20	21	22	23	24	25	26	27				
28	29	30	31	32	33	34	35				

1	2	3	4	5	6					
7	8	9	10	11	12	13	14	15	16	
17	18	19	20	21	22	23	24	25	26	27
28	29	30	31	32	33	34	35			