

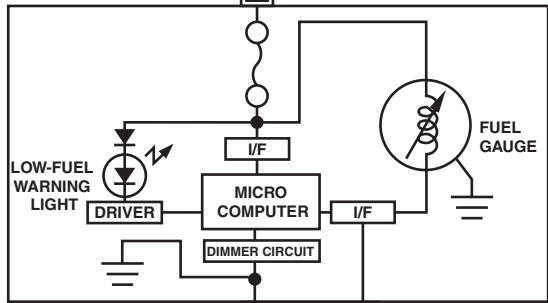
★1 : 2.0L MODEL : BY  
 2.5L MODEL : BL

← 20 : 2.0L MODEL

← 25 : 2.5L MODEL

TO POWER SUPPLY CIRCUIT

FB-36  
 F/B FUSE NO. 14  
 (IG)



COMBINATION METER

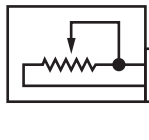
B: i10

C: i11

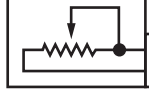
C: B136  
 ECM  
 (2.5L MODEL)

B: B135  
 ECM  
 (2.0L MODEL)

FUEL SUB LEVEL SENSOR



FUEL PUMP ASSY  
 (FUEL LEVEL SENSOR)



REF. TO ENGINE ELECTRICAL SYSTEM [E/G(RNA20)-01]  
 [E/G(RNA25)-01]  
 [E/G(RTB25)-01]

REF. TO GROUND CIRCUIT [GND(R)-03]

