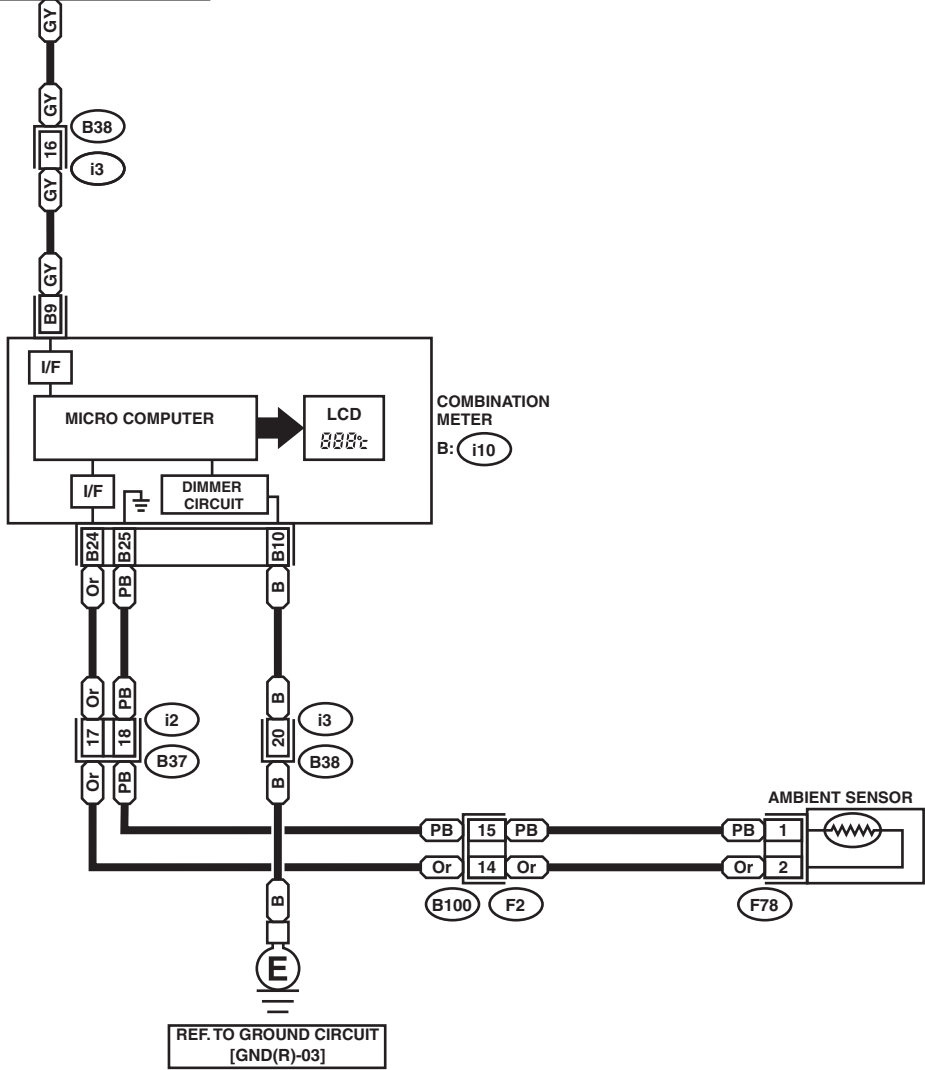


TO POWER SUPPLY CIRCUIT
 FB-36
 F/B FUSE NO. 14
 (IG)



REF. TO GROUND CIRCUIT
 [GND(R)-03]



B: i10 (GREEN)

i3

