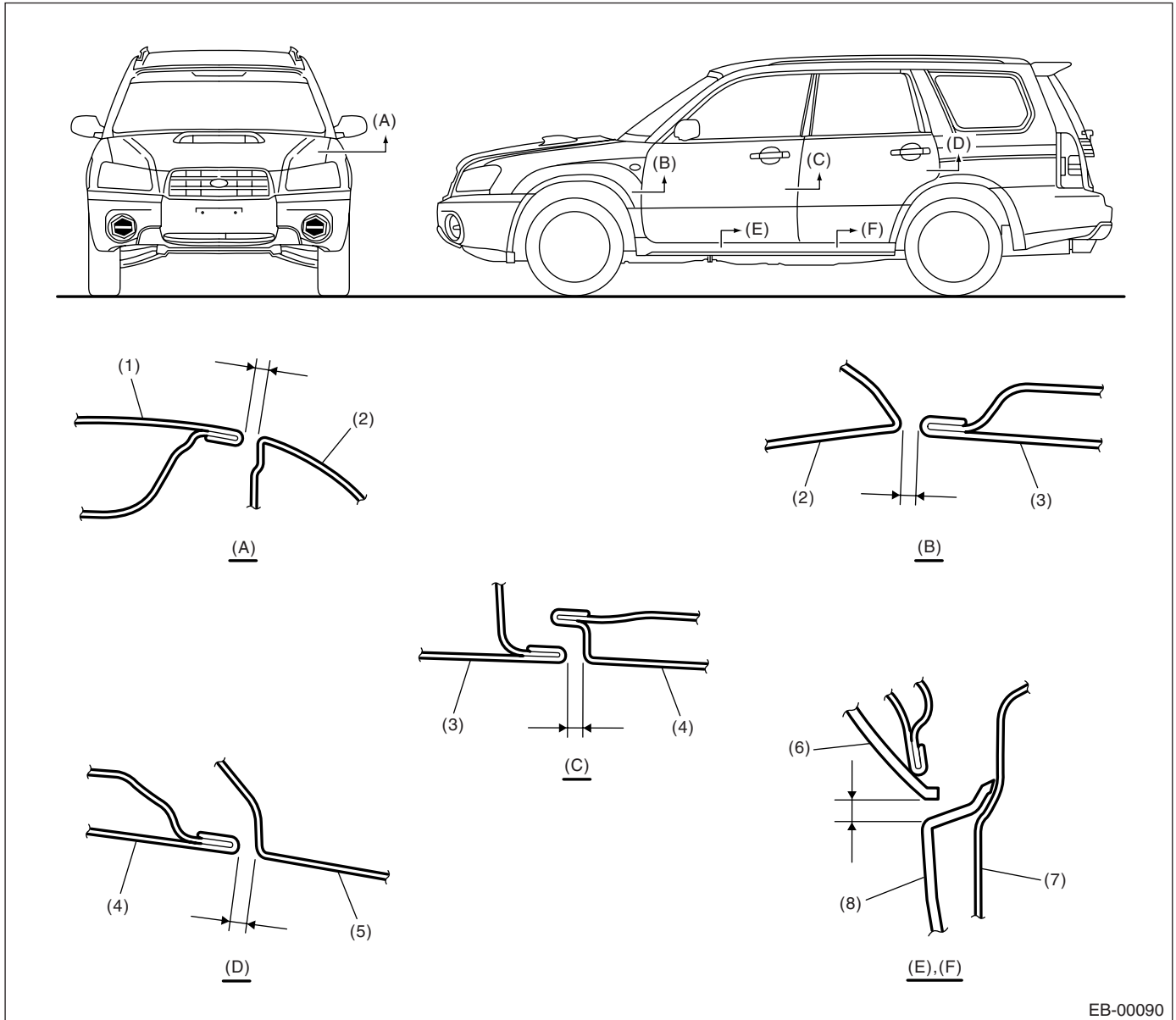


General Description

EXTERIOR BODY PANELS

1. General Description

A: SPECIFICATION



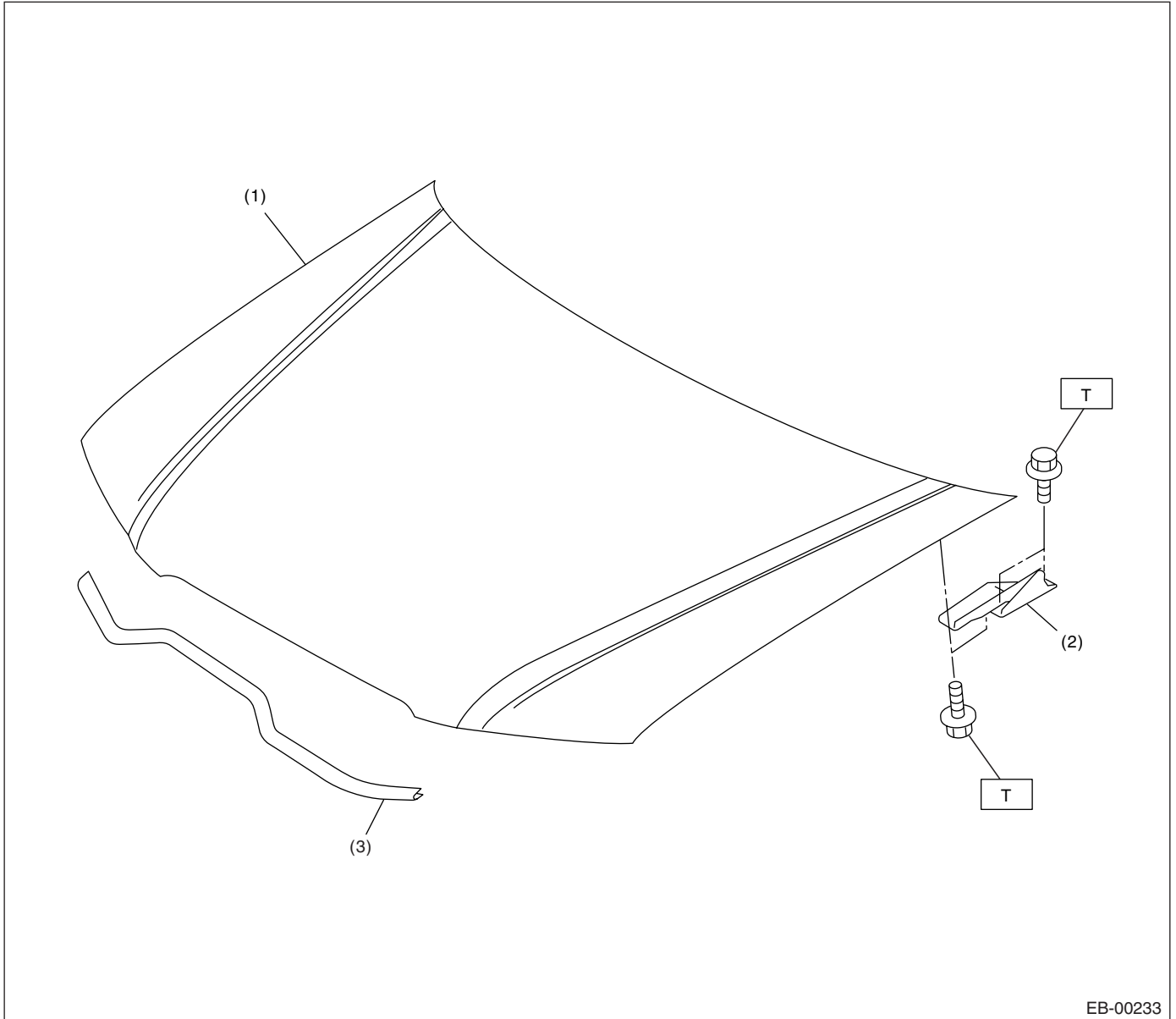
EB-00090

- | | | |
|------------------------|------------------------|-----------------------|
| (1) Front hood panel | (4) Rear door panel | (7) Side sill |
| (2) Front fender panel | (5) Rear quarter panel | (8) Side sill garnish |
| (3) Front door panel | (6) Door panel | |

| Section | Part | Standard |
|----------|----------------------------------------|-----------------------------|
| (A) | Front hood panel to Front fender panel | 3.5±1.0 mm (0.14 ± 0.04 in) |
| (B) | Front fender panel to Front door panel | 4.7±1.0 mm (0.19 ± 0.04 in) |
| (C) | Front door panel to Rear door panel | 5.1±1.0 mm (0.20 ± 0.04 in) |
| (D) | Rear door panel to Rear quarter panel | 4.6±1.0 mm (0.18 ± 0.04 in) |
| (E), (F) | Door panel to Side sill | 7.0±1.5 mm (0.28 ± 0.06 in) |

B: COMPONENT

1. FRONT HOOD



EB-00233

(1) Front hood panel

(3) Seal

(2) Hinge

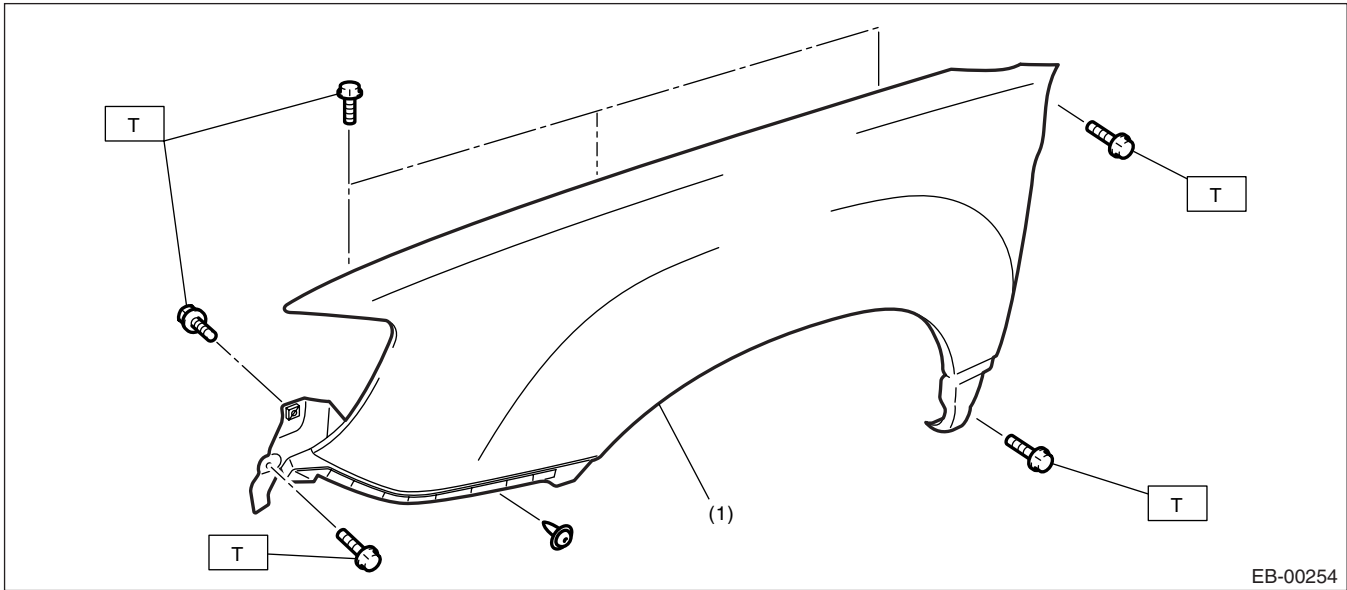
Tightening torque: N·m (kgf·m, ft·lb)

T: 25 (2.5, 18.1)

General Description

EXTERIOR BODY PANELS

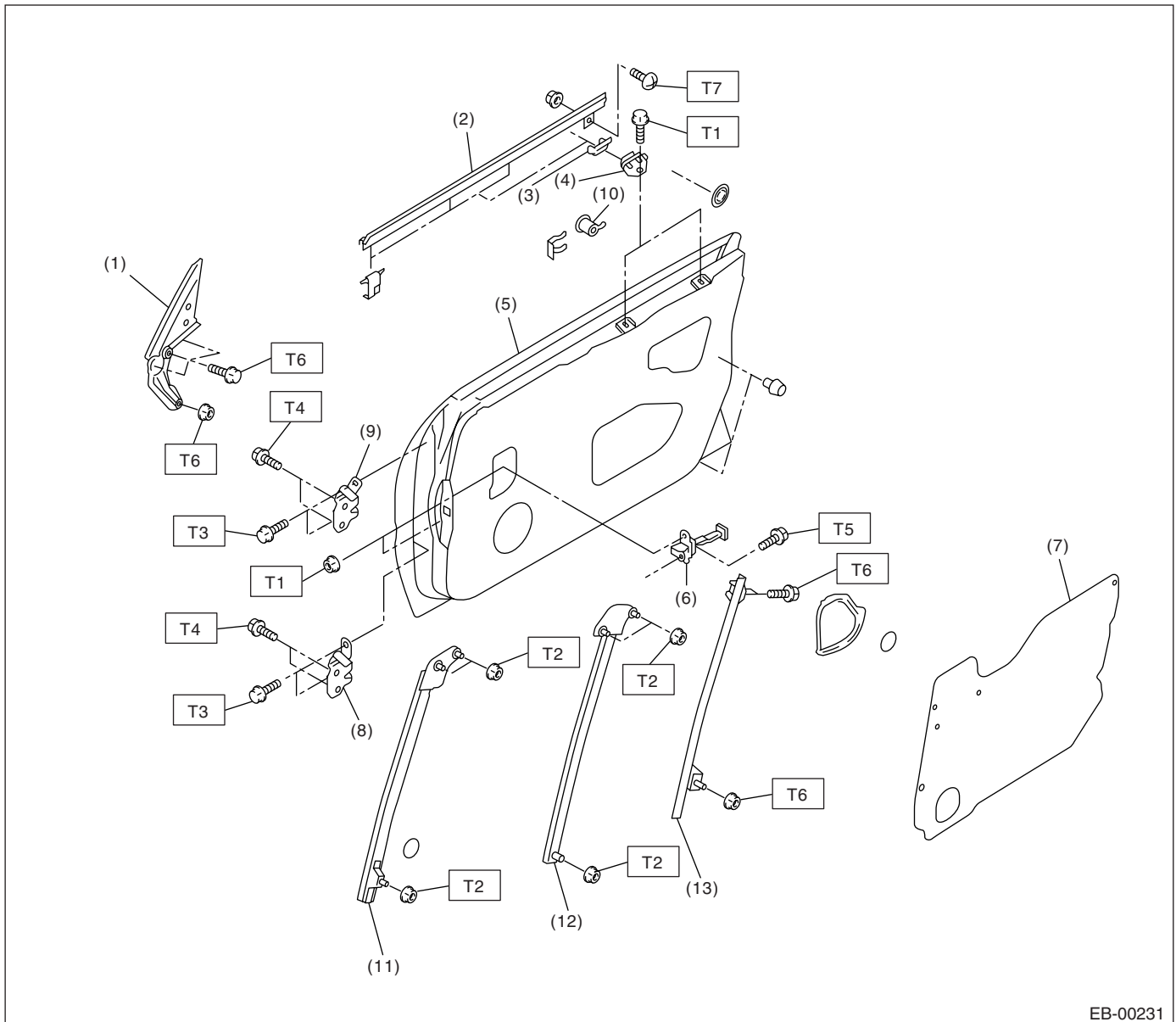
2. FRONT FENDER



(1) Front fender panel

Tightening torque: N·m (kgf·m, ft·lb)
T: 7.4 (0.75, 5.5)

3. FRONT DOOR



EB-00231

- | | |
|------------------------|----------------------------------------|
| (1) Gusset | (9) Upper hinge |
| (2) Weather strip | (10) Key cylinder (Driver's side only) |
| (3) Stabilizer (outer) | (11) Front sash |
| (4) Stabilizer (inner) | (12) Rear sash |
| (5) Door panel | (13) Guide rail |
| (6) Checker | |
| (7) Sealing cover | |
| (8) Lower hinge | |

Tightening torque: N-m (kgf-m, ft-lb)

T1: 7.5 (0.76, 5.5)

T2: 14 (1.4, 10.3)

T3: 25 (2.5, 18.1)

T4: 30 (3.1, 22)

T5: 33 (3.4, 24)

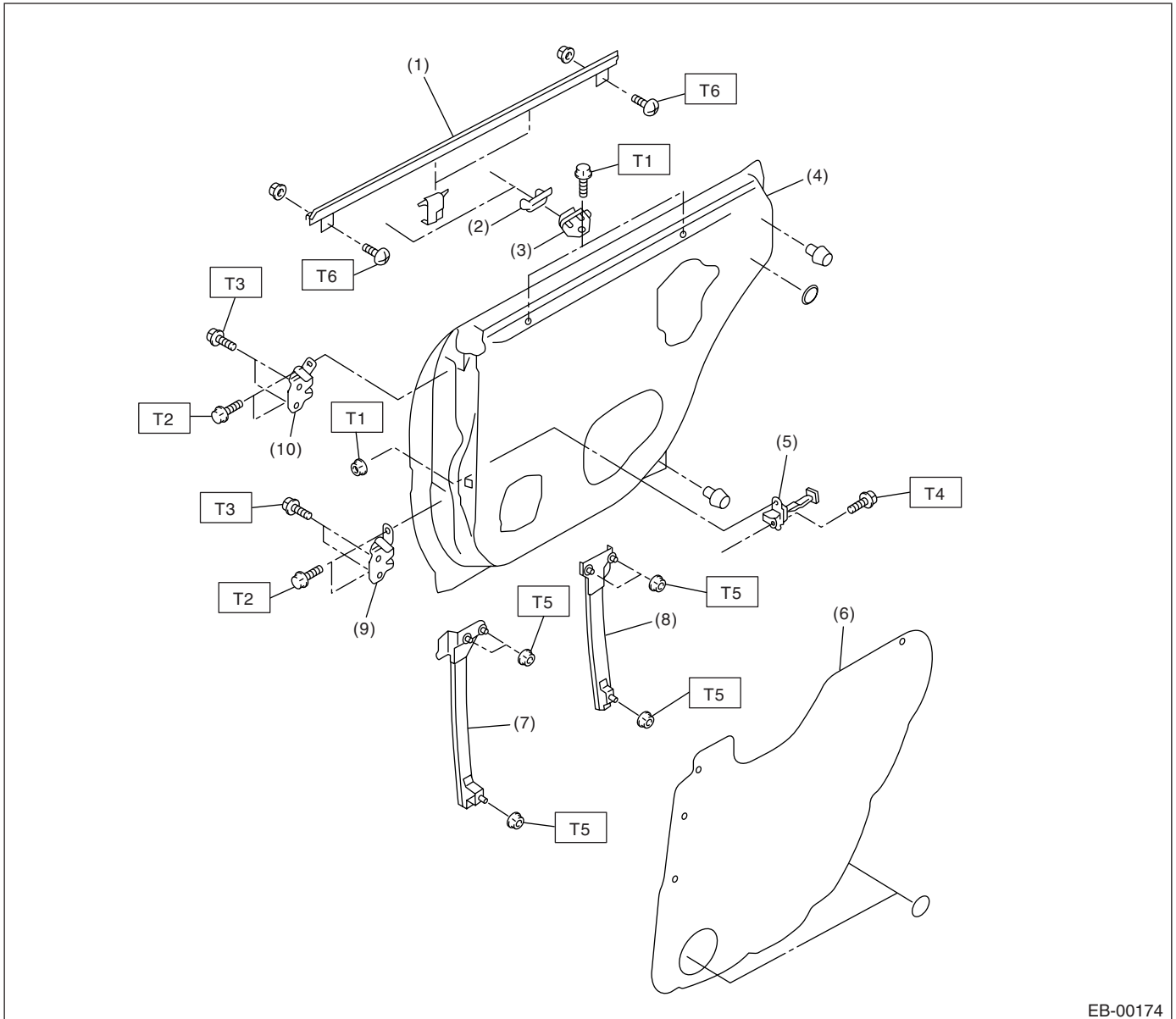
T6: 6 (0.6, 4.4)

T7: 1.5 (0.15, 1.1)

General Description

EXTERIOR BODY PANELS

4. REAR DOOR



EB-00174

- | | |
|------------------------|------------------|
| (1) Weather strip | (8) Rear sash |
| (2) Stabilizer (outer) | (9) Lower hinge |
| (3) Stabilizer (inner) | (10) Upper hinge |
| (4) Door panel | |
| (5) Checker | |
| (6) Sealing cover | |
| (7) Front sash | |

Tightening torque: N-m (kgf-m, ft-lb)

T1: 7.5 (0.76, 5.5)

T2: 25 (2.5, 18)

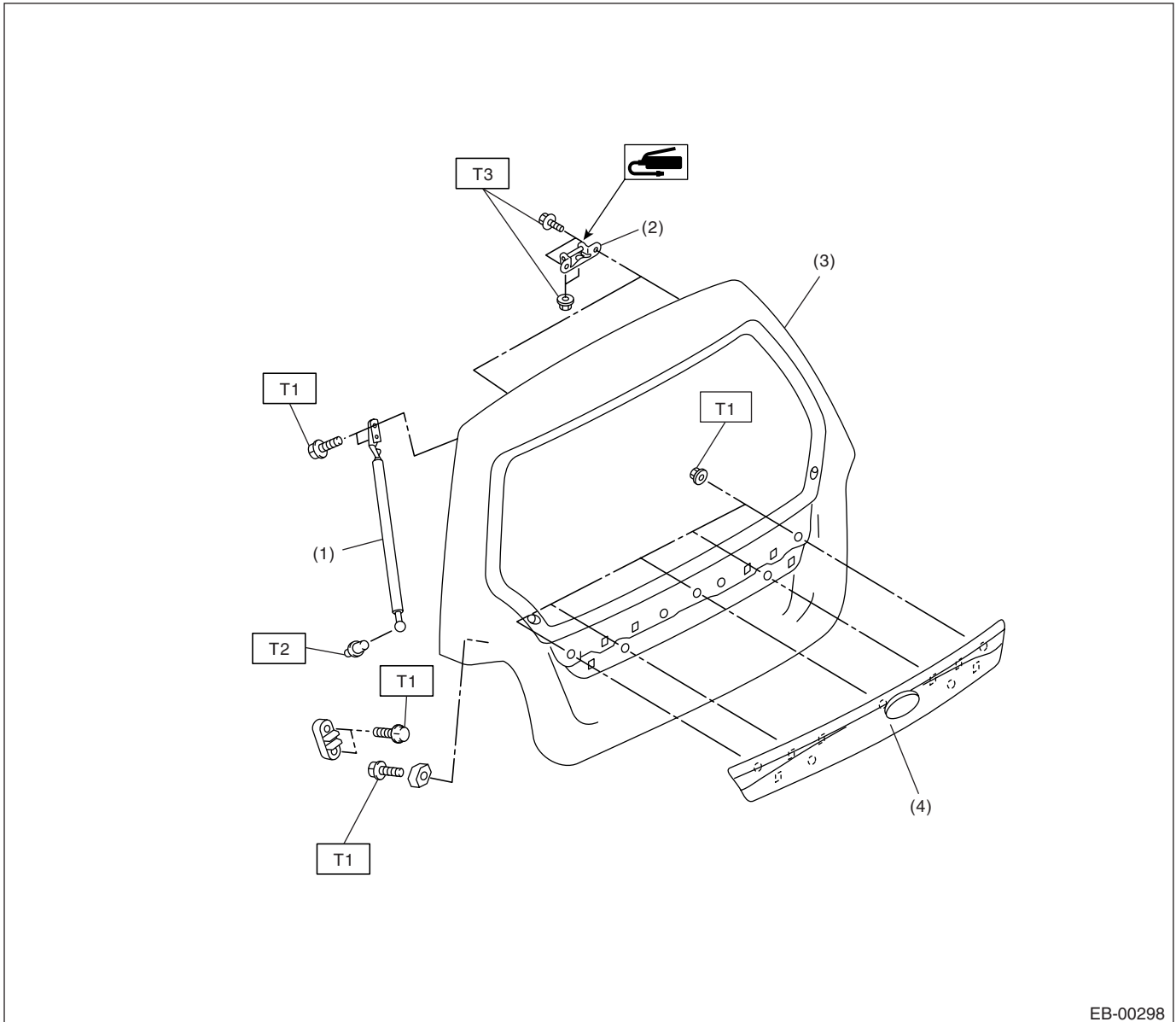
T3: 30 (3.1, 22)

T4: 33 (3.4, 24)

T5: 14 (1.4, 10.3)

T6: 1.5 (0.15, 1.1)

5. REAR GATE



EB-00298

- (1) Damper stay
- (2) Hinge
- (3) Rear gate panel
- (4) Rear gate garnish

Tightening torque: N·m (kgf·m, ft·lb)

T1: 7.5 (0.76, 5.5)

T2: 14 (1.4, 10.3)

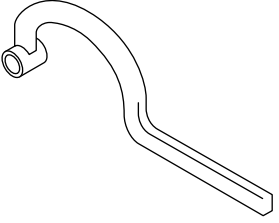
T3: 25 (2.5, 18.1)

General Description

EXTERIOR BODY PANELS

C: PREPARATION TOOL

1. SPECIAL TOOL

| ILLUSTRATION | TOOL NUMBER | DESCRIPTION | REMARKS |
|---------------------------------------------------------------------------------------------------|-------------|-------------|----------------------------------------------|
|  ST-925610000 | 925610000 | WRENCH | Used for removing and installing door hinge. |

2. GENERAL TOOL

| TOOL NAME | REMARKS |
|---------------|------------------------------------------|
| Support Jack | Used for supporting door panel. |
| Support stand | Used for supporting the rear gate panel. |