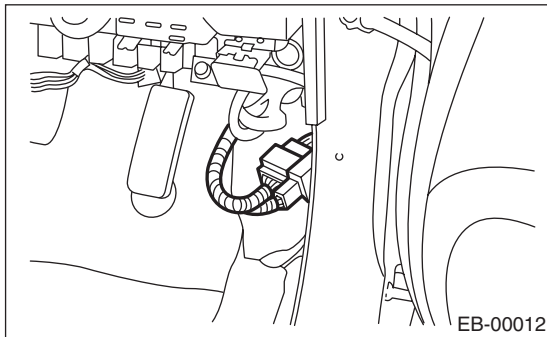


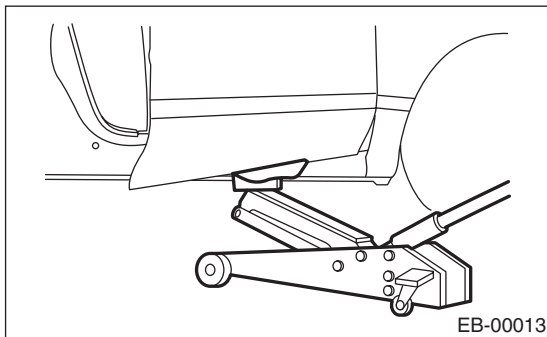
4. Front Door

A: REMOVAL

- 1) Disconnect the ground cable from battery.
- 2) Remove the front door trim. <Ref. to EI-33, REMOVAL, Front Door Trim.>
- 3) Remove the outer mirror assembly. <Ref. to GW-12, REMOVAL, Outer Mirror Assembly.>
- 4) Remove the front sealing cover. <Ref. to EB-13, REMOVAL, Front Sealing Cover.>
- 5) Remove the front door glass. <Ref. to GW-17, REMOVAL, Front Door Glass.>
- 6) Remove the front door regulator and motor. <Ref. to GW-21, REMOVAL, Front Door Regulator and Motor Assembly.>
- 7) Remove the front door latch assembly. <Ref. to SL-31, REMOVAL, Front Door Latch and Door Lock Actuator Assembly.>
- 8) Remove the front outer handle. <Ref. to SL-30, REMOVAL, Front Outer Handle.>
- 9) Remove the front pillar lower trim to disconnect connector from the body harness.



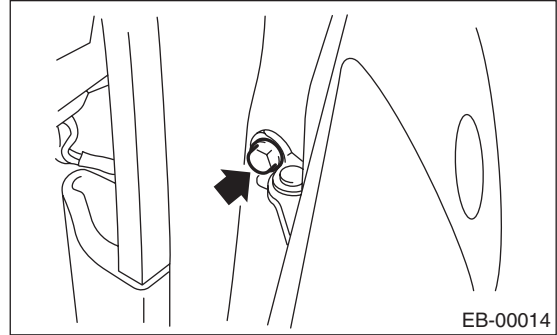
- 10) Put a wooden block on jack and place jack under the door. Support the door with a jack to protect it from damage.



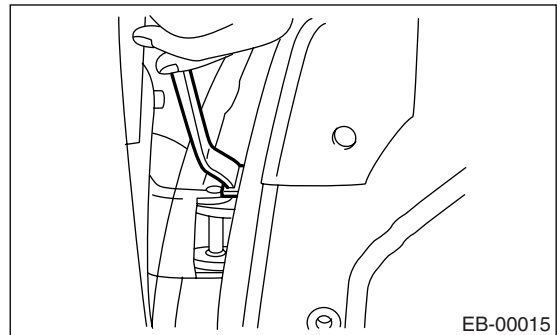
NOTE:

When supporting the door with jack, work carefully so that you do not deform the hinge portion of door during work.

- 11) Remove the checker bolts.

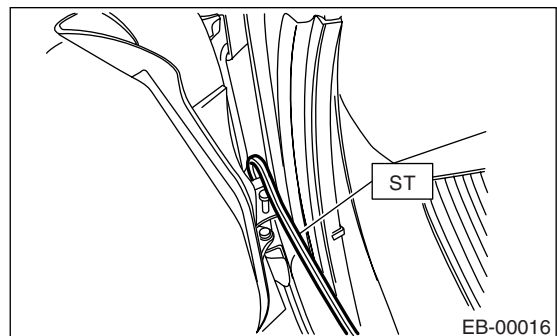


- 12) Remove the door-side bolts for upper and lower hinges to remove front door panel.



- 13) Remove the attaching bolts (on the body side) for the upper and lower hinges using the ST to remove the door hinges.

ST 925610000 WRENCH



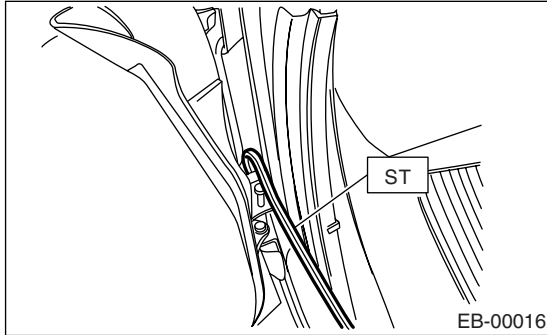
B: INSTALLATION

- 1) Install in the reverse order of removal.
- 2) Apply grease to the moving part of door hinges.
- 3) Refer to "COMPONENT" of "General Description" for tightening torque. <Ref. to EB-5, FRONT DOOR, COMPONENT, General Description.>

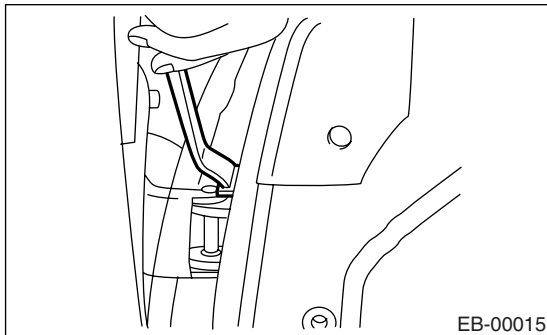
C: ADJUSTMENT

1) Using the ST, loosen the body-side bolts of the upper and lower hinges to align the position for vertical and horizontal direction of the front door panel.

ST 925610000 WRENCH



2) Loosen the door-side bolts of the upper and lower hinges to align the position for vertical and horizontal direction of front door panel on the front side.



3) Loosen the screws (A) and tap striker (B) using a plastic hammer to adjust the striker to align the position of front door panel vertically and laterally at the rear end.

CAUTION:

Do not use an impact wrench. Welding area on the striker nut plate is easily broken.

