

Rear Gate Garnish

EXTERIOR BODY PANELS

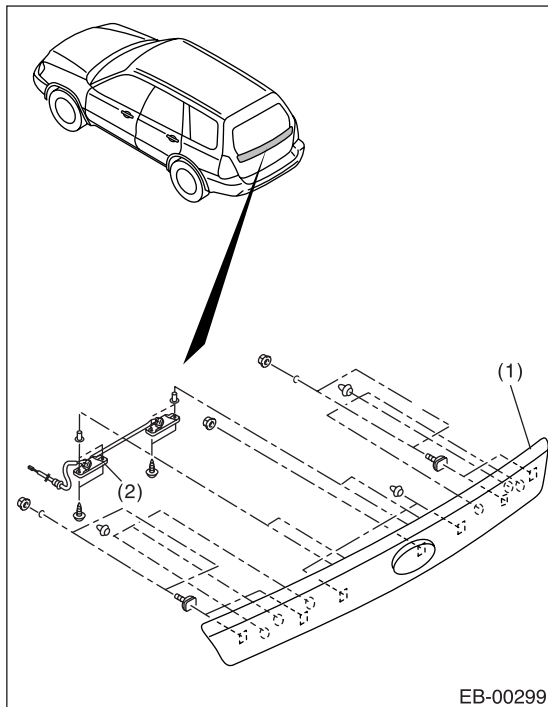
9. Rear Gate Garnish

A: REMOVAL

- 1) Remove the rear gate trim. <Ref. to EI-46, REMOVAL, Rear Gate Trim.>
- 2) Remove the rear wiper motor. <Ref. to WW-16, REMOVAL, Rear Wiper Motor.>
- 3) Remove the 5 flange nuts from the rear gate panel inner side (vehicle side).
- 4) Remove the license plate light assembly.
- 5) Close the gate and then remove the rear gate garnish assembly by pulling it manually.

NOTE:

Forcefully pulling it can damage the clip. Be careful.



- (1) Rear garnish ASSY
- (2) License plate light

B: INSTALLATION

Install in the reverse order of removal.

C: INSPECTION

Make sure the rear gate garnish is not greatly scratched or cracked.

CRUISE CONTROL SYSTEM

CC

	Page
1. General Description	2
2. Cruise Control Unit	3
3. Cruise Control Command Switch	4
4. Stop Light and Brake Switch	5
5. Clutch Switch	6
6. Inhibitor Switch	7
7. Neutral Position Switch	8