

## 5. Wheel Balancing

### A: ADJUSTMENT

**NOTE:**

Change the setting of wheel balancer to adhesive type weight if adhesive type weight is adopted.

1) Remove the balance weights.

**CAUTION:**

- **Be careful not to damage the wheel.**
- **Completely remove the two-sided tape of the adhesive type weight from the wheel.**

2) Using the wheel balancer, measure wheel balance.

3) Select a weight close to the value measured by wheel balancer.

Balance weight part number (For steel wheel)	Weight
28101TC000	5 g (0.18 oz)
28101SA060	10 g (0.35 oz)
28101SA070	15 g (0.53 oz)
28101SA080	20 g (0.71 oz)
28101SA090	25 g (0.88 oz)
28101SA160	30 g (1.06 oz)
28101SA170	35 g (1.23 oz)
28101SA180	40 g (1.41 oz)
28101SA190	45 g (1.59 oz)
28101SA200	50 g (1.76 oz)
28101SA210	55 g (1.94 oz)
28101SA220	60 g (2.12 oz)

Balance weight part number (Knock-on type weight for aluminum wheel)	Weight
28101SA000	5 g (0.18 oz)
28101SA010	10 g (0.35 oz)
28101SA020	15 g (0.53 oz)
28101SA030	20 g (0.71 oz)
28101SA040	25 g (0.88 oz)
28101SA100	30 g (1.06 oz)
28101SA110	35 g (1.23 oz)
28101SA120	40 g (1.41 oz)
28101SA130	45 g (1.59 oz)
28101SA140	50 g (1.76 oz)
—	55 g (1.94 oz)
28101SA150	60 g (2.12 oz)

Balance weight part number (Adhesive type weight for aluminum wheel)	Weight
28101AG001	5 g (0.18 oz)
28101AG011	7.5 g (0.26 oz)
28101AG021	10 g (0.35 oz)
28101AG031	12.5 g (0.44 oz)

Balance weight part number (Adhesive type weight for aluminum wheel)	Weight
28101AG041	15 g (0.53 oz)
28101AG051	17.5 g (0.62 oz)
28101AG061	20 g (0.71 oz)
28101AG071	22.5 g (0.79 oz)
28101AG081	25 g (0.88 oz)
28101AG091	27.5 g (0.97 oz)
28101AG101	30 g (1.06 oz)
28101AG111	32.5 g (1.15 oz)
28101AG121	35 g (1.23 oz)
28101AG131	37.5 g (1.32 oz)
28101AG141	40 g (1.41 oz)
28101AG151	42.5 g (1.50 oz)
28101AG161	45 g (1.59 oz)
28101AG171	47.5 g (1.68 oz)
28101AG181	50 g (1.76 oz)
28101AG191	52.5 g (1.85 oz)
28101AG201	55 g (1.94 oz)
28101AG211	57.5 g (2.03 oz)
28101AG221	60 g (2.12 oz)
28101AG231	62.5 g (2.20 oz)
28101AG241	65 g (2.29 oz)
28101AG251	67.5 g (2.38 oz)
28101AG261	70 g (2.47 oz)
28101AG271	72.5 g (2.56 oz)
28101AG281	75 g (2.65 oz)
28101AG291	77.5 g (2.73 oz)
28101AG301	80 g (2.82 oz)
28101AG311	82.5 g (2.91 oz)
28101AG321	85 g (3.00 oz)
28101AG331	87.5 g (3.09 oz)
28101AG341	90 g (3.17 oz)
28101AG351	92.5 g (3.26 oz)
28101AG361	95 g (3.35 oz)
28101AG371	97.5 g (3.44 oz)
28101AG381	100 g (3.53 oz)

4) Install the selected weight to the point designated by the wheel balancer.

**CAUTION:**

- **Remove grease from the applying surface of adhesive type weight for wheel.**
- **Press the adhesive type weight by 25 N (2.5 kgf, 5.6 lbf) or more per 5 g (0.18 oz) for 2 seconds or more to attain close contact.**
- **Total application of the adhesive type weight should be 100 g (3.53 oz) or less.**

5) Using the wheel balancer, measure the wheel balance again. Check that wheel balance is correctly adjusted.

# Wheel Balancing

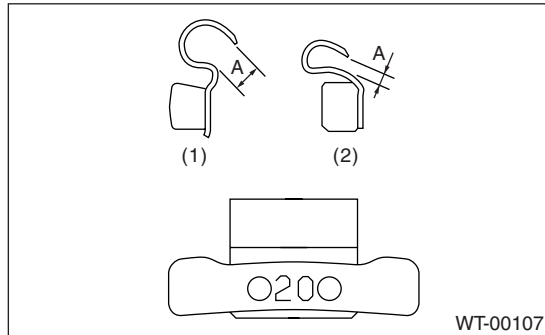
## WHEEL AND TIRE SYSTEM

---

6) Use Subaru genuine balance weights.

**NOTE:**

- 55 g (1.94 oz) weight used with aluminum wheel is not available.
- Knock-on type balance weight can be used for any of 15- to 16-inch wheels.



- (1) Knock-on type weight for aluminum wheel  
(2) Knock-on type weight for steel wheel

**Service limit: A**

**Knock-on type weight for steel wheel:**

**5 g (0.18 oz) — 60 g (0.88 oz) 2.0 mm (0.079 in)**

**Knock-on type weight for aluminum wheel:**

**5 g (0.18 oz) — 60 g (0.88 oz) 5.0 mm (0.197 in)**