

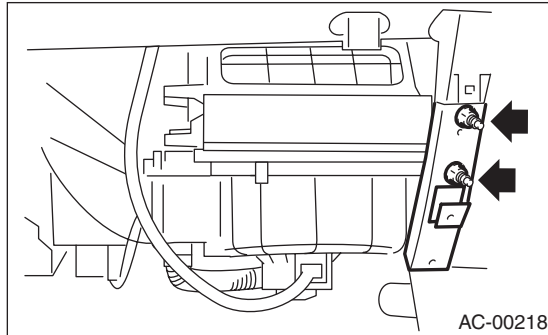
# Blower Motor Unit Assembly

HVAC SYSTEM (HEATER, VENTILATOR AND A/C)

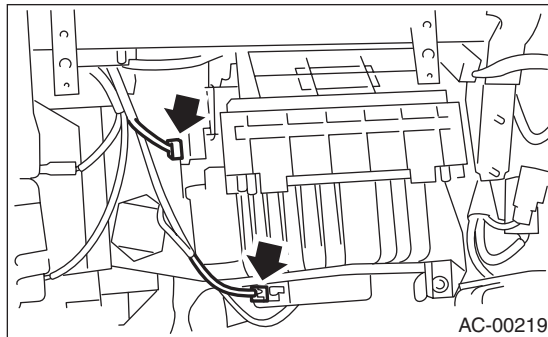
## 7. Blower Motor Unit Assembly

### A: REMOVAL

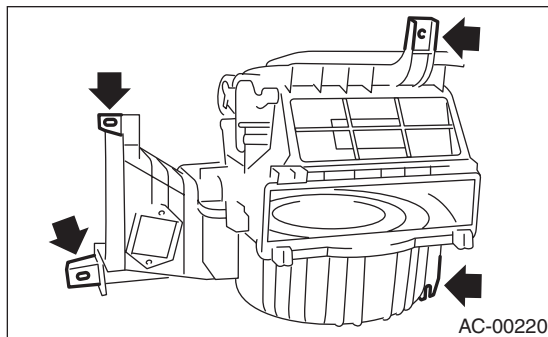
- 1) Disconnect the ground cable from the battery.
- 2) Remove the glove box. <Ref. to EI-36, REMOVAL, Glove Box.>
- 3) Loosen the nut to remove support beam stay.



- 4) Disconnect the connectors of the blower motor and intake actuator register.



- 5) Loosen the bolt and nut to remove blower motor unit assembly.



### B: INSTALLATION

Install in the reverse order of removal.

#### **Tightening torque:**

Refer to "COMPONENT" of "General Description". <Ref. to AC-5, HEATER COOLING UNIT, COMPONENT, General Description.>  
<Ref. to AC-7, BLOWER MOTOR UNIT, COMPONENT, General Description.>

### C: INSPECTION

Inspection of auto A/C brushless motor operation.

Connect the motor connector terminal 1 from the battery to the positive (+) lead and terminals 2 and 5 at the same time to the negative (-) lead. Make sure the motor runs smoothly.

