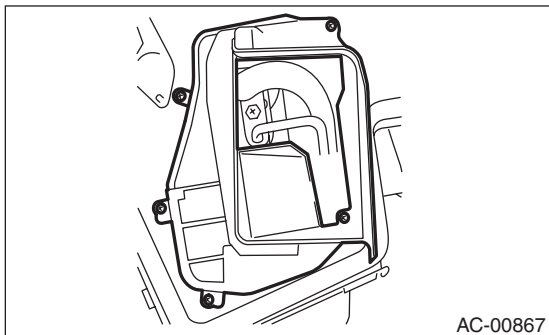


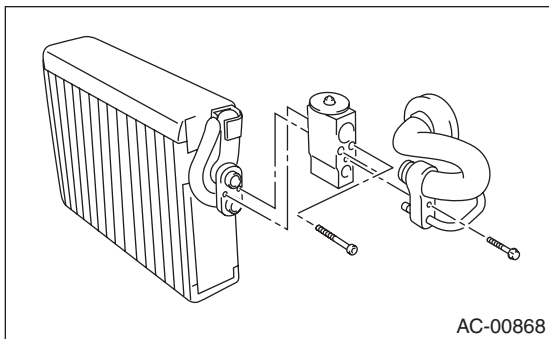
## 15. Evaporator

### A: REMOVAL

- 1) Recover the coolant and disconnect the toe board A/C pipe. <Ref. to AC-19, PROCEDURE, Refrigerant Recovery Procedure.>
- 2) Remove the glove box.
- 3) Remove the blower motor unit assembly. <Ref. to AC-25, REMOVAL, Blower Motor Unit Assembly.>
- 4) Loosen the screws to remove evaporator cover.



- 5) Remove the auto A/C hose in the unit.
- 6) Rotate the evaporator core top portion to the front of the vehicle and the bottom portion to lay over into the compartment, then pull out the heater case to the left side.
- 7) Loosen the two bolts to remove the expansion valve.



### CAUTION:

If the evaporator is replaced, add an appropriate amount of compressor oil to evaporator. <Ref. to AC-24, REPLACEMENT, Compressor Oil.>

### B: INSTALLATION

Install in the reverse order of removal.

### NOTE:

Replace the O-rings on the pipes with new parts, and then apply compressor oil.