

# Front Disc Brake Assembly

BRAKE

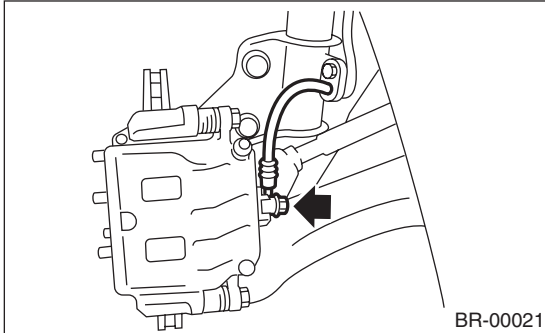
## 4. Front Disc Brake Assembly

### A: REMOVAL

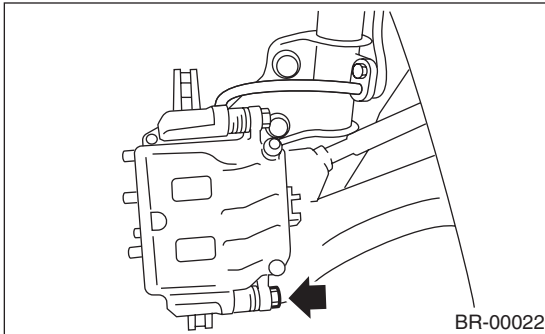
#### CAUTION:

Do not let brake fluid come into contact with the painted surface of the vehicle body. Completely wash away with water immediately and wipe off if it was accidental.

- 1) Set the vehicle on a lift.
- 2) Loosen the wheel nuts.
- 3) Lift-up the vehicle, and remove the front wheels.
- 4) Remove the union bolt, and disconnect the brake hose from the caliper body assembly.



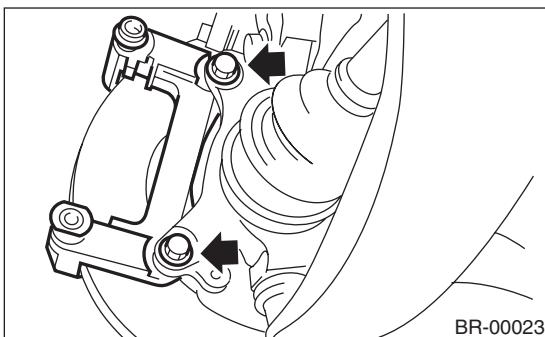
- 5) Remove the bolt securing lock pin (Yellow) to caliper body assembly.



- 6) Raise the caliper body assembly, and then move it toward vehicle center to separate it from the support.
- 7) Remove the support from housing.

#### NOTE:

Remove the support only when replacing the rotor or support. It need not be removed when servicing the caliper body assembly.



- 8) Remove mud and foreign matter from caliper body assembly and support.

## B: INSTALLATION

1) Install the support to the housing.

### Tightening torque:

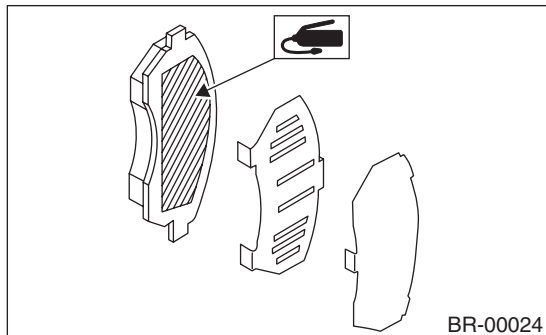
**80 N·m (8.2 kgf·m, 59 ft·lb)**

2) Apply a thin coat of Molykote AS880N (Part No. K0777YA010) to the contact surface between pad and pad clip.

3) Apply a thin coat of Molykote AS880N (Part No. K0777YA010) to the contact surface between inner pad and the rubber coat shim.

### NOTE:

- Do not apply grease between the outer pad and the outer shim.
- Do not install the inner shim and outer shim incorrectly.



4) Install the pad to support.

5) Install the caliper body to the support.

### Tightening torque:

**26 N·m (2.7 kgf·m, 19.2 ft·lb)**

6) Connect the brake hose using the new gaskets.

### Tightening torque:

**18 N·m (1.8 kgf·m, 13.0 ft·lb)**

### CAUTION:

**When connecting the brake hose, do not twist it.**

7) Bleed air from the brake system. <Ref. to BR-42, Air Bleeding.>

## C: DISASSEMBLY

1) Remove mud and foreign matter from caliper body assembly and support.

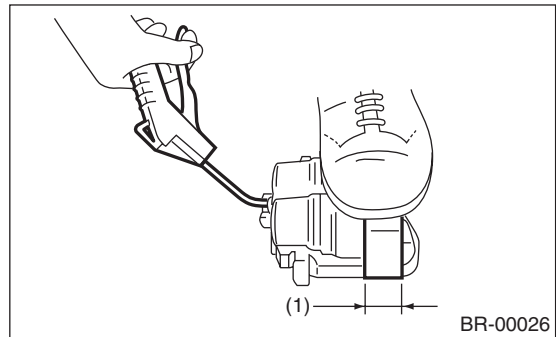
### CAUTION:

**Be careful not to allow foreign matter to enter the brake hose connector.**

2) Using a standard screwdriver, remove the boot ring from piston.

3) Remove the piston boot from piston end.

4) Place a wooden block in caliper body as shown in the figure to prevent the piston from jumping out and being damaged, then gradually apply compressed air via installation hole of brake hose to push piston out.

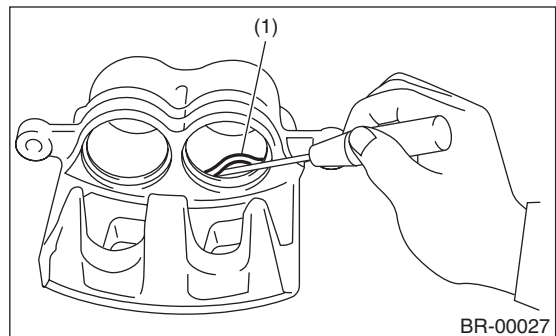


(1) Place a wood block with 30 mm (1.18 in) wide.

5) Remove the piston seal from caliper body cylinder.

### CAUTION:

**Do not damage the caliper body cylinder and piston seal groove.**



(1) Piston seal

6) Remove the pin boot, then remove the lock pin (yellow) and the guide pin (green).

# Front Disc Brake Assembly

## BRAKE

### D: ASSEMBLY

- 1) Clean the inside of the caliper body using brake fluid.
- 2) Apply a coat of brake fluid to piston seal and install piston seal in the groove on caliper body.
- 3) Apply a coat of brake fluid to the inner surface of the caliper body cylinder and entire outer surface of the piston.
- 4) Apply a coat of specified grease to the piston boot and install it into the groove on tip of caliper body cylinder.

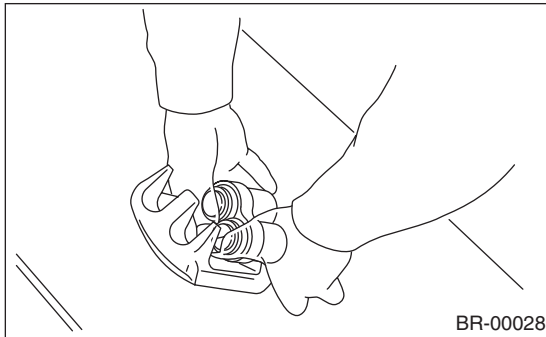
#### Grease:

**NIGLUBE RX-2 (Part No. K0779GA102)**

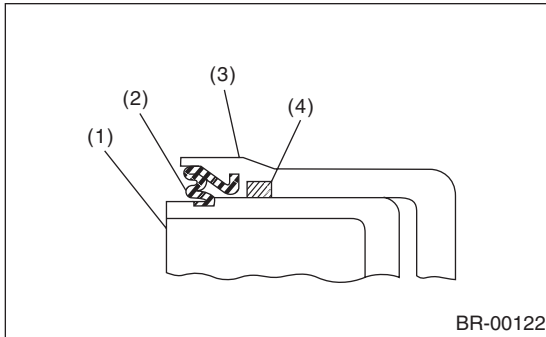
- 5) Insert the piston into caliper body cylinder.

#### CAUTION:

**Do not force the piston into caliper body cylinder.**



- 6) Position the piston boot in the grooves on caliper body cylinder and piston.

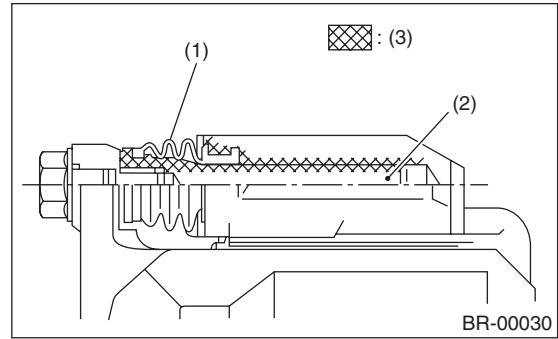


- (1) Piston
- (2) Piston boot
- (3) Caliper body
- (4) Piston seal

- 7) Apply a coat of the specified grease to the outer surface of lock pin (yellow) and guide pin (green), cylinder inner surface, and pin boot grooves.

#### Grease:

**NIGLUBE RX-2 (Part No. K0779GA102)**



- (1) Pin boot
- (2) Lock pin (yellow) or guide pin (green)
- (3) Grease applied area

- 8) Insert the lock pin (yellow) and guide pin (green) and each pin boots into the support.

### E: INSPECTION

- 1) Repair or replace the faulty parts.
- 2) Check the caliper body and piston for uneven wear, damage or rust.
- 3) Check rubber parts for damage or deterioration.