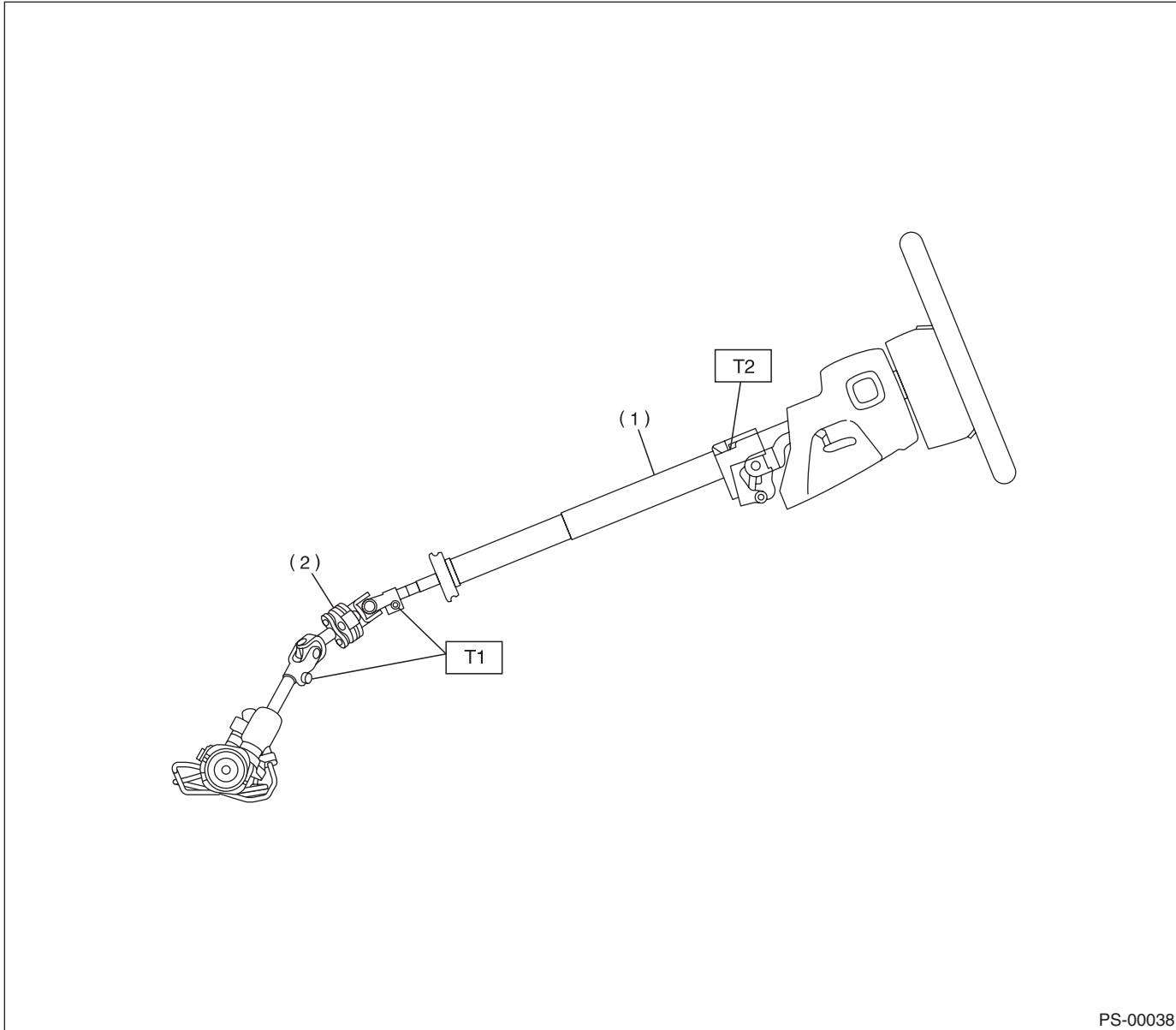


Tilt Steering Column

POWER ASSISTED SYSTEM (POWER STEERING)

4. Tilt Steering Column

A: REMOVAL



PS-00038

(1) Tilt steering column

(2) Universal joint

Tightening torque: N·m (kgf·m, ft·lb)

T1: 24 (2.4, 17.4)

T2: 25 (2.5, 18.1)

- 1) Set the vehicle on a lift.
- 2) Disconnect the ground cable from the battery.
- 3) Remove the airbag module. <Ref. to AB-14, REMOVAL, Driver's Airbag Module.>

WARNING:

Always refer to "Airbag System" before performing service on the airbag modules. <Ref. to AB-4, CAUTION, General Description.>

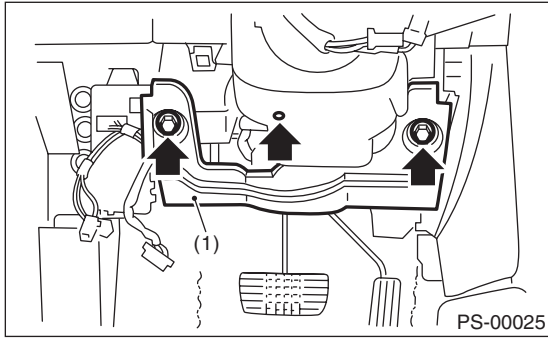
- 4) Remove the steering wheel. <Ref. to PS-13, REMOVAL, Steering Wheel.>

- 5) Remove the universal joint. <Ref. to PS-14, REMOVAL, Universal Joint.>
- 6) Remove the trim panel under instrument panel.

Tilt Steering Column

POWER ASSISTED SYSTEM (POWER STEERING)

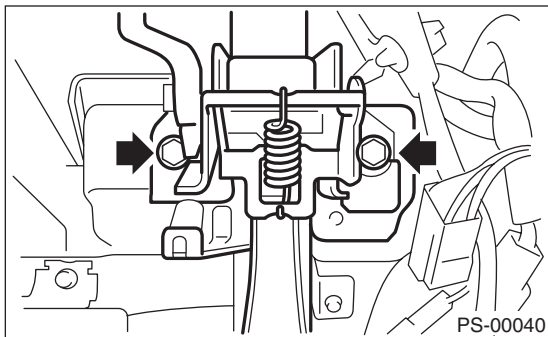
7) Knee guard panel and steering column lower cover.



(1) Knee guard panel

8) Remove all connectors from the steering column.

9) Remove the two bolts under instrument panel securing the steering column.



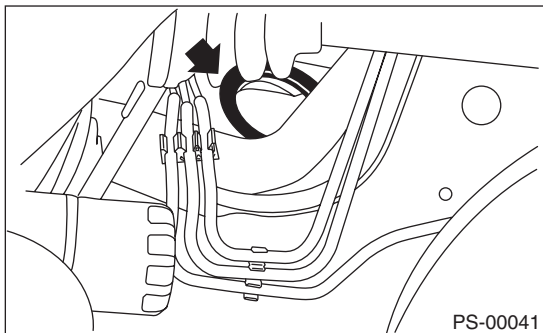
10) Pull out the steering shaft assembly from the hole on toe board.

CAUTION:

- Be sure to remove the universal joint before removing steering shaft assembly installing bolt, when removing the steering shaft assembly or when lowering it to service other parts.
- Do not loosen the tilt lever when the steering column is not secured to the vehicle.

B: INSTALLATION

1) Set the grommet to the toe board.



2) Insert the end of the steering shaft into the toe board grommet.

3) Tighten the steering shaft mounting bolts under instrument panel.

Tightening torque:

25 N·m (2.5 kgf-m, 18.1 ft-lb)

4) Connect all the connectors under the instrument panel.

5) Connect the airbag system connector at the harness spool.

NOTE:

Make sure to apply double lock.

6) Install the lower column cover with tilt lever held in the lowered position.

7) Install the universal joint. <Ref. to PS-14, INSTALLATION, Universal Joint.>

8) Align the center position of the roll connector. <Ref. to AB-20, ADJUSTMENT, Roll Connector.>

9) Install the steering wheel. <Ref. to PS-13, INSTALLATION, Steering Wheel.>

CAUTION:

Insert the roll connector guide pin into the guide hole on lower end of steering wheel surface to prevent damage.

10) Install the airbag module to the steering wheel.

WARNING:

Always refer to “Airbag System” before performing the service operation. <Ref. to AB-4, CAUTION, General Description.>

C: DISASSEMBLY

Remove the two screws securing the upper steering column covers, and the two screws securing the combination switch, and then remove related parts.

D: ASSEMBLY

Insert the combination switch to the upper column shaft, and install the upper column cover. Then route the ignition key harness and combination switch harness between the column cover mounting bosses.

Tightening torque:

1.2 N·m (0.12 kgf-m, 0.9 ft-lb)

CAUTION:

Do not overtorque the screw.

Tilt Steering Column

POWER ASSISTED SYSTEM (POWER STEERING)

E: INSPECTION

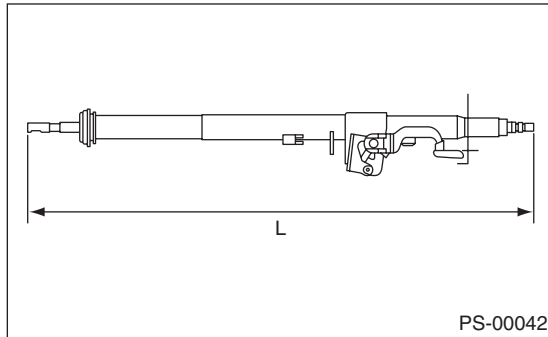
1. BASIC INSPECTION

Measure the overall length of steering column. If not within specification, replace it.

Specification:

Overall length L

808.6 ± 1.5 mm (31.83 ± 0.059 in)



PS-00042

2. AIRBAG MODEL INSPECTION

WARNING:

Refer to “Airbag System” for airbag model inspection procedure. <Ref. to AB-4, CAUTION, General Description.>