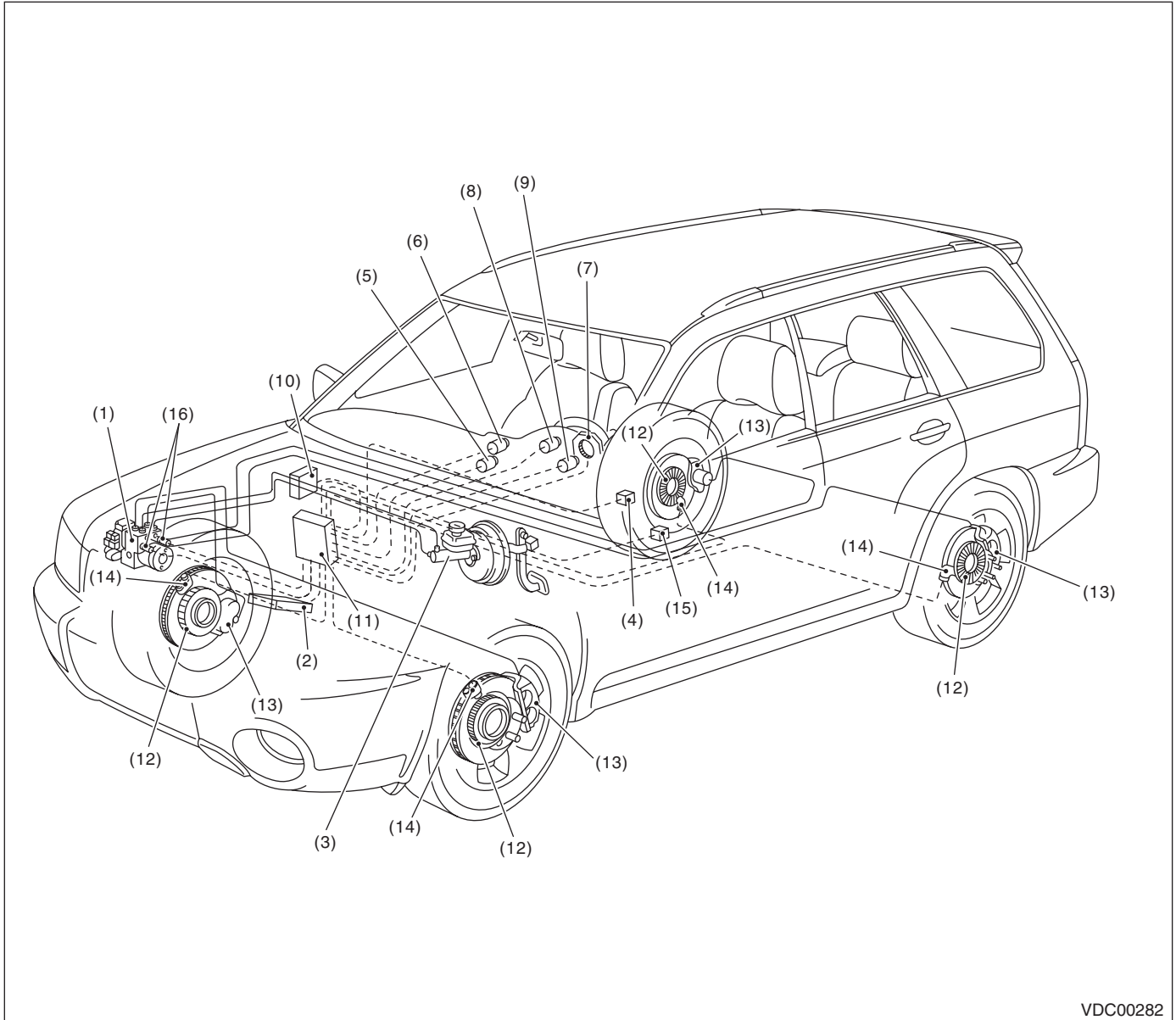


# Electrical Component Location

VEHICLE DYNAMICS CONTROL (VDC) (DIAGNOSTICS)

## 4. Electrical Component Location

### A: LOCATION

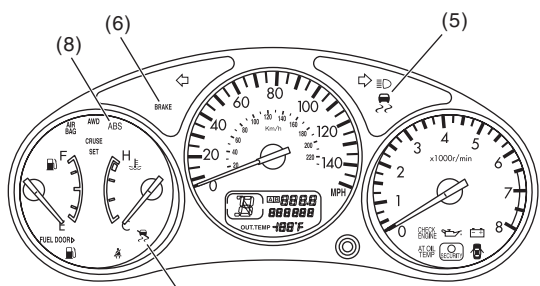
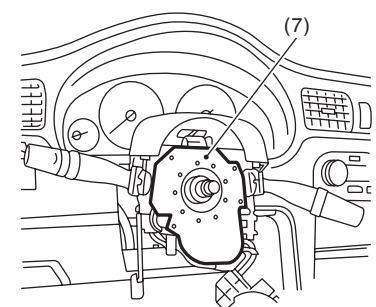
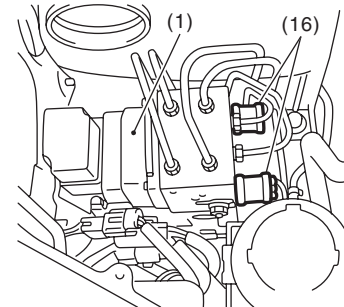
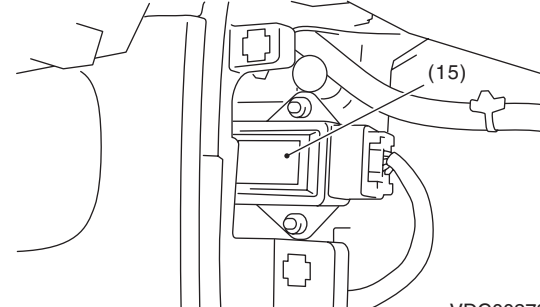
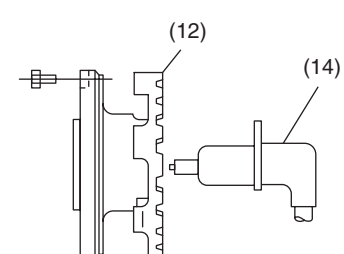
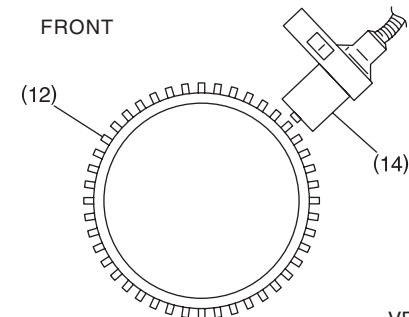


VDC00282

- |   |   |                                  |
|---|---|----------------------------------|
| (1) VDC hydraulic control unit (VDCH/U)     | (7) Steering angle sensor                     | (11) VDC control module (VDCCM)  |
| (2) Engine control module (ECM)             | (8) ABS warning light                         | (12) Tone wheel                  |
| (3) Master cylinder                         | (9) VDC warning light/VDC OFF indicator light | (13) Wheel cylinder              |
| (4) VDC OFF switch                          | (10) Transmission control module (TCM)        | (14) ABS wheel speed sensor      |
| (5) VDC indicator light                     |   | (15) Yaw rate & lateral G sensor |
| (6) Brake warning light (EBD warning light) |   | (16) Pressure sensor             |

# Electrical Component Location

## VEHICLE DYNAMICS CONTROL (VDC) (DIAGNOSTICS)

 <p>VDC00283</p>	 <p>VDC00009</p>
 <p>VDC00004</p>	 <p>VDC00273</p>
<p>REAR</p>  <p>VDC00167</p>	<p>FRONT</p>  <p>VDC00008</p>