

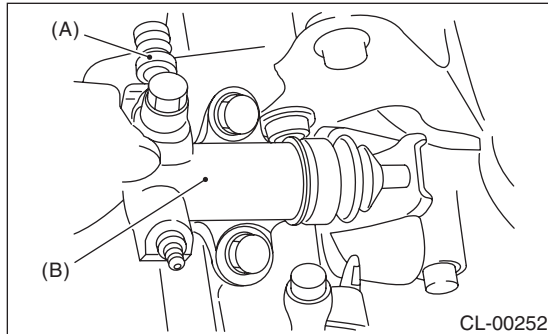
5. Operating Cylinder

A: REMOVAL

- 1) Remove the air intake chamber. (Non-turbo model) <Ref. to IN (H4SO)-6, REMOVAL, Air Intake Chamber.>
- 2) Remove the intercooler. (Turbo model) <Ref. to IN(H4DOTC)-11, REMOVAL, Intercooler.>
- 3) Remove the clutch hose from operating cylinder.

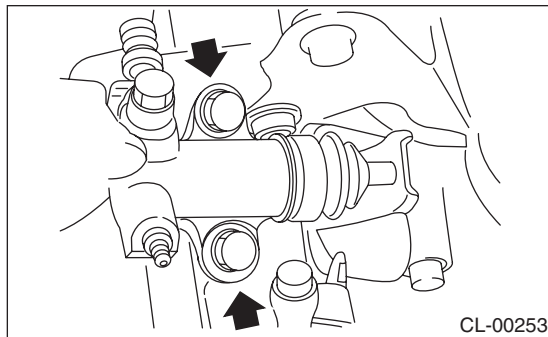
NOTE:

Cover the hose joint to prevent the clutch fluid from flowing out.



- (A) Clutch hose
- (B) Operating cylinder

- 4) Remove the operating cylinder from the transmission.



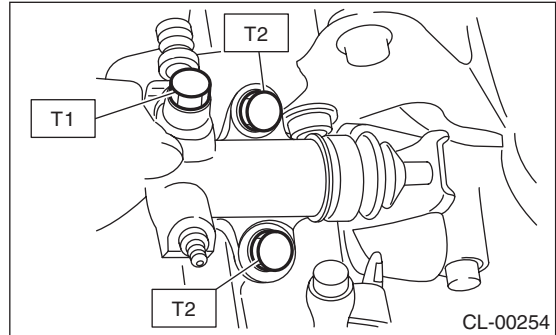
B: INSTALLATION

- 1) Apply grease (KOPR-KOTE: Part No. 003603001) to the contact point of the release lever and the operating cylinder.
- 2) Install in the reverse order of removal.

Tightening torque:

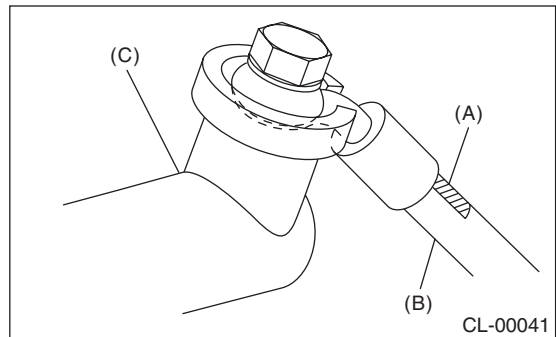
T1: 18 N·m (1.8 kgf-m, 13.0 ft-lb)

T2: 37 N·m (3.8 kgf-m, 27.5 ft-lb)



NOTE:

- Be sure to install the clutch hose with the mark side facing upward.
- Be careful not to twist the clutch hose during installation.



- (A) Mark
- (B) Clutch hose
- (C) Operating cylinder

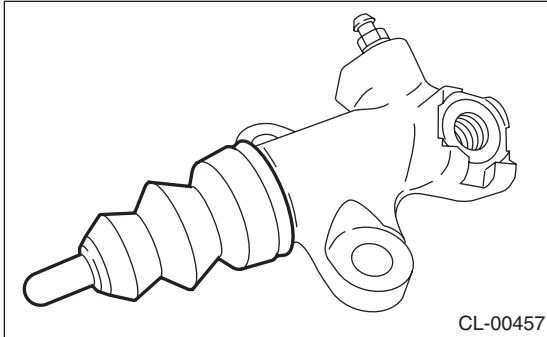
- 3) After bleeding air from the operating cylinder, ensure that the clutch operates properly. <Ref. to CL-23, Clutch Fluid Air Bleeding.>

Operating Cylinder

CLUTCH SYSTEM

C: DISASSEMBLY

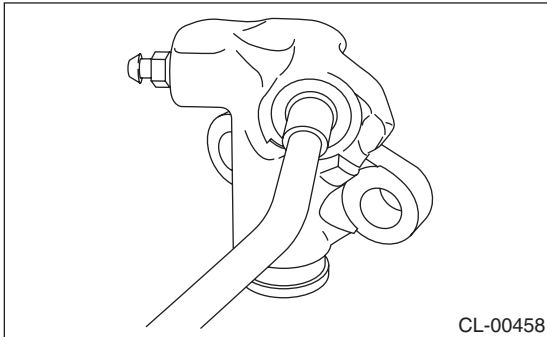
- 1) Remove the boot and push rod.



- 2) Blow in compressed air from the clutch hose attachment hole.

NOTE:

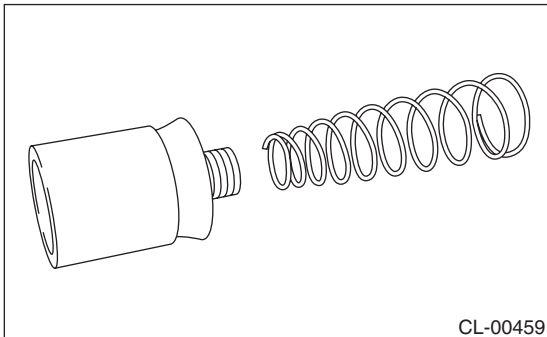
To prevent the piston from shooting out, face the piston hole towards the ground, and place a wooden block to prevent damage.



- 3) Separate the piston and piston spring.

NOTE:

The illustration below is for a non-turbo model.



D: ASSEMBLY

NOTE:

When assembling, apply operating oil on all parts while performing work.

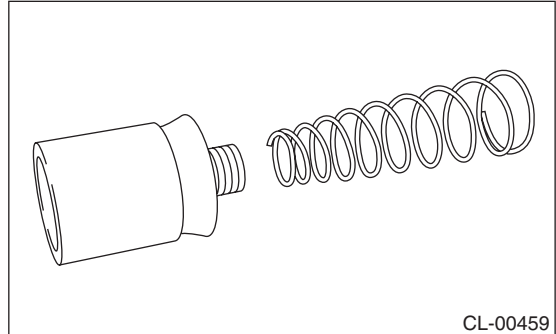
Recommended brake fluid

FMVSS No. 116, new DOT3 or DOT4 brake fluid

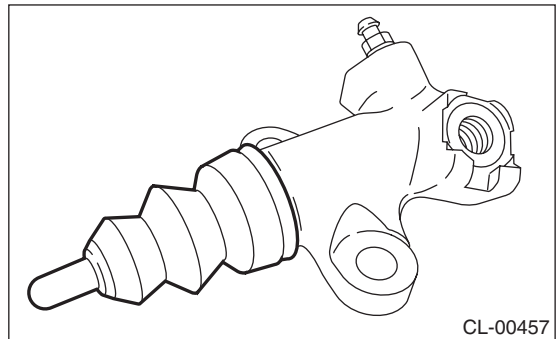
- 1) Attach the piston spring onto the piston.

NOTE:

The illustration below is for a non-turbo model.



- 2) Insert the piston into the operating cylinder.
- 3) Attach the boot to the push rod.
- 4) Install the boot and push rod to the operating cylinder.



E: INSPECTION

- 1) Check the operating cylinder for damage. If operating cylinder is damaged, replace it.
- 2) Check the operating cylinder for fluid leakage or damage on the boot. If any leakage or damage is found, replace the operating cylinder.