

21. Wheel Bearing

A: INSPECTION

1. FRONT WHEEL BEARING

NOTE:

Inspect the condition of front wheel bearing grease.

- 1) Jack-up the front side of vehicle.
- 2) While holding the front wheel by hand, swing it in and out to check bearing free play.
- 3) Loosen the wheel nuts, and remove the front wheel.
- 4) If the bearing free play exists in step 2) above, attach a dial gauge to the hub and measure axial play in axial direction.

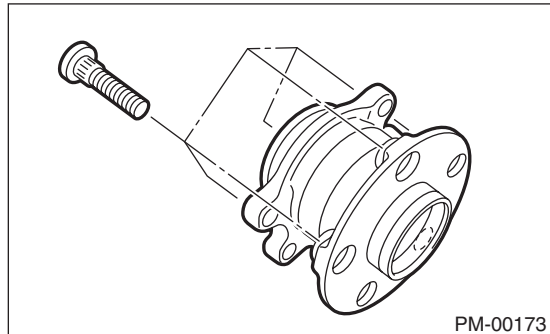
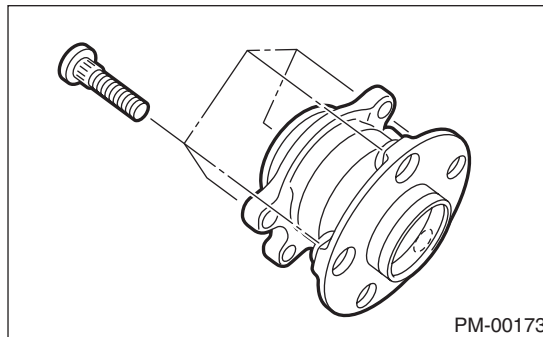
Service limit:

Straight-ahead position within 0.05 mm (0.0020 in)

- 5) Remove the bolts and self-locking nuts, and extract the front arm from front crossmember.
 - 6) Remove the transmission-side joint of the front drive shaft from the transmission. <Ref. to DS-18, Front Axle.>
 - 7) While supporting the front drive shaft horizontally with one hand, turn the hub with the other hand to check for noise or binding.
- If the hub is noisy or binds, replace the front axle.

- 6) While supporting rear drive shaft horizontally with one hand, turn the hub with the other hand to check for noise or binding.

If the hub is noisy or binds, replace the rear axle.



2. REAR WHEEL BEARING

- 1) Jack-up the rear side of vehicle.
- 2) While holding the rear wheel by hand, swing it in and out to check bearing free play.
- 3) Loosen the wheel nuts, and remove the rear wheel.
- 4) If the bearing free play exists in step 2) above, attach a dial gauge to the hub and measure axial play in axial direction.

Service limit:

Straight-ahead position within 0.05 mm (0.0020 in)

- 5) Remove the DOJ of rear drive shaft from rear differential. <Ref. to DS-66, Rear Drive Shaft.>