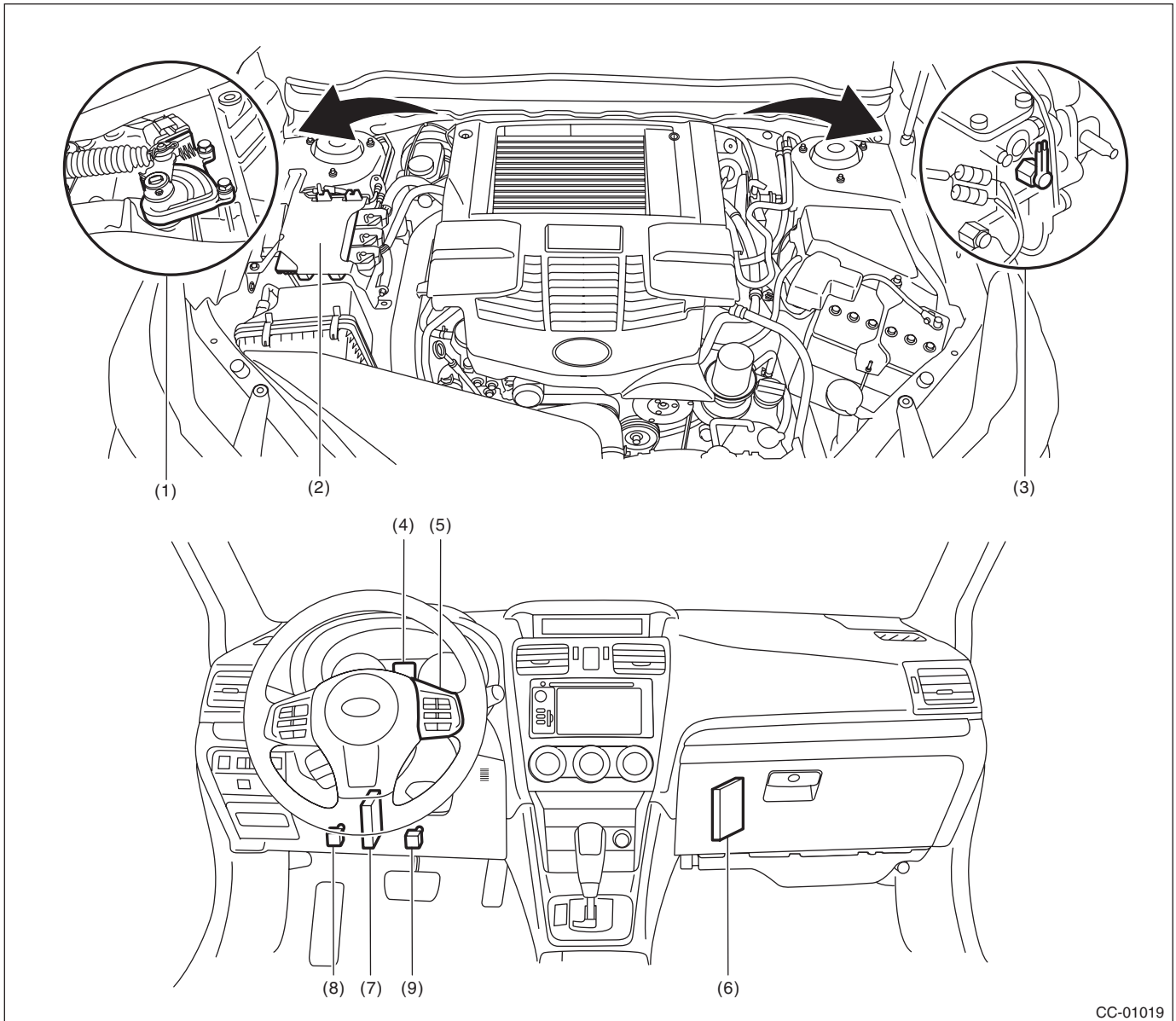


# General Description

## CRUISE CONTROL SYSTEM

### 1. General Description

#### A: COMPONENT



CC-01019

- |   |   |   |
|---|---|---|
| (1) Inhibitor switch (CVT model)        | (4) Cruise indicator light and cruise set indicator light | (7) Transmission control module (CVT model) |
| (2) Engine control module (turbo model) | (5) Cruise control command switch                         | (8) Clutch switch (MT model)                |
| (3) Neutral position switch (MT model)  | (6) Engine control module (non-turbo model)               | (9) Stop light and brake switch             |

## B: CAUTION

- Before disassembling or reassembling parts, always disconnect the battery ground cable from battery. When replacing the audio, control module and other parts provided with memory functions, record the memory contents before disconnecting the battery ground cable. Otherwise, the memory is cleared.
- Reassemble the parts in the reverse order of disassembly procedure unless otherwise indicated.
- Adjust parts to the given specifications.
- Connect the connectors securely during reassembly.
- After reassembly, make sure that the each component operates normally.
- Yellow connectors and harnesses with yellow tapes around them are the connectors and harnesses for the airbag system. Using a tester above such circuits may cause malfunction of airbag system. Follow the cautions of "AIRBAG SYSTEM" in this case. <Ref. to AB-9, CAUTION, General Description.>
- Be careful not to damage the airbag system wiring harness when servicing electrical parts and switches.
- If the steering wheel and steering angle sensor (steering roll connector) are removed, adjust the steering angle sensor. <Ref. to VDC-23, ADJUSTMENT, VDC Control Module and Hydraulic Control Unit (VDC-CM&H/U).>

## C: PREPARATION TOOL

TOOL NAME	REMARKS
Circuit tester	Used for measuring resistance and voltage.
Steering wheel puller	Used for removing the steering wheel.