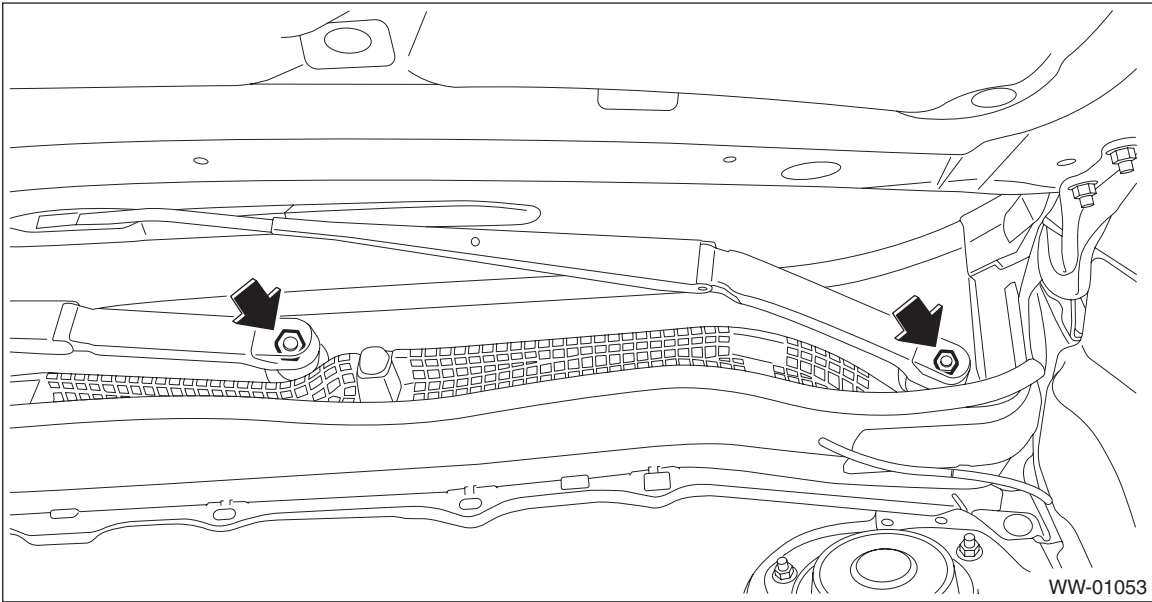


10.Cowl Panel

A: REMOVAL

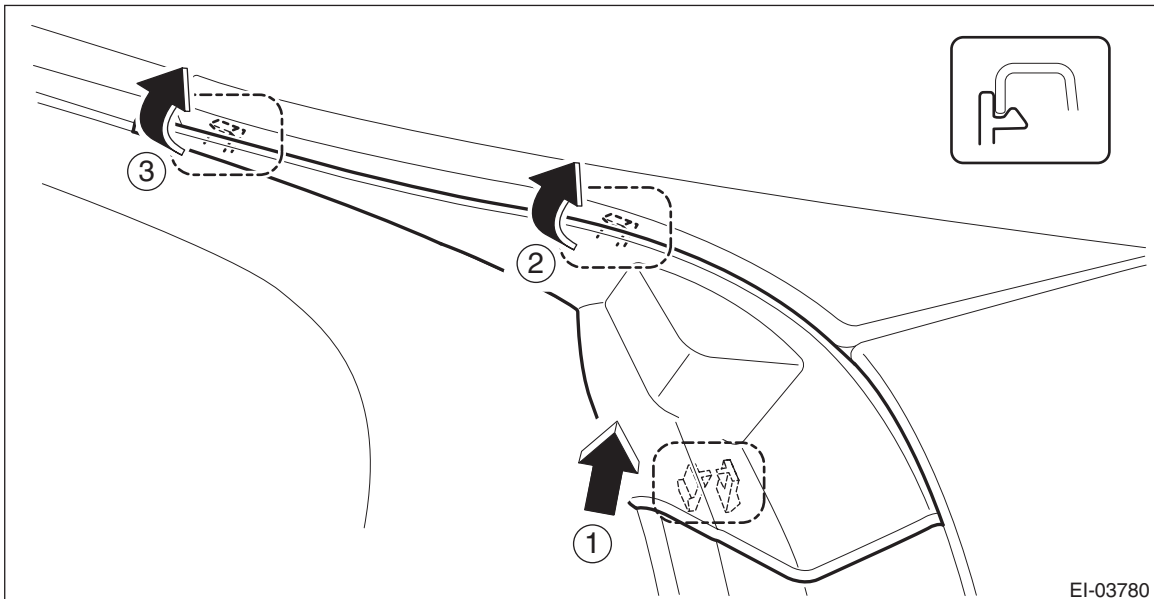
- 1) Open the front hood.
- 2) Remove the arm assembly - windshield wiper.
 - (1) Remove the cover - windshield wiper arm.
 - (2) Remove the nuts, and remove the arm assembly - windshield wiper.



- 3) Release the claws from (1) to (3) in sequence, and then remove the cowl panel - side.

CAUTION:

Pulling with excessive force may damage the cowl panel - side. If it is difficult to remove, use a plastic remover or equivalent tool.



Cowl Panel

EXTERIOR/INTERIOR TRIM

4) Remove the cowl panel assembly.

CAUTION:

Before removing the cowl panel, use an air blower and nylon brush to sweep gravel from the lower area of the front side of the glass.

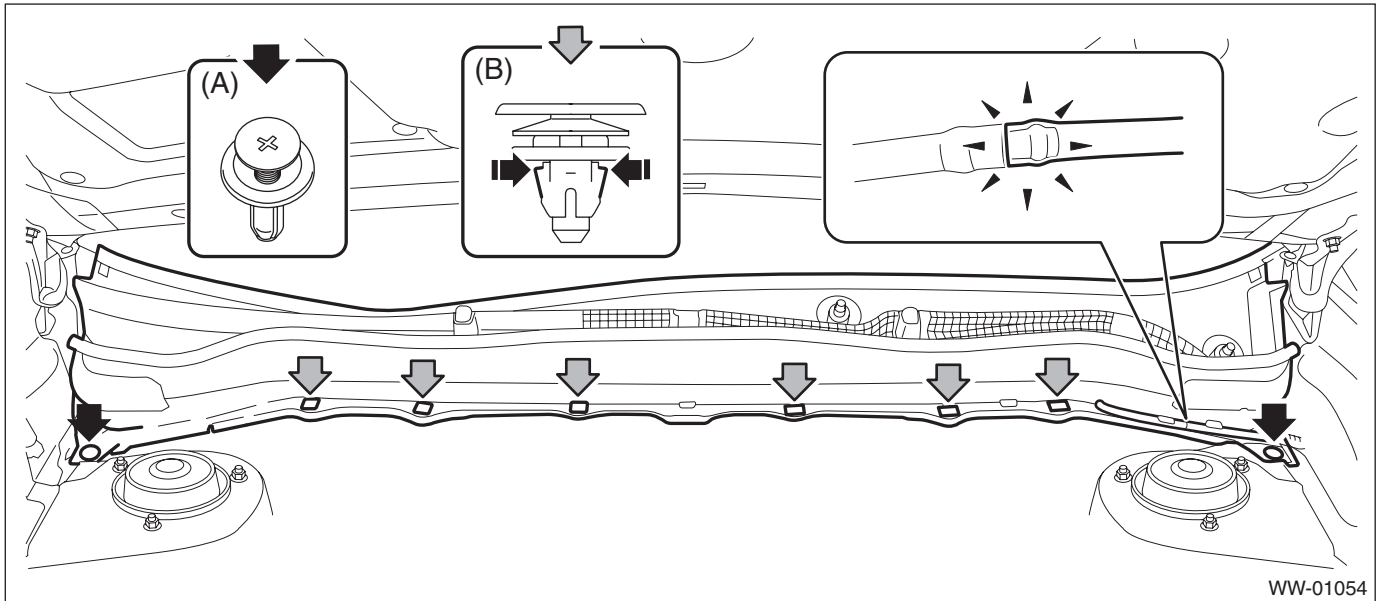
- (1) Disconnect the washer hose.
- (2) Remove clips (A).
- (3) Check the direction of the clip (B), and push the claws from both sides to remove it.

CAUTION:

When removing the clip (B), push the claw of the clip from both sides.

Be careful not to apply excessive force when pulling the clip (B), as the clip may become damaged.

- (4) Remove the cowl panel assembly by pulling it out towards the front of the vehicle.



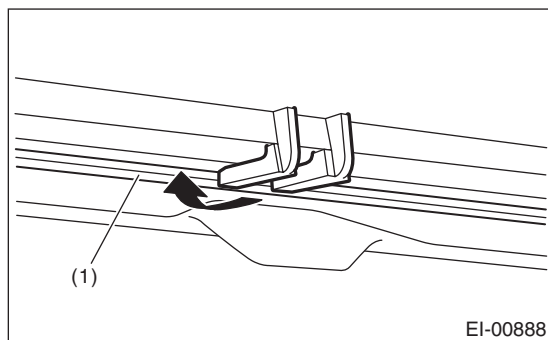
B: INSTALLATION

1) Install the cowl panel assembly.

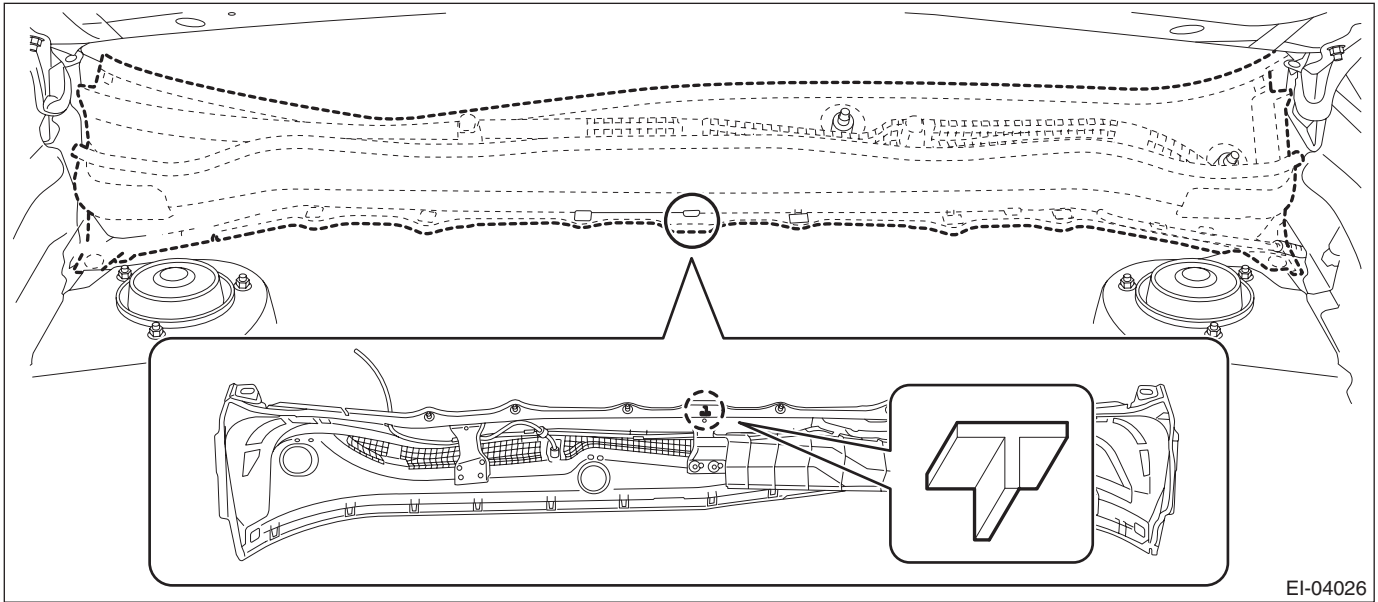
CAUTION:

- If the cowl panel assembly cannot be installed properly, do not hit or set it forcibly. The claws of the cowl panel or the windshield glass may be damaged.
- Before installing the windshield glass and cowl panel, make sure there are no gravel in the installing area.

- (1) Hook the claw of the cowl panel on the lower end (1) of the windshield.



(2) Align the center claw of the cowl panel assembly to the cutout portion of the vehicle side, then install the cowl panel assembly.



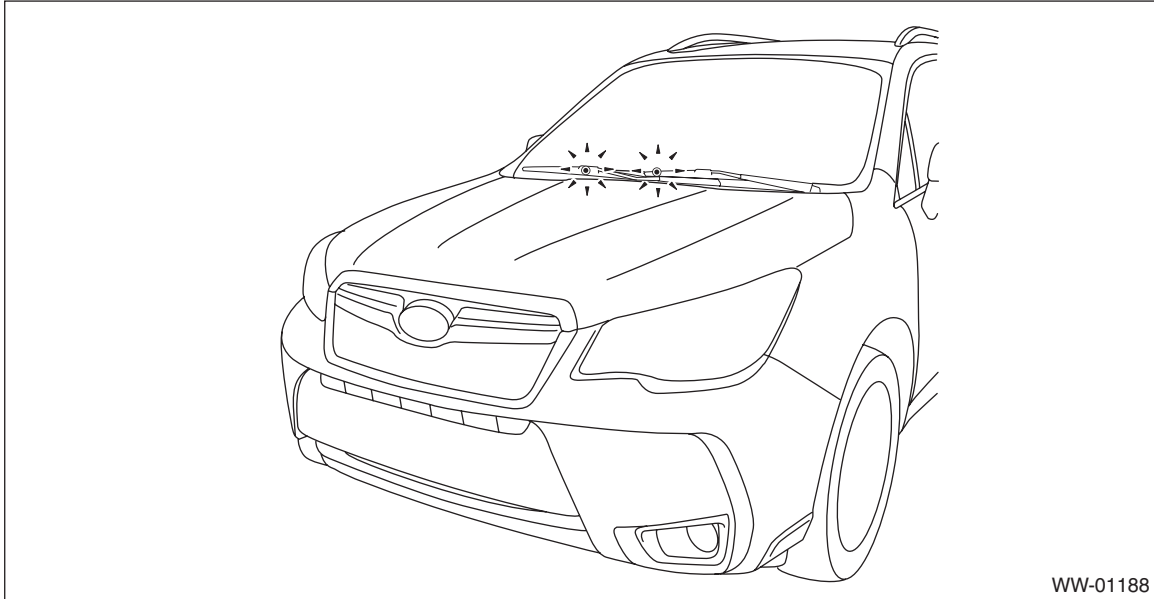
2) Install the arm assembly - windshield wiper.

(1) Assemble the arm assembly - windshield wiper so that the blade assembly - windshield wiper is aligned to the ceramic print point mark of the windshield glass.

(2) Tighten the arm assembly - windshield wiper to specified torque and install the cap.

Tightening torque:

26 N·m (2.65 kgf·m, 19.2 ft·lb)



3) Install the remaining parts in the reverse order of removal.

Tightening torque:

Arm assembly - windshield wiper: <Ref. to WW-2, FRONT WIPER, COMPONENT, General Description.>

4) If the washer nozzles have been removed from the cowl panel assembly, adjust the washer spray positions. <Ref. to WW-36, ADJUSTMENT, Front Washer Nozzle.>