

## 22.Upper Inner Trim

### A: REMOVAL

#### CAUTION:

- Airbag system satellite safing sensor is located in the lower of the rear seat cushion center. Before removing the rear seat, refer to “CAUTION” of “General Description” in “AIRBAG SYSTEM” section.<Ref. to AB-9, CAUTION, General Description.>
- The airbag system is fitted with a backup power supply. After disconnecting the battery ground cable, the airbag may operate if you do not wait for 60 seconds before starting the service of airbag system.

1) Remove the trim panel - front pillar UPR.

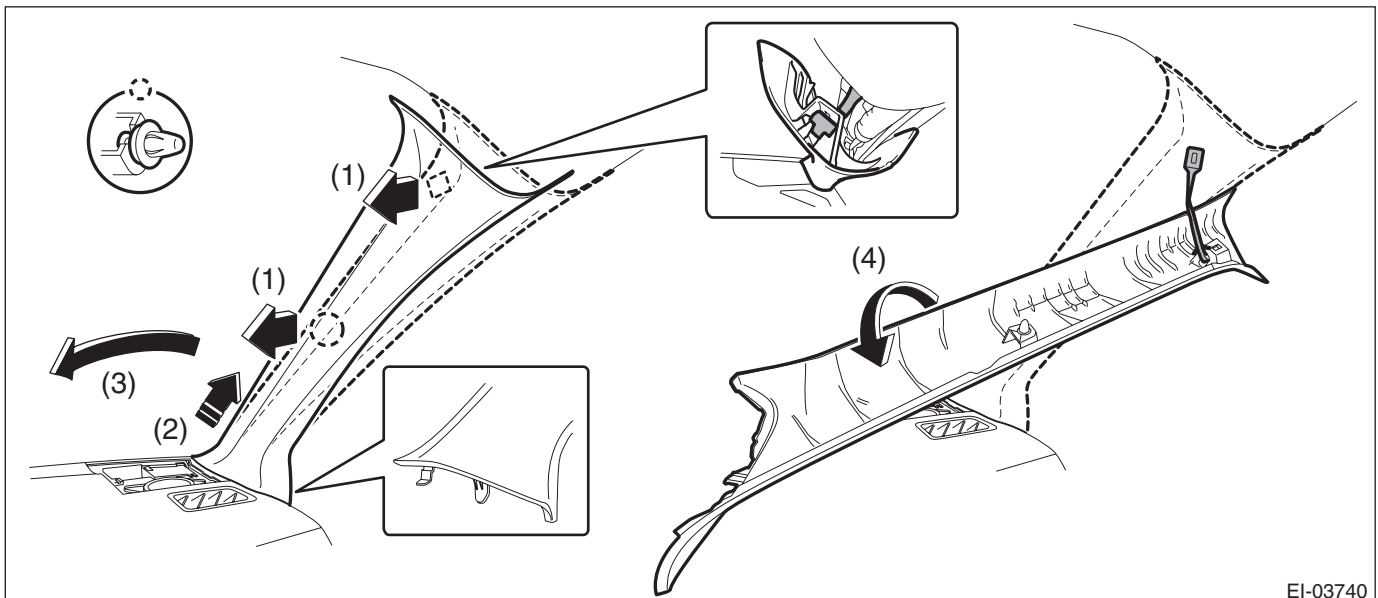
#### CAUTION:

**Be careful not to damage the trim panel surface and curtain airbag module.**

- (1) Pull the trim panel - front pillar UPR towards the center of the vehicle to release the clips.
- (2) Pull out the end portion of the trim panel - front pillar UPR.
- (3) Pull out the trim panel - front pillar UPR towards the center of the vehicle.
- (4) Rotate the trim panel - front pillar UPR, release the tether clips, and remove the trim panel - front pillar UPR.

#### CAUTION:

**Do not use tools when releasing the tether clip. If the tether clip is damaged, replace it with a new clip.**



EI-03740

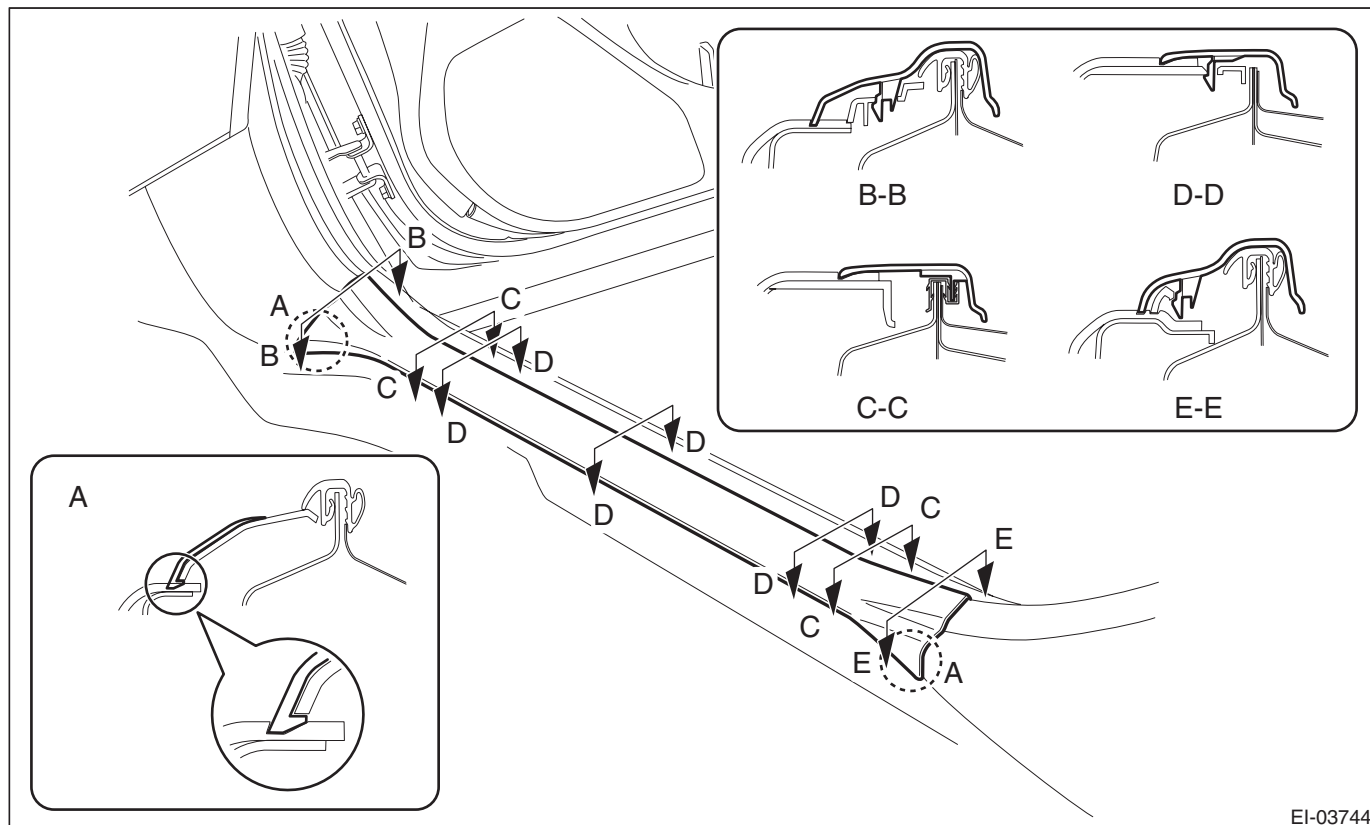
# Upper Inner Trim

## EXTERIOR/INTERIOR TRIM

2) Release the claws, and then remove the cover side sill - front INN.

### CAUTION:

Do not pull with excessive force. Doing so may damage the claws of the cover side sill - front INN.



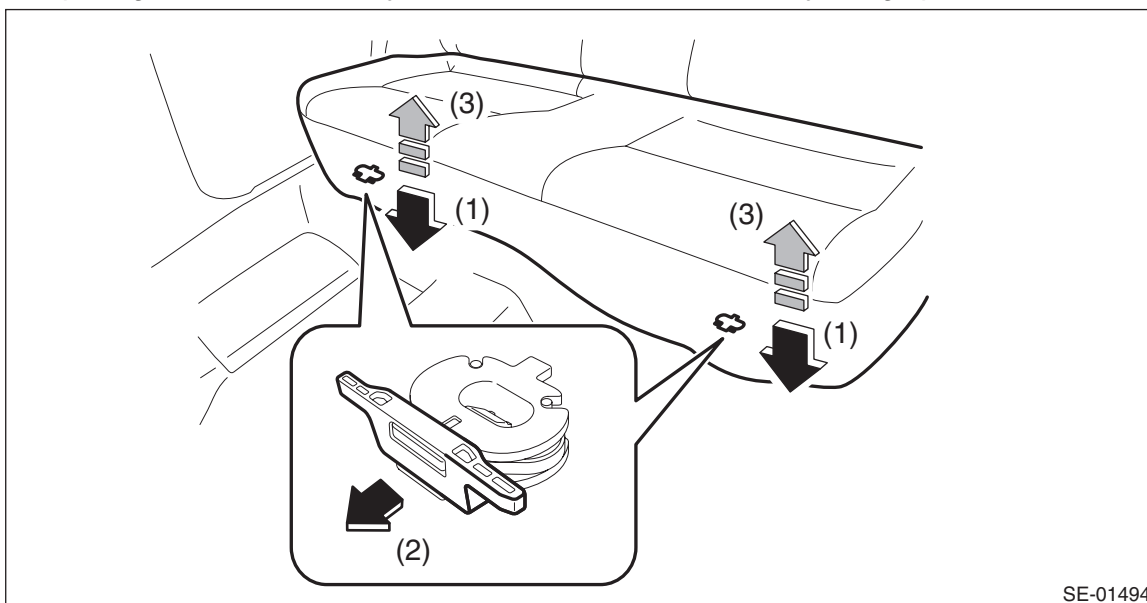
EI-03744

3) Remove the rear seat cushion assembly.

(1) Push the corners of the rear seat cushion from above.

(2) While pushing the corners of the rear seat cushion from above, pull the knob of the hook - seat cushion rear towards yourself.

(3) While pulling the knob towards yourself, disconnect the hooks by lifting up the rear seat cushion.

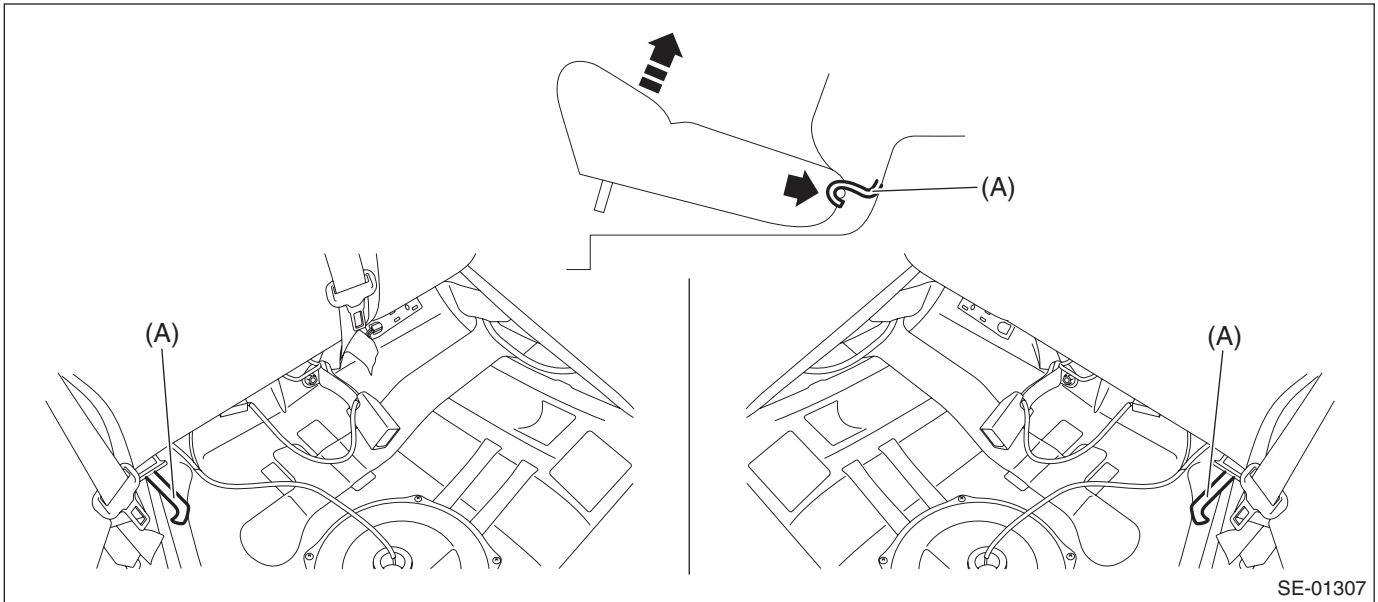


SE-01494

# Upper Inner Trim

EXTERIOR/INTERIOR TRIM

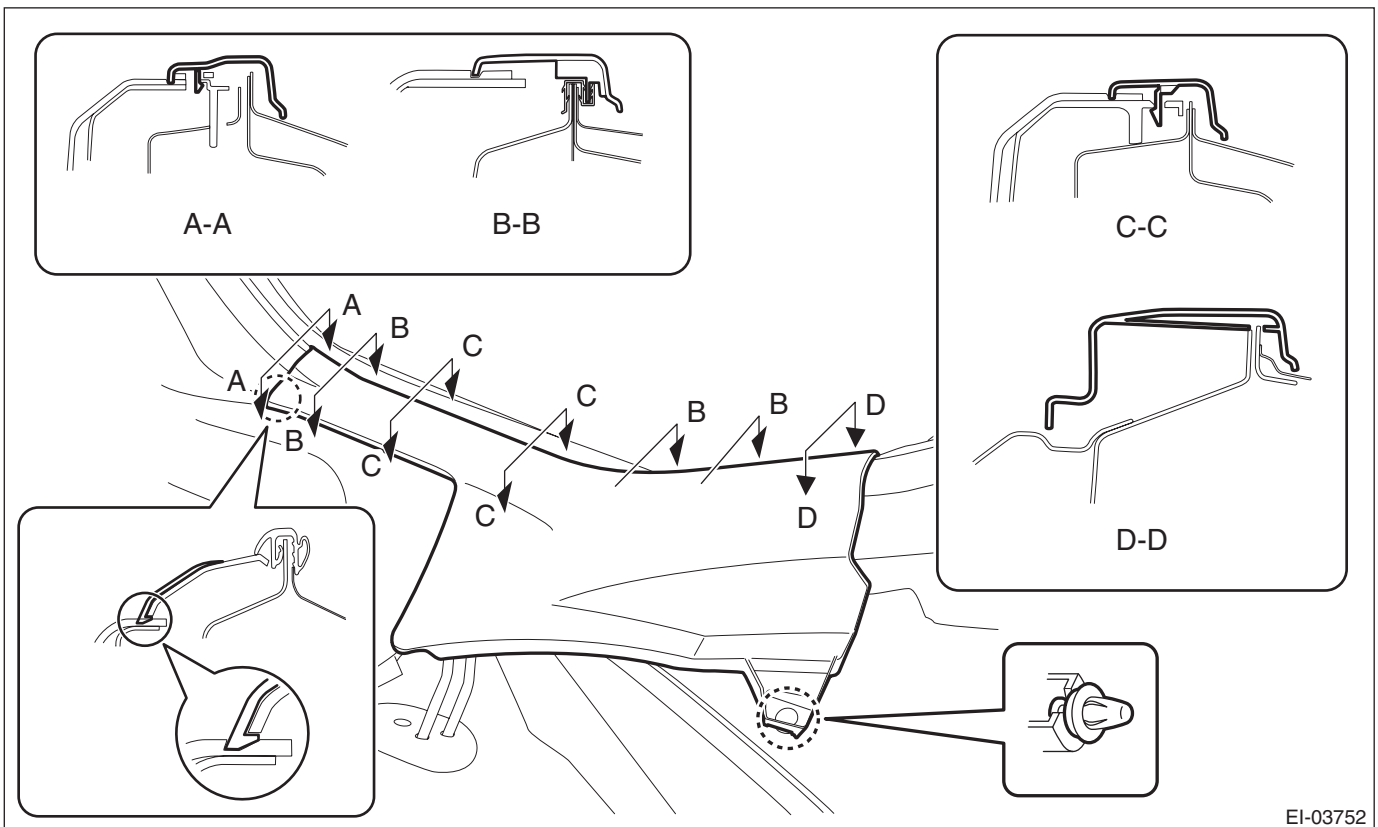
(4) Remove the hook (A) by pushing it back while lifting the front side of the rear seat cushion, and remove the rear seat cushion.



4) Release the clips and claws, and then remove the cover side sill - rear INN.

### CAUTION:

Do not pull with excessive force. Doing so may damage the claws of the cover side sill - rear INN.



## Upper Inner Trim

### EXTERIOR/INTERIOR TRIM

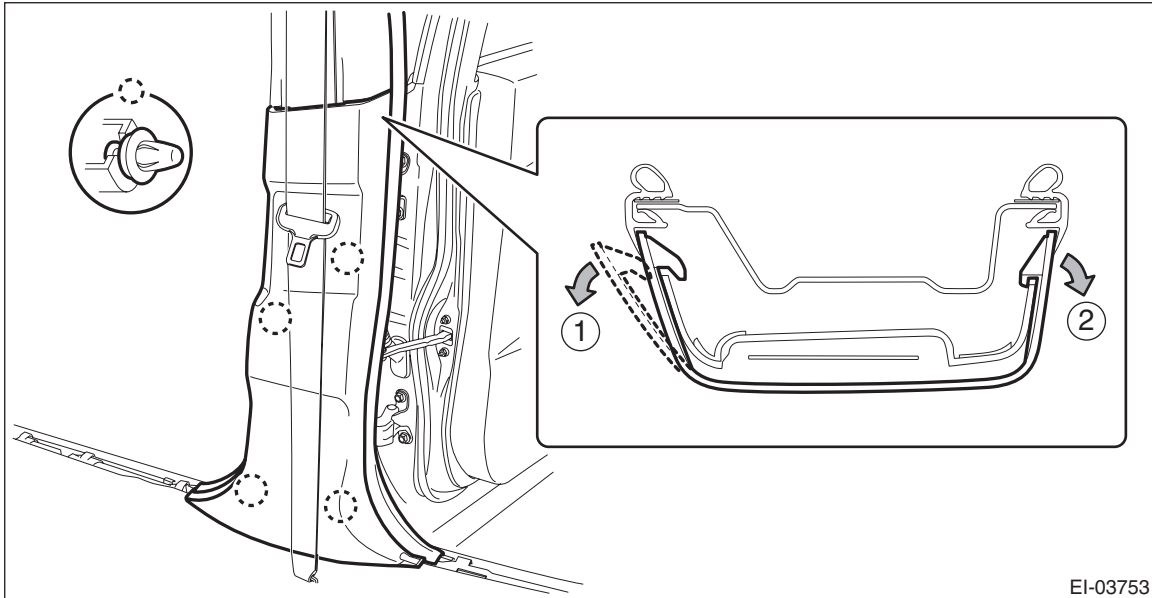
5) Remove the trim panel - center pillar LWR.

(1) Release the clip by pulling the trim panel - center pillar LWR toward you.

(2) Expand the claws of the trim panel - center pillar LWR outward, and remove it from the trim panel - center pillar UPR.

#### CAUTION:

Do not expand the trim panel - center pillar LWR excessively. Doing so may damage the trim.



EI-03753

#### NOTE:

First release the claw located to the front of the vehicle.

6) Remove the trim panel - center pillar UPR.

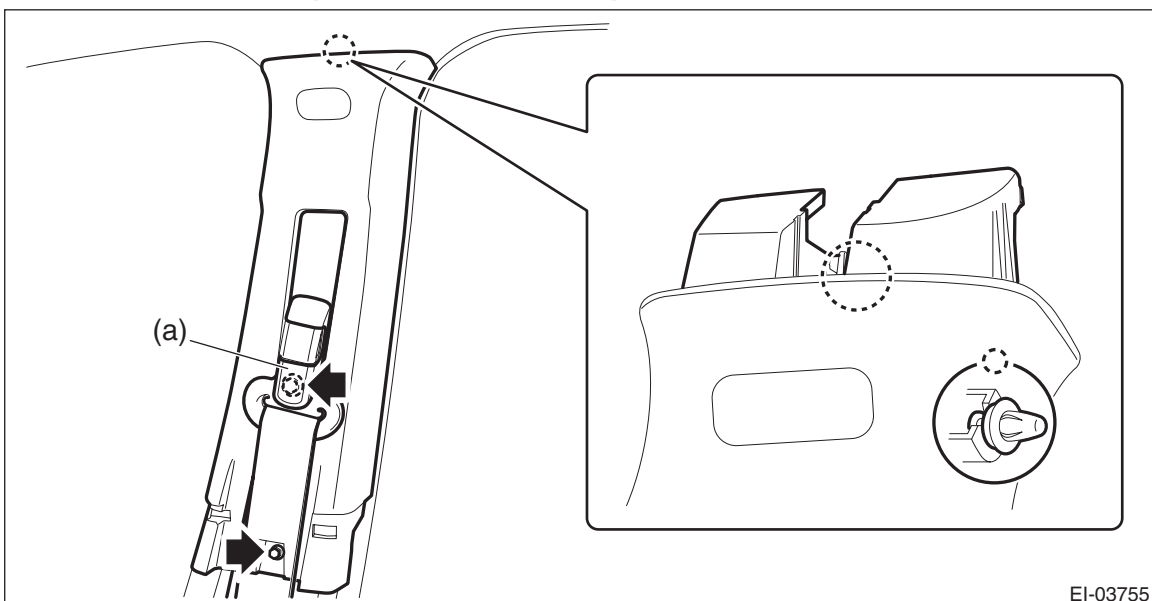
(1) Remove the cover through (a), and remove the seat belt anchor bolt.

(2) Remove the bolt on the lower side of the trim panel - center pillar UPR.

(3) Remove the clip by pulling the upper part of the trim toward you, and while lowering the entire trim, remove the trim panel - center pillar UPR.

#### CAUTION:

Do not reuse the upper clips of the trim panel - center pillar UPR. Once the clip is removed, its holding force is reduced. Be sure to replace it with a new clip.



EI-03755

**B: INSTALLATION****CAUTION:**

- Check that there is no damage to the tether clip on the upper part of the trim panel - front pillar UPR. If the tether clip is damaged, always replace it with a new tether clip.
- Do not reuse the upper clips of the trim panel - center pillar UPR. Once the clip is removed, its holding force is reduced. Be sure to replace it with a new clip.
- Before installing the trim panel - front pillar UPR, check the condition of protective non-woven fabric (white) of the curtain airbag. If it is damaged (airbag module cloth is exposed), replace the curtain airbag module assembly with a new part.

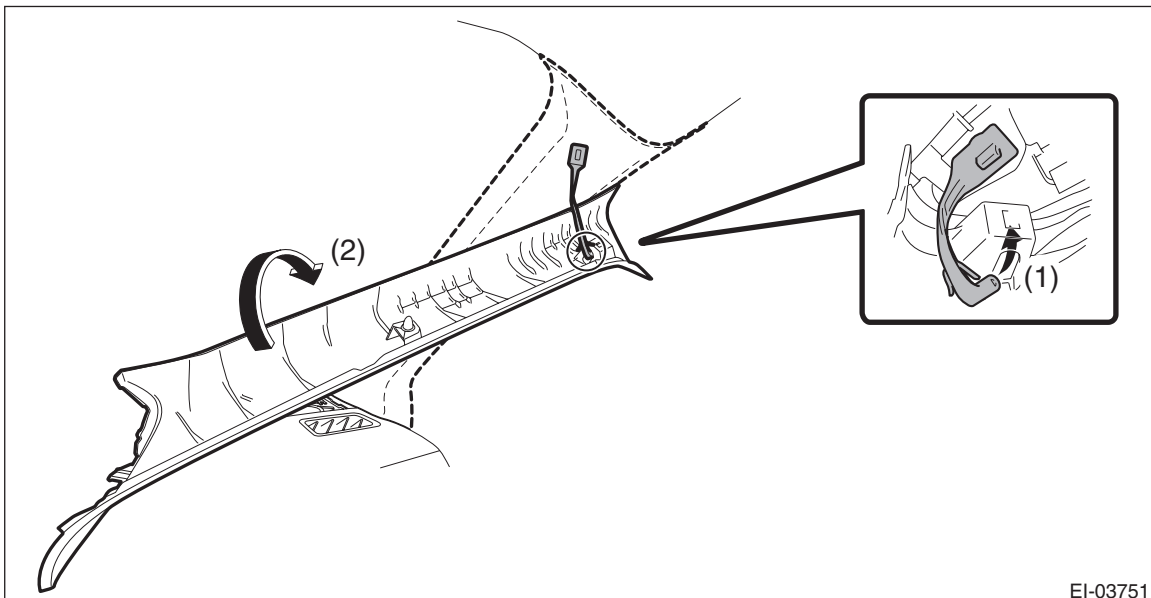
1) Install the trim panel - front pillar UPR.

(1) Hook the tip of the tether clip on the trim panel - front pillar UPR.

(2) Turn the trim panel - front pillar UPR, and install the trim panel - front pillar UPR.

**CAUTION:**

When attaching the tether clips, do not use any tools. If the tether clip is damaged, replace it with a new tether clip.



EI-03751

2) Install each part in the reverse order of removal.

**Tightening torque:**

**Front seat belt:** <Ref. to SB-2, FRONT SEAT BELT, COMPONENT, General Description.>