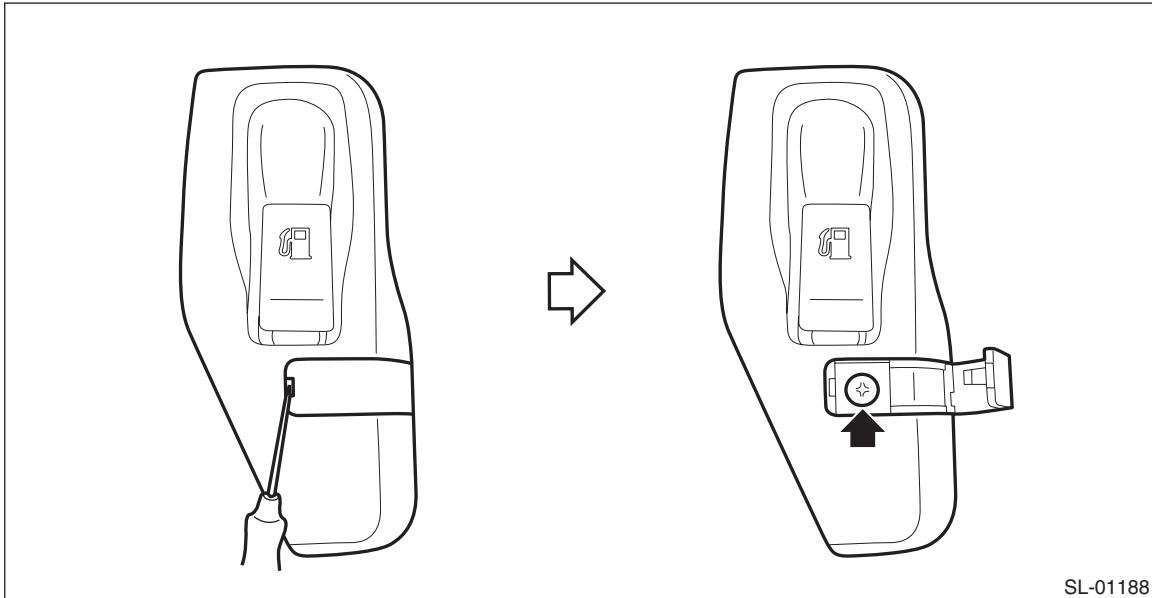


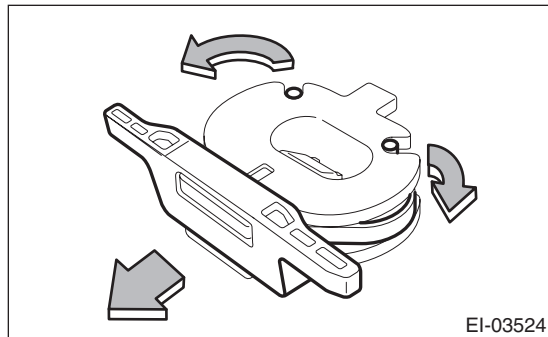
28.Floor Mat

A: REMOVAL

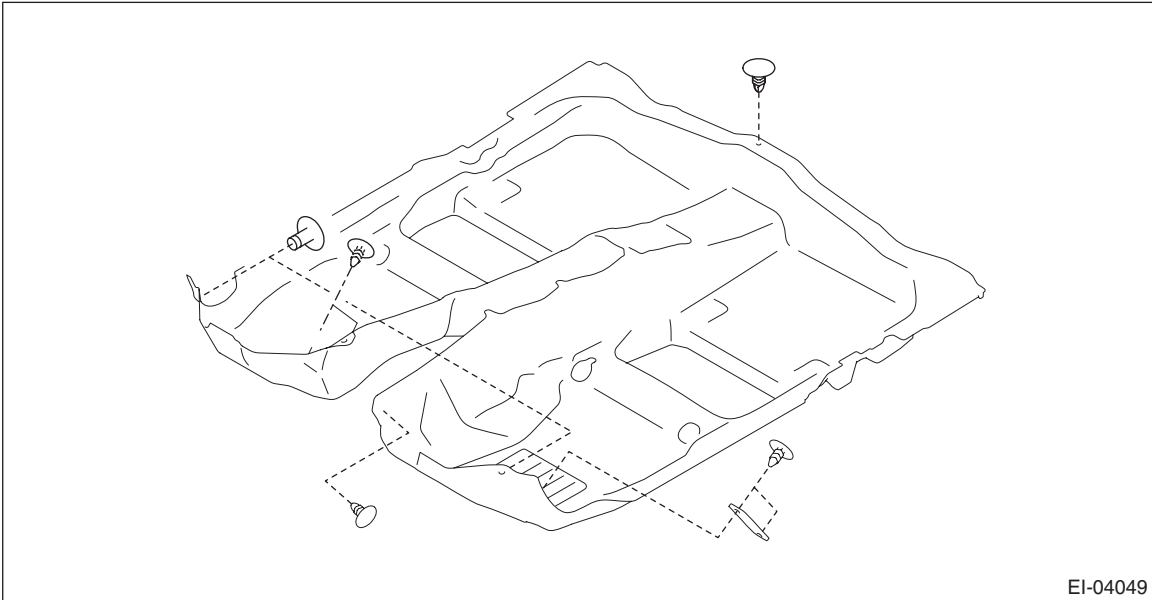
- 1) Remove the front seat assembly. <Ref. to SE-9, REMOVAL, Front Seat.>
- 2) Remove the rear seat cushion assembly. <Ref. to SE-34, REMOVAL, Rear Seat.>
- 3) Remove the console box assembly and panel center LWR. <Ref. to EI-65, REMOVAL, Console Box.>
- 4) Remove the lower inner trim. <Ref. to EI-92, REMOVAL, Lower Inner Trim.>
- 5) Remove the pull handle cover.
 - (1) Open the cover by using a flat tip screwdriver.
 - (2) Remove the screw and remove the pull handle cover.



- 6) Remove the knobs of the hook - seat cushion rear.



- 7) Take out the floor mat from the vehicle.
 - (1) Remove the clips from the floor mat.
 - (2) Remove the mat hook on both sides.
 - (3) Take out the floor mat after folding down.

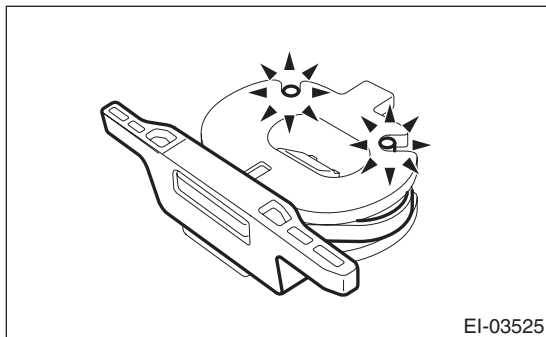


B: INSTALLATION

Install each part in the reverse order of removal.

CAUTION:

Make sure that the knobs of the hook - seat cushion rear are securely installed.



NOTE:

Secure the mat firmly with clips.