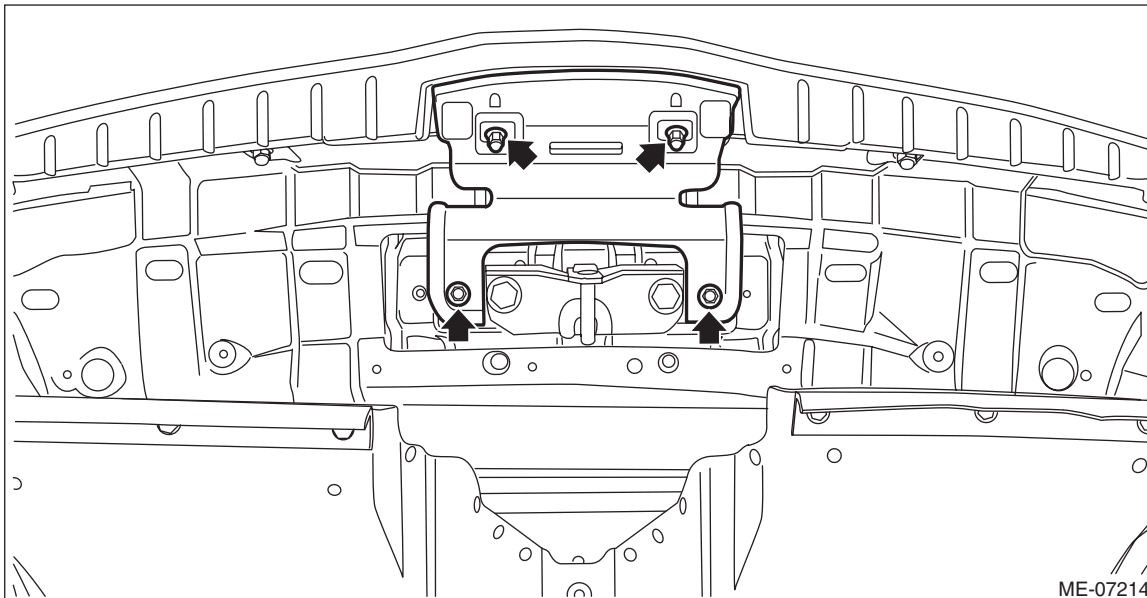


6. Front Grille

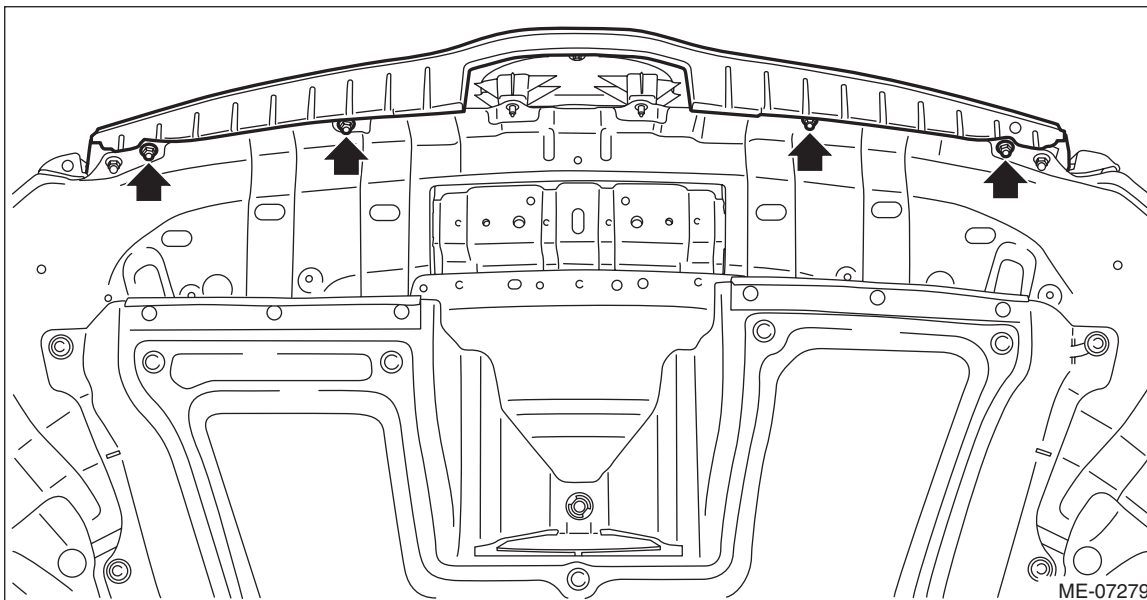
A: REMOVAL

1. FRONT GRILLE UPPER

1) Remove the nuts, and remove the bracket - grille UPR.



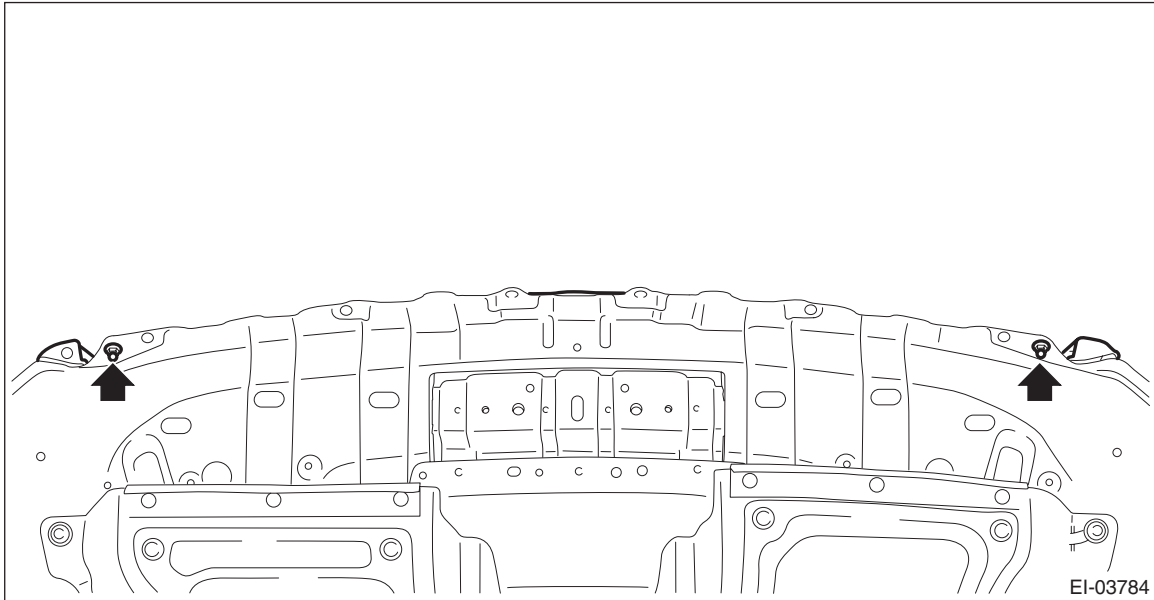
2) Remove the nuts, and remove the grille assembly - front CTR.



Front Grille

EXTERIOR/INTERIOR TRIM

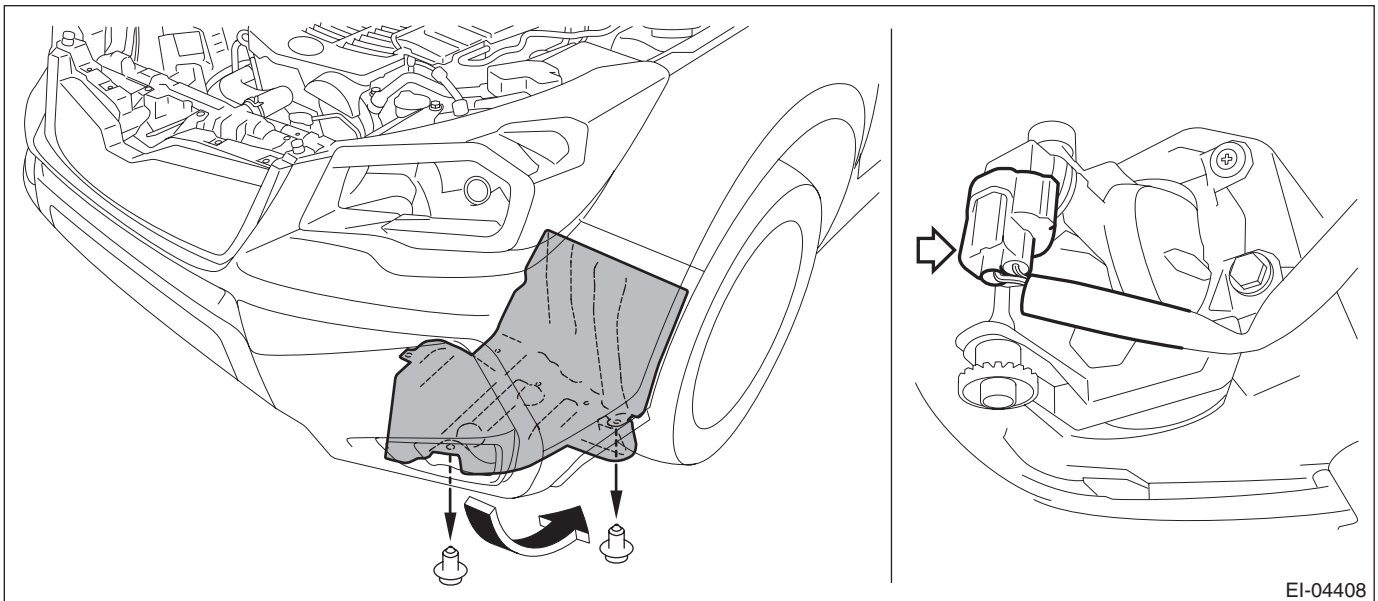
3) Remove the nuts, and remove the grille assembly - front UPR.



2. FRONT GRILLE LOWER

1) Remove the bumper face - front.

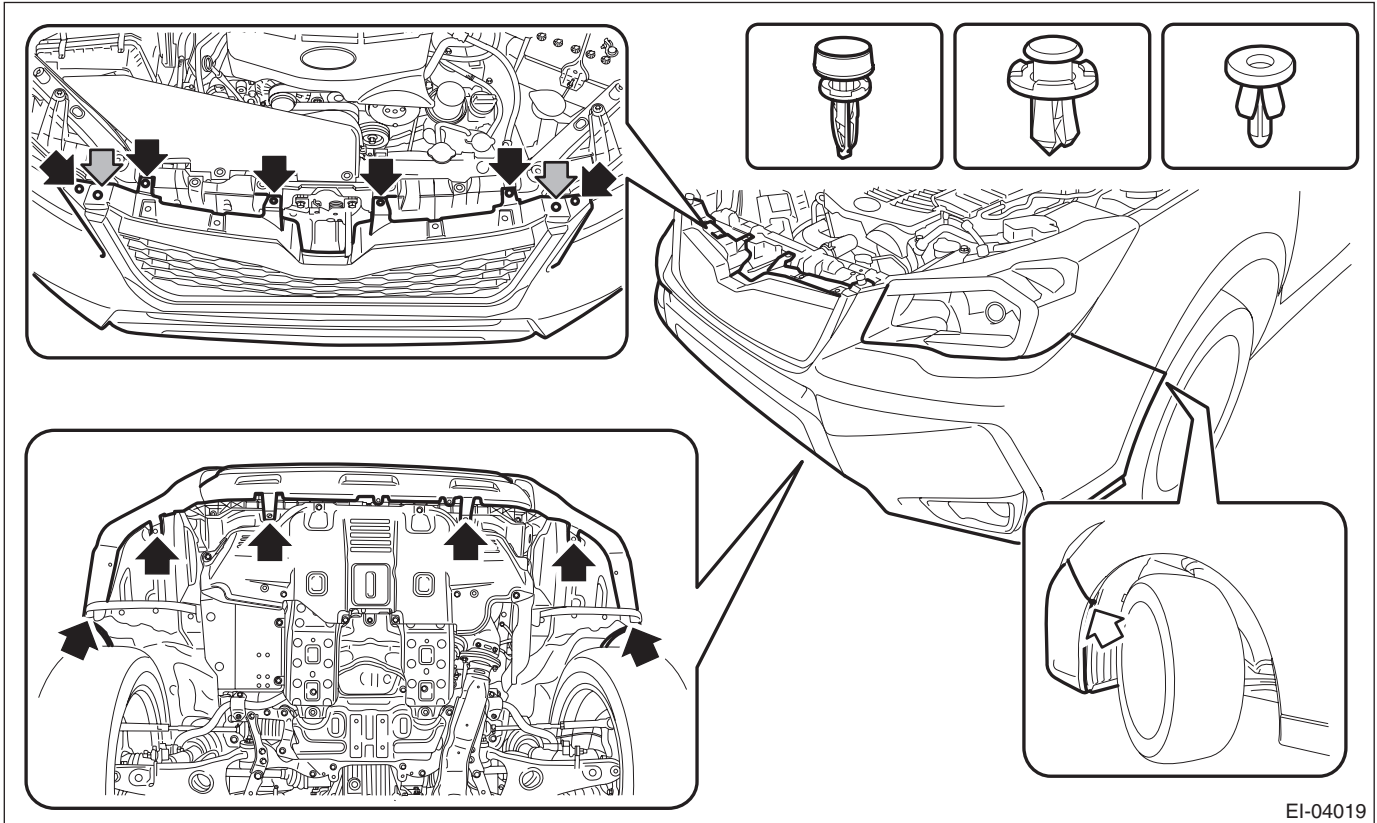
(1) Remove the clips, and turn over the mud guard - front, and then disconnect the connectors of the fog light assembly - front on the LH and RH sides. (Model with fog light)



(2) Remove the clips at the upper side of the bumper face - front.

(3) Remove the clips from the fender.

(4) Remove the clips at the lower side of the bumper face - front.



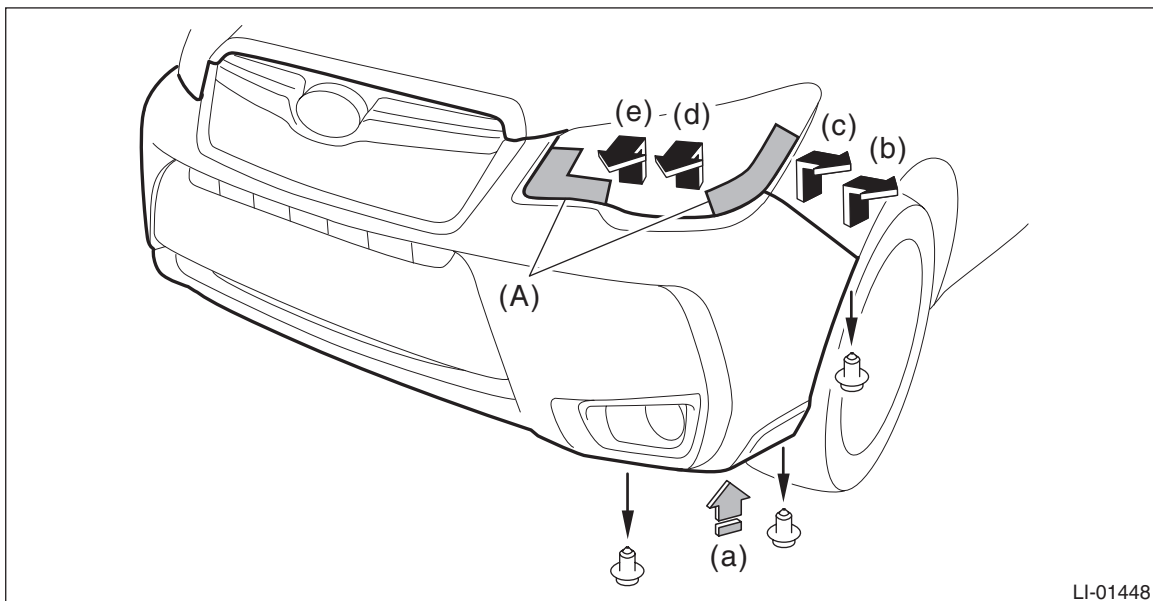
EI-04019

(5) Apply protective tape (A) to the light assembly - head.

(6) Release the clips, and while pushing up the lower side (a) of the bumper face - front, remove in the order from (b) to (e).

CAUTION:

Do not pull forcibly. It may damage the flange sections of the bumper face - front.



LI-01448

NOTE:

Detach the opposite side in the same manner.

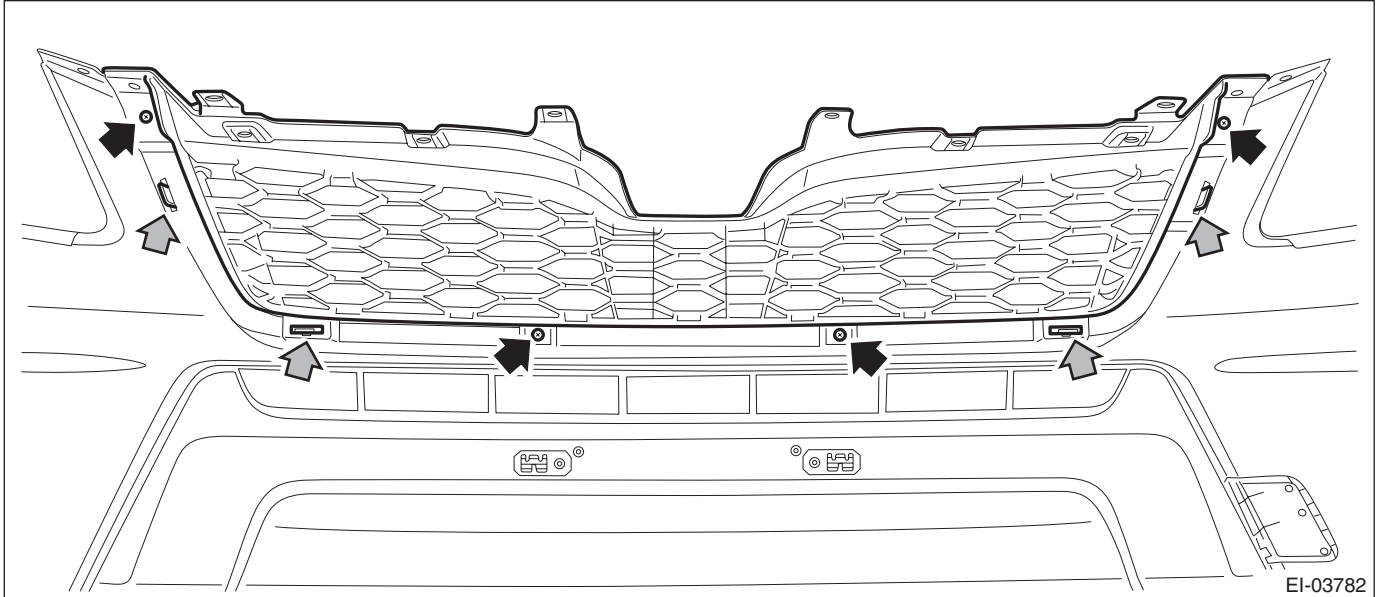
Front Grille

EXTERIOR/INTERIOR TRIM

2) Remove the front grille assembly.

(1) Remove the screws from the back side of the bumper face - front.

(2) Release the claws, and remove the grille assembly - front LWR.



B: INSTALLATION

1) Install each part in the reverse order of removal.

2) Adjust the fog light beam. (Model with fog light) <Ref. to LI-47, FOG LIGHT AIMING, ADJUSTMENT, Front Fog Light Assembly.>