

## 9. Front Outer Handle

### A: REMOVAL

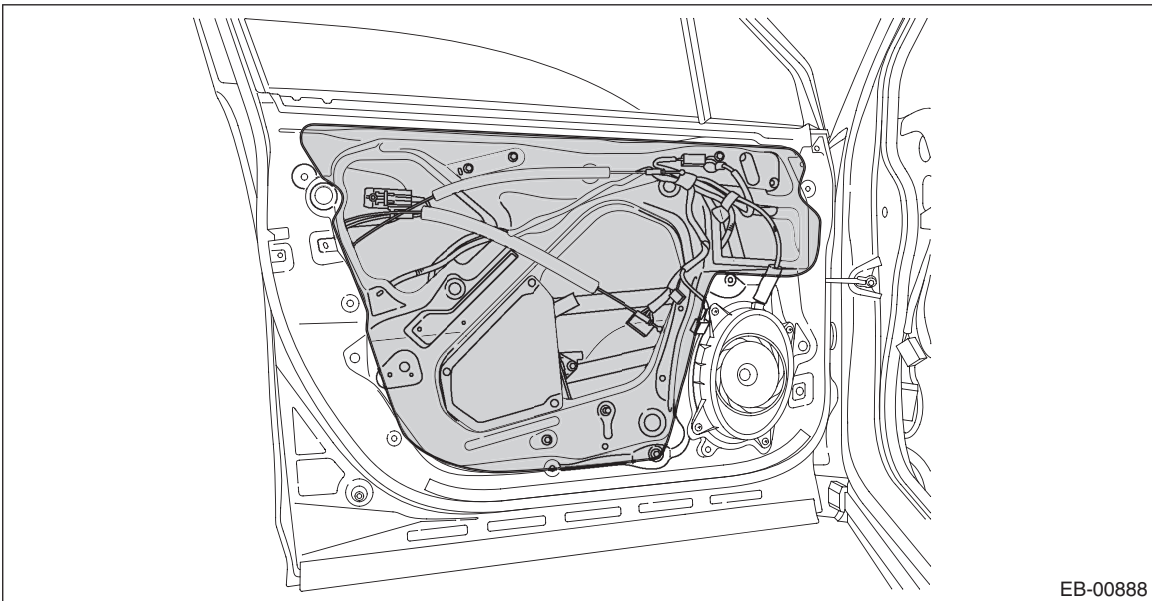
- 1) Raise the glass assembly - front door to the top position.
- 2) Remove the trim panel - front door. <Ref. to EI-54, FRONT DOOR, REMOVAL, Door Trim.>
- 3) Turn over the sealing cover - front door.

#### CAUTION:

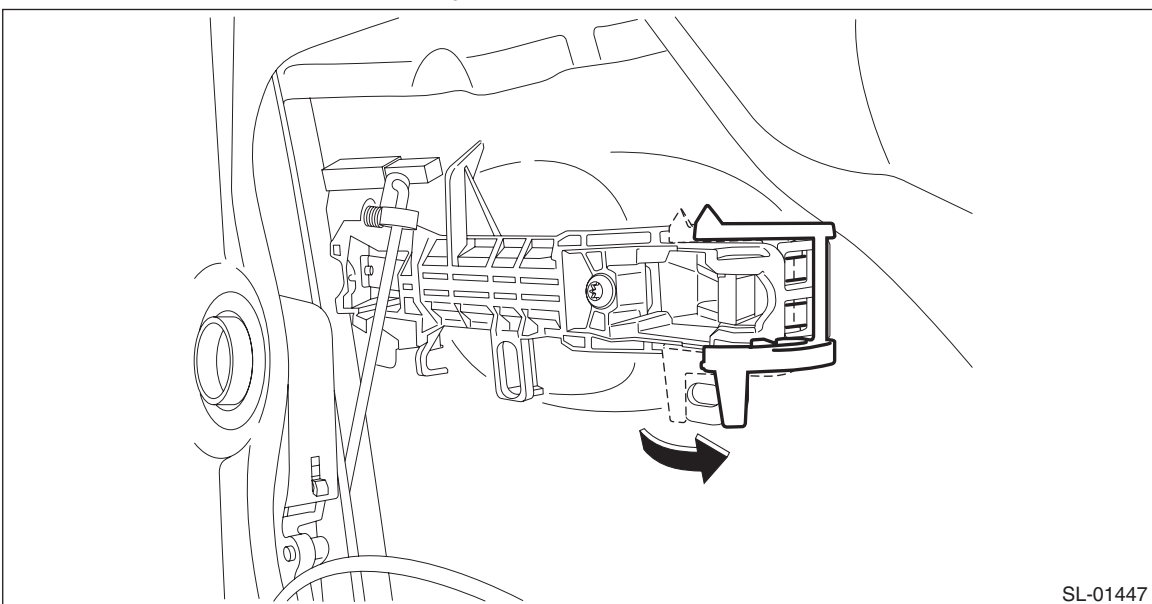
- Carefully remove the butyl tape. Excessive force will easily break the sealing cover - front door.
- If the sealing cover - front door gets broken, replace it with a new part.
- Be careful not to allow the butyl tape to contact any trims and seats because the butyl tape, which has a strong adhesive force, is difficult to remove once it adhered.

(1) Disconnect connectors.

(2) Carefully remove the butyl tape and turn over the sealing cover - front door within the area where the operation can be performed.



- 4) Remove the holder of the frame assembly - front door outer.

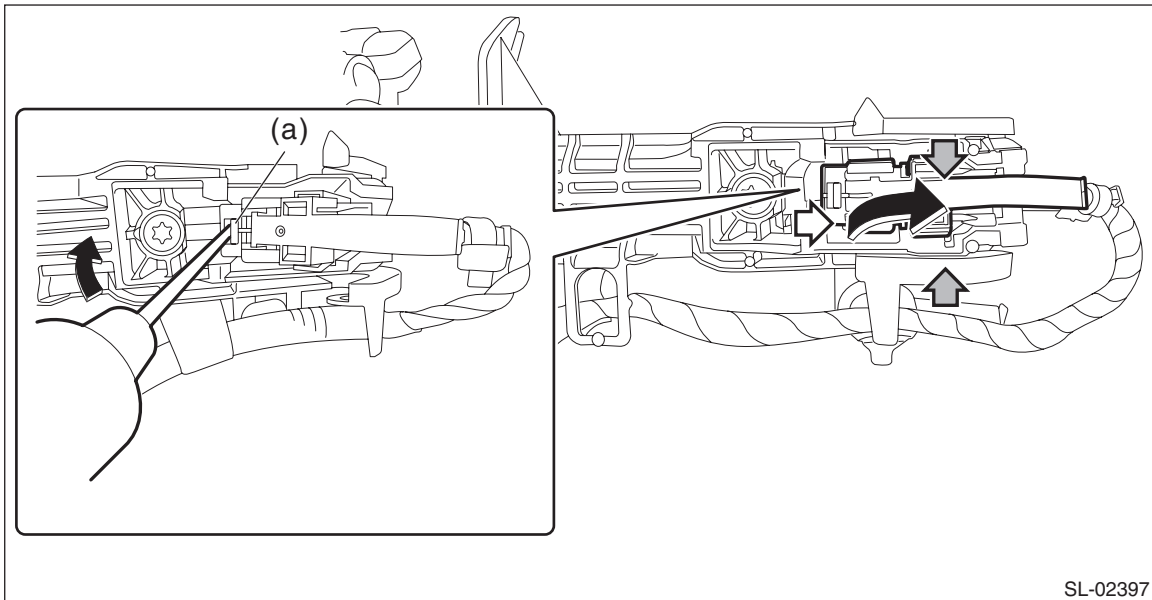


## Front Outer Handle

### SECURITY AND LOCKS

#### NOTE:

- For model with keyless access, disconnect the harness clip and exterior antenna (touch sensor) connector.
- Using (a) shown in the figure as a supporting point, pry it with a flat tip screwdriver to remove.

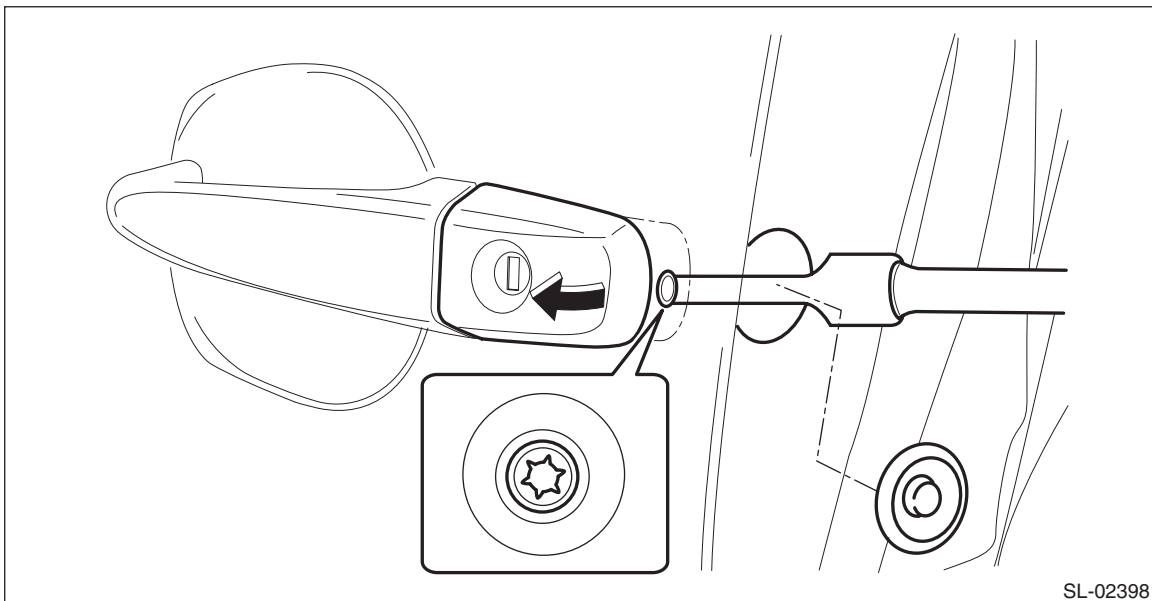


5) Remove the cover - handle front outer.

#### Preparation tool:

#### **TORX® T30**

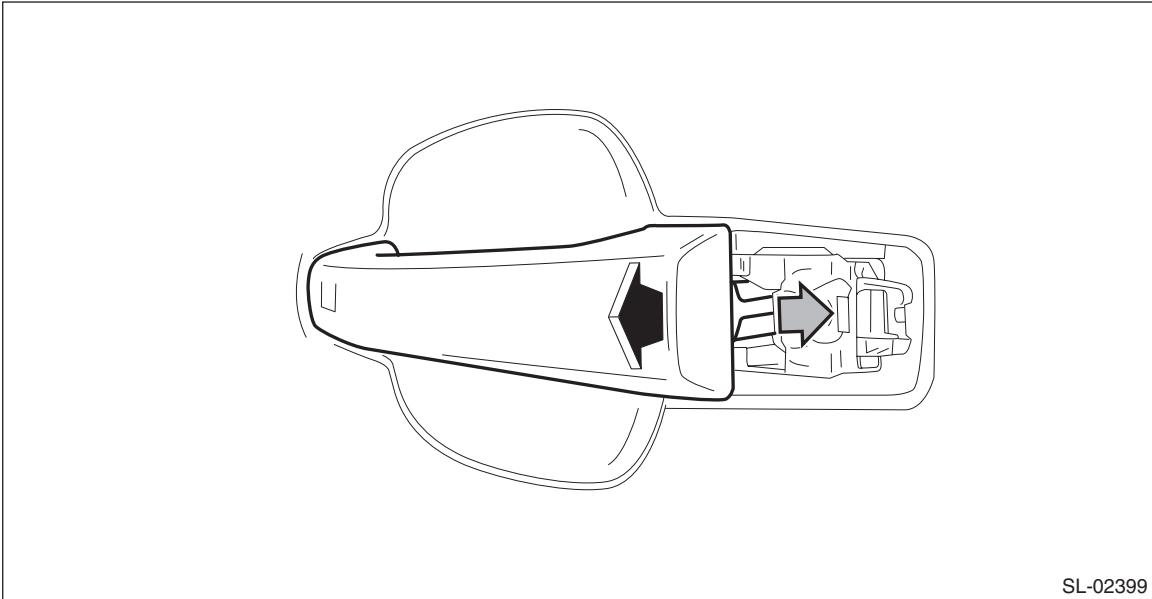
- (1) Remove the plug at the rear end of the panel assembly - front door.
- (2) Loosen the TORX® bolt and remove the cover - handle front outer.



6) Remove the handle - door outer by moving it rearward.

**CAUTION:**

**Do not apply excessive force to remove the handle - door outer from the panel assembly - front door. The panel assembly - front door may be deformed.**



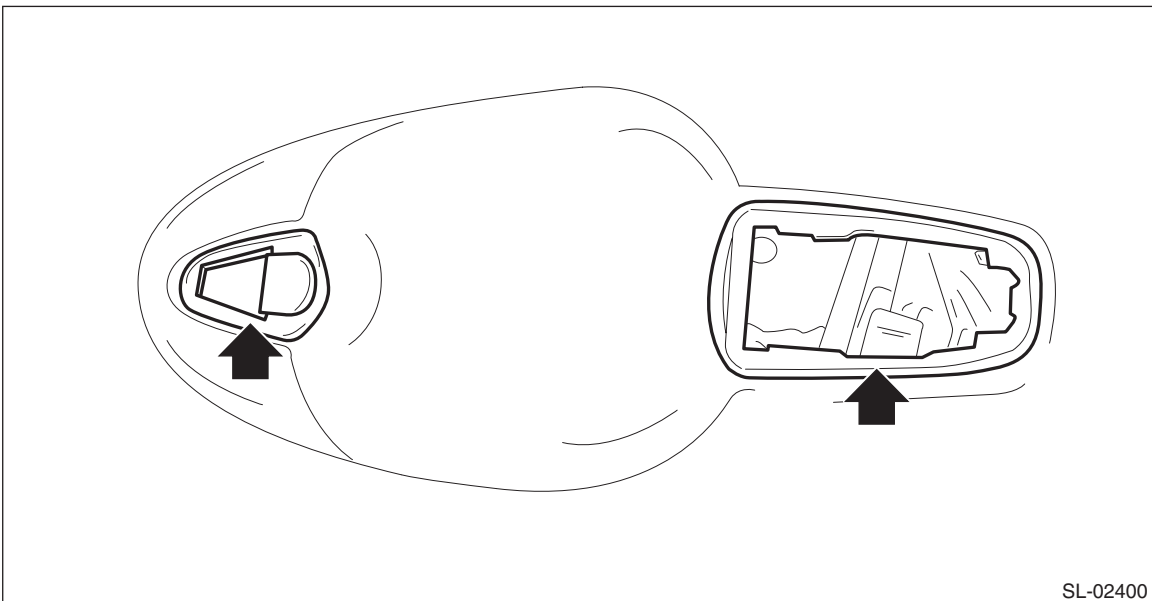
SL-02399

7) Remove the frame assembly - front door outer.

**Preparation tool:**

**TORX® T30**

(1) Remove the spacer - door handle outer.



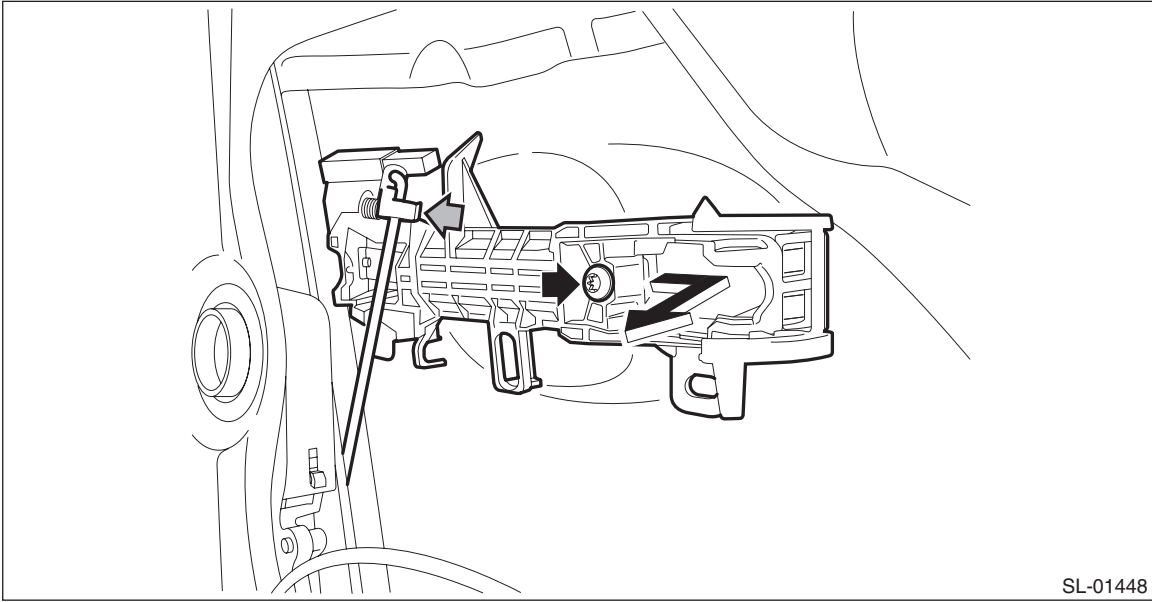
SL-02400

(2) Remove the rod from the rod clamp of the frame assembly - front door outer.

## Front Outer Handle

### SECURITY AND LOCKS

(3) Loosen the TORX® bolt and remove the frame assembly - front door outer from inside the panel assembly - front door.



### B: INSTALLATION

1) Before installation, check the following items.

- Rod is free from deformation.
- Grease is applied sufficiently to rod joints.
- If grease is insufficient, add it as necessary before assembling the rod.

2) Install each part in the reverse order of removal.

#### **Tightening torque:**

**Refer to “COMPONENT” of “General Description”. <Ref. to SL-2, DOOR LOCK ASSEMBLY, COMPONENT, General Description.>**

### C: INSPECTION

Check if the outer handle operates normally.

- If the lever is faulty, replace the handle - door outer.
- If the rod is deformed, replace the latch & actuator assembly - front.