

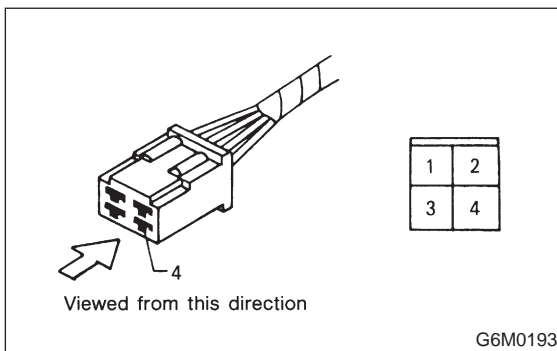
1. General Description

A: WIRING DIAGRAM

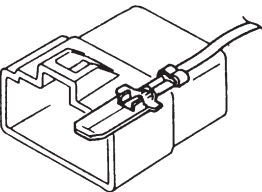
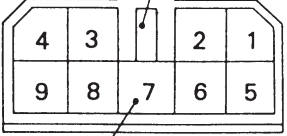
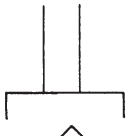
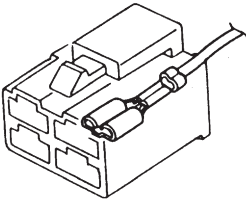
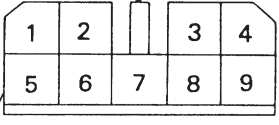
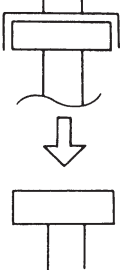
The wiring diagram of each system is illustrated so that you can understand the path through which the electric current flows from the battery.

Sketches and codes are used in the diagrams. They should read as follows:

- Each connector and its terminal position are indicated by a sketch of the connector in a disconnected state which is viewed from the front.



- The number of poles or pins, presence of a lock, and pin number of each terminal are indicated in the sketch of each connector. In the sketch, the highest pole number refers to the number of poles which the connector has. For example, the sketch of the connector shown in figure indicates the connector has 9 poles.

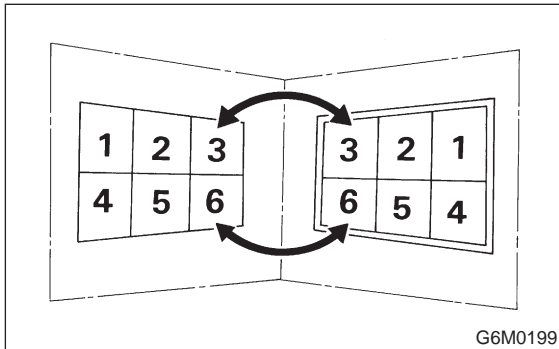
Connector used in vehicle	Connector shown in wiring diagram		
	Sketch	Symbol	Number of poles
 <p>G6M0194</p>	<p>Double frames Indicates a lock is included.</p>  <p>Indicates the number of poles.</p> <p>G6M0196</p>		<p>Numbered in order from upper right to lower left.</p>
 <p>G6M0195</p>	<p>Indicates a lock is included.</p>  <p>Single frame</p> <p>G6M0197</p>	 <p>G6M0198</p>	<p>Numbered in order from upper left to lower right.</p>

WIRING DIAGRAM

[D1A0] 6-3

1. General Description

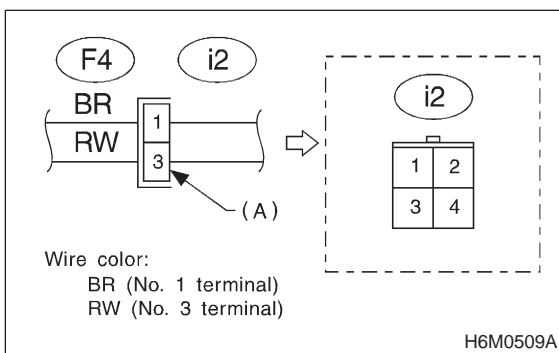
- When one set of connectors is viewed from the front side, the pole numbers of one connector are symmetrical to those of the other. When these two connectors are connected as a unit, the poles which have the same number are joined.



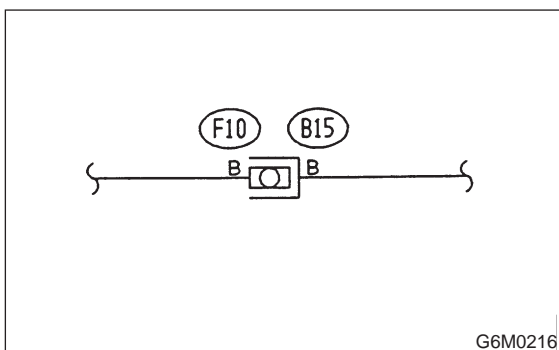
- Electrical wiring harness:
The connectors are numbered along with the number of poles, external colors, and mating connections in the accompanying list.
- The sketch of each connector in the wiring diagram usually shows the (A) side of the connector. The relationship between the wire color, terminal number and connector is described in figure.

NOTE:

A wire which runs in one direction from a connector terminal sometimes may have a different color from that which runs in the other direction from that terminal.

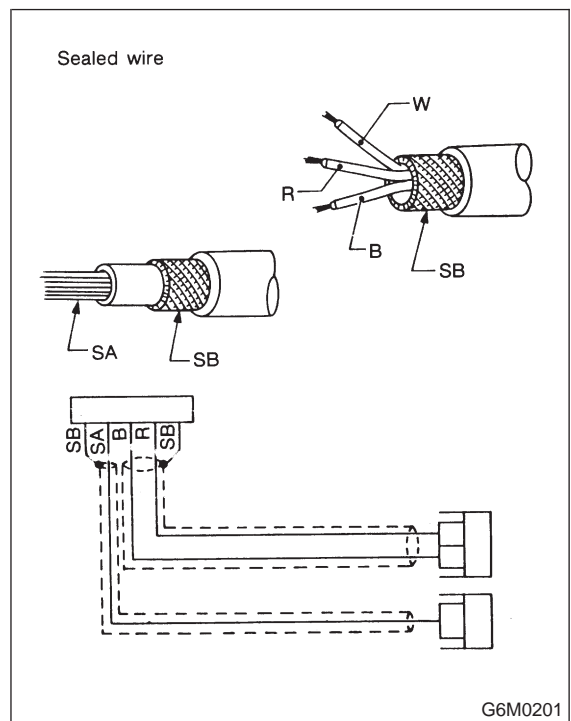


- In wiring diagram, connectors which have no terminal number refer to one-pole types. Sketches of these connectors are omitted intentionally.



- The following color codes are used to indicate the colors of the wires used.

Color code	Color
L	Blue
B	Black
Y	Yellow
G	Green
R	Red
W	White
Br	Brown
Lg	Light green
Gr	Gray
P	Pink
Or	Orange
Lb	Light Blue
V	Violet
SA	Sealed (Inner)
SB	Sealed (Outer)

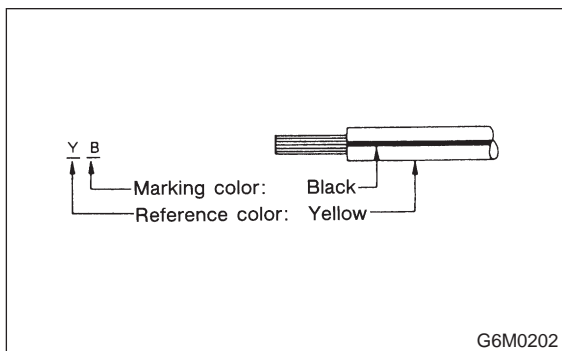


6-3 [D1A0]

1. General Description

WIRING DIAGRAM

- The wire color code, which consists of two letters (or three letters including Br or Lg), indicates the standard color (base color of the wire covering) by its first letter and the stripe marking by its second letter.



- The table lists the nominal sectional areas and allowable currents of the wires.

CAUTION:

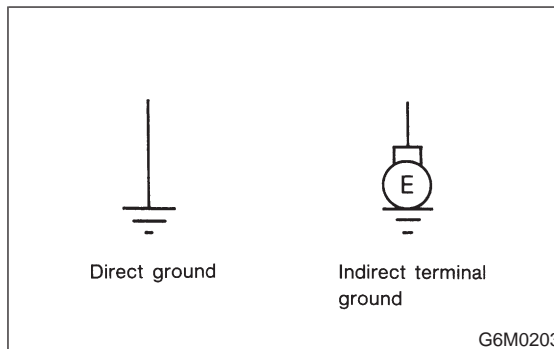
- **When replacing or repairing a wire, be sure to use the same size and type of the wire which was originally used.**

NOTE:

- The allowable current in the table indicates the tolerable amperage of each wire at an ambient temperature of 40°C (104°F).
- The allowable current changes with ambient temperature. Also, it changes if a bundle of more than two wires is used.

Nominal sectional area mm ²	No. of strands/ strand diameter	Outside diameter of finished wiring mm	Allowable current Amps/40°C
0.3	7/0.26	1.8	7
0.5	7/0.32	2.2 (or 2.0)	12
0.75	30/0.18	2.6 (or 2.4)	16
0.85	11/0.32	2.4 (or 2.2)	16
1.25	16/0.32	2.7 (or 2.5)	21
2	26/0.32	3.1 (or 2.9)	28
3	41/0.32	3.8 (or 3.6)	38
5	65/0.32	4.6 (or 4.4)	51
8	50/0.45	5.5	67

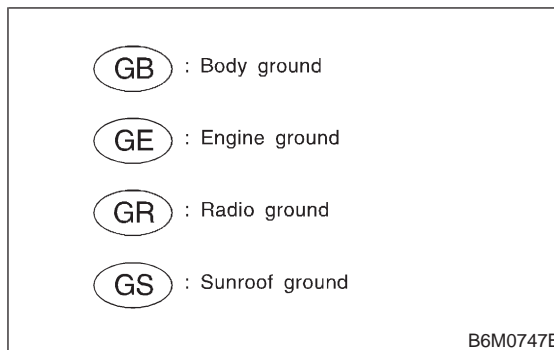
- Each unit is directly grounded to the body or indirectly grounds through a harness ground terminal. Different symbols are used in the wiring diagram to identify the two grounding systems.



- The ground points shown in the wiring diagram refer to the following:

NOTE:

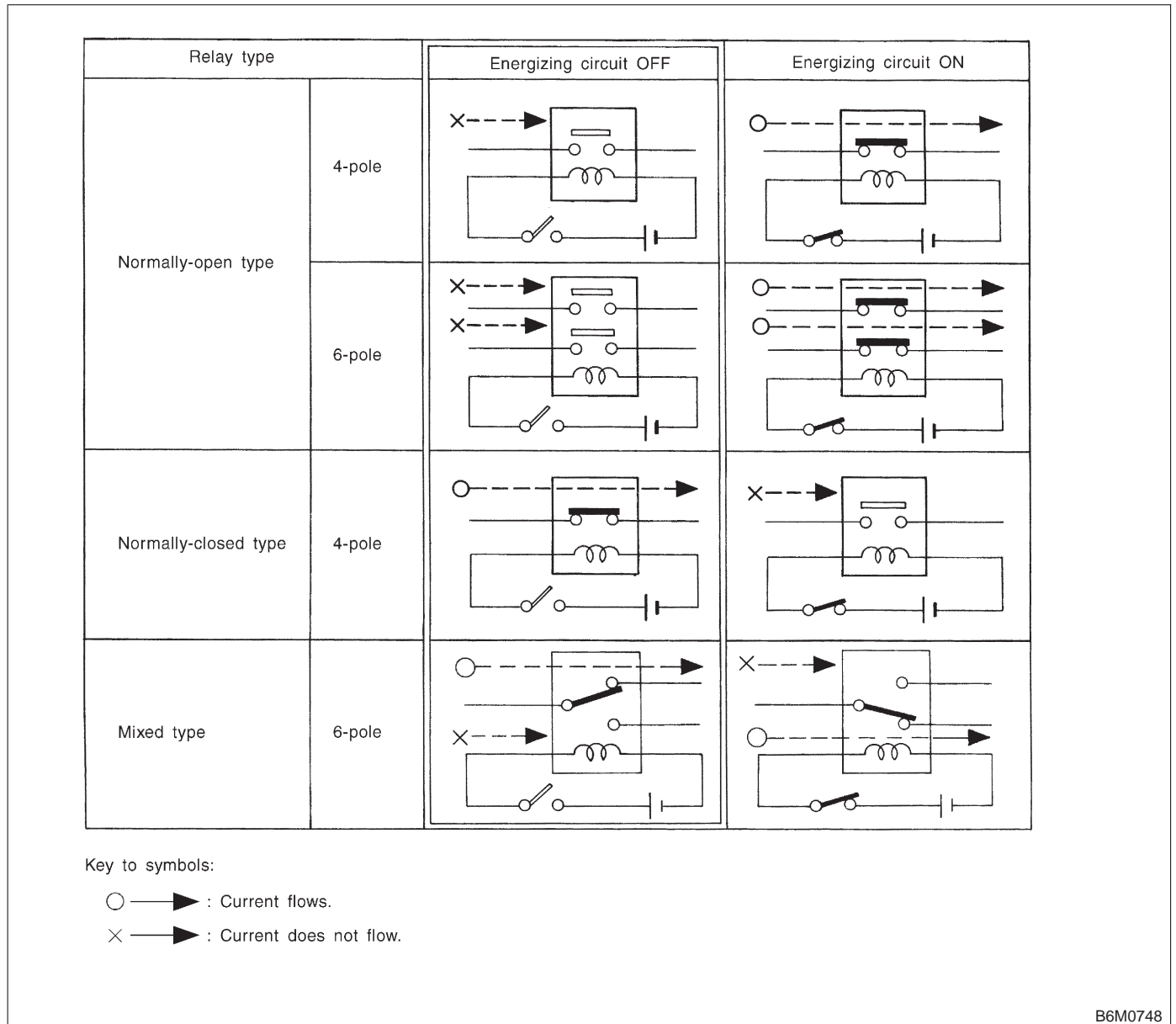
All wiring harnesses are provided with a ground point which should be securely connected.



WIRING DIAGRAM

- Relays are classified as normally-open or normally-closed. The normally-closed relay has one or more contacts.

The wiring diagram shows the relay mode when the energizing circuit is OFF.



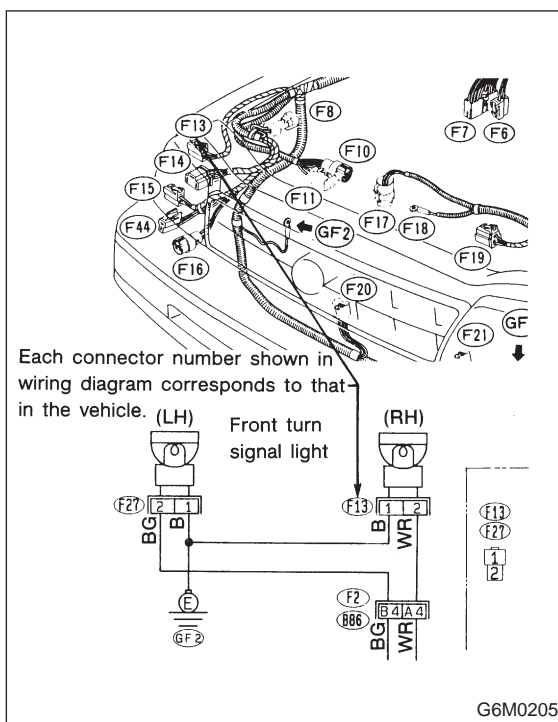
6-3 [D2A1]

2. Basic Diagnostics Procedure

WIRING DIAGRAM

- Each connector number shown in the wiring diagram corresponds to that in the wiring harness. The location of each connector in the actual vehicle is determined by reading the first character of the connector (for example, a "F" for F8, "i" for i16, etc.) and the type of wiring harness. The first character of each connector number refers to the area or system of the vehicle.

Symbol	Wiring harness and cord
F	Front wiring harness
B	Bulkhead wiring harness
E	Engine wiring harness
T	Transmission cord, Rear oxygen sensor cord
D	Door cord LH & RH, Rear door cord LH & RH, Rear gate cord, Rear gate lock adapter cord
i	Instrument panel center harness Instrument panel meter harness
R	Rear wiring harness, Rear defogger cord (Ground), Fuel tank cord, Roof cord



2. Basic Diagnostics Procedure

A: BASIC PROCEDURE

1. GENERAL

The most important purpose of diagnostics is to determine which part is malfunctioning quickly, to save time and labor.

2. IDENTIFICATION OF TROUBLE SYMPTOM

Determine what the problem is based on the symptom.

3. PROBABLE CAUSE OF TROUBLE

Look at the wiring diagram and check the system's circuit. Then check the switch, relay, fuse, ground, etc.

4. LOCATION AND REPAIR OF TROUBLE

- Using the diagnostics narrow down the causes.
- If necessary, use a voltmeter, ohmmeter, etc.
- Before replacing certain component parts (switch, relay, etc.), check the power supply, ground, for open wiring harness, poor connectors, etc. If no problems are encountered, check the component parts.

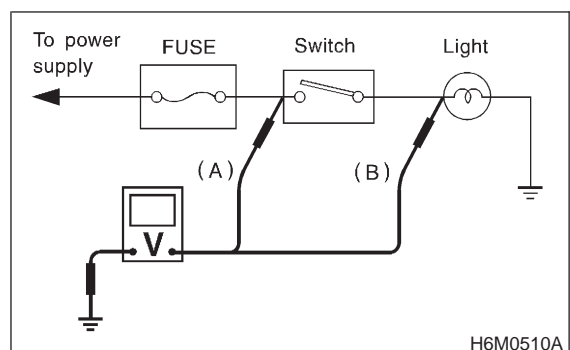
5. CONFIRMATION OF SYSTEM OPERATION

After repairing, ensure that the system operates properly.

B: INSPECTION

1. VOLTAGE MEASUREMENT

- Using a voltmeter, connect the negative lead to a good ground point or negative battery terminal and the positive lead to the connector or component terminal.
- Contact the positive probe of the voltmeter on connector (A). The voltmeter will indicate a voltage.
- Shift the positive probe to connector (B). The voltmeter will indicate no voltage.



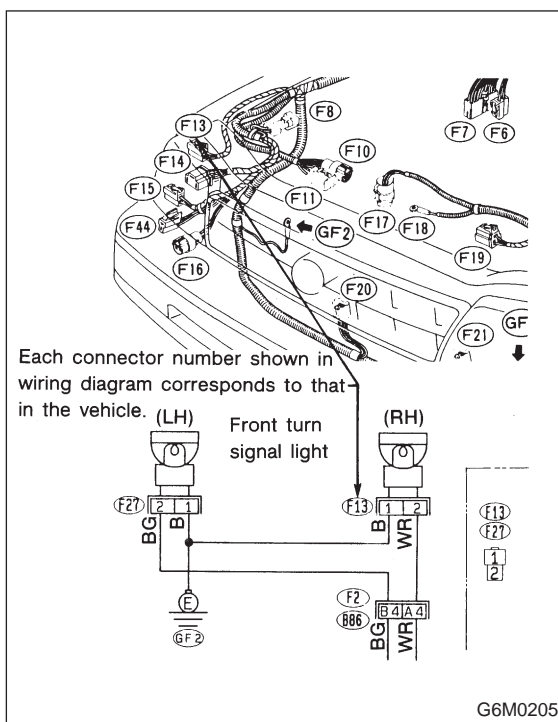
6-3 [D2A1]

2. Basic Diagnostics Procedure

WIRING DIAGRAM

- Each connector number shown in the wiring diagram corresponds to that in the wiring harness. The location of each connector in the actual vehicle is determined by reading the first character of the connector (for example, a "F" for F8, "i" for i16, etc.) and the type of wiring harness. The first character of each connector number refers to the area or system of the vehicle.

Symbol	Wiring harness and cord
F	Front wiring harness
B	Bulkhead wiring harness
E	Engine wiring harness
T	Transmission cord, Rear oxygen sensor cord
D	Door cord LH & RH, Rear door cord LH & RH, Rear gate cord, Rear gate lock adapter cord
i	Instrument panel center harness Instrument panel meter harness
R	Rear wiring harness, Rear defogger cord (Ground), Fuel tank cord, Roof cord



2. Basic Diagnostics Procedure

A: BASIC PROCEDURE

1. GENERAL

The most important purpose of diagnostics is to determine which part is malfunctioning quickly, to save time and labor.

2. IDENTIFICATION OF TROUBLE SYMPTOM

Determine what the problem is based on the symptom.

3. PROBABLE CAUSE OF TROUBLE

Look at the wiring diagram and check the system's circuit. Then check the switch, relay, fuse, ground, etc.

4. LOCATION AND REPAIR OF TROUBLE

- Using the diagnostics narrow down the causes.
- If necessary, use a voltmeter, ohmmeter, etc.
- Before replacing certain component parts (switch, relay, etc.), check the power supply, ground, for open wiring harness, poor connectors, etc. If no problems are encountered, check the component parts.

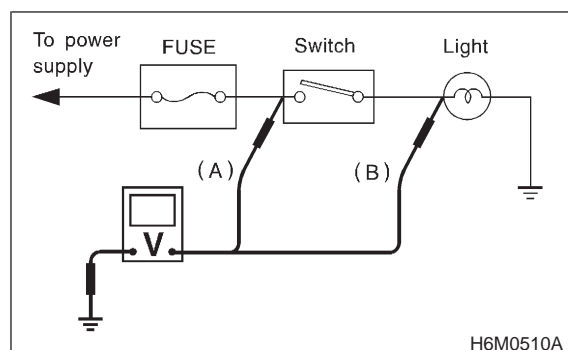
5. CONFIRMATION OF SYSTEM OPERATION

After repairing, ensure that the system operates properly.

B: INSPECTION

1. VOLTAGE MEASUREMENT

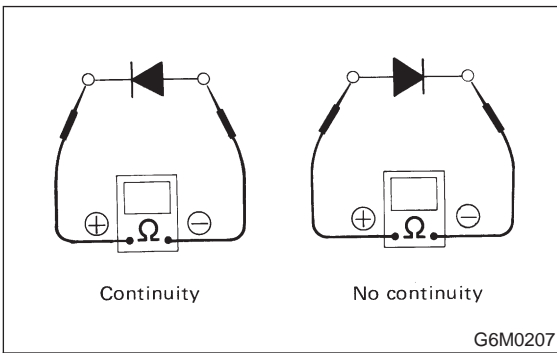
- Using a voltmeter, connect the negative lead to a good ground point or negative battery terminal and the positive lead to the connector or component terminal.
- Contact the positive probe of the voltmeter on connector (A). The voltmeter will indicate a voltage.
- Shift the positive probe to connector (B). The voltmeter will indicate no voltage.



- 4) With test set-up held as it is, turn switch ON. The voltmeter will indicate a voltage and, at the same time, the light will come on.
- 5) The circuit is in good order. If a problem such as a lamp failing to light occurs, use the procedures outlined above to track down the malfunction.

2. CIRCUIT CONTINUITY CHECKS

- 1) Disconnect the battery terminal or connector so there is no voltage between the check points. Contact the two leads of an ohmmeter to each of the check points. If the circuit has diodes, reverse the two leads and check again.
- 2) Use an ohmmeter to check for diode continuity. When contacting the negative lead to the diode positive side and the positive lead to the negative side, there should be continuity. When contacting the two leads in reverse, there should be no continuity.

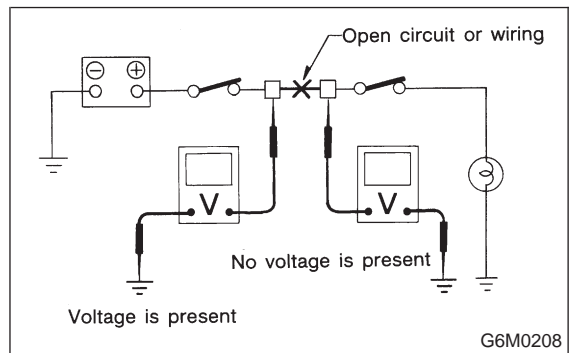


3) Symbol “○—○” indicates that continuity exists between two points or terminals. For example, when a switch position is “3”, continuity exists among terminals 1, 3 and 6, as shown in table below.

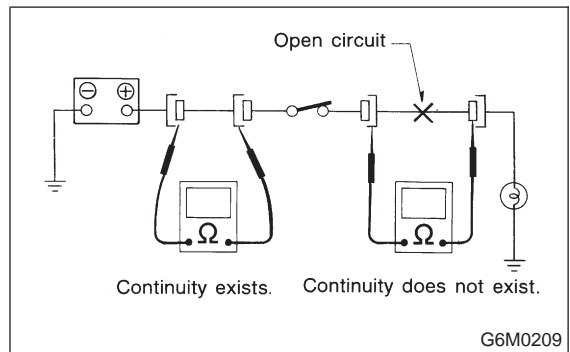
Terminal	1	2	3	4	5	6
Switch Position						
OFF						
1	○—○					
2	○—○			○—○		
3	○—○		○—○			○—○
4	○—○	○—○				○—○

3. HOW TO DETERMINE AN OPEN CIRCUIT

- 1) Voltmeter Method: An open circuit is determined by measuring the voltage between respective connectors and ground using a voltmeter, starting with the connector closest to the power supply. The power supply must be turned ON so that current flows in the circuit. If voltage is not present between a particular connector and ground, the circuit between that connector and the previous connector is open.



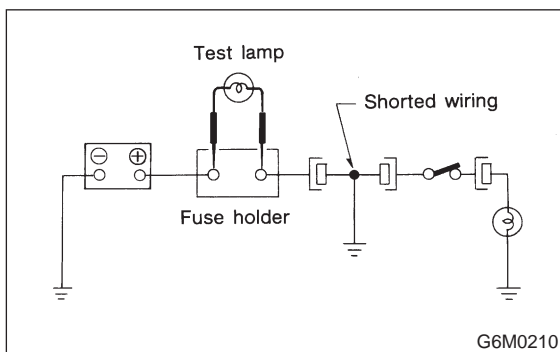
- 2) Ohmmeter method: Disconnect all connectors affected, and check continuity in the wiring between adjacent connectors. When the ohmmeter indicates “infinite”, the wiring is open.



4. HOW TO DETERMINE A SHORTCIRCUIT

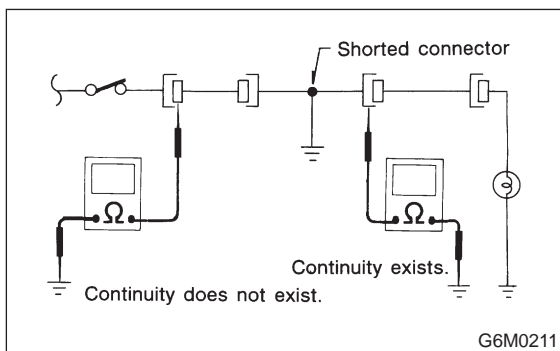
1) Test lamp method:

Connect a test lamp (rated at approximately 3 watts) in place of the blown fuse and allow current to flow through the circuit. Disconnect one connector at a time from the circuit, starting with the one located farthest from the power supply. If the test lamp goes out when a connector is disconnected, the wiring between that connection and the next connector (farther from the power supply) is shorted.



2) Ohmmeter method:

Disconnect all affected connectors, and check continuity between each connector and ground. When ohmmeter indicates continuity between a particular connector and ground, that connector is shorted.



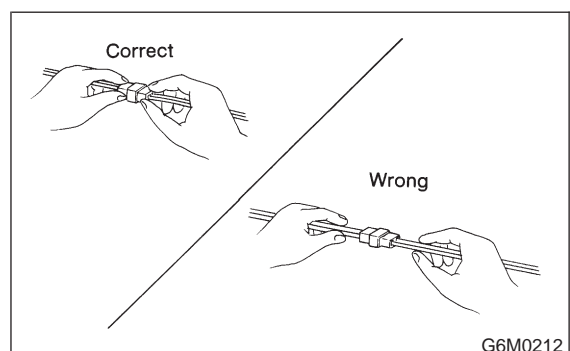
3. Working Precautions

A: PRECAUTIONS WHEN WORKING WITH THE PARTS MOUNTED ON THE VEHICLE

- 1) When working under a vehicle which is jacked-up, always be sure to use safety stands.
- 2) The parking brake must always be applied during working. Also, in automatic transmission vehicles, keep the select lever set to the P (Parking) range.
- 3) Be sure the workshop is properly ventilated when running the engine. Further, be careful not to touch the belt or fan while the engine is operating.
- 4) Be careful not to touch hot metal parts, especially the radiator and exhaust system immediately after the engine has been shut off.

B: PRECAUTIONS IN TROUBLE DIAGNOSIS AND REPAIR OF ELECTRIC PARTS

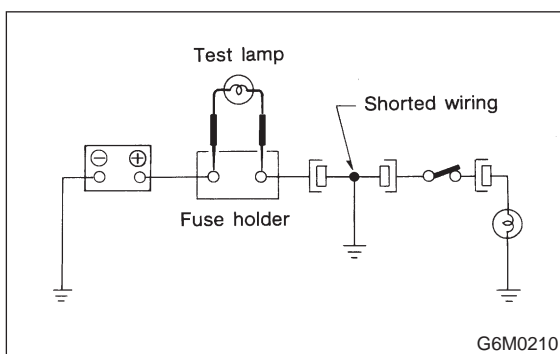
- 1) The battery cable must be disconnected from the battery's (-) terminal, and the ignition switch must be set to the OFF position, unless otherwise required by the diagnostics.
- 2) Securely fasten the wiring harness with clamps and slips so that the harness does not interfere with the body end parts or edges and bolts or screws.
- 3) When installing parts, be careful not to catch them on the wiring harness.
- 4) When disconnecting a connector, do not pull the wires, but pull while holding the connector body.



4. HOW TO DETERMINE A SHORTCIRCUIT

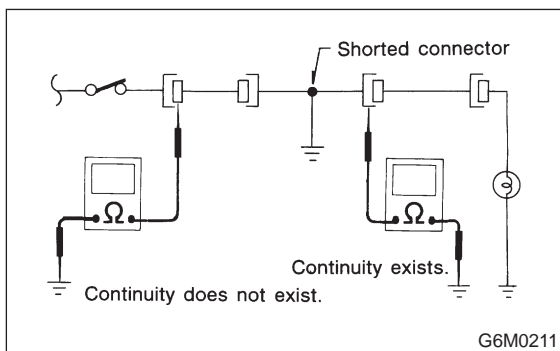
1) Test lamp method:

Connect a test lamp (rated at approximately 3 watts) in place of the blown fuse and allow current to flow through the circuit. Disconnect one connector at a time from the circuit, starting with the one located farthest from the power supply. If the test lamp goes out when a connector is disconnected, the wiring between that connection and the next connector (farther from the power supply) is shorted.



2) Ohmmeter method:

Disconnect all affected connectors, and check continuity between each connector and ground. When ohmmeter indicates continuity between a particular connector and ground, that connector is shorted.



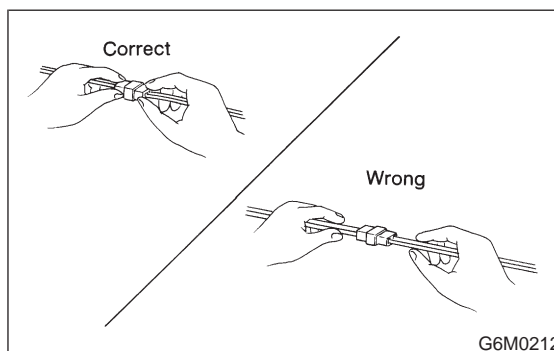
3. Working Precautions

A: PRECAUTIONS WHEN WORKING WITH THE PARTS MOUNTED ON THE VEHICLE

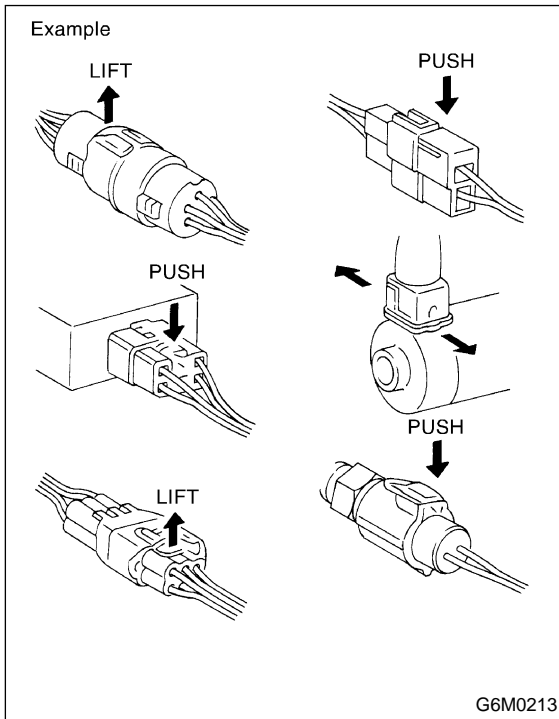
- 1) When working under a vehicle which is jacked-up, always be sure to use safety stands.
- 2) The parking brake must always be applied during working. Also, in automatic transmission vehicles, keep the select lever set to the P (Parking) range.
- 3) Be sure the workshop is properly ventilated when running the engine. Further, be careful not to touch the belt or fan while the engine is operating.
- 4) Be careful not to touch hot metal parts, especially the radiator and exhaust system immediately after the engine has been shut off.

B: PRECAUTIONS IN TROUBLE DIAGNOSIS AND REPAIR OF ELECTRIC PARTS

- 1) The battery cable must be disconnected from the battery's (-) terminal, and the ignition switch must be set to the OFF position, unless otherwise required by the diagnostics.
- 2) Securely fasten the wiring harness with clamps and slips so that the harness does not interfere with the body end parts or edges and bolts or screws.
- 3) When installing parts, be careful not to catch them on the wiring harness.
- 4) When disconnecting a connector, do not pull the wires, but pull while holding the connector body.

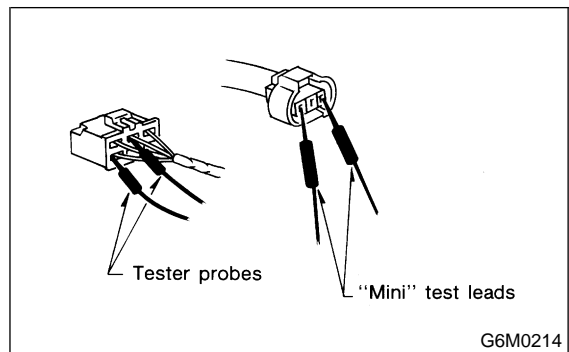


5) Some connectors are provided with a lock. One type of such a connector is disconnected by pushing the lock, and the other, by moving the lock up. In either type the lock shape must be identified before attempting to disconnect the connector. To connect, insert the connector until it snaps and confirm that it is tightly connected.



6) When checking continuity between connector terminals, or measuring voltage across the terminal and ground, always contact tester probe(s) on terminals from the wiring connection side. If the probe is too thick to gain access to the terminal, use "mini" test leads.

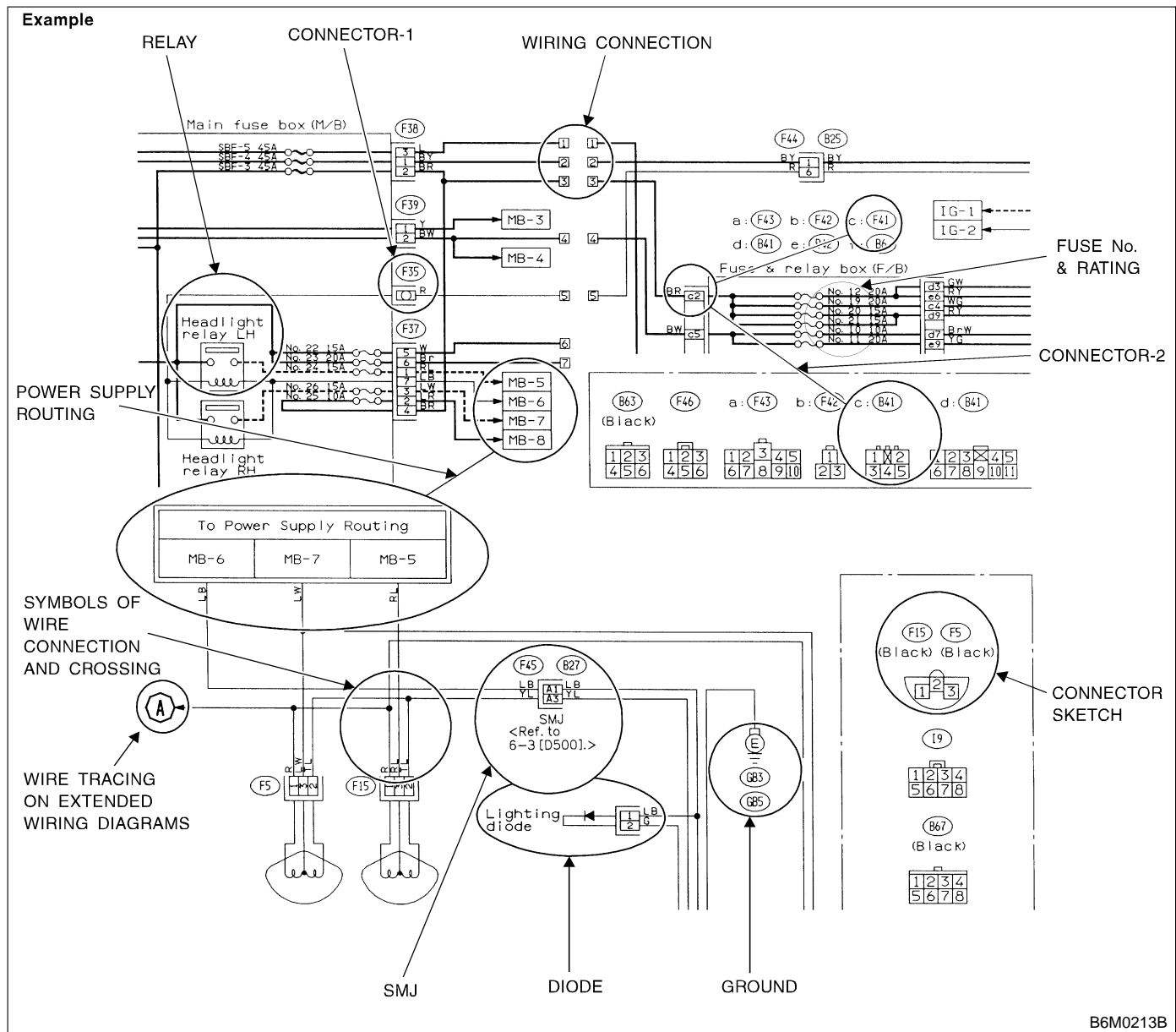
To check water-proof connectors (which are not accessible from the wiring side), contact test probes on the terminal side being careful not to bend or damage the terminals.



7) Sensors, relays, electrical unit, etc., are sensitive to strong impacts.

Handle them with care so that they are not dropped or mishandled.

4. How to Use Wiring Diagram



A: RELAY

A symbol used to indicate a relay.

B: CONNECTOR-1

The sketch of the connector indicates the one-pole types.

C: WIRING CONNECTION

Some wiring diagrams are indicated in foldouts for convenience. Wiring destinations are indicated where necessary by corresponding symbols (as when two pages are needed for clear indication).

D: FUSE No. & RATING

The "FUSE No. & RATING" corresponds with that used in the fuse box (main fuse box, fuse and joint box).

E: CONNECTOR-2

- Each connector is indicated by a symbol.
- Each terminal number is indicated in the corresponding wiring diagram in an abbreviated form.
- For example, terminal number "C2" refers to No. 2 terminal of connector (C:F41) shown in the connector sketch.

F: CONNECTOR SKETCH

- Each connector sketch clearly identifies the shape and color of a connector as well as terminal locations. Non-colored connectors are indicated in natural color.
- When more than two types of connector number are indicated in a connector sketch, it means that the same type connectors are used.

G: GROUND

Each grounding point can be located easily by referring to the corresponding wiring harness.

H: DIODE

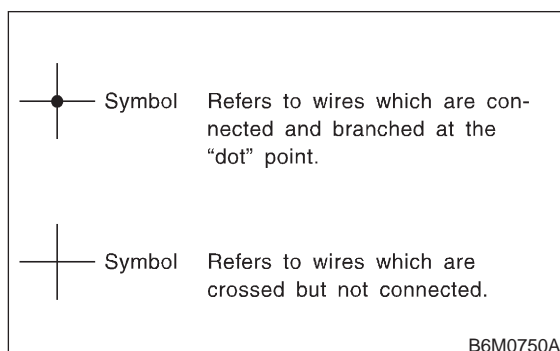
A symbol is used to indicate a diode.

I: WIRE TRACING ON EXTENDED WIRING DIAGRAMS

For a wiring diagram extending over at least two pages, a symbol (consisting of the same characters with arrows), facilitates wire tracing from one page to the next.

A ↔ A, B ↔ B

J: SYMBOLS OF WIRE CONNECTION AND CROSSING



K: POWER SUPPLY ROUTING

A symbol is used to indicate the power supply in each wiring diagram.

"MB-5", "MB-6", etc., which are used as power-supply symbols throughout the text, correspond with those shown in the POWER SUPPLY ROUTING in the wiring diagram.

Accordingly, using the POWER SUPPLY ROUTING and wiring diagrams permits service personnel to understand the entire electrical arrangement of a system.

L: SYMBOLS AND ABBREVIATIONS

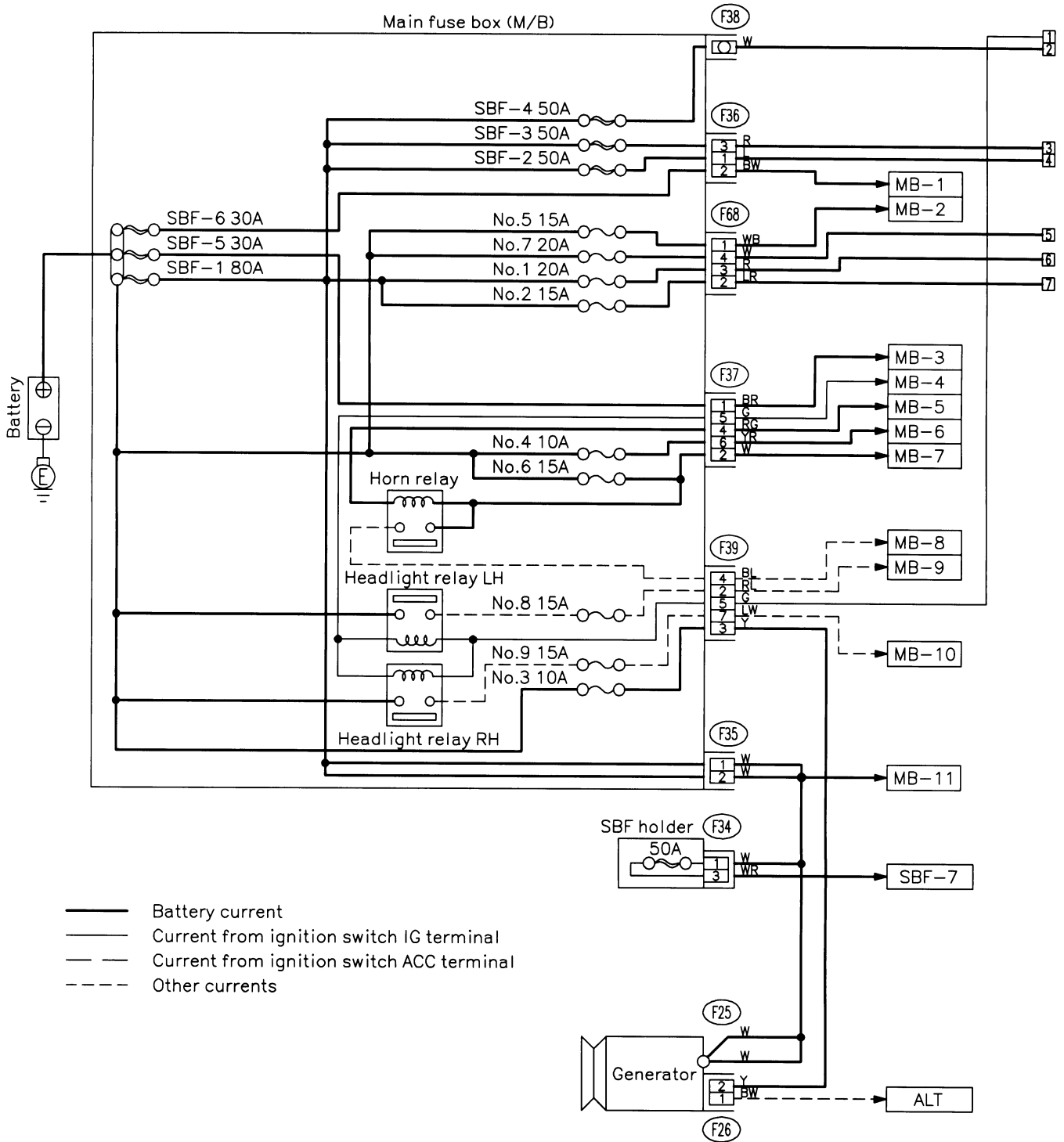
A number of symbols and abbreviations are used in each wiring diagram to easily identify parts or circuits.

M: ABBREVIATION LIST

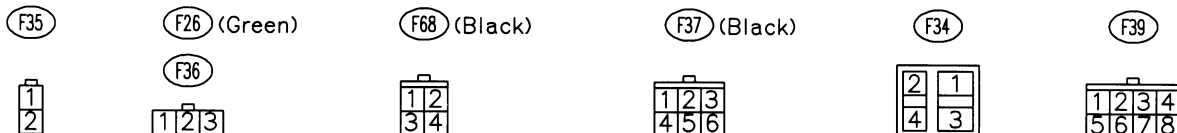
Abbr.	Full name
ABS	Antilock Brake System
ACC	Accessory
A/C	Air Conditioning
AD	Auto Down
AT	Automatic Transmission
AU	Auto Up
+B	Battery
DN	Down
E	Ground
F/B	Fuse & Joint Box
FL1.5	Fusible link 1.5 mm ²
IG	Ignition
Illumi.	Illumination
LH	Left Hand
Lo	Low
M	Motor
M/B	Main Fuse Box
MG	Magnet
Mi	Middle
OP	Optional Parts
PASS	Passing
RH	Right Hand
SBF	Slow Blow Fuse
ST	Starter
SW	Switch
UP	Up
WASH	Washer

5. Wiring Diagram

A: POWER SUPPLY ROUTING

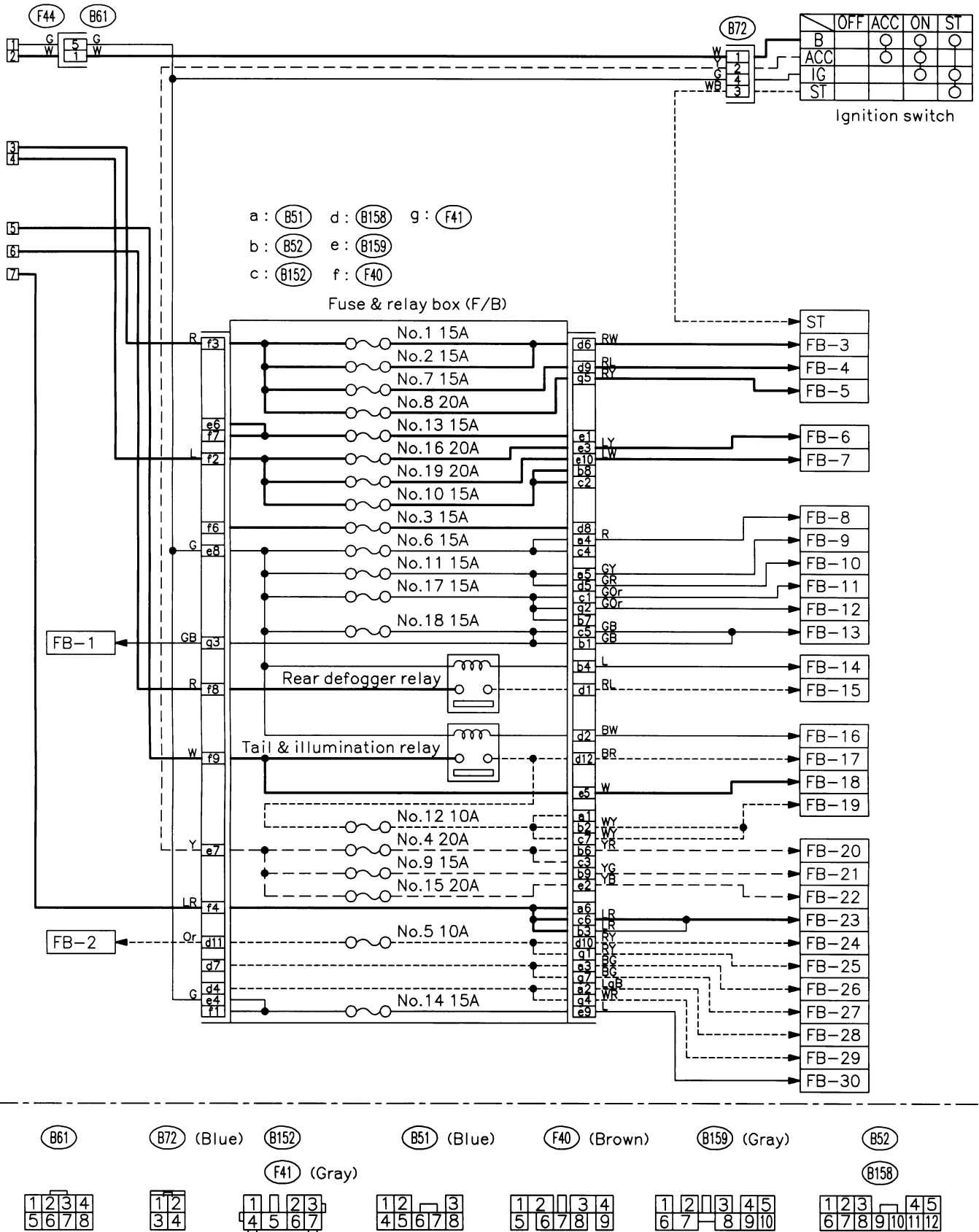


- Battery current
- Current from ignition switch IG terminal
- - - Current from ignition switch ACC terminal
- - - Other currents



WIRING DIAGRAM

[D5A0] 6-3
5. Wiring Diagram



6-3 [D5A0]

5. Wiring Diagram

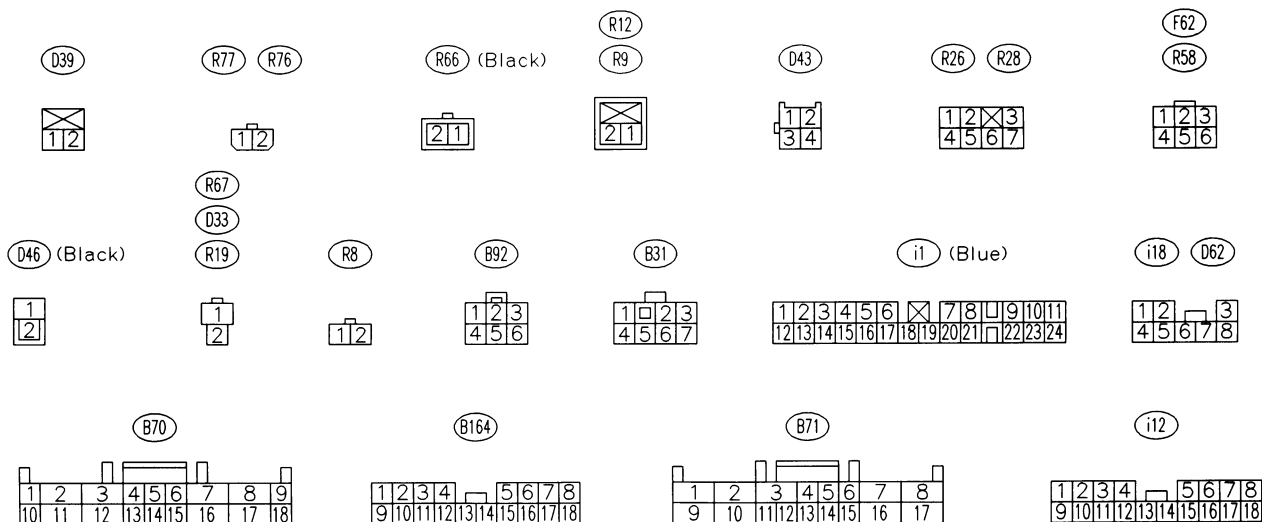
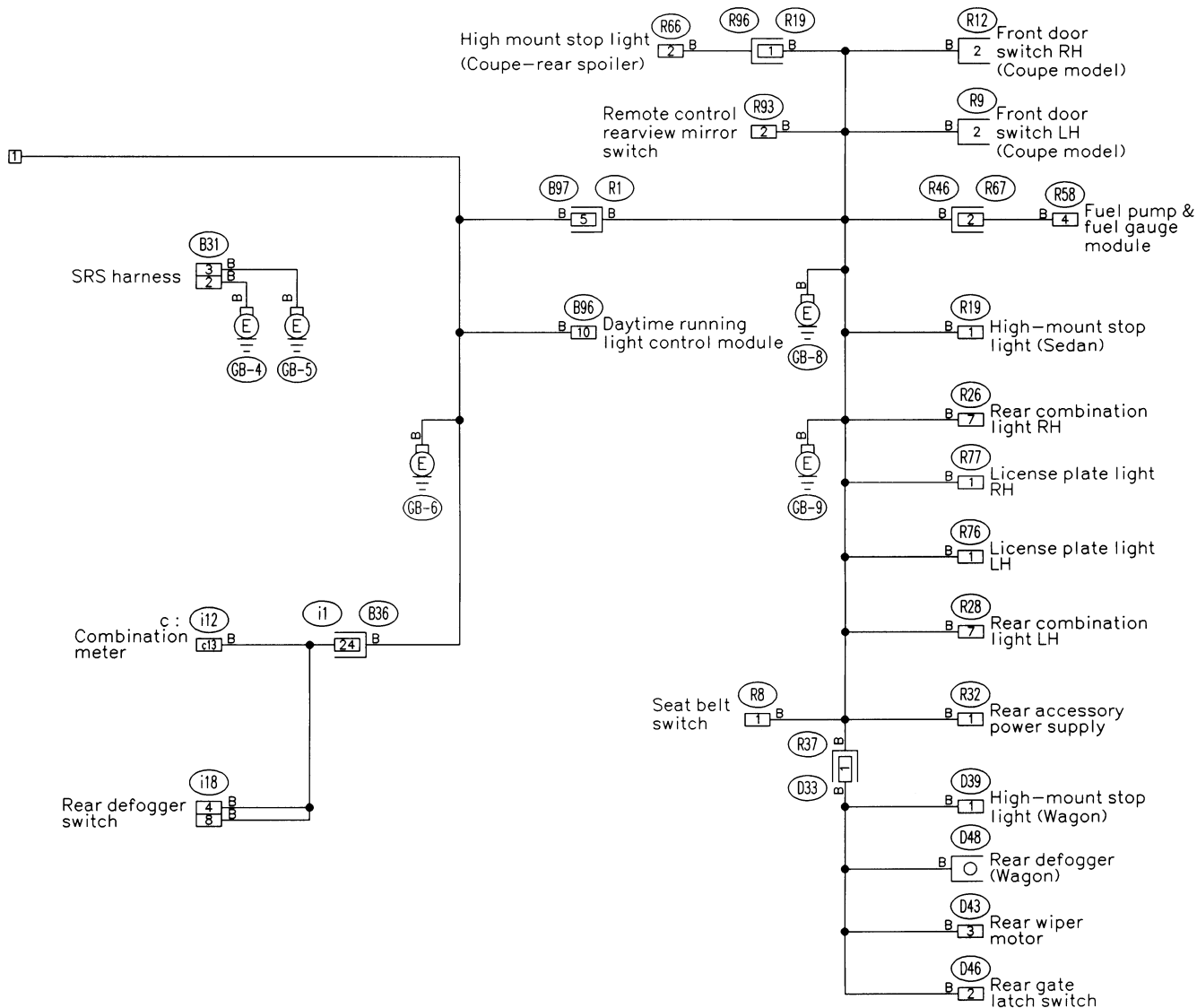
WIRING DIAGRAM

No.	Load
MB-1	Power window and sunroof circuit breaker
MB-2	Door lock timer
MB-3	Data link connector Engine control module Fuel pump relay Main relay
MB-4	Daytime running light control module Diode (Daytime running light) Lighting switch
MB-5	Cruise control sub switch Horn switch
MB-6	Transmission control module
MB-7	AT shift lock control module Hazard switch Key warning switch
MB-8	Horn
MB-9	Headlight LH
MB-10	Combination meter Front fog light relay Front fog light switch Headlight RH
MB-11	A/C relay holder
SBF-7	ABS control module
ALT	Combination meter Daytime running light control module
ST	Engine control module (AT) Inhibitor switch (AT) Starter interlock relay (MT)
FB-1	Main fan relay
FB-2	Parking switch
FB-3	Blower motor relay
FB-4	Front fog light relay
FB-5	ABS control module
FB-6	Stop light switch
FB-7	Rear accessory power supply relay
FB-8	Airbag control module
FB-9	Airbag control module
FB-10	Engine control module Fuel pump relay Ignition coil Transmission control module
FB-11	Blower motor relay Mode control panel Rear defogger switch
FB-12	A/C relay Sub fan relay Thermal protector

No.	Load
FB-13	Back-up light switch (MT) Check connector Combination meter Daytime running light control module Daytime running light hi-beam relay Daytime running light relay Hazard switch Inhibitor switch (AT) Key warning module Power window and sunroof relay Vehicle speed sensor 2 (MT)
FB-14	Rear defogger switch
FB-15	Rear defogger Rear defogger switch
FB-16	Lighting switch
FB-17	Parking switch
FB-18	Parking switch
FB-19	Clock Illumination control module Illumination light
FB-20	AT shift lock control module Front accessory power supply Remote control rearview mirror switch Rear accessory power supply relay
FB-21	Radio
FB-22	Front washer motor Front wiper motor Front wiper & washer switch Rear washer motor Rear wiper motor Rear wiper relay
FB-23	Combination meter Radio Room light Spot light Trunk room light
FB-24	License plate light LH License plate light RH Tail light LH Tail light RH
FB-25	Front clearance light LH Front clearance light RH
FB-26	Combination meter Hazard switch Rear turn signal light LH Turn signal switch
FB-27	Front turn signal light LH Side turn signal light LH
FB-28	Combination meter Hazard switch Rear turn signal light RH Turn signal switch
FB-29	Front turn signal light RH Side turn signal light RH
FB-30	ABS control module AT shift lock control module Cruise control main switch Cruise control module

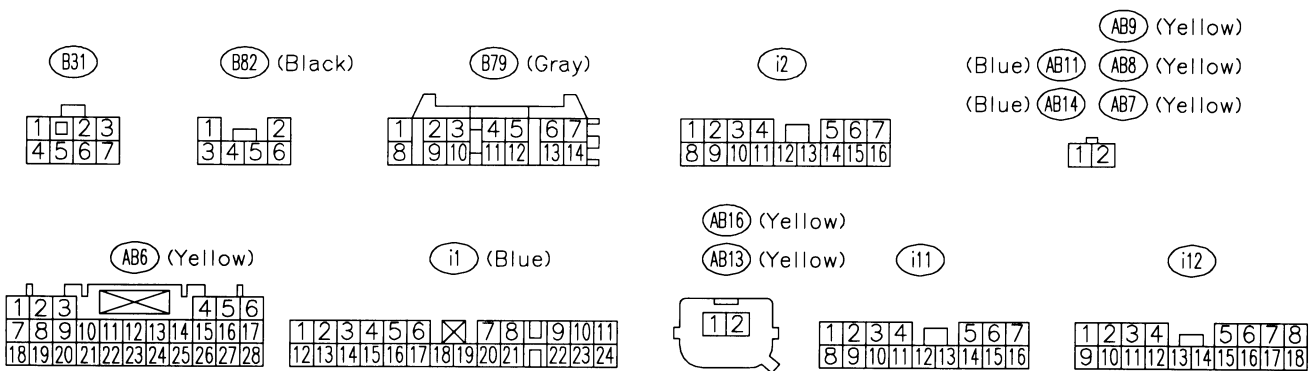
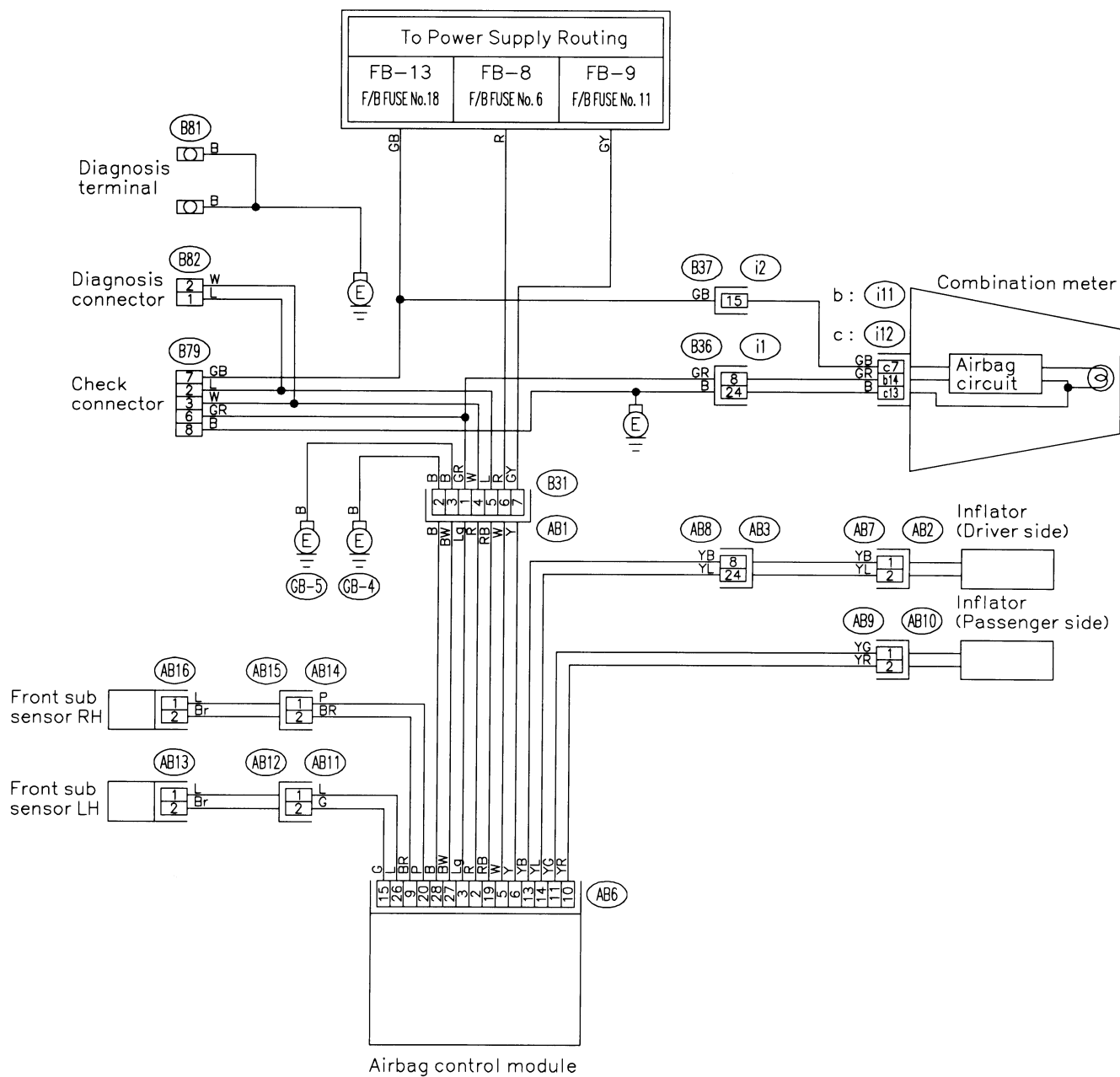
6-3 [D5B0]
5. Wiring Diagram

WIRING DIAGRAM



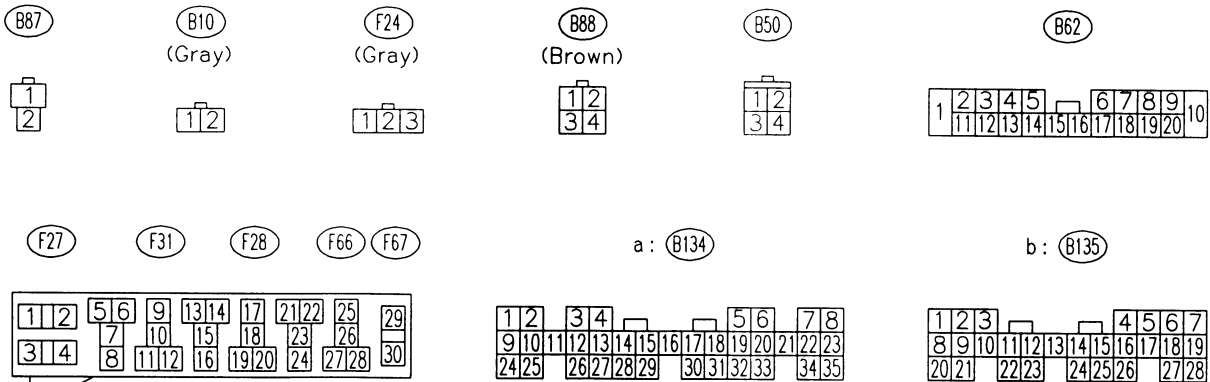
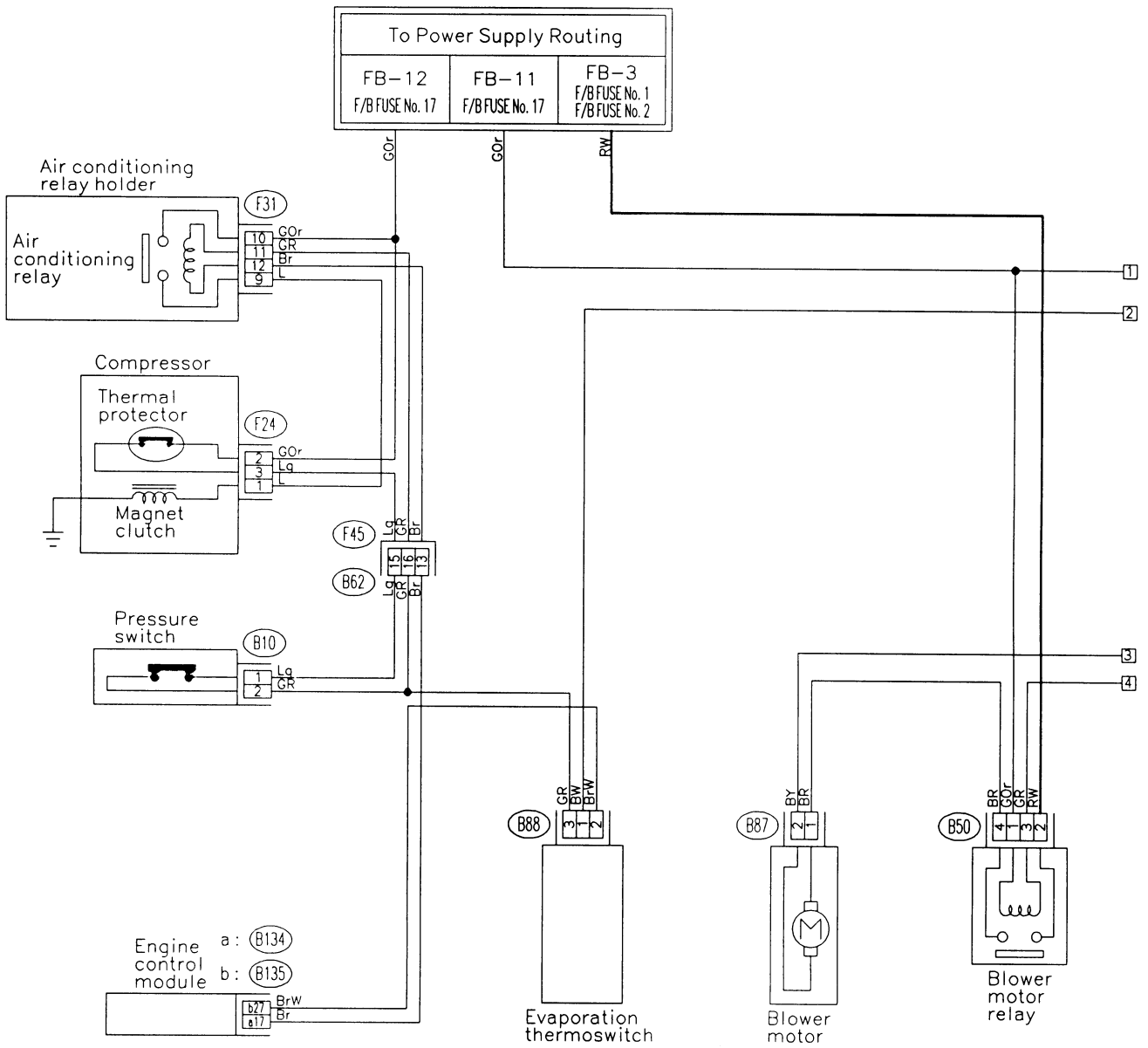
GU04-06B

C: AIRBAG SYSTEM

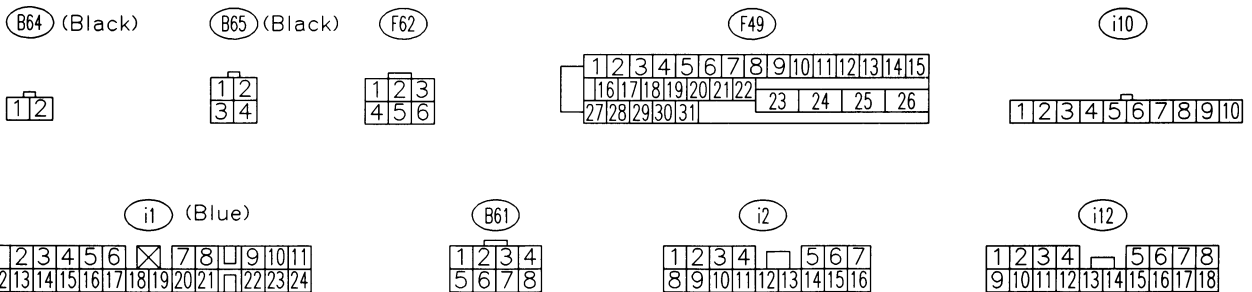
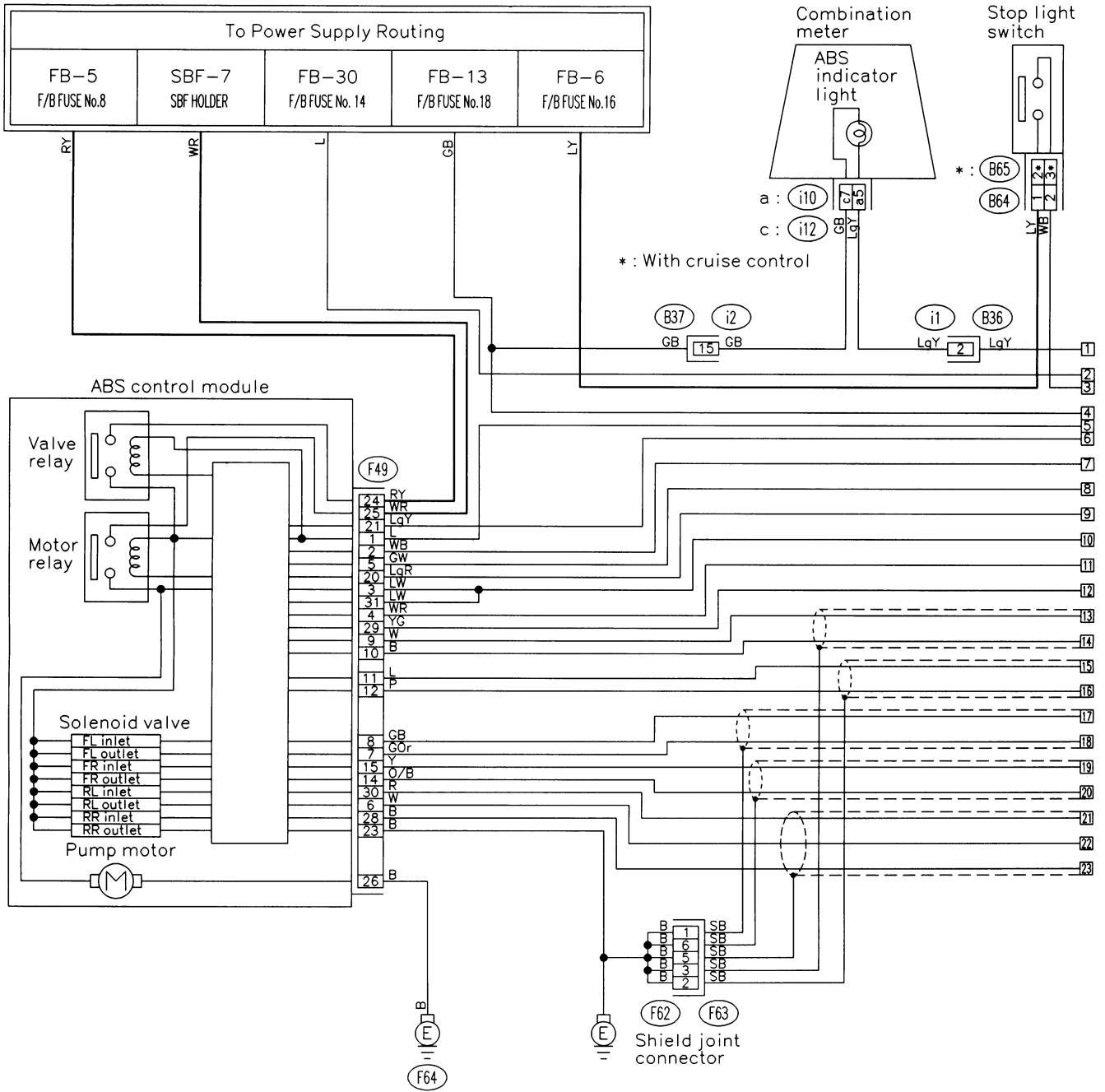


WIRING DIAGRAM

D: AIR CONDITIONING SYSTEM

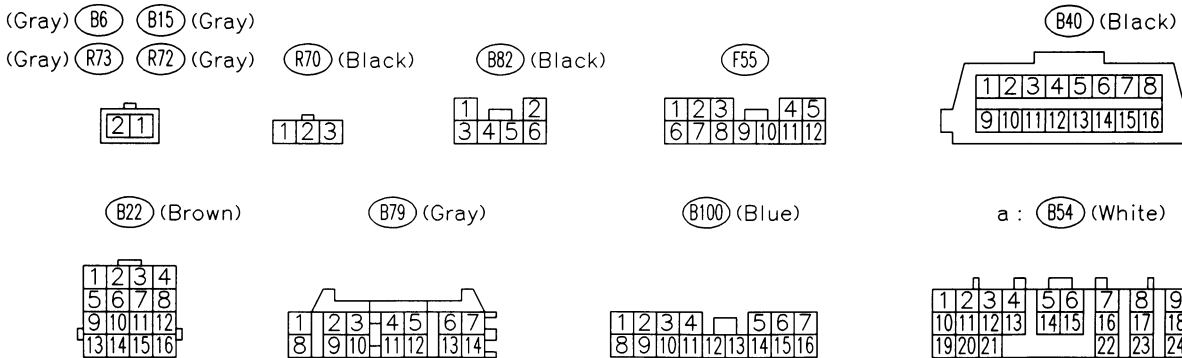
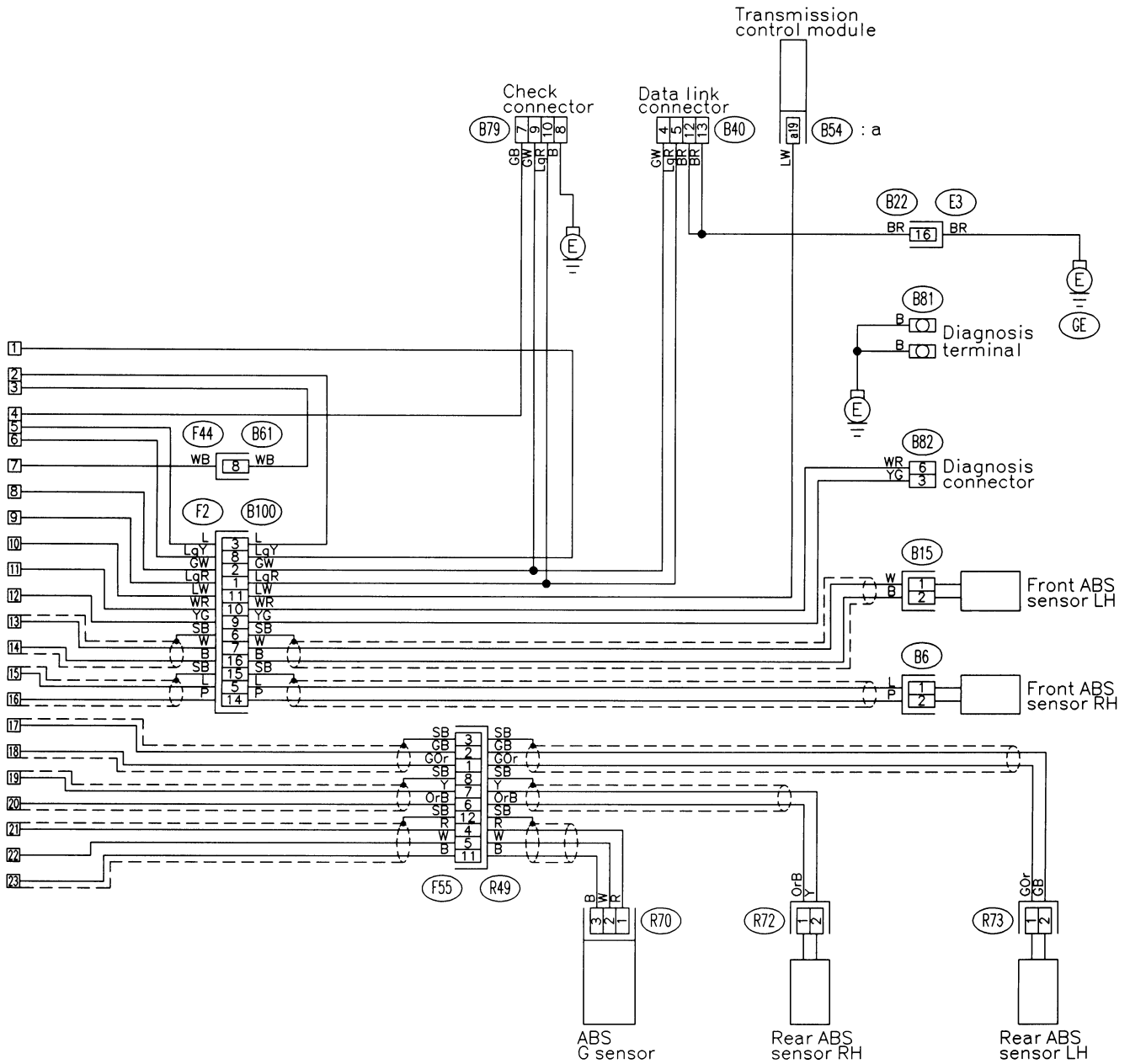


E: ANTI-LOCK BRAKE SYSTEM



6-3 [D5E0]
5. Wiring Diagram

WIRING DIAGRAM

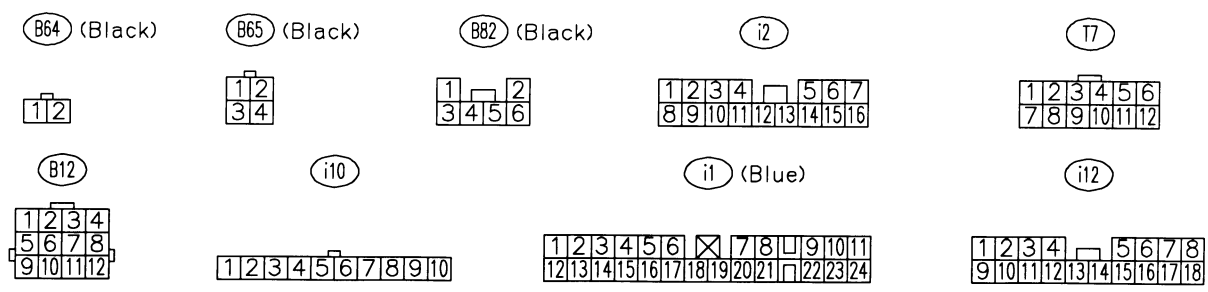
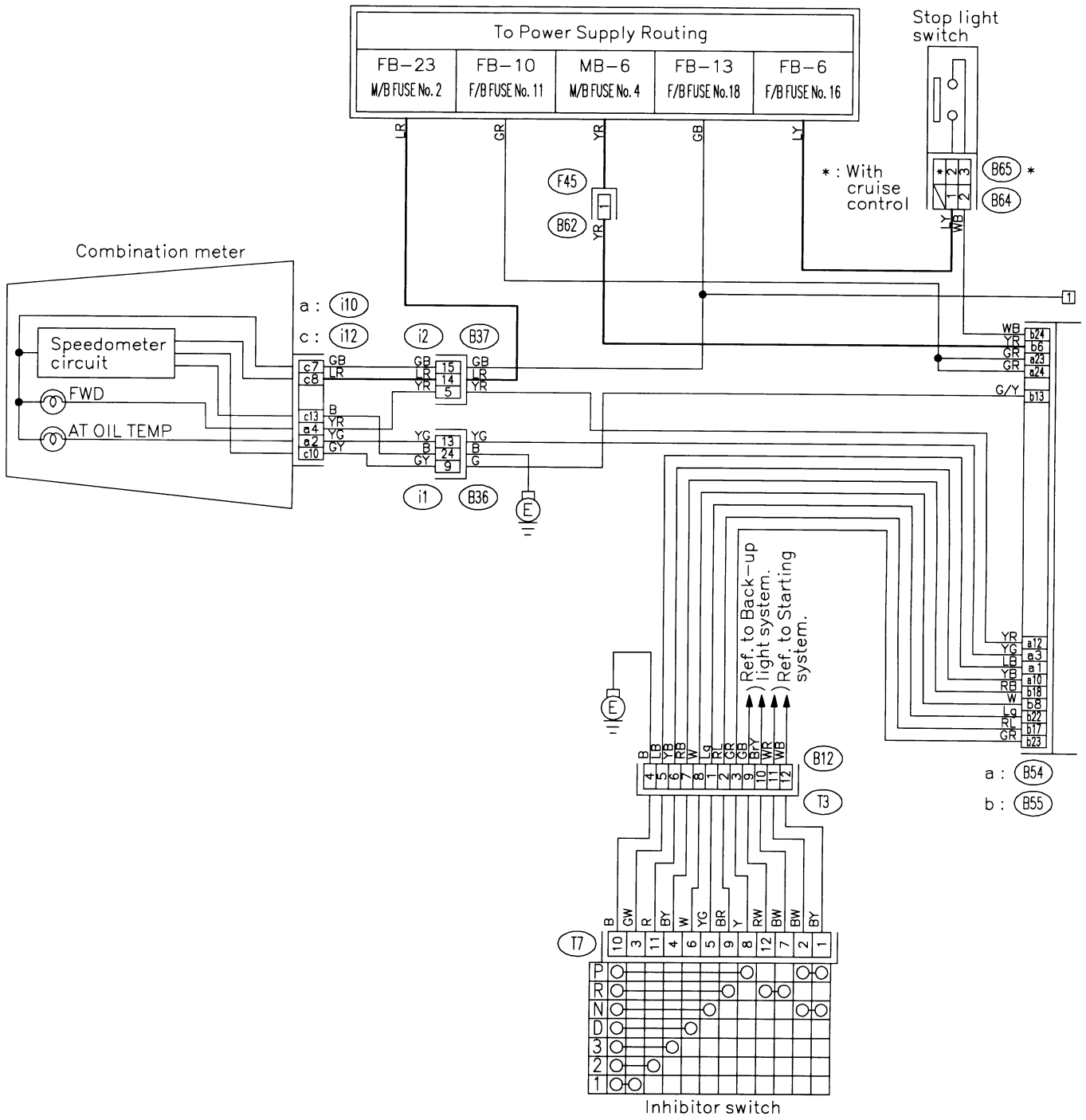


GU82-06B

WIRING DIAGRAM

[D5F0] 6-3
5. Wiring Diagram

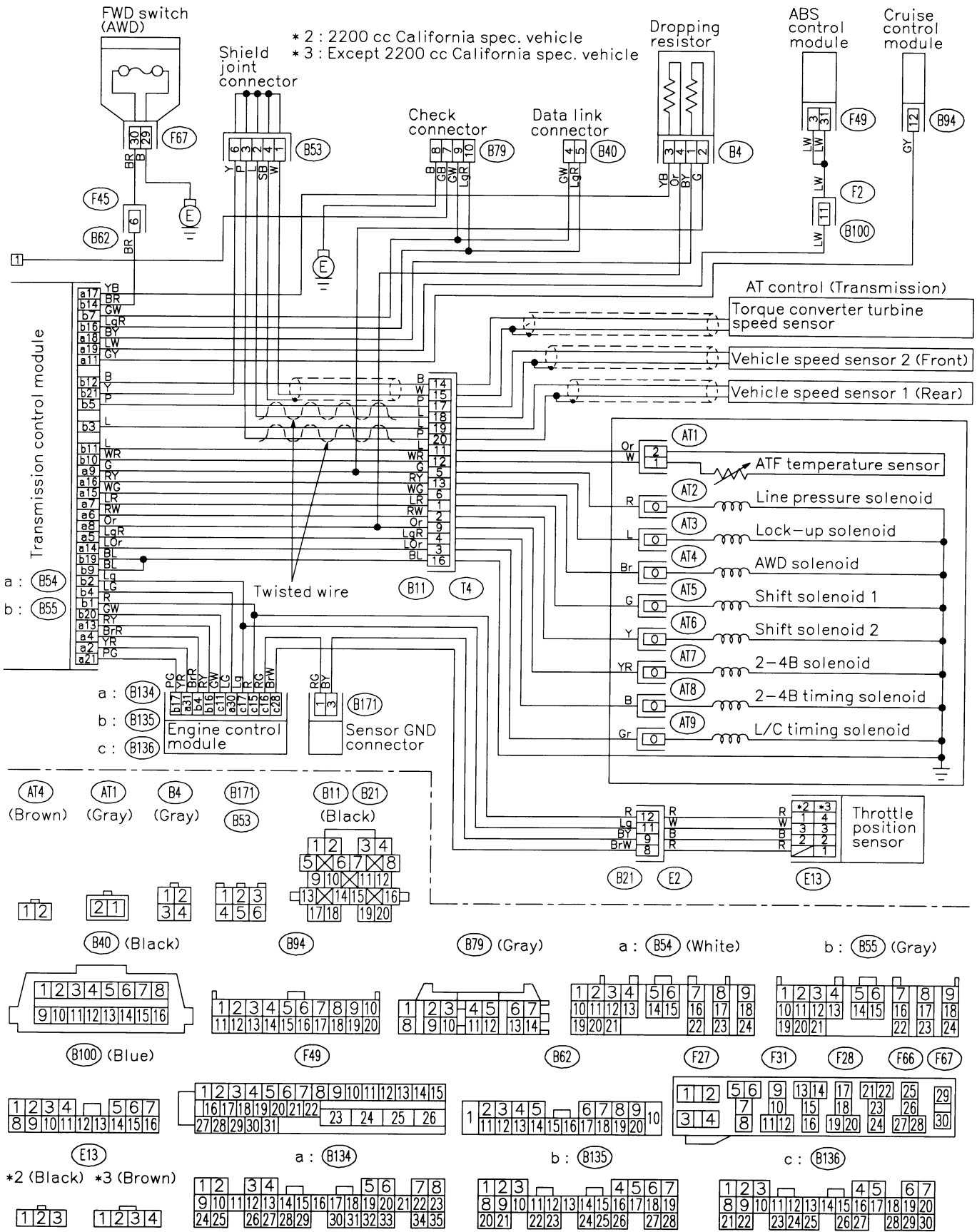
F: A/T CONTROL SYSTEM



GU41-07A

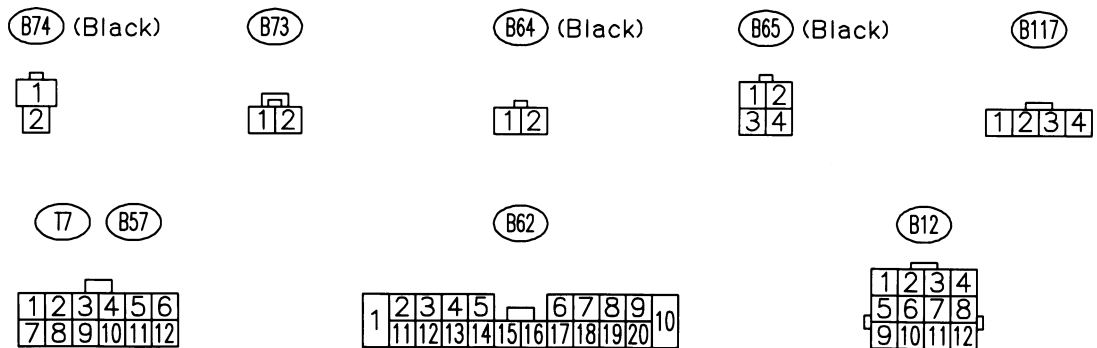
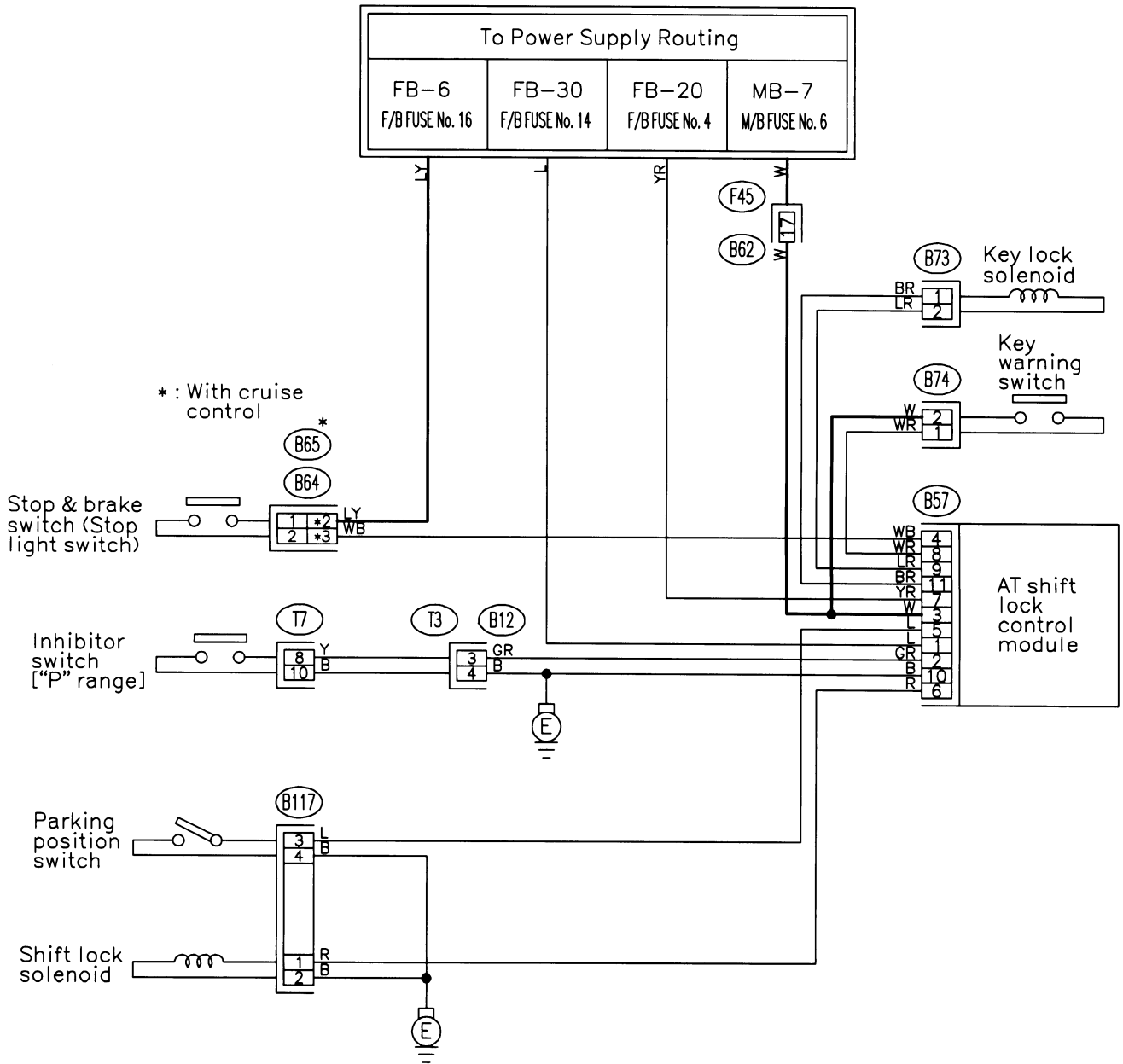
6-3 [D5F0]
5. Wiring Diagram

WIRING DIAGRAM

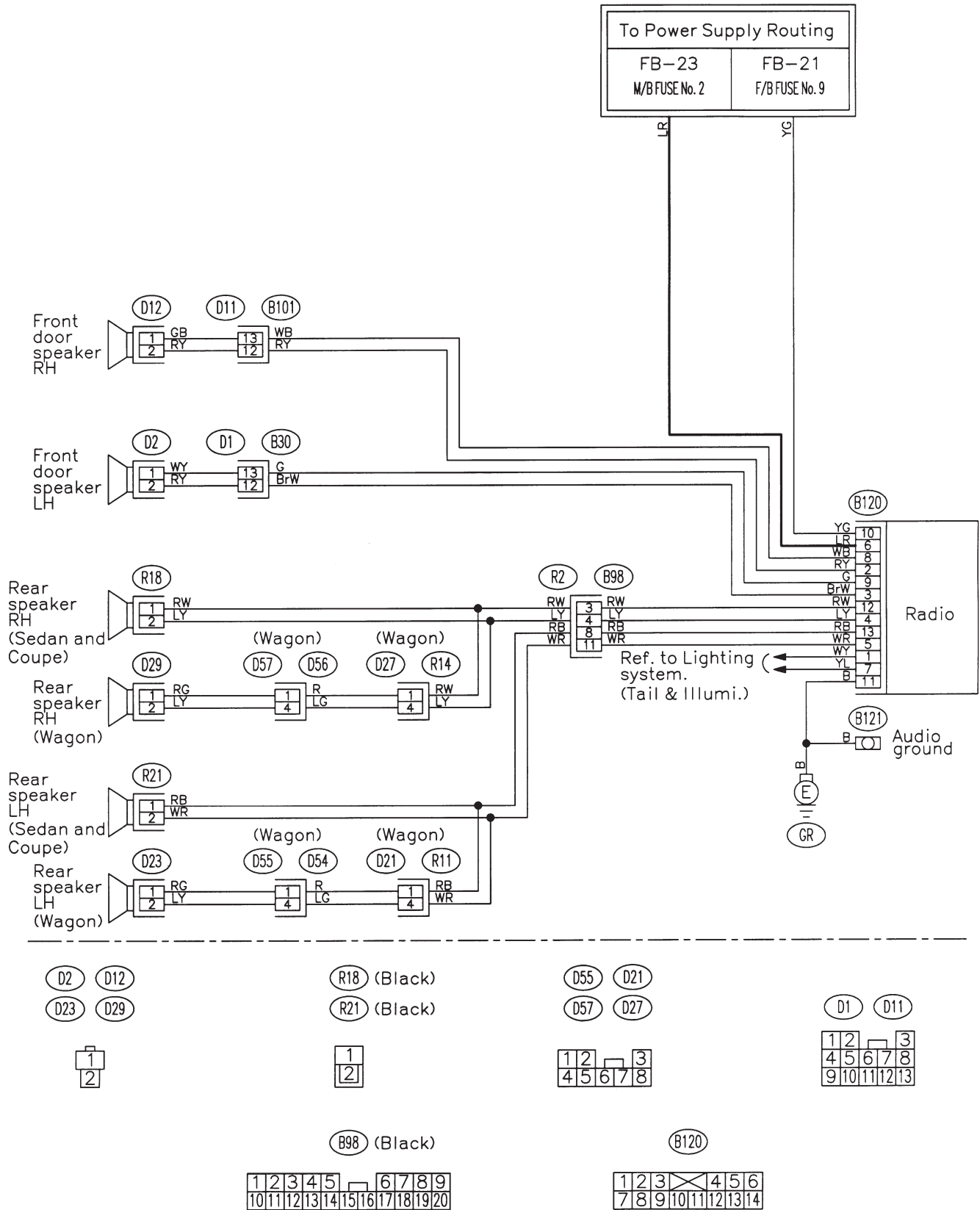


WIRING DIAGRAM

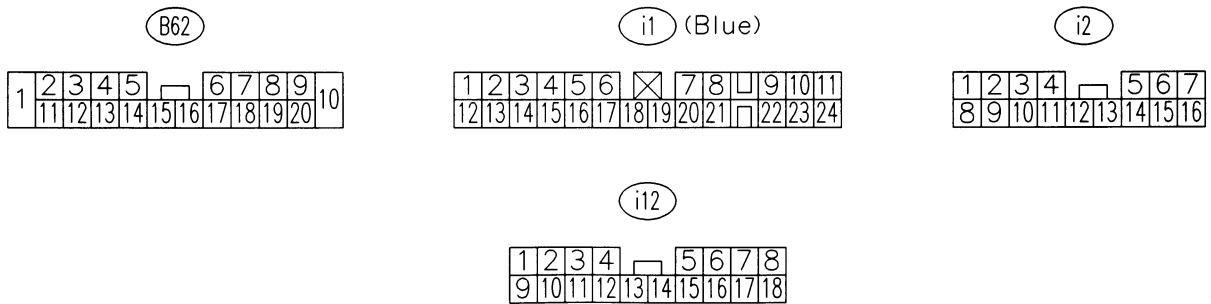
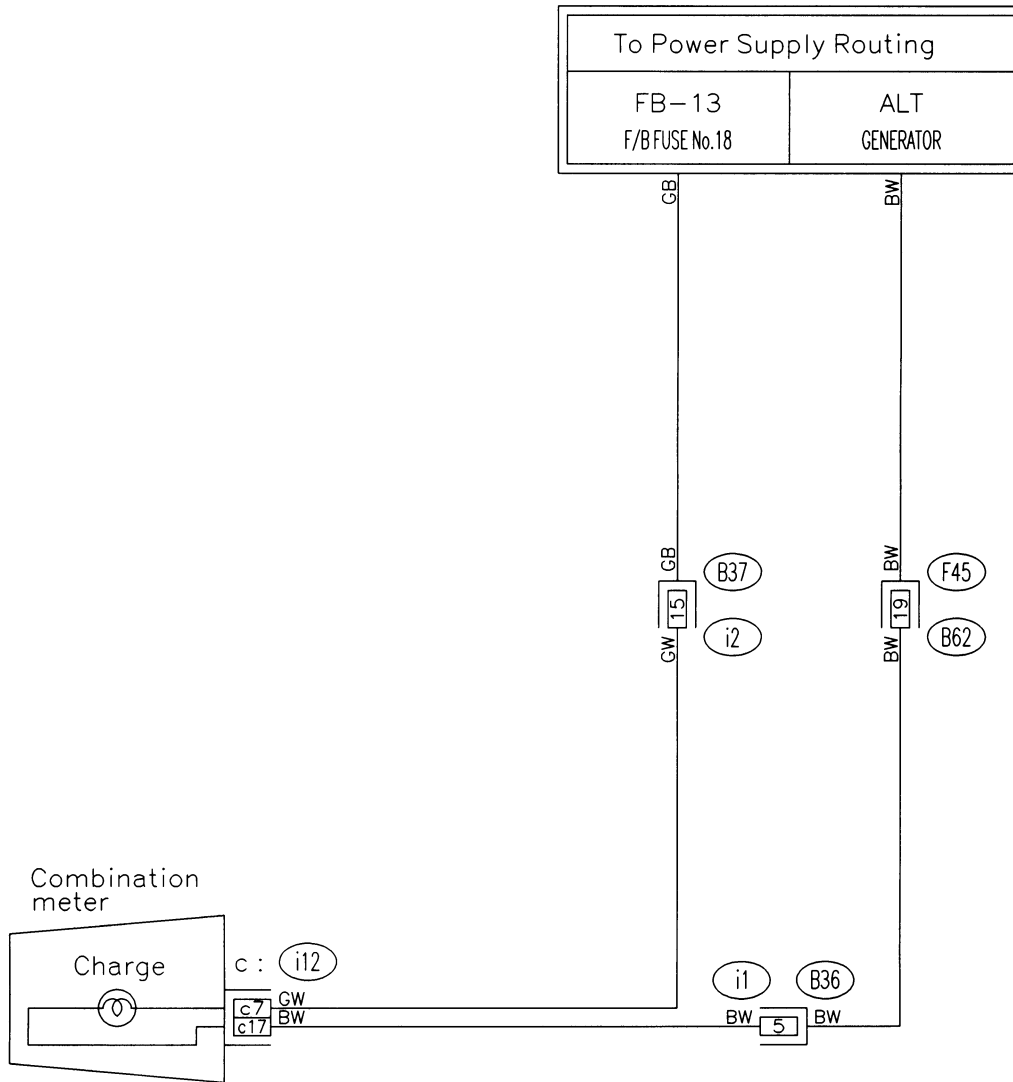
G: A/T SHIFT LOCK SYSTEM



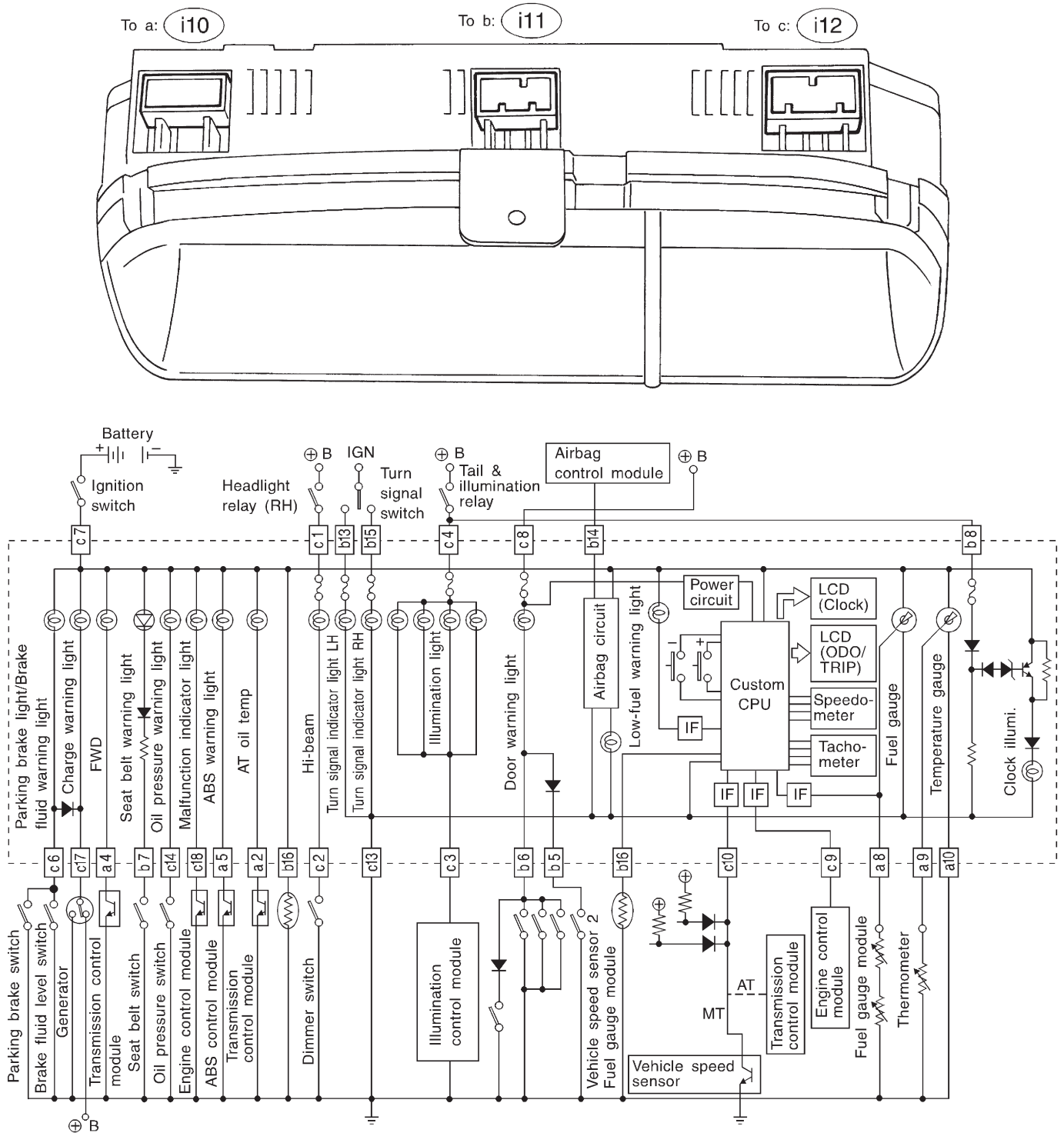
H: AUDIO SYSTEM



I: CHARGING SYSTEM

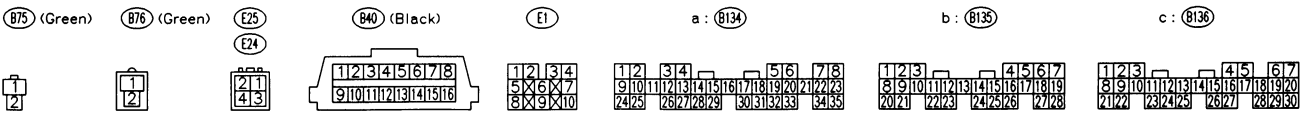
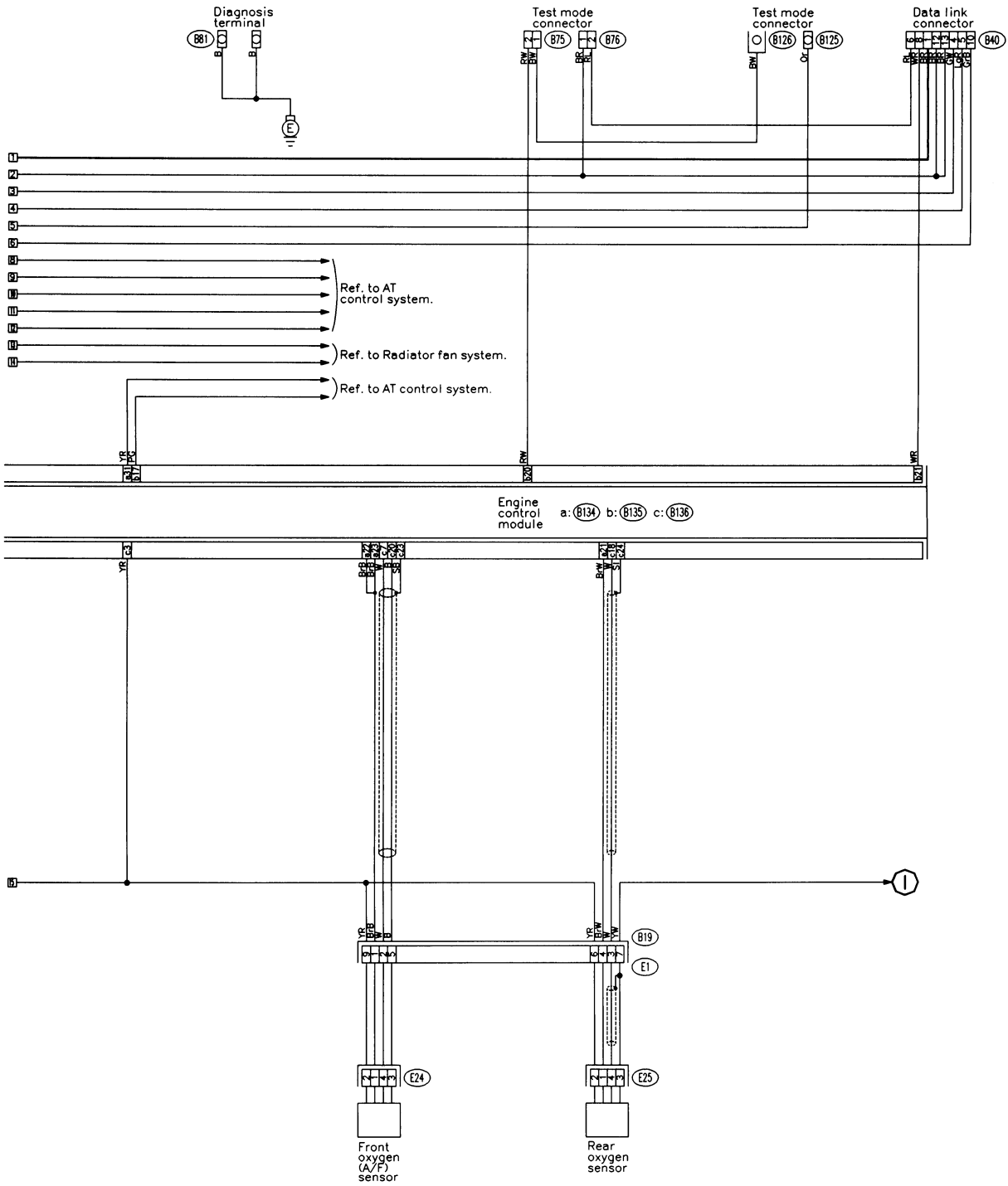


J: COMBINATION METER



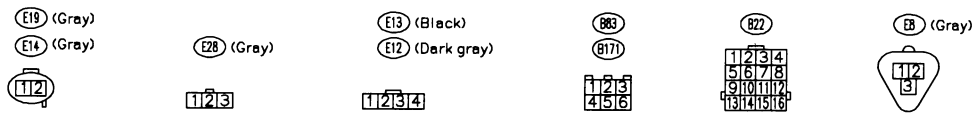
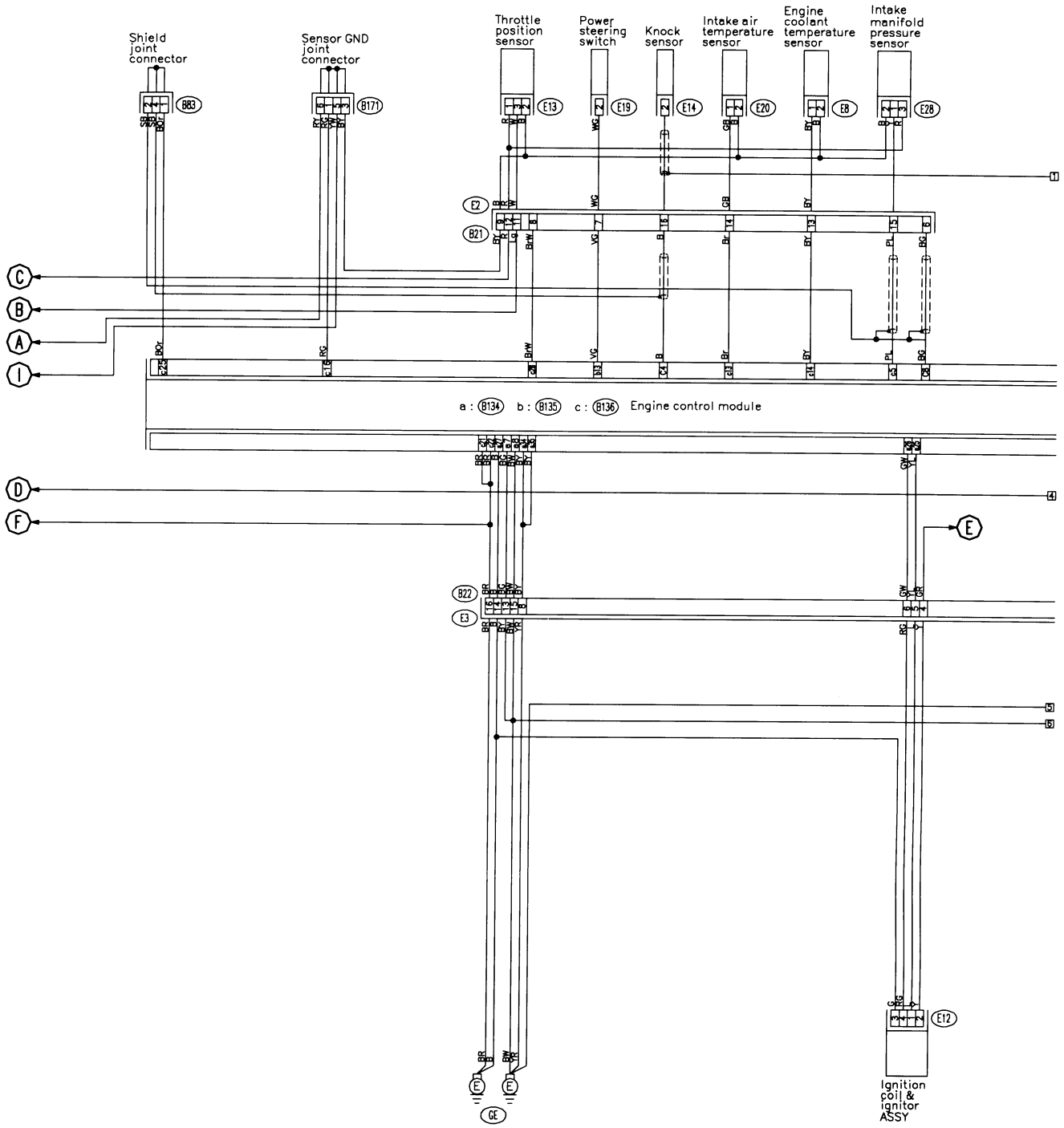
WIRING DIAGRAM

[D5L1] 6-3
5. Wiring Diagram



6-3 [D5L1]
5. Wiring Diagram

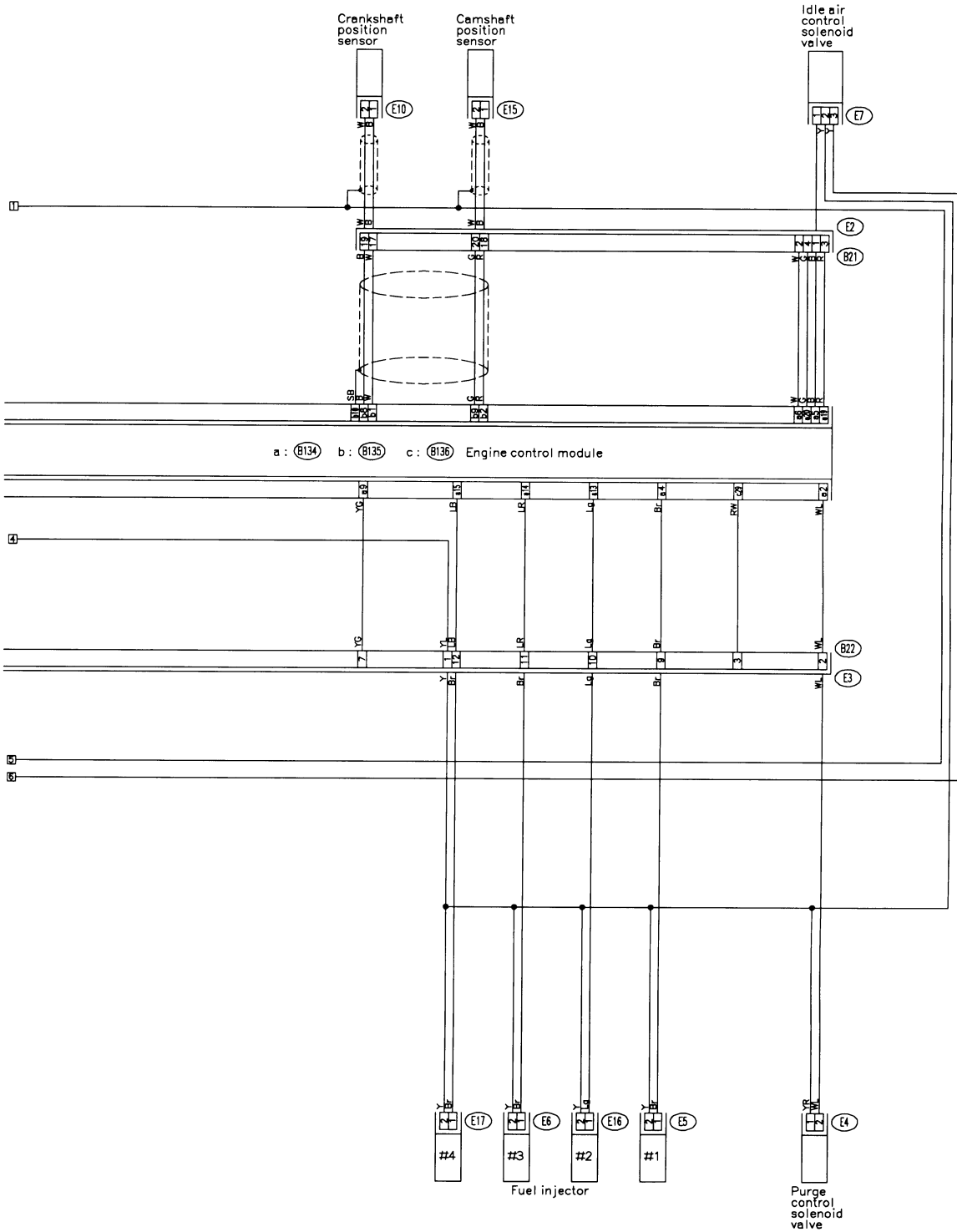
WIRING DIAGRAM



GU10-12C

WIRING DIAGRAM

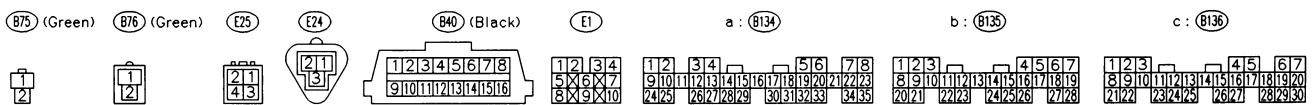
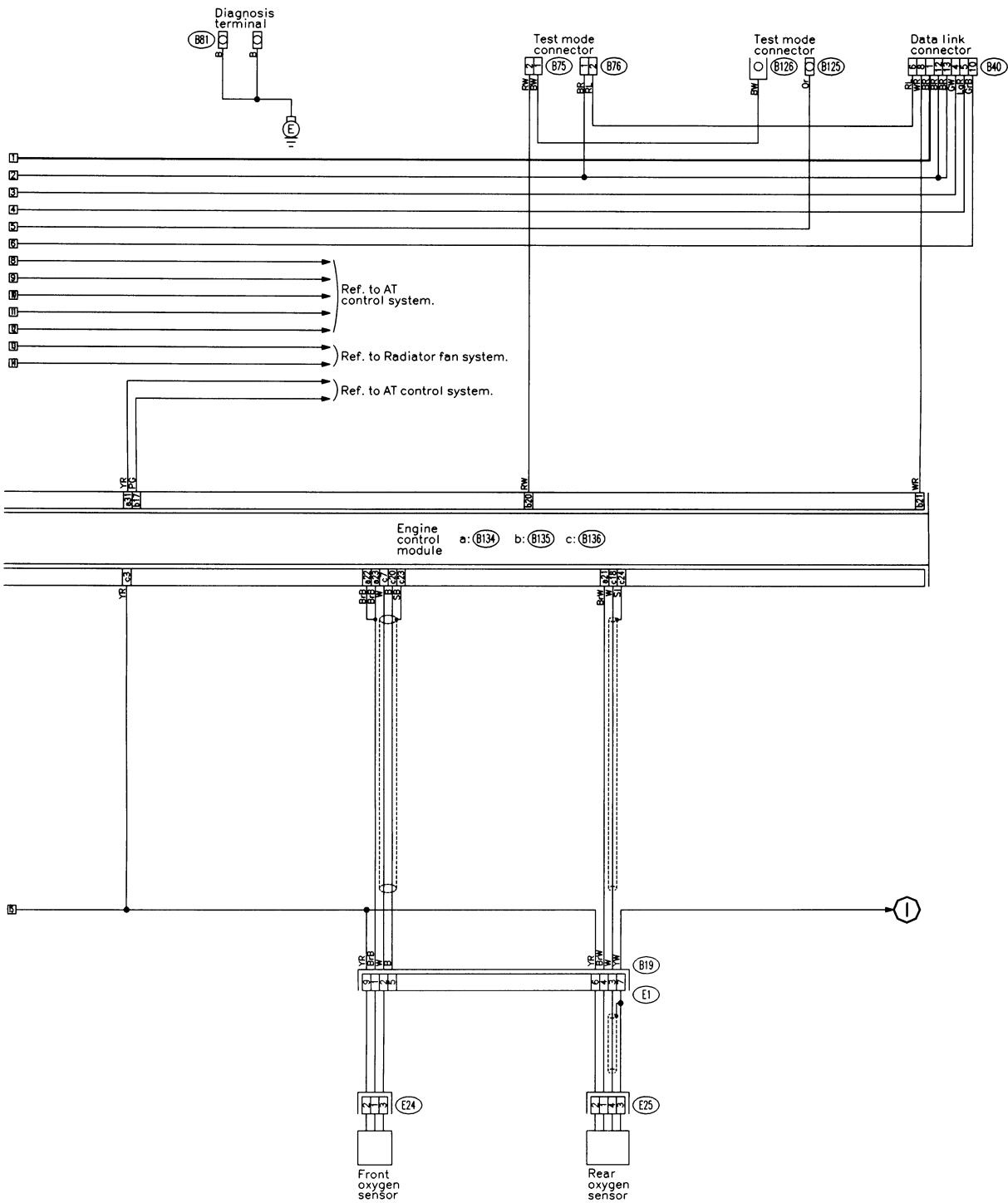
[D5L1] 6-3
5. Wiring Diagram



(Black) (E10)	(Black) (E15)	(Black) (E22) (Grey)	(E7)	(B21)	a: (B134)	b: (B135)	c: (B136)																																																																																																																												
(Black) (E5)	(Black) (E16) (Black)	(E4) (Black)																																																																																																																																	
(Black) (E6)	(Black) (E17) (Black)																																																																																																																																		
					<table border="1"> <tr><td>1</td><td>2</td><td>3</td><td>4</td></tr> <tr><td>5</td><td>6</td><td>7</td><td>8</td></tr> <tr><td>9</td><td>10</td><td>11</td><td>12</td></tr> <tr><td>13</td><td>14</td><td>15</td><td>16</td></tr> <tr><td>17</td><td>18</td><td>19</td><td>20</td></tr> </table>	1	2	3	4	5	6	7	8	9	10	11	12	13	14	15	16	17	18	19	20	<table border="1"> <tr><td>1</td><td>2</td><td>3</td><td>4</td><td>5</td><td>6</td><td>7</td><td>8</td></tr> <tr><td>9</td><td>10</td><td>11</td><td>12</td><td>13</td><td>14</td><td>15</td><td>16</td></tr> <tr><td>17</td><td>18</td><td>19</td><td>20</td><td>21</td><td>22</td><td>23</td><td>24</td></tr> <tr><td>25</td><td>26</td><td>27</td><td>28</td><td>29</td><td>30</td><td>31</td><td>32</td></tr> <tr><td>33</td><td>34</td><td>35</td><td></td><td></td><td></td><td></td><td></td></tr> </table>	1	2	3	4	5	6	7	8	9	10	11	12	13	14	15	16	17	18	19	20	21	22	23	24	25	26	27	28	29	30	31	32	33	34	35						<table border="1"> <tr><td>1</td><td>2</td><td>3</td><td>4</td><td>5</td><td>6</td><td>7</td></tr> <tr><td>8</td><td>9</td><td>10</td><td>11</td><td>12</td><td>13</td><td>14</td></tr> <tr><td>15</td><td>16</td><td>17</td><td>18</td><td>19</td><td>20</td><td>21</td></tr> <tr><td>22</td><td>23</td><td>24</td><td>25</td><td>26</td><td>27</td><td>28</td></tr> </table>	1	2	3	4	5	6	7	8	9	10	11	12	13	14	15	16	17	18	19	20	21	22	23	24	25	26	27	28	<table border="1"> <tr><td>1</td><td>2</td><td>3</td><td>4</td><td>5</td><td>6</td><td>7</td></tr> <tr><td>8</td><td>9</td><td>10</td><td>11</td><td>12</td><td>13</td><td>14</td></tr> <tr><td>15</td><td>16</td><td>17</td><td>18</td><td>19</td><td>20</td><td>21</td></tr> <tr><td>22</td><td>23</td><td>24</td><td>25</td><td>26</td><td>27</td><td>28</td></tr> <tr><td>29</td><td>30</td><td></td><td></td><td></td><td></td><td></td></tr> </table>	1	2	3	4	5	6	7	8	9	10	11	12	13	14	15	16	17	18	19	20	21	22	23	24	25	26	27	28	29	30					
1	2	3	4																																																																																																																																
5	6	7	8																																																																																																																																
9	10	11	12																																																																																																																																
13	14	15	16																																																																																																																																
17	18	19	20																																																																																																																																
1	2	3	4	5	6	7	8																																																																																																																												
9	10	11	12	13	14	15	16																																																																																																																												
17	18	19	20	21	22	23	24																																																																																																																												
25	26	27	28	29	30	31	32																																																																																																																												
33	34	35																																																																																																																																	
1	2	3	4	5	6	7																																																																																																																													
8	9	10	11	12	13	14																																																																																																																													
15	16	17	18	19	20	21																																																																																																																													
22	23	24	25	26	27	28																																																																																																																													
1	2	3	4	5	6	7																																																																																																																													
8	9	10	11	12	13	14																																																																																																																													
15	16	17	18	19	20	21																																																																																																																													
22	23	24	25	26	27	28																																																																																																																													
29	30																																																																																																																																		

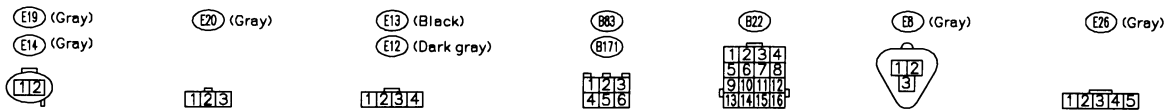
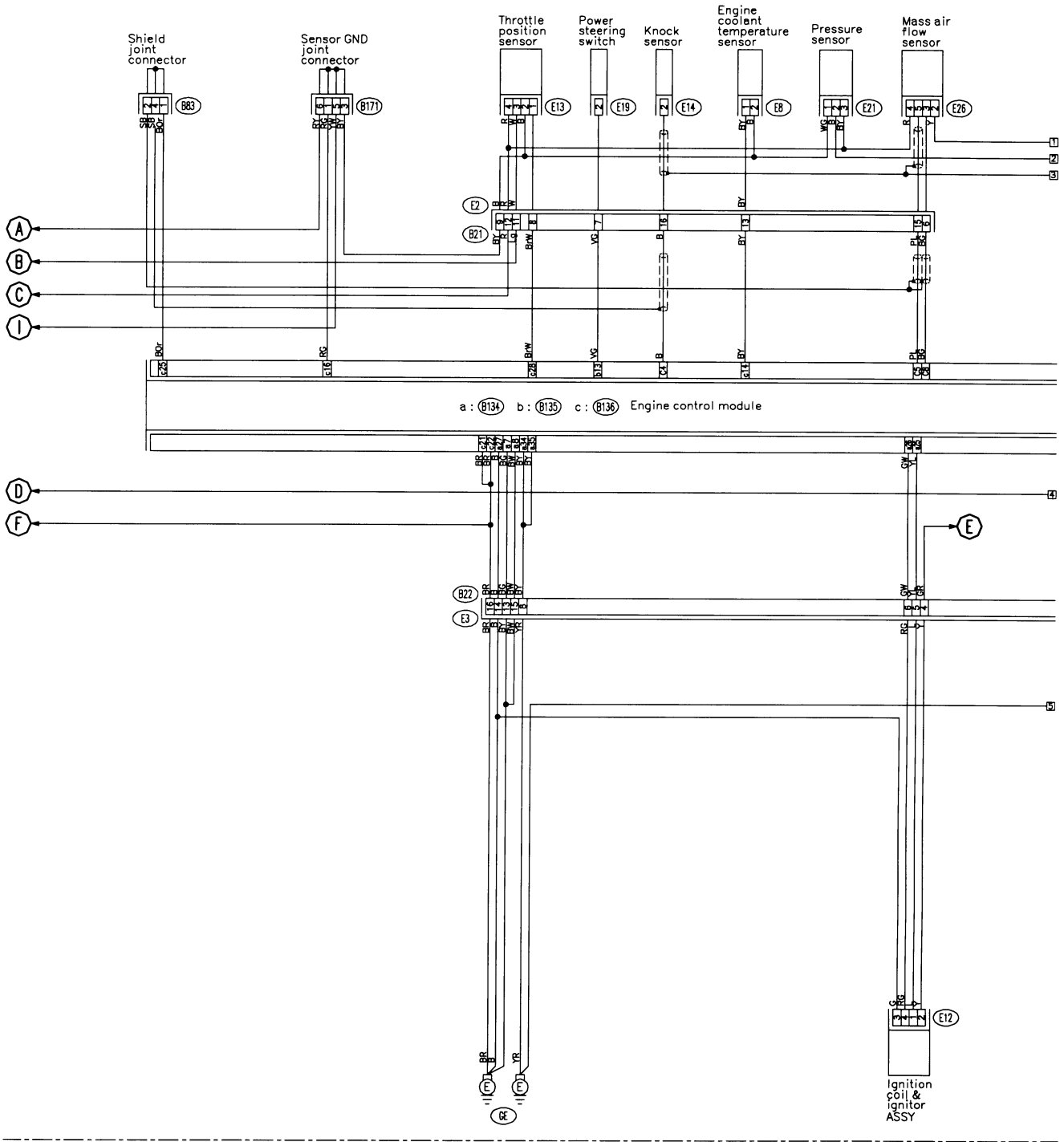
WIRING DIAGRAM

[D5L2] 6-3
5. Wiring Diagram

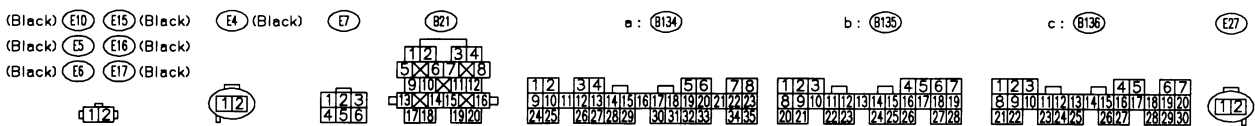
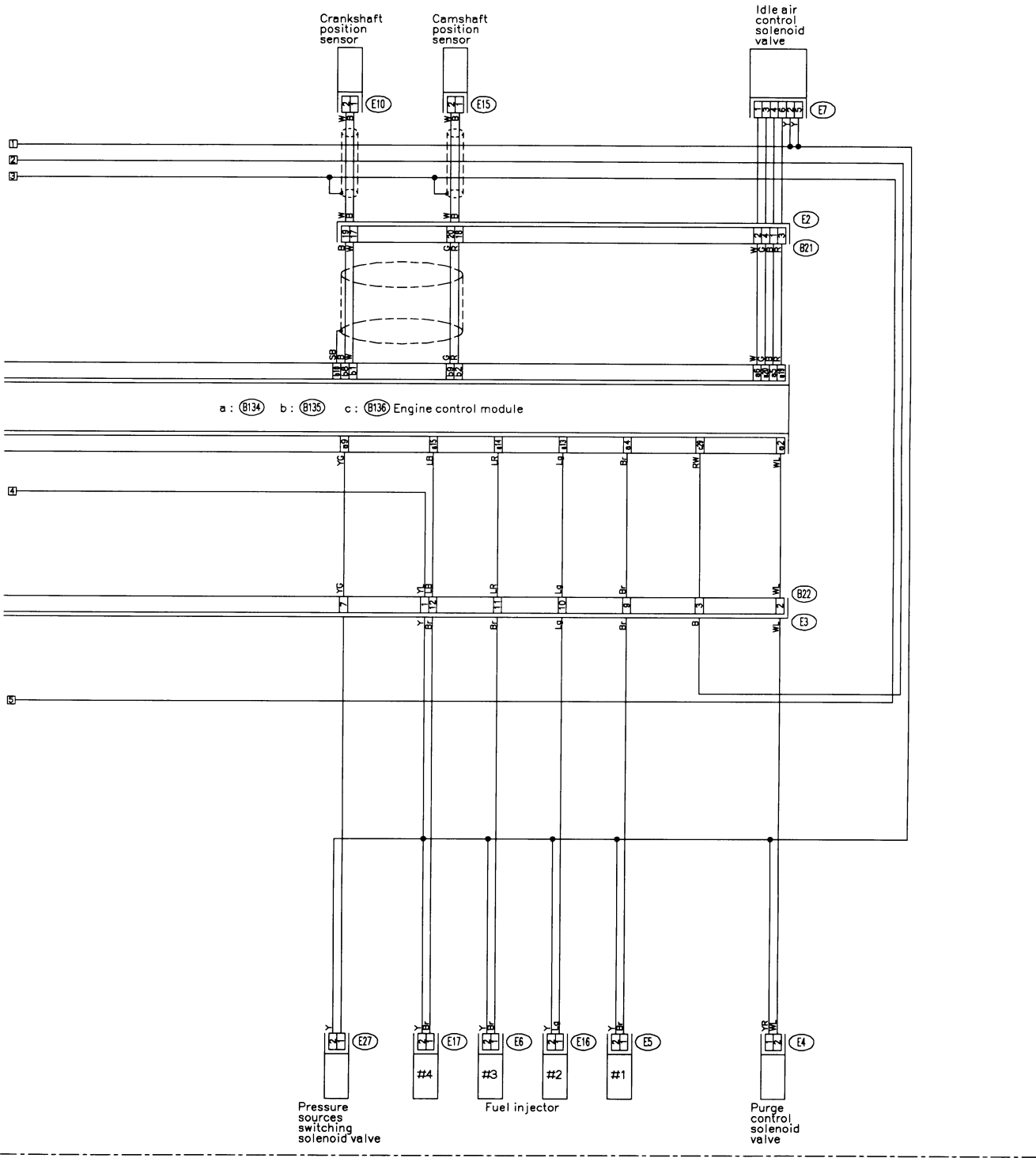


6-3 [D5L2]
5. Wiring Diagram

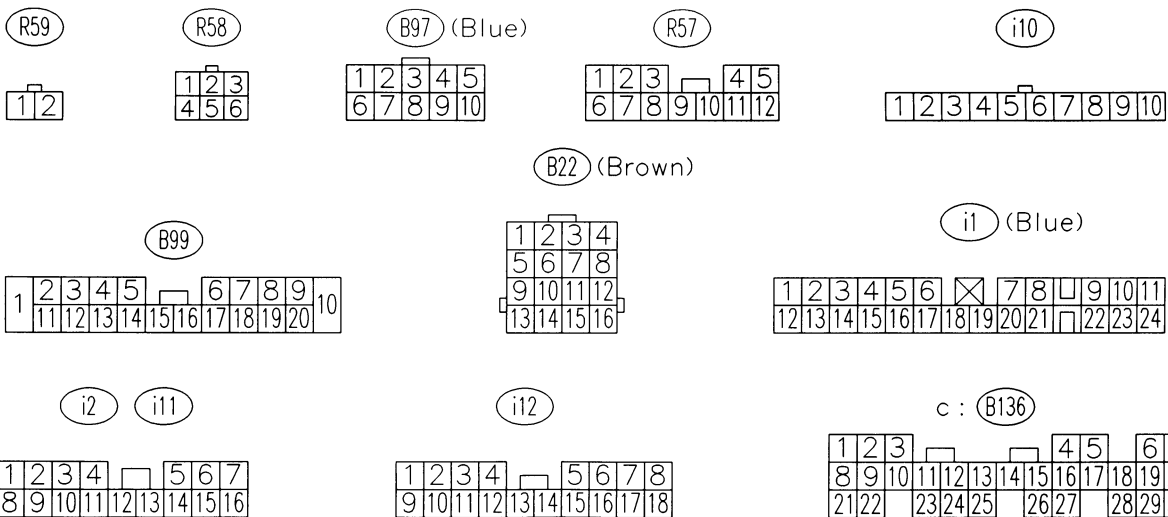
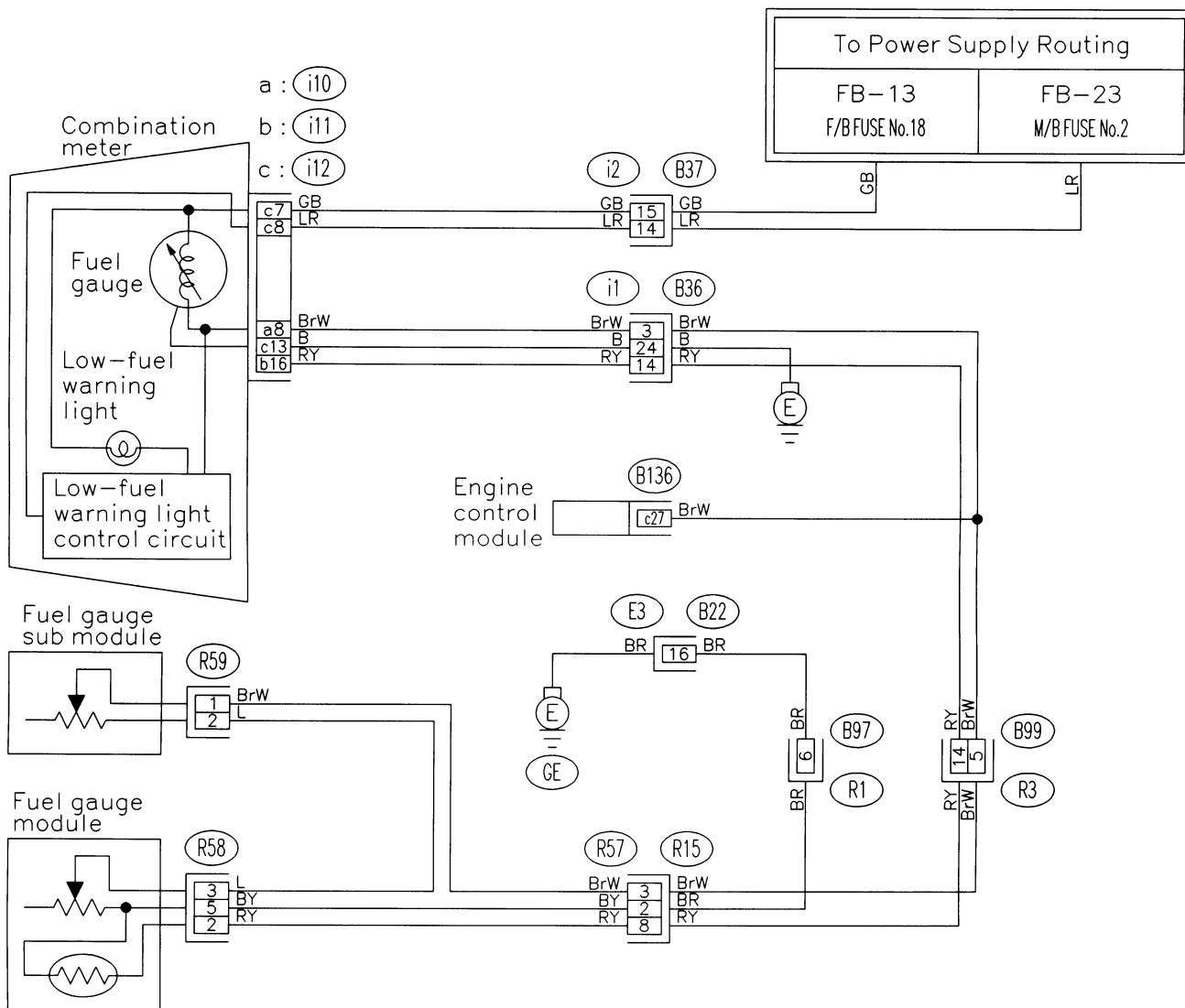
WIRING DIAGRAM



WIRING DIAGRAM

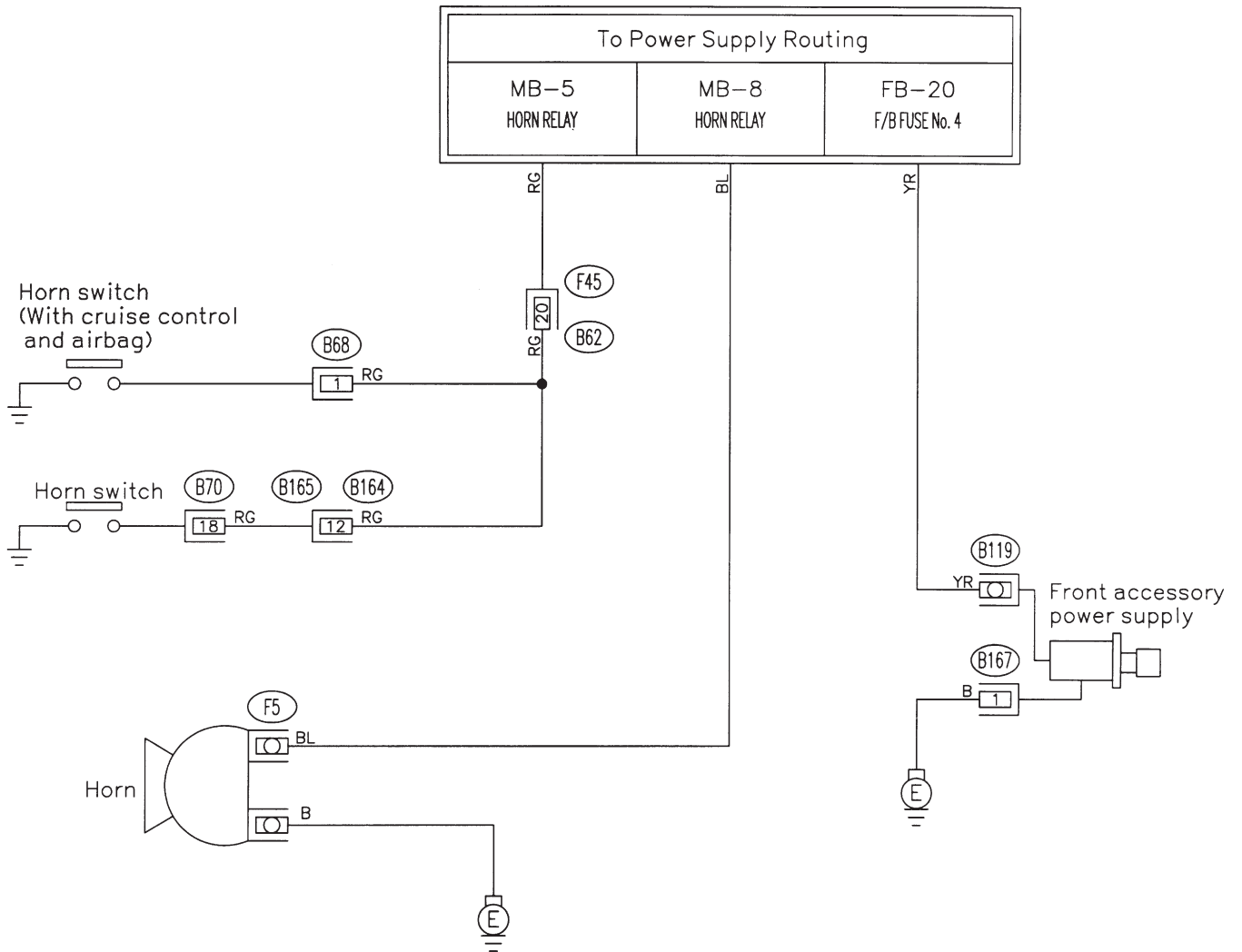


M: FUEL GAUGE SYSTEM



WIRING DIAGRAM

N: HORN AND FRONT ACCESSORY POWER SUPPLY SYSTEM



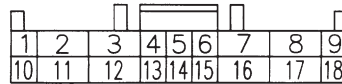
(B167)



(B68) (Black)



(B70)



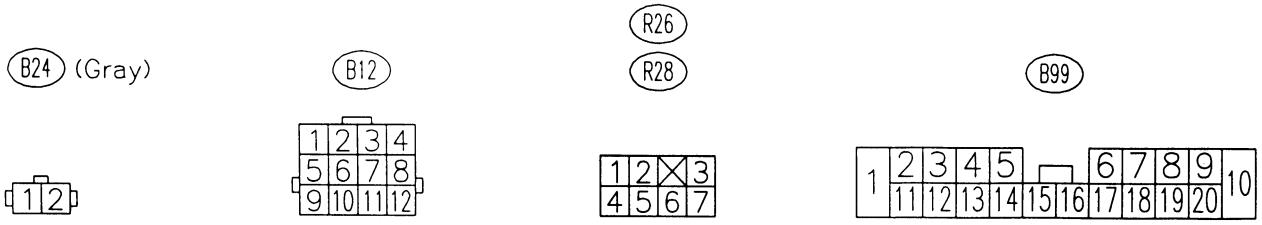
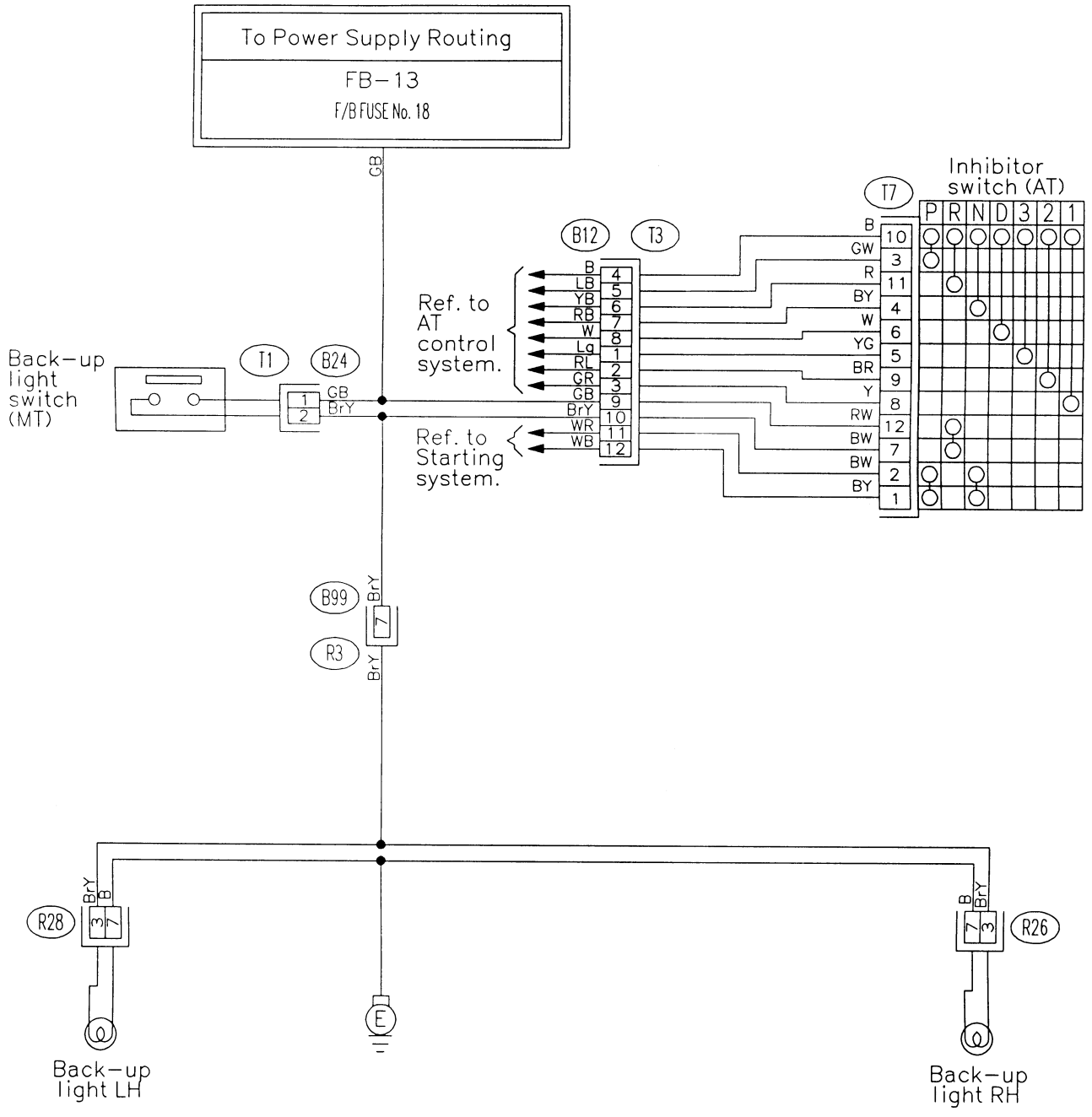
(B164)



(B62)

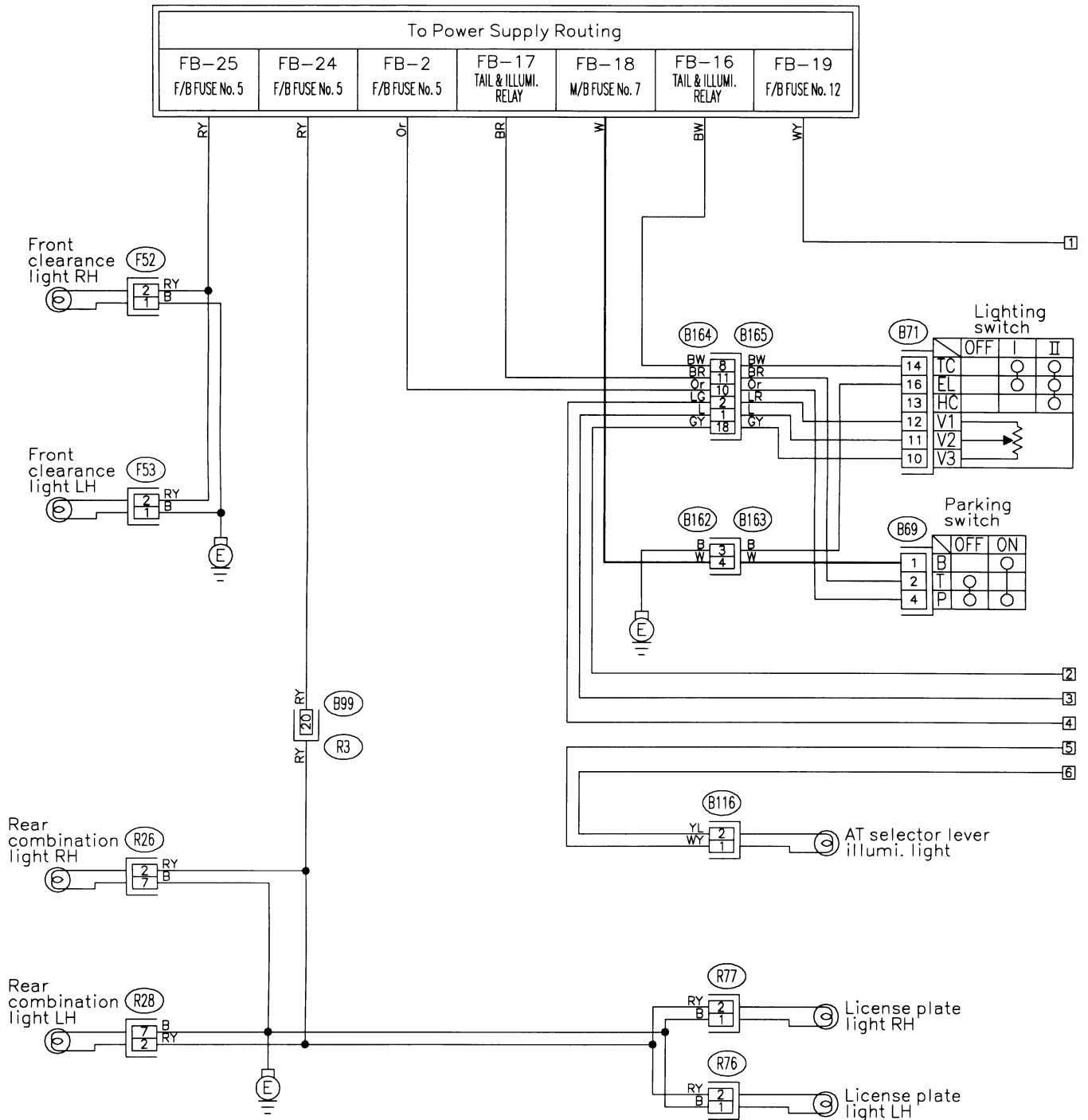


O: LIGHTING SYSTEM (BACK-UP LIGHT)



WIRING DIAGRAM

P: LIGHTING SYSTEM (CLEARANCE LIGHT AND ILLUMINATION LIGHT)



(F53) (Gray)
(F52) (Gray)

(R77)
(R76)

(B116) (Black)

(B69)

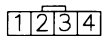
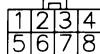
(B71)



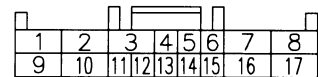
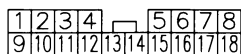
(R26) (R28)



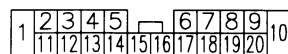
(B162)



(B164)



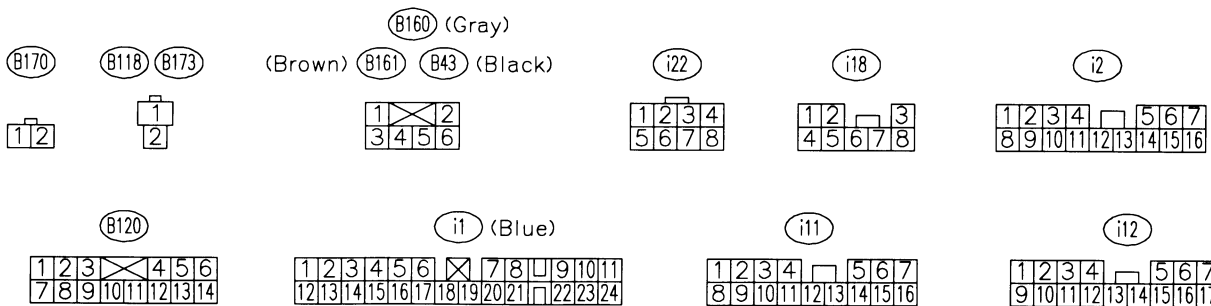
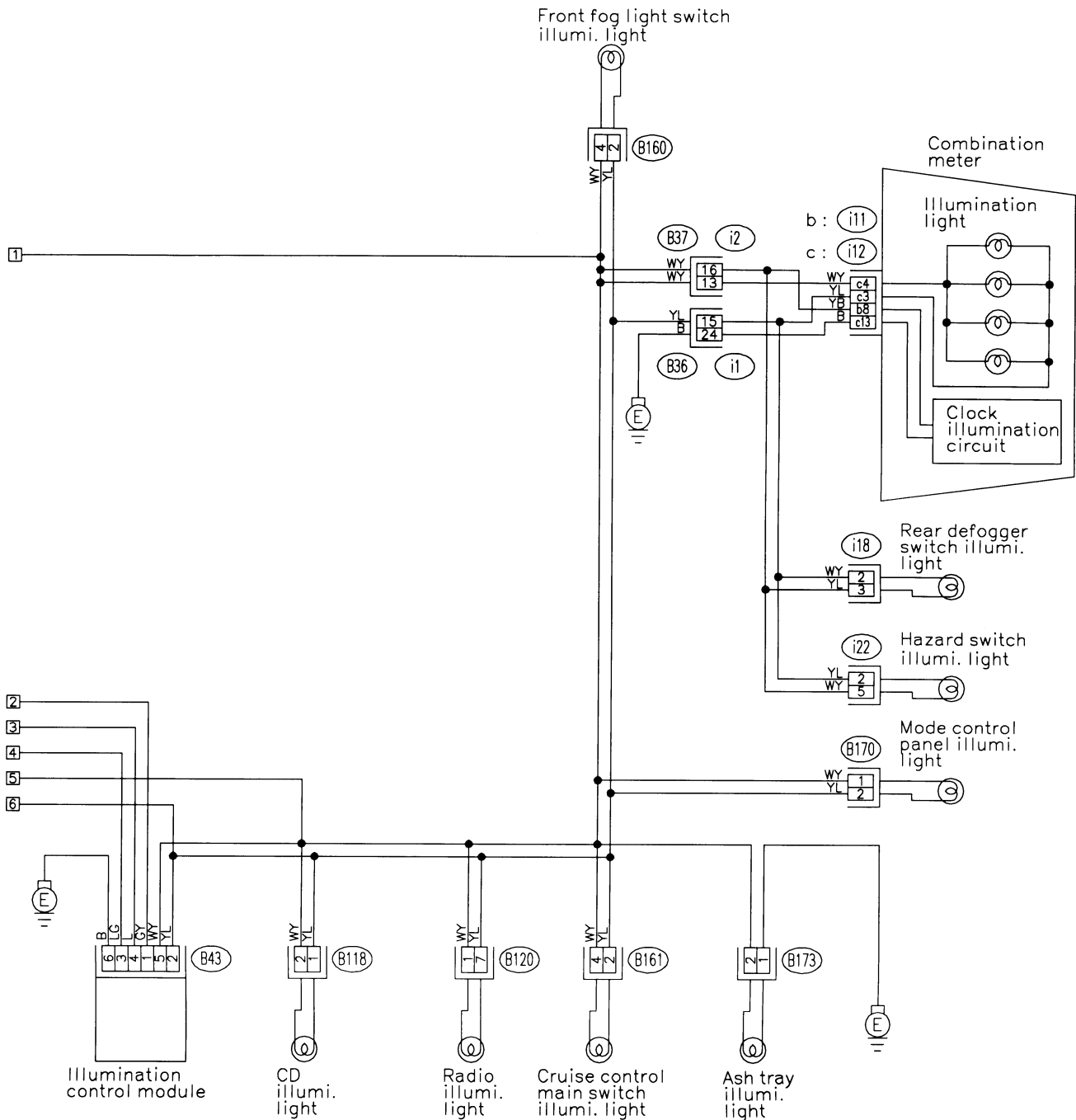
(B99)



GU21-06A

6-3 [D5P0]
5. Wiring Diagram

WIRING DIAGRAM



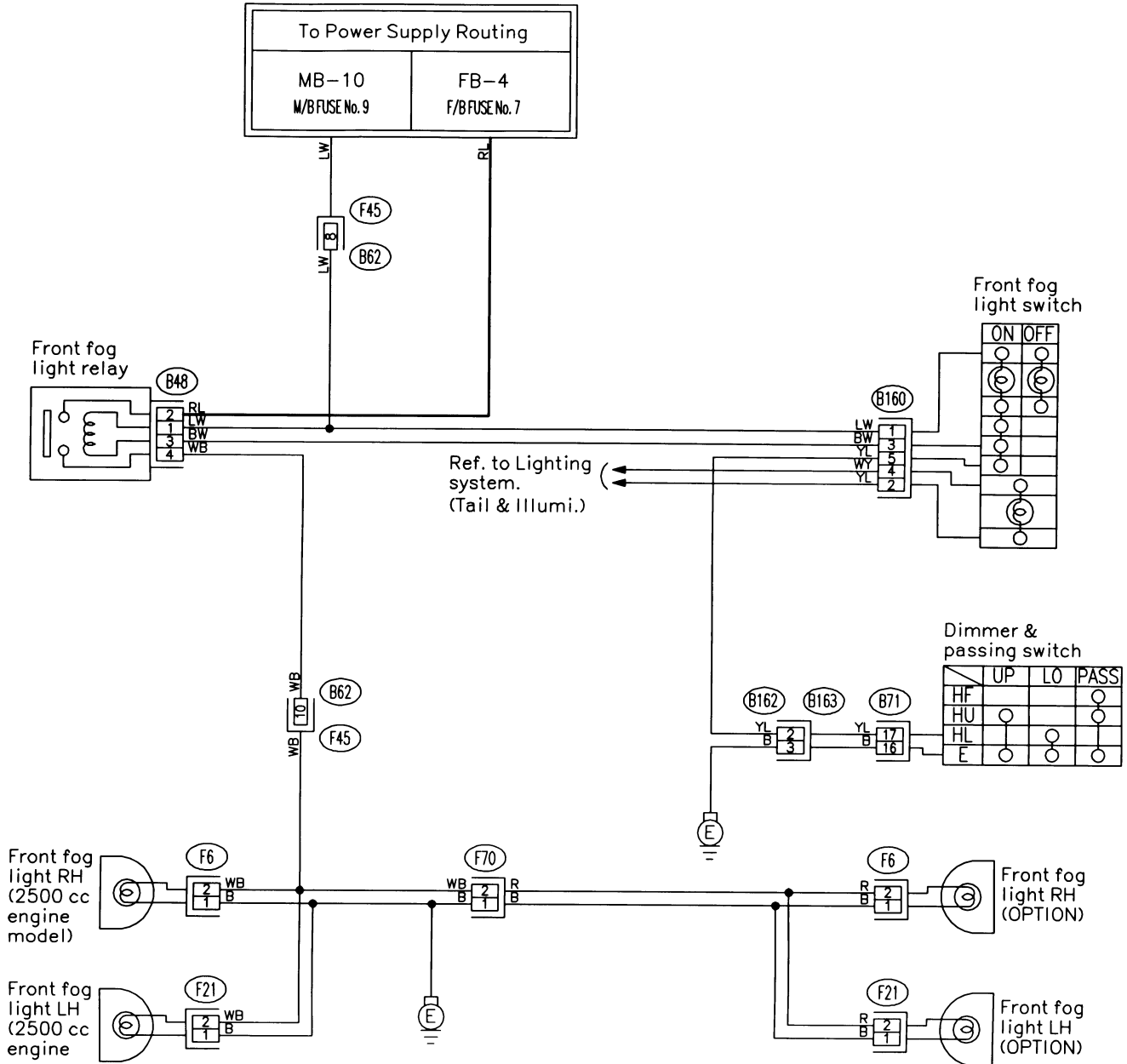
GU21-06B

WIRING DIAGRAM

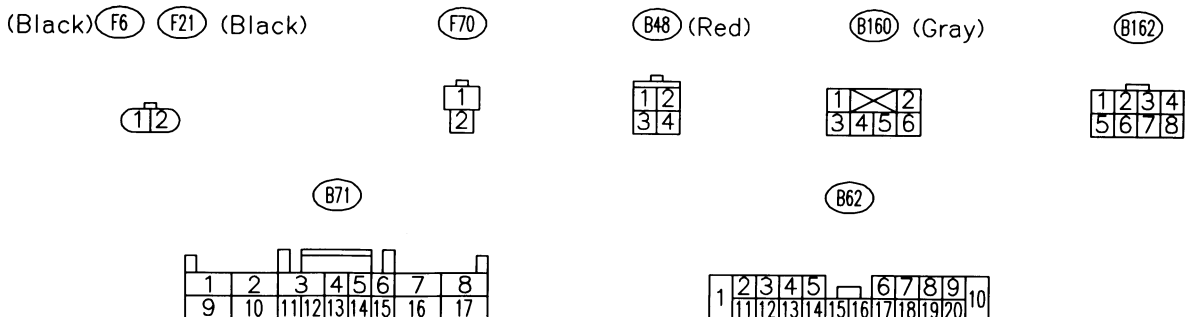
[D5Q1] **6-3**
5. Wiring Diagram

Q: LIGHTING SYSTEM (FRONT FOG LIGHT)

1. WITHOUT DAYTIME RUNNING LIGHT MODEL



model)



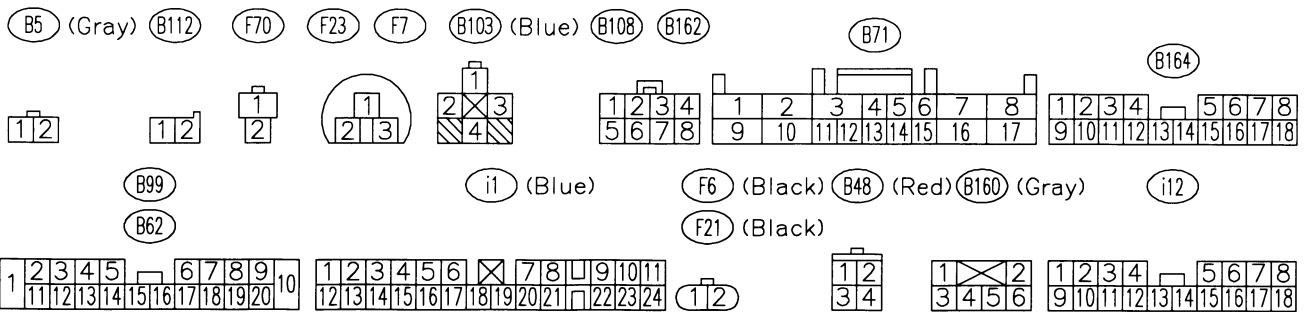
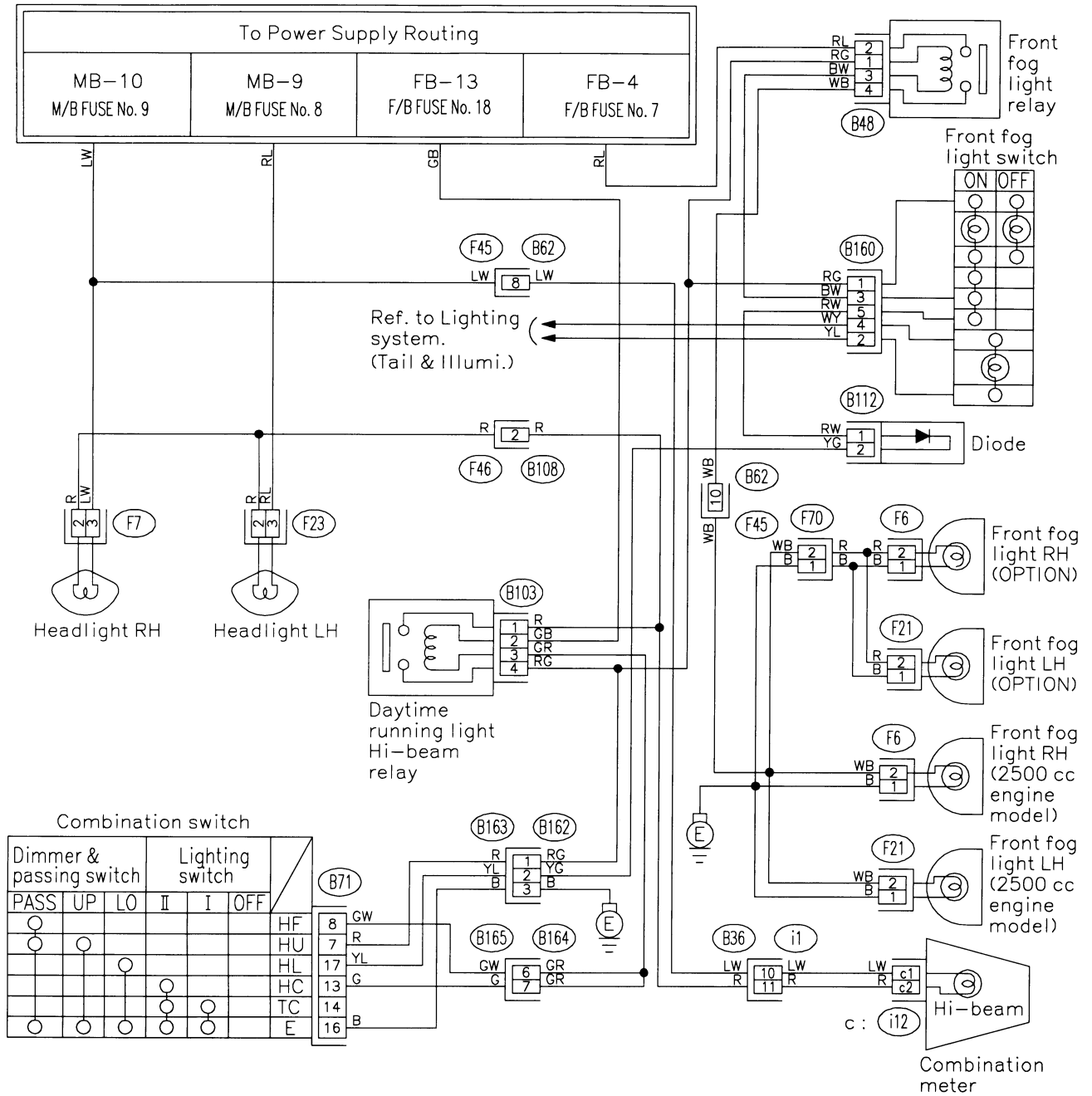
GU22-04

6-3 [D5Q2]

5. Wiring Diagram

WIRING DIAGRAM

2. WITH DAYTIME RUNNING LIGHT MODEL

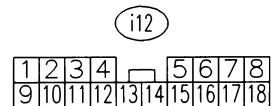
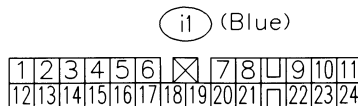
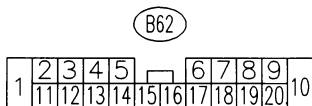
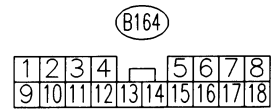
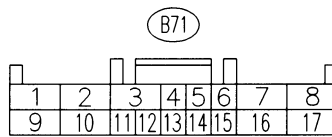
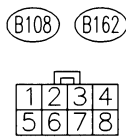
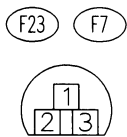
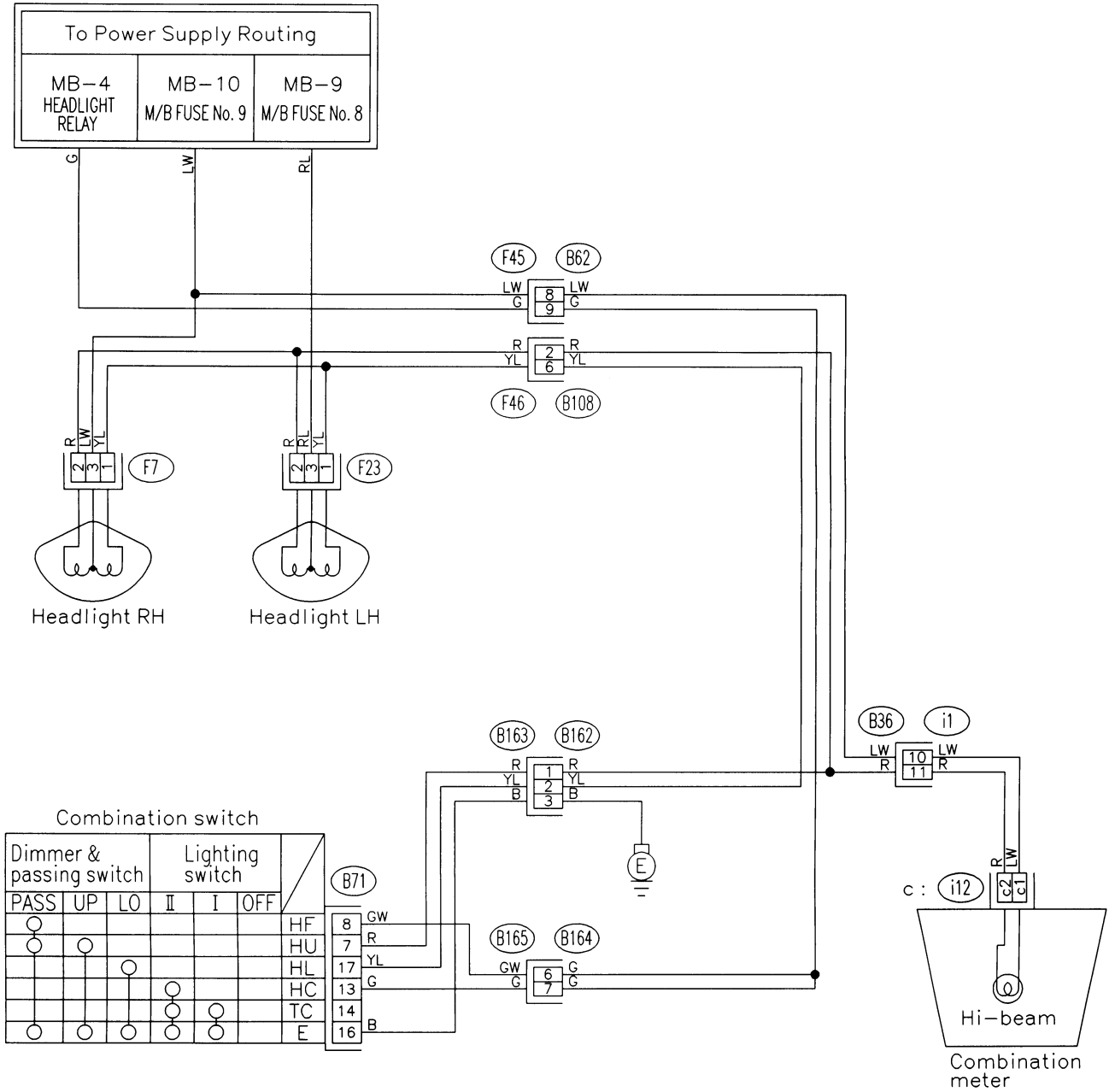


GC20-06

WIRING DIAGRAM

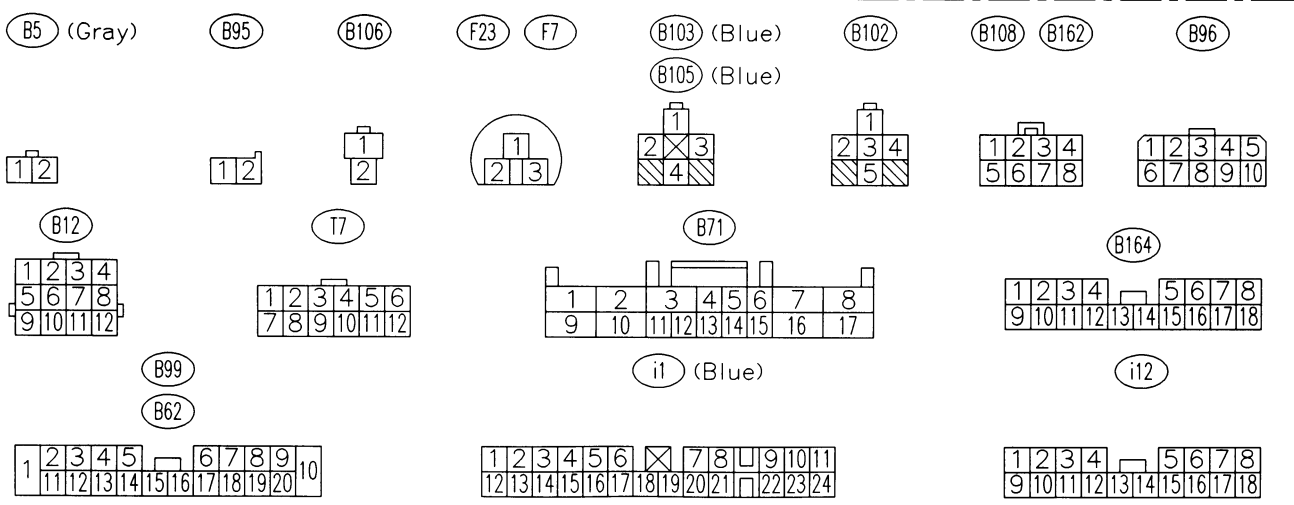
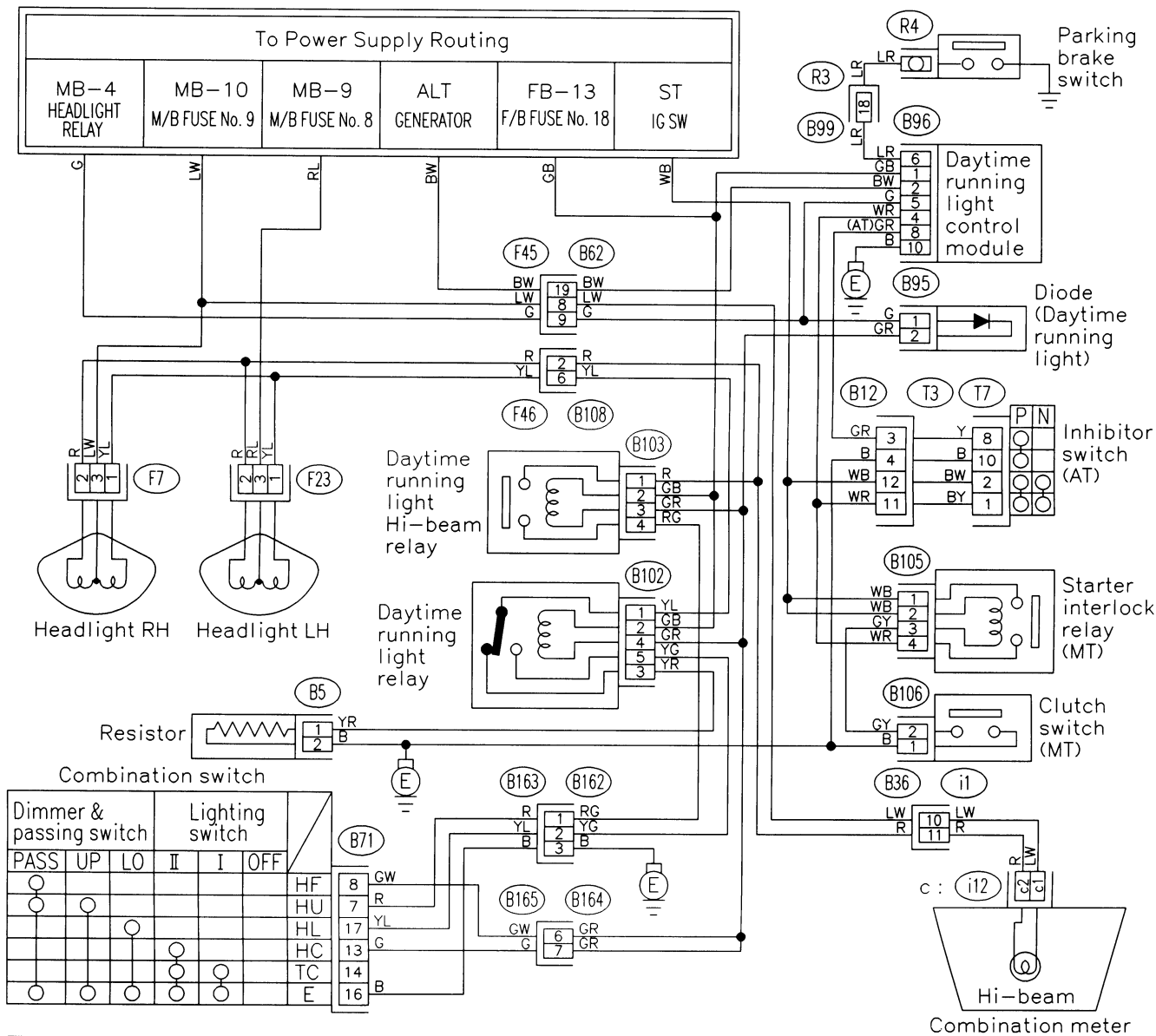
R: LIGHTING SYSTEM (HEADLIGHT)

1. WITHOUT DAYTIME RUNNING LIGHT MODEL



WIRING DIAGRAM

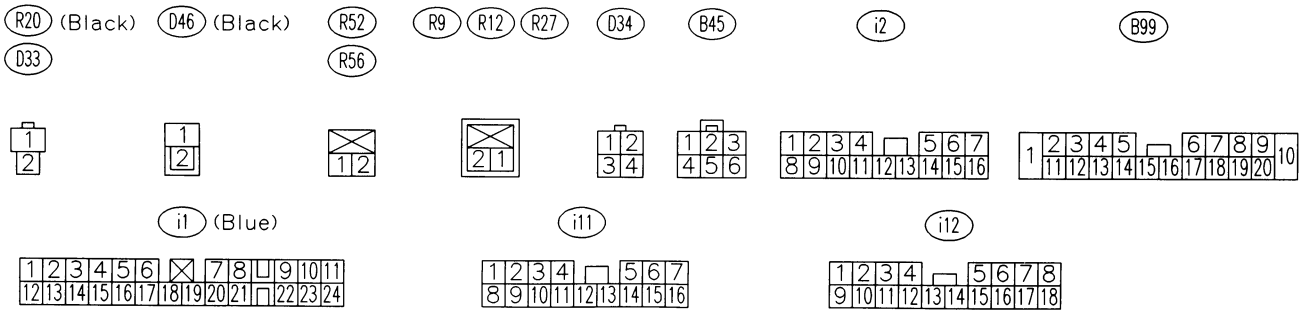
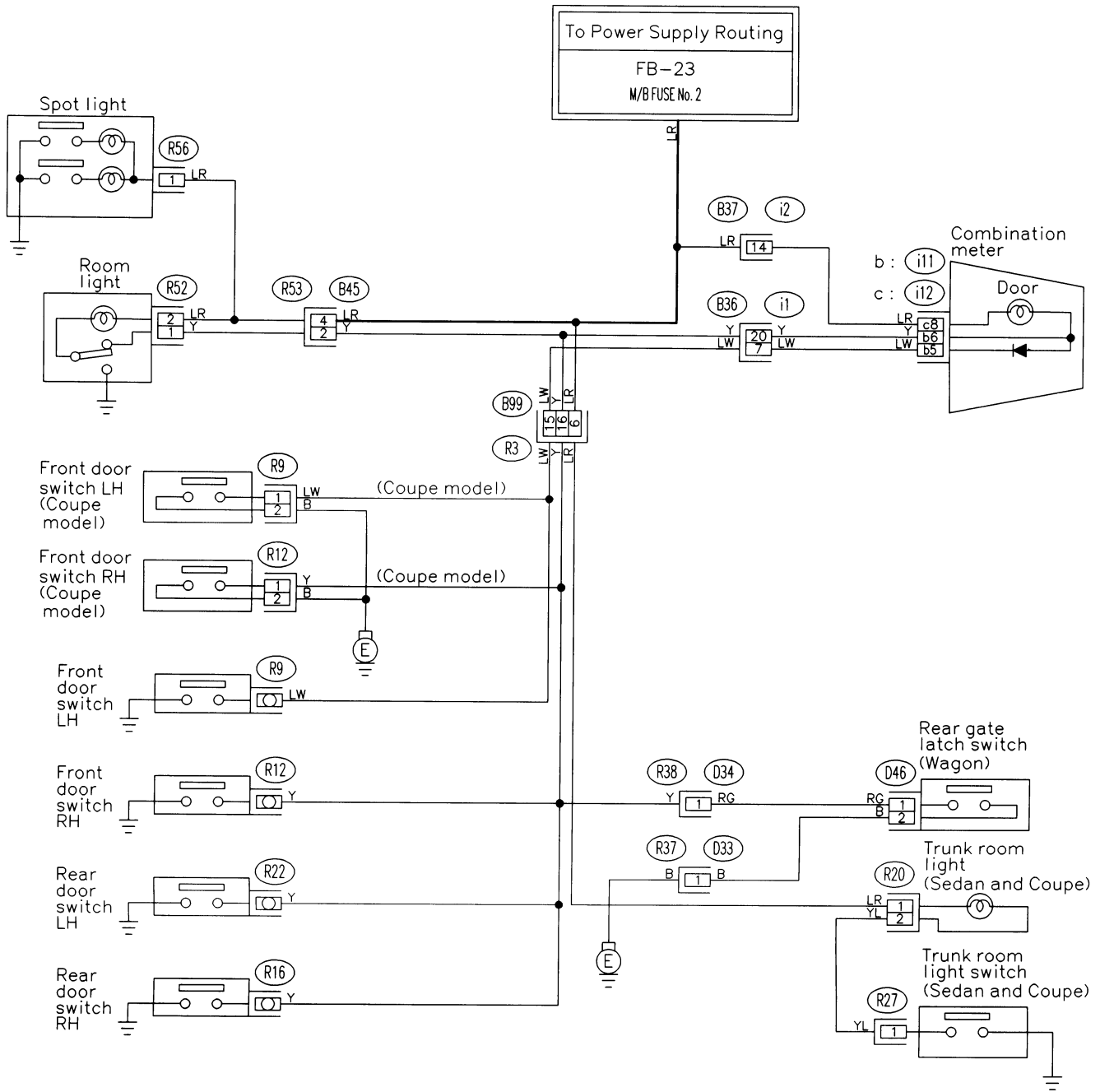
2. WITH DAYTIME RUNNING LIGHT MODEL



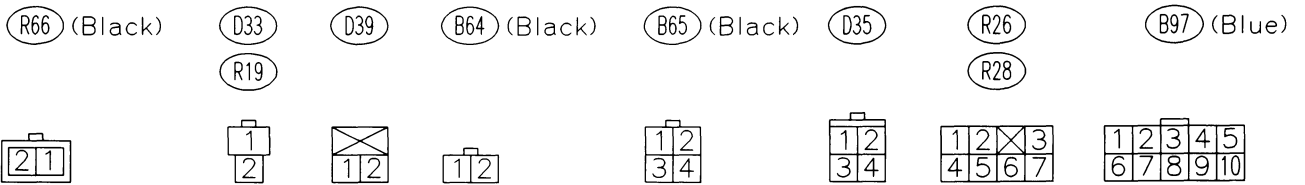
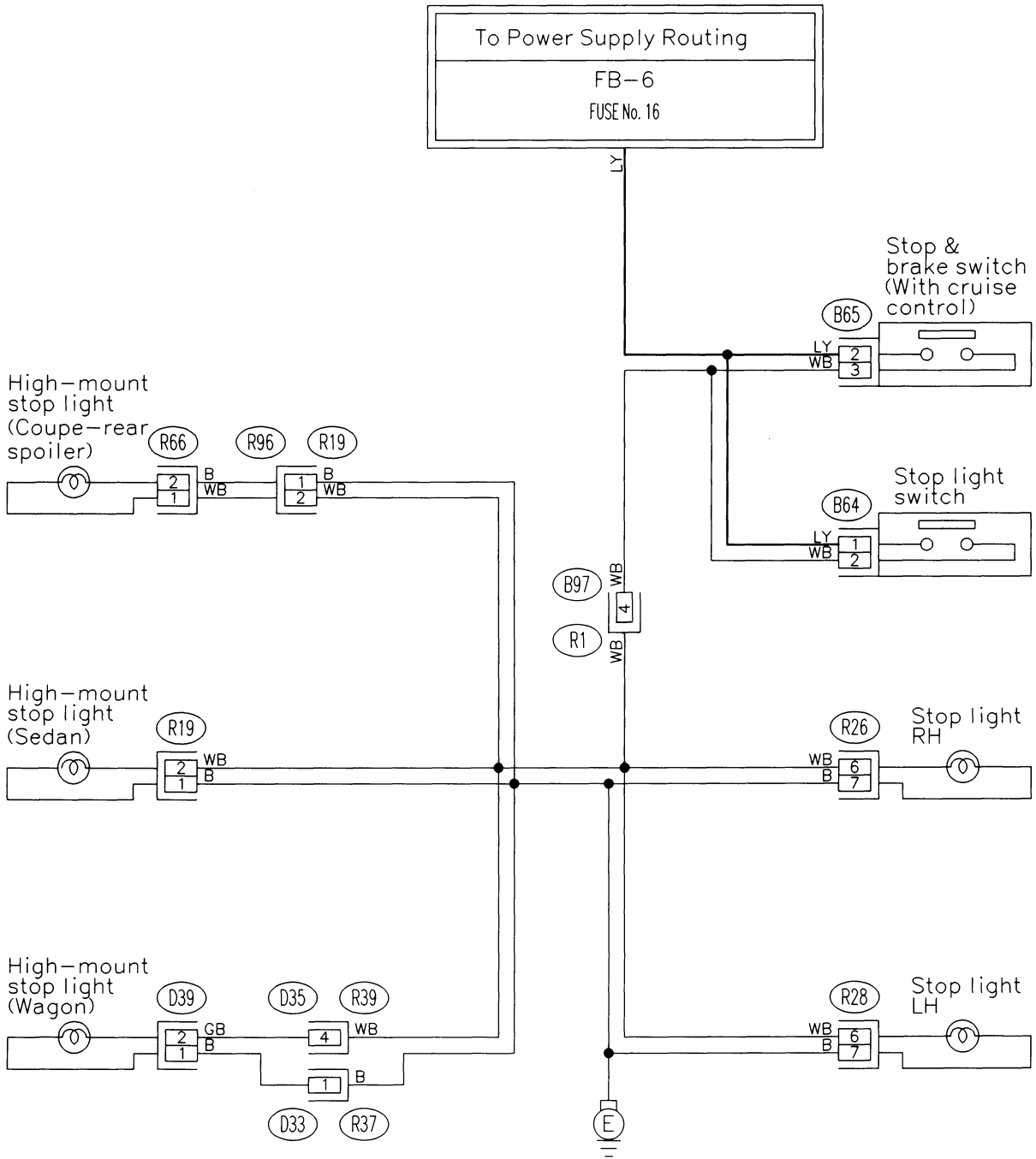
WIRING DIAGRAM

[D5S0] 6-3
5. Wiring Diagram

S: LIGHTING SYSTEM (IN COMPARTMENT)



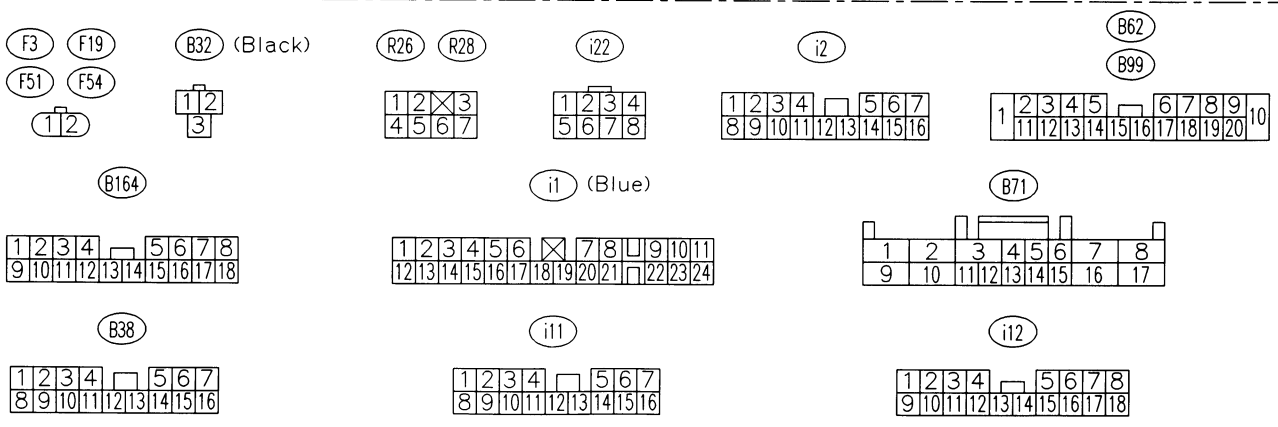
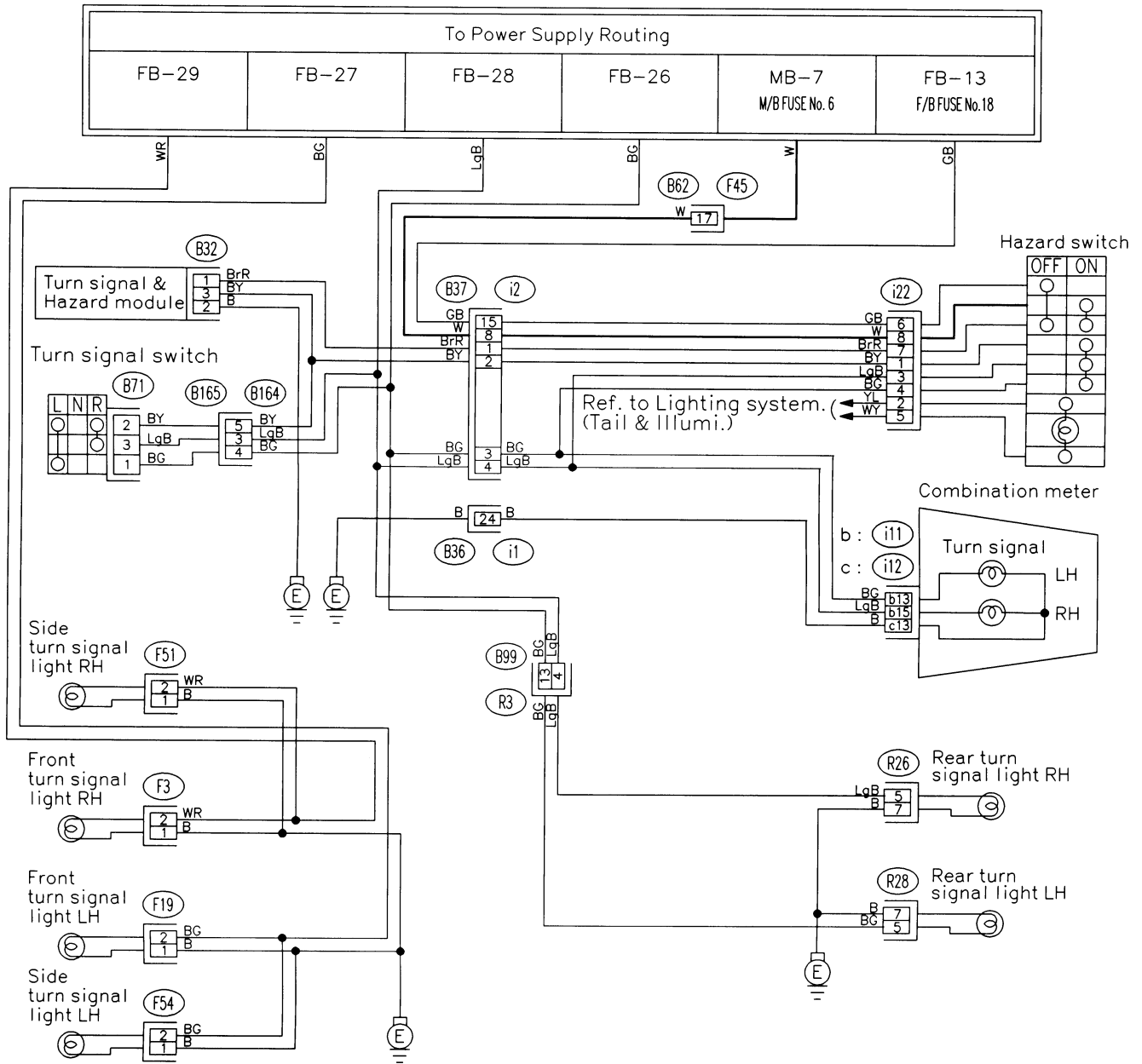
T: LIGHTING SYSTEM (STOP LIGHT)



WIRING DIAGRAM

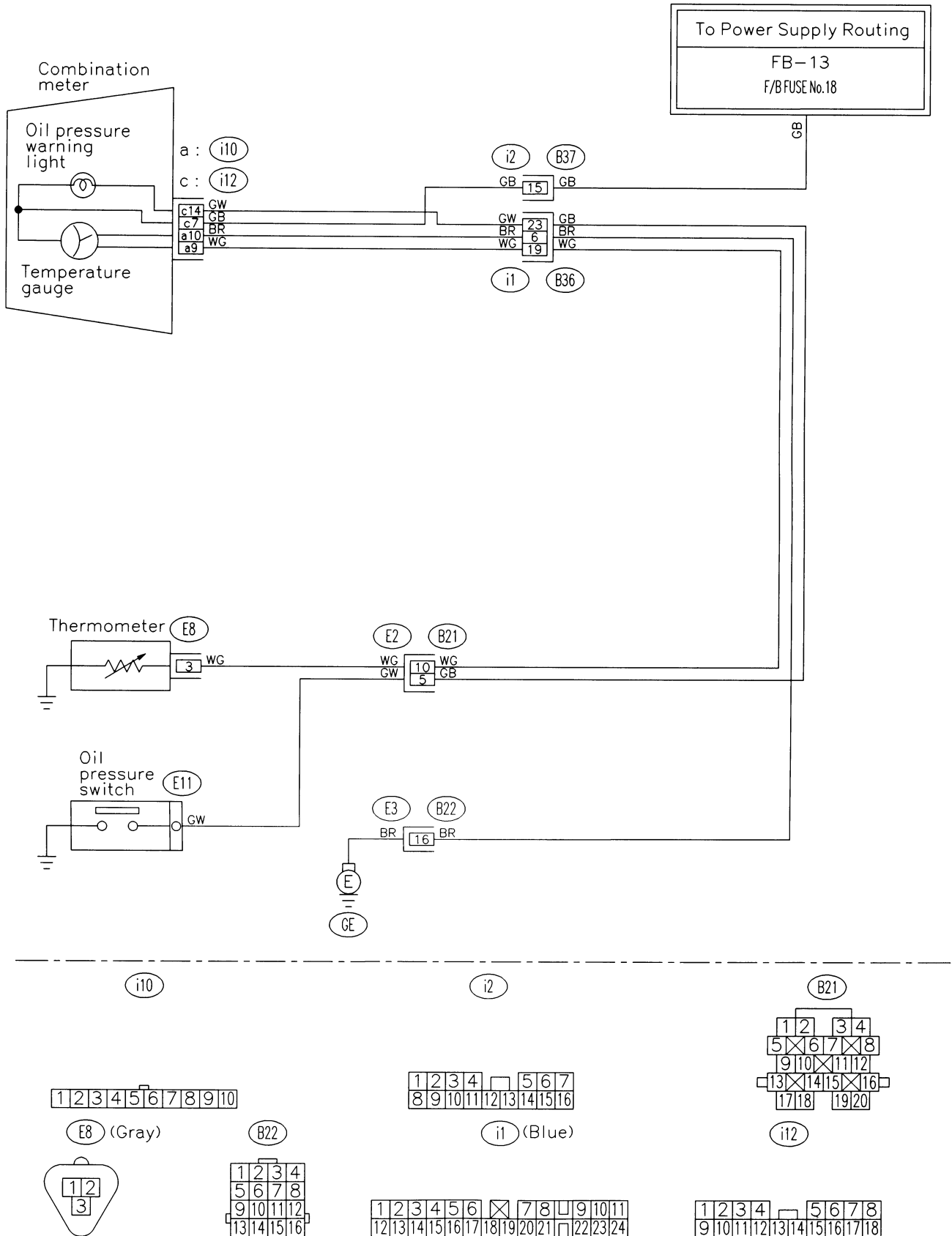
[D5U0] **6-3**
5. Wiring Diagram

U: LIGHTING SYSTEM (TURN SIGNAL LIGHT AND HAZARD LIGHT)

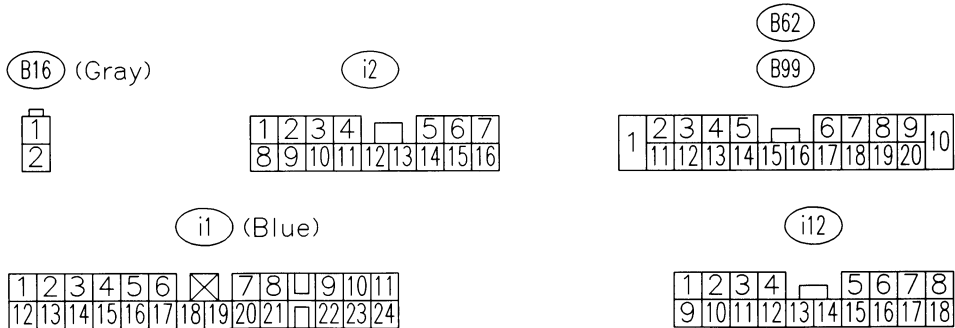
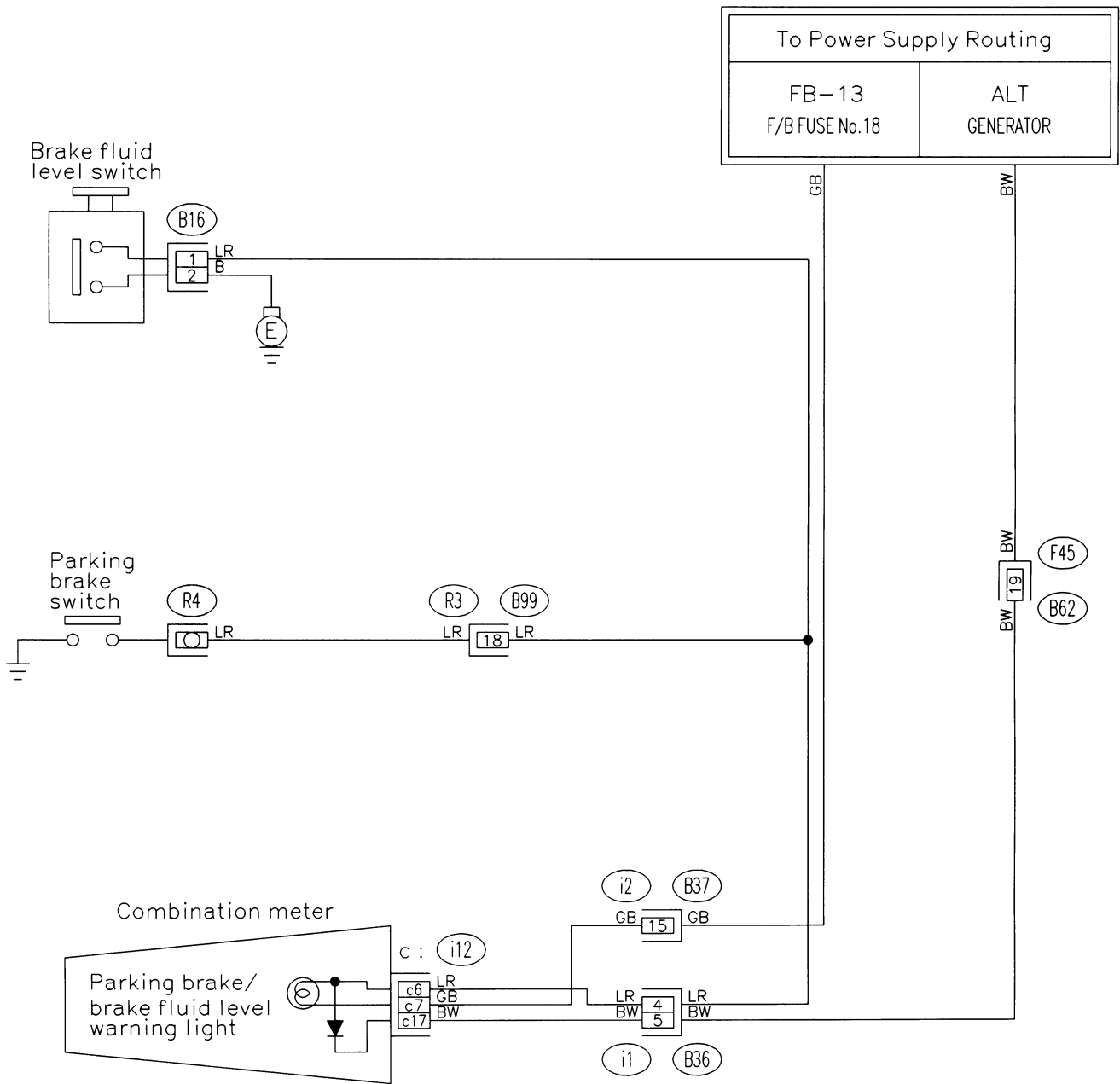


GU26-04

V: OIL PRESSURE AND TEMPERATURE GAUGE SYSTEM



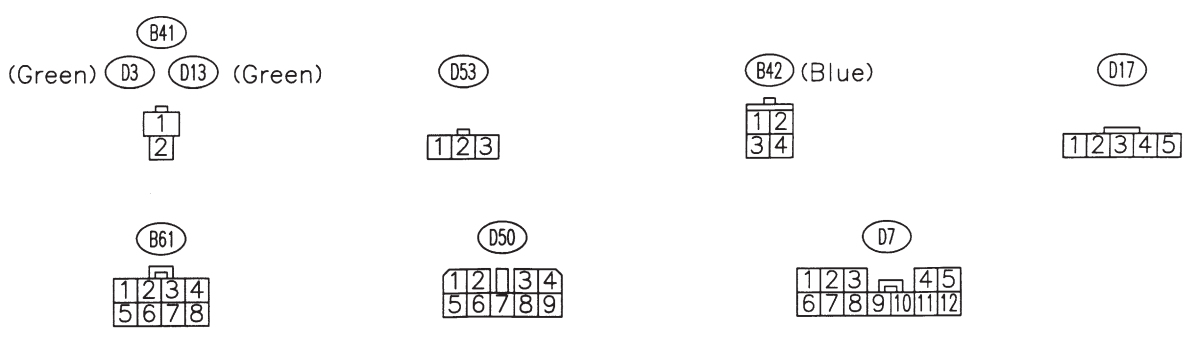
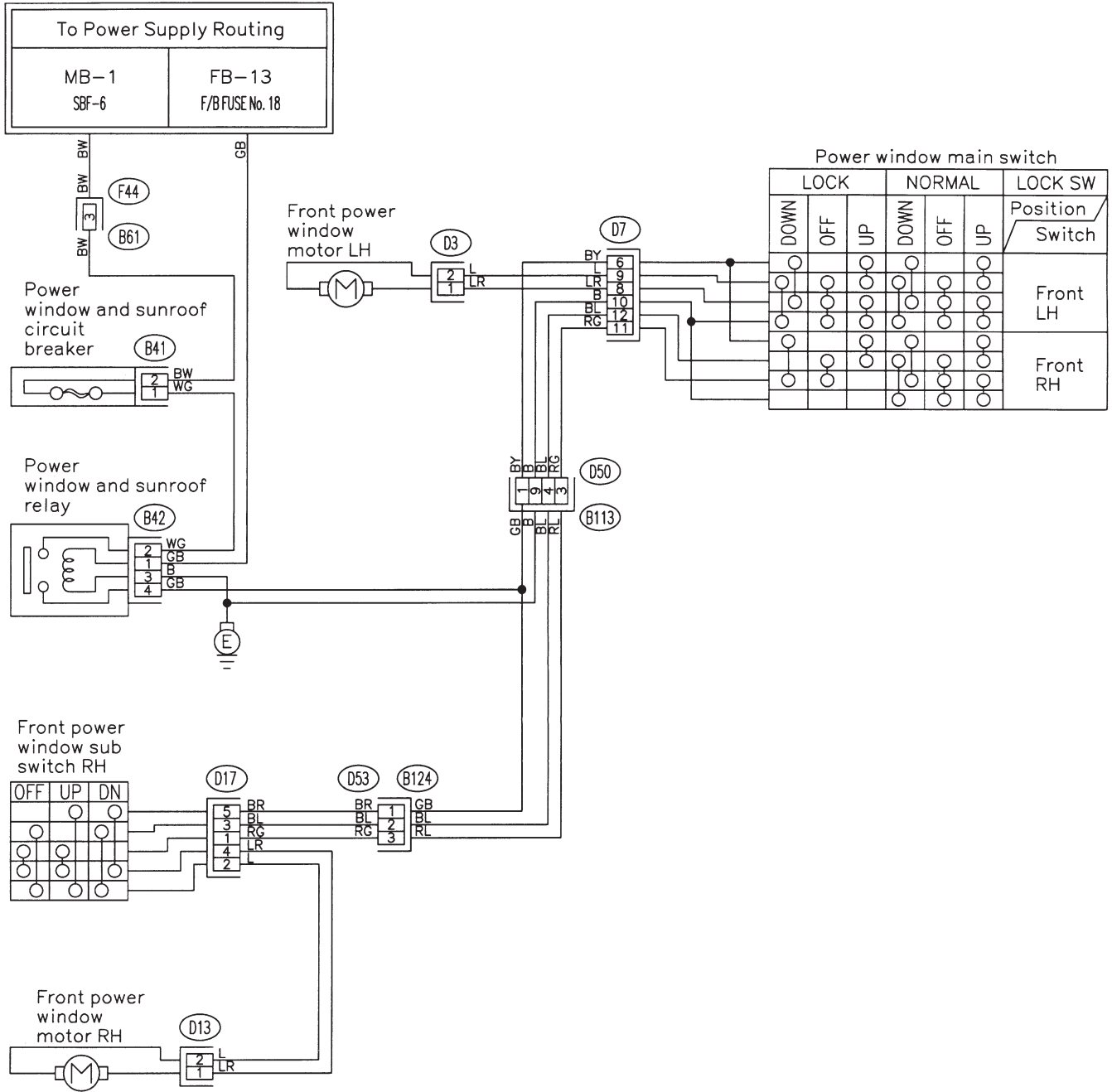
W: PARKING BRAKE AND BRAKE FLUID LEVEL WARNING SYSTEM



GU60-05

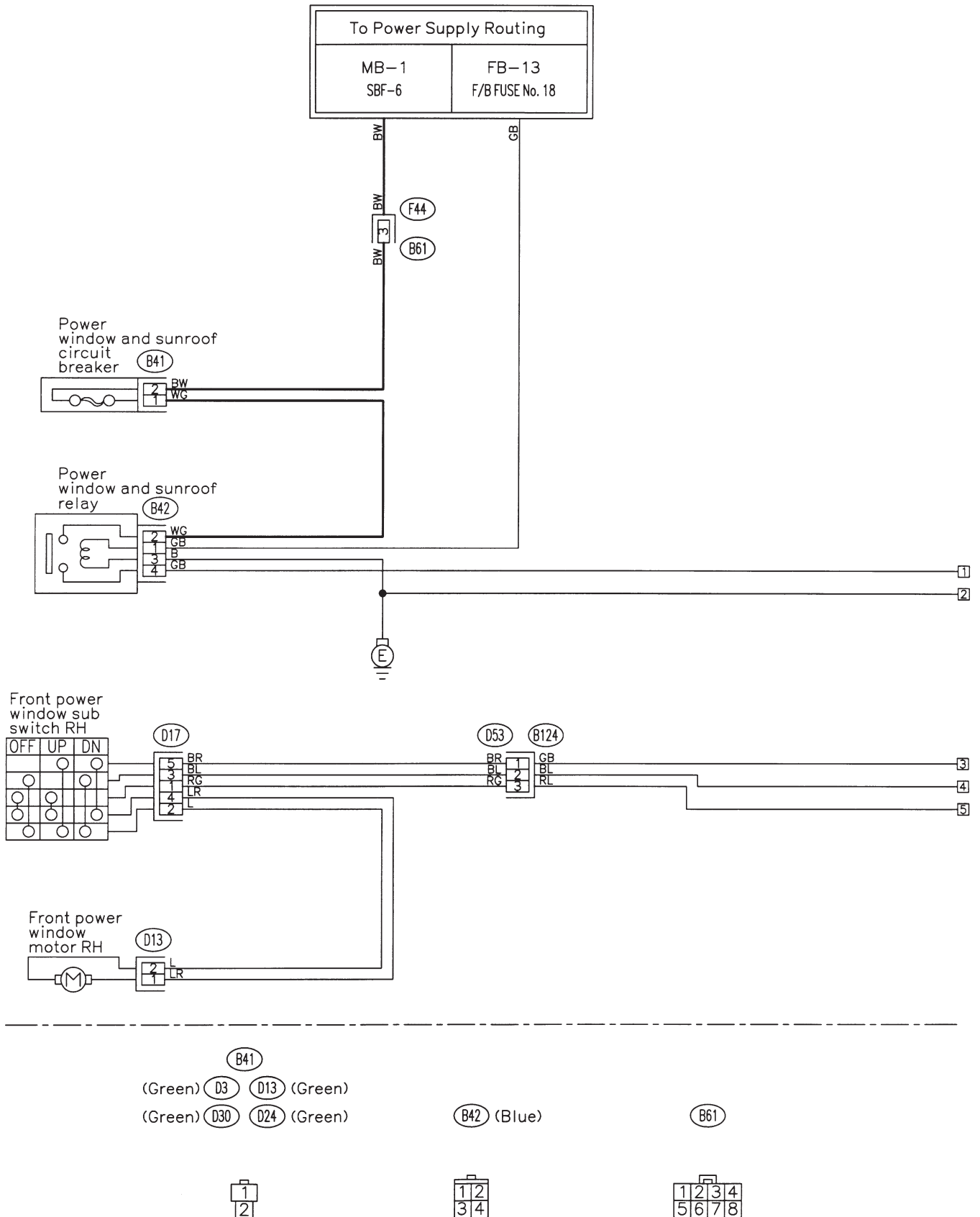
X: POWER WINDOW SYSTEM

1. COUPE MODEL



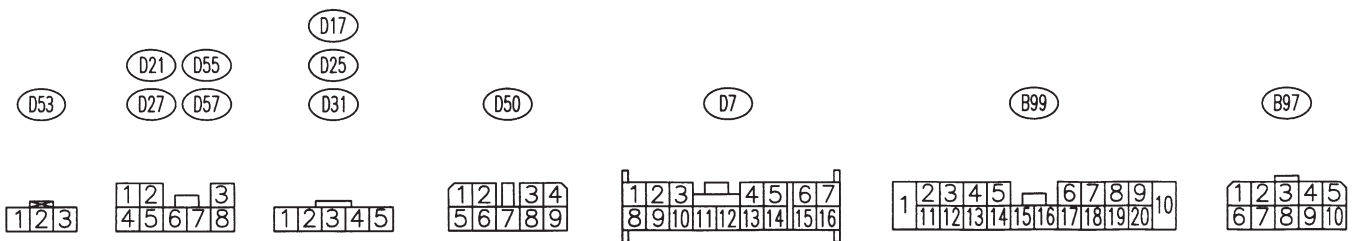
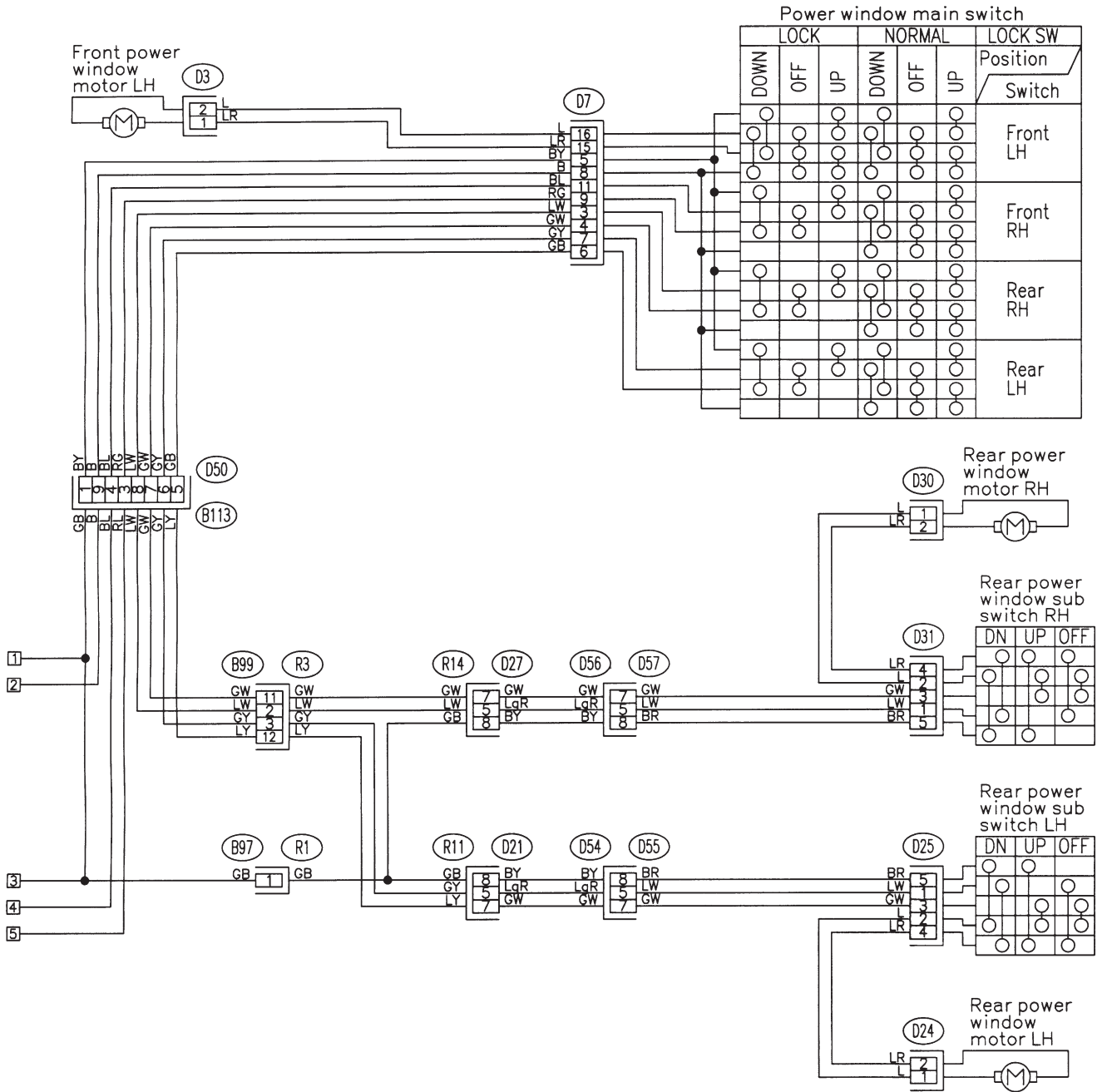
WIRING DIAGRAM

2. SEDAN AND WAGON MODEL

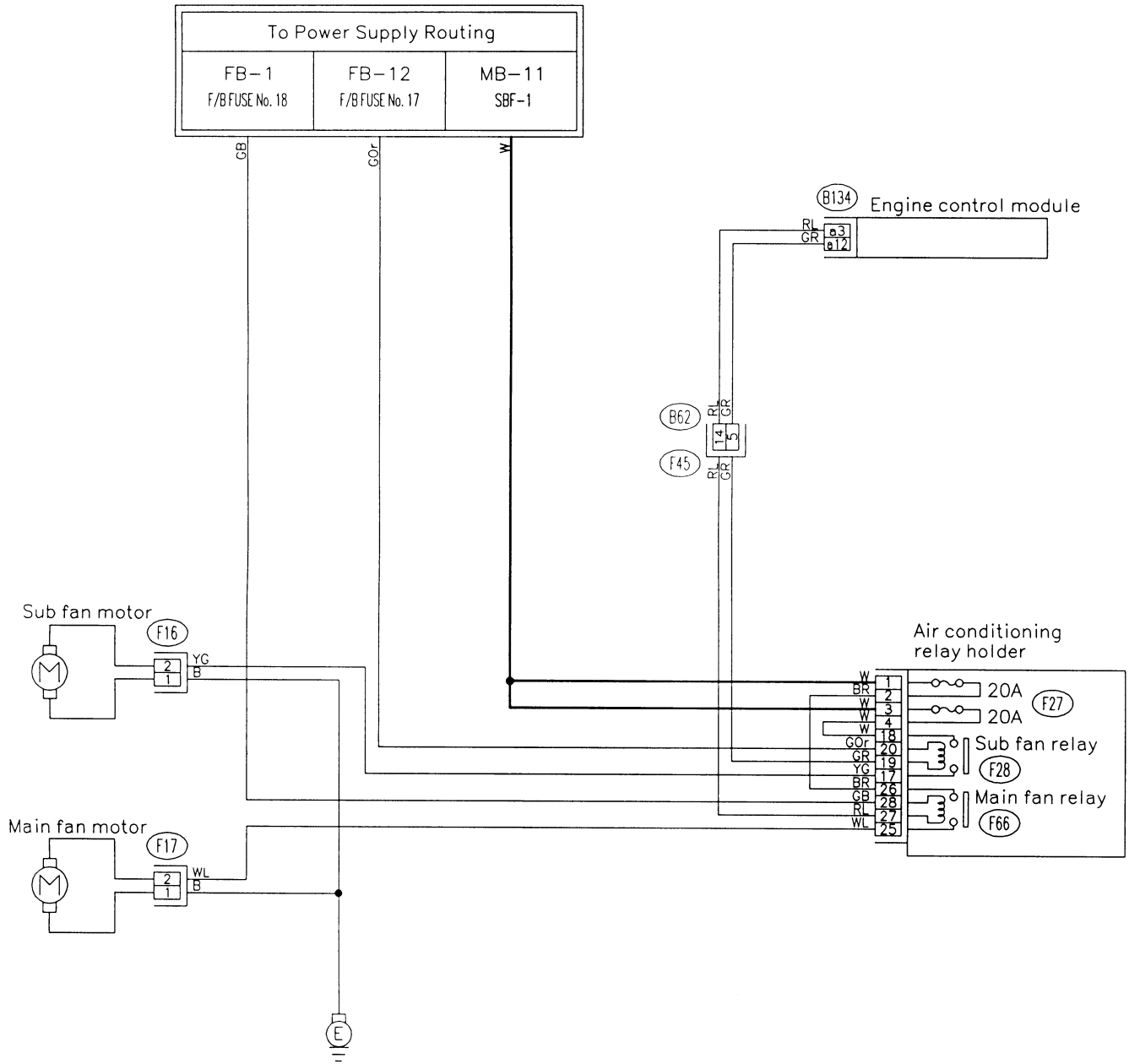


6-3 [D5X2]
5. Wiring Diagram

WIRING DIAGRAM



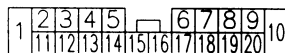
Y: RADIATOR FAN SYSTEM



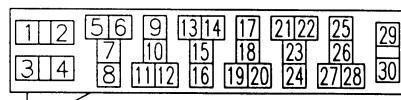
(F16) (Black)
(F17) (Black)



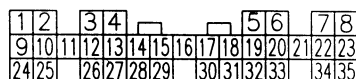
(B62)



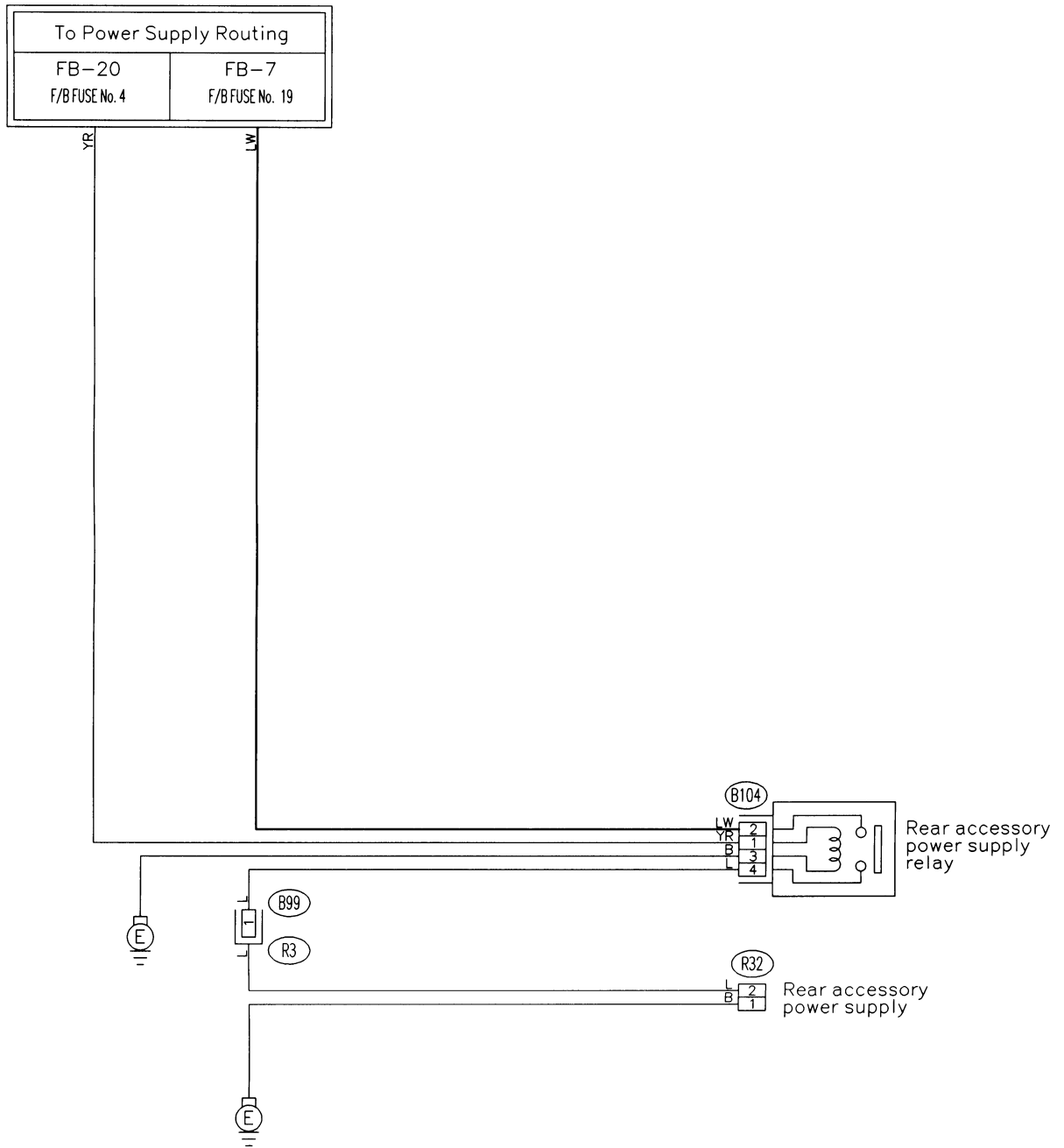
(F27) (F31) (F28) (F66) (F67)



a: (B134)



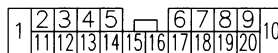
Z: REAR ACCESSORY POWER SUPPLY SYSTEM



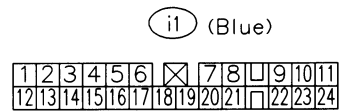
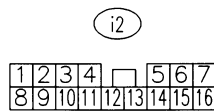
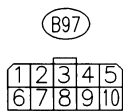
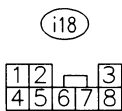
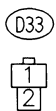
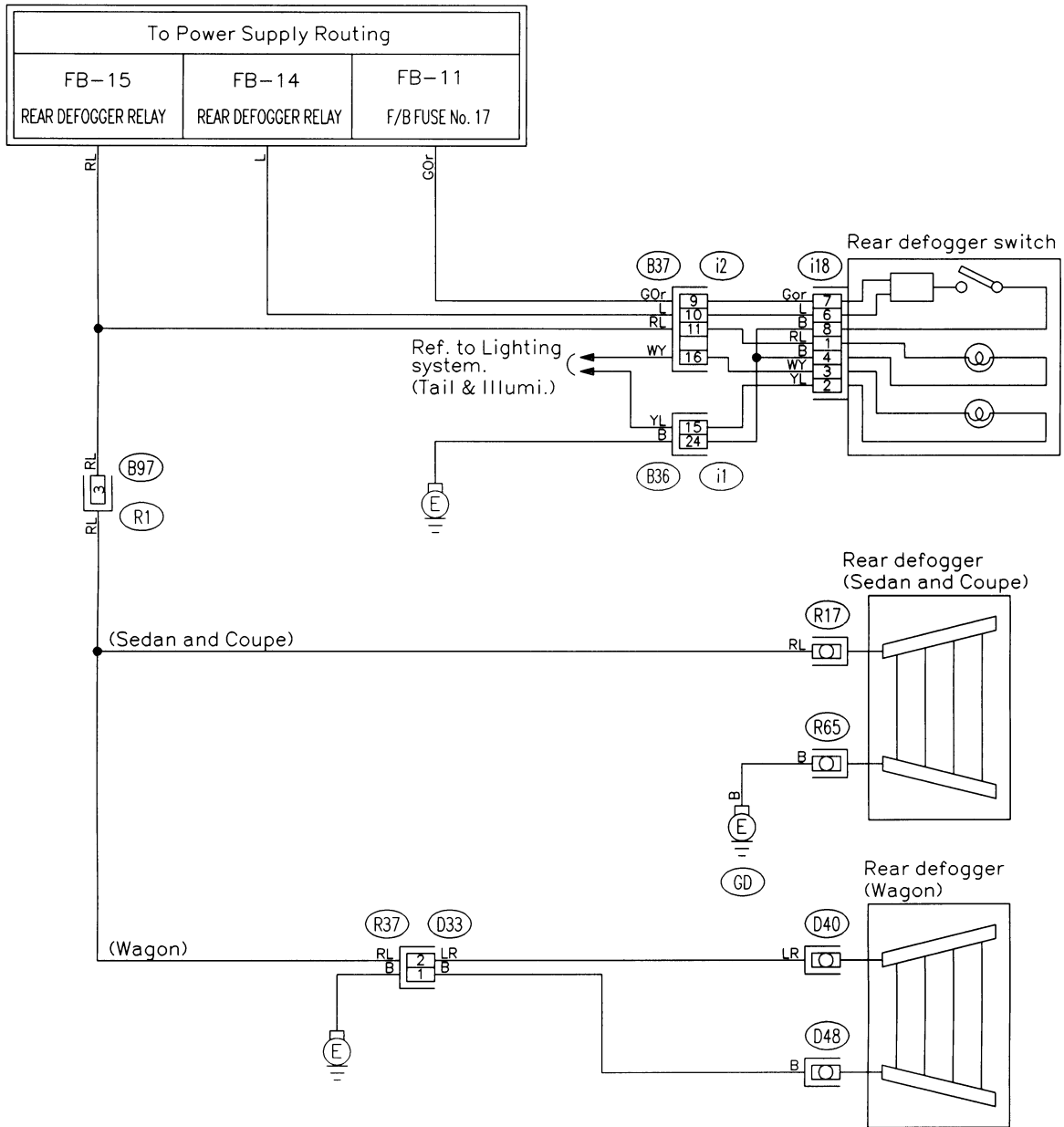
(R32)

(B99)

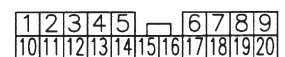
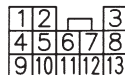
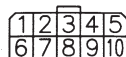
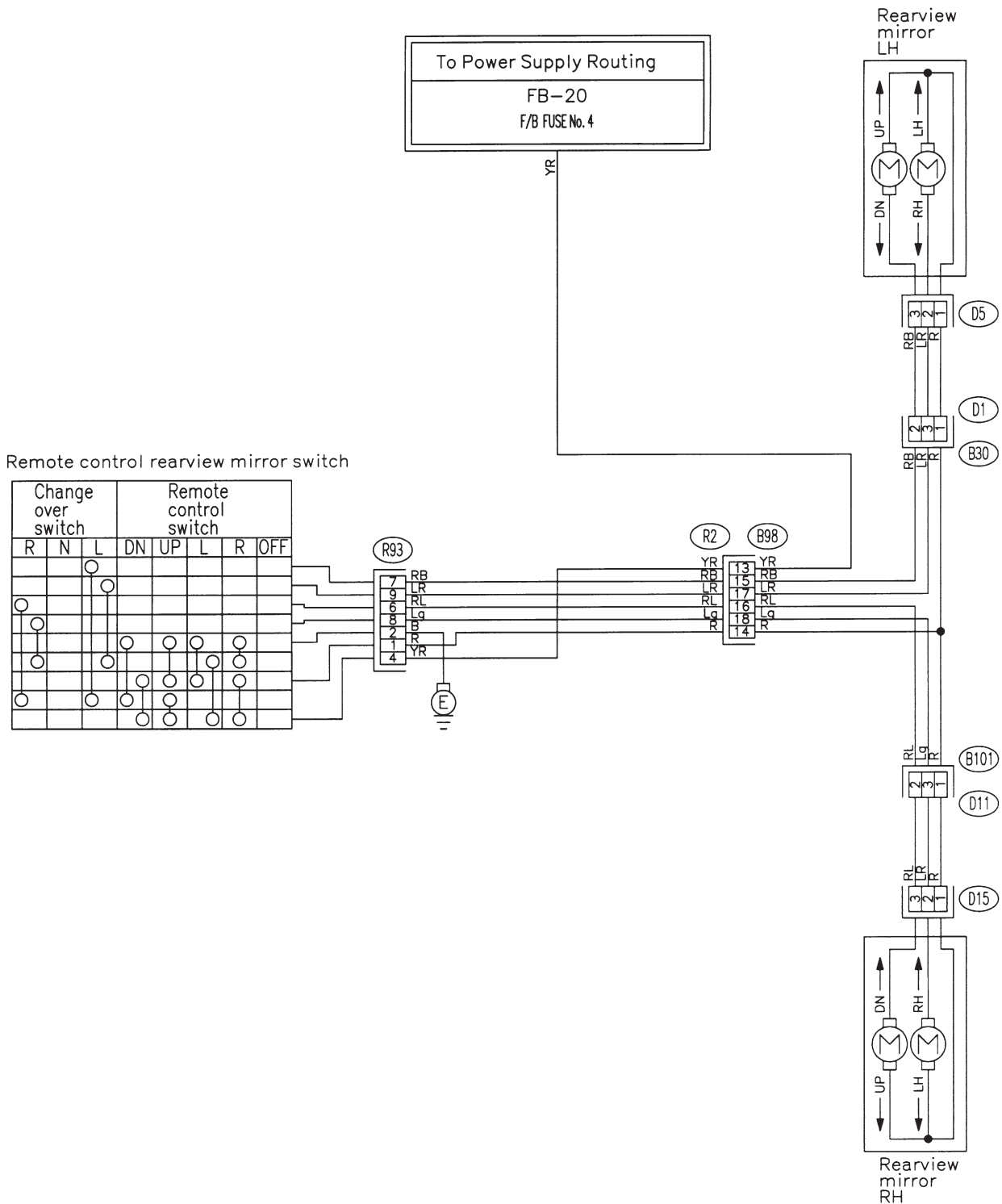
(B104) (Red)



AA: REAR WINDOW DEFOGGER SYSTEM

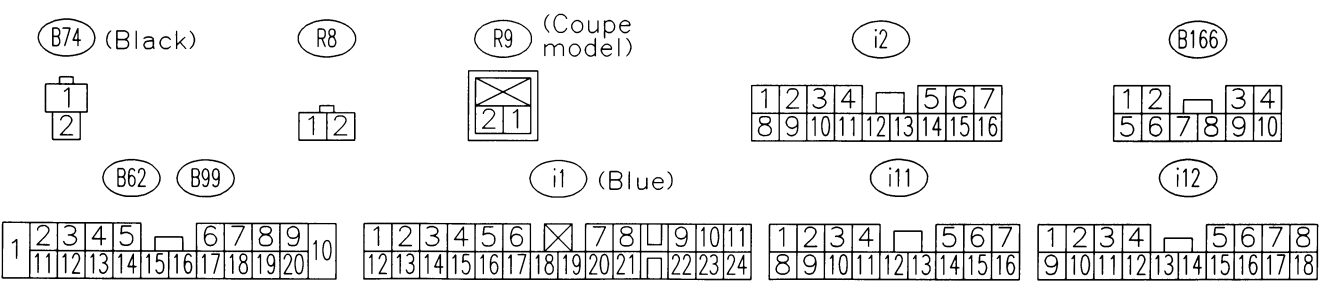
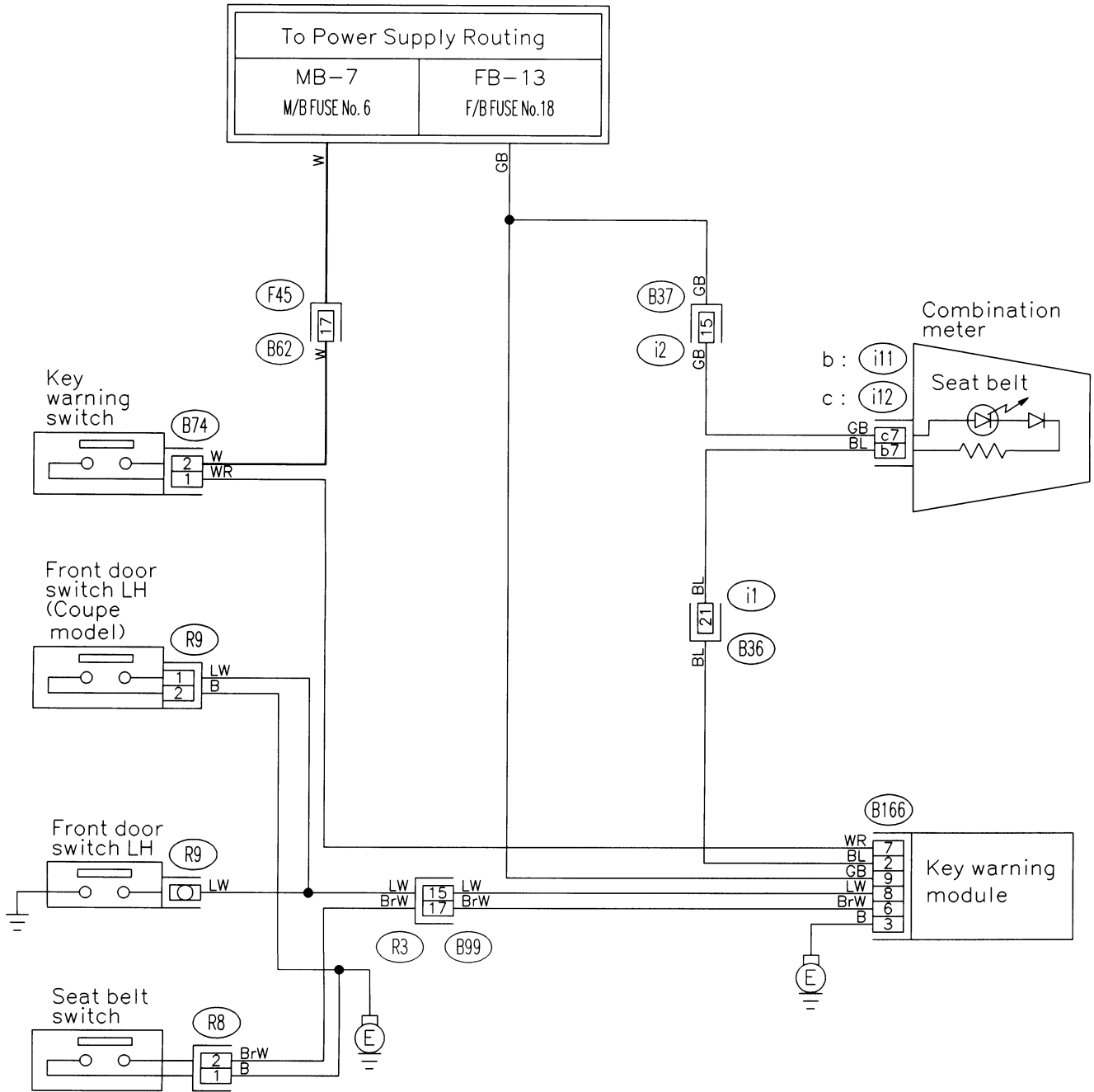


AB: REMOTE CONTROLLED REARVIEW MIRROR SYSTEM

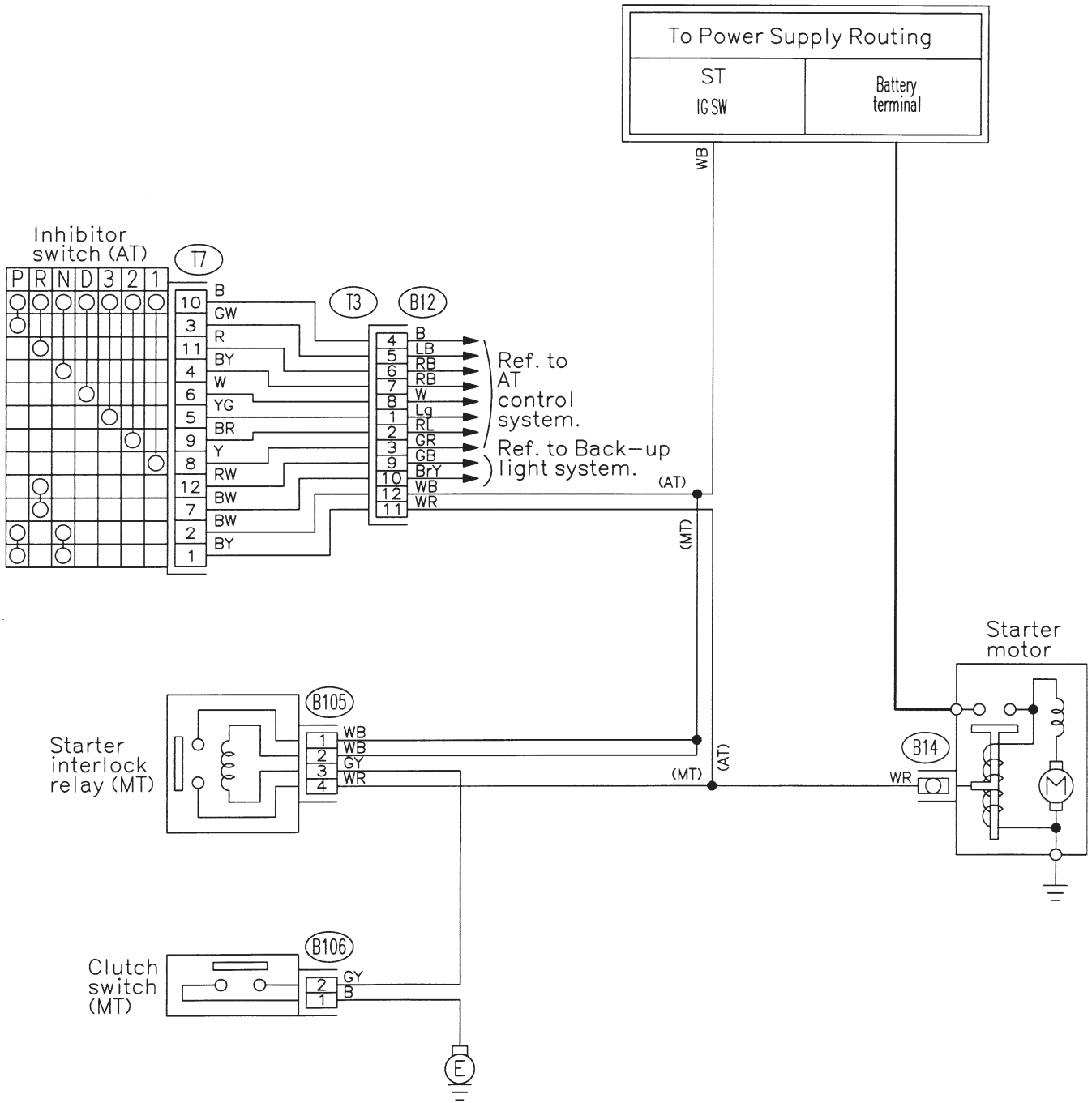


WIRING DIAGRAM

AC: SEAT BELT WARNING AND KEY WARNING SYSTEM



AD: STARTER SYSTEM



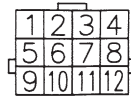
B106



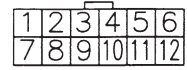
B105 (Blue)



B12



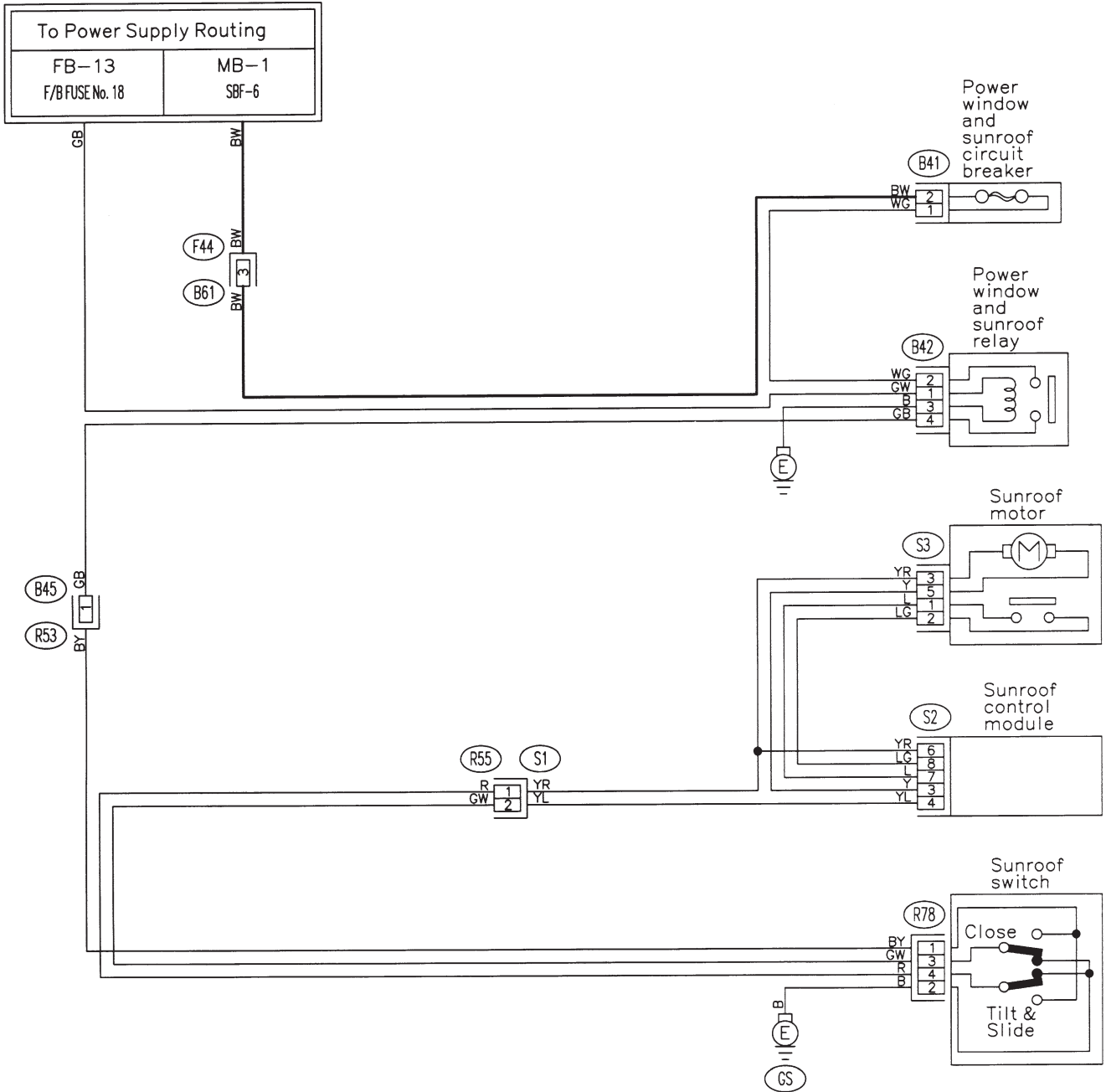
T7



WIRING DIAGRAM

[D5AE0] **6-3**
5. Wiring Diagram

AE: SUNROOF SYSTEM



(B41) (R55)

(R78)

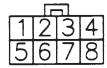
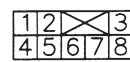
(B42) (Blue)

(S3)

(B45)

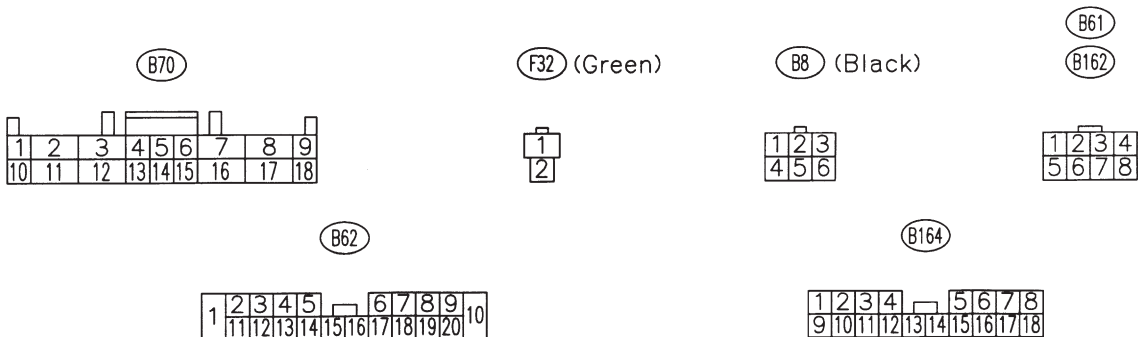
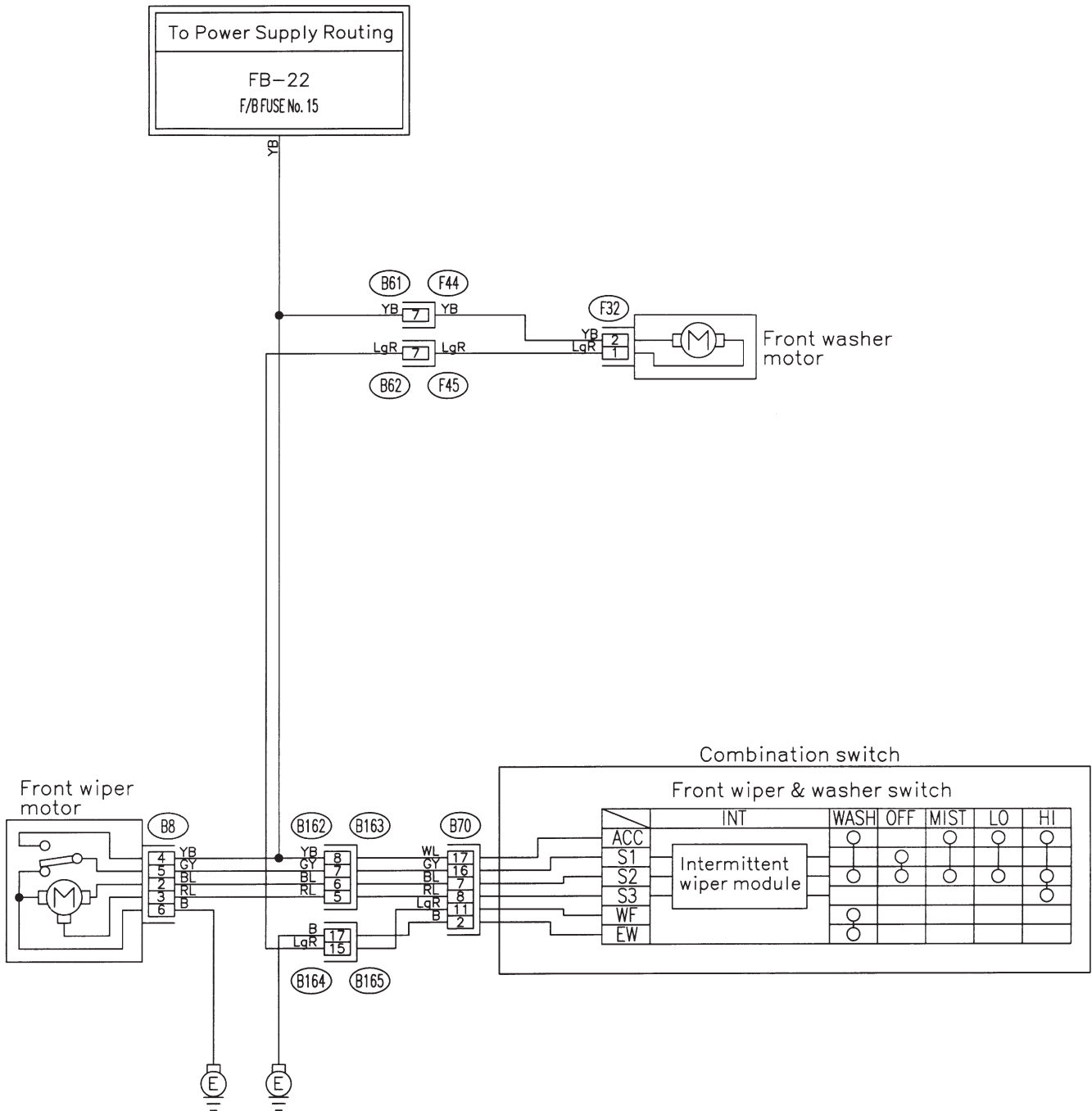
(S2)

(B61)



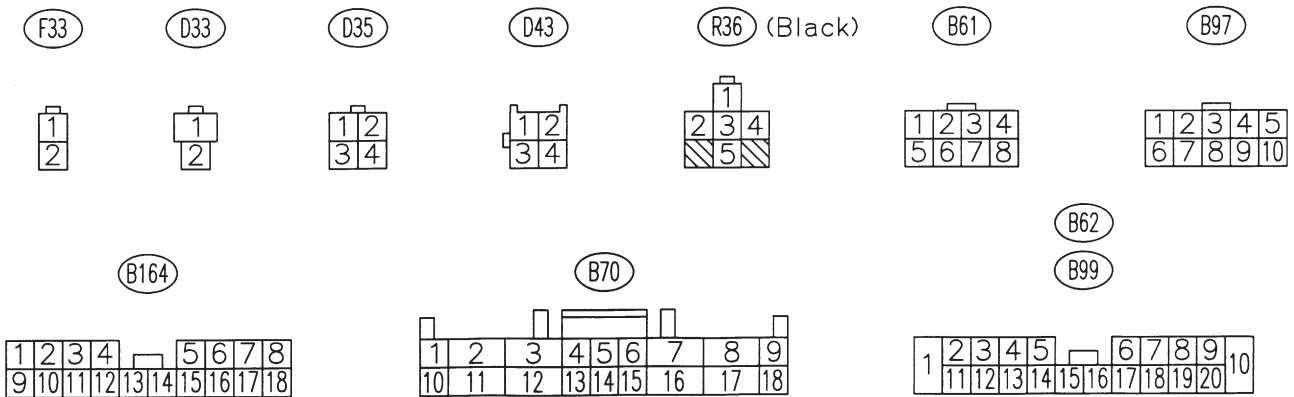
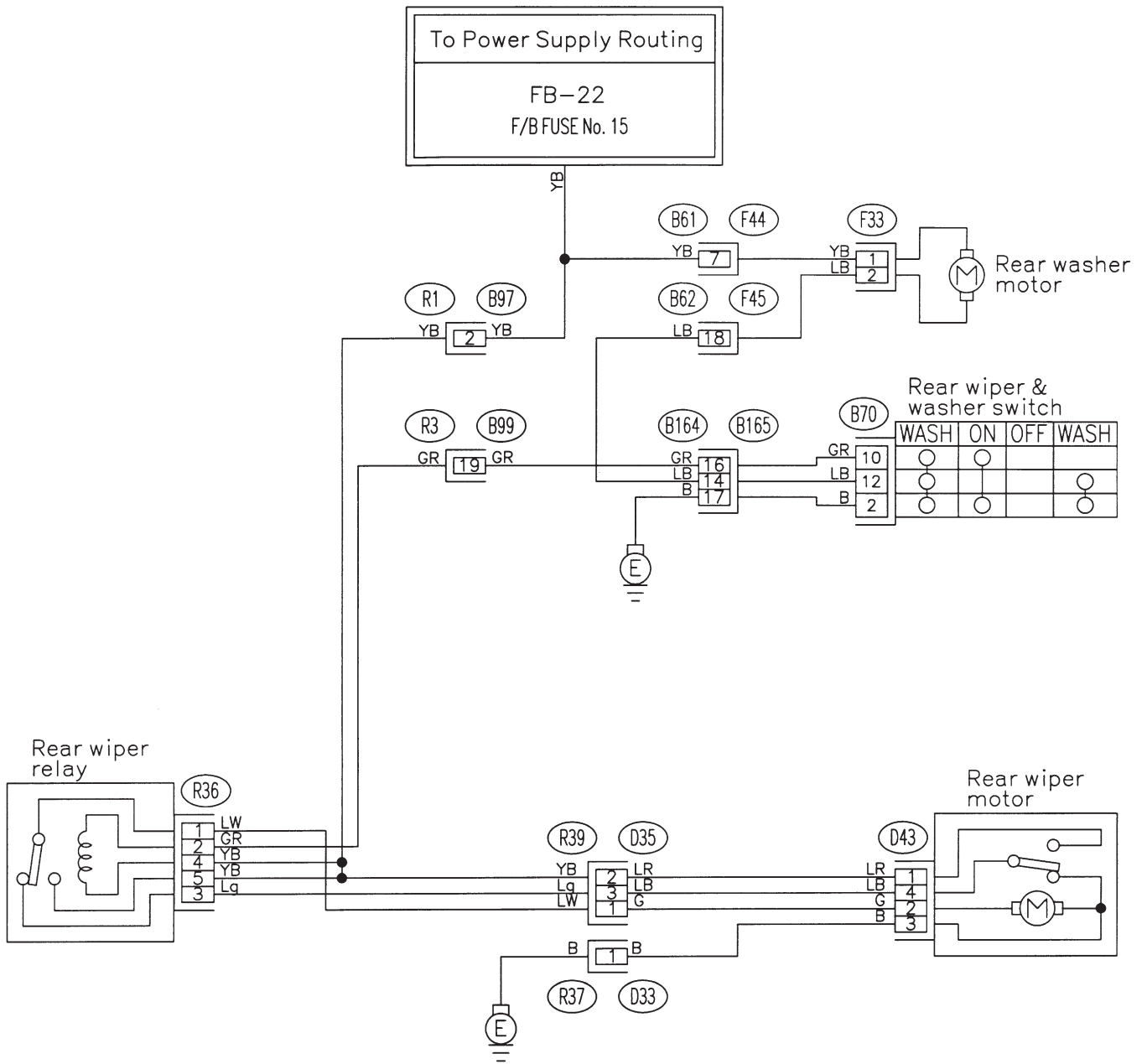
GU75-03

AF: WIPER AND WASHER SYSTEM (FRONT)

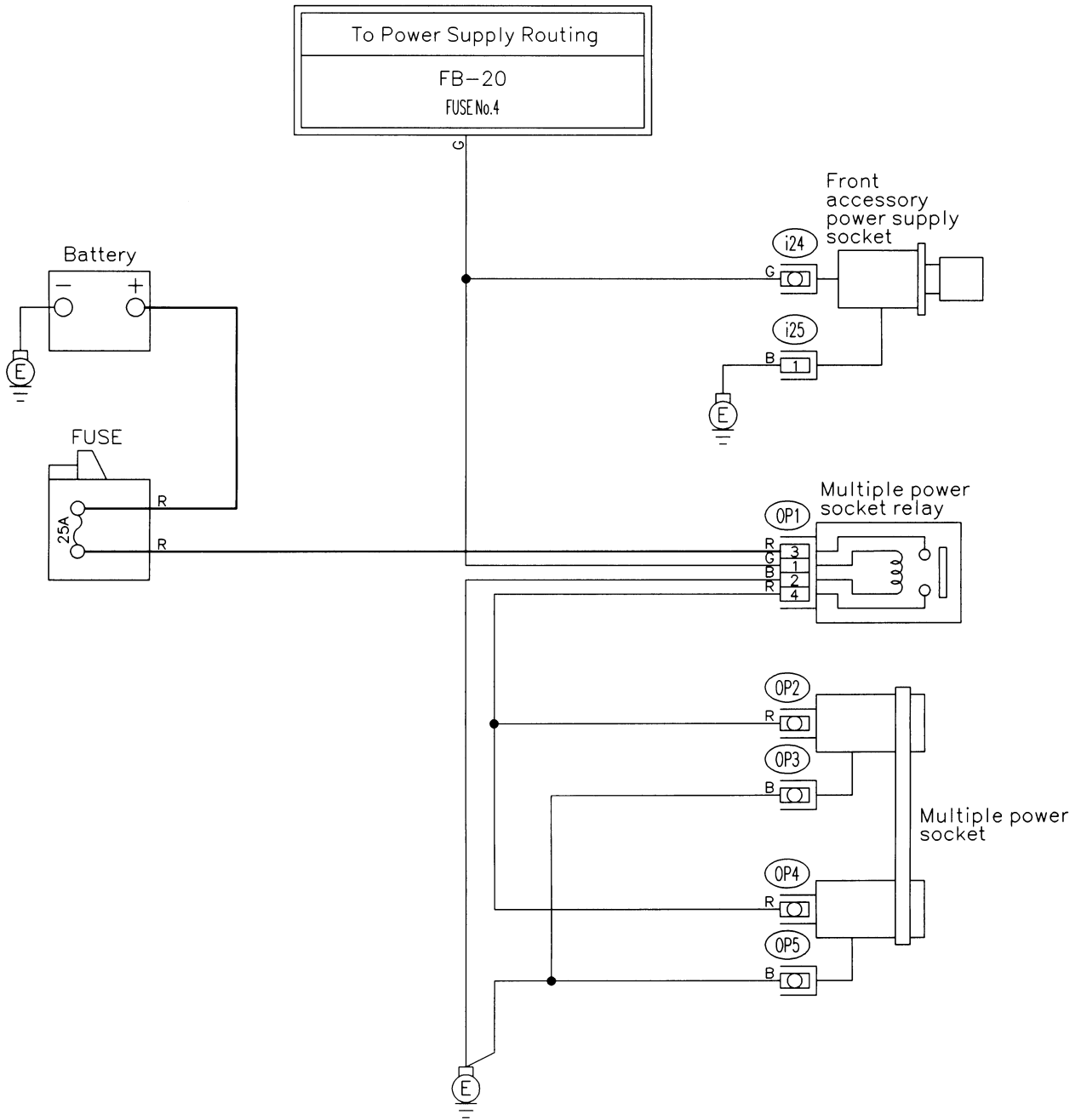


WIRING DIAGRAM

AG: WIPER AND WASHER SYSTEM (REAR)



AH: MULTIPLE POWER SUPPLY (OPTION)



i25

OP1 (Blue)

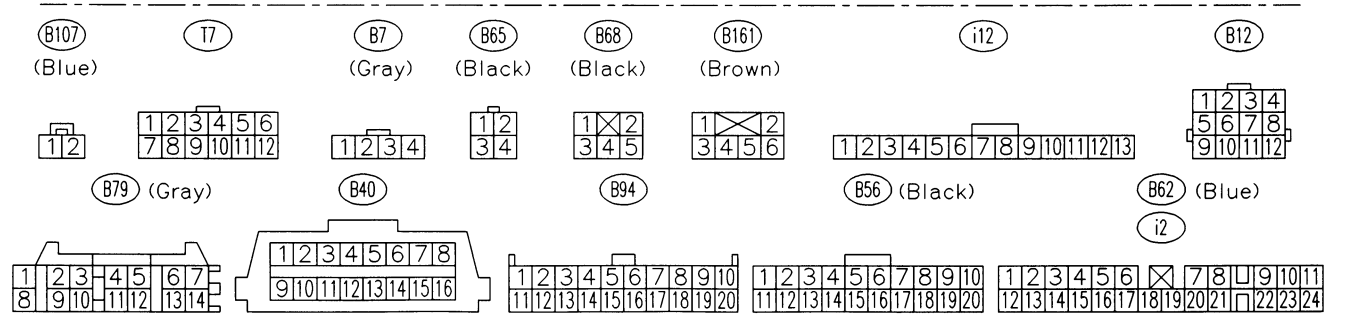
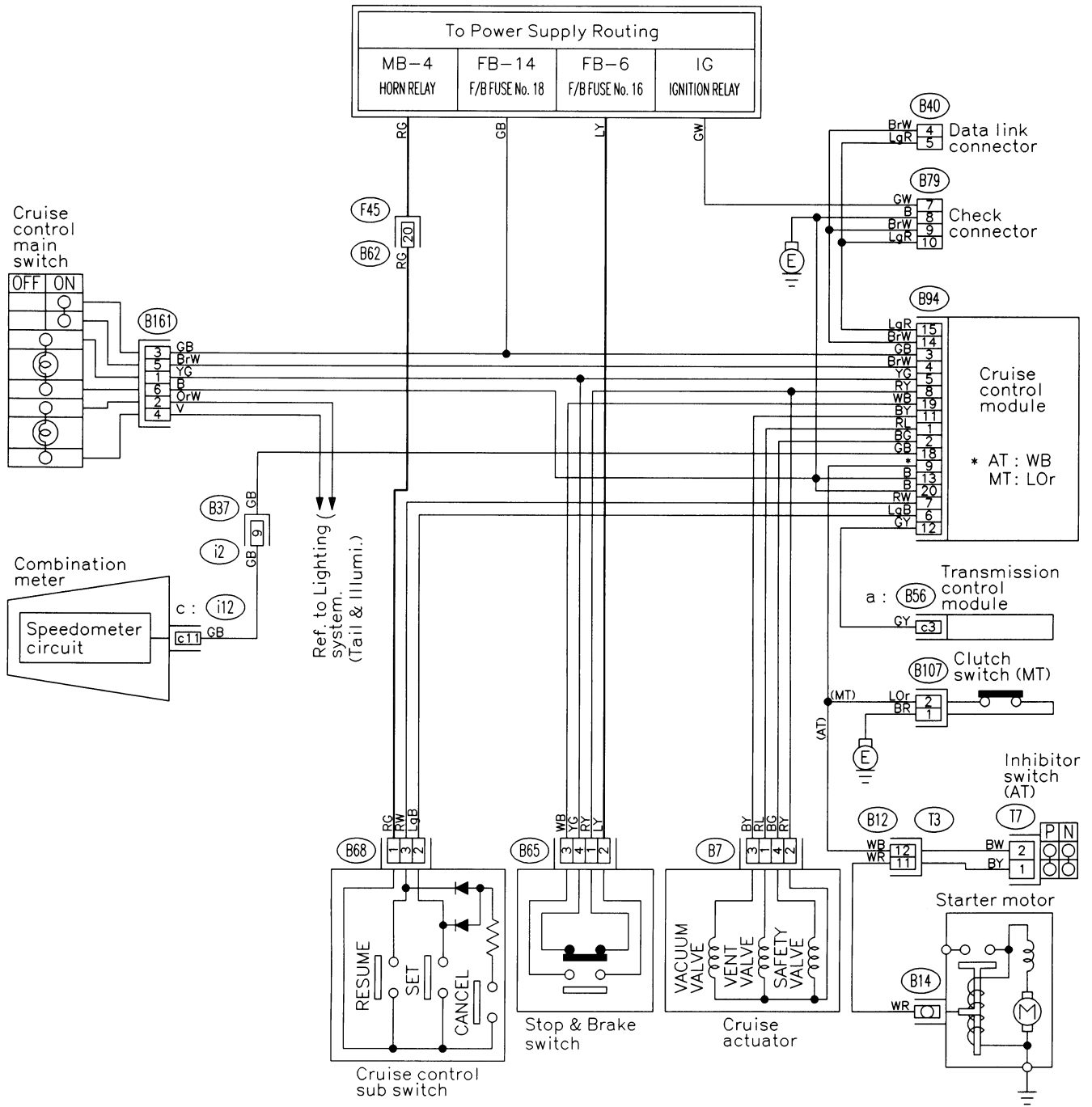


GU82-01

WIRING DIAGRAM

[D5A10] **6-3**
5. Wiring Diagram

AI: CRUISE CONTROL SYSTEM (OPTION)

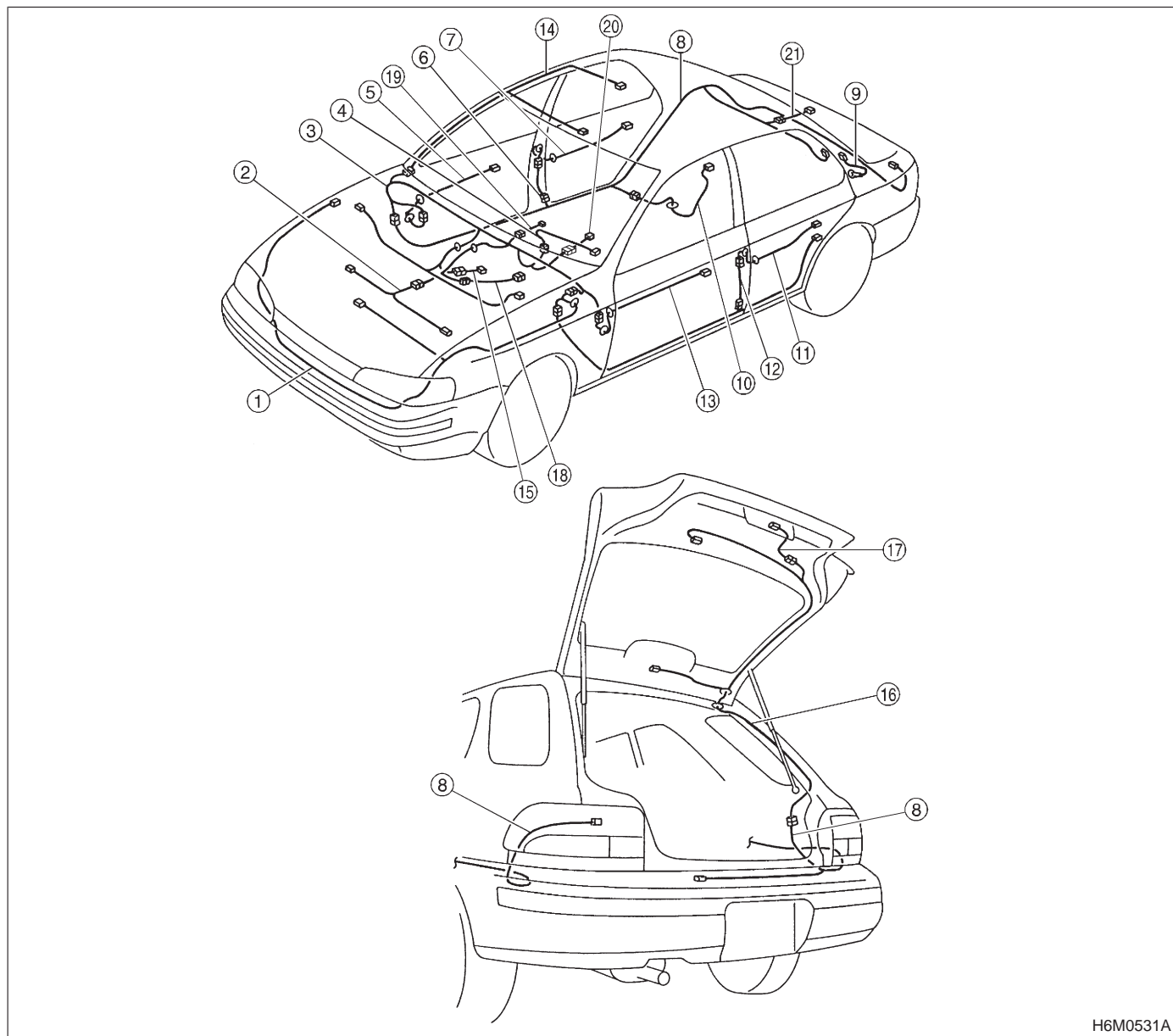


CU71-06

MEMO:

6. Electrical Wiring Harness and Ground Point

A: OVERALL LOCATION



H6M0531A

- | | | |
|------------------------------------|---------------------------------|--------------------------------------|
| (1) Front wiring harness | (8) Rear wiring harness | (15) Transmission cord |
| (2) Engine wiring harness | (9) Rear defogger cord (Ground) | (16) Rear gate cord |
| (3) Bulkhead wiring harness | (10) Fuel tank cord | (17) Rear gate lock adapter cord |
| (4) Instrument panel meter harness | (11) Rear door cord LH | (18) Rear oxygen sensor cord |
| (5) Front door cord RH | (12) Rear door adapter cord LH | (19) Instrument panel center harness |
| (6) Rear door adapter cord RH | (13) Front door cord LH | (20) Combination switch cord |
| (7) Rear door cord RH | (14) Roof cord | (21) Trunk lid cord |

B: FRONT WIRING HARNESS**1. LIST OF ITEMS**

Connector				Connecting to	
No.	Pole	Color	Area	No.	Name
F2	16	Blue	B-4	B100	Bulkhead wiring harness (ABS)
F3	2	★	B-1		Front turn signal light RH
F5	1 × 2	★	B-1		Horn
F6	2	Black	B-1		Front fog light RH (2500 cc engine model)
F7	3	★	B-1		Headlight RH
F16	2	Black	B-1		Sub fan motor
F17	2	Black	B-2		Radiator main fan motor
F19	2	★	C-3		Front turn signal light LH
F21	2	Black	C-2		Front fog light LH (2500 cc engine model)
F23	3	★	B-2		Headlight LH
F24	3	Gray	B-2		A/C compressor
F25	1	★	B-2		Generator
F26	3	Green	B-2		
F27	4	★	B-3		A/C fuse (Relay holder)
F28	4	★	B-3		A/C sub fan relay (Relay holder)
F31	4	★	B-3		A/C relay (Relay holder)
F32	2	Green	B-3		Front washer motor
F33	2	★	B-3		Rear washer motor
F34	4	★	B-3		SBF holder
F35	2	★	B-3		M/B
F36	3	★	B-3		
F37	6	Black	B-3		
F38	1	★	B-3		
F39	8	Black	B-3		
F40	9	Brown	B-4		F/B
F41	7	Gray	B-4		
F44	8	★	B-4	B61	Bulkhead wiring harness
F45	20	★	B-4	B62	
F46	8	★	B-4	B108	
F49	31	★	B-2		ABS control module
F51	2	★	B-2		Side turn signal light RH
F52	2	Gray	B-1		Front clearance light RH
F53	2	Gray	C-3		Front clearance light LH
F54	2	★	B-4		Side turn signal light LH
F55	12	★	B-4	R49	Rear wiring harness (ABS)
F62	6	★	B-1	F63	Shield joint connector (ABS)
F63	6	★	B-1	F62	
F64	1	★	B-2		ABS motor ground
F66	4	★	B-3		Radiator main fan relay (Relay holder)
F67	2	★	B-3		FWD switch (Relay holder)
F68	4	Black	B-3		M/B
F70	2	★			Front fog light (Except 2500 cc engine model)

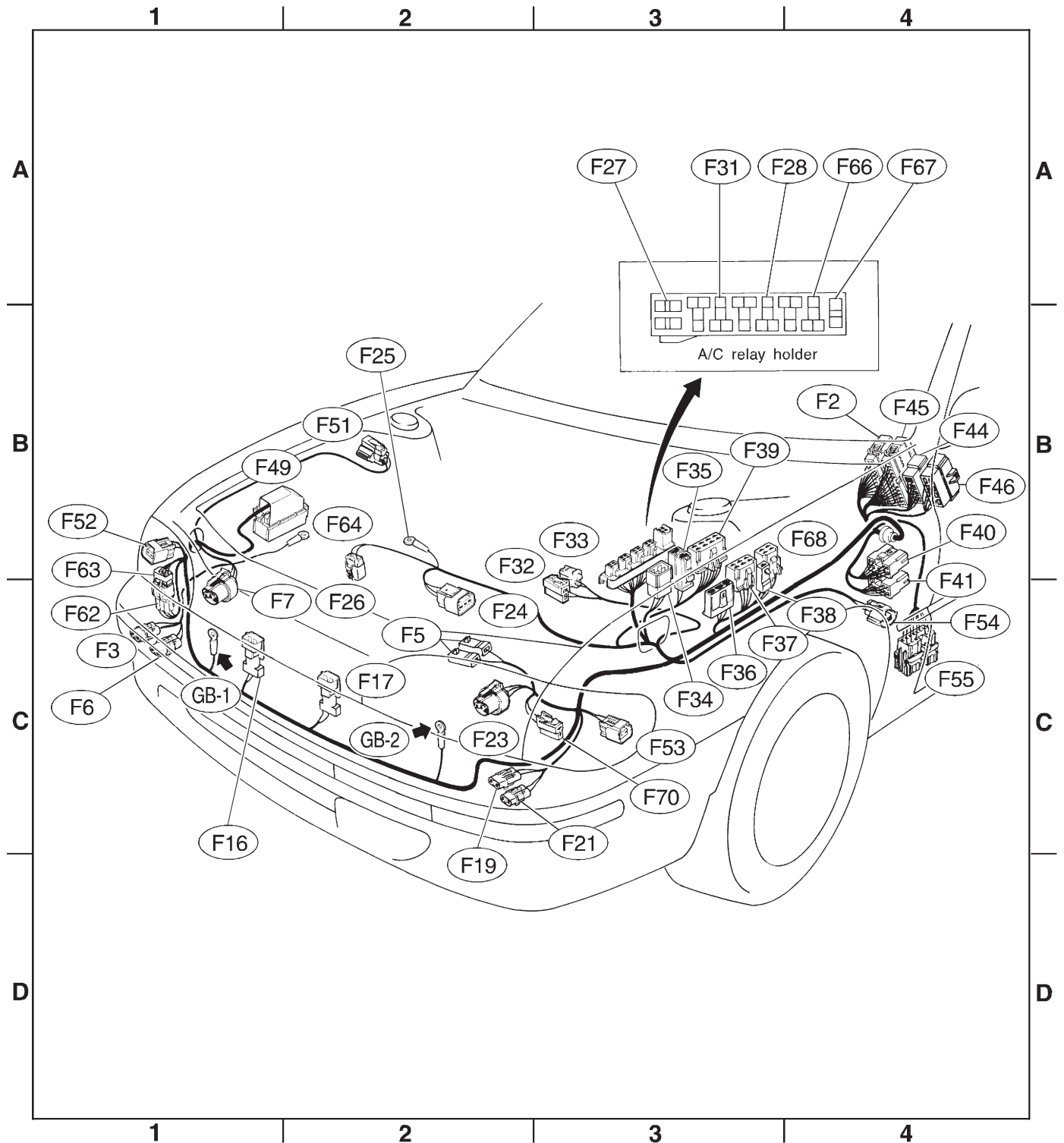
★: Non-colored

WIRING DIAGRAM

[D6B2] 6-3

6. Electrical Wiring Harness and Ground Point

2. LOCATION



C: BULKHEAD WIRING HARNESS (IN ENGINE ROOM)**1. LIST OF ITEMS**

Connector				Connecting to	
No.	Pole	Color	Area	No.	Name
B4	4	Gray	B-1		AT dropping resistor
B5	2	Gray	B-2		Resistor (Daytime running light) (Except for Canada model)
B6	2	★	B-2		ABS front sensor RH
B7	4	★	B-2		Cruise control actuator
B8	6	★	A-2		Front wiper motor
B10	2	Gray	B-2		A/C pressure switch
B11	20	Black	B-3	T4	Transmission (AT)
B12	12	★	B-3	T3	
B14	1	Black	B-3		Starter (Magnet)
B15	2	★	B-3		ABS front sensor LH
B16	2	Gray	B-3		Brake fluid level switch
B17	3	★	B-2		Vehicle speed sensor 2 (MT)
B19	10	★	B-2	E1	Oxygen sensor cord
B21	20	★	B-2	E2	Engine wiring harness
B22	16	★	B-2	E3	Engine wiring harness
B24	2	Gray	B-3	T1	Back-up light switch (MT)
B25	2	Brown	B-3	T2	Neutral position switch (MT)
B26	2	★	B-3		Resistor (Daytime running light) (For Canada model only)

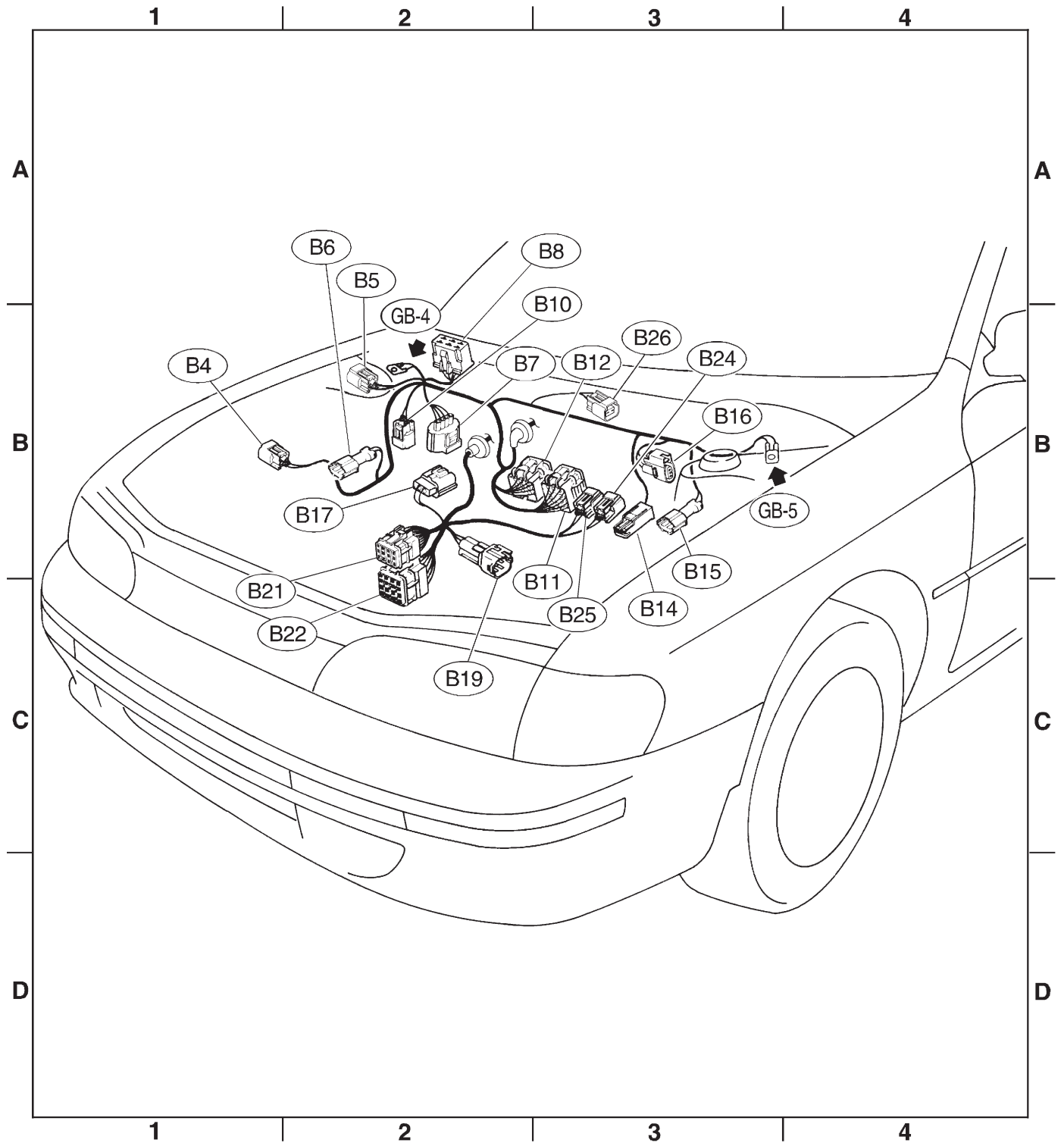
★: Non-colored

WIRING DIAGRAM

[D6C2] 6-3

6. Electrical Wiring Harness and Ground Point

2. LOCATION



D: BULKHEAD WIRING HARNESS (IN COMPARTMENT)

1. LIST OF ITEMS

Connector				Connecting to	
No.	Pole	Color	Area	No.	Name
B30	24	★	C-1	D1	Front door cord LH
B31	7	★	C-1	AB1	SRS (Airbag) harness
B32	3	Black	B-1		Turn & hazard module
B36	24	Blue	B-2	i1	Instrument panel meter harness
B37	16	★	B-2	i2	
B40	16	★	C-2		Data link connector
B41	2	★	B-1		Power window circuit breaker
B42	4	Blue	C-1		Power window relay
B43	6	Black	B-4		Illumination control module
B45	6	★	B-4	R53	Roof cord
B46	4	Green	C-1		Fuel pump relay
B47	6	Brown	C-1		Main relay
B48	4	Red	B-1		Front fog light relay
B50	4	★	B-1		Blower relay
B51	8	Blue	C-1		F/B
B52	12	Blue	C-1		
B53	6	★	C-2		Shield joint connector (AT)
B54	24	★	C-2		Transmission control module
B55	24	Gray	C-2		
B57	12	★	B-1		Shift lock control module (AT)
B61	8	★	B-1	F44	Front wiring harness
B62	20	★	B-1	F45	
B64	2	Black	B-2		Stop light switch
B65	4	Black	B-2		Stop & brake switch (With cruise control)
B68	5	Black	C-2		Cruise control sub switch
B69	4	★	C-2		Combination switch
B70	18	★	C-2		
B71	17	★	C-2		
B72	4	Blue	C-2		
B73	2	★	C-2		Ignition switch
B74	2	Black	C-2		Key lock solenoid (AT)
B75	2	Green	B-2	B76	Test mode connector
B76	2	Green	B-2	B75	
B79	14	Gray	C-3		Check connector
B81	1 × 2	★	B-2		Diagnosis terminal (Ground)
B82	6	Black	B-2		Diagnosis connector
B83	6	★	C-4		Shield joint connector (E/G)
B86	4	★	B-3		Blower motor resistor
B87	2	★	B-4		Blower motor
B88	4	Brown	B-3		Evaporator thermostat
B92	6	★	C-1		Door lock timer
B94	20	★	C-1		Cruise control module
B95	2	★	B-4		Diode (Daytime running light)
B96	10	★	B-4		Daytime running light control module
B97	10	Blue	C-4	R1	Rear wiring harness
B98	20	Black	C-4	R2	
B99	20	★	C-4	R3	

Connector				Connecting to	
No.	Pole	Color	Area	No.	Name
B100	16	Blue	B-1	F2	Front wiring harness (With ABS model)
B101	24	★	C-4	D11	Front door cord RH
B102	5	★	B-4		Daytime running light relay
B103	4	Blue	B-4		Daytime running light hi-beam relay
B104	4	Red	B-4		Rear accessory power supply relay
B105	4	Blue	B-2		Starter interlock relay (MT)
B106	2	★	B-2		Clutch switch (MT)
B107	2	Blue	B-2		Clutch switch (Cruise control)
B108	8	★	B-1	F46	Front wiring harness
B112	2	★	B-2		Diode (Front fog light)
B116	4	Black	C-3		Select lever illumination light (AT)
B117	4	★	C-3		Parking position switch & shift lock solenoid (AT)
B118	2	★	C-3		CD player illumination light
B119	1	★	C-3		Front accessory power supply (Power)
B120	14	★	C-3		Radio
B121	1	★	C-3		Audio ground
B125	1	Green	C-4	B126	Test mode connector
B126	1	Green	C-4	B125	
B134	35	★	C-3		Engine control module
B135	28	★	C-3		
B136	30	★	C-3		
B152	7	★	C-1		F/B
B158	12	★	C-1		F/B
B159	10	Gray	C-1		F/B
B160	6	Gray	C-1		Front fog light switch
B161	6	Brown	C-1		Cruise control main switch
B162	8	★	C-2	B163	Combination switch cord
B163	8	★	C-2	B162	Bulkhead wiring harness
B164	18	★	C-2	B165	Combination switch cord
B165	18	★	C-2	B164	Bulkhead wiring harness
B166	10	★	C-2		Key warning module
B167	3	★	C-3		Front accessory power supply (Ground)
B168	3	★	B-3		A/C switch
B169	6	★	B-3		Blower fan switch
B170	2	★	B-3		Mode control panel illumination light
B171	6	★	C-4		Joint connector (AVSS)
B172	10	★	C-2		Short connector
B173	2	★	B-3		Ash tray illumi. light

★: Non-colored

E: ENGINE WIRING HARNESS AND TRANSMISSION CORD**1. LIST OF ITEMS**

Connector				Connecting to	
No.	Pole	Color	Area	No.	Name
E1	6	★	C-1-C-2	B19	Bulkhead wiring harness
E2	20	Gray	A-3	B21	
E3	16	Brown	A-3	B22	
E4	2	Black	A-2		Purge control solenoid valve
E5	2	Gray	A-2		Injector #1 (Except 2200 cc California spec. vehicles)
		Dark gray			Injector #1 (2200 cc California spec. vehicles)
E6	2	Gray	A-2		Injector #3 (Except 2200 cc California spec. vehicles)
		Dark gray			Injector #3 (2200 cc California spec. vehicles)
E7	6	Black	A-3		Idle air control solenoid valve (Except 2200 cc California spec. vehicles)
	3	Gray			Idle air control solenoid valve (2200 cc California spec. vehicles)
E8	3	Gray	A-2		Engine coolant temperature sensor and thermometer
E10	2	Gray	A-2		Crankshaft position sensor
E11	1	★	A-3		Oil pressure switch
E12	4	Gray	A-3		Ignition coil
E13	4	Black	A-3		Throttle position sensor (Except 2200 cc California spec. vehicles)
	3				Throttle position sensor (2200 cc California spec. vehicles)
E14	2	★	A-3		Knock sensor
E15	2	Light gray	B-3		Camshaft position sensor
E16	2	Gray	B-3		Injector #2 (Except 2200 cc California spec. vehicles)
		Dark gray	B-3		Injector #2 (2200 cc California spec. vehicles)
E17	2	Gray	B-4		Injector #4 (Except 2200 cc California spec. vehicles)
		Dark gray	B-4		Injector #4 (2200 cc California spec. vehicles)
E19	2	Gray	B-3		Power steering switch
E20	2	Gray	A-3		Intake air temperature sensor (2200 cc California spec. vehicles)
E21	2	Black	A-2		Pressure sensor (Except 2200 cc California spec. vehicles)
E24	4	★	D-1-D-3		Front oxygen sensor
E25	4	★	D-2-D-4		Rear oxygen sensor
E26	5	Gray	A-2		Mass air flow sensor (Except 2200 cc California spec. vehicles)
E27	2	Gray	A-2		Pressure sources switching solenoid valve (Except 2200 cc California spec. vehicles)
E28	3	Gray	A-3		Intake manifold pressure sensor (2200 cc California spec. vehicles)

★: Non-colored

Connector				Connecting to	
No.	Pole	Color	Area	No.	Name
T1	2	Gray	C-1	B24	Bulkhead wiring harness (MT)
T2	2	Brown	C-1	B25	
T3	12	★	C-3	B12	Bulkhead wiring harness (AT)
T4	16	★	C-3	B11	
T7	12	★	C-4		Inhibitor switch (AT)
T8	2	★	C-1	B17	Bulkhead wiring harness (MT)

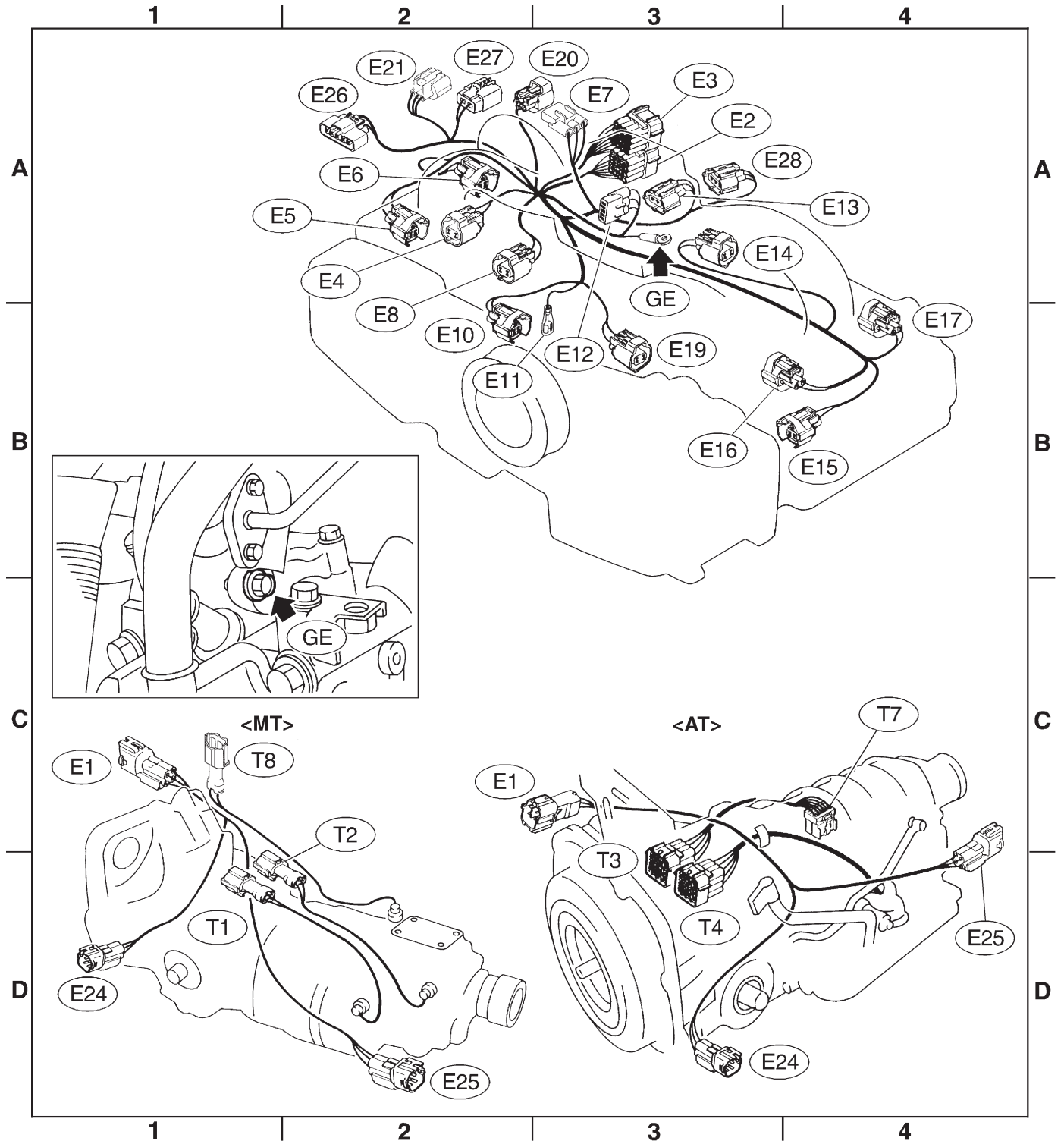
★: Non-colored

WIRING DIAGRAM

[D6E2] 6-3

6. Electrical Wiring Harness and Ground Point

2. LOCATION



6-3 [D6F1]**WIRING DIAGRAM**

6. Electrical Wiring Harness and Ground Point

F: INSTRUMENT PANEL WIRING HARNESS**1. LIST OF ITEMS**

Connector				Connecting to	
No.	Pole	Color	Area	No.	Name
i1	24	Blue	B-2	B36	Bulkhead wiring harness
i2	16	★	B-2	B37	
i10	18	★	B-2		Combination meter
i11	16	★	B-2		
i12	10	★	B-2		
i18	8	★	B-3		Rear defogger switch
i22	8	★	B-3		Hazard switch

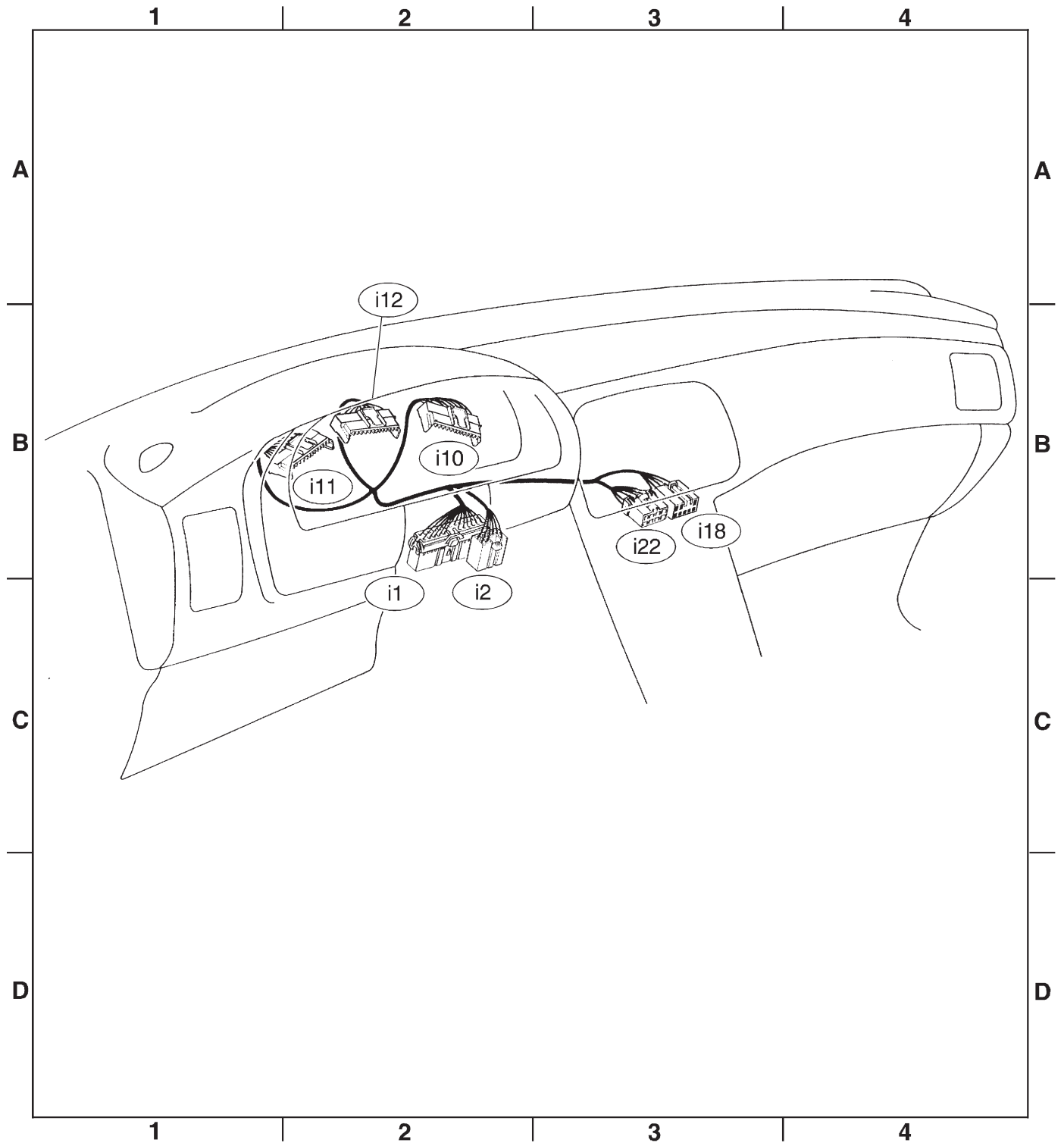
★: Non-colored

WIRING DIAGRAM

[D6F2] 6-3

6. Electrical Wiring Harness and Ground Point

2. LOCATION



G: REAR WIRING HARNESS**1. LIST OF ITEMS**

Connector				Connecting to	
No.	Pole	Color	Area	No.	Name
R1	10	Blue	B-2	B97	Bulkhead wiring harness
R2	20	Black	B-2	B98	
R3	20	★	B-2	B99	
R4	1	Black	B-3		Parking brake switch
R8	2	★	B-3		Seat belt switch
R9	1	Brown	B-3		Front door switch LH (Sedan and Wagon model)
	2	★	D-4		Front door switch LH (Coupe model)
R11	8	★	B-3	D21	Rear door adapter cord LH
R12	1	Brown	B-2		Front door switch RH (Sedan and Wagon model)
	2	★	C-3		Front door switch RH (Coupe model)
R14	8	★	B-2	D27	Rear door adapter cord RH
R15	12	★	B-3	R57	Fuel tank cord
R16	1	Brown	A-3		Rear door switch RH
R22	1	Brown	B-4		Rear door switch LH
R46	2	★	B-3	R67	Fuel tank cord
R47	3	★	C-1		Fuel tank pressure sensor
R49	12	★	B-3	F55	Front wiring harness (With ABS model)
R52	2	★	A-3		Room light
R53	6	★	B-2	B45	Bulkhead wiring harness
R55	2	★	A-3		Sunroof control module and sunroof motor
R56	2	★	A-3		Spot light
R57	12	★	B-3	R15	Rear wiring harness
R58	6	★	C-1/D-1		Fuel gauge module & fuel pump assembly
R59	2	★	C-2/D-2		Fuel gauge sub module
R67	2	★	B-3	R46	Rear wiring harness
R68	2	Black	C-2/D-1		Pressure control solenoid valve
R69	2	★	C-1/D-1		Drain valve
R70	3	★	B-2		ABS G sensor
R72	2	★	B-3		Rear ABS sensor RH
R73	2	★	B-4		Rear ABS sensor LH
R78	4	★	A-3		Sunroof switch
R93	10	★	B-3		Remote control rearview mirror switch
R94	2	Gray	C-1	R95	Pressure control solenoid valve cord
R95	2	Gray	C-1	R94	Fuel tank cord

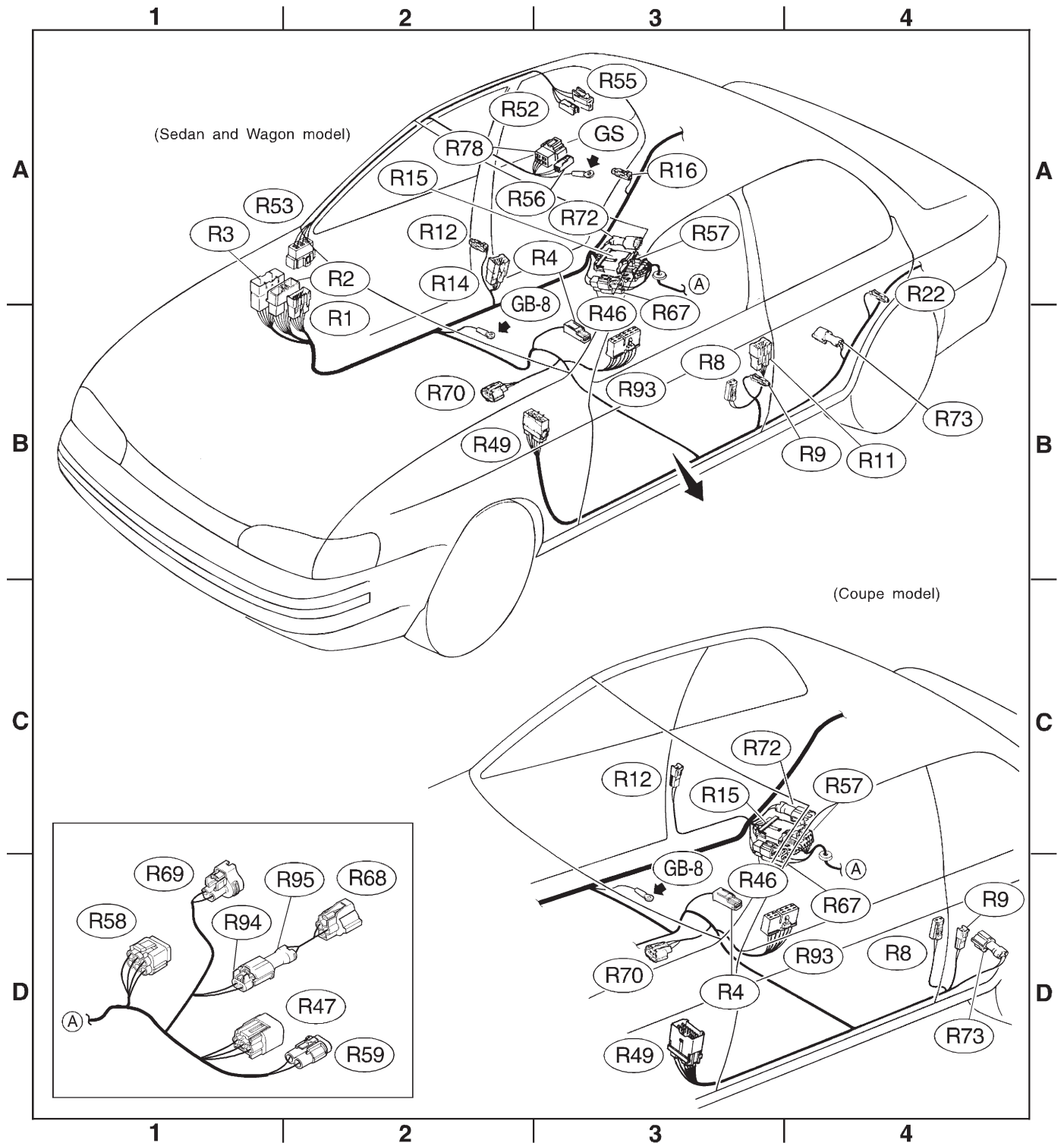
★: Non-colored

WIRING DIAGRAM

[D6G2] 6-3

6. Electrical Wiring Harness and Ground Point

2. LOCATION



6-3 [D6H1]**WIRING DIAGRAM**

6. Electrical Wiring Harness and Ground Point

H: DOOR CORD**1. LIST OF ITEMS**

Connector				Connecting to	
No.	Pole	Color	Area	No.	Name
D1	13	★	C-3	B30	Bulkhead wiring harness
D2	2	★	C-3		Front speaker LH
D3	2	Green	C-3		Front power window motor LH
D5	6	★	C-3		Remote control rearview mirror LH
D7	16	★	C-3		Power window main switch (Sedan and Wagon model)
	12	★	C-3		Power window main switch (Coupe model)
D8	4	★	C-3		Front door lock actuator LH
D11	13	★	B-2	B101	Bulkhead wiring harness
D12	2	★	B-2		Front speaker RH
D13	2	Green	B-2		Front power window motor RH
D15	6	★	B-2		Remote control rearview mirror RH
D17	5	★	B-2		Front power window sub switch RH
D18	4	★	B-2		Front door lock actuator RH
D21	8	★	C-3	R11	Rear wiring harness
D23	2	★	C-4		Rear door speaker LH
D24	2	Green	C-4		Rear power window motor LH
D25	5	★	B-4		Rear power window sub switch LH
D26	4	★	B-4		Rear door lock actuator LH
D27	8	★	B-2	R14	Rear wiring harness
D29	2	★	B-3		Rear door speaker RH
D30	2	Green	B-3		Rear power window motor RH
D31	5	★	B-2		Rear power window sub switch RH
D32	4	★	B-3		Rear door lock actuator RH
D50	9	★	B-2	B113	Bulkhead wiring harness
D53	3	★	B-2	B124	Bulkhead wiring harness
D54	8	★	C-3	D55	Rear door cord LH
D55	8	★	C-3	D54	Rear door adapter cord LH
D56	8	★	B-2	D57	Rear door cord RH
D57	8	★	B-2	D56	Rear door adapter cord RH
D62	8	★	B-2		Door lock switch RH

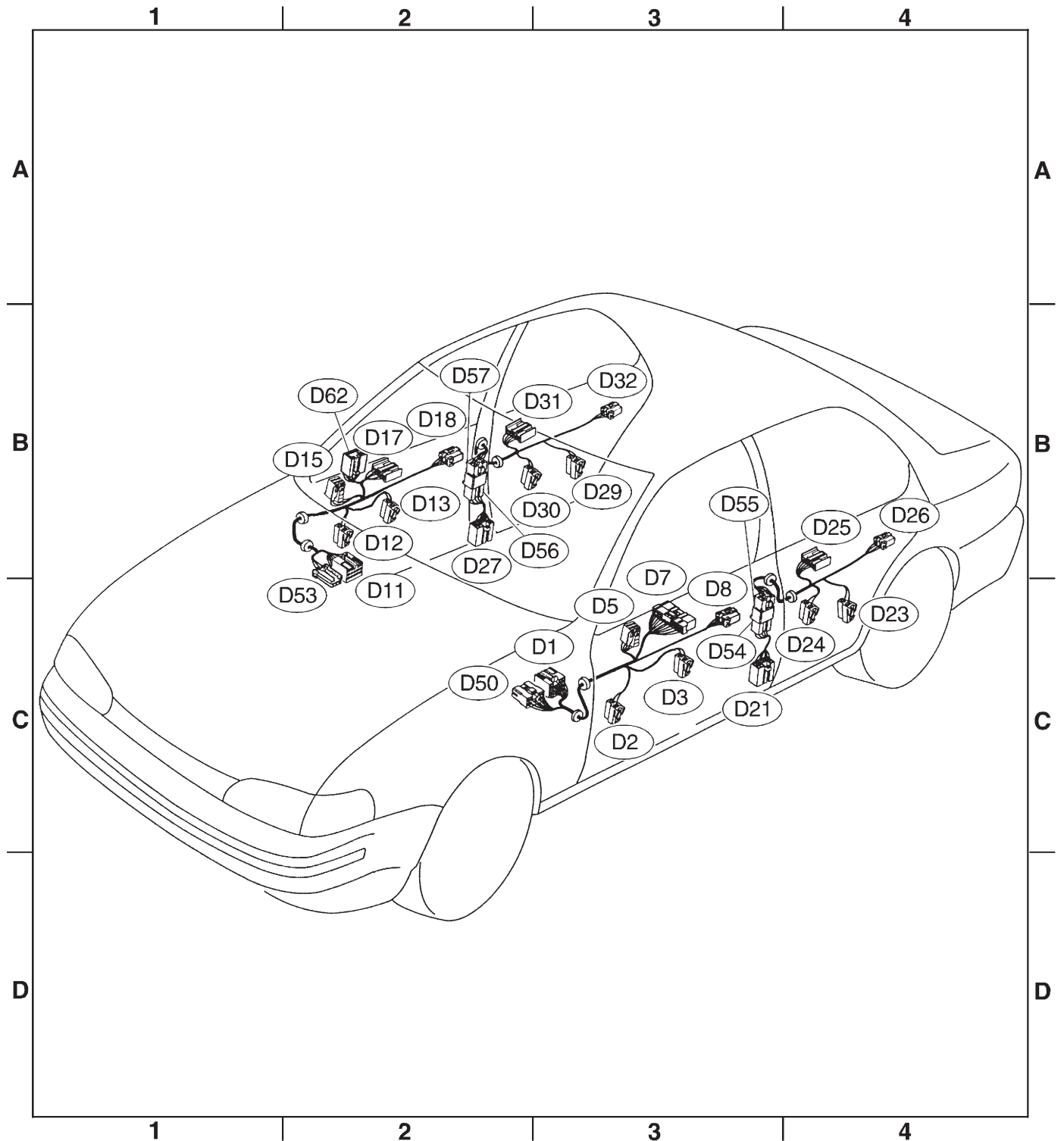
★: Non-colored

WIRING DIAGRAM

[D6H2] 6-3

6. Electrical Wiring Harness and Ground Point

2. LOCATION



I: REAR AND WIRING HARNESS OF SEDAN AND COUPE**1. LIST OF ITEMS**

Connector				Connecting to	
No.	Pole	Color	Area	No.	Name
R17	1	Black	B-3		Rear defogger (Power)
R18	2	Black	B-3		Rear speaker RH
R19	2	★	B-3		High-mount stop light (Sedan)
	2	★	B-3	R96	Trunk lid cord (Coupe-rear spoiler)
R20	2	Black	B-3		Trunk room light
R21	2	Black	B-2		Rear speaker LH
R26	7	★	B-4		Rear combination light RH
R27	2	★	C-3		Trunk room light switch
R28	7	★	C-3		Rear combination light LH
R65	1	Black	B-2		Rear defogger (Ground)
R66	2	Black	B-3		High-mount stop light (Coupe-rear spoiler)
R76	2	★	C-3		License plate light LH
R77	2	★	C-4		License plate light RH
R96	2	Black	B-3	R19	Rear wiring harness

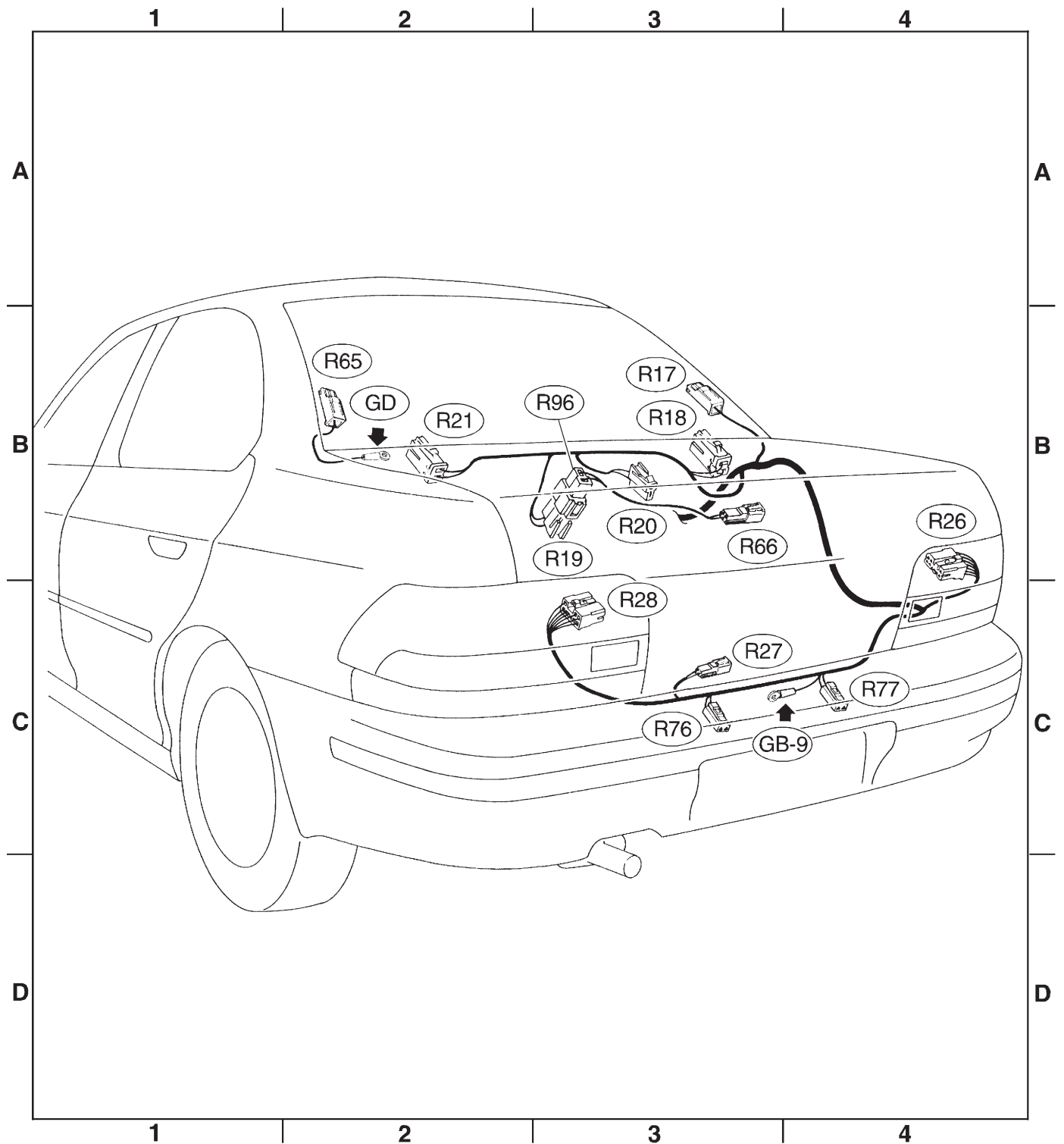
★: Non-colored

WIRING DIAGRAM

[D6I2] 6-3

6. Electrical Wiring Harness and Ground Point

2. LOCATION



J: REAR END WIRING HARNESS OF WAGON**1. LIST OF ITEMS**

Connector				Connecting to	
No.	Pole	Color	Area	No.	Name
R26	7	★	C-4		Rear combination light RH
R28	7	★	C-2		Rear combination light LH
R32	3	★	C-3		Rear accessory power supply
R36	5	Black	C-4		Rear wiper relay
R37	2	★	C-3	D33	Rear gate cord
R38	4	★	C-3	D34	
R39	4	★	C-3	D35	
R76	2	★	C-3		License plate light LH
R77	2	★	C-3		License plate light RH

★: Non-colored

Connector				Connecting to	
No.	Pole	Color	Area	No.	Name
D33	2	★	C-3	R37	Rear wiring harness
D34	4	★	C-3	R38	
D35	4	★	C-3	R39	
D39	2	★	B-2		High-mount stop light
D40	1	★	B-3		Rear defogger (Power)
D43	4	★	A-3		Rear wiper motor
D46	2	Black	A-3		Rear gate latch switch
D47	4	★	A-3		Rear gate lock actuator
D48	1	★	A-3		Rear defogger (Ground)
D58	2	★	A-3	D59	Rear gate lock adapter cord
D59	2	★	A-3	D58	Rear gate cord

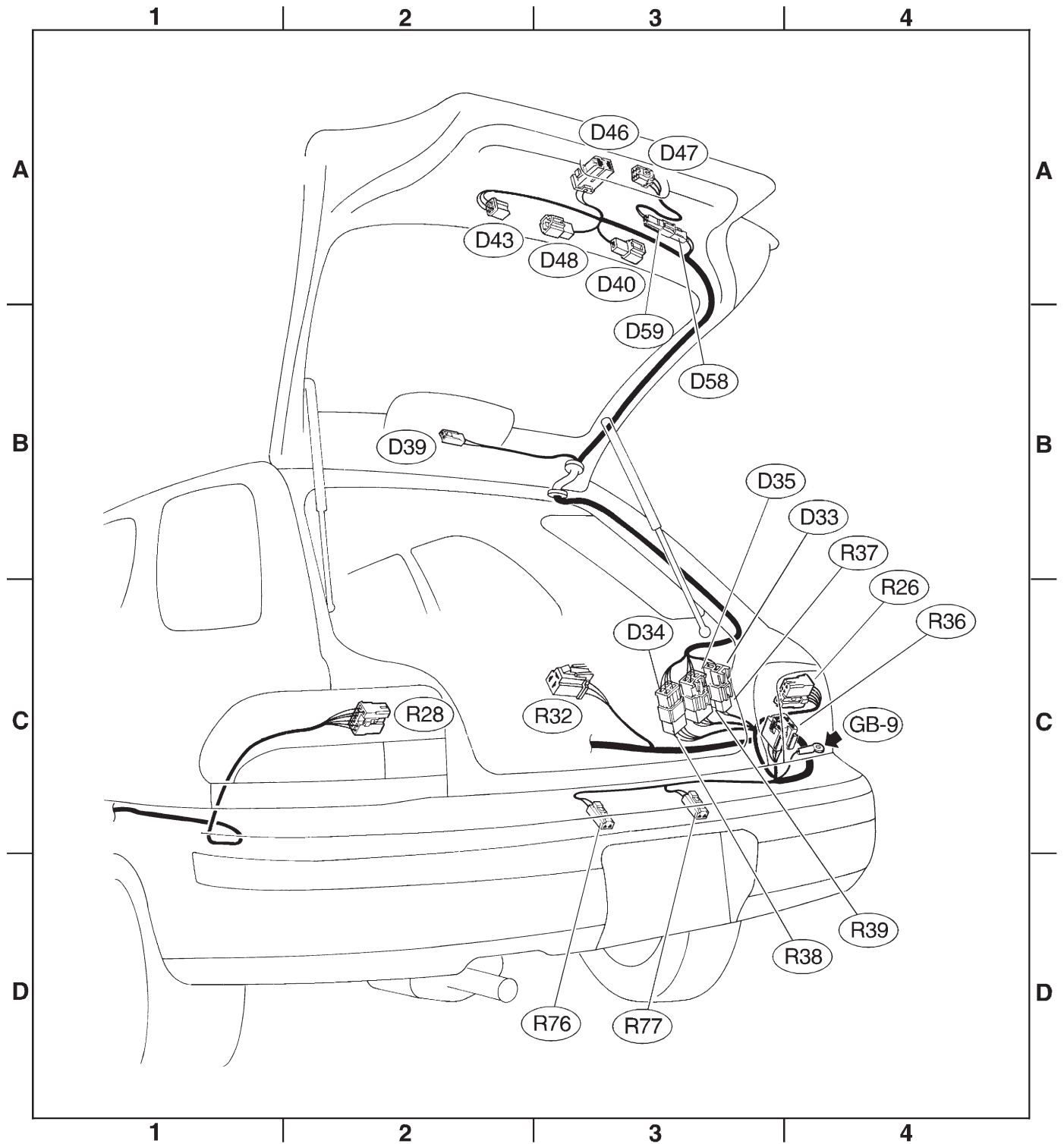
★: Non-colored

WIRING DIAGRAM

[D6J2] 6-3

6. Electrical Wiring Harness and Ground Point

2. LOCATION



MEMO: