

## 6. Rear Drive Shaft S301156

### A: REMOVAL S301156A18

- 1) Disconnect ground cable from battery.
- 2) Lift-up vehicle, and remove rear wheel cap and wheels.

**CAUTION:**

**Be sure to loosen and retighten axle nut after removing wheel from vehicle. Failure to follow this rule may damage wheel bearings.**

- 3) Unlock axle nut.
- 4) Loosen axle nut using a socket wrench.

**CAUTION:**

**Do not remove axle nut.**

- 5) Remove ABS sensor clamps and parking brake cable bracket.
- 6) Remove bolts which secure lateral link assembly to rear housing.

**CAUTION:**

**Discard old self-locking nut. Replace with a new one.**

- 7) Remove bolts which secure trailing link assembly to rear housing.

**CAUTION:**

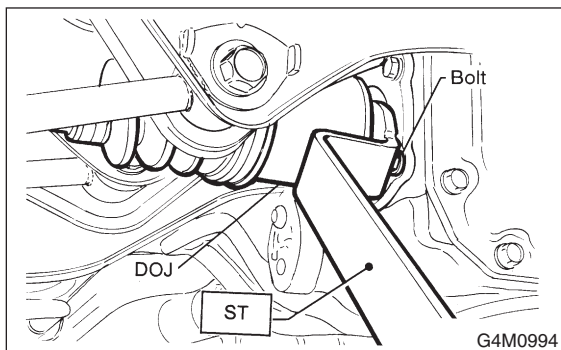
**Discard old self-locking nut. Replace with a new one.**

- 8) Remove DOJ from rear differential using ST.

(Except 2200 cc AT vehicles)  
ST 28099PA100 DRIVE SHAFT REMOVER

**CAUTION:**

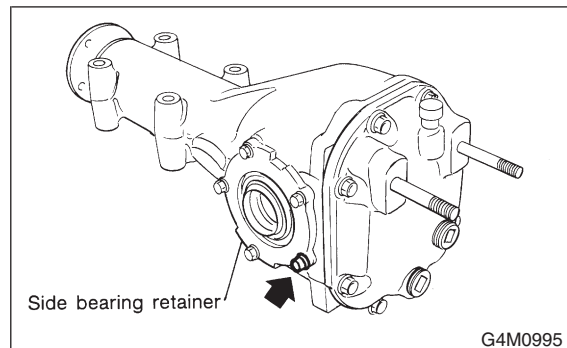
**Do not remove circlip attached to inside of differential.**



**CAUTION:**

**Be careful not to damage side bearing retainer. Always use bolt as shown in figure, as supporting point for ST during removal.**

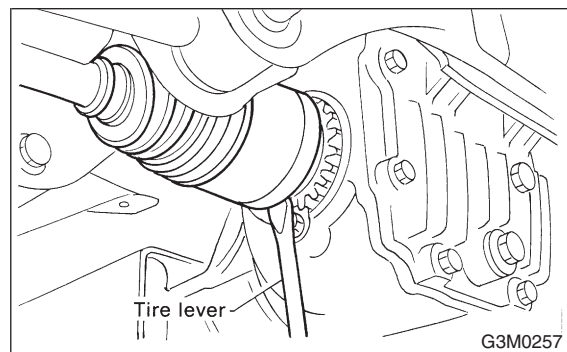
ST 28099PA100 DRIVE SHAFT REMOVER



- 9) Remove DOJ from rear differential using tire lever. (2200 cc AT vehicles)

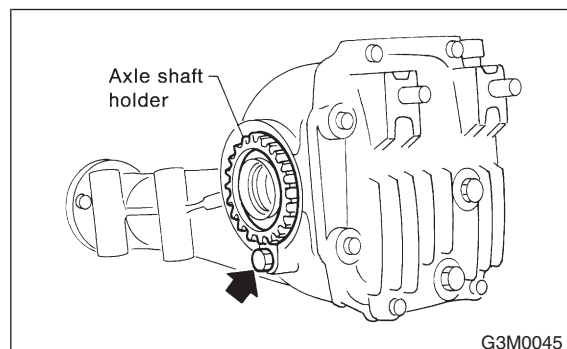
**NOTE:**

The side spline shaft circlip comes out together with the shaft.



**CAUTION:**

**When removing the DOJ from the rear differential, fit tire lever to the bolt as shown in figure so as not to damage the axle shaft holder.**



# REAR DRIVE SHAFT

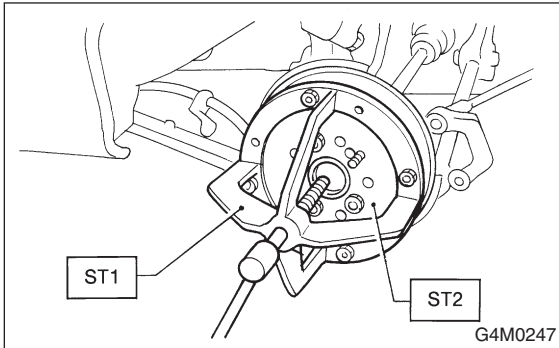
## Drive Shaft System

10) Remove axle nut and drive shaft. If it is hard to remove, use ST1 and ST2.

ST1 926470000 AXLE SHAFT PULLER  
ST2 927140000 PLATE

### CAUTION:

- Be careful not to damage oil seal lip when removing rear drive shaft.
- When rear drive shaft is to be replaced, also replace inner oil seal with a new one.



## B: INSTALLATION S301156A11

1) Insert BJ into rear housing splines.

### CAUTION:

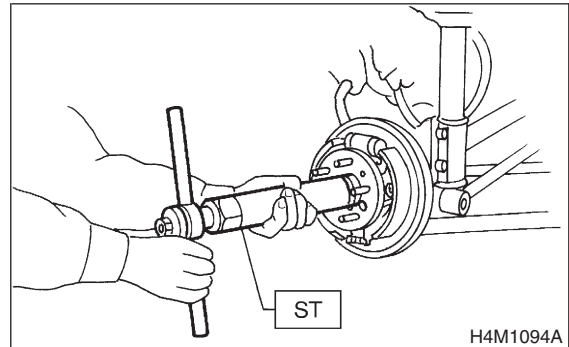
**Be careful not to damage inner oil seal lip.**

2) Using ST1 and ST2, pull drive shaft into place.

ST1 922431000 AXLE SHAFT INSTALLER  
ST2 927390000 ADAPTER

### CAUTION:

**Do not hammer drive shaft when installing it.**

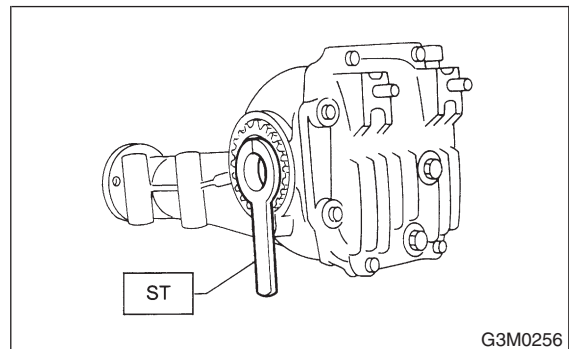


3) Tighten axle nut temporarily.

4) Replace circlips from DOJ spline with new one.  
(2200 cc AT model only)

5) Using ST, install DOJ into differential.

ST 28099PA090 SIDE OIL SEAL PROTECTOR

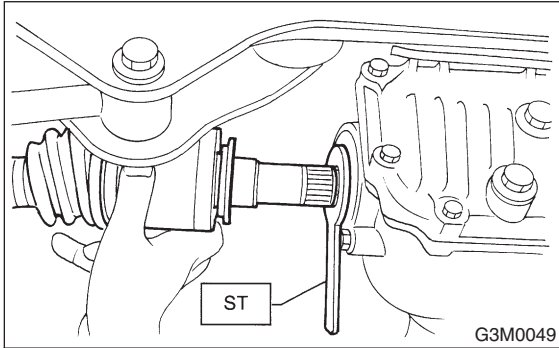


6) Insert DOJ spline end into bore of side oil seal, and remove ST.

**CAUTION:**

Do not allow DOJ splines to damage side oil seal.

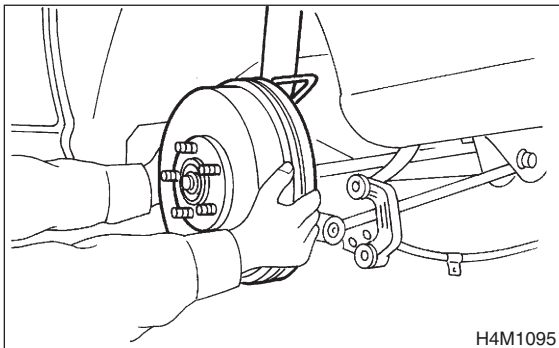
ST 28099PA090 SIDE OIL SEAL PROTECTOR



7) Align DOJ and differential splines.  
8) Push housing to insert DOJ into differential.

**NOTE:**

Make sure DOJ is inserted properly.



9) Connect rear housing assembly to trailing link assembly, and tighten self-locking nut.

**Tightening torque:**

**113 N·m (11.5 kgf-m, 83 ft-lb)**

10) Connect rear housing assembly to lateral link assembly, and tighten self-locking nut.

**Tightening torque:**

**137 N·m (14 kgf-m, 101 ft-lb)**

11) Install stabilizer bracket.

12) While depressing brake pedal, tighten axle nut using a socket wrench.

**Tightening torque:**

**186 N·m (19 kgf-m, 137 ft-lb)**

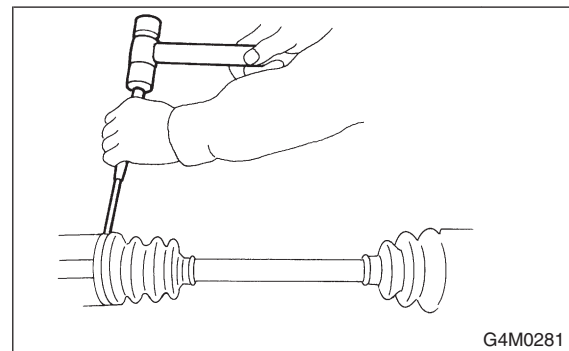
**CAUTION:**

- Use a new axle nut.
- Always tighten axle nut before installing wheel on vehicle. If wheel is installed and comes in contact with ground when axle nut is loose, wheel bearings may be damaged.
- Be sure to tighten axle nut to specified torque. Do not overtighten it as this may damage wheel bearing.

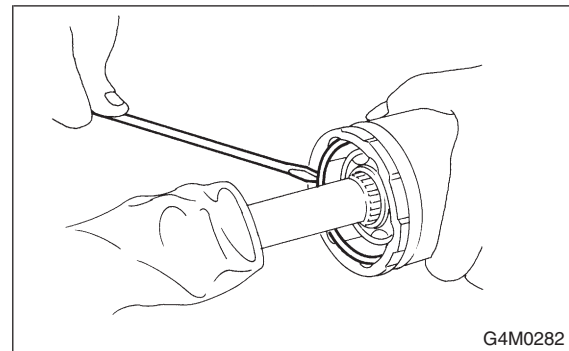
13) After tightening axle nut, lock it securely.

**C: DISASSEMBLY** S301156A06

- 1) Straighten bent claw of larger end of DOJ boot.
- 2) Loosen band by means of screwdriver or pliers with care of not damaging boot.



- 3) Remove boot band on the small end of DOJ boot in the same manner.
- 4) Remove the larger end of DOJ boot from DOJ outer race.
- 5) Pry and remove round circlip located at the neck of DOJ outer race with a screwdriver.



# REAR DRIVE SHAFT

## Drive Shaft System

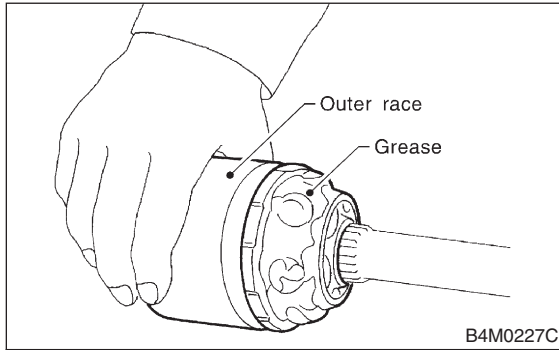
- 6) Take out DOJ outer race from shaft assembly.
- 7) Wipe off grease and take out balls.

### CAUTION:

The grease is a special grease (grease for constant velocity joint). Do not confuse with other greases.

### NOTE:

Disassemble exercising care not to lose balls (6 pcs).



- 8) To remove the cage from the inner race, turn the cage by a half pitch to the track groove of the inner race and shift the cage.
- 9) Remove snap ring, which fixes inner race to shaft, by using pliers.
- 10) Take out DOJ inner race.
- 11) Take off DOJ cage from shaft and remove DOJ boot.

### CAUTION:

Be sure to wrap shaft splines with vinyl tape to prevent boot from scratches.

- 12) Remove BJ boot in the same procedure as DOJ boot.
- 13) Thus, disassembly of axle is completed, but BJ is unable to be disassembled.

## D: ASSEMBLY S301156A02

### CAUTION:

Use specified grease.

#### BJ side:

**Molylex No. 2 (Part No. 723223010) or Sunlight TB2-A**

#### DOJ side:

**VU-3A702 (Yellow) (Part No. 23223GA050)**

- 1) Install BJ boot in specified position, and fill it with 60 to 70 g (2.12 to 2.47 oz) of specified grease.
- 2) Place DOJ boot at the center of shaft.

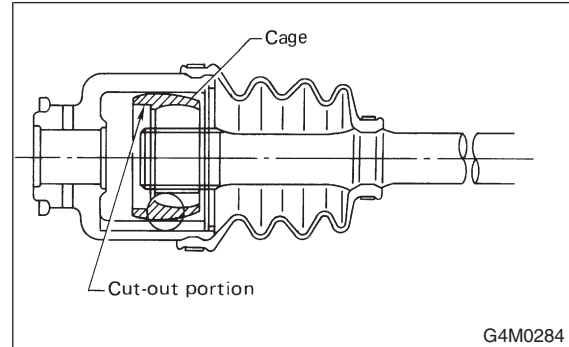
### CAUTION:

Be sure to wrap shaft splines with vinyl tape to prevent boot from scratches.

- 3) Insert DOJ cage onto shaft.

### NOTE:

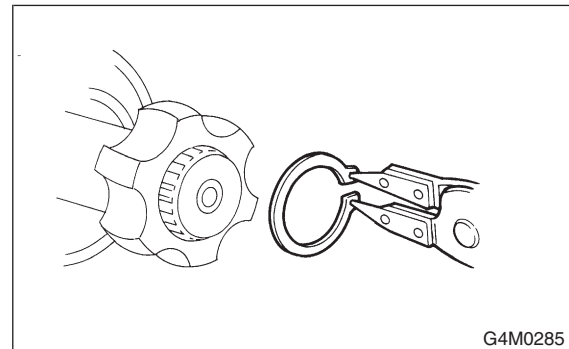
Insert the cage with the cut-out portion facing the shaft end, since the cage has an orientation.



- 4) Install DOJ inner race on shaft and fit snap ring with pliers.

### NOTE:

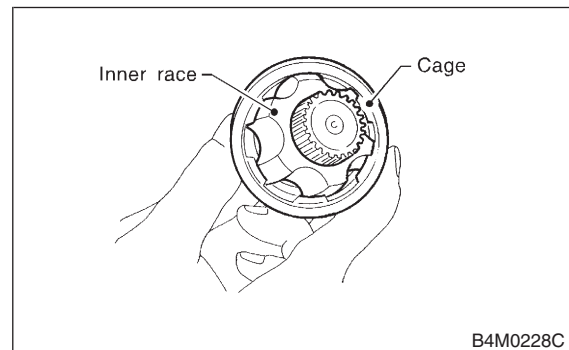
Confirm that the snap ring is completely fitted in the shaft groove.



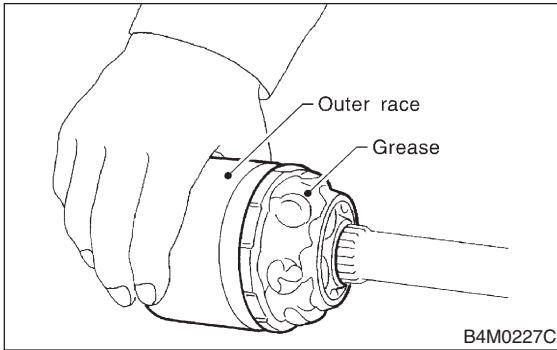
- 5) Install cage, which was previously fitted, to inner race fixed upon shaft.

### NOTE:

Fit the cage with the protruded part aligned with the track on the inner race and then turn by a half pitch.



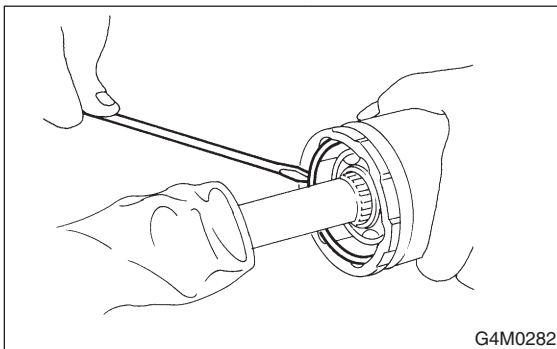
- 6) Fill 80 to 90 g (2.82 to 3.17 oz) of specified grease into the interior of DOJ outer race.
- 7) Apply a coat of specified grease to the cage pocket and six balls.
- 8) Insert six balls into the cage pocket.
- 9) Align the outer race track and ball positions and place in the part where shaft, inner race, cage and balls are previously installed, and then fit outer race.



- 10) Install circlip in the groove on DOJ outer race.

**NOTE:**

- Assure that the balls, cage and inner race are completely fitted in the outer race of DOJ.
- Exercise care not to place the matched position of circlip in the ball groove of outer race.
- Pull the shaft lightly and assure that the circlip is completely fitted in the groove.



- 11) Apply an even coat of the specified grease [20 to 30 g (0.71 to 1.06 oz)] to the entire inner surface of boot. Also apply grease to shaft.
- 12) Install DOJ boot taking care not to twist it.

**NOTE:**

- The inside of the larger end of DOJ boot and the boot groove shall be cleaned so as to be free from grease and other substances.
- When installing DOJ boot, position outer race of DOJ at center of its travel.

- 13) Put a band through the clip and wind twice in alignment with band groove of boot.

**CAUTION:**

**Use a new band.**

- 14) Pinch the end of band with pliers. Hold the clip and tighten securely.

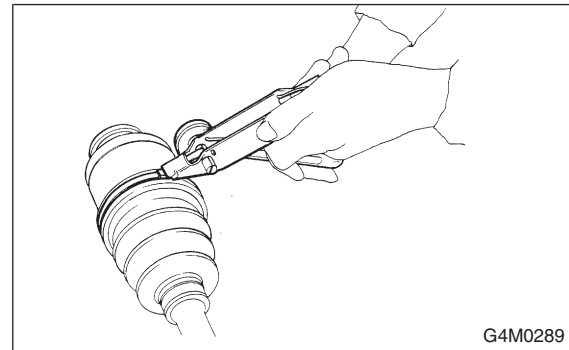
**NOTE:**

When tightening boot, exercise care so that the air within the boot is appropriate.

- 15) Tighten band by using ST.  
ST 925091000 BAND TIGHTENING TOOL

**NOTE:**

Tighten band until it cannot be moved by hand.

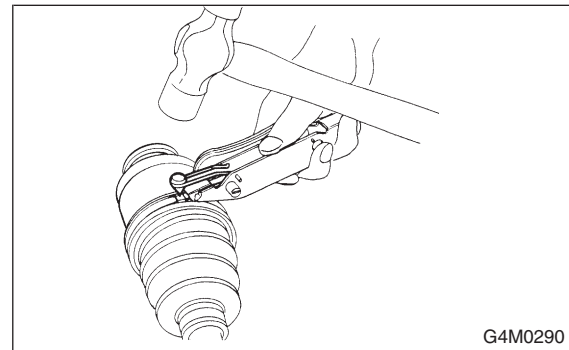


- 16) Tap on the clip with the punch provided at the end of ST.

ST 925091000 BAND TIGHTENING TOOL

**CAUTION:**

**Tap to an extent that the boot underneath is not damaged.**



- 17) Cut off band with an allowance of about 10 mm (0.39 in) left from the clip and bend this allowance over the clip.

**CAUTION:**

**Be careful so that the end of the band is in close contact with clip.**

- 18) Fix up boot on BJ in the same manner.

**NOTE:**

Extend and retract DOJ to provide equal grease coating.

# REAR DRIVE SHAFT

Drive Shaft System

---

## **E: INSPECTION** S301156A10

Check the removed parts for damage, wear, corrosion etc. If faulty, repair or replace.

### 1) DOJ (Double Offset Joint)

Check seizure, corrosion, damage, wear and excessive play.

### 2) SFJ (Shudder-less Freering tripod Joint)

Check seizure, corrosion, damage and excessive play.

### 3) Shaft

Check excessive bending, twisting, damage and wear.

### 4) BJ (Bell Joint)

Check seizure, corrosion, damage and excessive play.

### 5) Boot

Check for wear, warping, breakage or scratches.

### 6) Grease

Check for discoloration or fluidity.