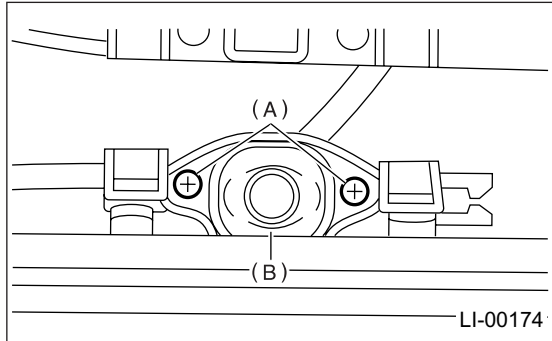


## 21. License Plate Light

### A: REMOVAL

- 1) Disconnect the ground terminal from battery.
- 2) Remove the license plate light mounting screw (A) and then remove the lens (B)



- 3) Remove the bulb.

### B: INSTALLATION

Install in the reverse order of removal.

### C: INSPECTION

- 1) Visually check the bulb for blow out.
- 2) Check the bulb specification. <Ref. to LI-2, SPECIFICATIONS, General Description.>
- 3) If NG, replace the bulb with a new one.