

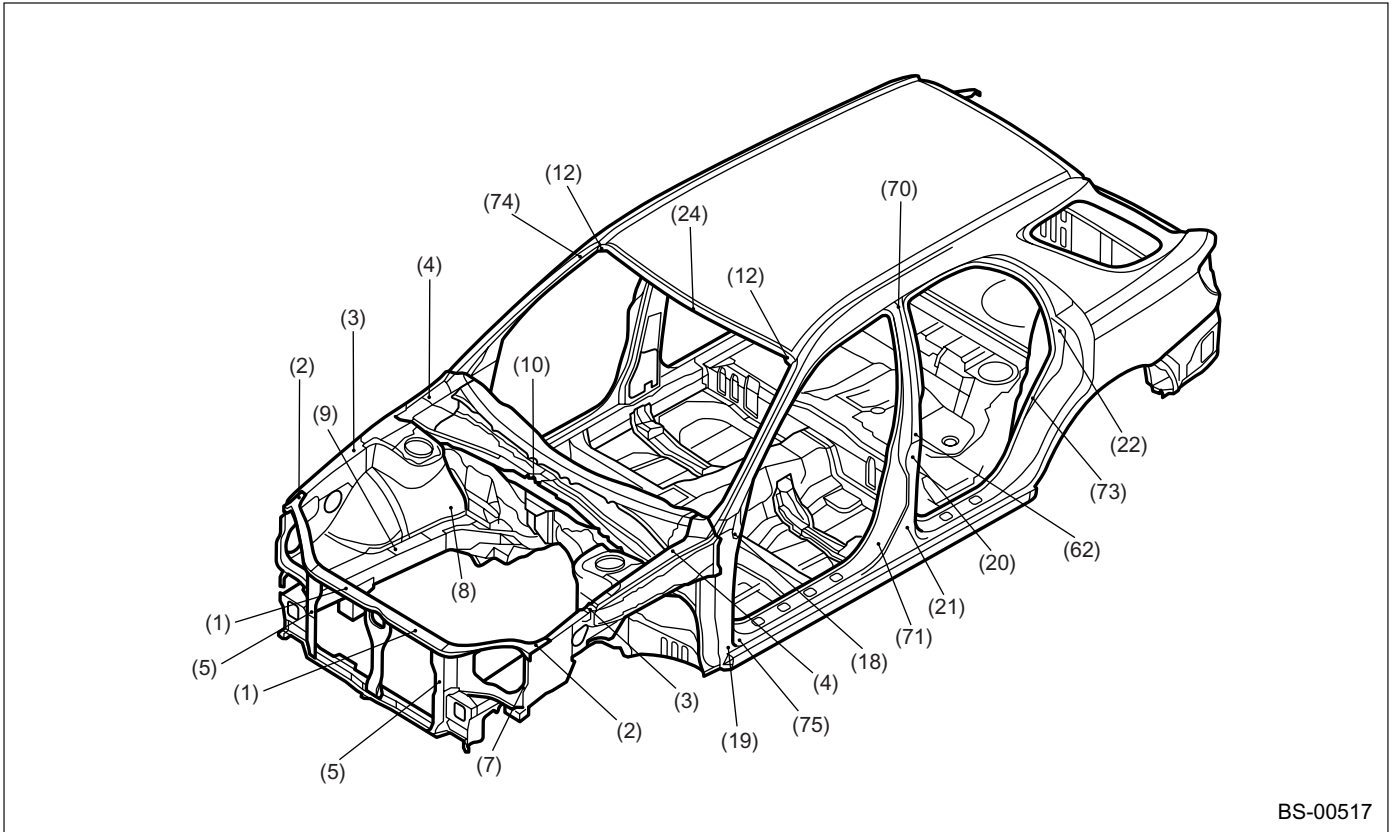
2. Datum Points

A: LOCATION

NOTE:

- Datum points are specified for body repair.
- Guide holes, locators, and indents are provided to facilitate panel replacement and to increase alignment accuracy.
- Both right and left reference points are symmetrical.

1. WAGON/SEDAN



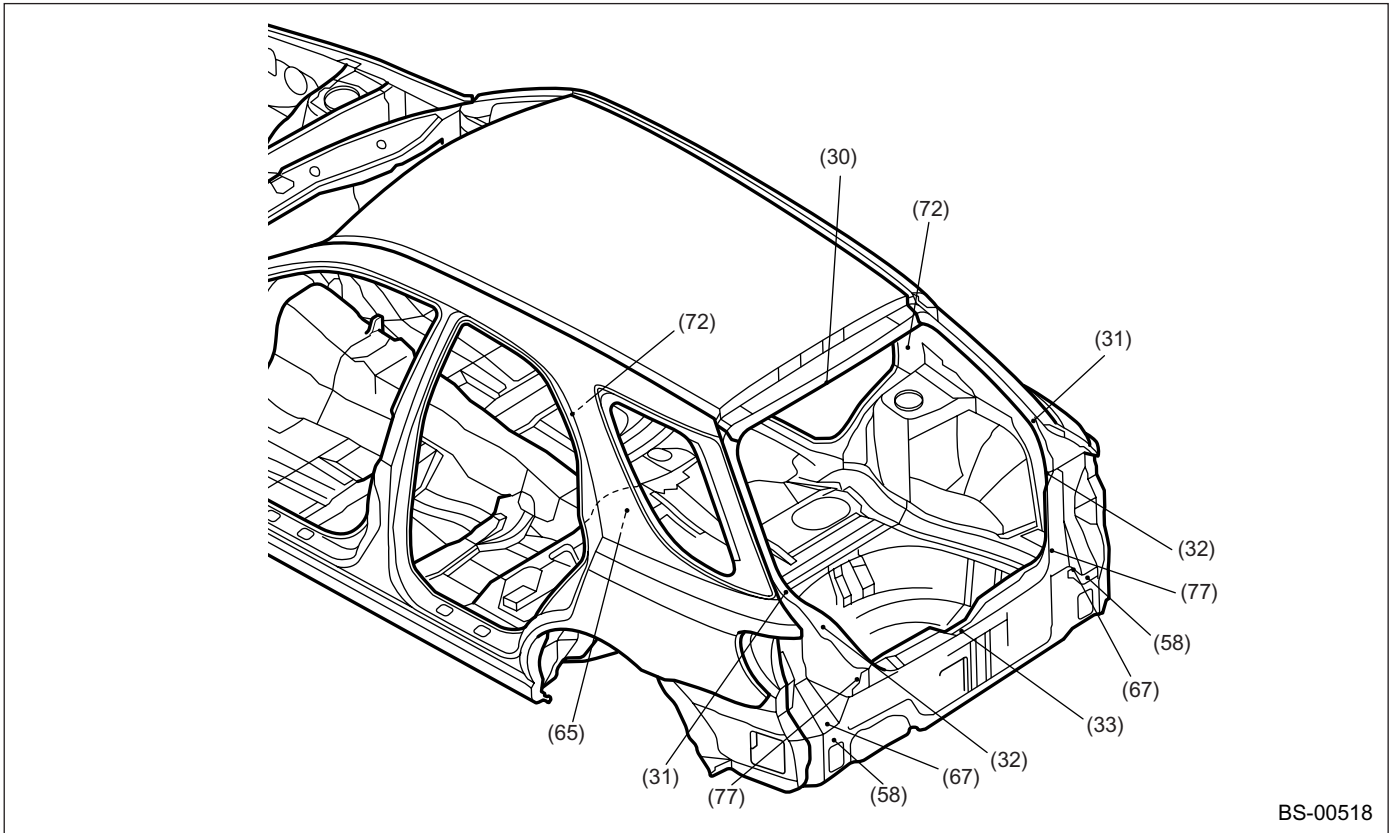
BS-00517

- | | | |
|--|--|--|
| (1) Radiator attaching hole 12 mm (0.47 in) dia. (Symmetrical) | (10) Cowl panel attaching hole 6 mm (0.24 in) dia. (Vehicle center) | (24) Roof panel repair locator hollow |
| (2) Fender attaching hole 7 mm (0.28 in) dia. (Symmetrical) | (12) Front glass attaching hole Right 6.5 mm (0.256 in) dia. Left 6.5 × 10 mm (0.256 × 0.39 in) dia. | (62) Belt anchor attaching hole 11 mm (0.43 in) dia. (Symmetrical) |
| (3) Fender attaching hole 10 mm (0.39 in) dia. (Symmetrical) | (18) Fender attaching hole 12 mm (0.47 in) dia. (Symmetrical) | (70) Trim clip attaching hole 8.5 mm (0.335 in) dia. (Symmetrical) |
| (4) Hood hinge attaching hole 12 mm (0.47 in) dia. (Symmetrical) | (19) Fender attaching hole 12 mm (0.47 in) dia. (Symmetrical) | (71) Harness clip attaching hole 7 mm (0.28 in) dia. (Symmetrical) |
| (5) Radiator panel side gauge hole 20 mm (0.79 in) dia. (Symmetrical) | (20) Outer panel center pillar gauge hole 12 mm (0.47 in) dia. (Symmetrical) | (73) Harness clip attaching hole 7 mm (0.28 in) dia. (Symmetrical) |
| (7) Fender attaching hole 9 mm (0.35 in) dia. (Symmetrical) | (21) Outer panel center pillar gauge hole 12 mm (0.47 in) dia. (Symmetrical) | (74) Trim clip attaching hole 10 mm (0.39 in) dia. (Symmetrical) |
| (8) Gauge hole 12 mm (0.47 in) dia. (Symmetrical) | (22) Weather strip patch attaching hole 5.2 mm (0.205 in) dia. (Symmetrical) | (75) Insulator attaching hole 8 mm (0.31 in) dia. (Symmetrical) |
| (9) Front suspension cross member attaching hole 12.4 mm (0.488 in) dia. (Symmetrical) | | |

DATUM POINTS

BODY STRUCTURE

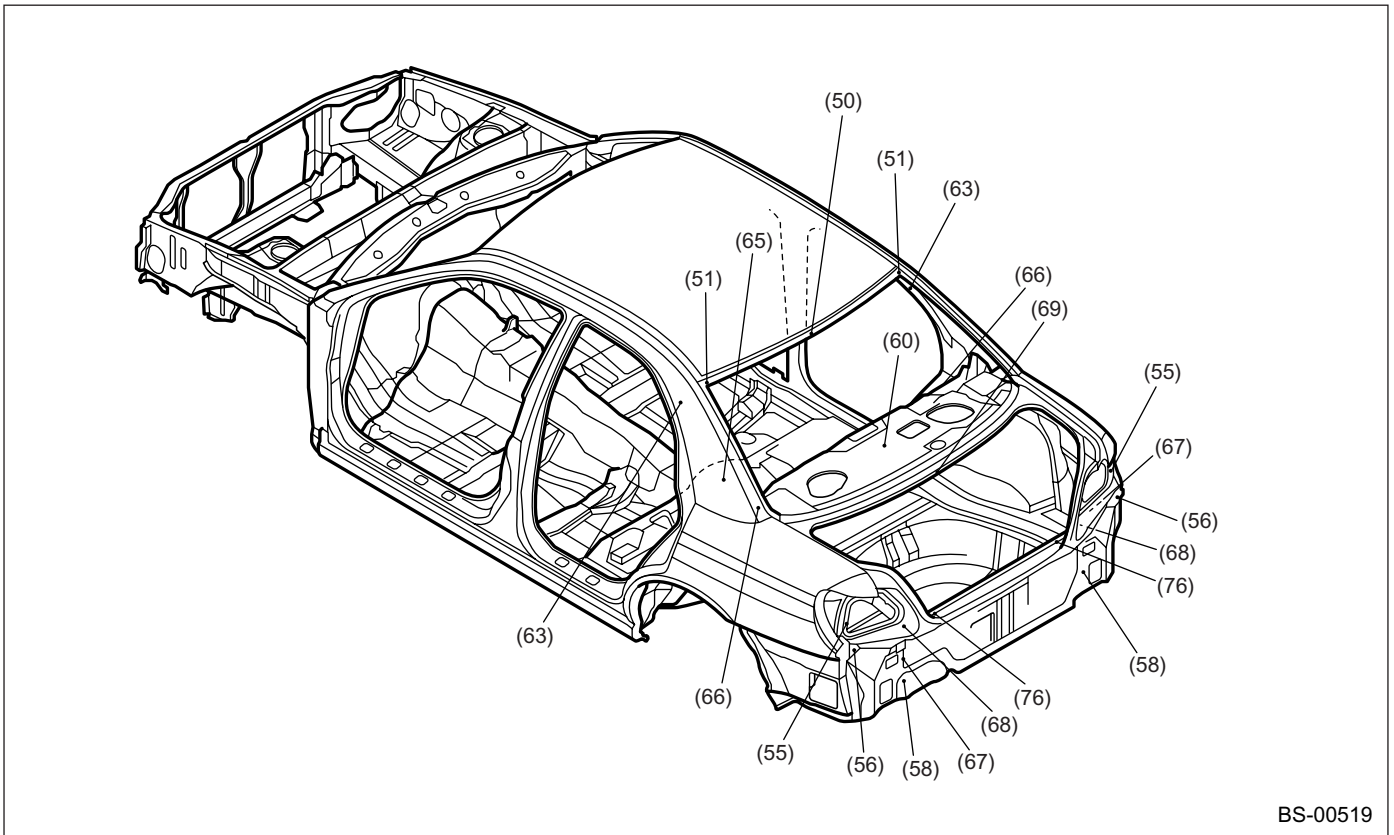
2. WAGON (REAR SECTION)



BS-00518

- | | | |
|---|--|--|
| (30) Child anchor attaching hole 11 mm (0.43 in) dia. | (33) Two striker attaching hole 15 mm (0.59 in) dia. | (67) Gusset floor rear side gauge hole 11.5 mm (0.453 in) dia. (Symmetrical) |
| (31) Washer hose attaching hole Left 7 mm (0.28 in) dia. | (58) Rear bumper plate nut attaching hole 11 mm (0.43 in) dia. (Symmetrical) | (72) Trim upper clip attaching hole 8.5 mm (0.335 in) dia. (Symmetrical) |
| (32) Rear combination light mounting hole 7 mm (0.28 in) dia. (Symmetrical) | (65) Floor mat clip attaching hole 8 mm (0.31 in) dia. | (77) Harness clip attaching hole 7 mm (0.28 in) dia. (Symmetrical) |

3. SEDAN (REAR SECTION)



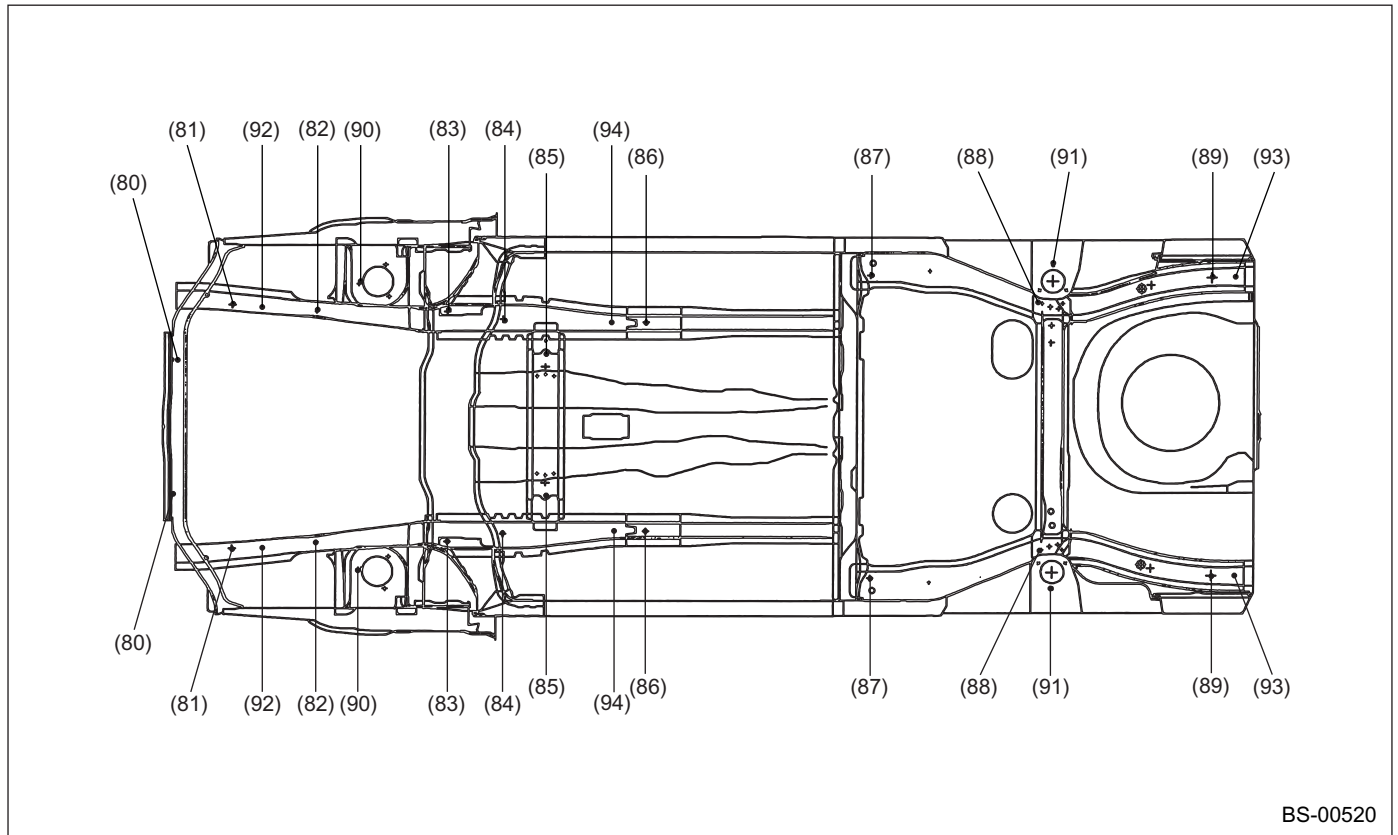
BS-00519

(50) Repair locator hollow (Vehicle center)	(58) Rear bumper attaching hole 11 mm (0.43 in) dia. (Symmetrical)	(67) Gusset floor rear side gauge hole 11.5 mm (0.453 in) dia. (Symmetrical)
(51) Glass attaching hole Right 6.5 mm (0.256 in) dia. Left 6.5 × 10 mm (0.256 × 0.39 in) dia.	(60) Choke coil harness attaching hole 5.4 mm (0.213 in) dia.	(68) Rear skirt inner side gauge hole 10 mm (0.39 in) dia. (Symmetrical)
(55) Rear combination light mounting hole 8 mm (0.31 in) dia. (Symmetrical)	(63) Feeder line fixing hole 7 mm (0.28 in). (Symmetrical)	(69) Rear panel (reinforcement) repair locator hollow (Vehicle center)
(56) Bumper attaching hole 7 mm (0.28 in) dia. (Symmetrical)	(65) Floor mat clip attaching hole 8 mm (0.31 in) dia.	(76) Press location hole 15 mm (0.59 in) dia. (Symmetrical)
	(66) Bulkhead rear gauge hole 10 mm (0.39 in) dia. (Symmetrical)	

DATUM POINTS

BODY STRUCTURE

4. UNDERBODY SECTION

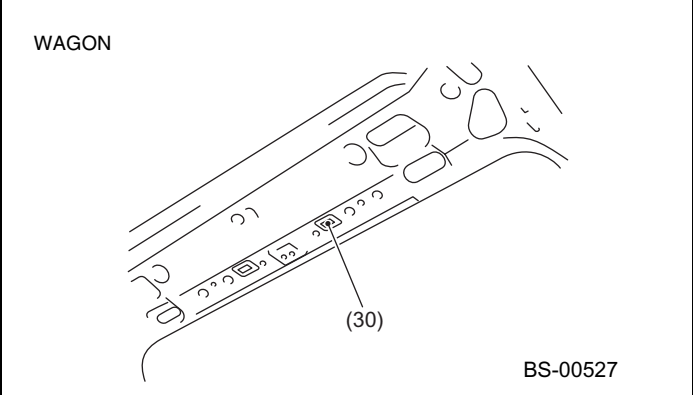
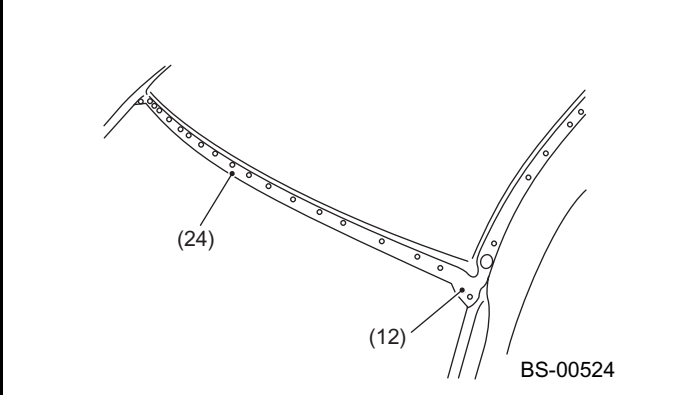
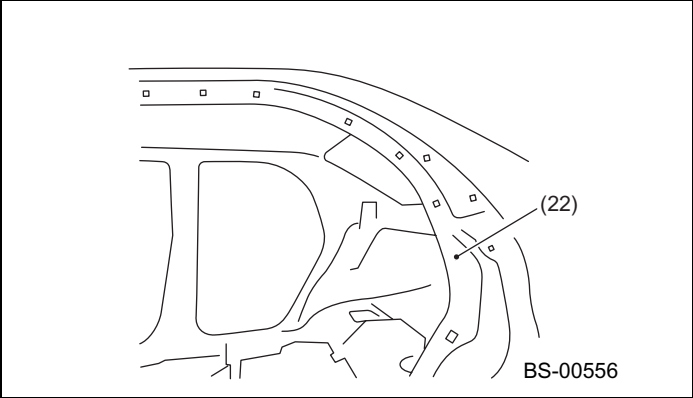
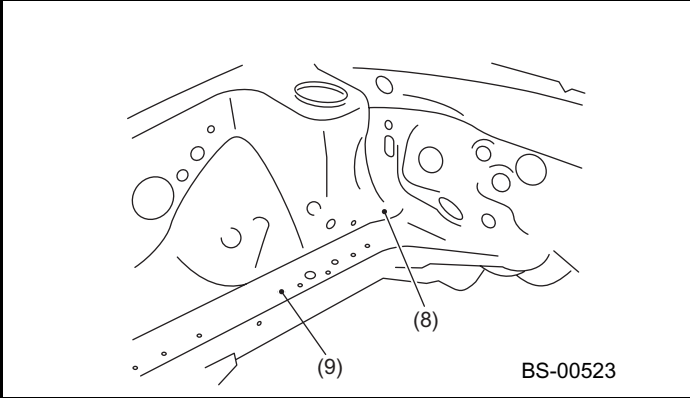
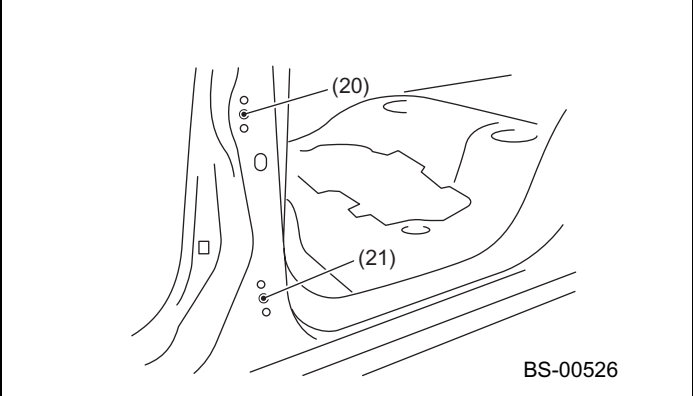
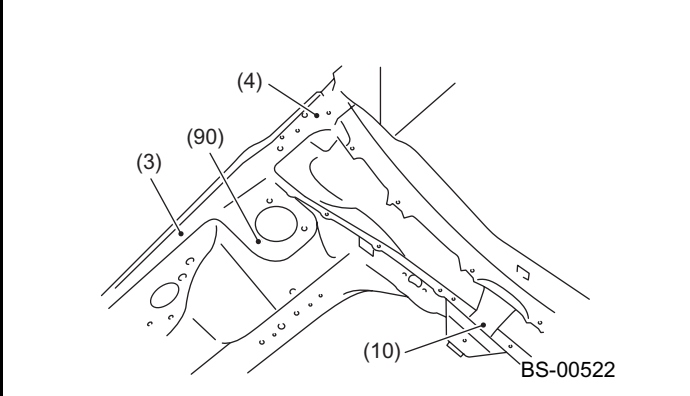
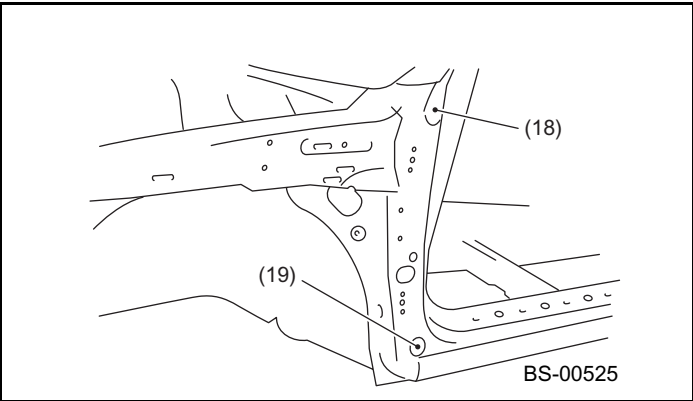
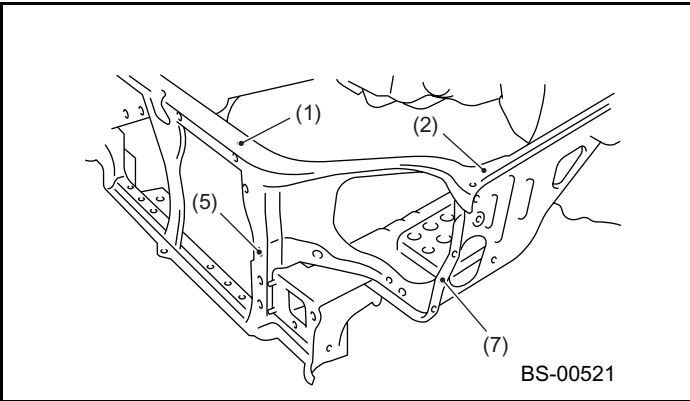


BS-00520

- | | | |
|--|--|--|
| (80) Radiator lower frame gauge hole 12 mm (0.47 in) dia. (Symmetrical) | (85) Transmission mount attaching hole 14 mm (0.55 in) dia. | (90) Strut mount attaching hole 9.5 mm (0.374 in) dia. (Symmetrical) |
| (81) Side frame gauge hole 20 mm (0.79 in) dia. (Symmetrical) | (86) Side frame gauge hole 18 mm (0.71 in) dia. (Symmetrical) | (91) Strut mount attaching hole 10 mm (0.39 in) dia. (Symmetrical) |
| (82) Front crossmember (Ft) attaching hole 12.4 mm (0.488 in) dia. (Symmetrical) | (87) Rear differential attaching hole 16 mm (0.63 in) dia. (Symmetrical) | (92) Sub frame attaching hole 16 mm (0.63 in) dia. (Symmetrical) |
| (83) Suspension attaching hole 17 mm (0.67 in) dia. (Symmetrical) | (88) Rear suspension attaching hole 16 mm (0.63 in) dia. (Symmetrical) | (93) Bumper beam attaching hole Right 15 mm (0.59 in) dia. Left 19 × 15 mm (0.75 × 0.59 in) dia. |
| (84) Side frame gauge hole 20 mm (0.79 in) dia. (Symmetrical) | (89) Rear side frame gauge hole 15 mm (0.59 in) dia. (Symmetrical) | (94) Side frame gauge hole 15 mm (0.59 in) dia. (Symmetrical) |


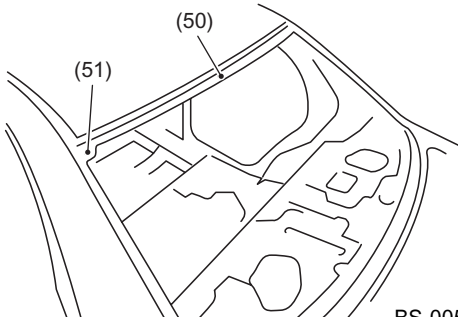
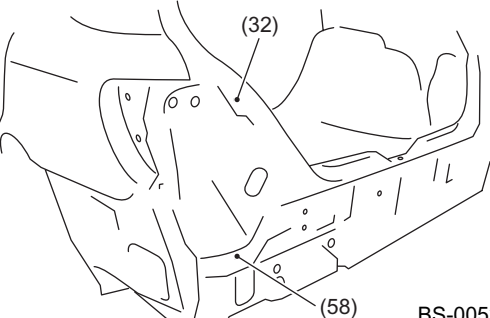
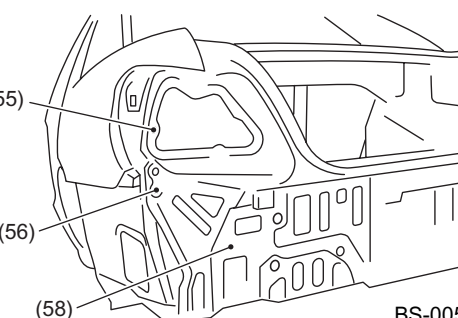
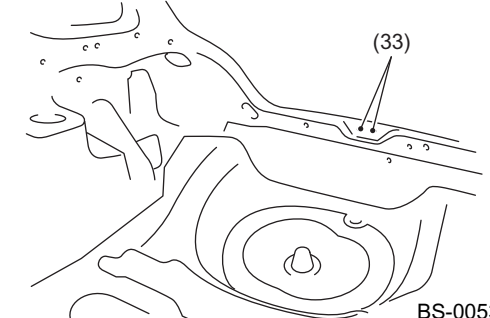
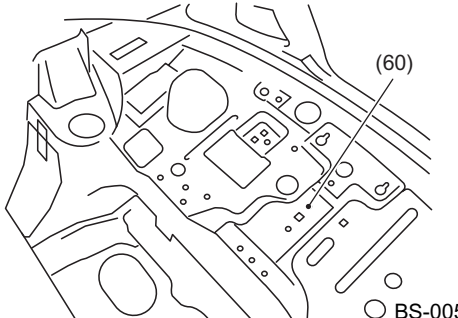
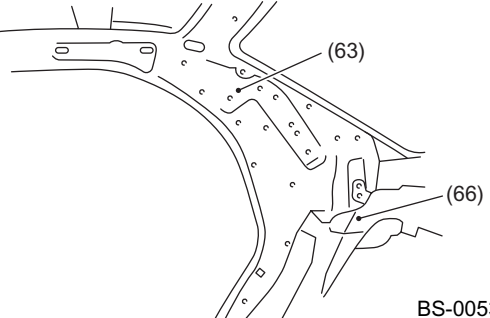
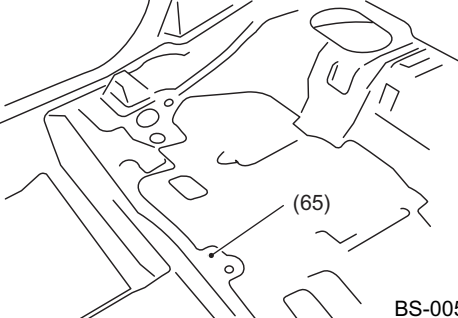
DATUM POINTS

BODY STRUCTURE



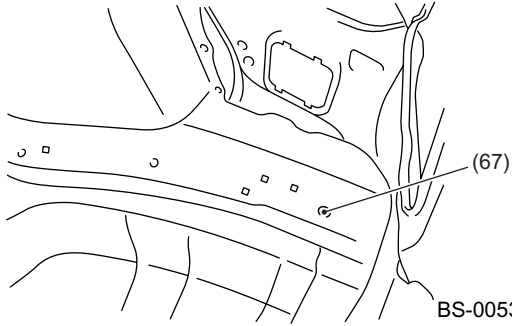
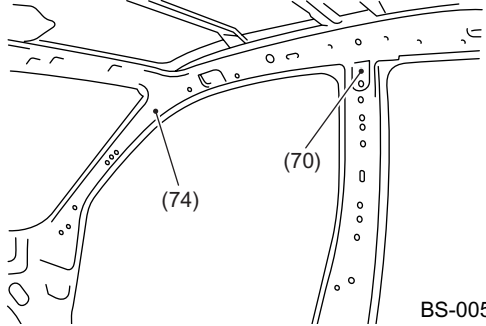
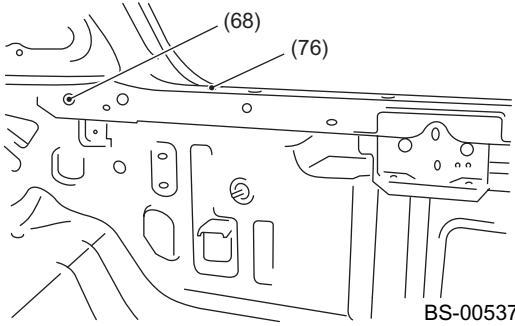
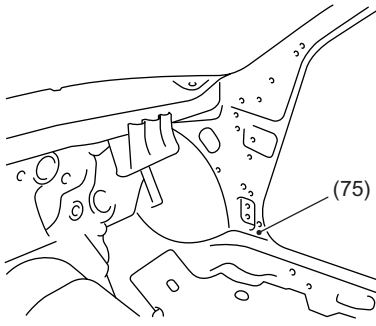
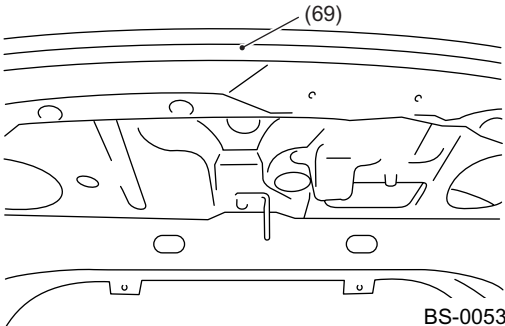
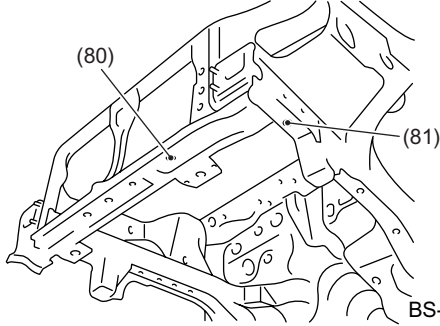
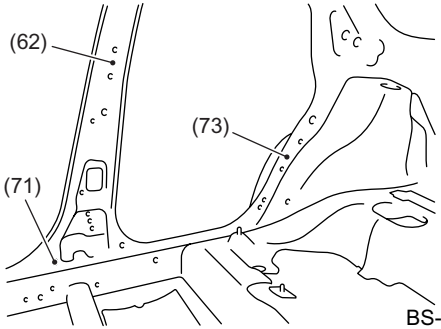
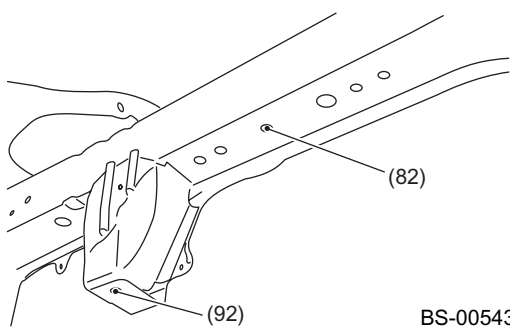
DATUM POINTS

BODY STRUCTURE

<p>WAGON</p>  <p>BS-00528</p>	<p>SEDAN</p>  <p>BS-00532</p>
<p>WAGON</p>  <p>BS-00529</p>	<p>SEDAN</p>  <p>BS-00533</p>
<p>WAGON</p>  <p>BS-00530</p>	<p>SEDAN</p>  <p>BS-00534</p>
<p>SEDAN</p>  <p>BS-00531</p>	 <p>BS-00535</p>

DATUM POINTS

BODY STRUCTURE

 <p>(67)</p> <p>BS-00536</p>	 <p>(74)</p> <p>(70)</p> <p>BS-00540</p>
<p>SEDAN</p>  <p>(68)</p> <p>(76)</p> <p>BS-00537</p>	 <p>(75)</p> <p>BS-00541</p>
<p>SEDAN</p>  <p>(69)</p> <p>BS-00538</p>	 <p>(80)</p> <p>(81)</p> <p>BS-00542</p>
 <p>(62)</p> <p>(71)</p> <p>(73)</p> <p>BS-00539</p>	 <p>(82)</p> <p>(92)</p> <p>BS-00543</p>

DATUM POINTS

BODY STRUCTURE

