

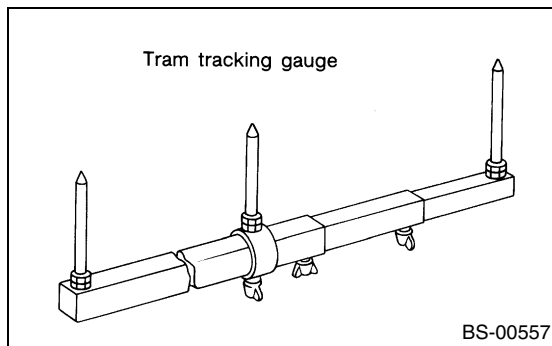
3. Datum Dimensions

A: MEASUREMENT

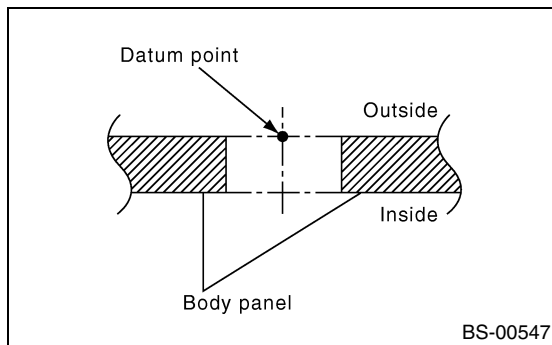
Refer to LOCATION for details on measurement points. <Ref. to BS-3, LOCATION, Datum Points.>

NOTE:

- Using a tram tracking gauge, measure all the dimensions.
- When using a tape measure, carefully measure dimensions without letting the tape measure sag or twist.
- Measure the linear dimensions between cores of holes.
- Suffixes “RH” and “LH” indicate right-hand and left-hand.



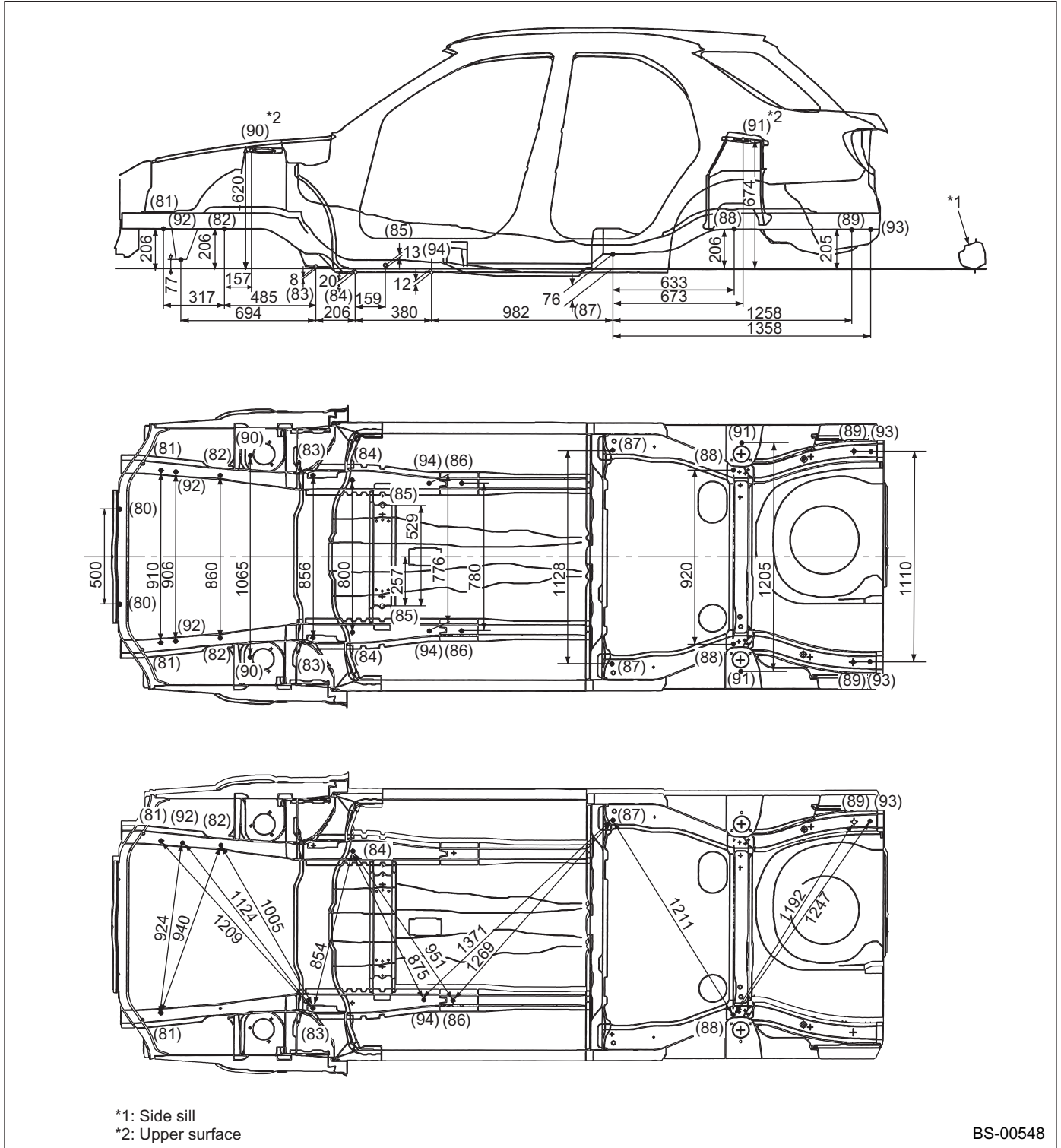
- Measure at the center of the circle around the outside of the body panel.



DATUM DIMENSIONS

BODY STRUCTURE

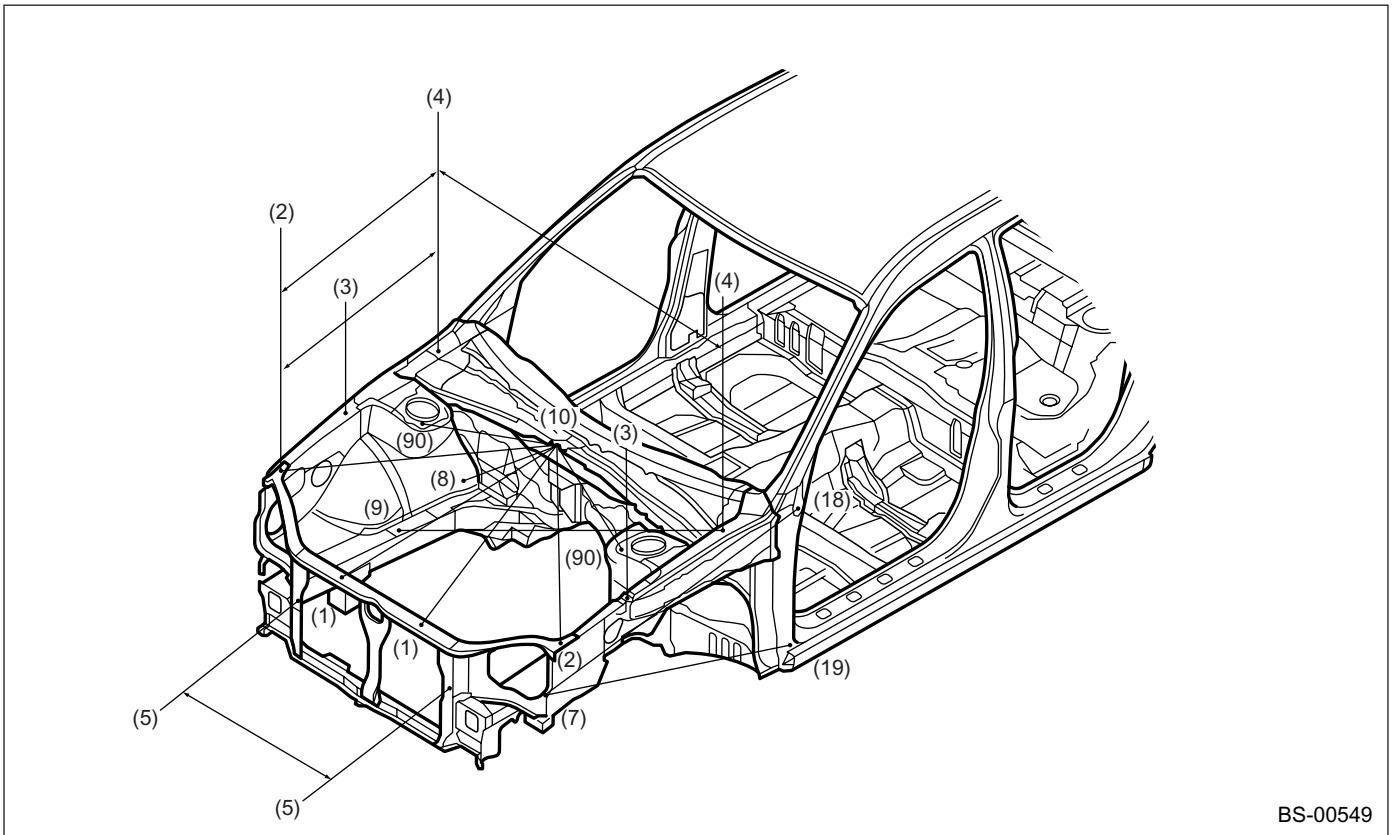
1. CENTER STRUCTURE



DATUM DIMENSIONS

BODY STRUCTURE

2. WAGON/SEDAN (FRONT STRUCTURE)



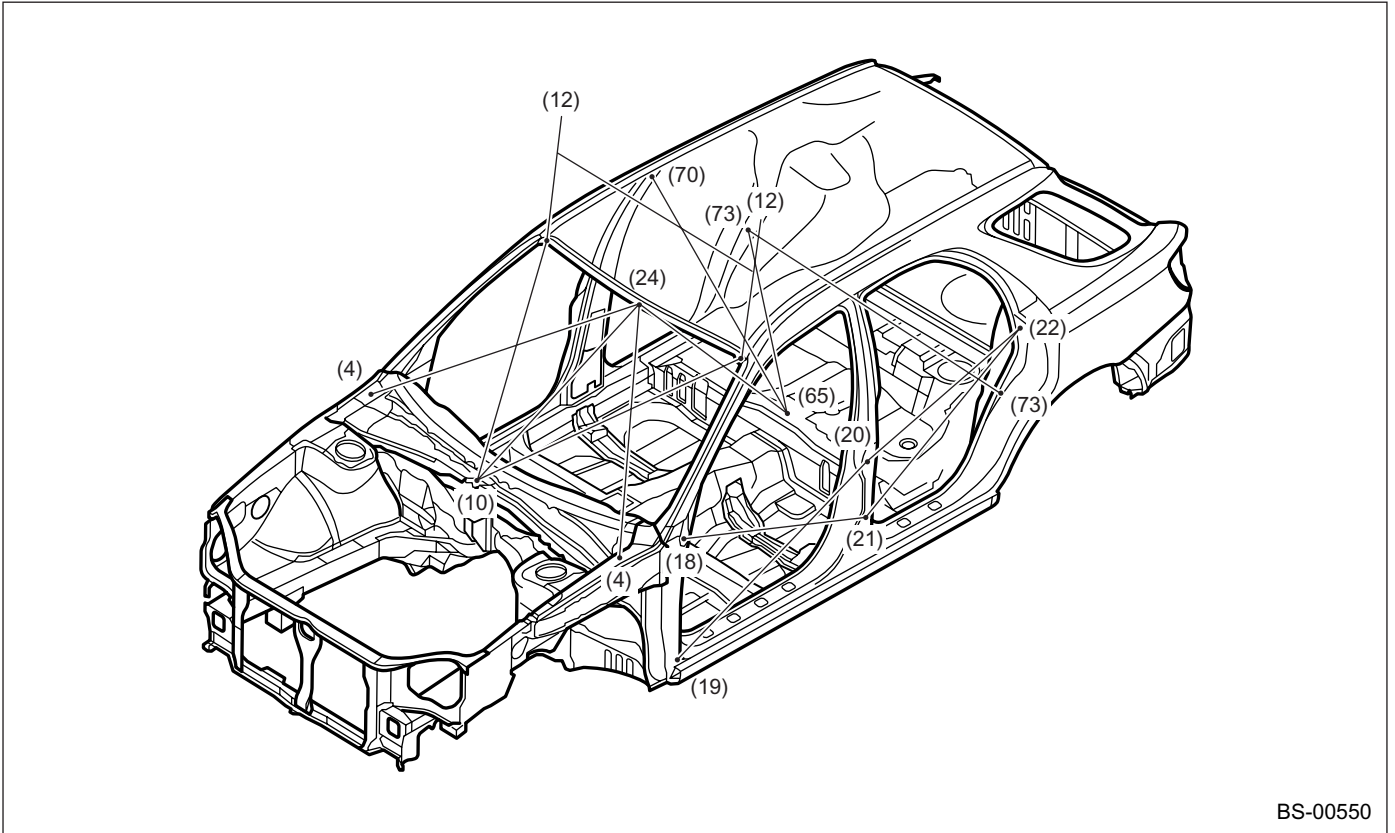
BS-00549

Unit: mm (in)

Point to point	Dimension	Point to point	Dimension
(10) to (1) RH	912 (35.91)	(2) RH to (2) LH	1,341 (52.80)
(10) to (1) LH	912 (35.91)	(5) RH to (5) LH	720 (28.35)
(10) to (90) RH	566 (22.28)	(7) RH to (18) RH	1,138 (44.80)
(10) to (90) LH	566 (22.28)	(7) LH to (18) LH	1,138 (44.80)
(10) to (8) RH	581 (22.87)	(7) RH to (19) RH	1,116 (43.94)
(10) to (8) LH	581 (22.87)	(7) LH to (19) LH	1,116 (43.94)
(10) to (2) RH	947 (37.28)	(4) RH to (2) LH	1,583 (62.32)
(10) to (2) LH	947 (37.28)	(4) LH to (2) RH	1,583 (62.32)
(4) RH to (2) RH	778 (30.63)	(3) RH to (3) LH	1,396 (54.96)
(4) LH to (2) LH	778 (30.63)	(3) RH to (4) LH	1,470 (57.87)
(4) RH to (3) RH	430 (16.93)	(3) LH to (4) RH	1,470 (57.87)
(4) LH to (3) LH	430 (16.93)	(2) RH to (3) LH	1,412 (55.59)
(90) RH to (90) LH	1,065 (41.93)	(2) LH to (3) RH	1,412 (55.59)
(8) RH to (8) LH	894 (35.20)	(9) RH to (9) LH	860 (33.86)
(8) RH to (4) LH	1,210 (47.64)	(9) RH to (8) LH	931 (36.65)
(8) LH to (4) RH	1,210 (47.64)	(9) LH to (8) RH	931 (36.65)
(3) RH to (2) RH	349 (13.74)	(9) RH to (4) LH	1,280 (50.39)
(3) LH to (2) LH	349 (13.74)	(9) LH to (4) RH	1,280 (50.39)
(4) RH to (4) LH	1,417 (55.79)	—	—

DATUM DIMENSIONS

BODY STRUCTURE

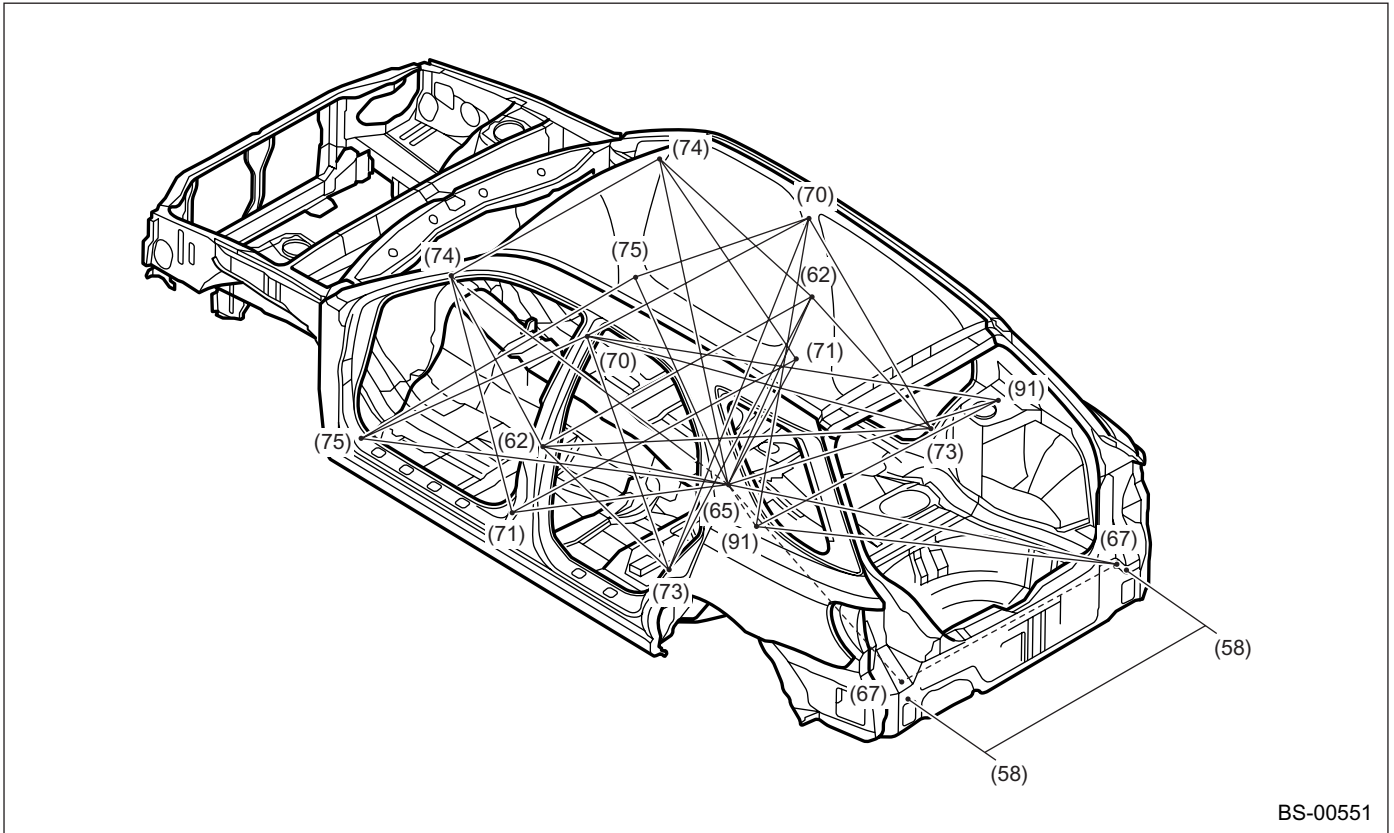


BS-00550

Unit: mm (in)

Point to point	Dimension	Point to point	Dimension
(4) RH to (24)	1,127 (44.37) Wagon	(19) LH to (20) LH	1,089 (42.87)
(4) LH to (24)	1,110 (43.70) Sedan	(20) RH to (22) RH	869 (34.21)
(10) to (24)	957 (37.68) Wagon	(20) LH to (22) LH	869 (34.21)
(10) to (24)	935 (36.81) Sedan	(21) RH to (22) RH	985 (38.78)
(10) to (12) RH	1,122 (44.17) Wagon	(21) LH to (22) LH	985 (38.78)
(10) to (12) RH	1,106 (43.54) Sedan	(24) to (65)	1,232 (48.50) Wagon
(10) to (12) LH	1,122 (44.17) Wagon	(24) to (65)	1,237 (48.70) Sedan
(10) to (12) LH	1,106 (43.17) Sedan	(65) to (70) RH	1,067 (42.01)
(12) RH to (12) LH	1,029 (40.51) Wagon	(65) to (70) LH	1,067 (42.01)
(12) RH to (12) LH	1,042 (41.02) Sedan	(65) to (73) RH	830 (32.68)
(18) RH to (21) RH	1,049 (41.30)	(65) to (73) LH	830 (32.68)
(18) LH to (21) LH	1,049 (41.30)	(73) RH to (73) LH	1,394 (54.88)
(19) RH to (20) RH	1,089 (42.87)	—	—

3. WAGON/SEDAN (REAR STRUCTURE)



BS-00551

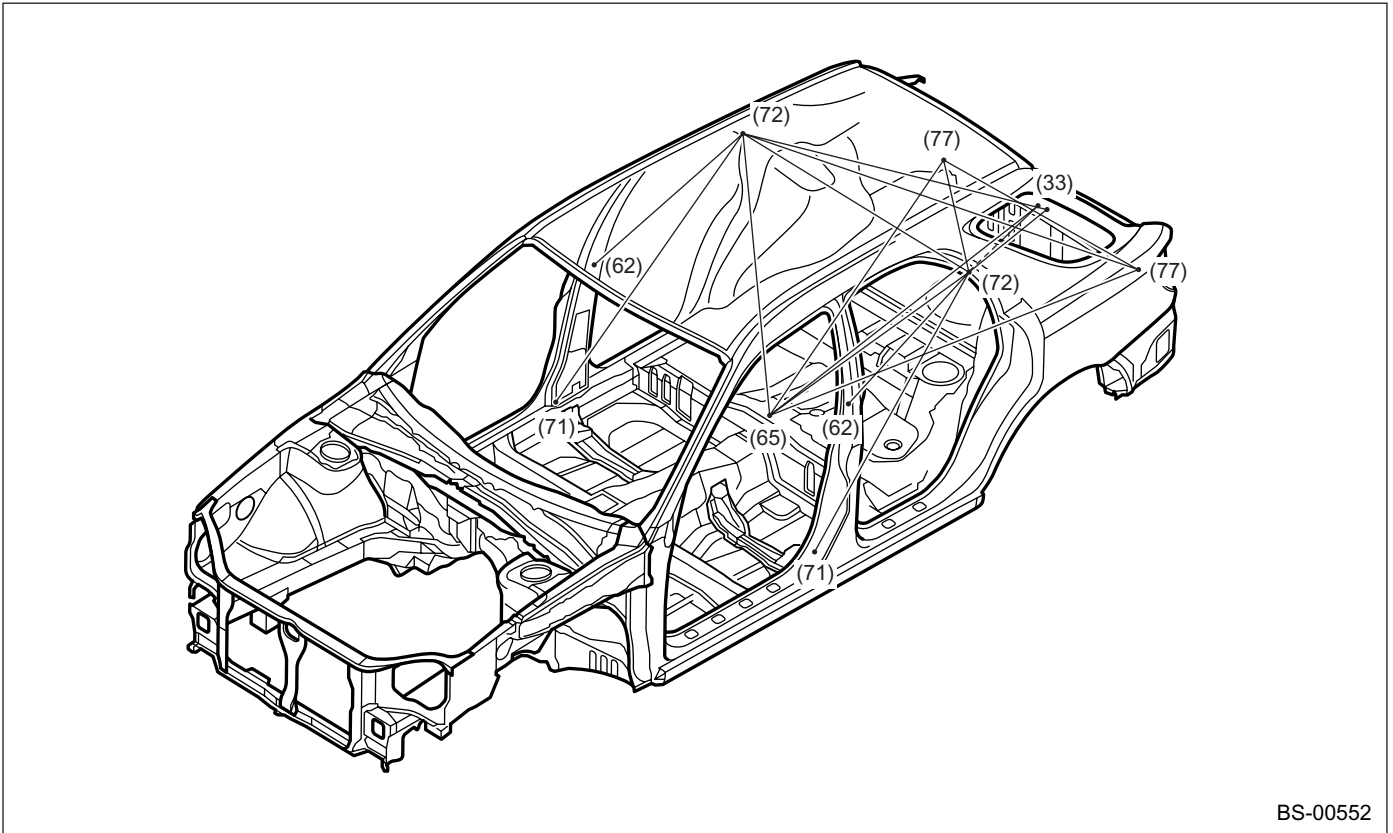
Unit: mm (in)

Point to point	Dimension	Point to point	Dimension
(58) RH to (58) LH	1,128 (44.41)	(67) RH to (67) LH	1,110 (43.70)
(62) RH to (62) LH	1,332 (52.44)	(67) RH to (91) LH	1,381 (54.37)
(62) RH to (65)	915 (36.02)	(67) LH to (91) RH	1,381 (54.37)
(62) LH to (65)	915 (36.02)	(70) RH to (70) LH	1,060 (41.73)
(62) RH to (73) RH	762 (30.00)	(70) RH to (73) RH	948 (37.32)
(62) LH to (73) LH	762 (30.00)	(70) LH to (73) LH	948 (37.32)
(62) RH to (73) LH	1,561 (61.46)	(70) RH to (73) LH	1,542 (60.71)
(62) LH to (73) RH	1,561 (61.46)	(70) LH to (73) RH	1,542 (60.71)
(62) RH to (74) RH	592 (23.31) Wagon	(70) RH to (75) RH	1,443 (56.81)
(62) LH to (74) LH	603 (23.74) Sedan	(70) LH to (75) LH	1,443 (56.81)
(65) to (67) RH	1,501 (59.09)	(70) RH to (91) LH	1,532 (60.32)
(65) to (67) LH	1,501 (59.09)	(70) LH to (91) RH	1,532 (60.32)
(65) to (71) RH	823 (32.40)	(71) RH to (71) LH	1,361 (53.58)
(65) to (71) LH	823 (32.40)	(71) RH to (74) RH	954 (37.56) Wagon
(65) to (74) RH	1,275 (50.20) Wagon	(71) LH to (74) LH	949 (37.36) Sedan
(65) to (74) LH	1,282 (50.47) Sedan	(74) RH to (74) LH	1,135 (44.69) Wagon
(65) to (75) RH	1,450 (57.09)	(74) RH to (74) LH	1,147 (45.16) Sedan
(65) to (75) LH	1,450 (57.09)	(75) RH to (75) LH	1,399 (55.08)
(65) to (91) RH	1,064 (41.89)	(91) RH to (91) LH	1,205 (47.44)
(65) to (91) LH	1,064 (41.89)	—	—

DATUM DIMENSIONS

BODY STRUCTURE

4. WAGON (FRONT STRUCTURE)

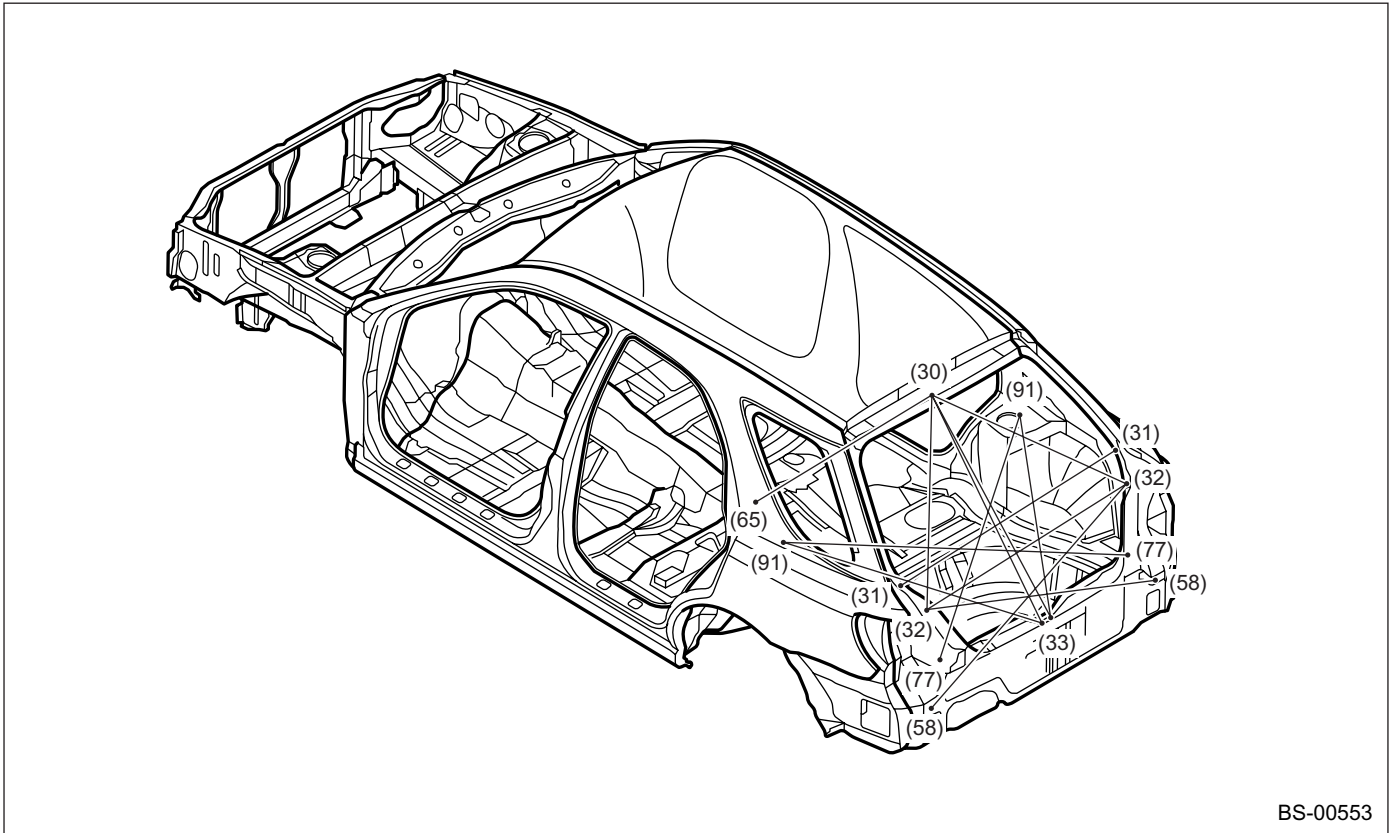


BS-00552

Unit: mm (in)

Point to point	Dimension	Point to point	Dimension
(33) RH to (65)	1,534 (60.39)	(65) to (77) RH	1,538 (60.55)
(33) LH to (65)	1,534 (60.39)	(65) to (77) LH	1,538 (60.55)
(33) RH to (72) LH	1,344 (52.91)	(71) RH to (72) RH	1,223 (48.15)
(33) LH to (72) RH	1,344 (52.91)	(71) LH to (72) LH	1,223 (48.15)
(62) RH to (72) RH	732 (28.82)	(72) RH to (72) LH	1,226 (48.27)
(62) LH to (72) LH	732 (28.82)	(72) RH to (77) LH	1,544 (60.79)
(65) to (72) RH	1,076 (42.36)	(72) LH to (77) RH	1,544 (60.79)
(65) to (72) LH	1,076 (42.36)	(77) RH to (77) LH	898 (35.35)

5. WAGON (REAR STRUCTURE)



BS-00553

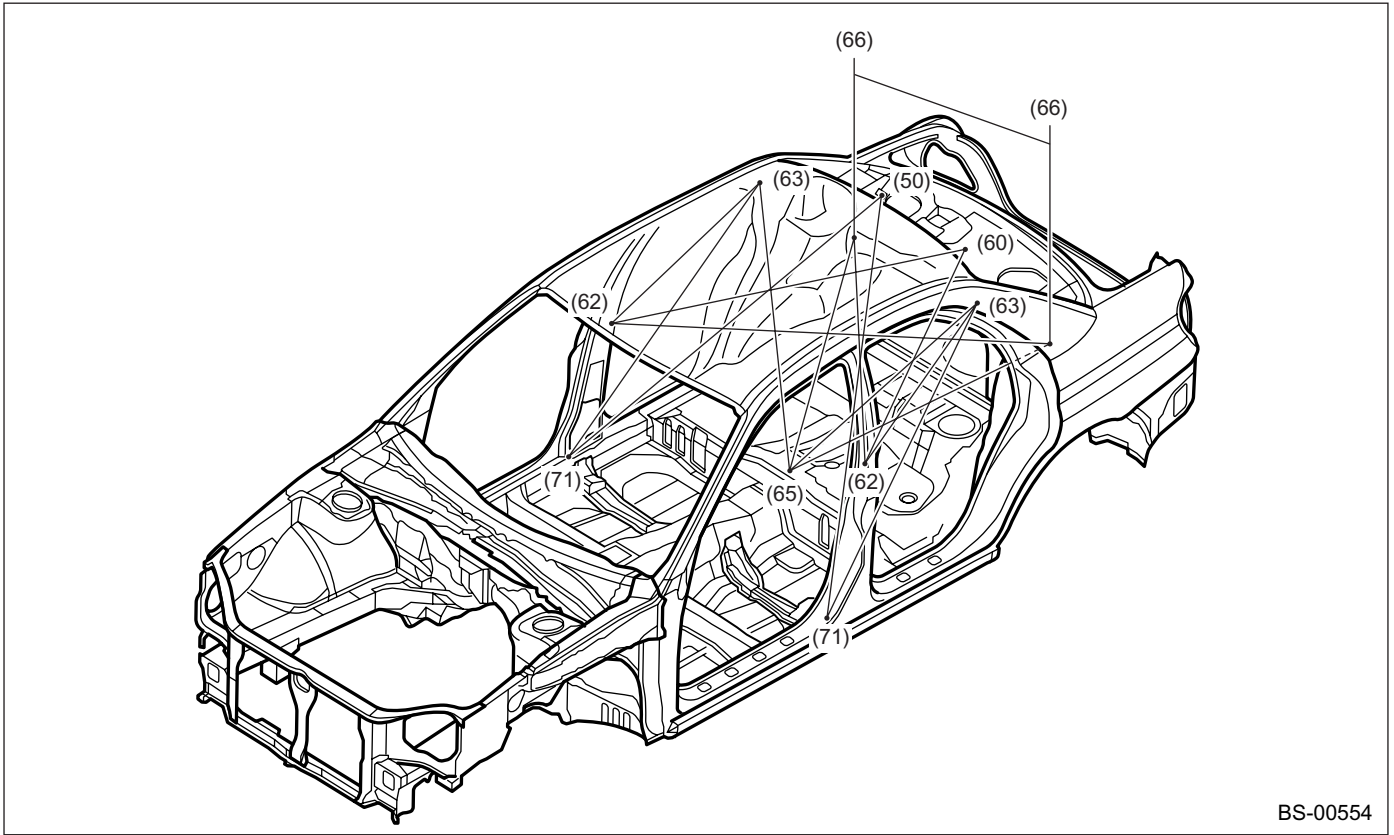
Unit: mm (in)

Point to point	Dimension	Point to point	Dimension
(30) to (32) RH	850 (33.46)	(32) RH to (58) LH	1,139 (44.84)
(30) to (32) LH	850 (33.46)	(32) LH to (58) RH	1,139 (44.84)
(30) to (33) RH	904 (35.59)	(33) RH to (91) LH	993 (39.09)
(30) to (33) LH	904 (35.59)	(33) LH to (91) LH	993 (39.09)
(30) to (65)	1,292 (50.87)	(77) RH to (91) LH	1,289 (50.75)
(31) RH to (31) LH	1,212 (47.72)	(77) LH to (91) RH	1,289 (50.75)
(32) RH to (32) LH	1,038 (40.87)	—	—

DATUM DIMENSIONS

BODY STRUCTURE

6. SEDAN (FRONT STRUCTURE)



BS-00554

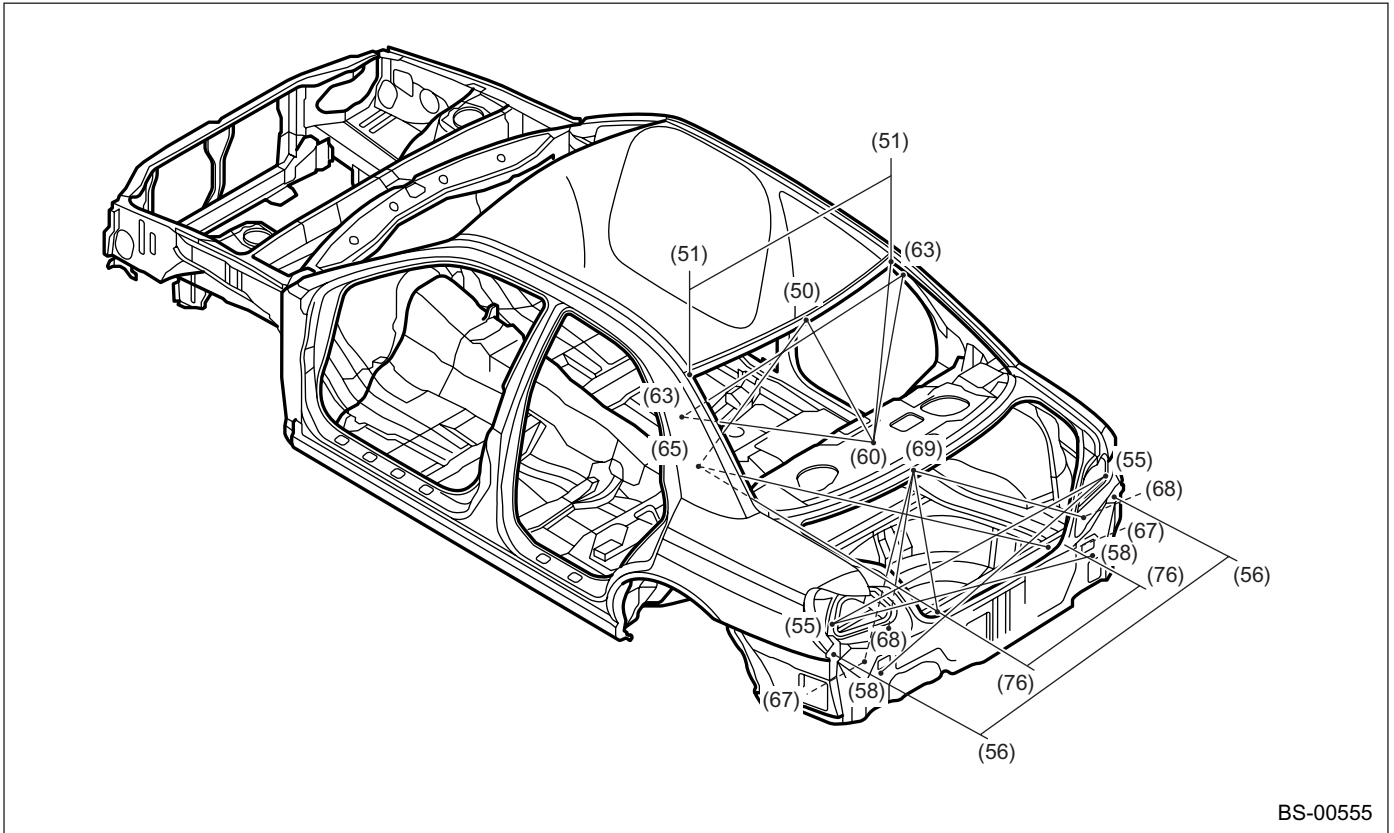
Unit: mm (in)

Point to point	Dimension	Point to point	Dimension
(50) to (71) RH	1,562 (61.50)	(63) RH to (65)	1,118 (44.02)
(50) to (71) LH	1,562 (61.50)	(63) LH to (65)	1,118 (44.02)
(60) to (62) RH	1,338 (52.68)	(63) RH to (71) RH	1,283 (50.51)
(60) to (62) LH	1,338 (52.68)	(63) LH to (71) LH	1,283 (50.51)
(62) RH to (63) RH	773 (30.43)	(65) to (66) RH	956 (37.64)
(62) LH to (63) LH	773 (30.43)	(65) to (66) LH	956 (37.64)
(62) RH to (66) LH	1,449 (57.05)	(66) RH to (66) LH	840 (33.07)
(62) LH to (66) RH	1,449 (57.05)	—	—

DATUM DIMENSIONS

BODY STRUCTURE

7. SEDAN (REAR STRUCTURE)



BS-00555

Unit: mm (in)

Point to point	Dimension	Point to point	Dimension
(50) to (60)	501 (19.72)	(65) to (76) LH	1,544 (60.79)
(50) to (65)	1,082 (42.60)	(65) to (68) RH	1,581 (62.24)
(51) RH to (51) LH	1,025 (40.35)	(65) to (68) LH	1,581 (62.24)
(51) RH to (60)	734 (28.90)	(67) RH to (69)	784 (30.87)
(55) RH to (55) LH	1,406 (55.35)	(67) LH to (69)	784 (30.87)
(55) RH to (58) LH	1,297 (51.06)	(68) RH to (68) LH	1,020 (40.16)
(55) LH to (58) RH	1,297 (51.06)	(68) RH to (69)	681 (26.81)
(56) RH to (56) LH	1,426 (56.14)	(68) LH to (69)	681 (26.81)
(60) to (63) RH	764 (30.08)	(69) to (76) RH	537 (21.14)
(60) to (63) LH	764 (30.08)	(69) to (76) LH	537 (21.14)
(63) RH to (63) LH	1,183 (46.57)	(76) RH to (76) LH	600 (23.62)
(65) to (76) RH	1,544 (60.79)	—	—

DATUM DIMENSIONS

BODY STRUCTURE
