

### **1. How to Use This Manual**

#### **A: HOW TO USE THIS MANUAL**

##### **1. STRUCTURE**

Each section consists of SCT that are broken down into SC that are divided into sections for each component. The specification, maintenance and other information for the components are included, and diagnosis information has also been added where necessary.

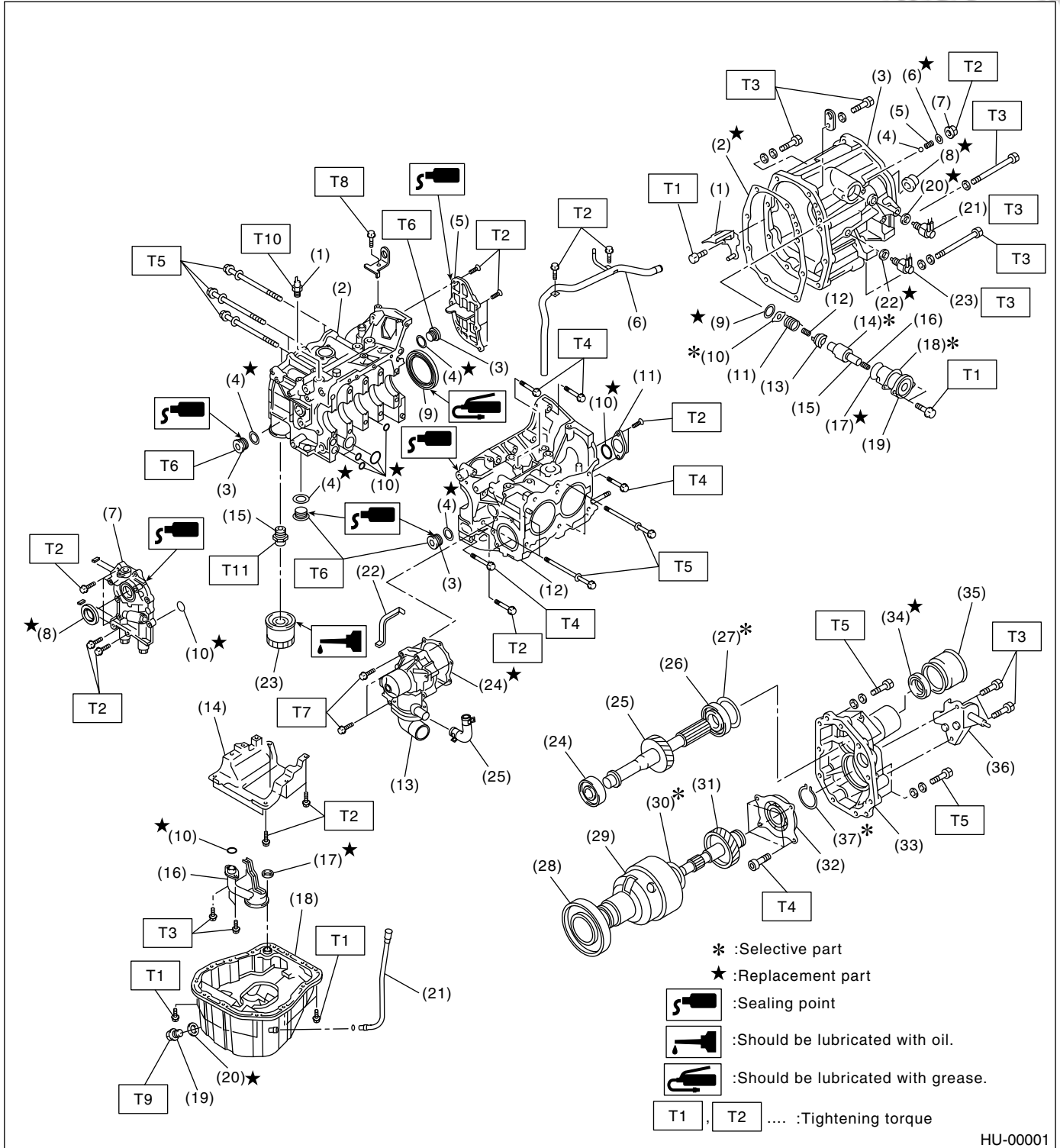
##### **2. INDEX**

The first page has an index with tabs.

##### **3. COMPONENTS**

Illustrations are listed for each component. The information necessary for repair work (tightening torque, grease up points, etc.) is described on these illustrations. Information is described using symbol. To order the parts, refer to parts catalogue.

Example:



HU-00001

## 4. SPECIFICATIONS

If necessary, specifications are also included.

## 5. INSPECTION

Inspections are included to be carried out before and after maintenance.

# HOW TO USE THIS MANUAL

## HOW TO USE THIS MANUAL

### 6. MAINTENANCE

- Maintenance instructions for serviceable parts describes work area and detailed steps with illustration. It also describes the use of special tool, tightening torque, cautions for each procedure.
- If many serviceable parts are included in one service procedure, appropriate reference are provided for each part.

**Example:**

#### 15. Main Shaft Assembly for Single-Range ← (A)

#### **A: REMOVAL** ← (B)

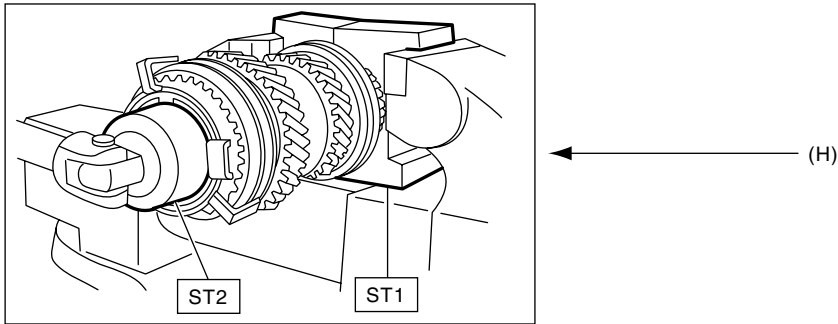
1) Remove the manual transmission assembly from vehicle. <Ref. to MT-33, REMOVAL, Manual Transmission Assembly.> ← (C)

11) Tighten the lock nuts to the specified torque using ST1 and ST2.

**NOTE:** ← (D)  
Secure the lock nuts in two Places after tightening.

ST2 499987003 SOCKET WRENCH  
ST1 498937000 TRANSMISSION HOLDER (E) (F)

**Tightening torque:** ← (G)  
**118 N·m (12.0 kgf-m, 86.8 ft-lb)**



HU-00002

- (A) Component
- (B) Process
- (C) Reference

- (D) Caution
- (E) Tool number of special tool
- (F) Name of special tool

- (G) Tightening torque
- (H) Illustration

### 7. DIAGNOSIS

Tables showing a step-by-step process make it easy to conduct diagnosis.

### 8. SI UNITS

Measurements in these manuals are according to the SI units. Metric and yard/pound measurements are also included.

**Example:**

**Tightening torque:**  
**44 N·m (4.5 kgf-m, 33 ft-lb)**