

Brought to you by Eris Studios  
NOT FOR RESALE

**ABS**

## ANTI-LOCK BRAKE SYSTEM (ABS)

ABS

### 1. Anti-lock Brake System (ABS)

#### A: FEATURE

- The 5.3i type ABS used in the Impreza has a hydraulic control unit, an ABS control module, a valve relay and a motor relay integrated into a single unit (called "ABSCM & H/U") for circuit simplicity and reduced weight.
- The ABS electrically controls the brake fluid pressure to each wheel to prevent the wheel from locking during braking on slippery road surfaces, thereby enabling the driver to maintain the directional control.
- If the ABS becomes inoperative, a fail-safe system is activated to ensure same level of braking performance as with a conventional brake system. In that case, the warning light comes on to indicate that the ABS is malfunctioning.
- The ABS is a 4-sensor, 4-channel system. The front wheel system is an independent control design<sup>\*1</sup>, while the rear wheel system is a select-low control design<sup>\*2</sup>.
- Vehicles with Sports ABS have an additional function which independently controls<sup>\*1</sup> the rear wheels according to the value sent from the lateral G sensor. (STi models)

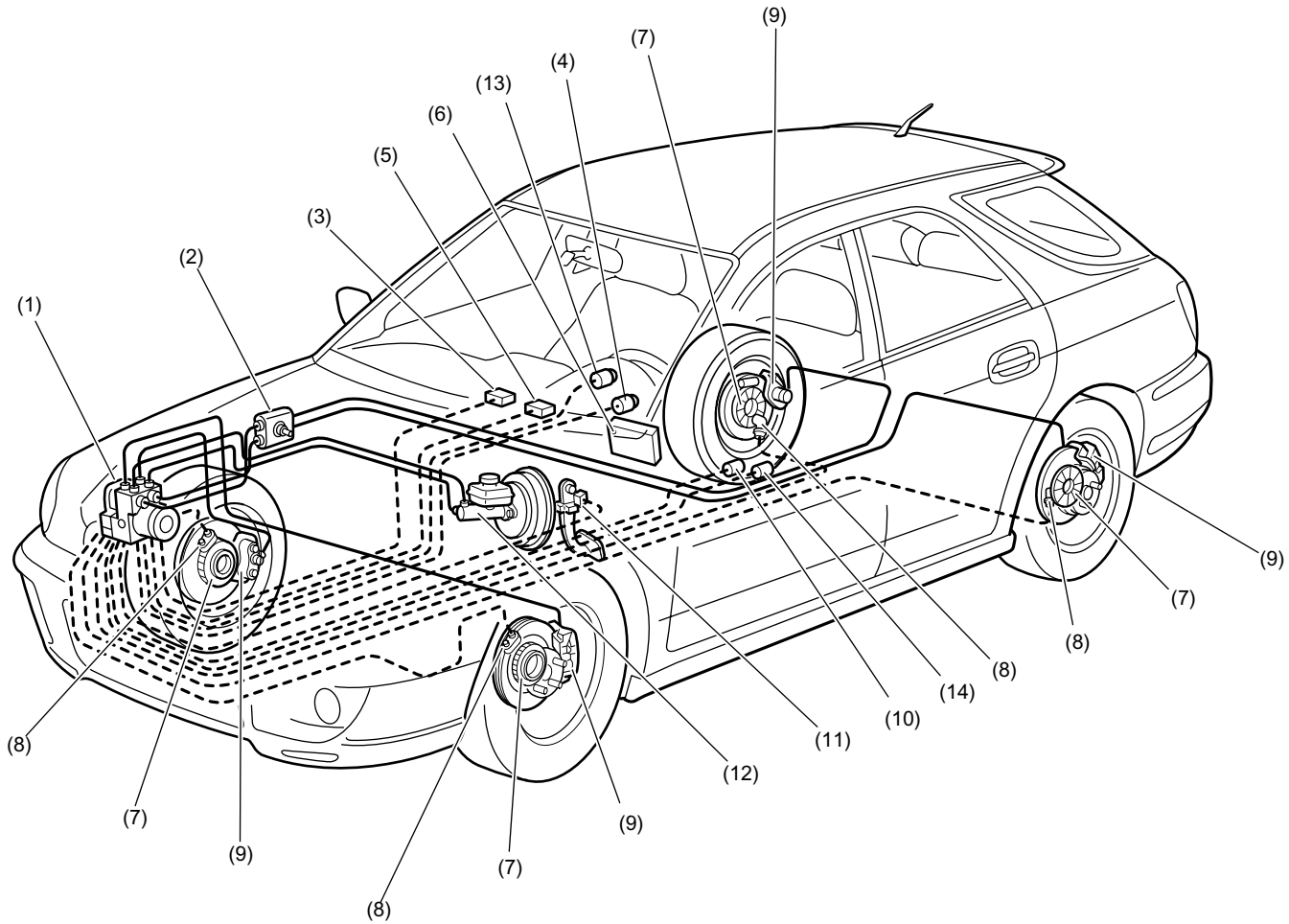
\*1: A system which controls the left and right wheel brakes individually.

\*2: A system which applies the same fluid pressure to both wheels if either of the left or right wheels starts to lock. The pressure is determined based on the lower of the frictional coefficients of both wheels.

ABS-2

## ANTI-LOCK BRAKE SYSTEM (ABS)

ABS



ABS00329

- |                                                                 |                                                  |                                |
|-----------------------------------------------------------------|--------------------------------------------------|--------------------------------|
| (1) ABS control module and hydraulic control unit (ABSCM & H/U) | (6) Transmission control module (AT models only) | (11) Stop light switch         |
| (2) Two-way connector                                           | (7) Tone wheels                                  | (12) Master cylinder           |
| (3) Diagnosis connector                                         | (8) ABS wheel speed sensor                       | (13) Brake & EBD warning light |
| (4) ABS warning light                                           | (9) Wheel cylinder                               | (14) Lateral G sensor (STi)    |
| (5) Data link connector (for SUBARU select monitor)             | (10) G sensor                                    |                                |

ABS-3

## ANTI-LOCK BRAKE SYSTEM (ABS)

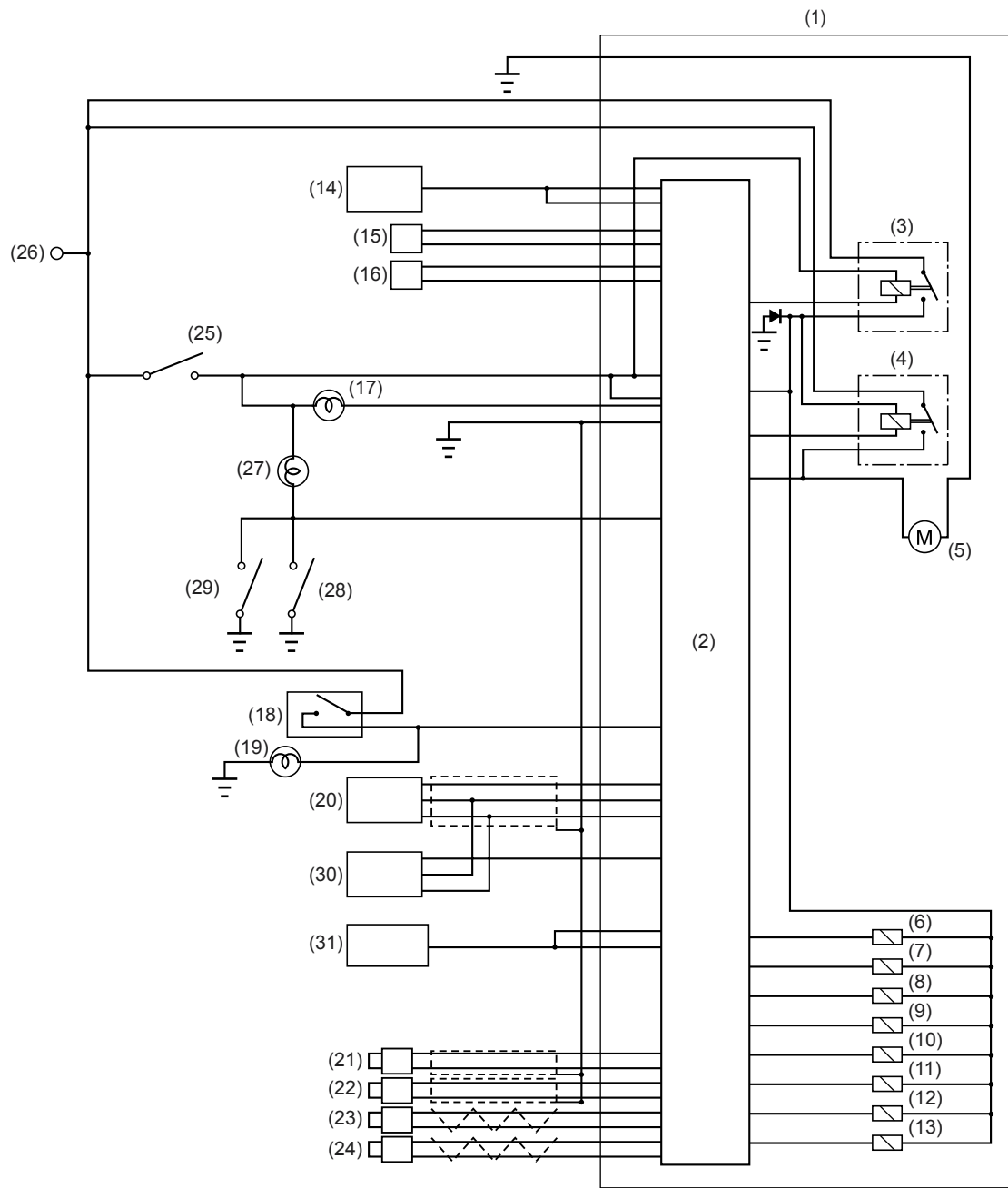
ABS

### B: FUNCTIONS OF SENSORS AND ACTUATORS

Name	Function
ABS control module and hydraulic control unit (AB-SCM & H/U)	ABSCM section <ul style="list-style-type: none"> <li>It determines the conditions of the wheels and the vehicle body from the wheel speed data and controls the hydraulic unit depending on the result.</li> <li>When the ABS is active, the ABSCM provides the automatic transmission control module with control signals which are used by the module for cooperative control of the vehicle with the ABSCM.</li> <li>Whenever the ignition switch is placed at ON, the module performs a self diagnosis sequence. If anything wrong is detected, the module cuts off the system.</li> <li>It communicates with the SUBARU select monitor.</li> </ul>
	H/U section <ul style="list-style-type: none"> <li>When the ABS is active, the H/U changes fluid passages to the wheel cylinders in response to commands from the ABSCM.</li> <li>It constitutes the brake fluid passage from the master cylinder to the wheel cylinders together with the piping.</li> </ul>
	Valve relay section <p>It serves as a power switch for the solenoid valves and motor relay coil. It operates in response to a command from the ABSCM.</p>
	Motor relay section <p>It serves as a power switch for the pump motor. It operates in response to a command from the ABSCM.</p>
ABS wheel speed sensors	These sensors detect the wheel speed in terms of a change in the density of the magnetic flux passing through them and convert it into an electrical signal. The electrical signal is sent to the ABSCM.
Tone wheels	They give a change in the magnetic flux density by the teeth around themselves to let the ABS wheel speed sensors generate electrical signals.
G sensor	It detects a change in acceleration in the longitudinal direction of the vehicle and outputs it to the ABSCM as a voltage signal.
Lateral G sensor (STi)	Converts the variation in lateral G on the vehicle into a change in capacity of the sensor condenser, and outputs a varying voltage to the ABS ECU.
Stop light signal	It provides information on whether the brake pedal is depressed or not to the ABSCM. The ABSCM uses it to determine ABS operation.
ABS warning light	It alerts the driver to an ABS fault. When the diagnosis connector and diagnosis terminal are connected, the light flashes to indicate a diagnostic trouble code stored in the ABSCM.
Automatic transmission control module	It provides gear controls (fixing the speed at 3rd or changing power transmission to front and rear wheels) in response to control signals from the ABSCM.
Brake warning light	It alerts the driver to an EBD fault. This warning light is also used for parking brake warning and brake fluid level warning.

# ANTI-LOCK BRAKE SYSTEM (ABS)

ABS



ABS00334

ABS-5

## ANTI-LOCK BRAKE SYSTEM (ABS)

### ABS

---

- |                                                   |                                            |                                                           |
|---------------------------------------------------|--------------------------------------------|-----------------------------------------------------------|
| (1) ABS control module and hydraulic control unit | (12) Rear right inlet solenoid valve       | (23) Rear left ABS wheel speed sensor                     |
| (2) ABS control module section                    | (13) Rear right outlet solenoid valve      | (24) Rear right ABS wheel speed sensor                    |
| (3) Valve relay                                   | (14) Automatic transmission control module | (25) IGN                                                  |
| (4) Motor relay                                   | (15) Diagnosis connector                   | (26) Battery                                              |
| (5) Motor                                         | (16) Data link connector                   | (27) Brake warning light                                  |
| (6) Front left inlet solenoid valve               | (17) ABS warning light                     | (28) Parking brake warning light                          |
| (7) Front left outlet solenoid valve              | (18) Stop light switch                     | (29) Brake fluid level switch                             |
| (8) Front right inlet solenoid valve              | (19) Stop light                            | (30) Lateral G sensor (STi)                               |
| (9) Front right outlet solenoid valve             | (20) G sensor                              | (31) Driver-controllable center differential control unit |
| (10) Rear left inlet solenoid valve               | (21) Front left ABS wheel speed sensor     |                                                           |
| (11) Rear left outlet solenoid valve              | (22) Front right ABS wheel speed sensor    |                                                           |

### ABS-6

## ANTI-LOCK BRAKE SYSTEM (ABS)

ABS

### C: PRINCIPLE OF ABS CONTROL

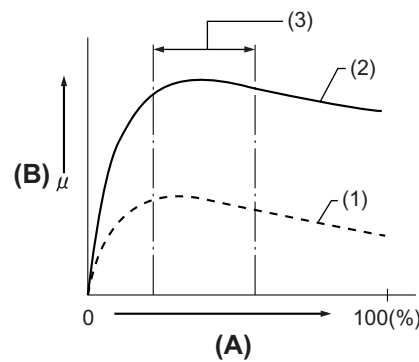
When the brake pedal is depressed during driving, the wheel speed decreases and the vehicle speed does as well. The decrease in the vehicle speed, however, is not always proportional to the decrease in the wheel speed. The non-correspondence between the wheel speed and vehicle speed is called “slip” and the magnitude of the slip is expressed by the “slip ratio” which is defined as follows:

$$\text{Slip ratio} = (\text{Vehicle speed} - \text{Wheel speed}) / \text{Vehicle speed} \times 100\%$$

When the slip ratio is 0%, the vehicle speed corresponds exactly to the wheel speed. When it is 100%, the wheels are completely locking (rotating at a zero speed) while the vehicle is moving.

The braking effectiveness is represented by the “coefficient of friction” between the tire and road surface. The larger the coefficient, the higher the braking effectiveness. The diagram below shows the relationship between the coefficient of friction and the slip ratio for two different road surface conditions (asphalt-paved road and icy road), assuming that the same tires are used for both the conditions and the vehicles are moving forward. Although the braking effectiveness (coefficient of friction) depends on the road surface condition as shown and also on the type of the tire, its peak range generally corresponds to the 8 — 30% range of the slip ratio.

The ABS controls the fluid pressure to each wheel so that a coefficient of friction corresponding to this slip ratio range is maintained.



ABS00007

- |                                                           |                          |
|-----------------------------------------------------------|--------------------------|
| (A) Slip ratio                                            | (1) Icy road             |
| (B) Coefficient of friction between tire and road surface | (2) Asphalt-paved road   |
|                                                           | (3) Control range by ABS |

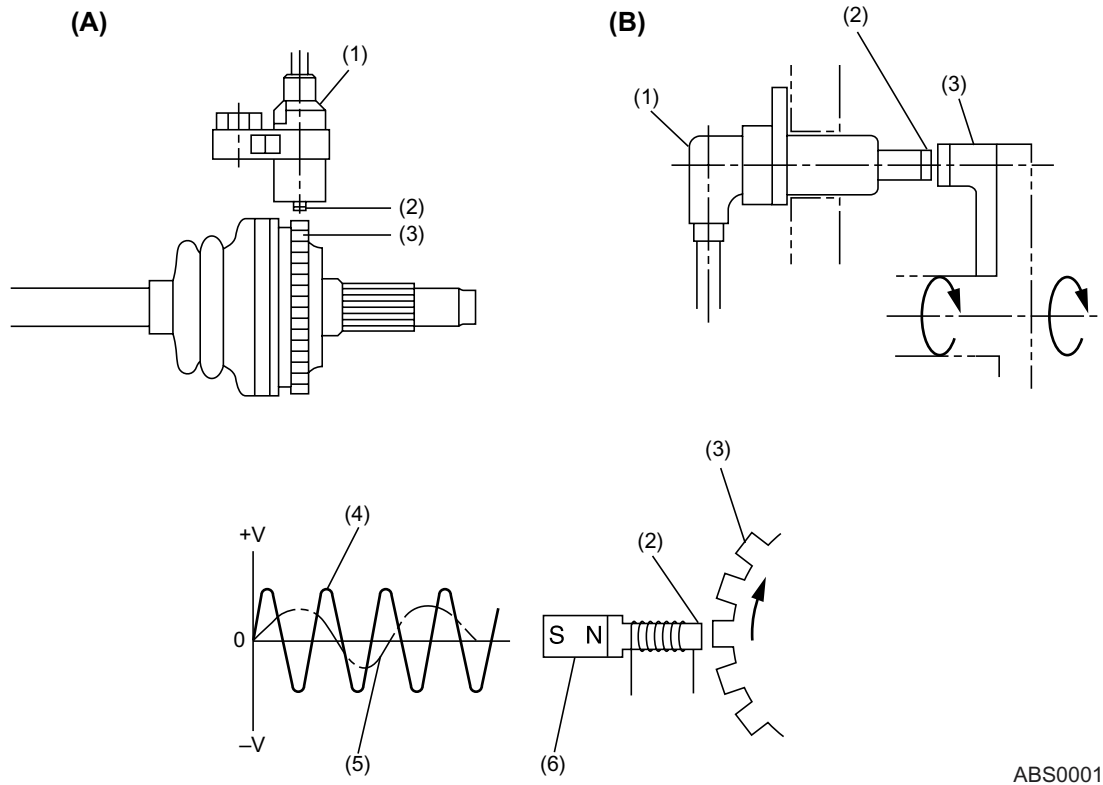
ABS-7

## ANTI-LOCK BRAKE SYSTEM (ABS)

ABS

### D: ABS WHEEL SPEED SENSOR

Each of the ABS wheel speed sensors detects the speed of the corresponding wheel. The sensor consists of a permanent magnet, coil and tone wheel. The magnetic flux produced by the permanent magnet changes as each tooth of the tone wheel (which rotates together with the wheel) passes in front of the magnet's pole piece. The changing magnetic flux induces voltages at a frequency corresponding to the wheel speed.



ABS00018

(A) Front  
(B) Rear

(1) Sensor body  
(2) Pole piece  
(3) Tone wheels

(4) High-speed  
(5) Low-speed  
(6) Permanent magnet

### ABS-8



## ANTI-LOCK BRAKE SYSTEM (ABS)

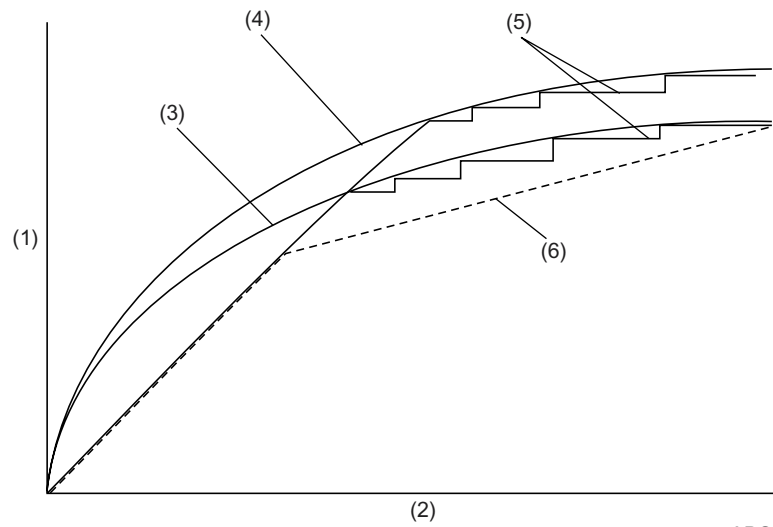
ABS

### E: EBD (ELECTRONIC BRAKE FORCE DISTRIBUTION)

The EBD system utilizes the function of the conventional ABS. This system prevents premature locking of the rear wheels by using electronic control instead of a proportioning valve. The system provides a feature to optimize the brake force distribution to the front and rear wheels according to change in loading conditions or displacement of the center of gravity during deceleration.

The ABSCM calculates the optimum brake force distribution from the difference in speed between the front and rear wheels. Based on the results, the ABSCM controls the rear wheel brake pressure through the ABS hydraulic unit (H/U) to achieve the optimum brake force distribution suitable for the driving condition.

The proportioning valve is disused on EBD equipped vehicles.



ABS00019

- (1) Brake force to rear wheels
- (2) Brake force to front wheels
- (3) Optimum brake force distribution for light loaded conditions
- (4) Optimum brake force distribution for heavy loaded conditions
- (5) EBD controlled brake force distribution
- (6) PCV controlled brake force distribution (reference)

## ANTI-LOCK BRAKE SYSTEM (ABS)

ABS

### F: ABS CONTROL MODULE AND HYDRAULIC CONTROL UNIT (ABSCM & H/U)

- **ABS control module section (ABSCM)**

The ABSCM contains two micro control modules (MCMs) which communicate with each other. Both the MCMs process the same program and each MCM monitors the other's outputs. If a mismatch occurs between their outputs, the ABSCM cuts off the system and activate the fail-safe function.

The ABSCM can store a maximum of 3 diagnostic trouble codes in a ROM. If more than 3 faults have occurred, only the 3 most recent failures are stored and others are erased. Trouble diagnostic trouble codes remain stored until they are internally or externally erased.

The ABSCM has a test routine (sequence control pattern) which facilitates checking of the hydraulic control unit.

- **ABS control**

Using primarily the wheel speed data from each ABS wheel speed sensor and secondarily the vehicle deceleration rate data from the G sensor as parameters, the ABSCM generates a simulated vehicle speed when there is a risk of wheel lock-up. Using the simulated vehicle speed (called "dummy" vehicle speed) as a reference, the ABSCM determines the state of the wheel in terms of the tendency toward lock-up. If the result shows that the wheels are about to lock, the ABSCM issues commands to energize or de-energize the solenoid valves and activate the motor pump of the H/U to modulate the brake fluid pressures that act on the wheel cylinders, thereby preventing the wheels from locking.

The ABSCM controls the right and left front wheel fluid pressures independently and the rear wheel fluid pressures based on the wheel which is the most likely to lock (select-low control). The STi models have an additional function which independently controls the rear wheels according to the value sent from the lateral G sensor.

- **Functions available using SUBARU select monitor**

When the SUBARU select monitor is connected, the ABSCM allows it

- To read out analog data
- To read out ON/OFF data
- To read out or erase diagnostic trouble codes
- To read out data showing conditions under which a trouble code has been stored (freeze frame data)
- To initiate ABS sequence control pattern

- **Indication functions**

Under the control of the ABSCM, the ABS warning light provides the following three indication functions:

- ABS fault alerting
- Diagnostic trouble code indication (by flashing in the diagnosis mode)
- Valve ON/OFF indication (when sequence control pattern is initiated)

## ANTI-LOCK BRAKE SYSTEM (ABS)

ABS

### ● Hydraulic control unit section (H/U)

The H/U is a fluid pressure controller consisting of, among others, a motor, solenoid valves, a housing and relays. It also constitutes passage of the two diagonally split brake circuits.

- The pump motor drives an eccentric cam which in turn moves the plunger pump to generate hydraulic pressure.
- The housing accommodates the pump motor, solenoid valve and reservoir. It also constitutes a brake fluid passage.
- The plunger pump, when operated, draws the brake fluid from the reservoir, lets the fluid in a wheel cylinder drain into the reservoir, and/or forces the fluid into the master cylinder.
- The outlet solenoid valve is a 2-position type. It opens or closes the brake fluid passage between a wheel cylinder and the reservoir according to commands from the ABSCM.
- The inlet solenoid valve is duty-controlled to reduce brake fluid pulsation for minimum ABS operation noise.
- The reservoir temporarily stores the brake fluid drained from a wheel cylinder when pressure “decrease” control is performed.
- The damper chamber suppresses brake fluid pulsation which would occur during pressure “decrease” control in the fluid discharged from the plunger pump to minimize kickbacks of the brake pedal.
- The valve relay controls power supply to the solenoid valves and motor relay in response to a command from the ABSCM. In normal (IG ON) condition, the relay is closed to supply power to the solenoid valves and motor relay. When an error occurs in the system, the valve relay is turned OFF to keep the fluid pressure circuit in the normal mode (non-ABS mode).
- The motor relay closes and supplies power to the pump motor in response to a command from the ABSCM during the ABS drive mode operations.

The H/U has four operating modes; normal mode (non-ABS mode), and three ABS active modes, i.e., “increase”, “hold” and “decrease” modes.

ABS-11

## ANTI-LOCK BRAKE SYSTEM (ABS)

ABS

### 1. DURING NORMAL BRAKING (ABS NOT ACTIVE)

Both the inlet and outlet solenoid valves are not energized.

This means that the inlet port of the inlet solenoid valve is open, whereas the outlet port of the outlet solenoid valve is closed. So the fluid pressure generated in the master cylinder is transmitted to the wheel cylinder, producing a brake force.

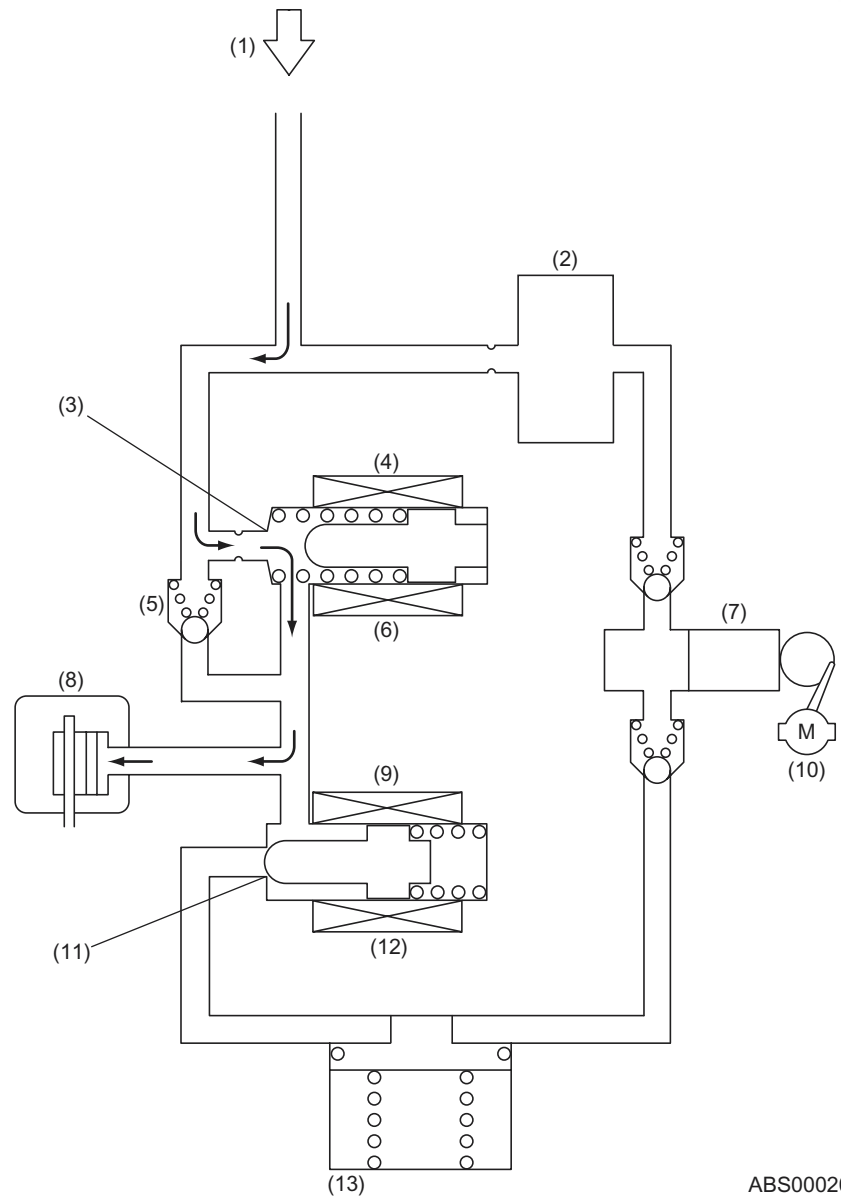
#### NOTE:

For simplicity of explanation, operation of the hydraulic control unit is represented by operation of a single wheel circuit.

ABS-12

# ANTI-LOCK BRAKE SYSTEM (ABS)

ABS



ABS00020

- |                          |                           |
|--------------------------|---------------------------|
| (1) From master cylinder | (8) Wheel cylinder        |
| (2) Damper chamber       | (9) Outlet solenoid valve |
| (3) Inlet port open      | (10) Motor                |
| (4) Inlet solenoid valve | (11) Outlet port closed   |
| (5) Check valve          | (12) Deenergized          |
| (6) Deenergized          | (13) Reservoir            |
| (7) Pump                 |                           |

## ANTI-LOCK BRAKE SYSTEM (ABS)

ABS

### 2. PRESSURE “DECREASE” CONTROL (ABS ACTIVE)

Both the inlet and outlet solenoid valves are energized, which means that the inlet port is closed and the outlet port is open.

In this state, the wheel cylinder is isolated from the master cylinder but open to the reservoir, so the brake fluid in it can be drained into the reservoir, decreasing its pressure and reducing the braking force of the wheel.

The brake fluid collected in the reservoir is forced into the master cylinder by the pump.

During this phase of ABS operation, the pump motor continues operating.

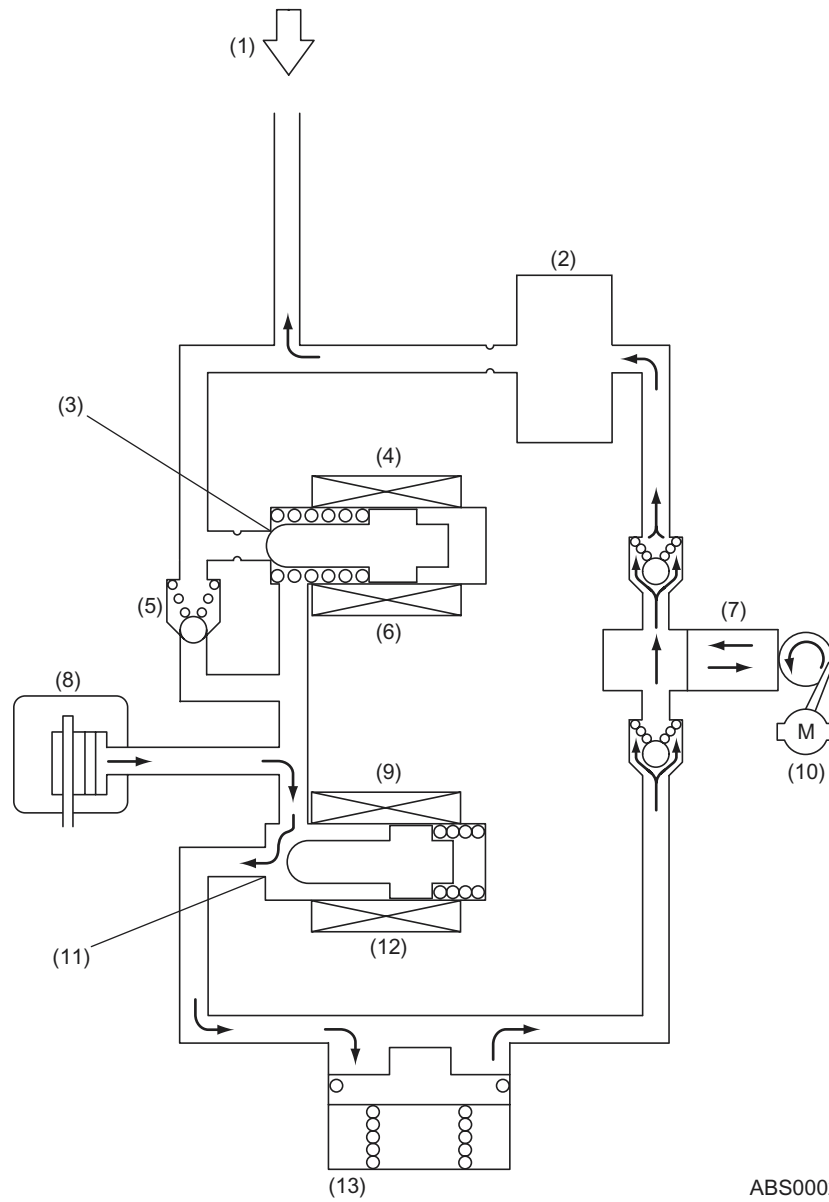
#### NOTE:

For simplicity of explanation, operation of the H/U is represented by operation of a single wheel circuit.

ABS-14

# ANTI-LOCK BRAKE SYSTEM (ABS)

ABS



ABS00026

- |                          |                           |
|--------------------------|---------------------------|
| (1) From master cylinder | (8) Wheel cylinder        |
| (2) Damper chamber       | (9) Outlet solenoid valve |
| (3) Inlet port closed    | (10) Motor                |
| (4) Inlet solenoid valve | (11) Outlet port open     |
| (5) Check valve          | (12) Energized            |
| (6) Energized            | (13) Reservoir            |
| (7) Pump                 |                           |

ABS-15

## ANTI-LOCK BRAKE SYSTEM (ABS)

ABS

### 3. PRESSURE “HOLD” CONTROL (ABS ACTIVE)

The inlet solenoid valve is energized, so the inlet port is closed.

On the other hand, the outlet solenoid valve is de-energized, so the output port is also closed. In this state, all the passages connecting the wheel cylinder, master cylinder and reservoir are blocked. As a result, the fluid pressure in the wheel cylinder is held unchanged.

During this phase of ABS operation, the pump motor continues operating.

#### NOTE:

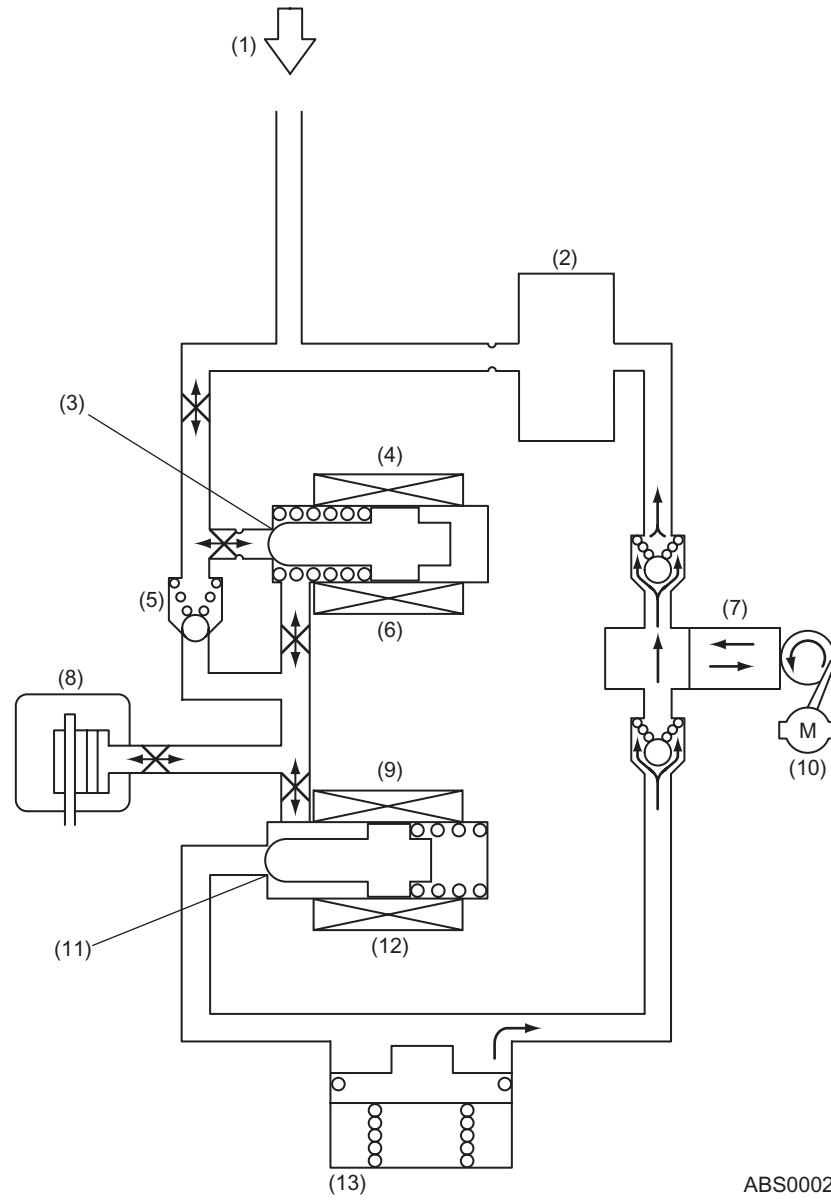
For simplicity of explanation, operation of the H/U is represented by operation of a single wheel circuit.

ABS-16



# ANTI-LOCK BRAKE SYSTEM (ABS)

ABS



ABS00028

- |                          |                           |
|--------------------------|---------------------------|
| (1) From master cylinder | (8) Wheel cylinder        |
| (2) Damper chamber       | (9) Outlet solenoid valve |
| (3) Inlet port closed    | (10) Motor                |
| (4) Inlet solenoid valve | (11) Outlet port closed   |
| (5) Check valve          | (12) Deenergized          |
| (6) Energized            | (13) Reservoir            |
| (7) Pump                 |                           |

## ANTI-LOCK BRAKE SYSTEM (ABS)

ABS

### 4. PRESSURE "INCREASE" CONTROL (ABS ACTIVE)

Both the inlet and outlet solenoid valves are de-energized, which means that the inlet port of the inlet solenoid valve is open, whereas the outlet port of the outlet solenoid valve is closed. So the fluid pressure generated in the master cylinder is transmitted to the wheel cylinder and increased fluid pressure in the wheel cylinder applies the brake with a larger force. During this phase of ABS operation, the pump motor continues operating.

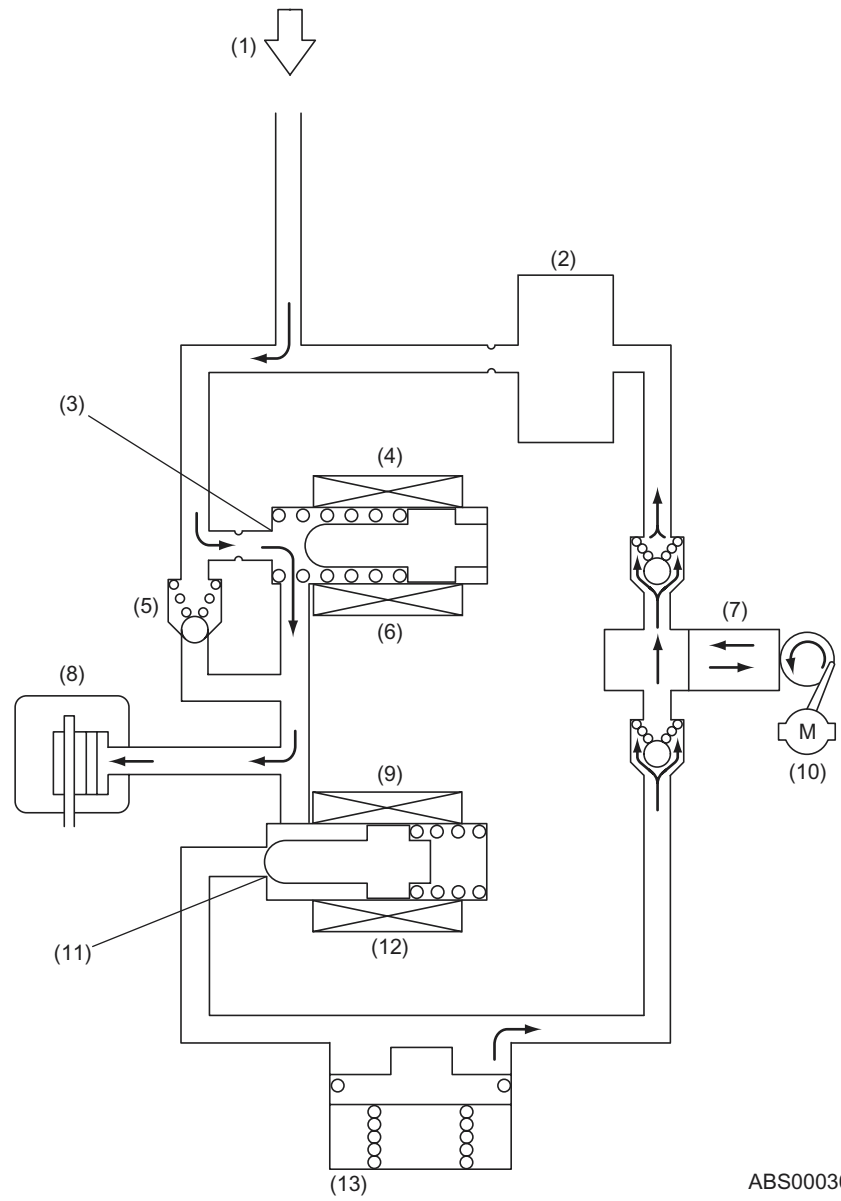
**NOTE:**

For simplicity of explanation, operation of the H/U is represented by operation of a single wheel circuit.

ABS-18

# ANTI-LOCK BRAKE SYSTEM (ABS)

ABS



ABS00030

- |                          |                           |
|--------------------------|---------------------------|
| (1) From master cylinder | (8) Wheel cylinder        |
| (2) Damper chamber       | (9) Outlet solenoid valve |
| (3) Inlet port open      | (10) Motor                |
| (4) Inlet solenoid valve | (11) Outlet port closed   |
| (5) Check valve          | (12) Deenergized          |
| (6) Deenergized          | (13) Reservoir            |
| (7) Pump                 |                           |

## ANTI-LOCK BRAKE SYSTEM (ABS)

ABS

### G: ABS CONTROL CYCLE CURVES

Depressing the brake pedal increases the brake fluid pressure in each wheel cylinder, which in turn decreases the wheel speed (or increases the wheel deceleration rate). When the brake fluid pressure is increased to a level of point "A" of the brake fluid pressure curve in the diagram (at which the wheel deceleration rate exceeds threshold  $-b_0$ ), the ABSCM makes a pressure "hold" control. At the same time, the ABSCM calculates a "dummy" vehicle speed which is a reference speed it uses in the next stage of control.

When the wheel speed then drops below the slip ratio setting, i.e., a speed lower than the "dummy" vehicle speed by the predetermined value (at point "B" of the pressure curve), the ABSCM makes a control to prevent the wheel from locking, or a pressure "decrease" control.

As the wheel cylinder pressure decreases, the wheel speed starts increasing (or the wheel acceleration rate starts rising). When the wheel acceleration rate exceeds threshold  $+b_{10}$  (at point "C" of the pressure curve), the ABSCM makes a pressure "hold" control. When the wheel acceleration rate exceeds threshold  $+b_{20}$  (at point "D" of the pressure curve), the ABSCM recognizes that wheel lock-up will not occur and then makes a pressure "increase" control.

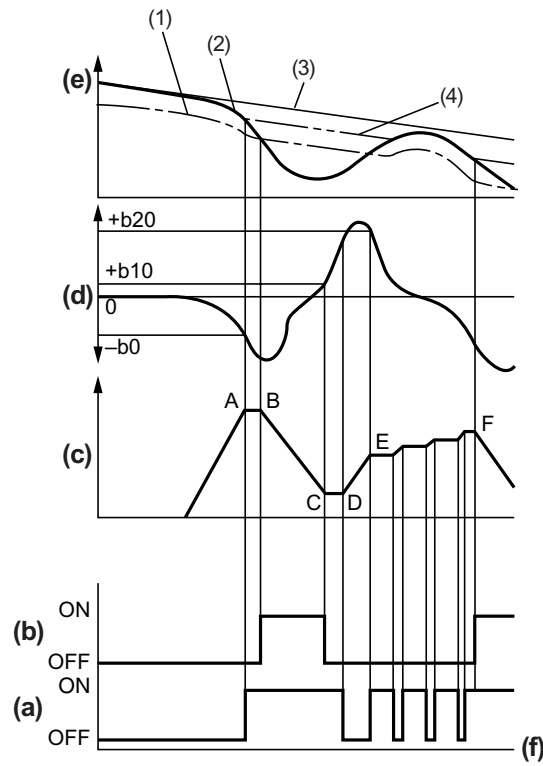
When the wheel acceleration rate drops below threshold  $+b_{20}$ , (at point "E" of the pressure curve), the ABSCM starts pressure "hold" and "increase" control cycles at a given interval.

When the wheel deceleration rate then exceeds threshold  $-b_0$  (at point "F" of the pressure curve), the ABSCM immediately makes a pressure "decrease" control.

ABS-20

# ANTI-LOCK BRAKE SYSTEM (ABS)

ABS



ABS00033

- (a) Inlet valve
- (b) Outlet valve
- (c) Brake fluid pressure
- (d) Wheel acceleration/deceleration
- (e) Speed
- (f) Time
- (1) Slip ratio setting
- (2) Wheel speed
- (3) Vehicle speed
- (4) Dummy vehicle speed

Brake fluid pressure	Inlet valve	Outlet valve
Increase	OFF	OFF
Hold	ON	OFF
Decrease	ON	ON

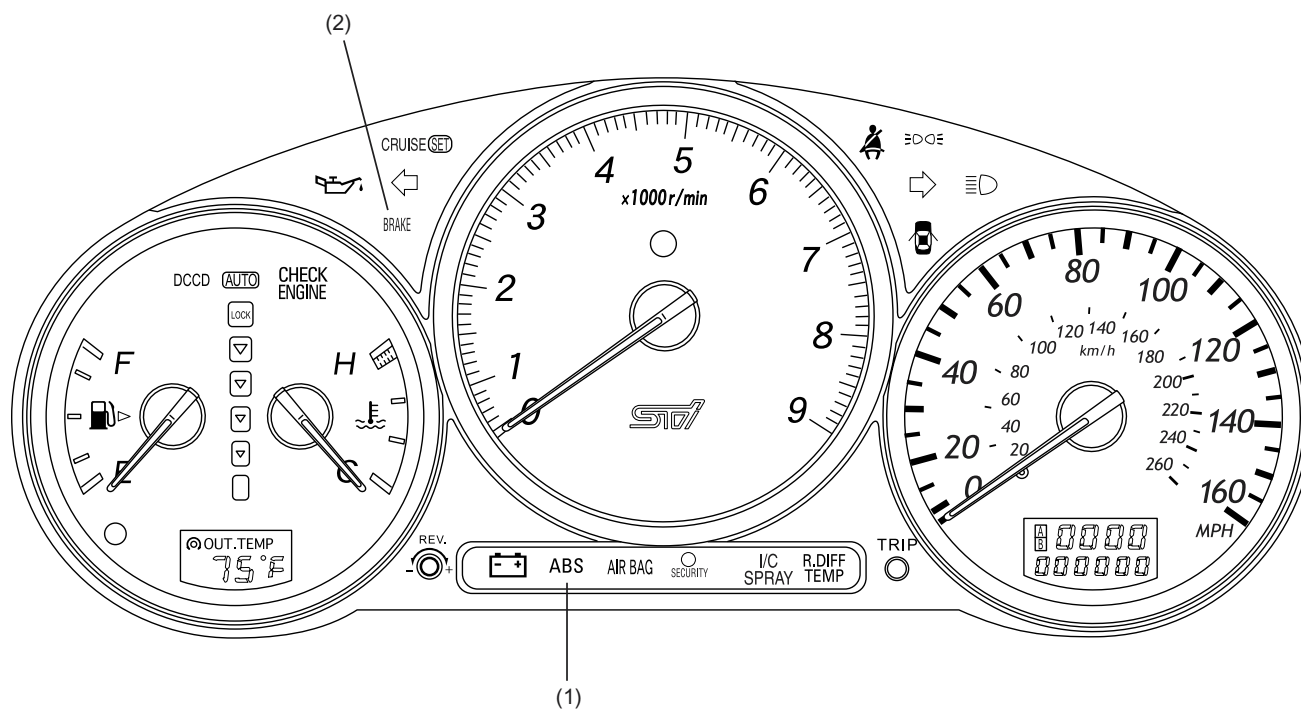
## ANTI-LOCK BRAKE SYSTEM (ABS)

ABS

### H: ABS WARNING LIGHT AND BRAKE WARNING LIGHT (ALSO FUNCTIONS AS EBD WARNING LIGHT)

When a fault occurs in the signal transmission system or the ABSCM, the ABS warning light and brake warning light in the combination meter come on. At the same time, the current to the hydraulic control unit is interrupted. The brake system then functions in the same manner as a system without ABS. The warning light utilizes a dual circuit design.

If the warning light comes on, one or more diagnostic trouble codes should be stored in the ABSCM. They must be identified using the warning light's code indicating function.



ABS00376

- (1) ABS warning light
- (2) Brake warning light (also functions as EBD warning light)

ABS-22

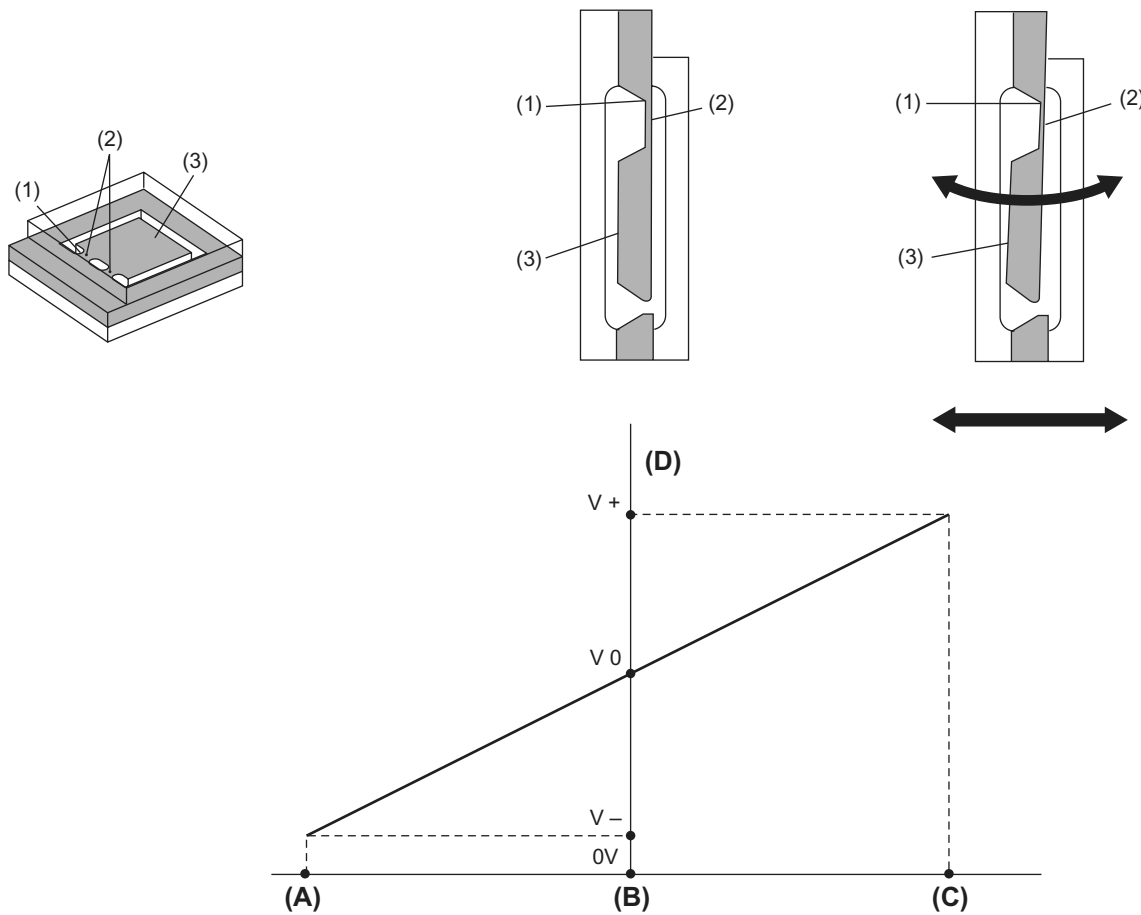
## ANTI-LOCK BRAKE SYSTEM (ABS)

ABS

### I: G SENSOR

The G sensor detects changes in the vehicle's acceleration/deceleration rate in the longitudinal direction.

A piezo-resistor is formed on the beam. When the mass area moves during acceleration and deceleration, the beam distorts causing the resistance of the piezo-resistor to change. This change is converted into change in voltage and sent to the ABSCM.



ABS00322

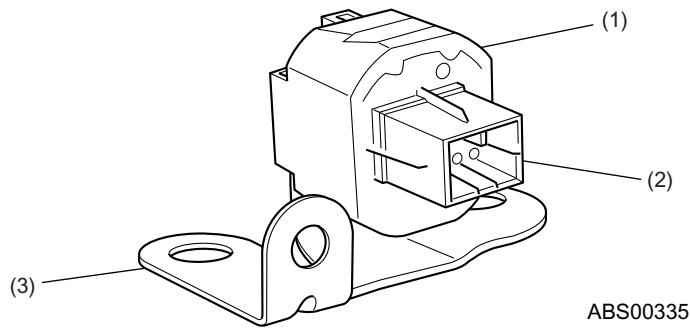
- |                             |                    |                  |
|-----------------------------|--------------------|------------------|
| (1) Beam                    | (2) Piezo-resistor | (3) Mass area    |
| (A) Accelerating            | (B) Cruising       | (C) Decelerating |
| (D) G sensor output voltage |                    |                  |

## ANTI-LOCK BRAKE SYSTEM (ABS)

ABS

### J: LATERAL G SENSOR

The lateral G sensor detects changes in the vehicle's acceleration rate in the lateral direction. Its operating principle, internal construction and operation are the same as those of the G sensor.



- (1) Lateral G sensor
- (2) Connector
- (3) Bracket

ABS-24