

Brought to you by Eris Studios
NOT FOR RESALE

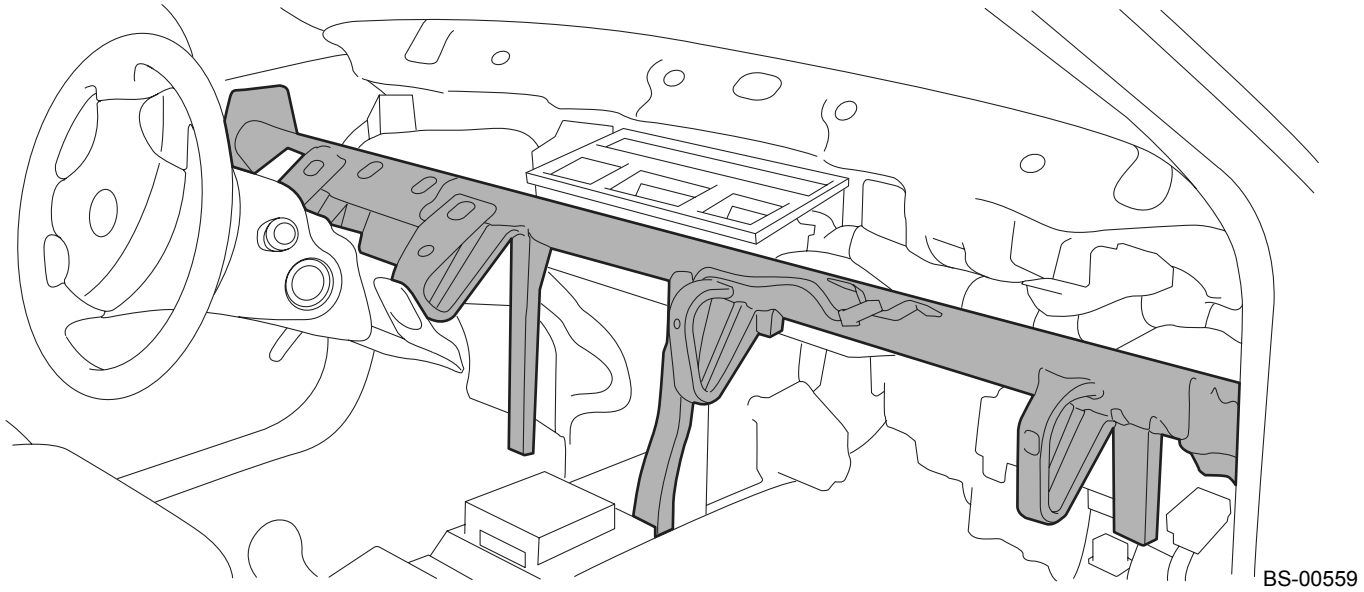
BODY STRUCTURE

STEERING SUPPORT BEAM

BODY STRUCTURE

1. Steering Support Beam

A steering support beam is provided between the left and right front pillars for reinforced support of the steering column. It also minimizes vibration of the steering column and limits its extension to a minimum in the event of a collision.



BS-2

QUIETNESS

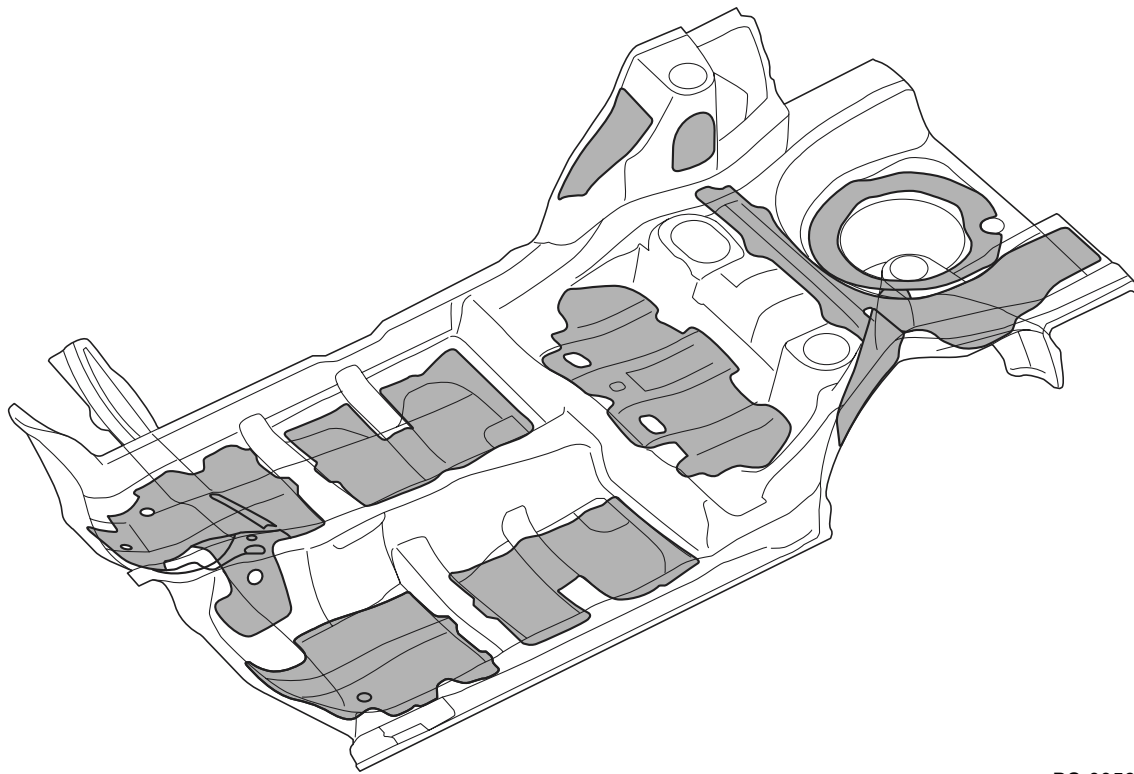
BODY STRUCTURE

2. Quietness

Silencers, dual-wall panels, sound-absorbing materials, etc. are utilized in conjunction with a high-rigidity and vibration/noise-proof body structure in order to ensure quietness of the passenger compartment.

A: SILENCER

Silencers (= asphalt sheets) minimize transmission of noise/vibration into the passenger compartment.



BS-00560

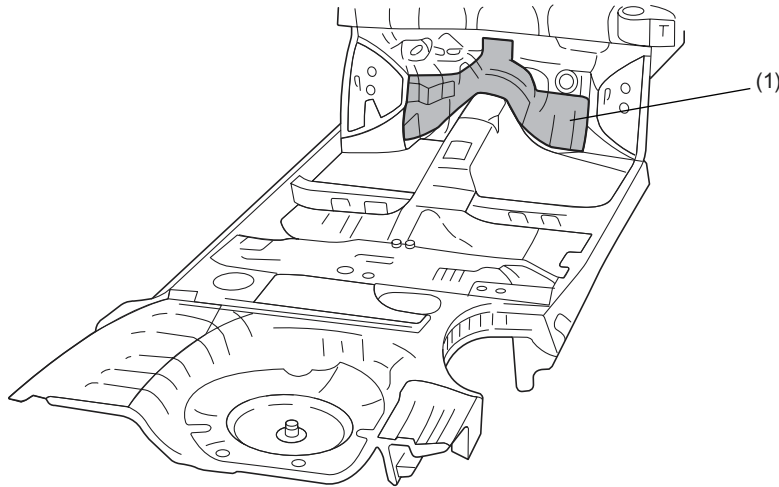
BS-3

QUIETNESS

BODY STRUCTURE

B: DUAL-WALL

The toeboard is a dual-wall design consisting of an asphalt sheet placed between two steel panels to reduce the transmission of noise and vibration from the engine compartment to the passenger compartment.



BS-00561

(1) Dual-wall

BS-4

BODY SEALING

BODY STRUCTURE

3. Body Sealing

A: SEALED PARTS

All gauge holes and other holes used during the body manufacturing process are plugged to prevent entry of water and dust.

Any time the vehicle body has been repaired, the affected holes should be properly plugged with the use of the specified plugs.

BS-5

PAINTING

BODY STRUCTURE

4. Painting

A: SPECIFICATIONS

Color name	Color code
PURE WHITE	51E
PREMIUM SILVER (M)	01G
DARK GREEN MICA	29W
SOLID RED	22G
REDDISH BLUE (M)	23W
GRAPHITE BLACK MICA	18L
WR BLUE MICA	02C
PURE WHITE/GRAY (M)	2L6 (51E/26D)
PREMIUM SILVER (M) / GRAY (M)	2L7 (01G/26D)
SOLID RED (M) / GRAY (M)	2K1 (22G/26D)
REDDISH BLUE (M) / GRAY (M)	2C3 (23W/26D)
DARK GREEN MICA / GRAY (M)	2C6 (29W/26D)

(M): Metallic

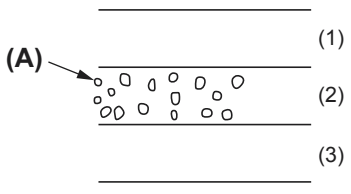
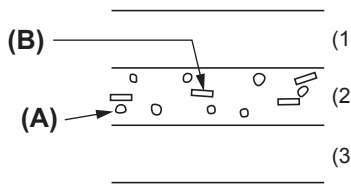
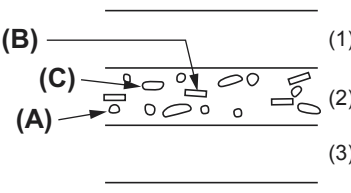
BS-6

PAINTING

BODY STRUCTURE

Brought to you by *ETIS Studios*
NOT FOR RESALE

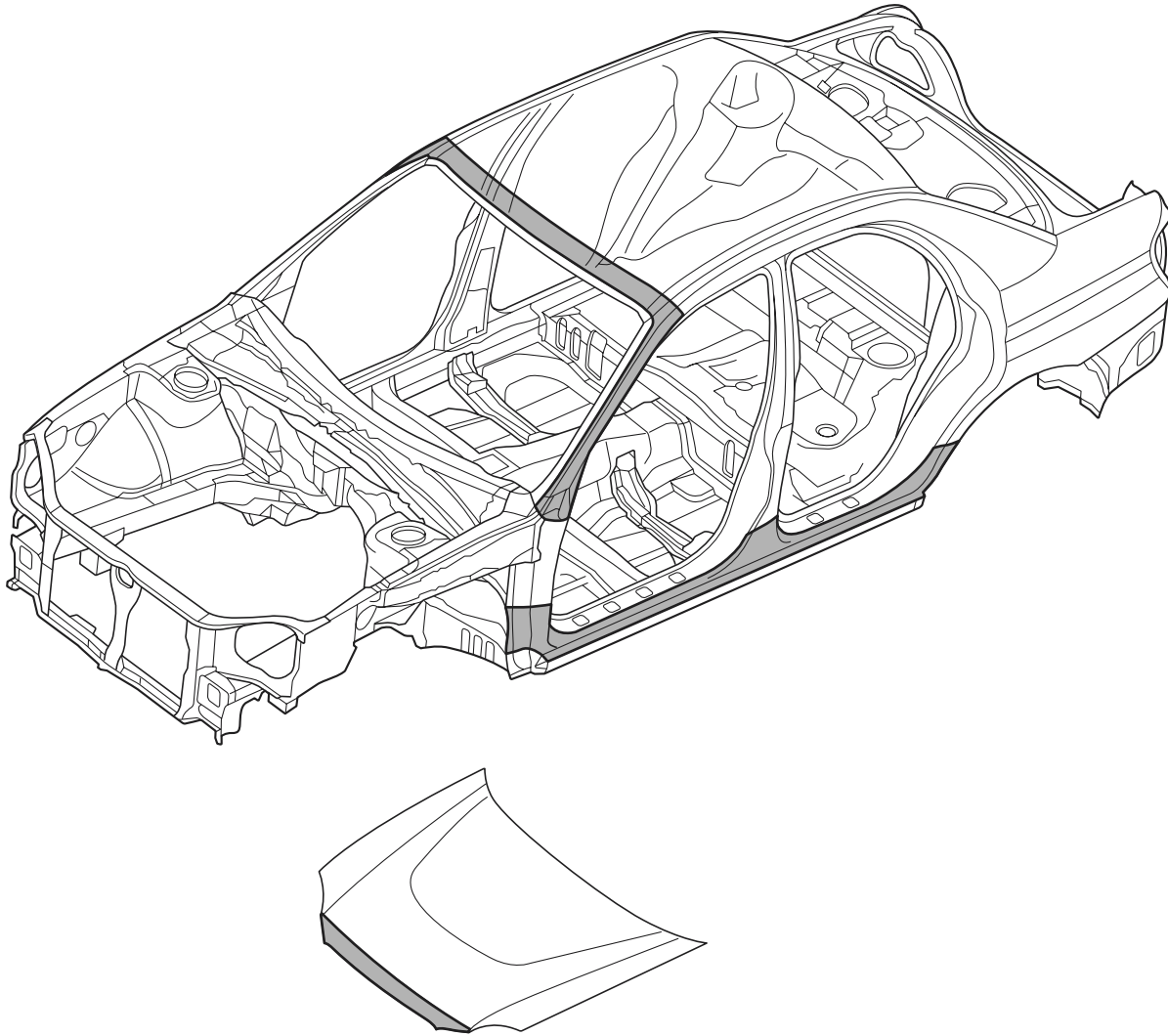
B: PAINT FILM STRUCTURE

Color name	Paint film structure	
<ul style="list-style-type: none"> ● PURE WHITE ● SOLID RED 	 <p style="text-align: right;">(1) (2) (3)</p> <p style="text-align: right;">BS-00562</p>	<ul style="list-style-type: none"> (1) Clear coat (2) Color base (3) Intermediate paint <p>(A) Pigment</p>
<ul style="list-style-type: none"> ● PREMIUM SILVER (M) ● GRAY (M) ● REDDISH BLUE (M) <p>(M): Metallic</p>	 <p style="text-align: right;">(1) (2) (3)</p> <p style="text-align: right;">BS-00563</p>	<ul style="list-style-type: none"> (1) Clear coat (2) Color base (3) Intermediate paint <p>(A) Pigment (B) Aluminum pigment</p>
<ul style="list-style-type: none"> ● WR BLUE MICA ● DARK GREEN MICA ● GRAPHITE BLACK MICA 	 <p style="text-align: right;">(1) (2) (3)</p> <p style="text-align: right;">BS-00564</p>	<ul style="list-style-type: none"> (1) Clear coat (2) Color base (3) Intermediate paint <p>(A) Pigment (B) Aluminum pigment (C) Colored mica</p>

ANTI CHIPPING COAT (ACC) APPLICATION

BODY STRUCTURE

5. Anti Chipping Coat (ACC) Application



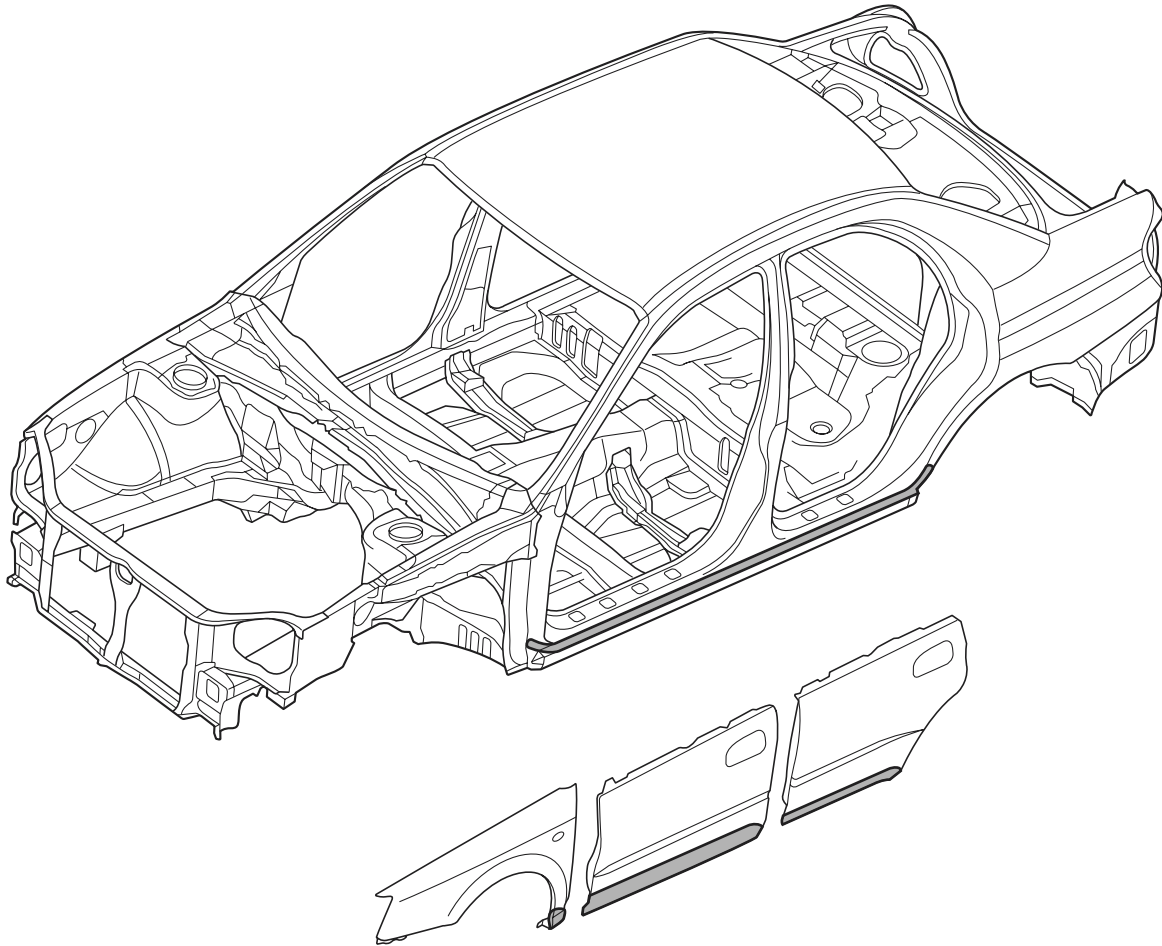
BS-00565

BS-8

STONE GUARD COAT (SGC) APPLICATION

BODY STRUCTURE

6. Stone Guard Coat (SGC) Application



BS-00597

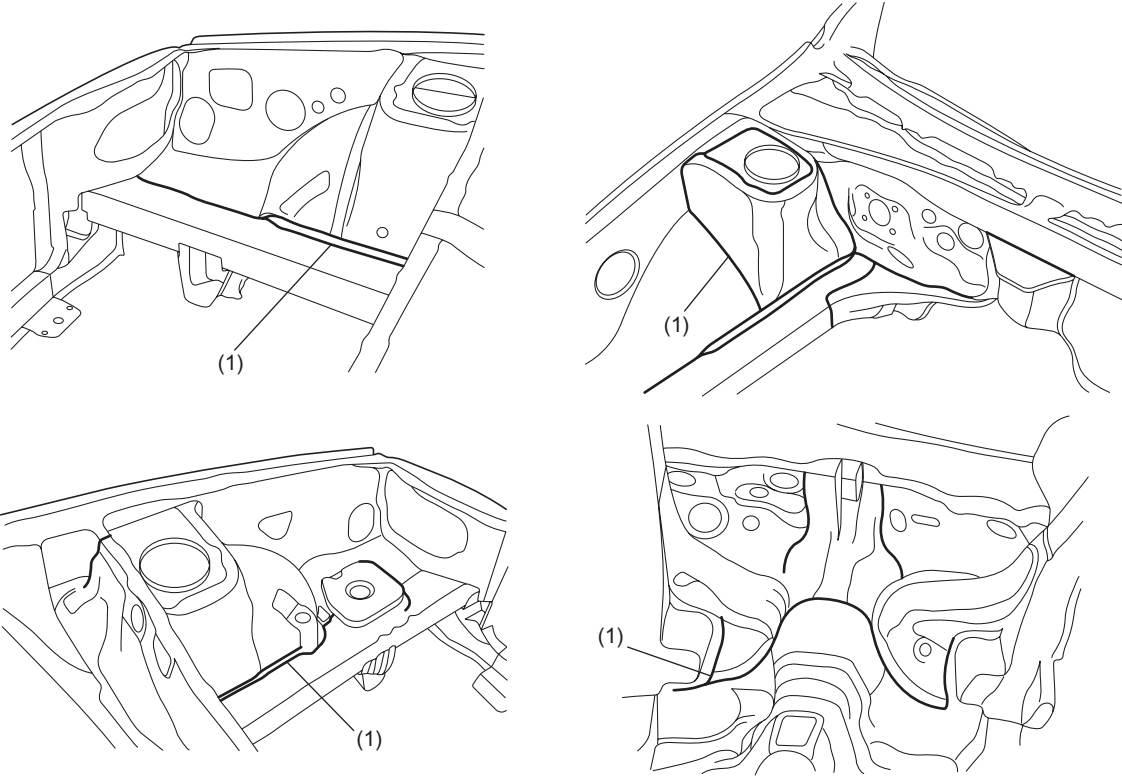
BS-9

SEALER APPLICATION

BODY STRUCTURE

7. Sealer Application

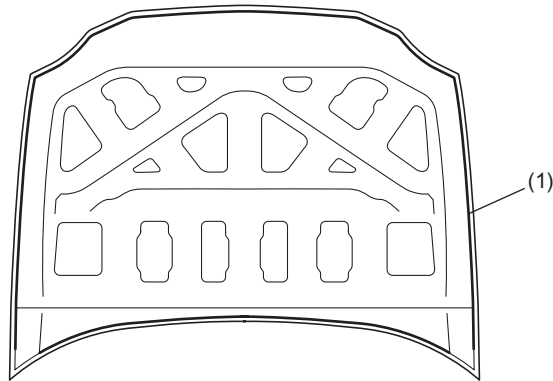
A: ENGINE COMPARTMENT



BS-00567

(1) Sealer

B: ENGINE HOOD



BS-00568

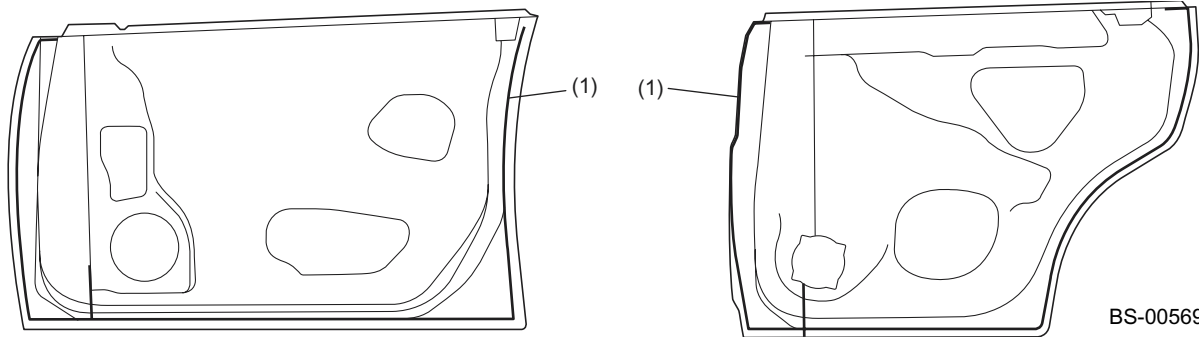
(1) Sealer

BS-10

SEALER APPLICATION

BODY STRUCTURE

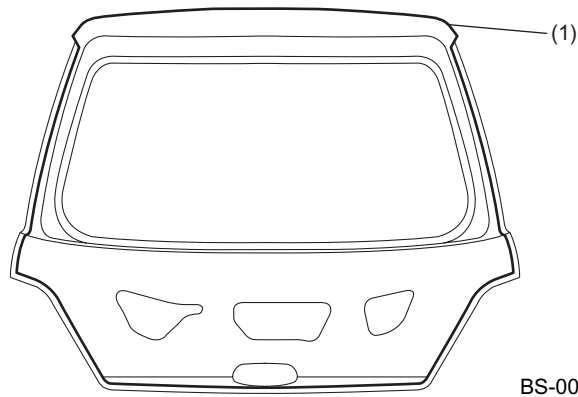
C: DOOR



BS-00569

(1) Sealer

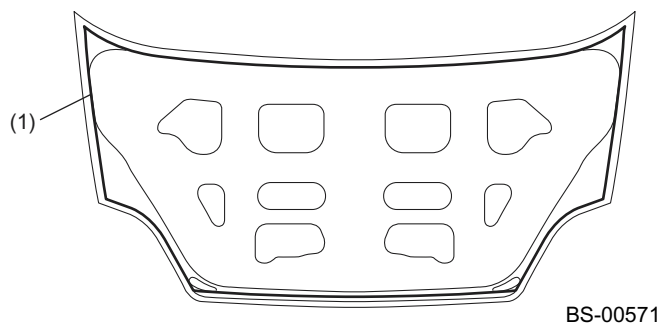
D: REAR GATE



BS-00570

(1) Sealer

E: TRUNK LID



BS-00571

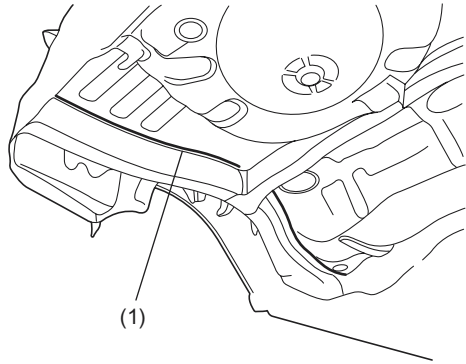
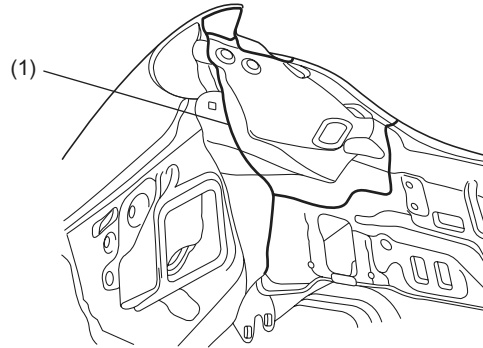
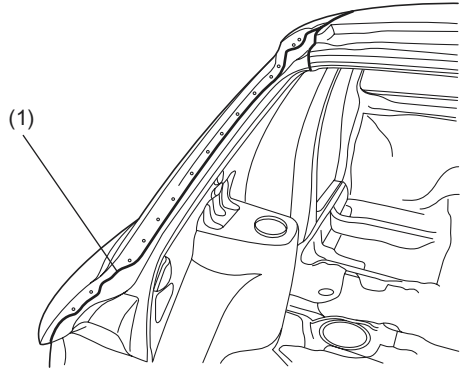
(1) Sealer

BS-11

SEALER APPLICATION

BODY STRUCTURE

F: REAR END (WAGON)



(1) Sealer

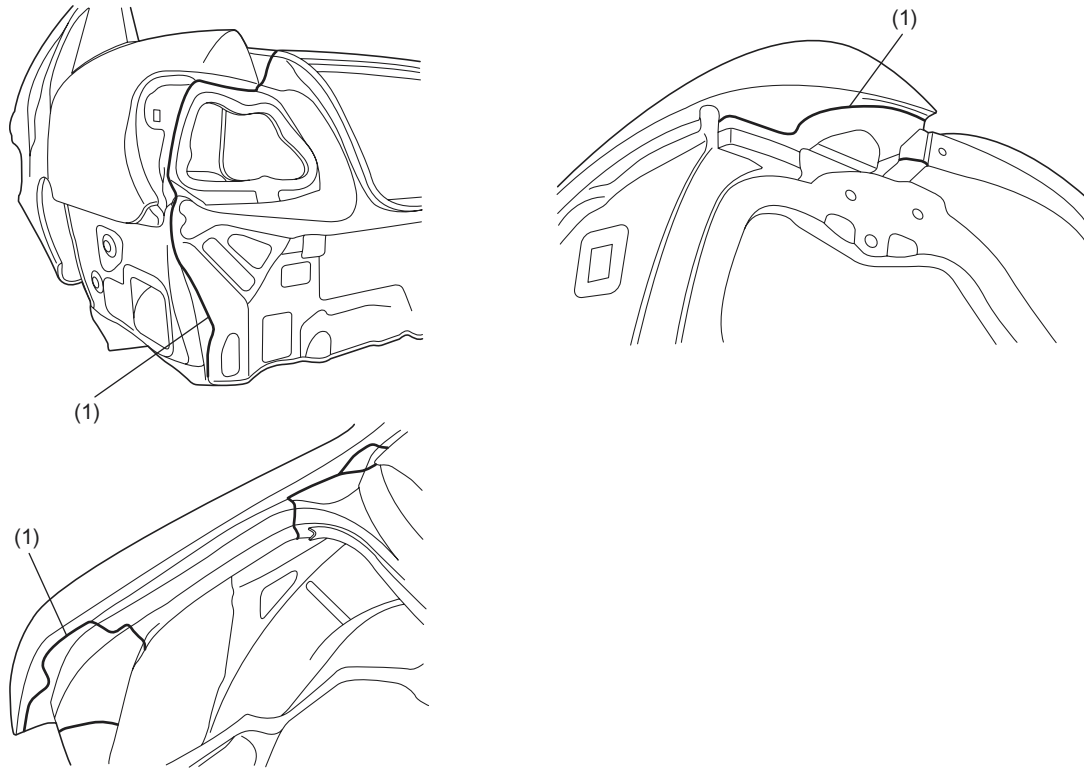
BS-00572

BS-12

SEALER APPLICATION

BODY STRUCTURE

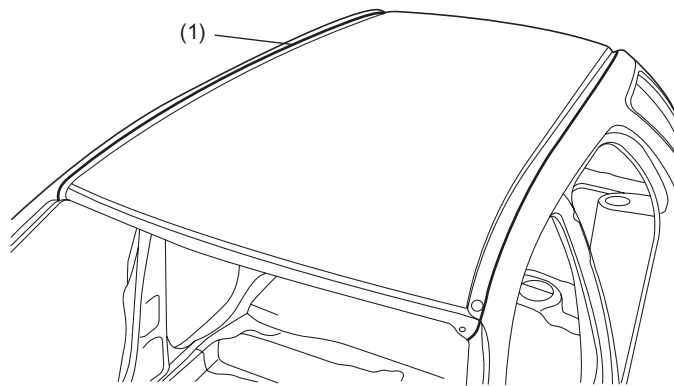
G: REAR END (SEDAN)



(1) Sealer

BS-00573

H: ROOF PANEL



BS-00574

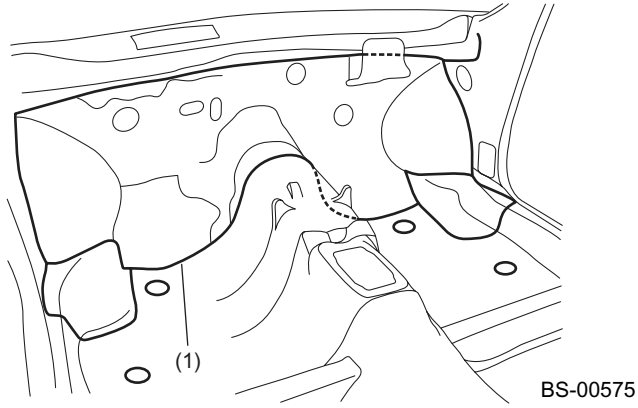
(1) Sealer

BS-13

SEALER APPLICATION

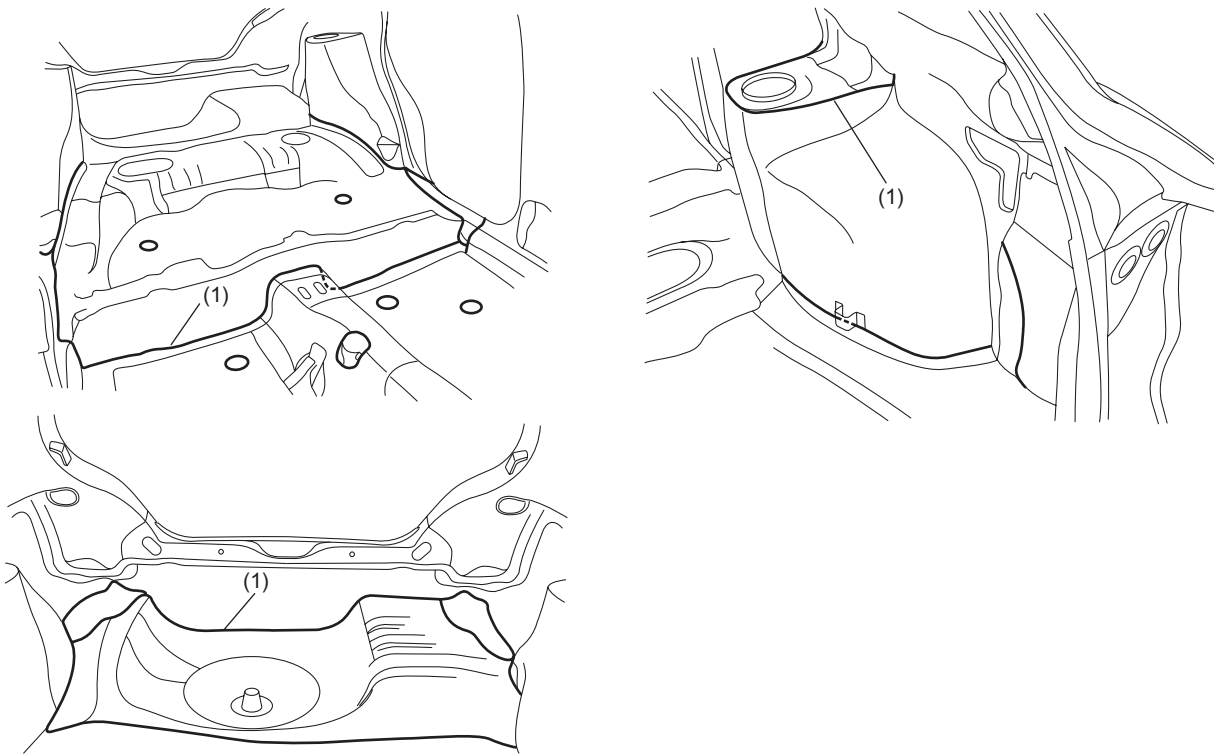
BODY STRUCTURE

I: FRONT FLOOR



(1) Sealer

J: REAR FLOOR (WAGON)



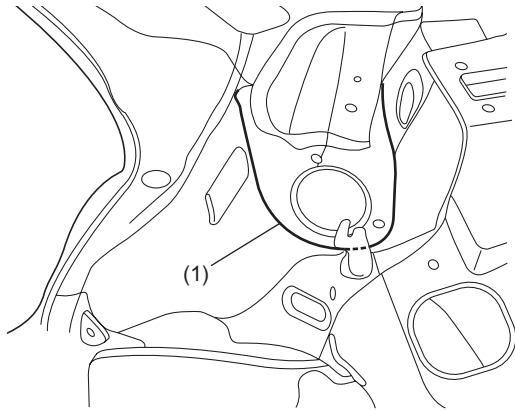
(1) Sealer

BS-14

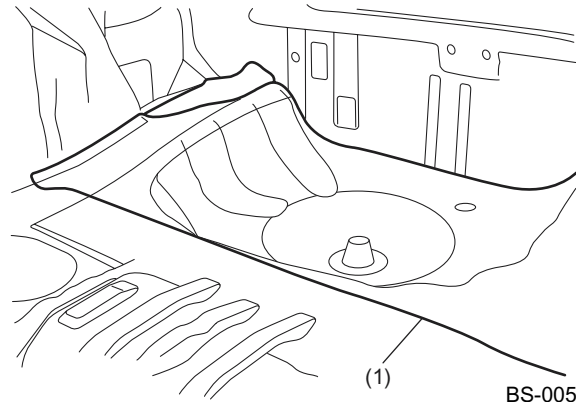
SEALER APPLICATION

BODY STRUCTURE

K: REAR FLOOR (SEDAN)

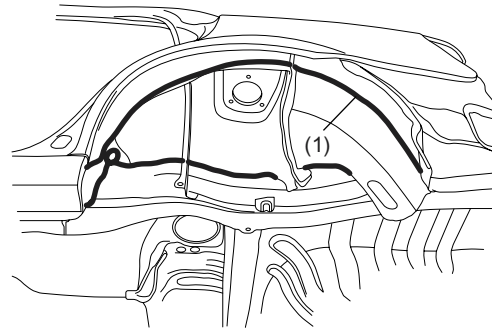
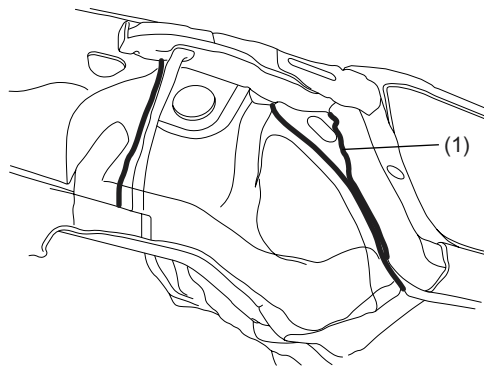


(1) Sealer



BS-00577

L: UNDER BODY



(1) Sealer

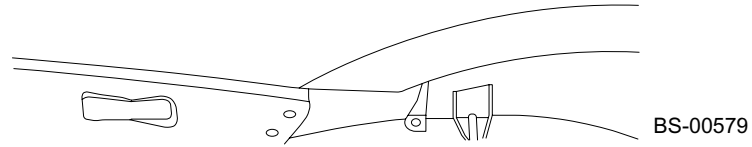
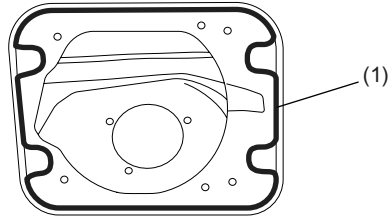
BS-00578

BS-15

SEALER APPLICATION

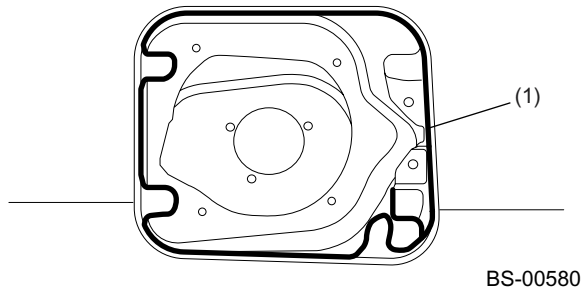
BODY STRUCTURE

M: FUEL LID (WAGON)



(1) Sealer

N: FUEL LID (SEDAN)



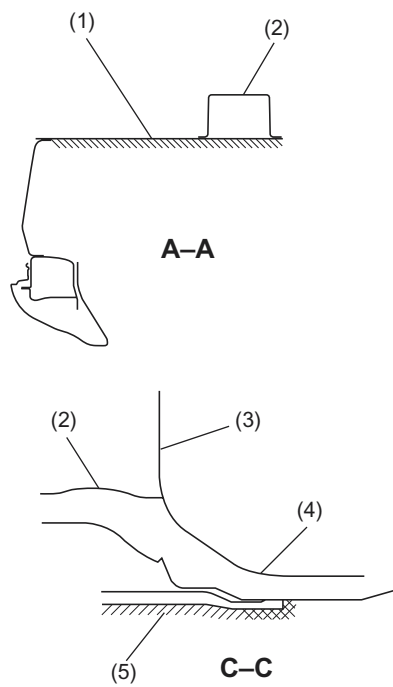
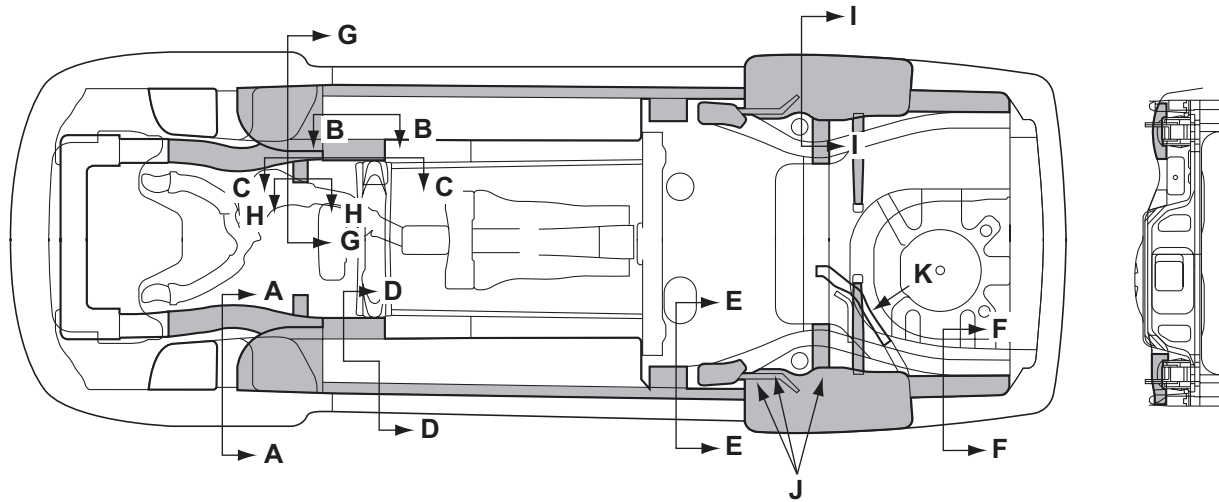
(1) Sealer

BS-16

ANTI-RUST WAX (BITUMEN WAX) APPLICATION

BODY STRUCTURE

8. Anti-rust Wax (Bitumen Wax) Application



- (1) Front suspension lower bracket
- (2) Front side frame
- (3) Toeboard

- (4) Front floor
- (5) Sub frame

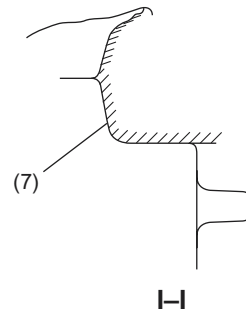
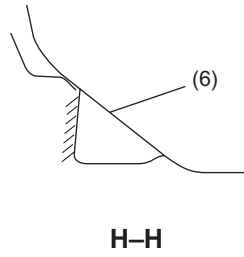
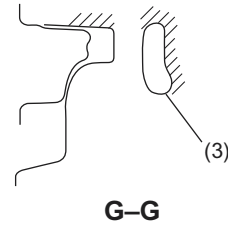
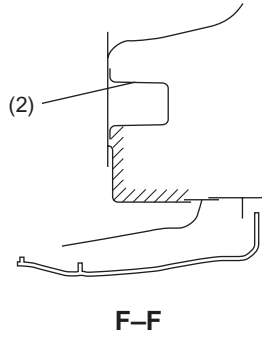
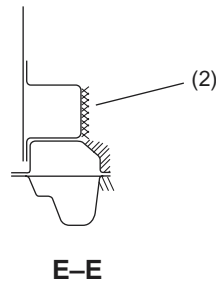
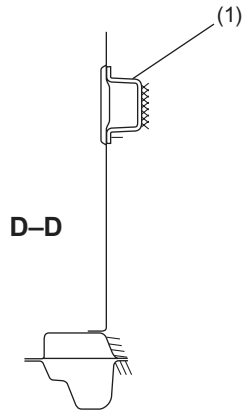
- A-A Body lower surface
- B-B Section A
- C-C Section B

BS-00634

BS-17

ANTI-RUST WAX (BITUMEN WAX) APPLICATION

BODY STRUCTURE



BS-00635

BS-18

ANTI-RUST WAX (BITUMEN WAX) APPLICATION

BODY STRUCTURE

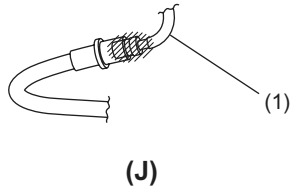
- (1) Front side frame
- (2) Rear side frame
- (3) Sub frame
- (4) Toeboard
- (5) Rear wheel apron

- D-D** Section C
- E-E** Section D
- F-F** Section E
- G-G** Section F
- H-H** Section G
- I-I** Section H

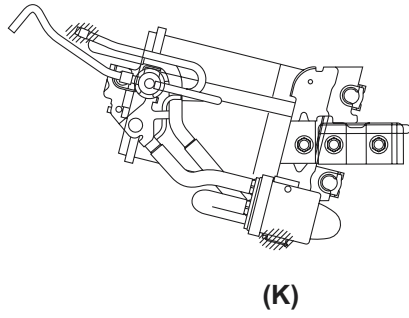
BS-19

ANTI-RUST WAX (BITUMEN WAX) APPLICATION

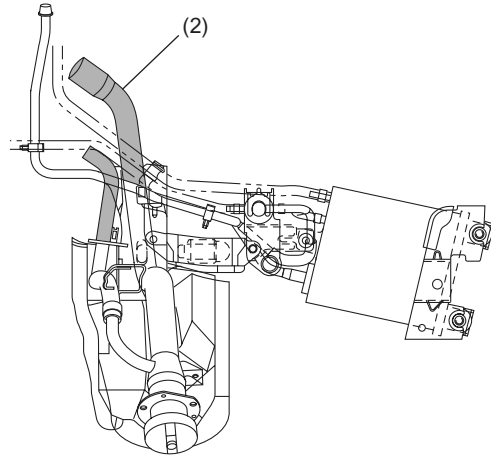
BODY STRUCTURE



- (1) Brake pipe
- (2) Filler pipe



- (J) Detail J
- (K) Detail K



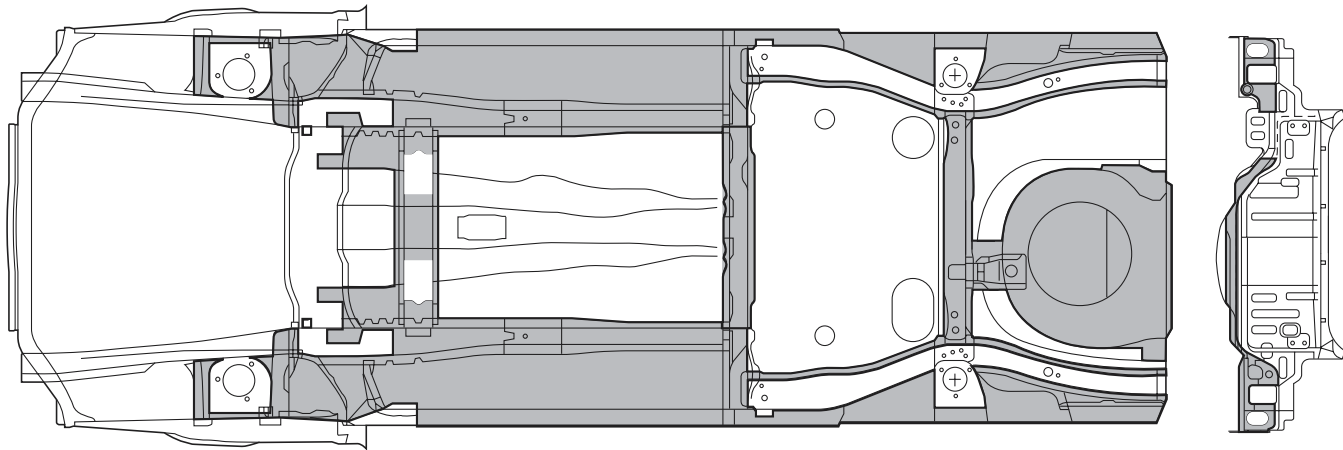
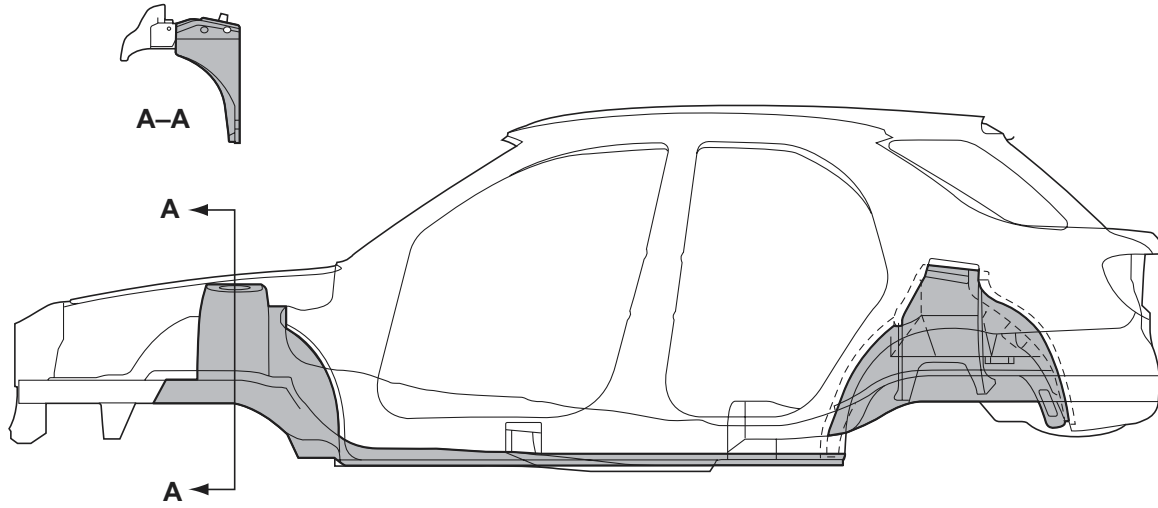
BS-00583

BS-20

POLYVINYL CHLORIDE (PVC) APPLICATION

BODY STRUCTURE

9. Polyvinyl Chloride (PVC) Application



A-A Section A

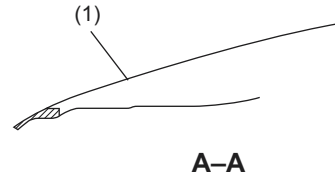
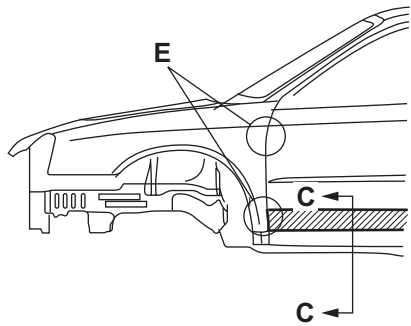
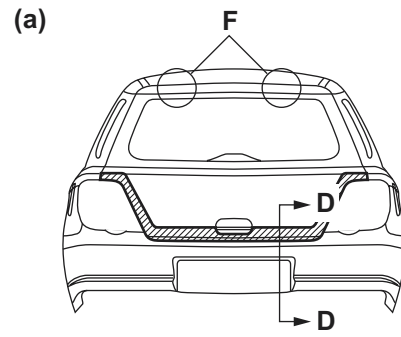
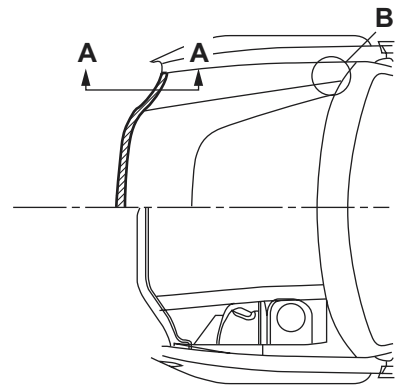
BS-21

HOT WAX APPLICATION

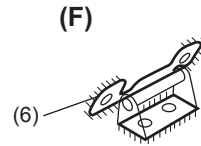
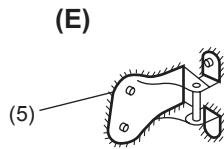
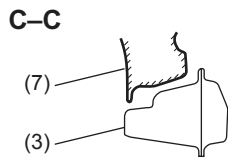
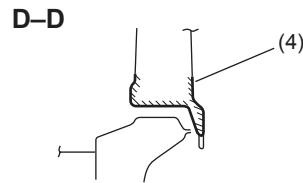
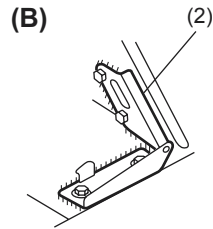
BODY STRUCTURE

10. Hot Wax Application

Brought to you by Eris Studios
NOT FOR RESALE



A-A



BS-00598

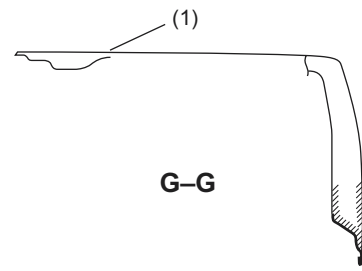
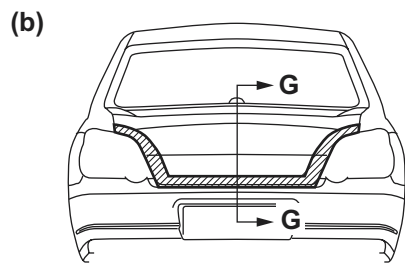
BS-22

HOT WAX APPLICATION

BODY STRUCTURE

- (1) Engine hood panel
- (2) Engine hood hinge
- (3) Side sill
- (4) Rear gate outer panel
- (5) Front and rear door hinges
- (6) Rear gate hinge
- (7) Side door panel (includes rear door panel)

- (a) Wagon
- A-A** Section A
- (B)** View B
- C-C** Section C
- D-D** Section D
- (E)** View E
- (F)** Detail F



BS-00599

- (1) Trunk lid

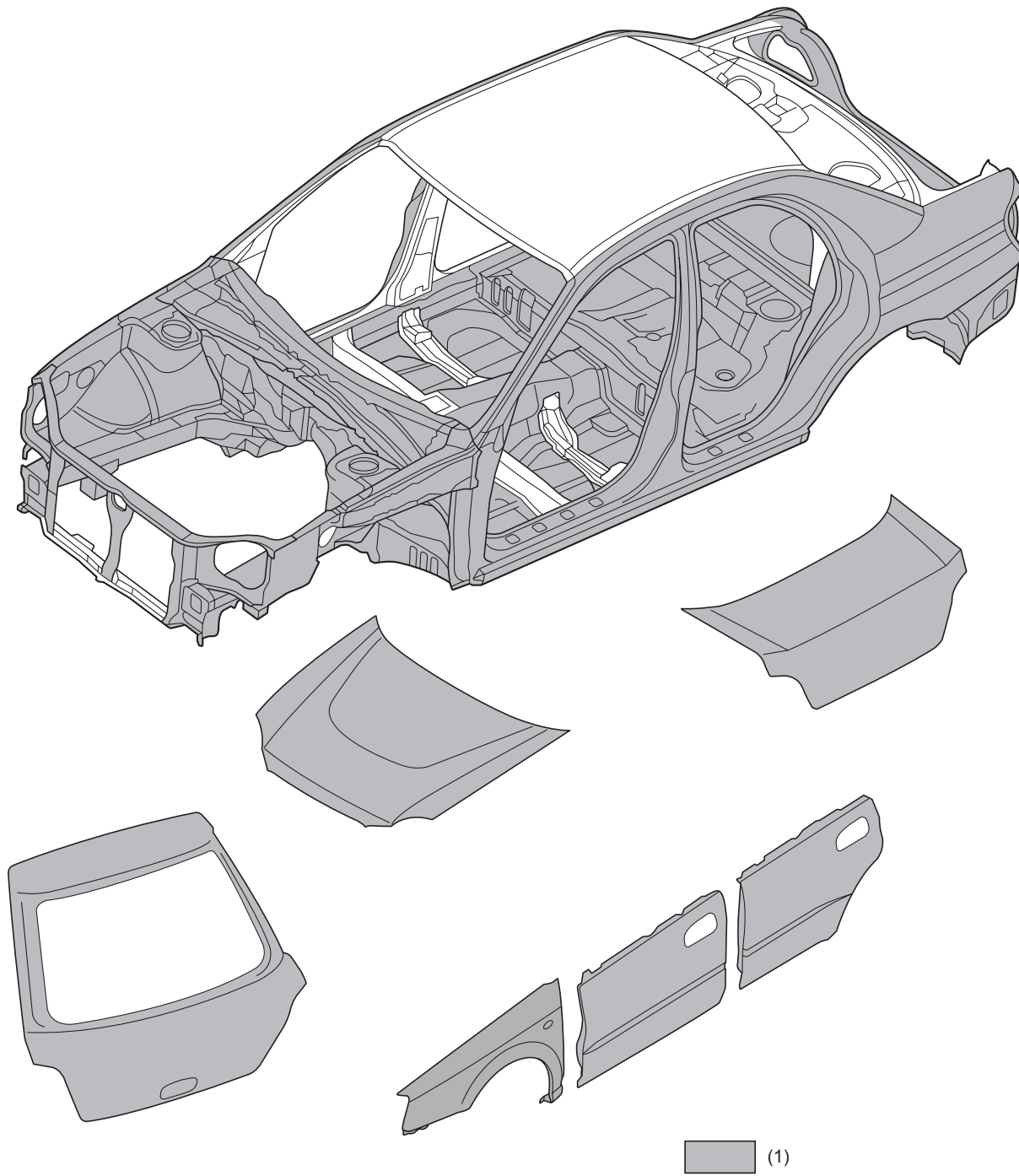
- (b) Sedan
- G-G** Section G

BS-23

GALVANIZED SHEET METAL PARTS

BODY STRUCTURE

11.Galvanized Sheet Metal Parts



BS-00600

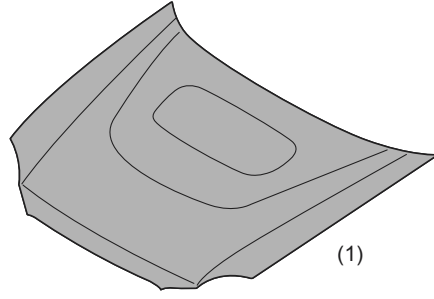
- (1) Galvanized on both sides
- (2) Non-turbo models

BS-24

ALUMINUM SHEET METAL

BODY STRUCTURE

12. Aluminum Sheet Metal



(1)

BS-00588

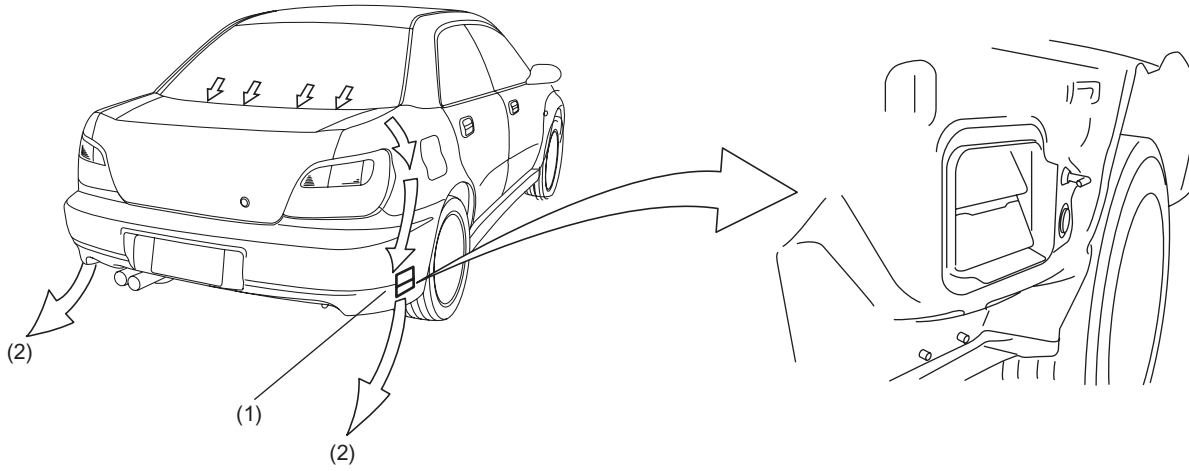
(1) Turbo models

BS-25

VENTILATION

BODY STRUCTURE

13.Ventilation A: OUTLET PORT



BS-00589

- (1) Outlet port
- (2) Air flow

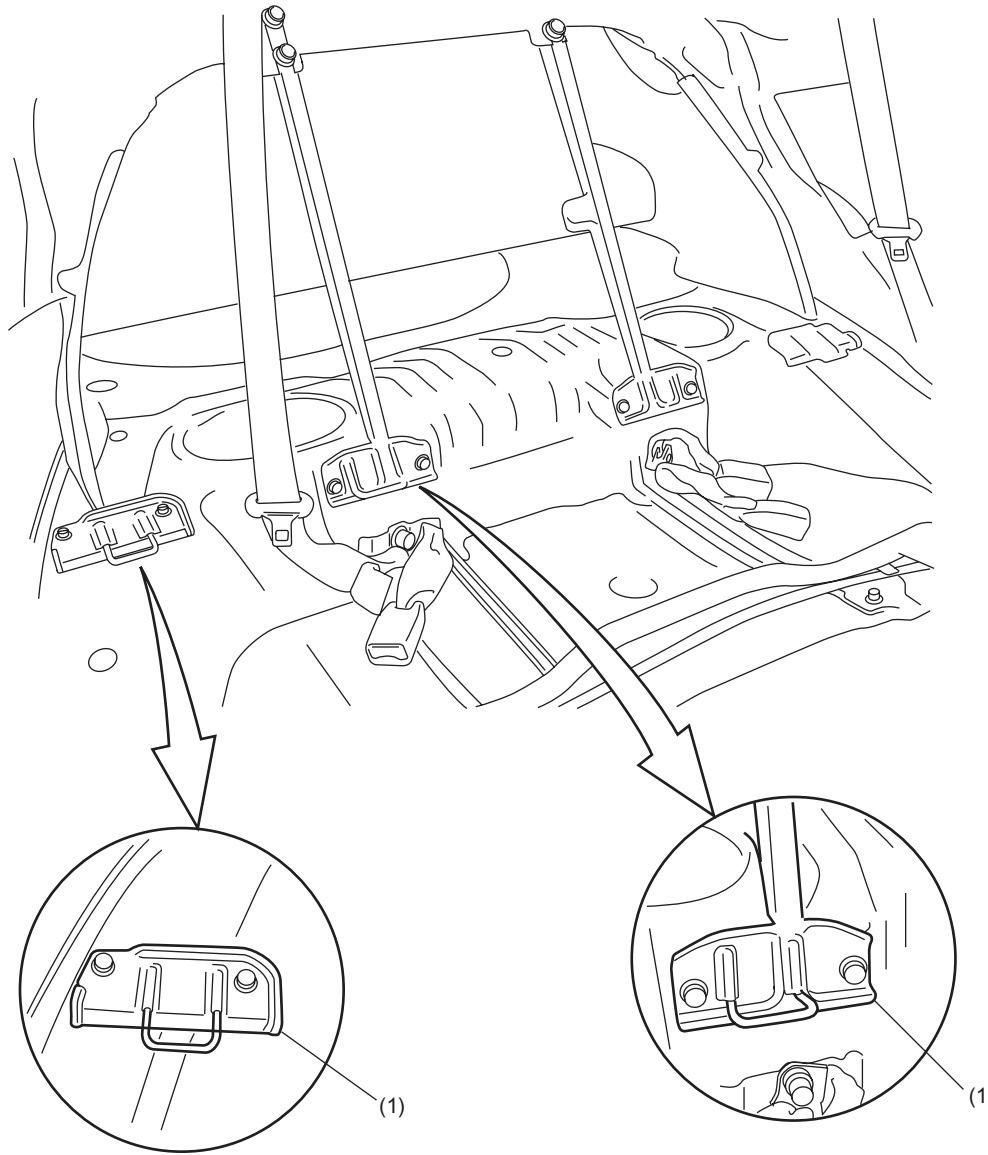
BS-26

CHILD SEAT ANCHORS

BODY STRUCTURE

14. Child Seat Anchors

Child seat anchors are added to the rear floor panel in order to conform with the FMVSS225 (ISO-FIX) requirements for child restraint anchorage systems.



BS-00590

(1) Anchor

BS-27

CHILD SEAT ANCHORS

BODY STRUCTURE

MEMO

Brought to you by Eris Studios
NOT FOR REPRODUCTION

BS-28