

Brought to you by Eris Studios
NOT FOR RESALE

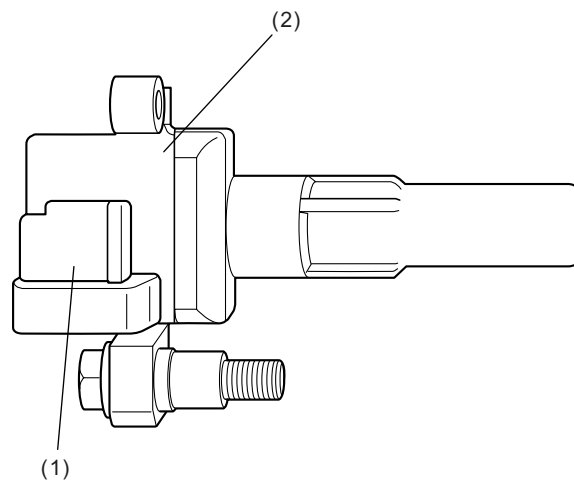
IGNITION H4DOTC

IGNITION COIL

IGNITION

1. Ignition Coil

The engine uses a direct ignition system with one ignition coil mounted for each cylinder. The secondary terminal of the ignition coil is in contact with the spark plug terminal. Since no spark plug cable is used, secondary voltage drop, leaks, or other problems that are inherent in a system using spark plug cables do not occur. The result is high performance and high reliability.



IG-00040

(1) Connector

(2) Ignition coil

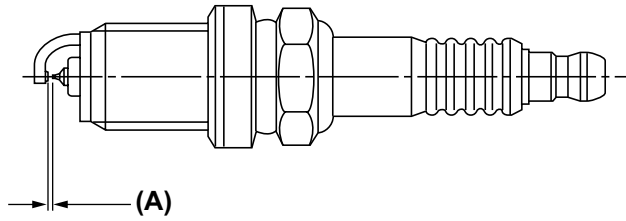
IG(H4DOTC)-2

SPARK PLUG

IGNITION

2. Spark Plug

The spark plug has a platinum tipped electrode. The thread diameter is 14 mm (0.551 in) and the gap is controlled to a value between 0.7 and 0.8 mm (0.028 and 0.031 in).



IG-00041

(A) Gap : Between 0.7 and 0.8 mm (0.028 and 0.031 in)

IG(H4DOTC)-3

SPARK PLUG

IGNITION

MEMO

Brought to you by Eris Studios
NOT FOR RES...

IG(H4DOTC)-4