

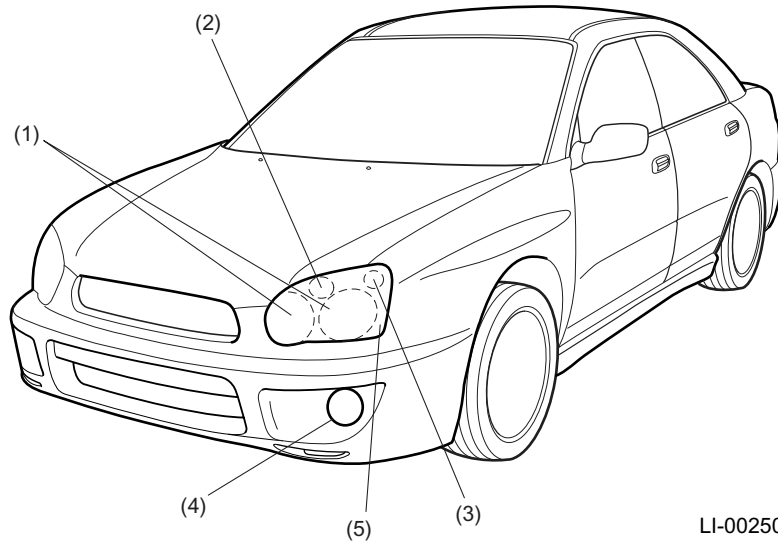
Brought to you by Eris Studios  
NOT FOR RESALE

# LIGHTING SYSTEM

## FRONT

### LIGHTING SYSTEM

#### 1. Front A: GENERAL



- |   |                                 |
|---|---------------------------------|
| (1) Headlight                                 | (4) Front fog light             |
| (2) Turn signal/hazard warning light          | (5) Front side reflex reflector |
| (3) Clearance/parking/front side marker light |                                 |

- The headlight is a four bulb type with either two HID type low beam bulbs and two halogen high beam bulbs on STi models, or with four halogen bulbs on models except STi; multiple aspect reflectors are used on all models. The reflector controls the distribution of the light and no lens cutting is done on the shield for all models.
- The front turn signal/hazard warning light and clearance/parking/front side marker light are incorporated into the headlight.
- The fog light is of a projector type.

## LI-2

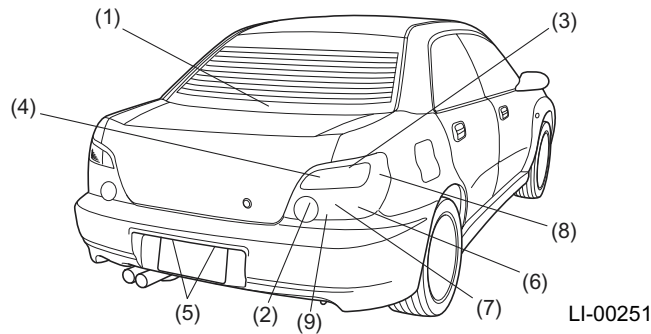
## REAR

LIGHTING SYSTEM

### 2. Rear

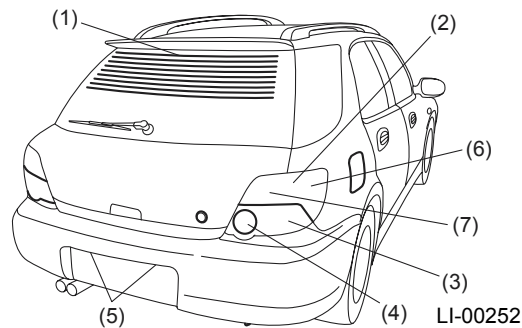
#### A: GENERAL

##### Sedan models



- |                                      |                                      |
|--------------------------------------|--------------------------------------|
| (1) High mount stop light            | (6) Stop/tail/rear side marker light |
| (2) Stop light                       | (7) Tail light                       |
| (3) Turn signal/hazard warning light | (8) Rear side reflex reflector       |
| (4) Backup light                     | (9) Rear reflex reflector            |
| (5) License plate light              |                                      |

##### Wagon models

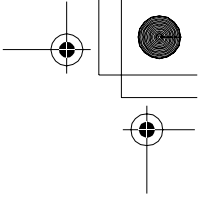
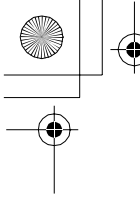


- |                                      |                                |
|--------------------------------------|--------------------------------|
| (1) High mount stop light            | (5) License plate light        |
| (2) Stop/tail/rear side marker light | (6) Rear side reflex reflector |
| (3) Turn signal/hazard warning light | (7) Rear reflex reflector      |
| (4) Backup light                     |                                |

- The rear turn signal/hazard warning light, stop/tail/rear side marker light, and the backup light are incorporated into the rear combination light. The rear side reflex reflector and rear reflex reflector are also incorporated into the rear combination light.

- The high mount stop light is installed to the bottom inside of the rear window on sedans (rear of the rear spoiler on vehicles with a rear spoiler), and to the top inside of the rear gate on wagons.

LI-3



**REAR**

LIGHTING SYSTEM

---

**MEMO**

Brought to you by Eris Studios  
NOT FOR REPRODUCTION



**LI-4**

