

# BLOWER RESISTOR (MANUAL A/C MODEL)

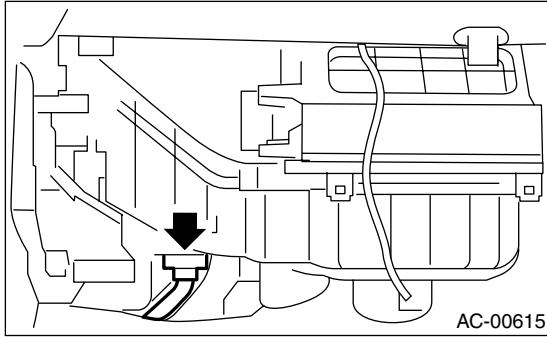
HVAC SYSTEM (HEATER, VENTILATOR AND A/C)

---

## 9. Blower Resistor (Manual A/C Model)

### A: REMOVAL

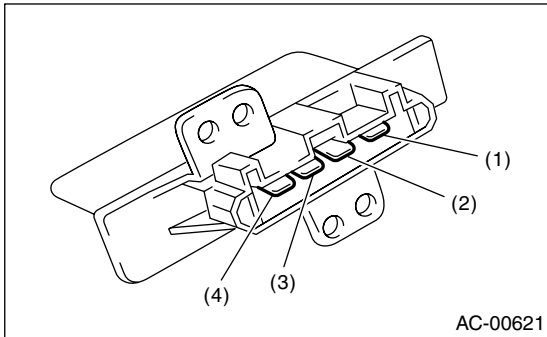
- 1) Remove the glove box. <Ref. to EI-40, REMOVAL, Glove Box.>
- 2) Disconnect the blower resistor connector.
- 3) Loosen the two screws to remove the blower resistor.



### B: INSTALLATION

Install in the reverse order of removal.

### C: INSPECTION



Measure the blower resistor resistance.

Terminal No.	Standard
3 and 1	Approx. 0.51 $\Omega$
3 and 2	Approx. 2.70 $\Omega$
3 and 4	Approx. 1.43 $\Omega$

If NG, replace the blower resistor.