

# **OPTION PARTS**

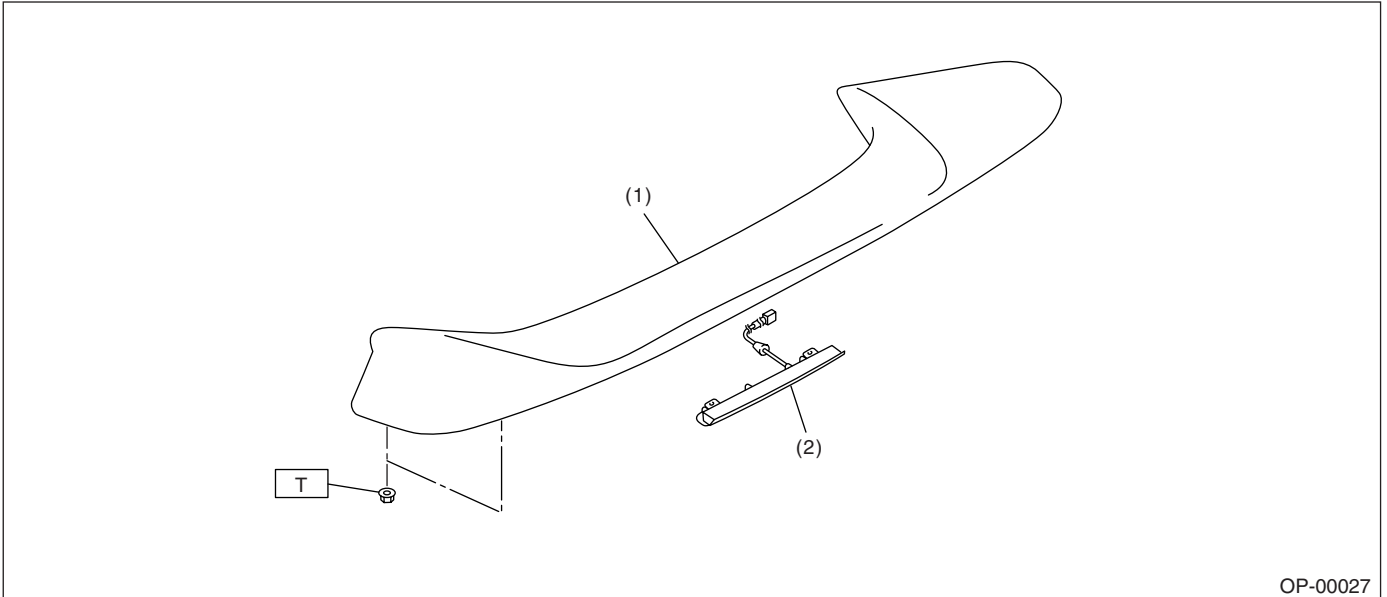
# General Description

OPTION PARTS

## 1. General Description

### A: COMPONENT

#### 1. REAR SPOILER

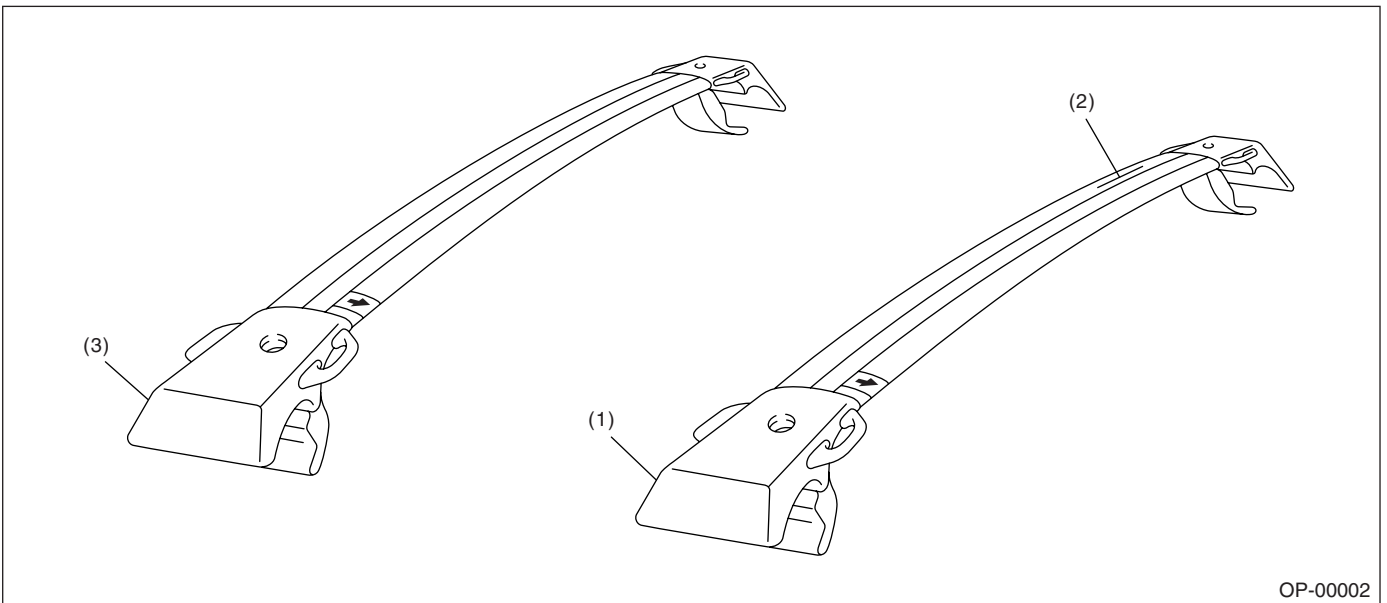


(1) Rear spoiler

(2) High mounted stop light

**Tightening torque: N·m (kgf·m, ft·lb)**  
**T: 7.4 (0.75, 5.4)**

#### 2. CROSSBAR

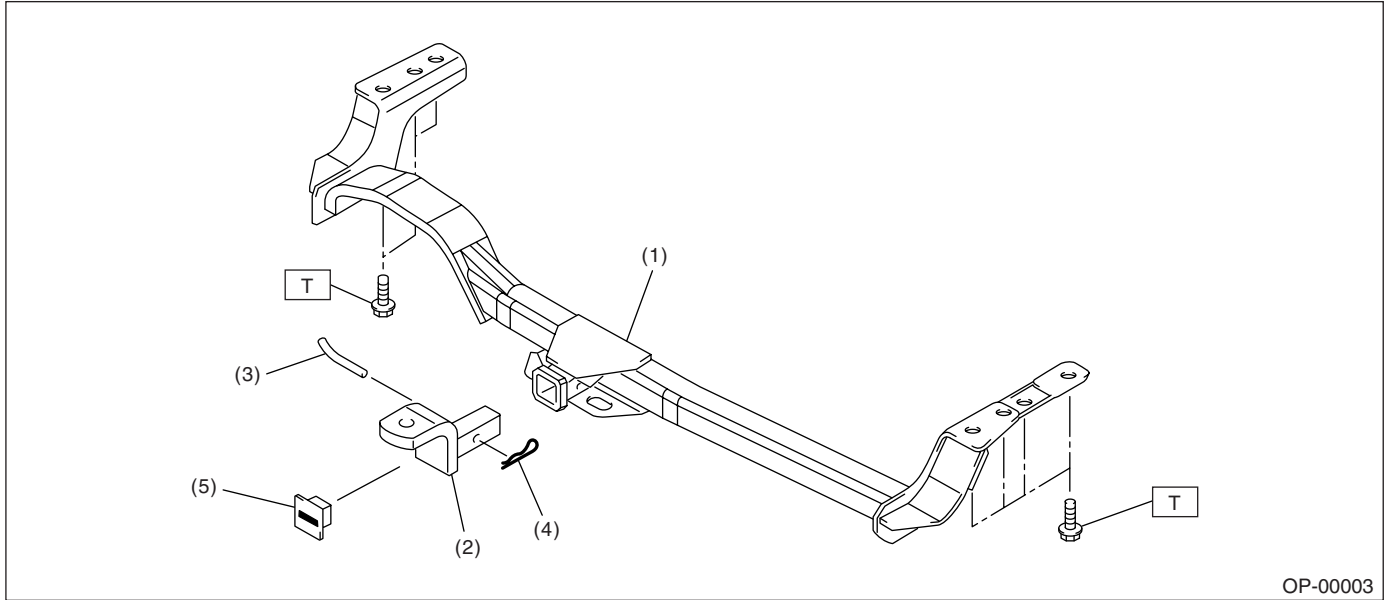


(1) Front crossbar

(2) Caution label (Front crossbar)

(3) Rear crossbar

## 3. TRAILER HITCH



OP-00003

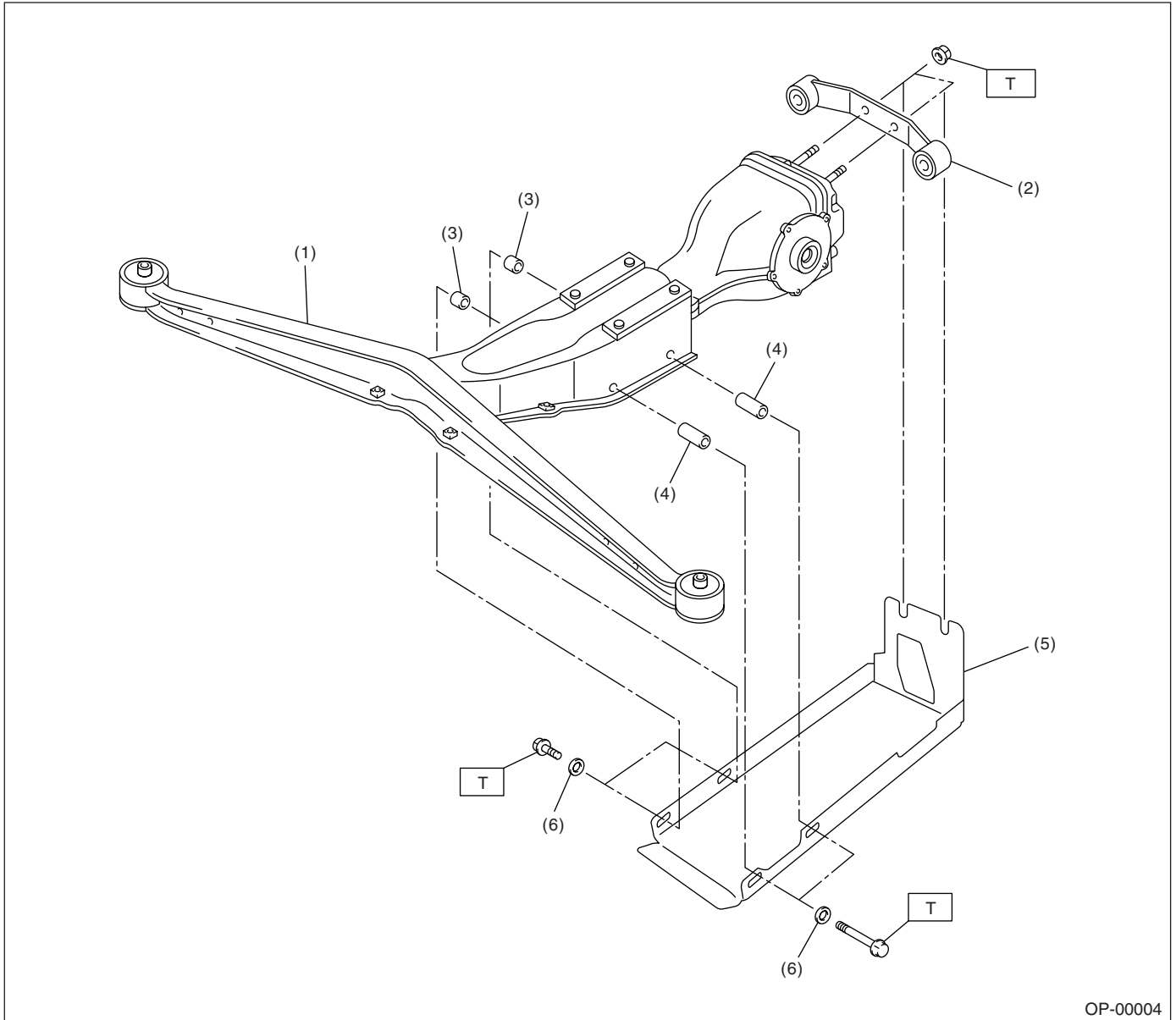
- |                    |                     |
|--------------------|---------------------|
| (1) Receiver hitch | (4) Ball mount clip |
| (2) Ball mount     | (5) Receiver cover  |
| (3) Ball mount pin |                     |

**Tightening torque: N·m (kgf·m, ft·lb)**  
**T: 95 (9.7, 70)**

# General Description

OPTION PARTS

## 4. REAR DIFFERENTIAL PROTECTOR



OP-00004

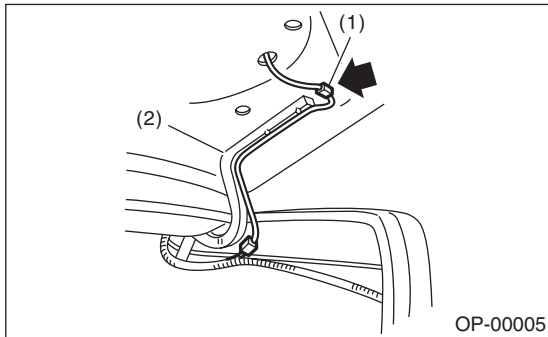
- |                               |                                 |
|-------------------------------|---------------------------------|
| (1) Differential front member | (4) Spacer (Long)               |
| (2) Differential rear member  | (5) Rear differential protector |
| (3) Spacer (Short)            | (6) Washer                      |

**Tightening torque: N·m (kgf·m, ft·lb)**  
**T: 90 (9.2, 66.4)**

## 2. Rear Spoiler

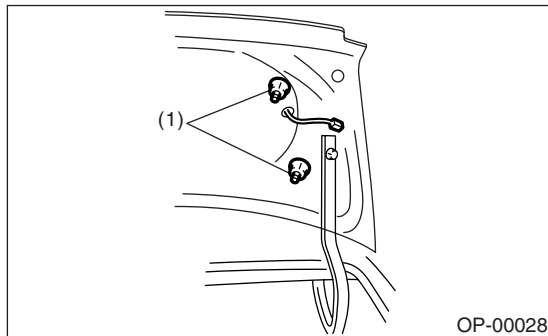
### A: REMOVAL

- 1) Disconnect the ground cable from battery.
- 2) Open the trunk lid.
- 3) Disconnect the connector of high mounted stop light.



- (1) Connector  
(2) Trunk hinge

- 4) Remove the mounting nuts of rear spoiler.



- (1) Mounting nut

- 5) Remove the rear spoiler.

#### CAUTION:

Pay attention to avoid damage during removal or installation.

### B: INSTALLATION

Install in the reverse order of removal.

#### Tightening torque:

*Rear spoiler to trunk lid*

**$7.5 \pm 2$  N·m ( $0.76 \pm 0.20$  kgf·m,  $5.5 \pm 1.4$  ft·lb)**

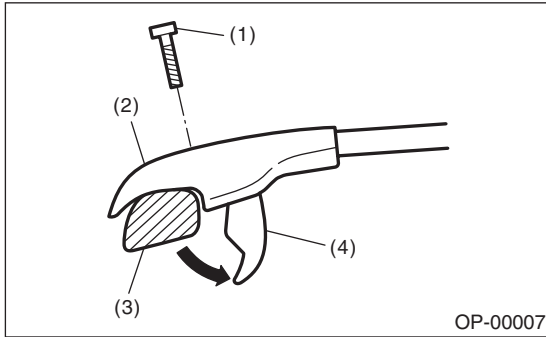
# Crossbar

## OPTION PARTS

### 3. Crossbar

#### A: REMOVAL

- 1) Remove the TORX® bolt T30 from each end support.
- 2) Rotate the lower clamp of each end support about 90° downward to remove the crossbar.



- (1) TORX® bolt T30
- (2) End support
- (3) Roof rail
- (4) Lower clamp

#### CAUTION:

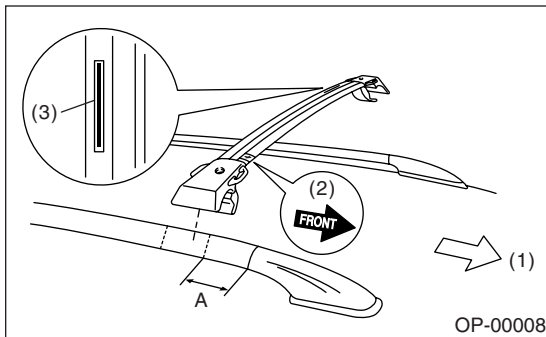
**Pay attention to avoid damage to the roof panel during removal or installation.**

#### B: INSTALLATION

- 1) Rotate the lower clamp of each end support about 90° downward.
- 2) Set the front crossbar so that front direction mark on the right side top face of crossbar point in the direction of vehicle front.
- 3) Place the crossbar end support in a position 76.2 mm (3 in) behind the joint of front roof rail support and roof rail.

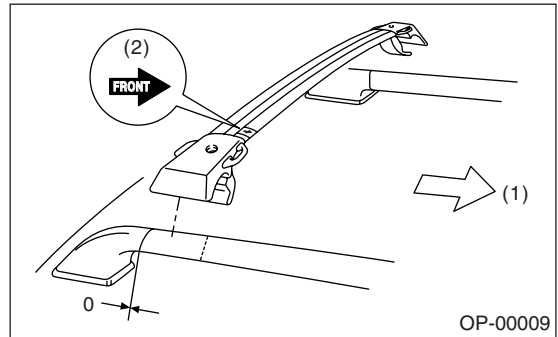
#### Length A:

**76.2 mm (3 in)**



- (1) Front of vehicle
- (2) Front direction mark
- (3) Caution label (Front crossbar)

- 4) Set the rear crossbar so that front direction mark on the right side top face of crossbar point in the direction of vehicle front.
- 5) Place the crossbar end support on a joint of rear roof rail support and roof rail.



- (1) Front of vehicle
- (2) Front direction mark

- 6) Tighten the end support and clamp using TORX® bolt T30.

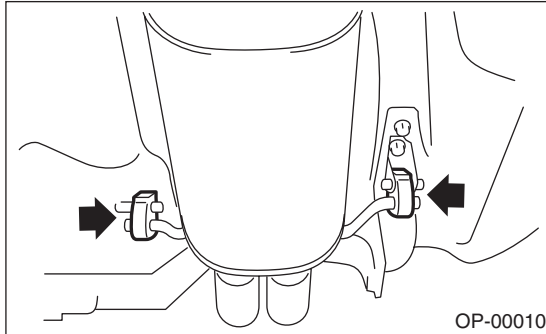
## 4. Trailer Hitch

### A: REMOVAL

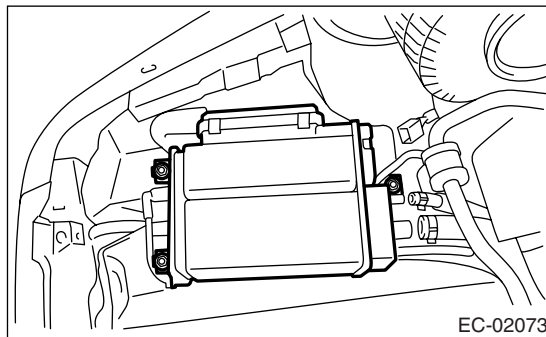
**CAUTION:**

Because the trailer hitch is heavy, two people are required to remove it.

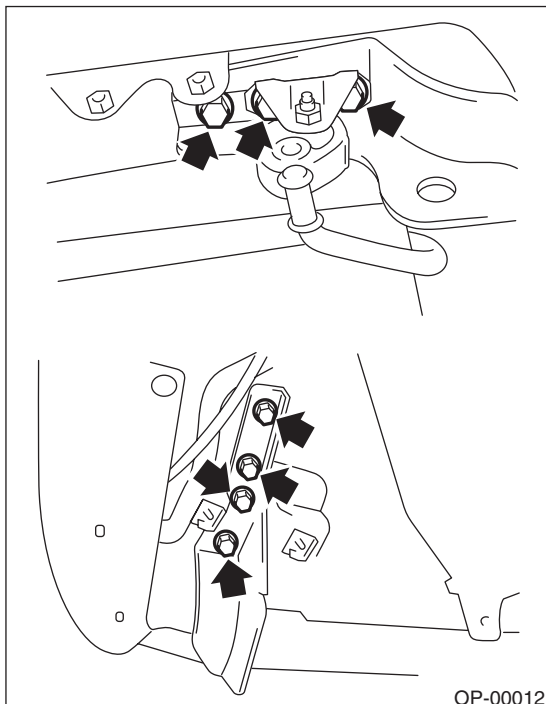
- 1) Lift-up the vehicle.
- 2) Remove the cushion rubber from body.



- 3) Remove the three screws and remove canister.



- 4) Remove the trailer hitch installation bolts.



- 5) Remove the trailer hitch while lowering exhaust pipe.

### B: INSTALLATION

**CAUTION:**

Because the trailer hitch is heavy, two people are required to install it.

Install in the reverse order of removal.

**Tightening torque:**

**Trailer hitch to body:**

95 N·m (9.7 kgf-m, 70 ft-lb)

**Canister:**

23 N·m (2.3 kgf-m, 17 ft-lb)

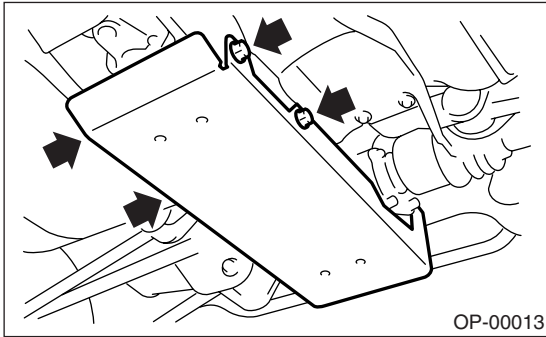
# Rear Differential Protector

OPTION PARTS

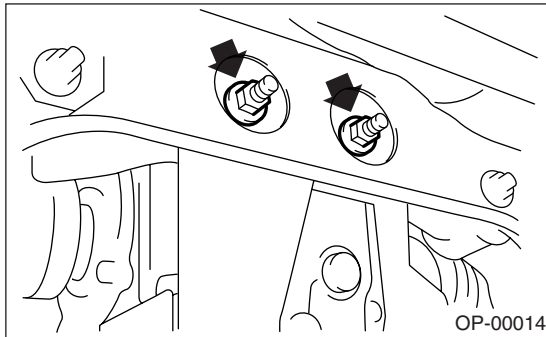
## 5. Rear Differential Protector

### A: REMOVAL

- 1) Remove the rear exhaust pipe and muffler. <Ref. to EX(H4SO)-8, Rear Exhaust Pipe.> <Ref. to EX(H4SO)-9, Muffler.> <Ref. to EX(H4DOTC)-13, Rear Exhaust Pipe.> <Ref. to EX(H4DOTC)-14, Muffler.>
- 2) Remove the differential front member installation bolts.



- 3) Loosen the nuts until the rear differential protector can be removed.



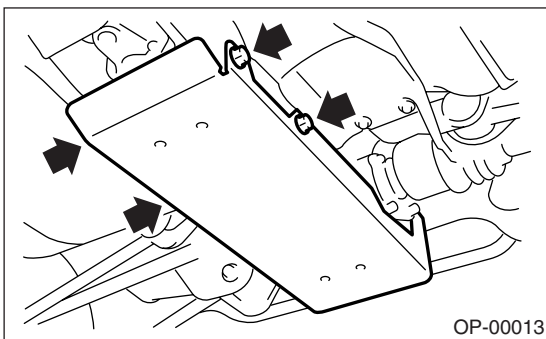
- 4) Remove the rear differential protector.

### B: INSTALLATION

Install in the reverse order of removal.

**Tightening torque:**

**90 N·m (9.2 kgf-m, 66.4 ft-lb)**



**NOTE:**

Install the protector between the nuts and differential rear member.

**Tightening torque:**

**90 N·m (9.2 kgf-m, 66.4 ft-lb)**

