

SEAT BELT SYSTEM

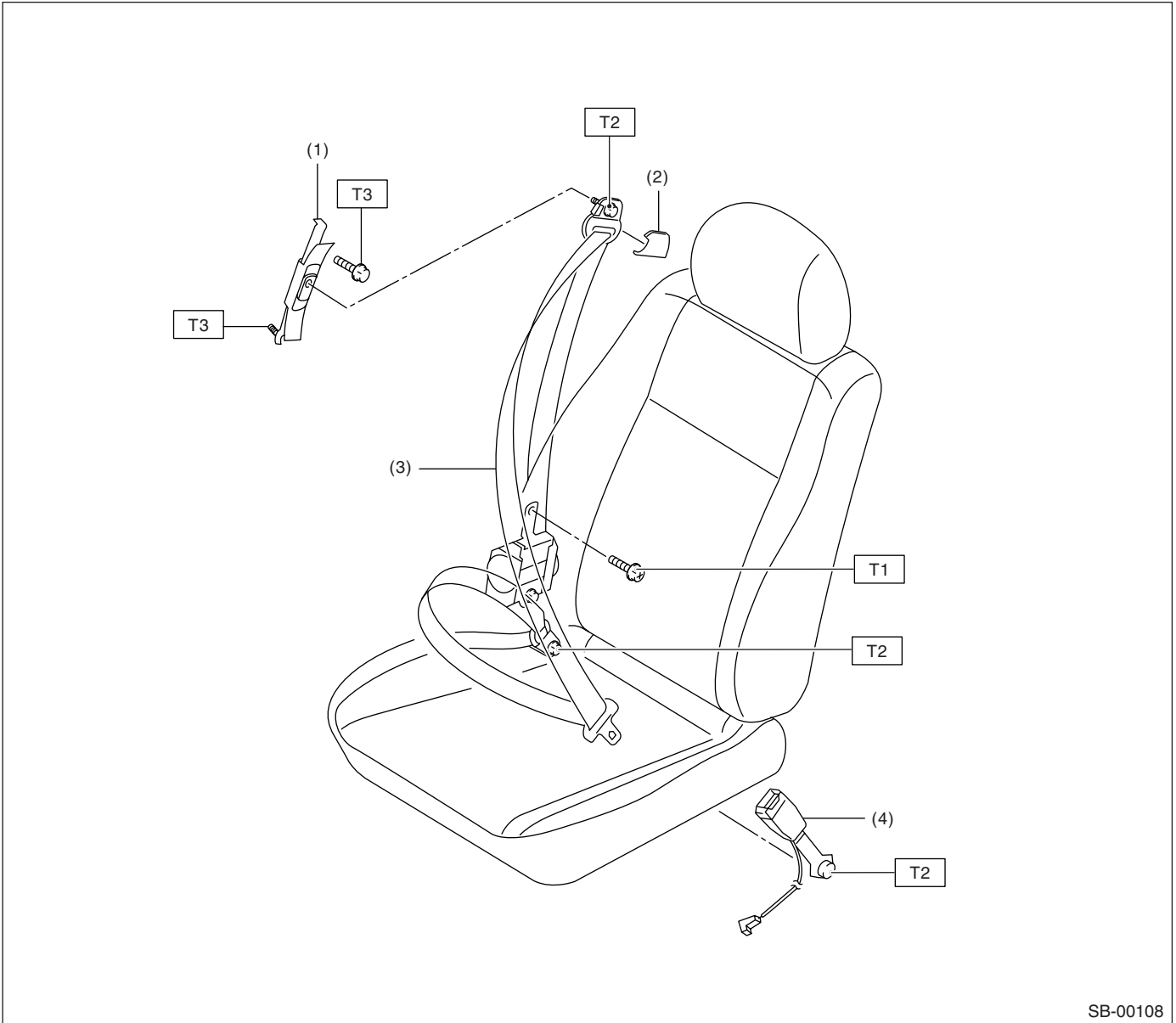
General Description

SEAT BELT SYSTEM

1. General Description

A: COMPONENT

1. FRONT SEAT BELT



SB-00108

(1) Adjuster anchor ASSY

(3) Outer seat belt ASSY

(2) Anchor cover

(4) Inner seat belt ASSY

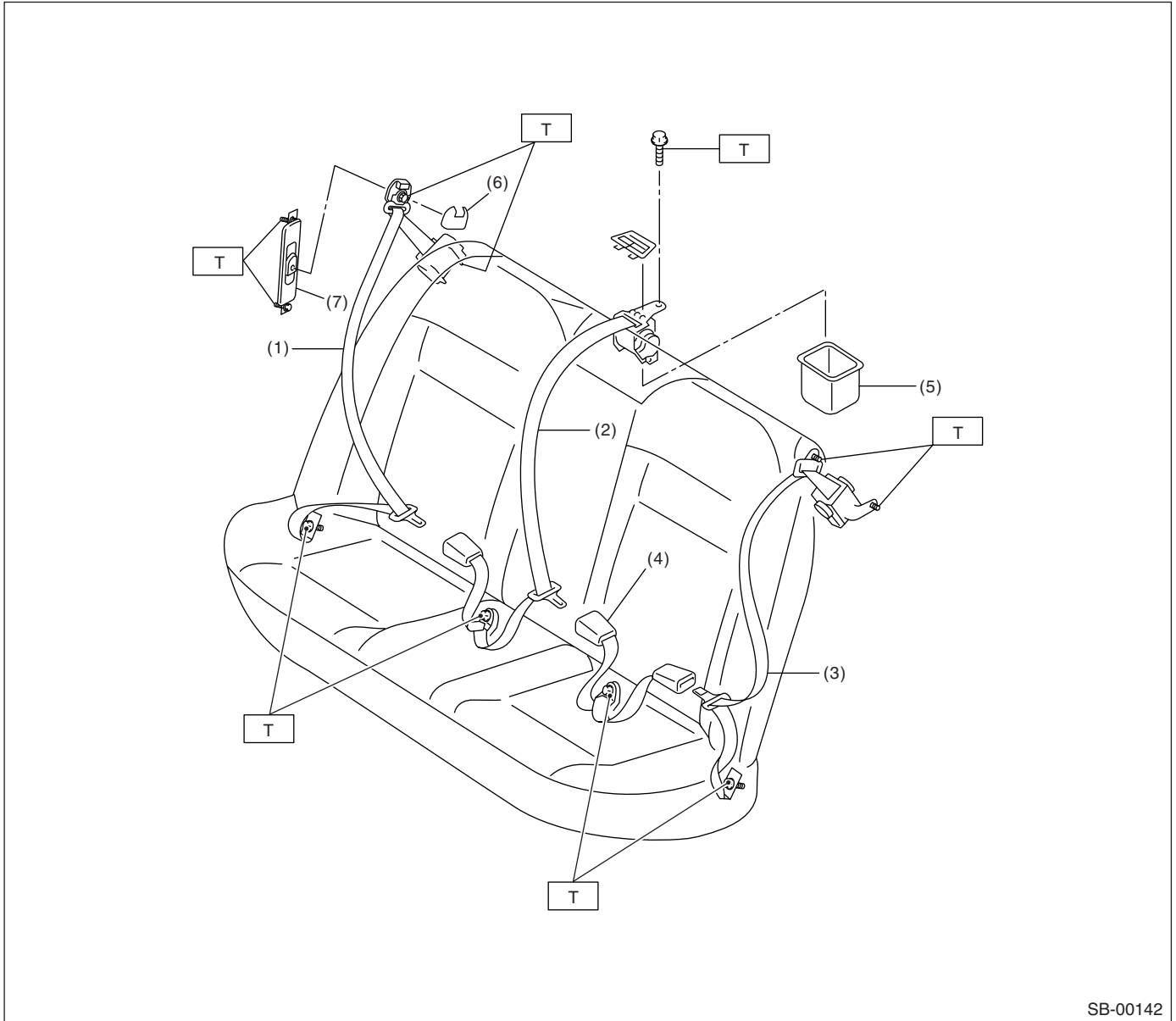
Tightening torque: N·m (kgf·m, ft·lb)

T1: 7.5 (0.76, 5.5)

T2: 30 (3.1, 22)

T3: 53 (5.4, 39)

2. REAR SEAT BELT (SEDAN MODEL)



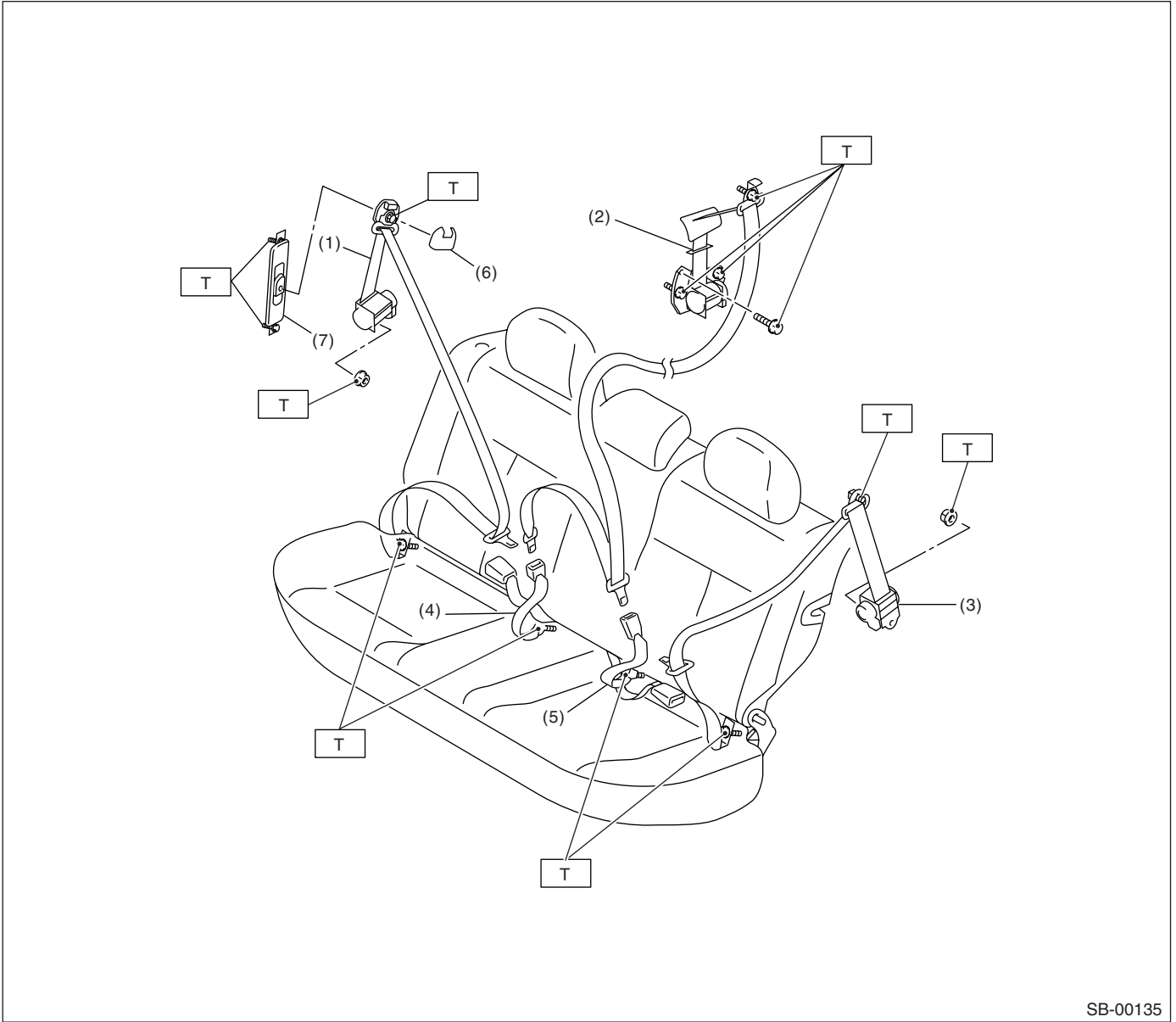
- | | |
|---------------------------------|----------------------------|
| (1) Outer seat belt RH ASSY | (5) Case center ELR |
| (2) Shoulder seat belt CTR ASSY | (6) Anchor cover |
| (3) Outer seat belt LH ASSY | (7) Adjustable anchor ASSY |
| (4) Center seat belt LH ASSY | |

Tightening torque: N·m (kgf·m, ft·lb)
T: 30 (3.1, 22)

General Description

SEAT BELT SYSTEM

3. REAR SEAT BELT (WAGON MODEL)



SB-00135

- | | |
|---------------------------------|------------------------------|
| (1) Outer seat belt RH ASSY | (5) Center seat belt LH ASSY |
| (2) Shoulder seat belt CTR ASSY | (6) Anchor cover |
| (3) Outer seat belt LH ASSY | (7) Adjustable anchor ASSY |
| (4) Center seat belt RH ASSY | |

Tightening torque: N·m (kgf·m, ft·lb)
T: 30 (3.1, 22)

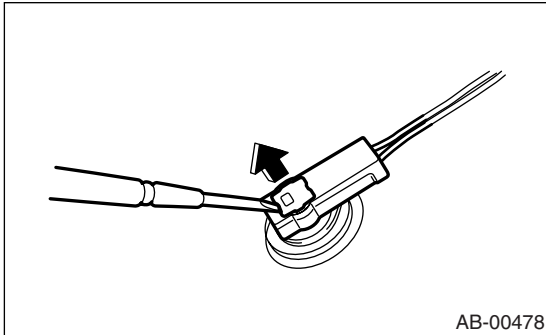
B: CAUTION

- Before starting, turn the ignition switch to OFF, disconnect the battery ground cable and wait for 20 seconds or more.
- The pretensioner system has a backup power source. The pretensioner might deploy if you do not wait for 20 seconds or more before starting work.
- Do not drop or apply any impact to the pretensioner.
- If oil, grease, or water gets on the pretensioner, wipe it off immediately with a dry cloth.
- Do not expose the pretensioner to high temperature or flame.
- Do not allow current to flow through or voltage to reach the pretensioner. Do not use a circuit tester to check resistance of the pretensioner.
- Do not disassemble or attempt to repair the pretensioner. If it is dented, cracked, or deformed, replace it with a new one.
- Do not use the airbag or pretensioner parts from other vehicles. Always replace parts with new parts.
- When handling a seat belt with a deployed pretensioner, wear gloves and goggles. Wash your hands afterwards.
- Do not re-use a seat belt with a deployed pretensioner again.
- If the material gets in your eyes or on your skin during deployment, wash it away with clean water, and then consult a doctor.

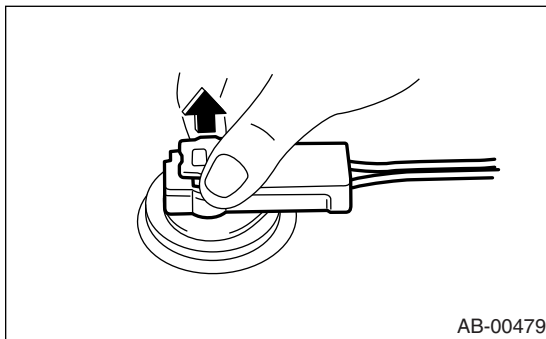
2. Pretensioner Connector

A: REMOVAL

1) Using a flat tip screwdriver, pry the push lock upward to unlock.



2) Pull the connector to disconnect from retractor assembly.

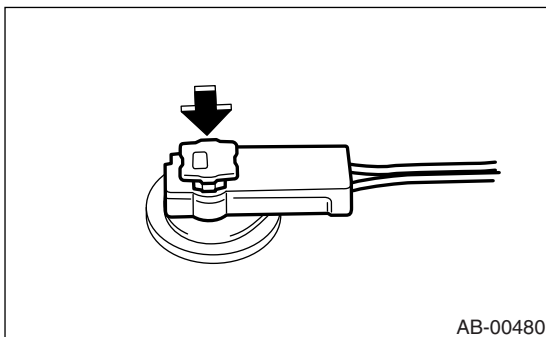


B: INSTALLATION

Connect the connector in reverse order of removal. At this time, be sure to insert the push lock in until connecting sound is heard.

CAUTION:

- Be sure to insert the connector in until it locks. Then pull on it gently to make sure that it is locked.
- At this time, be sure to insert the push lock in.



3. Inspection Locations After a Collision

A: INSPECTION

Check for the following, and then replace with new parts if necessary.

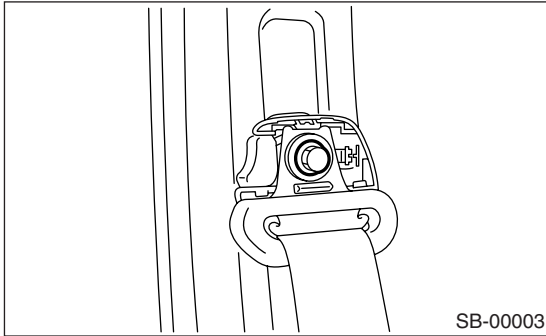
- Center pillar lower garnish is discolored or cracked.
- Wire harness and/or connector is damaged.

4. Front Seat Belt

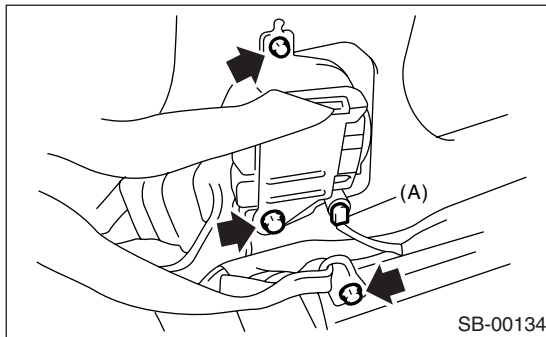
A: REMOVAL

1. OUTER SEAT BELT ASSEMBLY

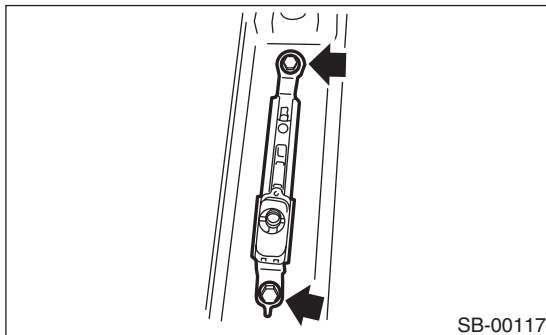
- 1) Turn the ignition switch to OFF, disconnect the ground cable from battery, and wait for more than 20 seconds.
- 2) Fold backrest all the way forward, and then move front seat all the way forward.
- 3) Remove the center pillar lower trim. <Ref. to EI-52, REMOVAL, Lower Inner Trim.>
- 4) Remove the anchor cover. Loosen the shoulder anchor bolt, and then detach the shoulder anchor from center pillar.



- 5) Turn over the floor mat to disconnect the connector (A) of pretensioner, and then loosen the three bolts to remove the outer seat belt assembly.



- 6) Remove the center pillar upper trim. <Ref. to EI-51, REMOVAL, Upper Inner Trim.>
- 7) Remove the two bolts and adjustable anchor assembly.

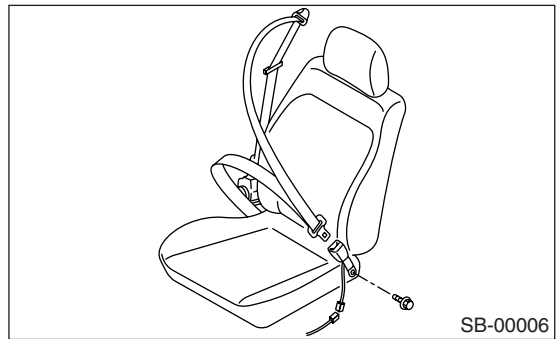


CAUTION:

- Do not drop or apply any impact to the pretensioner.
- Pretensioner and bracket should be treated as an assembly. Do not attempt to disassemble it.

2. INNER SEAT BELT ASSEMBLY

- 1) Turn the ignition switch to OFF, disconnect the ground cable from battery, and wait for more than 20 seconds before starting work.
- 2) Remove the console box. <Ref. to EI-47, REMOVAL, Console Box.>
- 3) Disconnect the seat belt warning light connector under the seat.
- 4) Remove the clip of harness from seat rail.
- 5) Remove the anchor bolt, and then remove the inner seat belt assembly.



B: INSTALLATION

1. OUTER SEAT BELT ASSEMBLY

Install in the reverse order of removal.

CAUTION:

- Parts of the driver and passenger sides are not identical. Before installation, make sure the correct part is used.
- Be careful not to twist the seat belts during installation.

Tightening torque:

<Ref. to SB-2, FRONT SEAT BELT, COMPONENT, General Description.>

2. INNER SEAT BELT ASSEMBLY

Install in the reverse order of removal.

Tightening torque:

<Ref. to SB-2, FRONT SEAT BELT, COMPONENT, General Description.>

C: INSPECTION

1. OUTER SEAT BELT ASSEMBLY

Check for the following, and replace with new parts if necessary.

- Pretensioner is cracked or deformed.
- Seat belt is slackened, bent, or frayed. Seat belt is abnormally wound or extended.

2. INNER SEAT BELT ASSEMBLY

Check for the following, and replace with new parts if necessary.

- Inner seat belt assembly is deformed or damaged.
- Seat belt buckle is engaged improperly.

Rear Seat Belt

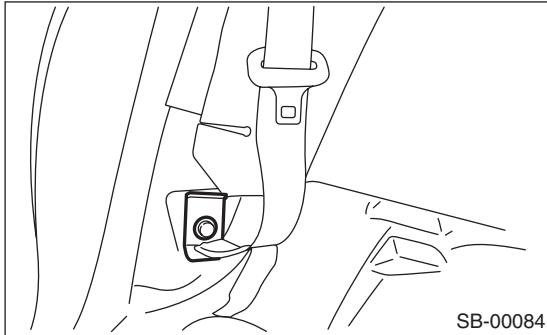
SEAT BELT SYSTEM

5. Rear Seat Belt

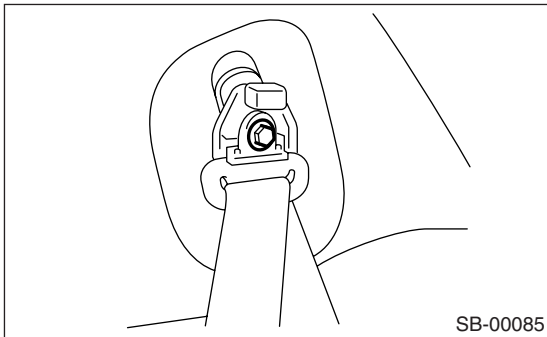
A: REMOVAL

1. OUTER SEAT BELT RH ASSEMBLY AND LH ASSEMBLY (SEDAN MODEL)

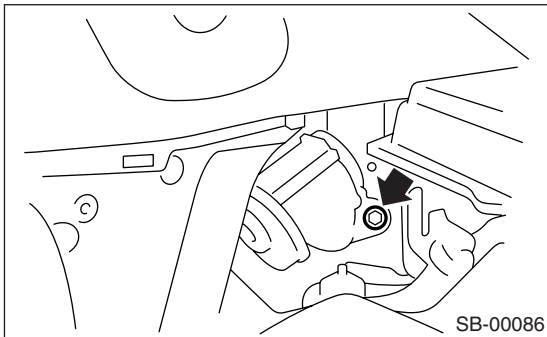
- 1) Remove the rear seat. <Ref. to SE-12, REMOVAL, Rear Seat.>
- 2) Remove the side sill rear lower cover. <Ref. to EI-52, REMOVAL, Lower Inner Trim.>
- 3) Remove the seat belt lower anchor bolt.



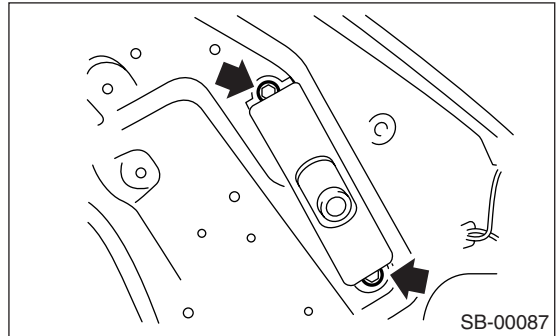
- 4) Remove the anchor cover. Remove the bolt from pillar and remove shoulder anchor.



- 5) Remove the quarter pillar trim. <Ref. to EI-53, REMOVAL, Rear Quarter Trim.>
- 6) Remove the bolts, and then detach the outer seat belt assembly.

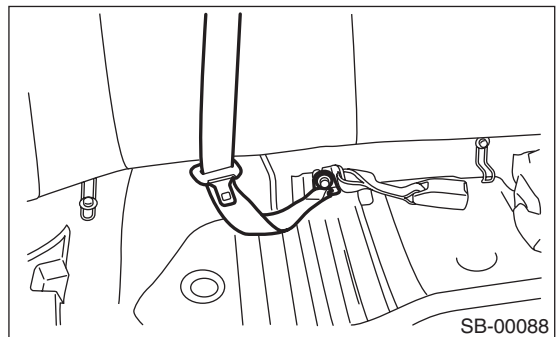


- 7) Remove the two bolts and remove adjustable anchor ASSY.

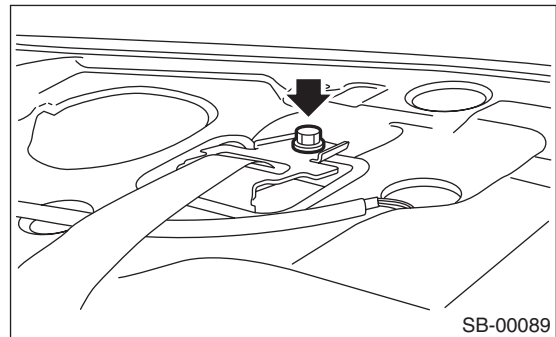


2. SHOULDER SEAT BELT CTR ASSEMBLY (SEDAN MODEL)

- 1) Remove the rear seat cushion. <Ref. to SE-12, REMOVAL, Rear Seat.>
- 2) Remove the seat belt lower anchor bolt.

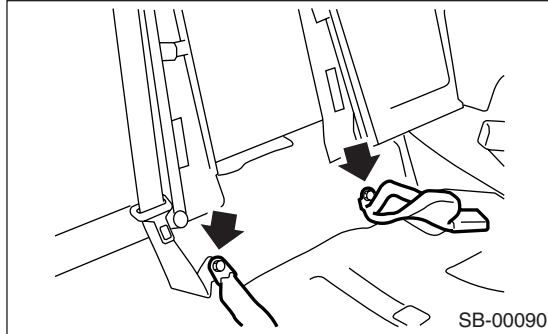


- 3) Remove the quarter pillar trim. <Ref. to EI-53, REMOVAL, Rear Quarter Trim.>
- 4) Remove the rear shelf trim. <Ref. to EI-58, REMOVAL, Rear Shelf Trim.>
- 5) Remove the bolts, and then detach the shoulder seat belt assembly.



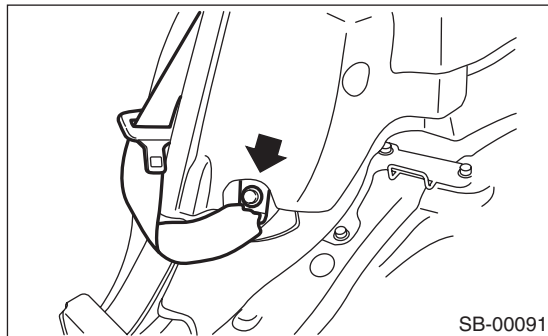
3. CENTER SEAT BELT LH ASSEMBLY (SEDAN MODEL)

- 1) Remove the rear seat cushion. <Ref. to SE-12, REMOVAL, Rear Seat.>
- 2) Remove the bolts, and then detach the center seat belt LH assembly.

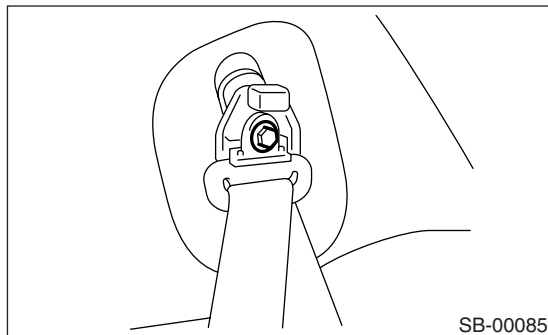


4. OUTER SEAT BELT RH ASSEMBLY AND LH ASSEMBLY (WAGON MODEL)

- 1) Remove the luggage floor mat. <Ref. to EI-61, REMOVAL, Luggage Floor Mat.>
- 2) Remove the rear seat cushion. <Ref. to SE-12, REMOVAL, Rear Seat.>
- 3) Remove the side sill rear lower cover. <Ref. to EI-52, REMOVAL, Lower Inner Trim.>
- 4) Remove the seat belt lower anchor bolt.

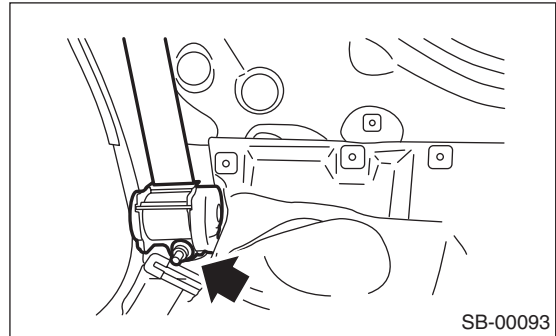


- 5) Remove the anchor cover. Remove the bolt from pillar and remove shoulder anchor.

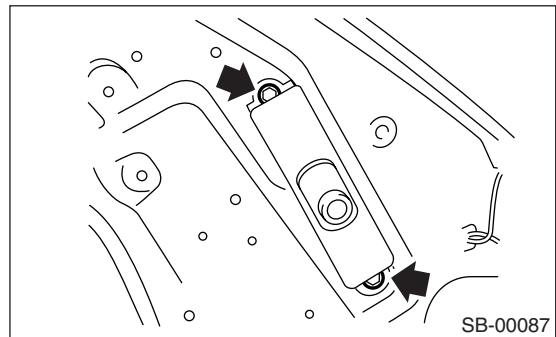


- 6) Remove the rear quarter trim. <Ref. to EI-53, REMOVAL, Rear Quarter Trim.>

- 7) Remove the bolts, and then detach the outer seat belt.

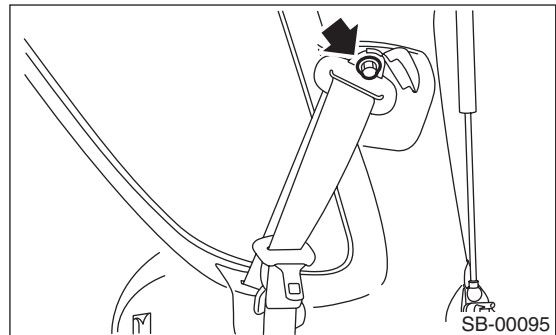


- 8) Remove the two bolts and remove adjustable anchor ASSEMBLY.



5. SHOULDER SEAT BELT CTR ASSEMBLY (WAGON MODEL)

- 1) Remove the shoulder anchor bolt, and then detach the shoulder anchor from quarter pillar.

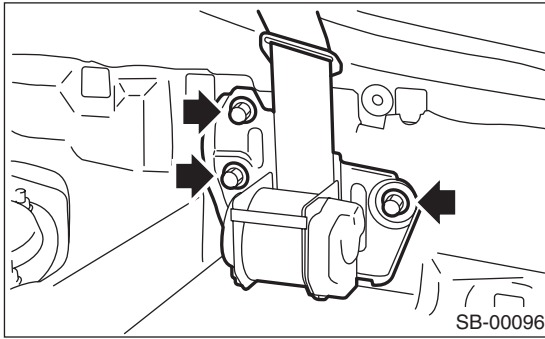


- 2) Remove the quarter trim. <Ref. to EI-53, REMOVAL, Rear Quarter Trim.>

Rear Seat Belt

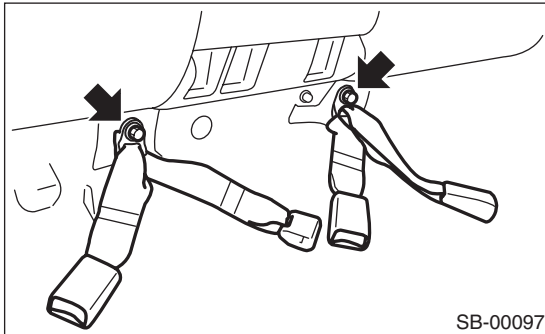
SEAT BELT SYSTEM

3) Remove the three bolts, and then detach the outer belt center.



6. CENTER SEAT BELT RH ASSEMBLY AND LH ASSEMBLY (WAGON MODEL)

1) Remove the rear seat cushion.
2) Remove the bolt, and then detach the center seat belt assembly.



B: INSTALLATION

1. OUTER SEAT BELT RH ASSEMBLY AND LH ASSEMBLY (SEDAN MODEL)

Install in the reverse order of removal.

CAUTION:

- During installation, make sure that the seat belts are not twisted.
- After installation, make sure that the seat belts can be smoothly extended and wound.

2. SHOULDER SEAT BELT CTR ASSEMBLY (SEDAN MODEL)

Install in the reverse order of removal.

CAUTION:

- During installation, make sure that the seat belts are not twisted.
- After installation, make sure that the seat belts can be smoothly extended and wound.

3. CENTER SEAT BELT LH ASSEMBLY (SEDAN MODEL)

Install in the reverse order of removal.

CAUTION:

During installation, make sure that the seat belts are not twisted.

4. OUTER SEAT BELT RH ASSEMBLY AND LH ASSEMBLY (WAGON MODEL)

Install in the reverse order of removal.

CAUTION:

- During installation, make sure that the seat belts are not twisted.
- After installation, make sure that the seat belts can be smoothly extended and wound.

5. SHOULDER SEAT BELT CTR ASSEMBLY (WAGON MODEL)

Install in the reverse order of removal.

CAUTION:

- During installation, make sure that the seat belts are not twisted.
- After installation, make sure that the seat belts are smoothly extended and wound.

6. CENTER SEAT BELT RH ASSEMBLY AND LH ASSEMBLY (WAGON MODEL)

Install in the reverse order of removal.

CAUTION:

During installation, make sure that the seat belts are not twisted.

C: INSPECTION

1. OUTER SEAT BELT RH ASSEMBLY AND LH ASSEMBLY (SEDAN MODEL)

Check for the following, and replace with new parts if necessary.

- Seat belt is slackened, bent, or frayed. Seat belt is abnormally wound or extended.

2. SHOULDER SEAT BELT CTR ASSEMBLY (SEDAN MODEL)

Check for the following, and replace with new parts if necessary.

- Seat belt is slackened, bent, or frayed. Seat belt is abnormally wound or extended.

3. CENTER SEAT BELT LH ASSEMBLY (SEDAN MODEL)

Check for the following, and replace with new parts if necessary.

- Inner belt is deformed or damaged.
- Seat belt buckle is engaged improperly.

4. OUTER SEAT BELT RH ASSEMBLY AND LH ASSEMBLY (WAGON MODEL)

Check for the following, and replace with new parts if necessary.

- Seat belt is slackened, bent, or frayed. Seat belt is abnormally wound or extended.

5. SHOULDER SEAT BELT CTR ASSEMBLY (WAGON MODEL)

Check for the following, and replace with new parts if necessary.

- Seat belt is slackened, bent, or frayed. Seat belt is abnormally wound or extended.

6. CENTER SEAT BELT RH ASSEMBLY AND LH ASSEMBLY (WAGON MODEL)

Check for the following, and replace with new parts if necessary.

- Inner belt is deformed or damaged.
- Seat belt buckle is engaged improperly.

Rear Seat Belt

SEAT BELT SYSTEM
