

SEATS

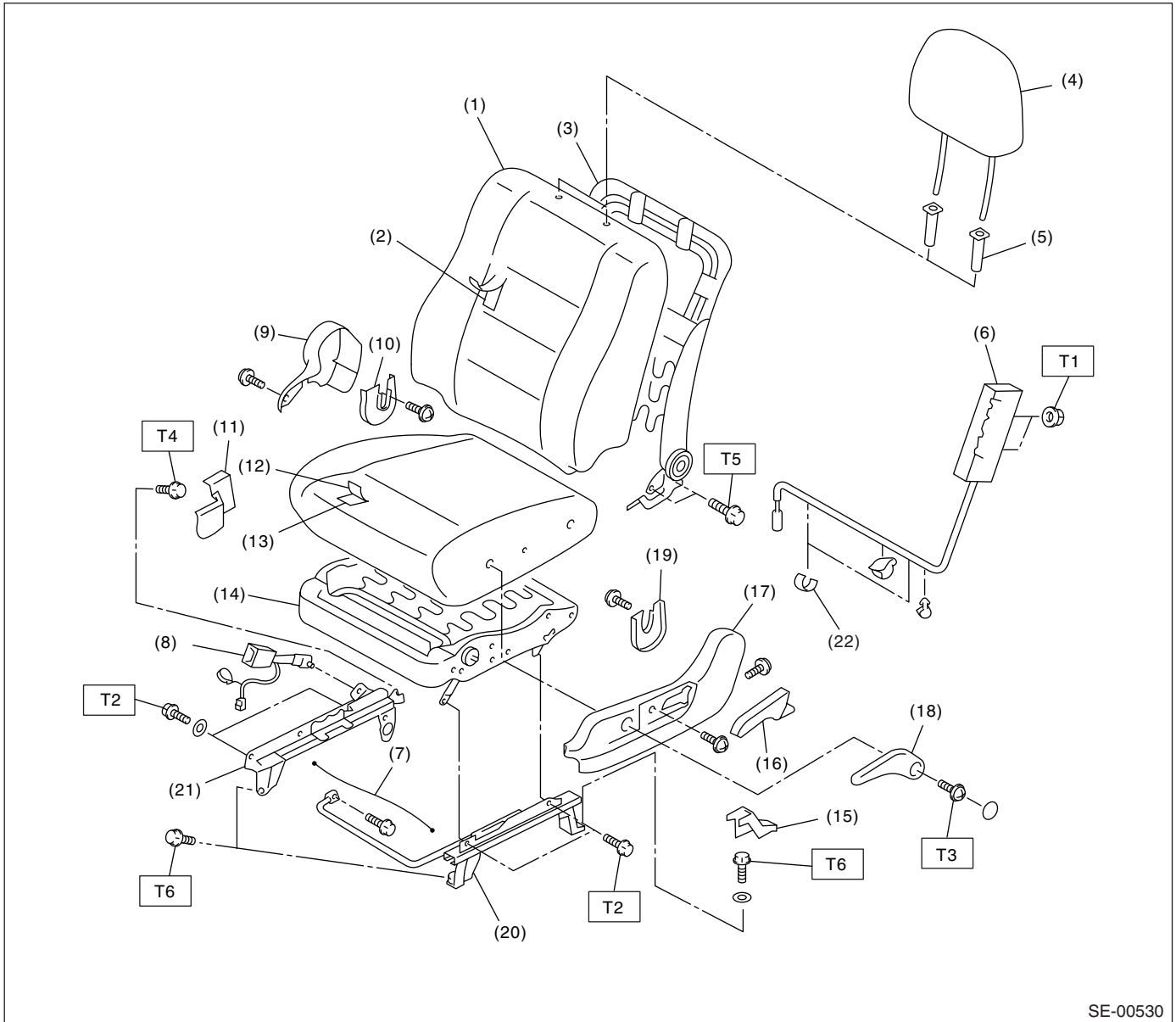
General Description

SEATS

1. General Description

A: COMPONENT

1. FRONT SEAT



SE-00530

- | | |
|--------------------------------|--------------------------------|
| (1) Backrest cover | (12) Seat cushion cover |
| (2) Backrest pad | (13) Seat cushion pad |
| (3) Backrest frame ASSY | (14) Seat cushion frame ASSY |
| (4) Headrest ASSY | (15) Bolt cover outer |
| (5) Headrest lock bushing | (16) Reclining lever |
| (6) Side airbag module | (17) Seat hinge outer cover |
| (7) Connecting wire | (18) Lifter lever |
| (8) Inner belt | (19) Seat hinge inner cover RH |
| (9) Seat hinge inner cover | (20) Outer slide rail |
| (10) Seat hinge inner cover LH | (21) Inner slide rail |
| (11) Bolt cover inner | (22) Tape |

Tightening torque: N·m (kgf·m, ft·lb)

T1: 5.9 (0.60, 4.35)

T2: 10 (1.02, 7.38)

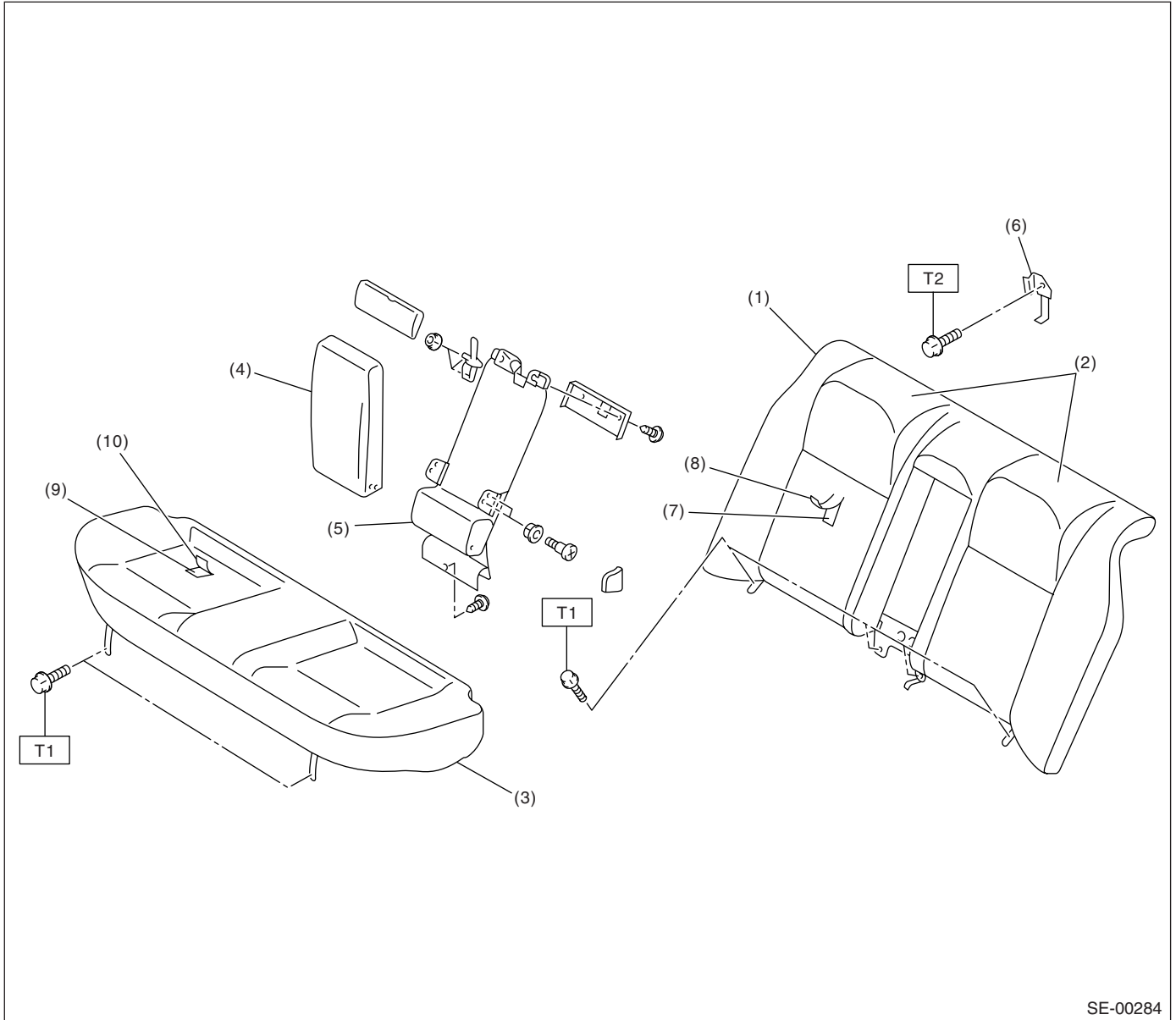
T3: 22 (2.24, 16.2)

T4: 30 (3.06, 22.1)

T5: 52 (5.30, 38.4)

T6: 53 (5.40, 39.1)

2. REAR SEAT (SEDAN MODEL)



- | | |
|--------------------------|-----------------------------------|
| (1) Backrest | (6) Hook |
| (2) Headrest | (7) Backrest pad ASSY |
| (3) Cushion | (8) Backrest cover ASSY |
| (4) Armrest | (9) Rear pad & cushion frame ASSY |
| (5) Center through frame | (10) Rear cushion cover |

Tightening torque: N·m (kgf·m, ft·lb)

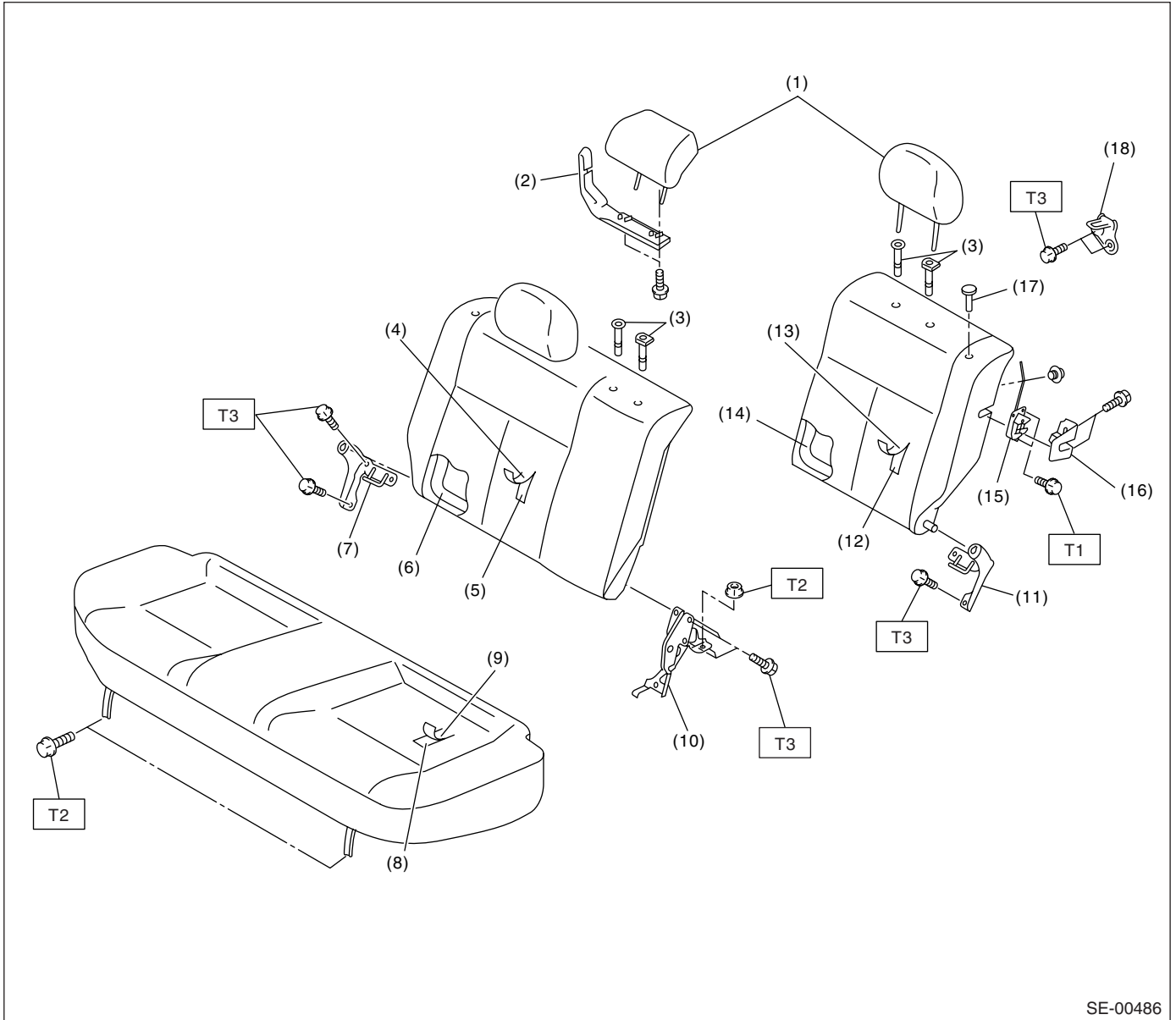
T1: 10 (1.02, 7.38)

T2: 24.5 (2.5, 18.1)

General Description

SEATS

3. REAR SEAT (WAGON MODEL)



SE-00486

- | | |
|------------------------|----------------------------|
| (1) Headrest | (9) Seat cushion pad |
| (2) Seat belt guide | (10) Hinge ASSY CTR |
| (3) Headrest bushing | (11) Hinge ASSY LH |
| (4) Backrest cover RH | (12) Backrest pad LH |
| (5) Backrest pad RH | (13) Backrest cover LH |
| (6) Backrest frame RH | (14) Backrest frame LH |
| (7) Hinge ASSY RH | (15) Seat back latch |
| (8) Seat cushion cover | (16) Seat back latch cover |

- | |
|--------------------|
| (17) Backrest knob |
| (18) Striker |

Tightening torque: N-m (kgf-m, ft-lb)

T1: 17.7 (1.81, 13.1)

T2: 24.5 (2.5, 18.1)

T3: 33 (3.3, 24.6)

B: CAUTION

When removing the front seat from a model with side airbag, follow cautions given in the airbag section. <Ref. to AB-3, CAUTION, General Description.>

C: PREPARATION TOOL

1. GENERAL TOOL

TOOL NAME	REMARKS
Long nose pliers	Used for removing hog ring.
Hog ring pliers	Used for installing hog ring.
TORX® T30	Used for removing and installing slide rail.

2. Front Seat

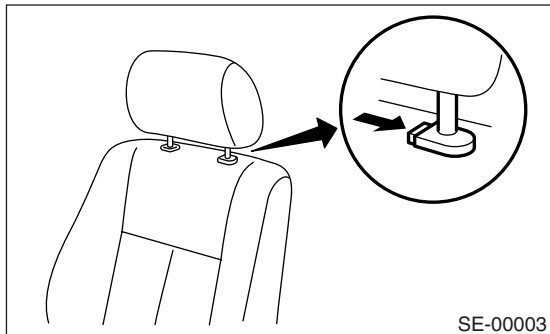
A: REMOVAL

1) Disconnect the ground cable from battery.

CAUTION:

The airbag system is fitted with a backup power source. If the airbag system is serviced within 20 seconds after the ground cable is disconnected, it may inflate.

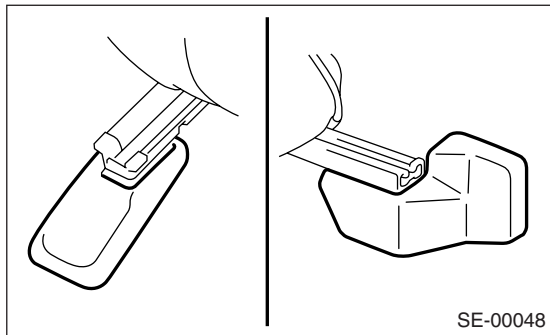
2) While pressing the headrest lock button, remove the headrest.



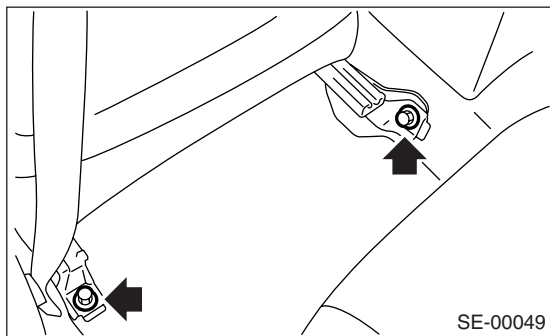
3) Tilt forward the backrest.

4) Move the seat to full front end.

5) Remove the bolt cover at rear end of slide rail.

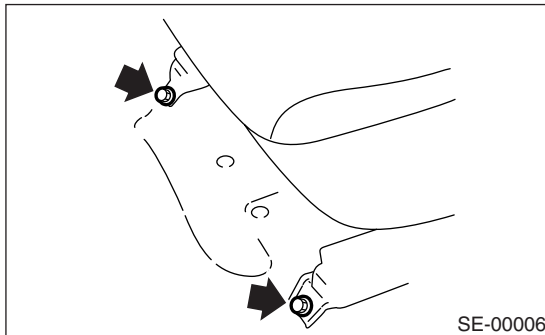


6) Remove the two bolts at rear side of seat rail.



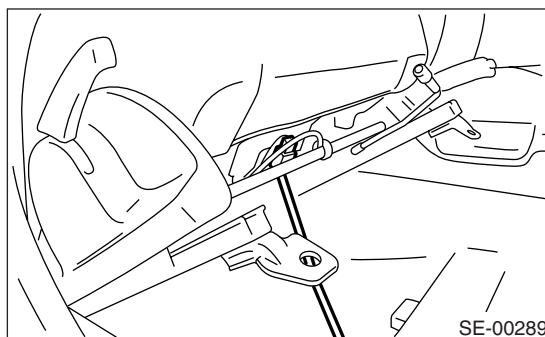
7) Move the seat to full rear end.

8) Remove the two bolts at front side of seat rail.



9) Disconnect the connector under seat.

- Seat belt warning light connector (Driver's seat)
- Side airbag connector (with side airbag)
- Seat heater connector (with seat heater)



10) Remove the front seat from vehicle.

B: INSTALLATION

Install in the reverse order of removal.

Tightening torque:

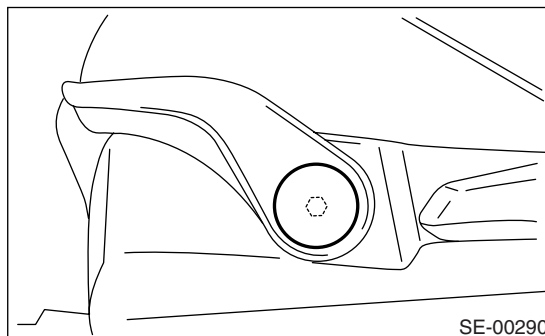
Refer to **COMPONENT** in *General Description*. <Ref. to SE-2, FRONT SEAT, COMPONENT, *General Description*.>

C: DISASSEMBLY

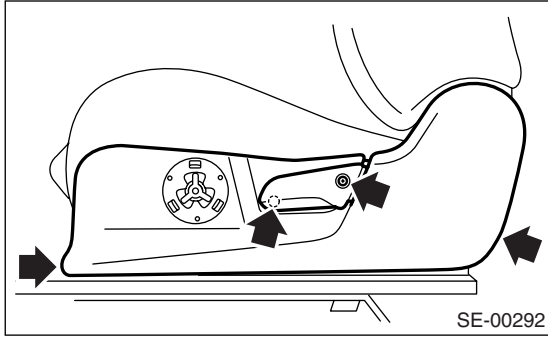
1. STANDARD SEAT

1) Remove the seat from vehicle. <Ref. to SE-6, REMOVAL, Front Seat.>

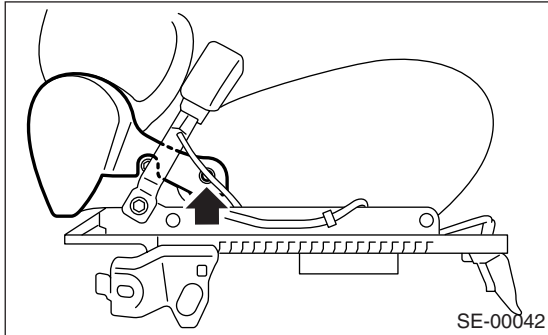
2) Remove the seat lifter cover using a flat tip screwdriver or equivalent, and then loosen the inside bolt to remove seat lifter lever.



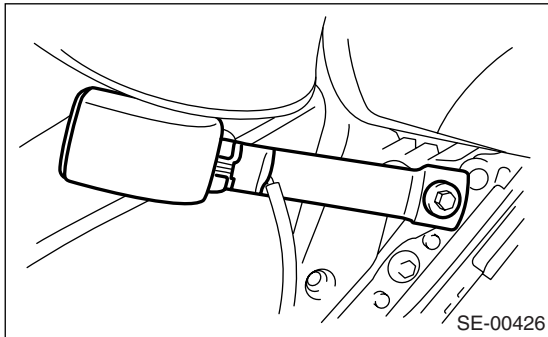
3) Remove the reclining lever and seat hinge outer cover.



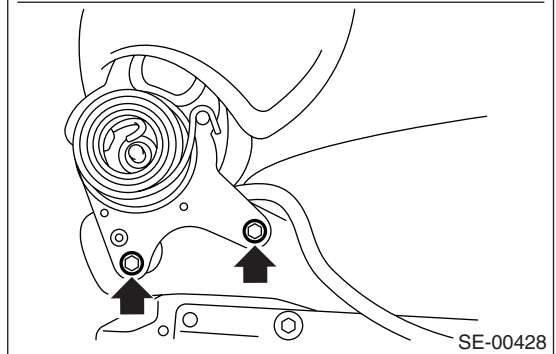
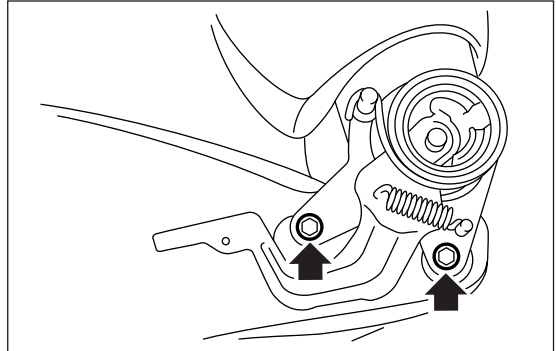
4) Remove the seat hinge inner cover.



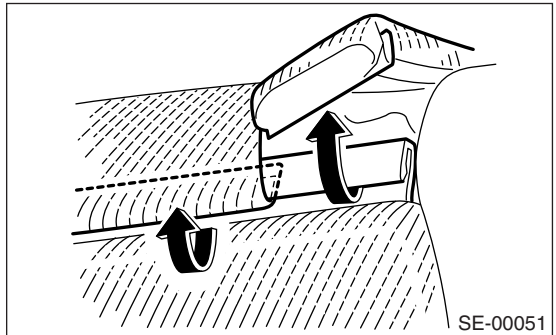
5) Remove the inner belt.



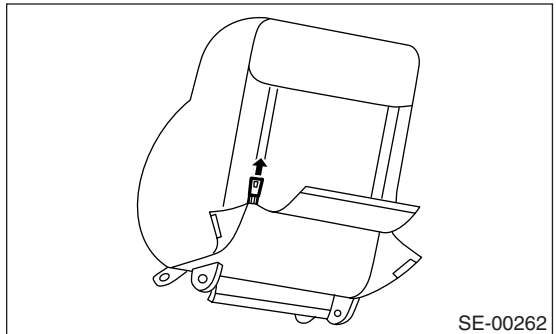
6) Remove two bolts from reclining hinge on each side.



7) Remove the hook at the bottom-back side of backrest.



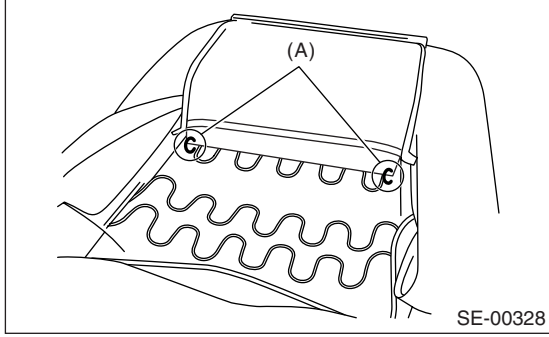
8) Open the zipper behind of backrest.



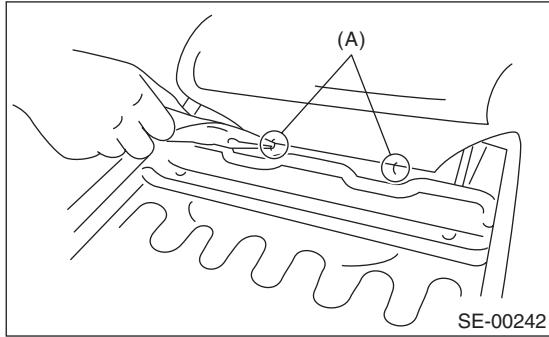
Front Seat

SEATS

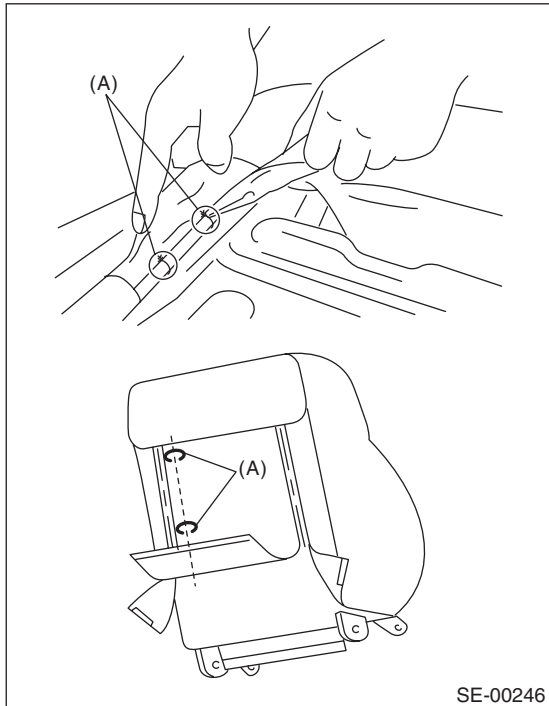
9) Remove the hog rings (A) of backrest cover.



10) Remove the hog rings (A) which secure the backrest cover and backrest pad.



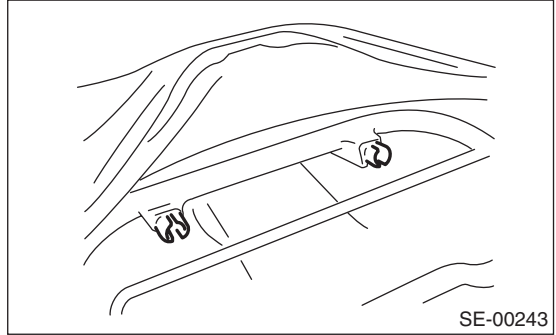
11) Open the zipper behind of backrest cover, and then remove the hog rings (A) at the side-inner part of backrest from backrest frame. (with side airbag)



12) Remove the headrest bushings.

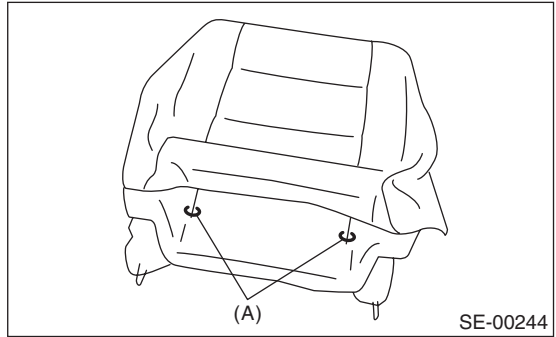
NOTE:

Push the headrest bushings out from seat inside, and then remove them.

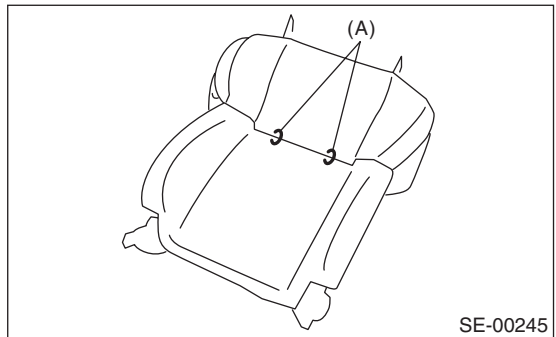


13) Pull out the backrest frame.

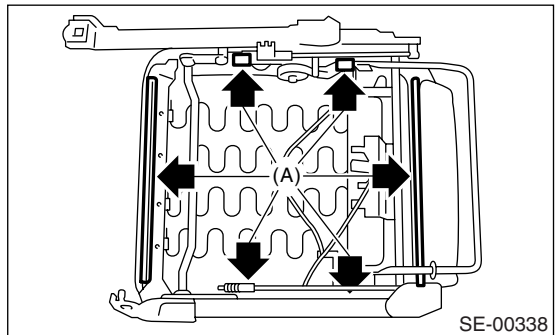
14) Remove the hog rings (A) at the front-bottom of seat back. (with side airbag)



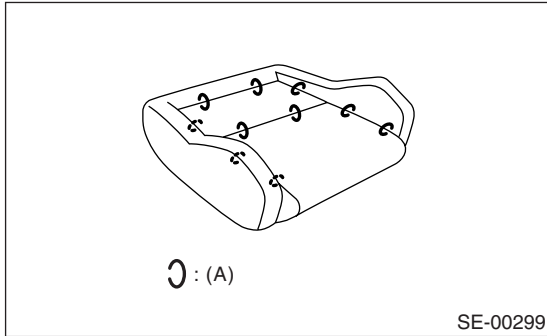
15) Remove the hog rings (A) at the seat back front, and then remove the seat back cover from seat back.



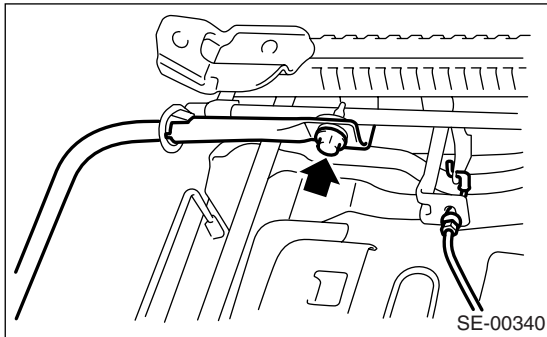
16) Remove the hooks (A), and then remove the seat cushion frame assembly.



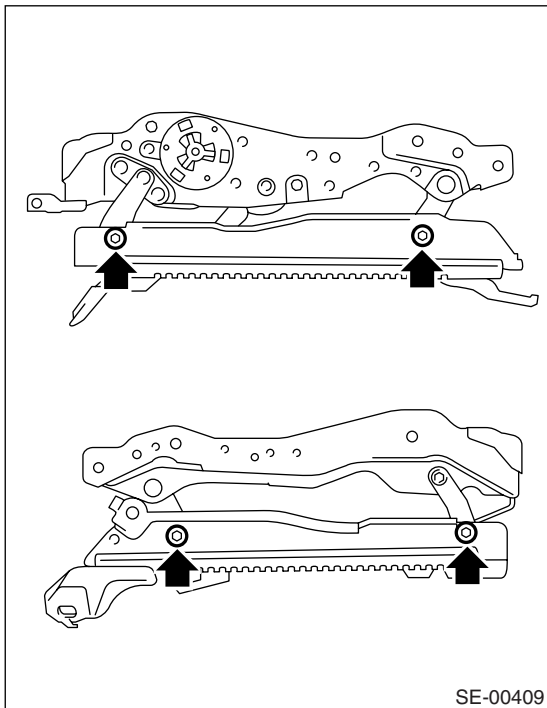
17) Remove the hog rings (A), and then remove the seat cushion cover from seat cushion pad.



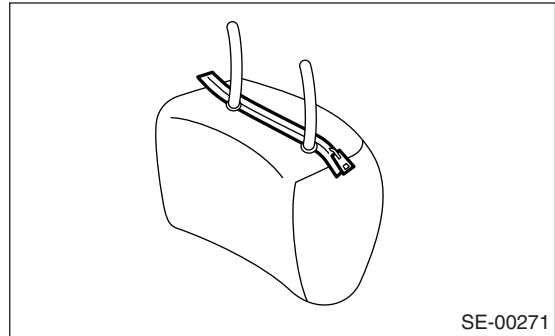
18) Remove the bolt of sliding adjustment bar and connecting wire.



19) Remove the bolts, and then remove the slide rail.



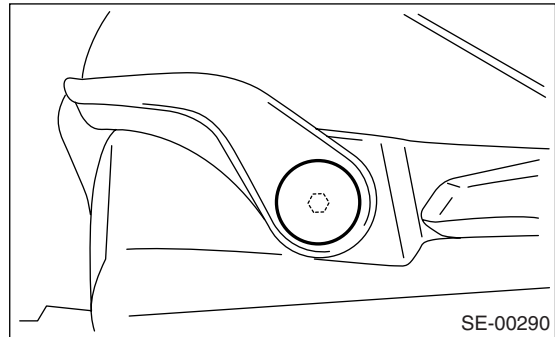
20) Open the zipper at bottom of headrest, and then remove the headrest cover from headrest.



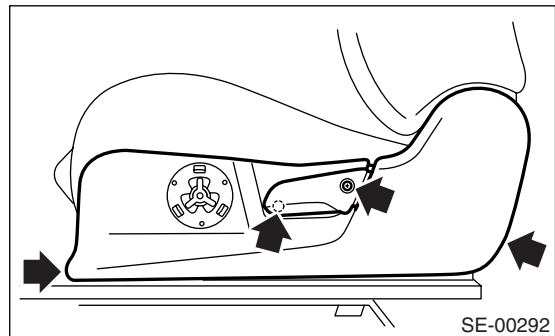
2. BUCKET TYPE SEAT

1) Remove the seat from vehicle. <Ref. to SE-6, REMOVAL, Front Seat.>

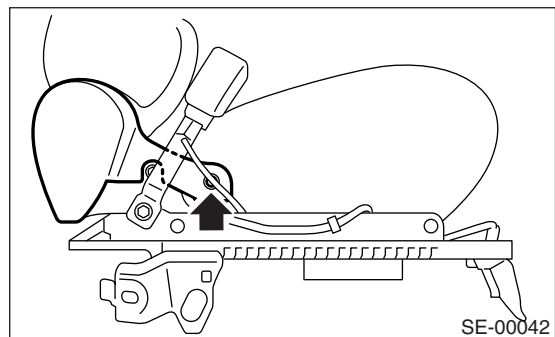
2) Remove the seat lifter cover using a flat tip screwdriver or equivalent, and then loosen inside bolt to remove seat lifter lever.



3) Remove the reclining lever and seat hinge outer cover.



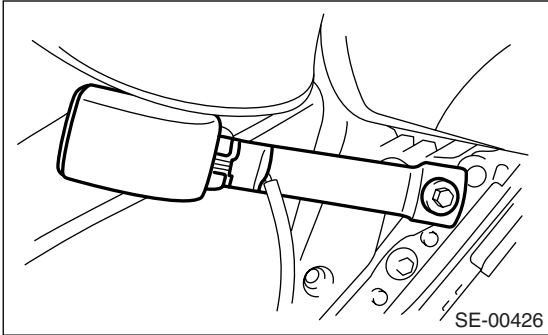
4) Remove the seat hinge inner cover.



Front Seat

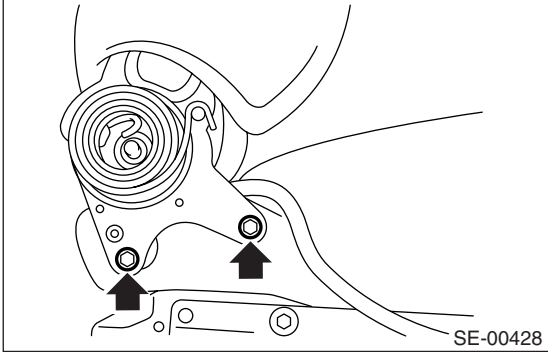
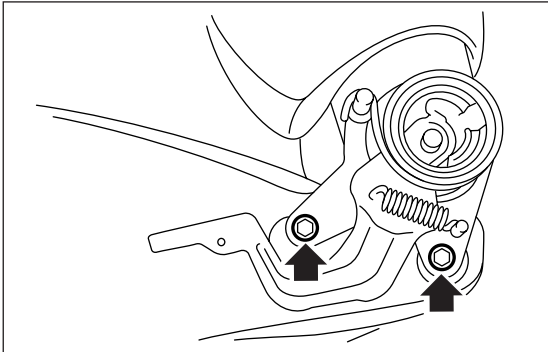
SEATS

5) Remove the inner belt.



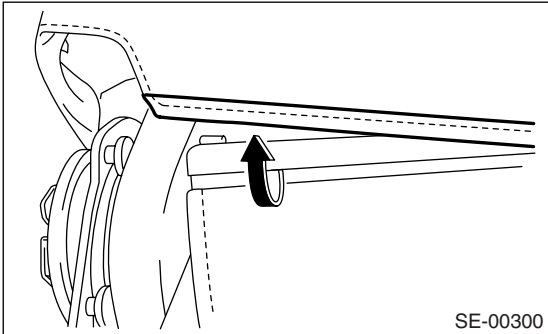
SE-00426

6) Remove two bolts from reclining hinge on each side.



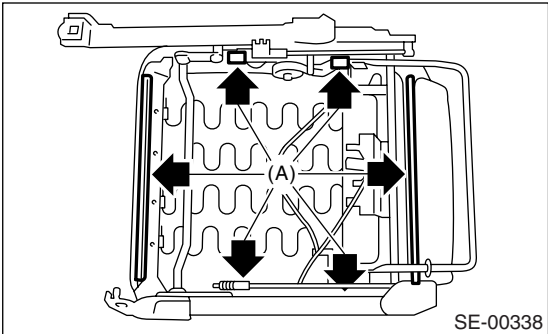
SE-00428

7) Remove the hook at the bottom-back side of backrest.



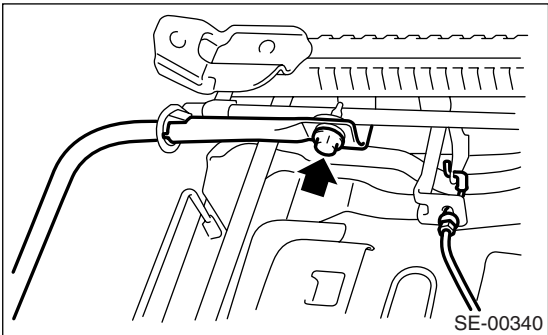
SE-00300

8) Remove the hooks (A), and then remove the seat cushion frame assembly.



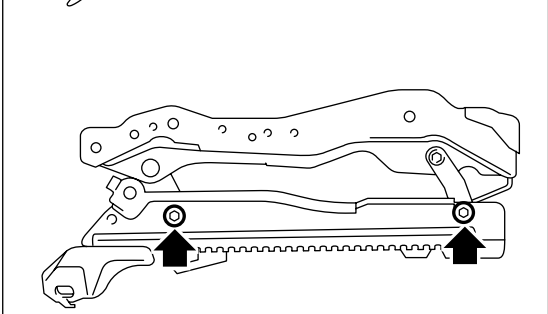
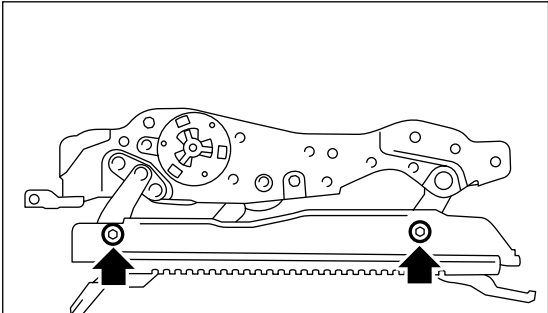
SE-00338

9) Remove the bolt of sliding adjustment bar and connecting wire.



SE-00340

10) Remove the bolts, and then remove the slide rail.



SE-00409

D: ASSEMBLY

1. STANDARD SEAT

CAUTION:

Because it may cause the side airbag to activate incorrectly, observe the following steps to install the side airbag correctly.

- Be careful not to contaminate or damage the backrest cover.
- Always use new hog rings.
- Secure the hog ring using hog ring pliers.
- Install the hog ring to its original position, and not to twist or wrinkle the backrest cover.

Tightening torque:

Refer to “COMPONENT” of “General Description”. <Ref. to SE-2, FRONT SEAT, COMPONENT, General Description.>

Assemble in the reverse order of disassembly.

2. BUCKET TYPE SEAT

Assemble in the reverse order of disassembly.

Tightening torque:

Refer to “COMPONENT” of “General Description”. <Ref. to SE-2, FRONT SEAT, COMPONENT, General Description.>

Rear Seat

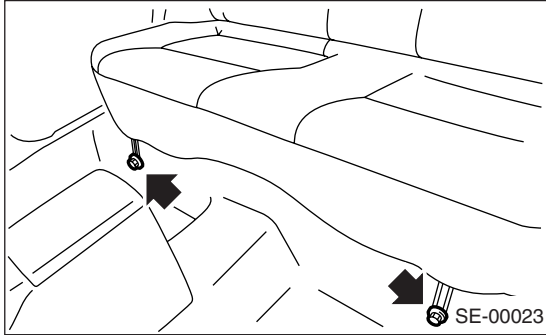
SEATS

3. Rear Seat

A: REMOVAL

1. WAGON MODEL

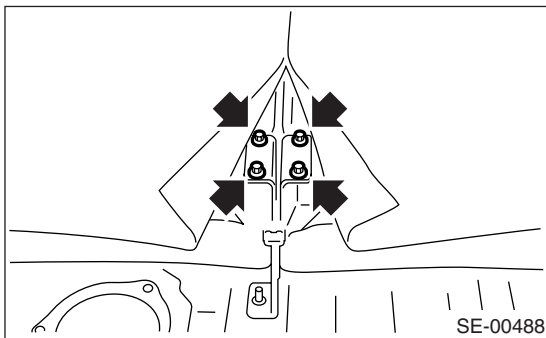
1) Remove the bolts, and then detach the rear seat cushion.



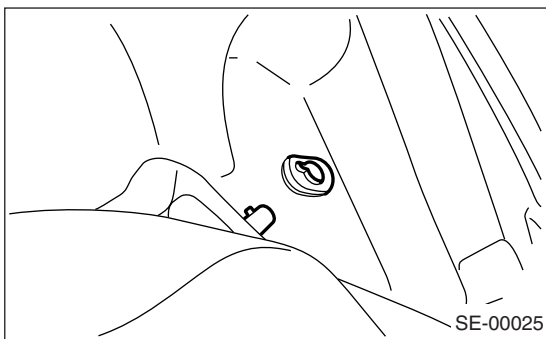
2) Remove the headrest.

3) Remove the luggage floor mat. <Ref. to EI-61, REMOVAL, Luggage Floor Mat.>

4) Turn over the mat to remove the bolts.

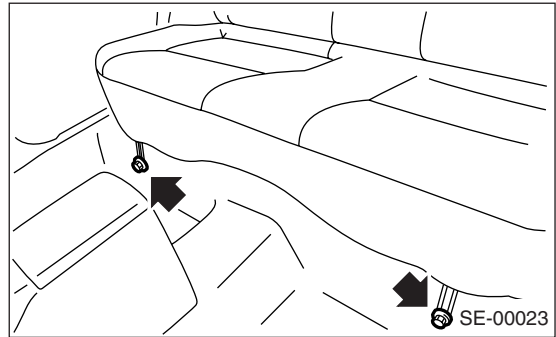


5) Remove the rear seat backrest.

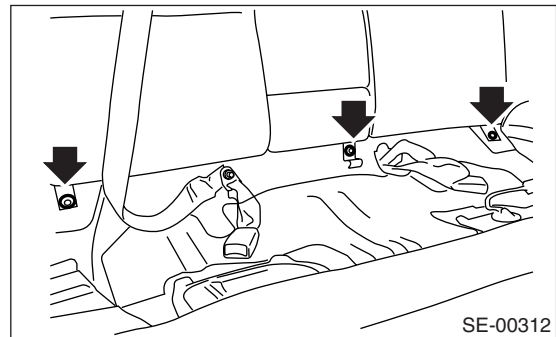


2. SEDAN MODEL

1) Remove the bolts, and then detach the rear seat cushion.



2) Remove the bolts securing lower portion of backrest and then open the center trunk through lid.



3) Lift the rear seat backrest and then remove it.

B: INSTALLATION

1. WAGON MODEL

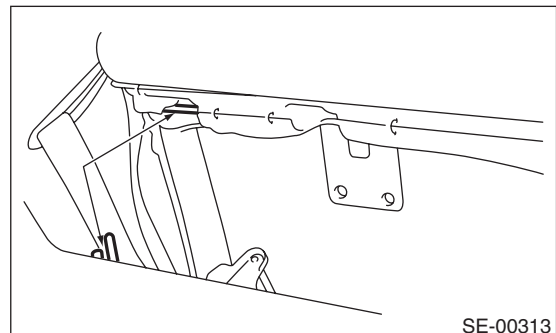
Install in the reverse order of removal.

Tightening torque:

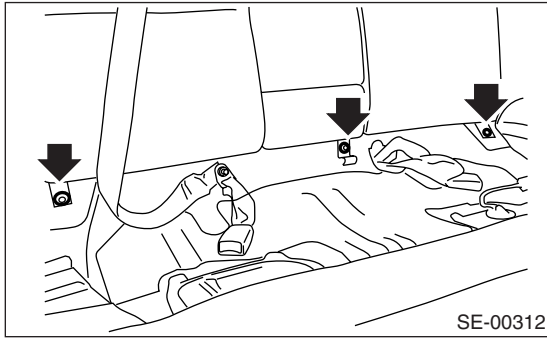
Refer to COMPONENT in General Description. <Ref. to SE-4, REAR SEAT (WAGON MODEL), COMPONENT, General Description.>

2. SEDAN MODEL

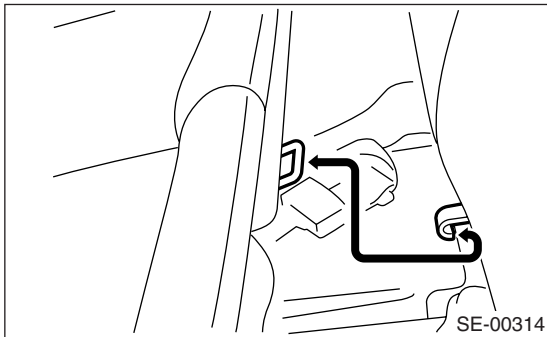
1) Hook and fasten the upper-back side of the rear seat backrest to the body hook.



2) Tighten the bolts.



3) Hook and fasten the seat cushion to the hook on the lower part of the rear seat backrest.



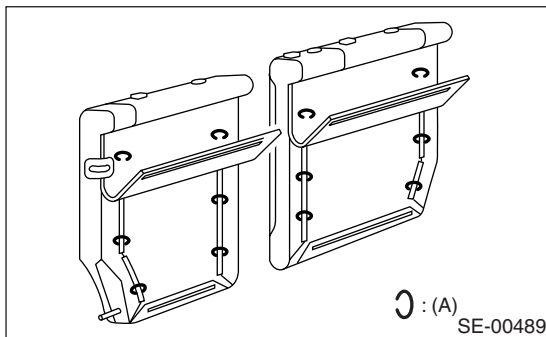
Tightening torque:

Refer to **COMPONENT** in **General Description**. <Ref. to **SE-4, REAR SEAT (WAGON MODEL), COMPONENT, General Description**.>

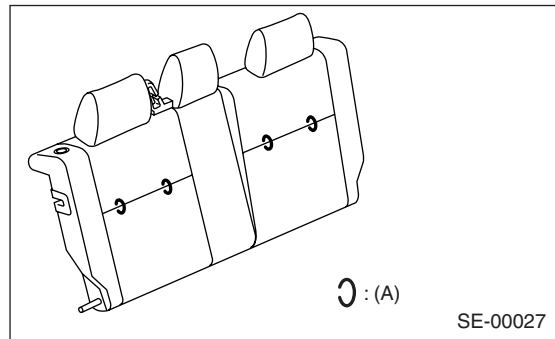
C: DISASSEMBLY

1. WAGON MODEL

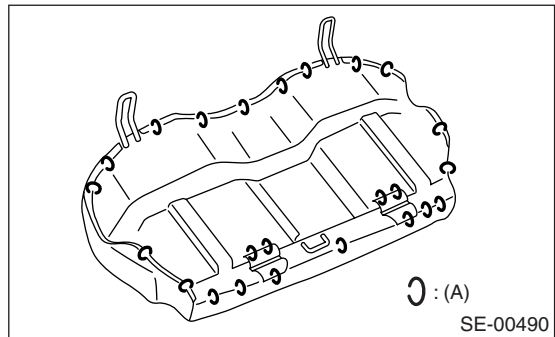
- 1) Remove the rear seat. <Ref. to SE-12, WAGON MODEL, REMOVAL, Rear Seat.>
- 2) Remove the hog rings (A) behind of seat backrest.



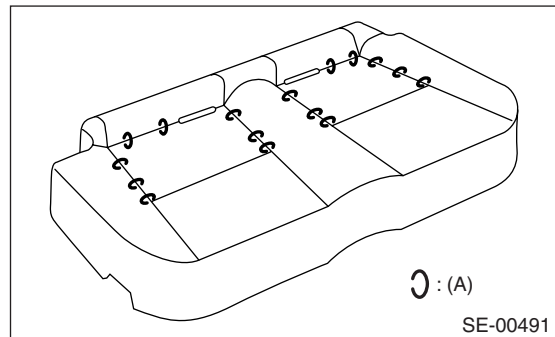
3) Remove the hog rings (A) on front side of cushion pad, and remove the cover.



4) Remove the hog rings (A) behind of seat cushion.

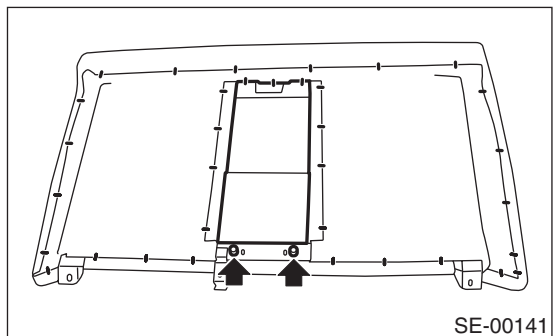


5) Remove the hog rings (A), and then remove the seat cushion cover.



2. SEDAN MODEL

- 1) Remove the rear seat. <Ref. to SE-12, SEDAN MODEL, REMOVAL, Rear Seat.>
- 2) Remove two nuts, and then remove the armrest assembly.

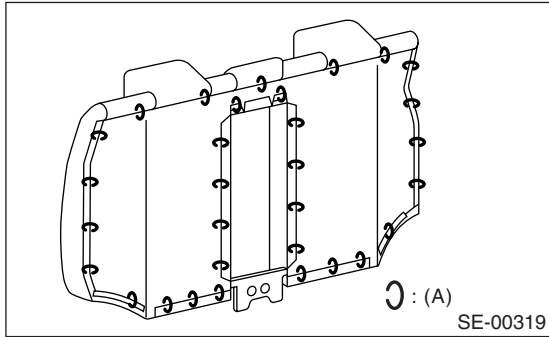


Rear Seat

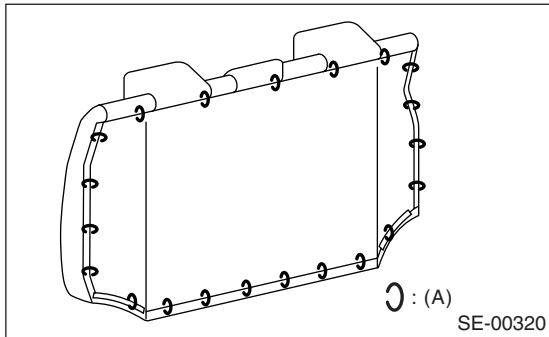
SEATS

3) Remove the hog rings (A) behind of seat backrest.

- Armrest through type model

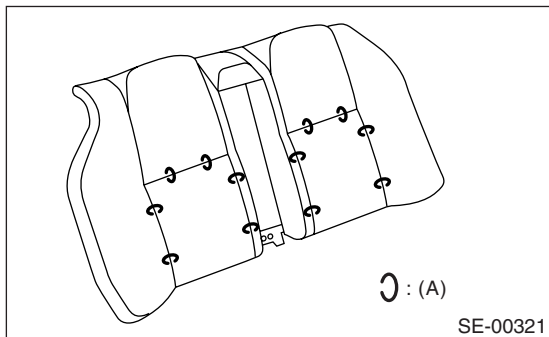


- Unified type model

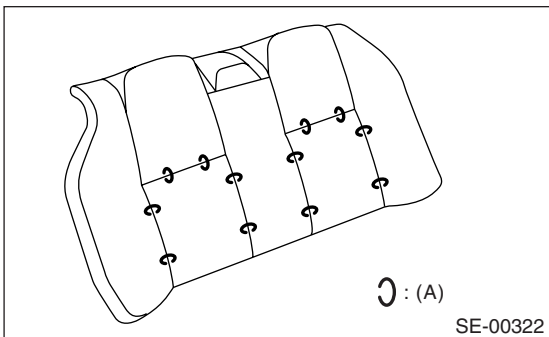


4) Remove the hog rings (A), and then remove the seat cover.

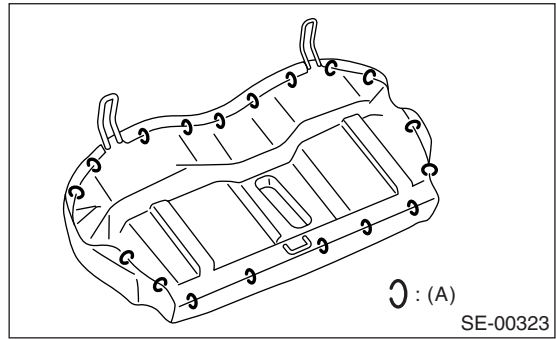
- Armrest through type model



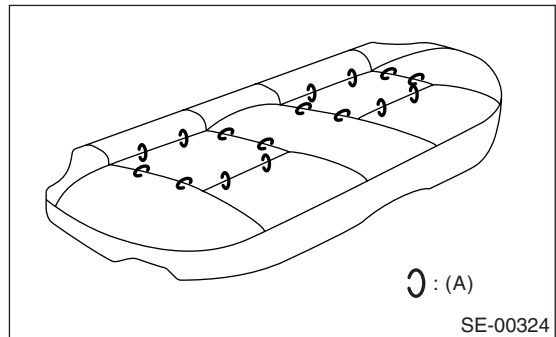
- Unified type model



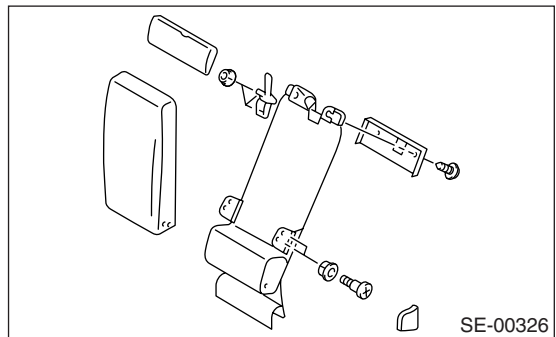
5) Remove the hog rings (A) behind of seat cushion.



6) Remove the hog rings (A), and then remove the seat cushion cover.



7) Remove the nuts and screws, and then disassemble the armrest assembly.



D: ASSEMBLY

1. WAGON MODEL

Assemble in the reverse order of disassembly.

NOTE:

- Do not contaminate or damage the cover.
- While installing the hog rings, prevent the seat from getting wrinkled.

2. SEDAN MODEL

Assemble in the reverse order of disassembly.

NOTE:

- Do not contaminate or damage the cover.
- While installing the hog rings, prevent the seat from getting wrinkled.