

## 1. Foreword

### A: FOREWORD

These manuals are used when performing maintenance, repair or diagnosis of Subaru IMPREZA.

Applicable model:

2009MY GE\*\*\*\*\*, GH\*\*\*\*\*

The manuals contain the latest information at the time of publication. Changes in the specifications, methods, etc. may be made without notice.

# How to Use This Manuals

## HOW TO USE THIS MANUALS

---

### **1. How to Use This Manuals**

#### **A: HOW TO USE THIS MANUALS**

##### **1. STRUCTURE**

Each section consists of SCT that are broken down into SC that are divided into sections for each component. The specification, maintenance and other information for the components are included, and the diagnostic information has also been added where necessary.

##### **2. CONTENTS**

The first page has an index with tabs.

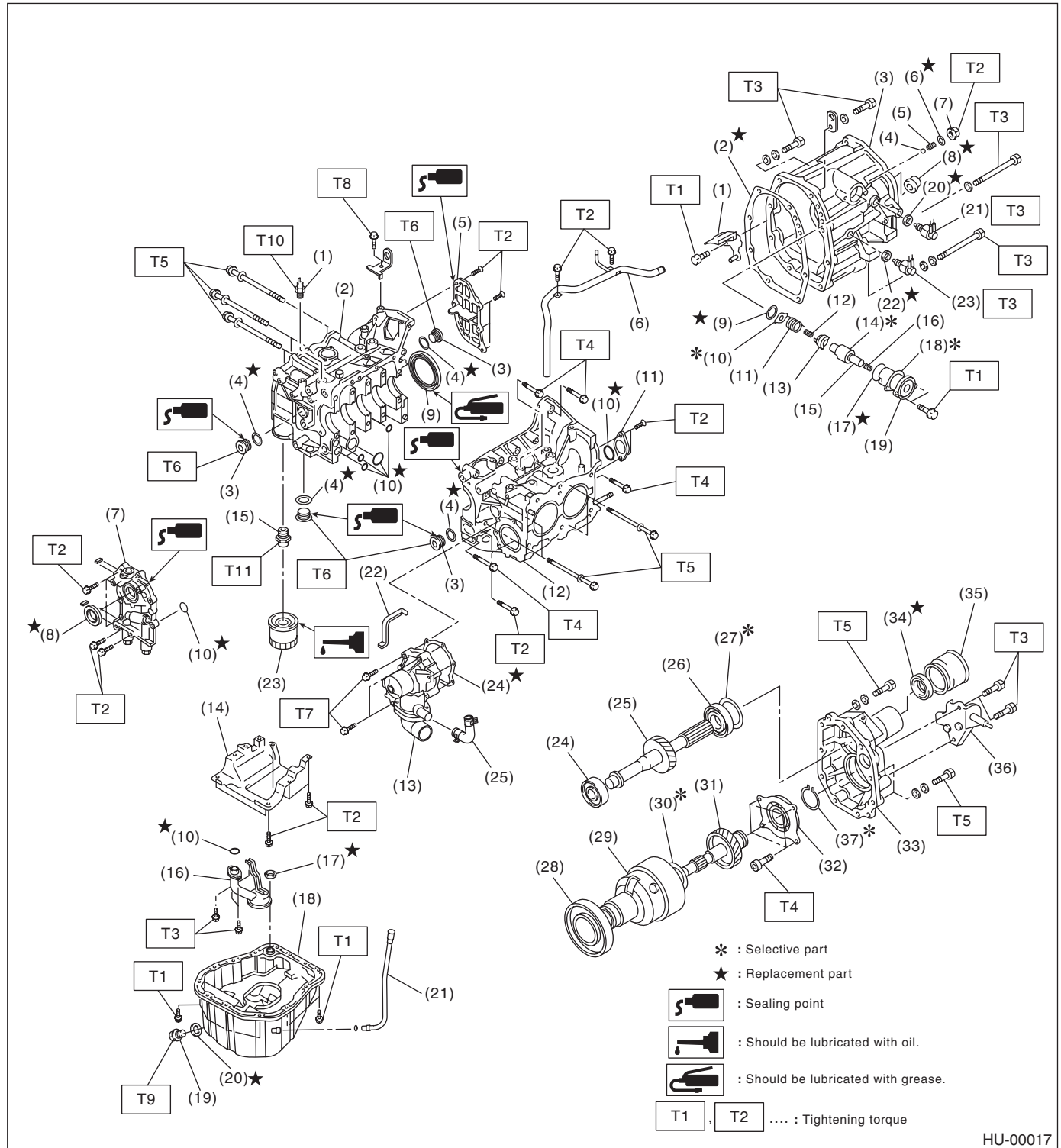


## 3. COMPONENT

Illustrations are provided for each component. The information necessary for repair work (tightening torque, grease up points, etc.) is described on these illustrations. Information is described using symbol.

To order parts, refer to parts catalogue.

### Example:



HU-00017

# How to Use This Manuals

## HOW TO USE THIS MANUALS

### 4. SPECIFICATION

If necessary, specifications are also included.

### 5. INSPECTION

Inspections to be carried out before and after maintenance are included.

### 6. MAINTENANCE

- Maintenance instructions for serviceable parts describe work area and detailed step with illustration. It also describes the use of special tool, tightening torque, caution for each procedure.
- If many serviceable parts are included in one service procedure, appropriate reference is provided for each parts.

#### Example:

**15.Main Shaft** ← (A)

**A: REMOVAL** ← (B)

1) Remove the manual transmission assembly from vehicle. <Ref. to MT-33, REMOVAL, Manual Transmission Assembly.> ← (C)

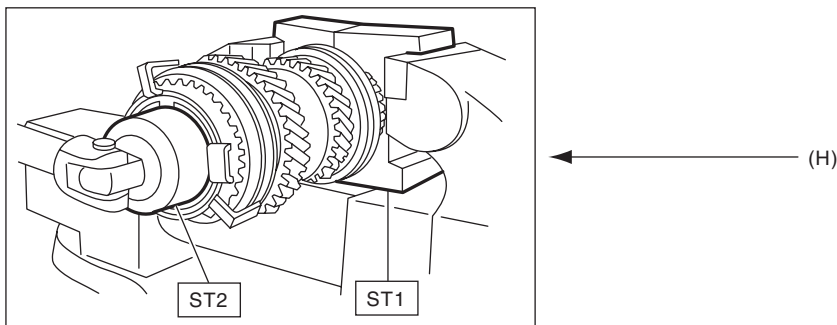
11) Tighten the lock nuts to the specified torque using ST1 and ST2.

**NOTE:** ← (D)  
Secure the lock nuts in two places after tightening.

ST1 498937000 TRANSMISSION HOLDER

ST2 499987003 SOCKET WRENCH (35) (E) (F)

**Tightening torque:** ← (G)  
**120 N·m (12.2 kgf-m, 88.5 ft-lb)**



HU-00041

(A) Component

(B) Process

(C) Reference

(D) Cautions

(E) Tool number of special tool

(F) Name of special tool

(G) Tightening torque

(H) Illustration

## 7. DIAGNOSIS

Tables showing a step-by-step process make it easy to conduct diagnosis.

## 8. SI UNITS

Measurements in these manuals are according to the SI units. Metric and yard/pound measurements are also included.

### **Example:**

*Tightening torque:*

*45 N·m (4.6 kgf-m, 33.2 ft-lb)*

# How to Use This Manuals

## HOW TO USE THIS MANUALS

---

### 9. EXPLANATION OF TERMINOLOGY

#### • List

AAI	: Air Assist Injection	HID	: High-Intensity Discharge
AAR	: Angular Adjusted Roller	H/U	: Hydraulic Unit
A/B	: Airbag	IG	: Ignition
ABS	: Anti-lock Brake System	IN	: Intake
A/C	: Air Conditioner	INT	: Intermittent
AC	: Angular Contact	I/O	: Input / Output
ACC	: Accessory	ISC	: Idle Speed Control
A/F	: Air Fuel Ratio	LAN	: Local Area Network
ALT	: Generator	LCD	: Liquid Crystal Display
ASSY	: Assembly	LED	: Light Emitting Diode
AT	: Automatic Transmission	LH	: LH (Left Hand)
ATF	: Automatic Transmission Fluid	LSD	: Limited Slip Differential
AVCS	: Active Valve Control System	M/B	: Main Fuse & Relay Box
AWD	: All Wheel Drive	MFI	: Multi Point Injection
BATT	: Battery	MP-T	: Multi-Plate Transfer
BJ	: Bell Joint	MT	: Manual Transmission
CAN	: Controller Area Network	NA	: Natural Aspiration
CD	: Compact Disc	OP	: Option Parts
COMPL	: Complete	OBD	: On-Board Diagnosis
CPU	: Central Processing Unit	P/S	: Power Steering
DOHC	: Double Overhead Camshaft	P/W	: Power Window
DTC	: Diagnosis Trouble Code	PCV	: Positive Crankcase Ventilation
DOJ	: Double Offset Joint	PID	: Parameter Identification
DVD	: Digital Versatile Disc or Digital Video Disc	RAM	: Random Access Memory
EBD	: Electronic Brake Distribution	RH	: RH (Right Hand)
EBJ	: High-efficiency Compact Ball Fixed Joint	ROM	: Read Only Memory
EDJ	: High-efficiency Compact Double Offset Joint	rpm	: Revolution Per Minute
ECM	: Engine Control Module	SOHC	: Single Overhead Camshaft
EGI	: Electronic Gasoline Injection	SRS	: Supplemental Restraint System
E/G	: Engine	SSM	: Subaru Select Monitor
EGR	: Exhaust Gas Recirculation	ST	: Special Tool
EX	: Exhaust	SW	: Switch
ETC	: Electronic Throttle Control	TGV	: Tumble Generator Valve
F/B	: Fuse & Joint Box	VDC	: Vehicle Dynamics Control
FWD	: Front Wheel Drive	V.I.N.	: Vehicle Identification Number
GPS	: Global Positioning System	VTD	: Variable Torque Distribution

# Impreza

## SPECIFICATIONS

### 1. Impreza

#### A: DIMENSION

Model		4 door	5 door	OUTBACK
Overall length	mm (in)	4,580 (180.3)	4,415 (173.8)	
Overall width	mm (in)	1,740 (68.5)		
Overall height (at C.W.)	mm (in)	1,475 (58.1)	1,480 (58.3)	
Compartment	Length	mm (in)	1,985 (78.1)	
	Width	mm (in)	1,475 (58.1)	
	Height	mm (in)	Model without sunroof : 1,200 (47.2) Model with sunroof : 1,170 (46.1)	
Wheelbase	mm (in)	2,620 (103.1)		
Tread	Front	mm (in)	1,495 (58.9)	1,490 (58.7)
	Rear	mm (in)	Non-turbo model: 1,495 (58.9) Turbo mode (205 tire) I: 1,500 (59.1) Turbo mode (225 tire) I: 1,505 (59.3)	
Minimum road clearance	mm (in)	155 (6.1)	160 (6.3)	

#### B: ENGINE

Model		2.5 L Turbo	2.5 L turbo (WRX-SS model)	2.5 L
Engine type		Horizontally opposed, liquid cooled, 4-cylinder, 4-stroke gasoline engine		
Valve arrangement		DOHC		SOHC
Bore x stroke	mm (in)	99.5 x 79.0 (3.92 x 3.11)		
Displacement	cm <sup>3</sup> (cu in)	2,457 (149.94)		
Compression ratio		8.4		10.0
Ignition order		1 — 3 — 2 — 4		
Idle speed at Park or Neutral position	rpm	700		MT: 650 AT: 700
Maximum output	kW (HP)/rpm	167 (224)/5,200	198 (265)/6,000	127 (170)/6,000
Maximum torque	N·m (kgf-m, ft-lb)/rpm	307 (31.3, 226)/2,800	330 (33.7, 244)/4,000	230 (23.5, 170)/4,400

#### C: ELECTRICAL

Model		2.5 L Turbo	2.5 L
Ignition timing (at idling)	BTDC	MT: 12°±10° AT: 17°±10°	MT: 10°±8° AT: 15°±10°
Spark plug	Type and manufacturer	NGK: SILFR6A	
Generator		12 V — 110 A	12 V — 90 A
Battery	Type and capacity (5HR)	AT: 12 V — 52 AH (65D23L) MT: 12 V — 48 AH (55D23L)	

## D: TRANSMISSION

Model		2.5 L Turbo		2.5 L		
Transmission type		5MT	4AT	5MT	4AT	
Clutch type		DSPD	TCC	DSPD	TCC	
Gear ratio	1st	3.166	2.785	3.454	2.785	
	2nd	1.882	1.545	2.062	1.545	
	3rd	1.296	1.000	1.448	1.000	
	4th	0.972	0.694	1.088	0.694	
	5th	0.738	—	0.780	—	
	6th	—	—	—	—	
	Rev.	3.333	2.272	3.333	2.272	
Reduction gear (Front)	1st reduction	Type of gear	—	Helical	—	Helical
		Gear ratio	—	1.000	—	1.000
	Final reduction	Type of gear	Hypoid	Hypoid	Hypoid	Hypoid
		Gear ratio	3.900	3.900	3.900	4.111
Reduction gear (Rear)	Transfer reduction	Type of gear	Helical	—	Helical	—
		Gear ratio	1.000	—	1.000	—
	Final reduction	Type of gear	Hypoid	Hypoid	Hypoid	Hypoid
		Gear ratio	3.900	3.900	3.900	4.111

5MT: 5-forward speeds, 1-reverse

4AT: Electronically controlled fully-automatic, 4-forward speeds and 1-reverse

DSPD: Dry Single Plate Diaphragm

TCC: Torque Converter Clutch

## E: STEERING

Model		2.5i, OUTBACK	WRX, 2.5 GT	WRX-SS
Type		Rack and pinion		
Turns, lock to lock		2.8		
Minimum turning diameter	m (ft)	Curb to curb	10.6 (34.8)	10.8 (35.5)
		Wall to wall	11.2 (36.7)	11.4 (37.4)

## F: SUSPENSION

Front	Macpherson strut type suspension
Rear	Double-wishbone type suspension

## G: BRAKE

Model	2.5 i	OUTBACK, WRX, 2.5 GT, WRX-SS
Service brake system	Dual circuit hydraulic with vacuum suspended power unit	
Front	Ventilated disc brake	
Rear	Drum brake (OP: Disc brake)	Disc brake
Parking brake	Mechanical on rear brakes	

## H: TIRE

Model	2.5 i	OUTBACK, WRX, 2.5 GT	WRX-SS
Rim size	16 × 6 <sup>1</sup> / <sub>2</sub> JJ	17 × 7JJ	
Tire size	P205/55R16 89V	P205/50 R17 88V	225/45 R17 91W
Type	Tubeless, Steel belted radial		

# Impreza

## SPECIFICATIONS

### I: CAPACITY

Model		2.5 L Turbo		2.5 L		
		5MT	4AT	5MT	4AT	
Fuel tank		ℓ (US gal, Imp gal)				64 (16.9, 14.1)
Engine oil	Capacity (at overhaul)	ℓ (US qt, Imp qt)				5.0 (5.3, 4.4)
	When replacing engine oil and oil filter	ℓ (US qt, Imp qt)				4.2 (4.4, 3.7)
	When replacing engine oil only	ℓ (US qt, Imp qt)				4.0 (4.2, 3.5)
Transmission gear oil		ℓ (US qt, Imp qt)				3.5 (3.7, 3.1) — 3.5 (3.7, 3.1) —
ATF		ℓ (US qt, Imp qt)				— 9.3 — 9.6 (9.8 — 10.1, 8.2 — 8.4) — 9.3 — 9.6 (9.8 — 10.1, 8.2 — 8.4)
Front differential gear oil		ℓ (US qt, Imp qt)				— 1.1 — 1.3 (1.2 — 1.4, 1.0 — 1.1) — 1.1 — 1.3 (1.2 — 1.4, 1.0 — 1.1)
Rear differential gear oil		ℓ (US qt, Imp qt)				0.8 (0.8, 0.7)
Power steering fluid		ℓ (US qt, Imp qt)				0.7 (0.7, 0.6)
Engine coolant		ℓ (US qt, Imp qt)				7.5 (7.9, 6.6) 7.4 (7.8, 6.5) 6.8 (7.2, 6.0) 6.7 (7.1, 5.9)

**J: WEIGHT**

Model		4 door										
		SOHC										
		2.5 i										
		MT					AT					
OP code		U4	U4	U4	U4	U4	C0	U4	U4	U4	U4	
		FW	NF	IZ	IO	VO	NF	FW	NF	IZ	IO	
Curb weight (C.W.)	Total	kg (lb)	1,390 (3,064)	1,395 (3,075)	1,385 (3,053)	1,405 (3,097)	1,405 (3,097)	1,395 (3,075)	1,420 (3,130)	1,425 (3,141)	1,415 (3,119)	1,435 (3,163)
	Front	kg (lb)	780 (1,719)	780 (1,719)	775 (1,708)	785 (1,730)	785 (1,730)	780 (1,719)	810 (1,785)	810 (1,785)	805 (1,774)	815 (1,796)
	Rear	kg (lb)	610 (1,345)	615 (1,356)	610 (1,345)	620 (1,367)	620 (1,367)	615 (1,356)	610 (1,345)	615 (1,356)	610 (1,345)	620 (1,367)
Gross vehicle weight (G.V.W.)		kg (lb)	1,950 (4,299)	1,950 (4,299)	1,950 (4,299)	1,950 (4,299)	1,950 (4,299)	1,950 (4,299)	1,950 (4,299)	1,950 (4,299)	1,950 (4,299)	1,950 (4,299)
Gross axle weight (G.A.W.)	Front	kg (lb)	990 (2,183)	990 (2,183)	990 (2,183)	990 (2,183)	990 (2,183)	990 (2,183)	990 (2,183)	990 (2,183)	990 (2,183)	990 (2,183)
	Rear	kg (lb)	1,000 (2,205)	1,000 (2,205)	1,000 (2,205)	1,000 (2,205)	1,000 (2,205)	1,000 (2,205)	1,000 (2,205)	1,000 (2,205)	1,000 (2,205)	1,000 (2,205)
Option	Aluminum wheel		—	—	○	○	○	—	—	—	○	○
	Cruise control		○	○	○	○	○	○	○	○	○	○
	Leather package		—	—	○	○	○	—	—	—	○	○
	Genuine leather seat		—	—	—	—	—	—	—	—	—	—
	High grade audio		—	—	○	○	—	—	—	—	○	○
	Navigation		—	—	—	—	○	—	—	—	—	—
	Satellite tuner		—	—	—	—	○	—	—	—	—	—
	Rear disc brake		—	○	○	○	○	○	—	○	○	○
	Satellite SW		—	—	○	○	○	—	—	—	○	○
	Side airbag		○	○	○	○	○	○	○	○	○	○
	Curtain airbag		○	○	○	○	○	○	○	○	○	○
	VDC		—	○	○	○	○	○	—	○	○	○
	Front fog light		—	—	○	○	○	—	—	—	○	○
	Cold weather package		—	—	—	—	—	—	—	—	—	—
	Sunroof		—	—	—	○	○	—	—	—	—	○
Spare tire (standard)		—	—	—	—	—	—	—	—	—	—	



# Impreza

## SPECIFICATIONS

Model		4 door									
		SOHC						DOHC Turbo			
		2.5 i			2.5 i-S			2.5 GT			
		MT					AT				
OP code		U4	C0	C0	C4	C0	C4	U4	U4	C4	
		VO	NF	IG	IG	IG	IG	KG	ZG	KG	
Curb weight (C.W.)	Total	kg (lb)	1,435 (3,163)	1,425 (3,141)	1,415 (3,119)	1,420 (3,130)	1,445 (3,185)	1,450 (3,196)	1,470 (3,240)	1,470 (3,240)	1,475 (3,251)
	Front	kg (lb)	815 (1,796)	810 (1,785)	790 (1,741)	790 (1,741)	820 (1,807)	820 (1,807)	850 (1,874)	850 (1,874)	850 (1,874)
	Rear	kg (lb)	620 (1,367)	615 (1,356)	625 (1,378)	630 (1,389)	625 (1,378)	630 (1,389)	620 (1,366)	620 (1,366)	625 (1,377)
Gross vehicle weight (G.V.W.)		kg (lb)	1,950 (4,299)	1,950 (4,299)	1,950 (4,299)	1,950 (4,299)	1,950 (4,299)	1,950 (4,299)	1,990 (4,387)	1,990 (4,387)	1,990 (4,387)
Gross axle weight (G.A.W.)	Front	kg (lb)	990 (2,183)	990 (2,183)	990 (2,183)	990 (2,183)	990 (2,183)	990 (2,183)	1,020 (2,249)	1,020 (2,249)	1,020 (2,249)
	Rear	kg (lb)	1,000 (2,205)	1,000 (2,205)	1,000 (2,205)	1,000 (2,205)	1,000 (2,205)	1,000 (2,205)	1,030 (2,271)	1,030 (2,271)	1,030 (2,271)
Option	Aluminum wheel		○	—	○	○	○	○	○	○	○
	Cruise control		○	○	○	○	○	○	○	○	○
	Leather package		○	—	○	○	○	○	○	○	○
	Genuine leather seat		—	—	—	—	—	—	—	○	—
	High grade audio		—	—	○	○	○	○	○	○	○
	Navigation		○	—	—	—	—	—	—	—	—
	Satellite tuner		○	—	—	—	—	—	—	—	—
	Rear disc brake		○	○	○	○	○	○	—	—	—
	Satellite SW		○	—	○	○	○	○	○	○	○
	Side airbag		○	○	○	○	○	○	○	○	○
	Curtain airbag		○	○	○	○	○	○	○	○	○
	VDC		○	○	○	○	○	○	○	○	○
	Front fog light		○	—	○	○	○	○	○	○	○
	Cold weather package		—	—	○	○	○	○	○	○	○
	Sunroof		○	—	○	○	○	○	○	○	○
Spare tire (standard)		—	—	—	○	—	○	—	—	○	

# Impreza

## SPECIFICATIONS

Model		4 door									
		DOHC Turbo									
		WRX-S		2.5GT-S		WRX-SS					
		MT		AT		MT					
OP code		C0	C4	C4	C4	U4	U4	U4	C0	C4	
		YJ	KG	KG	YZ	YF	KG	ZG	TG	KG	
Curb weight (C.W.)	Total	kg (lb)	1,430 (3,152)	1,455 (3,207)	1,485 (3,273)	1,460 (3,218)	1,440 (3,174)	1,465 (3,229)	1,465 (3,229)	1,465 (3,229)	1,470 (3,240)
	Front	kg (lb)	820 (1,807)	830 (1,829)	855 (1,885)	845 (1,863)	825 (1,818)	835 (1,840)	835 (1,840)	835 (1,840)	835 (1,840)
	Rear	kg (lb)	610 (1,345)	625 (1,378)	630 (1,388)	615 (1,355)	615 (1,356)	630 (1,389)	630 (1,389)	630 (1,389)	635 (1,400)
Gross vehicle weight (G.V.W.)		kg (lb)	1,990 (4,387)	1,990 (4,387)	1,990 (4,387)	1,990 (4,387)	1,990 (4,387)	1,990 (4,387)	1,990 (4,387)	1,990 (4,387)	1,990 (4,387)
Gross axle weight (G.A.W.)	Front	kg (lb)	1,020 (2,249)	1,020 (2,249)	1,020 (2,249)	1,020 (2,249)	1,020 (2,249)	1,020 (2,249)	1,020 (2,249)	1,020 (2,249)	1,020 (2,249)
	Rear	kg (lb)	1,030 (2,271)	1,030 (2,271)	1,030 (2,271)	1,030 (2,271)	1,030 (2,271)	1,030 (2,271)	1,030 (2,271)	1,030 (2,271)	1,030 (2,271)
Option	Aluminum wheel		○	○	○	○	○	○	○	○	○
	Cruise control		○	○	○	○	○	○	○	○	○
	Leather package		○	○	○	○	○	○	○	○	○
	Genuine leather seat		—	—	—	—	—	—	○	—	—
	High grade audio		—	○	○	—	—	○	○	○	○
	Navigation		—	—	—	—	—	—	—	—	—
	Satellite tuner		—	—	—	—	—	—	—	○	—
	Rear disc brake		—	—	—	—	—	—	—	—	—
	Satellite SW		—	○	○	—	—	○	○	○	○
	Side airbag		○	○	○	○	○	○	○	○	○
	Curtain airbag		○	○	○	○	○	○	○	○	○
	VDC		○	○	○	○	○	○	○	○	○
	Front fog light		○	○	○	○	—	○	○	○	○
	Cold weather package		○	○	○	—	—	○	○	○	○
	Sunroof		—	○	○	—	—	○	○	○	○
Spare tire (standard)		—	○	○	○	—	—	—	—	○	

# Impreza

## SPECIFICATIONS

Model		5 door										
		SOHC										
		2.5 i										
		MT					AT					
OP code		U4	U4	U4	U4	U4	C0	U4	U4	U4	U4	
		FW	NF	IZ	IO	VO	NF	FW	NF	IZ	IO	
Curb weight (C.W.)	Total	kg (lb)	1,390 (3,064)	1,395 (3,075)	1,385 (3,053)	1,405 (3,097)	1,405 (3,097)	1,395 (3,075)	1,420 (3,130)	1,425 (3,141)	1,415 (3,119)	1,435 (3,163)
	Front	kg (lb)	780 (1,719)	780 (1,719)	775 (1,708)	785 (1,730)	785 (1,730)	780 (1,719)	810 (1,785)	810 (1,785)	805 (1,774)	815 (1,796)
	Rear	kg (lb)	610 (1,345)	615 (1,356)	610 (1,345)	620 (1,367)	620 (1,367)	615 (1,356)	610 (1,345)	615 (1,356)	610 (1,345)	620 (1,367)
Gross vehicle weight (G.V.W.)		kg (lb)	1,950 (4,299)	1,950 (4,299)	1,950 (4,299)	1,950 (4,299)	1,950 (4,299)	1,950 (4,299)	1,950 (4,299)	1,950 (4,299)	1,950 (4,299)	1,950 (4,299)
Gross axle weight (G.A.W.)	Front	kg (lb)	990 (2,183)	990 (2,183)	990 (2,183)	990 (2,183)	990 (2,183)	990 (2,183)	990 (2,183)	990 (2,183)	990 (2,183)	990 (2,183)
	Rear	kg (lb)	1,000 (2,205)	1,000 (2,205)	1,000 (2,205)	1,000 (2,205)	1,000 (2,205)	1,000 (2,205)	1,000 (2,205)	1,000 (2,205)	1,000 (2,205)	1,000 (2,205)
Option	Aluminum wheel		—	—	○	○	○	—	—	—	○	○
	Cruise control		○	○	○	○	○	○	○	○	○	○
	Leather package		—	—	○	○	○	—	—	—	○	○
	Genuine leather seat		—	—	—	—	—	—	—	—	—	—
	High grade audio		—	—	○	○	—	—	—	—	○	○
	Navigation		—	—	—	—	○	—	—	—	—	—
	Satellite tuner		—	—	—	—	○	—	—	—	—	—
	Rear disc brake		—	○	○	○	○	○	—	○	○	○
	Satellite SW		—	—	○	○	○	—	—	—	○	○
	Side airbag		○	○	○	○	○	○	○	○	○	○
	Curtain airbag		○	○	○	○	○	○	○	○	○	○
	VDC		—	○	○	○	○	○	—	○	○	○
	Front fog light		—	—	○	○	○	—	—	—	○	○
	Cold weather package		—	—	—	—	—	—	—	—	—	—
	Sunroof		—	—	—	○	○	—	—	—	—	○
Spare tire (standard)		—	—	—	—	—	—	—	—	—	—	

# Impreza

## SPECIFICATIONS

Model		5 door										
		SOHC								DOHC Turbo		
		2.5 i		2.5 i-S				OUTBACK SPORT		2.5 GT		
		MT				AT		MT	AT			
OP code		U4	C0	C0	C4	C0	C4	U4	U4	U4	U4	
		VO	NF	IG	IG	IG	IG	KJ	KJ	KG	ZG	
Curb weight (C.W.)	Total	kg (lb)	1,435 (3,163)	1,425 (3,141)	1,415 (3,119)	1,420 (3,130)	1,445 (3,185)	1,450 (3,196)	1,410 (3,108)	1,440 (3,174)	1,470 (3,240)	1,470 (3,240)
	Front	kg (lb)	815 (1,796)	810 (1,785)	790 (1,741)	790 (1,741)	820 (1,807)	820 (1,807)	790 (1,741)	820 (1,807)	850 (1,874)	850 (1,874)
	Rear	kg (lb)	620 (1,367)	615 (1,356)	625 (1,378)	630 (1,389)	625 (1,378)	630 (1,389)	620 (1,367)	620 (1,367)	620 (1,366)	620 (1,366)
Gross vehicle weight (G.V.W.)		kg (lb)	1,950 (4,299)	1,950 (4,299)	1,950 (4,299)	1,950 (4,299)	1,950 (4,299)	1,950 (4,299)	1,950 (4,299)	1,950 (4,299)	1,990 (4,387)	1,990 (4,387)
Gross axle weight (G.A.W.)	Front	kg (lb)	990 (2,183)	990 (2,183)	990 (2,183)	990 (2,183)	990 (2,183)	990 (2,183)	990 (2,183)	990 (2,183)	1,020 (2,249)	1,020 (2,249)
	Rear	kg (lb)	1,000 (2,205)	1,000 (2,205)	1,000 (2,205)	1,000 (2,205)	1,000 (2,205)	1,000 (2,205)	1,000 (2,205)	1,000 (2,205)	1,030 (2,271)	1,030 (2,271)
Option	Aluminum wheel		○	—	○	○	○	○	○	○	○	○
	Cruise control		○	○	○	○	○	○	○	○	○	○
	Leather package		○	—	○	○	○	○	○	○	○	○
	Genuine leather seat		—	—	—	—	—	—	—	—	—	○
	High grade audio		—	—	○	○	○	○	○	○	○	○
	Navigation		○	—	—	—	—	—	—	—	—	—
	Satellite tuner		○	—	—	—	—	—	—	—	—	—
	Rear disc brake		○	○	○	○	○	○	—	—	—	—
	Satellite SW		○	—	○	○	○	○	○	○	○	○
	Side airbag		○	○	○	○	○	○	○	○	○	○
	Curtain airbag		○	○	○	○	○	○	○	○	○	○
	VDC		○	○	○	○	○	○	○	○	○	○
	Front fog light		○	—	○	○	○	○	○	○	○	○
	Cold weather package		—	—	○	○	○	○	○	○	○	○
Sunroof		○	—	○	○	○	○	—	—	○	○	
Spare tire (standard)		—	—	—	○	—	○	—	—	—	—	

# Impreza

## SPECIFICATIONS

Model		5 door										
		DOHC Turbo										
		2.5 GT	WRX-S		2.5GT-S		WRX-SS					
		AT	MT		AT		MT					
OP code		C4	C0	C4	C4	C4	U4	U4	U4	C0	C4	
		KG	YJ	KG	KG	YZ	YF	KG	ZG	TG	KG	
Curb weight (C.W.)	Total	kg (lb)	1,475 (3,251)	1,430 (3,152)	1,455 (3,207)	1,485 (3,273)	1,460 (3,218)	1,440 (3,174)	1,465 (3,229)	1,465 (3,229)	1,465 (3,229)	1,470 (3,240)
	Front	kg (lb)	850 (1,874)	820 (1,807)	830 (1,829)	855 (1,885)	845 (1,863)	825 (1,818)	835 (1,840)	835 (1,840)	835 (1,840)	835 (1,840)
	Rear	kg (lb)	625 (1,377)	610 (1,345)	625 (1,378)	630 (1,388)	615 (1,355)	615 (1,356)	630 (1,389)	630 (1,389)	630 (1,389)	635 (1,400)
Gross vehicle weight (G.V.W.)		kg (lb)	1,990 (4,387)	1,990 (4,387)	1,990 (4,387)	1,990 (4,387)	1,990 (4,387)	1,990 (4,387)	1,990 (4,387)	1,990 (4,387)	1,990 (4,387)	1,990 (4,387)
Gross axle weight (G.A.W.)	Front	kg (lb)	1,020 (2,249)	1,020 (2,249)	1,020 (2,249)	1,020 (2,249)	1,020 (2,249)	1,020 (2,249)	1,020 (2,249)	1,020 (2,249)	1,020 (2,249)	1,020 (2,249)
	Rear	kg (lb)	1,030 (2,271)	1,030 (2,271)	1,030 (2,271)	1,030 (2,271)	1,030 (2,271)	1,030 (2,271)	1,030 (2,271)	1,030 (2,271)	1,030 (2,271)	1,030 (2,271)
Option	Aluminum wheel		○	○	○	○	○	○	○	○	○	○
	Cruise control		○	○	○	○	○	○	○	○	○	○
	Leather package		○	○	○	○	○	○	○	○	○	○
	Genuine leather seat		—	—	—	—	—	—	—	○	—	—
	High grade audio		○	—	○	○	—	—	○	○	○	○
	Navigation		—	—	—	—	—	—	—	—	—	—
	Satellite tuner		—	—	—	—	—	—	—	—	○	—
	Rear disc brake		—	—	—	—	—	—	—	—	—	—
	Satellite SW		○	—	○	○	—	—	○	○	○	○
	Side airbag		○	○	○	○	○	○	○	○	○	○
	Curtain airbag		○	○	○	○	○	○	○	○	○	○
	VDC		○	○	○	○	○	○	○	○	○	○
	Front fog light		○	○	○	○	○	—	○	○	○	○
	Cold weather package		○	○	○	○	—	—	○	○	○	○
	Sunroof		○	—	○	○	—	—	○	○	○	○
Spare tire (standard)		○	—	○	○	○	—	—	—	—	○	

### 1. Precaution

#### A: CAUTION

Please clearly understand and adhere to the following general precautions for environmental protection and to avoid minor or serious injury to the person doing the work or people in the area.

#### 1. ABS

Handle the ABS as a total system. Do not disassemble or attempt to repair parts which are not instructed in this manual. Follow the directions in this manual when performing maintenance on the ABS/SCM&H/U. When parts other than those specified are disassembled, it is possible that the ABS system will not operate when needed or cause it to operate incorrectly and result in injury.

#### 2. VEHICLE DYNAMICS CONTROL (VDC)

Handle the VDC as a total system. Do not disassemble or attempt to repair individual parts. Follow the directions in this manual when performing maintenance on the VDCCM&H/U. When parts other than those specified are disassembled, it is possible that the VDC system will not operate when needed or cause it to operate incorrectly and result in injury.

#### 3. BRAKE FLUID

If brake fluid gets in your eyes or on your skin, do the following:

- Wash eyes and seek immediate medical attention.
- Wash your skin with soap and then rinse thoroughly with water.

#### 4. RADIATOR FAN

The radiator fan may rotate without warning, even when the engine is not ON. Do not place your hand, cloth, tools or other items near the fan at any time.

#### 5. ROAD TEST

Always conduct road tests in accordance with traffic rules and regulations to avoid bodily injury and interrupting traffic.

#### 6. AIRBAG

To prevent bodily injury from unexpected deployment of airbags and unnecessary maintenance, follow the instructions in this manual when performing maintenance on or near the airbag components, around front of the vehicle (radiator panel, front wheel apron, front side frame, front bumper, front hood, front fender), around side of the vehicle (front door, rear door, center pillar, rear fender, side sill, rear wheel apron), around rear of the vehicle (rear seat cushion, rear floor, rear crossmember), and on or near the airbag wiring harnesses.

To prevent unexpected deployment, turn the ignition switch to OFF and disconnect the ground cable from battery, then wait at least 20 seconds before starting work.

#### 7. AIRBAG DISPOSAL

To prevent bodily injury from unexpected airbag deployment, do not dispose the airbag modules in the same way as other waste. Follow all government regulations concerning disposal of refuse.

#### 8. AIRBAG MODULE

Adhere to the following when handling and storing the airbag module to prevent bodily injury from unexpected deployment:

- Do not hold the harnesses or connectors to carry the module.
- Do not face the bag in the direction that it opens towards yourself or other people.
- Do not face the bag in the direction that it opens towards the floor or walls.

#### 9. AIRBAG SPECIAL TOOL

To prevent unexpected deployment, only use special tools.

#### 10.WINDOW

Always wear safety glasses when working around any glass to prevent glass fragments from damaging your eyes.

#### 11.WINDOW ADHESIVE

Always use the recommended or equivalent adhesive when attaching glass to prevent it from coming falling, resulting in accidents and injury.

## 12.OIL

When handling oil, adhere to the following to prevent unexpected accident.

- Prepare a container and cloth to prevent scattering of oil when performing work where oil can be spilled. If the oil spills, wipe it off immediately to prevent from penetrating into floor or flowing out for environmental protection.
- Follow all government and local regulations concerning disposal of refuse when disposing.

## 13.FUEL

When handling and storing fuel, adhere to the following to prevent from unexpected accident.

- Be careful with fire.
- Prepare a container and cloth to prevent scattering of fuels when performing work where fuels can be spilled. If the fuel spills, wipe it off immediately to prevent from penetrating into floor or flowing out for environmental protection.
- Follow all government and local regulations concerning disposal of refuse when disposing.

## 14.ENGINE COOLANT

When handling engine coolant, adhere to the following to prevent from unexpected accident.

- Never remove the radiator cap since engine coolant may blow out when it is hot.
- Prepare a container and cloth to prevent scattering of engine coolant when performing work where engine coolant can be spilled. If the fuel spills, wipe it off immediately to prevent from penetrating into floor or flowing out for environmental protection.
- Follow all government and local regulations concerning disposal of refuse when disposing.

## 15.AIR CONDITIONER REFRIGERANT

In order to prevent from global warming, avoid releasing air conditioner refrigerant into the atmosphere. Using a refrigerant recovery system, discharge and recycle it.

# Precaution

PRECAUTION

---



## 1. Note

### A: NOTE

This information will improve the efficiency of maintenance and assure that the finished work is of a good quality.

#### 1. FASTENERS NOTICE

Fasteners must be tightened to the specified torque.

Do not apply paint, lubricant, rust retardant or other substance to the surface around bolts, nuts, etc. Doing so will make it difficult to obtain the correct torque and result in looseness and other problem.

#### 2. STATIC ELECTRICITY DAMAGE

Always touch grounded metal for the elimination of static electricity before conducting work.

#### 3. BATTERY

When removing the battery cables, always be sure to turn the ignition switch to OFF.

#### 4. SERVICE PARTS

Use genuine parts for maximum performance and maintenance when conducting repairs. Subaru/FHI will not be responsible for poor performance resulting from the use of parts except for genuine parts.

#### 5. PROTECTING VEHICLE UNDER MAINTENANCE

Make sure to attach the fender cover, seat covers, etc. before work.

#### 6. ENSURING SECURITY DURING WORK

When working in a group of two or more, perform the work with calling each other to ensure mutual safety.

## 7. LIFT AND JACK

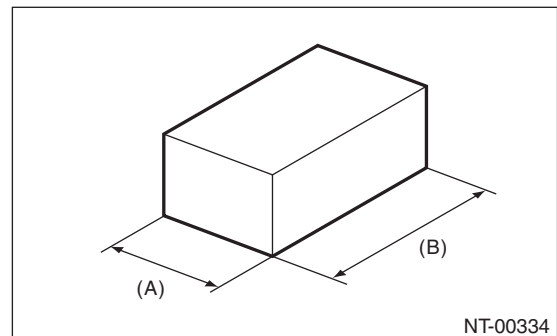
When using a lift or shop jack to raise a vehicle or using rigid rack to support a vehicle, always follow instructions concerning jack-up points and weight limits to prevent the vehicle from falling, which could result in injury. Be especially careful that the vehicle is balanced before raising it. Be sure to set the wheel stoppers when jacking-up only the front or rear side of the vehicle.

### CAUTION:

**Not to let the side sill cover interfere with the lift arm, use a lift attachment.**

### NOTE:

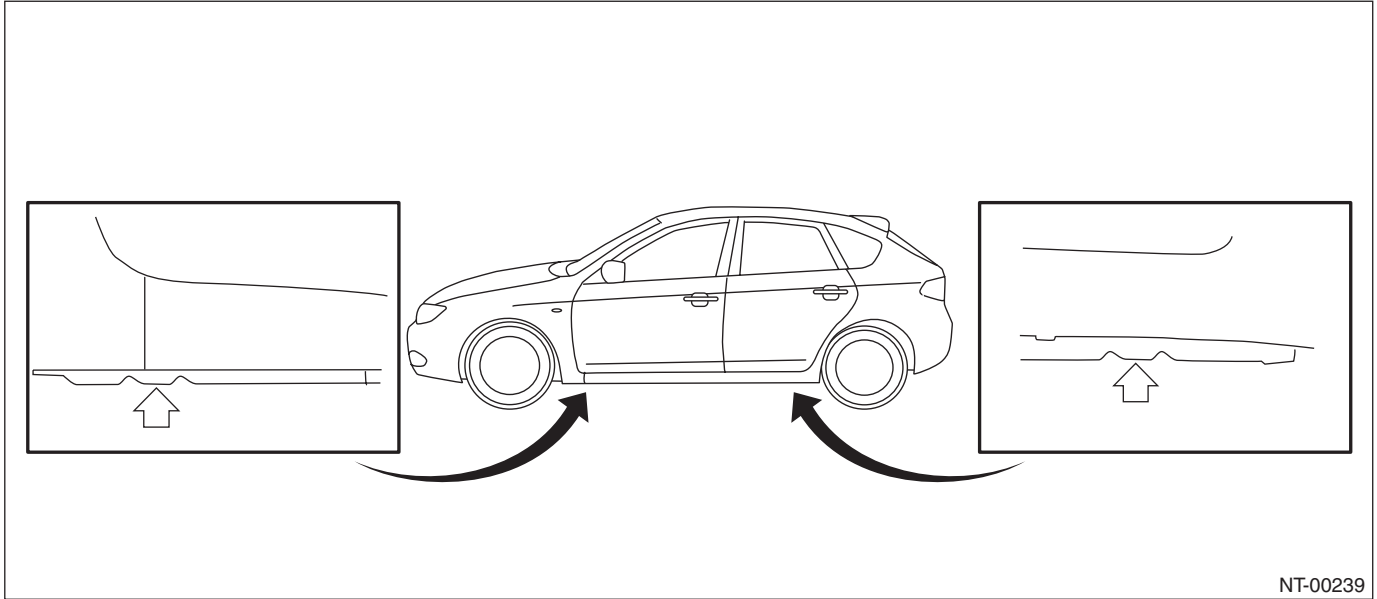
- When using a lift, follow its operation manual before work.
- When using, insert the body flange to the attachment groove.
- When the side sill cover contacts the lift arm, use a lift attachment.
- Do not work or leave unattended while the vehicle is supported with jack, support it with rigid racks.
- Be sure to use the rigid racks with rubber attached to cradle to support the vehicle.
- When using a plate lift, use a rubber attachment. (Model with side sill cover)



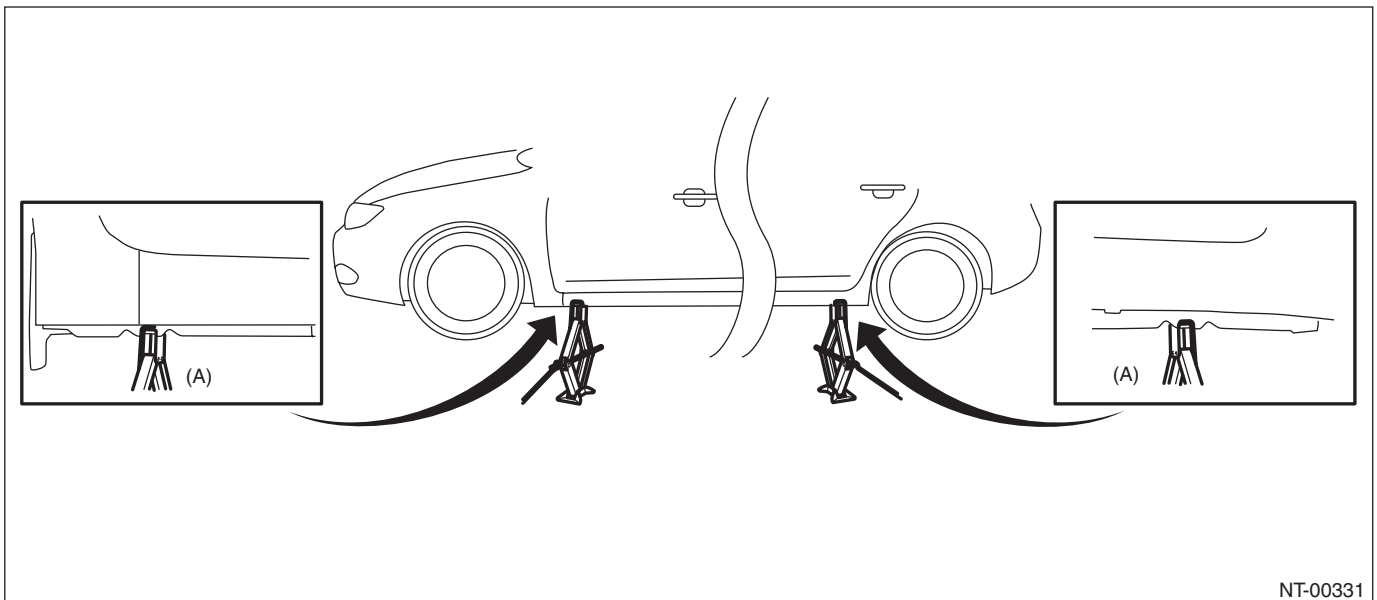
(A) Approx. 100 mm (3.94 in)

(B) 120 — 180 mm (4.72 — 7.01 in)

- Do not use the plate lift whose attachment does not reach the supporting locations.  
The figure of vehicle indicates the supporting locations, supporting procedures, etc. for 5 door model, and they are same for 4 door model.  
Supporting locations



## Pantograph jack

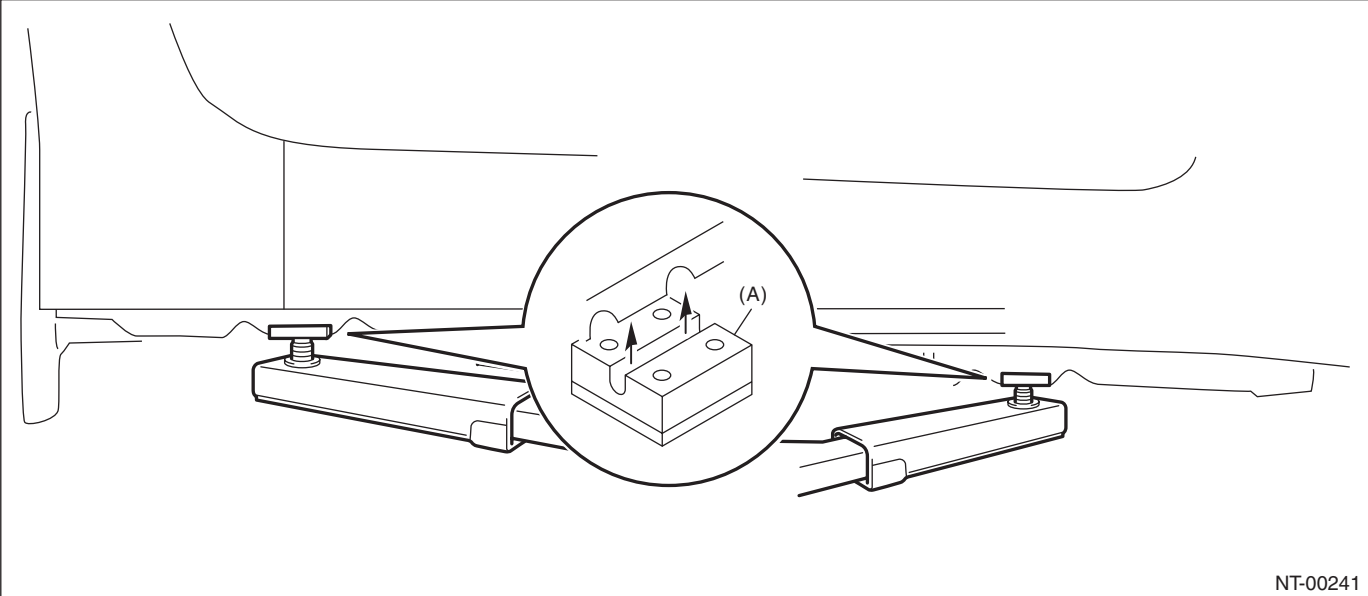


- (A) Set the jacks between cutout portions.

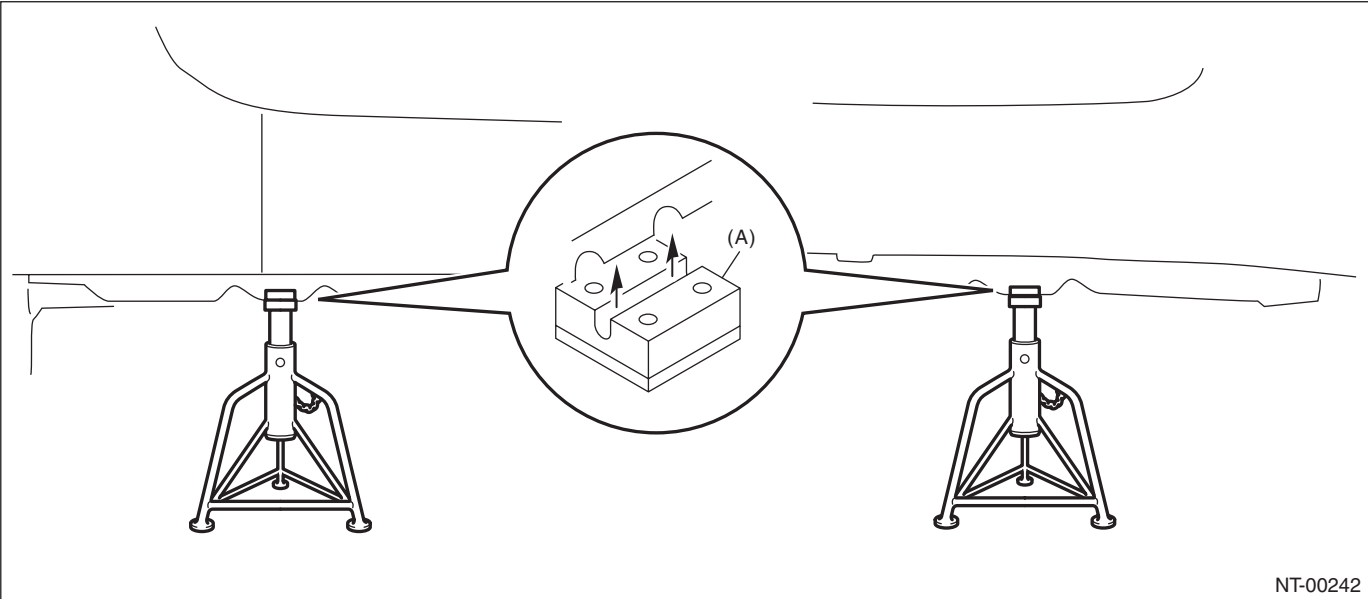
# Note

## NOTE

### Lift

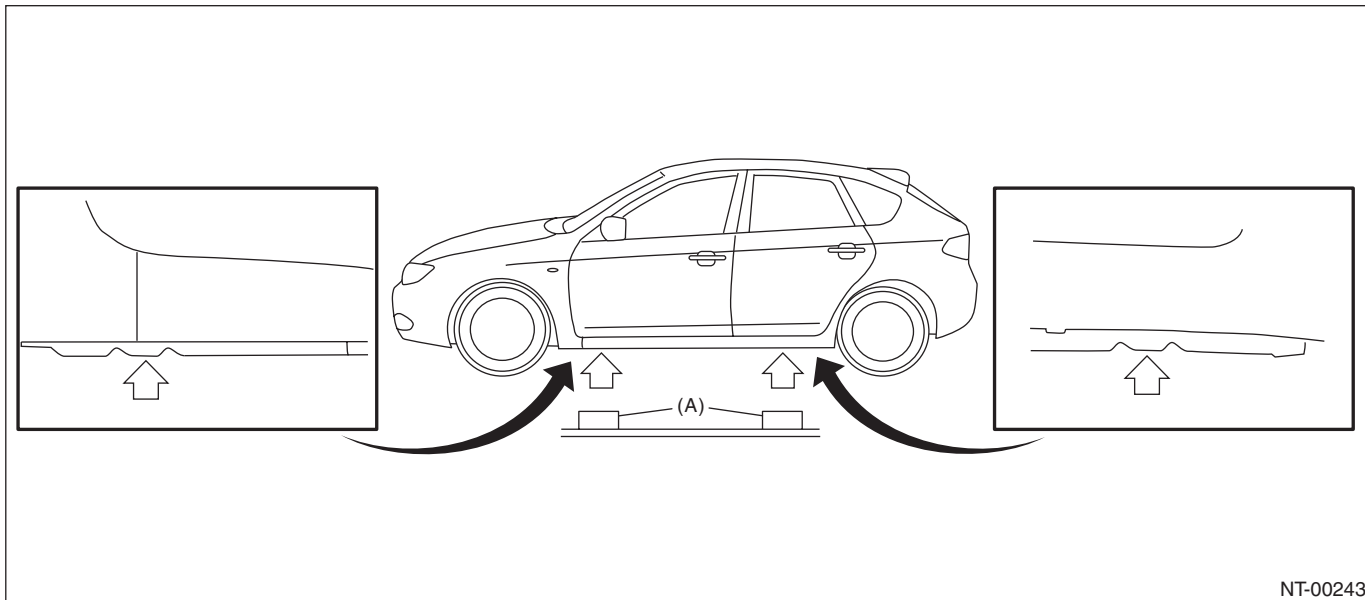


(A) Attachment  
Rigid rack



(A) Attachment

Plate lift



NT-00243

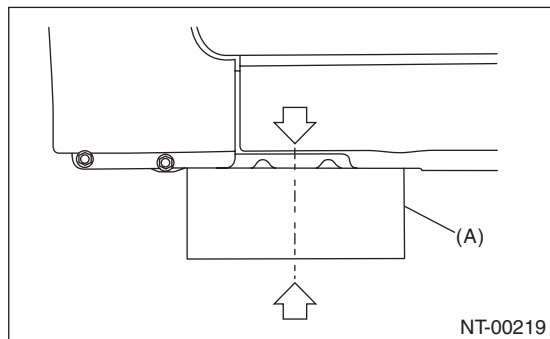
(A) Attachment

- Use the attachment by aligning its position as follows.

- Model without side sill spoiler

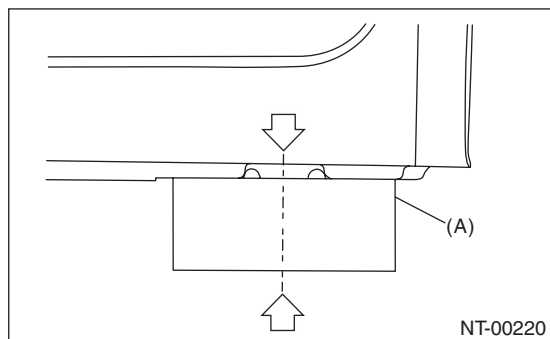
For the models without side sill spoiler, align the center of attachment with the center of cutout portions.

Front



NT-00219

Rear



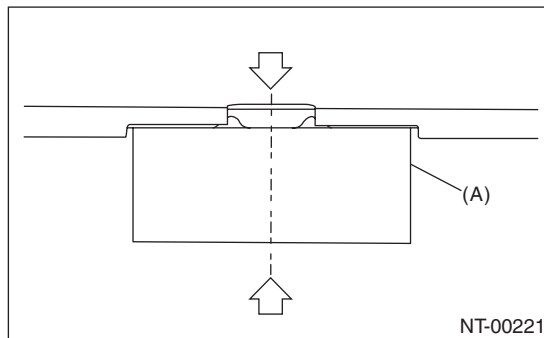
NT-00220

(A) Attachment

- Model with side sill spoiler

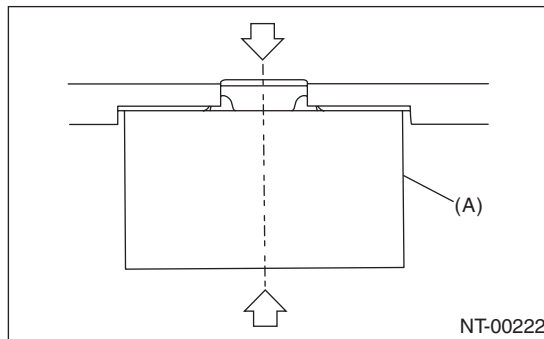
For the models with side sill spoiler, align the center of attachment with the center of vehicle cutout portion (the center of spoiler cutout portion).

Front



NT-00221

Rear

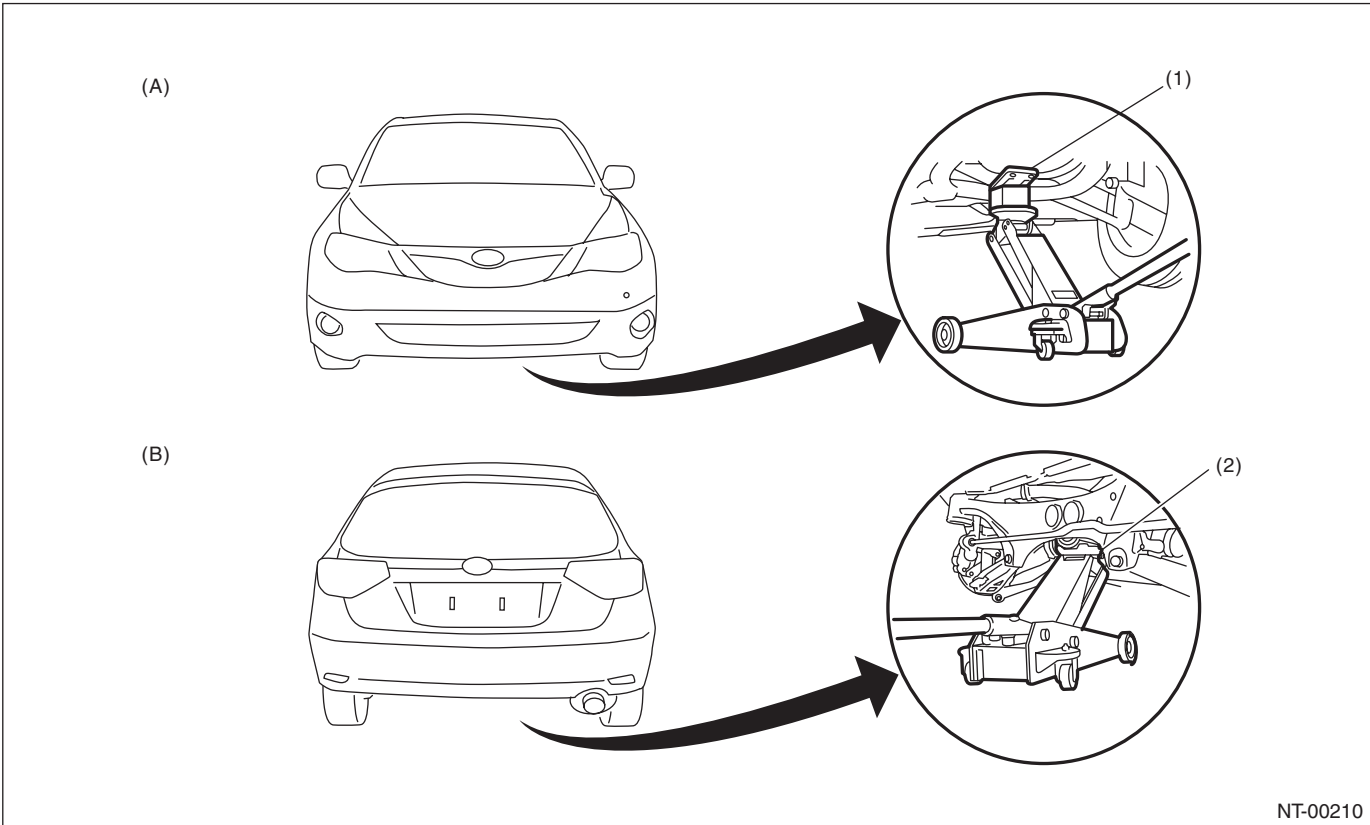


NT-00222

(A) Attachment

# Note

NOTE



NT-00210

(A) Front

(B) Rear

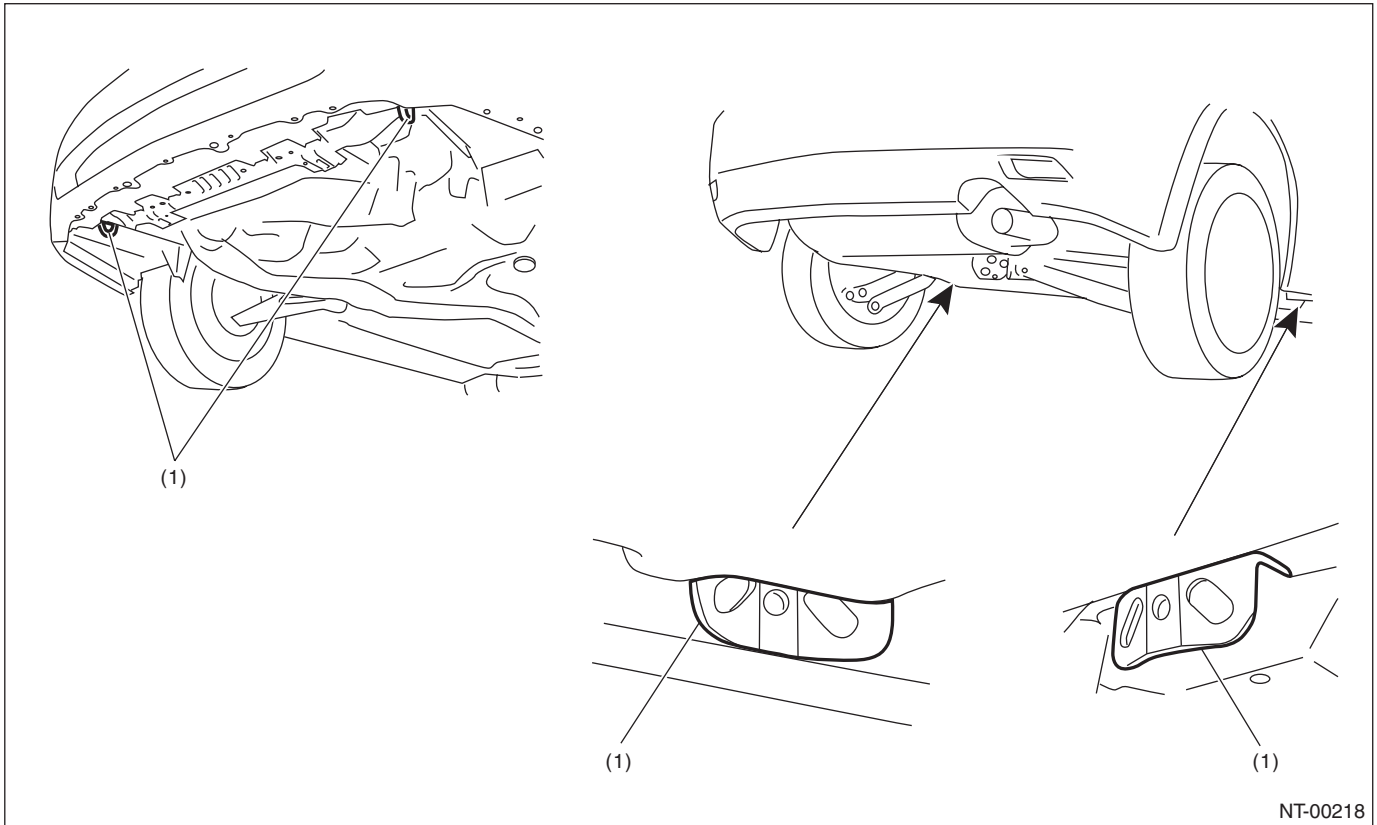
(1) Front crossmember

(2) Rear differential

### 8. TIE-DOWNS

The tie-down hooks are used when transporting vehicles and when using the chassis dynamo. Attach tie-down only to the specified locations on the vehicle.

- TIE-DOWN LOCATION

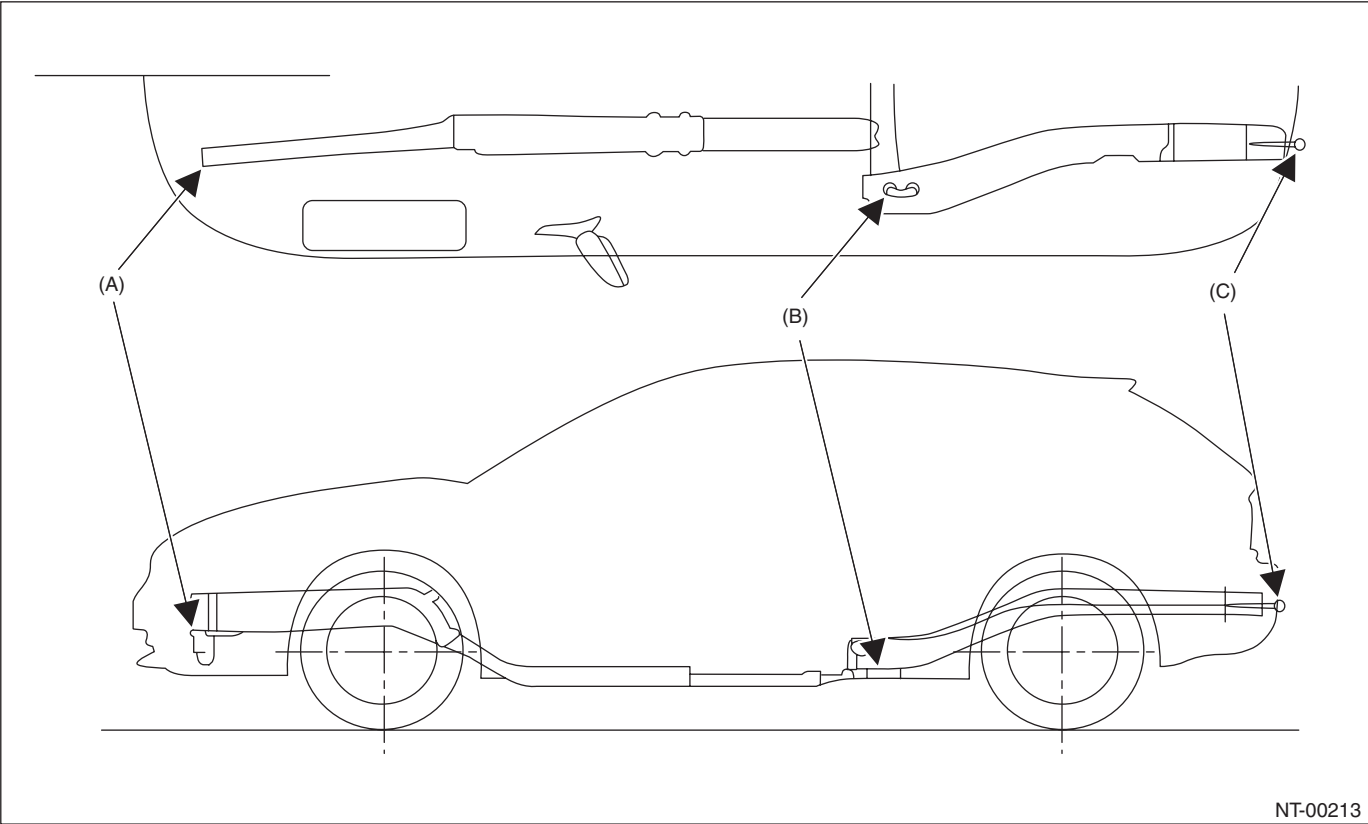


(1) Hook for tie-down

# Note

NOTE

- TIE-DOWN HOOK & EYE BOLT



(A) Front tie-down hook

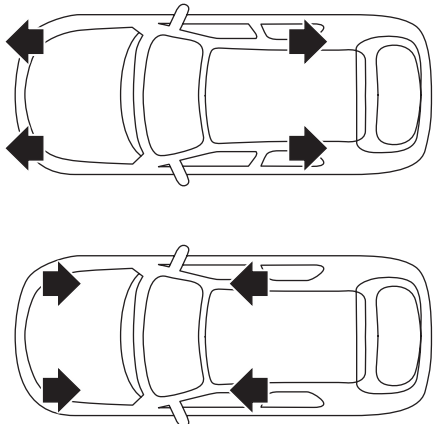
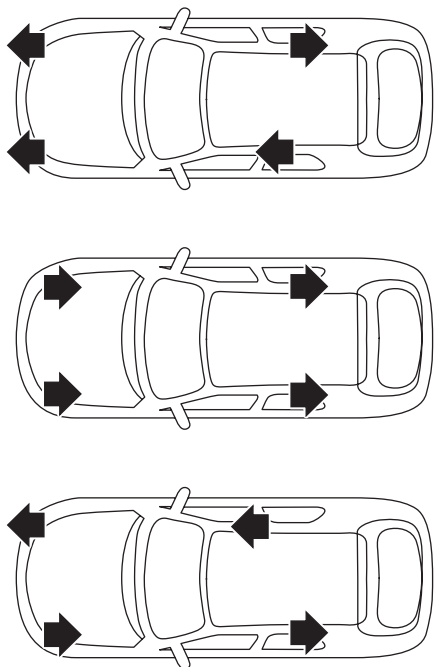
(B) Rear tie-down hook

(C) Eye bolt

• TIE-DOWN DIRECTION

CAUTION:

Pull the tie-down chains LH and RH in the same direction, but front and rear side in the counter direction.

	Recommended	NG
Tie-down direction	 <p data-bbox="812 1018 909 1050">NT-00214</p>	 <p data-bbox="1380 1018 1477 1050">NT-00215</p>



# Note

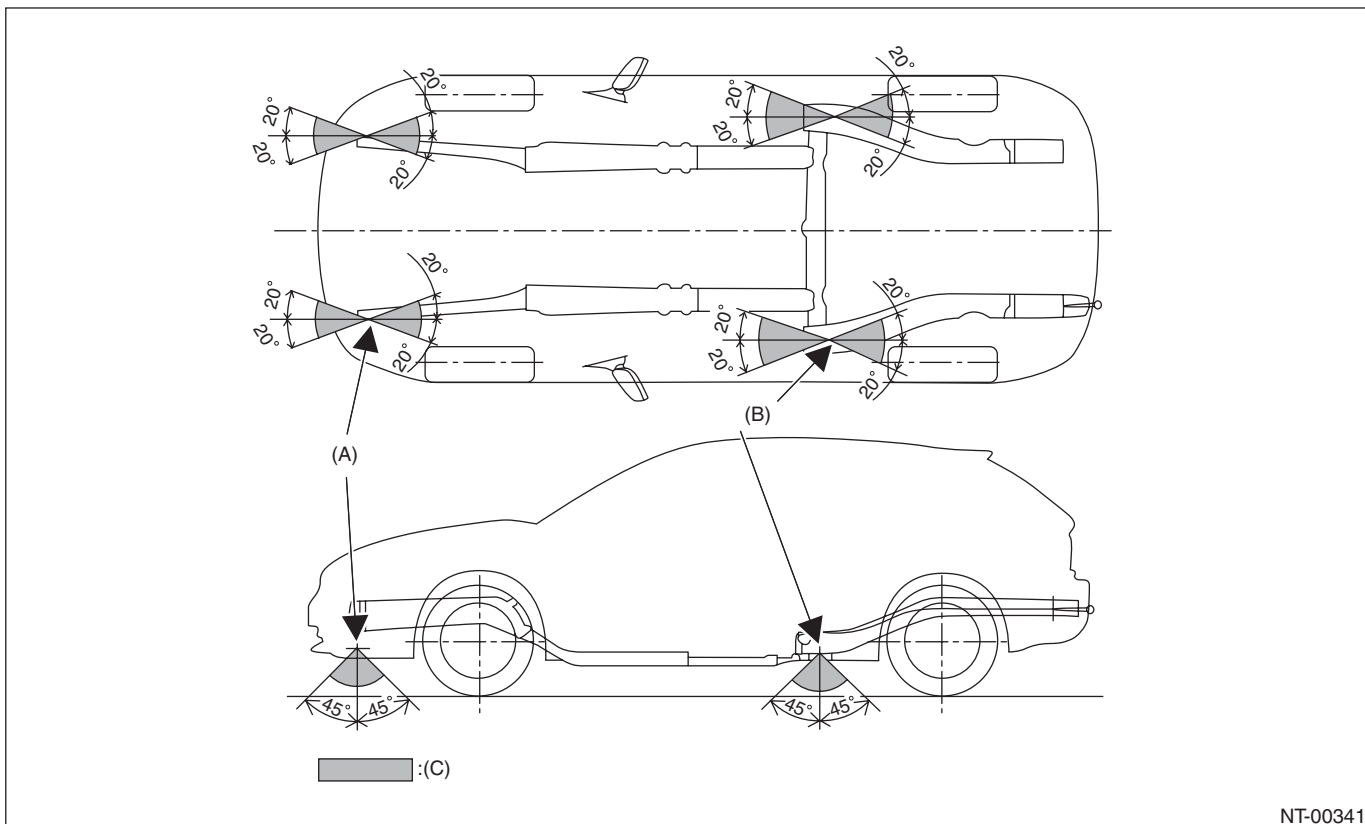
## NOTE

### • TIE-DOWN RANGE

For ground transportation

#### CAUTION:

When the vehicle is tied down from vehicle inside, hook the hooks of tie-down chain on the rear tie-down hooks from vehicle inside. When the vehicle is tied down from vehicle outside, hook the hooks of tie-down chain on the rear tie-down hooks from vehicle outside.



NT-00341

(A) Front tie-down hook

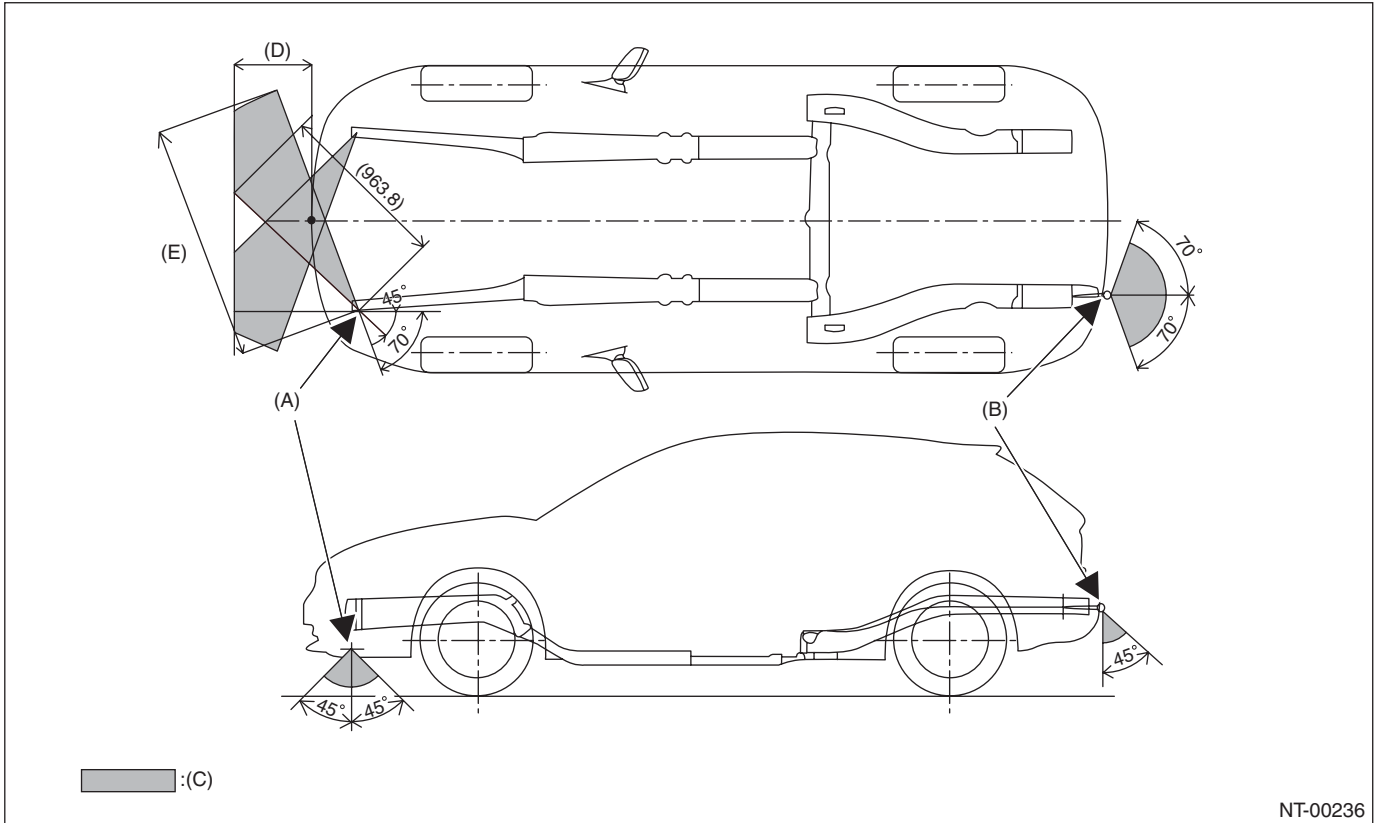
(B) Rear tie-down hook

(C) Chain pulling range at tie-down condition

For sea transportation

**CAUTION:**

The eye bolts are exclusively used for towing and sea transportation tie-down, and do not use them for ground and freight transportation.



NT-00236

- (A) Front tie-down hook
- (B) Eye bolt

- (C) Chain pulling range at tie-down condition

- (D) 400 mm (15.7 in)
- (E) 1,320 mm (52.0 in)

## Note

### NOTE

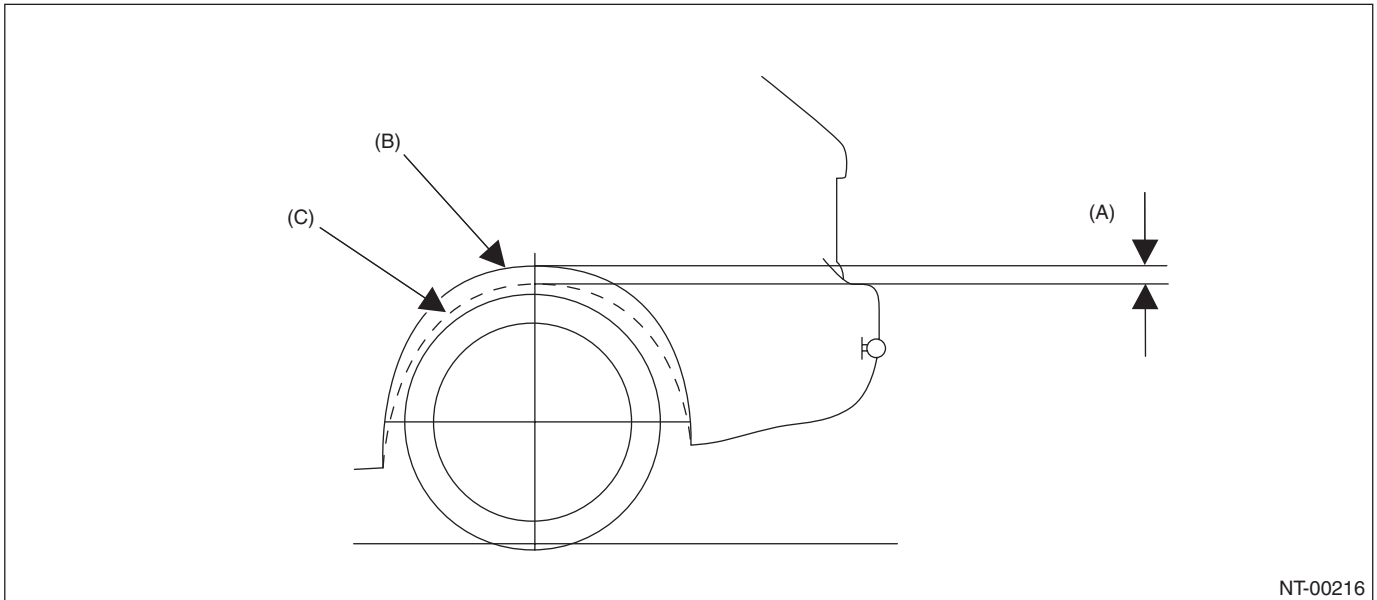
#### • VEHICLE SINKING VOLUME AT TIE-DOWN CONDITION

#### CAUTION:

The vehicle sinking volume at tie-down condition should be less than 50 mm (1.97 in) and make sure to fix the vehicle securely.

Check to see if the tensions of chains or belts at tie-down condition are appropriate in the following procedures.

- 1) Measure the distance (A) between the center of wheel and highest arch point.
- 2) Compare the measured dimensions of before and after tie-down.
- 3) If the difference is less than 50 mm (1.97 in), it is judged as OK. If the difference is 50 mm (1.97 in) or more, it is judged as NG because the tension is too high.



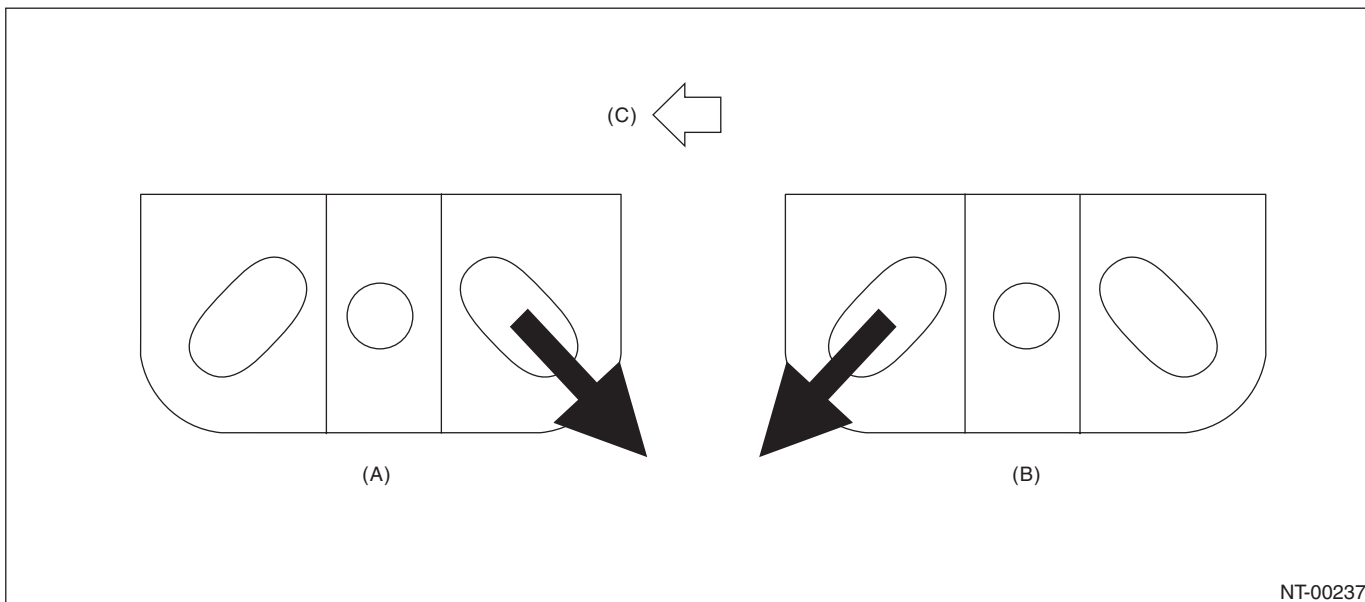
(B) Arch position before tie-down

(C) Arch position after tie-down

• NOTES FOR THE USE OF TIE-DOWN HOOK

When the vehicle is tied down from the rear side, use the holes at the rear side, and when the vehicle is tied down from the front side, use the holes at the front side.

When the vehicle is tied down from vehicle inside, hook the hooks of tie-down chain from vehicle inside, and when the vehicle is tied down from vehicle outside, hook the hooks of tie-down chain from vehicle outside.



NT-00237

(A) When the vehicle is tied down towards the rear side

(B) When the vehicle is tied down towards the front side

(C) Vehicle front

## Note

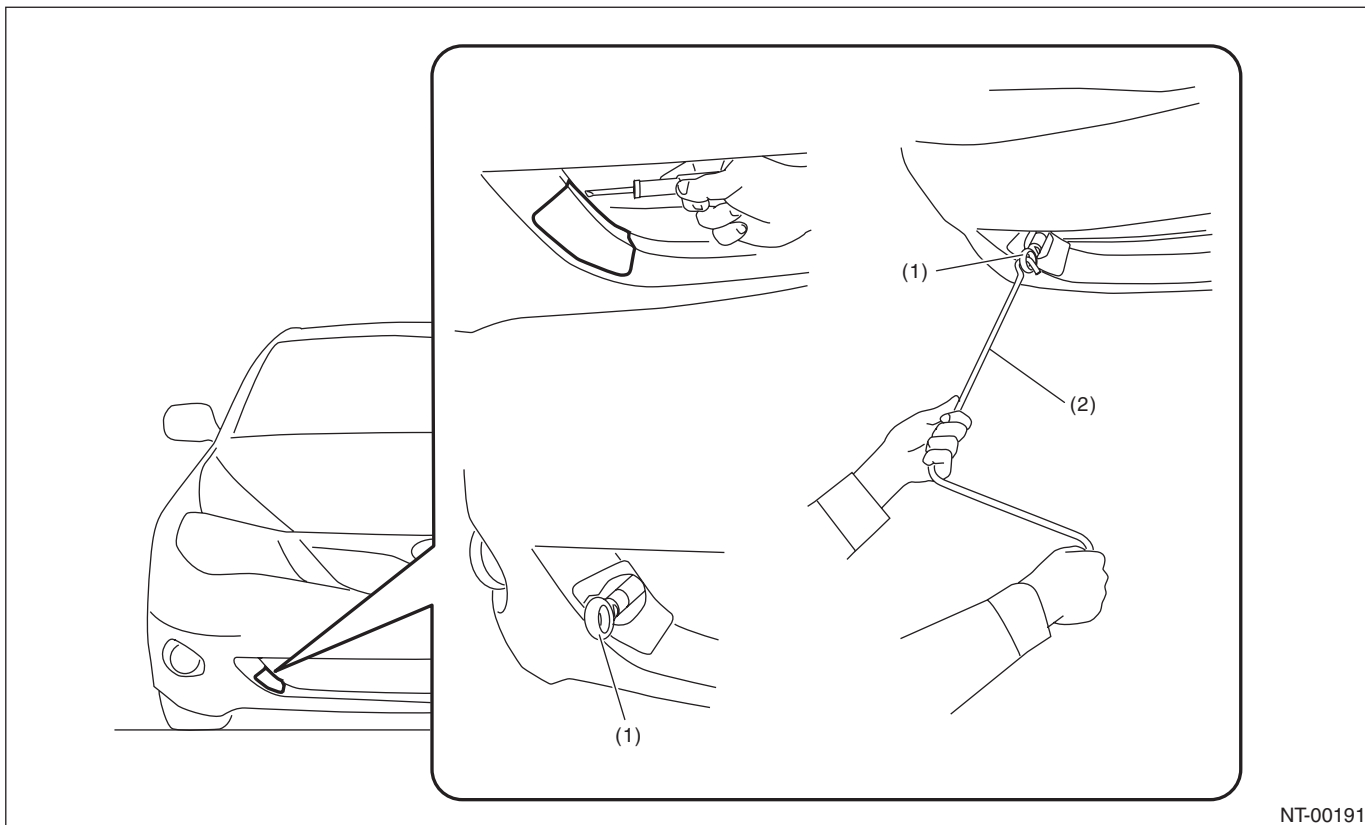
NOTE

### 9. TOWING

Avoid towing vehicles except when the vehicle cannot be driven. For models with AWD and AT, use a car carrier truck instead of towing. When towing other vehicles, pay attention to the following to prevent hook or vehicle damage resulting from excessive weight.

- Do not tow other vehicles with a front tie-down hook.
- Make sure the vehicle towing is heavier than the vehicle being towed.

#### • FRONT

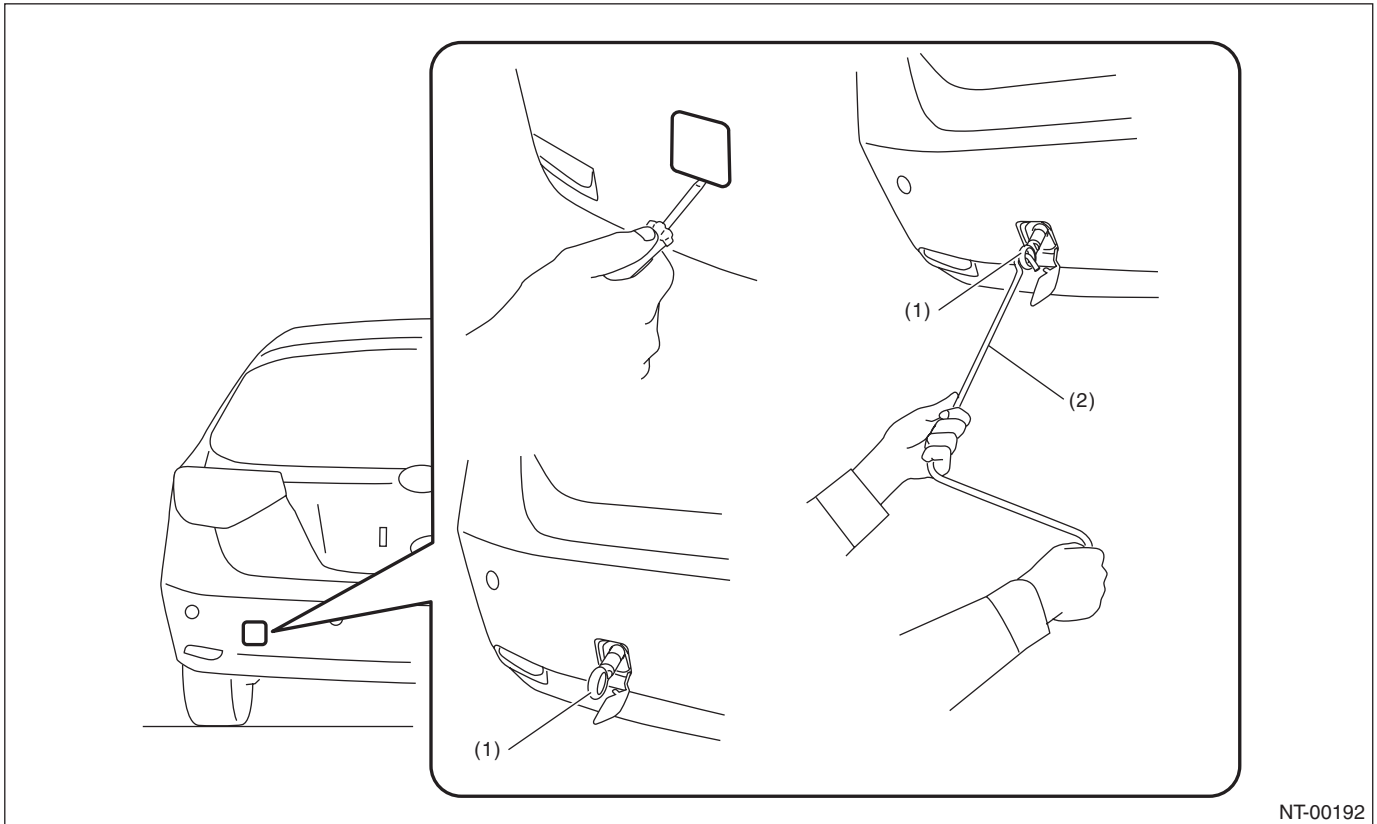


NT-00191

(1) Eye bolt

(2) Jack handle

• REAR

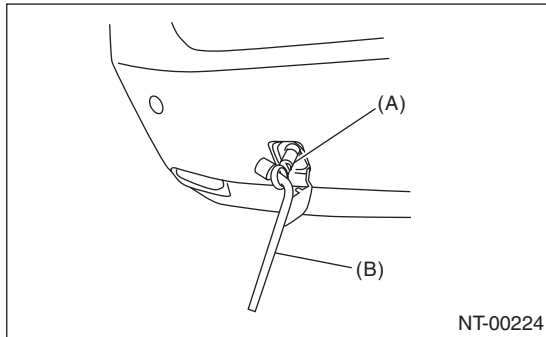


(1) Eye bolt

(2) Jack handle

**CAUTION:**

**When tightening the eye bolt using a wheel wrench, be careful not to scratch the bumper.**



(A) Eye bolt

(B) Wheel wrench

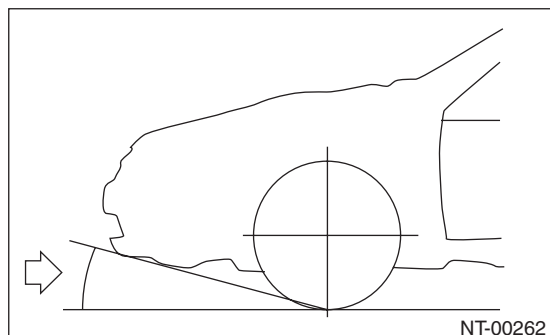
## Note

NOTE

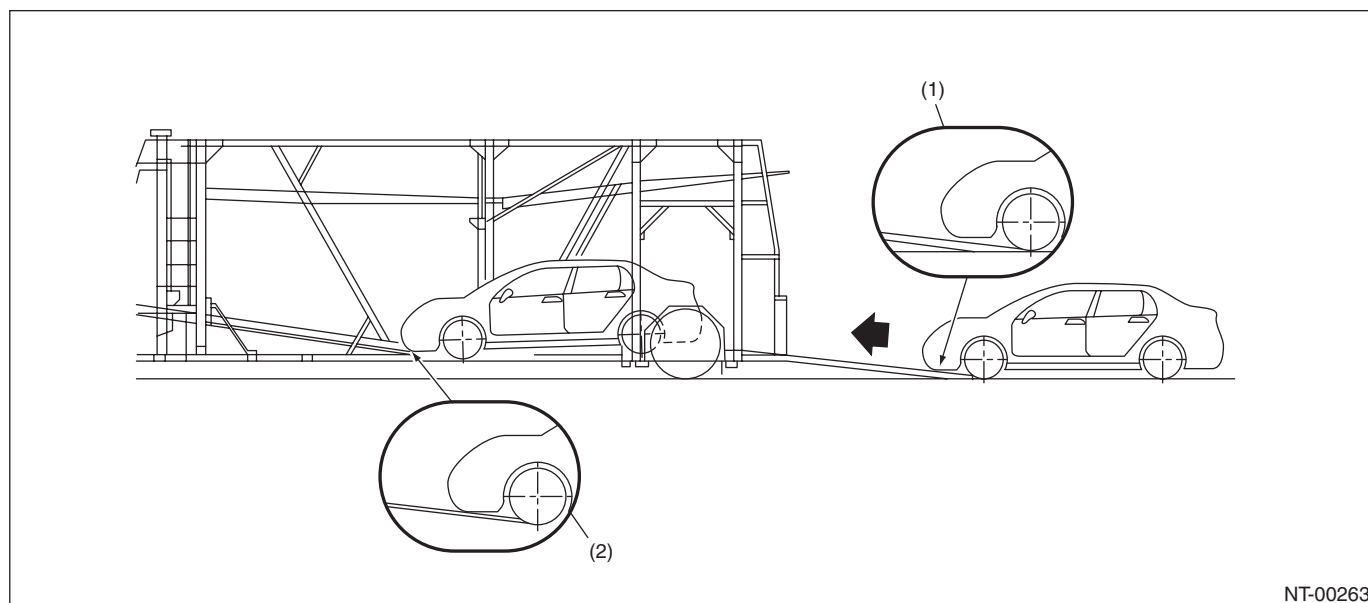
### 10. LOADING ONTO CAR CARRIER TRUCK

#### CAUTION:

- When carrying the vehicle onto a car carrier truck, perform the operation being careful with the gap between the height of the carrier's floor and the vehicle lower side because of little clearance under the front bumper.



- Use a supporting board (rubber) where the clearance is too small.
- Perform the operation being careful with the position shown in the figure below.



(1) Use a supporting board (rubber) to ensure clearance from the ramp.

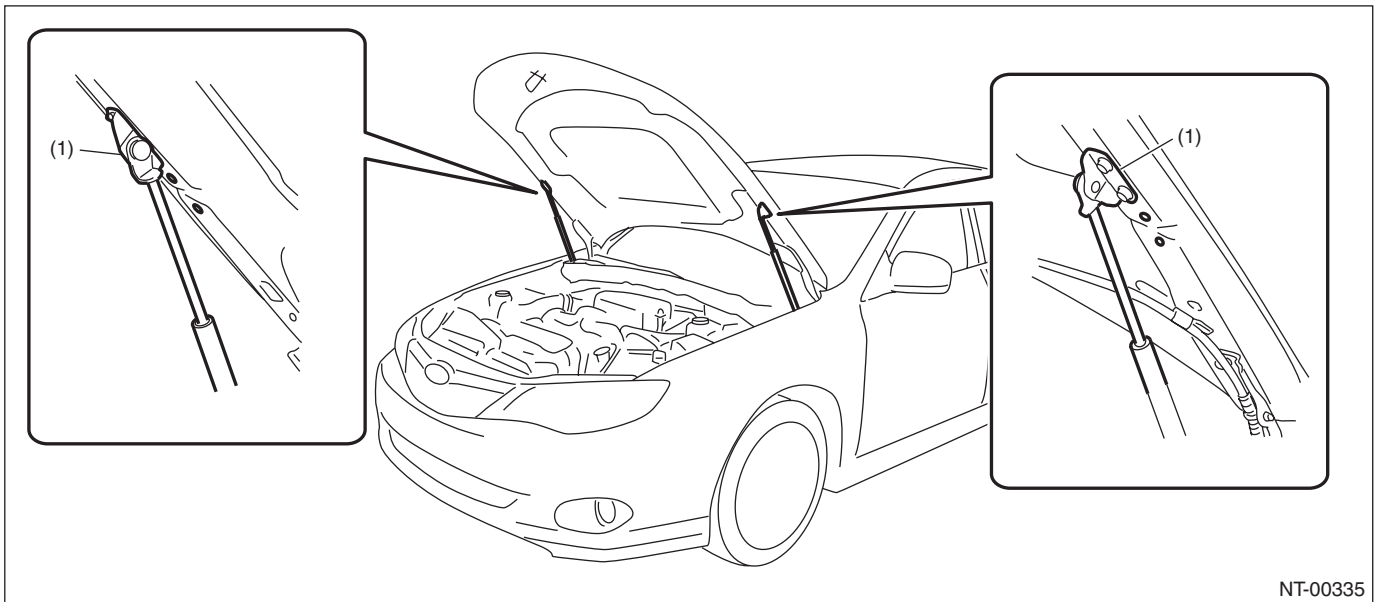
(2) Before carrying the vehicle completely, lower the lower center floor until it is level to make clearance.

## 11.FRONT HOOD DAMPER STAY

1) Always perform works such as inspections and maintenance with both damper stays attached.

### CAUTION:

- At the inspection and general maintenance, do not detach the damper stays.



NT-00335

(1) Normal attached position

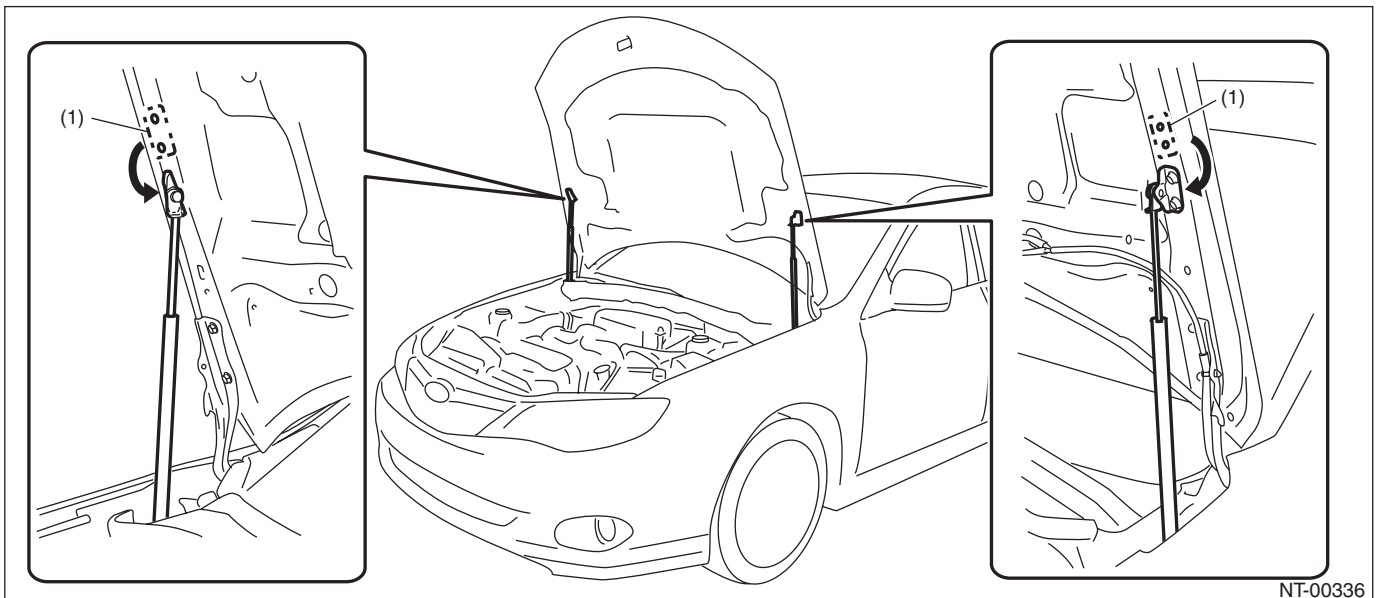
2) When wider hood opening is necessary, set the damper stay below as shown in the figure.

### Tightening torque:

<Ref. to EB-8, FRONT HOOD, COMPONENT, General Description.>

### CAUTION:

- Always perform works such as inspections and maintenance with both damper stays attached.
- Do not leave one side of damper stay removed.
- The hood cannot be closed with the hood damper on the full open side. When it is necessary to close, tie the hood striker and the radiator panel with a string etc. to fix them.
- After work, set the damper stays back to the normal position and tighten the bolts to the specified torque.



NT-00336

(1) Normal attached position



NOTE

---

### **12. TRAINING**

For an information about training, contact a dealer or agent.

### **13. GENERAL SCAN TOOL**

Using general scan tools will greatly improve the efficiency of repairing engine electronic controls. Subaru Select Monitor can be used to diagnose the engine, VDC, AT and other electronically controlled parts.

# Identification

## IDENTIFICATION

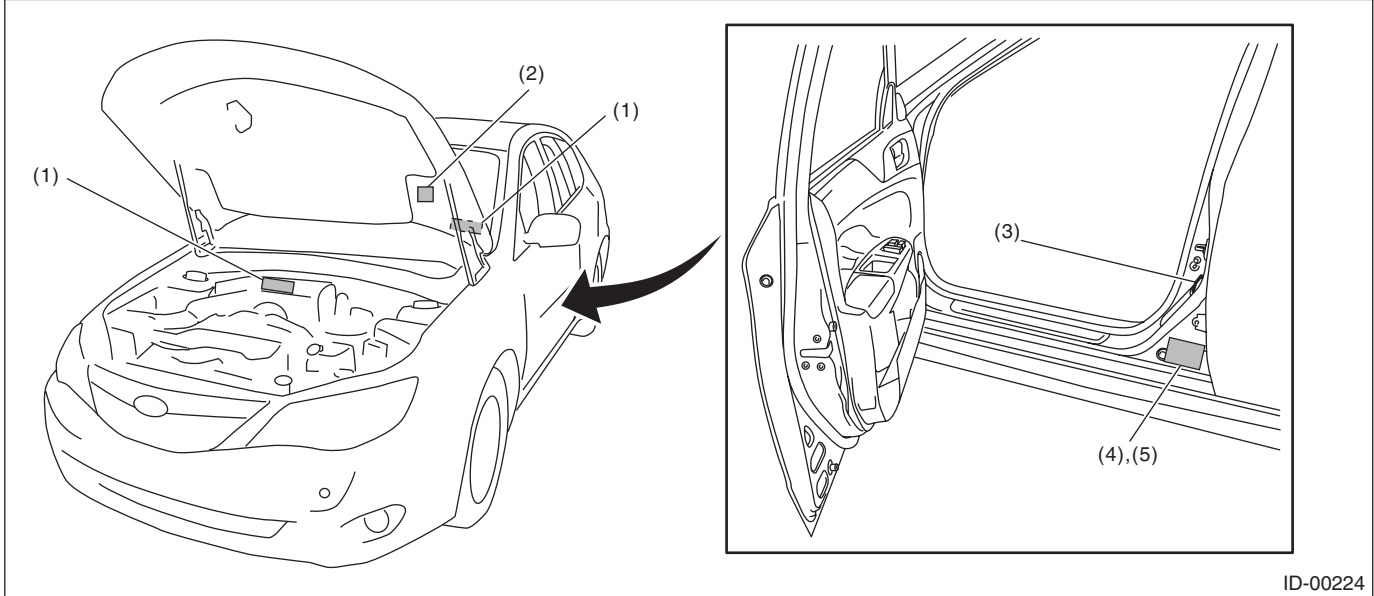
### 1. Identification

#### A: IDENTIFICATION

##### 1. IDENTIFICATION NUMBER & LABEL LOCATIONS

The V.I.N. (Vehicle Identification Numbers) is used to classify the vehicle.

- POSITIONING OF THE LABEL FOR IDENTIFICATION



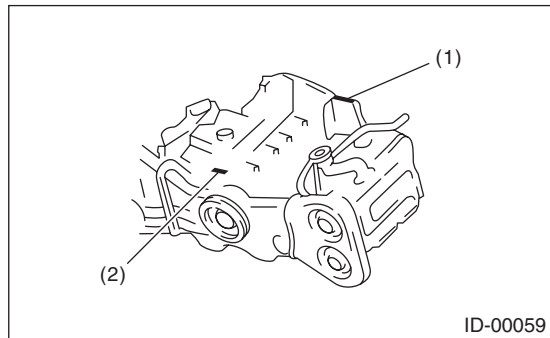
ID-00224

(1) Vehicle identification number  
(V.I.N.)

(2) Emission control label  
(3) Tire inflation pressure label

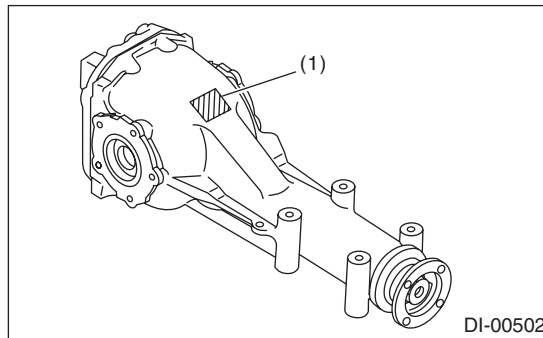
(4) MVSS label (Left side)  
(5) Model number label (Right side)

• **ENGINE**



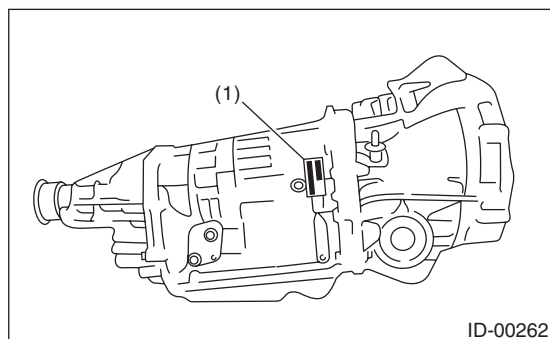
- (1) Engine serial number
- (2) Engine type (Crankcase upper side)

• **REAR DIFFERENTIAL**



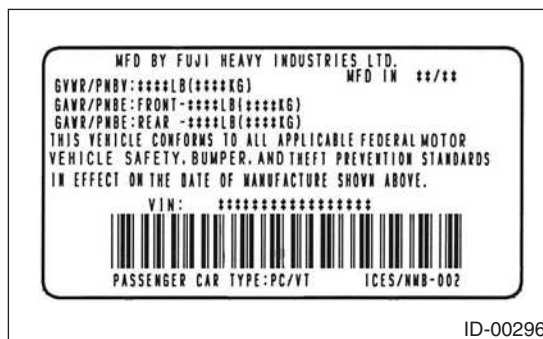
- (1) Identification (white paint)

• **AUTOMATIC TRANSMISSION**



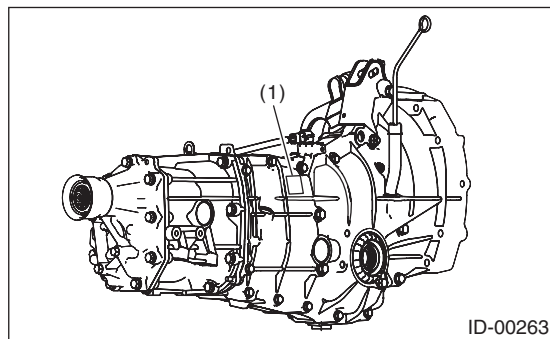
- (1) AT type and transmission serial number label

• **MODEL NUMBER LABEL**



• **MANUAL TRANSMISSION**

5MT



- (1) MT type and transmission serial number

# Identification

## IDENTIFICATION

### 2. MEANING OF V.I.N.

The meaning of the V.I.N. is as follows:

**JF1GE636X9G500001**

The starting and ending brackets ( ) are stop marks.

Digits	Code	Meaning	Details
1 — 3	JF1	Manufacturer body area	JF1: Passenger car, FHI made
4	G	Car line	G: IMPREZA
5	E	Body type	E: 4 door H: 5 door
6	6	Displacement	6: 2.5 L AWD 7: 2.5 L AWD turbo
7	3	Grade	0: 2.5 i Limited 1: 2.5 i 2: 2.5 i-S 3: OUTBACK SPORTS 4: 2.5 GT 5: WRX-S (MT), 2.5 GT-S (AT) 6: WRX-SS
8	6	Restraint	6: Manual belts, dual airbag, side airbag
9	X	Check digit	0 — 9&X
10	9	Model year	9: 2009MY
11	G	Transmission type	G: Full-time AWD single range 5MT H: Full-time AWD 4AT
12 — 17	500001	Serial number	From 500001: 4 door From 800001: 5 door

### 3. MODEL NUMBER LABEL

The model number label indicates: the applied model, the option code, the trim code, the engine type, the transmission type, and the exterior color code. This information is helpful when placing orders for parts.

**GHCBY7J**

Digits	Code	Meaning	Details
1	G	Series	G: IMPREZA
2	H	Body type	E: 4 door H: 5 door
3	C	Engine displacement Drive system Suspension system	C: 2.5 L AWD E: 2.5 L AWD turbo
4	B	Model year	B: 2009MY
5	Y	Destination	Y: U.S., Canada
6	7	Grade	7: 2.5 i 8: 2.5 i-S 9: OUTBACK SPORTS F: 2.5 GT G: WRX-S (MT), 2.5 GT-S (AT) H: WRX-SS
7	J	Transmission, fuel feed system	D: MFI turbo 5MT AWD J: MFI 5MT AWD L: MFI 4AT SPORT shift AWD T: MFI turbo 4AT SPORT shift AWD

The engine and transmission type are as follows.

# Identification

IDENTIFICATION

## Engine

### EJ253BS1FB

Digits	Code	Meaning	Details
1 and 2	EJ	Engine type	EJ: 4 cylinder
3 and 4	25	Displacement	25: 2.5 L
5	3	Fuel feed system	3: MFI non-turbo (SOHC) 5: MFI turbo
6	B	Exhaust regulations	B: U.S. (FED, CAL)
7	S	Transmission	E: 5MT (WAD) P: AT S: 5MT
8	1	Minor change	1: 1 or 2 is stamped on the engine.
9 — 10	FB	Detailed specifications	Used when ordering parts. For details, refer to the parts catalog.

## Transmission (MT)

### TY758VC2AA

Digits	Code	Meaning	Details
1	T	Transmission	T: Transmission
2	Y	Transmission system	Y: Full-time AWD MT center differential
3 and 4	75	Classification	75: 5MT
5	8	Series	8: 5MT
6	V	Transmission specifications	V: Full-time AWD single range 5MT with viscous coupling center differential
7	C	Mounted engine	C: 925 SOHC W: 925 DOHC turbo
8	2	Model change	2: 2009MY
9 — 10	AA	Detailed specifications	Used when ordering parts. For details, refer to the parts catalog.

## Transmission (AT)

### TZ1B8LCEBA

Digits	Code	Meaning	Details
1	T	Transmission	T: Transmission
2	Z	Transmission type	Z: Full-time AWD AT MP-T
3 and 4	1B	Identification	1B: AT (direct control method)
5	8	Series	8: AT
6	L	Transmission specifications	L: Full-time AWD with MP-T 4AT (direct control method)
7	C	Engine type	C: 925 SOHC W: 925 DOHC turbo
8 — 10	EBA	Detailed specifications	Used when ordering parts. For details, refer to the parts catalog.

## Rear differential

Code	Reduction gear ratio	LSD
B2	3.900	None
T1	3.900	None
T2	4.111	None

# Identification

## IDENTIFICATION

---

### Option code

#### FW

- 1-digit number

	F	I	K	N	T	U	V	Y	Z
Aluminum wheel	—	○	○	—	○	○	○	○	○
Cruise control	○	○	○	○	○	○	○	○	○
Leather package	—	○	○	—	○	○	○	○	○
Genuine leather seat	—	—	—	—	—	—	—	—	○
High grade audio	—	○	○	—	○	—	—	—	○
Navigation system	—	—	—	—	—	○	○	—	—
Satellite tuner	—	—	—	—	○	○	○	—	—
Rear disc brake package	—	○	—	○	—	—	○	—	—
Audio satellite switch	—	○	○	—	○	○	○	—	○

- 2-digit number

	F	G	J	O	W	Z
Side airbag	○	○	○	○	○	○
Curtain airbag	○	○	○	○	○	○
VDC	○	○	○	○	—	○
Front fog light	—	○	○	○	—	○
Cold weather package	—	○	○	—	—	—
Sunroof	—	○	—	○	—	—

# Recommended Materials

## RECOMMENDED MATERIALS

### 1. Recommended Materials

#### A: RECOMMENDED MATERIALS

##### 1. GENERAL

To insure the best performance, always use the specified oil, gasoline, adhesive, sealant, etc. or a substitute of equivalent quality.

##### 2. FUEL

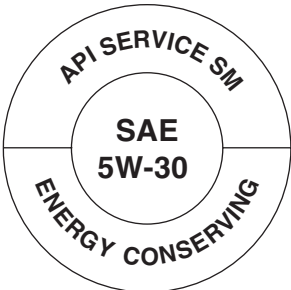

Always use gasoline of the same or higher octane value than specified in the owner's manual. Ignoring the specifications below will result in damage or poor performance of engine and fuel injection system. Use the specified gasoline to correct performance.

##### Unleaded gasoline

In order to reduce air pollution, use unleaded gasoline for the vehicle equipped with catalytic converter. Using leaded gasoline may damage the catalytic converter.

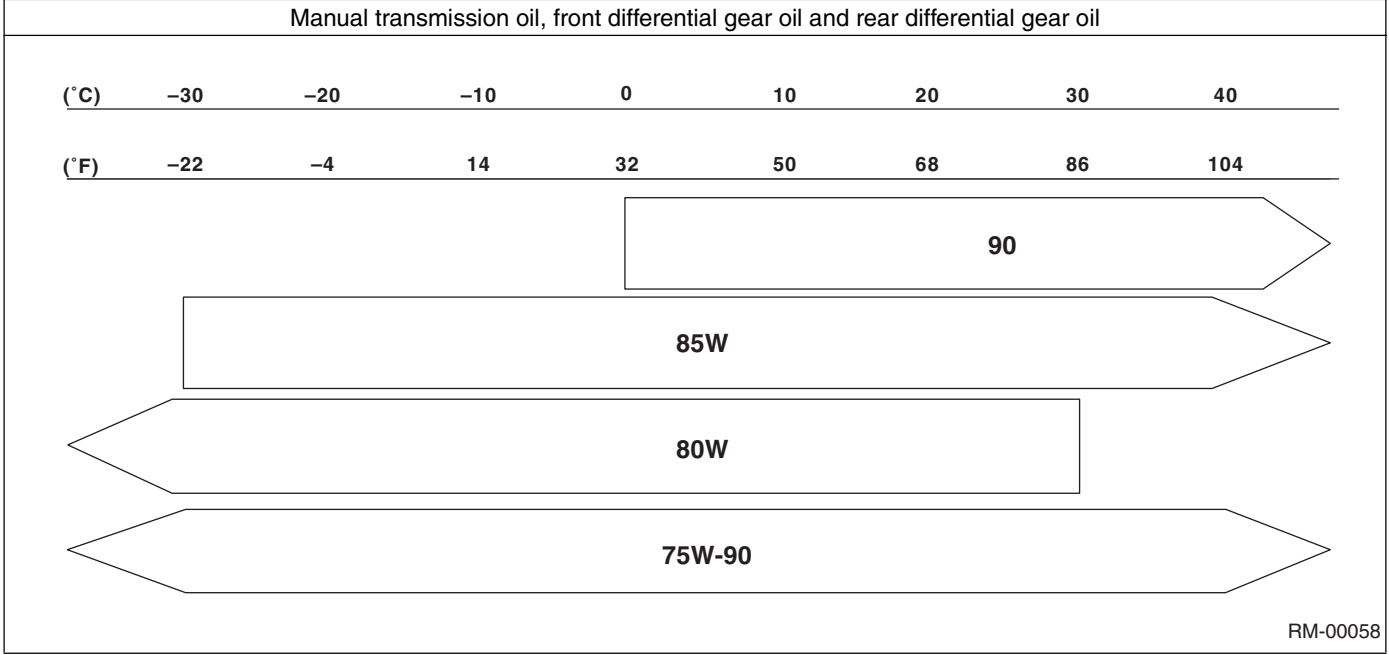
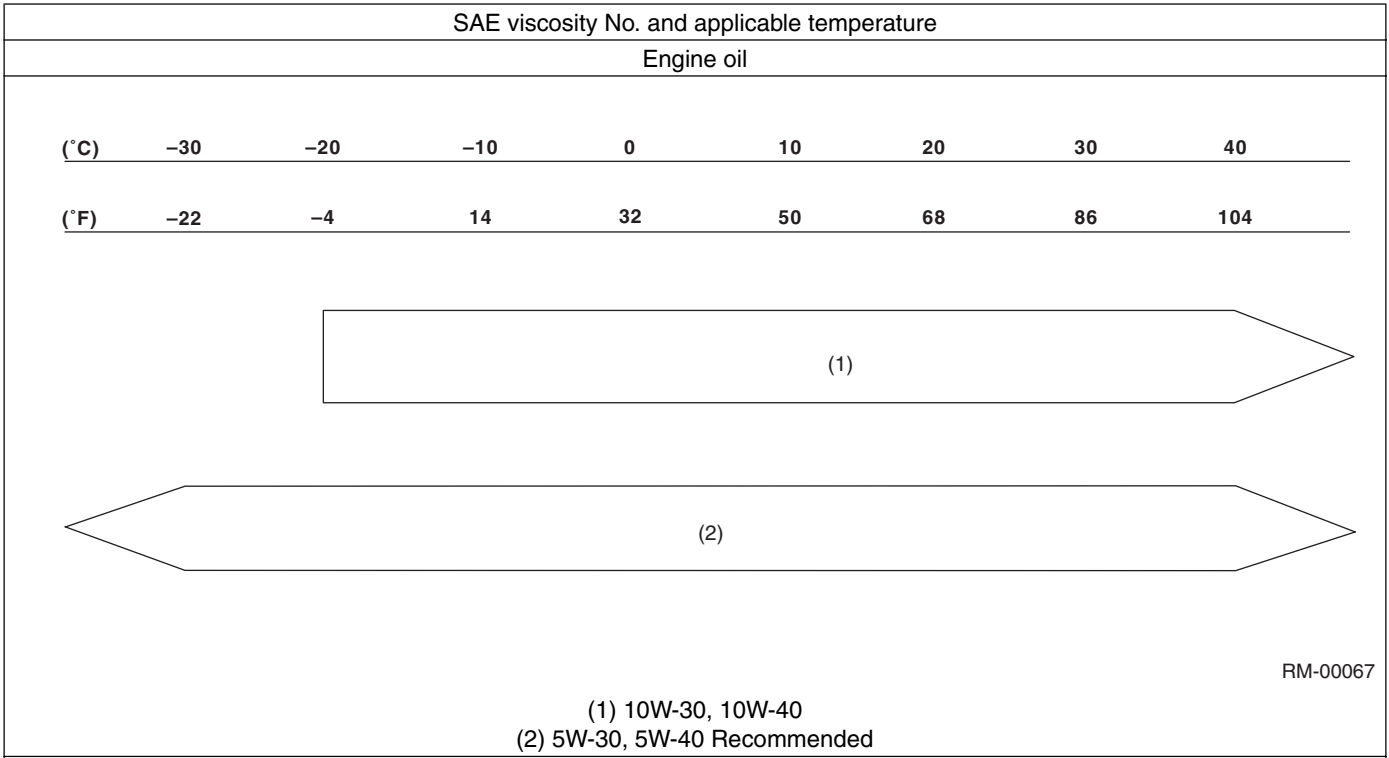
##### 3. LUBRICANTS

Use the lubricants shown in the table below, or equivalent. See the table below to choose the correct SAE viscosity.

Lubricant	Recommended materials	
	API standard	ILSAC standard
Engine oil Choose oil suitable for the standard from the right.	SM "Energy conserving"   RM-00049	GF-4   RM-00002
Manual transmission oil	GL-5	—
AT front differential gear oil	GL-5	—
Rear differential gear oil	GL-5	—

# Recommended Materials

RECOMMENDED MATERIALS





# Recommended Materials

## RECOMMENDED MATERIALS

---

### 4. FLUID

Use the fluids specified in the table below. Do not mix two different kinds or makes of fluid.

Fluid	Recommended materials	Alternative	Remarks
Automatic transmission fluid	SUBARU ATF	IDEMITSU: ATF HP	—
Power steering fluid	SUBARU ATF HP	DEXRON III	—
Brake fluid	SUBARU genuine brake fluid	FMVSS No. 116 DOT3	—
Clutch fluid	FMVSS No. 116 DOT3	FMVSS No. 116 DOT4	—

### 5. COOLANT

Use the coolants specified in the table below to protect the engine.

Coolant	Recommended materials	Item number	Alternative
Coolant	SUBARU SUPER COOLANT (Concentrated type)	—	—
	SUBARU SUPER COOLANT (Diluted type)	K0670Y0000	
Water for dilution	Distilled water	—	Tap water (Soft water)
Cooling system protective agent	Cooling system conditioner	SOA345001	—

### 6. REFRIGERANT

Standard air conditioners on Subaru vehicles use HFC134a refrigerant. Do not mix it with other refrigerants. Also, do not use any compressor oil except for DH-PR.

Air conditioner	Recommended materials	Item number	Alternative
Refrigerant	HFC134a	—	None
Compressor oil	DH-PR	—	None

# Recommended Materials

RECOMMENDED MATERIALS

## 7. GREASE

Use grease and supplementary lubricants shown in the table below.

Grease	Application point	Recommended materials	Item number	Alternative
Supplementary lubricants	Oxygen sensor	Spray type lubricant	004301003	—
Grease	MT main shaft (Spline parts)	NICHIMOLY N-130	—	—
	Clutch master cylinder push rod	SILICONE GREASE G-40M	—	—
	<ul style="list-style-type: none"> <li>• Gear shift lever</li> <li>• Clutch operating cylinder</li> <li>• Clutch pedal</li> <li>• Brake pedal</li> <li>• Release bearing</li> <li>• Select lever (except shift lock)</li> </ul>	NIGHTIGHT LYW No. 2 grease	—	KOPR-KOTE
	<ul style="list-style-type: none"> <li>• Clutch release lever</li> <li>• Steering shaft bearing</li> <li>• MT main shaft (oil seal lip)</li> <li>• Select lever (shift lock)</li> </ul>	KOPR-KOTE	003603001	—
	Steering gearbox	VALIANT GREASE M-2	003608001	ONE LUBER SG
	Disc brake	NIGLUBE RX-2	000041000	—
	Brake pad	Molykote AS-880N	K0777YA010	—
	Brake shoe (drum brake)	Molykote No. 7439	K0770YA000	—
	Front axle AAR	ONE LUBER C	—	—
	Rear axle EBJ	NKG106	—	—
	Rear axle DOJ	NKG205	—	—
	<ul style="list-style-type: none"> <li>• Door latch</li> <li>• Door striker</li> </ul>	SILICONE GREASE G-30M	—	—

## 8. ADHESIVE

Use the adhesives shown in the table below, or equivalent.

Adhesive	Application point	Recommended materials	Item number	Alternative
Adhesive	Windshield, rear window glass, rear quarter glass, rear gate and body	Dow Automotive's Adhesive: ESSEX U-400HV or equivalent Glass primer: U-401 and U-402 Painted surface primer: U-413	—	—
	Rearview mirror base	REPAIR KIT IN MR	65029FC000	—

## Recommended Materials

### RECOMMENDED MATERIALS

#### 9. SEAL MATERIAL

Use the seal material shown in the table below, or equivalent.

Seal material	Application point	Recommended materials	Item number	Alternative
Seal material	<ul style="list-style-type: none"> <li>• Torque converter clutch case</li> <li>• Transmission case</li> </ul>	THREE BOND 1215	004403007	DOW CORNING No. 7038
	Transmission oil pan (AT model)	THREE BOND 1217B	K0877YA020	—
	<ul style="list-style-type: none"> <li>• Rear differential</li> <li>• Oil pressure switch (Engine)</li> </ul>	THREE BOND 1324	004403042	—
	<ul style="list-style-type: none"> <li>• Rear differential</li> <li>• Service hole plug</li> </ul>	THREE BOND 1105	004403010	DOW CORNING No. 7038
	Rear differential (side retainer bolt)	THREE BOND 1110B	K0879Y0020	—
	<ul style="list-style-type: none"> <li>• PCV valve</li> <li>• Steering adjusting screw</li> </ul>	THREE BOND 1141	004403006	—
	<ul style="list-style-type: none"> <li>• Front door sealing cover</li> <li>• Rear door sealing cover</li> </ul>	3M Butyl Rubber 8626	—	—
	<ul style="list-style-type: none"> <li>• Engine oil pan</li> <li>• Separator cover</li> <li>• Camshaft cap</li> <li>• Cylinder block</li> <li>• Oil pump</li> <li>• DOHC rocker cover</li> </ul>	THREE BOND 1217G	K0877Y0100	—

# Pre-delivery Inspection

## PRE-DELIVERY INSPECTION

### 1. Pre-delivery Inspection

#### A: GENERAL DESCRIPTION

The purposes of the pre-delivery inspection (PDI) are as follows.

- Remove the additional parts used for ensuring the vehicle quality during transportation and restore the vehicle to its normal condition.
- Check the vehicle before delivery is in normal condition.
- Check the vehicle or parts for any damage occurred during transportation or storage.
- Check the vehicle after repair is in normal condition.
- Make sure to provide a complete vehicle to customer.

For above reasons, all SOAs (dealerships) must carry out the PDIs before delivery of vehicle.

Refer to this manual unless otherwise specified.

#### B: PRE-DELIVERY INSPECTION (PDI) PROCEDURE

Perform the procedures indicated in the table below.

##### Static Checks Just After Vehicle Receipt

Operation	Check point
1. Appearance	<ol style="list-style-type: none"><li>1. If the vehicle is covered with protective coating, visually check the vehicle body for damage and dents. If the protective coating has been removed, visually check the painted body surfaces in detail for damage or rust.</li><li>2. Visually check the glass and light lenses for any damage, cracks or excessive gaps between body sheet metal.</li><li>3. Visually check the plated parts for any damage.</li><li>4. Check the instrument panel, console and trim for stains or dirt.</li></ol>
2. Tire	<ol style="list-style-type: none"><li>1. Check the tires for damage, defective, and dents on wheels.</li><li>2. Check the tire air pressure.</li></ol>
3. Fuse installation	If the vehicle is about to be delivered to customer, attach the room lamp fuse.
4. Door lock/unlock and open/close operations	<ol style="list-style-type: none"><li>1. Using the key, check the door can be locked or unlocked normally.</li><li>2. Open and close all doors to check that there are no problems.</li><li>3. Operate the power door lock switch to check that the rear gate locks and unlocks normally.</li></ol>
5. Child safety lock	Check the child safety lock system operates normally.
6. Trunk lid open/close operations	<ol style="list-style-type: none"><li>1. Using the key, check that the trunk lid can be locked or unlocked normally.</li><li>2. Operate the trunk lock release lever to check that the trunk lid opens normally.</li><li>3. Use the valet key to check that the lock cannot be released.</li><li>4. Open and close the trunk lid to check that there are no problems.</li></ol>
7. Rear gate lock/unlock and open/close operation	<ol style="list-style-type: none"><li>1. Check if the rear gate can be unlocked normally through the emergency hole.</li><li>2. Open and close the rear gate to check that there are no problems.</li></ol>
8. Operation check of trunk lid release lever	Operate the trunk lid release lever to check that the trunk lock is unlocked normally.
9. Fuel lid opener lock release lever	Operate the fuel lid opener to check that the fuel filler lid can be unlocked normally.
10. Accessory	Check that the following accessories are equipped. <ul style="list-style-type: none"><li>• Owner's manual</li><li>• Warranty booklet</li><li>• Maintenance note</li><li>• Spare key</li><li>• Key No. plate</li><li>• Jack</li><li>• Tool set</li><li>• Spare tire</li><li>• Towing hook</li></ul>
11. Front hood lock release	Operate the front hood lock release lever to check that the front hood opens normally.
12. Battery	Check the battery for any abnormal conditions such as rust or traces of battery fluid leaks.
13. Brake fluid	Check the brake fluid amount.

# Pre-delivery Inspection

PRE-DELIVERY INSPECTION

Operation	Check point
14. Engine oil	Check the engine oil amount.
15. Transmission gear oil	Check the transmission gear oil amount.
16. AT front differential oil	Check the AT front differential oil amount.
17. Engine coolant	Check the engine coolant level.
18. Clutch fluid	Check the clutch fluid amount.
19. Window washer fluid	Check the window washer fluid amount.
20. Front hood latch	Check that the front hood is closed normally and locked securely.
21. Keyless entry system	Check that the keyless entry system operates normally.
22. Security system	Check that the security system operates normally.
23. Seat	1. Check the seat surfaces for stains or dirt. 2. Check the seat installation conditions and functionality.
24. Seat belt	Check the seat belt installation conditions and functionality.
25. TPMS (U. S. model)	1. Turn the TPMS transmitter power supply to ON. 2. If the display of TPMS warning light does not operate normally, perform the diagnosis by referring to TPMS (Diagnosis).
26. ECM protector	For Canada model, check the ECM protector installation conditions.

## Checks with the Engine Running

Operation	Check point
27. Delivery (test) mode connector	Turn the ignition switch to ON and check that the malfunction indicator light starts blinking.
28. Immobilizer	1. Check that the engine starts with all keys that are equipped on vehicle. 2. 60 seconds after turning ignition switch from ON to ACC or OFF, or immediately after removing the key, check that the security indicator light is blinking.
29. Starting condition	Start the engine and check that the engine starts smoothly.
30. Exhaust system	Check that the exhaust noise is normal and no leaks are found.
31. Indicator and warning lights	Check that all indicator lights and warning lights are operating correctly.
32. Heater & ventilation	Check that the heater & ventilation system operates normally.
33. Air conditioner	Check that the air conditioner operates normally.
34. Clock	Check that the clock operates normally.
35. Audio	Check the radio and AUX operate normally.
36. Navigation	Check the navigation and AUX operate normally.
37. Front accessory power supply socket	Check that the front accessory power supply socket operates normally.
38. Lighting system	Check that the lighting system operates normally.
39. Window washer	Check that the window washer system operates normally.
40. Wiper	Check that the wiper system operates normally.
41. Power window	Check that the power window operates normally.
42. Sunroof	Check that the sunroof operates normally.
43. Door mirror	Check that the remote control mirror operates normally.

## Dynamic Test with the Vehicle Running

Operation	Check point
44. Brake test	Check the foot brake for normal operations.
45. Parking brake	Check the parking brake for normal operations.
46. AT shift control	Check that the AT shift patterns are correct.
47. Cruise control	Check that the cruise control system operates normally.

# Pre-delivery Inspection

## PRE-DELIVERY INSPECTION

### Checks after Dynamic Test

Operation	Check point
48. ATF level	Check that the ATF level is correct.
49. Power steering fluid level	Check that the power steering fluid level is normal.
50. Fluid leakage	Check for fluid/oil leaks.
51. Water leak test	Spray the vehicle with water and check for water leaks.
52. Appearance 2	<ol style="list-style-type: none"> <li>1. Remove the protective coating (if equipped).</li> <li>2. Check the body paints for damage and stain.</li> <li>3. Check the plated parts for damage and rust.</li> </ol>

### 1. APPEARANCE

- If the vehicle is covered with protective coating, visually check the vehicle body for damage and dents.
- If there is no protective coat, check the painted surface of the vehicle body for damage or rust, and repair as necessary.
- Check the window glass, door glass, and lights for any cracks or damage, and replace as necessary.
- Visually check the plated parts, such as the grilles and door knobs, for damage or loss of gloss and replace the parts as necessary.
- Check the instrument panel, console and trim for stains or dirt.

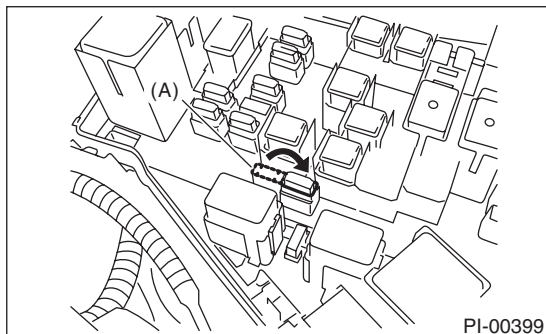
### 2. TIRE

- Check for damage on the outside surface of the tires.
- Refer to the following table and inspect the tire air pressure.

Tire size	Tire inflation pressure kPa (kgf/cm <sup>2</sup> , psi)	
	Front	Rear
P205/55R16	230 (2.3, 33)	220 (2.2, 32)
P205/50R17	230 (2.3, 33)	220 (2.2, 32)
225/45R17	230 (2.3, 33)	220 (2.2, 32)

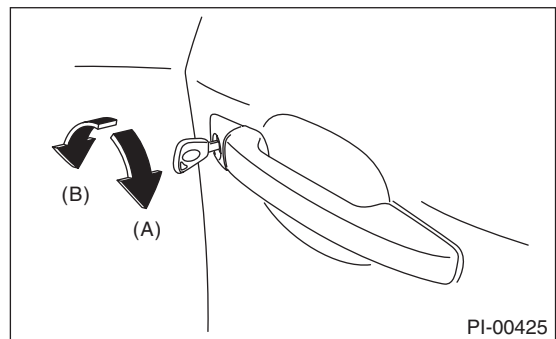
### 3. FUSE INSTALLATION

Fuses for the room light circuit on initially delivered vehicles are removed to prevent battery discharge. Attach the 20 A fuse (A) as shown in the figure.



### 4. DOOR LOCK/UNLOCK AND OPEN/CLOSE OPERATIONS

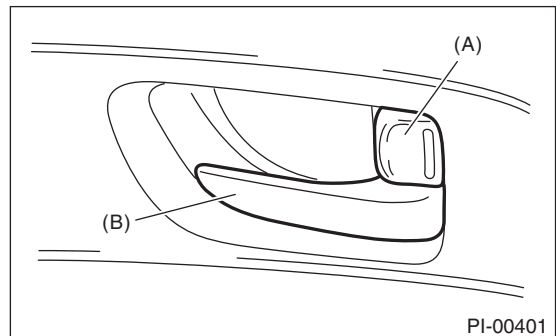
1) Using the key, lock and unlock the door several times to check for normal operation. Open and close the door several times for smooth movement.



- (A) Unlock
- (B) Lock

2) Close the door of driver seat completely, and place the door lock knob (A) to the lock position. Then pull the inner remote (B) to ensure that doors will not open.

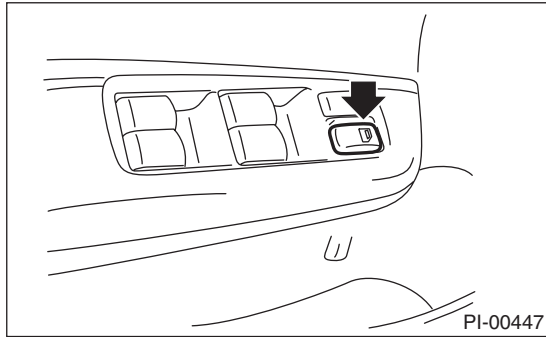
For other doors, place the door lock knob (A) to lock position and then pull the inner remote (B) to ensure that doors will not open.



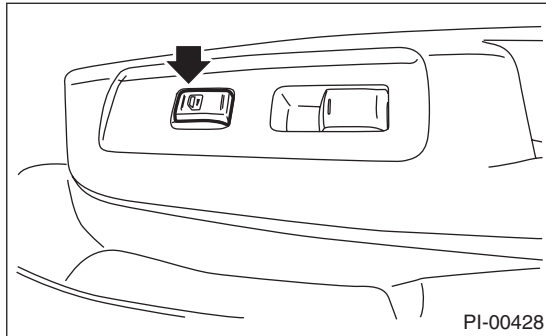
- (A) Door lock knob
- (B) Inner remote

3) Close all doors, and press the lock side of power door lock switch on the driver's and passenger's sides. Check that all doors including rear gate are locked.

- Driver's side

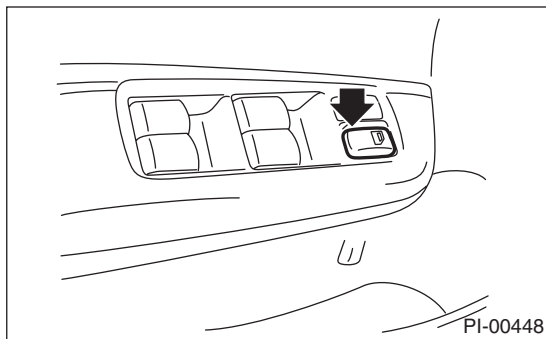


- Passenger's side

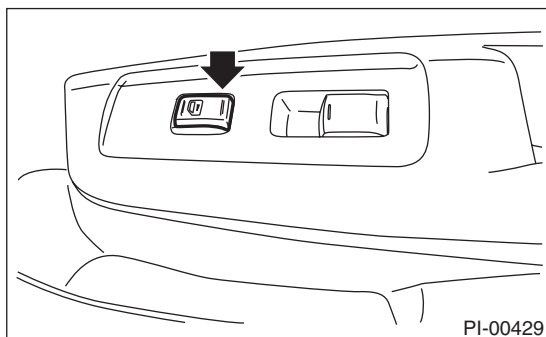


4) Press the unlock side of the power door lock switch on the driver and passenger sides. Check that all doors including rear gate are unlocked.

- Driver's side

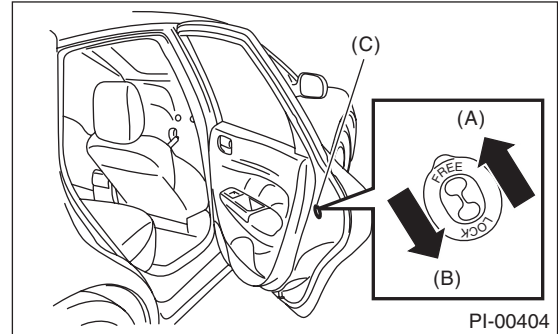


- Passenger's side



## 5. CHILD SAFETY LOCK

- 1) Set the child safety lock lever on both rear doors to the lock position.
- 2) Close the rear doors completely.
- 3) Check that the lock levers of the rear doors are in the unlock position. Then, pull inner remote of rear doors to ensure that doors will not open.
- 4) Pull the outer handles to ensure that doors will open.



- (A) Unlock
- (B) Lock
- (C) Child safety lock lever

## 6. TRUNK LID OPEN/CLOSE OPERATIONS

- 1) Operate the trunk lock release lever to check that the trunk lid opens.
- 2) Open and close the trunk lid several times for smooth movement.

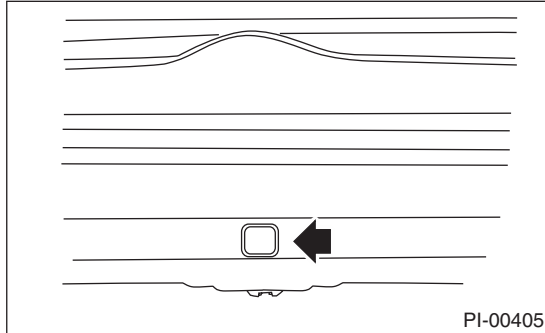
# Pre-delivery Inspection

## PRE-DELIVERY INSPECTION

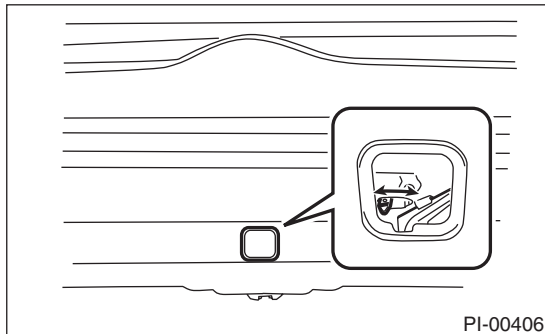
### 7. REAR GATE LOCK/UNLOCK AND OPEN/CLOSE OPERATIONS

- 1) Open and close the rear gate several times for smooth movement.
- 2) Operate the rear gate emergency release lever to check that the rear gate can be locked and unlocked properly.

(1) Remove the cover inside the rear gate.

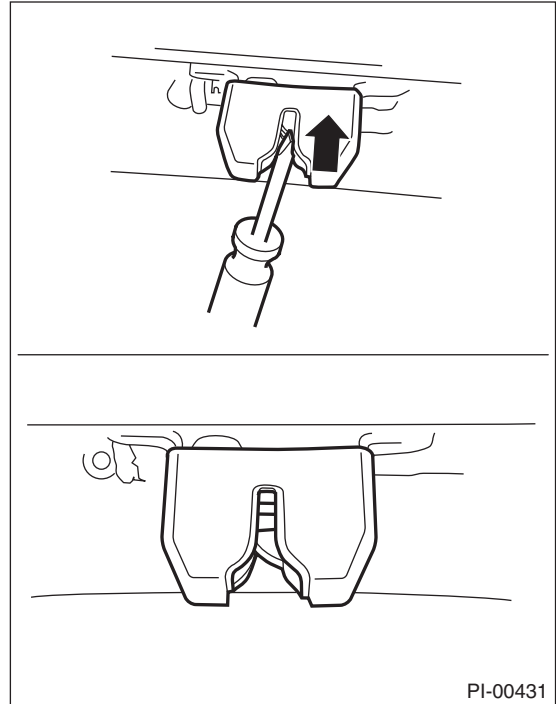


(2) Operate the lever using a tool such as a screwdriver to check that the rear gate is unlocked normally.

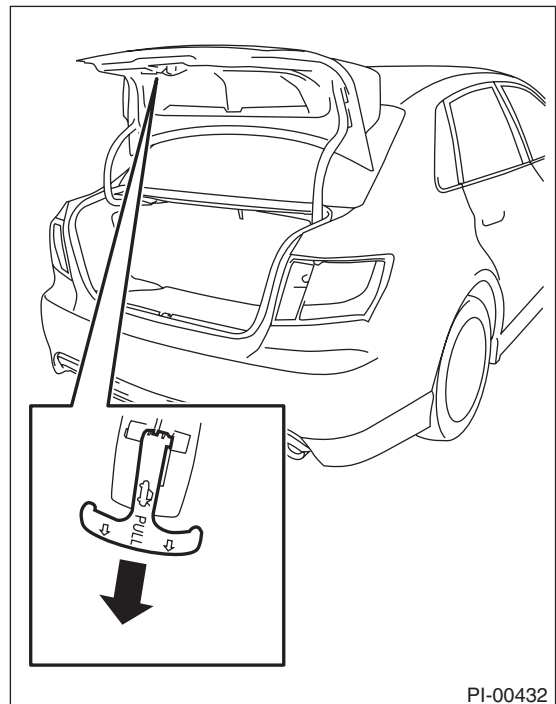


### 8. OPERATION CHECK OF TRUNK LID RELEASE HANDLE

- 1) Use a flat tip screwdriver. Slide the screwdriver blade from the slit aperture of the lock assembly fully to the end until you hear a click. This places the latch in the locked position.



- 2) Move the release handle from outside the vehicle in the direction of the arrow to check if the latch is released.





## 9. FUEL LID OPENER LOCK RELEASE LEVER

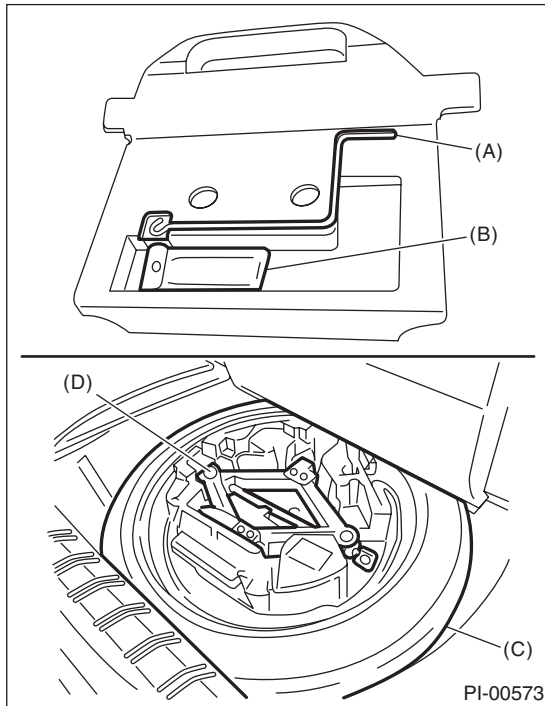
Operate the fuel lid lock release lever to check that the fuel lid is unlocked normally. Check that the filler cap is securely closed.

## 10. ACCESSORY

Check that the following accessories are provided.

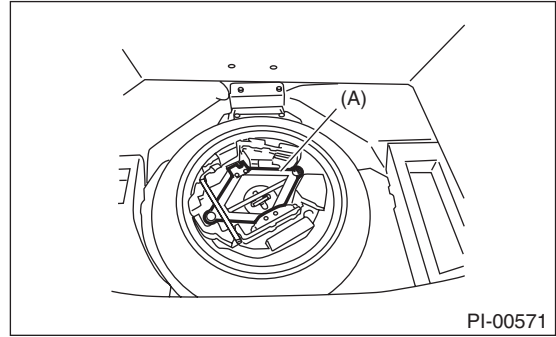
- Owner's manual
- Warranty booklet
- Maintenance note
- Spare key
- Key No. plate
- Jack
- Tool set
- Spare tire

4 door

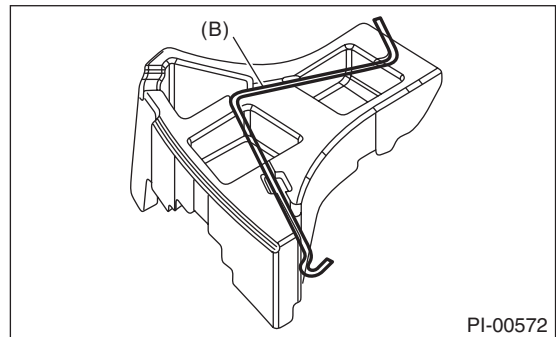


- (A) Jack handle
- (B) Tool set
- (C) Spare tire
- (D) Jack

5 door



- (A) Jack



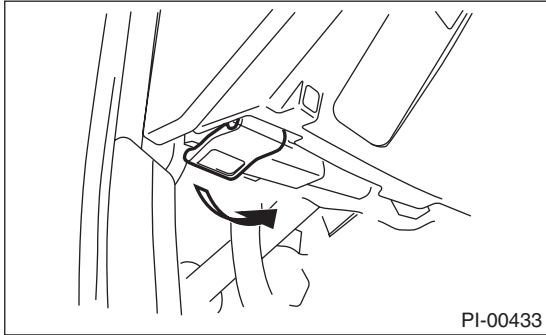
- (B) Jack handle

# Pre-delivery Inspection

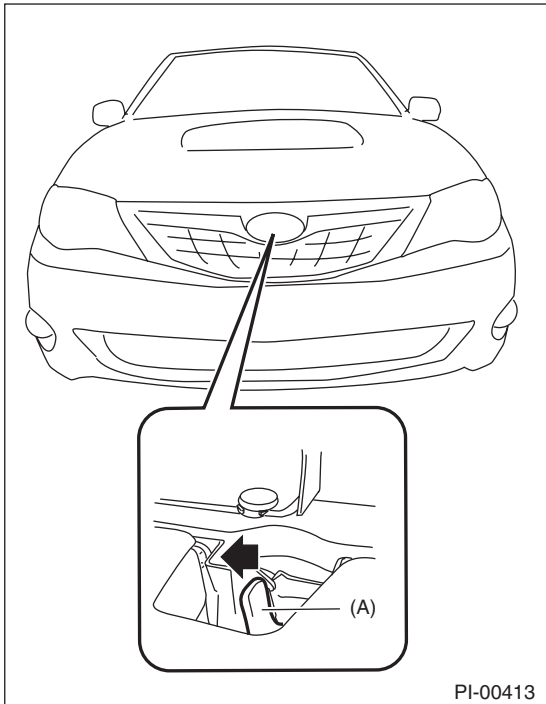
## PRE-DELIVERY INSPECTION

### 11.FRONT HOOD LOCK RELEASE

Operate the front hood release lever to check that the front hood is unlocked normally.

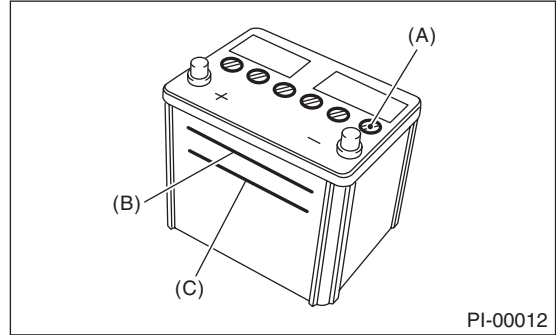


Operate the lever (A) and check that the front hood is opened normally.



### 12.BATTERY

Check the battery terminals to make sure that there are no rust or corrosions due to fluid leaks. Check that the battery caps are securely tightened.



- (A) Cap
- (B) Upper level
- (C) Lower level

### 13.BRAKE FLUID

Check the brake fluid amount. If the amount is insufficient, carry out a brake line test to identify brake fluid leaks and check the brake operation. After that, refill the brake fluid tank with the specified type of fluid.

#### CAUTION:

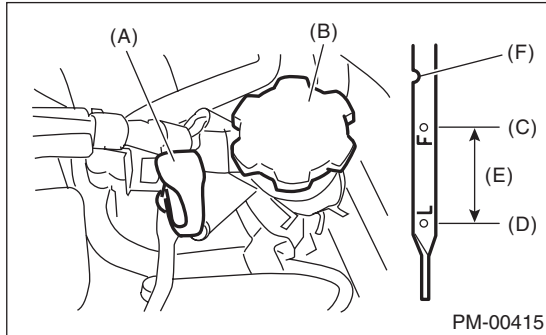
**If the brake fluid is spilt over exhaust pipe, wipe it off with cloth to avoid emitting smoke or causing a fire.**

## 14. ENGINE OIL

Check the engine oil amount. If the amount of oil is insufficient, check that no leaks are found. Then, add the necessary amount of the specified engine oil.

**CAUTION:**

If the engine oil is spilt over exhaust pipe or the under cover, wipe it off with cloth to avoid emitting smoke or causing a fire.



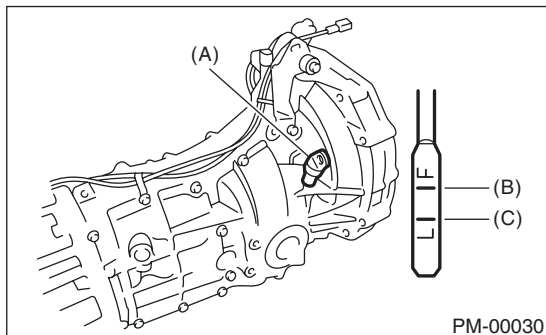
- (A) Oil level gauge
- (B) Engine oil filler cap
- (C) Upper level
- (D) Lower level
- (E) Approx. 1.0 ℓ (1.1 US qt, 0.9 Imp qt)
- (F) Notch mark

## 15. TRANSMISSION GEAR OIL

Check the transmission gear oil amount. If the amount of fluid is insufficient, check for leaks. Then, add the necessary amount of specified fluid.

**CAUTION:**

If gear oil is spilt over the exhaust pipe, wipe it off with a cloth to avoid emitting smoke or causing a fire.



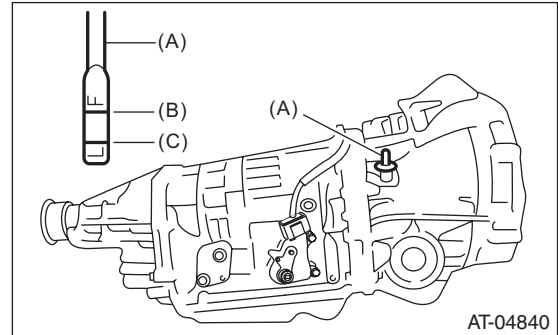
- (A) Oil level gauge
- (B) Upper level
- (C) Lower level

## 16. AT FRONT DIFFERENTIAL OIL

Check the AT front differential oil amount. If the amount of oil is insufficient, check for leaks. Then, add the necessary amount of the specified AT front differential oil.

**CAUTION:**

If gear oil is spilt over the exhaust pipe, wipe it off with a cloth to avoid emitting smoke or causing a fire.



- (A) Oil level gauge
- (B) Upper level
- (C) Lower level

## 17. ENGINE COOLANT

Check the coolant amount on the reservoir. If the amount of engine coolant is insufficient, check that no leaks are found. Then, add the necessary amount of coolant with the specified concentration.

**CAUTION:**

If the coolant is spilt over exhaust pipe, wipe it off with cloth to avoid emitting smoke or causing a fire.

# Pre-delivery Inspection

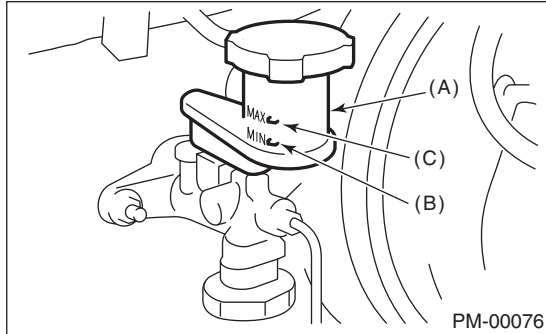
## PRE-DELIVERY INSPECTION

### 18. CLUTCH FLUID

Check the clutch fluid amount. If the amount of fluid is insufficient, check that no leaks are found. Then, add the necessary amount of specified fluid.

#### CAUTION:

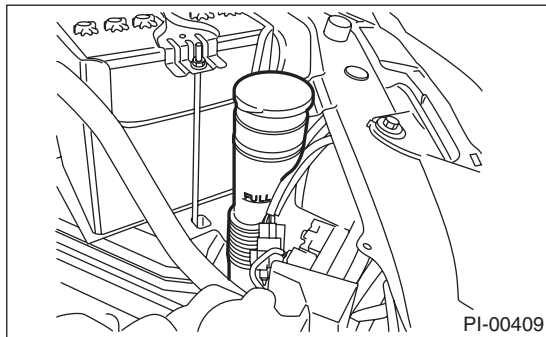
**If any clutch fluid is spilt on the exhaust pipe, wipe it off with a cloth to avoid emitting smoke or causing a fire.**



- (A) Reservoir tank
- (B) MIN. level
- (C) MAX. level

### 19. WINDOW WASHER FLUID

Check the window washer fluid amount. If the amount is insufficient, check that no leaks are found. Then, add the necessary amount of washer fluid.



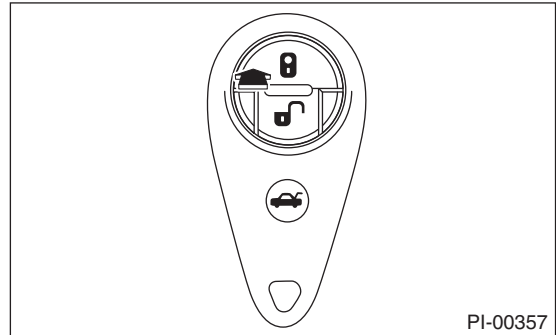
### 20. FRONT HOOD LATCH

Close the front hood. Check that the front hood is completely latched.

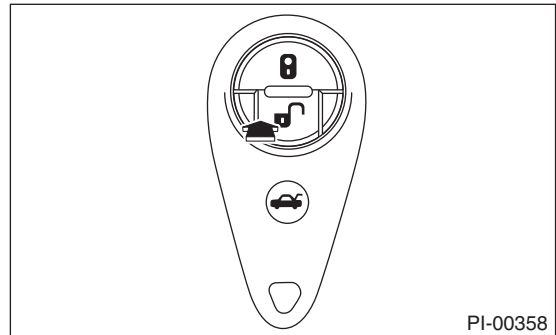
### 21. KEYLESS ENTRY SYSTEM

Check the keyless entry system operations as follows:

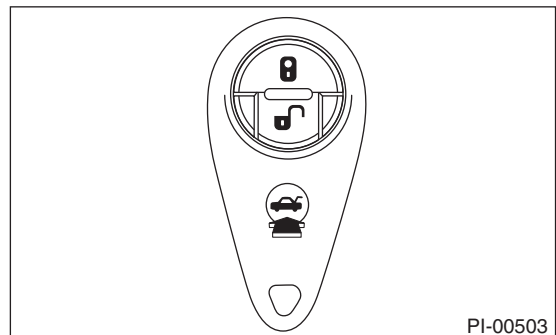
- Fully open all the door windows.
- Remove the key from the ignition switch and close all the doors including rear gate.
- Press the “LOCK/ARM” button momentarily on the keyless transmitter. Check that all the doors become locked, the buzzer sounds once, and the hazard lights flash once.



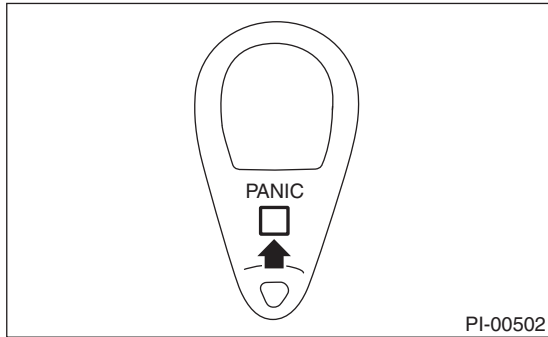
- Press the “UNLOCK/DISARM” button momentarily on the keyless transmitter. Check that the driver’s door is unlocked, the buzzer sounds twice, and the hazard lights flash twice.



- Within 5 seconds, press the “UNLOCK/DISARM” button momentarily on the keyless transmitter. Check that all doors (including rear gate) are unlocked.
- Lock all the doors including rear gate. Press the rear gate unlock button to unlock the rear gate. Press the release button to open the rear gate. Check that the buzzer sounds twice, and the hazard lights flash twice.

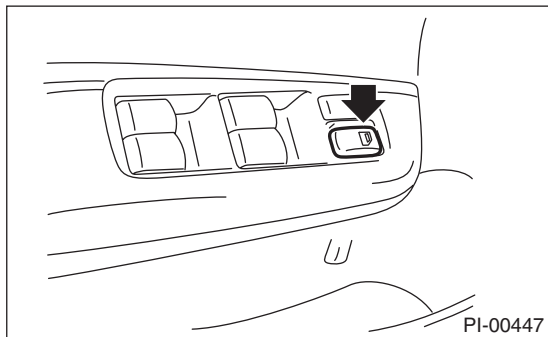


- Press the “Panic” button of the keyless transmitter. Check that the panic mode (the horn keeps sounding) is initiated. Also, check that this condition continues for 30 seconds or until when any of the buttons on the keyless transmitter are pressed.

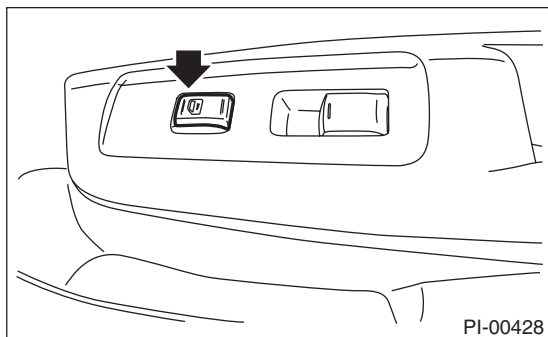


- Press the “LOCK/ARM” button momentarily on the keyless transmitter with one of the doors (including the rear gate) opened. Check that the buzzer sounds 5 times, and the hazard light flashes 5 times to notify the door not being fully closed. Next, close all the doors including rear gate. Check if all doors are locked and buzzer sounds once and the hazard light flashes once.
- With one of the doors open (including the rear gate), press the “LOCK” side of the power door lock switch. Next, close all the doors including rear gate. Check if all doors are locked and buzzer sounds once and the hazard light flashes once.

- Driver’s side



- Passenger’s side



## Alarm sound operational check

- The system uses the buzzer and sounds the alarm when the door is locked or unlocked. The alarm sound can be turned OFF. To turn the alarm sound from ON to OFF, close all doors, (with the key not inserted in the key cylinder), hold down the “UNLOCK” side of the power door lock switch and insert the key in the key cylinder. Within 10 seconds, insert and take out the key for 5 times or more, and within 10 seconds after that, open and close the driver’s door. With the door closed, the hazard light will flash 3 times, indicating that the alarm sound has been turned OFF. To turn the alarm sound from OFF to ON, perform this procedure again. The hazard light will flash 3 times, indicating that the alarm has been turned ON.

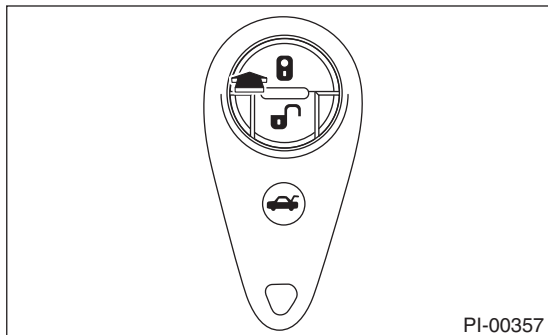
# Pre-delivery Inspection

## PRE-DELIVERY INSPECTION

### 22. SECURITY SYSTEM

Check that the security system operates as indicated below.

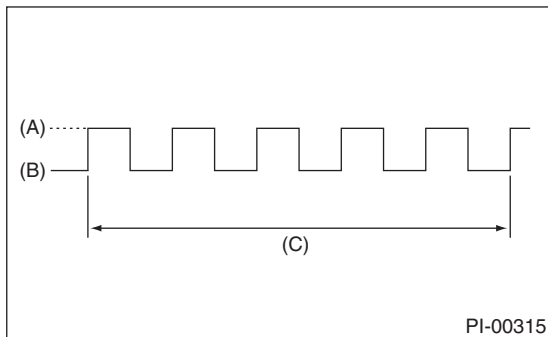
- 1) Fully open all the door windows.
- 2) Remove the key from the ignition switch and close all the doors including rear gate.
- 3) Press the "LOCK/ARM" button on the keyless transmitter once.



4) If all doors lock, buzzer sounds once, the hazard light flashes once, and the security display light flashes as indicated below, the alarm system is in the monitoring condition.



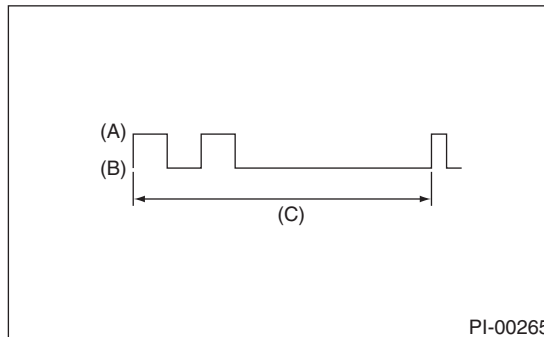
- Alarm system monitoring prepared condition



- (A) Light ON
- (B) Light OFF
- (C) 2 seconds

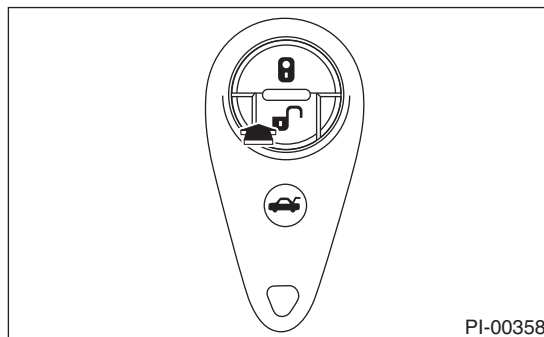
5) Check that the system enters monitoring condition 30 seconds after the condition in 4).

- Alarm system monitoring condition (all models)



- (A) Light ON
- (B) Light OFF
- (C) 2 seconds

6) Press the "UNLOCK/DISARM" button on the keyless transmitter once.



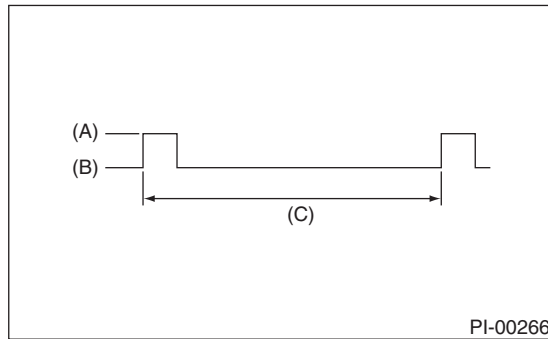
7) The alarm system is in the non-monitoring conditions if the driver's side door is unlocked, the buzzer sounds twice, the hazard light flashes twice, the room light turns on, and the security display light turns off.

**NOTE:**

On models without the immobilizer feature, the security display light does not flash after the "UNLOCK/DISARM" of the keyless transmitter is pressed.

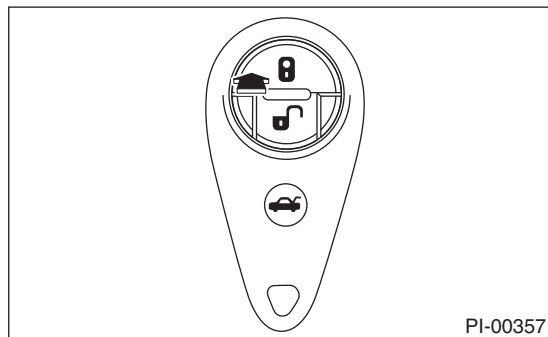


- Alarm system non-monitoring condition (models with immobilizer)



- (A) Light ON
- (B) Light OFF
- (C) 3 seconds

8) Press the "LOCK/ARM" button once on the keyless transmitter with one of the doors (including the rear gate) opened.

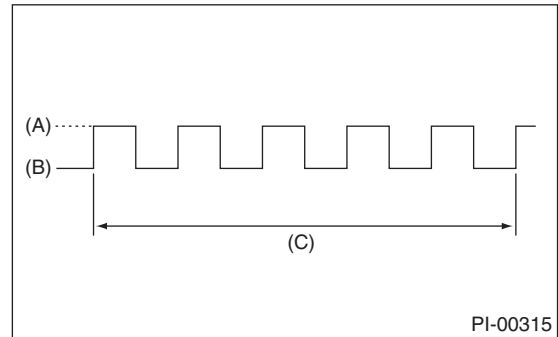


9) Check that the buzzer sounds 5 times to give the door not fully closed warning.

10) Close all the doors including rear gate.

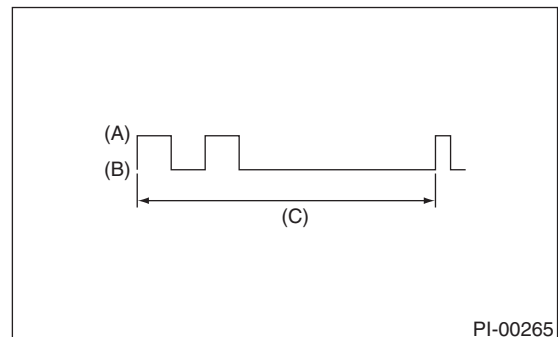
11) Check that the system is in the monitoring condition (all the doors become locked and the buzzer sounds once, and the hazard light flashes once).

- Alarm system monitoring prepared condition



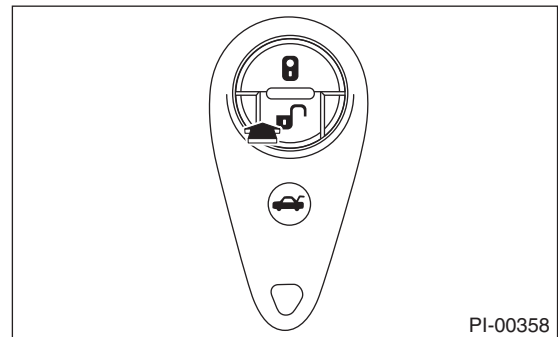
- (A) Light ON
- (B) Light OFF
- (C) 2 seconds

12) Check that the system enters monitoring condition 30 seconds after the condition in 11).



- (A) Light ON
- (B) Light OFF
- (C) 2 seconds

13) Press the "UNLOCK/DISARM" button on the keyless transmitter once and turn into non-monitoring condition.

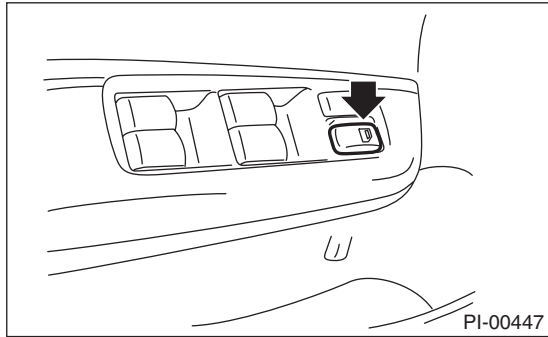


# Pre-delivery Inspection

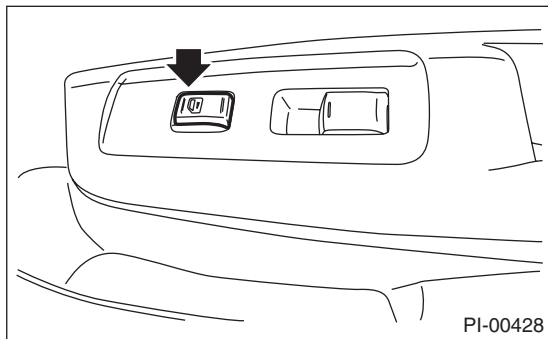
## PRE-DELIVERY INSPECTION

14) With one of all the doors open (including the rear gate), press the “LOCK” side of the power door lock switch.

- Driver’s side



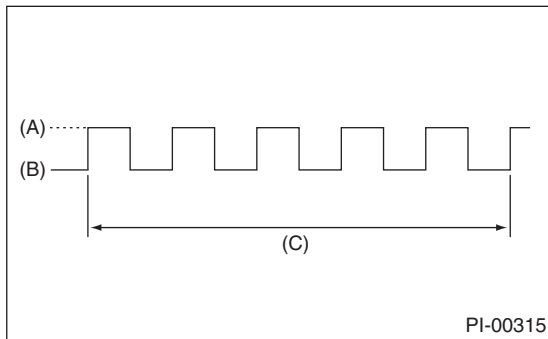
- Passenger’s side



15) Close all the doors including rear gate.

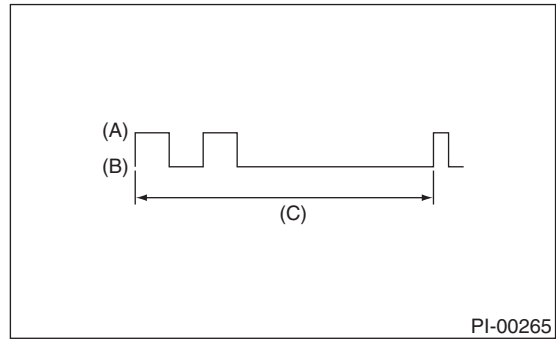
16) If all doors become locked, the buzzer sounds once, and the hazard light flashes once, the alarm system is in the monitoring prepared condition.

- Alarm system monitoring prepared condition



- (A) Light ON
- (B) Light OFF
- (C) 2 seconds

17) Check that the system enters monitoring condition 30 seconds after the condition in 16).



- (A) Light ON
- (B) Light OFF
- (C) 2 seconds

18) When the alarm system is in the monitoring condition, use the inner lock knob or the key to unlock the door, and open the door.

19) Check that the alarm condition occurs (horn sounds continuously, hazard light flashes, security indicator illuminates).

20) Check that the condition in 19) continues for 30 seconds or more, or until the “UNLOCK/DISARM” button of the keyless transmitter is pressed.

21) Check that in the monitoring condition, even if the ignition key is turned to the “START” position, the starter motor does not turn, and that the engine does not start.

### NOTE:

When the ignition is turned to ON by using the key that has a genuine transponder in it, the alarm will cease and the engine will start.

22) On models equipped with an impact sensor, hit the windshield glass with your hand with the alarm system in the monitoring condition, to check that the alarm condition occurs.

23) When none of above is applicable, perform troubleshooting for the security system. <Ref. to SL-26, INSPECTION, Security System.>



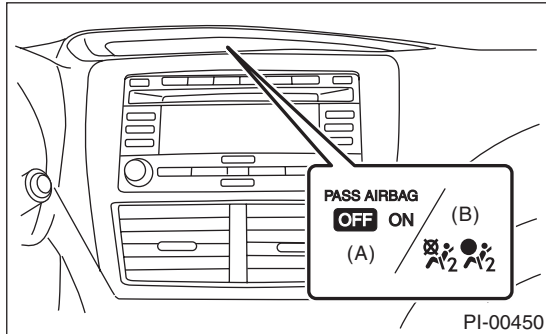
## 23. SEAT

1) Check that each seat provides full functionality in sliding and reclining. Check all available functions of the rear seat such as a trunk-through center armrest.

2) Check the passenger's seat occupant detection system.

(1) Empty the passenger's seat and turn the ignition switch to ON.

(2) Check that the passenger airbag ON/OFF indicator lights both turn on simultaneously for approximately six seconds, and after turning off for two seconds, only the OFF light illuminates.



(A) Airbag ON/OFF indicator light (U.S. (U4) model)

(B) Airbag ON/OFF indicator light (Canada, Mexico(CO, C4) model)

3) With a person weighing approximately 70 kg (155 lb) or more sitting in the passenger's seat, check whether the ON light of the passenger's airbag ON/OFF indicator illuminates or not.

4) Have the passenger get out of the passenger's seat, and check whether the OFF light of the passenger side airbag ON/OFF indicator illuminates.

## 24. SEAT BELT

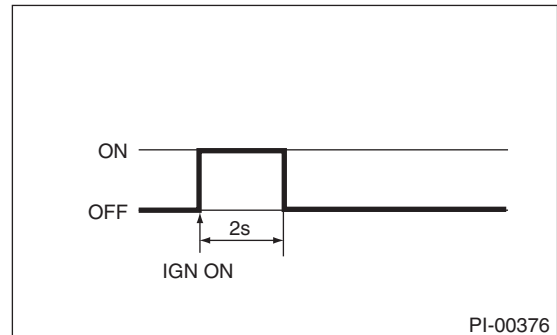
1) Pull out the seat belt and then release it. Check that the belt retracts smoothly.

2) Check that the ALR seat belt operates properly.

## 25. TPMS (U. S. MODEL)

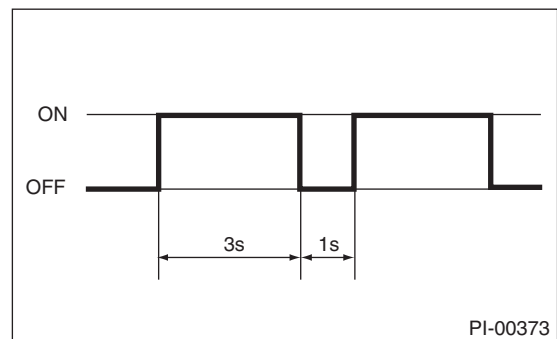
1) Turn the ignition switch to ON, and check that the TPMS warning light is in a normal operation condition.

- Normal operation (IG ON (Light check))

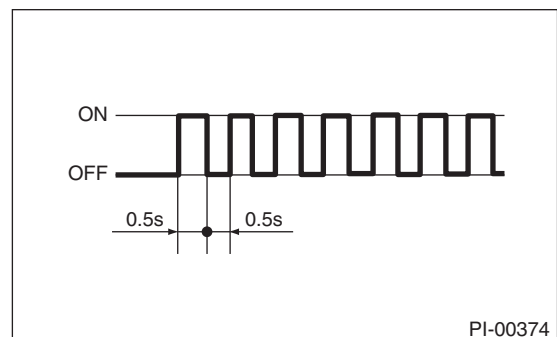


2) If the display of TPMS warning light does not operate normally, check and repair it in the following procedures.

- Transmitter power supplies for all the wheels are OFF \*1 (Radiowave stop mode)



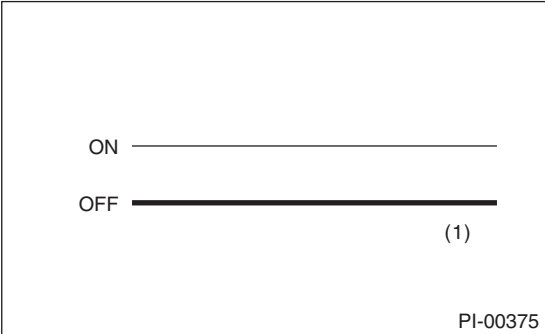
- Transmitter power supplies for the wheels 1 to 3 are OFF \*2 (Radiowave stop preparation mode & SSM communication start)



# Pre-delivery Inspection

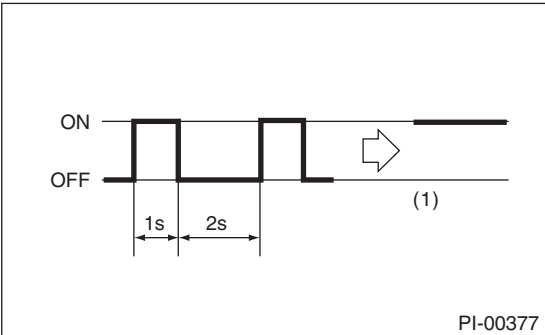
## PRE-DELIVERY INSPECTION

- Normal operation (Normal condition) \*3



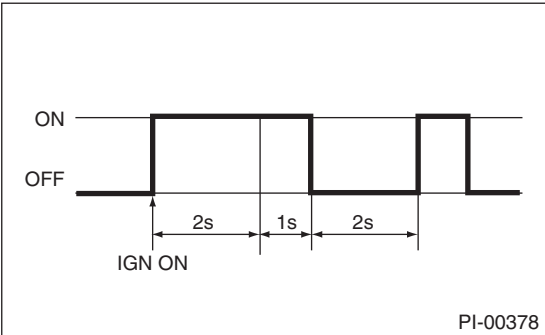
(1) Light OFF

- System failure (Normal condition)

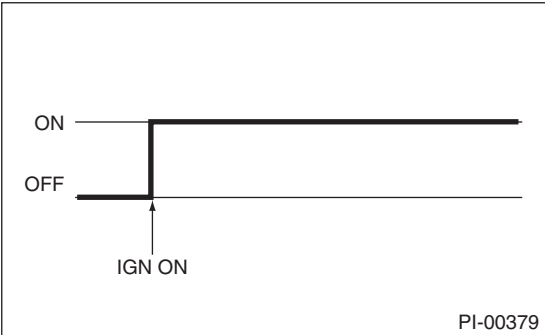


(1) Illuminates after 25 blinks

- System failure (IG ON)



- During tire pressure decrease warning, or ID has not registered



# Pre-delivery Inspection

PRE-DELIVERY INSPECTION

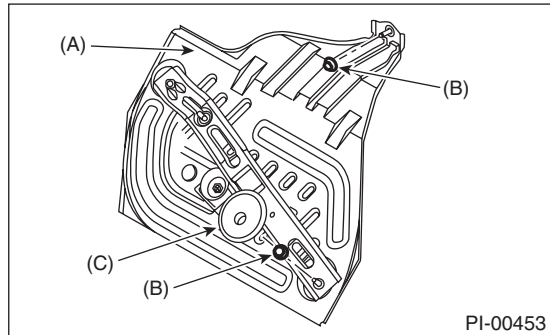
	Step	Check	Yes	No
1	<b>CHECK TPMS WARNING LIGHT.</b> 1) IG ON 2) Check the TPMS warning light condition.	Does the TPMS warning light condition become *1?	Go to step 2.	Go to step 3.
2	<b>TURN THE BULB POWER SUPPLY TO ON.</b> 1) Touch the transmitter registration tool to the side wall area near the air valve on the tire. 2) Press the switch and hold it for 4 seconds or more. 3) Perform the same procedures for the four tires.	Does the TPMS warning light condition become *3?	Go to step 10.	Go to step 9.
3	<b>CHECK ID.</b> 1) While checking the display of the Subaru Select Monitor, transmit the transmitter ID using the transmitter registration tool.	Does the ID of equipped transmitter match with the registered ID?	Go to step 6.	Go to step 4.
4	<b>RE-REGISTER ID.</b> 1) Register the transmitter. 2) After the completion of ID registration, check if the TPMS warning light condition becomes *3.	Does the TPMS warning light condition become *3?	Go to step 11.	Go to step 6.
5	<b>CHECK TIRE INFLATION PRESSURE.</b> 1) Check the tire inflation pressures of all the four wheels. 2) Adjust the tire inflation pressures. 3) Check the TPMS warning light condition.	Does the TPMS warning light condition become *3?	Go to step 7.	Go to step 6.
6	<b>DIAGNOSIS.</b> 1) Check the trouble history using the Subaru Select Monitor.	Is DTC displayed on the Subaru Select Monitor?	Repair the trouble cause. <Ref. to TPM(diag)-2, PROCEDURE, Basic Diagnostic Procedure.>	Go to step 7.
7	<b>CLEAR TROUBLE HISTORY.</b> 1) Using the Subaru Select Monitor, perform the clear memory.	Is DTC displayed on the Subaru Select Monitor?	Repair the trouble cause. <Ref. to TPM(diag)-2, PROCEDURE, Basic Diagnostic Procedure.>	Go to step 8.
8	<b>CHECK TPMS WARNING LIGHT.</b> 1) IG OFF 2) IG ON 3) Check the TPMS warning light condition.	Does the TPMS warning light display show *3?	Finish the check operation.	Perform the diagnosis again. <Ref. to TPM(diag)-2, PROCEDURE, Basic Diagnostic Procedure.>
9	<b>CHECK TPMS WARNING LIGHT.</b>	Does the TPMS warning light condition become *1 or *2?	Go to step 3.	Go to step 5.
10	<b>TRANSMIT DATA FORCIBLY.</b> 1) Touch the transmitter registration tool to the side wall area near the air valve on the tire. 2) Press the switch and hold it for 4 seconds or more. 3) Perform the same procedures for the four tires.	Does the TPMS warning light condition become *3?	Finish the check operation.	Go to step 5.
11	<b>TRANSMIT DATA FORCIBLY.</b> 1) Touch the transmitter registration tool to the side wall area near the air valve on the tire. 2) Press the switch and hold it for 4 seconds or more. 3) Perform the same procedures for the four tires.	Does the TPMS warning light condition become *3?	Go to step 7.	Go to step 5.

# Pre-delivery Inspection

## PRE-DELIVERY INSPECTION

### 26.ECM PROTECTOR

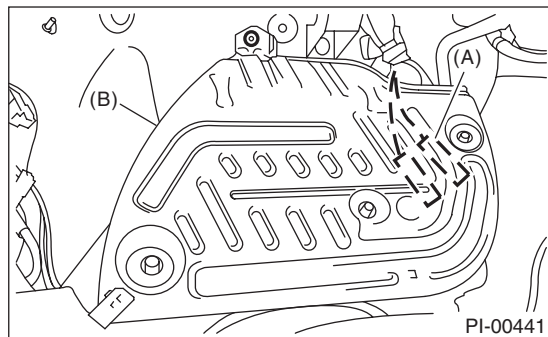
For Canada model, check the ECM protector installation conditions. Make sure that the special nut and the plastic cover of ECM protector are securely installed.



- (A) ECM protector
- (B) Special nut
- (C) Plastic cover

### 27.DELIVERY (TEST) MODE CONNECTOR

- 1) Turn the ignition switch to ON and check that the malfunction indicator light starts blinking.
- 2) If the light blinks, return the ignition key to LOCK.
- 3) Disconnect the delivery (test) mode connector located at the back of passenger's side floor.
- 4) Then, turn the ignition key to ON again.
- 5) If the malfunction indicator light blinks even though the delivery (test) mode connector is disconnected, carry out an engine diagnosis.
- 6) Put in the disconnected delivery (test) mode connector behind the ECM protector.



- (A) Delivery (test) mode connector
- (B) ECM protector

### 28.IMMOBILIZER

- 1) Check that the engine starts with all keys that are equipped on vehicle.
- 2) 60 seconds after turning ignition switch from ON to ACC or OFF, or immediately after removing the key, check that the security indicator light is blinking.

### 29.STARTING CONDITION

Start the engine and check that the engine starts smoothly. If the battery voltage is low, recharge or replace the battery. If any noises are observed, immediately stop the engine and check and repair the abnormal components.

### 30.EXHAUST

Listen to the exhaust noise to see if no noises are observed. Check that no leaks are found.

### 31.INDICATOR AND WARNING LIGHTS

Check that all indicator lights and warning lights are operating correctly.

### 32.HEATER & VENTILATION

Operate the heater & ventilation system to check for normal airflow outlet control, air inlet control, airflow capacity and heating performance.

### 33.AIR CONDITIONER

Operate the air conditioner. Check that the A/C compressor operates normally and enough cooling is provided.

#### NOTE:

To prevent the insufficient lubrication of air conditioner, operate the air conditioner for 5 minutes at idling.

### 34.CLOCK

Check the clock for normal operations and enough accuracy.

### 35.AUDIO

- 1) Check if the AM/FM radio broadcasting can be heard.
- 2) Check that all the radio functions work properly and the noise level is normal.
- 3) Check the CD and AUX for normal operation.
- 4) Check that the AUX is installed into the console without looseness.

### 36.NAVIGATION SYSTEM

- 1) Check all display functions for normal operation. (Refer to the operation manual.)
- 2) Check that the navigation system operates normally.
- 3) Check the radio, CD (DVD) player and AUX for normal operation.
- 4) Check that the AUX is installed into the console without looseness.

### 37.FRONT ACCESSORY POWER SUPPLY SOCKET

Check the operation of the front accessory power supply socket.

### 38. LIGHTING

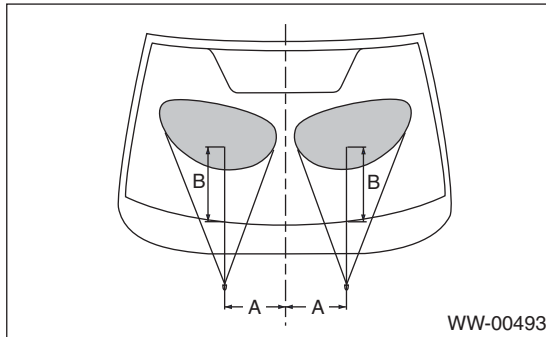
- 1) Check the headlight operations. After removing the key, turn the headlight switch from OFF to ON to make sure the headlight illuminates.
- 2) Check the stop light operation.
- 3) Check other lights for normal operations.

### 39. WINDOW WASHER

Check that the window washer system injects washer fluid to the specified area of the windshield shown in the figure.

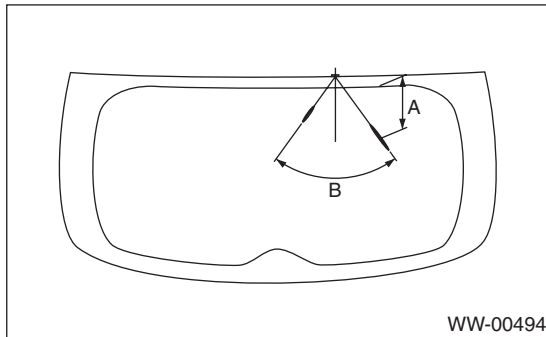
**Front spray position:**

- A: 250 mm (9.8 in)**
- B: 315 mm (12.4 in)**



**Rear spray position:**

- A: 140 mm (5.5 in)**
- B: 70°**



### 40. WIPER

Check the front and rear wipers for normal operations.

### 41. POWER WINDOW

Operate the power window switches one by one to check that each of the power windows goes up and down without noises.

### 42. SUNROOF

Check that the sunroof operates normally.

### 43. DOOR MIRROR

Check that the remote control mirror operates normally.

### 44. BRAKE TEST

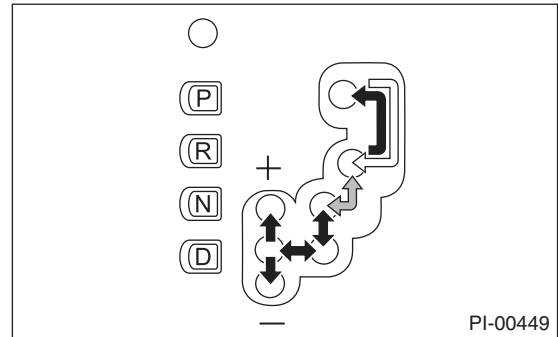
Check the foot brake for normal operations.

### 45. PARKING BRAKE

Check the parking brake for normal operations. When pulling the parking brake lever with a force of 200 N (20 kgf, 45 lb), check that the lever stroke of parking brake lever is 7 to 8 notches.

### 46. AT SHIFT CONTROL

- 1) Turn the ignition switch to ON.
- 2) While brake pedal is not depressed, check if the select lever does not move from "P" range.
- 3) While brake pedal is depressed, check if the select lever moves from "P" range.
- 4) Set the select lever to except for "P" range.
- 5) When the ignition switch is turned to OFF, check if the ignition key switch cannot be removed.
- 6) Set the AT selector lever to each gear position and check the shifting while driving the vehicle.



Selector position	Gear position			
	1st	2nd	3rd	4th
D	OK	OK	OK	OK
Manual mode	OK	OK	OK	OK

### 47. CRUISE CONTROL

Operate the cruise control system. Check that the system is activated and deactivated correctly.

# Pre-delivery Inspection

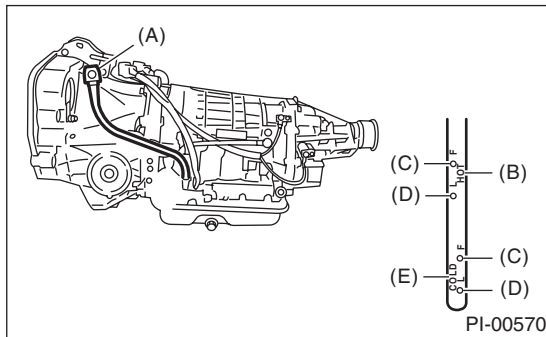
## PRE-DELIVERY INSPECTION

### 48.ATF LEVEL

After selecting all positions (P, R, N, D), set the select lever in “P” range. Idle the engine for 1 or 2 minutes, and measure the ATF level. If the amount is insufficient, check that no leaks are found. Then, add the necessary amount of the specified ATF.

#### CAUTION:

**If the ATF is spilt over exhaust pipe, wipe it off with cloth to avoid emitting smoke or causing a fire.**



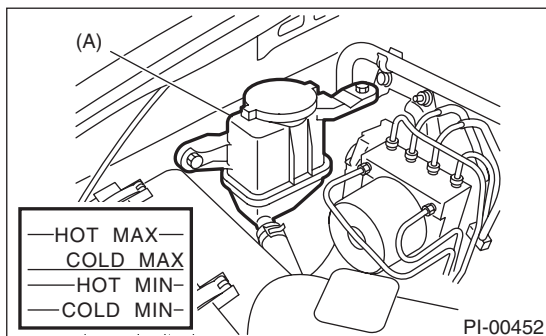
- (A) Level gauge
- (B) Inspection position when “HOT”  
[70 — 80°C (158 — 176°F)]
- (C) Upper level
- (D) Lower level
- (E) Inspection position when “COLD”  
[20 — 30°C (68 — 86°F)]

### 49.POWER STEERING FLUID LEVEL

Check that the power steering fluid level is normal. If insufficient, check for leaks. Then add the necessary amount of the specified power steering fluid.

#### CAUTION:

**If any power steering fluid is spilt over the exhaust pipe, wipe it off with a cloth to avoid emitting smoke or causing a fire.**



- (A) Reservoir tank

### 50.FLUID LEAKAGE

Check entire areas of the vehicle for any trace of coolant/oil/fluid leaks.

### 51.WATER LEAK TEST

Spray the vehicle with water using a hose and check that no water enters the passenger compartment.

- Before performing the water leakage test, remove anything that may obstruct the operation or which must be kept dry.
- Close all the windows and doors securely. Close the front hood, trunk lid and rear gate before starting the test.
- Connect a hose to a tap, and spray water on the vehicle. The rate of water spray must be approx. 20 to 25 ℓ (5.3 — 6.6 US gal, 4.4 — 5.5 Imp gal) per minute.

When spraying water on areas adjacent to the floor and wheel house, increase the pressure. When spraying water on areas other than the floor and wheel house, decrease the pressure. But the force of water must be made strong occasionally by pressing the end of the hose.

#### NOTE:

Be sure to keep the hose at least 10 cm (3.9 in) away from vehicle.

Check the following areas.

- Front window and body framework mating portion
- Door mating portions
- Glass mating portions
- Rear quarter window mating portions
- Rear window and body framework mating portion
- Around roof drips

If any dampness in the compartments is discovered after the water has been applied, carefully check all the areas that may have possibly contributed to the leak.

## 52. APPEARANCE 2

1) If protective coating (lap guard) is applied, remove it.

### NOTE:

- When removing the lap guard, using steam will make it easier to remove.
- Vehicle left for an extended period or at low temperatures, spray the vehicle with water heated 50 — 60°C (122 — 140°F) to raise the surface temperature before peeling off the wrap guard. Do not use the water heated to over 60°C (140°F).
- If the adhesive remains on the coated surface, soak a flannel rag, etc. with a small amount of coating wax or solvent such as oil benzene and IPA, put the soaked cloth on the remains lightly, and then wipe them off with a flannel rag etc.
- Keep solvent from touching the resin or rubber parts. Do not use coating wax or solvents while the component surface temperature is hot due to hot weather etc.
- If the coated surface is swollen out due to seams or moisture, expose the vehicle to the sunlight for a few hours or heat the seam and swollen portions using a dryer etc.
- Dispose of the peeled wrap guard as burnable industrial garbage.

2) Check the whole vehicle body for flaking paint, damage by transportation, corrosion, dirt, cracks or blisters.

### NOTE:

- It is better to determine an inspection pattern in order to avoid missing an area, since the total inspection area is wide.
- Do not repair the body paint unless absolutely necessary. Also, if the vehicle is in need of repair to remove scratches or corroded paint, the repair area must be limited to the minimum. Re-painting and spray painting must be avoided as much as possible.

3) Check each window glass for scratches carefully. Slight damage may be removed by polishing with cerium oxide. (Fill a cup half with cerium oxide, and add warm water to it. Then agitate the content until it turns to wax. Apply this wax to a soft cloth, and polish the glass with it.)

4) Check each portion of the vehicle body and underside components for the formation of rust. If rust is discovered, remove it with sandpaper of #80 to #180 and treat the surface with rust preventive. After this treatment is completed, flush the portion thoroughly, and prepare the surface for repair painting.

5) Check each portion of body and all of the exterior parts for deformation or distortion. Also, check each light lens for cracks.

6) Peel the identification seal attached to the rear combination light.

# Pre-delivery Inspection

PRE-DELIVERY INSPECTION

---



## General Description

PERIODIC MAINTENANCE SERVICES

---

### 1. General Description

#### A: GENERAL DESCRIPTION

Be sure to perform periodic maintenance in order to maintain vehicle performance and find problems before they occur.

# Schedule

## PERIODIC MAINTENANCE SERVICES

### 2. Schedule

#### A: MAINTENANCE SCHEDULE 1

##### 1. U.S.

		Maintenance interval [Number of months or km (miles), whichever occurs first]																		Remarks
Months	3	7.5	15	22.5	30	37.5	45	52.5	60	67.5	75	82.5	90	97.5	105	112.5	120			
× 1,000 km	4.8	12	24	36	48	60	72	81.4	96	108	120	132	144	156	168	180	192			
× 1,000 miles	3	7.5	15	22.5	30	37.5	45	52.5	60	67.5	75	82.5	90	97.5	105	112.5	120			
1	Engine oil		R	R	R	R	R	R	R	R	R	R	R	R	R	R	R	R	Turbo model Note (5)	
2	Engine oil filter		R	R	R	R	R	R	R	R	R	R	R	R	R	R	R	R	Turbo model Note (5)	
3	Spark plug					R			R				R					R	Non-turbo model	
									R									R	Turbo model	
4	Drive belt(s)					I			I				I		R					
5	Camshaft drive belt					I			I				I		R					
6	Fuel line					(I)			(I)				(I)					I	Note (1)	
7	Fuel filter								R									R		
8	Air cleaner element					R			R				R					R	Note (2)	
9	Cooling system					I			I				I					I		
10	Engine coolant	Replace after the first 11 years or 220,000 km (137,000 miles), and every six years or 120,000 km (75,000 miles) thereafter.																		
11	Clutch system			I		I		I		I		I		I		I		I		
12	Transmission oil					I			I				I					I		
13	ATF					I			I				I					I		
14	Front and rear differential oil					I			I				I					I		
15	Brake line			I		I		I		I		I		I		I		I		
16	Brake fluid					R			R				R					R		
17	Disc brake pad and disc			I		I		I		I		I		I		I		I		
18	Parking brake			I		I		I		I		I		I		I		I		
19	Suspension			I		I		I		I		I		I		I		I		
20	Wheel bearing								(I)									(I)		
21	Axle boots and joints			I		I		I		I		I		I		I		I		
22	Tire rotation		I	I	I	I	I	I	I	I	I	I	I	I	I	I	I	I	Note (3)	
23	Steering system (power steering)			I		I		I		I		I		I		I		I		
24	A/C filter	Check every 12 months or every 12,000 km (7,500 miles).																		

Symbols used:

R: Replace

I: Inspection

(R) or (I): Recommended service for safe vehicle operation.

# Schedule

## PERIODIC MAINTENANCE SERVICES

---

### NOTE:

1. This inspection is not required to maintain emission warranty eligibility and it does not affect the manufacturer's obligations under EPA's in-use compliance program.
2. When the vehicle is used in extremely dusty conditions, the air cleaner element should be replaced more often.
3. A tire should be replaced when the tread wear indicator appears as a solid band across the tread. The indicators appear when the remaining tread has been worn to 1.6 mm (0.063 in) or less.
4. When the A/C filter is installed.
5. For turbo model, replace every 3.75 months or every 6,000 km (3,750 miles).

# Schedule

## PERIODIC MAINTENANCE SERVICES

### 2. CANADA

		Maintenance interval [Number of months or km (miles), whichever occurs first]																	Remarks
Months	3	7.5	15	22.5	30	37.5	45	52.5	60	67.5	75	82.5	90	97.5	105	112.5	120		
× 1,000 km	4.8	12	24	36	48	60	72	81.4	96	108	120	132	144	156	168	180	192		
× 1,000 miles	3	7.5	15	22.5	30	37.5	45	52.5	60	67.5	75	82.5	90	97.5	105	112.5	120		
1	Engine oil	R	R	R	R	R	R	R	R	R	R	R	R	R	R	R	R	R	
2	Engine oil filter	R	R	R	R	R	R	R	R	R	R	R	R	R	R	R	R	R	Turbo model Note (5)
3	Spark plug					R			R				R					R	Non-turbo model
									R										R
4	Drive belt(s)					I			I				I			R			
5	Camshaft drive belt					I			I				I			R			
6	Fuel line					(I)			(I)				(I)					I	Note (1)
7	Fuel filter								R									R	
8	Air cleaner element					R			R				R					R	Note (2)
9	Cooling system					I			I				I					I	
10	Engine coolant	Replace after the first 11 years or 220,000 km (137,000 miles), and every six years or 120,000 km (75,000 miles) thereafter.																	
11	Clutch system			I		I		I		I		I		I		I		I	
12	Transmission oil					I			I				I					I	
13	ATF					I			I				I					I	
14	Front and rear differential oil					I			I				I					I	
15	Brake line			I		I		I		I		I		I		I		I	
16	Brake fluid					R			R				R					R	
17	Disc brake pad and disc			I		I		I		I		I		I		I		I	
18	Parking brake			I		I		I		I		I		I		I		I	
19	Suspension			I		I		I		I		I		I		I		I	
20	Wheel bearing								(I)									(I)	
21	Axle boots and joints			I		I		I		I		I		I		I		I	
22	Tire rotation		I	I	I	I	I	I	I	I	I	I	I	I	I	I	I	I	Note (3)
23	Steering system (power steering)			I		I		I		I		I		I		I		I	
24	A/C filter	Check every 12 months or every 12,000 km (7,500 miles).																	Note (4)

Symbols used:

R: Replace

I: Inspection

(R) or (I): Recommended service for safe vehicle operation.

#### NOTE:

1. This inspection is not required to maintain emission warranty eligibility and it does not affect the manufacturer's obligations under EPA's in-use compliance program.

2. When the vehicle is used in extremely dusty conditions, the air cleaner element should be replaced more often.

3. A tire should be replaced when the tread wear indicator appears as a solid band across the tread. The indicators appear when the remaining tread has been worn to 1.6 mm (0.063 in) or less.

4. When the A/C filter is installed.

5. For turbo model, replace every 3.75 months or every 6,000 km (3,750 miles).

## Schedule

### PERIODIC MAINTENANCE SERVICES

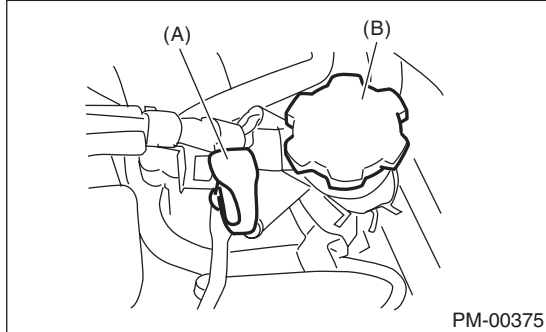
### **B: MAINTENANCE SCHEDULE 2**

Item	Maintenance interval	Repeat short distance drive	Repeat rough/muddy road drive	Extremely cold weather area	Salt or other corrosive used or coastal area	High humidity or mountain area	Repeat towing trailer
Engine oil	3.75 months	R		R			R
	6,000 km						
	3,750 miles						
Engine oil filter	3.75 months	R		R			R
	6,000 km						
	3,750 miles						
Fuel line	7.5 months				I		
	12,000 km						
	7,500 miles						
Transmission oil	15 months						R
	24,000 km						
	15,000 miles						
ATF	15 months						R
	24,000 km						
	15,000 miles						
Front and rear differential oil	15 months						R
	24,000 km						
	15,000 miles						
Brake line	7.5 months				I		
	12,000 km						
	7,500 miles						
Brake fluid	15 months					R	
	24,000 km						
	15,000 miles						
Disc brake pad and disc	7.5 months	I	I		I		I
	12,000 km						
	7,500 miles						
Parking brake	7.5 months				I		
	12,000 km						
	7,500 miles						
Suspension	7.5 months		I	I	I		
	12,000 km						
	7,500 miles						
Axle Boots & Joints	7.5 months	I	I		I		I
	12,000 km						
	7,500 miles						
Steering system (Power steering)	7.5 months		I	I	I		
	12,000 km						
	7,500 miles						

## 3. Engine Oil

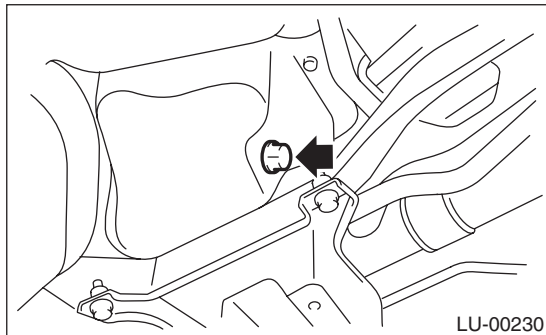
### A: REPLACEMENT

- 1) Set the vehicle on a lift.
- 2) Open the engine oil filter cap for quick draining of engine oil.

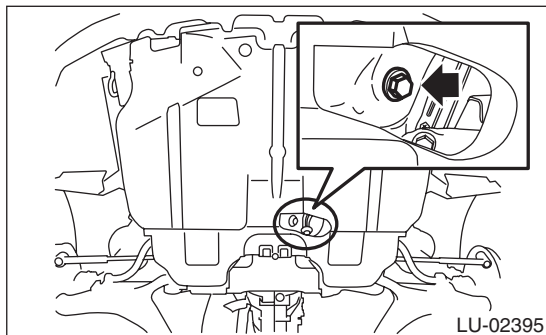


- (A) Oil level gauge  
(B) Oil filler cap

- 3) Lift up the vehicle.
- 4) Drain engine oil by loosening the engine oil drain plug.
  - Non-turbo model



- Turbo model



**NOTE:**  
Prepare the container for draining of engine oil.

**CAUTION:**  
If the engine oil is spilt over exhaust pipe or the under cover, wipe it off with cloth to avoid emitting smoke or causing a fire.

- 5) Replace the drain plug gasket.

**NOTE:**

Use a new drain plug gasket.

- 6) Tighten the engine oil drain plug after draining engine oil.

**Tightening torque:**

**44 N·m (4.5 kgf·m, 32.5 ft·lb)**

- 7) Using engine oil of proper quality and viscosity, fill engine oil through the oil filler duct to the “F” line on oil level gauge. Place the vehicle on a level surface when checking oil level.

**Recommended oil:**

**Refer to “RM” section for the engine oil viscosity. <Ref. to RM-2, LUBRICANTS, RECOMMENDED MATERIALS, Recommended Materials.>**

**Engine oil capacity**

**Refer to “SPC” section for the engine oil capacity. <Ref. to SPC-4, CAPACITY, Impreza.>**

**NOTE:**

- The proper viscosity helps vehicle get good cold and hot starting by reducing viscous friction and thus increasing cranking speed.
- When replenishing oil, it does not matter if the oil to be added is a different brand from that in the engine; however, use oil having the API standard and SAE viscosity No. designated by SUBARU.
- If vehicle is used in desert areas with very high temperatures or for other heavy duty applications, the following viscosity oils may be used:

API standard: SM or SL

ILSAC standard: GF-4

SAE viscosity No.: 30, 40, 10W-50, 20W-40, 20W-50

- 8) Close the engine oil filler cap.

- 9) Start the engine and warm it up for a time.

- 10) Stop the engine to inspect the oil level again. <Ref. to PM-8, INSPECTION, Engine Oil.>

### B: INSPECTION

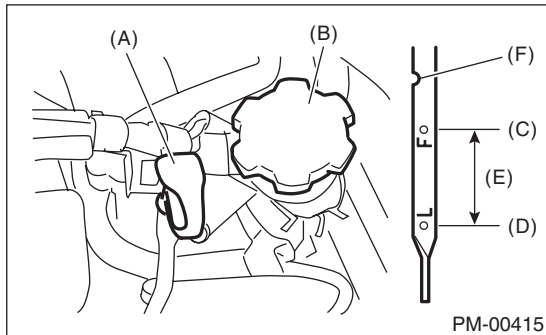
#### CAUTION:

**If the engine oil is spilt over exhaust pipe or the under cover, wipe it off with cloth to avoid emitting smoke or causing a fire.**

- 1) Park the vehicle on a level surface.
- 2) Remove the oil level gauge and wipe it clean.
- 3) Reinsert the oil level gauge all the way. Be sure that the oil level gauge is correctly inserted and properly orientated.
- 4) Remove the level gauge again and record the oil level. If the engine oil level is below “L” line, add oil to bring the level up to “F” line.
- 5) Start the engine and warm it up for a time.
- 6) After turning off the engine, wait a few minutes for the oil to return to the oil pan before checking the level.

#### NOTE:

- Just after driving or while the engine is warm, engine oil level shows in the range between the “F” line and the notch mark. This is caused by thermal expansion of engine oil.
  - To prevent overfilling of engine oil, do not add oil above “F” line when the engine is cold.
  - As the oil level gauge is used for daily maintenance, the “F” and “L” lines are set assuming that the engine is cold.
- 7) To prevent overfilling the engine oil, do not add oil above the “F” line when the engine is cold.



- (A) Oil level gauge
- (B) Oil filler cap
- (C) “F” line
- (D) “L” line
- (E) Approx. 1 ℓ (1.1 US qt, 0.9 Imp qt)
- (F) Notch mark

# Spark Plug

## PERIODIC MAINTENANCE SERVICES

### 5. Spark Plug

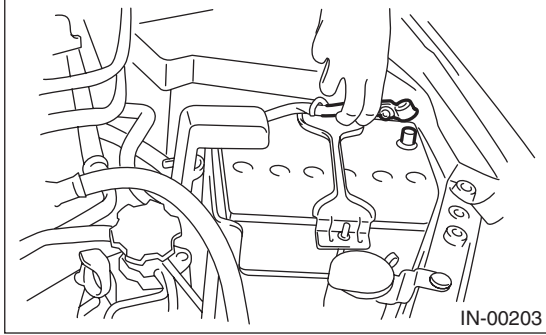
#### A: REPLACEMENT

##### Spark plug:

Refer to "SPECIFICATION" for spark plug.  
<Ref. to SPC-2, ELECTRICAL, Impreza.>

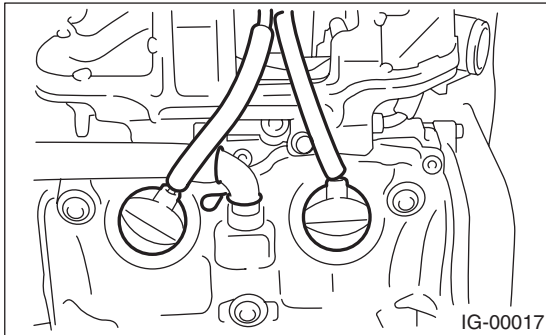
#### 1. SOHC MODEL RH

- 1) Disconnect the ground cable from battery.

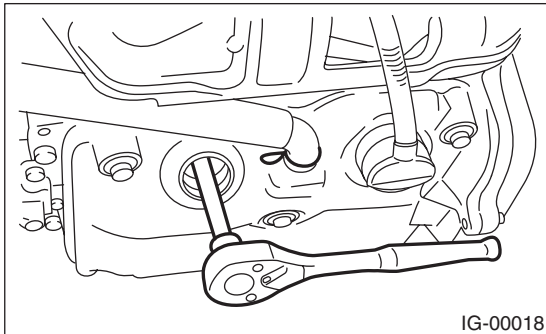


- 2) Remove the air cleaner case. <Ref. to IN(H4SO)-5, REMOVAL, Air Cleaner Case.>

- 3) Remove the spark plug cords by pulling the boot. (Do not pull the cord itself.)



- 4) Remove the spark plug with a spark plug socket.



- 5) Install in the reverse order of removal.

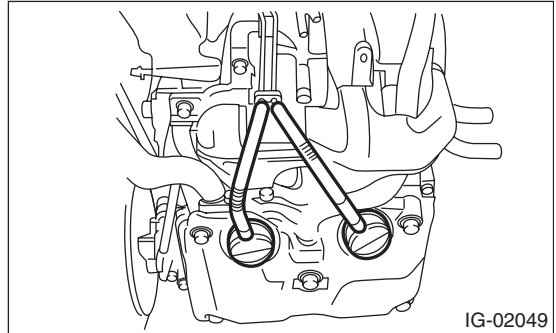
##### Tightening torque:

**21 N·m (2.1 kgf-m, 15.5 ft-lb)**

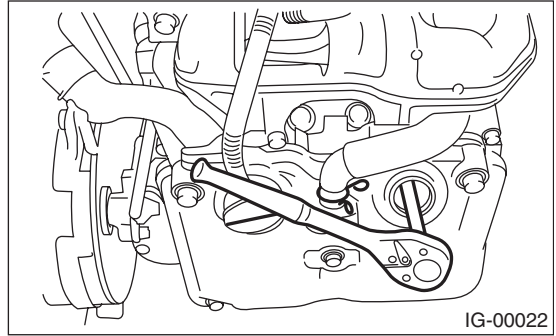
#### 2. SOHC MODEL LH

- 1) Remove the battery. <Ref. to SC(H4SO)-22, REMOVAL, Battery.>

- 2) Remove the spark plug cords by pulling the boot. (Do not pull the cord itself.)



- 3) Remove the spark plug with a spark plug socket.



- 4) Install in the reverse order of removal.

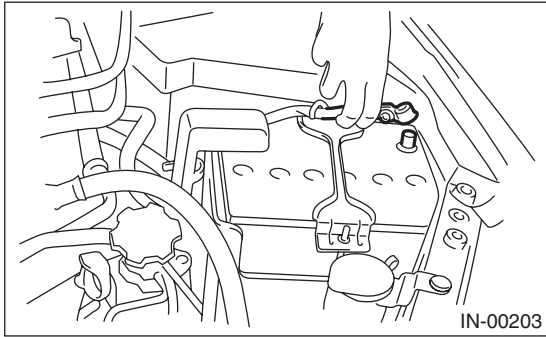
##### Tightening torque:

**21 N·m (2.1 kgf-m, 15.5 ft-lb)**



## 3. DOHC MODEL RH

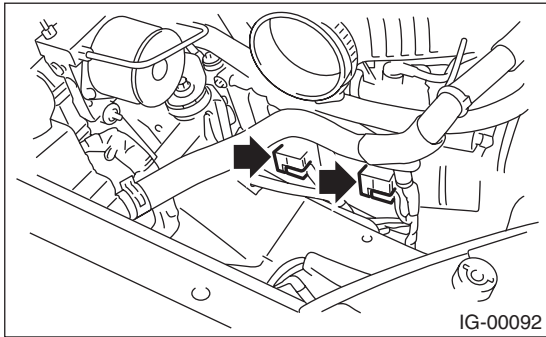
- 1) Disconnect the ground cable from battery.



- 2) Remove the air cleaner case.  
<Ref. to IN(H4DOTC)-9, REMOVAL, Air Cleaner Case.>
- 3) Disconnect the connector from ignition coil.
- 4) Remove the ignition coil.

**NOTE:**

Turn #3 ignition coil by 180 degrees to remove it.



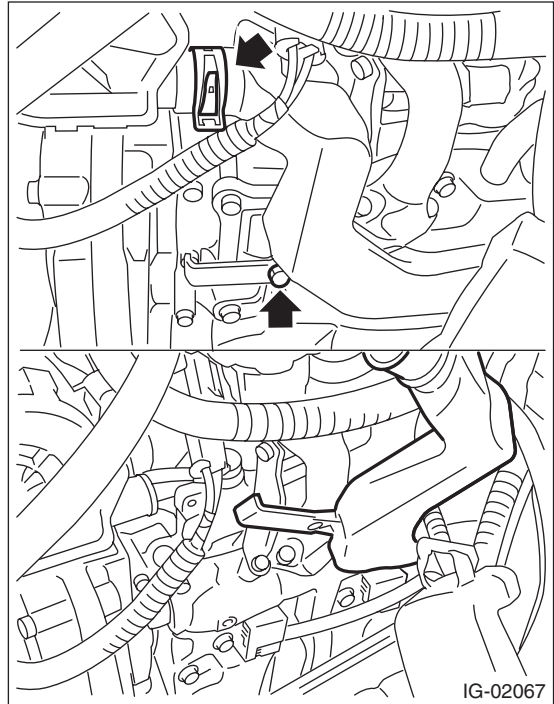
- 5) Remove the spark plug with a spark plug socket.
- 6) Install in the reverse order of removal.

**Tightening torque (Spark plug):**  
21 N·m (2.1 kgf-m, 15.5 ft-lb)

**Tightening torque (Ignition coil):**  
16 N·m (1.6 kgf-m, 11.8 ft-lb)

## 4. DOHC MODEL LH

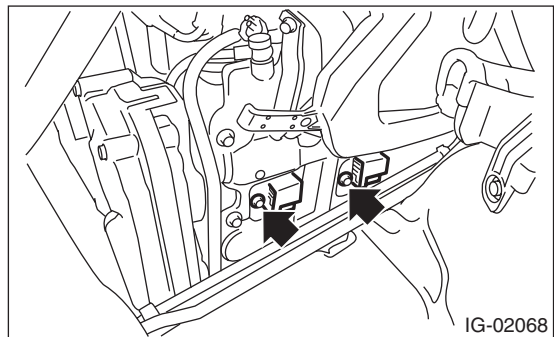
- 1) Remove the battery and battery carrier.
- 2) Disconnect the air duct from the secondary air pump.
- 3) Remove the bolts attaching the air duct to the rocker cover (LH) and raise the air duct.



- 4) Disconnect the connector from ignition coil.
- 5) Remove the ignition coil.

**NOTE:**

Turn #4 ignition coil by 180 degrees to remove it.



- 6) Remove the spark plug with a spark plug socket.
- 7) Install in the reverse order of removal.

**Tightening torque (Spark plug):**  
21 N·m (2.1 kgf-m, 15.5 ft-lb)

**Tightening torque (Ignition coil):**  
16 N·m (1.6 kgf-m, 11.8 ft-lb)

**Tightening torque (Air duct):**  
9 N·m (0.9 kgf-m, 6.6 ft-lb)

## 6. V-belt

### A: INSPECTION

**CAUTION:**

Check and adjust the front side belt tension so that it is within the specified range. Using the belt with a tension out of the specified range may result in a fault such as the following:

- If the front side belt tension is higher, unexpected force is generated at the power steering oil pump, generator and crankshaft bearing, causing abnormal noise due to abnormal wear of the bearing.
- If the front side belt tension is lower, the front side belt and crank pulley slip, causing abnormally high temperature on the crank pulley due to frictional heat. If this condition repeatedly occurs, the front side belt may abnormally wear, causing abnormal noise, front side belt damage or crank pulley damage.

**NOTE:**

Since the rear belt is a stretch type belt, it does not require tension adjustment.

### 1. PROCEDURE (WITHOUT BELT TENSION GAUGE)

- 1) Replace the belts if cracks, fraying or wear are found.
- 2) Check the V-belt tension and adjust it if necessary by changing the generator installing position or idler pulley installing position. <Ref. to PM-13, REPLACEMENT, V-belt.>

**Belt tension**

**(A)**

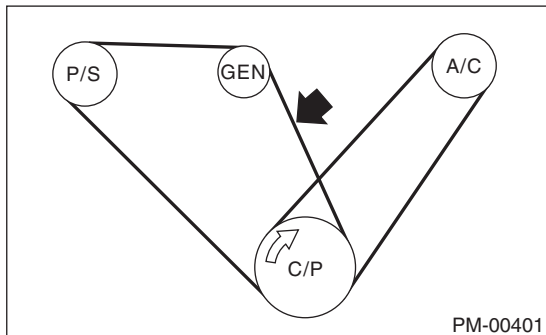
**When replacing: 7 — 9 mm (0.276 — 0.354 in)**

**When reusing: 9 — 11 mm (0.354 — 0.433 in)**

**(B)**

**When replacing: 7.5 — 8.5 mm (0.295 — 0.335 in)**

**When reusing: 9.0 — 10.0 mm (0.354 — 0.394 in)**



- C/P Crank pulley
- GEN Generator pulley
- P/S Power steering oil pump pulley
- A/C A/C compressor pulley

### 2. PROCEDURE (WITH BELT TENSION GAUGE)

- 1) Replace the belts if cracks, fraying or wear are found.
- 2) Remove the V-belt covers and radiator reservoir tank.
- 3) Check the belt tension, using the belt tension gauge. Adjust the tension, if necessary by changing the generator installing position or idler pulley installing position.

**Belt tension (non-turbo model)**

**When installing new parts:**

**640 — 780 N (65 — 80 kgf, 144 — 175 lbf)**

**At inspection:**

**490 — 640 N (50 — 65 kgf, 110 — 144 lbf)**

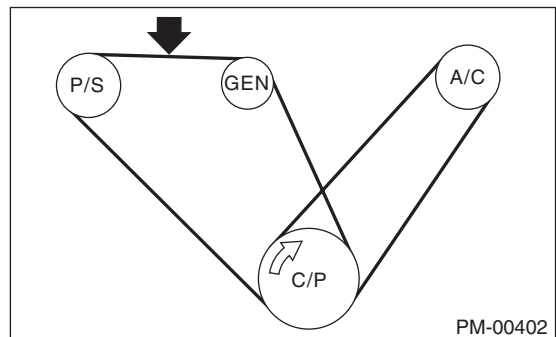
**Belt tension (turbo model)**

**When installing new parts:**

**640 — 780 N (65 — 80 kgf, 144 — 175 lbf)**

**At inspection:**

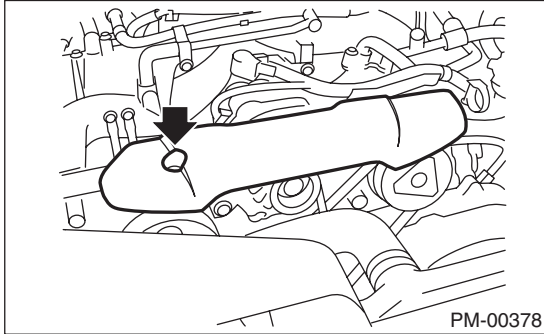
**490 — 640 N (50 — 65 kgf, 110 — 144 lbf)**



- C/P Crank pulley
- GEN Generator pulley
- P/S Power steering oil pump pulley
- A/C A/C compressor pulley

**B: REPLACEMENT****1. V-BELT COVER**

Remove the V-belt covers.

**2. FRONT SIDE BELT (FOR POWER STEERING OIL PUMP AND GENERATOR)****NOTE:**

Wipe off any oil or water on the belt and pulley.

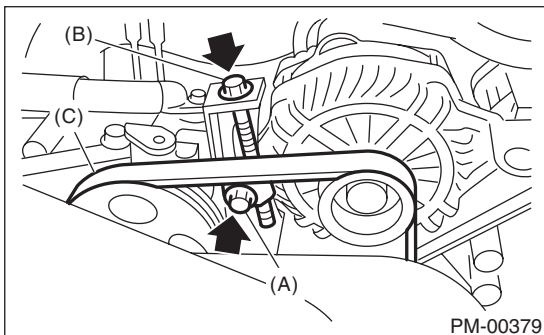
- 1) Loosen the lock bolt (A).
- 2) Loosen the slider bolt (B).
- 3) Remove the front side belt (C).
- 4) Install a new belt, and tighten the slider bolt so as to obtain the specified belt tension.
- 5) Tighten the lock bolt (A).
- 6) Tighten the slider bolt (B).

**Tightening torque:****Lock bolt**

**25 N·m (2.5 kgf·m, 18.4 ft·lb)**

**Slider bolt**

**8 N·m (0.8 kgf·m, 5.9 ft·lb)**



- 7) Idle the engine for approx. 5 min. to normalize the V-belt. (With using tension gauge)
- 8) Stop the engine, and then check the belt tension and adjust it. (With using tension gauge)
- 9) Idle the engine for approx. 1 min. to normalize the V-belt. (With using tension gauge)
- 10) Stop the engine, and then check the belt tension is within specified value. (With using tension gauge)
- 11) Adjust the belt tension until the value within specification. (With using tension gauge)

**3. REAR SIDE BELT (FOR A/C)****CAUTION:**

**Always use new rear side belt.**

- 1) Remove the front side belts.
- 2) Cut the rear side belt.
- 3) Install a new belt using an installation jig. <Ref. to ME(H4SO)-40, REAR SIDE BELT, INSTALLATION, V-belt.> <Ref. to ME(H4DOTC)-41, REAR SIDE BELT, INSTALLATION, V-belt.>
- 4) Install the front side belt. <Ref. to ME(H4SO)-39, FRONT SIDE BELT, INSTALLATION, V-belt.>

# Timing Belt

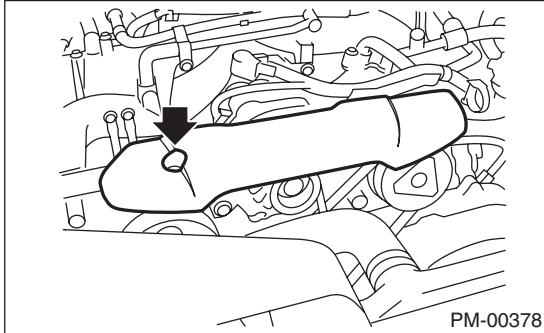
## PERIODIC MAINTENANCE SERVICES

### 7. Timing Belt

#### A: REPLACEMENT

##### 1. NON-TURBO MODEL

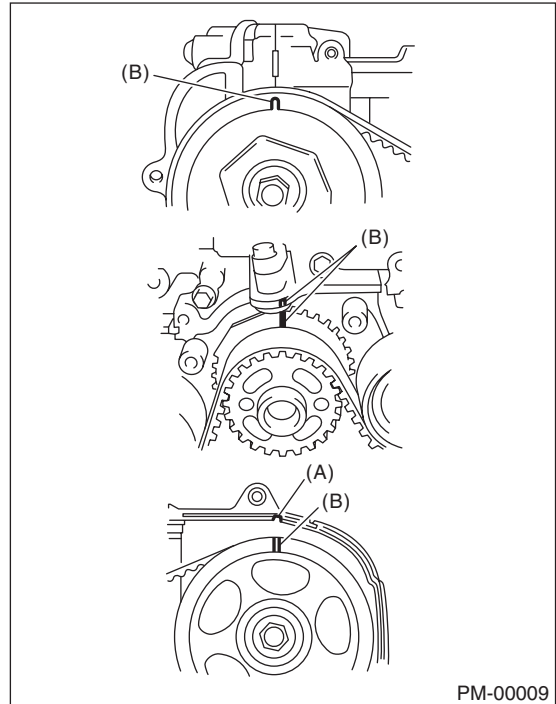
- 1) Remove the radiator fan and air conditioner fan. <Ref. to CO(H4SO)-23, REMOVAL, Radiator Main Fan and Fan Motor.> <Ref. to CO(H4SO)-25, REMOVAL, Radiator Sub Fan and Fan Motor.>
- 2) Protect the radiator with cardboard and blanket.
- 3) Remove the V-belt covers.



- 4) Remove the V-belts. <Ref. to ME(H4SO)-39, REMOVAL, V-belt.>
- 5) Remove the crank pulley. <Ref. to ME(H4SO)-46, REMOVAL, Crank Pulley.>
- 6) Remove the timing belt cover. <Ref. to ME(H4SO)-48, REMOVAL, Timing Belt Cover.>

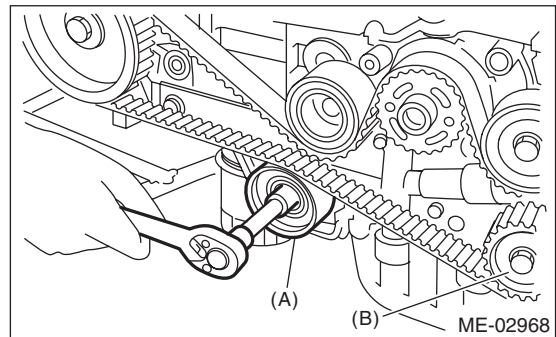
- 7) Using ST, turn the crankshaft and align the alignment marks on crankshaft and left and right cam sprockets with alignment marks of belt cover and oil pump.

ST 499987500 CRANKSHAFT SOCKET



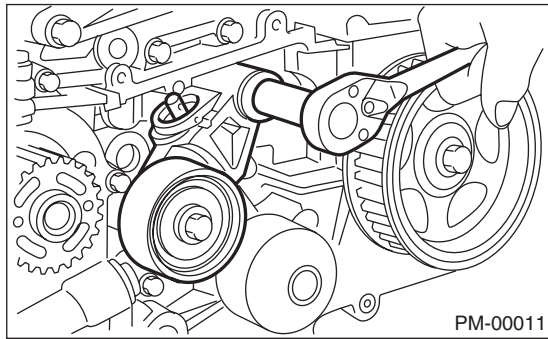
- (A) Notch  
(B) Alignment mark

- 8) Remove the belt idler (A).
- 9) Remove the belt idler No. 2 (B).



- 10) Remove the timing belt.

11) Remove the automatic belt tension adjuster assembly.



12) Install in the reverse order of removal. <Ref. to ME(H4SO)-50, INSTALLATION, Timing Belt.>

## 2. TURBO MODEL

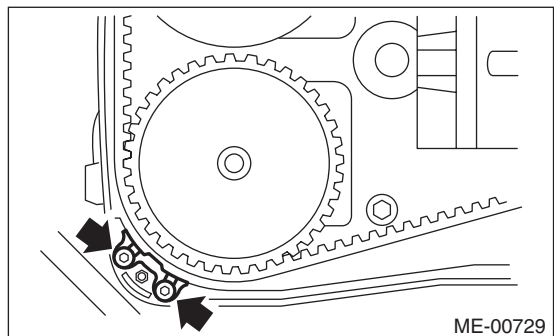
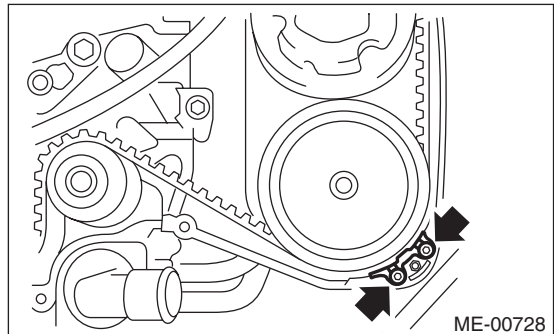
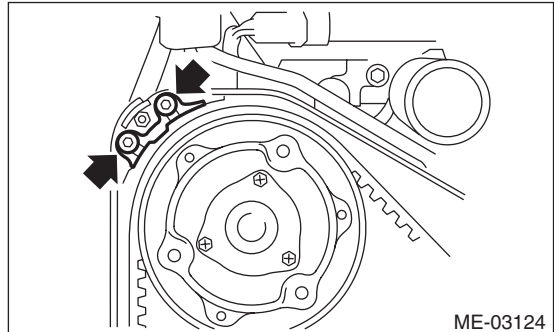
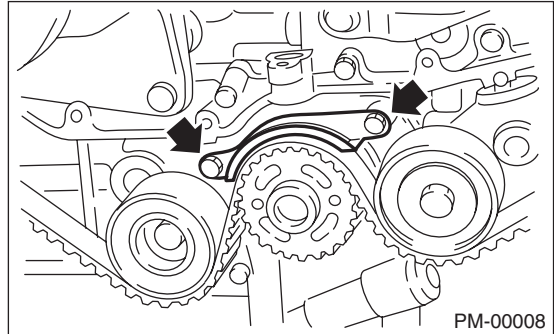
1) Remove the radiator fan and air conditioner fan. <Ref. to CO(H4DOTC)-25, REMOVAL, Radiator Main Fan and Fan Motor.> <Ref. to CO(H4DOTC)-27, REMOVAL, Radiator Sub Fan and Fan Motor.>

2) Protect the radiator with cardboard and blanket.  
3) Remove the V-belts. <Ref. to ME(H4DOTC)-40, REMOVAL, V-belt.>

4) Remove the crank pulley. <Ref. to ME(H4DOTC)-47, REMOVAL, Crank Pulley.>

5) Remove the timing belt cover. <Ref. to ME(H4DOTC)-49, REMOVAL, Timing Belt Cover.>

6) Remove the timing belt guide. (MT model)



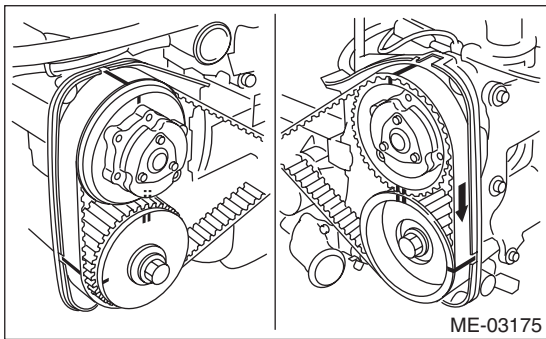
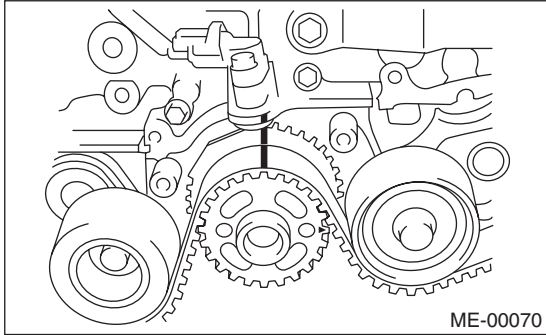


# Timing Belt

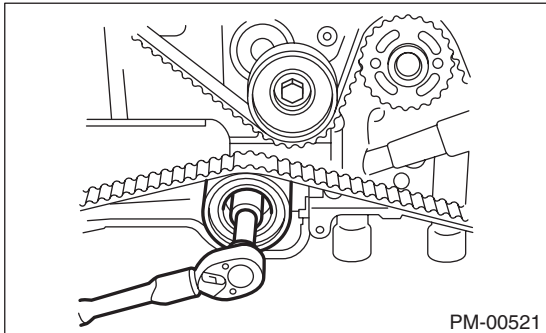
## PERIODIC MAINTENANCE SERVICES

7) Using ST, turn the crankshaft and align the alignment marks on crankshaft and left and right cam sprockets with alignment marks of belt cover and oil pump.

ST 499987500 CRANKSHAFT SOCKET

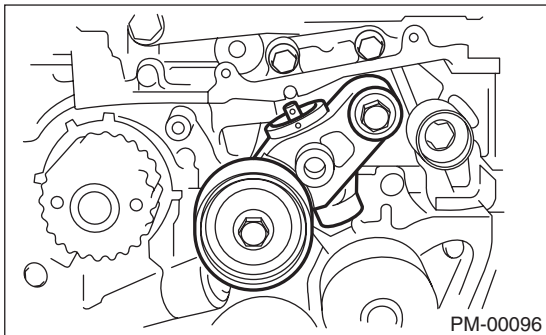


8) Remove the belt idler.



9) Remove the timing belt.

10) Remove the automatic belt tension adjuster assembly.



11) Install in the reverse order of removal. <Ref. to ME(H4DOTC)-52, INSTALLATION, Timing Belt.>

### CAUTION:

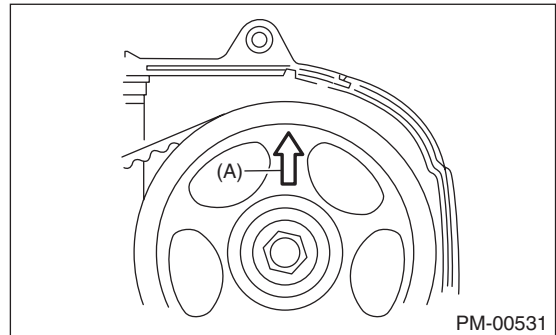
When installing the timing belt, be sure to align all alignment marks on the belt with corresponding marks on the sprockets. If incorrectly installed, interference between pistons and valves may occur.

### B: INSPECTION

#### 1. SOHC MODEL (CHECK FOR TIMING BELT POSITION)

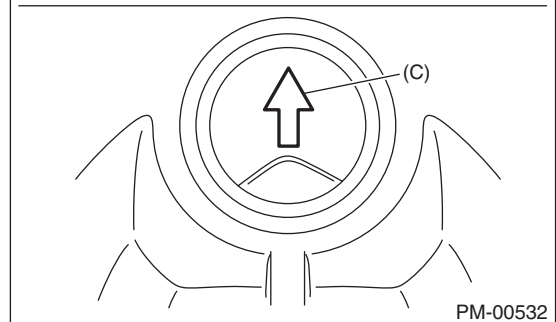
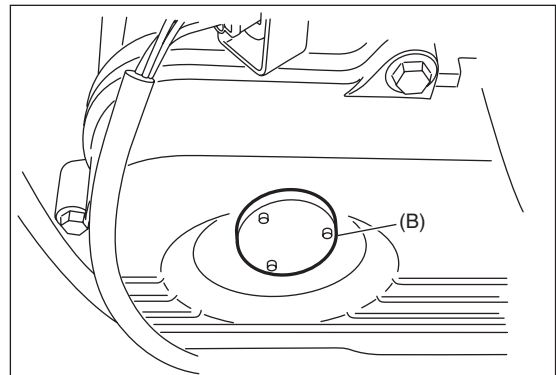
1) Remove the timing belt cover (LH).  
2) Turn the crank pulley to set #1 cylinder piston to top dead center of compression stroke and check the followings.

(1) Check that the arrow (A) of camshaft pulley LH points to the upright.



(2) Remove the sealing rubber (B) of the timing belt cover RH.

(3) Check that the arrow (C) of camshaft pulley RH points to the upright.



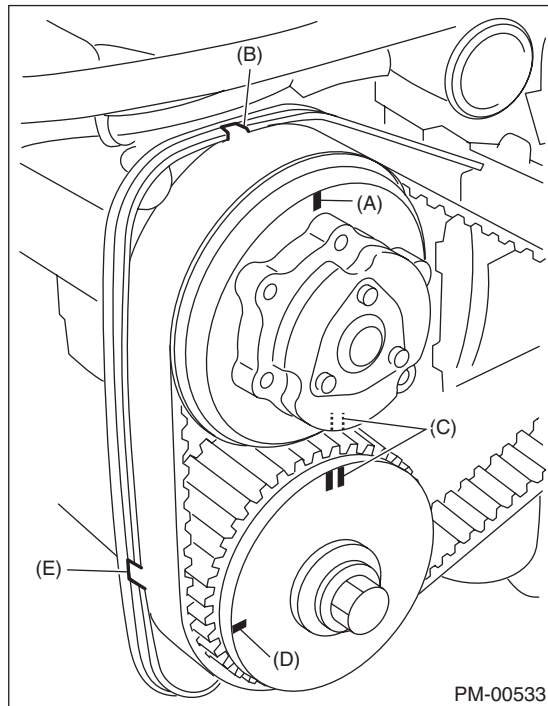
3) When camshaft pulley or timing belt position is offset, check for any defect and repair or replace as required.

## 2. SOHC MODEL (CHECK FOR OTHERS)

- 1) Remove the timing belt cover (LH).
- 2) While cranking engine at least four rotations, check the timing belt back surface for cracks or damage. Replace the faulty timing belt as needed.
- 3) When the side part of timing belt (arrow direction shown in the figure) is abnormally worn (fluff or jumping out of core) or damaged, check the idlers, tensioner, water pump pulley and cam sprocket to determine idler alignment (squareness). Replace the worn or damaged timing belt.
- 4) Install the timing belt cover (LH).

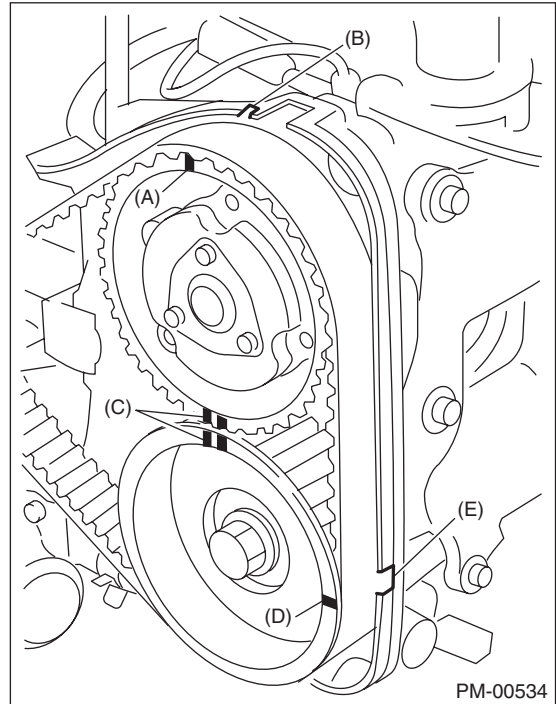
## 3. DOHC MODEL (CHECK FOR TIMING BELT POSITION)

- 1) Remove the timing belt cover (LH) and (RH).
- 2) Turn the crank pulley and align single line mark (A) on the intake camshaft pulley (RH) with notch (B) on timing belt cover and check the following.
  - (1) Make sure double lines (C) on intake and exhaust camshaft pulley (RH side) are aligned.
  - (2) Make sure single line (D) on exhaust camshaft pulley (RH side) is aligned to timing belt cover notch (E).



- (3) Make sure single line (A) on intake camshaft pulley (LH side) is aligned to timing belt cover notch (B).
- (4) Make sure double lines (C) on intake and exhaust camshaft pulley (LH side) are aligned.

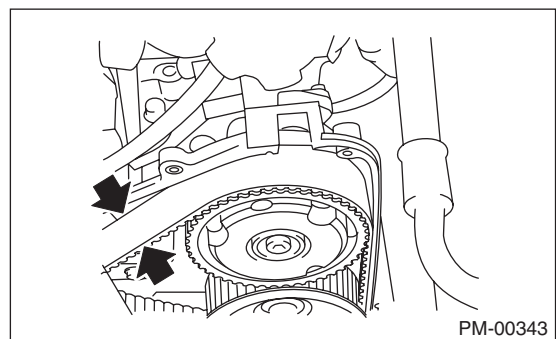
(5) Make sure single line (D) on exhaust camshaft pulley (LH side) is aligned to timing belt cover notch (E).



3) When camshaft pulley position is offset, check for any defect and repair or replace as required.

## 4. DOHC MODEL (CHECK FOR OTHERS)

- 1) Remove the timing belt cover (LH).
- 2) While cranking engine at least four rotations, check the timing belt back surface for cracks or damage. Replace faulty timing belts with new parts as required.
- 3) When the side part of timing belt (arrow direction shown in the figure) is abnormally worn (fluff or jumping out of core) or damaged, check the idlers, tensioner, water pump pulley and cam sprocket to determine idler alignment (squareness). Replace the worn timing belt with new part.



4) Install the timing belt cover (LH).

## 8. Fuel Line

### A: INSPECTION

The fuel line is located mostly internally, so check pipes, areas near pipes, and engine compartment piping for rust, hose damage, loose band, etc. If faulty parts are found, repair or replace them.

- Non-turbo model

<Ref. to FU(H4SO)-76, Fuel Delivery and Evaporation Lines.>

- Turbo model

<Ref. to FU(H4DOTC)-84, Fuel Delivery, Return and Evaporation Lines.>



## 9. Fuel Filter

### A: REPLACEMENT

For fuel filter replacement procedure, refer to “FU” section.

- Non-turbo model  
<Ref. to FU(H4SO)-70, Fuel Filter.>
- Turbo model  
<Ref. to FU(H4DOTC)-78, Fuel Filter.>

### B: INSPECTION

If the filter is clogged, or if the replacement interval has been reached, replace it.

# Air Cleaner Element

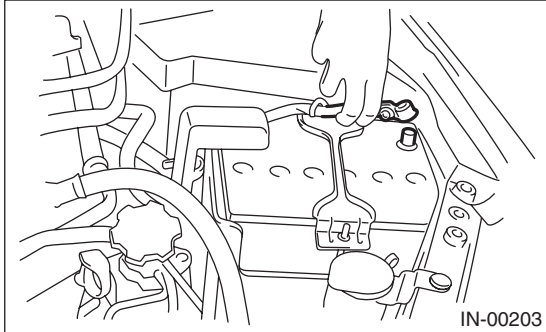
## PERIODIC MAINTENANCE SERVICES

### 10. Air Cleaner Element

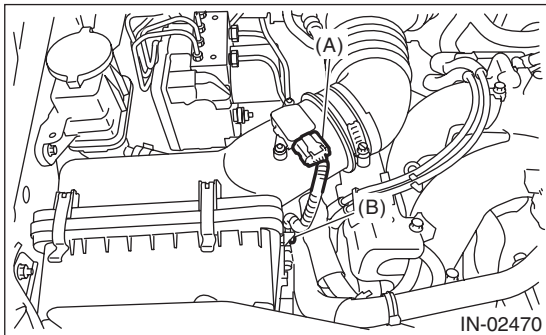
#### A: REPLACEMENT

##### 1. NON-TURBO MODEL

1) Disconnect the ground cable from battery.

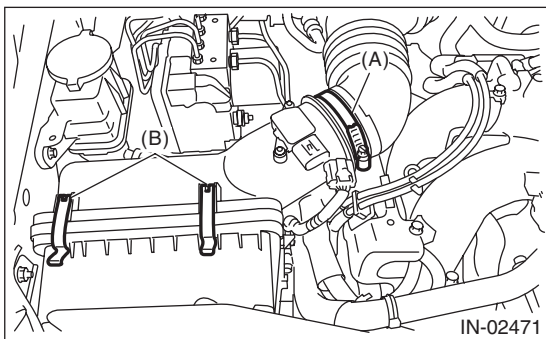


2) Disconnect the connector (A) from the mass air flow and intake air temperature sensor, and remove the clip (B).

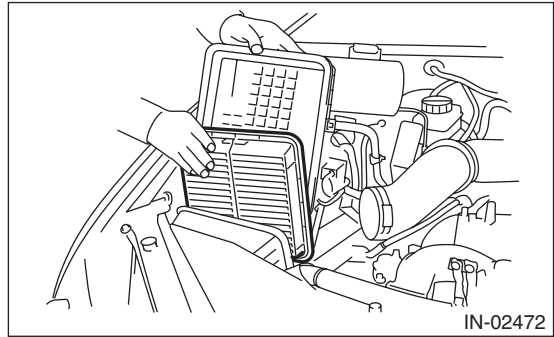


3) Loosen the clamps (A) which connect the air cleaner case to intake boot.

4) Remove the clip (B) securing the upper side of air cleaner case.



5) Remove the air cleaner case (rear) and air cleaner element.



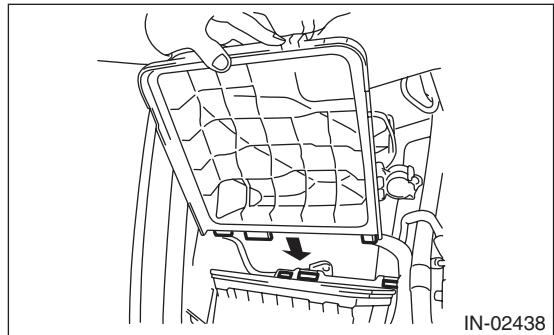
6) Install in the reverse order of removal.

#### CAUTION:

Be sure to use **SUBARU** genuine air cleaner element depending on the engine type when replacing the air cleaner elements. Using other air cleaner element may affect the engine performance.

#### NOTE:

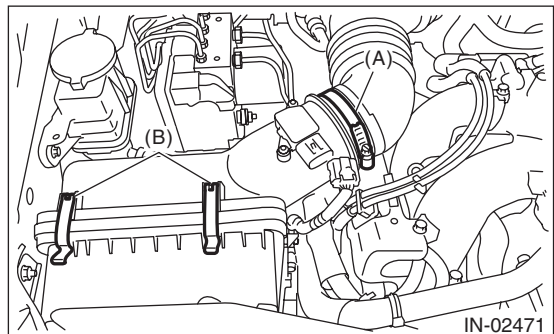
- Check that there are no foreign objects in the air cleaner case.
- When installing the air cleaner case (rear), align the protrusion of the air cleaner case (rear) to the hole on the air cleaner case (front) to install.



#### Tightening torque:

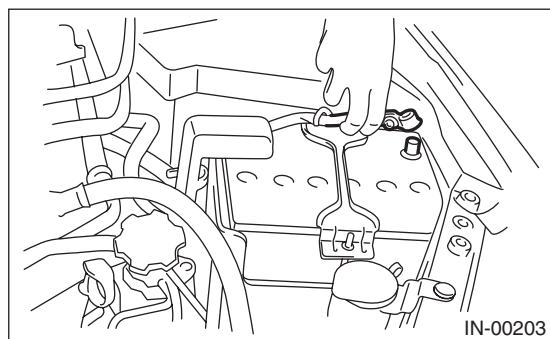
##### Clamp (A)

3 N·m (0.3 kgf·m, 2.2 ft·lb)



## 2. TURBO MODEL

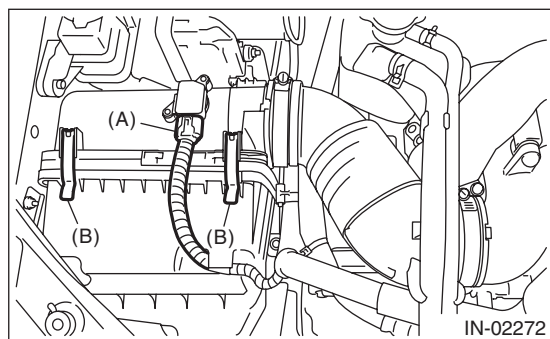
1) Disconnect the ground cable from battery.



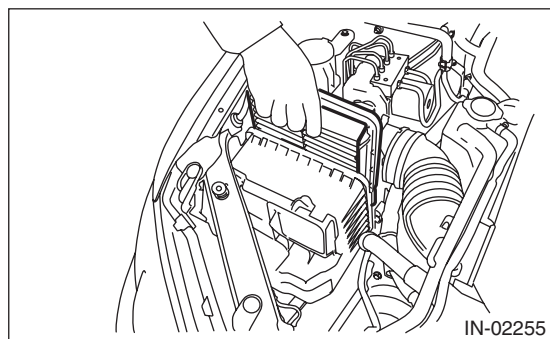
2) Remove the air intake duct. <Ref. to IN(H4DOTC)-11, REMOVAL, Air Intake Duct.>

3) Disconnect the connector (A) from mass air flow and intake air temperature sensor.

4) Remove the clip (B) from the air cleaner case.



5) Open the air cleaner case, and remove the air cleaner element.



6) Install in the reverse order of removal.

### CAUTION:

**Be sure to use SUBARU genuine air cleaner element depending on the engine type when replacing the air cleaner elements. Using other air cleaner element may affect the engine performance.**

### NOTE:

Check that there are no foreign objects in the air cleaner case.

## 11. Cooling System

### A: INSPECTION

1) To check the radiator for leakage, fill it with engine coolant, and attach the radiator cap tester (A) to the filler neck, and apply pressure. Check the following points:

**Non-turbo model:**

**157 kPa (1.6 kgf/cm<sup>2</sup>, 23 psi)**

**Turbo model:**

**122 kPa (1.2 kgf/cm<sup>2</sup>, 18 psi)**

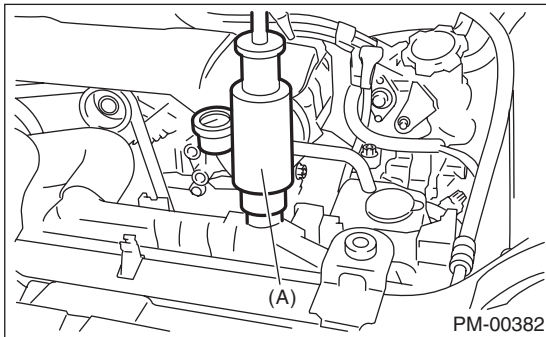
- Each portion of radiator for leakage
- Hose joints and other connections for leakage

**CAUTION:**

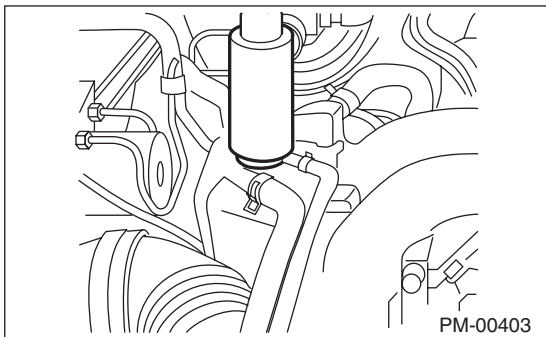
**If the engine coolant is spilt over exhaust pipe, wipe it off with cloth to avoid emitting smoke or causing a fire.**

**NOTE:**

- For turbo model, be sure to install the tester to filler tank side.
- Be particularly careful not to deform the filler neck of radiator when installing and removing the tester and after testing.
  - Non-turbo model



- Turbo model



- When performing this check, be sure to keep the engine stationary and fill radiator with coolant.
- Wipe off check points before applying pressure.
- Use care not to spill coolant when detaching tester from radiator.
- Do not remove the radiator side cap. (Turbo model)

2) Check the radiator cap valve open pressure using radiator cap tester.

**NOTE:**

Rust or dirt on the cap may prevent valve from functioning normally. Be sure to clean the cap before testing.

Raise the pressure until the needle of gauge stops and see if the pressure can be retained for five to six seconds. The radiator cap is normal if a pressure above the limit value has been maintained for this period. Replace the radiator cap if the pressure is below the limit.

**Radiator cap valve open pressure**

**Non-turbo model**

**Specification:**

**93 — 123 kPa**

**(0.95 — 1.25 kgf/cm<sup>2</sup>, 14 — 18 psi)**

**Service limit:**

**83 kPa (0.85 kgf/cm<sup>2</sup>, 12 psi)**

**Turbo model**

**Filler tank side**

**Specification:**

**93 — 123 kPa**

**(0.95 — 1.25 kgf/cm<sup>2</sup>, 14 — 18 psi)**

**Service limit:**

**83 kPa (0.85 kgf/cm<sup>2</sup>, 12 psi)**

**Radiator side**

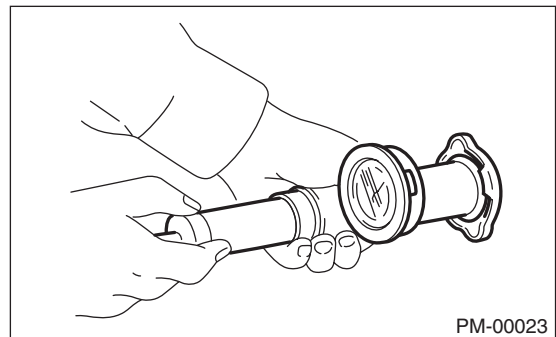
**Specification:**

**122 — 152 kPa**

**(1.24 — 1.55 kgf/cm<sup>2</sup>, 18 — 22 psi)**

**Service limit:**

**112 kPa (1.14 kgf/cm<sup>2</sup>, 16 psi)**



3) Start the engine, and then inspect that it does not overheat or it is cooled excessively. If it overheats or it is cooled excessively, check the cooling system.

- Non-turbo model

<Ref. to CO(H4SO)-15, Water Pump.>, <Ref. to CO(H4SO)-17, Thermostat.>, <Ref. to CO(H4SO)-19, Radiator.>, <Ref. to CO(H4SO)-22, Radiator Cap.>

- Turbo model

<Ref. to CO(H4DOTC)-16, Water Pump.>, <Ref. to CO(H4DOTC)-18, Thermostat.>, <Ref. to CO(H4DOTC)-20, Radiator.>, <Ref. to CO(H4DOTC)-24, Radiator Cap.>

4) Check the radiator fan operates using Subaru Select Monitor, when the coolant temperature rise to 95°C (203°F) or more. If it does not operate, check the radiator fan system.

- Non-turbo model

<Ref. to CO(H4SO)-7, Radiator Fan System.>

- Turbo model

<Ref. to CO(H4DOTC)-8, Radiator Fan System.>

## 12.Engine Coolant

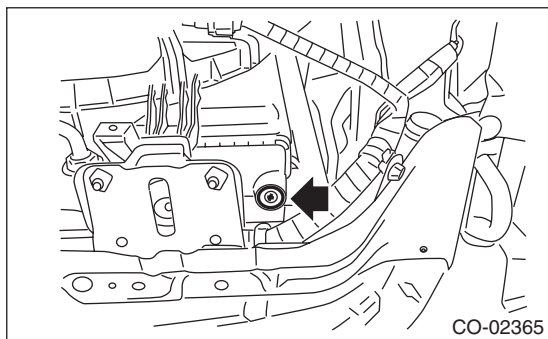
### A: REPLACEMENT

#### 1. REPLACEMENT OF ENGINE COOLANT

**WARNING:**

The radiator is of the pressurized type. Do not attempt to open the radiator cap immediately after the engine has been stopped.

- 1) Lift up the vehicle.
- 2) Remove the under cover.
- 3) Place a container under drain pipe.
- 4) Loosen and remove the drain plug to drain engine coolant into container.



- 5) For quick draining, open the radiator cap.

**CAUTION:**

If the engine coolant is spilt over exhaust pipe, wipe it off with cloth to avoid emitting smoke or causing a fire.

**NOTE:**

- For turbo model, be sure to open the radiator cap on the filler tank side.
  - Be careful not to spill coolant on the floor.
- 6) Drain the coolant from reservoir tank.
  - 7) Tighten the radiator drain cock securely after draining coolant.
  - 8) Pour cooling system conditioner through the filler neck.

**Cooling system protective agent:**

**Cooling system conditioner (SOA345001)**

- 9) Pour the engine coolant into the radiator (or the coolant filler tank on turbo models) up to the filler neck position.

- 10) Fill engine coolant into the reservoir tank up to "FULL" level.

**Recommended engine coolant:**

Refer to "RM" section. <Ref. to RM-4, COOLANT, RECOMMENDED MATERIALS, Recommended Materials.>

**Coolant capacity (fill up to "FULL" level):**

Refer to "SPC" section. <Ref. to SPC-4, CAPACITY, Impreza.>

**NOTE:**

The SUBARU Super Coolant contains anti-freeze and anti-rust agents, and is especially made for Subaru engines with an aluminum cylinder block. Always use SUBARU Super Coolant since other engine coolant may cause corrosion.

- 11) Close the radiator cap (or the coolant filler tank cap on turbo models), and start the engine. Race 5 to 6 times at 3,000 rpm or less, then stop the engine. (Complete this operation within 40 seconds.)

- 12) Wait for one minute after the engine stops, then open the radiator cap (or the coolant filler tank cap on turbo models). If the engine coolant level drops, add engine coolant into the radiator (or the coolant filler tank on turbo models) up to the filler neck position.

- 13) Perform the procedures 11) and 12) again.

- 14) Install the radiator cap (or the coolant filler tank cap on turbo models) and reservoir tank cap properly.

- 15) Start the engine and operate the heater at maximum hot position and the blower speed setting to "LO".

- 16) Run the engine at 2,000 rpm or less until radiator fan starts and stops.

**NOTE:**

- Be careful with the engine coolant temperature gauge to prevent overheating.
- If the radiator hose becomes harden with the pressure of engine coolant, air bleeding operation seems to be almost completed.

- 17) Stop the engine and wait until the engine coolant temperature drops to 30°C (86°F) or less.

- 18) Open the radiator cap (or the coolant filler tank cap on turbo models). If the engine coolant level drops, add engine coolant into the coolant filler tank up to the filler neck position and the reservoir tank to "FULL" level.

- 19) Install the radiator cap (or the coolant filler tank cap on turbo models) and reservoir tank cap properly.

- 20) Set the heater setting to maximum hot position and the blower speed setting to "LO" and start the engine. Perform racing at 3,000 rpm or less. If the flowing sound is heard from heater core, repeat the procedures from step 16).

## 2. PROCEDURE TO ADJUST THE SUBARU SUPER COOLANT CONCENTRATION

**CAUTION:**

Use the SUBARU Super Coolant with a 50 — 60% concentration in order to obtain maximum anti-freeze and anti-rust performance.

To adjust the concentration of SUBARU Super Coolant according to temperature, find the proper SUBARU Super Coolant concentration in the table, and add dilution water to the SUBARU Super Coolant (concentrated type) until it reaches the proper dilution.

Relationship of SUBARU Super Coolant concentration and freezing temperature			
SUBARU Super Coolant concentration	50%	55%	60%
Freezing temperature	-36°C (-33°F)	-41°C (-42°F)	-50°C (-58°F)

**Recommended engine coolant and dilution water:**

**Refer to “RM” for recommended engine coolant and diluting water. <Ref. to RM-4, COOLANT, RECOMMENDED MATERIALS, Recommended Materials.>**

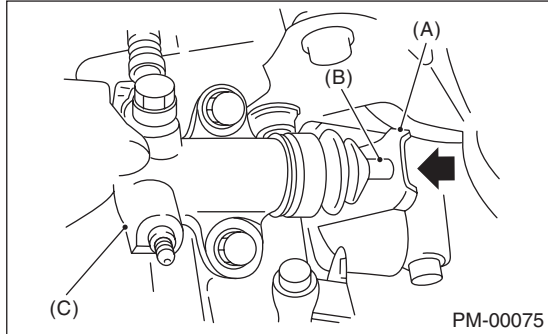
# Clutch System

## PERIODIC MAINTENANCE SERVICES

### 13. Clutch System

#### A: INSPECTION AND ADJUSTMENT

1) Push the release lever to retract the push rod of the operating cylinder and check if the fluid level in the clutch reservoir tank rises or not.



- (A) Release lever
- (B) Push rod
- (C) Operating cylinder

2) If the fluid level rises, pedal free play is correct.  
3) If the fluid level does not rise, or the push rod cannot be retracted, adjust the clutch pedal. <Ref. to CL-23, Clutch Pedal.>

4) Check the fluid level using the scale on the outside of the clutch reservoir tank (A). If the level is below "MIN" (B), inspect the clutch master cylinder, operating cylinder and hydraulic line for fluid leaks. If fluid leaks are found, repair or replace. If fluid leaks are not found, add clutch fluid to bring it up to "MAX" (C) of clutch reservoir tank.

#### Recommended clutch fluid:

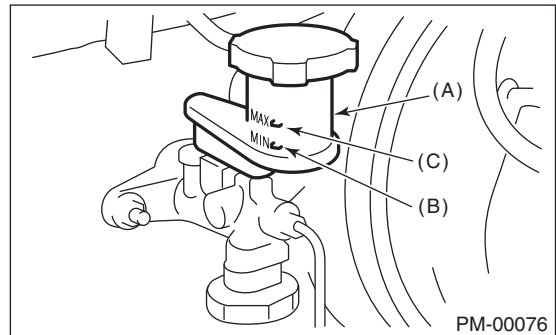
**Refer to "RM" section. <Ref. to RM-4, FLUID, RECOMMENDED MATERIALS, Recommended Materials.>**

#### CAUTION:

- Prevent the clutch fluid from being splashed over vehicle body. If clutch fluid is splashed over vehicle body, flush it, and then wipe it up.
- If any clutch fluid is spilt on the exhaust pipe, wipe it off with a cloth to avoid emitting smoke or causing a fire.

#### NOTE:

- Avoid mixing brake fluid of different brands to prevent fluid performance from degrading.
- Be careful not to allow dirt or dust to get into the reservoir tank.



- (A) Reservoir tank
- (B) MIN. level
- (C) MAX. level



## 14. Transmission Gear Oil

### A: REPLACEMENT

#### 1. MANUAL TRANSMISSION

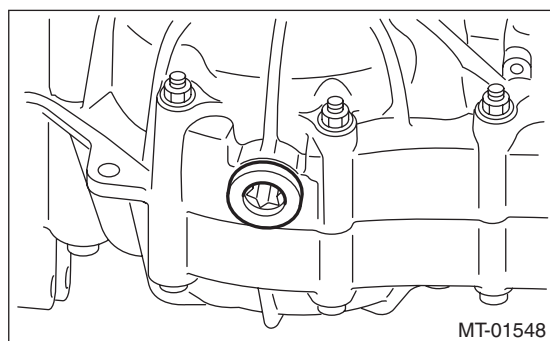
1) Drain the gear oil by removing drain plug.

**CAUTION:**

If transmission gear oil is spilt over the exhaust pipe, wipe it off with a cloth to avoid emitting smoke or causing a fire.

**NOTE:**

- Before starting work, cool off the transmission gear oil well.
- Drain the gear oil by removing drain plug using TORX® bit T70.



2) Replace the gasket with new part, and then tighten the drain plug to specified torque.

**Tightening torque:**

**44 N·m (4.5 kgf-m, 32.5 ft-lb) (Aluminum gasket silver)**

**70 N·m (7.1 kgf-m, 51.6 ft-lb) (Copper gasket brown)**

**70 N·m (7.1 kgf-m, 51.6 ft-lb) (Metal gasket black)**

3) Fill the transmission gear oil through the oil level gauge hole up to the upper point of level gauge.

**Recommended gear oil:**

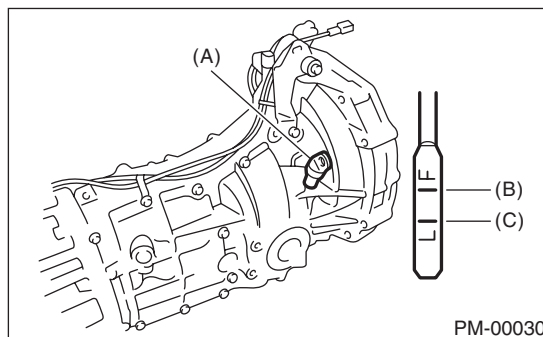
Refer to "RM" section. <Ref. to RM-2, LUBRICANTS, RECOMMENDED MATERIALS, Recommended Materials.>

**NOTE:**

Each oil manufacturer has its base oil and additives. Thus, do not mix two or more brands.

**Gear oil capacity:**

Refer to "SPC" section. <Ref. to SPC-4, CAPACITY, Impreza.>



(A) Oil level gauge

(B) Upper level

(C) Lower level

# Automatic Transmission Fluid

## PERIODIC MAINTENANCE SERVICES

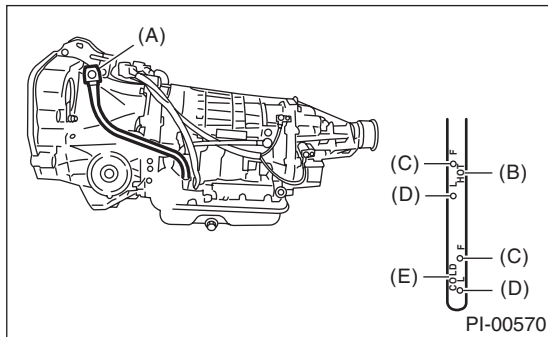
### 15. Automatic Transmission Fluid

#### A: INSPECTION

##### CAUTION:

The level of ATF varies with fluid temperature. Pay attention to the fluid temperature when checking ATF level.

- 1) Raise the ATF temperature by driving a distance of 5 to 10 km (3 to 6 miles). Otherwise, idle the engine to raise ATF temperature to 70 — 80°C (158 — 176°F) on Subaru Select Monitor. <Ref. to 4AT(diag)-16, READ CURRENT DATA, OPERATION, Subaru Select Monitor.>
- 2) Make sure the vehicle is level.
- 3) After selecting all positions (P, R, N, D), set the select lever in “P” range. Idle the engine for 1 or 2 minutes, and measure the ATF level.



- (A) Level gauge
- (B) Inspection position when HOT [70 — 80°C (158 — 176°F)]
- (C) Upper level
- (D) Lower level
- (E) Inspection position when COLD [20 — 30°C (68 — 86°F)]

- 4) Make sure that ATF level is the center of upper and lower level at “HOT” side.
- 5) If the ATF level is below the center between upper and lower level, add the recommended ATF until the fluid level is found above the center between upper and lower level.

##### CAUTION:

- Be careful not to exceed the upper level limit.
- Adding ATF to the upper limit mark on “HOT” side when the ATF temperature is less than 70°C (158°F) will overfill of ATF and cause a transmission failure.
- If the ATF is spilt over exhaust pipe, wipe it off with cloth to avoid emitting smoke or causing a fire.

- 6) Check ATF level after raising ATF temperature to 70 — 80°C (158 — 176°F) by driving the vehicle for 5-10 km (3-6 miles) or by idling the engine.

- 7) Check the ATF for leaks.

If there are leaks, it is necessary to repair or replace gaskets, oil seals, plugs or other parts.

#### B: REPLACEMENT

- 1) Lift up the vehicle.
- 2) Drain the ATF (Automatic Transmission Fluid) by removing drain plug.

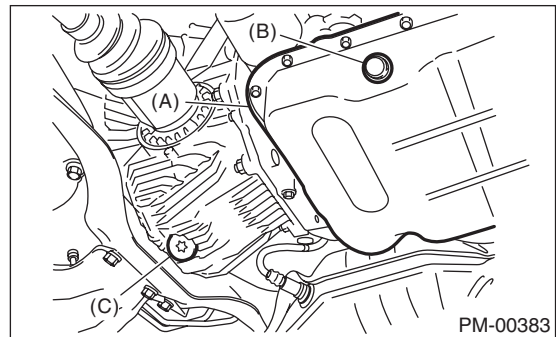
##### CAUTION:

If the ATF is spilt over exhaust pipe, wipe it off with cloth to avoid emitting smoke or causing a fire.

##### NOTE:

Before starting work, cool off the ATF well.

- 3) Check the condition of ATF drained. <Ref. to 4AT-28, CONDITION CHECK, Automatic Transmission Fluid.>



- (A) Oil pan
- (B) Drain plug (ATF)
- (C) Differential gear oil drain plug

- 4) Replace the gasket with new part, and then tighten the drain plug to specified torque.

##### Tightening torque:

**25 N·m (2.5 kgf-m, 18.4 ft-lb)**

- 5) Lower the vehicle.
- 6) Pour ATF from the oil charge pipe.

##### Recommended fluid:

<Ref. to RM-4, FLUID, RECOMMENDED MATERIALS, Recommended Materials.>

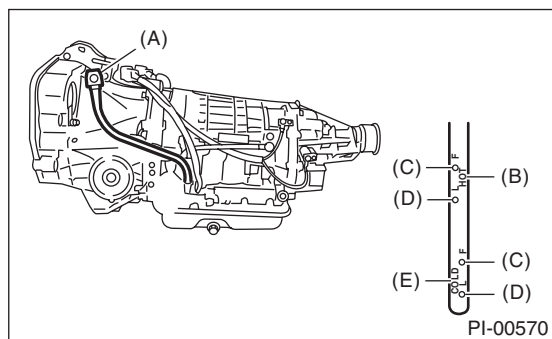
##### Fluid capacity:

Fill the same amount of ATF drained from ATF drain plug hole.

# Automatic Transmission Fluid

PERIODIC MAINTENANCE SERVICES

7) Check the level and leaks of the ATF. <Ref. to PM-28, INSPECTION, Automatic Transmission Fluid.>



- (A) Level gauge
- (B) Inspection position when HOT  
[70 — 80°C (158 — 176°F)]
- (C) Upper level
- (D) Lower level
- (E) Inspection position when COLD  
[20 — 30°C (68 — 86°F)]

# Front & Rear Differential Gear Oil

## PERIODIC MAINTENANCE SERVICES

### 16. Front & Rear Differential Gear Oil

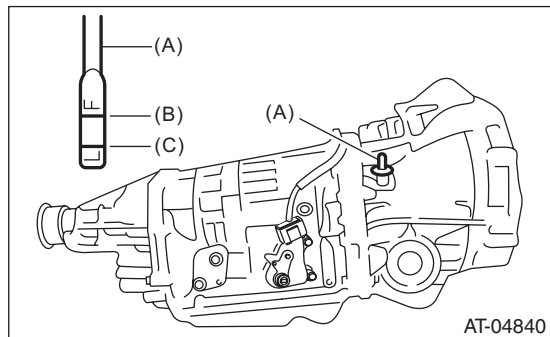
#### A: INSPECTION

##### 1. FRONT DIFFERENTIAL (AT MODEL)

- 1) Park the vehicle on a level surface.
- 2) Remove the differential oil level gauge and wipe it clean.
- 3) Reinsert the level gauge all the way. Make sure the level gauge is inserted correctly and in the proper orientation.
- 4) Remove the oil level gauge again, and check the level of differential gear oil. If the differential gear oil level is below "L" line, add oil to bring the level up to "F" line.

#### NOTE:

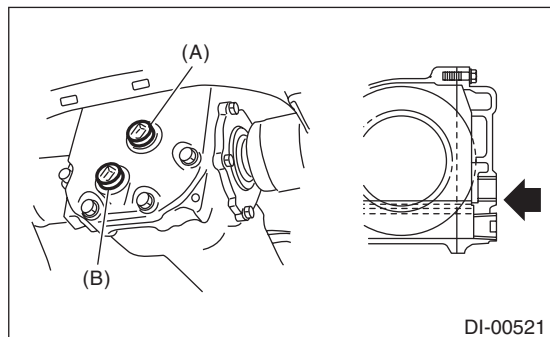
To prevent overfilling the differential gear oil, do not fill oil above the "F" line.



- (A) Oil level gauge
- (B) Upper level
- (C) Lower level

##### 2. REAR DIFFERENTIAL

- 1) Remove the filler plug, and then check the gear oil. Replace the gear oil if it is contaminated or deteriorated.
- 2) Check that the gear oil level is up to the bottom of the filler plug hole. If the level is low, refill up to the bottom of filler plug.



- (A) Filler plug
- (B) Drain plug

#### B: REPLACEMENT

##### 1. FRONT DIFFERENTIAL (MT MODEL)

For MT model, differential oil is used as manual transmission oil for lubricating the differential. Refer to "Transmission Oil". <Ref. to PM-27, Transmission Gear Oil.>

##### 2. FRONT DIFFERENTIAL (AT MODEL)

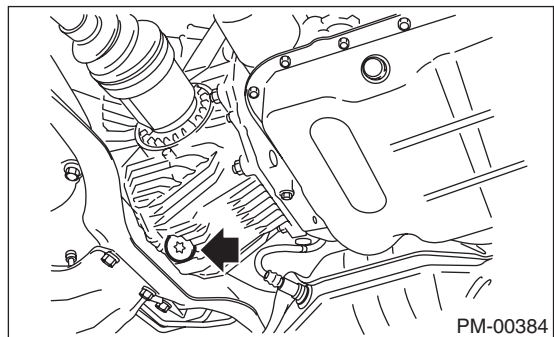
- 1) Lift up the vehicle.
- 2) Drain the differential gear oil by removing drain plug using TORX® bit T70.

#### CAUTION:

If the differential gear oil is spilt over exhaust pipe, wipe it off with cloth to avoid emitting smoke or causing a fire.

#### NOTE:

Before starting work, cool off the differential gear oil well.



- 3) Replace the gasket with a new part and tighten the differential oil drain plug to the specified torque using the TORX® bit T70.

#### Tightening torque:

**44 N·m (4.5 kgf-m, 32.5 ft-lb)**

**(Aluminum gasket silver)**

**70 N·m (7.1 kgf-m, 51.6 ft-lb)**

**(Copper gasket brown)**

**70 N·m (7.1 kgf-m, 51.6 ft-lb)**

**(Metal gasket black)**

- 4) Lower the vehicle.

# Front & Rear Differential Gear Oil

PERIODIC MAINTENANCE SERVICES

5) Fill differential gear oil through the oil level gauge hole.

**Recommended fluid:**

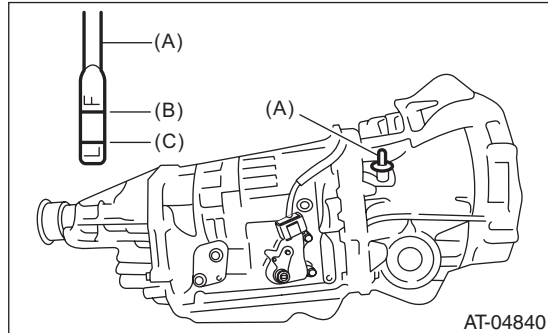
**<Ref. to RM-2, LUBRICANTS, RECOMMENDED MATERIALS, Recommended Materials.>**

**NOTE:**

Each oil manufacturer has its base oil and additives. Thus, do not mix two or more brands.

**Gear oil capacity:**

**1.1 — 1.3 ℓ (1.2 — 1.4 US qt, 1.0 — 1.1 Imp qt)**



- (A) Oil level gauge
- (B) Upper level
- (C) Lower level

6) Check the level of differential gear oil.  
<Ref. to 4AT-29, INSPECTION, Differential Gear Oil.>

## 3. REAR DIFFERENTIAL

- 1) Drain the oil by removing drain plug.
- 2) Remove the filler plug for quick draining oil.
- 3) Install the drain plug after draining oil.

**NOTE:**

Apply liquid gasket to the drain plug threads.

**Liquid gasket:**

**THREE BOND 1105 (Part No. 004403010)**

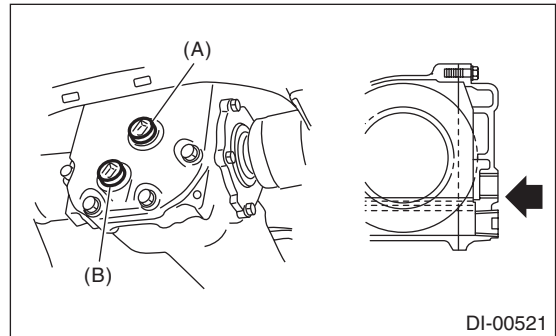
**Tightening torque:**

**49 N·m (5.0 kgf·m, 36.2 ft·lb)**

4) After installing the drain plug onto rear differential gear case firmly, fill oil up fully to the mouth of filler plug.

**Recommended gear oil:**

**GL-5 (75W-90) or equivalent**



- (A) Filler plug
- (B) Drain plug

**Oil capacity:**

**0.8 ℓ (0.8 US qt, 0.7 Imp qt)**

**NOTE:**

Each oil manufacturer has its base oil and additives. Thus, do not mix two or more brands.

5) Attach the filler plug to the rear differential case securely.

**NOTE:**

Apply liquid gasket to the filler plug threads.

**Liquid gasket:**

**THREE BOND 1105 (Part No. 004403010)**

**Tightening torque:**

**49 N·m (5.0 kgf·m, 36.2 ft·lb)**

# Brake Line

## PERIODIC MAINTENANCE SERVICES

### 17. Brake Line

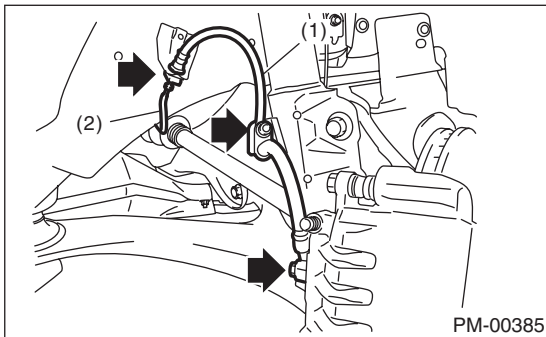
#### A: INSPECTION

##### 1. BRAKE LINE

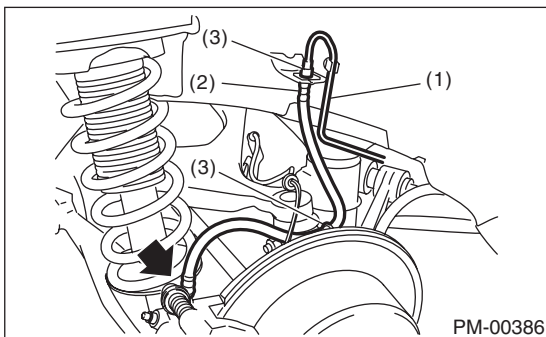
- 1) Check for scratches, swelling, corrosion, traces of fluid leakage on the brake hoses or pipe joints.
- 2) Check the possibility of adjacent parts interfering with brake pipes/hoses during driving, and loose connections/clamps.
- 3) Check any trace of fluid leakage, scratches, etc. on master cylinder and wheel cylinder.

##### NOTE:

- When the brake fluid level in the reservoir tank is lower than specified limit, the brake warning light on the combination meter will illuminate.
- Visually check the brake hose for damage. (Use a mirror where it is difficult to see)



- (1) Front brake hose
- (2) Front brake pipe



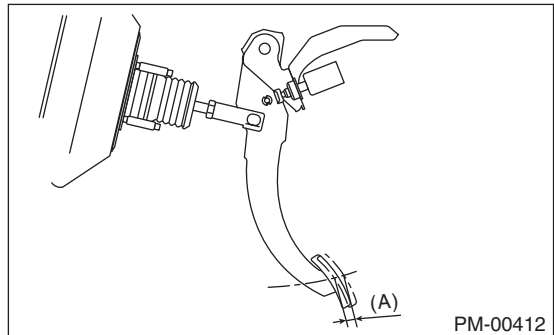
- (1) Rear brake pipe
- (2) Rear brake hose
- (3) Clamp

##### 2. SERVICE BRAKE

- 1) Check the free play of brake pedal with a force of 10 N (1 kgf, 2 lbf) or less.

##### **Brake pedal play:**

**0.5 — 2.0 mm (0.02 — 0.08 in)**



(A) Pedal free play

2) If the free play is out of specifications above, adjust the brake pedal as follows.

- (1) Make sure the engine is off. (No vacuum is applied to brake booster.)
- (2) There should be play between brake booster clevis and pin at brake pedal installing portion. [Depress brake pedal pad with a force of 10 N (1 kgf, 2 lbf) or less to a stroke of 0.5 to 2.0 mm (0.02 to 0.08 in).]
- (3) Pull the brake pad by hand.
- (4) If there is no play between clevis pin and clevis, turn the brake switch to the left to loosen.
- (5) Loosen the operating rod lock nut to turn the operating rod, and then tighten the lock nut after adjusting the pedal to the specified height.

**Lock nut tightening torque:**

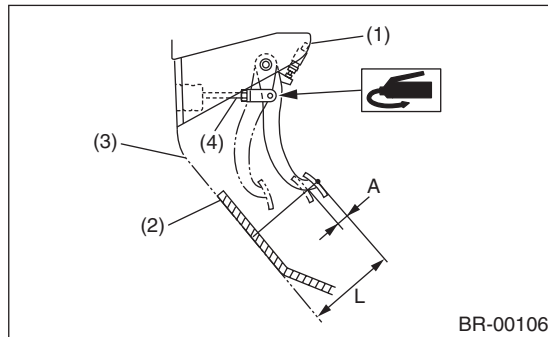
**22 N·m (2.2 kgf·m, 16 ft·lb)**

**Pedal height L:**

**150 — 160 mm (5.91 — 6.30 in)**

**Brake pedal free play A:**

**0.5 — 2 mm (0.020 — 0.079 in) [When pulling the brake pedal upward with a force of less than 10 N (1 kgf, 2 lbf)]**

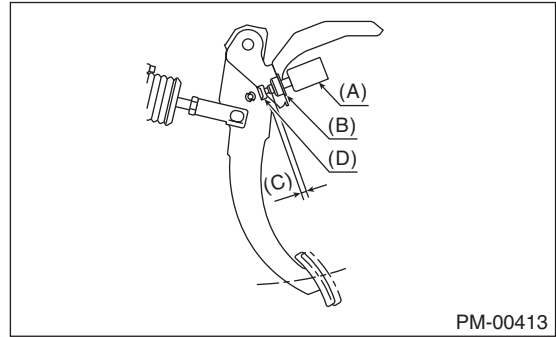


- (1) Stop light switch
- (2) Mat
- (3) Toe board
- (4) Brake booster operating rod

(6) Push the brake switch until the thread end of the brake switch contacts the stopper while pulling the brake pedal.

(7) Turn the switch to the right to secure it while pushing the brake switch thread end against the stopper.

(8) Check that the clearance (C) between stopper and brake switch thread end is within the specification.



- (A) Brake switch
- (B) Switch clip
- (C) 1.35±0.61 mm (0.05±0.02 in)
- (D) Stopper

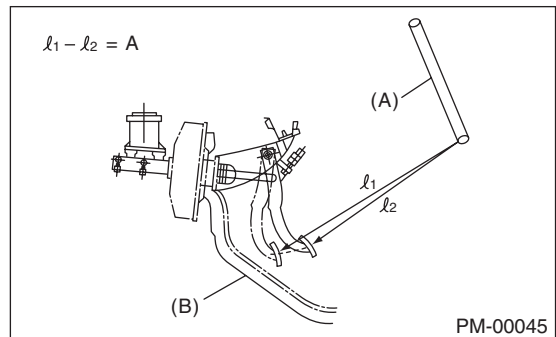
(9) Pull the pedal pad and check the play. Check that the stop light goes out when the pedal is not depressed.

3) Check the pedal stroke.

While the engine is idling, depress the brake pedal with a 490 N (50 kgf, 110 lbf) load and measure the distance between the brake pedal and steering wheel. With the brake pedal released, measure the distance between pedal and steering wheel again. The pedal stroke is normal if the difference between two measured values is the specified value or less. If the measured value is specification or more, there is possibility of entering air in hydraulic unit.

**Brake pedal stroke A:**

**95 mm (3.74 in)/ 490 N (50 kgf, 110 lbf) or less**



- (A) Steering wheel
- (B) Toe board

4) Check to see if air is in the hydraulic brake line by the feel of pedal operation. If air appears to exist in the line, bleed it from the system.

5) Check for even operation of all brakes, using a brake tester or by driving the vehicle for a short distance on a straight road.



### 3. BRAKE SERVO SYSTEM

1) With the engine off, depress the brake pedal several times applying the same pedal force. Make sure the travel distance should not change.

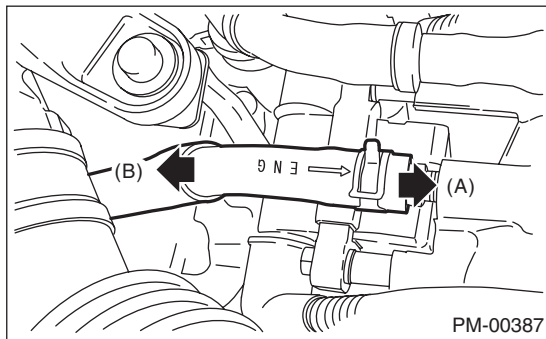
2) With the brake pedal depressed, start the engine. Make sure the pedal should move slightly toward the floor.

3) With the brake pedal depressed, stop the engine and keep the pedal depressed for 30 seconds. Make sure the pedal height should not change.

4) A check valve is built into the vacuum hose. Disconnect the vacuum hose to inspect function of check valve.

Blow compressed air into vacuum hose from the end of brake booster side. Check that the air flows from the air hose on engine side. Next blow air into hose from engine side: Check that the air does not flow from the hose.

Replace the both check valve and vacuum hose if the check valve is faulty. Engine side of vacuum hose is indicated by marking "ENG" as shown.



(A) Engine side

(B) Brake booster side

5) Check the vacuum hose for cracks or other damage.

#### NOTE:

When installing the vacuum hose on the engine and brake booster, do not use soapy water or lubricating oil on their connections.

6) Check the vacuum hose to make sure it is tightly secured.



## 18. Brake Fluid

### A: INSPECTION

1) Check that the brake fluid level is between “MIN” and “MAX”. If out of the specified range, refill or drain fluid. If the fluid level is close to “MIN”, check the brake pad for wear and refill the fluid.

2) Check the fluid for discoloration. If the fluid color has changed excessively, drain the fluid and refill with new fluid.

### B: REPLACEMENT

#### CAUTION:

- Do not let brake fluid come into contact with the painted surface of the vehicle body. Wash away with water immediately and wipe off if it is spilled by accident.
- Avoid mixing brake fluid of different brands to prevent fluid performance from degrading.
- Be careful not to allow dirt or dust to enter the reservoir tank.
- If the brake fluid is spilt over exhaust pipe, wipe it off with cloth to avoid emitting smoke or causing a fire.

#### NOTE:

- During the operation, keep the reservoir tank filled with brake fluid to prevent entry of air.
  - Operate the brake pedal slowly.
  - For convenience and safety, two people should do the work.
  - The required amount of brake fluid is approximately 500 ml (16.9 US fl oz, 17.6 Imp fl oz) for the entire brake system.
- 1) Either jack-up the vehicle and place a rigid rack under it, or have the vehicle lifted.
  - 2) Remove all the wheels.
  - 3) Drain brake fluid from the reservoir tank.
  - 4) Refill the reservoir tank with recommended brake fluid.

#### **Recommended brake fluid:**

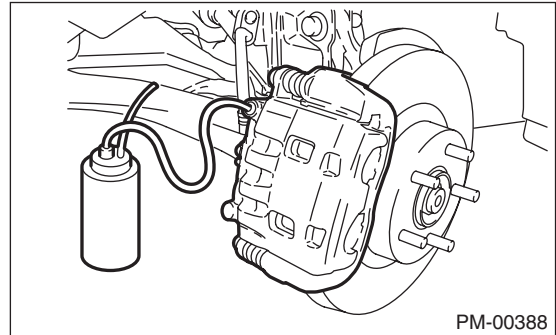
**Refer to “RM” section. <Ref. to RM-4, FLUID, RECOMMENDED MATERIALS, Recommended Materials.>**

Perform the same procedure as for bleeding the brake line, until new brake fluid comes out from vinyl tube. <Ref. to BR-37, PROCEDURE, Air Bleeding.>

#### NOTE:

Perform brake fluid replacement starting in the order from the farthest wheel cylinder from the master cylinder.

5) Install one end of a vinyl tube onto the air bleeder and insert the other end of the tube into a container to collect the brake fluid.



6) Instruct your co-worker to depress the brake pedal slowly two or three times and then hold it depressed.

7) Loosen the bleeder screw approximately 1/4 turn until a small amount of brake fluid drains into the container, and then quickly tighten the screw.

8) Repeat steps 6) and 7) until there are no air bubbles in drained brake fluid and new fluid flows through vinyl tube.

#### NOTE:

Add brake fluid as necessary while performing the air bleed operation, in order to prevent the tank from running short of brake fluid.

9) After completing the bleeding operation, hold the brake pedal depressed and tighten the screw and install bleeder cap.

#### **Tightening torque:**

**8 N·m (0.8 kgf·m, 5.9 ft·lb)**

10) Bleed air from each wheel cylinder by following steps from 5) to 9).

11) Depress the brake pedal with a force of approx. 294 N (30 kgf, 66 lbf) and hold it there for approx. 20 seconds. At this time check the pedal to see if it makes any unusual movement. Visually inspect the bleeder screws and brake pipe joints to confirm there is no fluid leakage.

# Disc Brake Pad and Disc

## PERIODIC MAINTENANCE SERVICES

### 19. Disc Brake Pad and Disc

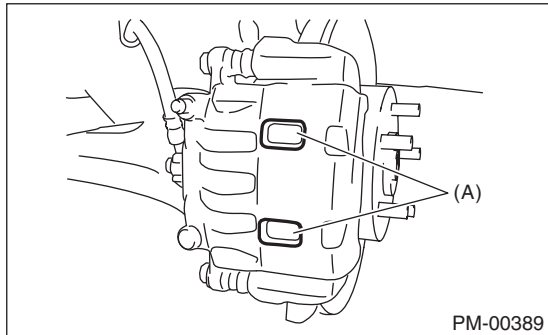
#### A: INSPECTION

##### 1. DISC BRAKE PAD AND DISC

- 1) Jack-up the vehicle and support it with rigid racks. Remove the wheels.
- 2) Visually check the pad thickness through inspection hole of disc brake assembly. Replace the pad if necessary.

#### NOTE:

When replacing a pad, always replace the pads for both the left and right wheels at the same time. Also replace the pad clips if they are twisted or worn.



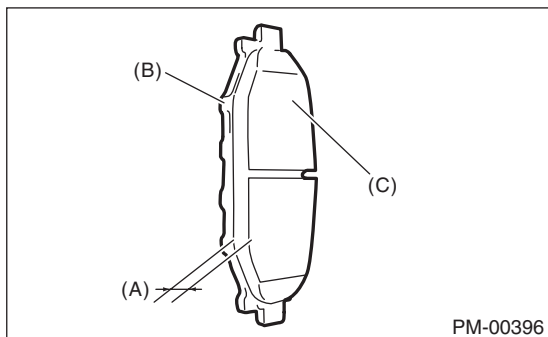
(A) Inspection hole

- Front (back metal not included)

Pad thickness	mm (in)
Standard	11 (0.43)
Wear limit	1.5 (0.059)

- Rear (back metal not included)

Pad thickness	mm (in)
Standard	9.0 (0.354)
Wear limit	1.5 (0.059)



- (A) Pad thickness
- (B) Back metal
- (C) Lining

- 3) Check the disc rotor, and correct or replace if it is damaged or worn.

- Front

Disc rotor thickness	mm (in)
Standard	24 (0.94)
Wear limit	22 (0.87)

- Rear

Disc rotor thickness	mm (in)
Standard	10 (0.39)
Wear limit	8.5 (0.33)

- 4) Remove the caliper body. <Ref. to BR-16, Front Disc Brake Assembly.> <Ref. to BR-23, Rear Disc Brake Assembly.>

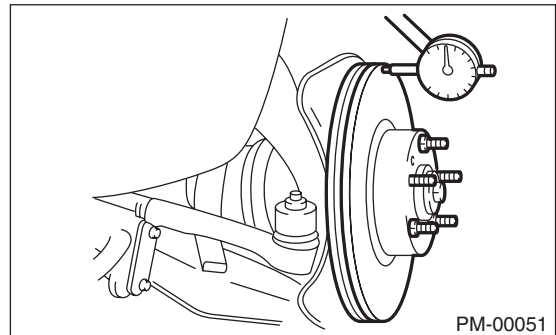
- 5) Tighten the wheel nuts to secure disc rotor.

- 6) Set a dial gauge at a point of 10 mm (0.39 in) or less from outer periphery of the rotor, and then measure the disc rotor runout.

#### Disc rotor runout limit:

**Front: 0.050 mm (0.0020 in)**

**Rear: 0.050 mm (0.0020 in)**



## 20. Parking Brake

### A: INSPECTION

#### 1. REAR DRUM BRAKE

- 1) Remove the brake drum and check that there is no fluid leakage from the wheel cylinder. If fluid leaks are found in the wheel cylinder, check the wheel cylinder and replace it.
- 2) Inspect the brake shoes for damage or deformation and check the brake linings for wear.

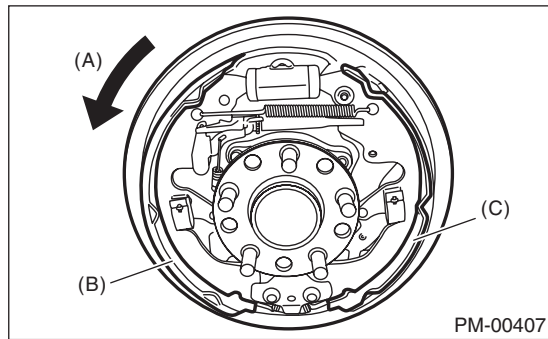
**NOTE:**

- Always replace both leading and trailing brake shoes for the left and right wheels at the same time.
- When replacing either the left or the right brake assembly, always replace the leading shoe and the trailing shoe of one side.

**Thickness of brake lining (except for back metal):**

**Standard: 4.5 mm (0.177 in)**

**Service limit: 1.5 mm (0.059 in)**



- (A) Direction of drum rotation (Forward)
- (B) Leading shoe
- (C) Trailing shoe

- 3) Check the brake drum for wear, dents or other damage.

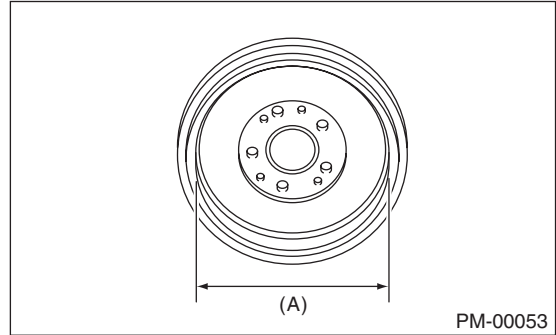
If the inside surface of the brake drum is streaked, correct the surface with emery cloth (#200 or more). If it is unevenly worn or tapered, or the outer surface of the brake drum is damaged, repair or replace it.

**Brake drum inside diameter:**

**Standard: 254 mm (10.000 in)**

**Service limit: 256 mm (10.08 in)**

If the deformation or wear of back plate, shoe, etc. is noticeable, replace problem parts.



(A) Inside diameter

#### 2. PARKING BRAKE (REAR DISC BRAKE)

- 1) Measure the brake disc rotor inside diameter. If the disc is scored or worn, replace the brake disc rotor.

**Disc rotor inside diameter:**

**Standard:**

**190 mm (7.48 in)**

**Service limit:**

**191 mm (7.52 in)**

- 2) Measure the lining thickness. If it exceeds the limit, replace the brake shoe.

**Lining thickness:**

**Standard:**

**2.8 mm (0.11 in)**

**Service limit:**

**1.5 mm (0.059 in)**

**NOTE:**

Replace the right and left brake shoe as a set.

# Parking Brake

## PERIODIC MAINTENANCE SERVICES

---

### B: ADJUSTMENT

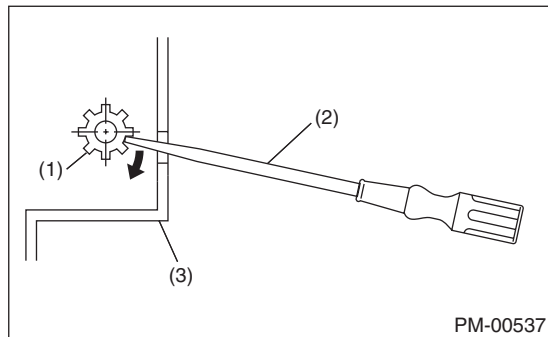
#### 1. REAR DRUM BRAKE

The main brake automatically adjusts itself, so no adjustments are needed.

#### 2. PARKING BRAKE (REAR DISC BRAKE)

For rear disc brake, adjust the parking brake after bleeding air.

- 1) Return the parking brake pedal fully.
- 2) Loosen the adjusting nut, and make the cable free.
- 3) Remove the adjusting hole cover from the disc rotor.
- 4) Using a flat tip screwdriver, turn the adjusting screw in the direction of the arrow (shoe extension direction) as shown in the figure until it is locked slightly (until the disc no longer rotates with both hands).



- (1) Adjusting screw
- (2) Flat tip screwdriver
- (3) Disc rotor

- 5) Loosen the adjusting screw by 5 notches to opposite direction of arrow.

#### CAUTION:

- Check there is no brake drag.
- If the amount that the adjusting screw is turned back is little, securely loosen it by 5 notches to avoid dragging.

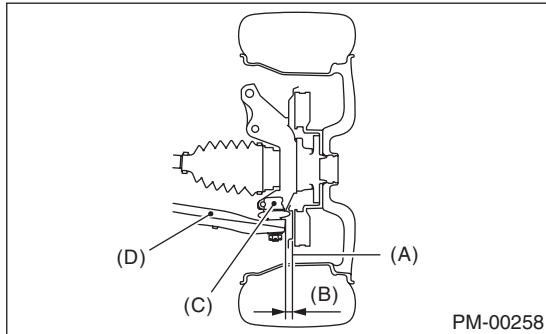
- 6) Install the adjusting hole cover to the disc rotor.
- 7) Adjust the parking brake lever stroke. <Ref. to PB-8, LEVER STROKE, ADJUSTMENT, Parking Brake Assembly (Rear Disc Brake).>

## 21. Suspension

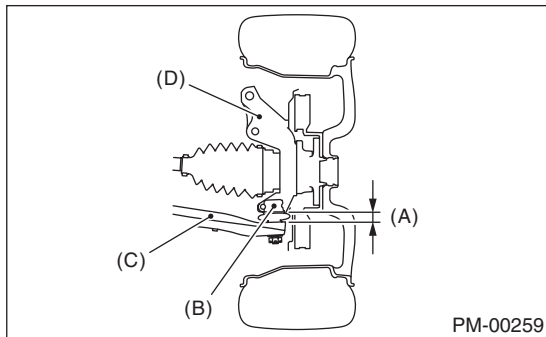
### A: INSPECTION

#### 1. SUSPENSION BALL JOINT

- 1) Jack-up the vehicle until front wheels are off ground.
- 2) Grasp the bottom of tire and move it in and out in axial direction. If relative movement (B) is observed between the brake disc cover (A) and the end of front arm (D), ball joint (C) may be excessively worn.



- 3) Grasp the end of front arm and move it up and down. Relative movement (A) between the housing (D) and front arm (C) boss indicates ball joint (B) may be excessively worn.



- 4) If the relative movement is observed in the preceding two steps, remove and inspect the ball joint. If the free play exceeds the standard, replace the ball joint. <Ref. to FS-17, Front Ball Joint.>

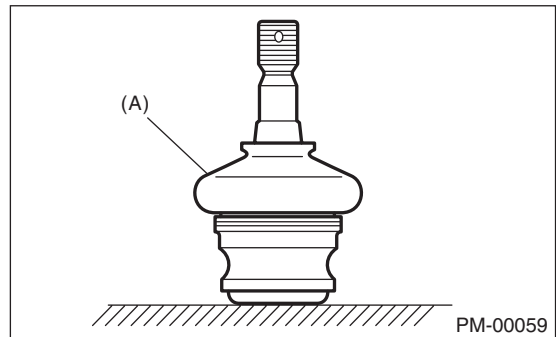
#### 5) Damage of dust boots

Visually inspect the ball joint dust boots. If it is damaged, remove the front arm. <Ref. to FS-19, Front Arm.> Measure the play of the ball point. <Ref. to FS-17, Front Ball Joint.>

- (1) When looseness exceeds the standard, replace the ball joint.
- (2) If the dust boots are damaged, replace with a new ball joint.

#### NOTE:

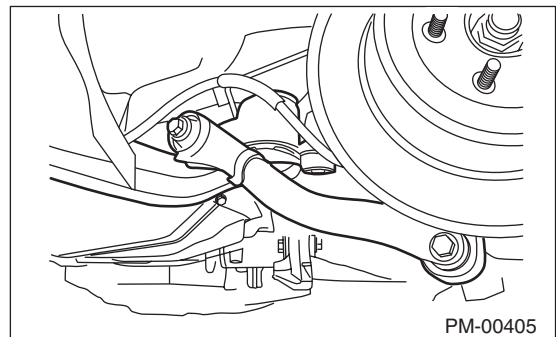
When the front arm ball joint has been removed or replaced, check the toe of front wheel. If the front wheel toe-in is not at specified value, adjust the toe-in. <Ref. to FS-7, Wheel Alignment.>



(A) Dust boots

#### 2. FRONT, REAR SUSPENSION BUSHING

Apply pressure with tire lever etc. to inspect the bushing for fatigue or cracks. If defective, replace the bushing.



PM-00405

# Suspension

## PERIODIC MAINTENANCE SERVICES

---

### 3. WHEEL ARCH HEIGHT

1) Unload the cargoes and set the vehicle in curb weight (empty) condition.

2) Check the wheel arch height of front and rear suspensions to ensure that they are within specified values. <Ref. to FS-7, Wheel Alignment.>

3) When the wheel arch height is out of the tolerance value, visually inspect the following components and replace deformed parts.

- Suspension components [Front strut assembly and rear strut assembly]
- Parts connecting suspension and body

4) When no components are deformed, adjust wheel arch height by replacing coil spring in the suspension whose wheel arch height is out of standard. <Ref. to FS-7, Wheel Alignment.>

### 4. WHEEL ALIGNMENT OF FRONT SUSPENSION

1) Check the alignment of front suspension to make sure the following items are within tolerance.

- Toe-in
- Camber
- Caster
- Steering angle

<Ref. to FS-7, Wheel Alignment.>

2) When the caster angle does not conform to the reference value obviously, visually inspect the following components and replace deformed parts.

- Suspension components [Strut assembly, cross-member, front arm, etc.]
- Parts connecting suspension and body

3) When the toe-in and camber are out of tolerance value, adjust them so that they conform to standard value.

4) When the right-and-left turning angles of tire are out of standard, adjust to standard value.

### 5. WHEEL ALIGNMENT OF REAR SUSPENSION

1) Check the alignment of rear suspension to make sure the following items are within tolerance.

- Toe-in
- Camber
- Thrust angle

<Ref. to RS-8, Wheel Alignment.>

2) When the camber angle does not conform to tolerance value, visually inspect the following components. If the deformation is observed, replace the damaged parts.

- Suspension components [Shock absorber, front lateral link, rear lateral link, upper arm, trailing link and sub frame]
- Parts connecting suspension and body

3) When the toe-in and thrust angle are out of tolerance value, adjust them so that they conform to tolerance value.

### 6. OIL LEAKAGE OF STRUT AND SHOCK ABSORBER

Visually inspect the front strut and rear shock absorber for oil leakage. Replace the front strut and rear shock absorber if oil leaks excessively.

### 7. TIGHTNESS OF BOLTS AND NUTS

Check the bolts and nuts for looseness. Retighten the bolts and nuts to specified torque. If the self-locking nuts and bolts are removed, replace them with new parts.

Front suspension: <Ref. to FS-2, General Description.>

Rear suspension: <Ref. to RS-2, General Description.>

### 8. DAMAGE TO SUSPENSION PARTS

Check the following parts and the fastening portion of the vehicle body for deformation or excessive rusting which impairs the suspension. If necessary, replace the damaged parts with new parts. If minor rust formation, pitting, etc. are noted, remove the rust and take rust prevention measure.

- Front suspension
  - Front arm
  - Crossmember
  - Strut
- Rear suspension
  - Sub frame
  - Front lateral link
  - Rear lateral link
  - Upper arm
  - Trailing link
  - Shock absorber
- In the area where salt is sprayed to melt snow on a road in winter, check suspension parts for damage caused by rust every 12 months after lapse of 60 months. Take rust prevention measures as required.

## 22. Wheel Bearing

### A: INSPECTION

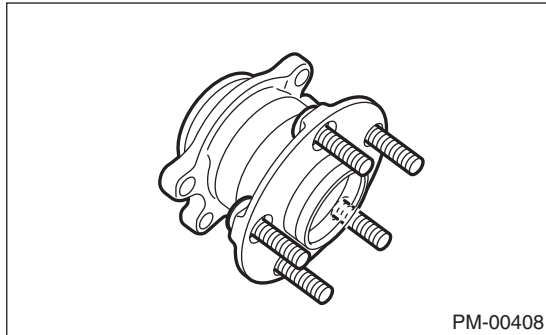
#### 1. FRONT HUB UNIT

- 1) Jack-up the front side of vehicle.
- 2) While holding the front wheel by hand, swing it in and out to check that there is no bearing free play.
- 3) Loosen the wheel nuts, and remove the front wheel.
- 4) If the bearing free play exists in step 2) above, attach a dial gauge to hub and measure the looseness in the axial direction.

**Service limit:**

***Straight-ahead position within 0.05 mm  
(0.0020 in)***

- 5) Remove the bolts and self-locking nuts, and extract transverse link from the front crossmember.
  - 6) Remove the AAR of front drive shaft from transmission. <Ref. to DS-13, Front Axle.>
  - 7) While supporting the front drive shaft horizontally with one hand, turn the hub with the other hand to check for noise or binding.
- If the hub is noisy or binds, replace the front hub unit.



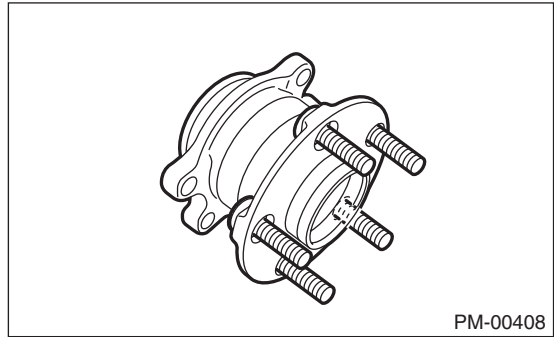
#### 2. REAR HUB UNIT

- 1) Jack-up the rear side of vehicle.
- 2) While holding the rear wheel by hand, swing it in and out to check bearing free play.
- 3) Loosen the wheel nuts, and remove the rear wheel.
- 4) If the bearing free play exists in step 2) above, attach a dial gauge to hub and measure the looseness in the axial direction.

**Service limit:**

***Straight-ahead position within 0.05 mm  
(0.0020 in)***

- 5) Remove the DOJ of rear drive shaft from rear differential. <Ref. to DS-30, Rear Drive Shaft.>
  - 6) While supporting rear drive shaft horizontally with one hand, turn the hub with the other to check for noise or binding.
- If the hub is noisy or binds, replace the rear hub unit.

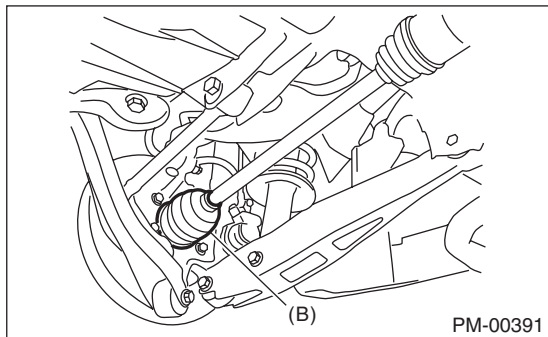
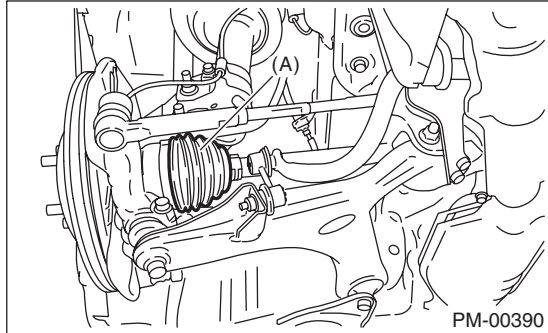


### 23. Axle Boots & Joints

#### A: INSPECTION

##### 1. FRONT AND REAR AXLE BOOTS

Inspect the front axle boots (A) and rear axle boots (B) for deformation, damage or failure. If faulty, replace with a new part. <Ref. to DS-26, Front Drive Shaft.> <Ref. to DS-30, Rear Drive Shaft.>



##### 2. PROPELLER SHAFT

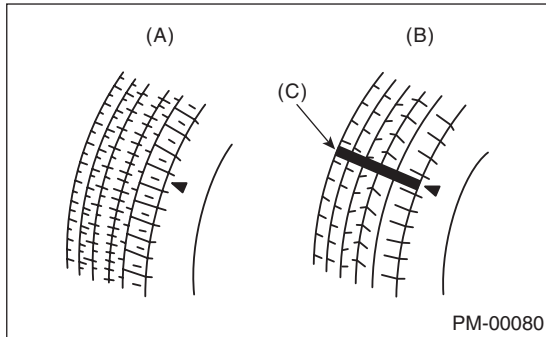
Inspect the propeller shaft for damage or failure. If faulty, replace with a new part. <Ref. to DS-10, Propeller Shaft.>



## 24. Tire Rotation

### A: INSPECTION

1) When the tread has worn down to less than 1.6 mm (0.063 in) or the wear indicator appears across the tire tread, replace the tire. (Replace the right and left tire as a set.)

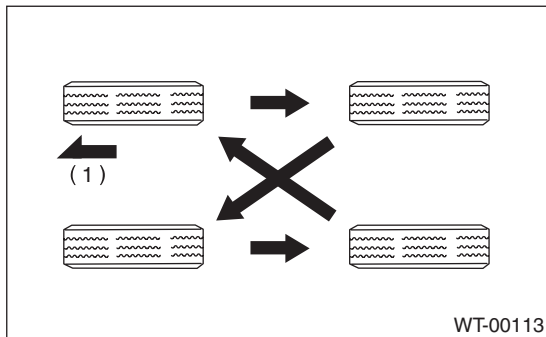


- (A) New tread
- (B) Damaged tread
- (C) Tread wear indicator

2) If the tire appears to be worn unevenly, adjust the wheel alignment.

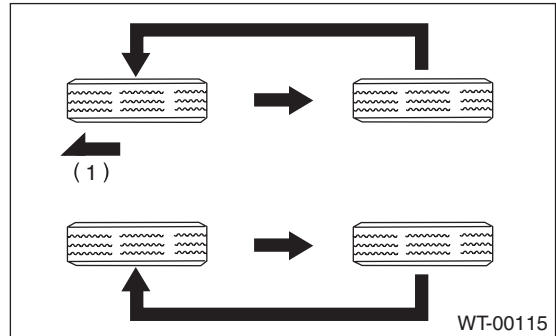
3) Next, make a tire rotation between front and rear as shown in the figure, make sure tires are worn evenly.

- When the direction of tire rotation is not specified

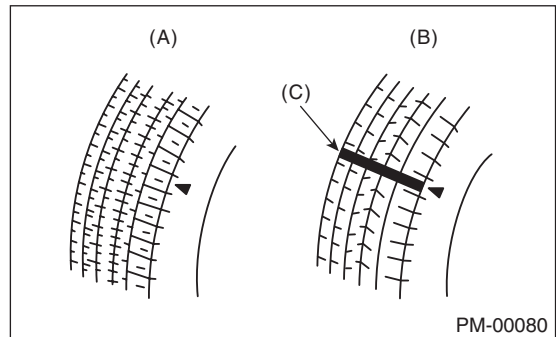


(1) Front

- With instruction for the direction of tire rotation



(1) Front



- (A) New tread
- (B) Damaged tread
- (C) Tread wear indicator

# Steering System (Power Steering)

## PERIODIC MAINTENANCE SERVICES

### 25. Steering System (Power Steering)

#### A: INSPECTION

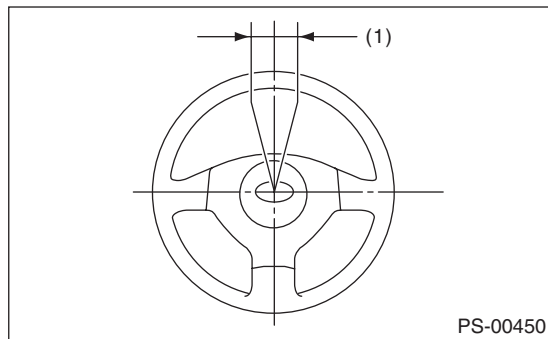
##### 1. STEERING WHEEL

- 1) Set the steering wheel in a straight-ahead position, and check the wheel spokes to make sure they are correctly set in their specified positions.
- 2) Lightly turn the steering wheel to the left and right to determine the point where front wheels start to move.

Measure the distance of the movement of steering wheel at the outer periphery of wheel.

##### **Steering wheel free play:**

**0 — 17 mm (0 — 0.67 in)**



(1) Steering wheel free play

Move the steering wheel vertically toward the shaft to ascertain if there is play in the direction.

##### **Maximum permissible play:**

**0.5 mm (0.020 in)**

- 3) Drive the vehicle and check the following items during operation.

##### (1) Steering force:

The effort required for steering should be smooth and even at all points, and should not vary.

##### (2) Pulled to one side:

Steering wheel should not be pulled to either side while driving on a level surface.

##### (3) Wheel runout:

Steering wheel should not show any sign of runout.

##### (4) Return factor:

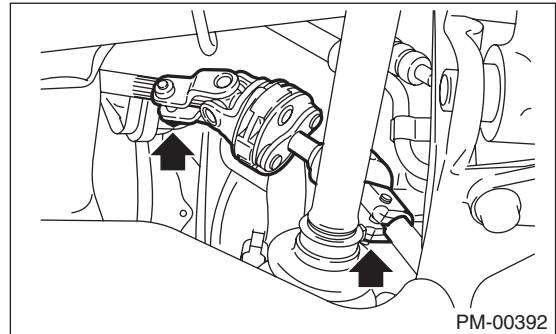
Steering wheel should return to its original position after it has been turned and then released.

##### 2. STEERING SHAFT JOINT

When the steering wheel free play is excessive, disconnect the universal joint of steering shaft and check it for any play and yawing torque (at the point of the crossing direction). Also inspect for any damage to sealing or worn serrations. If the joint is loose, retighten the mounting bolts to the specified torque.

##### **Tightening torque:**

**24 N·m (2.4 kgf-m, 17.4 ft-lb)**



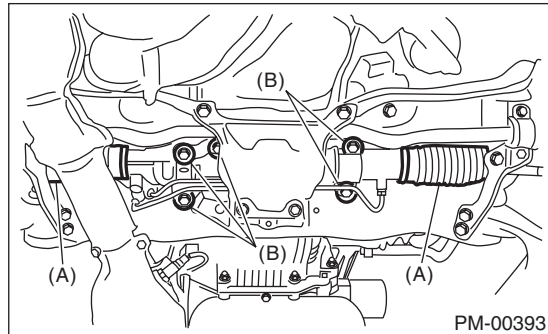
## 3. GEARBOX

1) With the vehicle placed on a level surface, turn the steering wheel 90° in both the left and right directions.

While the wheel is being rotated, reach under the vehicle and check for looseness in gearbox.

### Tightening torque:

**60 N·m (6.1 kgf·m, 44.3 ft-lb)**



- (A) Boot
- (B) Gearbox mounting bolt

2) Check the boot for damage, cracks or deterioration.

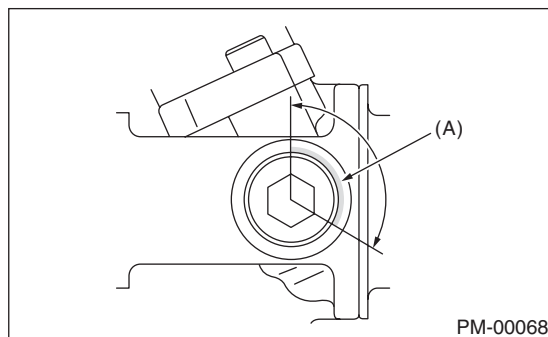
3) With the vehicle placed on a level surface, quickly turn the steering wheel to the left and right.

While steering wheel is being rotated, check the gear backlash. If any noise is noticed, adjust the gear backlash in the following manner.

(1) Tighten the adjusting screw to 25 N·m (2.5 kgf·m, 18 ft-lb) and then loosen.

(2) Tighten the adjusting screw to 3.9 N·m (0.4 kgf·m, 2.9 ft-lb) and then loosen it within 20°.

(3) Apply liquid gasket to at least 1/3 of entire perimeter of adjusting screw thread.



- (A) Apply liquid gasket to at least 1/3 of entire perimeter.

(4) Install the lock nut. While holding the adjusting screw with a wrench, tighten the lock nut using ST.

ST 926230000 SPANNER

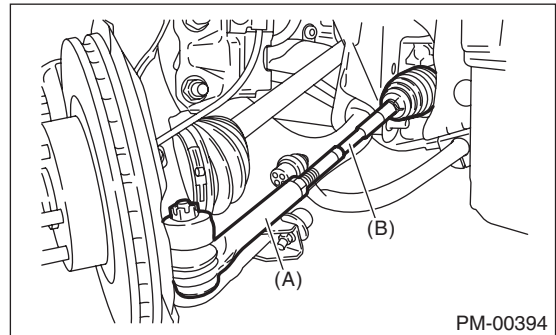
### Tightening torque (lock nut):

**25 N·m (2.5 kgf·m, 18.4 ft-lb)**

Hold the adjusting screw with wrench to prevent it from turning while tightening the lock nut.

## 4. TIE-ROD

1) Check the tie-rod and tie-rod ends for bends, scratches or other damage.



- (A) Tie-rod end
- (B) Knuckle arm

2) Check the connections of knuckle ball joints for play, inspect for damage on dust seals, and check free play of ball studs. If castle nut is loose, retighten it to the specified torque, then further tighten up to 60° until the cotter pin hole is aligned.

### Tightening torque:

**27 N·m (2.75 kgf·m, 19.9 ft-lb)**

3) Check the lock nut on the tie-rod end for tightness. If it is loose, retighten it to the specified torque.

### Tightening torque:

**85 N·m (8.7 kgf·m, 62.7 ft-lb)**

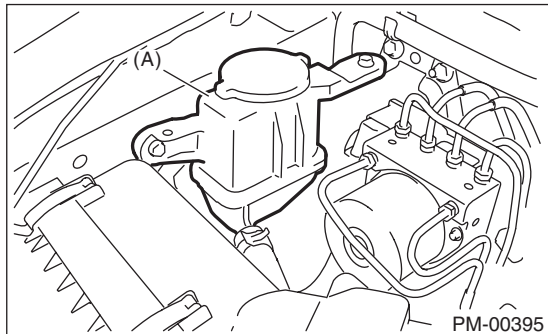
# Steering System (Power Steering)

## PERIODIC MAINTENANCE SERVICES

### 5. POWER STEERING FLUID LEVEL

NOTE:

- At power steering fluid temperature 20°C (68°F); read the fluid level on the “COLD” side.
  - At power steering fluid temperature 80°C (176°F); read the fluid level on the “HOT” side.
- 1) Place the vehicle with engine “OFF” on a level surface.
  - 2) Check the fluid level using the scale on the outside of the reservoir tank (A). If the level is below “MIN” (B), add fluid to bring it up to “MAX” (C).



**CAUTION:**

If the power steering fluid is spilled over exhaust pipe, wipe it off with cloth to avoid emitting smoke or causing a fire.

NOTE:

If fluid level is at MAX level or above, drain fluid to keep the level in the specified range of indicator by using a syringe or the like.

**Recommended fluid:**

**SUBARU ATF HP or DEXRON III**

**Fluid capacity:**

**0.7 ℓ (0.7 US qt, 0.6 Imp qt)**

### 6. POWER STEERING FLUID FOR LEAKS

Inspect the underside of oil pump and gearbox of power steering system, hoses, pipes and their couplings for fluid leaks.

If the fluid leaks are found, retighten their fitting bolts (or nuts) and/or replace their parts.

NOTE:

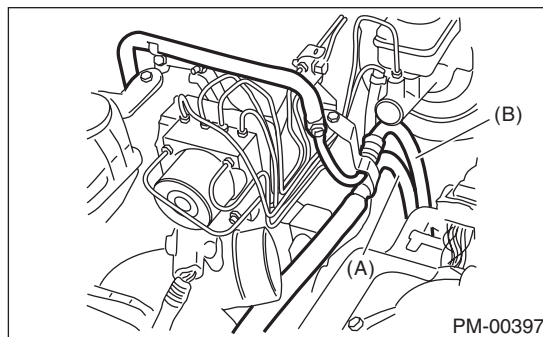
- Wipe the leaked fluid off after correcting fluid leaks.
- Also pay attention to clearances between hoses (or piping) and other parts when inspecting fluid leaks.

### 7. HOSES OF OIL PUMP FOR DAMAGES

Check the pressure hose and return hose of oil pump for crack, swell or damage. Replace the hose with a new part if necessary.

NOTE:

Prevent hoses from turning and/or bending when installing hoses.



(A) Pressure hose

(B) Return hose

### 8. POWER STEERING PIPES FOR DAMAGES

Check the power steering pipes for corrosion and damage.

Replace the pipes with new parts if necessary.

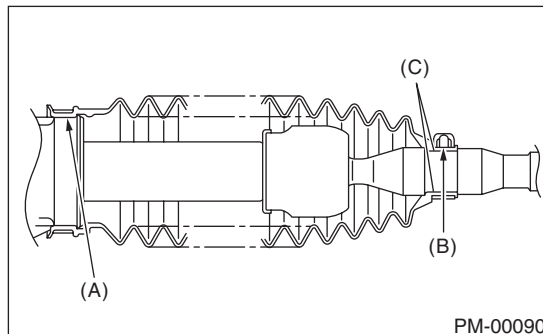
### 9. GEARBOX BOOTS

Inspect both sides of the gearbox boot as follows, and correct the defects if necessary.

- 1) Positions (A) and (B) of the gearbox boot are fitted correspondingly in grooves (A) and (B) of the gearbox and rod (C).
- 2) Clips are fitted outside of positions (A) and (B) of boot.
- 3) Boot does not have crack or hole.

NOTE:

Rotate (B) position of gearbox boot against the torsion produced by the adjustment of toe-in etc. Apply grease to the groove (C).



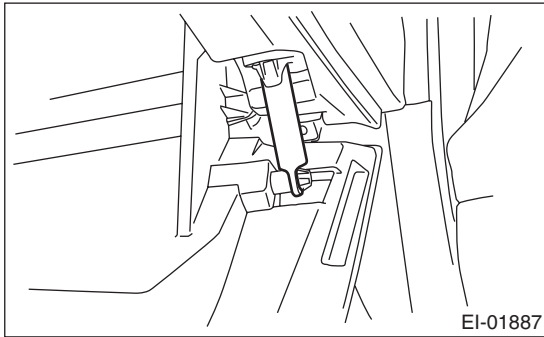
### 10. FITTING BOLTS AND NUTS

Inspect the fitting bolts and nuts of oil pump and bracket for looseness, and retighten them if necessary. Inspect and/or retighten them when engine is cold.

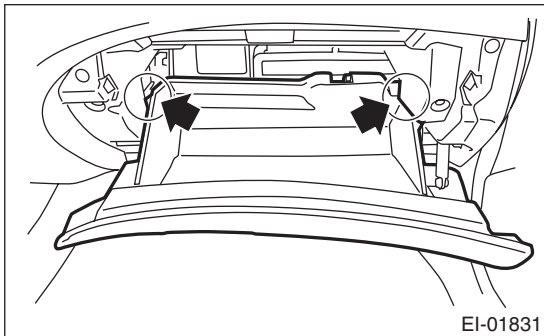
## 26.A/C Filter

### A: REPLACEMENT

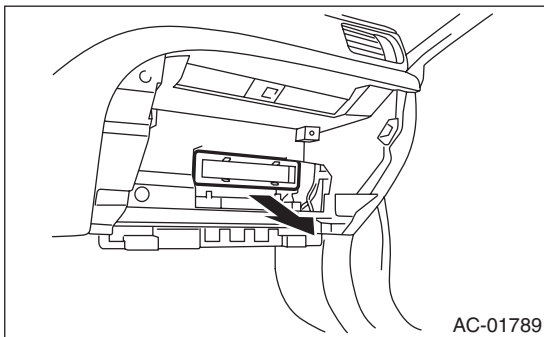
1) Remove the glove box damper.



2) Disengage the stopper section and pull the glove box lid to remove it.



3) Pinch the claw to unlock and remove the A/C filter.



4) Install in the reverse order of removal.

# A/C Filter

PERIODIC MAINTENANCE SERVICES

---

# General Description

FUEL INJECTION (FUEL SYSTEMS)

---

## 1. General Description

### A: SPECIFICATION

Fuel tank	Capacity	64 ℓ (16.9 US gal, 14.1 Imp gal)
	Location	Under rear seat
Fuel pump	Type	Impeller
	Shutoff discharge pressure	550 — 850 kPa (5.6 — 8.7 kg/cm <sup>2</sup> , 79.7 — 123.2 psi)
	Discharge rate	125 ℓ (33 US gal, 27.5 Imp gal)/h or more [12 V at 300 kPa (3.06 kg/cm <sup>2</sup> , 43.5 psi)]
Fuel filter		In-tank type





# General Description

## FUEL INJECTION (FUEL SYSTEMS)

- |                            |                                   |                           |
|----------------------------|-----------------------------------|---------------------------|
| (1) Intake manifold        | (9) Fuel injector pipe            | (17) Evaporation hose (A) |
| (2) Gasket                 | (10) Fuel injector                | (18) Evaporation hose (B) |
| (3) Nipple                 | (11) O-ring                       |                           |
| (4) Guide pin              | (12) Purge control solenoid valve |                           |
| (5) Plug cord stay         | (13) Plug cord holder             |                           |
| (6) EGR valve              | (14) Fuel pipe ASSY               |                           |
| (7) Fuel pipe protector RH | (15) Nipple                       |                           |
| (8) Fuel pipe protector LH | (16) Gasket                       |                           |

**Tightening torque: N·m (kgf-m, ft-lb)**

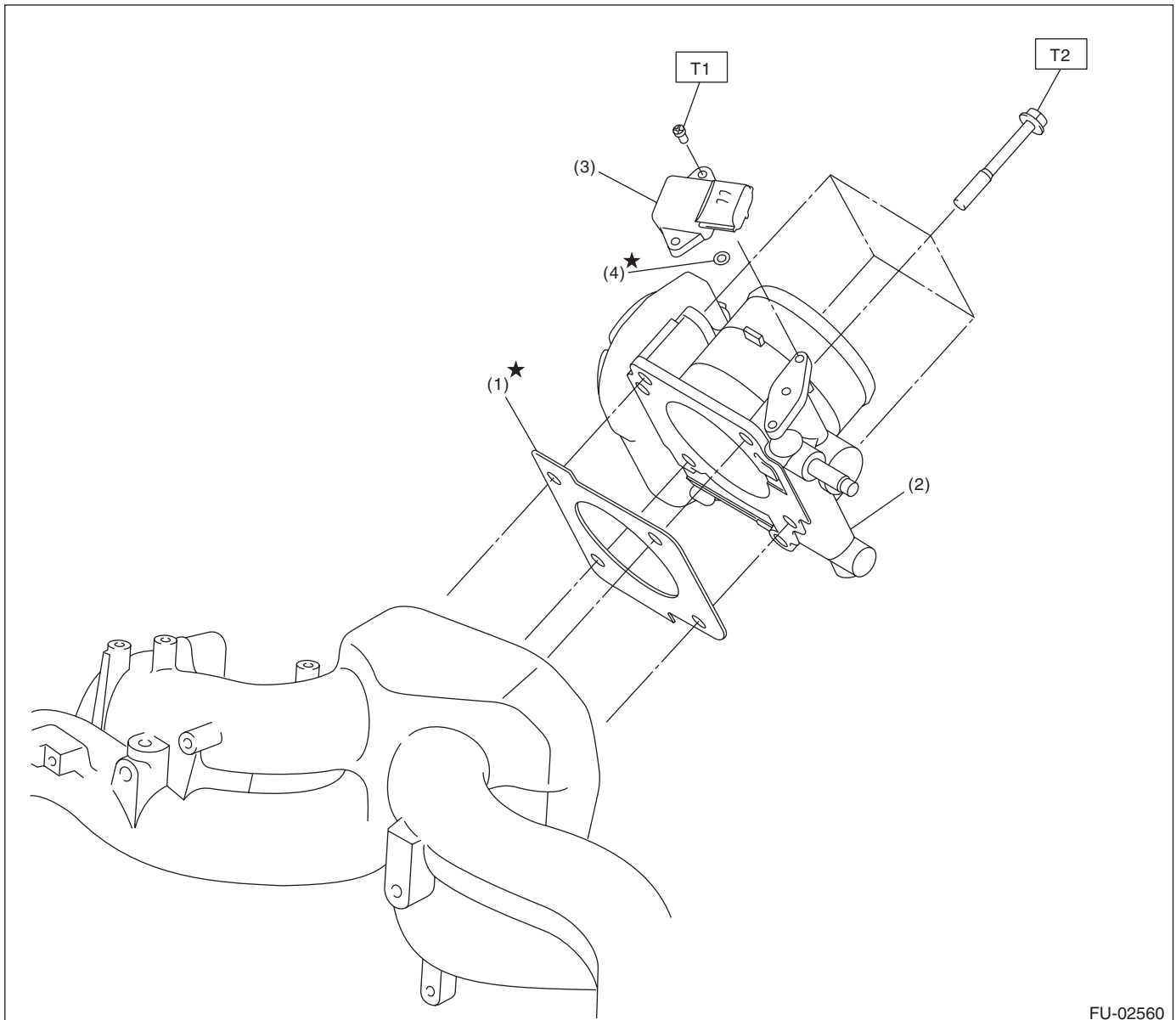
**T1: 6.4 (0.7, 4.7)**

**T2: 17 (1.7, 12.5)**

**T3: 19 (1.9, 14.0)**

**T4: 25 (2.5, 18.4)**

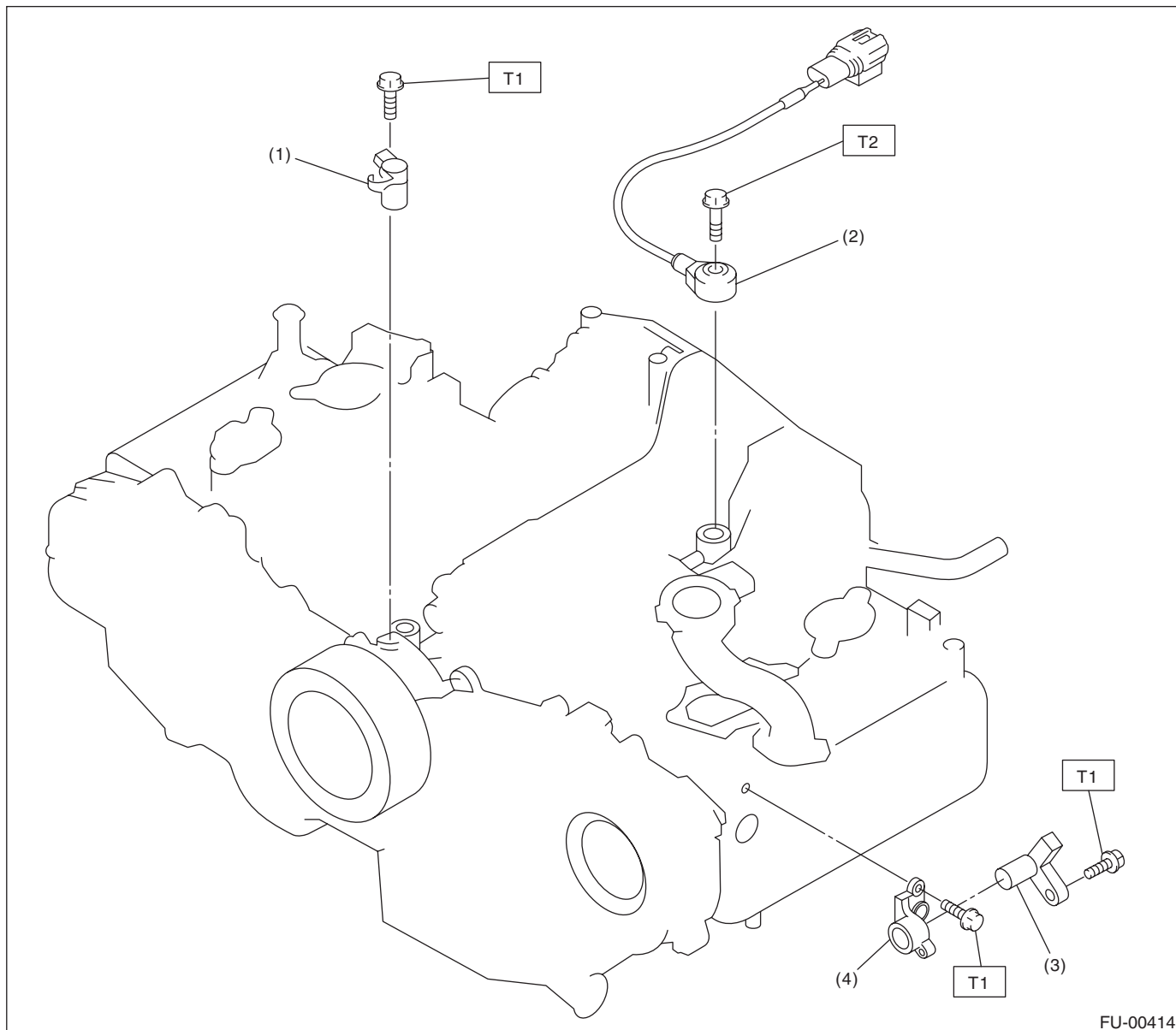
## 2. AIR INTAKE SYSTEM



FU-02560

- |                   |                                       |  |
|-------------------|---------------------------------------|--|
| (1) Gasket        | (3) Manifold absolute pressure sensor | <b>Tightening torque: N·m (kgf-m, ft-lb)</b> |
| (2) Throttle body | (4) O-ring                            | <b>T1: 2 (0.2, 1.5)</b>                      |
|                   |                                       | <b>T2: 8 (0.8, 5.9)</b>                      |

## 3. CRANKSHAFT POSITION, CAMSHAFT POSITION AND KNOCK SENSORS



FU-00414

(1) Crankshaft position sensor

(2) Knock sensor

(3) Camshaft position sensor

(4) Camshaft position sensor support

**Tightening torque: N·m (kgf·m, ft·lb)**

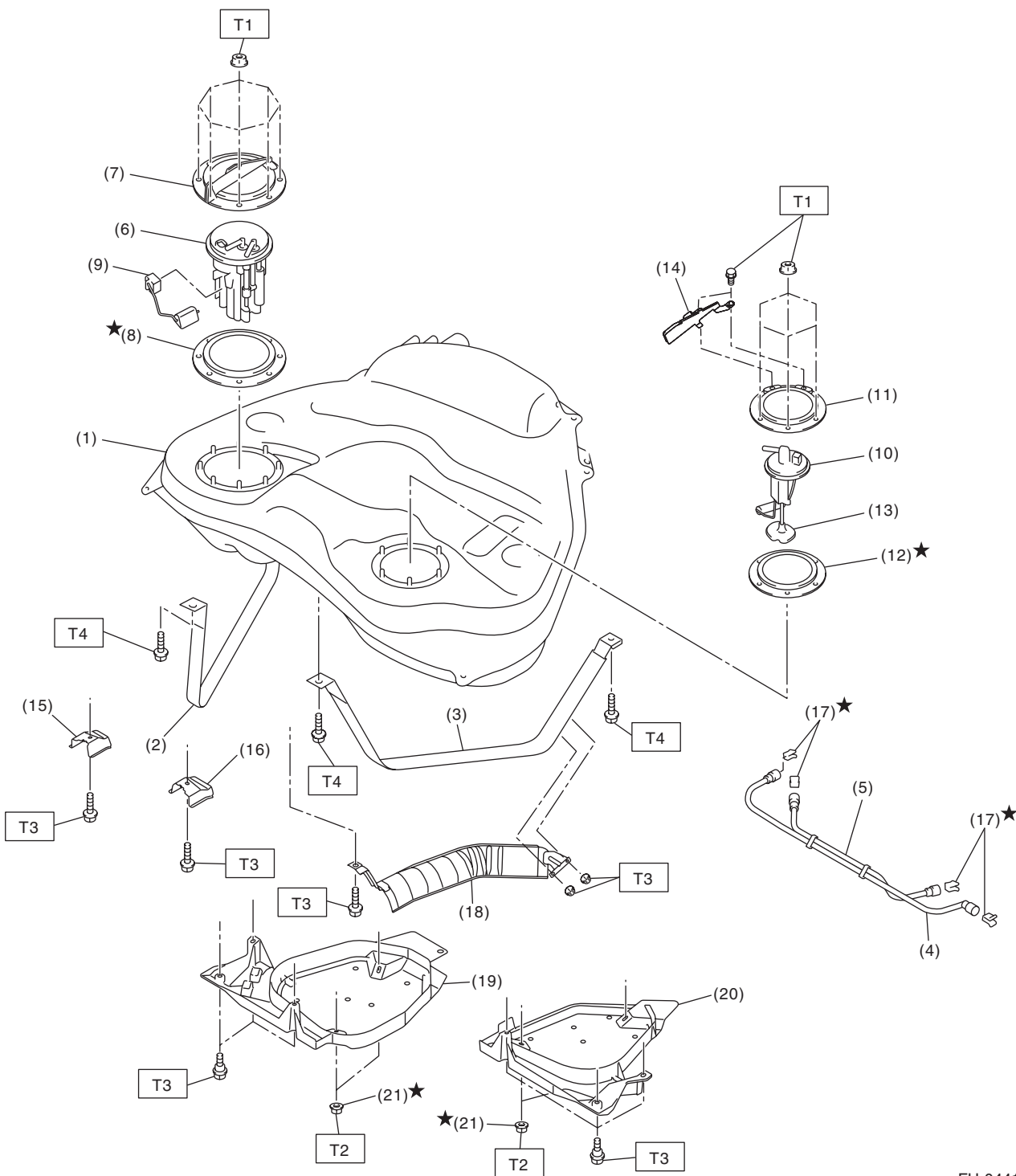
**T1: 6.4 (0.7, 4.7)**

**T2: 24 (2.4, 17.7)**

# General Description

## FUEL INJECTION (FUEL SYSTEMS)

### 4. FUEL TANK



FU-04412

# General Description

## FUEL INJECTION (FUEL SYSTEMS)

---

(1) Fuel tank	(10) Fuel sub level sensor	(19) Fuel tank protector RH
(2) Fuel tank band RH	(11) Fuel sub level sensor upper plate	(20) Fuel tank protector LH
(3) Fuel tank band LH	(12) Fuel sub level sensor gasket	(21) Self-locking nut
(4) Delivery tube	(13) Fuel sub level sensor filter	
(5) Jet pump tube	(14) Fuel sub level sensor protector	
(6) Fuel pump ASSY	(15) Stopper RH	
(7) Fuel pump upper plate	(16) Stopper LH	
(8) Fuel pump gasket	(17) Retainer	
(9) Fuel level sensor	(18) Heat shield cover	

---

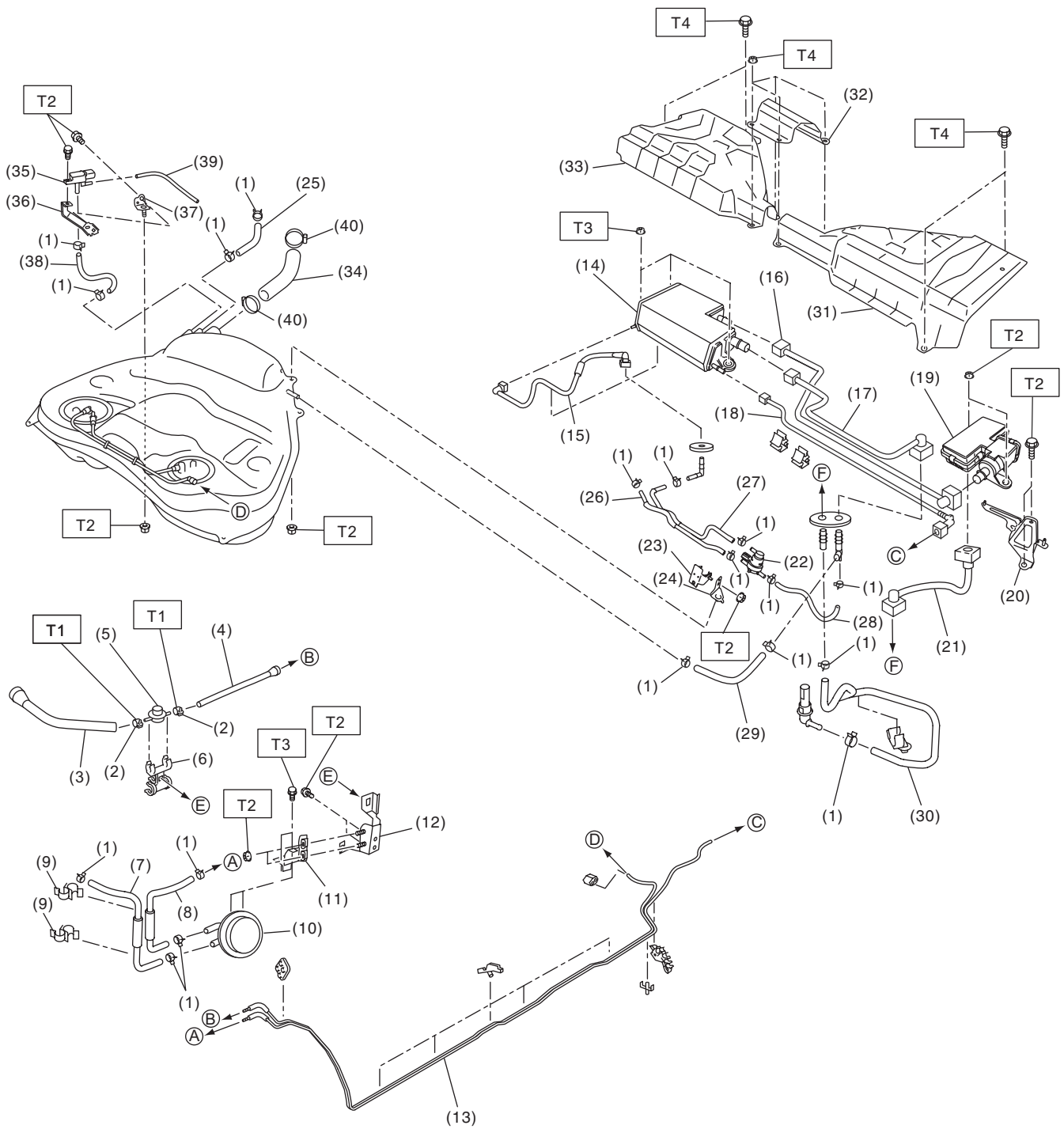
**Tightening torque:N·m (kgf-m, ft-lb)****T1: 4.4 (0.4, 3.2)****T2: 9 (0.9, 6.6)****T3: 18 (1.8, 13.3)****T4: 33 (3.4, 24.3)**

---

# General Description

## FUEL INJECTION (FUEL SYSTEMS)

### 5. FUEL LINE



FU-03433

# General Description

## FUEL INJECTION (FUEL SYSTEMS)

---

(1) Clip	(17) Vent tube	(31) Canister cover LH
(2) Clamp	(18) Purge tube	(32) Center canister cover
(3) Fuel delivery hose A	(19) Drain valve	(33) Canister cover RH
(4) Fuel delivery hose B	(20) Drain valve bracket	(34) Fuel filler hose
(5) Fuel damper	(21) Drain tube B	(35) Fuel tank pressure sensor
(6) Fuel damper holder	(22) Pressure control solenoid valve	(36) Fuel tank pressure sensor bracket A
(7) Evaporation hose A	(23) Pressure control solenoid valve bracket A	(37) Fuel tank pressure sensor bracket B
(8) Evaporation hose B	(24) Pressure control solenoid valve bracket B	(38) Pressure hose
(9) Clamp	(25) Evaporation hose A	(39) Vacuum hose
(10) Purge damper valve	(26) Evaporation hose B	(40) Clamp
(11) Purge damper valve bracket A	(27) Evaporation hose C	
(12) Purge damper valve bracket B	(28) Evaporation hose D	
(13) Fuel pipe ASSY	(29) Evaporation hose E	
(14) Canister	(30) Canister drain hose	
(15) PCV drain tube		
(16) Drain tube A		

---

**Tightening torque:N·m (kgf-m, ft-lb)**

**T1: 1.25 (0.1, 0.9)**

**T2: 7.5 (0.8, 5.5)**

**T3: 8 (0.8, 5.9)**

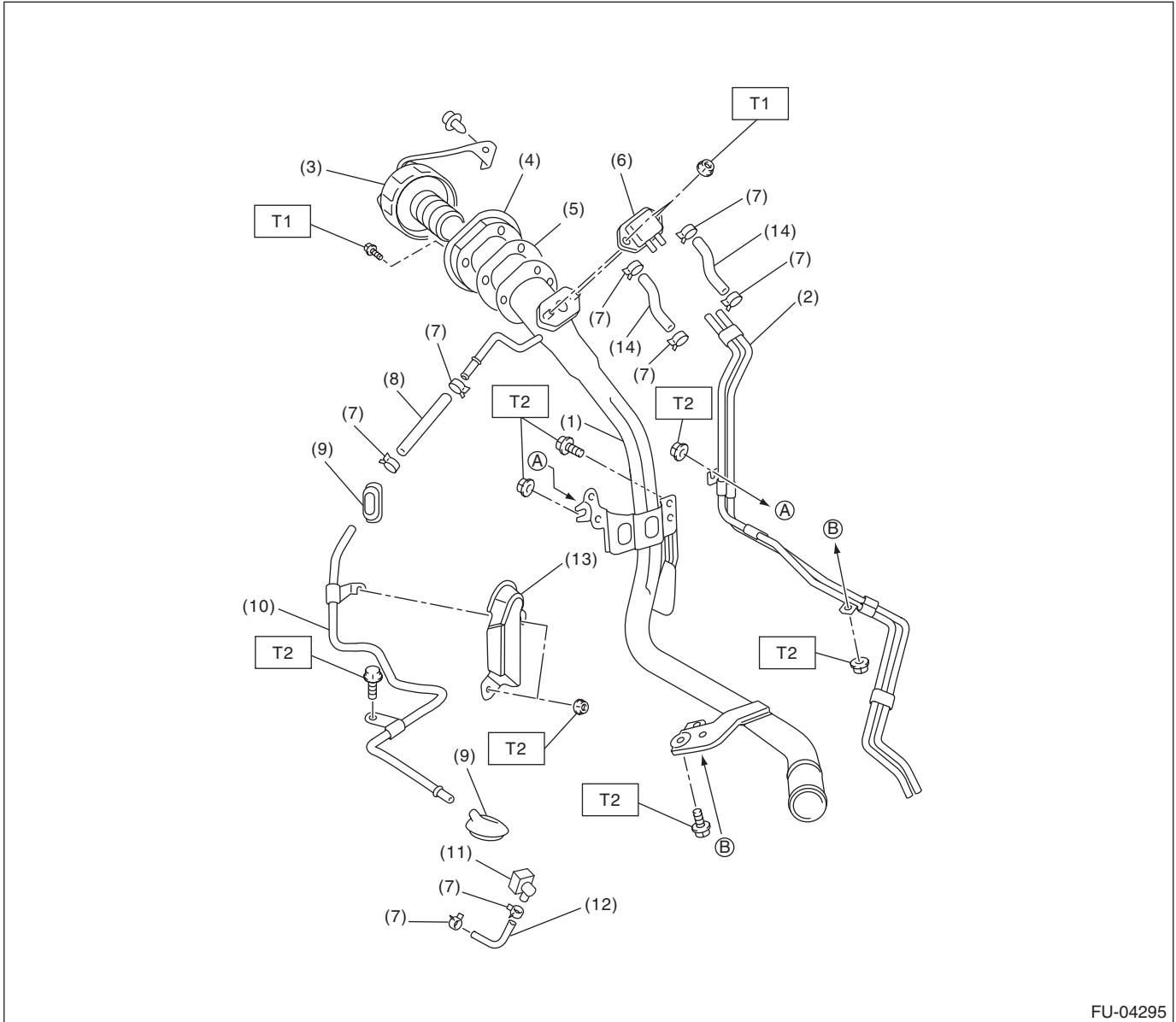
**T4: 18 (1.8, 13.3)**

---

# General Description

## FUEL INJECTION (FUEL SYSTEMS)

### 6. FUEL FILLER PIPE



FU-04295

- (1) Fuel filler pipe ASSY
- (2) Evaporation pipe A
- (3) Fuel filler cap
- (4) Filler ring
- (5) Filler pipe gasket
- (6) Shut valve

- (7) Clip
- (8) Evaporation hose A
- (9) Grommet
- (10) Evaporation pipe B
- (11) Quick connector
- (12) Evaporation hose B

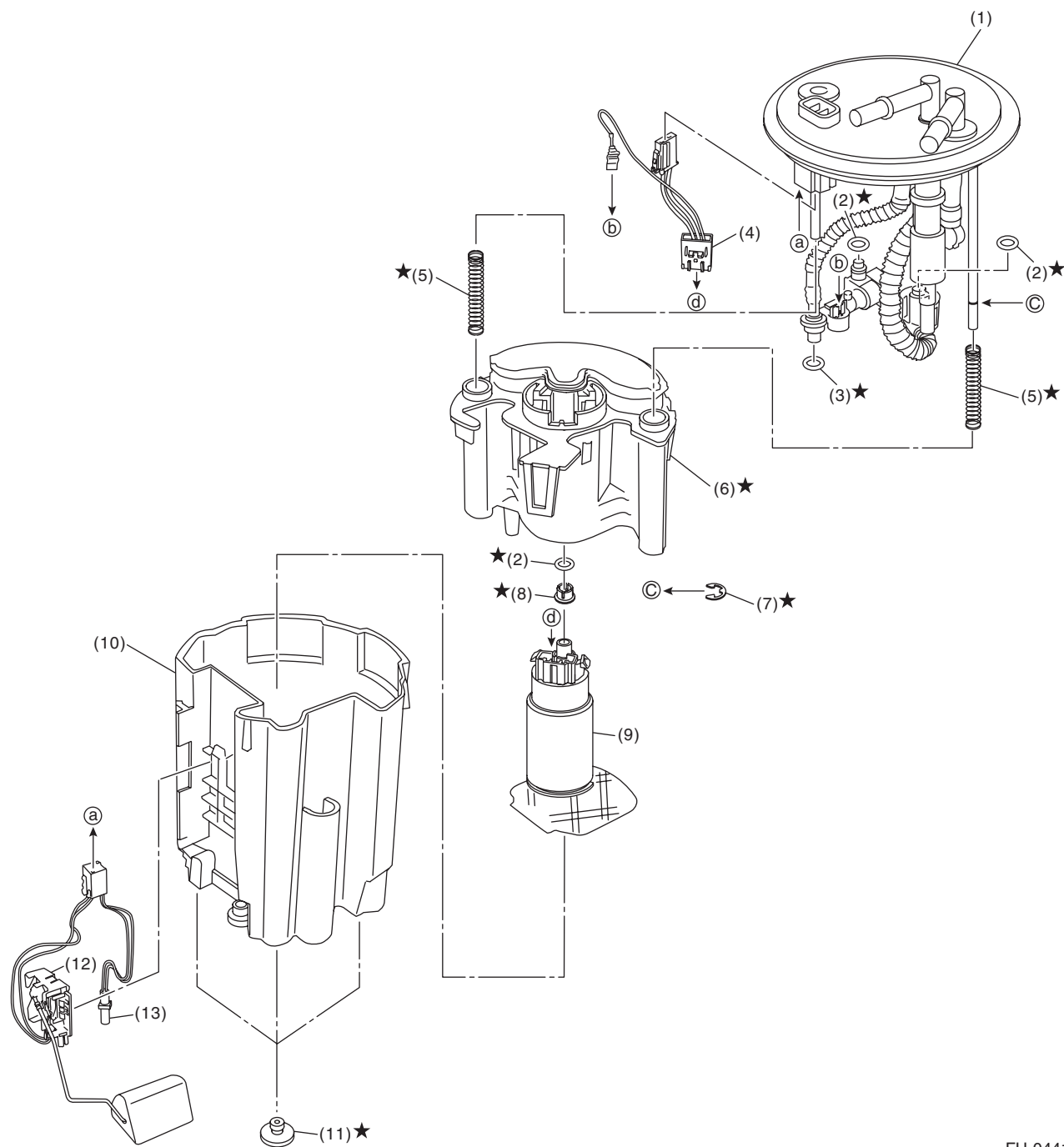
- (13) Evaporation pipe protector
- (14) Evaporation hose C

**Tightening torque: N·m (kgf·m, ft·lb)**

**T1: 4.4 (0.4, 3.2)**

**T2: 7.5 (0.8, 5.5)**

### 7. FUEL PUMP



FU-04413

- |                           |                 |                              |
|---------------------------|-----------------|------------------------------|
| (1) Sub tank bracket ASSY | (6) Fuel filter | (10) Sub tank                |
| (2) O-ring                | (7) Clip        | (11) Cushion                 |
| (3) O-ring                | (8) Spacer      | (12) Fuel level sensor       |
| (4) Fuel pump harness     | (9) Pump ASSY   | (13) Fuel temperature sensor |
| (5) Spring                |                 |                              |



## General Description

### FUEL INJECTION (FUEL SYSTEMS)

---

#### **C: CAUTION**

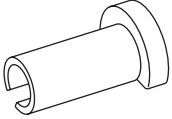
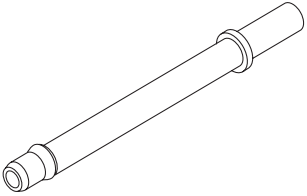
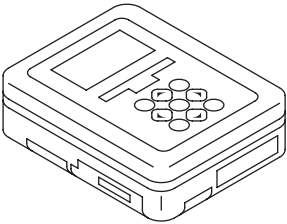
- Wear appropriate work clothing, including a cap, protective goggles and protective shoes when performing any work.
- Remove contamination including dirt and corrosion before removal, installation or disassembly.
- Keep the disassembled parts in order and protect them from dust and dirt.
- Before removal, installation or disassembly, be sure to clarify the failure. Avoid unnecessary removal, installation, disassembly and replacement.
- Vehicle components are extremely hot after driving. Be wary of receiving burns from heated parts.
- Be sure to tighten fasteners including bolts and nuts to the specified torque.
- Place shop jacks or rigid racks at the specified points.
- Before disconnecting connectors of sensors or units, be sure to disconnect the ground cable from the battery.
- Place “NO OPEN FLAMES” signs near the working area.
- Prepare a container and cloth to prevent scattering of fuels when performing work where fuels can be spilled. If the fuel spills, wipe it off immediately to prevent from penetrating into floor or flowing out for environmental protection.
- Follow all government and local regulations concerning disposal of refuse when disposing fuel.

# General Description

FUEL INJECTION (FUEL SYSTEMS)

## D: PREPARATION TOOL

### 1. SPECIAL TOOL

ILLUSTRATION	TOOL NUMBER	DESCRIPTION	REMARKS
 <p>ST42099AE000</p>	42099AE000	QUICK CONNECTOR RELEASE	Used for removing the quick connector.
 <p>ST18471AA000</p>	18471AA000	FUEL PIPE ADAPTER	Used for draining fuel.
 <p>ST1B022XU0</p>	1B022XU0	SUBARU SELECT MONITOR III KIT	Used for draining fuel and each inspection.

### 2. GENERAL TOOL

TOOL NAME	REMARKS
Circuit tester	Used for measuring resistance and voltage.
Oscilloscope	Used for inspecting the waveform of each sensor.

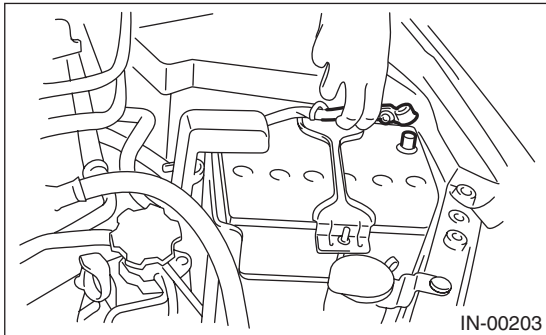
# Throttle Body

## FUEL INJECTION (FUEL SYSTEMS)

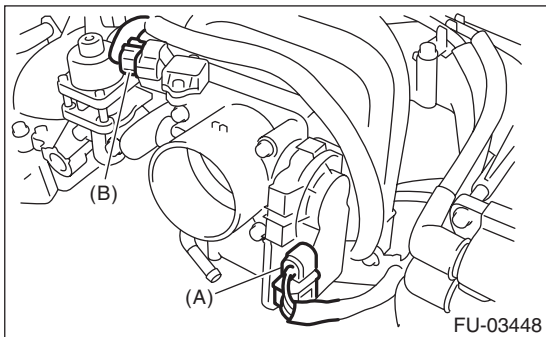
### 2. Throttle Body

#### A: REMOVAL

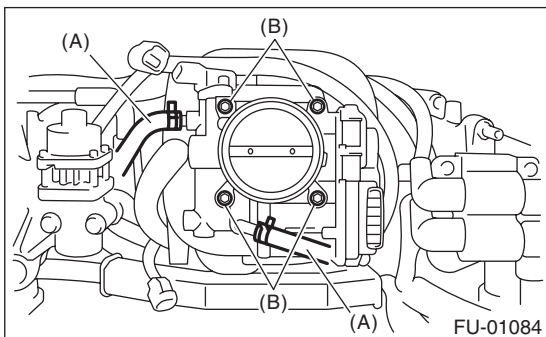
- 1) Set the vehicle on a lift.
- 2) Disconnect the ground cable from battery.



- 3) Lift up the vehicle.
- 4) Remove the under cover.
- 5) Drain approximately 3.0 ℓ (3.2 US qt, 2.6 Imp qt) of coolant. <Ref. to CO(H4SO)-13, DRAINING OF ENGINE COOLANT, REPLACEMENT, Engine Coolant.>
- 6) Remove the air intake chamber. <Ref. to IN(H4SO)-7, REMOVAL, Air Intake Chamber.>
- 7) Disconnect the throttle position sensor connector (A) and manifold absolute pressure sensor connector (B).



- 8) Disconnect the engine coolant hoses (A) from throttle body.
- 9) Remove the bolts (B) which secure the throttle body to the intake manifold, and remove the throttle body.



#### B: INSTALLATION

Install in the reverse order of removal.

#### NOTE:

Use a new gasket.

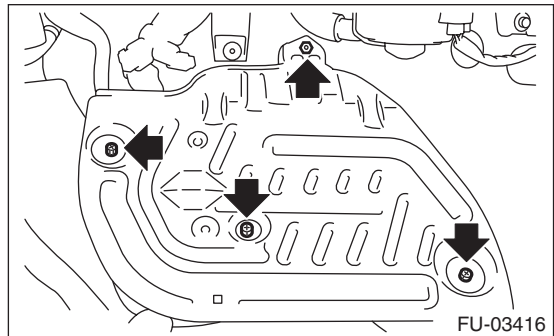
#### Tightening torque:

8 N·m (0.8 kgf-m, 5.9 ft-lb)

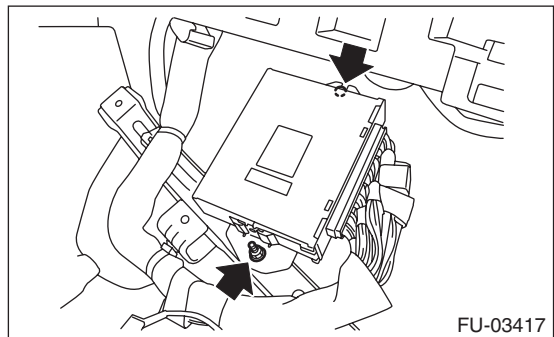
#### C: INSPECTION

##### 1. THROTTLE SENSOR (METHOD WITH CIRCUIT TESTER)

- 1) Remove the lower inner trim of passenger's side. <Ref. to EI-55, REMOVAL, Lower Inner Trim.>
- 2) Turn over the floor mat of passenger's seat.
- 3) Remove the protect cover.

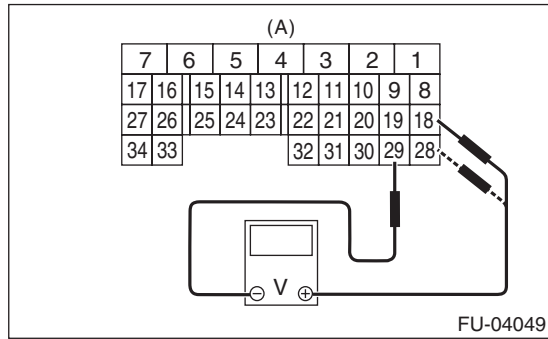


- 4) Remove the nuts and bolts which hold the ECM to the bracket.



- 5) Turn the ignition switch to ON. (engine OFF)

6) Measure the voltage between ECM connector terminals.



(A) To ECM connector

Throttle sensor	Accelerator pedal	Terminal No.	Standard
Main	Not depressed (Full closed)	18 (+) and 29 (-)	Approx. 0.6 V
	Depressed (Full opened)		Approx. 3.96 V
Sub	Not depressed (Full closed)	28 (+) and 29 (-)	Approx. 1.48 V
	Depressed (Full opened)		Approx. 4.17 V

## 2. THROTTLE SENSOR (METHOD WITH SUBARU SELECT MONITOR)

- 1) Turn the ignition switch to ON. (engine OFF)
- 2) Read the throttle opening angle signal and voltage of throttle sensor using Subaru Select Monitor.  
<Ref. to EN(H4SO)(diag)-35, READ CURRENT DATA FOR ENGINE (NORMAL MODE), OPERATION, Subaru Select Monitor.>

Throttle sensor	Throttle opening angle signal	Standard
Main	0.0 %	Approx. 0.6 V
	100.0 %	Approx. 3.96 V
Sub	0.0 %	Approx. 1.48 V
	100.0 %	Approx. 4.17 V

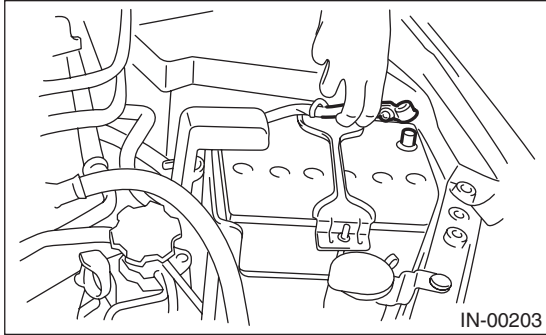
# Intake Manifold

## FUEL INJECTION (FUEL SYSTEMS)

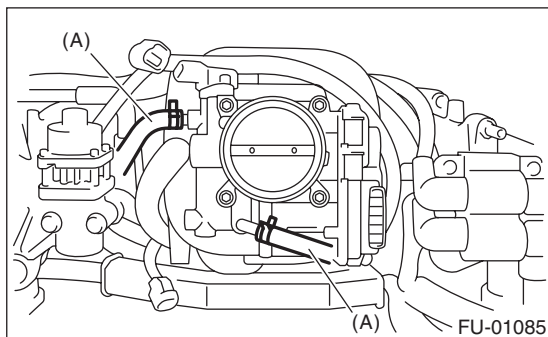
### 3. Intake Manifold

#### A: REMOVAL

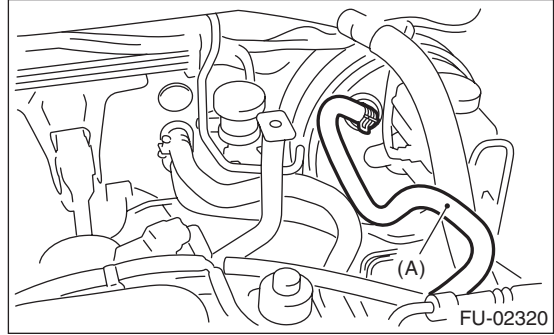
- 1) Set the vehicle on a lift.
- 2) Release the fuel pressure. <Ref. to FU(H4SO)-52, RELEASING OF FUEL PRESSURE, PROCEDURE, Fuel.>
- 3) Disconnect the ground cable from battery.



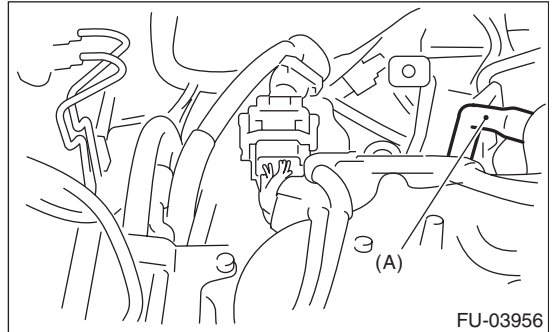
- 4) Open the fuel filler lid and remove the fuel filler cap.
- 5) Lift up the vehicle.
- 6) Remove the under cover RH.
- 7) Drain approximately 3.0 ℓ (3.2 US qt, 2.6 Imp qt) of coolant. <Ref. to CO(H4SO)-13, DRAINING OF ENGINE COOLANT, REPLACEMENT, Engine Coolant.>
- 8) Remove the air intake duct, air intake chamber and intake boot. <Ref. to IN(H4SO)-8, REMOVAL, Air Intake Duct.> <Ref. to IN(H4SO)-7, REMOVAL, Air Intake Chamber.>
- 9) Remove the generator. <Ref. to SC(H4SO)-16, REMOVAL, Generator.>
- 10) Disconnect the spark plug cord from the spark plug.
- 11) Disconnect the engine coolant hoses (A) from throttle body.



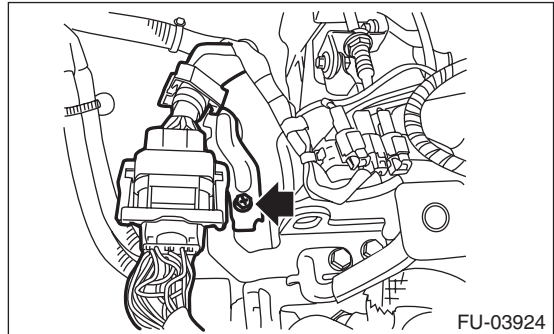
- 12) Disconnect the brake booster vacuum hose (A).



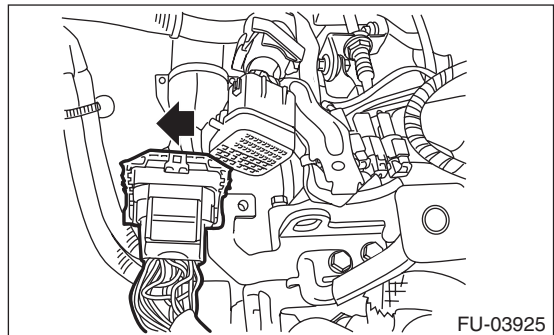
- 13) Disconnect the PCV hose (A) from intake manifold.



- 14) Remove the bolt, and disconnect the bulkhead harness connector from the engine harness connector and rear engine hanger.



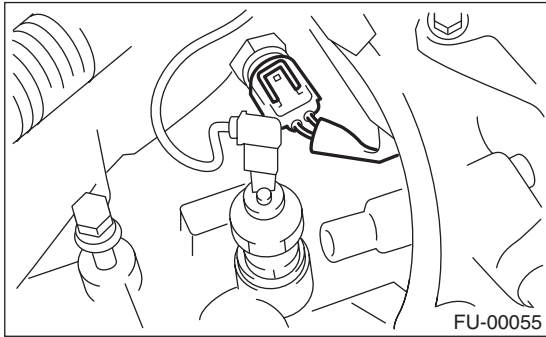
- 15) Slide the engine harness connector in the direction of the arrow and remove it from the rear engine hanger.



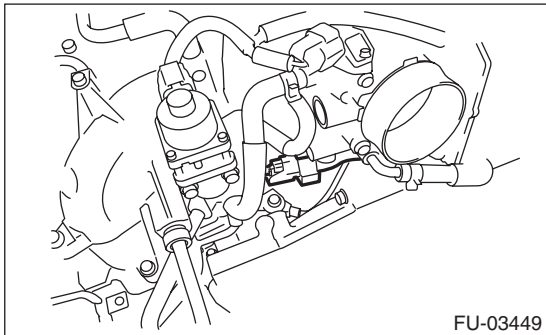
# Intake Manifold

## FUEL INJECTION (FUEL SYSTEMS)

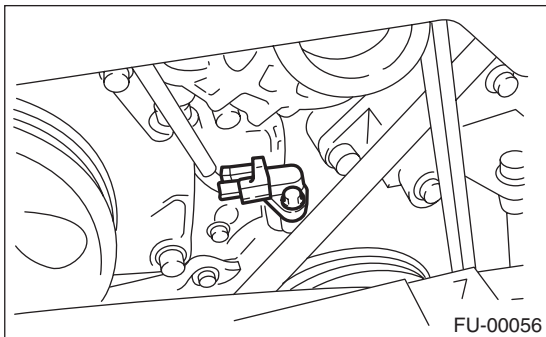
16) Disconnect the connectors from the engine coolant temperature sensor.



17) Disconnect the knock sensor connector.

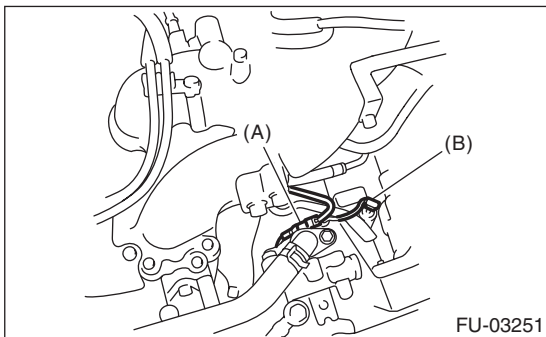


18) Disconnect the connector from crankshaft position sensor.

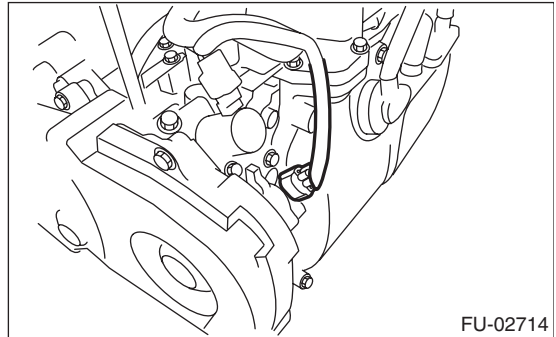


19) Disconnect the connector from power steering pump switch (A).

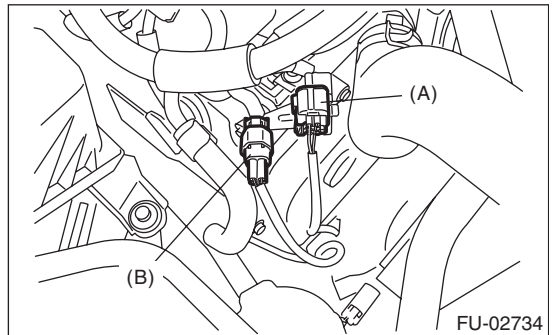
20) Disconnect the connector from the oil pressure switch (B).



21) Disconnect the connector from camshaft position sensor.



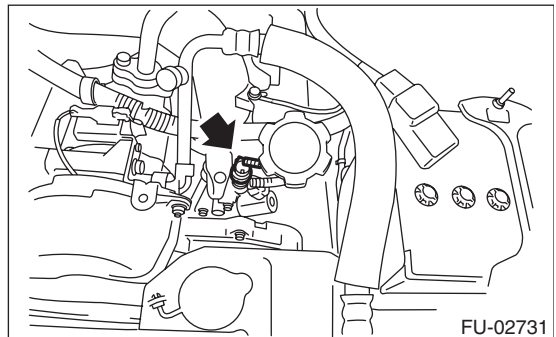
22) Disconnect the front oxygen (A/F) sensor connector (A) and rear oxygen sensor connector (B).



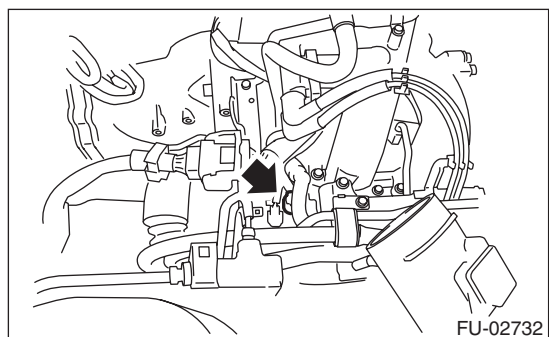
23) Disconnect the connector from the oil switching solenoid valve.

24) Disconnect the connector from the variable valve lift diagnosis oil pressure switch.

- LH side



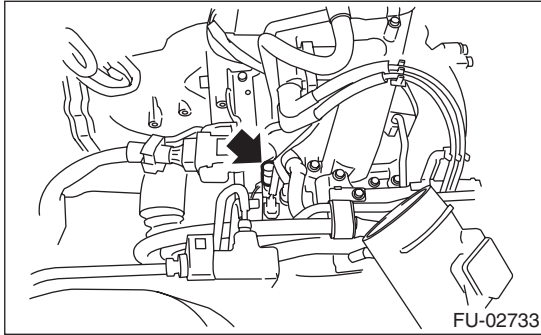
- RH side



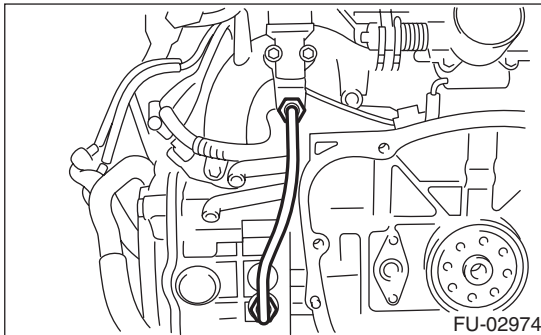
# Intake Manifold

## FUEL INJECTION (FUEL SYSTEMS)

25) Disconnect the connector from oil temperature sensor.



26) Remove the EGR pipe from intake manifold.



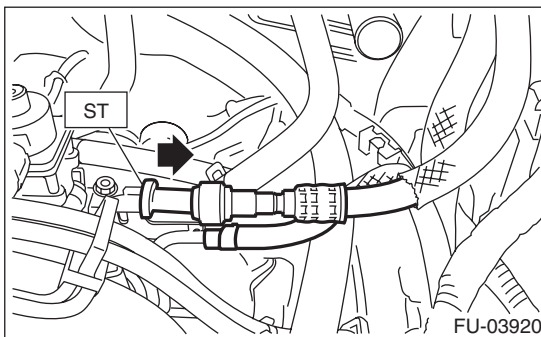
27) Disconnect the fuel hoses from the fuel pipe.  
(1) Disconnect the quick connector of the fuel delivery hose by pushing the ST in the direction of the arrow.

ST 42099AE000 QUICK CONNECTOR  
RELEASE

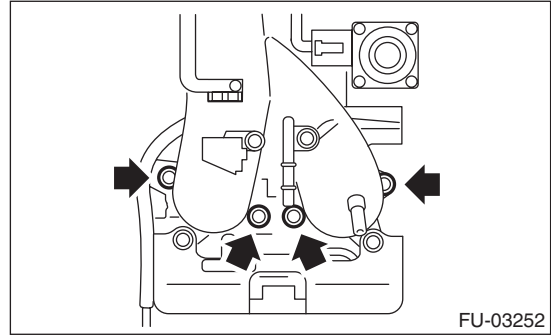
(2) Remove the clip and disconnect the evaporation hose from the fuel pipe.

### CAUTION:

- Be careful not to spill fuel.
- Catch the fuel from hoses using a container or cloth.



28) Remove the intake manifold from cylinder head.



## B: INSTALLATION

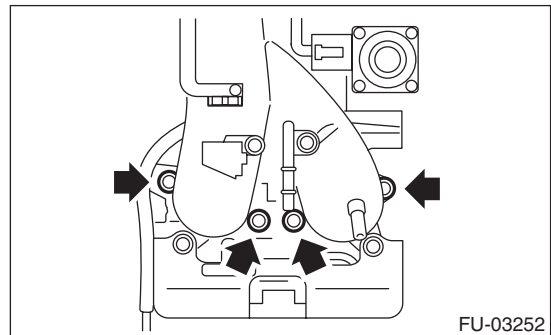
1) Install the intake manifold onto cylinder heads.

### NOTE:

Use a new gasket.

### Tightening torque:

**25 N·m (2.5 kgf-m, 18.4 ft-lb)**



2) Connect the fuel delivery hose and evaporation hose to the fuel pipe. <Ref. to FU(H4SO)-77, INSTALLATION, Fuel Delivery and Evaporation Lines.>

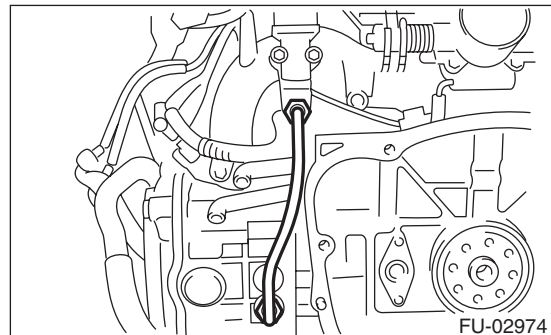
### NOTE:

If fuel hoses or clamps are damaged, replace them with new parts.

3) Install the EGR pipe to intake manifold.

### Tightening torque:

**34 N·m (3.5 kgf-m, 25.1 ft-lb)**

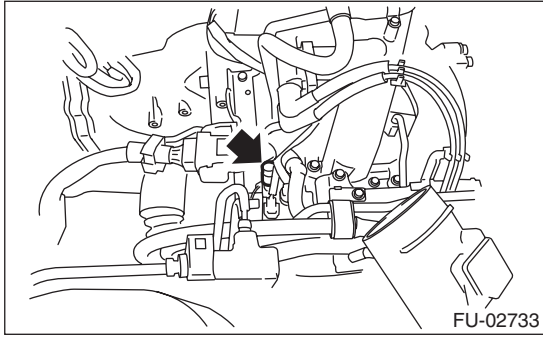




# Intake Manifold

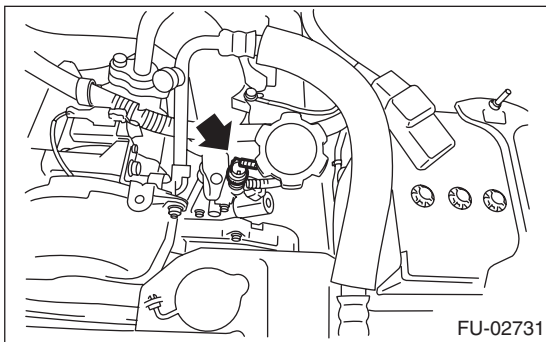
## FUEL INJECTION (FUEL SYSTEMS)

4) Connect the connector to the oil temperature sensor.

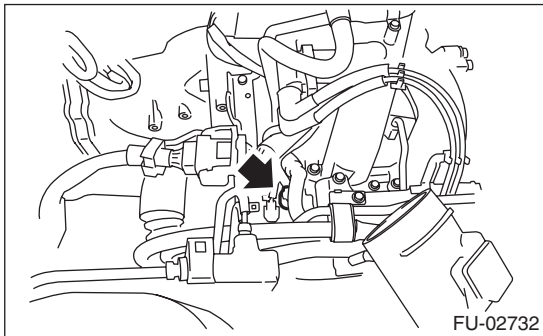


5) Connect the connector to the variable valve lift diagnosis oil pressure switch.

- LH side

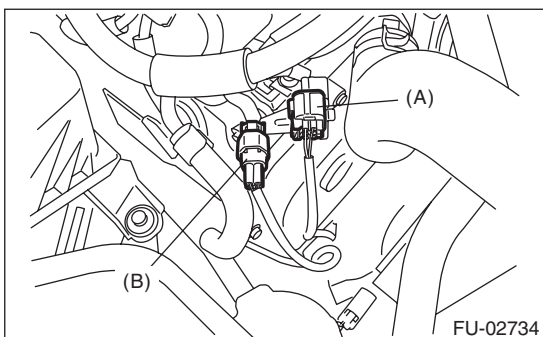


- RH side

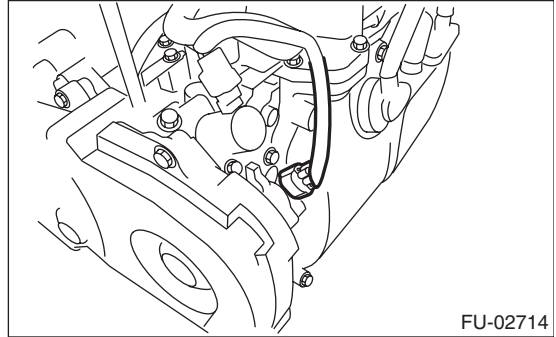


6) Connect the connector to oil switching solenoid valve.

7) Connect the front oxygen (A/F) sensor connector (A) and rear oxygen sensor connector (B).

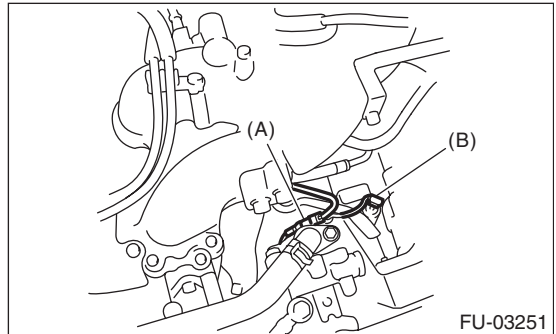


8) Connect the connectors to camshaft position sensor.

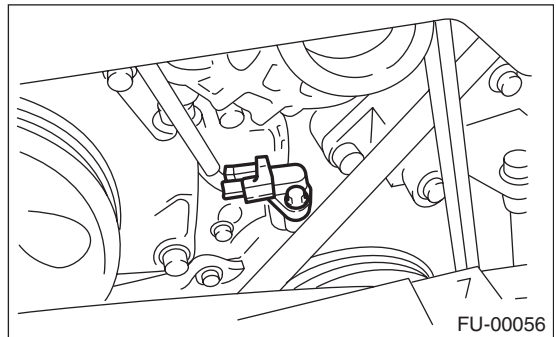


9) Connect the connector to the power steering pump switch (A).

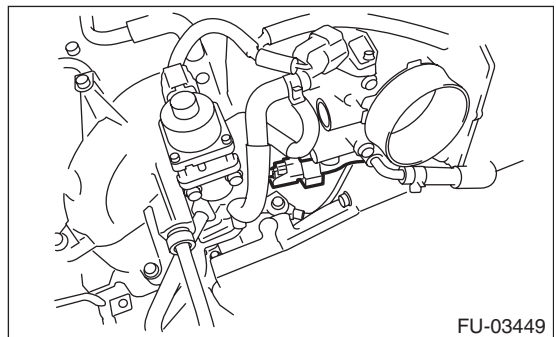
10) Connect the connector to the oil pressure switch (B).



11) Connect the connector to crankshaft position sensor.



12) Connect the knock sensor connector.

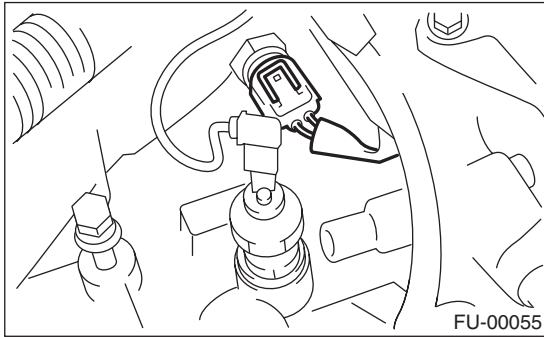




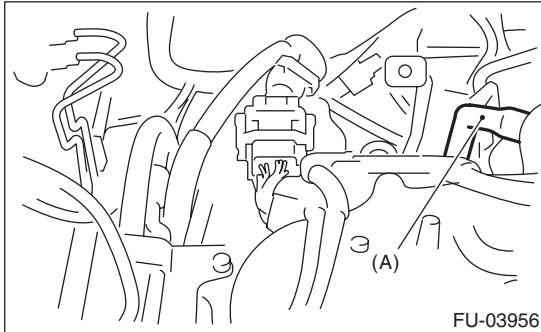
# Intake Manifold

## FUEL INJECTION (FUEL SYSTEMS)

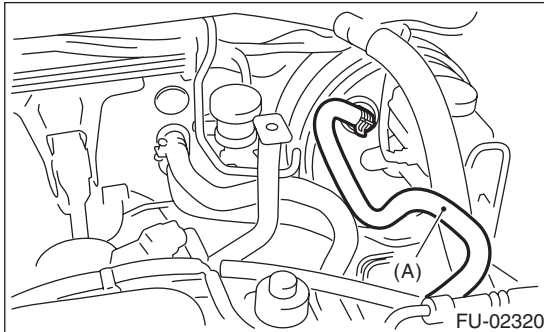
13) Connect the connector to engine coolant temperature sensor.



14) Connect the PCV hose (A) to intake manifold.



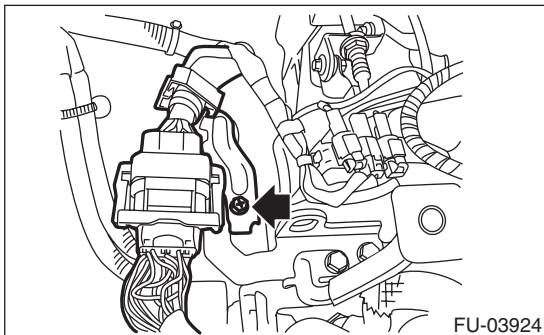
15) Connect the brake booster hose (A).



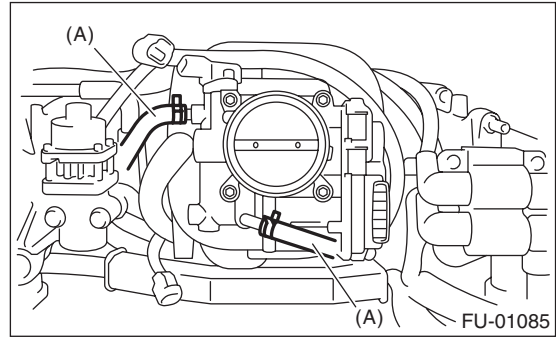
16) Connect the engine harness connector to the bulkhead harness connector and fasten to the rear engine hanger with bolt.

**Tightening torque:**

**6.4 N·m (0.7 kgf·m, 4.7 ft·lb)**



17) Connect the engine coolant hose (A) to throttle body.

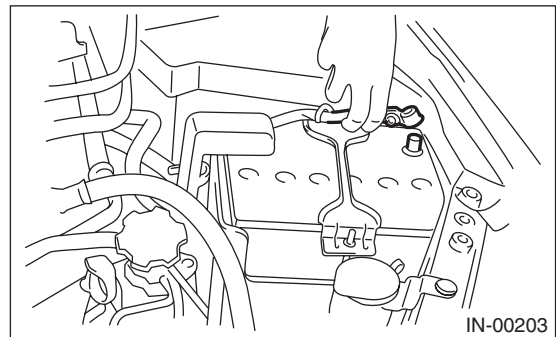


18) Connect the spark plug cords to spark plugs.

19) Install the generator. <Ref. to SC(H4SO)-16, INSTALLATION, Generator.>

20) Install the air intake duct, air intake chamber and intake boot. <Ref. to IN(H4SO)-8, INSTALLATION, Air Intake Duct.> <Ref. to IN(H4SO)-7, INSTALLATION, Air Intake Chamber.>

21) Connect the ground cable to battery.



22) Lift up the vehicle.

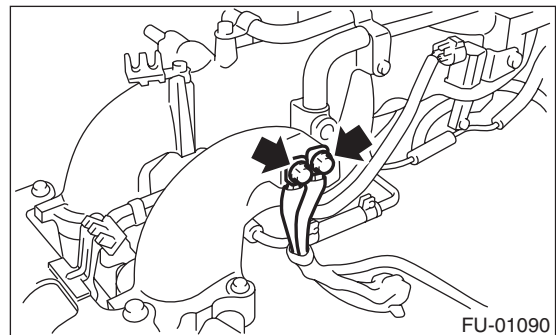
23) Install the under cover.

24) Lower the vehicle.

25) Fill engine coolant. <Ref. to CO(H4SO)-13, DRAINING OF ENGINE COOLANT, REPLACEMENT, Engine Coolant.>

## C: DISASSEMBLY

1) Disconnect the engine ground terminal from the intake manifold.

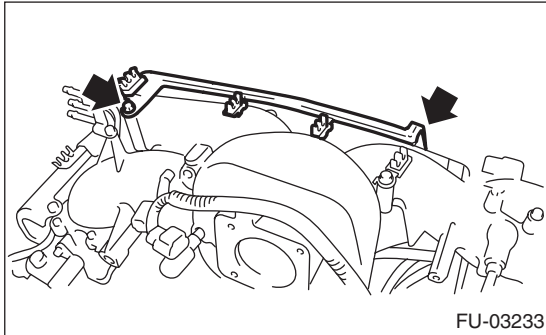


2) Remove the ignition coil and ignitor assembly. <Ref. to IG(H4SO)-6, REMOVAL, Ignition Coil and Ignitor Assembly.>

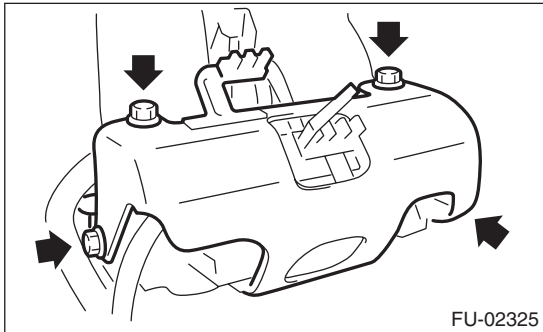
# Intake Manifold

## FUEL INJECTION (FUEL SYSTEMS)

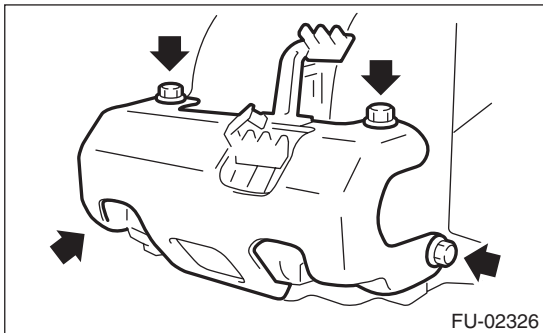
- 3) Remove the throttle body. <Ref. to FU(H4SO)-14, REMOVAL, Throttle Body.>
- 4) Remove the EGR valve. <Ref. to FU(H4SO)-35, REMOVAL, EGR Valve.>
- 5) Remove the plug cord stay.



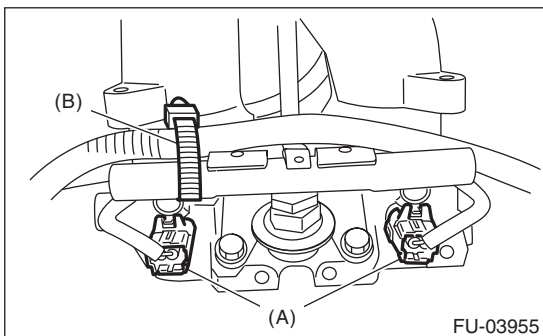
- 6) Remove the fuel pipe protector LH.



- 7) Remove the fuel pipe protector RH.

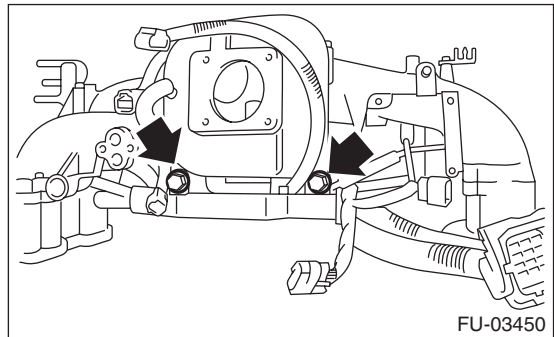


- 8) Disconnect the connectors (A) from fuel injector.
- 9) Remove the harness band (B) which holds the engine harness to the fuel injector pipe.



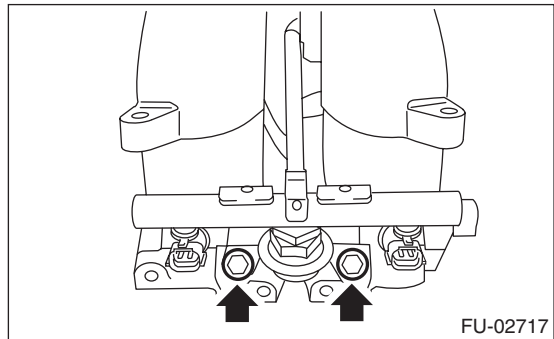
- 10) Remove the purge control solenoid valve. <Ref. to EC(H4SO)-9, REMOVAL, Purge Control Solenoid Valve.>

- 11) Remove the bolts which hold engine harness onto intake manifold.

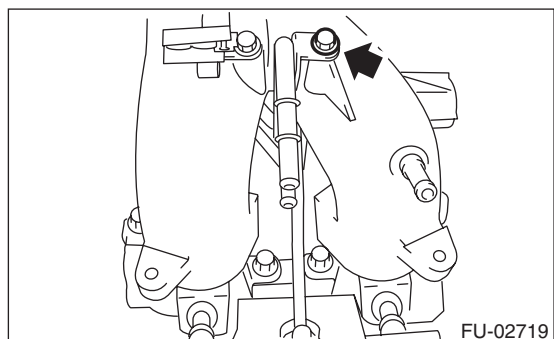
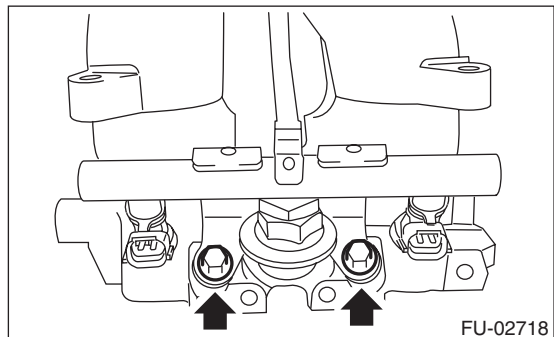


- 12) Remove the engine harness from intake manifold.
- 13) Remove the bolts which hold fuel injector pipe on the intake manifold as shown in the figure.

- RH side



- LH side

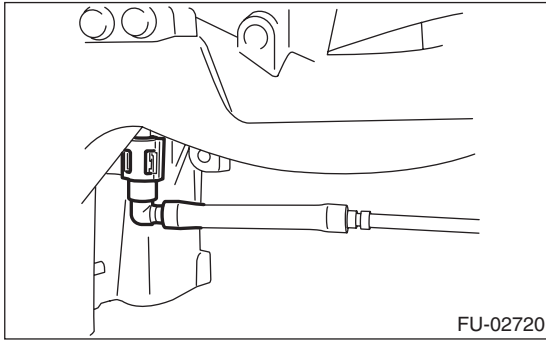


- 14) Remove the fuel injectors from the fuel injector pipe.

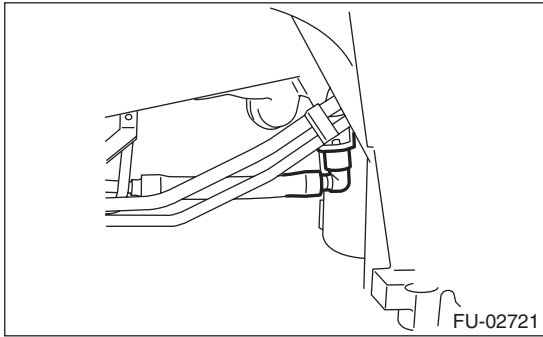
# Intake Manifold

## FUEL INJECTION (FUEL SYSTEMS)

15) Disconnect the quick connector which hold the fuel injector pipe RH to the fuel pipe.

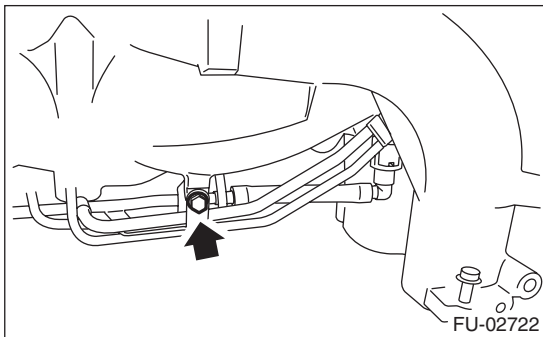


16) Disconnect the quick connector which hold the fuel injector pipe LH to the fuel pipe.



17) Remove the fuel injector pipe RH and LH.

18) Remove the bolts which hold fuel pipe onto intake manifold.



19) Remove the fuel pipe from intake manifold.

## D: ASSEMBLY

### NOTE:

When assembling the nipple, apply liquid gasket.

### Liquid gasket:

**THREE BOND 1105 (Part No. 004403010) or equivalent**

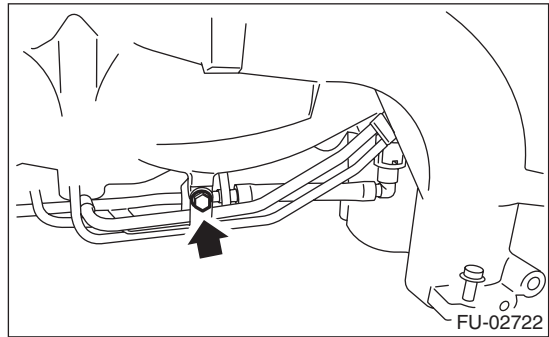
### Tightening torque:

**17 N·m (1.7 kgf-m, 12.5 ft-lb)**

1) Secure the fuel pipe to intake manifold with bolts.

### Tightening torque:

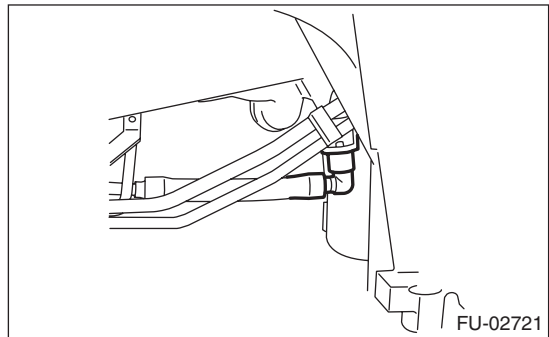
**6.4 N·m (0.7 kgf-m, 4.7 ft-lb)**



2) Connect the fuel pipe LH to the fuel pipe.

### NOTE:

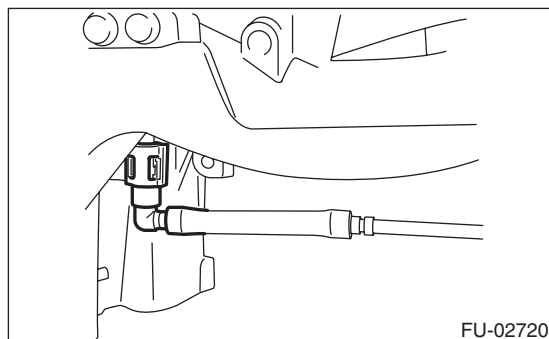
Connect the quick connector securely.



3) Connect the fuel pipe RH to the fuel pipe.

### NOTE:

Connect the quick connector securely.



4) Install the fuel injector.

# Intake Manifold

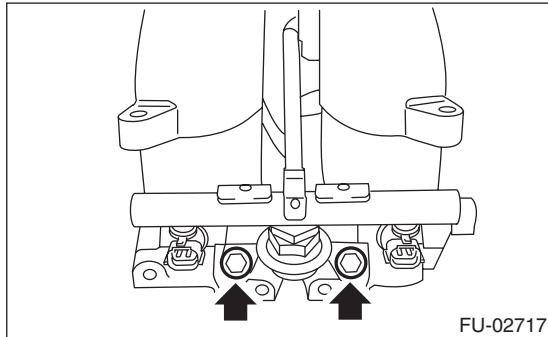
## FUEL INJECTION (FUEL SYSTEMS)

5) Secure the fuel injector pipe to intake manifold with bolts.

- RH side

**Tightening torque:**

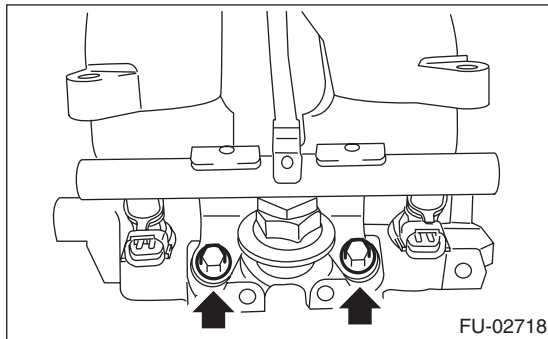
**19 N·m (1.9 kgf-m, 14.0 ft-lb)**



- LH side

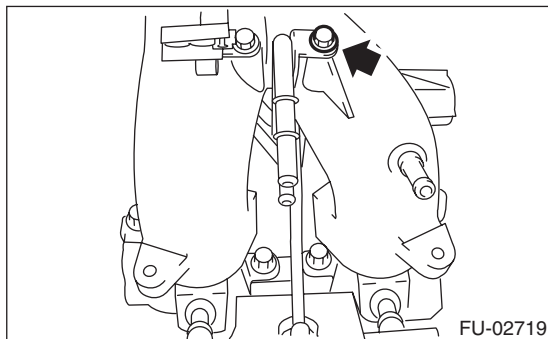
**Tightening torque:**

**19 N·m (1.9 kgf-m, 14.0 ft-lb)**



**Tightening torque:**

**6.4 N·m (0.7 kgf-m, 4.7 ft-lb)**

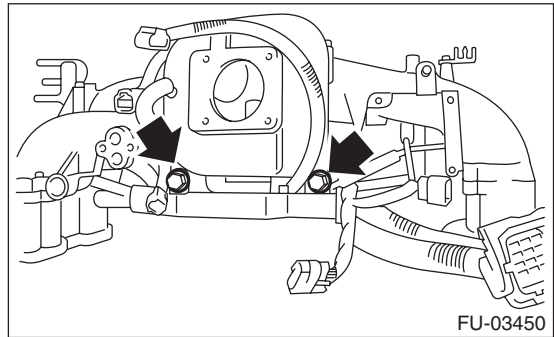


6) Install the engine harness to the intake manifold.

7) Secure the engine harness to intake manifold with bolts.

**Tightening torque:**

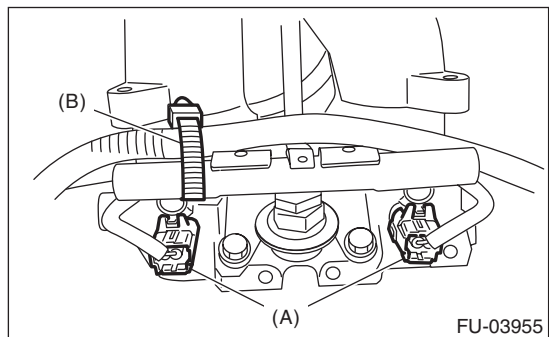
**19 N·m (1.9 kgf-m, 14.0 ft-lb)**



8) Install the purge control solenoid valve. <Ref. to EC(H4SO)-9, INSTALLATION, Purge Control Solenoid Valve.>

9) Connect the connectors (A) to fuel injector.

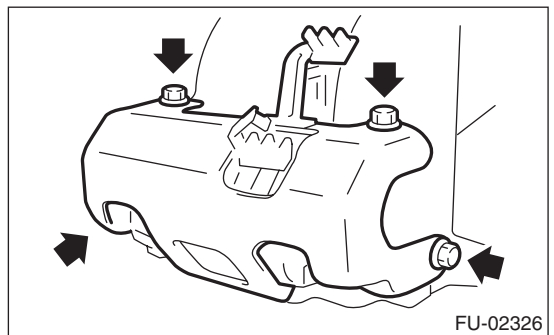
10) Hold the engine harness to fuel injector pipe by harness band (B).



11) Install the fuel pipe protector RH.

**Tightening torque:**

**19 N·m (1.9 kgf-m, 14.0 ft-lb)**



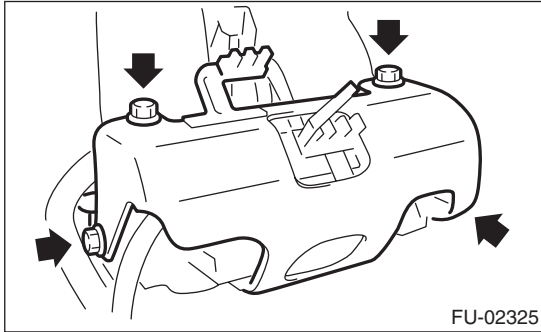
# Intake Manifold

## FUEL INJECTION (FUEL SYSTEMS)

12) Install the fuel pipe protector LH.

**Tightening torque:**

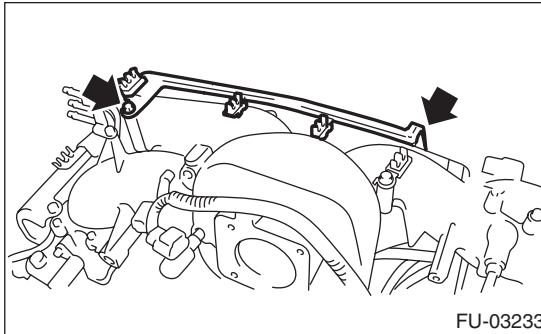
**19 N·m (1.9 kgf·m, 14.0 ft·lb)**



13) Install the plug cord stay.

**Tightening torque:**

**6.4 N·m (0.7 kgf·m, 4.7 ft·lb)**



14) Install the EGR valve. <Ref. to FU(H4SO)-35, INSTALLATION, EGR Valve.>

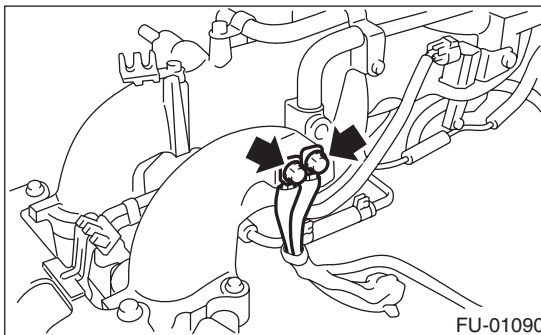
15) Install the throttle body to the intake manifold. <Ref. to FU(H4SO)-14, INSTALLATION, Throttle Body.>

16) Install the ignition coil and ignitor assembly. <Ref. to IG(H4SO)-6, INSTALLATION, Ignition Coil and Ignitor Assembly.>

17) Install the engine ground terminal to intake manifold.

**Tightening torque:**

**19 N·m (1.9 kgf·m, 14.0 ft·lb)**



## E: INSPECTION

Make sure the fuel pipe and fuel hoses are not damaged and the connections are tightened firmly.

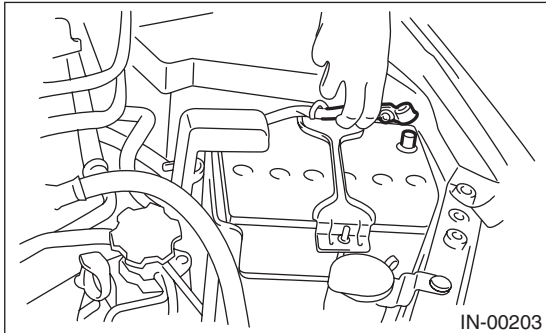
# Engine Coolant Temperature Sensor

FUEL INJECTION (FUEL SYSTEMS)

## 4. Engine Coolant Temperature Sensor

### A: REMOVAL

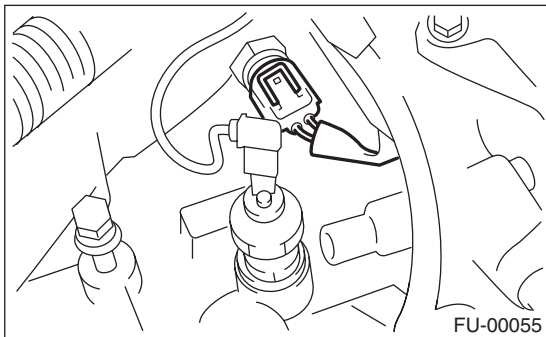
1) Disconnect the ground cable from battery.



2) Remove the generator. <Ref. to SC(H4SO)-16, REMOVAL, Generator.>

3) Drain the engine coolant. <Ref. to CO(H4SO)-13, DRAINING OF ENGINE COOLANT, REPLACEMENT, Engine Coolant.>

4) Disconnect the connectors from the engine coolant temperature sensor.



5) Remove the engine coolant temperature sensor.

### B: INSTALLATION

Install in the reverse order of removal.

NOTE:

Use a new gasket.

**Tightening torque:**

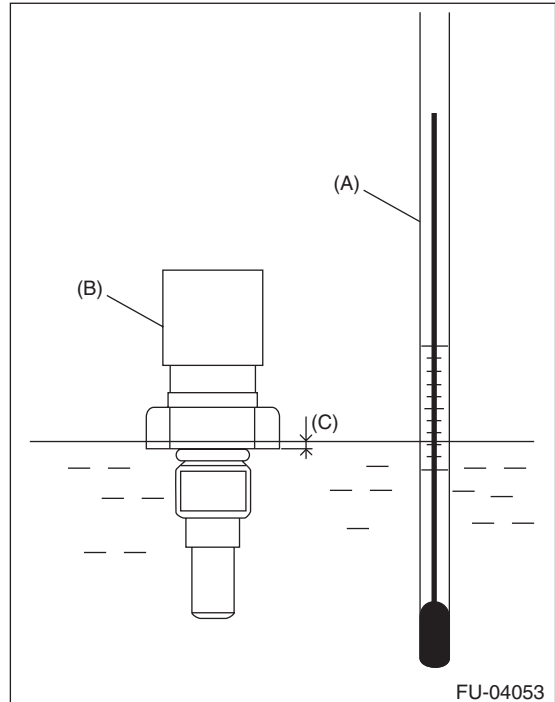
**18 N·m (1.8 kgf·m, 13.3 ft·lb)**

### C: INSPECTION

1) Immerse the engine coolant temperature sensor and a thermometer in water.

**CAUTION:**

**Take care not to allow water to get into the engine coolant temperature sensor connector. Completely remove any water inside.**



(A) Thermometer

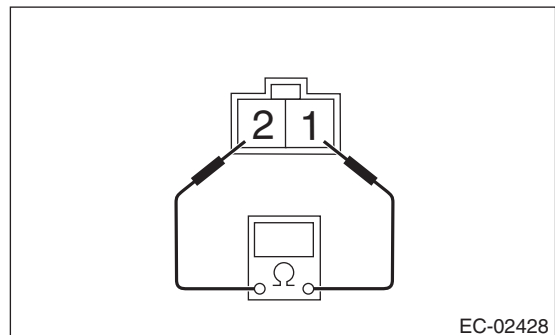
(B) Engine coolant temperature sensor

(C) Hexagonal part height: To approx.  $\frac{1}{3}$

2) Raise water temperature gradually, measure the resistance between the engine coolant temperature sensor terminals when the temperature is 20°C (68°F) and 80°C (176°F).

NOTE:

Agitate the water for even temperature distribution.



Water temperature	Terminal No.	Standard
20°C (68°F)	1 and 2	2.45±0.2 kΩ
80°C (176°F)		0.318±0.013 kΩ



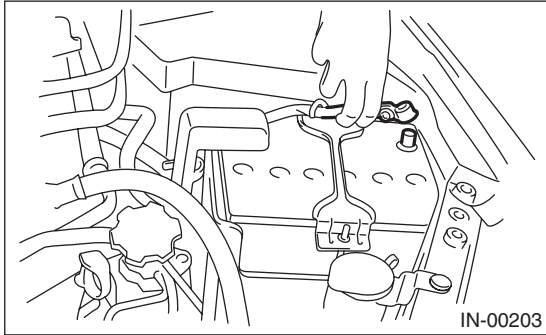
# Crankshaft Position Sensor

FUEL INJECTION (FUEL SYSTEMS)

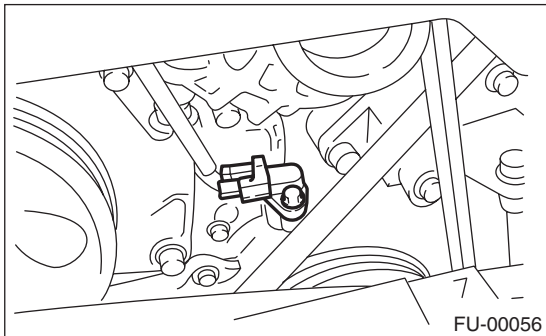
## 5. Crankshaft Position Sensor

### A: REMOVAL

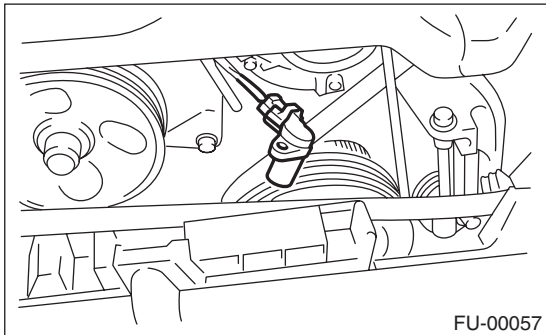
- 1) Disconnect the ground cable from battery.



- 2) Remove the bolt which secures crankshaft position sensor to cylinder block.



- 3) Remove the crankshaft position sensor, and then disconnect the connector from it.

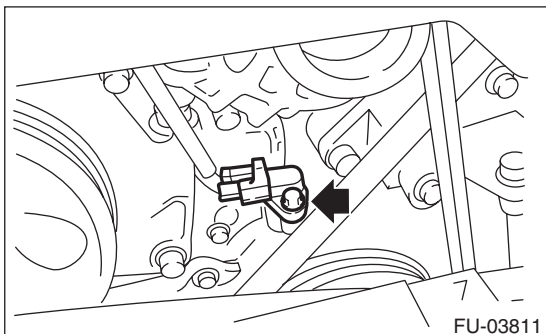


### B: INSTALLATION

Install in the reverse order of removal.

**Tightening torque:**

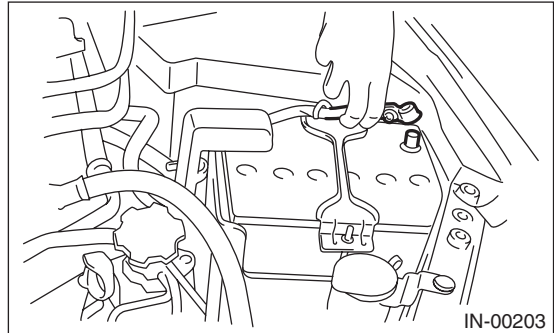
**6.4 N·m (0.7 kgf·m, 4.7 ft·lb)**



### C: INSPECTION

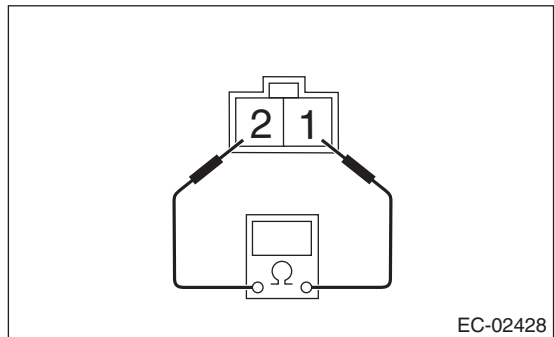
#### 1. CRANKSHAFT POSITION SENSOR (METHOD WITH CIRCUIT TESTER)

- 1) Disconnect the ground cable from battery.



- 2) Remove the crankshaft position sensor. <Ref. to FU(H4SO)-26, REMOVAL, Crankshaft Position Sensor.>

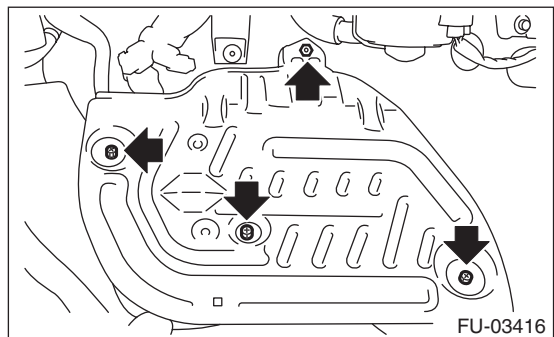
- 3) Measure the resistance between crankshaft position sensor terminals.



Terminal No.	Standard
1 and 2	2.04±0.204 kΩ

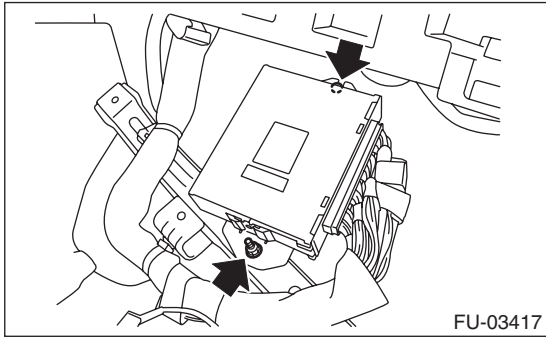
#### 2. CRANKSHAFT POSITION SENSOR (METHOD WITH OSCILLOSCOPE)

- 1) Prepare an oscilloscope.
- 2) Remove the glove box lower cover. <Ref. to EI-47, REMOVAL, Glove Box.>
- 3) Remove the lower inner trim of passenger's side. <Ref. to EI-55, REMOVAL, Lower Inner Trim.>
- 4) Turn over the floor mat of passenger's seat.
- 5) Remove the protect cover.

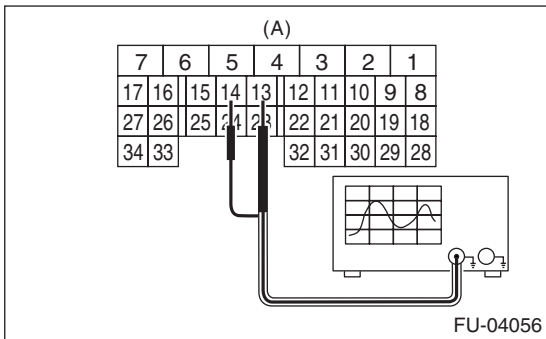


# Crankshaft Position Sensor

6) Remove the nuts and bolts which hold the ECM to the bracket.



7) Connect the probe to ECM connector.

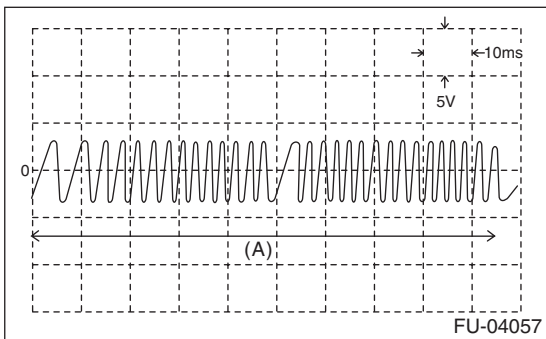


(A) To ECM connector

Terminal No.	Probe
13	+
14	-

8) Start the engine and let it idle.

9) Check the pattern is as same as the waveform and voltage shown below.



(A) One crankshaft rotation



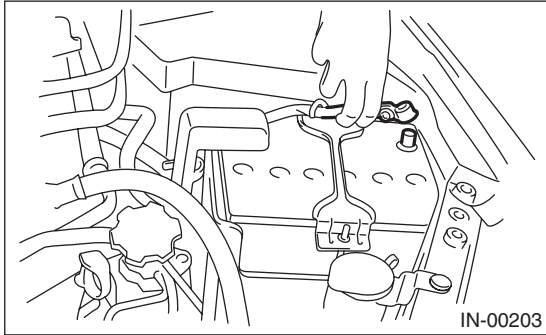
# Camshaft Position Sensor

FUEL INJECTION (FUEL SYSTEMS)

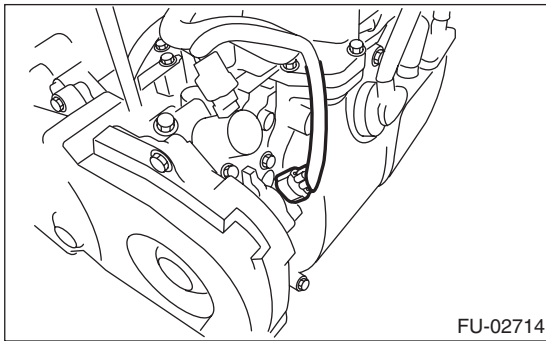
## 6. Camshaft Position Sensor

### A: REMOVAL

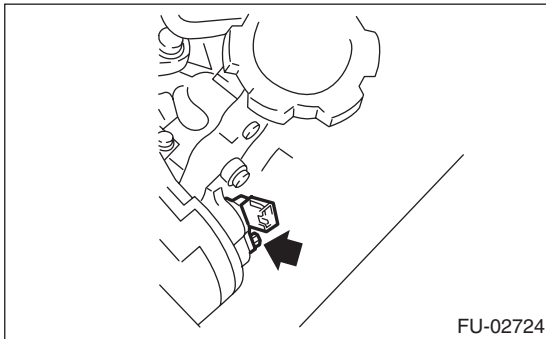
1) Disconnect the ground cable from battery.



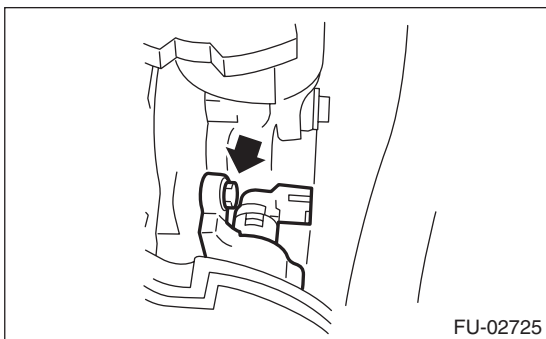
2) Disconnect the connector from camshaft position sensor.



3) Remove the bolt which secures camshaft position sensor to camshaft position sensor support.

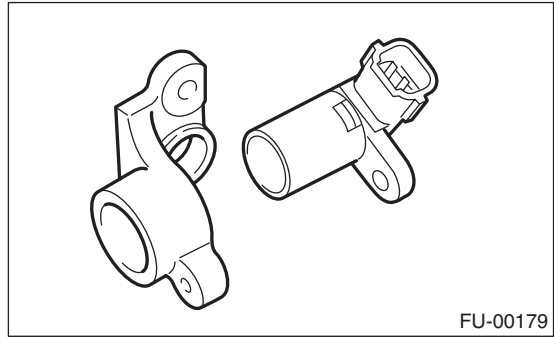


4) Remove the bolt which secures camshaft position sensor support to camshaft cap LH.



5) Remove the camshaft position sensor and the camshaft position sensor support as a unit.

6) Remove the camshaft position sensor from the camshaft position sensor support.



### B: INSTALLATION

Install in the reverse order of removal.

#### Tightening torque:

**Camshaft position sensor support**

**6.4 N·m (0.7 kgf-m, 4.7 ft-lb)**

**Camshaft position sensor**

**6.4 N·m (0.7 kgf-m, 4.7 ft-lb)**

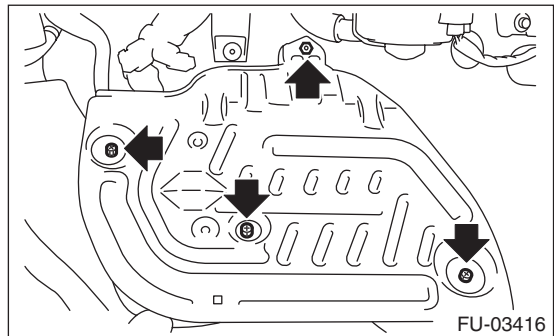
### C: INSPECTION

1) Prepare an oscilloscope.

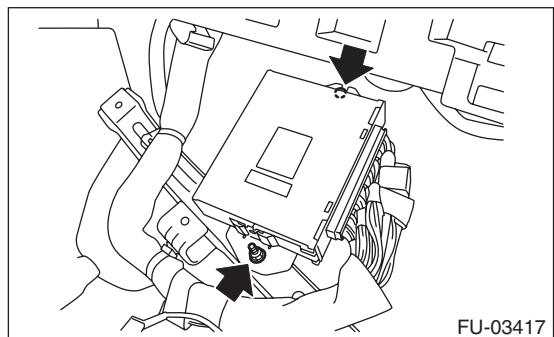
2) Remove the lower inner trim of passenger's side. <Ref. to EI-55, REMOVAL, Lower Inner Trim.>

3) Turn over the floor mat of passenger's seat.

4) Remove the protect cover.

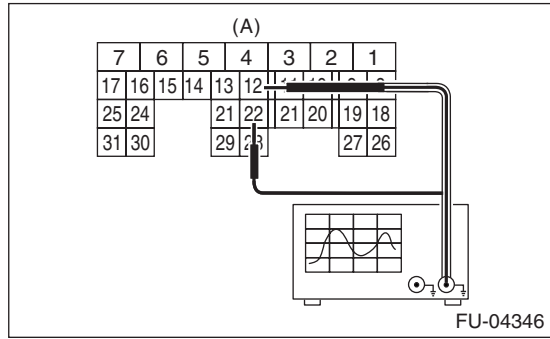


5) Remove the nuts and bolts which hold the ECM to the bracket.



# Camshaft Position Sensor

6) Connect the probe to ECM connector.

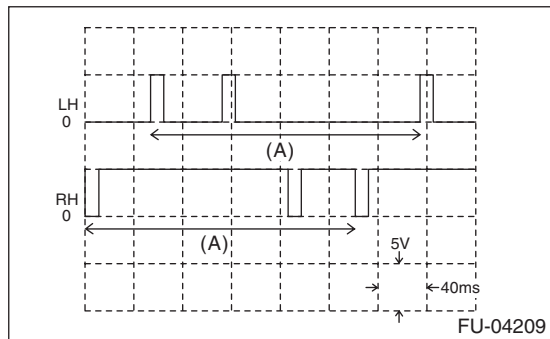


(A) To ECM connector

Terminal No.	Probe
12	+
22	-

7) Start the engine and let it idle.

8) Check the pattern is as same as the waveform and voltage shown below.



(A) One camshaft rotation

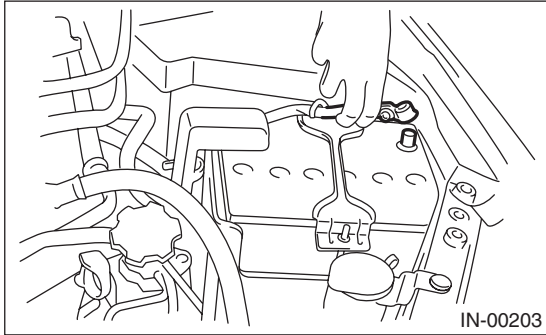
# Knock Sensor

## FUEL INJECTION (FUEL SYSTEMS)

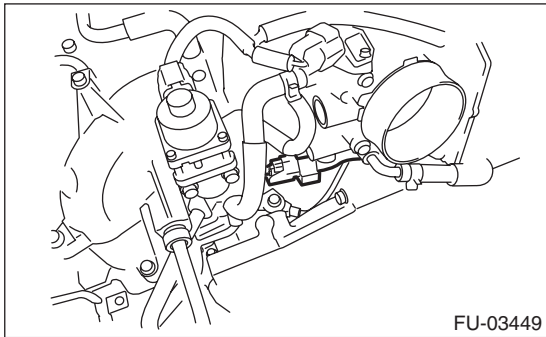
### 7. Knock Sensor

#### A: REMOVAL

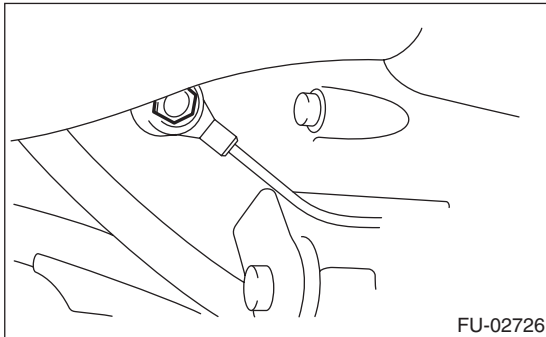
- 1) Disconnect the ground cable from battery.



- 2) Remove the air intake chamber. <Ref. to IN(H4SO)-7, REMOVAL, Air Intake Chamber.>
- 3) Disconnect the knock sensor connector.



- 4) Remove the knock sensor from cylinder block.



#### B: INSTALLATION

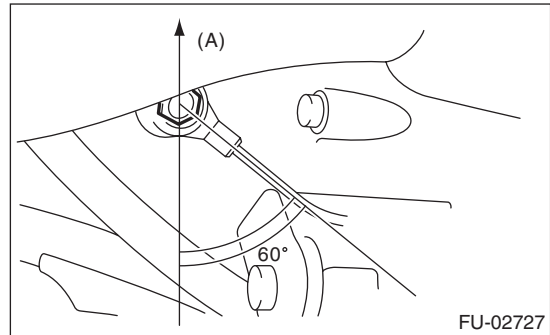
- 1) Install the knock sensor to the cylinder block.

#### NOTE:

Extraction area of knock sensor cord must be positioned at a 60° angle relative to the engine rear.

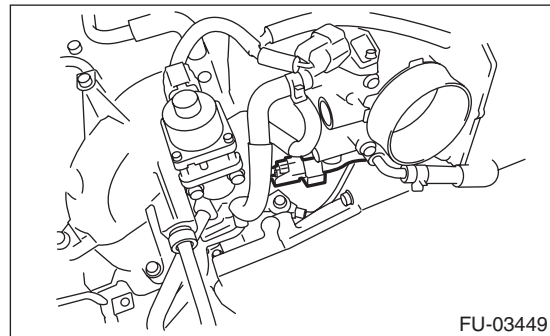
#### Tightening torque:

**24 N·m (2.4 kgf·m, 17.7 ft·lb)**

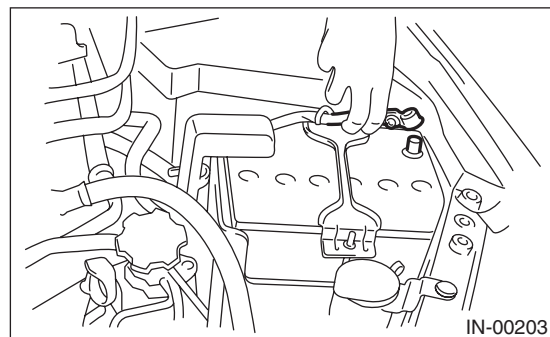


(A) Front side of vehicle

- 2) Connect the knock sensor connector.

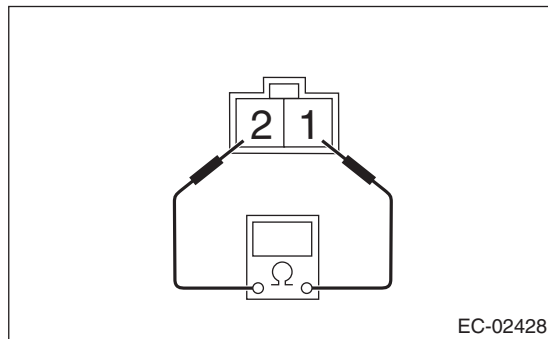


- 3) Install the air intake chamber. <Ref. to IN(H4SO)-7, INSTALLATION, Air Intake Chamber.>
- 4) Connect the ground cable to battery.



## C: INSPECTION

Measure the resistance between knock sensor terminals.



Terminal No.	Standard
1 and 2	$560 \pm 28 \text{ k}\Omega$

# Throttle Position Sensor

FUEL INJECTION (FUEL SYSTEMS)

---

## 8. Throttle Position Sensor

### A: SPECIFICATION

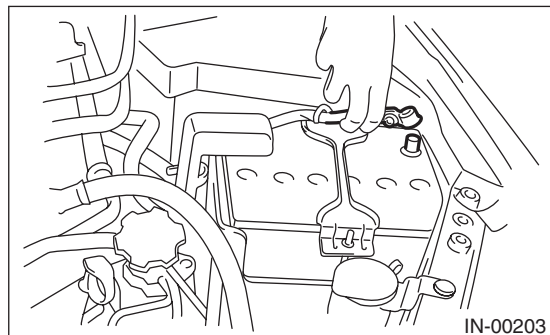
Throttle body is a non-disassembled part, so do not remove the throttle position sensor from throttle body.

Refer to “Throttle Body” for removal and installation procedure. <Ref. to FU(H4SO)-14, REMOVAL, Throttle Body.> <Ref. to FU(H4SO)-14, INSTALLATION, Throttle Body.>

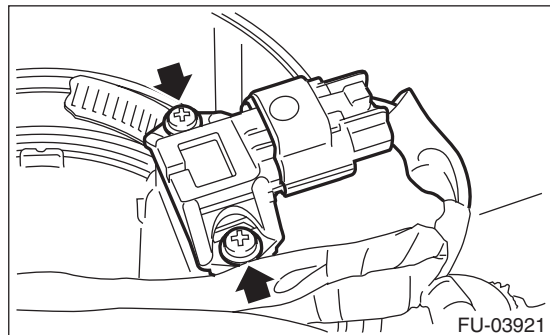
## 9. Manifold Absolute Pressure Sensor

### A: REMOVAL

1) Disconnect the ground cable from battery.



2) Disconnect the connector from the manifold absolute pressure sensor and remove the manifold absolute pressure sensor from throttle body.



### B: INSTALLATION

Install in the reverse order of removal.

NOTE:

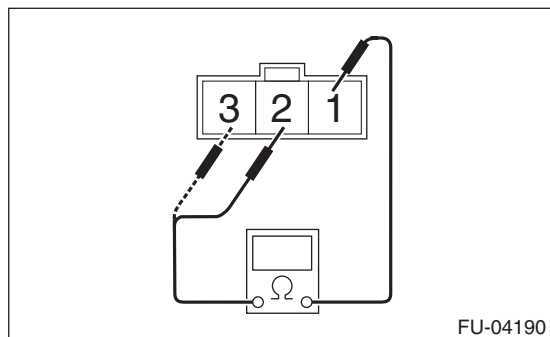
Use new O-rings.

**Tightening torque:**

**2 N·m (0.2 kgf·m, 1.5 ft·lb)**

### C: INSPECTION

Measure the resistance between manifold absolute pressure sensor.



Terminal No.	Standard
1 and 2	3.5 kΩ or less
1 and 3	2.5 kΩ or less

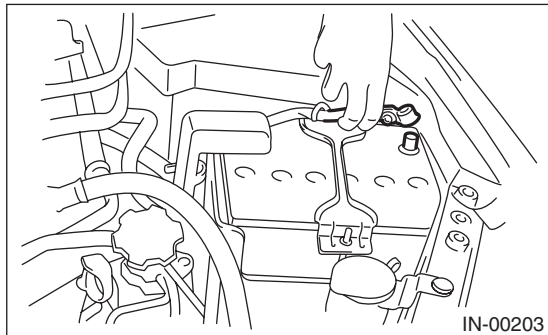
# Mass Air Flow and Intake Air Temperature Sensor

FUEL INJECTION (FUEL SYSTEMS)

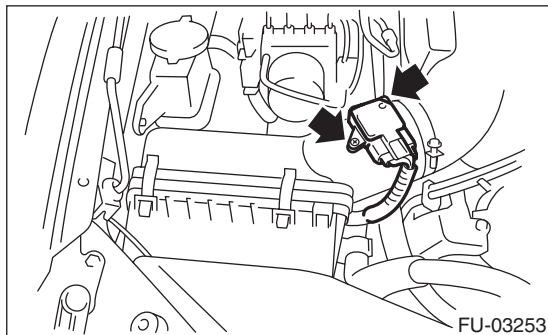
## 10. Mass Air Flow and Intake Air Temperature Sensor

### A: REMOVAL

1) Disconnect the ground cable from battery.



2) Disconnect the connector from the mass air flow and intake air temperature sensor, and remove the mass air flow and intake air temperature sensor.



### B: INSTALLATION

Install in the reverse order of removal.

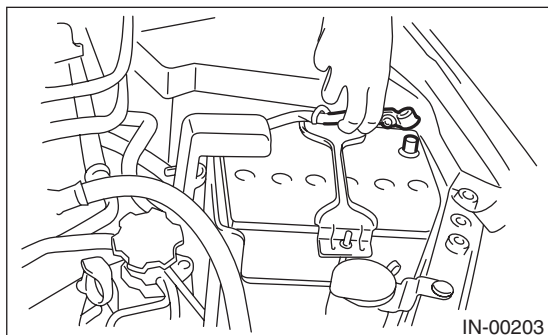
**Tightening torque:**

1 N·m (0.1 kgf·m, 0.7 ft·lb)

### C: INSPECTION

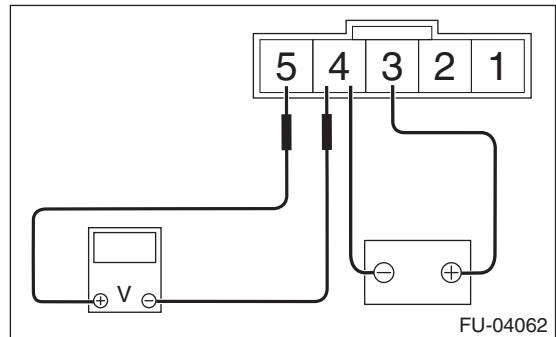
#### 1. CHECK THE MASS AIR FLOW SENSOR UNIT

1) Disconnect the ground cable from battery.

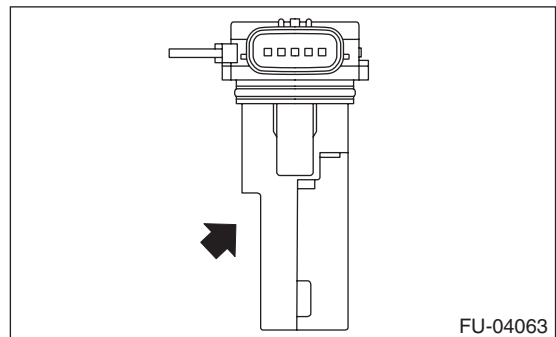


2) Remove the mass air flow and intake air temperature sensor. <Ref. to FU(H4SO)-34, REMOVAL, Mass Air Flow and Intake Air Temperature Sensor.>

3) Connect terminal No. 3 to the battery positive terminal and terminal No. 4 to the battery ground terminal, terminal No. 5 to the circuit tester positive terminal and No. 4 to the circuit tester ground terminal.

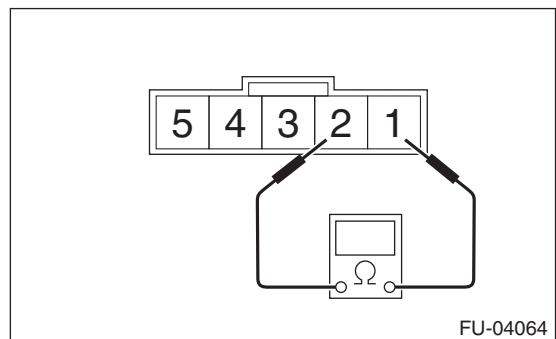


4) Check that the voltage changes when air is blown to the mass air flow sensor unit from arrow direction.



#### 2. CHECK THE INTAKE AIR TEMPERATURE SENSOR UNIT

Measure the resistance between intake air temperature sensor terminals.



Temperature	Terminal No.	Standard
-20°C (-4°F)	1 and 2	16.0 ±2.4 kΩ
20°C (68°F)		2.45 ±0.24 kΩ
60°C (140°F)		0.580 ±0.087 kΩ

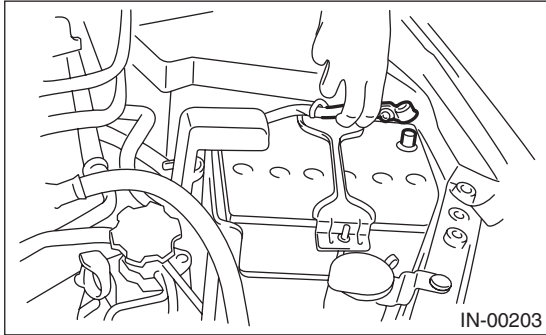
#### 3. OTHER INSPECTIONS

Check the mass air flow and intake air temperature sensor for damage or dirt.

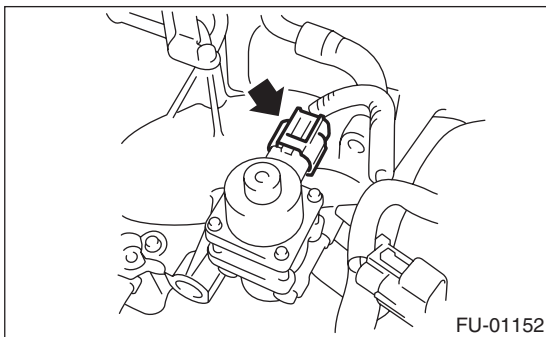
## 11.EGR Valve

### A: REMOVAL

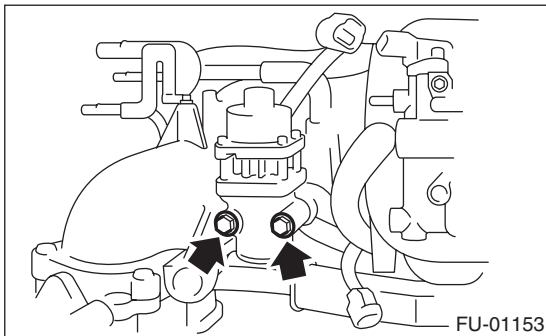
1) Disconnect the ground cable from battery.



2) Disconnect the connector from EGR valve.



3) Remove the EGR valve from intake manifold.



### B: INSTALLATION

Install in the reverse order of removal.

NOTE:

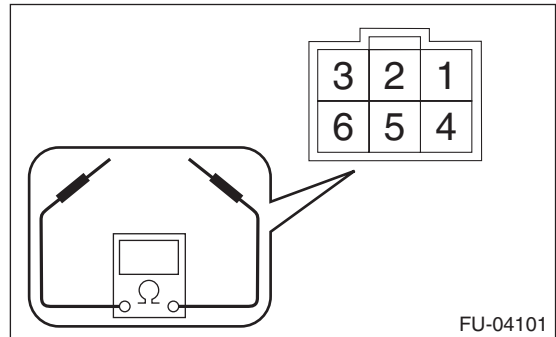
Use a new gasket.

**Tightening torque:**

**19 N·m (1.9 kgf·m, 14.0 ft·lb)**

### C: INSPECTION

1) Measure the resistance between EGR valve terminals.



Terminal No.	Standard
2 and 1	22±2 Ω
2 and 3	22±2 Ω
5 and 4	22±2 Ω
5 and 6	22±2 Ω



# Fuel Injector

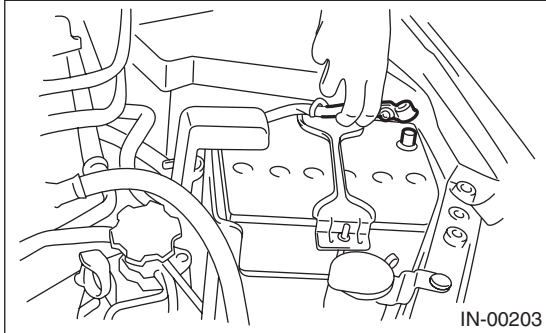
## FUEL INJECTION (FUEL SYSTEMS)

### 12. Fuel Injector

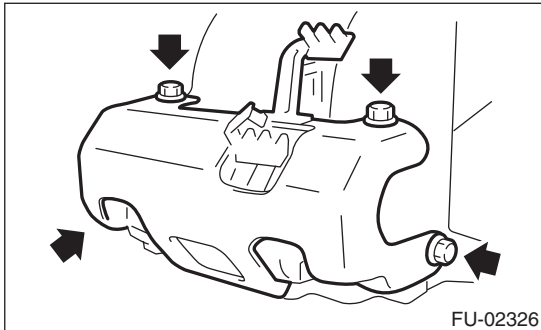
#### A: REMOVAL

##### 1. RH SIDE

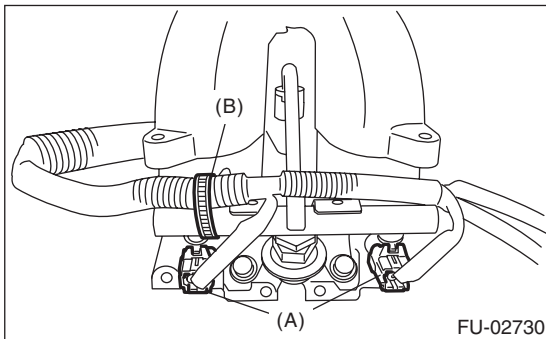
- 1) Release the fuel pressure. <Ref. to FU(H4SO)-52, RELEASING OF FUEL PRESSURE, PROCEDURE, Fuel.>
- 2) Disconnect the ground cable from battery.



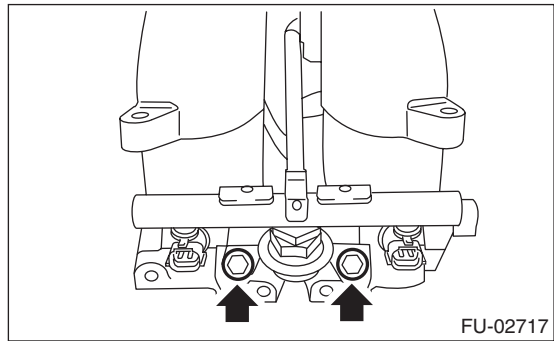
- 3) Open the fuel filler lid and remove the fuel filler cap.
- 4) Remove the intake boot.
- 5) Remove the spark plug cords from spark plugs (#1 and #3 cylinders).
- 6) Remove the fuel pipe protector RH.



- 7) Disconnect the connectors (A) from fuel injector.
- 8) Remove the harness band (B) which holds the engine harness to the fuel injector pipe.



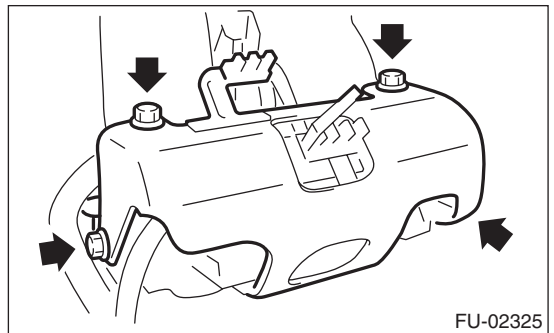
- 9) Remove the bolts which hold fuel injector pipe onto intake manifold.



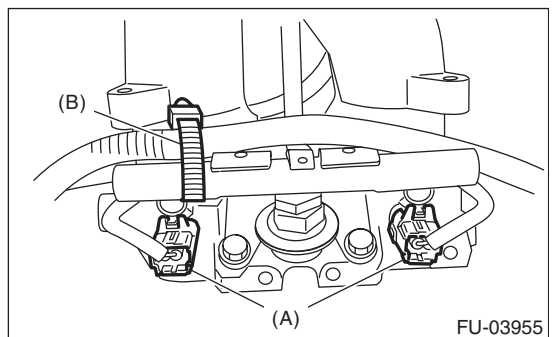
- 10) Remove the fuel injector while lifting up the fuel injector pipe.

##### 2. LH SIDE

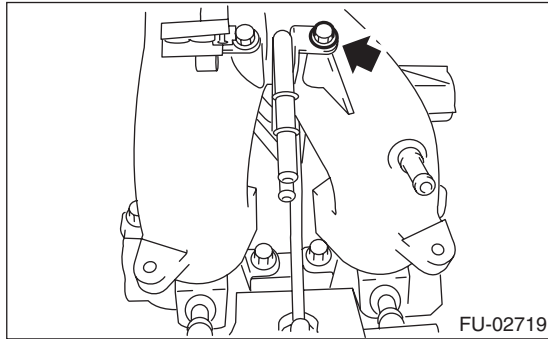
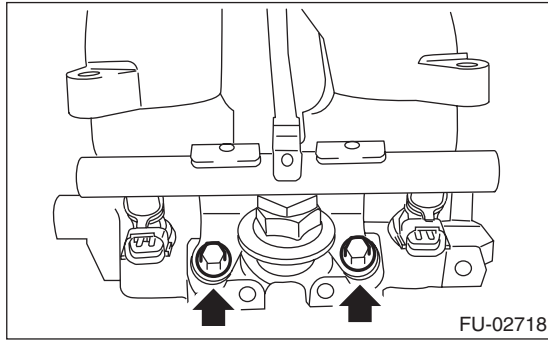
- 1) Release the fuel pressure. <Ref. to FU(H4SO)-52, RELEASING OF FUEL PRESSURE, PROCEDURE, Fuel.>
- 2) Remove the battery. <Ref. to SC(H4SO)-22, REMOVAL, Battery.>
- 3) Open the fuel filler lid and remove the fuel filler cap.
- 4) Remove the spark plug cords from spark plugs (#2 and #4 cylinders).
- 5) Remove the fuel pipe protector LH.



- 6) Disconnect the connectors (A) from fuel injector.
- 7) Remove the harness band (B) which holds the engine harness to the fuel injector pipe.



8) Remove the bolts which hold fuel injector pipe onto intake manifold.



9) Remove the fuel injector while lifting up the fuel injector pipe.

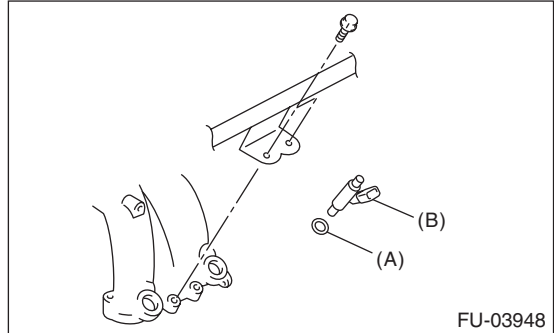
## B: INSTALLATION

### 1. RH SIDE

Install in the reverse order of removal.

#### NOTE:

Use new O-rings.

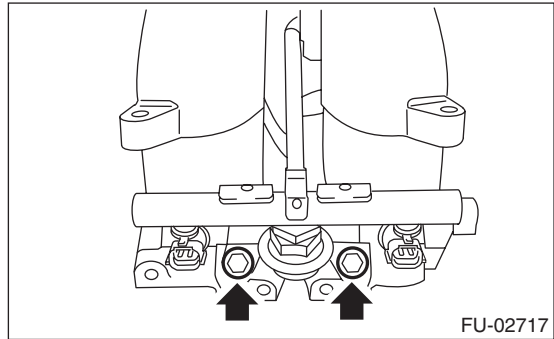


(A) O-ring

(B) Fuel injector

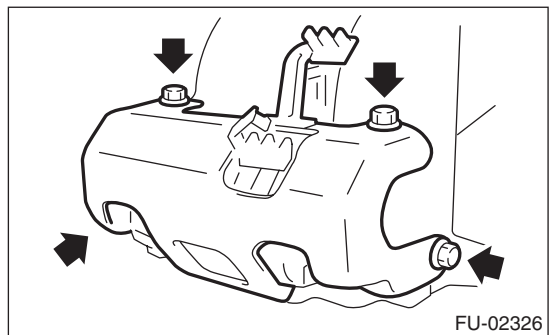
#### Tightening torque:

**19 N·m (1.9 kgf-m, 14.0 ft-lb)**



#### Tightening torque:

**19 N·m (1.9 kgf-m, 14.0 ft-lb)**



# Fuel Injector

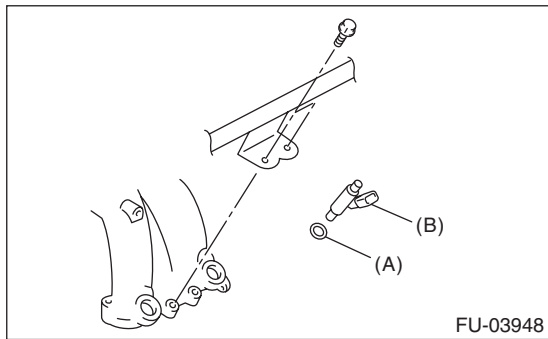
## FUEL INJECTION (FUEL SYSTEMS)

### 2. LH SIDE

Install in the reverse order of removal.

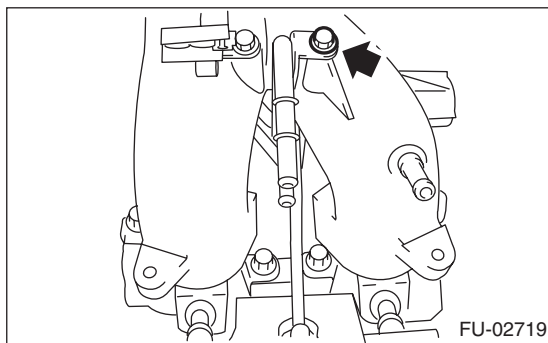
NOTE:

Use new O-rings.

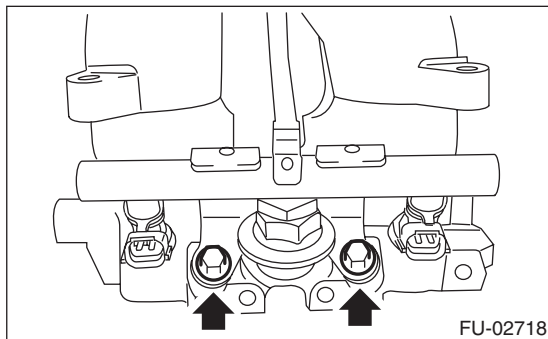


- (A) O-ring
- (B) Fuel injector

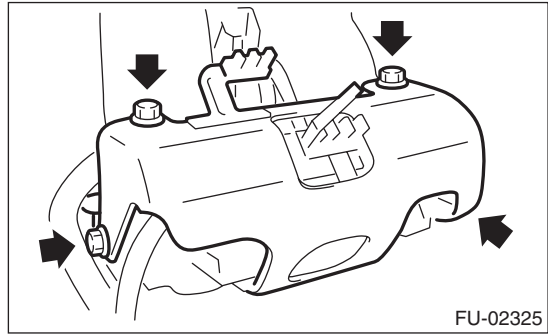
**Tightening torque:**  
**6.4 N·m (0.7 kgf-m, 4.7 ft-lb)**



**Tightening torque:**  
**19 N·m (1.9 kgf-m, 14.0 ft-lb)**

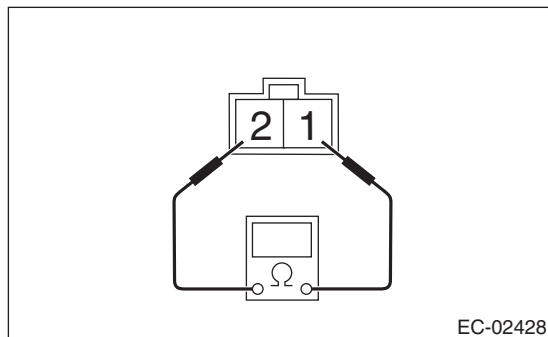


**Tightening torque:**  
**19 N·m (1.9 kgf-m, 14.0 ft-lb)**



### C: INSPECTION

Measure the resistance between fuel injector terminals.

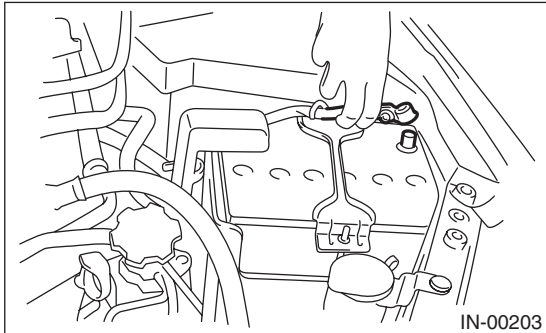


Terminal No.	Standard
1 and 2	Approx. 12.0 Ω (when 20°C (68°F))

## 13. Variable Valve Lift Diagnosis Oil Pressure Switch

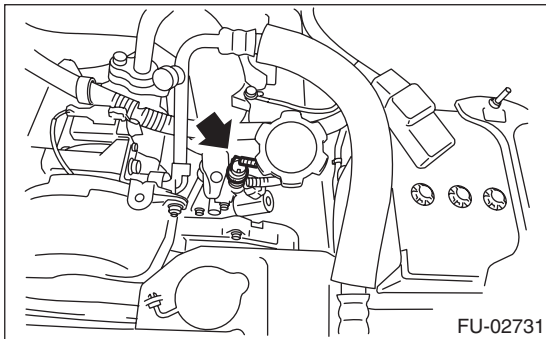
### A: REMOVAL

- 1) Disconnect the ground cable from battery.

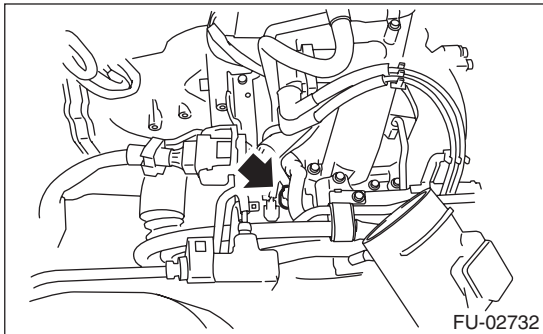


- 2) Remove the air intake chamber. <Ref. to IN(H4SO)-7, REMOVAL, Air Intake Chamber.>
- 3) Disconnect the connector from the variable valve lift diagnosis oil pressure switch.
- 4) Remove the variable valve lift diagnosis oil pressure switch.

- LH side



- RH side



### B: INSTALLATION

Install in the reverse order of removal.

#### NOTE:

Apply liquid gasket to the variable valve lift diagnosis oil pressure switch threads.

#### Liquid gasket:

**THREE BOND 1324 (Part No. 004403042) or equivalent**

#### Tightening torque:

**17 N·m (1.7 kgf·m, 12.5 ft·lb)**

### C: INSPECTION

Check the variable valve lift diagnosis oil pressure switch installation portion for oil leakage and oil seepage.

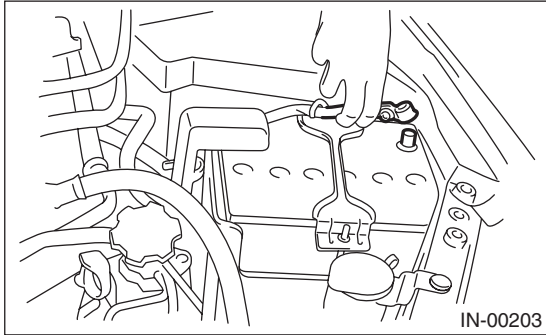
# Oil Temperature Sensor

FUEL INJECTION (FUEL SYSTEMS)

## 14. Oil Temperature Sensor

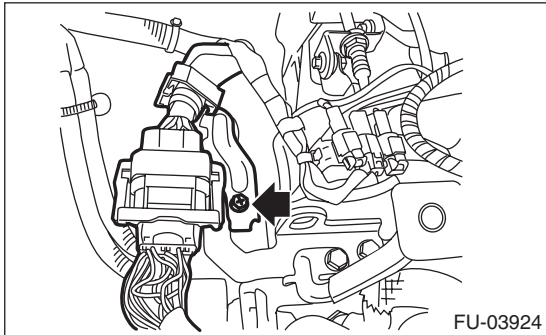
### A: REMOVAL

1) Disconnect the ground cable from battery.



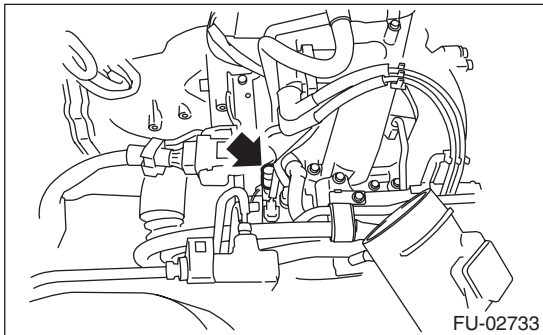
2) Remove the air intake chamber. <Ref. to IN(H4SO)-7, REMOVAL, Air Intake Chamber.>

3) Remove the bolt, and remove the engine harness connector from the bulkhead harness connector and rear engine hanger.



4) Disconnect the connector from oil temperature sensor.

5) Remove the oil temperature sensor.



### B: INSTALLATION

Install in the reverse order of removal.

NOTE:

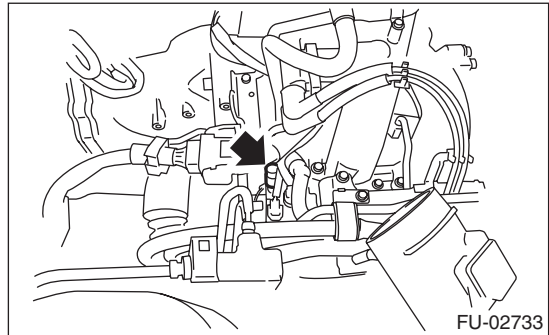
Apply liquid gasket to the oil temperature sensor threads.

**Liquid gasket:**

**THREE BOND 1324 (Part No. 004403042) or equivalent**

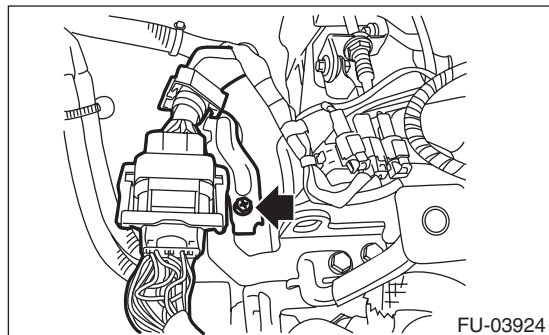
**Tightening torque:**

**18 N·m (1.8 kgf·m, 13.3 ft·lb)**



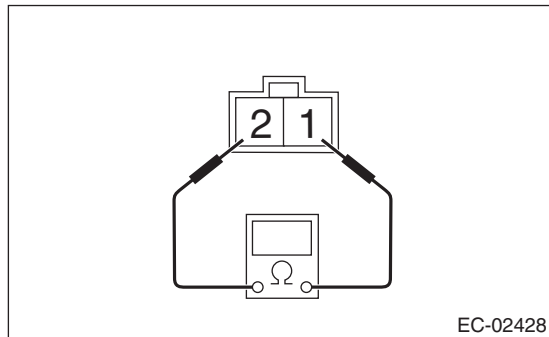
**Tightening torque:**

**6.4 N·m (0.7 kgf·m, 4.7 ft·lb)**



### C: INSPECTION

Measure the resistance between oil temperature sensor terminals.

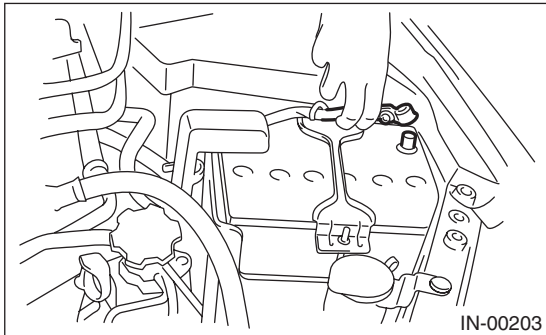


Terminal No.	Standard
1 and 2	2.45±0.2 (When 20°C (68°F))

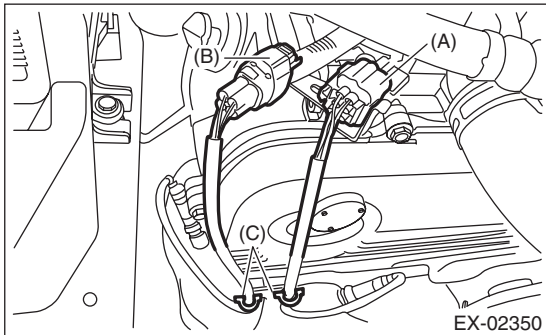
## 15. Front Oxygen (A/F) Sensor

### A: REMOVAL

- 1) Set the vehicle on a lift.
- 2) Disconnect the ground cable from battery.



- 3) Remove the air intake duct. <Ref. to IN(H4SO)-8, REMOVAL, Air Intake Duct.>
- 4) Remove the clip fastening the harness and disconnect the front oxygen (A/F) sensor connector.



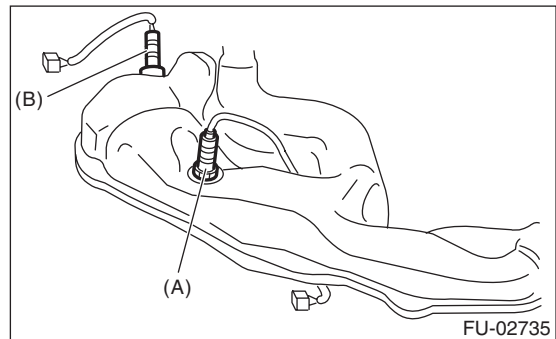
- (A) Front oxygen (A/F) sensor connector
- (B) Rear oxygen sensor connector
- (C) Clip

- 5) Lift up the vehicle.
- 6) Remove the under cover.
- 7) Apply spray-type lubricant to the threaded portion of front oxygen (A/F) sensor, and leave it for one minute or more.

- 8) Remove the front oxygen (A/F) sensor.

### CAUTION:

When removing the front oxygen (A/F) sensor, wait until exhaust pipe cools, otherwise it will damage the exhaust pipe.



- (A) Front oxygen (A/F) sensor
- (B) Rear oxygen sensor

### B: INSTALLATION

#### CAUTION:

If lubricant is spilled onto the exhaust pipe, wipe it off completely with cloth to avoid emission of smoke or causing a fire.

- 1) Before installing front oxygen (A/F) sensor, apply anti-seize compound only to the threaded portion of front oxygen (A/F) sensor to make the next removal easier.

#### CAUTION:

Never apply anti-seize compound to the protector of front oxygen (A/F) sensor.

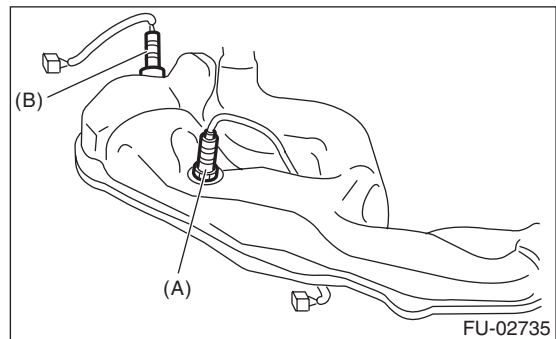
#### Anti-seize compound:

**NEVER-SEEZ NSN, JET LUBE SS-30 or equivalent**

- 2) Install the front oxygen (A/F) sensor.

#### Tightening torque:

**21 N·m (2.1 kgf-m, 15.5 ft-lb)**

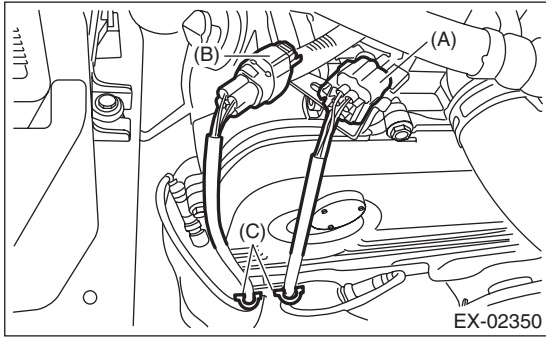


- (A) Front oxygen (A/F) sensor
- (B) Rear oxygen sensor

# Front Oxygen (A/F) Sensor

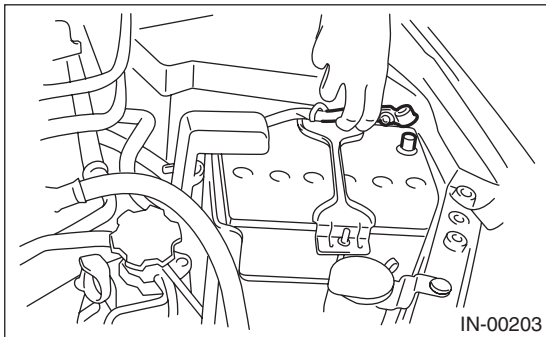
## FUEL INJECTION (FUEL SYSTEMS)

- 3) Install the under cover.
- 4) Lower the vehicle.
- 5) Connect the connector of front oxygen (A/F) sensor connector and fasten the harness with clips.



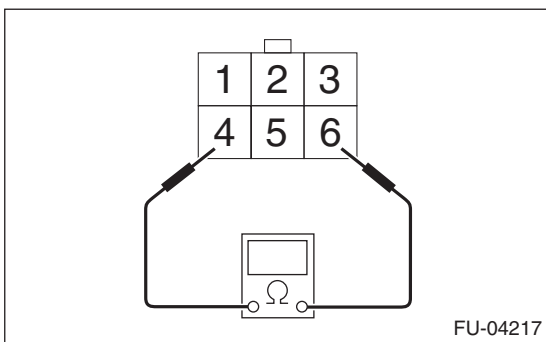
- (A) Front oxygen (A/F) sensor connector
- (B) Rear oxygen sensor connector
- (C) Clip

- 6) Connect the ground cable to battery.



## C: INSPECTION

Measure the resistance between front oxygen (A/F) sensor terminal.



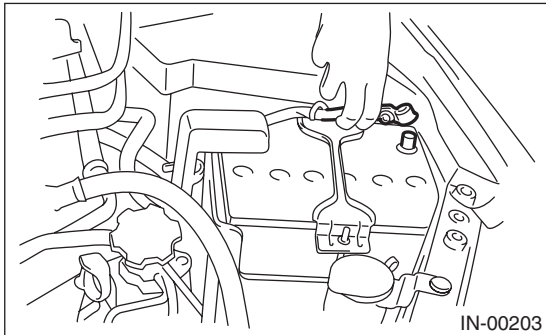
Terminal No.	Standard
4 and 6	$2.4 \pm 0.24 \Omega$ (20°C (68°F))



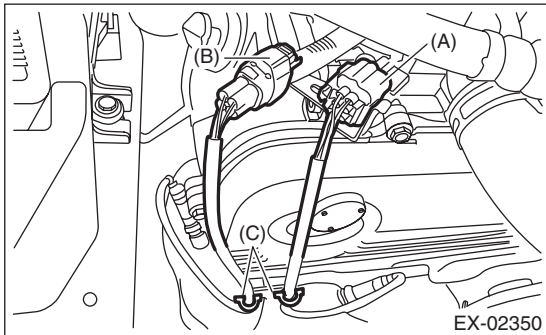
## 16.Rear Oxygen Sensor

### A: REMOVAL

- 1) Set the vehicle on a lift.
- 2) Disconnect the ground cable from battery.



- 3) Remove the air intake duct. <Ref. to IN(H4SO)-8, REMOVAL, Air Intake Duct.>
- 4) Remove the clip fastening the harness and disconnect the rear oxygen sensor connector.



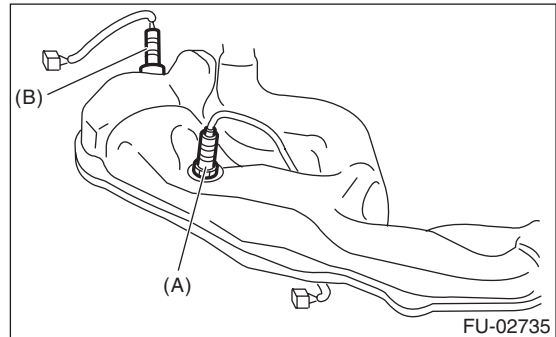
- (A) Front oxygen (A/F) sensor connector
- (B) Rear oxygen sensor connector
- (C) Clip

- 5) Lift up the vehicle.
- 6) Remove the under cover.
- 7) Apply spray-type lubricant to the threaded portion of rear oxygen sensor, and leave it for one minute or more.

- 8) Remove the rear oxygen sensor.

### CAUTION:

**When removing the rear oxygen sensor, wait until exhaust pipe cools, otherwise it will damage the exhaust pipe.**



- (A) Front oxygen (A/F) sensor
- (B) Rear oxygen sensor

### B: INSTALLATION

#### CAUTION:

**If lubricant is spilled onto the exhaust pipe, wipe it off completely with cloth to avoid emission of smoke or causing a fire.**

- 1) Before installing rear oxygen sensor, apply the anti-seize compound only to the threaded portion of rear oxygen sensor to make the next removal easier.

#### CAUTION:

**Never apply anti-seize compound to the protector of rear oxygen sensor.**

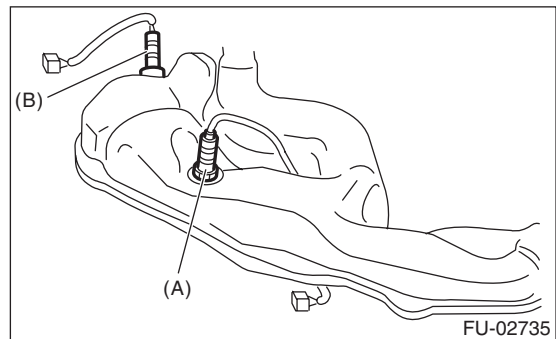
#### Anti-seize compound:

**NEVER-SEEZ NSN, JET LUBE SS-30 or equivalent**

- 2) Install the rear oxygen sensor.

#### Tightening torque:

**21 N·m (2.1 kgf-m, 15.5 ft-lb)**



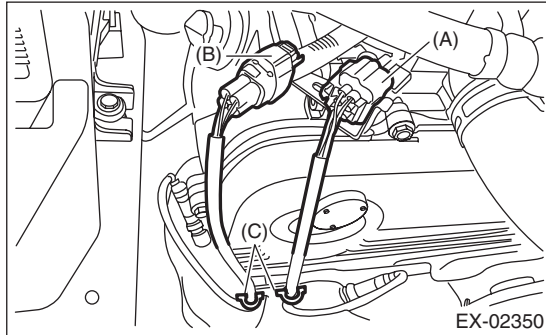
- (A) Front oxygen (A/F) sensor
- (B) Rear oxygen sensor



# Rear Oxygen Sensor

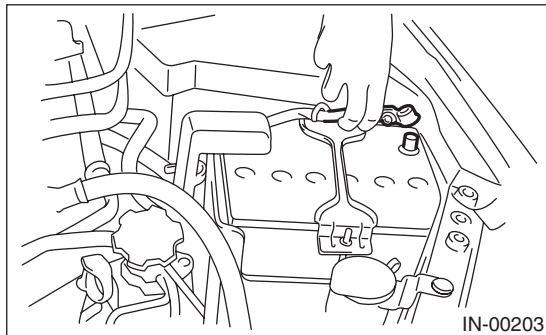
## FUEL INJECTION (FUEL SYSTEMS)

- 3) Install the under cover.
- 4) Lower the vehicle.
- 5) Connect the rear oxygen sensor connector and fasten the harness with clips.



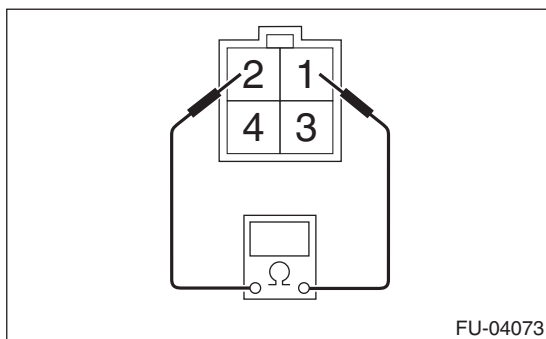
- (A) Front oxygen (A/F) sensor connector
- (B) Rear oxygen sensor connector
- (C) Clip

- 6) Connect the ground cable to battery.



### C: INSPECTION

Measure the resistance between rear oxygen sensor terminal.

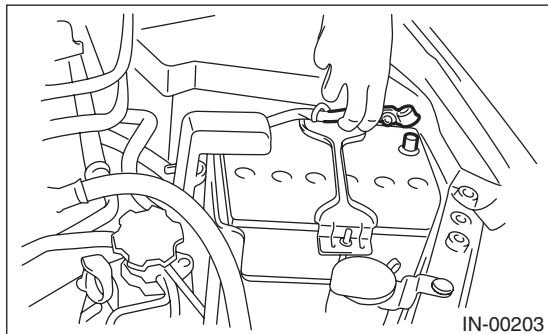


Terminal No.	Standard
1 and 2	$5.6^{+0.8}_{-0.6} \Omega$ (when 20°C (68°F))

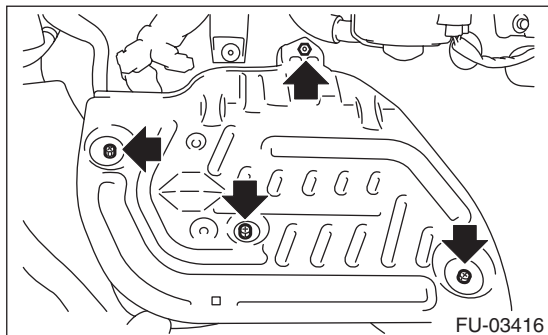
## 17.Engine Control Module (ECM)

### A: REMOVAL

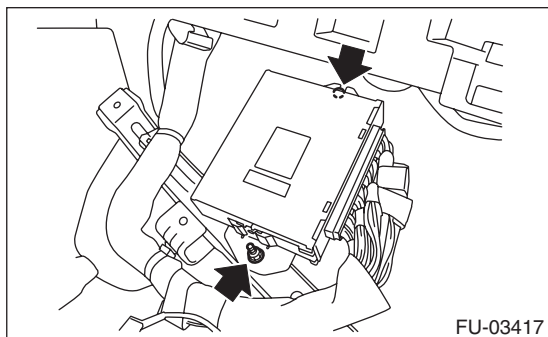
- 1) Disconnect the ground cable from battery.



- 2) Remove the lower inner trim of passenger's side. <Ref. to EI-55, REMOVAL, Lower Inner Trim.>
- 3) Turn over the floor mat of passenger's seat.
- 4) Remove the protect cover.



- 5) Remove the bolts and nuts which hold the ECM to the bracket.



- 6) Disconnect the ECM connectors, and take out the ECM.

### B: INSTALLATION

Install in the reverse order of removal.

#### CAUTION:

When the ECM of model with immobilizer has been replaced, be sure to perform the registration of immobilizer system. (Refer to "PC application help for Subaru Select Monitor".)

#### NOTE:

When replacing the ECM, be careful not to use the wrong spec. ECM to avoid any damage on the fuel injection system.

#### Tightening torque:

**7.5 N·m (0.8 kgf·m, 5.5 ft-lb)**

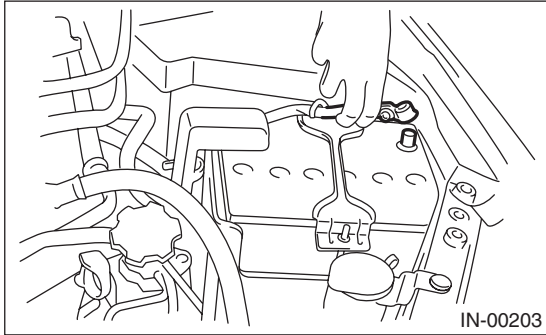
# Main Relay

FUEL INJECTION (FUEL SYSTEMS)

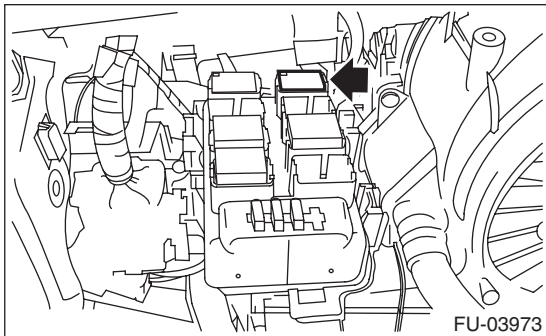
## 18. Main Relay

### A: REMOVAL

1) Disconnect the ground cable from battery.



2) Remove the main relay from the relay block on the back side of the glove box.

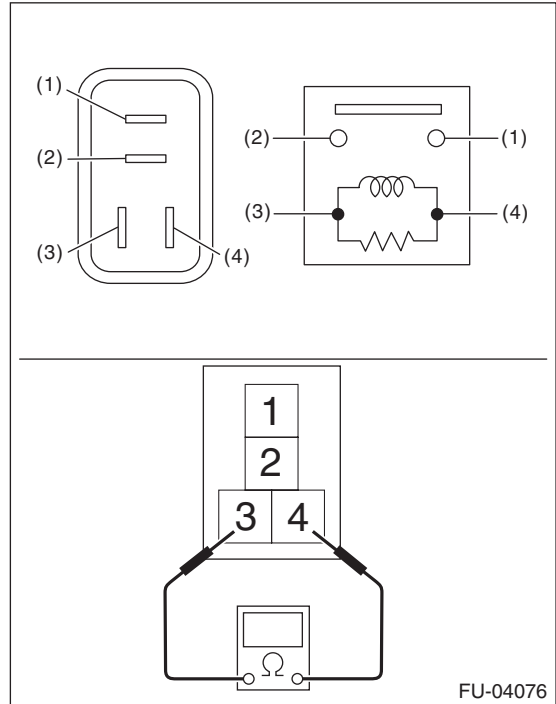


### B: INSTALLATION

Install in the reverse order of removal.

### C: INSPECTION

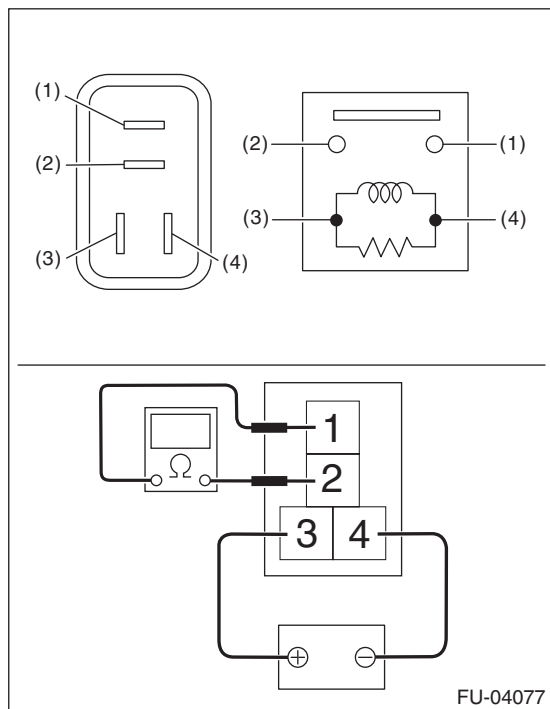
1) Measure the resistance between main relay terminals.



Terminal No.	Standard
1 and 2	1 M $\Omega$ or more
3 and 4	130.4 — 230.8 $\Omega$ (When 20°C (68°F) )

# Main Relay

2) Connect terminal No. 3 to battery positive terminal and terminal No. 4 to the battery ground terminal, and measure the resistance between the main relay terminals.



Terminal No.	Standard
1 and 2	Less than 1 $\Omega$

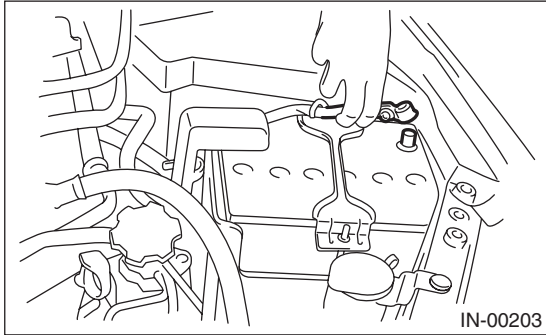
# Fuel Pump Relay

FUEL INJECTION (FUEL SYSTEMS)

## 19. Fuel Pump Relay

### A: REMOVAL

1) Disconnect the ground cable from battery.



2) Remove the fuel pump relay from the relay block on the back side of the glove box.

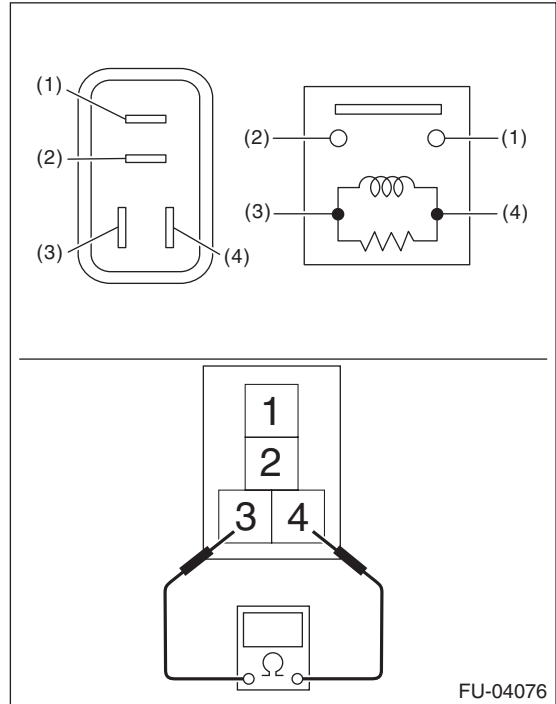


### B: INSTALLATION

Install in the reverse order of removal.

### C: INSPECTION

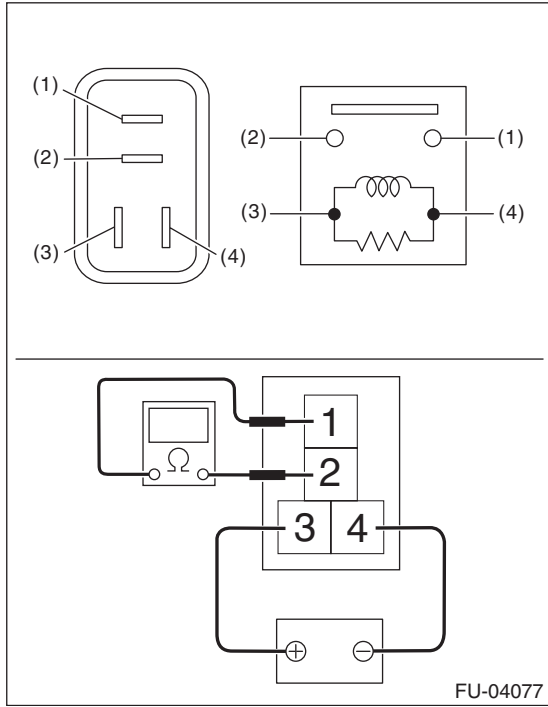
1) Measure the resistance between fuel pump relay terminals.



Terminal No.	Standard
1 and 2	1 M $\Omega$ or more
3 and 4	93.8 — 136.4 $\Omega$ (When 20°C (68°F) )

# Fuel Pump Relay

2) Connect terminal No. 3 to battery positive terminal and terminal No. 4 to the battery ground terminal, and measure the resistance between the fuel pump relay terminals.



Terminal No.	Standard
1 and 2	Less than 1 $\Omega$

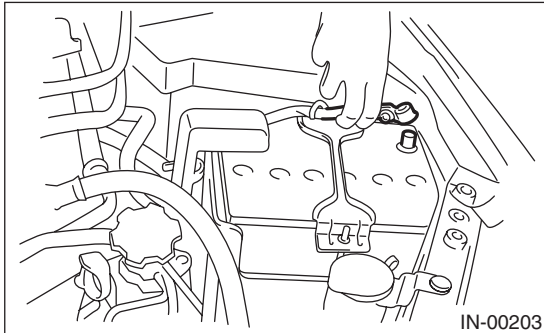
# Electronic Throttle Control Relay

FUEL INJECTION (FUEL SYSTEMS)

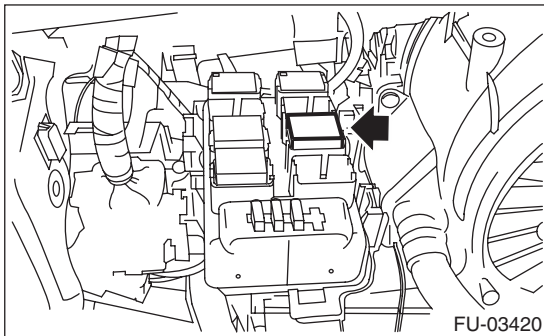
## 20. Electronic Throttle Control Relay

### A: REMOVAL

1) Disconnect the ground cable from battery.



2) Remove the electronic throttle control relay from the relay block on the back side of the glove box.

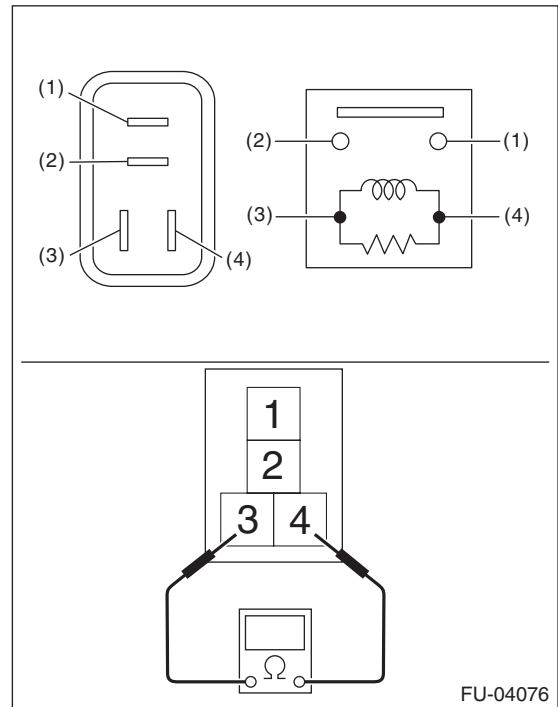


### B: INSTALLATION

Install in the reverse order of removal.

### C: INSPECTION

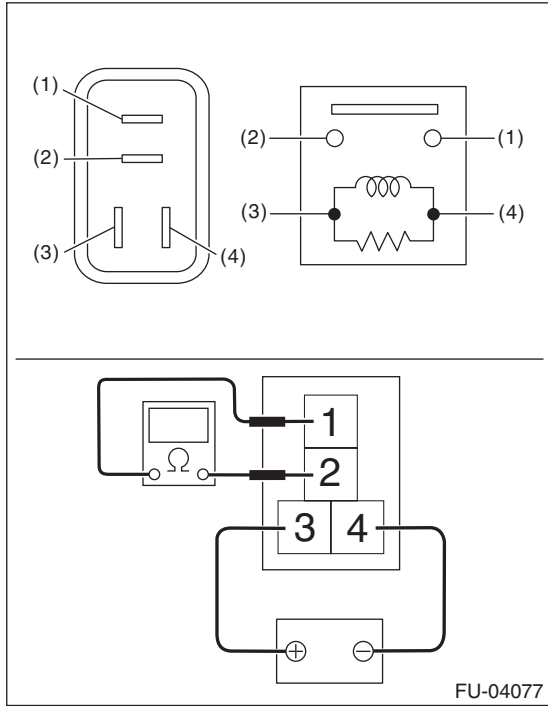
1) Measure the resistance between electronic throttle control relay terminals.



Terminal No.	Standard
1 and 2	1 M $\Omega$ or more
3 and 4	93.8 — 136.4 $\Omega$ (When 20°C (68°F) )

# Electronic Throttle Control Relay

2) Connect terminal No. 3 to battery positive terminal and terminal No. 4 to the battery ground terminal, and measure the resistance between the electronic throttle control relay terminals.



Terminal No.	Standard
1 and 2	Less than 1 $\Omega$



### 21. Fuel

#### A: PROCEDURE

##### 1. RELEASING OF FUEL PRESSURE

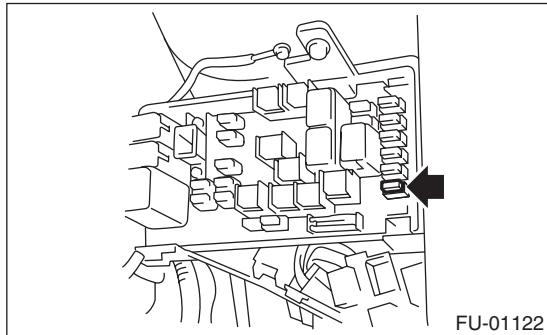
**WARNING:**

Place “NO OPEN FLAMES” signs near the working area.

**CAUTION:**

**Be careful not to spill fuel.**

1) Remove the fuse of fuel pump from main fuse box.



- 2) Start the engine and run it until it stalls.
- 3) After the engine stalls, crank it for five more seconds.
- 4) Turn the ignition switch to OFF.
- 5) Install the fuse of fuel pump to the main fuse box.

##### 2. DRAINING FUEL (WITH SUBARU SELECT MONITOR)

**WARNING:**

Place “NO OPEN FLAMES” signs near the working area.

**CAUTION:**

**Be careful not to spill fuel.**

**NOTE:**

- If the fuel pump cannot be driven, refer to the procedures for draining from the fuel filler hose. <Ref. to FU(H4SO)-52, DRAINING FUEL (THROUGH THE FUEL FILLER HOSE), PROCEDURE, Fuel.>
- Be careful not to let the battery run-out.

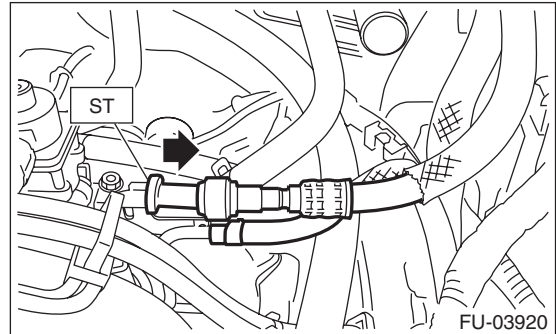
1) Release the fuel pressure. <Ref. to FU(H4SO)-52, RELEASING OF FUEL PRESSURE, PROCEDURE, Fuel.>

2) Attach ST to the fuel delivery pipe and push ST in the direction of arrow mark to disconnect the fuel delivery hose.

ST 42099AE000 QUICK CONNECTOR RELEASE

**CAUTION:**

- Be careful not to spill fuel.
- Catch the fuel from hoses using a container or cloth.



- 3) Connect ST to the fuel delivery hose. ST 18471AA000 FUEL PIPE ADAPTER
- 4) Connect the gasoline proof hose to ST and put the end of the hose in the container.
- 5) Drive the fuel pump and drain the fuel using Subaru Select Monitor. <Ref. to EN(H4SO)(diag)-57, FUEL PUMP CONTROL (ON/OFF DRIVE), OPERATION, System Operation Check Mode.>

**CAUTION:**

**Be careful not to spill fuel.**

6) Install the related parts in the reverse order after draining the fuel.

##### 3. DRAINING FUEL (THROUGH THE FUEL FILLER HOSE)

• 4 DOOR MODEL

**WARNING:**

Place “NO OPEN FLAMES” signs near the working area.

**CAUTION:**

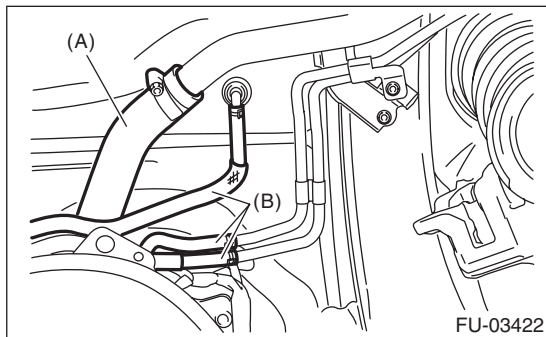
- Be careful not to spill fuel.
- Fuel may remain in the fuel filler pipe. Draining the fuel from the fuel filler pipe through the fill opening using the gasoline proof pump and the gasoline proof hose (ø10 or less) before the operation.

- 1) Set the vehicle on a lift.
- 2) Lift up the vehicle.

- 3) Remove the rear exhaust pipe and muffler. <Ref. to EX(H4SO)-10, REMOVAL, Rear Exhaust Pipe.> <Ref. to EX(H4SO)-12, REMOVAL, Muffler.>
- 4) Remove the rear sub frame. <Ref. to RS-17, REMOVAL, Rear Sub Frame.>
- 5) Open the fuel filler lid and remove the fuel filler cap.
- 6) Drain the fuel from the fuel filler pipe through the filler opening using the gasoline proof pump and the gasoline proof hose (ø10 or less).
- 7) Disconnect the fuel filler hose (A) from the fuel filler pipe assembly.

**CAUTION:**

- **Be careful not to spill fuel.**
- **Catch the fuel from hoses using a container or cloth.**



- (A) Fuel filler hose  
(B) Evaporation hose

- 8) Set the container under the vehicle and insert the gasoline proof hose (ø10 or less) into the fuel filler hose to drain the fuel.

**CAUTION:**

**Be careful not to spill fuel.**

- 9) Install the related parts in the reverse order after draining the fuel.

**Tightening torque:**

**2.5 N·m (0.3 kgf·m, 1.8 ft·lb)**

• **5 DOOR MODEL**

**WARNING:**

Place “NO OPEN FLAMES” signs near the working area.

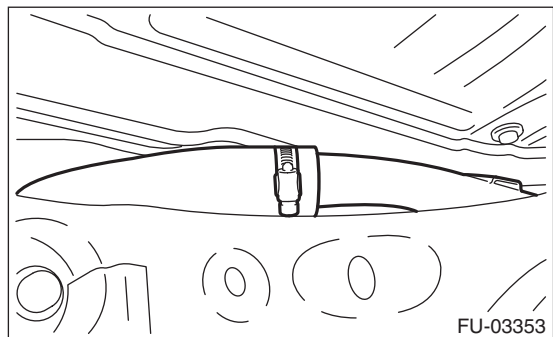
**CAUTION:**

- **Be careful not to spill fuel.**
- **Fuel may remain in the fuel filler pipe. Draining the fuel from the fuel filler pipe through the fill opening using the gasoline proof pump and the gasoline proof hose (ø10 or less) before the operation.**

- 1) Set the vehicle on a lift.
- 2) Lift up the vehicle.
- 3) Remove the rear exhaust pipe and muffler. <Ref. to EX(H4SO)-10, REMOVAL, Rear Exhaust Pipe.> <Ref. to EX(H4SO)-12, REMOVAL, Muffler.>
- 4) Open the fuel filler lid and remove the fuel filler cap.
- 5) Drain the fuel from the fuel filler pipe through the filler opening using the gasoline proof pump and the gasoline proof hose (ø10 or less).
- 6) Disconnect the fuel filler hose from the fuel filler pipe assembly.

**CAUTION:**

- **Be careful not to spill fuel.**
- **Catch the fuel from hoses using a container or cloth.**



- 7) Set the container under the vehicle and insert the gasoline proof hose (ø10 or less) into the fuel filler hose to drain the fuel.

**CAUTION:**

**Be careful not to spill fuel.**

- 8) Install the related parts in the reverse order after draining the fuel.

**Tightening torque:**

**2.5 N·m (0.3 kgf·m, 1.8 ft·lb)**

# Fuel Tank

## FUEL INJECTION (FUEL SYSTEMS)

### 22. Fuel Tank

#### A: REMOVAL

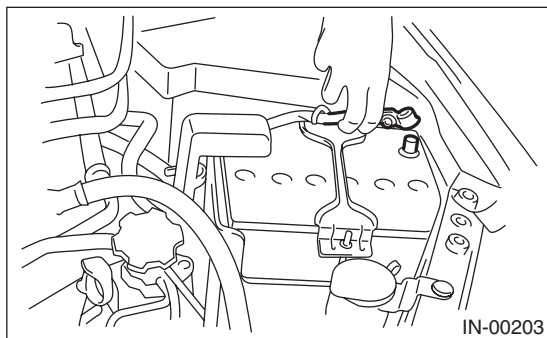
##### WARNING:

Place "NO OPEN FLAMES" signs near the working area.

##### CAUTION:

Be careful not to spill fuel.

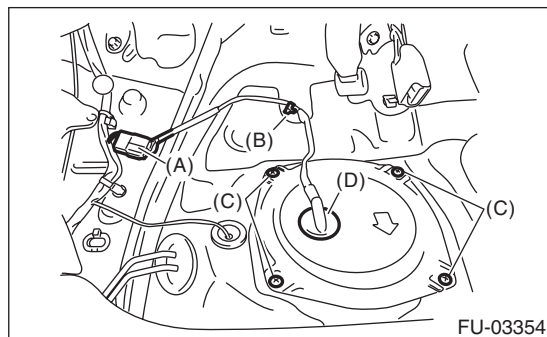
- 1) Set the vehicle on a lift.
- 2) Release the fuel pressure. <Ref. to FU(H4SO)-52, RELEASING OF FUEL PRESSURE, PROCEDURE, Fuel.>
- 3) Drain fuel. <Ref. to FU(H4SO)-52, DRAINING FUEL (WITH SUBARU SELECT MONITOR), PROCEDURE, Fuel.>
- 4) Disconnect the ground cable from battery.



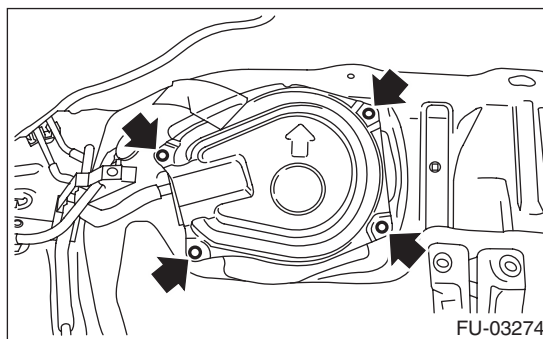
5) Remove the rear seat cushion. <Ref. to SE-11, REMOVAL, Rear Seat.>

6) Remove the service hole cover of fuel pump.

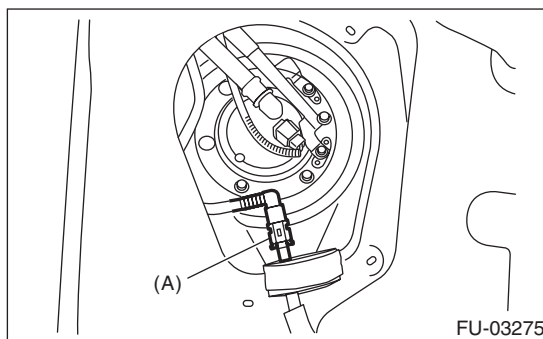
- (1) Disconnect fuel pump connector (A), and remove clip (B).
- (2) Remove the screw (C).
- (3) Push the grommet (D) down and remove the service hole cover.



7) Remove the service hole cover of fuel sub level sensor.



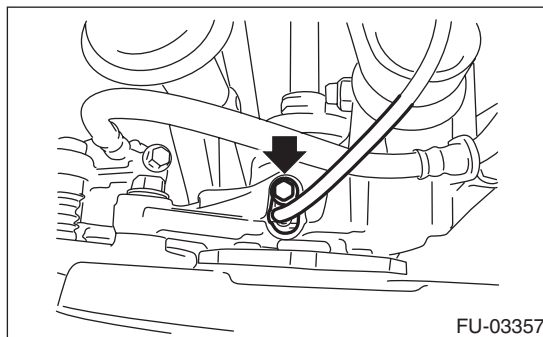
8) Disconnect the quick connector on the fuel delivery tube (A). <Ref. to FU(H4SO)-76, REMOVAL, Fuel Delivery and Evaporation Lines.>



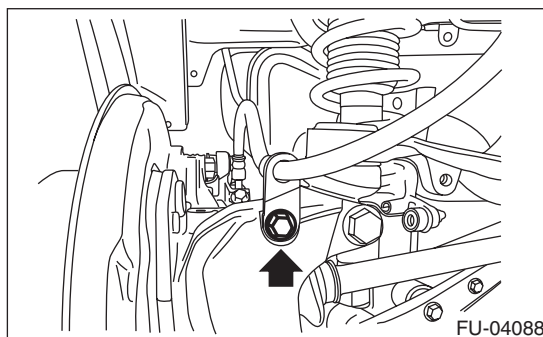
9) Remove the rear wheels.

10) Lift up the vehicle.

11) Remove the rear ABS wheel speed sensor from the rear housing.



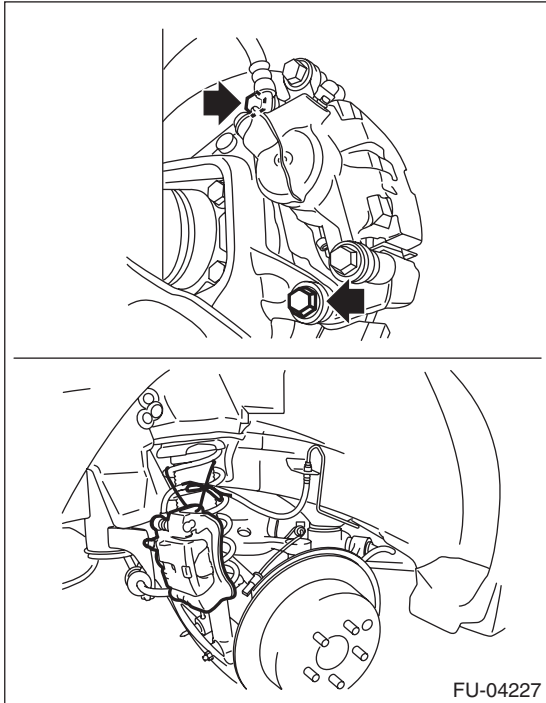
12) Remove the rear brake hose bracket from rear housing.



# Fuel Tank

## FUEL INJECTION (FUEL SYSTEMS)

13) Remove the rear disc brake assembly and tie it to the body side of the vehicle.



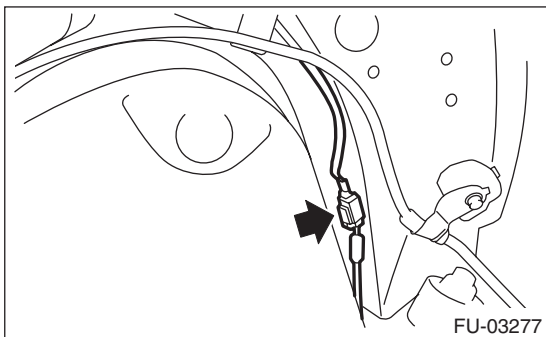
14) Remove the parking brake cable from parking brake assembly. <Ref. to PB-6, REMOVAL, Parking Brake Assembly (Rear Disc Brake).>

15) Remove the rear exhaust pipe and muffler. <Ref. to EX(H4SO)-10, REMOVAL, Rear Exhaust Pipe.> <Ref. to EX(H4SO)-12, REMOVAL, Muffler.>

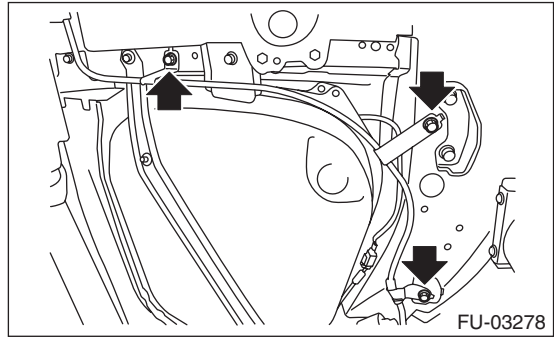
16) Remove the propeller shaft. <Ref. to DS-10, REMOVAL, Propeller Shaft.>

17) Remove the heat shield cover and fuel tank protector.

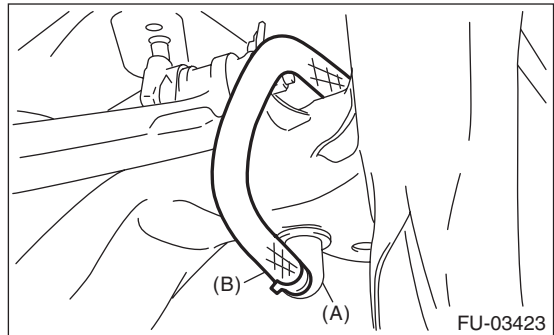
18) Disconnect the connector from the rear ABS wheel speed sensor.



19) Remove the parking brake cable clamp from the body.



20) Disconnect canister drain hose (B) from canister drain connector (A).



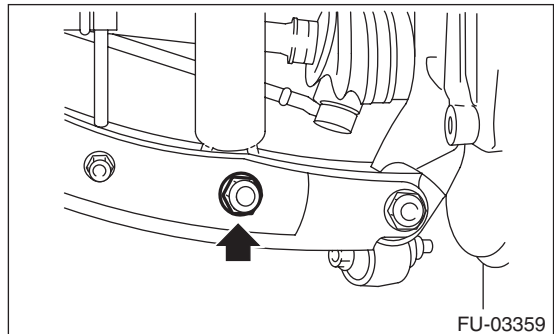
21) Remove the rear suspension assembly.

### WARNING:

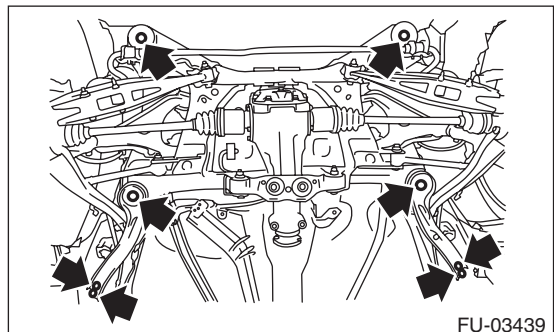
**A helper is required to perform this work.**

(1) Support the rear differential with the transmission jack.

(2) Remove the bolt and nut which secures rear shock absorber to rear suspension arm.



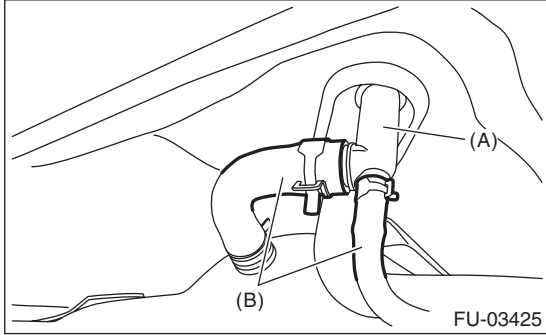
(3) Remove the bolts which secure the rear suspension assembly to the body.



# Fuel Tank

## FUEL INJECTION (FUEL SYSTEMS)

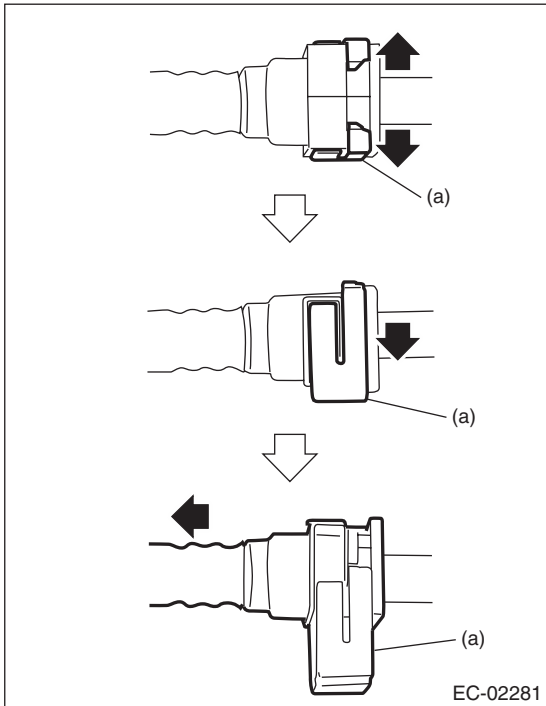
- (4) Remove the rear suspension assembly.  
22) Disconnect evaporation hose (B) from connector (A).



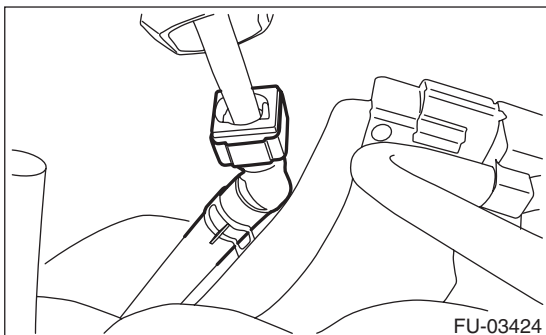
- 23) Disconnect the quick connector of the evaporation hose from the evaporation pipe.

### NOTE:

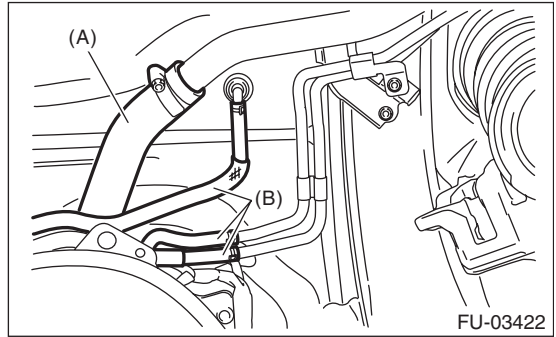
Disconnect the quick connector as shown in the figure.



(a) Retainer



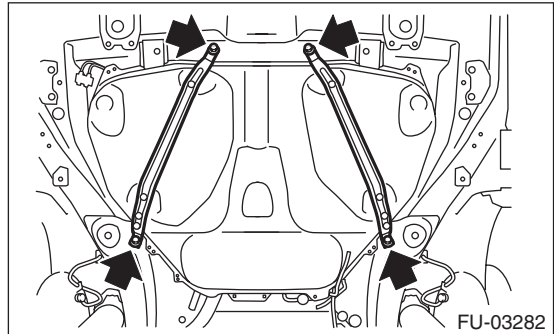
- 24) Disconnect the fuel filler hose (A) and evaporation hose (B).



- 25) Support the fuel tank with a transmission jack, remove the bolts from the fuel tank band, and remove the fuel tank from the vehicle.

### WARNING:

- A helper is required to perform this work.
- Fuel may remain in the fuel tank. This will cause the left and right sides to be unbalanced. Be careful not to drop the fuel tank when removing.



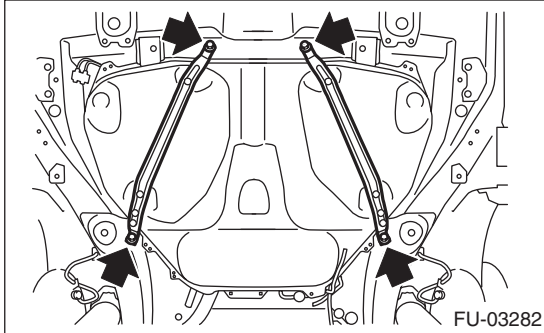


## B: INSTALLATION

1) Support the fuel tank with a transmission jack, set the fuel tank in place, and temporarily tighten the bolts of the fuel tank band.

### WARNING:

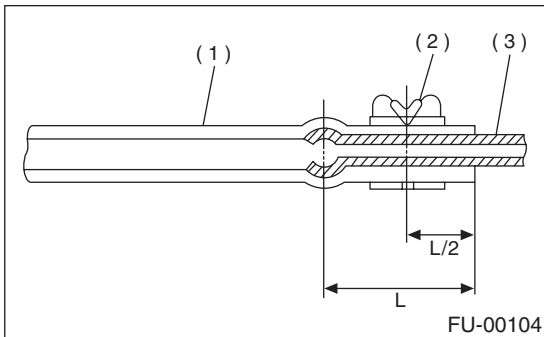
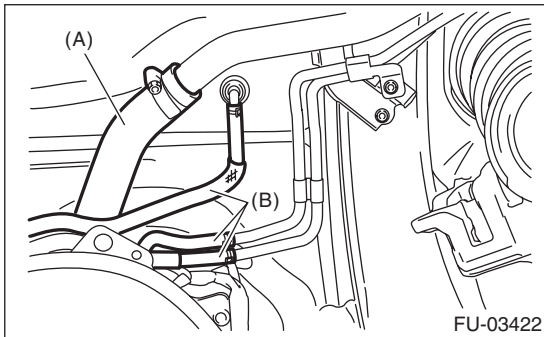
**A helper is required to perform this work.**



2) Securely insert the fuel filler hose (A) and evaporation hose (B) into the specified position, then attach the clamp or clip as shown in the figure.

### Tightening torque:

**2.5 N·m (0.3 kgf-m, 1.8 ft-lb)**

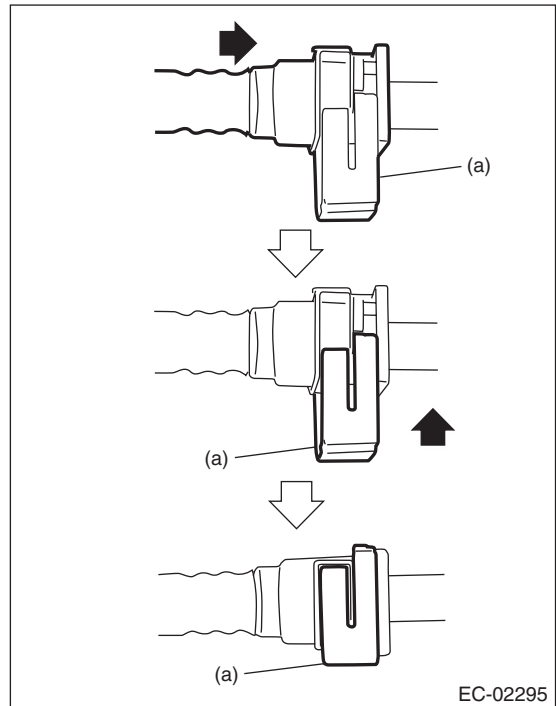


- (1) Hose
- (2) Clamp or clip
- (3) Pipe

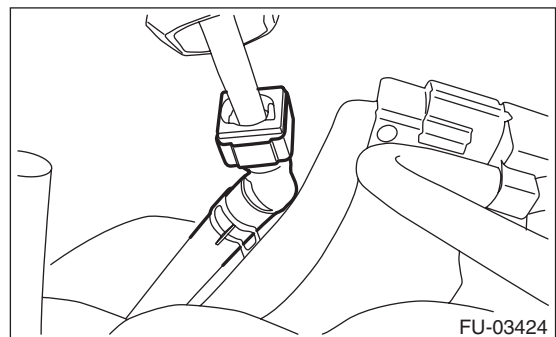
3) Connect the quick connector of the evaporation hose to the evaporation pipe.

### CAUTION:

- Check that there is no damage or dust on the quick connector. If necessary, clean the seal surface of the pipe.
- When connecting the quick connector, securely insert the pipe all the way before locking the retainer.
- When it is difficult to lock the retainer, make sure that the pipe is securely inserted.
- Make sure that the quick connector is securely connected.



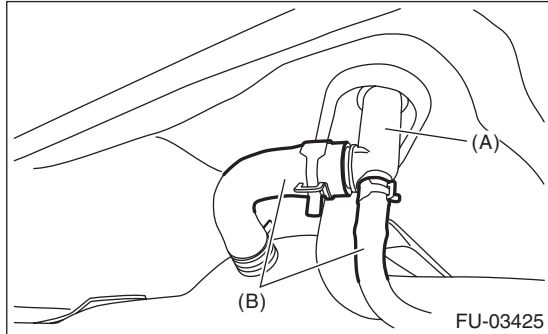
(a) Retainer



# Fuel Tank

## FUEL INJECTION (FUEL SYSTEMS)

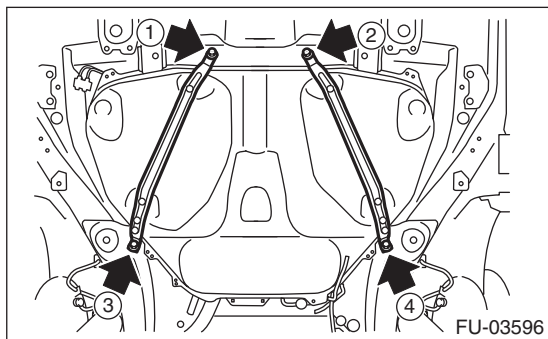
4) Connect evaporation hose (B) to connector (A).



5) Tighten the bolts of the fuel tank band in the order shown in the figure.

**Tightening torque:**

**33 N·m (3.4 kgf-m, 24.3 ft-lb)**



6) Install the rear suspension assembly.

### WARNING:

**A helper is required to perform this work.**

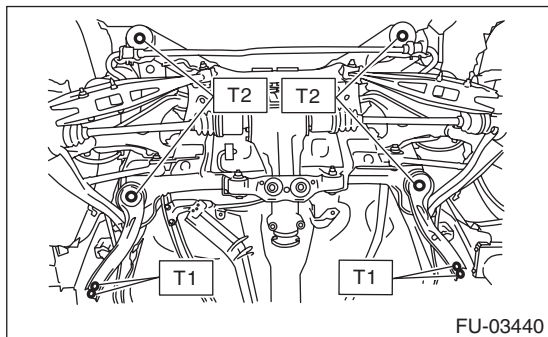
(1) Support the rear differential with the transmission jack.

(2) Support the rear suspension assembly, and tighten the bolts which secure the rear suspension assembly to the body.

**Tightening torque:**

**T1: 70 N·m (7.1 kgf-m, 51.6 ft-lb)**

**T2: 145 N·m (14.8 kgf-m, 106.9 ft-lb)**



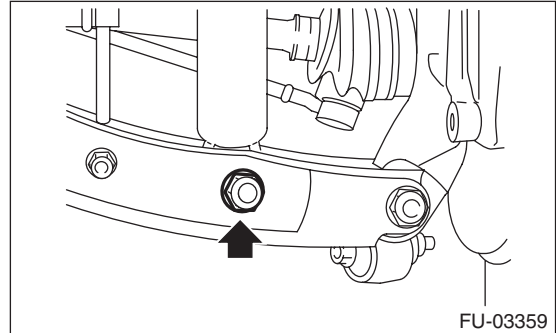
(3) Install the rear shock absorber to the rear suspension arm.

### NOTE:

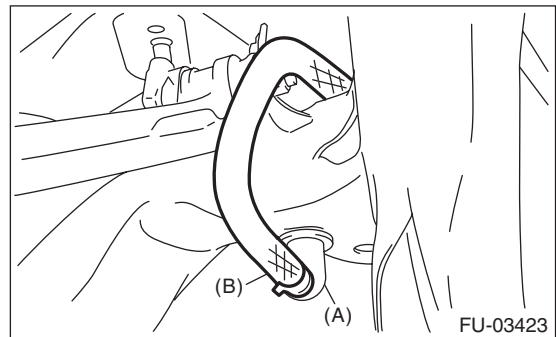
Use a new self-locking nut.

**Tightening torque:**

**120 N·m (12.2 kgf-m, 88.5 ft-lb)**



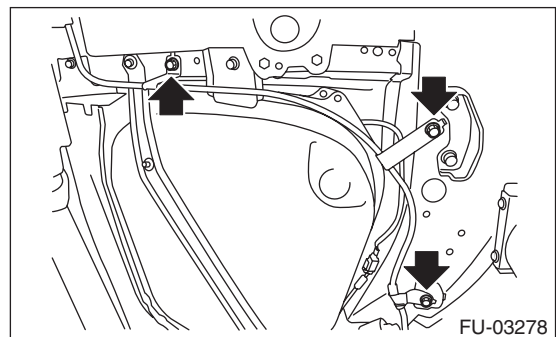
7) Connect canister drain hose (B) to canister drain connector (A).



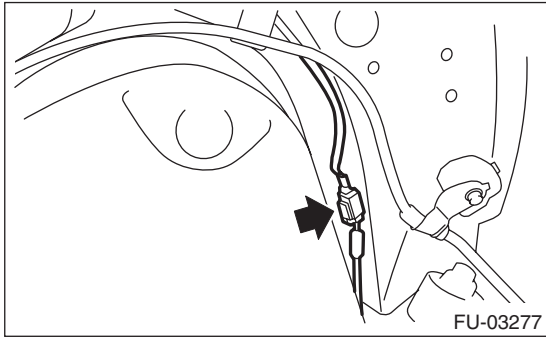
8) Install the parking brake cable clamp to the body.

**Tightening torque:**

**18 N·m (1.8 kgf-m, 13.3 ft-lb)**



- 9) Connect the connector to the rear ABS wheel speed sensor.



- 10) Install the heat shield cover.

**Tightening torque:**

**18 N·m (1.8 kgf·m, 13.3 ft·lb)**

- 11) Install the fuel tank protector.

**Tightening torque:**

**Nut: 9 N·m (0.9 kgf·m, 6.6 ft·lb)**

**Bolt: 18 N·m (1.8 kgf·m, 13.3 ft·lb)**

- 12) Install the propeller shaft. <Ref. to DS-11, INSTALLATION, Propeller Shaft.>

- 13) Install the rear exhaust pipe and muffler. <Ref. to EX(H4SO)-10, INSTALLATION, Rear Exhaust Pipe.> <Ref. to EX(H4SO)-12, INSTALLATION, Muffler.>

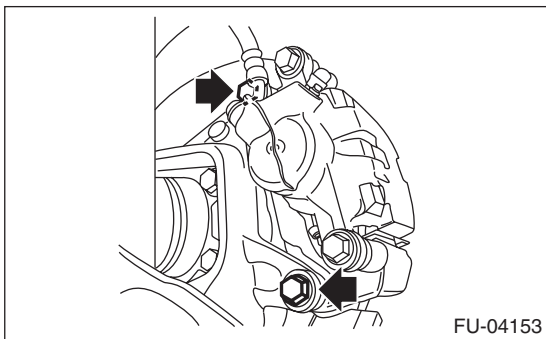
- 14) Lower the vehicle.

- 15) Connect the parking brake cable to the parking brake assembly. <Ref. to PB-7, INSTALLATION, Parking Brake Assembly (Rear Disc Brake).>

- 16) Install the rear disc brake assembly.

**Tightening torque:**

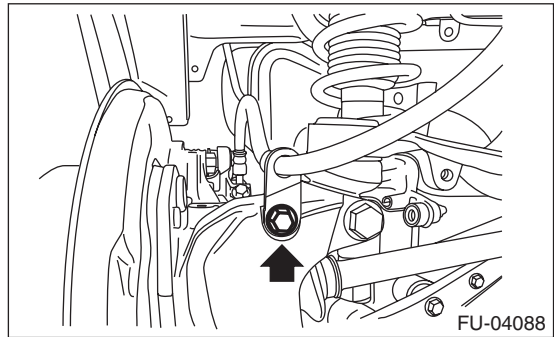
**66 N·m (6.7 kgf·m, 48.7 ft·lb)**



- 17) Install the rear brake hose bracket to the rear housing.

**Tightening torque:**

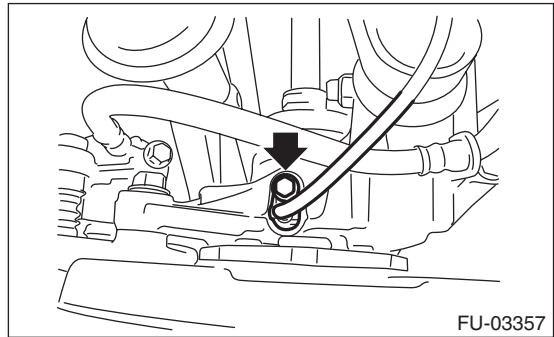
**33 N·m (3.4 kgf·m, 24.3 ft·lb)**



- 18) Attach the rear ABS wheel speed sensor to the rear housing.

**Tightening torque:**

**7.5 N·m (0.8 kgf·m, 5.5 ft·lb)**

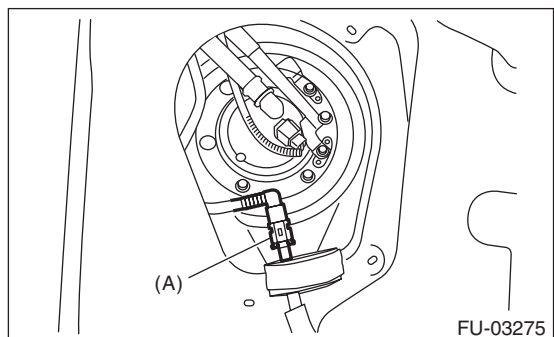


- 19) Install the rear wheels.

**Tightening torque:**

**100 N·m (10.2 kgf·m, 73.8 ft·lb)**

- 20) Connect the quick connector of the fuel delivery tube (A). <Ref. to FU(H4SO)-77, INSTALLATION, Fuel Delivery and Evaporation Lines.>



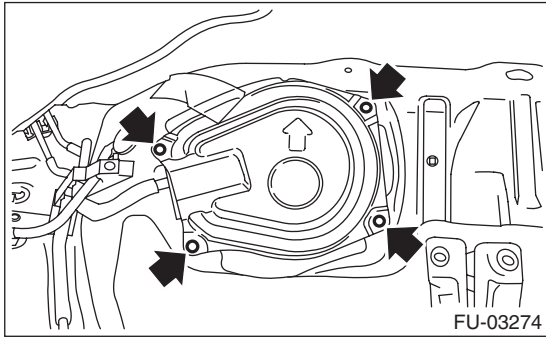


# Fuel Tank

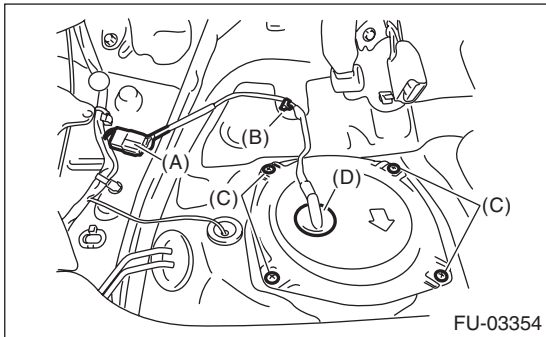
## FUEL INJECTION (FUEL SYSTEMS)

---

21) Install the service hole cover of fuel sub level sensor.



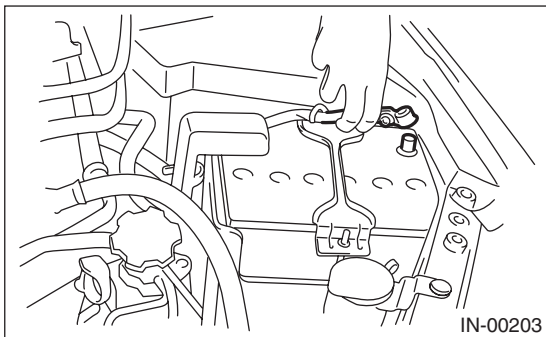
22) Attach the service hole cover of the fuel pump, and attach the connector and clip.



- (A) Connector
- (B) Clip
- (C) Screw
- (D) Grommet

23) Install the rear seat cushion. <Ref. to SE-12, INSTALLATION, Rear Seat.>

24) Connect the ground cable to battery.



25) Inspect the wheel alignment and adjust if necessary.

## C: INSPECTION

- 1) Check that the fuel tank does not have holes, cracks or is damaged in any other way.
- 2) Make sure that the fuel pipe and fuel hose are not cracked and that the connections are tight.

## 23. Fuel Filler Pipe

### A: REMOVAL

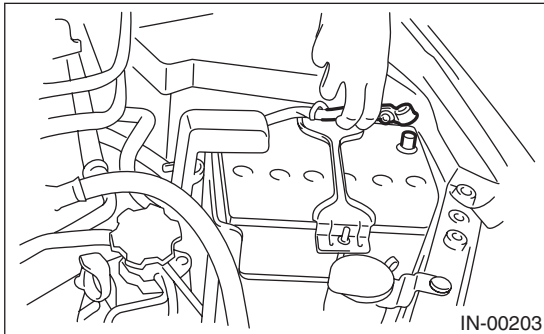
**WARNING:**

Place "NO OPEN FLAMES" signs near the working area.

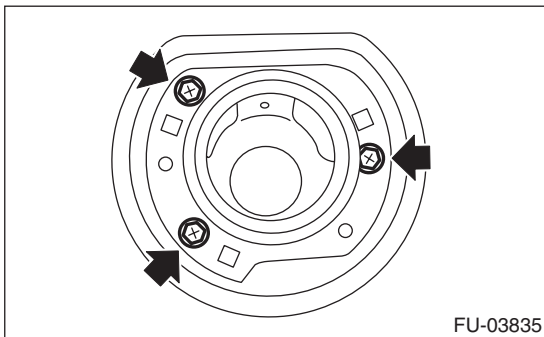
**CAUTION:**

Be careful not to spill fuel.

- 1) Set the vehicle on a lift.
- 2) Release the fuel pressure. <Ref. to FU(H4SO)-52, RELEASING OF FUEL PRESSURE, PROCEDURE, Fuel.>
- 3) Drain fuel. <Ref. to FU(H4SO)-52, DRAINING FUEL (WITH SUBARU SELECT MONITOR), PROCEDURE, Fuel.>
- 4) Disconnect the ground cable from battery.

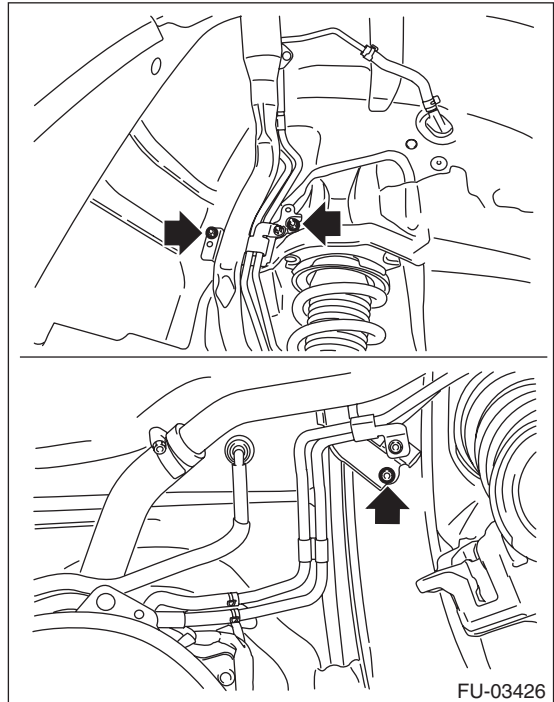


- 5) Open the fuel filler lid, and remove the filler cap.
- 6) Remove the screws which secure gasket.

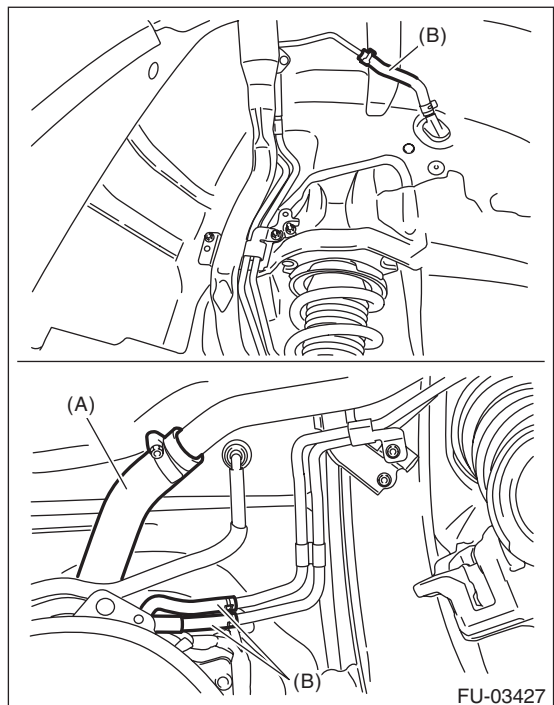


- 7) Remove the rear wheel RH.
- 8) Lift up the vehicle.
- 9) Remove the rear mud guard RH. <Ref. to EI-28, REMOVAL, Mud Guard.>
- 10) Remove the rear sub frame. <Ref. to RS-17, REMOVAL, Rear Sub Frame.>

- 11) Remove the bolts and nuts which hold fuel filler pipe bracket on the body.



- 12) Disconnect the fuel filler hose (A) and evaporation hose (B).



- 13) Remove the fuel filler pipe to the underside of the vehicle.

# Fuel Filler Pipe

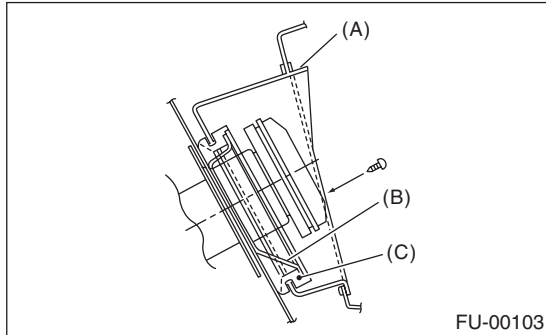
## FUEL INJECTION (FUEL SYSTEMS)

### B: INSTALLATION

- 1) Open the fuel filler lid.
- 2) Set the fuel saucer (A) with rubber gasket (C), and insert the fuel filler pipe into hole from the inner side of apron.
- 3) Align the holes in fuel filler pipe neck and set the cup (B), and tighten the screws.

#### NOTE:

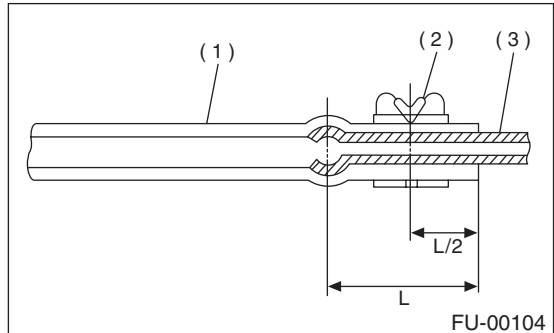
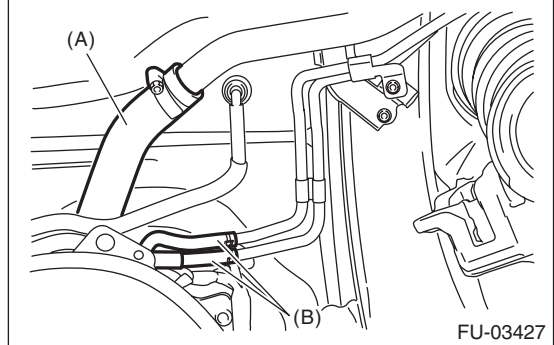
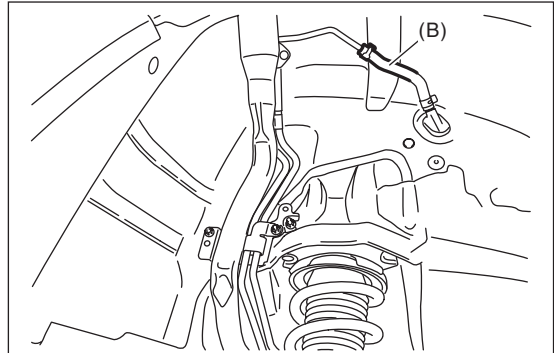
If the edges of rubber gasket are folded toward inside, straighten it with a flat tip screwdriver.



- 4) Securely insert the fuel filler hose (A) and evaporation hose (B) into the specified position, then attach the clamp or clip as shown in the figure.

#### Tightening torque:

**2.5 N·m (0.3 kgf-m, 1.8 ft-lb)**

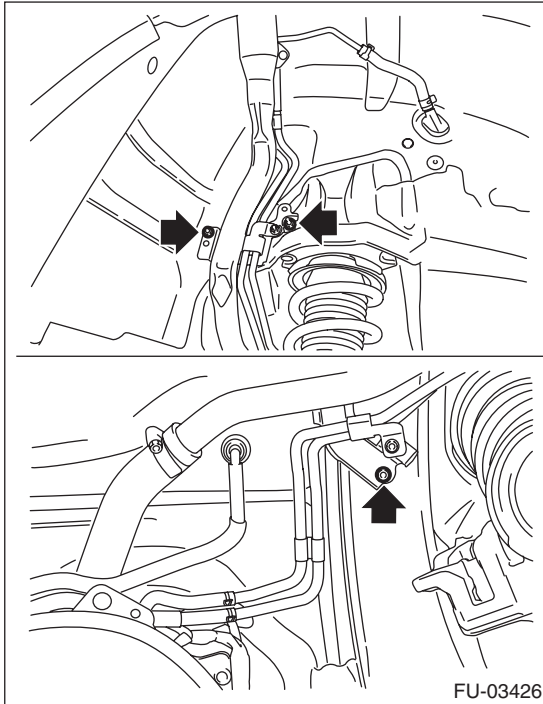


- (1) Hose
- (2) Clamp or clip
- (3) Pipe

5) Tighten the bolts and nuts which hold fuel filler pipe bracket on the body.

**Tightening torque:**

**7.5 N·m (0.8 kgf·m, 5.5 ft·lb)**



6) Install the rear sub frame. <Ref. to RS-18, INSTALLATION, Rear Sub Frame.>

7) Install the rear mud guard RH. <Ref. to EI-28, INSTALLATION, Mud Guard.>

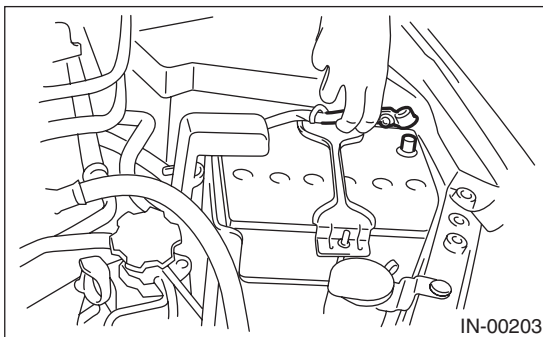
8) Lower the vehicle.

9) Install the rear wheel RH.

**Tightening torque:**

**100 N·m (10.2 kgf·m, 73.8 ft·lb)**

10) Connect the ground cable to battery.

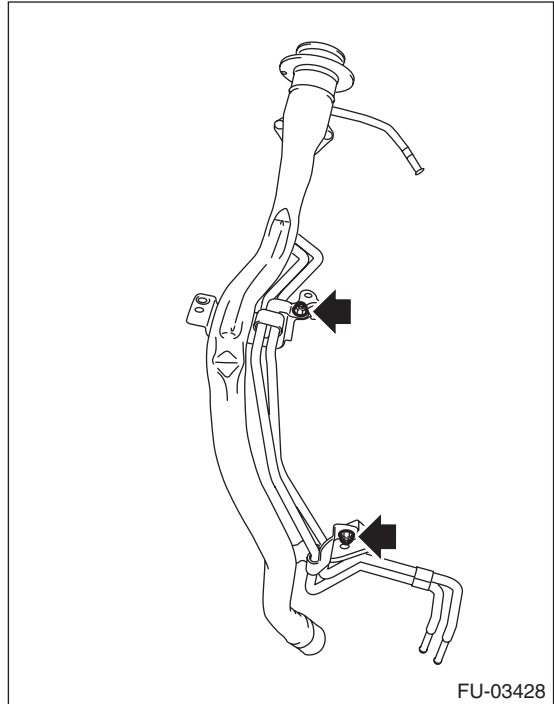


11) Inspect the wheel alignment and adjust if necessary.

## C: DISASSEMBLY

1) Remove the shut valve from the fuel filler pipe. <Ref. to EC(H4SO)-18, REMOVAL, Shut Valve.>

2) Remove the evaporation pipe from the fuel filler pipe.



# Fuel Filler Pipe

FUEL INJECTION (FUEL SYSTEMS)

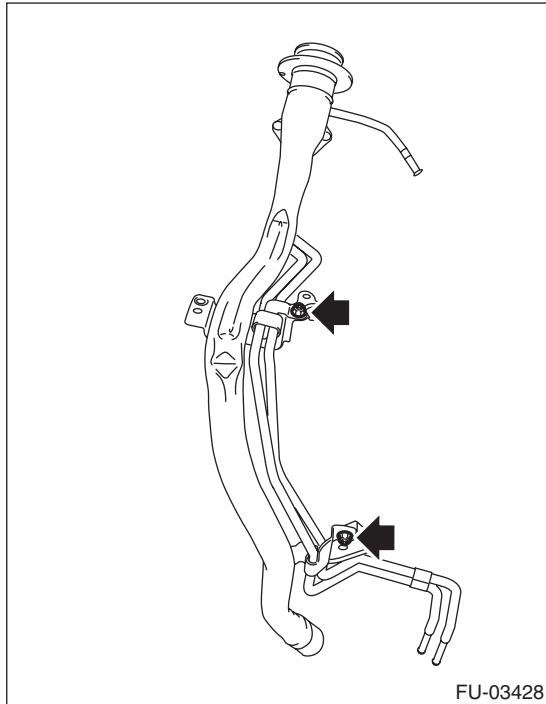
---

## D: ASSEMBLY

1) Install the evaporation pipe to the fuel filler pipe.

**Tightening torque:**

**7.5 N·m (0.8 kgf-m, 5.5 ft-lb)**



2) Install the shut valve to the fuel filler pipe. <Ref. to EC(H4SO)-18, INSTALLATION, Shut Valve.>

## E: INSPECTION

- 1) Check that the fuel filler pipe does not have holes, cracks or is damaged in any other way.
- 2) Make sure that the fuel hose is not cracked and that the connections are tight.

## 24. Fuel Pump

### A: REMOVAL

**WARNING:**

Place "NO OPEN FLAMES" signs near the working area.

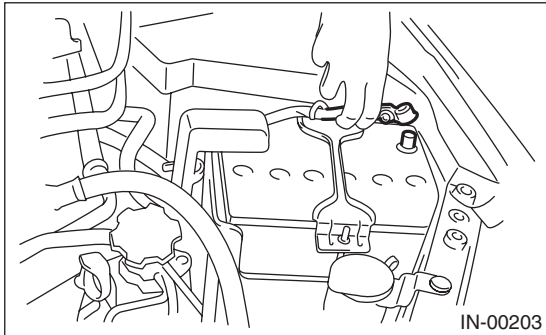
**CAUTION:**

- Be careful not to spill fuel.
- If the fuel gauge indicates that two thirds or more of the fuel is remaining, be sure to drain fuel before starting work to avoid the fuel to spill.

**NOTE:**

Fuel pump assembly consists of fuel pump, fuel filter and fuel level sensor.

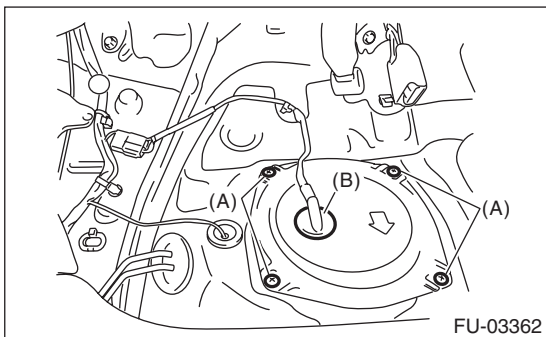
- 1) Release the fuel pressure. <Ref. to FU(H4SO)-52, RELEASING OF FUEL PRESSURE, PROCEDURE, Fuel.>
- 2) Drain fuel. <Ref. to FU(H4SO)-52, DRAINING FUEL (WITH SUBARU SELECT MONITOR), PROCEDURE, Fuel.>
- 3) Disconnect the ground cable from battery.



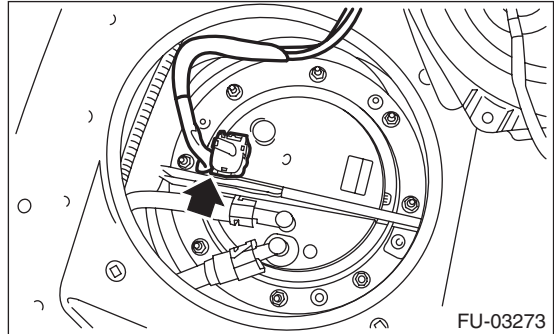
4) Remove the rear seat cushion. <Ref. to SE-11, REMOVAL, Rear Seat.>

5) Remove the service hole cover.

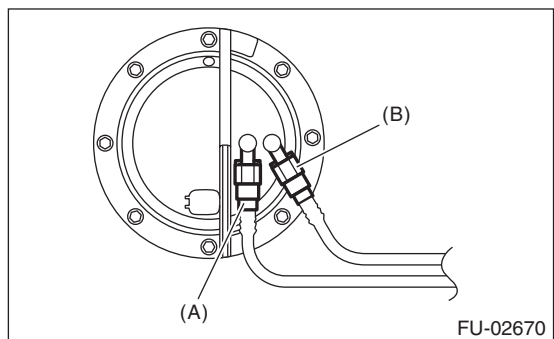
- (1) Remove the screws (A).
- (2) Push the grommet (B) down and remove the service hole cover.



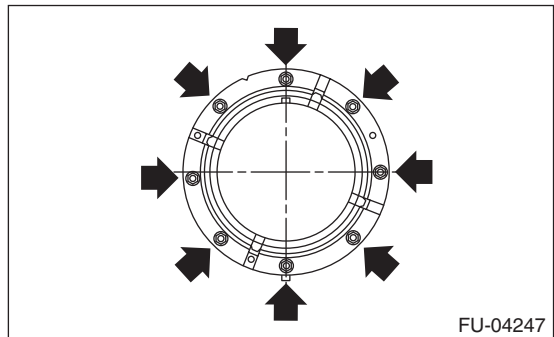
6) Disconnect the connector from fuel pump.



7) Disconnect the quick connector of fuel delivery tube (A) and jet pump tube (B). <Ref. to FU(H4SO)-76, REMOVAL, Fuel Delivery and Evaporation Lines.>



8) Remove the nuts which hold the fuel pump assembly to the fuel tank.



9) Remove the fuel pump assembly from the fuel tank.

# Fuel Pump

## FUEL INJECTION (FUEL SYSTEMS)

### B: INSTALLATION

Install in the reverse order of removal while being careful of the following.

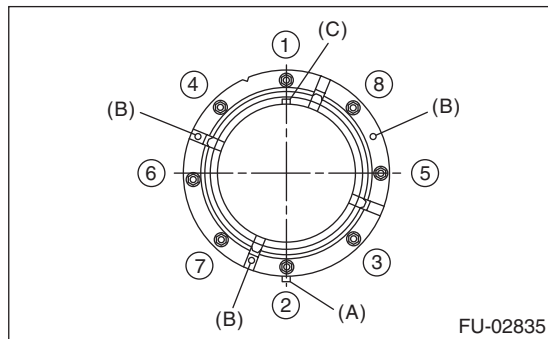
- Make sure the sealing portion is free from fuel or foreign matter before installation.
- Install with the protrusion (A) of gasket aimed at the front side of the vehicle.
- Insert the protrusion (B) of gasket into the upper plate. (3 places)
- Align the protrusion (C) of fuel pump assembly with the cutout on the upper plate.
- Tighten the nuts to the specified torque in the order as shown in the figure.

NOTE:

Use a new gasket and retainer.

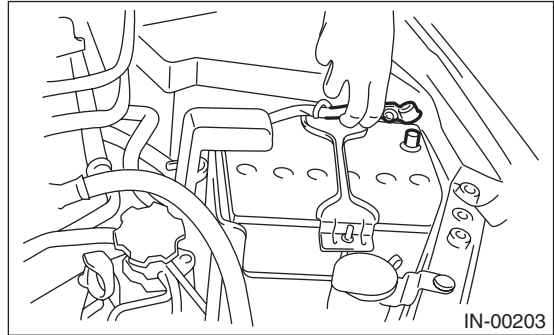
**Tightening torque:**

**4.4 N·m (0.4 kgf·m, 3.2 ft·lb)**



### C: INSPECTION

- 1) Disconnect the ground cable from battery.

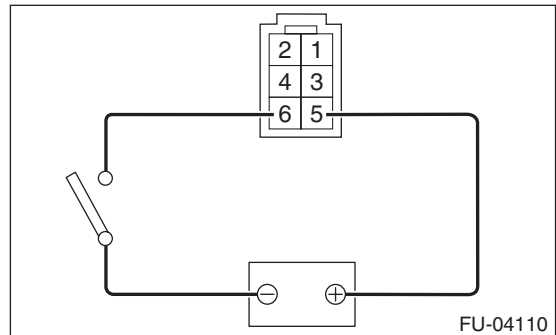


- 2) Remove the fuel pump. <Ref. to FU(H4SO)-65, REMOVAL, Fuel Pump.>

- 3) Connect terminal No. 5 to battery positive terminal and No. 6 terminal to the battery ground terminal, and inspect the fuel pump operation.

**WARNING:**

- Wipe off fuel completely.
- Keep the battery as far apart from fuel pump as possible.
- Do not run the fuel pump for a long time under non-load condition.





## 25. Fuel Level Sensor

### A: REMOVAL

**WARNING:**

Place "NO OPEN FLAMES" signs near the working area.

**CAUTION:**

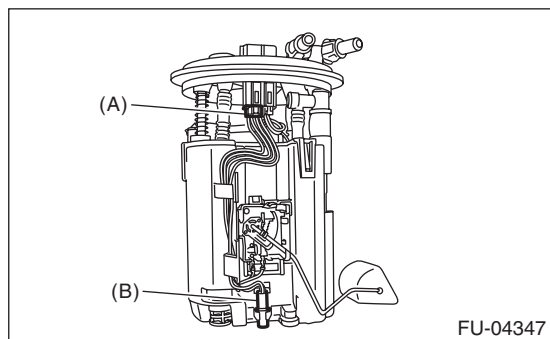
- Be careful not to spill fuel.
- If the fuel gauge indicates that two thirds or more of the fuel is remaining, be sure to drain fuel before starting work to avoid the fuel to spill.

**NOTE:**

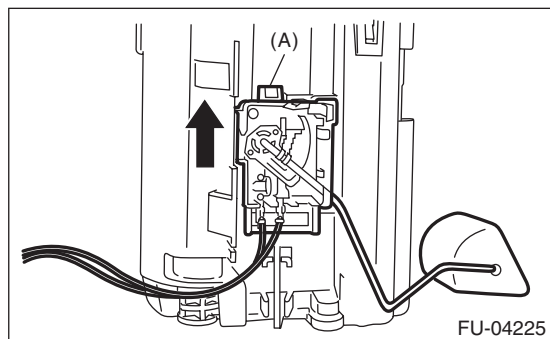
The fuel level sensor is built in fuel pump assembly.  
1) Remove the fuel pump assembly. <Ref. to FU(H4SO)-65, REMOVAL, Fuel Pump.>

2) Disconnect the connector (A) from the sub tank bracket assembly.

3) Remove the fuel temperature sensor (B) from sub tank.



4) Slide the fuel level sensor in the direction of the arrow and remove the fuel level sensor by pressing the claw (A) of the fuel level sensor.



### B: INSTALLATION

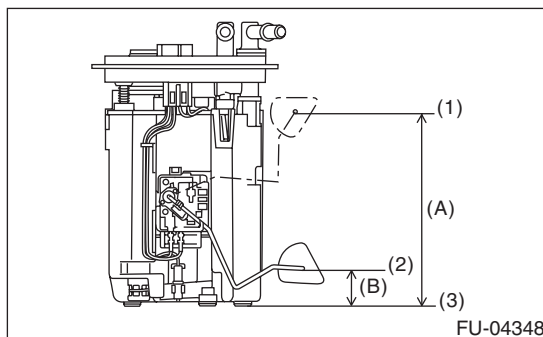
Install in the reverse order of removal.

### C: INSPECTION

**NOTE:**

When inspecting the fuel level sensor, perform the work with it installed to the fuel pump.

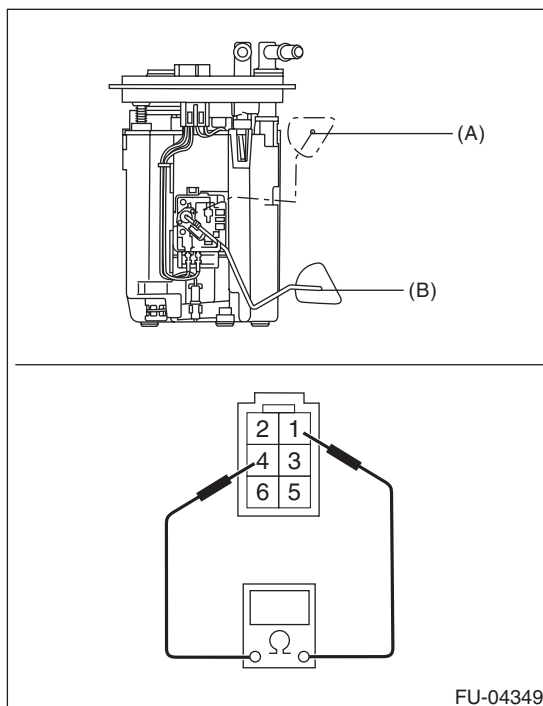
1) Measure the fuel level sensor float position.



- (1) FULL
- (2) EMPTY
- (3) Fuel tank seating surface

Float position	Standard
FULL to Fuel tank seating surface (A)	135 ±4 mm (5.315±0.157 in)
EMPTY to Fuel tank seating surface (B)	23.7 ±4 mm (0.933±0.157 in)

2) Measure the resistance between fuel level sensor terminals.



Float position	Terminal No.	Standard
FULL (A)	1 and 4	2.0±1.0 Ω
EMPTY (B)		31.9±1.0 Ω



# Fuel Sub Level Sensor

FUEL INJECTION (FUEL SYSTEMS)

## 26. Fuel Sub Level Sensor

### A: REMOVAL

#### WARNING:

Place "NO OPEN FLAMES" signs near the working area.

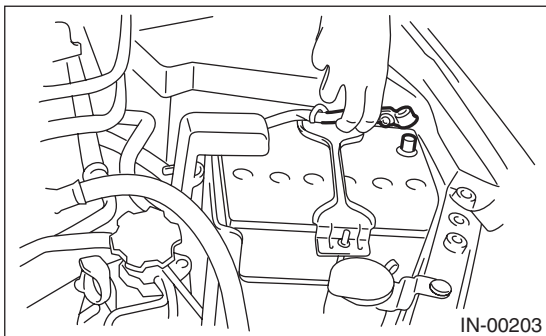
#### CAUTION:

- Be careful not to spill fuel.
- If the fuel gauge indicates that two thirds or more of the fuel is remaining, be sure to drain fuel before starting work to avoid the fuel to spill.

1) Release the fuel pressure. <Ref. to FU(H4SO)-52, RELEASING OF FUEL PRESSURE, PROCEDURE, Fuel.>

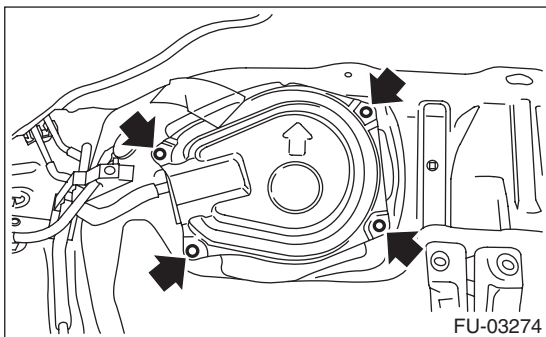
2) Drain fuel. <Ref. to FU(H4SO)-52, DRAINING FUEL (WITH SUBARU SELECT MONITOR), PROCEDURE, Fuel.>

3) Disconnect the ground cable from battery.

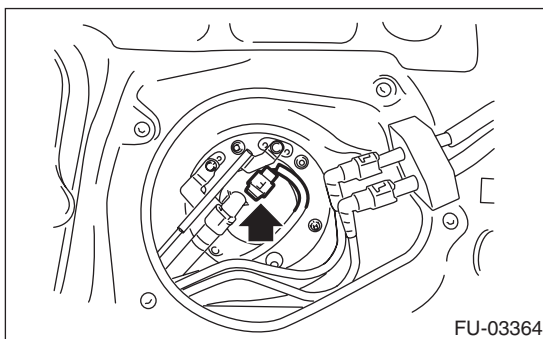


4) Remove the rear seat cushion. <Ref. to SE-11, REMOVAL, Rear Seat.>

5) Remove the service hole cover.

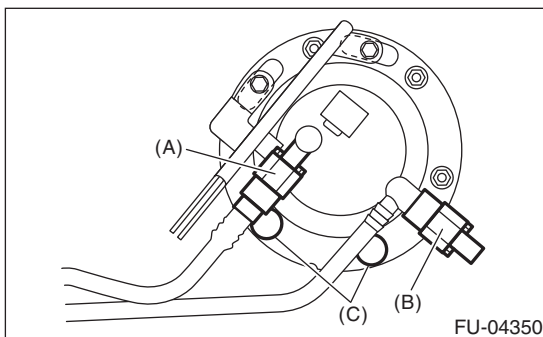


6) Disconnect the connector from the fuel sub level sensor.

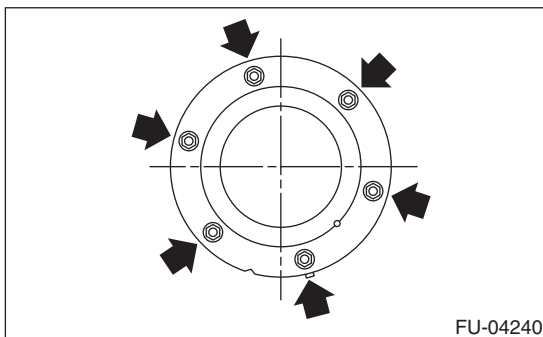
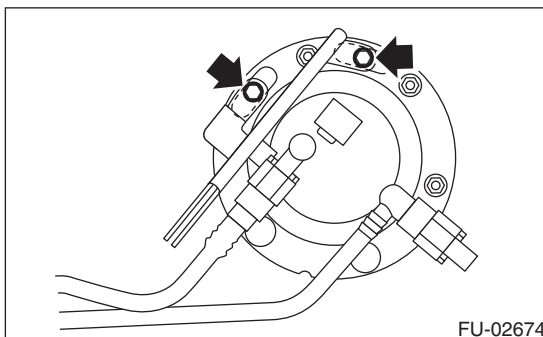


7) Disconnect the quick connector of fuel delivery tube (A) and jet pump tube (B). <Ref. to FU(H4SO)-76, REMOVAL, Fuel Delivery and Evaporation Lines.>

8) Remove the rubber cap (C) from the nut.



9) Remove the bolts and nuts which hold fuel sub level sensor to the fuel tank.



10) Remove the fuel sub level sensor.

## B: INSTALLATION

Install in the reverse order of removal while being careful of the following.

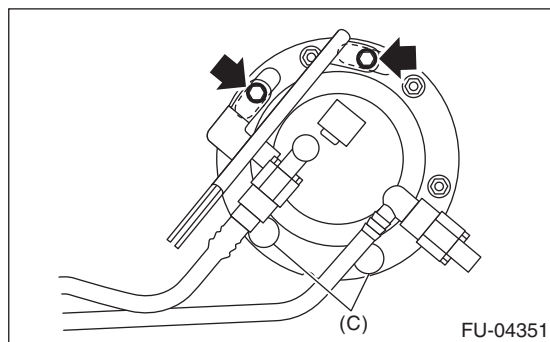
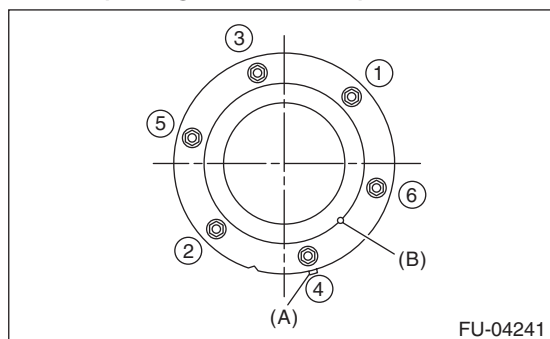
- Make sure the sealing portion is free from fuel or foreign matter before installation.
- Align protrusion (A) of the gasket to the position shown in the following figure.
- Align protrusion (B) of the fuel sub level sensor to the cut out in the fuel sub level sensor upper plate.
- Tighten the nuts and bolts to the specified torque in the order as shown in the figure.
- After tightening, install the rubber cap (C) shown in the figure.

### NOTE:

- Use a new gasket and retainer.
- Do not forget to install rubber cap (C).

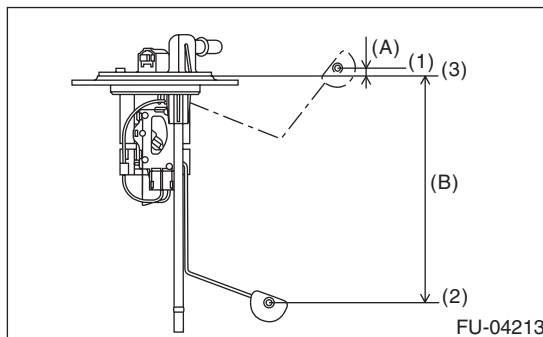
### Tightening torque:

**4.4 N·m (0.4 kgf·m, 3.2 ft·lb)**



## C: INSPECTION

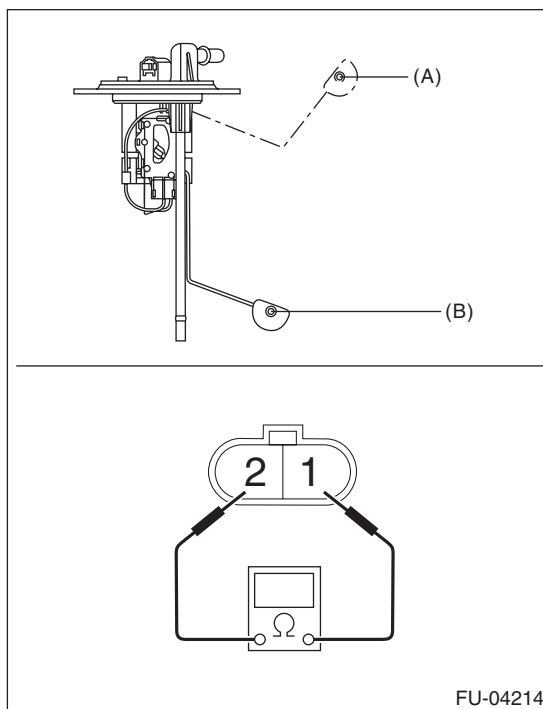
1) Measure the fuel sub level sensor float position.



- (1) FULL
- (2) EMPTY
- (3) Datum points

Float position	Standard
FULL to Datum point (A)	5.31 ±3.5 mm (0.209±0.138 in)
EMPTY to Datum point (B)	160.6 ±3.5 mm (6.323±0.138 in)

2) Measure the resistance between fuel sub level sensor terminals.



Float position	Terminal No.	Standard
FULL (A)	1 and 2	2.0±1.0 Ω
EMPTY (B)		62.1±1.0 Ω

# Fuel Filter

FUEL INJECTION (FUEL SYSTEMS)

## 27. Fuel Filter

### A: REMOVAL

#### WARNING:

Place "NO OPEN FLAMES" signs near the working area.

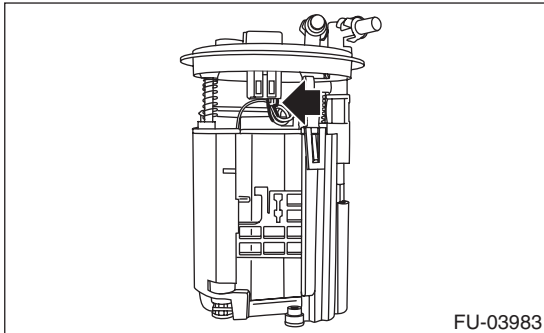
#### CAUTION:

- Be careful not to spill fuel.
- If the fuel gauge indicates that two thirds or more of the fuel is remaining, be sure to drain fuel before starting work to avoid the fuel to spill.
- Be careful not to drop or apply any impact to the fuel pump during work. This may deteriorate its performance.

#### NOTE:

The fuel filter is built in fuel pump assembly.

- 1) Remove the fuel pump assembly. <Ref. to FU(H4SO)-65, REMOVAL, Fuel Pump.>
- 2) Remove the fuel level sensor and fuel temperature sensor. <Ref. to FU(H4SO)-67, REMOVAL, Fuel Level Sensor.>
- 3) Disconnect the pump assembly connector from the sub tank bracket assembly.



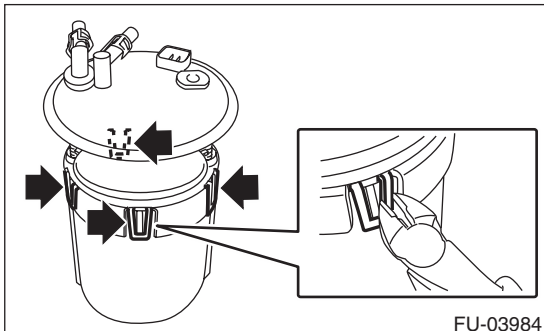
- 4) Cut off the tab holders connecting the sub tank bracket assembly and the sub tank in four locations, and separate the two.

#### CAUTION:

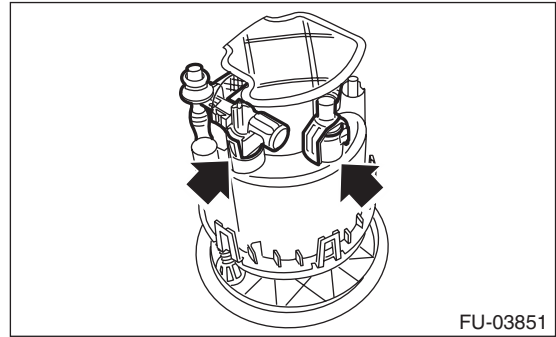
Be careful not to damage the sub tank.

#### NOTE:

If the O-ring is remaining on the sub tank, remove.



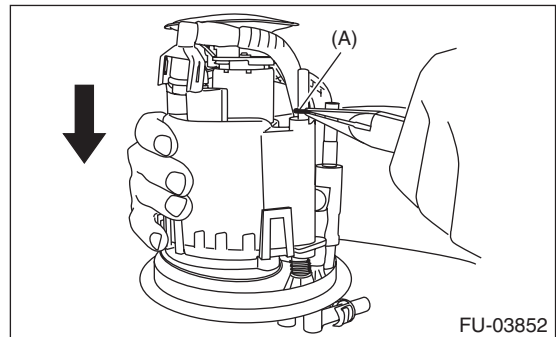
- 5) Disconnect the fuel piping connector from the fuel filter assembly in two locations.



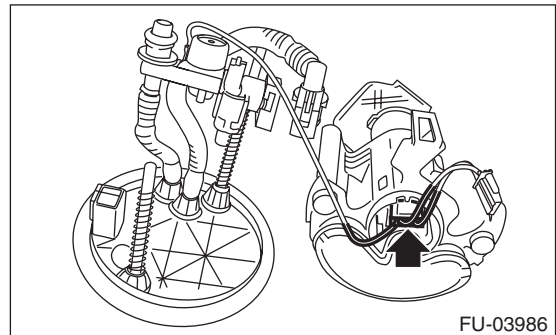
- 6) Push to compress the fuel filter assembly in the direction of the arrow, remove clip (A), and separate the sub tank bracket assembly and the fuel filter assembly.

#### CAUTION:

When separating the sub tank bracket assembly and the fuel filter assembly, be careful not to damage the ground wire.



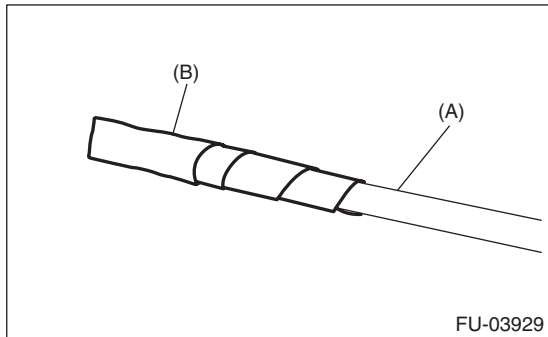
- 7) Disconnect the connector from the pump assembly.



8) Lift the two tab holders connecting the pump assembly to the fuel filter using a flat tip screwdriver (with a shaft diameter of approx. 3 mm (0.12 in)), etc., and separate the fuel filter and pump assembly.

**CAUTION:**

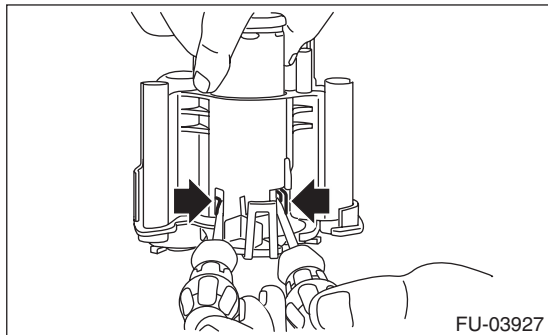
- To prevent damaging the tabs of the pump assembly, wrap the tip of flat tip screwdriver (A), etc. with tape (B).



- Be careful not to drop or apply any impact to the pump assembly.

**NOTE:**

If the spacer and O-ring is remaining on the pump assembly, remove these.

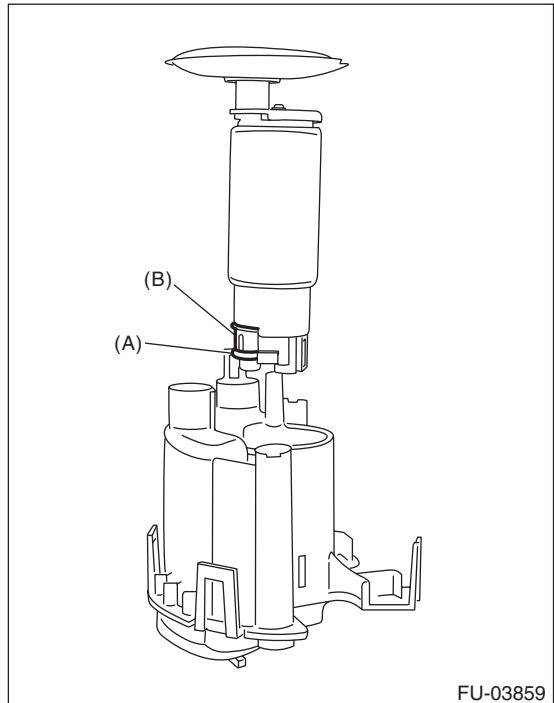


### B: INSTALLATION

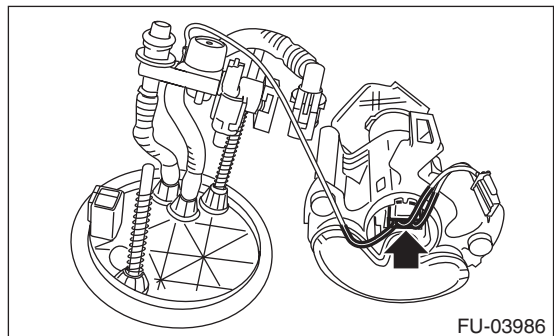
1) Assemble O-ring (A) and spacer (B) to the pump assembly and attach the pump assembly to the fuel filter.

**NOTE:**

- Use new O-rings (8 mm (0.31 in) inner diameter).
- Use a new spacer.
- Apply gasoline to the O-ring.
- Insert the pump assembly until a “pop” is heard.



2) Connect the connector to the pump assembly.



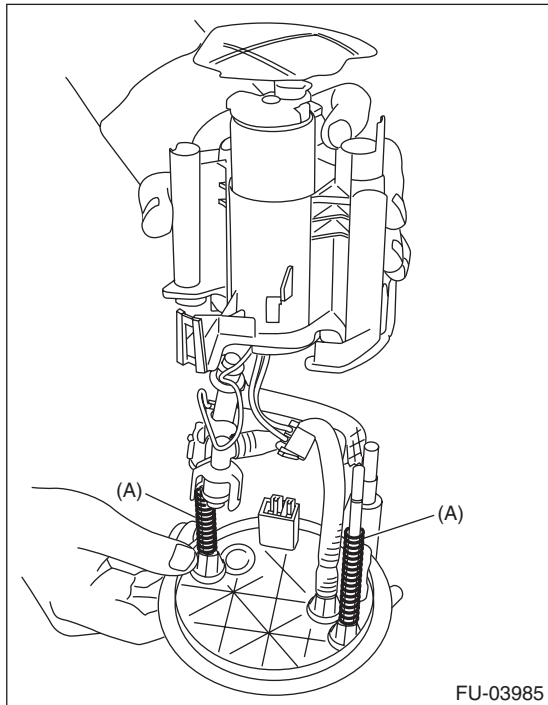
# Fuel Filter

## FUEL INJECTION (FUEL SYSTEMS)

3) Attach spring (A) to the metal rod of the sub tank bracket assembly, and assemble the fuel filter assembly.

**NOTE:**

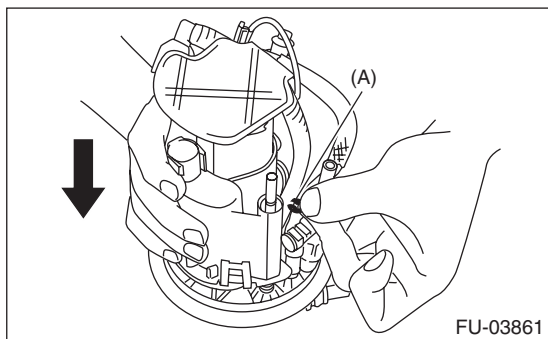
Use a new spring.



4) Push the fuel filter assembly in the direction of the arrow to compress, and attach clip (A).

**NOTE:**

Use a new clip.



5) Connect the fuel piping connector to the fuel filter assembly.

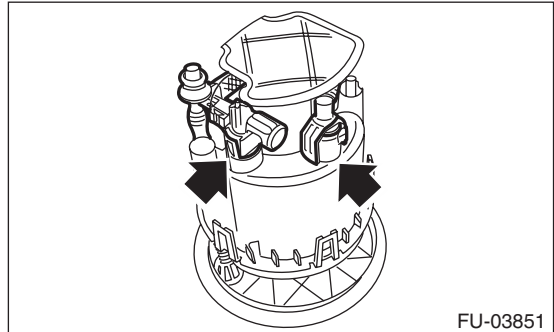
**NOTE:**

- Use new O-rings.
- Apply gasoline to the O-ring.
- The O-rings of the black and white connectors are identified by a difference in diameter. Be careful not to confuse the two during assembly.

**O-ring inner diameter:**

**Black connector O-ring [Approx. 7 mm (0.28 in)]**

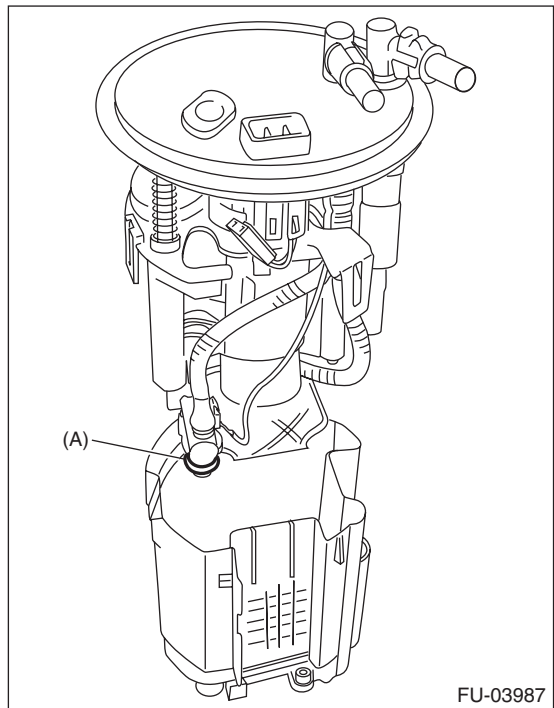
**White connector O-ring [Approx. 8 mm (0.31 in)]**



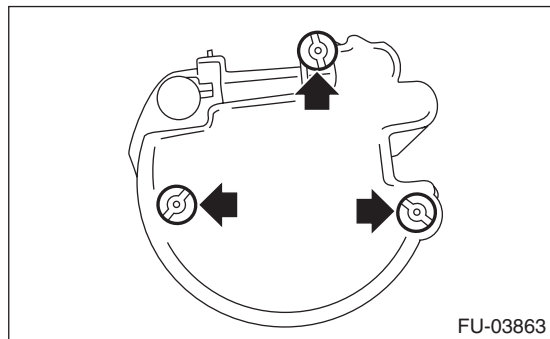
6) Attach the O-ring (A) to the fuel filter assembly, and attach the sub tank to the sub tank bracket assembly.

**NOTE:**

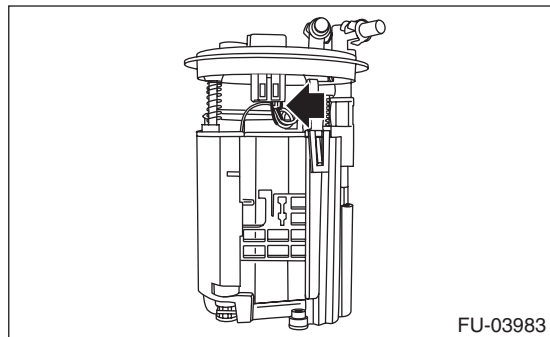
- Use new O-rings (8 mm (0.31 in) inner diameter).
- Apply gasoline to the O-ring.
- Insert the pump assembly until a “pop” is heard.



7) Replace the cushion on the rear face of the sub tank with a new cushion.



8) Connect the pump assembly connector to the sub tank bracket assembly.



9) Install the fuel level sensor and fuel temperature sensor. <Ref. to FU(H4SO)-67, INSTALLATION, Fuel Level Sensor.>

10) Install the fuel pump assembly. <Ref. to FU(H4SO)-66, INSTALLATION, Fuel Pump.>

## 28. Fuel Damper

### A: REMOVAL

**WARNING:**

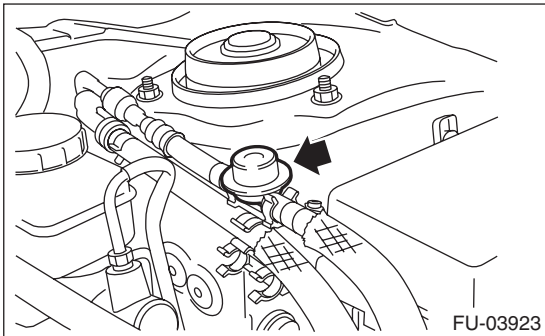
Place “NO OPEN FLAMES” signs near the working area.

**CAUTION:**

- Be careful not to spill fuel.
- Catch the fuel from hoses using a container or cloth.

1) Release the fuel pressure. <Ref. to FU(H4SO)-52, RELEASING OF FUEL PRESSURE, PROCEDURE, Fuel.>

2) Remove the fuel damper from the fuel delivery line.



### B: INSTALLATION

**CAUTION:**

If fuel hoses or clamps are damaged, replace them with new parts.

Install in the reverse order of removal.

**Tightening torque:**

**1.25 N·m (0.1 kgf-m, 0.9 ft-lb)**

### C: INSPECTION

Check that the fuel hose and fuel damper does not have deformation, cracks and damage.

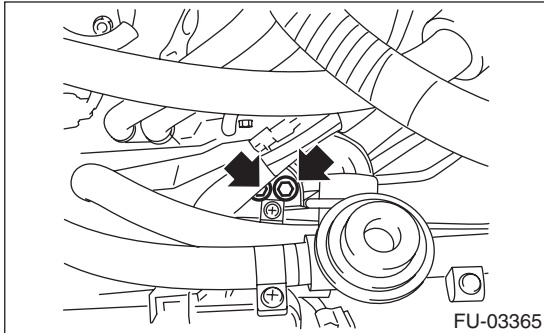
## 29.Purge Damper

### A: REMOVAL

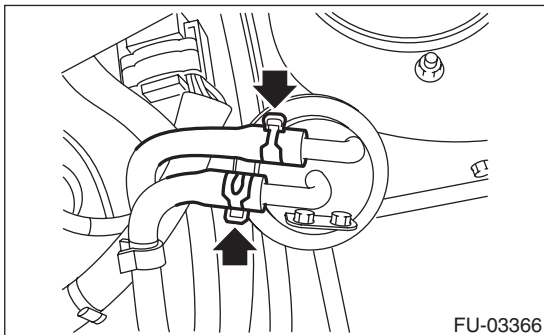
#### WARNING:

Place “NO OPEN FLAMES” signs near the working area.

1) Remove the purge damper from the purge damper stay.



2) Disconnect the evaporation hose from the purge damper.



### B: INSTALLATION

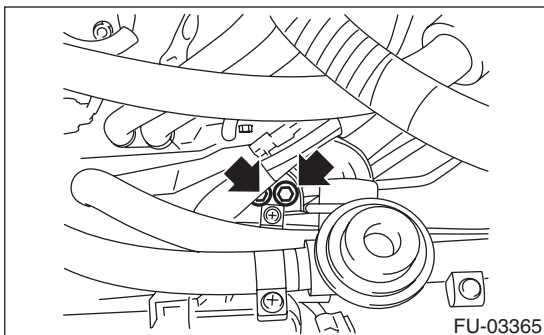
#### CAUTION:

If the evaporation hose is damaged, replace with a new hose.

Install in the reverse order of removal.

#### Tightening torque:

**8 N·m (0.8 kgf-m, 5.9 ft-lb)**



### C: INSPECTION

Check that the evaporation hose and purge damper does not have deformation, cracks and damage.

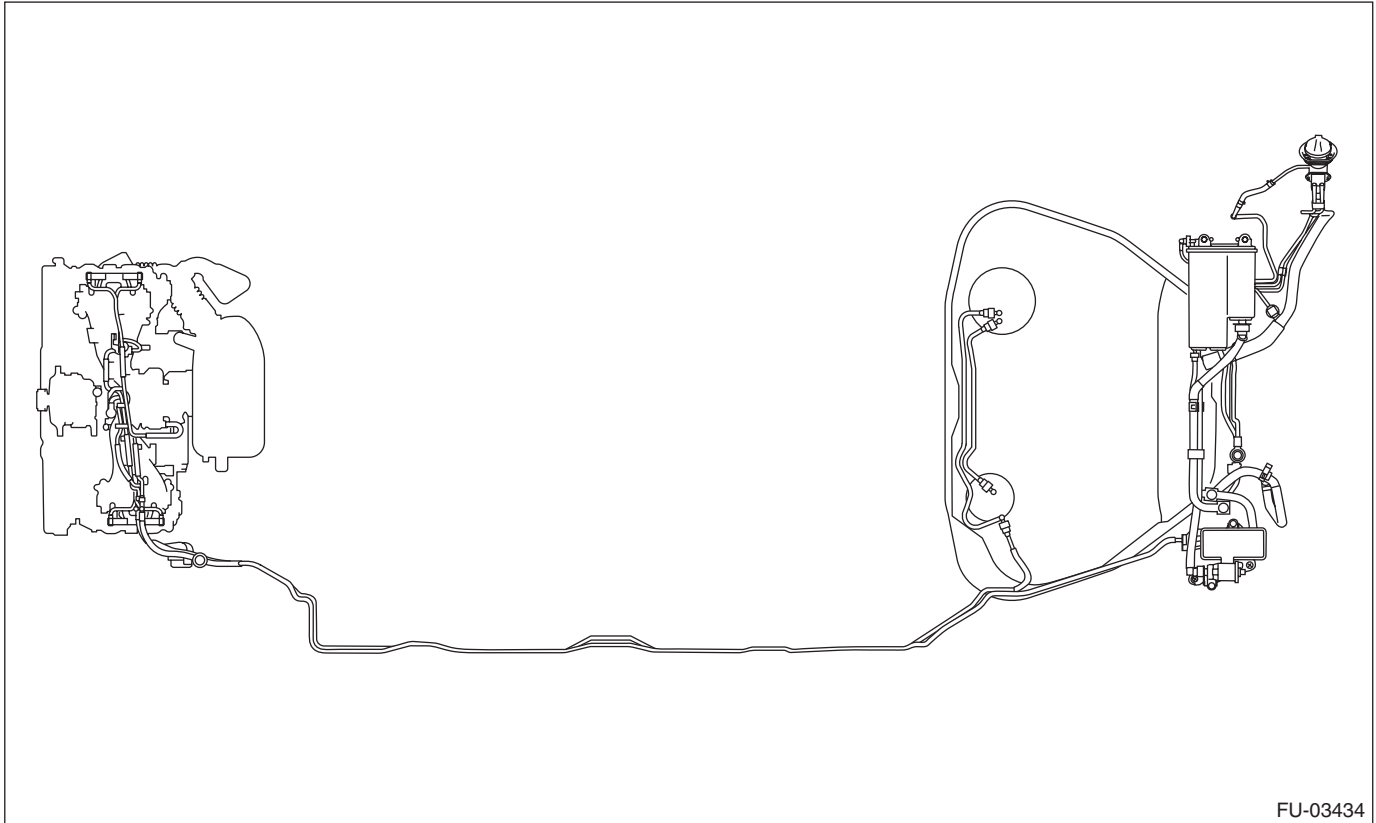


# Fuel Delivery and Evaporation Lines

FUEL INJECTION (FUEL SYSTEMS)

## 30. Fuel Delivery and Evaporation Lines

### A: REMOVAL



**WARNING:**  
Place “NO OPEN FLAMES” signs near the working area.

**CAUTION:**  
Be careful not to spill fuel.

- 1) Set the vehicle on a lift.
- 2) Release the fuel pressure. <Ref. to FU(H4SO)-52, RELEASING OF FUEL PRESSURE, PROCEDURE, Fuel.>
- 3) Open the fuel filler lid and remove the fuel filler cap.
- 4) Remove the floor mat. <Ref. to EI-68, REMOVAL, Floor Mat.>
- 5) In the engine compartment, disconnect the fuel delivery hoses and evaporation hose.

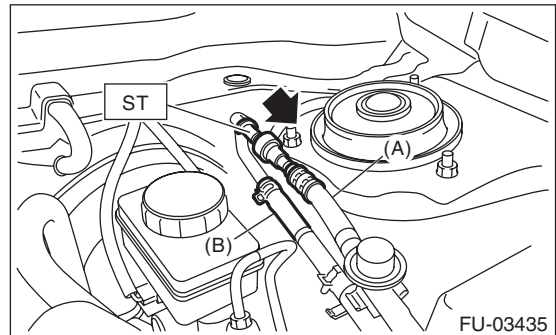
**CAUTION:**

- Be careful not to spill fuel.
- Catch the fuel from hoses using a container or cloth.

- (1) Set the ST to the fuel pipe.
- (2) Disconnect the quick connector of the fuel delivery hose by pushing the ST in the direction of the arrow.

ST 42099AE000 QUICK CONNECTOR  
RELEASE

- (3) Remove the clip and disconnect the evaporation hose from the fuel pipe.



- (A) Fuel delivery hose  
(B) Evaporation hose

- 6) Remove the canister. <Ref. to EC(H4SO)-5, REMOVAL, Canister.>
- 7) Remove the fuel tank. <Ref. to FU(H4SO)-54, REMOVAL, Fuel Tank.>
- 8) Remove the fuel pipe assembly.

# Fuel Delivery and Evaporation Lines

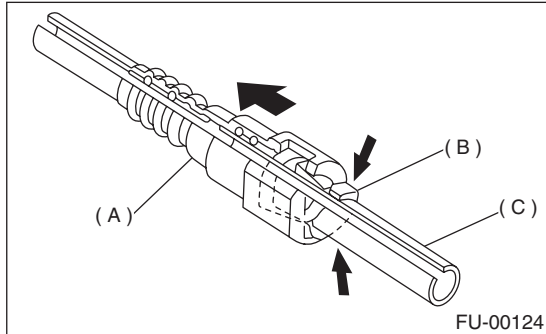
FUEL INJECTION (FUEL SYSTEMS)

9) Disconnect the quick connector, and disconnect the fuel delivery tube and jet pump tube.

(1) Push the retainer in the direction of the arrow, disconnect the quick connector from pipe.

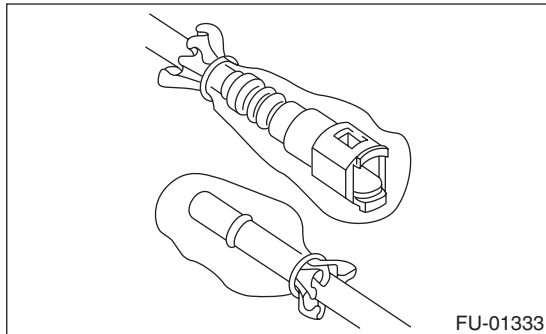
## NOTE:

Clean the pipe and quick connector, if they are covered with dust.



- (A) Quick connector
- (B) Retainer
- (C) Pipe

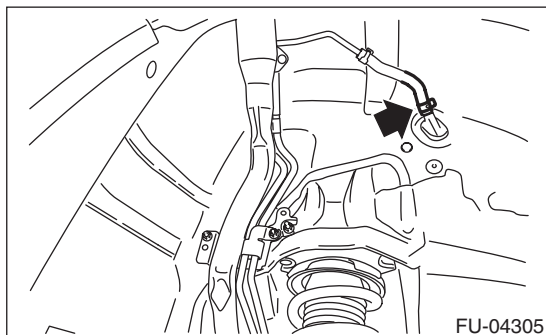
(2) To prevent from damaging or entering foreign matter, wrap the pipes and quick connectors with plastic bag etc.



10) Remove the evaporation pipe.

(1) Remove the rear mud guard RH. <Ref. to EI-28, REMOVAL, Mud Guard.>

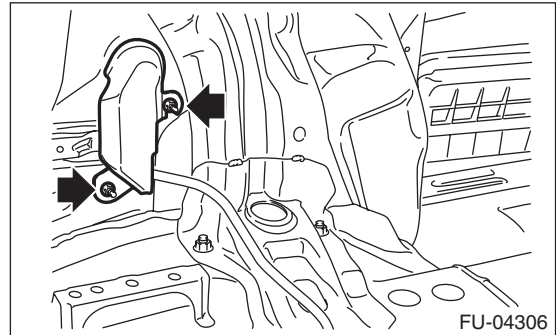
(2) Remove the evaporation hose.



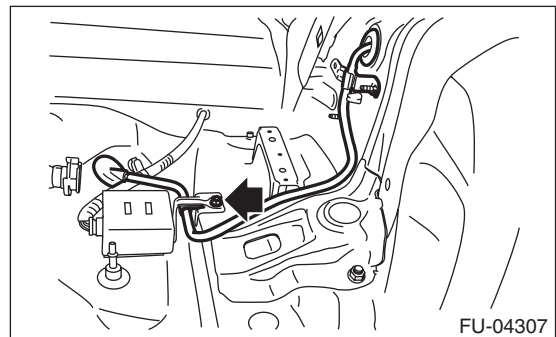
(3) Remove the right side trunk side trim. (4 door model) <Ref. to EI-61, REMOVAL, Trunk Room Trim.>

(4) Remove the right side rear quarter trim. (5 door model) <Ref. to EI-58, REMOVAL, Rear Quarter Trim.>

(5) Remove the evaporation pipe protector.



(6) Remove the evaporation pipe from vehicle.

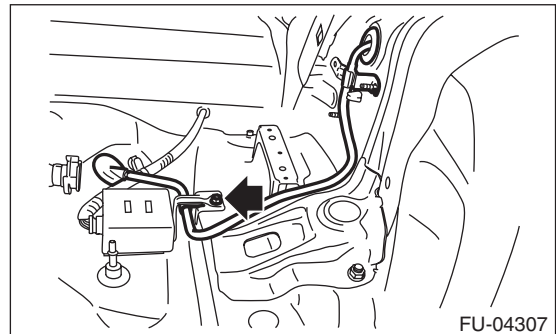


## B: INSTALLATION

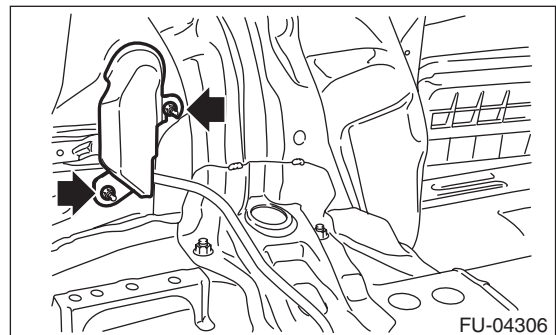
Install in the reverse order of removal while being careful of the following.

### 1. EVAPORATION PIPE INSTALLATION

1) Install the evaporation pipe to the vehicle.



2) Install the evaporation pipe protector.



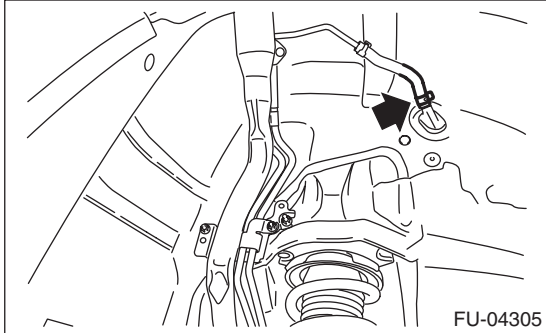
# Fuel Delivery and Evaporation Lines

## FUEL INJECTION (FUEL SYSTEMS)

3) Install the right side trunk side trim. (4 door model) <Ref. to EI-61, INSTALLATION, Trunk Room Trim.>

4) Install the right side rear quarter trim. (5 door model) <Ref. to EI-59, INSTALLATION, Rear Quarter Trim.>

5) Install the evaporation hose.

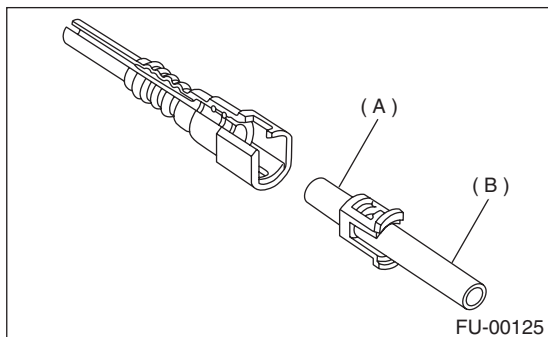


6) Install the rear mud guard RH. <Ref. to EI-28, INSTALLATION, Mud Guard.>

## 2. CONNECTING THE FUEL LINE QUICK CONNECTOR

### CAUTION:

Make sure there are no damage or dust on connections. If necessary, clean seal surface of pipe.



(A) Seal surface

(B) Pipe

1) Set the retainer to quick connector.

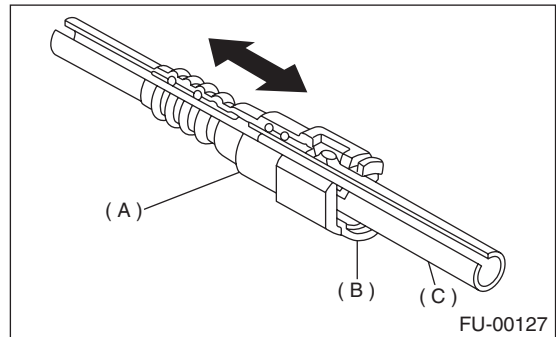
### NOTE:

Use a new retainer.

2) Connect the quick connector to pipe.

### CAUTION:

• Make sure that the quick connector is securely connected.



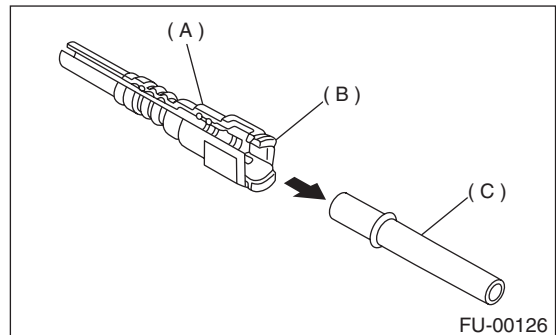
(A) Quick connector

(B) Retainer

(C) Pipe

• Make sure the two retainer pawls are engaged in their mating positions in the quick connector.

• Be sure to inspect tubes and their connections for any leakage of fuel.



(A) Quick connector

(B) Retainer

(C) Pipe

## 3. CONNECTING THE FUEL DELIVERY HOSE

Connect the fuel delivery hose to the pipe with an overlap of 20 to 25 mm (0.79 to 0.98 in).

Type A: When the amount to be inserted is specified.

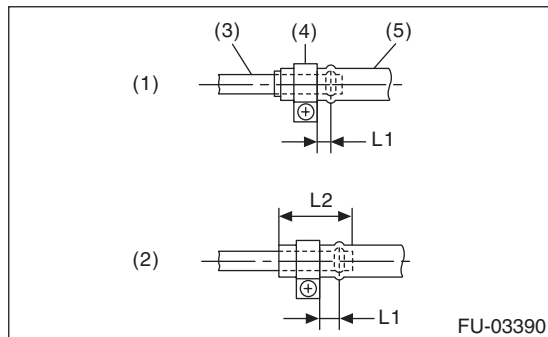
Type B: When the amount to be inserted is not specified.

**L1:  $2.5 \pm 1.5$  mm ( $0.098 \pm 0.059$  in)**

**L2:  $22.5 \pm 2.5$  mm ( $0.886 \pm 0.098$  in)**

### CAUTION:

**Be sure to inspect hoses and their connections for any leakage of fuel.**

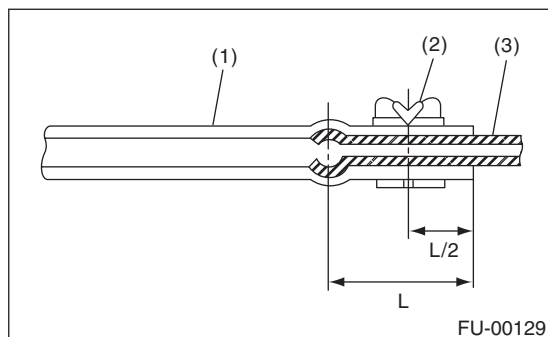


- (1) Type A
- (2) Type B
- (3) Pipe
- (4) Clamp
- (5) Hose

## 4. EVAPORATION HOSE CONNECTION

Connect the evaporation hose to the pipe with an overlap of 15 to 20 mm (0.59 to 0.79 in).

**L =  $17.5 \pm 2.5$  mm ( $0.689 \pm 0.098$  in)**



- (1) Hose
- (2) Clip
- (3) Pipe

## C: INSPECTION

1) Make sure that there are no cracks on the fuel pipes and fuel hoses.

2) Make sure the fuel pipe and fuel hose connections are tightened firmly.

# Fuel System Trouble in General

FUEL INJECTION (FUEL SYSTEMS)

## 31. Fuel System Trouble in General

### A: INSPECTION

Trouble and possible cause		Corrective action
<b>1. Insufficient fuel supply to injector</b>		
1)	Fuel pump does not operate.	
	○ Defective terminal contact	Inspect contact, especially ground, and tighten it securely.
	○ Trouble in electromagnetic or electronic circuit parts	Replace the faulty parts.
2)	Decline of fuel pump function	Replace the fuel pump.
3)	Clogged fuel filter	Replace the fuel filter. Clean or replace the fuel tank if necessary.
4)	Clogged or bent fuel pipe or hose	Clean, correct or replace fuel pipe or hose.
5)	Air is mixed in the fuel system.	Inspect or retighten each connection part.
6)	Clogged or bent air breather tube or pipe.	Clean, correct or replace the air breather tube or pipe.
7)	Damaged diaphragm of pressure regulator	Replace.
<b>2. Leakage or blow out of fuel</b>		
1)	Loose joints of the fuel pipe	Retighten.
2)	Cracked fuel pipe, hose and fuel tank	Replace.
3)	Defective welding part on the fuel tank	Replace.
4)	Clogged or bent air breather tube or air vent tube	Clean, correct or replace the air breather tube or air vent tube.
<b>3. Gasoline smell inside of compartment</b>		
1)	Loose joints at air breather tube, air vent tube and fuel filler pipe	Retighten.
2)	Problem in tightening of the fuel saucer gasket air	Correct or replace the gasket.
3)	Inoperative fuel pump modulator or circuit	Replace.
<b>4. Defective fuel meter indicator</b>		
1)	Defective operation of fuel level sensor	Replace.
2)	Defective operation of fuel meter	Replace.
<b>5. Noise</b>		
1)	Large operation noise or vibration of fuel pump	Replace.

#### NOTE:

- When the vehicle is left unattended for an extended period of time, water may accumulate in the fuel tank. Fill fuel fully to prevent the problem.
- In snow-covered areas, mountainous areas, skiing areas, etc. where ambient temperatures drop to 0°C (32°F) or less throughout the winter season, use a water removing agent in the fuel system to prevent freezing fuel system and accumulating water.
- When water is accumulated in fuel filter, fill the water removing agent in the fuel tank.
- Before using water removing agent, follow the cautions noted on the bottle.

# General Description

EMISSION CONTROL (AUX. EMISSION CONTROL DEVICES)

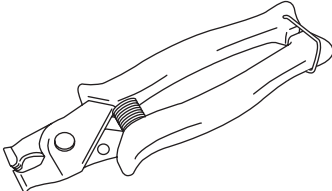
## 1. General Description

### A: CAUTION

- Wear appropriate work clothing, including a cap, protective goggles and protective shoes when performing any work.
- Remove contamination including dirt and corrosion before removal, installation or disassembly.
- Keep the disassembled parts in order and protect them from dust and dirt.
- Before removal, installation or disassembly, be sure to clarify the failure. Avoid unnecessary removal, installation, disassembly and replacement.
- Vehicle components are extremely hot after driving. Be wary of receiving burns from heated parts.
- Be sure to tighten fasteners including bolts and nuts to the specified torque.
- Place shop jacks or rigid racks at the specified points.
- Before disconnecting connectors of sensors or units, be sure to disconnect the ground cable from battery.

### B: PREPARATION TOOL

#### 1. SPECIAL TOOL

ILLUSTRATION	TOOL NUMBER	DESCRIPTION	REMARKS
 ST18353AA000	18353AA000	CLAMP PLIERS	<ul style="list-style-type: none"><li>• Used for removing and installing the PCV hose.</li><li>• This tool is made by the French company CAILLAU. (code) 54.0.000.205</li></ul> To make it easier to obtain, it has been provided with a tool number.

#### 2. GENERAL TOOL

TOOL NAME	REMARKS
Circuit tester	Used for measuring resistance.

# Front Catalytic Converter

EMISSION CONTROL (AUX. EMISSION CONTROL DEVICES)

---

## 2. Front Catalytic Converter

### A: REMOVAL

The front catalytic converter is integrated into the front exhaust pipe; therefore, refer to “Front Exhaust Pipe” for the removal procedure. <Ref. to EX(H4SO)-6, REMOVAL, Front Exhaust Pipe.>

### B: INSTALLATION

The front catalytic converter is integrated into the front exhaust pipe; therefore, refer to “Front Exhaust Pipe” for the installation procedure. <Ref. to EX(H4SO)-7, INSTALLATION, Front Exhaust Pipe.>

### C: INSPECTION

- 1) Check the connections and welds for exhaust leaks.
- 2) Check for hole or rust.

# Rear Catalytic Converter

EMISSION CONTROL (AUX. EMISSION CONTROL DEVICES)

---

## 3. Rear Catalytic Converter

### A: REMOVAL

The rear catalytic converter is integrated into the center exhaust pipe; therefore, refer to “Center Exhaust Pipe” for the removal procedure. <Ref. to EX(H4SO)-9, REMOVAL, Center Exhaust Pipe.>

### B: INSTALLATION

The rear catalytic converter is integrated into the center exhaust pipe; therefore, refer to “Center Exhaust Pipe” for the installation procedure. <Ref. to EX(H4SO)-9, INSTALLATION, Center Exhaust Pipe.>

### C: INSPECTION

- 1) Check the connections and welds for exhaust leaks.
- 2) Check for hole or rust.



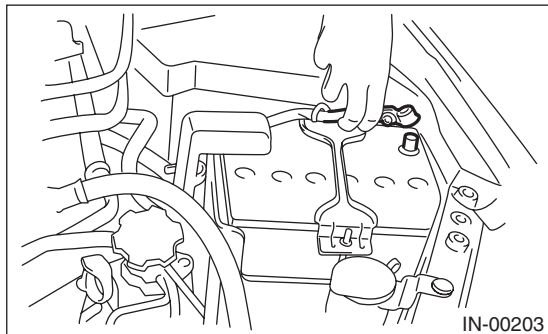
# Canister

## EMISSION CONTROL (AUX. EMISSION CONTROL DEVICES)

### 4. Canister

#### A: REMOVAL

1) Disconnect the ground cable from battery.



2) Open the trunk, and remove the trunk room mat. (4 door model)

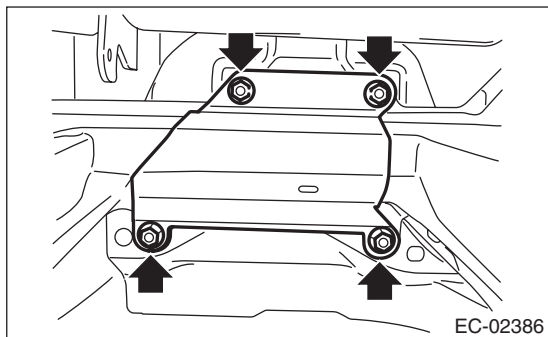
3) Open the rear gate, and remove the luggage floor mat. (5 door model)

4) Tilt the rear seat backrest forward.

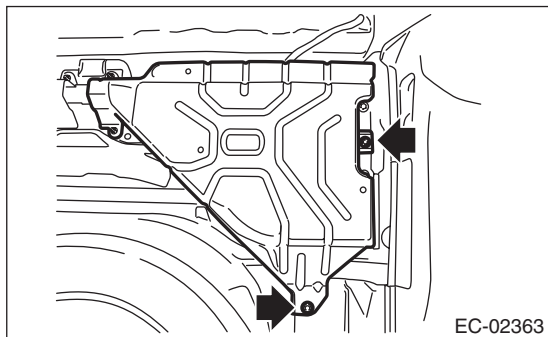
5) Remove the sub trunk box and spacers. (4 door model)

6) Remove the luggage floor box and spacers. (5 door model)

7) Remove the center canister cover.



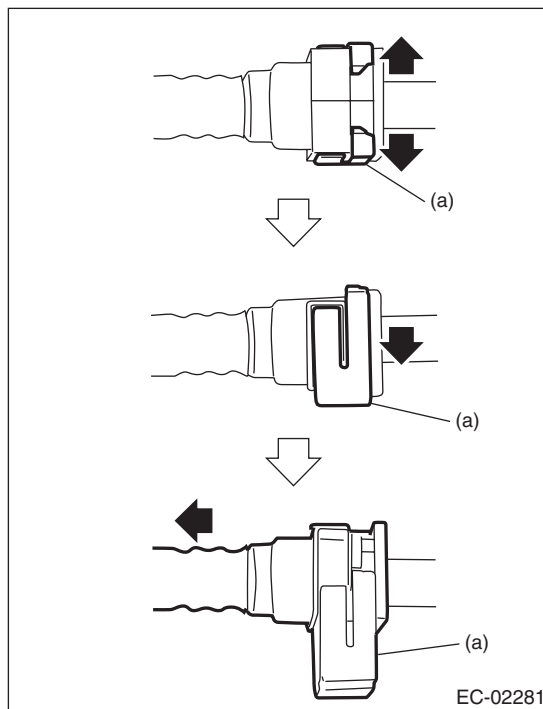
8) Remove the canister cover RH.



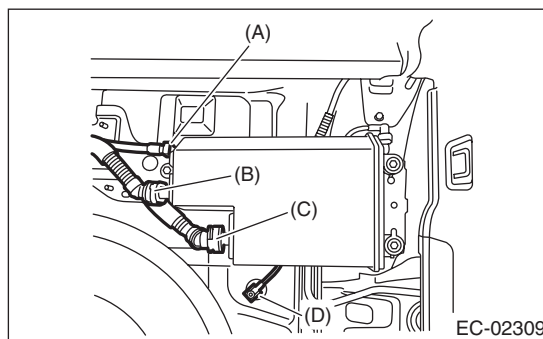
9) Disconnect the purge tube (A), vent tube (B), drain tube A (C) and PCV drain tube (D).

#### NOTE:

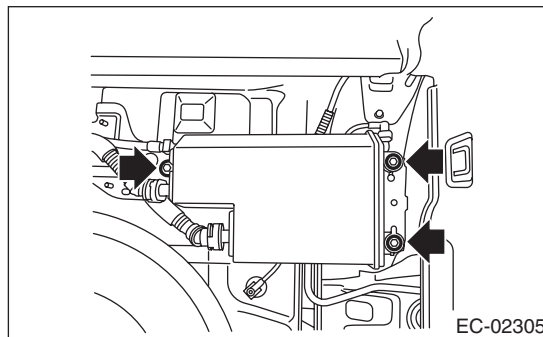
Disconnect the quick connector as shown in the figure.



(a) Retainer



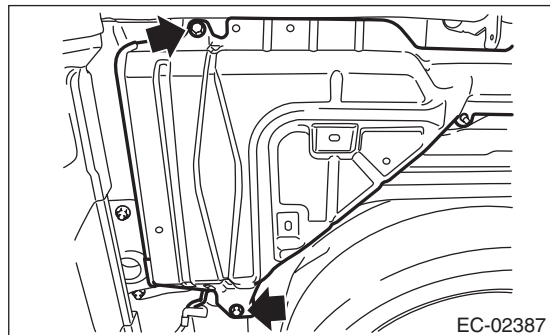
10) Remove the canister.



# Canister

## EMISSION CONTROL (AUX. EMISSION CONTROL DEVICES)

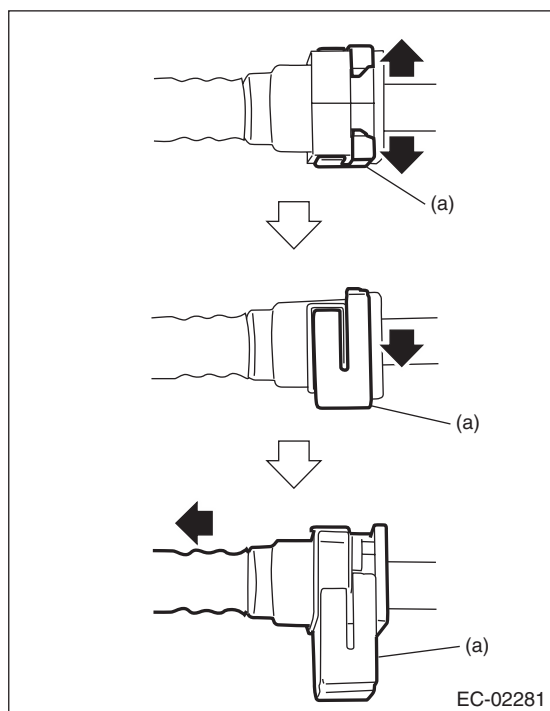
11) Remove the canister cover LH.



12) Disconnect drain tube A (A) and drain tube B (B).

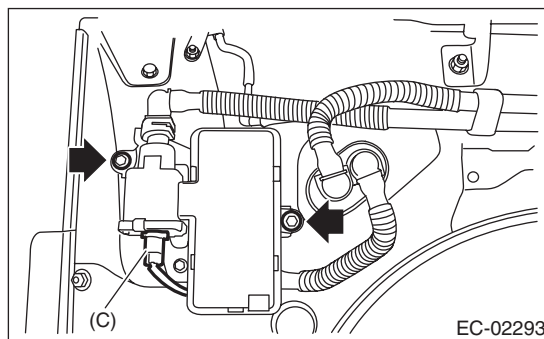
NOTE:

Disconnect the quick connector as shown in the figure.



(a) Retainer

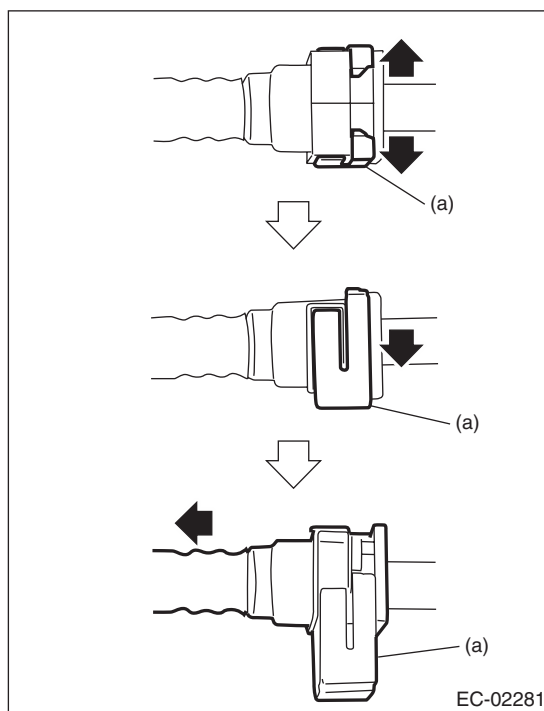
13) Disconnect connector (C) from the drain valve, and remove the drain valve.



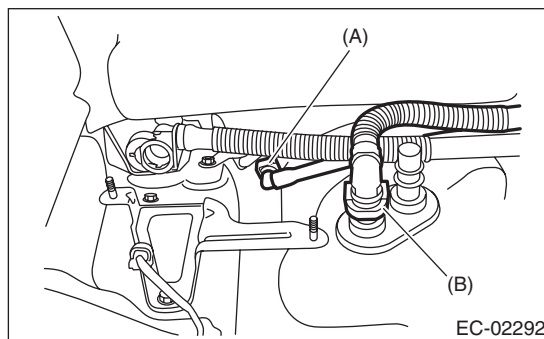
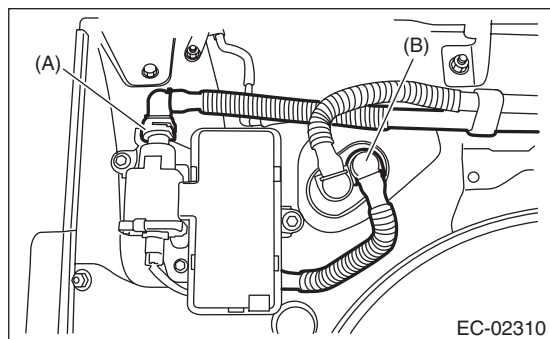
14) Disconnect purge tube (A) and vent tube (B).

NOTE:

Disconnect the quick connector as shown in the figure.



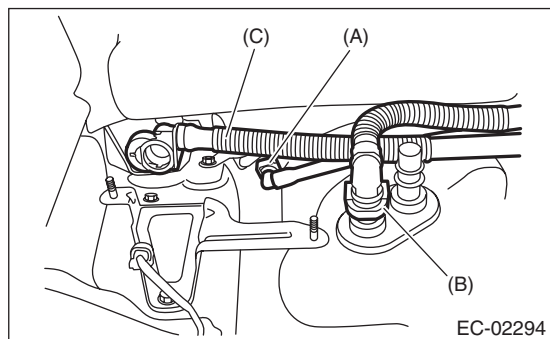
(a) Retainer



# Canister

EMISSION CONTROL (AUX. EMISSION CONTROL DEVICES)

15) Remove purge tube (A), vent tube (B), and drain tube A (C).



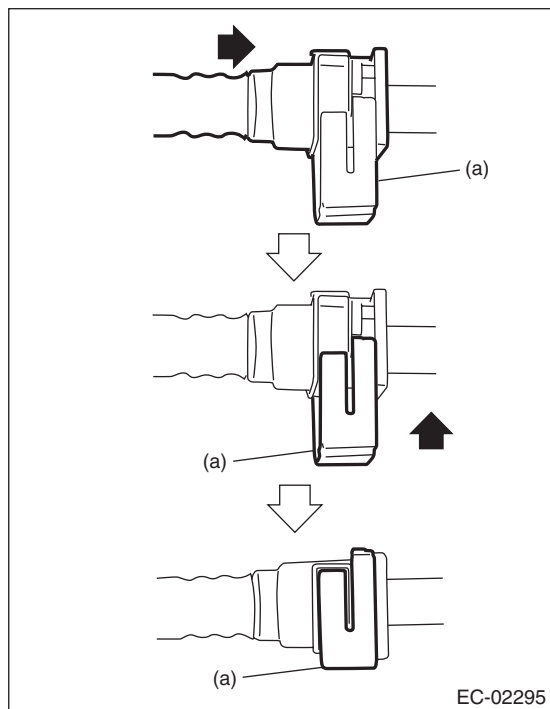
## B: INSTALLATION

Install in the reverse order of removal while being careful of the following.

- Connect the quick connector as shown in the figure.

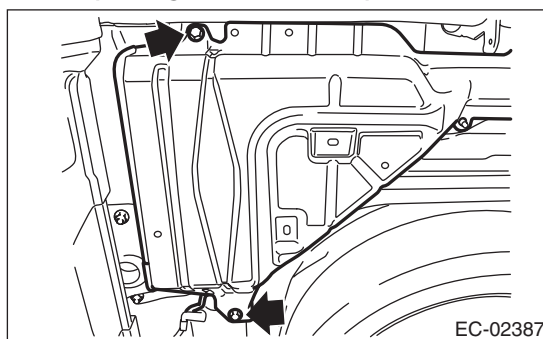
### CAUTION:

- Check that there is no damage or dust on the quick connector. If necessary, clean the seal surface of the pipe.
- When connecting the quick connector, securely insert the pipe all the way before locking the retainer.
- If it is not possible to perform the push lock operation of the retainer, recheck whether the pipe is securely inserted.
- Make sure that the quick connector is securely connected.

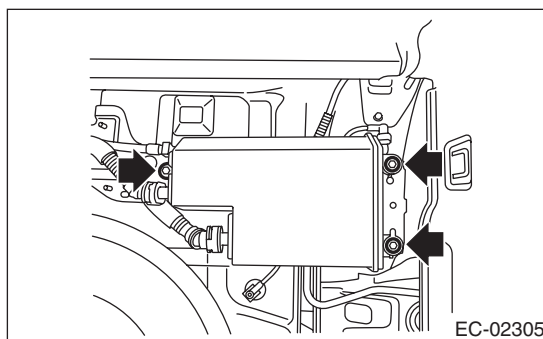


(a) Retainer

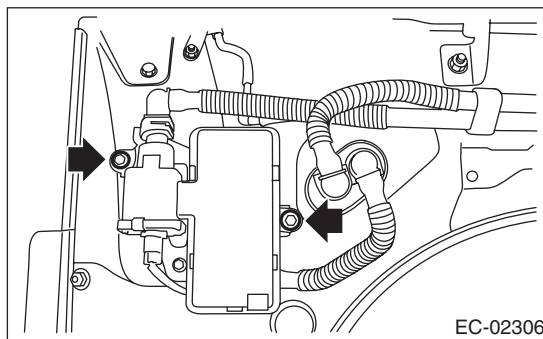
**Tightening torque:**  
**18 N·m (1.8 kgf-m, 13.3 ft-lb)**



**Tightening torque:**  
**8 N·m (0.8 kgf-m, 5.9 ft-lb)**



**Tightening torque:**  
**7.5 N·m (0.8 kgf-m, 5.5 ft-lb)**



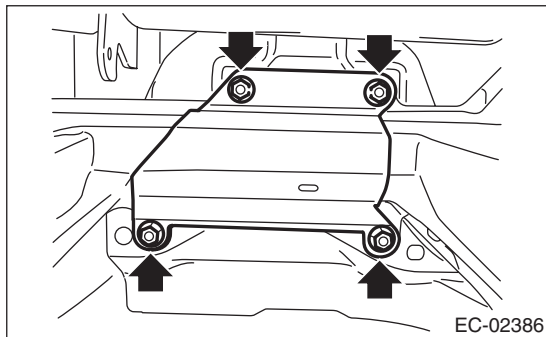
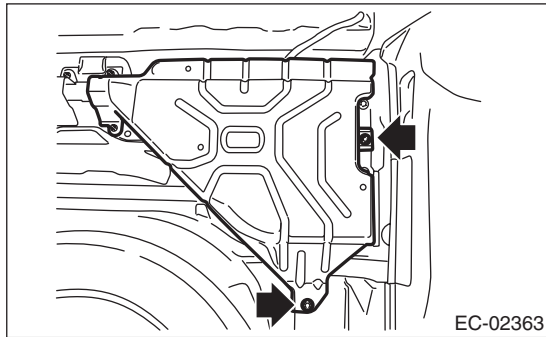
# Canister

EMISSION CONTROL (AUX. EMISSION CONTROL DEVICES)

---

**Tightening torque:**

**18 N·m (1.8 kgf-m, 13.3 ft-lb)**



## C: INSPECTION

Make sure that the canister, drain valve and tube are not cracked or loose.

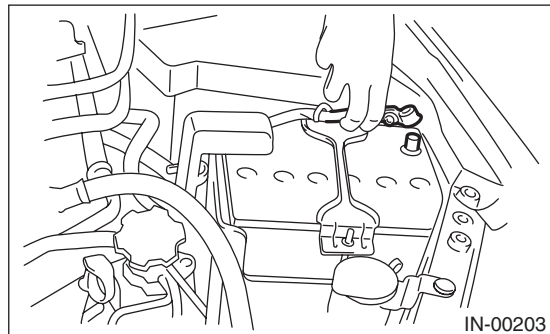
# Purge Control Solenoid Valve

EMISSION CONTROL (AUX. EMISSION CONTROL DEVICES)

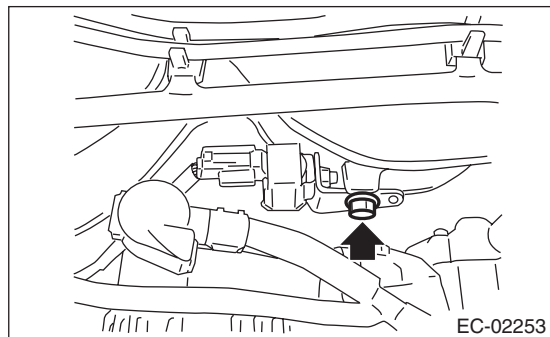
## 5. Purge Control Solenoid Valve

### A: REMOVAL

1) Disconnect the ground cable from battery.



2) Disconnect the connector and evaporation hoses of purge control solenoid valve, and then remove the purge control solenoid valve.

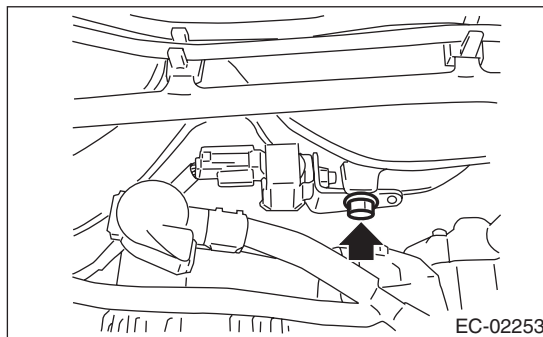


### B: INSTALLATION

Install in the reverse order of removal.

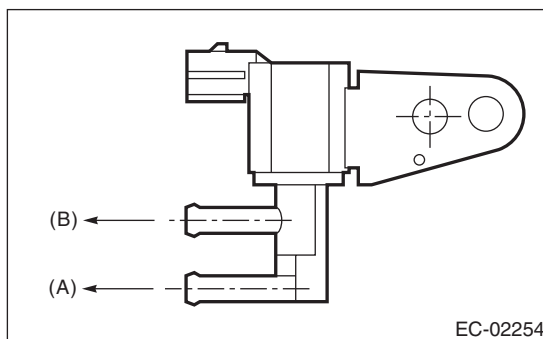
**Tightening torque:**

**19 N·m (1.9 kgf·m, 14.0 ft·lb)**



**NOTE:**

Connect the evaporation hose as shown in the figure.



(A) To fuel pipe (intake manifold)

(B) To fuel pipe (evaporation line)

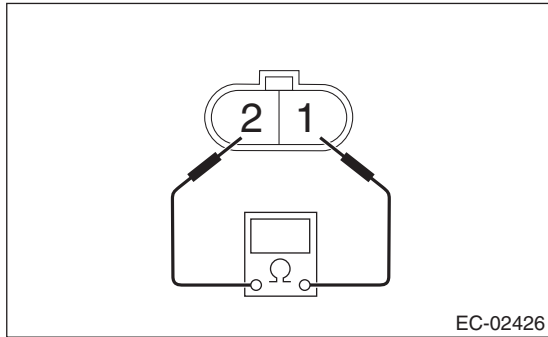
# Purge Control Solenoid Valve

EMISSION CONTROL (AUX. EMISSION CONTROL DEVICES)

## C: INSPECTION

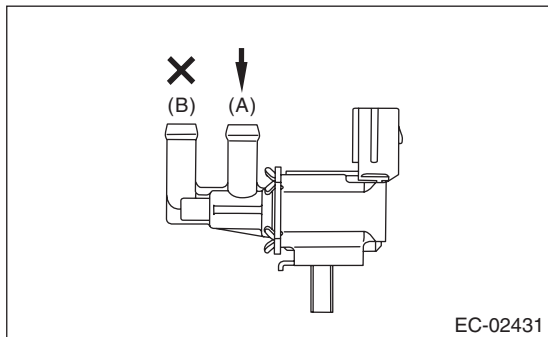
### 1. PURGE CONTROL SOLENOID VALVE

1) Measure the resistance between the purge control solenoid valve terminals.

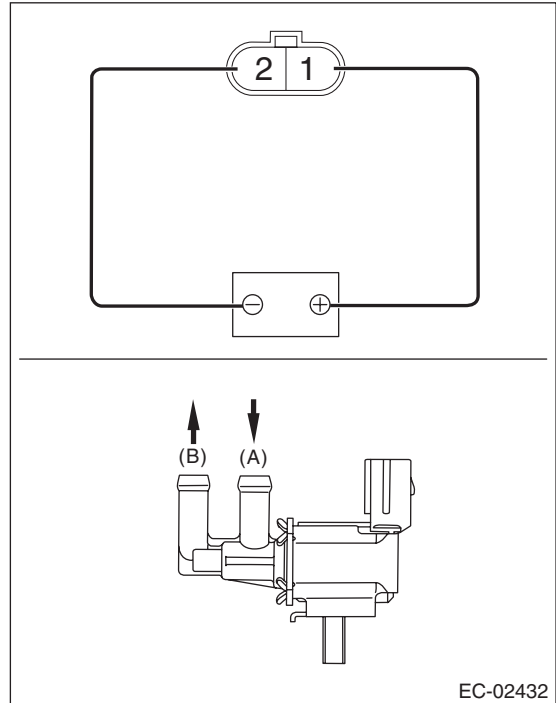


Terminal No.	Standard
1 and 2	$32 \pm 2 \Omega$ (20°C (68°F))

2) Check that air does not come out of (B) when blowing in (A).



3) Connect the terminal No. 1 to the battery positive terminal and the terminal No. 2 to the battery negative terminal. Check that air is discharged from (B), when supplying air to (A).



### 2. OTHER INSPECTIONS

Make sure the hoses are not cracked or loose.

## 6. EGR Valve

### A: REMOVAL

For removal procedures, refer to the "FU(H4SO)" section. <Ref. to FU(H4SO)-35, REMOVAL, EGR Valve.>

### B: INSTALLATION

For installation procedure, refer to "FU(H4SO)" section. <Ref. to FU(H4SO)-35, INSTALLATION, EGR Valve.>

### C: INSPECTION

For inspection procedures, refer to the "FU(H4SO)" section. <Ref. to FU(H4SO)-35, INSPECTION, EGR Valve.>

# Fuel Level Sensor

EMISSION CONTROL (AUX. EMISSION CONTROL DEVICES)

---

## 7. Fuel Level Sensor

### A: REMOVAL

For removal procedures, refer to the "FU(H4SO)" section. <Ref. to FU(H4SO)-67, REMOVAL, Fuel Level Sensor.>

### B: INSTALLATION

For installation procedure, refer to "FU(H4SO)" section. <Ref. to FU(H4SO)-67, INSTALLATION, Fuel Level Sensor.>

### C: INSPECTION

For inspection procedures, refer to the "FU(H4SO)" section. <Ref. to FU(H4SO)-67, INSPECTION, Fuel Level Sensor.>



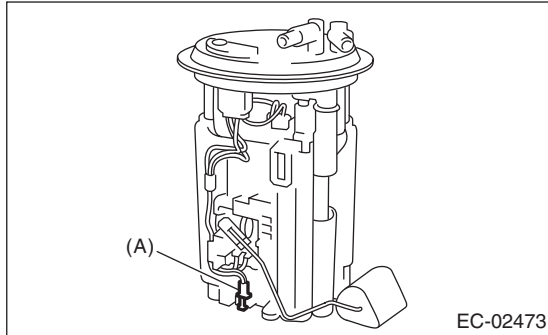
# Fuel Temperature Sensor

EMISSION CONTROL (AUX. EMISSION CONTROL DEVICES)

## 8. Fuel Temperature Sensor

### A: REMOVAL

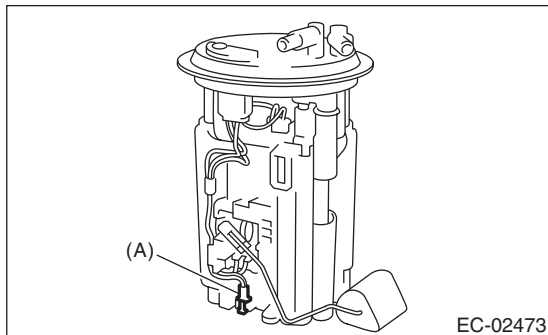
The fuel temperature sensor and fuel level sensor are integrated into one unit; therefore, refer to “Fuel Level Sensor” for removal procedure. <Ref. to FU(H4SO)-67, REMOVAL, Fuel Level Sensor.>



(A) Fuel temperature sensor

### B: INSTALLATION

The fuel temperature sensor and fuel level sensor are integrated into one unit; therefore, refer to “Fuel Level Sensor” for installation procedure. <Ref. to FU(H4SO)-67, INSTALLATION, Fuel Level Sensor.>



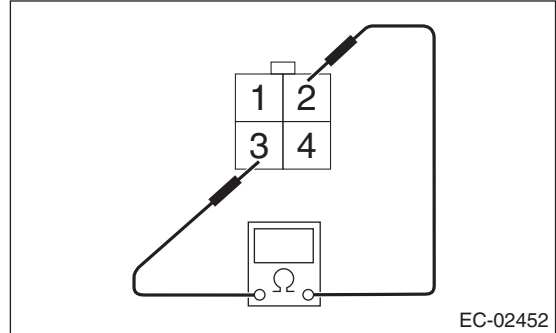
(A) Fuel temperature sensor

### C: INSPECTION

Measure the resistance between fuel temperature sensor terminals.

#### CAUTION:

When measuring the resistance, check the circuit tester specification and be careful not to turn on electricity 3 V or more to prevent damaging the fuel temperature sensor.



Temperature	Terminal No.	Standard
-10°C (14°F)	2 and 3	11.21±0.69 kΩ (measured current 0.10 mA)
20°C (68°F)		2.502±0.08 kΩ (measured current 0.10 mA)
50°C (122°F)		0.7176±0.034 kΩ (measured current 0.10 mA)

## Fuel Sub Level Sensor

EMISSION CONTROL (AUX. EMISSION CONTROL DEVICES)

---

### 9. Fuel Sub Level Sensor

#### A: REMOVAL

For removal procedures, refer to the "FU(H4SO)" section. <Ref. to FU(H4SO)-68, REMOVAL, Fuel Sub Level Sensor.>

#### B: INSTALLATION

For installation procedure, refer to "FU(H4SO)" section. <Ref. to FU(H4SO)-69, INSTALLATION, Fuel Sub Level Sensor.>

#### C: INSPECTION

For inspection procedures, refer to the "FU(H4SO)" section. <Ref. to FU(H4SO)-69, INSPECTION, Fuel Sub Level Sensor.>

# Fuel Tank Pressure Sensor

EMISSION CONTROL (AUX. EMISSION CONTROL DEVICES)

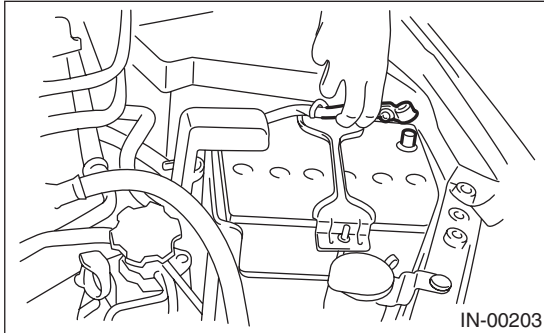
## 10. Fuel Tank Pressure Sensor

### A: REMOVAL

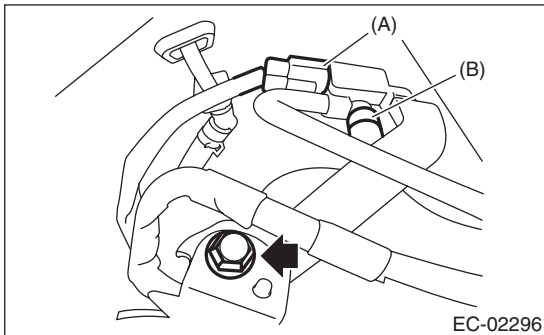
#### WARNING:

Place "NO OPEN FLAMES" signs near the working area.

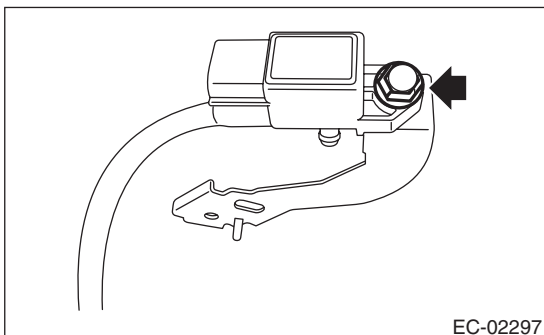
- 1) Set the vehicle on a lift.
- 2) Disconnect the ground cable from battery.



- 3) Open the fuel filler lid and remove the fuel filler cap.
- 4) Lift up the vehicle.
- 5) Disconnect the connector from the fuel tank pressure sensor (A).
- 6) Disconnect the pressure hose from the fuel tank pressure sensor (B).
- 7) Remove the fuel tank pressure sensor along with the bracket.



- 8) Remove the fuel tank pressure sensor from the bracket cover.

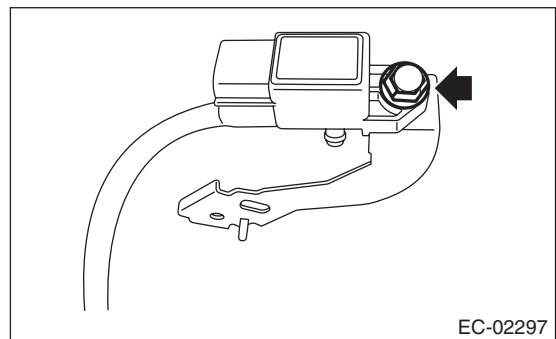
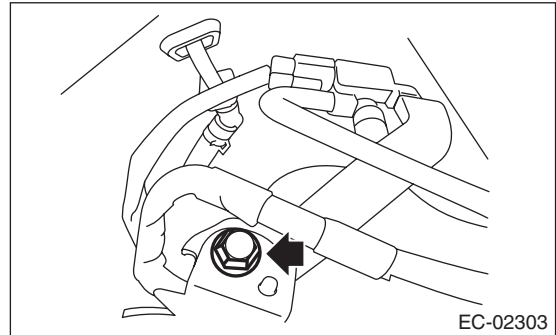


### B: INSTALLATION

Install in the reverse order of removal.

#### Tightening torque:

**7.35 N·m (0.7 kgf-m, 5.4 ft-lb)**



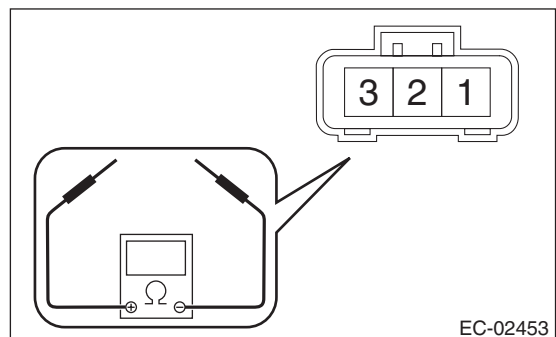
### C: INSPECTION

#### 1. FUEL TANK PRESSURE SENSOR

#### CAUTION:

Pay attention to polarity when measuring the resistance in fuel tank pressure sensor.

Measure the resistance between fuel tank pressure sensor terminals.



Terminal No.	Standard
3 (+) and 1 (-)	8.57 kΩ±0.5
1 (+) and 2 (-)	7.14 kΩ±0.23

#### 2. OTHER INSPECTIONS

Make sure the hoses are not cracked or loose.

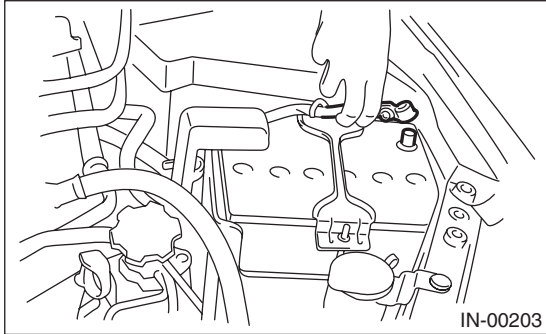
# Pressure Control Solenoid Valve

EMISSION CONTROL (AUX. EMISSION CONTROL DEVICES)

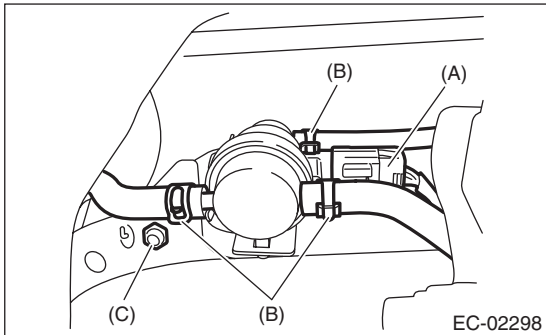
## 11. Pressure Control Solenoid Valve

### A: REMOVAL

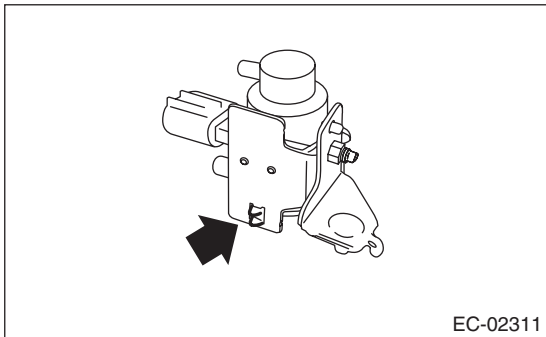
- 1) Set the vehicle on a lift.
- 2) Disconnect the ground cable from battery.



- 3) Lift up the vehicle.
- 4) Disconnect connector (A) from the pressure control solenoid valve.
- 5) Disconnect the evaporation hose (B) from the pressure control solenoid valve.
- 6) Remove the nuts (C) which secure the bracket to the fuel tank.



- 7) Remove the pressure control solenoid valve and bracket as a unit.
- 8) Remove the pressure control solenoid valve from the bracket.



### B: INSTALLATION

Install in the reverse order of removal.

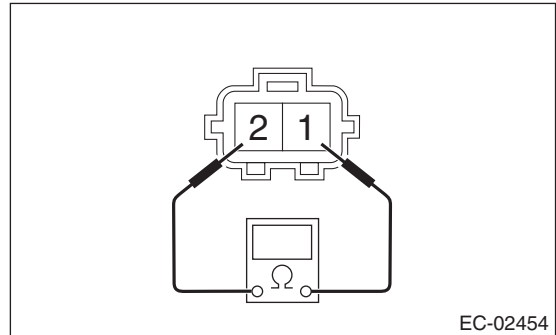
#### **Tightening torque:**

**7.35 N·m (0.7 kgf-m, 5.4 ft-lb)**

### C: INSPECTION

#### 1. PRESSURE CONTROL SOLENOID VALVE

Measure the resistance between the pressure control solenoid valve terminals.



Terminal No.	Standard
1 and 2	20 — 30 $\Omega$

#### 2. OTHER INSPECTIONS

Make sure the hoses are not cracked or loose.

### 12.Drain Filter

#### A: SPECIFICATION

The drain valve is a non-disassembled part, so do not remove the drain filter from drain valve. Refer to “Canister” for removal and installation procedures.

<Ref. to EC(H4SO)-5, REMOVAL, Canister.>

<Ref. to EC(H4SO)-7, INSTALLATION, Canister.>

# Shut Valve

EMISSION CONTROL (AUX. EMISSION CONTROL DEVICES)

---

## 13. Shut Valve

### A: REMOVAL

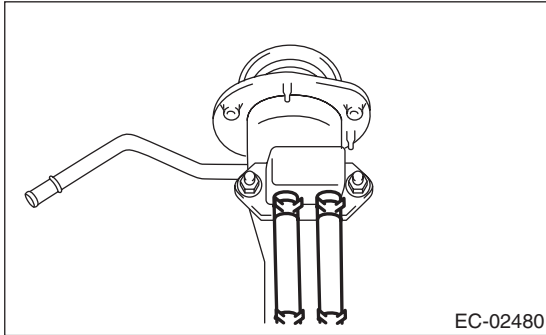
#### WARNING:

Place "NO OPEN FLAMES" signs near the working area.

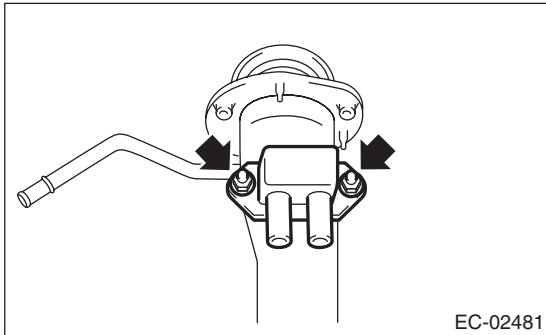
#### CAUTION:

Be careful not to spill fuel.

- 1) Remove the fuel filler pipe. <Ref. to FU(H4SO)-61, REMOVAL, Fuel Filler Pipe.>
- 2) Disconnect the evaporation hose from the shut valve.



- 3) Remove the shut valve from the fuel filler pipe.

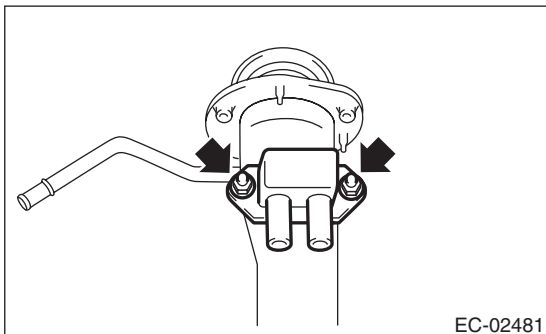


### B: INSTALLATION

Install in the reverse order of removal.

#### Tightening torque:

**4.5 N·m (0.5 kgf-m, 3.3 ft-lb)**



### C: INSPECTION

Make sure the hoses are not cracked or loose.

# Drain Valve

EMISSION CONTROL (AUX. EMISSION CONTROL DEVICES)

## 14. Drain Valve

### A: REMOVAL

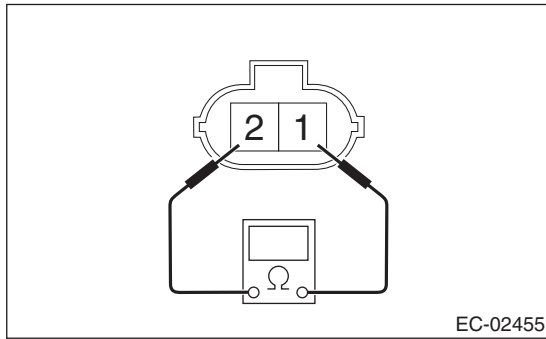
Refer to “Canister” for removal procedures. <Ref. to EC(H4SO)-5, REMOVAL, Canister.>

### B: INSTALLATION

Refer to “Canister” for installation procedures. <Ref. to EC(H4SO)-7, INSTALLATION, Canister.>

### C: INSPECTION

Measure the resistance between drain valve terminals.



Terminal No.	Standard
1 and 2	20 — 30 Ω

# PCV Hose Assembly

EMISSION CONTROL (AUX. EMISSION CONTROL DEVICES)

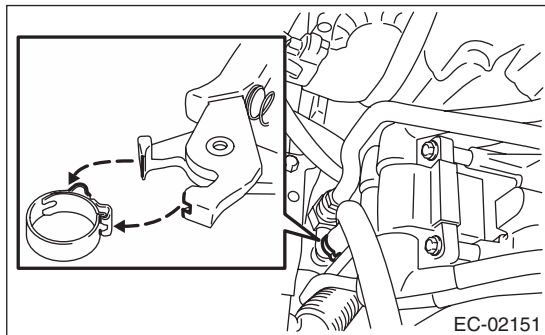
## 15.PCV Hose Assembly

### A: REMOVAL

#### CAUTION:

Do not remove unless the PCV hose, diagnostics connector and PCV valve are damaged.

- 1) Remove the air intake chamber. <Ref. to IN(H4SO)-7, REMOVAL, Air Intake Chamber.>
  - 2) Fit the depression in the ST with the protrusion on the clamp to unlock.
  - 3) Remove the PCV hose assembly.
- ST 18353AA000 CLAMP PLIERS



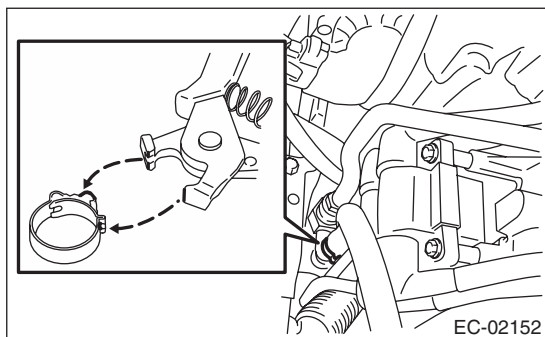
### B: INSTALLATION

#### NOTE:

Replace the clamp with a new part.

- 1) Install the PCV hose assembly, then lock by fitting the ST on the clamp protrusion.

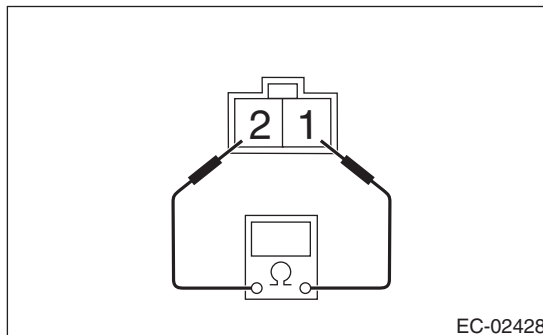
ST 18353AA000 CLAMP PLIERS



- 2) Install the air intake chamber. <Ref. to IN(H4SO)-7, INSTALLATION, Air Intake Chamber.>

### C: INSPECTION

- 1) Measure the resistance between PCV hose assembly terminals.



Terminal No.	Standard
1 and 2	Less than 1 $\Omega$

- 2) Make sure that there are no cracks or other damages on PCV hose assembly.

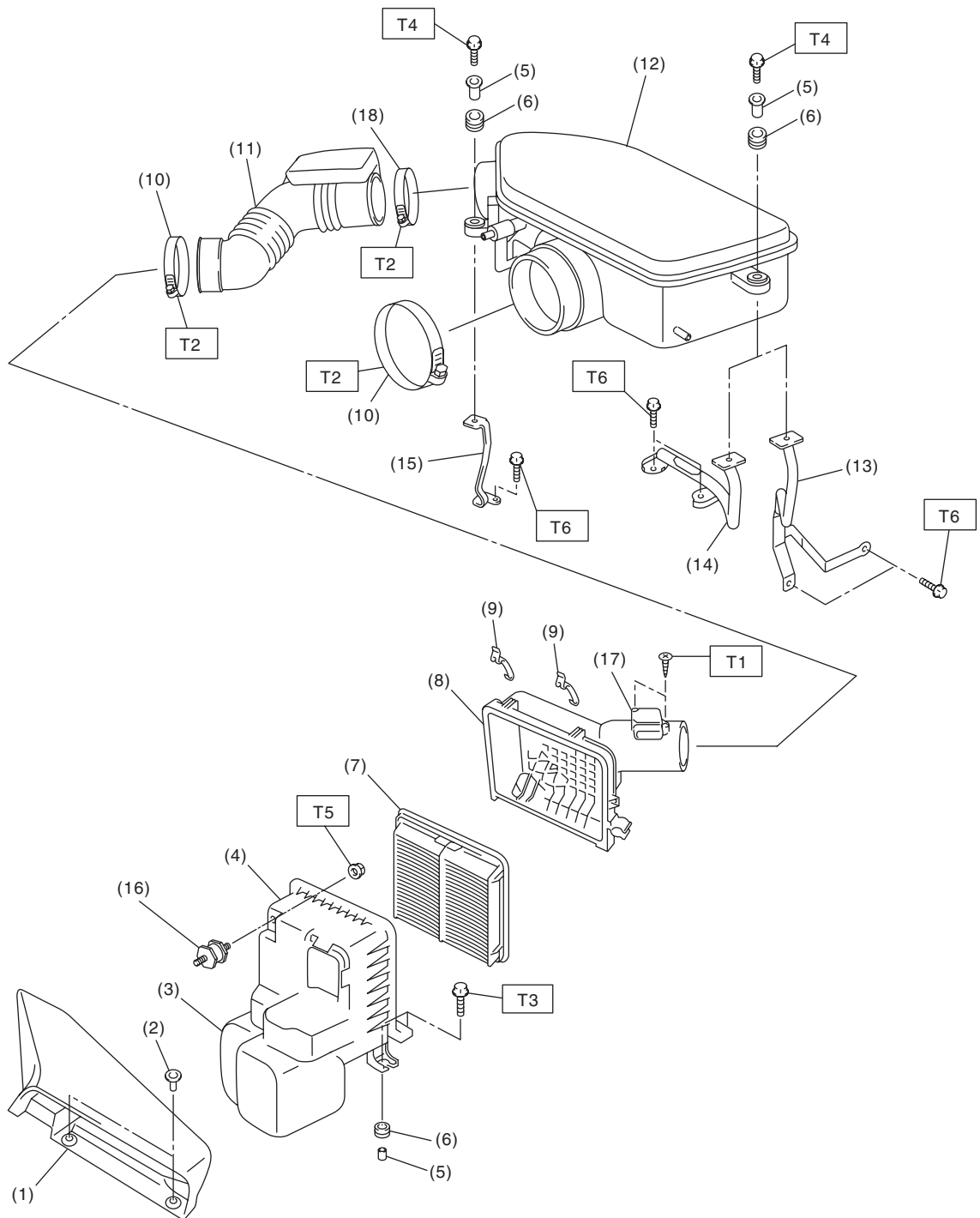


# General Description

INTAKE (INDUCTION)

## 1. General Description

A: COMPONENT



IN-02543

IN(H4SO)-2

# General Description

INTAKE (INDUCTION)

(1) Air intake duct	(10) Clamp	(18) Clamp
(2) Clip	(11) Intake boot	
(3) Resonator chamber	(12) Air intake chamber	
(4) Air cleaner case (Front)	(13) Stay LH (MT model)	
(5) Spacer	(14) Stay LH (AT model)	
(6) Cushion	(15) Stay RH	
(7) Air cleaner element	(16) Cushion	
(8) Air cleaner case (Rear)	(17) Mass air flow and intake air temperature sensor	
(9) Clip		

---

**Tightening torque:N·m (kgf-m, ft-lb)**

**T1: 1 (0.1, 0.7)**

**T2: 3 (0.3, 2.2)**

**T3: 6 (0.6, 4.4)**

**T4: 6.5 (0.7, 4.8)**

**T5: 7.5 (0.8, 5.5)**

**T6: 16 (1.6, 11.8)**

---

## B: CAUTION

- Wear appropriate work clothing, including a cap, protective goggles and protective shoes when performing any work.
- Remove contamination including dirt and corrosion before removal, installation or disassembly.
- Keep the disassembled parts in order and protect them from dust and dirt.
- Before removal, installation or disassembly, be sure to clarify the failure. Avoid unnecessary removal, installation, disassembly and replacement.
- Vehicle components are extremely hot after driving. Be wary of receiving burns from heated parts.
- Be sure to tighten fasteners including bolts and nuts to the specified torque.
- Place shop jacks or rigid racks at the specified points.
- Before disconnecting connectors of sensors or units, be sure to disconnect the ground cable from the battery.

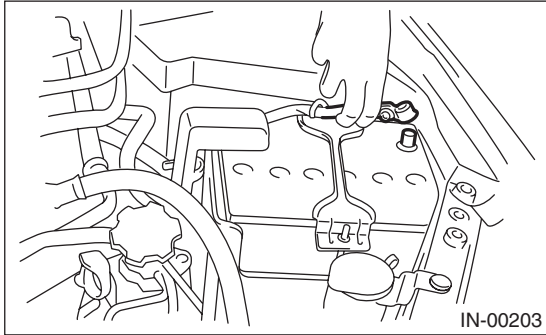
# Air Cleaner Element

INTAKE (INDUCTION)

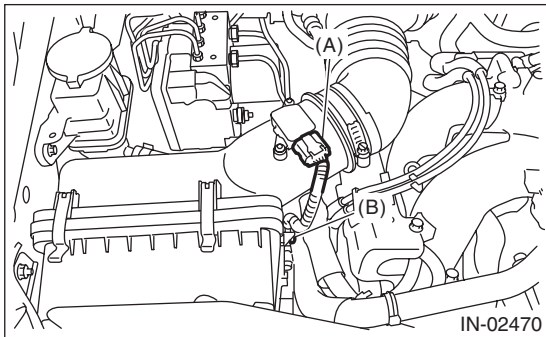
## 2. Air Cleaner Element

### A: REMOVAL

1) Disconnect the ground cable from battery.

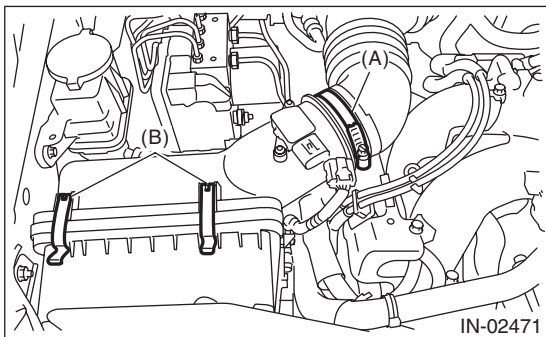


2) Disconnect the connector (A) from the mass air flow and intake air temperature sensor, and remove the clip (B).

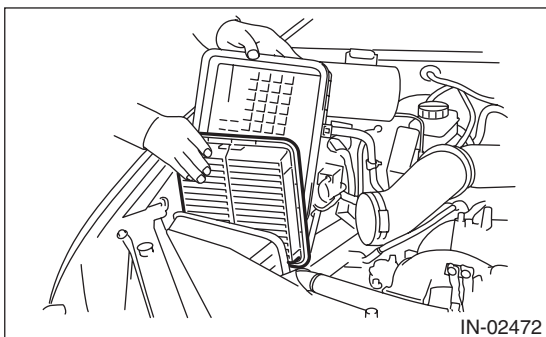


3) Loosen the clamp (A) which connects the air cleaner case to intake boot.

4) Remove the clips (B) securing the upper side of air cleaner case.



5) Remove the air cleaner case (rear) and air cleaner element.



### B: INSTALLATION

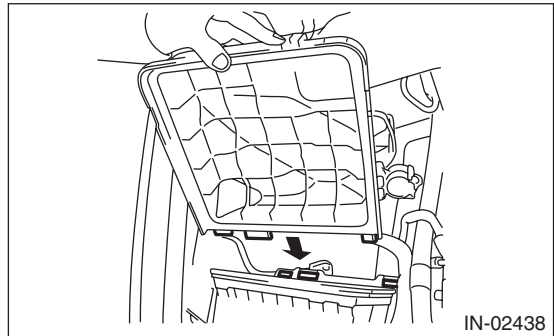
Install in the reverse order of removal.

#### CAUTION:

Be sure to use **SUBARU** genuine air cleaner element depending on the engine type when replacing the air cleaner elements. Using other air cleaner element may affect the engine performance.

#### NOTE:

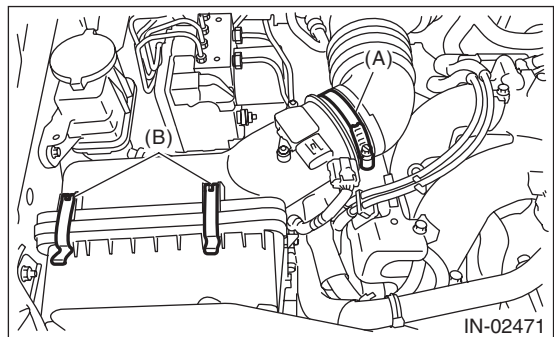
- Check that there are no foreign objects in the air cleaner case.
- When installing the air cleaner case (rear), align the protrusion of the air cleaner case (rear) to the hole on the air cleaner case (front) to install.



#### Tightening torque:

##### Clamp (A)

**3 N·m (0.3 kgf-m, 2.2 ft-lb)**



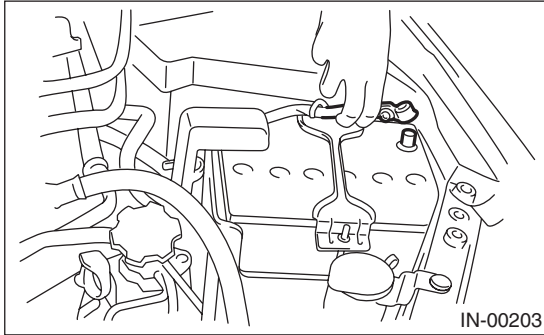
### C: INSPECTION

Replace if excessively damaged or dirty.

## 3. Air Cleaner Case

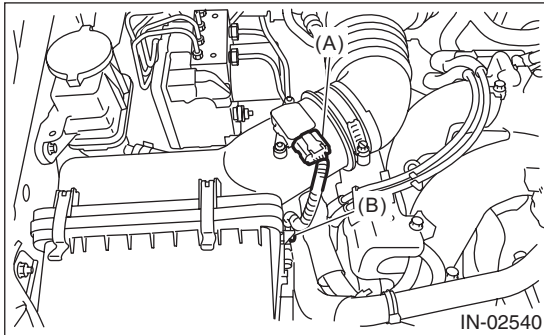
### A: REMOVAL

1) Disconnect the ground cable from battery.



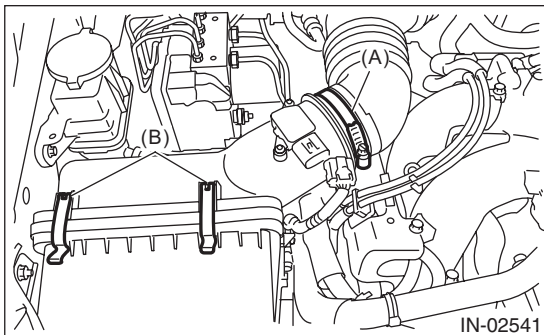
2) Remove the air intake duct. <Ref. to IN(H4SO)-8, REMOVAL, Air Intake Duct.>

3) Disconnect the connector (A) from the mass air flow and intake air temperature sensor, and remove the clip (B).

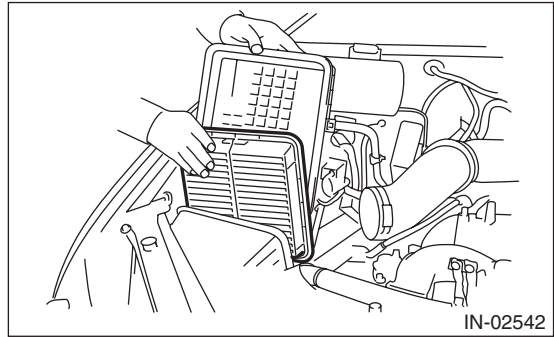


4) Loosen the clamp (A) which connects the air cleaner case to intake boot.

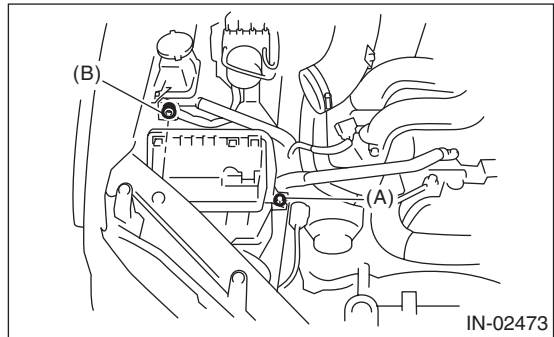
5) Remove the clips (B) from the air cleaner case (front).



6) Remove the air cleaner case (rear) and air cleaner element.



7) Remove the bolt (A) and nut (B) which secure the air cleaner case (front) to the body.



8) Remove the air cleaner case (front).

# Air Cleaner Case

## INTAKE (INDUCTION)

### B: INSTALLATION

1) Install the bolt (A) and nut (B) which secure the air cleaner case (front) to the body.

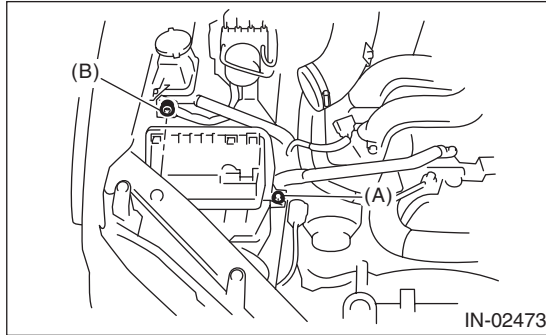
#### Tightening torque:

##### Bolt (A)

**6 N·m (0.6 kgf-m, 4.4 ft-lb)**

##### Nut (B)

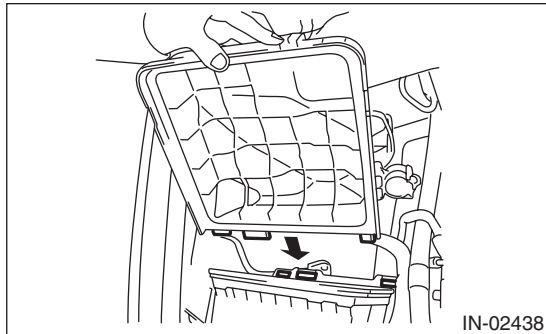
**7.5 N·m (0.8 kgf-m, 5.5 ft-lb)**



2) Install the air cleaner case (rear) and air cleaner element.

#### NOTE:

When installing the air cleaner case (rear), align the protrusion of the air cleaner case (rear) to the hole on the air cleaner case (front) to install.

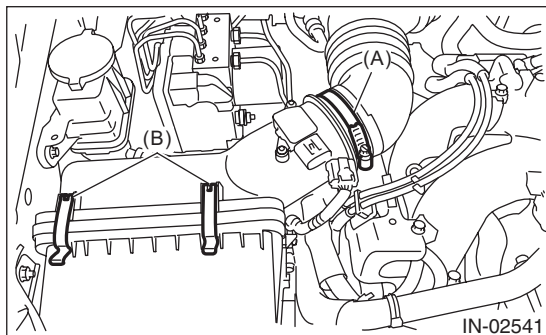


3) Install the clips (B) to the air cleaner case (front), then tighten the clamp (A) that connects the air cleaner case (rear) to the intake boot.

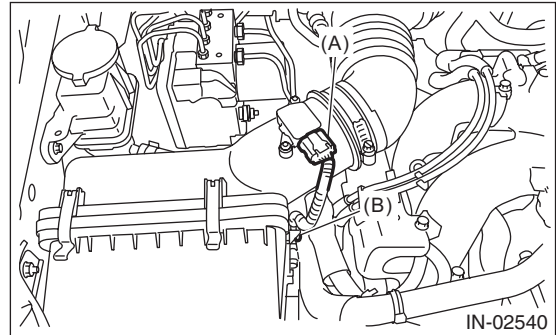
#### Tightening torque:

##### Clamp (A)

**3 N·m (0.3 kgf-m, 2.2 ft-lb)**

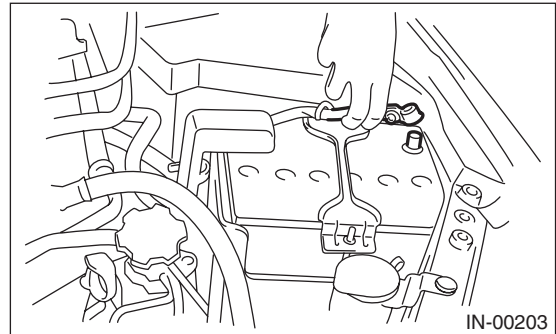


4) Connect the connector (A) to the mass air flow and intake air temperature sensor, and fasten the harness to clip (B).



5) Install the air intake duct. <Ref. to IN(H4SO)-8, INSTALLATION, Air Intake Duct.>

6) Connect the ground cable to battery.



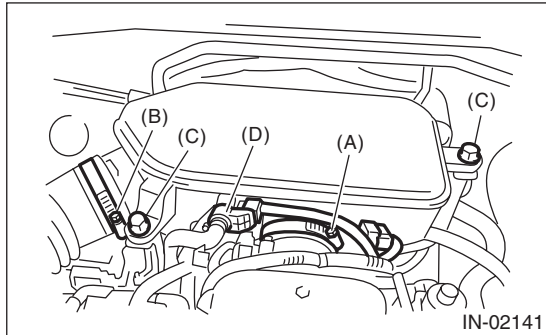
### C: INSPECTION

Check for cracks or loose connections.

## 4. Air Intake Chamber

### A: REMOVAL

- 1) Loosen the clamp (A) which connects air intake chamber to throttle body.
- 2) Loosen the clamp (B) which connects intake boot to air intake chamber.
- 3) Remove the bolt (C) which secures air intake chamber to the air intake chamber stay.
- 4) Disconnect the connector (D).



- 5) Disconnect the blow-by hoses, and then remove air intake chamber.

### B: INSTALLATION

Install in the reverse order of removal.

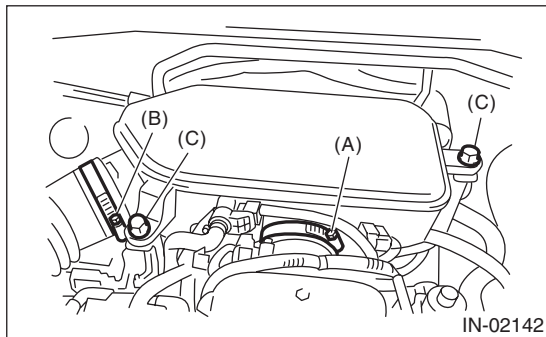
#### *Tightening torque:*

**Clamp (A), (B)**

**3 N·m (0.3 kgf·m, 2.2 ft·lb)**

**Bolt (C)**

**6.5 N·m (0.7 kgf·m, 4.8 ft·lb)**



### C: INSPECTION

- 1) Check for cracks or loose connections.
- 2) Inspect that no foreign objects are mixed in the air intake chamber.

# Air Intake Duct

INTAKE (INDUCTION)

---

## 5. Air Intake Duct

### A: REMOVAL

Remove the clip which secures the air intake duct, and remove the air intake duct.



### B: INSTALLATION

Install in the reverse order of removal.

### C: INSPECTION

- 1) Check for cracks or loose connections.
- 2) Check that no foreign matter is mixed in air intake duct.

## 6. Resonator Chamber

### A: REMOVAL

The resonator chamber and air cleaner case are integrated into one unit; therefore, refer to “Air Cleaner Case” for the removal procedure. <Ref. to IN(H4SO)-5, REMOVAL, Air Cleaner Case.>

### B: INSTALLATION

The resonator chamber and air cleaner case are integrated into one unit; therefore, refer to “Air Cleaner Case” for installation procedure. <Ref. to IN(H4SO)-6, INSTALLATION, Air Cleaner Case.>

### C: INSPECTION

Check for cracks or loose connections.



# Resonator Chamber

INTAKE (INDUCTION)

---

IN(H4SO)-10

# General Description

MECHANICAL

## 1. General Description

### A: SPECIFICATION

Engine	Model		2.5 L		
	Cylinder arrangement		Horizontally opposed, liquid cooled, 4-cylinder, 4-stroke gasoline engine		
	Valve system mechanism		Belt driven, single overhead camshaft, 4 valve/cylinder		
	Bore × Stroke		mm (in) 99.5 × 79.0 (3.92 × 3.11)		
	Displacement		cm <sup>3</sup> (cu in) 2,457 (149.94)		
	Compression ratio		10.0		
	Compression pressure (at 200 — 300 rpm)		kPa (kg/cm <sup>2</sup> , psi) 1,020 — 1,275 (10.4 — 13.0, 148 — 185)		
	Number of piston rings		Pressure ring: 2, Oil ring: 1		
	Intake valve timing		Constant	Open	BTDC 0°
				Close	ABDC 58°
			Low speed	Open	BTDC 0°
				Close	ABDC -10°
			High speed	Open	BTDC 14°
				Close	ABDC 62°
	Exhaust valve timing		Open	BBDC30°	
			Close	ATDC14°	
	Valve clearance		mm (in)	Intake	0.20±0.04 (0.0079±0.0016)
				Exhaust	0.25±0.04 (0.0098±0.0016)
	Idling speed (at “P” or “N” position on AT model, or neutral position on MT model)		rpm	No load	AT model: 700±100 MT model: 650±100
				A/C ON	850±100
Ignition order			1 → 3 → 2 → 4		
Ignition timing		BTDC/rpm	AT model: 15°±10°/700		
			MT model: 10°±8°/650		

# General Description

MECHANICAL

NOTE:

US: Undersize OS: Oversize

Belt tension adjuster	Protrusion of adjuster rod		mm (in)		5.2 — 6.2 (0.205 — 0.244)	
Valve rocker arm	Clearance between shaft and arm		mm (in)	Standard	0.020 — 0.054 (0.0008 — 0.0021)	
Camshaft	Bending limit		mm (in)		0.025 (0.00098)	
	Cam lobe height	mm (in)	Intake	Constant	Standard	40.075 — 40.175 (1.5778 — 1.5817)
				Low speed	Standard	35.496 — 35.596 (1.3975 — 1.4014)
				High speed	Standard	40.315 — 40.415 (1.5872 — 1.5911)
			Exhaust	Standard	39.289 — 39.389 (1.5468 — 1.5507)	
	Cam base circle diameter		mm (in)	Standard	34.00 (1.3386)	
	Base circle step of adjacent intake cams (low speed and high speed)		mm (in)	Standard	0.03 (0.001)	
	Journal O.D.		mm (in)		31.928 — 31.945 (1.2570 — 1.2577)	
	Cylinder head journal I.D.		mm (in)		32.000 — 32.018 (1.2598 — 1.2605)	
	Thrust clearance		mm (in)	Standard	0.030 — 0.090 (0.0012 — 0.0035)	
Oil clearance		mm (in)	Standard	0.055 — 0.090 (0.0022 — 0.0035)		
Cylinder head	Warping limit (Mating surface with cylinder block)		mm (in)		0.035 (0.0014)	
	Grinding limit		mm (in)		0.1 (0.004)	
	Standard height		mm (in)		97.5 (3.84)	
Valve seat	Seating angle between valve and valve seat				90°	
	Contacting width between valve and valve seat	mm (in)	Standard	Intake	0.8 — 1.4 (0.03 — 0.055)	
Exhaust				1.2 — 1.8 (0.047 — 0.071)		
Valve guide	Clearance between the valve guide and valve stem	mm (in)	Standard	Intake	0.035 — 0.062 (0.0014 — 0.0024)	
				Exhaust	0.040 — 0.067 (0.0016 — 0.0026)	
	Inside diameter		mm (in)		6.000 — 6.012 (0.2362 — 0.2367)	
	Valve stem outer diameters	mm (in)	Intake	5.950 — 5.965 (0.2343 — 0.2348)		
			Exhaust	5.945 — 5.960 (0.2341 — 0.2346)		
	Valve guide protrusion	mm (in)	Intake	20.0 — 21.0 (0.787 — 0.827)		
Exhaust			16.5 — 17.5 (0.650 — 0.689)			
Valve	Head edge thickness	mm (in)	Standard	Intake	0.8 — 1.2 (0.03 — 0.047)	
				Exhaust	1.0 — 1.4 (0.039 — 0.055)	
	Overall length	mm (in)	Intake	120.6 (4.75)		
			Exhaust	121.7 (4.79)		
Valve spring	Free length		mm (in)	55.2 (2.173)		
	Tension/spring height	N (kgf, lb)/mm (in)	Set	235.3 — 270.7 (24 — 27.6, 52.9 — 60.8) /45.0 (1.772)		
			Lift	578.9 — 639.9 (59.1 — 65.3, 130.3 — 143.9) /34.7 (1.366)		
Squareness				2.5°, 2.4 mm (0.094 in) or less		
Cylinder block	Warping limit (Mating surface with cylinder head)		mm (in)		0.025 (0.00098)	
	Grinding limit		mm (in)		0.1 (0.004)	
	Standard height		mm (in)		201.0 (7.91)	
	Taper	mm (in)	Standard	0.015 (0.0006)		
	Out-of-roundness		mm (in)	Standard	0.010 (0.0004)	
	Cylinder to piston clearance at 20°C (68°F)		mm (in)	Standard	-0.010 — 0.010 (-0.00039 — 0.00039)	
	Cylinder inner diameter boring limit (diameter)		mm (in)		To 100.005 (3.9372)	

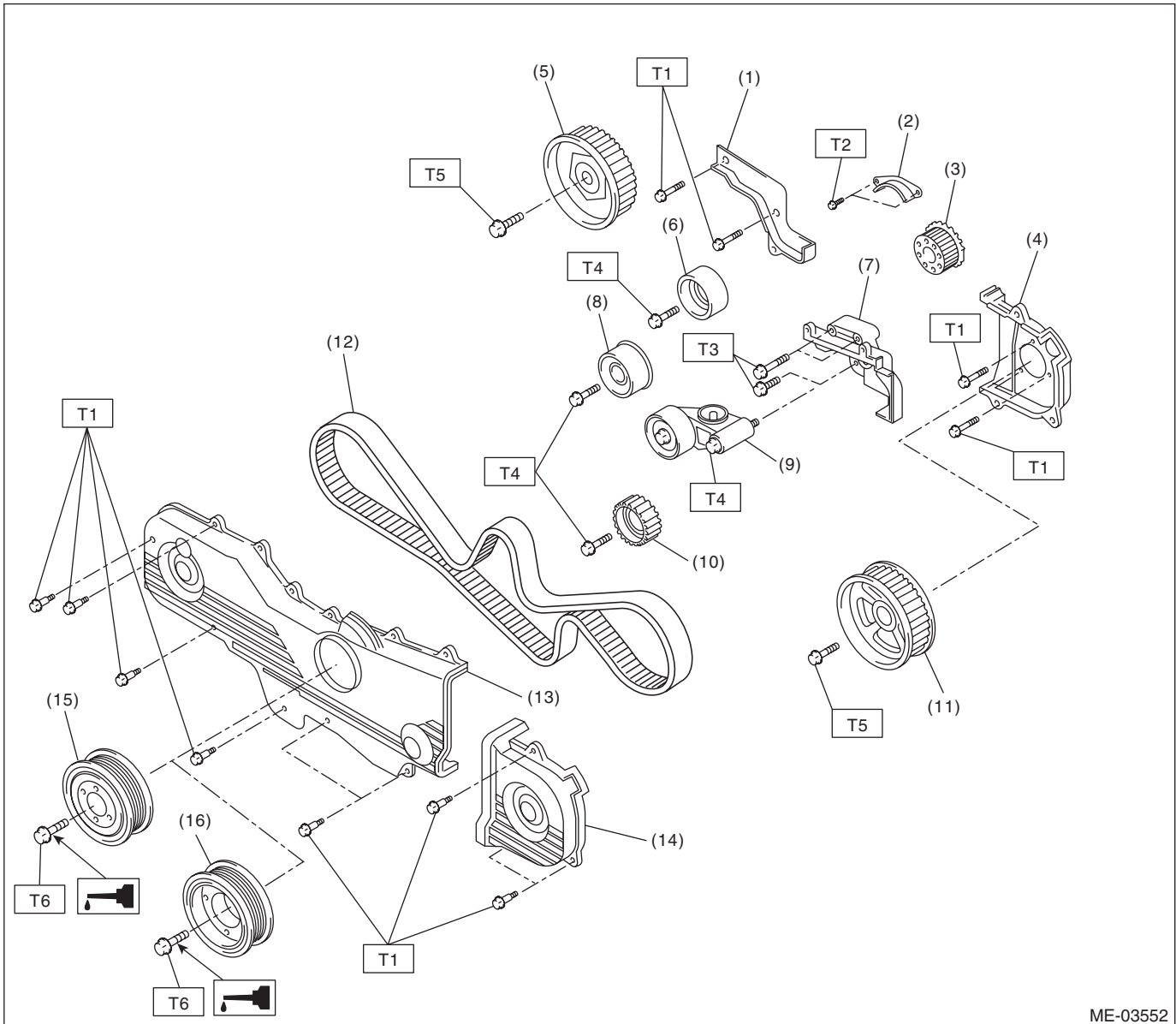
## General Description

### MECHANICAL

Piston	Piston grade point		mm (in)	38.2 (1.504)		
	Outer diameter	mm (in)	Standard	A	99.505 — 99.515 (3.9175 — 3.9179)	
				B	99.495 — 99.505 (3.9171 — 3.9175)	
			0.25 (0.0098) OS		99.745 — 99.765 (3.9270 — 3.9277)	
		0.50 (0.0197) OS		99.995 — 100.015 (3.9368 — 3.9376)		
Piston pin	Degree of fit			Piston pin must be fitted into position with thumb at 20°C (68°F).		
	Clearance between piston hole and piston pin		mm (in)	Standard	0.004 — 0.008 (0.0002 — 0.0003)	
Piston ring	Piston ring gap	mm (in)	Top ring	Standard	0.20 — 0.35 (0.0079 — 0.0138)	
			Second ring	Standard	0.37 — 0.52 (0.0146 — 0.0205)	
			Oil ring	Standard	0.20 — 0.50 (0.0079 — 0.0197)	
	Clearance between piston ring and piston ring groove	mm (in)	Top ring	Standard	0.040 — 0.080 (0.0016 — 0.0031)	
Second ring			Standard	0.030 — 0.070 (0.0012 — 0.0028)		
Connecting rod and connecting rod bearing	Bend or twist per 100 mm (3.94 in) in length		mm (in)	Limit	0.10 (0.0039)	
	Thrust clearance		mm (in)	Standard	0.070 — 0.330 (0.0028 — 0.0130)	
	Oil clearance		mm (in)	Standard	0.016 — 0.044 (0.0006 — 0.0017)	
	Bearing size (Thickness at center)	mm (in)	Standard		1.492 — 1.501 (0.0587 — 0.0591)	
			0.03 (0.0012) US		1.510 — 1.513 (0.0594 — 0.0596)	
0.05 (0.0020) US			1.520 — 1.523 (0.0598 — 0.0600)			
		0.25 (0.0098) US		1.620 — 1.623 (0.0638 — 0.0639)		
Bushing of small end	Clearance between piston pin and bushing		mm (in)	Standard	0 — 0.022 (0 — 0.0009)	
Crankshaft and crankshaft bearing	Bending limit		mm (in)		0.035 (0.0014)	
	Crank pin	Out-of-roundness		mm (in)	0.003 (0.0001)	
		Cylindricity		mm (in)	0.004 (0.0002)	
		Grinding limit (dia.)		mm (in)	To 51.750 (2.0374)	
	Crank journal	Out-of-roundness		mm (in)	0.005 (0.0002)	
		Cylindricity		mm (in)	0.006 (0.0002)	
		Grinding limit (dia.)		mm (in)	To 59.758 (2.3527)	
	Crank pin outer diameter	mm (in)	Standard		51.984 — 52.000 (2.0466 — 2.0472)	
			0.03 (0.0012) US		51.954 — 51.970 (2.0454 — 2.0461)	
			0.05 (0.0020) US		51.934 — 51.950 (2.0446 — 2.0453)	
			0.25 (0.0098) US		51.734 — 51.750 (2.0368 — 2.0374)	
	Crank journal outer diameter	mm (in)	Standard		59.992 — 60.008 (2.3619 — 2.3625)	
			0.03 (0.0012) US		59.962 — 59.978 (2.3607 — 2.3613)	
			0.05 (0.0020) US		59.942 — 59.958 (2.3599 — 2.3605)	
			0.25 (0.0098) US		59.742 — 59.758 (2.3520 — 2.3527)	
	Bearing size (Thickness at center)	#1, #3	mm (in)	Standard		1.998 — 2.011 (0.0787 — 0.0792)
				0.03 (0.0012) US		2.017 — 2.020 (0.0794 — 0.0795)
0.05 (0.0020) US				2.027 — 2.030 (0.0798 — 0.0799)		
0.25 (0.0098) US				2.127 — 2.130 (0.0837 — 0.0839)		
#2, #4, #5		mm (in)	Standard		2.000 — 2.013 (0.0787 — 0.0793)	
			0.03 (0.0012) US		2.019 — 2.022 (0.0795 — 0.0796)	
			0.05 (0.0020) US		2.029 — 2.032 (0.0799 — 0.0800)	
			0.25 (0.0098) US		2.129 — 2.132 (0.0838 — 0.0839)	
Thrust clearance		mm (in)	Standard	0.030 — 0.115 (0.0012 — 0.0045)		
Oil clearance		mm (in)	Standard	0.010 — 0.030 (0.0004 — 0.0012)		

## B: COMPONENT

### 1. TIMING BELT



ME-03552

- |  |                              |
|--|------------------------------|
| (1) Timing belt cover No. 2 RH           | (10) Belt idler No. 2        |
| (2) Timing belt guide (MT model)         | (11) Cam sprocket No. 2      |
| (3) Crank sprocket                       | (12) Timing belt             |
| (4) Timing belt cover No. 2 LH           | (13) Front timing belt cover |
| (5) Cam sprocket No. 1                   | (14) Timing belt cover LH    |
| (6) Belt idler (A)                       | (15) Crank pulley (MT model) |
| (7) Tensioner bracket                    | (16) Crank pulley (AT model) |
| (8) Belt idler (B)                       |                              |
| (9) Automatic belt tension adjuster ASSY |                              |

**Tightening torque: N·m (kgf·m, ft·lb)**

**T1: 5 (0.5, 3.7)**

**T2: 9.75 (1.0, 7.2)**

**T3: 24.5 (2.5, 18.1)**

**T4: 39 (4.0, 28.8)**

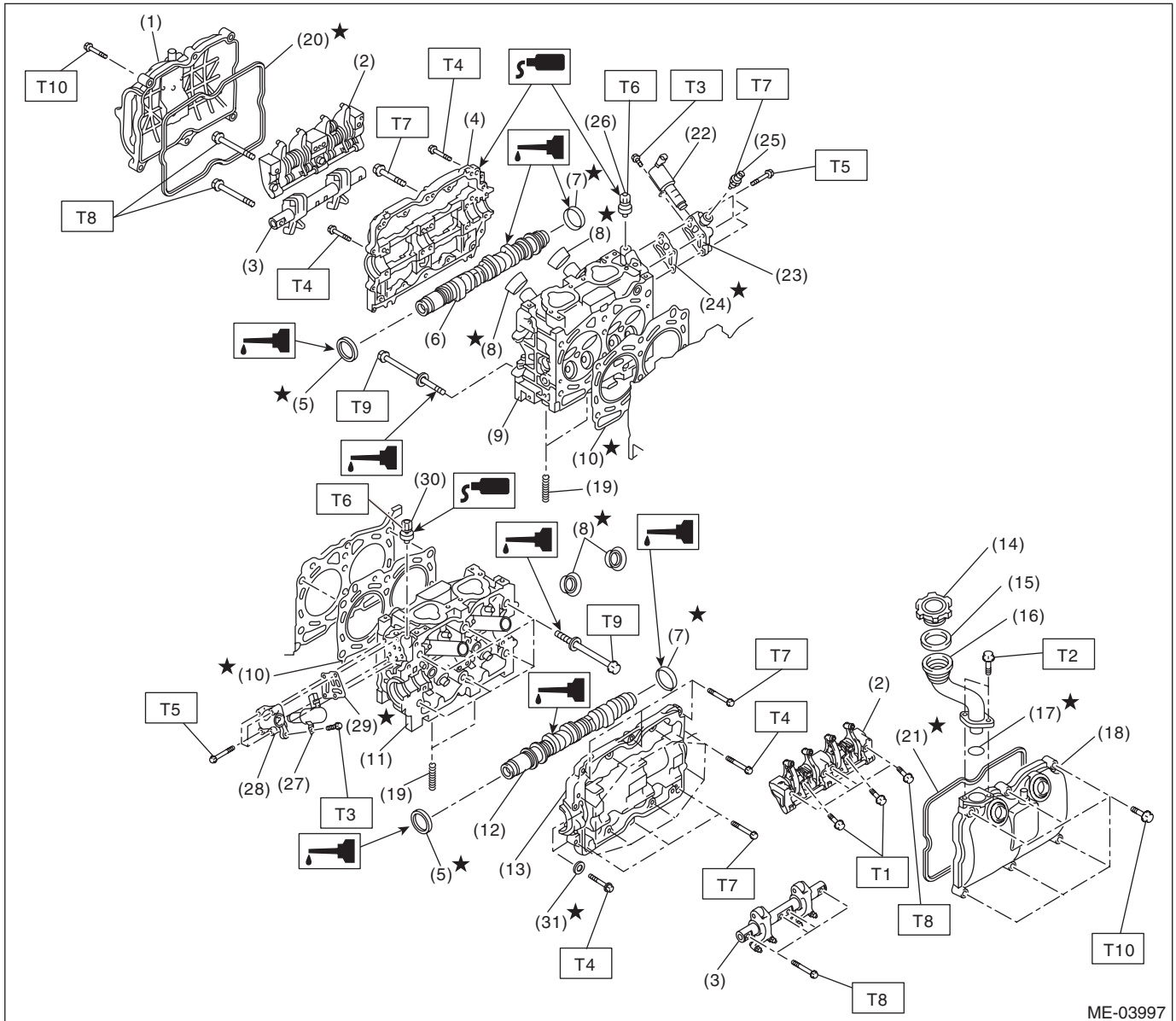
**T5: 78 (8.0, 57.5)**

**T6: <Ref. to ME(H4SO)-46, INSTALLATION, Crank Pulley.>**

# General Description

MECHANICAL

## 2. CYLINDER HEAD AND CAMSHAFT



ME-03997

# General Description

MECHANICAL

- |                               |   |                  |
|-------------------------------|---|------------------|
| (1) Rocker cover RH           | (18) Rocker cover LH                                      | (31) Seal washer |
| (2) Intake valve rocker ASSY  | (19) Stud bolt  |                  |
| (3) Exhaust valve rocker ASSY | (20) Rocker cover gasket RH                               |                  |
| (4) Camshaft cap RH           | (21) Rocker cover gasket LH                               |                  |
| (5) Oil seal                  | (22) Oil switching solenoid valve RH                      |                  |
| (6) Camshaft RH               | (23) Oil switching solenoid valve holder RH               |                  |
| (7) Plug                      | (24) Gasket   |                  |
| (8) Spark plug pipe gasket    | (25) Oil temperature sensor                               |                  |
| (9) Cylinder head RH          | (26) Variable valve lift diagnosis oil pressure switch RH |                  |
| (10) Cylinder head gasket     | (27) Oil switching solenoid valve LH                      |                  |
| (11) Cylinder head LH         | (28) Oil switching solenoid valve holder LH               |                  |
| (12) Camshaft LH              | (29) Gasket   |                  |
| (13) Camshaft cap LH          | (30) Variable valve lift diagnosis oil pressure switch LH |                  |
| (14) Oil filler cap           |   |                  |
| (15) Gasket                   |   |                  |
| (16) Oil filler duct          |   |                  |
| (17) O-ring                   |   |                  |

---

**Tightening torque:N·m (kgf-m, ft-lb)**

**T1: 6 (0.6, 4.4)**

**T2: 6.4 (0.7, 4.7)**

**T3: 8 (0.8, 5.9)**

**T4: 9.75 (1.0, 7.2)**

**T5: 10 (1.0, 7.4)**

**T6: 17 (1.7, 12.5)**

**T7: 18 (1.8, 13.3)**

**T8: 25 (2.5, 18.4)**

**T9: <Ref. to ME(H4SO)-64, INSTALLATION, Cylinder Head.>**

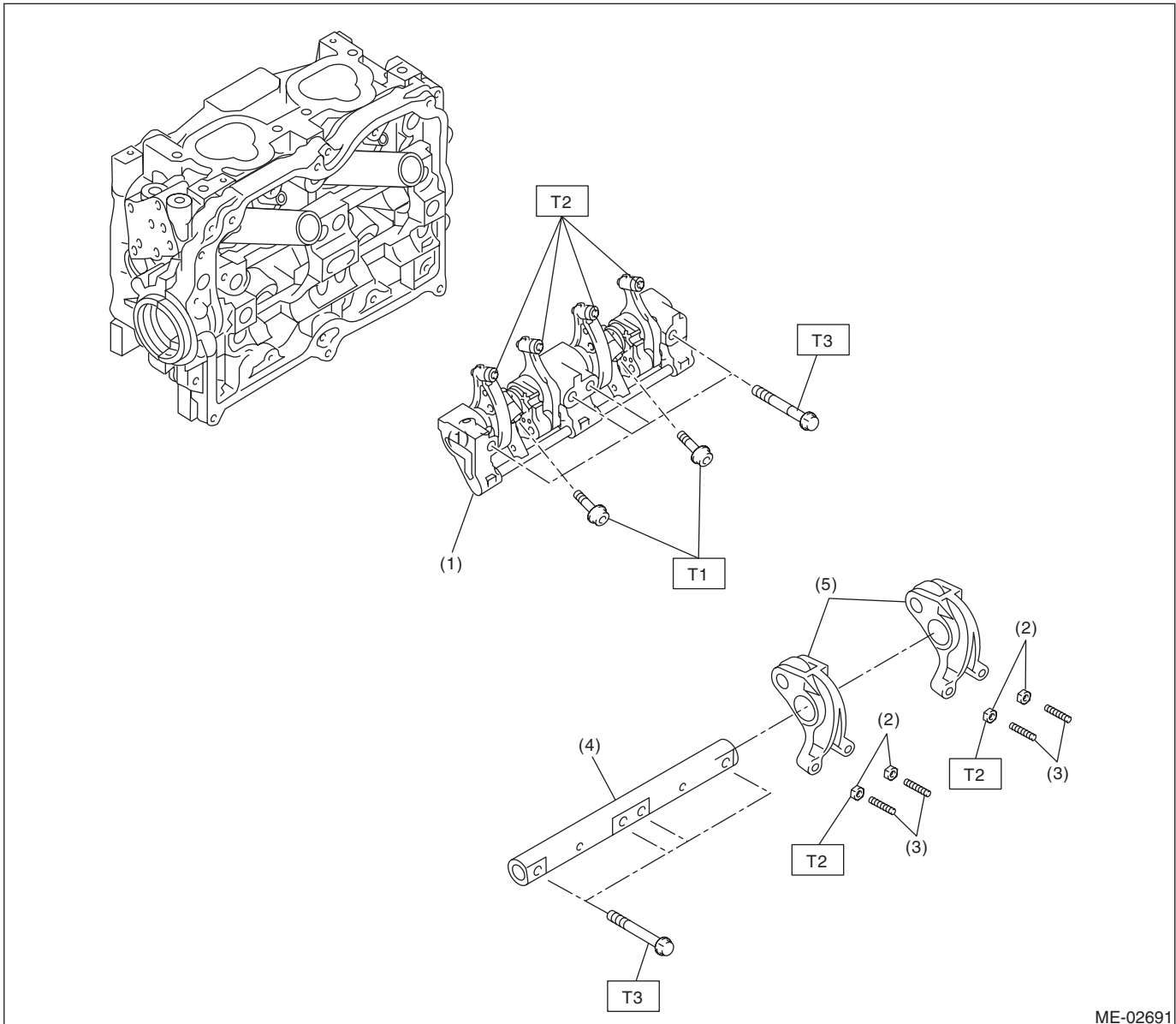
**T10: <Ref. to ME(H4SO)-58, INSTALLATION, Valve Rocker Assembly.>**

---

# General Description

MECHANICAL

## 3. VALVE ROCKER ASSEMBLY



ME-02691

- |                                  |                              |
|----------------------------------|------------------------------|
| (1) Intake valve rocker ASSY     | (4) Exhaust rocker shaft     |
| (2) Valve rocker nut             | (5) Exhaust valve rocker arm |
| (3) Valve rocker adjusting screw |                              |

**Tightening torque: N·m (kgf·m, ft·lb)**

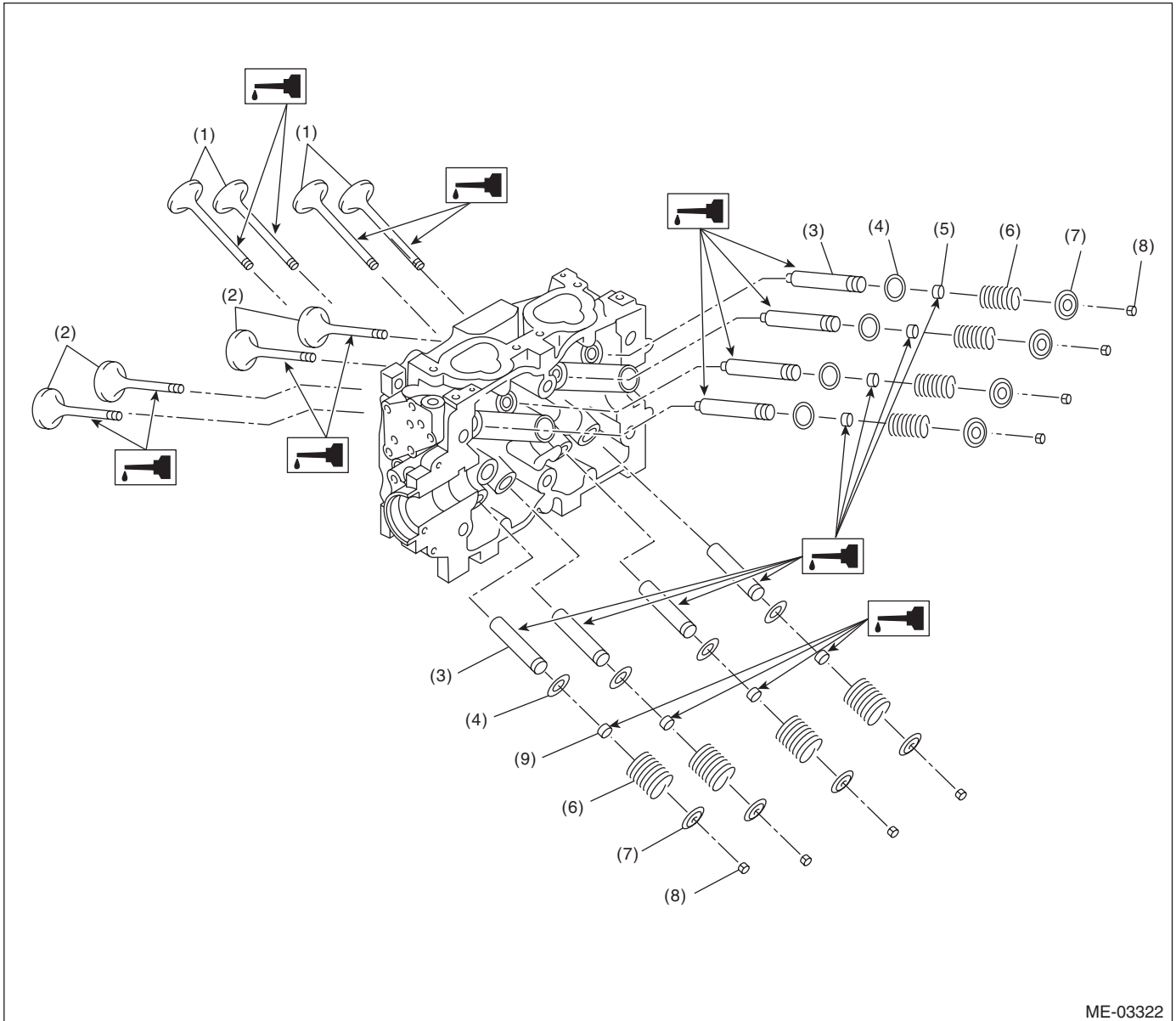
**T1: 6 (0.6, 4.4)**

**T2: 9.75 (1.0, 7.2)**

**T3: 25 (2.5, 18.4)**



## 4. CYLINDER HEAD AND VALVE ASSEMBLY



ME-03322

- |                   |                           |                            |
|-------------------|---------------------------|----------------------------|
| (1) Exhaust valve | (4) Valve spring seat     | (7) Retainer               |
| (2) Intake valve  | (5) Intake valve oil seal | (8) Retainer key           |
| (3) Valve guide   | (6) Valve spring          | (9) Exhaust valve oil seal |



# General Description

MECHANICAL

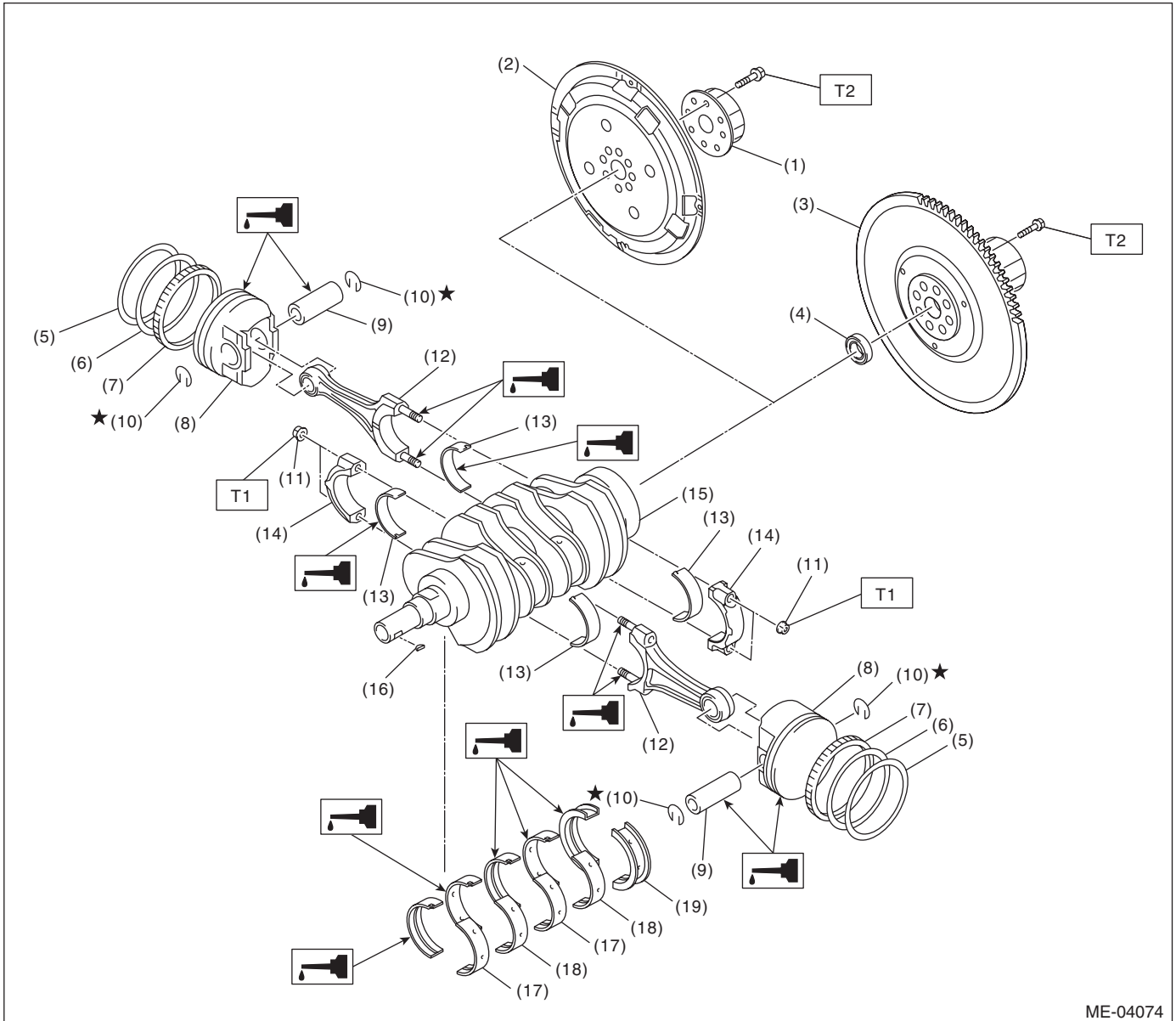
---

(1) Oil pressure switch	(17) Gasket	(32) Oil pump seal
(2) Cylinder block RH	(18) Oil pan	
(3) Service hole plug	(19) Drain plug	
(4) Gasket	(20) Drain plug gasket	<hr/> <b>Tightening torque:N-m (kgf-m, ft-lb)</b>
(5) Oil separator cover	(21) Oil level gauge guide	<b>T1: 5 (0.5, 3.7)</b>
(6) Water by-pass pipe	(22) Water pump sealing	<b>T2: 6.4 (0.7, 4.7)</b>
(7) Oil pump	(23) Oil filter	<b>T3: 10 (1.0, 7.4)</b>
(8) Front oil seal	(24) Gasket	<b>T4: 25 (2.5, 18.4)</b>
(9) Rear oil seal	(25) Water pump hose	<b>T5: &lt;Ref. to ME(H4SO)-76, INSTAL-</b>
(10) O-ring	(26) Plug	<b>LATION, Cylinder Block.&gt;</b>
(11) Service hole cover	(27) Seal	<b>T6: 16 (1.6, 11.8)</b>
(12) Cylinder block LH	(28) Seal washer	<b>T7: First 12 (1.2, 8.7)</b>
(13) Water pump	(29) Washer	<b>Second 12 (1.2, 8.7)</b>
(14) Baffle plate	(30) O-ring	<b>T8: 44 (4.5, 32.5)</b>
(15) Oil filter connector	(31) Engine rear hanger	<b>T9: 45 (4.6, 33.2)</b>
(16) Oil strainer		<hr/> <b>T10: 70 (7.1, 51.6)</b> <hr/>

# General Description

MECHANICAL

## 6. CRANKSHAFT AND PISTON



ME-04074

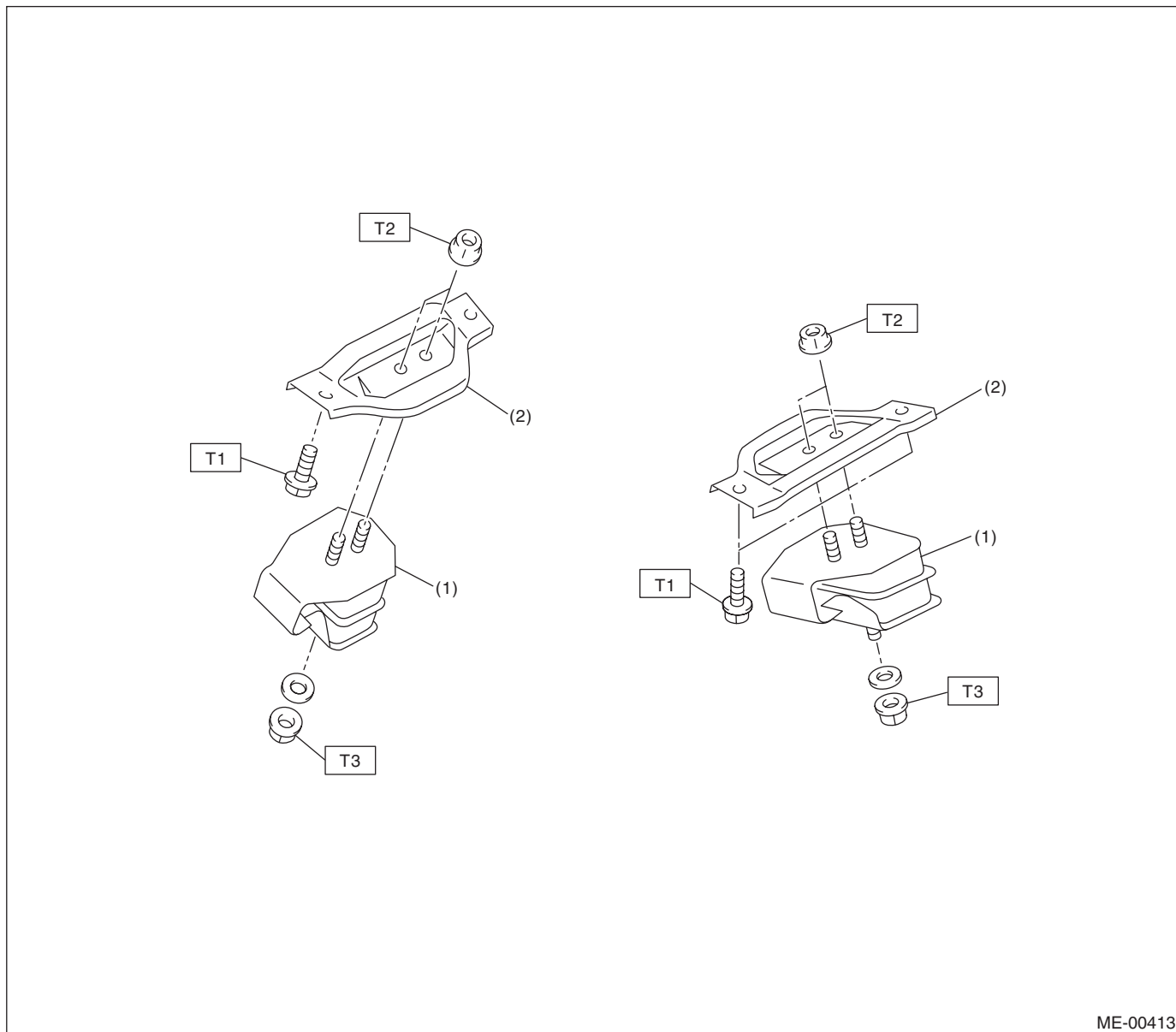
- |                              |                             |                                |
|------------------------------|-----------------------------|--------------------------------|
| (1) Reinforcement (AT model) | (9) Piston pin              | (17) Crankshaft bearing #1, #3 |
| (2) Drive plate (AT model)   | (10) Snap ring              | (18) Crankshaft bearing #2, #4 |
| (3) Flywheel (MT model)      | (11) Connecting rod nut     | (19) Crankshaft bearing #5     |
| (4) Ball bearing (MT model)  | (12) Connecting rod         |                                |
| (5) Top ring                 | (13) Connecting rod bearing |                                |
| (6) Second ring              | (14) Connecting rod cap     |                                |
| (7) Oil ring                 | (15) Crankshaft             |                                |
| (8) Piston                   | (16) Woodruff key           |                                |

**Tightening torque: N·m (kgf-m, ft-lb)**

**T1: 45 (4.6, 33.2)**

**T2: 72 (7.3, 53.1)**

## 7. ENGINE MOUNTING



ME-00413

(1) Front cushion rubber

(2) Front engine mounting bracket

**Tightening torque: N·m (kgf-m, ft-lb)**

**T1: 35 (3.6, 25.8)**

**T2: 42 (4.3, 31.0)**

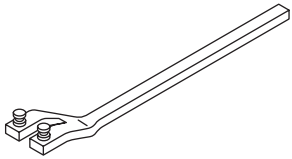
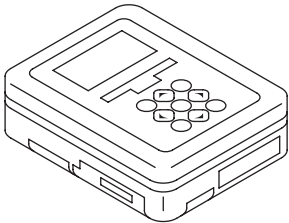
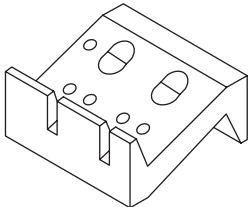
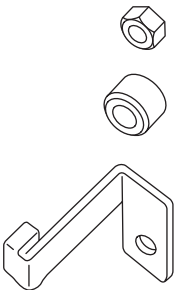
**T3: 85 (8.7, 62.7)**

#### **C: CAUTION**

- Wear appropriate work clothing, including a cap, protective goggles and protective shoes when performing any work.
- Remove contamination including dirt and corrosion before removal, installation or disassembly.
- Keep the disassembled parts in order and protect them from dust and dirt.
- Before removal, installation or disassembly, be sure to clarify the failure. Avoid unnecessary removal, installation, disassembly and replacement.
- Vehicle components are extremely hot after driving. Be wary of receiving burns from heated parts.
- Be sure to tighten fasteners including bolts and nuts to the specified torque.
- Place shop jacks or rigid racks at the specified points.
- Before disconnecting connectors of sensors or units, be sure to disconnect the ground cable from the battery.
- All parts should be thoroughly cleaned, paying special attention to engine oil passages, pistons and bearings.
- Rotating parts and sliding parts such as piston, bearing and gear should be coated with oil prior to assembly.
- Be careful not to let oil, grease or coolant contact the timing belt, clutch disc and flywheel.
- All removed parts, if to be reused, should be reinstalled in the original positions and directions.
- Bolts, nuts and washers should be replaced with new parts as required.
- Even if necessary inspections have been made in advance, proceed with assembly work while making rechecks.
- Remove or install the engine in an area where chain hoists, lifting devices, etc. are available for ready use.
- Be sure not to damage coated surfaces of body panels with tools, or not to stain seats and windows with coolant or oil. Place a cover over fender, as required, for protection.
- Prior to starting work, prepare the following:  
Service tools, clean cloth, containers to catch coolant and oil, wire ropes, chain hoist, transmission jacks, etc.
- Lift up or lower the vehicle when necessary. Make sure to support the correct positions.

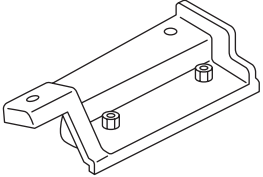
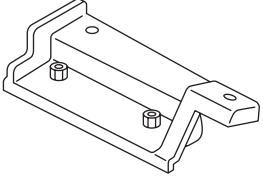
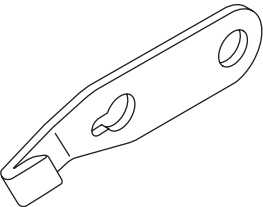
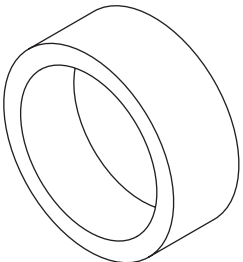
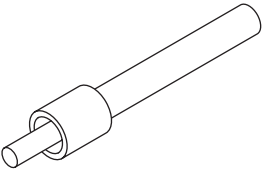
## D: PREPARATION TOOL

### 1. SPECIAL TOOL

ILLUSTRATION	TOOL NUMBER	DESCRIPTION	REMARKS
 <p style="text-align: center;">ST18231AA010</p>	18231AA010	CAM SPROCKET WRENCH	<ul style="list-style-type: none"> <li>• Used for removing and installing cam sprocket. (LH side)</li> <li>• CAM SPROCKET WRENCH (499207100) can also be used.</li> </ul>
 <p style="text-align: center;">ST1B022XU0</p>	1B022XU0	SUBARU SELECT MONITOR III KIT	Used for various inspections.
 <p style="text-align: center;">ST-498267800</p>	498267800	CYLINDER HEAD TABLE	<ul style="list-style-type: none"> <li>• Used for replacing valve guides.</li> <li>• Used for removing and installing valve spring.</li> </ul>
 <p style="text-align: center;">ST-498277200</p>	498277200	STOPPER SET	Used for installing automatic transmission assembly to engine.

# General Description

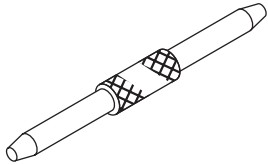
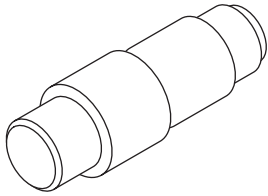
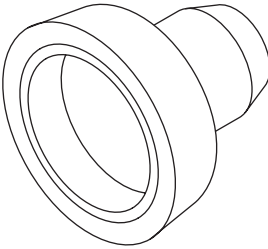
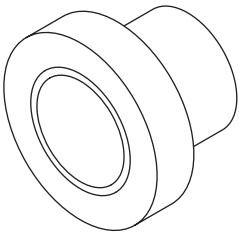
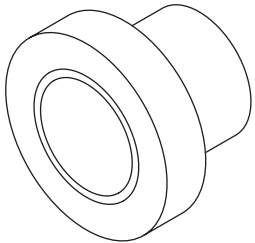
## MECHANICAL

ILLUSTRATION	TOOL NUMBER	DESCRIPTION	REMARKS
 <p style="text-align: center;">ST-498457000</p>	498457000	ENGINE STAND ADAPTER RH	Used together with ENGINE STAND (499817100).
 <p style="text-align: center;">ST-498457100</p>	498457100	ENGINE STAND ADAPTER LH	Used together with ENGINE STAND (499817100).
 <p style="text-align: center;">ST-498497100</p>	498497100	CRANKSHAFT STOPPER	Used for removing and installing the flywheel and drive plate.
 <p style="text-align: center;">ST-498747300</p>	498747300	PISTON GUIDE	Used for installing piston in cylinder.
 <p style="text-align: center;">ST-498857100</p>	498857100	VALVE OIL SEAL GUIDE	Used for press-fitting of intake and exhaust valve guide oil seals.



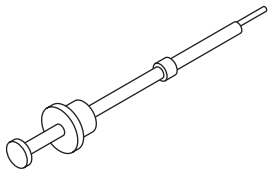
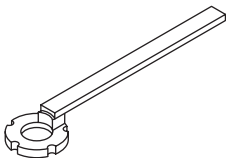
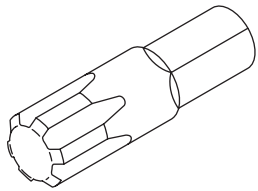
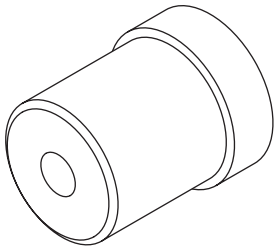
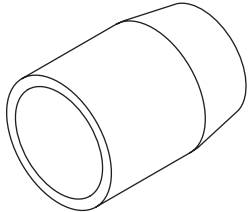
# General Description

MECHANICAL

ILLUSTRATION	TOOL NUMBER	DESCRIPTION	REMARKS
 <p style="text-align: center;">ST-499017100</p>	499017100	PISTON PIN GUIDE	Used for installing piston pin, piston and connecting rod.
 <p style="text-align: center;">ST-499037100</p>	499037100	CONNECTING ROD BUSHING REMOVER AND INSTALLER	Used for removing and installing connecting rod bushing.
 <p style="text-align: center;">ST-499587200</p>	499587200	CRANKSHAFT OIL SEAL INSTALLER	<ul style="list-style-type: none"> <li>• Used for installing crankshaft oil seal.</li> <li>• Used together with CRANKSHAFT OIL SEAL GUIDE (499597100).</li> </ul>
 <p style="text-align: center;">ST-499587500</p>	499587500	OIL SEAL INSTALLER	<ul style="list-style-type: none"> <li>• Used for installing the camshaft oil seal.</li> <li>• Used together with OIL SEAL GUIDE (499597000).</li> </ul>
 <p style="text-align: center;">ST-499587700</p>	499587700	CAMSHAFT OIL SEAL INSTALLER	Used for installing cylinder head plug.

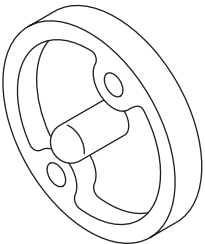
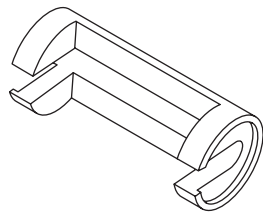
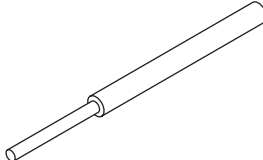
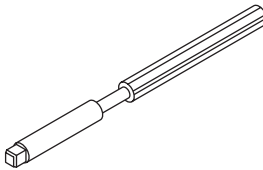
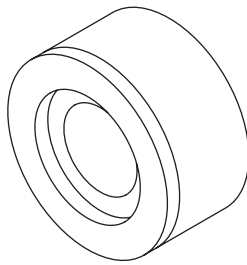
# General Description

## MECHANICAL

ILLUSTRATION	TOOL NUMBER	DESCRIPTION	REMARKS
 <p style="text-align: center;">ST-499097700</p>	499097700	PISTON PIN REMOVER ASSY	Used for removing piston pin.
 <p style="text-align: center;">ST-499207400</p>	499207400	CAM SPROCKET WRENCH	Used for removing and installing cam sprocket. (RH side)
 <p style="text-align: center;">ST-499497000</p>	499497000	TORX® PLUS	Used for removing and installing camshaft cap.
 <p style="text-align: center;">ST-499587100</p>	499587100	OIL SEAL INSTALLER	Used for installing oil pump oil seal.
 <p style="text-align: center;">ST-499597000</p>	499597000	OIL SEAL GUIDE	<ul style="list-style-type: none"> <li>• Used for installing the camshaft oil seal.</li> <li>• Used together with CAMSHAFT OIL SEAL INSTALLER (499587500).</li> </ul>

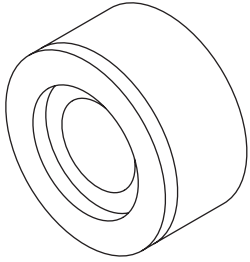
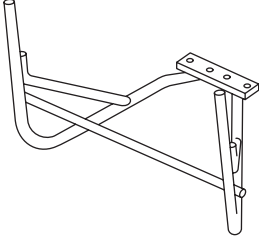
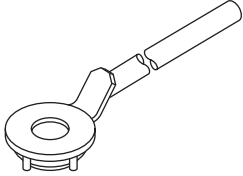
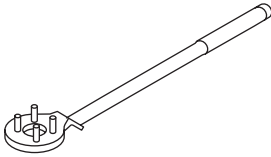
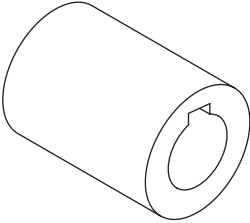
# General Description

MECHANICAL

ILLUSTRATION	TOOL NUMBER	DESCRIPTION	REMARKS
 <p>ST-499597100</p>	499597100	CRANKSHAFT OIL SEAL GUIDE	<ul style="list-style-type: none"> <li>Used for installing crankshaft oil seal.</li> <li>Used together with CRANKSHAFT OIL SEAL INSTALLER (499587200).</li> </ul>
 <p>ST-499718000</p>	499718000	VALVE SPRING REMOVER	Used for removing and installing valve spring.
 <p>ST-499767200</p>	499767200	VALVE GUIDE REMOVER	Used for removing valve guides.
 <p>ST-499767400</p>	499767400	VALVE GUIDE REAMER	Used for reaming valve guides.
 <p>ST-499767700</p>	499767700	VALVE GUIDE ADJUSTER	Used for installing valve guides. (Intake side)

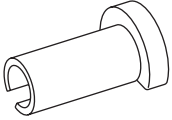
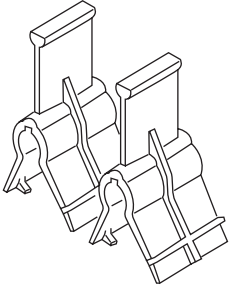
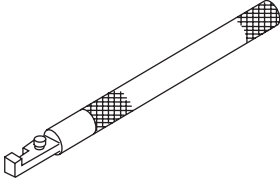
# General Description

## MECHANICAL

ILLUSTRATION	TOOL NUMBER	DESCRIPTION	REMARKS
 <p style="text-align: center;">ST-499767800</p>	499767800	VALVE GUIDE ADJUSTER	Used for installing valve guides. (Exhaust side)
 <p style="text-align: center;">ST-499817100</p>	499817100	ENGINE STAND	<ul style="list-style-type: none"> <li>• Stand used for engine disassembly and assembly.</li> <li>• Used together with ENGINE STAND ADAPTER RH (498457000) &amp; LH (498457100).</li> </ul>
 <p style="text-align: center;">ST-499977400</p>	499977400	CRANK PULLEY WRENCH	Used to stop rotation of the crank pulley when loosening or tightening crank pulley bolts. (AT model)
 <p style="text-align: center;">ST-499977100</p>	499977100	CRANK PULLEY WRENCH	Used to stop rotation of the crank pulley when loosening or tightening crank pulley bolts. (MT model)
 <p style="text-align: center;">ST-499987500</p>	499987500	CRANKSHAFT SOCKET	Used for rotating crankshaft.

# General Description

MECHANICAL

ILLUSTRATION	TOOL NUMBER	DESCRIPTION	REMARKS
 ST42099AE000	42099AE000	QUICK CONNECTOR RELEASE	Used for removing the quick connector.
 ST18354AA000	18354AA000	VALVE ROCKER HOLDER	Used for installing the valve rocker assembly (intake). (2-piece set)
 ST18258AA000	18258AA000	SPRING INSTALLER	Used for installing the valve rocker assembly (intake).

## 2. GENERAL TOOL

TOOL NAME	REMARKS
Compression gauge	Used for measuring compression.
Vacuum gauge	Used for measuring intake manifold vacuum.
Oil pressure gauge	Used for measuring engine oil pressure.
Fuel pressure gauge	Used for measuring fuel pressure.
Timing light	Used for measuring ignition timing.

## E: PROCEDURE

It is possible to conduct the following service procedures with engine on vehicle, however, the procedures described in this section are based on the condition that the engine is removed from vehicle.

- V-belt
- Timing belt
- Valve rocker assembly
- Camshaft
- Cylinder head

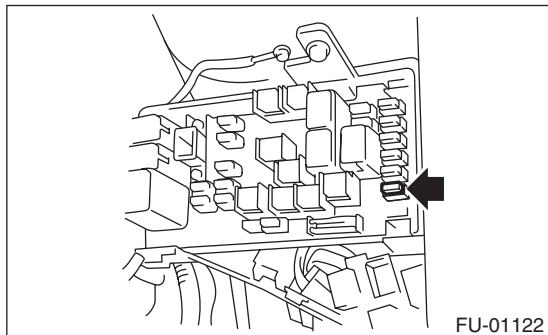
## 2. Compression

### A: INSPECTION

#### CAUTION:

After warming-up, engine becomes very hot. Be careful not to burn yourself during measurement.

- 1) After warming-up the engine, turn the ignition switch to OFF.
- 2) Make sure that the battery is fully charged.
- 3) Remove the fuse of fuel pump from main fuse box.

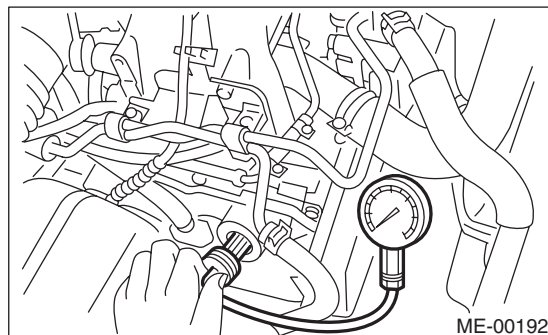


- 4) Start the engine and run it until it stalls.
- 5) After the engine stalls, crank it for five more seconds.
- 6) Turn the ignition switch to OFF.
- 7) Remove all spark plugs. <Ref. to IG(H4SO)-4, REMOVAL, Spark Plug.>
- 8) Fully open the throttle valve.
- 9) Check the starter motor for satisfactory performance and operation.
- 10) Secure the compression gauge tightly against the spark plug hole.

#### NOTE:

When using a screw-in type compression gauge, the screw should be less than 18 mm (0.71 in) long.

- 11) Crank the engine by the starter motor, and read the maximum value on the gauge when the needle of compression gauge is steady.



- 12) Perform at least two measurements per cylinder, and make sure that the values are correct.

#### Compression (fully open throttle):

##### Standard

1,020 — 1,275 kPa

(10.4 — 13.0 kgf/cm<sup>2</sup>, 148 — 185 psi)

##### Difference between cylinders

49 kPa (0.5 kgf/cm<sup>2</sup>, 7 psi) or less

- 13) After inspection, install the related parts in the reverse order of removal.

### 3. Idle Speed

#### A: INSPECTION

1) Before checking the idle speed, check the following item:

(1) Check the air cleaner element is free from clogging, ignition timing is correct, spark plugs are in good condition, and hoses are connected properly.

(2) Check the malfunction indicator light does not illuminate.

2) Warm up the engine.

3) Read the engine idle speed using Subaru Select Monitor. <Ref. to EN(H4SO)(diag)-35, READ CURRENT DATA FOR ENGINE (NORMAL MODE), OPERATION, Subaru Select Monitor.>

4) Check the idle speed when no-loaded. (Headlight, heater fan, rear defroster, radiator fan, A/C and etc. are OFF)

**Idle speed (No load and at “P” or “N” position on AT model, or neutral position on MT model):**

**700±100 rpm (AT model)**

**650±100 rpm (MT model)**

5) Check the idle speed when loaded. (Turn the A/C switch to “ON” and operate the compressor for at least one minute before measurement.)

**Idle speed (A/C “ON” and at “P” or “N” position on AT model, or neutral position on MT model):**

**850±100 rpm**

NOTE:

Idle speed cannot be adjusted manually, because the idle speed is automatically adjusted. If the prescribed idle speed cannot be maintained, refer to the General On-board Diagnosis Table under “Engine Control System”. <Ref. to EN(H4SO)(diag)-2, Basic Diagnostic Procedure.>

## 4. Ignition Timing

### A: INSPECTION

#### CAUTION:

**After warming-up, engine becomes very hot. Be careful not to burn yourself at measurement.**

1) Before checking the ignition timing, check the following item:

(1) Check the air cleaner element is free from clogging, spark plugs are in good condition, and hoses are connected properly.

(2) Check the malfunction indicator light does not illuminate.

2) Warm up the engine.

3) Stop the engine, and turn the ignition switch to OFF.

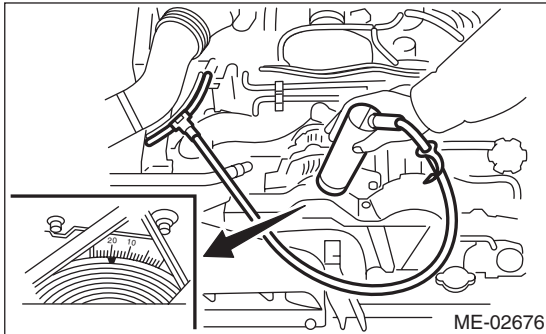
4) Connect the timing light to #1 cylinder spark plug cord, and then light the timing mark with the timing light.

5) Start the engine and check the ignition timing at idle speed as shown below.

#### **Ignition timing [BTDC/rpm]:**

**$15^{\circ} \pm 8^{\circ} / 700$  (AT model)**

**$10^{\circ} \pm 8^{\circ} / 650$  (MT model)**



If the timing is not correct, check the ignition control system. <Ref. to EN(H4SO)(diag)-2, Basic Diagnostic Procedure.>

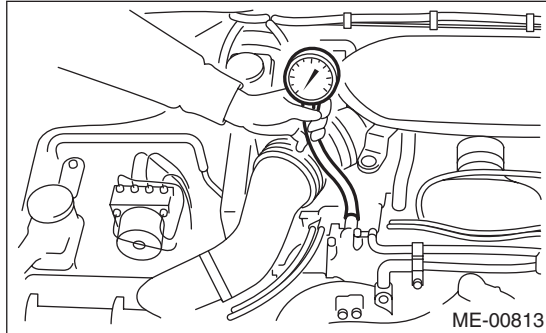


## 5. Intake Manifold Vacuum

### A: INSPECTION

- 1) Warm up the engine.
- 2) Disconnect the brake booster vacuum hose from the intake manifold, and install the vacuum gauge.
- 3) Keep the engine at idle speed and read the vacuum gauge indication.

By observing the vacuum gauge needle movement, the internal condition of the engine can be diagnosed as described below.



**Intake manifold vacuum (at idling, A/C OFF):**  
**-60.0 kPa (-450 mmHg, -17.72 inHg) or more**

Diagnosis of engine condition by measurement of intake manifold vacuum	
Vacuum gauge indication	Possible engine condition
1. Needle is steady but lower than normal position. This tendency becomes more evident as engine temperature rises.	Air leakage around intake manifold gasket, disconnection or damage of vacuum hose
2. Needle intermittently drops to position lower than normal position.	Leakage around cylinder
3. Needle drops suddenly and intermittently from normal position.	Sticky valve
4. When engine speed is gradually increased, needle begins to vibrate rapidly at certain speed, and then vibration increases as engine speed increases.	Weak or broken valve springs
5. Needle vibrates above and below normal position in narrow range.	Defective ignition system

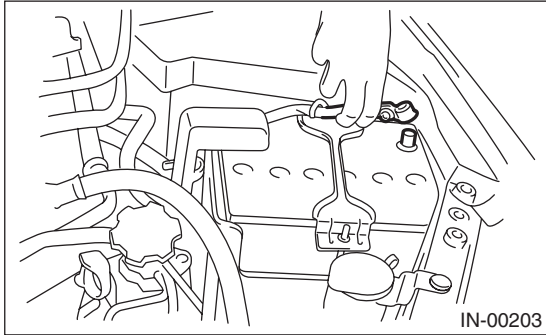
# Engine Oil Pressure

MECHANICAL

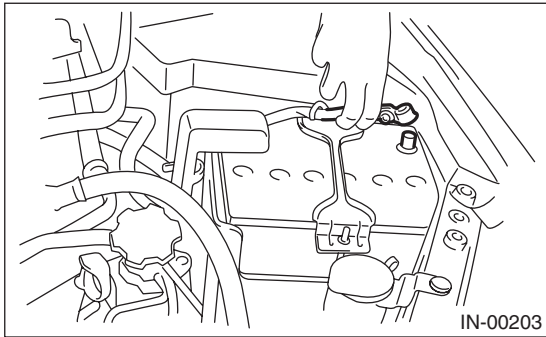
## 6. Engine Oil Pressure

### A: INSPECTION

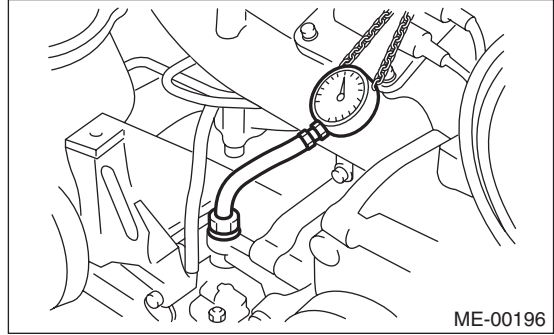
- 1) Disconnect the ground cable from battery.



- 2) Remove the oil pressure switch. <Ref. to LU(H4SO)-19, REMOVAL, Oil Pressure Switch.>
- 3) Install the oil pressure gauge to cylinder block.
- 4) Connect the ground cable to battery.



- 5) Start the engine, and measure the oil pressure.



### Engine oil pressure:

#### Standard

**98 kPa (1.0 kg/cm<sup>2</sup>, 14 psi) or more at 600 rpm**  
**294 kPa (3.0 kg/cm<sup>2</sup>, 43 psi) or more at 5,000 rpm**

- If the oil pressure is out of specification, check oil pump, oil filter and lubrication line. <Ref. to LU(H4SO)-22, INSPECTION, Engine Lubrication System Trouble in General.>
- If the oil pressure warning light is ON and oil pressure is within specification, check the oil pressure switch. <Ref. to LU(H4SO)-22, INSPECTION, Engine Lubrication System Trouble in General.>

#### NOTE:

Standard value is based on an engine oil temperature of 80°C (176°F).

- 6) After measuring the oil pressure, install the oil pressure switch. <Ref. to LU(H4SO)-19, INSTALLATION, Oil Pressure Switch.>

## 7. Fuel Pressure

### A: INSPECTION

#### CAUTION:

- Before removing the fuel pressure gauge, release the fuel pressure.
- Be careful not to spill fuel.
- Catch the fuel from hoses using a container or cloth.

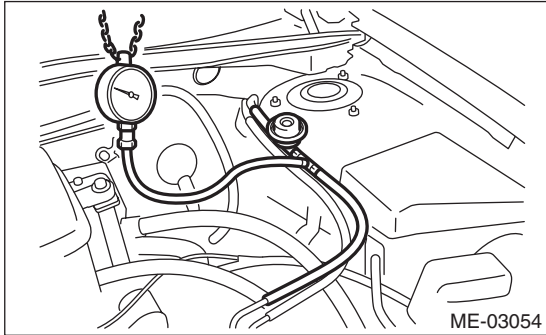
#### NOTE:

Check or replace the fuel pump and fuel delivery line if the fuel pressure is out of the standard.

1) Release the fuel pressure. <Ref. to FU(H4SO)-52, RELEASING OF FUEL PRESSURE, PROCEDURE, Fuel.>

2) Open the fuel filler lid and remove the fuel filler cap.

3) Disconnect the fuel delivery hose from the fuel damper, and connect the fuel pressure gauge.



4) Start the engine.

5) Measure the fuel pressure after warming up the engine.

#### NOTE:

The fuel pressure gauge registers 10 to 20 kPa (0.1 to 0.2 kg/cm<sup>2</sup>, 1 to 3 psi) higher than standard values during high-altitude operations.

#### **Fuel pressure:**

##### **Standard**

**339.5 — 360.5 kPa**

**(3.5 — 3.7 kg/cm<sup>2</sup>, 49 — 52 psi)**

# Valve Clearance

MECHANICAL

## 8. Valve Clearance

### A: INSPECTION

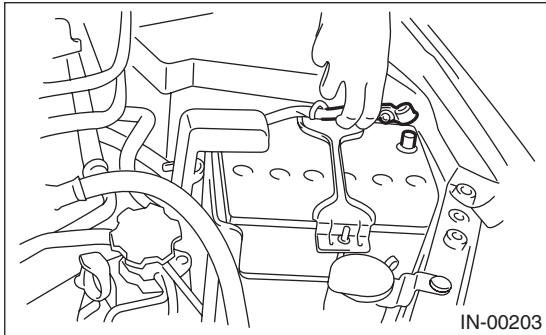
#### CAUTION:

If engine oil is spilt onto the exhaust pipe, wipe it off with cloth to avoid emission of smoke or causing a fire.

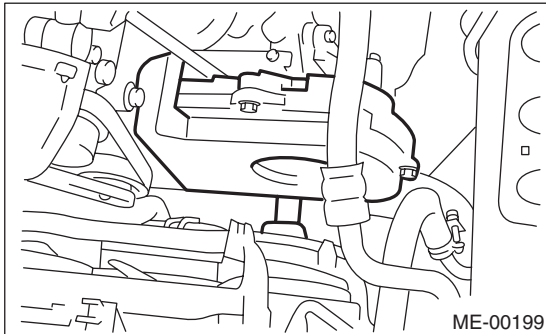
#### NOTE:

Inspection and adjustment of valve clearance should be performed while engine is cold.

- 1) Set the vehicle on a lift.
- 2) Lift up the vehicle.
- 3) Remove the under cover.
- 4) Lower the vehicle.
- 5) Disconnect the ground cable from battery.



- 6) Remove the timing belt cover LH.



- 7) Remove the fuel injector. <Ref. to FU(H4SO)-36, REMOVAL, Fuel Injector.>

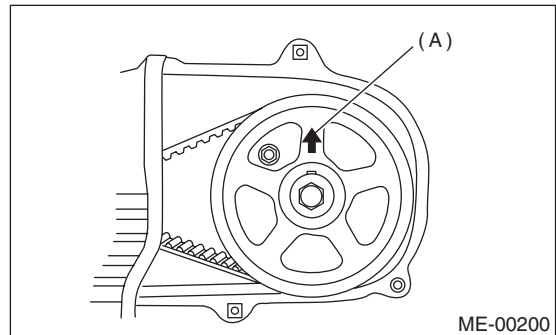
- 8) When inspecting #1 and #3 cylinders
  - (1) Disconnect the spark plug cords from spark plugs on RH side. <Ref. to IG(H4SO)-4, RH SIDE, REMOVAL, Spark Plug.>
  - (2) Place a suitable container under the vehicle.
  - (3) Disconnect the PCV hose from the rocker cover RH.
  - (4) Remove the bolts, then remove the rocker cover RH.

- 9) When inspecting #2 and #4 cylinders
  - (1) Disconnect the spark plug cords from spark plugs on LH side. <Ref. to IG(H4SO)-4, LH SIDE, REMOVAL, Spark Plug.>
  - (2) Place a suitable container under the vehicle.
  - (3) Disconnect the PCV hose from the rocker cover LH.
  - (4) Remove the bolts, then remove the rocker cover LH.

- 10) Set #1 cylinder piston to top dead center of compression stroke by rotating the crank pulley clockwise using the socket wrench.

#### NOTE:

When the arrow mark (A) on cam sprocket LH is at the top position, the #1 cylinder piston is at top dead center of the compression stroke.



- 11) Measure #1 cylinder valve clearance by using thickness gauge (A).

#### NOTE:

- Insert the thickness gauge (A) in as horizontally as possible with respect to the valve stem end face.
- Lift up the vehicle, and then measure the exhaust valve clearances.

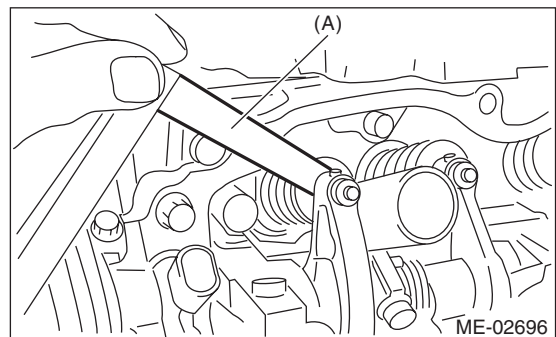
#### Valve clearance (inspection value):

##### Intake

$0.20 \pm 0.04$  mm ( $0.0079 \pm 0.0016$  in)

##### Exhaust

$0.25 \pm 0.04$  mm ( $0.0098 \pm 0.0016$  in)



12) Measure the valve clearance in #3, #2 and #4 cylinder in the same measurement procedure as #1 cylinder in this order.

**NOTE:**

- Be sure to set the cylinder pistons to their respective top dead centers on compression stroke before measuring valve clearances.
- By rotating the crank pulley clockwise every 180° from the state that #1 cylinder piston is on the top dead center of compression stroke, #3, #2 and #4 cylinder pistons come to the top dead center of compression stroke in this order.

13) If necessary, adjust the valve clearance. <Ref. to ME(H4SO)-29, ADJUSTMENT, Valve Clearance.>

14) After inspection, install the related parts in the reverse order of removal.

**NOTE:**

Use a new rocker cover gasket.

## B: ADJUSTMENT

**CAUTION:**

If engine oil is spilt onto the exhaust pipe, wipe it off with cloth to avoid emission of smoke or causing a fire.

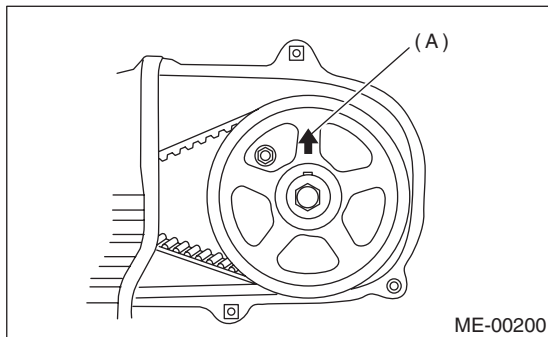
**NOTE:**

Adjustment of valve clearance should be performed while engine is cold.

1) Set #1 cylinder piston to top dead center of compression stroke by rotating the crank pulley clockwise using the socket wrench.

**NOTE:**

When the arrow mark (A) on cam sprocket LH is at the top position, the #1 cylinder piston is at top dead center of the compression stroke.



2) Adjust the #1 cylinder valve clearance.

- (1) Loosen the valve rocker nut and screw.
- (2) Set a suitable thickness gauge.
- (3) While noting the valve clearance, tighten the valve rocker adjusting screw.
- (4) When the specified valve clearance is obtained, tighten the valve rocker nut.

**NOTE:**

- Insert a thickness gauge in a direction as horizontal as possible with respect to the valve stem end face.
- Lift up the vehicle and adjust the exhaust valve clearances.

**Valve clearance (adjustment value):**

**Intake**

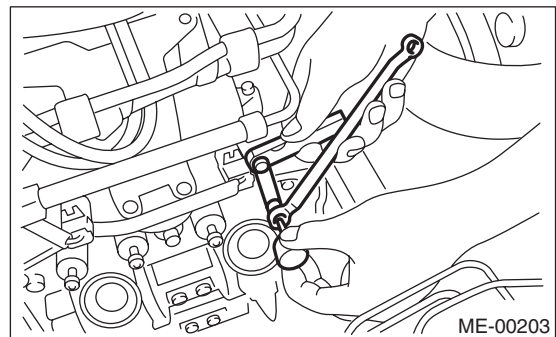
**0.20±0.04 mm (0.0079±0.0016 in)**

**Exhaust**

**0.25±0.04 mm (0.0098±0.0016 in)**

**Tightening torque:**

**9.75 N·m (1.0 kgf·m, 7.2 ft·lb)**



3) Adjust the valve clearance in #3, #2 and #4 cylinder in the same adjustment procedure as #1 cylinder in this order.

**NOTE:**

- Be sure to set the cylinder pistons to their respective top dead centers on compression stroke before adjusting valve clearances.
  - By rotating the crank pulley clockwise every 180° from the state that #1 cylinder piston is on the top dead center of compression stroke, #3, #2 and #4 cylinder pistons come to the top dead center of compression stroke in this order.
- 4) Ensure the valve clearances of each cylinder are within specifications. If necessary, readjust the valve clearances.
- 5) After measurement, install the related parts in the reverse order of removal.

**NOTE:**

Use a new rocker cover gasket.

# Engine Assembly

MECHANICAL

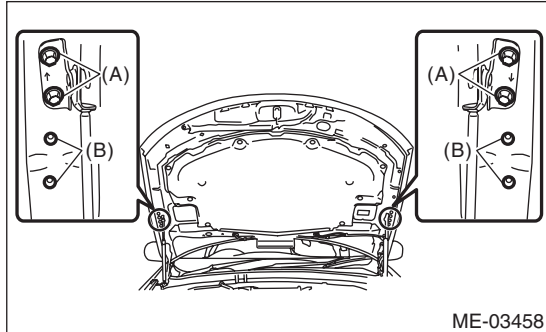
## 9. Engine Assembly

### A: REMOVAL

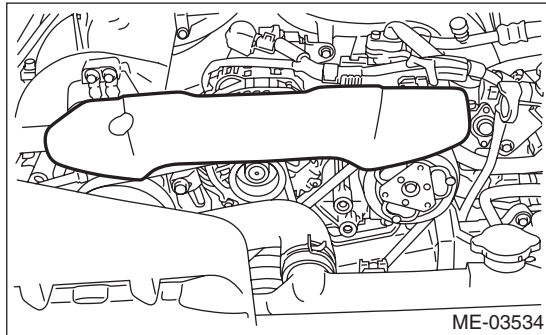
- 1) Set the vehicle on a lift.
- 2) Change the bolt installation position from (A) to (B), then open the front hood completely.

#### Tightening torque:

**7.5 N·m (0.8 kgf-m, 5.5 ft-lb)**

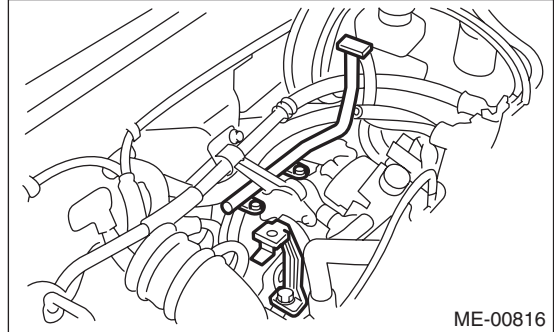


- 3) Remove the V-belt covers.



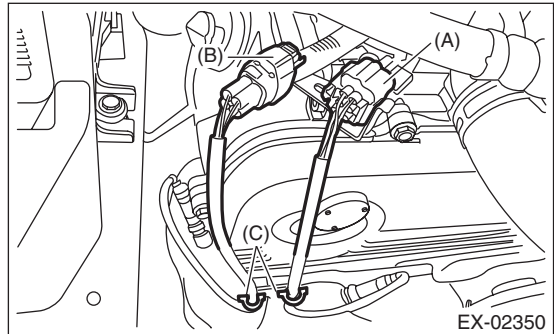
- 4) Collect the refrigerant from A/C system. <Ref. to AC-21, PROCEDURE, Refrigerant Recovery Procedure.>
- 5) Release the fuel pressure. <Ref. to FU(H4SO)-52, RELEASING OF FUEL PRESSURE, PROCEDURE, Fuel.>
- 6) Remove the battery. <Ref. to SC(H4SO)-22, REMOVAL, Battery.>
- 7) Remove the air intake duct, air cleaner case and air intake chamber. <Ref. to IN(H4SO)-8, REMOVAL, Air Intake Duct.> <Ref. to IN(H4SO)-5, REMOVAL, Air Cleaner Case.> <Ref. to IN(H4SO)-7, REMOVAL, Air Intake Chamber.>
- 8) Remove the under cover.
- 9) Remove the radiator from vehicle. <Ref. to CO(H4SO)-19, REMOVAL, Radiator.>
- 10) Disconnect the A/C pressure hoses from A/C compressor. <Ref. to AC-38, REMOVAL, Hose and Pipe.>

- 11) Remove the air intake chamber stay.

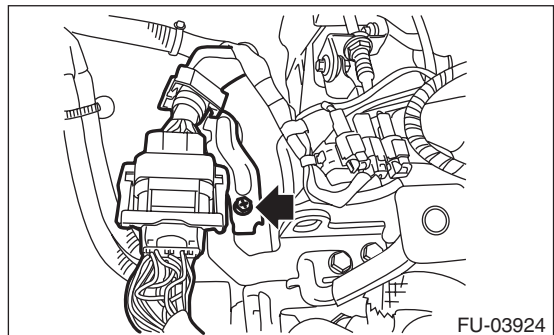


- 12) Disconnect the following connectors and cables.

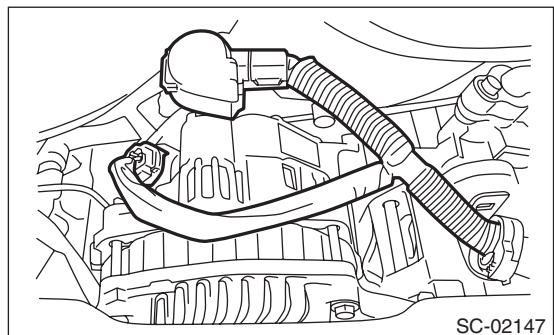
(1) Disconnect the front oxygen (A/F) sensor connector (A) and rear oxygen sensor connector (B) and remove the clip (C) fastening the harness.



(2) Remove the bolt, and disconnect the engine harness connector from the bulkhead harness connector and rear engine hanger.

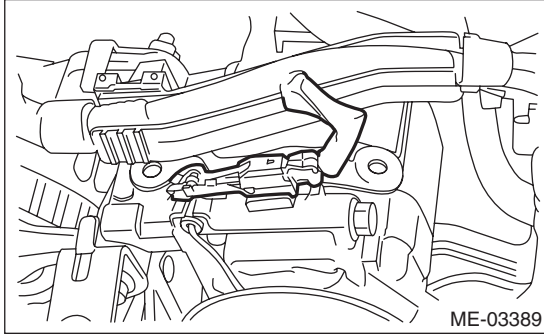


- (3) Generator connector and terminal

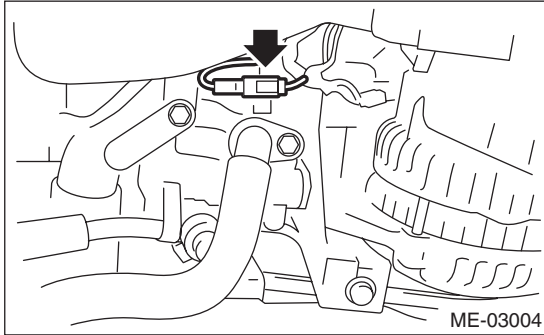




(4) A/C compressor connector

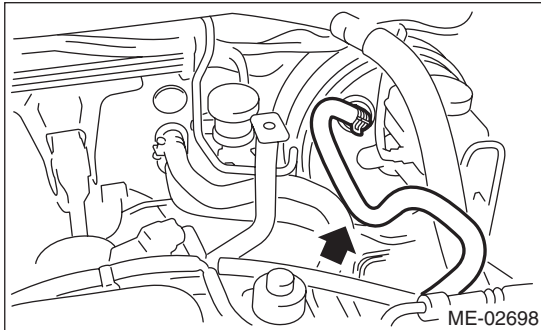


(5) Power steering pump switch connector



13) Disconnect the following hoses.

(1) Brake booster vacuum hose

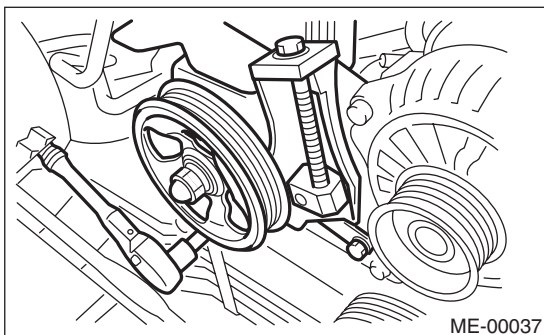


(2) Heater inlet and outlet hoses

14) Remove the power steering pump.

(1) Remove the front side belts. <Ref. to ME(H4SO)-39, FRONT SIDE BELT, REMOVAL, V-belt.>

(2) Remove the bolts which secure the power steering pump to the bracket.

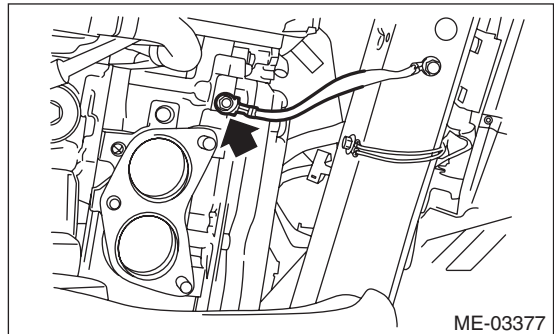
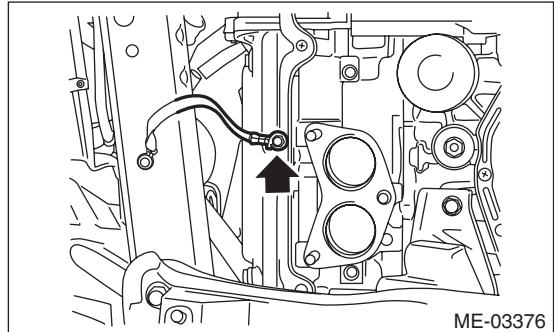


(3) Place the power steering pump on the right side wheel apron.

15) Lift up the vehicle.

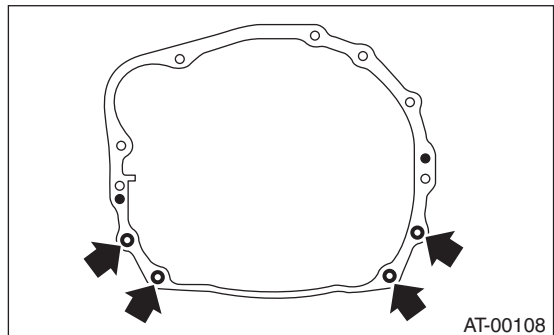
16) Remove the front and center exhaust pipes. <Ref. to EX(H4SO)-6, REMOVAL, Front Exhaust Pipe.>

17) Disconnect the ground cable on the engine side.

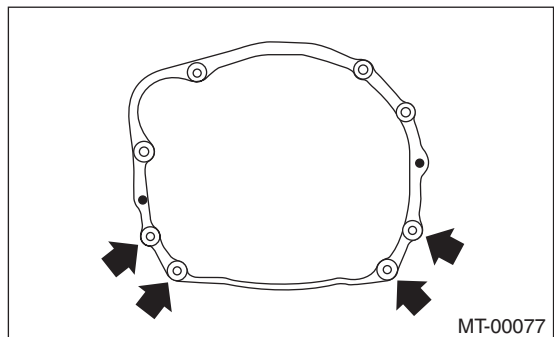


18) Remove the bolts and nuts which hold the lower side of transmission to the engine.

• AT MODEL



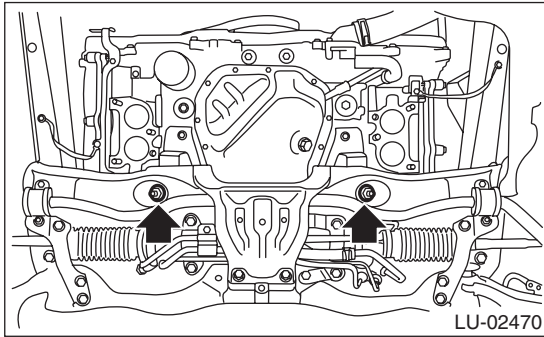
• MT MODEL



# Engine Assembly

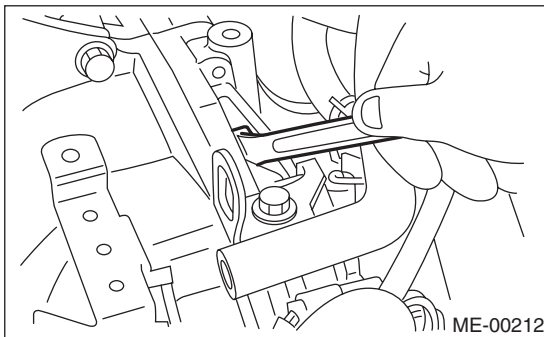
## MECHANICAL

19) Remove the nuts which secure the engine mounting to the front crossmember.

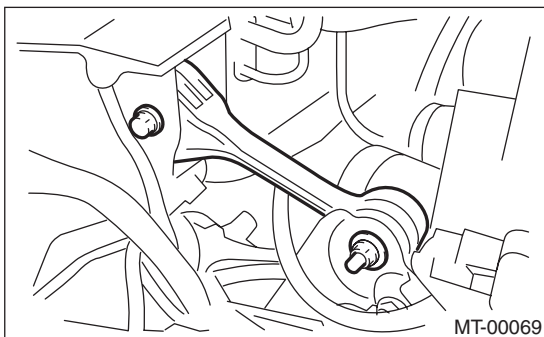


20) Separate the torque converter clutch from the drive plate. (AT model)

- (1) Lower the vehicle.
- (2) Remove the service hole plug.
- (3) Insert the wrench into the crank pulley bolt and rotate the crank pulley to remove the bolts which hold torque converter clutch to drive plate.



21) Remove the pitching stopper.



22) Disconnect the fuel delivery hose (A) and evaporation hose (B).

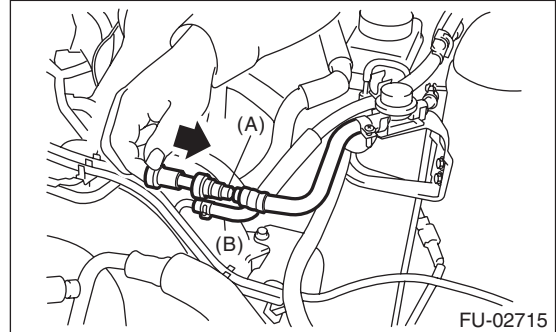
- (1) Disconnect the quick connector of the fuel delivery hose by pushing the ST in the direction of the arrow.

ST 42099AE000 QUICK CONNECTOR RELEASE

(2) Remove the clip and disconnect the evaporation hose from the pipe.

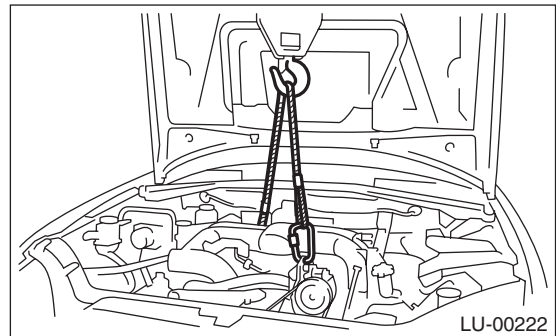
### CAUTION:

- Be careful not to spill fuel.
- Catch the fuel from hoses using a container or cloth.



- (A) Fuel delivery hose  
(B) Evaporation hose

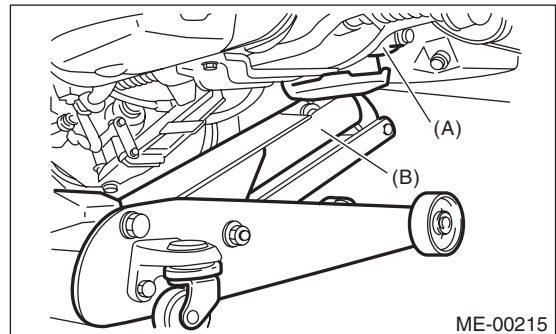
23) Support the engine with a lifting device and wire ropes.



24) Support the transmission with a garage jack.

### CAUTION:

Be sure to always perform this work, in order to prevent the transmission from lowering for its own weight.



- (A) Transmission  
(B) Garage jack



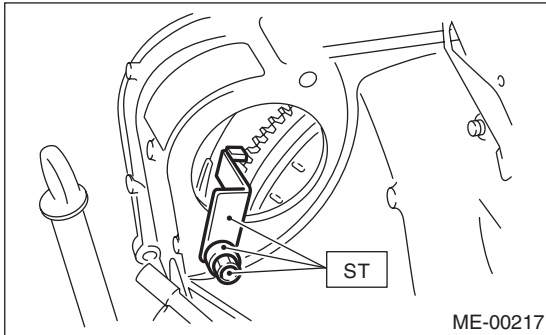
## 25) Separation of engine and transmission

### CAUTION:

**Before removing the engine away from transmission, check to be sure no work has been overlooked.**

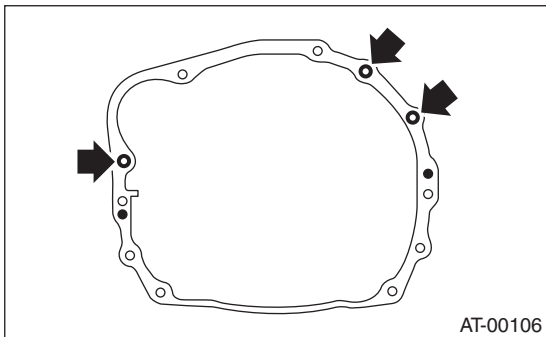
- (1) Remove the starter. <Ref. to SC(H4SO)-7, REMOVAL, Starter.>
- (2) Attach the ST to the torque converter clutch case. (AT model)

ST 498277200 STOPPER SET

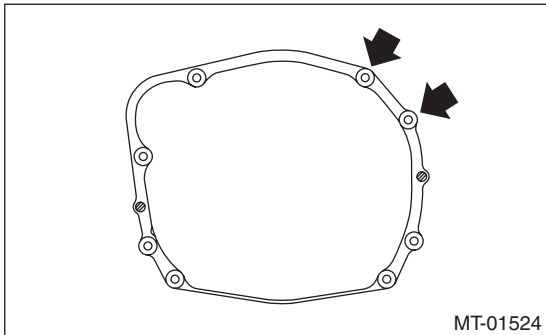


- (3) Remove the bolts which hold upper side of transmission to engine.

- AT MODEL



- MT MODEL



## 26) Remove the engine from vehicle.

- (1) Slightly raise the engine.
- (2) Raise the transmission with garage jack.
- (3) Move the engine horizontally until main shaft is withdrawn from clutch cover. (MT model)

- (4) Slowly move the engine away from engine compartment.

### NOTE:

Be careful not to damage adjacent parts or body panels with crank pulley, oil level gauge, etc.

- 27) Remove the engine mounting from the engine.

## B: INSTALLATION

- 1) Install the engine mounting onto the engine.

### Tightening torque:

**35 N·m (3.6 kgf·m, 25.8 ft·lb)**

- 2) Apply a small amount of grease to splines of main shaft. (MT model)

### Grease:

**NICHIMOLY N-130 or equivalent**

- 3) Position the engine in engine compartment and align it with transmission.

### NOTE:

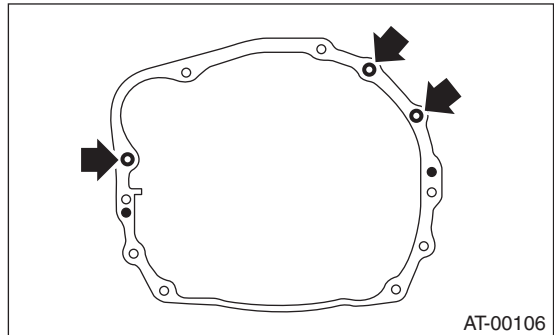
Be careful not to damage adjacent parts or body panels with crank pulley, oil level gauge, etc.

- 4) Tighten the bolts which hold upper side of transmission to engine.

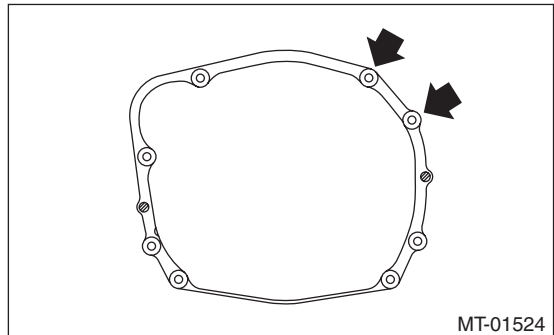
### Tightening torque:

**50 N·m (5.1 kgf·m, 36.9 ft·lb)**

- AT MODEL



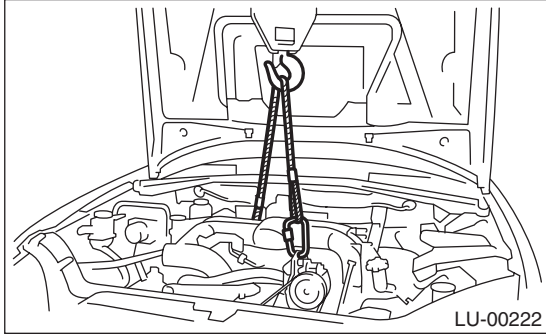
- MT MODEL



# Engine Assembly

## MECHANICAL

- 5) Remove the lifting device and wire ropes.

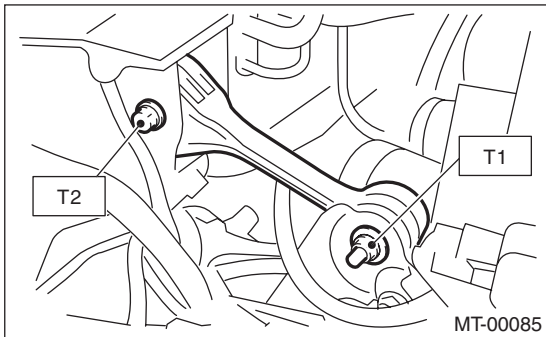


- 6) Remove the garage jack.  
7) Install the pitching stopper.

### Tightening torque:

**T1: 50 N·m (5.1 kgf·m, 36.9 ft·lb)**

**T2: 58 N·m (5.9 kgf·m, 42.8 ft·lb)**

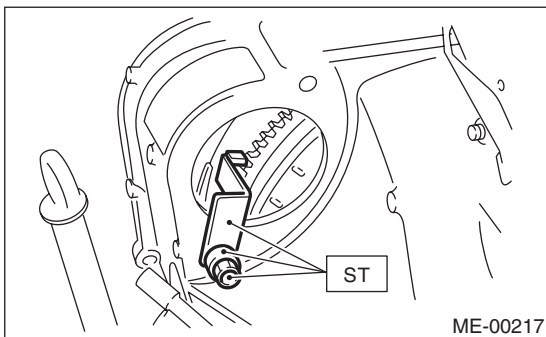


- 8) Remove the ST from torque converter clutch case. (AT model)

### NOTE:

Be careful not to drop the ST into the torque converter clutch case when removing the ST.

ST 498277200 STOPPER SET



- 9) Install the starter. <Ref. to SC(H4SO)-7, INSTALLATION, Starter.>

- 10) Install the torque converter clutch to drive plate. (AT model)

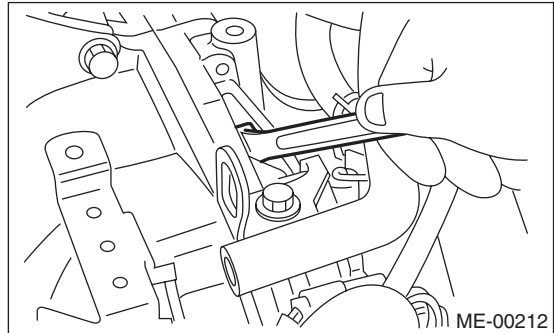
(1) Insert the wrench into the crank pulley bolt and rotate the crank pulley to install the bolts which hold torque converter clutch to drive plate.

### NOTE:

Be careful not to drop bolts into the torque converter clutch case.

### Tightening torque:

**25 N·m (2.5 kgf·m, 18.4 ft·lb)**



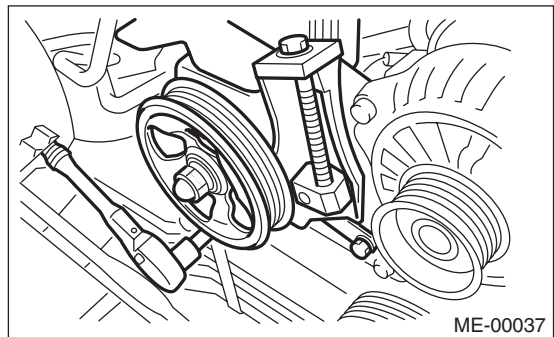
(2) Install the service hole plug.

- 11) Install the power steering pump.

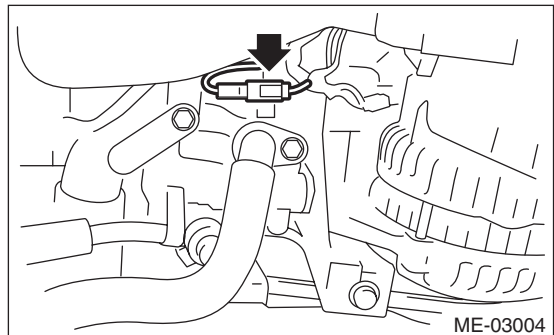
(1) Install the power steering pump.

### Tightening torque:

**Refer to "COMPONENT" of "Power Steering" for the tightening torque. <Ref. to PS-3, COMPONENT, General Description.>**



(2) Connect the power steering pump switch connector.



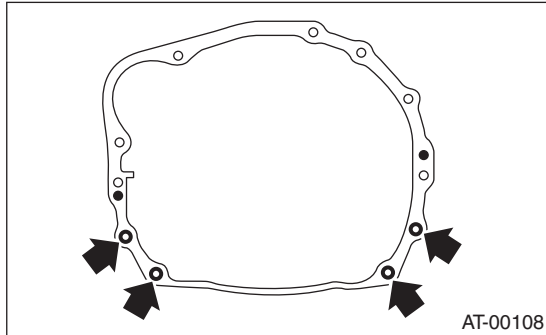
(3) Install and adjust the front side belt. <Ref. to ME(H4SO)-39, FRONT SIDE BELT, INSTALLATION, V-belt.>

- 12) Lift up the vehicle.
- 13) Install the bolts and nuts which hold lower side of the transmission to engine.

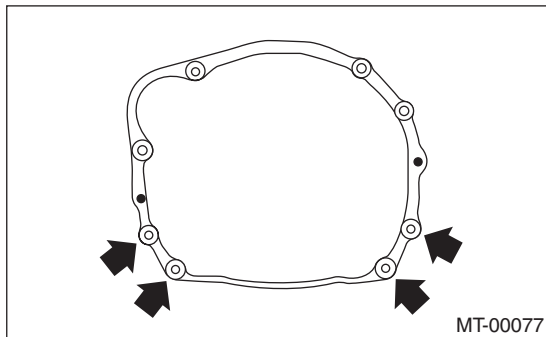
**Tightening torque:**

**50 N·m (5.1 kgf·m, 36.9 ft·lb)**

- AT MODEL



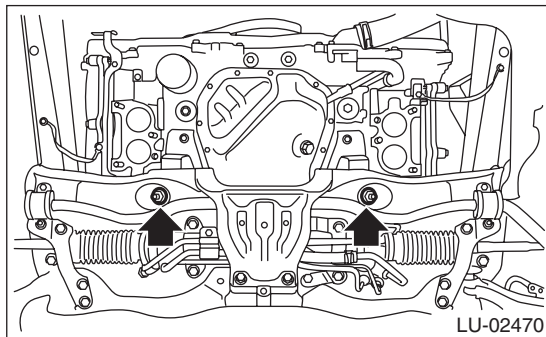
- MT MODEL



- 14) Install the nuts which hold the engine mounting to the crossmember.

**Tightening torque:**

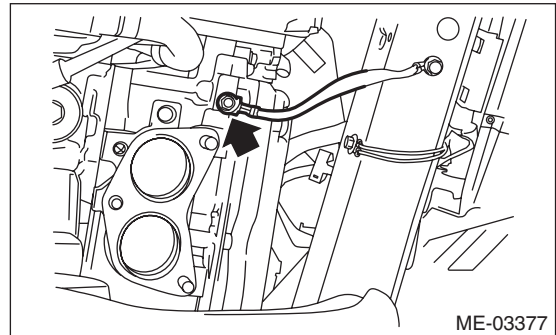
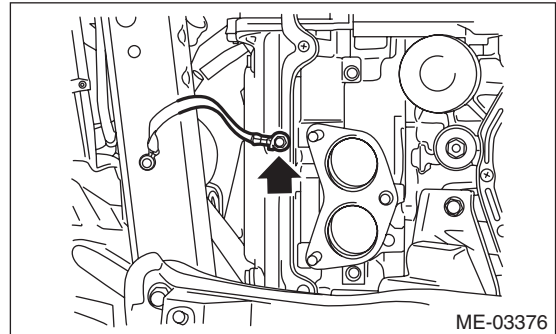
**85 N·m (8.7 kgf·m, 62.7 ft·lb)**



- 15) Connect the ground cable.

**Tightening torque:**

**7.5 N·m (0.8 kgf·m, 5.5 ft·lb)**



- 16) Install the front and center exhaust pipe. <Ref. to EX(H4SO)-7, INSTALLATION, Front Exhaust Pipe.>

- 17) Lower the vehicle.

- 18) Connect the following hoses.

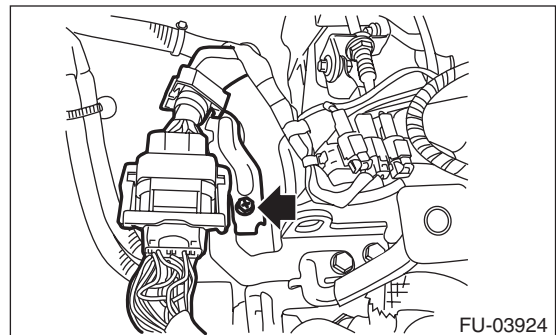
- (1) Fuel delivery hose and evaporation hose
- (2) Heater inlet and outlet hoses
- (3) Brake booster vacuum hose

- 19) Connect the following connectors and terminals.

- (1) Front oxygen (A/F) sensor connector
- (2) Rear oxygen sensor connector
- (3) Engine harness connectors

**Tightening torque:**

**6.4 N·m (0.7 kgf·m, 4.7 ft·lb)**



- (4) Generator connector and terminal

**Tightening torque:**

**15 N·m (1.5 kgf·m, 11.1 ft·lb)**

- (5) A/C compressor connector

# Engine Assembly

## MECHANICAL

20) Install the air intake chamber stay.

### **Tightening torque:**

**16 N·m (1.6 kgf·m, 11.8 ft·lb)**

21) Install the A/C pressure hoses. <Ref. to AC-38, INSTALLATION, Hose and Pipe.>

22) Install the radiator to vehicle. <Ref. to CO(H4SO)-20, INSTALLATION, Radiator.>

23) Install the air intake duct, air cleaner case and air intake chamber. <Ref. to IN(H4SO)-8, INSTALLATION, Air Intake Duct.> <Ref. to IN(H4SO)-6, INSTALLATION, Air Cleaner Case.> <Ref. to IN(H4SO)-7, INSTALLATION, Air Intake Chamber.>

24) Install the under cover.

25) Install the battery. <Ref. to SC(H4SO)-22, INSTALLATION, Battery.>

26) Fill engine coolant. <Ref. to CO(H4SO)-13, FILLING OF ENGINE COOLANT, REPLACEMENT, Engine Coolant.>

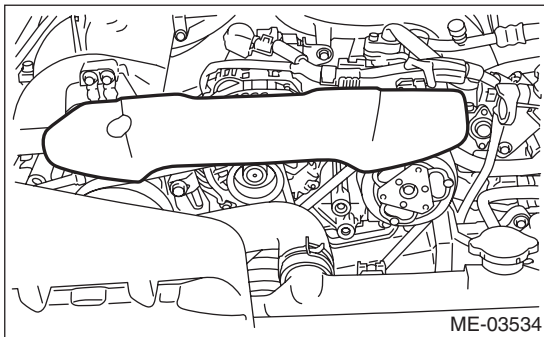
27) Check the ATF level and replenish it if necessary. (AT model) <Ref. to 4AT-27, INSPECTION, Automatic Transmission Fluid.>

28) Charge the A/C system with refrigerant. <Ref. to AC-22, PROCEDURE, Refrigerant Charging Procedure.>

29) Install the V-belt cover.

### **Tightening torque:**

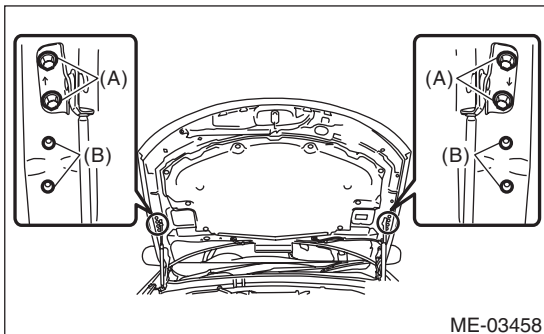
**13 N·m (1.3 kgf·m, 9.6 ft·lb)**



30) Change the bolt installation position from (B) to (A), then close the front hood.

### **Tightening torque:**

**7.5 N·m (0.8 kgf·m, 5.5 ft·lb)**



## C: INSPECTION

1) Check that pipes, hoses, connectors and clamps are installed firmly.

2) Check the engine coolant is at specified level.

3) Check that the ATF is at specified level. (AT model)

4) Start the engine and check for exhaust gas, engine coolant, leaks of fuel, etc. Also check for noise and vibrations.

## 10.Engine Mounting

### A: REMOVAL

- 1) Remove the engine assembly. <Ref. to ME(H4SO)-30, REMOVAL, Engine Assembly.>
- 2) Remove the engine mounting from the engine assembly.

### B: INSTALLATION

Install in the reverse order of removal.

#### *Tightening torque:*

##### *Engine mounting*

*35 N·m (3.6 kgf·m, 25.8 ft-lb)*

### C: INSPECTION

Make sure that no crack or other damages do not exist.

## 11. Preparation for Overhaul

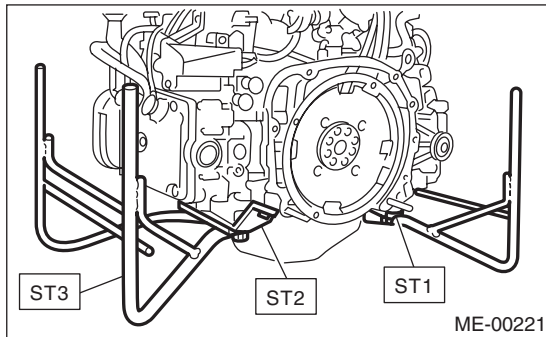
### A: PROCEDURE

1) After removing the engine from body, secure it to ST in the following procedure.

ST1 498457000 ENGINE STAND ADAPTER  
RH

ST2 498457100 ENGINE STAND ADAPTER  
LH

ST3 499817100 ENGINE STAND



2) In this section the procedures described under each index are all connected and stated in order. The procedure for overhauling of the engine will be completed when you go through all steps in the process.

Therefore, in this section, to conduct the particular procedure within the flow of a section, you need to go back and conduct the procedure described previously in order to do that particular procedure.



## 12.V-belt

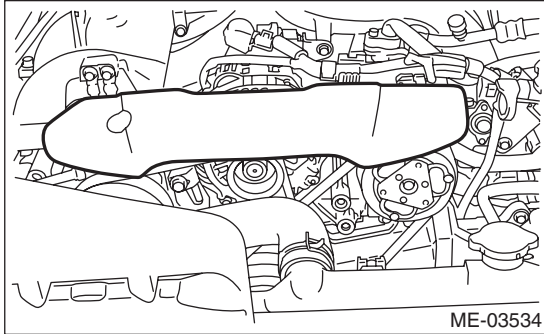
### A: REMOVAL

#### NOTE:

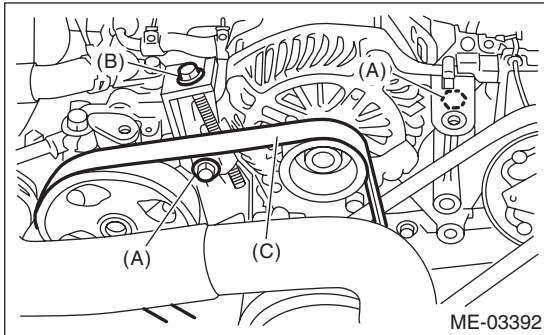
Perform the work with the engine installed to body when replacing a single part.

#### 1. FRONT SIDE BELT

- 1) Remove the V-belt covers.

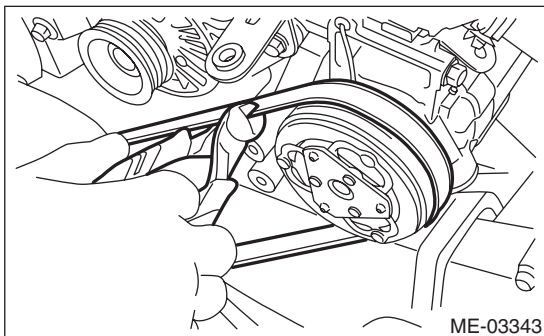


- 2) Remove the air intake duct. <Ref. to IN(H4SO)-8, REMOVAL, Air Intake Duct.>
- 3) Loosen the bolt (A).
- 4) Loosen the slider bolt (B).
- 5) Remove the front side belt (C).



#### 2. REAR SIDE BELT

- 1) Remove the front side belts. <Ref. to ME(H4SO)-39, FRONT SIDE BELT, REMOVAL, V-belt.>
- 2) Cut the rear side belt with a wire cutter, etc., and discard.



### B: INSTALLATION

#### 1. FRONT SIDE BELT

#### CAUTION:

- When reusing the front side belt, wipe off dust and water with cloth.
- Do not use the front side belt if there is any oil, grease or coolant on the belt.
- Be careful not to rub the belt end surface with bare hands; exposed core may cause injury.

- 1) Wipe off any dust, oil and water on the groove of each pulley with cloth.
- 2) Install the front side belt (C), and adjust the slider bolt (B) so as to obtain the specified belt tension. <Ref. to ME(H4SO)-45, INSPECTION, V-belt.>
- 3) Tighten the bolt (A).
- 4) Tighten the slider bolt (B).

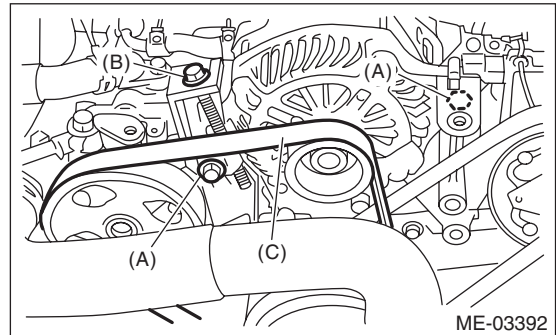
#### Tightening torque:

##### Bolt (A)

**25 N·m (2.5 kgf·m, 18.4 ft·lb)**

##### Slider bolt (B)

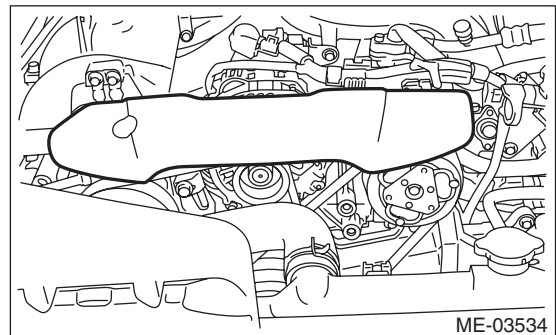
**8 N·m (0.8 kgf·m, 5.9 ft·lb)**



- 5) Install the air intake duct. <Ref. to IN(H4SO)-8, INSTALLATION, Air Intake Duct.>
- 6) Install the V-belt cover.

#### Tightening torque:

**13 N·m (1.3 kgf·m, 9.6 ft·lb)**



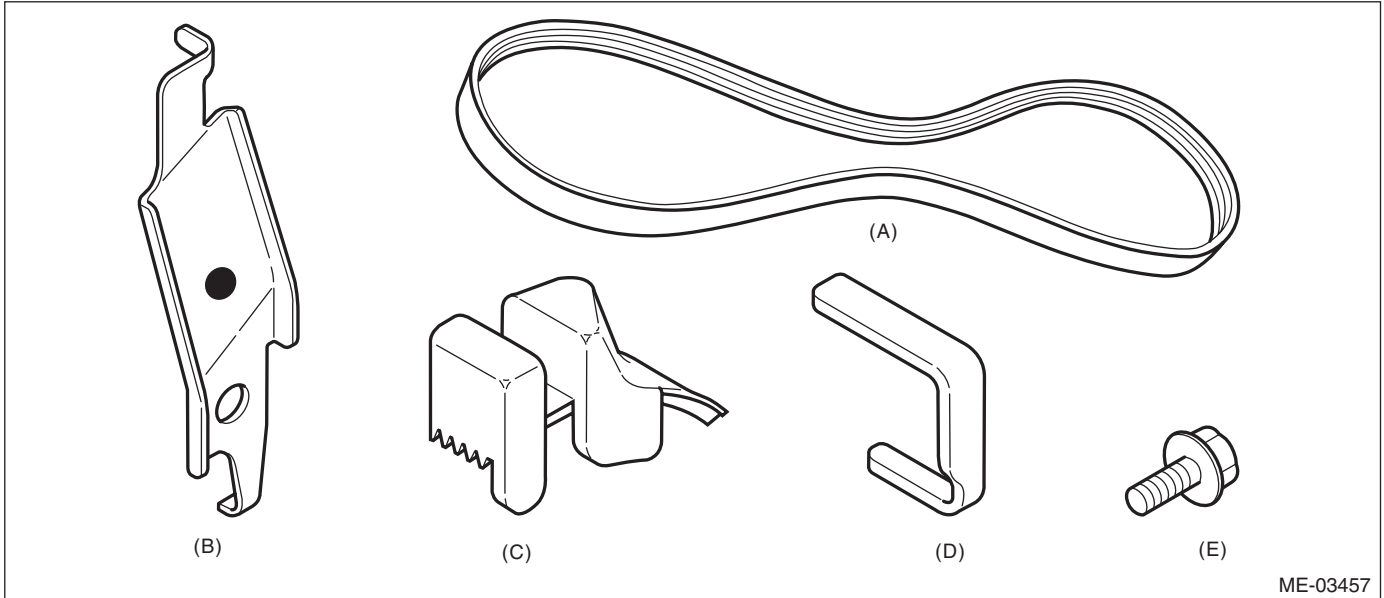
# V-belt

## MECHANICAL

### 2. REAR SIDE BELT

#### CAUTION:

- Do not re-use the rear side belt.
- Be careful not to let oil, grease or coolant contact a new rear side belt.
- Be careful not to rub the belt end surface with bare hands; exposed core may cause injury.
- To install the rear side belt, always use the provided tools (belt stopper, belt guide, belt guide holder, and bolt).



(A) Rear side belt

(C) Belt guide

(E) Bolt

(B) Belt stopper

(D) Belt guide holder

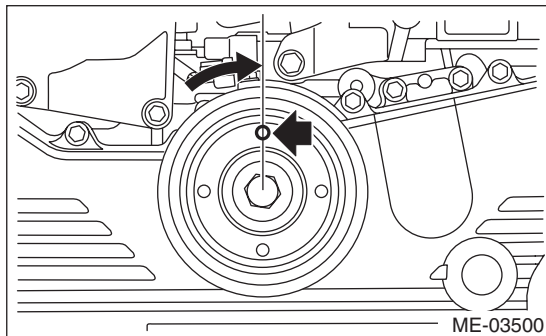
1) Wipe off any dust, oil and water on the groove of each pulley with cloth.

2) Wipe off any oil, water, dirt, and rust on the front of the crank pulley with cloth.

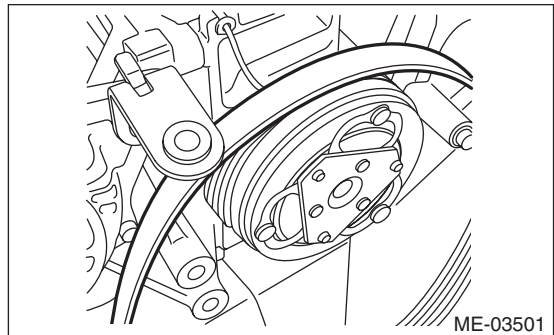
3) Slowly turn the crank pulley clockwise so that the service hole of the crank pulley comes around the top.

#### CAUTION:

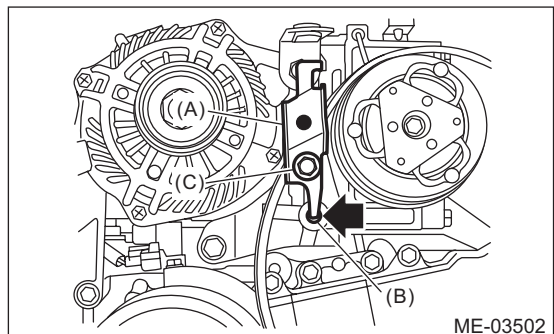
Do not turn the crank pulley counterclockwise.



4) Hook a new rear side belt on the A/C compressor pulley.

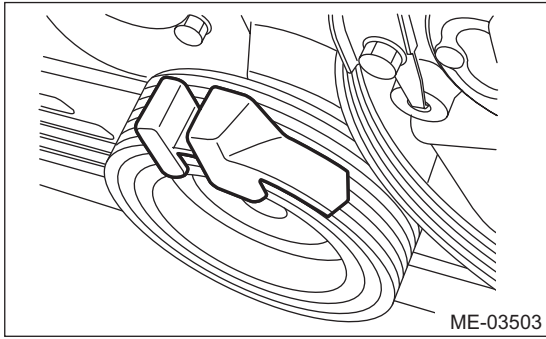


5) As shown in the figure, insert the claw of the belt stopper (A) to the lower hole (B) of the compressor bracket, then attach with bolt (C).





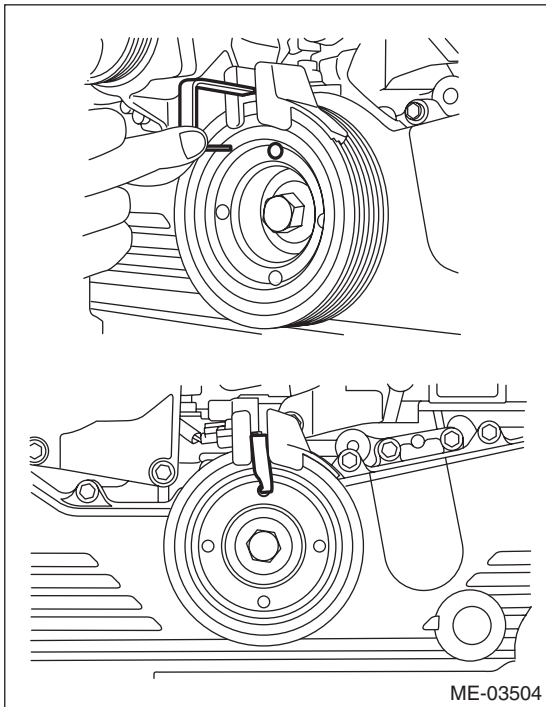
6) Place the belt guide while aligning it with the belt line of the crank pulley on the front side belt side.



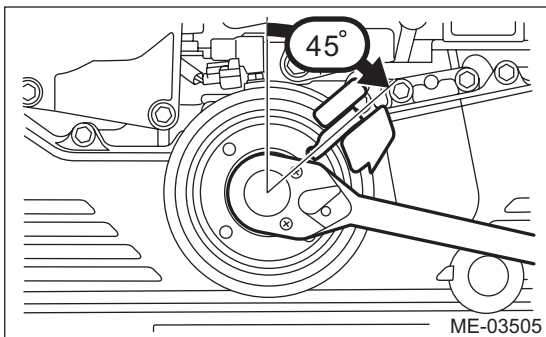
7) Insert the belt guide holder into the service hole of the crank pulley so that the belt guide comes in between.

**NOTE:**

Place the belt guide holder with the longer side up.



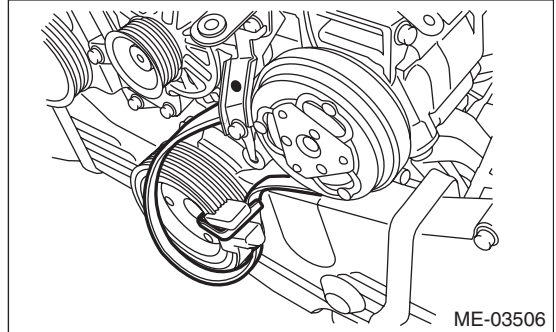
8) Slowly turn the crank pulley clockwise until the belt guide comes to approximately 45°.



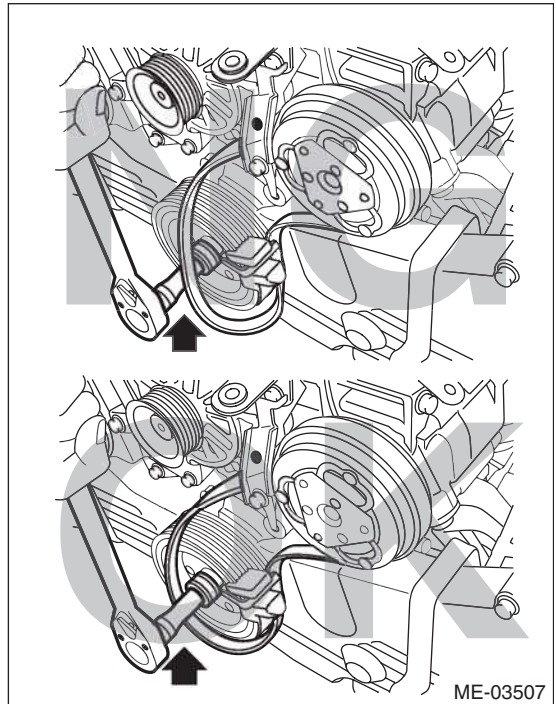
9) Place the rib surface of the rear side belt into the crank pulley groove, so that the rear side belt comes in between the belt guide holder.

**CAUTION:**

When it is difficult to place the rear side belt to the crank pulley groove, pull out the belt guide holder half way, then place the rear side belt into the groove so that it comes in between the belt guide holder.



10) Place the tool through the loop of the rear side belt, and set on the crank pulley bolt.



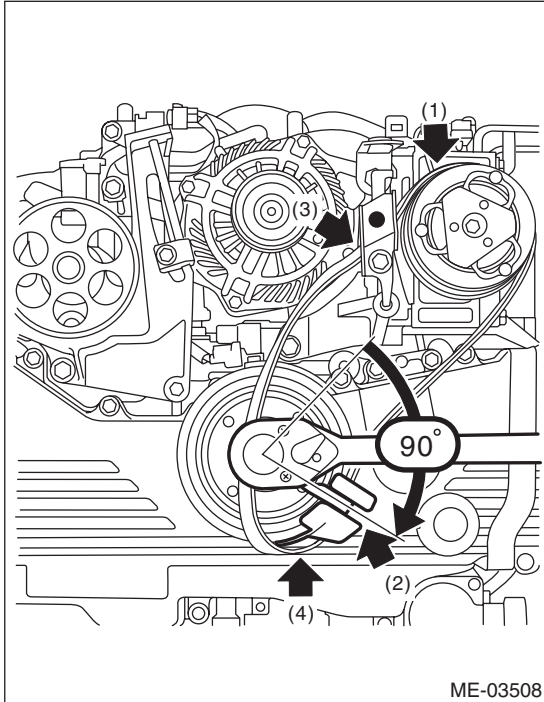
# V-belt

## MECHANICAL

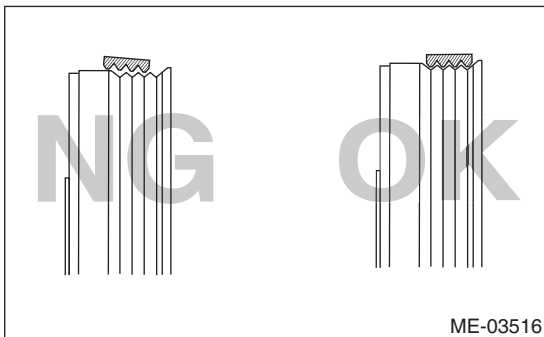
11) While checking the following, slowly turn the crank pulley approximately 90° clockwise so that the belt guide comes to the position shown in the figure.

### CAUTION:

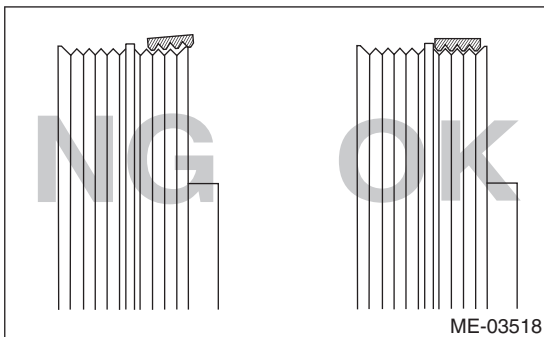
When turning the crank pulley, always make sure that the belt guide is not off from the crank pulley groove.



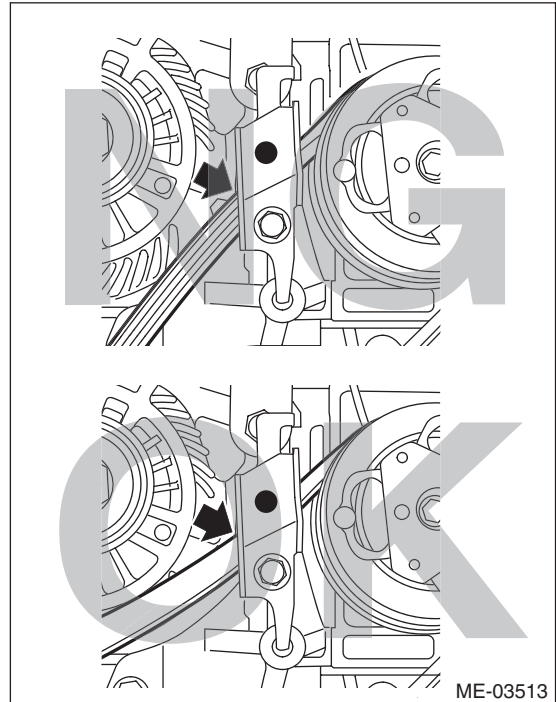
(1) The rib of the rear side belt is securely placed on the groove of the A/C compressor pulley.



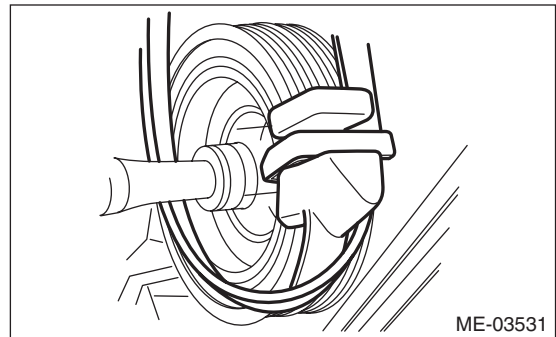
(2) The rib of the rear side belt is securely placed on the groove of the crank pulley.



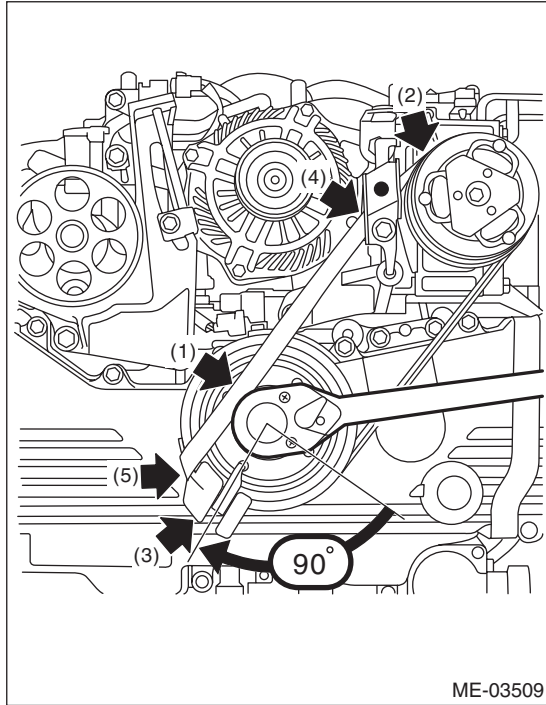
(3) The surface of the rear side belt is held by the belt stopper.



(4) The rear side belt is securely placed on the belt guide.

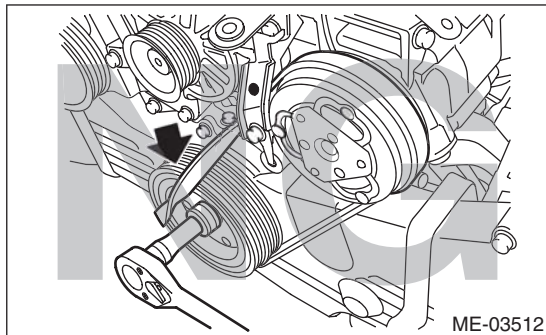


12) While checking the following, slowly turn the crank pulley approximately 90° clockwise so that the belt guide comes to the position shown in the figure.



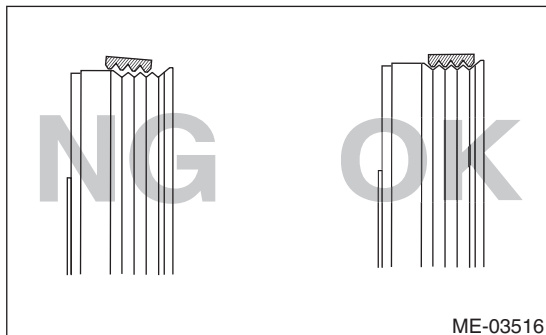
ME-03509

(1) The rear side belt is not twisted.



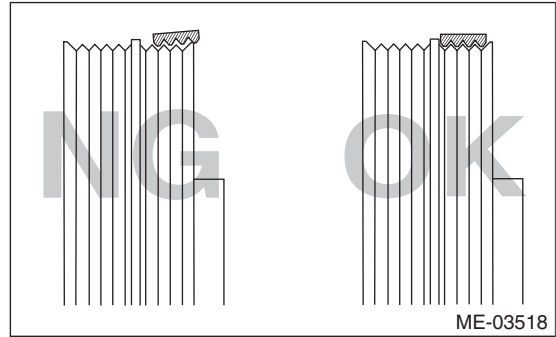
ME-03512

(2) The rib of the rear side belt is securely placed on the groove of the A/C compressor pulley.



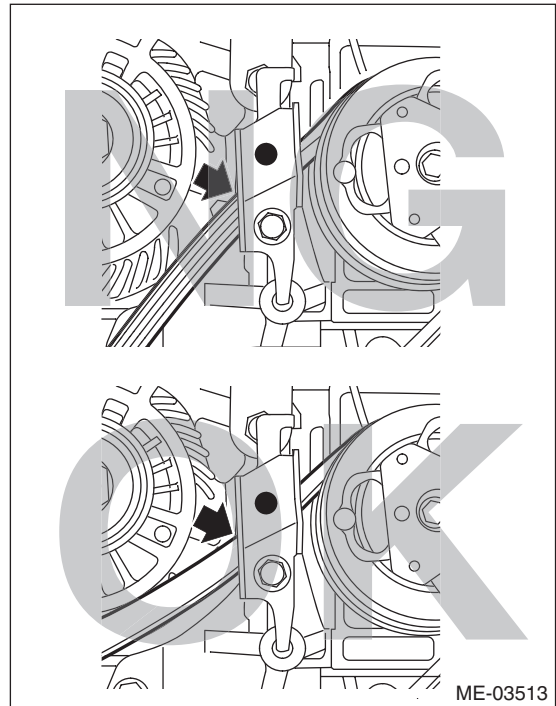
ME-03516

(3) The rib of the rear side belt is securely placed on the groove of the crank pulley.



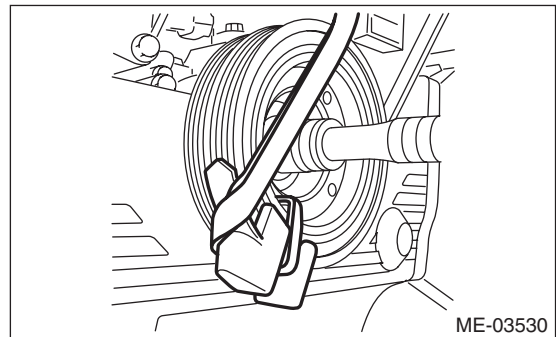
ME-03518

(4) The surface of the rear side belt is held by the belt stopper.



ME-03513

(5) The rear side belt is securely placed on the belt guide.



ME-03530

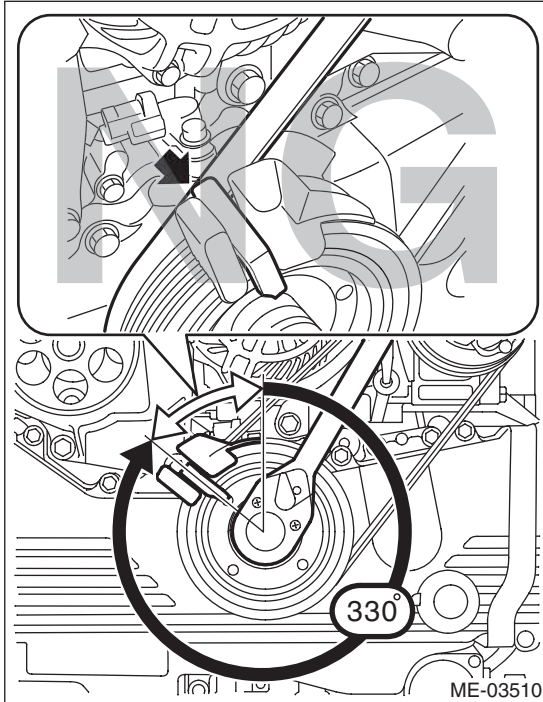
## V-belt

### MECHANICAL

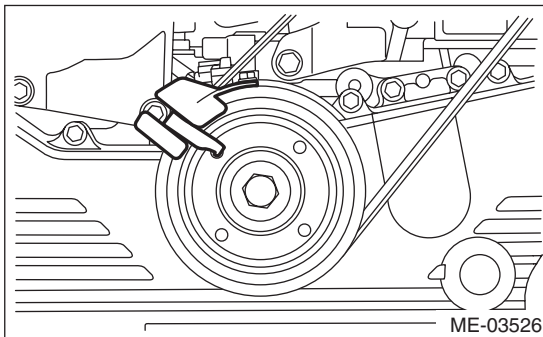
13) Slowly turn the crank pulley clockwise, and install the rear side belt.

**CAUTION:**

Be careful that the total of procedures 8), 11), 12) and 13) does not exceed 330°; failure to do so may cause damage to the rear side belt and fall of the belt guide holder.



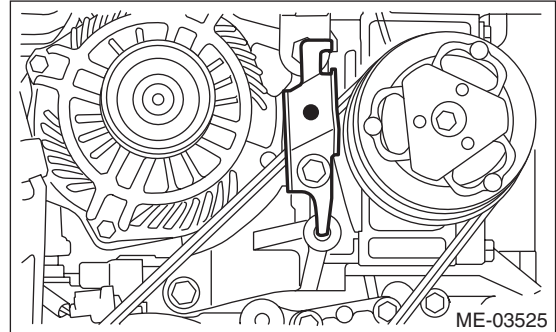
14) Remove the belt guide and belt guide holder from the crank pulley.



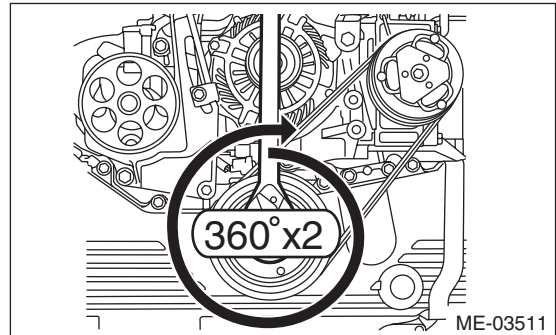
15) Remove the belt stopper from the compressor bracket.

**CAUTION:**

Always remove the belt stopper; failure to do so may cause smoke, fire, or belt cutting.



16) Make sure that the belt rib is securely installed on the groove of each pulley, then turn the crank pulley slowly, twice in the clockwise direction, to seat the rear side belt properly.



17) Discard the provided tools (belt stopper, belt guide, belt guide holder, and bolt) that are used.

18) Install the front side belt. <Ref. to ME(H4SO)-39, FRONT SIDE BELT, INSTALLATION, V-belt.>

## C: INSPECTION

### 1. FRONT SIDE BELT

#### CAUTION:

Check and adjust the front side belt tension so that it is within the specified range. Using the belt with a tension out of the specified range may result in a fault such as the following:

- If the front side belt tension is higher, unexpected force is generated at the power steering oil pump, generator and crankshaft bearing, causing abnormal noise due to abnormal wear of the bearing.
- If the front side belt tension is lower, the front side belt and crank pulley slip, causing abnormally high temperature on the crank pulley due to frictional heat. If this condition repeatedly occurs, the front side belt may abnormally wear, causing abnormal noise, front side belt damage or crank pulley damage.

1) Replace the front side belt, if crack, fraying or wear is found.

2) Check the front side belt tension and adjust it if necessary by changing the generator installing position.

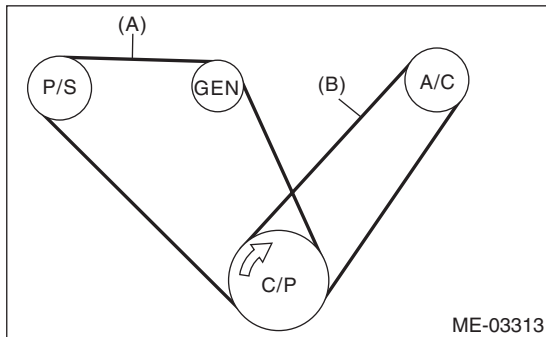
#### Front side belt tension (with belt tension gauge):

##### When installing new parts

640 — 780 N (65 — 80 kgf, 144 — 175 lbf)

##### At inspection

490 — 640 N (50 — 65 kgf, 110 — 144 lbf)



- (A) Front side belt
- (B) Rear side belt
- C/P Crank pulley
- GEN Generator pulley
- P/S Power steering oil pump pulley
- A/C A/C compressor pulley

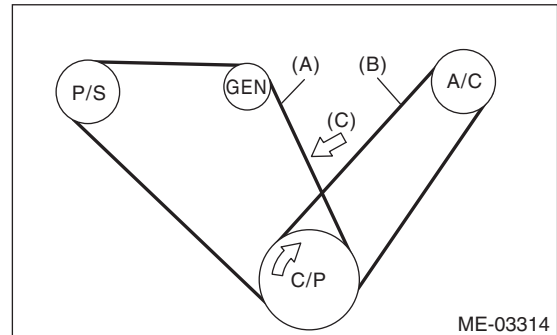
#### Front side belt tension (without belt tension gauge):

##### When installing new parts

7 — 9 mm (0.276 — 0.354 in)

##### At inspection

9 — 11 mm (0.354 — 0.433 in)



- (A) Front side belt
- (B) Rear side belt
- (C) 98 N (10 kgf, 22 lbf)
- C/P Crank pulley
- GEN Generator pulley
- P/S Power steering oil pump pulley
- A/C A/C compressor pulley

### 2. REAR SIDE BELT

If cracks, fraying or wear is found, and when abnormal noise is produced, replace the rear side belt.

#### NOTE:

Because the rear side belt is a stretch type belt, it is not necessary to check deflection and tension.



## 13. Crank Pulley

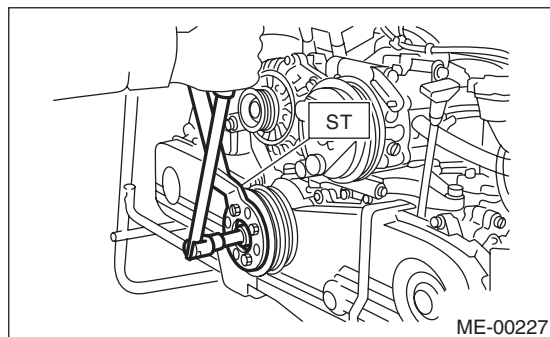
### A: REMOVAL

**NOTE:**

Perform the work with the engine installed to body when replacing a single part.

- 1) Remove the V-belts. <Ref. to ME(H4SO)-39, REMOVAL, V-belt.>
- 2) Use the ST to lock the crank pulley, and remove the crank pulley bolts.

- ST 499977400 CRANK PULLEY WRENCH (AT MODEL)
- ST 499977100 CRANK PULLEY WRENCH (MT MODEL)



- 3) Remove the crank pulley.

### B: INSTALLATION

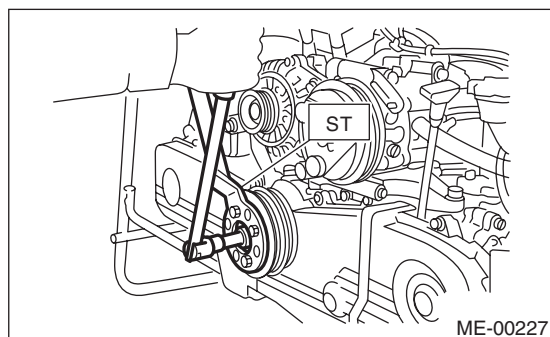
#### 1. AT MODEL

- 1) Install the crank pulley.
- 2) Use the ST to lock the crank pulley, and attach the crank pulley bolts.

- ST 499977400 CRANK PULLEY WRENCH
- (1) Clean the crankshaft thread using compressed air.
  - (2) Apply engine oil to the crank pulley bolt seat and thread.
  - (3) Tighten the bolts temporarily with tightening torque of 44 N·m (4.5 kgf·m, 32.5 ft·lb).
  - (4) Tighten the crank pulley bolts.

**Tightening torque:**

**130 N·m (13.3 kgf·m, 95.9 ft·lb)**



- 3) Check that the tightening angle of the crank pulley bolt is 45° or more. Perform the following procedure when less than 45°.

**CAUTION:**

**If the tightening angle of crank pulley bolt is less than 45°, the bolt is damaged. In this case, the bolt must be replaced.**

- (1) Replace the crank pulley bolts and clean them.

**Crank pulley bolt:**

**Part No. 12369AA011**

- (2) Clean the crankshaft thread using compressed air.
- (3) Apply engine oil to the crank pulley bolt seat and thread.
- (4) Tighten the bolts temporarily with tightening torque of 44 N·m (4.5 kgf·m, 32.5 ft·lb).
- (5) Tighten the crank pulley bolts by 45° to 60°.

**NOTE:**

Conduct the tightening procedures by confirming the turning angle of crank pulley bolt referring to the gauge indicated on timing belt cover.

- 4) Install the V-belts. <Ref. to ME(H4SO)-39, INSTALLATION, V-belt.>

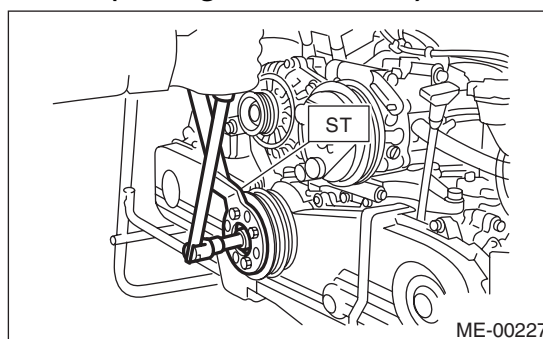
#### 2. MT MODEL

- 1) Install the crank pulley.
- 2) Use the ST to lock the crank pulley, and attach the crank pulley bolts.

- ST 499977100 CRANK PULLEY WRENCH
- (1) Clean the crankshaft thread using compressed air.
  - (2) Apply engine oil to the crank pulley bolt seat and thread.
  - (3) Tighten the bolts temporarily with tightening torque of 44 N·m (4.5 kgf·m, 32.5 ft·lb).
  - (4) Tighten the crank pulley bolts.

**Tightening torque:**

**180 N·m (18.4 kgf·m, 132.8 ft·lb)**



3) Check that the tightening angle of the crank pulley bolt is 65° or more. Perform the following procedure when less than 65°.

**CAUTION:**

**If the tightening angle of crank pulley bolt is less than 65°, the bolt is damaged. In this case, the bolt must be replaced.**

(1) Replace the crank pulley bolts and clean them.

**Crank pulley bolt:**

**Part No. 12369AA011**

(2) Clean the crankshaft thread using compressed air.

(3) Apply engine oil to the crank pulley bolt seat and thread.

(4) Tighten the bolts temporarily with tightening torque of 44 N·m (4.5 kgf·m, 32.5 ft·lb).

(5) Tighten the crank pulley bolts by 65° to 75°.

**NOTE:**

Conduct the tightening procedures by confirming the turning angle of crank pulley bolt referring to the gauge indicated on timing belt cover.

4) Install the V-belts. <Ref. to ME(H4SO)-39, INSTALLATION, V-belt.>

**C: INSPECTION**

1) Make sure the V-belt is not worn or otherwise damaged.

2) Check the tension of the front side belt. <Ref. to ME(H4SO)-45, INSPECTION, V-belt.>

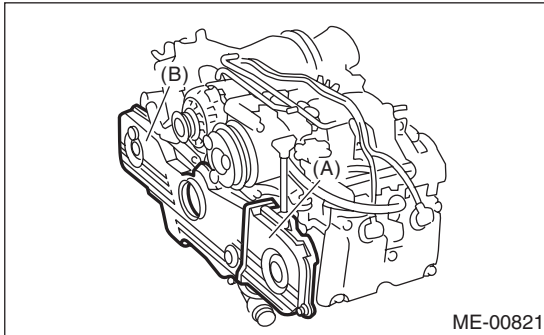
## 14. Timing Belt Cover

### A: REMOVAL

**NOTE:**

Perform the work with the engine installed to body when replacing a single part.

- 1) Remove the V-belts. <Ref. to ME(H4SO)-39, REMOVAL, V-belt.>
- 2) Remove the crank pulley. <Ref. to ME(H4SO)-46, REMOVAL, Crank Pulley.>
- 3) Remove the timing belt cover LH.
- 4) Remove the front timing belt cover.



- (A) Timing belt cover LH  
(B) Front timing belt cover

### B: INSTALLATION

- 1) Install the front timing belt cover.

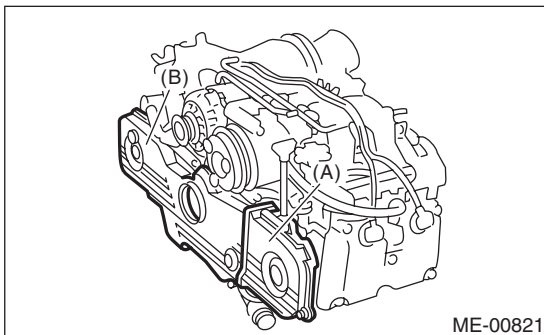
**Tightening torque:**

**5 N·m (0.5 kgf·m, 3.7 ft·lb)**

- 2) Install the timing belt cover LH.

**Tightening torque:**

**5 N·m (0.5 kgf·m, 3.7 ft·lb)**



- (A) Timing belt cover LH  
(B) Front timing belt cover

- 3) Install the crank pulley. <Ref. to ME(H4SO)-46, INSTALLATION, Crank Pulley.>
- 4) Install the V-belts. <Ref. to ME(H4SO)-39, INSTALLATION, V-belt.>

### C: INSPECTION

Check the timing belt cover for damage.



## 15. Timing Belt

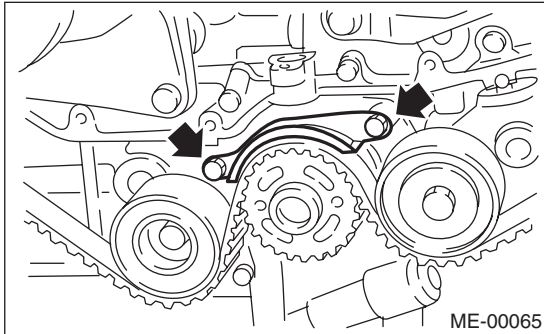
### A: REMOVAL

**NOTE:**

Perform the work with the engine installed to body when replacing a single part. For operation procedures, refer to "Timing Belt" in the PM section. <Ref. to PM-14, Timing Belt.>

#### 1. TIMING BELT

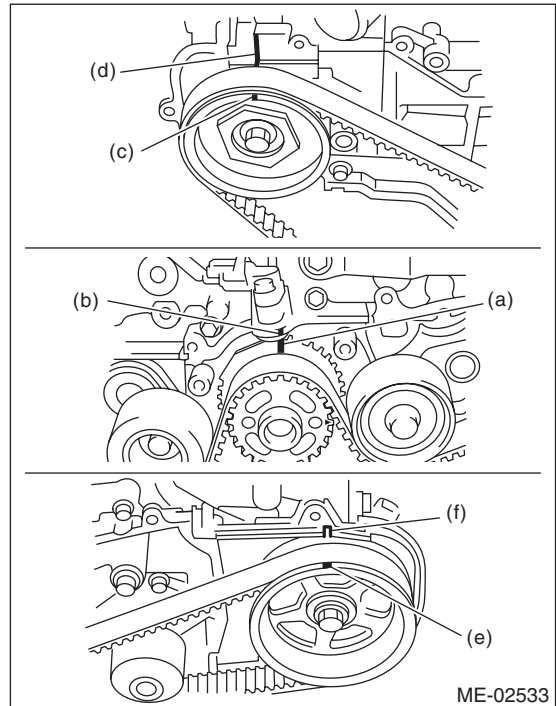
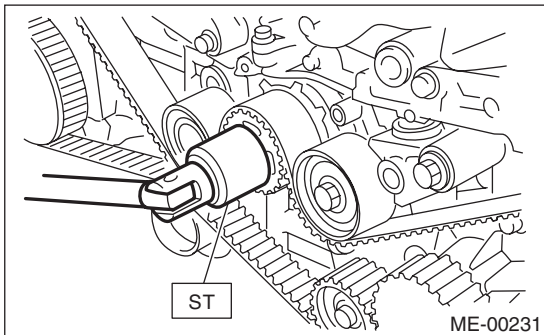
- 1) Remove the V-belts. <Ref. to ME(H4SO)-39, REMOVAL, V-belt.>
- 2) Remove the crank pulley. <Ref. to ME(H4SO)-46, REMOVAL, Crank Pulley.>
- 3) Remove the timing belt cover. <Ref. to ME(H4SO)-48, REMOVAL, Timing Belt Cover.>
- 4) Remove the timing belt guide. (MT model)



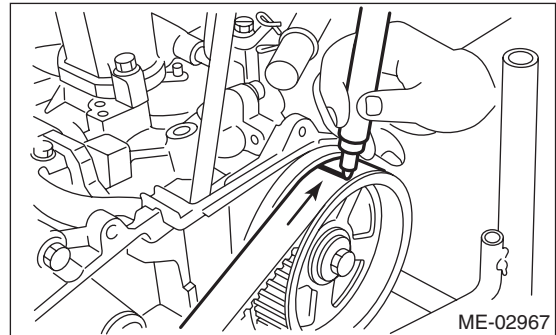
5) If the alignment mark or arrow mark (which indicates the direction of rotation) on timing belt fade away, put new marks before removing the timing belt as shown in procedures below.

- (1) Use the ST to turn crankshaft. Align the mark (a) of sprocket to the mark (b) of oil pump, and then ensure the right side cam sprocket mark (c), cam cap and cylinder head matching surface (d) or left side cam sprocket mark (e), timing belt cover notch (f) are properly adjusted.

ST 499987500 CRANKSHAFT SOCKET

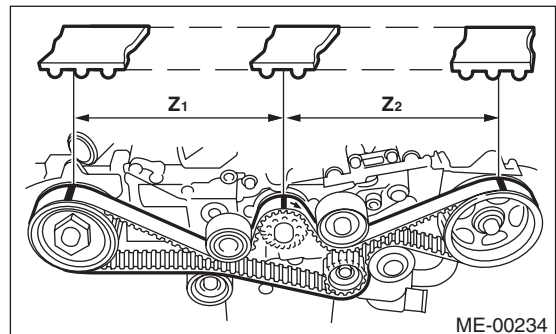


(2) Using white paint, put an alignment mark or an arrow mark on timing belts in relation to the crank sprocket and cam sprockets.



**Z<sub>1</sub>: 46.8 teeth**

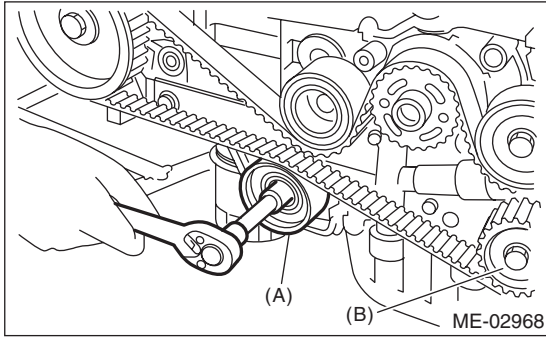
**Z<sub>2</sub>: 43.7 teeth**



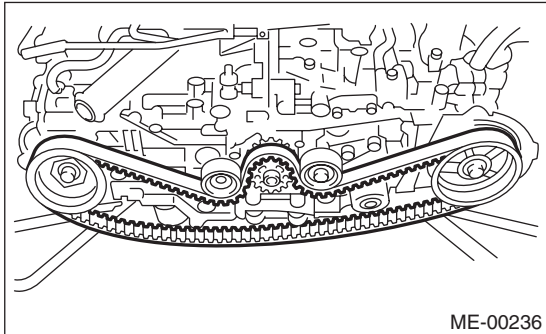
# Timing Belt

## MECHANICAL

- 6) Remove the belt idler (A).
- 7) Remove the belt idler No. 2 (B).

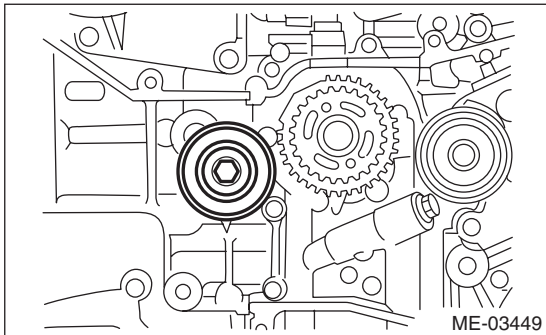


- 8) Remove the timing belt.

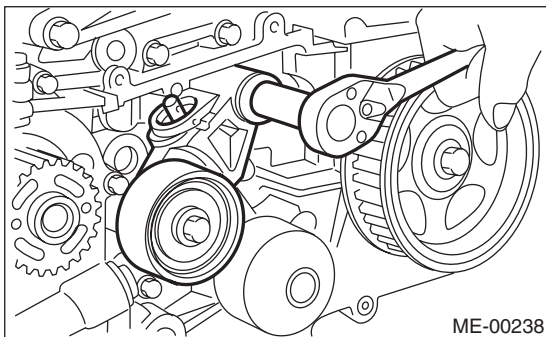


## 2. BELT IDLER AND AUTOMATIC BELT TENSION ADJUSTER ASSEMBLY

- 1) Remove the belt idler.



- 2) Remove the automatic belt tension adjuster assembly.



## B: INSTALLATION

### 1. AUTOMATIC BELT TENSION ADJUSTER ASSEMBLY AND BELT IDLER

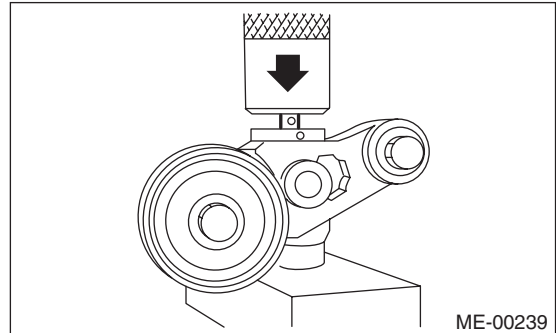
- 1) Prepare for installation of the automatic belt tension adjuster assembly.

#### CAUTION:

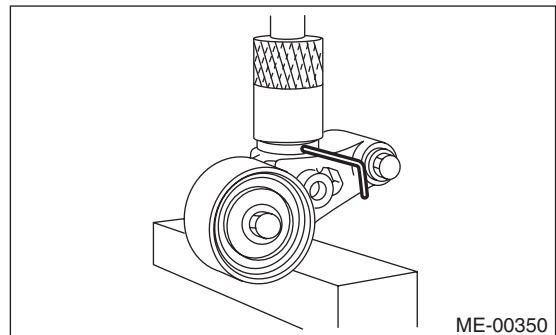
- Always use a vertical type pressing tool to move the adjuster rod down.
- Do not use a lateral type vise.
- Push the adjuster rod vertically.
- Press-in the push adjuster rod gradually taking three minutes or more.
- Do not allow press pressure to exceed 9,807 N (1,000 kgf, 2,205 lb).
- Push in the adjuster rod to the end face of the cylinder. However, do not push in the adjuster rod below the end face of the cylinder. Doing so may damage the cylinder.
- Do not release the press pressure until stopper pin is completely inserted.

- (1) Attach the automatic belt tension adjuster assembly to vertical pressing tool.

- (2) Slowly push in the adjuster rod with a pressure of 165 N (16.8 kgf, 37.1 lb) or more until the adjuster rod is aligned with the stopper pin hole in the cylinder.



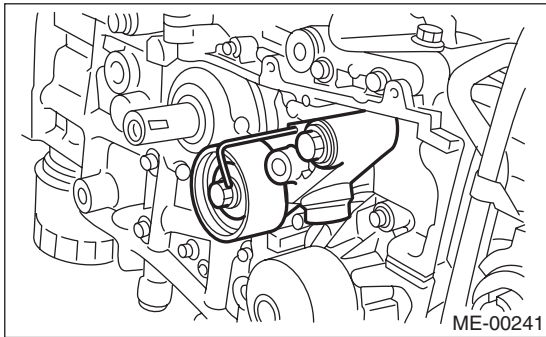
- (3) With a 2 mm (0.08 in) dia. stopper pin or a 2 mm (0.08 in) (nominal) dia. hex wrench inserted into the stopper pin hole in cylinder, secure the adjuster rod.



2) Install the automatic belt tension adjuster assembly.

**Tightening torque:**

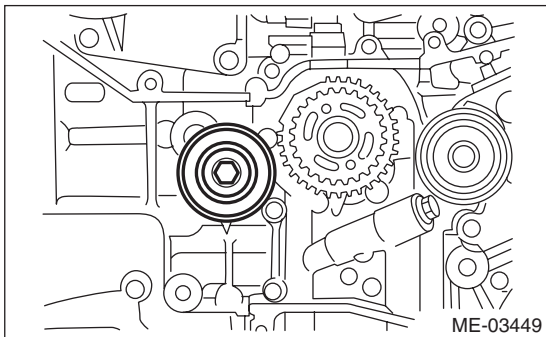
**39 N·m (4.0 kgf·m, 28.8 ft·lb)**



3) Install the belt idlers.

**Tightening torque:**

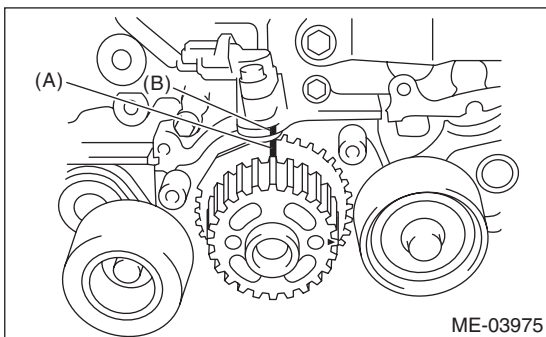
**39 N·m (4.0 kgf·m, 28.8 ft·lb)**



## 2. TIMING BELT

1) Prepare for installation of the automatic belt tension adjuster assembly. <Ref. to ME(H4SO)-50, AUTOMATIC BELT TENSION ADJUSTER ASSEMBLY AND BELT IDLER, INSTALLATION, Timing Belt.>

2) Align the mark (B) on oil pump with the mark (A) on crank sprocket.



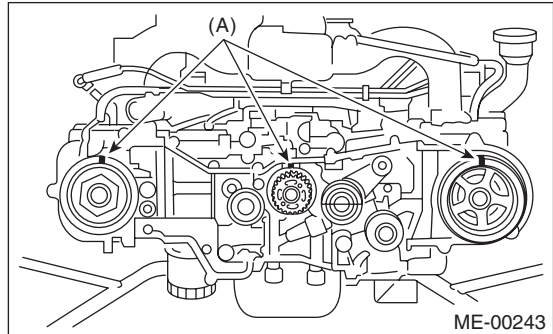
3) Turn the camshaft sprocket No. 2 using ST1, and turn the camshaft sprocket No. 1 using ST2 so that their alignment marks (A) come to top positions.

ST1 18231AA010 CAM SPROCKET WRENCH

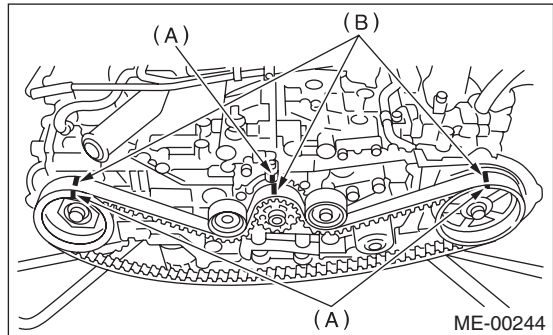
**NOTE:**

CAM SPROCKET WRENCH (499207100) can also be used.

ST2 499207400 CAM SPROCKET WRENCH



4) While aligning the alignment mark (B) on timing belt with the mark (A) on sprockets, position the timing belt properly.



5) Install the belt idler No. 2 (B).

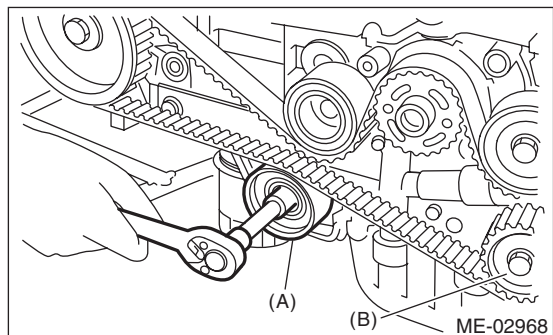
**Tightening torque:**

**39 N·m (4.0 kgf·m, 28.8 ft·lb)**

6) Install the belt idler (A).

**Tightening torque:**

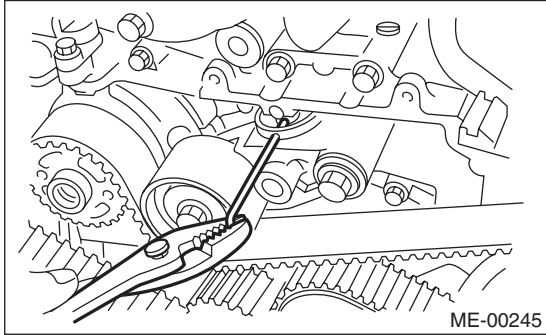
**39 N·m (4.0 kgf·m, 28.8 ft·lb)**



# Timing Belt

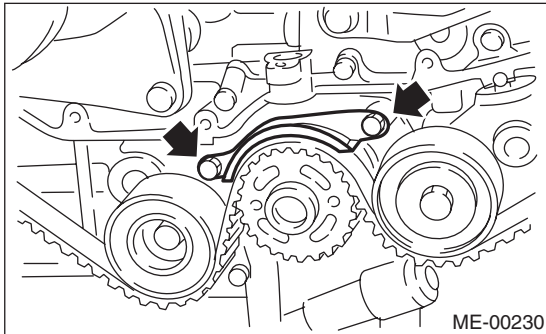
## MECHANICAL

7) After ensuring the marks on timing belt and camshaft sprockets are aligned, remove the stopper pin from belt tension adjuster.



8) Install the timing belt guide. (MT model)

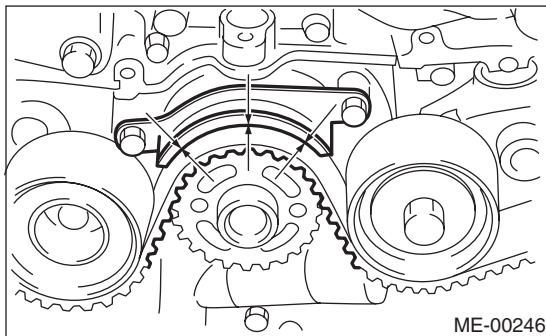
(1) Temporarily tighten the bolts mounting the timing belt guide.



(2) Check and adjust the clearance between timing belt and timing belt guide by using thickness gauge.

**Clearance:**

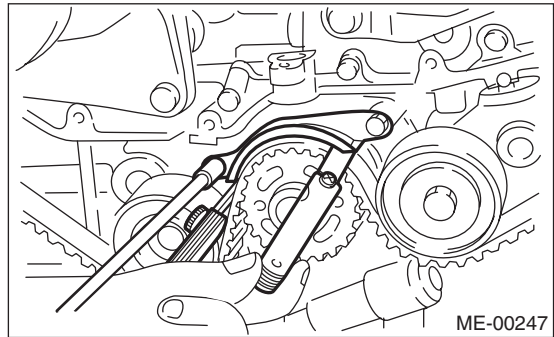
**$1.0 \pm 0.5 \text{ mm}$  ( $0.039 \pm 0.020 \text{ in}$ )**



(3) Tighten the bolts mounting the timing belt guide.

**Tightening torque:**

**$9.75 \text{ N}\cdot\text{m}$  ( $1.0 \text{ kgf}\cdot\text{m}$ ,  $7.2 \text{ ft}\cdot\text{lb}$ )**



9) Install the timing belt cover. <Ref. to ME(H4SO)-48, INSTALLATION, Timing Belt Cover.>

10) Install the crank pulley. <Ref. to ME(H4SO)-46, INSTALLATION, Crank Pulley.>

11) Install the V-belts. <Ref. to ME(H4SO)-39, INSTALLATION, V-belt.>

## C: INSPECTION

### 1. TIMING BELT

1) Check the timing belt teeth for breaks, cracks or wear. If any fault is found, replace the timing belt.

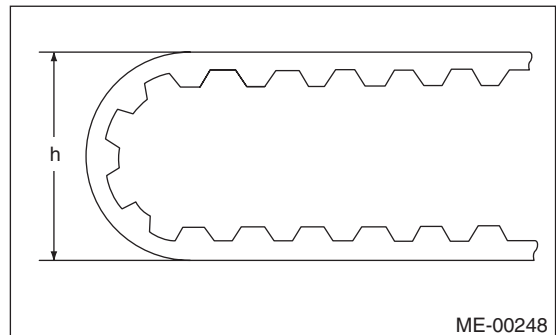
2) Check the condition on the back surface of the timing belt. If cracks are found, replace the timing belt.

### CAUTION:

- Be careful not to let oil, grease or coolant contact the timing belt. Remove quickly and thoroughly if this happens.
- Do not bend the timing belt sharply.

**In radial diameter h:**

**$60 \text{ mm}$  ( $2.36 \text{ in}$ ) or more**





## 2. AUTOMATIC BELT TENSION ADJUSTER

1) Visually check the oil seals for leaks, and rod ends for abnormal wear and scratches. If necessary, replace the automatic belt tension adjuster assembly.

**NOTE:**

Slight traces of oil at rod's oil seal does not indicate a problem.

2) Check that the adjuster rod does not move when a pressure of 165 N (16.8 kgf, 37.1 lb) is applied to it. This is to check adjuster rod stiffness.

3) If the adjuster rod is not stiff and moves freely when applying 165 N (16.8 kgf, 37.1 lb), check it using the following procedures:

(1) Slowly press the adjuster rod down to the end surface of cylinder. Repeat this operation two to three times.

(2) With the adjuster rod moved all the way up, apply a pressure of 165 N (16.8 kgf, 37.1 lb) to it, and check the adjuster rod stiffness.

(3) If the adjuster rod is not stiff and moves down, replace the automatic belt tension adjuster assembly with a new part.

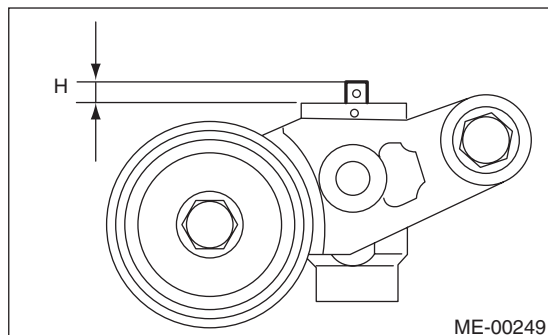
**CAUTION:**

- Always use a vertical type pressing tool to move the adjuster rod down.
- Do not use a lateral type vise.
- Push the adjuster rod vertically.
- Press the adjuster rod gradually taking three minutes or more.
- Do not allow press pressure to exceed 9,807 N (1,000 kgf, 2,205 lb).
- Push in the adjuster rod to the end face of the cylinder. However, do not press the adjuster rod below the end face of the cylinder. Doing so may damage the cylinder.

4) Measure the amount of rod protrusion "H" from the end surface of the body. If it is not within specifications, replace the automatic belt tension adjuster assembly with a new part.

**Amount of rod protrusion H:**

**5.2 — 6.2 mm (0.204 — 0.244 in)**



## 3. BELT TENSION PULLEY

1) Check the mating surfaces of timing belt and contact point of adjuster rod for abnormal wear or scratches. Replace the automatic belt tension adjuster assembly with a new part if faulty.

2) Check the belt tension pulley for smooth rotation. Replace the automatic belt tension adjuster assembly with a new part if abnormal noise or excessive play occurs.

3) Check the belt tension pulley for grease leakage.

## 4. BELT IDLER

1) Check the belt idler for smooth rotation. Replace if noise or excessive play occurs.

2) Check the outer contacting surfaces of idler pulley for abnormal wear and scratches.

3) Check the belt idler for grease leakage.

# Cam Sprocket

MECHANICAL

## 16. Cam Sprocket

### A: REMOVAL

NOTE:

Perform the work with the engine installed to body when replacing a single part.

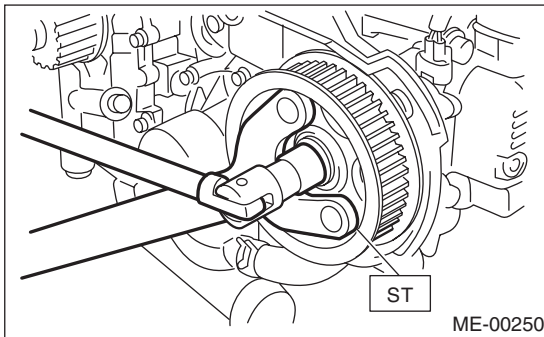
- 1) Remove the V-belts. <Ref. to ME(H4SO)-39, REMOVAL, V-belt.>
- 2) Remove the crank pulley. <Ref. to ME(H4SO)-46, REMOVAL, Crank Pulley.>
- 3) Remove the timing belt cover. <Ref. to ME(H4SO)-48, REMOVAL, Timing Belt Cover.>
- 4) Remove the timing belt. <Ref. to ME(H4SO)-49, REMOVAL, Timing Belt.>
- 5) Remove the camshaft position sensor. <Ref. to FU(H4SO)-28, REMOVAL, Camshaft Position Sensor.>

6) Fasten the cam sprocket and remove from the camshaft using ST.

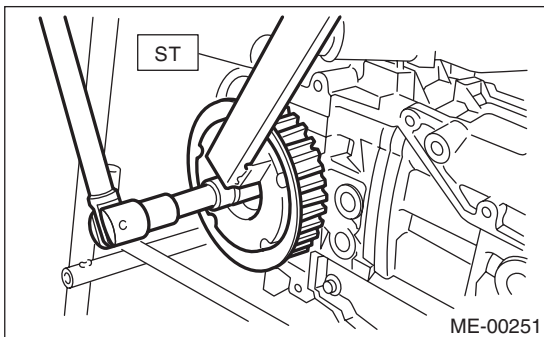
ST 18231AA010 CAM SPROCKET WRENCH

NOTE:

CAM SPROCKET WRENCH (499207100) can also be used.



ST 499207400 CAM SPROCKET WRENCH



### B: INSTALLATION

1) Fasten the cam sprocket and install to the camshaft using ST.

NOTE:

Do not confuse cam sprockets (LH) and (RH) during installation. They should be distinguished by the L or R indication.

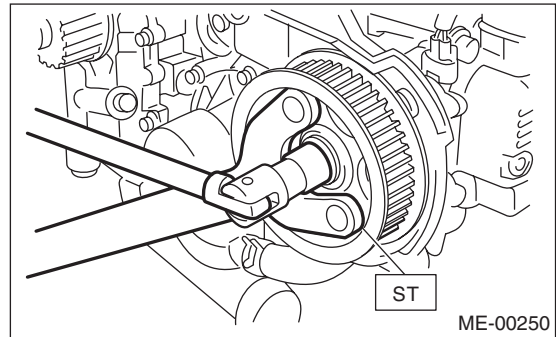
ST 18231AA010 CAM SPROCKET WRENCH

NOTE:

CAMSHAFT SPROCKET WRENCH (499207100) can also be used.

**Tightening torque:**

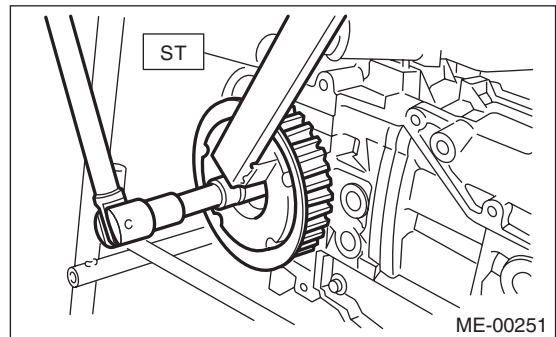
**78 N·m (8.0 kgf·m, 57.5 ft·lb)**



ST 499207400 CAM SPROCKET WRENCH

**Tightening torque:**

**78 N·m (8.0 kgf·m, 57.5 ft·lb)**



2) Install the camshaft position sensor. <Ref. to FU(H4SO)-28, INSTALLATION, Camshaft Position Sensor.>

3) Install the timing belt. <Ref. to ME(H4SO)-50, INSTALLATION, Timing Belt.>

4) Install the timing belt cover. <Ref. to ME(H4SO)-48, INSTALLATION, Timing Belt Cover.>

5) Install the crank pulley. <Ref. to ME(H4SO)-46, INSTALLATION, Crank Pulley.>

6) Install the V-belts. <Ref. to ME(H4SO)-39, INSTALLATION, V-belt.>

## **C: INSPECTION**

- 1) Check the cam sprocket teeth for abnormal wear and scratches.
- 2) Make sure there is no free play between cam sprocket and key.
- 3) Check the cam sprocket protrusion used for sensor for damage and contamination of foreign matter.

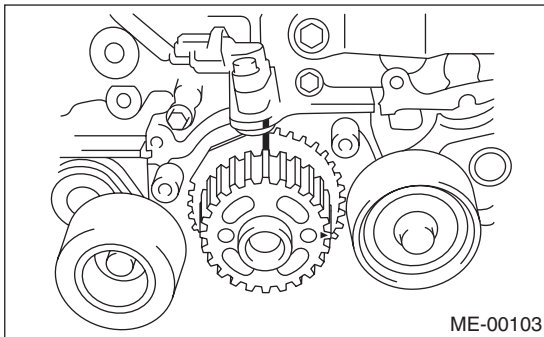
## 17.Crank Sprocket

### A: REMOVAL

#### NOTE:

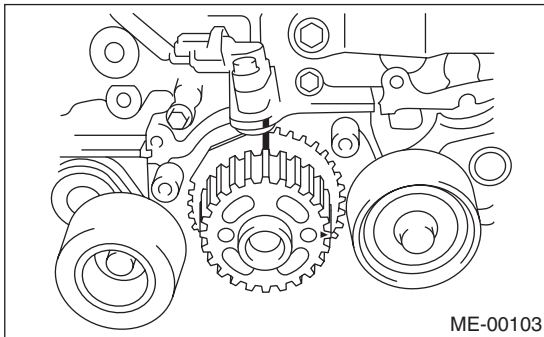
Perform the work with the engine installed to body when replacing a single part.

- 1) Remove the V-belts. <Ref. to ME(H4SO)-39, REMOVAL, V-belt.>
- 2) Remove the crank pulley. <Ref. to ME(H4SO)-46, REMOVAL, Crank Pulley.>
- 3) Remove the timing belt cover. <Ref. to ME(H4SO)-48, REMOVAL, Timing Belt Cover.>
- 4) Remove the timing belt. <Ref. to ME(H4SO)-49, REMOVAL, Timing Belt.>
- 5) Remove the crank sprocket.



### B: INSTALLATION

- 1) Install the crank sprocket.



- 2) Install the timing belt. <Ref. to ME(H4SO)-50, INSTALLATION, Timing Belt.>
- 3) Install the timing belt cover. <Ref. to ME(H4SO)-48, INSTALLATION, Timing Belt Cover.>
- 4) Install the crank pulley. <Ref. to ME(H4SO)-46, INSTALLATION, Crank Pulley.>
- 5) Install the V-belts. <Ref. to ME(H4SO)-39, INSTALLATION, V-belt.>

### C: INSPECTION

- 1) Check the crank sprocket teeth for abnormal wear and scratches.
- 2) Make sure there is no free play between crank sprocket and key.
- 3) Check the crank sprocket protrusion used for sensor for damage and contamination of foreign matter.



## 18. Valve Rocker Assembly

### A: REMOVAL

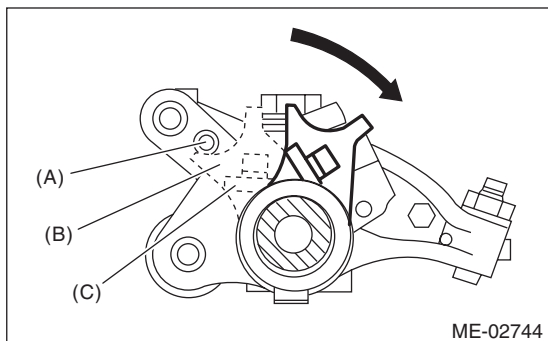
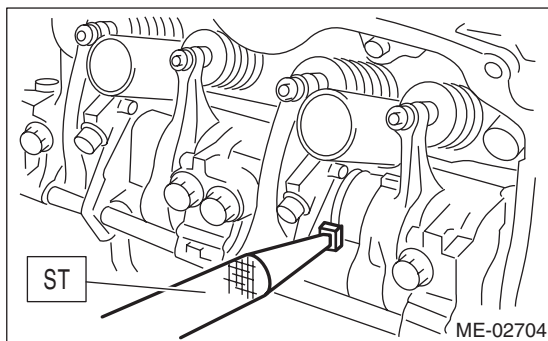
**NOTE:**

Perform the work with the engine installed to body when replacing a single part. Refer to "Valve Clearance" for preparation procedures. <Ref. to ME(H4SO)-28, Valve Clearance.>

- 1) Remove the high tension cord.
- 2) Disconnect the PCV hose and remove the rocker cover.
- 3) Remove the valve rocker assembly.

(1) Use the ST to rotate the spring stopper in the direction of the arrow to remove it from adjuster pin.

ST 18258AA000 SPRING INSTALLER

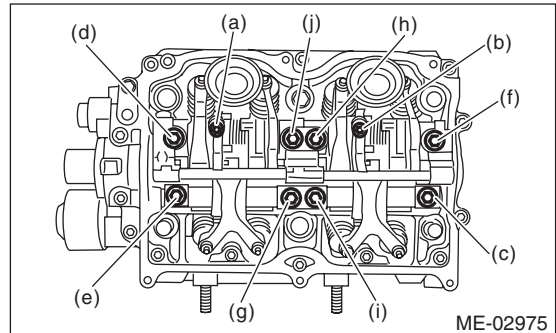


- (A) Adjuster pin
- (B) Spring stopper
- (C) Spring

(2) Remove the bolts (a) through (j) in alphabetical sequence.

**NOTE:**

Leave two or three threads of bolts (i) and (j) engaged in order to retain the valve rocker assembly.

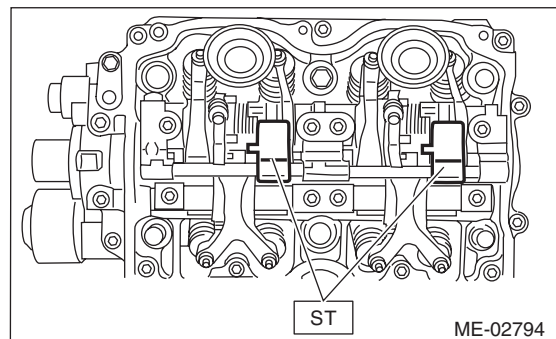


(3) Remove the valve rocker assembly.

**NOTE:**

Set the ST in the position shown in the drawing to remove the intake valve rocker assembly.

ST 18354AA000 VALVE ROCKER HOLDER



# Valve Rocker Assembly

MECHANICAL

## B: INSTALLATION

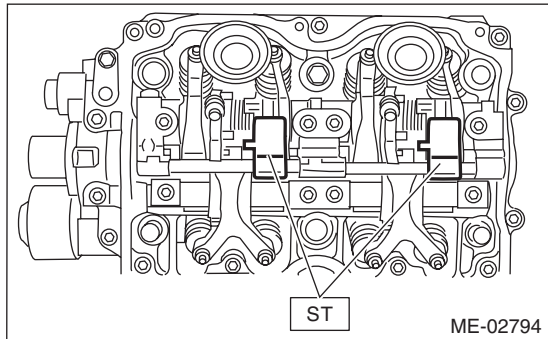
1) Install the valve rocker assembly.

(1) Temporarily tighten the bolts equally in alphabetical order as shown in the figure.

NOTE:

- Do not temporarily tighten the bolts (i) and (j).
- Set the ST in the position shown in the drawing to mount the intake valve rocker assembly.

ST 18354AA000 VALVE ROCKER HOLDER



(2) Tighten the bolts (a) through (h) to specified torque.

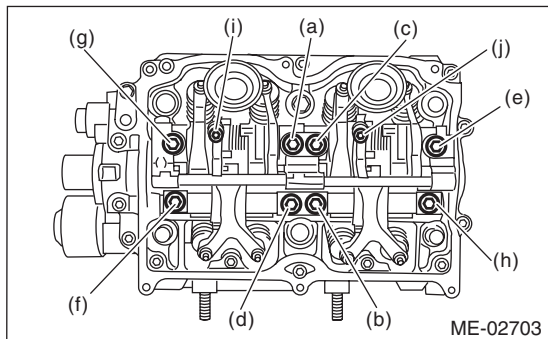
**Tightening torque:**

**25 N·m (2.5 kgf-m, 18.4 ft-lb)**

(3) Tighten the bolts (i) through (j) to specified torque.

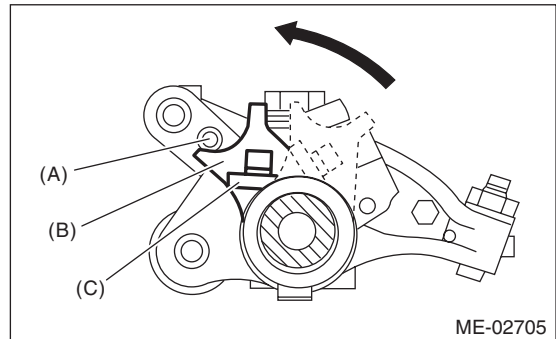
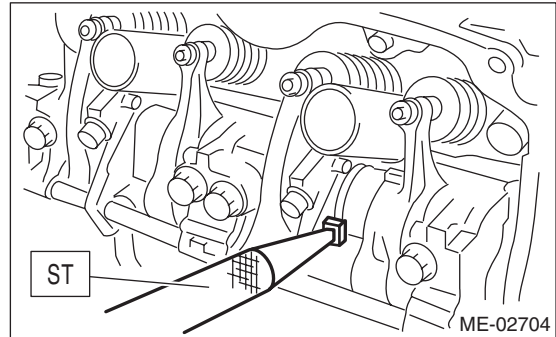
**Tightening torque:**

**6 N·m (0.6 kgf-m, 4.4 ft-lb)**



(4) Use the ST to rotate the spring stopper in the direction of the arrow to fasten the adjuster pin.

ST 18258AA000 SPRING INSTALLER



- (A) Adjuster pin
- (B) Spring stopper
- (C) Spring

2) Remove the timing belt cover LH.

3) Adjust the valve clearance. <Ref. to ME(H4SO)-29, ADJUSTMENT, Valve Clearance.>

4) Install the timing belt cover LH.

5) Install the rocker cover.

(1) Install the rocker cover gasket to the rocker cover.

NOTE:

Use a new rocker cover gasket.

(2) Temporarily tighten the bolts in alphabetical order shown in the figure, tighten them in two stages.

**Tightening torque:**

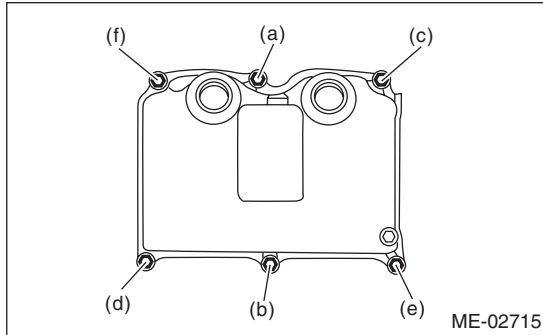
**First**

**6.4 N·m (0.7 kgf·m, 4.7 ft·lb)**

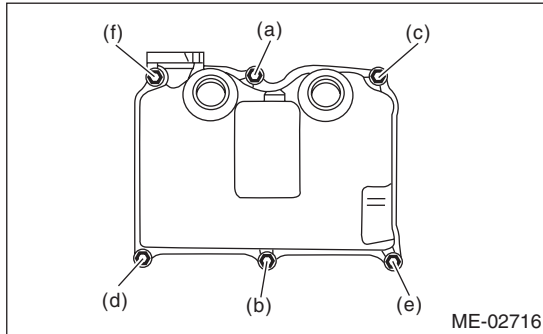
**Second (only (a) and (b) are tightened)**

**6.4 N·m (0.7 kgf·m, 4.7 ft·lb)**

RH side



LH side



(3) Connect the PCV hose.

6) Install the high tension cord.

**C: DISASSEMBLY**

**NOTE:**

Intake valve rocker assembly cannot be disassembled.

1) Remove the exhaust valve rocker arm from the rocker shaft.

**NOTE:**

Keep all the removed parts in order for re-installing in their original positions.

2) Remove the nut and adjusting screw from exhaust valve rocker.

**D: ASSEMBLY**

**NOTE:**

Intake valve rocker assembly cannot be disassembled.

1) Install the adjusting screw and nut to the exhaust valve rocker.

2) Insert the exhaust valve rocker arm to rocker shaft.

**NOTE:**

Valve rocker arms, and rocker shaft have identification marks. Make sure the parts with same markings are properly assembled.

**E: INSPECTION**

**1. INTAKE VALVE ROCKER ASSEMBLY**

1) If the roller or valve contact surface of valve rocker arm is worn or dented excessively, replace the valve rocker assembly.

2) Check that the valve rocker arm roller rotates smoothly. If not, replace the valve rocker assembly.

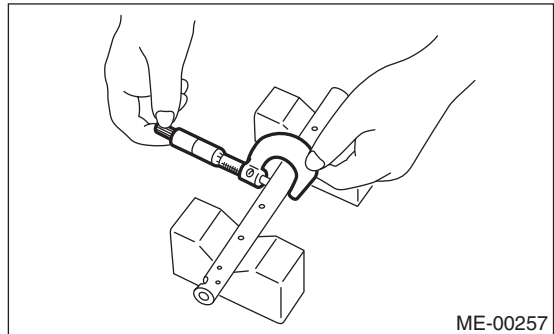
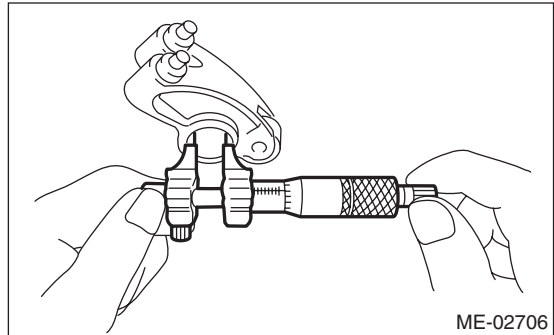
**2. EXHAUST VALVE ROCKER ASSEMBLY**

1) Measure the inner diameter of valve rocker arm and outer diameter of valve rocker shaft, and confirm the difference (oil clearance) between the two values.

**Clearance between arm and shaft:**

**Standard**

**0.020 — 0.054 mm (0.0008 — 0.0021 in)**



2) If the oil clearance exceeds the limit, replace the valve rocker arm or shaft, whichever shows the greater amount of wear.

**Rocker arm inside diameter:**

**22.020 — 22.041 mm (0.8669 — 0.8678 in)**

**Rocker shaft diameter:**

**21.987 — 22.000 mm (0.8656 — 0.8661 in)**

3) If the roller or valve contact surface of valve rocker arm is worn or dented excessively, replace the valve rocker arm.

4) Check that the valve rocker arm roller rotates smoothly. If not, replace the valve rocker arm.

## 19. Camshaft

### A: REMOVAL

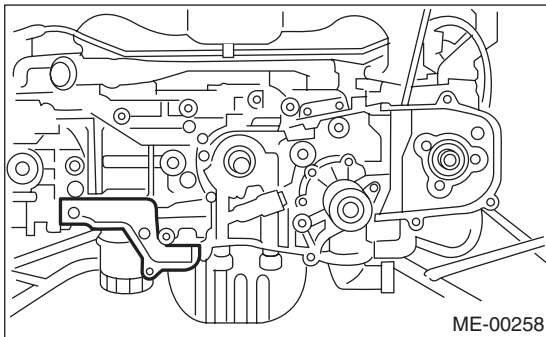
**NOTE:**

Perform the work with the engine installed to body when replacing a single part. Refer to "Valve Clearance" for preparation procedures. <Ref. to ME(H4SO)-28, Valve Clearance.>

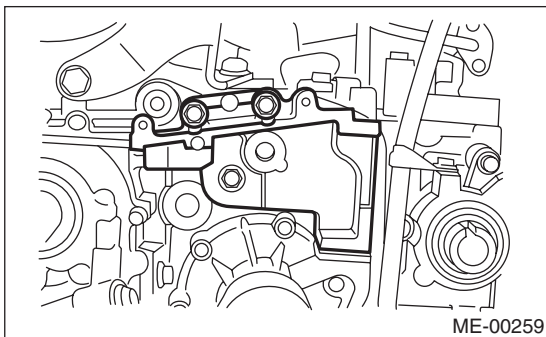
- 1) Remove the V-belts. <Ref. to ME(H4SO)-39, REMOVAL, V-belt.>
- 2) Remove the crank pulley. <Ref. to ME(H4SO)-46, REMOVAL, Crank Pulley.>
- 3) Remove the timing belt cover. <Ref. to ME(H4SO)-48, REMOVAL, Timing Belt Cover.>
- 4) Remove the timing belt. <Ref. to ME(H4SO)-49, REMOVAL, Timing Belt.>
- 5) Remove the cam sprocket. <Ref. to ME(H4SO)-54, REMOVAL, Cam Sprocket.>
- 6) Remove the timing belt cover No. 2 LH.
- 7) Remove the timing belt cover No. 2 RH.

**NOTE:**

Do not damage or lose the seal rubber when removing the timing belt covers.

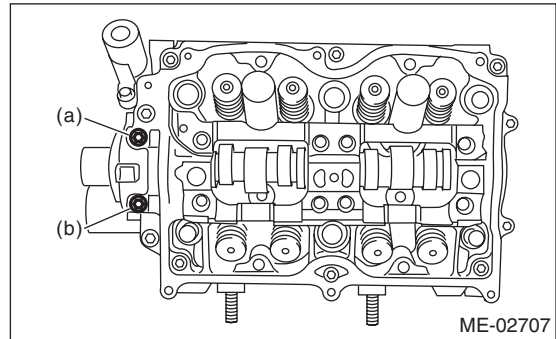


- 8) Remove the tensioner bracket.

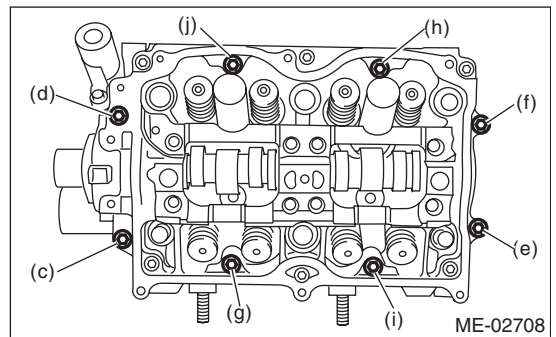


- 9) Remove the camshaft position sensor support. (LH side only)
- 10) Remove the valve rocker assembly. <Ref. to ME(H4SO)-57, REMOVAL, Valve Rocker Assembly.>

- 11) Remove the camshaft cap.
  - (1) Remove the bolts (a) and (b) in alphabetical sequence.

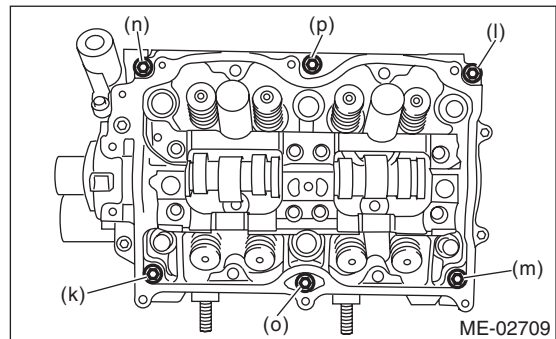


- (2) Equally loosen the bolts (c) through (j) all the way in alphabetical sequence.



- (3) Remove the bolts (k) through (p) in alphabetical sequence using ST.

ST 499497000 TORX® PLUS



- (4) Remove the camshaft cap.
- 12) Remove the camshaft.
- 13) Remove the oil seal.
- 14) Remove the plug from rear side of camshaft.

**CAUTION:**

**Do not scratch the journal surface when removing the oil seal.**

- 15) Similarly, remove the camshaft RH and related parts.

## B: INSTALLATION

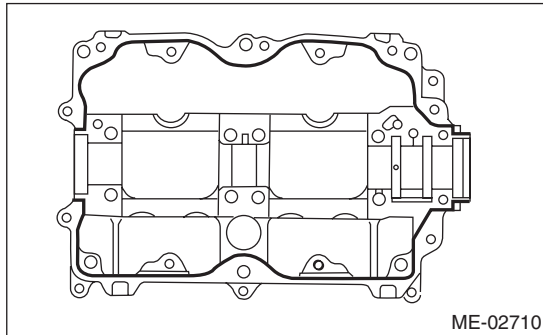
- 1) Apply a thin coat of engine oil to camshaft journals, and install the camshaft.
- 2) Install the camshaft cap.
  - (1) Apply liquid gasket to the mating surfaces of camshaft cap.

**NOTE:**

Install within 5 min. after applying liquid gasket.

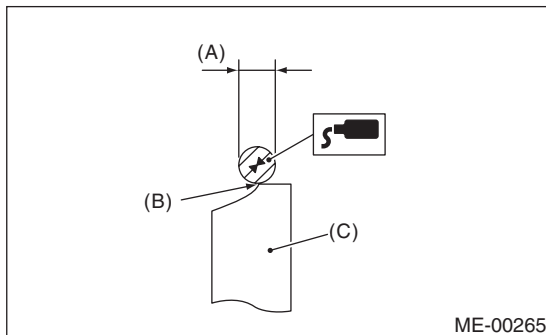
**Liquid gasket:**

**THREE BOND 1217G (Part No. K0877Y0100)  
or equivalent**

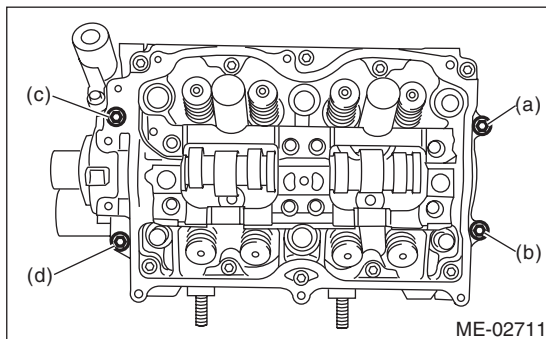


**NOTE:**

Apply a coat of liquid gasket of 3 mm (0.12 in) in diameter (A) along the edge (B) of camshaft cap (C) mating surface.



- (2) Temporarily tighten the bolts (a) through (d) in alphabetical sequence.

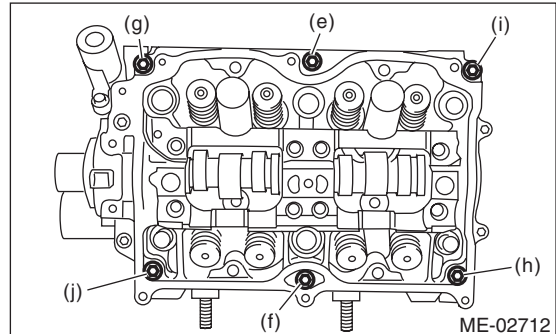


- (3) Install the valve rocker assembly. <Ref. to ME(H4SO)-58, INSTALLATION, Valve Rocker Assembly.>

- (4) Tighten the TORX® bolts (e) through (j) in alphabetical sequence using the ST. ST 499497000 TORX® PLUS

**Tightening torque:**

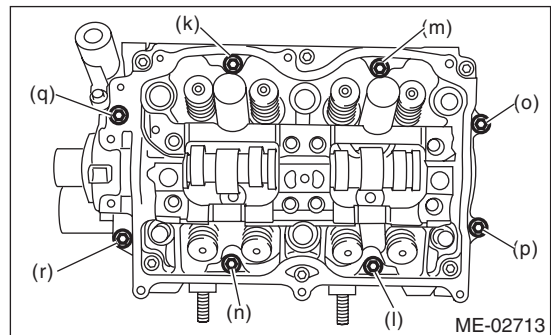
**18 N·m (1.8 kgf·m, 13.3 ft·lb)**



- (5) Tighten the bolts (k) through (r) in alphabetical sequence.

**Tightening torque:**

**9.75 N·m (1.0 kgf·m, 7.2 ft·lb)**



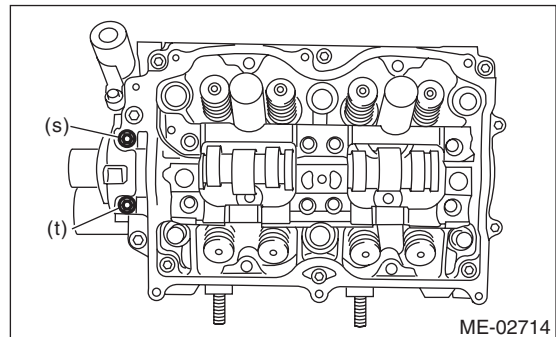
- (6) Tighten the bolts (s) and (t) in alphabetical sequence.

**NOTE:**

- Use a new seal washer.
- Install and tighten the seal washer to the bolt.

**Tightening torque:**

**9.75 N·m (1.0 kgf·m, 7.2 ft·lb)**





# Camshaft

## MECHANICAL

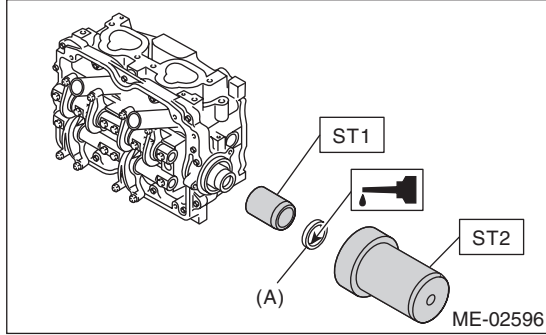
3) Apply a coat of engine oil to camshaft oil seal periphery and oil seal lips and install the oil seal (A) on camshaft using ST1 and ST2.

### NOTE:

Use a new oil seal.

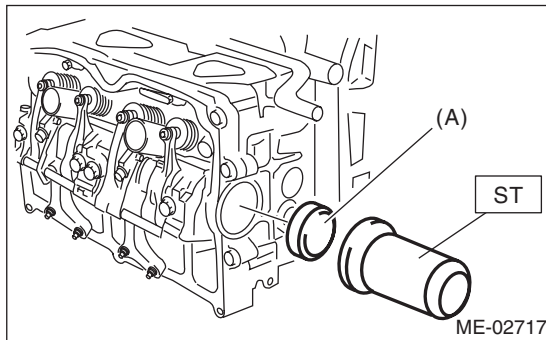
ST1 499597000 OIL SEAL GUIDE

ST2 499587500 OIL SEAL INSTALLER



4) Apply a coat of engine oil to plug periphery and install the plug (A) using ST.

ST 499587700 CAMSHAFT OIL SEAL INSTALLER



5) Install the camshaft position sensor support. (LH side only)

### Tightening torque:

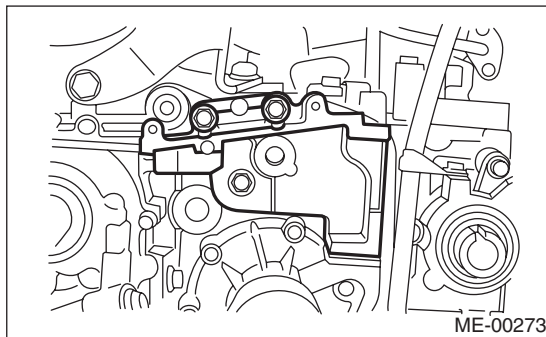
**6.4 N-m (0.7 kgf-m, 4.7 ft-lb)**

6) Similarly, install the parts on right-hand side.

7) Install the tensioner bracket.

### Tightening torque:

**24.5 N-m (2.5 kgf-m, 18.1 ft-lb)**



8) Install the timing belt cover No. 2 RH.

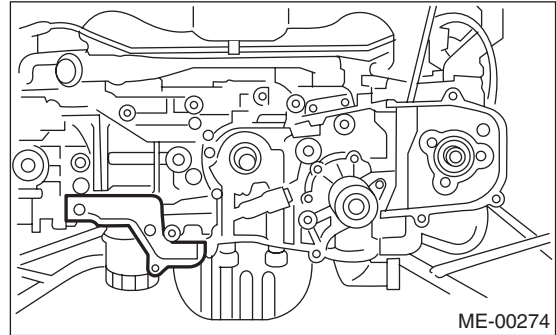
### Tightening torque:

**5 N-m (0.5 kgf-m, 3.7 ft-lb)**

9) Install the timing belt cover No. 2 LH.

### Tightening torque:

**5 N-m (0.5 kgf-m, 3.7 ft-lb)**



10) Install the cam sprocket. <Ref. to ME(H4SO)-54, INSTALLATION, Cam Sprocket.>

11) Install the timing belt. <Ref. to ME(H4SO)-50, INSTALLATION, Timing Belt.>

12) Adjust the valve clearance. <Ref. to ME(H4SO)-29, ADJUSTMENT, Valve Clearance.>

13) Install the rocker cover.

(1) Install the rocker cover gasket to the rocker cover.

### NOTE:

Use a new rocker cover gasket.

(2) Temporarily tighten the bolts in alphabetical order shown in the figure, tighten them in two stages.

### Tightening torque:

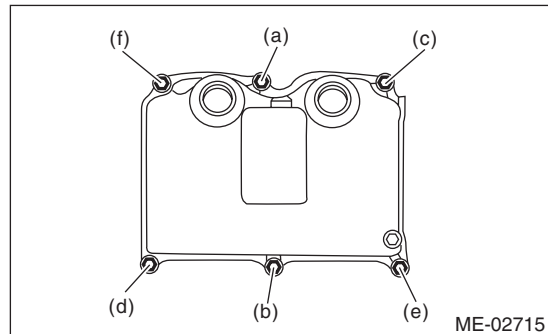
#### First

**6.4 N-m (0.7 kgf-m, 4.7 ft-lb)**

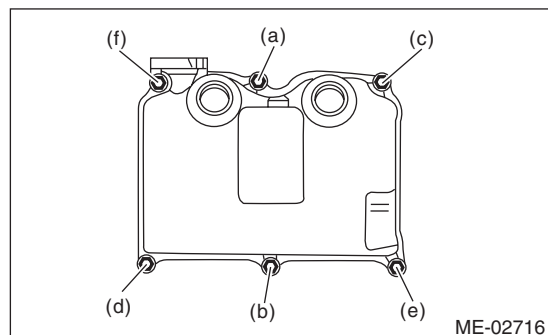
**Second (only (a) and (b) are tightened)**

**6.4 N-m (0.7 kgf-m, 4.7 ft-lb)**

RH side



LH side

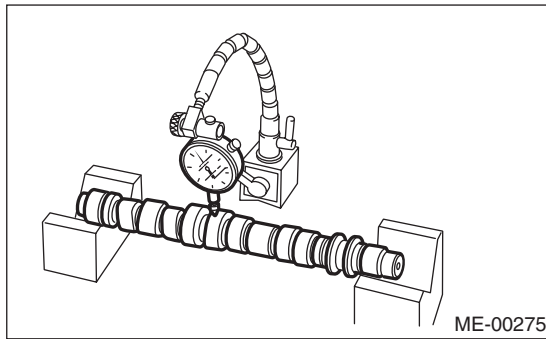


- (3) Connect the PCV hose.
- 14) Install the high tension cord.
- 15) Install the timing belt cover. <Ref. to ME(H4SO)-48, INSTALLATION, Timing Belt Cover.>
- 16) Install the crank pulley. <Ref. to ME(H4SO)-46, INSTALLATION, Crank Pulley.>
- 17) Install the V-belts. <Ref. to ME(H4SO)-39, INSTALLATION, V-belt.>

## C: INSPECTION

- 1) Measure the bend, and repair or replace if necessary.

**Camshaft bend limit:**  
**0.025 mm (0.00098 in)**



- 2) Check the journal for damage and wear. Replace if faulty.
- 3) Check the cam face condition, and remove the minor faults by grinding with oil stone. If offset wear occurs, replace it.
- 4) Measure the cam lobe height H, cam base circle diameter A and base circle step of adjacent intake cams (low speed and high speed). If it exceeds the standard or offset wear occurs, replace it.

### Cam lobe height H:

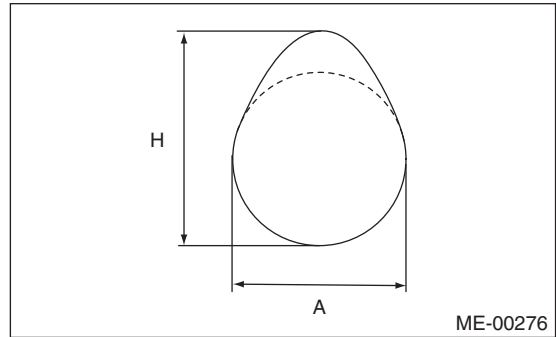
			Unit: mm (in)
Intake	Constant	Standard	40.075 — 40.175 (1.5778 — 1.5817)
	Low speed	Standard	35.496 — 35.596 (1.3975 — 1.4014)
	High speed	Standard	40.315 — 40.415 (1.5872 — 1.5911)
Exhaust		Standard	39.289 — 39.389 (1.5468 — 1.5507)

### Cam base circle diameter A:

**Standard**  
**34.00 mm (1.3386 in)**

### Base circle step of adjacent intake cams (low speed and high speed):

**Standard**  
**0.03 mm (0.001 in) or less**



- 5) Measure the outer diameter of camshaft journal and inner diameter of cylinder head journal, and check the difference (oil clearance) between the two values. If the oil clearance is not within the standard, replace the camshaft or cylinder head as necessary.

		Unit: mm (in)
Oil clearance	Standard	0.055 — 0.090 (0.0022 — 0.0035)
Camshaft journal O.D.		31.928 — 31.945 (1.2570 — 1.2577)
Journal hole I.D.		32.000 — 32.018 (1.2598 — 1.2605)

- 6) Measure the thrust clearance with setting the dial gauge at end surface of camshaft. If the thrust clearance is not within the standard or there is offset wear, replace the camshaft caps and cylinder head as a set. If necessary, replace the camshaft.

### Camshaft thrust clearance:

**Standard**  
**0.030 — 0.090 mm (0.0012 — 0.0035 in)**

# Cylinder Head

MECHANICAL

## 20. Cylinder Head

### A: REMOVAL

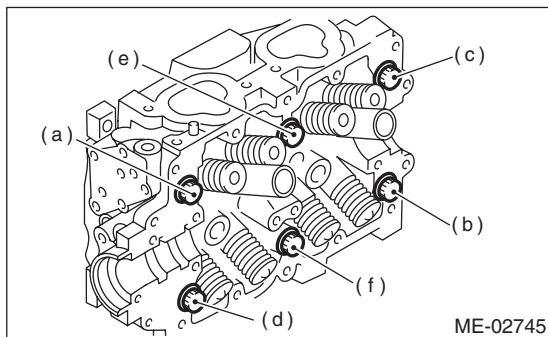
#### NOTE:

- Perform the work with the engine installed to body when replacing a single part. Refer to "Valve Clearance" for preparation procedures. <Ref. to ME(H4SO)-28, Valve Clearance.>
- When performing the work with the engine installed to body, the following parts must also be removed/installed.
  - Front exhaust pipe <Ref. to EX(H4SO)-6, REMOVAL, Front Exhaust Pipe.> <Ref. to EX(H4SO)-7, INSTALLATION, Front Exhaust Pipe.>

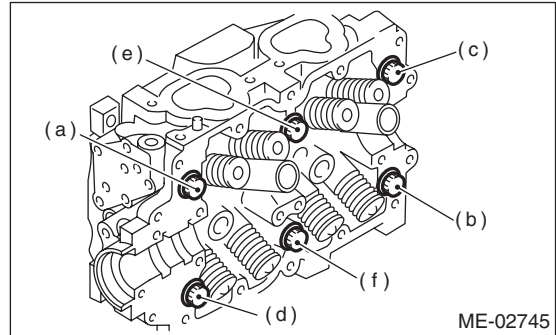
- 1) Remove the V-belts. <Ref. to ME(H4SO)-39, REMOVAL, V-belt.>
- 2) Remove the intake manifold. <Ref. to FU(H4SO)-16, REMOVAL, Intake Manifold.>
- 3) Remove the crank pulley. <Ref. to ME(H4SO)-46, REMOVAL, Crank Pulley.>
- 4) Remove the timing belt cover. <Ref. to ME(H4SO)-48, REMOVAL, Timing Belt Cover.>
- 5) Remove the timing belt. <Ref. to ME(H4SO)-49, REMOVAL, Timing Belt.>
- 6) Remove the cam sprocket. <Ref. to ME(H4SO)-54, REMOVAL, Cam Sprocket.>
- 7) Remove the bolts which secure A/C compressor bracket to cylinder head.
- 8) Remove the valve rocker assembly. <Ref. to ME(H4SO)-57, REMOVAL, Valve Rocker Assembly.>
- 9) Remove the camshaft. <Ref. to ME(H4SO)-60, REMOVAL, Camshaft.>
- 10) Remove the oil level gauge guide. (LH side)
- 11) Remove the cylinder head bolts in alphabetical sequence as shown in the figure.

#### NOTE:

Leave bolts (a) and (c) engaged by three or four threads to prevent the cylinder head from falling.



- 12) While tapping the cylinder head with a plastic hammer, separate it from cylinder block. Remove the bolts (a) and (c) to remove cylinder head.



- 13) Remove the cylinder head gasket.

#### CAUTION:

**Be careful not to scratch the mating surface of cylinder head and cylinder block.**

- 14) Similarly, remove the right side cylinder head.

### B: INSTALLATION

- 1) Install the cylinder head and gaskets on cylinder block.

#### CAUTION:

**Be careful not to scratch the mating surface of cylinder block and cylinder head.**

#### NOTE:

Use a new cylinder head gasket.

- 2) Tighten the cylinder head bolts.
  - (1) Apply a thin coat of engine oil to washer and bolt thread.
  - (2) Tighten all bolts to 29 N·m (3.0 kgf·m, 21.4 ft·lb) in alphabetical order.
  - (3) Retighten all bolts to 69 N·m (7.0 kgf·m, 50.9 ft·lb) in alphabetical order.
  - (4) Loosen all the bolts by 180° in the reverse order of installing, and loosen them further by 180°.
  - (5) Tighten all bolts to 42 N·m (4.3 kgf·m, 31.0 ft·lb) in alphabetical order.
  - (6) Tighten all bolts by 80 to 90° in alphabetical order.
  - (7) Tighten all bolts by 40 to 45° in alphabetical order.

#### CAUTION:

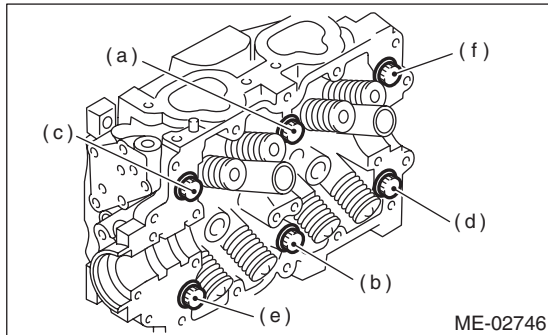
**The tightening angle of the bolt should not exceed 45°.**



(8) Further tighten the bolts (a) and (b) by 40 — 45°.

**CAUTION:**

Make sure the total “re-tightening angle” of the step (7) and (8) does not exceed 90°.



3) Install the oil level gauge guide. (LH side)

**Tightening torque:**

**6.4 N·m (0.7 kgf·m, 4.7 ft·lb)**

4) Install the camshaft. <Ref. to ME(H4SO)-61, INSTALLATION, Camshaft.>

5) Install the valve rocker assembly. <Ref. to ME(H4SO)-58, INSTALLATION, Valve Rocker Assembly.>

6) Install the A/C compressor bracket on cylinder head.

**Tightening torque:**

**36 N·m (3.7 kgf·m, 26.6 ft·lb)**

7) Install the cam sprocket. <Ref. to ME(H4SO)-54, INSTALLATION, Cam Sprocket.>

8) Install the timing belt. <Ref. to ME(H4SO)-50, INSTALLATION, Timing Belt.>

9) Adjust the valve clearance. <Ref. to ME(H4SO)-29, ADJUSTMENT, Valve Clearance.>

10) Install the rocker cover.

(1) Install the rocker cover gasket to the rocker cover.

**NOTE:**

Use a new rocker cover gasket.

(2) Temporarily tighten the bolts in alphabetical order shown in the figure, tighten them in two stages.

**Tightening torque:**

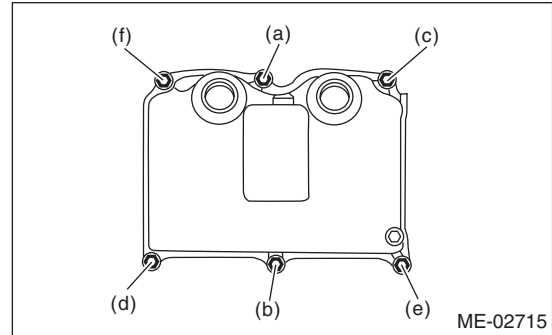
**First**

**6.4 N·m (0.7 kgf·m, 4.7 ft·lb)**

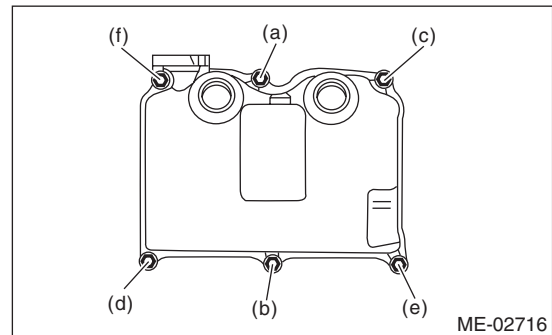
**Second (only (a) and (b) are tightened)**

**6.4 N·m (0.7 kgf·m, 4.7 ft·lb)**

RH side



LH side



11) Install the timing belt cover. <Ref. to ME(H4SO)-48, INSTALLATION, Timing Belt Cover.>

12) Install the crank pulley. <Ref. to ME(H4SO)-46, INSTALLATION, Crank Pulley.>

13) Install the intake manifold. <Ref. to FU(H4SO)-18, INSTALLATION, Intake Manifold.>

14) Install the V-belts. <Ref. to ME(H4SO)-39, INSTALLATION, V-belt.>

# Cylinder Head

MECHANICAL

## C: DISASSEMBLY

1) Place the cylinder head on the ST.

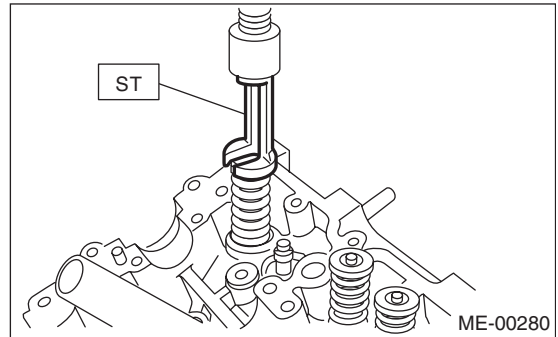
ST 498267800 CYLINDER HEAD TABLE

2) Compress the valve spring and remove the valve spring retainer key using ST. Remove each valve and valve spring.

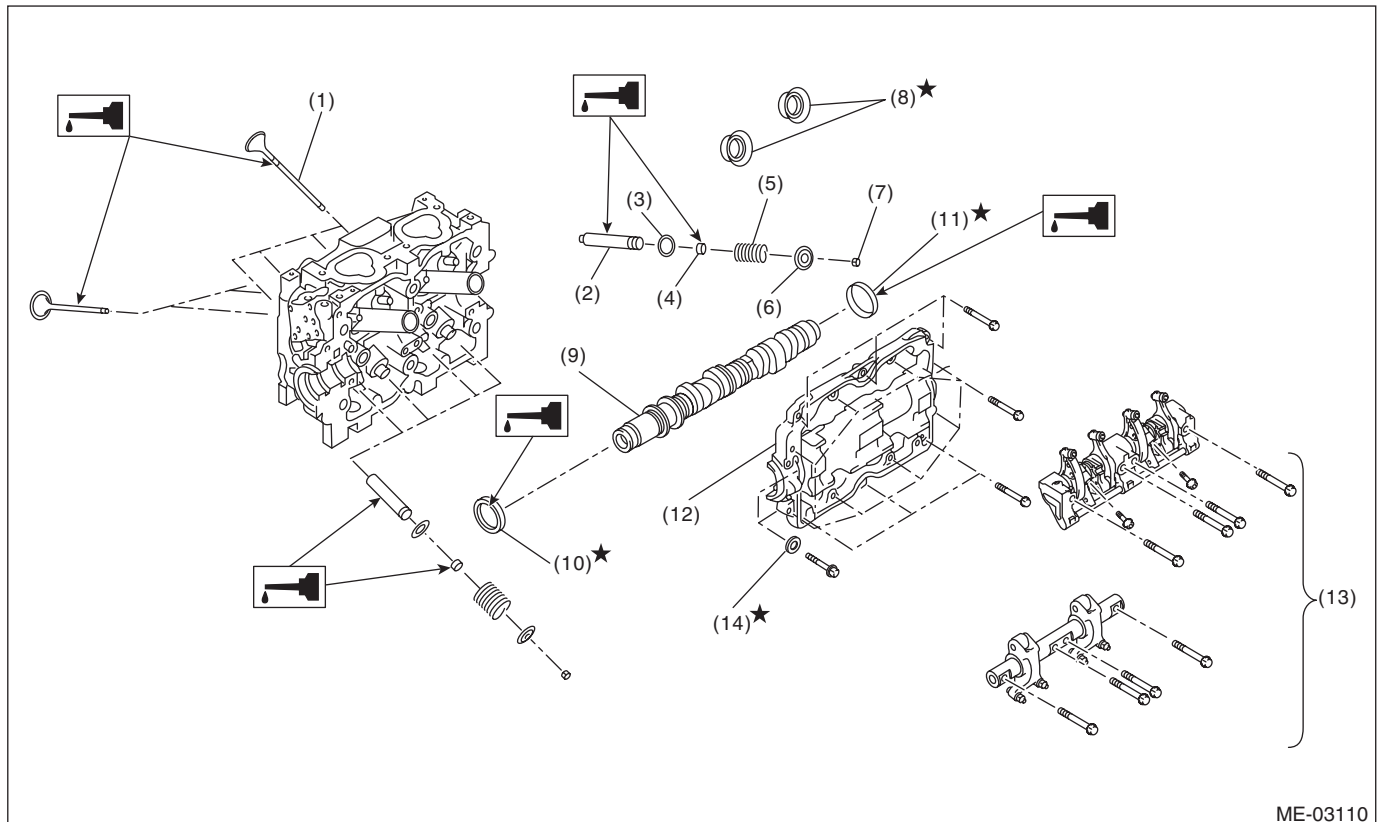
ST 499718000 VALVE SPRING REMOVER

### NOTE:

- Keep all the removed parts in order for re-installing in their original positions.
- Mark each valve to prevent confusion.
- Pay careful attention not to damage the lips of intake valve oil seals and exhaust valve oil seals.
- For removal and installation procedures of the valve guide, intake valve oil seal and exhaust valve oil seal, refer to "INSPECTION". <Ref. to ME(H4SO)-68, VALVE GUIDE, INSPECTION, Cylinder Head.> <Ref. to ME(H4SO)-71, INTAKE AND EXHAUST VALVE OIL SEAL, INSPECTION, Cylinder Head.>



## D: ASSEMBLY



- |                       |                       |                        |
|-----------------------|-----------------------|------------------------|
| (1) Valve             | (6) Retainer          | (11) Plug              |
| (2) Valve guide       | (7) Retainer key      | (12) Camshaft cap      |
| (3) Valve spring seat | (8) Spark plug gasket | (13) Valve rocker ASSY |
| (4) Oil seal          | (9) Camshaft          | (14) Seal washer       |
| (5) Valve spring      | (10) Oil seal         |                        |

- 1) Install the valve spring and valve.
  - (1) Coat the stem of each valve with engine oil and insert the valve into valve guide.

**NOTE:**

When inserting the valve into valve guide, use special care not to damage the oil seal lip.

- (2) Set the cylinder head on ST.

ST 498267800 CYLINDER HEAD TABLE

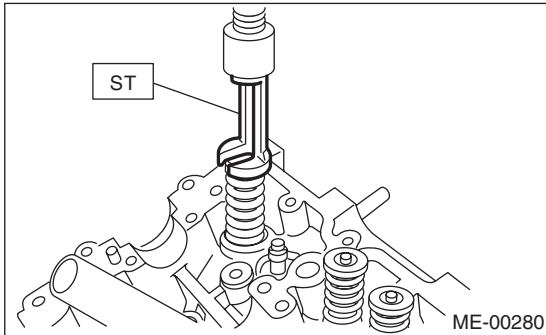
- (3) Install the valve spring and retainer.

**NOTE:**

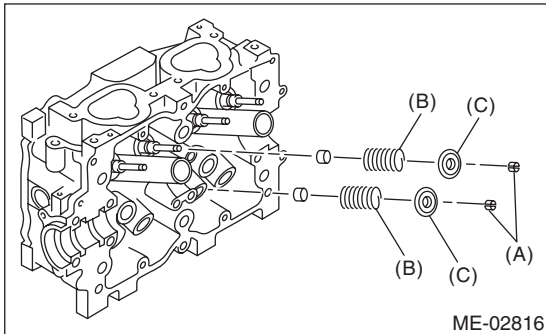
Be sure to install the valve spring with its close-coiled end facing the cylinder head side.

- (4) Set the ST on valve spring.

ST 499718000 VALVE SPRING REMOVER



- (5) Compress the valve spring and fit the valve spring retainer key.



- (A) Retainer key
- (B) Valve spring
- (C) Retainer

- (6) After installing, tap the valve spring retainers lightly with a plastic hammer for better seating.

## E: INSPECTION

### 1. CYLINDER HEAD

1) Check for cracks or damage. Use liquid penetrant tester on the important sections to check for fissures. Check that there are no marks of gas leaking or water leaking on gasket installing surface.

2) Place the cylinder head on the ST.

ST 498267800 CYLINDER HEAD TABLE

3) Measure the warping of the cylinder head surface that mates with cylinder block using a straight edge (A) and thickness gauge (B).

If the warping exceeds the limit, correct the surface by grinding it with a surface grinder.

**Warping limit:**

**0.035 mm (0.0014 in)**

**Grinding limit:**

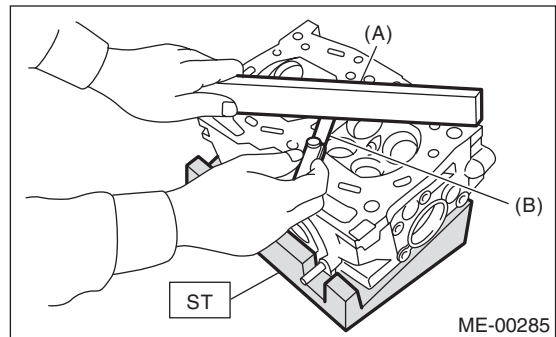
**0.1 mm (0.004 in)**

**Standard height of cylinder head:**

**97.5 mm (3.84 in)**

**NOTE:**

Uneven torque for the cylinder head bolts can cause warpage. When reassembling, pay special attention to the torque so as to tighten evenly.



# Cylinder Head

## MECHANICAL

### 2. VALVE SEAT

Inspect the intake and exhaust valve seats, and correct the contact surfaces with a valve seat cutter if they are defective or when valve guides are replaced.

**Contacting width  $W$  between valve and valve seat:**

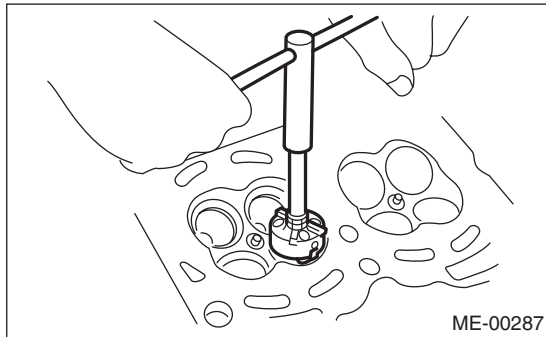
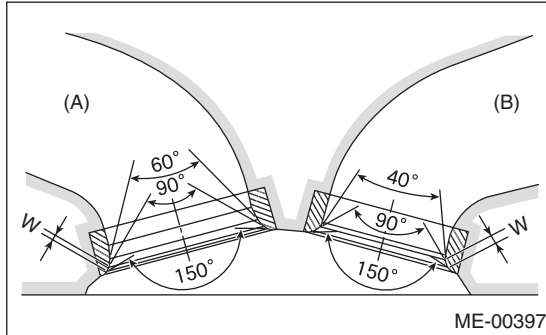
**Standard:**

**Intake (A)**

**0.8 — 1.4 mm (0.03 — 0.055 in)**

**Exhaust (B)**

**1.2 — 1.8 mm (0.047 — 0.071 in)**



### 3. VALVE GUIDE

1) Check the clearance between valve guide and valve stem. The clearance can be checked by measuring respectively the outer diameter of valve stem with a micrometer and the inner diameter of valve guide with a caliper gauge.

**Clearance between the valve guide and valve stem:**

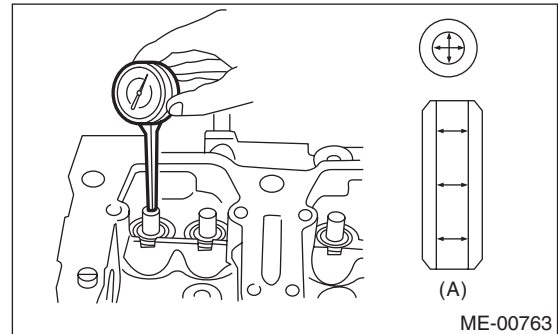
**Standard:**

**Intake**

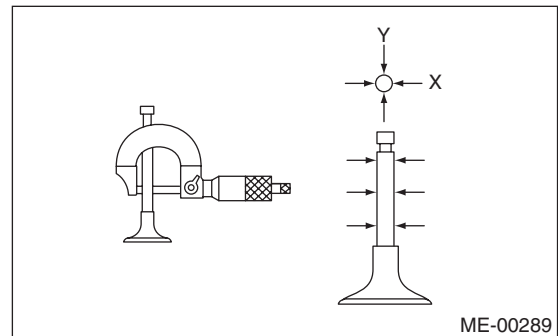
**0.035 — 0.062 mm (0.0014 — 0.0024 in)**

**Exhaust**

**0.040 — 0.067 mm (0.0016 — 0.0026 in)**



(A) Valve guide



2) If the clearance between the valve guide and valve stem exceeds the standard, replace the valve guide or valve itself, whichever shows greater amount of wear or damage. See the following procedure for valve guide replacement.

**Valve guide inner diameter:**

**6.000 — 6.012 mm (0.2362 — 0.2367 in)**

**Valve stem outer diameters:**

**Intake**

**5.950 — 5.965 mm (0.2343 — 0.2348 in)**

**Exhaust**

**5.945 — 5.960 mm (0.2341 — 0.2346 in)**

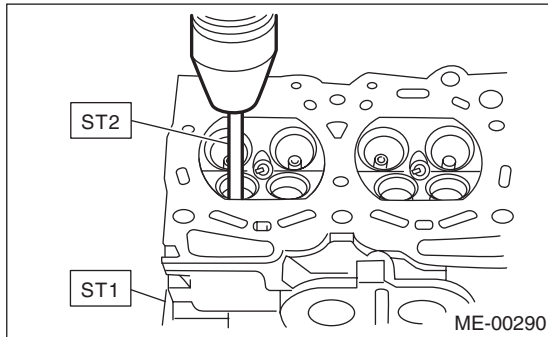
(1) Place the cylinder head on ST1 with the combustion chamber upward so that valve guides fit the holes in ST1.

# Cylinder Head

MECHANICAL

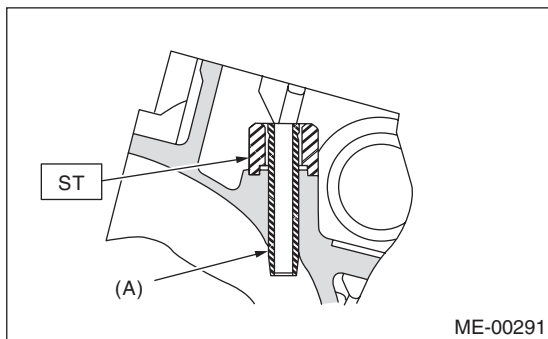
(2) Insert the ST2 into valve guide and press it down to remove the valve guide.

ST1 498267800 CYLINDER HEAD TABLE  
ST2 499767200 VALVE GUIDE REMOVER



(3) Turn the cylinder head upside down and place the ST as shown in the figure.

Intake side  
ST 499767700 VALVE GUIDE ADJUSTER  
Exhaust side  
ST 499767800 VALVE GUIDE ADJUSTER

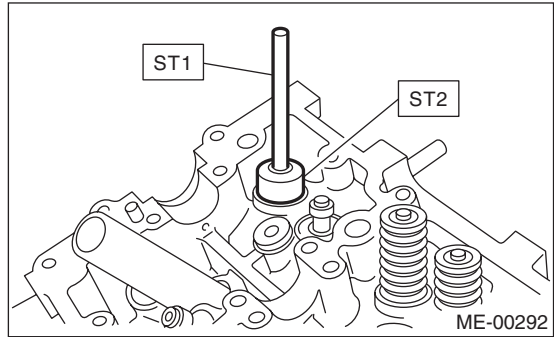


(A) Valve guide

(4) Before installing a new valve guide, make sure that neither scratches nor damages exist on the inner surface of valve guide holes in cylinder head.

(5) Put a new valve guide, coated with sufficient oil, in the cylinder head, and insert the ST1 into valve guide. Press in until the valve guide upper end is flush with the upper surface of ST2.

ST1 499767200 VALVE GUIDE REMOVER  
Intake side  
ST2 499767700 VALVE GUIDE ADJUSTER  
Exhaust side  
ST2 499767800 VALVE GUIDE ADJUSTER



(6) Check the valve guide protrusion.

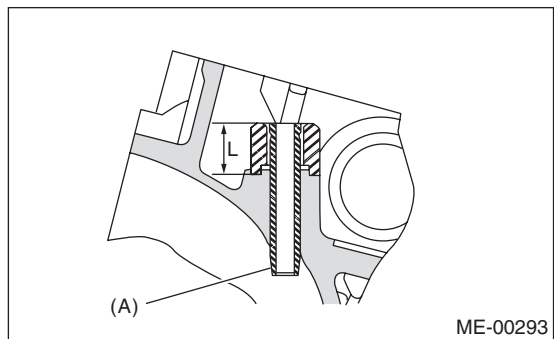
### Valve guide protrusion L:

#### Intake

20.0 — 21.0 mm (0.787 — 0.827 in)

#### Exhaust

16.5 — 17.5 mm (0.650 — 0.689 in)



(A) Valve guide

# Cylinder Head

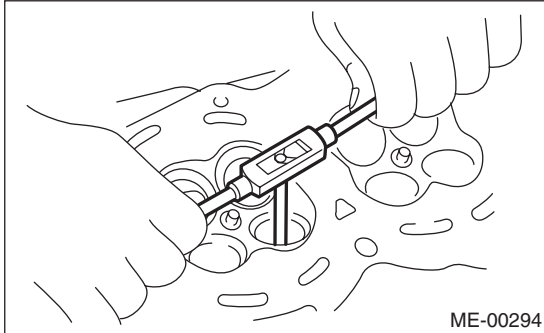
## MECHANICAL

(7) Ream the inside of valve guide using ST. Put the ST in valve guide, and rotate the ST slowly clockwise while pushing it lightly. Bring the ST back while rotating it clockwise.

### NOTE:

- Apply engine oil to the ST when reaming.
- If the inner surface of valve guide is damaged, the edge of ST should be slightly ground with oil stone.
- If the inner surface of valve guide becomes lustrous and the ST does not chip, use a new ST or remedy the ST.

ST 499767400 VALVE GUIDE REAMER



(8) After reaming, clean the valve guide to remove chips.

(9) Recheck the contact condition between valve and valve seat after replacing the valve guide.

## 4. INTAKE AND EXHAUST VALVE

1) Inspect the flange of valve and valve stem, and replace the valve with a new part if damaged, worn, deformed, or if dimension "H" in the figure is outside of the specified limit.

### Head edge thickness H:

#### Intake (A)

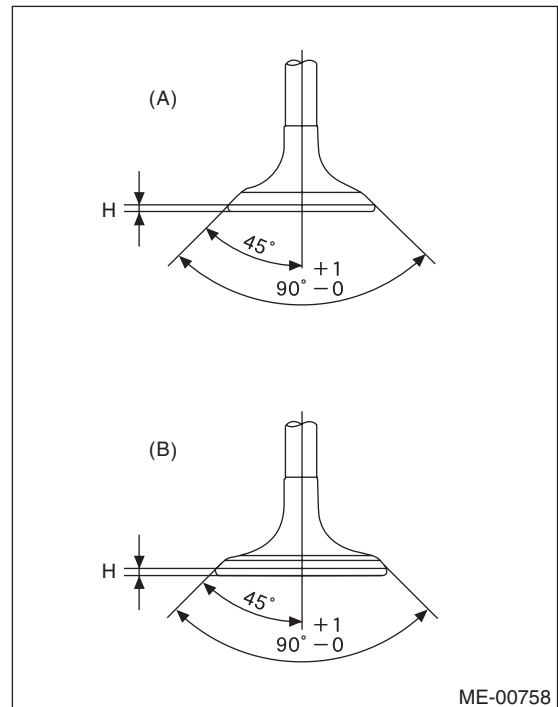
##### Standard:

**0.8 — 1.2 mm (0.03 — 0.047 in)**

#### Exhaust (B)

##### Standard:

**1.0 — 1.4 mm (0.039 — 0.055 in)**



2) Put a small amount of grinding compound on the valve seat surface, and lap the valve and valve seat surface. Replace with a new valve oil seal after lapping.

### NOTE:

It is possible to differentiate between the intake valve and the exhaust valve by their overall length.

### Valve overall length:

#### Intake

**120.6 mm (4.75 in)**

#### Exhaust

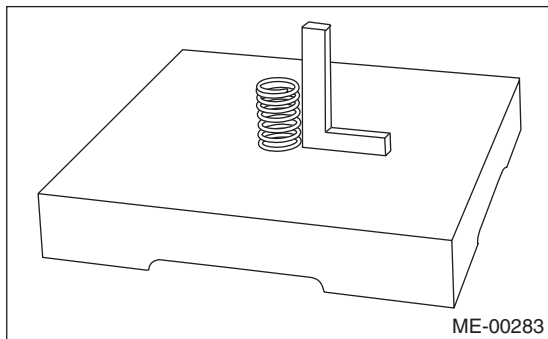
**121.7 mm (4.79 in)**

## 5. VALVE SPRING

1) Check the valve springs for damage, free length, and tension. Replace the valve spring if it is not within the standard value presented in the table.

2) To measure the squareness of the valve spring, stand the valve spring on a surface plate and measure its deflection at the top of the valve spring using a try square.

Free length	mm (in)	55.2 (2.173)
Tension/spring height N (kgf, lb)/mm (in)	Set	235.3 — 270.7 (24 — 27.6, 52.9 — 60.8) /45.0 (1.772)
	Lift	578.9 — 639.9 (59.1 — 65.3, 130.3 — 143.9) /34.7 (1.366)
Squareness		2.5°, 2.4 mm (0.094 in) or less



## 6. INTAKE AND EXHAUST VALVE OIL SEAL

1) For the following, replace the oil seal with a new part.

See the procedure 2) and subsequent for replacement procedures.

- When the lip is damaged.
- When the spring is out of the specified position.
- When readjusting the surfaces of valve and valve seat.
- When replacing the valve guide.

2) Place the cylinder head on ST1, and use ST2 to press-fit the oil seal.

ST1 498267800 CYLINDER HEAD TABLE

ST2 498857100 VALVE OIL SEAL GUIDE

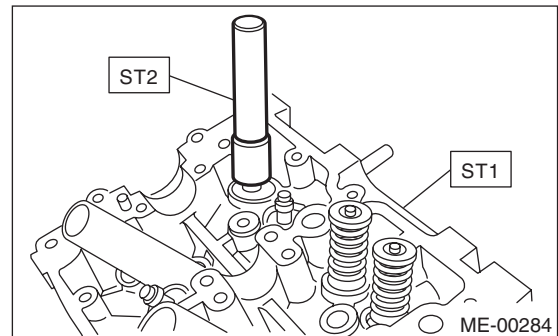
NOTE:

- Apply engine oil to oil seal before press-fitting.
- When press-fitting the oil seal, do not use a hammer to strike in.
- The intake valve oil seals and exhaust valve oil seals are distinguished by their colors.

**Color of rubber part:**

**Intake [Gray]**

**Exhaust [Green]**





# Cylinder Block

MECHANICAL

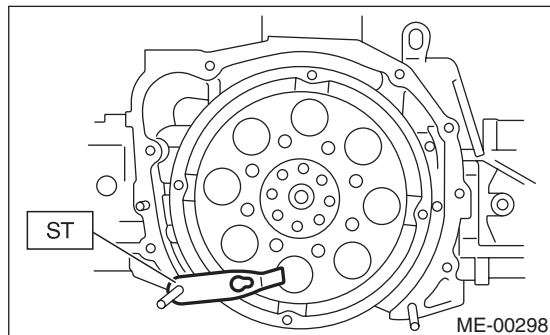
## 21. Cylinder Block

### A: REMOVAL

#### NOTE:

Before conducting this procedure, drain the engine oil completely.

- 1) Remove the V-belts. <Ref. to ME(H4SO)-39, REMOVAL, V-belt.>
  - 2) Remove the intake manifold. <Ref. to FU(H4SO)-16, REMOVAL, Intake Manifold.>
  - 3) Remove the crank pulley. <Ref. to ME(H4SO)-46, REMOVAL, Crank Pulley.>
  - 4) Remove the timing belt cover. <Ref. to ME(H4SO)-48, REMOVAL, Timing Belt Cover.>
  - 5) Remove the timing belt. <Ref. to ME(H4SO)-49, REMOVAL, Timing Belt.>
  - 6) Remove the crank sprocket. <Ref. to ME(H4SO)-56, REMOVAL, Crank Sprocket.>
  - 7) Remove the generator and A/C compressor with their brackets.
  - 8) Remove the cylinder head. <Ref. to ME(H4SO)-64, REMOVAL, Cylinder Head.>
  - 9) Use the ST to lock the crankshaft, and remove the drive plate. (AT model)
- ST 498497100 CRANKSHAFT STOPPER

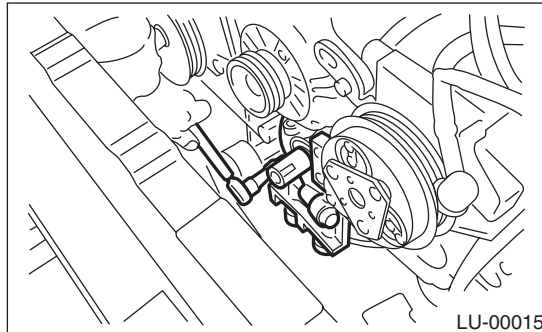


- 10) Remove the clutch disc and cover. (MT model) <Ref. to CL-10, REMOVAL, Clutch Disc and Cover.>
- 11) Remove the flywheel. (MT model) <Ref. to CL-13, REMOVAL, Flywheel.>
- 12) Remove the oil separator cover.
- 13) Remove the water by-pass pipe for heater.
- 14) Remove the water pump. <Ref. to CO(H4SO)-15, REMOVAL, Water Pump.>

- 15) Remove the bolts which secure oil pump to cylinder block.

#### NOTE:

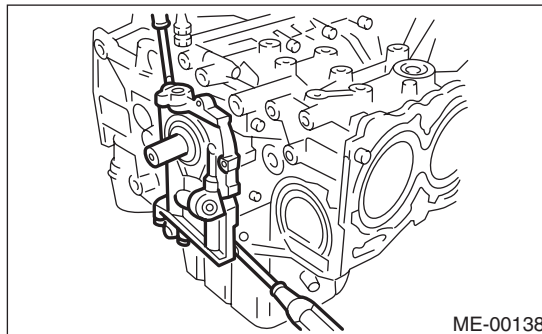
When disassembling and checking the oil pump, loosen the relief valve plug before removing the oil pump.



- 16) Remove the oil pump from cylinder block using a flat tip screwdriver.

#### CAUTION:

**Be careful not to scratch the mating surface of cylinder block and oil pump.**



- 17) Remove the front oil seal from the oil pump.
- 18) Remove the oil pan.
  - (1) Set the part so that the cylinder block LH is on the upper side.
  - (2) Remove the bolts which secure oil pan to cylinder block.
  - (3) Insert an oil pan cutter blade between cylinder block-to-oil pan clearance and remove the oil pan.

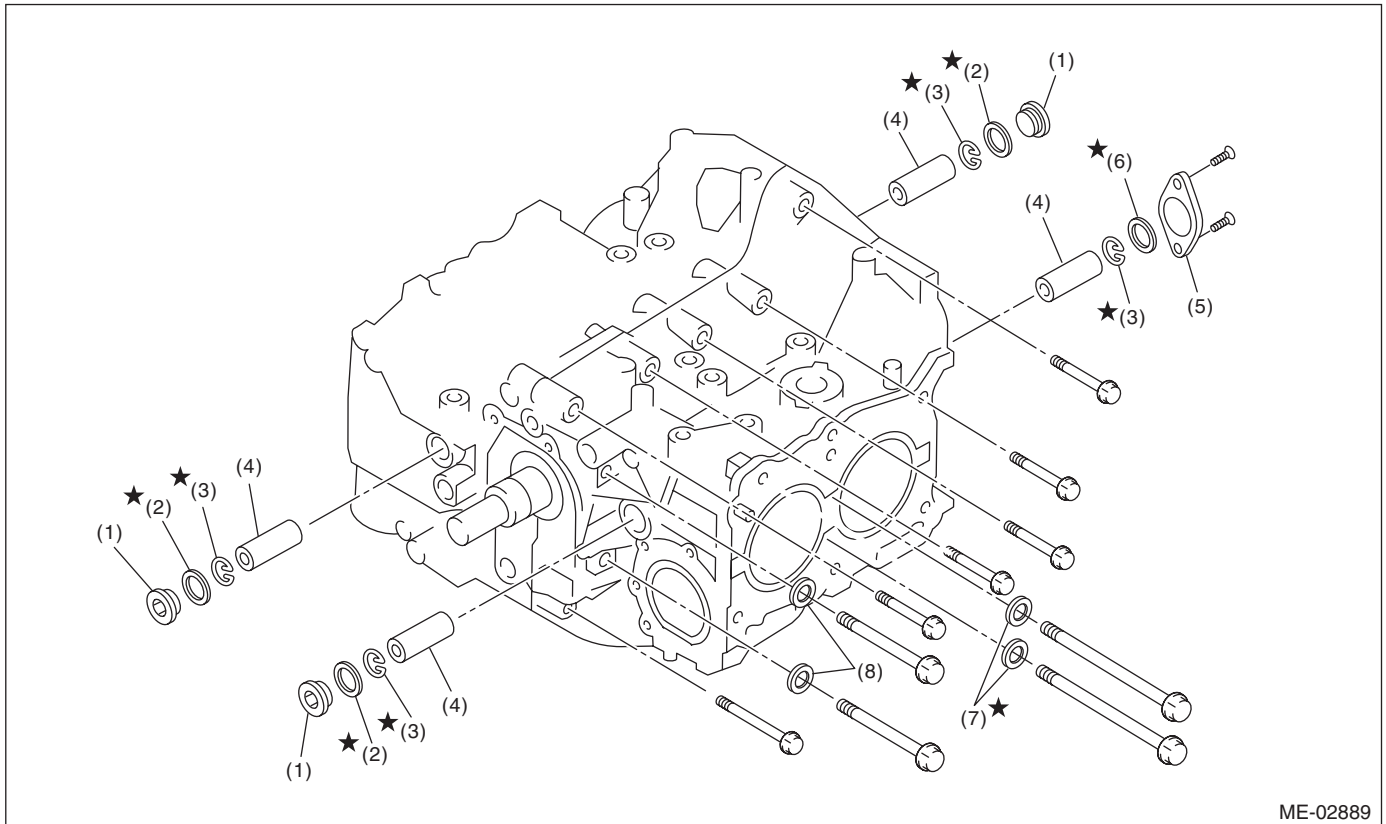
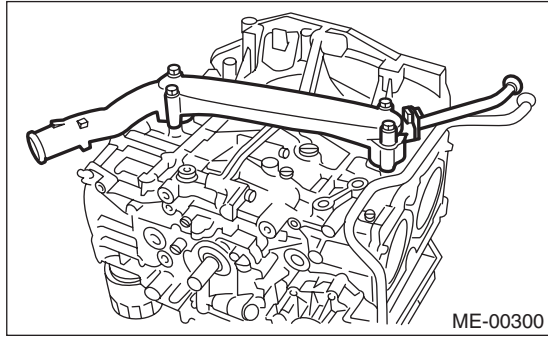
#### CAUTION:

**Do not use a screwdriver or similar tools in place of oil pan cutter.**

- 19) Remove the oil strainer.
- 20) Remove the baffle plate.
- 21) Remove the oil filter. <Ref. to LU(H4SO)-21, REMOVAL, Engine Oil Filter.>



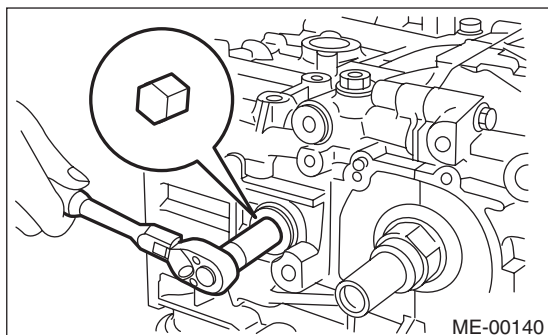
22) Remove the water pipe assembly.



ME-02889

- |                       |                        |                 |
|-----------------------|------------------------|-----------------|
| (1) Service hole plug | (4) Piston pin         | (7) Seal washer |
| (2) Gasket            | (5) Service hole cover | (8) Washer      |
| (3) Snap ring         | (6) O-ring             |                 |

23) Remove the service hole plugs using a hexagon wrench [14 mm].



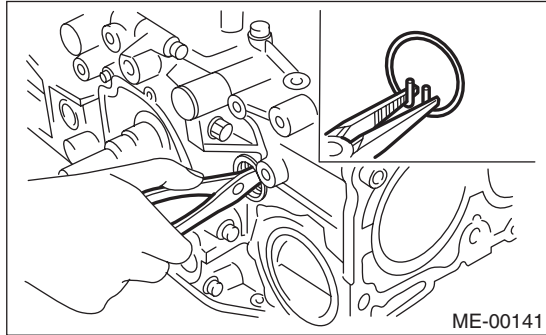
24) Remove the service hole cover.

# Cylinder Block

## MECHANICAL

---

25) Rotate the crankshaft to bring #1 and #2 pistons to bottom dead center position, then remove the piston snap ring through service hole of #1 and #2 cylinders.

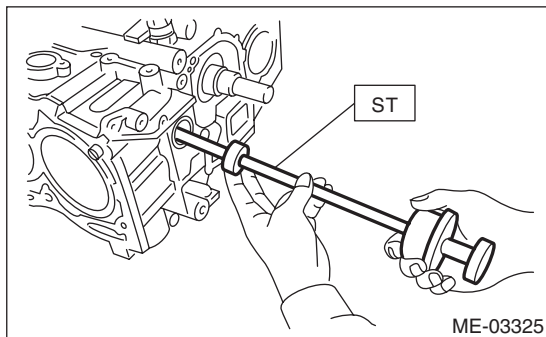


26) Draw out the piston pin from #1 and #2 pistons using ST.

ST 499097700 PISTON PIN REMOVER

### NOTE:

Be careful not to confuse the original combination of piston, piston pin and cylinder.



27) Similarly draw out the piston pins from #3 and #4 pistons.

28) Remove the cylinder block connecting bolt on the RH side.

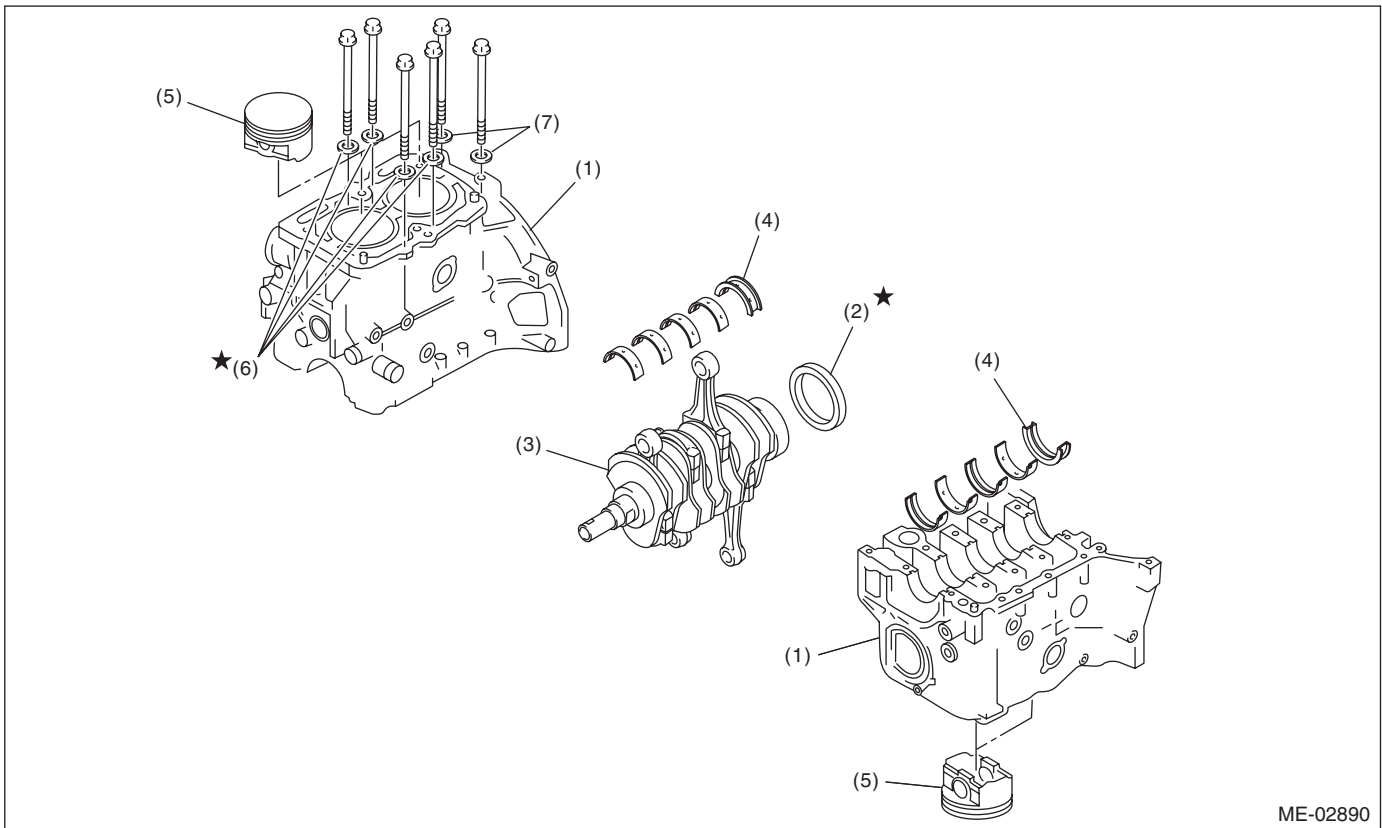
29) Loosen the cylinder block connecting bolt on the LH side by 2 to 3 turns.

30) Set the part so that the cylinder block LH is on the upper side, and remove the cylinder block connecting bolt.

31) Separate the cylinder block LH and RH.

**NOTE:**

When separating the cylinder block, do not allow the connecting rod to fall or damage the cylinder block.



ME-02890

- |                    |                        |                 |
|--------------------|------------------------|-----------------|
| (1) Cylinder block | (4) Crankshaft bearing | (6) Seal washer |
| (2) Rear oil seal  | (5) Piston             | (7) Washer      |
| (3) Crankshaft     |                        |                 |

32) Remove the rear oil seal.

33) Remove the crankshaft along with the connecting rods.

34) Remove the crankshaft bearings from cylinder block using a hammer handle.

**NOTE:**

- Press the crankshaft bearing at the end opposite to locking lip to remove.
- Be careful not to confuse the crankshaft bearing combination.

35) Remove each piston from the cylinder block using a wooden bar or hammer handle.

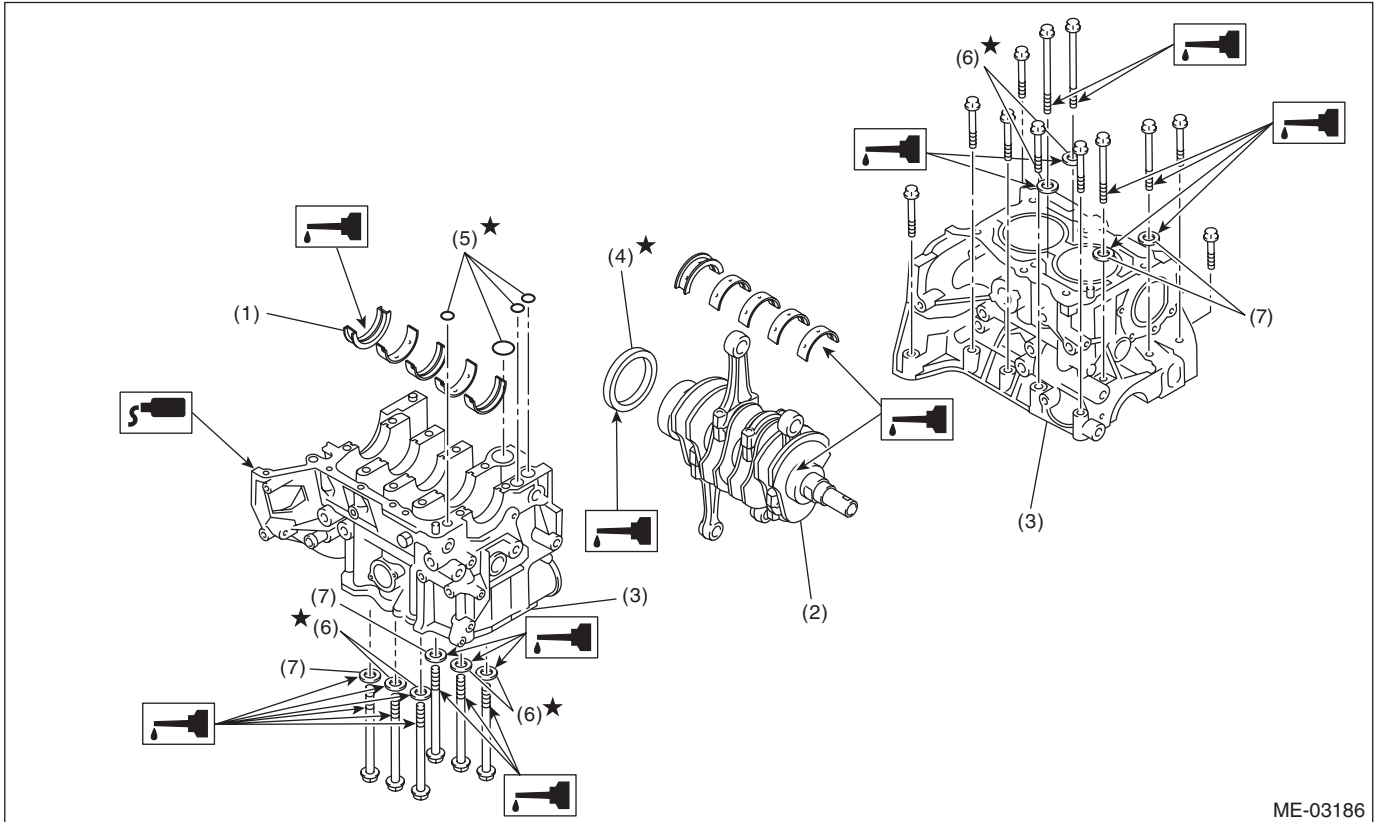
**NOTE:**

Be careful not to confuse the original combination of piston and cylinder.

# Cylinder Block

MECHANICAL

## B: INSTALLATION



- |                        |                   |                 |
|------------------------|-------------------|-----------------|
| (1) Crankshaft bearing | (4) Rear oil seal | (6) Seal washer |
| (2) Crankshaft         | (5) O-ring        | (7) Washer      |
| (3) Cylinder block     |                   |                 |

1) Remove oil on the mating surface of cylinder block before installation. Apply a coat of engine oil to the bearing and crankshaft journal.

2) Position the crankshaft and O-ring on cylinder block RH.

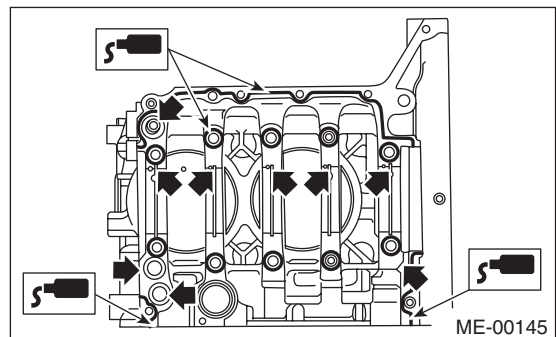
NOTE:  
Use new O-rings.

3) Apply liquid gasket to the mating surfaces of cylinder block RH, and position cylinder block LH.

NOTE:

- Install within 5 min. after applying liquid gasket.
- Do not allow liquid gasket to jut into O-ring grooves, oil passages, bearing grooves, etc.

**Liquid gasket:**  
**THREE BOND 1217G (Part No. K0877Y0100)**  
**or equivalent**



4) Apply a coat of engine oil to the washer and bolt thread.

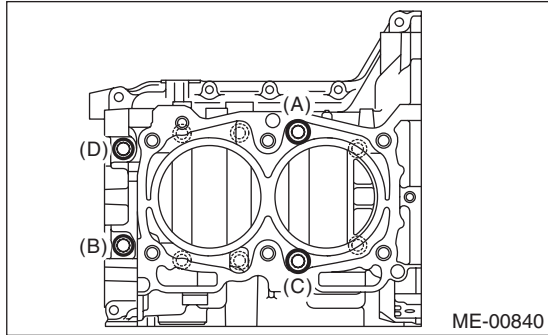
**NOTE:**

Use a new seal washer.

5) Tighten the 10 mm cylinder block connecting bolts on the LH side (A — D) in alphabetical order.

**Tightening torque:**

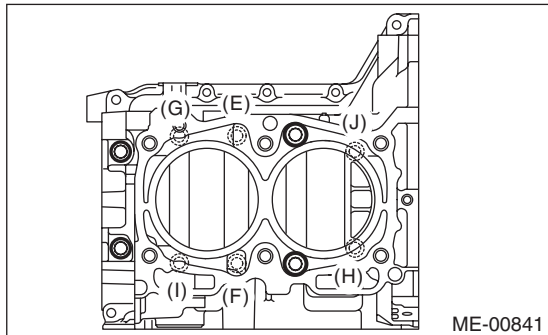
**10 N·m (1.0 kgf·m, 7.4 ft-lb)**



6) Tighten the 10 mm cylinder block connecting bolts on the RH side (E — J) in alphabetical order.

**Tightening torque:**

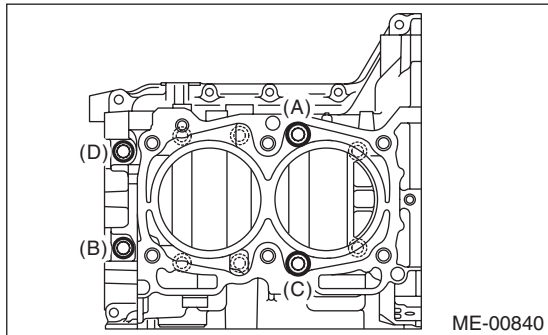
**10 N·m (1.0 kgf·m, 7.4 ft-lb)**



7) Tighten the LH side cylinder block connecting bolts (A — D) further in alphabetical order.

**Tightening torque:**

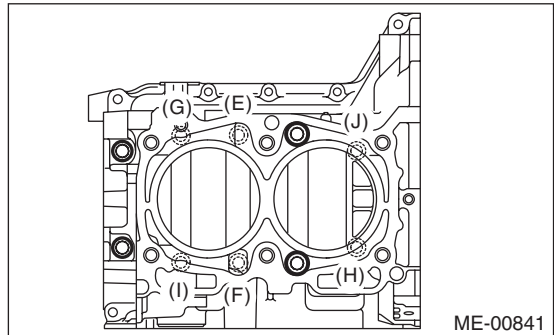
**18 N·m (1.8 kgf·m, 13.3 ft-lb)**



8) Tighten the RH side cylinder block connecting bolts (E — J) further in alphabetical order.

**Tightening torque:**

**18 N·m (1.8 kgf·m, 13.3 ft-lb)**



9) Tighten the LH side cylinder block connecting bolts (A — D) further in alphabetical order.

- (A), (C): Angle tightening

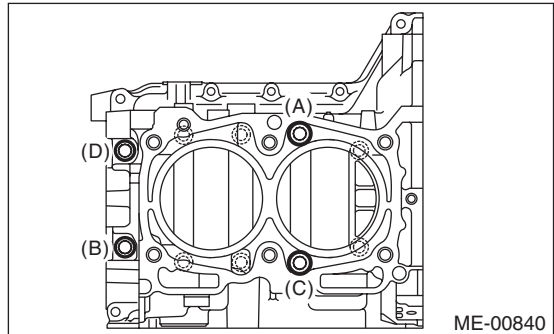
**Tightening angle:**

**90°**

- (B), (D): Torque tightening

**Tightening torque:**

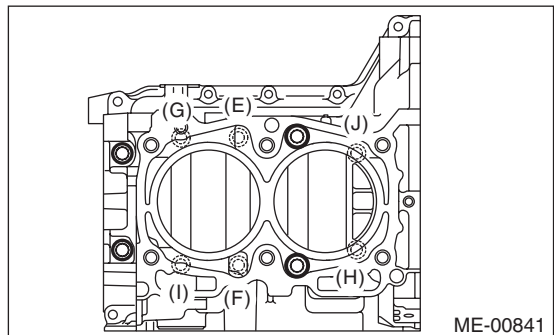
**40 N·m (4.1 kgf·m, 29.5 ft-lb)**



10) Tighten the RH side cylinder block connecting bolts (E — J) further in alphabetical order.

**Tightening angle:**

**90°**



# Cylinder Block

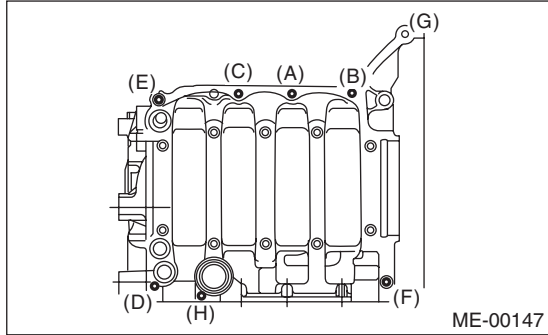
## MECHANICAL

11) Tighten the 8 mm and 6 mm cylinder block connecting bolts on the LH side (A — H) in alphabetical order.

### Tightening torque:

(A) — (G): 25 N·m (2.5 kgf-m, 18.4 ft-lb)

(H): 6.4 N·m (0.7 kgf-m, 4.7 ft-lb)



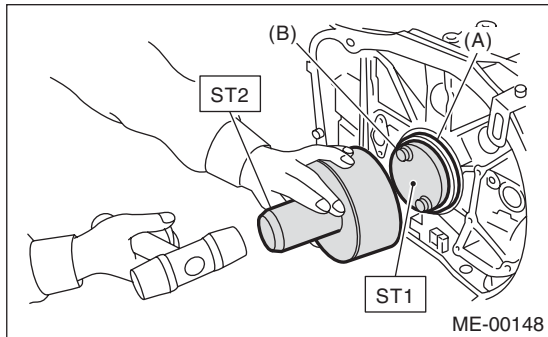
12) Apply a coat of engine oil to the oil seal periphery and install the rear oil seal using ST1 and ST2.

### NOTE:

Use a new rear oil seal.

ST1 499597100 CRANKSHAFT OIL SEAL GUIDE

ST2 499587200 CRANKSHAFT OIL SEAL INSTALLER

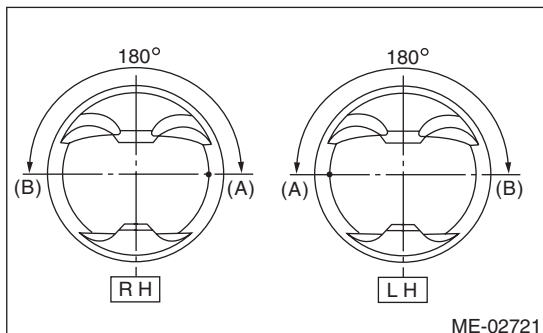


(A) Rear oil seal

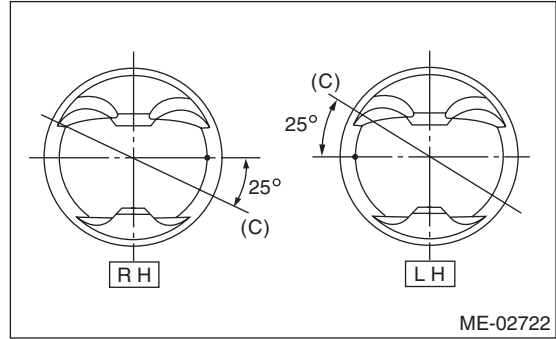
(B) Flywheel attaching bolt

13) Position the top ring gap at (A) or (B) in the figure.

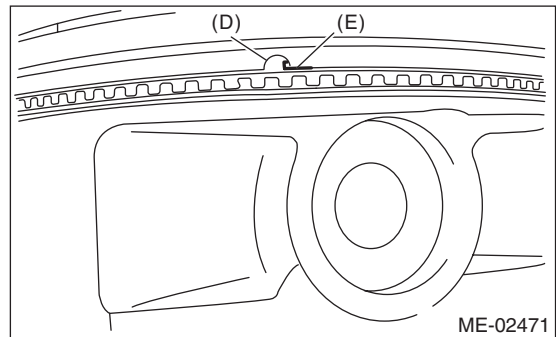
14) Position the second ring gap at 180° on the reverse side the top ring gap.



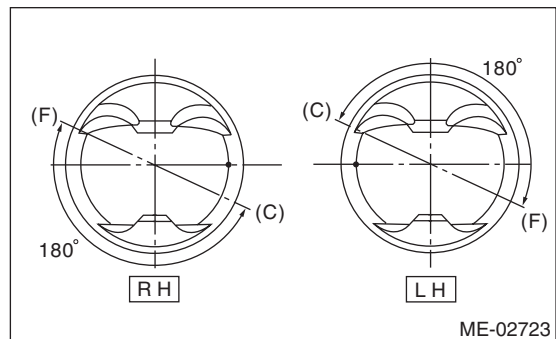
15) Position the upper rail gap at (C) in the figure.



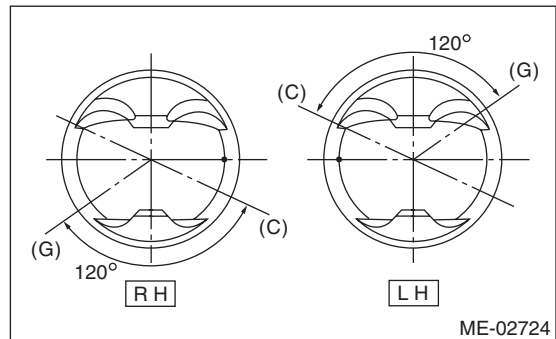
16) Align the upper rail spin stopper (E) to the side hole (D) on the piston.



17) Position the expander gap at (F) on the 180° opposite direction of (C) in the figure.



18) Set the lower rail gap at position (G), located 120° clockwise from (C).



### NOTE:

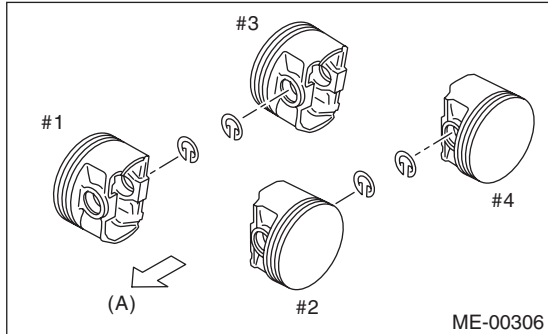
- Make sure ring gaps do not face the same direction.
- Make sure ring gaps are not within the piston skirt area.

19) Install the snap ring.

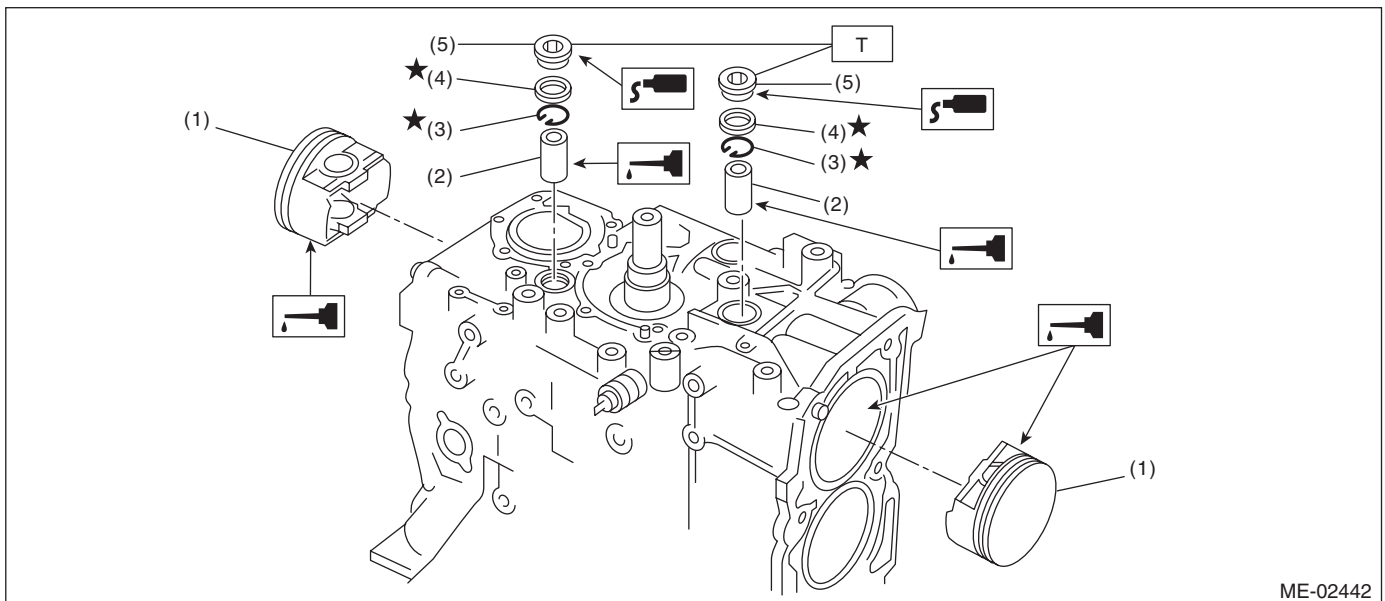
Before positioning the piston on the cylinder block, attach the snap ring in the service hole of the cylinder block, and the piston hole on the opposite side.

**NOTE:**

Use new snap rings.



(A) Front side



- |                |                       |
|----------------|-----------------------|
| (1) Piston     | (4) Gasket            |
| (2) Piston pin | (5) Service hole plug |
| (3) Snap ring  |                       |

**Tightening torque: N·m (kgf·m, ft·lb)**  
**T: 70 (7.1, 51.6)**

20) Install the piston.

(1) Set the parts so that the #1 and #2 cylinders are on the upper side.

(2) Using the ST1, turn the crankshaft so that #1 and #2 connecting rods are set at bottom dead center.

ST1 499987500 CRANKSHAFT SOCKET

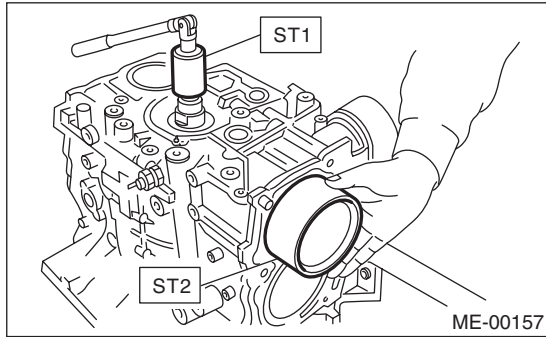


# Cylinder Block

## MECHANICAL

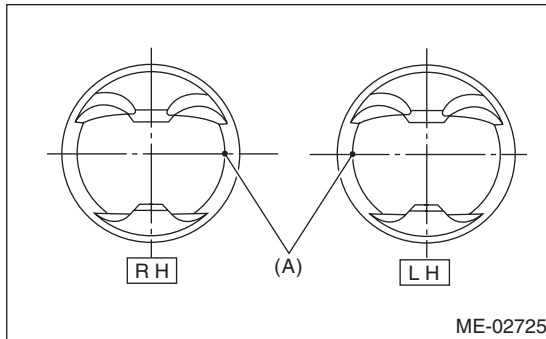
(3) Apply a coat of engine oil to the pistons and cylinders and insert pistons in their cylinders using ST2.

ST2 498747300 PISTON GUIDE



NOTE:

Face the piston front mark towards the front of the engine.

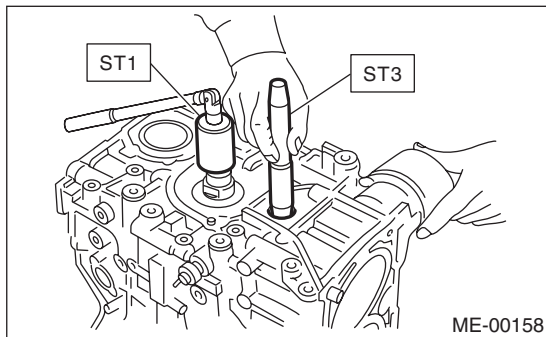


(A) Front mark

21) Install the piston pin.

(1) Apply a coat of engine oil to ST3.  
(2) Insert ST3 into the service hole to align piston pin hole with connecting rod small end.

ST3 499017100 PISTON PIN GUIDE

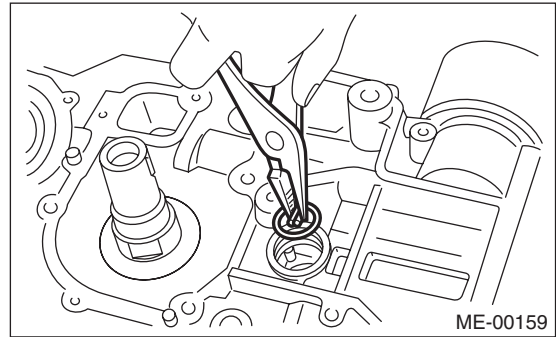


(3) Apply a coat of engine oil to piston pin, and insert the piston pin into piston and connecting rod through service hole.

(4) Install the snap ring.

NOTE:

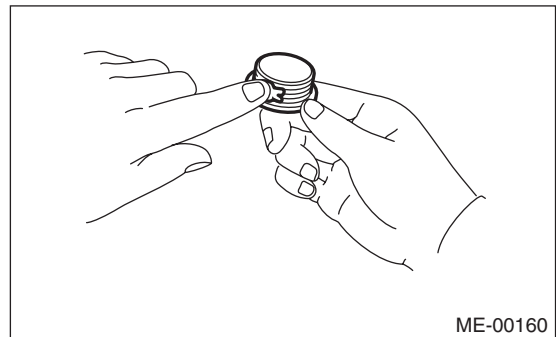
Use new snap rings.



(5) Apply liquid gasket to the threaded portion of the service hole plug.

**Liquid gasket:**

**THREE BOND 1105 (Part No. 004403010) or equivalent**





# Cylinder Block

MECHANICAL

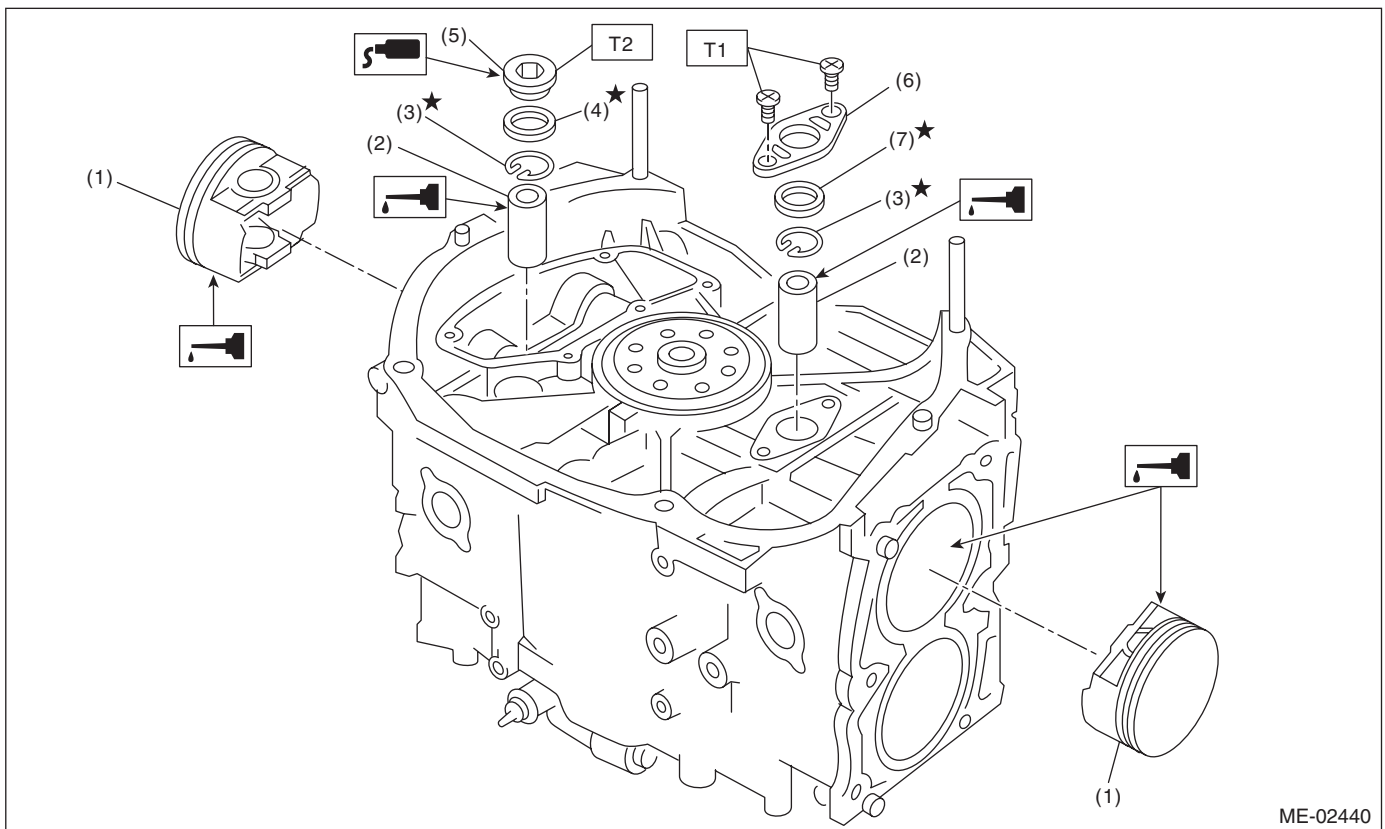
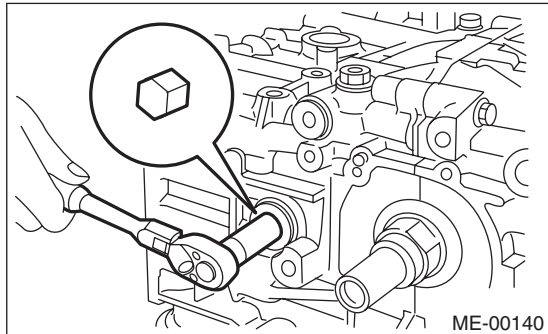
(6) Install the service hole plug and gasket.

NOTE:

Use a new gasket.

**Tightening torque:**

**70 N·m (7.1 kgf·m, 51.6 ft·lb)**



- |                |                        |
|----------------|------------------------|
| (1) Piston     | (5) Service hole plug  |
| (2) Piston pin | (6) Service hole cover |
| (3) Snap ring  | (7) O-ring             |
| (4) Gasket     |                        |

**Tightening torque: N·m (kgf·m, ft·lb)**

**T1: 6.4 (0.7, 4.7)**

**T2: 70 (7.1, 51.6)**

# Cylinder Block

## MECHANICAL

(7) Set the parts so that the #3 and #4 cylinders are on the upper side. Following the same procedures as used for #1 and #2 cylinders, install the pistons and piston pins.

(8) Install the service hole cover.

### NOTE:

Use new O-rings.

### Tightening torque:

**6.4 N·m (0.7 kgf-m, 4.7 ft-lb)**

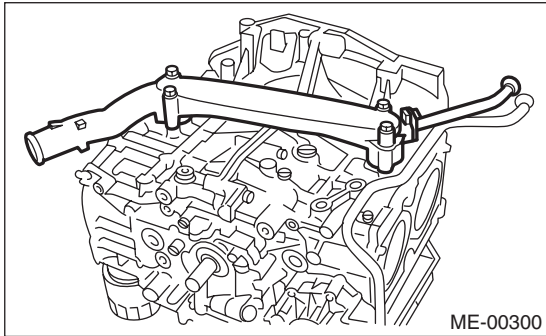
22) Install the water pipe assembly.

### NOTE:

Use new O-rings.

### Tightening torque:

**6.4 N·m (0.7 kgf-m, 4.7 ft-lb)**



23) Install the baffle plate.

### Tightening torque:

**6.4 N·m (0.7 kgf-m, 4.7 ft-lb)**

24) Install the oil strainer.

### NOTE:

Use new O-rings.

### Tightening torque:

**10 N·m (1.0 kgf-m, 7.4 ft-lb)**

25) Tighten the oil strainer stay together with the baffle plate.

### Tightening torque:

**6.4 N·m (0.7 kgf-m, 4.7 ft-lb)**

26) Apply liquid gasket to the mating surfaces of oil pan, and install the oil pan.

### NOTE:

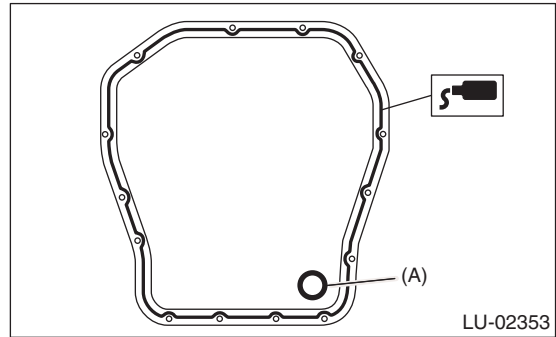
Install within 5 min. after applying liquid gasket.

### Liquid gasket:

**THREE BOND 1217G (Part No. K0877Y0100) or equivalent**

### Tightening torque:

**5 N·m (0.5 kgf-m, 3.7 ft-lb)**



(A) Gasket

27) Apply liquid gasket to the mating surfaces of the oil separator cover and the threaded portion of bolt (A) shown in the figure (when reusing the bolt), and then install the oil separator cover.

### NOTE:

- Install within 5 min. after applying liquid gasket.
- Use new oil separator cover.

### Liquid gasket:

#### • Mating surface

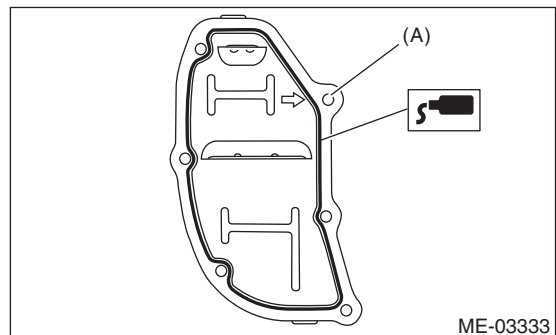
**THREE BOND 1217G (Part No. K0877Y0100) or equivalent**

#### • (A) bolt thread (when reusing bolts)

**THREE BOND 1324 (Part No. 004403042) or equivalent**

### Tightening torque:

**6.4 N·m (0.7 kgf-m, 4.7 ft-lb)**

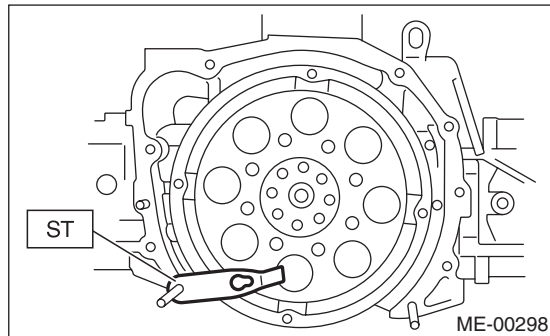


28) Use the ST to lock the crankshaft, and install the drive plate. (AT model)

ST 498497100 CRANKSHAFT STOPPER

**Tightening torque:**

**72 N·m (7.3 kgf·m, 53.1 ft·lb)**



29) Install the flywheel. (MT model) <Ref. to CL-13, INSTALLATION, Flywheel.>

30) Install the clutch disc and cover. (MT model) <Ref. to CL-10, INSTALLATION, Clutch Disc and Cover.>

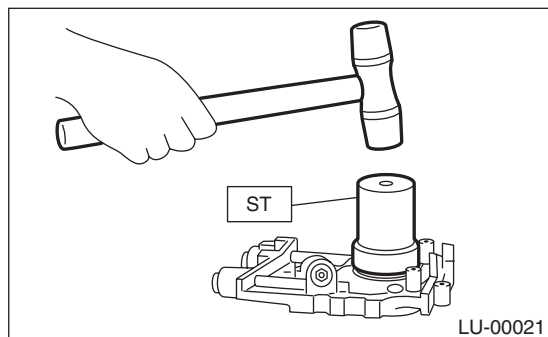
31) Install the oil pump.

(1) Using the ST, install the front oil seal.

ST 499587100 OIL SEAL INSTALLER

**NOTE:**

Use a new front oil seal.



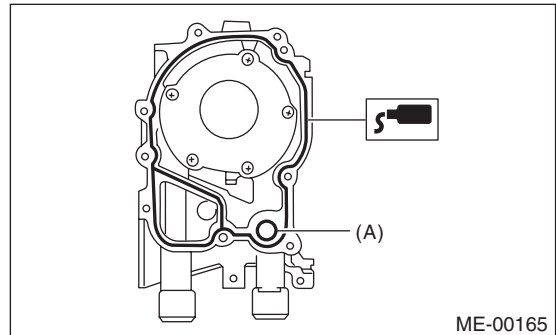
(2) Apply liquid gasket to the mating surfaces of oil pump.

**NOTE:**

Install within 5 min. after applying liquid gasket.

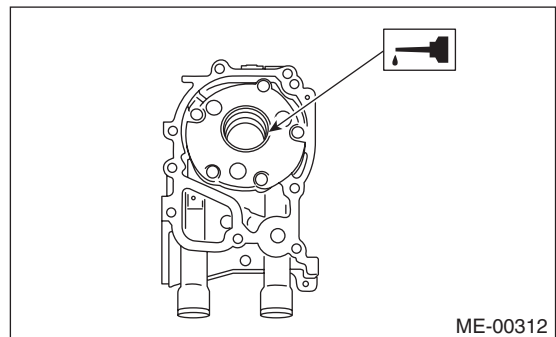
**Liquid gasket:**

**THREE BOND 1217G (Part No. K0877Y0100) or equivalent**



(A) O-ring

(3) Apply a coat of engine oil to the inside of oil seal.



(4) Install the oil pump to cylinder block. Be careful not to damage the oil seal during installation.

**NOTE:**

- Make sure the oil seal lip is not folded.
- Align the flat surface of oil pump's inner rotor with crankshaft before installation.
- Use new O-rings and oil seals.
- Do not forget to assemble O-rings.

# Cylinder Block

## MECHANICAL

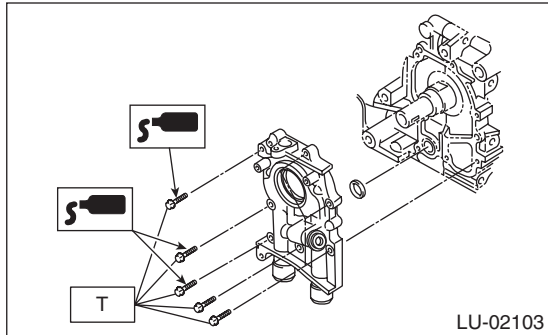
(5) Apply liquid gasket to the three bolts thread shown in figure. (when reusing bolts)

### Liquid gasket:

**THREE BOND 1324 (Part No. 004403042) or equivalent**

### Tightening torque:

**T: 6.4 N·m (0.7 kgf-m, 4.7 ft-lb)**



32) Install the water pump and gasket.

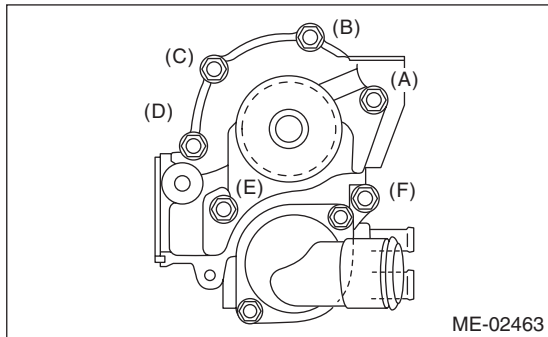
### NOTE:

- When installing the water pump, tighten bolts in two stages in alphabetical order as shown in the figure.
- Use a new gasket.

### Tightening torque:

**First: 12 N·m (1.2 kgf-m, 8.9 ft-lb)**

**Second: 12 N·m (1.2 kgf-m, 8.9 ft-lb)**



33) Install the water by-pass pipe for heater.

### Tightening torque:

**6.4 N·m (0.7 kgf-m, 4.7 ft-lb)**

34) Install the oil filter.

<Ref. to LU(H4SO)-21, INSTALLATION, Engine Oil Filter.>

35) Install the cylinder head. <Ref. to ME(H4SO)-64, INSTALLATION, Cylinder Head.>

36) Install the generator and A/C compressor with their brackets.

### Tightening torque:

**36 N·m (3.7 kgf-m, 26.6 ft-lb)**

37) Install the crank sprocket. <Ref. to ME(H4SO)-56, INSTALLATION, Crank Sprocket.>

38) Install the timing belt. <Ref. to ME(H4SO)-50, INSTALLATION, Timing Belt.>

39) Adjust the valve clearance. <Ref. to ME(H4SO)-29, ADJUSTMENT, Valve Clearance.>

40) Install the rocker cover.

(1) Install the rocker cover gasket to the rocker cover.

### NOTE:

Use a new rocker cover gasket.

(2) Temporarily tighten the bolts in alphabetical order shown in the figure, tighten them in two stages.

### Tightening torque:

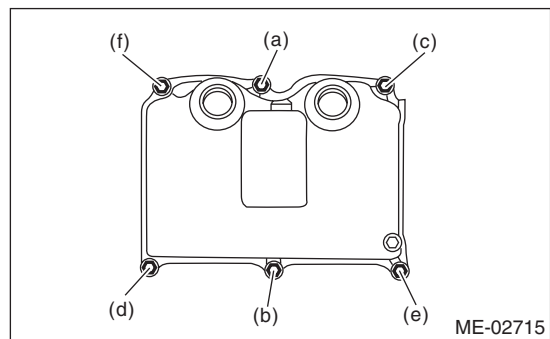
#### First

**6.4 N·m (0.7 kgf-m, 4.7 ft-lb)**

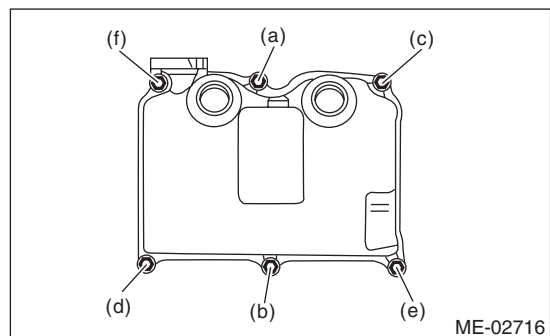
**Second (only (a) and (b) are tightened)**

**6.4 N·m (0.7 kgf-m, 4.7 ft-lb)**

RH side



LH side



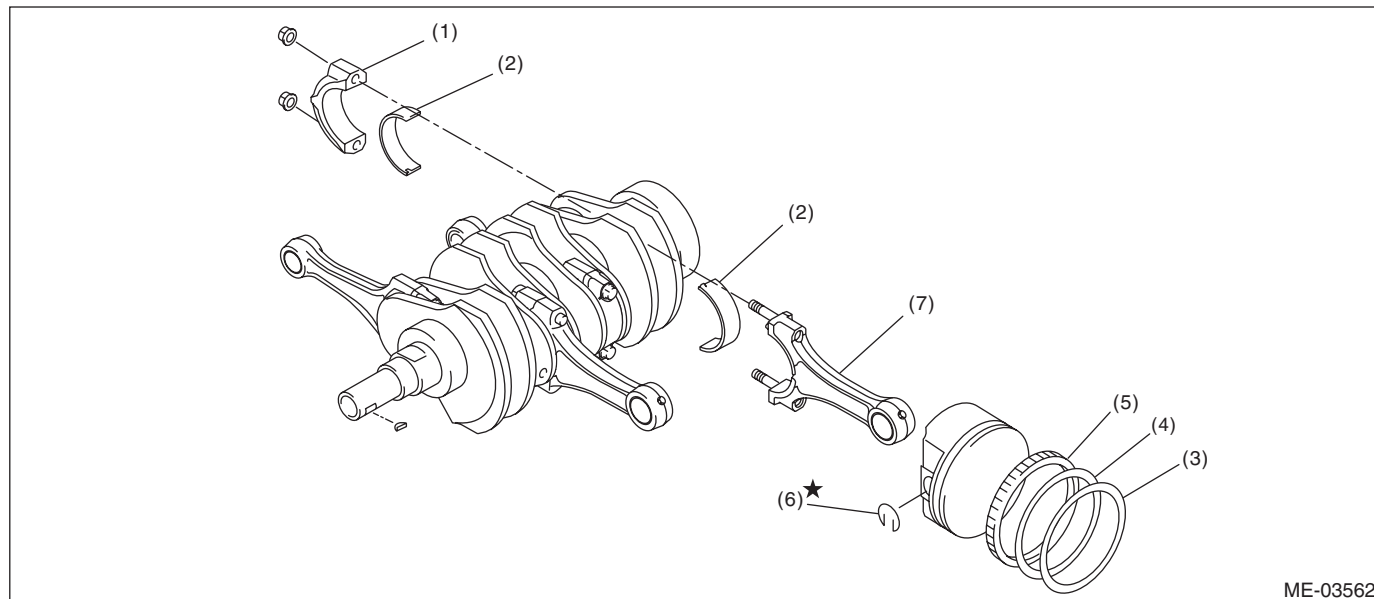
41) Install the timing belt cover. <Ref. to ME(H4SO)-48, INSTALLATION, Timing Belt Cover.>

42) Install the crank pulley. <Ref. to ME(H4SO)-46, INSTALLATION, Crank Pulley.>

43) Install the intake manifold. <Ref. to FU(H4SO)-18, INSTALLATION, Intake Manifold.>

44) Install the V-belts. <Ref. to ME(H4SO)-39, INSTALLATION, V-belt.>

## C: DISASSEMBLY



- |                            |                 |                    |
|----------------------------|-----------------|--------------------|
| (1) Connecting rod cap     | (4) Second ring | (6) Snap ring      |
| (2) Connecting rod bearing | (5) Oil ring    | (7) Connecting rod |
| (3) Top ring               |                 |                    |

- 1) Remove the connecting rod cap.
- 2) Remove the connecting rod bearing.

**NOTE:**

Keep the removed connecting rods, connecting rod caps and bearings in order so that they are kept in their original combinations/groups, and not mixed together.

- 3) Remove the piston rings using piston ring expander.
- 4) Remove the oil ring by hand.

**NOTE:**

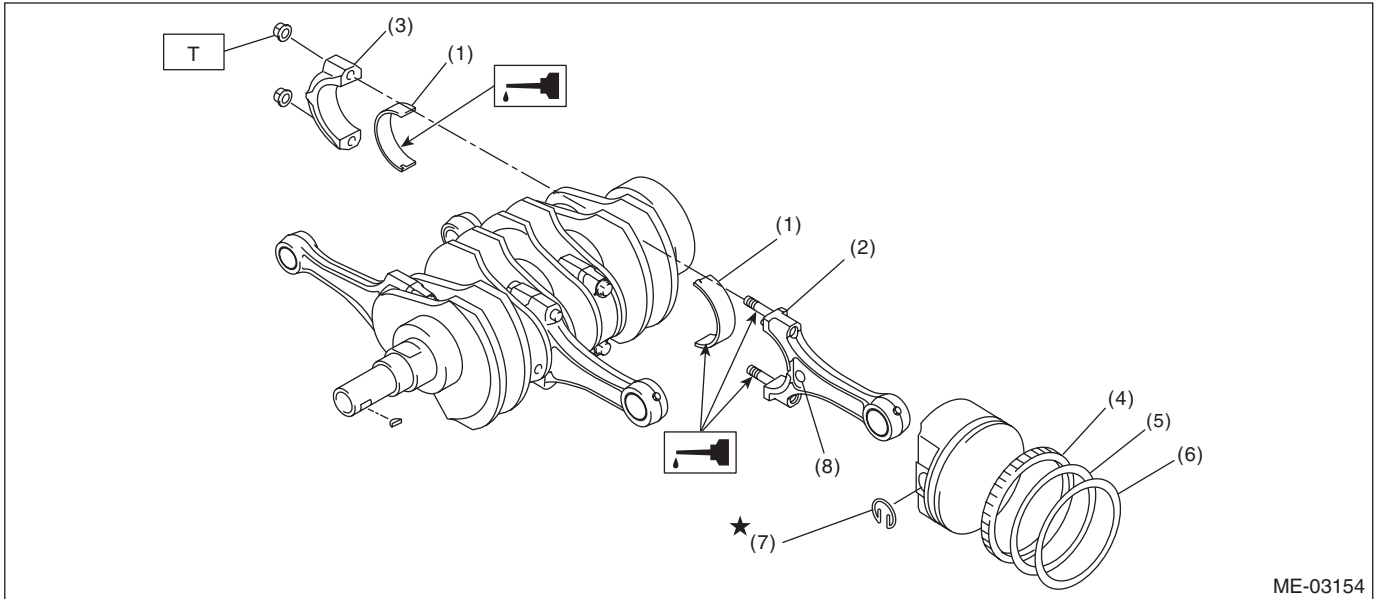
Arrange the removed piston rings in proper order, to prevent confusion.

- 5) Remove the snap ring.

# Cylinder Block

MECHANICAL

## D: ASSEMBLY



ME-03154

- |                            |                 |
|----------------------------|-----------------|
| (1) Connecting rod bearing | (5) Second ring |
| (2) Connecting rod         | (6) Top ring    |
| (3) Connecting rod cap     | (7) Snap ring   |
| (4) Oil ring               | (8) Side mark   |

**Tightening torque: N·m (kgf·m, ft·lb)**

**T: 45 (4.6, 33.2)**

1) Apply engine oil to the surface of the connecting rod bearings, and install the connecting rod bearings on connecting rods and connecting rod caps.

2) Position each connecting rod with the side with a side mark facing forward, and install it.

3) Attach the connecting rod cap, and tighten with connecting rod nut.

Make sure the arrow on connecting rod cap faces the front during installation.

### NOTE:

- Each connecting rod has its own mating cap. Make sure that they are assembled correctly by checking their matching number.

- When tightening the connecting rod nuts, apply oil on the threads.

### Tightening torque:

**45 N·m (4.6 kgf·m, 33.2 ft·lb)**

4) Install the oil ring upper rail, expander and lower rail by hand.

5) Install the second ring and top ring using piston ring expander.

### NOTE:

Assemble so that the piston ring mark "R" faces the top side of the piston.

## E: INSPECTION

### 1. CYLINDER BLOCK

1) Check for cracks or damage. Use liquid penetrant tester on the important sections to check for fissures. Check that there are no marks of gas leaking or water leaking on gasket installing surface.

2) Check the oil passages for clogging.

3) Inspect the cylinder head surface that mates with cylinder block for warping by using a straight edge, and correct by grinding if necessary.

### Warping limit:

**0.025 mm (0.00098 in)**

### Grinding limit:

**0.1 mm (0.004 in)**

### Standard height of cylinder block:

**201.0 mm (7.91 in)**

## 2. CYLINDER AND PISTON

1) The cylinder bore size is stamped on the front upper face of the cylinder block.

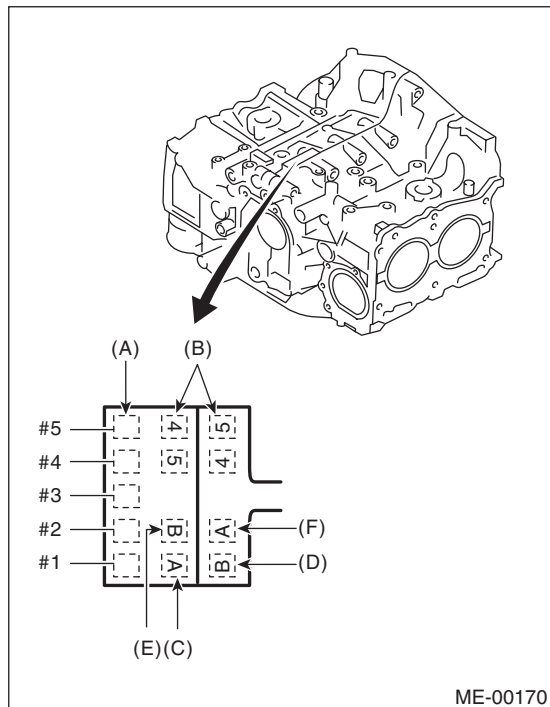
**NOTE:**

- Measurement should be performed at a temperature of 20°C (68°F).
- Standard sized pistons are classified into two grades, “A” and “B”. These grades should be used as guide lines in selecting a standard piston.

**Standard diameter:**

**A: 99.505 — 99.515 mm (3.9175 — 3.9179 in)**

**B: 99.495 — 99.505 mm (3.9171 — 3.9175 in)**



- (A) Main journal size mark
- (B) Cylinder block (RH) — (LH) combination mark
- (C) #1 cylinder bore size mark
- (D) #2 cylinder bore size mark
- (E) #3 cylinder bore size mark
- (F) #4 cylinder bore size mark

2) Measure inner diameter of each cylinder. Measure the inner diameter of each cylinder in both the thrust and piston pin directions at the heights as shown in the figure, using a cylinder bore gauge.

**NOTE:**

Measurement should be performed at a temperature of 20°C (68°F).

**Taper:**

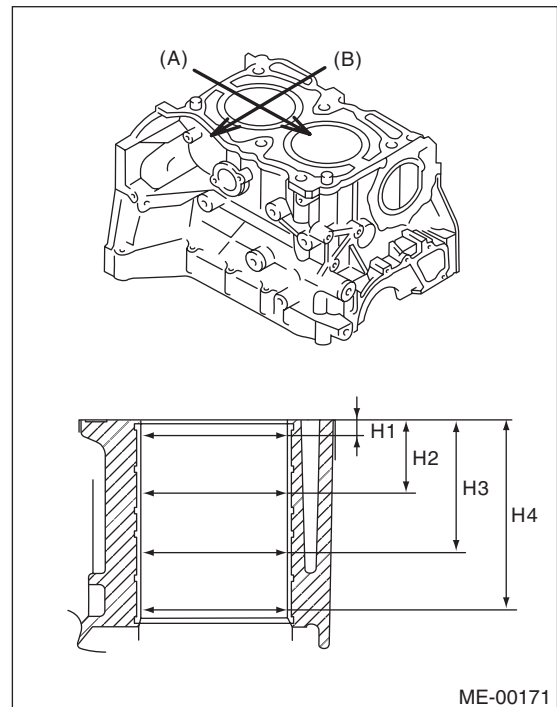
**Standard:**

**0.015 mm (0.0006 in)**

**Out-of-roundness:**

**Standard:**

**0.010 mm (0.0004 in)**



- (A) Piston pin direction
- (B) Thrust direction
- H1 10 mm (0.39 in)
- H2 45 mm (1.77 in)
- H3 80 mm (3.15 in)
- H4 115 mm (4.53 in)



# Cylinder Block

## MECHANICAL

3) When the piston is to be replaced due to general or cylinder wear, select a suitable sized piston by measuring the piston clearance.

4) Measure outer diameter of each piston.

Measure the outer diameter of each piston at the height as shown in the figure. (Thrust direction)

### NOTE:

Measurement should be performed at a temperature of 20°C (68°F).

**Piston grade point H:**

**38.2 mm (1.504 in)**

**Piston outer diameter:**

### Standard

**A: 99.505 — 99.515 mm (3.9175 — 3.9179 in)**

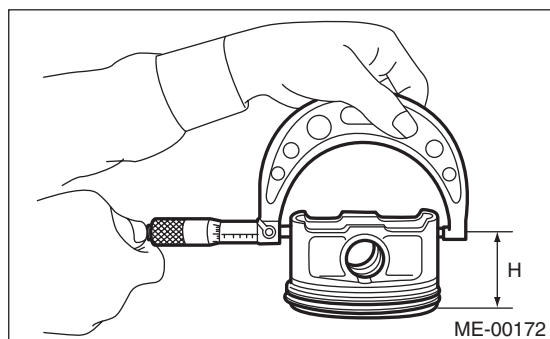
**B: 99.495 — 99.505 mm (3.9171 — 3.9175 in)**

**0.25 mm (0.0098 in) oversize:**

**99.745 — 99.765 mm (3.9270 — 3.9277 in)**

**0.50 mm (0.0197 in) oversize:**

**99.995 — 100.015 mm (3.9368 — 3.9376 in)**



5) Calculate the clearance between cylinder and piston.

### NOTE:

Measurement should be performed at a temperature of 20°C (68°F).

**Cylinder to piston clearance at 20°C (68°F):**

**Standard:**

**-0.010 — 0.010 mm (-0.00039 — 0.00039 in)**

6) Boring and honing

(1) If any of the measured value of taper, out-of-roundness or cylinder-to-piston clearance is out of standard or if there is any damage on the cylinder wall, rebores it to replace with an oversize piston.

### CAUTION:

**When any of the cylinders needs reboring, all other cylinders must be bored at the same time, and replaced with oversize pistons.**

(2) If the cylinder inner diameter exceeds the limit after boring and honing, replace the cylinder block.

### NOTE:

Immediately after reboring, the cylinder diameter may differ from its real diameter due to temperature rise. Thus, when measuring the cylinder diameter, wait until it has cooled to room temperature.

**Cylinder inner diameter boring limit:**

**To 100.005 mm (3.9372 in)**

## 3. PISTON AND PISTON PIN

1) Check the piston and piston pin for breaks, cracks or wear. Replace if faulty.

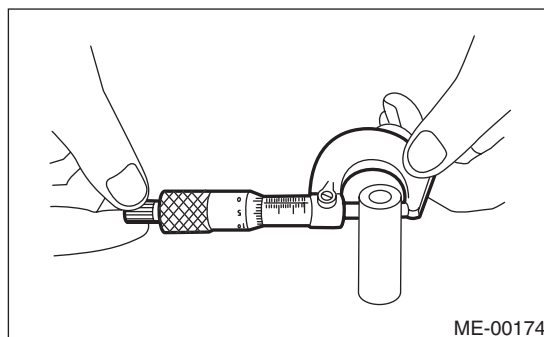
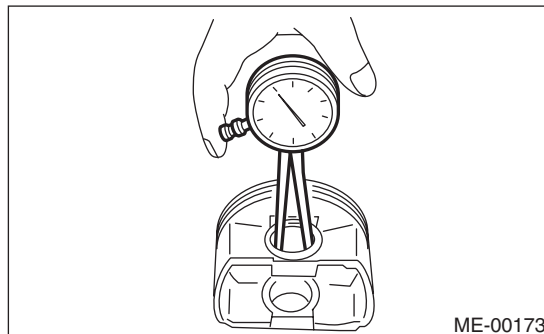
2) Check the piston ring groove for wear and damage. Replace if faulty.

3) Make sure that the piston pin can be inserted into the piston pin hole with a thumb at 20°C (68°F). Replace if faulty.

**Clearance between piston hole and piston pin:**

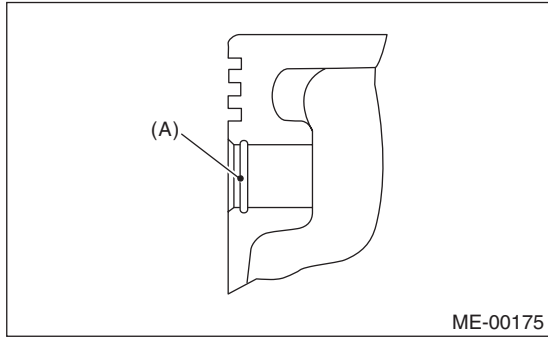
**Standard:**

**0.004 — 0.008 mm (0.0002 — 0.0003 in)**





4) Check the snap ring installation groove (A) on the piston for burr. If necessary, remove burr from the groove so that the piston pin can lightly move.



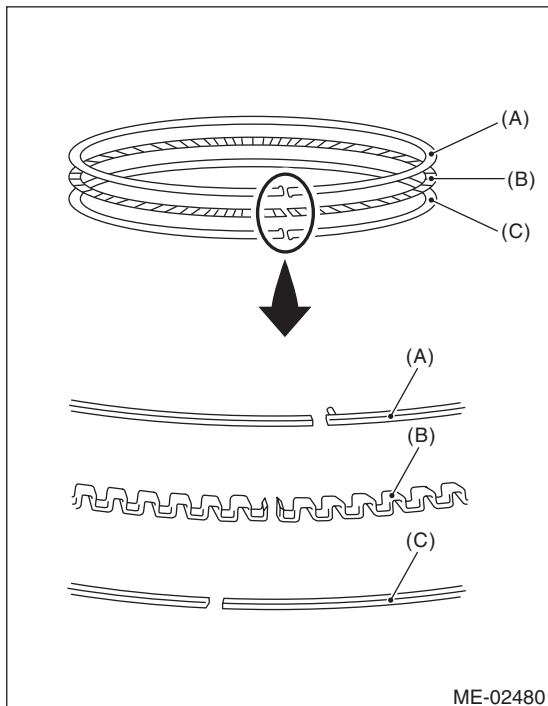
5) Check the piston pin snap ring for distortion, cracks and wear.

## 4. PISTON RING

1) If the piston ring is broken, damaged or worn, or if its tension is insufficient, or when the piston is replaced, replace the piston ring with a new part of the same size as piston.

### NOTE:

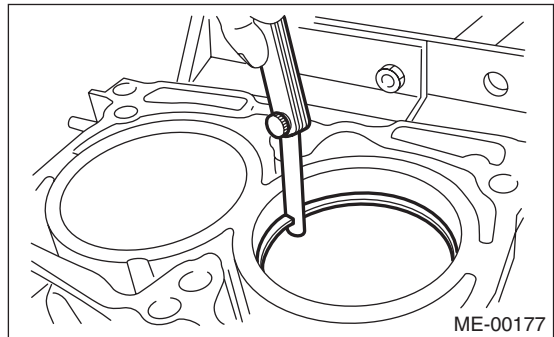
- The top ring and second ring have the mark to determine the direction for installing. When installing the ring to piston, face marks to the top side.
- Oil ring consists of the upper rail, expander and lower rail. When installing oil ring on piston, be careful of the direction of each rail.



- (A) Upper rail
- (B) Expander
- (C) Lower rail

2) Using the piston, insert the piston ring and oil ring into the cylinder so that they are perpendicular to the cylinder wall, and measure the piston ring gap with a thickness gauge.

		Standard mm (in)
Piston ring gap	Top ring	0.20 — 0.35 (0.0079 — 0.0138)
	Second ring	0.37 — 0.52 (0.0146 — 0.0205)
	Oil ring rail	0.20 — 0.50 (0.0079 — 0.0197)

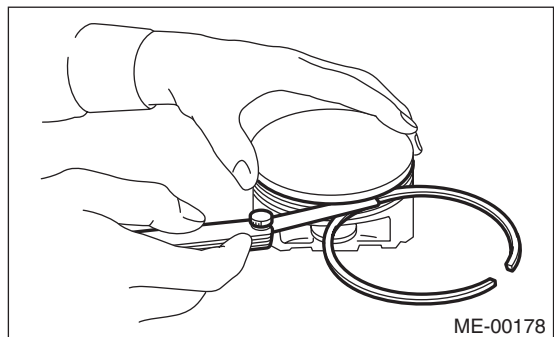


3) Fit the piston ring straight into the piston ring groove, then measure the clearance between piston ring and piston ring groove with a thickness gauge.

### NOTE:

Before measuring the clearance, clean the piston ring groove and piston ring.

		Standard mm (in)
Clearance between piston ring and piston ring groove	Top ring	0.040 — 0.080 (0.0016 — 0.0031)
	Second ring	0.030 — 0.070 (0.0012 — 0.0028)



# Cylinder Block

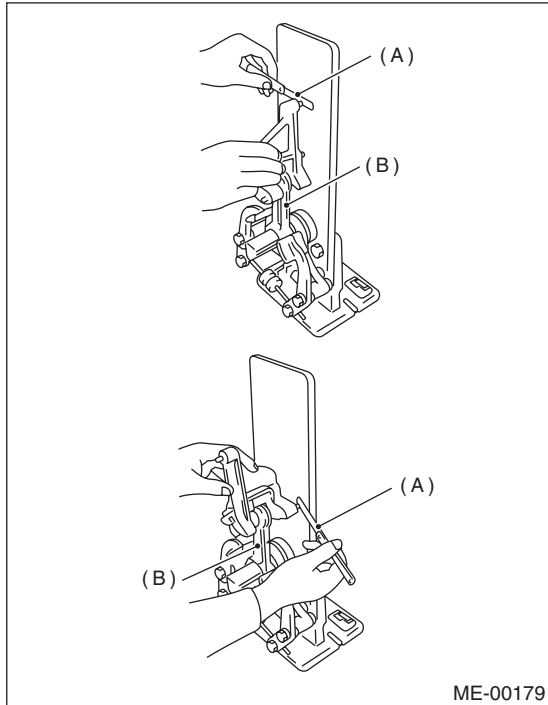
## MECHANICAL

### 5. CONNECTING ROD

- 1) Replace the connecting rod, if the large or small end thrust surface is damaged.
- 2) Check for bend or twist using a connecting rod aligner. Replace the connecting rod if the bend or twist exceeds the limit.

**Limit of bend or twist per 100 mm (3.94 in) in length:**

**0.10 mm (0.0039 in)**



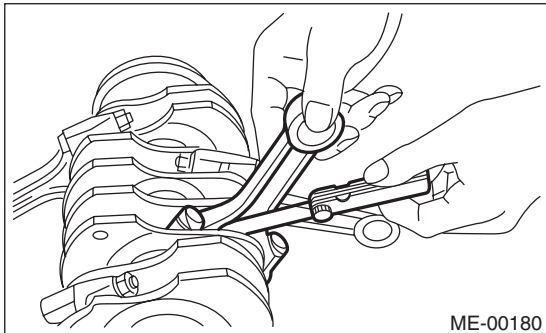
- (A) Thickness gauge
- (B) Connecting rod

- 3) Install the connecting rod with bearings attached to the crankshaft, and measure the thrust clearance using a thickness gauge. If the thrust clearance exceeds the standard or uneven wear is found, replace the connecting rod.

**Connecting rod thrust clearance:**

**Standard:**

**0.070 — 0.330 mm (0.0028 — 0.0130 in)**



- 4) Inspect the connecting rod bearing for scar, peeling, seizure, melting, wear, etc.
- 5) Measure the oil clearance on each connecting rod bearing using plastigauge. If any oil clearance is not within the standard, replace the defective bearing with a new part of standard size or under-size as necessary.

**Connecting rod oil clearance:**

**Standard:**

**0.016 — 0.044 mm (0.0006 — 0.0017 in)**

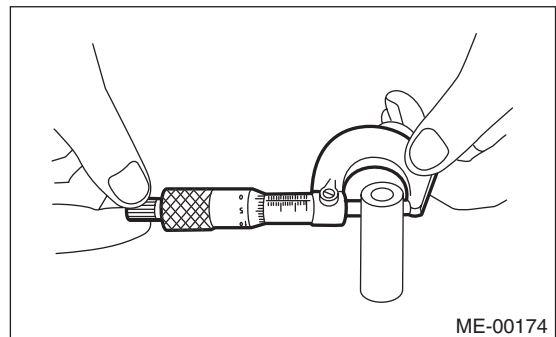
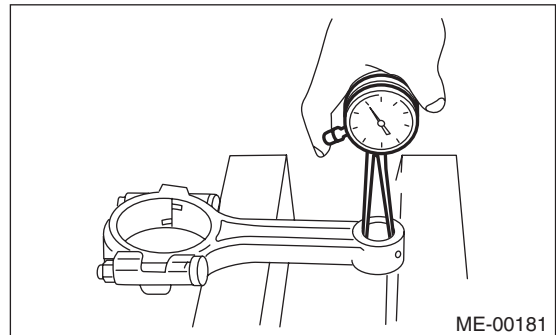
Unit: mm (in)		
Bearing	Bearing size (Thickness at center)	Outer diameter of crank pin
Standard	1.492 — 1.501 (0.0587 — 0.0591)	51.984 — 52.000 (2.0466 — 2.0472)
0.03 (0.0012) Undersize	1.510 — 1.513 (0.0594 — 0.0596)	51.954 — 51.970 (2.0454 — 2.0461)
0.05 (0.0020) Undersize	1.520 — 1.523 (0.0598 — 0.0600)	51.934 — 51.950 (2.0446 — 2.0453)
0.25 (0.0098) Undersize	1.620 — 1.623 (0.0638 — 0.0639)	51.734 — 51.750 (2.0368 — 2.0374)

- 6) Inspect the bushing at connecting rod small end, and replace with a new part if worn or damaged.
- 7) Measure the piston pin clearance at connecting rod small end. If the measured value is not within the standard, replace it with a new part.

**Clearance between piston pin and bushing:**

**Standard:**

**0 — 0.022 mm (0 — 0.0009 in)**

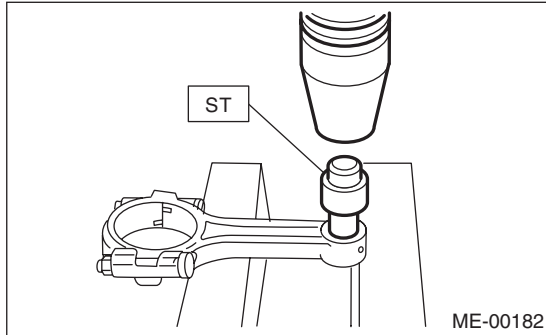


8) The replacement procedure for the connecting rod small end bushing is as follows.

(1) Remove the bushing from connecting rod with ST and press.

(2) Press the bushing with the ST after applying oil on the periphery of new bushing.

ST 499037100 CONNECTING ROD  
BUSHING REMOVER AND  
INSTALLER



(3) Make two 3 mm (0.12 in) holes in the pressed bushing to match the pre-manufactured holes on the connecting rod, then ream the inside of the bushing.

(4) After completion of reaming, clean the bushing to remove chips.

## 6. CRANKSHAFT AND CRANKSHAFT BEARING

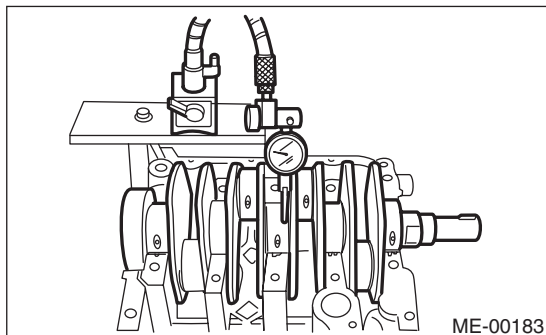
1) Clean the crankshaft completely, and check it for cracks using liquid penetrant tester. If defective, replace the crankshaft.

2) Measure warping of the crankshaft. If it exceeds the limit, correct or replace it.

### NOTE:

If a suitable V-block is not available, using just the #1 and #5 crankshaft bearings on cylinder block, position the crankshaft on cylinder block. Then, measure the crankshaft bend using a dial gauge.

**Crankshaft bend limit:**  
**0.035 mm (0.0014 in)**



3) Inspect the crank journal and crank pin for wear. If they are not within the standard, replace the bearing with a suitable (undersize) one, and replace or grind to correct the crankshaft as necessary. When grinding the crank journal or crank pin, finish them to the specified dimensions according to the undersize bearing to be used.

### Crank pin

#### Out-of-roundness

0.003 mm (0.0001 in)

#### Cylindricity

0.004 mm (0.0002 in)

#### Grinding limit (dia.)

To 51.750 mm (2.0374 in)

### Crank journal

#### Out-of-roundness

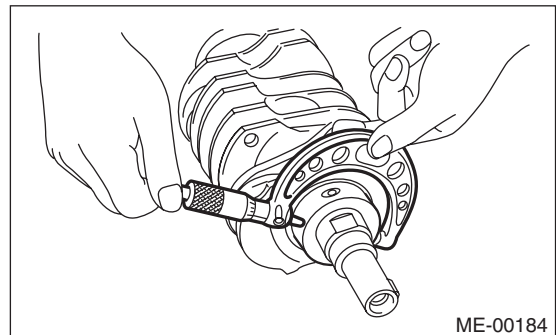
0.005 mm (0.0002 in)

#### Cylindricity

0.006 mm (0.0002 in)

#### Grinding limit (dia.)

To 59.758 mm (2.3527 in)



# Cylinder Block

MECHANICAL

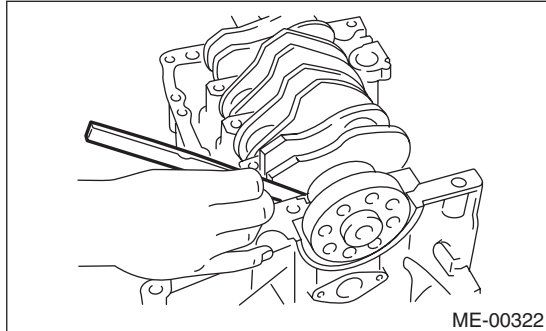
		Unit: mm (in)		
		Crank journal outer diameter		Crank pin outer diameter
		#1, #3	#2, #4, #5	
Standard	Journal O.D.	59.992 — 60.008 (2.3619 — 2.3625)	59.992 — 60.008 (2.3619 — 2.3625)	51.984 — 52.000 (2.0466 — 2.0472)
	Bearing size (Thickness at center)	1.998 — 2.011 (0.0787 — 0.0792)	2.000 — 2.013 (0.0787 — 0.0793)	1.492 — 1.501 (0.0587 — 0.0591)
0.03 (0.0012) Undersize	Journal O.D.	59.962 — 59.978 (2.3607 — 2.3613)	59.962 — 59.978 (2.3607 — 2.3613)	51.954 — 51.970 (2.0454 — 2.0461)
	Bearing size (Thickness at center)	2.017 — 2.020 (0.0794 — 0.0795)	2.019 — 2.022 (0.0795 — 0.0796)	1.510 — 1.513 (0.0594 — 0.0596)
0.05 (0.0020) Undersize	Journal O.D.	59.942 — 59.958 (2.3599 — 2.3605)	59.942 — 59.958 (2.3599 — 2.3605)	51.934 — 51.950 (2.0446 — 2.0453)
	Bearing size (Thickness at center)	2.027 — 2.030 (0.0798 — 0.0799)	2.029 — 2.032 (0.0799 — 0.0800)	1.520 — 1.523 (0.0598 — 0.0600)
0.25 (0.0098) Undersize	Journal O.D.	59.742 — 59.758 (2.3520 — 2.3527)	59.742 — 59.758 (2.3520 — 2.3527)	51.734 — 51.750 (2.0368 — 2.0374)
	Bearing size (Thickness at center)	2.127 — 2.130 (0.0837 — 0.0839)	2.129 — 2.132 (0.0838 — 0.0839)	1.620 — 1.623 (0.0638 — 0.0639)

4) Use a thickness gauge to measure the thrust clearance of crankshaft at #5 crank journal bearing. If clearance exceeds the standard, replace the bearing.

### **Crankshaft thrust clearance:**

#### **Standard:**

**0.030 — 0.115 mm (0.0012 — 0.0045 in)**



5) Inspect individual crankshaft bearings for signs of flaking, seizure, melting and wear.

6) Measure the oil clearance on each crankshaft bearing using plastigauge. If the measured value is out of standard, replace the defective bearing with an undersize one, and replace or grind to correct the crankshaft as necessary.

### **Crankshaft oil clearance:**

#### **Standard:**

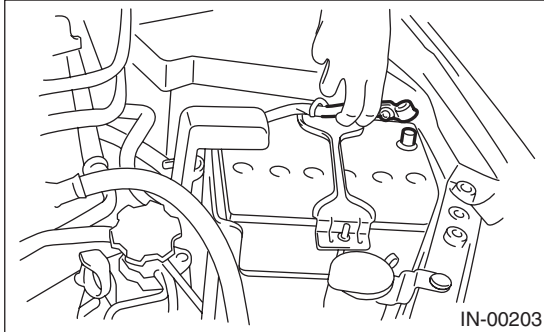
**0.010 — 0.030 mm (0.0004 — 0.0012 in)**

## 22.Oil Switching Solenoid Valve

### A: REMOVAL

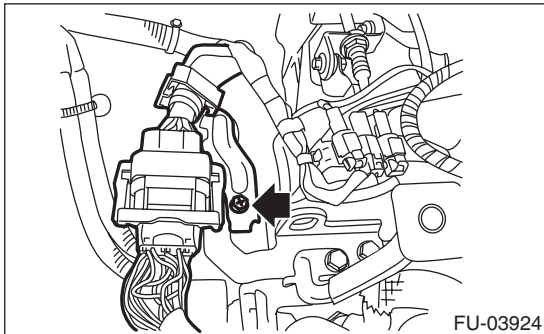
#### 1. RH SIDE

1) Disconnect the ground cable from battery.

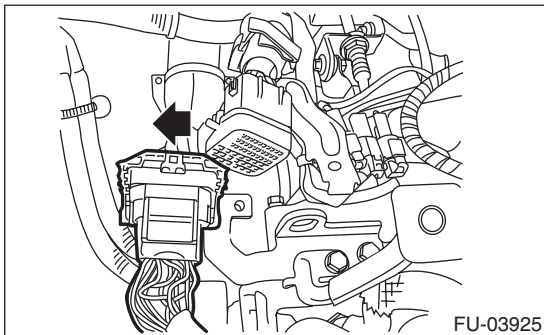


2) Remove the air intake chamber. <Ref. to IN(H4SO)-7, REMOVAL, Air Intake Chamber.>

3) Remove the bolt, and disconnect the engine harness connector from the bulkhead harness connector and rear engine hanger.



4) Slide the bulkhead harness connector in the direction of the arrow and remove it from the rear engine hanger.



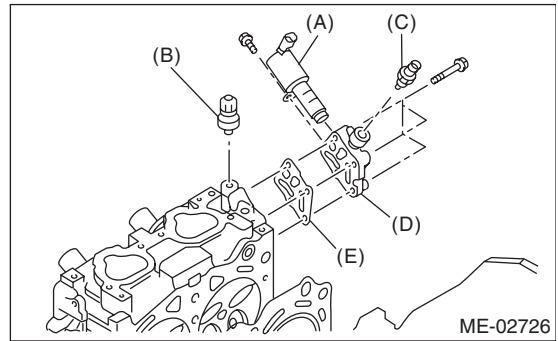
5) Disconnect the connector from the oil switching solenoid valve.

6) Remove the oil switching solenoid valve.

7) Remove the variable valve lift diagnosis oil pressure switch. <Ref. to FU(H4SO)-39, REMOVAL, Variable Valve Lift Diagnosis Oil Pressure Switch.>

8) Remove the oil temperature sensor. <Ref. to FU(H4SO)-40, REMOVAL, Oil Temperature Sensor.>

9) Remove the oil switching solenoid valve holder from the cylinder head.



(A) Oil switching solenoid valve

(B) Variable valve lift diagnosis oil pressure switch

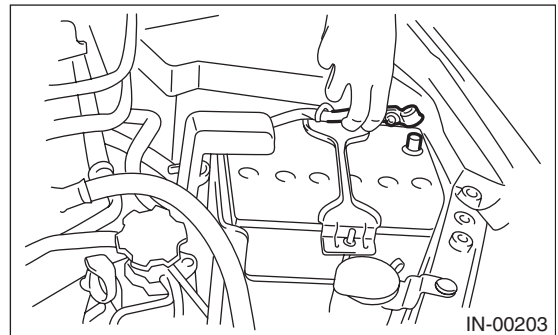
(C) Oil temperature sensor

(D) Oil switching solenoid valve holder

(E) Gasket

#### 2. LH SIDE

1) Disconnect the ground cable from battery.



2) Remove the V-belts. <Ref. to ME(H4SO)-39, REMOVAL, V-belt.>

3) Remove the crank pulley. <Ref. to ME(H4SO)-46, REMOVAL, Crank Pulley.>

4) Remove the timing belt cover. <Ref. to ME(H4SO)-48, REMOVAL, Timing Belt Cover.>

5) Remove the timing belt. <Ref. to ME(H4SO)-49, REMOVAL, Timing Belt.>

6) Remove the cam sprocket. <Ref. to ME(H4SO)-54, REMOVAL, Cam Sprocket.>

7) Remove the timing belt cover No. 2 (LH).

8) Disconnect the connector from the oil switching solenoid valve.

9) Remove the oil switching solenoid valve.

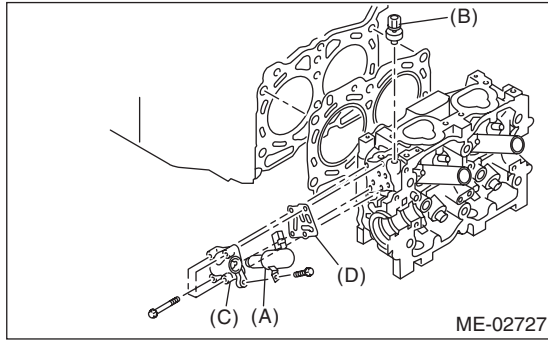
10) Remove the variable valve lift diagnosis oil pressure switch. <Ref. to FU(H4SO)-39, REMOVAL, Variable Valve Lift Diagnosis Oil Pressure Switch.>



# Oil Switching Solenoid Valve

## MECHANICAL

11) Remove the oil switching solenoid valve holder from the cylinder head.



- (A) Oil switching solenoid valve
- (B) Variable valve lift diagnosis oil pressure switch
- (C) Oil switching solenoid valve holder
- (D) Gasket

## B: INSTALLATION

### 1. RH SIDE

Install in the reverse order of removal.

#### NOTE:

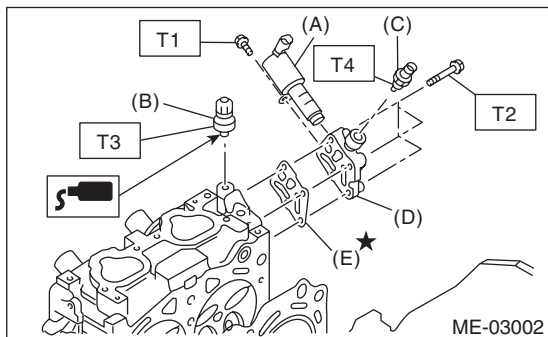
- Use a new gasket.
- Apply liquid gasket to variable valve lift diagnosis oil pressure switch threads.
- Install the oil switching solenoid valve to the holder, then install it to the cylinder head.

#### Tightening torque:

- T1: 8 N·m (0.8 kgf-m, 5.9 ft-lb)**
- T2: 10 N·m (1.0 kgf-m, 7.4 ft-lb)**
- T3: 17 N·m (1.7 kgf-m, 12.5 ft-lb)**
- T4: 18 N·m (1.8 kgf-m, 13.3 ft-lb)**

#### Liquid gasket:

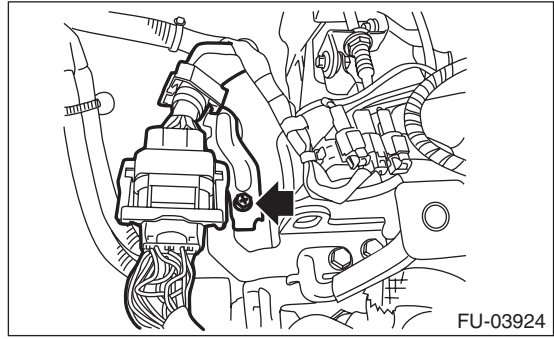
**THREE BOND 1324 (Part No. 004403042) or equivalent**



- (A) Oil switching solenoid valve
- (B) Variable valve lift diagnosis oil pressure switch
- (C) Oil temperature sensor
- (D) Oil switching solenoid valve holder
- (E) Gasket

#### Tightening torque:

**6.4 N·m (0.7 kgf-m, 4.7 ft-lb)**



### 2. LH SIDE

Install in the reverse order of removal.

#### NOTE:

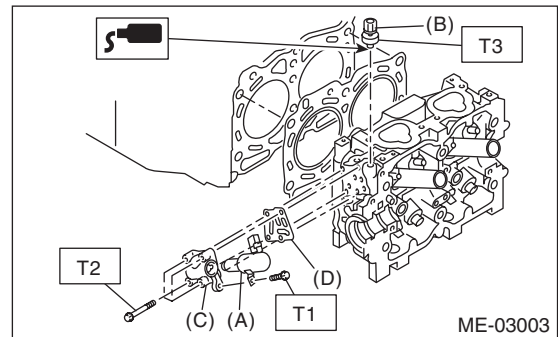
- Use a new gasket.
- Apply liquid gasket to variable valve lift diagnosis oil pressure switch threads.
- Install the oil switching solenoid valve to the holder, then install it to the cylinder head.

#### Tightening torque:

- T1: 8 N·m (0.8 kgf-m, 5.9 ft-lb)**
- T2: 10 N·m (1.0 kgf-m, 7.4 ft-lb)**
- T3: 17 N·m (1.7 kgf-m, 12.5 ft-lb)**

#### Liquid gasket:

**THREE BOND 1324 (Part No. 004403042) or equivalent**



- (A) Oil switching solenoid valve
- (B) Variable valve lift diagnosis oil pressure switch
- (C) Oil switching solenoid valve holder
- (D) Gasket

## 23. Intake and Exhaust Valve

### A: SPECIFICATION

Refer to "Cylinder Head" for removal and installation procedures of the intake and exhaust valves.  
<Ref. to ME(H4SO)-64, REMOVAL, Cylinder Head.> <Ref. to ME(H4SO)-64, INSTALLATION, Cylinder Head.>

## 24.Piston

### A: SPECIFICATION

Refer to “Cylinder Block” for removal and installation procedures of pistons. <Ref. to ME(H4SO)-72, REMOVAL, Cylinder Block.> <Ref. to ME(H4SO)-76, INSTALLATION, Cylinder Block.>



## 25.Connecting Rod

### A: SPECIFICATION

Refer to "Cylinder Block" for removal and installation procedures of connecting rod. <Ref. to ME(H4SO)-72, REMOVAL, Cylinder Block.> <Ref. to ME(H4SO)-76, INSTALLATION, Cylinder Block.>

## 26.Crankshaft

### A: SPECIFICATION

Refer to “Cylinder Block” for removal and installation procedures of the crankshaft. <Ref. to ME(H4SO)-72, REMOVAL, Cylinder Block.> <Ref. to ME(H4SO)-76, INSTALLATION, Cylinder Block.>

## 27.Engine Trouble in General

### A: INSPECTION

NOTE:

The "RANK" shown in the chart shows the possibilities of the cause of trouble in order from "Very often" to "Rarely".

A — Very often

B — Sometimes

C — Rarely

Symptom	Problem parts etc.	Possible cause	RANK
1. Engine does not start.			
1) Starter does not turn.	Starter	Defective battery-to-starter harness	B
		Defective starter switch	C
		Defective inhibitor switch	C
		Defective starter	B
	Battery	Improper connection of terminal	A
		Run-down battery	A
		Defective charging system	B
	Friction	Seizure of crankshaft and connecting rod bearing	C
		Seized camshaft	C
		Seized or stuck piston and cylinder	C
2) Initial combustion does not occur.	Starter	Defective starter	C
	Engine control system <Ref. to EN(H4SO)(diag)-2, Basic Diagnostic Procedure.>		A
	Fuel line	Defective fuel pump and relay	A
		Clogged fuel line	C
		Lack of fuel or insufficient fuel	B
	Timing belt	Degradation, etc.	B
		Defective timing	B
	Compression	Incorrect valve clearance	C
		Loosened spark plug or defective gasket	C
		Loosened cylinder head bolt or defective cylinder head gasket	C
		Improper valve sealing	C
		Defective valve stem	C
		Worn or broken valve spring	B
		Worn or stuck piston rings, cylinder and piston	C
Incorrect valve timing		B	
Improper engine oil (low viscosity)		B	

# Engine Trouble in General

## MECHANICAL

Symptom	Problem parts etc.	Possible cause	RANK
3) Initial combustion occurs.	Engine control system <Ref. to EN(H4SO)(diag)-2, Basic Diagnostic Procedure.>		A
	Intake system	Defective intake manifold gasket	B
		Defective throttle body gasket	B
	Fuel line	Defective fuel pump and relay	C
		Clogged fuel line	C
		Lack of fuel or insufficient fuel	B
	Timing belt	Degradation, etc.	B
		Defective timing	B
	Compression	Incorrect valve clearance	C
		Loosened spark plug or defective gasket	C
		Loosened cylinder head bolt or defective cylinder head gasket	C
		Improper valve sealing	C
		Defective valve stem	C
		Worn or broken valve spring	B
Worn or stuck piston rings, cylinder and piston		C	
Incorrect valve timing		B	
Improper engine oil (low viscosity)	B		
4) Engine stalls after initial combustion.	Engine control system <Ref. to EN(H4SO)(diag)-2, Basic Diagnostic Procedure.>		A
	Intake system	Loosened or cracked intake duct	B
		Loosened or cracked PCV hose	C
		Loosened or cracked vacuum hose	C
		Defective intake manifold gasket	B
		Defective throttle body gasket	B
		Dirty air cleaner element	C
	Fuel line	Clogged fuel line	C
		Lack of fuel or insufficient fuel	B
	Timing belt	Degradation, etc.	B
		Defective timing	B
	Compression	Incorrect valve clearance	C
		Loosened spark plug or defective gasket	C
		Loosened cylinder head bolt or defective cylinder head gasket	C
Improper valve sealing		C	
Defective valve stem		C	
Worn or broken valve spring		B	
Worn or stuck piston rings, cylinder and piston		C	
Incorrect valve timing		B	
Improper engine oil (low viscosity)	B		

# Engine Trouble in General

MECHANICAL

Symptom	Problem parts etc.	Possible cause	RANK
2. Rough idle and engine stall	Engine control system <Ref. to EN(H4SO)(diag)-2, Basic Diagnostic Procedure.>		A
	Intake system	Loosened or cracked intake duct	A
		Loosened or cracked PCV hose	A
		Loosened or cracked vacuum hose	A
		Defective intake manifold gasket	B
		Defective throttle body gasket	B
		Defective PCV valve	C
		Loosened oil filler cap	B
		Dirty air cleaner element	C
	Fuel line	Defective fuel pump and relay	C
		Clogged fuel line	C
		Lack of fuel or insufficient fuel	B
	Timing belt	Defective timing	C
	Compression	Incorrect valve clearance	B
		Loosened spark plug or defective gasket	B
		Loosened cylinder head bolt or defective cylinder head gasket	B
		Improper valve sealing	B
		Defective valve stem	C
		Worn or broken valve spring	B
		Worn or stuck piston rings, cylinder and piston	B
		Incorrect valve timing	A
	Improper engine oil (low viscosity)	B	
	Lubrication system	Incorrect oil pressure	B
Defective rocker cover gasket		C	
Cooling system	Over-heating	C	
Others	Evaporative emission control system malfunction	A	
	Stuck or damaged throttle valve	B	

# Engine Trouble in General

## MECHANICAL

Symptom	Problem parts etc.	Possible cause	RANK
3. Low output, hesitation and poor acceleration	Engine control system <Ref. to EN(H4SO)(diag)-2, Basic Diagnostic Procedure.>		A
	Intake system	Loosened or cracked intake duct	A
		Loosened or cracked PCV hose	A
		Loosened or cracked vacuum hose	B
		Defective intake manifold gasket	B
		Defective throttle body gasket	B
		Defective PCV valve	B
		Loosened oil filler cap	B
		Dirty air cleaner element	A
	Fuel line	Defective fuel pump and relay	B
		Clogged fuel line	B
		Lack of fuel or insufficient fuel	C
	Timing belt	Defective timing	B
	Compression	Incorrect valve clearance	B
		Loosened spark plug or defective gasket	B
		Loosened cylinder head bolt or defective cylinder head gasket	B
		Improper valve sealing	B
		Defective valve stem	C
		Worn or broken valve spring	B
		Worn or stuck piston rings, cylinder and piston	C
		Incorrect valve timing	A
	Improper engine oil (low viscosity)	B	
	Lubrication system	Incorrect oil pressure	B
Cooling system	Over-heating	C	
	Over-cooling	C	
Others	Evaporative emission control system malfunction	A	

# Engine Trouble in General

MECHANICAL

Symptom	Problem parts etc.	Possible cause	RANK
4. Surging	Engine control system <Ref. to EN(H4SO)(diag)-2, Basic Diagnostic Procedure.>		A
	Intake system	Loosened or cracked intake duct	A
		Loosened or cracked PCV hose	A
		Loosened or cracked vacuum hose	A
		Defective intake manifold gasket	B
		Defective throttle body gasket	B
		Defective PCV valve	B
		Loosened oil filler cap	B
		Dirty air cleaner element	B
	Fuel line	Defective fuel pump and relay	B
		Clogged fuel line	B
		Lack of fuel or insufficient fuel	C
	Timing belt	Defective timing	B
	Compression	Incorrect valve clearance	B
		Loosened spark plug or defective gasket	C
		Loosened cylinder head bolt or defective cylinder head gasket	C
		Improper valve sealing	C
		Defective valve stem	C
		Worn or broken valve spring	C
		Worn or stuck piston rings, cylinder and piston	C
Incorrect valve timing		A	
Improper engine oil (low viscosity)	B		
Cooling system	Over-heating	B	
Others	Evaporative emission control system malfunction	C	
5. Engine does not return to idle.	Engine control system <Ref. to EN(H4SO)(diag)-2, Basic Diagnostic Procedure.>		A
	Intake system	Loosened or cracked vacuum hose	A
	Others	Stuck or damaged throttle valve	A
6. Dieseling (Run-on)	Engine control system <Ref. to EN(H4SO)(diag)-2, Basic Diagnostic Procedure.>		A
	Cooling system	Over-heating	B
	Others	Evaporative emission control system malfunction	B
7. After burning in exhaust system	Engine control system <Ref. to EN(H4SO)(diag)-2, Basic Diagnostic Procedure.>		A
	Intake system	Loosened or cracked intake duct	C
		Loosened or cracked PCV hose	C
		Loosened or cracked vacuum hose	B
		Defective PCV valve	B
		Loosened oil filler cap	C
	Timing belt	Defective timing	B
	Compression	Incorrect valve clearance	B
		Loosened spark plug or defective gasket	C
		Loosened cylinder head bolt or defective cylinder head gasket	C
		Improper valve sealing	B
		Defective valve stem	C
		Worn or broken valve spring	C
		Worn or stuck piston rings, cylinder and piston	C
		Incorrect valve timing	A
	Lubrication system	Incorrect oil pressure	C
Cooling system	Over-cooling	C	
Others	Evaporative emission control system malfunction	C	

# Engine Trouble in General

## MECHANICAL

Symptom	Problem parts etc.	Possible cause	RANK
8. Knocking	Engine control system <Ref. to EN(H4SO)(diag)-2, Basic Diagnostic Procedure.>		A
	Intake system	Loosened oil filler cap	B
	Timing belt	Defective timing	B
	Compression	Incorrect valve clearance	C
		Incorrect valve timing	B
Cooling system	Over-heating	A	
9. Excessive engine oil consumption	Intake system	Loosened or cracked PCV hose	A
		Defective PCV valve	B
		Loosened oil filler cap	C
	Compression	Defective valve stem	A
		Worn or stuck piston rings, cylinder and piston	A
	Lubrication system	Loosened oil pump attaching bolts and defective gasket	B
		Defective oil filter gasket	B
		Defective crankshaft oil seal	B
		Defective rocker cover gasket	B
		Loosened oil drain plug or defective gasket	B
Loosened oil pan fitting bolts or defective oil pan	B		
10. Excessive fuel consumption	Engine control system <Ref. to EN(H4SO)(diag)-2, Basic Diagnostic Procedure.>		A
	Intake system	Dirty air cleaner element	A
	Timing belt	Defective timing	B
	Compression	Incorrect valve clearance	B
		Loosened spark plug or defective gasket	C
		Loosened cylinder head bolt or defective cylinder head gasket	C
		Improper valve sealing	B
		Defective valve stem	C
		Worn or broken valve spring	C
		Worn or stuck piston rings, cylinder and piston	B
		Incorrect valve timing	B
	Lubrication system	Incorrect oil pressure	C
	Cooling system	Over-cooling	C



## 28.Engine Noise

### A: INSPECTION

Type of sound	Condition	Possible cause
Regular clicking sound	Sound increases as engine speed increases.	<ul style="list-style-type: none"> <li>• Valve mechanism is defective.</li> <li>• Incorrect valve clearance</li> <li>• Worn valve rocker</li> <li>• Worn camshaft</li> <li>• Broken valve spring</li> </ul>
Heavy and dull clank	Oil pressure is low.	<ul style="list-style-type: none"> <li>• Worn crankshaft main bearing</li> <li>• Worn connecting rod bearing (large end)</li> </ul>
	Oil pressure is normal.	<ul style="list-style-type: none"> <li>• Damaged engine mounting</li> <li>• Loosened flywheel mounting bolt</li> </ul>
High-pitched clank (Spark knock)	Sound is noticeable when accelerating with an overload condition.	<ul style="list-style-type: none"> <li>• Ignition timing advanced</li> <li>• Accumulation of carbon inside combustion chamber</li> <li>• Wrong heat range of spark plug</li> <li>• Improper octane value gasoline</li> </ul>
Clank when engine speed is 1,000 to 2,000 rpm	Sound is reduced when fuel injector connector of noisy cylinder is disconnected. (NOTE*)	<ul style="list-style-type: none"> <li>• Worn crankshaft main bearing</li> <li>• Worn connecting rod bearing (large end)</li> </ul>
Knocking sound when engine is operating under idling speed and engine is warm	Sound is reduced when fuel injector connector of noisy cylinder is disconnected. (NOTE*)	<ul style="list-style-type: none"> <li>• Worn cylinder liner and piston ring</li> <li>• Broken or stuck piston ring</li> <li>• Worn piston pin and hole at piston end of connecting rod</li> </ul>
	Sound is not reduced if each fuel injector connector is disconnected in turn. (NOTE*)	<ul style="list-style-type: none"> <li>• Worn cam sprocket</li> <li>• Worn camshaft journal bore in cylinder head</li> </ul>
Squeaky sound	—	Insufficient generator lubrication
Rubbing sound	—	Poor contact of generator brush and rotor
Gear scream when starting engine	—	<ul style="list-style-type: none"> <li>• Defective ignition starter switch</li> <li>• Worn gear and starter pinion</li> </ul>
Sound like polishing glass with a dry cloth	—	<ul style="list-style-type: none"> <li>• Loose V-belt</li> <li>• Defective water pump shaft</li> </ul>
Hissing sound	—	<ul style="list-style-type: none"> <li>• Insufficient compression</li> <li>• Air leakage in air intake system, hose, connection or manifold</li> </ul>
Timing belt noise	—	<ul style="list-style-type: none"> <li>• Loose timing belt</li> <li>• Timing belt contacting with adjacent part</li> </ul>
Valve noise	—	Incorrect valve clearance

(NOTE\*)

When disconnecting the fuel injector connector, the malfunction indicator light illuminates and DTC is stored in ECM memory. Therefore, perform the Clear Memory Mode <Ref. to EN(H4SO)(diag)-55, OPERATION, Clear Memory Mode.> and Inspection Mode <Ref. to EN(H4SO)(diag)-44, PROCEDURE, Inspection Mode.> after connecting the fuel injector connector.

# Engine Noise

MECHANICAL

---

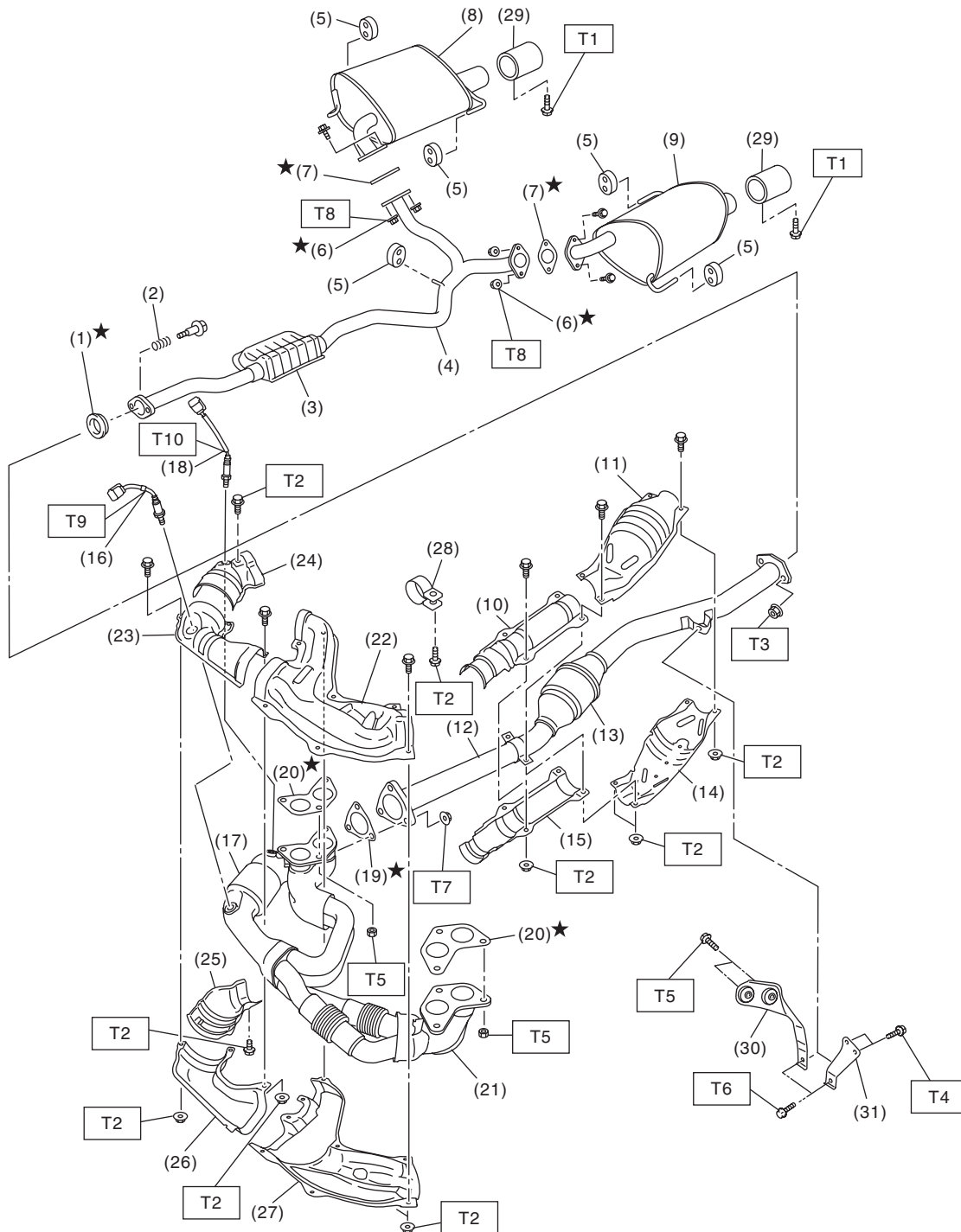
# General Description

EXHAUST

## 1. General Description

### A: COMPONENT

- 4 DOOR MODEL



EX-02481

EX(H4SO)-2

# General Description

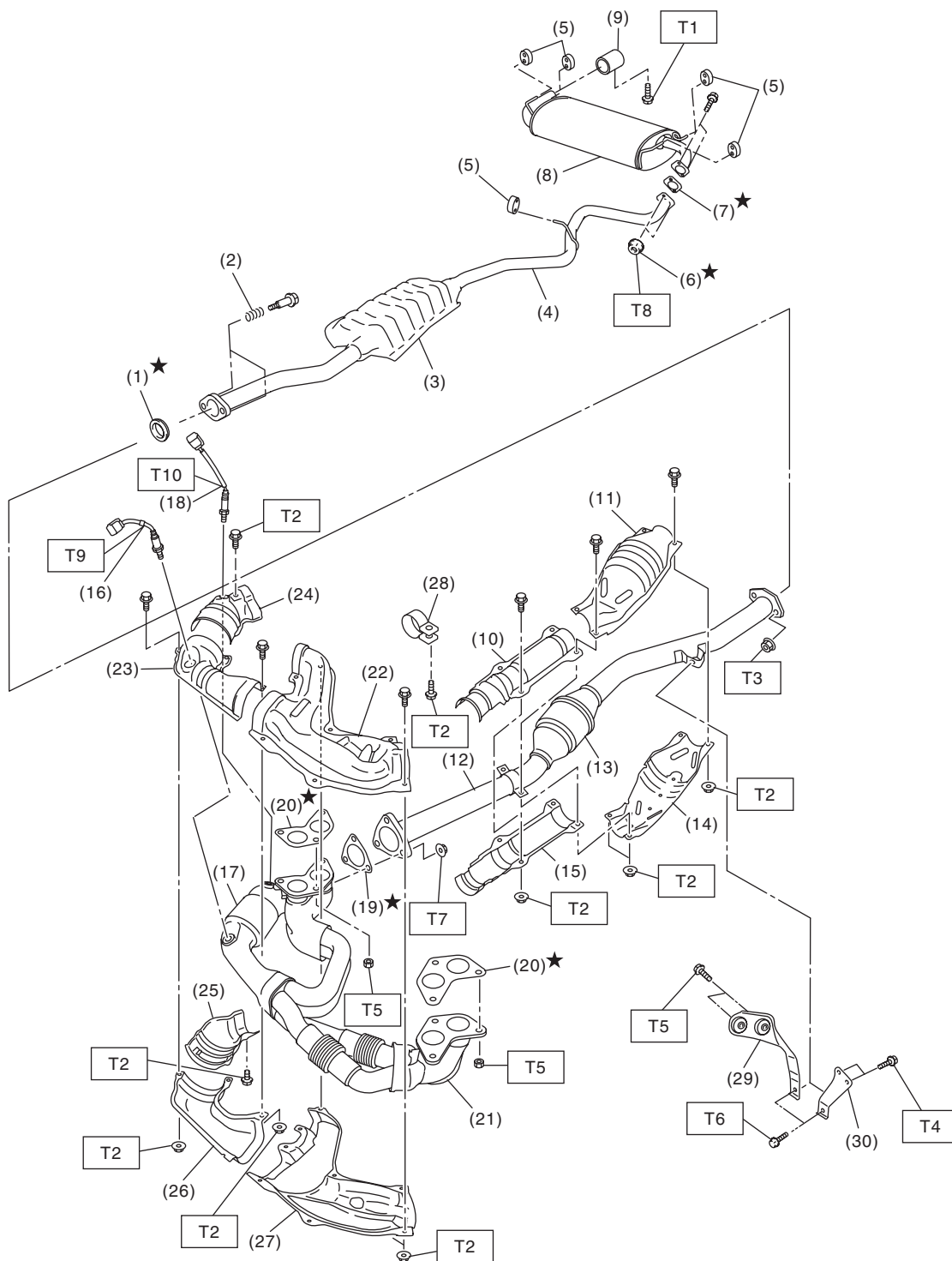
EXHAUST

(1) Gasket	(16) Front oxygen (A/F) sensor	(31) Hanger bracket (AT model)
(2) Spring	(17) Front catalytic converter	
(3) Chamber	(18) Rear oxygen sensor	
(4) Rear exhaust pipe	(19) Gasket	<b><i>Tightening torque:N·m (kgf-m, ft-lb)</i></b>
(5) Cushion rubber	(20) Gasket	<b><i>T1: 7.5 (0.8, 5.5)</i></b>
(6) Self-locking nut	(21) Front exhaust pipe	<b><i>T2: 13 (1.3, 9.6)</i></b>
(7) Gasket	(22) Front exhaust pipe upper cover LH	<b><i>T3: 18 (1.8, 13.3)</i></b>
(8) Muffler RH	(23) Front exhaust pipe upper cover RH	<b><i>T4: 23 (2.3, 17.0)</i></b>
(9) Muffler LH	(24) Front catalytic converter upper cover	<b><i>T5: 30 (3.1, 22.1)</i></b>
(10) Center exhaust pipe front upper cover	(25) Front catalytic converter lower cover	<b><i>T6: 35 (3.6, 25.8)</i></b>
(11) Rear catalytic converter upper cover	(26) Front exhaust pipe lower cover RH	<b><i>T7: 40 (4.1, 29.5)</i></b>
(12) Center exhaust pipe	(27) Front exhaust pipe lower cover LH	<b><i>T8: 48 (4.9, 35.4)</i></b>
(13) Rear catalytic converter	(28) Band	<b><i>T9: &lt;Ref. to FU(H4SO)-41, INSTALLATION, Front Oxygen (A/F) Sensor.&gt;</i></b>
(14) Rear catalytic converter lower cover	(29) Ornamental muffler tip (Models with ornamental muffler tips)	
(15) Center exhaust pipe front lower cover	(30) Hanger bracket (MT model)	<b><i>T10: &lt;Ref. to FU(H4SO)-43, INSTALLATION, Rear Oxygen Sensor.&gt;</i></b>

# General Description

## EXHAUST

- 5 DOOR MODEL



EX-02482

# General Description

EXHAUST

---

(1) Gasket	(15) Center exhaust pipe front lower cover	(30) Hanger bracket (AT model)
(2) Spring		
(3) Chamber	(16) Front oxygen (A/F) sensor	<b><i>Tightening torque:N·m (kgf-m, ft-lb)</i></b>
(4) Rear exhaust pipe	(17) Front catalytic converter	<b><i>T1: 7.5 (0.8, 5.5)</i></b>
(5) Cushion rubber	(18) Rear oxygen sensor	<b><i>T2: 13 (1.3, 9.6)</i></b>
(6) Self-locking nut	(19) Gasket	<b><i>T3: 18 (1.8, 13.3)</i></b>
(7) Gasket	(20) Gasket	<b><i>T4: 23 (2.3, 17.0)</i></b>
(8) Muffler	(21) Front exhaust pipe	<b><i>T5: 30 (3.1, 22.1)</i></b>
(9) Ornamental muffler tip (Models with ornamental muffler tips)	(22) Front exhaust pipe upper cover LH	<b><i>T6: 35 (3.6, 25.8)</i></b>
(10) Center exhaust pipe front upper cover	(23) Front exhaust pipe upper cover RH	<b><i>T7: 40 (4.1, 29.5)</i></b>
(11) Rear catalytic converter upper cover	(24) Front catalytic converter upper cover	<b><i>T8: 48 (4.9, 35.4)</i></b>
(12) Center exhaust pipe	(25) Front catalytic converter lower cover	<b><i>T9: &lt;Ref. to FU(H4SO)-41, INSTALLATION, Front Oxygen (A/F) Sensor.&gt;</i></b>
(13) Rear catalytic converter	(26) Front exhaust pipe lower cover RH	
(14) Rear catalytic converter lower cover	(27) Front exhaust pipe lower cover LH	
	(28) Band	<b><i>T10: &lt;Ref. to FU(H4SO)-43, INSTALLATION, Rear Oxygen Sensor.&gt;</i></b>
	(29) Hanger bracket (MT model)	

---

## B: CAUTION

- Wear appropriate work clothing, including a cap, protective goggles and protective shoes when performing any work.
- Remove contamination including dirt and corrosion before removal, installation or disassembly.
- Keep the disassembled parts in order and protect them from dust and dirt.
- Before removal, installation or disassembly, be sure to clarify the failure. Avoid unnecessary removal, installation, disassembly and replacement.
- Vehicle components are extremely hot after driving. Be wary of receiving burns from heated parts.
- Be sure to tighten fasteners including bolts and nuts to the specified torque.
- Place shop jacks or rigid racks at the specified points.
- Before disconnecting connectors of sensors or units, be sure to disconnect the ground cable from the battery.
- If any fat adheres to the exhaust pipe, wipe it off. Otherwise a fire may happen.

# Front Exhaust Pipe

## EXHAUST

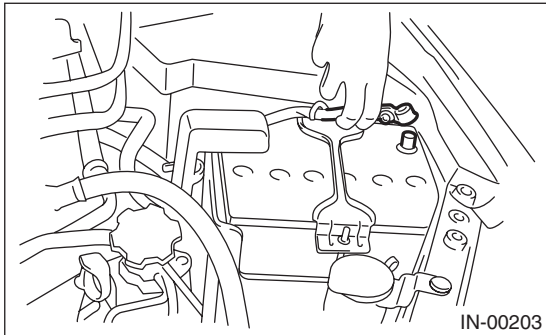
### 2. Front Exhaust Pipe

#### A: REMOVAL

##### CAUTION:

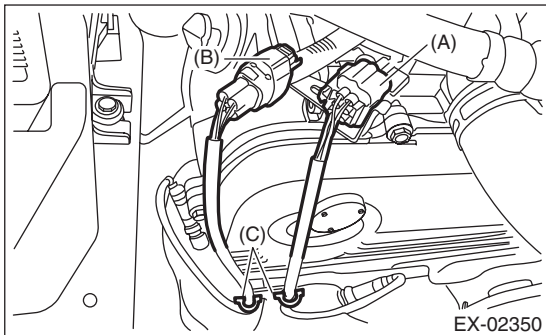
Vehicle components are extremely hot after driving. Be wary of receiving burns from heated parts.

- 1) Set the vehicle on a lift.
- 2) Disconnect the ground cable from battery.

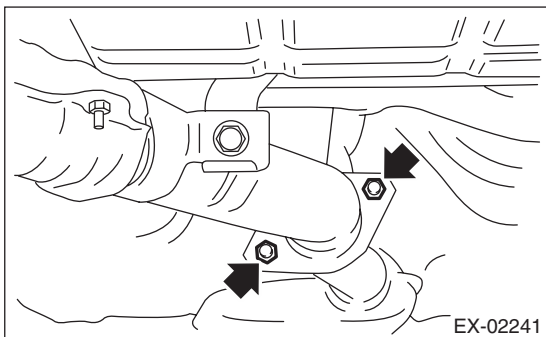


3) Remove the air intake duct. <Ref. to IN(H4SO)-8, REMOVAL, Air Intake Duct.>

4) Disconnect the front oxygen (A/F) sensor connector (A) and rear oxygen sensor connector (B) and remove the clip (C) fastening the harness.



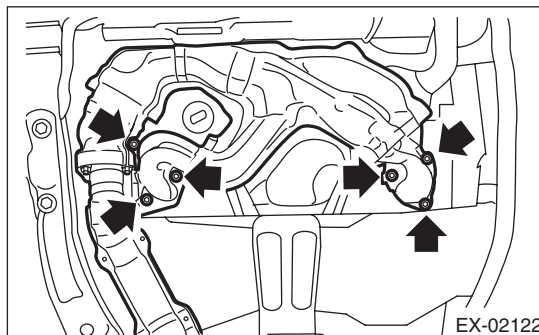
- 5) Lift up the vehicle.
- 6) Remove the under cover.
- 7) Remove the center exhaust pipe from rear exhaust pipe.



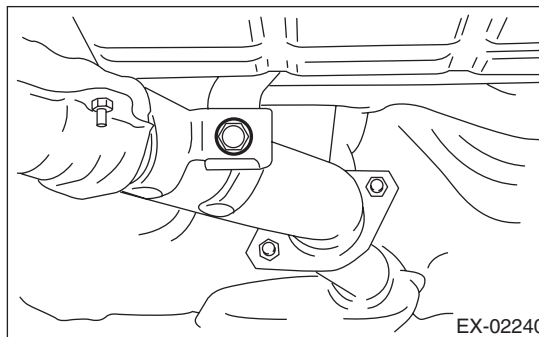
8) Remove the nuts which hold front exhaust pipe onto cylinder heads.

##### CAUTION:

Be careful not to drop the front and center exhaust pipe assembly.



9) Remove the bolt which holds center exhaust pipe to hanger bracket.

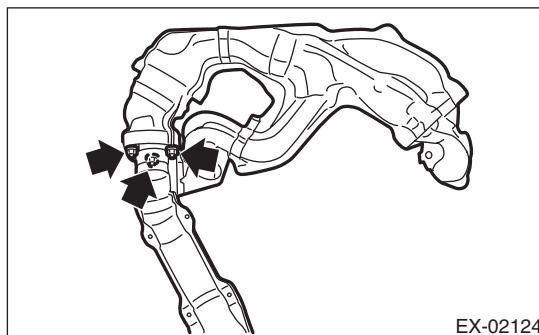


10) Remove the front exhaust pipe and center exhaust pipe from vehicle as a unit.

##### CAUTION:

- The front and center exhaust pipe assemblies are very heavy. Be careful not to drop the exhaust pipes when removing.
- After removing the front and center exhaust pipe assemblies, do not pull on the rear exhaust pipe with excessive force.

11) Remove the front exhaust pipe from center exhaust pipe.



12) Remove the front oxygen (A/F) sensor and rear oxygen sensor from front exhaust pipe. <Ref. to FU(H4SO)-41, REMOVAL, Front Oxygen (A/F) Sensor.> <Ref. to FU(H4SO)-43, REMOVAL, Rear Oxygen Sensor.>

## B: INSTALLATION

1) Install the front oxygen (A/F) sensor and rear oxygen sensor to the front exhaust pipe. <Ref. to FU(H4SO)-41, INSTALLATION, Front Oxygen (A/F) Sensor.> <Ref. to FU(H4SO)-43, INSTALLATION, Rear Oxygen Sensor.>

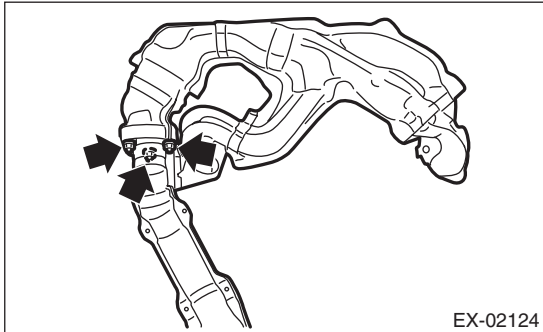
2) Install the front exhaust pipe to center exhaust pipe.

NOTE:

Use a new gasket.

**Tightening torque:**

**40 N·m (4.1 kgf·m, 29.5 ft·lb)**

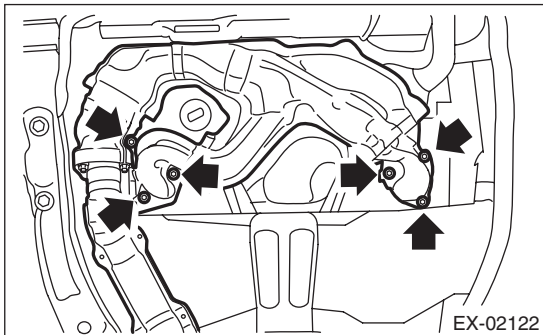


3) Install the front and center exhaust pipe to the vehicle as a unit.

NOTE:

Use a new gasket.

4) Temporarily tighten the nuts which hold front exhaust pipe to cylinder heads.



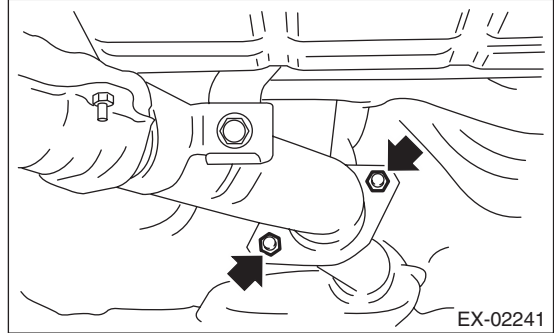
5) Install the center exhaust pipe to rear exhaust pipe.

NOTE:

Use a new gasket.

**Tightening torque:**

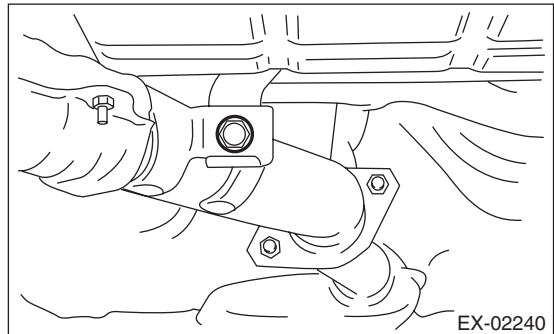
**18 N·m (1.8 kgf·m, 13.3 ft·lb)**



6) Tighten the bolts which hold center exhaust pipe to hanger bracket.

**Tightening torque:**

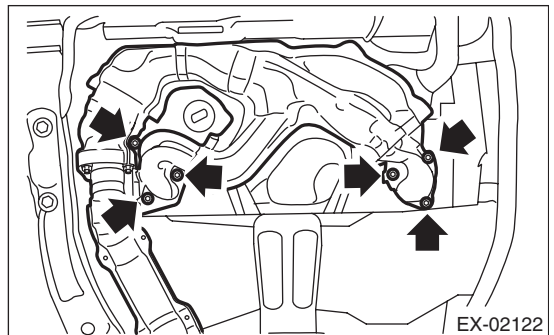
**35 N·m (3.6 kgf·m, 25.8 ft·lb)**



7) Tighten the nuts which hold front exhaust pipe to cylinder heads.

**Tightening torque:**

**30 N·m (3.1 kgf·m, 22.1 ft·lb)**



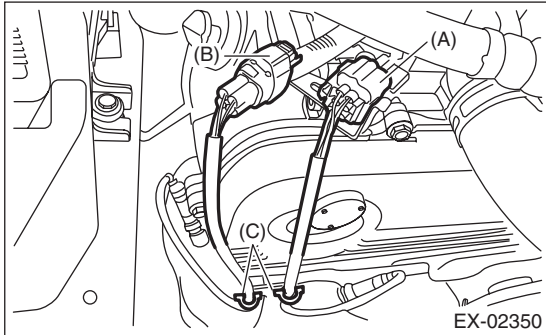


# Front Exhaust Pipe

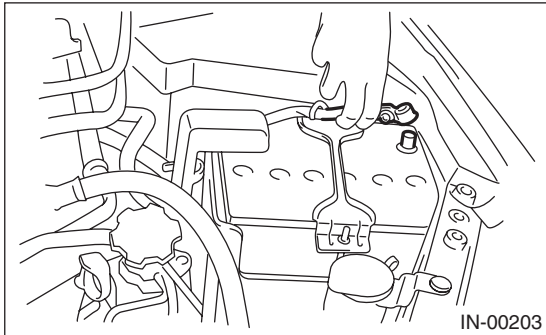
## EXHAUST

---

- 8) Install the under cover.
- 9) Lower the vehicle.
- 10) Connect the front oxygen (A/F) sensor connector (A) and rear oxygen sensor connector (B), and fasten the harness with the clip (C).



- 11) Install the air intake duct. <Ref. to IN(H4SO)-8, INSTALLATION, Air Intake Duct.>
- 12) Connect the ground cable to battery.



## C: INSPECTION

- 1) Check the connections and welds for exhaust leaks.
- 2) Make sure there are no holes or rusting.

## 3. Center Exhaust Pipe

### A: REMOVAL

1) After removing the center and front exhaust pipes as one unit, separate them. Refer to “Front Exhaust Pipe” for the removal procedure. <Ref. to EX(H4SO)-6, REMOVAL, Front Exhaust Pipe.>

2) Remove the front oxygen (A/F) sensor and rear oxygen sensor. <Ref. to FU(H4SO)-41, REMOVAL, Front Oxygen (A/F) Sensor.> <Ref. to FU(H4SO)-43, REMOVAL, Rear Oxygen Sensor.>

### B: INSTALLATION

1) Install the front oxygen (A/F) sensor and rear oxygen sensor. <Ref. to FU(H4SO)-41, INSTALLATION, Front Oxygen (A/F) Sensor.> <Ref. to FU(H4SO)-43, INSTALLATION, Rear Oxygen Sensor.>

2) Install the center exhaust pipe and front exhaust pipe as one unit. Refer to “Front Exhaust Pipe” for the installation procedure. <Ref. to EX(H4SO)-7, INSTALLATION, Front Exhaust Pipe.>

### C: INSPECTION

1) Check the connections and welds for exhaust leaks.

2) Make sure there are no holes or rusting.

# Rear Exhaust Pipe

EXHAUST

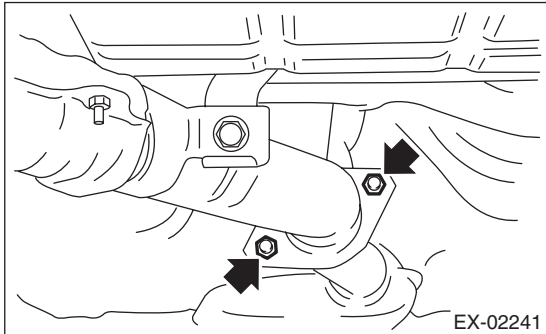
## 4. Rear Exhaust Pipe

### A: REMOVAL

#### CAUTION:

Vehicle components are extremely hot after driving. Be wary of receiving burns from heated parts.

- 1) Set the vehicle on a lift.
- 2) Lift up the vehicle.
- 3) Remove the rear exhaust pipe from center exhaust pipe.

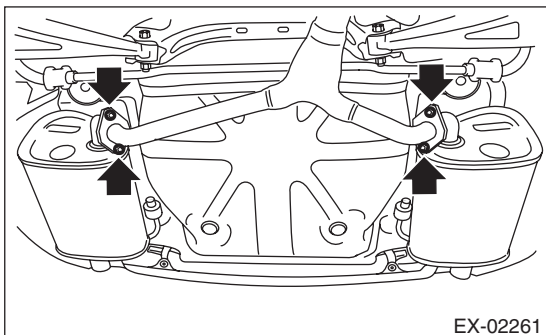


- 4) Remove the rear exhaust pipe from the muffler.

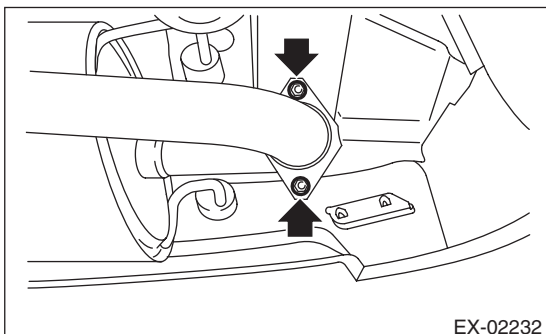
#### CAUTION:

Be careful not to drop the rear exhaust pipe.

- 4 DOOR MODEL

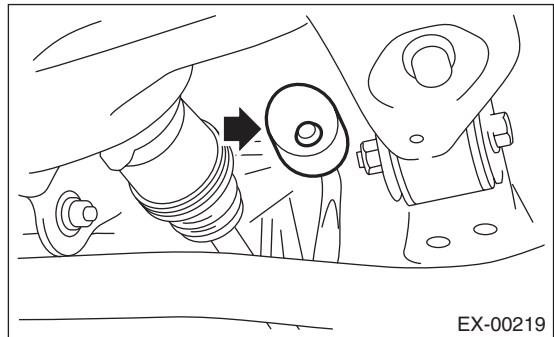


- 5 DOOR MODEL



- 5) Apply a coat of spray type lubricant to the mating area of cushion rubber.

- 6) Remove the rear exhaust pipe from the cushion rubber.

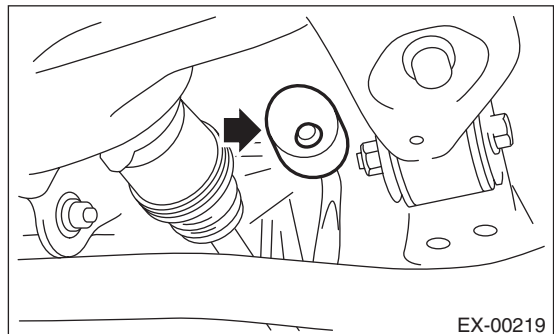


### B: INSTALLATION

- 1) Apply a coat of spray type lubricant to the mating area of cushion rubber.
- 2) Install the rear exhaust pipe to cushion rubber.

#### NOTE:

After assembling, degrease the lubricant which was applied to the cushion rubber while removing/installing.



3) Install the rear exhaust pipe to the muffler.

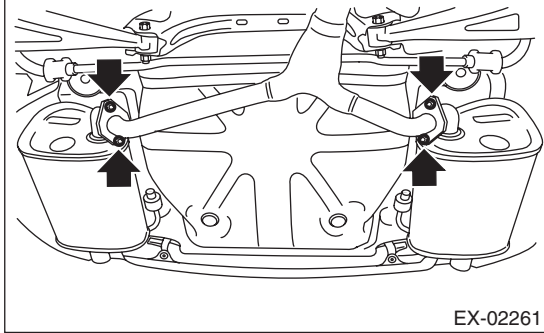
NOTE:

Use a new gasket and self-locking nut.

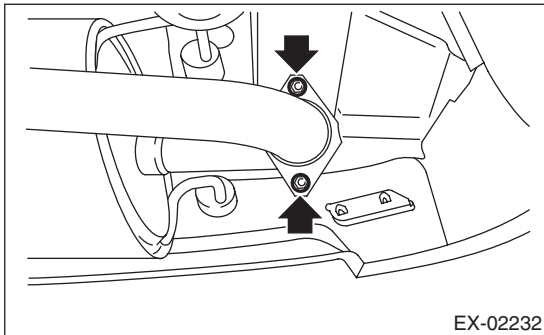
**Tightening torque:**

**48 N·m (4.9 kgf·m, 35.4 ft·lb)**

- 4 DOOR MODEL



- 5 DOOR MODEL



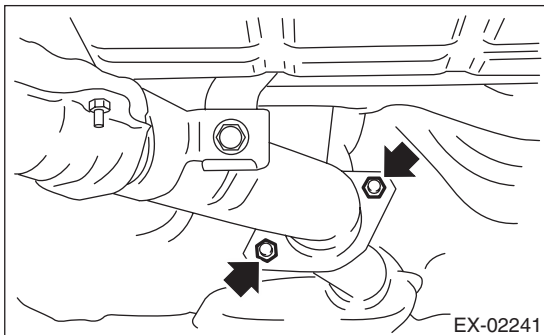
4) Install the rear exhaust pipe to center exhaust pipe.

NOTE:

Use a new gasket.

**Tightening torque:**

**18 N·m (1.8 kgf·m, 13.3 ft·lb)**



5) Lower the vehicle.

## C: INSPECTION

- 1) Check the connections and welds for exhaust leaks.
- 2) Make sure there are no holes or rusting.
- 3) Check the cushion rubber for wear or crack.

# Muffler

## EXHAUST

### 5. Muffler

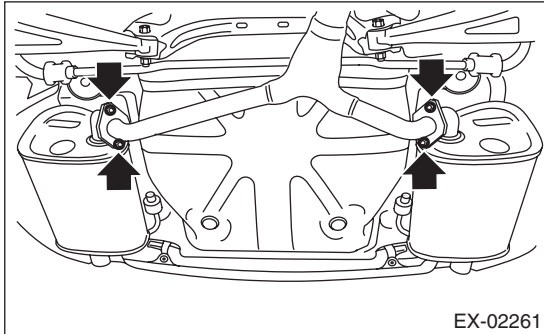
#### A: REMOVAL

##### CAUTION:

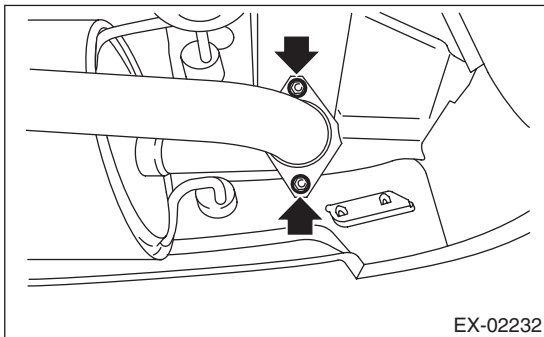
Vehicle components are extremely hot after driving. Be wary of receiving burns from heated parts.

- 1) Set the vehicle on a lift.
- 2) Lift up the vehicle.
- 3) Remove the muffler from rear exhaust pipe.

- 4 DOOR MODEL



- 5 DOOR MODEL

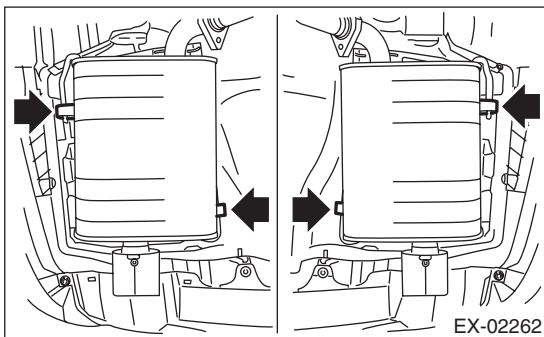


- 4) Apply a coat of spray type lubricant to the mating area of cushion rubber.
- 5) Remove the muffler from the cushion rubber.

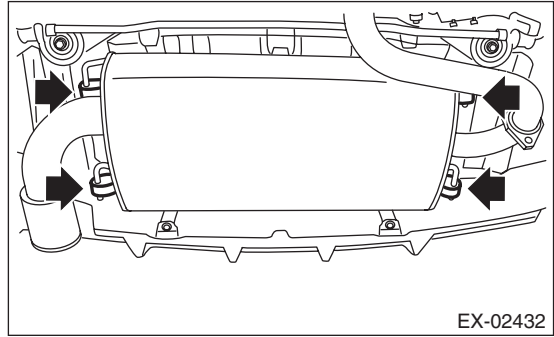
##### CAUTION:

Be careful not to drop the muffler during removal.

- 4 DOOR MODEL



- 5 DOOR MODEL



#### B: INSTALLATION

Install in the reverse order of removal.

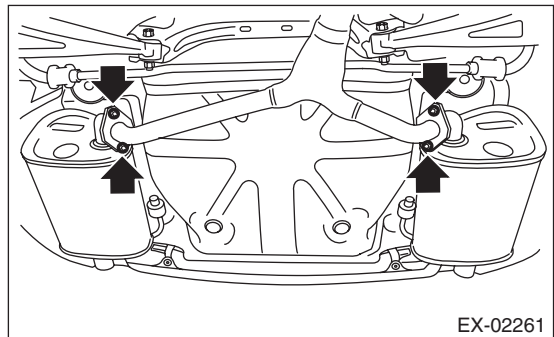
##### NOTE:

- Use a new gasket and self-locking nut.
- After assembling, degrease the lubricant which was applied to the cushion rubber while removing/installing.

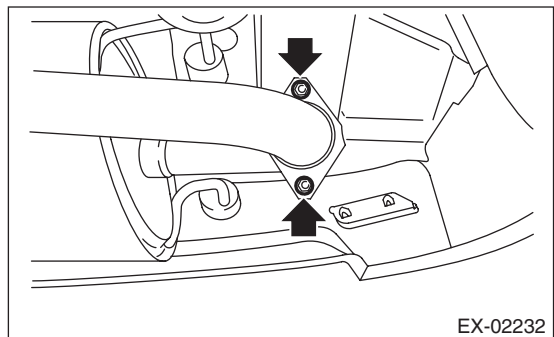
##### Tightening torque:

**48 N·m (4.9 kgf-m, 35.4 ft-lb)**

- 4 DOOR MODEL



- 5 DOOR MODEL



#### C: INSPECTION

- 1) Check the connections and welds for exhaust leaks.
- 2) Make sure there are no holes or rusting.
- 3) Check the cushion rubber for wear or crack.

# General Description

## COOLING

### 1. General Description

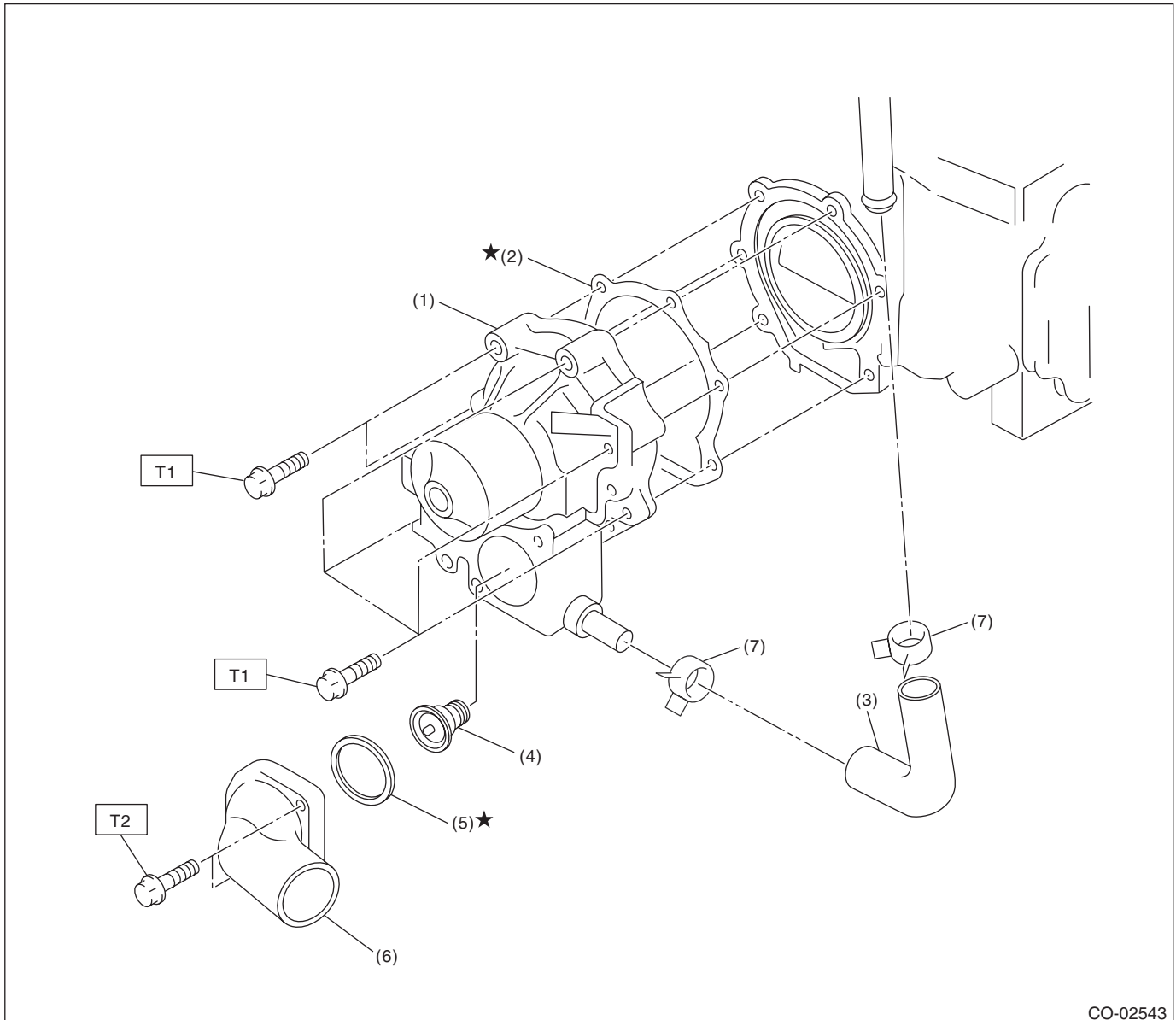
#### A: SPECIFICATION

Cooling system		Electric fan + Forced engine coolant circulation system		
Total engine coolant capacity		ℓ (US qt, Imp qt)		
		AT model: Approx. 6.7 (7.1, 5.9)		
		MT model: Approx. 6.8 (7.2, 6.0)		
Water pump	Type		Centrifugal impeller type	
	Discharge performance I	Discharge rate	ℓ (US gal, Imp gal) /min. 20 (5.3, 4.4)	
		Pump speed — Discharge pressure		760 rpm — 2.9 kPa (0.3 mAq)
		Engine coolant temperature		80°C (176°F)
	Discharge performance II	Discharge rate	ℓ (US gal, Imp gal) /min. 100 (26.4, 22.0)	
		Pump speed — Discharge pressure		3,000 rpm — 49 kPa (5.0 mAq)
		Engine coolant temperature		80°C (176°F)
	Discharge performance III	Discharge rate	ℓ (US gal, Imp gal) /min. 200 (52.8, 44.0)	
		Pump speed — Discharge pressure		6,000 rpm — 225.4 kPa (23 mAq)
		Engine coolant temperature		80°C (176°F)
	Impeller diameter		mm (in)	76 (2.99)
	Number of impeller vanes			8
Pump pulley diameter		mm (in)	60 (2.36)	
Clearance between impeller and case		Standard mm (in)	0.5 — 1.5 (0.020 — 0.060)	
Thermostat	Type		Wax pellet type	
	Starting temperature to open		80 — 84°C (176 — 183°F)	
	Fully opens		95°C (203°F)	
	Valve lift		mm (in) 9.0 (0.354) or more	
	Valve bore		mm (in) 35 (1.38)	
Radiator fan	Motor input	Main fan	90 W	
		Sub fan	90 W	
	Fan diameter / Blade	Main fan	300 mm (11.81 in)/4	
		Sub fan	300 mm (11.81 in)/5	
Radiator	Type		Down flow, pressure type	
	Core dimensions	Width × Height × Thickness mm (in)	687.4 × 340 × 16 (27.06 × 13.39 × 0.63)	
	Pressure range in which cap valve is open		kPa (kg/cm <sup>2</sup> , psi) Above: 108±14.7 (1.1±0.15, 16±2.1) Below: -1.0 — -4.9 (-0.01 — -0.05, -0.1 — -0.7)	
	Fins		Corrugated fin type	
Reservoir tank	Capacity		ℓ (US qt, Imp qt) 0.45 (0.48, 0.40)	

	Recommended materials	Item number	Alternative
Coolant	SUBARU SUPER COOLANT (Concentrated type)	—	—
	SUBARU SUPER COOLANT (Diluted type)	K0670Y0000	
Water for dilution	Distilled water	—	Soft water or tap water
Cooling system protective agent	Cooling system conditioner	SOA345001	—

## B: COMPONENT

### 1. WATER PUMP



- |                         |                      |
|-------------------------|----------------------|
| (1) Water pump ASSY     | (5) Gasket           |
| (2) Gasket              | (6) Thermostat cover |
| (3) Heater by-pass hose | (7) Clip             |
| (4) Thermostat          |                      |

**Tightening torque: N·m (kgf·m, ft·lb)**

**T1: First 12 (1.2, 8.9)**

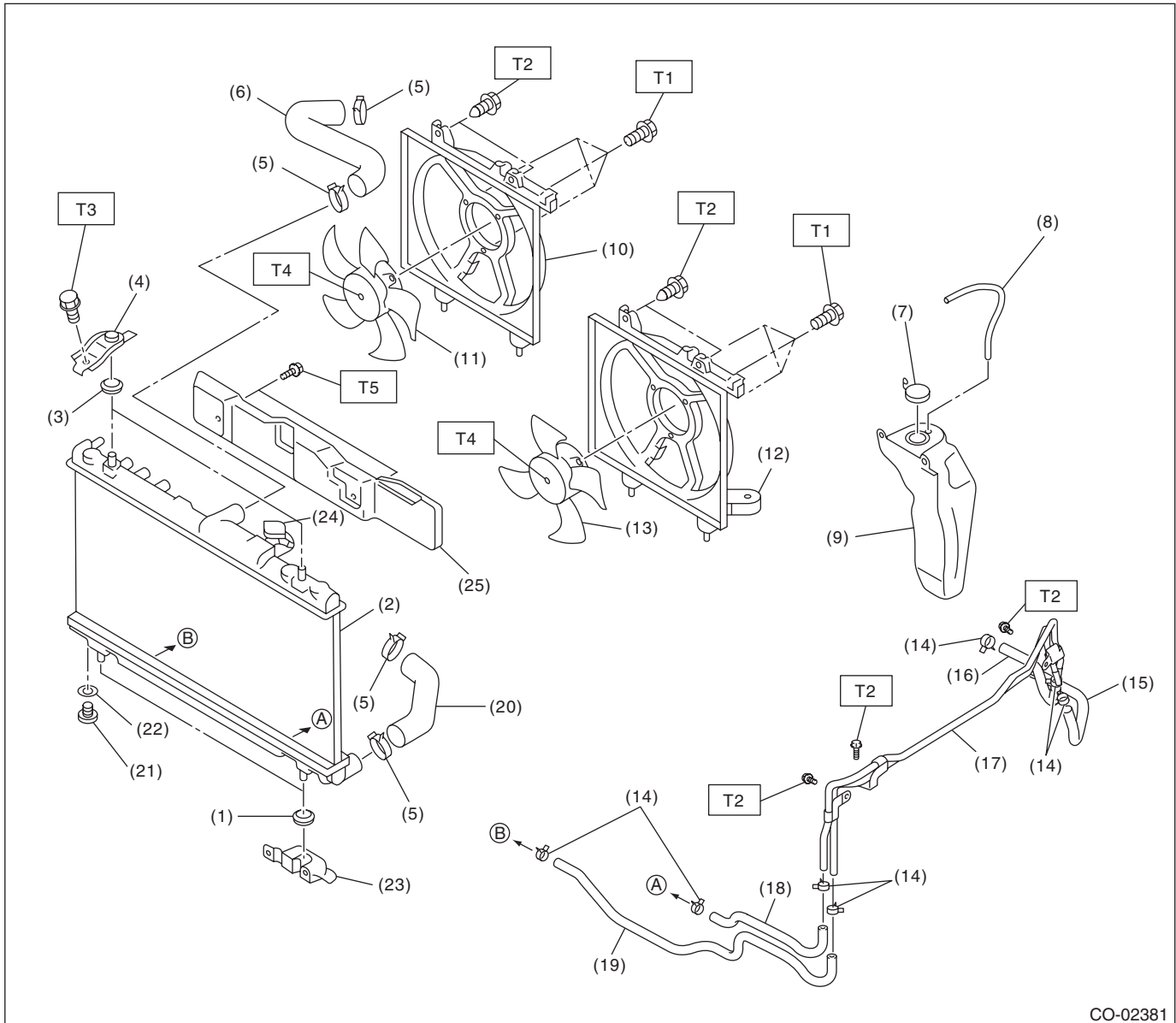
**Second 12 (1.2, 8.9)**

**T2: 12 (1.2, 8.9)**

# General Description

## COOLING

### 2. RADIATOR & RADIATOR FAN



CO-02381

(1) Radiator lower cushion	(12) Radiator main fan shroud	(22) O-ring
(2) Radiator	(13) Radiator main fan, main fan motor ASSY	(23) Radiator lower bracket
(3) Radiator upper cushion	(14) ATF hose clip (AT model)	(24) Radiator cap
(4) Radiator upper bracket	(15) ATF hose A (AT model)	(25) Heat shield cover (AT model)
(5) Clip	(16) ATF hose B (AT model)	
(6) Radiator inlet hose	(17) ATF pipe (AT model)	
(7) Engine coolant reservoir tank cap	(18) ATF hose C (AT model)	
(8) Over flow hose	(19) ATF hose D (AT model)	
(9) Engine coolant reservoir tank	(20) Radiator outlet hose	
(10) Radiator sub fan shroud	(21) Radiator drain plug	
(11) Radiator sub fan, sub fan motor ASSY		

#### **Tightening torque: N·m (kgf·m, ft·lb)**

**T1: 5 (0.5, 3.7)**

**T2: 7.5 (0.8, 5.5)**

**T3: 12 (1.2, 8.9)**

**T4: 3.4 (0.3, 2.5)**

**T5: 3 (0.3, 2.2)**



### **C: CAUTION**

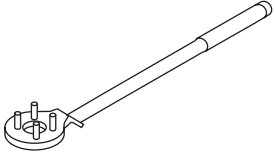
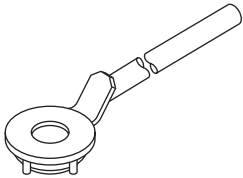
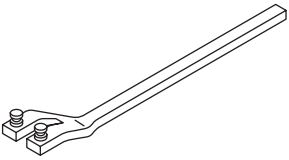
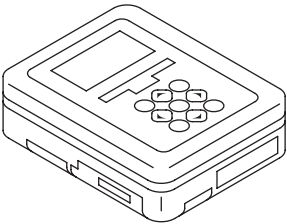
- Wear appropriate work clothing, including a cap, protective goggles and protective shoes when performing any work.
- Remove contamination including dirt and corrosion before removal, installation or disassembly.
- Keep the disassembled parts in order and protect them from dust and dirt.
- Before removal, installation or disassembly, be sure to clarify the failure. Avoid unnecessary removal, installation, disassembly and replacement.
- Vehicle components are extremely hot after driving. Be wary of receiving burns from heated parts.
- Be sure to tighten fasteners including bolts and nuts to the specified torque.
- Place shop jacks or rigid racks at the specified points.
- Before disconnecting connectors of sensors or units, be sure to disconnect the ground cable from battery.
- Prepare a container and cloth to prevent scattering of engine coolant when performing work where engine coolant can be spilled. If the oil spills, wipe it off immediately to prevent from penetrating into floor or flowing out for environmental protection.
- Follow all government and local regulations concerning disposal of refuse when disposing engine coolant.

# General Description

COOLING

## D: PREPARATION TOOL

### 1. SPECIAL TOOL

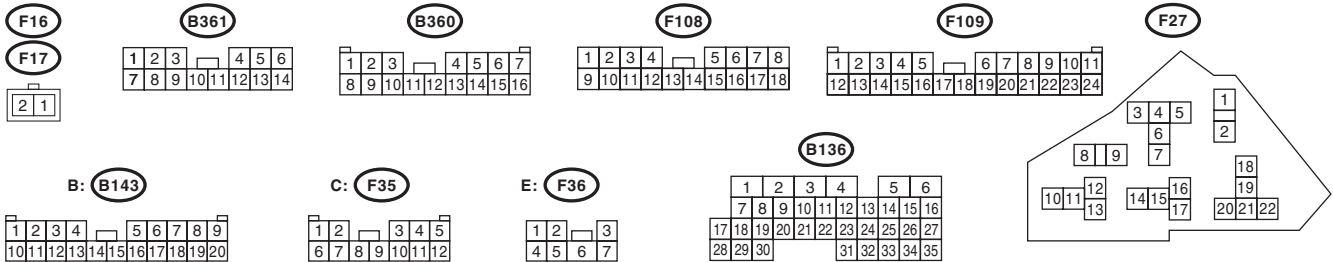
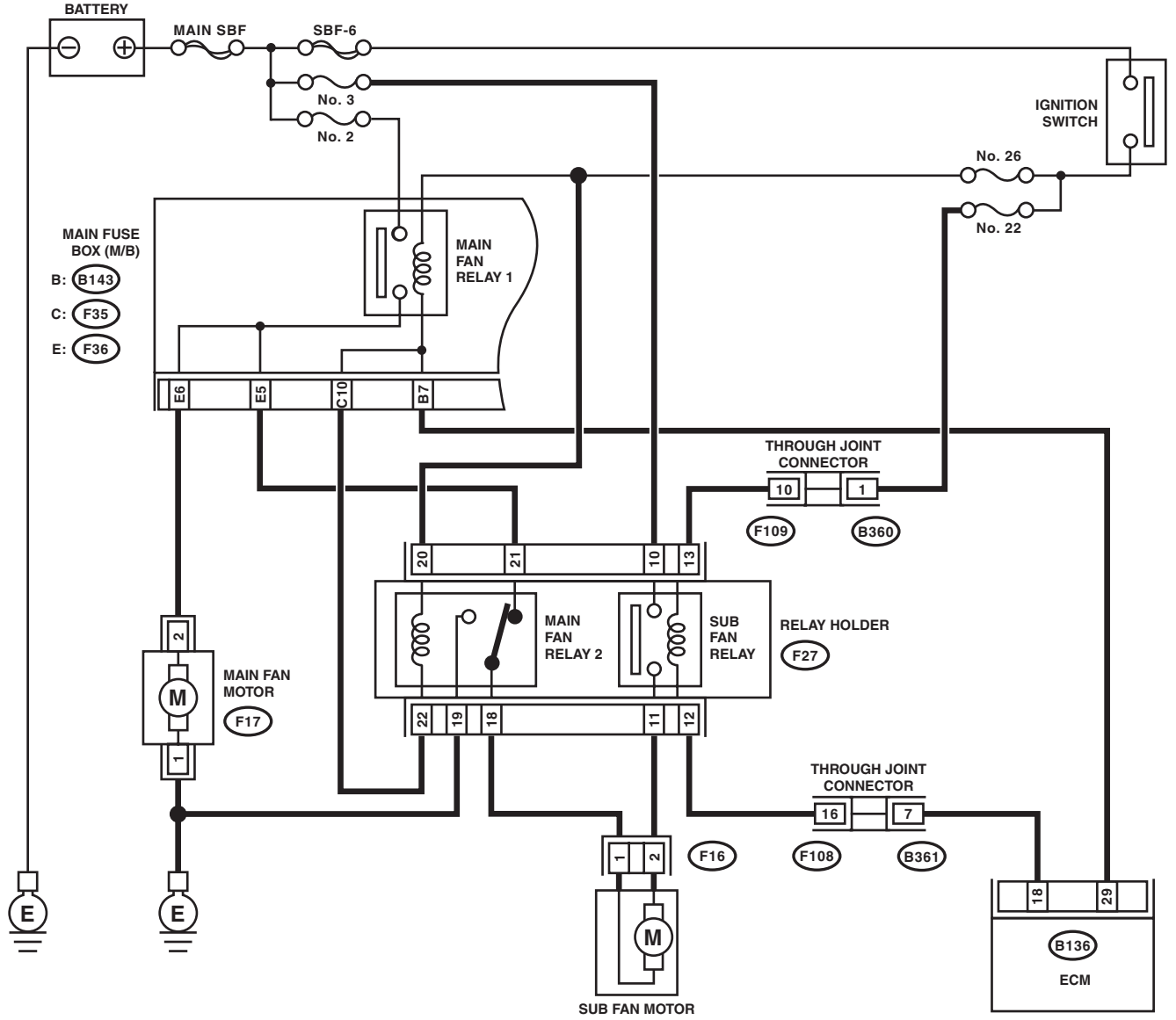
ILLUSTRATION	TOOL NUMBER	DESCRIPTION	REMARKS
 <p style="text-align: center;">ST-499977100</p>	499977100	CRANK PULLEY WRENCH	Used to stop rotation of the crank pulley when loosening or tightening crank pulley bolts. (MT model)
 <p style="text-align: center;">ST-499977400</p>	499977400	CRANK PULLEY WRENCH	Used to stop rotation of the crank pulley when loosening or tightening crank pulley bolts. (AT model)
 <p style="text-align: center;">ST18231AA010</p>	18231AA010	CAM SPROCKET WRENCH	<ul style="list-style-type: none"> <li>• Used for removing and installing cam sprocket.</li> <li>• CAM SPROCKET WRENCH (499207100) can also be used.</li> </ul>
 <p style="text-align: center;">ST1B022XU0</p>	1B022XU0	SUBARU SELECT MONITOR III KIT	Used for troubleshooting the electrical system.

### 2. GENERAL TOOL

TOOL NAME	REMARKS
Circuit tester	Used for measuring resistance and voltage.
Radiator cap tester	Used for checking radiator and radiator cap.

## 2. Radiator Fan System

### A: WIRING DIAGRAM



CO-02473

# Radiator Fan System

## COOLING

### B: INSPECTION

#### OPERATING CONDITION:

Vehicle speed	A/C compressor load	Engine coolant temperature		
		Increase: 95°C (203°F) or less Decrease: 92°C (198°F) or less	Increase: 96 — 99°C (205 — 210°F) Decrease: 93 — 94°C (199 — 201°F)	Increase: 100°C (212°F) or more Decrease: 95°C (203°F) or more
		Radiator fan operation	Radiator fan operation	Radiator fan operation
During acceleration: 19 km/h (12 MPH) or less During deceleration: 10 km/h (6 MPH) or less	OFF	OFF	Low-Speed	High-Speed
	Low	Low-Speed	Low-Speed	High-Speed
	High	High-Speed	High-Speed	High-Speed
During acceleration: 20 — 69 km/h (12 — 43 MPH) During deceleration: 11 — 64 km/h (7 — 40 MPH)	OFF	OFF	Low-Speed	High-Speed
	Low	High-Speed	High-Speed	High-Speed
	High	High-Speed	High-Speed	High-Speed
During acceleration: 70 — 134 km/h (43 — 83 MPH) During deceleration: 65 — 129 km/h (40 — 80 MPH)	OFF	OFF	Low-Speed	High-Speed
	Low	OFF	Low-Speed	High-Speed
	High	Low-Speed	High-Speed	High-Speed
During acceleration: 135 km/h (84 MPH) or more During deceleration: 130 km/h (81 MPH) or more	OFF	OFF	OFF	High-Speed
	Low	OFF	Low-Speed	High-Speed
	High	OFF	Low-Speed	High-Speed

#### DIAGNOSIS:

Radiator main fan and radiator sub fans do not rotate under the above operating conditions.

Step	Check	Yes	No
<b>1 CHECK OPERATION OF RADIATOR FAN.</b> 1) Connect the delivery (test) mode connector. 2) Turn the ignition switch to ON. 3) Using the Subaru Select Monitor, check the forced operation of the radiator fan relay. <b>NOTE:</b> • When performing a forced operation radiator fan relay check using the Subaru Select Monitor, the radiator main fan and radiator sub fan will repeat low speed revolution → high speed revolution → OFF in this order. • Subaru Select Monitor Refer to “Compulsory Valve Operation Check Mode” for detailed procedures. <Ref. to EN(H4SO)(diag)-56, Compulsory Valve Operation Check Mode.>	Do the radiator main fans and radiator sub fans rotate at low speed?	Go to step 2.	Go to step 3.

# Radiator Fan System

COOLING

Step	Check	Yes	No
<p><b>2 CHECK OPERATION OF RADIATOR FAN.</b>            1) Connect the delivery (test) mode connector.            2) Turn the ignition switch to ON.            3) Using the Subaru Select Monitor, check the forced operation of the radiator fan relay.  <b>NOTE:</b>            • When performing a forced operation radiator fan relay check using the Subaru Select Monitor, the radiator main fan and radiator sub fan will repeat low speed revolution → high speed revolution → OFF in this order.            • Subaru Select Monitor            Refer to “Compulsory Valve Operation Check Mode” for detailed procedures. &lt;Ref. to EN(H4SO)(diag)-56, Compulsory Valve Operation Check Mode.&gt;</p>	<p>Do the radiator main fans and radiator sub fans rotate at high speed?</p>	<p>Radiator main fan system is normal.</p>	<p>Go to step 27.</p>
<p><b>3 CHECK POWER SUPPLY TO SUB FAN RELAY.</b>            1) Turn the ignition switch to OFF.            2) Remove the sub fan relay from the relay holder.            3) Measure the voltage between the sub fan relay terminal and chassis ground.  <b>Connector &amp; terminal</b>  <b>(F27) No. 10 (+) — Chassis ground (-):</b></p>	<p>Is the voltage 10 V or more?</p>	<p>Go to step 4.</p>	<p>Go to step 5.</p>
<p><b>4 CHECK POWER SUPPLY TO SUB FAN RELAY.</b>            1) Turn the ignition switch to ON.            2) Measure the voltage between the sub fan relay terminal and chassis ground.  <b>Connector &amp; terminal</b>  <b>(F27) No. 13 (+) — Chassis ground (-):</b></p>	<p>Is the voltage 10 V or more?</p>	<p>Go to step 7.</p>	<p>Go to step 6.</p>
<p><b>5 CHECK FUSE.</b>            1) Turn the ignition switch to OFF.            2) Remove the fuse No. 3.            3) Check the condition of fuse.</p>	<p>Is the fuse blown out?</p>	<p>Replace the fuse.</p>	<p>Repair the power supply line.</p>
<p><b>6 CHECK FUSE.</b>            1) Turn the ignition switch to OFF.            2) Remove the fuse No. 22.            3) Check the condition of fuse.</p>	<p>Is the fuse blown out?</p>	<p>Replace the fuse.</p>	<p>Repair the power supply line.</p>
<p><b>7 CHECK SUB FAN RELAY.</b>            1) Turn the ignition switch to OFF.            2) Measure the resistance between sub fan relay terminals.  <b>Terminals</b>  <b>No. 10 — No. 11:</b></p>	<p>Is the resistance 1 M<math>\Omega</math> or more?</p>	<p>Go to step 8.</p>	<p>Replace the sub fan relay. &lt;Ref. to AC-39, Relay and Fuse.&gt;</p>
<p><b>8 CHECK SUB FAN RELAY.</b>            1) Connect the battery to terminals No. 13 and No. 12 of the sub fan relay.            2) Measure the resistance between sub fan relay terminals.  <b>Terminals</b>  <b>No. 10 — No. 11:</b></p>	<p>Is the resistance less than 1 <math>\Omega</math>?</p>	<p>Go to step 9.</p>	<p>Replace the sub fan relay. &lt;Ref. to AC-39, Relay and Fuse.&gt;</p>

# Radiator Fan System

## COOLING

Step	Check	Yes	No
<b>9 CHECK HARNESS BETWEEN SUB FAN RELAY TERMINAL AND SUB FAN MOTOR ASSEMBLY CONNECTOR.</b> 1) Disconnect the connector from the sub fan motor assembly. 2) Measure the resistance of harness between the sub fan relay terminal and sub fan motor assembly connector. <b>Connector &amp; terminal</b> <b>(F16) No. 2 — (F27) No. 11:</b>	Is the resistance less than 1 $\Omega$ ?	Go to step 10.	Repair the open circuit of harness between the sub fan relay terminal and sub fan motor assembly connector.
<b>10 CHECK HARNESS BETWEEN SUB FAN MOTOR ASSEMBLY CONNECTOR AND MAIN FAN RELAY 2 CONNECTOR.</b> 1) Remove main fan relay 2 from the relay holder. 2) Measure the resistance of harness between sub fan motor assembly connector and main fan relay 2 connector. <b>Connector &amp; terminal</b> <b>(F16) No. 1 — (F27) No. 18:</b>	Is the resistance less than 1 $\Omega$ ?	Go to step 11.	Repair the open circuit of harness between sub fan motor assembly connector and main fan relay 2 connector.
<b>11 CHECK POOR CONTACT.</b> Check poor contact of sub fan motor assembly connector.	Is there poor contact of sub fan motor assembly connector?	Repair the poor contact of sub fan motor assembly connector.	Go to step 12.
<b>12 CHECK SUB FAN MOTOR ASSEMBLY.</b> Connect the battery positive (+) terminal to terminal No. 2 of the sub fan motor assembly, and the ground (-) terminal to terminal No. 1.	Does the radiator sub fan rotate?	Go to step 13.	Replace the sub fan motor assembly. <Ref. to CO(H4SO)-25, Radiator Sub Fan and Fan Motor.>
<b>13 CHECK MAIN FAN RELAY 2.</b> Measure the resistance of main fan relay 2. <b>Terminals</b> <b>No. 21 — No. 18:</b>	Is the resistance less than 1 $\Omega$ ?	Go to step 14.	Replace the main fan relay 2. <Ref. to AC-39, Relay and Fuse.>
<b>14 CHECK HARNESS BETWEEN MAIN FAN RELAY 2 AND MAIN FAN MOTOR ASSEMBLY CONNECTOR.</b> 1) Disconnect the connector from the main fan motor assembly. 2) Measure the resistance of harness between the main fan relay 2 terminal and main fan motor assembly connector. <b>Connector &amp; terminal</b> <b>(F17) No. 2 — (F27) No. 21:</b>	Is the resistance less than 1 $\Omega$ ?	Go to step 15.	Repair the open circuit of harness between the main fan relay 2 terminal and main fan motor assembly connector.
<b>15 CHECK MAIN FAN MOTOR ASSEMBLY AND GROUND CIRCUIT.</b> Measure the resistance between the main fan motor assembly connector and chassis ground. <b>Connector &amp; terminal</b> <b>(F17) No. 1 — Chassis ground:</b>	Is the resistance less than 5 $\Omega$ ?	Go to step 16.	Repair the open circuit of harness between main fan motor assembly connector and chassis ground.
<b>16 CHECK POOR CONTACT.</b> Check poor contact of main fan motor assembly connector.	Is there poor contact of main fan motor assembly connector?	Repair the poor contact of main fan motor assembly connector.	Go to step 17.

# Radiator Fan System

COOLING

Step	Check	Yes	No
<b>17 CHECK MAIN FAN MOTOR ASSEMBLY.</b> Connect the battery positive (+) terminal to terminal No. 2 of the main fan motor assembly, and the ground (-) terminal to terminal No. 1.	Does the radiator main fan rotate?	Go to step 18.	Replace the main fan motor assembly. <Ref. to CO(H4SO)-23, Radiator Main Fan and Fan Motor.>
<b>18 CHECK HARNESS BETWEEN SUB FAN RELAY AND ECM.</b> 1) Disconnect the connectors from ECM. 2) Measure the resistance between the sub fan relay terminal and ECM connector. <b>Connector &amp; terminal</b> <b>(B136) No. 18 — (F27) No. 12:</b>	Is the resistance less than 1 Ω?	Go to step 19.	Repair the open circuit of harness between sub fan relay terminal and ECM.
<b>19 CHECK POOR CONTACT.</b> Check for poor contact of ECM connector.	Is there poor contact of ECM connector?	Repair the poor contact of ECM connector.	Check the DTC. Repair the trouble cause. <Ref. to EN(H4SO)(diag)-43, Read Diagnostic Trouble Code (DTC).>
<b>20 CHECK MAIN FAN RELAY 1.</b> 1) Turn the ignition switch to OFF. 2) Remove main fan relay 1 from the main fuse box. 3) Measure the resistance at the main fan relay 1 switch.	Is the resistance 1 MΩ or more?	Go to step 21.	Replace the main fan relay 1. <Ref. to AC-39, Relay and Fuse.>
<b>21 CHECK MAIN FAN RELAY 1.</b> 1) Connect the main fan relay 1 coil side terminal to the battery. 2) Measure the resistance between terminals at main fan relay 1 switch side.	Is the resistance less than 1 Ω?	Go to step 22.	Replace the main fan relay 1. <Ref. to AC-39, Relay and Fuse.>
<b>22 CHECK HARNESS BETWEEN MAIN FAN RELAY 1 AND MAIN FAN MOTOR ASSEMBLY CONNECTOR.</b> 1) Disconnect the connector from the main fan motor assembly. 2) Measure the resistance of harness between the main fan relay 1 terminal and main fan motor assembly connector. <b>Connector &amp; terminal</b> <b>(F17) No. 2 — (F36) No. 6:</b>	Is the resistance less than 1 Ω?	Go to step 23.	Repair the open circuit of harness between the main fan relay 1 terminal and main fan motor assembly connector.
<b>23 CHECK HARNESS BETWEEN MAIN FAN RELAY 1 AND ECM.</b> 1) Disconnect the connectors from ECM. 2) Measure the resistance between the main fan relay 1 terminal and ECM connector. <b>Connector &amp; terminal</b> <b>(B136) No. 29 — (B143) No. 7:</b>	Is the resistance less than 1 Ω?	Go to step 24.	Repair the open circuit of the harness between main fan relay 1 terminal and ECM.
<b>24 CHECK HARNESS BETWEEN MAIN FAN RELAY 2 AND ECM.</b> Measure the resistance between the main fan relay 2 terminal and ECM connector. <b>Connector &amp; terminal</b> <b>(B136) No. 29 — (F27) No. 22:</b>	Is the resistance less than 1 Ω?	Go to step 25.	Repair the open circuit of the harness between main fan relay 2 terminal and ECM.
<b>25 CHECK FUSE.</b> 1) Turn the ignition switch to OFF. 2) Remove the fuse No. 2 and 26. 3) Check the condition of fuse.	Is the fuse blown out?	Replace the fuse.	Go to step 26.

# Radiator Fan System

## COOLING

Step	Check	Yes	No
<b>26 CHECK POOR CONTACT.</b> Check for poor contact of ECM connector.	Is there poor contact of ECM connector?	Repair the poor contact of ECM connector.	Repair the power supply circuit to the main fuse box.
<b>27 CHECK OPERATION OF RADIATOR FAN.</b> If the both radiator fans do not rotate at high speed in the condition of step 2, check whether the radiator sub fan is rotating.	Does the radiator sub fan rotate?	Go to step 20.	Go to step 28.
<b>28 CHECK GROUND CIRCUIT OF MAIN FAN RELAY 2.</b> 1) Remove the main fan relay 2 from A/C relay holder. 2) Measure the resistance between main fan relay 2 terminal and chassis ground. <i><b>Connector &amp; terminal</b></i> <i><b>(F27) No. 19 — Chassis ground:</b></i>	Is the resistance less than 1 Ω?	Go to step 29.	Repair the open circuit of harness between main fan relay 2 and chassis ground.
<b>29 CHECK POWER SUPPLY TO MAIN FAN RELAY 2.</b> 1) Turn the ignition switch to ON. 2) Measure the voltage between main fan relay 2 terminal and chassis ground. <i><b>Connector &amp; terminal</b></i> <i><b>(F27) No. 20 (+) — Chassis ground (-):</b></i>	Is the voltage 10 V or more?	Go to step 30.	Repair the power supply line.
<b>30 CHECK MAIN FAN RELAY 2.</b> 1) Turn the ignition switch to OFF. 2) Remove the main fan relay 2. 3) Measure the resistance of main fan relay 2. <i><b>Terminals</b></i> <i><b>(F27) No. 18 — (F27) No. 19:</b></i>	Is the resistance 1 MΩ or more?	Go to step 31.	Replace the main fan relay 2. <Ref. to AC-39, Relay and Fuse.>
<b>31 CHECK MAIN FAN RELAY 2.</b> 1) Connect the battery to terminals No. 20 and No. 22 of the main fan relay 2. 2) Measure the resistance of main fan relay 2. <i><b>Terminals</b></i> <i><b>(F27) No. 18 — (F27) No. 19:</b></i>	Is the resistance less than 1 Ω?	Go to step 23.	Replace the main fan relay 2. <Ref. to AC-39, Relay and Fuse.>



## 3. Engine Coolant

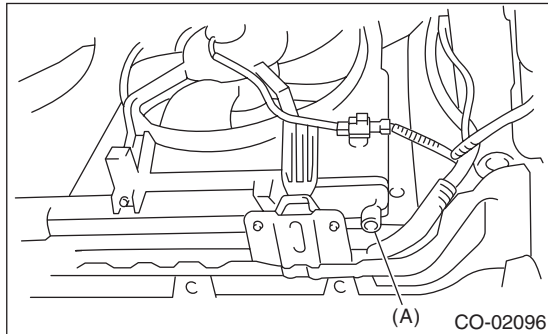
### A: REPLACEMENT

#### 1. DRAINING OF ENGINE COOLANT

- 1) Set the vehicle on a lift.
- 2) Lift up the vehicle.
- 3) Remove the under cover RH.
- 4) Remove the drain plug (A) to drain engine coolant into container.

**NOTE:**

Remove the radiator cap so that engine coolant will drain faster.



- 5) Install the drain plug.
- 6) Install the under cover RH.

#### 2. FILLING OF ENGINE COOLANT

- 1) Pour cooling system conditioner through the filler neck.

**Cooling system protective agent:**

Refer to "SPECIFICATION" for cooling system protective agent. <Ref. to CO(H4SO)-2, SPECIFICATION, General Description.>

- 2) Pour engine coolant into the radiator up to the filler neck position.

**Recommended engine coolant:**

Refer to "SPECIFICATION" for recommended engine coolant. <Ref. to CO(H4SO)-2, SPECIFICATION, General Description.>

**Engine coolant level:**

Refer to "SPECIFICATION" for engine coolant level. <Ref. to CO(H4SO)-2, SPECIFICATION, General Description.>

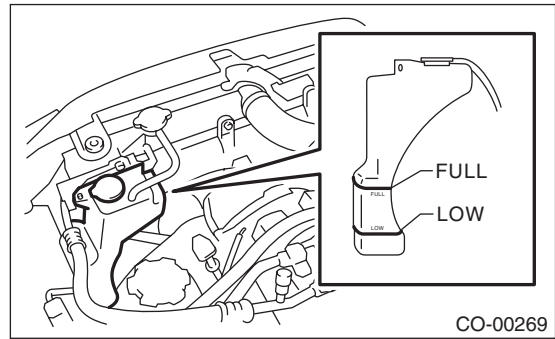
**Engine coolant concentration:**

Refer to "ADJUSTMENT" for the recommended engine coolant concentration. <Ref. to CO(H4SO)-14, ADJUSTMENT, Engine Coolant.>

**NOTE:**

The SUBARU Super Coolant contains anti-freeze and anti-rust agents, and is especially made for Subaru engines with an aluminum cylinder block. Always use SUBARU Super Coolant, since other coolant may cause corrosion.

- 3) Fill engine coolant into the reservoir tank up to "FULL" level.



- 4) Close the radiator cap and start the engine. Race 5 to 6 times at 3,000 rpm or less, then stop the engine. (Complete this operation within 40 seconds.)
- 5) Wait for one minute after the engine stops, and open the radiator cap. If the engine coolant level drops, add engine coolant into radiator up to the filler neck position.
- 6) Perform the procedures 4) and 5) again.
- 7) Attach the radiator cap and reservoir tank cap properly.
- 8) Start the engine and operate the heater at maximum hot position and the blower speed setting to "LO".
- 9) Run the engine at 2,000 rpm or less until radiator fan starts and stops.

**NOTE:**

Be careful with the engine coolant temperature gauge to prevent overheating.

- 10) Stop the engine and wait until the engine coolant temperature drops to 30°C (86°F) or less.
- 11) Open the radiator cap. If the engine coolant level drops, add engine coolant into the radiator up to the filler neck position and the reservoir tank to "FULL" level.
- 12) Attach the radiator cap correctly.
- 13) Set the heater setting to maximum hot position and the blower speed setting to "LO" and start the engine. Perform racing at 3,000 rpm or less. If the flowing sound is heard from heater core at this time, perform the procedures from 9) again.

# Engine Coolant

COOLING

---

## B: ADJUSTMENT

### 1. PROCEDURE TO ADJUST THE SUBARU SUPER COOLANT CONCENTRATION

#### CAUTION:

**Use the SUBARU Super Coolant with a 50 — 60% concentration in order to obtain maximum anti-freeze and anti-rust performance.**

To adjust the concentration of SUBARU Super Coolant according to temperature, find the proper SUBARU Super Coolant concentration in the table, and add dilution water to the SUBARU Super Coolant (concentrated type) until it reaches the proper dilution.

Relationship of SUBARU Super Coolant concentration and freezing temperature			
SUBARU Super Coolant concentration	50%	55%	60%
Freezing temperature	-36°C (-33°F)	-41°C (-42°F)	-50°C (-58°F)

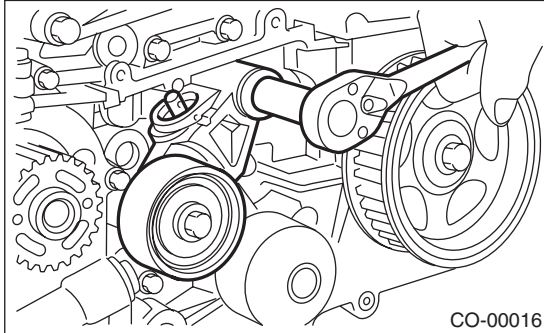
#### **Engine coolant and diluting water:**

**Refer to “SPECIFICATION” for recommended engine coolant and diluting water. <Ref. to CO(H4SO)-2, SPECIFICATION, General Description.>**

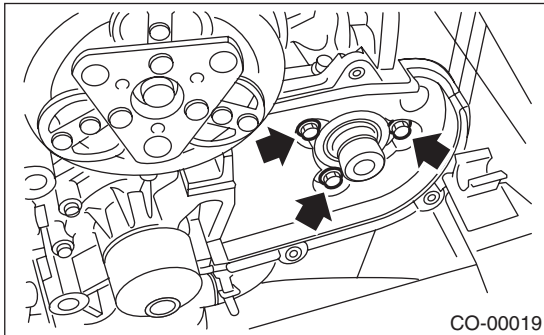
## 4. Water Pump

### A: REMOVAL

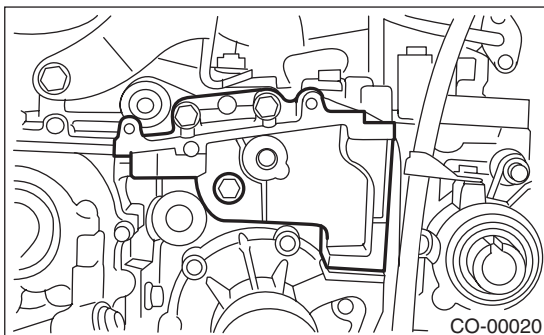
- 1) Remove the radiator. <Ref. to CO(H4SO)-19, REMOVAL, Radiator.>
- 2) Remove the V-belts. <Ref. to ME(H4SO)-39, REMOVAL, V-belt.>
- 3) Remove the crank pulley. <Ref. to ME(H4SO)-46, REMOVAL, Crank Pulley.>
- 4) Remove the timing belt cover. <Ref. to ME(H4SO)-48, REMOVAL, Timing Belt Cover.>
- 5) Remove the timing belt. <Ref. to ME(H4SO)-49, TIMING BELT, REMOVAL, Timing Belt.>
- 6) Remove the automatic belt tension adjuster.



- 7) Remove the camshaft position sensor. <Ref. to FU(H4SO)-28, REMOVAL, Camshaft Position Sensor.>
- 8) Remove the cam sprocket LH. <Ref. to ME(H4SO)-54, REMOVAL, Cam Sprocket.>
- 9) Remove the belt cover LH No. 2.

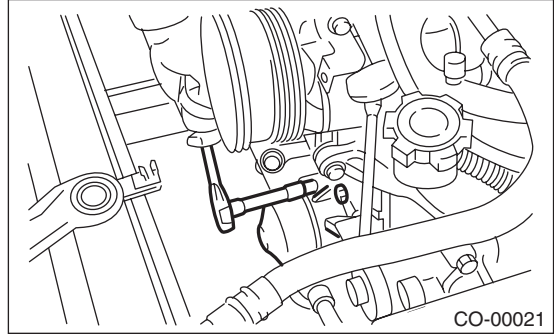


- 10) Remove the tensioner bracket.



- 11) Disconnect the hose from water pump.

- 12) Remove the water pump.



### B: INSTALLATION

- 1) Install the water pump onto cylinder block LH.

#### NOTE:

- Use a new gasket.
- When installing the water pump, tighten the bolts in two stages in alphabetical sequence as shown in figure.

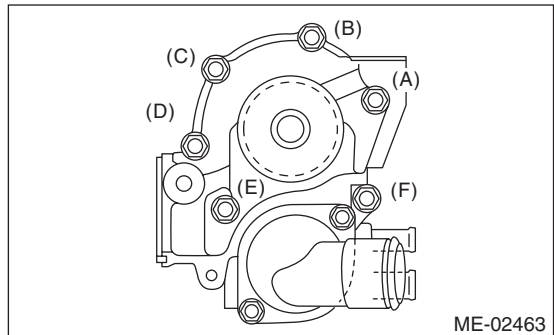
#### Tightening torque:

##### First

**12 N·m (1.2 kgf-m, 8.9 ft-lb)**

##### Second

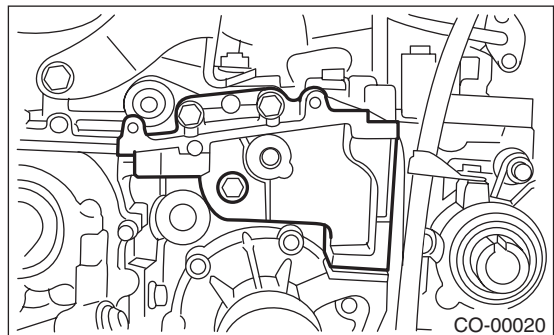
**12 N·m (1.2 kgf-m, 8.9 ft-lb)**



- 2) Install the hose to water pump.
- 3) Install the tensioner bracket.

#### Tightening torque:

**24.5 N·m (2.5 kgf-m, 18.1 ft-lb)**



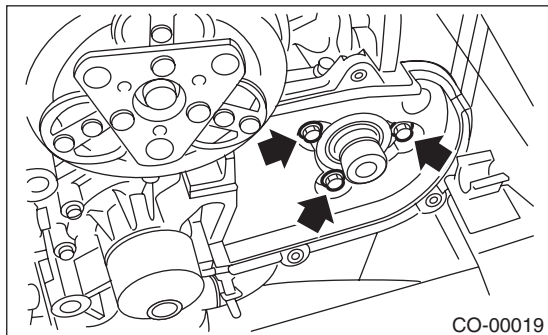
# Water Pump

## COOLING

4) Install the belt cover No. 2 LH.

### **Tightening torque:**

**5 N·m (0.5 kgf·m, 3.7 ft·lb)**



5) Install the cam sprocket LH. <Ref. to ME(H4SO)-54, INSTALLATION, Cam Sprocket.>

6) Install the camshaft position sensor. <Ref. to FU(H4SO)-28, INSTALLATION, Camshaft Position Sensor.>

7) Install an automatic belt tension adjuster with the tension rod held by a pin. <Ref. to ME(H4SO)-50, AUTOMATIC BELT TENSION ADJUSTER ASSEMBLY AND BELT IDLER, INSTALLATION, Timing Belt.>

8) Install the timing belt. <Ref. to ME(H4SO)-51, TIMING BELT, INSTALLATION, Timing Belt.>

9) Install the timing belt cover. <Ref. to ME(H4SO)-48, INSTALLATION, Timing Belt Cover.>

10) Install the crank pulley. <Ref. to ME(H4SO)-46, INSTALLATION, Crank Pulley.>

11) Install the V-belts. <Ref. to ME(H4SO)-39, INSTALLATION, V-belt.>

12) Install the radiator. <Ref. to CO(H4SO)-20, INSTALLATION, Radiator.>

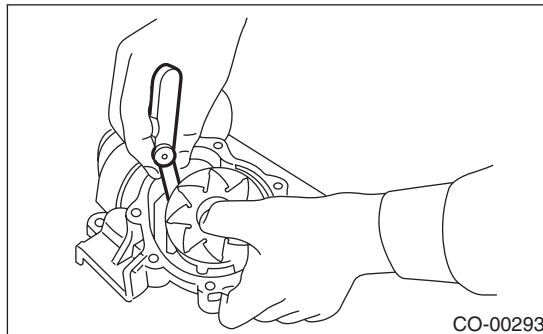
## **C: INSPECTION**

- 1) Check the water pump bearing for smooth rotation.
- 2) Check the water pump pulley for abnormalities.
- 3) Make sure the impeller is not deformed or damaged.
- 4) Inspect the clearance between impeller and pump case.

### **Clearance between impeller and pump case:**

#### **Standard**

**0.5 — 1.5 mm (0.020 — 0.060 in)**

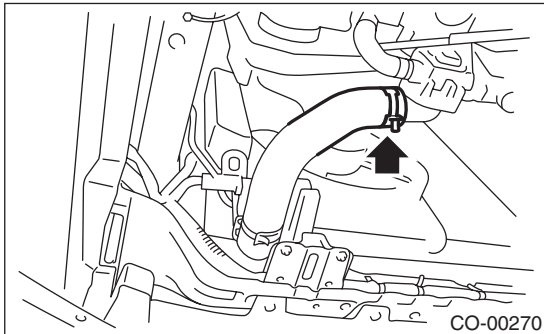


- 5) After water pump installation, check pulley shaft for engine coolant leaks or noise. If leaks or noise are noted, replace the water pump assembly.

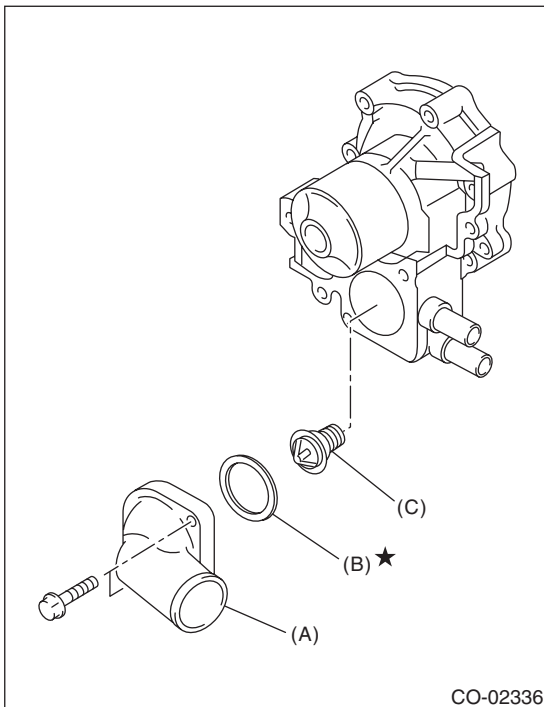
## 5. Thermostat

### A: REMOVAL

- 1) Set the vehicle on a lift.
- 2) Lift up the vehicle.
- 3) Remove the under cover.
- 4) Drain the engine coolant. <Ref. to CO(H4SO)-13, DRAINING OF ENGINE COOLANT, REPLACEMENT, Engine Coolant.>
- 5) Remove the front exhaust pipe. <Ref. to EX(H4SO)-6, REMOVAL, Front Exhaust Pipe.>
- 6) Disconnect the radiator outlet hose from thermostat cover.



- 7) Remove the thermostat cover, and then remove the gasket and thermostat.



- (A) Thermostat cover
- (B) Gasket
- (C) Thermostat

### B: INSTALLATION

- 1) Install a gasket to thermostat.

NOTE:

Use a new gasket.

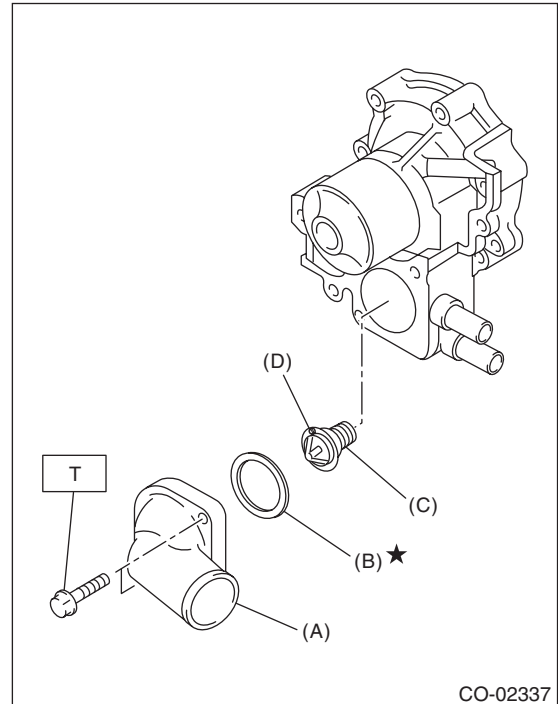
- 2) Install the thermostat and thermostat cover.

NOTE:

Install with the jiggle pin facing upward.

**Tightening torque:**

**12 N·m (1.2 kgf-m, 8.9 ft-lb)**



- (A) Thermostat cover
- (B) Gasket
- (C) Thermostat
- (D) Jiggle pin

- 3) Connect the radiator outlet hose to thermostat cover.

- 4) Install the front exhaust pipe. <Ref. to EX(H4SO)-7, INSTALLATION, Front Exhaust Pipe.>

- 5) Install the under cover.

- 6) Lower the vehicle.

- 7) Fill engine coolant. <Ref. to CO(H4SO)-13, FILLING OF ENGINE COOLANT, REPLACEMENT, Engine Coolant.>

### C: INSPECTION

Replace the thermostat if the valve does not close completely at an ambient temperature or if the following test shows unsatisfactory results.

- Inspection method

Immerse the thermostat and a thermometer in water. Raise water temperature gradually, and measure the temperature and valve lift when the valve begins to open and when the valve is fully opened. During the test, agitate the water for even temperature distribution. The measured value should meet the specification.

NOTE:

- Leave the thermostat in the boiling water for five minutes or more before measuring valve lift.
- Hold the thermostat with a wire or the like to avoid contacting the container.

**Starting temperature to open:**

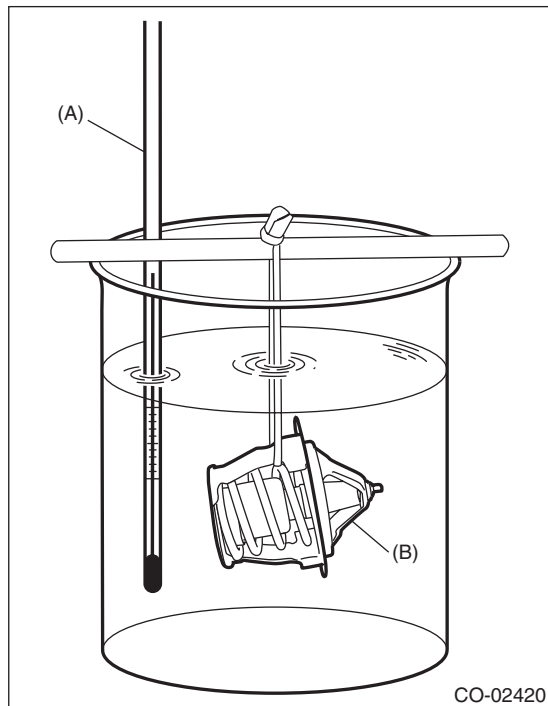
**80 — 84°C (176 — 183°F)**

**Full open temperature:**

**95°C (203°F)**

**Total valve lift:**

**9.0 mm (0.354 in) or more**



(A) Thermometer

(B) Thermostat

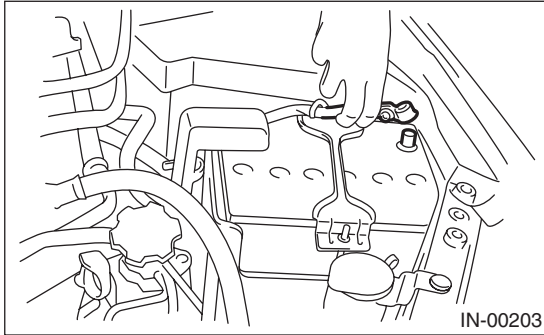
## 6. Radiator

### A: REMOVAL

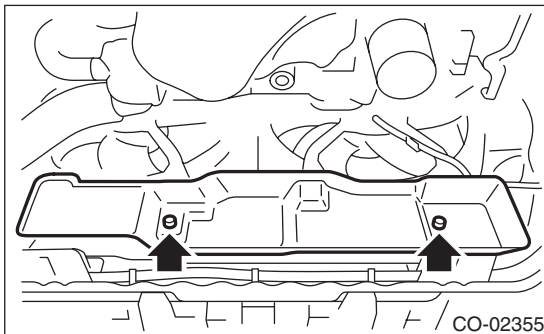
**CAUTION:**

The radiator is pressurized when the engine and radiator are hot. Wait until engine and radiator cool down before working on the radiator.

- 1) Set the vehicle on a lift.
- 2) Disconnect the ground cable from battery.

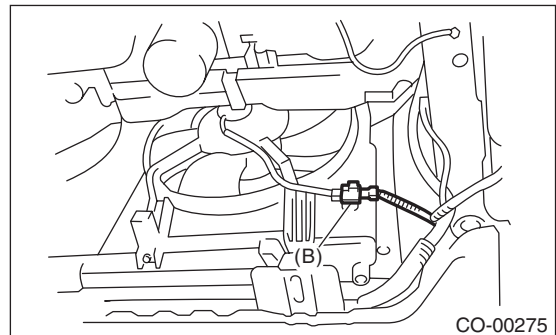
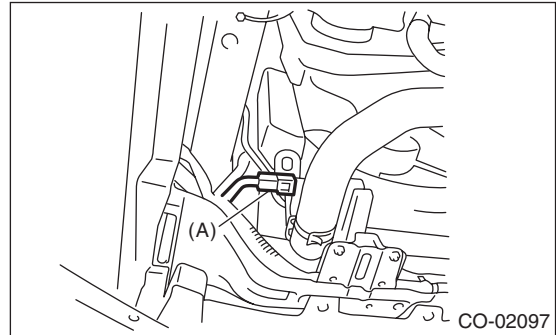


- 3) Lift up the vehicle.
- 4) Remove the under cover.
- 5) Remove the heat shield cover from radiator. (AT model)

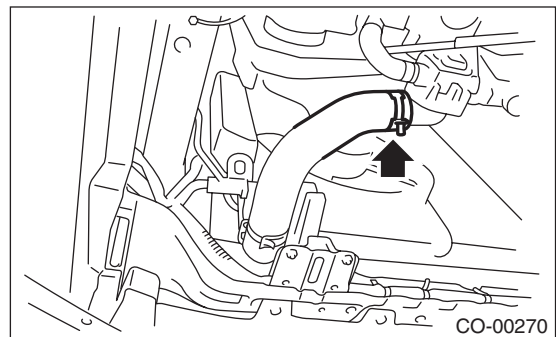


- 6) Drain the engine coolant.  
<Ref. to CO(H4SO)-13, DRAINING OF ENGINE COOLANT, REPLACEMENT, Engine Coolant.>

- 7) Disconnect the main fan motor assembly connector (A) and sub fan motor assembly connector (B).



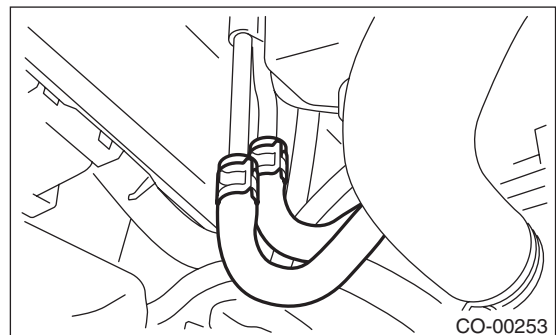
- 8) Disconnect the radiator outlet hose from thermostat cover.



- 9) Disconnect the ATF cooler hoses from ATF pipes. (AT model)

**NOTE:**

Plug the ATF pipe to prevent ATF from leaking.

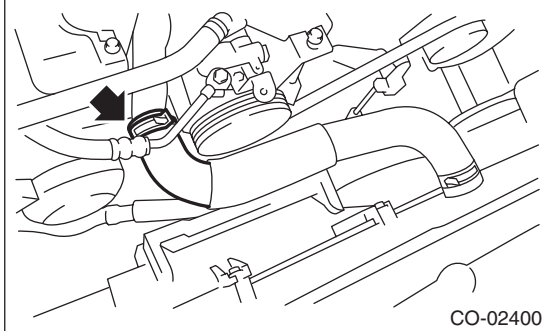




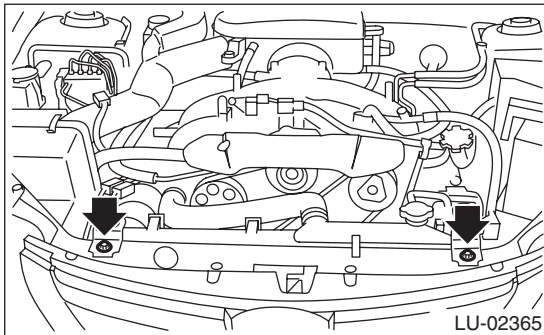
# Radiator

## COOLING

- 10) Lower the vehicle.
- 11) Disconnect the over flow hose.
- 12) Remove the reservoir tank. <Ref. to CO(H4SO)-27, REMOVAL, Reservoir Tank.>
- 13) Remove the air intake duct. <Ref. to IN(H4SO)-8, REMOVAL, Air Intake Duct.>
- 14) Disconnect the radiator inlet hose from engine.



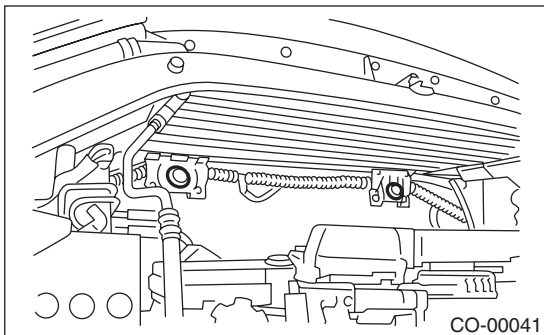
- 15) Remove the radiator upper brackets.



- 16) Lift the radiator up and remove the radiator from vehicle.

## B: INSTALLATION

- 1) Attach the radiator lower cushion to the hole on the radiator lower bracket.



- 2) Install the radiator to vehicle.

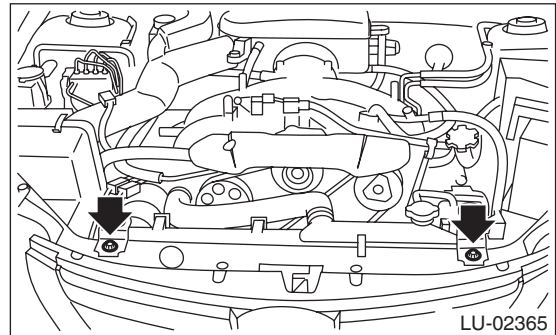
### NOTE:

Make pins on the lower side of radiator be fitted into the radiator lower cushions.

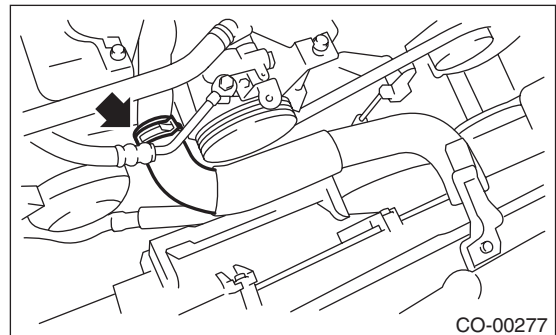
- 3) Install the radiator upper brackets and tighten the bolts.

### Tightening torque:

**12 N·m (1.2 kgf-m, 8.9 ft-lb)**



- 4) Connect the radiator inlet hose.



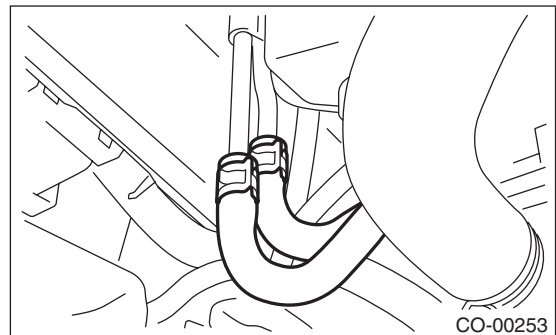
- 5) Install the air intake duct. <Ref. to IN(H4SO)-8, INSTALLATION, Air Intake Duct.>

- 6) Install the reservoir tank. <Ref. to CO(H4SO)-27, INSTALLATION, Reservoir Tank.>

- 7) Connect the over flow hose.

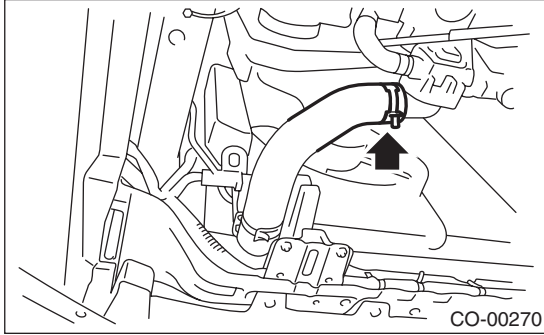
- 8) Lift up the vehicle.

- 9) Connect the ATF cooler hoses. (AT model)

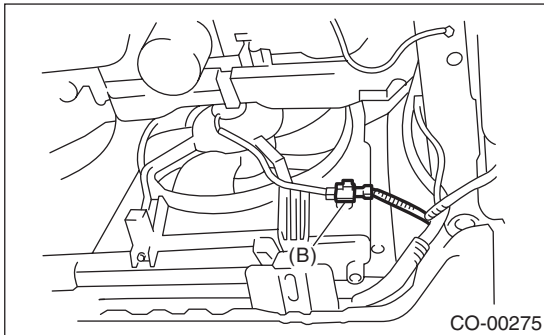
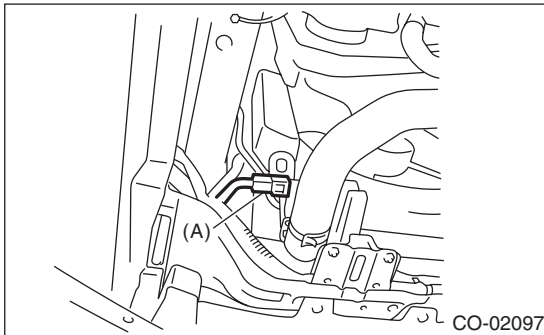




10) Connect the radiator outlet hose.



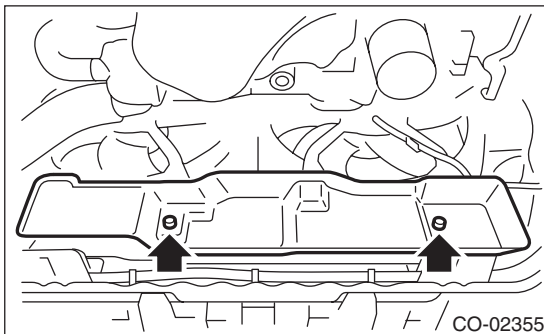
11) Connect the main fan motor assembly connector (A) and sub fan motor assembly connector (B).



12) Install the heat shield cover. (AT model)

**Tightening torque:**

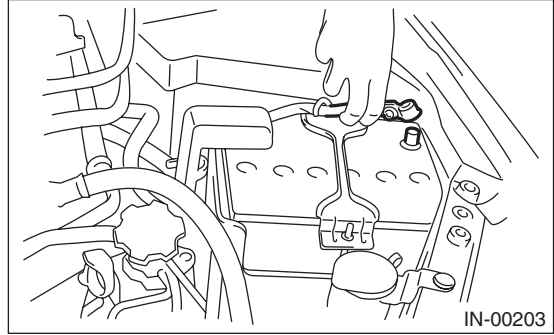
**3 N·m (0.3 kgf·m, 2.2 ft·lb)**



13) Install the under cover.

14) Lower the vehicle.

15) Connect the ground cable to battery.

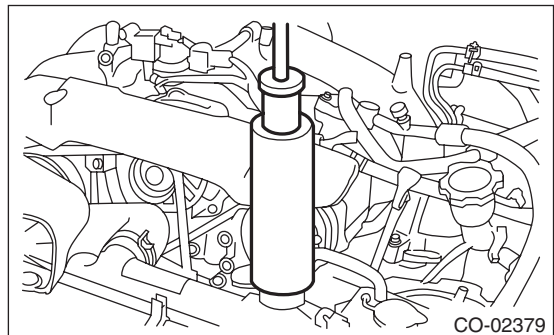


16) Fill engine coolant. <Ref. to CO(H4SO)-13, FILLING OF ENGINE COOLANT, REPLACEMENT, Engine Coolant.>

17) Check the ATF level. (AT model) <Ref. to 4AT-27, INSPECTION, Automatic Transmission Fluid.>

## C: INSPECTION

1) Remove the radiator cap, fill the radiator with engine coolant, and then install the tester to the installation position of cap.



2) Apply a pressure of 157 kPa (1.6 kg/cm<sup>2</sup>, 23 psi) to the radiator and check the following points:

- Leakage from the radiator or its vicinity
- Leakage from the hose or its connections

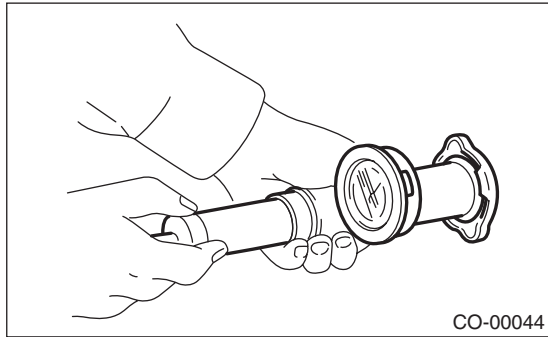
### CAUTION:

- Engine should be turned off.
- Wipe engine coolant from check points in advance.
- Be careful of engine coolant from spurting out when removing the tester.
- Be careful not to deform the filler neck of radiator when installing and removing the tester.

## 7. Radiator Cap

### A: INSPECTION

1) Attach the radiator cap tester to radiator cap.



2) Increase pressure until the radiator cap tester gauge pointer stops. Radiator cap is functioning properly if it holds the service limit pressure for 5 — 6 seconds. Replace the cap if it is opened under a pressure less than the service limit value.

**Standard:**

**93 — 123 kPa (0.95 — 1.25 kg/cm<sup>2</sup>, 14 — 18 psi)**

**Service limit:**

**83 kPa (0.85 kg/cm<sup>2</sup>, 12 psi)**

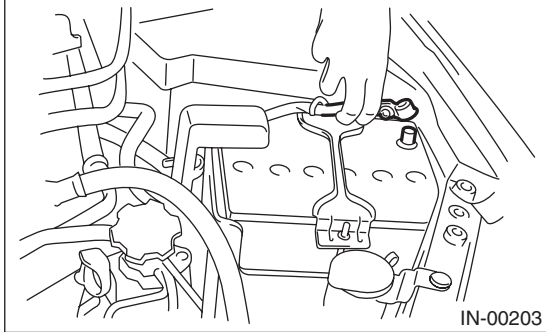
**CAUTION:**

**Be sure to remove foreign matter and rust from the cap in advance. Otherwise, results of pressure test will be incorrect.**

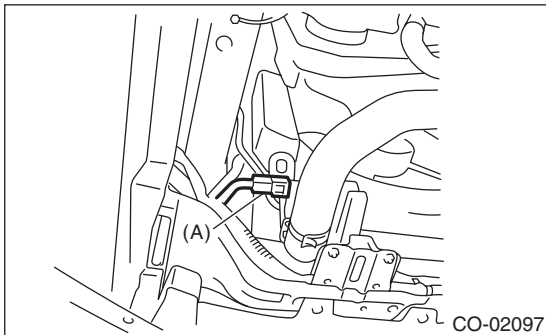
## 8. Radiator Main Fan and Fan Motor

### A: REMOVAL

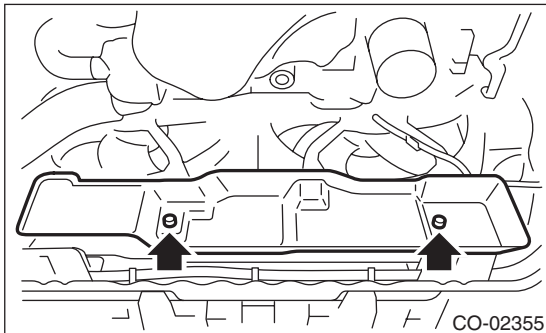
- 1) Set the vehicle on a lift.
- 2) Disconnect the ground cable from battery.



- 3) Lift up the vehicle.
- 4) Remove the under cover.
- 5) Disconnect the connector (A) of the main fan motor assembly.

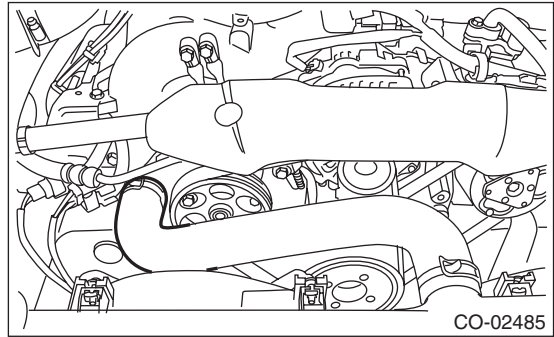


- 6) Remove the heat shield cover. (AT model)

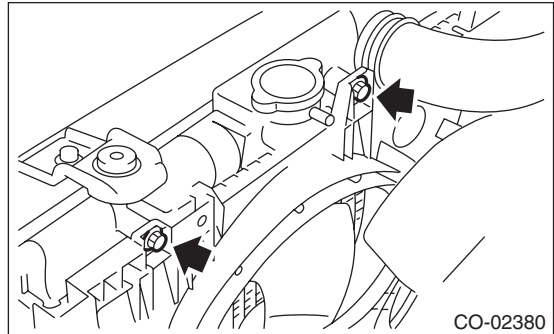


- 7) Remove the ATF hose from the clip of the radiator main fan shroud. (AT model)
- 8) Lower the vehicle.
- 9) Drain approximately 2.0 ℓ of coolant. <Ref. to CO(H4SO)-13, DRAINING OF ENGINE COOLANT, REPLACEMENT, Engine Coolant.>

- 10) Disconnect the radiator inlet hose from engine side.



- 11) Disconnect the over flow hose.
- 12) Remove the reservoir tank. <Ref. to CO(H4SO)-27, REMOVAL, Reservoir Tank.>
- 13) Remove the bolts which hold the radiator main fan shroud onto the radiator.



- 14) Remove the radiator main fan and fan motor.

# Radiator Main Fan and Fan Motor

## COOLING

### B: INSTALLATION

Install in the reverse order of removal.

#### CAUTION:

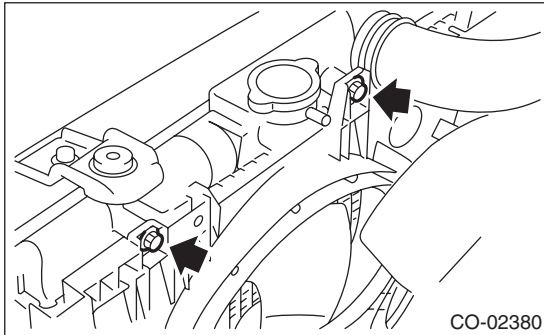
Check if the radiator hose and the over flow hose are properly connected.

#### NOTE:

If the installation of the radiator main fan and fan motor is difficult, attempt installation after loosening the bolts which hold the radiator sub fan shroud to the radiator.

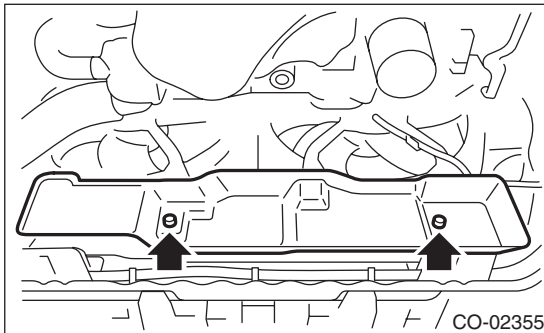
#### Tightening torque:

**7.5 N·m (0.8 kgf-m, 5.5 ft-lb)**



#### Tightening torque:

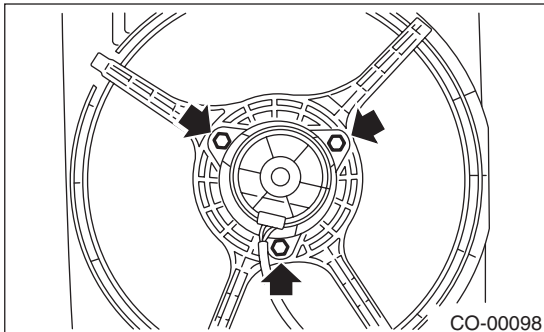
**3 N·m (0.3 kgf-m, 2.2 ft-lb)**



### C: DISASSEMBLY

1) Remove the clip which holds the main fan motor assembly connector onto the radiator main fan shroud.

2) Remove the bolts which hold the main fan motor assembly onto the radiator main fan shroud.

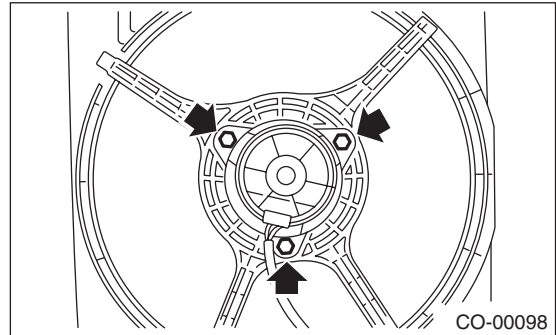


### D: ASSEMBLY

Assemble in the reverse order of disassembly.

#### Tightening torque:

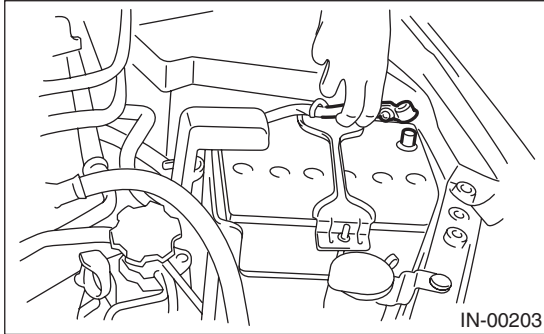
**5 N·m (0.5 kgf-m, 3.7 ft-lb)**



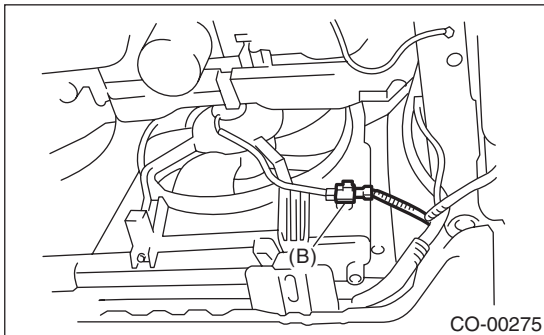
## 9. Radiator Sub Fan and Fan Motor

### A: REMOVAL

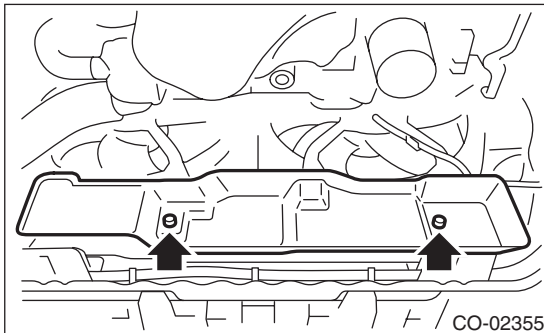
- 1) Set the vehicle on a lift.
- 2) Disconnect the ground cable from battery.



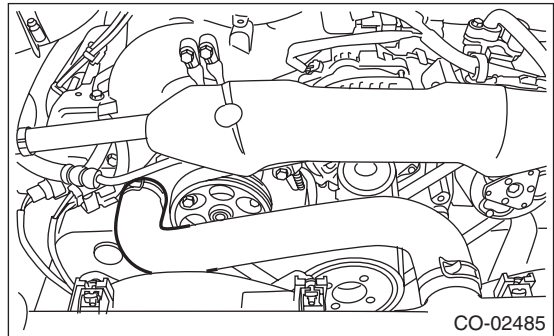
- 3) Lift up the vehicle.
- 4) Remove the under cover.
- 5) Remove the connector (B) of sub fan motor assembly.



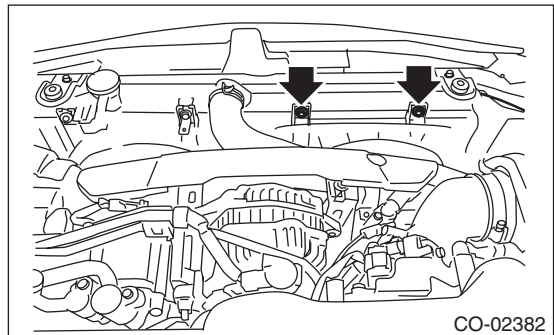
- 6) Remove the heat shield cover. (AT model)



- 7) Remove the ATF hose from the clip of the radiator sub fan shroud. (AT model)
- 8) Lower the vehicle.
- 9) Remove the air intake duct. <Ref. to IN(H4SO)-8, REMOVAL, Air Intake Duct.>
- 10) Drain approximately 2.0 ℓ of coolant. <Ref. to CO(H4SO)-13, DRAINING OF ENGINE COOLANT, REPLACEMENT, Engine Coolant.>
- 11) Disconnect the radiator inlet hose from engine side.



- 12) Remove the bolts which hold the radiator sub fan shroud onto the radiator.



- 13) Remove the radiator sub fan and fan motor.

# Radiator Sub Fan and Fan Motor

COOLING

## B: INSTALLATION

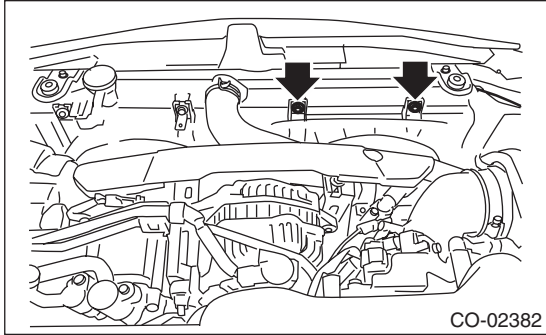
### CAUTION:

Confirm that the radiator hose is securely connected.

Install in the reverse order of removal.

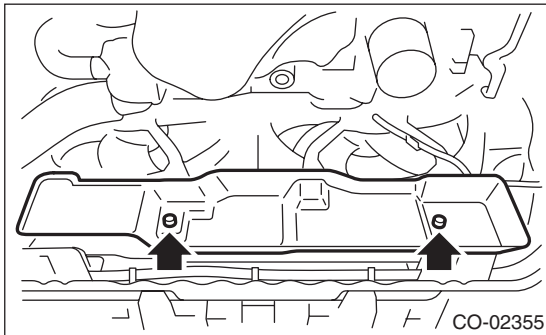
### Tightening torque:

**7.5 N·m (0.8 kgf-m, 5.5 ft-lb)**



### Tightening torque:

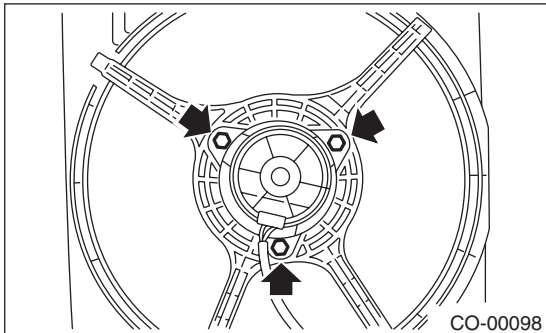
**3 N·m (0.3 kgf-m, 2.2 ft-lb)**



## C: DISASSEMBLY

1) Remove the clip which holds the sub fan motor assembly connector onto the radiator sub fan shroud.

2) Remove the bolts which hold the sub fan motor assembly onto the radiator sub fan shroud.

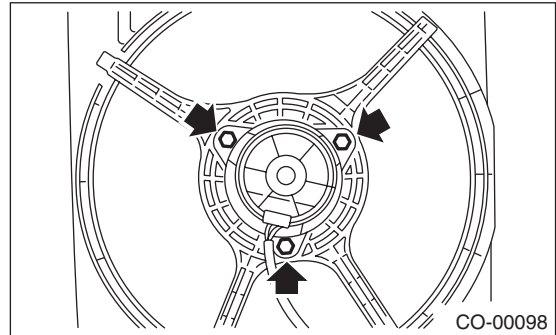


## D: ASSEMBLY

Assemble in the reverse order of disassembly.

### Tightening torque:

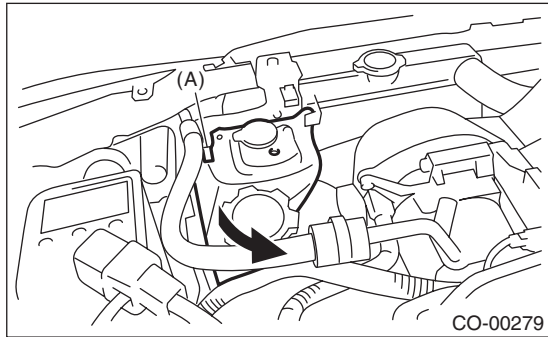
**5 N·m (0.5 kgf-m, 3.7 ft-lb)**



## 10. Reservoir Tank

### A: REMOVAL

- 1) Disconnect the over flow hose connected to the radiator filler neck.
- 2) Push in the hook (A), and pull the reserve tank in the direction of the arrow to remove.



### B: INSTALLATION

Install in the reverse order of removal.

### C: INSPECTION

Make sure the engine coolant level is between "FULL" and "LOW".

# Engine Cooling System Trouble in General

COOLING

## 11.Engine Cooling System Trouble in General

### A: INSPECTION

Trouble	Possible cause	Corrective action
Over-heating	a. Insufficient engine coolant	Replenish engine coolant, inspect for leakage, and repair it if necessary.
	b. Loose timing belt	Repair or replace timing belt tensioner.
	c. Oil on timing belt	Replace.
	d. Malfunction of thermostat	Replace.
	e. Malfunction of water pump	Replace.
	f. Clogged engine coolant passage	Clean.
	g. Improper ignition timing	Inspect and repair ignition control system. <Ref. to EN(H4SO)(diag)-2, Basic Diagnostic Procedure.>
	h. Clogged or leaking radiator	Clean, repair or replace.
	i. Defective radiator fan	Replace.
	j. Improper engine oil in engine coolant	Replace the engine coolant. If ineffective, check, repair or replace engine components.
	k. Air/fuel mixture ratio too lean	Inspect and repair the fuel injection system. <Ref. to EN(H4SO)(diag)-2, Basic Diagnostic Procedure.>
	l. Excessive back pressure in exhaust system	Clean or replace.
	m. Insufficient clearance between piston and cylinder	Adjust or replace.
	n. Slipping clutch	Repair or replace.
	o. Dragging brake	Adjust.
p. Defective radiator fan	Inspect the radiator fan relay, engine coolant temperature sensor or fan motor assembly and replace them.	
Over-cooling	a. Ambient temperature extremely low	Partly cover radiator front area.
	b. Defective thermostat	Replace.
Engine coolant leaks	a. Loosened or damaged connecting units on hoses	Repair or replace.
	b. Leakage from water pump	Replace.
	c. Leakage from water pipe	Repair or replace.
	d. Leakage around cylinder head gasket	Retighten cylinder head bolts or replace cylinder head gasket.
	e. Damaged or cracked cylinder head and cylinder block	Repair or replace.
	f. Damaged or cracked thermostat cover	Repair or replace.
	g. Leakage from radiator	Repair or replace.
Noise	a. Timing belt problem	Replace.
	b. Defective radiator fan	Replace.
	c. Defective water pump bearing	Replace water pump.
	d. Defective water pump mechanical seal	Replace water pump.



# General Description

LUBRICATION

## 1. General Description

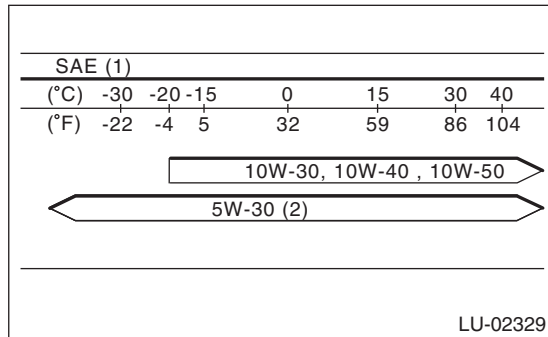
### A: SPECIFICATION

Lubrication method				Forced lubrication
Oil pump	Pump type			Trochoid type
	Number of teeth	Inner rotor		9
		Outer rotor		10
	Outer rotor diameter × thickness			mm (in) 76 × 10 (2.99 × 0.39)
	Tip clearance between inner and outer rotors		Specification	mm (in) 0.04 — 0.14 (0.0016 — 0.0055)
	Side clearance between inner rotor and pump case		Specification	mm (in) 0.02 — 0.07 (0.0008 — 0.0028)
	Case clearance between outer rotor and pump case		Specification	mm (in) 0.10 — 0.175 (0.0039 — 0.0069)
	Performance (Oil temperature 80°C (176°F))	600 rpm	Discharge pressure	kPa (kg/cm <sup>2</sup> , psi) 98 (1.0, 14)
			Discharge rate	ℓ (US qt, Imp qt)/min. 4.6 (4.9, 4.0) or more
		5,000 rpm	Discharge pressure	kPa (kg/cm <sup>2</sup> , psi) 294 (3.0, 43)
Discharge rate			ℓ (US qt, Imp qt)/min. 47.0 (49.7, 41.4) or more	
Relief valve working pressure			kPa (kg/cm <sup>2</sup> , psi) 588 (6.0, 85)	
Oil filter	Filter type			Full-flow filter type
	Filtration area	cm <sup>2</sup> (sq in)	Outer diameter: 68 mm (2.68 in) (Black)	800 (124)
			Outer diameter: 67.4 mm (2.65 in) (Blue)	555 (86)
	By-pass valve opening pressure			kPa (kg/cm <sup>2</sup> , psi) 160 (1.63, 23.2)
	Outer diameter × width	mm (in)	Outer diameter: 68 mm (2.68 in) (Black)	68 × 65 (2.68 × 2.56)
			Outer diameter: 67.4 mm (2.65 in) (Blue)	67.4 × 65.3 (2.65 × 2.57)
Installation screw specifications			M 20 × 1.5	
Oil pressure switch	Type			Immersed contact point type
	Operating voltage — power consumption			12 V — 3.4 W or less
	Warning light operating pressure		kPa (kg/cm <sup>2</sup> , psi)	14.7 (0.15, 2.1)
	Proof pressure		kPa (kg/cm <sup>2</sup> , psi)	981 (10, 142) or more
Engine oil	Total capacity (Overhaul)		ℓ (US qt, Imp qt) 5.0 (5.3, 4.4)	
	When replacing engine oil and oil filter		ℓ (US qt, Imp qt) 4.2 (4.4, 3.7)	
	When replacing engine oil only		ℓ (US qt, Imp qt) 4.0 (4.2, 3.5)	

**Recommended oil:**

**Oil corresponding to either of the following standards.**

- **For API standard, oil with SM “Energy Conserving” logo**
- **For ILSAC standard, oil with GF-4 “Star burst mark” label on the container**



- (1) SAE viscosity No. and applicable temperature
- (2) Recommended

**CAUTION:**

**It is acceptable to fill an engine with oil of another brand when replacing the oil, but make sure to use an oil with an API standard and SAE viscosity number specified by Subaru.**

**NOTE:**

- The proper viscosity oil helps the engine maintain its ideal temperature, and cranking speed increased by reducing viscosity friction in hot condition.
- If the vehicle is used in regions of high temperatures or in other severe environments, use oil with the viscosities shown below.

API standard: SM or SL

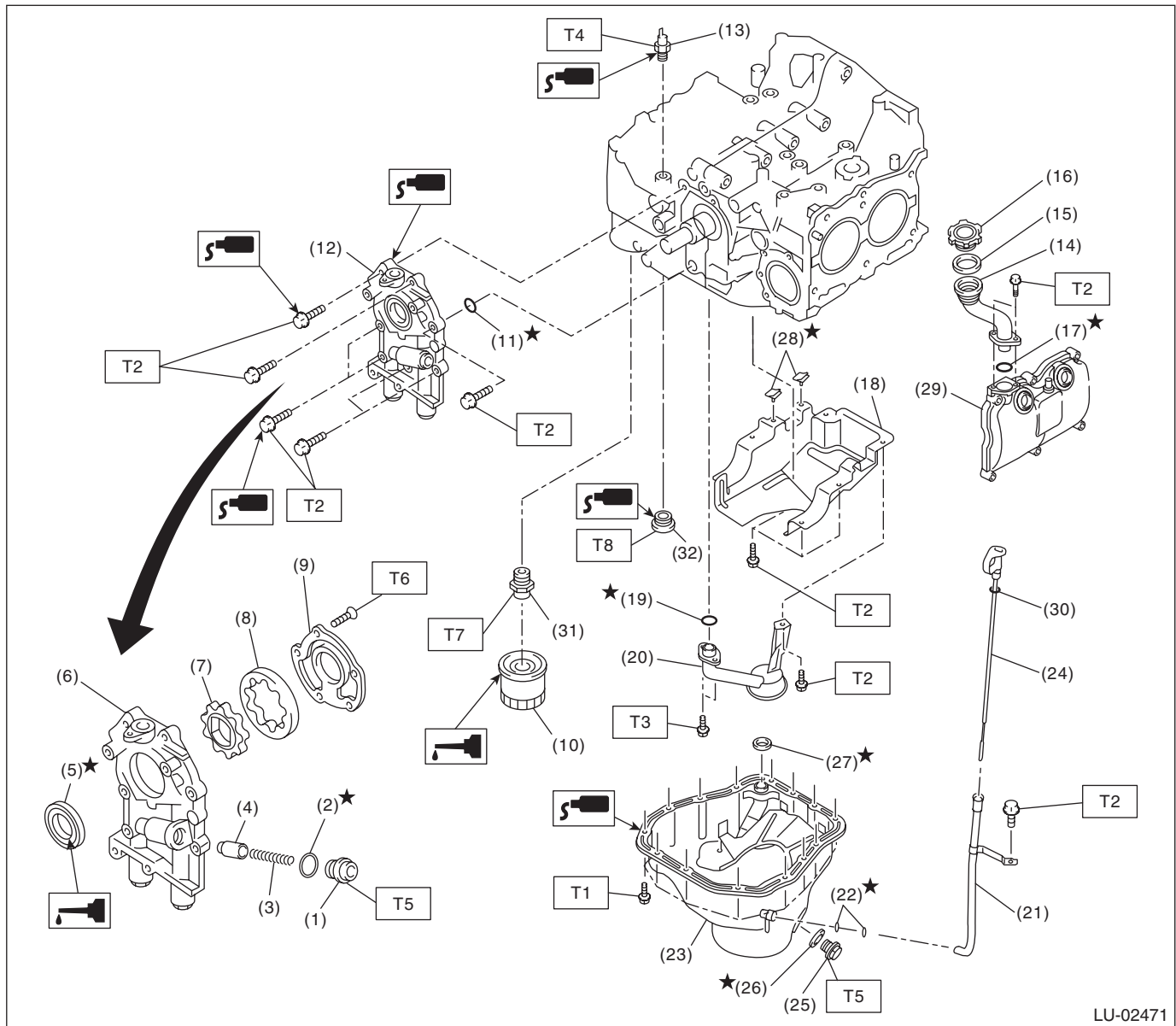
SAE viscosity No.: 30, 40, 10W-50, 20W-40, 20W-50

# General Description

## LUBRICATION

### B: COMPONENT

- Non-turbo model



LU-02471

- |                          |                            |                           |
|--------------------------|----------------------------|---------------------------|
| (1) Plug                 | (15) Gasket                | (29) Rocker cover         |
| (2) Gasket               | (16) Oil filler cap        | (30) O-ring               |
| (3) Relief valve spring  | (17) O-ring                | (31) Oil filter connector |
| (4) Relief valve         | (18) Baffle plate          | (32) Plug                 |
| (5) Front oil seal       | (19) O-ring                |                           |
| (6) Oil pump case        | (20) Oil strainer          |                           |
| (7) Inner rotor          | (21) Oil level gauge guide |                           |
| (8) Outer rotor          | (22) O-ring                |                           |
| (9) Oil pump cover       | (23) Oil pan               |                           |
| (10) Oil filter          | (24) Oil level gauge       |                           |
| (11) O-ring              | (25) Drain plug            |                           |
| (12) Oil pump ASSY       | (26) Drain plug gasket     |                           |
| (13) Oil pressure switch | (27) Gasket                |                           |
| (14) Oil filler duct     | (28) Seal                  |                           |

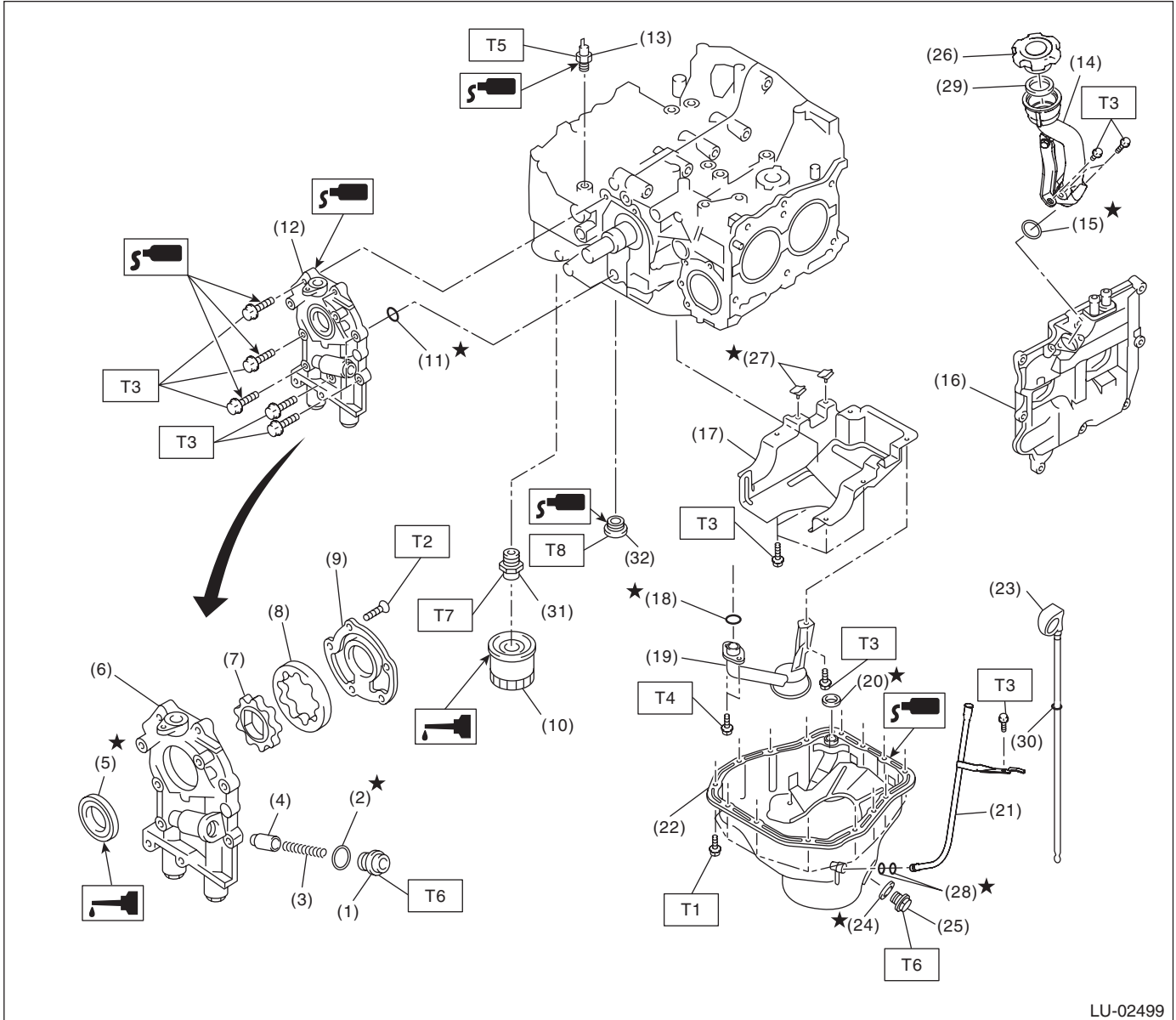
#### Tightening torque: N·m (kgf·m, ft·lb)

- T1: 5 (0.5, 3.7)**  
**T2: 6.4 (0.7, 4.7)**  
**T3: 10 (1.0, 7.4)**  
**T4: 25 (2.5, 18.4)**  
**T5: 44 (4.5, 32.5)**  
**T6: 5.4 (0.6, 4.0)**  
**T7: 45 (4.6, 33.2)**  
**T8: 70 (7.1, 51.6)**

# General Description

LUBRICATION

• Turbo model



LU-02499

- |                          |                            |                           |
|--------------------------|----------------------------|---------------------------|
| (1) Plug                 | (15) O-ring                | (29) Gasket               |
| (2) Gasket               | (16) Rocker cover          | (30) O-ring               |
| (3) Relief valve spring  | (17) Baffle plate          | (31) Oil filter connector |
| (4) Relief valve         | (18) O-ring                | (32) Plug                 |
| (5) Front oil seal       | (19) Oil strainer          |                           |
| (6) Oil pump case        | (20) Gasket                |                           |
| (7) Inner rotor          | (21) Oil level gauge guide |                           |
| (8) Outer rotor          | (22) Oil pan               |                           |
| (9) Oil pump cover       | (23) Oil level gauge       |                           |
| (10) Oil filter          | (24) Drain plug gasket     |                           |
| (11) O-ring              | (25) Drain plug            |                           |
| (12) Oil pump ASSY       | (26) Oil filler cap        |                           |
| (13) Oil pressure switch | (27) Seal                  |                           |
| (14) Oil filler duct     | (28) O-ring                |                           |

**Tightening torque: N·m (kgf·m, ft·lb)**

- T1: 5 (0.5, 3.7)**  
**T2: 5.4 (0.6, 4.0)**  
**T3: 6.4 (0.7, 4.7)**  
**T4: 10 (1.0, 7.0)**  
**T5: 25 (2.5, 18.4)**  
**T6: 44 (4.5, 32.5)**  
**T7: 45 (4.6, 33.2)**  
**T8: 70 (7.1, 51.6)**

# General Description

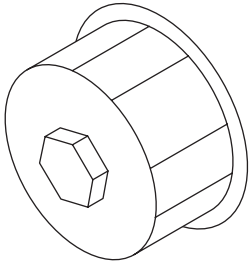
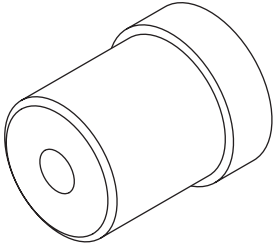
## LUBRICATION

### C: CAUTION

- Wear appropriate work clothing, including a cap, protective goggles and protective shoes when performing any work.
- Remove contamination including dirt and corrosion before removal, installation or disassembly.
- Keep the disassembled parts in order and protect them from dust and dirt.
- Before removal, installation or disassembly, be sure to clarify the failure. Avoid unnecessary removal, installation, disassembly and replacement.
- Vehicle components are extremely hot after driving. Be wary of receiving burns from heated parts.
- Be sure to tighten fasteners including bolts and nuts to the specified torque.
- Place shop jacks or rigid racks at the specified points.
- Before disconnecting connectors of sensors or units, be sure to disconnect the ground cable from battery.
- If the engine oil is spilt over exhaust pipe or the under cover, wipe it off with cloth to avoid emitting smoke or causing a fire.
- Prepare a container and cloth to prevent scattering of oil when performing work where oil can be spilled. If the oil spills, wipe it off immediately to prevent from penetrating into floor or flowing out for environmental protection.
- Follow all government and local regulations concerning disposal of refuse when disposing of oil.

### D: PREPARATION TOOL

#### 1. SPECIAL TOOL

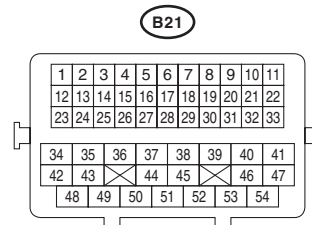
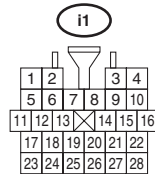
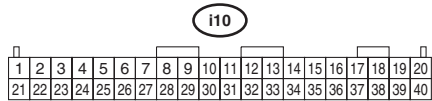
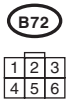
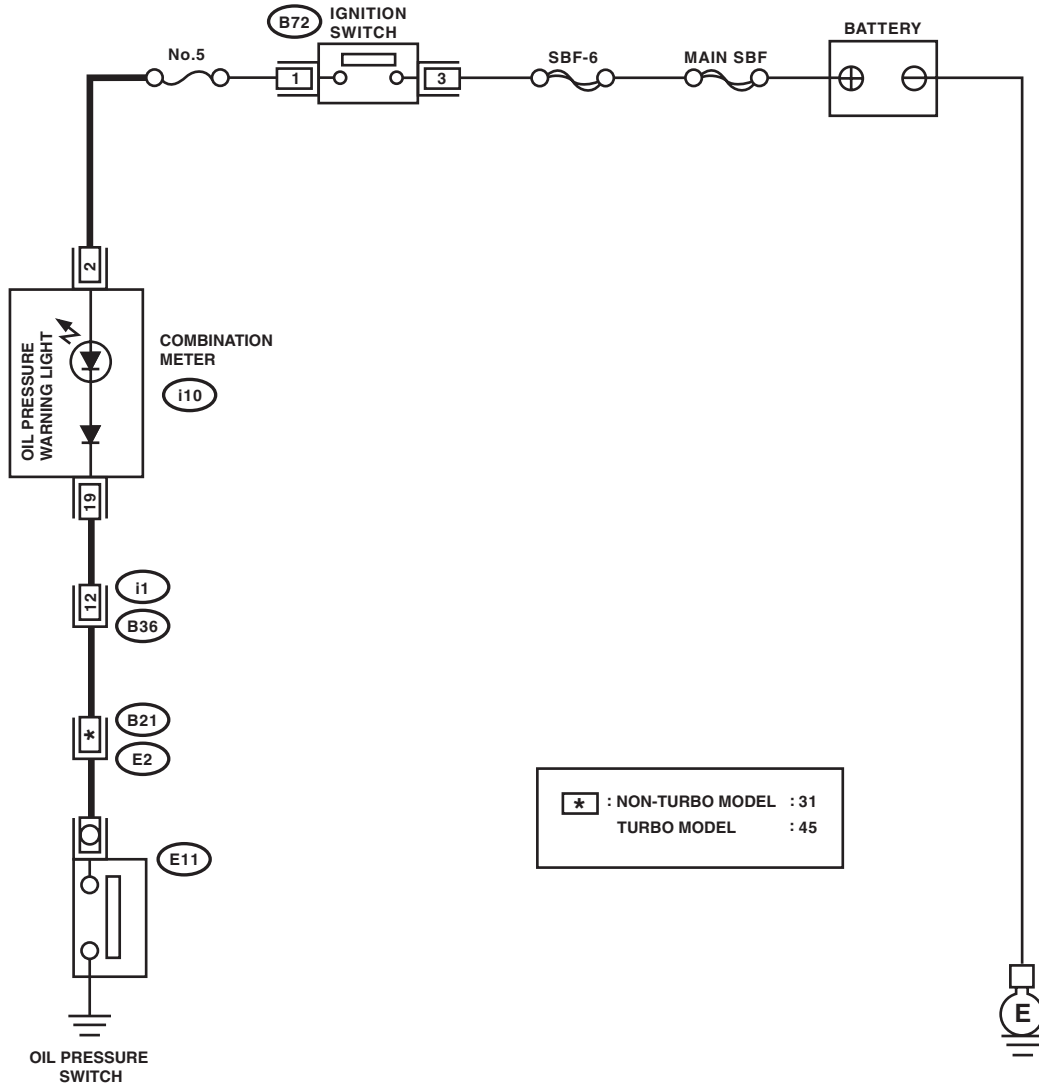
ILLUSTRATION	TOOL NUMBER	DESCRIPTION	REMARKS
 <p style="text-align: center;">ST18332AA000</p>	18332AA000	OIL FILTER WRENCH	Used for removing and installing oil filter (Black). (Outer diameter: 68 mm (2.68 in))
 <p style="text-align: center;">ST-499587100</p>	499587100	OIL SEAL INSTALLER	Used for installing oil seal into oil pump.

#### 2. GENERAL TOOL

TOOL NAME	REMARKS
Oil filter wrench (65/67 mm 14 Flutes)	Used for removing and installing oil filter (Blue). (Outer diameter: 67.4 mm (2.65 in))
Circuit tester	Used for measuring resistance and voltage.

## 2. Oil Pressure System

### A: WIRING DIAGRAM



LU-02409

# Oil Pressure System

LUBRICATION

## B: INSPECTION

Step	Check	Yes	No
<b>1</b> <b>CHECK COMBINATION METER.</b> 1) Turn the ignition switch to ON (engine OFF). 2) Check other warning lights.	Does the warning light illuminate?	Go to step 2.	Repair or replace the combination meter. <Ref. to IDI-4, INSPECTION, Combination Meter System.>
<b>2</b> <b>CHECK HARNESS CONNECTOR BETWEEN THE COMBINATION METER AND THE OIL PRESSURE SWITCH.</b> 1) Turn the ignition switch to OFF. 2) Disconnect the connector from oil pressure switch. 3) Turn the ignition switch to ON. 4) Measure the voltage of harness between oil pressure switch connector and chassis ground. <b>Connector &amp; terminal</b> <b>(E11) No. 1 (+) — Chassis ground (-):</b>	Is the voltage 10 V or more?	Replace the oil pressure switch.	Go to step 3.
<b>3</b> <b>CHECK COMBINATION METER.</b> 1) Turn the ignition switch to OFF. 2) Remove the combination meter. 3) Measure the resistance of combination meter. <b>Terminals</b> <b>(i10) No. 2 — No. 19:</b>	Is the resistance less than 10 $\Omega$ ?	Repair the harness and connector. NOTE: In this case, repair the following item: • Open circuit of harness between combination meter and oil pressure switch • Poor contact of combination meter connector • Poor contact of oil pressure switch connector • Poor contact of coupling connector	Repair or replace the combination meter. <Ref. to IDI-4, INSPECTION, Combination Meter System.>

## 3. Engine Oil

### A: INSPECTION

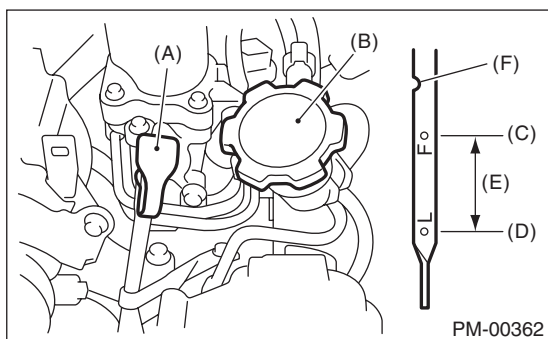
**CAUTION:**

If the engine oil is spilt over exhaust pipe or the under cover, wipe it off with cloth to avoid emitting smoke or causing a fire.

- 1) Park the vehicle on a level surface.
- 2) Remove the oil level gauge and wipe away the oil.
- 3) Reinsert the oil level gauge all the way. Be sure that the oil level gauge is correctly inserted and properly orientated.
- 4) Pull out the oil level gauge again, and check the oil level. If the engine oil level is below "L" line, make sure that there is no oil leakage from the engine, then add oil to raise the level up to the "F" line.
- 5) Start the engine, and spread the oil in engine room.
- 6) After turning off the engine, wait a few minutes for the oil to return to the oil pan before checking the level.

**NOTE:**

- Just after driving or while the engine is warm, engine oil level shows in the range between the F line and the notch mark. This is caused by thermal expansion of engine oil.
- To prevent overfilling of engine oil, do not add oil above "F" line when the engine is cold.
- As the oil level gauge is used for daily maintenance, "F" line and "L" line is set assuming that the engine is cold.



- (A) Oil level gauge
- (B) Engine oil filler cap
- (C) "F" line
- (D) "L" line
- (E) Approx. 1.0 ℓ (1.1 US qt, 0.9 Imp qt)
- (F) Notch mark

### B: REPLACEMENT

**CAUTION:**

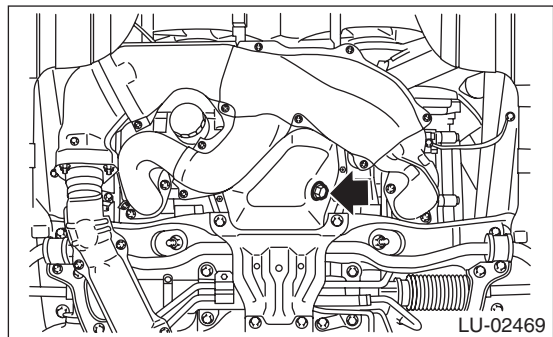
If the engine oil is spilt over exhaust pipe or the under cover, wipe it off with cloth to avoid emitting smoke or causing a fire.

- 1) Set the vehicle on a lift.
- 2) Open the engine oil filler cap for quick draining of engine oil.
- 3) Lift up the vehicle.
- 4) Drain engine oil by loosening the engine oil drain plug.

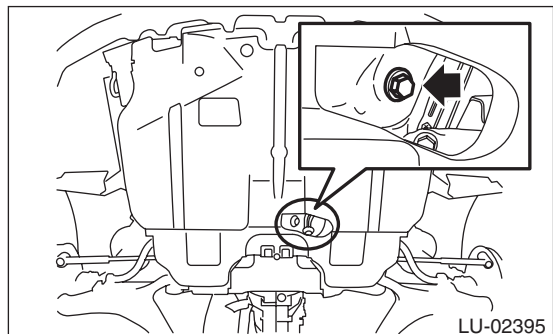
**NOTE:**

Prepare the container for draining of engine oil.

- Non-turbo model



- Turbo model





# Engine Oil

## LUBRICATION

5) Tighten the engine oil drain plug after draining engine oil.

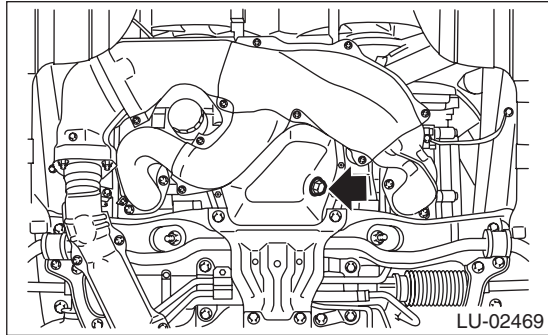
### NOTE:

Use a new drain plug gasket.

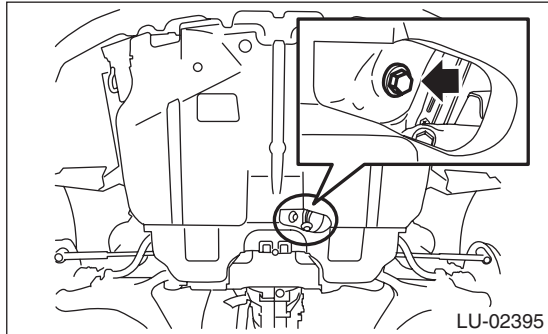
### Tightening torque:

**44 N·m (4.5 kgf·m, 32.5 ft·lb)**

- Non-turbo model



- Turbo model



6) Lower the vehicle.

7) Using engine oil of proper quality and viscosity, fill engine oil through the filler duct to the “F” line on the oil level gauge. Make sure that the vehicle is parked on a level surface when checking oil level.

### Recommended oil:

**Refer to “SPECIFICATION” for recommended oil. <Ref. to LU(H4SO)-2, SPECIFICATION, General Description.>**

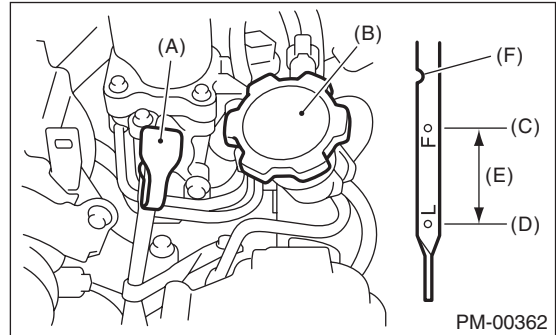
### Engine oil capacity:

**Refer to “SPECIFICATION” for engine oil capacity. <Ref. to LU(H4SO)-2, SPECIFICATION, General Description.>**

8) Close the engine oil filler cap.

9) Start the engine, and spread the oil in engine room.

10) After stopping the engine, recheck the oil level. If necessary, add engine oil up to the “F” line on oil level gauge.

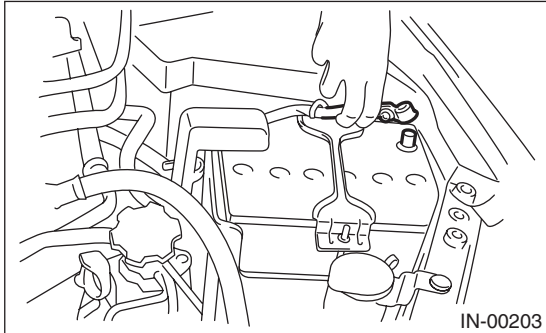


- (A) Oil level gauge
- (B) Engine oil filler cap
- (C) “F” line
- (D) “L” line
- (E) Approx. 1.0 ℓ (1.1 US qt, 0.9 Imp qt)
- (F) Notch mark

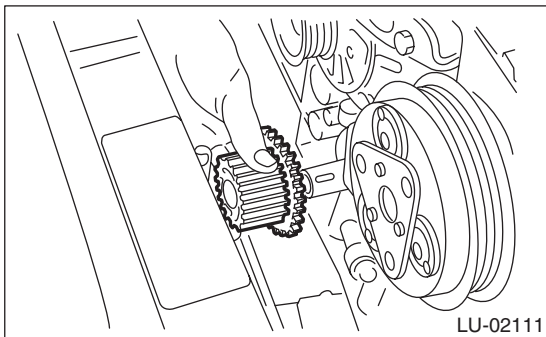
## 4. Oil Pump

### A: REMOVAL

- 1) Set the vehicle on a lift.
- 2) Disconnect the ground cable from battery.



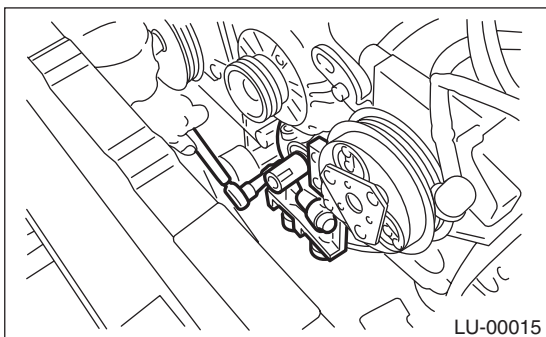
- 3) Remove the radiator. <Ref. to CO(H4SO)-19, REMOVAL, Radiator.> <Ref. to CO(H4DOTC)-20, REMOVAL, Radiator.>
- 4) Remove the crankshaft position sensor. <Ref. to FU(H4SO)-26, REMOVAL, Crankshaft Position Sensor.> <Ref. to FU(H4DOTC)-32, REMOVAL, Crankshaft Position Sensor.>
- 5) Remove the water pump. <Ref. to CO(H4SO)-15, REMOVAL, Water Pump.> <Ref. to CO(H4DOTC)-16, REMOVAL, Water Pump.>
- 6) Remove the crank sprocket. <Ref. to ME(H4SO)-56, REMOVAL, Crank Sprocket.> <Ref. to ME(H4DOTC)-60, REMOVAL, Crank Sprocket.>



- 7) Remove the bolts which secure oil pump to cylinder block.

**NOTE:**

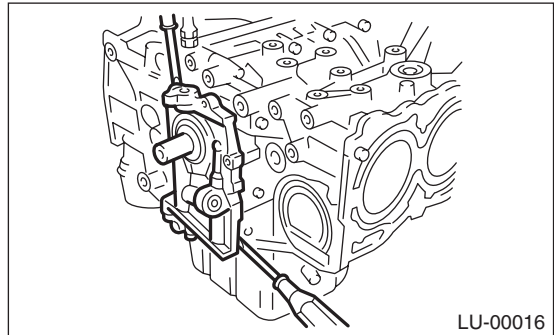
When disassembling and checking the oil pump, loosen the relief valve plug before removing the oil pump.



- 8) Remove the oil pump by using flat tip screwdriver.

**CAUTION:**

Be careful not to scratch mating surfaces of cylinder block and oil pump.



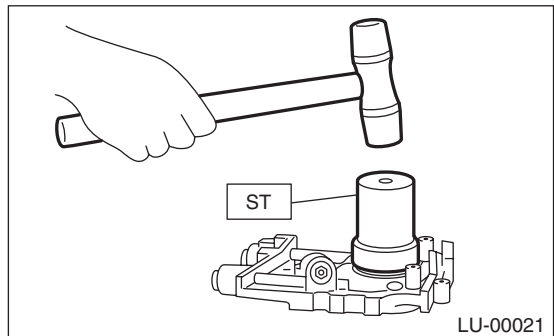
- 9) Remove the front oil seal from the oil pump.

### B: INSTALLATION

- 1) Using the ST, install the front oil seal.  
ST 499587100 OIL SEAL INSTALLER

**NOTE:**

Use a new front oil seal.



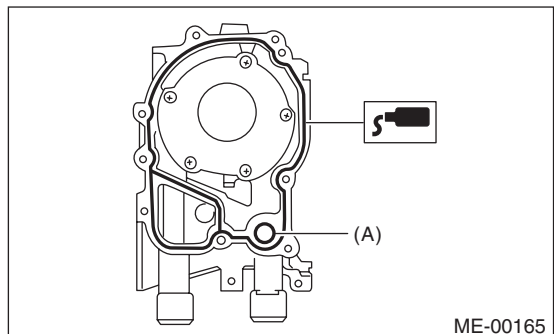
- 2) Apply liquid gasket to the mating surfaces of oil pump.

**NOTE:**

Install within 5 min. after applying liquid gasket.

**Liquid gasket:**

**THREE BOND 1217G (Part No. K0877Y0100) or equivalent**

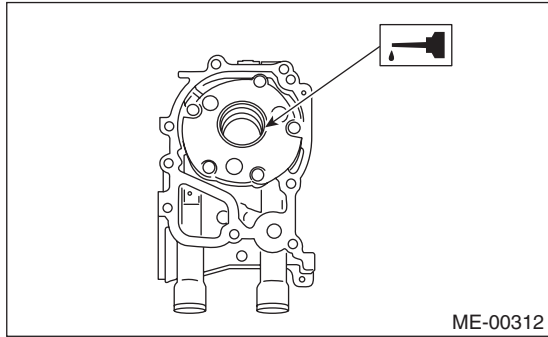


(A) O-ring

# Oil Pump

## LUBRICATION

3) Apply a coat of engine oil to the inside of front oil seal.



4) Install the oil pump to cylinder block. Be careful not to damage the front oil seal during installation.

### NOTE:

- Make sure the front oil seal lip is not folded.
- Align the flat surface of oil pump's inner rotor with crankshaft before installation.
- Use new O-rings.
- Do not forget to assemble O-rings.

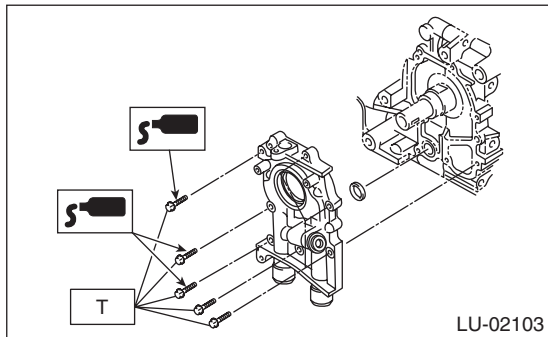
5) Apply liquid gasket to the three bolts thread shown in figure. (when reusing bolts)

### Liquid gasket:

**THREE BOND 1324 (Part No. 004403042) or equivalent**

### Tightening torque:

**6.4 N·m (0.7 kgf-m, 4.7 ft-lb)**



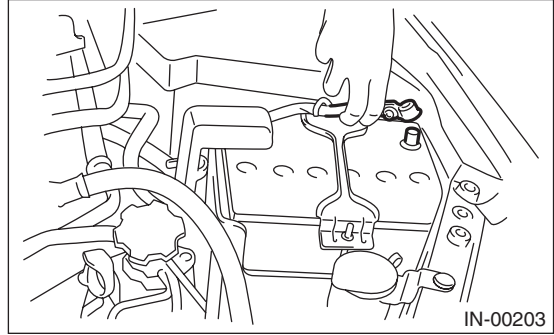
6) Install the crank sprocket. <Ref. to ME(H4SO)-56, INSTALLATION, Crank Sprocket.> <Ref. to ME(H4DOTC)-60, INSTALLATION, Crank Sprocket.>

7) Install the water pump. <Ref. to CO(H4SO)-15, INSTALLATION, Water Pump.> <Ref. to CO(H4DOTC)-16, INSTALLATION, Water Pump.>

8) Install the crankshaft position sensor. <Ref. to FU(H4SO)-26, INSTALLATION, Crankshaft Position Sensor.> <Ref. to FU(H4DOTC)-32, INSTALLATION, Crankshaft Position Sensor.>

9) Install the radiator. <Ref. to CO(H4SO)-20, INSTALLATION, Radiator.> <Ref. to CO(H4DOTC)-21, INSTALLATION, Radiator.>

10) Connect the ground cable to battery.

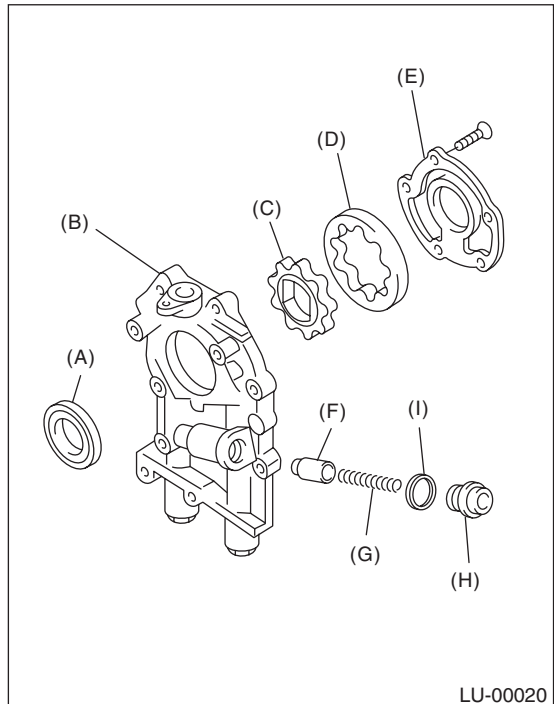


## C: DISASSEMBLY

Remove the screw which secures oil pump cover and then disassemble oil pump. Inscribe alignment marks on the inner and outer rotors so that they can be replaced in their original positions during reassembly.

### NOTE:

Before disassembling the oil pump, remove the relief valve.



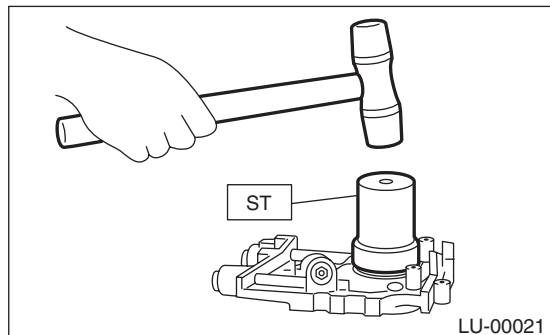
- (A) Front oil seal
- (B) Oil pump case
- (C) Inner rotor
- (D) Outer rotor
- (E) Oil pump cover
- (F) Relief valve
- (G) Relief valve spring
- (H) Plug
- (I) Gasket

## D: ASSEMBLY

1) Using the ST, install the front oil seal.  
 ST 499587100 OIL SEAL INSTALLER

NOTE:

Use a new front oil seal.



2) Apply a coat of engine oil to inner and outer rotors.

3) Install the inner and outer rotors.

4) Assemble the oil relief valve and install relief valve spring and plug.

NOTE:

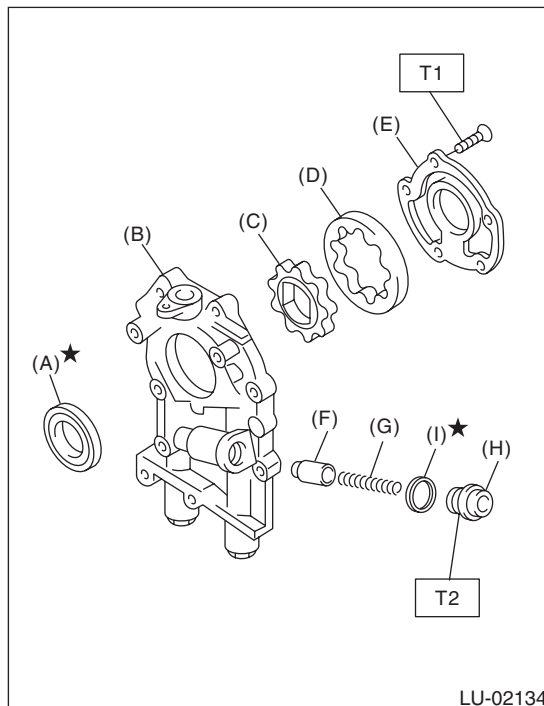
Use a new gasket.

5) Install the oil pump cover.

**Tightening torque:**

**T1: 5.4 N·m (0.6 kgf·m, 4.0 ft·lb)**

**T2: 44 N·m (4.5 kgf·m, 32.5 ft·lb)**



- (A) Front oil seal
- (B) Oil pump case
- (C) Inner rotor
- (D) Outer rotor
- (E) Oil pump cover
- (F) Relief valve
- (G) Relief valve spring
- (H) Plug
- (I) Gasket

# Oil Pump

## LUBRICATION

### E: INSPECTION

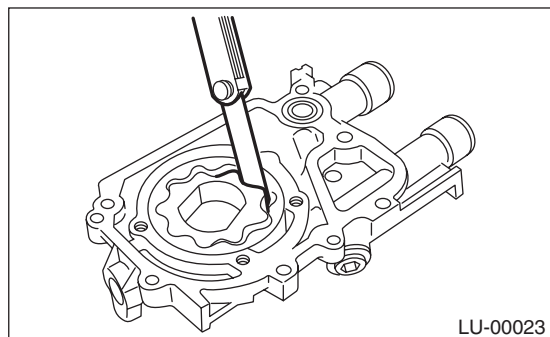
#### 1. TIP CLEARANCE

Measure the tip clearance of rotors. If the clearance is out of specification, replace the rotors as a set.

**Tip clearance:**

**Standard:**

**0.04 — 0.14 mm (0.0016 — 0.0055 in)**



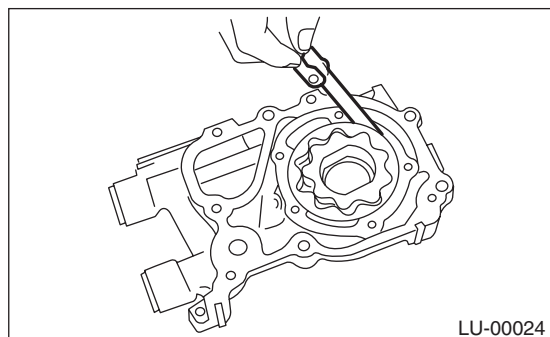
#### 2. CASE CLEARANCE

Measure the clearance between the outer rotor and the oil pump case. If clearance is out of standard, replace the oil pump case.

**Case clearance:**

**Standard:**

**0.10 — 0.175 mm (0.0039 — 0.0069 in)**



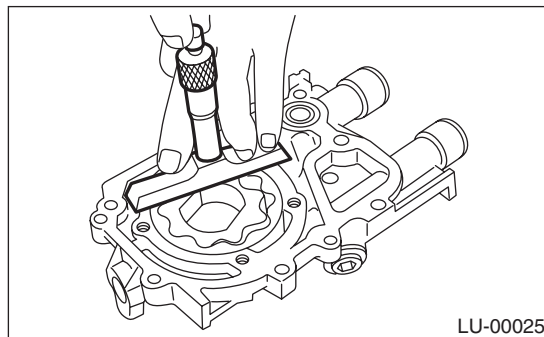
#### 3. SIDE CLEARANCE

Measure the gap between the inner rotor and the oil pump case to measure the clearance between the oil pump inner rotor and the oil pump cover as shown in the figure. If clearance is out of standard, replace the rotor or the oil pump case.

**Side clearance:**

**Specification:**

**0.02 — 0.07 mm (0.0008 — 0.0028 in)**



#### 4. OIL RELIEF VALVE

Check the valve for assembly condition and damage, and the relief valve spring for damage and deterioration.

Replace the parts if defective.

**Relief valve spring:**

**Free length**

**73.7 mm (2.902 in)**

**Installed length**

**54.7 mm (2.154 in)**

**Load when installed**

**93.1 N (9.49 kgf, 20.88 lbf)**

#### 5. OIL PUMP CASE

Check the oil pump case for worn shaft hole, clogged oil passage, worn rotor chamber, cracks and other faults.

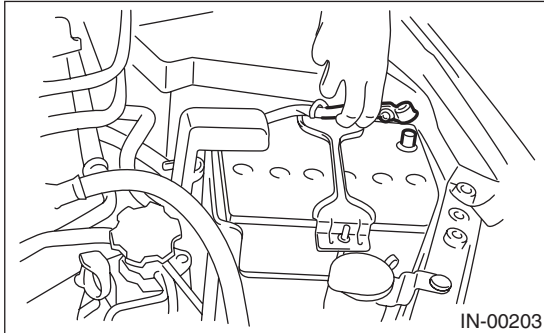
#### 6. FRONT OIL SEAL

Check the front oil seal lips for deformation, hardening, wear, etc. and replace if defective.

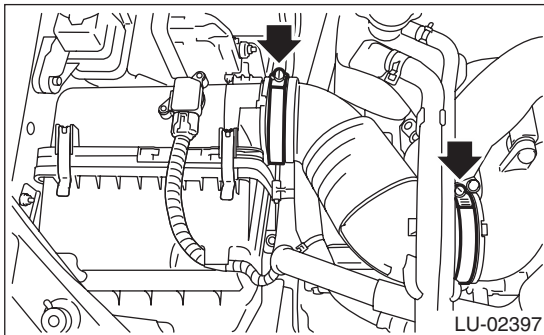
## 5. Oil Pan and Strainer

### A: REMOVAL

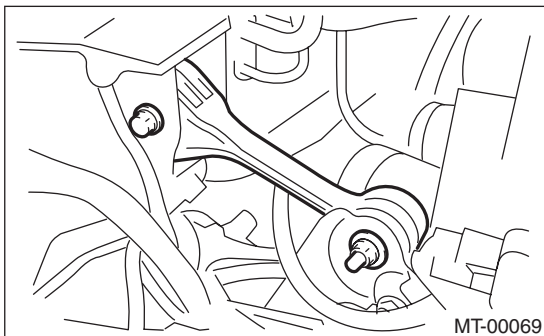
- 1) Set the vehicle on a lift.
- 2) Disconnect the ground cable from battery.



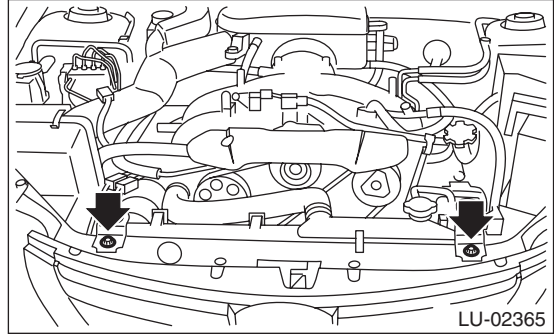
- 3) Remove the air intake duct. <Ref. to IN(H4SO)-8, REMOVAL, Air Intake Duct.> <Ref. to IN(H4DOTC)-11, REMOVAL, Air Intake Duct.>
- 4) Disconnect the connectors from the mass air flow and intake air temperature sensor. (Non-turbo model)
- 5) Remove the air intake chamber. (Non-turbo model) <Ref. to IN(H4SO)-7, REMOVAL, Air Intake Chamber.>
- 6) Remove the air intake boot. (Turbo model)



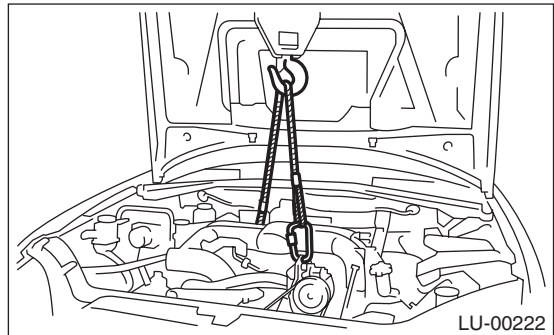
- 7) Remove the intercooler. (Turbo model) <Ref. to IN(H4DOTC)-13, REMOVAL, Intercooler.>
- 8) Remove the pitching stopper.



- 9) Remove the radiator upper brackets.



- 10) Support the engine with a lifting device and wire ropes.

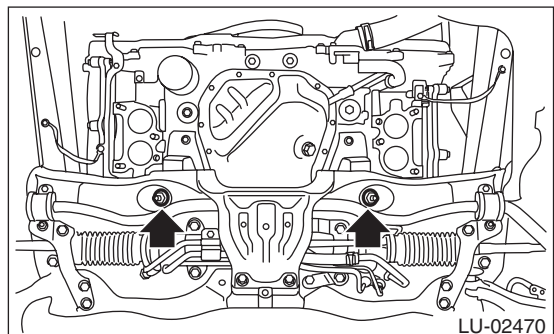


- 11) Lift up the vehicle.

### CAUTION:

**When lifting up the vehicle, raise up wire ropes at the same time.**

- 12) Remove the under cover.
- 13) Drain the engine oil. <Ref. to LU(H4SO)-9, REPLACEMENT, Engine Oil.>
- 14) Remove the front exhaust pipe. <Ref. to EX(H4SO)-6, REMOVAL, Front Exhaust Pipe.> <Ref. to EX(H4DOTC)-6, REMOVAL, Front Exhaust Pipe.>
- 15) Remove the nuts which secure the engine mounting to the front crossmember.



- 16) Remove the bolts which secure oil pan on cylinder block with the engine raised up.
- 17) Insert an oil pan cutter blade between cylinder block-to-oil pan clearance and remove the oil pan.

### CAUTION:

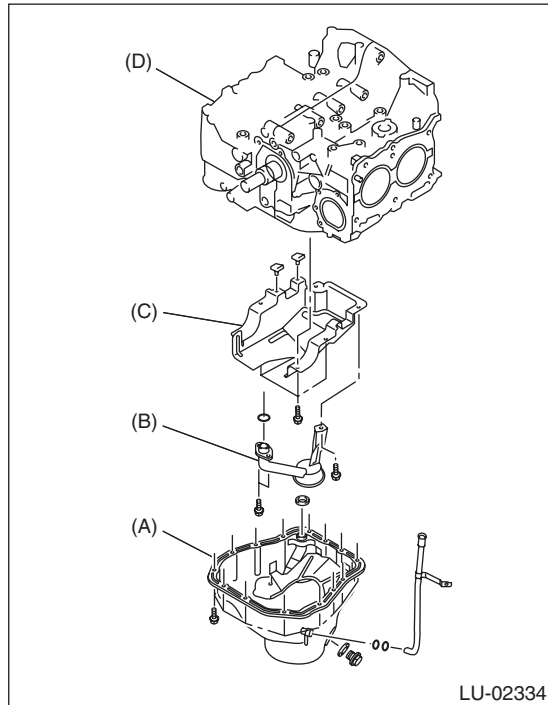
**Do not use a screwdriver or similar tool in place of oil pan cutter.**



# Oil Pan and Strainer

## LUBRICATION

- 18) Remove the oil strainer.
- 19) Remove the baffle plate.



- (A) Oil pan
- (B) Oil strainer
- (C) Baffle plate
- (D) Cylinder block

## B: INSTALLATION

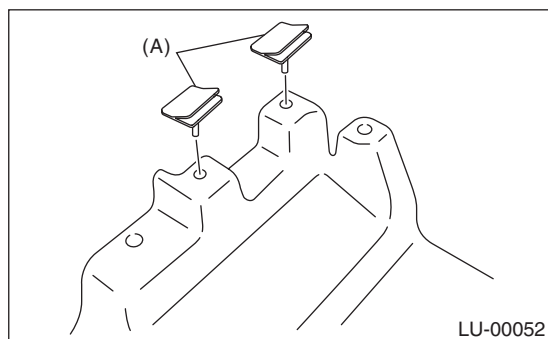
### NOTE:

Before installing the oil pan, clean the mating surface of oil pan and engine block.

- 1) Make sure that the seals (A) are installed securely on the baffle plate in a direction as shown in the figure below.

### NOTE:

Use a new seal.



- 2) Install the baffle plate.

### Tightening torque:

**6.4 N·m (0.7 kgf-m, 4.7 ft-lb)**

- 3) Install the oil strainer to cylinder block.

### NOTE:

Use new O-rings.

### Tightening torque:

**10 N·m (1.0 kgf-m, 7.4 ft-lb)**

- 4) Tighten the oil strainer stay together with the baffle plate.

### Tightening torque:

**6.4 N·m (0.7 kgf-m, 4.7 ft-lb)**

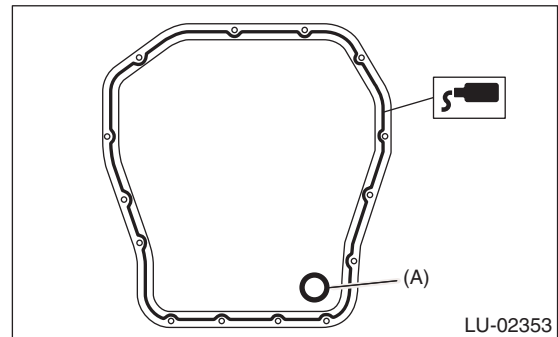
- 5) Apply liquid gasket to the mating surfaces of oil pan, and install the oil pan.

### NOTE:

- Use a new gasket.
- Install within 5 min. after applying liquid gasket.

### Liquid gasket:

**THREE BOND 1217G (Part No. K0877Y0100) or equivalent**



- (A) Gasket

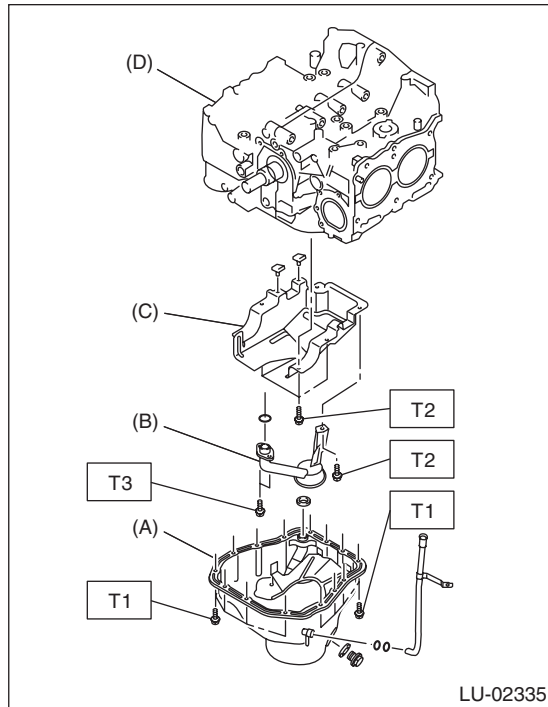
6) Tighten the bolts which install oil pan to cylinder block.

**Tightening torque:**

**T1: 5 N·m (0.5 kgf-m, 3.7 ft-lb)**

**T2: 6.4 N·m (0.7 kgf-m, 4.7 ft-lb)**

**T3: 10 N·m (1.0 kgf-m, 7.4 ft-lb)**



- (A) Oil pan
- (B) Oil strainer
- (C) Baffle plate
- (D) Cylinder block

7) Lower the engine onto front crossmember.

8) Tighten the nuts which install engine mounting onto front crossmember.

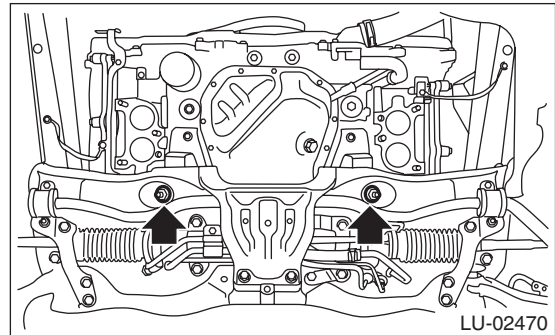
**NOTE:**

Make sure that the engine mounting nuts (A) and locator (B) are securely installed. (Turbo model)

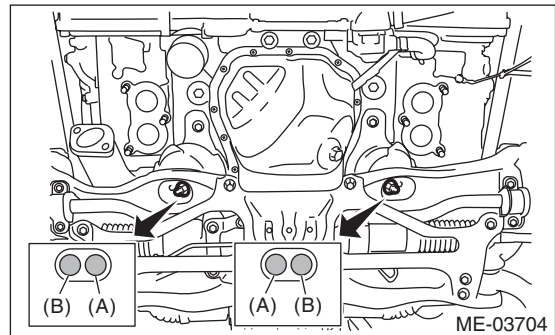
**Tightening torque:**

**85 N·m (8.7 kgf-m, 62.7 ft-lb)**

- Non-turbo model



- Turbo model



9) Install the front exhaust pipe. <Ref. to EX(H4SO)-7, INSTALLATION, Front Exhaust Pipe.> <Ref. to EX(H4DOTC)-7, INSTALLATION, Front Exhaust Pipe.>

10) Install the under cover.

11) Lower the vehicle.

**CAUTION:**

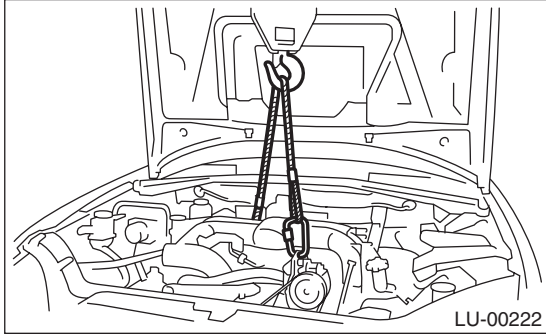
**When lowering the vehicle, lower the lift up device and wire ropes at the same time.**



# Oil Pan and Strainer

## LUBRICATION

12) Remove the lifting device and wire ropes.

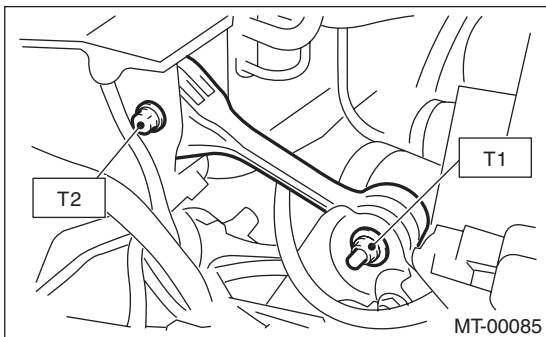


13) Install the pitching stopper.

**Tightening torque:**

**T1: 50 N·m (5.1 kgf·m, 36.9 ft·lb)**

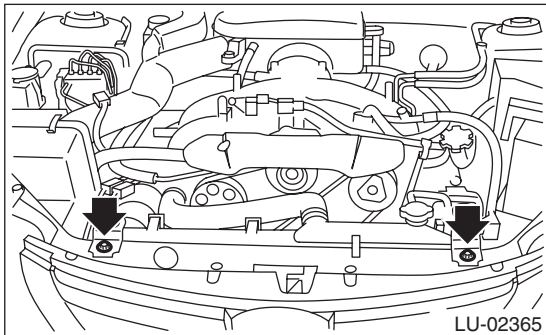
**T2: 58 N·m (5.9 kgf·m, 42.8 ft·lb)**



14) Install the radiator upper brackets.

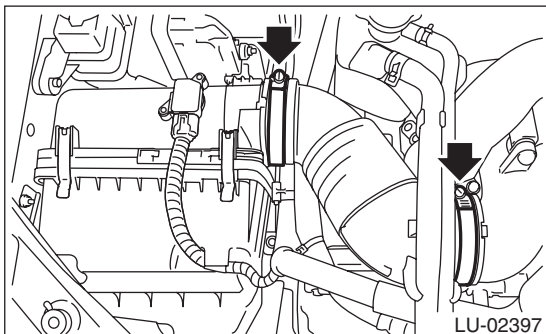
**Tightening torque:**

**12 N·m (1.2 kgf·m, 8.9 ft·lb)**



15) Install the intercooler. (Turbo model) <Ref. to IN(H4DOTC)-13, INSTALLATION, Intercooler.>

16) Install the air intake boot. (Turbo model)

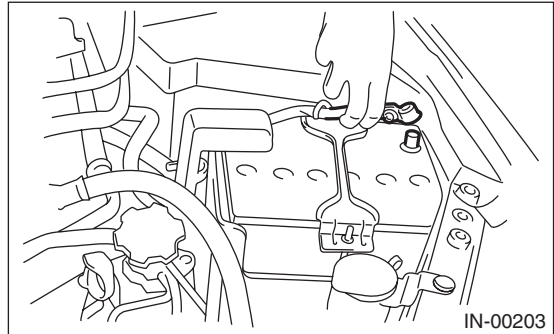


17) Install the air intake chamber. (Non-turbo model) <Ref. to IN(H4SO)-7, INSTALLATION, Air Intake Chamber.>

18) Install the air intake duct. <Ref. to IN(H4SO)-8, INSTALLATION, Air Intake Duct.> <Ref. to IN(H4DOTC)-11, INSTALLATION, Air Intake Duct.>

19) Connect the connector to the mass air flow and intake air temperature sensor. (Non-turbo model)

20) Connect the ground cable to battery.



21) Refill the engine oil. <Ref. to LU(H4SO)-9, INSPECTION, Engine Oil.>

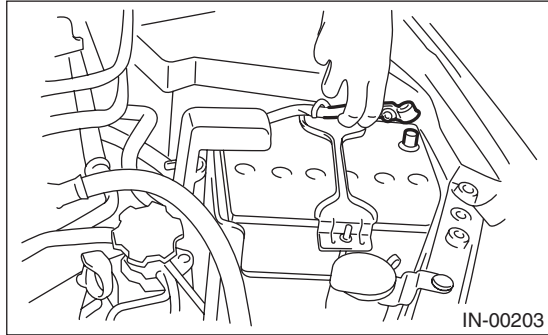
## C: INSPECTION

Visually check that the oil pan, oil strainer and baffle plate are not damaged.

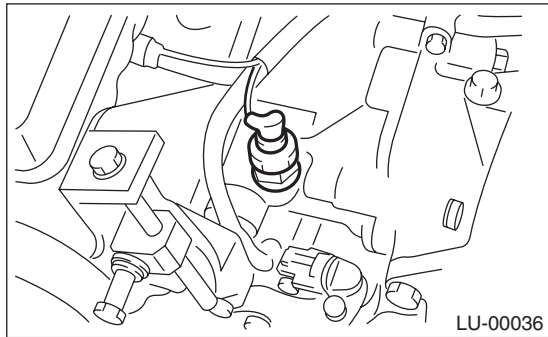
## 6. Oil Pressure Switch

### A: REMOVAL

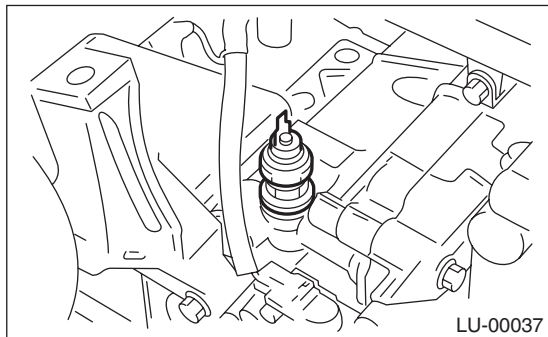
- 1) Disconnect the ground cable from battery.



- 2) Remove the generator from the bracket. <Ref. to SC(H4SO)-16, REMOVAL, Generator.>
- 3) Disconnect the terminal from oil pressure switch.



- 4) Remove the oil pressure switch.

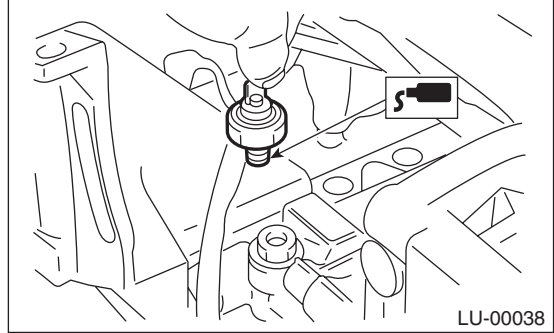


### B: INSTALLATION

- 1) Apply liquid gasket to the oil pressure switch threads.

**Liquid gasket:**

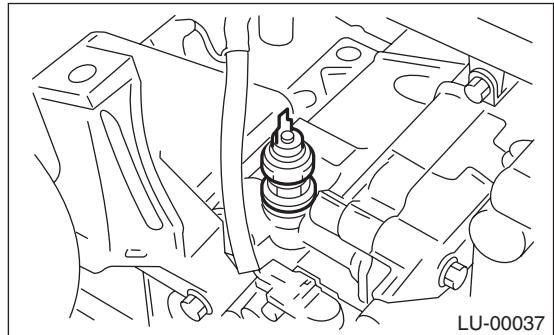
**THREE BOND 1324 (Part No. 004403042) or equivalent**



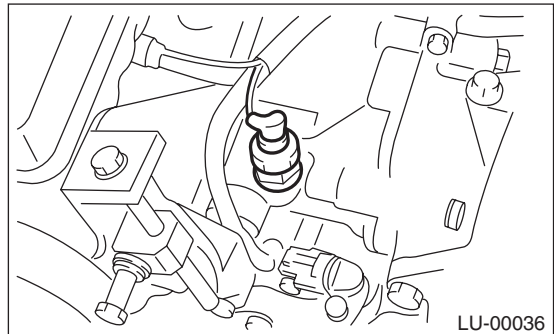
- 2) Install the oil pressure switch to cylinder block.

**Tightening torque:**

**25 N·m (2.5 kgf·m, 18.4 ft·lb)**



- 3) Connect the terminal to the oil pressure switch.

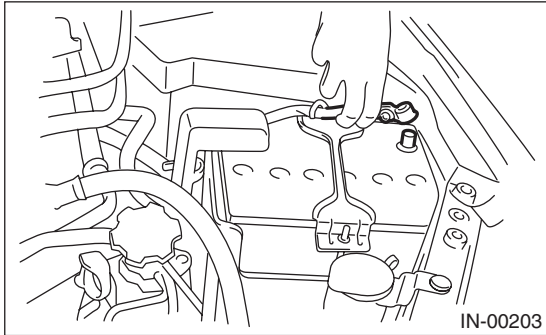


## Oil Pressure Switch

### LUBRICATION

---

- 4) Install the generator to the bracket. <Ref. to SC(H4SO)-16, INSTALLATION, Generator.>
- 5) Connect the ground cable to battery.



### **C: INSPECTION**

Check the oil pressure switch installation portion for oil leakage and oil seepage.

## 7. Engine Oil Filter

### A: REMOVAL

#### CAUTION:

If the engine oil is spilt over exhaust pipe or the under cover, wipe it off with cloth to avoid emitting smoke or causing a fire.

- 1) Set the vehicle on a lift.
- 2) Lift up the vehicle.
- 3) Remove the under cover. (Turbo model)
- 4) Remove the oil filter.

- Oil filter (Black)

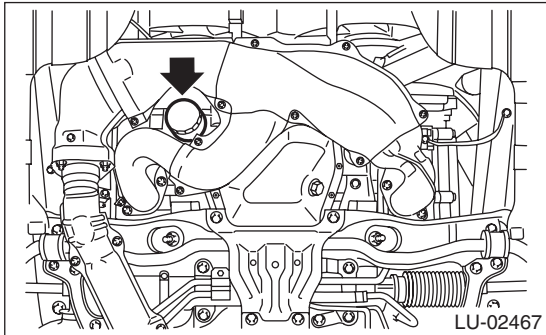
Remove using the ST.

ST 18332AA000 OIL FILTER WRENCH  
(outer diameter: 68 mm (2.68 in)  
for oil filter)

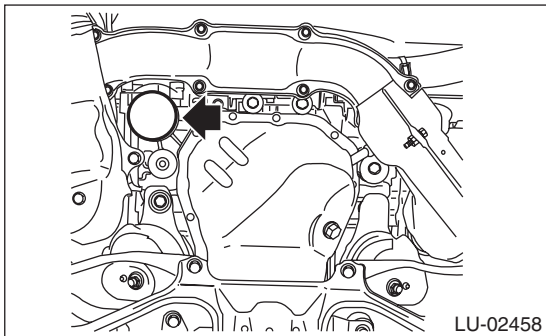
- Oil filter (Blue)

Remove using a general tool (65/67 mm 14 Flutes).

- Non-turbo model



- Turbo model



### B: INSTALLATION

#### CAUTION:

Do not tighten excessively, or oil may leak.

- 1) Clean the oil filter installing surface of cylinder block.
- 2) Obtain a new oil filter and apply a thin coat of engine oil to the seal rubber.
- 3) Install the oil filter turning it by hand, being careful not to damage the seal rubber of the oil filter.
  - Tighten the oil filter (Black) with an outer diameter of 68 mm (2.68 in) (approx. 1 rotation) after the seal rubber of the oil filter comes in contact with cylinder block. When using a torque wrench, tighten to 14 N·m (1.4 kgf-m, 10.3 ft-lb).
  - Tighten the oil filter (Blue) with an outer diameter of 67.4 mm (2.65 in) (approx. 7/8 rotation) after the seal rubber of the oil filter comes in contact with cylinder block. When using a torque wrench, tighten to 12 N·m (1.2 kgf-m, 8.9 ft-lb).
- 4) Install the under cover. (Turbo model)
- 5) Lower the vehicle.

### C: INSPECTION

- 1) After installing the oil filter, run the engine and make sure that no oil is leaking around seal rubber.

#### NOTE:

The filter element and filter case are permanently jointed; therefore, interior cleaning is not necessary.

- 2) Check the engine oil level. <Ref. to LU(H4SO)-9, INSPECTION, Engine Oil.>

# Engine Lubrication System Trouble in General

## LUBRICATION

### 8. Engine Lubrication System Trouble in General

#### A: INSPECTION

Before performing diagnostics, make sure that the engine oil level is correct and no oil leakage exists.

Trouble	Possible cause		Corrective action
1. Warning light remains ON.	1) Oil pressure switch failure	Cracked diaphragm or oil leakage within switch	Replace.
		Broken spring or seized contacts	Replace.
	2) Low oil pressure	Clogging of oil filter	Replace.
		Malfunction of oil by-pass valve in oil filter	Replace.
		Malfunction of oil relief valve in oil pump	Clean or replace.
		Clogged oil passage	Clean.
		Excessive tip clearance and side clearance of oil pump rotor	Replace.
		Clogged oil strainer or broken pipe	Clean or replace.
	3) No oil pressure	Insufficient engine oil (degradation, etc.)	Replace.
		Broken pipe of oil strainer	Replace.
Stuck oil pump rotor		Replace.	
2. Warning light does not illuminate.	1) Malfunction of combination meter		Replace.
	2) Poor contact of switch contact points		Replace.
	3) Disconnection of wiring		Repair.
3. Warning light flickers momentarily.	1) Poor contact of terminals		Repair.
	2) Defective wiring harness		Repair.
	3) Low oil pressure		Check for the same possible causes as listed 1. — 2.

# General Description

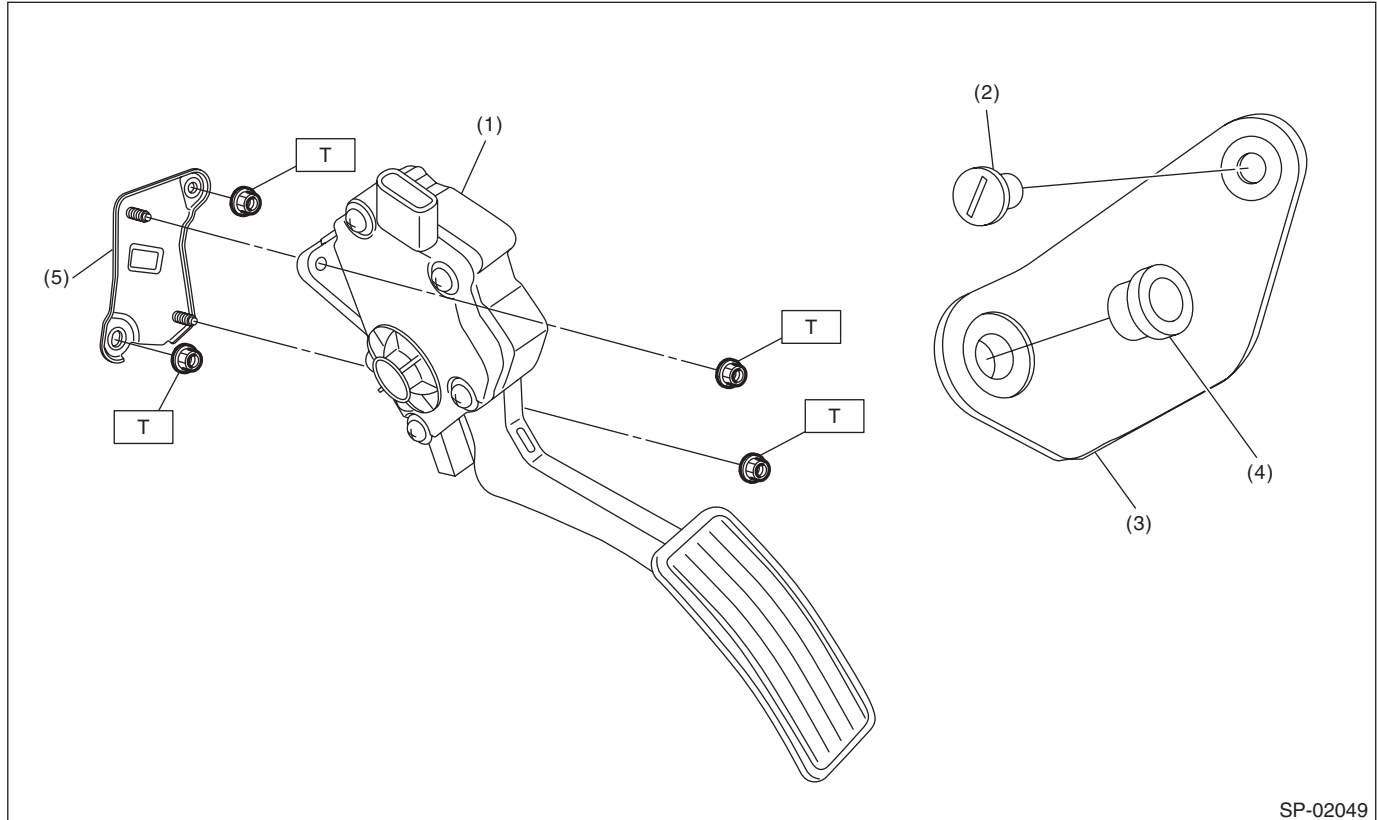
## SPEED CONTROL SYSTEMS

### 1. General Description

#### A: SPECIFICATION

Accelerator pedal	Stroke	At pedal pad	50 — 59 mm (1.97 — 2.32 in)
-------------------	--------	--------------	-----------------------------

#### B: COMPONENT



- |                            |                               |
|----------------------------|-------------------------------|
| (1) Accelerator pedal ASSY | (4) Accelerator stopper       |
| (2) Clip                   | (5) Accelerator pedal bracket |
| (3) Accelerator plate      |                               |

**Tightening torque: N·m (kgf·m, ft·lb)**  
**T: 18 (1.8, 13.3)**

#### C: CAUTION

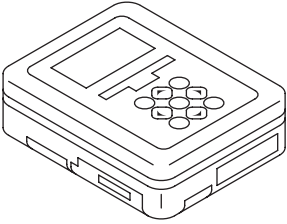
- Wear appropriate work clothing, including a cap, protective goggles and protective shoes when performing any work.
- Remove contamination including dirt and corrosion before removal or installation.
- Keep the parts in order and protect them from dust and dirt.
- Before removal or installation, be sure to clarify the failure. Avoid unnecessary removal, installation, disassembly and replacement.
- Vehicle components are extremely hot after driving. Be wary of receiving burns from heated parts.
- Be sure to tighten fasteners including bolts and nuts to the specified torque.
- Place shop jacks or rigid racks at the specified points.
- Before disconnecting connectors of sensors or units, be sure to disconnect the ground cable from the battery.

# General Description

SPEED CONTROL SYSTEMS

## D: PREPARATION TOOL

### 1. SPECIAL TOOL

ILLUSTRATION	TOOL NUMBER	DESCRIPTION	REMARKS
 ST1B022XU0	1B022XU0	SUBARU SELECT MONITOR III KIT	Used for inspecting the accelerator pedal.

### 2. GENERAL TOOL

TOOL NAME	REMARKS
Circuit tester	Used for measuring voltage.

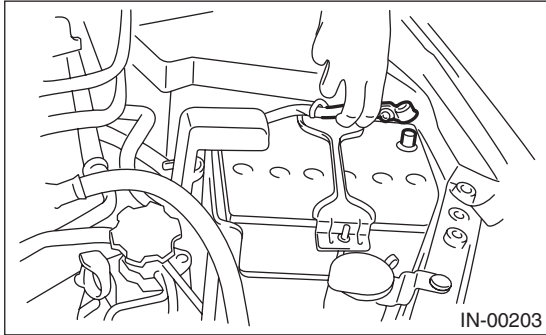
# Accelerator Pedal

## SPEED CONTROL SYSTEMS

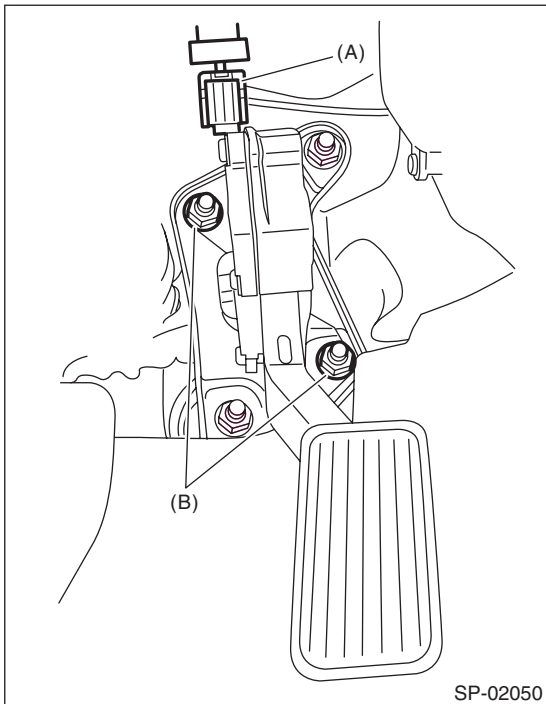
### 2. Accelerator Pedal

#### A: REMOVAL

- 1) Disconnect the ground cable from battery.



- 2) Disconnect the connector (A).
- 3) Remove the nut (B) securing accelerator pedal assembly.



#### B: INSTALLATION

Install in the reverse order of removal.

#### Tightening torque:

**18 N·m (1.8 kgf·m, 13.3 ft·lb)**

#### C: DISASSEMBLY

NOTE:

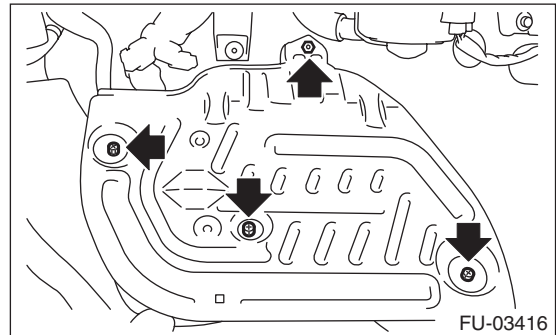
The accelerator pedal cannot be disassembled.

#### D: INSPECTION

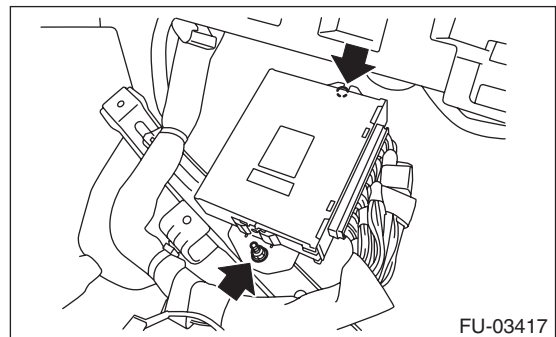
- 1) Check for smooth operation when the accelerator pedal is depressed.
- 2) Check if the accelerator pedal returns to its original position smoothly when the pedal is released.

#### 1. ACCELERATOR PEDAL SENSOR (METHOD WITH CIRCUIT TESTER)

- 1) Remove the lower inner trim of passenger's side.  
<Ref. to EI-55, REMOVAL, Lower Inner Trim.>
- 2) Turn over the floor mat of passenger's seat.
- 3) Remove the protect cover.



- 4) Remove the nuts and bolts which hold the ECM to the bracket.

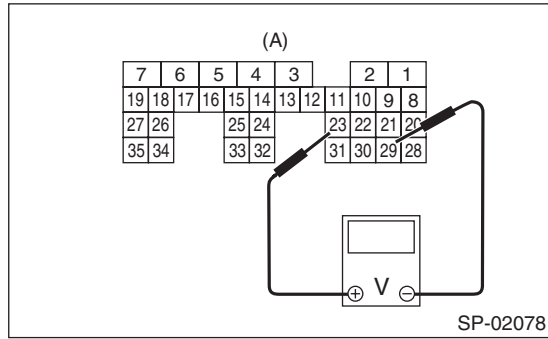


- 5) Turn the ignition switch to ON. (engine OFF)



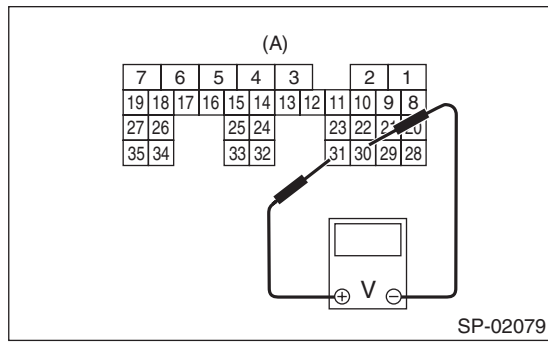
6) Measure the voltage between ECM connector terminals.

- Main sensor side



(A) To ECM connector

- Sub sensor side



(A) To ECM connector

## 2. ACCELERATOR PEDAL SENSOR (METHOD WITH SUBARU SELECT MONITOR)

- 1) Turn the ignition switch to ON. (engine OFF)
- 2) Read the accelerator pedal opening angle signal and voltage of accelerator pedal sensor using Subaru Select Monitor. <Ref. to EN(H4SO)(diag)-35, READ CURRENT DATA FOR ENGINE (NORMAL MODE), OPERATION, Subaru Select Monitor.> <Ref. to EN(H4DOTC)(diag)-35, READ CURRENT DATA FOR ENGINE (NORMAL MODE), OPERATION, Subaru Select Monitor.>

Accelerator pedal sensor	Accelerator pedal opening angle signal	Standard
Main	0.0 %	1 V
	100.0 %	3.5 V
Sub	0.0 %	1 V
	100.0 %	3.5 V

Accelerator pedal sensor	Accelerator pedal	Terminal No.	Standard
Main	Not depressed (Full closed)	23 (+) and 29 (-)	1 V
	Depressed (Full opened)		3.5 V
Sub	Not depressed (Full closed)	31 (+) and 30 (-)	1 V
	Depressed (Full opened)		3.5 V

# Accelerator Pedal

SPEED CONTROL SYSTEMS

---

# General Description

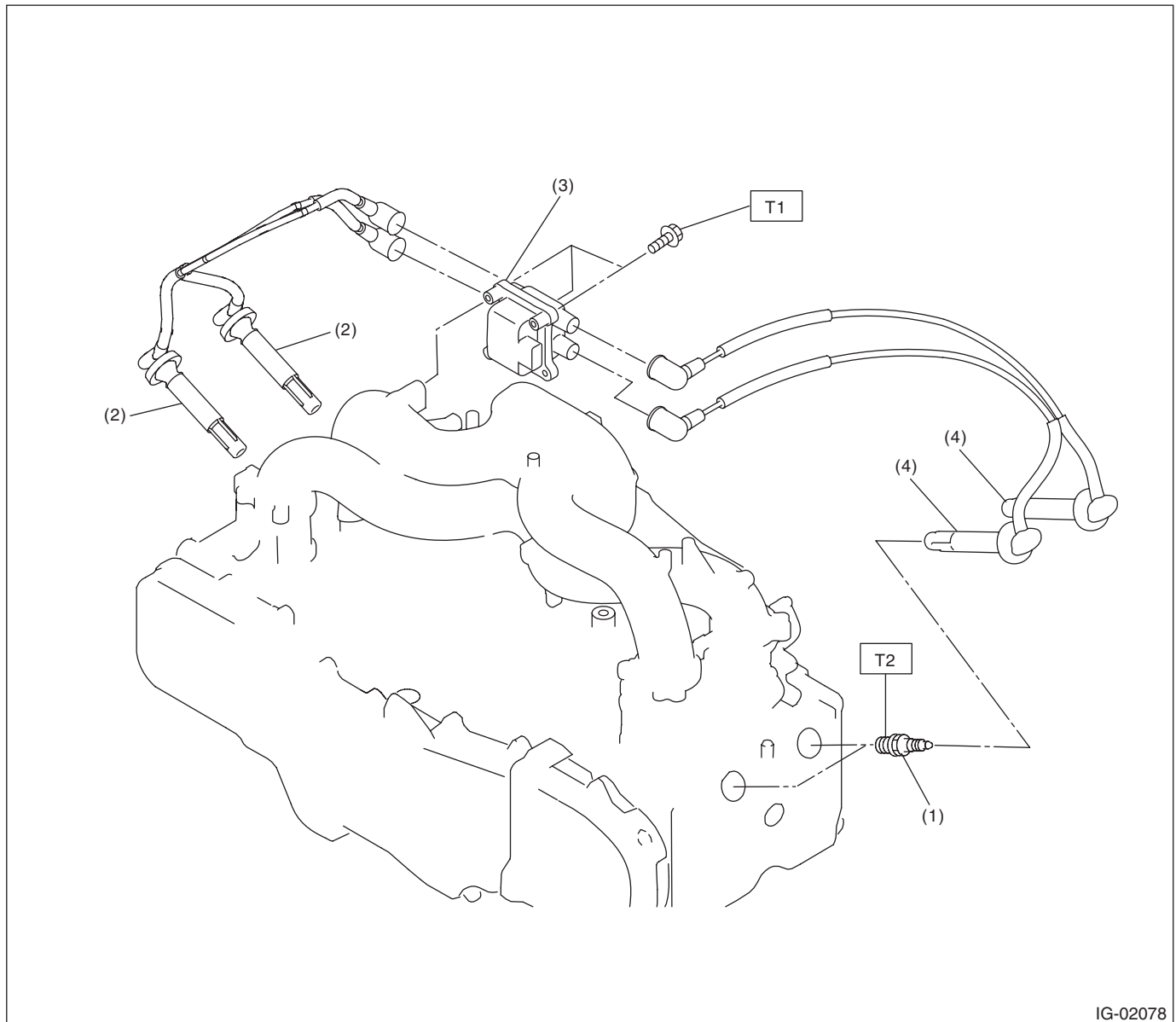
## IGNITION

### 1. General Description

#### A: SPECIFICATION

Item		Specifications	
Ignition coil and ignitor ASSY	Type	FH 0363	
	Manufacturer	Diamond Electric	
	Secondary coil resistance	11.2 kΩ±15%	
Spark plug	Manufacturer and type	NGK: FR5AP-11	
	Thread size (diameter, pitch, length)	mm	14,1.25,19
	Spark plug gap	mm (in)	1.0 — 1.1 (0.039 — 0.043)
	Electrode		Platinum

#### B: COMPONENT



- (1) Spark plug
- (2) Spark plug cord (#1, #3)

- (3) Ignition coil and ignitor ASSY
- (4) Spark plug cord (#2, #4)

**Tightening torque: N·m (kgf·m, ft·lb)**  
**T1: 8 (0.8, 5.9)**  
**T2: 21 (2.1, 15.5)**

## C: CAUTION

- Wear appropriate work clothing, including a cap, protective goggles and protective shoes when performing any work.
- Remove contamination including dirt and corrosion before removal, installation or disassembly.
- Keep the disassembled parts in order and protect them from dust and dirt.
- Before removal, installation or disassembly, be sure to clarify the failure. Avoid unnecessary removal, installation, disassembly and replacement.
- Vehicle components are extremely hot after driving. Be wary of receiving burns from heated parts.
- Be sure to tighten fasteners including bolts and nuts to the specified torque.
- Place shop jacks or rigid racks at the specified points.
- Before disconnecting connectors of sensors or units, be sure to disconnect the ground cable from the battery.

## D: PREPARATION TOOL

### 1. GENERAL TOOL

TOOL NAME	REMARKS
Circuit tester	Used for measuring resistance.

# Spark Plug

## IGNITION

### 2. Spark Plug

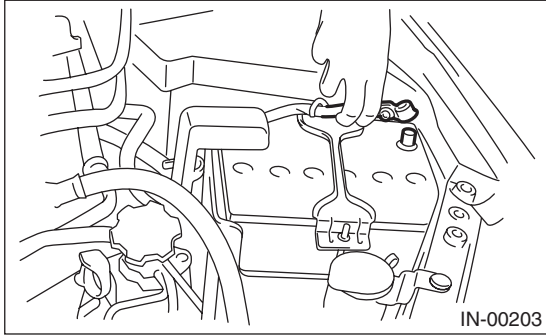
#### A: REMOVAL

##### Spark plug:

Refer to "SPECIFICATION" for the spark plug. <Ref. to IG(H4SO)-2, SPECIFICATION, General Description.>

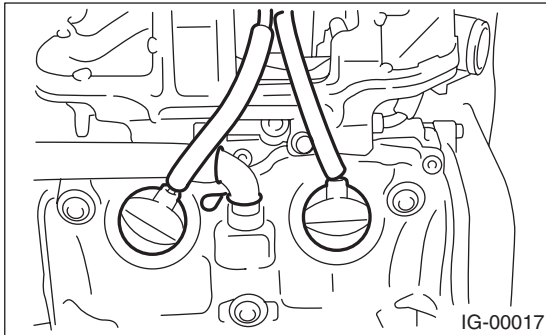
##### 1. RH SIDE

- 1) Disconnect the ground cable from the battery.

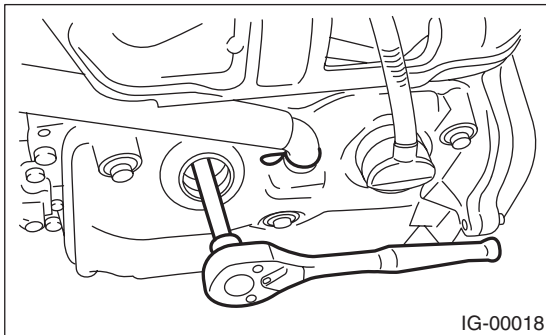


- 2) Remove the air cleaner case. <Ref. to IN(H4SO)-5, REMOVAL, Air Cleaner Case.>

- 3) Remove the spark plug cords by pulling the boot. (Do not pull the cord itself.)



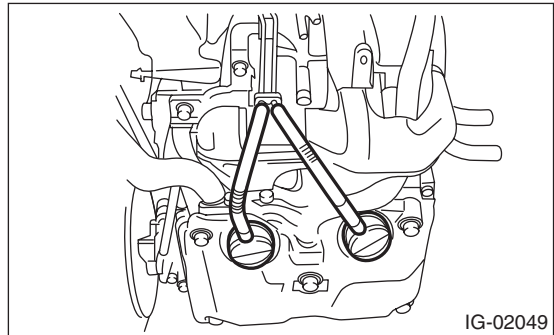
- 4) Remove the spark plug with a spark plug socket.



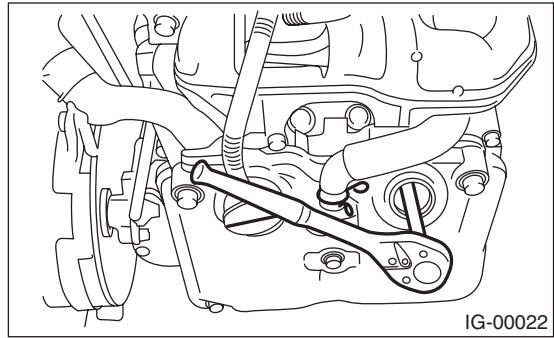
##### 2. LH SIDE

- 1) Remove the battery. <Ref. to SC(H4SO)-22, REMOVAL, Battery.>

- 2) Remove the spark plug cords by pulling the boot. (Do not pull the cord itself.)



- 3) Remove the spark plug with a spark plug socket.



#### B: INSTALLATION

##### 1. RH SIDE

Install in the reverse order of removal.

##### Tightening torque:

**21 N·m (2.1 kgf-m, 15.5 ft-lb)**

##### 2. LH SIDE

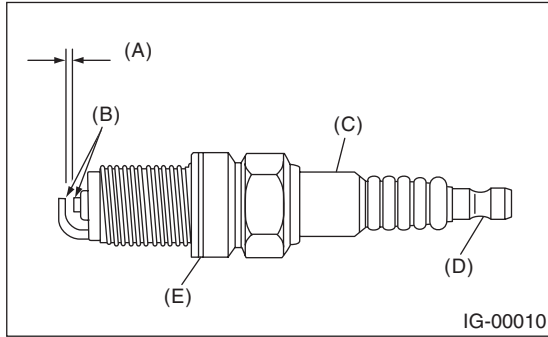
Install in the reverse order of removal.

##### Tightening torque:

**21 N·m (2.1 kgf-m, 15.5 ft-lb)**

## C: INSPECTION

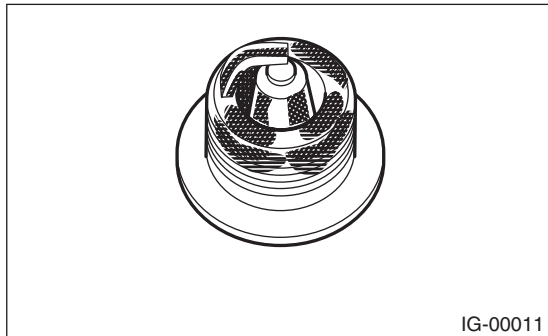
Check the electrodes and inner and outer ceramic insulator of plugs, noting the type of deposits and the degree of electrode erosion.



- (A) Spark plug gap
- (B) Carbon accumulation or wear
- (C) Cracks
- (D) Damage
- (E) Damaged gasket

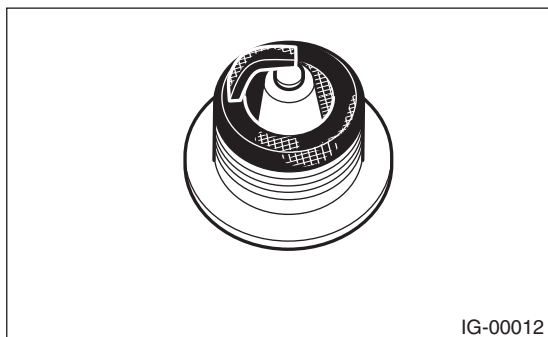
### 1) Normal:

Brown to grayish-tan deposits and slight electrode wear indicate correct spark plug heat range.



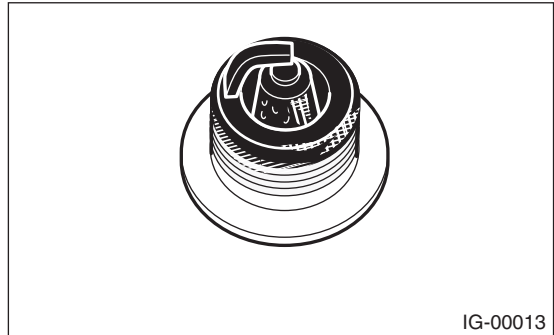
### 2) Carbon fouled:

Dry fluffy carbon deposits on insulator and electrode are mostly caused by slow speed driving in the city, weak ignition, too rich fuel mixture and dirty air cleaner.



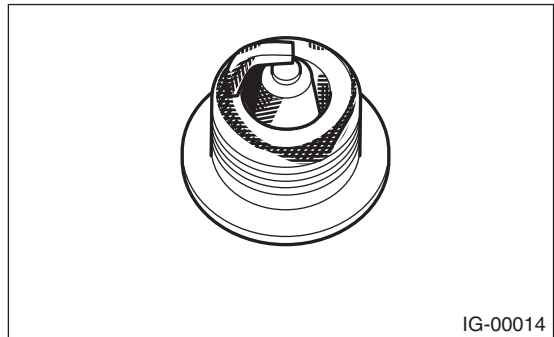
### 3) Oil fouled:

Wet black deposits show oil entrance into the combustion chamber through worn rings or pistons, or excessive clearance between valve guides and stems.



### 4) Overheating:

White or light gray insulator with black or brown spots and bluish burnt electrodes indicate engine overheating, incorrect ignition timing, wrong selection of fuel, and loose spark plugs.



## D: ADJUSTMENT

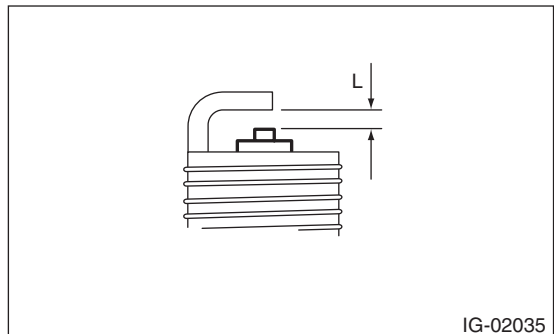
Clean spark plugs with a nylon brush, etc. Clean and remove the carbon or oxide deposits. If deposits are too stubborn, replace the spark plugs. After cleaning the spark plugs, measure the spark plug gap using a gap gauge.

### NOTE:

- Never use plug cleaner.
- Do not use metal brush or it will wear insulator.

### Spark plug gap L:

**1.0 — 1.1 mm (0.039 — 0.043 in)**



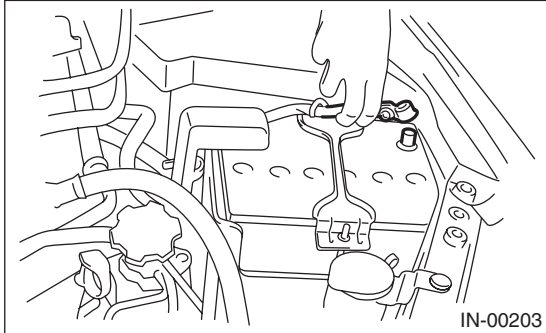
# Ignition Coil and Ignitor Assembly

## IGNITION

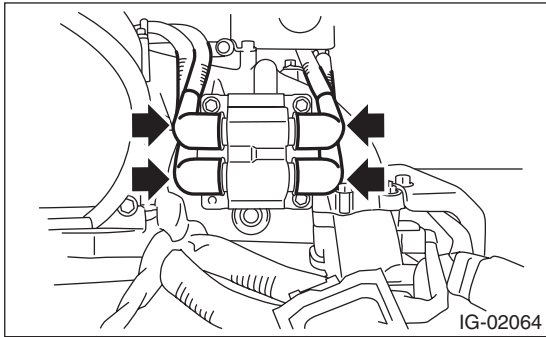
### 3. Ignition Coil and Ignitor Assembly

#### A: REMOVAL

1) Disconnect the ground cable from battery.

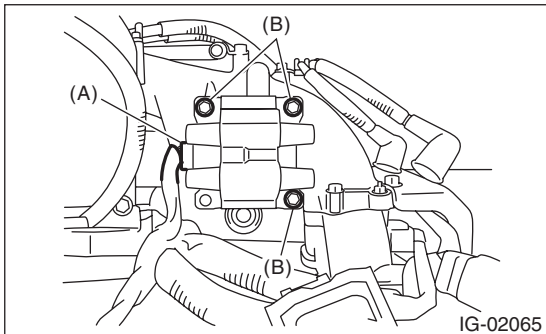


2) Disconnect the spark plug cords from ignition coil and ignitor assembly.



3) Disconnect connector (A) from the ignition coil and ignitor assembly.

4) Remove the bolt (B) which secures the ignition coil and ignitor assembly to intake manifold.



#### B: INSTALLATION

Install in the reverse order of removal.

**Tightening torque:**

**8 N·m (0.8 kgf·m, 5.9 ft·lb)**

**CAUTION:**

Connect the spark plug cords to correct positions. Failure to do so will damage the unit.

#### C: INSPECTION

Check the secondary coil resistance using a tester. Replace if defective.

**CAUTION:**

- If the resistance is extremely low, it indicates the presence of a short-circuit.
- Ignitor is integrated with the coil. Therefore the resistance of primary side coil cannot be measured.

**Specified resistance:**

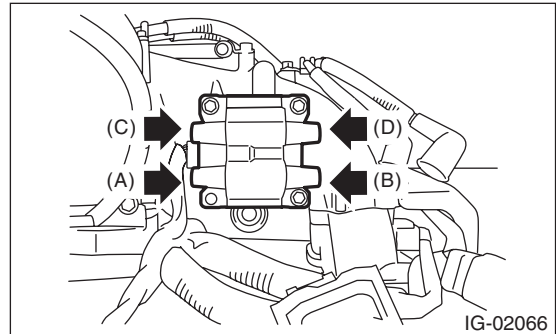
**[Secondary side]**

**Between (A) and (B)**

**11.2 kΩ±15%**

**Between (C) and (D)**

**11.2 kΩ±15%**



## 4. Spark Plug Cord

### A: INSPECTION

Check the following items.

- Damage to cords, deformation, burning or rust formation of terminals
- Resistance value of cords

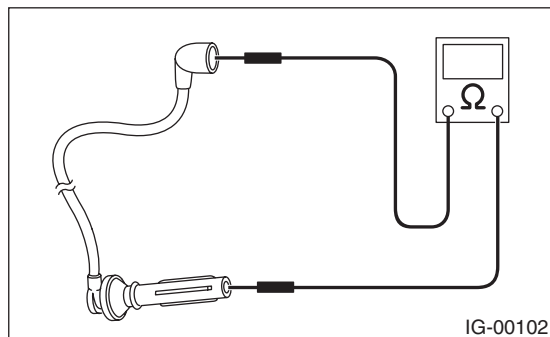
#### **Specified resistance:**

**#1 cord: 5.0 — 12.1 k $\Omega$**

**#2 cord: 8.5 — 19.9 k $\Omega$**

**#3 cord: 5.4 — 13.0 k $\Omega$**

**#4 cord: 8.6 — 20.2 k $\Omega$**





# Spark Plug Cord

IGNITION

---

**IG(H4SO)-8**

# General Description

## STARTING/CHARGING SYSTEMS

### 1. General Description

#### A: SPECIFICATION

##### 1. NON-TURBO MODEL

Item		Specifications		
Starter	Type	Reduction type		
	Vehicle model	MT	AT	
	Model	M000T30475	M000T20175	
	Manufacturer	Mitsubishi Electric		
	Voltage and output	12 V — 1.0 kW	12 V — 1.4 kW	
	Direction of rotation	Counterclockwise (when observed from pinion)		
	Number of pinion teeth	8	9	
	No-load characteristics	Voltage	11 V	
		Current	95 A or less	90 A or less
		Rotating speed	2,500 rpm or more	2,000 rpm or more
	Load characteristics	Voltage	7.5 V	7.7 V
		Current	300 A	400 A
		Torque	8.84 N·m (0.9 kgf-m, 6.5 ft-lb) or more	16.7 N·m (1.7 kgf-m, 12.3 ft-lb) or more
		Rotating speed	870 rpm or more	710 rpm or more
	Lock characteristics	Voltage	4 V	3.5 V
Current		680 A or less	960 A or less	
Torque		17 N·m (1.7 kgf-m, 12.5 ft-lb) or more	31 N·m (3.2 kgf-m, 22.9 ft-lb) or more	
Generator	Type	Rotating-field three-phase type, voltage regulator built-in type, with load response control system		
	Model	A2TG0391		
	Manufacturer	Mitsubishi Electric		
	Voltage and output	12 V — 90 A		
	Polarity on ground side	Negative		
	Direction of rotation	Clockwise (when observed from pulley side)		
	Stator connection	3-phase Y-type		
	Output current	1,500 rpm — 40 A or more 2,500 rpm — 74 A or more 5,000 rpm — 84 A or more		
	Regulated voltage	14.1 — 14.8 V [20°C (68°F)]		
Battery	Type and capacity	12 V — 48 AH (55D 23L)	12 V — 52 AH (65D 23L)	

# General Description

STARTING/CHARGING SYSTEMS

## 2. TURBO MODEL

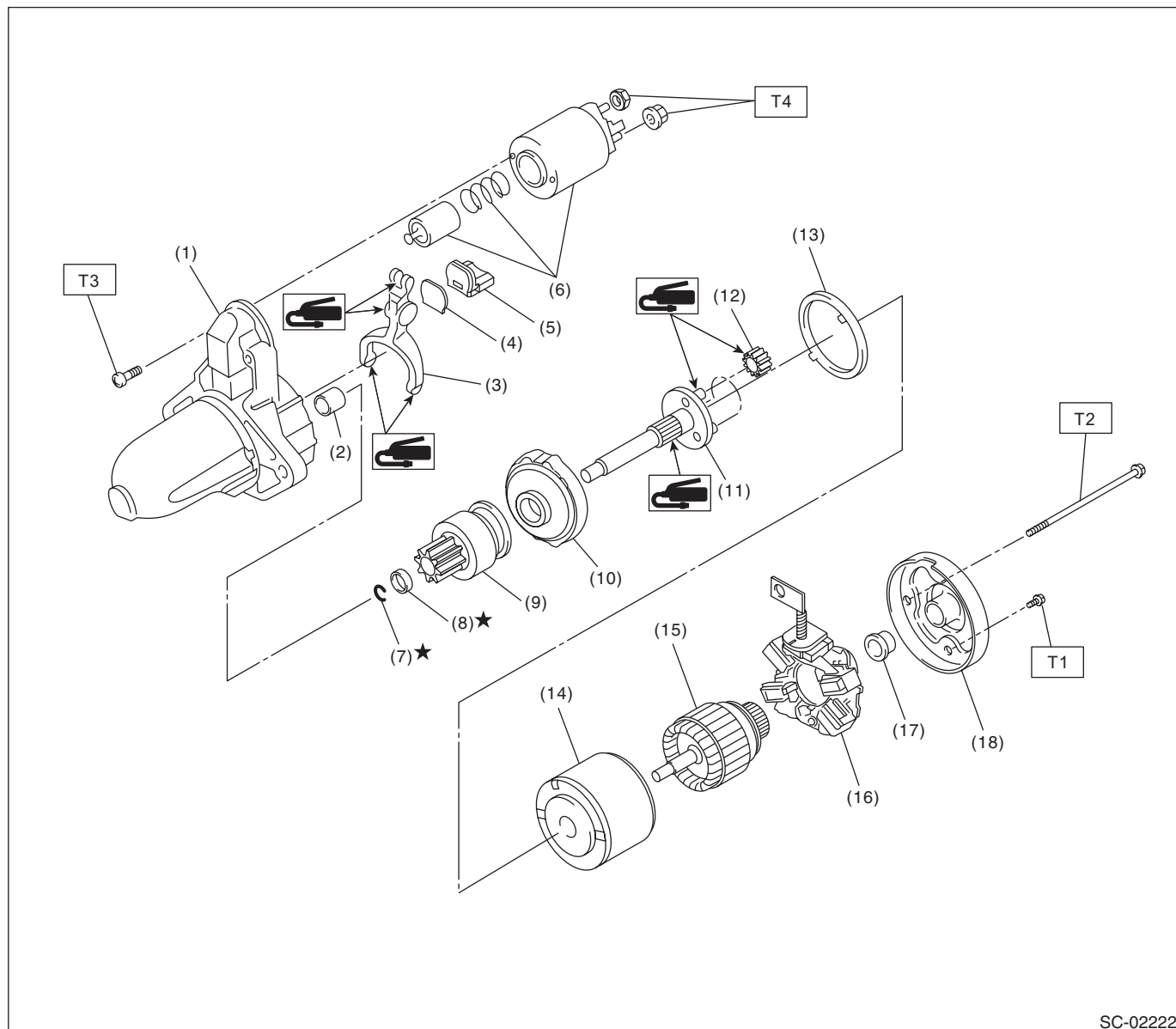
Item		Specifications		
Starter	Type	Reduction type		
	Vehicle model	MT	AT	
	Model	M000T30475	M000T20175	
	Manufacturer	Mitsubishi Electric		
	Voltage and output	12 V — 1.0 kW	12 V — 1.4 kW	
	Direction of rotation	Counterclockwise (when observed from pinion)		
	Number of pinion teeth	8	9	
	No-load characteristics	Voltage	11 V	
		Current	95 A or less	90 A or less
		Direction of rotation	2,500 rpm or more	2,000 rpm or more
	Load characteristics	Voltage	7.5 V	7.7 V
		Current	300 A	400 A
		Torque	8.84 N·m (0.9 kgf-m, 6.5 ft-lb) or more	16.7 N·m (1.7 kgf-m, 12.3 ft-lb) or more
		Rotating speed	870 rpm or more	710 rpm or more
	Lock characteristics	Voltage	4 V	3.5 V
		Current	680 A or less	960 A or less
Torque		17 N·m (1.7 kgf-m, 12.5 ft-lb) or more	31 N·m (3.2 kgf-m, 22.9 ft-lb) or more	
Generator	Type	Rotating-field three-phase type, voltage regulator built-in type, with load response control system		
	Model	A3TG0491		
	Manufacturer	Mitsubishi Electric		
	Voltage and output	12 V — 110 A		
	Polarity on ground side	Negative		
	Direction of rotation	Clockwise (when observed from pulley side)		
	Stator connection	3-phase Y-type		
	Output current	1,500 rpm — 50 A or more 2,500 rpm — 91 A or more 5,000 rpm — 105 A or more		
	Regulated voltage	14.1 — 14.8 V [20°C (68°F)]		
Battery	Type and capacity	12 V — 48 AH (55D 23L)	12 V — 52 AH (65D 23L)	

# General Description

## STARTING/CHARGING SYSTEMS

### B: COMPONENT

#### 1. STARTER



SC-02222

- (1) Starter housing ASSY
- (2) Sleeve bearing
- (3) Shift lever
- (4) Plate
- (5) Seal rubber
- (6) Magnet switch ASSY
- (7) Snap ring
- (8) Stopper

- (9) Overrunning clutch
- (10) Internal gear ASSY
- (11) Shaft
- (12) Pinion gear
- (13) Seal rubber
- (14) Yoke ASSY
- (15) Armature ASSY
- (16) Brush holder ASSY

- (17) Sleeve bearing
- (18) Starter cover ASSY

**Tightening torque: N-m (kgf-m, ft-lb)**

**T1: 1.4 (0.1, 1.0)**

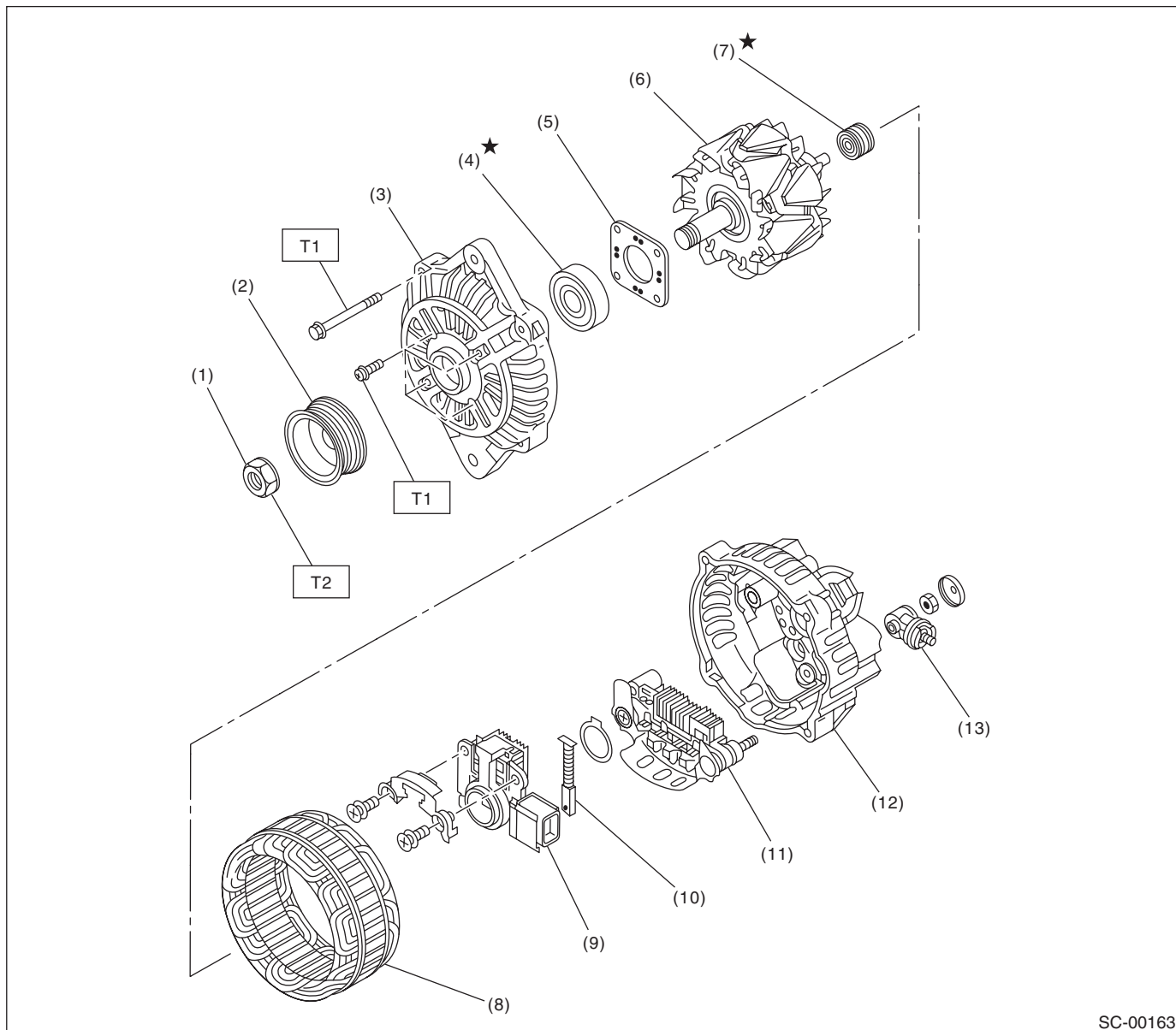
**T2: 6 (0.6, 4.4)**

**T3: 7.5 (0.8, 5.5)**

**T4: 10 (1.0, 7.4)**

# General Description

## 2. GENERATOR



SC-00163

- |                      |                             |                |
|----------------------|-----------------------------|----------------|
| (1) Pulley nut       | (7) Bearing                 | (13) Terminals |
| (2) Pulley           | (8) Stator coil             |                |
| (3) Front cover      | (9) IC regulator with brush |                |
| (4) Ball bearing     | (10) Brush                  |                |
| (5) Bearing retainer | (11) Rectifier              |                |
| (6) Rotor            | (12) Rear cover             |                |

**Tightening torque: N·m (kgf·m, ft·lb)**

**T1: 4.7 (0.5, 3.5)**

**T2: 108 (11.0, 79.8)**

# General Description

## STARTING/CHARGING SYSTEMS

---

### **C: CAUTION**

- Wear appropriate work clothing, including a cap, protective goggles and protective shoes when performing any work.
- Remove contamination including dirt and corrosion before removal, installation or disassembly.
- Keep the disassembled parts in order and protect them from dust and dirt.
- Before removal, installation or disassembly, be sure to clarify the failure. Avoid unnecessary removal, installation, disassembly and replacement.
- Vehicle components are extremely hot after driving. Be wary of receiving burns from heated parts.
- Be sure to tighten fasteners including bolts and nuts to the specified torque.
- Place shop jacks or rigid racks at the specified points.
- Before disconnecting connectors of sensors or units, be sure to disconnect the ground cable from the battery.

### **D: PREPARATION TOOL**

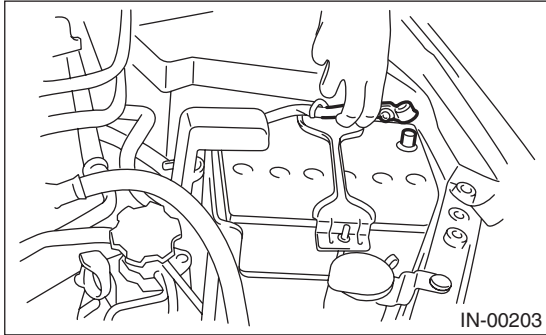
#### **1. GENERAL TOOL**

TOOL NAME	REMARKS
Circuit tester	Used for measuring resistance, voltage and current.

### 2. Starter

#### A: REMOVAL

1) Disconnect the ground cable from battery.

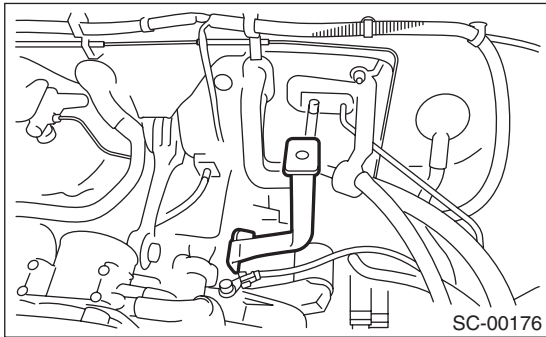


2) Remove the air intake chamber. (Non-turbo model) <Ref. to IN(H4SO)-7, REMOVAL, Air Intake Chamber.>

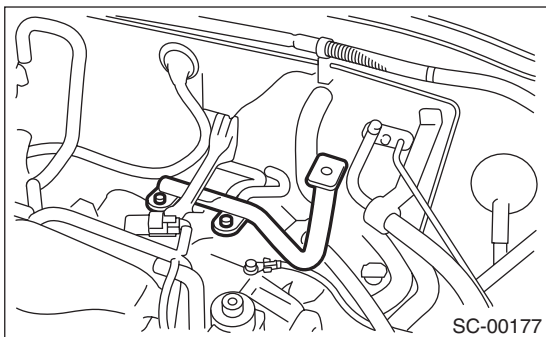
3) Remove the intercooler. (Turbo model) <Ref. to IN(H4DOTC)-13, REMOVAL, Intercooler.>

4) Remove the air intake chamber stay LH. (Non-turbo model)

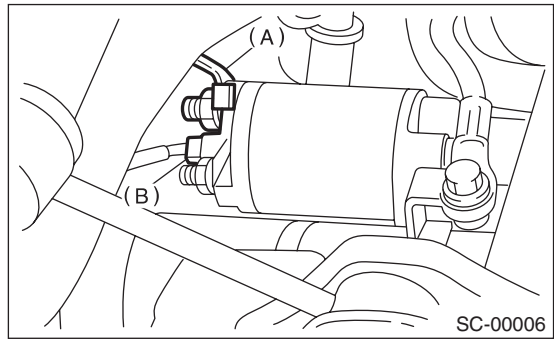
- MT MODEL



- AT MODEL



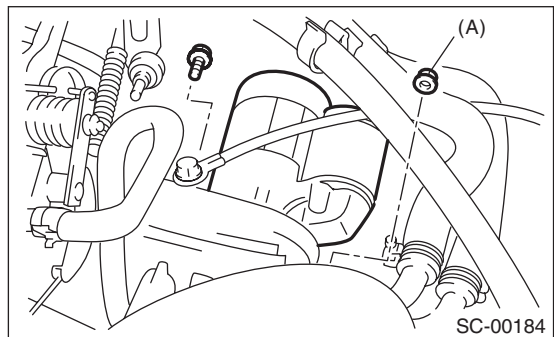
5) Disconnect the connector (B) and terminal (A) from starter.



6) Remove the starter from transmission.

**NOTE:**

For the MT model, a bolt is used in place (A).



#### B: INSTALLATION

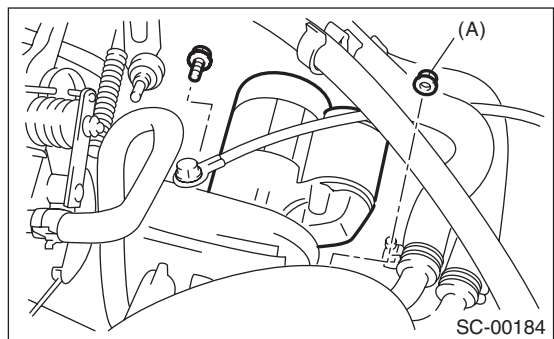
Install in the reverse order of removal.

**NOTE:**

For the MT model, a bolt is used in place (A).

**Tightening torque:**

**50 N·m (5.1 kgf-m, 36.9 ft-lb)**

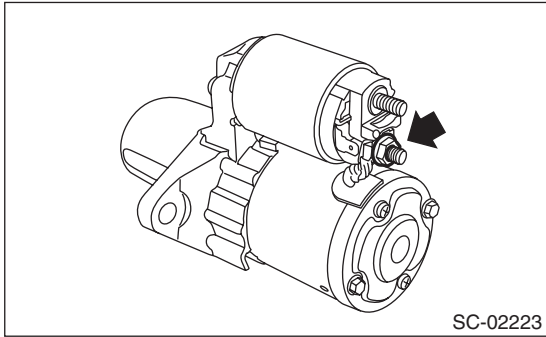


# Starter

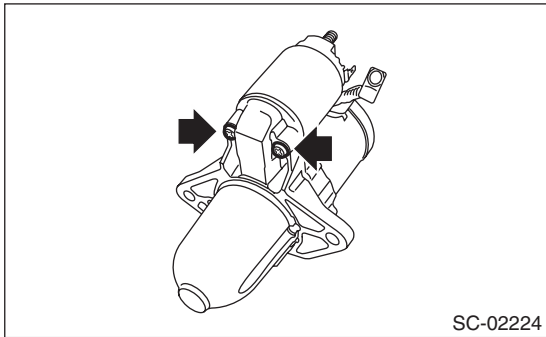
## STARTING/CHARGING SYSTEMS

### C: DISASSEMBLY

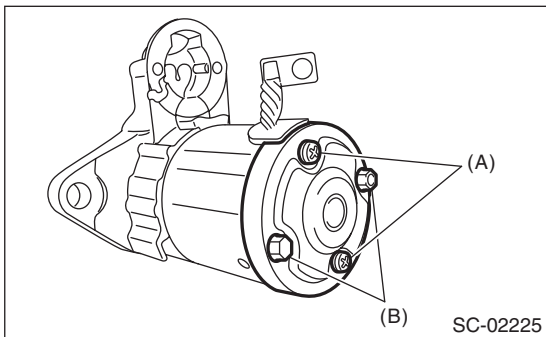
1) Remove the nuts fastening the M terminal of the magnet switch assembly, and disconnect the cable from the M terminal.



2) Remove the screws fastening the magnet switch assembly, then remove the magnet switch assembly from the starter housing assembly.



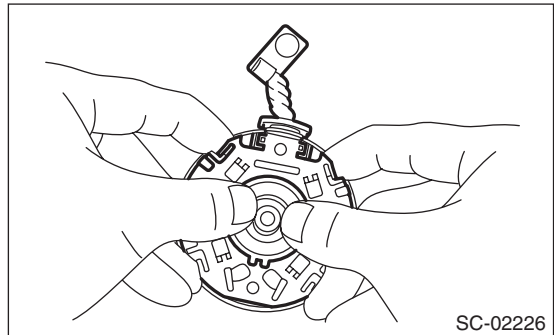
3) Remove screws (A) of the brush holder assembly, and through bolts (B) on both sides, and remove the starter cover assembly.



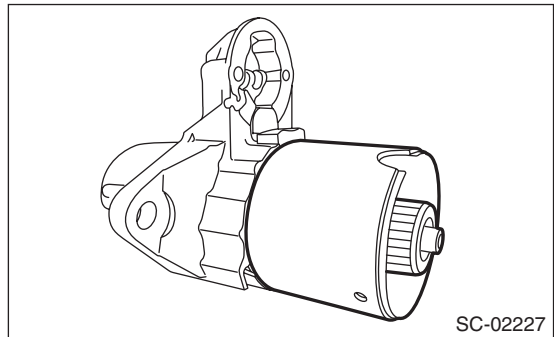
4) Remove the brush holder assembly from the armature assembly.

#### NOTE:

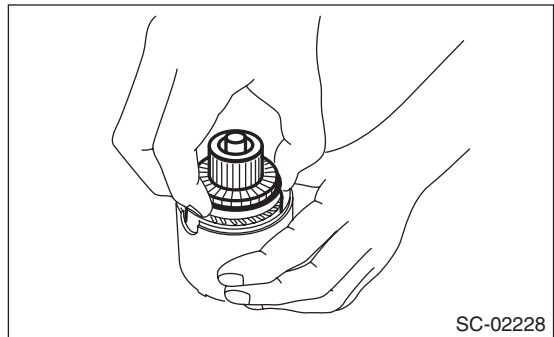
Hold the brush with your fingers so that the brush spring does not come flying out.



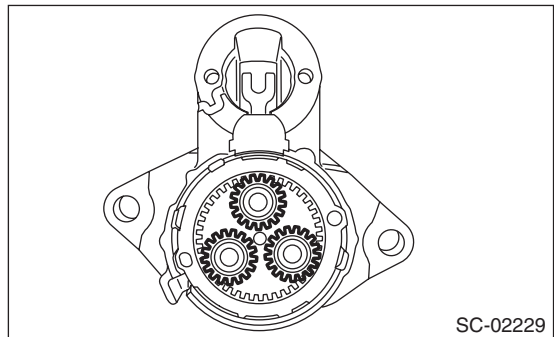
5) Remove the armature assembly and yoke assembly from the starter housing assembly together as a single unit.



6) Separate the armature assembly and yoke assembly.



7) Remove the pinion gear from the internal gear assembly.

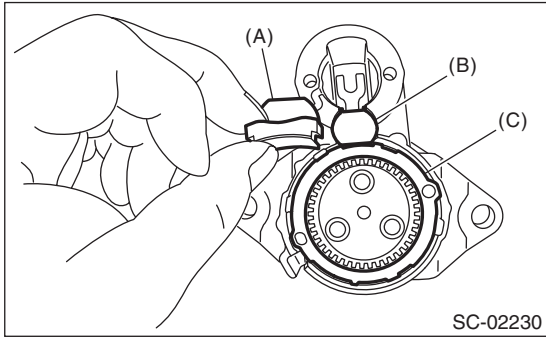




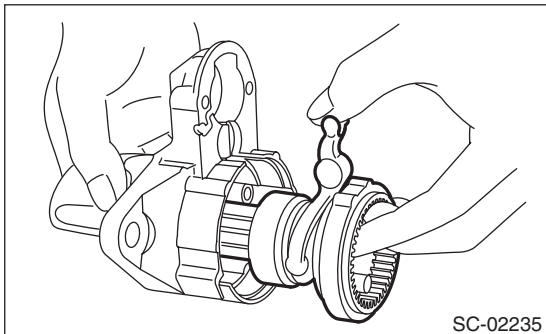
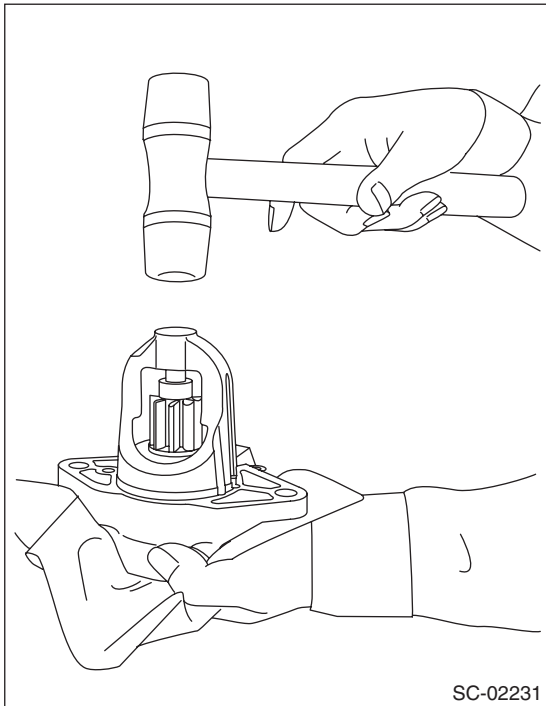
# Starter

## STARTING/CHARGING SYSTEMS

8) Remove rubber seal (A), plate (B), and rubber seal (C).

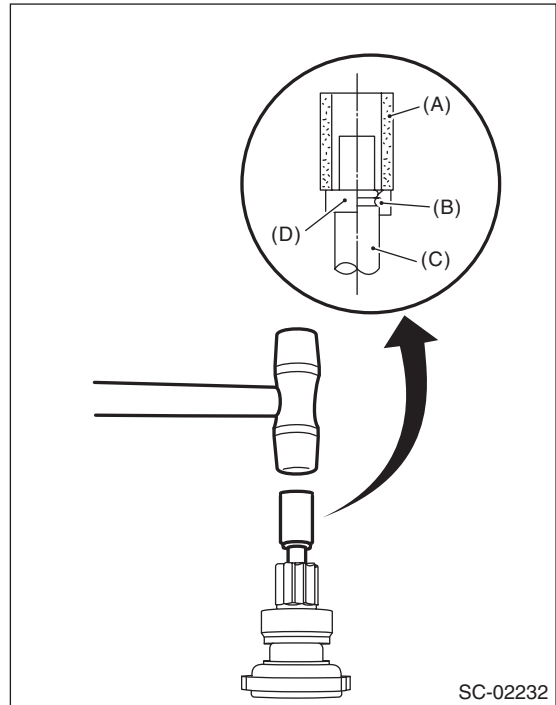


9) Lightly tap the starter housing assembly with a plastic hammer as shown in the figure, and remove the overrunning clutch, internal gear assembly, shaft and shift lever together as one unit.



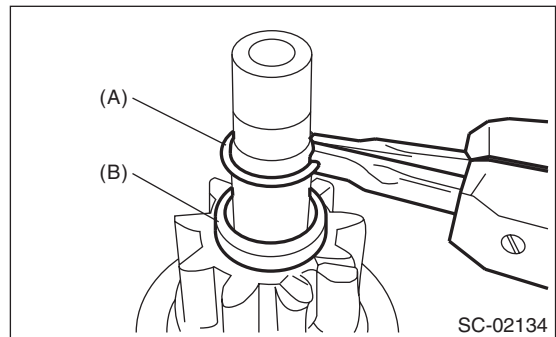
10) Use the following procedures to remove the overrunning clutch from the shaft.

(1) Use an appropriate tool (such as a fit socket wrench), and remove the stopper from snap ring by lightly tapping the stopper with a plastic hammer.



- (A) Appropriate tool
- (B) Snap ring
- (C) Shaft
- (D) Stopper

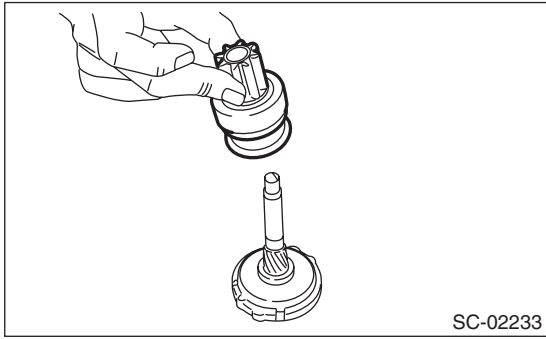
(2) Remove snap ring (A) from the shaft, and remove stopper (B).



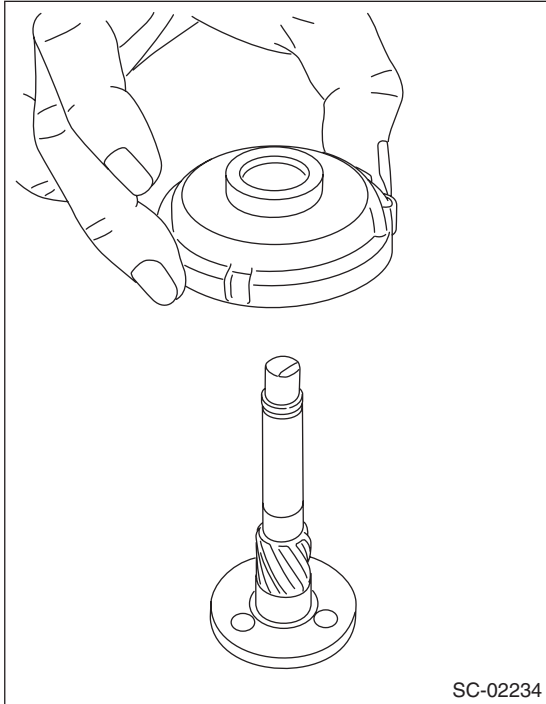
# Starter

## STARTING/CHARGING SYSTEMS

(3) Remove the overrunning clutch from the shaft.



11) Separate the internal gear assembly and shaft.



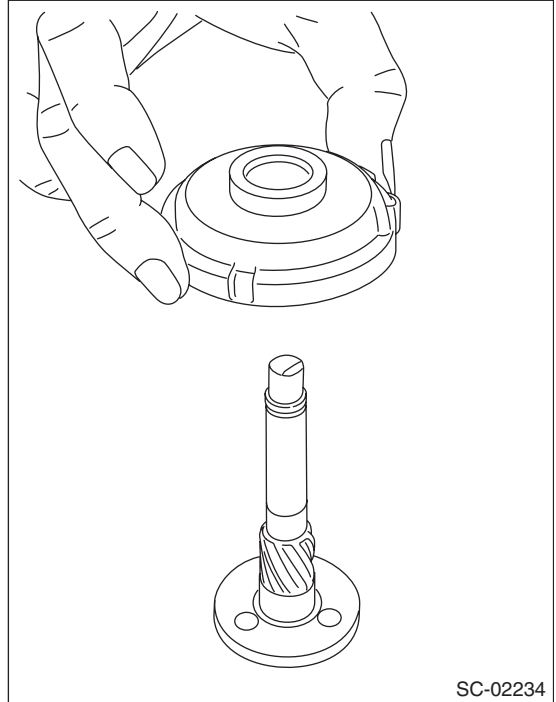
## D: ASSEMBLY

1) Apply grease to the sliding surfaces of the internal gear assembly shaft.

**Grease:**

***Multemp #6129 or equivalent***

2) Assemble the shaft to the internal gear assembly.



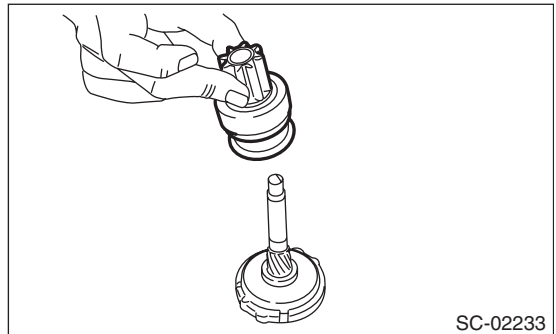
3) Assemble the overrunning clutch as follows:

(1) Apply grease to the spline portion of the shaft.

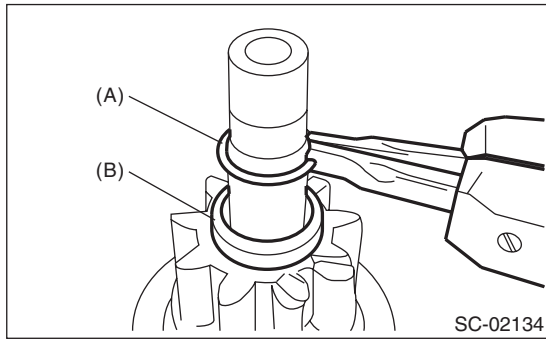
**Grease:**

***Multemp #6129 or equivalent***

(2) Install the overrunning clutch to shaft.



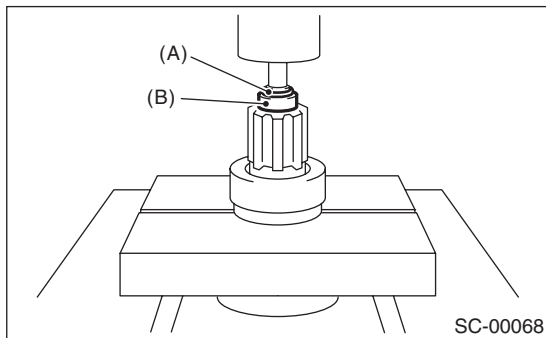
(3) Pass stopper (B) through the shaft assembly, and attach snap ring (A).



**NOTE:**

Use new stoppers and snap rings.

(4) Using a press, pressure fit stopper (B) into snap ring (A).



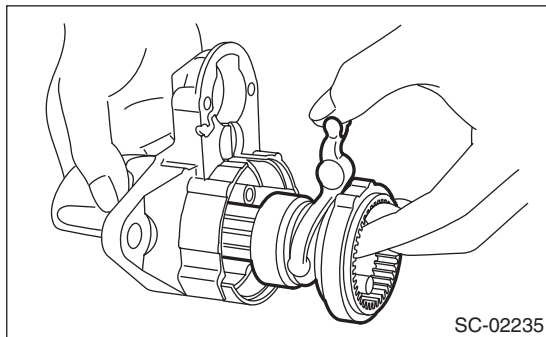
4) Assemble the overrunning clutch, internal gear assembly, shaft and shift lever as a single unit into the starter housing assembly.

**NOTE:**

Apply grease to the moving parts of the shift lever.

**Grease:**

**Multemp #6129 or equivalent**



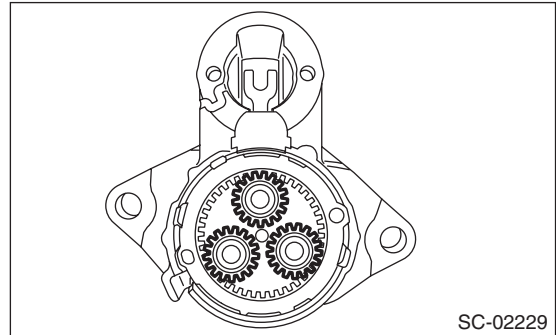
5) Apply grease to the inside of the internal gear assembly and pinion gear, and attach the pinion gear to the internal gear assembly.

**NOTE:**

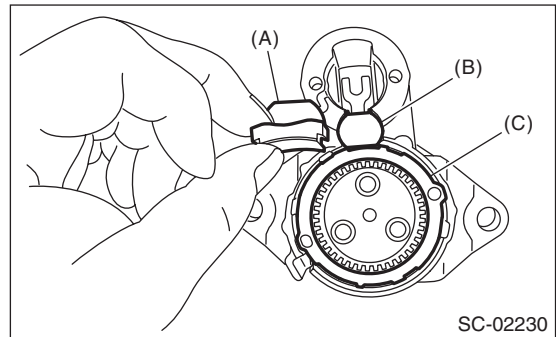
- Apply grease evenly to the contact surfaces of each gear.
- Be careful that no debris becomes attached.

**Grease:**

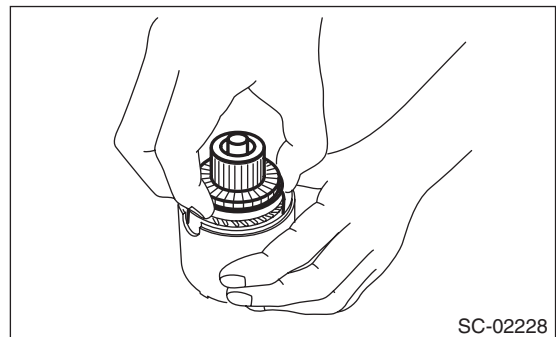
**Molykote® AG650 or equivalent**



6) Attach rubber seal (A), plate (B), and rubber seal (C).



7) Assemble the armature assembly to the yoke assembly.



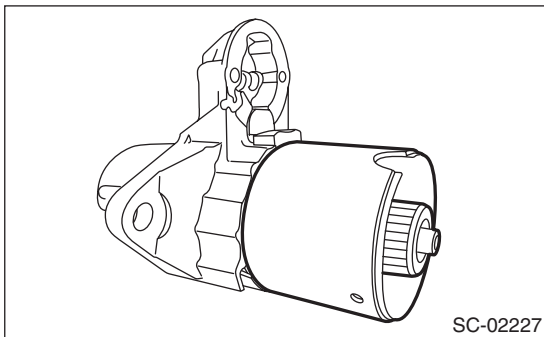
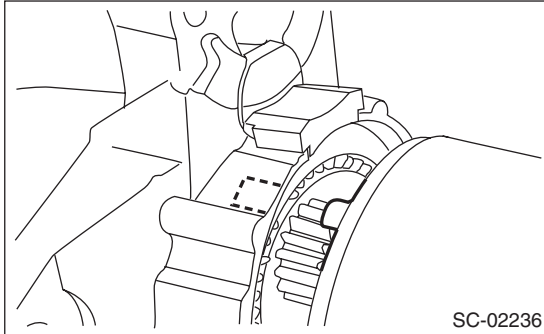
# Starter

## STARTING/CHARGING SYSTEMS

8) Attach the armature assembly and yoke assembly to the starter housing assembly together as a single unit.

**NOTE:**

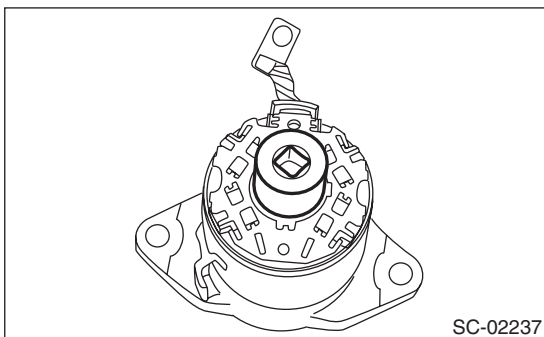
As shown in the figure, match the protrusion of the yoke assembly to the cut out of the starter housing assembly.



9) Use an appropriate tool (such as correctly sized socket wrenches) and attach the brush holder assembly to the armature assembly.

**NOTE:**

Be careful not to damage the brushes.



10) Secure starter cover assembly to the brush holder assembly with screws (A).

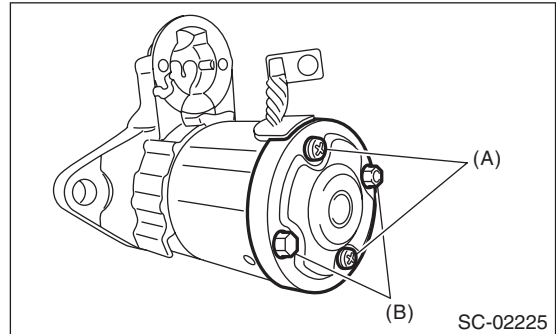
**Tightening torque:**

**1.4 N-m (0.1 kgf-m, 1.0 ft-lb)**

11) Install through bolts (B) on both sides.

**Tightening torque:**

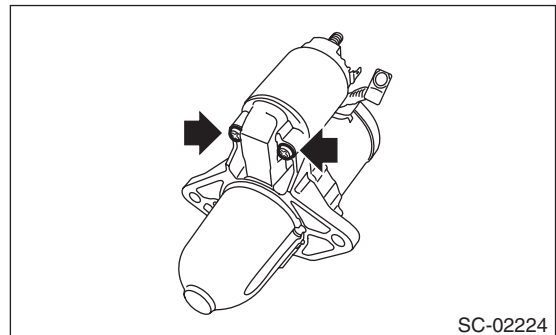
**6 N-m (0.6 kgf-m, 4.4 ft-lb)**



12) Attach the magnet switch assembly to the starter housing assembly.

**Tightening torque:**

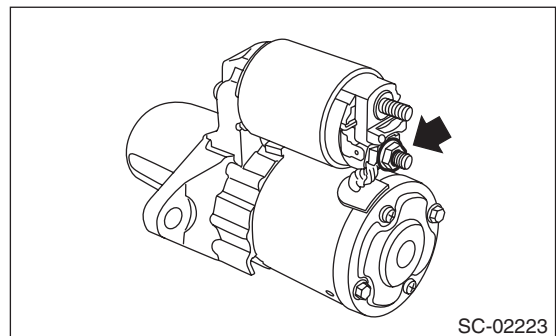
**7.5 N-m (0.8 kgf-m, 5.5 ft-lb)**



13) Attach the cable to the M terminal of the magnet switch assembly, and secure with nuts.

**Tightening torque:**

**10 N-m (1.0 kgf-m, 7.4 ft-lb)**



### E: INSPECTION

#### 1. ARMATURE

1) Check the commutator for signs of seizure or stepped wear caused by roughness of the surface. If there is light wear, use sandpaper to repair.

##### 2) Runout test

Check for runout on the commutator. If excessive, replace it.

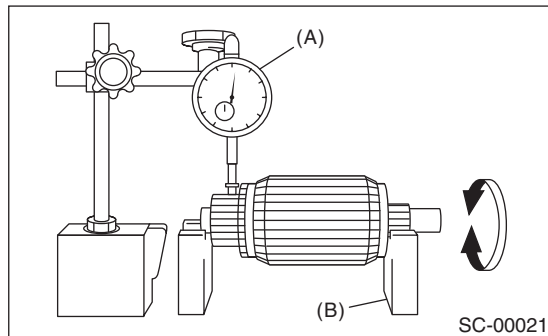
##### Commutator runout:

###### Standard

**0.05 mm (0.002 in)**

###### Service limit

**0.10 mm (0.004 in) or less**



(A) Dial gauge

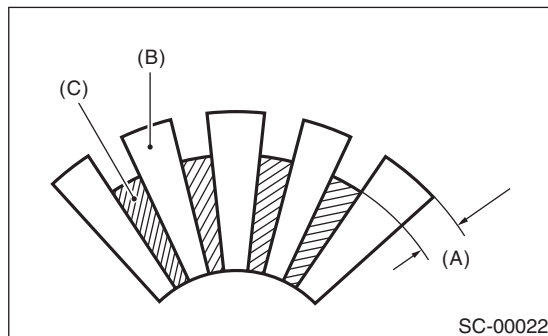
(B) V-block

##### 3) Depth of segment mold

Check the depth of the segment mold.

##### Depth of segment mold:

**0.50 mm (0.020 in)**



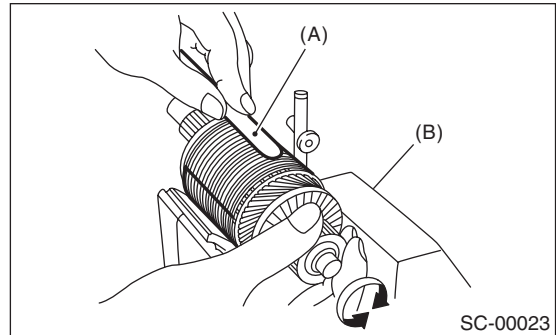
(A) Depth of mold

(B) Segment

(C) Mold

##### 4) Armature short-circuit test

Place the armature on the growler tester to check for short circuits. While slowly turning the armature, support the steel sheet for the armature core. If the circuit of the armature is shorted, the steel sheet will vibrate, causing it to move towards the core. When the steel sheet has moved or vibrated, replace or repair the armature with the shorted circuit.



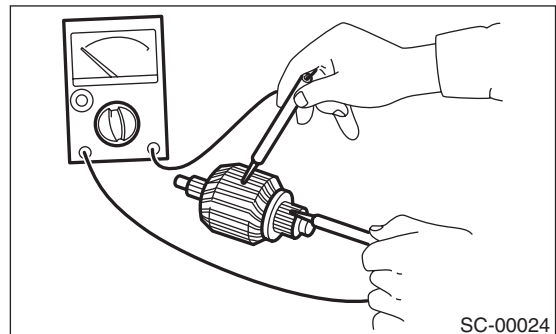
(A) Steel sheet

(B) Growler tester

##### 5) Armature ground test

Use a circuit tester to touch the probe of one side to the commutator segment, and the other probe to the shaft. If there is no continuity, it is normal. If there is continuity, the armature is grounded.

If grounded, replace the armature.



#### 2. YOKE

Make sure that the pole is set at the predetermined position.

#### 3. OVERRUNNING CLUTCH

Check that there is no wear or damage to the piston teeth. Replace if it is damaged. If it rotates smoothly when rotated in the correct direction (counter-clockwise) and does not return to the other direction, it is normal.

##### CAUTION:

**To prevent spilling of grease, do not clean the overrunning clutch with oil.**

# Starter

## STARTING/CHARGING SYSTEMS

### 4. BRUSH AND BRUSH HOLDER

#### 1) Brush length

Measure the length of the brush. If it exceeds service limits, replace it.

Replace if there is abnormal wear or cracks.

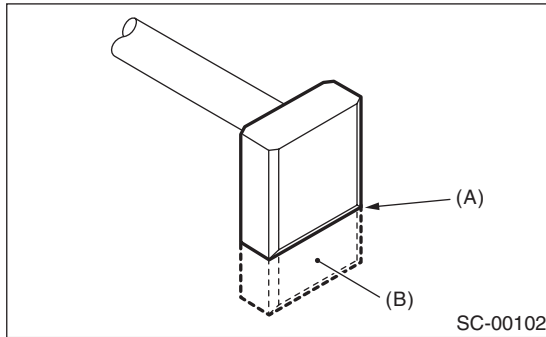
#### **Brush length:**

##### **Standard**

**12.3 mm (0.484 in)**

##### **Service limit**

**7.0 mm (0.276 in)**



- (A) Service limit line
- (B) Brush

#### 2) Brush movement

Check that the brush moves smoothly in the brush holder.

#### 3) Brush spring force

Measure the brush spring force with a spring scale. Replace the brush holder if below the service limit.

#### **Brush spring force:**

##### **Standard**

**15.9 — 19.5 N (1.62 — 1.99 kgf, 3.57 — 4.38 lbf)**  
**(When new)**

##### **Service limit**

**2.5 N (0.25 kgf, 0.56 lbf)**

### 5. SWITCH ASSEMBLY

Using a circuit tester (set to “ohm”), check that there is continuity between terminals S and M, and between terminal S and ground.

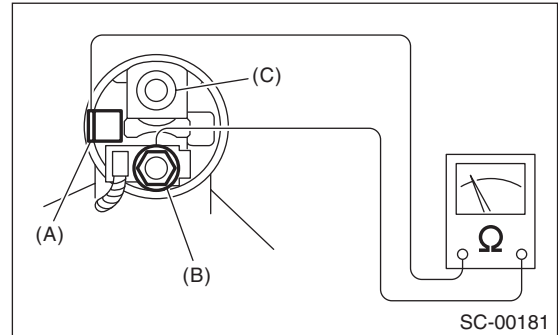
Also check to be sure there is no continuity between M terminal and B.

#### **Terminal/Resistance:**

**S — M/1  $\Omega$  or less**

**S — Ground/1  $\Omega$  or less**

**M — B/1 M $\Omega$  or more**



- (A) S terminal
- (B) M terminal
- (C) B terminal

### 6. SWITCH ASSEMBLY OPERATION

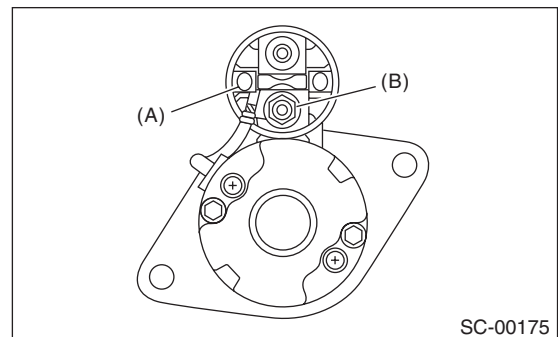
1) Using a lead wire, connect the S terminal of switch assembly to positive terminal of battery, and starter body to ground terminal of battery. The pinion should be forced endwise on shaft.

#### **NOTE:**

With the pinion forced endwise on shaft, starter motor can sometimes rotate because current flows, through pull-in coil, to motor. This is not a problem.

2) Disconnect the connector from M terminal. Then using a lead wire, connect the positive terminal of battery and M terminal and ground terminal to starter body.

In this test set up, the pinion should return to its original position even when it is pulled out with a screwdriver.



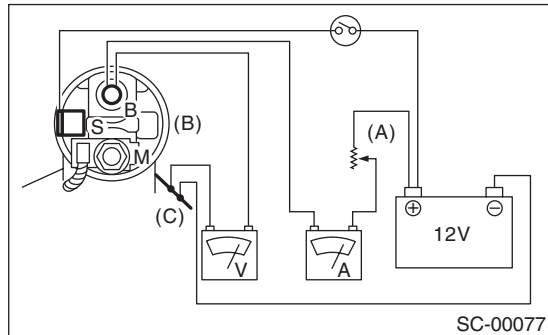
- (A) S terminal
- (B) M terminal

### 7. PERFORMANCE TEST

The starter should be submitted to performance tests whenever it has been overhauled, to assure its satisfactory performance when installed on the engine.

Three performance tests, no-load test, load test, and lock test, are presented here; however, if the load test and lock test cannot be performed, carry out at least the no-load test.

For these performance tests, use the circuit shown in figure.



- (A) Variable resistance
- (B) Magnet switch
- (C) Starter body

#### 1) No-load test

With switch on, adjust the variable resistance until the voltage is 11 V, read the value of ammeter to measure starter speed. Compare these values with the standard.

#### **No-load test (standard):**

##### **Voltage/Current**

**MT model**

**Max. 11 V/95 A**

**AT model**

**Max. 11 V/90 A**

##### **Rotating speed**

**MT model**

**2,500 rpm or more**

**AT model**

**2,000 rpm or more**

#### 2) Load test

Apply the specified braking torque to starter. The condition is normal if the current draw and starter speed are within standard.

#### **Load test (standard):**

##### **Voltage/Load**

**MT model**

**7.5 V/8.84 N·m (0.9 kgf-m, 6.5 ft-lb)**

**AT model**

**7.7 V/16.7 N·m (1.7 kgf-m, 12.3 ft-lb)**

##### **Current/Speed:**

**MT model**

**300 A/870 rpm or more**

**AT model**

**400 A/710 rpm or more**

#### 3) Lock test

With the starter stalled, or not rotating, measure the torque developed and current draw when the voltage is adjusted to standard voltage.

#### **Lock test (standard):**

##### **Voltage/Current**

**MT model**

**4 V/680 A or less**

**AT model**

**3.5 V/960 A or less**

##### **Torque**

**MT model**

**17 N·m (1.7 kgf-m, 12.5 ft-lb) or more**

**AT model**

**31 N·m (3.2 kgf-m, 22.9 ft-lb) or more**



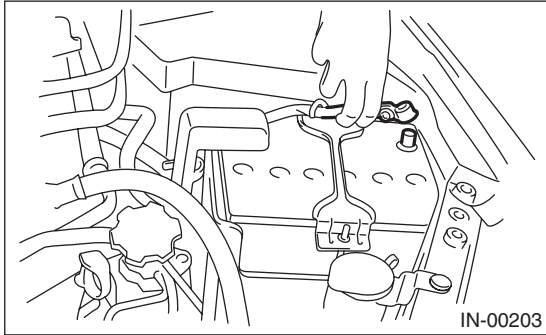
# Generator

## STARTING/CHARGING SYSTEMS

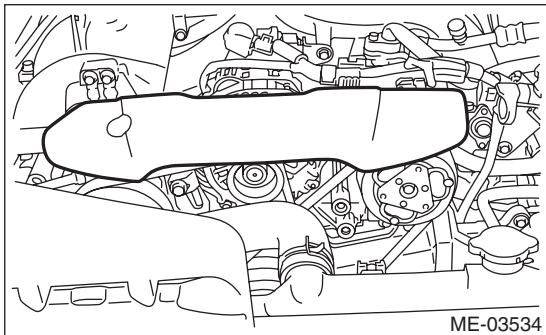
### 3. Generator

#### A: REMOVAL

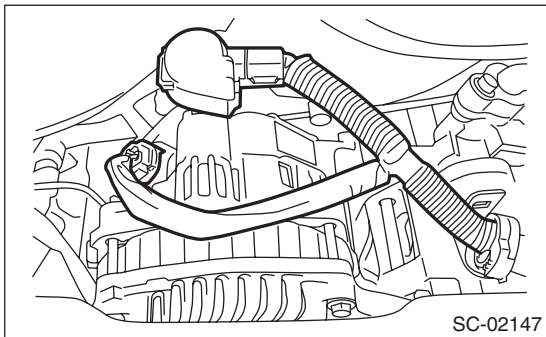
- 1) Disconnect the ground cable from battery.



- 2) Remove the V-belt covers.

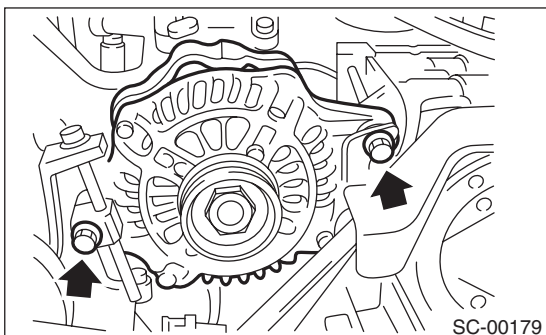


- 3) Disconnect the connector and terminal from generator.



- 4) Remove the front side belts. <Ref. to ME(H4SO)-39, FRONT SIDE BELT, REMOVAL, V-belt.> <Ref. to ME(H4DOTC)-40, FRONT SIDE BELT, REMOVAL, V-belt.>

- 5) Remove the bolts which secure the generator to the bracket.



#### B: INSTALLATION

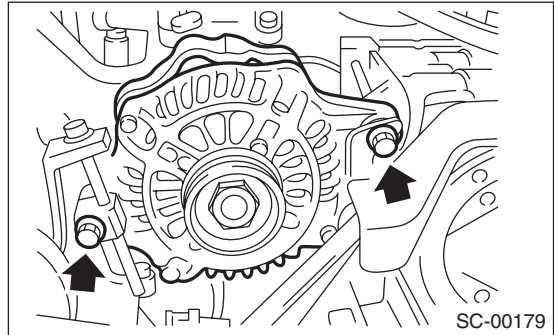
Install in the reverse order of removal.

#### CAUTION:

Check and adjust the front side belt tension. <Ref. to ME(H4SO)-45, FRONT SIDE BELT, INSPECTION, V-belt.> <Ref. to ME(H4DOTC)-46, FRONT SIDE BELT, INSPECTION, V-belt.>

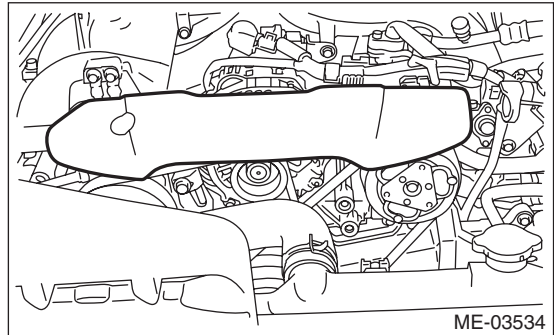
#### Tightening torque:

25 N·m (2.5 kgf·m, 18.4 ft·lb)



#### Tightening torque:

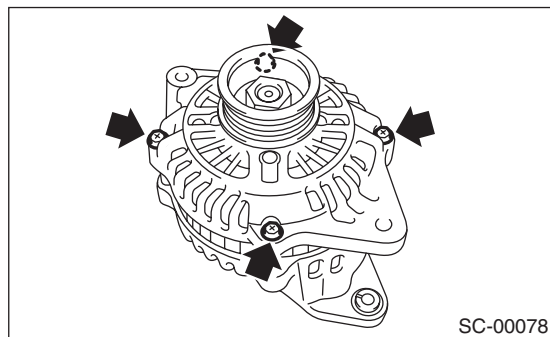
13 N·m (1.3 kgf·m, 9.6 ft·lb)



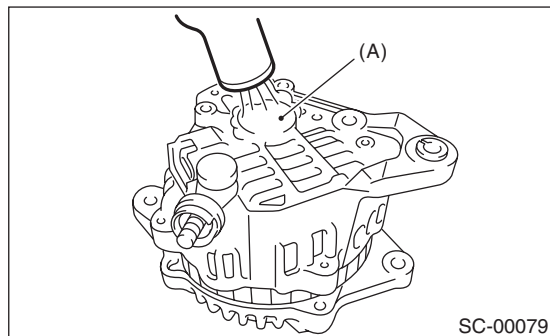


### C: DISASSEMBLY

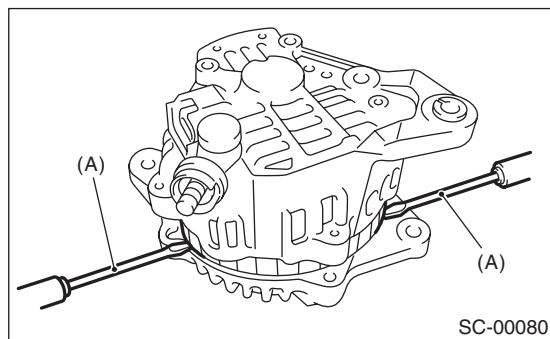
1) Remove the four through-bolts.



2) Use a drier to heat the rear cover (A) portion to 50°C (122°F).

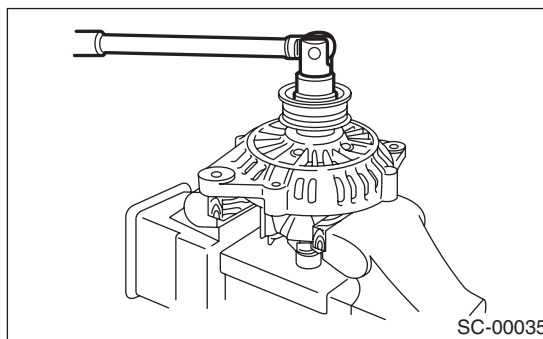


3) Insert the end of a flat tip screwdriver into the gap between stator core and front cover. Pry them apart to disassemble.

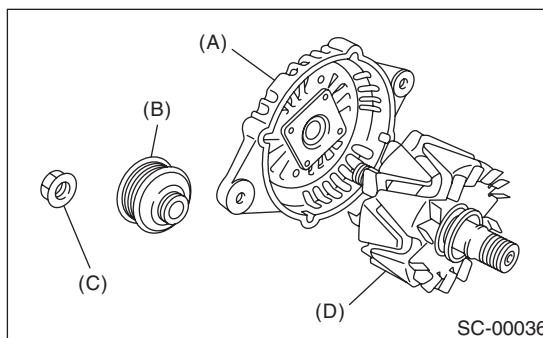


(A) Screwdriver

4) Using a vise, support the rotor and remove the pulley nut.



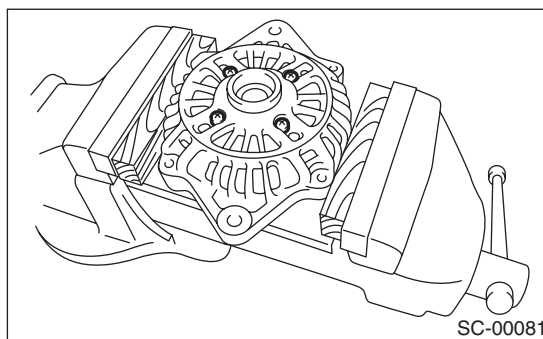
**CAUTION:**  
When holding the rotor with a vise, place aluminum plates or wooden pieces on the vise jaws to prevent rotor from damage.



- (A) Front cover
- (B) Pulley
- (C) Nut
- (D) Rotor

5) Use the following procedures to remove the ball bearings.

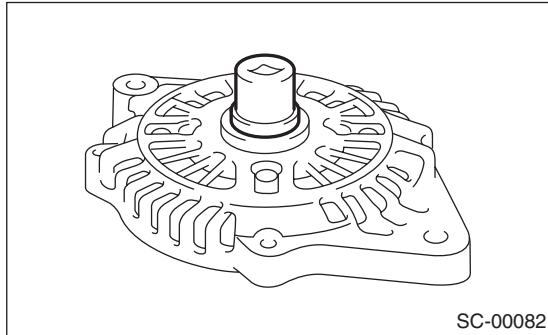
(1) Remove the bolt, and then detach the bearing retainer.



# Generator

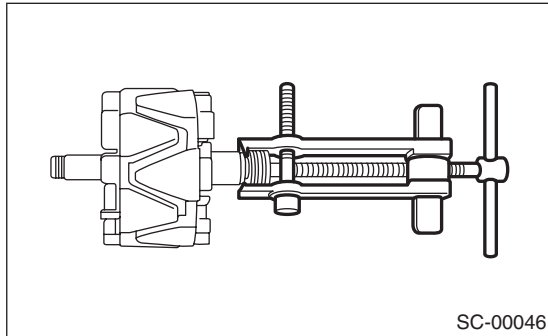
## STARTING/CHARGING SYSTEMS

(2) Firmly attach an appropriate tool (such as a correct size socket wrench) to the bearing inner race.



(3) Use the press to push the ball bearings out from the front cover.

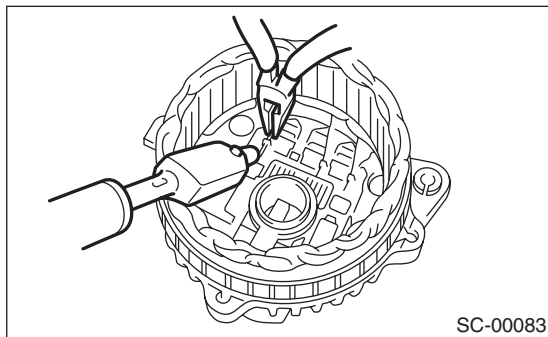
6) Using the bearing puller, remove the bearings from the rotor.



7) Disconnect the connection between the rectifier and stator coil, then remove the stator coil.

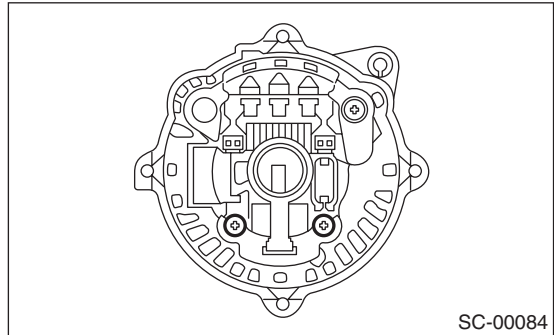
### CAUTION:

The rectifier is easily damaged by heat. Do not allow a 180 — 270 W soldering iron to contact the terminals for 5 seconds or more at a time.

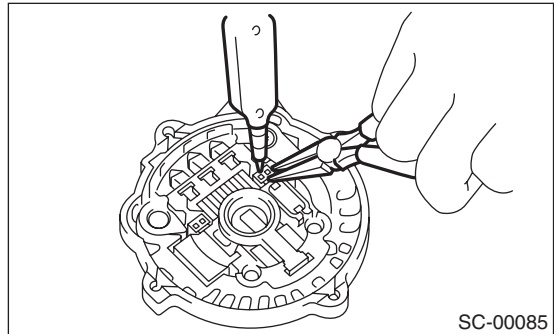


8) Use the following procedures to remove the IC regulator.

(1) Remove the screws which secure the IC regulator to the rear cover.

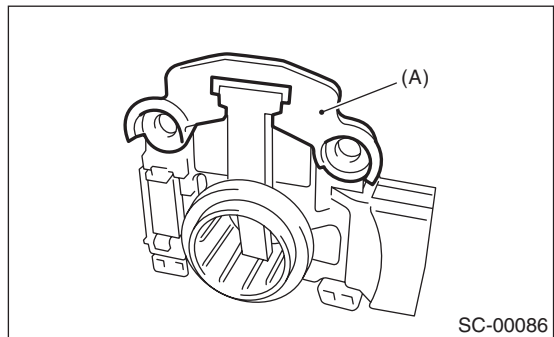


(2) Disconnect the connection between the IC regulator and rectifier, then remove the IC regulator.



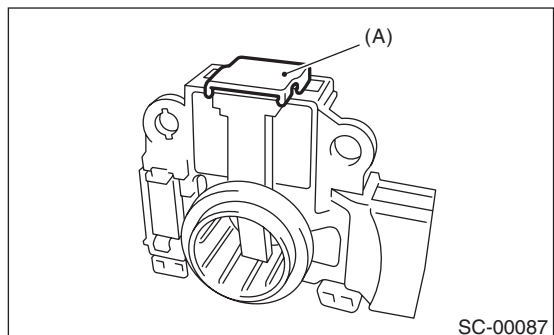
9) Use the following procedures to remove the brush.

(1) Remove the cover A.



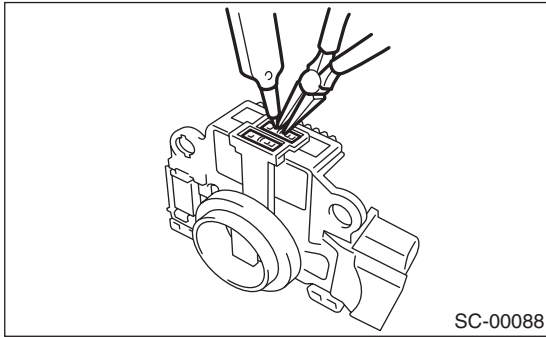
(A) Cover A

(2) Remove the cover B.



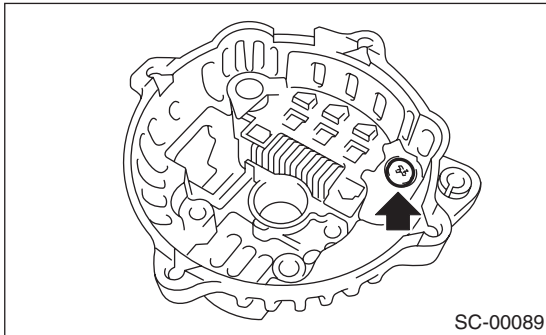
(A) Cover B

(3) Disconnect the connection and remove the brush.

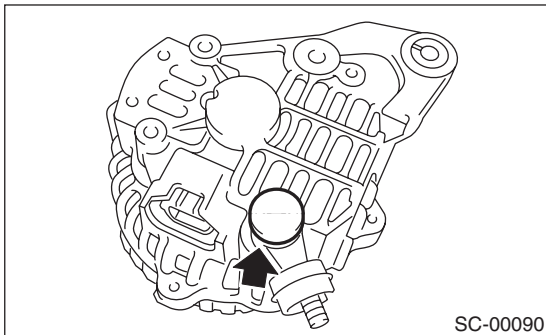


10) Remove the rectifier as follows.

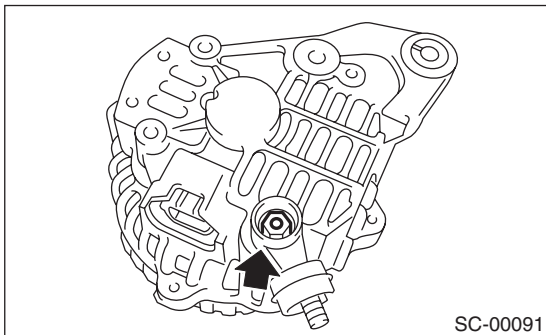
(1) Remove the bolts which secure the rectifier.



(2) Remove the cover on B terminal.



(3) Remove the nuts of B terminal, then remove the rectifier.



## D: ASSEMBLY

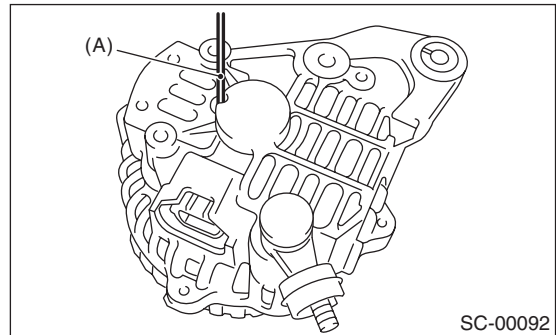
Assemble in the reverse order of disassembly.

1) Pull-out of the brush

Before assembling, press the brush down into the brush holder, then fix the brush in that position by inserting a [1 mm (0.04 in) dia., 40 — 50 mm (1.6 — 2.0 in) long] wire through the hole as shown in the figure.

### CAUTION:

**After re-assembling, remove the wire.**



(A) Wire

2) Install the ball bearings.

(1) Set the ball bearings in the front cover, then securely install an appropriate tool (such as a socket wrench of proper size) to the bearing outer race.

(2) Using a press to press the ball bearings into the specified location.

(3) Install the bearing retainer.

3) Using a press to install the bearings (rear side) to the rotor shaft.

4) Heat the bearing box in rear cover [50 to 60°C (122 to 140°F)], and then press the rear bearing into rear cover.

### CAUTION:

**Do not apply grease to the rear bearings. If there is any oil on the bearing box, remove it completely.**

5) After re-assembling, manually turn the pulley to check that the rotor rotates smoothly.

# Generator

## STARTING/CHARGING SYSTEMS

### E: INSPECTION

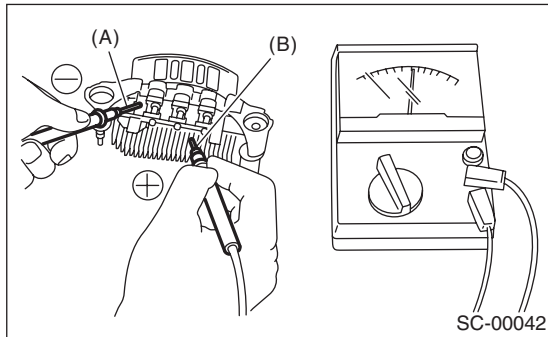
#### 1. DIODE

##### CAUTION:

**There is the possibility of damaging the diodes if a mega-tester (used to measure high voltages) or a similar measuring instrument is used. Never use a mega tester or equivalent for this test.**

##### 1) Check the positive diode

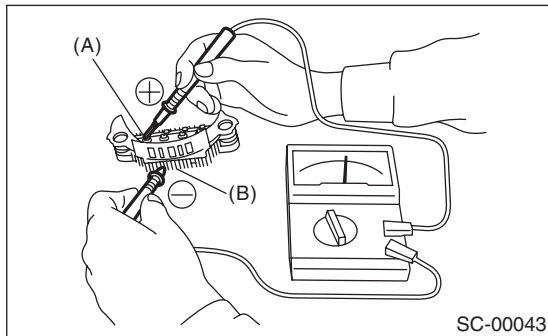
Check for continuity between the diode lead and positive side heat sink. If resistance is  $1\ \Omega$  or less only in the direction from the diode lead to the heat sink, the positive diode is OK.



- (A) Diode lead
- (B) Heat sink (positive side)

##### 2) Check negative diode

Check for continuity between the negative side heat sink and diode lead. If resistance is  $1\ \Omega$  or less only in the direction from the heat sink to the diode lead, the negative diode is OK.



- (A) Diode lead
- (B) Heat sink (negative side)

#### 2. ROTOR

##### 1) Slip ring surface

Inspect the slip rings for contamination or any roughness on the sliding surface. Repair the slip ring surface using a lathe or sand paper.

##### 2) Slip ring outer diameter

Measure the slip ring outer diameter. Replace the rotor assembly if the slip ring is worn.

##### *Slip ring outer diameter:*

###### *Standard*

*22.7 mm (0.894 in)*

###### *Limit*

*22.1 mm (0.870 in)*

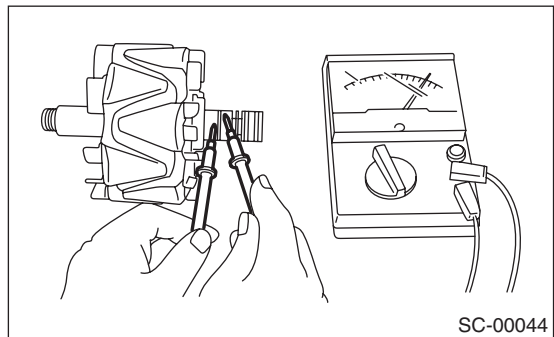
##### 3) Continuity test

Using a circuit tester, check the resistance between slip rings.

If the resistance is not within the standard, replace the rotor assembly.

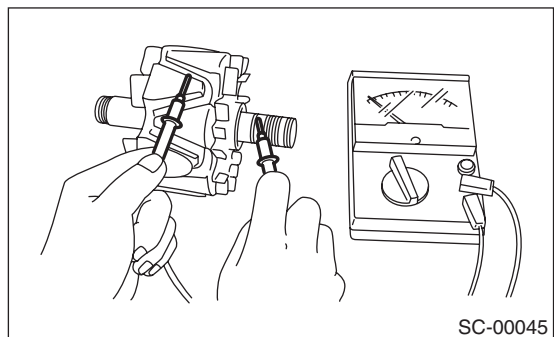
##### *Specified resistance:*

*Approximately 1.8 — 2.2  $\Omega$*



##### 4) Insulation test

Check the continuity between slip ring and rotor core or shaft. If the resistance is  $1\ \Omega$  or less, replace the rotor assembly because the rotor coil is grounded.



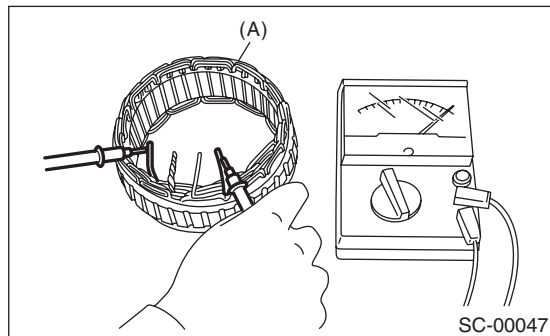
##### 5) Ball bearings (rear side)

Check the rear ball bearing. If there is any noise, or the rotor does not rotate smoothly, replace the bearings.

### 3. STATOR

#### 1) Continuity test

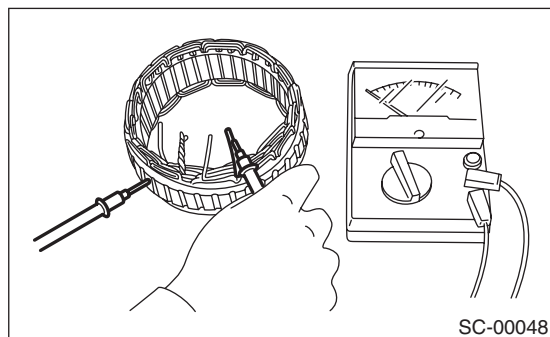
Inspect continuity between the stator coil lead wire terminals. If the resistance is 1 M $\Omega$  or more, the lead wire is damaged. Replace the stator assembly.



(A) Stator

#### 2) Insulation test

Inspect the continuity between the stator coil stator core and lead wire terminals. If the resistance is 1  $\Omega$  or less, the stator coil is grounded. Replace the stator assembly.



### 4. BRUSH

1) Measure the length of each brush. Replace the brush if wear exceeds service limits. There is a service limit mark (A) on each brush.

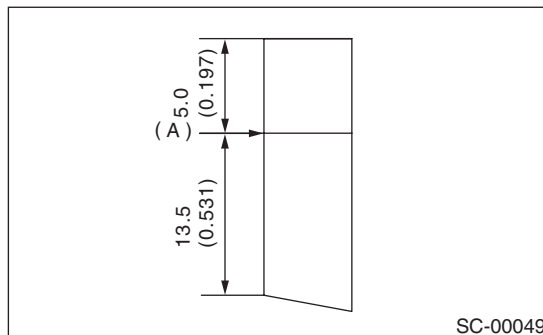
#### Brush length:

##### Standard

**18.5 mm (0.728 in)**

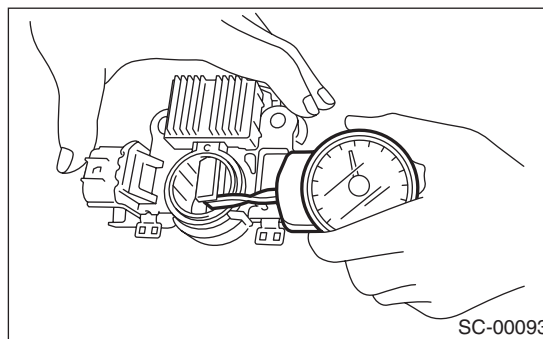
##### Service limit

**5.0 mm (0.197 in)**



2) Check that there is appropriate pressure on the brush spring.

Using a spring pressure indicator, push the brush into the brush holder until its tip protrudes 2 mm (0.08 in). Then measure the pressure of brush spring. If the pressure is 2.648 N (270 g, 9.52 oz) or less, replace the brush spring. 4.609 — 5.786 N (470 — 590 g, 16.58 — 20.810 oz) pressure is required on the new spring.



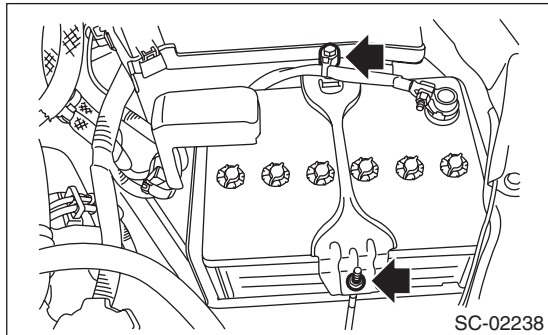
### 5. BEARING (FRONT SIDE)

Check the front ball bearing. Replace the ball bearings if there is resistance in the rotation, or if there is any abnormal noise.

### 4. Battery

#### A: REMOVAL

- 1) Disconnect the positive (+) terminal after disconnecting the negative (-) terminal of battery.
- 2) Remove the harness clip of the negative terminal from the battery rod.
- 3) Remove the flange nut from battery rod and remove battery holder.



- 4) Remove the battery.

#### B: INSTALLATION

Install in the reverse order of removal.

##### **Tightening torque:**

**3.5 N·m (0.4 kgf·m, 2.6 ft·lb)**

##### **NOTE:**

- Clean the battery cable terminals and apply grease to retard the formation of corrosion.
- Connect the positive (+) terminal, and then connect the negative (-) terminal of the battery.
- After the battery is installed, initial diagnosis of the electronic throttle control is performed. Wait for 10 seconds or more after turning the ignition switch to ON, and then start the engine.

#### C: INSPECTION

##### **WARNING:**

- Electrolyte is corrosive acid, and has toxicity; be careful of handling the fluid.
- Make sure the electrode does not come into contact with skin, eyes or clothing. Especially at contact with eyes, flush with water for 15 minutes and get prompt medical attention.
- In addition, be careful not to let the electrode contact with the coated parts.
- Be careful when handling the batteries because they produce explosive gases.
- Be sure to keep battery away from any fire.
- For safety, in case an explosion does occur, wear eye protection or shield your eyes when working near any battery. In addition, never lean over the battery.
- Ventilate sufficiently when using or charging battery in enclosed space.
- Before starting work, remove rings, metal watch-bands, and other metal jewelry.
- Never allow metal tools to contact the positive battery terminal and anything connected to it while you are at the same time in contact with any other metallic portion of the vehicle.

##### **1. EXTERNAL PARTS**

Check the battery case, top cover, vent plugs, and terminal posts for dirt or cracks. If necessary, clean with water and wipe with a dry cloth.

Apply a thin coat of grease on the terminal posts to prevent corrosion.

##### **2. ELECTROLYTE LEVEL**

Check the electrolyte level in each cell. If the level is below MIN level, bring the level to MAX level by pouring distilled water into the battery cell. Do not fill beyond MAX level.

##### **3. SPECIFIC GRAVITY OF ELECTROLYTE**

1) Measure specific gravity of electrolyte using a hydrometer and a thermometer.

Specific gravity varies with temperature of electrolyte so that it must be corrected at 20°C (68°F) using the following calculation:

$$S_{20} = S_t + 0.0007 \times (t - 20)$$

*S<sub>20</sub>: Specific gravity corrected at electrolyte temperature of 20°C*

*S<sub>t</sub>: Measured specific gravity*

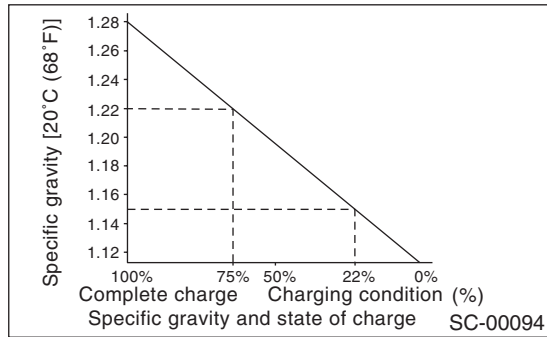
*t: Measured temperature (°C)*

*Judge whether or not the battery requires charging according to corrected specific gravity.*

*Standard specific gravity: 1.220 — 1.290 [at 20°C (68°F)]*



2) Measuring the specific gravity of the electrolyte in the battery will disclose the state of charge of the battery. The relation between specific gravity and state of charge is as shown in the figure.



## D: MEASUREMENT

### WARNING:

Do not bring an open flame close to the battery when working.

### CAUTION:

- Prior to charging, corroded terminals should be cleaned with a brush and common caustic soda solution.
- Be careful since battery electrolyte overflows while charging the battery.
- Observe instructions when handling the battery charger.
- Before charging the battery on the vehicle, disconnect the battery ground terminal to prevent damage of generator diodes or other electrical units.

## 1. JUDGEMENT OF BATTERY IN CHARGED CONDITION

1) Specific gravity of electrolyte should be held within the specific range of 1.250 — 1.290 for one hour or more.

2) Voltage per battery cell should be held at a specific value in a range of 2.5 — 2.8 V for one hour or more.

## 2. CHECK CONDITION OF CHARGE WITH HYDROMETER

Hydrometer indicator	State of charge	Corrective action
Green dot	65% or more	Load test
Dark dot	65% or less	Charge battery
Clear dot	Low electrolyte	Replace the battery* (If cranking is difficult)

\* Check electrical system before replacement.

## 3. NORMAL CHARGING

Charge the battery at the current value specified by manufacturer or at approximately 1/10 of battery's ampere-hour rating.

## 4. QUICK CHARGING

Quick charging is a method that the battery is charged in a short period of time with a relatively large current by using a quick charger.

Since a large current flow raises electrolyte temperature, the battery is subject to damage if the large current is used for prolonged time. For this reason, the quick charging must be carried out within a current range that will not raise the electrolyte temperature to 40°C (104°F) or more.

Also the quick charging is a temporary mean to bring battery voltage up to some level, and battery should be charged slowly with low current as a rule.

### CAUTION:

- Observe the items in “3. NORMAL CHARGING”.
- Never use 10 A or more when charging the battery because it will shorten the battery life.

# Battery

STARTING/CHARGING SYSTEMS

---

SC(H4SO)-24



# Basic Diagnostic Procedure

ENGINE (DIAGNOSTICS)

## 1. Basic Diagnostic Procedure

### A: PROCEDURE

#### 1. ENGINE

	Step	Check	Yes	No
1	<p><b>CHECK ENGINE START FAILURE.</b></p> <p>1) Ask the customer when and how the trouble occurred using the interview check list. &lt;Ref. to EN(H4SO)(diag)-3, CHECK, Check List for Interview.&gt;</p> <p>2) Start the engine.</p>	Does the engine start?	Go to step 2.	Inspection using “Diagnostics for Engine Start Failure”. <Ref. to EN(H4SO)(diag)-69, Diagnostics for Engine Starting Failure.>
2	<p><b>CHECK ILLUMINATION OF MALFUNCTION INDICATOR LIGHT.</b></p>	Does the malfunction indicator light illuminate?	Go to step 3.	Inspection using “General Diagnostic Table”. <Ref. to EN(H4SO)(diag)-306, INSPECTION, General Diagnostic Table.>
3	<p><b>CHECK COMMUNICATION STATUS.</b></p> <p>1) Turn the ignition switch to OFF.</p> <p>2) Connect the Subaru Select Monitor or general scan tool to the data link connector.</p> <p>3) Turn the ignition switch to ON, and run the Subaru Select Monitor or general scan tool.</p> <p>NOTE:</p> <ul style="list-style-type: none"> <li>Subaru Select Monitor</li> </ul> <p>For detailed procedures, refer to “Subaru Select Monitor”. &lt;Ref. to EN(H4SO)(diag)-34, Subaru Select Monitor.&gt;</p> <ul style="list-style-type: none"> <li>General scan tool</li> </ul> <p>For detailed operation procedures, refer to the general scan tool operation manual.</p>	Does Subaru select monitor or general scan tool communicate with vehicle normally?	Go to step 4.	Inspection using “Diagnostics Procedure for Subaru Select Monitor Communication”. <Ref. to EN(H4SO)(diag)-84, Diagnostic Procedure for Subaru Select Monitor Communication.>
4	<p><b>CHECK DTC.</b></p> <p>Read DTC using Subaru Select Monitor or general scan tool.</p> <p>NOTE:</p> <ul style="list-style-type: none"> <li>Subaru Select Monitor</li> </ul> <p>Refer to “Read Diagnostic Trouble Code” for detailed operation procedure. &lt;Ref. to EN(H4SO)(diag)-43, Read Diagnostic Trouble Code (DTC).&gt;</p> <ul style="list-style-type: none"> <li>General scan tool</li> </ul> <p>For detailed operation procedures, refer to the general scan tool operation manual.</p>	Is DTC displayed on the Subaru Select Monitor or general scan tool?	Record the DTC. Repair the trouble cause. <Ref. to EN(H4SO)(diag)-86, List of Diagnostic Trouble Code (DTC).>	Repair the related parts.
5	<p><b>PERFORM DIAGNOSIS.</b></p> <p>1) Perform the Clear Memory Mode. &lt;Ref. to EN(H4SO)(diag)-55, Clear Memory Mode.&gt;</p> <p>2) Perform the Inspection Mode. &lt;Ref. to EN(H4SO)(diag)-44, Inspection Mode.&gt;</p>	Is DTC displayed on the Subaru Select Monitor or general scan tool?	Go to step 5.	NOTE: If DTC is not shown on display although the malfunction indicator light illuminates, perform the diagnosis of malfunction indicator light circuit or combination meter. <Ref. to EN(H4SO)(diag)-60, Malfunction Indicator Light.>
			Inspect using “Diagnostic Procedure with Diagnostic Trouble Code (DTC)”. <Ref. to EN(H4SO)(diag)-93, Diagnostic Procedure with Diagnostic Trouble Code (DTC).>	Finish the diagnosis.

# Check List for Interview

ENGINE (DIAGNOSTICS)

## 2. Check List for Interview

### A: CHECK

#### 1. CHECK LIST NO. 1

Check the following item when problem has occurred.

NOTE:

Use copies of this page for interviewing customers.

Customer's name		Engine No.	
Date of purchase		Fuel type	
Date of repair		Odometer reading	km
V.I.N.			miles
Weather	<input type="checkbox"/> Fine <input type="checkbox"/> Cloudy <input type="checkbox"/> Rainy <input type="checkbox"/> Snowy <input type="checkbox"/> Various/Others:		
Ambient air temperature	°C ( °F)		
	<input type="checkbox"/> Hot <input type="checkbox"/> Warm <input type="checkbox"/> Cool <input type="checkbox"/> Cold		
Place	<input type="checkbox"/> Highway <input type="checkbox"/> Suburbs <input type="checkbox"/> Inner city <input type="checkbox"/> Uphill <input type="checkbox"/> Downhill <input type="checkbox"/> Rough road <input type="checkbox"/> Others:		
	<input type="checkbox"/> Cold <input type="checkbox"/> Warming-up <input type="checkbox"/> After warming-up <input type="checkbox"/> Any temperature <input type="checkbox"/> Others:		
Engine speed	rpm		
Vehicle speed	km/h (MPH)		
Driving conditions	<input type="checkbox"/> Not affected <input type="checkbox"/> At starting <input type="checkbox"/> While idling <input type="checkbox"/> At racing <input type="checkbox"/> While accelerating <input type="checkbox"/> While cruising <input type="checkbox"/> While decelerating <input type="checkbox"/> While turning (RH/LH)		
Headlight	<input type="checkbox"/> ON/ <input type="checkbox"/> OFF	Rear defogger	<input type="checkbox"/> ON/ <input type="checkbox"/> OFF
Blower	<input type="checkbox"/> ON/ <input type="checkbox"/> OFF	Audio	<input type="checkbox"/> ON/ <input type="checkbox"/> OFF
A/C compressor	<input type="checkbox"/> ON/ <input type="checkbox"/> OFF	CD/Cassette	<input type="checkbox"/> ON/ <input type="checkbox"/> OFF
Radiator fan	<input type="checkbox"/> ON/ <input type="checkbox"/> OFF	Car phone	<input type="checkbox"/> ON/ <input type="checkbox"/> OFF
Front wiper	<input type="checkbox"/> ON/ <input type="checkbox"/> OFF	Wireless device	<input type="checkbox"/> ON/ <input type="checkbox"/> OFF
Rear wiper	<input type="checkbox"/> ON/ <input type="checkbox"/> OFF		

# Check List for Interview

## ENGINE (DIAGNOSTICS)

### 2. CHECK LIST NO. 2

Check the following item about the vehicle's state when malfunction indicator light turns on.

NOTE:

Use copies of this page for interviewing customers.

a) Other warning lights or indicators illuminate. <input type="checkbox"/> Yes / <input type="checkbox"/> No
<input type="checkbox"/> Low fuel warning light <input type="checkbox"/> Charge warning light <input type="checkbox"/> Engine coolant temperature warning light <input type="checkbox"/> Oil pressure warning light <input type="checkbox"/> ATF temperature warning light or SPORT indicator light <input type="checkbox"/> Driver's control center differential indicator light <input type="checkbox"/> ABS warning light <input type="checkbox"/> VDC warning light <input type="checkbox"/> Cruise indicator light <input type="checkbox"/> SI-CRUISE warning light <input type="checkbox"/> Immobilizer indicator light <input type="checkbox"/> STEERING warning light <input type="checkbox"/> Glow indicator <input type="checkbox"/> Sedimentor indicator <input type="checkbox"/> Others:
b) Fuel level
<ul style="list-style-type: none"><li>• Lack of fuel: <input type="checkbox"/> Yes / <input type="checkbox"/> No</li><li>• Indicator position of fuel gauge:</li><li>• Experienced running out of fuel: <input type="checkbox"/> Yes / <input type="checkbox"/> No</li></ul>
c) Intentional connecting or disconnecting of harness connectors or spark plug cords: <input type="checkbox"/> Yes / <input type="checkbox"/> No
<ul style="list-style-type: none"><li>• What:</li></ul>
d) Intentional connecting or disconnecting of hoses: <input type="checkbox"/> Yes / <input type="checkbox"/> No
<ul style="list-style-type: none"><li>• What:</li></ul>
e) Installing of other parts except genuine parts: <input type="checkbox"/> Yes / <input type="checkbox"/> No
<ul style="list-style-type: none"><li>• What:</li><li>• Where:</li></ul>
f) Occurrence of noise: <input type="checkbox"/> Yes / <input type="checkbox"/> No
<ul style="list-style-type: none"><li>• From where:</li><li>• What kind:</li></ul>
g) Occurrence of smell: <input type="checkbox"/> Yes / <input type="checkbox"/> No
<ul style="list-style-type: none"><li>• From where:</li><li>• What kind:</li></ul>
h) Intrusion of water into engine compartment or passenger compartment: <input type="checkbox"/> Yes / <input type="checkbox"/> No
i) Troubles occurred
<input type="checkbox"/> Engine does not start. <input type="checkbox"/> Engine stalls during idling. <input type="checkbox"/> Engine stalls while driving. <input type="checkbox"/> Engine speed decreases. <input type="checkbox"/> Engine speed does not decrease. <input type="checkbox"/> Rough idling <input type="checkbox"/> Poor acceleration <input type="checkbox"/> Back fire <input type="checkbox"/> After fire <input type="checkbox"/> Does not shift. <input type="checkbox"/> Excessive shift shock

## 3. General Description

### A: CAUTION

1) Airbag system wiring harness is routed near the ECM, main relay and fuel pump relay.

#### CAUTION:

- Do not use electrical test equipment on the airbag system circuits.
- Be careful not to damage the airbag system wiring harness when servicing the ECM, TCM, main relay and fuel pump relay.

2) Never connect the battery in reverse polarity. Doing so will damage the ECM instantly, and other parts will also be damaged.

3) Do not disconnect the battery terminals while the engine is running. A large counter electromotive force will be generated in the generator, and this voltage may damage electronic parts such as ECM etc.

4) Before disconnecting the connectors of each sensor and ECM, be sure to turn the ignition switch to OFF. Perform the Clear Memory Mode after connecting the connectors. <Ref. to EN(H4SO)(diag)-55, Clear Memory Mode.>

5) When measuring the voltage or resistance of individual sensor or all electrical control modules, use a tapered pin with a diameter of less than 0.6 mm (0.024 in). Do not insert the pin 4 mm (0.16 in) or more into the part.

#### CAUTION:

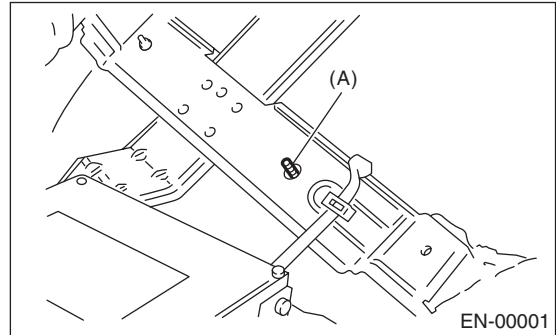
**When replacing the ECM, be careful not to use the wrong spec. ECM to avoid any damage on the fuel injection system.**

#### NOTE:

When replacing the ECM of the models with Immobilizer, immobilizer system must be registered. To do so, all ignition keys and ID cards need to be prepared. Refer to the "PC application help for Subaru Select Monitor".

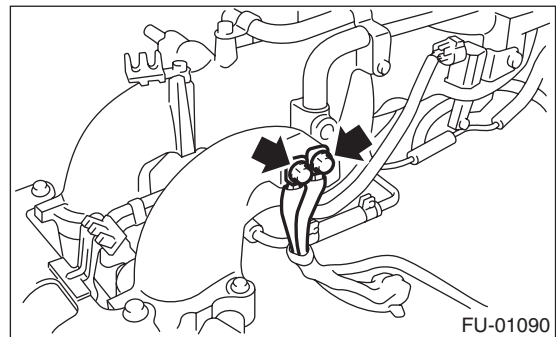
6) Take care not to allow water to get into the connectors when servicing or washing the vehicle in rainy weather. Avoid exposure to water even if the connectors are waterproof.

7) Use ECM mounting stud bolts at the body side grounding point when measuring voltage and resistance inside the passenger compartment.



(A) Stud bolt

8) Use the engine ground terminal or engine assembly for the grounding point to chassis when measuring the voltage and resistance in engine compartment.



9) Every engine control system-related part is a precision part. Do not drop them.

10) Observe the following cautions when installing a radio in vehicle.

#### CAUTION:

- The antenna must be kept as far apart as possible from control module. (ECM is installed under the passenger's side floor mat.)
- The antenna feeder must be placed as far apart as possible from the ECM and engine control system harness.
- Carefully adjust the antenna for correct matching.
- When mounting a large power type radio, pay special attention to the three items mentioned above.
- Incorrect installation of the radio may affect the operation of ECM.

# General Description

## ENGINE (DIAGNOSTICS)

11) When disconnecting the fuel hose, release the fuel pressure. <Ref. to FU(H4SO)-52, RELEASING OF FUEL PRESSURE, PROCEDURE, Fuel.>

12) Warning lights may illuminate when performing driving test with jacked-up or lifted-up condition, but this is not a system malfunction. The reason for this is the speed difference between the front and rear wheels. After diagnosis of engine control system, perform the ABS memory clear procedure of self-diagnosis function.

### B: INSPECTION

Before performing diagnostics, check the following item which might affect engine problems.

#### 1. BATTERY

1) Measure the battery voltage and specific gravity of the electrolyte.

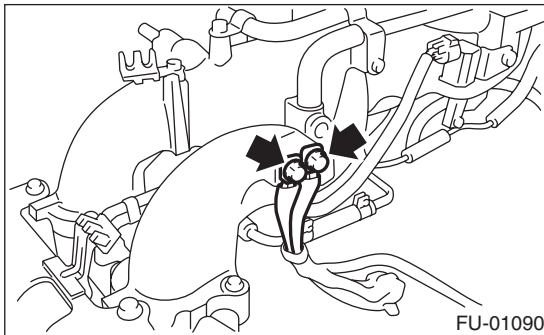
**Standard voltage: 12 V**

**Specific gravity: 1.260 or more**

2) Check the condition of the main and other fuses, and harnesses and connectors. Also check for proper grounding.

#### 2. ENGINE GROUND

Check if the engine ground terminal is properly connected to engine.



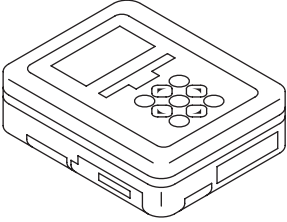
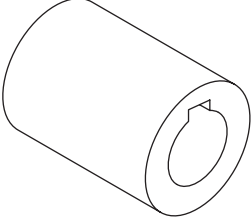
### C: NOTE

- The on-board diagnostic (OBD) system detects and indicates a fault in various inputs and outputs of the complex electronic control. Malfunction indicator light in the combination meter indicates occurrence of a fault or trouble.
- Further, against such a failure of sensors as may disable the drive, the fail-safe function is provided to ensure the minimal drivability.
- The OBD system incorporated with the vehicles within this type of engine complies with OBD-II regulations. The OBD system monitors the components and the system malfunction listed in "Engine Section" which affects on emissions.
- When the system decides that a malfunction occurs, malfunction indicator light illuminates. At the same time of the malfunction indicator light illumination or blinking, a DTC and a freeze frame engine conditions are stored into on-board computer.
- The OBD system stores freeze frame engine condition data (engine load, engine coolant temperature, fuel trim, engine speed and vehicle speed, etc.) into on-board computer when it detects a malfunction.
- Freeze frame engine condition data are stored until the DTCs are cleared. However when such malfunctions as fuel trim fault and misfire are detected with the freeze frame engine condition data stored, they are rewritten into those related to the fuel trim fault and misfire.
- When the malfunction does not occur again for three consecutive driving cycles, malfunction indicator light is turned off, but DTC remains at on-board computer.
- When performing diagnosis, connect the Subaru Select Monitor or general scan tool to the vehicle.

# General Description

ENGINE (DIAGNOSTICS)

## D: PREPARATION TOOL

ILLUSTRATION	TOOL NUMBER	DESCRIPTION	REMARKS
 ST1B022XU0	1B022XU0	SUBARU SELECT MONITOR III KIT	Used for troubleshooting the electrical system.
 ST-499987500	499987500	CRANKSHAFT SOCKET	Used for rotating crankshaft.

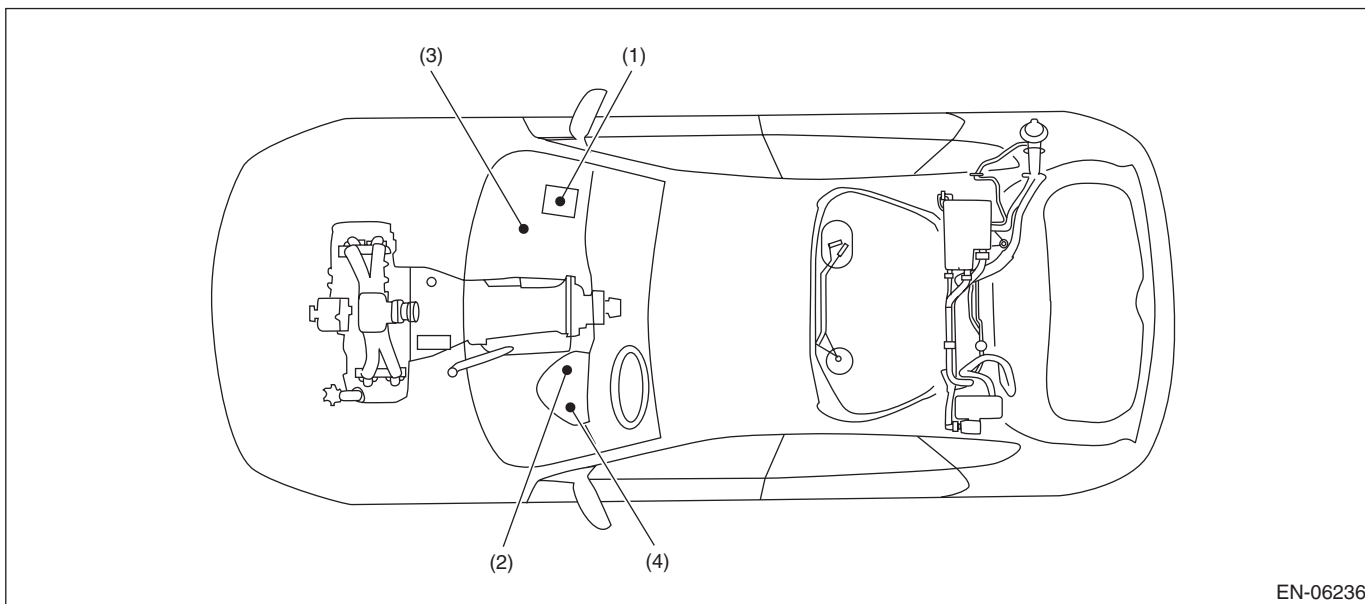
# Electrical Component Location

ENGINE (DIAGNOSTICS)

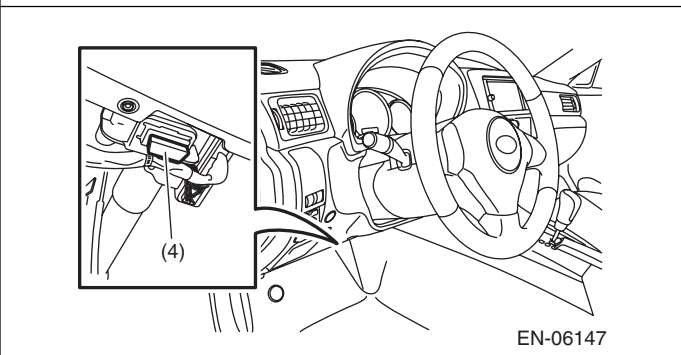
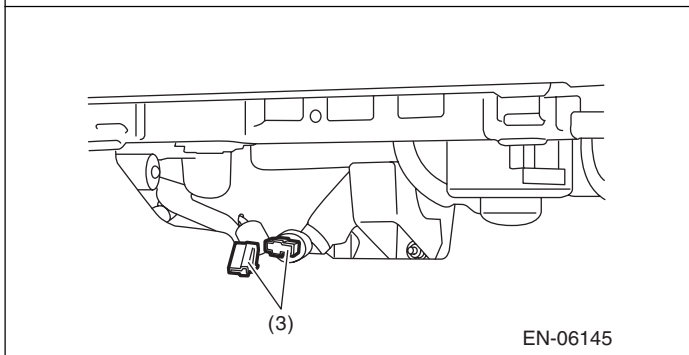
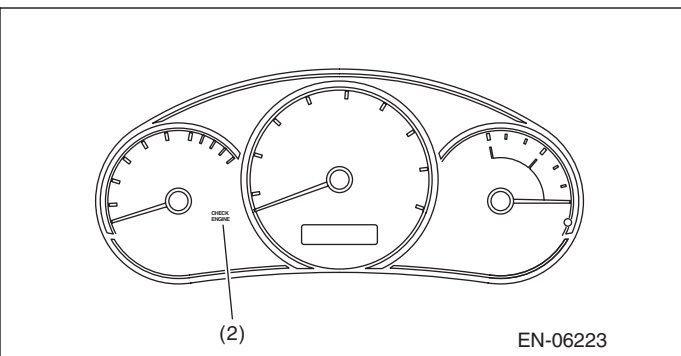
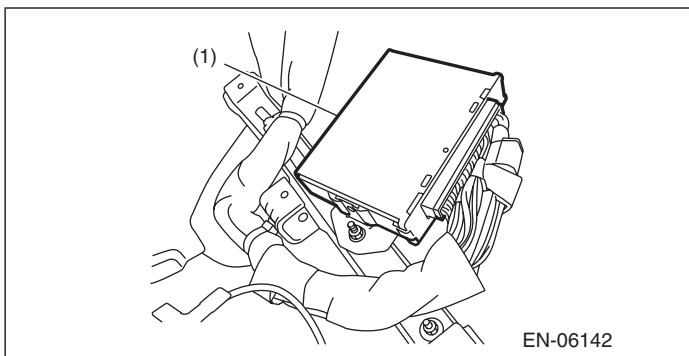
## 4. Electrical Component Location

### A: LOCATION

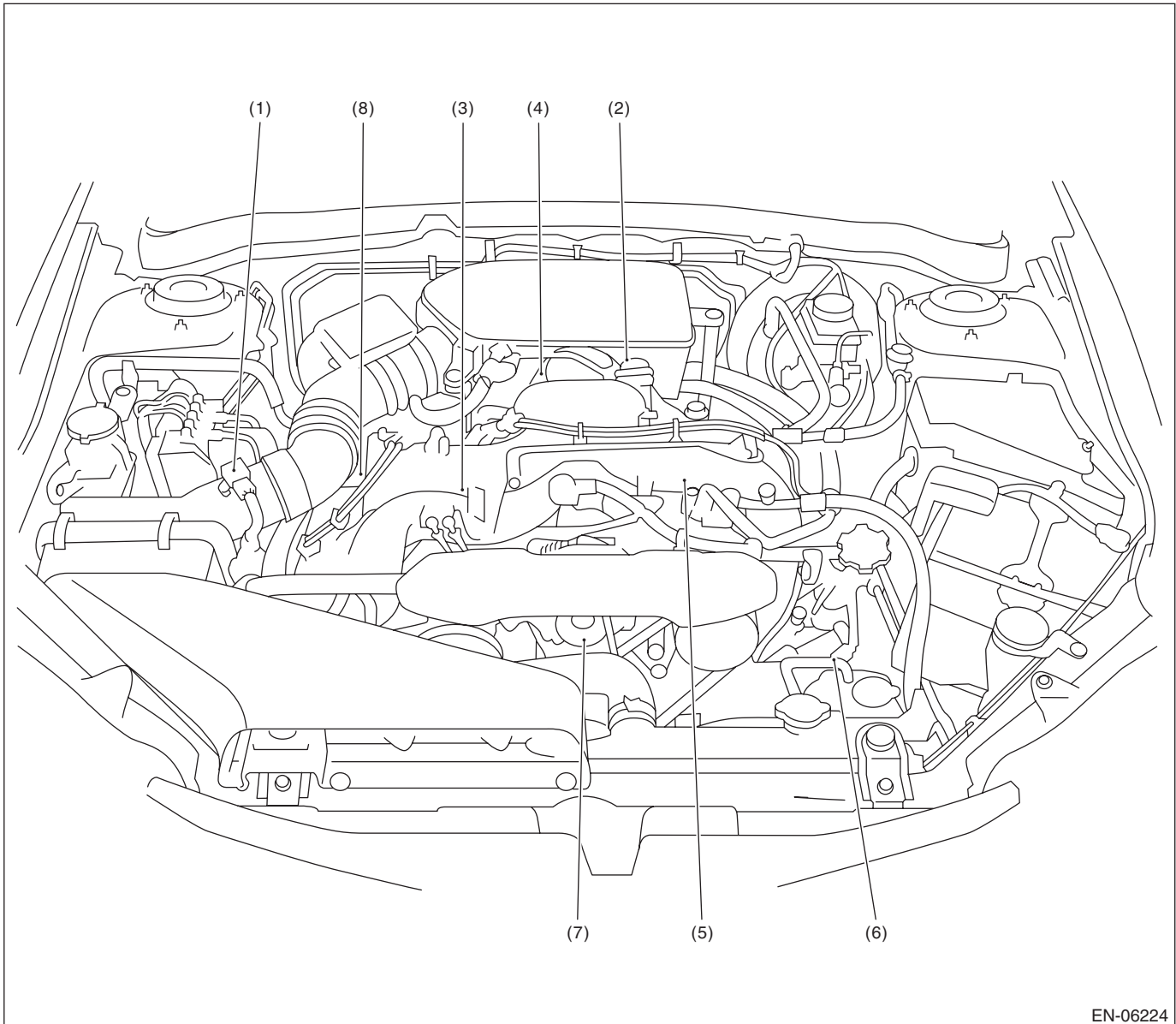
#### 1. CONTROL MODULE



- (1) Engine control module (ECM)      (3) Delivery (test) mode connector      (4) Data link connector  
(2) Malfunction indicator light



## 2. SENSOR

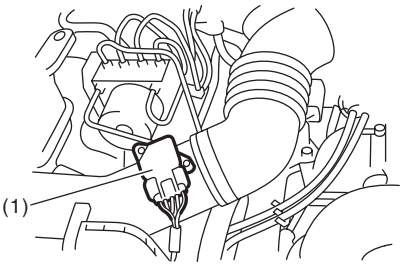
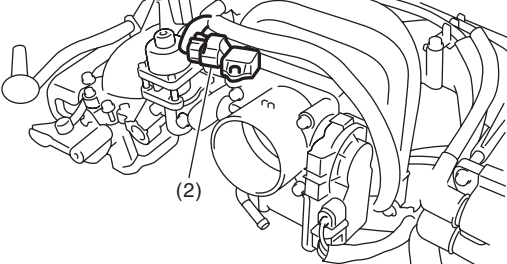
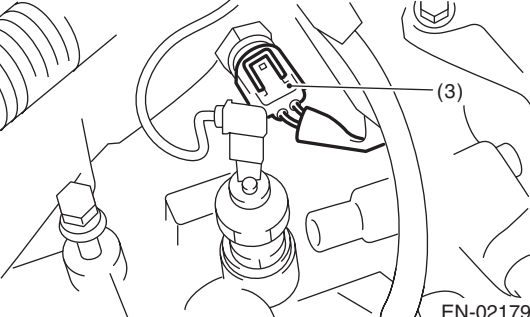
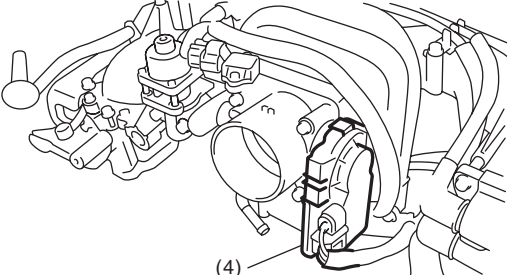
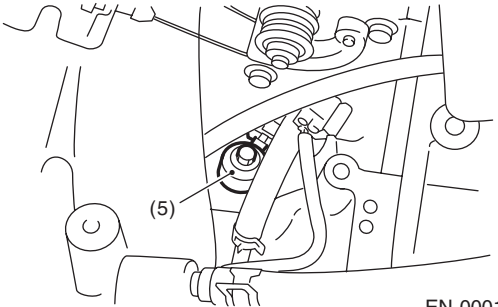
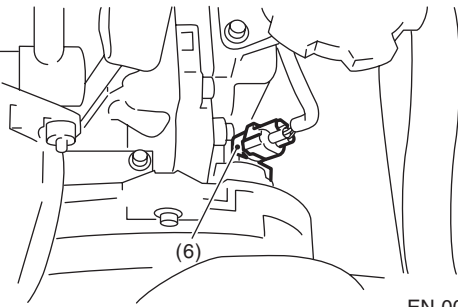
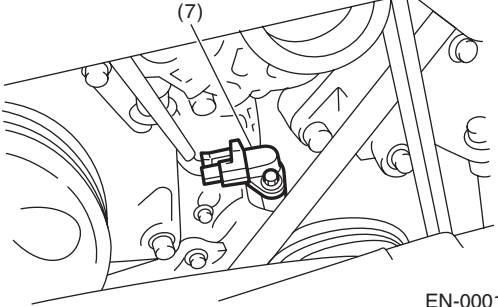
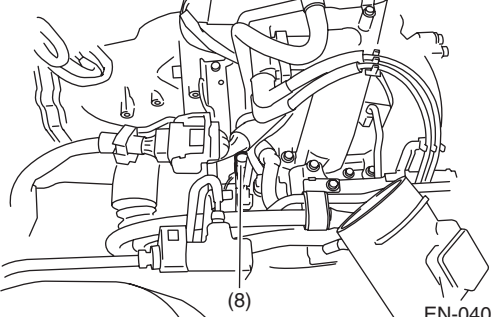


- |   |                                       |                                |
|---|---------------------------------------|--------------------------------|
| (1) Mass air flow and intake air temperature sensor | (3) Engine coolant temperature sensor | (6) Camshaft position sensor   |
| (2) Manifold absolute pressure sensor               | (4) Electronic throttle control       | (7) Crankshaft position sensor |
|   | (5) Knock sensor                      | (8) Oil temperature sensor     |



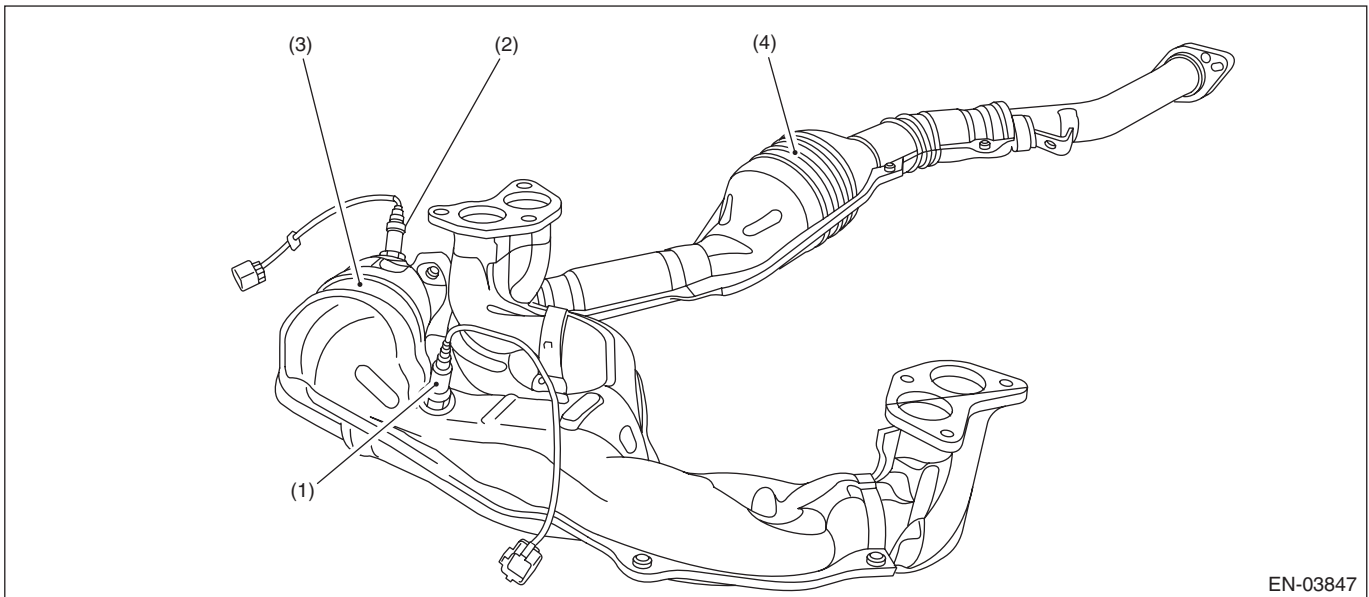
# Electrical Component Location

## ENGINE (DIAGNOSTICS)

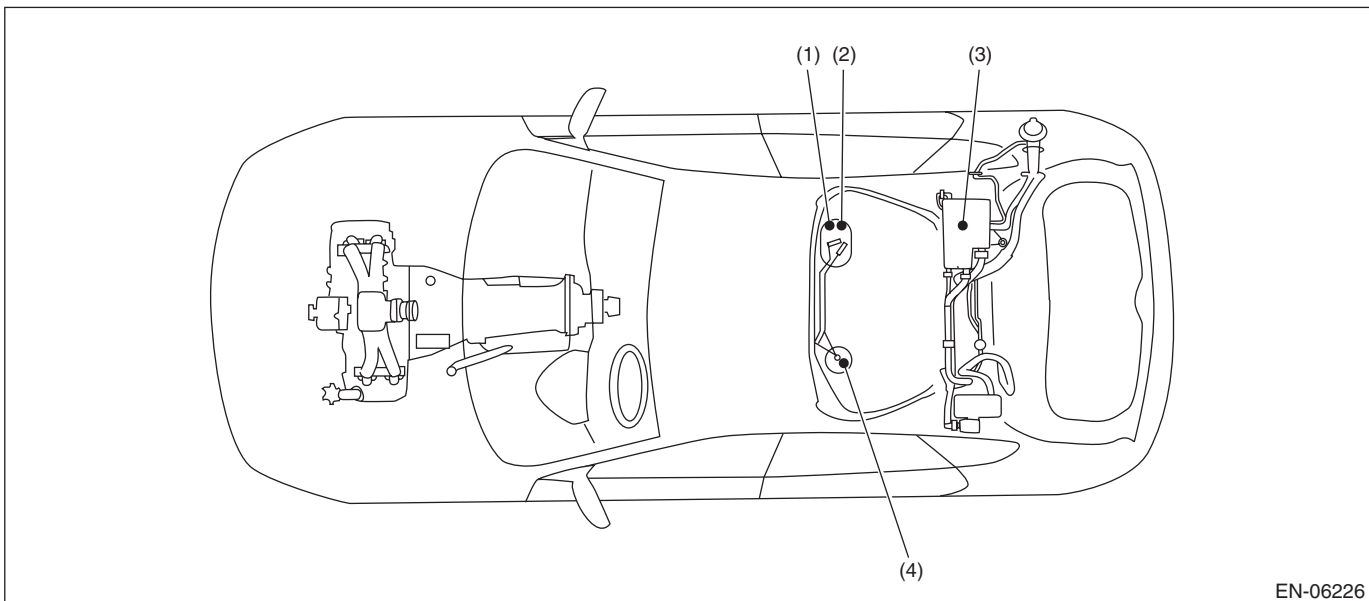
 <p>(1)</p> <p>EN-06225</p>	 <p>(2)</p> <p>EN-01971</p>
 <p>(3)</p> <p>EN-02179</p>	 <p>(4)</p> <p>EN-01972</p>
 <p>(5)</p> <p>EN-00010</p>	 <p>(6)</p> <p>EN-00011</p>
 <p>(7)</p> <p>EN-00012</p>	 <p>(8)</p> <p>EN-04089</p>

# Electrical Component Location

ENGINE (DIAGNOSTICS)



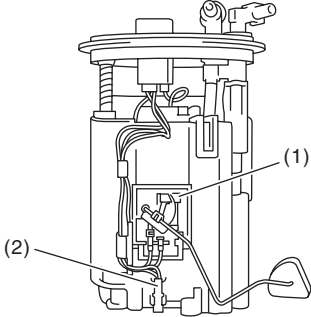
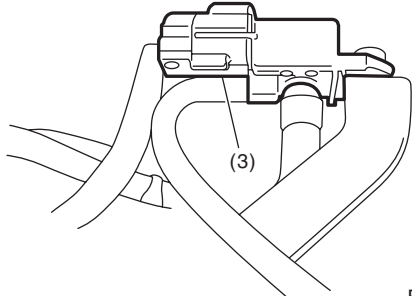
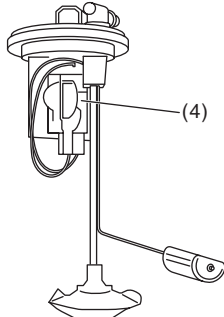
- (1) Front oxygen (A/F) sensor
- (2) Rear oxygen sensor
- (3) Front catalytic converter
- (4) Rear catalytic converter



- (1) Fuel level sensor
- (2) Fuel temperature sensor
- (3) Fuel tank pressure sensor
- (4) Fuel sub level sensor

# Electrical Component Location

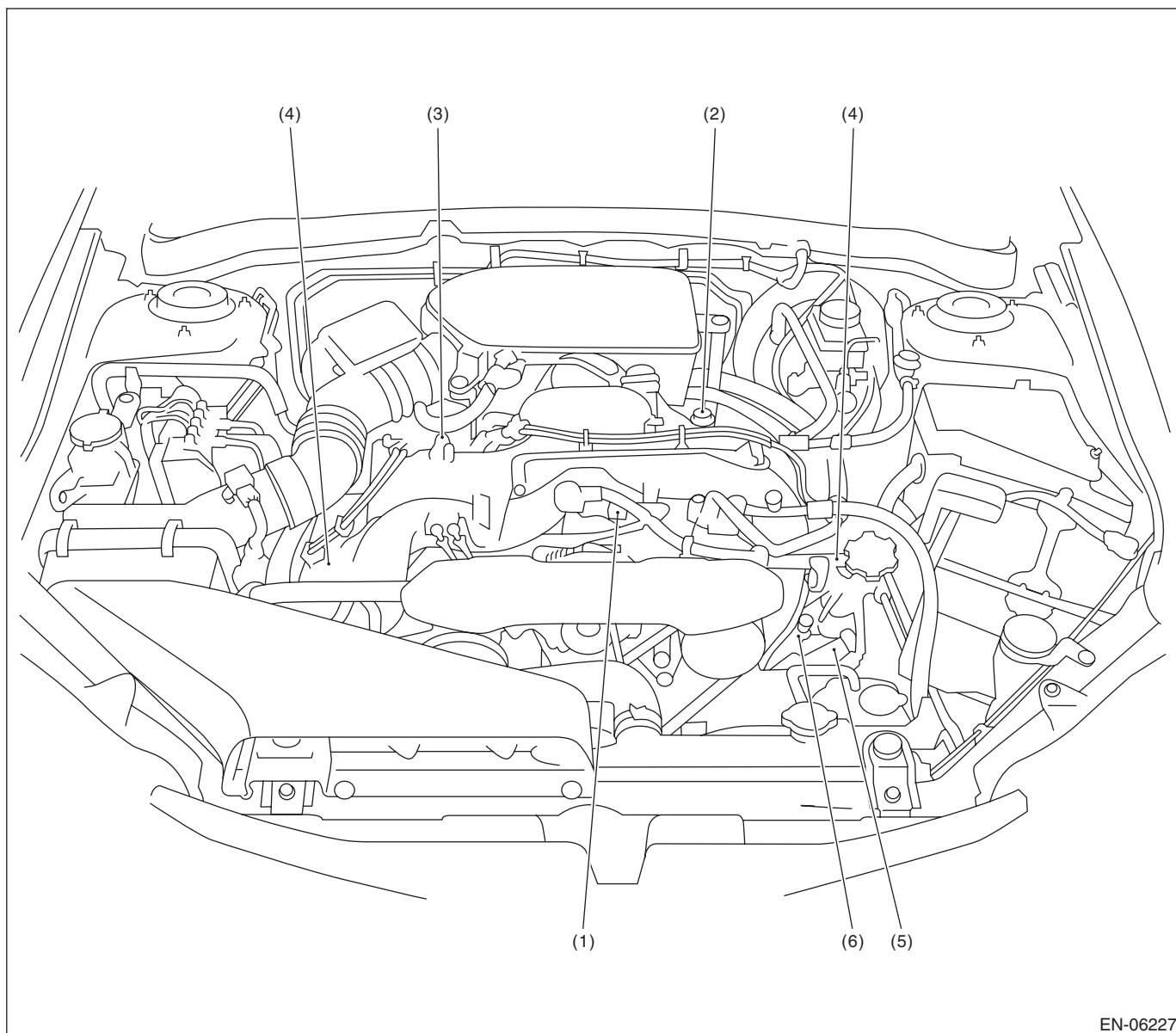
## ENGINE (DIAGNOSTICS)

 <p>EN-05725</p>	 <p>EN-06168</p>
 <p>EN-03132</p>	<p>SUBARU.</p>

# Electrical Component Location

ENGINE (DIAGNOSTICS)

## 3. SOLENOID VALVE, ACTUATOR, EMISSION CONTROL SYSTEM PARTS AND IGNITION SYSTEM PARTS



EN-06227

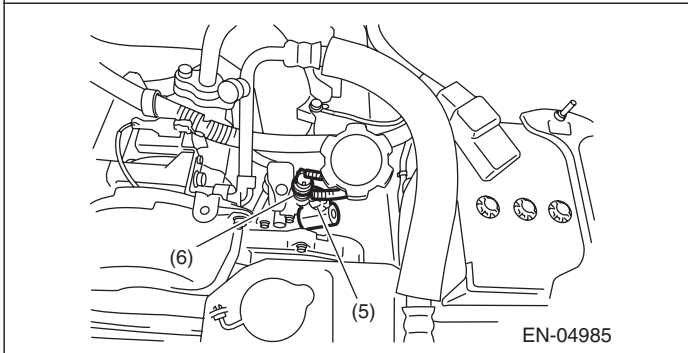
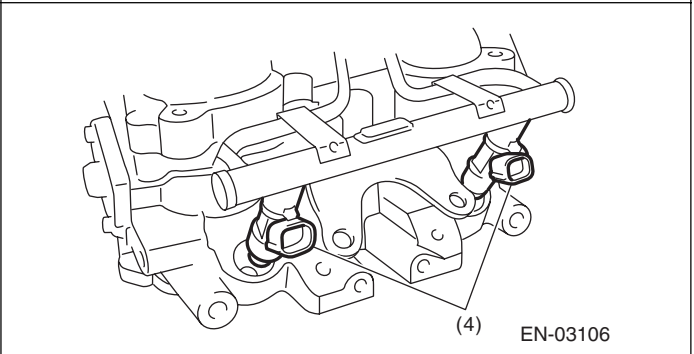
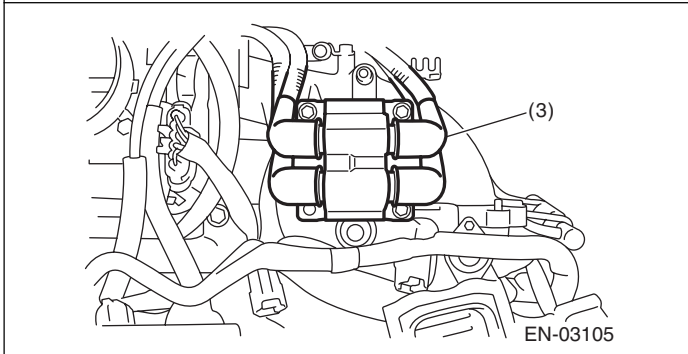
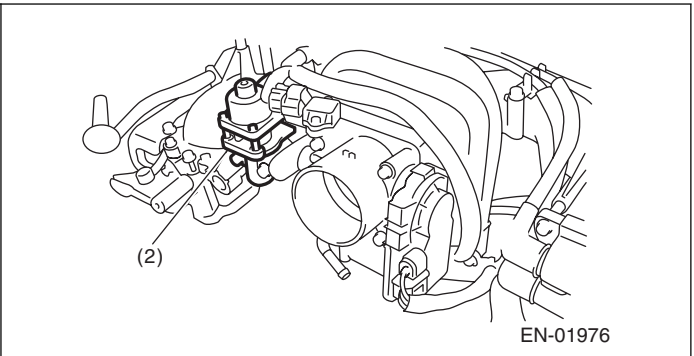
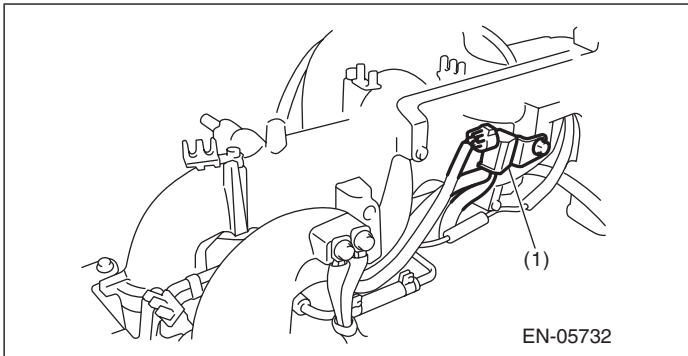
- (1) Purge control solenoid valve
- (2) EGR valve
- (3) Ignition coil and ignitor ASSY

- (4) Fuel injector
- (5) Oil switching solenoid valve

- (6) Variable valve lift diagnosis oil pressure switch

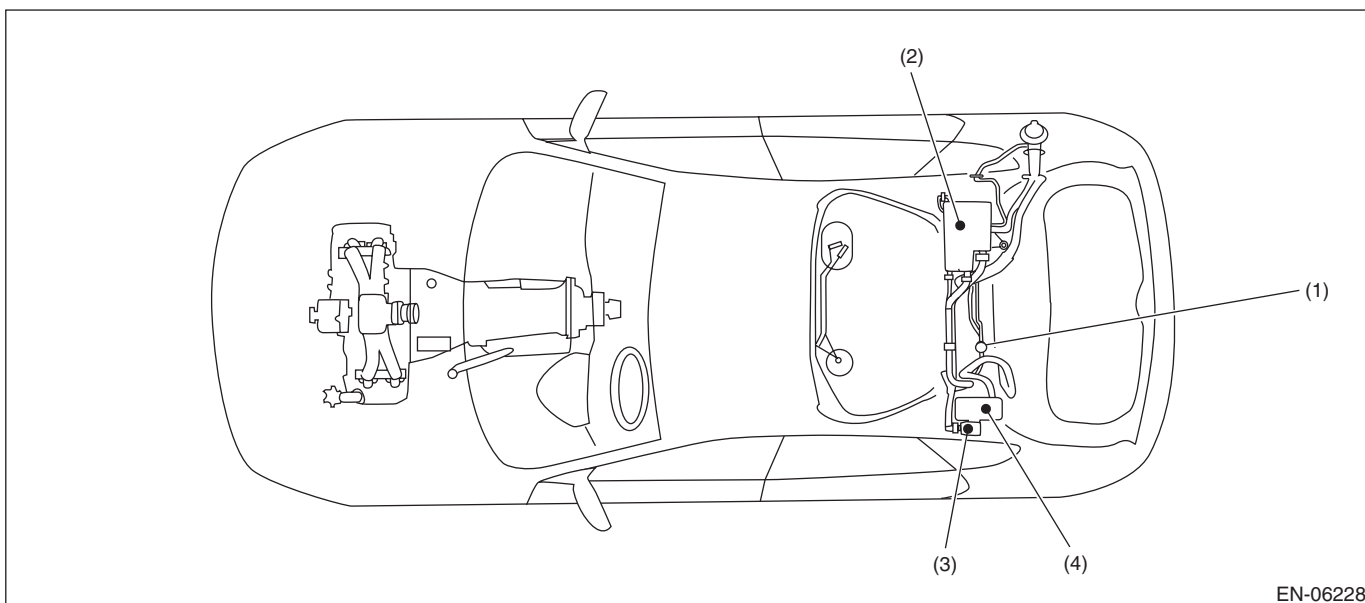
# Electrical Component Location

## ENGINE (DIAGNOSTICS)



# Electrical Component Location

ENGINE (DIAGNOSTICS)



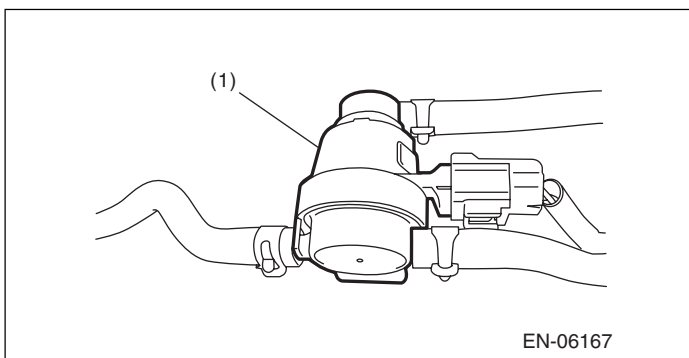
EN-06228

(1) Pressure control solenoid valve

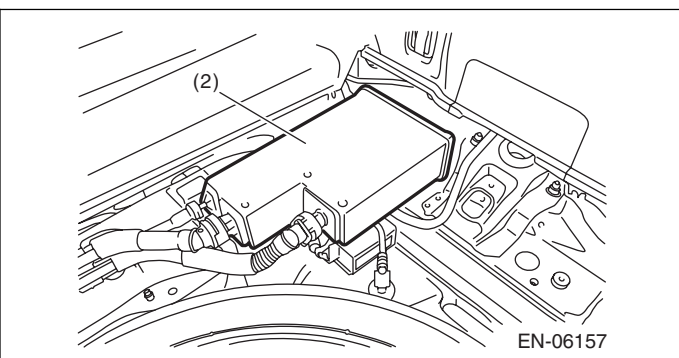
(3) Drain valve

(4) Drain filter

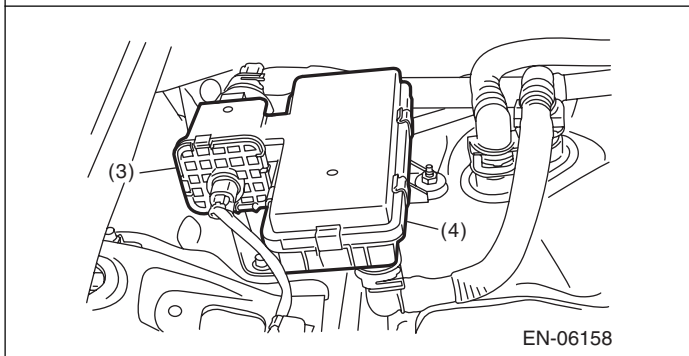
(2) Canister



EN-06167



EN-06157

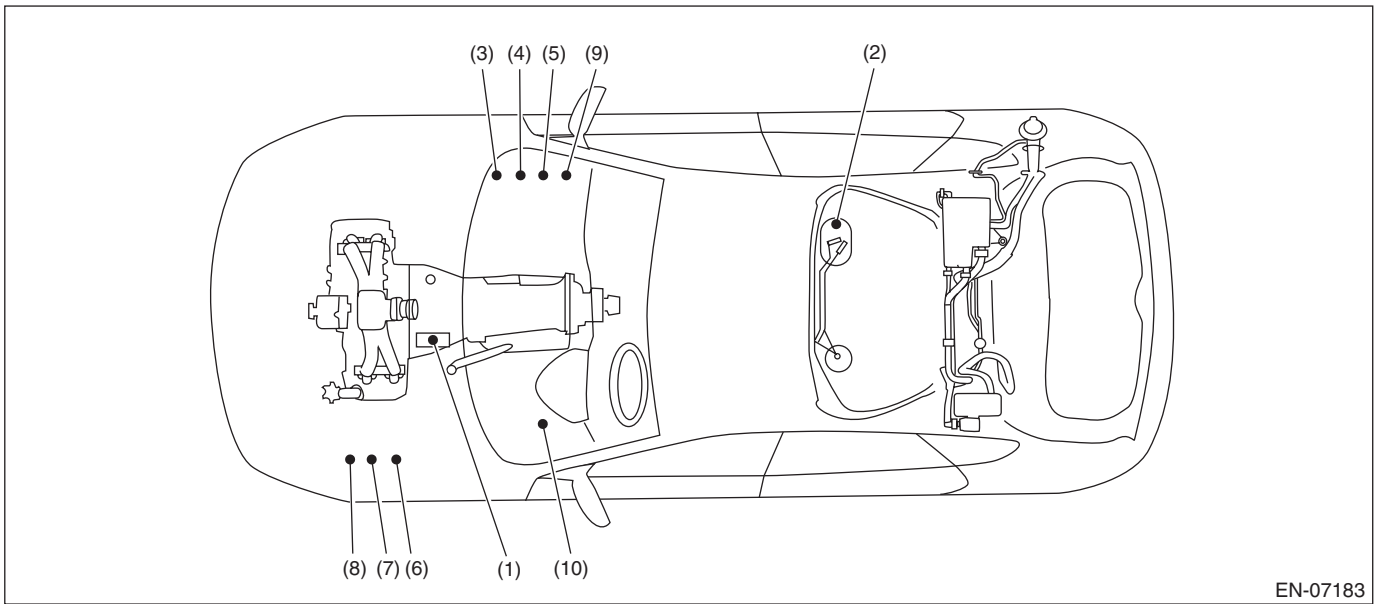


EN-06158

SUBARU.

# Electrical Component Location

## ENGINE (DIAGNOSTICS)

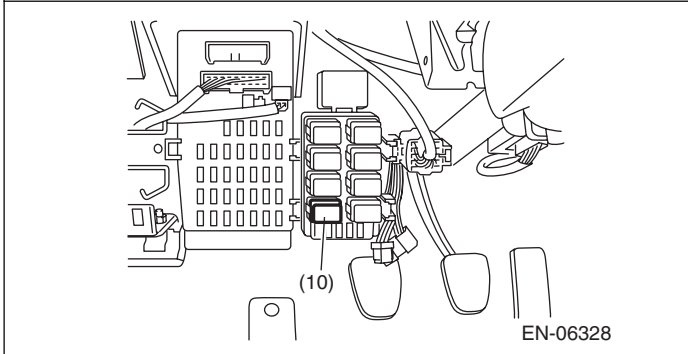
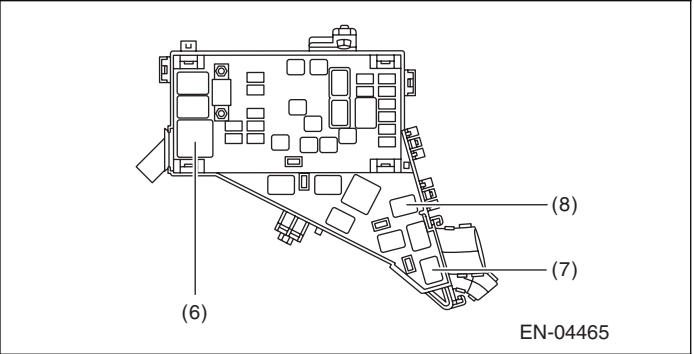
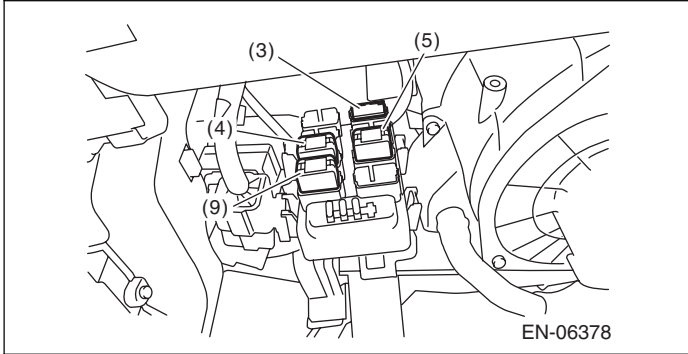
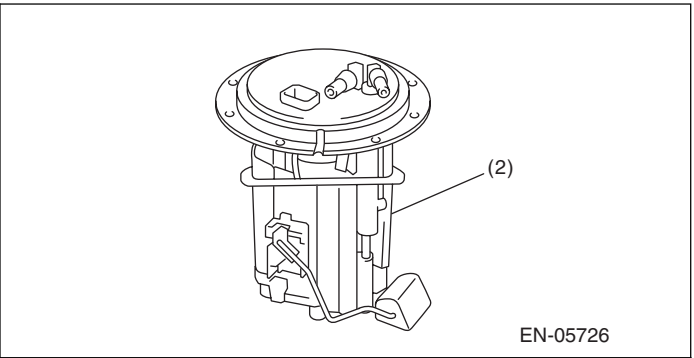
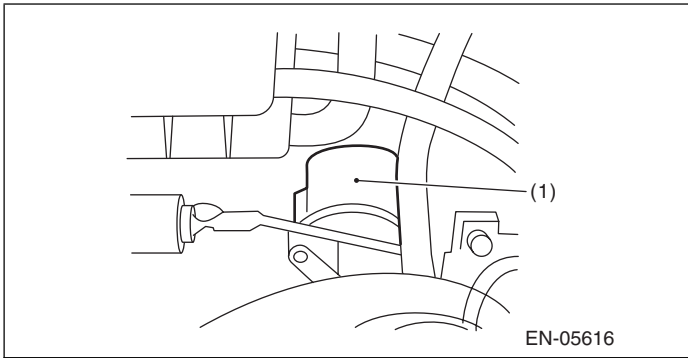


EN-07183

- |                     |                                       |                               |
|---------------------|---------------------------------------|-------------------------------|
| (1) Starter         | (5) Electronic throttle control relay | (8) Radiator main fan relay 2 |
| (2) Fuel pump       | (6) Radiator main fan relay 1         | (9) A/F, oxygen sensor relay  |
| (3) Main relay      | (7) Radiator sub fan relay            | (10) Starter relay            |
| (4) Fuel pump relay |                                       |                               |

# Electrical Component Location

ENGINE (DIAGNOSTICS)



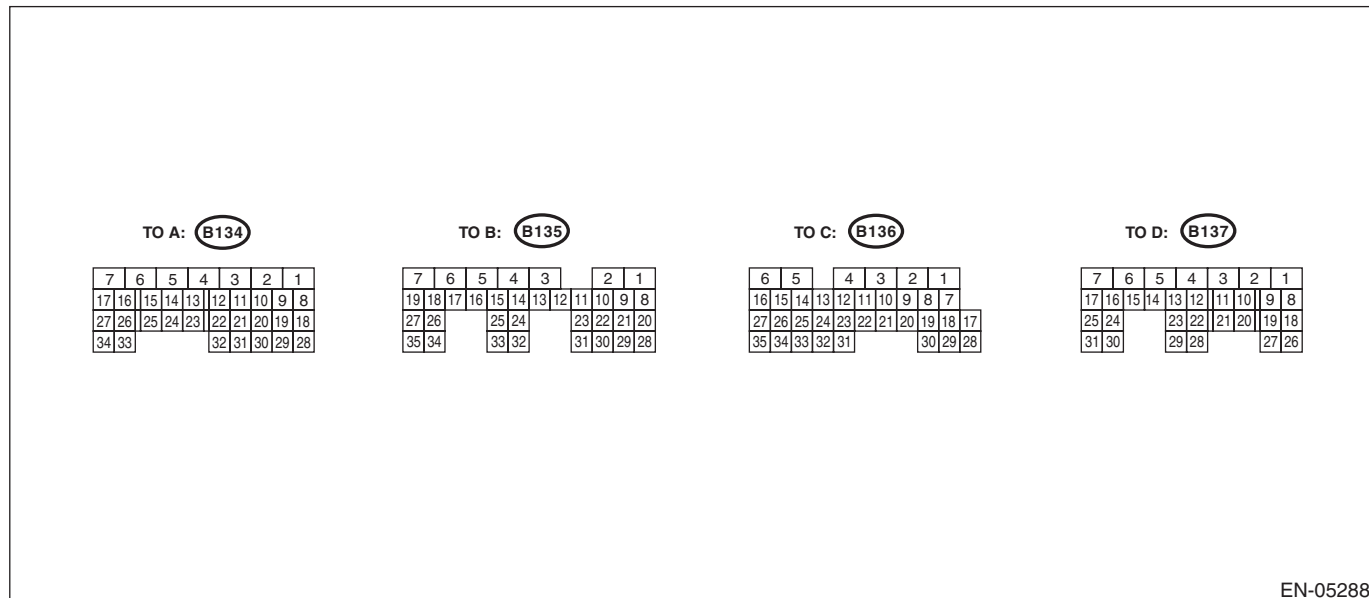


# Engine Control Module (ECM) I/O Signal

ENGINE (DIAGNOSTICS)

## 5. Engine Control Module (ECM) I/O Signal

### A: ELECTRICAL SPECIFICATION



EN-05288

Contents	Connector No.	Terminal No.	Signal (V)		Note	
			Ignition SW ON (engine OFF)	Engine ON (idling)		
Crankshaft position sensor	Signal (+)	B134	13	0	-7 — +7	Waveform
	Signal (-)	B134	14	0	0	—
	Shield	B134	24	0	0	—
Camshaft position sensor	Signal (+)	B134	12	0	-7 — +7	Waveform
	Signal (-)	B134	22	0	0	—
	Shield	B134	24	0	0	—
Electronic throttle control	Main	B134	18	0.64 — 0.72 Fully opened: 3.96	0.64 — 0.72 (After engine is warmed up.)	Fully closed: 0.6 Fully opened: 3.96
	Sub	B134	28	1.51 — 1.58 Fully opened: 4.17	1.51 — 1.58 (After engine is warmed up.)	Fully closed: 1.48 Fully opened: 4.17
	Power supply	B134	19	5	5	—
	Ground (sensor)	B134	29	0	0	—
Electronic throttle control motor (+)	B137	5		Duty waveform	Duty waveform	Drive frequency: 500 Hz
Electronic throttle control motor (-)	B137	4		Duty waveform	Duty waveform	Drive frequency: 500 Hz
Electronic throttle control motor power supply	B136	1		10 — 13	12 — 14	—
Electronic throttle control motor relay	B136	21		ON: 0 OFF: 10 — 13	ON: 0 OFF: 12 — 14	When ignition switch is turned to ON: ON

# Engine Control Module (ECM) I/O Signal

ENGINE (DIAGNOSTICS)

Contents		Connector No.	Terminal No.	Signal (V)		Note
				Ignition SW ON (engine OFF)	Engine ON (idling)	
Accelerator pedal position sensor	Main sensor signal	B135	23	Fully closed: 1.0 Fully opened: 3.5	Fully closed: 1.0 Fully opened: 3.5	—
	Main power supply	B135	21	5	5	—
	Ground (Main sensor)	B135	29	0	0	—
	Sub sensor signal	B135	31	Fully closed: 1.0 Fully opened: 3.5	Fully closed: 1.0 Fully opened: 3.5	—
	Sub power supply	B135	22	5	5	—
	Ground (Sub sensor)	B135	30	0	0	—
Rear oxygen sensor	Signal	B135	4	0	0 — 0.9	—
	Shield	B135	1	0	0	—
Front oxygen (A/F) sensor heater	Signal 1	B136	3	10 — 13	1 — 14	Duty waveform
	Signal 2	B136	2	10 — 13	1 — 14	Duty waveform
Rear oxygen sensor heater signal		B136	4	10 — 13	1 — 14	Duty waveform
Engine coolant temperature sensor		B134	34	1.0 — 1.4	1.0 — 1.4	After engine is warmed up.
Starter switch		B136	32	0	0	AT model: Cranking: 8 — 14 MT model: Cranking with the clutch pedal pressed: 8 — 14
Starter relay control		B136	20	ON: 0.5 or less OFF: 10 — 13	ON: 0.5 or less OFF: 12 — 14	—
A/C switch		B136	24	ON: 10 — 13 OFF: 0	ON: 12 — 14 OFF: 0	—
Ignition switch		B135	19	10 — 13	12 — 14	—
Neutral position switch	AT	B136	31	ON: 0 OFF: 12±0.5		AT model: Switch is ON when select lever is shifted into "P" range or "N" range.
	MT			ON: 0 OFF: 12±0.5		MT model: Switch is ON when the shift lever is in neutral.
Delivery (test) mode connector		B135	27	10 — 13	13 — 14	When connected: 0
Knock sensor	Signal	B134	15	2.5	2.5	—
	Shield	B134	25	0	0	—
Back-up power supply		B135	5	10 — 13	12 — 14	Ignition switch "OFF": 10 — 13
Control module power supply		B134	7	10 — 13	12 — 14	—
		B135	2	10 — 13	12 — 14	—
Ignition control	#1, #2	B137	18	0	1 — 3.4	Waveform
	#3, #4	B137	19	0	1 — 3.4	Waveform
Fuel injector	#1	B137	8	10 — 13	1 — 14	Waveform
	#2	B137	9	10 — 13	1 — 14	Waveform
	#3	B137	10	10 — 13	1 — 14	Waveform
	#4	B137	11	10 — 13	1 — 14	Waveform

# Engine Control Module (ECM) I/O Signal

## ENGINE (DIAGNOSTICS)

Contents	Connector No.	Terminal No.	Signal (V)		Note	
			Ignition SW ON (engine OFF)	Engine ON (idling)		
Fuel pump relay control	B136	12	ON: 0.5 or less OFF: 10 — 13	ON: 0.5 or less OFF: 12 — 14	—	
A/C relay control	B136	9	ON: 0.5 or less OFF: 10 — 13	ON: 0.5 or less OFF: 12 — 14	—	
Radiator fan relay 1 control	B136	18	ON: 0.5 or less OFF: 10 — 13	ON: 0.5 or less OFF: 12 — 14	—	
Radiator fan relay 2 control	B136	29	ON: 0.5 or less OFF: 10 — 13	ON: 0.5 or less OFF: 12 — 14	—	
Self-shutoff control	B136	23	0.5 or less	0.5 or less	—	
Malfunction indicator light	B136	11	—	—	Light "ON": 1 or less Light "OFF": 10 — 14	
Engine speed output	B136	22	—	0 — 13 or more	Waveform	
Oil temperature sensor signal	B134	23	1.0 — 1.4	1.0 — 1.4	After engine is warmed up.	
Blow-by leak diagnosis	B134	30	0	0	—	
Purge control solenoid valve	B137	29	ON: 1 or less OFF: 10 — 13	ON: 1 or less OFF: 12 — 14	Duty waveform	
EGR valve	Signal 1	B134	8	0 or 10 — 13	0 or 12 — 14	Waveform
	Signal 2	B134	9	0 or 10 — 13	0 or 12 — 14	Waveform
	Signal 3	B134	10	0 or 10 — 13	0 or 12 — 14	Waveform
	Signal 4	B134	20	0 or 10 — 13	0 or 12 — 14	Waveform
Power steering oil pressure switch	B134	33	ON: 1 or less OFF: 10 — 13	ON: 1 or less OFF: 12 — 14	—	
Blower fan switch	B135	11	ON: 0 OFF: 10 — 13	ON: 0 OFF: 12 — 14	Manual A/C model	
A/C middle pressure switch	B136	33	ON: 0 OFF: 10 — 13	ON: 0 OFF: 12 — 14	—	
Oil switching solenoid valve RH	Signal (+)	B137	25	0	Duty waveform	Drive frequency: 300 Hz
	Signal (-)	B137	24	0	0	—
Oil switching solenoid valve LH	Signal (+)	B137	31	0	Duty waveform	Drive frequency: 300 Hz
	Signal (-)	B137	30	0	0	—
Variable valve lift diagnosis oil pressure switch RH	B134	31	0	0	—	
Variable valve lift diagnosis oil pressure switch LH	B134	32	0	0	—	
Front oxygen (A/F) sensor	Signal (+)	B135	9	—	2.7 — 2.9	—
	Signal (-)	B135	8	—	2.35 — 2.25	—
	Shield	B135	1	0	0	—
Manifold absolute pressure sensor	B134	6	3.4 — 3.8	1.4 — 1.8	—	
Air flow sensor	Signal	B135	26	—	0.3 — 4.5	—
	Shield	B135	35	0	0	—
	Ground	B135	34	0	0	—
Intake air temperature sensor signal	B135	18	0.3 — 4.6	0.3 — 4.6	—	
Immobilizer communication 1	B136	26	1 or less ←→ 4 or more	1 or less ←→ 4 or more	—	
Immobilizer communication 2	B136	34	1 or less ←→ 4 or more	1 or less ←→ 4 or more	—	

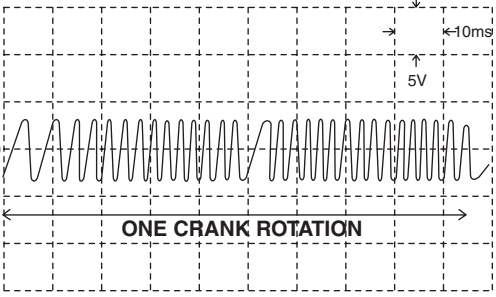
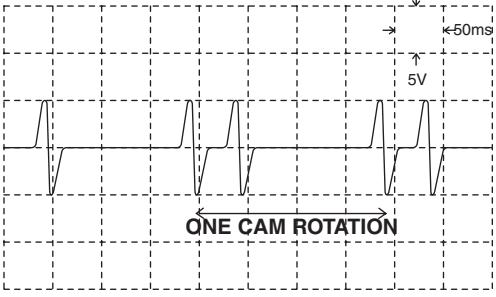
# Engine Control Module (ECM) I/O Signal

ENGINE (DIAGNOSTICS)

Contents	Connector No.	Terminal No.	Signal (V)		Note	
			Ignition SW ON (engine OFF)	Engine ON (idling)		
SSM/GST communication line	B136	16	1 or less ←→ 4 or more	1 or less ←→ 4 or more	—	
Sensor power supply	B134	19	5	5	—	
	B135	22	5	5	—	
Ground (sensor)	B134	29	0	0	—	
	B135	30	0	0	—	
Ground	(Engine 1)	B134	5	0	0	—
	(Engine 2)	B137	7	0	0	—
	(Engine 3)	B137	2	0	0	—
	(Engine 4)	B137	1	0	0	—
	(Engine 5)	B137	3	0	0	—
	(Ignition 1)	B137	26	0	0	—
	(Ignition 2)	B137	6	0	0	—
(Body)	B136	6	0	0	—	
Clutch switch	B136	25	When clutch pedal is depressed: 0 When clutch pedal is released: 10 — 13	When clutch pedal is depressed: 0 When clutch pedal is released: 12 — 14	—	
Brake switch 1	B135	20	When brake pedal is depressed: 0 When brake pedal is released: 10 — 13	When brake pedal is depressed: 0 When brake pedal is released: 12 — 14	—	
Brake switch 2	B135	28	When brake pedal is depressed: 10 — 13 When brake pedal is released: 0	When brake pedal is depressed: 12 — 14 When brake pedal is released: 0	—	
Cruise control main switch	B135	12	ON: 0 OFF: 5	ON: 0 OFF: 5	—	
Cruise control command switch	B135	24	When operating nothing: 3.5 — 4.5 When operating RES/ACC: 2.5 — 3.5 When operating SET/COAST: 0.5 — 1.5 When operating CANCEL: 0 — 0.5	When operating nothing: 3.5 — 4.5 When operating RES/ACC: 2.5 — 3.5 When operating SET/COAST: 0.5 — 1.5 When operating CANCEL: 0 — 0.5	—	
Fuel temperature sensor	B135	17	2.5 — 3.8	2.5 — 3.8	Ambient temperature: 25°C (77°F)	
Fuel tank pressure sensor	B135	32	2.3 — 2.7	2.3 — 2.7	Value after removing fuel filler cap and installing again	
Pressure control solenoid valve	B136	28	ON: 1 or less OFF: 10 — 13	ON: 1 or less OFF: 12 — 14	—	
Drain valve	B136	17	ON: 1 or less OFF: 10 — 13	ON: 1 or less OFF: 12 — 14	—	
CAN communication line (+)	B136	27	2.5 — 3.5	2.5 — 3.5	Waveform	
CAN communication line (-)	B136	35	1.5 — 2.5	1.5 — 2.5	Waveform	
AT/MT identification line	B136	15	—	—	MT model: 1 or less	

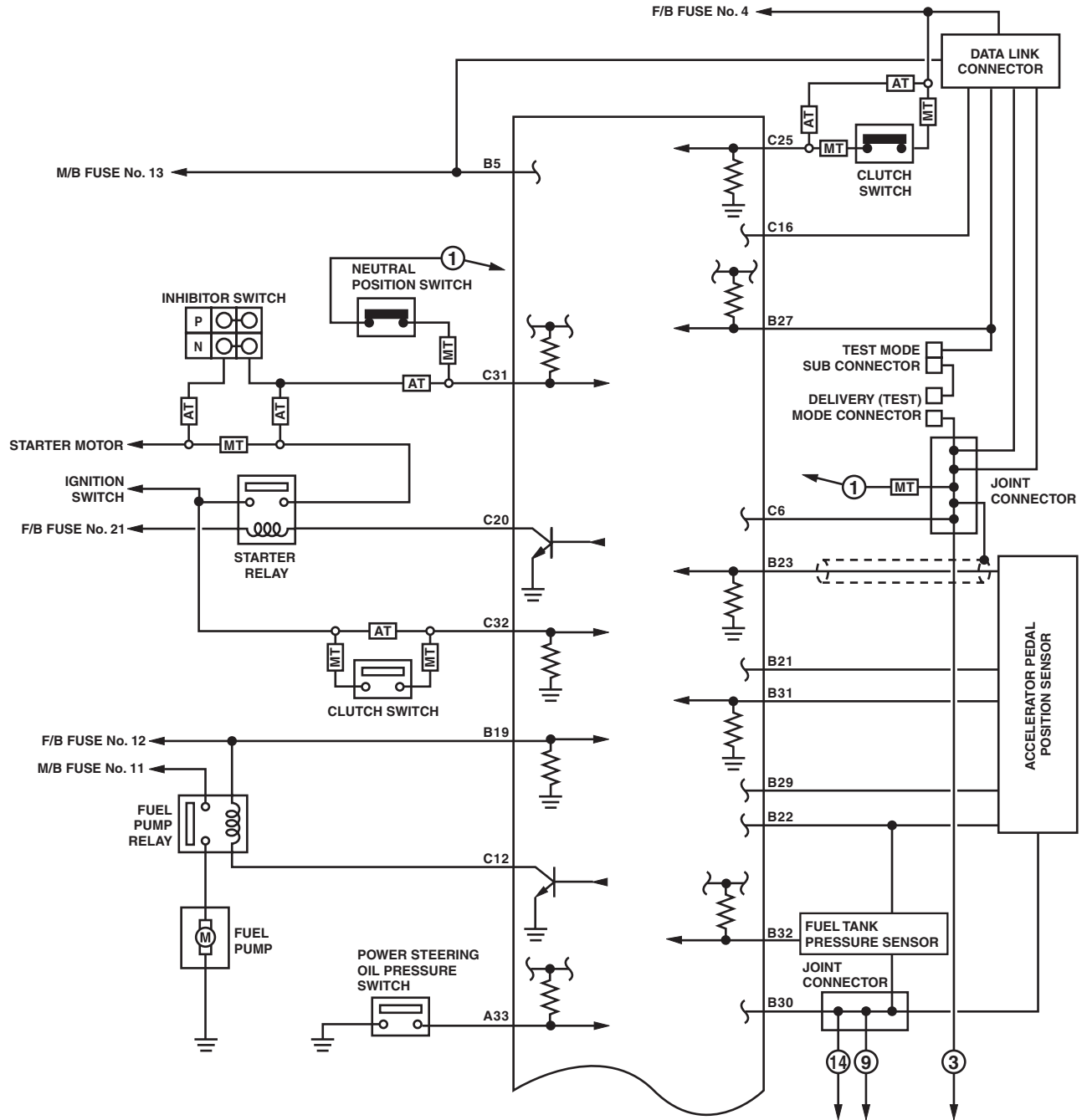
# Engine Control Module (ECM) I/O Signal

## ENGINE (DIAGNOSTICS)

Input/output name	Measuring condition	Waveform
1. Crankshaft position sensor	At idling	 <p>EN-05322</p>
2. Camshaft position sensor	At idling	 <p>EN-05323</p>

# Engine Control Module (ECM) I/O Signal

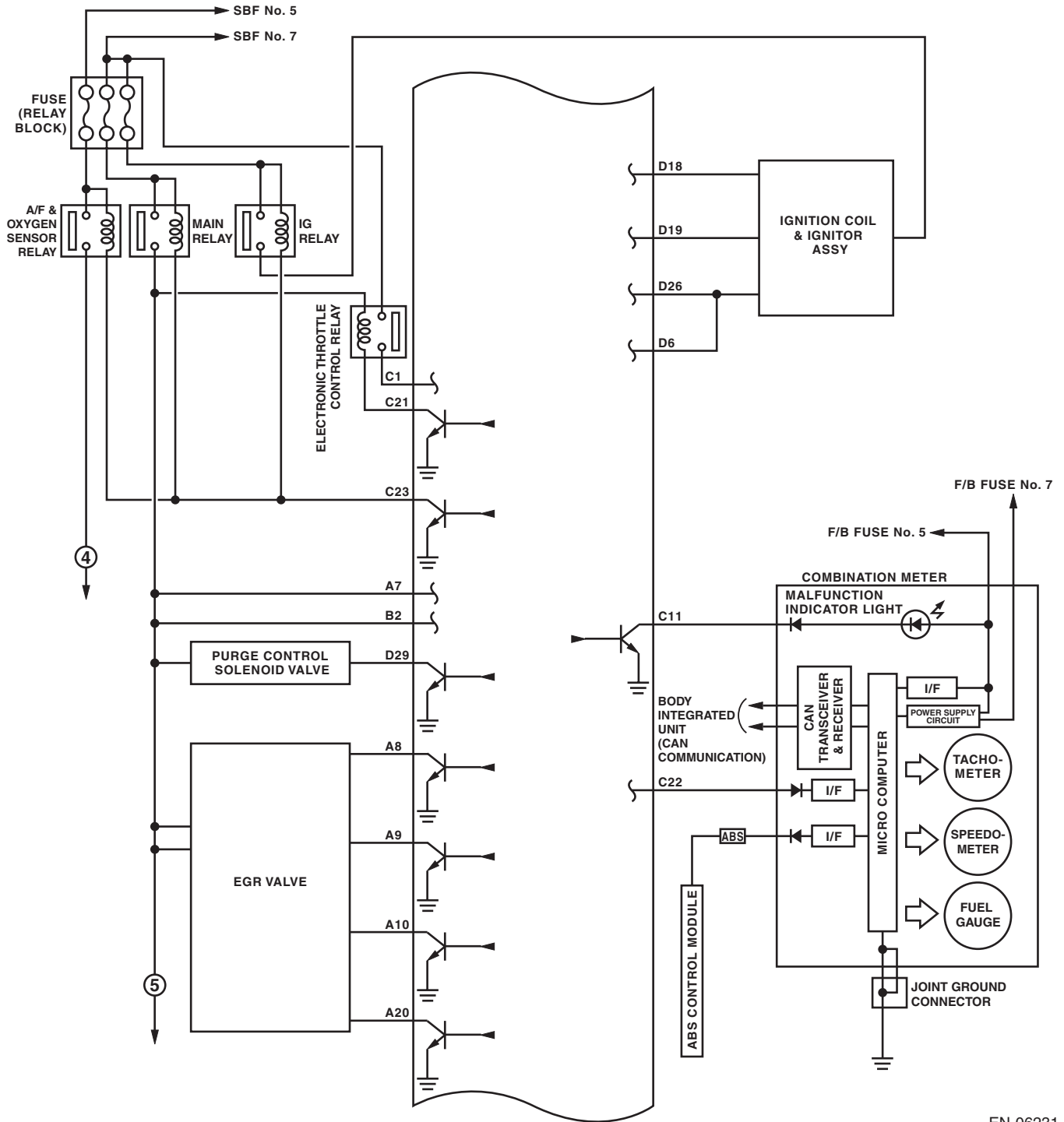
ENGINE (DIAGNOSTICS)



EN-07184

# Engine Control Module (ECM) I/O Signal

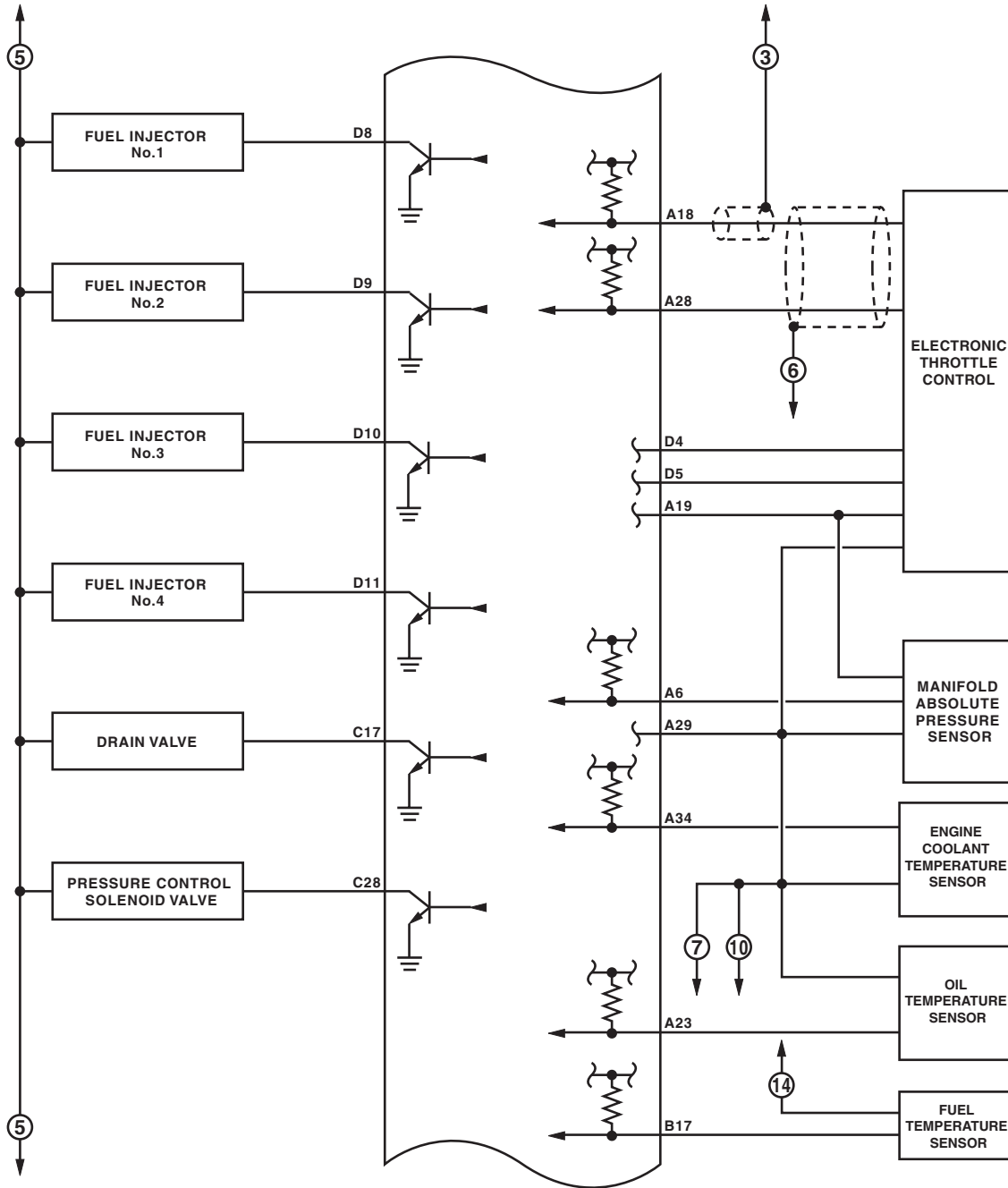
ENGINE (DIAGNOSTICS)



EN-06231

# Engine Control Module (ECM) I/O Signal

ENGINE (DIAGNOSTICS)

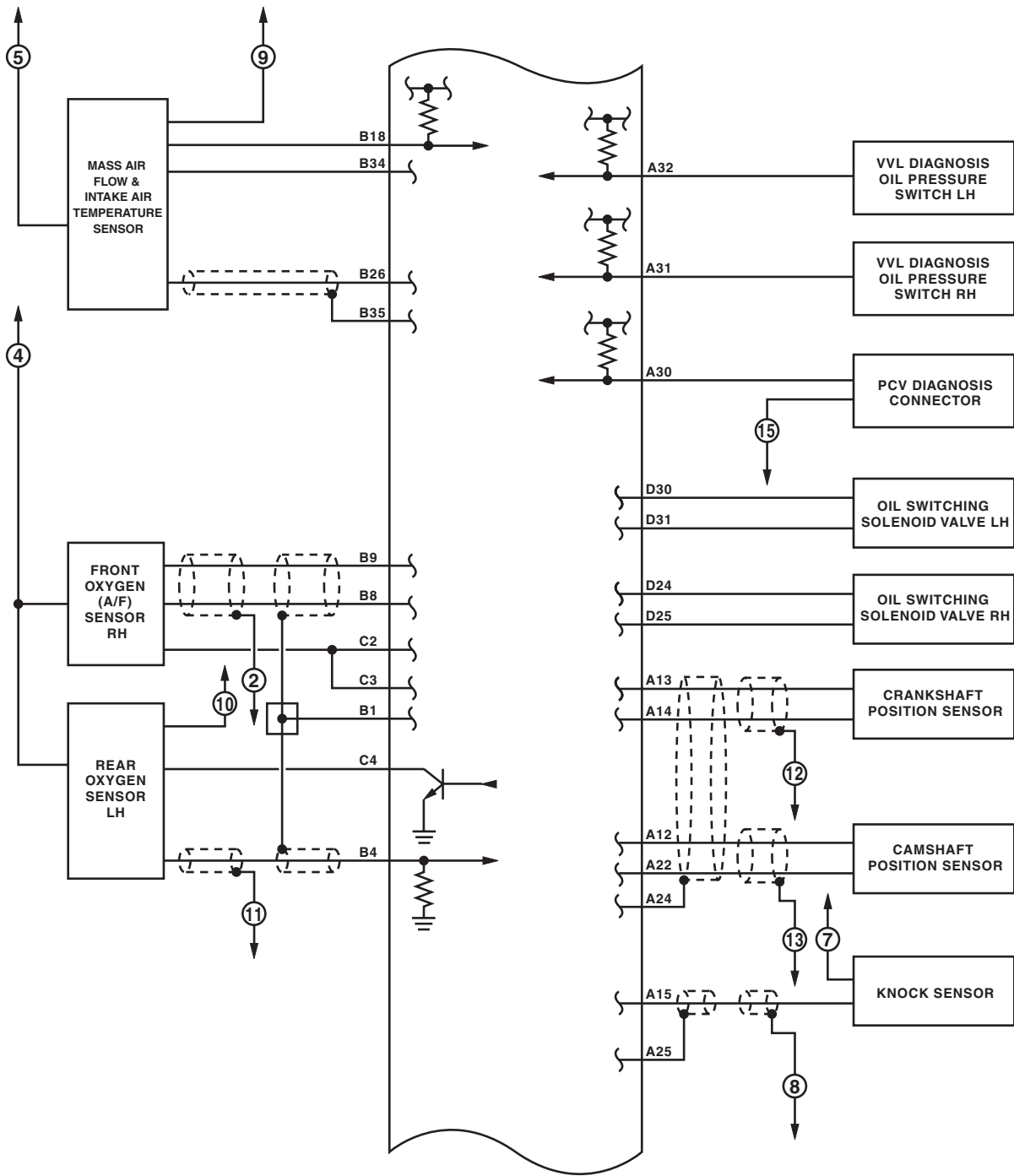


EN-06232



# Engine Control Module (ECM) I/O Signal

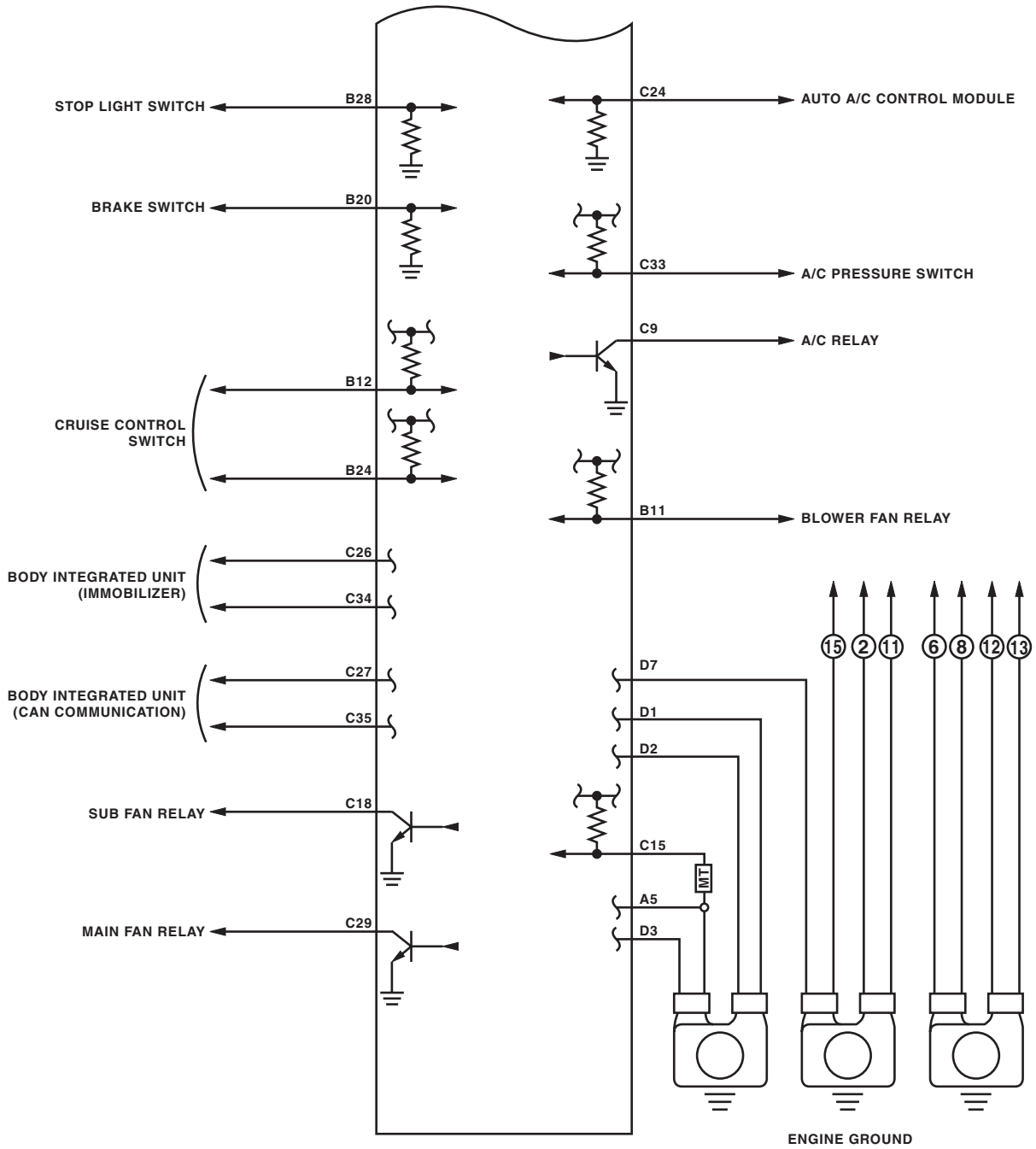
ENGINE (DIAGNOSTICS)



EN-06233

# Engine Control Module (ECM) I/O Signal

ENGINE (DIAGNOSTICS)



EN-06234

# Engine Condition Data

ENGINE (DIAGNOSTICS)

---

## 6. Engine Condition Data

### A: ELECTRICAL SPECIFICATION

Contents	Specification
Engine load	17.6 — 40.5 (%): Idling
	14.7 — 29.8 (%): 2,500 rpm racing

Measuring condition:

- After engine is warmed-up.
- Set the select lever in “P” range or “N” range, or the shift lever in neutral.
- Turn the A/C to OFF.
- Turn all the accessory switches to OFF.

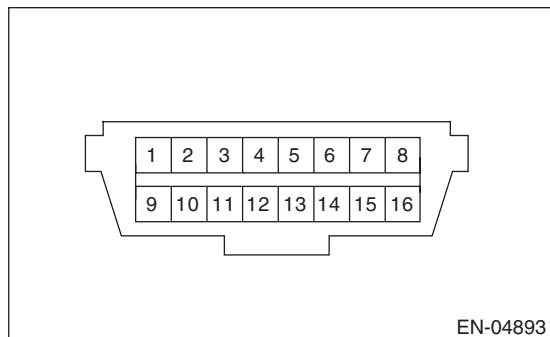
## 7. Data Link Connector

### A: NOTE

This connector is used for Subaru Select Monitor.

### CAUTION:

**Do not connect any scan tools except Subaru Select Monitor or general scan tool because the circuit for Subaru Select Monitor may be damaged.**



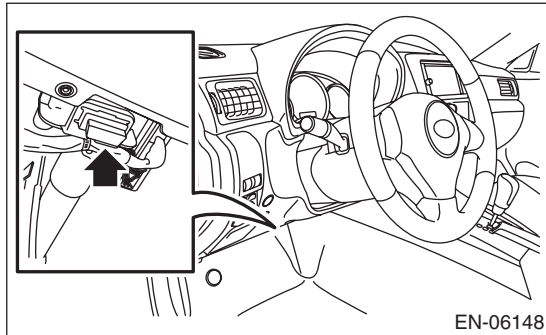
Terminal No.	Contents	Terminal No.	Contents
1	Blank	9	Blank
2	Blank	10	Blank
3	Blank	11	Blank
4	Ground	12	Blank
5	Ground	13	Blank
6	CAN communication (+)	14	CAN communication (-)
7	Subaru Select Monitor signal	15	Blank
8	Blank	16	Power supply

### 8. General Scan Tool

#### A: OPERATION

##### 1. HOW TO USE GENERAL SCAN TOOL

- 1) Prepare a scan tool (general scan tool) required by SAE J1978.
- 2) Connect the general scan tool to data link connector located in the lower portion of the instrument panel (on the driver's side).



- 3) Using the general scan tool, call up DTC and freeze frame data.

General scan tool functions consist of:

- (1) MODE \$01: Current powertrain diagnostic data
- (2) MODE \$02: Powertrain freeze frame data
- (3) MODE \$03: Emission-related powertrain DTC
- (4) MODE \$04: Clear/Reset emission-related diagnostic information
- (5) MODE \$06: Request on-board monitoring test results for intermittently monitored systems
- (6) MODE \$07: Request on-board monitoring test results for continuously monitored systems
- (7) MODE \$09: Request vehicle information

#### NOTE:

- Read out the data according to repair procedures. (For detailed operation procedure, refer to the general scan tool operation manual.)
- For details concerning DTC, refer to "List of Diagnostic Trouble Code (DTC)". <Ref. to EN(H4SO)(diag)-86, List of Diagnostic Trouble Code (DTC).>

# General Scan Tool

ENGINE (DIAGNOSTICS)

## 2. MODE \$01: (CURRENT POWERTRAIN DIAGNOSTIC DATA)

Refer to data denoting the current operating condition of analog input/output, digital input/output or the powertrain system.

A list of the support data and PID (Parameter Identification) codes are shown in the following table.

PID	Data	Unit of measure
\$01	Number of emission-related powertrain DTC, and malfunction indicator light status and diagnosis support information	—
\$03	Fuel system control status	—
\$04	Calculated engine load value	%
\$05	Engine coolant temperature	°C
\$06	Short term fuel trim	%
\$07	Long term fuel trim	%
\$0B	Intake manifold absolute pressure	kPa
\$0C	Engine speed	rpm
\$0D	Vehicle speed	MPH
\$0E	Ignition timing advance	°
\$0F	Intake air temperature	°C
\$10	Air flow rate from mass air flow sensor	g/s
\$11	Throttle valve absolute opening angle	%
\$13	Check whether oxygen sensor is installed.	—
\$15	Oxygen sensor output voltage and short term fuel trim associated with oxygen sensor (Bank 1 Sensor 2)	V and %
\$1C	Supporting OBD system	—
\$1F	Elapsed time after starting the engine	sec
\$21	Travel distance after the malfunction indicator light illuminates	miles
\$24	A/F value and A/F sensor output voltage (Bank 1 Sensor 1)	— and V
\$2C	Target EGR	%
\$2D	EGR deviation	%
\$2E	Evaporative purge	%
\$2F	Fuel level	%
\$30	Number of warm ups after DTC clear	—
\$31	Travel distance after DTC clear	miles
\$32	Fuel tank pressure	Pa
\$33	Barometric pressure	kPa
\$34	A/F value and A/F sensor current (Bank 1 Sensor 1)	— and mA
\$3C	Catalyst temperature #1	°C
\$41	Diagnostic monitor of each drive cycle	—
\$42	ECM power voltage	V
\$43	Absolute load	%
\$44	A/F target lambda	—
\$45	Relative throttle opening angle	%
\$46	Ambient temperature	°C
\$47	Absolute throttle opening angle 2	%
\$49	Absolute accelerator opening angle 1	%
\$4A	Absolute accelerator opening angle 2	%
\$4C	Target throttle opening angle	%
\$4D	Engine operating time while malfunction indicator lit	min
\$4E	Elapsed time after DTC clear	min
\$51	Fuel used	—
\$5A	Relative accelerator opening angle	%

### NOTE:

Refer to general scan tool manufacturer's instruction manual to access generic OBD-II PIDs (MODE \$01).

# General Scan Tool

## ENGINE (DIAGNOSTICS)

### 3. MODE \$02 (POWERTRAIN FREEZE FRAME DATA)

Refer to data denoting the operating condition when trouble is detected by on-board diagnosis system. A list of the support data and PID (Parameter Identification) codes are shown in the following table.

PID	Data	Unit of measure
\$02	DTC that caused the freeze frame data storage required by CARB	—
\$03	Fuel system control status	—
\$04	Calculated engine load value	%
\$05	Engine coolant temperature	°C
\$06	Short term fuel trim (Bank 1 Sensor 1)	%
\$07	Long term fuel trim (Bank 1 Sensor 1)	%
\$0B	Intake manifold absolute pressure	kPa
\$0C	Engine speed	rpm
\$0D	Vehicle speed	MPH
\$0E	Ignition timing advance	°
\$0F	Intake air temperature	°C
\$10	Air flow rate from mass air flow sensor	g/s
\$11	Throttle valve absolute opening angle	%
\$13	Check whether oxygen sensor is installed.	—
\$15	Oxygen sensor output voltage and short term fuel trim associated with oxygen sensor (Bank 1 Sensor 2)	V and %
\$1C	Supporting OBD system	—
\$1F	Elapsed time after starting the engine	sec
\$2C	Target EGR	%
\$2D	EGR deviation	%
\$2E	Evaporative purge	%
\$2F	Fuel level	%
\$32	Fuel tank pressure	Pa
\$33	Barometric pressure	kPa
\$42	ECM power voltage	V
\$43	Absolute load	%
\$44	A/F target lambda	—
\$45	Relative throttle opening angle	%
\$46	Ambient temperature	°C
\$47	Absolute throttle opening angle 2	%
\$49	Absolute accelerator opening angle 1	%
\$4A	Absolute accelerator opening angle 2	%
\$4C	Target throttle opening angle	%

#### NOTE:

Refer to general scan tool manufacturer's instruction manual to access freeze frame data (MODE \$02).

### 4. MODE \$03 (EMISSION-RELATED POWERTRAIN DTC)

Refer to "List of Diagnostic Trouble Code (DTC)" for information about data denoting emission-related powertrain DTC. <Ref. to EN(H4SO)(diag)-86, List of Diagnostic Trouble Code (DTC).>

### 5. MODE \$04 (CLEAR/RESET EMISSION-RELATED DIAGNOSTIC INFORMATION)

Refer to the mode used to clear or reset emission-related diagnostic information (OBD-II trouble diagnostic information).

#### NOTE:

Refer to general scan tool manufacturer's instruction manual to clear the emission-related diagnostic information (MODE \$04).

# General Scan Tool

ENGINE (DIAGNOSTICS)

## 6. MODE \$06

Refer to test value of troubleshooting and data of test limit indicated on the support data bit sequence table. A list of the support data is shown in the following table.

OBDMID	TID	SID	Diagnostic item
\$01	\$81	\$0A	A/F sensor continuity abnormal (Bank 1 Sensor 1)
	\$82	\$8D	
	\$83	\$14	
	\$84	\$1E	A/F sensor range abnormal (Bank 1 Sensor 1)
	\$85	\$1E	
	\$86	\$20	A/F sensor response abnormal (Bank 1 Sensor 1)
\$02	\$87	\$0B	Oxygen sensor circuit abnormal (Bank 1 Sensor 2)
	\$88	\$0B	
	\$07	\$0B	Oxygen sensor drop abnormal (Bank 1 Sensor 2)
	\$08	\$0B	
	\$A5	\$0B	
	\$05	\$10	Oxygen sensor response abnormal (Bank 1 Sensor 2)
	\$06	\$10	
\$21	\$89	\$20	Catalyst deterioration diagnosis (Bank 1)
\$31	\$8A	\$FD	EGR system diagnosis
\$39	\$93	\$FE	Evaporative emission control system (Cap off)
\$3B	\$94	\$FE	Evaporative emission control system (0.04 inch leak)
	\$95	\$FE	
\$3C	\$96	\$FE	Evaporative emission control system (0.02 inch leak)
	\$97	\$FE	
\$3D	\$98	\$FE	Evaporative emission control system (Purge flow)
\$41	\$99	\$24	A/F sensor heater abnormal (Bank 1 Sensor 1)
	\$9A	\$24	
	\$9B	\$14	A/F sensor heater characteristics abnormal (Bank 1 Sensor 1)
\$42	\$9C	\$24	Oxygen sensor heater abnormal (Bank 1 Sensor 1)
	\$9D	\$24	
\$A1	\$0B	\$24	Misfire monitoring (All cylinders)
	\$0C	\$24	
\$A2	\$0B	\$24	Misfire monitoring (#1 cylinder)
	\$0C	\$24	
\$A3	\$0B	\$24	Misfire monitoring (#2 cylinder)
	\$0C	\$24	
\$A4	\$0B	\$24	Misfire monitoring (#3 cylinder)
	\$0C	\$24	
\$A5	\$0B	\$24	Misfire monitoring (#4 cylinder)
	\$0C	\$24	

## 7. MODE \$07

Refer to the data of DTC (pending code) for troubleshooting result about emission in the first time.

## 8. MODE \$09

Refer to data of vehicle specification (V.I.N., calibration ID, diagnosis frequency etc.).

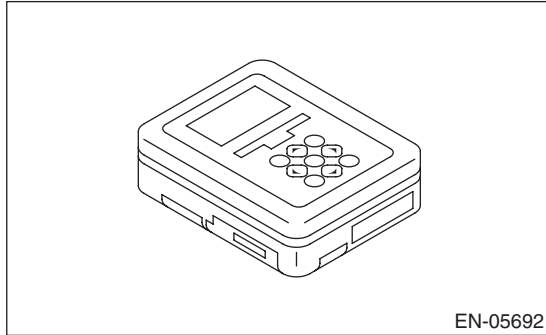


## 9. Subaru Select Monitor

### A: OPERATION

#### 1. HOW TO USE THE SUBARU SELECT MONITOR

1) Prepare the Subaru Select Monitor kit. <Ref. to EN(H4SO)(diag)-7, PREPARATION TOOL, General Description.>



2) Prepare the personal computer which has been installed the Subaru Select Monitor.

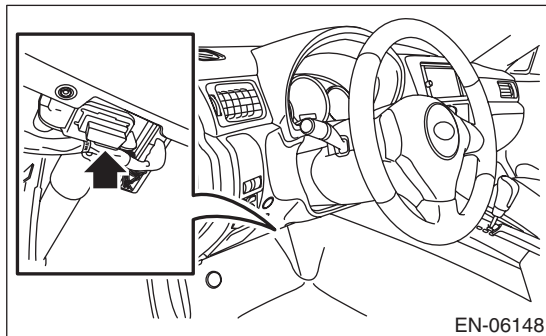
3) Connect the USB cable between SDI (Subaru Diagnosis Interface) and USB port on the personal computer (dedicated port for the Subaru Select Monitor).

#### NOTE:

The dedicated port for the Subaru Select Monitor means the USB port which was used to install the Subaru Select Monitor.

4) Connect the diagnosis cable to the SDI.

5) Connect the SDI to data link connector located in the lower portion of the instrument panel (on the driver's side).



#### CAUTION:

**Do not connect the scan tools except for Subaru Select Monitor and general scan tool.**

6) Start up the personal computer.

7) Turn the ignition switch to ON (engine OFF), and run the "PC application for Subaru Select Monitor".

8) Call up DTC and data, then record them.

#### NOTE:

For detailed operation procedure, refer to the "PC application help for Subaru Select Monitor".

**2. READ CURRENT DATA FOR ENGINE (NORMAL MODE)**

- 1) On «Main Menu» display, select {Each System Check}.
  - 2) On «System Selection Menu» display, select {Engine Control System}.
  - 3) Click the [OK] button after the information of engine type has been displayed.
  - 4) On «Engine Diagnosis» display, select {Current Data Display & Save}.
  - 5) On «Current Data Display & Save» display, select {Normal sampling}.
  - 6) Using the scroll key, scroll the display screen up or down until the desired data is shown.
- A list of the support data is shown in the following table.

Contents	Display	Unit of measure	Note (at idling)
Engine Load	Engine Load	%	21.0%
Engine coolant temperature signal	Coolant Temp.	°C or °F	85°C or 185°F or more (after warm up)
A/F Correction #1	A/F Correction #1	%	-0.8%
A/F Learning #1	A/F Learning #1	%	0.0%
Intake manifold absolute pressure	Mani. Absolute Pressure	mmHg, kPa, inHg or psig	200 — 300 mmHg, 26.7 — 40 kPa, 7.8 — 11.8 inHg or 3.8 — 5.8 psig
Engine speed signal	Engine Speed	rpm	700 rpm (Agree with the tachometer indication)
Meter vehicle speed signal	Vehicle Speed	km/h or MPH	0 km/h or 0 MPH (at parking)
Ignition timing signal	Ignition Timing	deg	14 — 16 deg
Intake air temperature signal	Intake Air Temp.	°C or °F	(Ambient air temperature)
Intake air amount	Mass Air Flow	g/s or lb/m	2.5 g/s or 0.33 lb/m
Throttle opening angle signal	Throttle Opening Angle	%	2.0%
Rear oxygen sensor voltage	Rear O2 Sensor	V	0.1 — 0.7 V
Battery voltage	Battery Voltage	V	12 — 14 V
Mass air flow voltage	Air Flow Sensor Voltage	V	1.26 V
Injection 1 pulse width	Fuel Injection #1 Pulse	ms	2.82 ms
Atmospheric pressure signal	Atmosphere Pressure	mmHg, kPa, inHg or psig	(Atmospheric pressure)
Intake manifold relative pressure	Mani. Relative Pressure	mmHg, kPa, inHg or psig	(Air intake absolute pressure — Atmospheric pressure)
Learned Ignition Timing	Learned Ignition Timing	deg	0 deg
Acceleration opening angle signal	Accel. Opening Angle	%	0.0%
Fuel temperature signal	Fuel Temp.	°C or °F	+20°C or +68°F
Purge control solenoid duty ratio	CPC Valve Duty Ratio	%	0 — 3%
Number of EGR steps	No. of EGR steps	STEP	0 STEP
A/F sensor current value 1	A/F Sensor #1 Current	mA	-0.2 — 0.2 mA
A/F sensor resistance value 1	A/F Sensor #1 Resistance	Ω	32 Ω
A/F sensor output lambda 1	A/F Sensor #1	—	1.0
A/F Correction #3	A/F Correction #3	%	0.3%
A/F Learning #3	A/F Learning #3	%	0.00%
Throttle motor duty	Throttle Motor Duty	%	-15%
Throttle Motor Voltage	Throttle Motor Voltage	V	(Battery voltage)
Sub throttle sensor voltage	Sub-Throttle Sensor	V	1.52 V
Main throttle sensor voltage	Main-Throttle Sensor	V	0.66 V
Sub accelerator sensor voltage	Sub-Accelerator Sensor	V	0.68 V
Main acceleration sensor voltage	Main-Accelerator Sensor	V	0.68 V
Memory vehicle speed	Memorized Cruise Speed	km/h or MPH	0 km/h or 0 MPH

# Subaru Select Monitor

## ENGINE (DIAGNOSTICS)

Contents	Display	Unit of measure	Note (at idling)
Fuel level sensor signal	Fuel level resistance	Ω	2 — 96 Ω
Engine oil temperature	Oil Temperature	°C	≥ 85°C (after warm up)
Oil switching solenoid valve duty R	OSV Duty R	%	16.9%
Oil switching solenoid valve duty L	OSV Duty L	%	16.9%
Oil switching solenoid valve current R	OSV Current R	mA	192 mA
Oil switching solenoid valve current L	OSV Current L	mA	192 mA
Variable valve lift lift mode	VVL Lift Mode	—	1
#1 cylinder roughness monitor	Roughness Monitor #1	—	0
#2 cylinder roughness monitor	Roughness Monitor #2	—	0
#3 cylinder roughness monitor	Roughness Monitor #3	—	0
#4 cylinder roughness monitor	Roughness Monitor #4	—	0
Knock sensor correction	Knocking Correction	deg	0.0 deg
Fuel tank pressure signal	Fuel Tank Pressure	mmHg, kPa, inHg or psig	+7.7 mmHg, +1.1 kPa, +0.31 inHg or +0.15 psig
AT Vehicle ID Signal	AT Vehicle ID Signal	—	ON/OFF
Delivery (test) mode terminal	Test Mode Signal	—	OFF
D-check Require Flag	D-check Require Flag	—	OFF
Delivery (test) mode terminal	Delivery Mode Connector (Test Mode Connector)	—	OFF
Neutral position switch signal	Neutral Position Switch	—	ON
Soft idle switch signal	Idle Switch Signal	—	ON
Ignition switch signal	Ignition Switch	—	ON
Power steering switch signal	P/S Switch Signal	—	OFF (when OFF)
Air conditioning switch signal	A/C Switch	—	OFF (when OFF)
Starter switch signal	Starter Switch	—	OFF
Rear oxygen monitor	Rear O2 Rich Signal	—	ON/OFF
Knocking signal	Knocking Signal	—	OFF
Crankshaft position sensor signal	Crankshaft Position Sig.	—	ON
Camshaft position sensor signal	Camshaft Position Sig.	—	ON
Rear defogger switch signal	Rear Defogger SW	—	OFF (when OFF)
Blower fan switch signal	Blower Fan SW	—	OFF (when OFF)
Light switch signal	Light Switch	—	OFF (when OFF)
A/C middle pressure switch signal	A/C Mid Pressure Switch	—	OFF (when OFF)
Air conditioner compressor relay output signal	A/C Compressor Signal	—	OFF (when OFF)
Radiator fan relay 1 signal	Radiator Fan Relay #1	—	OFF (when OFF)
Radiator fan relay 2 signal	Radiator Fan Relay #2	—	OFF (when OFF)
Fuel pump relay signal	Fuel Pump Relay	—	ON output
PCV hose assembly diagnosis signal	Blow-by leak Connector	—	Connected
Pressure control solenoid valve signal	PCV Solenoid Valve	—	OFF output
Drain valve signal	Vent. Solenoid Valve	—	OFF output
Variable valve lift diagnosis oil pressure switch signal 1	Eng. Oil Press. SW 1	—	ON
Variable valve lift diagnosis oil pressure switch signal 2	Eng. Oil Press. SW 2	—	ON
AT coordinate retard angle demand signal	Retard Signal from AT	—	OFF
AT coordinate fuel cut demand signal	Fuel Cut signal from AT	—	OFF
Vehicle dynamics control (VDC) torque down prohibition output	Ban of Torque Down	—	ON
Vehicle dynamics control (VDC) torque down demand	Request Torque Down VDC	—	OFF
AT coordinate permission signal	Torque permission signal	—	Allowed (prohibited on MT vehicles)

# Subaru Select Monitor

ENGINE (DIAGNOSTICS)

Contents	Display	Unit of measure	Note (at idling)
Electronic throttle control motor relay signal	ETC Motor Relay	—	ON
Clutch switch signal	Clutch Switch	—	OFF (when OFF)
Stop light switch signal	Stop Light Switch	—	OFF (when OFF)
SET/COAST switch signal	SET/COAST Switch	—	OFF (when OFF)
RES/ACC switch signal	RESUME/ACCEL Switch	—	OFF (when OFF)
Brake switch signal	Brake Switch	—	OFF (when OFF)
Main switch signal	Main Switch	—	OFF (when OFF)
Body integrated unit data reception	Body Int. Unit Data	—	ON
Body integrated unit counter update	Body Int. Unit Count	—	ON
Cruise control cancel switch signal	CC Cancel SW	—	OFF (when OFF)
Malfunction indicator light signal	MIL On Flag	—	OFF (when unlit)

**NOTE:**

For detailed operation procedures, refer to “PC application help for Subaru Select Monitor”.

# Subaru Select Monitor

## ENGINE (DIAGNOSTICS)

### 3. READ CURRENT DATA FOR ENGINE (OBD MODE)

- 1) On «Main Menu» display, select {Each System Check}.
  - 2) On «System Selection Menu» display, select {Engine Control System}.
  - 3) Click the [OK] button after the information of engine type has been displayed.
  - 4) On «Engine Diagnosis» display, select {OBD System}.
  - 5) On «OBD Menu» display, select {Current Data Display & Save}.
  - 6) On «Current Data Display & Save» display, select {All data display}.
  - 7) Using the scroll key, scroll the display screen up or down until the desired data is shown.
- A list of the support data is shown in the following table.

Contents	Display	Referential value (at idling)	Unit of measure
Number of diagnosis code	Number of Diag. Code:	0	—
Condition of malfunction indicator light	MI(MIL)	OFF	—
Monitoring test of misfire	Misfire monitoring (Supp)	YES	—
Monitoring test of misfire	Misfire monitoring (Rdy)	YES	—
Monitoring test of fuel system	Fuel system monitoring (Supp)	YES	—
Monitoring test of fuel system	Fuel system monitoring (Rdy)	YES	—
Monitoring test of comprehensive component	Component monitoring (Supp)	YES	—
Monitoring test of comprehensive component	Component monitoring (Rdy)	YES	—
Test of catalyst	Catalyst Diagnosis (Supp)	YES	—
Test of catalyst	Catalyst Diagnosis (Rdy)	NO	—
Test of heating-type catalyst	Heated catalyst (Supp)	NO	—
Test of heating-type catalyst	Heated catalyst (Rdy)	N/A	—
Test of evaporative emission purge control system	Evaporative purge system (Supp)	YES	—
Test of evaporative emission purge control system	Evaporative purge system (Rdy)	NO	—
Secondary air system test	Secondary air system (Supp)	NO	—
Secondary air system test	Secondary air system (Rdy)	N/A	—
Test of air conditioning system refrigerant	A/C system refrigerant (Supp)	NO	—
Test of air conditioning system refrigerant	A/C system refrigerant (Rdy)	N/A	—
Test of oxygen sensor	Oxygen sensor (Supp)	YES	—
Test of oxygen sensor	Oxygen sensor (Rdy)	NO	—
Test of oxygen sensor heater	O2 Heater Diagnosis (Supp)	YES	—
Test of oxygen sensor heater	O2 Heater Diagnosis (Rdy)	NO	—
Test of EGR system	EGR system (Supp)	YES	—
Test of EGR system	EGR system (Rdy)	NO	—
Air fuel ratio control system for bank 1	Fuel system for Bank 1	Cl_normal	—
Engine load data	Calculated load value	23.0	%
Engine coolant temperature signal	Coolant Temp.	92	°C
Short term fuel trim by front oxygen (A/F) sensor (Bank 1)	Short term fuel trim B1	-0.8	%
Long term fuel trim by front oxygen (A/F) sensor (Bank 1)	Long term fuel trim B1	0.0	%
Intake manifold absolute pressure signal	Mani. Absolute Pressure	211	mmHg
Engine speed signal	Engine Speed	700	rpm
Vehicle speed signal	Vehicle Speed	0	km/h
#1 Cylinder ignition timing	Ignition timing adv. #1	16.0	°
Intake air temperature signal	Intake Air Temp.	36	°C
Intake air amount	Mass Air Flow	2.7	g/s
Throttle position signal	Throttle Opening Angle	13	%
Oxygen sensor (Bank 1 Sensor 2)	Oxygen sensor #12	0.7	V
A/F correction (Bank 1 Sensor 2)	Short term fuel trim #12	0.0	%
On-board diagnostic system	OBD system	OBD/OBD2	—

# Subaru Select Monitor

## ENGINE (DIAGNOSTICS)

Contents	Display	Referential value (at idling)	Unit of measure
Front oxygen (A/F) sensor (Bank 1 Sensor 1)	Oxygen sensor #11	Supported	—
Oxygen sensor (Bank 1 Sensor 2)	Oxygen sensor #12	Supported	—
Elapsed time after engine start	Time Since Engine Start	—	sec
Travel distance after the malfunction indicator light illuminates	Lighted MI lamp history	—	km
A/F lambda signal (Bank 1 Sensor 1)	A/F Sensor #11	1.001	—
A/F sensor output signal (Bank 1 Sensor 1)	A/F Sensor #11	2.79	V
Target EGR	Commanded EGR	—	%
EGR error	EGR Error	—	%
Evaporative purge	Commanded Evap Purge	0	%
Fuel level signal	Fuel level	—	%
Number of warm ups after DTC clear	Number of warm-ups	—	—
Travel distance after DTC clear	Meter since DTC cleared	—	km
Fuel tank pressure signal	Fuel Tank Pressure	8.8	mmHg
Atmospheric pressure signal	Atmosphere Pressure	Atmospheric pressure	mmHg
A/F lambda signal (Bank 1 Sensor 1)	A/F Sensor #11	1.001	—
A/F sensor current (Bank 1 Sensor 1)	A/F Sensor #11	0.00	mA
Catalytic temperature #1	Catalyst Temperature #11	—	°C
Monitoring test of misfire	Misfire monitoring (Enable)	YES	—
Monitoring test of misfire	Misfire monitoring (Comp)	NO	—
Monitoring test of fuel system	Fuel system monitoring (Enable)	YES	—
Monitoring test of fuel system	Fuel system monitoring (Comp)	NO	—
Monitoring test of comprehensive component	Component monitoring (Enable)	YES	—
Monitoring test of comprehensive component	Component monitoring (Comp)	NO	—
Test of catalyst	Catalyst Diagnosis (Enable)	YES	—
Test of catalyst	Catalyst Diagnosis (Comp)	NO	—
Test of heating-type catalyst	Heated catalyst (Enable)	N/A	—
Test of heating-type catalyst	Heated catalyst (Comp)	N/A	—
Test of evaporative emission purge control system	Evaporative purge system (Enable)	NO	—
Test of evaporative emission purge control system	Evaporative purge system (Comp)	NO	—
Secondary air system test	Secondary air system (Enable)	N/A	—
Secondary air system test	Secondary air system (Comp)	N/A	—
Test of air conditioning system refrigerant	A/C system refrigerant (Enable)	N/A	—
Test of air conditioning system refrigerant	A/C system refrigerant (Comp)	N/A	—
Test of oxygen sensor	Oxygen sensor (Enable)	YES	—
Test of oxygen sensor	Oxygen sensor (Comp)	NO	—
Test of oxygen sensor heater	O2 Heater Diagnosis (Enable)	YES	—
Test of oxygen sensor heater	O2 Heater Diagnosis (Comp)	NO	—
Test of EGR system	EGR system (Enable)	YES	—
Test of EGR system	EGR system (Comp)	NO	—
ECM power supply voltage	Control module voltage	13.789	V
Absolute load	Absolute Load Value	22	%
A/F target lambda	Target Equivalence Ratio	0.976	—

# Subaru Select Monitor

## ENGINE (DIAGNOSTICS)

Contents	Display	Referential value (at idling)	Unit of measure
Relative throttle opening angle	Relative Throttle Pos.	2	%
Ambient temperature	Ambient Temperature	Ambient air temperature	°C
Absolute throttle opening angle 2	Absolute Throttle Pos.#2	32	%
Absolute accelerator opening angle 1	Accelerator Pedal Pos.#1	13	%
Absolute accelerator opening angle 2	Accelerator Pedal Pos.#2	13	%
Target throttle opening angle	Target Throt. Act. Cont.	0	%
Engine operating time while malfunction indicator light lit	Time while MIL lighted	—	min
Elapsed time after DTC clear	Time since DTC cleared	—	min
Type of fuel	Type of fuel	GAS	—
Relative acceleration opening angle	Relative Accelera. Pos.	0	%

### NOTE:

For detailed operation procedures, refer to “PC application help for Subaru Select Monitor”.

**4. READ FREEZE FRAME DATA FOR ENGINE (OBD MODE)**

- 1) On «Main Menu» display, select {Each System Check}.
  - 2) On «System Selection Menu» display, select {Engine Control System}.
  - 3) Click the [OK] button after the information of engine type has been displayed.
  - 4) On «Engine Diagnosis» display, select {OBD System}.
  - 5) On «OBD Menu» display, select {Freeze Frame Data Display}.
- A list of the support data is shown in the following table.

Contents	Display	Unit of measure
DTCs of freeze frame data	Freeze frame data	—
Air fuel ratio control system for bank 1	Fuel system for Bank 1	—
Engine load data	Calculated load value	%
Engine coolant temperature signal	Coolant Temp.	°C or °F
Short term fuel trim by front oxygen (A/F) sensor	Short term fuel trim B1	%
Long term fuel trim by front oxygen (A/F) sensor	Long term fuel trim B1	%
Intake manifold absolute pressure signal	Mani. Absolute Pressure	mmHg, kPa, inHg or psig
Engine speed signal	Engine Speed	rpm
Vehicle speed signal	Vehicle Speed	km/h or MPH
Ignition timing advance for #1 cylinder	Ignition timing adv. #1	°
Intake air temperature signal	Intake Air Temp.	°C or °F
Intake air amount	Mass Air Flow	g/s or lb/m
Throttle position signal	Throttle Opening Angle	%
Oxygen sensor (Bank 1 Sensor 2)	Oxygen sensor #12	V
A/F correction (Bank 1 Sensor 2)	Short term fuel trim #12	%
On-board diagnostic system	OBD system	—
Front oxygen (A/F) sensor (Bank 1 Sensor 1)	Oxygen sensor #11	—
Oxygen sensor (Bank 1 Sensor 2)	Oxygen sensor #12	—
Elapsed time after engine start	Time Since Engine Start	sec
Target EGR	Commanded EGR	%
EGR deviation	EGR Error	%
Evaporative purge	Commanded Evap Purge	%
Fuel level signal	Fuel level	%
Fuel tank pressure signal	Fuel Tank Pressure	mmHg, kPa, inHg or psig
Atmospheric pressure	Atmosphere Pressure	mmHg, kPa, inHg or psig
ECM power supply voltage	Control module voltage	V
Absolute load	Absolute Load Value	%
A/F target lambda	Target Equivalence Ratio	—
Relative throttle opening angle	Relative Throttle Pos.	%
Ambient temperature	Ambient Temperature	°C or °F
Absolute throttle opening angle 2	Absolute Throttle Pos.#2	%
Absolute accelerator opening angle 1	Accelerator Pedal Pos.#1	%
Absolute accelerator opening angle 2	Accelerator Pedal Pos.#2	%
Target throttle opening angle	Target Throt. Act. Cont.	%

**NOTE:**

For detailed operation procedures, refer to “PC application help for Subaru Select Monitor”.



# Subaru Select Monitor

ENGINE (DIAGNOSTICS)

---

## 5. V.I.N REGISTRATION

- 1) On «Main Menu» display, select {Each System Check}.
- 2) On «System Selection Menu» display, select {Engine Control System}.
- 3) Click the [OK] button after the information of engine type has been displayed.
- 4) On «Engine Diagnosis» display, select {Entry VIN}.
- 5) Perform the procedures shown on the display screen.

### NOTE:

For detailed operation procedures, refer to “PC application help for Subaru Select Monitor”.

## 10. Read Diagnostic Trouble Code (DTC)

### A: OPERATION

#### 1. SUBARU SELECT MONITOR (NORMAL MODE)

- 1) On «Main Menu» display, select {Each System Check}.
- 2) On «System Selection Menu» display, select {Engine Control System}.
- 3) Click the [OK] button after the information of engine type has been displayed.
- 4) On «Engine Diagnosis» display, select {Diagnostic Code(s) Display}.
- 5) On «Diagnostic Code(s) Display» display, select {Temporary Diagnostic Code(s)} or {Memorized Diagnostic Code(s)}.

#### NOTE:

- For detailed operation procedures, refer to “PC application help for Subaru Select Monitor”.
- For details concerning DTC, refer to “List of Diagnostic Trouble Code (DTC)”. <Ref. to EN(H4SO)(diag)-86, List of Diagnostic Trouble Code (DTC).>

#### 2. SUBARU SELECT MONITOR (OBD MODE)

- 1) On «Main Menu» display, select {Each System Check}.
- 2) On «System Selection Menu» display, select {Engine Control System}.
- 3) Click the [OK] button after the information of engine type has been displayed.
- 4) On «Engine Diagnosis» display, select {OBD System}.
- 5) On «OBD Menu» display, select {Diagnostic Code(s) Display}.
- 6) Make sure DTC is shown on the screen.

#### NOTE:

- For detailed operation procedures, refer to “PC application help for Subaru Select Monitor”.
- For details concerning DTC, refer to “List of Diagnostic Trouble Code (DTC)”. <Ref. to EN(H4SO)(diag)-86, List of Diagnostic Trouble Code (DTC).>

#### 3. GENERAL SCAN TOOL

Refer to data denoting emission-related powertrain DTC.

For details concerning DTC, refer to “List of Diagnostic Trouble Code (DTC)”. <Ref. to EN(H4SO)(diag)-86, List of Diagnostic Trouble Code (DTC).>

#### NOTE:

Refer to general scan tool manufacturer’s instruction manual to access powertrain DTC (MODE \$03).

# Inspection Mode

ENGINE (DIAGNOSTICS)

## 11. Inspection Mode

### A: PROCEDURE

Perform the diagnosis shown in the following DTC table.

When performing the diagnosis not listed in “List of Diagnostic Trouble Code (DTC)”, refer to the item on the drive cycle. <Ref. to EN(H4SO)(diag)-49, Drive Cycle.>

DTC	Item	Condition
P0031	HO2S Heater Control Circuit Low (Bank 1 Sensor 1)	—
P0032	HO2S Heater Control Circuit High (Bank 1 Sensor 1)	—
P0037	HO2S Heater Control Circuit Low (Bank 1 Sensor 2)	—
P0038	HO2S Heater Control Circuit High (Bank 1 Sensor 2)	—
P0077	Intake Valve Control Solenoid Circuit High (Bank 1)	—
P0083	Intake Valve Control Solenoid Circuit High (Bank 2)	—
P0102	Mass or Volume Air Flow Circuit Low Input	—
P0103	Mass or Volume Air Flow Circuit High Input	—
P0107	Manifold Absolute Pressure/Barometric Pressure Circuit Low Input	—
P0108	Manifold Absolute Pressure/Barometric Pressure Circuit High Input	—
P0112	Intake Air Temperature Sensor 1 Circuit Low	—
P0113	Intake Air Temperature Sensor 1 Circuit High	—
P0117	Engine Coolant Temperature Circuit Low	—
P0118	Engine Coolant Temperature Circuit High	—
P0122	Throttle/Pedal Position Sensor/Switch “A” Circuit Low	—
P0123	Throttle/Pedal Position Sensor/Switch “A” Circuit High	—
P0131	O2 Sensor Circuit Low Voltage (Bank 1 Sensor 1)	—
P0132	O2 Sensor Circuit High Voltage (Bank 1 Sensor 1)	—
P0137	O2 Sensor Circuit Low Voltage (Bank 1 Sensor 2)	—
P0138	O2 Sensor Circuit High Voltage (Bank 1 Sensor 2)	—
P0140	O2 Sensor Circuit No Activity Detected (Bank 1 Sensor 2)	—
P0182	Fuel Temperature Sensor “A” Circuit Low Input	—
P0183	Fuel Temperature Sensor “A” Circuit High Input	—
P0197	Engine Oil Temperature Sensor Low	—
P0198	Engine Oil Temperature Sensor High	—
P0222	Throttle/Pedal Position Sensor/Switch “B” Circuit Low	—
P0223	Throttle/Pedal Position Sensor/Switch “B” Circuit High	—
P0327	Knock Sensor 1 Circuit Low (Bank 1 or Single Sensor)	—
P0328	Knock Sensor 1 Circuit High (Bank 1 or Single Sensor)	—
P0335	Crankshaft Position Sensor “A” Circuit	—
P0336	Crankshaft Position Sensor “A” Circuit Range/Performance	—
P0340	Camshaft Position Sensor “A” Circuit (Bank 1 or Single Sensor)	—
P0341	Camshaft Position Sensor “A” Circuit Range/Performance (Bank 1 or Single Sensor)	—
P0447	Evaporative Emission Control System Vent Control Circuit Open	—
P0448	Evaporative Emission Control System Vent Control Circuit Shorted	—
P0452	Evaporative Emission Control System Pressure Sensor Low Input	—
P0453	Evaporative Emission Control System Pressure Sensor High Input	—
P0458	Evaporative Emission System Purge Control Valve Circuit Low	—
P0462	Fuel Level Sensor “A” Circuit Low	—
P0463	Fuel Level Sensor “A” Circuit High	—
P0500	Vehicle Speed Sensor “A”	—
P0512	Starter Request Circuit	—
P0513	Incorrect Immobilizer Key	—
P0600	Serial Communication Link	—

# Inspection Mode

ENGINE (DIAGNOSTICS)

DTC	Item	Condition
P0604	Internal Control Module Random Access Memory (RAM) Error	—
P0605	Internal Control Module Read Only Memory (ROM) Error	—
P0607	Throttle Control System Circuit Range/Performance	—
P0638	Throttle Actuator Control Range/Performance (Bank 1)	—
P0700	Transmission Control System (MIL Request)	—
P0851	Park/Neutral Switch Input Circuit Low	—
P0852	Park/Neutral Switch Input Circuit High	—
P1152	O2 Sensor Circuit Range/Performance (Low) (Bank1 Sensor1)	—
P1153	O2 Sensor Circuit Range/Performance (High) (Bank1 Sensor1)	—
P1160	Return Spring Failure	—
P1400	Fuel Tank Pressure Control Solenoid Valve Circuit Low	—
P1420	Fuel Tank Pressure Control Sol. Valve Circuit High	—
P1491	Positive Crankcase Ventilation (Blow-by) Function Problem	—
P1560	Back-Up Voltage Circuit Malfunction	—
P1570	Antenna	—
P1571	Reference Code Incompatibility	—
P1572	IMM Circuit Failure (Except Antenna Circuit)	—
P1574	Key Communication Failure	—
P1576	EGI Control Module EEPROM	—
P1577	IMM Control Module EEPROM	—
P1578	Meter Failure	—
P2101	Throttle Actuator Control Motor Circuit Range/Performance	—
P2102	Throttle Actuator Control Motor Circuit Low	—
P2103	Throttle Actuator Control Motor Circuit High	—
P2109	Throttle/Pedal Position Sensor "A" Minimum Stop Performance	—
P2122	Throttle/Pedal Position Sensor/Switch "D" Circuit Low Input	—
P2123	Throttle/Pedal Position Sensor/Switch "D" Circuit High Input	—
P2127	Throttle/Pedal Position Sensor/Switch "E" Circuit Low Input	—
P2128	Throttle/Pedal Position Sensor/Switch "E" Circuit High Input	—
P2135	Throttle/Pedal Position Sensor/Switch "A"/"B" Voltage Correlation	—
P2138	Throttle/Pedal Position Sensor/Switch "D"/"E" Voltage Correlation	—
P2227	Atmospheric Pressure Sensor Range/Performance	—
P2228	Barometric Pressure Circuit Low	—
P2229	Barometric Pressure Circuit High	—

# Inspection Mode

## ENGINE (DIAGNOSTICS)

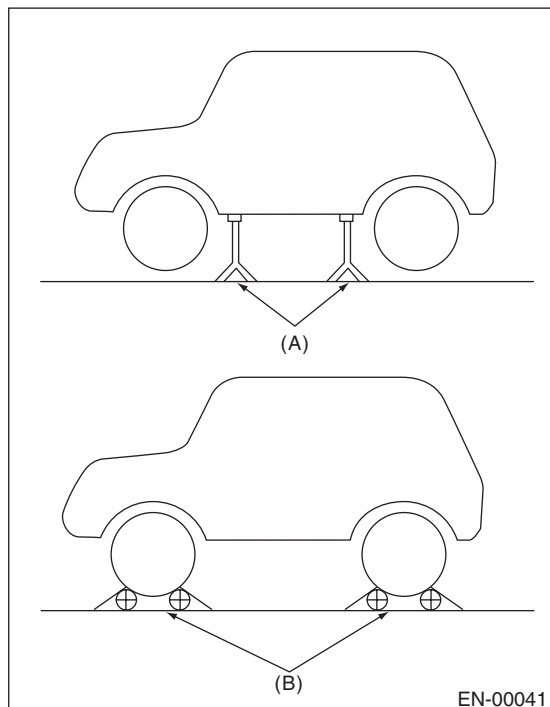
### 1. PREPARATION FOR THE INSPECTION MODE

1) Check that the battery voltage is 12 V or more and fuel remains approx. half [20 — 40 ℓ (5.3 — 10.6 US gal, 4.4 — 8.8 Imp gal)].

2) Lift up the vehicle using a garage jack and place it on rigid racks, or drive the vehicle onto free rollers.

#### WARNING:

- Before raising the vehicle, ensure parking brakes are applied.
- Do not use a pantograph jack in place of a rigid rack.
- Secure a rope or wire to the front or rear towing hooks to prevent the lateral runout of front wheels.
- Before rotating the wheels, make sure that there is no one in front of the vehicle. Besides while the wheels are rotating, make sure that no one approaches the vehicle front side.
- Make sure that there is nothing around the wheels. For AWD model, pay special attention to all four wheels.
- While servicing, do not depress or release the clutch pedal or accelerator pedal quickly regardless of the engine speed. Quick operation may cause the vehicle to drop off the free roller.
- To prevent the vehicle from slipping due to vibration, do not place anything between rigid rack and the vehicle.



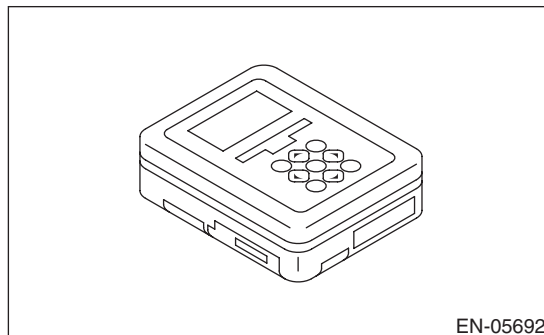
- (A) Rigid racks  
(B) Free rollers

### 2. SUBARU SELECT MONITOR

1) Check that no DTC remains after clearing memory. <Ref. to EN(H4SO)(diag)-55, Clear Memory Mode.>

2) Warm up the engine.

3) Prepare the Subaru Select Monitor kit. <Ref. to EN(H4SO)(diag)-7, PREPARATION TOOL, General Description.>



4) Prepare PC with Subaru Select Monitor installed.

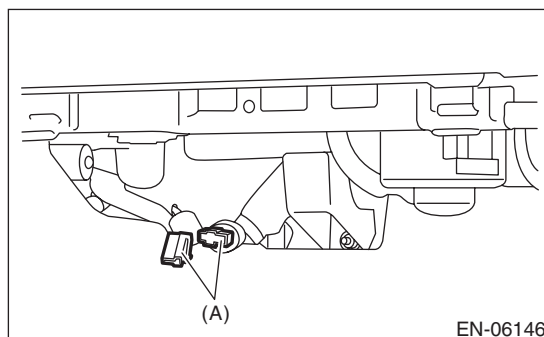
5) Connect the USB cable to SDI (Subaru Diagnosis Interface) and USB port on the personal computer (dedicated port for the Subaru Select Monitor).

#### NOTE:

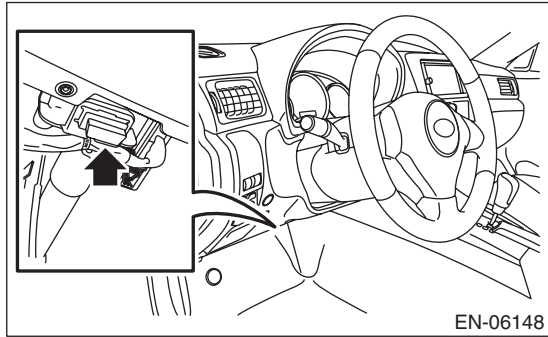
The dedicated port for the Subaru Select Monitor means the USB port which was used to install the Subaru Select Monitor.

6) Connect the diagnosis cable to SDI.

7) Connect the delivery (test) mode connector (A) located under the glove box.



8) Connect SDI to data link connector located in the lower portion of the instrument panel (on the driver's side).



**CAUTION:**

**Do not connect the scan tools except for Subaru Select Monitor and general scan tool.**

9) Start the PC.

10) Turn the ignition switch to ON (engine OFF) and run the "PC application for Subaru Select Monitor".

11) On «Main Menu» display, select {Each System Check}.

12) On «System Selection Menu» display, select {Engine Control System}.

13) Click the [OK] button after the information of engine type has been displayed.

14) On «Engine Diagnosis» display, select {Dealer Check Mode Procedure}.

15) When the «Perform Inspection (Dealer Check) Mode?» is shown on the screen, click the [Next] button.

16) Perform subsequent procedures as instructed on the display screen.

- If trouble still remains in the memory, the corresponding DTC appears on the display screen.

**NOTE:**

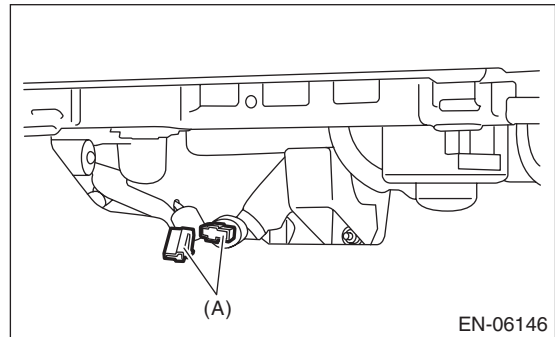
- For detailed operation procedures, refer to "PC application help for Subaru Select Monitor".
- For details concerning DTC, refer to "List of Diagnostic Trouble Code (DTC)".  
<Ref. to EN(H4SO)(diag)-86, List of Diagnostic Trouble Code (DTC).>
- Release the parking brake.
- The speed difference between front and rear wheels may light the ABS warning light, but this does not indicate a malfunction. When engine control diagnosis is finished, perform the ABS memory clearance procedure of self-diagnosis function. <Ref. to ABS(diag)-21, Clear Memory Mode.>

### 3. GENERAL SCAN TOOL

1) After performing the diagnostics and clearing the memory, check that no DTC remains. <Ref. to EN(H4SO)(diag)-55, Clear Memory Mode.>

2) Warm up the engine.

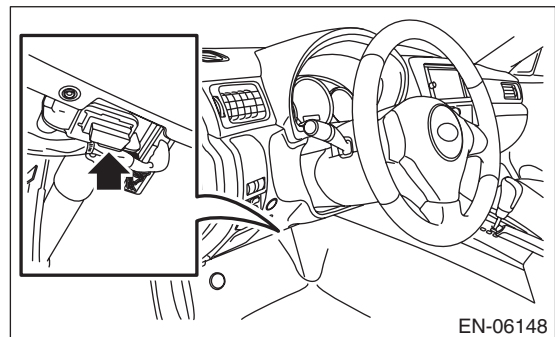
3) Connect the delivery (test) mode connector (A) located under the glove box.



4) Connect the general scan tool to data link connector located in the lower portion of the instrument panel (on the driver's side).

**CAUTION:**

**Do not connect the scan tools except for Subaru Select Monitor and general scan tool.**



5) Start the engine.

**NOTE:**

- Ensure the selector lever is placed in "P" range before starting. (AT model)
  - Depress the clutch pedal when starting engine. (MT model)
- 6) Turn the neutral position switch to ON using select lever or shift lever.
- 7) Depress the brake pedal to turn the brake switch ON. (AT model)
- 8) Keep the engine speed in 2,500 — 3,000 rpm range for 40 seconds.

## Inspection Mode

### ENGINE (DIAGNOSTICS)

---

9) Place the select lever or shift lever in D position (AT model) or 1st gear (MT model) and drive the vehicle at 5 to 10 km/h (3 to 6 MPH).

**NOTE:**

- For AWD model, release the parking brake.
- The speed difference between front and rear wheels may light the ABS warning light, but this indicates no malfunctions. When engine control diagnosis is finished, perform the ABS memory clearance procedure of self-diagnosis system. <Ref. to ABS(diag)-21, Clear Memory Mode.>

10) Using the general scan tool, check for DTC and record the result(s).

**NOTE:**

- For detailed operation procedures, refer to the general scan tool operation manual.
- For details concerning DTC, refer to “List of Diagnostic Trouble Code (DTC)”.

<Ref. to EN(H4SO)(diag)-86, List of Diagnostic Trouble Code (DTC).>

## 12. Drive Cycle

### A: PROCEDURE

For the troubleshooting, there are driving patterns described below. Driving in the specified pattern allows to diagnose malfunctioning items listed below. After the repair of the following trouble items, be sure to drive the vehicle with the specified drive patterns to check whether the function is resumed correctly.

#### 1. PREPARATION FOR DRIVE CYCLE

- 1) Check that the battery voltage is 12 V or more and fuel remains approx. half [20 — 40 ℓ (5.3 — 10.6 US gal, 4.4 — 8.8 Imp gal)].
- 2) After performing the diagnostics and clearing the memory, check that no DTC remains. <Ref. to EN(H4SO)(diag)-55, Clear Memory Mode.>
- 3) Disconnect the delivery (test) mode connector.

#### NOTE:

- Perform the diagnosis after warming up the engine except when the engine coolant temperature at starting is specified.
- Perform the diagnosis twice if the DTC marked with \*. After completing the first diagnosis, stop the engine and perform second diagnosis in same condition.



## Drive Cycle

### ENGINE (DIAGNOSTICS)

#### **2. DRIVE CYCLE A — DRIVE THE VEHICLE WITH 80 KM/H (50 MPH) FOR 20 MINUTES, AND THEN IDLE THE ENGINE FOR A MINUTE**

DTC	Item	Condition
*P0125	Insufficient Coolant Temperature for Closed Loop Fuel Control	Engine coolant temperature at engine start is less than 20°C (68°F).
*P0128	Coolant Thermostat (Engine Coolant Temperature Below Thermostat Regulating Temperature)	—
*P0133	O2 Sensor Circuit Slow Response (Bank 1 Sensor 1)	—
*P0171	System Too Lean (Bank 1)	Complete diagnosis with drive cycle B or C as well.
*P0172	System Too Rich (Bank 1)	Complete diagnosis with drive cycle B or C as well.
P0196	Engine Oil Temperature Sensor Circuit Range/Performance	—
*P0301	Cylinder 1 Misfire Detected	Complete diagnosis with drive cycle B or C as well.
*P0302	Cylinder 2 Misfire Detected	Complete diagnosis with drive cycle B or C as well.
*P0303	Cylinder 3 Misfire Detected	Complete diagnosis with drive cycle B or C as well.
*P0304	Cylinder 4 Misfire Detected	Complete diagnosis with drive cycle B or C as well.
*P0420	Catalyst System Efficiency below Threshold (Bank 1)	—
*P0442	Evaporative Emission Control System Leak Detected (Small Leak)	Engine coolant temperature at engine start is less than 30°C (86°F).
*P0451	Evaporative Emission Control System Pressure Sensor	—
*P0456	Evaporative Emission Control System Leak Detected (Very Small Leak)	Engine coolant temperature at engine start is less than 30°C (86°F).
*P0457	Evaporative Emission Control System Leak Detected (Fuel Cap Loose/Off)	Engine coolant temperature at engine start is less than 30°C (86°F).
*P0459	Evaporative Emission System Purge Control Valve Circuit High	—
P1443	Vent Control Solenoid Valve Function Problem	—
*P2096	Post Catalyst Fuel Trim System Too Lean (Bank 1)	Complete diagnosis with drive cycle B or C as well.
*P2097	Post Catalyst Fuel Trim System Too Rich (Bank 1)	Complete diagnosis with drive cycle B or C as well.

# Drive Cycle

ENGINE (DIAGNOSTICS)

## 3. DRIVE CYCLE B — 10 MINUTES IDLING

### NOTE:

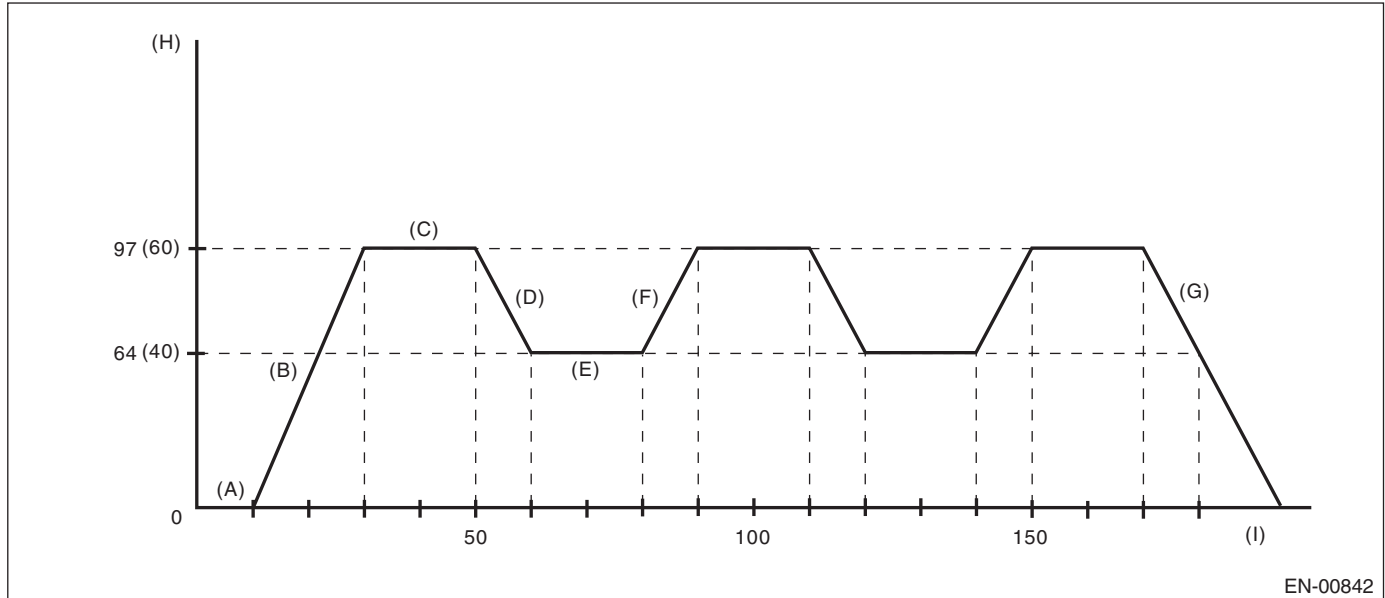
Drive the vehicle at 10 km/h (6 MPH) or more before diagnosis.

DTC	Item	Condition
*P0126	Insufficient Engine Coolant Temperature for Stable Operation	—
*P0171	System Too Lean (Bank 1)	Complete diagnosis with drive cycle A or C as well.
*P0172	System Too Rich (Bank 1)	Complete diagnosis with drive cycle A or C as well.
*P0301	Cylinder 1 Misfire Detected	Complete diagnosis with drive cycle A or C as well.
*P0302	Cylinder 2 Misfire Detected	Complete diagnosis with drive cycle A or C as well.
*P0303	Cylinder 3 Misfire Detected	Complete diagnosis with drive cycle A or C as well.
*P0304	Cylinder 4 Misfire Detected	Complete diagnosis with drive cycle A or C as well.
*P0464	Fuel Level Sensor Circuit Intermittent	—
*P0506	Idle Air Control System RPM Lower Than Expected	—
*P0507	Idle Air Control System RPM Higher Than Expected	—
*P2096	Post Catalyst Fuel Trim System Too Lean (Bank 1)	Complete diagnosis with drive cycle A or C as well.
*P2097	Post Catalyst Fuel Trim System Too Rich (Bank 1)	Complete diagnosis with drive cycle A or C as well.

# Drive Cycle

## ENGINE (DIAGNOSTICS)

### 4. DRIVE CYCLE C — DRIVE THE VEHICLE WITH FOLLOWING DRIVE PATTERNS



- |   |  |  |
|---|--|--|
| (A) Idle the engine for 10 seconds or more.               | (D) Decelerate with fully closed throttle to 64 km/h (40 MPH). | (G) Stop vehicle with the throttle fully closed. |
| (B) Accelerate to 97 km/h (60 MPH) within 20 seconds.     | (E) Drive the vehicle at 64 km/h (40 MPH) for 20 seconds.      | (H) Vehicle speed km/h (MPH)                     |
| (C) Drive the vehicle at 97 km/h (60 MPH) for 20 seconds. | (F) Accelerate to 97 km/h (60 MPH) within 10 seconds.          | (I) Sec.   |

DTC	Item	Condition
P0026	Intake Valve Control Solenoid Circuit Range/Performance (Bank 1)	—
P0028	Intake Valve Control Solenoid Circuit Range/Performance (Bank 2)	—
*P0030	HO2S Heater Control Circuit (Bank 1 Sensor 1)	—
*P0068	MAP/MAF - Throttle Position Correlation	—
P0076	Intake Valve Control Solenoid Circuit Low (Bank 1)	—
P0082	Intake Valve Control Solenoid Circuit Low (Bank 2)	—
*P0101	Mass or Volume Air Flow Circuit Range/Performance	—
*P0134	O2 Sensor Circuit No Activity Detected (Bank 1 Sensor 1)	—
*P0139	O2 Sensor Circuit Slow Response (Bank 1 Sensor 2)	—
*P0171	System Too Lean (Bank 1)	Complete diagnosis with drive cycle A or B as well.
*P0172	System Too Rich (Bank 1)	Complete diagnosis with drive cycle A or B as well.
*P0301	Cylinder 1 Misfire Detected	Complete diagnosis with drive cycle A or B as well.
*P0302	Cylinder 2 Misfire Detected	Complete diagnosis with drive cycle A or B as well.
*P0303	Cylinder 3 Misfire Detected	Complete diagnosis with drive cycle A or B as well.
*P0304	Cylinder 4 Misfire Detected	Complete diagnosis with drive cycle A or B as well.
*P0400	Exhaust Gas Recirculation Flow	—
P1492	EGR Solenoid Valve Signal #1 Circuit Malfunction (Low Input)	—
P1493	EGR Solenoid Valve Signal #1 Circuit Malfunction (High Input)	—
P1494	EGR Solenoid Valve Signal #2 Circuit Malfunction (Low Input)	—
P1495	EGR Solenoid Valve Signal #2 Circuit Malfunction (High Input)	—
P1496	EGR Solenoid Valve Signal #3 Circuit Malfunction (Low Input)	—
P1497	EGR Solenoid Valve Signal #3 Circuit Malfunction (High Input)	—
P1498	EGR Solenoid Valve Signal #4 Circuit Malfunction (Low Input)	—
P1499	EGR Solenoid Valve Signal #4 Circuit Malfunction (High Input)	—
*P2096	Post Catalyst Fuel Trim System Too Lean (Bank 1)	Complete diagnosis with drive cycle A or B as well.
*P2097	Post Catalyst Fuel Trim System Too Rich (Bank 1)	Complete diagnosis with drive cycle A or B as well.

## 5. DRIVE CYCLE D

### • DRIFT DIAGNOSIS

- 1) Make sure that the engine coolant temperature at engine starting is less than 30°C (86°F).
- 2) Make sure that fuel remains 10 ℓ (2.6 US gal, 2.2 Imp gal) or more and the battery voltage is 10.9 V or more.
- 3) Start the engine, and check that the engine coolant temperature increases by 10°C (50°F) or more, and reaches 75°C (167°F) or more, when the engine is warmed up.
- 4) Idle the engine for 120 seconds or more in the condition of step 3).

### • STUCK DIAGNOSIS

- 1) Make sure that the battery voltage is 10.9 V or more.
- 2) Perform the Clear Memory Mode. <Ref. to EN(H4SO)(diag)-55, Clear Memory Mode.>
- 3) Drive for approximately 50 ℓ (13.2 US gal, 11 Imp gal) of fuel.

**NOTE:**

- It is acceptable to drive the vehicle intermittently.
- Do not disconnect the battery terminals while diagnosing. (Data will be cleared by disconnecting the battery terminals.)

DTC	Item	Condition
P0181	Fuel Temperature Sensor "A" Circuit Range/Performance	—

## 6. DRIVE CYCLE E

- 1) Make sure that the battery voltage is 10.9 V or more.
- 2) Perform the Clear Memory Mode. <Ref. to EN(H4SO)(diag)-55, Clear Memory Mode.>
- 3) Drive for approximately 30 ℓ (7.9 US gal, 6.6 Imp gal) of fuel.

**NOTE:**

- It is acceptable to drive the vehicle intermittently.
- Do not disconnect the battery terminals while diagnosing. (Data will be cleared by disconnecting the battery terminals.)

DTC	Item	Condition
P0461	Fuel Level Sensor "A" Circuit Range/Performance	—

## 7. DRIVE CYCLE F

- 1) Make sure that the engine coolant temperature at engine starting is less than 30°C (86°F).
- 2) Start the engine, and warm it up until engine coolant temperature increases over 95°C (203°F).
- 3) Idle the engine for 10 minutes or more in the condition of step 2.

**NOTE:**

Do not disconnect the battery terminals while diagnosing. (Data will be cleared by disconnecting the battery terminals.)

DTC	Item	Condition
P0111	Intake Air Temperature Sensor 1 Circuit Range/Performance	—

# Drive Cycle

## ENGINE (DIAGNOSTICS)

---

### 8. DRIVE CYCLE H

- 1) Perform the Clear Memory Mode. <Ref. to EN(H4SO)(diag)-55, Clear Memory Mode.>
- 2) With the ignition switch ON, read the engine coolant temperature, intake air temperature and fuel temperature. <Ref. to EN(H4SO)(diag)-35, READ CURRENT DATA FOR ENGINE (NORMAL MODE), OPERATION, Subaru Select Monitor.>
- 3) If the values from step 2) satisfy the following two conditions, start the engine.

**Condition:**

***|Engine coolant temperature — Intake air temperature | ≤ 5°C (41°F)***

***|Engine coolant temperature — Fuel temperature | ≤ 2°C (36°F)***

**NOTE:**

- If the conditions are not satisfied, turn the ignition switch to OFF and wait until the parameters are satisfied.
  - Start AT vehicles in the “P” range, and MT vehicles in the neutral position.
- 4) Idle the engine for 1 minute under the conditions in step 3).

DTC	Item	Condition
*P1602	Control Module Programming Error	—

## 13. Clear Memory Mode

### A: OPERATION

**NOTE:**

When Clear Memory Mode is performed in OBD mode of Subaru Select Monitor, only DTCs are cleared.

#### 1. SUBARU SELECT MONITOR (NORMAL MODE)

- 1) On «Main Menu» display, select {Each System Check}.
- 2) On «System Selection Menu» display, select {Engine Control System}.
- 3) Click the [OK] button after the information of engine type has been displayed.
- 4) On «Engine Diagnosis» display, select {Clearing Memory}.
- 5) When the “Clear Memory?” is shown on the screen, click the [YES] button.
- 6) When “Done” and “Turn off the ignition switch.” are shown on the display screen, turn the ignition switch to OFF.

**NOTE:**

- Initial diagnosis of electronic throttle control is performed after memory clearance. Wait for 10 seconds or more after turning the ignition switch to ON, and then start the engine.
- For detailed operation procedures, refer to “PC application help for Subaru Select Monitor”.

#### 2. SUBARU SELECT MONITOR (OBD MODE)

- 1) On «Main Menu» display, select {Each System Check}.
- 2) On «System Selection Menu» display, select {Engine Control System}.
- 3) Click the [OK] button after the information of engine type has been displayed.
- 4) On «Engine Diagnosis» display, select {OBD System}.
- 5) On «OBD Menu» display, select {Clear Diagnostic Code}.
- 6) When the “Clear Diagnostic Code?” is shown on the screen, click the [Yes] button.
- 7) When “Done” and “Turn off the ignition switch.” are shown on the display screen, turn the ignition switch to OFF.

**NOTE:**

- Initial diagnosis of electronic throttle control is performed after memory clearance. Wait for 10 seconds or more after turning the ignition switch to ON, and then start the engine.
- For detailed operation procedures, refer to “PC application help for Subaru Select Monitor”.

### 3. GENERAL SCAN TOOL

For clear memory procedures using the general scan tool, refer to “General Scan Tool Instruction Manual”.

**NOTE:**

Initial diagnosis of electronic throttle control is performed after memory clearance. For this reason, start the engine after 10 seconds or more have elapsed since the ignition switch was turned to ON.

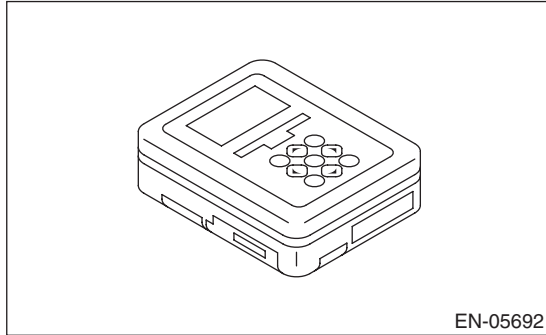
# Compulsory Valve Operation Check Mode

ENGINE (DIAGNOSTICS)

## 14. Compulsory Valve Operation Check Mode

### A: OPERATION

1) Prepare the Subaru Select Monitor kit. <Ref. to EN(H4SO)(diag)-7, PREPARATION TOOL, General Description.>



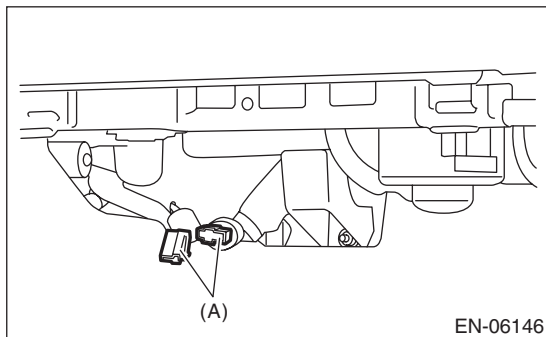
2) Prepare PC with Subaru Select Monitor installed.  
3) Connect the USB cable to SDI (Subaru Diagnosis Interface) and USB port on the personal computer (dedicated port for the Subaru Select Monitor).

#### NOTE:

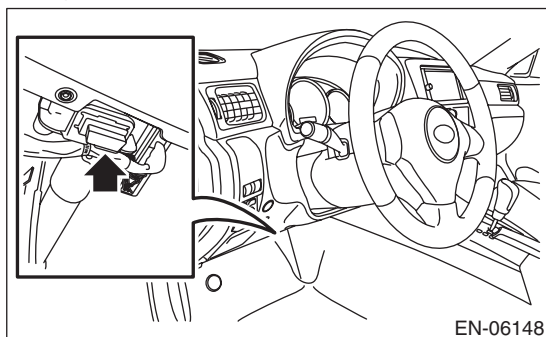
The dedicated port for the Subaru Select Monitor means the USB port which was used to install the Subaru Select Monitor.

4) Connect the diagnosis cable to SDI.

5) Connect the delivery (test) mode connector (A) located under the glove box.



6) Connect SDI to data link connector located in the lower portion of the instrument panel (on the driver's side).



#### CAUTION:

Do not connect the scan tools except for Subaru Select Monitor and general scan tool.

7) Start the PC.

8) Turn the ignition switch to ON (engine OFF) and run the "PC application for Subaru Select Monitor".

9) On «Main Menu» display, select {Each System Check}.

10) On «System Selection Menu» display, select {Engine Control System}.

11) Click the [OK] button after the information of engine type has been displayed.

12) On «Engine Diagnosis» display, select {System Operation Check Mode}.

13) On «System Operation Check Mode» display, select {Actuator ON/OFF Operation}.

14) Select the desired compulsory actuator on the «Actuator ON/OFF Operation» display screen and click the [Next] button.

15) Clicking the [Exit] button completes the compulsory valve operation check mode. The display will then return to the «Actuator ON/OFF Operation» screen.

• A list of the support data is shown in the following table.

Description	Display
Compulsory fuel pump relay operation check	Fuel Pump Relay
Compulsory purge control solenoid valve operation check	CPC Solenoid Valve
Compulsory radiator fan relay operation check	Radiator Fan Relay
Compulsory air conditioning relay operation check	A/C Compressor Relay
Compulsory pressure control solenoid valve operation check	PCV Solenoid Valve
Compulsory drain valve operation check	Vent. Solenoid Valve

#### NOTE:

• The following parts will be displayed but not functional.

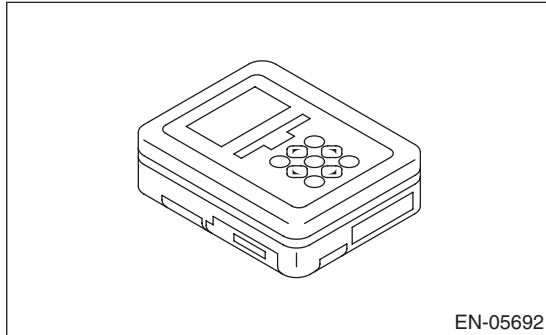
Display
EGR Solenoid Valve
ASV Solenoid Valve
FICD Solenoid
Pressure Switching Sol.1
Pressure Switching Sol.2
AAI Solenoid Valve
Tank Sensor Cntl Valve
Turbocharger Wastegate Solenoid
EXH. Bypass Control Permit Flag
Secondary Air Combi Valve 2

• For detailed operation procedures, refer to "PC application help for Subaru Select Monitor".

## 15. System Operation Check Mode

### A: OPERATION

1) Prepare the Subaru Select Monitor kit. <Ref. to EN(H4SO)(diag)-7, PREPARATION TOOL, General Description.>



2) Prepare PC with Subaru Select Monitor installed.

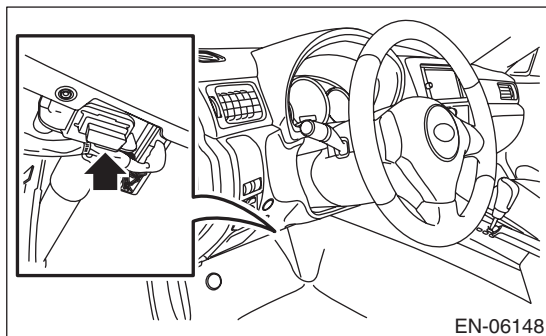
3) Connect the USB cable to SDI (Subaru Diagnosis Interface) and USB port on the personal computer (dedicated port for the Subaru Select Monitor).

#### NOTE:

The dedicated port for the Subaru Select Monitor means the USB port which was used to install the Subaru Select Monitor.

4) Connect the diagnosis cable to SDI.

5) Connect SDI to data link connector located in the lower portion of the instrument panel (on the driver's side).



#### CAUTION:

**Do not connect the scan tools except for Subaru Select Monitor and general scan tool.**

6) Start the PC.

7) Turn the ignition switch to ON (engine OFF) and run the "PC application for Subaru Select Monitor".

8) On «Main Menu» display, select {Each System Check}.

9) On «System Selection Menu» display, select {Engine Control System}.

10) Click the [OK] button after the information of engine type has been displayed.

11) On «Engine Diagnosis» display, select {System Operation Check Mode}.

12) The following items are displayed on the monitor.

Display
Actuator ON/OFF Operation
Immobilizer System
Fuel Pump Control
Fixed Idle Ignition Timing
Idle Speed Control
Injector Control
EGR Valve Control

### 1. FUEL PUMP CONTROL (OFF DRIVE)

#### CAUTION:

**After executing the operation check mode, execute the Clear Memory Mode <Ref. to EN(H4SO)(diag)-55, OPERATION, Clear Memory Mode.>**

1) On «System Operation Check Mode» display, select {Fuel Pump Control}.

2) On «Fuel Pump Control» display, select {OFF Drive}.

3) On «Start the Engine» display, start the engine and click the [OK] button.

4) On «OFF Drive» display, click the [Execution] button and execute the OFF drive.

5) Click the [Cancel] button to stop the OFF drive.

6) Click the [Exit] button to end the OFF drive. The screen will return to the «Fuel Pump Control» screen.

#### NOTE:

For detailed operation procedures, refer to "PC application help for Subaru Select Monitor".

### 2. FUEL PUMP CONTROL (ON/OFF DRIVE)

#### CAUTION:

**After executing the system operation check mode, execute the Clear Memory Mode. <Ref. to EN(H4SO)(diag)-55, OPERATION, Clear Memory Mode.>**

1) On «System Operation Check Mode» display, select {Fuel Pump Control}.

2) On «Fuel Pump Control» display, select {ON/OFF Dr.}.

3) On «Turn Ignition Switch ON with Engine OFF» display, turn the ignition switch to ON and click the [OK] button.

4) On «ON/OFF Dr.» display, click the [Execution] button and execute the ON/OFF drive.

5) Click the [Cancel] button to stop the ON/OFF drive.



# System Operation Check Mode

## ENGINE (DIAGNOSTICS)

6) Click the [F12 Exit] button to end the ON/OFF drive. The screen will return to the «Fuel Pump Control» screen.

### NOTE:

For detailed operation procedures, refer to “PC application help for Subaru Select Monitor”.

## 3. IDLING IGNITION TIMING FIXED

### CAUTION:

**After executing the system operation check mode, execute the Clear Memory Mode. <Ref. to EN(H4SO)(diag)-55, OPERATION, Clear Memory Mode.>**

- 1) On «System Operation Check Mode» display, select {Fixed Idle Ignition Timing}.
- 2) On «Start the Engine» display, start the engine and click the [OK] button.
- 3) On «Fixed Idle Ignition Timing» display, click the [Execution] button and execute the idling ignition timing fixed.
- 4) Click the [Cancel] button to stop the idling ignition timing fixed.
- 5) Click the [F12 Exit] button to end the idling ignition timing fixed. The screen will return to the «System Operation Check Mode» screen.

### NOTE:

For detailed operation procedures, refer to “PC application help for Subaru Select Monitor”.

## 4. IDLE SPEED CONTROL

### CAUTION:

**After executing the system operation check mode, execute the Clear Memory Mode. <Ref. to EN(H4SO)(diag)-55, OPERATION, Clear Memory Mode.>**

- 1) On «System Operation Check Mode» display, select {Idle Speed Control}.
- 2) On «Start the Engine» display, start the engine and click the [OK] button.
- 3) In the «Idle Speed Control» display, click the [△] button or the [▽] button to change the setting values, then click the [OK] button.  
Setting is possible in a range between 500 rpm — 2,000 rpm, in increments of 50 rpm. However, the engine speed that can actually be controlled will vary depending on the vehicle.
- 4) Click the [Cancel] button to stop the idle speed control.
- 5) Click the [F12 Exit] button to end the idle speed control. The screen will return to the «System Operation Check Mode» screen.

### NOTE:

For detailed operation procedures, refer to “PC application help for Subaru Select Monitor”.

## 5. INJECTOR CONTROL (INJECTION STOP MODE)

### CAUTION:

**After executing the system operation check mode, execute the Clear Memory Mode. <Ref. to EN(H4SO)(diag)-55, OPERATION, Clear Memory Mode.>**

- 1) On «System Operation Check Mode» display, select {Injector Control}.
- 2) On «Injector Control» display, select {Injection Stop Mode}.
- 3) On «Injection Stop Mode» display, select the fuel injector to be stopped.
- 4) On «Start the Engine» display, start the engine and click the [OK] button.
- 5) On «Fuel Injector #» display, click the [Execution] button and execute the injection stop mode.
- 6) Click the [Cancel] button to stop the injection stop mode.
- 7) Click the [F12 Exit] button to return to the «Injection Stop Mode» display screen.
- 8) On «Injection Stop Mode» display, click the [Return] button to end the «Injection Stop Mode». The screen will return to the «Injector Control» screen.

### NOTE:

For detailed operation procedures, refer to “PC application help for Subaru Select Monitor”.

## 6. INJECTOR CONTROL (INJECTION QUANTITY CONTROL)

### CAUTION:

**After executing the system operation check mode, execute the Clear Memory Mode. <Ref. to EN(H4SO)(diag)-55, OPERATION, Clear Memory Mode.>**

- 1) On «System Operation Check Mode» display, select {Injector Control}.
- 2) On «Injector Control» display, select {Injection Quantity Control}.
- 3) On «Start the Engine» display, start the engine and click the [OK] button.
- 4) In the «Injection Quantity Control» display, click the [△] button or the [▽] button to change the setting values, then click the [OK] button.  
Setting is possible in a range between 0 — 20%, in increments of 1%.
- 5) Click the [Cancel] button to stop the injection quantity control.
- 6) Click the [F12 Exit] button to end the injection quantity control. The screen will return to the «Injector Control» screen.

### NOTE:

For detailed operation procedures, refer to “PC application help for Subaru Select Monitor”.

## 7. EGR VALVE CONTROL

### CAUTION:

After executing the system operation check mode, execute the Clear Memory Mode. <Ref. to EN(H4SO)(diag)-55, OPERATION, Clear Memory Mode.>

1) On «System Operation Check Mode» display, select {EGR Valve Control}.

2) On «Start the Engine» display, start the engine and click the [OK] button.

3) In the «EGR Valve Control» display, click the [△] button or the [▽] button to change the setting values, then click the [OK] button.

Setting is possible in increments of 1 STEP. However, the STEP number that can actually be controlled will vary depending on the vehicle.

4) Click the [Cancel] button to stop the EGR valve control.

5) Click the [Exit] button to end the EGR valve control. The screen will return to the «System Operation Check Mode» screen.

### NOTE:

For detailed operation procedures, refer to “PC application help for Subaru Select Monitor”.

# Malfunction Indicator Light

ENGINE (DIAGNOSTICS)

---

## 16. Malfunction Indicator Light

### A: PROCEDURE

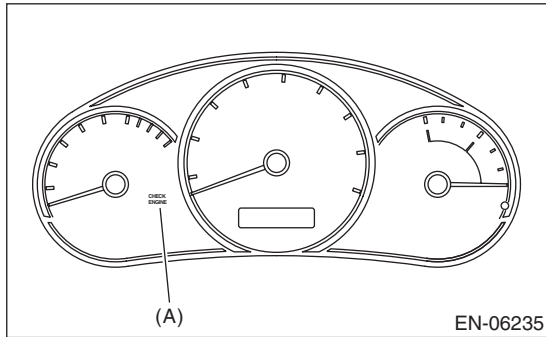
1. Activation of malfunction indicator light. <Ref. to EN(H4SO)(diag)-61, ACTIVATION OF MALFUNCTION INDICATOR LIGHT, Malfunction Indicator Light.>
↓
2. Malfunction indicator light does not come on. <Ref. to EN(H4SO)(diag)-62, MALFUNCTION INDICATOR LIGHT DOES NOT COME ON, Malfunction Indicator Light.>
↓
3. Malfunction indicator light does not go off. <Ref. to EN(H4SO)(diag)-64, MALFUNCTION INDICATOR LIGHT DOES NOT GO OFF, Malfunction Indicator Light.>
↓
4. Malfunction indicator light does not blink. <Ref. to EN(H4SO)(diag)-65, MALFUNCTION INDICATOR LIGHT DOES NOT BLINK, Malfunction Indicator Light.>
↓
5. Malfunction indicator light remains blinking. <Ref. to EN(H4SO)(diag)-67, MALFUNCTION INDICATOR LIGHT REMAINS BLINKING, Malfunction Indicator Light.>

## B: ACTIVATION OF MALFUNCTION INDICATOR LIGHT

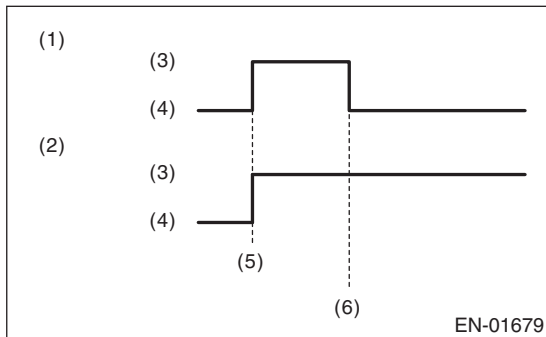
1) When the ignition switch is turned to ON (engine OFF), the malfunction indicator light (A) in the combination meter illuminates.

**NOTE:**

If the malfunction indicator light does not illuminate, perform diagnostics of the malfunction indicator light circuit or the combination meter circuit. <Ref. to EN(H4SO)(diag)-62, MALFUNCTION INDICATOR LIGHT DOES NOT COME ON, Malfunction Indicator Light.>

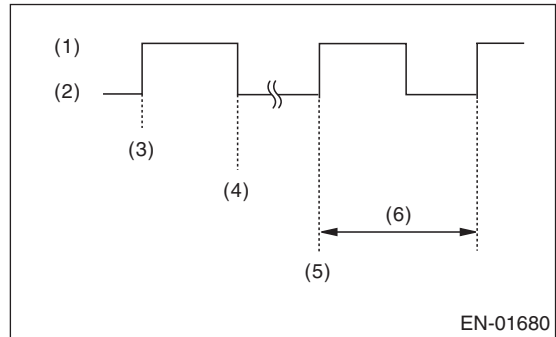


2) After starting the engine, the malfunction indicator light goes out. If it does not go off, either the engine or emission control system has malfunction.



- (1) No faulty
- (2) Trouble occurs
- (3) ON
- (4) OFF
- (5) Ignition switch ON
- (6) Engine start

3) If the diagnostic system detects a misfire which could damage the catalyst, the malfunction indicator light will blink at a cycle of 1 Hz.



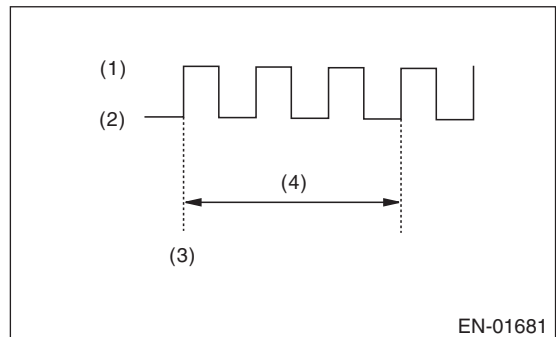
- (1) ON
- (2) OFF
- (3) Ignition switch ON
- (4) Engine start
- (5) Misfire start
- (6) 1 seconds

4) Turn the ignition switch to OFF and connect the delivery (test) mode connector.

(1) When the ignition switch is turned to ON (engine OFF), the malfunction indicator light illuminates.

(2) After the engine starts, malfunction indicator light blinks in a cycle of 0.5 Hz. (During diagnosis)

(3) Malfunction indicator light blinks at a cycle of 3 Hz after diagnosis if there is no trouble. Malfunction indicator light illuminates if faulty.



- (1) ON
- (2) OFF
- (3) Ignition switch ON
- (4) 1 seconds

# Malfunction Indicator Light

ENGINE (DIAGNOSTICS)

## C: MALFUNCTION INDICATOR LIGHT DOES NOT COME ON

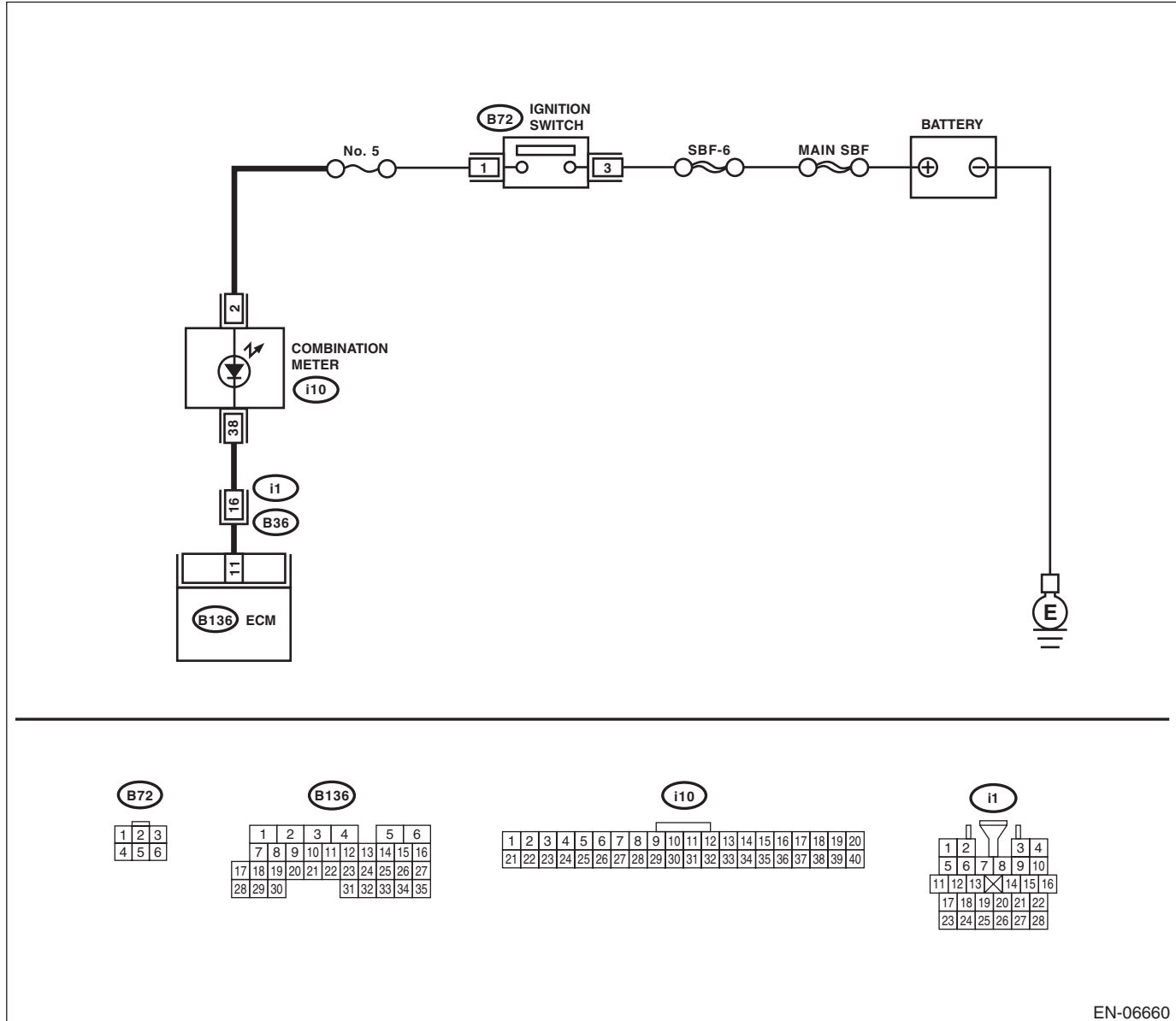
### DIAGNOSIS:

The malfunction indicator light circuit is open or shorted.

### TROUBLE SYMPTOM:

When the ignition switch is turned to ON (engine OFF), malfunction indicator light does not illuminate.

### WIRING DIAGRAM:



EN-06660

# Malfunction Indicator Light

ENGINE (DIAGNOSTICS)

	Step	Check	Yes	No
1	<b>CHECK OUTPUT SIGNAL OF ECM.</b> 1) Turn the ignition switch to ON. 2) Measure the voltage between ECM connector and chassis ground. <b>Connector &amp; terminal</b> <b>(B136) No. 11 (+) — Chassis ground (-):</b>	Is the voltage 10 V or more?	Go to step 5.	Go to step 2.
2	<b>CHECK HARNESS BETWEEN ECM AND COMBINATION METER CONNECTOR.</b> 1) Turn the ignition switch to OFF. 2) Remove the combination meter. <Ref. to IDI-16, Combination Meter.> 3) Disconnect the connector from ECM and combination meter. 4) Measure the resistance of harness between ECM and combination meter connector. <b>Connector &amp; terminal</b> <b>(B136) No. 11 — (i10) No. 38:</b>	Is the resistance less than 1 $\Omega$ ?	Go to step 3.	Repair the harness and connector. <b>NOTE:</b> In this case, repair the following item: • Open circuit in harness between ECM and combination meter connector • Poor contact of coupling connector
3	<b>CHECK POOR CONTACT.</b> Check for poor contact of combination meter connector.	Is there poor contact of combination meter connector?	Repair the poor contact of combination meter connector.	Go to step 4.
4	<b>CHECK HARNESS BETWEEN COMBINATION METER AND IGNITION SWITCH CONNECTOR.</b> 1) Turn the ignition switch to ON. 2) Measure the voltage between combination meter connector and chassis ground. <b>Connector &amp; terminal</b> <b>(i10) No. 2 (+) — Chassis ground (-):</b>	Is the voltage 10 V or more?	Replace the combination meter circuit board. <Ref. to IDI-16, Combination Meter.>	Check the following item and repair if necessary. <b>NOTE:</b> • Blown out of fuse (No. 5) • Open or short circuit in harness between fuse (No. 5) and battery terminal • Poor contact of ignition switch connector
5	<b>CHECK POOR CONTACT.</b> Check for poor connection by shaking or pulling ECM connector and harness.	Does the malfunction indicator light illuminate?	Repair the poor contact of ECM connector.	Go to step 6.
6	<b>CHECK ECM CONNECTOR.</b> Check the connection of ECM connector.	Is the ECM connector correctly connected?	Replace the ECM. <Ref. to FU(H4SO)-45, Engine Control Module (ECM).>	Repair the connection of ECM connector.

# Malfunction Indicator Light

ENGINE (DIAGNOSTICS)

## D: MALFUNCTION INDICATOR LIGHT DOES NOT GO OFF

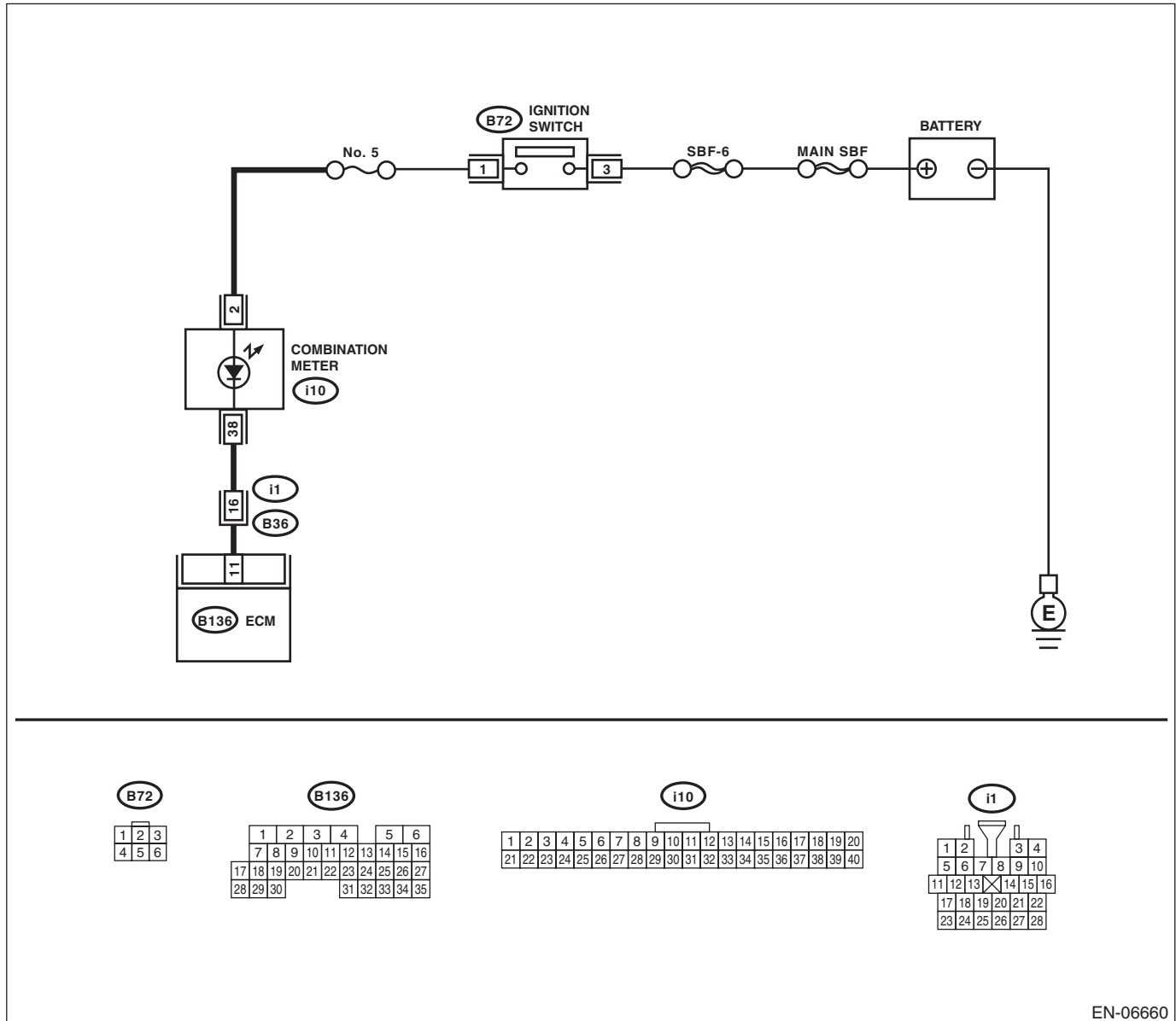
### DIAGNOSIS:

The malfunction indicator light circuit is shorted.

### TROUBLE SYMPTOM:

Although malfunction indicator light comes on when the engine runs, DTC is not shown on the Subaru Select Monitor display.

### WIRING DIAGRAM:



Step	Check	Yes	No
<b>1</b> <b>CHECK HARNESS BETWEEN ECM AND COMBINATION METER CONNECTOR.</b> 1) Turn the ignition switch to OFF. 2) Disconnect the connectors from ECM. 3) Turn the ignition switch to ON.	Does the malfunction indicator light illuminate?	Repair the short circuit of harness between ECM and combination meter connector.	Replace the ECM. <Ref. to FU(H4SO)-45, Engine Control Module (ECM).>

# Malfunction Indicator Light

## E: MALFUNCTION INDICATOR LIGHT DOES NOT BLINK

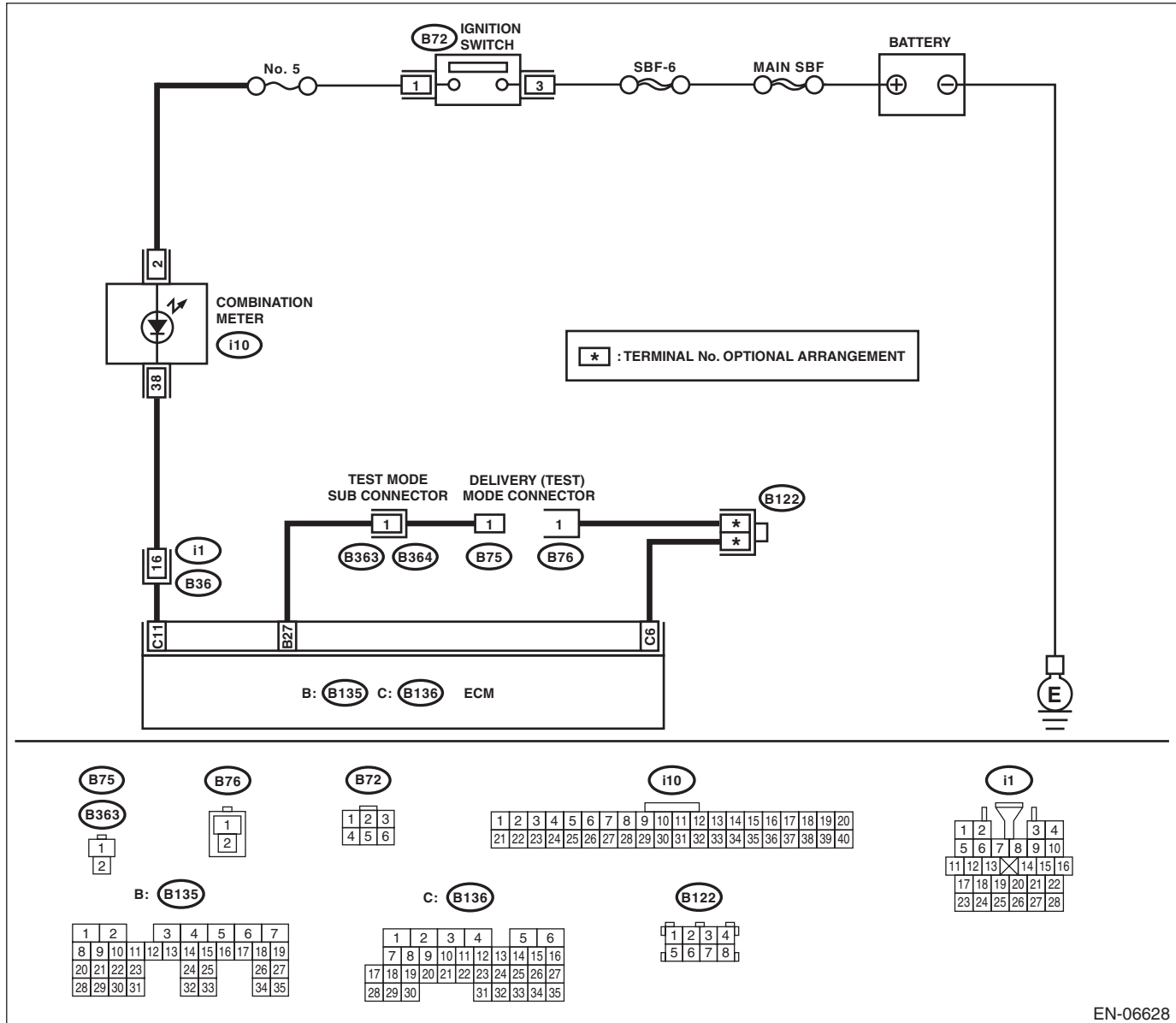
### DIAGNOSIS:

- The malfunction indicator light circuit is open or shorted.
- The delivery (test) mode connector circuit is open.

### TROUBLE SYMPTOM:

Malfunction indicator light does not blink during Inspection Mode.

### WIRING DIAGRAM:





# Malfunction Indicator Light

## ENGINE (DIAGNOSTICS)

Step	Check	Yes	No
<b>1 CHECK STATUS OF MALFUNCTION INDICATOR LIGHT.</b> 1) Turn the ignition switch to OFF. 2) Disconnect the delivery (test) mode connector. 3) Turn the ignition switch to ON. (engine OFF)	Does the malfunction indicator light illuminate?	Go to step 2.	Repair the malfunction indicator light circuit. <Ref. to EN(H4SO)(diag)-62, MALFUNCTION INDICATOR LIGHT DOES NOT COME ON, Malfunction Indicator Light.>
<b>2 CHECK HARNESS BETWEEN ECM AND COMBINATION METER CONNECTOR.</b> 1) Turn the ignition switch to OFF. 2) Disconnect the connectors from ECM. 3) Turn the ignition switch to ON.	Does the malfunction indicator light illuminate?	Repair the ground short circuit of harness between ECM and combination meter connector.	Go to step 3.
<b>3 CHECK HARNESS BETWEEN ECM AND DELIVERY (TEST) MODE CONNECTOR.</b> 1) Turn the ignition switch to OFF. 2) Disconnect the connectors from ECM. 3) Measure the resistance of harness between ECM and delivery (test) mode connector. <b>Connector &amp; terminal</b> <i>(B76) No. 1 — (B136) No. 6:</i> <i>(B75) No. 1 — (B135) No. 27:</i>	Is the resistance less than 1 $\Omega$ ?	Go to step 4.	Repair the harness and connector. NOTE: In this case, repair the following item: • Open circuit of harness between ECM and delivery (test) mode connector • Poor contact of joint connector
<b>4 CHECK POOR CONTACT.</b> Check for poor contact of ECM connector.	Is there poor contact of ECM connector?	Repair the poor contact of ECM connector.	Replace the ECM. <Ref. to FU(H4SO)-45, Engine Control Module (ECM).>

## F: MALFUNCTION INDICATOR LIGHT REMAINS BLINKING

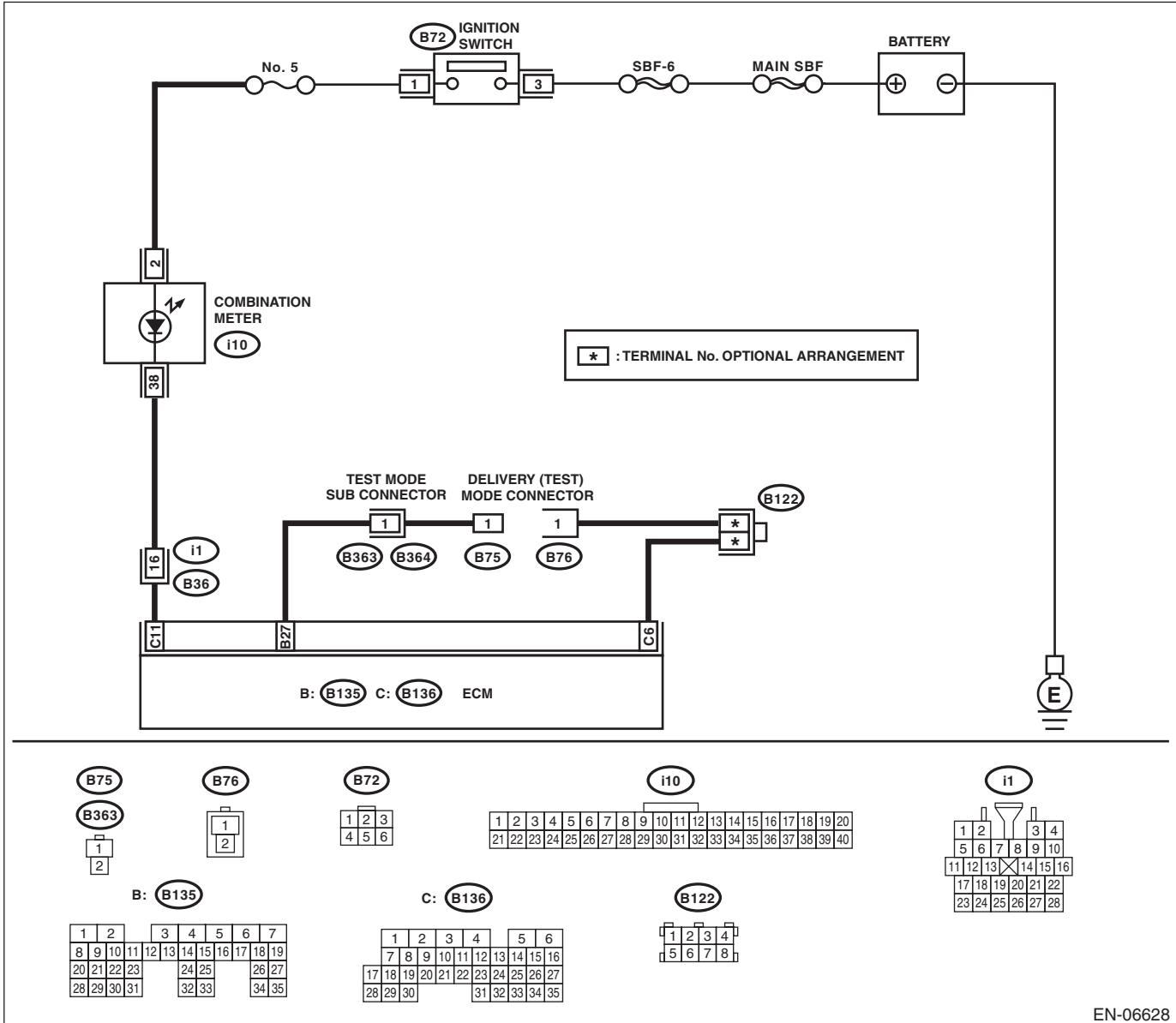
### DIAGNOSIS:

The delivery (test) mode connector circuit is shorted.

### TROUBLE SYMPTOM:

Malfunction indicator light blinks when delivery (test) mode connector is not connected.

### WIRING DIAGRAM:



# Malfunction Indicator Light

## ENGINE (DIAGNOSTICS)

Step	Check	Yes	No
<b>1 CHECK DELIVERY (TEST) MODE CONNECTOR.</b> 1) Disconnect the delivery (test) mode connector. 2) Turn the ignition switch to ON.	Does the malfunction indicator light blink?	Go to step 2.	System is normal. NOTE: Malfunction indicator light blinks when delivery (test) mode connector is connected.
<b>2 CHECK HARNESS BETWEEN ECM AND DELIVERY (TEST) MODE CONNECTOR.</b> 1) Turn the ignition switch to OFF. 2) Disconnect the connectors from ECM. 3) Measure the resistance of harness between ECM and chassis ground. <i>Connector &amp; terminal</i> <i>(B135) No. 27 — Chassis ground:</i>	Is the resistance less than 5 Ω?	Repair the short circuit of harness between ECM and delivery (test) mode connector.	Replace the ECM. <Ref. to FU(H4SO)-45, Engine Control Module (ECM).>

## 17. Diagnostics for Engine Starting Failure

### A: PROCEDURE

1. Check of the fuel amount
↓
2. Inspection of starter motor circuit. <Ref. to EN(H4SO)(diag)-70, STARTER MOTOR CIRCUIT, Diagnostics for Engine Starting Failure.>
↓
3. Inspection of ECM power supply and ground line. <Ref. to EN(H4SO)(diag)-74, CHECK POWER SUPPLY AND GROUND LINE OF ENGINE CONTROL MODULE (ECM), Diagnostics for Engine Starting Failure.>
↓
4. Inspection of ignition control system. <Ref. to EN(H4SO)(diag)-76, IGNITION CONTROL SYSTEM, Diagnostics for Engine Starting Failure.>
↓
5. Inspection of fuel pump circuit. <Ref. to EN(H4SO)(diag)-79, FUEL PUMP CIRCUIT, Diagnostics for Engine Starting Failure.>
↓
6. Inspection of fuel injector circuit. <Ref. to EN(H4SO)(diag)-82, FUEL INJECTOR CIRCUIT, Diagnostics for Engine Starting Failure.>

# Diagnostics for Engine Starting Failure

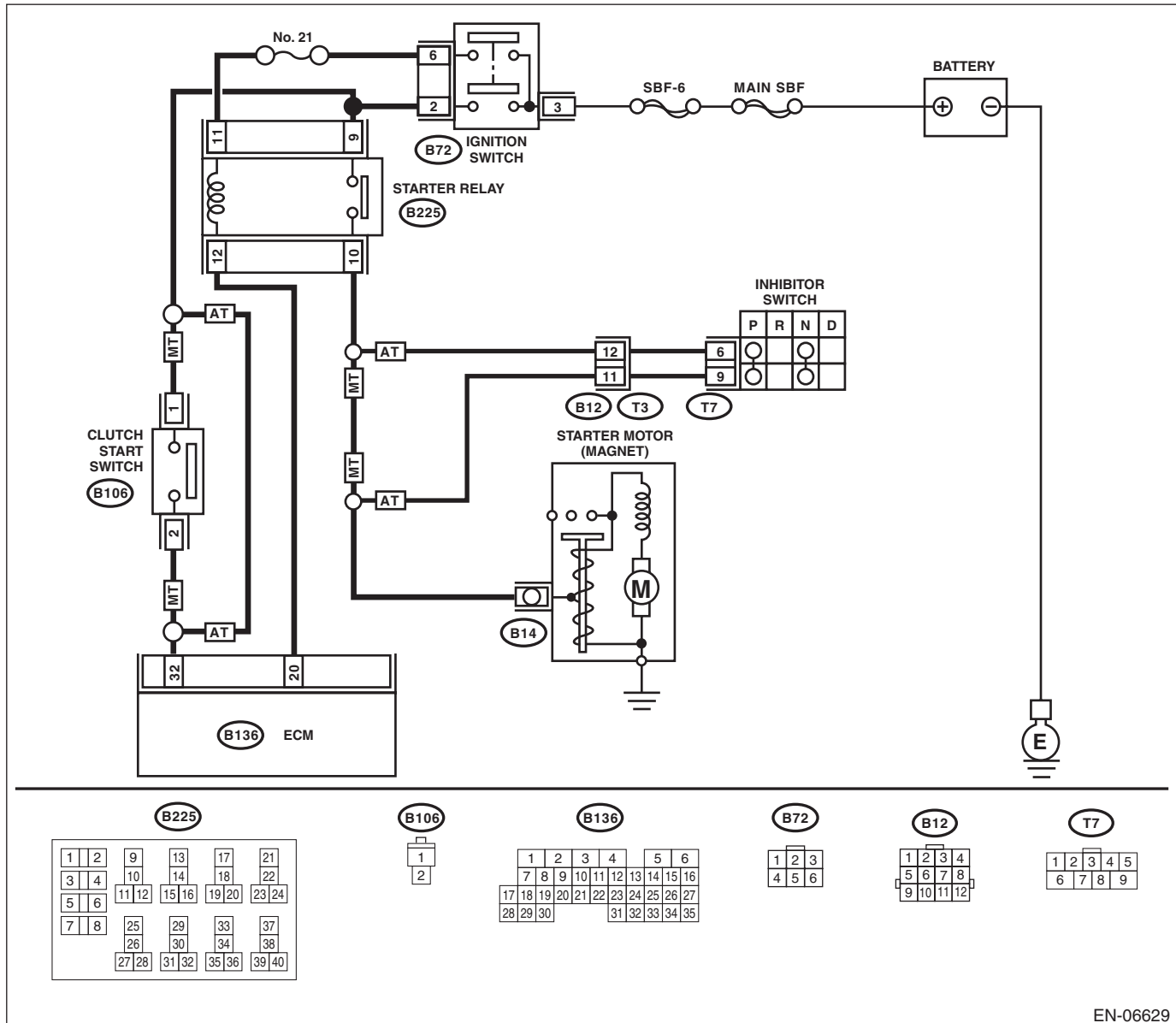
ENGINE (DIAGNOSTICS)

## B: STARTER MOTOR CIRCUIT

### CAUTION:

After servicing or replacing faulty parts, perform Clear Memory Mode <Ref. to EN(H4SO)(diag)-55, Clear Memory Mode.>, and Inspection Mode <Ref. to EN(H4SO)(diag)-44, Inspection Mode.>.

### WIRING DIAGRAM:



EN-06629

# Diagnostics for Engine Starting Failure

ENGINE (DIAGNOSTICS)

Step	Check	Yes	No	
1	<b>CHECK BATTERY.</b> Check the battery voltage.	Is the voltage 12 V or more?	Go to step 2.	Charge or replace the battery.
2	<b>CHECK OPERATION OF STARTER MOTOR.</b>	Does the starter motor operate?	Go to step 3.	Go to step 4.
3	<b>CHECK DTC.</b>	Is DTC displayed? <Ref. to EN(H4SO)(diag)-43, OPERATION, Read Diagnostic Trouble Code (DTC).>	Check the appropriate DTC using the "List of Diagnostic Trouble Code (DTC)". <Ref. to EN(H4SO)(diag)-86, List of Diagnostic Trouble Code (DTC).>	The circuit has returned to a normal condition at this time. Reproduce the failure, and then perform the diagnosis again. NOTE: In this case, temporary poor contact of connector may be the cause.
4	<b>CHECK INPUT SIGNAL FOR STARTER MOTOR.</b> 1) Turn the ignition switch to OFF. 2) Disconnect the connector from starter motor. 3) Turn the ignition switch to START. 4) Measure the voltage between the starter motor connector and the engine ground. <b>Connector &amp; terminal</b> <b>(B14) No. 1 (+) — Engine ground (-):</b> NOTE: On AT models, set the select lever to the "P" range or "N" range, and on MT models, depress the clutch pedal.	Is the voltage 10 V or more?	Check the starter motor. <Ref. to SC(H4SO)-7, Starter.>	Go to step 5.
5	<b>CHECK HARNESS BETWEEN BATTERY AND IGNITION SWITCH CONNECTOR.</b> 1) Disconnect the connector from ignition switch. 2) Measure the power supply voltage between ignition switch connector and chassis ground. <b>Connector &amp; terminal</b> <b>(B72) No. 3 (+) — Chassis ground (-):</b>	Is the voltage 10 V or more?	Go to step 6.	Check the following item and repair if necessary. • Blown out of fuse • Open or short circuit to ground in harness between ignition switch connector and battery
6	<b>CHECK IGNITION SWITCH.</b> Measure the resistance between ignition switch terminals after turning the ignition switch to START position. <b>Terminals</b> <b>No. 3 — No. 2:</b> <b>No. 3 — No. 6:</b>	Is the resistance less than 5 Ω?	Go to step 7.	Replace the ignition switch. <Ref. to SL-44, REPLACEMENT, Ignition Key Lock.>
7	<b>CHECK INPUT VOLTAGE OF STARTER RELAY.</b> 1) Turn the ignition switch to OFF. 2) Disconnect the connector from starter relay. 3) Connect the connector to ignition switch. 4) Measure the voltage between starter relay connector and chassis ground after turning the ignition switch to START position. <b>Connector &amp; terminal</b> <b>(B225) No. 9 (+) — Chassis ground (-):</b> <b>(B225) No. 11 (+) — Chassis ground (-):</b>	Is the voltage 10 V or more?	Go to step 8.	Check the following item and repair if necessary. • Blown out of fuse • Open or short circuit to ground in harness between starter relay and ignition switch connector

# Diagnostics for Engine Starting Failure

## ENGINE (DIAGNOSTICS)

Step	Check	Yes	No
<b>8 CHECK STARTER RELAY.</b> 1) Connect the battery to starter relay terminals No. 11 and No. 12. 2) Measure the resistance between starter relay terminals. <i>Terminals</i> <i>No. 9 — No. 10:</i>	Is the resistance less than 1 $\Omega$ ?	Go to step 9.	Replace the starter relay. <Ref. to EN(H4SO)(diag)-8, Electrical Component Location.>
<b>9 CHECK HARNESS BETWEEN ECM AND STARTER RELAY.</b> 1) Disconnect the connectors from ECM. 2) Measure the resistance of harness between ECM and starter relay connector. <i>Connector &amp; terminal</i> <i>(B136) No. 20 — (B225) No. 12:</i>	Is the resistance less than 1 $\Omega$ ?	Go to step 10.	Repair the open circuit of harness between ECM and starter relay connector.
<b>10 CHECK TRANSMISSION TYPE.</b>	Is the transmission type AT?	Go to step 11.	Go to step 15.
<b>11 CHECK ECM INPUT VOLTAGE.</b> 1) Turn the ignition switch to START. 2) Measure the input voltage between ECM connector and chassis ground. <i>Connector &amp; terminal</i> <i>(B136) No. 32 (+) — Chassis ground (-):</i>	Is the voltage 10 V or more?	Go to step 12.	Repair the open circuit in harness between ECM and ignition switch connector.
<b>12 CHECK HARNESS BETWEEN STARTER RELAY AND INHIBITOR SWITCH.</b> 1) Turn the ignition switch to OFF. 2) Disconnect the connector from inhibitor switch. 3) Measure the resistance of harness between starter relay connector and inhibitor relay connector. <i>Connector &amp; terminal</i> <i>(B225) No. 10 — (T7) No. 6:</i>	Is the resistance less than 1 $\Omega$ ?	Go to step 13.	Repair the harness and connector. NOTE: In this case, repair the following item: • Open circuit in harness between starter relay connector and inhibitor switch connector • Poor contact of coupling connector
<b>13 CHECK HARNESS BETWEEN INHIBITOR SWITCH AND STARTER MOTOR.</b> Measure the resistance of harness between the inhibitor switch connector and starter motor. <i>Connector &amp; terminal</i> <i>(T7) No. 9 — (B14) No. 1:</i>	Is the resistance less than 1 $\Omega$ ?	Go to step 14.	Repair the harness and connector. NOTE: In this case, repair the following item: • Open circuit in harness between inhibitor switch connector and starter motor • Poor contact of coupling connector
<b>14 CHECK INHIBITOR SWITCH.</b> 1) Place the select lever in other than “P” range and “N” range. 2) Measure the resistance between inhibitor switch terminals. <i>Terminals</i> <i>No. 6 — No. 9:</i>	Is the resistance less than 1 $\Omega$ ?	Check the engine control module (ECM) power supply and ground line. <Ref. to EN(H4SO)(diag)-74, CHECK POWER SUPPLY AND GROUND LINE OF ENGINE CONTROL MODULE (ECM), Diagnostics for Engine Starting Failure.>	Replace the inhibitor switch. <Ref. to 4AT-48, Inhibitor Switch.>

# Diagnostics for Engine Starting Failure

ENGINE (DIAGNOSTICS)

Step	Check	Yes	No
<b>15 CHECK HARNESS BETWEEN IGNITION SWITCH AND CLUTCH START SWITCH.</b> 1) Turn the ignition switch to OFF. 2) Disconnect the connector from clutch start switch. 3) Turn the ignition switch to START. 4) Measure the voltage between the clutch start switch connector and chassis ground. <i><b>Connector &amp; terminal</b></i> <i><b>(B106) No. 1 (+) — Chassis ground (-):</b></i>	Is the voltage 10 V or more?	Go to step 16.	Repair the open circuit in harness between ignition switch connector and clutch start switch connector.
<b>16 CHECK CLUTCH START SWITCH.</b> Measure the resistance between clutch start switch terminals while depressing the clutch pedal. <i><b>Terminals</b></i> <i><b>No. 1 — No. 2:</b></i>	Is the resistance less than 1 $\Omega$ ?	Go to step 17.	Replace the clutch start switch. <Ref. to CL-27, Clutch Switch.>
<b>17 CHECK HARNESS BETWEEN ECM AND CLUTCH START SWITCH.</b> Measure the resistance of harness between ECM and clutch start switch connector. <i><b>Connector &amp; terminal</b></i> <i><b>(B136) No. 32 — (B106) No. 2:</b></i>	Is the resistance less than 1 $\Omega$ ?	Go to step 18.	Repair the open circuit of harness between ECM and clutch start switch connector.
<b>18 CHECK HARNESS BETWEEN STARTER RELAY AND STARTER MOTOR.</b> Measure the resistance of harness between starter relay connector and starter motor. <i><b>Connector &amp; terminal</b></i> <i><b>(B225) No. 10 — (B14) No. 1:</b></i>	Is the resistance less than 1 $\Omega$ ?	Check the engine control module (ECM) power supply and ground line. <Ref. to EN(H4SO)(diag)-74, CHECK POWER SUPPLY AND GROUND LINE OF ENGINE CONTROL MODULE (ECM), Diagnostics for Engine Starting Failure.>	Repair the open circuit of the harness between starter relay connector and starter motor.



# Diagnostics for Engine Starting Failure

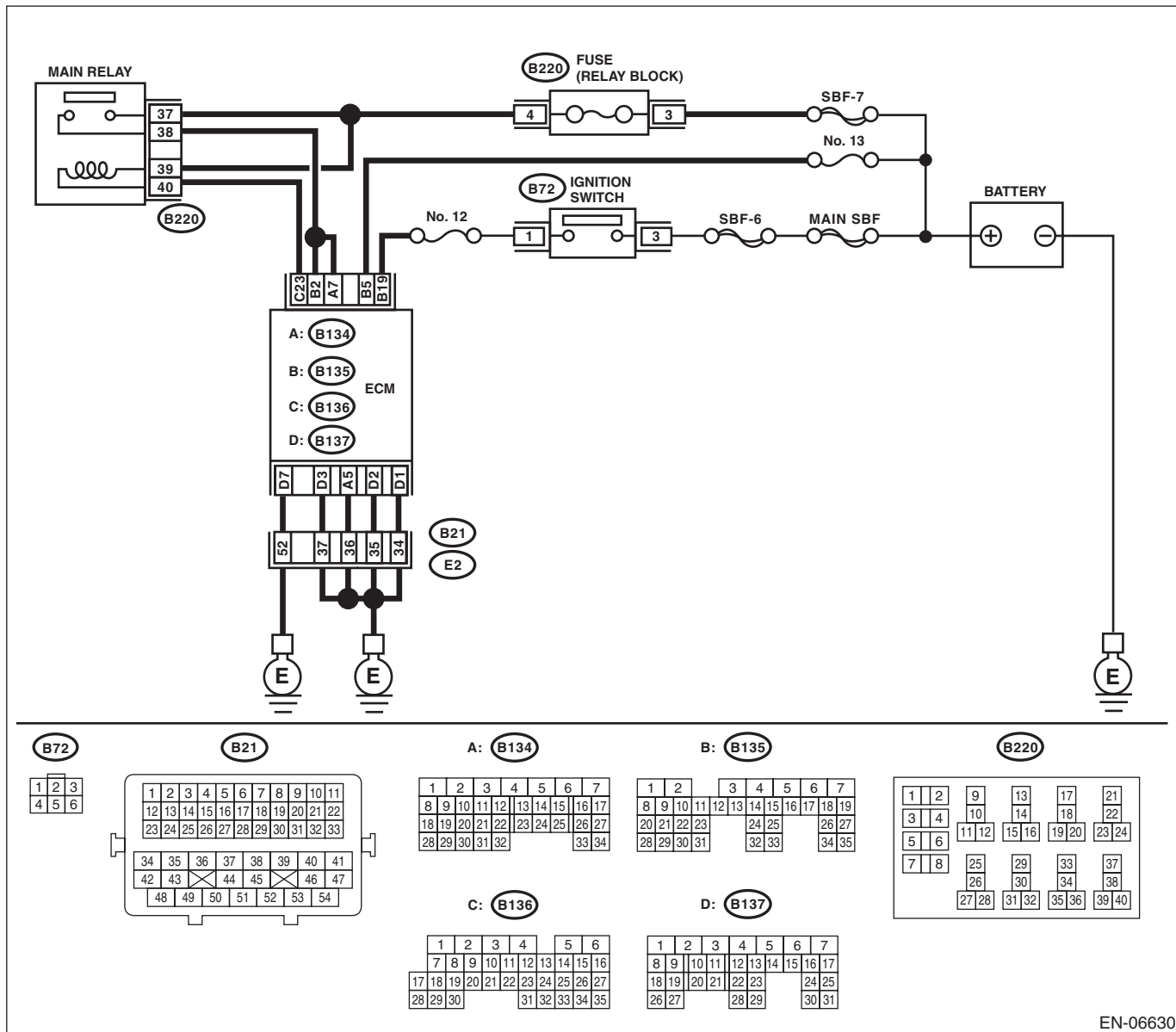
ENGINE (DIAGNOSTICS)

## C: CHECK POWER SUPPLY AND GROUND LINE OF ENGINE CONTROL MODULE (ECM)

### CAUTION:

After servicing or replacing faulty parts, perform Clear Memory Mode <Ref. to EN(H4SO)(diag)-55, OPERATION, Clear Memory Mode.>, and Inspection Mode <Ref. to EN(H4SO)(diag)-44, PROCEDURE, Inspection Mode.>.

### WIRING DIAGRAM:



EN-06630

# Diagnostics for Engine Starting Failure

ENGINE (DIAGNOSTICS)

Step	Check	Yes	No
<b>1 CHECK MAIN RELAY.</b> 1) Turn the ignition switch to OFF. 2) Remove the main relay. 3) Connect the battery to main relay terminals No. 39 and No. 40. 4) Measure the resistance between main relay terminals. <b>Terminals</b> <b>No. 37 — No. 38:</b>	Is the resistance less than 1 $\Omega$ ?	Go to step 2.	Replace the main relay. <Ref. to FU(H4SO)-46, Main Relay.>
<b>2 CHECK GROUND CIRCUIT FOR ECM.</b> 1) Disconnect the connectors from ECM. 2) Measure the resistance of harness between ECM and chassis ground. <b>Connector &amp; terminal</b> <b>(B134) No. 5 — Chassis ground:</b> <b>(B137) No. 1 — Chassis ground:</b> <b>(B137) No. 2 — Chassis ground:</b> <b>(B137) No. 3 — Chassis ground:</b> <b>(B137) No. 7 — Chassis ground:</b>	Is the resistance less than 5 $\Omega$ ?	Go to step 3.	Repair the harness and connector.  NOTE: In this case, repair the following item: • Open circuit of harness between ECM and engine ground • Poor contact of coupling connector
<b>3 CHECK INPUT VOLTAGE OF ECM.</b> 1) Turn the ignition switch to ON. 2) Measure the voltage between ECM connector and chassis ground. <b>Connector &amp; terminal</b> <b>(B135) No. 5 (+) — Chassis ground (-):</b> <b>(B135) No. 19 (+) — Chassis ground (-):</b>	Is the voltage 10 V or more?	Go to step 4.	Repair the open or ground short circuit of power supply circuit.
<b>4 CHECK INPUT VOLTAGE OF MAIN RELAY.</b> Measure the voltage between main relay connector and chassis ground. <b>Connector &amp; terminal</b> <b>(B220) No. 37 (+) — Chassis ground (-):</b> <b>(B220) No. 39 (+) — Chassis ground (-):</b>	Is the voltage 10 V or more?	Go to step 5.	Repair the open or ground short circuit of harness of power supply circuit.
<b>5 CHECK INPUT VOLTAGE OF ECM.</b> 1) Turn the ignition switch to OFF. 2) Install the main relay. 3) Turn the ignition switch to ON. 4) Measure the voltage between ECM connector and chassis ground. <b>Connector &amp; terminal</b> <b>(B134) No. 7 (+) — Chassis ground (-):</b> <b>(B135) No. 2 (+) — Chassis ground (-):</b>	Is the voltage 10 V or more?	Go to step 6.	Repair the open or ground short circuit of harness between ECM and main relay connector.
<b>6 CHECK INPUT VOLTAGE OF ECM.</b> 1) Turn the ignition switch to OFF. 2) Connect the connector to ECM. 3) Turn the ignition switch to ON. 4) Measure the voltage between ECM connector and chassis ground. <b>Connector &amp; terminal</b> <b>(B134) No. 7 (+) — Chassis ground (-):</b> <b>(B135) No. 2 (+) — Chassis ground (-):</b>	Is the voltage 10 V or more?	Check ignition control system. <Ref. to EN(H4SO)(diag)-76, IGNITION CONTROL SYSTEM, Diagnostics for Engine Starting Failure.>	Repair the harness and connector.  NOTE: In this case, repair the following item: • Open circuit in harness between ECM and main relay connector • Poor contact of main relay connector

# Diagnostics for Engine Starting Failure

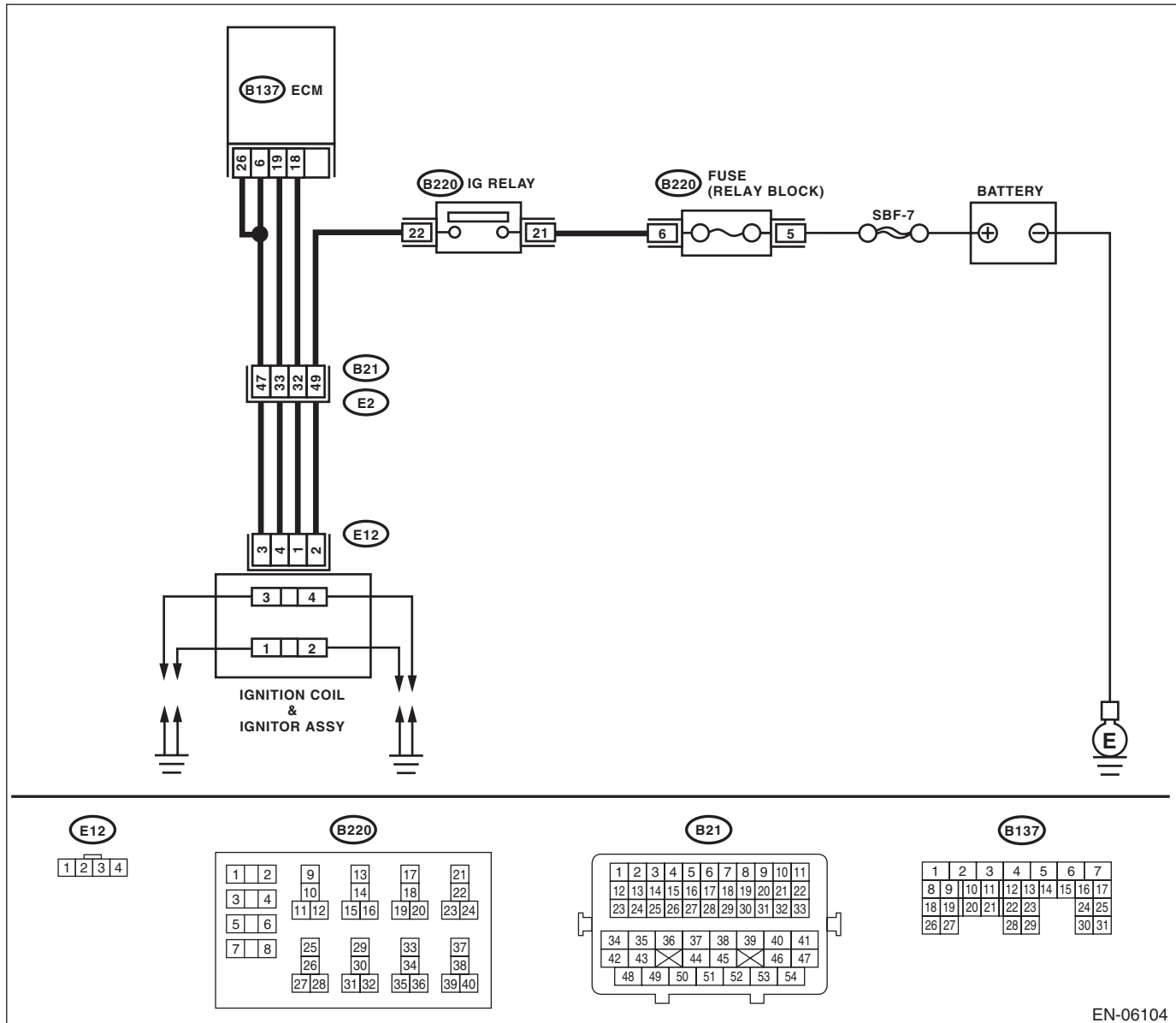
ENGINE (DIAGNOSTICS)

## D: IGNITION CONTROL SYSTEM

### CAUTION:

After servicing or replacing faulty parts, perform Clear Memory Mode <Ref. to EN(H4SO)(diag)-55, Clear Memory Mode.>, and Inspection Mode <Ref. to EN(H4SO)(diag)-44, Inspection Mode.>.

### WIRING DIAGRAM:



EN-06104

# Diagnostics for Engine Starting Failure

ENGINE (DIAGNOSTICS)

Step	Check	Yes	No
<p><b>1</b></p> <p><b>CHECK IGNITION SYSTEM FOR SPARKS.</b>                      1) Remove the plug cord cap from each spark plug.                      2) Install a new spark plug on plug cord cap.  <b>CAUTION:</b>  <b>Do not remove the spark plug from engine.</b>                      3) Contact the spark plug thread portion to engine.                      4) While opening the throttle valve fully, crank the engine to check that spark occurs at each cylinder.</p>	Does spark occur at each cylinder?	Check fuel pump system. <Ref. to EN(H4SO)(diag)-79, FUEL PUMP CIRCUIT, Diagnostics for Engine Starting Failure.>	Go to step 2.
<p><b>2</b></p> <p><b>CHECK POWER SUPPLY CIRCUIT FOR IGNITION COIL AND IGNITOR ASSEMBLY.</b>                      1) Turn the ignition switch to OFF.                      2) Disconnect the connector from the ignition coil and ignitor assembly.                      3) Turn the ignition switch to ON.                      4) Measure the voltage between ignition coil and ignitor assembly connector and engine ground.  <b>Connector &amp; terminal</b>  <b>(E12) No. 2 (+) — Engine ground (-):</b></p>	Is the voltage 10 V or more?	Go to step 3.	Repair the harness and connector. <b>NOTE:</b> In this case, repair the following item: • Open circuit in harness between ignition coil and ignitor assembly and IG relay connector • Poor contact of coupling connector • Blown out of fuse
<p><b>3</b></p> <p><b>CHECK HARNESS BETWEEN ECM AND IGNITION COIL AND IGNITOR ASSEMBLY.</b>                      1) Turn the ignition switch to OFF.                      2) Measure the resistance between ECM and the ignition coil and ignitor assembly connector.  <b>Connector &amp; terminal</b>  <b>(E12) No. 3 — (B137) No. 6:</b>  <b>(E12) No. 3 — (B137) No. 26:</b></p>	Is the resistance less than 1 Ω?	Go to step 4.	Repair the harness and connector. <b>NOTE:</b> In this case, repair the following item: • Open circuit in harness between ECM and ignition coil and ignitor assembly connector • Poor contact of coupling connector
<p><b>4</b></p> <p><b>CHECK IGNITION COIL AND IGNITOR ASSEMBLY.</b>                      1) Remove the spark plug cords.                      2) Measure the resistance between spark plug cord contact portions to check secondary coil.  <b>Terminals</b>  <b>No. 1 — No. 2:</b>  <b>No. 3 — No. 4:</b></p>	Is the resistance between 10 and 15 kΩ?	Go to step 5.	Replace the ignition coil and ignitor assembly. <Ref. to IG(H4SO)-6, Ignition Coil and Ignitor Assembly.>
<p><b>5</b></p> <p><b>CHECK INPUT SIGNAL FOR IGNITION COIL AND IGNITOR ASSEMBLY.</b>                      1) Connect the connector to the Ignition coil and ignitor assembly.                      2) Check if voltage varies synchronously with engine speed when cranking, while monitoring voltage between ignition coil and ignitor assembly connector and engine ground.  <b>Connector &amp; terminal</b>  <b>(E12) No. 1 (+) — Engine ground (-):</b>  <b>(E12) No. 4 (+) — Engine ground (-):</b></p>	Does the voltage vary 10 V or more?	Go to step 6.	Replace the ignition coil and ignitor assembly. <Ref. to IG(H4SO)-6, Ignition Coil and Ignitor Assembly.>

## Diagnostics for Engine Starting Failure

### ENGINE (DIAGNOSTICS)

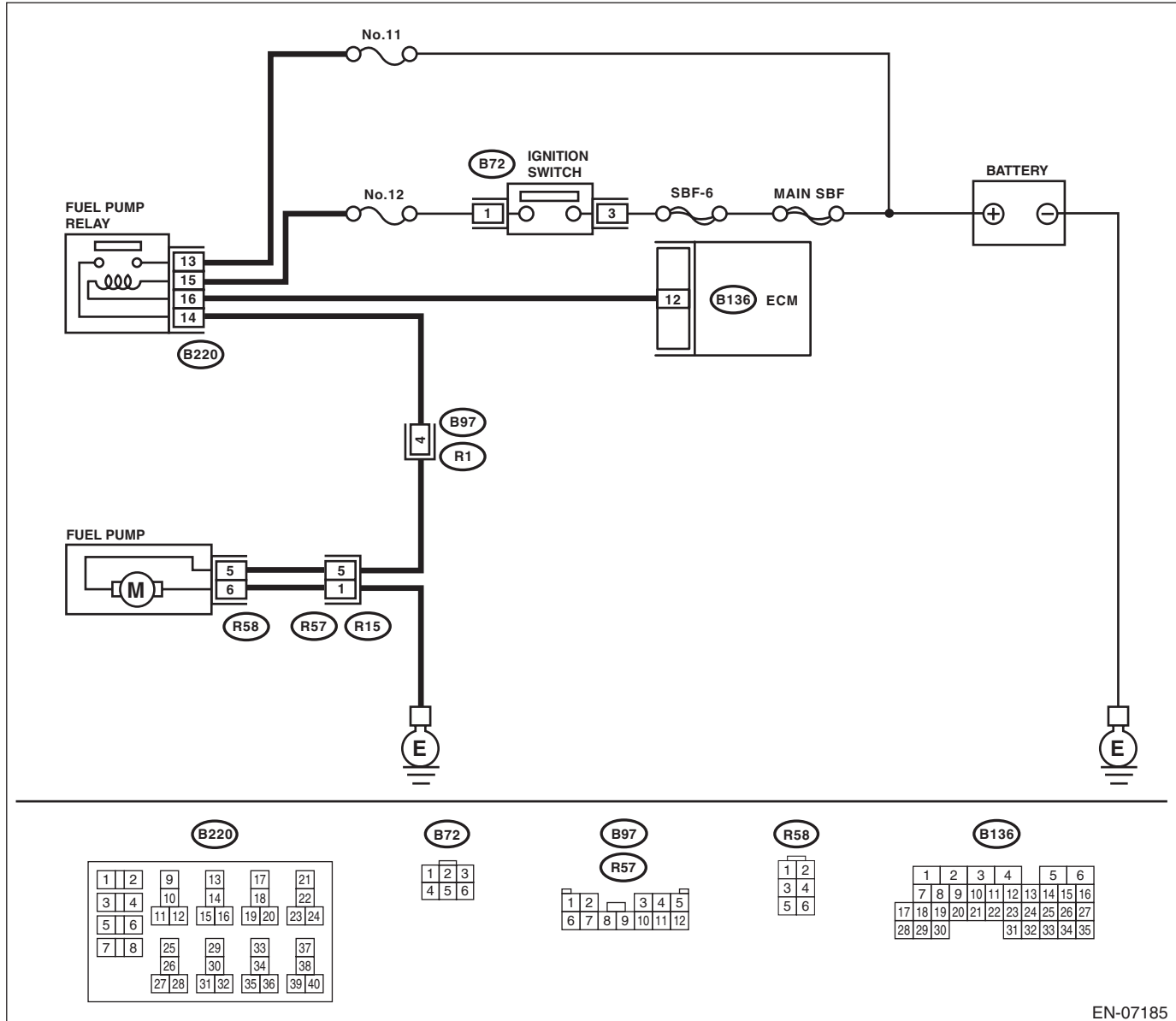
Step	Check	Yes	No
<p><b>6</b></p> <p><b>CHECK HARNESS BETWEEN ECM AND IGNITION COIL AND IGNITOR ASSEMBLY CONNECTOR.</b></p> <p>1) Turn the ignition switch to OFF.                      2) Disconnect the connectors from ECM.                      3) Disconnect the connector from the ignition coil and ignitor assembly.                      4) Measure the resistance of harness between ECM and ignition coil and ignitor assembly connector.</p> <p><b>Connector &amp; terminal</b>  <i>(B137) No. 18 — (E12) No. 1:</i>  <i>(B137) No. 19 — (E12) No. 4:</i></p>	<p>Is the resistance less than 1 Ω?</p>	<p>Go to step 7.</p>	<p>Repair the harness and connector.</p> <p>NOTE:                      In this case, repair the following item:</p> <ul style="list-style-type: none"> <li>• Open circuit in harness between ECM and ignition coil and ignitor assembly connector</li> <li>• Poor contact of coupling connector</li> </ul>
<p><b>7</b></p> <p><b>CHECK HARNESS BETWEEN ECM AND IGNITION COIL AND IGNITOR ASSEMBLY CONNECTOR.</b></p> <p>Measure the resistance of harness between ECM and engine ground.</p> <p><b>Connector &amp; terminal:</b>  <i>(B137) No. 18 — Engine ground:</i>  <i>(B137) No. 19 — Engine ground:</i></p>	<p>Is the resistance 1 MΩ or more?</p>	<p>Repair the poor contact of ECM connector.</p>	<p>Repair the ground short circuit of harness between ECM and ignition coil and ignitor assembly connector.</p>

## E: FUEL PUMP CIRCUIT

### CAUTION:

After servicing or replacing faulty parts, perform Clear Memory Mode <Ref. to EN(H4SO)(diag)-55, OPERATION, Clear Memory Mode.>, and Inspection Mode <Ref. to EN(H4SO)(diag)-44, PROCEDURE, Inspection Mode.>.

### WIRING DIAGRAM:



EN-07185

# Diagnostics for Engine Starting Failure

## ENGINE (DIAGNOSTICS)

Step	Check	Yes	No
<p><b>1 CHECK OPERATING SOUND OF FUEL PUMP.</b> Check if the fuel pump operates for two seconds when turning the ignition switch to ON. NOTE: Fuel pump operation can be executed using the Subaru Select Monitor. For the procedures, refer to "Compulsory Valve Operation Check Mode". &lt;Ref. to EN(H4SO)(diag)-56, Compulsory Valve Operation Check Mode.&gt;</p>	Does the fuel pump emit operating sound?	Check the fuel injector circuit. <Ref. to EN(H4SO)(diag)-82, FUEL INJECTOR CIRCUIT, Diagnostics for Engine Starting Failure.>	Go to step 2.
<p><b>2 CHECK GROUND CIRCUIT OF FUEL PUMP.</b> 1) Turn the ignition switch to OFF. 2) Remove the fuel pump access hole lid. 3) Disconnect the connector from fuel pump. 4) Measure the resistance of harness between fuel pump and chassis ground. <b>Connector &amp; terminal</b> <b>(R58) No. 6 — Chassis ground:</b></p>	Is the resistance less than 5 Ω?	Go to step 3.	Repair the harness and connector. NOTE: In this case, repair the following item: • Open circuit in harness between fuel pump connector and chassis grounding terminal • Poor contact of coupling connector
<p><b>3 CHECK POWER SUPPLY TO FUEL PUMP.</b> 1) Turn the ignition switch to ON. 2) Measure the voltage of power supply circuit between fuel pump connector and chassis ground. <b>Connector &amp; terminal</b> <b>(R58) No. 5 (+) — Chassis ground (-):</b></p>	Is the voltage 10 V or more?	Replace the fuel pump. <Ref. to FU(H4SO)-65, Fuel Pump.>	Go to step 4.
<p><b>4 CHECK HARNESS BETWEEN FUEL PUMP AND FUEL PUMP RELAY CONNECTOR.</b> 1) Turn the ignition switch to OFF. 2) Measure the resistance of harness between fuel pump connector and fuel pump relay connector. <b>Connector &amp; terminal</b> <b>(R58) No. 5 — (B220) No. 14:</b></p>	Is the resistance less than 1 Ω?	Go to step 5.	Repair the harness and connector. NOTE: In this case, repair the following item: • Open circuit in harness between fuel pump connector and fuel pump relay connector • Poor contact of coupling connector
<p><b>5 CHECK HARNESS BETWEEN FUEL PUMP AND FUEL PUMP RELAY CONNECTOR.</b> Measure the resistance of harness between fuel pump connector and fuel pump relay connector. <b>Connector &amp; terminal</b> <b>(R58) No. 5 — Chassis ground:</b></p>	Is the resistance 1 MΩ or more?	Go to step 6.	Repair the short circuit of harness between fuel pump connector and fuel pump relay connector.
<p><b>6 CHECK FUEL PUMP RELAY.</b> 1) Remove the fuel pump relay. 2) Connect the battery to fuel pump relay terminals No. 15 and No. 16. 3) Measure the resistance between fuel pump relay terminals. <b>Terminals</b> <b>No. 13 — No. 14:</b></p>	Is the resistance less than 1 Ω?	Go to step 7.	Replace the fuel pump relay. <Ref. to FU(H4SO)-48, Fuel Pump Relay.>

# Diagnostics for Engine Starting Failure

ENGINE (DIAGNOSTICS)

Step	Check	Yes	No
<b>7</b> <b>CHECK HARNESS BETWEEN ECM AND FUEL PUMP RELAY CONNECTOR.</b> 1) Disconnect the connectors from ECM. 2) Measure the resistance of harness between ECM and fuel pump relay connector. <i><b>Connector &amp; terminal</b></i> <i><b>(B136) No. 12 — (B220) No. 16:</b></i>	Is the resistance less than 1 $\Omega$ ?	Go to step 8.	Repair the open circuit of harness between ECM and fuel pump relay connector.
<b>8</b> <b>CHECK POWER SUPPLY OF FUEL PUMP RELAY.</b> 1) Turn the ignition switch to ON. 2) Measure the voltage between fuel pump relay connector and chassis ground. <i><b>Connector &amp; terminal</b></i> <i><b>(B220) No. 13 (+) — Chassis ground (-):</b></i> <i><b>(B220) No. 15 (+) — Chassis ground (-):</b></i>	Is the voltage 10 V or more?	Repair the poor contact of ECM connector.	Repair the open or ground short circuit of power supply circuit.



# Diagnostics for Engine Starting Failure

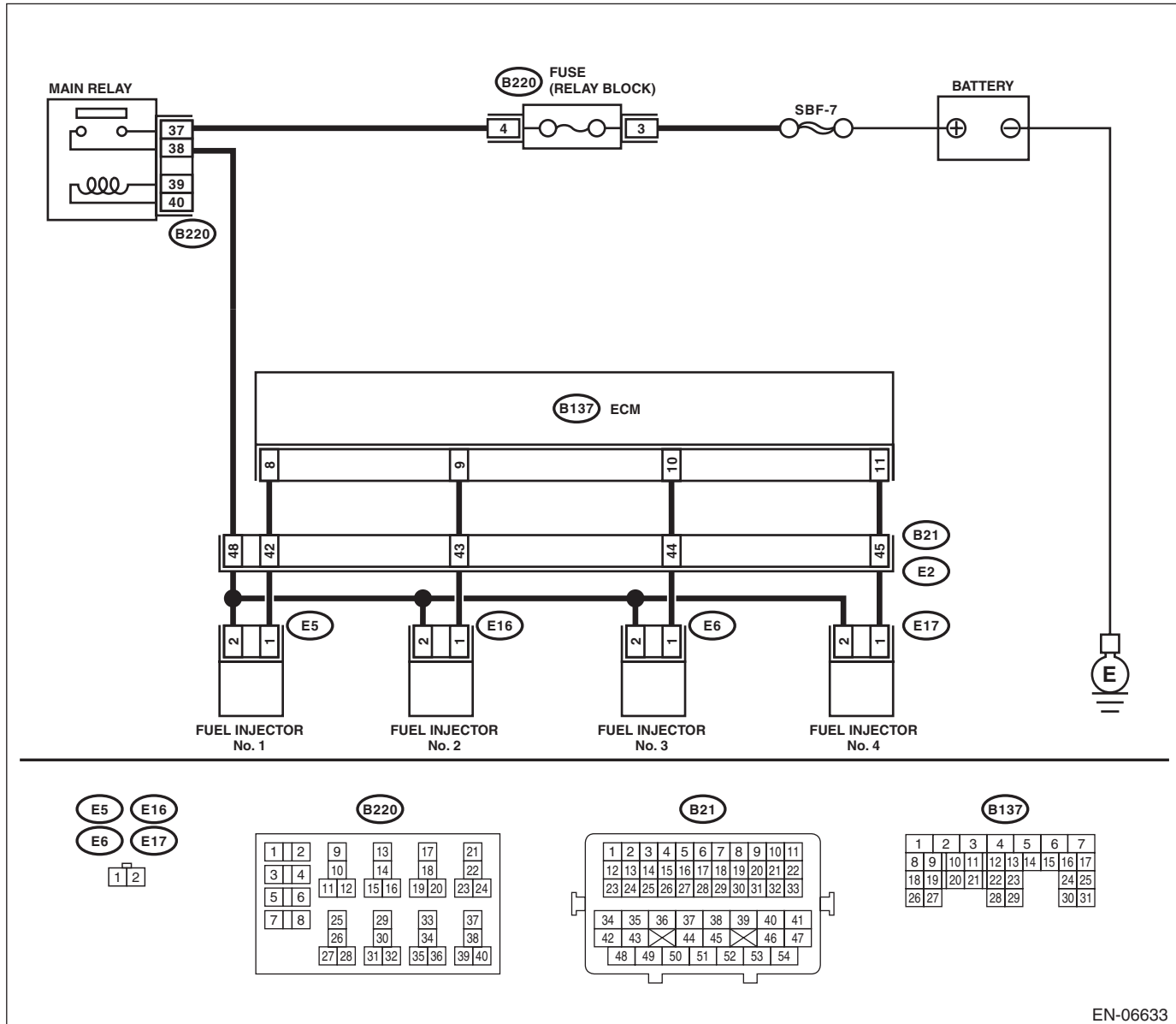
ENGINE (DIAGNOSTICS)

## F: FUEL INJECTOR CIRCUIT

### CAUTION:

- Check or repair only faulty parts.
- After servicing or replacing faulty parts, perform Clear Memory Mode <Ref. to EN(H4SO)(diag)-55, OPERATION, Clear Memory Mode.>, and Inspection Mode <Ref. to EN(H4SO)(diag)-44, PROCEDURE, Inspection Mode.>.

### WIRING DIAGRAM:



EN-06633

# Diagnostics for Engine Starting Failure

ENGINE (DIAGNOSTICS)

Step	Check	Yes	No
<p><b>1 CHECK OPERATION OF EACH FUEL INJECTOR.</b> While cranking the engine, check each fuel injector emits operating sound. Use a sound scope or attach a screwdriver to the injector to listen to sounds for this check.</p>	Does the fuel pump emit operating sound?	Check the fuel pressure. <Ref. to ME(H4SO)-27, INSPECTION, Fuel Pressure.>	Go to step 2.
<p><b>2 CHECK POWER SUPPLY TO EACH FUEL INJECTOR.</b> 1) Turn the ignition switch to OFF. 2) Disconnect the connector from fuel injector. 3) Turn the ignition switch to ON. 4) Measure the power supply voltage between fuel injector terminal and engine ground. <b>Connector &amp; terminal</b> <b>#1 (E5) No. 2 (+) — Engine ground (-):</b> <b>#2 (E16) No. 2 (+) — Engine ground (-):</b> <b>#3 (E6) No. 2 (+) — Engine ground (-):</b> <b>#4 (E17) No. 2 (+) — Engine ground (-):</b></p>	Is the voltage 10 V or more?	Go to step 3.	Repair the harness and connector. <b>NOTE:</b> In this case, repair the following item: <ul style="list-style-type: none"> <li>• Open circuit in harness between main relay connector and fuel injector connector</li> <li>• Poor contact of main relay connector</li> <li>• Poor contact of coupling connector</li> </ul>
<p><b>3 CHECK HARNESS BETWEEN ECM AND FUEL INJECTOR CONNECTOR.</b> 1) Disconnect the connectors from ECM. 2) Measure the resistance of harness between ECM and fuel injector connector. <b>Connector &amp; terminal</b> <b>#1 (B137) No. 8 — (E5) No. 1:</b> <b>#2 (B137) No. 9 — (E16) No. 1:</b> <b>#3 (B137) No. 10 — (E6) No. 1:</b> <b>#4 (B137) No. 11 — (E17) No. 1:</b></p>	Is the resistance less than 1 Ω?	Go to step 4.	Repair the harness and connector. <b>NOTE:</b> In this case, repair the following item: <ul style="list-style-type: none"> <li>• Open circuit in harness between ECM and fuel injector connector</li> <li>• Poor contact of coupling connector</li> </ul>
<p><b>4 CHECK HARNESS BETWEEN ECM AND FUEL INJECTOR CONNECTOR.</b> Measure the resistance of harness between ECM and fuel injector connector. <b>Connector &amp; terminal</b> <b>#1 (B137) No. 8 (+) — Chassis ground (-):</b> <b>#2 (B137) No. 9 (+) — Chassis ground (-):</b> <b>#3 (B137) No. 10 (+) — Chassis ground (-):</b> <b>#4 (B137) No. 11 (+) — Chassis ground (-):</b></p>	Is the resistance 1 MΩ or more?	Go to step 5.	Repair the short circuit to ground in harness between ECM and fuel injector connector.
<p><b>5 CHECK EACH FUEL INJECTOR.</b> 1) Turn the ignition switch to OFF. 2) Measure the resistance between each fuel injector terminals. <b>Terminals</b> <b>No. 1 — No. 2:</b></p>	Is the resistance 5 — 20 Ω?	Go to step 6.	Replace the faulty fuel injector. <Ref. to FU(H4SO)-36, Fuel Injector.>
<p><b>6 CHECK POOR CONTACT.</b> Check for poor contact of ECM connector.</p>	Is there poor contact of ECM connector?	Repair the poor contact of ECM connector.	Inspection using “General Diagnostic Table”. <Ref. to EN(H4SO)(diag)-306, INSPECTION, General Diagnostic Table.>

# Diagnostic Procedure for Subaru Select Monitor Communication

ENGINE (DIAGNOSTICS)

## 18. Diagnostic Procedure for Subaru Select Monitor Communication

### A: COMMUNICATION FOR INITIALIZING IMPOSSIBLE

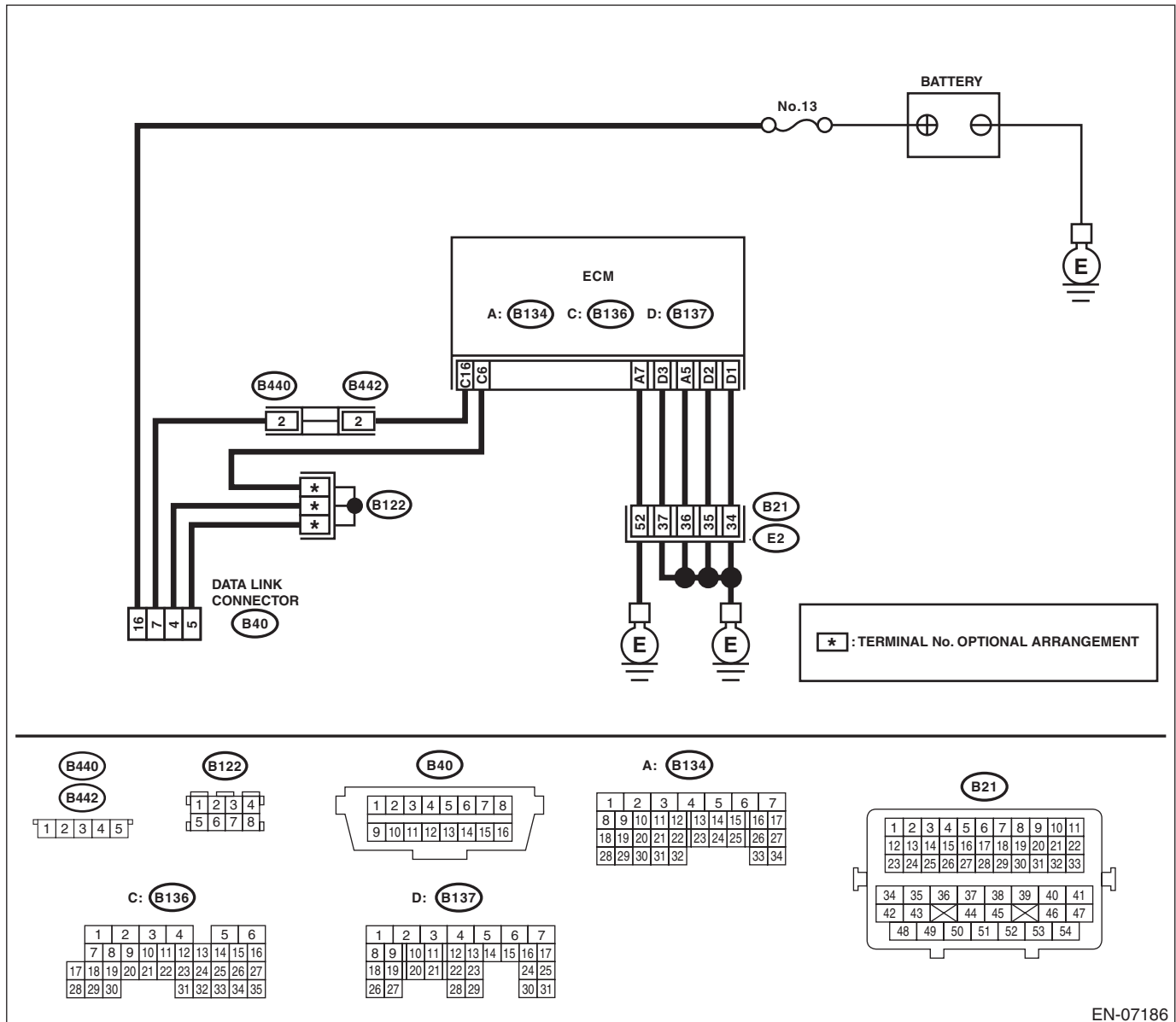
#### DIAGNOSIS:

Open or short circuit in data link connector

#### TROUBLE SYMPTOM:

Subaru Select Monitor communication failure

#### WIRING DIAGRAM:



EN-07186

# Diagnostic Procedure for Subaru Select Monitor Communication

ENGINE (DIAGNOSTICS)

	Step	Check	Yes	No
1	<b>CHECK POWER SUPPLY CIRCUIT.</b> Connect the SDI (Subaru Diagnosis Interface) or general scan tool to data link connector.	Does SDI or general scan tool turn ON?	Go to step 4.	Go to step 2.
2	<b>CHECK POWER SUPPLY CIRCUIT.</b> Measure the voltage between data link connector and chassis ground. <i>Connector &amp; terminal</i> <i>(B40) No. 16 (+) — Chassis ground (-):</i>	Is the voltage 10 V or more?	Go to step 3.	Repair the power supply circuit. NOTE: In this case, repair the following item: <ul style="list-style-type: none"> <li>• Open or ground short circuit of harness between battery and data link connector</li> <li>• Blown out of fuse (M/B No. 13)</li> </ul>
3	<b>CHECK HARNESS BETWEEN DATA LINK CONNECTOR AND CHASSIS GROUND.</b> 1) Turn the ignition switch to OFF. 2) Measure the resistance of harness between data link connector and chassis ground. <i>Connector &amp; terminal</i> <i>(B40) No. 4 — Chassis ground:</i> <i>(B40) No. 5 — Chassis ground:</i>	Is the resistance less than 5 Ω?	Repair the poor contact of data link connector.	Repair the harness and connector. NOTE: In this case, repair the following item: <ul style="list-style-type: none"> <li>• Open circuit of harness between ECM and data link connector</li> <li>• Open circuit of harness between ECM and engine ground</li> <li>• Poor contact of ECM connector</li> <li>• Poor contact of joint connector</li> </ul>
4	<b>CHECK HARNESS BETWEEN ECM AND DATA LINK CONNECTOR.</b> 1) Disconnect the connectors from ECM, TCM, ABS CM, VDC CM, airbag CM and body integrated unit. <b>CAUTION:</b> <b>When disconnecting the connector from airbag control module, always follow the precautions on AB section. &lt;Ref. to AB-5, CAUTION, General Description.&gt;</b> 2) Measure the resistance of harness between ECM and data link connector. <i>Connector &amp; terminal</i> <i>(B136) No. 16 — (B40) No. 7:</i>	Is the resistance less than 1 Ω?	Go to step 5.	Repair the harness and connector. NOTE: In this case, repair the following item: <ul style="list-style-type: none"> <li>• Open circuit of harness between ECM and data link connector</li> <li>• Poor contact of joint connector</li> </ul>
5	<b>CHECK HARNESS BETWEEN ECM AND DATA LINK CONNECTOR.</b> Measure the resistance between data link connector and chassis ground. <i>Connector &amp; terminal</i> <i>(B40) No. 7 — Chassis ground:</i>	Is the resistance 1 MΩ or more?	Repair the poor contact of the ECM or data link connector.	Repair the ground short circuit of harness between ECM and data link connector.

## List of Diagnostic Trouble Code (DTC)

ENGINE (DIAGNOSTICS)

### 19. List of Diagnostic Trouble Code (DTC)

#### A: LIST

DTC	Item	Reference
P0026	Intake Valve Control Solenoid Circuit Range/Performance (Bank 1)	<Ref. to EN(H4SO)(diag)-93, DTC P0026 INTAKE VALVE CONTROL SOLENOID CIRCUIT RANGE/PERFORMANCE (BANK 1), Diagnostic Procedure with Diagnostic Trouble Code (DTC).>
P0028	Intake Valve Control Solenoid Circuit Range/Performance (Bank 2)	<Ref. to EN(H4SO)(diag)-95, DTC P0028 INTAKE VALVE CONTROL SOLENOID CIRCUIT RANGE/PERFORMANCE (BANK 2), Diagnostic Procedure with Diagnostic Trouble Code (DTC).>
P0030	HO2S Heater Control Circuit (Bank 1 Sensor 1)	<Ref. to EN(H4SO)(diag)-97, DTC P0030 HO2S HEATER CONTROL CIRCUIT (BANK 1 SENSOR 1), Diagnostic Procedure with Diagnostic Trouble Code (DTC).>
P0031	HO2S Heater Control Circuit Low (Bank 1 Sensor 1)	<Ref. to EN(H4SO)(diag)-99, DTC P0031 HO2S HEATER CONTROL CIRCUIT LOW (BANK 1 SENSOR 1), Diagnostic Procedure with Diagnostic Trouble Code (DTC).>
P0032	HO2S Heater Control Circuit High (Bank 1 Sensor 1)	<Ref. to EN(H4SO)(diag)-101, DTC P0032 HO2S HEATER CONTROL CIRCUIT HIGH (BANK 1 SENSOR 1), Diagnostic Procedure with Diagnostic Trouble Code (DTC).>
P0037	HO2S Heater Control Circuit Low (Bank 1 Sensor 2)	<Ref. to EN(H4SO)(diag)-103, DTC P0037 HO2S HEATER CONTROL CIRCUIT LOW (BANK 1 SENSOR 2), Diagnostic Procedure with Diagnostic Trouble Code (DTC).>
P0038	HO2S Heater Control Circuit High (Bank 1 Sensor 2)	<Ref. to EN(H4SO)(diag)-105, DTC P0038 HO2S HEATER CONTROL CIRCUIT HIGH (BANK 1 SENSOR 2), Diagnostic Procedure with Diagnostic Trouble Code (DTC).>
P0068	MAP/MAF - Throttle Position Correlation	<Ref. to EN(H4SO)(diag)-107, DTC P0068 MAP/MAF - THROTTLE POSITION CORRELATION, Diagnostic Procedure with Diagnostic Trouble Code (DTC).>
P0076	Intake Valve Control Solenoid Circuit Low (Bank 1)	<Ref. to EN(H4SO)(diag)-109, DTC P0076 INTAKE VALVE CONTROL SOLENOID CIRCUIT LOW (BANK 1), Diagnostic Procedure with Diagnostic Trouble Code (DTC).>
P0077	Intake Valve Control Solenoid Circuit High (Bank 1)	<Ref. to EN(H4SO)(diag)-111, DTC P0077 INTAKE VALVE CONTROL SOLENOID CIRCUIT HIGH (BANK 1), Diagnostic Procedure with Diagnostic Trouble Code (DTC).>
P0082	Intake Valve Control Solenoid Circuit Low (Bank 2)	<Ref. to EN(H4SO)(diag)-113, DTC P0082 INTAKE VALVE CONTROL SOLENOID CIRCUIT LOW (BANK 2), Diagnostic Procedure with Diagnostic Trouble Code (DTC).>
P0083	Intake Valve Control Solenoid Circuit High (Bank 2)	<Ref. to EN(H4SO)(diag)-115, DTC P0083 INTAKE VALVE CONTROL SOLENOID CIRCUIT HIGH (BANK 2), Diagnostic Procedure with Diagnostic Trouble Code (DTC).>
P0101	Mass or Volume Air Flow Circuit Range/Performance	<Ref. to EN(H4SO)(diag)-117, DTC P0101 MASS OR VOLUME AIR FLOW CIRCUIT RANGE/PERFORMANCE, Diagnostic Procedure with Diagnostic Trouble Code (DTC).>
P0102	Mass or Volume Air Flow Circuit Low Input	<Ref. to EN(H4SO)(diag)-119, DTC P0102 MASS OR VOLUME AIR FLOW CIRCUIT LOW INPUT, Diagnostic Procedure with Diagnostic Trouble Code (DTC).>
P0103	Mass or Volume Air Flow Circuit High Input	<Ref. to EN(H4SO)(diag)-121, DTC P0103 MASS OR VOLUME AIR FLOW CIRCUIT HIGH INPUT, Diagnostic Procedure with Diagnostic Trouble Code (DTC).>
P0107	Manifold Absolute Pressure/Barometric Pressure Circuit Low Input	<Ref. to EN(H4SO)(diag)-123, DTC P0107 MANIFOLD ABSOLUTE PRESSURE/BAROMETRIC PRESSURE CIRCUIT LOW INPUT, Diagnostic Procedure with Diagnostic Trouble Code (DTC).>
P0108	Manifold Absolute Pressure/Barometric Pressure Circuit High Input	<Ref. to EN(H4SO)(diag)-125, DTC P0108 MANIFOLD ABSOLUTE PRESSURE/BAROMETRIC PRESSURE CIRCUIT HIGH INPUT, Diagnostic Procedure with Diagnostic Trouble Code (DTC).>

# List of Diagnostic Trouble Code (DTC)

ENGINE (DIAGNOSTICS)

DTC	Item	Reference
P0111	Intake Air Temperature Sensor 1 Circuit Range/Performance	<Ref. to EN(H4SO)(diag)-127, DTC P0111 INTAKE AIR TEMPERATURE SENSOR 1 CIRCUIT RANGE/PERFORMANCE, Diagnostic Procedure with Diagnostic Trouble Code (DTC).>
P0112	Intake Air Temperature Sensor 1 Circuit Low	<Ref. to EN(H4SO)(diag)-129, DTC P0112 INTAKE AIR TEMPERATURE SENSOR 1 CIRCUIT LOW, Diagnostic Procedure with Diagnostic Trouble Code (DTC).>
P0113	Intake Air Temperature Sensor 1 Circuit High	<Ref. to EN(H4SO)(diag)-131, DTC P0113 INTAKE AIR TEMPERATURE SENSOR 1 CIRCUIT HIGH, Diagnostic Procedure with Diagnostic Trouble Code (DTC).>
P0117	Engine Coolant Temperature Circuit Low	<Ref. to EN(H4SO)(diag)-133, DTC P0117 ENGINE COOLANT TEMPERATURE CIRCUIT LOW, Diagnostic Procedure with Diagnostic Trouble Code (DTC).>
P0118	Engine Coolant Temperature Circuit High	<Ref. to EN(H4SO)(diag)-135, DTC P0118 ENGINE COOLANT TEMPERATURE CIRCUIT HIGH, Diagnostic Procedure with Diagnostic Trouble Code (DTC).>
P0122	Throttle/Pedal Position Sensor/Switch "A" Circuit Low	<Ref. to EN(H4SO)(diag)-137, DTC P0122 THROTTLE/PEDAL POSITION SENSOR/SWITCH "A" CIRCUIT LOW, Diagnostic Procedure with Diagnostic Trouble Code (DTC).>
P0123	Throttle/Pedal Position Sensor/Switch "A" Circuit High	<Ref. to EN(H4SO)(diag)-139, DTC P0123 THROTTLE/PEDAL POSITION SENSOR/SWITCH "A" CIRCUIT HIGH, Diagnostic Procedure with Diagnostic Trouble Code (DTC).>
P0125	Insufficient Coolant Temperature for Closed Loop Fuel Control	<Ref. to EN(H4SO)(diag)-141, DTC P0125 INSUFFICIENT COOLANT TEMPERATURE FOR CLOSED LOOP FUEL CONTROL, Diagnostic Procedure with Diagnostic Trouble Code (DTC).>
P0126	Insufficient Engine Coolant Temperature for Stable Operation	<Ref. to EN(H4SO)(diag)-142, DTC P0126 INSUFFICIENT ENGINE COOLANT TEMPERATURE FOR STABLE OPERATION, Diagnostic Procedure with Diagnostic Trouble Code (DTC).>
P0128	Coolant Thermostat (Engine Coolant Temperature Below Thermostat Regulating Temperature)	<Ref. to EN(H4SO)(diag)-144, DTC P0128 COOLANT THERMOSTAT (ENGINE COOLANT TEMPERATURE BELOW THERMOSTAT REGULATING TEMPERATURE), Diagnostic Procedure with Diagnostic Trouble Code (DTC).>
P0131	O2 Sensor Circuit Low Voltage (Bank 1 Sensor 1)	<Ref. to EN(H4SO)(diag)-145, DTC P0131 O2 SENSOR CIRCUIT LOW VOLTAGE (BANK 1 SENSOR 1), Diagnostic Procedure with Diagnostic Trouble Code (DTC).>
P0132	O2 Sensor Circuit High Voltage (Bank 1 Sensor 1)	<Ref. to EN(H4SO)(diag)-147, DTC P0132 O2 SENSOR CIRCUIT HIGH VOLTAGE (BANK 1 SENSOR 1), Diagnostic Procedure with Diagnostic Trouble Code (DTC).>
P0133	O2 Sensor Circuit Slow Response (Bank 1 Sensor 1)	<Ref. to EN(H4SO)(diag)-149, DTC P0133 O2 SENSOR CIRCUIT SLOW RESPONSE (BANK 1 SENSOR 1), Diagnostic Procedure with Diagnostic Trouble Code (DTC).>
P0134	O2 Sensor Circuit No Activity Detected (Bank 1 Sensor 1)	<Ref. to EN(H4SO)(diag)-151, DTC P0134 O2 SENSOR CIRCUIT NO ACTIVITY DETECTED (BANK 1 SENSOR 1), Diagnostic Procedure with Diagnostic Trouble Code (DTC).>
P0137	O2 Sensor Circuit Low Voltage (Bank 1 Sensor 2)	<Ref. to EN(H4SO)(diag)-153, DTC P0137 O2 SENSOR CIRCUIT LOW VOLTAGE (BANK 1 SENSOR 2), Diagnostic Procedure with Diagnostic Trouble Code (DTC).>
P0138	O2 Sensor Circuit High Voltage (Bank 1 Sensor 2)	<Ref. to EN(H4SO)(diag)-155, DTC P0138 O2 SENSOR CIRCUIT HIGH VOLTAGE (BANK 1 SENSOR 2), Diagnostic Procedure with Diagnostic Trouble Code (DTC).>
P0139	O2 Sensor Circuit Slow Response (Bank 1 Sensor 2)	<Ref. to EN(H4SO)(diag)-157, DTC P0139 O2 SENSOR CIRCUIT SLOW RESPONSE (BANK 1 SENSOR 2), Diagnostic Procedure with Diagnostic Trouble Code (DTC).>
P0140	O2 Sensor Circuit No Activity Detected (Bank 1 Sensor 2)	<Ref. to EN(H4SO)(diag)-159, DTC P0140 O2 SENSOR CIRCUIT NO ACTIVITY DETECTED (BANK1 SENSOR2), Diagnostic Procedure with Diagnostic Trouble Code (DTC).>
P0171	System Too Lean (Bank 1)	<Ref. to EN(H4SO)(diag)-161, DTC P0171 SYSTEM TOO LEAN (BANK 1), Diagnostic Procedure with Diagnostic Trouble Code (DTC).>

## List of Diagnostic Trouble Code (DTC)

### ENGINE (DIAGNOSTICS)

DTC	Item	Reference
P0172	System Too Rich (Bank 1)	<Ref. to EN(H4SO)(diag)-162, DTC P0172 SYSTEM TOO RICH (BANK 1), Diagnostic Procedure with Diagnostic Trouble Code (DTC).>
P0181	Fuel Temperature Sensor "A" Circuit Range/Performance	<Ref. to EN(H4SO)(diag)-164, DTC P0181 FUEL TEMPERATURE SENSOR "A" CIRCUIT RANGE/PERFORMANCE, Diagnostic Procedure with Diagnostic Trouble Code (DTC).>
P0182	Fuel Temperature Sensor "A" Circuit Low Input	<Ref. to EN(H4SO)(diag)-166, DTC P0182 FUEL TEMPERATURE SENSOR "A" CIRCUIT LOW INPUT, Diagnostic Procedure with Diagnostic Trouble Code (DTC).>
P0183	Fuel Temperature Sensor "A" Circuit High Input	<Ref. to EN(H4SO)(diag)-168, DTC P0183 FUEL TEMPERATURE SENSOR "A" CIRCUIT HIGH INPUT, Diagnostic Procedure with Diagnostic Trouble Code (DTC).>
P0196	Engine Oil Temperature Sensor Circuit Range/Performance	<Ref. to EN(H4SO)(diag)-170, DTC P0196 ENGINE OIL TEMPERATURE SENSOR CIRCUIT RANGE/PERFORMANCE, Diagnostic Procedure with Diagnostic Trouble Code (DTC).>
P0197	Engine Oil Temperature Sensor Low	<Ref. to EN(H4SO)(diag)-172, DTC P0197 ENGINE OIL TEMPERATURE SENSOR LOW, Diagnostic Procedure with Diagnostic Trouble Code (DTC).>
P0198	Engine Oil Temperature Sensor High	<Ref. to EN(H4SO)(diag)-174, DTC P0198 ENGINE OIL TEMPERATURE SENSOR HIGH, Diagnostic Procedure with Diagnostic Trouble Code (DTC).>
P0222	Throttle/Pedal Position Sensor/Switch "B" Circuit Low	<Ref. to EN(H4SO)(diag)-176, DTC P0222 THROTTLE/PEDAL POSITION SENSOR/SWITCH "B" CIRCUIT LOW, Diagnostic Procedure with Diagnostic Trouble Code (DTC).>
P0223	Throttle/Pedal Position Sensor/Switch "B" Circuit High	<Ref. to EN(H4SO)(diag)-178, DTC P0223 THROTTLE/PEDAL POSITION SENSOR/SWITCH "B" CIRCUIT HIGH, Diagnostic Procedure with Diagnostic Trouble Code (DTC).>
P0301	Cylinder 1 Misfire Detected	<Ref. to EN(H4SO)(diag)-179, DTC P0301 CYLINDER 1 MISFIRE DETECTED, Diagnostic Procedure with Diagnostic Trouble Code (DTC).>
P0302	Cylinder 2 Misfire Detected	<Ref. to EN(H4SO)(diag)-179, DTC P0302 CYLINDER 2 MISFIRE DETECTED, Diagnostic Procedure with Diagnostic Trouble Code (DTC).>
P0303	Cylinder 3 Misfire Detected	<Ref. to EN(H4SO)(diag)-179, DTC P0303 CYLINDER 3 MISFIRE DETECTED, Diagnostic Procedure with Diagnostic Trouble Code (DTC).>
P0304	Cylinder 4 Misfire Detected	<Ref. to EN(H4SO)(diag)-180, DTC P0304 CYLINDER 4 MISFIRE DETECTED, Diagnostic Procedure with Diagnostic Trouble Code (DTC).>
P0327	Knock Sensor 1 Circuit Low (Bank 1 or Single Sensor)	<Ref. to EN(H4SO)(diag)-186, DTC P0327 KNOCK SENSOR 1 CIRCUIT LOW (BANK 1 OR SINGLE SENSOR), Diagnostic Procedure with Diagnostic Trouble Code (DTC).>
P0328	Knock Sensor 1 Circuit High (Bank 1 or Single Sensor)	<Ref. to EN(H4SO)(diag)-188, DTC P0328 KNOCK SENSOR 1 CIRCUIT HIGH (BANK 1 OR SINGLE SENSOR), Diagnostic Procedure with Diagnostic Trouble Code (DTC).>
P0335	Crankshaft Position Sensor "A" Circuit	<Ref. to EN(H4SO)(diag)-190, DTC P0335 CRANKSHAFT POSITION SENSOR "A" CIRCUIT, Diagnostic Procedure with Diagnostic Trouble Code (DTC).>
P0336	Crankshaft Position Sensor "A" Circuit Range/Performance	<Ref. to EN(H4SO)(diag)-192, DTC P0336 CRANKSHAFT POSITION SENSOR "A" CIRCUIT RANGE/PERFORMANCE, Diagnostic Procedure with Diagnostic Trouble Code (DTC).>
P0340	Camshaft Position Sensor "A" Circuit (Bank 1 or Single Sensor)	<Ref. to EN(H4SO)(diag)-194, DTC P0340 CAMSHAFT POSITION SENSOR "A" CIRCUIT (BANK 1 OR SINGLE SENSOR), Diagnostic Procedure with Diagnostic Trouble Code (DTC).>
P0341	Camshaft Position Sensor "A" Circuit Range/Performance (Bank 1 or Single Sensor)	<Ref. to EN(H4SO)(diag)-196, DTC P0341 CAMSHAFT POSITION SENSOR "A" CIRCUIT RANGE/PERFORMANCE (BANK 1 OR SINGLE SENSOR), Diagnostic Procedure with Diagnostic Trouble Code (DTC).>
P0400	Exhaust Gas Recirculation Flow	<Ref. to EN(H4SO)(diag)-198, DTC P0400 EXHAUST GAS RECIRCULATION FLOW, Diagnostic Procedure with Diagnostic Trouble Code (DTC).>
P0420	Catalyst System Efficiency below Threshold (Bank 1)	<Ref. to EN(H4SO)(diag)-200, DTC P0420 CATALYST SYSTEM EFFICIENCY BELOW THRESHOLD (BANK 1), Diagnostic Procedure with Diagnostic Trouble Code (DTC).>

# List of Diagnostic Trouble Code (DTC)

ENGINE (DIAGNOSTICS)

DTC	Item	Reference
P0442	Evaporative Emission Control System Leak Detected (Small Leak)	<Ref. to EN(H4SO)(diag)-204, DTC P0442 EVAPORATIVE EMISSION CONTROL SYSTEM LEAK DETECTED (SMALL LEAK), Diagnostic Procedure with Diagnostic Trouble Code (DTC).>
P0447	Evaporative Emission Control System Vent Control Circuit Open	<Ref. to EN(H4SO)(diag)-207, DTC P0447 EVAPORATIVE EMISSION CONTROL SYSTEM VENT CONTROL CIRCUIT OPEN, Diagnostic Procedure with Diagnostic Trouble Code (DTC).>
P0448	Evaporative Emission Control System Vent Control Circuit Shorted	<Ref. to EN(H4SO)(diag)-209, DTC P0448 EVAPORATIVE EMISSION CONTROL SYSTEM VENT CONTROL CIRCUIT SHORTED, Diagnostic Procedure with Diagnostic Trouble Code (DTC).>
P0451	Evaporative Emission Control System Pressure Sensor	<Ref. to EN(H4SO)(diag)-211, DTC P0451 EVAPORATIVE EMISSION CONTROL SYSTEM PRESSURE SENSOR, Diagnostic Procedure with Diagnostic Trouble Code (DTC).>
P0452	Evaporative Emission Control System Pressure Sensor Low Input	<Ref. to EN(H4SO)(diag)-213, DTC P0452 EVAPORATIVE EMISSION CONTROL SYSTEM PRESSURE SENSOR LOW INPUT, Diagnostic Procedure with Diagnostic Trouble Code (DTC).>
P0453	Evaporative Emission Control System Pressure Sensor High Input	<Ref. to EN(H4SO)(diag)-215, DTC P0453 EVAPORATIVE EMISSION CONTROL SYSTEM PRESSURE SENSOR HIGH INPUT, Diagnostic Procedure with Diagnostic Trouble Code (DTC).>
P0456	Evaporative Emission Control System Leak Detected (Very Small Leak)	<Ref. to EN(H4SO)(diag)-217, DTC P0456 EVAPORATIVE EMISSION CONTROL SYSTEM LEAK DETECTED (VERY SMALL LEAK), Diagnostic Procedure with Diagnostic Trouble Code (DTC).>
P0457	Evaporative Emission Control System Leak Detected (Fuel Cap Loose/Off)	<Ref. to EN(H4SO)(diag)-220, DTC P0457 EVAPORATIVE EMISSION CONTROL SYSTEM LEAK DETECTED (FUEL CAP LOOSE/OFF), Diagnostic Procedure with Diagnostic Trouble Code (DTC).>
P0458	Evaporative Emission System Purge Control Valve Circuit Low	<Ref. to EN(H4SO)(diag)-223, DTC P0458 EVAPORATIVE EMISSION SYSTEM PURGE CONTROL VALVE CIRCUIT LOW, Diagnostic Procedure with Diagnostic Trouble Code (DTC).>
P0459	Evaporative Emission System Purge Control Valve Circuit High	<Ref. to EN(H4SO)(diag)-225, DTC P0459 EVAPORATIVE EMISSION SYSTEM PURGE CONTROL VALVE CIRCUIT HIGH, Diagnostic Procedure with Diagnostic Trouble Code (DTC).>
P0461	Fuel Level Sensor "A" Circuit Range/Performance	<Ref. to EN(H4SO)(diag)-227, DTC P0461 FUEL LEVEL SENSOR "A" CIRCUIT RANGE/PERFORMANCE, Diagnostic Procedure with Diagnostic Trouble Code (DTC).>
P0462	Fuel Level Sensor "A" Circuit Low	<Ref. to EN(H4SO)(diag)-227, DTC P0462 FUEL LEVEL SENSOR "A" CIRCUIT LOW, Diagnostic Procedure with Diagnostic Trouble Code (DTC).>
P0463	Fuel Level Sensor "A" Circuit High	<Ref. to EN(H4SO)(diag)-227, DTC P0463 FUEL LEVEL SENSOR "A" CIRCUIT HIGH, Diagnostic Procedure with Diagnostic Trouble Code (DTC).>
P0464	Fuel Level Sensor Circuit Intermittent	<Ref. to EN(H4SO)(diag)-228, DTC P0464 FUEL LEVEL SENSOR CIRCUIT INTERMITTENT, Diagnostic Procedure with Diagnostic Trouble Code (DTC).>
P0500	Vehicle Speed Sensor "A"	<Ref. to EN(H4SO)(diag)-228, DTC P0500 VEHICLE SPEED SENSOR "A", Diagnostic Procedure with Diagnostic Trouble Code (DTC).>
P0506	Idle Air Control System RPM Lower Than Expected	<Ref. to EN(H4SO)(diag)-229, DTC P0506 IDLE AIR CONTROL SYSTEM RPM LOWER THAN EXPECTED, Diagnostic Procedure with Diagnostic Trouble Code (DTC).>
P0507	Idle Air Control System RPM Higher Than Expected	<Ref. to EN(H4SO)(diag)-231, DTC P0507 IDLE AIR CONTROL SYSTEM RPM HIGHER THAN EXPECTED, Diagnostic Procedure with Diagnostic Trouble Code (DTC).>
P0512	Starter Request Circuit	<Ref. to EN(H4SO)(diag)-233, DTC P0512 STARTER REQUEST CIRCUIT, Diagnostic Procedure with Diagnostic Trouble Code (DTC).>
P0513	Incorrect Immobilizer Key	<Ref. to IM(diag)-15, DTC P0513 INCORRECT IMMOBILIZER KEY, Diagnostic Procedure with Diagnostic Trouble Code (DTC).>
P0600	Serial Communication Link	<Ref. to EN(H4SO)(diag)-234, DTC P0600 SERIAL COMMUNICATION LINK, Diagnostic Procedure with Diagnostic Trouble Code (DTC).>
P0604	Internal Control Module Random Access Memory (RAM) Error	<Ref. to EN(H4SO)(diag)-235, DTC P0604 INTERNAL CONTROL MODULE RANDOM ACCESS MEMORY (RAM) ERROR, Diagnostic Procedure with Diagnostic Trouble Code (DTC).>



## List of Diagnostic Trouble Code (DTC)

### ENGINE (DIAGNOSTICS)

DTC	Item	Reference
P0605	Internal Control Module Read Only Memory (ROM) Error	<Ref. to EN(H4SO)(diag)-236, DTC P0605 INTERNAL CONTROL MODULE READ ONLY MEMORY (ROM) ERROR, Diagnostic Procedure with Diagnostic Trouble Code (DTC).>
P0607	Throttle Control System Circuit Range/Performance	<Ref. to EN(H4SO)(diag)-237, DTC P0607 THROTTLE CONTROL SYSTEM CIRCUIT RANGE/PERFORMANCE, Diagnostic Procedure with Diagnostic Trouble Code (DTC).>
P0638	Throttle Actuator Control Range/Performance (Bank 1)	<Ref. to EN(H4SO)(diag)-238, DTC P0638 THROTTLE ACTUATOR CONTROL RANGE/PERFORMANCE (BANK 1), Diagnostic Procedure with Diagnostic Trouble Code (DTC).>
P0700	Transmission Control System (MIL Request)	<Ref. to EN(H4SO)(diag)-238, DTC P0700 TRANSMISSION CONTROL SYSTEM (MIL REQUEST), Diagnostic Procedure with Diagnostic Trouble Code (DTC).>
P0851	Park/Neutral Switch Input Circuit Low (AT Model)	<Ref. to EN(H4SO)(diag)-239, DTC P0851 PARK/NEUTRAL SWITCH INPUT CIRCUIT LOW (AT MODEL), Diagnostic Procedure with Diagnostic Trouble Code (DTC).>
P0851	Neutral Switch Input Circuit Low (MT Model)	<Ref. to EN(H4SO)(diag)-241, DTC P0851 NEUTRAL SWITCH INPUT CIRCUIT LOW (MT MODEL), Diagnostic Procedure with Diagnostic Trouble Code (DTC).>
P0852	Park/Neutral Switch Input Circuit High (AT Model)	<Ref. to EN(H4SO)(diag)-243, DTC P0852 PARK/NEUTRAL SWITCH INPUT CIRCUIT HIGH (AT MODEL), Diagnostic Procedure with Diagnostic Trouble Code (DTC).>
P0852	Neutral Switch Input Circuit High (MT Model)	<Ref. to EN(H4SO)(diag)-245, DTC P0852 NEUTRAL SWITCH INPUT CIRCUIT HIGH (MT MODEL), Diagnostic Procedure with Diagnostic Trouble Code (DTC).>
P1152	O2 Sensor Circuit Range/Performance (Low) (Bank1 Sensor1)	<Ref. to EN(H4SO)(diag)-247, DTC P1152 O2 SENSOR CIRCUIT RANGE/PERFORMANCE (LOW) (BANK1 SENSOR1), Diagnostic Procedure with Diagnostic Trouble Code (DTC).>
P1153	O2 Sensor Circuit Range/Performance (High) (Bank1 Sensor1)	<Ref. to EN(H4SO)(diag)-249, DTC P1153 O2 SENSOR CIRCUIT RANGE/PERFORMANCE (HIGH) (BANK1 SENSOR1), Diagnostic Procedure with Diagnostic Trouble Code (DTC).>
P1160	Return Spring Failure	<Ref. to EN(H4SO)(diag)-250, DTC P1160 RETURN SPRING FAILURE, Diagnostic Procedure with Diagnostic Trouble Code (DTC).>
P1400	Fuel Tank Pressure Control Solenoid Valve Circuit Low	<Ref. to EN(H4SO)(diag)-251, DTC P1400 FUEL TANK PRESSURE CONTROL SOLENOID VALVE CIRCUIT LOW, Diagnostic Procedure with Diagnostic Trouble Code (DTC).>
P1420	Fuel Tank Pressure Control Sol. Valve Circuit High	<Ref. to EN(H4SO)(diag)-253, DTC P1420 FUEL TANK PRESSURE CONTROL SOL. VALVE CIRCUIT HIGH, Diagnostic Procedure with Diagnostic Trouble Code (DTC).>
P1443	Vent Control Solenoid Valve Function Problem	<Ref. to EN(H4SO)(diag)-255, DTC P1443 VENT CONTROL SOLENOID VALVE FUNCTION PROBLEM, Diagnostic Procedure with Diagnostic Trouble Code (DTC).>
P1491	Positive Crankcase Ventilation (Blow-by) Function Problem	<Ref. to EN(H4SO)(diag)-257, DTC P1491 POSITIVE CRANKCASE VENTILATION (BLOW-BY) FUNCTION PROBLEM, Diagnostic Procedure with Diagnostic Trouble Code (DTC).>
P1492	EGR Solenoid Valve Signal #1 Circuit Malfunction (Low Input)	<Ref. to EN(H4SO)(diag)-259, DTC P1492 EGR SOLENOID VALVE SIGNAL #1 CIRCUIT MALFUNCTION (LOW INPUT), Diagnostic Procedure with Diagnostic Trouble Code (DTC).>
P1493	EGR Solenoid Valve Signal #1 Circuit Malfunction (High Input)	<Ref. to EN(H4SO)(diag)-259, DTC P1493 EGR SOLENOID VALVE SIGNAL #1 CIRCUIT MALFUNCTION (HIGH INPUT), Diagnostic Procedure with Diagnostic Trouble Code (DTC).>
P1494	EGR Solenoid Valve Signal #2 Circuit Malfunction (Low Input)	<Ref. to EN(H4SO)(diag)-259, DTC P1494 EGR SOLENOID VALVE SIGNAL #2 CIRCUIT MALFUNCTION (LOW INPUT), Diagnostic Procedure with Diagnostic Trouble Code (DTC).>
P1495	EGR Solenoid Valve Signal #2 Circuit Malfunction (High Input)	<Ref. to EN(H4SO)(diag)-259, DTC P1495 EGR SOLENOID VALVE SIGNAL #2 CIRCUIT MALFUNCTION (HIGH INPUT), Diagnostic Procedure with Diagnostic Trouble Code (DTC).>

# List of Diagnostic Trouble Code (DTC)

ENGINE (DIAGNOSTICS)

DTC	Item	Reference
P1496	EGR Solenoid Valve Signal #3 Circuit Malfunction (Low Input)	<Ref. to EN(H4SO)(diag)-259, DTC P1496 EGR SOLENOID VALVE SIGNAL #3 CIRCUIT MALFUNCTION (LOW INPUT), Diagnostic Procedure with Diagnostic Trouble Code (DTC).>
P1497	EGR Solenoid Valve Signal #3 Circuit Malfunction (High Input)	<Ref. to EN(H4SO)(diag)-259, DTC P1497 EGR SOLENOID VALVE SIGNAL #3 CIRCUIT MALFUNCTION (HIGH INPUT), Diagnostic Procedure with Diagnostic Trouble Code (DTC).>
P1498	EGR Solenoid Valve Signal #4 Circuit Malfunction (Low Input)	<Ref. to EN(H4SO)(diag)-260, DTC P1498 EGR SOLENOID VALVE SIGNAL #4 CIRCUIT MALFUNCTION (LOW INPUT), Diagnostic Procedure with Diagnostic Trouble Code (DTC).>
P1499	EGR Solenoid Valve Signal #4 Circuit Malfunction (High Input)	<Ref. to EN(H4SO)(diag)-263, DTC P1499 EGR SOLENOID VALVE SIGNAL #4 CIRCUIT MALFUNCTION (HIGH INPUT), Diagnostic Procedure with Diagnostic Trouble Code (DTC).>
P1560	Back-Up Voltage Circuit Malfunction	<Ref. to EN(H4SO)(diag)-265, DTC P1560 BACK-UP VOLTAGE CIRCUIT MALFUNCTION, Diagnostic Procedure with Diagnostic Trouble Code (DTC).>
P1570	Antenna	<Ref. to IM(diag)-16, DTC P1570 ANTENNA, Diagnostic Procedure with Diagnostic Trouble Code (DTC).>
P1571	Reference Code Incompatibility	<Ref. to IM(diag)-18, DTC P1571 REFERENCE CODE INCOMPATIBILITY, Diagnostic Procedure with Diagnostic Trouble Code (DTC).>
P1572	IMM Circuit Failure (Except Antenna Circuit)	<Ref. to IM(diag)-19, DTC P1572 IMM CIRCUIT FAILURE (EXCEPT ANTENNA CIRCUIT), Diagnostic Procedure with Diagnostic Trouble Code (DTC).>
P1574	Key Communication Failure	<Ref. to IM(diag)-22, DTC P1574 KEY COMMUNICATION FAILURE, Diagnostic Procedure with Diagnostic Trouble Code (DTC).>
P1576	EGI Control Module EEPROM	<Ref. to IM(diag)-22, DTC P1576 EGI CONTROL MODULE EEPROM, Diagnostic Procedure with Diagnostic Trouble Code (DTC).>
P1577	IMM Control Module EEPROM	<Ref. to IM(diag)-23, DTC P1577 IMM CONTROL MODULE EEPROM, Diagnostic Procedure with Diagnostic Trouble Code (DTC).>
P1578	Meter Failure	<Ref. to IM(diag)-23, DTC P1578 METER FAILURE, Diagnostic Procedure with Diagnostic Trouble Code (DTC).>
P1602	Control Module Programming Error	<Ref. to EN(H4SO)(diag)-267, DTC P1602 CONTROL MODULE PROGRAMMING ERROR, Diagnostic Procedure with Diagnostic Trouble Code (DTC).>
P2096	Post Catalyst Fuel Trim System Too Lean (Bank 1)	<Ref. to EN(H4SO)(diag)-275, DTC P2096 POST CATALYST FUEL TRIM SYSTEM TOO LEAN (BANK 1), Diagnostic Procedure with Diagnostic Trouble Code (DTC).>
P2097	Post Catalyst Fuel Trim System Too Rich (Bank 1)	<Ref. to EN(H4SO)(diag)-276, DTC P2097 POST CATALYST FUEL TRIM SYSTEM TOO RICH (BANK 1), Diagnostic Procedure with Diagnostic Trouble Code (DTC).>
P2101	Throttle Actuator Control Motor Circuit Range/Performance	<Ref. to EN(H4SO)(diag)-282, DTC P2101 THROTTLE ACTUATOR CONTROL MOTOR CIRCUIT RANGE/PERFORMANCE, Diagnostic Procedure with Diagnostic Trouble Code (DTC).>
P2102	Throttle Actuator Control Motor Circuit Low	<Ref. to EN(H4SO)(diag)-287, DTC P2102 THROTTLE ACTUATOR CONTROL MOTOR CIRCUIT LOW, Diagnostic Procedure with Diagnostic Trouble Code (DTC).>
P2103	Throttle Actuator Control Motor Circuit High	<Ref. to EN(H4SO)(diag)-289, DTC P2103 THROTTLE ACTUATOR CONTROL MOTOR CIRCUIT HIGH, Diagnostic Procedure with Diagnostic Trouble Code (DTC).>
P2109	Throttle/Pedal Position Sensor "A" Minimum Stop Performance	<Ref. to EN(H4SO)(diag)-290, DTC P2109 THROTTLE/PEDAL POSITION SENSOR "A" MINIMUM STOP PERFORMANCE, Diagnostic Procedure with Diagnostic Trouble Code (DTC).>
P2122	Throttle/Pedal Position Sensor/Switch "D" Circuit Low Input	<Ref. to EN(H4SO)(diag)-291, DTC P2122 THROTTLE/PEDAL POSITION SENSOR/SWITCH "D" CIRCUIT LOW INPUT, Diagnostic Procedure with Diagnostic Trouble Code (DTC).>
P2123	Throttle/Pedal Position Sensor/Switch "D" Circuit High Input	<Ref. to EN(H4SO)(diag)-293, DTC P2123 THROTTLE/PEDAL POSITION SENSOR/SWITCH "D" CIRCUIT HIGH INPUT, Diagnostic Procedure with Diagnostic Trouble Code (DTC).>

## List of Diagnostic Trouble Code (DTC)

### ENGINE (DIAGNOSTICS)

DTC	Item	Reference
P2127	Throttle/Pedal Position Sensor/Switch "E" Circuit Low Input	<Ref. to EN(H4SO)(diag)-295, DTC P2127 THROTTLE/PEDAL POSITION SENSOR/SWITCH "E" CIRCUIT LOW INPUT, Diagnostic Procedure with Diagnostic Trouble Code (DTC).>
P2128	Throttle/Pedal Position Sensor/Switch "E" Circuit High Input	<Ref. to EN(H4SO)(diag)-297, DTC P2128 THROTTLE/PEDAL POSITION SENSOR/SWITCH "E" CIRCUIT HIGH INPUT, Diagnostic Procedure with Diagnostic Trouble Code (DTC).>
P2135	Throttle/Pedal Position Sensor/Switch "A"/"B" Voltage Correlation	<Ref. to EN(H4SO)(diag)-299, DTC P2135 THROTTLE/PEDAL POSITION SENSOR/SWITCH "A"/"B" VOLTAGE CORRELATION, Diagnostic Procedure with Diagnostic Trouble Code (DTC).>
P2138	Throttle/Pedal Position Sensor/Switch "D"/"E" Voltage Correlation	<Ref. to EN(H4SO)(diag)-302, DTC P2138 THROTTLE/PEDAL POSITION SENSOR/SWITCH "D"/"E" VOLTAGE CORRELATION, Diagnostic Procedure with Diagnostic Trouble Code (DTC).>
P2227	Barometric Pressure Circuit Range/Performance	<Ref. to EN(H4SO)(diag)-304, DTC P2227 BAROMETRIC PRESSURE CIRCUIT RANGE/PERFORMANCE, Diagnostic Procedure with Diagnostic Trouble Code (DTC).>
P2228	Barometric Pressure Circuit Low	<Ref. to EN(H4SO)(diag)-304, DTC P2228 BAROMETRIC PRESSURE CIRCUIT LOW, Diagnostic Procedure with Diagnostic Trouble Code (DTC).>
P2229	Barometric Pressure Circuit High	<Ref. to EN(H4SO)(diag)-305, DTC P2229 BAROMETRIC PRESSURE CIRCUIT HIGH, Diagnostic Procedure with Diagnostic Trouble Code (DTC).>

## 20. Diagnostic Procedure with Diagnostic Trouble Code (DTC)

### A: DTC P0026 INTAKE VALVE CONTROL SOLENOID CIRCUIT RANGE/ PERFORMANCE (BANK 1)

**DTC DETECTING CONDITION:**

- Immediately at fault recognition
- GENERAL DESCRIPTION <Ref. to GD(H4SO)-8, DTC P0026 INTAKE VALVE CONTROL SOLENOID CIRCUIT RANGE/PERFORMANCE (BANK 1), Diagnostic Trouble Code (DTC) Detecting Criteria.>

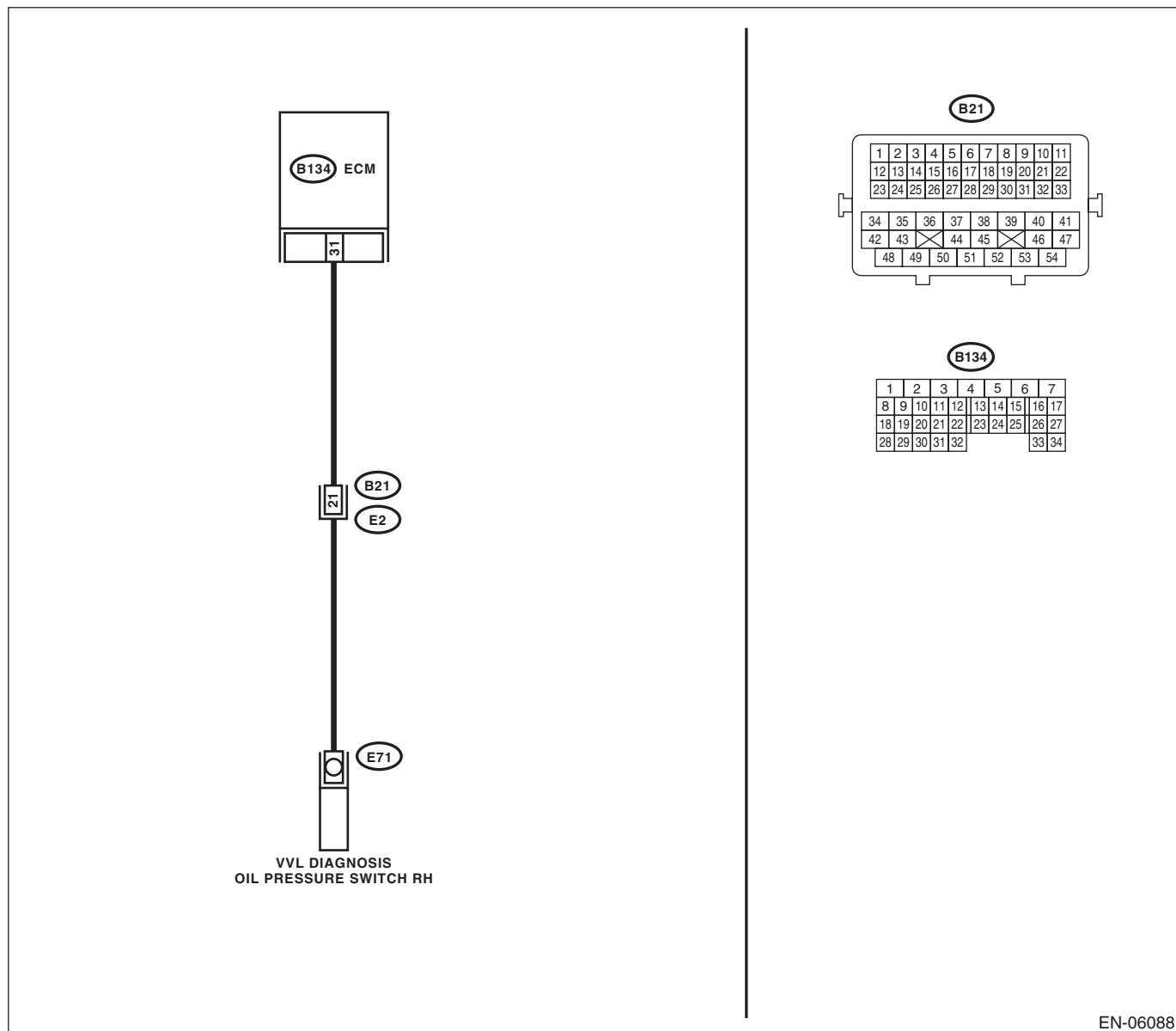
**TROUBLE SYMPTOM:**

Improper idling

**CAUTION:**

After servicing or replacing faulty parts, perform Clear Memory Mode <Ref. to EN(H4SO)(diag)-55, OPERATION, Clear Memory Mode.>, and Inspection Mode <Ref. to EN(H4SO)(diag)-44, PROCEDURE, Inspection Mode.>.

**WIRING DIAGRAM:**



# Diagnostic Procedure with Diagnostic Trouble Code (DTC)

## ENGINE (DIAGNOSTICS)

Step	Check	Yes	No
<p><b>1</b>     <b>CHECK HARNESS BETWEEN ECM AND VARIABLE VALVE LIFT DIAGNOSIS OIL PRESSURE SWITCH.</b></p> <p>1) Warm up the engine. 2) Turn the ignition switch to OFF. 3) Disconnect the connectors from the ECM and variable valve lift diagnosis oil pressure switch. 4) Measure the resistance of harness between ECM and variable valve lift diagnosis oil pressure switch connector.</p> <p><b>Connector &amp; terminal</b> <b>(B134) No. 31 — (E71) No. 1:</b></p>	Is the resistance less than 1 Ω?	Go to step 2.	Repair the harness and connector.  NOTE: In this case, repair the following item: • Open circuit in harness between ECM and variable valve lift diagnosis oil pressure switch connector • Poor contact of coupling connector
<p><b>2</b>     <b>CHECK HARNESS BETWEEN ECM AND VARIABLE VALVE LIFT DIAGNOSIS OIL PRESSURE SWITCH.</b></p> <p>Measure the resistance between variable valve lift diagnosis oil pressure switch connector and engine ground.</p> <p><b>Connector &amp; terminal</b> <b>(E71) No. 1 — Engine ground:</b></p>	Is the resistance 1 MΩ or more?	Go to step 3.	Repair the ground short circuit of harness between ECM and variable valve lift diagnosis oil pressure switch connector.
<p><b>3</b>     <b>CHECK HARNESS BETWEEN ECM AND VARIABLE VALVE LIFT DIAGNOSIS OIL PRESSURE SWITCH.</b></p> <p>1) Turn the ignition switch to ON. 2) Measure the voltage between variable valve lift diagnosis oil pressure switch connector and engine ground.</p> <p><b>Connector &amp; terminal</b> <b>(E71) No. 1 (+) — Engine ground (-):</b></p>	Is the voltage 10 V or more?	Repair the short circuit to power of the harness between ECM and variable valve lift diagnosis oil pressure switch connector.	Go to step 4.
<p><b>4</b>     <b>CHECK DTC.</b></p> <p>1) Perform the Clear Memory Mode. 2) After idling the engine, check the DTC.</p> <p>NOTE: For detailed procedures, refer to “Clear Memory Mode”. &lt;Ref. to EN(H4SO)(diag)-55, Clear Memory Mode.&gt;</p>	Is DTC displayed?	Replace the oil switching solenoid valve. <Ref. to ME(H4SO)-93, Oil Switching Solenoid Valve.> Go to step 5.	End.
<p><b>5</b>     <b>CHECK DTC.</b></p> <p>1) Perform the Clear Memory Mode. 2) After idling the engine, check the DTC.</p> <p>NOTE: For detailed procedures, refer to “Clear Memory Mode”. &lt;Ref. to EN(H4SO)(diag)-55, Clear Memory Mode.&gt;</p>	Is DTC displayed?	Check for oil routing.	End.

# Diagnostic Procedure with Diagnostic Trouble Code (DTC)

ENGINE (DIAGNOSTICS)

## B: DTC P0028 INTAKE VALVE CONTROL SOLENOID CIRCUIT RANGE/ PERFORMANCE (BANK 2)

### DTC DETECTING CONDITION:

- Immediately at fault recognition
- GENERAL DESCRIPTION <Ref. to GD(H4SO)-10, DTC P0028 INTAKE VALVE CONTROL SOLENOID CIRCUIT RANGE/PERFORMANCE (BANK 2), Diagnostic Trouble Code (DTC) Detecting Criteria.>

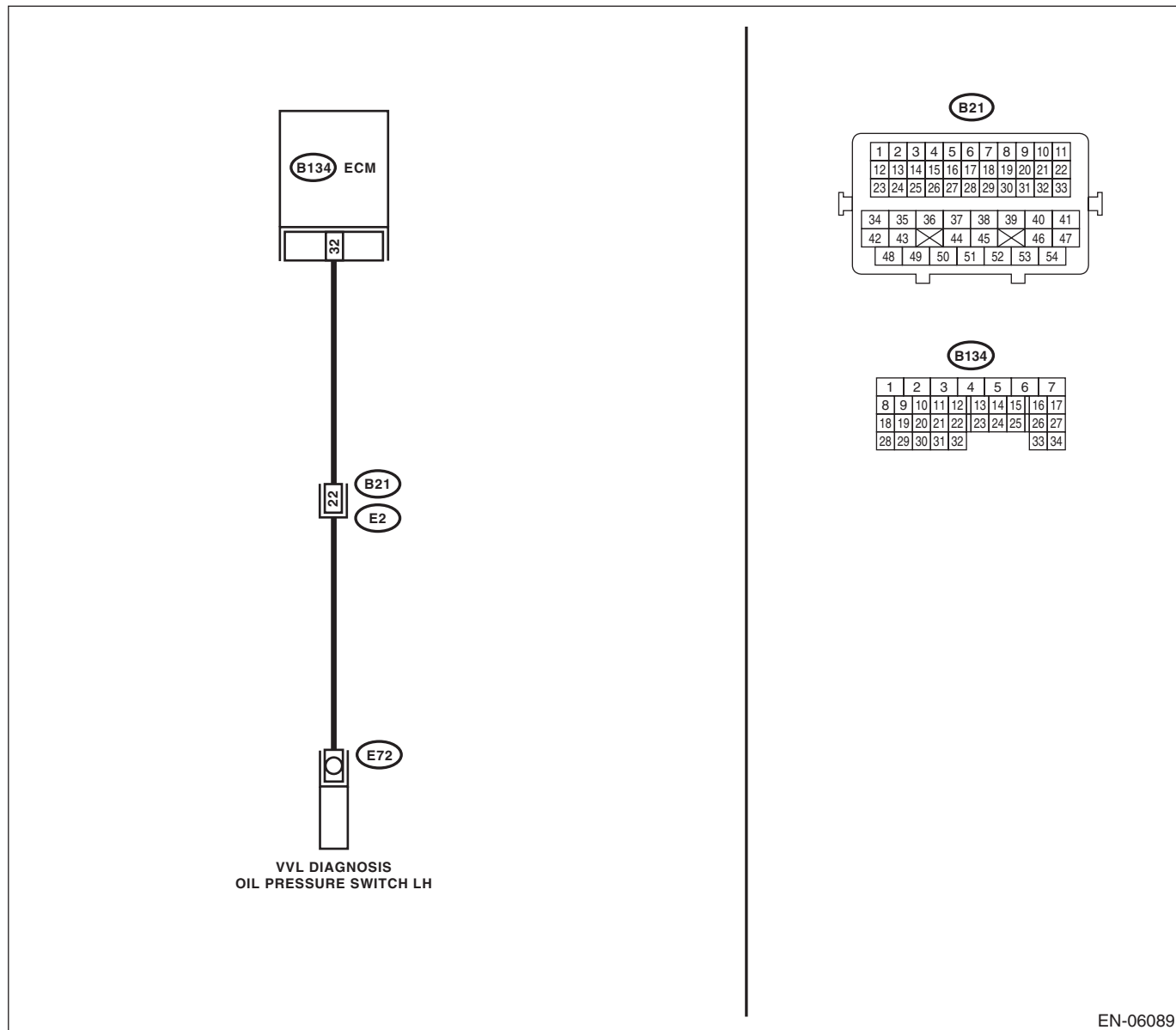
### TROUBLE SYMPTOM:

Improper idling

### CAUTION:

After servicing or replacing faulty parts, perform Clear Memory Mode <Ref. to EN(H4SO)(diag)-55, OPERATION, Clear Memory Mode.>, and Inspection Mode <Ref. to EN(H4SO)(diag)-44, PROCEDURE, Inspection Mode.>.

### WIRING DIAGRAM:



EN-06089

# Diagnostic Procedure with Diagnostic Trouble Code (DTC)

## ENGINE (DIAGNOSTICS)

Step	Check	Yes	No
<b>1 CHECK HARNESS BETWEEN ECM AND VARIABLE VALVE LIFT DIAGNOSIS OIL PRESSURE SWITCH.</b> 1) Warm up the engine. 2) Turn the ignition switch to OFF. 3) Disconnect the connectors from the ECM and variable valve lift diagnosis oil pressure switch. 4) Measure the resistance of harness between ECM and variable valve lift diagnosis oil pressure switch connector. <i><b>Connector &amp; terminal</b></i> <i><b>(B134) No. 32 — (E72) No. 1:</b></i>	Is the resistance less than 1 Ω?	Go to step 2.	Repair the harness and connector.  NOTE: In this case, repair the following item: • Open circuit in harness between ECM and variable valve lift diagnosis oil pressure switch connector • Poor contact of coupling connector
<b>2 CHECK HARNESS BETWEEN ECM AND VARIABLE VALVE LIFT DIAGNOSIS OIL PRESSURE SWITCH.</b> Measure the resistance between variable valve lift diagnosis oil pressure switch connector and engine ground. <i><b>Connector &amp; terminal</b></i> <i><b>(E72) No. 1 — Engine ground:</b></i>	Is the resistance 1 MΩ or more?	Go to step 3.	Repair the ground short circuit of harness between ECM and variable valve lift diagnosis oil pressure switch connector.
<b>3 CHECK HARNESS BETWEEN ECM AND VARIABLE VALVE LIFT DIAGNOSIS OIL PRESSURE SWITCH.</b> 1) Turn the ignition switch to ON. 2) Measure the voltage between variable valve lift diagnosis oil pressure switch connector and engine ground. <i><b>Connector &amp; terminal</b></i> <i><b>(E72) No. 1 (+) — Engine ground (-):</b></i>	Is the voltage 10 V or more?	Repair the short circuit to power of the harness between ECM and variable valve lift diagnosis oil pressure switch connector.	Go to step 4.
<b>4 CHECK DTC.</b> 1) Perform the Clear Memory Mode. 2) After idling the engine, check the DTC. NOTE: For detailed procedures, refer to “Clear Memory Mode”. <Ref. to EN(H4SO)(diag)-55, Clear Memory Mode.>	Is DTC displayed?	Replace the oil switching solenoid valve. <Ref. to ME(H4SO)-93, Oil Switching Solenoid Valve.> Go to step 5.	End.
<b>5 CHECK DTC.</b> 1) Perform the Clear Memory Mode. 2) After idling the engine, check the DTC. NOTE: For detailed procedures, refer to “Clear Memory Mode”. <Ref. to EN(H4SO)(diag)-55, Clear Memory Mode.>	Is DTC displayed?	Check for oil routing.	End.

# Diagnostic Procedure with Diagnostic Trouble Code (DTC)

ENGINE (DIAGNOSTICS)

## C: DTC P0030 HO2S HEATER CONTROL CIRCUIT (BANK 1 SENSOR 1)

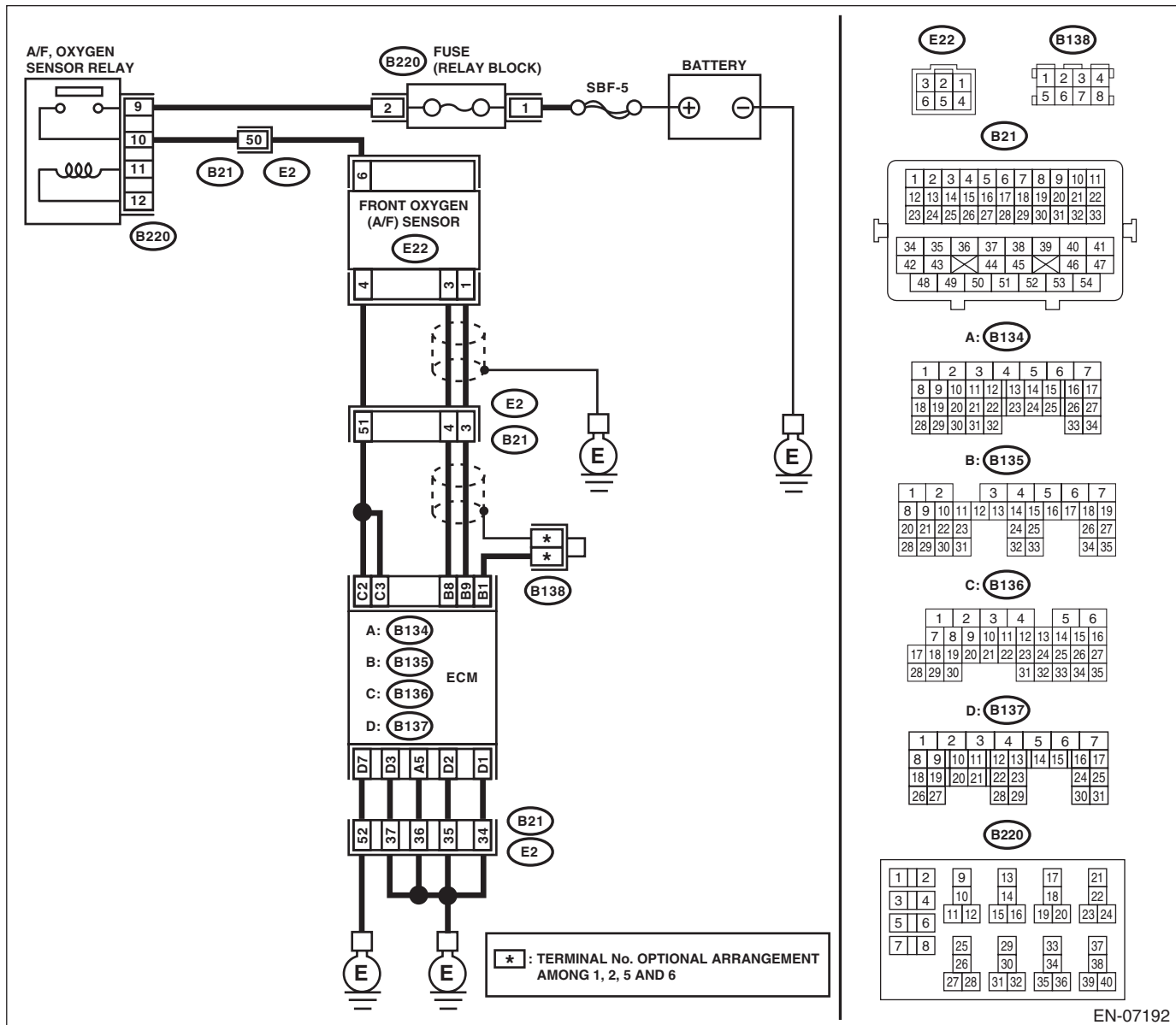
### DTC DETECTING CONDITION:

- Detected when two consecutive driving cycles with fault occur.
- GENERAL DESCRIPTION<Ref. to GD(H4SO)-11, DTC P0030 HO2S HEATER CONTROL CIRCUIT (BANK 1 SENSOR 1), Diagnostic Trouble Code (DTC) Detecting Criteria.>

### CAUTION:

After servicing or replacing faulty parts, perform Clear Memory Mode <Ref. to EN(H4SO)(diag)-55, OPERATION, Clear Memory Mode.>, and Inspection Mode <Ref. to EN(H4SO)(diag)-44, PROCEDURE, Inspection Mode.>.

### WIRING DIAGRAM:



EN-07192



# Diagnostic Procedure with Diagnostic Trouble Code (DTC)

## ENGINE (DIAGNOSTICS)

Step	Check	Yes	No
<b>1 CHECK HARNESS BETWEEN ECM AND FRONT OXYGEN (A/F) SENSOR CONNECTOR.</b> 1) Start and warm up the engine. 2) Turn the ignition switch to OFF. 3) Disconnect the connectors from ECM and front oxygen (A/F) sensor. 4) Measure the resistance of harness between ECM and front oxygen (A/F) sensor connector. <b>Connector &amp; terminal</b> <i>(B136) No. 2 — (E22) No. 4:</i> <i>(B136) No. 3 — (E22) No. 4:</i>	Is the resistance less than 1 $\Omega$ ?	Go to step 2.	Repair the harness and connector.  NOTE: In this case, repair the following item: <ul style="list-style-type: none"> <li>• Open circuit in harness between ECM and front oxygen (A/F) sensor connector</li> <li>• Poor contact of coupling connector</li> </ul>
<b>2 CHECK HARNESS BETWEEN ECM AND FRONT OXYGEN (A/F) SENSOR CONNECTOR.</b> Measure the resistance of harness between ECM and front oxygen (A/F) sensor connector. <b>Connector &amp; terminal</b> <i>(B135) No. 9 — (E22) No. 1:</i> <i>(B135) No. 8 — (E22) No. 3:</i>	Is the resistance less than 1 $\Omega$ ?	Go to step 3.	Repair the harness and connector.  NOTE: In this case, repair the following item: <ul style="list-style-type: none"> <li>• Open circuit in harness between ECM and front oxygen (A/F) sensor connector</li> <li>• Poor contact of coupling connector</li> </ul>
<b>3 CHECK FRONT OXYGEN (A/F) SENSOR.</b> Measure the resistance between front oxygen (A/F) sensor terminals. <b>Terminals</b> <b>No. 6 — No. 4:</b>	Is the resistance 2 — 3 $\Omega$ ?	Go to step 4.	Replace the front oxygen (A/F) sensor. <Ref. to FU(H4SO)-41, Front Oxygen (A/F) Sensor.>
<b>4 CHECK POOR CONTACT.</b> Check for poor contact of ECM and front oxygen (A/F) sensor connector.	Is there poor contact of ECM or front oxygen (A/F) sensor connector?	Repair the poor contact of ECM or front oxygen (A/F) sensor connector.	Replace the front oxygen (A/F) sensor. <Ref. to FU(H4SO)-41, Front Oxygen (A/F) Sensor.>

# Diagnostic Procedure with Diagnostic Trouble Code (DTC)

ENGINE (DIAGNOSTICS)

## D: DTC P0031 HO2S HEATER CONTROL CIRCUIT LOW (BANK 1 SENSOR 1)

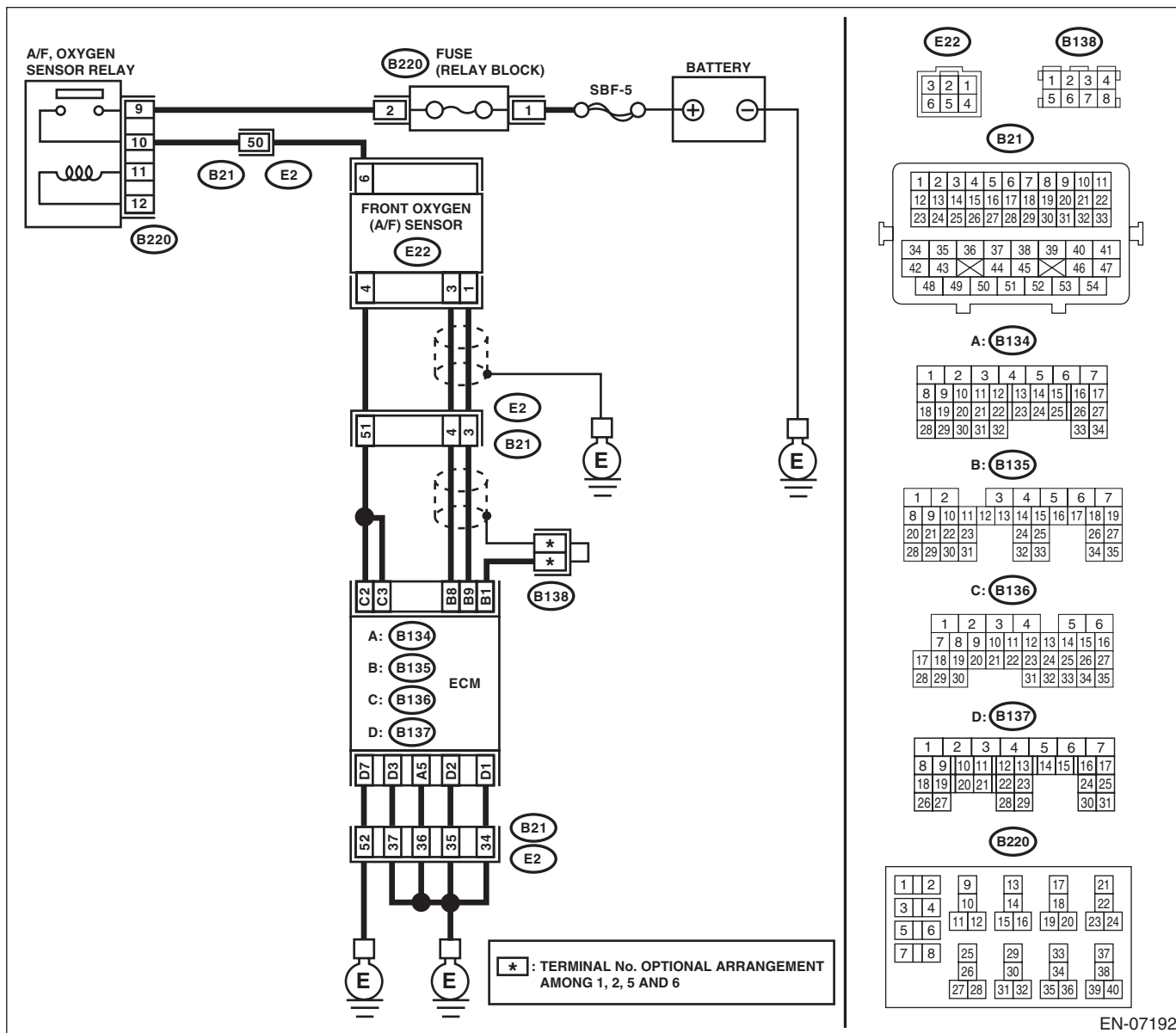
### DTC DETECTING CONDITION:

- Immediately at fault recognition
- GENERAL DESCRIPTION<Ref. to GD(H4SO)-13, DTC P0031 HO2S HEATER CONTROL CIRCUIT LOW (BANK 1 SENSOR 1), Diagnostic Trouble Code (DTC) Detecting Criteria.>

### CAUTION:

After servicing or replacing faulty parts, perform Clear Memory Mode <Ref. to EN(H4SO)(diag)-55, OPERATION, Clear Memory Mode.>, and Inspection Mode <Ref. to EN(H4SO)(diag)-44, PROCEDURE, Inspection Mode.>.

### WIRING DIAGRAM:



EN-07192

# Diagnostic Procedure with Diagnostic Trouble Code (DTC)

## ENGINE (DIAGNOSTICS)

Step	Check	Yes	No
<b>1 CHECK POWER SUPPLY TO FRONT OXYGEN (A/F) SENSOR.</b> 1) Turn the ignition switch to OFF. 2) Disconnect the connector from front oxygen (A/F) sensor. 3) Turn the ignition switch to ON. 4) Measure the voltage between front oxygen (A/F) sensor connector and engine ground. <b>Connector &amp; terminal</b> <b>(E22) No. 6 (+) — Engine ground (-):</b>	Is the voltage 10 V or more?	Go to step 2.	Repair the power supply line. Or replace the main relay.  <b>NOTE:</b> In this case, repair the following item: <ul style="list-style-type: none"> <li>• Open circuit in harness between A/F, oxygen sensor relay connector and front oxygen (A/F) sensor connector</li> <li>• Poor contact of A/F, oxygen sensor relay connector</li> <li>• Poor contact of coupling connector</li> </ul>
<b>2 CHECK HARNESS BETWEEN ECM AND FRONT OXYGEN (A/F) SENSOR.</b> 1) Turn the ignition switch to OFF. 2) Disconnect the connectors from ECM. 3) Measure the resistance between ECM and front oxygen (A/F) sensor connector. <b>Connector &amp; terminal</b> <b>(B136) No. 2 — (E22) No. 4:</b> <b>(B136) No. 3 — (E22) No. 4:</b>	Is the resistance less than 1 $\Omega$ ?	Go to step 3.	Repair the harness and connector.  <b>NOTE:</b> In this case, repair the following item: <ul style="list-style-type: none"> <li>• Open circuit in harness between ECM and front oxygen (A/F) sensor connector</li> <li>• Poor contact of coupling connector</li> </ul>
<b>3 CHECK GROUND CIRCUIT FOR ECM.</b> Measure the resistance of harness between ECM and chassis ground. <b>Connector &amp; terminal</b> <b>(B134) No. 5 — Chassis ground:</b> <b>(B137) No. 1 — Chassis ground:</b> <b>(B137) No. 2 — Chassis ground:</b> <b>(B137) No. 3 — Chassis ground:</b> <b>(B137) No. 7 — Chassis ground:</b>	Is the resistance less than 5 $\Omega$ ?	Go to step 4.	Repair the harness and connector.  <b>NOTE:</b> In this case, repair the following item: <ul style="list-style-type: none"> <li>• Open circuit of harness between ECM and engine ground</li> <li>• Poor contact of coupling connector</li> </ul>
<b>4 CHECK FRONT OXYGEN (A/F) SENSOR.</b> Measure the resistance between front oxygen (A/F) sensor terminals. <b>Terminals</b> <b>No. 6 — No. 4:</b>	Is the resistance 2 — 3 $\Omega$ ?	Repair the poor contact of ECM connector.	Replace the front oxygen (A/F) sensor. <Ref. to FU(H4SO)-41, Front Oxygen (A/F) Sensor.>

# Diagnostic Procedure with Diagnostic Trouble Code (DTC)

ENGINE (DIAGNOSTICS)

## E: DTC P0032 HO2S HEATER CONTROL CIRCUIT HIGH (BANK 1 SENSOR 1)

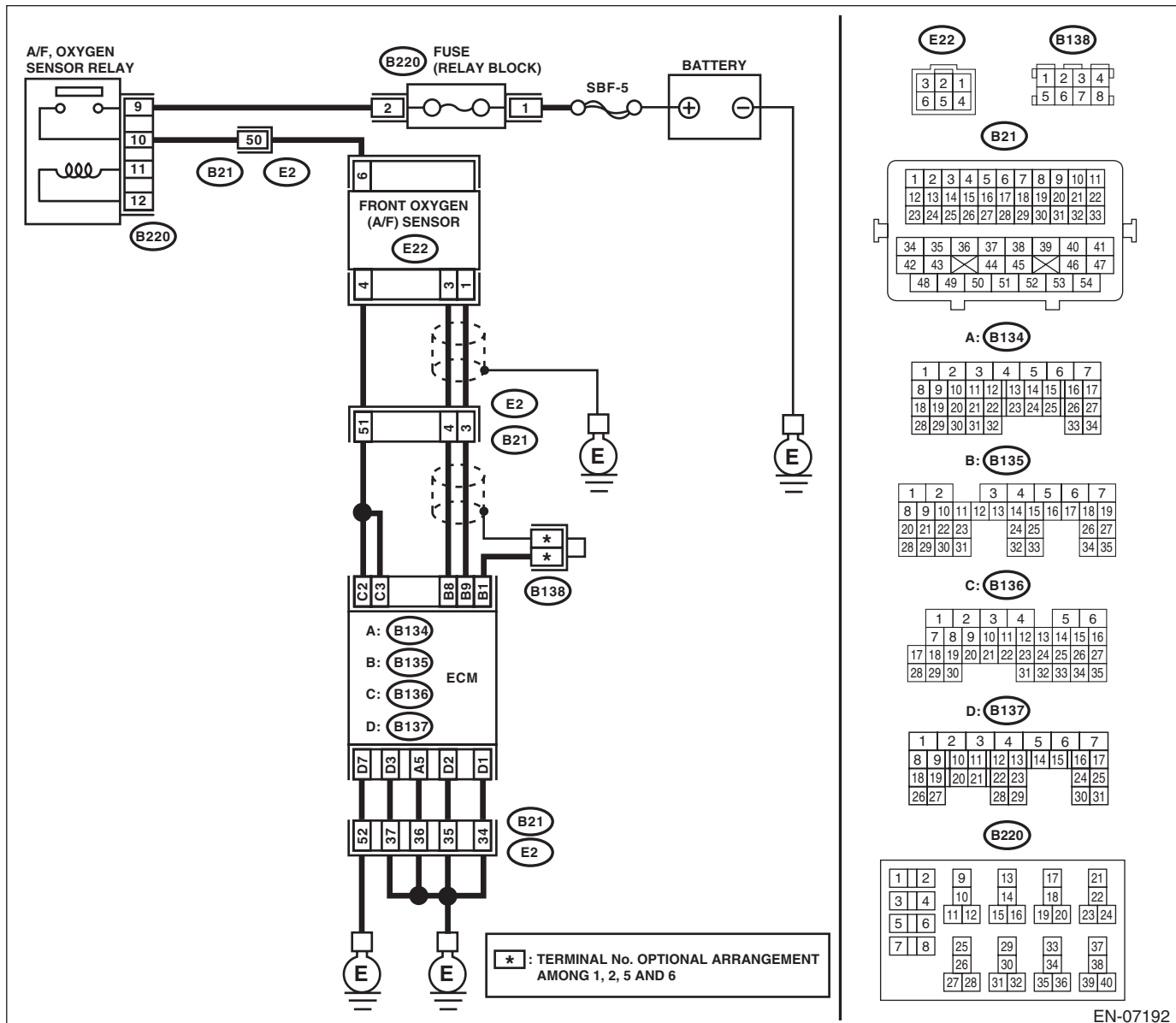
### DTC DETECTING CONDITION:

- Immediately at fault recognition
- GENERAL DESCRIPTION <Ref. to GD(H4SO)-15, DTC P0032 HO2S HEATER CONTROL CIRCUIT HIGH (BANK 1 SENSOR 1), Diagnostic Trouble Code (DTC) Detecting Criteria.>

### CAUTION:

After servicing or replacing faulty parts, perform Clear Memory Mode <Ref. to EN(H4SO)(diag)-55, OPERATION, Clear Memory Mode.>, and Inspection Mode <Ref. to EN(H4SO)(diag)-44, PROCEDURE, Inspection Mode.>.

### WIRING DIAGRAM:



EN-07192

# Diagnostic Procedure with Diagnostic Trouble Code (DTC)

## ENGINE (DIAGNOSTICS)

Step	Check	Yes	No
<b>1 CHECK HARNESS BETWEEN ECM AND FRONT OXYGEN (A/F) SENSOR.</b> 1) Turn the ignition switch to OFF. 2) Measure the voltage between ECM and chassis ground. <i><b>Connector &amp; terminal</b></i> <i><b>(B136) No. 2 (+) — Chassis ground (-):</b></i> <i><b>(B136) No. 3 (+) — Chassis ground (-):</b></i>	Is the voltage 10 V or more?	Repair the short circuit to power in the harness between ECM and front oxygen (A/F) sensor connector.	Go to step 2.
<b>2 CHECK GROUND CIRCUIT FOR ECM.</b> 1) Disconnect the connectors from ECM. 2) Measure the resistance between ECM and chassis ground. <i><b>Connector &amp; terminal</b></i> <i><b>(B134) No. 5 — Chassis ground:</b></i> <i><b>(B137) No. 1 — Chassis ground:</b></i> <i><b>(B137) No. 2 — Chassis ground:</b></i> <i><b>(B137) No. 3 — Chassis ground:</b></i> <i><b>(B137) No. 7 — Chassis ground:</b></i>	Is the resistance less than 5 $\Omega$ ?	Repair the poor contact of ECM connector.	Repair the harness and connector. NOTE: In this case, repair the following item: <ul style="list-style-type: none"> <li>• Open circuit of harness between ECM and engine ground</li> <li>• Poor contact of coupling connector</li> </ul>

# Diagnostic Procedure with Diagnostic Trouble Code (DTC)

ENGINE (DIAGNOSTICS)

## F: DTC P0037 HO2S HEATER CONTROL CIRCUIT LOW (BANK 1 SENSOR 2)

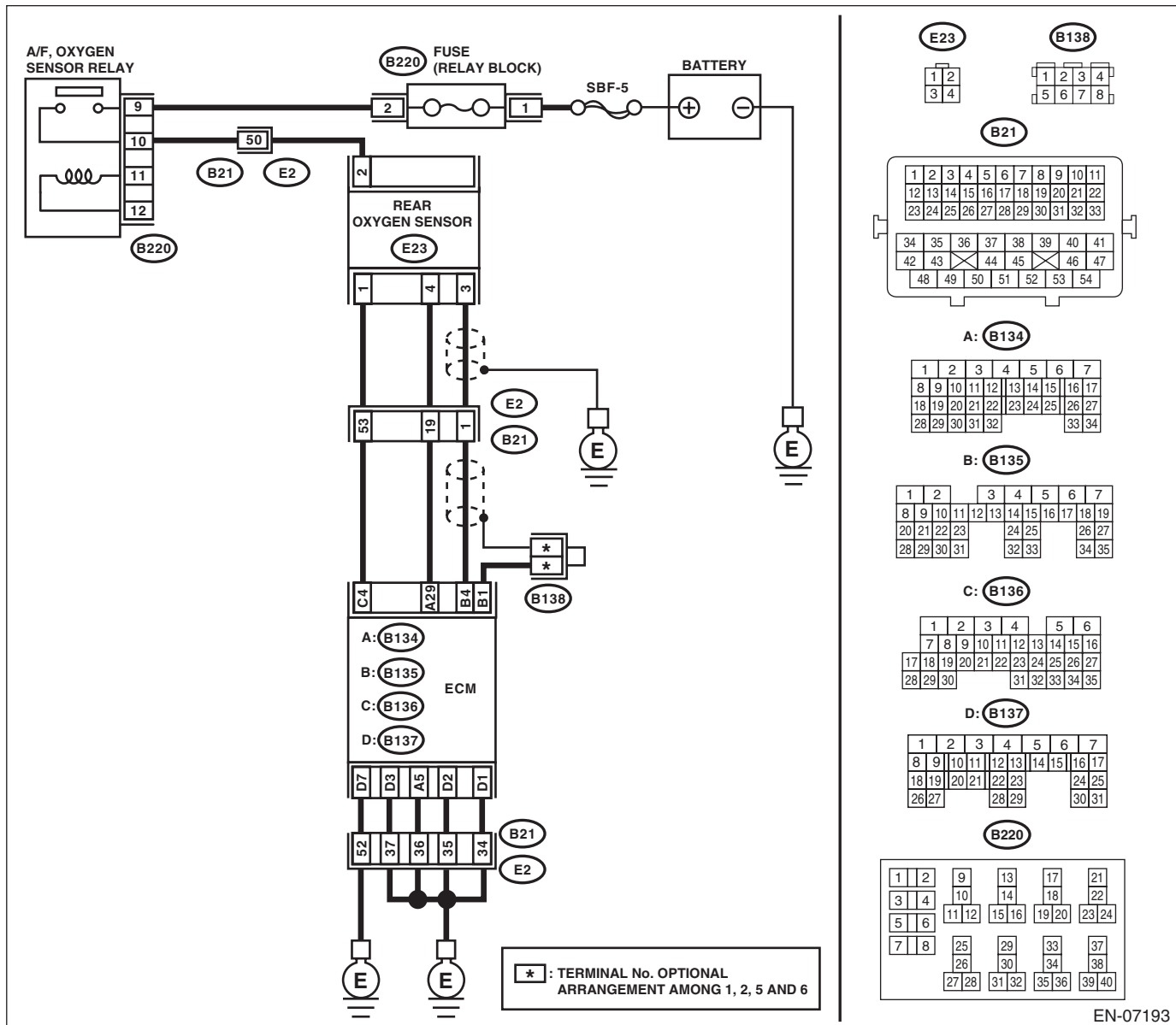
### DTC DETECTING CONDITION:

- Detected when two consecutive driving cycles with fault occur.
- GENERAL DESCRIPTION <Ref. to GD(H4SO)-17, DTC P0037 HO2S HEATER CONTROL CIRCUIT LOW (BANK 1 SENSOR 2), Diagnostic Trouble Code (DTC) Detecting Criteria.>

### CAUTION:

After servicing or replacing faulty parts, perform Clear Memory Mode <Ref. to EN(H4SO)(diag)-55, OPERATION, Clear Memory Mode.>, and Inspection Mode <Ref. to EN(H4SO)(diag)-44, PROCEDURE, Inspection Mode.>.

### WIRING DIAGRAM:



EN-07193

# Diagnostic Procedure with Diagnostic Trouble Code (DTC)

## ENGINE (DIAGNOSTICS)

Step	Check	Yes	No
<b>1</b> <b>CHECK POWER SUPPLY TO REAR OXYGEN SENSOR.</b> 1) Turn the ignition switch to OFF. 2) Disconnect the connector from rear oxygen sensor. 3) Turn the ignition switch to ON. 4) Measure the voltage between rear oxygen sensor connector and engine ground. <b>Connector &amp; terminal</b> <b>(E23) No. 2 (+) — Engine ground (-):</b>	Is the voltage 10 V or more?	Go to step 2.	Repair the power supply line. Or replace the main relay.  NOTE: In this case, repair the following item: • Open circuit in harness between A/F, oxygen sensor relay connector and rear oxygen sensor connector • Poor contact of A/F, oxygen sensor relay connector • Poor contact of coupling connector
<b>2</b> <b>CHECK HARNESS BETWEEN ECM AND REAR OXYGEN SENSOR.</b> 1) Turn the ignition switch to OFF. 2) Disconnect the connectors from ECM. 3) Measure the resistance between ECM and oxygen sensor connector. <b>Connector &amp; terminal</b> <b>(B136) No. 4 — (E23) No. 1:</b>	Is the resistance less than 1 $\Omega$ ?	Go to step 3.	Repair the harness and connector.  NOTE: In this case, repair the following item: • Open circuit in harness between ECM and rear oxygen sensor connector • Poor contact of coupling connector
<b>3</b> <b>CHECK GROUND CIRCUIT FOR ECM.</b> Measure the resistance of harness between ECM and chassis ground. <b>Connector &amp; terminal</b> <b>(B134) No. 5 — Chassis ground:</b> <b>(B137) No. 1 — Chassis ground:</b> <b>(B137) No. 2 — Chassis ground:</b> <b>(B137) No. 3 — Chassis ground:</b> <b>(B137) No. 7 — Chassis ground:</b>	Is the resistance less than 5 $\Omega$ ?	Go to step 4.	Repair the harness and connector.  NOTE: In this case, repair the following item: • Open circuit of harness between ECM and engine ground • Poor contact of coupling connector
<b>4</b> <b>CHECK REAR OXYGEN SENSOR.</b> Measure the resistance between rear oxygen sensor terminals. <b>Terminals</b> <b>No. 2 — No. 1:</b>	Is the resistance 5 — 7 $\Omega$ ?	Repair the poor contact of ECM connector.	Replace the rear oxygen sensor. <Ref. to FU(H4SO)-43, Rear Oxygen Sensor.>

# Diagnostic Procedure with Diagnostic Trouble Code (DTC)

ENGINE (DIAGNOSTICS)

## G: DTC P0038 HO2S HEATER CONTROL CIRCUIT HIGH (BANK 1 SENSOR 2)

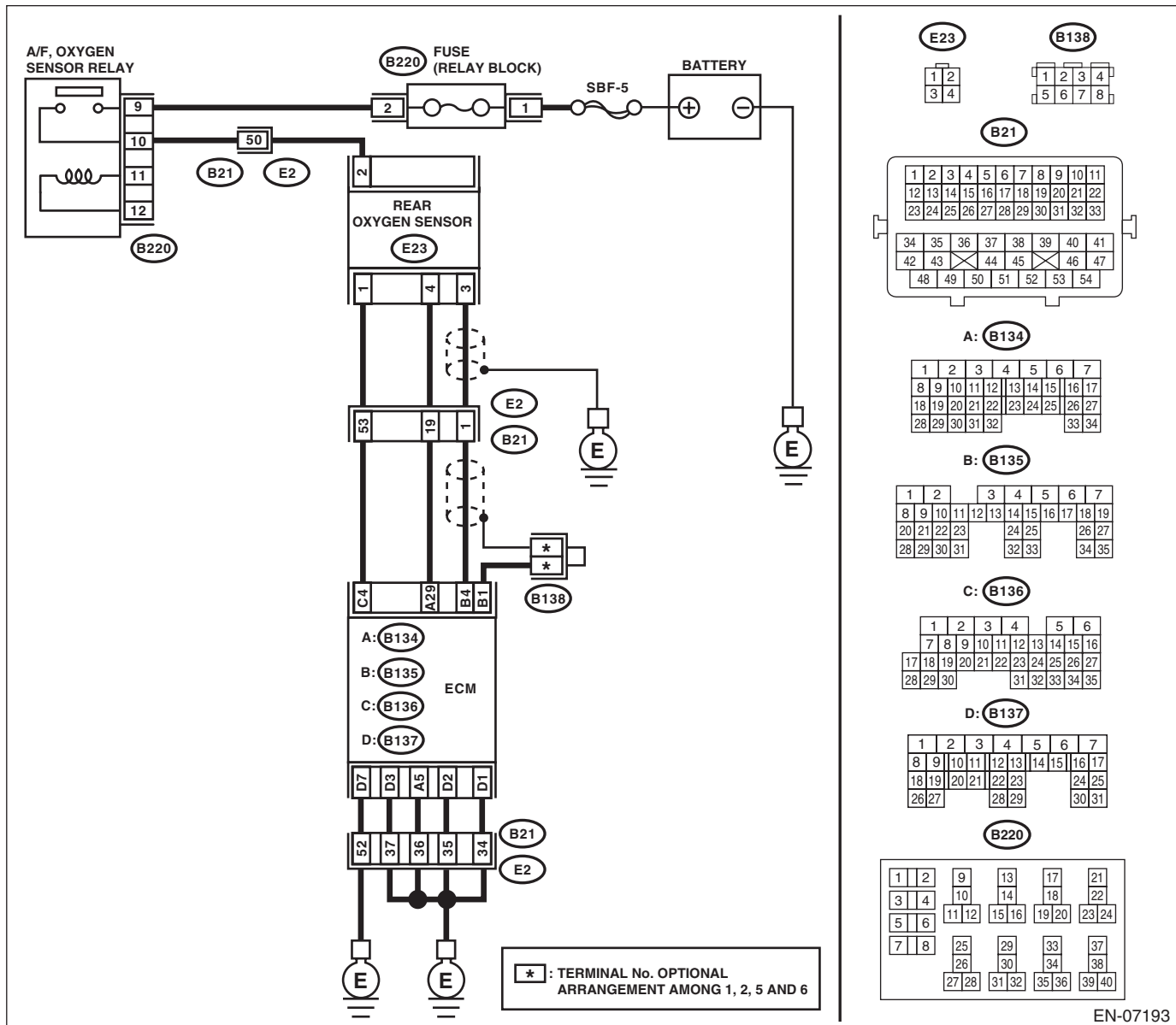
### DTC DETECTING CONDITION:

- Detected when two consecutive driving cycles with fault occur.
- GENERAL DESCRIPTION <Ref. to GD(H4SO)-19, DTC P0038 HO2S HEATER CONTROL CIRCUIT HIGH (BANK 1 SENSOR 2), Diagnostic Trouble Code (DTC) Detecting Criteria.>

### CAUTION:

After servicing or replacing faulty parts, perform Clear Memory Mode <Ref. to EN(H4SO)(diag)-55, OPERATION, Clear Memory Mode.>, and Inspection Mode <Ref. to EN(H4SO)(diag)-44, PROCEDURE, Inspection Mode.>.

### WIRING DIAGRAM:



EN-07193



# Diagnostic Procedure with Diagnostic Trouble Code (DTC)

## ENGINE (DIAGNOSTICS)

Step	Check	Yes	No
<b>1 CHECK HARNESS BETWEEN ECM AND REAR OXYGEN SENSOR.</b> 1) Turn the ignition switch to OFF. 2) Measure the voltage between ECM and chassis ground. <i><b>Connector &amp; terminal</b></i> <i><b>(B136) No. 4 (+) — Chassis ground (-):</b></i>	Is the voltage 10 V or more?	Repair the short circuit to power in the harness between ECM and rear oxygen sensor connector.	Go to step 2.
<b>2 CHECK GROUND CIRCUIT FOR ECM.</b> 1) Disconnect the connectors from ECM. 2) Measure the resistance between ECM and chassis ground. <i><b>Connector &amp; terminal</b></i> <i><b>(B134) No. 5 — Chassis ground:</b></i> <i><b>(B137) No. 1 — Chassis ground:</b></i> <i><b>(B137) No. 2 — Chassis ground:</b></i> <i><b>(B137) No. 3 — Chassis ground:</b></i> <i><b>(B137) No. 7 — Chassis ground:</b></i>	Is the resistance less than 5 $\Omega$ ?	Repair the poor contact of ECM connector.	Repair the harness and connector. NOTE: In this case, repair the following item: • Open circuit of harness between ECM and engine ground • Poor contact of coupling connector

# Diagnostic Procedure with Diagnostic Trouble Code (DTC)

ENGINE (DIAGNOSTICS)

## H: DTC P0068 MAP/MAF - THROTTLE POSITION CORRELATION

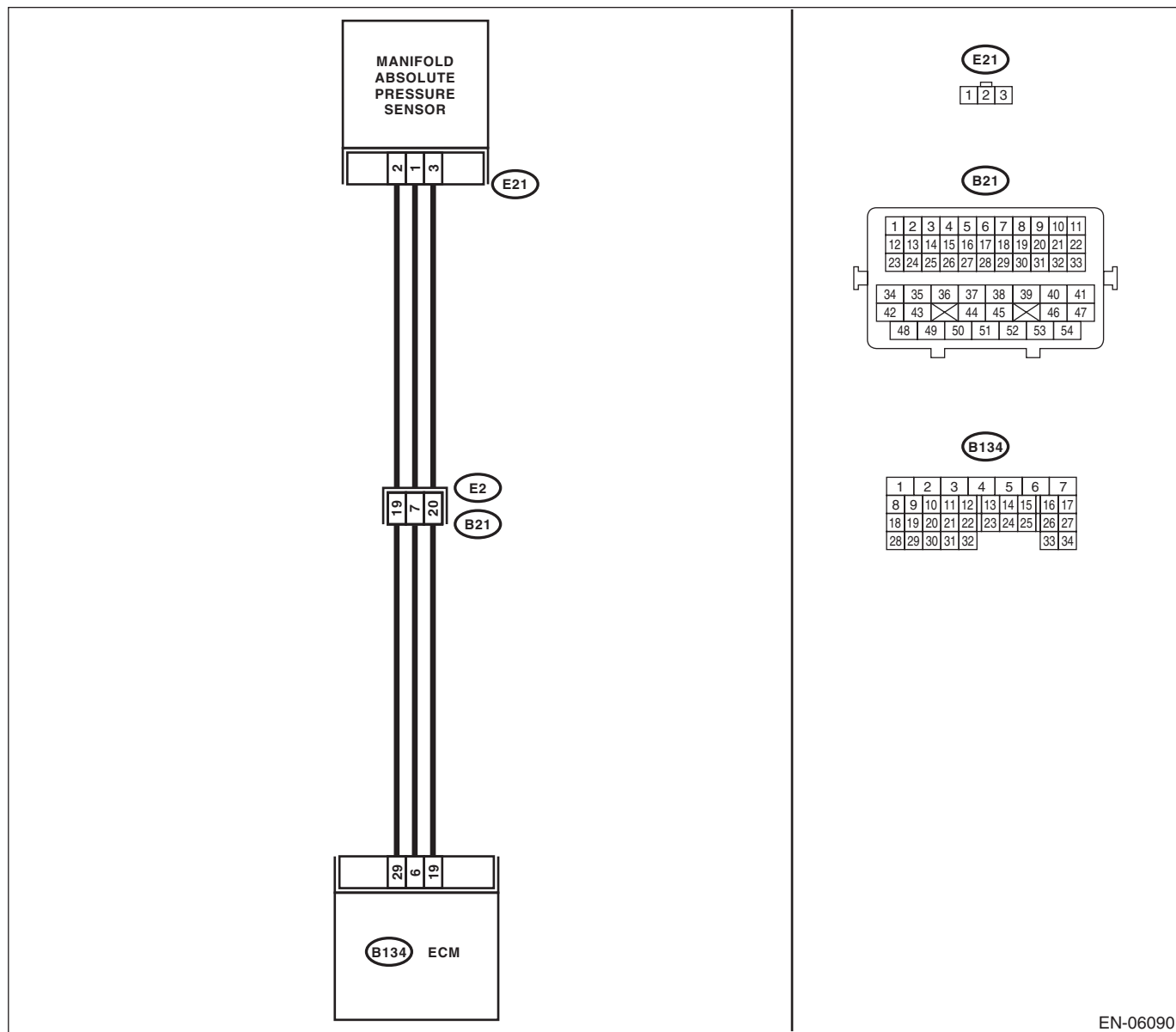
### DTC DETECTING CONDITION:

- Detected when two consecutive driving cycles with fault occur.
- GENERAL DESCRIPTION<Ref. to GD(H4SO)-21, DTC P0068 MAP/MAF - THROTTLE POSITION CORRELATION, Diagnostic Trouble Code (DTC) Detecting Criteria.>

### CAUTION:

After servicing or replacing faulty parts, perform Clear Memory Mode <Ref. to EN(H4SO)(diag)-55, OPERATION, Clear Memory Mode.>, and Inspection Mode <Ref. to EN(H4SO)(diag)-44, PROCEDURE, Inspection Mode.>.

### WIRING DIAGRAM:



EN-06090

# Diagnostic Procedure with Diagnostic Trouble Code (DTC)

## ENGINE (DIAGNOSTICS)

Step	Check	Yes	No
<b>1</b> <b>CHECK AIR INTAKE SYSTEM.</b>	Are there holes, loose bolts or disconnection of hose on air intake system?	Repair the air intake system.	Go to step 2.
<b>2</b> <b>CHECK MANIFOLD ABSOLUTE PRESSURE SENSOR.</b> 1) Start the engine and warm up engine until coolant temperature is higher than 75°C (167°F). 2) For AT models, set the select lever to “P” range or “N” range, and for MT models, place the shift lever in the neutral position. 3) Turn the A/C switch to OFF. 4) Turn all the accessory switches to OFF. 5) Read the data of intake manifold pressure sensor signal using Subaru Select Monitor or general scan tool. NOTE: • Subaru Select Monitor For detailed operation procedures, refer to “READ CURRENT DATA FOR ENGINE”. <Ref. to EN(H4SO)(diag)-34, Subaru Select Monitor.> • General scan tool For detailed operation procedures, refer to the “General Scan Tool Instruction Manual”.	Is the measured value 73.3 — 106.6 kPa (550 — 800 mmHg, 21.65 — 31.50 inHg) when the ignition is turned ON, and 20.0 — 46.7 kPa (150 — 350 mmHg, 5.91 — 13.78 inHg) during idling?	Go to step 3.	Replace the manifold absolute pressure sensor. <Ref. to FU(H4SO)-33, Manifold Absolute Pressure Sensor.>
<b>3</b> <b>CHECK THROTTLE OPENING ANGLE.</b> Read the data of throttle position signal using Subaru Select Monitor or general scan tool. NOTE: • Subaru Select Monitor For detailed operation procedures, refer to “READ CURRENT DATA FOR ENGINE”. <Ref. to EN(H4SO)(diag)-34, Subaru Select Monitor.> • General scan tool For detailed operation procedures, refer to the “General Scan Tool Instruction Manual”.	Is the measured value less than 5% when throttle is fully closed?	Go to step 4.	Replace the electronic throttle control. <Ref. to FU(H4SO)-14, Throttle Body.>
<b>4</b> <b>CHECK THROTTLE OPENING ANGLE.</b>	Is the measured value 85% or more when throttle is fully open?	Replace the manifold absolute pressure sensor. <Ref. to FU(H4SO)-33, Manifold Absolute Pressure Sensor.>	Replace the electronic throttle control. <Ref. to FU(H4SO)-14, Throttle Body.>

# Diagnostic Procedure with Diagnostic Trouble Code (DTC)

ENGINE (DIAGNOSTICS)

## I: DTC P0076 INTAKE VALVE CONTROL SOLENOID CIRCUIT LOW (BANK 1)

### DTC DETECTING CONDITION:

- Immediately at fault recognition
- GENERAL DESCRIPTION <Ref. to GD(H4SO)-23, DTC P0076 INTAKE VALVE CONTROL SOLENOID CIRCUIT LOW (BANK 1), Diagnostic Trouble Code (DTC) Detecting Criteria.>

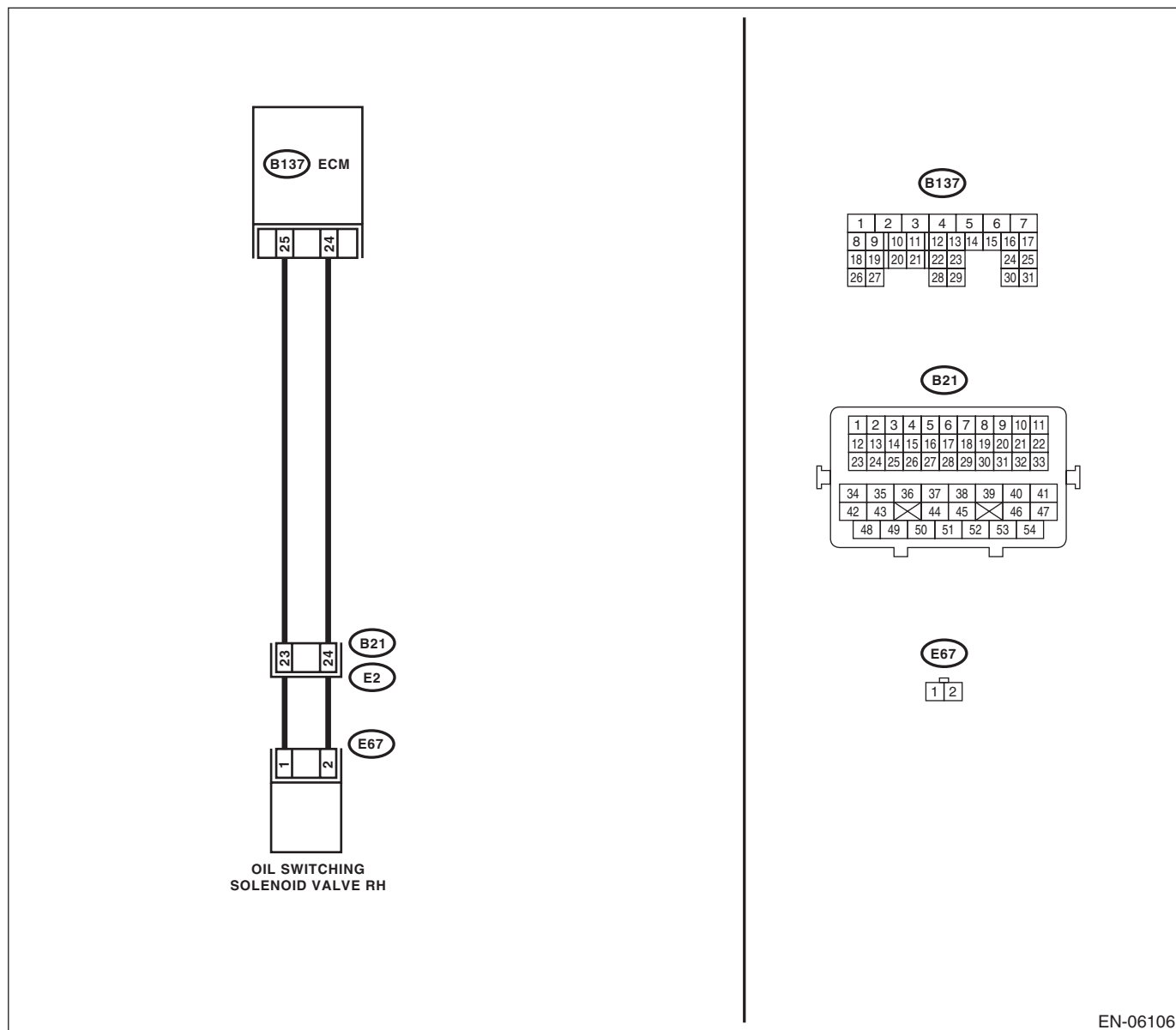
### TROUBLE SYMPTOM:

Improper idling

### CAUTION:

After servicing or replacing faulty parts, perform Clear Memory Mode <Ref. to EN(H4SO)(diag)-55, OPERATION, Clear Memory Mode.>, and Inspection Mode <Ref. to EN(H4SO)(diag)-44, PROCEDURE, Inspection Mode.>.

### WIRING DIAGRAM:



EN-06106

# Diagnostic Procedure with Diagnostic Trouble Code (DTC)

## ENGINE (DIAGNOSTICS)

Step	Check	Yes	No
<b>1 CHECK HARNESS BETWEEN ECM AND OIL SWITCHING SOLENOID VALVE.</b> 1) Turn the ignition switch to OFF. 2) Disconnect the connectors from the ECM and oil switching solenoid valve. 3) Measure the resistance of harness between ECM and oil switching solenoid valve. <b>Connector &amp; terminal</b> <i>(B137) No. 25 — (E67) No. 1:</i> <i>(B137) No. 24 — (E67) No. 2:</i>	Is the resistance less than 1 Ω?	Go to step 2.	Repair the harness and connector.  NOTE: In this case, repair the following item: • Open circuit of harness between ECM and oil switching solenoid valve connector • Poor contact of coupling connector
<b>2 CHECK HARNESS BETWEEN ECM AND OIL SWITCHING SOLENOID VALVE.</b> Measure the resistance between ECM and chassis ground. <b>Connector &amp; terminal</b> <i>(B137) No. 25 — Chassis ground:</i> <i>(B137) No. 24 — Chassis ground:</i>	Is the resistance 1 MΩ or more?	Go to step 3.	Repair the ground short circuit of harness between ECM and oil switching solenoid valve connector.
<b>3 CHECK OIL SWITCHING SOLENOID VALVE.</b> Measure the resistance between oil switching solenoid valve terminals. <b>Terminals</b> <i>No. 1 — No. 2:</i>	Is the resistance 6 — 12 Ω?	Repair the poor contact of ECM and oil switching solenoid valve connector.	Replace the oil switching solenoid valve. <Ref. to ME(H4SO)-93, Oil Switching Solenoid Valve.>

# Diagnostic Procedure with Diagnostic Trouble Code (DTC)

ENGINE (DIAGNOSTICS)

## J: DTC P0077 INTAKE VALVE CONTROL SOLENOID CIRCUIT HIGH (BANK 1)

### DTC DETECTING CONDITION:

- Immediately at fault recognition
- GENERAL DESCRIPTION <Ref. to GD(H4SO)-24, DTC P0077 INTAKE VALVE CONTROL SOLENOID CIRCUIT HIGH (BANK 1), Diagnostic Trouble Code (DTC) Detecting Criteria.>

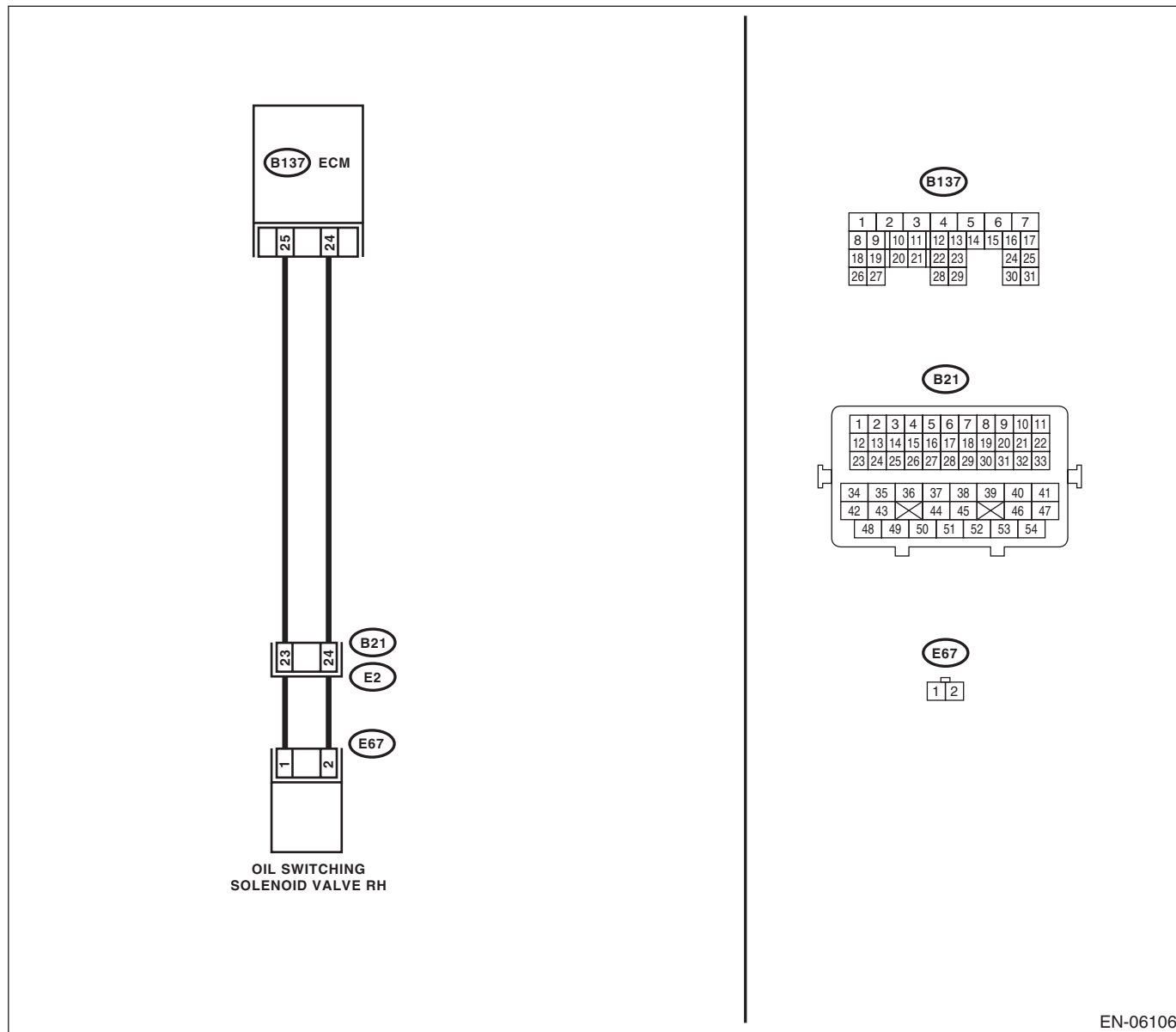
### TROUBLE SYMPTOM:

Improper idling

### CAUTION:

After servicing or replacing faulty parts, perform Clear Memory Mode <Ref. to EN(H4SO)(diag)-55, OPERATION, Clear Memory Mode.>, and Inspection Mode <Ref. to EN(H4SO)(diag)-44, PROCEDURE, Inspection Mode.>.

### WIRING DIAGRAM:



EN-06106

# Diagnostic Procedure with Diagnostic Trouble Code (DTC)

ENGINE (DIAGNOSTICS)

Step	Check	Yes	No
<p><b>1</b>     <b>CHECK HARNESS BETWEEN ECM AND OIL SWITCHING SOLENOID VALVE.</b>            1) Turn the ignition switch to OFF.            2) Disconnect the connectors from the ECM and oil switching solenoid valve.            3) Measure the voltage between ECM and chassis ground.  <b>Connector &amp; terminal</b>  <b>(B137) No. 25 (+) — Chassis ground (-):</b>  <b>(B137) No. 24 (+) — Chassis ground (-):</b></p>	<p>Is the voltage less than 1 V?</p>	<p>Go to step 2.</p>	<p>Repair the short circuit to power in the harness between ECM and oil switching solenoid valve connector.</p>
<p><b>2</b>     <b>CHECK HARNESS BETWEEN ECM AND OIL SWITCHING SOLENOID VALVE.</b>            Measure the resistance of harness between ECM and oil switching solenoid valve connector.  <b>Connector &amp; terminal</b>  <b>(B137) No. 25 — (E67) No. 1:</b>  <b>(B137) No. 24 — (E67) No. 2:</b></p>	<p>Is the resistance less than 1 Ω?</p>	<p>Go to step 3.</p>	<p>Repair the harness and connector.  <b>NOTE:</b>            In this case, repair the following item:            • Open circuit of harness between ECM and oil switching solenoid valve connector            • Poor contact of coupling connector</p>
<p><b>3</b>     <b>CHECK OIL SWITCHING SOLENOID VALVE.</b>            Measure the resistance between oil switching solenoid valve terminals.  <b>Terminals</b>  <b>No. 1 — No. 2:</b></p>	<p>Is the resistance 6 — 12 Ω?</p>	<p>Repair the poor contact of ECM and oil switching solenoid valve connector.</p>	<p>Replace the oil switching solenoid valve. &lt;Ref. to ME(H4SO)-93, Oil Switching Solenoid Valve.&gt;</p>

# Diagnostic Procedure with Diagnostic Trouble Code (DTC)

ENGINE (DIAGNOSTICS)

## K: DTC P0082 INTAKE VALVE CONTROL SOLENOID CIRCUIT LOW (BANK 2)

### DTC DETECTING CONDITION:

- Immediately at fault recognition
- GENERAL DESCRIPTION<Ref. to GD(H4SO)-24, DTC P0082 INTAKE VALVE CONTROL SOLENOID CIRCUIT LOW (BANK 2), Diagnostic Trouble Code (DTC) Detecting Criteria.>

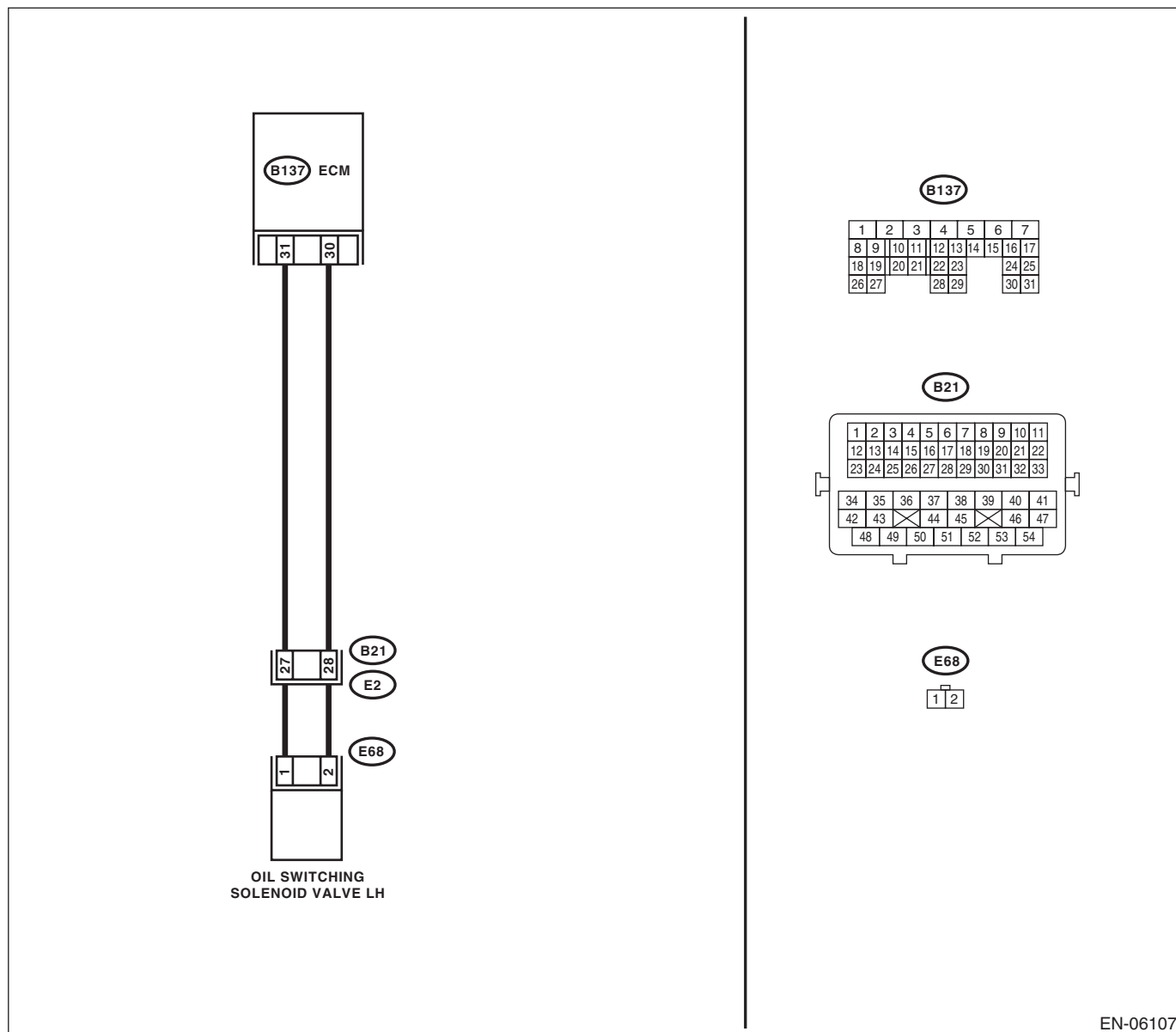
### TROUBLE SYMPTOM:

Improper idling

### CAUTION:

After servicing or replacing faulty parts, perform Clear Memory Mode <Ref. to EN(H4SO)(diag)-55, OPERATION, Clear Memory Mode.>, and Inspection Mode <Ref. to EN(H4SO)(diag)-44, PROCEDURE, Inspection Mode.>.

### WIRING DIAGRAM:



EN-06107



## Diagnostic Procedure with Diagnostic Trouble Code (DTC)

ENGINE (DIAGNOSTICS)

Step	Check	Yes	No
<b>1 CHECK HARNESS BETWEEN ECM AND OIL SWITCHING SOLENOID VALVE.</b> 1) Turn the ignition switch to OFF. 2) Disconnect the connectors from the ECM and oil switching solenoid valve. 3) Measure the resistance between ECM and oil switching solenoid valve. <b>Connector &amp; terminal</b> <i>(B137) No. 31 — (E68) No. 1:</i> <i>(B137) No. 30 — (E68) No. 2:</i>	Is the resistance less than 1 Ω?	Go to step 2.	Repair the harness and connector.  NOTE: In this case, repair the following item: • Open circuit of harness between ECM and oil switching solenoid valve connector • Poor contact of coupling connector
<b>2 CHECK HARNESS BETWEEN ECM AND OIL SWITCHING SOLENOID VALVE.</b> Measure the resistance between ECM and chassis ground. <b>Connector &amp; terminal</b> <i>(B137) No. 31 — Chassis ground:</i> <i>(B137) No. 30 — Chassis ground:</i>	Is the resistance 1 MΩ or more?	Go to step 3.	Repair the ground short circuit of harness between ECM and oil switching solenoid valve connector.
<b>3 CHECK OIL SWITCHING SOLENOID VALVE.</b> Measure the resistance between oil switching solenoid valve terminals. <b>Terminals</b> <i>No. 1 — No. 2:</i>	Is the resistance 6 — 12 Ω?	Repair the poor contact of ECM and oil switching solenoid valve connector.	Replace the oil switching solenoid valve. <Ref. to ME(H4SO)-93, Oil Switching Solenoid Valve.>

# Diagnostic Procedure with Diagnostic Trouble Code (DTC)

ENGINE (DIAGNOSTICS)

## L: DTC P0083 INTAKE VALVE CONTROL SOLENOID CIRCUIT HIGH (BANK 2)

### DTC DETECTING CONDITION:

- Immediately at fault recognition
- GENERAL DESCRIPTION <Ref. to GD(H4SO)-24, DTC P0083 INTAKE VALVE CONTROL SOLENOID CIRCUIT HIGH (BANK 2), Diagnostic Trouble Code (DTC) Detecting Criteria.>

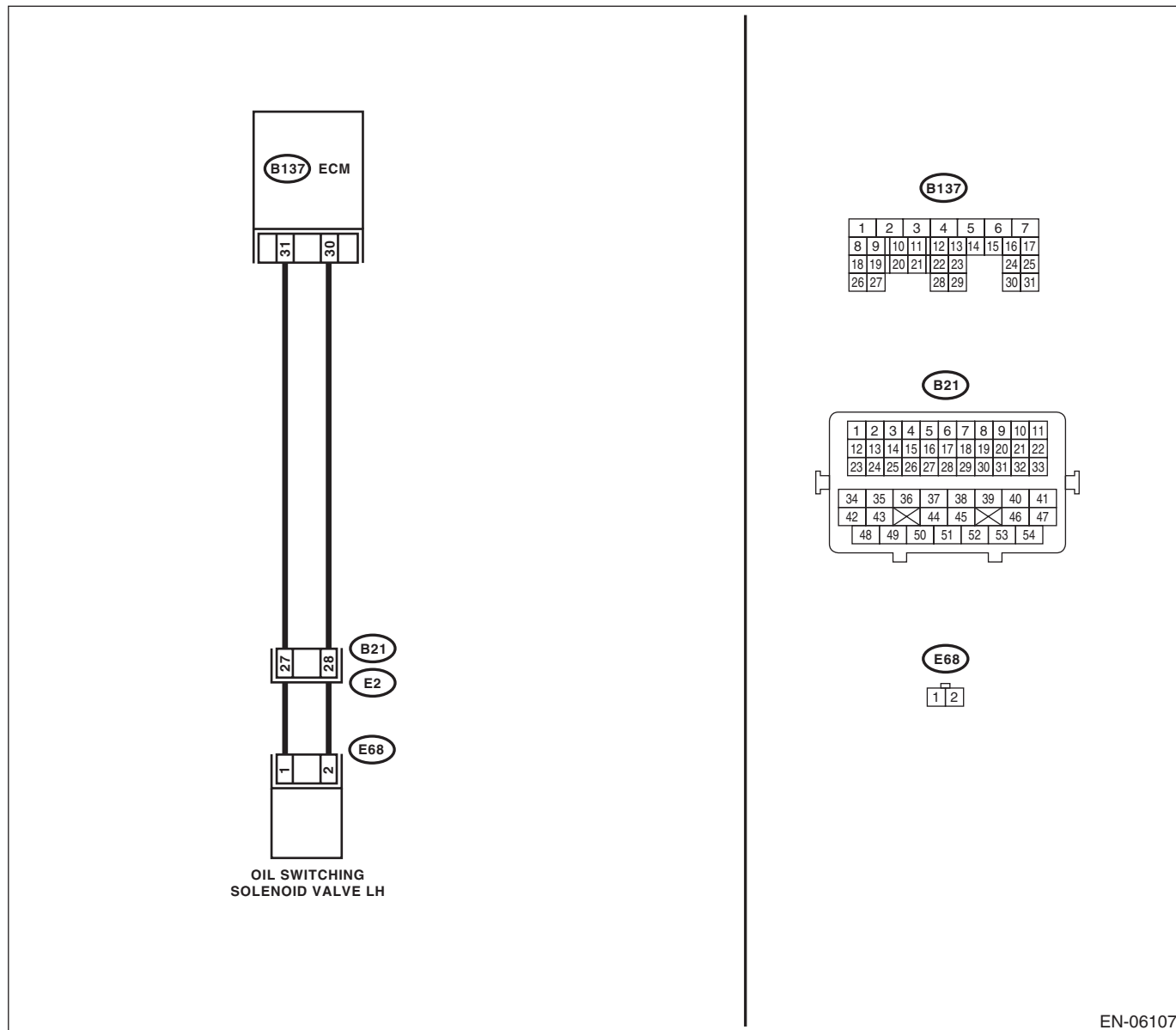
### TROUBLE SYMPTOM:

Improper idling

### CAUTION:

After servicing or replacing faulty parts, perform Clear Memory Mode <Ref. to EN(H4SO)(diag)-55, OPERATION, Clear Memory Mode.>, and Inspection Mode <Ref. to EN(H4SO)(diag)-44, PROCEDURE, Inspection Mode.>.

### WIRING DIAGRAM:



EN-06107

# Diagnostic Procedure with Diagnostic Trouble Code (DTC)

## ENGINE (DIAGNOSTICS)

Step	Check	Yes	No
<p><b>1</b>     <b>CHECK HARNESS BETWEEN ECM AND OIL SWITCHING SOLENOID VALVE.</b>            1) Turn the ignition switch to OFF.            2) Disconnect the connectors from the ECM and oil switching solenoid valve.            3) Measure the voltage between ECM and chassis ground.  <b>Connector &amp; terminal</b>  <b>(B137) No. 31 (+) — Chassis ground (-):</b>  <b>(B137) No. 30 (+) — Chassis ground (-):</b></p>	<p>Is the voltage less than 1 V?</p>	<p>Go to step 2.</p>	<p>Repair the short circuit to power in the harness between ECM and oil switching solenoid valve connector.</p>
<p><b>2</b>     <b>CHECK HARNESS BETWEEN ECM AND OIL SWITCHING SOLENOID VALVE.</b>            Measure the resistance between ECM and oil switching solenoid valve connector.  <b>Connector &amp; terminal</b>  <b>(B137) No. 31 — (E68) No. 1:</b>  <b>(B137) No. 30 — (E68) No. 2:</b></p>	<p>Is the resistance less than 1 Ω?</p>	<p>Go to step 3.</p>	<p>Repair the harness and connector.  <b>NOTE:</b>            In this case, repair the following item:            • Open circuit of harness between ECM and oil switching solenoid valve connector            • Poor contact of coupling connector</p>
<p><b>3</b>     <b>CHECK OIL SWITCHING SOLENOID VALVE.</b>            Measure the resistance between oil switching solenoid valve terminals.  <b>Terminals</b>  <b>No. 1 — No. 2:</b></p>	<p>Is the resistance 6 — 12 Ω?</p>	<p>Repair the poor contact of ECM and oil switching solenoid valve connector.</p>	<p>Replace the oil switching solenoid valve. &lt;Ref. to ME(H4SO)-93, Oil Switching Solenoid Valve.&gt;</p>

# Diagnostic Procedure with Diagnostic Trouble Code (DTC)

ENGINE (DIAGNOSTICS)

## M: DTC P0101 MASS OR VOLUME AIR FLOW CIRCUIT RANGE/PERFORMANCE

### DTC DETECTING CONDITION:

- Detected when two consecutive driving cycles with fault occur.
- GENERAL DESCRIPTION <Ref. to GD(H4SO)-25, DTC P0101 MASS OR VOLUME AIR FLOW CIRCUIT RANGE/PERFORMANCE, Diagnostic Trouble Code (DTC) Detecting Criteria.>

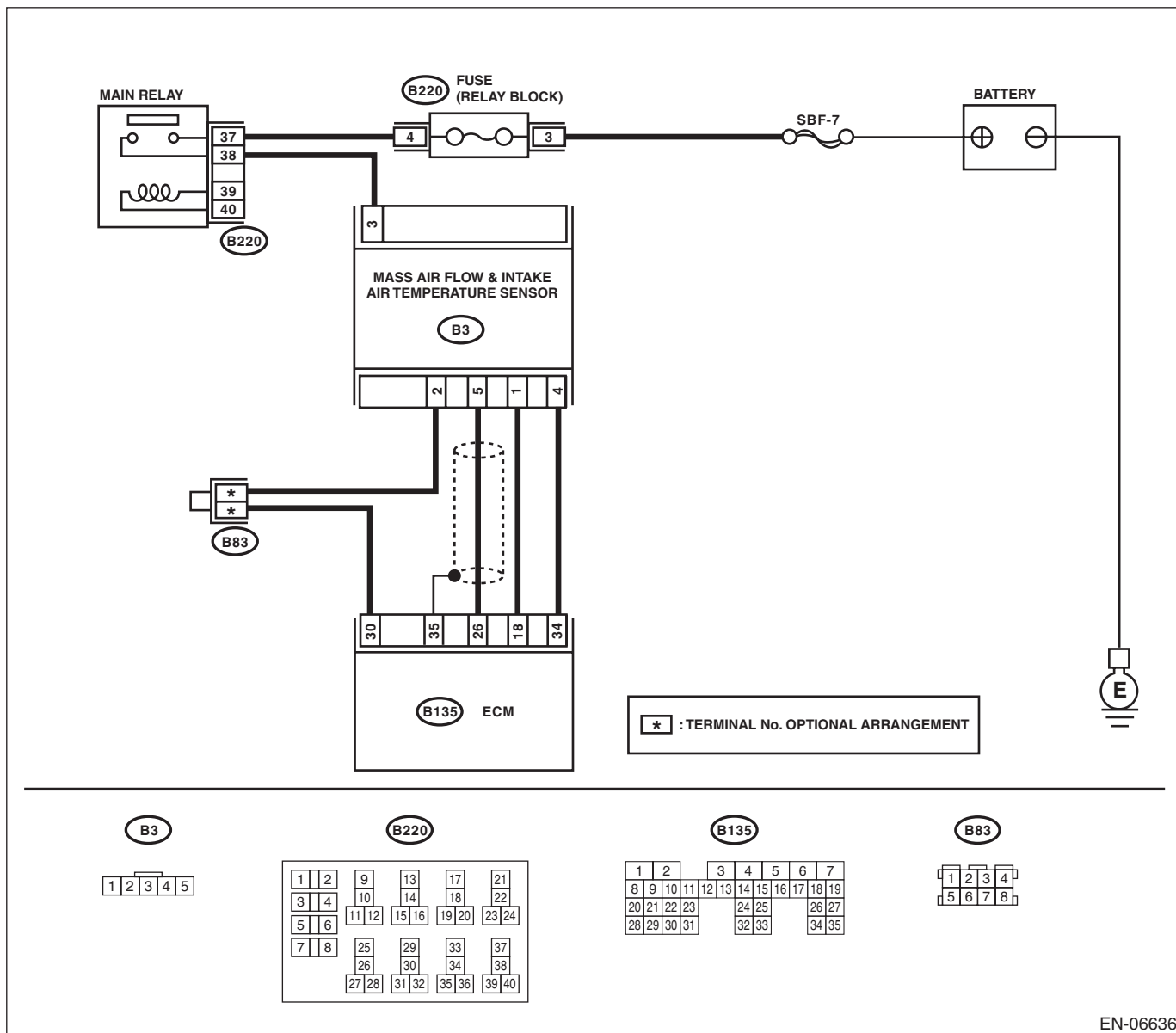
### TROUBLE SYMPTOM:

- Improper idling
- Engine stalls.
- Poor driving performance

### CAUTION:

After servicing or replacing faulty parts, perform Clear Memory Mode <Ref. to EN(H4SO)(diag)-55, OPERATION, Clear Memory Mode.>, and Inspection Mode <Ref. to EN(H4SO)(diag)-44, PROCEDURE, Inspection Mode.>.

### WIRING DIAGRAM:



EN-06636

# Diagnostic Procedure with Diagnostic Trouble Code (DTC)

ENGINE (DIAGNOSTICS)

Step	Check	Yes	No
1 <b>CHECK FOR ANY OTHER DTC ON DISPLAY.</b>	Is any other DTC displayed?	Check the appropriate DTC using the "List of Diagnostic Trouble Code (DTC)". <Ref. to EN(H4SO)(diag)-86, List of Diagnostic Trouble Code (DTC).>	Replace the mass air flow and intake air temperature sensor. <Ref. to FU(H4SO)-34, Mass Air Flow and Intake Air Temperature Sensor.>



# Diagnostic Procedure with Diagnostic Trouble Code (DTC)

## ENGINE (DIAGNOSTICS)

Step	Check	Yes	No
<p><b>1 CHECK CURRENT DATA.</b></p> <p>1) Start the engine.</p> <p>2) Read the data of air flow sensor signal using Subaru Select Monitor or general scan tool.</p> <p>NOTE:</p> <ul style="list-style-type: none"> <li>• Subaru Select Monitor</li> </ul> <p>For detailed operation procedures, refer to "READ CURRENT DATA FOR ENGINE". &lt;Ref. to EN(H4SO)(diag)-34, Subaru Select Monitor.&gt;</p> <ul style="list-style-type: none"> <li>• General scan tool</li> </ul> <p>For detailed operation procedures, refer to the general scan tool operation manual.</p>	Is the voltage less than 0.2 V?	Go to step 2.	<p>Even if DTC is detected, the circuit has returned to a normal condition at this time. Reproduce the failure, and then perform the diagnosis again.</p> <p>NOTE:</p> <p>In this case, temporary poor contact of connector may be the cause.</p>
<p><b>2 CHECK POWER SUPPLY OF MASS AIR FLOW AND INTAKE AIR TEMPERATURE SENSOR.</b></p> <p>1) Turn the ignition switch to OFF.</p> <p>2) Disconnect the connectors from the mass air flow and intake air temperature sensor.</p> <p>3) Turn the ignition switch to ON.</p> <p>4) Measure the voltage between mass air flow and intake air temperature sensor connector and engine ground.</p> <p><b>Connector &amp; terminal</b> <b>(B3) No. 3 (+) — Engine ground (-):</b></p>	Is the voltage 10 V or more?	Go to step 3.	<p>Repair the harness and connector.</p> <p>NOTE:</p> <p>In this case, repair the following item:</p> <ul style="list-style-type: none"> <li>• Open circuit in harness between main relay and mass air flow and intake air temperature sensor connector</li> <li>• Poor contact of main relay connector</li> </ul>
<p><b>3 CHECK HARNESS BETWEEN ECM AND MASS AIR FLOW AND INTAKE AIR TEMPERATURE SENSOR CONNECTOR.</b></p> <p>1) Turn the ignition switch to OFF.</p> <p>2) Disconnect the connectors from ECM.</p> <p>3) Measure the resistance of harness between ECM and the mass air flow and intake air temperature sensor connector.</p> <p><b>Connector &amp; terminal</b> <b>(B135) No. 26 — (B3) No. 5:</b></p>	Is the resistance less than 1 Ω?	Go to step 4.	Repair the open circuit in harness between ECM and the mass air flow and intake air temperature sensor connector.
<p><b>4 CHECK HARNESS BETWEEN ECM AND MASS AIR FLOW AND INTAKE AIR TEMPERATURE SENSOR CONNECTOR.</b></p> <p>Measure the resistance between ECM and chassis ground.</p> <p><b>Connector &amp; terminal</b> <b>(B135) No. 26 — Chassis ground:</b></p>	Is the resistance 1 MΩ or more?	Go to step 5.	Repair the short circuit to ground in harness between ECM and the mass air flow and intake air temperature sensor connector.
<p><b>5 CHECK POOR CONTACT.</b></p> <p>Check for poor contact of ECM and mass air flow and intake air temperature sensor connector.</p>	Is there poor contact of ECM or mass air flow and intake air temperature sensor connector?	Repair the poor contact of ECM or mass air flow and intake air temperature sensor connector.	Replace the mass air flow and intake air temperature sensor. <Ref. to FU(H4SO)-34, Mass Air Flow and Intake Air Temperature Sensor.>

# Diagnostic Procedure with Diagnostic Trouble Code (DTC)

ENGINE (DIAGNOSTICS)

## O: DTC P0103 MASS OR VOLUME AIR FLOW CIRCUIT HIGH INPUT

### DTC DETECTING CONDITION:

- Immediately at fault recognition
- GENERAL DESCRIPTION<Ref. to GD(H4SO)-28, DTC P0103 MASS OR VOLUME AIR FLOW CIRCUIT HIGH INPUT, Diagnostic Trouble Code (DTC) Detecting Criteria.>

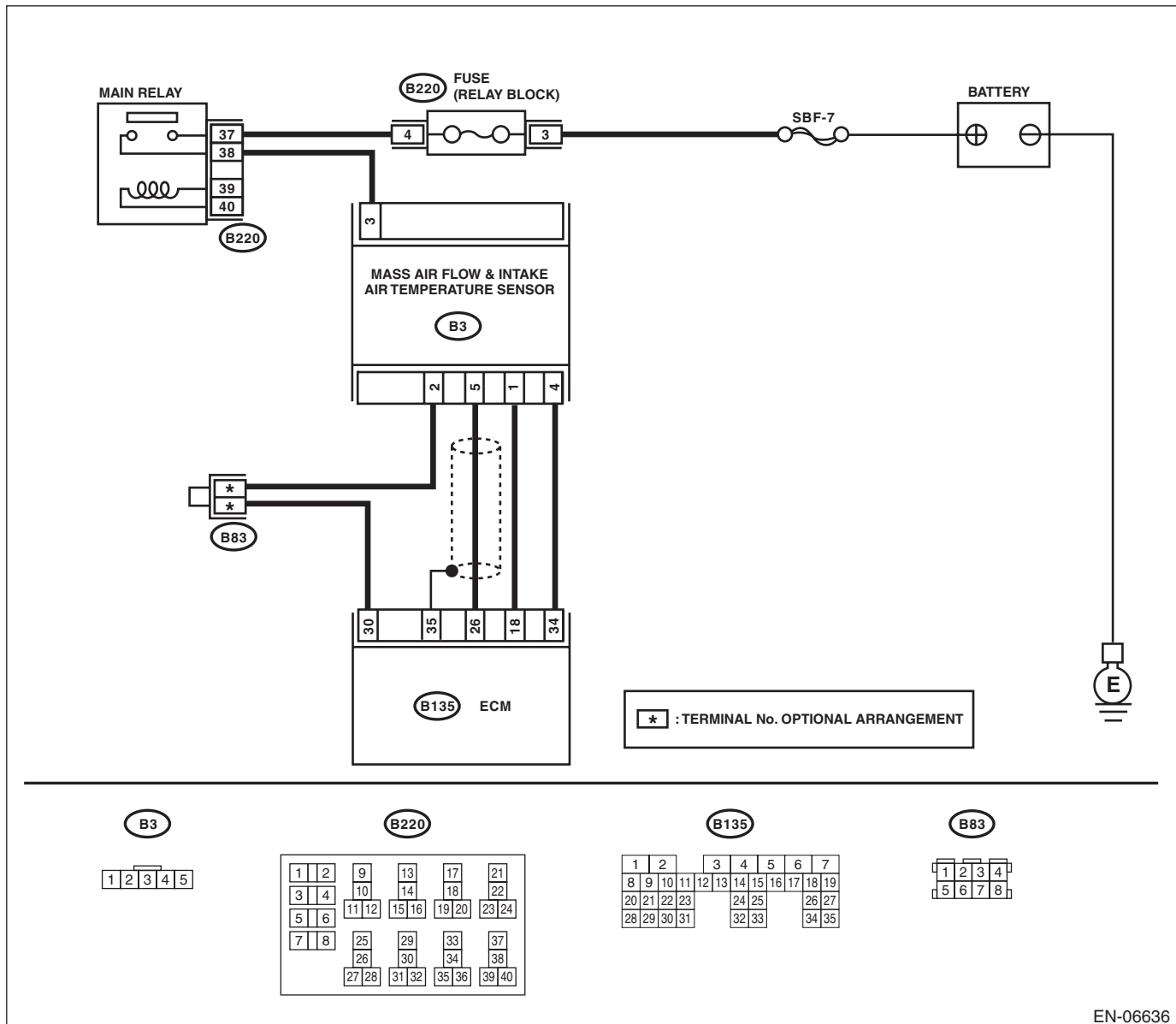
### TROUBLE SYMPTOM:

- Improper idling
- Engine stalls.
- Poor driving performance

### CAUTION:

After servicing or replacing faulty parts, perform Clear Memory Mode <Ref. to EN(H4SO)(diag)-55, OPERATION, Clear Memory Mode.>, and Inspection Mode <Ref. to EN(H4SO)(diag)-44, PROCEDURE, Inspection Mode.>.

### WIRING DIAGRAM:



EN-06636



# Diagnostic Procedure with Diagnostic Trouble Code (DTC)

## ENGINE (DIAGNOSTICS)

	Step	Check	Yes	No
1	<p><b>CHECK CURRENT DATA.</b></p> <p>1) Start the engine.</p> <p>2) Read the data of air flow sensor signal using Subaru Select Monitor or general scan tool.</p> <p>NOTE:</p> <ul style="list-style-type: none"> <li>Subaru Select Monitor</li> </ul> <p>For detailed operation procedures, refer to "READ CURRENT DATA FOR ENGINE". &lt;Ref. to EN(H4SO)(diag)-34, Subaru Select Monitor.&gt;</p> <ul style="list-style-type: none"> <li>General scan tool</li> </ul> <p>For detailed operation procedures, refer to the general scan tool operation manual.</p>	Is the voltage 5 V or more?	Go to step 2.	<p>Even if DTC is detected, the circuit has returned to a normal condition at this time. Reproduce the failure, and then perform the diagnosis again.</p> <p>NOTE:</p> <p>In this case, temporary poor contact of connector may be the cause.</p>
2	<p><b>CHECK HARNESS BETWEEN ECM AND MASS AIR FLOW AND INTAKE AIR TEMPERATURE SENSOR CONNECTOR.</b></p> <p>1) Turn the ignition switch to OFF.</p> <p>2) Disconnect the connectors from the mass air flow and intake air temperature sensor.</p> <p>3) Start the engine.</p> <p>4) Read the data of air flow sensor signal using Subaru Select Monitor or general scan tool.</p> <p>NOTE:</p> <ul style="list-style-type: none"> <li>Subaru Select Monitor</li> </ul> <p>For detailed operation procedures, refer to "READ CURRENT DATA FOR ENGINE". &lt;Ref. to EN(H4SO)(diag)-34, Subaru Select Monitor.&gt;</p> <ul style="list-style-type: none"> <li>General scan tool</li> </ul> <p>For detailed operation procedures, refer to the general scan tool operation manual.</p>	Is the voltage 5 V or more?	Repair the short circuit of harness to power supply between ECM and mass air flow and intake air temperature sensor connector.	Go to step 3.
3	<p><b>CHECK HARNESS BETWEEN ECM AND MASS AIR FLOW AND INTAKE AIR TEMPERATURE SENSOR CONNECTOR.</b></p> <p>1) Turn the ignition switch to OFF.</p> <p>2) Measure the resistance of harness between mass air flow and intake air temperature sensor connector and engine ground.</p> <p><b>Connector &amp; terminal</b> <b>(B3) No. 4 — Engine ground:</b></p>	Is the resistance less than 5 Ω?	Go to step 4.	<p>Repair the harness and connector.</p> <p>NOTE:</p> <p>In this case, repair the following item:</p> <ul style="list-style-type: none"> <li>Open circuit in harness between ECM and mass air flow and intake air temperature sensor connector</li> <li>Poor contact of ECM connector</li> </ul>
4	<p><b>CHECK POOR CONTACT.</b></p> <p>Check for poor contact of mass air flow and intake air temperature sensor connector.</p>	Is there poor contact of mass air flow and intake air temperature sensor connector?	Repair the poor contact of mass air flow and intake air temperature sensor connector.	Replace the mass air flow and intake air temperature sensor. <Ref. to FU(H4SO)-34, Mass Air Flow and Intake Air Temperature Sensor.>

# Diagnostic Procedure with Diagnostic Trouble Code (DTC)

ENGINE (DIAGNOSTICS)

## P: DTC P0107 MANIFOLD ABSOLUTE PRESSURE/BAROMETRIC PRESSURE CIRCUIT LOW INPUT

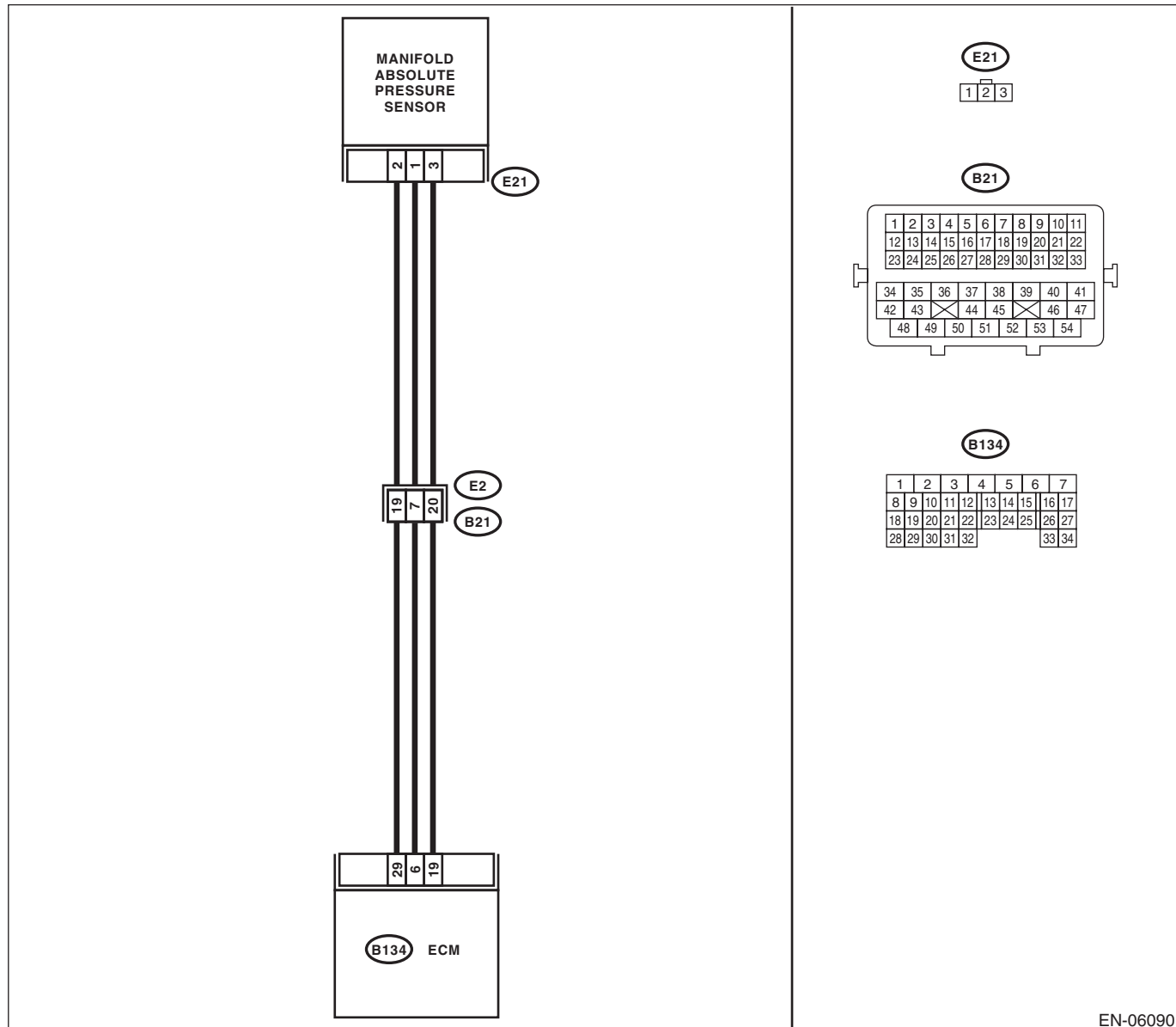
### DTC DETECTING CONDITION:

- Immediately at fault recognition
- GENERAL DESCRIPTION <Ref. to GD(H4SO)-29, DTC P0107 MANIFOLD ABSOLUTE PRESSURE/BAROMETRIC PRESSURE CIRCUIT LOW INPUT, Diagnostic Trouble Code (DTC) Detecting Criteria.>

### CAUTION:

After servicing or replacing faulty parts, perform Clear Memory Mode <Ref. to EN(H4SO)(diag)-55, OPERATION, Clear Memory Mode.>, and Inspection Mode <Ref. to EN(H4SO)(diag)-44, PROCEDURE, Inspection Mode.>.

### WIRING DIAGRAM:



EN-06090

# Diagnostic Procedure with Diagnostic Trouble Code (DTC)

## ENGINE (DIAGNOSTICS)

Step	Check	Yes	No
<b>1</b> <b>CHECK CURRENT DATA.</b> 1) Start the engine. 2) Read the data of intake manifold absolute pressure signal using Subaru Select Monitor or general scan tool.  <b>NOTE:</b> <ul style="list-style-type: none"> <li>• Subaru Select Monitor</li> </ul> For detailed operation procedures, refer to "READ CURRENT DATA FOR ENGINE". <Ref. to EN(H4SO)(diag)-34, Subaru Select Monitor.> <ul style="list-style-type: none"> <li>• General scan tool</li> </ul> For detailed operation procedures, refer to the general scan tool operation manual.	Is the measured value less than 13.3 kPa (100 mmHg, 3.94 inHg)?	Go to step 2.	Even if DTC is detected, the circuit has returned to a normal condition at this time. Reproduce the failure, and then perform the diagnosis again.  <b>NOTE:</b> In this case, temporary poor contact of connector may be the cause.
<b>2</b> <b>CHECK POWER SUPPLY OF MANIFOLD ABSOLUTE PRESSURE SENSOR.</b> 1) Turn the ignition switch to OFF. 2) Disconnect the connector from manifold absolute pressure sensor. 3) Turn the ignition switch to ON. 4) Measure the voltage between manifold absolute pressure sensor connector and engine ground.  <b>Connector &amp; terminal</b> <b>(E21) No. 3 (+) — Engine ground (-):</b>	Is the voltage 4.5 V or more?	Go to step 3.	Repair the harness and connector.  <b>NOTE:</b> In this case, repair the following item: <ul style="list-style-type: none"> <li>• Open circuit of harness between ECM and manifold absolute pressure sensor connector</li> <li>• Poor contact of ECM connector</li> <li>• Poor contact of coupling connector</li> </ul>
<b>3</b> <b>CHECK HARNESS BETWEEN ECM AND MANIFOLD ABSOLUTE PRESSURE SENSOR CONNECTOR.</b> 1) Turn the ignition switch to OFF. 2) Disconnect the connectors from ECM. 3) Measure the resistance of harness between ECM and manifold absolute pressure sensor connector.  <b>Connector &amp; terminal</b> <b>(B134) No. 6 — (E21) No. 1:</b>	Is the resistance less than 1 Ω?	Go to step 4.	Repair the harness and connector.  <b>NOTE:</b> In this case, repair the following item: <ul style="list-style-type: none"> <li>• Open circuit of harness between ECM and manifold absolute pressure sensor connector</li> <li>• Poor contact of coupling connector</li> </ul>
<b>4</b> <b>CHECK HARNESS BETWEEN ECM AND MANIFOLD ABSOLUTE PRESSURE SENSOR CONNECTOR.</b> Measure the resistance between ECM and chassis ground.  <b>Connector &amp; terminal</b> <b>(B134) No. 6 — Chassis ground:</b>	Is the resistance 1 MΩ or more?	Go to step 5.	Repair ground short circuit of harness between ECM and manifold absolute pressure sensor connector.
<b>5</b> <b>CHECK POOR CONTACT.</b> Check for poor contact of ECM and manifold absolute pressure sensor connector.	Is there poor contact of ECM or manifold absolute pressure sensor connector?	Repair the poor contact of ECM or manifold absolute pressure sensor connector.	Replace the manifold absolute pressure sensor. <Ref. to FU(H4SO)-33, Manifold Absolute Pressure Sensor.>

# Diagnostic Procedure with Diagnostic Trouble Code (DTC)

ENGINE (DIAGNOSTICS)

## Q: DTC P0108 MANIFOLD ABSOLUTE PRESSURE/BAROMETRIC PRESSURE CIRCUIT HIGH INPUT

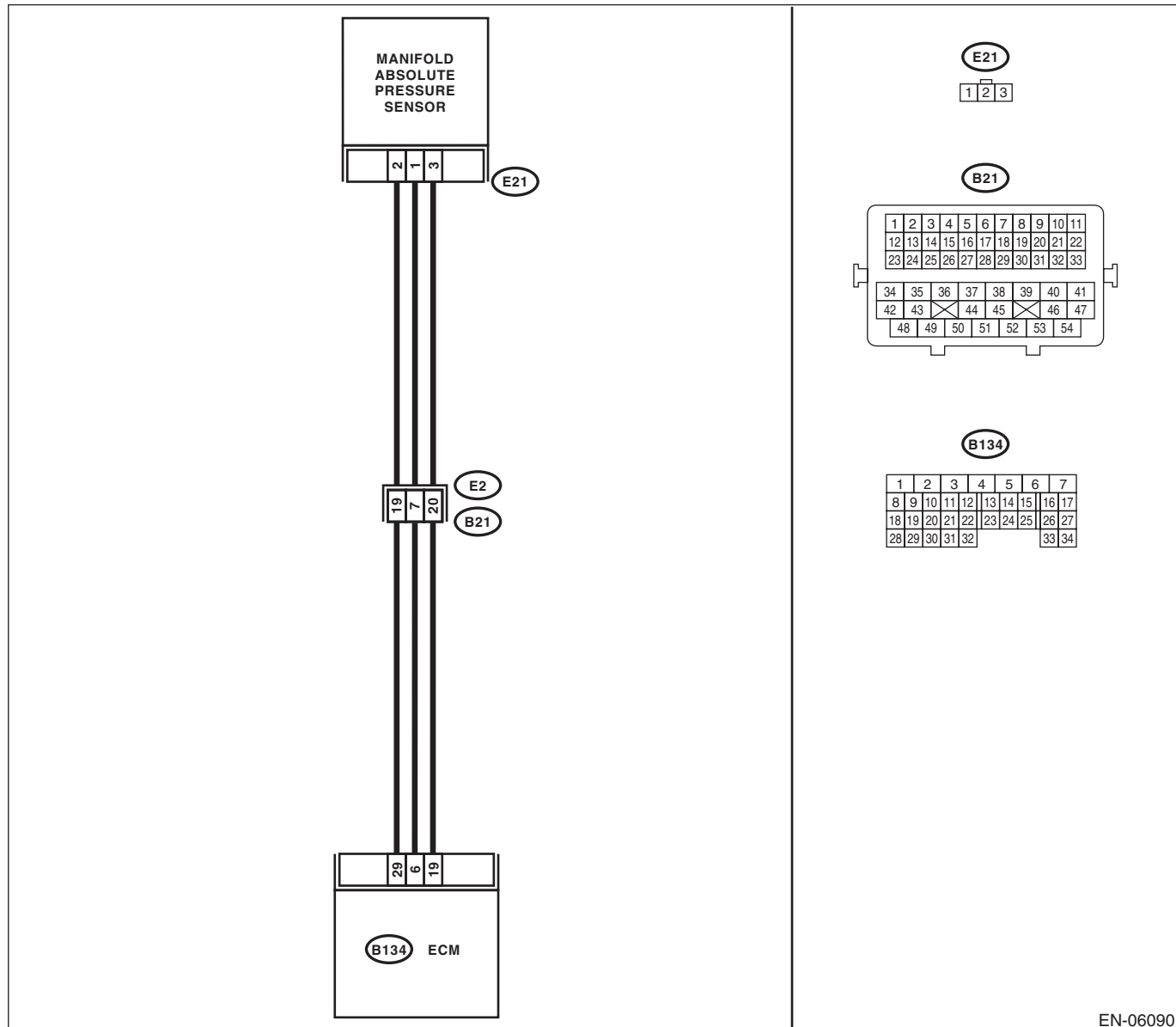
### DTC DETECTING CONDITION:

- Immediately at fault recognition
- GENERAL DESCRIPTION <Ref. to GD(H4SO)-30, DTC P0108 MANIFOLD ABSOLUTE PRESSURE/BAROMETRIC PRESSURE CIRCUIT HIGH INPUT, Diagnostic Trouble Code (DTC) Detecting Criteria.>

### CAUTION:

After servicing or replacing faulty parts, perform Clear Memory Mode <Ref. to EN(H4SO)(diag)-55, OPERATION, Clear Memory Mode.>, and Inspection Mode <Ref. to EN(H4SO)(diag)-44, PROCEDURE, Inspection Mode.>.

### WIRING DIAGRAM:



EN-06090

# Diagnostic Procedure with Diagnostic Trouble Code (DTC)

## ENGINE (DIAGNOSTICS)

	Step	Check	Yes	No
1	<p><b>CHECK CURRENT DATA.</b></p> <p>1) Start the engine.</p> <p>2) Read the data of intake manifold absolute pressure signal using Subaru Select Monitor or general scan tool.</p> <p>NOTE:</p> <ul style="list-style-type: none"> <li>Subaru Select Monitor</li> </ul> <p>For detailed operation procedures, refer to "READ CURRENT DATA FOR ENGINE". &lt;Ref. to EN(H4SO)(diag)-34, Subaru Select Monitor.&gt;</p> <ul style="list-style-type: none"> <li>General scan tool</li> </ul> <p>For detailed operation procedures, refer to the general scan tool operation manual.</p>	<p>Is the measured value 119.5 kPa (896.5 mmHg, 35.29 inHg) or more?</p>	<p>Go to step 2.</p>	<p>Even if DTC is detected, the circuit has returned to a normal condition at this time. Reproduce the failure, and then perform the diagnosis again.</p> <p>NOTE:</p> <p>In this case, temporary poor contact of connector may be the cause.</p>
2	<p><b>CHECK HARNESS BETWEEN ECM AND MANIFOLD ABSOLUTE PRESSURE SENSOR CONNECTOR.</b></p> <p>1) Turn the ignition switch to OFF.</p> <p>2) Disconnect the connector from manifold absolute pressure sensor.</p> <p>3) Start the engine.</p> <p>4) Read the data of intake manifold absolute pressure signal using Subaru Select Monitor or general scan tool.</p> <p>NOTE:</p> <ul style="list-style-type: none"> <li>Subaru Select Monitor</li> </ul> <p>For detailed operation procedures, refer to "READ CURRENT DATA FOR ENGINE". &lt;Ref. to EN(H4SO)(diag)-34, Subaru Select Monitor.&gt;</p> <ul style="list-style-type: none"> <li>General scan tool</li> </ul> <p>For detailed operation procedures, refer to the general scan tool operation manual.</p>	<p>Is the measured value 119.5 kPa (896.5 mmHg, 35.29 inHg) or more?</p>	<p>Repair the short circuit to power in harness between ECM and manifold absolute pressure sensor connector.</p>	<p>Go to step 3.</p>
3	<p><b>CHECK HARNESS BETWEEN ECM AND MANIFOLD ABSOLUTE PRESSURE SENSOR CONNECTOR.</b></p> <p>1) Turn the ignition switch to OFF.</p> <p>2) Measure the resistance of harness between manifold absolute pressure sensor connector and engine ground.</p> <p><b>Connector &amp; terminal</b> <b>(E21) No. 2 — Engine ground:</b></p>	<p>Is the resistance less than 5 Ω?</p>	<p>Go to step 4.</p>	<p>Repair the harness and connector.</p> <p>NOTE:</p> <p>In this case, repair the following item:</p> <ul style="list-style-type: none"> <li>Open circuit of harness between ECM and manifold absolute pressure sensor connector</li> <li>Poor contact of ECM connector</li> <li>Poor contact of coupling connector</li> </ul>
4	<p><b>CHECK POOR CONTACT.</b></p> <p>Check for poor contact of manifold absolute pressure sensor connector.</p>	<p>Is there poor contact of manifold absolute pressure sensor connector?</p>	<p>Repair the poor contact of manifold absolute pressure sensor connector.</p>	<p>Replace the manifold absolute pressure sensor. &lt;Ref. to FU(H4SO)-33, Manifold Absolute Pressure Sensor.&gt;</p>

## R: DTC P0111 INTAKE AIR TEMPERATURE SENSOR 1 CIRCUIT RANGE/ PERFORMANCE

### DTC DETECTING CONDITION:

- Detected when two consecutive driving cycles with fault occur.
- GENERAL DESCRIPTION <Ref. to GD(H4SO)-31, DTC P0111 INTAKE AIR TEMPERATURE SENSOR 1 CIRCUIT RANGE/PERFORMANCE, Diagnostic Trouble Code (DTC) Detecting Criteria.>

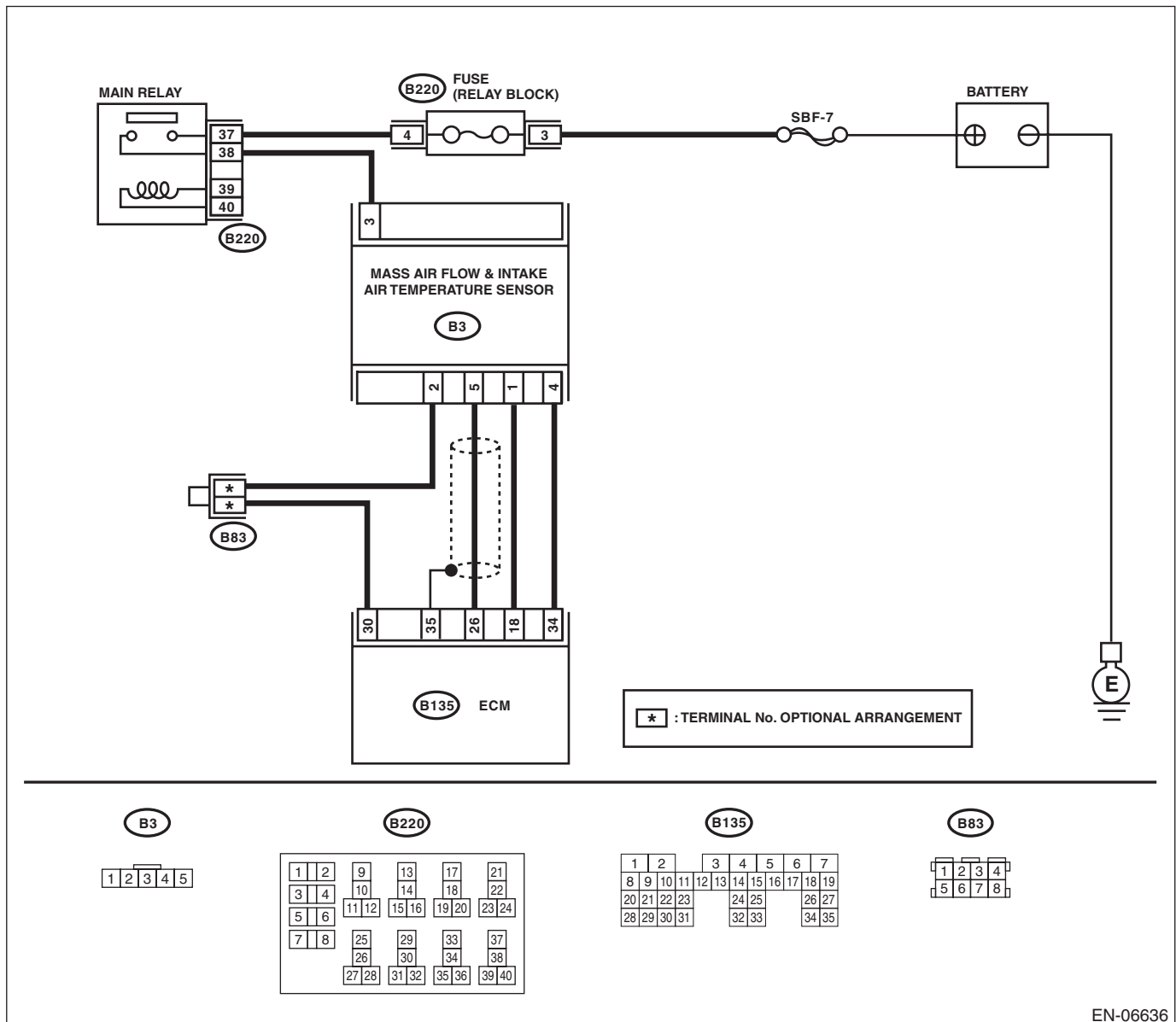
### TROUBLE SYMPTOM:

- Improper idling
- Poor driving performance

### CAUTION:

After servicing or replacing faulty parts, perform Clear Memory Mode <Ref. to EN(H4SO)(diag)-55, OPERATION, Clear Memory Mode.>, and Inspection Mode <Ref. to EN(H4SO)(diag)-44, PROCEDURE, Inspection Mode.>.

### WIRING DIAGRAM:



EN-06636

# Diagnostic Procedure with Diagnostic Trouble Code (DTC)

## ENGINE (DIAGNOSTICS)

	Step	Check	Yes	No
1	<p><b>CHECK ENGINE COOLANT TEMPERATURE.</b></p> <p>1) Start the engine and warm up completely. 2) Measure the engine coolant temperature using the Subaru Select Monitor or general scan tool.</p> <p>NOTE:</p> <ul style="list-style-type: none"><li>• Subaru Select Monitor</li></ul> <p>For detailed operation procedures, refer to "READ CURRENT DATA FOR ENGINE". &lt;Ref. to EN(H4SO)(diag)-34, Subaru Select Monitor.&gt;</p> <ul style="list-style-type: none"><li>• General scan tool</li></ul> <p>For detailed operation procedures, refer to the general scan tool operation manual.</p>	Is the engine coolant temperature 75°C (167°F) or higher?	Replace the mass air flow and intake air temperature sensor. <Ref. to FU(H4SO)-34, Mass Air Flow and Intake Air Temperature Sensor.>	Check DTC P0125 using "List of Diagnostic Trouble Code (DTC)". <Ref. to EN(H4SO)(diag)-86, List of Diagnostic Trouble Code (DTC).>

# Diagnostic Procedure with Diagnostic Trouble Code (DTC)

ENGINE (DIAGNOSTICS)

## S: DTC P0112 INTAKE AIR TEMPERATURE SENSOR 1 CIRCUIT LOW

### DTC DETECTING CONDITION:

- Immediately at fault recognition
- GENERAL DESCRIPTION<Ref. to GD(H4SO)-33, DTC P0112 INTAKE AIR TEMPERATURE SENSOR 1 CIRCUIT LOW, Diagnostic Trouble Code (DTC) Detecting Criteria.>

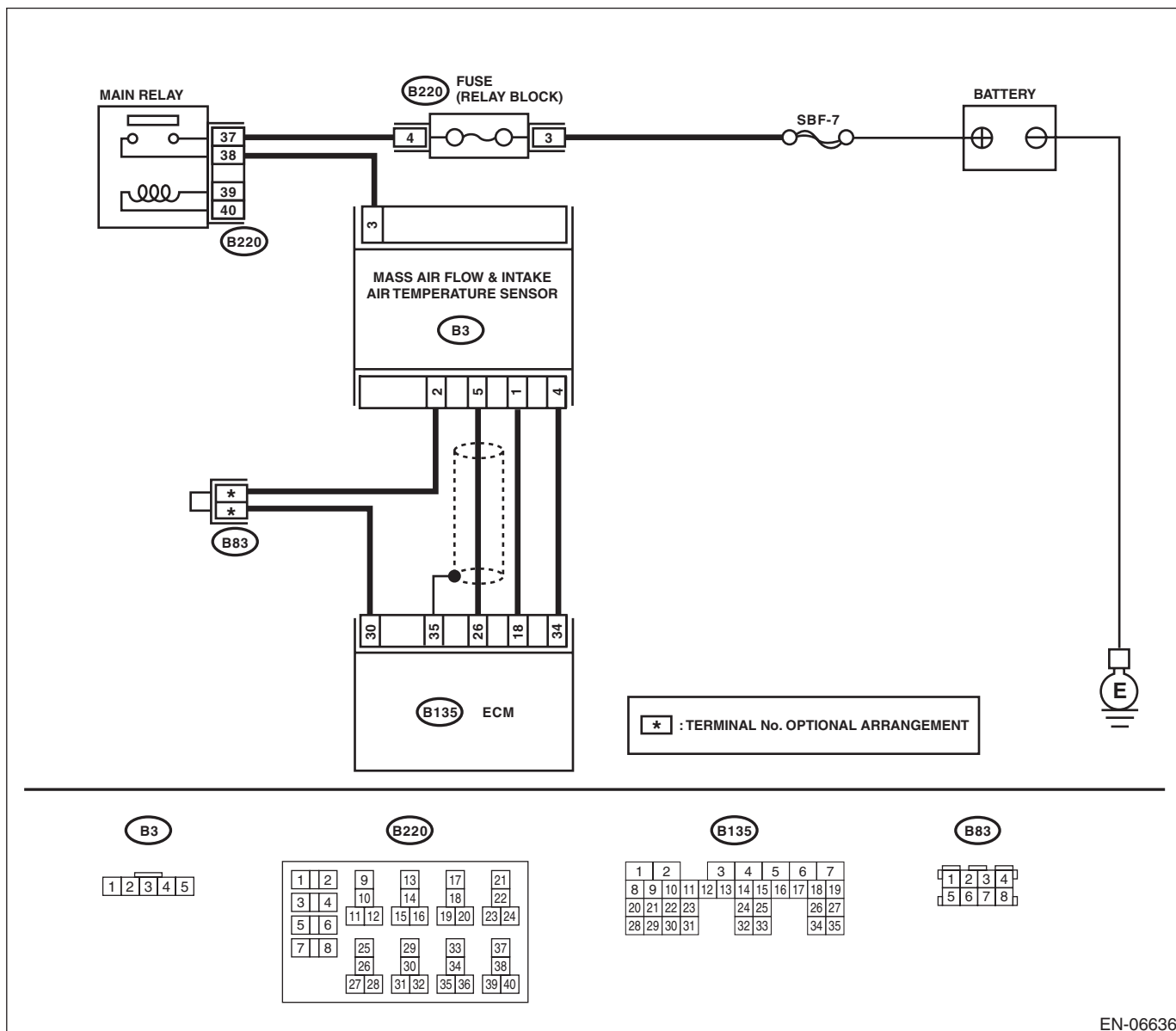
### TROUBLE SYMPTOM:

- Improper idling
- Poor driving performance

### CAUTION:

After servicing or replacing faulty parts, perform Clear Memory Mode <Ref. to EN(H4SO)(diag)-55, OPERATION, Clear Memory Mode.>, and Inspection Mode <Ref. to EN(H4SO)(diag)-44, PROCEDURE, Inspection Mode.>.

### WIRING DIAGRAM:





# Diagnostic Procedure with Diagnostic Trouble Code (DTC)

## ENGINE (DIAGNOSTICS)

Step	Check	Yes	No
<p><b>1</b></p> <p><b>CHECK CURRENT DATA.</b></p> <p>1) Start the engine.</p> <p>2) Read the data of intake air temperature sensor signal using Subaru Select Monitor or general scan tool.</p> <p>NOTE:</p> <ul style="list-style-type: none"> <li>• Subaru Select Monitor</li> </ul> <p>For detailed operation procedures, refer to "READ CURRENT DATA FOR ENGINE". &lt;Ref. to EN(H4SO)(diag)-34, Subaru Select Monitor.&gt;</p> <ul style="list-style-type: none"> <li>• General scan tool</li> </ul> <p>For detailed operation procedures, refer to the general scan tool operation manual.</p>	<p>Is the intake air temperature 120°C (248°F) or more?</p>	<p>Go to step 2.</p>	<p>Even if DTC is detected, the circuit has returned to a normal condition at this time. Reproduce the failure, and then perform the diagnosis again.</p> <p>NOTE:</p> <p>In this case, temporary poor contact of connector may be the cause.</p>
<p><b>2</b></p> <p><b>CHECK HARNESS BETWEEN ECM AND MASS AIR FLOW AND INTAKE AIR TEMPERATURE SENSOR CONNECTOR.</b></p> <p>1) Turn the ignition switch to OFF.</p> <p>2) Disconnect the connector from ECM and the mass air flow and intake air temperature sensor.</p> <p>3) Measure the resistance between ECM and chassis ground.</p> <p><b>Connector &amp; terminal</b> <b>(B135) No. 18 — Chassis ground:</b></p>	<p>Is the resistance 1 MΩ or more?</p>	<p>Replace the mass air flow and intake air temperature sensor. &lt;Ref. to FU(H4SO)-34, Mass Air Flow and Intake Air Temperature Sensor.&gt;</p>	<p>Repair the short circuit to ground in harness between ECM and the mass air flow and intake air temperature sensor connector.</p>

# Diagnostic Procedure with Diagnostic Trouble Code (DTC)

ENGINE (DIAGNOSTICS)

## T: DTC P0113 INTAKE AIR TEMPERATURE SENSOR 1 CIRCUIT HIGH

### DTC DETECTING CONDITION:

- Immediately at fault recognition
- GENERAL DESCRIPTION<Ref. to GD(H4SO)-34, DTC P0113 INTAKE AIR TEMPERATURE SENSOR 1 CIRCUIT HIGH, Diagnostic Trouble Code (DTC) Detecting Criteria.>

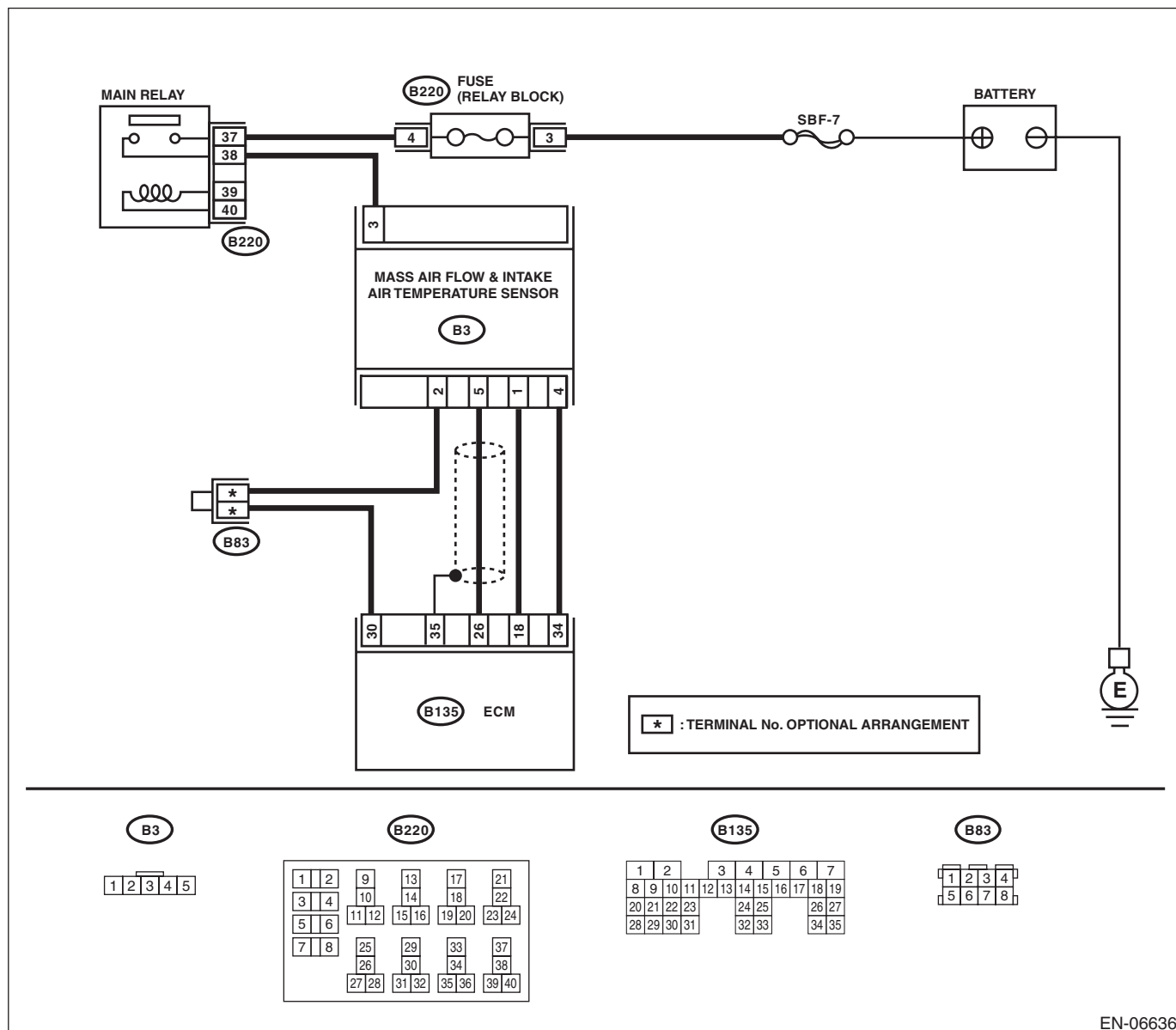
### TROUBLE SYMPTOM:

- Improper idling
- Poor driving performance

### CAUTION:

After servicing or replacing faulty parts, perform Clear Memory Mode <Ref. to EN(H4SO)(diag)-55, OPERATION, Clear Memory Mode.>, and Inspection Mode <Ref. to EN(H4SO)(diag)-44, PROCEDURE, Inspection Mode.>.

### WIRING DIAGRAM:



EN-06636

# Diagnostic Procedure with Diagnostic Trouble Code (DTC)

## ENGINE (DIAGNOSTICS)

	Step	Check	Yes	No
1	<p><b>CHECK CURRENT DATA.</b></p> <p>1) Start the engine.</p> <p>2) Read the data of intake air temperature sensor signal using Subaru Select Monitor or general scan tool.</p> <p>NOTE:</p> <ul style="list-style-type: none"> <li>Subaru Select Monitor</li> </ul> <p>For detailed operation procedures, refer to "READ CURRENT DATA FOR ENGINE". &lt;Ref. to EN(H4SO)(diag)-34, Subaru Select Monitor.&gt;</p> <ul style="list-style-type: none"> <li>General scan tool</li> </ul> <p>For detailed operation procedures, refer to the general scan tool operation manual.</p>	Is the intake air temperature less than $-40^{\circ}\text{C}$ ( $-40^{\circ}\text{F}$ ) ?	Go to step 2.	Even if DTC is detected, the circuit has returned to a normal condition at this time. Reproduce the failure, and then perform the diagnosis again.  NOTE: In this case, temporary poor contact of connector may be the cause.
2	<p><b>CHECK POOR CONTACT.</b></p> <p>Check for poor contact of ECM and mass air flow and intake air temperature sensor connector.</p>	Is there poor contact of ECM or mass air flow and intake air temperature sensor connector?	Repair the poor contact of ECM or mass air flow and intake air temperature sensor connector.	Go to step 3.
3	<p><b>CHECK HARNESS BETWEEN ECM AND MASS AIR FLOW AND INTAKE AIR TEMPERATURE SENSOR CONNECTOR.</b></p> <p>1) Turn the ignition switch to OFF.</p> <p>2) Disconnect the connector from ECM and the mass air flow and intake air temperature sensor.</p> <p>3) Measure the resistance of harness between ECM and the mass air flow and intake air temperature sensor connector.</p> <p><b>Connector &amp; terminal</b> (B135) No. 18 — (B3) No. 1: (B135) No. 30 — (B3) No. 2:</p>	Is the resistance less than $1\ \Omega$ ?	Go to step 4.	Repair the harness and connector.  NOTE: In this case, repair the following item: <ul style="list-style-type: none"> <li>Open circuit in harness between ECM and mass air flow and intake air temperature sensor connector</li> <li>Poor contact of joint connector</li> </ul>
4	<p><b>CHECK HARNESS BETWEEN ECM AND MASS AIR FLOW AND INTAKE AIR TEMPERATURE SENSOR CONNECTOR.</b></p> <p>1) Connect all connectors.</p> <p>2) Turn the ignition switch to ON.</p> <p>3) Measure the voltage between ECM and chassis ground.</p> <p><b>Connector &amp; terminal</b> (B135) No. 18 (+) — Chassis ground (-):</p>	Is the voltage 5 V or more?	Repair the short circuit of harness to power supply between ECM and mass air flow and intake air temperature sensor connector.	Replace the mass air flow and intake air temperature sensor. <Ref. to FU(H4SO)-34, Mass Air Flow and Intake Air Temperature Sensor.>

# Diagnostic Procedure with Diagnostic Trouble Code (DTC)

ENGINE (DIAGNOSTICS)

## U: DTC P0117 ENGINE COOLANT TEMPERATURE CIRCUIT LOW

### DTC DETECTING CONDITION:

- Immediately at fault recognition
- GENERAL DESCRIPTION<Ref. to GD(H4SO)-35, DTC P0117 ENGINE COOLANT TEMPERATURE CIRCUIT LOW, Diagnostic Trouble Code (DTC) Detecting Criteria.>

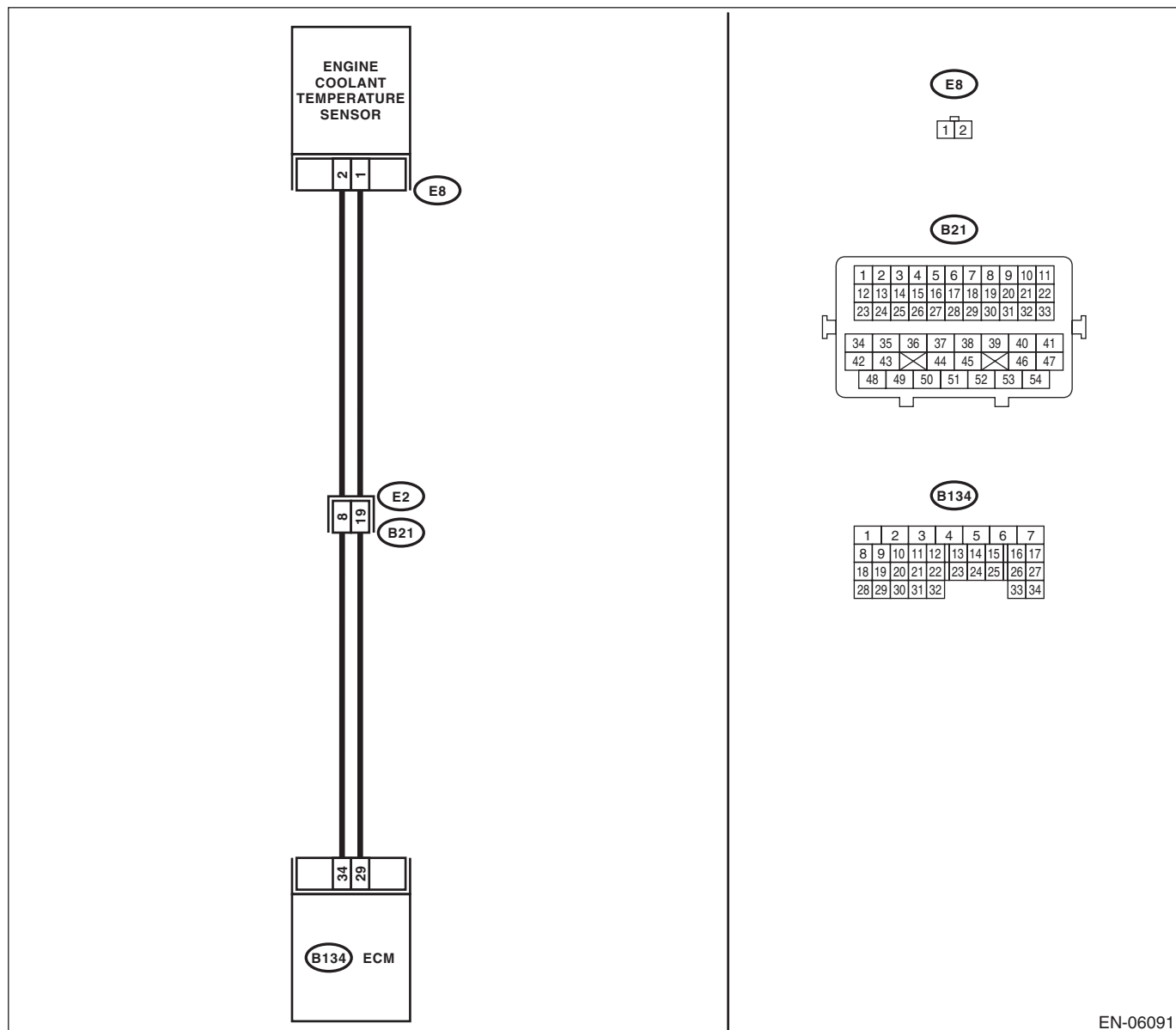
### TROUBLE SYMPTOM:

- Hard to start
- Improper idling
- Poor driving performance

### CAUTION:

After servicing or replacing faulty parts, perform Clear Memory Mode <Ref. to EN(H4SO)(diag)-55, OPERATION, Clear Memory Mode.>, and Inspection Mode <Ref. to EN(H4SO)(diag)-44, PROCEDURE, Inspection Mode.>.

### WIRING DIAGRAM:



EN-06091

# Diagnostic Procedure with Diagnostic Trouble Code (DTC)

## ENGINE (DIAGNOSTICS)

	Step	Check	Yes	No
1	<p><b>CHECK CURRENT DATA.</b></p> <p>1) Start the engine.</p> <p>2) Read the data of engine coolant temperature sensor signal using Subaru Select Monitor or general scan tool.</p> <p>NOTE:</p> <ul style="list-style-type: none"> <li>Subaru Select Monitor</li> </ul> <p>For detailed operation procedures, refer to "READ CURRENT DATA FOR ENGINE". &lt;Ref. to EN(H4SO)(diag)-34, Subaru Select Monitor.&gt;</p> <ul style="list-style-type: none"> <li>General scan tool</li> </ul> <p>For detailed operation procedures, refer to the general scan tool operation manual.</p>	Is the engine coolant temperature 150°C (302°F) or higher?	Go to step 2.	<p>Even if DTC is detected, the circuit has returned to a normal condition at this time. Reproduce the failure, and then perform the diagnosis again.</p> <p>NOTE:</p> <p>In this case, temporary poor contact of connector may be the cause.</p>
2	<p><b>CHECK HARNESS BETWEEN ECM AND ENGINE COOLANT TEMPERATURE SENSOR CONNECTOR.</b></p> <p>1) Turn the ignition switch to OFF.</p> <p>2) Disconnect the connectors from ECM and engine coolant temperature sensor.</p> <p>3) Measure the resistance between ECM and chassis ground.</p> <p><b>Connector &amp; terminal</b> <b>(B134) No. 34 — Chassis ground:</b></p>	Is the resistance 1 MΩ or more?	Replace the engine coolant temperature sensor. <Ref. to FU(H4SO)-25, Engine Coolant Temperature Sensor.>	Repair short circuit in harness to ground between ECM and engine coolant temperature sensor connector.

# Diagnostic Procedure with Diagnostic Trouble Code (DTC)

ENGINE (DIAGNOSTICS)

## V: DTC P0118 ENGINE COOLANT TEMPERATURE CIRCUIT HIGH

### DTC DETECTING CONDITION:

- Immediately at fault recognition
- GENERAL DESCRIPTION<Ref. to GD(H4SO)-36, DTC P0118 ENGINE COOLANT TEMPERATURE CIRCUIT HIGH, Diagnostic Trouble Code (DTC) Detecting Criteria.>

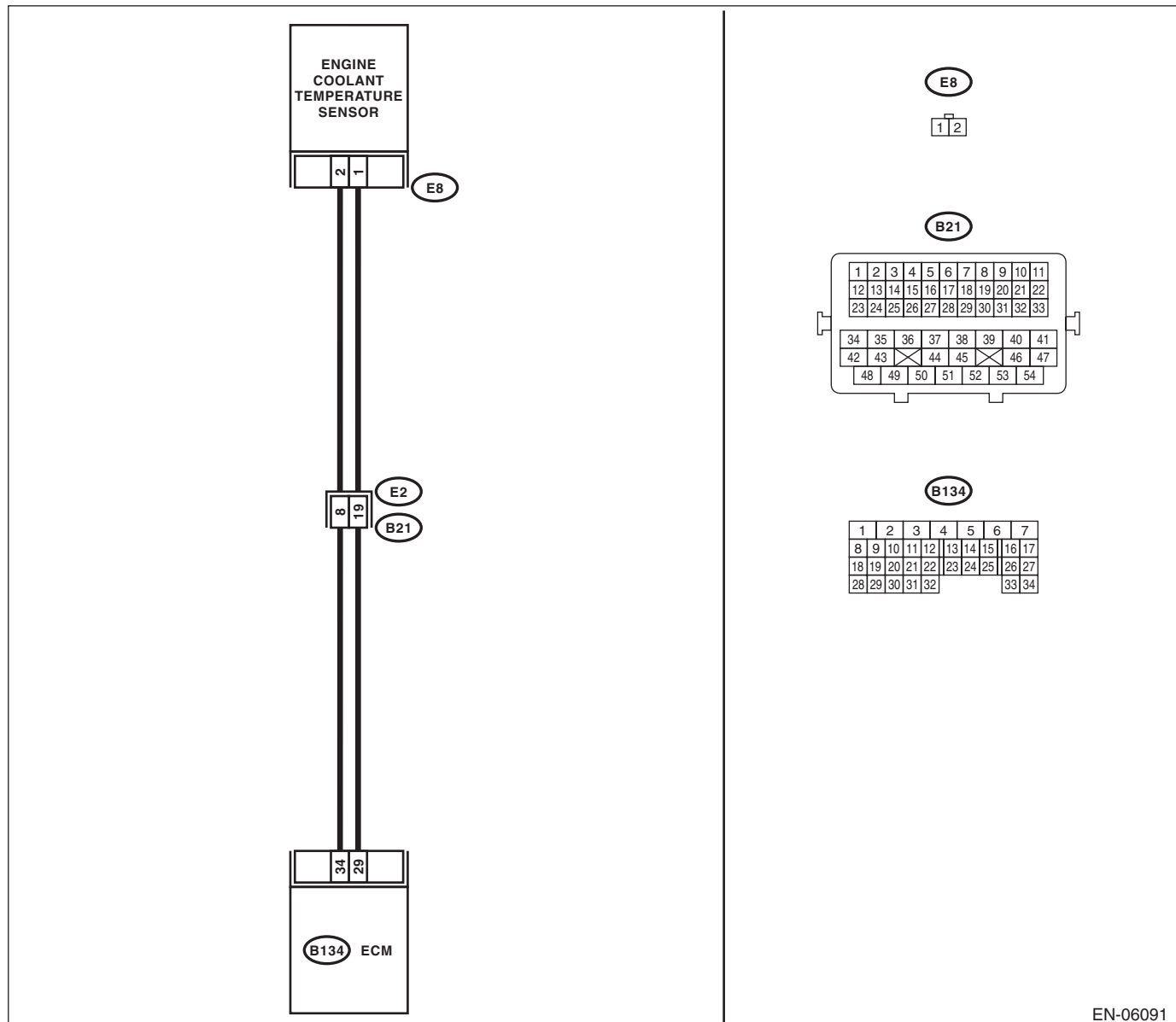
### TROUBLE SYMPTOM:

- Hard to start
- Improper idling
- Poor driving performance

### CAUTION:

After servicing or replacing faulty parts, perform Clear Memory Mode <Ref. to EN(H4SO)(diag)-55, OPERATION, Clear Memory Mode.>, and Inspection Mode <Ref. to EN(H4SO)(diag)-44, PROCEDURE, Inspection Mode.>.

### WIRING DIAGRAM:



EN-06091

# Diagnostic Procedure with Diagnostic Trouble Code (DTC)

## ENGINE (DIAGNOSTICS)

Step	Check	Yes	No
<b>1 CHECK CURRENT DATA.</b> 1) Start the engine. 2) Read the data of engine coolant temperature sensor signal using Subaru Select Monitor or general scan tool. NOTE: • Subaru Select Monitor For detailed operation procedures, refer to "READ CURRENT DATA FOR ENGINE". <Ref. to EN(H4SO)(diag)-34, Subaru Select Monitor.> • General scan tool For detailed operation procedures, refer to the general scan tool operation manual.	Is the engine coolant temperature less than $-40^{\circ}\text{C}$ ( $-40^{\circ}\text{F}$ ) ?	Go to step 2.	Even if DTC is detected, the circuit has returned to a normal condition at this time. Reproduce the failure, and then perform the diagnosis again.  NOTE: In this case, temporary poor contact of connector may be the cause.
<b>2 CHECK POOR CONTACT.</b> Check for poor contact of ECM and engine coolant temperature sensor connector.	Is there poor contact of ECM or engine coolant temperature sensor connector?	Repair the poor contact of ECM or engine coolant temperature sensor connector.	Go to step 3.
<b>3 CHECK HARNESS BETWEEN ECM AND ENGINE COOLANT TEMPERATURE SENSOR CONNECTOR.</b> 1) Turn the ignition switch to OFF. 2) Disconnect the connectors from ECM and engine coolant temperature sensor. 3) Measure the resistance of harness between ECM and engine coolant temperature sensor connector. <i>Connector &amp; terminal</i> <i>(B134) No. 34 — (E8) No. 2:</i> <i>(B134) No. 29 — (E8) No. 1:</i>	Is the resistance less than $1\ \Omega$ ?	Go to step 4.	Repair the harness and connector.  NOTE: In this case, repair the following item: • Open circuit in harness between ECM and engine coolant temperature sensor connector • Poor contact of coupling connector
<b>4 CHECK HARNESS BETWEEN ECM AND ENGINE COOLANT TEMPERATURE SENSOR CONNECTOR.</b> 1) Connect all connectors. 2) Turn the ignition switch to ON. 3) Measure the voltage between ECM and chassis ground. <i>Connector &amp; terminal</i> <i>(B134) No. 34 (+) — Chassis ground (-):</i>	Is the voltage 5 V or more?	Repair the short circuit to power in harness between ECM and engine coolant temperature sensor connector.	Replace the engine coolant temperature sensor. <Ref. to FU(H4SO)-25, Engine Coolant Temperature Sensor.>

# Diagnostic Procedure with Diagnostic Trouble Code (DTC)

ENGINE (DIAGNOSTICS)

## W: DTC P0122 THROTTLE/PEDAL POSITION SENSOR/SWITCH "A" CIRCUIT LOW

### DTC DETECTING CONDITION:

- Immediately at fault recognition
- GENERAL DESCRIPTION <Ref. to GD(H4SO)-37, DTC P0122 THROTTLE/PEDAL POSITION SENSOR/SWITCH "A" CIRCUIT LOW, Diagnostic Trouble Code (DTC) Detecting Criteria.>

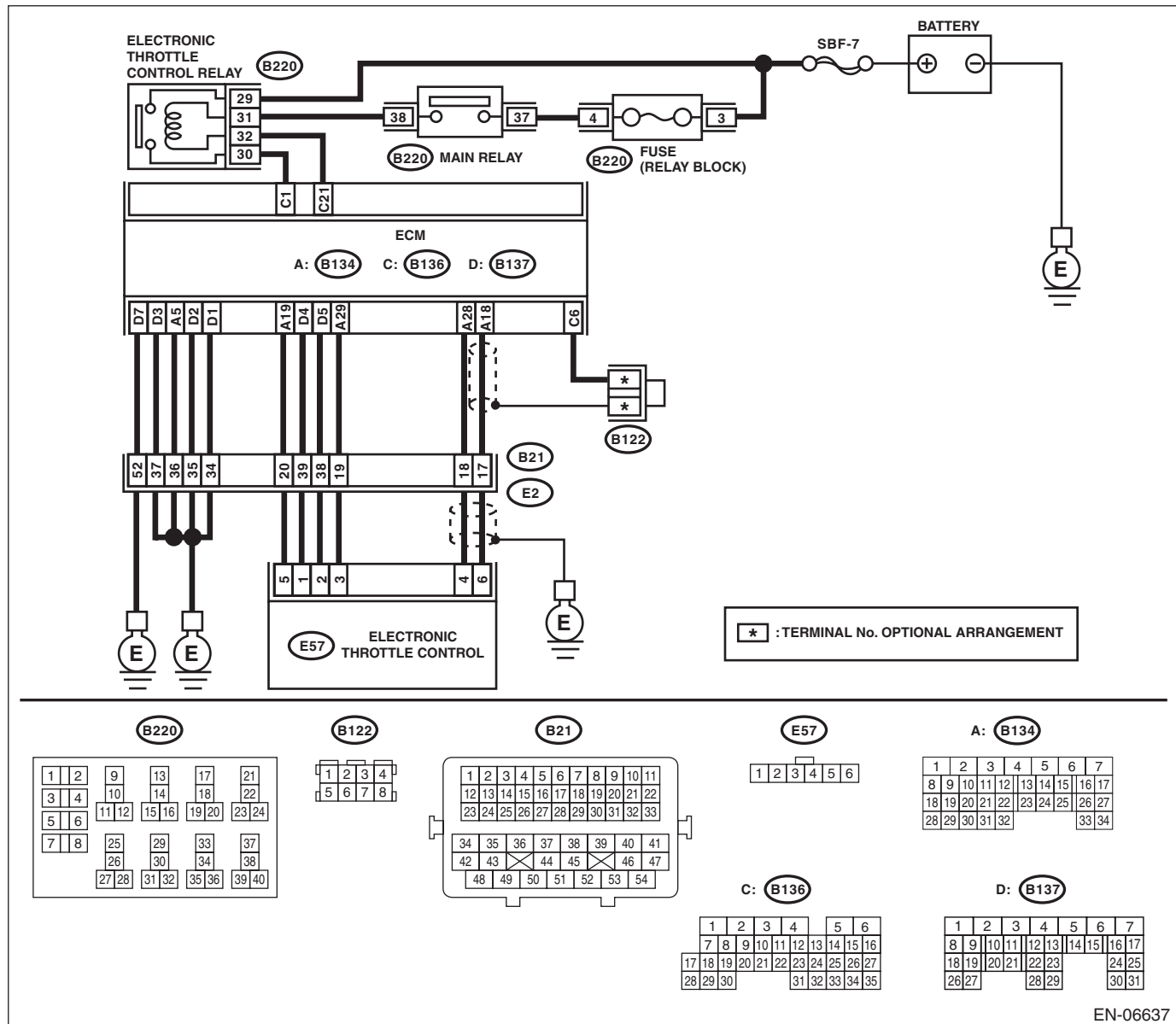
### TROUBLE SYMPTOM:

- Improper idling
- Engine stalls.
- Poor driving performance

### CAUTION:

After servicing or replacing faulty parts, perform Clear Memory Mode <Ref. to EN(H4SO)(diag)-55, OPERATION, Clear Memory Mode.>, and Inspection Mode <Ref. to EN(H4SO)(diag)-44, PROCEDURE, Inspection Mode.>.

### WIRING DIAGRAM:



EN-06637



# Diagnostic Procedure with Diagnostic Trouble Code (DTC)

ENGINE (DIAGNOSTICS)

Step	Check	Yes	No
<p><b>1</b></p> <p><b>CHECK HARNESS BETWEEN ECM AND ELECTRONIC THROTTLE CONTROL.</b></p> <p>1) Turn the ignition switch to OFF. 2) Disconnect the connectors from ECM and electronic throttle control. 3) Measure the resistance between ECM and chassis ground.</p> <p><b>Connector &amp; terminal</b> <b>(B134) No. 19 — Chassis ground:</b> <b>(B134) No. 18 — Chassis ground:</b> <b>(B134) No. 18 — (B136) No. 6:</b></p>	<p>Is the resistance 1 MΩ or more?</p>	<p>Go to step 2.</p>	<p>Repair the short circuit to ground in harness between ECM and electronic throttle control connector.</p>
<p><b>2</b></p> <p><b>CHECK SHORT CIRCUIT INSIDE THE ECM.</b></p> <p>1) Connect the connector to ECM. 2) Measure the resistance between electronic throttle control connector and engine ground.</p> <p><b>Connector &amp; terminal</b> <b>(B134) No. 18 — Engine ground:</b></p>	<p>Is the resistance 1 MΩ or more?</p>	<p>Replace the electronic throttle control. &lt;Ref. to FU(H4SO)-14, Throttle Body.&gt;</p>	<p>Repair the short circuit to ground in harness between ECM and electronic throttle control connector. Replace the ECM if defective. &lt;Ref. to FU(H4SO)-45, Engine Control Module (ECM).&gt;</p>

# Diagnostic Procedure with Diagnostic Trouble Code (DTC)

ENGINE (DIAGNOSTICS)

## X: DTC P0123 THROTTLE/PEDAL POSITION SENSOR/SWITCH "A" CIRCUIT HIGH

### DTC DETECTING CONDITION:

- Immediately at fault recognition
- GENERAL DESCRIPTION<Ref. to GD(H4SO)-38, DTC P0123 THROTTLE/PEDAL POSITION SENSOR/SWITCH "A" CIRCUIT HIGH, Diagnostic Trouble Code (DTC) Detecting Criteria.>

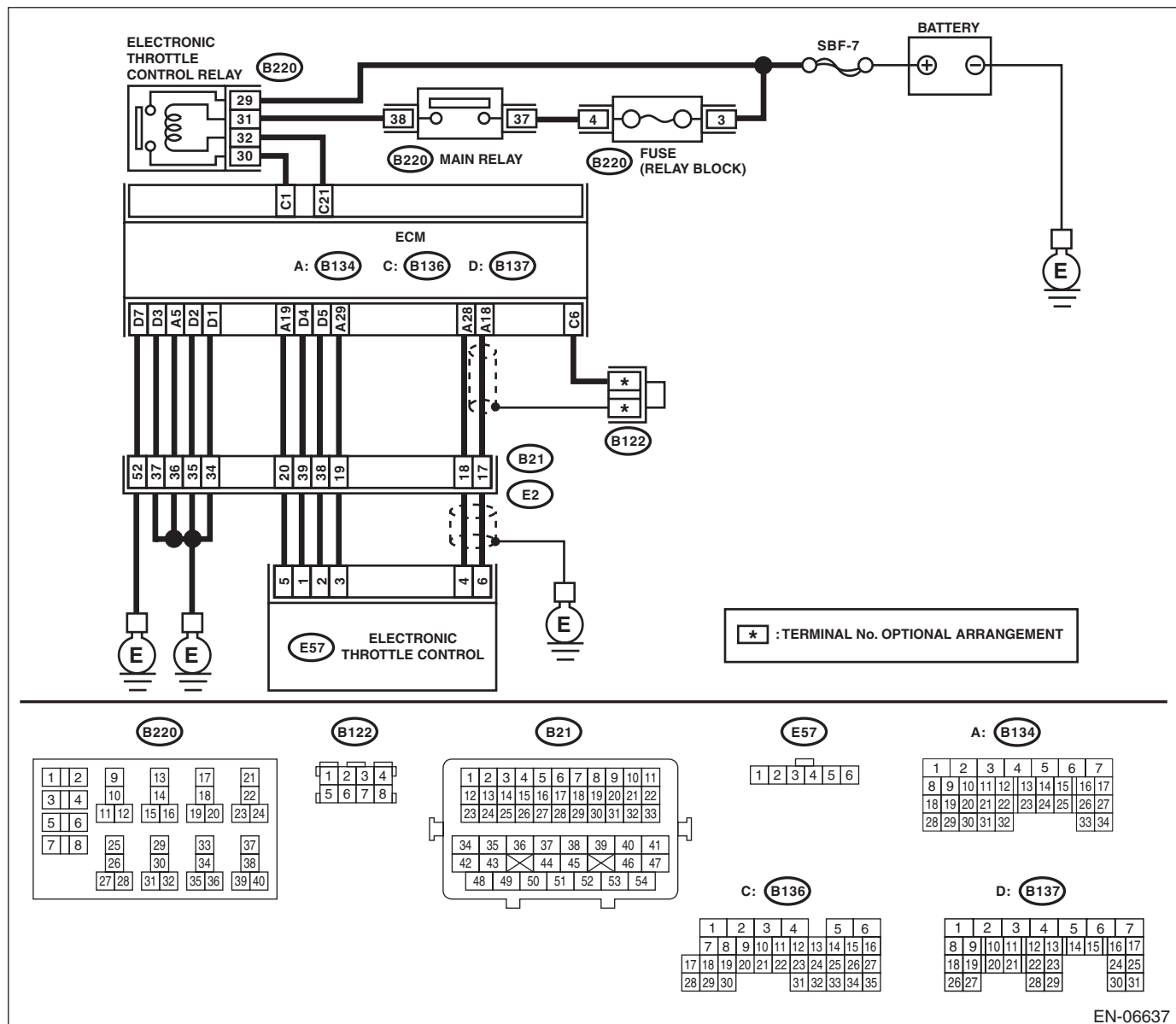
### TROUBLE SYMPTOM:

- Improper idling
- Engine stalls.
- Poor driving performance

### CAUTION:

After servicing or replacing faulty parts, perform Clear Memory Mode <Ref. to EN(H4SO)(diag)-55, OPERATION, Clear Memory Mode.>, and Inspection Mode <Ref. to EN(H4SO)(diag)-44, PROCEDURE, Inspection Mode.>.

### WIRING DIAGRAM:



EN-06637

# Diagnostic Procedure with Diagnostic Trouble Code (DTC)

## ENGINE (DIAGNOSTICS)

	Step	Check	Yes	No
1	<p><b>CHECK HARNESS BETWEEN ECM AND ELECTRONIC THROTTLE CONTROL.</b></p> <p>1) Turn the ignition switch to OFF. 2) Disconnect the connectors from ECM and electronic throttle control. 3) Measure the resistance of harness between ECM and electronic throttle control connector.</p> <p><b>Connector &amp; terminal</b> <b>(B134) No. 18 — (E57) No. 6:</b> <b>(B134) No. 29 — (E57) No. 3:</b></p>	Is the resistance less than 1 $\Omega$ ?	Go to step 2.	<p>Repair the harness and connector.</p> <p>NOTE: In this case, repair the following item:</p> <ul style="list-style-type: none"> <li>• Open circuit in harness between ECM and electronic throttle control connector</li> <li>• Poor contact of coupling connector</li> </ul>
2	<p><b>CHECK HARNESS BETWEEN ECM AND ELECTRONIC THROTTLE CONTROL.</b></p> <p>1) Connect the connector to ECM. 2) Measure the resistance between electronic throttle control connector and engine ground.</p> <p><b>Connector &amp; terminal</b> <b>(E57) No. 3 — Engine ground:</b></p>	Is the resistance less than 5 $\Omega$ ?	Go to step 3.	<p>Repair the harness and connector.</p> <p>NOTE: In this case, repair the following item:</p> <ul style="list-style-type: none"> <li>• Open circuit of harness between ECM and engine ground</li> <li>• Poor contact of ECM connector</li> <li>• Poor contact of coupling connector</li> </ul>
3	<p><b>CHECK HARNESS BETWEEN ECM AND ELECTRONIC THROTTLE CONTROL.</b></p> <p>1) Turn the ignition switch to ON. 2) Measure the voltage between electronic throttle control connector and engine ground.</p> <p><b>Connector &amp; terminal</b> <b>(E57) No. 6 (+) — Engine ground (-):</b></p>	Is the voltage 4.85 V or more?	Repair the short circuit to power in harness between ECM and electronic throttle control connector.	Go to step 4.
4	<p><b>CHECK HARNESS BETWEEN ECM AND ELECTRONIC THROTTLE CONTROL.</b></p> <p>1) Turn the ignition switch to OFF. 2) Disconnect the connectors from ECM. 3) Measure the resistance between ECM connectors.</p> <p><b>Connector &amp; terminal</b> <b>(B134) No. 19 — (B134) No. 18:</b></p>	Is the resistance 1 M $\Omega$ or more?	<p>Repair the poor contact of electronic throttle control connector. Replace the electronic throttle control if defective. &lt;Ref. to FU(H4SO)-14, Throttle Body.&gt;</p>	Repair the short circuit to power in harness between ECM and electronic throttle control connector.

# Diagnostic Procedure with Diagnostic Trouble Code (DTC)

ENGINE (DIAGNOSTICS)

## Y: DTC P0125 INSUFFICIENT COOLANT TEMPERATURE FOR CLOSED LOOP FUEL CONTROL

### DTC DETECTING CONDITION:

- Detected when two consecutive driving cycles with fault occur.
- GENERAL DESCRIPTION <Ref. to GD(H4SO)-39, DTC P0125 INSUFFICIENT COOLANT TEMPERATURE FOR CLOSED LOOP FUEL CONTROL, Diagnostic Trouble Code (DTC) Detecting Criteria.>

### TROUBLE SYMPTOM:

Engine does not return to idle.

### CAUTION:

After servicing or replacing faulty parts, perform Clear Memory Mode <Ref. to EN(H4SO)(diag)-55, OPERATION, Clear Memory Mode.>, and Inspection Mode <Ref. to EN(H4SO)(diag)-44, PROCEDURE, Inspection Mode.>.

	Step	Check	Yes	No
1	<b>CHECK TIRE SIZE.</b>	Is the tire size as specified and the same size as three other wheels?	Go to step 2.	Replace the tire.
2	<b>CHECK ENGINE COOLANT.</b> Check the following items: <ul style="list-style-type: none"><li>• Amount of engine coolant</li><li>• Engine coolant freeze</li><li>• Contamination of engine coolant</li></ul>	Is the engine coolant normal?	Go to step 3.	Fill or replace the engine coolant. <Ref. to CO(H4SO)-13, REPLACEMENT, Engine Coolant.>
3	<b>CHECK THERMOSTAT.</b>	Does the thermostat remain opened?	Replace the thermostat. <Ref. to CO(H4SO)-17, Thermostat.>	Replace the engine coolant temperature sensor. <Ref. to FU(H4SO)-25, Engine Coolant Temperature Sensor.>

# Diagnostic Procedure with Diagnostic Trouble Code (DTC)

ENGINE (DIAGNOSTICS)

## Z: DTC P0126 INSUFFICIENT ENGINE COOLANT TEMPERATURE FOR STABLE OPERATION

### DTC DETECTING CONDITION:

- Detected when two consecutive driving cycles with fault occur.
- GENERAL DESCRIPTION <Ref. to GD(H4SO)-41, DTC P0126 INSUFFICIENT ENGINE COOLANT TEMPERATURE FOR STABLE OPERATION, Diagnostic Trouble Code (DTC) Detecting Criteria.>

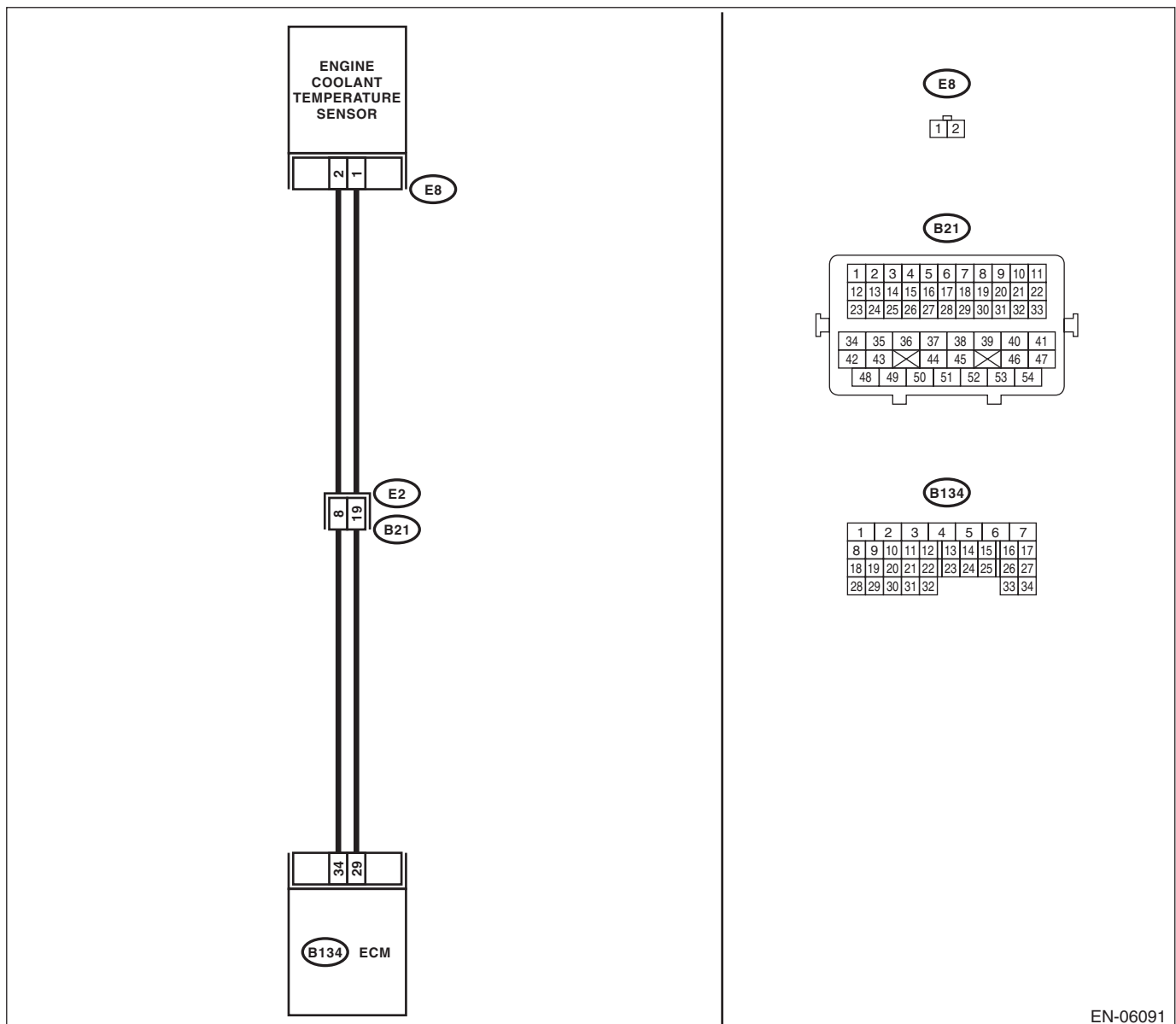
### TROUBLE SYMPTOM:

- Hard to start
- Improper idling
- Poor driving performance

### CAUTION:

After repair or replacement of faulty parts, perform Clear Memory Mode <Ref. to EN(H4SO)(diag)-55, OPERATION, Clear Memory Mode.> and Inspection Mode <Ref. to EN(H4SO)(diag)-44, PROCEDURE, Inspection Mode.>.

### WIRING DIAGRAM:



EN-06091

# Diagnostic Procedure with Diagnostic Trouble Code (DTC)

ENGINE (DIAGNOSTICS)

	<b>Step</b>	<b>Check</b>	<b>Yes</b>	<b>No</b>
1	<b>CHECK ENGINE COOLANT TEMPERATURE SENSOR.</b> Measure the resistance between engine coolant temperature sensor terminals when the engine coolant is cold and after warmed-up. <b>Terminals</b> <b>No. 1 — No. 2:</b>	Is the resistance of engine coolant temperature sensor different between when engine coolant is cold and after warmed-up?	Repair the poor contact of the ECM connector.	Replace the engine coolant temperature sensor. <Ref. to FU(H4SO)-25, Engine Coolant Temperature Sensor.>

# Diagnostic Procedure with Diagnostic Trouble Code (DTC)

ENGINE (DIAGNOSTICS)

## AA:DTC P0128 COOLANT THERMOSTAT (ENGINE COOLANT TEMPERATURE BELOW THERMOSTAT REGULATING TEMPERATURE)

### DTC DETECTING CONDITION:

- Detected when two consecutive driving cycles with fault occur.
- GENERAL DESCRIPTION<Ref. to GD(H4SO)-43, DTC P0128 COOLANT THERMOSTAT (ENGINE COOLANT TEMPERATURE BELOW THERMOSTAT REGULATING TEMPERATURE), Diagnostic Trouble Code (DTC) Detecting Criteria.>

### TROUBLE SYMPTOM:

Thermostat remains open.

### CAUTION:

After servicing or replacing faulty parts, perform Clear Memory Mode <Ref. to EN(H4SO)(diag)-55, OPERATION, Clear Memory Mode.>, and Inspection Mode <Ref. to EN(H4SO)(diag)-44, PROCEDURE, Inspection Mode.>.

	Step	Check	Yes	No
1	<b>CHECK ENGINE COOLANT.</b>	Are the coolant level and mixture ratio of engine coolant to anti-freeze solution correct?	Go to step 2.	Replace the engine coolant. <Ref. to CO(H4SO)-13, REPLACEMENT, Engine Coolant.>
2	<b>CHECK RADIATOR FAN.</b> 1) Start the engine. 2) Check the radiator fan operation.	Does the radiator fan continuously rotate for 3 minutes or more during idling?	Repair radiator fan circuit. <Ref. to CO(H4SO)-23, Radiator Main Fan and Fan Motor.> and <Ref. to CO(H4SO)-25, Radiator Sub Fan and Fan Motor.>	Replace the thermostat. <Ref. to CO(H4SO)-17, Thermostat.>

# Diagnostic Procedure with Diagnostic Trouble Code (DTC)

ENGINE (DIAGNOSTICS)

## AB:DTC P0131 O2 SENSOR CIRCUIT LOW VOLTAGE (BANK 1 SENSOR 1)

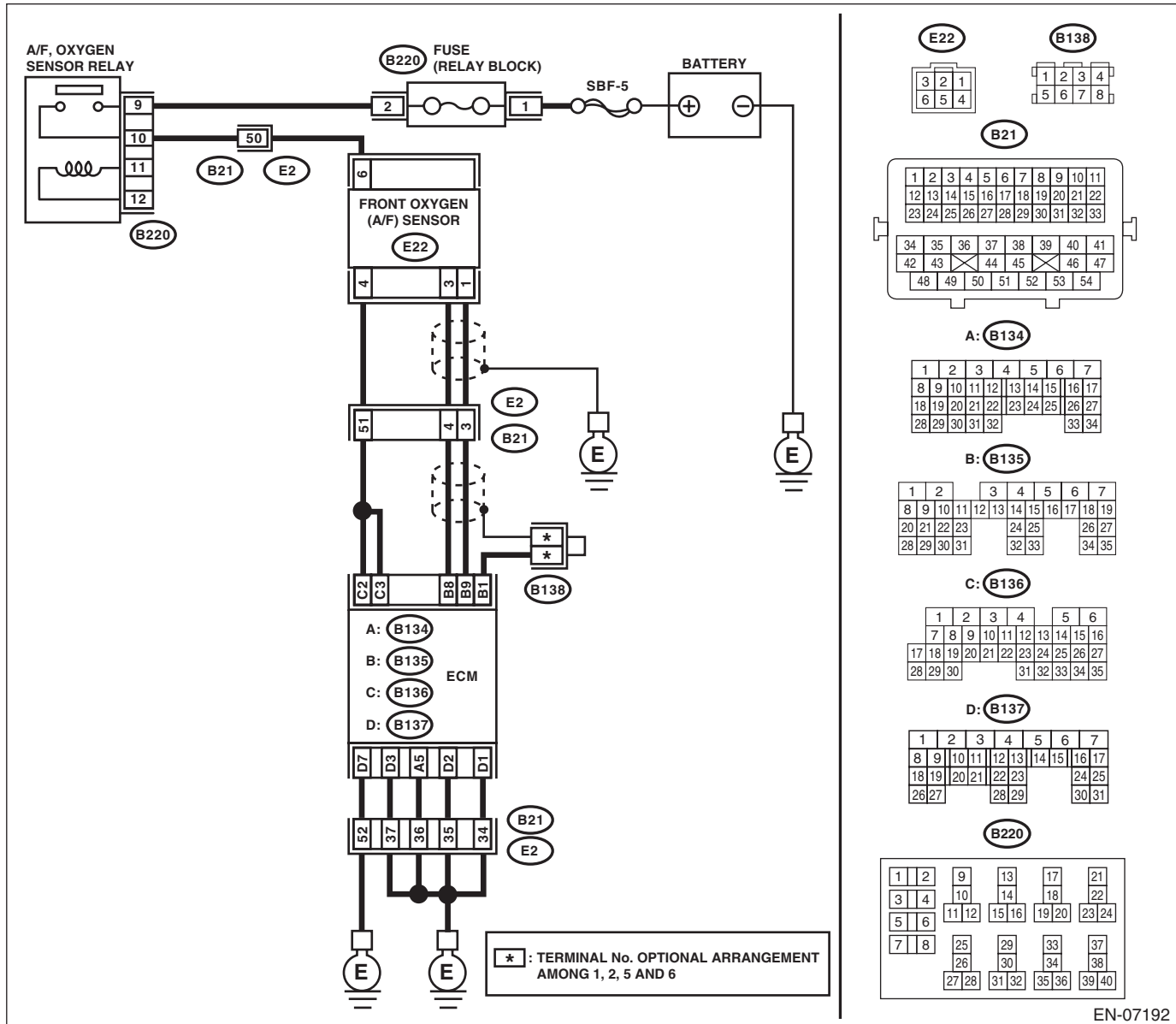
### DTC DETECTING CONDITION:

- Immediately at fault recognition
- GENERAL DESCRIPTION<Ref. to GD(H4SO)-45, DTC P0131 O2 SENSOR CIRCUIT LOW VOLTAGE (BANK 1 SENSOR 1), Diagnostic Trouble Code (DTC) Detecting Criteria.>

### CAUTION:

After servicing or replacing faulty parts, perform Clear Memory Mode <Ref. to EN(H4SO)(diag)-55, OPERATION, Clear Memory Mode.>, and Inspection Mode <Ref. to EN(H4SO)(diag)-44, PROCEDURE, Inspection Mode.>.

### WIRING DIAGRAM:



EN-07192



# Diagnostic Procedure with Diagnostic Trouble Code (DTC)

ENGINE (DIAGNOSTICS)

Step	Check	Yes	No
<b>1</b> <b>CHECK FRONT OXYGEN (A/F) SENSOR CONNECTOR AND COUPLING CONNECTOR.</b>	Has water entered the connector?	Completely remove any water inside.	Go to step 2.
<b>2</b> <b>CHECK HARNESS BETWEEN ECM AND FRONT OXYGEN (A/F) SENSOR CONNECTOR.</b> 1) Turn the ignition switch to OFF. 2) Disconnect the connector from ECM and front oxygen (A/F) sensor connector. 3) Measure the resistance between ECM and chassis ground. <b>Connector &amp; terminal</b> <b>(B135) No. 9 — Chassis ground:</b> <b>(B135) No. 8 — Chassis ground:</b>	Is the resistance 1 MΩ or more?	Go to step 3.	Repair the ground short circuit of harness between ECM and front oxygen (A/F) sensor connector.
<b>3</b> <b>CHECK POOR CONTACT.</b> Check for poor contact of the front oxygen (A/F) sensor connector.	Is there poor contact of front oxygen (A/F) sensor connector?	Repair the poor contact of front oxygen (A/F) sensor connector.	Replace the front oxygen (A/F) sensor. <Ref. to FU(H4SO)-41, Front Oxygen (A/F) Sensor.>

# Diagnostic Procedure with Diagnostic Trouble Code (DTC)

ENGINE (DIAGNOSTICS)

## AC:DTC P0132 O2 SENSOR CIRCUIT HIGH VOLTAGE (BANK 1 SENSOR 1)

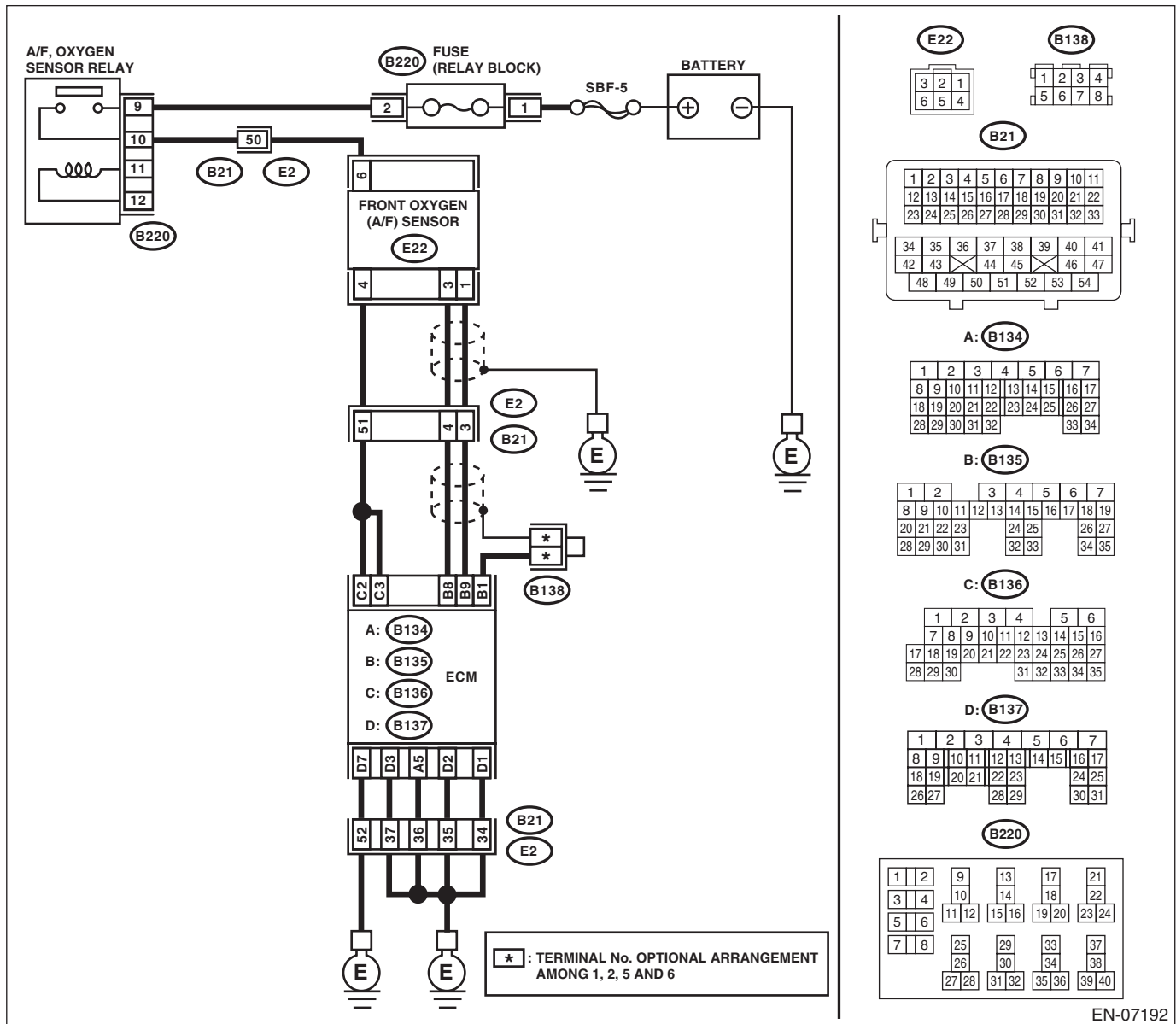
### DTC DETECTING CONDITION:

- Immediately at fault recognition
- GENERAL DESCRIPTION<Ref. to GD(H4SO)-47, DTC P0132 O2 SENSOR CIRCUIT HIGH VOLTAGE (BANK 1 SENSOR 1), Diagnostic Trouble Code (DTC) Detecting Criteria.>

### CAUTION:

After servicing or replacing faulty parts, perform Clear Memory Mode <Ref. to EN(H4SO)(diag)-55, OPERATION, Clear Memory Mode.>, and Inspection Mode <Ref. to EN(H4SO)(diag)-44, PROCEDURE, Inspection Mode.>.

### WIRING DIAGRAM:



EN-07192

## Diagnostic Procedure with Diagnostic Trouble Code (DTC)

ENGINE (DIAGNOSTICS)

Step	Check	Yes	No
<b>1</b> <b>CHECK FRONT OXYGEN (A/F) SENSOR CONNECTOR AND COUPLING CONNECTOR.</b>	Has water entered the connector?	Completely remove any water inside.	Go to step 2.
<b>2</b> <b>CHECK HARNESS BETWEEN ECM AND FRONT OXYGEN (A/F) SENSOR CONNECTOR.</b> 1) Turn the ignition switch to OFF. 2) Disconnect the connectors from front oxygen (A/F) sensor. 3) Turn the ignition switch to ON. 4) Measure the voltage between ECM and chassis ground. <b>Connector &amp; terminal</b> <b>(B135) No. 9 (+) — Chassis ground (-):</b> <b>(B135) No. 8 (+) — Chassis ground (-):</b>	Is the voltage 8 V or more?	Repair the short circuit to power in the harness between ECM and front oxygen (A/F) sensor connector.	Replace the front oxygen (A/F) sensor. <Ref. to FU(H4SO)-41, Front Oxygen (A/F) Sensor.>

# Diagnostic Procedure with Diagnostic Trouble Code (DTC)

ENGINE (DIAGNOSTICS)

## AD:DTC P0133 O2 SENSOR CIRCUIT SLOW RESPONSE (BANK 1 SENSOR 1)

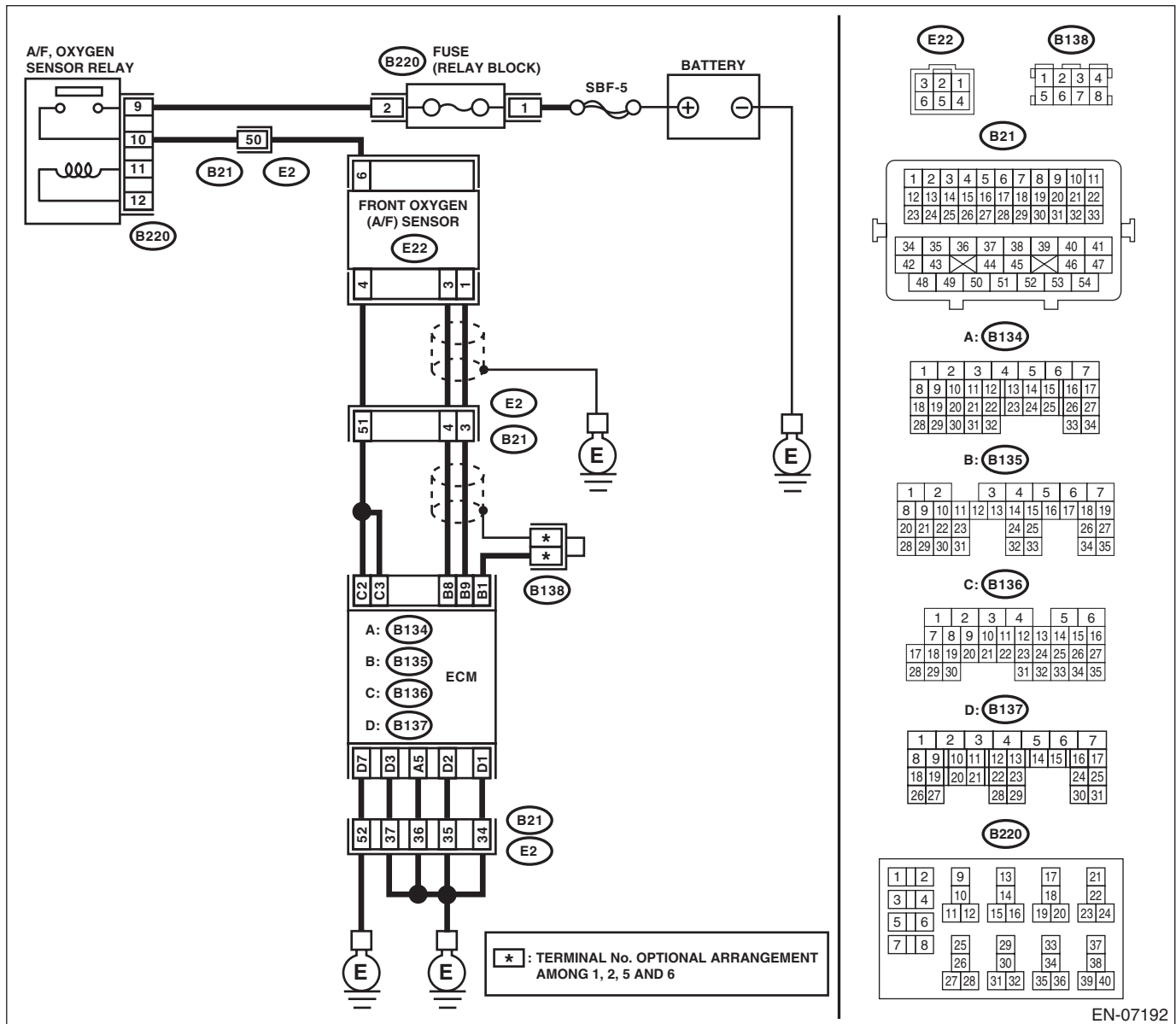
### DTC DETECTING CONDITION:

- Detected when two consecutive driving cycles with fault occur.
- GENERAL DESCRIPTION<Ref. to GD(H4SO)-49, DTC P0133 O2 SENSOR CIRCUIT SLOW RESPONSE (BANK 1 SENSOR 1), Diagnostic Trouble Code (DTC) Detecting Criteria.>

### CAUTION:

After servicing or replacing faulty parts, perform Clear Memory Mode <Ref. to EN(H4SO)(diag)-55, OPERATION, Clear Memory Mode.>, and Inspection Mode <Ref. to EN(H4SO)(diag)-44, PROCEDURE, Inspection Mode.>.

### WIRING DIAGRAM:



EN-07192

# Diagnostic Procedure with Diagnostic Trouble Code (DTC)

## ENGINE (DIAGNOSTICS)

Step	Check	Yes	No
<b>1</b> <b>CHECK EXHAUST SYSTEM.</b> NOTE: Check the following items. <ul style="list-style-type: none"><li>• Loose installation of front portion of exhaust pipe onto cylinder heads</li><li>• Loose connection between front exhaust pipe and front catalytic converter</li><li>• Damage of exhaust pipe resulting in a hole</li></ul>	Is there any fault in exhaust system?	Repair the exhaust system.	Replace the front oxygen (A/F) sensor. <Ref. to FU(H4SO)-41, Front Oxygen (A/F) Sensor.>

## AE:DTC P0134 O2 SENSOR CIRCUIT NO ACTIVITY DETECTED (BANK 1 SENSOR 1)

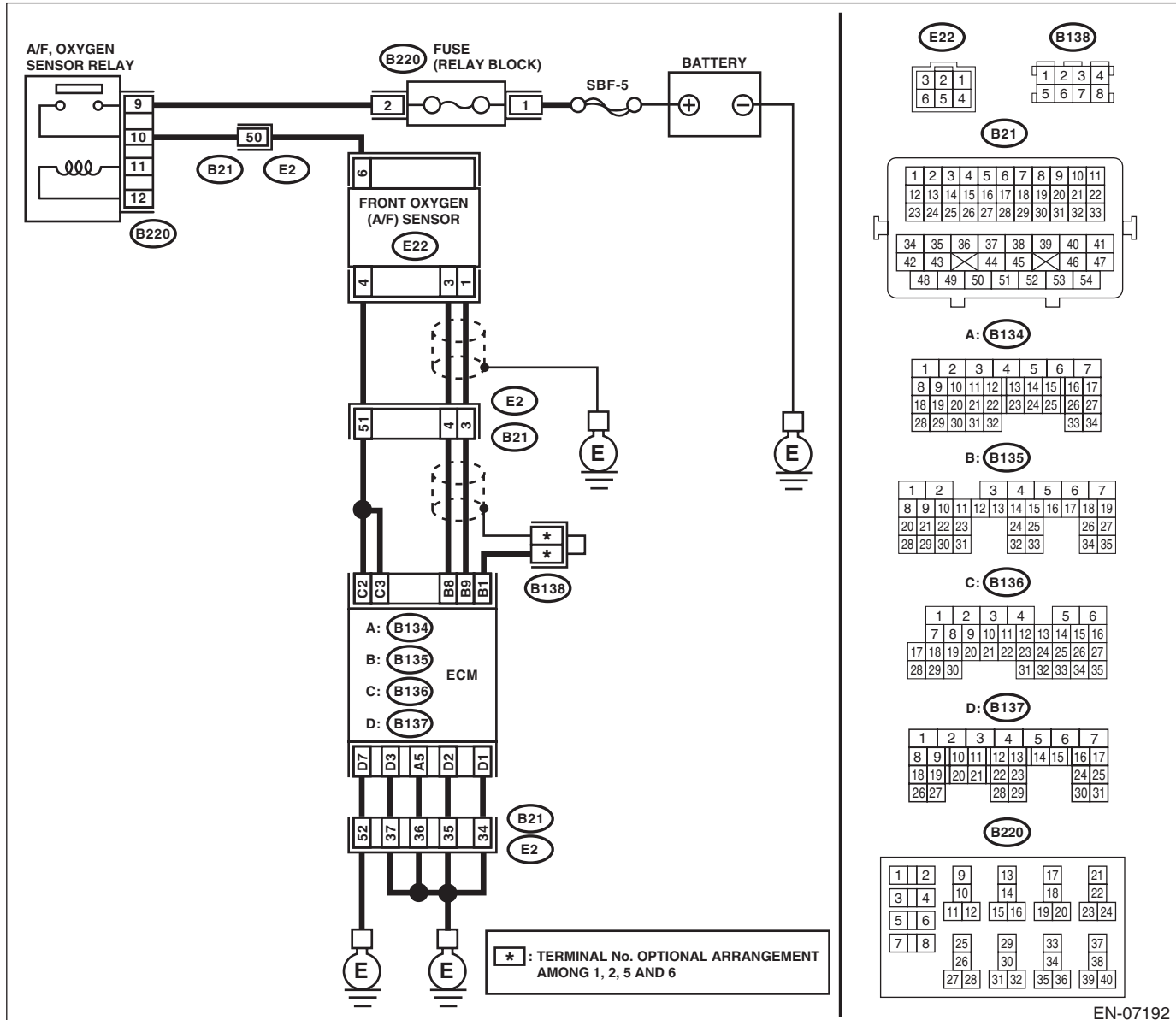
### DTC DETECTING CONDITION:

- Immediately at fault recognition
- GENERAL DESCRIPTION<Ref. to GD(H4SO)-52, DTC P0134 O2 SENSOR CIRCUIT NO ACTIVITY DETECTED (BANK 1 SENSOR 1), Diagnostic Trouble Code (DTC) Detecting Criteria.>

### CAUTION:

After servicing or replacing faulty parts, perform Clear Memory Mode <Ref. to EN(H4SO)(diag)-55, OPERATION, Clear Memory Mode.>, and Inspection Mode <Ref. to EN(H4SO)(diag)-44, PROCEDURE, Inspection Mode.>.

### WIRING DIAGRAM:



EN-07192

## Diagnostic Procedure with Diagnostic Trouble Code (DTC)

ENGINE (DIAGNOSTICS)

Step	Check	Yes	No
<b>1 CHECK HARNESS BETWEEN ECM AND FRONT OXYGEN (A/F) SENSOR CONNECTOR.</b> 1) Turn the ignition switch to OFF. 2) Disconnect the connectors from ECM and front oxygen (A/F) sensor connector. 3) Measure the resistance of harness between ECM and front oxygen (A/F) sensor connector. <b>Connector &amp; terminal</b> <b>(B135) No. 9 — (E22) No. 1:</b> <b>(B135) No. 8 — (E22) No. 3:</b>	Is the resistance less than 1 Ω?	Go to step 2.	Repair the harness and connector.  NOTE: In this case, repair the following item: • Open circuit in harness between ECM and front oxygen (A/F) sensor connector • Poor contact of coupling connector
<b>2 CHECK POOR CONTACT.</b> Check for poor contact of ECM and front oxygen (A/F) sensor connector.	Is there poor contact of ECM or front oxygen (A/F) sensor connector?	Repair the poor contact of ECM or front oxygen (A/F) sensor connector.	Replace the front oxygen (A/F) sensor. <Ref. to FU(H4SO)-41, Front Oxygen (A/F) Sensor.>

# Diagnostic Procedure with Diagnostic Trouble Code (DTC)

ENGINE (DIAGNOSTICS)

## AF:DTC P0137 O2 SENSOR CIRCUIT LOW VOLTAGE (BANK 1 SENSOR 2)

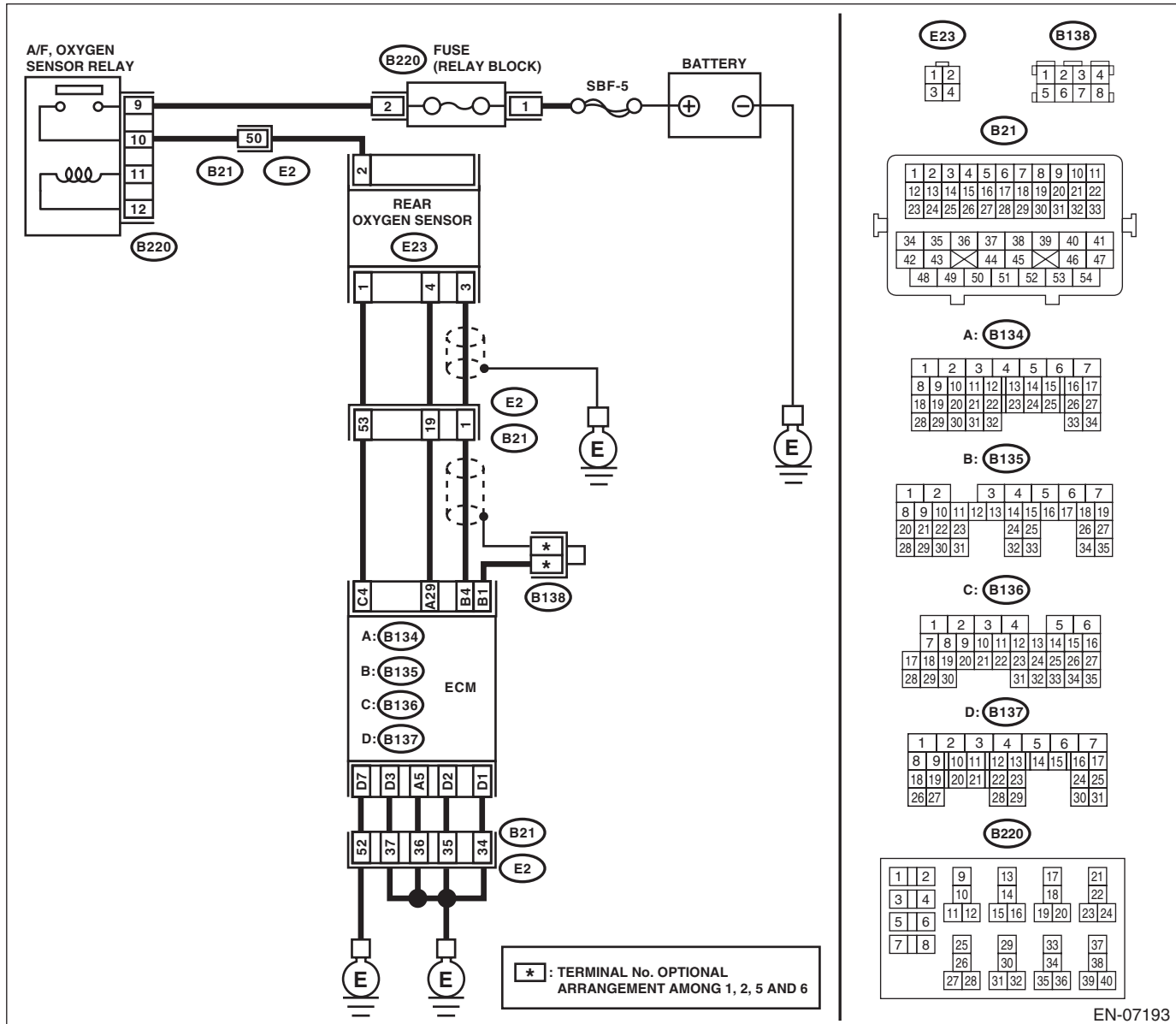
### DTC DETECTING CONDITION:

- Detected when two consecutive driving cycles with fault occur.
- GENERAL DESCRIPTION<Ref. to GD(H4SO)-54, DTC P0137 O2 SENSOR CIRCUIT LOW VOLTAGE (BANK 1 SENSOR 2), Diagnostic Trouble Code (DTC) Detecting Criteria.>

### CAUTION:

After servicing or replacing faulty parts, perform Clear Memory Mode <Ref. to EN(H4SO)(diag)-55, OPERATION, Clear Memory Mode.>, and Inspection Mode <Ref. to EN(H4SO)(diag)-44, PROCEDURE, Inspection Mode.>.

### WIRING DIAGRAM:



EN-07193



# Diagnostic Procedure with Diagnostic Trouble Code (DTC)

## ENGINE (DIAGNOSTICS)

Step	Check	Yes	No
<b>1 CHECK REAR OXYGEN SENSOR DATA.</b> 1) Warm up the engine until engine coolant temperature is higher than 75°C (167°F), and keep the engine speed at 3,000 rpm. (2 minutes maximum) 2) Read the data of rear oxygen sensor signal using Subaru Select Monitor or general scan tool. NOTE: • Subaru Select Monitor For detailed operation procedures, refer to "READ CURRENT DATA FOR ENGINE". <Ref. to EN(H4SO)(diag)-34, Subaru Select Monitor.> • General scan tool For detailed operation procedures, refer to the general scan tool operation manual.	Is the voltage 490 mV or more?	Go to step 5.	Go to step 2.
<b>2 CHECK REAR OXYGEN SENSOR CONNECTOR AND COUPLING CONNECTOR.</b>	Has water entered the connector?	Completely remove any water inside.	Go to step 3.
<b>3 CHECK HARNESS BETWEEN ECM AND REAR OXYGEN SENSOR CONNECTOR.</b> 1) Turn the ignition switch to OFF. 2) Disconnect the connector from ECM and rear oxygen sensor. 3) Measure the resistance of harness between ECM and rear oxygen sensor connector. <b>Connector &amp; terminal</b> <b>(B135) No. 4 — (E23) No. 3:</b> <b>(B134) No. 29 — (E23) No. 4:</b>	Is the resistance less than 1 Ω?	Go to step 4.	Repair the harness and connector. NOTE: In this case, repair the following item: • Open circuit in harness between ECM and rear oxygen sensor connector • Poor contact of coupling connector
<b>4 CHECK HARNESS BETWEEN ECM AND REAR OXYGEN SENSOR.</b> 1) Turn the ignition switch to OFF. 2) Disconnect the connector from rear oxygen sensor. 3) Turn the ignition switch to ON. 4) Measure the voltage between rear oxygen sensor connector and chassis ground. <b>Connector &amp; terminal</b> <b>(E23) No. 3 (+) — Chassis ground (-):</b>	Is the voltage 0.2 — 0.5 V?	Replace the rear oxygen sensor. <Ref. to FU(H4SO)-43, Rear Oxygen Sensor.>	Repair the harness and connector. NOTE: In this case, repair the following item: • Open circuit in harness between ECM and rear oxygen sensor connector • Poor contact of rear oxygen sensor connector • Poor contact of ECM connector
<b>5 CHECK EXHAUST SYSTEM.</b> Check exhaust system parts. NOTE: Check the following items. • Looseness and improper fitting of exhaust system parts • Damage (crack, hole etc.) of parts • Loose part and improper installation between front oxygen (A/F) sensor and rear oxygen sensor	Is there any fault in exhaust system?	Repair or replace faulty parts.	Replace the rear oxygen sensor. <Ref. to FU(H4SO)-43, Rear Oxygen Sensor.>

# Diagnostic Procedure with Diagnostic Trouble Code (DTC)

ENGINE (DIAGNOSTICS)

## AG:DTC P0138 O2 SENSOR CIRCUIT HIGH VOLTAGE (BANK 1 SENSOR 2)

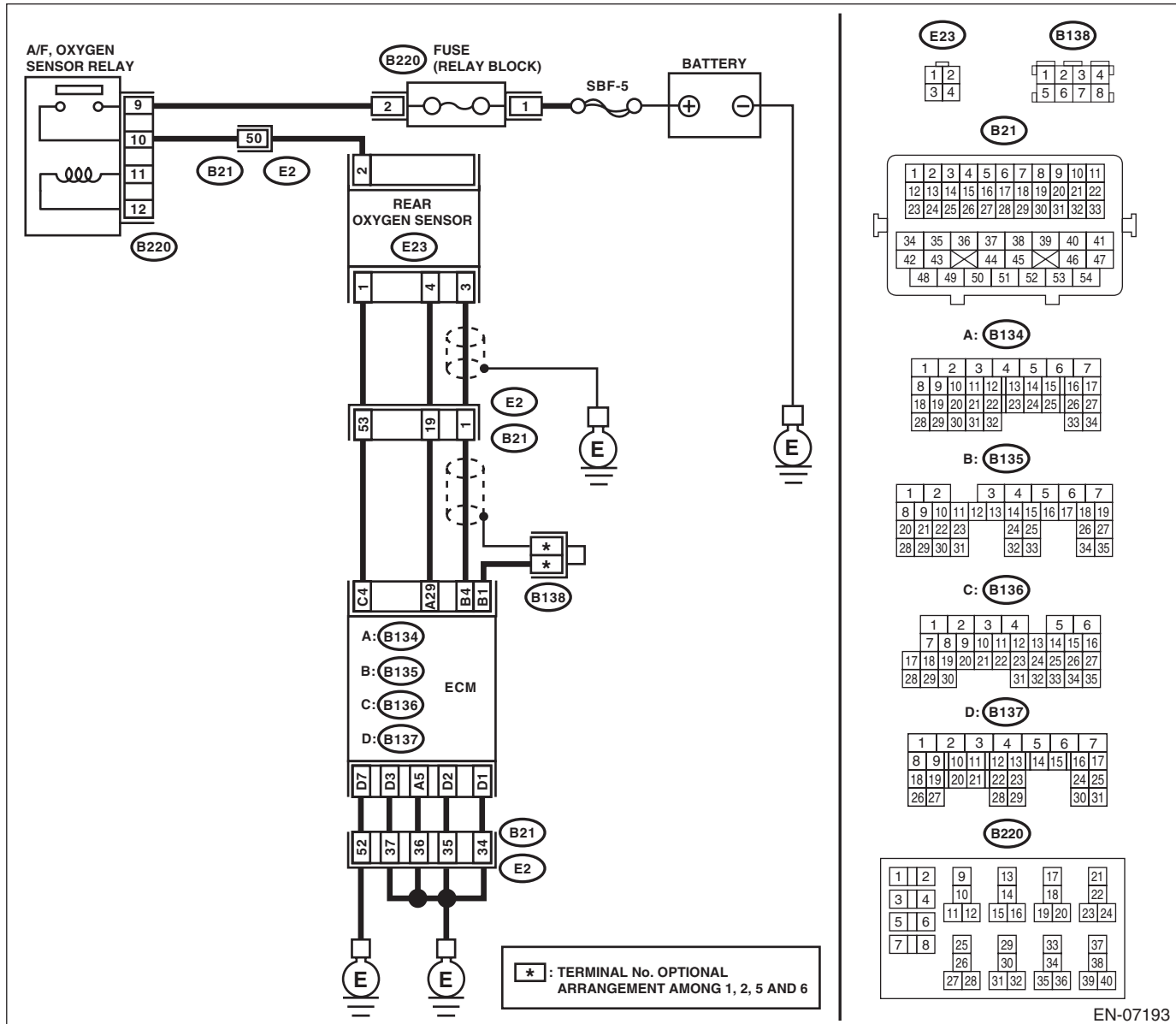
### DTC DETECTING CONDITION:

- Detected when two consecutive driving cycles with fault occur.
- GENERAL DESCRIPTION<Ref. to GD(H4SO)-56, DTC P0138 O2 SENSOR CIRCUIT HIGH VOLTAGE (BANK 1 SENSOR 2), Diagnostic Trouble Code (DTC) Detecting Criteria.>

### CAUTION:

After servicing or replacing faulty parts, perform Clear Memory Mode <Ref. to EN(H4SO)(diag)-55, OPERATION, Clear Memory Mode.>, and Inspection Mode <Ref. to EN(H4SO)(diag)-44, PROCEDURE, Inspection Mode.>.

### WIRING DIAGRAM:



EN-07193

# Diagnostic Procedure with Diagnostic Trouble Code (DTC)

## ENGINE (DIAGNOSTICS)

Step	Check	Yes	No
<b>1 CHECK REAR OXYGEN SENSOR DATA.</b> 1) Warm up the engine until engine coolant temperature is higher than 75°C (167°F), and rapidly reduce the engine speed from 3,000 rpm. 2) Read the data of rear oxygen sensor signal using Subaru Select Monitor or general scan tool. <b>NOTE:</b> <ul style="list-style-type: none"> <li>• Subaru Select Monitor</li> </ul> For detailed operation procedures, refer to "READ CURRENT DATA FOR ENGINE". <Ref. to EN(H4SO)(diag)-34, Subaru Select Monitor.> <ul style="list-style-type: none"> <li>• General scan tool</li> </ul> For detailed operation procedures, refer to the general scan tool operation manual.	Is the voltage 250 mV or less?	Go to step 5.	Go to step 2.
<b>2 CHECK REAR OXYGEN SENSOR CONNECTOR AND COUPLING CONNECTOR.</b>	Has water entered the connector?	Completely remove any water inside.	Go to step 3.
<b>3 CHECK HARNESS BETWEEN ECM AND REAR OXYGEN SENSOR CONNECTOR.</b> 1) Turn the ignition switch to OFF. 2) Disconnect the connector from ECM and rear oxygen sensor. 3) Measure the resistance of harness between ECM and rear oxygen sensor connector. <b>Connector &amp; terminal</b> <b>(B135) No. 4 — (E23) No. 3:</b> <b>(B134) No. 29 — (E23) No. 4:</b>	Is the resistance less than 1 Ω?	Go to step 4.	Repair the harness and connector. <b>NOTE:</b> In this case, repair the following item: <ul style="list-style-type: none"> <li>• Open circuit in harness between ECM and rear oxygen sensor connector</li> <li>• Poor contact of coupling connector</li> </ul>
<b>4 CHECK HARNESS BETWEEN ECM AND REAR OXYGEN SENSOR.</b> 1) Turn the ignition switch to OFF. 2) Disconnect the connector from rear oxygen sensor. 3) Turn the ignition switch to ON. 4) Measure the voltage between rear oxygen sensor connector and chassis ground. <b>Connector &amp; terminal</b> <b>(E23) No. 3 (+) — Chassis ground (-):</b>	Is the voltage 0.2 — 0.5 V?	Replace the rear oxygen sensor. <Ref. to FU(H4SO)-43, Rear Oxygen Sensor.>	Repair the harness and connector. <b>NOTE:</b> In this case, repair the following item: <ul style="list-style-type: none"> <li>• Open circuit in harness between ECM and rear oxygen sensor connector</li> <li>• Poor contact of rear oxygen sensor connector</li> <li>• Poor contact of ECM connector</li> </ul>
<b>5 CHECK EXHAUST SYSTEM.</b> Check exhaust system parts. <b>NOTE:</b> Check the following items. <ul style="list-style-type: none"> <li>• Looseness and improper fitting of exhaust system parts</li> <li>• Damage (crack, hole etc.) of parts</li> <li>• Loose part and improper installation between front oxygen (A/F) sensor and rear oxygen sensor</li> </ul>	Is there any fault in exhaust system?	Repair or replace faulty parts.	Replace the rear oxygen sensor. <Ref. to FU(H4SO)-43, Rear Oxygen Sensor.>

# Diagnostic Procedure with Diagnostic Trouble Code (DTC)

ENGINE (DIAGNOSTICS)

## AH:DTC P0139 O2 SENSOR CIRCUIT SLOW RESPONSE (BANK 1 SENSOR 2)

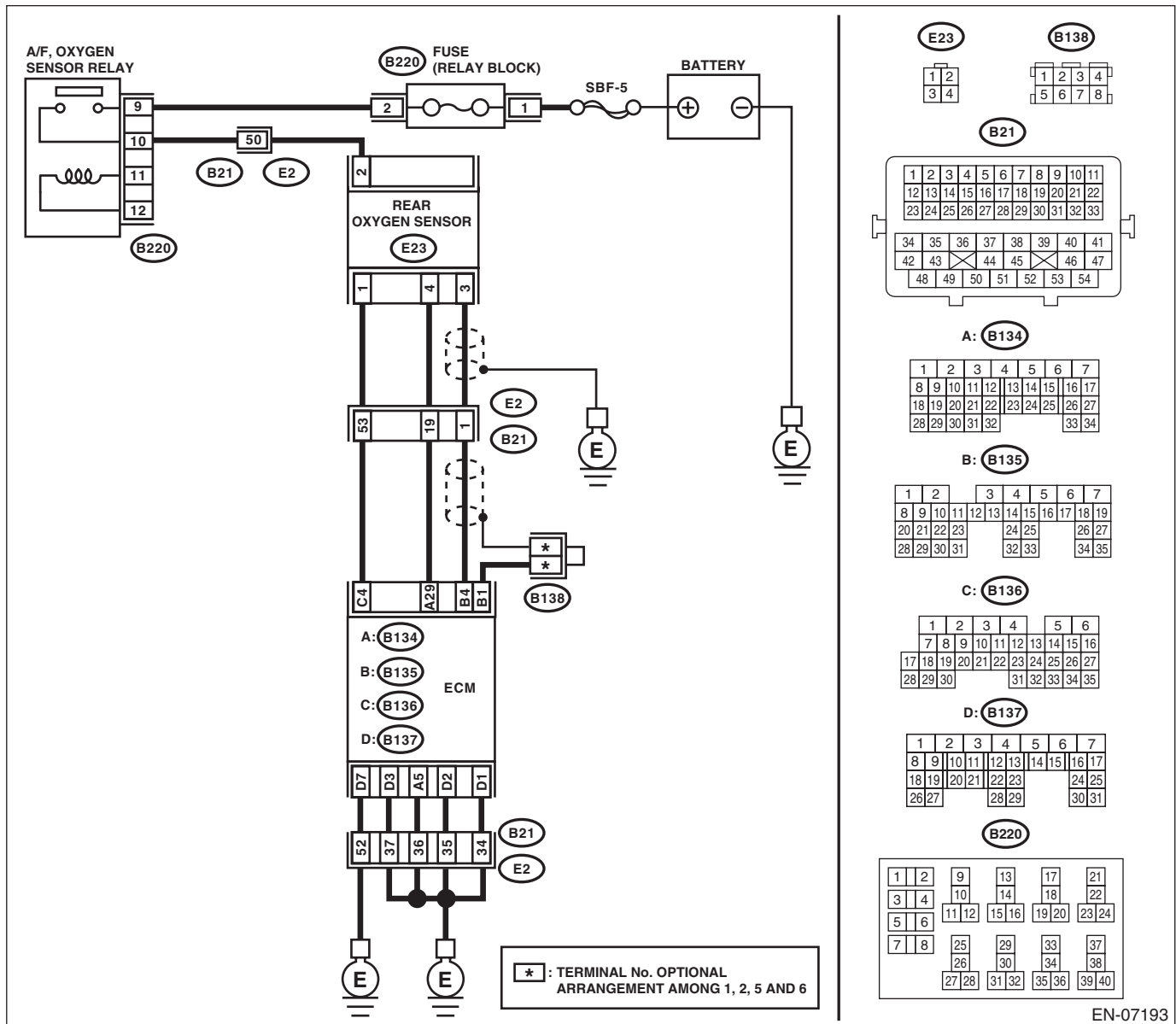
### DTC DETECTING CONDITION:

- Detected when two consecutive driving cycles with fault occur.
- GENERAL DESCRIPTION<Ref. to GD(H4SO)-57, DTC P0139 O2 SENSOR CIRCUIT SLOW RESPONSE (BANK 1 SENSOR 2), Diagnostic Trouble Code (DTC) Detecting Criteria.>

### CAUTION:

After servicing or replacing faulty parts, perform Clear Memory Mode <Ref. to EN(H4SO)(diag)-55, OPERATION, Clear Memory Mode.>, and Inspection Mode <Ref. to EN(H4SO)(diag)-44, PROCEDURE, Inspection Mode.>.

### WIRING DIAGRAM:



EN-07193

## Diagnostic Procedure with Diagnostic Trouble Code (DTC)

ENGINE (DIAGNOSTICS)

Step	Check	Yes	No
<p><b>1</b></p> <p><b>CHECK HARNESS BETWEEN ECM AND REAR OXYGEN SENSOR CONNECTOR.</b>                      1) Turn the ignition switch to OFF.                      2) Disconnect the connector from ECM and rear oxygen sensor.                      3) Measure the resistance of harness between ECM and rear oxygen sensor connector.  <b>Connector &amp; terminal</b>  <b>(B135) No. 4 — (E23) No. 3:</b></p>	<p>Is the resistance less than 1 Ω?</p>	<p>Go to step 2.</p>	<p>Repair the harness and connector.  <b>NOTE:</b>                      In this case, repair the following item:                      • Open circuit in harness between ECM and rear oxygen sensor connector                      • Poor contact of coupling connector</p>
<p><b>2</b></p> <p><b>CHECK HARNESS BETWEEN ECM AND REAR OXYGEN SENSOR CONNECTOR.</b>                      Measure the resistance between rear oxygen sensor connector and chassis ground.  <b>Connector &amp; terminal</b>  <b>(E23) No. 3 — Chassis ground:</b></p>	<p>Is the resistance 1 MΩ or more?</p>	<p>Go to step 3.</p>	<p>Repair the ground short circuit of harness between ECM and rear oxygen sensor connector.</p>
<p><b>3</b></p> <p><b>CHECK REAR OXYGEN SENSOR.</b>                      Measure the resistance between rear oxygen sensor terminals.  <b>Terminals</b>  <b>No. 3 — No. 4</b></p>	<p>Is the resistance less than 1 Ω?</p>	<p>Replace the rear oxygen sensor.                      &lt;Ref. to FU(H4SO)-43, Rear Oxygen Sensor.&gt;</p>	<p>Even if DTC is detected, the circuit has returned to a normal condition at this time. Reproduce the failure, and then perform the diagnosis again.  <b>NOTE:</b>                      In this case, temporary poor contact of connector may be the cause.</p>

# Diagnostic Procedure with Diagnostic Trouble Code (DTC)

ENGINE (DIAGNOSTICS)

## AI: DTC P0140 O2 SENSOR CIRCUIT NO ACTIVITY DETECTED (BANK1 SENSOR2)

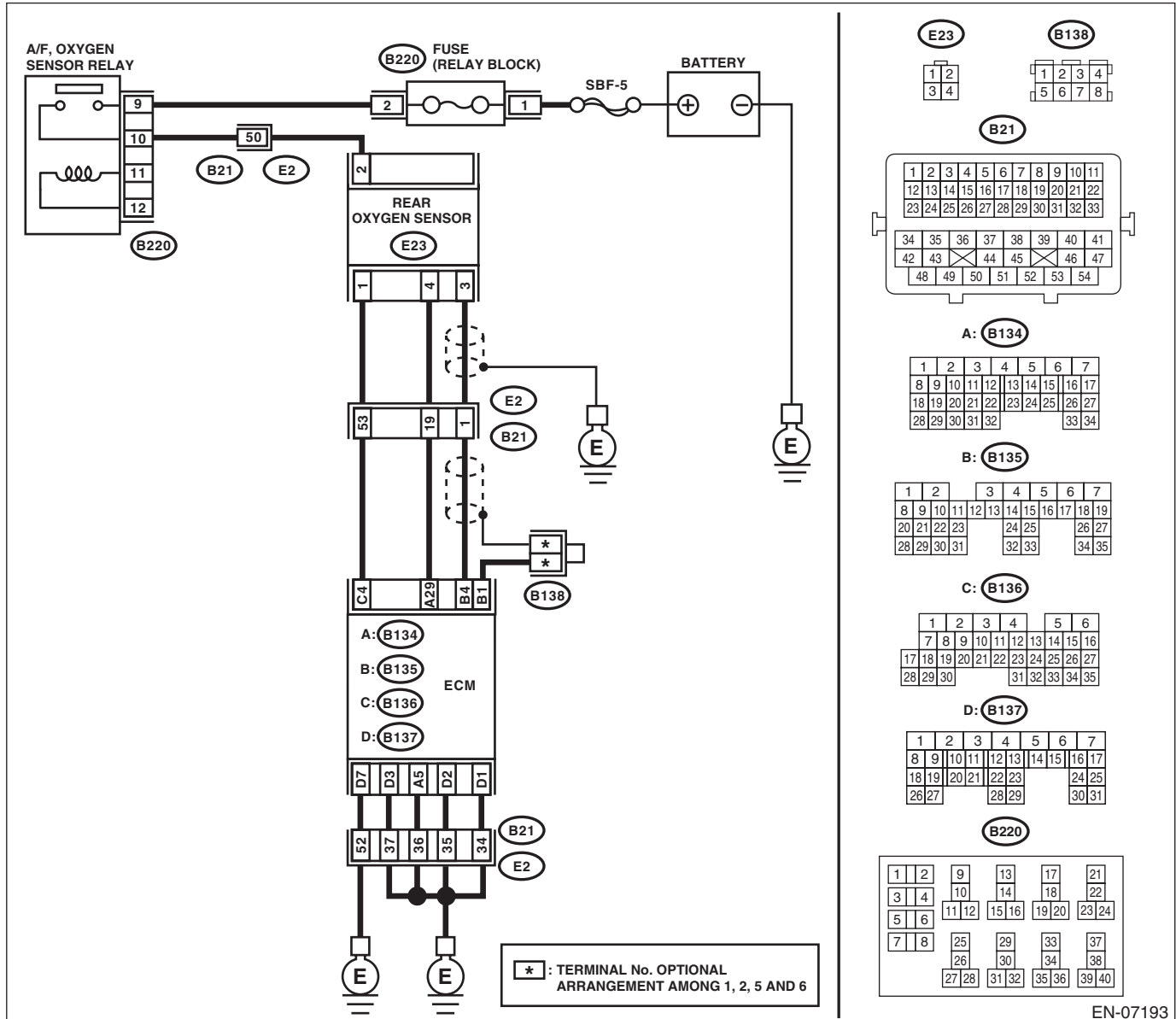
### DTC DETECTING CONDITION:

- Detected when two consecutive driving cycles with fault occur.
- GENERAL DESCRIPTION<Ref. to GD(H4SO)-63, DTC P0140 O2 SENSOR CIRCUIT NO ACTIVITY DETECTED (BANK1 SENSOR2), Diagnostic Trouble Code (DTC) Detecting Criteria.>

### CAUTION:

After servicing or replacing faulty parts, perform Clear Memory Mode <Ref. to EN(H4SO)(diag)-55, OPERATION, Clear Memory Mode.>, and Inspection Mode <Ref. to EN(H4SO)(diag)-44, PROCEDURE, Inspection Mode.>.

### WIRING DIAGRAM:



EN-07193

# Diagnostic Procedure with Diagnostic Trouble Code (DTC)

## ENGINE (DIAGNOSTICS)

Step	Check	Yes	No
<b>1 CHECK REAR OXYGEN SENSOR DATA.</b> 1) Warm up the engine until engine coolant temperature is higher than 75°C (167°F), and keep the engine speed at 3,000 rpm. (2 minutes maximum) 2) Read the data of rear oxygen sensor signal using Subaru Select Monitor or general scan tool. NOTE: • Subaru Select Monitor For detailed operation procedures, refer to "READ CURRENT DATA FOR ENGINE". <Ref. to EN(H4SO)(diag)-34, Subaru Select Monitor.> • General scan tool For detailed operation procedures, refer to the general scan tool operation manual.	Is the voltage 490 mV or more?	Go to step 6.	Go to step 2.
<b>2 CHECK REAR OXYGEN SENSOR DATA.</b> 1) Warm up the engine until engine coolant temperature is higher than 75°C (167°F), and rapidly reduce the engine speed from 3,000 rpm. 2) Read the data of rear oxygen sensor signal using Subaru Select Monitor or general scan tool. NOTE: • Subaru Select Monitor For detailed operation procedures, refer to "READ CURRENT DATA FOR ENGINE". <Ref. to EN(H4SO)(diag)-34, Subaru Select Monitor.> • General scan tool For detailed operation procedures, refer to the general scan tool operation manual.	Is the voltage 250 mV or less?	Go to step 6.	Go to step 3.
<b>3 CHECK REAR OXYGEN SENSOR CONNECTOR AND COUPLING CONNECTOR.</b>	Has water entered the connector?	Completely remove any water inside.	Go to step 4.
<b>4 CHECK HARNESS BETWEEN ECM AND REAR OXYGEN SENSOR CONNECTOR.</b> 1) Turn the ignition switch to OFF. 2) Disconnect the connector from ECM and rear oxygen sensor. 3) Measure the resistance of harness between ECM and rear oxygen sensor connector. <b>Connector &amp; terminal</b> <b>(B135) No. 4 — (E23) No. 3:</b> <b>(B134) No. 29 — (E23) No. 4:</b>	Is the resistance less than 1 Ω?	Go to step 5.	Repair the harness and connector. NOTE: In this case, repair the following item: • Open circuit in harness between ECM and rear oxygen sensor connector • Poor contact of coupling connector

# Diagnostic Procedure with Diagnostic Trouble Code (DTC)

ENGINE (DIAGNOSTICS)

Step	Check	Yes	No
<p><b>5</b></p> <p><b>CHECK HARNESS BETWEEN ECM AND REAR OXYGEN SENSOR.</b></p> <p>1) Turn the ignition switch to OFF.                      2) Disconnect the connector from rear oxygen sensor.                      3) Turn the ignition switch to ON.                      4) Measure the voltage between rear oxygen sensor connector and chassis ground.</p> <p><b>Connector &amp; terminal</b>  <b>(E23) No. 3 (+) — Chassis ground (-):</b></p>	<p>Is the voltage 0.2 — 0.5 V?</p>	<p>Replace the rear oxygen sensor.                      &lt;Ref. to FU(H4SO)-43, Rear Oxygen Sensor.&gt;</p>	<p>Repair the harness and connector.</p> <p><b>NOTE:</b>                      In this case, repair the following item:</p> <ul style="list-style-type: none"> <li>• Open circuit in harness between ECM and rear oxygen sensor connector</li> <li>• Poor contact of rear oxygen sensor connector</li> <li>• Poor contact of ECM connector</li> </ul>
<p><b>6</b></p> <p><b>CHECK EXHAUST SYSTEM.</b>                      Check exhaust system parts.</p> <p><b>NOTE:</b>                      Check the following items.</p> <ul style="list-style-type: none"> <li>• Looseness and improper fitting of exhaust system parts</li> <li>• Damage (crack, hole etc.) of parts</li> <li>• Loose part and improper installation between front oxygen (A/F) sensor and rear oxygen sensor</li> </ul>	<p>Is there any fault in exhaust system?</p>	<p>Repair or replace faulty parts.</p>	<p>Replace the rear oxygen sensor.                      &lt;Ref. to FU(H4SO)-43, Rear Oxygen Sensor.&gt;</p>

## AJ:DTC P0171 SYSTEM TOO LEAN (BANK 1)

Refer to DTC P0172 for diagnostic procedure. <Ref. to EN(H4SO)(diag)-162, DTC P0172 SYSTEM TOO RICH (BANK 1), Diagnostic Procedure with Diagnostic Trouble Code (DTC).>



# Diagnostic Procedure with Diagnostic Trouble Code (DTC)

ENGINE (DIAGNOSTICS)

## AK:DTC P0172 SYSTEM TOO RICH (BANK 1)

### DTC DETECTING CONDITION:

- Detected when two consecutive driving cycles with fault occur.
- GENERAL DESCRIPTION <Ref. to GD(H4SO)-66, DTC P0172 SYSTEM TOO RICH (BANK 1), Diagnostic Trouble Code (DTC) Detecting Criteria.>

### TROUBLE SYMPTOM:

- Improper idling
- Engine stalls.
- Poor driving performance

### CAUTION:

After servicing or replacing faulty parts, perform Clear Memory Mode <Ref. to EN(H4SO)(diag)-55, OPERATION, Clear Memory Mode.>, and Inspection Mode <Ref. to EN(H4SO)(diag)-44, PROCEDURE, Inspection Mode.>.

Step	Check	Yes	No
1	<b>CHECK EXHAUST SYSTEM.</b>	Are there holes or loose bolts on exhaust system?	Repair the exhaust system. Go to step 2.
2	<b>CHECK AIR INTAKE SYSTEM.</b>	Are there holes, loose bolts or disconnection of hose on air intake system?	Repair the air intake system. Go to step 3.
3	<b>CHECK FUEL PRESSURE.</b> <b>WARNING:</b> Place "NO OPEN FLAMES" signs near the working area. <b>CAUTION:</b> Be careful not to spill fuel. Measure the fuel pressure. <Ref. to ME(H4SO)-27, INSPECTION, Fuel Pressure.> <b>CAUTION:</b> Release fuel pressure before removing the fuel pressure gauge.	Is the measured value 333.4 — 360.5 kPa (3.4 — 3.7 kg/cm <sup>2</sup> , 48.4 — 52 psi)?	Go to step 4.  Repair the following item. Fuel pressure is too high: • Clogged fuel line or bent hose Fuel pressure is too low: • Improper fuel pump discharge • Clogged fuel line
4	<b>CHECK ENGINE COOLANT TEMPERATURE SENSOR.</b> 1) Start the engine and warm up completely. 2) Read the data of engine coolant temperature sensor signal using Subaru Select Monitor or general scan tool. <b>NOTE:</b> • Subaru Select Monitor For detailed operation procedures, refer to "READ CURRENT DATA FOR ENGINE". <Ref. to EN(H4SO)(diag)-34, Subaru Select Monitor.> • General scan tool For detailed operation procedures, refer to the general scan tool operation manual.	Is the engine coolant temperature 75°C (167°F) or higher?	Go to step 5.  Replace the engine coolant temperature sensor. <Ref. to FU(H4SO)-25, Engine Coolant Temperature Sensor.>

# Diagnostic Procedure with Diagnostic Trouble Code (DTC)

ENGINE (DIAGNOSTICS)

Step	Check	Yes	No
<p><b>5</b></p> <p><b>CHECK MASS AIR FLOW AND INTAKE AIR TEMPERATURE SENSOR.</b></p> <p>1) Start the engine and warm up engine until coolant temperature is higher than 75°C (167°F).</p> <p>2) For AT models, set the select lever to “P” range or “N” range, and for MT models, place the shift lever in the neutral position.</p> <p>3) Turn the A/C switch to OFF.</p> <p>4) Turn all the accessory switches to OFF.</p> <p>5) Read the data of the mass air flow and intake air temperature sensor signal using Subaru Select Monitor or general scan tool.</p> <p>NOTE:</p> <ul style="list-style-type: none"> <li>Subaru Select Monitor</li> </ul> <p>For detailed operation procedures, refer to “READ CURRENT DATA FOR ENGINE”. &lt;Ref. to EN(H4SO)(diag)-34, Subaru Select Monitor.&gt;</p> <ul style="list-style-type: none"> <li>General scan tool</li> </ul> <p>For detailed operation procedures, refer to the general scan tool operation manual.</p>	<p>Is the measured value 2.0 — 5.0 g/s (0.26 — 0.66 lb/m)?</p>	<p>Go to step 6.</p>	<p>Replace the mass air flow and intake air temperature sensor. &lt;Ref. to FU(H4SO)-34, Mass Air Flow and Intake Air Temperature Sensor.&gt;</p>
<p><b>6</b></p> <p><b>CHECK MASS AIR FLOW AND INTAKE AIR TEMPERATURE SENSOR.</b></p> <p>1) Start the engine and warm up engine until coolant temperature is higher than 75°C (167°F).</p> <p>2) For AT models, set the select lever to “P” range or “N” range, and for MT models, place the shift lever in the neutral position.</p> <p>3) Turn the A/C switch to OFF.</p> <p>4) Turn all the accessory switches to OFF.</p> <p>5) Open the front hood.</p> <p>6) Measure the ambient temperature.</p> <p>7) Read the data of the mass air flow and intake air temperature sensor signal using Subaru Select Monitor or general scan tool.</p> <p>NOTE:</p> <ul style="list-style-type: none"> <li>Subaru Select Monitor</li> </ul> <p>For detailed operation procedures, refer to “READ CURRENT DATA FOR ENGINE”. &lt;Ref. to EN(H4SO)(diag)-34, Subaru Select Monitor.&gt;</p> <ul style="list-style-type: none"> <li>General scan tool</li> </ul> <p>For detailed operation procedures, refer to the general scan tool operation manual.</p>	<p>Subtract ambient temperature from intake air temperature. Is the obtained value -10 — 50°C (-18 — 90°F)?</p>	<p>Repair the poor contact of ECM connector.</p>	<p>Check the mass air flow and intake air temperature sensor. &lt;Ref. to FU(H4SO)-34, Mass Air Flow and Intake Air Temperature Sensor.&gt;</p>

# Diagnostic Procedure with Diagnostic Trouble Code (DTC)

ENGINE (DIAGNOSTICS)

## AL:DTC P0181 FUEL TEMPERATURE SENSOR "A" CIRCUIT RANGE/ PERFORMANCE

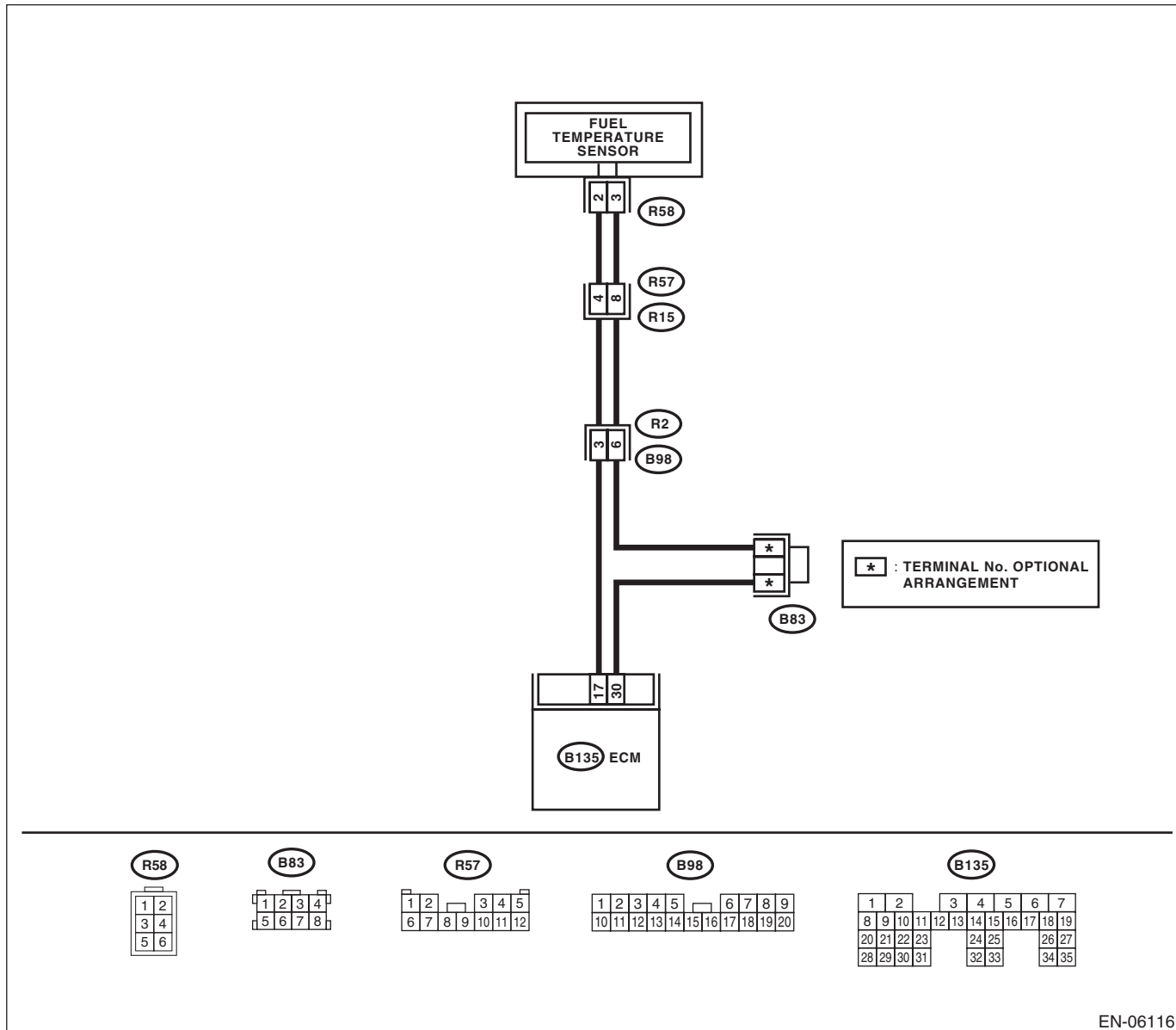
### DTC DETECTING CONDITION:

- Detected when two consecutive driving cycles with fault occur.
- GENERAL DESCRIPTION <Ref. to GD(H4SO)-67, DTC P0181 FUEL TEMPERATURE SENSOR "A" CIRCUIT RANGE/PERFORMANCE, Diagnostic Trouble Code (DTC) Detecting Criteria.>

### CAUTION:

After repair or replacement of faulty parts, perform Clear Memory Mode <Ref. to EN(H4SO)(diag)-55, OPERATION, Clear Memory Mode.> and Inspection Mode <Ref. to EN(H4SO)(diag)-44, PROCEDURE, Inspection Mode.>.

### WIRING DIAGRAM:



EN-06116

# Diagnostic Procedure with Diagnostic Trouble Code (DTC)

ENGINE (DIAGNOSTICS)

	Step	Check	Yes	No
1	CHECK FOR ANY OTHER DTC ON DISPLAY.	Is any other DTC displayed?	Check the appropriate DTC using the "List of Diagnostic Trouble Code (DTC)". <Ref. to EN(H4SO)(diag)-86, List of Diagnostic Trouble Code (DTC).>	Replace the fuel temperature sensor. <Ref. to EC(H4SO)-13, Fuel Temperature Sensor.>

# Diagnostic Procedure with Diagnostic Trouble Code (DTC)

ENGINE (DIAGNOSTICS)

## AM:DTC P0182 FUEL TEMPERATURE SENSOR "A" CIRCUIT LOW INPUT

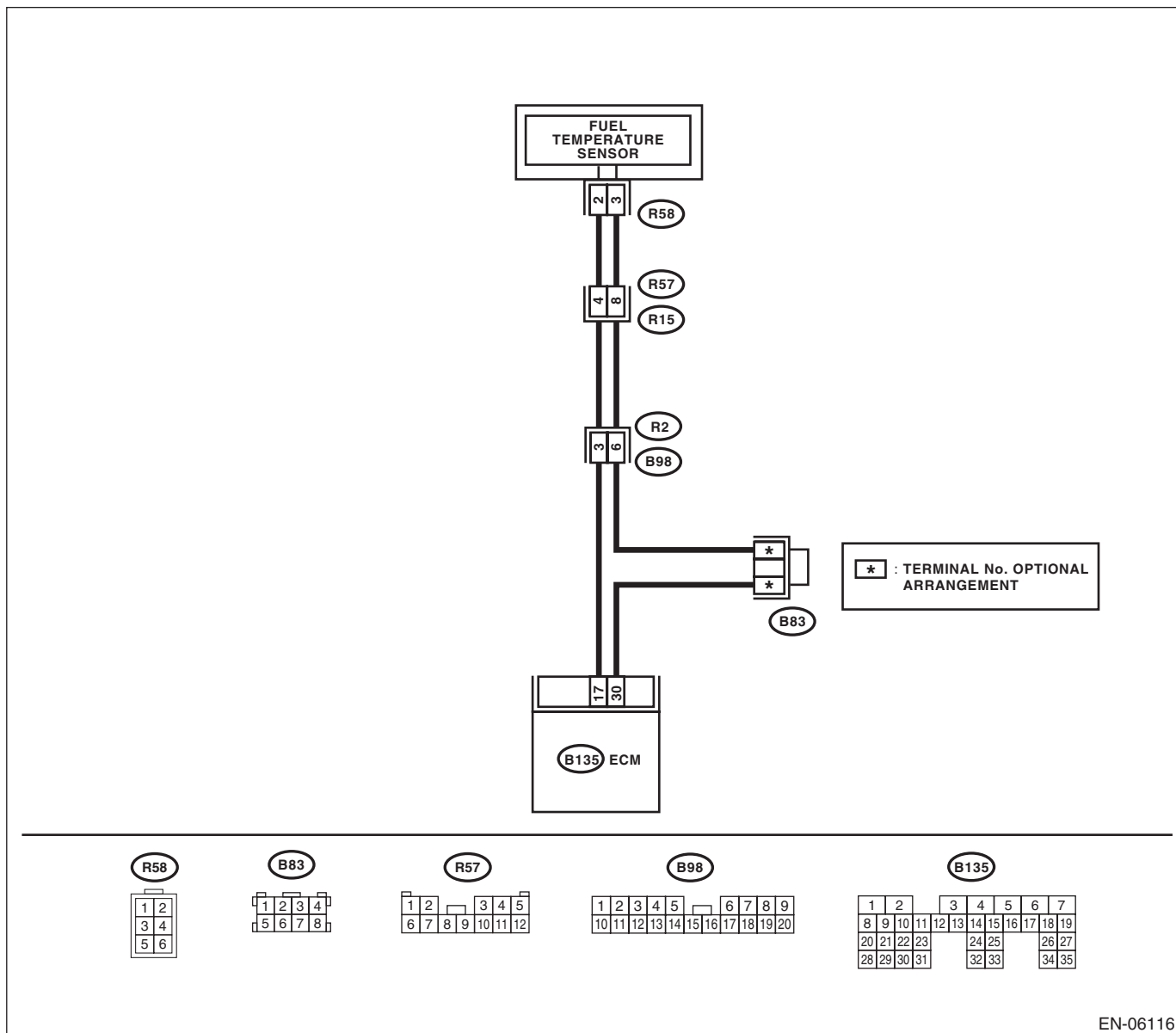
### DTC DETECTING CONDITION:

- Immediately at fault recognition
- GENERAL DESCRIPTION<Ref. to GD(H4SO)-70, DTC P0182 FUEL TEMPERATURE SENSOR "A" CIRCUIT LOW INPUT, Diagnostic Trouble Code (DTC) Detecting Criteria.>

### CAUTION:

After servicing or replacing faulty parts, perform Clear Memory Mode <Ref. to EN(H4SO)(diag)-55, OPERATION, Clear Memory Mode.>, and Inspection Mode <Ref. to EN(H4SO)(diag)-44, PROCEDURE, Inspection Mode.>.

### WIRING DIAGRAM:



# Diagnostic Procedure with Diagnostic Trouble Code (DTC)

ENGINE (DIAGNOSTICS)

Step	Check	Yes	No
<p><b>1</b></p> <p><b>CHECK CURRENT DATA.</b></p> <p>1) Start the engine.</p> <p>2) Read the data of fuel temperature sensor signal using Subaru Select Monitor.</p> <p>NOTE: For detailed operation procedures, refer to "READ CURRENT DATA FOR ENGINE". &lt;Ref. to EN(H4SO)(diag)-34, Subaru Select Monitor.&gt;</p>	<p>Is the temperature 120°C (248°F) or higher?</p>	<p>Go to step 2.</p>	<p>Even if DTC is detected, the circuit has returned to a normal condition at this time. Reproduce the failure, and then perform the diagnosis again.</p> <p>NOTE: In this case, temporary poor contact of connector may be the cause.</p>
<p><b>2</b></p> <p><b>CHECK HARNESS BETWEEN ECM AND FUEL TEMPERATURE SENSOR CONNECTOR.</b></p> <p>1) Turn the ignition switch to OFF.</p> <p>2) Disconnect the connectors from ECM and fuel temperature sensor.</p> <p>3) Measure the resistance between ECM and chassis ground.</p> <p><b>Connector &amp; terminal</b> <b>(B135) No. 17 — Chassis ground:</b></p>	<p>Is the resistance 1 MΩ or more?</p>	<p>Replace the fuel temperature sensor. &lt;Ref. to EC(H4SO)-13, Fuel Temperature Sensor.&gt;</p>	<p>Repair the ground short circuit of harness between ECM and fuel pump connector.</p>

# Diagnostic Procedure with Diagnostic Trouble Code (DTC)

ENGINE (DIAGNOSTICS)

## AN:DTC P0183 FUEL TEMPERATURE SENSOR "A" CIRCUIT HIGH INPUT

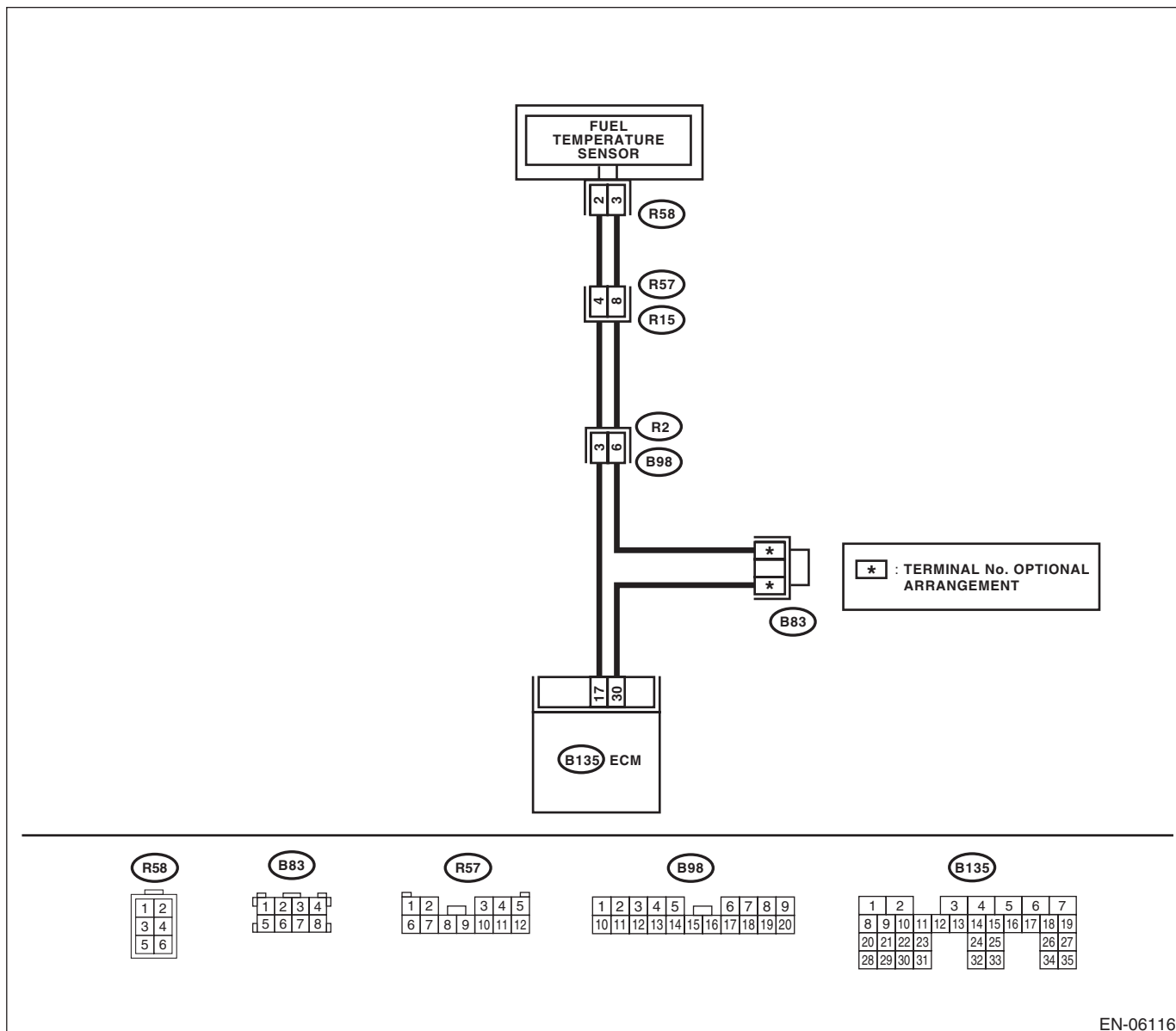
### DTC DETECTING CONDITION:

- Immediately at fault recognition
- GENERAL DESCRIPTION<Ref. to GD(H4SO)-71, DTC P0183 FUEL TEMPERATURE SENSOR "A" CIRCUIT HIGH INPUT, Diagnostic Trouble Code (DTC) Detecting Criteria.>

### CAUTION:

After servicing or replacing faulty parts, perform Clear Memory Mode <Ref. to EN(H4SO)(diag)-55, OPERATION, Clear Memory Mode.>, and Inspection Mode <Ref. to EN(H4SO)(diag)-44, PROCEDURE, Inspection Mode.>.

### WIRING DIAGRAM:



EN-06116

# Diagnostic Procedure with Diagnostic Trouble Code (DTC)

ENGINE (DIAGNOSTICS)

	Step	Check	Yes	No
1	<p><b>CHECK CURRENT DATA.</b></p> <p>1) Start the engine.</p> <p>2) Read the data of fuel temperature sensor signal using Subaru Select Monitor.</p> <p>NOTE: For detailed operation procedures, refer to "READ CURRENT DATA FOR ENGINE". &lt;Ref. to EN(H4SO)(diag)-34, Subaru Select Monitor.&gt;</p>	Is the temperature less than $-40^{\circ}\text{C}$ ( $-40^{\circ}\text{F}$ )?	Go to step 2.	Even if DTC is detected, the circuit has returned to a normal condition at this time. Reproduce the failure, and then perform the diagnosis again.  NOTE: In this case, temporary poor contact of connector may be the cause.
2	<p><b>CHECK POOR CONTACT.</b></p> <p>Repair any poor contact between the ECM and fuel temperature sensor connectors.</p>	Is there poor contact of the ECM or fuel temperature sensor connectors?	Repair any poor contact between the ECM and fuel temperature sensor connectors.	Go to step 3.
3	<p><b>CHECK HARNESS BETWEEN ECM AND FUEL TEMPERATURE SENSOR CONNECTOR.</b></p> <p>1) Turn the ignition switch to OFF.</p> <p>2) Disconnect the connectors from ECM and fuel temperature sensor.</p> <p>3) Measure the resistance of the harness between the ECM and fuel temperature sensor connector.</p> <p><b>Connector &amp; terminal</b> <b>(B135) No. 17 — (R58) No. 2:</b> <b>(B135) No. 30 — (R58) No. 3:</b></p>	Is the resistance less than $1\ \Omega$ ?	Go to step 4.	Repair the harness and connector.  NOTE: In this case, repair the following item: • Open circuit in harness between ECM and fuel temperature sensor connector • Poor contact of coupling connector • Poor contact of joint connector
4	<p><b>CHECK HARNESS BETWEEN ECM AND FUEL TEMPERATURE SENSOR CONNECTOR.</b></p> <p>1) Connect all connectors.</p> <p>2) Turn the ignition switch to ON.</p> <p>3) Measure the voltage between ECM and chassis ground.</p> <p><b>Connector &amp; terminal</b> <b>(B135) No. 17 (+) — Chassis ground (-):</b></p>	Is the voltage 5 V or more?	Repair the short circuit to power in the harness between the ECM and fuel temperature sensor connector.	Replace the fuel temperature sensor. <Ref. to EC(H4SO)-13, Fuel Temperature Sensor.>



# Diagnostic Procedure with Diagnostic Trouble Code (DTC)

ENGINE (DIAGNOSTICS)

## AO:DTC P0196 ENGINE OIL TEMPERATURE SENSOR CIRCUIT RANGE/ PERFORMANCE

### DTC DETECTING CONDITION:

- Detected when two consecutive driving cycles with fault occur.
- GENERAL DESCRIPTION <Ref. to GD(H4SO)-72, DTC P0196 ENGINE OIL TEMPERATURE SENSOR CIRCUIT RANGE/PERFORMANCE, Diagnostic Trouble Code (DTC) Detecting Criteria.>

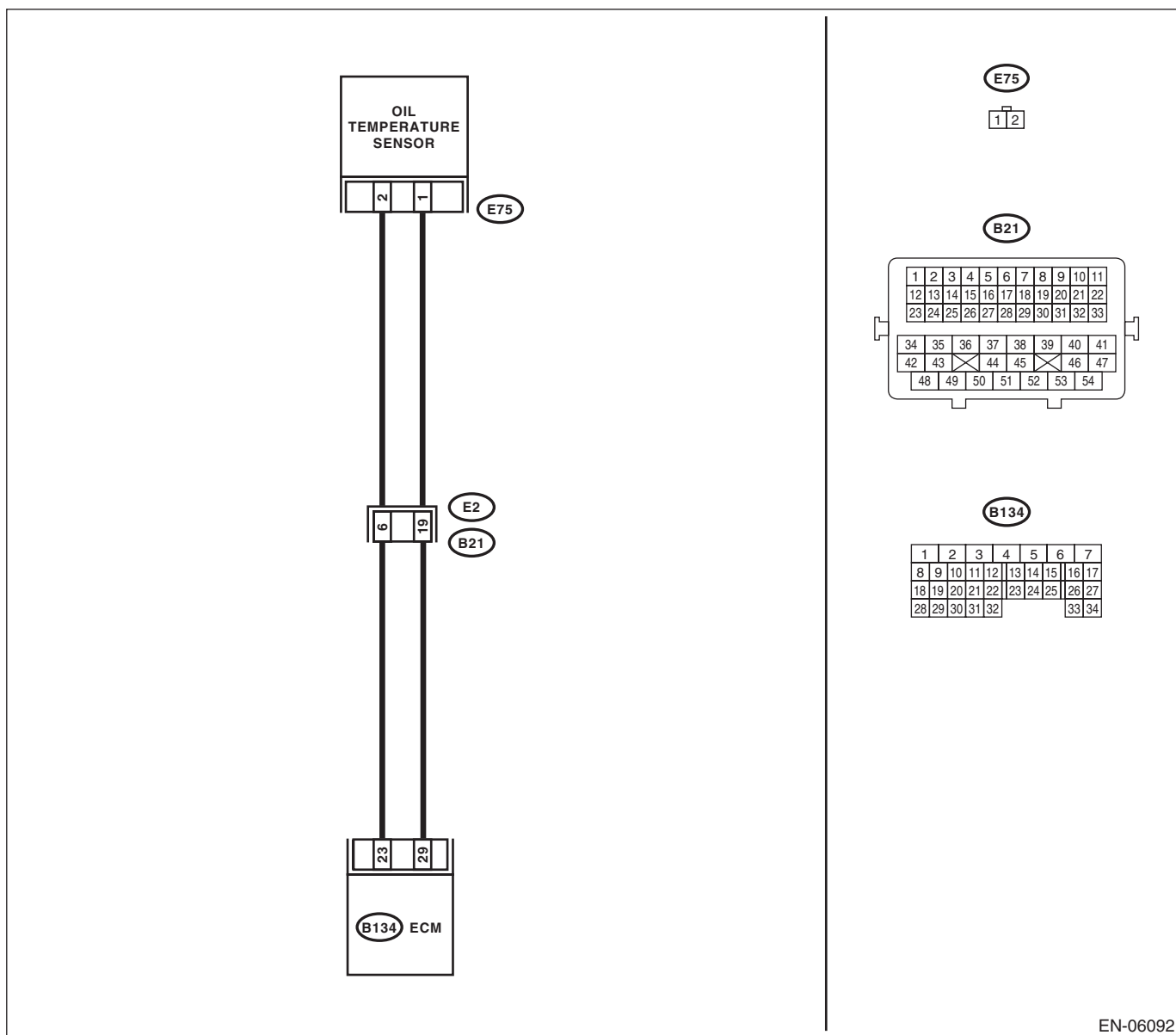
### TROUBLE SYMPTOM:

- Hard to start
- Improper idling
- Poor driving performance

### CAUTION:

After repair or replacement of faulty parts, perform Clear Memory Mode <Ref. to EN(H4SO)(diag)-55, OPERATION, Clear Memory Mode.> and Inspection Mode <Ref. to EN(H4SO)(diag)-44, PROCEDURE, Inspection Mode.>.

### WIRING DIAGRAM:



EN-06092

# Diagnostic Procedure with Diagnostic Trouble Code (DTC)

ENGINE (DIAGNOSTICS)

	Step	Check	Yes	No
1	CHECK FOR ANY OTHER DTC ON DISPLAY.	Is any other DTC displayed?	Check the appropriate DTC using the "List of Diagnostic Trouble Code (DTC)". <Ref. to EN(H4SO)(diag)-86, List of Diagnostic Trouble Code (DTC).>	Replace the oil temperature sensor. <Ref. to FU(H4SO)-40, Oil Temperature Sensor.>

# Diagnostic Procedure with Diagnostic Trouble Code (DTC)

ENGINE (DIAGNOSTICS)

## AP:DTC P0197 ENGINE OIL TEMPERATURE SENSOR LOW

DTC DETECTING CONDITION:

- Immediately at fault recognition
- GENERAL DESCRIPTION<Ref. to GD(H4SO)-74, DTC P0197 ENGINE OIL TEMPERATURE SENSOR LOW, Diagnostic Trouble Code (DTC) Detecting Criteria.>

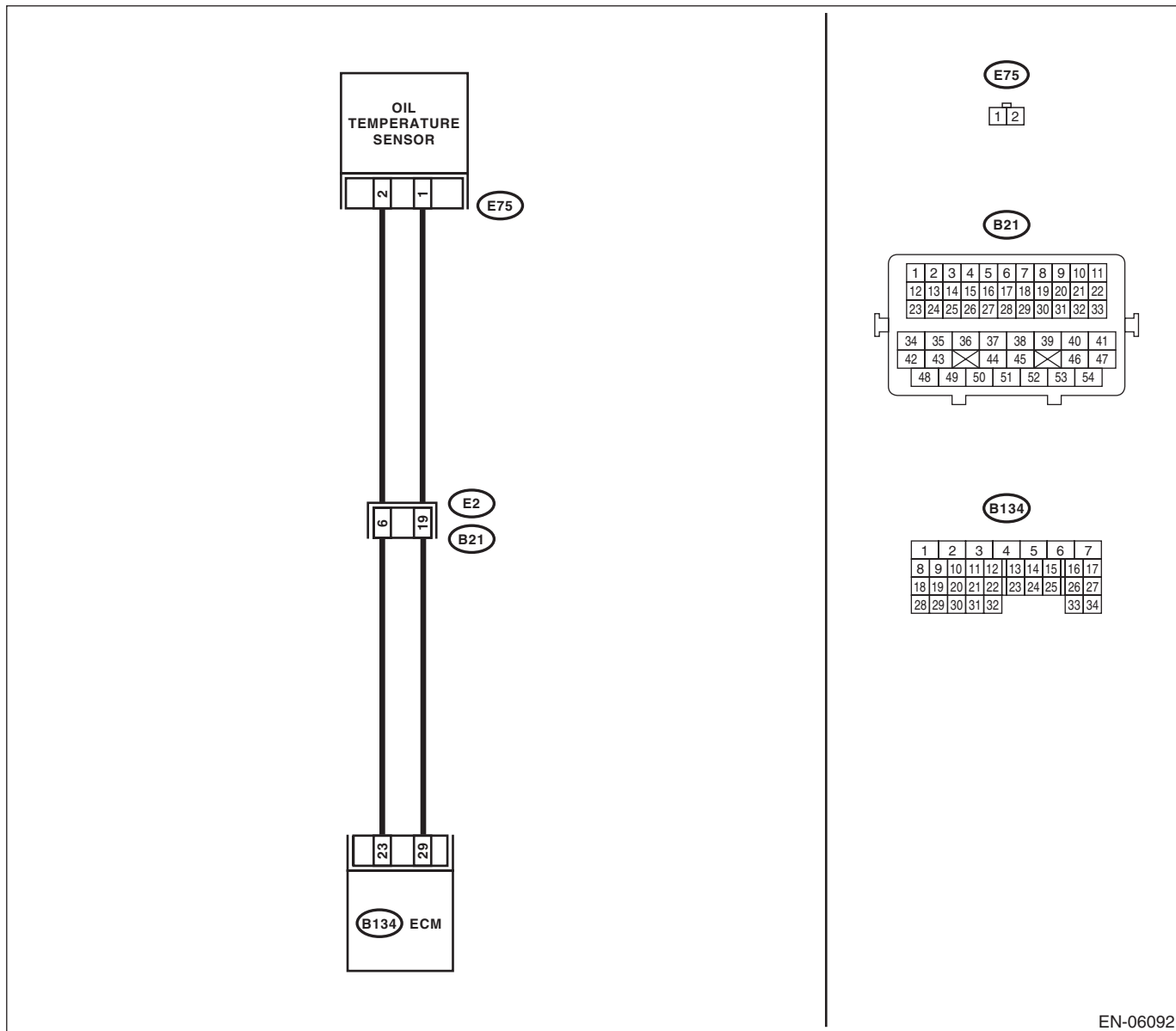
TRUBLE SYMPTOM:

- Hard to start
- Improper idling
- Poor driving performance

CAUTION:

After servicing or replacing faulty parts, perform Clear Memory Mode <Ref. to EN(H4SO)(diag)-55, OPERATION, Clear Memory Mode.>, and Inspection Mode <Ref. to EN(H4SO)(diag)-44, PROCEDURE, Inspection Mode.>.

WIRING DIAGRAM:



EN-06092

# Diagnostic Procedure with Diagnostic Trouble Code (DTC)

ENGINE (DIAGNOSTICS)

	Step	Check	Yes	No
1	<p><b>CHECK CURRENT DATA.</b></p> <p>1) Start the engine.</p> <p>2) Read the data of the oil temperature sensor signal using the Subaru Select Monitor or general scan tool.</p> <p>NOTE:</p> <ul style="list-style-type: none"> <li>• Subaru Select Monitor</li> </ul> <p>For detailed operation procedures, refer to "READ CURRENT DATA FOR ENGINE". &lt;Ref. to EN(H4SO)(diag)-34, Subaru Select Monitor.&gt;</p> <ul style="list-style-type: none"> <li>• General scan tool</li> </ul> <p>For detailed operation procedures, refer to the general scan tool operation manual.</p>	<p>Is the oil temperature 215°C (419°F) or more?</p>	<p>Go to step 2.</p>	<p>Even if DTC is detected, the circuit has returned to a normal condition at this time. Reproduce the failure, and then perform the diagnosis again.</p> <p>NOTE:</p> <p>In this case, temporary poor contact of connector may be the cause.</p>
2	<p><b>CHECK HARNESS BETWEEN ECM AND OIL TEMPERATURE SENSOR CONNECTOR.</b></p> <p>1) Turn the ignition switch to OFF.</p> <p>2) Disconnect the connector from ECM and oil temperature sensor.</p> <p>3) Measure the resistance between ECM and chassis ground.</p> <p><b>Connector &amp; terminal</b> <b>(B134) No. 23 — Chassis ground:</b></p>	<p>Is the resistance 1 MΩ or more?</p>	<p>Replace the oil temperature sensor. &lt;Ref. to FU(H4SO)-40, Oil Temperature Sensor.&gt;</p>	<p>Repair the short circuit to ground in harness between ECM and oil temperature sensor connector.</p>

# Diagnostic Procedure with Diagnostic Trouble Code (DTC)

ENGINE (DIAGNOSTICS)

## AQ:DTC P0198 ENGINE OIL TEMPERATURE SENSOR HIGH

### DTC DETECTING CONDITION:

- Immediately at fault recognition
- GENERAL DESCRIPTION<Ref. to GD(H4SO)-75, DTC P0198 ENGINE OIL TEMPERATURE SENSOR HIGH, Diagnostic Trouble Code (DTC) Detecting Criteria.>

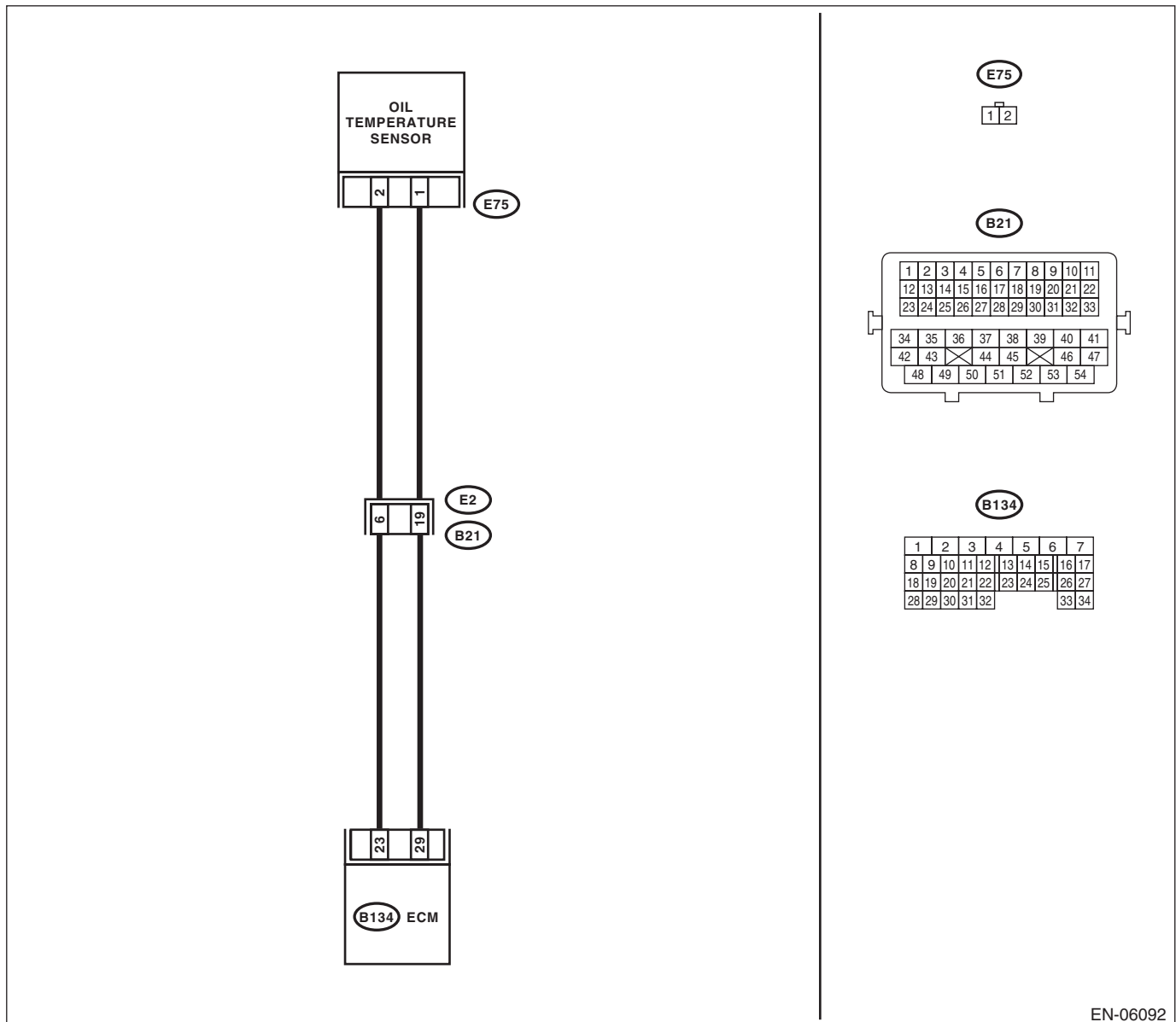
### TROUBLE SYMPTOM:

- Hard to start
- Improper idling
- Poor driving performance

### CAUTION:

After servicing or replacing faulty parts, perform Clear Memory Mode <Ref. to EN(H4SO)(diag)-55, OPERATION, Clear Memory Mode.>, and Inspection Mode <Ref. to EN(H4SO)(diag)-44, PROCEDURE, Inspection Mode.>.

### WIRING DIAGRAM:



EN-06092

# Diagnostic Procedure with Diagnostic Trouble Code (DTC)

ENGINE (DIAGNOSTICS)

	Step	Check	Yes	No
1	<p><b>CHECK CURRENT DATA.</b></p> <p>1) Start the engine.</p> <p>2) Read the data of the oil temperature sensor signal using the Subaru Select Monitor or general scan tool.</p> <p>NOTE:</p> <ul style="list-style-type: none"> <li>Subaru Select Monitor</li> </ul> <p>For detailed operation procedures, refer to "READ CURRENT DATA FOR ENGINE". &lt;Ref. to EN(H4SO)(diag)-34, Subaru Select Monitor.&gt;</p> <ul style="list-style-type: none"> <li>General scan tool</li> </ul> <p>For detailed operation procedures, refer to the general scan tool operation manual.</p>	Is the oil temperature less than $-40^{\circ}\text{C}$ ( $-40^{\circ}\text{F}$ )?	Go to step 2.	Even if DTC is detected, the circuit has returned to a normal condition at this time. Reproduce the failure, and then perform the diagnosis again.  NOTE: In this case, temporary poor contact of connector may be the cause.
2	<p><b>CHECK POOR CONTACT.</b></p> <p>Check for poor contact of ECM and oil temperature sensor connector.</p>	Is there poor contact of ECM or oil temperature sensor connector?	Repair the poor contact of ECM or the oil temperature sensor connector.	Go to step 3.
3	<p><b>CHECK HARNESS BETWEEN ECM AND OIL TEMPERATURE SENSOR CONNECTOR.</b></p> <p>1) Turn the ignition switch to OFF.</p> <p>2) Disconnect the connector from ECM and oil temperature sensor.</p> <p>3) Measure the resistance of the harness between ECM and oil temperature sensor connector.</p> <p><b>Connector &amp; terminal</b> <b>(B134) No. 23 — (E75) No. 2:</b> <b>(B134) No. 29 — (E75) No. 1:</b></p>	Is the resistance less than $1\ \Omega$ ?	Go to step 4.	Repair the harness and connector.  NOTE: In this case, repair the following item: <ul style="list-style-type: none"> <li>Open circuit in harness between ECM and oil temperature sensor connector</li> <li>Poor contact of coupling connector</li> </ul>
4	<p><b>CHECK HARNESS BETWEEN ECM AND OIL TEMPERATURE SENSOR CONNECTOR.</b></p> <p>1) Connect all connectors.</p> <p>2) Turn the ignition switch to ON.</p> <p>3) Measure the voltage between ECM and chassis ground.</p> <p><b>Connector &amp; terminal</b> <b>(B134) No. 23 (+) — Chassis ground (-):</b></p>	Is the voltage 5 V or more?	Repair the short circuit to power supply in harness between ECM and oil temperature sensor connector.	Replace the oil temperature sensor. <Ref. to FU(H4SO)-40, Oil Temperature Sensor.>

# Diagnostic Procedure with Diagnostic Trouble Code (DTC)

ENGINE (DIAGNOSTICS)

## AR:DTC P0222 THROTTLE/PEDAL POSITION SENSOR/SWITCH "B" CIRCUIT LOW

### DTC DETECTING CONDITION:

- Immediately at fault recognition
- GENERAL DESCRIPTION<Ref. to GD(H4SO)-76, DTC P0222 THROTTLE/PEDAL POSITION SENSOR/SWITCH "B" CIRCUIT LOW, Diagnostic Trouble Code (DTC) Detecting Criteria.>

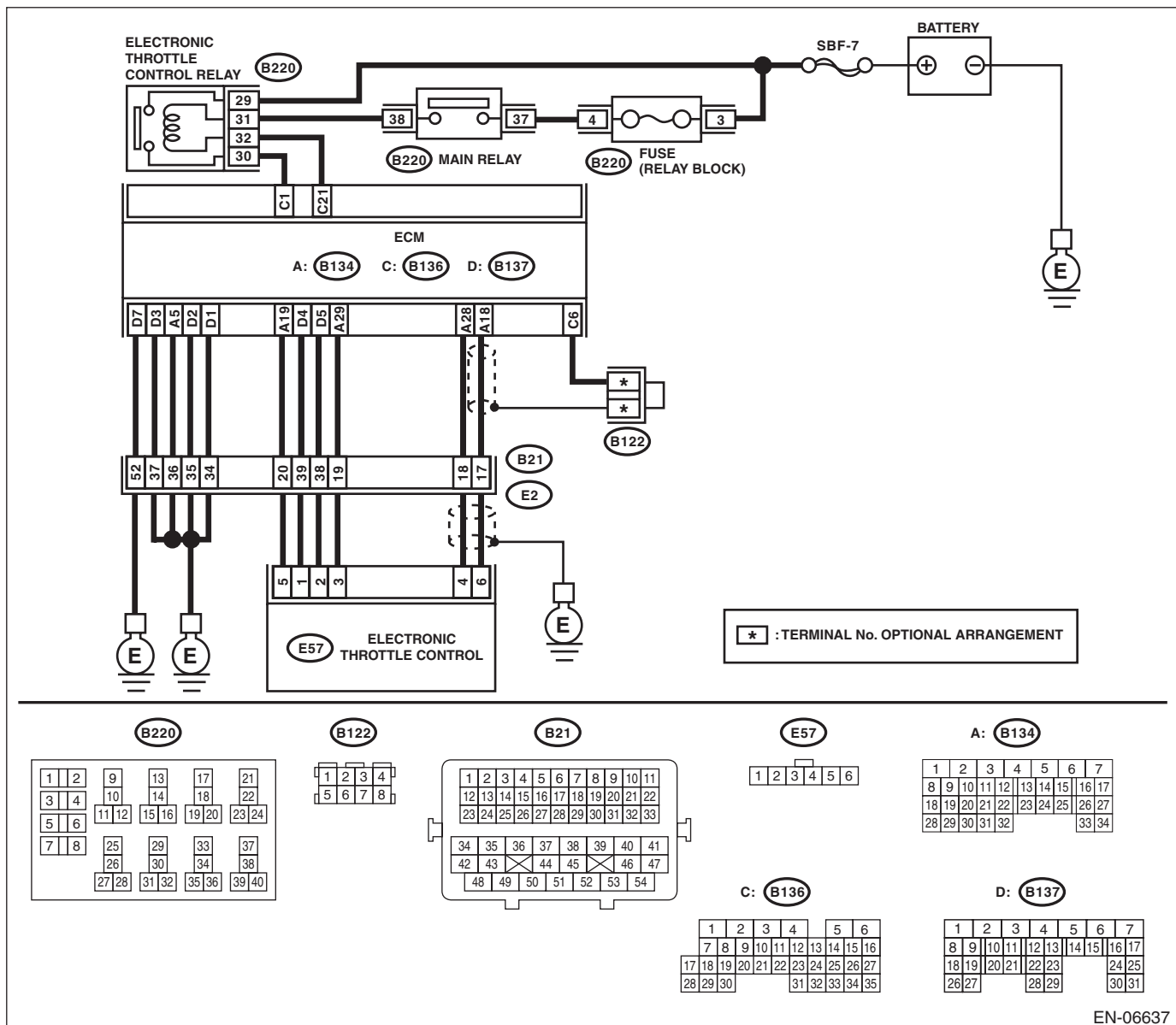
### TROUBLE SYMPTOM:

- Improper idling
- Poor driving performance
- Engine stalls.

### CAUTION:

After servicing or replacing faulty parts, perform Clear Memory Mode <Ref. to EN(H4SO)(diag)-55, OPERATION, Clear Memory Mode.>, and Inspection Mode <Ref. to EN(H4SO)(diag)-44, PROCEDURE, Inspection Mode.>.

### WIRING DIAGRAM:



EN-06637

# Diagnostic Procedure with Diagnostic Trouble Code (DTC)

ENGINE (DIAGNOSTICS)

	Step	Check	Yes	No
1	<p><b>CHECK HARNESS BETWEEN ECM AND ELECTRONIC THROTTLE CONTROL.</b></p> <p>1) Turn the ignition switch to OFF.</p> <p>2) Disconnect the connectors from ECM and electronic throttle control.</p> <p>3) Measure the resistance between ECM and chassis ground.</p> <p><b>Connector &amp; terminal</b>  <b>(B134) No. 19 — Chassis ground:</b>  <b>(B134) No. 28 — Chassis ground:</b></p>	<p>Is the resistance 1 MΩ or more?</p>	<p>Go to step 2.</p>	<p>Repair the short circuit to ground in harness between ECM and electronic throttle control connector.</p>
2	<p><b>CHECK SHORT CIRCUIT INSIDE THE ECM.</b></p> <p>1) Connect the connector to ECM.</p> <p>2) Measure the resistance between electronic throttle control connector and engine ground.</p> <p><b>Connector &amp; terminal</b>  <b>(E57) No. 4 — Engine ground:</b></p>	<p>Is the resistance 1 MΩ or more?</p>	<p>Replace the electronic throttle control. &lt;Ref. to FU(H4SO)-14, Throttle Body.&gt;</p>	<p>Repair the short circuit to ground in harness between ECM and electronic throttle control connector.</p> <p>Replace the ECM if defective. &lt;Ref. to FU(H4SO)-45, Engine Control Module (ECM).&gt;</p>



# Diagnostic Procedure with Diagnostic Trouble Code (DTC)

ENGINE (DIAGNOSTICS)

## AS:DTC P0223 THROTTLE/PEDAL POSITION SENSOR/SWITCH "B" CIRCUIT HIGH

### DTC DETECTING CONDITION:

- Immediately at fault recognition
- GENERAL DESCRIPTION<Ref. to GD(H4SO)-77, DTC P0223 THROTTLE/PEDAL POSITION SENSOR/SWITCH "B" CIRCUIT HIGH, Diagnostic Trouble Code (DTC) Detecting Criteria.>

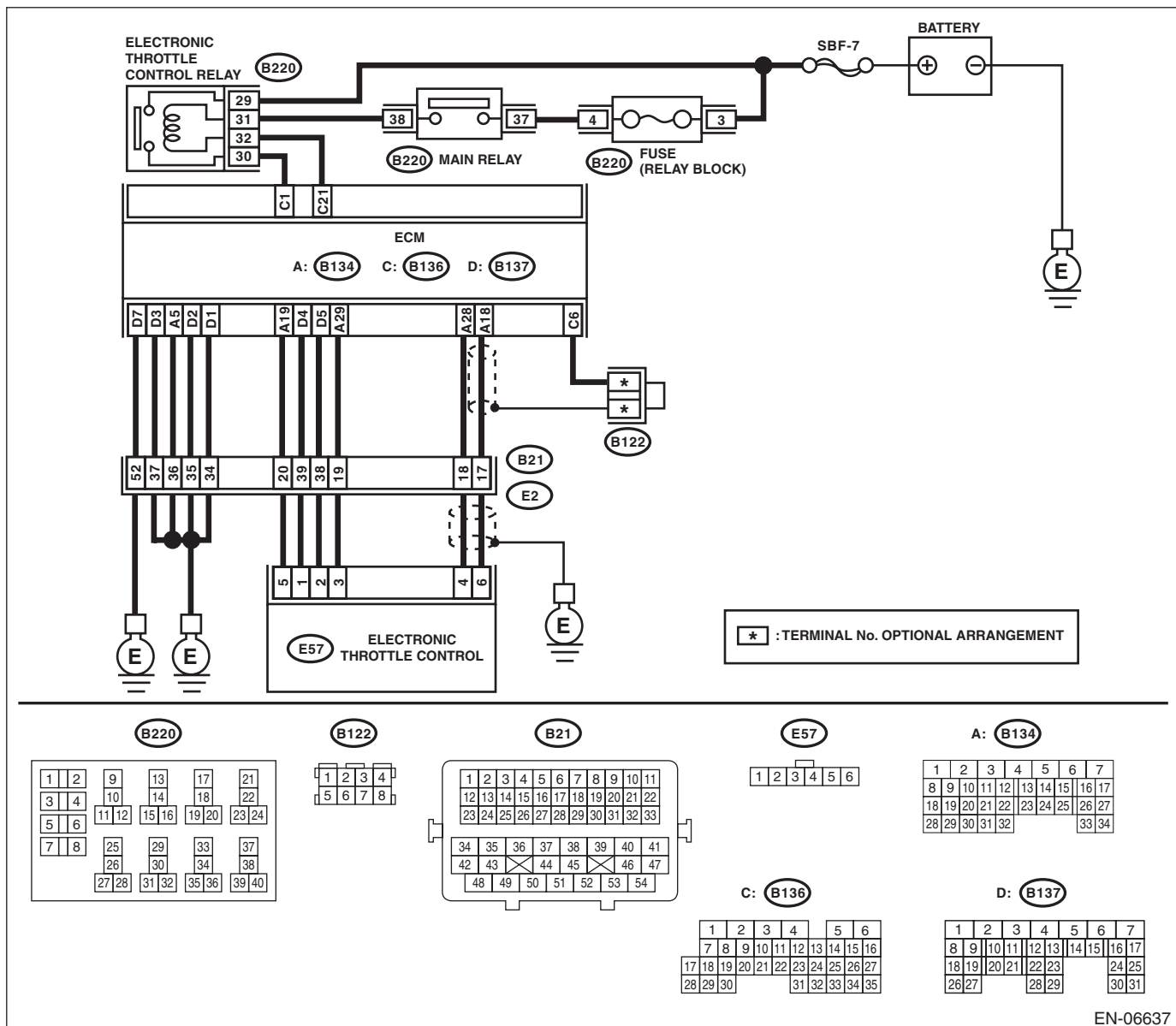
### TROUBLE SYMPTOM:

- Improper idling
- Poor driving performance
- Engine stalls.

### CAUTION:

After servicing or replacing faulty parts, perform Clear Memory Mode <Ref. to EN(H4SO)(diag)-55, OPERATION, Clear Memory Mode.>, and Inspection Mode <Ref. to EN(H4SO)(diag)-44, PROCEDURE, Inspection Mode.>.

### WIRING DIAGRAM:



EN-06637

# Diagnostic Procedure with Diagnostic Trouble Code (DTC)

ENGINE (DIAGNOSTICS)

Step	Check	Yes	No
<b>1 CHECK HARNESS BETWEEN ECM AND ELECTRONIC THROTTLE CONTROL.</b> 1) Turn the ignition switch to OFF. 2) Disconnect the connectors from ECM and electronic throttle control. 3) Measure the resistance of harness between ECM and electronic throttle control connector. <b>Connector &amp; terminal</b> <b>(B134) No. 28 — (E57) No. 4:</b> <b>(B134) No. 29 — (E57) No. 3:</b>	Is the resistance less than 1 $\Omega$ ?	Go to step 2.	Repair the harness and connector.  NOTE: In this case, repair the following item: <ul style="list-style-type: none"> <li>• Open circuit in harness between ECM and electronic throttle control connector</li> <li>• Poor contact of coupling connector</li> </ul>
<b>2 CHECK HARNESS BETWEEN ECM AND ELECTRONIC THROTTLE CONTROL.</b> 1) Connect the connector to ECM. 2) Measure the resistance between electronic throttle control connector and engine ground. <b>Connector &amp; terminal</b> <b>(E57) No. 3 — Engine ground:</b>	Is the resistance less than 5 $\Omega$ ?	Go to step 3.	Repair the harness and connector.  NOTE: In this case, repair the following item: <ul style="list-style-type: none"> <li>• Open circuit of harness between ECM and engine ground</li> <li>• Poor contact of ECM connector</li> <li>• Poor contact of coupling connector</li> </ul>
<b>3 CHECK HARNESS BETWEEN ECM AND ELECTRONIC THROTTLE CONTROL.</b> 1) Turn the ignition switch to ON. 2) Measure the voltage between electronic throttle control connector and engine ground. <b>Connector &amp; terminal</b> <b>(E57) No. 4 (+) — Engine ground (-):</b>	Is the voltage 4.85 V or more?	Repair the short circuit to power in harness between ECM and electronic throttle control connector.	Go to step 4.
<b>4 CHECK HARNESS BETWEEN ECM AND ELECTRONIC THROTTLE CONTROL.</b> 1) Turn the ignition switch to OFF. 2) Disconnect the connectors from ECM. 3) Measure the resistance between ECM connectors. <b>Connector &amp; terminal</b> <b>(B134) No. 19 — (B134) No. 28:</b>	Is the resistance 1 M $\Omega$ or more?	Repair the poor contact of electronic throttle control connector. Replace the electronic throttle control if defective. <Ref. to FU(H4SO)-14, Throttle Body.>	Repair the short circuit to power in harness between ECM and electronic throttle control connector.

## AT:DTC P0301 CYLINDER 1 MISFIRE DETECTED

NOTE:

For the diagnostic procedure, refer to DTC P0304. <Ref. to EN(H4SO)(diag)-180, DTC P0304 CYLINDER 4 MISFIRE DETECTED, Diagnostic Procedure with Diagnostic Trouble Code (DTC).>

## AU:DTC P0302 CYLINDER 2 MISFIRE DETECTED

NOTE:

For the diagnostic procedure, refer to DTC P0304. <Ref. to EN(H4SO)(diag)-180, DTC P0304 CYLINDER 4 MISFIRE DETECTED, Diagnostic Procedure with Diagnostic Trouble Code (DTC).>

## AV:DTC P0303 CYLINDER 3 MISFIRE DETECTED

NOTE:

For the diagnostic procedure, refer to DTC P0304. <Ref. to EN(H4SO)(diag)-180, DTC P0304 CYLINDER 4 MISFIRE DETECTED, Diagnostic Procedure with Diagnostic Trouble Code (DTC).>

# Diagnostic Procedure with Diagnostic Trouble Code (DTC)

ENGINE (DIAGNOSTICS)

## AW:DTC P0304 CYLINDER 4 MISFIRE DETECTED

### DTC DETECTING CONDITION:

- Detected when two consecutive driving cycles with fault occur.
- Immediately at fault recognition (A misfire which could damage catalyst occurs.)
- GENERAL DESCRIPTION<Ref. to GD(H4SO)-83, DTC P0304 CYLINDER 4 MISFIRE DETECTED, Diagnostic Trouble Code (DTC) Detecting Criteria.>

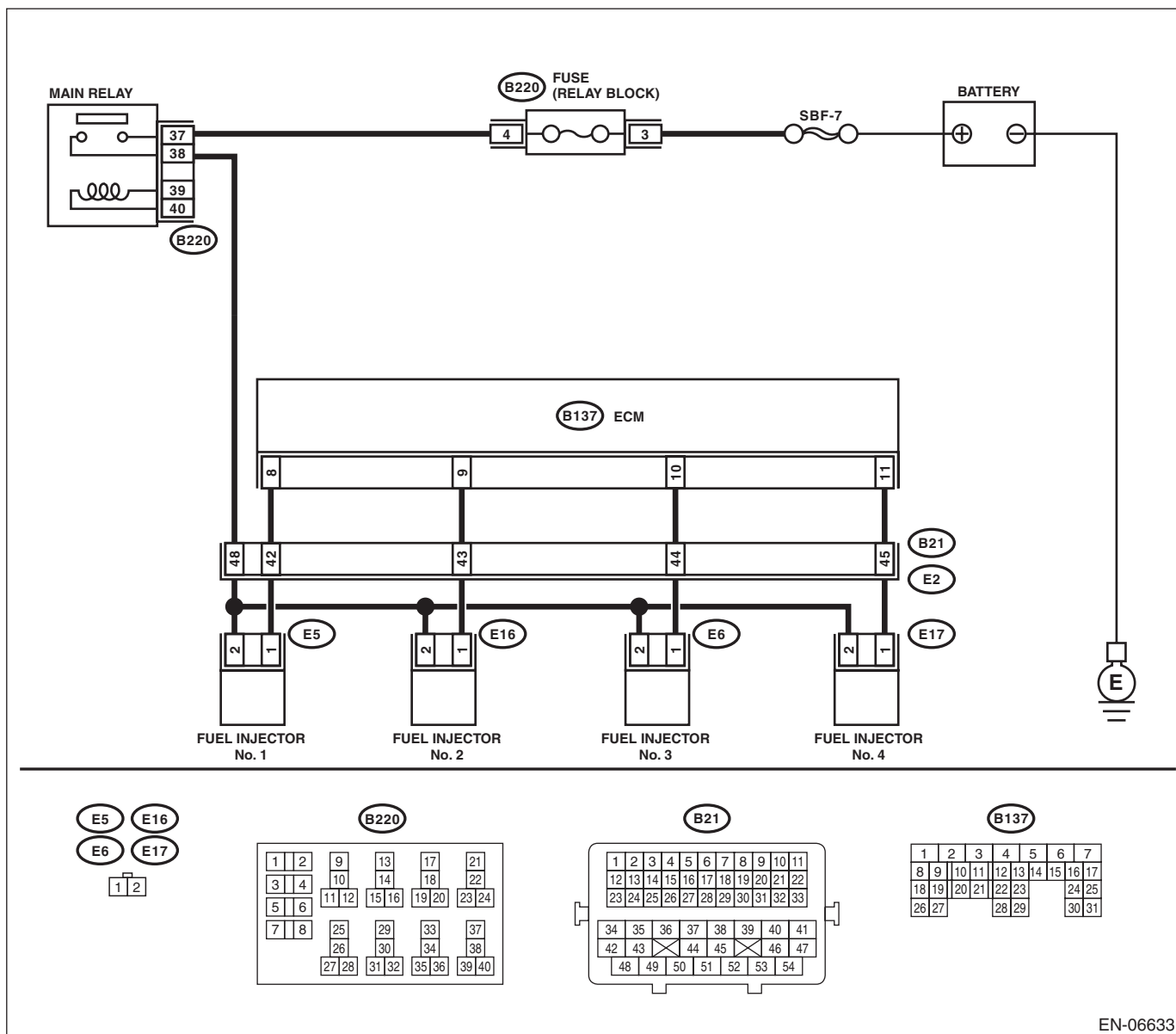
### TROUBLE SYMPTOM:

- Engine stalls.
- Improper idling
- Rough driving

### CAUTION:

After servicing or replacing faulty parts, perform Clear Memory Mode <Ref. to EN(H4SO)(diag)-55, OPERATION, Clear Memory Mode.>, and Inspection Mode <Ref. to EN(H4SO)(diag)-44, PROCEDURE, Inspection Mode.>.

### WIRING DIAGRAM:



EN-06633

# Diagnostic Procedure with Diagnostic Trouble Code (DTC)

ENGINE (DIAGNOSTICS)

	Step	Check	Yes	No
1	<p><b>CHECK OUTPUT SIGNAL OF ECM.</b></p> <p>1) Turn the ignition switch to ON.</p> <p>2) Measure the voltage between ECM and chassis ground on faulty cylinders.</p> <p><b>Connector &amp; terminal</b></p> <p><b>#1 (B137) No. 8 (+) — Chassis ground (-):</b></p> <p><b>#2 (B137) No. 9 (+) — Chassis ground (-):</b></p> <p><b>#3 (B137) No. 10 (+) — Chassis ground (-):</b></p> <p><b>#4 (B137) No. 11 (+) — Chassis ground (-):</b></p>	Is the voltage 10 V or more?	Go to step 6.	Go to step 2.
2	<p><b>CHECK HARNESS BETWEEN ECM AND FUEL INJECTOR.</b></p> <p>1) Turn the ignition switch to OFF.</p> <p>2) Disconnect the connector from fuel injector on faulty cylinders.</p> <p>3) Measure the resistance between fuel injector connector and engine ground on faulty cylinders.</p> <p><b>Connector &amp; terminal</b></p> <p><b>#1 (E5) No. 1 — Engine ground:</b></p> <p><b>#2 (E16) No. 1 — Engine ground:</b></p> <p><b>#3 (E6) No. 1 — Engine ground:</b></p> <p><b>#4 (E17) No. 1 — Engine ground:</b></p>	Is the resistance 1 M $\Omega$ or more?	Go to step 3.	Repair the short circuit to ground in harness between ECM and fuel injector connector.
3	<p><b>CHECK HARNESS BETWEEN ECM AND FUEL INJECTOR.</b></p> <p>Measure the resistance of harness between ECM and fuel injector on faulty cylinders.</p> <p><b>Connector &amp; terminal</b></p> <p><b>#1 (B137) No. 8 — (E5) No. 1:</b></p> <p><b>#2 (B137) No. 9 — (E16) No. 1:</b></p> <p><b>#3 (B137) No. 10 — (E6) No. 1:</b></p> <p><b>#4 (B137) No. 11 — (E17) No. 1:</b></p>	Is the resistance less than 1 $\Omega$ ?	Go to step 4.	<p>Repair the harness and connector.</p> <p>NOTE:</p> <p>In this case, repair the following item:</p> <ul style="list-style-type: none"> <li>• Open circuit in harness between ECM and fuel injector connector</li> <li>• Poor contact of coupling connector</li> </ul>
4	<p><b>CHECK FUEL INJECTOR.</b></p> <p>Measure the resistance between fuel injector terminals on faulty cylinder.</p> <p><b>Terminals</b></p> <p><b>No. 1 — No. 2:</b></p>	Is the resistance 5 — 20 $\Omega$ ?	Go to step 5.	Replace the faulty fuel injector. <Ref. to FU(H4SO)-36, Fuel Injector.>
5	<p><b>CHECK POWER SUPPLY LINE.</b></p> <p>1) Turn the ignition switch to ON.</p> <p>2) Measure the voltage between fuel injector and engine ground on faulty cylinders.</p> <p><b>Connector &amp; terminal</b></p> <p><b>#1 (E5) No. 2 (+) — Engine ground (-):</b></p> <p><b>#2 (E16) No. 2 (+) — Engine ground (-):</b></p> <p><b>#3 (E6) No. 2 (+) — Engine ground (-):</b></p> <p><b>#4 (E17) No. 2 (+) — Engine ground (-):</b></p>	Is the voltage 10 V or more?	Repair the poor contact of all connectors in fuel injector circuit.	<p>Repair the harness and connector.</p> <p>NOTE:</p> <p>In this case, repair the following item:</p> <ul style="list-style-type: none"> <li>• Open circuit in harness between the main relay connector and fuel injector connector on faulty cylinders</li> <li>• Poor contact of coupling connector</li> <li>• Poor contact of main relay connector</li> </ul>

# Diagnostic Procedure with Diagnostic Trouble Code (DTC)

## ENGINE (DIAGNOSTICS)

Step	Check	Yes	No
<b>6 CHECK HARNESS BETWEEN ECM AND FUEL INJECTOR.</b> 1) Turn the ignition switch to OFF. 2) Disconnect the connector from fuel injector on faulty cylinders. 3) Turn the ignition switch to ON. 4) Measure the voltage between ECM and chassis ground on faulty cylinders. <b>Connector &amp; terminal</b> <b>#1 (B137) No. 8 (+) — Chassis ground (-):</b> <b>#2 (B137) No. 9 (+) — Chassis ground (-):</b> <b>#3 (B137) No. 10 (+) — Chassis ground (-):</b> <b>#4 (B137) No. 11 (+) — Chassis ground (-):</b>	Is the voltage 10 V or more?	Repair the short circuit to power in harness between ECM and fuel injector connector.	Go to step 7.
<b>7 CHECK FUEL INJECTOR.</b> 1) Turn the ignition switch to OFF. 2) Measure the resistance between fuel injector terminals on faulty cylinder. <b>Terminals</b> <b>No. 1 — No. 2:</b>	Is the resistance less than 1 $\Omega$ ?	Replace the faulty fuel injector. <Ref. to FU(H4SO)-36, Fuel Injector.>	Go to step 8.
<b>8 CHECK INSTALLATION CONDITION OF CAMSHAFT POSITION SENSOR/CRANKSHAFT POSITION SENSOR.</b>	Is the camshaft position sensor or crankshaft position sensor loosely installed?	Tighten the camshaft position sensor or crankshaft position sensor.	Go to step 9.
<b>9 CHECK CRANK SPROCKET.</b> Remove the timing belt cover. <Ref. to ME(H4SO)-48, REMOVAL, Timing Belt Cover.>	Is the crank sprocket rusted or does it have broken teeth?	Replace the crank sprocket. <Ref. to ME(H4SO)-56, Crank Sprocket.>	Go to step 10.
<b>10 CHECK INSTALLATION CONDITION OF TIMING BELT.</b> Turn the crankshaft using ST, and align the alignment mark on crank sprocket with alignment mark on cylinder block. ST 499987500                      CRANKSHAFT SOCKET	Is the timing belt dislocated from its proper position?	Repair the installation condition of timing belt. <Ref. to ME(H4SO)-49, Timing Belt.>	Go to step 11.
<b>11 CHECK FUEL LEVEL.</b>	Is the fuel meter indication higher than the "Lower" level?	Go to step 12.	Replenish the fuel so that fuel meter indication is higher than the "Lower" level. After replenishing fuel, Go to step 12.
<b>12 CHECK STATUS OF MALFUNCTION INDICATOR LIGHT.</b> 1) Clear the memory using the Subaru Select Monitor or general scan tool. <Ref. to EN(H4SO)(diag)-55, Clear Memory Mode.> <b>NOTE:</b> • Subaru Select Monitor <Ref. to EN(H4SO)(diag)-34, Subaru Select Monitor.> • General scan tool Refer to the general scan tool operation manual. 2) Start the engine, and drive the vehicle 10 minutes or more.	Does the malfunction indicator light illuminate or blink?	Go to step 14.	Go to step 13.

# Diagnostic Procedure with Diagnostic Trouble Code (DTC)

ENGINE (DIAGNOSTICS)

Step	Check	Yes	No
13	<b>CHECK CAUSE OF MISFIRE.</b>	Finish diagnostics operation, if the engine has no abnormality.	Repair the poor contact of connector. NOTE: In this case, repair the following item: • Poor contact of ignition coil connector • Poor contact of fuel injector connector on faulty cylinders • Poor contact of ECM connector • Poor contact of coupling connector
14	<b>CHECK AIR INTAKE SYSTEM.</b>	Is there any fault in air intake system?	Repair the air intake system. NOTE: Check the following items. • Are there air leaks or air suction caused by loose or dislocated nuts and bolts? • Are there cracks or any disconnection of hoses?
15	<b>CHECK MISFIRE SYMPTOM.</b> 1) Turn the ignition switch to ON. 2) Read the DTC. NOTE: • Subaru Select Monitor For detailed operation procedures, refer to "READ CURRENT DATA FOR ENGINE". <Ref. to EN(H4SO)(diag)-34, Subaru Select Monitor.> • General scan tool For detailed operation procedures, refer to the general scan tool operation manual.	Does the Subaru Select Monitor or general scan tool indicate only one DTC?	Go to step 20.  Go to step 16.
16	<b>CHECK DTC.</b>	Are DTC P0301 and P0302 displayed on the Subaru Select Monitor or general scan tool?	Go to step 21.  Go to step 17.
17	<b>CHECK DTC.</b>	Are DTC P0303 and P0304 displayed on the Subaru Select Monitor or general scan tool?	Go to step 22.  Go to step 18.
18	<b>CHECK DTC.</b>	Are DTC P0301 and P0303 displayed on the Subaru Select Monitor or general scan tool?	Go to step 23.  Go to step 19.
19	<b>CHECK DTC.</b>	Are DTC P0302 and P0304 displayed on the Subaru Select Monitor or general scan tool?	Go to step 24.  Go to step 25.

## Diagnostic Procedure with Diagnostic Trouble Code (DTC)

ENGINE (DIAGNOSTICS)

Step	Check	Yes	No
<b>20</b> <b>ONLY ONE CYLINDER.</b>	Is there any fault in the cylinder?	Repair or replace faulty parts. NOTE: Check the following items. <ul style="list-style-type: none"> <li>• Spark plug</li> <li>• Spark plug cord</li> <li>• Fuel injector</li> <li>• Compression ratio</li> </ul>	Go to DTC P0171. <Ref. to EN(H4SO)(diag)-161, DTC P0171 SYSTEM TOO LEAN (BANK 1), Diagnostic Procedure with Diagnostic Trouble Code (DTC).>
<b>21</b> <b>GROUP OF #1 AND #2 CYLINDERS.</b>	Are there any faults in #1 and #2 cylinders?	Repair or replace faulty parts. NOTE: • Check the following items. <ul style="list-style-type: none"> <li>• Spark plug</li> <li>• Fuel injector</li> <li>• Ignition coil</li> <li>• Compression ratio</li> </ul> • If any fault are not found, check the "IGNITION CONTROL SYSTEM" of #1 and #2 cylinders side. <Ref. to EN(H4SO)(diag)-76, IGNITION CONTROL SYSTEM, Diagnostics for Engine Starting Failure.>	Go to DTC P0171. <Ref. to EN(H4SO)(diag)-161, DTC P0171 SYSTEM TOO LEAN (BANK 1), Diagnostic Procedure with Diagnostic Trouble Code (DTC).>
<b>22</b> <b>GROUP OF #3 AND #4 CYLINDERS.</b>	Are there any faults in #3 and #4 cylinders?	Repair or replace faulty parts. NOTE: • Check the following items. <ul style="list-style-type: none"> <li>• Spark plug</li> <li>• Fuel injector</li> <li>• Ignition coil</li> <li>• Compression ratio</li> </ul> • If any fault are not found, check the "IGNITION CONTROL SYSTEM" of #3 and #4 cylinders side. <Ref. to EN(H4SO)(diag)-76, IGNITION CONTROL SYSTEM, Diagnostics for Engine Starting Failure.>	Go to DTC P0171. <Ref. to EN(H4SO)(diag)-161, DTC P0171 SYSTEM TOO LEAN (BANK 1), Diagnostic Procedure with Diagnostic Trouble Code (DTC).>

# Diagnostic Procedure with Diagnostic Trouble Code (DTC)

ENGINE (DIAGNOSTICS)

Step	Check	Yes	No
23	<b>GROUP OF #1 AND #3 CYLINDERS.</b>	Are there any faults in #1 and #3 cylinders?  Repair or replace faulty parts. NOTE: Check the following items. <ul style="list-style-type: none"> <li>• Spark plug</li> <li>• Fuel injector</li> <li>• Compression ratio</li> <li>• Skipping timing belt teeth</li> </ul>	Go to DTC P0171. <Ref. to EN(H4SO)(diag)-161, DTC P0171 SYSTEM TOO LEAN (BANK 1), Diagnostic Procedure with Diagnostic Trouble Code (DTC).>
24	<b>GROUP OF #2 AND #4 CYLINDERS.</b>	Are there any faults in #2 and #4 cylinders?  Repair or replace faulty parts. NOTE: Check the following items. <ul style="list-style-type: none"> <li>• Spark plug</li> <li>• Fuel injector</li> <li>• Compression ratio</li> <li>• Skipping timing belt teeth</li> </ul>	Go to DTC P0171. <Ref. to EN(H4SO)(diag)-161, DTC P0171 SYSTEM TOO LEAN (BANK 1), Diagnostic Procedure with Diagnostic Trouble Code (DTC).>
25	<b>CYLINDER AT RANDOM.</b>	Is the engine idle rough?  Go to DTC P0171. <Ref. to EN(H4SO)(diag)-161, DTC P0171 SYSTEM TOO LEAN (BANK 1), Diagnostic Procedure with Diagnostic Trouble Code (DTC).>	Repair or replace faulty parts. NOTE: Check the following items. <ul style="list-style-type: none"> <li>• Spark plug</li> <li>• Fuel injector</li> <li>• Compression ratio</li> </ul>





# Diagnostic Procedure with Diagnostic Trouble Code (DTC)

ENGINE (DIAGNOSTICS)

	Step	Check	Yes	No
1	<p><b>CHECK HARNESS BETWEEN ECM AND KNOCK SENSOR.</b></p> <p>1) Turn the ignition switch to OFF.</p> <p>2) Disconnect the connectors from ECM.</p> <p>3) Measure the resistance between ECM connectors.</p> <p><b>Connector &amp; terminal</b> <b>(B134) No. 15 — (B134) No. 29:</b></p>	<p>Is the resistance 600 kΩ or more?</p>	<p>Go to step 2.</p>	<p>Repair the poor contact of ECM connector.</p>
2	<p><b>CHECK KNOCK SENSOR.</b></p> <p>1) Disconnect the connector from knock sensor.</p> <p>2) Measure the resistance between knock sensor terminals.</p> <p><b>Terminals</b> <b>No. 1 — No. 2:</b></p>	<p>Is the resistance 600 kΩ or more?</p>	<p>Replace the knock sensor. &lt;Ref. to FU(H4SO)-30, Knock Sensor.&gt;</p>	<p>Repair the harness and connector.</p> <p><b>NOTE:</b> In this case, repair the following item:</p> <ul style="list-style-type: none"> <li>• Open circuit in harness between ECM and knock sensor connector</li> <li>• Poor contact of knock sensor connector</li> <li>• Poor contact of coupling connector</li> </ul>

# Diagnostic Procedure with Diagnostic Trouble Code (DTC)

ENGINE (DIAGNOSTICS)

## AY:DTC P0328 KNOCK SENSOR 1 CIRCUIT HIGH (BANK 1 OR SINGLE SENSOR)

### DTC DETECTING CONDITION:

- Immediately at fault recognition
- GENERAL DESCRIPTION<Ref. to GD(H4SO)-85, DTC P0328 KNOCK SENSOR 1 CIRCUIT HIGH (BANK 1 OR SINGLE SENSOR), Diagnostic Trouble Code (DTC) Detecting Criteria.>

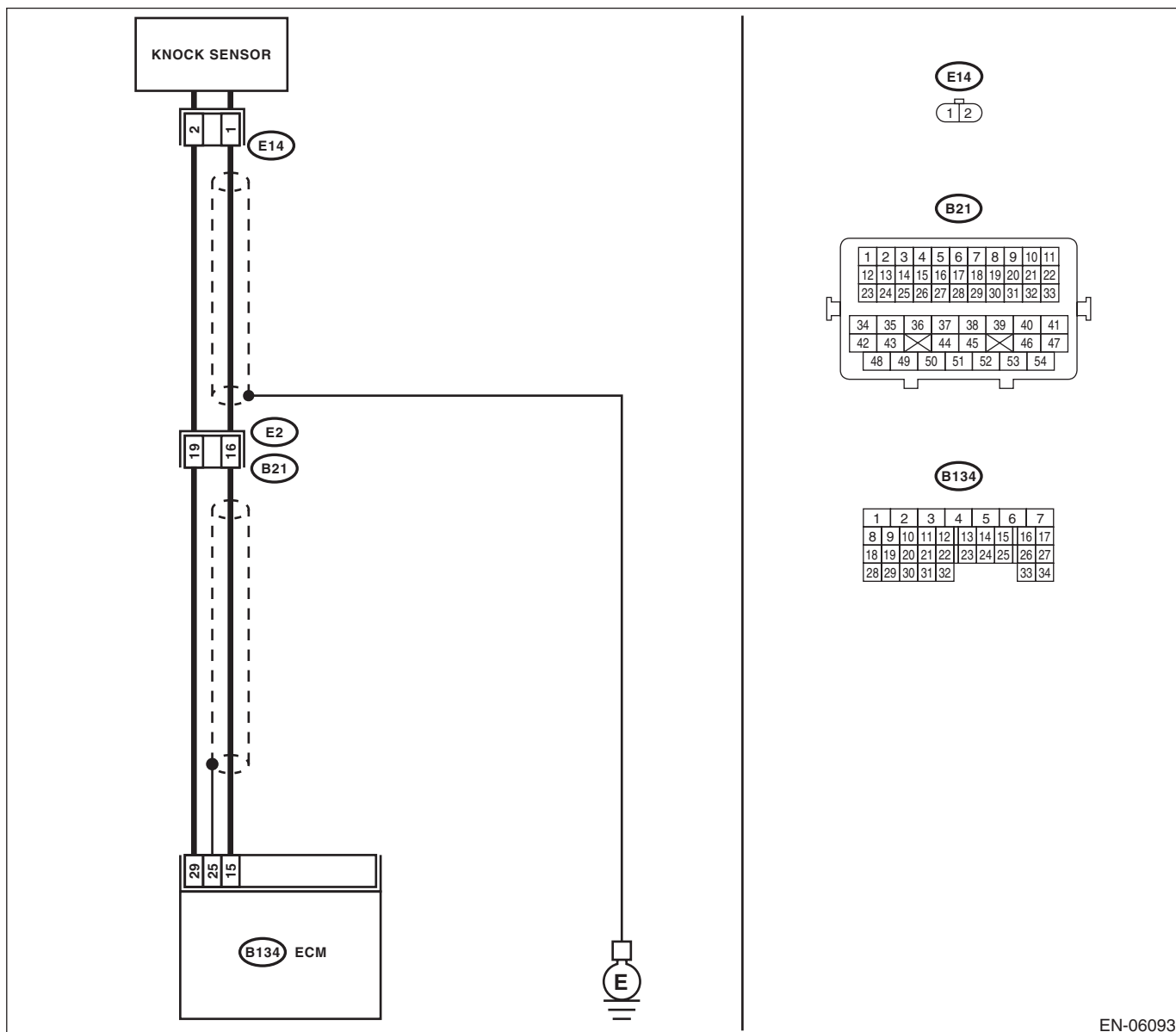
### TROUBLE SYMPTOM:

- Poor driving performance
- Knocking occurs.

### CAUTION:

After servicing or replacing faulty parts, perform Clear Memory Mode <Ref. to EN(H4SO)(diag)-55, OPERATION, Clear Memory Mode.>, and Inspection Mode <Ref. to EN(H4SO)(diag)-44, PROCEDURE, Inspection Mode.>.

### WIRING DIAGRAM:



# Diagnostic Procedure with Diagnostic Trouble Code (DTC)

ENGINE (DIAGNOSTICS)

	Step	Check	Yes	No
1	<p><b>CHECK HARNESS BETWEEN ECM AND KNOCK SENSOR.</b></p> <p>1) Turn the ignition switch to OFF. 2) Disconnect the connectors from ECM. 3) Measure the resistance between ECM connectors.</p> <p><b>Connector &amp; terminal</b> <b>(B134) No. 15 — (B134) No. 29:</b></p>	<p>Is the resistance less than 500 k<math>\Omega</math>?</p>	<p>Go to step 2.</p>	<p>Go to step 3.</p>
2	<p><b>CHECK KNOCK SENSOR.</b></p> <p>1) Disconnect the connector from knock sensor. 2) Measure the resistance between knock sensor terminals.</p> <p><b>Terminals</b> <b>No. 1 — No. 2:</b></p>	<p>Is the resistance less than 500 k<math>\Omega</math>?</p>	<p>Replace the knock sensor. &lt;Ref. to FU(H4SO)-30, Knock Sensor.&gt;</p>	<p>Repair the short circuit to ground in harness between ECM and knock sensor connector.</p> <p>NOTE: The harness between both connectors are shielded. Remove the shield and repair the short circuit of harness.</p>
3	<p><b>CHECK INPUT SIGNAL OF ECM.</b></p> <p>1) Connect the connector to ECM. 2) Turn the ignition switch to ON. 3) Measure the voltage between ECM and chassis ground.</p> <p><b>Connector &amp; terminal</b> <b>(B134) No. 15 (+) — Chassis ground (-):</b></p>	<p>Is the voltage 2 V or more?</p>	<p>Even if DTC is detected, the circuit has returned to a normal condition at this time. Reproduce the failure, and then perform the diagnosis again.</p> <p>NOTE: In this case, temporary poor contact of connector may be the cause.</p>	<p>Repair the poor contact of ECM connector.</p>

# Diagnostic Procedure with Diagnostic Trouble Code (DTC)

ENGINE (DIAGNOSTICS)

## AZ:DTC P0335 CRANKSHAFT POSITION SENSOR "A" CIRCUIT

### DTC DETECTING CONDITION:

- Immediately at fault recognition
- GENERAL DESCRIPTION <Ref. to GD(H4SO)-86, DTC P0335 CRANKSHAFT POSITION SENSOR "A" CIRCUIT, Diagnostic Trouble Code (DTC) Detecting Criteria.>

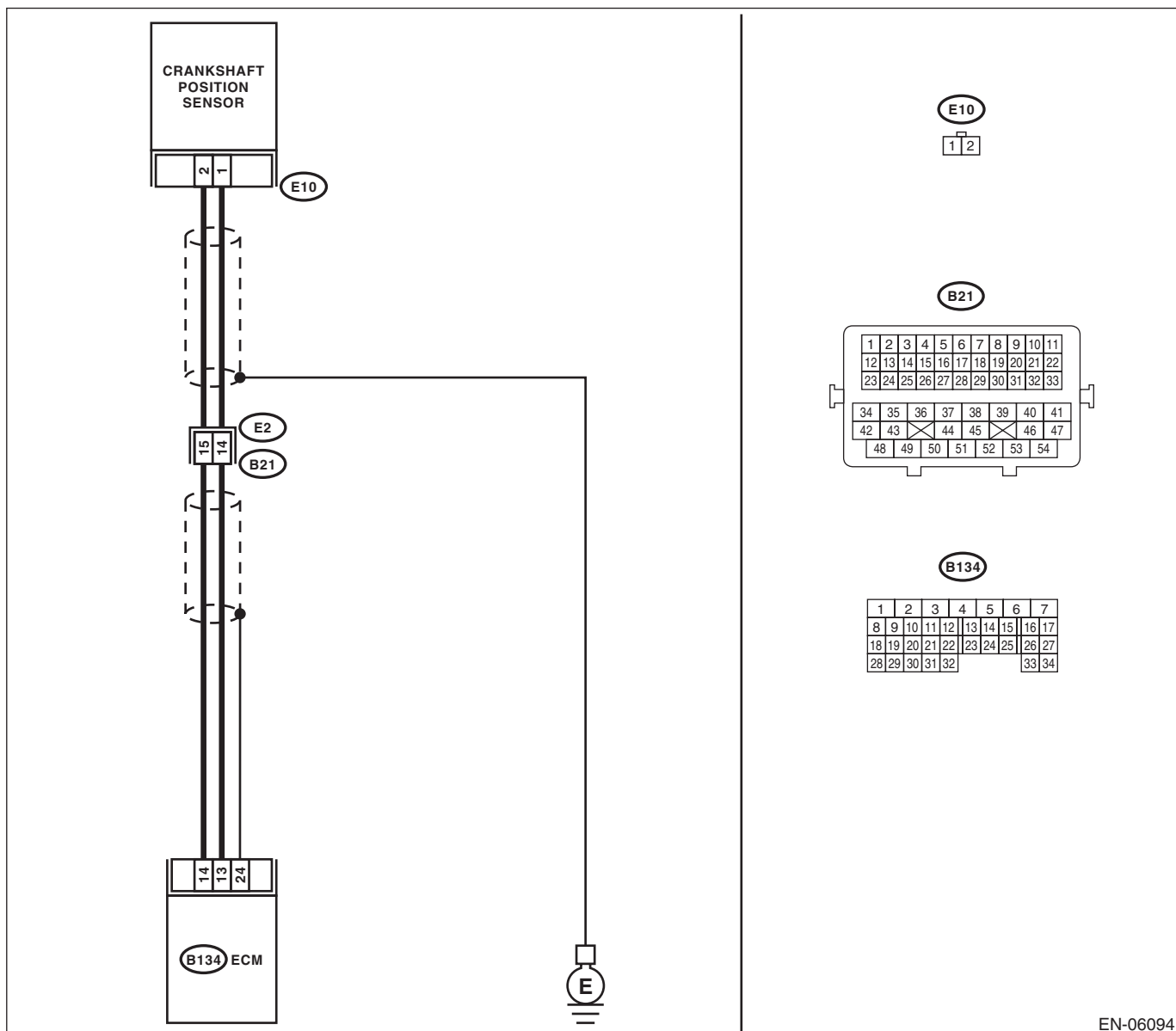
### TROUBLE SYMPTOM:

- Engine stalls.
- Failure of engine to start

### CAUTION:

After servicing or replacing faulty parts, perform Clear Memory Mode <Ref. to EN(H4SO)(diag)-55, OPERATION, Clear Memory Mode.>, and Inspection Mode <Ref. to EN(H4SO)(diag)-44, PROCEDURE, Inspection Mode.>.

### WIRING DIAGRAM:



EN-06094

# Diagnostic Procedure with Diagnostic Trouble Code (DTC)

ENGINE (DIAGNOSTICS)

	Step	Check	Yes	No
1	<b>CHECK INSTALLATION CONDITION OF CRANKSHAFT POSITION SENSOR.</b>	Is the crankshaft position sensor installation bolt tightened securely?	Go to step 2.	Tighten the crankshaft position sensor installation bolt securely.
2	<b>CHECK CRANKSHAFT POSITION SENSOR.</b> 1) Turn the ignition switch to OFF. 2) Remove the crankshaft position sensor. 3) Measure the resistance between terminals of crankshaft position sensor. <b>Terminals</b> <b>No. 1 — No. 2:</b>	Is the resistance between 1 and 4 k $\Omega$ ?	Go to step 3.	Replace the crankshaft position sensor. <Ref. to FU(H4SO)-26, Crankshaft Position Sensor.>
3	<b>CHECK HARNESS BETWEEN ECM AND CRANKSHAFT POSITION SENSOR.</b> 1) Disconnect the connectors from ECM. 2) Measure the resistance of harness between ECM and crankshaft position sensor connector. <b>Connector &amp; terminal</b> <b>(B134) No. 13 — (E10) No. 1:</b> <b>(B134) No. 14 — (E10) No. 2:</b>	Is the resistance less than 1 $\Omega$ ?	Repair the poor contact of ECM and crankshaft position sensor connector.	Repair the harness and connector. <b>NOTE:</b> In this case, repair the following item: • Open circuit in harness between ECM and crankshaft position sensor connector • Poor contact of coupling connector

# Diagnostic Procedure with Diagnostic Trouble Code (DTC)

ENGINE (DIAGNOSTICS)

## BA:DTC P0336 CRANKSHAFT POSITION SENSOR "A" CIRCUIT RANGE/ PERFORMANCE

### DTC DETECTING CONDITION:

- Detected when two consecutive driving cycles with fault occur.
- GENERAL DESCRIPTION <Ref. to GD(H4SO)-88, DTC P0336 CRANKSHAFT POSITION SENSOR "A" CIRCUIT RANGE/PERFORMANCE, Diagnostic Trouble Code (DTC) Detecting Criteria.>

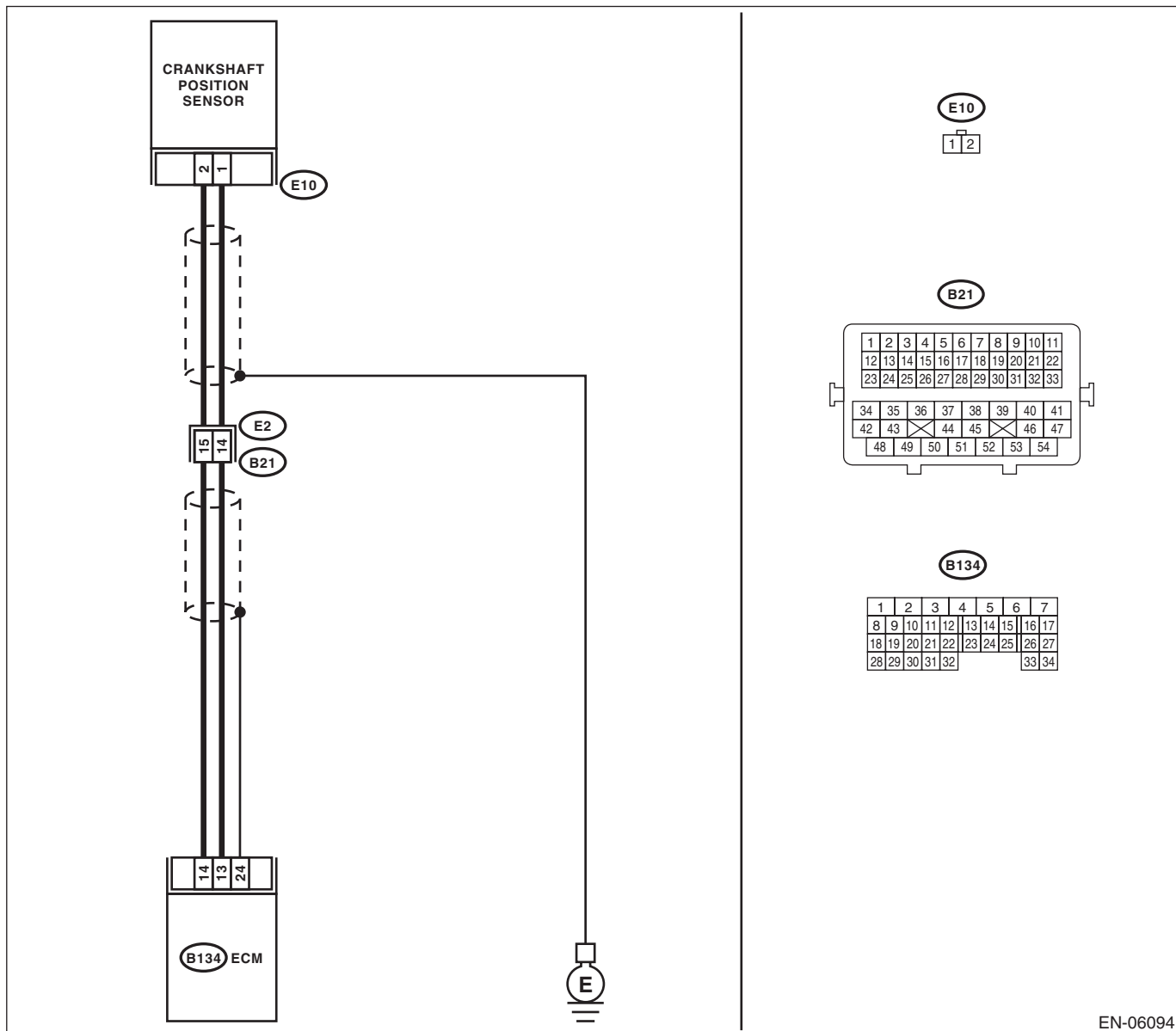
### TROUBLE SYMPTOM:

- Engine stalls.
- Failure of engine to start

### CAUTION:

After servicing or replacing faulty parts, perform Clear Memory Mode <Ref. to EN(H4SO)(diag)-55, OPERATION, Clear Memory Mode.>, and Inspection Mode <Ref. to EN(H4SO)(diag)-44, PROCEDURE, Inspection Mode.>.

### WIRING DIAGRAM:



EN-06094

# Diagnostic Procedure with Diagnostic Trouble Code (DTC)

ENGINE (DIAGNOSTICS)

	<b>Step</b>	<b>Check</b>	<b>Yes</b>	<b>No</b>
<b>1</b>	<b>CHECK CONDITION OF CRANKSHAFT POSITION SENSOR.</b> Turn the ignition switch to OFF.	Is the crankshaft position sensor installation bolt tightened securely?	Go to step 2.	Tighten the crankshaft position sensor installation bolt securely.
<b>2</b>	<b>CHECK CRANK SPROCKET.</b> Remove the timing belt cover.	Are crank sprocket teeth cracked or damaged?	Replace the crank sprocket. <Ref. to ME(H4SO)-56, Crank Sprocket.>	Go to step 3.
<b>3</b>	<b>CHECK INSTALLATION CONDITION OF TIMING BELT.</b> Turn the crankshaft, and align alignment mark on crank sprocket with alignment mark on cylinder block.	Is the timing belt dislocated from its proper position?	Repair the installation condition of timing belt. <Ref. to ME(H4SO)-49, Timing Belt.>	Replace the crankshaft position sensor. <Ref. to FU(H4SO)-26, Crankshaft Position Sensor.>



# Diagnostic Procedure with Diagnostic Trouble Code (DTC)

ENGINE (DIAGNOSTICS)

## BB:DTC P0340 CAMSHAFT POSITION SENSOR "A" CIRCUIT (BANK 1 OR SINGLE SENSOR)

### DTC DETECTING CONDITION:

- Immediately at fault recognition
- GENERAL DESCRIPTION <Ref. to GD(H4SO)-90, DTC P0340 CAMSHAFT POSITION SENSOR "A" CIRCUIT (BANK 1 OR SINGLE SENSOR), Diagnostic Trouble Code (DTC) Detecting Criteria.>

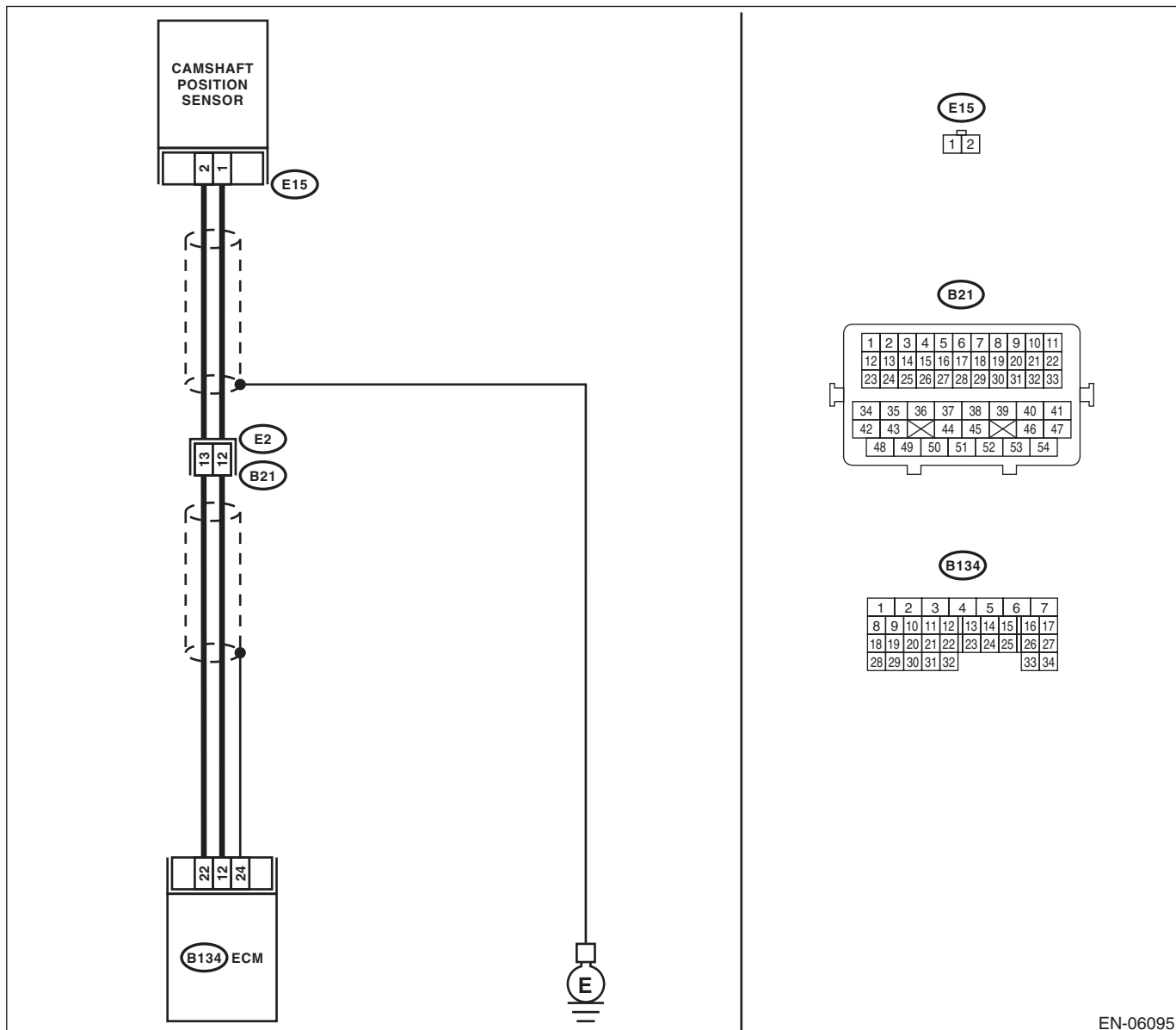
### TROUBLE SYMPTOM:

- Engine stalls.
- Failure of engine to start

### CAUTION:

After servicing or replacing faulty parts, perform Clear Memory Mode <Ref. to EN(H4SO)(diag)-55, OPERATION, Clear Memory Mode.>, and Inspection Mode <Ref. to EN(H4SO)(diag)-44, PROCEDURE, Inspection Mode.>.

### WIRING DIAGRAM:



EN-06095

# Diagnostic Procedure with Diagnostic Trouble Code (DTC)

ENGINE (DIAGNOSTICS)

Step	Check	Yes	No
<p><b>1 CHECK HARNESS BETWEEN ECM AND CAMSHAFT POSITION SENSOR.</b>                      1) Turn the ignition switch to OFF.                      2) Disconnect the connectors from ECM and camshaft position sensor.                      3) Measure the resistance of harness between ECM and camshaft position sensor connector.  <b>Connector &amp; terminal</b>  <b>(B134) No. 12 — (E15) No. 1:</b>  <b>(B134) No. 22 — (E15) No. 2:</b></p>	Is the resistance less than 1 Ω?	Go to step 2.	Repair the harness and connector.  NOTE: In this case, repair the following item: • Open circuit in harness between ECM and camshaft position sensor connector • Poor contact of ECM connector • Poor contact of coupling connector
<p><b>2 CHECK HARNESS BETWEEN ECM AND CAMSHAFT POSITION SENSOR.</b>                      Measure the resistance between camshaft position sensor connector and engine ground.  <b>Connector &amp; terminal</b>  <b>(E15) No. 1 — Engine ground:</b></p>	Is the resistance 1 MΩ or more?	Go to step 3.	Repair the short circuit to ground in harness between ECM and camshaft position sensor.  NOTE: The harness between both connectors are shielded. Remove the shield and repair the ground short circuit of the harness circuit.
<p><b>3 CHECK INSTALLATION CONDITION OF CAMSHAFT POSITION SENSOR.</b></p>	Is the camshaft position sensor installation bolt tightened securely?	Go to step 4.	Tighten the camshaft position sensor installation bolt securely.
<p><b>4 CHECK CAMSHAFT POSITION SENSOR.</b>                      1) Remove the camshaft position sensor.                      2) Measure the resistance between terminals of camshaft position sensor.  <b>Terminals</b>  <b>No. 1 — No. 2:</b></p>	Is the resistance between 1 and 4 kΩ?	Repair the poor contact of ECM or camshaft position sensor connector.	Replace the camshaft position sensor. <Ref. to FU(H4SO)-28, Camshaft Position Sensor.>

# Diagnostic Procedure with Diagnostic Trouble Code (DTC)

ENGINE (DIAGNOSTICS)

## BC:DTC P0341 CAMSHAFT POSITION SENSOR "A" CIRCUIT RANGE/ PERFORMANCE (BANK 1 OR SINGLE SENSOR)

### DTC DETECTING CONDITION:

- Detected when two consecutive driving cycles with fault occur.
- GENERAL DESCRIPTION <Ref. to GD(H4SO)-92, DTC P0341 CAMSHAFT POSITION SENSOR "A" CIRCUIT RANGE/PERFORMANCE (BANK 1 OR SINGLE SENSOR), Diagnostic Trouble Code (DTC) Detecting Criteria.>

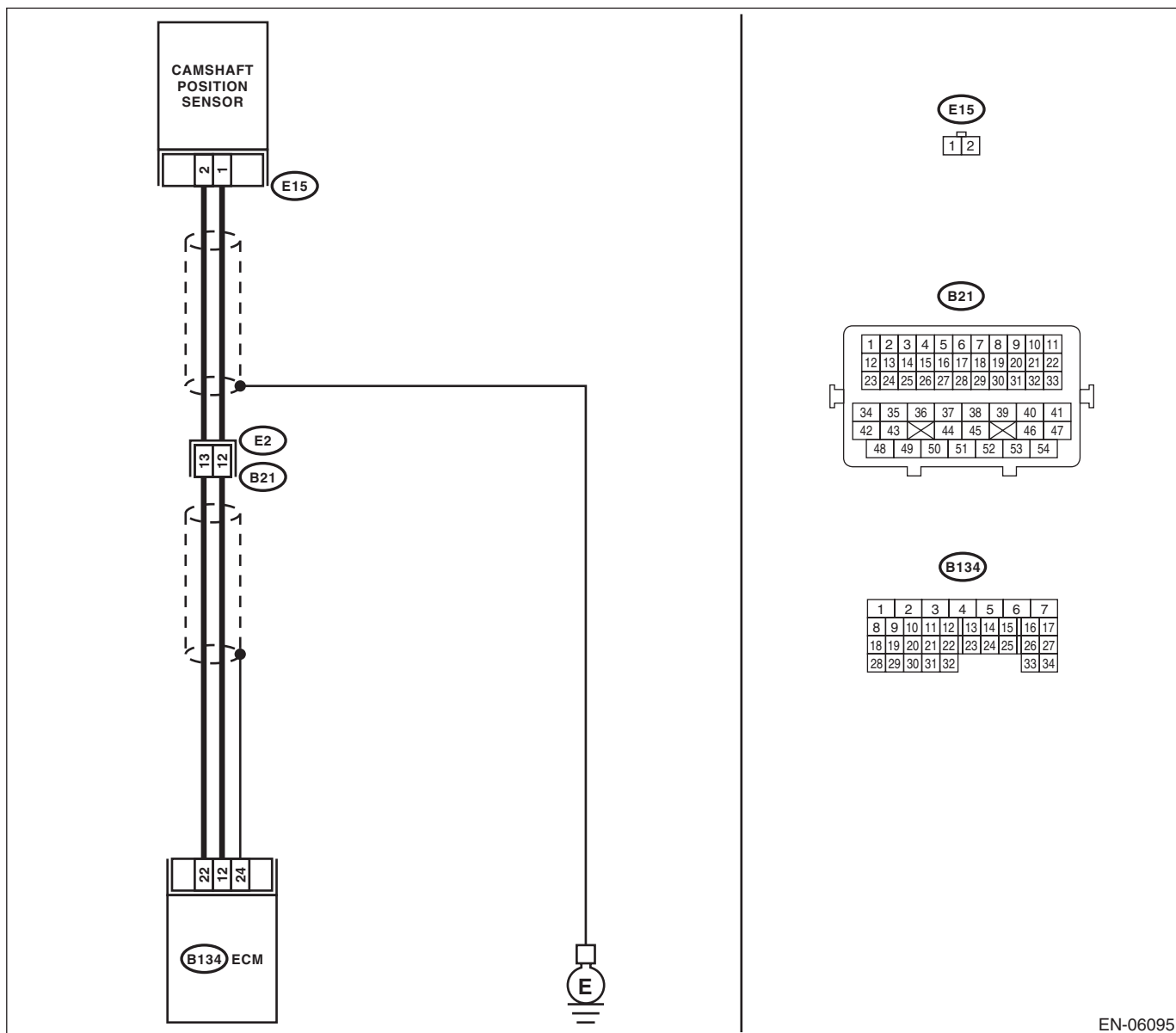
### TROUBLE SYMPTOM:

- Engine stalls.
- Failure of engine to start

### CAUTION:

After servicing or replacing faulty parts, perform Clear Memory Mode <Ref. to EN(H4SO)(diag)-55, OPERATION, Clear Memory Mode.>, and Inspection Mode <Ref. to EN(H4SO)(diag)-44, PROCEDURE, Inspection Mode.>.

### WIRING DIAGRAM:



EN-06095

# Diagnostic Procedure with Diagnostic Trouble Code (DTC)

ENGINE (DIAGNOSTICS)

Step	Check	Yes	No
<b>1</b> <b>CHECK HARNESS BETWEEN ECM AND CAMSHAFT POSITION SENSOR.</b> 1) Turn the ignition switch to OFF. 2) Disconnect the connectors from ECM and camshaft position sensor. 3) Measure the resistance of harness between ECM and camshaft position sensor connector. <b>Connector &amp; terminal</b> <b>(B134) No. 12 — (E15) No. 1:</b> <b>(B134) No. 22 — (E15) No. 2:</b>	Is the resistance less than 1 Ω?	Go to step 2.	Repair the harness and connector. NOTE: In this case, repair the following item: • Open circuit in harness between ECM and camshaft position sensor connector • Poor contact of ECM connector • Poor contact of coupling connector
<b>2</b> <b>CHECK HARNESS BETWEEN ECM AND CAMSHAFT POSITION SENSOR.</b> Measure the resistance between camshaft position sensor connector and engine ground. <b>Connector &amp; terminal</b> <b>(E15) No. 1 — Engine ground:</b>	Is the resistance 1 MΩ or more?	Go to step 3.	Repair the short circuit to ground in harness between ECM and camshaft position sensor. NOTE: The harness between both connectors are shielded. Remove the shield and repair the ground short circuit of the harness circuit.
<b>3</b> <b>CHECK INSTALLATION CONDITION OF CAMSHAFT POSITION SENSOR.</b>	Is the camshaft position sensor installation bolt tightened securely?	Go to step 4.	Tighten the camshaft position sensor installation bolt securely.
<b>4</b> <b>CHECK CAMSHAFT POSITION SENSOR.</b> 1) Remove the camshaft position sensor. 2) Measure the resistance between terminals of camshaft position sensor. <b>Terminals</b> <b>No. 1 — No. 2:</b>	Is the resistance between 1 and 4 kΩ?	Go to step 5.	Replace the camshaft position sensor. <Ref. to FU(H4SO)-28, Camshaft Position Sensor.>
<b>5</b> <b>CHECK CAM SPROCKET.</b> Remove the timing belt cover. <Ref. to ME(H4SO)-48, Timing Belt Cover.>	Are cam sprocket teeth cracked or damaged?	Replace the cam sprocket. <Ref. to ME(H4SO)-54, Cam Sprocket.>	Go to step 6.
<b>6</b> <b>CHECK INSTALLATION CONDITION OF TIMING BELT.</b> Turn the crankshaft using the ST, and align the alignment mark on the cam sprocket with the alignment mark on the timing belt cover LH. ST 499987500 CRANKSHAFT SOCKET	Is the timing belt dislocated from its proper position?	Repair the installation condition of timing belt. <Ref. to ME(H4SO)-49, Timing Belt.>	Replace the camshaft position sensor. <Ref. to FU(H4SO)-28, Camshaft Position Sensor.>

# Diagnostic Procedure with Diagnostic Trouble Code (DTC)

ENGINE (DIAGNOSTICS)

## BD:DTC P0400 EXHAUST GAS RECIRCULATION FLOW

### DTC DETECTING CONDITION:

- Detected when two consecutive driving cycles with fault occur.
- GENERAL DESCRIPTION<Ref. to GD(H4SO)-94, DTC P0400 EXHAUST GAS RECIRCULATION FLOW, Diagnostic Trouble Code (DTC) Detecting Criteria.>

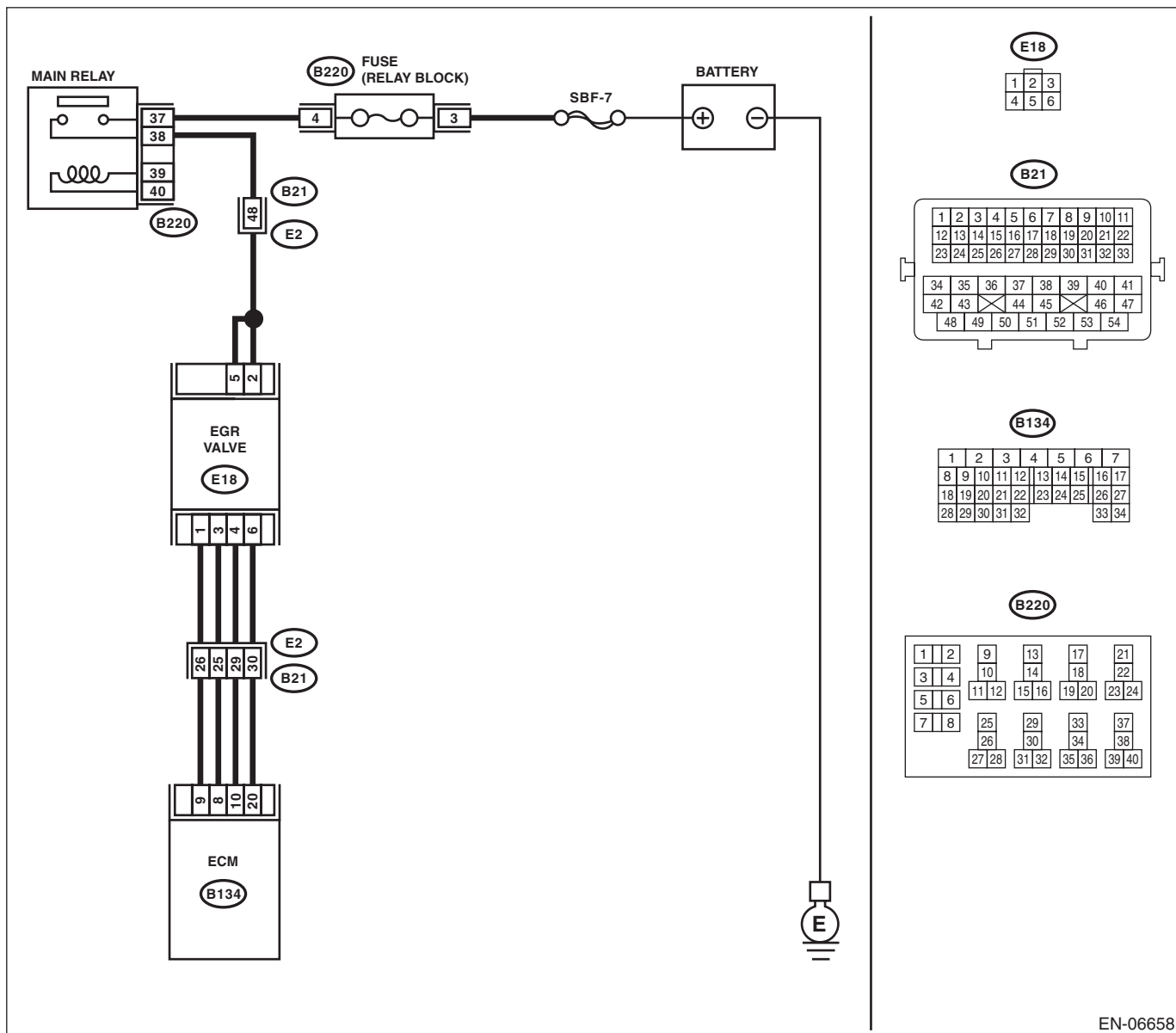
### TROUBLE SYMPTOM:

- Movement performance problem when engine is low speed.
- Improper idling
- Movement performance problem

### CAUTION:

After servicing or replacing faulty parts, perform Clear Memory Mode <Ref. to EN(H4SO)(diag)-55, OPERATION, Clear Memory Mode.>, and Inspection Mode <Ref. to EN(H4SO)(diag)-44, PROCEDURE, Inspection Mode.>.

### WIRING DIAGRAM:



EN-06658

# Diagnostic Procedure with Diagnostic Trouble Code (DTC)

ENGINE (DIAGNOSTICS)

	Step	Check	Yes	No
1	<p><b>CHECK CURRENT DATA.</b></p> <p>1) Start the engine.</p> <p>2) Read data of intake manifold absolute pressure signal using Subaru Select Monitor or general scan tool.</p> <p>NOTE:</p> <ul style="list-style-type: none"><li>• Subaru Select Monitor</li></ul> <p>For detailed operation procedures, refer to "READ CURRENT DATA FOR ENGINE". &lt;Ref. to EN(H4SO)(diag)-34, Subaru Select Monitor.&gt;</p> <ul style="list-style-type: none"><li>• General scan tool</li></ul> <p>For detailed operation procedures, refer to the general scan tool operation manual.</p>	<p>Is the measured value 53.3 kPa (400 mmHg, 15.75 inHg) or more?</p>	<p>Make sure that the EGR valve, manifold absolute pressure sensor and throttle body are installed securely.</p>	<p>Go to step 2.</p>
2	<p><b>CHECK EGR VALVE.</b></p> <p>Remove the EGR valve.</p>	<p>Are there any holes, clogged lines or foreign matters in the EGR system?</p>	<p>Repair the EGR system.</p>	<p>Replace the EGR valve. &lt;Ref. to FU(H4SO)-35, EGR Valve.&gt;</p>

# Diagnostic Procedure with Diagnostic Trouble Code (DTC)

ENGINE (DIAGNOSTICS)

## BE:DTC P0420 CATALYST SYSTEM EFFICIENCY BELOW THRESHOLD (BANK 1)

### DTC DETECTING CONDITION:

- Detected when two consecutive driving cycles with fault occur.
- GENERAL DESCRIPTION<Ref. to GD(H4SO)-97, DTC P0420 CATALYST SYSTEM EFFICIENCY BELOW THRESHOLD (BANK 1), Diagnostic Trouble Code (DTC) Detecting Criteria.>

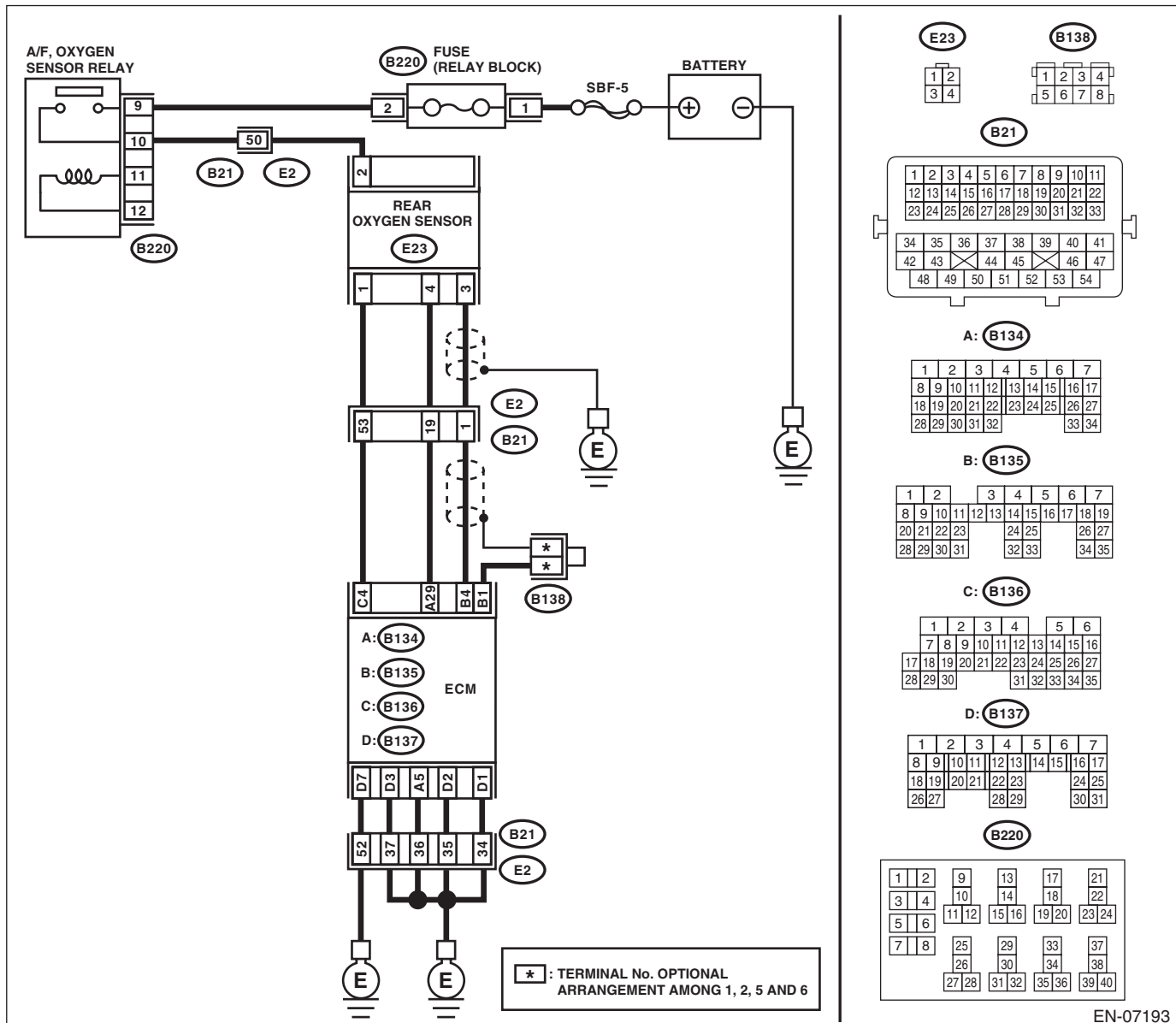
### TROUBLE SYMPTOM:

- Engine stalls.
- Idle mixture is out of specifications.

### CAUTION:

After servicing or replacing faulty parts, perform Clear Memory Mode <Ref. to EN(H4SO)(diag)-55, OPERATION, Clear Memory Mode.>, and Inspection Mode <Ref. to EN(H4SO)(diag)-44, PROCEDURE, Inspection Mode.>.

### WIRING DIAGRAM:



EN-07193

# Diagnostic Procedure with Diagnostic Trouble Code (DTC)

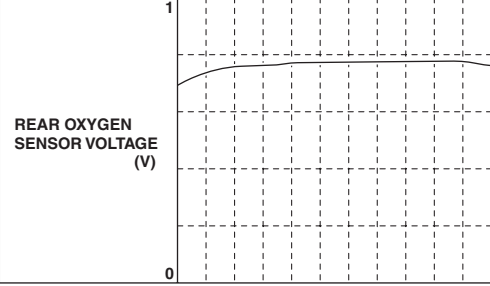
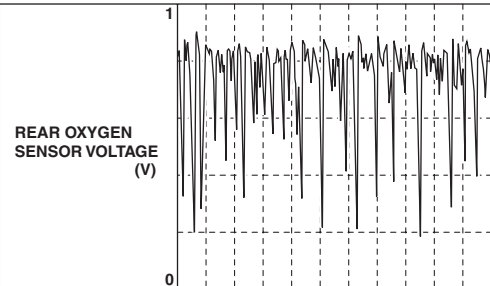
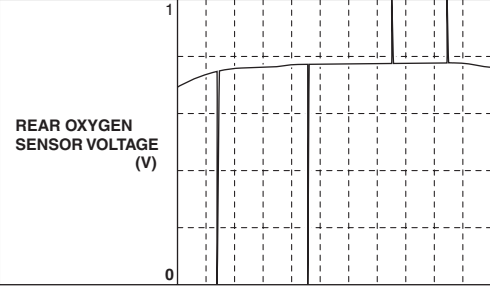
ENGINE (DIAGNOSTICS)

Step	Check	Yes	No
<p><b>1</b></p> <p><b>CHECK EXHAUST SYSTEM.</b> Check for gas leaks or air suction caused by loose or dislocated nuts and bolts, and open hole at exhaust pipes.</p> <p>NOTE: Check the following positions.</p> <ul style="list-style-type: none"> <li>• Between cylinder head and front exhaust pipe</li> <li>• Between front exhaust pipe and front catalytic converter</li> <li>• Between front catalytic converter and rear catalytic converter</li> <li>• Loose or improperly attached front oxygen (A/F) sensor or rear oxygen sensor</li> </ul>	<p>Is there any fault in exhaust system?</p>	<p>Repair or replace the exhaust system. &lt;Ref. to EX(H4SO)-2, General Description.&gt;</p>	<p>Go to step 2.</p>
<p><b>2</b></p> <p><b>CHECK WAVEFORM DATA ON THE SUBARU SELECT MONITOR (WHILE DRIVING).</b></p> <p>1) Drive at a constant speed between 80 — 112 km/h (50 — 70 MPH).</p> <p>2) After 5 minutes have elapsed in the condition of step 1), use the Subaru Select Monitor while still driving to read the waveform data.</p> <ul style="list-style-type: none"> <li>• At normal condition</li> </ul> <div data-bbox="224 884 711 1167"> </div> <p>EN-06666</p> <ul style="list-style-type: none"> <li>• At abnormal condition (numerous inversion)</li> </ul> <div data-bbox="224 1268 711 1551"> </div> <p>EN-06667</p>	<p>Is a normal waveform displayed?</p>	<p>Even if DTC is detected, the circuit has returned to a normal condition at this time. Reproduce the failure, and then perform the diagnosis again.</p> <p>NOTE: In this case, temporary poor contact of connector may be the cause.</p>	<p>Go to step 3.</p>



# Diagnostic Procedure with Diagnostic Trouble Code (DTC)

## ENGINE (DIAGNOSTICS)

Step	Check	Yes	No
<p><b>3</b></p> <p><b>CHECK WAVEFORM DATA ON THE SUBARU SELECT MONITOR (WHILE IDLING).</b></p> <p>1) Run the engine at idle. 2) In the condition of step 1), use the Subaru Select Monitor to read the waveform data.</p> <ul style="list-style-type: none"> <li>At normal condition</li> </ul>  <p>10 sec/div EN-06668</p> <ul style="list-style-type: none"> <li>At abnormal condition 1 (numerous inversion)</li> </ul>  <p>10 sec/div EN-06669</p> <ul style="list-style-type: none"> <li>At abnormal condition 2 (noise input)</li> </ul>  <p>10 sec/div EN-06670</p>	<p>Is a normal waveform displayed?</p>	<p>Go to step 4.</p>	<ul style="list-style-type: none"> <li>The waveform is displayed at abnormal condition 1:Go to step 4.</li> <li>The waveform is displayed at abnormal condition 2:Go to step 5.</li> </ul>
<p><b>4</b></p> <p><b>CHECK CATALYTIC CONVERTER.</b></p>	<p>Is the catalytic converter damaged?</p>	<p>Replace the catalytic converter. &lt;Ref. to EC(H4SO)-3, Front Catalytic Converter.&gt;</p>	<p>Go to step 5.</p>
<p><b>5</b></p> <p><b>CHECK REAR OXYGEN SENSOR CONNECTOR AND COUPLING CONNECTOR.</b></p>	<p>Has water entered the connector?</p>	<p>Completely remove any water inside.</p>	<p>Go to step 6.</p>

# Diagnostic Procedure with Diagnostic Trouble Code (DTC)

ENGINE (DIAGNOSTICS)

Step	Check	Yes	No
<p><b>6</b>      <b>CHECK HARNESS BETWEEN ECM AND REAR OXYGEN SENSOR CONNECTOR.</b>                      1) Turn the ignition switch to OFF.                      2) Disconnect the connector from ECM and rear oxygen sensor.                      3) Measure the resistance of harness between ECM and rear oxygen sensor connector.  <i>Connector &amp; terminal</i>  <i>(B135) No. 4 — (E23) No. 3:</i>  <i>(B134) No. 29 — (E23) No. 4:</i></p>	<p>Is the resistance less than 1 <math>\Omega</math>?</p>	<p>Go to step 7.</p>	<p>Repair the harness and connector.                      NOTE:                      Repair the following locations.                      • Open circuit in harness between ECM and rear oxygen sensor connector                      • Poor contact of coupling connector</p>
<p><b>7</b>      <b>CHECK HARNESS BETWEEN ECM AND REAR OXYGEN SENSOR CONNECTOR.</b>                      1) Turn the ignition switch to ON.                      2) Measure the voltage between rear oxygen sensor connector and chassis ground.  <i>Connector &amp; terminal</i>  <i>(E23) No. 3 (+) — Chassis ground (-):</i></p>	<p>Is the voltage 0.2 — 0.5 V?</p>	<p>Go to step 8.</p>	<p>Repair the harness and connector.                      NOTE:                      Repair the following locations.                      • Open circuit in harness between ECM and rear oxygen sensor connector                      • Poor contact of ECM connector                      • Poor contact of coupling connector</p>
<p><b>8</b>      <b>CHECK REAR OXYGEN SENSOR SHIELD.</b>                      1) Turn the ignition switch to OFF.                      2) Expose the rear oxygen sensor connector body side harness sensor shield.                      3) Measure the resistance between sensor shield and chassis ground.</p>	<p>Is the resistance less than 1 <math>\Omega</math>?</p>	<p>Replace the rear oxygen sensor.                      &lt;Ref. to FU(H4SO)-43, Rear Oxygen Sensor.&gt;</p>	<p>Repair the open circuit of rear oxygen sensor harness.</p>

# Diagnostic Procedure with Diagnostic Trouble Code (DTC)

ENGINE (DIAGNOSTICS)

## BF:DTC P0442 EVAPORATIVE EMISSION CONTROL SYSTEM LEAK DETECTED (SMALL LEAK)

### DTC DETECTING CONDITION:

- Detected when two consecutive driving cycles with fault occur.
- GENERAL DESCRIPTION <Ref. to GD(H4SO)-99, DTC P0442 EVAPORATIVE EMISSION CONTROL SYSTEM LEAK DETECTED (SMALL LEAK), Diagnostic Trouble Code (DTC) Detecting Criteria.>

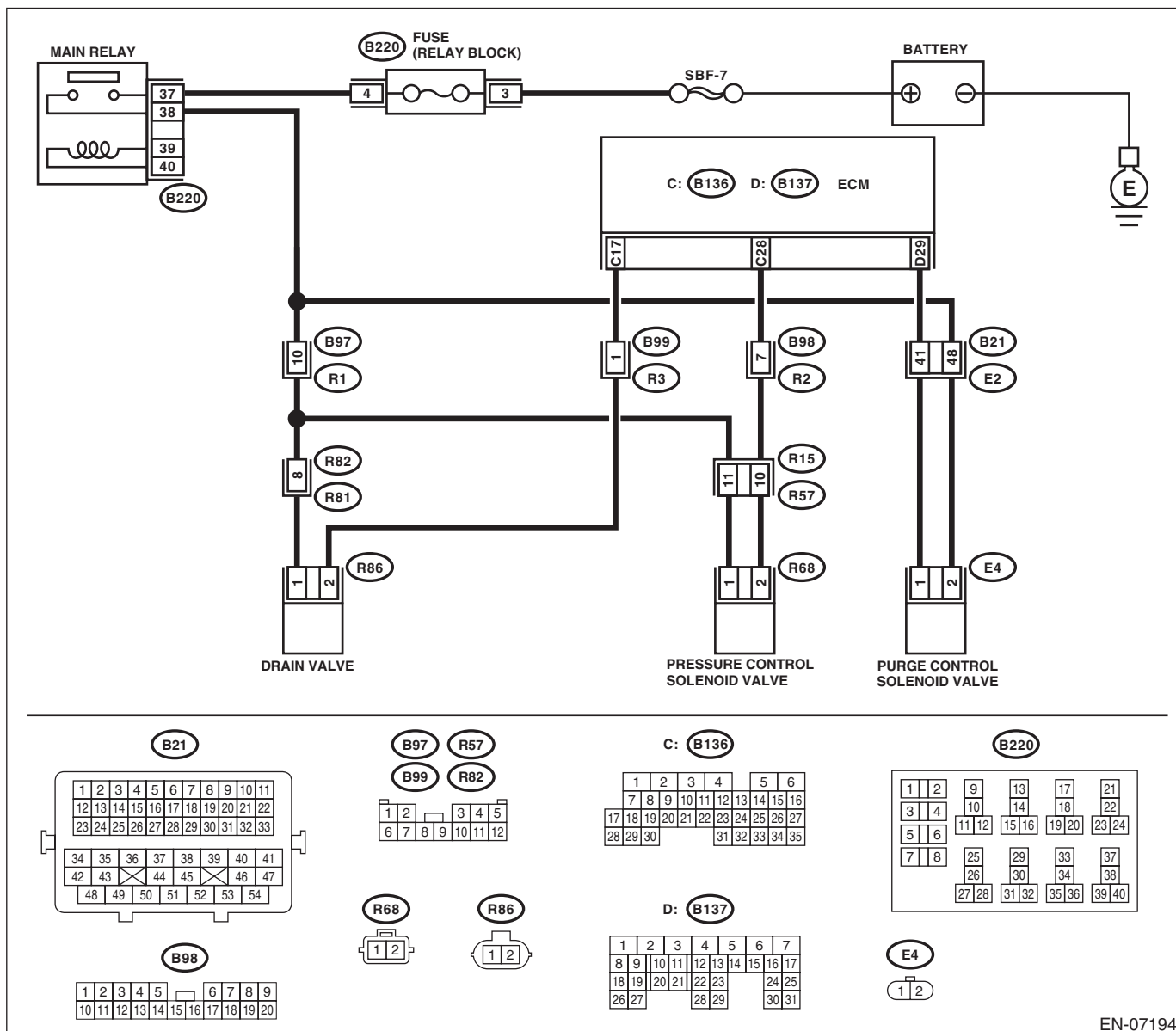
### TROUBLE SYMPTOM:

- Fuel odor
- There is a hole of more than 1.0 mm (0.04 in) dia. in evaporation system or fuel tank.

### CAUTION:

After servicing or replacing faulty parts, perform Clear Memory Mode <Ref. to EN(H4SO)(diag)-55, OPERATION, Clear Memory Mode.>, and Inspection Mode <Ref. to EN(H4SO)(diag)-44, PROCEDURE, Inspection Mode.>.

### WIRING DIAGRAM:



EN-07194

# Diagnostic Procedure with Diagnostic Trouble Code (DTC)

ENGINE (DIAGNOSTICS)

Step	Check	Yes	No
<b>1</b> <b>CHECK FUEL FILLER CAP.</b> 1) Turn the ignition switch to OFF. 2) Check the fuel filler cap.  NOTE: The DTC is stored in memory if fuel filler cap is or was loose or if the cap chain has caught while tightening.	Is the fuel filler cap tightened securely?	Go to step 2.	Tighten fuel filler cap securely.
<b>2</b> <b>CHECK FUEL FILLER CAP.</b>	Is the fuel filler cap genuine?	Go to step 3.	Replace with a genuine fuel filler cap.
<b>3</b> <b>CHECK FUEL FILLER PIPE GASKET.</b>	Is there any damage to the seal between fuel filler cap and fuel filler pipe?	Repair or replace the fuel filler cap and fuel filler pipe. <Ref. to FU(H4SO)-61, Fuel Filler Pipe.>	Go to step 4.
<b>4</b> <b>CHECK DRAIN VALVE.</b> 1) Connect the delivery (test) mode connector. 2) Turn the ignition switch to ON. 3) Operate the drain valve using the Subaru Select Monitor.  NOTE: The drain valve can be operated using Subaru Select Monitor. For the procedures, refer to "Compulsory Valve Operation Check Mode". <Ref. to EN(H4SO)(diag)-56, Compulsory Valve Operation Check Mode.>	Does the drain valve operate?	Go to step 5.	Replace the drain valve. <Ref. to EC(H4SO)-19, Drain Valve.>
<b>5</b> <b>CHECK PURGE CONTROL SOLENOID VALVE.</b> Operate the purge control solenoid valve using the Subaru Select Monitor.  NOTE: Purge control solenoid valve operation can be executed using Subaru Select Monitor. For the procedures, refer to "Compulsory Valve Operation Check Mode". <Ref. to EN(H4SO)(diag)-56, Compulsory Valve Operation Check Mode.>	Does the purge control solenoid valve operate?	Go to step 6.	Replace the purge control solenoid valve. <Ref. to EC(H4SO)-9, Purge Control Solenoid Valve.>
<b>6</b> <b>CHECK PRESSURE CONTROL SOLENOID VALVE.</b> Operate the pressure control solenoid valve using the Subaru Select Monitor.  NOTE: The pressure control solenoid valve operation can be executed using the Subaru Select Monitor. For the procedures, refer to "Compulsory Valve Operation Check Mode". <Ref. to EN(H4SO)(diag)-56, Compulsory Valve Operation Check Mode.>	Does the pressure control solenoid valve operate?	Go to step 7.	Replace the pressure control solenoid valve. <Ref. to EC(H4SO)-16, Pressure Control Solenoid Valve.>
<b>7</b> <b>CHECK EVAPORATIVE EMISSION CONTROL SYSTEM LINE.</b> 1) Turn the ignition switch to OFF. 2) Disconnect the delivery (test) mode connector.	Is there any hole of more than 1.0 mm (0.04 in) dia. on evaporation line?	Repair or replace the evaporation line. <Ref. to FU(H4SO)-76, Fuel Delivery and Evaporation Lines.>	Go to step 8.

## Diagnostic Procedure with Diagnostic Trouble Code (DTC)

### ENGINE (DIAGNOSTICS)

	<b>Step</b>	<b>Check</b>	<b>Yes</b>	<b>No</b>
<b>8</b>	<b>CHECK CANISTER.</b>	Is the canister damaged or is there a hole of more than 1.0 mm (0.04 in) dia. in it?	Repair or replace the canister. <Ref. to EC(H4SO)-5, Canister.>	Go to step <b>9</b> .
<b>9</b>	<b>CHECK FUEL TANK.</b> Remove the fuel tank. <Ref. to FU(H4SO)-54, Fuel Tank.>	Is the fuel tank damaged or is there any hole of more than 1.0 mm (0.04 in) dia. in it?	Repair or replace the fuel tank. <Ref. to FU(H4SO)-54, Fuel Tank.>	Go to step <b>10</b> .
<b>10</b>	<b>CHECK ANY OTHER MECHANICAL TROUBLE IN EVAPORATIVE EMISSION CONTROL SYSTEM.</b>	Is there any hole of more than 1.0 mm (0.04 in) dia., crack, clogging, or disconnections, bend, misconnection of hoses or pipes in evaporative emission control system?	Repair or replace the hoses or pipes.	Repair the poor contact of ECM connector.

# Diagnostic Procedure with Diagnostic Trouble Code (DTC)

ENGINE (DIAGNOSTICS)

## BG:DTC P0447 EVAPORATIVE EMISSION CONTROL SYSTEM VENT CONTROL CIRCUIT OPEN

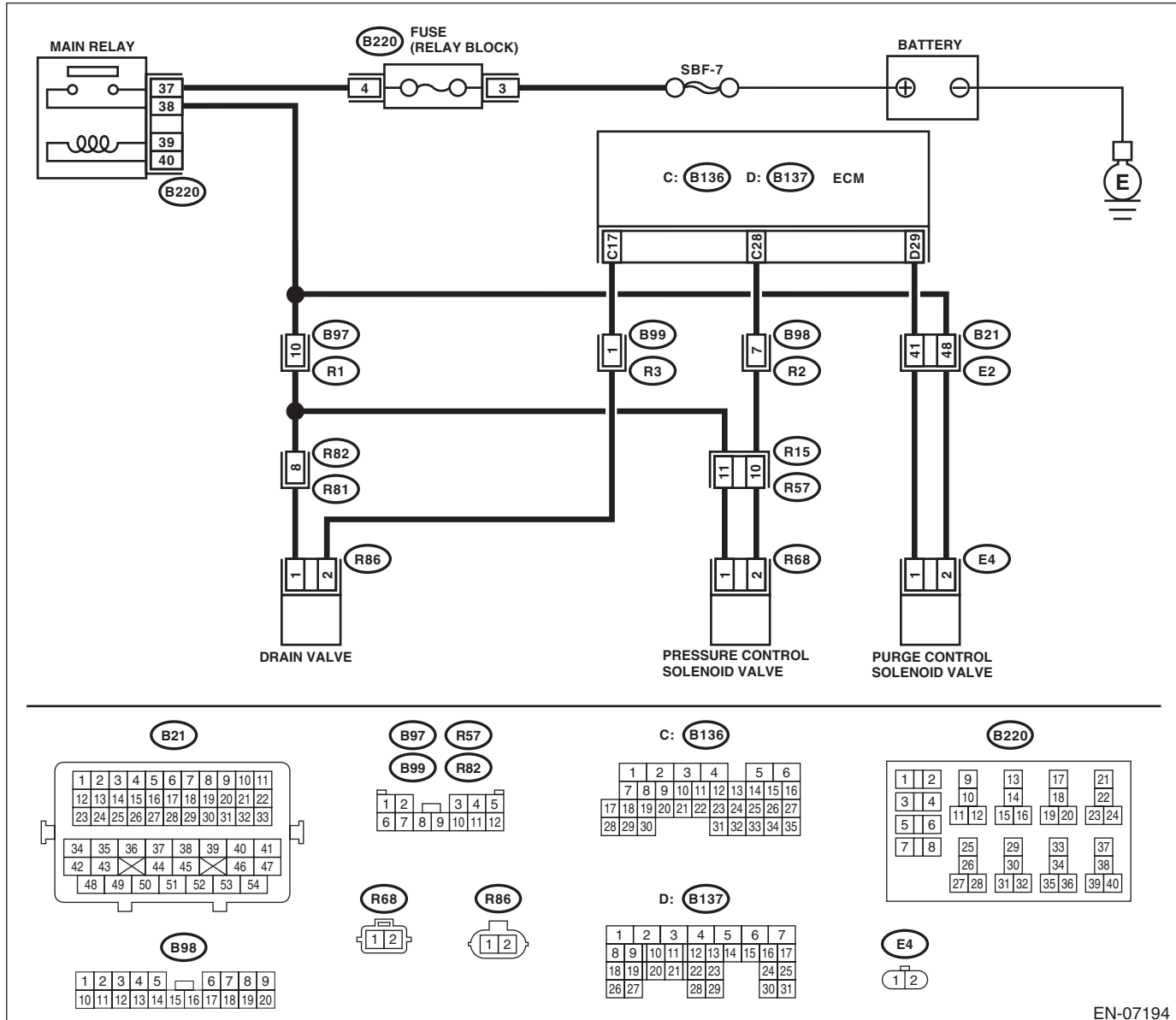
### DTC DETECTING CONDITION:

- Immediately at fault recognition
- GENERAL DESCRIPTION<Ref. to GD(H4SO)-115, DTC P0447 EVAPORATIVE EMISSION CONTROL SYSTEM VENT CONTROL CIRCUIT OPEN, Diagnostic Trouble Code (DTC) Detecting Criteria.>

### CAUTION:

After servicing or replacing faulty parts, perform Clear Memory Mode <Ref. to EN(H4SO)(diag)-55, OPERATION, Clear Memory Mode.>, and Inspection Mode <Ref. to EN(H4SO)(diag)-44, PROCEDURE, Inspection Mode.>.

### WIRING DIAGRAM:



EN-07194

# Diagnostic Procedure with Diagnostic Trouble Code (DTC)

## ENGINE (DIAGNOSTICS)

Step	Check	Yes	No
<b>1</b> <b>CHECK OUTPUT SIGNAL OF ECM.</b> 1) Turn the ignition switch to ON. 2) Measure the voltage between ECM and chassis ground. <i><b>Connector &amp; terminal</b></i> <i><b>(B136) No. 17 (+) — Chassis ground (-):</b></i>	Is the voltage 10 V or more?	Repair the poor contact of ECM connector.	Go to step 2.
<b>2</b> <b>CHECK HARNESS BETWEEN ECM AND DRAIN VALVE.</b> 1) Turn the ignition switch to OFF. 2) Disconnect the connectors from the ECM and drain valve. 3) Measure the resistance between the drain valve connector and chassis ground. <i><b>Connector &amp; terminal</b></i> <i><b>(R86) No. 2 — Chassis ground:</b></i>	Is the resistance 1 M $\Omega$ or more?	Go to step 3.	Repair the ground short circuit of harness between ECM and drain valve connector.
<b>3</b> <b>CHECK HARNESS BETWEEN ECM AND DRAIN VALVE.</b> Measure the resistance of harness between ECM and drain valve connector. <i><b>Connector &amp; terminal</b></i> <i><b>(B136) No. 17 — (R86) No. 2:</b></i>	Is the resistance less than 1 $\Omega$ ?	Go to step 4.	Repair the harness and connector. NOTE: In this case, repair the following item: <ul style="list-style-type: none"> <li>• Open circuit of harness between ECM and drain valve connector</li> <li>• Poor contact of coupling connector</li> </ul>
<b>4</b> <b>CHECK DRAIN VALVE.</b> Measure the resistance between drain valve terminals. <i><b>Terminals</b></i> <i><b>No. 1 — No. 2:</b></i>	Is the resistance 10 — 100 $\Omega$ ?	Go to step 5.	Replace the drain valve. <Ref. to EC(H4SO)-19, Drain Valve.>
<b>5</b> <b>CHECK POWER SUPPLY TO DRAIN VALVE.</b> 1) Turn the ignition switch to ON. 2) Measure the voltage between drain valve and chassis ground. <i><b>Connector &amp; terminal</b></i> <i><b>(R86) No. 1 (+) — Chassis ground (-):</b></i>	Is the voltage 10 V or more?	Repair the poor contact of drain valve connector.	Repair the harness and connector. NOTE: In this case, repair the following item: <ul style="list-style-type: none"> <li>• Open circuit in harness between main relay connector and drain valve connector</li> <li>• Poor contact of coupling connector</li> <li>• Poor contact of main relay connector</li> </ul>

# Diagnostic Procedure with Diagnostic Trouble Code (DTC)

ENGINE (DIAGNOSTICS)

## BH:DTC P0448 EVAPORATIVE EMISSION CONTROL SYSTEM VENT CONTROL CIRCUIT SHORTED

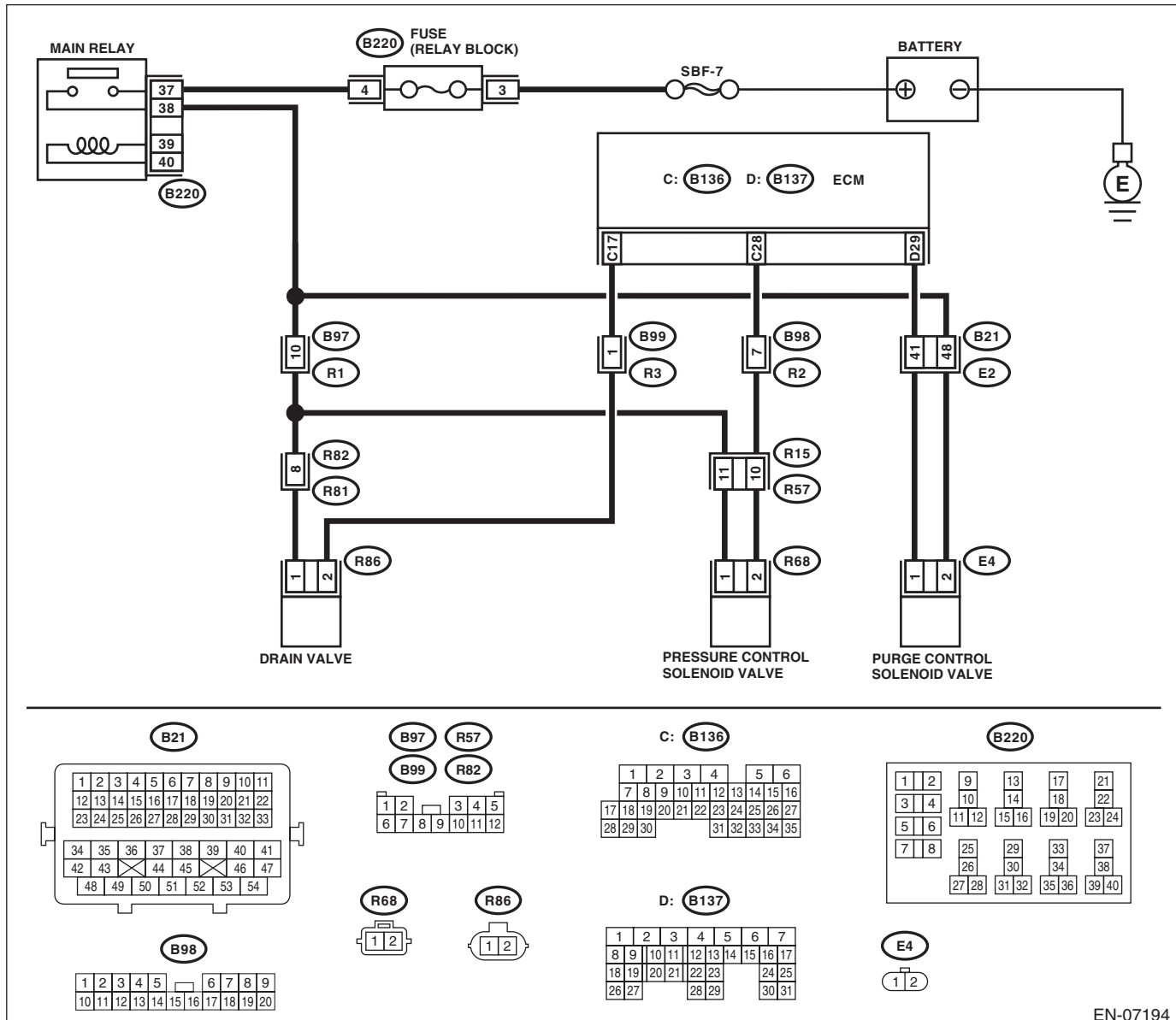
### DTC DETECTING CONDITION:

- Immediately at fault recognition
- GENERAL DESCRIPTION<Ref. to GD(H4SO)-117, DTC P0448 EVAPORATIVE EMISSION CONTROL SYSTEM VENT CONTROL CIRCUIT SHORTED, Diagnostic Trouble Code (DTC) Detecting Criteria.>

### CAUTION:

After servicing or replacing faulty parts, perform Clear Memory Mode <Ref. to EN(H4SO)(diag)-55, OPERATION, Clear Memory Mode.>, and Inspection Mode <Ref. to EN(H4SO)(diag)-44, PROCEDURE, Inspection Mode.>.

### WIRING DIAGRAM:



EN-07194



# Diagnostic Procedure with Diagnostic Trouble Code (DTC)

ENGINE (DIAGNOSTICS)

	Step	Check	Yes	No
1	<b>CHECK HARNESS BETWEEN ECM AND DRAIN VALVE.</b> 1) Turn the ignition switch to OFF. 2) Disconnect the connectors from the ECM and drain valve. 3) Turn the ignition switch to ON. 4) Measure the voltage between ECM and chassis ground. <b>Connector &amp; terminal</b> <b>(B136) No. 17 (+) — Chassis ground (-):</b>	Is the voltage 10 V or more?	Repair the short circuit to power in the harness between ECM and drain valve connector.	Go to step 2.
2	<b>CHECK DRAIN VALVE.</b> 1) Turn the ignition switch to OFF. 2) Measure the resistance between drain valve terminals. <b>Terminals</b> <b>No. 1 — No. 2:</b>	Is the resistance less than 1 $\Omega$ ?	Replace the drain valve. <Ref. to EC(H4SO)-19, Drain Valve.>	Repair the poor contact of ECM connector.

## BI: DTC P0451 EVAPORATIVE EMISSION CONTROL SYSTEM PRESSURE SENSOR

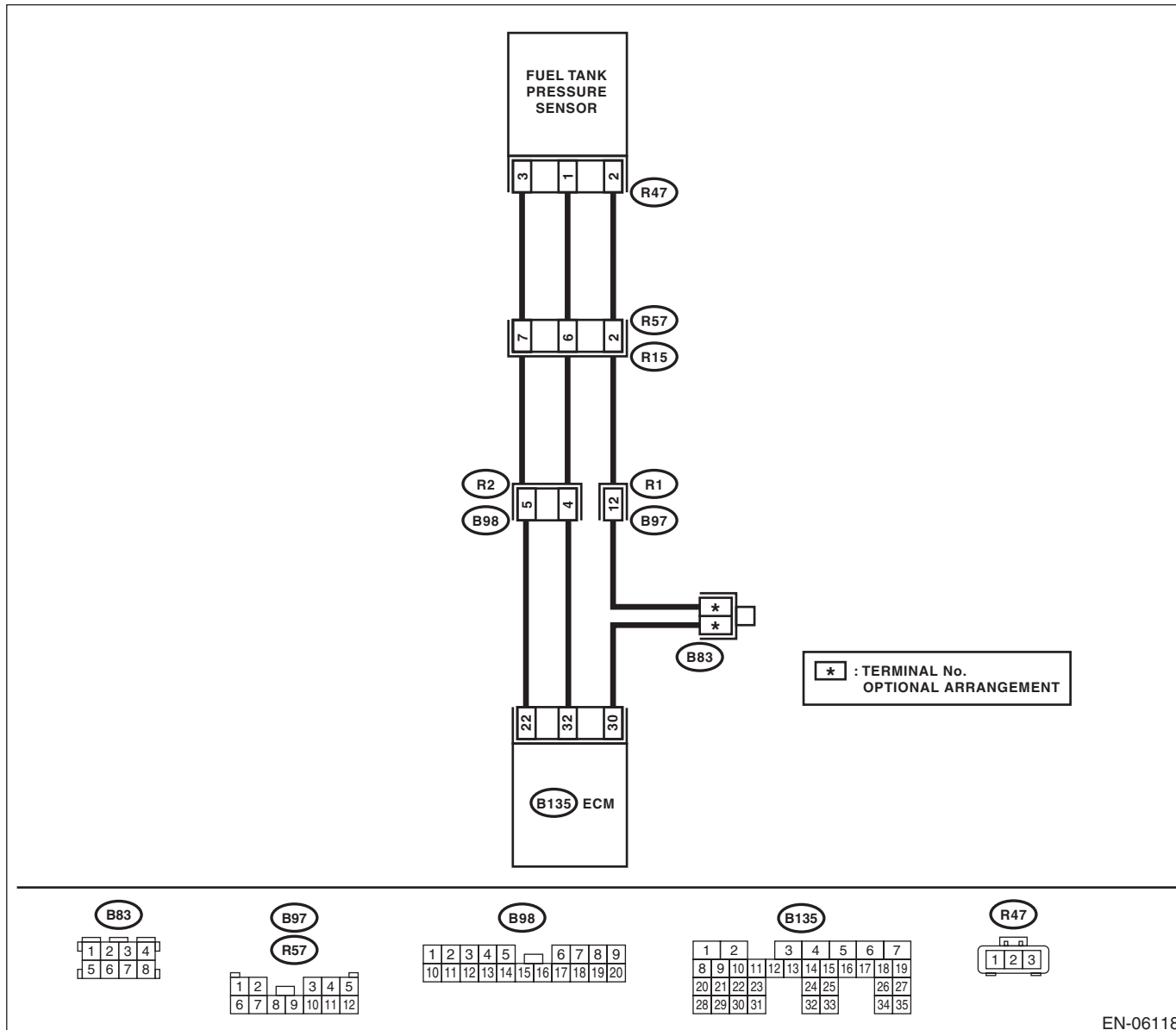
### DTC DETECTING CONDITION:

- Detected when two consecutive driving cycles with fault occur.
- GENERAL DESCRIPTION <Ref. to GD(H4SO)-119, DTC P0451 EVAPORATIVE EMISSION CONTROL SYSTEM PRESSURE SENSOR, Diagnostic Trouble Code (DTC) Detecting Criteria.>

### CAUTION:

After servicing or replacing faulty parts, perform Clear Memory Mode <Ref. to EN(H4SO)(diag)-55, OPERATION, Clear Memory Mode.>, and Inspection Mode <Ref. to EN(H4SO)(diag)-44, PROCEDURE, Inspection Mode.>.

### WIRING DIAGRAM:



EN-06118

# Diagnostic Procedure with Diagnostic Trouble Code (DTC)

## ENGINE (DIAGNOSTICS)

	<b>Step</b>	<b>Check</b>	<b>Yes</b>	<b>No</b>
<b>1</b>	<b>CHECK FUEL FILLER CAP.</b> 1) Turn the ignition switch to OFF. 2) Open the fuel flap.	Is the fuel filler cap tightened securely?	Go to step 2.	Tighten fuel filler cap securely.
<b>2</b>	<b>CHECK PRESSURE VACUUM LINE.</b> NOTE: Check the following items. <ul style="list-style-type: none"><li>• Disconnection, leakage and clogging of the vacuum hoses and pipes between fuel tank pressure sensor and fuel tank</li><li>• Disconnection, leakage and clogging of air ventilation hoses and pipes between fuel filler pipe and fuel tank</li></ul>	Is there any fault in pressure/vacuum line?	Repair or replace the hoses and pipes.	Replace the fuel tank pressure sensor. <Ref. to EC(H4SO)-15, Fuel Tank Pressure Sensor.>

## BJ:DTC P0452 EVAPORATIVE EMISSION CONTROL SYSTEM PRESSURE SENSOR LOW INPUT

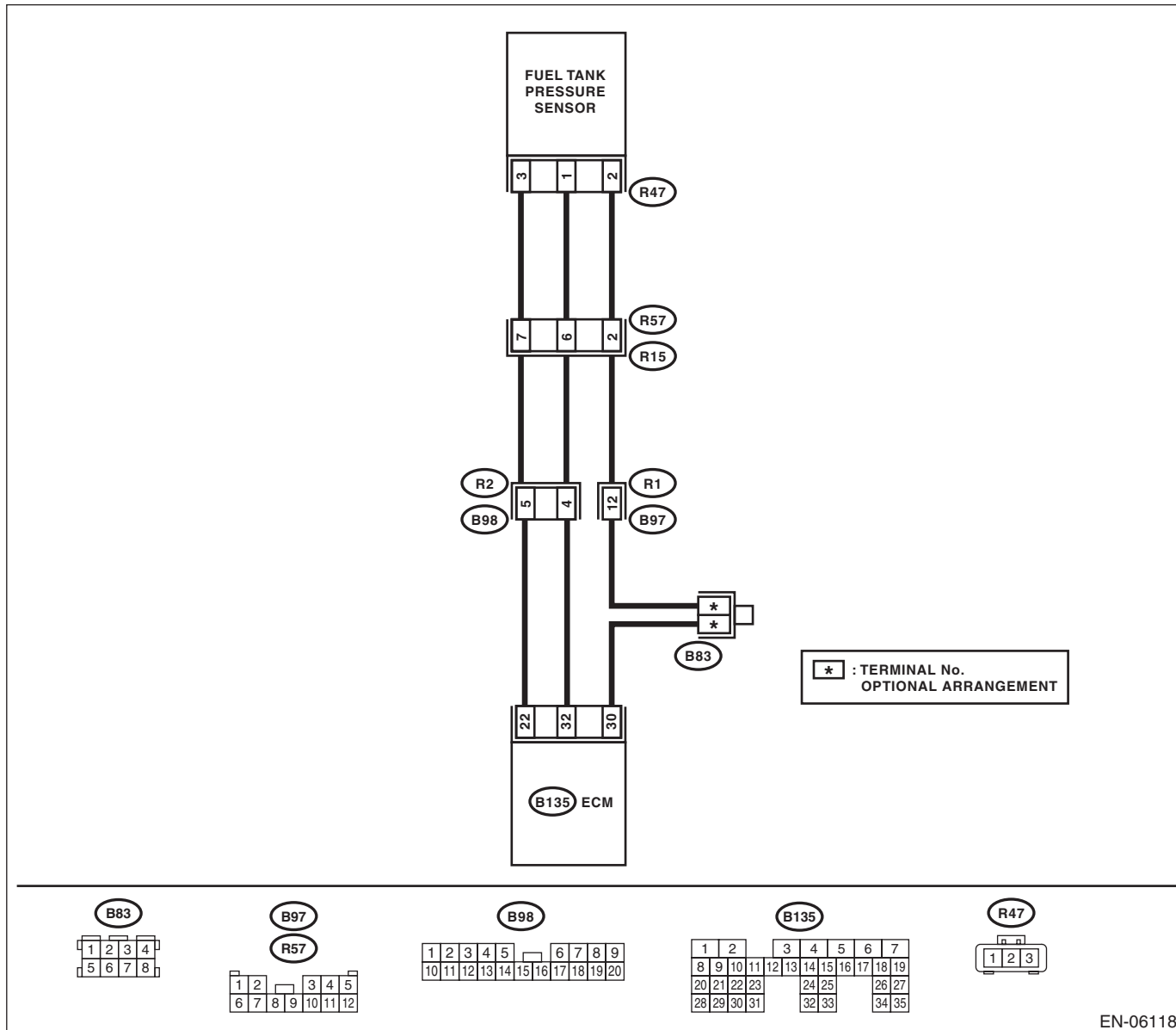
**DTC DETECTING CONDITION:**

- Immediately at fault recognition
- GENERAL DESCRIPTION<Ref. to GD(H4SO)-121, DTC P0452 EVAPORATIVE EMISSION CONTROL SYSTEM PRESSURE SENSOR LOW INPUT, Diagnostic Trouble Code (DTC) Detecting Criteria.>

**CAUTION:**

After servicing or replacing faulty parts, perform Clear Memory Mode <Ref. to EN(H4SO)(diag)-55, OPERATION, Clear Memory Mode.>, and Inspection Mode <Ref. to EN(H4SO)(diag)-44, PROCEDURE, Inspection Mode.>.

**WIRING DIAGRAM:**



EN-06118

# Diagnostic Procedure with Diagnostic Trouble Code (DTC)

## ENGINE (DIAGNOSTICS)

	Step	Check	Yes	No
1	<p><b>CHECK CURRENT DATA.</b></p> <p>1) Turn the ignition switch to ON.</p> <p>2) Read the data of fuel tank pressure sensor signal using the Subaru Select Monitor or general scan tool.</p> <p>NOTE:</p> <ul style="list-style-type: none"> <li>Subaru Select Monitor</li> </ul> <p>For detailed operation procedures, refer to "READ CURRENT DATA FOR ENGINE". &lt;Ref. to EN(H4SO)(diag)-34, Subaru Select Monitor.&gt;</p> <ul style="list-style-type: none"> <li>General scan tool</li> </ul> <p>For detailed operation procedures, refer to the general scan tool operation manual.</p>	Is the measured value less than -7.45 kPa (-55.9 mmHg, -2.2 inHg) ?	Go to step 2.	<p>Even if DTC is detected, the circuit has returned to a normal condition at this time. Reproduce the failure, and then perform the diagnosis again.</p> <p>NOTE:</p> <p>In this case, temporary poor contact of connector may be the cause.</p>
2	<p><b>CHECK FUEL TANK PRESSURE SENSOR POWER SUPPLY.</b></p> <p>1) Turn the ignition switch to OFF.</p> <p>2) Disconnect the connector from the fuel tank pressure sensor.</p> <p>3) Turn the ignition switch to ON.</p> <p>4) Measure the voltage between the fuel tank pressure sensor connector and chassis ground.</p> <p><b>Connector &amp; terminal</b> <b>(R47) No. 3 (+) — Chassis ground (-):</b></p>	Is the voltage 4.5 V or more?	Go to step 3.	<p>Repair the harness and connector.</p> <p>NOTE:</p> <p>In this case, repair the following item:</p> <ul style="list-style-type: none"> <li>Open circuit of harness between ECM and fuel tank pressure sensor connector</li> <li>Poor contact of ECM connector</li> <li>Poor contact of coupling connector</li> </ul>
3	<p><b>CHECK HARNESS BETWEEN ECM AND FUEL TANK PRESSURE SENSOR CONNECTOR.</b></p> <p>1) Turn the ignition switch to OFF.</p> <p>2) Disconnect the connectors from ECM.</p> <p>3) Measure the resistance of harness between the ECM and fuel tank pressure sensor connector.</p> <p><b>Connector &amp; terminal</b> <b>(B135) No. 32 — (R47) No. 1:</b></p>	Is the resistance less than 1 Ω?	Go to step 4.	<p>Repair the harness and connector.</p> <p>NOTE:</p> <p>In this case, repair the following item:</p> <ul style="list-style-type: none"> <li>Open circuit of harness between ECM and fuel tank pressure sensor connector</li> <li>Poor contact of coupling connector</li> </ul>
4	<p><b>CHECK HARNESS BETWEEN ECM AND FUEL TANK PRESSURE SENSOR CONNECTOR.</b></p> <p>Measure the resistance between ECM and chassis ground.</p> <p><b>Connector &amp; terminal</b> <b>(B135) No. 32 — Chassis ground:</b></p>	Is the resistance 1 MΩ or more?	Go to step 5.	<p>Repair the ground short circuit of harness between ECM and fuel tank pressure sensor connector.</p>
5	<p><b>CHECK POOR CONTACT.</b></p> <p>Check for poor contact between the ECM and fuel tank pressure sensor connector.</p>	Is there poor contact of the ECM or fuel tank pressure sensor connector?	Repair the poor contact of the ECM or fuel tank pressure sensor connector.	<p>Replace the fuel tank pressure sensor. &lt;Ref. to EC(H4SO)-15, Fuel Tank Pressure Sensor.&gt;</p>

## BK:DTC P0453 EVAPORATIVE EMISSION CONTROL SYSTEM PRESSURE SENSOR HIGH INPUT

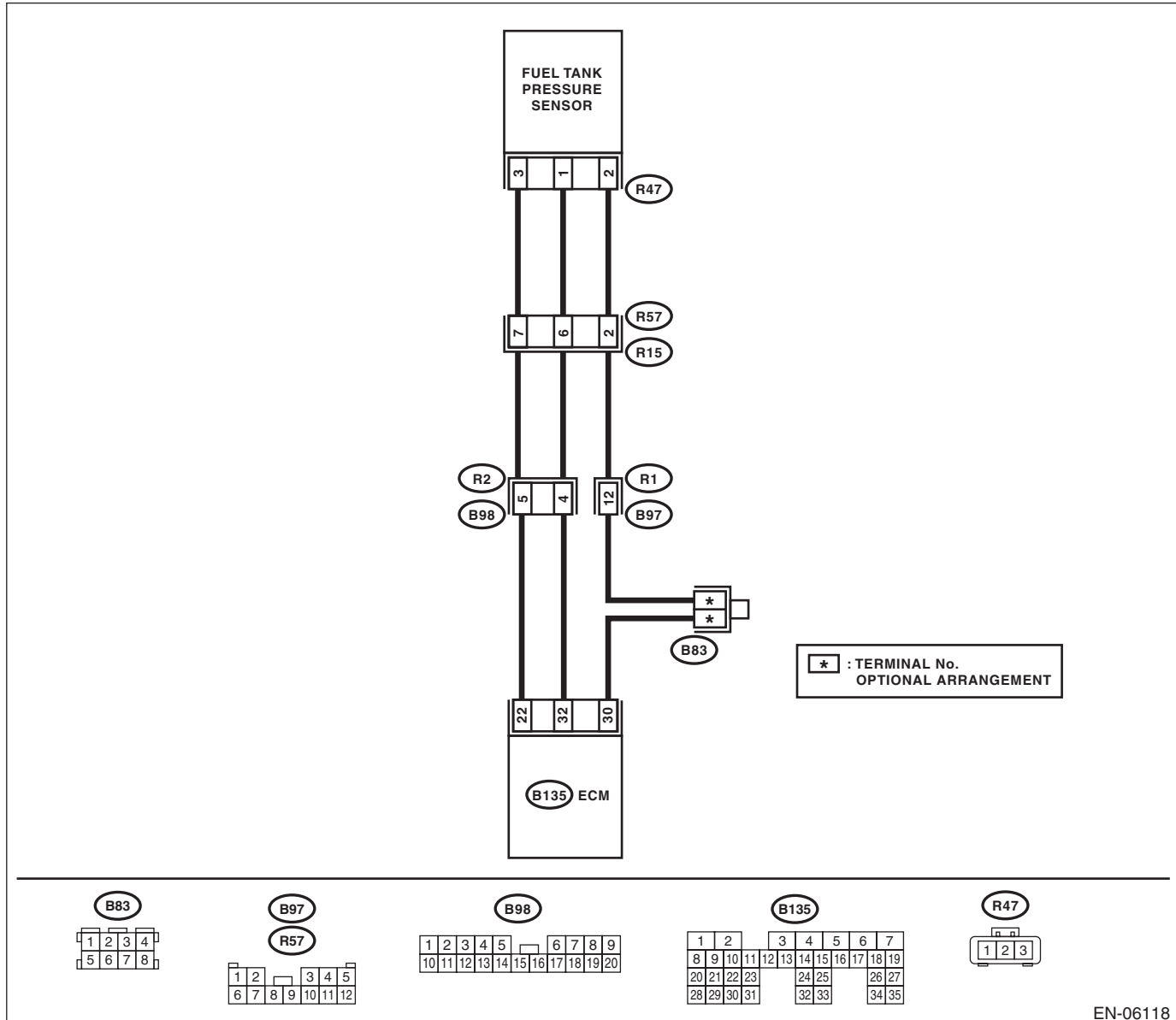
### DTC DETECTING CONDITION:

- Immediately at fault recognition
- GENERAL DESCRIPTION <Ref. to GD(H4SO)-123, DTC P0453 EVAPORATIVE EMISSION CONTROL SYSTEM PRESSURE SENSOR HIGH INPUT, Diagnostic Trouble Code (DTC) Detecting Criteria.>

### CAUTION:

After servicing or replacing faulty parts, perform Clear Memory Mode <Ref. to EN(H4SO)(diag)-55, OPERATION, Clear Memory Mode.>, and Inspection Mode <Ref. to EN(H4SO)(diag)-44, PROCEDURE, Inspection Mode.>.

### WIRING DIAGRAM:



EN-06118

# Diagnostic Procedure with Diagnostic Trouble Code (DTC)

## ENGINE (DIAGNOSTICS)

Step	Check	Yes	No
<b>1</b> <b>CHECK CURRENT DATA.</b> 1) Turn the ignition switch to ON. 2) Read the data of fuel tank pressure sensor signal using the Subaru Select Monitor or general scan tool.  NOTE: • Subaru Select Monitor For detailed operation procedures, refer to "READ CURRENT DATA FOR ENGINE". <Ref. to EN(H4SO)(diag)-34, Subaru Select Monitor.> • General scan tool For detailed operation procedures, refer to the general scan tool operation manual.	Is the measured value 7.95 kPa (59.6 mmHg, 2.35 inHg) or more?	Go to step 2.	Even if DTC is detected, the circuit has returned to a normal condition at this time. Reproduce the failure, and then perform the diagnosis again.  NOTE: In this case, temporary poor contact of connector may be the cause.
<b>2</b> <b>CHECK HARNESS BETWEEN ECM AND FUEL TANK PRESSURE SENSOR CONNECTOR.</b> 1) Turn the ignition switch to OFF. 2) Disconnect the connector from the fuel tank pressure sensor. 3) Turn the ignition switch to ON. 4) Read the data of fuel tank pressure sensor signal using the Subaru Select Monitor or general scan tool.  NOTE: • Subaru Select Monitor For detailed operation procedures, refer to "READ CURRENT DATA FOR ENGINE". <Ref. to EN(H4SO)(diag)-34, Subaru Select Monitor.> • General scan tool For detailed operation procedures, refer to the general scan tool operation manual.	Is the measured value 7.95 kPa (59.6 mmHg, 2.35 inHg) or more?	Repair the short circuit to power in the harness between ECM and fuel tank pressure sensor connector.	Go to step 3.
<b>3</b> <b>CHECK HARNESS BETWEEN ECM AND FUEL TANK PRESSURE SENSOR CONNECTOR.</b> 1) Turn the ignition switch to OFF. 2) Measure the resistance of harness between fuel tank pressure sensor connector and engine ground.  <b>Connector &amp; terminal</b> <b>(R47) No. 2 — Engine ground:</b>	Is the resistance less than 5 Ω?	Go to step 4.	Repair the harness and connector.  NOTE: In this case, repair the following item: • Open circuit of harness between ECM and fuel tank pressure sensor connector • Poor contact of ECM connector • Poor contact of coupling connector
<b>4</b> <b>CHECK POOR CONTACT.</b> Check for poor contact of the fuel tank pressure sensor connector.	Is there poor contact of fuel tank pressure sensor connector?	Repair the poor contact of fuel tank pressure sensor connector.	Replace the fuel tank pressure sensor. <Ref. to EC(H4SO)-15, Fuel Tank Pressure Sensor.>

# Diagnostic Procedure with Diagnostic Trouble Code (DTC)

ENGINE (DIAGNOSTICS)

## BL:DTC P0456 EVAPORATIVE EMISSION CONTROL SYSTEM LEAK DETECTED (VERY SMALL LEAK)

### DTC DETECTING CONDITION:

- Detected when two consecutive driving cycles with fault occur.
- GENERAL DESCRIPTION <Ref. to GD(H4SO)-124, DTC P0456 EVAPORATIVE EMISSION CONTROL SYSTEM LEAK DETECTED (VERY SMALL LEAK), Diagnostic Trouble Code (DTC) Detecting Criteria.>

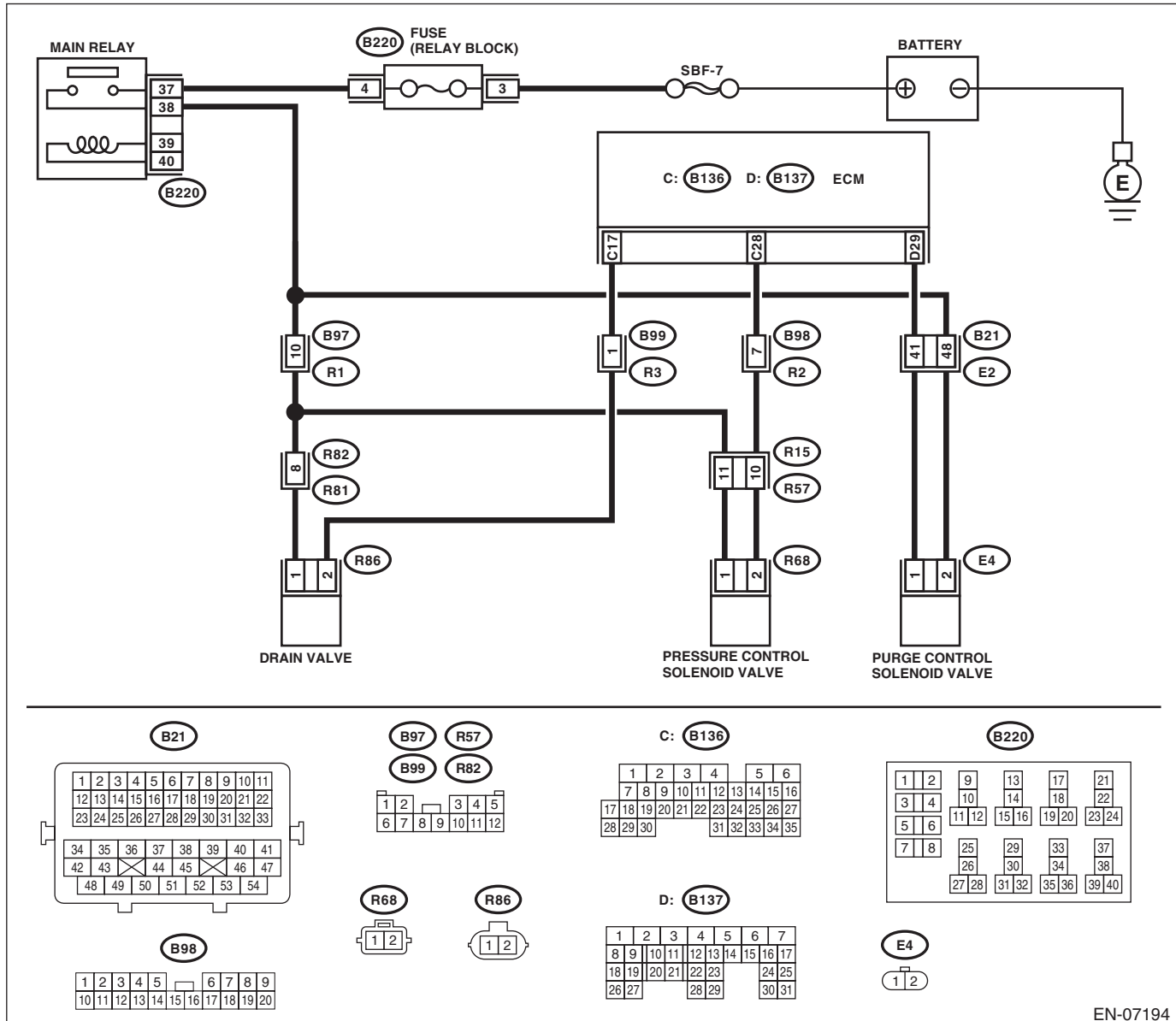
### TROUBLE SYMPTOM:

- Fuel odor
- There is a hole of more than 0.5 mm (0.020 in) dia. in evaporation system or fuel tank.

### CAUTION:

After servicing or replacing faulty parts, perform Clear Memory Mode <Ref. to EN(H4SO)(diag)-55, OPERATION, Clear Memory Mode.>, and Inspection Mode <Ref. to EN(H4SO)(diag)-44, PROCEDURE, Inspection Mode.>.

### WIRING DIAGRAM:



EN-07194



# Diagnostic Procedure with Diagnostic Trouble Code (DTC)

## ENGINE (DIAGNOSTICS)

	Step	Check	Yes	No
1	<b>CHECK FUEL FILLER CAP.</b> 1) Turn the ignition switch to OFF. 2) Check the fuel filler cap.  NOTE: The DTC is stored in memory if fuel filler cap is or was loose or if the cap chain has caught while tightening.	Is the fuel filler cap tightened securely?	Go to step 2.	Tighten fuel filler cap securely.
2	<b>CHECK FUEL FILLER CAP.</b>	Is the fuel filler cap genuine?	Go to step 3.	Replace with a genuine fuel filler cap.
3	<b>CHECK FUEL FILLER PIPE GASKET.</b>	Is there any damage to the seal between fuel filler cap and fuel filler pipe?	Repair or replace the fuel filler cap and fuel filler pipe. <Ref. to FU(H4SO)-61, Fuel Filler Pipe.>	Go to step 4.
4	<b>CHECK DRAIN VALVE.</b> 1) Connect the delivery (test) mode connector. 2) Turn the ignition switch to ON. 3) Operate the drain valve using the Subaru Select Monitor.  NOTE: Drain valve can be operated using the Subaru Select Monitor. For the procedures, refer to "Compulsory Valve Operation Check Mode". <Ref. to EN(H4SO)(diag)-56, Compulsory Valve Operation Check Mode.>	Does the drain valve operate?	Go to step 5.	Replace the drain valve. <Ref. to EC(H4SO)-19, Drain Valve.>
5	<b>CHECK PURGE CONTROL SOLENOID VALVE.</b> Operate the purge control solenoid valve using the Subaru Select Monitor.  NOTE: Purge control solenoid valve operation can be executed using Subaru Select Monitor. For the procedures, refer to "Compulsory Valve Operation Check Mode". <Ref. to EN(H4SO)(diag)-56, Compulsory Valve Operation Check Mode.>	Does the purge control solenoid valve operate?	Go to step 6.	Replace the purge control solenoid valve. <Ref. to EC(H4SO)-9, Purge Control Solenoid Valve.>
6	<b>CHECK PRESSURE CONTROL SOLENOID VALVE.</b> Operate the pressure control solenoid valve using the Subaru Select Monitor.  NOTE: The pressure control solenoid valve operation can be executed using the Subaru Select Monitor. For the procedures, refer to "Compulsory Valve Operation Check Mode". <Ref. to EN(H4SO)(diag)-56, Compulsory Valve Operation Check Mode.>	Does the pressure control solenoid valve operate?	Go to step 7.	Replace the pressure control solenoid valve. <Ref. to EC(H4SO)-16, Pressure Control Solenoid Valve.>
7	<b>CHECK EVAPORATIVE EMISSION CONTROL SYSTEM LINE.</b> 1) Turn the ignition switch to OFF. 2) Disconnect the delivery (test) mode connector.	Is there any hole of more than 0.5 mm (0.020 in) dia. on evaporation line?	Repair or replace the evaporation line. <Ref. to FU(H4SO)-76, Fuel Delivery and Evaporation Lines.>	Go to step 8.

# Diagnostic Procedure with Diagnostic Trouble Code (DTC)

ENGINE (DIAGNOSTICS)

	Step	Check	Yes	No
8	<b>CHECK CANISTER.</b>	Is the canister damaged or is there a hole of more than 0.5 mm (0.020 in) dia. in it?	Repair or replace the canister. <Ref. to EC(H4SO)-5, Canister.>	Go to step 9.
9	<b>CHECK FUEL TANK.</b> Remove the fuel tank. <Ref. to FU(H4SO)-54, Fuel Tank.>	Is the fuel tank damaged or is there any hole of more than 0.5 mm (0.020 in) dia. in it?	Repair or replace the fuel tank. <Ref. to FU(H4SO)-54, Fuel Tank.>	Go to step 10.
10	<b>CHECK ANY OTHER MECHANICAL TROUBLE IN EVAPORATIVE EMISSION CONTROL SYSTEM.</b>	Is there any hole of more than 0.5 mm (0.020 in) dia., crack, clogging, or disconnections, bend, misconnection of hoses or pipes in evaporative emission control system?	Repair or replace the hoses or pipes.	Repair the poor contact of ECM connector.

# Diagnostic Procedure with Diagnostic Trouble Code (DTC)

ENGINE (DIAGNOSTICS)

## BM:DTC P0457 EVAPORATIVE EMISSION CONTROL SYSTEM LEAK DETECTED (FUEL CAP LOOSE/OFF)

### DTC DETECTING CONDITION:

- Detected when two consecutive driving cycles with fault occur.
- GENERAL DESCRIPTION <Ref. to GD(H4SO)-124, DTC P0457 EVAPORATIVE EMISSION CONTROL SYSTEM LEAK DETECTED (FUEL CAP LOOSE/OFF), Diagnostic Trouble Code (DTC) Detecting Criteria.>

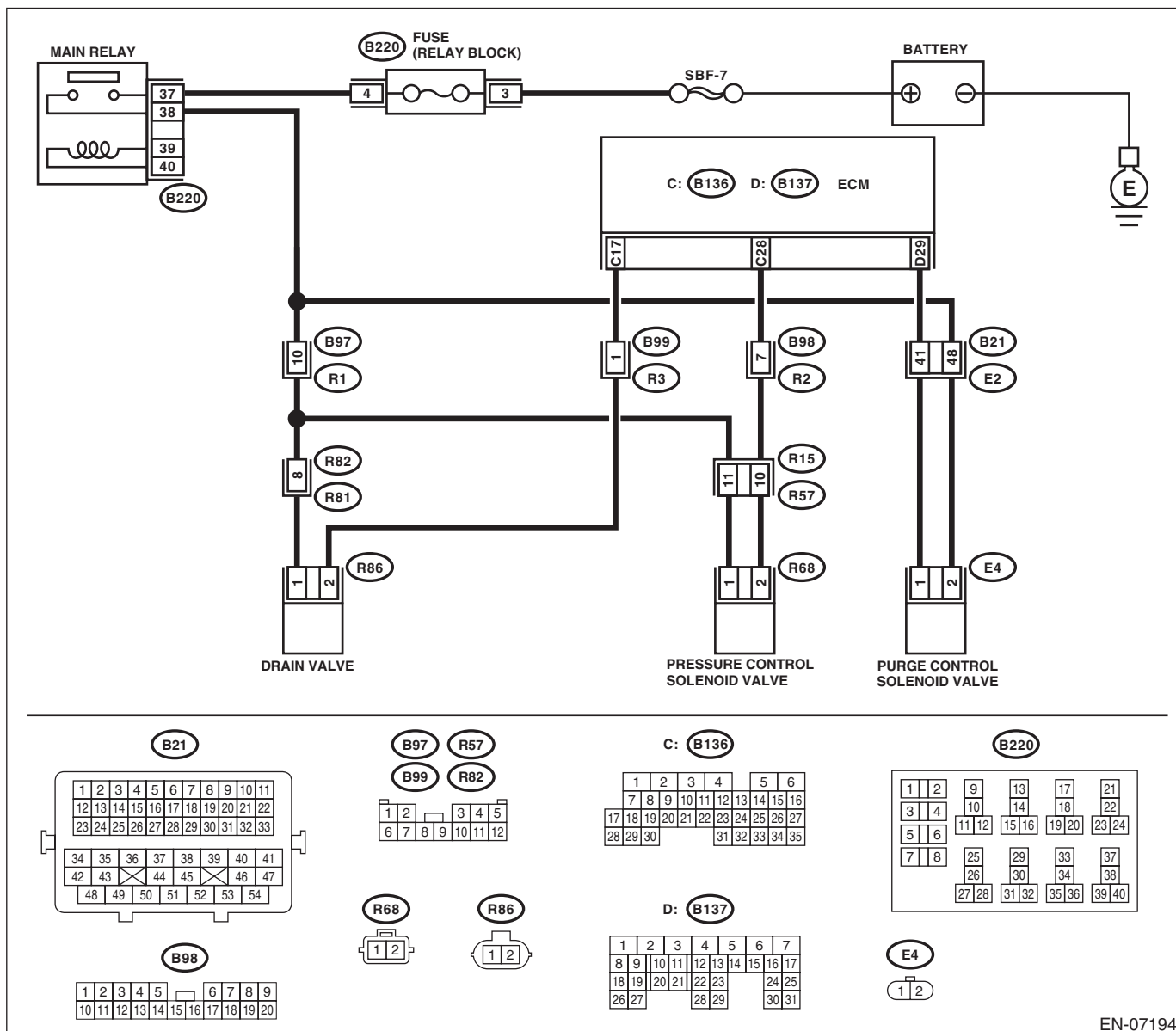
### TROUBLE SYMPTOM:

- Fuel odor
- Fuel filler cap loose or lost

### CAUTION:

After servicing or replacing faulty parts, perform Clear Memory Mode <Ref. to EN(H4SO)(diag)-55, OPERATION, Clear Memory Mode.>, and Inspection Mode <Ref. to EN(H4SO)(diag)-44, PROCEDURE, Inspection Mode.>.

### WIRING DIAGRAM:



EN-07194

# Diagnostic Procedure with Diagnostic Trouble Code (DTC)

ENGINE (DIAGNOSTICS)

Step	Check	Yes	No
<b>1</b> <b>CHECK FUEL FILLER CAP.</b> 1) Turn the ignition switch to OFF. 2) Check the fuel filler cap.  NOTE: The DTC is stored in memory if fuel filler cap is or was loose or if the cap chain has caught while tightening.	Is the fuel filler cap tightened securely?	Go to step 2.	Tighten fuel filler cap securely.
<b>2</b> <b>CHECK FUEL FILLER CAP.</b>	Is the fuel filler cap genuine?	Go to step 3.	Replace with a genuine fuel filler cap.
<b>3</b> <b>CHECK FUEL FILLER PIPE GASKET.</b>	Is there any damage to the seal between fuel filler cap and fuel filler pipe?	Repair or replace the fuel filler cap and fuel filler pipe. <Ref. to FU(H4SO)-61, Fuel Filler Pipe.>	Go to step 4.
<b>4</b> <b>CHECK DRAIN VALVE.</b> 1) Connect the delivery (test) mode connector. 2) Turn the ignition switch to ON. 3) Operate the drain valve using the Subaru Select Monitor.  NOTE: Drain valve can be operated using the Subaru Select Monitor. For the procedures, refer to "Compulsory Valve Operation Check Mode". <Ref. to EN(H4SO)(diag)-56, Compulsory Valve Operation Check Mode.>	Does the drain valve operate?	Go to step 5.	Replace the drain valve. <Ref. to EC(H4SO)-19, Drain Valve.>
<b>5</b> <b>CHECK PURGE CONTROL SOLENOID VALVE.</b> Operate the purge control solenoid valve using the Subaru Select Monitor.  NOTE: Purge control solenoid valve operation can be executed using Subaru Select Monitor. For the procedures, refer to "Compulsory Valve Operation Check Mode". <Ref. to EN(H4SO)(diag)-56, Compulsory Valve Operation Check Mode.>	Does the purge control solenoid valve operate?	Go to step 6.	Replace the purge control solenoid valve. <Ref. to EC(H4SO)-9, Purge Control Solenoid Valve.>
<b>6</b> <b>CHECK PRESSURE CONTROL SOLENOID VALVE.</b> Operate the pressure control solenoid valve using the Subaru Select Monitor.  NOTE: The pressure control solenoid valve operation can be executed using the Subaru Select Monitor. For the procedures, refer to "Compulsory Valve Operation Check Mode". <Ref. to EN(H4SO)(diag)-56, Compulsory Valve Operation Check Mode.>	Does the pressure control solenoid valve operate?	Go to step 7.	Replace the pressure control solenoid valve. <Ref. to EC(H4SO)-16, Pressure Control Solenoid Valve.>
<b>7</b> <b>CHECK EVAPORATIVE EMISSION CONTROL SYSTEM LINE.</b> 1) Turn the ignition switch to OFF. 2) Disconnect the delivery (test) mode connector.	Is there any disconnection, damage or clogging on the evaporation line?	Repair or replace the evaporation line. <Ref. to FU(H4SO)-76, Fuel Delivery and Evaporation Lines.>	Go to step 8.

## Diagnostic Procedure with Diagnostic Trouble Code (DTC)

### ENGINE (DIAGNOSTICS)

	Step	Check	Yes	No
8	<b>CHECK CANISTER.</b>	Is the canister damaged?	Repair or replace the canister. <Ref. to EC(H4SO)-5, Canister.>	Go to step 9.
9	<b>CHECK FUEL TANK.</b> Remove the fuel tank. <Ref. to FU(H4SO)-54, Fuel Tank.>	Is the fuel tank damaged?	Repair or replace the fuel tank. <Ref. to FU(H4SO)-54, Fuel Tank.>	Go to step 10.
10	<b>CHECK ANY OTHER MECHANICAL TROUBLE IN EVAPORATIVE EMISSION CONTROL SYSTEM.</b>	Are there holes, cracks, clogging, or disconnections, misconnection of hoses or pipes in evaporative emission control system?	Repair or replace the hoses or pipes.	Repair the poor contact of ECM connector.

# Diagnostic Procedure with Diagnostic Trouble Code (DTC)

ENGINE (DIAGNOSTICS)

## BN:DTC P0458 EVAPORATIVE EMISSION SYSTEM PURGE CONTROL VALVE CIRCUIT LOW

### DTC DETECTING CONDITION:

- Detected when two consecutive driving cycles with fault occur.
- GENERAL DESCRIPTION <Ref. to GD(H4SO)-125, DTC P0458 EVAPORATIVE EMISSION SYSTEM PURGE CONTROL VALVE CIRCUIT LOW, Diagnostic Trouble Code (DTC) Detecting Criteria.>

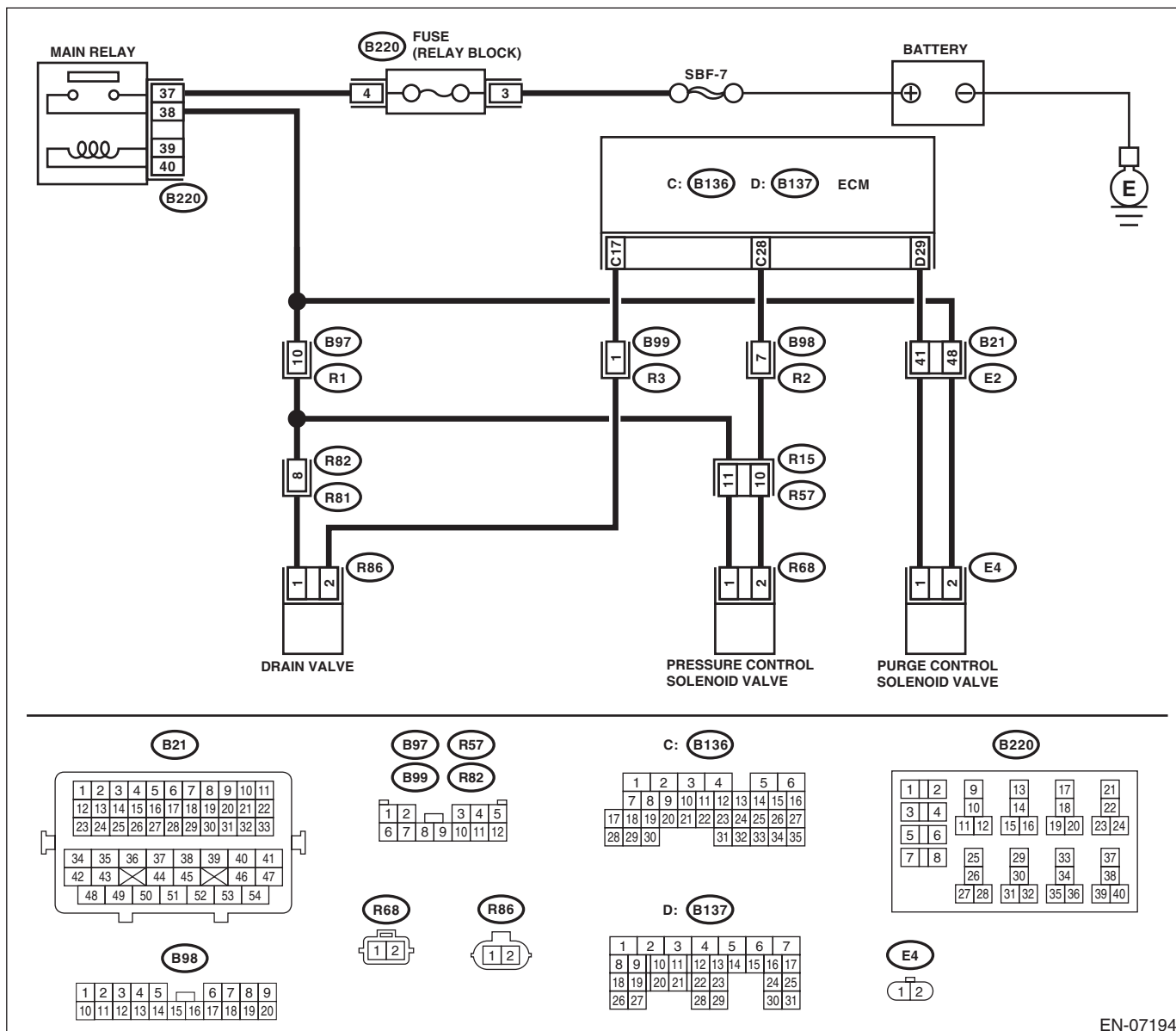
### TROUBLE SYMPTOM:

Improper idling

### CAUTION:

After servicing or replacing faulty parts, perform Clear Memory Mode <Ref. to EN(H4SO)(diag)-55, OPERATION, Clear Memory Mode.>, and Inspection Mode <Ref. to EN(H4SO)(diag)-44, PROCEDURE, Inspection Mode.>.

### WIRING DIAGRAM:



EN-07194

# Diagnostic Procedure with Diagnostic Trouble Code (DTC)

## ENGINE (DIAGNOSTICS)

	Step	Check	Yes	No
1	<b>CHECK OUTPUT SIGNAL OF ECM.</b> 1) Turn the ignition switch to ON. 2) Measure the voltage between ECM and chassis ground. <b>Connector &amp; terminal</b> <b>(B137) No. 29 (+) — Chassis ground (-):</b>	Is the voltage 10 V or more?	Repair the poor contact of ECM connector.	Go to step 2.
2	<b>CHECK HARNESS BETWEEN ECM AND PURGE CONTROL SOLENOID VALVE.</b> 1) Turn the ignition switch to OFF. 2) Disconnect the connectors from ECM and purge control solenoid valve. 3) Measure the resistance between the purge control solenoid valve connector and engine ground. <b>Connector &amp; terminal</b> <b>(E4) No. 1 — Engine ground:</b>	Is the resistance 1 M $\Omega$ or more?	Go to step 3.	Repair the ground short circuit of harness between ECM and purge control solenoid valve connector.
3	<b>CHECK HARNESS BETWEEN ECM AND PURGE CONTROL SOLENOID VALVE.</b> Measure the resistance of harness between ECM and purge control solenoid valve. <b>Connector &amp; terminal</b> <b>(B137) No. 29 — (E4) No. 1:</b>	Is the resistance less than 1 $\Omega$ ?	Go to step 4.	Repair the harness and connector. NOTE: In this case, repair the following item: • Open circuit in harness between ECM and purge control solenoid valve connector • Poor contact of coupling connector
4	<b>CHECK PURGE CONTROL SOLENOID VALVE.</b> 1) Remove the purge control solenoid valve. 2) Measure the resistance between purge control solenoid valve terminals. <b>Terminals</b> <b>No. 1 — No. 2:</b>	Is the resistance 10 — 100 $\Omega$ ?	Go to step 5.	Replace the purge control solenoid valve. <Ref. to EC(H4SO)-9, Purge Control Solenoid Valve.>
5	<b>CHECK POWER SUPPLY TO PURGE CONTROL SOLENOID VALVE.</b> 1) Turn the ignition switch to ON. 2) Measure the voltage between purge control solenoid valve and engine ground. <b>Connector &amp; terminal</b> <b>(E4) No. 2 (+) — Engine ground (-):</b>	Is the voltage 10 V or more?	Repair the poor contact of purge control solenoid valve connector.	Repair the harness and connector. NOTE: In this case, repair the following item: • Open circuit in harness between main relay and purge control solenoid valve connector • Poor contact of coupling connector • Poor contact of main relay connector

# Diagnostic Procedure with Diagnostic Trouble Code (DTC)

ENGINE (DIAGNOSTICS)

## BO:DTC P0459 EVAPORATIVE EMISSION SYSTEM PURGE CONTROL VALVE CIRCUIT HIGH

### DTC DETECTING CONDITION:

- Detected when two consecutive driving cycles with fault occur.
- GENERAL DESCRIPTION <Ref. to GD(H4SO)-127, DTC P0459 EVAPORATIVE EMISSION SYSTEM PURGE CONTROL VALVE CIRCUIT HIGH, Diagnostic Trouble Code (DTC) Detecting Criteria.>

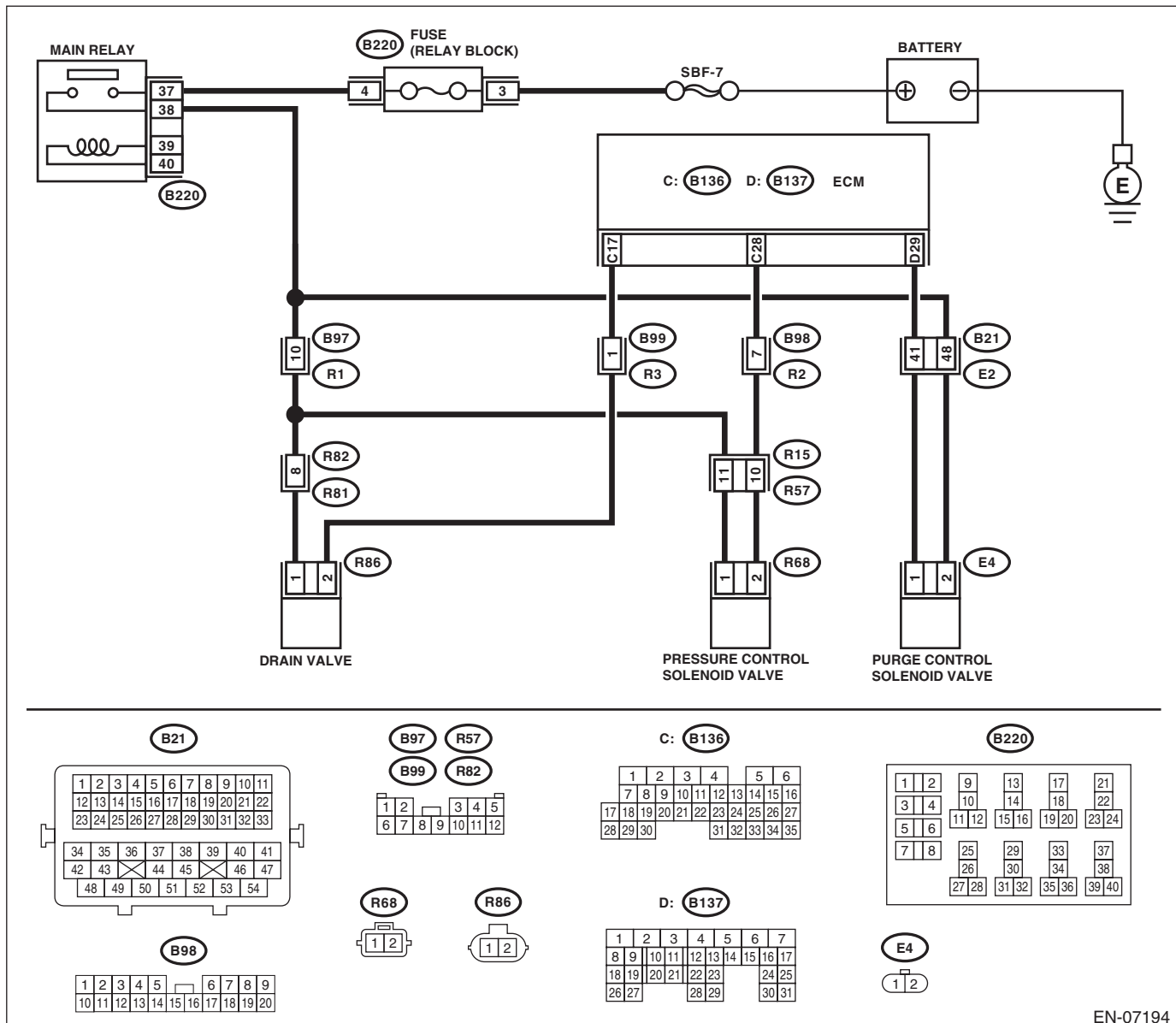
### TROUBLE SYMPTOM:

Improper idling

### CAUTION:

After servicing or replacing faulty parts, perform Clear Memory Mode <Ref. to EN(H4SO)(diag)-55, OPERATION, Clear Memory Mode.>, and Inspection Mode <Ref. to EN(H4SO)(diag)-44, PROCEDURE, Inspection Mode.>.

### WIRING DIAGRAM:



EN-07194



# Diagnostic Procedure with Diagnostic Trouble Code (DTC)

ENGINE (DIAGNOSTICS)

Step	Check	Yes	No
<b>1</b> <b>CHECK HARNESS BETWEEN ECM AND PURGE CONTROL SOLENOID VALVE.</b> 1) Turn the ignition switch to OFF. 2) Disconnect the connectors from ECM and purge control solenoid valve. 3) Turn the ignition switch to ON. 4) Measure the voltage between ECM and chassis ground. <i><b>Connector &amp; terminal</b></i> <i><b>(B137) No. 29 (+) — Chassis ground (-):</b></i>	Is the voltage 10 V or more?	Repair the short circuit to power in the harness between ECM and purge control solenoid valve connector.	Go to step 2.
<b>2</b> <b>CHECK PURGE CONTROL SOLENOID VALVE.</b> 1) Turn the ignition switch to OFF. 2) Measure the resistance between purge control solenoid valve terminals. <i><b>Terminals</b></i> <i><b>No. 1 — No. 2:</b></i>	Is the resistance less than 1 $\Omega$ ?	Replace the purge control solenoid valve. <Ref. to EC(H4SO)-9, Purge Control Solenoid Valve.>	Repair the poor contact of ECM connector.

# Diagnostic Procedure with Diagnostic Trouble Code (DTC)

ENGINE (DIAGNOSTICS)

## BP:DTC P0461 FUEL LEVEL SENSOR “A” CIRCUIT RANGE/PERFORMANCE

### DTC DETECTING CONDITION:

- Detected when two consecutive driving cycles with fault occur.
- GENERAL DESCRIPTION <Ref. to GD(H4SO)-129, DTC P0461 FUEL LEVEL SENSOR “A” CIRCUIT RANGE/PERFORMANCE, Diagnostic Trouble Code (DTC) Detecting Criteria.>

### CAUTION:

After repair or replacement of faulty parts, perform Clear Memory Mode <Ref. to EN(H4SO)(diag)-55, OPERATION, Clear Memory Mode.> and Inspection Mode <Ref. to EN(H4SO)(diag)-44, PROCEDURE, Inspection Mode.>.

Step	Check	Yes	No
1 CHECK FOR ANY OTHER DTC ON DISPLAY.	Is any other DTC displayed?	Check the appropriate DTC using the “List of Diagnostic Trouble Code (DTC)”. <Ref. to EN(H4SO)(diag)-86, List of Diagnostic Trouble Code (DTC).>	Replace the fuel level sensor and fuel sub level sensor. <Ref. to FU(H4SO)-67, Fuel Level Sensor.> <Ref. to FU(H4SO)-68, Fuel Sub Level Sensor.>

## BQ:DTC P0462 FUEL LEVEL SENSOR “A” CIRCUIT LOW

### NOTE:

For the diagnostic procedure, refer to DTC P0463. <Ref. to EN(H4SO)(diag)-227, DTC P0463 FUEL LEVEL SENSOR “A” CIRCUIT HIGH, Diagnostic Procedure with Diagnostic Trouble Code (DTC).>

## BR:DTC P0463 FUEL LEVEL SENSOR “A” CIRCUIT HIGH

### DTC DETECTING CONDITION:

- Detected when two consecutive driving cycles with fault occur.
- GENERAL DESCRIPTION<Ref. to GD(H4SO)-133, DTC P0463 FUEL LEVEL SENSOR “A” CIRCUIT HIGH, Diagnostic Trouble Code (DTC) Detecting Criteria.>

### CAUTION:

After servicing or replacing faulty parts, perform Clear Memory Mode <Ref. to EN(H4SO)(diag)-55, OPERATION, Clear Memory Mode.>, and Inspection Mode <Ref. to EN(H4SO)(diag)-44, PROCEDURE, Inspection Mode.>.

Step	Check	Yes	No
1 CHECK FOR ANY OTHER DTC ON DISPLAY.	Is DTC P0462 or P0463 displayed on the Subaru Select Monitor?	Check the combination meter. <Ref. to IDI-8, CHECK FUEL LEVEL SENSOR., INSPECTION, Combination Meter System.>	Even if DTC is detected, the circuit has returned to a normal condition at this time. Reproduce the failure, and then perform the diagnosis again.  NOTE: In this case, temporary poor contact of connector may be the cause.

# Diagnostic Procedure with Diagnostic Trouble Code (DTC)

ENGINE (DIAGNOSTICS)

## BS:DTC P0464 FUEL LEVEL SENSOR CIRCUIT INTERMITTENT

### DTC DETECTING CONDITION:

- Detected when two consecutive driving cycles with fault occur.
- GENERAL DESCRIPTION <Ref. to GD(H4SO)-135, DTC P0464 FUEL LEVEL SENSOR CIRCUIT INTERMITTENT, Diagnostic Trouble Code (DTC) Detecting Criteria.>

### CAUTION:

After servicing or replacing faulty parts, perform Clear Memory Mode <Ref. to EN(H4SO)(diag)-55, OPERATION, Clear Memory Mode.>, and Inspection Mode <Ref. to EN(H4SO)(diag)-44, PROCEDURE, Inspection Mode.>.

Step	Check	Yes	No
1 <b>CHECK FOR ANY OTHER DTC ON DISPLAY.</b>	Is DTC P0464 displayed on the display?	Check the combination meter. <Ref. to IDI-8, CHECK FUEL LEVEL SENSOR., INSPECTION, Combination Meter System.>	Even if DTC is detected, the circuit has returned to a normal condition at this time. Reproduce the failure, and then perform the diagnosis again.  NOTE: In this case, temporary poor contact of connector may be the cause.

## BT:DTC P0500 VEHICLE SPEED SENSOR "A"

### DTC DETECTING CONDITION:

- Immediately at fault recognition
- GENERAL DESCRIPTION <Ref. to GD(H4SO)-138, DTC P0500 VEHICLE SPEED SENSOR "A", Diagnostic Trouble Code (DTC) Detecting Criteria.>

### CAUTION:

After repair or replacement of faulty parts, perform Clear Memory Mode <Ref. to EN(H4SO)(diag)-55, OPERATION, Clear Memory Mode.> and Inspection Mode <Ref. to EN(H4SO)(diag)-44, PROCEDURE, Inspection Mode.>.

Step	Check	Yes	No
1 <b>CHECK DTC OF ABS OR VDC.</b> Check DTC of ABS or VDC.	Is DTC of ABS or VDC displayed?	Perform the diagnosis according to DTC. <Ref. to ABS(diag)-26, List of Diagnostic Trouble Code (DTC).> <Ref. to VDC(diag)-33, List of Diagnostic Trouble Code (DTC).>	Repair poor contact of the ECM connector.

# Diagnostic Procedure with Diagnostic Trouble Code (DTC)

ENGINE (DIAGNOSTICS)

## BU:DTC P0506 IDLE AIR CONTROL SYSTEM RPM LOWER THAN EXPECTED

### DTC DETECTING CONDITION:

- Detected when two consecutive driving cycles with fault occur.
- GENERAL DESCRIPTION<Ref. to GD(H4SO)-139, DTC P0506 IDLE AIR CONTROL SYSTEM RPM LOWER THAN EXPECTED, Diagnostic Trouble Code (DTC) Detecting Criteria.>

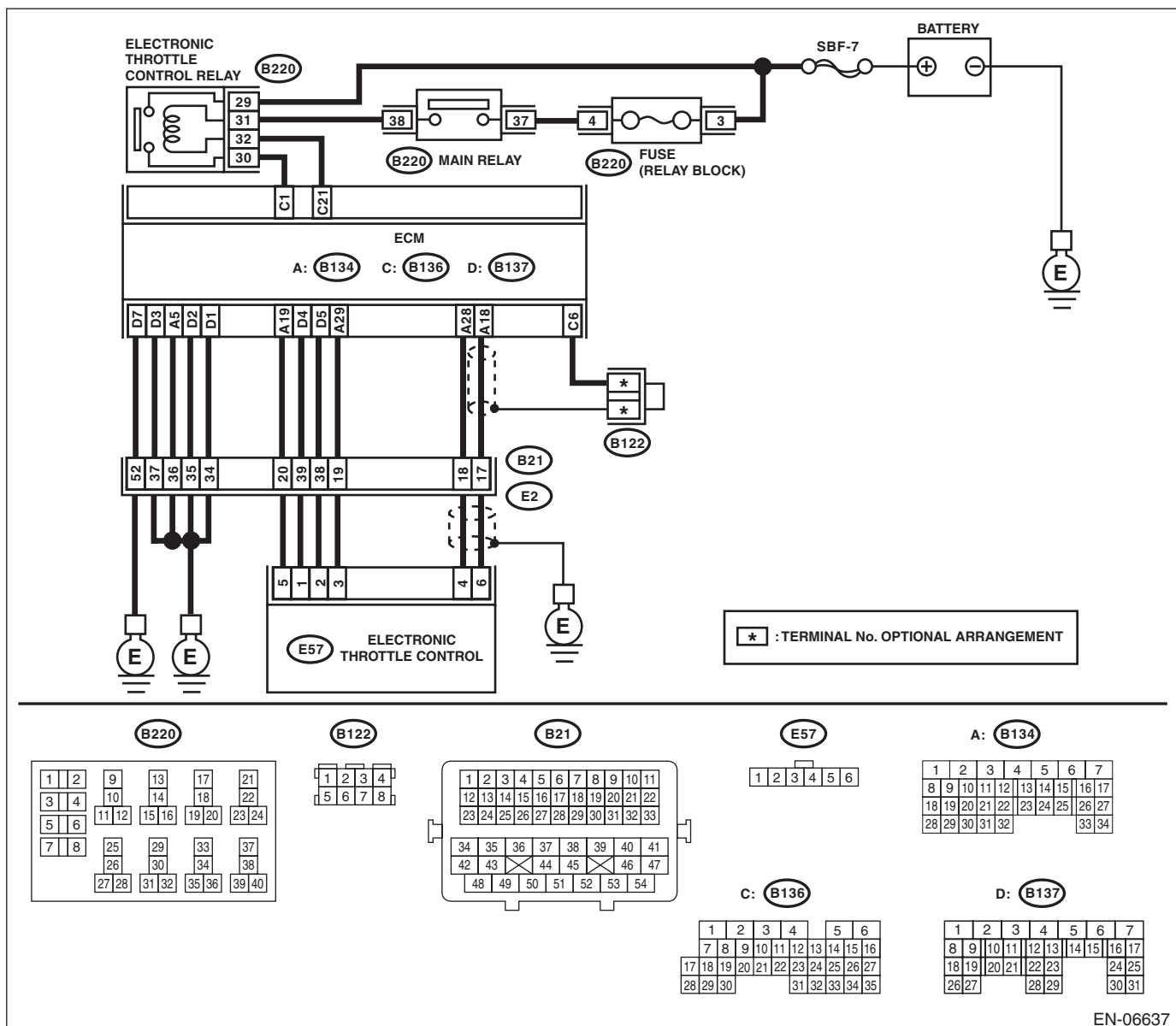
### TROUBLE SYMPTOM:

- Hard to start the engine.
- Engine does not start.
- Improper idling
- Engine stalls.

### CAUTION:

After servicing or replacing faulty parts, perform Clear Memory Mode <Ref. to EN(H4SO)(diag)-55, OPERATION, Clear Memory Mode.>, and Inspection Mode <Ref. to EN(H4SO)(diag)-44, PROCEDURE, Inspection Mode.>.

### WIRING DIAGRAM:



EN-06637

# Diagnostic Procedure with Diagnostic Trouble Code (DTC)

ENGINE (DIAGNOSTICS)

Step	Check	Yes	No
<b>1 CHECK FOR ANY OTHER DTC ON DISPLAY.</b>	Is any other DTC displayed?	Check the appropriate DTC using the "List of Diagnostic Trouble Code (DTC)". <Ref. to EN(H4SO)(diag)-86, List of Diagnostic Trouble Code (DTC).>	Go to step 2.
<b>2 CHECK AIR CLEANER ELEMENT.</b> 1) Turn the ignition switch to OFF. 2) Check the air cleaner element.	Is there excessive clogging on air cleaner element?	Replace the air cleaner element. <Ref. to IN(H4SO)-4, Air Cleaner Element.>	Go to step 3.
<b>3 CHECK ELECTRONIC THROTTLE CONTROL.</b> 1) Remove the electronic throttle control. 2) Check the electronic throttle control.	Are foreign matter found inside electronic throttle control?	Remove foreign matter from electronic throttle control.	Perform the diagnosis of DTC P2101. <Ref. to EN(H4SO)(diag)-282, DTC P2101 THROTTLE ACTUATOR CONTROL MOTOR CIRCUIT RANGE/PERFORMANCE, Diagnostic Procedure with Diagnostic Trouble Code (DTC).>

# Diagnostic Procedure with Diagnostic Trouble Code (DTC)

ENGINE (DIAGNOSTICS)

## BV:DTC P0507 IDLE AIR CONTROL SYSTEM RPM HIGHER THAN EXPECTED

### DTC DETECTING CONDITION:

- Detected when two consecutive driving cycles with fault occur.
- GENERAL DESCRIPTION<Ref. to GD(H4SO)-140, DTC P0507 IDLE AIR CONTROL SYSTEM RPM HIGHER THAN EXPECTED, Diagnostic Trouble Code (DTC) Detecting Criteria.>

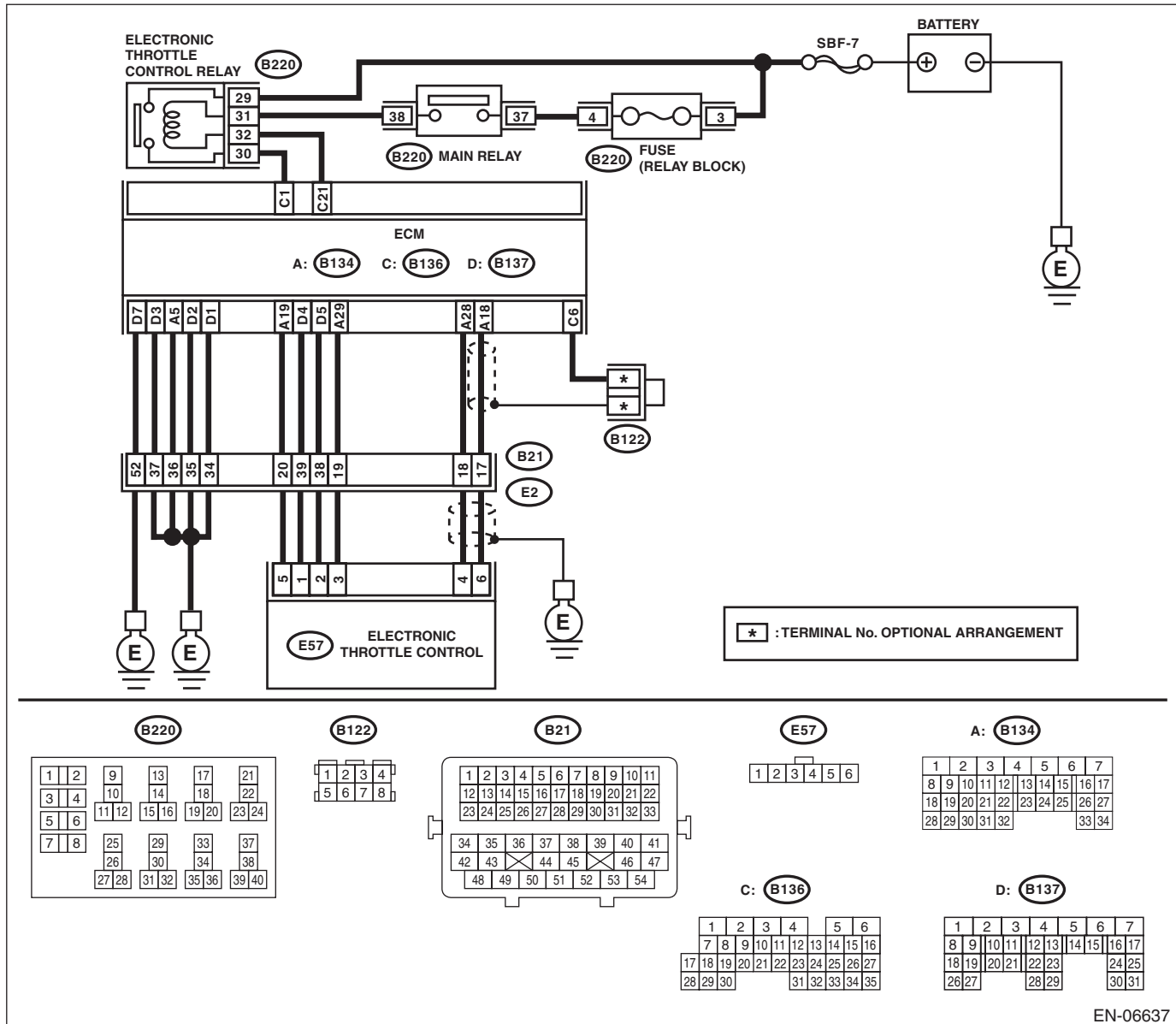
### TROUBLE SYMPTOM:

Engine keeps running at higher speed than specified idle speed.

### CAUTION:

After servicing or replacing faulty parts, perform Clear Memory Mode <Ref. to EN(H4SO)(diag)-55, OPERATION, Clear Memory Mode.>, and Inspection Mode <Ref. to EN(H4SO)(diag)-44, PROCEDURE, Inspection Mode.>.

### WIRING DIAGRAM:



EN-06637

# Diagnostic Procedure with Diagnostic Trouble Code (DTC)

## ENGINE (DIAGNOSTICS)

Step	Check	Yes	No
<b>1 CHECK FOR ANY OTHER DTC ON DISPLAY.</b>	Is any other DTC displayed?	Check the appropriate DTC using the "List of Diagnostic Trouble Code (DTC)". <Ref. to EN(H4SO)(diag)-86, List of Diagnostic Trouble Code (DTC).>	Go to step 2.
<b>2 CHECK AIR INTAKE SYSTEM.</b> 1) Start and idle the engine. 2) Check the following items. <ul style="list-style-type: none"> <li>• Loose installation of intake manifold and throttle body</li> <li>• Cracks of intake manifold gasket and throttle body gasket</li> <li>• Disconnection of vacuum hoses</li> </ul>	Is there any fault in air intake system?	Repair air suction and leaks.	Go to step 3.
<b>3 CHECK ELECTRONIC THROTTLE CONTROL.</b> 1) Turn the ignition switch to OFF. 2) Remove the electronic throttle control. 3) Check the electronic throttle control.	Are foreign matter found inside electronic throttle control?	Remove foreign matter from electronic throttle control.	Perform the diagnosis of DTC P2101. <Ref. to EN(H4SO)(diag)-282, DTC P2101 THROTTLE ACTUATOR CONTROL MOTOR CIRCUIT RANGE/PERFORMANCE, Diagnostic Procedure with Diagnostic Trouble Code (DTC).>

# Diagnostic Procedure with Diagnostic Trouble Code (DTC)

ENGINE (DIAGNOSTICS)

## BW:DTC P0512 STARTER REQUEST CIRCUIT

### DTC DETECTING CONDITION:

- Immediately at fault recognition
- GENERAL DESCRIPTION<Ref. to GD(H4SO)-141, DTC P0512 STARTER REQUEST CIRCUIT, Diagnostic Trouble Code (DTC) Detecting Criteria.>

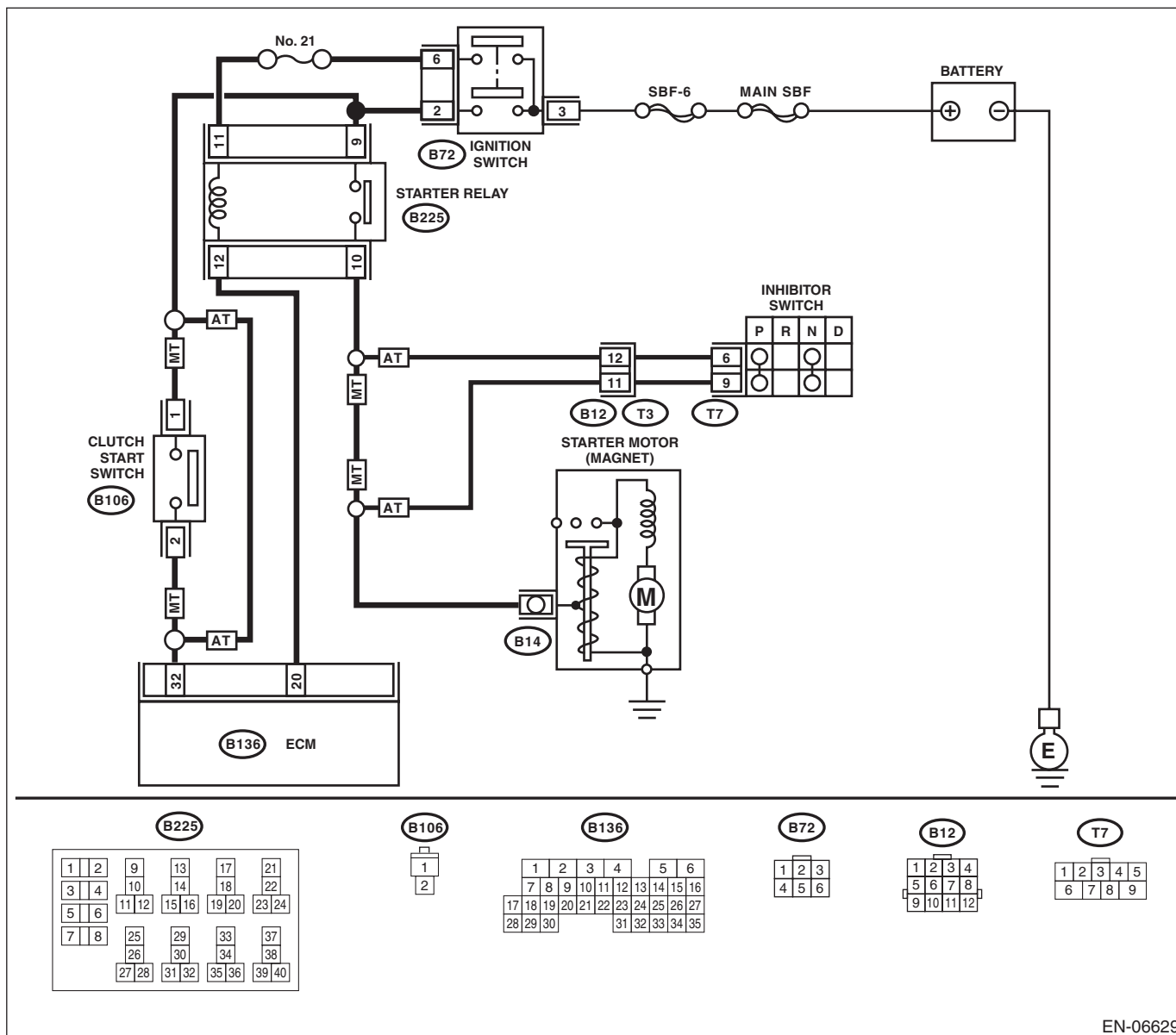
### TROUBLE SYMPTOM:

Failure of engine to start

### CAUTION:

After servicing or replacing faulty parts, perform Clear Memory Mode <Ref. to EN(H4SO)(diag)-55, OPERATION, Clear Memory Mode.>, and Inspection Mode <Ref. to EN(H4SO)(diag)-44, PROCEDURE, Inspection Mode.>.

### WIRING DIAGRAM:



EN-06629



# Diagnostic Procedure with Diagnostic Trouble Code (DTC)

ENGINE (DIAGNOSTICS)

Step	Check	Yes	No
1 <b>CHECK FOR ANY OTHER DTC ON DISPLAY.</b>	Is any other DTC displayed?	Check the appropriate DTC using the "List of Diagnostic Trouble Code (DTC)". <Ref. to EN(H4SO)(diag)-86, List of Diagnostic Trouble Code (DTC).>	Go to step 2.
2 <b>CHECK HARNESS BETWEEN ECM AND IGNITION SWITCH.</b> 1) Turn the ignition switch to OFF. 2) Disconnect the connectors from ECM. 3) Turn the ignition switch to ON. 4) Measure the voltage between ECM and chassis ground. <b>Connector &amp; terminal</b> <b>(B136) No. 32 (+) — Chassis ground (-):</b>	Is the voltage 10 V or more?	Repair the short circuit to power in harness between ECM and ignition switch connector.	Repair the poor contact of ECM connector.

## BX:DTC P0600 SERIAL COMMUNICATION LINK

NOTE:

For the diagnostic procedure, refer to LAN section. <Ref. to LAN(diag)-2, Basic Diagnostic Procedure.>

# Diagnostic Procedure with Diagnostic Trouble Code (DTC)

ENGINE (DIAGNOSTICS)

## BY:DTC P0604 INTERNAL CONTROL MODULE RANDOM ACCESS MEMORY (RAM) ERROR

### DTC DETECTING CONDITION:

- Immediately at fault recognition
- GENERAL DESCRIPTION<Ref. to GD(H4SO)-145, DTC P0604 INTERNAL CONTROL MODULE RANDOM ACCESS MEMORY (RAM) ERROR, Diagnostic Trouble Code (DTC) Detecting Criteria.>

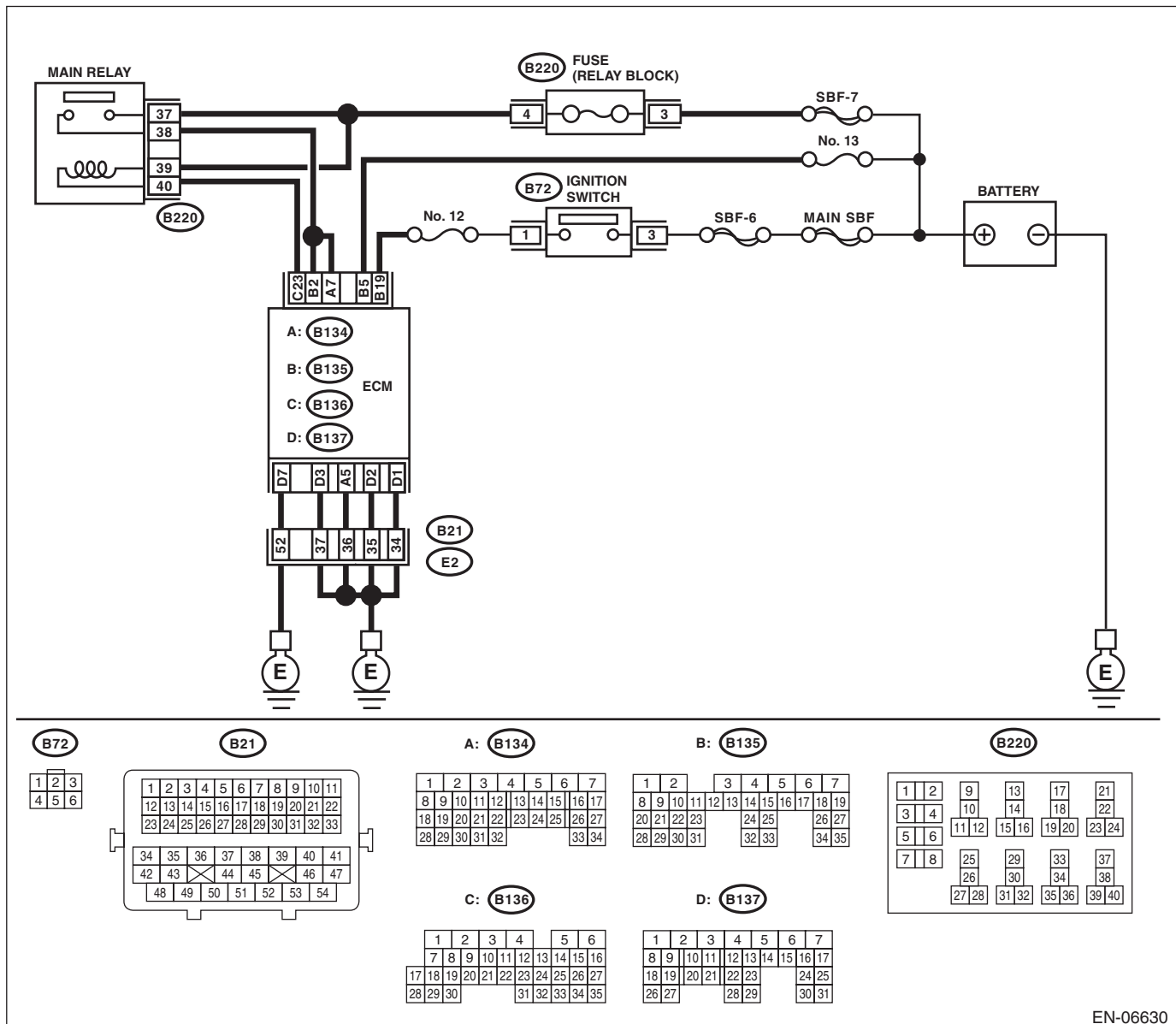
### TROUBLE SYMPTOM:

- Engine does not start.
- Engine stalls.

### CAUTION:

After servicing or replacing faulty parts, perform Clear Memory Mode <Ref. to EN(H4SO)(diag)-55, OPERATION, Clear Memory Mode.>, and Inspection Mode <Ref. to EN(H4SO)(diag)-44, PROCEDURE, Inspection Mode.>.

### WIRING DIAGRAM:



EN-06630

# Diagnostic Procedure with Diagnostic Trouble Code (DTC)

ENGINE (DIAGNOSTICS)

Step	Check	Yes	No
1 <b>CHECK FOR ANY OTHER DTC ON DISPLAY.</b>	Is any other DTC displayed?	Check the appropriate DTC using the "List of Diagnostic Trouble Code (DTC)". <Ref. to EN(H4SO)(diag)-86, List of Diagnostic Trouble Code (DTC).>	Even if DTC is detected, the circuit has returned to a normal condition at this time. Reproduce the failure, and then perform the diagnosis again. <b>NOTE:</b> In this case, temporary poor contact of connector may be the cause.

## **BZ:DTC P0605 INTERNAL CONTROL MODULE READ ONLY MEMORY (ROM) ERROR**

**NOTE:**

For the diagnostic procedure, refer to DTC P0607. <Ref. to EN(H4SO)(diag)-237, DTC P0607 THROTTLE CONTROL SYSTEM CIRCUIT RANGE/PERFORMANCE, Diagnostic Procedure with Diagnostic Trouble Code (DTC).>

# Diagnostic Procedure with Diagnostic Trouble Code (DTC)

ENGINE (DIAGNOSTICS)

## CA:DTC P0607 THROTTLE CONTROL SYSTEM CIRCUIT RANGE/PERFORMANCE

### DTC DETECTING CONDITION:

- Immediately at fault recognition
- GENERAL DESCRIPTION <Ref. to GD(H4SO)-147, DTC P0607 THROTTLE CONTROL SYSTEM CIRCUIT RANGE/PERFORMANCE, Diagnostic Trouble Code (DTC) Detecting Criteria.>

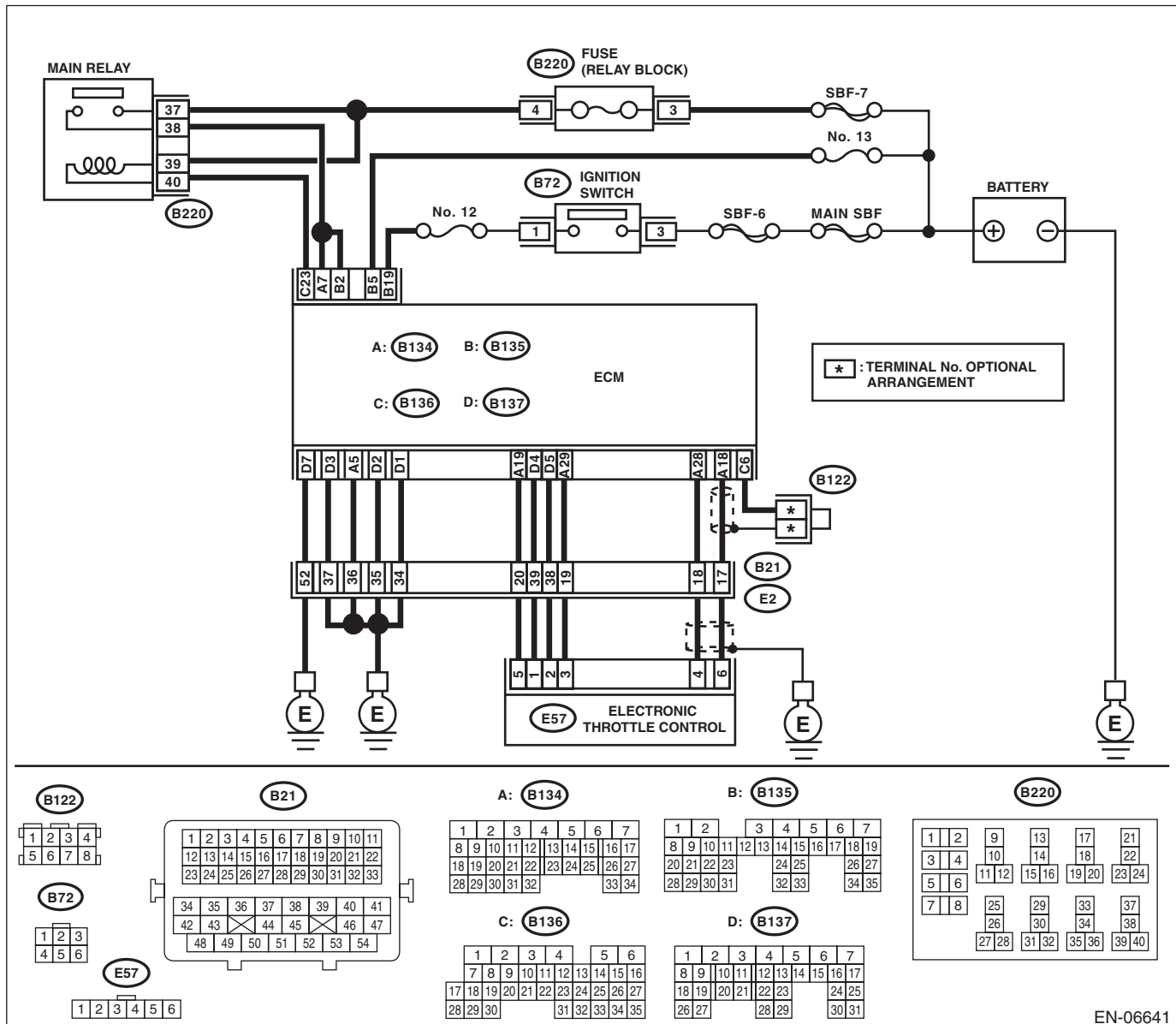
### TROUBLE SYMPTOM:

- Improper idling
- Poor driving performance

### CAUTION:

After servicing or replacing faulty parts, perform Clear Memory Mode <Ref. to EN(H4SO)(diag)-55, OPERATION, Clear Memory Mode.>, and Inspection Mode <Ref. to EN(H4SO)(diag)-44, PROCEDURE, Inspection Mode.>.

### WIRING DIAGRAM:



EN-06641

# Diagnostic Procedure with Diagnostic Trouble Code (DTC)

ENGINE (DIAGNOSTICS)

Step	Check	Yes	No
<b>1 CHECK INPUT VOLTAGE OF ECM.</b> 1) Turn the ignition switch to ON. 2) Measure the voltage between ECM and chassis ground. <b>Connector &amp; terminal</b> <b>(B134) No. 7 (+) — Chassis ground (-):</b> <b>(B135) No. 2 (+) — Chassis ground (-):</b>	Is the voltage 10 — 13 V?	Go to step 2.	Repair the open or ground short circuit of power supply circuit.
<b>2 CHECK INPUT VOLTAGE OF ECM.</b> 1) Start the engine. 2) Measure the voltage between ECM and chassis ground. <b>Connector &amp; terminal</b> <b>(B134) No. 7 (+) — Chassis ground (-):</b> <b>(B135) No. 2 (+) — Chassis ground (-):</b>	Is the voltage 13 — 15 V?	Go to step 3.	Repair the open or ground short circuit of power supply circuit.
<b>3 CHECK HARNESS BETWEEN ECM AND ELECTRONIC THROTTLE CONTROL.</b> 1) Turn the ignition switch to OFF. 2) Disconnect the connectors from ECM and electronic throttle control. 3) Measure the resistance of harness between ECM and electronic throttle control connector. <b>Connector &amp; terminal</b> <b>(B134) No. 19 — (E57) No. 5:</b> <b>(B134) No. 29 — (E57) No. 3:</b>	Is the resistance less than 1 Ω?	Go to step 4.	Repair the open circuit of harness between ECM and electronic throttle control connector.
<b>4 CHECK ECM GROUND HARNESS.</b> Measure the voltage between ECM and chassis ground. <b>Connector &amp; terminal</b> <b>(B134) No. 5 (+) — Chassis ground (-):</b> <b>(B137) No. 1 (+) — Chassis ground (-):</b> <b>(B137) No. 2 (+) — Chassis ground (-):</b> <b>(B137) No. 3 (+) — Chassis ground (-):</b> <b>(B137) No. 7 (+) — Chassis ground (-):</b>	Is the voltage less than 1 V?	Repair the poor contact of ECM connector.	Repair the following item. <ul style="list-style-type: none"> <li>• Open circuit in ground circuit</li> <li>• Further tightening of the engine ground terminal</li> <li>• Poor contact of coupling connector</li> </ul>

## CB:DTC P0638 THROTTLE ACTUATOR CONTROL RANGE/PERFORMANCE (BANK 1)

NOTE:

For the diagnostic procedure, refer to DTC P2101. <Ref. to EN(H4SO)(diag)-282, DTC P2101 THROTTLE ACTUATOR CONTROL MOTOR CIRCUIT RANGE/PERFORMANCE, Diagnostic Procedure with Diagnostic Trouble Code (DTC).>

## CC:DTC P0700 TRANSMISSION CONTROL SYSTEM (MIL REQUEST)

NOTE:

For the diagnostic procedure, refer to AT section. <Ref. to 4AT(diag)-2, Basic Diagnostic Procedure.>

# Diagnostic Procedure with Diagnostic Trouble Code (DTC)

ENGINE (DIAGNOSTICS)

## CD:DTC P0851 PARK/NEUTRAL SWITCH INPUT CIRCUIT LOW (AT MODEL)

### DTC DETECTING CONDITION:

- Detected when two consecutive driving cycles with fault occur.
- GENERAL DESCRIPTION<Ref. to GD(H4SO)-152, DTC P0851 PARK/NEUTRAL SWITCH INPUT CIRCUIT LOW (AT MODEL), Diagnostic Trouble Code (DTC) Detecting Criteria.>

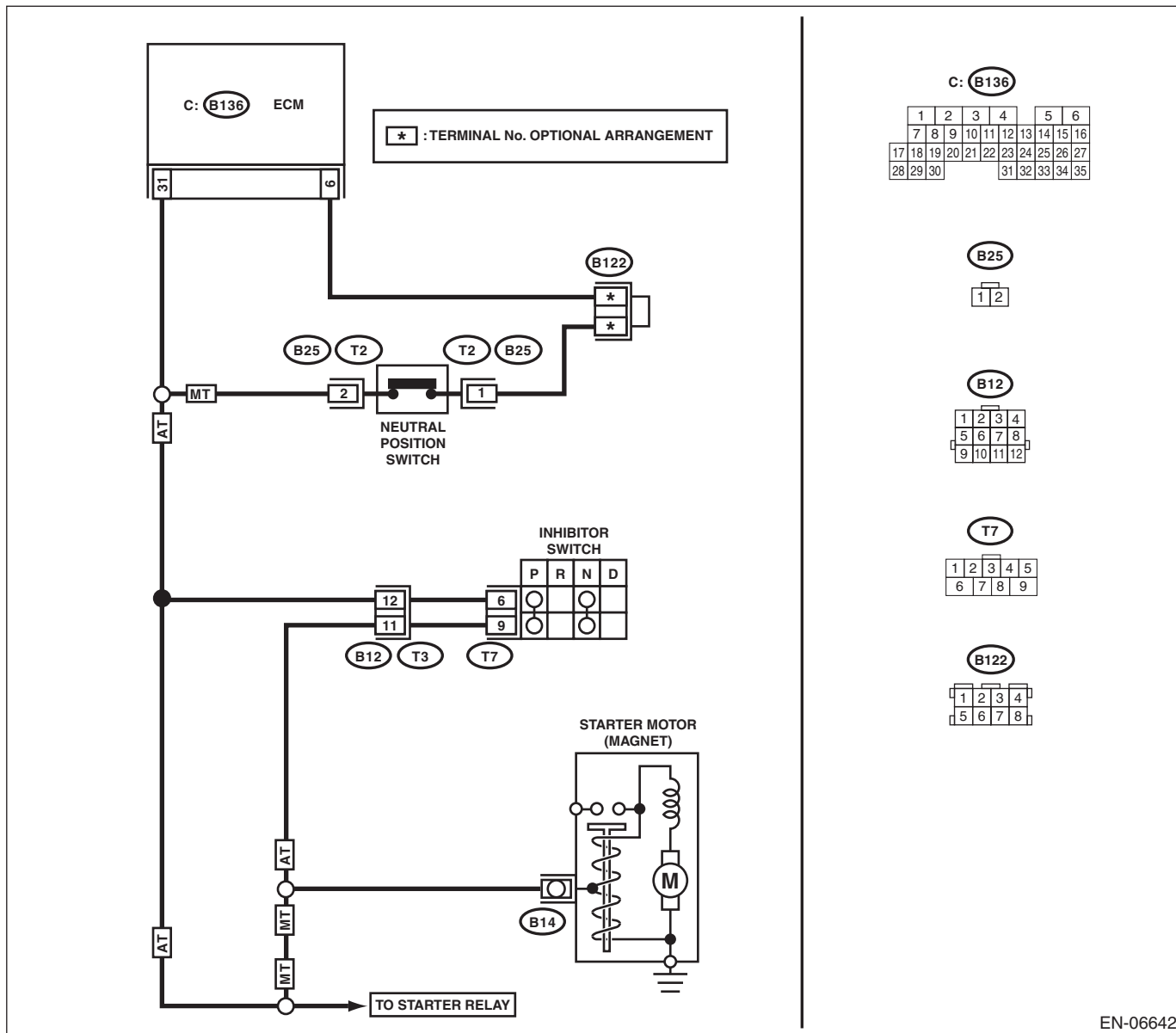
### TROUBLE SYMPTOM:

Improper idling

### CAUTION:

After servicing or replacing faulty parts, perform Clear Memory Mode <Ref. to EN(H4SO)(diag)-55, OPERATION, Clear Memory Mode.>, and Inspection Mode <Ref. to EN(H4SO)(diag)-44, PROCEDURE, Inspection Mode.>.

### WIRING DIAGRAM:



# Diagnostic Procedure with Diagnostic Trouble Code (DTC)

ENGINE (DIAGNOSTICS)

Step	Check	Yes	No
<b>1</b> <b>CHECK SELECT CABLE.</b>	Is there any fault in select cable?	Repair or adjust the select cable. <Ref. to CS-25, Select Cable.>	Go to step 2.
<b>2</b> <b>CHECK INPUT SIGNAL OF ECM.</b> 1) Turn the ignition switch to ON. 2) Place the select lever in other than "P" range and "N" range. 3) Measure the voltage between ECM and chassis ground. <b>Connector &amp; terminal</b> <b>(B136) No. 31 (+) — Chassis ground (-):</b>	Is the voltage 10 V or more?	Repair the poor contact of ECM connector.	Go to step 3.
<b>3</b> <b>CHECK HARNESS BETWEEN ECM AND TRANSMISSION HARNESS CONNECTOR.</b> 1) Turn the ignition switch to OFF. 2) Disconnect the connectors from ECM and transmission harness connector (T3). 3) Measure the resistance between ECM and chassis ground. <b>Connector &amp; terminal</b> <b>(B136) No. 31 — Chassis ground:</b>	Is the resistance 1 MΩ or more?	Go to step 4.	Repair the ground short circuit of harness between ECM and transmission harness connector.
<b>4</b> <b>CHECK TRANSMISSION HARNESS CONNECTOR.</b> 1) Disconnect the connector from inhibitor switch. 2) Measure the resistance between transmission harness connector and engine ground. <b>Connector &amp; terminal</b> <b>(T3) No. 12 — Engine ground:</b>	Is the resistance 1 MΩ or more?	Replace the inhibitor switch. <Ref. to 4AT-48, Inhibitor Switch.>	Repair short circuit to ground in harness between transmission harness connector and inhibitor switch connector.

# Diagnostic Procedure with Diagnostic Trouble Code (DTC)

ENGINE (DIAGNOSTICS)

## CE:DTC P0851 NEUTRAL SWITCH INPUT CIRCUIT LOW (MT MODEL)

### DTC DETECTING CONDITION:

- Detected when two consecutive driving cycles with fault occur.
- GENERAL DESCRIPTION <Ref. to GD(H4SO)-153, DTC P0851 NEUTRAL SWITCH INPUT CIRCUIT LOW (MT MODEL), Diagnostic Trouble Code (DTC) Detecting Criteria.>

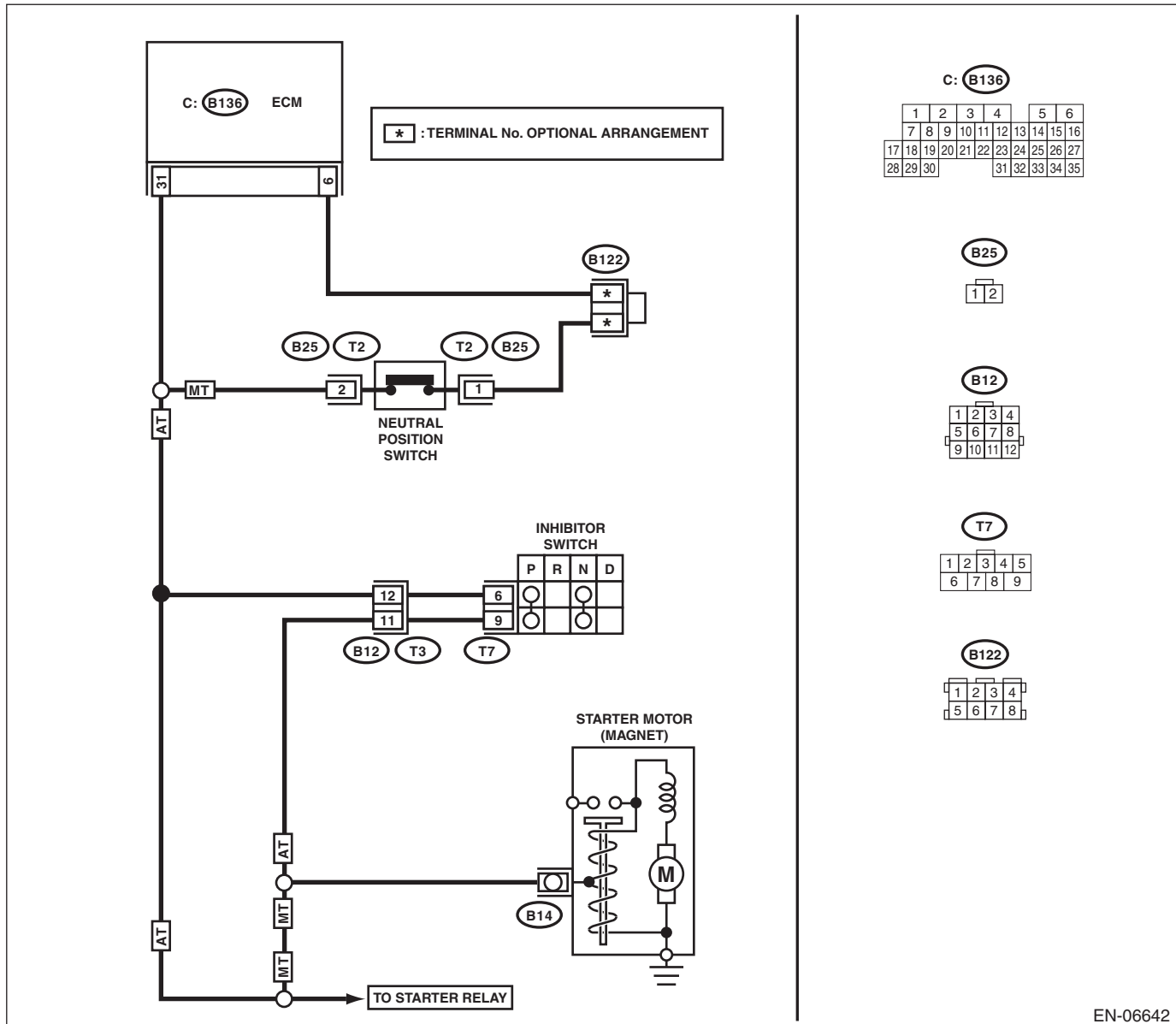
### TROUBLE SYMPTOM:

Improper idling

### CAUTION:

After servicing or replacing faulty parts, perform Clear Memory Mode <Ref. to EN(H4SO)(diag)-55, OPERATION, Clear Memory Mode.>, and Inspection Mode <Ref. to EN(H4SO)(diag)-44, PROCEDURE, Inspection Mode.>.

### WIRING DIAGRAM:



EN-06642



## Diagnostic Procedure with Diagnostic Trouble Code (DTC)

ENGINE (DIAGNOSTICS)

Step	Check	Yes	No
<b>1</b> <b>CHECK INPUT SIGNAL OF ECM.</b> 1) Turn the ignition switch to ON. 2) Place the shift lever in a position other than neutral. 3) Measure the voltage between ECM and chassis ground. <b>Connector &amp; terminal</b> <b>(B136) No. 31 (+) — Chassis ground (-):</b>	Is the voltage 10 V or more?	Repair the poor contact of ECM connector.	Go to step 2.
<b>2</b> <b>CHECK HARNESS BETWEEN ECM AND NEUTRAL POSITION SWITCH CONNECTOR.</b> 1) Turn the ignition switch to OFF. 2) Disconnect the connectors from ECM and neutral position switch. 3) Measure the resistance between ECM and chassis ground. <b>Connector &amp; terminal</b> <b>(B136) No. 31 — Chassis ground:</b>	Is the resistance 1 MΩ or more?	Repair the short circuit of transmission harness, or replace the neutral position switch. <Ref. to 5MT-33, Switches and Harness.>	Repair the short circuit to ground harness between ECM and neutral position switch connector.

# Diagnostic Procedure with Diagnostic Trouble Code (DTC)

ENGINE (DIAGNOSTICS)

## CF:DTC P0852 PARK/NEUTRAL SWITCH INPUT CIRCUIT HIGH (AT MODEL)

### DTC DETECTING CONDITION:

- Detected when two consecutive driving cycles with fault occur.
- GENERAL DESCRIPTION<Ref. to GD(H4SO)-154, DTC P0852 PARK/NEUTRAL SWITCH INPUT CIRCUIT HIGH (AT MODEL), Diagnostic Trouble Code (DTC) Detecting Criteria.>

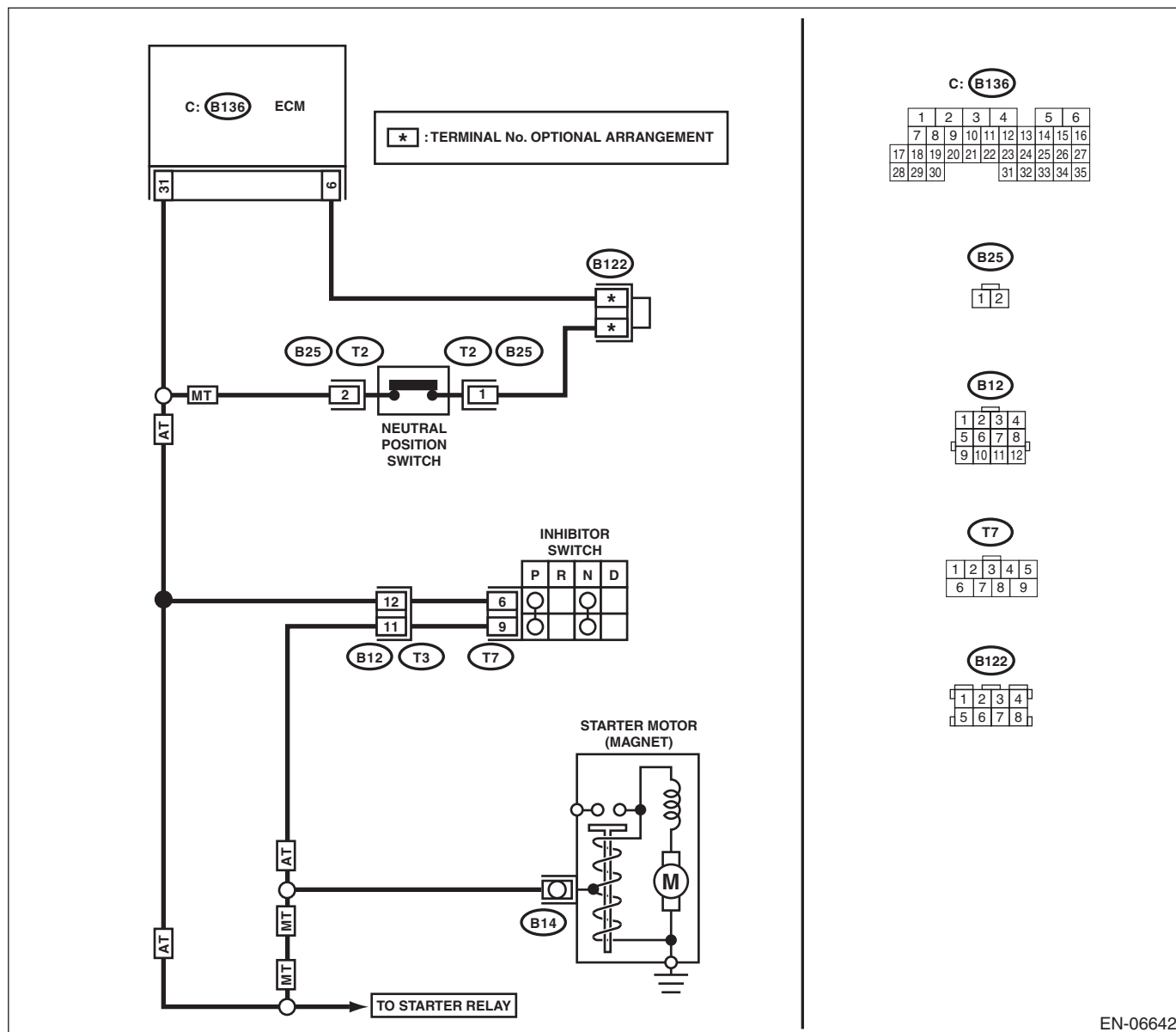
### TROUBLE SYMPTOM:

Improper idling

### CAUTION:

After servicing or replacing faulty parts, perform Clear Memory Mode <Ref. to EN(H4SO)(diag)-55, OPERATION, Clear Memory Mode.>, and Inspection Mode <Ref. to EN(H4SO)(diag)-44, PROCEDURE, Inspection Mode.>.

### WIRING DIAGRAM:



EN-06642

# Diagnostic Procedure with Diagnostic Trouble Code (DTC)

ENGINE (DIAGNOSTICS)

Step	Check	Yes	No
<b>1</b> <b>CHECK SELECT CABLE.</b>	Is there any fault in select cable?	Repair or adjust the select cable. <Ref. to CS-25, Select Cable.>	Go to step 2.
<b>2</b> <b>CHECK INPUT SIGNAL OF ECM.</b> 1) Turn the ignition switch to ON. 2) Measure the voltage between ECM and chassis ground with select lever at "P" range and "N" range. <b>Connector &amp; terminal</b> <b>(B136) No. 31 (+) — Chassis ground (-):</b>	Is the voltage less than 1 V?	Repair the poor contact of ECM connector.	Go to step 3.
<b>3</b> <b>CHECK HARNESS BETWEEN ECM AND INHIBITOR SWITCH CONNECTOR.</b> 1) Turn the ignition switch to OFF. 2) Disconnect the connectors from ECM and inhibitor switch. 3) Measure the resistance of harness between ECM and inhibitor switch connector. <b>Connector &amp; terminal</b> <b>(B136) No. 31 — (T7) No. 6:</b>	Is the resistance less than 1 Ω?	Go to step 4.	Repair the harness and connector. NOTE: In this case, repair the following item: • Open circuit in harness between ECM and inhibitor switch connector • Poor contact of coupling connector
<b>4</b> <b>CHECK INHIBITOR SWITCH GROUND LINE.</b> Measure the resistance of harness between inhibitor switch connector and engine ground. <b>Connector &amp; terminal</b> <b>(T7) No. 9 — Engine ground:</b>	Is the resistance less than 5 Ω?	Replace the inhibitor switch. <Ref. to 4AT-48, Inhibitor Switch.>	Repair the harness and connector. NOTE: In this case, repair the following item: • Open circuit of harness between inhibitor switch connector and starter motor ground line • Poor contact of coupling connector • Poor contact of starter motor connector • Poor contact of starter motor ground • Starter motor

# Diagnostic Procedure with Diagnostic Trouble Code (DTC)

ENGINE (DIAGNOSTICS)

## CG:DTC P0852 NEUTRAL SWITCH INPUT CIRCUIT HIGH (MT MODEL)

### DTC DETECTING CONDITION:

- Detected when two consecutive driving cycles with fault occur.
- GENERAL DESCRIPTION <Ref. to GD(H4SO)-155, DTC P0852 NEUTRAL SWITCH INPUT CIRCUIT HIGH (MT MODEL), Diagnostic Trouble Code (DTC) Detecting Criteria.>

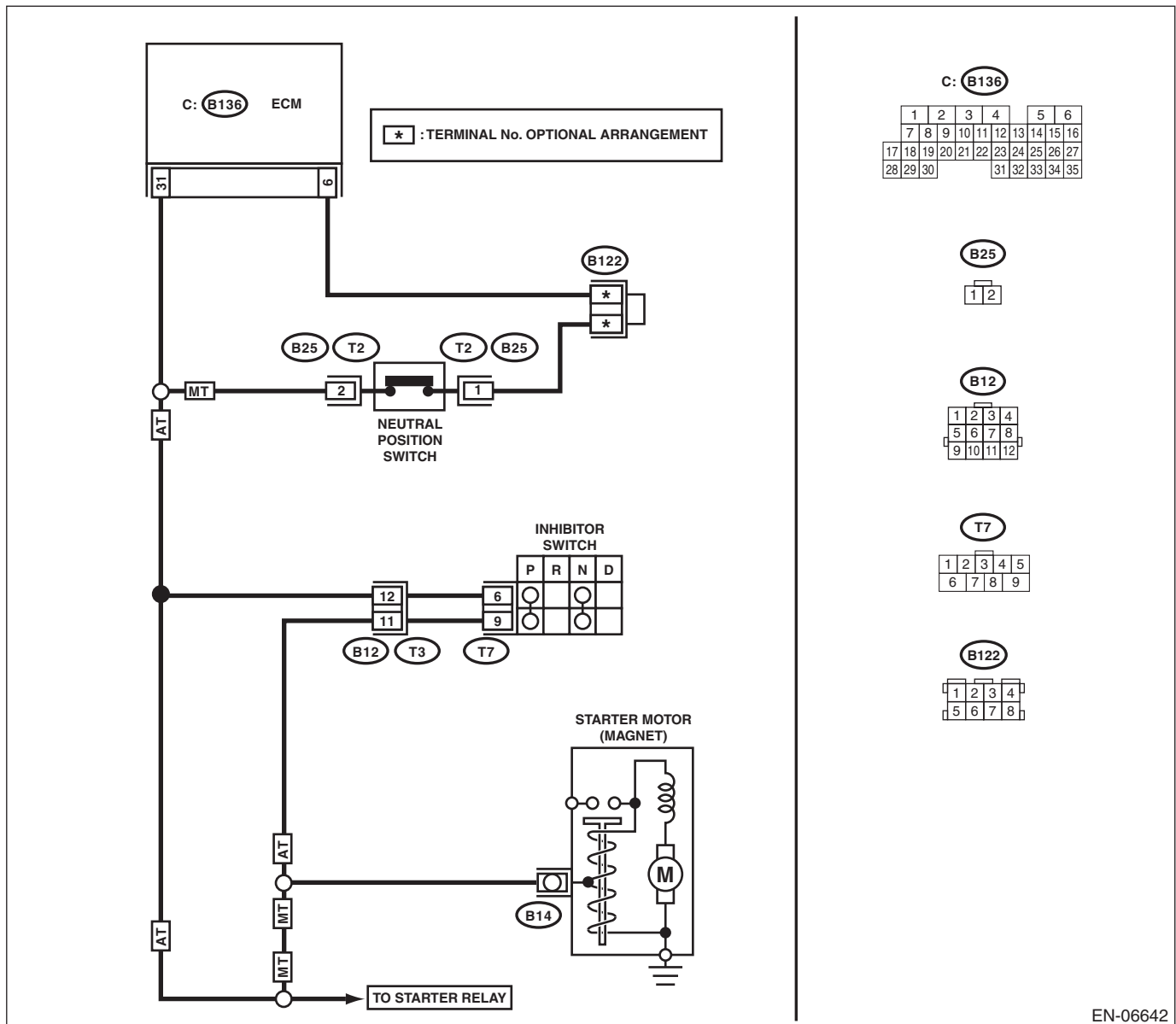
### TROUBLE SYMPTOM:

Improper idling

### CAUTION:

After servicing or replacing faulty parts, perform Clear Memory Mode <Ref. to EN(H4SO)(diag)-55, OPERATION, Clear Memory Mode.>, and Inspection Mode <Ref. to EN(H4SO)(diag)-44, PROCEDURE, Inspection Mode.>.

### WIRING DIAGRAM:



# Diagnostic Procedure with Diagnostic Trouble Code (DTC)

ENGINE (DIAGNOSTICS)

Step	Check	Yes	No
<b>1</b> <b>CHECK INPUT SIGNAL OF ECM.</b> 1) Turn the ignition switch to ON. 2) Place the shift lever in neutral. 3) Measure the voltage between ECM and chassis ground. <i>Connector &amp; terminal</i> <i>(B136) No. 31 (+) — Chassis ground (-):</i>	Is the voltage less than 1 V?	Repair the poor contact of ECM connector.	Go to step 2.
<b>2</b> <b>CHECK HARNESS BETWEEN ECM AND NEUTRAL POSITION SWITCH CONNECTOR.</b> 1) Turn the ignition switch to OFF. 2) Disconnect the connectors from ECM and neutral position switch. 3) Measure the resistance of harness between ECM and neutral position switch connector. <i>Connector &amp; terminal</i> <i>(B136) No. 31 — (T2) No. 2:</i>	Is the resistance less than 1 $\Omega$ ?	Go to step 3.	Repair the open circuit in harness between ECM and transmission harness connector.
<b>3</b> <b>CHECK HARNESS BETWEEN ECM AND NEUTRAL POSITION SWITCH CONNECTOR.</b> Measure the resistance of harness between ECM and transmission harness connector. <i>Connector &amp; terminal</i> <i>(B136) No. 6 — (T2) No. 1:</i>	Is the resistance less than 5 $\Omega$ ?	Go to step 4.	Repair the harness and connector. NOTE: In this case, repair the following item: • Open circuit in harness between ECM and neutral position switch connector • Poor contact of coupling connector
<b>4</b> <b>CHECK NEUTRAL POSITION SWITCH.</b> 1) Place the shift lever in neutral. 2) Measure the resistance between neutral position switch terminals. <i>Terminals</i> <i>No. 1 — No. 2:</i>	Is the resistance less than 1 $\Omega$ ?	Repair the poor contact of transmission harness connector.	Repair the open circuit of transmission harness, or replace the neutral position switch. <Ref. to 5MT-33, Switches and Harness.>

## CH:DTC P1152 O2 SENSOR CIRCUIT RANGE/PERFORMANCE (LOW) (BANK1 SENSOR1)

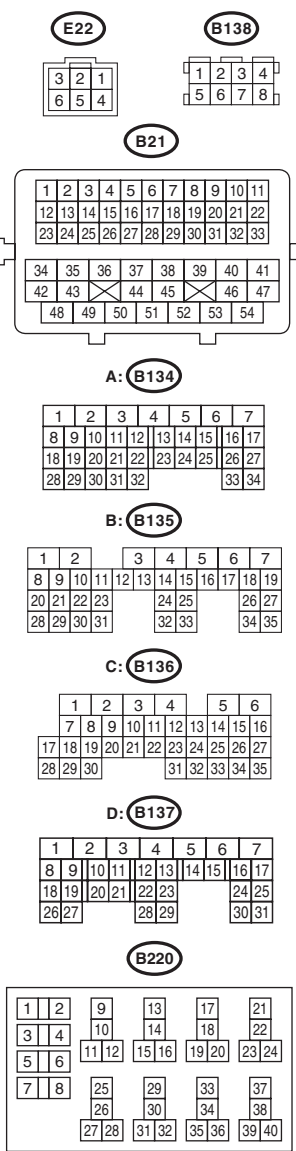
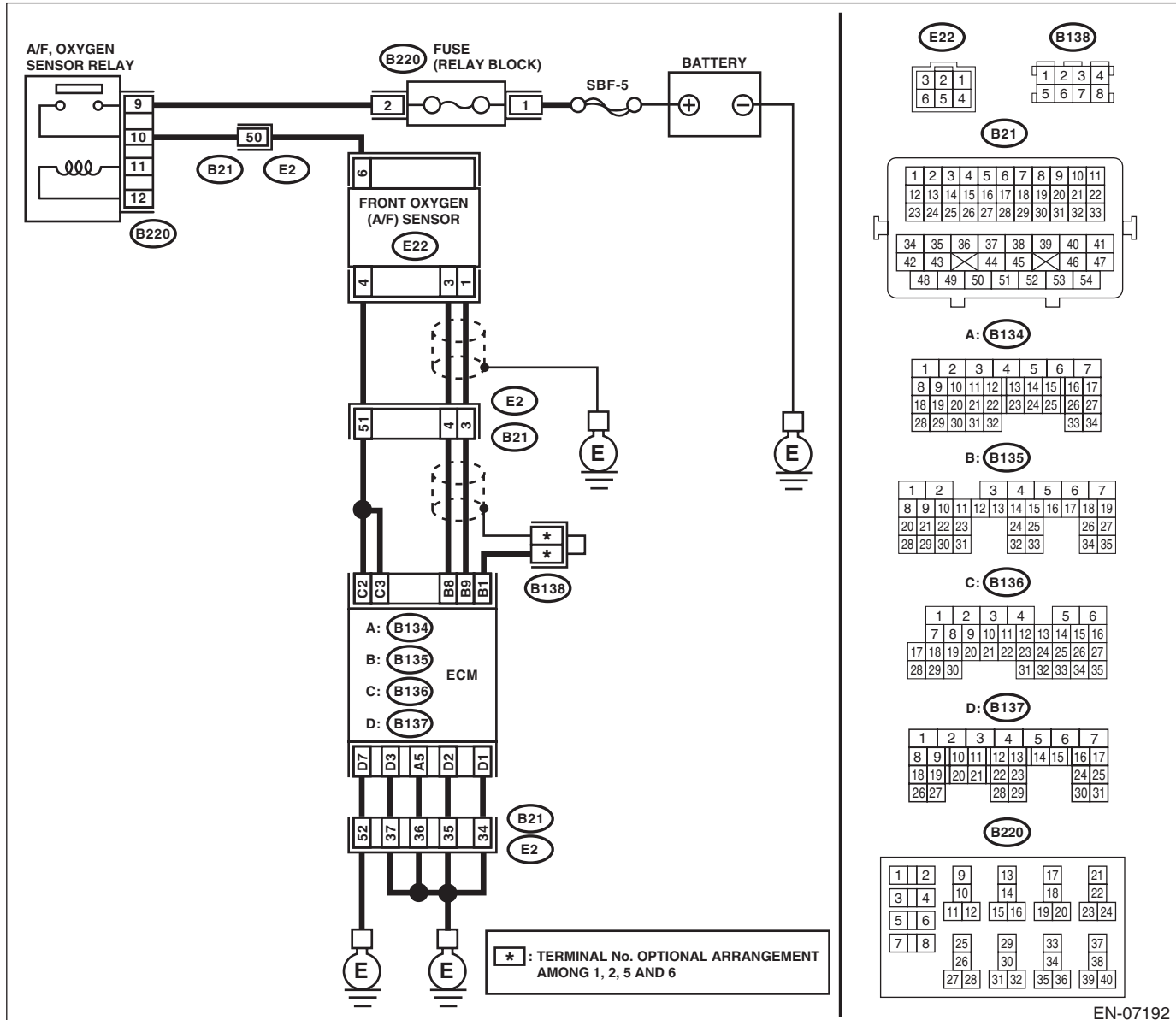
### DTC DETECTING CONDITION:

- Detected when two consecutive driving cycles with fault occur.
- GENERAL DESCRIPTION <Ref. to GD(H4SO)-156, DTC P1152 O2 SENSOR CIRCUIT RANGE/PERFORMANCE (LOW) (BANK1 SENSOR1), Diagnostic Trouble Code (DTC) Detecting Criteria.>

### CAUTION:

After servicing or replacing faulty parts, perform Clear Memory Mode <Ref. to EN(H4SO)(diag)-55, OPERATION, Clear Memory Mode.>, and Inspection Mode <Ref. to EN(H4SO)(diag)-44, PROCEDURE, Inspection Mode.>.

### WIRING DIAGRAM:



# Diagnostic Procedure with Diagnostic Trouble Code (DTC)

ENGINE (DIAGNOSTICS)

Step	Check	Yes	No
<b>1</b> <b>CHECK FRONT OXYGEN (A/F) SENSOR CONNECTOR AND COUPLING CONNECTOR.</b>	Has water entered the connector?	Completely remove any water inside.	Go to step 2.
<b>2</b> <b>CHECK HARNESS BETWEEN ECM AND FRONT OXYGEN (A/F) SENSOR CONNECTOR.</b> 1) Turn the ignition switch to OFF. 2) Disconnect the connectors from ECM and front oxygen (A/F) sensor. 3) Measure the resistance of harness between ECM and front oxygen (A/F) sensor connector. <b>Connector &amp; terminal</b> <b>(B135) No. 9 — (E22) No. 1:</b> <b>(B135) No. 8 — (E22) No. 3:</b>	Is the resistance less than 1 Ω?	Go to step 3.	Repair the harness and connector. <b>NOTE:</b> In this case, repair the following item: • Open circuit in harness between ECM and front oxygen (A/F) sensor connector • Poor contact of coupling connector
<b>3</b> <b>CHECK POOR CONTACT.</b> Check for poor contact of the front oxygen (A/F) sensor connector.	Is there poor contact of front oxygen (A/F) sensor connector?	Repair the poor contact of front oxygen (A/F) sensor connector.	Replace the front oxygen (A/F) sensor. <Ref. to FU(H4SO)-41, Front Oxygen (A/F) Sensor.>

# Diagnostic Procedure with Diagnostic Trouble Code (DTC)

ENGINE (DIAGNOSTICS)

## CI: DTC P1153 O2 SENSOR CIRCUIT RANGE/PERFORMANCE (HIGH) (BANK1 SENSOR1)

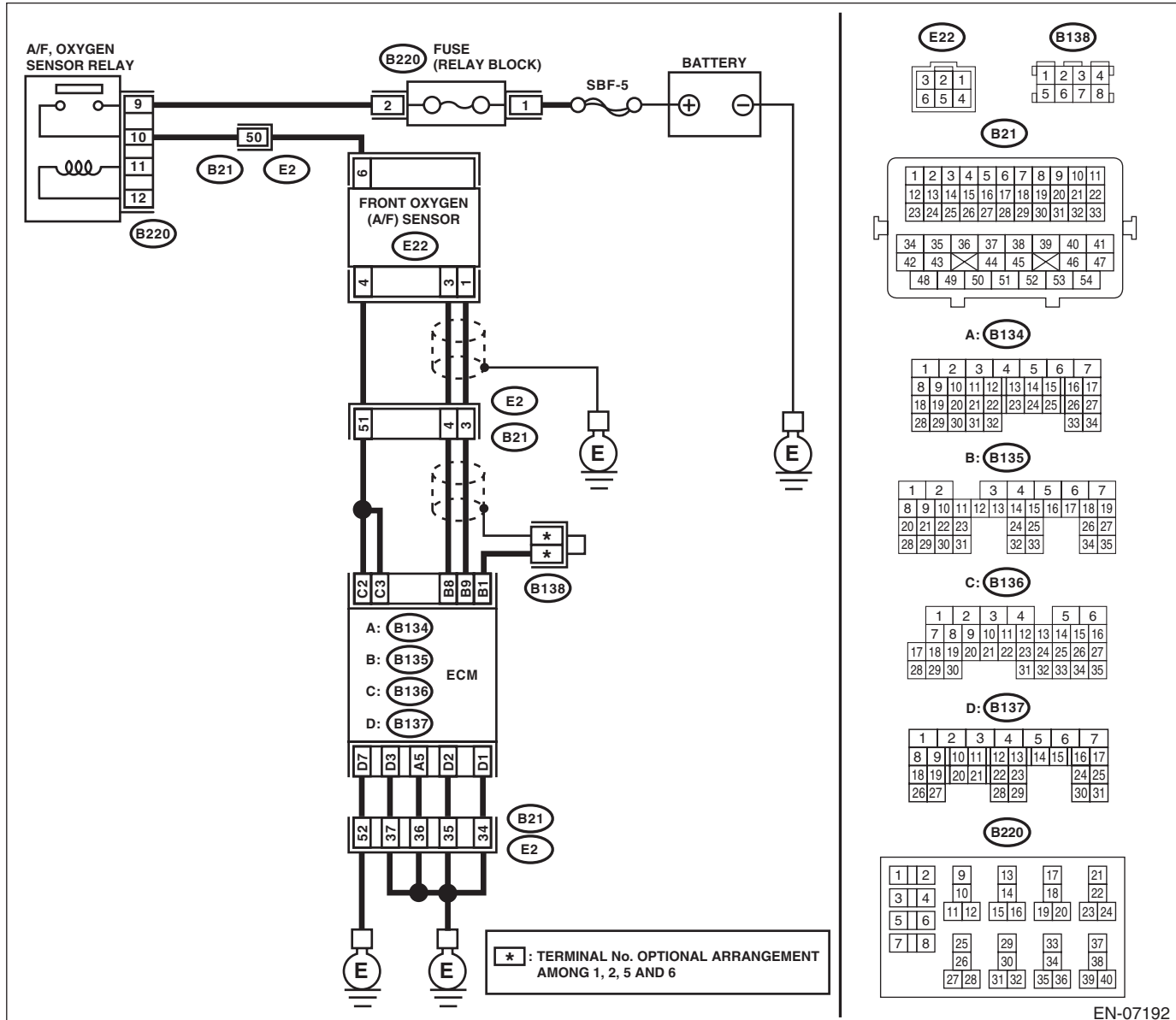
### DTC DETECTING CONDITION:

- Detected when two consecutive driving cycles with fault occur.
- GENERAL DESCRIPTION <Ref. to GD(H4SO)-158, DTC P1153 O2 SENSOR CIRCUIT RANGE/PERFORMANCE (HIGH) (BANK1 SENSOR1), Diagnostic Trouble Code (DTC) Detecting Criteria.>

### CAUTION:

After servicing or replacing faulty parts, perform Clear Memory Mode <Ref. to EN(H4SO)(diag)-55, OPERATION, Clear Memory Mode.>, and Inspection Mode <Ref. to EN(H4SO)(diag)-44, PROCEDURE, Inspection Mode.>.

### WIRING DIAGRAM:



EN-07192



# Diagnostic Procedure with Diagnostic Trouble Code (DTC)

## ENGINE (DIAGNOSTICS)

	Step	Check	Yes	No
1	<b>CHECK FRONT OXYGEN (A/F) SENSOR CONNECTOR AND COUPLING CONNECTOR.</b>	Has water entered the connector?	Completely remove any water inside.	Go to step 2.
2	<b>CHECK HARNESS BETWEEN ECM AND FRONT OXYGEN (A/F) SENSOR CONNECTOR.</b> 1) Turn the ignition switch to OFF. 2) Disconnect the connectors from ECM. 3) Measure the resistance between ECM and chassis ground. <b>Connector &amp; terminal</b> <b>(B135) No. 9 — Chassis ground:</b> <b>(B135) No. 8 — Chassis ground:</b>	Is the resistance 1 MΩ or more?	Go to step 3.	Repair the ground short circuit of harness between ECM and front oxygen (A/F) sensor connector.
3	<b>CHECK OUTPUT SIGNAL FOR ECM.</b> 1) Connect the connector to ECM. 2) Turn the ignition switch to ON. 3) Measure the voltage between ECM and chassis ground. <b>Connector &amp; terminal</b> <b>(B135) No. 9 (+) — Chassis ground (-):</b>	Is the voltage 4.5 V or more?	Go to step 5.	Go to step 4.
4	<b>CHECK OUTPUT SIGNAL FOR ECM.</b> Measure the voltage between ECM and chassis ground. <b>Connector &amp; terminal</b> <b>(B135) No. 8 (+) — Chassis ground (-):</b>	Is the voltage 4.95 V or more?	Go to step 5.	Replace the front oxygen (A/F) sensor. <Ref. to FU(H4SO)-41, Front Oxygen (A/F) Sensor.>
5	<b>CHECK OUTPUT SIGNAL FOR ECM.</b> Measure the voltage between ECM and chassis ground. <b>Connector &amp; terminal</b> <b>(B135) No. 9 (+) — Chassis ground (-):</b> <b>(B135) No. 8 (+) — Chassis ground (-):</b>	Is the voltage 8 V or more?	Repair the short circuit to power in the harness between ECM and front oxygen (A/F) sensor connector. After repair, replace the ECM. <Ref. to FU(H4SO)-45, Engine Control Module (ECM).>	Repair the poor contact of ECM connector.

## CJ:DTC P1160 RETURN SPRING FAILURE

### NOTE:

For the diagnostic procedure, refer to DTC P2101. <Ref. to EN(H4SO)(diag)-282, DTC P2101 THROTTLE ACTUATOR CONTROL MOTOR CIRCUIT RANGE/PERFORMANCE, Diagnostic Procedure with Diagnostic Trouble Code (DTC).>

# Diagnostic Procedure with Diagnostic Trouble Code (DTC)

ENGINE (DIAGNOSTICS)

## CK:DTC P1400 FUEL TANK PRESSURE CONTROL SOLENOID VALVE CIRCUIT LOW

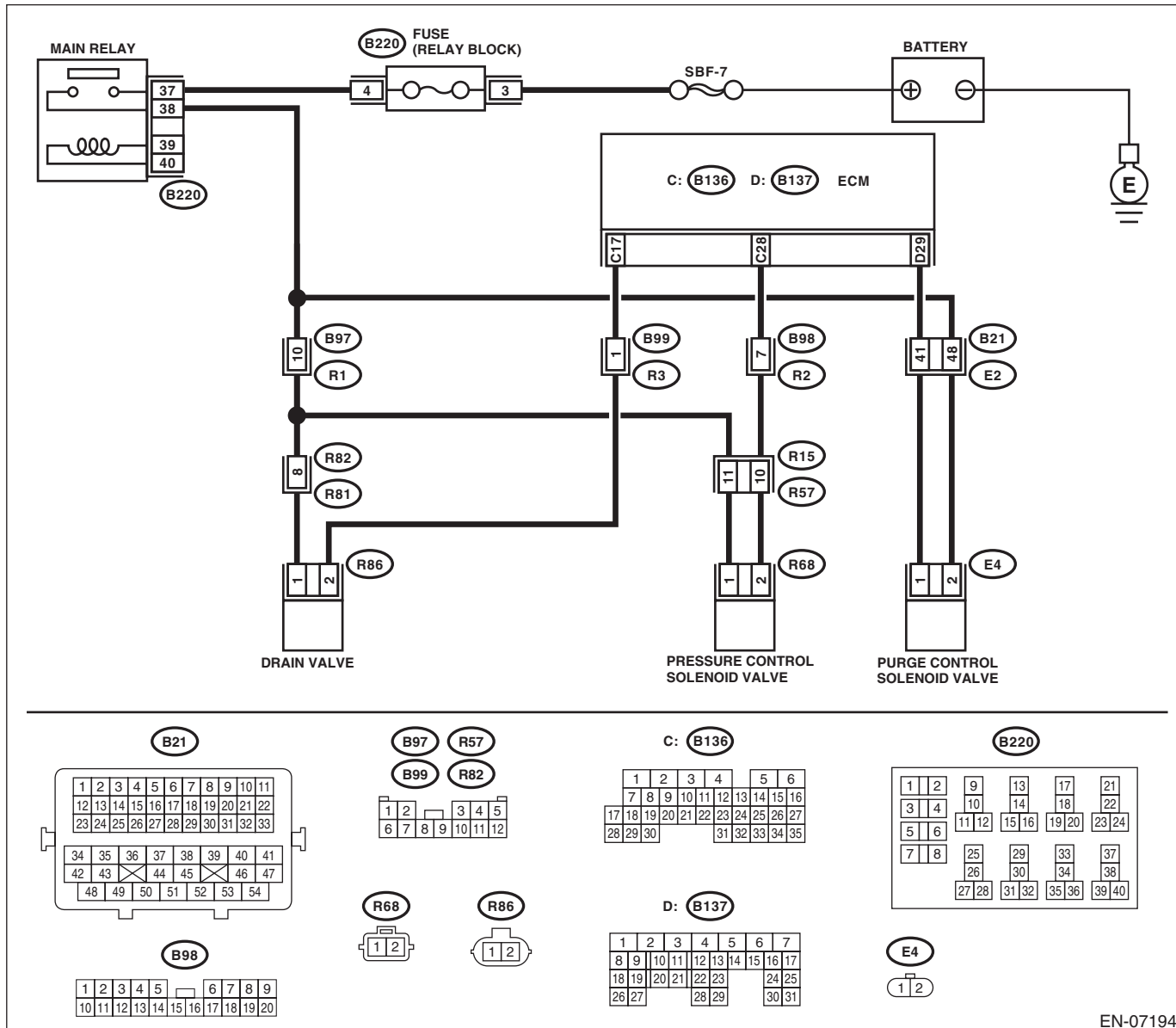
### DTC DETECTING CONDITION:

- Detected when two consecutive driving cycles with fault occur.
- GENERAL DESCRIPTION<Ref. to GD(H4SO)-162, DTC P1400 FUEL TANK PRESSURE CONTROL SOLENOID VALVE CIRCUIT LOW, Diagnostic Trouble Code (DTC) Detecting Criteria.>

### CAUTION:

After servicing or replacing faulty parts, perform Clear Memory Mode <Ref. to EN(H4SO)(diag)-55, OPERATION, Clear Memory Mode.>, and Inspection Mode <Ref. to EN(H4SO)(diag)-44, PROCEDURE, Inspection Mode.>.

### WIRING DIAGRAM:



EN-07194

# Diagnostic Procedure with Diagnostic Trouble Code (DTC)

## ENGINE (DIAGNOSTICS)

Step	Check	Yes	No
<b>1 CHECK OUTPUT SIGNAL OF ECM.</b> 1) Turn the ignition switch to ON. 2) Measure the voltage between ECM and chassis ground. <i>Connector &amp; terminal</i> <i>(B136) No. 28 (+) — Chassis ground (-):</i>	Is the voltage 10 V or more?	Repair the poor contact of ECM connector.	Go to step 2.
<b>2 CHECK HARNESS BETWEEN ECM AND PRESSURE CONTROL SOLENOID VALVE.</b> 1) Turn the ignition switch to OFF. 2) Disconnect the connector from the ECM and pressure control solenoid valve. 3) Measure the resistance between pressure control solenoid valve and chassis ground. <i>Connector &amp; terminal</i> <i>(R68) No. 2 — Chassis ground:</i>	Is the resistance 1 M $\Omega$ or more?	Go to step 3.	Repair the ground short circuit of harness between ECM and pressure control solenoid valve connector.
<b>3 CHECK HARNESS BETWEEN ECM AND PRESSURE CONTROL SOLENOID VALVE.</b> Measure the resistance of harness between ECM and pressure control solenoid valve connector. <i>Connector &amp; terminal</i> <i>(B136) No. 28 — (R68) No. 2:</i>	Is the resistance less than 1 $\Omega$ ?	Go to step 4.	Repair the harness and connector. NOTE: In this case, repair the following item: • Open circuit in harness between ECM and pressure control solenoid valve connector • Poor contact of coupling connector
<b>4 CHECK PRESSURE CONTROL SOLENOID VALVE.</b> Measure the resistance between pressure control solenoid valve terminals. <i>Terminals</i> <i>No. 1 — No. 2:</i>	Is the resistance 10 — 100 $\Omega$ ?	Go to step 5.	Replace the pressure control solenoid valve. <Ref. to EC(H4SO)-16, Pressure Control Solenoid Valve.>
<b>5 CHECK POWER SUPPLY TO THE PRESSURE CONTROL SOLENOID VALVE.</b> 1) Turn the ignition switch to ON. 2) Measure the voltage between pressure control solenoid valve and chassis ground. <i>Connector &amp; terminal</i> <i>(R68) No. 1 (+) — Chassis ground (-):</i>	Is the voltage 10 V or more?	Repair the poor contact of pressure control solenoid valve connector.	Repair the harness and connector. NOTE: In this case, repair the following item: • Open circuit in harness between main relay and pressure control solenoid valve connector • Poor contact of coupling connector • Poor contact of main relay connector

# Diagnostic Procedure with Diagnostic Trouble Code (DTC)

ENGINE (DIAGNOSTICS)

## CL:DTC P1420 FUEL TANK PRESSURE CONTROL SOL. VALVE CIRCUIT HIGH

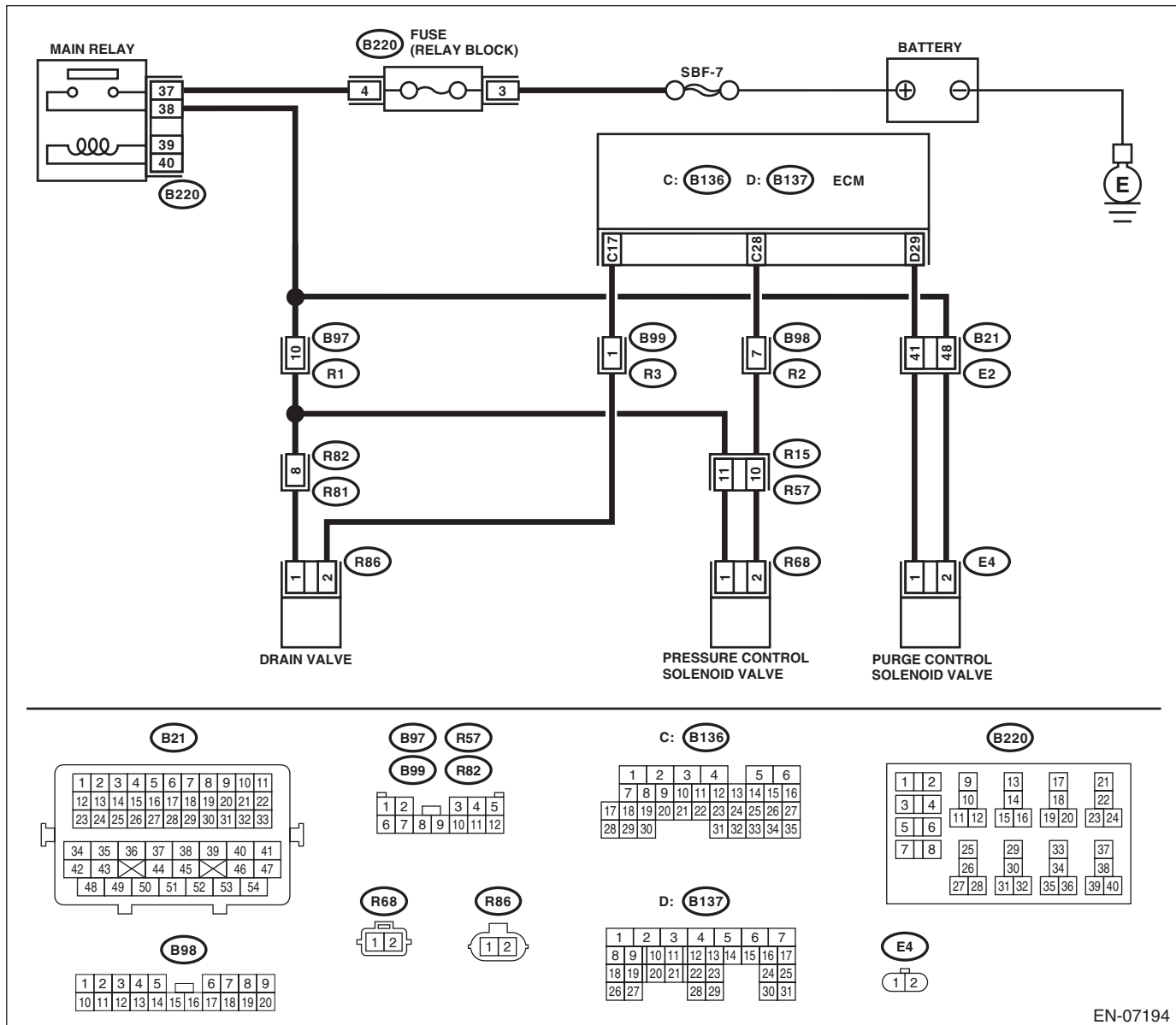
### DTC DETECTING CONDITION:

- Detected when two consecutive driving cycles with fault occur.
- GENERAL DESCRIPTION<Ref. to GD(H4SO)-164, DTC P1420 FUEL TANK PRESSURE CONTROL SOL. VALVE CIRCUIT HIGH, Diagnostic Trouble Code (DTC) Detecting Criteria.>

### CAUTION:

After servicing or replacing faulty parts, perform Clear Memory Mode <Ref. to EN(H4SO)(diag)-55, OPERATION, Clear Memory Mode.>, and Inspection Mode <Ref. to EN(H4SO)(diag)-44, PROCEDURE, Inspection Mode.>.

### WIRING DIAGRAM:



EN-07194

# Diagnostic Procedure with Diagnostic Trouble Code (DTC)

ENGINE (DIAGNOSTICS)

Step	Check	Yes	No
<p><b>1</b></p> <p><b>CHECK HARNESS BETWEEN ECM AND PRESSURE CONTROL SOLENOID VALVE.</b></p> <p>1) Turn the ignition switch to OFF. 2) Disconnect the connector from the ECM and pressure control solenoid valve. 3) Turn the ignition switch to ON. 4) Measure the voltage between ECM and chassis ground.</p> <p><b>Connector &amp; terminal</b> <b>(B136) No. 28 (+) — Chassis ground (-):</b></p>	<p>Is the voltage 10 V or more?</p>	<p>Repair the short circuit to power in the harness between ECM and pressure control solenoid valve connector.</p>	<p>Go to step 2.</p>
<p><b>2</b></p> <p><b>CHECK PRESSURE CONTROL SOLENOID VALVE.</b></p> <p>1) Turn the ignition switch to OFF. 2) Measure the resistance between pressure control solenoid valve terminals.</p> <p><b>Terminals</b> <b>No. 1 — No. 2:</b></p>	<p>Is the resistance less than 1 <math>\Omega</math>?</p>	<p>Replace the pressure control solenoid valve. &lt;Ref. to EC(H4SO)-16, Pressure Control Solenoid Valve.&gt;</p>	<p>Repair the poor contact of ECM connector.</p>

# Diagnostic Procedure with Diagnostic Trouble Code (DTC)

ENGINE (DIAGNOSTICS)

## CM:DTC P1443 VENT CONTROL SOLENOID VALVE FUNCTION PROBLEM

### DTC DETECTING CONDITION:

- Immediately at fault recognition
- GENERAL DESCRIPTION <Ref. to GD(H4SO)-166, DTC P1443 VENT CONTROL SOLENOID VALVE FUNCTION PROBLEM, Diagnostic Trouble Code (DTC) Detecting Criteria.>

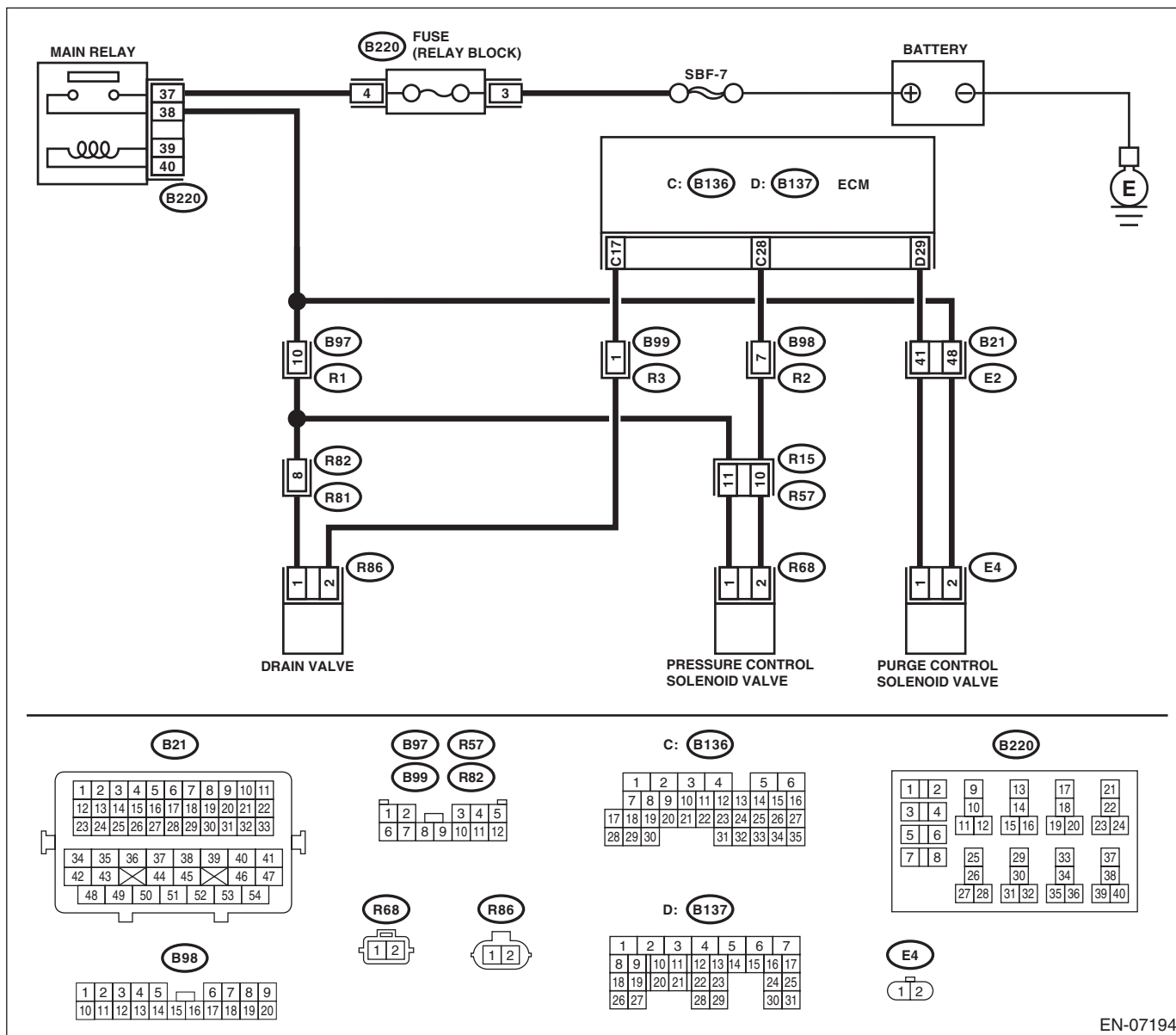
### TROUBLE SYMPTOM:

Improper fuel supply

### CAUTION:

After servicing or replacing faulty parts, perform Clear Memory Mode <Ref. to EN(H4SO)(diag)-55, OPERATION, Clear Memory Mode.>, and Inspection Mode <Ref. to EN(H4SO)(diag)-44, PROCEDURE, Inspection Mode.>.

### WIRING DIAGRAM:



EN-07194

# Diagnostic Procedure with Diagnostic Trouble Code (DTC)

## ENGINE (DIAGNOSTICS)

	Step	Check	Yes	No
1	<b>CHECK FOR ANY OTHER DTC ON DISPLAY.</b>	Is any other DTC displayed?	Check the appropriate DTC using the "List of Diagnostic Trouble Code (DTC)". <Ref. to EN(H4SO)(diag)-86, List of Diagnostic Trouble Code (DTC).>	Go to step 2.
2	<b>CHECK DRAIN HOSE.</b> Check the drain hose for clogging.	Is there clogging in the drain hose?	Replace the drain hose.	Go to step 3.
3	<b>CHECK DRAIN VALVE OPERATION.</b> 1) Turn the ignition switch to OFF. 2) Connect the delivery (test) mode connector at the lower portion of instrument panel (on the driver's side). 3) Turn the ignition switch to ON. 4) Operate the drain valve.  NOTE: Drain valve can be operated using the Subaru Select Monitor. For the procedures, refer to "Compulsory Valve Operation Check Mode". <Ref. to EN(H4SO)(diag)-56, Compulsory Valve Operation Check Mode.>	Does the drain valve operate?	Repair the poor contact of ECM connector.	Replace the drain valve. <Ref. to EC(H4SO)-19, Drain Valve.>

# Diagnostic Procedure with Diagnostic Trouble Code (DTC)

ENGINE (DIAGNOSTICS)

## CN:DTC P1491 POSITIVE CRANKCASE VENTILATION (BLOW-BY) FUNCTION PROBLEM

### DTC DETECTING CONDITION:

- Immediately at fault recognition
- GENERAL DESCRIPTION<Ref. to GD(H4SO)-168, DTC P1491 POSITIVE CRANKCASE VENTILATION (BLOW-BY) FUNCTION PROBLEM, Diagnostic Trouble Code (DTC) Detecting Criteria.>

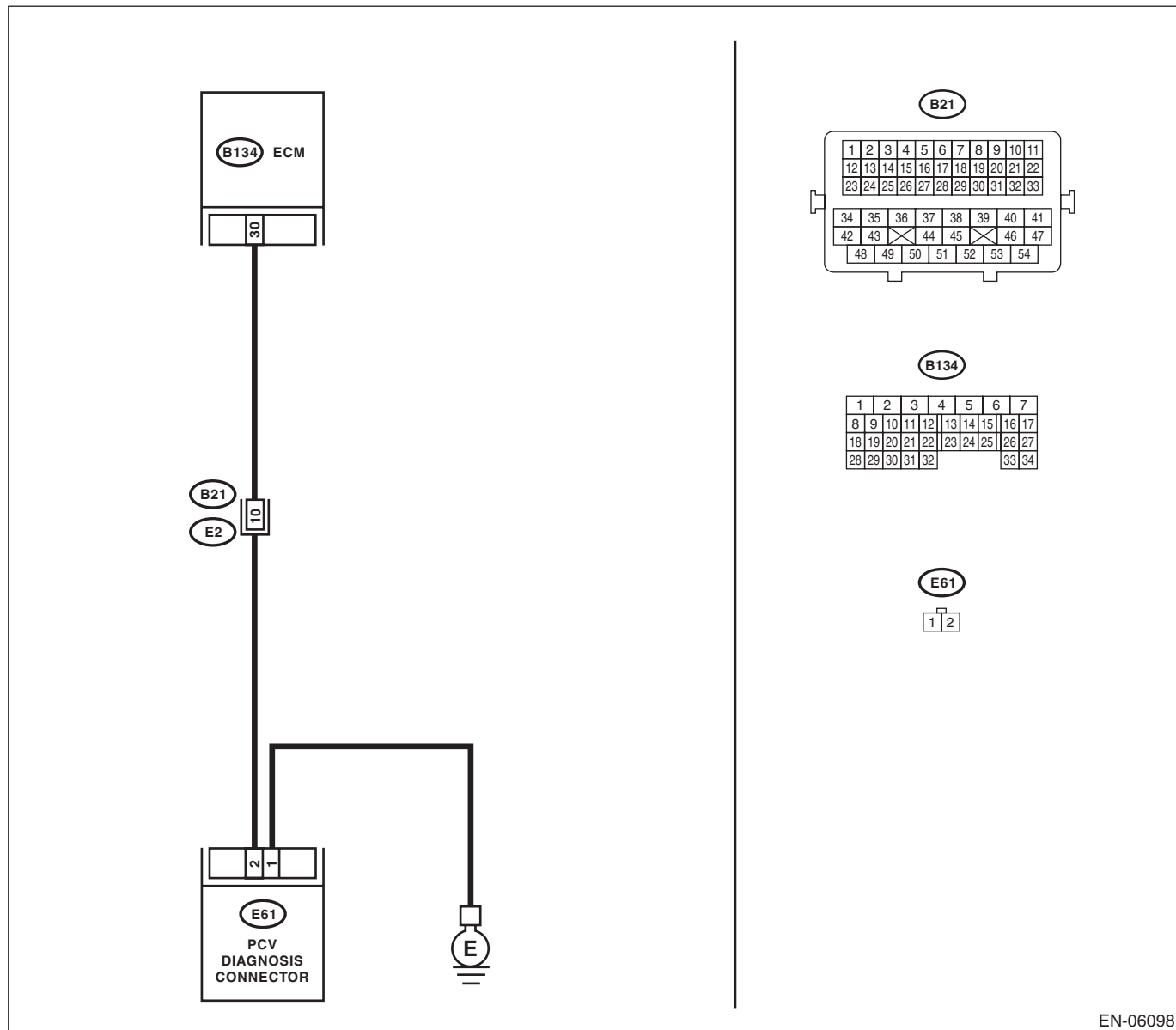
### TROUBLE SYMPTOM:

Improper idling

### CAUTION:

After servicing or replacing faulty parts, perform Clear Memory Mode <Ref. to EN(H4SO)(diag)-55, OPERATION, Clear Memory Mode.>, and Inspection Mode <Ref. to EN(H4SO)(diag)-44, PROCEDURE, Inspection Mode.>.

### WIRING DIAGRAM:



EN-06098



## Diagnostic Procedure with Diagnostic Trouble Code (DTC)

### ENGINE (DIAGNOSTICS)

Step	Check	Yes	No
<b>1 CHECK BLOW-BY HOSE.</b> Check the blow-by hose condition.	Is there any disconnection or crack in blow-by hose?	Repair or replace the blow-by hose.	Go to step 2.
<b>2 CHECK HARNESS BETWEEN ECM AND PCV HOSE ASSEMBLY.</b> 1) Turn the ignition switch to OFF. 2) Disconnect the connectors from the ECM and PCV hose assembly. 3) Measure the resistance of harness between ECM and PCV hose assembly connector. <b>Connector &amp; terminal</b> <b>(B134) No. 30 — (E61) No. 2:</b>	Is the resistance less than 1 $\Omega$ ?	Go to step 3.	Repair the harness and connector.  NOTE: In this case, repair the following item: • Open circuit in harness between ECM and PCV hose assembly connector • Poor contact of coupling connector
<b>3 CHECK HARNESS BETWEEN ECM AND PCV HOSE ASSEMBLY.</b> Measure the resistance between PCV hose assembly connector and chassis ground. <b>Connector &amp; terminal</b> <b>(B134) No. 30 — Chassis ground:</b>	Is the resistance 1 M $\Omega$ or more?	Go to step 4.	Repair the short circuit to ground in harness between ECM and PCV hose assembly connector.
<b>4 CHECK GROUND CIRCUIT OF PCV HOSE ASSEMBLY.</b> Measure the resistance of harness between PCV hose assembly connector and engine ground. <b>Connector &amp; terminal</b> <b>(E61) No. 1 — Engine ground:</b>	Is the resistance less than 5 $\Omega$ ?	Go to step 5.	Repair the open circuit of harness between PCV hose assembly and engine ground.
<b>5 CHECK PCV HOSE ASSEMBLY.</b> Measure the resistance between the PCV hose assembly terminals. <b>Terminals</b> <b>No. 1 — No. 2:</b>	Is the resistance less than 1 $\Omega$ ?	Repair the poor contact of ECM and PCV hose assembly connector.	Replace the PCV hose assembly.

## **CO:DTC P1492 EGR SOLENOID VALVE SIGNAL #1 CIRCUIT MALFUNCTION (LOW INPUT)**

**NOTE:**

For the diagnostic procedure, refer to DTC P1498. <Ref. to EN(H4SO)(diag)-260, DTC P1498 EGR SOLENOID VALVE SIGNAL #4 CIRCUIT MALFUNCTION (LOW INPUT), Diagnostic Procedure with Diagnostic Trouble Code (DTC).>

## **CP:DTC P1493 EGR SOLENOID VALVE SIGNAL #1 CIRCUIT MALFUNCTION (HIGH INPUT)**

**NOTE:**

For the diagnostic procedure, refer to DTC P1499. <Ref. to EN(H4SO)(diag)-263, DTC P1499 EGR SOLENOID VALVE SIGNAL #4 CIRCUIT MALFUNCTION (HIGH INPUT), Diagnostic Procedure with Diagnostic Trouble Code (DTC).>

## **CQ:DTC P1494 EGR SOLENOID VALVE SIGNAL #2 CIRCUIT MALFUNCTION (LOW INPUT)**

**NOTE:**

For the diagnostic procedure, refer to DTC P1498. <Ref. to EN(H4SO)(diag)-260, DTC P1498 EGR SOLENOID VALVE SIGNAL #4 CIRCUIT MALFUNCTION (LOW INPUT), Diagnostic Procedure with Diagnostic Trouble Code (DTC).>

## **CR:DTC P1495 EGR SOLENOID VALVE SIGNAL #2 CIRCUIT MALFUNCTION (HIGH INPUT)**

**NOTE:**

For the diagnostic procedure, refer to DTC P1499. <Ref. to EN(H4SO)(diag)-263, DTC P1499 EGR SOLENOID VALVE SIGNAL #4 CIRCUIT MALFUNCTION (HIGH INPUT), Diagnostic Procedure with Diagnostic Trouble Code (DTC).>

## **CS:DTC P1496 EGR SOLENOID VALVE SIGNAL #3 CIRCUIT MALFUNCTION (LOW INPUT)**

**NOTE:**

For the diagnostic procedure, refer to DTC P1498. <Ref. to EN(H4SO)(diag)-260, DTC P1498 EGR SOLENOID VALVE SIGNAL #4 CIRCUIT MALFUNCTION (LOW INPUT), Diagnostic Procedure with Diagnostic Trouble Code (DTC).>

## **CT:DTC P1497 EGR SOLENOID VALVE SIGNAL #3 CIRCUIT MALFUNCTION (HIGH INPUT)**

**NOTE:**

For the diagnostic procedure, refer to DTC P1499. <Ref. to EN(H4SO)(diag)-263, DTC P1499 EGR SOLENOID VALVE SIGNAL #4 CIRCUIT MALFUNCTION (HIGH INPUT), Diagnostic Procedure with Diagnostic Trouble Code (DTC).>

## Diagnostic Procedure with Diagnostic Trouble Code (DTC)

ENGINE (DIAGNOSTICS)

---

### **CU:DTC P1498 EGR SOLENOID VALVE SIGNAL #4 CIRCUIT MALFUNCTION (LOW INPUT)**

#### **DTC DETECTING CONDITION:**

- Immediately at fault recognition
- GENERAL DESCRIPTION <Ref. to GD(H4SO)-170, DTC P1492 EGR SOLENOID VALVE SIGNAL #1 CIRCUIT MALFUNCTION (LOW INPUT), Diagnostic Trouble Code (DTC) Detecting Criteria.> <Ref. to GD(H4SO)-174, DTC P1494 EGR SOLENOID VALVE SIGNAL #2 CIRCUIT MALFUNCTION (LOW INPUT), Diagnostic Trouble Code (DTC) Detecting Criteria.> <Ref. to GD(H4SO)-174, DTC P1496 EGR SOLENOID VALVE SIGNAL #3 CIRCUIT MALFUNCTION (LOW INPUT), Diagnostic Trouble Code (DTC) Detecting Criteria.> <Ref. to GD(H4SO)-174, DTC P1498 EGR SOLENOID VALVE SIGNAL #4 CIRCUIT MALFUNCTION (LOW INPUT), Diagnostic Trouble Code (DTC) Detecting Criteria.>

#### **TROUBLE SYMPTOM:**

- Improper idling
- Poor driving performance
- Engine breathing

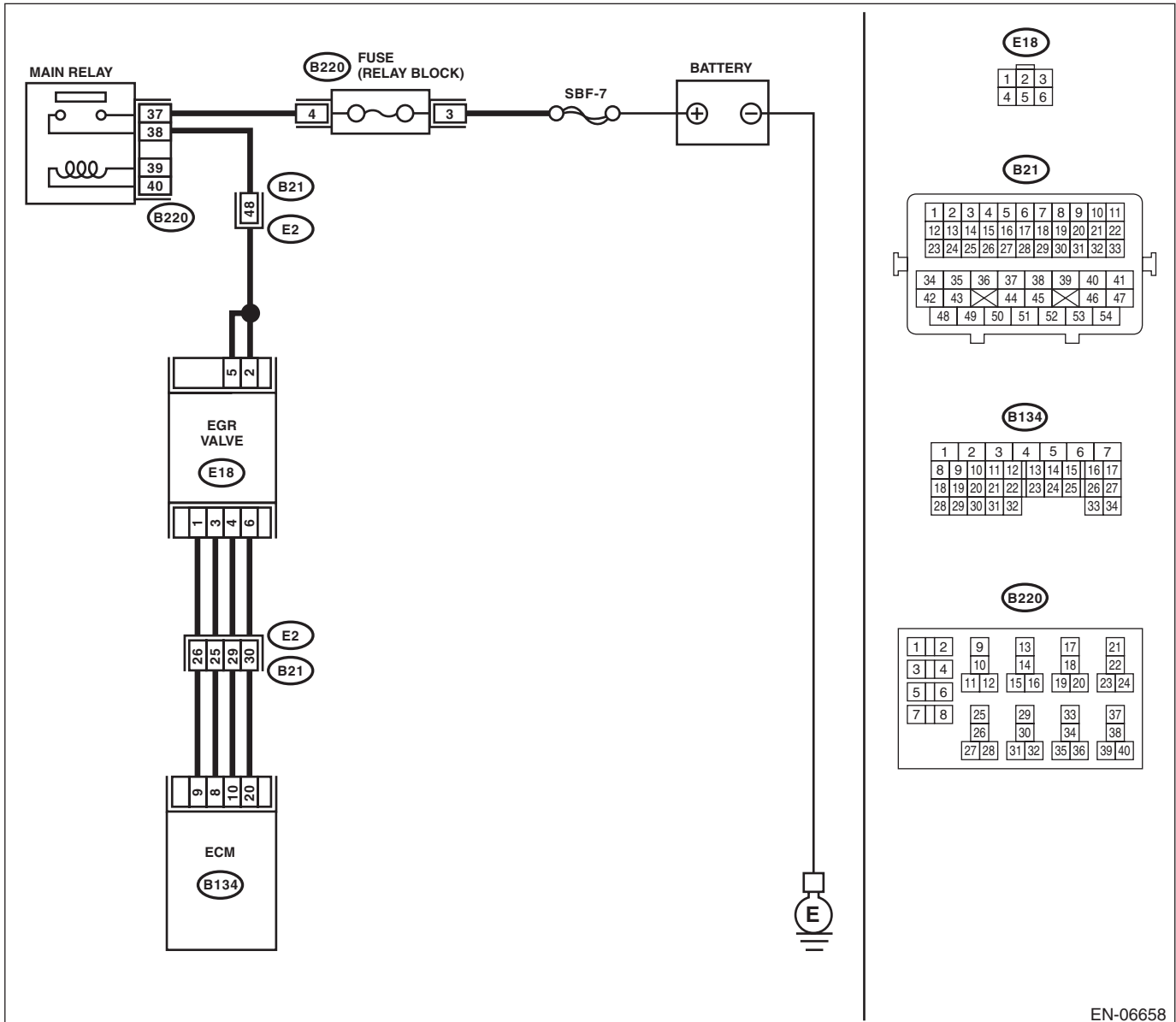
#### **CAUTION:**

**After servicing or replacing faulty parts, perform Clear Memory Mode <Ref. to EN(H4SO)(diag)-55, OPERATION, Clear Memory Mode.>, and Inspection Mode <Ref. to EN(H4SO)(diag)-44, PROCEDURE, Inspection Mode.>.**

# Diagnostic Procedure with Diagnostic Trouble Code (DTC)

ENGINE (DIAGNOSTICS)

## WIRING DIAGRAM:



EN-06658

# Diagnostic Procedure with Diagnostic Trouble Code (DTC)

## ENGINE (DIAGNOSTICS)

Step	Check	Yes	No
<b>1 CHECK POWER SUPPLY TO EGR VALVE.</b> 1) Turn the ignition switch to OFF. 2) Disconnect the connector from EGR valve. 3) Turn the ignition switch to ON. 4) Measure the voltage between EGR valve connector and engine ground. <b>Connector &amp; terminal</b> <b>(E18) No. 2 (+) — Engine ground (-):</b> <b>(E18) No. 5 (+) — Engine ground (-):</b>	Is the voltage 10 V or more?	Go to step 2.	Repair the harness and connector.  NOTE: In this case, repair the following item: • Open circuit in harness between EGR valve and main relay connector • Poor contact of coupling connector
<b>2 CHECK HARNESS BETWEEN ECM AND EGR VALVE CONNECTOR.</b> 1) Turn the ignition switch to OFF. 2) Disconnect the connectors from ECM. 3) Measure the resistance between ECM and EGR valve connector. <b>Connector &amp; terminal</b> <b>DTC P1492; (B134) No. 8 — (E18) No. 3:</b> <b>DTC P1494; (B134) No. 9 — (E18) No. 1:</b> <b>DTC P1496; (B134) No. 10 — (E18) No. 4:</b> <b>DTC P1498; (B134) No. 20 — (E18) No. 6:</b>	Is the resistance less than 1 $\Omega$ ?	Go to step 3.	Repair the harness and connector.  NOTE: In this case, repair the following item: • Open circuit in harness between ECM and EGR valve connector • Poor contact of coupling connector
<b>3 CHECK HARNESS BETWEEN ECM AND EGR VALVE CONNECTOR.</b> 1) Disconnect the connectors from ECM. 2) Measure the resistance between ECM and chassis ground. <b>Connector &amp; terminal</b> <b>DTC P1492; (B134) No. 8 — Chassis ground:</b> <b>DTC P1494; (B134) No. 9 — Chassis ground:</b> <b>DTC P1496; (B134) No. 10 — Chassis ground:</b> <b>DTC P1498; (B134) No. 20 — Chassis ground:</b>	Is the resistance 1 M $\Omega$ or more?	Go to step 4.	Repair the ground short in harness between ECM and EGR valve connector.
<b>4 CHECK POOR CONTACT.</b> Check poor contact of ECM and EGR valve connector.	Is there poor contact of ECM or EGR valve connector?	Repair the poor contact of ECM or EGR valve connector.	Replace the EGR valve. <Ref. to FU(H4SO)-35, EGR Valve.>

## **CV:DTC P1499 EGR SOLENOID VALVE SIGNAL #4 CIRCUIT MALFUNCTION (HIGH INPUT)**

### **DTC DETECTING CONDITION:**

- Immediately at fault recognition
- GENERAL DESCRIPTION <Ref. to GD(H4SO)-172, DTC P1493 EGR SOLENOID VALVE SIGNAL #1 CIRCUIT MALFUNCTION (HIGH INPUT), Diagnostic Trouble Code (DTC) Detecting Criteria.> <Ref. to GD(H4SO)-174, DTC P1495 EGR SOLENOID VALVE SIGNAL #2 CIRCUIT MALFUNCTION (HIGH INPUT), Diagnostic Trouble Code (DTC) Detecting Criteria.> <Ref. to GD(H4SO)-174, DTC P1497 EGR SOLENOID VALVE SIGNAL #3 CIRCUIT MALFUNCTION (HIGH INPUT), Diagnostic Trouble Code (DTC) Detecting Criteria.> <Ref. to GD(H4SO)-174, DTC P1499 EGR SOLENOID VALVE SIGNAL #4 CIRCUIT MALFUNCTION (HIGH INPUT), Diagnostic Trouble Code (DTC) Detecting Criteria.>

### **TROUBLE SYMPTOM:**

- Improper idling
- Poor driving performance
- Engine breathing

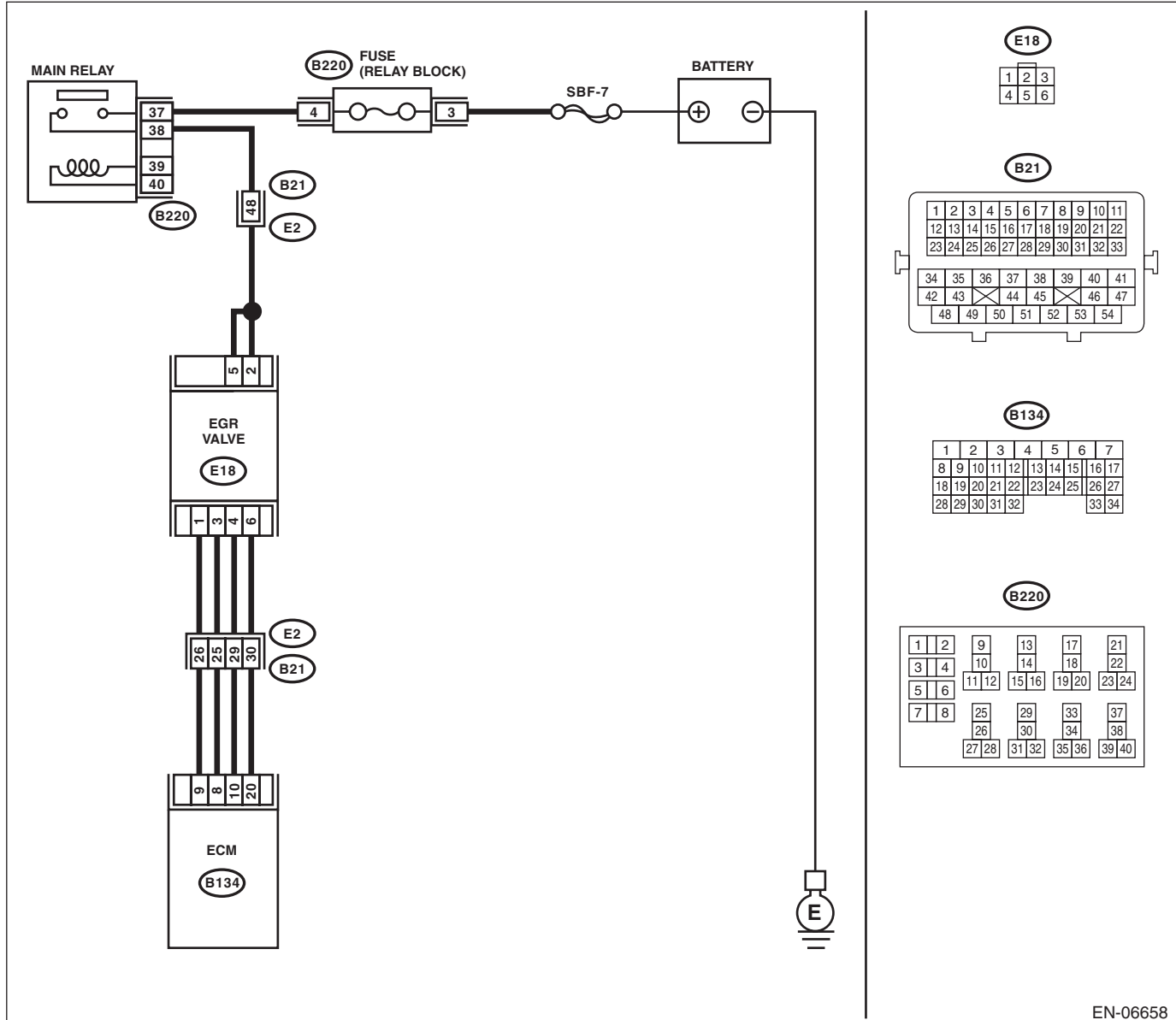
### **CAUTION:**

**After servicing or replacing faulty parts, perform Clear Memory Mode <Ref. to EN(H4SO)(diag)-55, OPERATION, Clear Memory Mode.>, and Inspection Mode <Ref. to EN(H4SO)(diag)-44, PROCEDURE, Inspection Mode.>.**

# Diagnostic Procedure with Diagnostic Trouble Code (DTC)

ENGINE (DIAGNOSTICS)

## WIRING DIAGRAM:



EN-06658

Step	Check	Yes	No
<p><b>1</b></p> <p><b>CHECK HARNESS BETWEEN ECM AND EGR VALVE CONNECTOR.</b></p> <ol style="list-style-type: none"> <li>1) Turn the ignition switch to OFF.</li> <li>2) Disconnect the connector from EGR valve.</li> <li>3) Turn the ignition switch to ON.</li> <li>4) Measure the voltage between ECM and chassis ground.</li> </ol> <p><b>Connector &amp; terminal</b>  <b>DTC P1493; (B134) No. 8 (+) — Chassis ground (-):</b>  <b>DTC P1495; (B134) No. 9 (+) — Chassis ground (-):</b>  <b>DTC P1497; (B134) No. 10 (+) — Chassis ground (-):</b>  <b>DTC P1499; (B134) No. 20 (+) — Chassis ground (-):</b></p>	<p>Is the voltage 10 V or more?</p>	<p>Repair the short circuit to power supply in harness between ECM and EGR valve connector.</p>	<p>Repair the poor contact of ECM connector.</p>

# Diagnostic Procedure with Diagnostic Trouble Code (DTC)

ENGINE (DIAGNOSTICS)

## CW:DTC P1560 BACK-UP VOLTAGE CIRCUIT MALFUNCTION

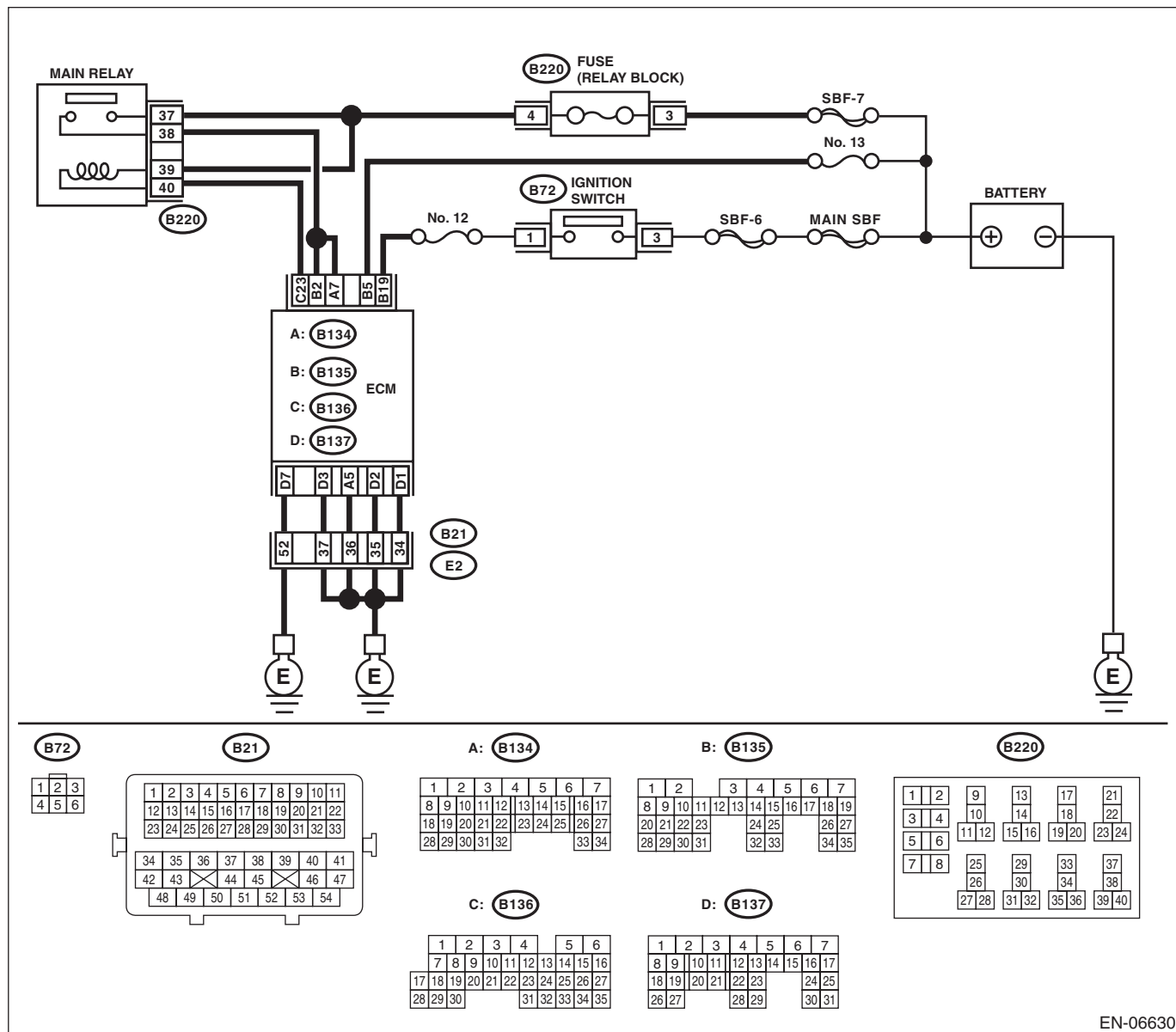
### DTC DETECTING CONDITION:

- Immediately at fault recognition
- GENERAL DESCRIPTION<Ref. to GD(H4SO)-175, DTC P1560 BACK-UP VOLTAGE CIRCUIT MALFUNCTION, Diagnostic Trouble Code (DTC) Detecting Criteria.>

### CAUTION:

After servicing or replacing faulty parts, perform Clear Memory Mode <Ref. to EN(H4SO)(diag)-55, OPERATION, Clear Memory Mode.>, and Inspection Mode <Ref. to EN(H4SO)(diag)-44, PROCEDURE, Inspection Mode.>.

### WIRING DIAGRAM:



EN-06630



# Diagnostic Procedure with Diagnostic Trouble Code (DTC)

ENGINE (DIAGNOSTICS)

Step	Check	Yes	No
<b>1</b> <b>CHECK INPUT SIGNAL OF ECM.</b> 1) Turn the ignition switch to OFF. 2) Measure the voltage between ECM and chassis ground. <i>Connector &amp; terminal</i> <i>(B135) No. 5 (+) — Chassis ground (-):</i>	Is the voltage 10 V or more?	Repair the poor contact of ECM connector.	Go to step 2.
<b>2</b> <b>CHECK HARNESS BETWEEN ECM AND MAIN FUSE BOX CONNECTOR.</b> 1) Disconnect the connectors from ECM. 2) Measure the resistance between ECM and chassis ground. <i>Connector &amp; terminal</i> <i>(B135) No. 5 — Chassis ground:</i>	Is the resistance 1 MΩ or more?	Go to step 3.	Repair the ground short circuit of harness between ECM and battery terminal.
<b>3</b> <b>CHECK FUSE NO. 13 (MAIN FUSE BOX).</b>	Is the fuse blown out?	Replace the fuse.	Repair the harness and connector. NOTE: In this case, repair the following item: <ul style="list-style-type: none"> <li>• Open circuit in harness between ECM and battery</li> <li>• Poor contact of ECM connector</li> <li>• Poor contact of battery terminal</li> </ul>

# Diagnostic Procedure with Diagnostic Trouble Code (DTC)

ENGINE (DIAGNOSTICS)

## CX:DTC P1602 CONTROL MODULE PROGRAMMING ERROR

### DTC DETECTING CONDITION:

- Detected when two consecutive driving cycles with fault occur.
- GENERAL DESCRIPTION <Ref. to GD(H4SO)-177, DTC P1602 CONTROL MODULE PROGRAMMING ERROR, Diagnostic Trouble Code (DTC) Detecting Criteria.>

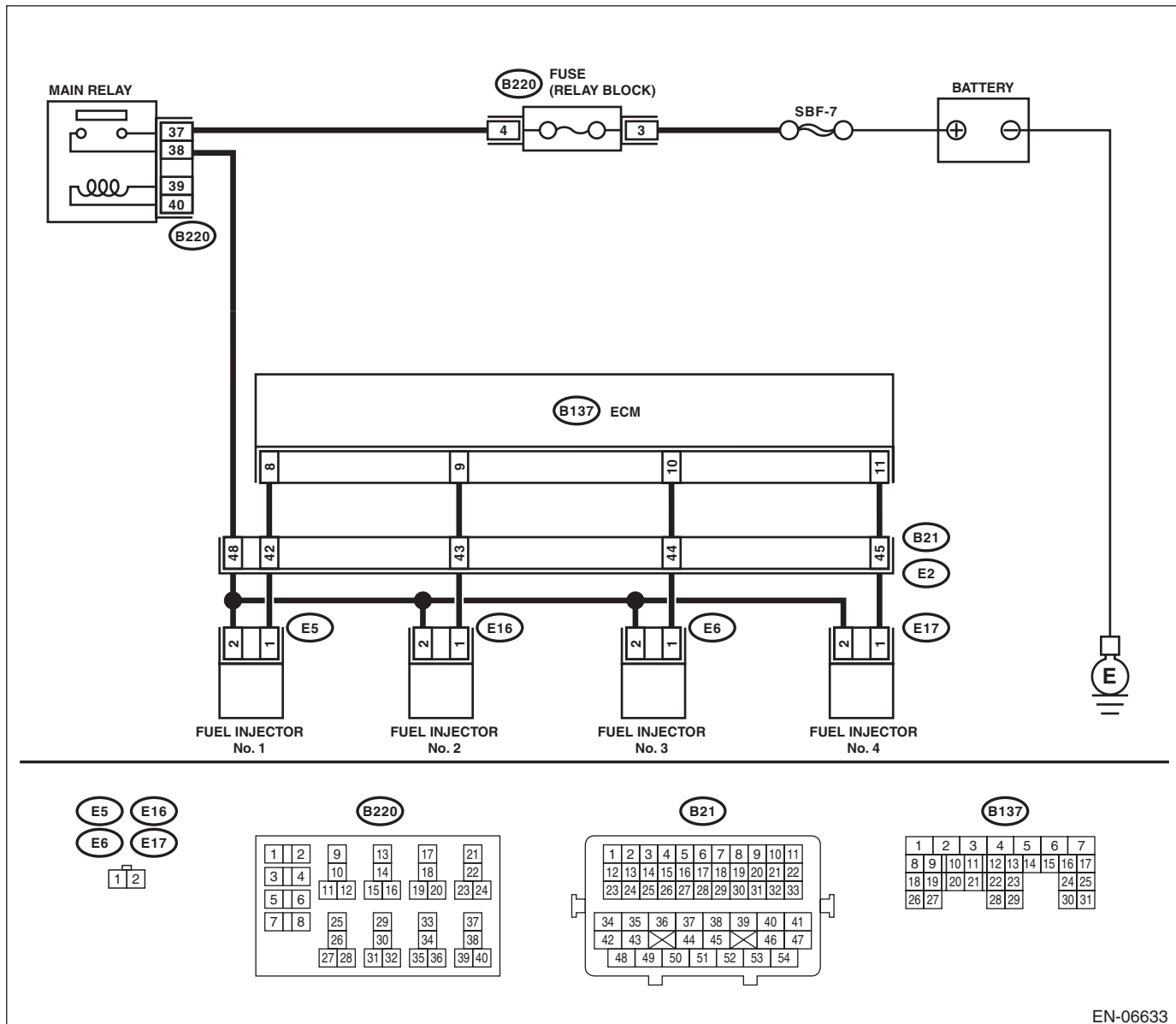
### TROUBLE SYMPTOM:

- Engine keeps running at higher speed than specified idle speed.
- Engine keeps running at a lower speed than the specified idle speed.
- Engine stalls.

### CAUTION:

After servicing or replacing faulty parts, perform Clear Memory Mode <Ref. to EN(H4SO)(diag)-55, OPERATION, Clear Memory Mode.>, and Inspection Mode <Ref. to EN(H4SO)(diag)-44, PROCEDURE, Inspection Mode.>.

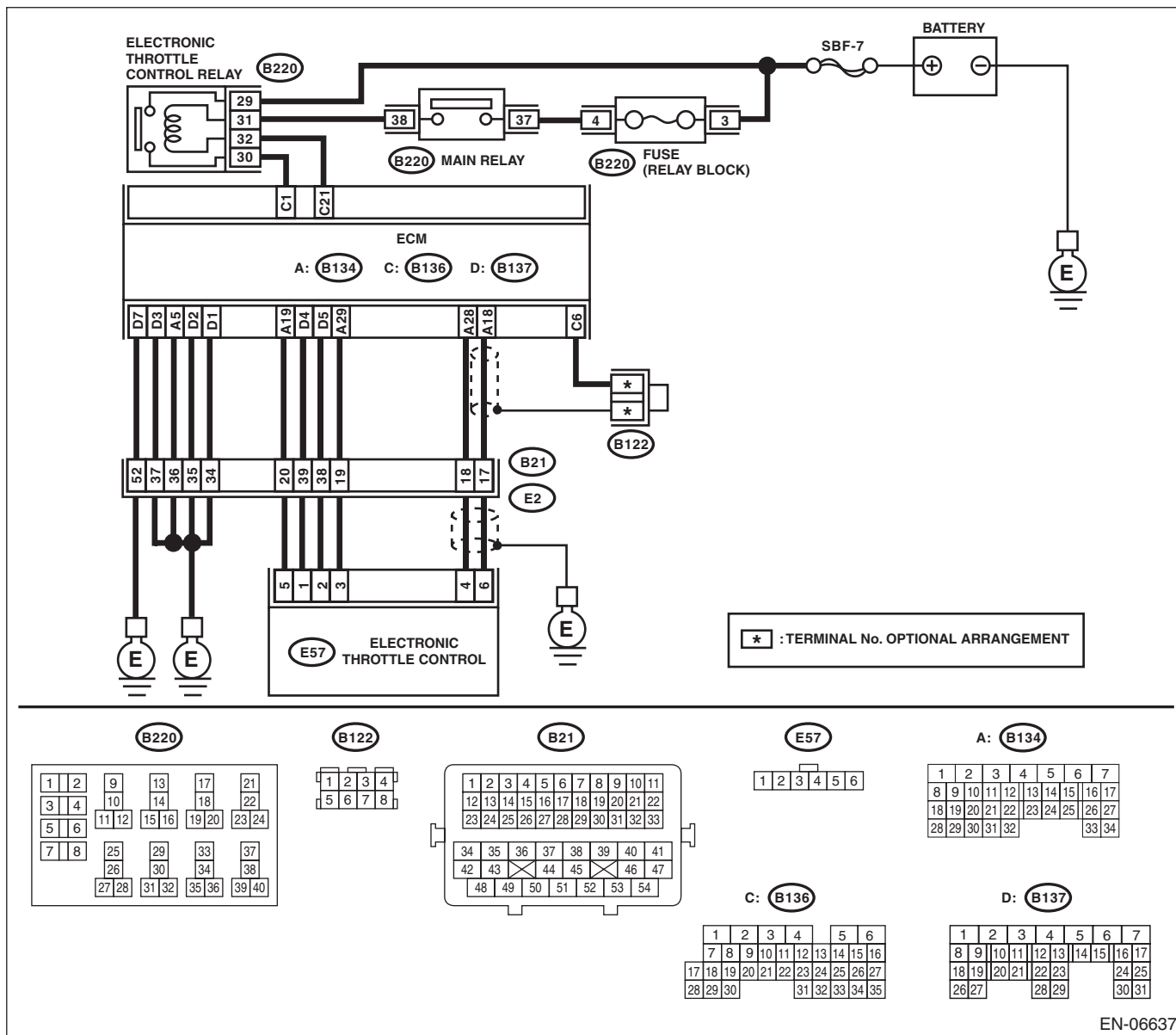
### WIRING DIAGRAM:



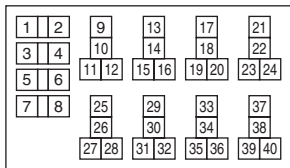
EN-06633

# Diagnostic Procedure with Diagnostic Trouble Code (DTC)

## ENGINE (DIAGNOSTICS)



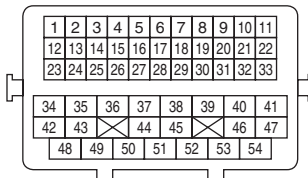
**B220**



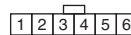
**B122**



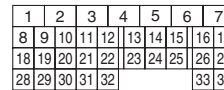
**B21**



**E57**



**A: B134**



**C: B136**



**D: B137**



EN-06637

# Diagnostic Procedure with Diagnostic Trouble Code (DTC)

ENGINE (DIAGNOSTICS)

	Step	Check	Yes	No
1	<b>CHECK FOR ANY OTHER DTC ON DISPLAY.</b>	Is any other DTC displayed?	Check the appropriate DTC using the "List of Diagnostic Trouble Code (DTC)". <Ref. to EN(H4SO)(diag)-86, List of Diagnostic Trouble Code (DTC).>	Go to step 2.
2	<b>CHECK ENGINE OIL.</b>	Is there a proper amount of engine oil?	Go to step 3.	Replace engine oil. <Ref. to LU(H4SO)-9, REPLACEMENT, Engine Oil.>
3	<b>CHECK EXHAUST SYSTEM.</b>	Are there holes or loose bolts on exhaust system?	Repair the exhaust system.	Go to step 4.
4	<b>CHECK AIR INTAKE SYSTEM.</b>	Are there holes, loose bolts or disconnection of hose on air intake system?	Repair the air intake system.	Go to step 5.
5	<b>CHECK FUEL PRESSURE.</b> <b>WARNING:</b> Place "NO OPEN FLAMES" signs near the working area. <b>CAUTION:</b> Be careful not to spill fuel. Measure the fuel pressure. <Ref. to ME(H4SO)-27, INSPECTION, Fuel Pressure.> <b>CAUTION:</b> Release fuel pressure before removing the fuel pressure gauge.	Is the measured value 339.5 — 360.5 kPa (3.5 — 3.7 kg/cm <sup>2</sup> , 49 — 52 psi)?	Go to step 6.	Repair the following item. Fuel pressure is too high: • Clogged fuel line or bent hose Fuel pressure is too low: • Improper fuel pump discharge • Clogged fuel line
6	<b>CHECK ENGINE COOLANT TEMPERATURE SENSOR.</b> 1) Start the engine and warm up completely. 2) Read the data of engine coolant temperature sensor signal using Subaru Select Monitor or general scan tool. <b>NOTE:</b> • Subaru Select Monitor For detailed operation procedures, refer to "READ CURRENT DATA FOR ENGINE". <Ref. to EN(H4SO)(diag)-34, Subaru Select Monitor.> • General scan tool For detailed operation procedures, refer to the general scan tool operation manual.	Is the engine coolant temperature 75°C (167°F) or higher?	Go to step 7.	Replace the engine coolant temperature sensor. <Ref. to FU(H4SO)-25, Engine Coolant Temperature Sensor.>

# Diagnostic Procedure with Diagnostic Trouble Code (DTC)

## ENGINE (DIAGNOSTICS)

Step	Check	Yes	No
<p><b>7</b></p> <p><b>CHECK MASS AIR FLOW AND INTAKE AIR TEMPERATURE SENSOR.</b></p> <p>1) Start the engine and warm up engine until coolant temperature is higher than 75°C (167°F).</p> <p>2) For AT models, set the select lever to “P” range or “N” range, and for MT models, place the shift lever in the neutral position.</p> <p>3) Turn the A/C switch to OFF.</p> <p>4) Turn all the accessory switches to OFF.</p> <p>5) Read the data of the mass air flow and intake air temperature sensor signal using Subaru Select Monitor or general scan tool.</p> <p>NOTE:</p> <ul style="list-style-type: none"> <li>• Subaru Select Monitor</li> </ul> <p>For detailed operation procedures, refer to “READ CURRENT DATA FOR ENGINE”. &lt;Ref. to EN(H4SO)(diag)-34, Subaru Select Monitor.&gt;</p> <ul style="list-style-type: none"> <li>• General scan tool</li> </ul> <p>For detailed operation procedures, refer to the general scan tool operation manual.</p>	<p>Is the measured value 2.0 — 5.0 g/s (0.26 — 0.66 lb/m)?</p>	<p>Go to step 8.</p>	<p>Replace the mass air flow and intake air temperature sensor. &lt;Ref. to FU(H4SO)-34, Mass Air Flow and Intake Air Temperature Sensor.&gt;</p>
<p><b>8</b></p> <p><b>CHECK MASS AIR FLOW AND INTAKE AIR TEMPERATURE SENSOR.</b></p> <p>1) Start the engine and warm up engine until coolant temperature is higher than 75°C (167°F).</p> <p>2) For AT models, set the select lever to “P” range or “N” range, and for MT models, place the shift lever in the neutral position.</p> <p>3) Turn the A/C switch to OFF.</p> <p>4) Turn all the accessory switches to OFF.</p> <p>5) Open the front hood.</p> <p>6) Measure the ambient temperature.</p> <p>7) Read the data of the mass air flow and intake air temperature sensor signal using Subaru Select Monitor or general scan tool.</p> <p>NOTE:</p> <ul style="list-style-type: none"> <li>• Subaru Select Monitor</li> </ul> <p>For detailed operation procedures, refer to “READ CURRENT DATA FOR ENGINE”. &lt;Ref. to EN(H4SO)(diag)-34, Subaru Select Monitor.&gt;</p> <ul style="list-style-type: none"> <li>• General scan tool</li> </ul> <p>For detailed operation procedures, refer to the general scan tool operation manual.</p>	<p>Subtract ambient temperature from intake air temperature. Is the obtained value -10 — 50°C (-18 — 90°F)?</p>	<p>Go to step 9.</p>	<p>Check the mass air flow and intake air temperature sensor. &lt;Ref. to FU(H4SO)-34, Mass Air Flow and Intake Air Temperature Sensor.&gt;</p>
<p><b>9</b></p> <p><b>CHECK OUTPUT SIGNAL OF ECM.</b></p> <p>1) Turn the ignition switch to ON.</p> <p>2) Measure the voltage between ECM and chassis ground on faulty cylinders.</p> <p><b>Connector &amp; terminal</b></p> <p><b>#1 (B137) No. 8 (+) — Chassis ground (-):</b></p> <p><b>#2 (B137) No. 9 (+) — Chassis ground (-):</b></p> <p><b>#3 (B137) No. 10 (+) — Chassis ground (-):</b></p> <p><b>#4 (B137) No. 11 (+) — Chassis ground (-):</b></p>	<p>Is the voltage 10 V or more?</p>	<p>Go to step 14.</p>	<p>Go to step 10.</p>

# Diagnostic Procedure with Diagnostic Trouble Code (DTC)

ENGINE (DIAGNOSTICS)

Step	Check	Yes	No
<p><b>10 CHECK HARNESS BETWEEN ECM AND FUEL INJECTOR.</b></p> <p>1) Turn the ignition switch to OFF. 2) Disconnect the connector from fuel injector on faulty cylinders. 3) Measure the resistance between fuel injector connector and engine ground on faulty cylinders.</p> <p><b>Connector &amp; terminal</b>  <b>#1 (E5) No. 1 — Engine ground:</b>  <b>#2 (E16) No. 1 — Engine ground:</b>  <b>#3 (E6) No. 1 — Engine ground:</b>  <b>#4 (E17) No. 1 — Engine ground:</b></p>	Is the resistance 1 M $\Omega$ or more?	Go to step 11.	Repair the short circuit to ground in harness between ECM and fuel injector connector.
<p><b>11 CHECK HARNESS BETWEEN ECM AND FUEL INJECTOR.</b></p> <p>Measure the resistance of harness between ECM and fuel injector on faulty cylinders.</p> <p><b>Connector &amp; terminal</b>  <b>#1 (B137) No. 8 — (E5) No. 1:</b>  <b>#2 (B137) No. 9 — (E16) No. 1:</b>  <b>#3 (B137) No. 10 — (E6) No. 1:</b>  <b>#4 (B137) No. 11 — (E17) No. 1:</b></p>	Is the resistance less than 1 $\Omega$ ?	Go to step 12.	Repair the harness and connector.  NOTE: In this case, repair the following item: <ul style="list-style-type: none"> <li>• Open circuit in harness between ECM and fuel injector connector</li> <li>• Poor contact of coupling connector</li> </ul>
<p><b>12 CHECK FUEL INJECTOR.</b></p> <p>Measure the resistance between fuel injector terminals on faulty cylinder.</p> <p><b>Terminals</b>  <b>No. 1 — No. 2:</b></p>	Is the resistance 5 — 20 $\Omega$ ?	Go to step 13.	Replace the faulty fuel injector. <Ref. to FU(H4SO)-36, Fuel Injector.>
<p><b>13 CHECK POWER SUPPLY LINE.</b></p> <p>1) Turn the ignition switch to ON. 2) Measure the voltage between fuel injector and engine ground on faulty cylinders.</p> <p><b>Connector &amp; terminal</b>  <b>#1 (E5) No. 2 (+) — Engine ground (-):</b>  <b>#2 (E16) No. 2 (+) — Engine ground (-):</b>  <b>#3 (E6) No. 2 (+) — Engine ground (-):</b>  <b>#4 (E17) No. 2 (+) — Engine ground (-):</b></p>	Is the voltage 10 V or more?	Repair the poor contact of all connectors in fuel injector circuit.	Repair the harness and connector.  NOTE: In this case, repair the following item: <ul style="list-style-type: none"> <li>• Open circuit in harness between the main relay connector and fuel injector connector on faulty cylinders</li> <li>• Poor contact of coupling connector</li> <li>• Poor contact of main relay connector</li> </ul>
<p><b>14 CHECK HARNESS BETWEEN ECM AND FUEL INJECTOR.</b></p> <p>1) Turn the ignition switch to OFF. 2) Disconnect the connector from fuel injector on faulty cylinders. 3) Turn the ignition switch to ON. 4) Measure the voltage between ECM and chassis ground on faulty cylinders.</p> <p><b>Connector &amp; terminal</b>  <b>#1 (B137) No. 8 (+) — Chassis ground (-):</b>  <b>#2 (B137) No. 9 (+) — Chassis ground (-):</b>  <b>#3 (B137) No. 10 (+) — Chassis ground (-):</b>  <b>#4 (B137) No. 11 (+) — Chassis ground (-):</b></p>	Is the voltage 10 V or more?	Repair the short circuit to power in the harness between the ECM and fuel injector.	Go to step 15.

# Diagnostic Procedure with Diagnostic Trouble Code (DTC)

## ENGINE (DIAGNOSTICS)

Step	Check	Yes	No
<b>15 CHECK FUEL INJECTOR.</b> 1) Turn the ignition switch to OFF. 2) Measure the resistance between fuel injector terminals on faulty cylinder. <i>Terminals</i> <i>No. 1 — No. 2:</i>	Is the resistance less than 1 $\Omega$ ?	Replace the faulty fuel injector. <Ref. to FU(H4SO)-36, Fuel Injector.>	Go to step 16.
<b>16 CHECK INSTALLATION CONDITION OF CAMSHAFT POSITION SENSOR/CRANKSHAFT POSITION SENSOR.</b>	Is the camshaft position sensor or crankshaft position sensor loosely installed?	Tighten the camshaft position sensor or crankshaft position sensor. <Ref. to FU(H4SO)-28, INSTALLATION, Camshaft Position Sensor.> <Ref. to FU(H4SO)-26, INSTALLATION, Crankshaft Position Sensor.>	Go to step 17.
<b>17 CHECK CRANK SPROCKET.</b> Remove the timing belt cover. <Ref. to ME(H4SO)-48, REMOVAL, Timing Belt Cover.>	Is the crank sprocket rusted or does it have broken teeth?	Replace the crank sprocket. <Ref. to ME(H4SO)-56, Crank Sprocket.>	Go to step 18.
<b>18 CHECK INSTALLATION CONDITION OF TIMING BELT.</b> Turn the crankshaft using ST, and align the alignment mark on crank sprocket with alignment mark on cylinder block. ST 499987500 CRANKSHAFT SOCKET	Is the timing belt dislocated from its proper position?	Repair the installation condition of timing belt. <Ref. to ME(H4SO)-49, Timing Belt.>	Go to step 19.
<b>19 CHECK ELECTRONIC THROTTLE CONTROL RELAY.</b> 1) Turn the ignition switch to OFF. 2) Remove the electronic throttle control relay. 3) Connect the battery to terminals No. 31 and No. 32 of electronic throttle control relay. 4) Measure the resistance between electronic throttle control relay terminals. <i>Terminals</i> <i>No. 29 — No. 30:</i>	Is the resistance less than 1 $\Omega$ ?	Go to step 20.	Replace the electronic throttle control relay. <Ref. to FU(H4SO)-50, Electronic Throttle Control Relay.>
<b>20 CHECK POWER SUPPLY OF ELECTRONIC THROTTLE CONTROL RELAY.</b> Measure the voltage between electronic throttle control relay connector and chassis ground. <i>Connector &amp; terminal</i> <i>(B220) No. 29 (+) — Chassis ground (-):</i>	Is the voltage 10 V or more?	Go to step 21.	Repair the open or ground short circuit of power supply circuit.
<b>21 CHECK HARNESS BETWEEN ECM AND ELECTRONIC THROTTLE CONTROL RELAY.</b> 1) Disconnect the connectors from ECM. 2) Turn the ignition switch to ON. 3) Measure the voltage between electronic throttle control relay connector and chassis ground. <i>Connector &amp; terminal</i> <i>(B220) No. 32 (+) — Chassis ground (-):</i>	Is the voltage 10 V or more?	Repair the short circuit to power in the harness between ECM and electronic throttle control relay connector.	Go to step 22.

# Diagnostic Procedure with Diagnostic Trouble Code (DTC)

ENGINE (DIAGNOSTICS)

Step	Check	Yes	No
<p><b>22 CHECK HARNESS BETWEEN ECM AND ELECTRONIC THROTTLE CONTROL RELAY.</b></p> <p>1) Turn the ignition switch to OFF. 2) Measure the resistance between electronic throttle control relay connector and chassis ground.</p> <p><b>Connector &amp; terminal</b> <b>(B220) No. 32 — Chassis ground:</b> <b>(B220) No. 30 — Chassis ground:</b></p>	Is the resistance 1 M $\Omega$ or more?	Go to step 23.	Repair the short circuit in harness to ground between ECM and electronic throttle control relay connector.
<p><b>23 CHECK HARNESS BETWEEN ECM AND ELECTRONIC THROTTLE CONTROL RELAY.</b></p> <p>Measure the resistance between ECM and electronic throttle control relay connector.</p> <p><b>Connector &amp; terminal</b> <b>(B136) No. 21 — (B220) No. 32:</b> <b>(B136) No. 1 — (B220) No. 30:</b></p>	Is the resistance less than 1 $\Omega$ ?	Go to step 24.	Repair the open circuit in harness between ECM and electronic throttle control relay connector.
<p><b>24 CHECK HARNESS BETWEEN ECM AND ELECTRONIC THROTTLE CONTROL.</b></p> <p>1) Turn the ignition switch to OFF. 2) Disconnect the connectors from ECM and electronic throttle control. 3) Measure the resistance between ECM and chassis ground.</p> <p><b>Connector &amp; terminal</b> <b>(B134) No. 19 — Chassis ground:</b> <b>(B134) No. 18 — Chassis ground:</b> <b>(B134) No. 18 — (B136) No. 6:</b> <b>(B134) No. 28 — Chassis ground:</b></p>	Is the resistance 1 M $\Omega$ or more?	Go to step 25.	Repair the short circuit to ground in harness between ECM and electronic throttle control connector.
<p><b>25 CHECK SHORT CIRCUIT INSIDE THE ECM.</b></p> <p>1) Connect the connector to ECM. 2) Measure the resistance between electronic throttle control connector and engine ground.</p> <p><b>Connector &amp; terminal</b> <b>(E57) No. 6 — Engine ground:</b> <b>(E57) No. 4 — Engine ground:</b></p>	Is the resistance 1 M $\Omega$ or more?	Go to step 26.	Repair the short circuit to ground in harness between ECM and electronic throttle control connector. Replace the ECM if defective. <Ref. to FU(H4SO)-45, Engine Control Module (ECM).>
<p><b>26 CHECK HARNESS BETWEEN ECM AND ELECTRONIC THROTTLE CONTROL.</b></p> <p>1) Disconnect the connectors from ECM. 2) Measure the resistance of harness between ECM and electronic throttle control connector.</p> <p><b>Connector &amp; terminal</b> <b>(B134) No. 18 — (E57) No. 6:</b> <b>(B134) No. 28 — (E57) No. 4:</b> <b>(B134) No. 29 — (E57) No. 3:</b></p>	Is the resistance less than 1 $\Omega$ ?	Go to step 27.	Repair the harness and connector. <b>NOTE:</b> In this case, repair the following item: • Open circuit in harness between ECM and electronic throttle control connector • Poor contact of coupling connector



# Diagnostic Procedure with Diagnostic Trouble Code (DTC)

## ENGINE (DIAGNOSTICS)

Step	Check	Yes	No
<b>27 CHECK HARNESS BETWEEN ECM AND ELECTRONIC THROTTLE CONTROL.</b> 1) Connect the connector to ECM. 2) Measure the resistance between electronic throttle control connector and engine ground. <b>Connector &amp; terminal</b> <b>(E57) No. 3 — Engine ground:</b>	Is the resistance less than 5 $\Omega$ ?	Go to step 28.	Repair the harness and connector. <b>NOTE:</b> In this case, repair the following item: <ul style="list-style-type: none"> <li>• Open circuit of harness between ECM and engine ground</li> <li>• Poor contact of ECM connector</li> <li>• Poor contact of coupling connector</li> </ul>
<b>28 CHECK HARNESS BETWEEN ECM AND ELECTRONIC THROTTLE CONTROL.</b> 1) Turn the ignition switch to ON. 2) Measure the voltage between electronic throttle control connector and engine ground. <b>Connector &amp; terminal</b> <b>(E57) No. 6 (+) — Engine ground (-):</b> <b>(E57) No. 4 (+) — Engine ground (-):</b>	Is the voltage 4.85 V or more?	Repair the short circuit to power in harness between ECM and electronic throttle control connector.	Go to step 29.
<b>29 CHECK HARNESS BETWEEN ECM AND ELECTRONIC THROTTLE CONTROL.</b> 1) Turn the ignition switch to OFF. 2) Disconnect the connectors from ECM. 3) Measure the resistance between ECM connectors. <b>Connector &amp; terminal</b> <b>(B134) No. 19 — (B134) No. 18:</b> <b>(B134) No. 19 — (B134) No. 28:</b>	Is the resistance 1 M $\Omega$ or more?	Go to step 30.	Repair the short circuit to power in harness between ECM and electronic throttle control connector.
<b>30 CHECK SENSOR OUTPUT.</b> 1) Connect all connectors. 2) Turn the ignition switch to ON. 3) Read the data of main throttle sensor signal using Subaru Select Monitor. <b>NOTE:</b> For detailed operation procedures, refer to "READ CURRENT DATA FOR ENGINE". <Ref. to EN(H4SO)(diag)-34, Subaru Select Monitor.>	Is the voltage 0.81 — 0.87 V?	Go to step 31.	Repair the poor contact of electronic throttle control connector. Replace the electronic throttle control if defective. <Ref. to FU(H4SO)-14, Throttle Body.>
<b>31 CHECK SENSOR OUTPUT.</b> Read the data of sub throttle sensor signal using Subaru Select Monitor. <b>NOTE:</b> Subaru Select Monitor For detailed operation procedures, refer to "READ CURRENT DATA FOR ENGINE". <Ref. to EN(H4SO)(diag)-34, Subaru Select Monitor.>	Is the voltage 1.64 — 1.70 V?	Go to step 32.	Repair the poor contact of electronic throttle control connector. Replace the electronic throttle control if defective. <Ref. to FU(H4SO)-14, Throttle Body.>
<b>32 CHECK HARNESS BETWEEN ECM AND ELECTRONIC THROTTLE CONTROL MOTOR.</b> 1) Turn the ignition switch to OFF. 2) Disconnect the connectors from ECM and electronic throttle control. 3) Measure the resistance between ECM and electronic throttle control connector. <b>Connector &amp; terminal</b> <b>(B137) No. 5 — (E57) No. 2:</b> <b>(B137) No. 4 — (E57) No. 1:</b>	Is the resistance less than 1 $\Omega$ ?	Go to step 33.	Repair the harness and connector. <b>NOTE:</b> In this case, repair the following item: <ul style="list-style-type: none"> <li>• Open circuit in harness between ECM and electronic throttle control connector</li> <li>• Poor contact of coupling connector</li> </ul>

# Diagnostic Procedure with Diagnostic Trouble Code (DTC)

ENGINE (DIAGNOSTICS)

Step	Check	Yes	No
<b>33 CHECK HARNESS BETWEEN ECM AND ELECTRONIC THROTTLE CONTROL MOTOR.</b> 1) Connect the connector to ECM. 2) Turn the ignition switch to ON. 3) Measure the voltage between electronic throttle control connector and engine ground. <b>Connector &amp; terminal</b> <b>(E57) No. 2 (+) — Engine ground (-):</b> <b>(E57) No. 1 (+) — Engine ground (-):</b>	Is the voltage 5 V or more?	Repair the short circuit to power in harness between ECM and electronic throttle control connector.	Go to step 34.
<b>34 CHECK HARNESS BETWEEN ECM AND ELECTRONIC THROTTLE CONTROL MOTOR.</b> 1) Turn the ignition switch to OFF. 2) Disconnect the connectors from ECM. 3) Measure the resistance between electronic throttle control connector and engine ground. <b>Connector &amp; terminal</b> <b>(E57) No. 2 — Engine ground:</b> <b>(E57) No. 1 — Engine ground:</b>	Is the resistance 1 M $\Omega$ or more?	Go to step 35.	Repair the short circuit to ground in harness between ECM and electronic throttle control connector.
<b>35 CHECK ELECTRONIC THROTTLE CONTROL MOTOR HARNESS.</b> Measure the resistance between electronic throttle control connectors. <b>Connector &amp; terminal</b> <b>(E57) No. 2 — (E57) No. 1:</b>	Is the resistance 1 M $\Omega$ or more?	Go to step 36.	Repair the short circuit of harness between ECM and electronic throttle control connector.
<b>36 CHECK ELECTRONIC THROTTLE CONTROL GROUND CIRCUIT.</b> Measure the resistance between ECM and chassis ground. <b>Connector &amp; terminal</b> <b>(B134) No. 5 — Chassis ground:</b> <b>(B137) No. 1 — Chassis ground:</b> <b>(B137) No. 2 — Chassis ground:</b> <b>(B137) No. 3 — Chassis ground:</b> <b>(B137) No. 7 — Chassis ground:</b>	Is the resistance less than 5 $\Omega$ ?	Go to step 37.	Repair the harness and connector. NOTE: In this case, repair the following item: • Open circuit of harness between ECM and engine ground • Poor contact of coupling connector
<b>37 CHECK ELECTRONIC THROTTLE CONTROL.</b> Measure the resistance between electronic throttle control terminals. <b>Terminals</b> <b>No. 2 — No. 1:</b>	Is the resistance 50 $\Omega$ or less?	Go to step 38.	Replace the electronic throttle control. <Ref. to FU(H4SO)-14, Throttle Body.>
<b>38 CHECK ELECTRONIC THROTTLE CONTROL.</b> Move the throttle valve to the fully open and fully closed positions with fingers. Check that the valve returns to the specified position when releasing fingers.	Does the valve return to the specified position? Standard value: 3 mm (0.12 in) from fully closed position	Repair the poor contact of ECM connector.	Replace the electronic throttle control. <Ref. to FU(H4SO)-14, Throttle Body.>

## CY:DTC P2096 POST CATALYST FUEL TRIM SYSTEM TOO LEAN (BANK 1)

Refer to DTC P2097 for diagnostic procedure. <Ref. to EN(H4SO)(diag)-276, DTC P2097 POST CATALYST FUEL TRIM SYSTEM TOO RICH (BANK 1), Diagnostic Procedure with Diagnostic Trouble Code (DTC).>

# Diagnostic Procedure with Diagnostic Trouble Code (DTC)

ENGINE (DIAGNOSTICS)

## CZ:DTC P2097 POST CATALYST FUEL TRIM SYSTEM TOO RICH (BANK 1)

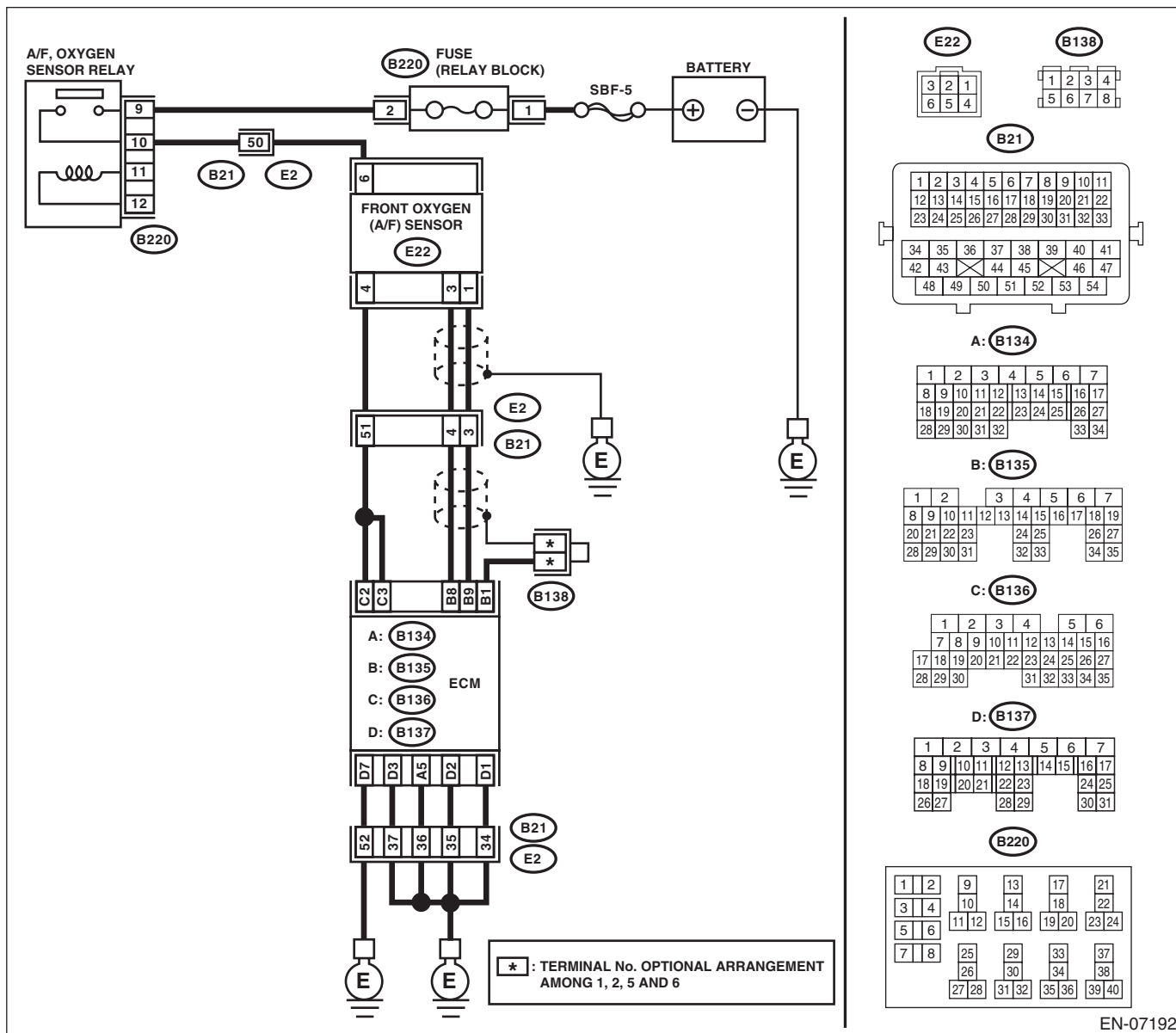
### DTC DETECTING CONDITION:

- Detected when two consecutive driving cycles with fault occur.
- GENERAL DESCRIPTION<Ref. to GD(H4SO)-181, DTC P2097 POST CATALYST FUEL TRIM SYSTEM TOO RICH (BANK 1), Diagnostic Trouble Code (DTC) Detecting Criteria.>

### CAUTION:

After servicing or replacing faulty parts, perform Clear Memory Mode <Ref. to EN(H4SO)(diag)-55, OPERATION, Clear Memory Mode.>, and Inspection Mode <Ref. to EN(H4SO)(diag)-44, PROCEDURE, Inspection Mode.>.

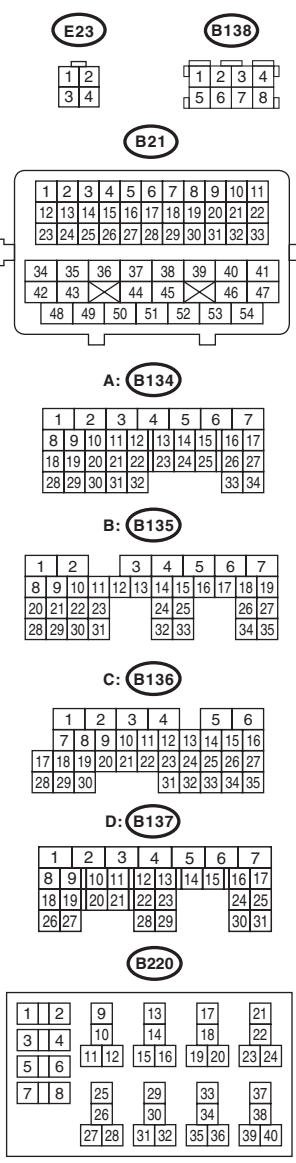
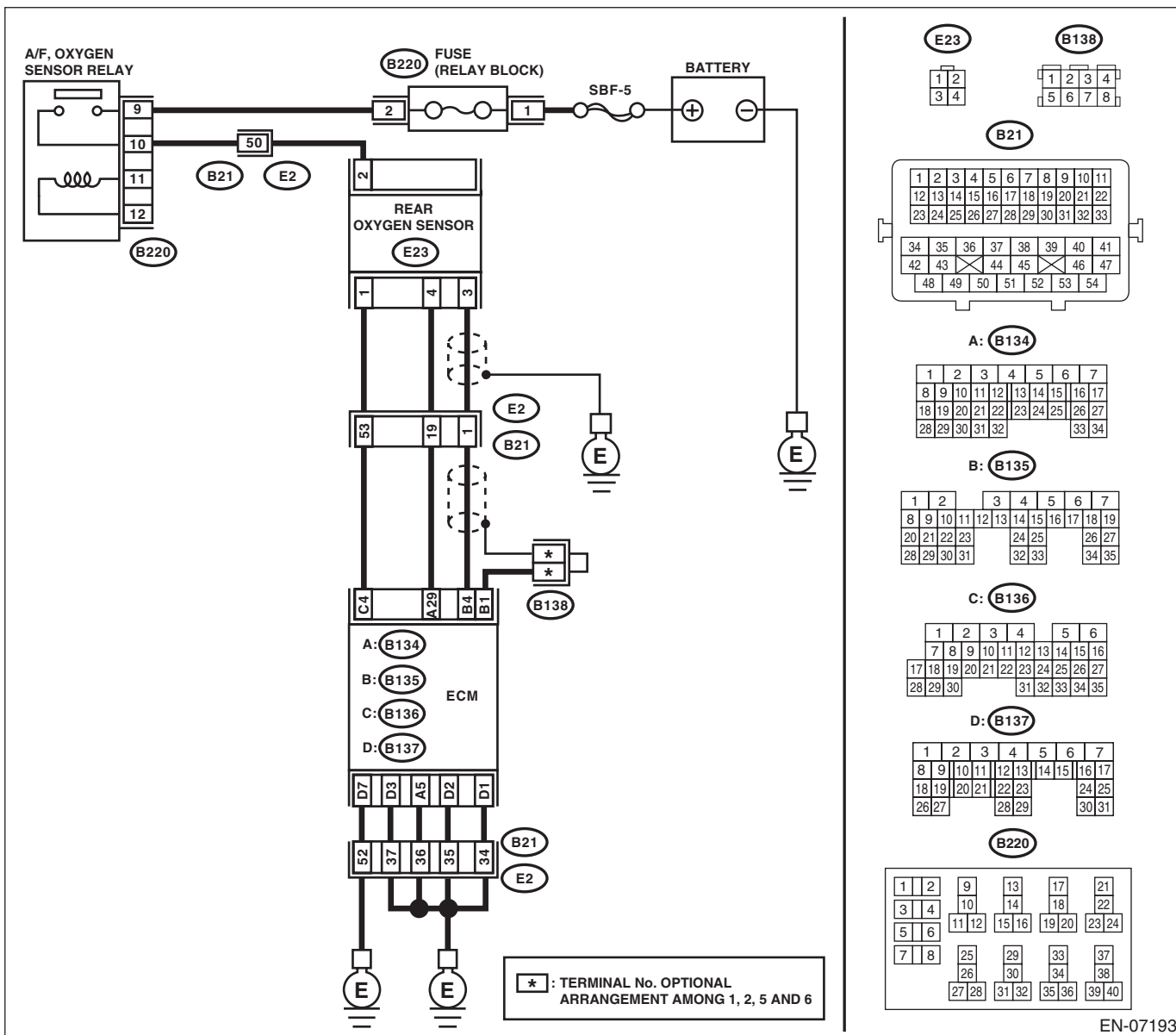
### WIRING DIAGRAM:



EN-07192

# Diagnostic Procedure with Diagnostic Trouble Code (DTC)

ENGINE (DIAGNOSTICS)



EN-07193

# Diagnostic Procedure with Diagnostic Trouble Code (DTC)

ENGINE (DIAGNOSTICS)

Step	Check	Yes	No	
1	<b>CHECK FOR ANY OTHER DTC ON DISPLAY.</b>	Is any other DTC displayed?	Check DTC using "List of Diagnostic Trouble Code (DTC)". <Ref. to EN(H4SO)(diag)-86, List of Diagnostic Trouble Code (DTC).>	Go to step 2.
2	<b>CHECK FRONT OXYGEN (A/F) SENSOR CONNECTOR AND COUPLING CONNECTOR.</b>	Has water entered the connector?	Completely remove any water inside.	Go to step 3.
3	<b>CHECK HARNESS BETWEEN ECM AND FRONT OXYGEN (A/F) SENSOR CONNECTOR.</b> 1) Turn the ignition switch to OFF. 2) Disconnect the connectors from ECM and front oxygen (A/F) sensor. 3) Measure the resistance of harness between ECM and front oxygen (A/F) sensor connector. <b>Connector &amp; terminal</b> <b>(B135) No. 9 — (E22) No. 1:</b> <b>(B135) No. 8 — (E22) No. 3:</b>	Is the resistance less than 1 Ω?	Go to step 4.	Repair the harness and connector. <b>NOTE:</b> In this case, repair the following item: • Open circuit in harness between ECM and front oxygen (A/F) sensor connector • Poor contact of coupling connector
4	<b>CHECK HARNESS BETWEEN ECM AND FRONT OXYGEN (A/F) SENSOR CONNECTOR.</b> Measure the resistance between ECM and chassis ground. <b>Connector &amp; terminal</b> <b>(B135) No. 9 — Chassis ground:</b> <b>(B135) No. 8 — Chassis ground:</b>	Is the resistance 1 MΩ or more?	Go to step 5.	Repair the ground short circuit of harness between ECM and front oxygen (A/F) sensor connector.
5	<b>CHECK OUTPUT SIGNAL FOR ECM.</b> 1) Connect the connector to ECM. 2) Turn the ignition switch to ON. 3) Measure the voltage between front oxygen (A/F) sensor connector and chassis ground. <b>Connector &amp; terminal</b> <b>(E22) No. 1 (+) — Chassis ground (-):</b>	Is the voltage 4.5 V or more?	Go to step 7.	Go to step 6.
6	<b>CHECK OUTPUT SIGNAL FOR ECM.</b> Measure the voltage between front oxygen (A/F) sensor connector and chassis ground. <b>Connector &amp; terminal</b> <b>(E22) No. 3 (+) — Chassis ground (-):</b>	Is the voltage 4.95 V or more?	Go to step 7.	Go to step 8.
7	<b>CHECK OUTPUT SIGNAL FOR ECM.</b> Measure the voltage between front oxygen (A/F) sensor connector and chassis ground. <b>Connector &amp; terminal</b> <b>(E22) No. 1 (+) — Chassis ground (-):</b> <b>(E22) No. 3 (+) — Chassis ground (-):</b>	Is the voltage 8 V or more?	Repair the short circuit to power in the harness between ECM and front oxygen (A/F) sensor connector. After repair, replace the ECM. <Ref. to FU(H4SO)-45, Engine Control Module (ECM).>	Repair the poor contact of ECM connector.
8	<b>CHECK EXHAUST SYSTEM.</b>	Are there holes or loose bolts on exhaust system?	Repair the exhaust system.	Go to step 9.

# Diagnostic Procedure with Diagnostic Trouble Code (DTC)

ENGINE (DIAGNOSTICS)

Step	Check	Yes	No
<b>9</b> <b>CHECK AIR INTAKE SYSTEM.</b>	Are there holes, loose bolts or disconnection of hose on air intake system?	Repair the air intake system.	Go to step 10.
<b>10</b> <b>CHECK FUEL PRESSURE.</b> <b>WARNING:</b> Place “NO OPEN FLAMES” signs near the working area. <b>CAUTION:</b> Be careful not to spill fuel. 1) Connect the front oxygen (A/F) sensor connector. 2) Measure the fuel pressure. <Ref. to ME(H4SO)-27, INSPECTION, Fuel Pressure.> <b>CAUTION:</b> Release fuel pressure before removing the fuel pressure gauge.	Is the measured value 333.4 — 360.5 kPa (3.4 — 3.7 kg/cm <sup>2</sup> , 48.4 — 52 psi)?	Go to step 11.	Repair the following item. Fuel pressure is too high: • Clogged fuel line or bent hose Fuel pressure is too low: • Improper fuel pump discharge • Clogged fuel line
<b>11</b> <b>CHECK ENGINE COOLANT TEMPERATURE SENSOR.</b> 1) Start the engine and warm up completely. 2) Read the data of engine coolant temperature sensor signal using Subaru Select Monitor or general scan tool. <b>NOTE:</b> • Subaru Select Monitor For detailed operation procedures, refer to “READ CURRENT DATA FOR ENGINE”. <Ref. to EN(H4SO)(diag)-34, Subaru Select Monitor.> • General scan tool For detailed operation procedures, refer to the general scan tool operation manual.	Is the engine coolant temperature 75°C (167°F) or higher?	Go to step 12.	Replace the engine coolant temperature sensor. <Ref. to FU(H4SO)-25, Engine Coolant Temperature Sensor.>
<b>12</b> <b>CHECK MASS AIR FLOW AND INTAKE AIR TEMPERATURE SENSOR.</b> 1) Start the engine and warm up engine until coolant temperature is higher than 75°C (167°F). 2) For AT models, set the select lever to “P” range or “N” range, and for MT models, place the shift lever in the neutral position. 3) Turn the A/C switch to OFF. 4) Turn all the accessory switches to OFF. 5) Read the data of the mass air flow and intake air temperature sensor signal using Subaru Select Monitor or general scan tool. <b>NOTE:</b> • Subaru Select Monitor For detailed operation procedures, refer to “READ CURRENT DATA FOR ENGINE”. <Ref. to EN(H4SO)(diag)-34, Subaru Select Monitor.> • General scan tool For detailed operation procedures, refer to the general scan tool operation manual.	Is the measured value 2.0 — 5.0 g/s (0.26 — 0.66 lb/m)?	Go to step 13.	Replace the mass air flow and intake air temperature sensor. <Ref. to FU(H4SO)-34, Mass Air Flow and Intake Air Temperature Sensor.>

# Diagnostic Procedure with Diagnostic Trouble Code (DTC)

## ENGINE (DIAGNOSTICS)

Step	Check	Yes	No
<p><b>13 CHECK MASS AIR FLOW AND INTAKE AIR TEMPERATURE SENSOR.</b></p> <p>1) Start the engine and warm up engine until coolant temperature is higher than 75°C (167°F).</p> <p>2) For AT models, set the select lever to “P” range or “N” range, and for MT models, place the shift lever in the neutral position.</p> <p>3) Turn the A/C switch to OFF.</p> <p>4) Turn all the accessory switches to OFF.</p> <p>5) Open the front hood.</p> <p>6) Measure the ambient temperature.</p> <p>7) Read the data of the mass air flow and intake air temperature sensor signal using Subaru Select Monitor or general scan tool.</p> <p>NOTE:</p> <ul style="list-style-type: none"> <li>• Subaru Select Monitor</li> </ul> <p>For detailed operation procedures, refer to “READ CURRENT DATA FOR ENGINE”. &lt;Ref. to EN(H4SO)(diag)-34, Subaru Select Monitor.&gt;</p> <ul style="list-style-type: none"> <li>• General scan tool</li> </ul> <p>For detailed operation procedures, refer to the general scan tool operation manual.</p>	<p>Subtract ambient temperature from intake air temperature. Is the obtained value -10 — 50°C (-18 — 90°F)?</p>	Go to step 14.	Check the mass air flow and intake air temperature sensor. <Ref. to FU(H4SO)-34, Mass Air Flow and Intake Air Temperature Sensor.>
<p><b>14 CHECK REAR OXYGEN SENSOR DATA.</b></p> <p>1) Warm up the engine until engine coolant temperature is higher than 75°C (167°F), and keep the engine speed at 3,000 rpm. (2 minutes maximum)</p> <p>2) Read the data of rear oxygen sensor signal using Subaru Select Monitor or general scan tool.</p> <p>NOTE:</p> <ul style="list-style-type: none"> <li>• Depress the clutch pedal. (MT model)</li> <li>• Subaru Select Monitor</li> </ul> <p>For detailed operation procedures, refer to “READ CURRENT DATA FOR ENGINE”. &lt;Ref. to EN(H4SO)(diag)-34, Subaru Select Monitor.&gt;</p> <ul style="list-style-type: none"> <li>• General scan tool</li> </ul> <p>For detailed operation procedures, refer to the general scan tool operation manual.</p>	Is the voltage 490 mV or more?	Go to step 15.	Go to step 16.
<p><b>15 CHECK REAR OXYGEN SENSOR DATA.</b></p> <p>1) Warm up the engine until engine coolant temperature is higher than 75°C (167°F), and rapidly reduce the engine speed from 3,000 rpm.</p> <p>2) Read the data of rear oxygen sensor signal using Subaru Select Monitor or general scan tool.</p> <p>NOTE:</p> <ul style="list-style-type: none"> <li>• Depress the clutch pedal. (MT model)</li> <li>• Subaru Select Monitor</li> </ul> <p>For detailed operation procedures, refer to “READ CURRENT DATA FOR ENGINE”. &lt;Ref. to EN(H4SO)(diag)-34, Subaru Select Monitor.&gt;</p> <ul style="list-style-type: none"> <li>• General scan tool</li> </ul> <p>For detailed operation procedures, refer to the general scan tool operation manual.</p>	Is the voltage 250 mV or less?	Go to step 17.	Go to step 16.

# Diagnostic Procedure with Diagnostic Trouble Code (DTC)

ENGINE (DIAGNOSTICS)

	Step	Check	Yes	No
16	<b>CHECK REAR OXYGEN SENSOR CONNECTOR AND COUPLING CONNECTOR.</b>	Has water entered the connector?	Completely remove any water inside.	Go to step 18.
17	<b>CHECK FRONT OXYGEN (A/F) SENSOR AND REAR OXYGEN SENSOR DATA.</b> 1) Warm up the engine until engine coolant temperature is higher than 75°C (167°F), then keep the engine idling for 5 minutes or more. 2) Read the data of rear oxygen sensor signal using Subaru Select Monitor or general scan tool.  <b>NOTE:</b> • Subaru Select Monitor For detailed operation procedures, refer to "READ CURRENT DATA FOR ENGINE". <Ref. to EN(H4SO)(diag)-34, Subaru Select Monitor.> • General scan tool For detailed operation procedures, refer to the general scan tool operation manual.	Is a voltage of 0.8 V or more maintained for 5 minutes or more?	Replace the front oxygen (A/F) sensor. <Ref. to FU(H4SO)-41, Front Oxygen (A/F) Sensor.>	Go to step 18.
18	<b>CHECK HARNESS BETWEEN ECM AND REAR OXYGEN SENSOR CONNECTOR.</b> 1) Turn the ignition switch to OFF. 2) Disconnect the connector from ECM and rear oxygen sensor. 3) Measure the resistance of harness between ECM and rear oxygen sensor connector.  <b>Connector &amp; terminal</b> <b>(B135) No. 4 — (E23) No. 3:</b> <b>(B134) No. 29 — (E23) No. 4:</b>	Is the resistance less than 1 Ω?	Go to step 19.	Repair the harness and connector.  <b>NOTE:</b> In this case, repair the following item: • Open circuit in harness between ECM and rear oxygen sensor connector • Poor contact of coupling connector
19	<b>CHECK HARNESS BETWEEN ECM AND REAR OXYGEN SENSOR CONNECTOR.</b> 1) Connect the connector to ECM. 2) Turn the ignition switch to ON. 3) Measure the voltage between rear oxygen sensor connector and chassis ground.  <b>Connector &amp; terminal</b> <b>(E23) No. 3 (+) — Chassis ground (-):</b>	Is the voltage 0.2 — 0.5 V?	Replace the rear oxygen sensor. <Ref. to FU(H4SO)-43, Rear Oxygen Sensor.>	Repair the harness and connector.  <b>NOTE:</b> In this case, repair the following item: • Open circuit in harness between ECM and rear oxygen sensor connector • Poor contact of ECM connector • Poor contact of coupling connector



# Diagnostic Procedure with Diagnostic Trouble Code (DTC)

ENGINE (DIAGNOSTICS)

## DA:DTC P2101 THROTTLE ACTUATOR CONTROL MOTOR CIRCUIT RANGE/ PERFORMANCE

### DTC DETECTING CONDITION:

- Immediately at fault recognition
- GENERAL DESCRIPTION<Ref. to GD(H4SO)-183, DTC P2101 THROTTLE ACTUATOR CONTROL MOTOR CIRCUIT RANGE/PERFORMANCE, Diagnostic Trouble Code (DTC) Detecting Criteria.>

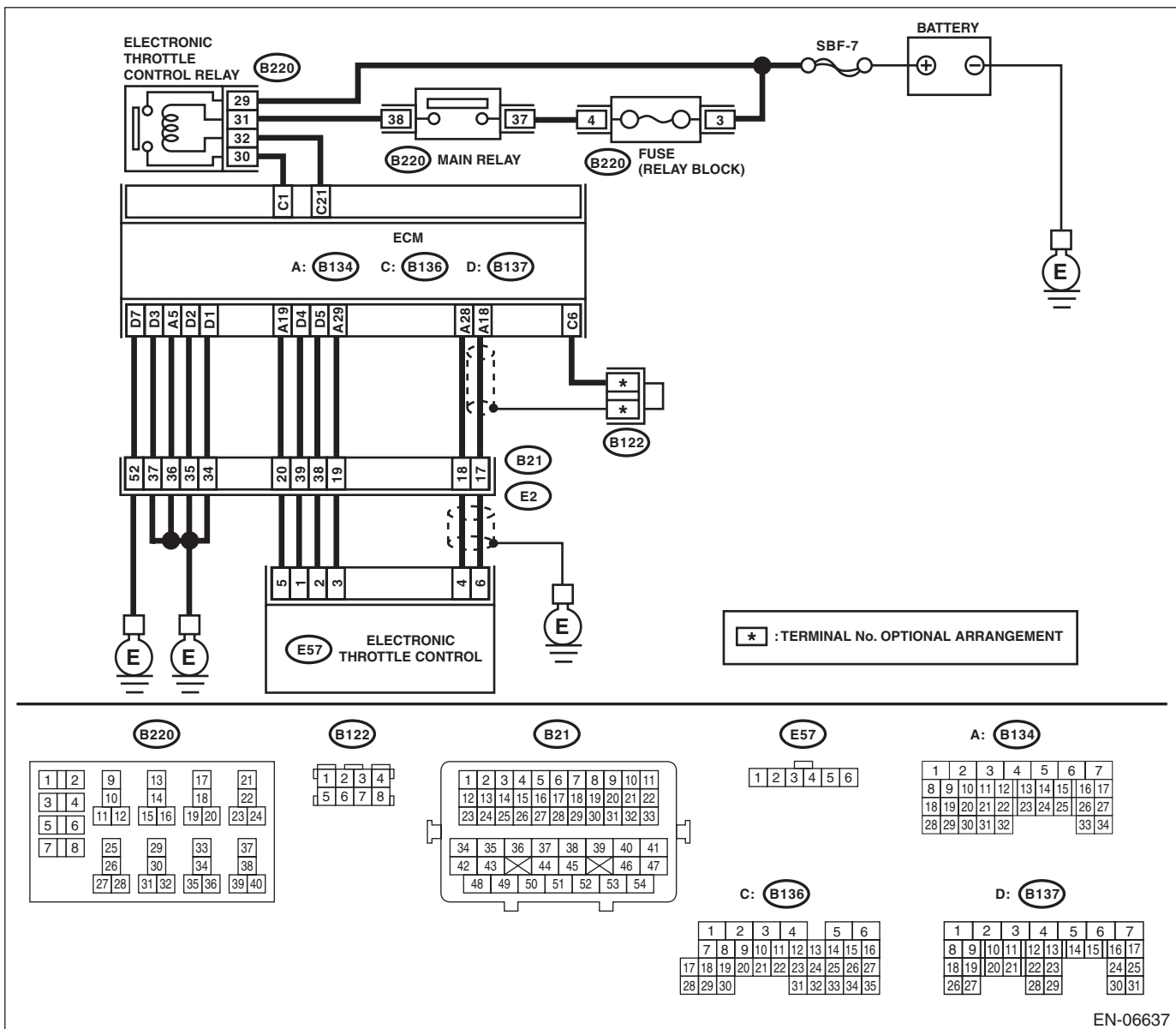
### TROUBLE SYMPTOM:

- Improper idling
- Poor driving performance
- Engine stalls.

### CAUTION:

After servicing or replacing faulty parts, perform Clear Memory Mode <Ref. to EN(H4SO)(diag)-55, OPERATION, Clear Memory Mode.>, and Inspection Mode <Ref. to EN(H4SO)(diag)-44, PROCEDURE, Inspection Mode.>.

### WIRING DIAGRAM:



EN-06637

# Diagnostic Procedure with Diagnostic Trouble Code (DTC)

ENGINE (DIAGNOSTICS)

Step	Check	Yes	No
<b>1</b> <b>CHECK ELECTRONIC THROTTLE CONTROL RELAY.</b> 1) Turn the ignition switch to OFF. 2) Remove the electronic throttle control relay. 3) Connect the battery to terminals No. 31 and No. 32 of electronic throttle control relay. 4) Measure the resistance between electronic throttle control relay terminals. <b>Terminals</b> <b>No. 29 — No. 30:</b>	Is the resistance less than 1 $\Omega$ ?	Go to step 2.	Replace the electronic throttle control relay. <Ref. to FU(H4SO)-50, Electronic Throttle Control Relay.>
<b>2</b> <b>CHECK POWER SUPPLY OF ELECTRONIC THROTTLE CONTROL RELAY.</b> Measure the voltage between electronic throttle control relay connector and chassis ground. <b>Connector &amp; terminal</b> <b>(B220) No. 29 (+) — Chassis ground (-):</b>	Is the voltage 10 V or more?	Go to step 3.	Repair the open or ground short circuit of power supply circuit.
<b>3</b> <b>CHECK HARNESS BETWEEN ECM AND ELECTRONIC THROTTLE CONTROL RELAY.</b> 1) Disconnect the connectors from ECM. 2) Turn the ignition switch to ON. 3) Measure the voltage between electronic throttle control relay connector and chassis ground. <b>Connector &amp; terminal</b> <b>(B220) No. 32 (+) — Chassis ground (-):</b>	Is the voltage 10 V or more?	Repair the short circuit to power in the harness between ECM and electronic throttle control relay connector.	Go to step 4.
<b>4</b> <b>CHECK HARNESS BETWEEN ECM AND ELECTRONIC THROTTLE CONTROL RELAY.</b> 1) Turn the ignition switch to OFF. 2) Measure the resistance between electronic throttle control relay connector and chassis ground. <b>Connector &amp; terminal</b> <b>(B220) No. 32 — Chassis ground:</b> <b>(B220) No. 30 — Chassis ground:</b>	Is the resistance 1 M $\Omega$ or more?	Go to step 5.	Repair the short circuit in harness to ground between ECM and electronic throttle control relay connector.
<b>5</b> <b>CHECK HARNESS BETWEEN ECM AND ELECTRONIC THROTTLE CONTROL RELAY.</b> Measure the resistance between ECM and electronic throttle control relay connector. <b>Connector &amp; terminal</b> <b>(B136) No. 21 — (B220) No. 32:</b> <b>(B136) No. 1 — (B220) No. 30:</b>	Is the resistance less than 1 $\Omega$ ?	Go to step 6.	Repair the open circuit in harness between ECM and electronic throttle control relay connector.
<b>6</b> <b>CHECK HARNESS BETWEEN ECM AND ELECTRONIC THROTTLE CONTROL.</b> 1) Turn the ignition switch to OFF. 2) Disconnect the connectors from electronic throttle control. 3) Measure the resistance between ECM and chassis ground. <b>Connector &amp; terminal</b> <b>(B134) No. 19 — Chassis ground:</b> <b>(B134) No. 18 — Chassis ground:</b> <b>(B134) No. 18 — (B136) No. 6:</b> <b>(B134) No. 28 — Chassis ground:</b>	Is the resistance 1 M $\Omega$ or more?	Go to step 7.	Repair the short circuit to ground in harness between ECM and electronic throttle control connector.

# Diagnostic Procedure with Diagnostic Trouble Code (DTC)

## ENGINE (DIAGNOSTICS)

Step	Check	Yes	No
<b>7</b> <b>CHECK SHORT CIRCUIT INSIDE THE ECM.</b> 1) Connect the connector to ECM. 2) Measure the resistance between electronic throttle control connector and engine ground. <b>Connector &amp; terminal</b> <i>(E57) No. 6 — Engine ground:</i> <i>(E57) No. 4 — Engine ground:</i>	Is the resistance 1 M $\Omega$ or more?	Go to step 8.	Repair the short circuit to ground in harness between ECM and electronic throttle control connector. Replace the ECM if defective. <Ref. to FU(H4SO)-45, Engine Control Module (ECM).>
<b>8</b> <b>CHECK HARNESS BETWEEN ECM AND ELECTRONIC THROTTLE CONTROL.</b> 1) Disconnect the connectors from ECM. 2) Measure the resistance of harness between ECM and electronic throttle control connector. <b>Connector &amp; terminal</b> <i>(B134) No. 18 — (E57) No. 6:</i> <i>(B134) No. 28 — (E57) No. 4:</i> <i>(B134) No. 29 — (E57) No. 3:</i>	Is the resistance less than 1 $\Omega$ ?	Go to step 9.	Repair the harness and connector. NOTE: In this case, repair the following item: <ul style="list-style-type: none"> <li>• Open circuit in harness between ECM and electronic throttle control connector</li> <li>• Poor contact of coupling connector</li> </ul>
<b>9</b> <b>CHECK HARNESS BETWEEN ECM AND ELECTRONIC THROTTLE CONTROL.</b> 1) Connect the connector to ECM. 2) Measure the resistance between electronic throttle control connector and engine ground. <b>Connector &amp; terminal</b> <i>(E57) No. 3 — Engine ground:</i>	Is the resistance less than 5 $\Omega$ ?	Go to step 10.	Repair the harness and connector. NOTE: In this case, repair the following item: <ul style="list-style-type: none"> <li>• Open circuit of harness between ECM and engine ground</li> <li>• Poor contact of ECM connector</li> <li>• Poor contact of coupling connector</li> </ul>
<b>10</b> <b>CHECK HARNESS BETWEEN ECM AND ELECTRONIC THROTTLE CONTROL.</b> 1) Turn the ignition switch to ON. 2) Measure the voltage between electronic throttle control connector and engine ground. <b>Connector &amp; terminal</b> <i>(E57) No. 6 (+) — Engine ground (-):</i> <i>(E57) No. 4 (+) — Engine ground (-):</i>	Is the voltage 4.85 V or more?	Repair the short circuit to power in harness between ECM and electronic throttle control connector.	Go to step 11.
<b>11</b> <b>CHECK HARNESS BETWEEN ECM AND ELECTRONIC THROTTLE CONTROL.</b> 1) Turn the ignition switch to OFF. 2) Disconnect the connectors from ECM. 3) Measure the resistance between ECM connectors. <b>Connector &amp; terminal</b> <i>(B134) No. 19 — (B134) No. 18:</i> <i>(B134) No. 19 — (B134) No. 28:</i>	Is the resistance 1 M $\Omega$ or more?	Go to step 12.	Repair the short circuit to power in harness between ECM and electronic throttle control connector.

# Diagnostic Procedure with Diagnostic Trouble Code (DTC)

ENGINE (DIAGNOSTICS)

Step	Check	Yes	No
<p><b>12 CHECK SENSOR OUTPUT.</b>                      1) Connect all connectors.                      2) Turn the ignition switch to ON.                      3) Read the data of main throttle sensor signal using Subaru Select Monitor.                      NOTE:                      For detailed operation procedures, refer to "READ CURRENT DATA FOR ENGINE". &lt;Ref. to EN(H4SO)(diag)-34, Subaru Select Monitor.&gt;</p>	Is the voltage 0.81 — 0.87 V?	Go to step 13.	Repair the poor contact of electronic throttle control connector. Replace the electronic throttle control if defective. <Ref. to FU(H4SO)-14, Throttle Body.>
<p><b>13 CHECK SENSOR OUTPUT.</b>                      Read the data of sub throttle sensor signal using Subaru Select Monitor.                      NOTE:                      Subaru Select Monitor                      For detailed operation procedures, refer to "READ CURRENT DATA FOR ENGINE". &lt;Ref. to EN(H4SO)(diag)-34, Subaru Select Monitor.&gt;</p>	Is the voltage 1.64 — 1.70 V?	Go to step 14.	Repair the poor contact of electronic throttle control connector. Replace the electronic throttle control if defective. <Ref. to FU(H4SO)-14, Throttle Body.>
<p><b>14 CHECK HARNESS BETWEEN ECM AND ELECTRONIC THROTTLE CONTROL MOTOR.</b>                      1) Turn the ignition switch to OFF.                      2) Disconnect the connectors from ECM and electronic throttle control.                      3) Measure the resistance between ECM and electronic throttle control connector.  <b>Connector &amp; terminal</b>  <i>(B137) No. 5 — (E57) No. 2:</i>  <i>(B137) No. 4 — (E57) No. 1:</i></p>	Is the resistance less than 1 Ω?	Go to step 15.	Repair the harness and connector. NOTE: In this case, repair the following item: <ul style="list-style-type: none"> <li>• Open circuit in harness between ECM and electronic throttle control connector</li> <li>• Poor contact of coupling connector</li> </ul>
<p><b>15 CHECK HARNESS BETWEEN ECM AND ELECTRONIC THROTTLE CONTROL MOTOR.</b>                      1) Connect the connector to ECM.                      2) Turn the ignition switch to ON.                      3) Measure the voltage between electronic throttle control connector and engine ground.  <b>Connector &amp; terminal</b>  <i>(E57) No. 2 (+) — Engine ground (-):</i>  <i>(E57) No. 1 (+) — Engine ground (-):</i></p>	Is the voltage 5 V or more?	Repair the short circuit to power in harness between ECM and electronic throttle control connector.	Go to step 16.
<p><b>16 CHECK HARNESS BETWEEN ECM AND ELECTRONIC THROTTLE CONTROL MOTOR.</b>                      1) Turn the ignition switch to OFF.                      2) Disconnect the connectors from ECM.                      3) Measure the resistance between electronic throttle control connector and engine ground.  <b>Connector &amp; terminal</b>  <i>(E57) No. 2 — Engine ground:</i>  <i>(E57) No. 1 — Engine ground:</i></p>	Is the resistance 1 MΩ or more?	Go to step 17.	Repair the short circuit to ground in harness between ECM and electronic throttle control connector.
<p><b>17 CHECK ELECTRONIC THROTTLE CONTROL MOTOR HARNESS.</b>                      Measure the resistance between electronic throttle control connectors.  <b>Connector &amp; terminal</b>  <i>(E57) No. 2 — (E57) No. 1:</i></p>	Is the resistance 1 MΩ or more?	Go to step 18.	Repair the short circuit of harness between ECM and electronic throttle control connector.

## Diagnostic Procedure with Diagnostic Trouble Code (DTC)

### ENGINE (DIAGNOSTICS)

Step	Check	Yes	No
<b>18</b> <b>CHECK ELECTRONIC THROTTLE CONTROL GROUND CIRCUIT.</b> Measure the resistance between ECM and chassis ground. <b>Connector &amp; terminal</b> <i>(B134) No. 5 — Chassis ground:</i> <i>(B137) No. 1 — Chassis ground:</i> <i>(B137) No. 2 — Chassis ground:</i> <i>(B137) No. 3 — Chassis ground:</i> <i>(B137) No. 7 — Chassis ground:</i>	Is the resistance less than 5 $\Omega$ ?	Go to step 19.	Repair the harness and connector. NOTE: In this case, repair the following item: • Open circuit of harness between ECM and engine ground • Poor contact of coupling connector
<b>19</b> <b>CHECK ELECTRONIC THROTTLE CONTROL.</b> Measure the resistance between electronic throttle control terminals. <b>Terminals</b> <b>No. 2 — No. 1:</b>	Is the resistance 50 $\Omega$ or less?	Go to step 20.	Replace the electronic throttle control. <Ref. to FU(H4SO)-14, Throttle Body.>
<b>20</b> <b>CHECK ELECTRONIC THROTTLE CONTROL.</b> Move the throttle valve to the fully open and fully closed positions with fingers. Check that the valve returns to the specified position when releasing fingers.	Does the valve return to the specified position? Standard value: 3 mm (0.12 in) from fully closed position	Repair the poor contact of ECM connector.	Replace the electronic throttle control. <Ref. to FU(H4SO)-14, Throttle Body.>

# Diagnostic Procedure with Diagnostic Trouble Code (DTC)

ENGINE (DIAGNOSTICS)

## DB:DTC P2102 THROTTLE ACTUATOR CONTROL MOTOR CIRCUIT LOW

### DTC DETECTING CONDITION:

- Immediately at fault recognition
- GENERAL DESCRIPTION<Ref. to GD(H4SO)-184, DTC P2102 THROTTLE ACTUATOR CONTROL MOTOR CIRCUIT LOW, Diagnostic Trouble Code (DTC) Detecting Criteria.>

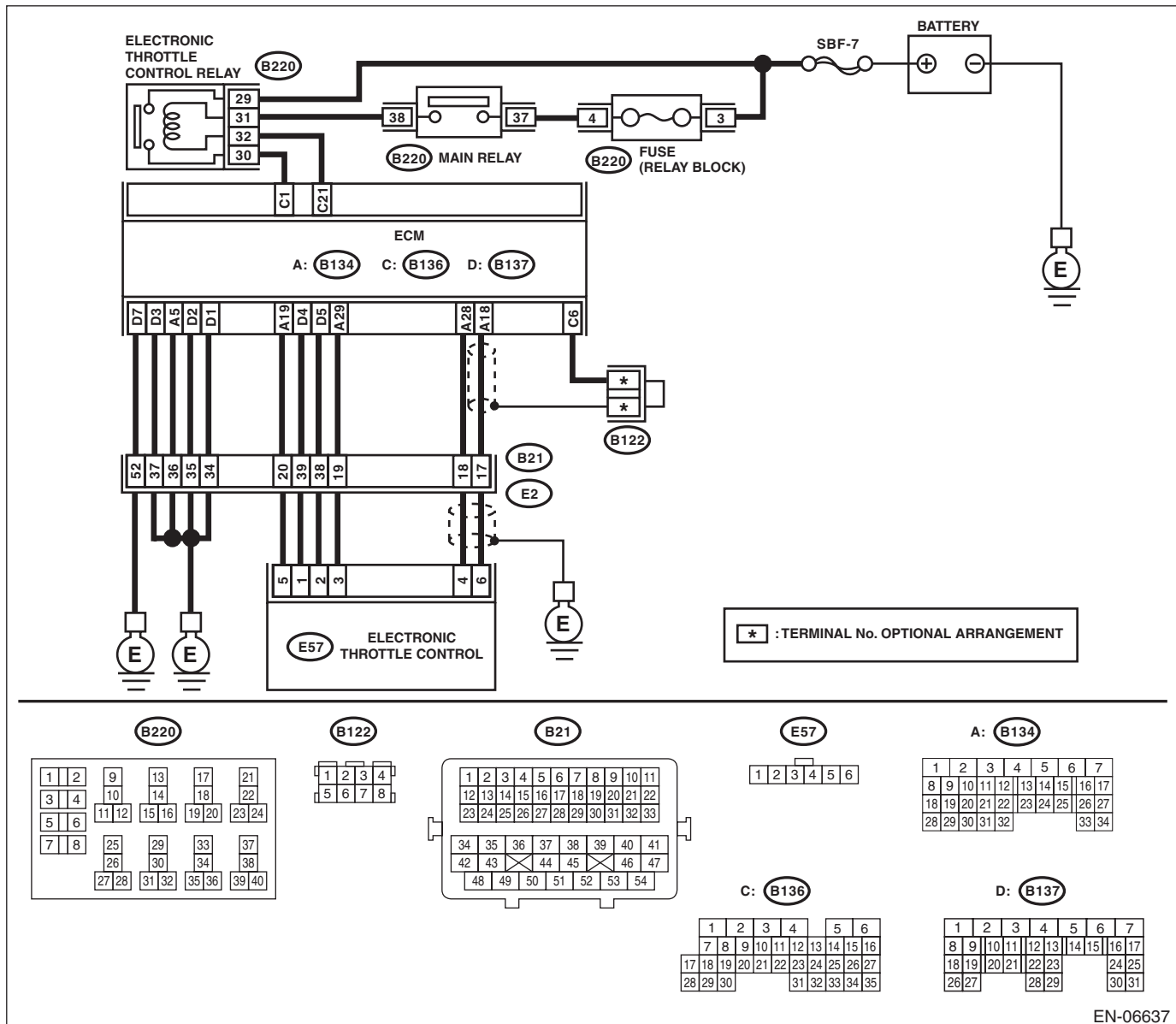
### TROUBLE SYMPTOM:

- Improper idling
- Poor driving performance
- Engine stalls.

### CAUTION:

After servicing or replacing faulty parts, perform Clear Memory Mode <Ref. to EN(H4SO)(diag)-55, OPERATION, Clear Memory Mode.>, and Inspection Mode <Ref. to EN(H4SO)(diag)-44, PROCEDURE, Inspection Mode.>.

### WIRING DIAGRAM:



EN-06637

# Diagnostic Procedure with Diagnostic Trouble Code (DTC)

## ENGINE (DIAGNOSTICS)

Step	Check	Yes	No
<b>1</b> <b>CHECK ELECTRONIC THROTTLE CONTROL RELAY.</b> 1) Turn the ignition switch to OFF. 2) Remove the electronic throttle control relay. 3) Connect the battery to terminals No. 31 and No. 32 of electronic throttle control relay. 4) Measure the resistance between electronic throttle control relay terminals. <b>Terminals</b> <b>No. 29 — No. 30:</b>	Is the resistance less than 1 $\Omega$ ?	Go to step 2.	Replace the electronic throttle control relay. <Ref. to FU(H4SO)-50, Electronic Throttle Control Relay.>
<b>2</b> <b>CHECK POWER SUPPLY OF ELECTRONIC THROTTLE CONTROL RELAY.</b> Measure the voltage between electronic throttle control relay connector and chassis ground. <b>Connector &amp; terminal</b> <b>(B220) No. 29 (+) — Chassis ground (-):</b>	Is the voltage 10 V or more?	Go to step 3.	Repair the open or ground short circuit of power supply circuit.
<b>3</b> <b>CHECK HARNESS BETWEEN ECM AND ELECTRONIC THROTTLE CONTROL RELAY.</b> 1) Disconnect the connectors from ECM. 2) Turn the ignition switch to ON. 3) Measure the voltage between electronic throttle control relay connector and chassis ground. <b>Connector &amp; terminal</b> <b>(B220) No. 32 (+) — Chassis ground (-):</b>	Is the voltage 10 V or more?	Repair the short circuit to power in the harness between ECM and electronic throttle control relay connector.	Go to step 4.
<b>4</b> <b>CHECK HARNESS BETWEEN ECM AND ELECTRONIC THROTTLE CONTROL RELAY.</b> 1) Turn the ignition switch to OFF. 2) Measure the resistance between electronic throttle control relay connector and chassis ground. <b>Connector &amp; terminal</b> <b>(B220) No. 32 — Chassis ground:</b> <b>(B220) No. 30 — Chassis ground:</b>	Is the resistance 1 M $\Omega$ or more?	Go to step 5.	Repair the short circuit in harness to ground between ECM and electronic throttle control relay connector.
<b>5</b> <b>CHECK HARNESS BETWEEN ECM AND ELECTRONIC THROTTLE CONTROL RELAY.</b> Measure the resistance between ECM and electronic throttle control relay connector. <b>Connector &amp; terminal</b> <b>(B136) No. 21 — (B220) No. 32:</b> <b>(B136) No. 1 — (B220) No. 30:</b>	Is the resistance less than 1 $\Omega$ ?	Repair the poor contact of ECM connector.	Repair the open circuit in harness between ECM and electronic throttle control relay connector.

# Diagnostic Procedure with Diagnostic Trouble Code (DTC)

ENGINE (DIAGNOSTICS)

## DC:DTC P2103 THROTTLE ACTUATOR CONTROL MOTOR CIRCUIT HIGH

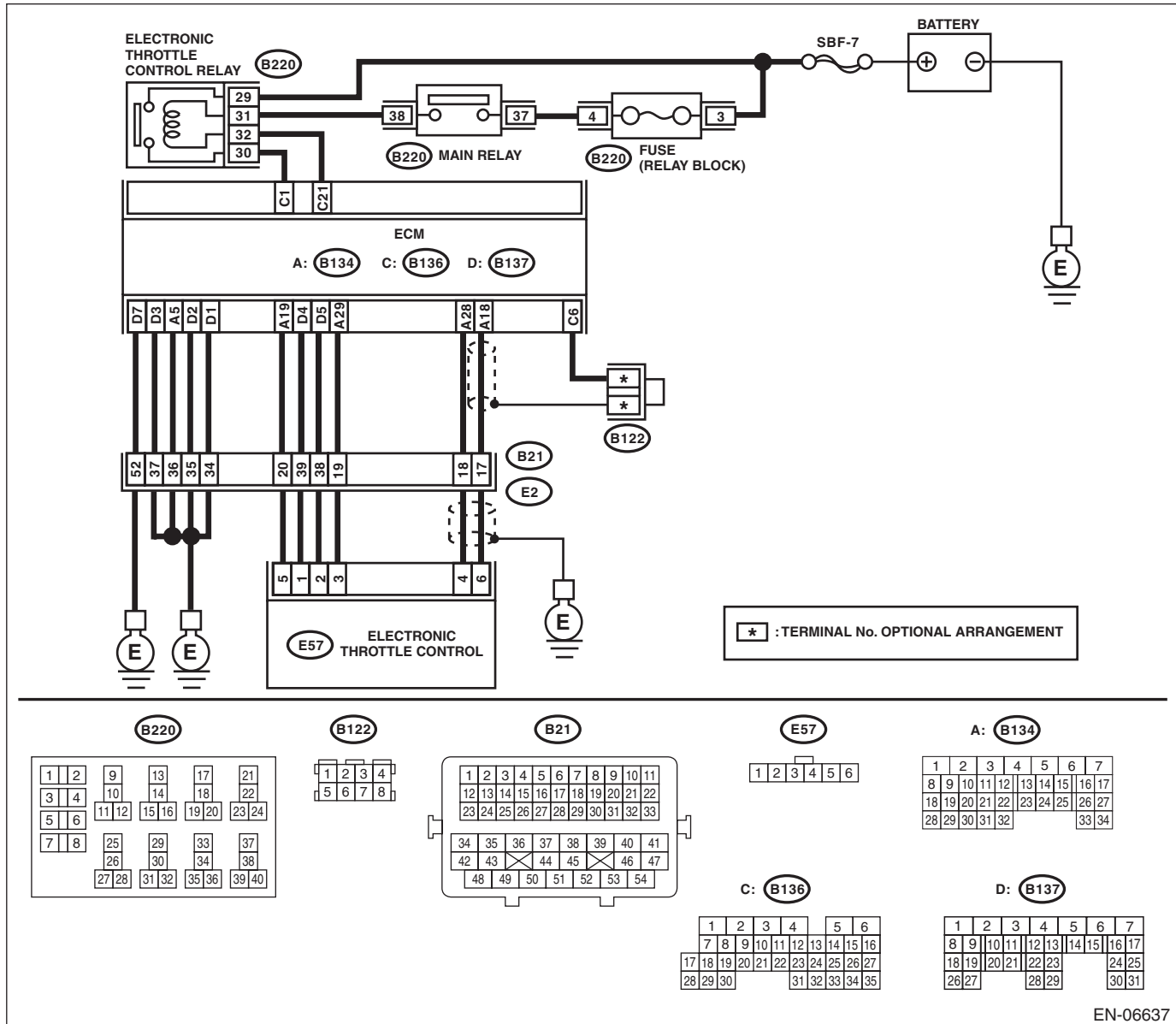
### DTC DETECTING CONDITION:

- Immediately at fault recognition
- GENERAL DESCRIPTION<Ref. to GD(H4SO)-185, DTC P2103 THROTTLE ACTUATOR CONTROL MOTOR CIRCUIT HIGH, Diagnostic Trouble Code (DTC) Detecting Criteria.>

### CAUTION:

After servicing or replacing faulty parts, perform Clear Memory Mode <Ref. to EN(H4SO)(diag)-55, OPERATION, Clear Memory Mode.>, and Inspection Mode <Ref. to EN(H4SO)(diag)-44, PROCEDURE, Inspection Mode.>.

### WIRING DIAGRAM:



EN-06637



## Diagnostic Procedure with Diagnostic Trouble Code (DTC)

ENGINE (DIAGNOSTICS)

Step	Check	Yes	No
<b>1 CHECK ELECTRONIC THROTTLE CONTROL RELAY.</b> 1) Turn the ignition switch to OFF. 2) Remove the electronic throttle control relay. 3) Measure the resistance between electronic throttle control relay terminals. <i>Terminals</i> <i>No. 29 — No. 30:</i>	Is the resistance 1 MΩ or more?	Go to step 2.	Replace the electronic throttle control relay. <Ref. to FU(H4SO)-50, Electronic Throttle Control Relay.>
<b>2 CHECK SHORT CIRCUIT OF ELECTRONIC THROTTLE CONTROL RELAY POWER SUPPLY.</b> 1) Turn the ignition switch to ON. 2) Measure the voltage between electronic throttle control relay connector and chassis ground. <i>Connector &amp; terminal</i> <i>(B220) No. 30 (+) — Chassis ground (-):</i>	Is the voltage 10 V or more?	Repair the short circuit to power in the harness between ECM and electronic throttle control relay connector.	Go to step 3.
<b>3 CHECK HARNESS BETWEEN ECM AND ELECTRONIC THROTTLE CONTROL RELAY.</b> 1) Turn the ignition switch to OFF. 2) Disconnect the connectors from ECM. 3) Measure the resistance between ECM and chassis ground. <i>Connector &amp; terminal</i> <i>(B136) No. 21 — Chassis ground:</i>	Is the resistance 1 MΩ or more?	Repair the poor contact of ECM connector.	Repair the short circuit in harness to ground between ECM and electronic throttle control relay connector.

### DD:DTC P2109 THROTTLE/PEDAL POSITION SENSOR “A” MINIMUM STOP PERFORMANCE

NOTE:

For the diagnostic procedure, refer to DTC P2101. <Ref. to EN(H4SO)(diag)-282, DTC P2101 THROTTLE ACTUATOR CONTROL MOTOR CIRCUIT RANGE/PERFORMANCE, Diagnostic Procedure with Diagnostic Trouble Code (DTC).>

# Diagnostic Procedure with Diagnostic Trouble Code (DTC)

ENGINE (DIAGNOSTICS)

## DE:DTC P2122 THROTTLE/PEDAL POSITION SENSOR/SWITCH "D" CIRCUIT LOW INPUT

### DTC DETECTING CONDITION:

- Immediately at fault recognition
- GENERAL DESCRIPTION <Ref. to GD(H4SO)-187, DTC P2122 THROTTLE/PEDAL POSITION SENSOR/SWITCH "D" CIRCUIT LOW INPUT, Diagnostic Trouble Code (DTC) Detecting Criteria.>

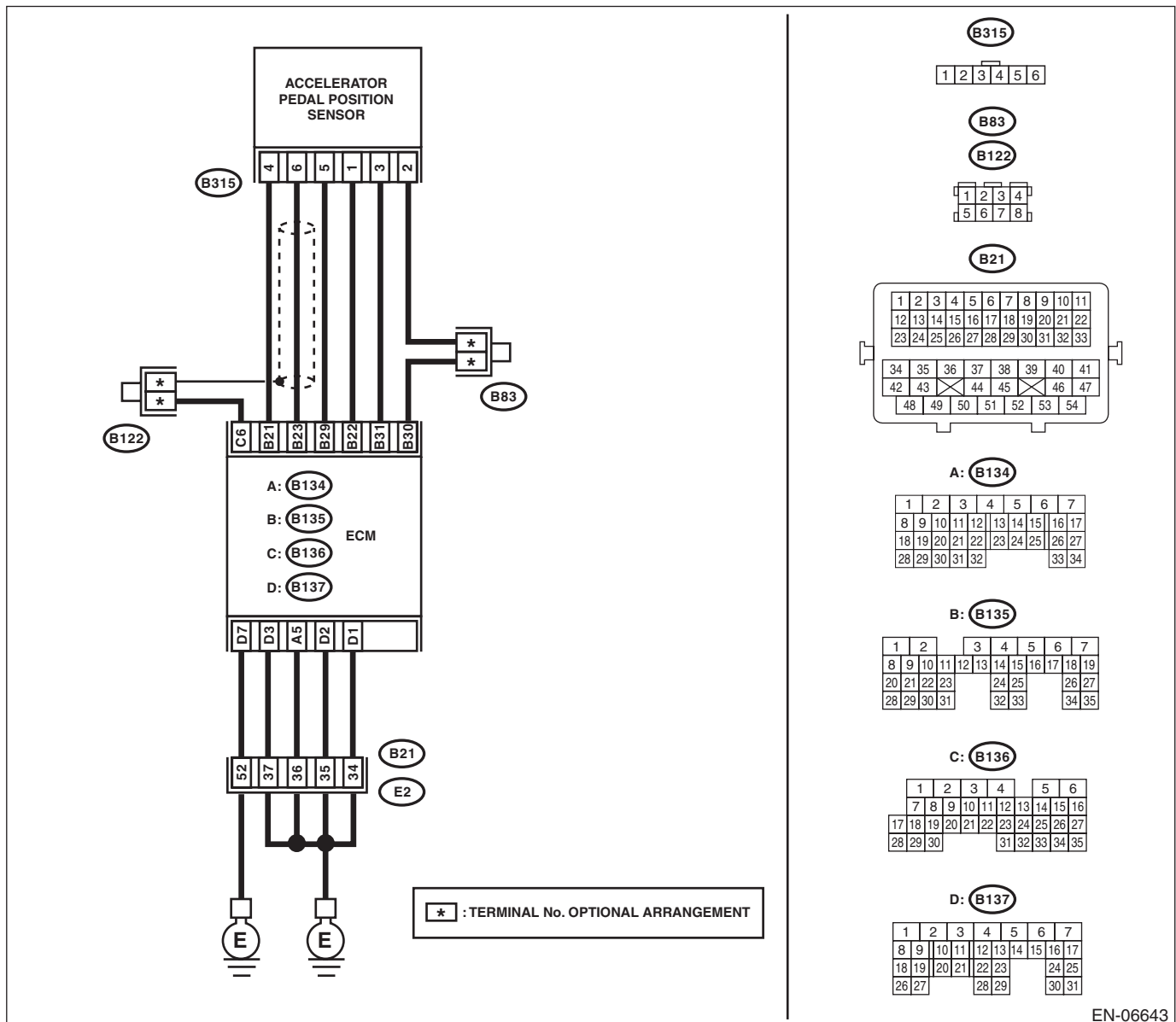
### TROUBLE SYMPTOM:

- Improper idling
- Poor driving performance

### CAUTION:

After servicing or replacing faulty parts, perform Clear Memory Mode <Ref. to EN(H4SO)(diag)-55, OPERATION, Clear Memory Mode.>, and Inspection Mode <Ref. to EN(H4SO)(diag)-44, PROCEDURE, Inspection Mode.>.

### WIRING DIAGRAM:



EN-06643

# Diagnostic Procedure with Diagnostic Trouble Code (DTC)

ENGINE (DIAGNOSTICS)

Step	Check	Yes	No
<p><b>1</b></p> <p><b>CHECK HARNESS BETWEEN ECM AND ACCELERATOR PEDAL POSITION SENSOR.</b></p> <p>1) Turn the ignition switch to OFF.</p> <p>2) Disconnect the connectors from ECM and accelerator pedal position sensor.</p> <p>3) Measure the resistance between ECM and chassis ground.</p> <p><b>Connector &amp; terminal</b>  <b>(B135) No. 21 — Chassis ground:</b>  <b>(B135) No. 23 — Chassis ground:</b>  <b>(B135) No. 23 — (B136) No. 6:</b></p>	<p>Is the resistance 1 MΩ or more?</p>	<p>Go to step 2.</p>	<p>Repair the short circuit to ground in harness between ECM and accelerator pedal position sensor connector.</p>
<p><b>2</b></p> <p><b>CHECK SHORT CIRCUIT INSIDE THE ECM.</b></p> <p>1) Connect the connector to ECM.</p> <p>2) Measure the resistance between accelerator pedal position sensor connector and chassis ground.</p> <p><b>Connector &amp; terminal</b>  <b>(B315) No. 6 — Chassis ground:</b></p>	<p>Is the resistance 1 MΩ or more?</p>	<p>Replace the accelerator pedal. &lt;Ref. to SP(H4SO)-4, Accelerator Pedal.&gt;</p>	<p>Repair the short circuit to ground in harness between ECM and accelerator pedal position sensor connector. Replace the ECM if defective. &lt;Ref. to FU(H4SO)-45, Engine Control Module (ECM).&gt;</p>

# Diagnostic Procedure with Diagnostic Trouble Code (DTC)

ENGINE (DIAGNOSTICS)

## DF:DTC P2123 THROTTLE/PEDAL POSITION SENSOR/SWITCH "D" CIRCUIT HIGH INPUT

### DTC DETECTING CONDITION:

- Immediately at fault recognition
- GENERAL DESCRIPTION <Ref. to GD(H4SO)-189, DTC P2123 THROTTLE/PEDAL POSITION SENSOR/SWITCH "D" CIRCUIT HIGH INPUT, Diagnostic Trouble Code (DTC) Detecting Criteria.>

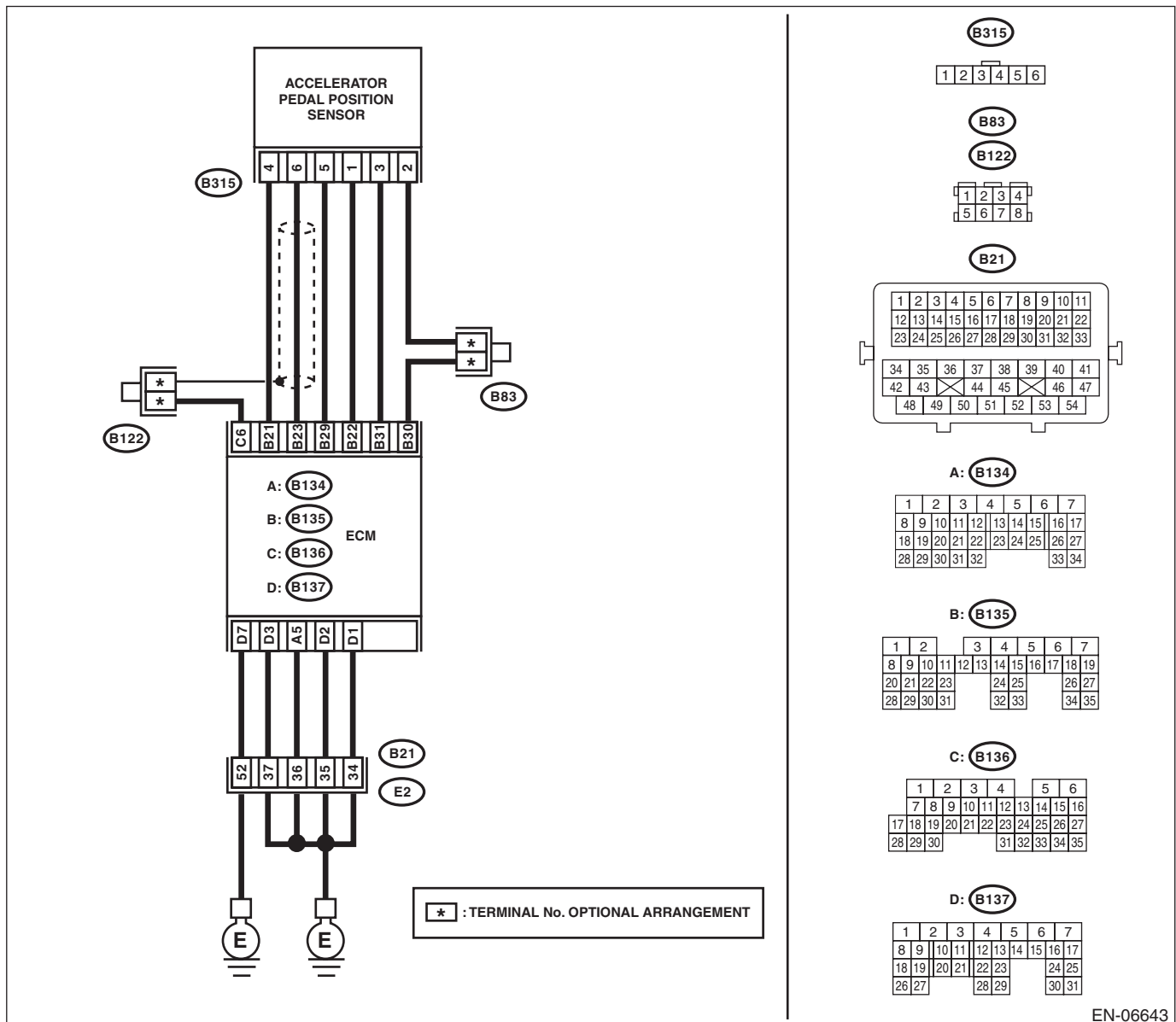
### TROUBLE SYMPTOM:

- Improper idling
- Poor driving performance

### CAUTION:

After servicing or replacing faulty parts, perform Clear Memory Mode <Ref. to EN(H4SO)(diag)-55, OPERATION, Clear Memory Mode.>, and Inspection Mode <Ref. to EN(H4SO)(diag)-44, PROCEDURE, Inspection Mode.>.

### WIRING DIAGRAM:



EN-06643

# Diagnostic Procedure with Diagnostic Trouble Code (DTC)

ENGINE (DIAGNOSTICS)

Step	Check	Yes	No
<p><b>1</b></p> <p><b>CHECK HARNESS BETWEEN ECM AND ACCELERATOR PEDAL POSITION SENSOR.</b></p> <p>1) Turn the ignition switch to OFF. 2) Disconnect the connectors from ECM and accelerator pedal position sensor. 3) Measure the resistance of harness between ECM and accelerator pedal position sensor connector.</p> <p><b>Connector &amp; terminal</b> <b>(B135) No. 23 — (B315) No. 6:</b> <b>(B135) No. 29 — (B315) No. 5:</b></p>	Is the resistance less than 1 Ω?	Go to step 2.	Repair the open circuit in harness between ECM and accelerator pedal position sensor connector.
<p><b>2</b></p> <p><b>CHECK HARNESS BETWEEN ECM AND ACCELERATOR PEDAL POSITION SENSOR.</b></p> <p>1) Connect the connector to ECM. 2) Measure the resistance between accelerator pedal position sensor connector and chassis ground.</p> <p><b>Connector &amp; terminal</b> <b>(B315) No. 5 — Chassis ground:</b></p>	Is the resistance less than 5 Ω?	Go to step 3.	Repair the harness and connector. <b>NOTE:</b> In this case, repair the following item: • Open circuit of harness between ECM and engine ground • Poor contact of ECM connector • Poor contact of coupling connector
<p><b>3</b></p> <p><b>CHECK HARNESS BETWEEN ECM AND ACCELERATOR PEDAL POSITION SENSOR.</b></p> <p>1) Turn the ignition switch to ON. 2) Measure the voltage between accelerator pedal position sensor connector and chassis ground.</p> <p><b>Connector &amp; terminal</b> <b>(B315) No. 6 (+) — Chassis ground (-):</b></p>	Is the voltage 4.85 V or more?	Repair the short circuit to power supply in the harness between the ECM and accelerator pedal position sensor connector.	Go to step 4.
<p><b>4</b></p> <p><b>CHECK HARNESS BETWEEN ECM AND ACCELERATOR PEDAL POSITION SENSOR.</b></p> <p>1) Turn the ignition switch to OFF. 2) Disconnect the connectors from ECM. 3) Measure the resistance between ECM connectors.</p> <p><b>Connector &amp; terminal</b> <b>(B135) No. 21 — (B135) No. 23:</b></p>	Is the resistance 1 MΩ or more?	Repair the poor contact of accelerator pedal position sensor connector. Replace the accelerator pedal if defective. <Ref. to SP(H4SO)-4, Accelerator Pedal.>	Repair the short circuit to power supply in the harness between the ECM and accelerator pedal position sensor connector.

## DG:DTC P2127 THROTTLE/PEDAL POSITION SENSOR/SWITCH "E" CIRCUIT LOW INPUT

### DTC DETECTING CONDITION:

- Immediately at fault recognition
- GENERAL DESCRIPTION<Ref. to GD(H4SO)-191, DTC P2127 THROTTLE/PEDAL POSITION SENSOR/SWITCH "E" CIRCUIT LOW INPUT, Diagnostic Trouble Code (DTC) Detecting Criteria.>

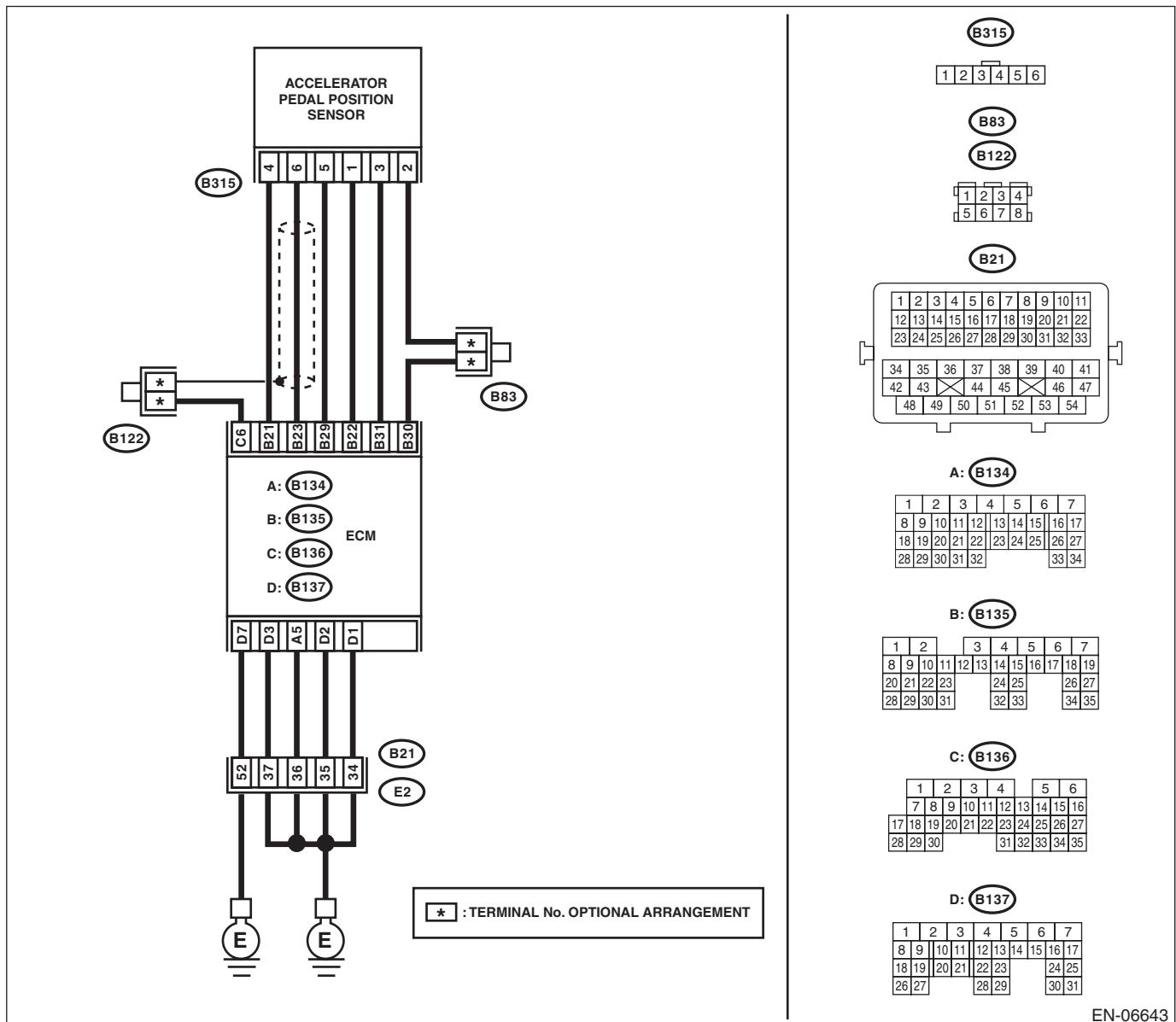
### TROUBLE SYMPTOM:

- Improper idling
- Poor driving performance

### CAUTION:

After servicing or replacing faulty parts, perform Clear Memory Mode <Ref. to EN(H4SO)(diag)-55, OPERATION, Clear Memory Mode.>, and Inspection Mode <Ref. to EN(H4SO)(diag)-44, PROCEDURE, Inspection Mode.>.

### WIRING DIAGRAM:



EN-06643

## Diagnostic Procedure with Diagnostic Trouble Code (DTC)

ENGINE (DIAGNOSTICS)

Step	Check	Yes	No
<p><b>1</b></p> <p><b>CHECK HARNESS BETWEEN ECM AND ACCELERATOR PEDAL POSITION SENSOR.</b></p> <p>1) Turn the ignition switch to OFF.</p> <p>2) Disconnect the connectors from ECM and accelerator pedal position sensor.</p> <p>3) Measure the resistance between ECM and chassis ground.</p> <p><b>Connector &amp; terminal</b>  <b>(B135) No. 22 — Chassis ground:</b>  <b>(B135) No. 31 — Chassis ground:</b></p>	<p>Is the resistance 1 MΩ or more?</p>	<p>Go to step 2.</p>	<p>Repair the short circuit to ground in harness between ECM and accelerator pedal position sensor connector.</p>
<p><b>2</b></p> <p><b>CHECK SHORT CIRCUIT INSIDE THE ECM.</b></p> <p>1) Connect the connector to ECM.</p> <p>2) Measure the resistance between accelerator pedal position sensor connector and chassis ground.</p> <p><b>Connector &amp; terminal</b>  <b>(B315) No. 3 — Chassis ground:</b></p>	<p>Is the resistance 1 MΩ or more?</p>	<p>Replace the accelerator pedal. &lt;Ref. to SP(H4SO)-4, Accelerator Pedal.&gt;</p>	<p>Repair the short circuit to ground in harness between ECM and accelerator pedal position sensor connector. Replace the ECM if defective. &lt;Ref. to FU(H4SO)-45, Engine Control Module (ECM).&gt;</p>

# Diagnostic Procedure with Diagnostic Trouble Code (DTC)

ENGINE (DIAGNOSTICS)

## DH:DTC P2128 THROTTLE/PEDAL POSITION SENSOR/SWITCH "E" CIRCUIT HIGH INPUT

### DTC DETECTING CONDITION:

- Immediately at fault recognition
- GENERAL DESCRIPTION<Ref. to GD(H4SO)-193, DTC P2128 THROTTLE/PEDAL POSITION SENSOR/SWITCH "E" CIRCUIT HIGH INPUT, Diagnostic Trouble Code (DTC) Detecting Criteria.>

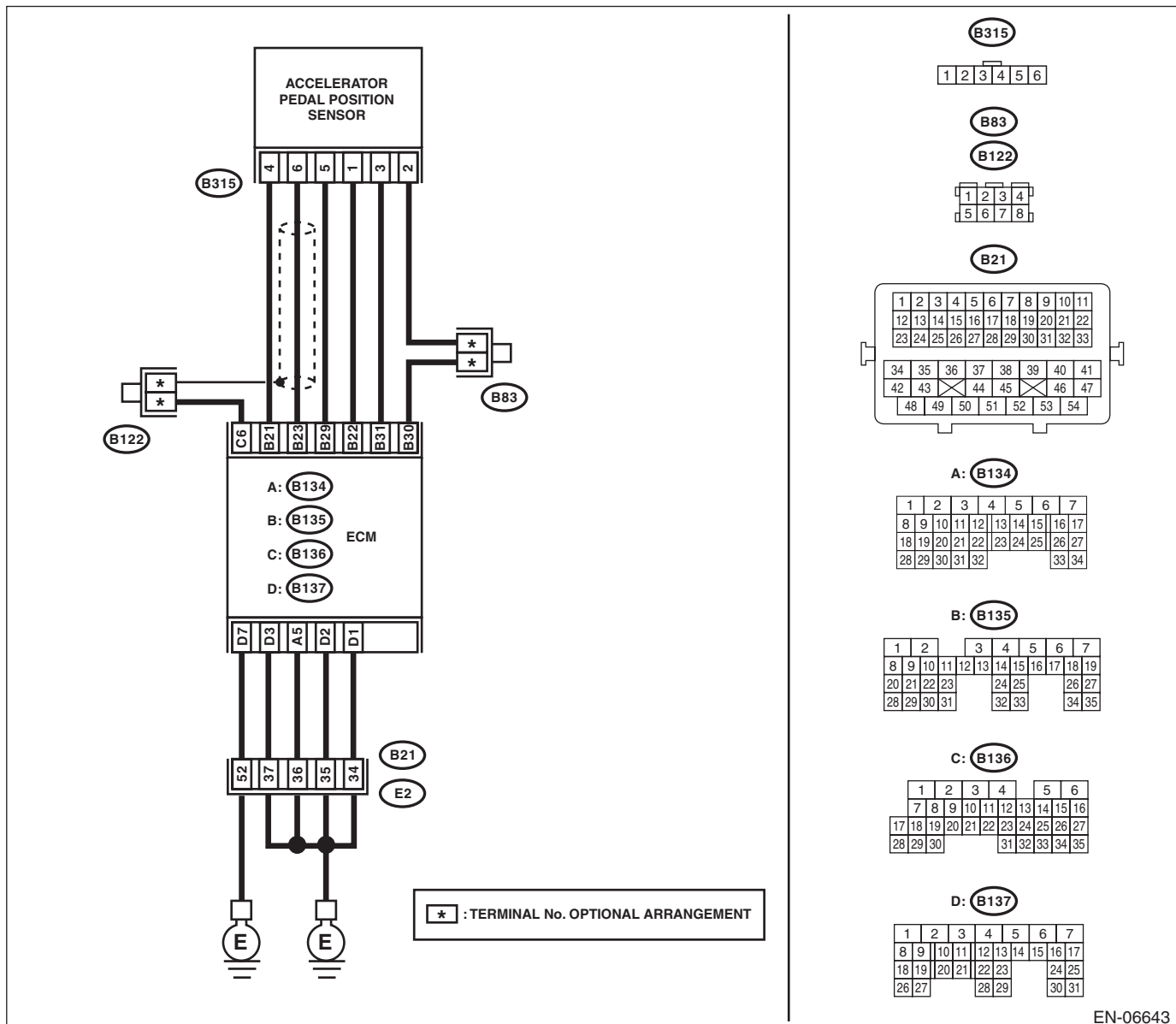
### TROUBLE SYMPTOM:

- Improper idling
- Poor driving performance

### CAUTION:

After servicing or replacing faulty parts, perform Clear Memory Mode <Ref. to EN(H4SO)(diag)-55, OPERATION, Clear Memory Mode.>, and Inspection Mode <Ref. to EN(H4SO)(diag)-44, PROCEDURE, Inspection Mode.>.

### WIRING DIAGRAM:



EN-06643



# Diagnostic Procedure with Diagnostic Trouble Code (DTC)

## ENGINE (DIAGNOSTICS)

Step	Check	Yes	No
<p><b>1</b>    <b>CHECK HARNESS BETWEEN ECM AND ACCELERATOR PEDAL POSITION SENSOR.</b>            1) Turn the ignition switch to OFF.            2) Disconnect the connectors from ECM and accelerator pedal position sensor.            3) Measure the resistance of harness between ECM and accelerator pedal position sensor connector.  <b>Connector &amp; terminal</b>  <b>(B135) No. 31 — (B315) No. 3:</b>  <b>(B135) No. 30 — (B315) No. 2:</b></p>	<p>Is the resistance less than 1 Ω?</p>	<p>Go to step 2.</p>	<p>Repair the harness and connector.            • Open circuit in harness between ECM and accelerator pedal position sensor connector            • Poor contact of joint connector</p>
<p><b>2</b>    <b>CHECK HARNESS BETWEEN ECM AND ACCELERATOR PEDAL POSITION SENSOR.</b>            1) Connect the connector to ECM.            2) Measure the resistance between accelerator pedal position sensor connector and chassis ground.  <b>Connector &amp; terminal</b>  <b>(B315) No. 2 — Chassis ground:</b></p>	<p>Is the resistance less than 1 Ω?</p>	<p>Go to step 3.</p>	<p>Repair the harness and connector.  <b>NOTE:</b>            In this case, repair the following item:            • Open circuit of harness between ECM and engine ground            • Poor contact of ECM connector            • Poor contact of coupling connector</p>
<p><b>3</b>    <b>CHECK HARNESS BETWEEN ECM AND ACCELERATOR PEDAL POSITION SENSOR.</b>            1) Turn the ignition switch to ON.            2) Measure the voltage between accelerator pedal position sensor connector and chassis ground.  <b>Connector &amp; terminal</b>  <b>(B315) No. 3 (+) — Chassis ground (-):</b></p>	<p>Is the voltage 4.85 V or more?</p>	<p>Repair the short circuit to power supply in the harness between the ECM and accelerator pedal position sensor connector.</p>	<p>Go to step 4.</p>
<p><b>4</b>    <b>CHECK HARNESS BETWEEN ECM AND ACCELERATOR PEDAL POSITION SENSOR.</b>            1) Turn the ignition switch to OFF.            2) Disconnect the connectors from ECM.            3) Measure the resistance between ECM connectors.  <b>Connector &amp; terminal</b>  <b>(B135) No. 22 — (B135) No. 31:</b></p>	<p>Is the resistance 1 MΩ or more?</p>	<p>Repair the poor contact of accelerator pedal position sensor connector. Replace the accelerator pedal if defective. &lt;Ref. to SP(H4SO)-4, Accelerator Pedal.&gt;</p>	<p>Repair the short circuit to power supply in the harness between the ECM and accelerator pedal position sensor connector.</p>

# Diagnostic Procedure with Diagnostic Trouble Code (DTC)

ENGINE (DIAGNOSTICS)

## DI: DTC P2135 THROTTLE/PEDAL POSITION SENSOR/SWITCH "A"/"B" VOLTAGE CORRELATION

### DTC DETECTING CONDITION:

- Immediately at fault recognition
- GENERAL DESCRIPTION <Ref. to GD(H4SO)-195, DTC P2135 THROTTLE/PEDAL POSITION SENSOR/SWITCH "A"/"B" VOLTAGE CORRELATION, Diagnostic Trouble Code (DTC) Detecting Criteria.>

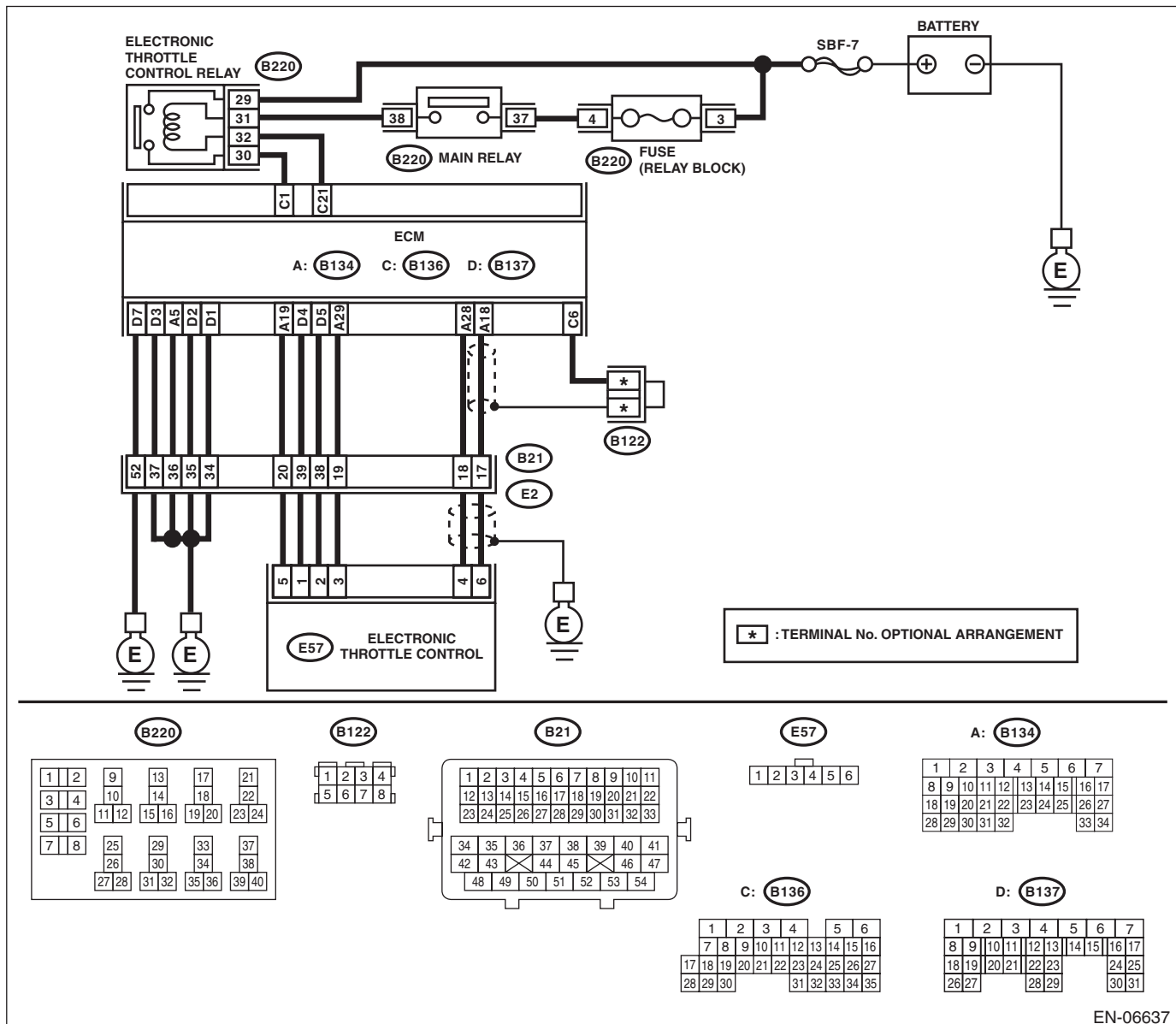
### TROUBLE SYMPTOM:

- Improper idling
- Poor driving performance

### CAUTION:

After servicing or replacing faulty parts, perform Clear Memory Mode <Ref. to EN(H4SO)(diag)-55, OPERATION, Clear Memory Mode.>, and Inspection Mode <Ref. to EN(H4SO)(diag)-44, PROCEDURE, Inspection Mode.>.

### WIRING DIAGRAM:



EN-06637

# Diagnostic Procedure with Diagnostic Trouble Code (DTC)

## ENGINE (DIAGNOSTICS)

Step	Check	Yes	No
<p><b>1</b></p> <p><b>CHECK HARNESS BETWEEN ECM AND ELECTRONIC THROTTLE CONTROL.</b></p> <p>1) Turn the ignition switch to OFF. 2) Disconnect the connectors from ECM and electronic throttle control. 3) Measure the resistance between ECM and chassis ground.</p> <p><b>Connector &amp; terminal</b> <b>(B134) No. 19 — Chassis ground:</b> <b>(B134) No. 18 — Chassis ground:</b> <b>(B134) No. 18 — (B136) No. 6:</b> <b>(B134) No. 28 — Chassis ground:</b></p>	Is the resistance 1 M $\Omega$ or more?	Go to step 2.	Repair the short circuit to ground in harness between ECM and electronic throttle control connector.
<p><b>2</b></p> <p><b>CHECK SHORT CIRCUIT INSIDE THE ECM.</b></p> <p>1) Connect the connector to ECM. 2) Measure the resistance between electronic throttle control connector and engine ground.</p> <p><b>Connector &amp; terminal</b> <b>(E57) No. 6 — Engine ground:</b> <b>(E57) No. 4 — Engine ground:</b></p>	Is the resistance 1 M $\Omega$ or more?	Go to step 3.	Repair the short circuit to ground in harness between ECM and electronic throttle control connector. Replace the ECM if defective. <Ref. to FU(H4SO)-45, Engine Control Module (ECM).>
<p><b>3</b></p> <p><b>CHECK HARNESS BETWEEN ECM AND ELECTRONIC THROTTLE CONTROL.</b></p> <p>1) Disconnect the connectors from ECM. 2) Measure the resistance of harness between ECM and electronic throttle control connector.</p> <p><b>Connector &amp; terminal</b> <b>(B134) No. 18 — (E57) No. 6:</b> <b>(B134) No. 28 — (E57) No. 4:</b> <b>(B134) No. 29 — (E57) No. 3:</b></p>	Is the resistance less than 1 $\Omega$ ?	Go to step 4.	Repair the harness and connector. <b>NOTE:</b> In this case, repair the following item: • Open circuit in harness between ECM and electronic throttle control connector • Poor contact of coupling connector
<p><b>4</b></p> <p><b>CHECK HARNESS BETWEEN ECM AND ELECTRONIC THROTTLE CONTROL.</b></p> <p>1) Connect the connector to ECM. 2) Measure the resistance between electronic throttle control connector and engine ground.</p> <p><b>Connector &amp; terminal</b> <b>(E57) No. 3 — Engine ground:</b></p>	Is the resistance less than 5 $\Omega$ ?	Go to step 5.	Repair the harness and connector. <b>NOTE:</b> In this case, repair the following item: • Open circuit of harness between ECM and engine ground • Poor contact of ECM connector • Poor contact of coupling connector
<p><b>5</b></p> <p><b>CHECK HARNESS BETWEEN ECM AND ELECTRONIC THROTTLE CONTROL.</b></p> <p>1) Turn the ignition switch to ON. 2) Measure the voltage between electronic throttle control connector and engine ground.</p> <p><b>Connector &amp; terminal</b> <b>(E57) No. 6 (+) — Engine ground (-):</b> <b>(E57) No. 4 (+) — Engine ground (-):</b></p>	Is the voltage 4.85 V or more?	Repair the short circuit to power in harness between ECM and electronic throttle control connector.	Go to step 6.

# Diagnostic Procedure with Diagnostic Trouble Code (DTC)

ENGINE (DIAGNOSTICS)

Step	Check	Yes	No
<p><b>6</b></p> <p><b>CHECK HARNESS BETWEEN ECM AND ELECTRONIC THROTTLE CONTROL.</b></p> <p>1) Turn the ignition switch to OFF. 2) Disconnect the connectors from ECM. 3) Measure the resistance between ECM connectors.</p> <p><b>Connector &amp; terminal</b> <b>(B134) No. 19 — (B134) No. 18:</b> <b>(B134) No. 19 — (B134) No. 28:</b></p>	<p>Is the resistance 1 M<math>\Omega</math> or more?</p>	<p>Repair the poor contact of electronic throttle control connector. Replace the electronic throttle control if defective. &lt;Ref. to FU(H4SO)-14, Throttle Body.&gt;</p>	<p>Repair the short circuit to power in harness between ECM and electronic throttle control connector.</p>

# Diagnostic Procedure with Diagnostic Trouble Code (DTC)

ENGINE (DIAGNOSTICS)

## DJ:DTC P2138 THROTTLE/PEDAL POSITION SENSOR/SWITCH “D”/“E” VOLTAGE CORRELATION

### DTC DETECTING CONDITION:

- Immediately at fault recognition
- GENERAL DESCRIPTION<Ref. to GD(H4SO)-197, DTC P2138 THROTTLE/PEDAL POSITION SENSOR/SWITCH “D”/“E” VOLTAGE CORRELATION, Diagnostic Trouble Code (DTC) Detecting Criteria.>

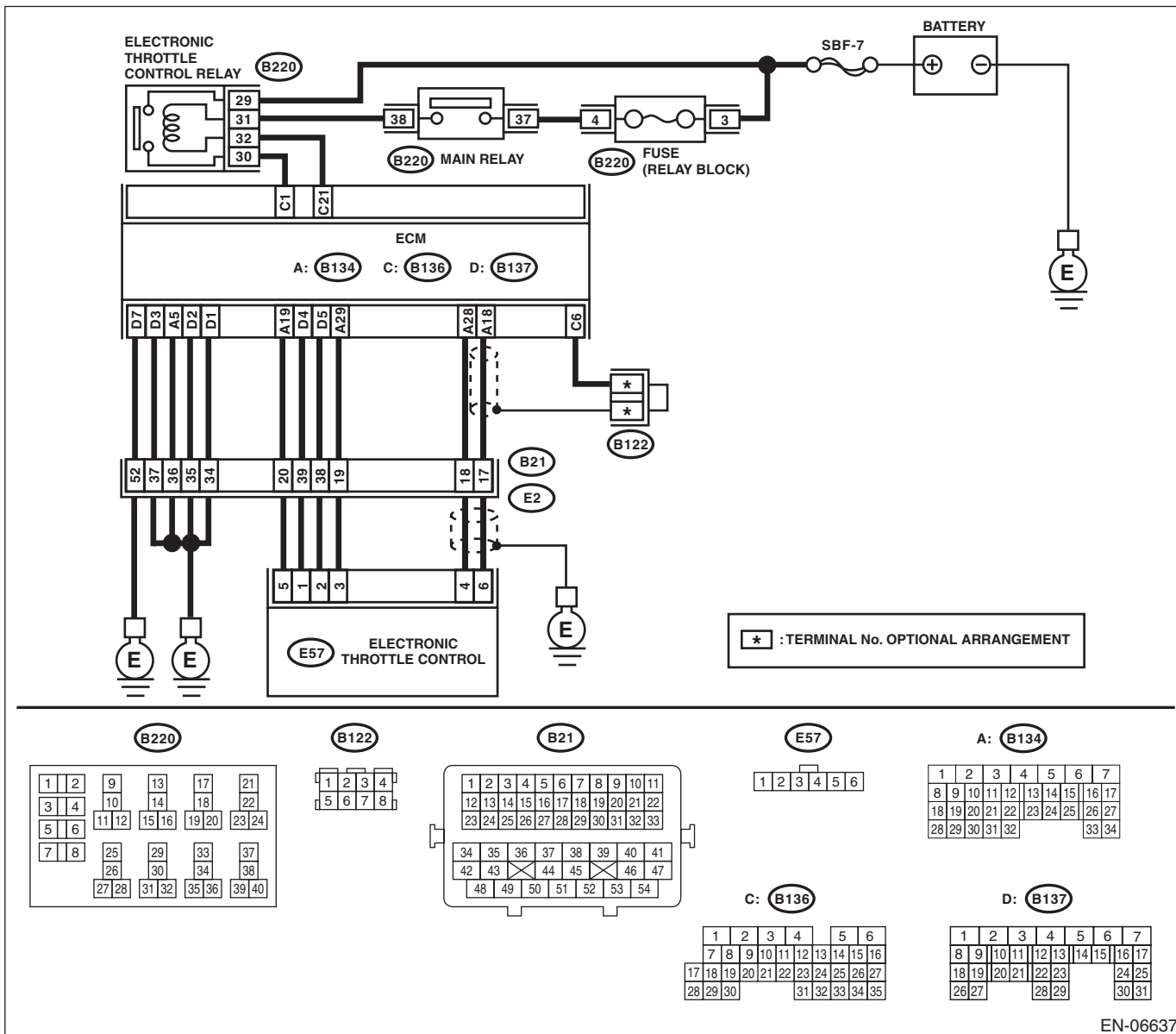
### TROUBLE SYMPTOM:

- Improper idling
- Poor driving performance

### CAUTION:

After servicing or replacing faulty parts, perform Clear Memory Mode <Ref. to EN(H4SO)(diag)-55, OPERATION, Clear Memory Mode.>, and Inspection Mode <Ref. to EN(H4SO)(diag)-44, PROCEDURE, Inspection Mode.>.

### WIRING DIAGRAM:



EN-06637

# Diagnostic Procedure with Diagnostic Trouble Code (DTC)

ENGINE (DIAGNOSTICS)

Step	Check	Yes	No
<p><b>1</b></p> <p><b>CHECK ACCELERATOR PEDAL POSITION SENSOR OUTPUT.</b>                      1) Turn the ignition switch to ON.                      2) Measure the voltage between ECM and chassis ground.</p> <p><b>Connector &amp; terminal</b>  <b>Main accelerator pedal position sensor signal</b>                      (B135) No. 23 (+) — Chassis ground (-):  <b>Sub accelerator pedal position sensor signal</b>                      (B135) No. 31 (+) — Chassis ground (-):</p>	<p>Is the difference in measured values for the main accelerator pedal position sensor signal and the sub accelerator pedal position sensor signal 0 V?</p>	<p>Go to step 3.</p>	<p>Go to step 2.</p>
<p><b>2</b></p> <p><b>CHECK ACCELERATOR PEDAL POSITION SENSOR OUTPUT.</b>                      1) Measure the voltage between accelerator pedal position sensor connector and chassis ground.</p> <p><b>Connector &amp; terminal</b>                      (B315) No. 6 (+) — Chassis ground (-):                      (B315) No. 3 (+) — Chassis ground (-):</p>	<p>Is the difference in measured values for the main accelerator pedal position sensor signal and the sub accelerator pedal position sensor signal 0 V?</p>	<p>Replace the accelerator pedal. &lt;Ref. to SP(H4SO)-4, Accelerator Pedal.&gt;</p>	<p>Repair the harness and connector.</p> <p><b>NOTE:</b>                      In this case, repair the following item:</p> <ul style="list-style-type: none"> <li>• Open circuit in harness between ECM and accelerator pedal position sensor connector</li> <li>• Short circuit to ground in harness between ECM and accelerator pedal position sensor connector</li> <li>• Poor contact of coupling connector</li> </ul>
<p><b>3</b></p> <p><b>CHECK HARNESS BETWEEN ECM AND ACCELERATOR PEDAL POSITION SENSOR CONNECTOR.</b>                      Measure the resistance of harness between accelerator pedal position sensor connector and chassis ground.</p> <p><b>Connector &amp; terminal</b>                      (B315) No. 5 — Chassis ground:                      (B315) No. 2 — Chassis ground:</p>	<p>Is the resistance less than 5 Ω?</p>	<p>Repair the poor contact of ECM connector.</p>	<p>Repair the harness and connector.</p> <p><b>NOTE:</b>                      In this case, repair the following item:</p> <ul style="list-style-type: none"> <li>• Open circuit in harness between ECM and accelerator pedal position sensor connector</li> <li>• Open circuit of harness between ECM and engine ground</li> <li>• Poor contact of ECM connector</li> <li>• Poor contact of coupling connector</li> </ul>

# Diagnostic Procedure with Diagnostic Trouble Code (DTC)

ENGINE (DIAGNOSTICS)

## DK:DTC P2227 BAROMETRIC PRESSURE CIRCUIT RANGE/PERFORMANCE

### DTC DETECTING CONDITION:

- Detected when two consecutive driving cycles with fault occur.
- GENERAL DESCRIPTION <Ref. to GD(H4SO)-199, DTC P2227 BAROMETRIC PRESSURE CIRCUIT RANGE/PERFORMANCE, Diagnostic Trouble Code (DTC) Detecting Criteria.>

### CAUTION:

After repair or replacement of faulty parts, perform Clear Memory Mode <Ref. to EN(H4SO)(diag)-55, OPERATION, Clear Memory Mode.> and Inspection Mode <Ref. to EN(H4SO)(diag)-44, PROCEDURE, Inspection Mode.>.

Step	Check	Yes	No
1 CHECK FOR ANY OTHER DTC ON DISPLAY.	Is any other DTC displayed?	Check DTC using "List of Diagnostic Trouble Code (DTC)". <Ref. to EN(H4SO)(diag)-86, List of Diagnostic Trouble Code (DTC).>	Replace the ECM. <Ref. to FU(H4SO)-45, Engine Control Module (ECM).> NOTE: The barometric pressure sensor is built into the ECM.

## DL:DTC P2228 BAROMETRIC PRESSURE CIRCUIT LOW

### DTC DETECTING CONDITION:

- Immediately at fault recognition
- GENERAL DESCRIPTION <Ref. to GD(H4SO)-200, DTC P2228 BAROMETRIC PRESSURE CIRCUIT LOW, Diagnostic Trouble Code (DTC) Detecting Criteria.>

### CAUTION:

After repair or replacement of faulty parts, perform Clear Memory Mode <Ref. to EN(H4SO)(diag)-55, OPERATION, Clear Memory Mode.> and Inspection Mode <Ref. to EN(H4SO)(diag)-44, PROCEDURE, Inspection Mode.>.

Step	Check	Yes	No
1 CHECK FOR ANY OTHER DTC ON DISPLAY.	Is any other DTC displayed?	Check DTC using "List of Diagnostic Trouble Code (DTC)". <Ref. to EN(H4SO)(diag)-86, List of Diagnostic Trouble Code (DTC).>	Replace the ECM. <Ref. to FU(H4SO)-45, Engine Control Module (ECM).> NOTE: The barometric pressure sensor is built into the ECM.

# Diagnostic Procedure with Diagnostic Trouble Code (DTC)

ENGINE (DIAGNOSTICS)

## DM:DTC P2229 BAROMETRIC PRESSURE CIRCUIT HIGH

### DTC DETECTING CONDITION:

- Immediately at fault recognition
- GENERAL DESCRIPTION <Ref. to GD(H4SO)-201, DTC P2229 BAROMETRIC PRESSURE CIRCUIT HIGH, Diagnostic Trouble Code (DTC) Detecting Criteria.>

### CAUTION:

After repair or replacement of faulty parts, perform Clear Memory Mode <Ref. to EN(H4SO)(diag)-55, OPERATION, Clear Memory Mode.> and Inspection Mode <Ref. to EN(H4SO)(diag)-44, PROCEDURE, Inspection Mode.>.

Step	Check	Yes	No
1 <b>CHECK FOR ANY OTHER DTC ON DISPLAY.</b>	Is any other DTC displayed?	Check DTC using "List of Diagnostic Trouble Code (DTC)". <Ref. to EN(H4SO)(diag)-86, List of Diagnostic Trouble Code (DTC).>	Replace the ECM. <Ref. to FU(H4SO)-45, Engine Control Module (ECM).> NOTE: The barometric pressure sensor is built into the ECM.



# General Diagnostic Table

ENGINE (DIAGNOSTICS)

## 21. General Diagnostic Table

### A: INSPECTION

#### 1. ENGINE

NOTE:

Malfunction of parts other than those listed is also possible. <Ref. to ME(H4SO)-99, Engine Trouble in General.>

Symptom	Problem parts
1. Engine stalls during idling.	1) Manifold absolute pressure sensor 2) Mass air flow and intake air temperature sensor 3) Ignition parts (*1) 4) Engine coolant temperature sensor (*2) 5) Crankshaft position sensor (*3) 6) Camshaft position sensor (*3) 7) Fuel injection parts (*4)
2. Rough idling	1) Manifold absolute pressure sensor 2) Mass air flow and intake air temperature sensor 3) Engine coolant temperature sensor (*2) 4) Ignition parts (*1) 5) Air intake system (*5) 6) Fuel injection parts (*4) 7) Electronic throttle control 8) Crankshaft position sensor (*3) 9) Camshaft position sensor (*3) 10) Oxygen sensor 11) Fuel pump and fuel pump relay 12) EGR valve
3. Engine does not return to idle.	1) Engine coolant temperature sensor 2) Electronic throttle control 3) Manifold absolute pressure sensor 4) Mass air flow and intake air temperature sensor 5) EGR valve
4. Poor acceleration	1) Manifold absolute pressure sensor 2) Mass air flow and intake air temperature sensor 3) Electronic throttle control 4) Fuel injection parts (*4) 5) Fuel pump and fuel pump relay 6) Engine coolant temperature sensor (*2) 7) Crankshaft position sensor (*3) 8) Camshaft position sensor (*3) 9) A/C switch and A/C cut relay 10) Engine torque control signal circuit 11) Ignition parts (*1) 12) EGR valve
5. Engine stalls, hesitates, or sputters at acceleration.	1) Manifold absolute pressure sensor 2) Mass air flow and intake air temperature sensor 3) Engine coolant temperature sensor (*2) 4) Crankshaft position sensor (*3) 5) Camshaft position sensor (*3) 6) Purge control solenoid valve 7) Fuel injection parts (*4) 8) Electronic throttle control 9) Fuel pump and fuel pump relay 10) EGR valve

# General Diagnostic Table

ENGINE (DIAGNOSTICS)

Symptom	Problem parts
6. Surging	1) Mass air flow and intake air temperature sensor 2) Manifold absolute pressure sensor 3) Engine coolant temperature sensor (*2) 4) Crankshaft position sensor (*3) 5) Camshaft position sensor (*3) 6) Fuel injection parts (*4) 7) Electronic throttle control 8) Fuel pump and fuel pump relay 9) EGR valve
7. Spark knock	1) Mass air flow and intake air temperature sensor 2) Manifold absolute pressure sensor 3) Engine coolant temperature sensor 4) Knock sensor 5) Fuel injection parts (*4) 6) Fuel pump and fuel pump relay 7) EGR valve
8. After burning in exhaust system	1) Mass air flow and intake air temperature sensor 2) Manifold absolute pressure sensor 3) Engine coolant temperature sensor (*2) 4) Fuel injection parts (*4) 5) Fuel pump and fuel pump relay

\*1: Check ignition coil and ignitor assembly and spark plug.

\*2: Indicate the symptom occurring only in cold temperatures.

\*3: Ensure the secure installation.

\*4: Check fuel injector, fuel pressure regulator and fuel filter.

\*5: Inspect air leak in air intake system.

# General Diagnostic Table

ENGINE (DIAGNOSTICS)

---

# List of Diagnostic Trouble Code (DTC)

## GENERAL DESCRIPTION

### 1. List of Diagnostic Trouble Code (DTC)

#### A: LIST

DTC	Item	Index
P0026	Intake Valve Control Solenoid Circuit Range/Performance (Bank 1)	<Ref. to GD(H4SO)-8, DTC P0026 INTAKE VALVE CONTROL SOLENOID CIRCUIT RANGE/PERFORMANCE (BANK 1), Diagnostic Trouble Code (DTC) Detecting Criteria.>
P0028	Intake Valve Control Solenoid Circuit Range/Performance (Bank 2)	<Ref. to GD(H4SO)-10, DTC P0028 INTAKE VALVE CONTROL SOLENOID CIRCUIT RANGE/PERFORMANCE (BANK 2), Diagnostic Trouble Code (DTC) Detecting Criteria.>
P0030	HO2S Heater Control Circuit (Bank 1 Sensor 1)	<Ref. to GD(H4SO)-11, DTC P0030 HO2S HEATER CONTROL CIRCUIT (BANK 1 SENSOR 1), Diagnostic Trouble Code (DTC) Detecting Criteria.>
P0031	HO2S Heater Control Circuit Low (Bank 1 Sensor 1)	<Ref. to GD(H4SO)-13, DTC P0031 HO2S HEATER CONTROL CIRCUIT LOW (BANK 1 SENSOR 1), Diagnostic Trouble Code (DTC) Detecting Criteria.>
P0032	HO2S Heater Control Circuit High (Bank 1 Sensor 1)	<Ref. to GD(H4SO)-15, DTC P0032 HO2S HEATER CONTROL CIRCUIT HIGH (BANK 1 SENSOR 1), Diagnostic Trouble Code (DTC) Detecting Criteria.>
P0037	HO2S Heater Control Circuit Low (Bank 1 Sensor 2)	<Ref. to GD(H4SO)-17, DTC P0037 HO2S HEATER CONTROL CIRCUIT LOW (BANK 1 SENSOR 2), Diagnostic Trouble Code (DTC) Detecting Criteria.>
P0038	HO2S Heater Control Circuit High (Bank 1 Sensor 2)	<Ref. to GD(H4SO)-19, DTC P0038 HO2S HEATER CONTROL CIRCUIT HIGH (BANK 1 SENSOR 2), Diagnostic Trouble Code (DTC) Detecting Criteria.>
P0068	MAP/MAF - Throttle Position Correlation	<Ref. to GD(H4SO)-21, DTC P0068 MAP/MAF - THROTTLE POSITION CORRELATION, Diagnostic Trouble Code (DTC) Detecting Criteria.>
P0076	Intake Valve Control Solenoid Circuit Low (Bank 1)	<Ref. to GD(H4SO)-23, DTC P0076 INTAKE VALVE CONTROL SOLENOID CIRCUIT LOW (BANK 1), Diagnostic Trouble Code (DTC) Detecting Criteria.>
P0077	Intake Valve Control Solenoid Circuit High (Bank 1)	<Ref. to GD(H4SO)-24, DTC P0077 INTAKE VALVE CONTROL SOLENOID CIRCUIT HIGH (BANK 1), Diagnostic Trouble Code (DTC) Detecting Criteria.>
P0082	Intake Valve Control Solenoid Circuit Low (Bank 2)	<Ref. to GD(H4SO)-24, DTC P0082 INTAKE VALVE CONTROL SOLENOID CIRCUIT LOW (BANK 2), Diagnostic Trouble Code (DTC) Detecting Criteria.>
P0083	Intake Valve Control Solenoid Circuit High (Bank 2)	<Ref. to GD(H4SO)-24, DTC P0083 INTAKE VALVE CONTROL SOLENOID CIRCUIT HIGH (BANK 2), Diagnostic Trouble Code (DTC) Detecting Criteria.>
P0101	Mass or Volume Air Flow Circuit Range/Performance	<Ref. to GD(H4SO)-25, DTC P0101 MASS OR VOLUME AIR FLOW CIRCUIT RANGE/PERFORMANCE, Diagnostic Trouble Code (DTC) Detecting Criteria.>
P0102	Mass or Volume Air Flow Circuit Low Input	<Ref. to GD(H4SO)-27, DTC P0102 MASS OR VOLUME AIR FLOW CIRCUIT LOW INPUT, Diagnostic Trouble Code (DTC) Detecting Criteria.>
P0103	Mass or Volume Air Flow Circuit High Input	<Ref. to GD(H4SO)-28, DTC P0103 MASS OR VOLUME AIR FLOW CIRCUIT HIGH INPUT, Diagnostic Trouble Code (DTC) Detecting Criteria.>
P0107	Manifold Absolute Pressure/Barometric Pressure Circuit Low Input	<Ref. to GD(H4SO)-29, DTC P0107 MANIFOLD ABSOLUTE PRESSURE/BAROMETRIC PRESSURE CIRCUIT LOW INPUT, Diagnostic Trouble Code (DTC) Detecting Criteria.>
P0108	Manifold Absolute Pressure/Barometric Pressure Circuit High Input	<Ref. to GD(H4SO)-30, DTC P0108 MANIFOLD ABSOLUTE PRESSURE/BAROMETRIC PRESSURE CIRCUIT HIGH INPUT, Diagnostic Trouble Code (DTC) Detecting Criteria.>
P0111	Intake Air Temperature Sensor 1 Circuit Range/Performance	<Ref. to GD(H4SO)-31, DTC P0111 INTAKE AIR TEMPERATURE SENSOR 1 CIRCUIT RANGE/PERFORMANCE, Diagnostic Trouble Code (DTC) Detecting Criteria.>
P0112	Intake Air Temperature Sensor 1 Circuit Low	<Ref. to GD(H4SO)-33, DTC P0112 INTAKE AIR TEMPERATURE SENSOR 1 CIRCUIT LOW, Diagnostic Trouble Code (DTC) Detecting Criteria.>
P0113	Intake Air Temperature Sensor 1 Circuit High	<Ref. to GD(H4SO)-34, DTC P0113 INTAKE AIR TEMPERATURE SENSOR 1 CIRCUIT HIGH, Diagnostic Trouble Code (DTC) Detecting Criteria.>
P0117	Engine Coolant Temperature Circuit Low	<Ref. to GD(H4SO)-35, DTC P0117 ENGINE COOLANT TEMPERATURE CIRCUIT LOW, Diagnostic Trouble Code (DTC) Detecting Criteria.>

# List of Diagnostic Trouble Code (DTC)

GENERAL DESCRIPTION

DTC	Item	Index
P0118	Engine Coolant Temperature Circuit High	<Ref. to GD(H4SO)-36, DTC P0118 ENGINE COOLANT TEMPERATURE CIRCUIT HIGH, Diagnostic Trouble Code (DTC) Detecting Criteria.>
P0122	Throttle/Pedal Position Sensor/Switch "A" Circuit Low	<Ref. to GD(H4SO)-37, DTC P0122 THROTTLE/PEDAL POSITION SENSOR/SWITCH "A" CIRCUIT LOW, Diagnostic Trouble Code (DTC) Detecting Criteria.>
P0123	Throttle/Pedal Position Sensor/Switch "A" Circuit High	<Ref. to GD(H4SO)-38, DTC P0123 THROTTLE/PEDAL POSITION SENSOR/SWITCH "A" CIRCUIT HIGH, Diagnostic Trouble Code (DTC) Detecting Criteria.>
P0125	Insufficient Coolant Temperature for Closed Loop Fuel Control	<Ref. to GD(H4SO)-39, DTC P0125 INSUFFICIENT COOLANT TEMPERATURE FOR CLOSED LOOP FUEL CONTROL, Diagnostic Trouble Code (DTC) Detecting Criteria.>
P0126	Insufficient Engine Coolant Temperature for Stable Operation	<Ref. to GD(H4SO)-41, DTC P0126 INSUFFICIENT ENGINE COOLANT TEMPERATURE FOR STABLE OPERATION, Diagnostic Trouble Code (DTC) Detecting Criteria.>
P0128	Coolant Thermostat (Engine Coolant Temperature Below Thermostat Regulating Temperature)	<Ref. to GD(H4SO)-43, DTC P0128 COOLANT THERMOSTAT (ENGINE COOLANT TEMPERATURE BELOW THERMOSTAT REGULATING TEMPERATURE), Diagnostic Trouble Code (DTC) Detecting Criteria.>
P0131	O2 Sensor Circuit Low Voltage (Bank 1 Sensor 1)	<Ref. to GD(H4SO)-45, DTC P0131 O2 SENSOR CIRCUIT LOW VOLTAGE (BANK 1 SENSOR 1), Diagnostic Trouble Code (DTC) Detecting Criteria.>
P0132	O2 Sensor Circuit High Voltage (Bank 1 Sensor 1)	<Ref. to GD(H4SO)-47, DTC P0132 O2 SENSOR CIRCUIT HIGH VOLTAGE (BANK 1 SENSOR 1), Diagnostic Trouble Code (DTC) Detecting Criteria.>
P0133	O2 Sensor Circuit Slow Response (Bank 1 Sensor 1)	<Ref. to GD(H4SO)-49, DTC P0133 O2 SENSOR CIRCUIT SLOW RESPONSE (BANK 1 SENSOR 1), Diagnostic Trouble Code (DTC) Detecting Criteria.>
P0134	O2 Sensor Circuit No Activity Detected (Bank 1 Sensor 1)	<Ref. to GD(H4SO)-52, DTC P0134 O2 SENSOR CIRCUIT NO ACTIVITY DETECTED (BANK 1 SENSOR 1), Diagnostic Trouble Code (DTC) Detecting Criteria.>
P0137	O2 Sensor Circuit Low Voltage (Bank 1 Sensor 2)	<Ref. to GD(H4SO)-54, DTC P0137 O2 SENSOR CIRCUIT LOW VOLTAGE (BANK 1 SENSOR 2), Diagnostic Trouble Code (DTC) Detecting Criteria.>
P0138	O2 Sensor Circuit High Voltage (Bank 1 Sensor 2)	<Ref. to GD(H4SO)-56, DTC P0138 O2 SENSOR CIRCUIT HIGH VOLTAGE (BANK 1 SENSOR 2), Diagnostic Trouble Code (DTC) Detecting Criteria.>
P0139	O2 Sensor Circuit Slow Response (Bank 1 Sensor 2)	<Ref. to GD(H4SO)-57, DTC P0139 O2 SENSOR CIRCUIT SLOW RESPONSE (BANK 1 SENSOR 2), Diagnostic Trouble Code (DTC) Detecting Criteria.>
P0140	O2 Sensor Circuit No Activity Detected (Bank 1 Sensor 2)	<Ref. to GD(H4SO)-63, DTC P0140 O2 SENSOR CIRCUIT NO ACTIVITY DETECTED (BANK1 SENSOR2), Diagnostic Trouble Code (DTC) Detecting Criteria.>
P0171	System Too Lean (Bank 1)	<Ref. to GD(H4SO)-65, DTC P0171 SYSTEM TOO LEAN (BANK 1), Diagnostic Trouble Code (DTC) Detecting Criteria.>
P0172	System Too Rich (Bank 1)	<Ref. to GD(H4SO)-66, DTC P0172 SYSTEM TOO RICH (BANK 1), Diagnostic Trouble Code (DTC) Detecting Criteria.>
P0181	Fuel Temperature Sensor "A" Circuit Range/Performance	<Ref. to GD(H4SO)-67, DTC P0181 FUEL TEMPERATURE SENSOR "A" CIRCUIT RANGE/PERFORMANCE, Diagnostic Trouble Code (DTC) Detecting Criteria.>
P0182	Fuel Temperature Sensor "A" Circuit Low Input	<Ref. to GD(H4SO)-70, DTC P0182 FUEL TEMPERATURE SENSOR "A" CIRCUIT LOW INPUT, Diagnostic Trouble Code (DTC) Detecting Criteria.>
P0183	Fuel Temperature Sensor "A" Circuit High Input	<Ref. to GD(H4SO)-71, DTC P0183 FUEL TEMPERATURE SENSOR "A" CIRCUIT HIGH INPUT, Diagnostic Trouble Code (DTC) Detecting Criteria.>
P0196	Engine Oil Temperature Sensor Circuit Range/Performance	<Ref. to GD(H4SO)-72, DTC P0196 ENGINE OIL TEMPERATURE SENSOR CIRCUIT RANGE/PERFORMANCE, Diagnostic Trouble Code (DTC) Detecting Criteria.>
P0197	Engine Oil Temperature Sensor Low	<Ref. to GD(H4SO)-74, DTC P0197 ENGINE OIL TEMPERATURE SENSOR LOW, Diagnostic Trouble Code (DTC) Detecting Criteria.>
P0198	Engine Oil Temperature Sensor High	<Ref. to GD(H4SO)-75, DTC P0198 ENGINE OIL TEMPERATURE SENSOR HIGH, Diagnostic Trouble Code (DTC) Detecting Criteria.>

## List of Diagnostic Trouble Code (DTC)

### GENERAL DESCRIPTION

DTC	Item	Index
P0222	Throttle/Pedal Position Sensor/Switch "B" Circuit Low	<Ref. to GD(H4SO)-76, DTC P0222 THROTTLE/PEDAL POSITION SENSOR/SWITCH "B" CIRCUIT LOW, Diagnostic Trouble Code (DTC) Detecting Criteria.>
P0223	Throttle/Pedal Position Sensor/Switch "B" Circuit High	<Ref. to GD(H4SO)-77, DTC P0223 THROTTLE/PEDAL POSITION SENSOR/SWITCH "B" CIRCUIT HIGH, Diagnostic Trouble Code (DTC) Detecting Criteria.>
P0301	Cylinder 1 Misfire Detected	<Ref. to GD(H4SO)-78, DTC P0301 CYLINDER 1 MISFIRE DETECTED, Diagnostic Trouble Code (DTC) Detecting Criteria.>
P0302	Cylinder 2 Misfire Detected	<Ref. to GD(H4SO)-83, DTC P0302 CYLINDER 2 MISFIRE DETECTED, Diagnostic Trouble Code (DTC) Detecting Criteria.>
P0303	Cylinder 3 Misfire Detected	<Ref. to GD(H4SO)-83, DTC P0303 CYLINDER 3 MISFIRE DETECTED, Diagnostic Trouble Code (DTC) Detecting Criteria.>
P0304	Cylinder 4 Misfire Detected	<Ref. to GD(H4SO)-83, DTC P0304 CYLINDER 4 MISFIRE DETECTED, Diagnostic Trouble Code (DTC) Detecting Criteria.>
P0327	Knock Sensor 1 Circuit Low (Bank 1 or Single Sensor)	<Ref. to GD(H4SO)-84, DTC P0327 KNOCK SENSOR 1 CIRCUIT LOW (BANK 1 OR SINGLE SENSOR), Diagnostic Trouble Code (DTC) Detecting Criteria.>
P0328	Knock Sensor 1 Circuit High (Bank 1 or Single Sensor)	<Ref. to GD(H4SO)-85, DTC P0328 KNOCK SENSOR 1 CIRCUIT HIGH (BANK 1 OR SINGLE SENSOR), Diagnostic Trouble Code (DTC) Detecting Criteria.>
P0335	Crankshaft Position Sensor "A" Circuit	<Ref. to GD(H4SO)-86, DTC P0335 CRANKSHAFT POSITION SENSOR "A" CIRCUIT, Diagnostic Trouble Code (DTC) Detecting Criteria.>
P0336	Crankshaft Position Sensor "A" Circuit Range/Performance	<Ref. to GD(H4SO)-88, DTC P0336 CRANKSHAFT POSITION SENSOR "A" CIRCUIT RANGE/PERFORMANCE, Diagnostic Trouble Code (DTC) Detecting Criteria.>
P0340	Camshaft Position Sensor "A" Circuit (Bank 1 or Single Sensor)	<Ref. to GD(H4SO)-90, DTC P0340 CAMSHAFT POSITION SENSOR "A" CIRCUIT (BANK 1 OR SINGLE SENSOR), Diagnostic Trouble Code (DTC) Detecting Criteria.>
P0341	Camshaft Position Sensor "A" Circuit Range/Performance (Bank 1 or Single Sensor)	<Ref. to GD(H4SO)-92, DTC P0341 CAMSHAFT POSITION SENSOR "A" CIRCUIT RANGE/PERFORMANCE (BANK 1 OR SINGLE SENSOR), Diagnostic Trouble Code (DTC) Detecting Criteria.>
P0400	Exhaust Gas Recirculation Flow	<Ref. to GD(H4SO)-94, DTC P0400 EXHAUST GAS RECIRCULATION FLOW, Diagnostic Trouble Code (DTC) Detecting Criteria.>
P0420	Catalyst System Efficiency below Threshold (Bank 1)	<Ref. to GD(H4SO)-97, DTC P0420 CATALYST SYSTEM EFFICIENCY BELOW THRESHOLD (BANK 1), Diagnostic Trouble Code (DTC) Detecting Criteria.>
P0442	Evaporative Emission Control System Leak Detected (Small Leak)	<Ref. to GD(H4SO)-99, DTC P0442 EVAPORATIVE EMISSION CONTROL SYSTEM LEAK DETECTED (SMALL LEAK), Diagnostic Trouble Code (DTC) Detecting Criteria.>
P0447	Evaporative Emission Control System Vent Control Circuit Open	<Ref. to GD(H4SO)-115, DTC P0447 EVAPORATIVE EMISSION CONTROL SYSTEM VENT CONTROL CIRCUIT OPEN, Diagnostic Trouble Code (DTC) Detecting Criteria.>
P0448	Evaporative Emission Control System Vent Control Circuit Shorted	<Ref. to GD(H4SO)-117, DTC P0448 EVAPORATIVE EMISSION CONTROL SYSTEM VENT CONTROL CIRCUIT SHORTED, Diagnostic Trouble Code (DTC) Detecting Criteria.>
P0451	Evaporative Emission Control System Pressure Sensor	<Ref. to GD(H4SO)-119, DTC P0451 EVAPORATIVE EMISSION CONTROL SYSTEM PRESSURE SENSOR, Diagnostic Trouble Code (DTC) Detecting Criteria.>
P0452	Evaporative Emission Control System Pressure Sensor Low Input	<Ref. to GD(H4SO)-121, DTC P0452 EVAPORATIVE EMISSION CONTROL SYSTEM PRESSURE SENSOR LOW INPUT, Diagnostic Trouble Code (DTC) Detecting Criteria.>
P0453	Evaporative Emission Control System Pressure Sensor High Input	<Ref. to GD(H4SO)-123, DTC P0453 EVAPORATIVE EMISSION CONTROL SYSTEM PRESSURE SENSOR HIGH INPUT, Diagnostic Trouble Code (DTC) Detecting Criteria.>

# List of Diagnostic Trouble Code (DTC)

GENERAL DESCRIPTION

DTC	Item	Index
P0456	Evaporative Emission Control System Leak Detected (Very Small Leak)	<Ref. to GD(H4SO)-124, DTC P0456 EVAPORATIVE EMISSION CONTROL SYSTEM LEAK DETECTED (VERY SMALL LEAK), Diagnostic Trouble Code (DTC) Detecting Criteria.>
P0457	Evaporative Emission Control System Leak Detected (Fuel Cap Loose/Off)	<Ref. to GD(H4SO)-124, DTC P0457 EVAPORATIVE EMISSION CONTROL SYSTEM LEAK DETECTED (FUEL CAP LOOSE/OFF), Diagnostic Trouble Code (DTC) Detecting Criteria.>
P0458	Evaporative Emission System Purge Control Valve Circuit Low	<Ref. to GD(H4SO)-125, DTC P0458 EVAPORATIVE EMISSION SYSTEM PURGE CONTROL VALVE CIRCUIT LOW, Diagnostic Trouble Code (DTC) Detecting Criteria.>
P0459	Evaporative Emission System Purge Control Valve Circuit High	<Ref. to GD(H4SO)-127, DTC P0459 EVAPORATIVE EMISSION SYSTEM PURGE CONTROL VALVE CIRCUIT HIGH, Diagnostic Trouble Code (DTC) Detecting Criteria.>
P0461	Fuel Level Sensor "A" Circuit Range/Performance	<Ref. to GD(H4SO)-129, DTC P0461 FUEL LEVEL SENSOR "A" CIRCUIT RANGE/PERFORMANCE, Diagnostic Trouble Code (DTC) Detecting Criteria.>
P0462	Fuel Level Sensor "A" Circuit Low	<Ref. to GD(H4SO)-131, DTC P0462 FUEL LEVEL SENSOR "A" CIRCUIT LOW, Diagnostic Trouble Code (DTC) Detecting Criteria.>
P0463	Fuel Level Sensor "A" Circuit High	<Ref. to GD(H4SO)-133, DTC P0463 FUEL LEVEL SENSOR "A" CIRCUIT HIGH, Diagnostic Trouble Code (DTC) Detecting Criteria.>
P0464	Fuel Level Sensor Circuit Intermittent	<Ref. to GD(H4SO)-135, DTC P0464 FUEL LEVEL SENSOR CIRCUIT INTERMITTENT, Diagnostic Trouble Code (DTC) Detecting Criteria.>
P0500	Vehicle Speed Sensor "A"	<Ref. to GD(H4SO)-138, DTC P0500 VEHICLE SPEED SENSOR "A", Diagnostic Trouble Code (DTC) Detecting Criteria.>
P0506	Idle Air Control System RPM Lower Than Expected	<Ref. to GD(H4SO)-139, DTC P0506 IDLE AIR CONTROL SYSTEM RPM LOWER THAN EXPECTED, Diagnostic Trouble Code (DTC) Detecting Criteria.>
P0507	Idle Air Control System RPM Higher Than Expected	<Ref. to GD(H4SO)-140, DTC P0507 IDLE AIR CONTROL SYSTEM RPM HIGHER THAN EXPECTED, Diagnostic Trouble Code (DTC) Detecting Criteria.>
P0512	Starter Request Circuit	<Ref. to GD(H4SO)-141, DTC P0512 STARTER REQUEST CIRCUIT, Diagnostic Trouble Code (DTC) Detecting Criteria.>
P0513	Incorrect Immobilizer Key	<Ref. to GD(H4SO)-142, DTC P0513 INCORRECT IMMOBILIZER KEY, Diagnostic Trouble Code (DTC) Detecting Criteria.>
P0600	Serial Communication Link	<Ref. to GD(H4SO)-143, DTC P0600 SERIAL COMMUNICATION LINK, Diagnostic Trouble Code (DTC) Detecting Criteria.>
P0604	Internal Control Module Random Access Memory (RAM) Error	<Ref. to GD(H4SO)-145, DTC P0604 INTERNAL CONTROL MODULE RANDOM ACCESS MEMORY (RAM) ERROR, Diagnostic Trouble Code (DTC) Detecting Criteria.>
P0605	Internal Control Module Read Only Memory (ROM) Error	<Ref. to GD(H4SO)-146, DTC P0605 INTERNAL CONTROL MODULE READ ONLY MEMORY (ROM) ERROR, Diagnostic Trouble Code (DTC) Detecting Criteria.>
P0607	Throttle Control System Circuit Range/Performance	<Ref. to GD(H4SO)-147, DTC P0607 THROTTLE CONTROL SYSTEM CIRCUIT RANGE/PERFORMANCE, Diagnostic Trouble Code (DTC) Detecting Criteria.>
P0638	Throttle Actuator Control Range/Performance (Bank 1)	<Ref. to GD(H4SO)-149, DTC P0638 THROTTLE ACTUATOR CONTROL RANGE/PERFORMANCE (BANK 1), Diagnostic Trouble Code (DTC) Detecting Criteria.>
P0700	Transmission Control System (MIL Request)	<Ref. to GD(H4SO)-151, DTC P0700 TRANSMISSION CONTROL SYSTEM (MIL REQUEST), Diagnostic Trouble Code (DTC) Detecting Criteria.>
P0851	Park/Neutral Switch Input Circuit Low (AT Model)	<Ref. to GD(H4SO)-152, DTC P0851 PARK/NEUTRAL SWITCH INPUT CIRCUIT LOW (AT MODEL), Diagnostic Trouble Code (DTC) Detecting Criteria.>
P0851	Neutral Switch Input Circuit Low (MT Model)	<Ref. to GD(H4SO)-153, DTC P0851 NEUTRAL SWITCH INPUT CIRCUIT LOW (MT MODEL), Diagnostic Trouble Code (DTC) Detecting Criteria.>
P0852	Park/Neutral Switch Input Circuit High (AT Model)	<Ref. to GD(H4SO)-154, DTC P0852 PARK/NEUTRAL SWITCH INPUT CIRCUIT HIGH (AT MODEL), Diagnostic Trouble Code (DTC) Detecting Criteria.>

## List of Diagnostic Trouble Code (DTC)

### GENERAL DESCRIPTION

DTC	Item	Index
P0852	Neutral Switch Input Circuit High (MT Model)	<Ref. to GD(H4SO)-155, DTC P0852 NEUTRAL SWITCH INPUT CIRCUIT HIGH (MT MODEL), Diagnostic Trouble Code (DTC) Detecting Criteria.>
P1152	O2 Sensor Circuit Range/Performance (Low) (Bank1 Sensor1)	<Ref. to GD(H4SO)-156, DTC P1152 O2 SENSOR CIRCUIT RANGE/PERFORMANCE (LOW) (BANK1 SENSOR1), Diagnostic Trouble Code (DTC) Detecting Criteria.>
P1153	O2 Sensor Circuit Range/Performance (High) (Bank1 Sensor1)	<Ref. to GD(H4SO)-158, DTC P1153 O2 SENSOR CIRCUIT RANGE/PERFORMANCE (HIGH) (BANK1 SENSOR1), Diagnostic Trouble Code (DTC) Detecting Criteria.>
P1160	Return Spring Failure	<Ref. to GD(H4SO)-160, DTC P1160 RETURN SPRING FAILURE, Diagnostic Trouble Code (DTC) Detecting Criteria.>
P1400	Fuel Tank Pressure Control Solenoid Valve Circuit Low	<Ref. to GD(H4SO)-162, DTC P1400 FUEL TANK PRESSURE CONTROL SOLENOID VALVE CIRCUIT LOW, Diagnostic Trouble Code (DTC) Detecting Criteria.>
P1420	Fuel Tank Pressure Control Sol. Valve Circuit High	<Ref. to GD(H4SO)-164, DTC P1420 FUEL TANK PRESSURE CONTROL SOL. VALVE CIRCUIT HIGH, Diagnostic Trouble Code (DTC) Detecting Criteria.>
P1443	Vent Control Solenoid Valve Function Problem	<Ref. to GD(H4SO)-166, DTC P1443 VENT CONTROL SOLENOID VALVE FUNCTION PROBLEM, Diagnostic Trouble Code (DTC) Detecting Criteria.>
P1491	Positive Crankcase Ventilation (Blow-by) Function Problem	<Ref. to GD(H4SO)-168, DTC P1491 POSITIVE CRANKCASE VENTILATION (BLOW-BY) FUNCTION PROBLEM, Diagnostic Trouble Code (DTC) Detecting Criteria.>
P1492	EGR Solenoid Valve Signal #1 Circuit Malfunction (Low Input)	<Ref. to GD(H4SO)-170, DTC P1492 EGR SOLENOID VALVE SIGNAL #1 CIRCUIT MALFUNCTION (LOW INPUT), Diagnostic Trouble Code (DTC) Detecting Criteria.>
P1493	EGR Solenoid Valve Signal #1 Circuit Malfunction (High Input)	<Ref. to GD(H4SO)-172, DTC P1493 EGR SOLENOID VALVE SIGNAL #1 CIRCUIT MALFUNCTION (HIGH INPUT), Diagnostic Trouble Code (DTC) Detecting Criteria.>
P1494	EGR Solenoid Valve Signal #2 Circuit Malfunction (Low Input)	<Ref. to GD(H4SO)-174, DTC P1494 EGR SOLENOID VALVE SIGNAL #2 CIRCUIT MALFUNCTION (LOW INPUT), Diagnostic Trouble Code (DTC) Detecting Criteria.>
P1495	EGR Solenoid Valve Signal #2 Circuit Malfunction (High Input)	<Ref. to GD(H4SO)-174, DTC P1495 EGR SOLENOID VALVE SIGNAL #2 CIRCUIT MALFUNCTION (HIGH INPUT), Diagnostic Trouble Code (DTC) Detecting Criteria.>
P1496	EGR Solenoid Valve Signal #3 Circuit Malfunction (Low Input)	<Ref. to GD(H4SO)-174, DTC P1496 EGR SOLENOID VALVE SIGNAL #3 CIRCUIT MALFUNCTION (LOW INPUT), Diagnostic Trouble Code (DTC) Detecting Criteria.>
P1497	EGR Solenoid Valve Signal #3 Circuit Malfunction (High Input)	<Ref. to GD(H4SO)-174, DTC P1497 EGR SOLENOID VALVE SIGNAL #3 CIRCUIT MALFUNCTION (HIGH INPUT), Diagnostic Trouble Code (DTC) Detecting Criteria.>
P1498	EGR Solenoid Valve Signal #4 Circuit Malfunction (Low Input)	<Ref. to GD(H4SO)-174, DTC P1498 EGR SOLENOID VALVE SIGNAL #4 CIRCUIT MALFUNCTION (LOW INPUT), Diagnostic Trouble Code (DTC) Detecting Criteria.>
P1499	EGR Solenoid Valve Signal #4 Circuit Malfunction (High Input)	<Ref. to GD(H4SO)-174, DTC P1499 EGR SOLENOID VALVE SIGNAL #4 CIRCUIT MALFUNCTION (HIGH INPUT), Diagnostic Trouble Code (DTC) Detecting Criteria.>
P1560	Back-Up Voltage Circuit Malfunction	<Ref. to GD(H4SO)-175, DTC P1560 BACK-UP VOLTAGE CIRCUIT MALFUNCTION, Diagnostic Trouble Code (DTC) Detecting Criteria.>
P1570	Antenna	<Ref. to GD(H4SO)-176, DTC P1570 ANTENNA, Diagnostic Trouble Code (DTC) Detecting Criteria.>
P1571	Reference Code Incompatibility	<Ref. to GD(H4SO)-176, DTC P1571 REFERENCE CODE INCOMPATIBILITY, Diagnostic Trouble Code (DTC) Detecting Criteria.>
P1572	IMM Circuit Failure (Except Antenna Circuit)	<Ref. to GD(H4SO)-176, DTC P1572 IMM CIRCUIT FAILURE (EXCEPT ANTENNA CIRCUIT), Diagnostic Trouble Code (DTC) Detecting Criteria.>
P1574	Key Communication Failure	<Ref. to GD(H4SO)-176, DTC P1574 KEY COMMUNICATION FAILURE, Diagnostic Trouble Code (DTC) Detecting Criteria.>



# List of Diagnostic Trouble Code (DTC)

GENERAL DESCRIPTION

DTC	Item	Index
P1576	EGI Control Module EEPROM	<Ref. to GD(H4SO)-176, DTC P1576 EGI CONTROL MODULE EEPROM, Diagnostic Trouble Code (DTC) Detecting Criteria.>
P1577	IMM Control Module EEPROM	<Ref. to GD(H4SO)-176, DTC P1577 IMM CONTROL MODULE EEPROM, Diagnostic Trouble Code (DTC) Detecting Criteria.>
P1578	Meter Failure	<Ref. to GD(H4SO)-176, DTC P1578 METER FAILURE, Diagnostic Trouble Code (DTC) Detecting Criteria.>
P1602	Control Module Programming Error	<Ref. to GD(H4SO)-177, DTC P1602 CONTROL MODULE PROGRAMMING ERROR, Diagnostic Trouble Code (DTC) Detecting Criteria.>
P2096	Post Catalyst Fuel Trim System Too Lean (Bank 1)	<Ref. to GD(H4SO)-179, DTC P2096 POST CATALYST FUEL TRIM SYSTEM TOO LEAN (BANK 1), Diagnostic Trouble Code (DTC) Detecting Criteria.>
P2097	Post Catalyst Fuel Trim System Too Rich (Bank 1)	<Ref. to GD(H4SO)-181, DTC P2097 POST CATALYST FUEL TRIM SYSTEM TOO RICH (BANK 1), Diagnostic Trouble Code (DTC) Detecting Criteria.>
P2101	Throttle Actuator Control Motor Circuit Range/Performance	<Ref. to GD(H4SO)-183, DTC P2101 THROTTLE ACTUATOR CONTROL MOTOR CIRCUIT RANGE/PERFORMANCE, Diagnostic Trouble Code (DTC) Detecting Criteria.>
P2102	Throttle Actuator Control Motor Circuit Low	<Ref. to GD(H4SO)-184, DTC P2102 THROTTLE ACTUATOR CONTROL MOTOR CIRCUIT LOW, Diagnostic Trouble Code (DTC) Detecting Criteria.>
P2103	Throttle Actuator Control Motor Circuit High	<Ref. to GD(H4SO)-185, DTC P2103 THROTTLE ACTUATOR CONTROL MOTOR CIRCUIT HIGH, Diagnostic Trouble Code (DTC) Detecting Criteria.>
P2109	Throttle/Pedal Position Sensor "A" Minimum Stop Performance	<Ref. to GD(H4SO)-186, DTC P2109 THROTTLE/PEDAL POSITION SENSOR "A" MINIMUM STOP PERFORMANCE, Diagnostic Trouble Code (DTC) Detecting Criteria.>
P2122	Throttle/Pedal Position Sensor/Switch "D" Circuit Low Input	<Ref. to GD(H4SO)-187, DTC P2122 THROTTLE/PEDAL POSITION SENSOR/SWITCH "D" CIRCUIT LOW INPUT, Diagnostic Trouble Code (DTC) Detecting Criteria.>
P2123	Throttle/Pedal Position Sensor/Switch "D" Circuit High Input	<Ref. to GD(H4SO)-189, DTC P2123 THROTTLE/PEDAL POSITION SENSOR/SWITCH "D" CIRCUIT HIGH INPUT, Diagnostic Trouble Code (DTC) Detecting Criteria.>
P2127	Throttle/Pedal Position Sensor/Switch "E" Circuit Low Input	<Ref. to GD(H4SO)-191, DTC P2127 THROTTLE/PEDAL POSITION SENSOR/SWITCH "E" CIRCUIT LOW INPUT, Diagnostic Trouble Code (DTC) Detecting Criteria.>
P2128	Throttle/Pedal Position Sensor/Switch "E" Circuit High Input	<Ref. to GD(H4SO)-193, DTC P2128 THROTTLE/PEDAL POSITION SENSOR/SWITCH "E" CIRCUIT HIGH INPUT, Diagnostic Trouble Code (DTC) Detecting Criteria.>
P2135	Throttle/Pedal Position Sensor/Switch "A"/"B" Voltage Correlation	<Ref. to GD(H4SO)-195, DTC P2135 THROTTLE/PEDAL POSITION SENSOR/SWITCH "A"/"B" VOLTAGE CORRELATION, Diagnostic Trouble Code (DTC) Detecting Criteria.>
P2138	Throttle/Pedal Position Sensor/Switch "D"/"E" Voltage Correlation	<Ref. to GD(H4SO)-197, DTC P2138 THROTTLE/PEDAL POSITION SENSOR/SWITCH "D"/"E" VOLTAGE CORRELATION, Diagnostic Trouble Code (DTC) Detecting Criteria.>
P2227	Atmospheric Pressure Sensor Range/Performance	<Ref. to GD(H4SO)-199, DTC P2227 BAROMETRIC PRESSURE CIRCUIT RANGE/PERFORMANCE, Diagnostic Trouble Code (DTC) Detecting Criteria.>
P2228	Barometric Pressure Circuit Low	<Ref. to GD(H4SO)-200, DTC P2228 BAROMETRIC PRESSURE CIRCUIT LOW, Diagnostic Trouble Code (DTC) Detecting Criteria.>
P2229	Barometric Pressure Circuit High	<Ref. to GD(H4SO)-201, DTC P2229 BAROMETRIC PRESSURE CIRCUIT HIGH, Diagnostic Trouble Code (DTC) Detecting Criteria.>

# Diagnostic Trouble Code (DTC) Detecting Criteria

## GENERAL DESCRIPTION

## 2. Diagnostic Trouble Code (DTC) Detecting Criteria

### A: DTC P0026 INTAKE VALVE CONTROL SOLENOID CIRCUIT RANGE/ PERFORMANCE (BANK 1)

#### 1. OUTLINE OF DIAGNOSIS

Judge as NG with either Low NG or High NG.

A variable valve lift diagnosis oil pressure switch is installed for diagnosis. It is possible to determine whether the intake valve is in high mode (increase the amount of lift) or in low mode (suppressing the amount of lift) when the variable valve lift diagnosis oil pressure switch is turned ON or OFF.

#### • Normal

Oil switching solenoid valve duty	Intake valve	Variable valve lift diagnosis oil pressure switch
Large	High mode	ON
Minimum	Low mode	OFF

#### • Low NG

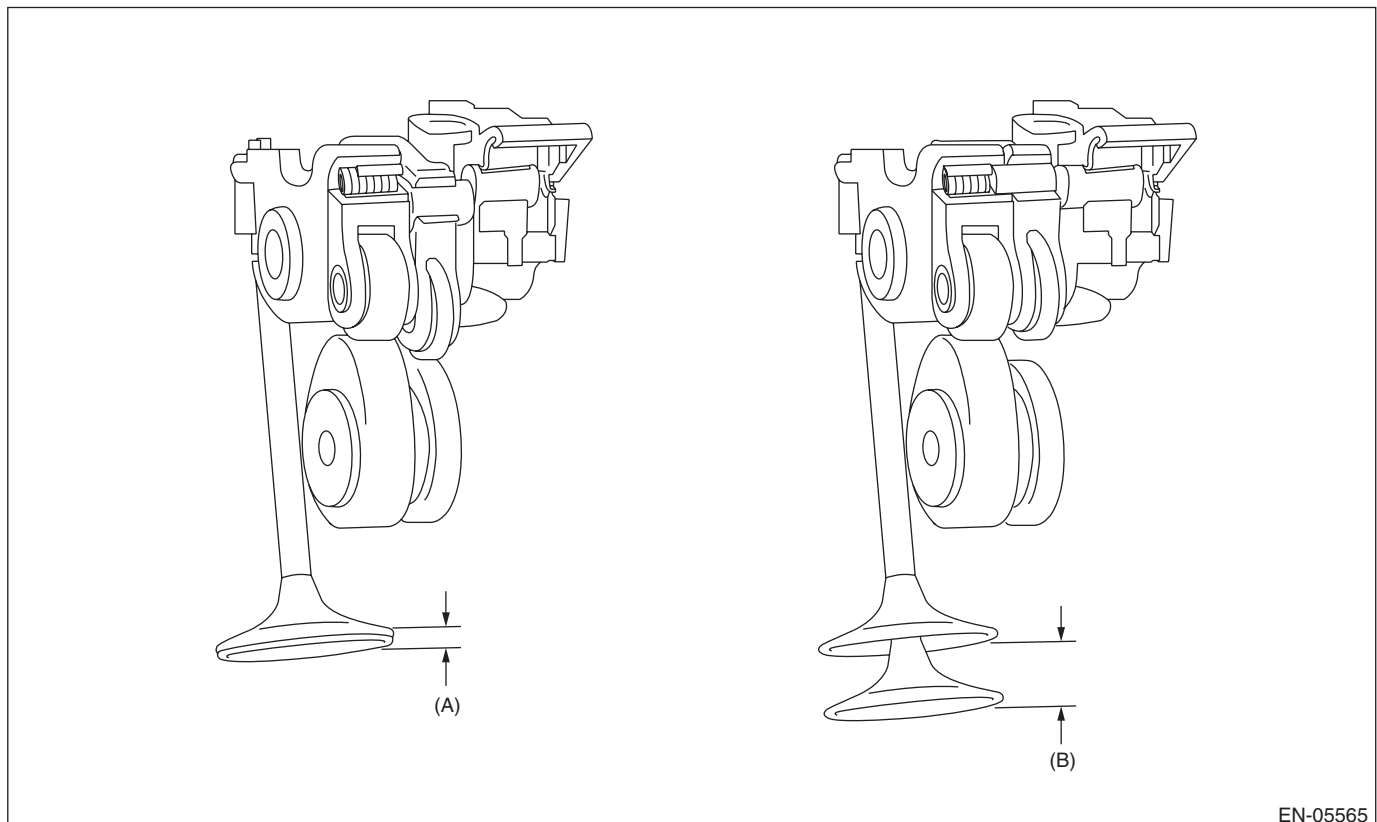
When the variable valve lift diagnosis oil pressure switch remains OFF even though the intake valve tried to enter high mode (oil switching solenoid valve duty is large), this is judged as a Low NG.

#### • High NG

When the variable valve lift diagnosis oil pressure switch remains ON even though the intake valve tried to enter low mode (oil switching solenoid valve duty is small), this is judged as a High NG.

#### 2. COMPONENT DESCRIPTION

The variable valve lift system optimizes the intake valve lift by switching between the low lift cam and the high lift cam according to the engine speed. The amount of intake valve lift is varied by controlling the oil switching solenoid valve duty according to signals from the ECM.



EN-05565

(A) Low lift

(B) High lift

# Diagnostic Trouble Code (DTC) Detecting Criteria

GENERAL DESCRIPTION

## 3. ENABLE CONDITIONS

Secondary Parameters	Enable Condition
Battery voltage	≥ 10.9 V
After engine starting	≥ 6000 ms
Engine oil temperature	≥ 15 °C (59 °F)
Variable valve lift control	Operation

## 4. GENERAL DRIVING CYCLE

Perform the diagnosis continuously 6 seconds after engine start while variable valve lift is being controlled

## 5. DIAGNOSTIC METHOD

### • Abnormality Judgement

If the duration of time while the following conditions are met is longer than the time indicated, judge as NG.

### Judgement Value

Malfunction Criteria	Threshold Value
<b>Low</b>	
Duty ratio	≥ 62 %
Variable valve lift diagnosis oil pressure switch	OFF
<b>High</b>	
Duty ratio	< 33 %
Variable valve lift diagnosis oil pressure switch	ON

### Time Needed for Diagnosis:

Low side: 784 ms

High side: 3000 ms

**Malfunction Indicator Light Illumination:** Illuminates as soon as a malfunction occurs.

### • Normality Judgement

Judge as OK and clear the NG if the continuous time while the following conditions are established is more than the predetermined time.

### Judgement Value

Malfunction Criteria	Threshold Value
<b>Low</b>	
Duty ratio	≥ 62 %
Variable valve lift diagnosis oil pressure switch	ON
<b>High</b>	
Duty ratio	< 33 %
Variable valve lift diagnosis oil pressure switch	OFF

### Time Needed for Diagnosis:

Low side: 208 ms

High side: 3000 ms

## Diagnostic Trouble Code (DTC) Detecting Criteria

### GENERAL DESCRIPTION

---

#### **B: DTC P0028 INTAKE VALVE CONTROL SOLENOID CIRCUIT RANGE/ PERFORMANCE (BANK 2)**

##### **1. OUTLINE OF DIAGNOSIS**

###### NOTE:

For the detection standard, refer to DTC P0026. <Ref. to GD(H4SO)-8, DTC P0026 INTAKE VALVE CONTROL SOLENOID CIRCUIT RANGE/PERFORMANCE (BANK 1), Diagnostic Trouble Code (DTC) Detecting Criteria.>

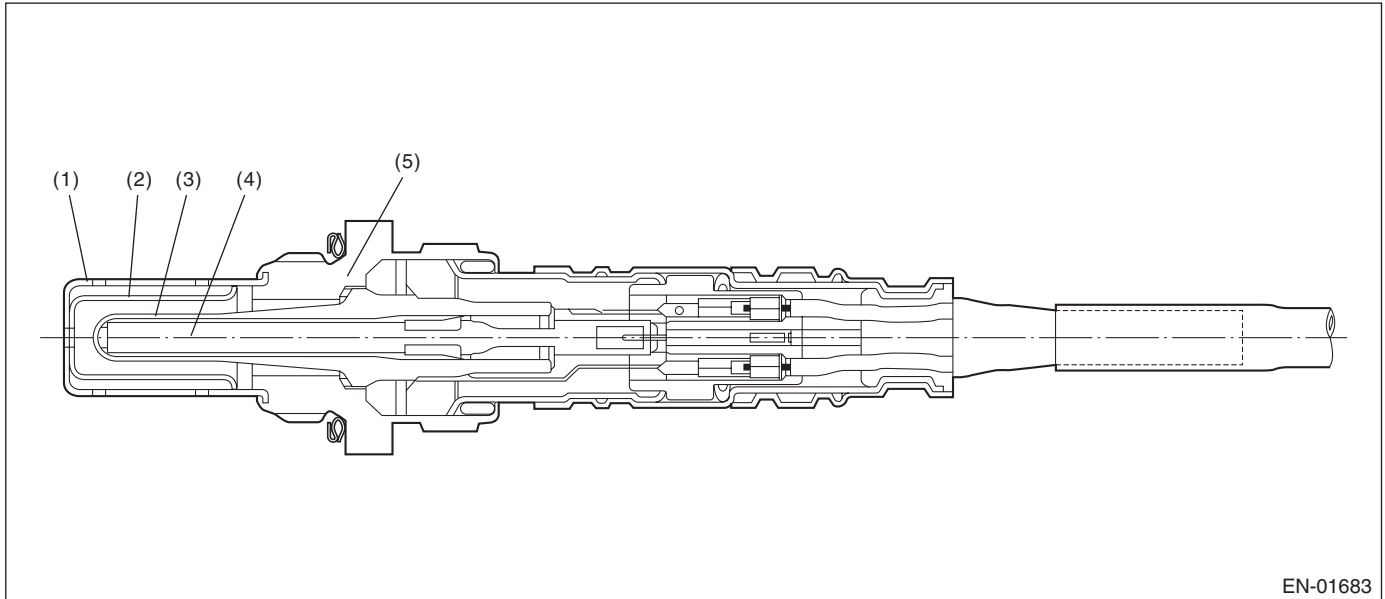
## C: DTC P0030 HO2S HEATER CONTROL CIRCUIT (BANK 1 SENSOR 1)

### 1. OUTLINE OF DIAGNOSIS

Detect functional errors of the front oxygen (A/F) sensor heater.

Judge as NG when it is determined that the front oxygen (A/F) sensor impedance is large when looking at engine status such as deceleration fuel cut.

### 2. COMPONENT DESCRIPTION



- |                           |                    |                    |
|---------------------------|--------------------|--------------------|
| (1) Element cover (outer) | (3) Sensor element | (5) Sensor housing |
| (2) Element cover (inner) | (4) Ceramic heater |                    |

### 3. ENABLE CONDITIONS

Secondary Parameters	Enable Condition
Condition established time	≥ 42000 ms
Battery voltage	≥ 10.9 V
Heater current	Permitted
Control duty ≥ 35 %	Experienced
After fuel cut	≥ 20000 ms

### 4. GENERAL DRIVING CYCLE

Perform the diagnosis continuously after 42000 ms seconds or more have passed since the engine started.

# Diagnostic Trouble Code (DTC) Detecting Criteria

## GENERAL DESCRIPTION

---

### 5. DIAGNOSTIC METHOD

#### • Abnormality Judgement

If the duration of time while the following conditions are met is longer than the time indicated, judge as NG.

#### Judgement Value

Malfunction Criteria	Threshold Value
Front oxygen (A/F) sensor impedance	> 50 $\Omega$

**Time Needed for Diagnosis:** 10000 ms

**Malfunction Indicator Light Illumination:** Illuminates when malfunction occurs in 2 continuous driving cycles.

#### • Normality Judgement

Judge as OK and clear the NG if the continuous time while the following conditions are established is more than the predetermined time.

#### Judgement Value

Malfunction Criteria	Threshold Value
Front oxygen (A/F) sensor impedance	$\leq$ 50 $\Omega$

**Time Needed for Diagnosis:** 10000 ms

## D: DTC P0031 HO2S HEATER CONTROL CIRCUIT LOW (BANK 1 SENSOR 1)

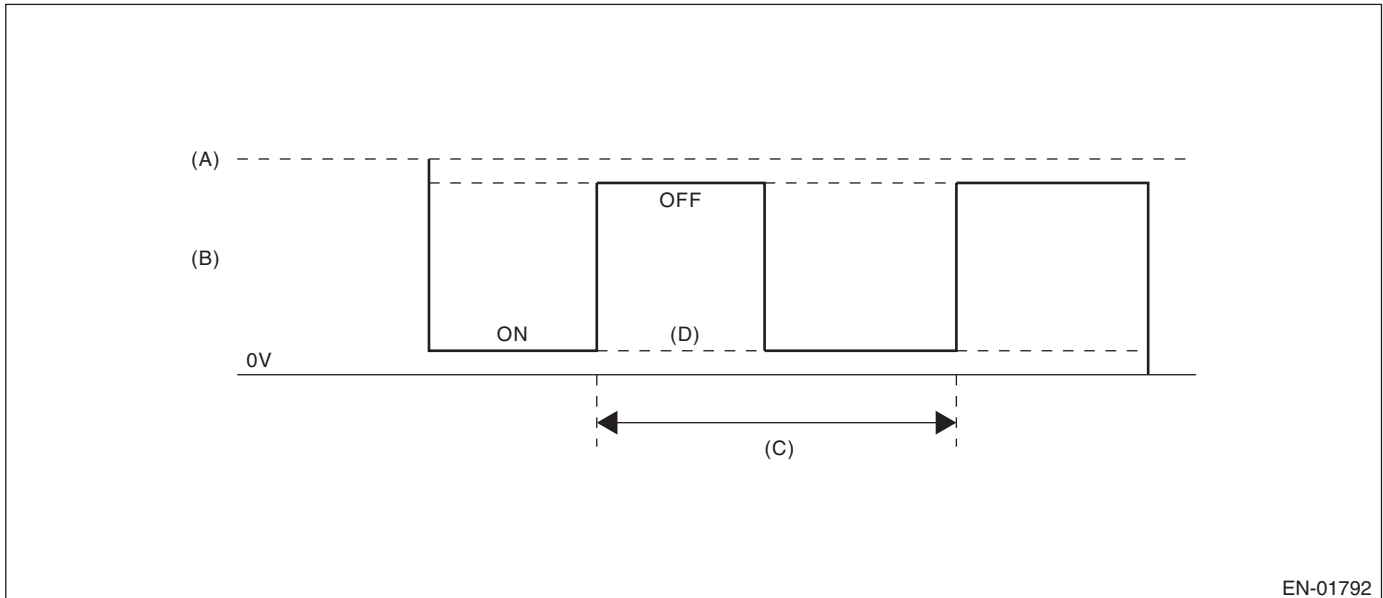
### 1. OUTLINE OF DIAGNOSIS

Detect front oxygen (A/F) sensor heater open or short circuit.

The front oxygen (A/F) sensor heater performs duty control, and the output terminal voltage at ON is 0 V, and the output terminal voltage at OFF is the battery voltage.

Judge as NG when the terminal voltage remains Low.

### 2. COMPONENT DESCRIPTION



EN-01792

(A) Battery voltage

(B) Front oxygen (A/F) sensor heater  
output voltage

(C) 128 milliseconds

(D) Low error

### 3. ENABLE CONDITIONS

Secondary Parameters	Enable Condition
Battery voltage	$\geq 10.9 \text{ V}$

### 4. GENERAL DRIVING CYCLE

Always perform the diagnosis continuously.

# Diagnostic Trouble Code (DTC) Detecting Criteria

## GENERAL DESCRIPTION

---

### 5. DIAGNOSTIC METHOD

#### • Abnormality Judgement

If the duration of time while the following conditions are met is longer than the time indicated, judge as NG.

#### Judgement Value

Malfunction Criteria	Threshold Value
Output voltage level	Low
Front oxygen (A/F) sensor heater control duty	< 87.5 %

**Time Needed for Diagnosis:** 4 ms × 250 time(s)

**Malfunction Indicator Light Illumination:** Illuminates as soon as a malfunction occurs.

#### • Normality Judgement

Judge as OK and clear the NG if the continuous time while the following conditions are established is more than the predetermined time.

#### Judgement Value

Malfunction Criteria	Threshold Value
Output voltage level	High

**Time Needed for Diagnosis:** Less than 1 second



# Diagnostic Trouble Code (DTC) Detecting Criteria

GENERAL DESCRIPTION

## E: DTC P0032 HO2S HEATER CONTROL CIRCUIT HIGH (BANK 1 SENSOR 1)

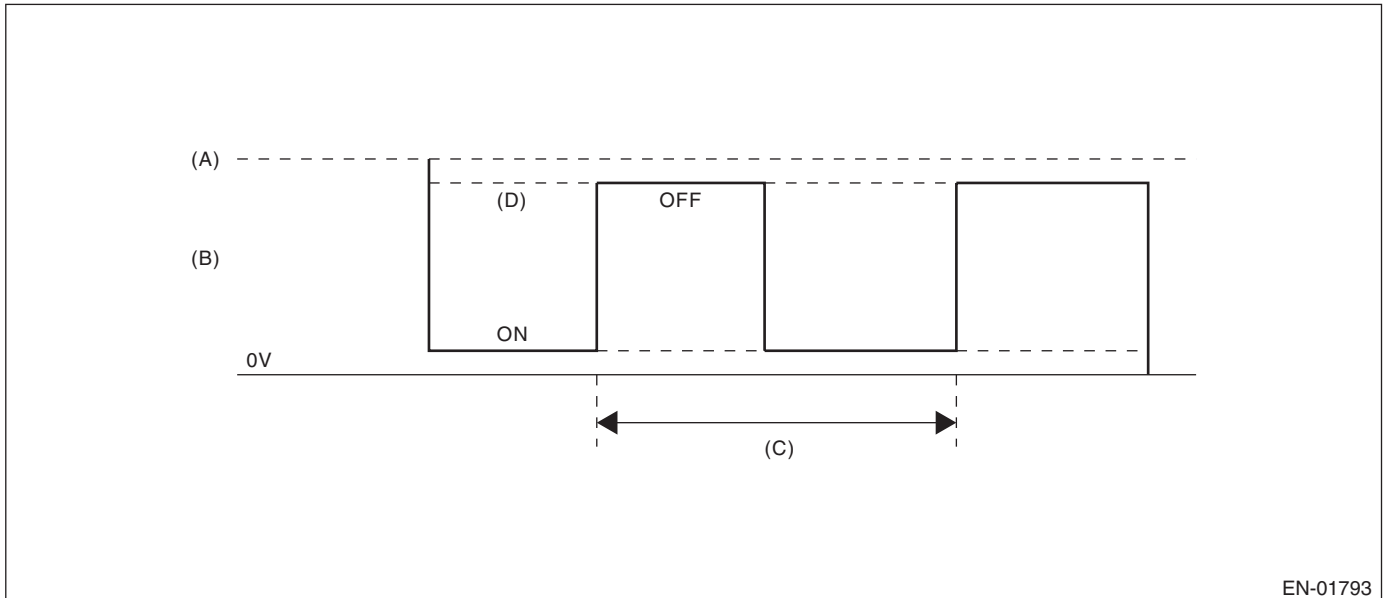
### 1. OUTLINE OF DIAGNOSIS

Detect front oxygen (A/F) sensor heater open or short circuit.

The front oxygen (A/F) sensor heater performs duty control, and the output terminal voltage at ON is 0 V, and the output terminal voltage at OFF is the battery voltage.

Judge as NG when the terminal voltage remains High.

### 2. COMPONENT DESCRIPTION



EN-01793

(A) Battery voltage

(B) Front oxygen (A/F) sensor heater  
output voltage

(C) 128 milliseconds

(D) High error

### 3. ENABLE CONDITIONS

Secondary Parameters	Enable Condition
Battery voltage	$\geq 10.9$ V

### 4. GENERAL DRIVING CYCLE

Always perform the diagnosis continuously.

# Diagnostic Trouble Code (DTC) Detecting Criteria

## GENERAL DESCRIPTION

---

### 5. DIAGNOSTIC METHOD

#### • Abnormality Judgement

If the duration of time while the following conditions are met is longer than the time indicated, judge as NG.

#### Judgement Value

Malfunction Criteria	Threshold Value
Output voltage level	High
Front oxygen (A/F) sensor heater control duty	$\geq 12.5 \%$

**Time Needed for Diagnosis:** 4 ms  $\times$  500 time(s)

**Malfunction Indicator Light Illumination:** Illuminates as soon as a malfunction occurs.

#### • Normality Judgement

Judge as OK and clear the NG if the continuous time while the following conditions are established is more than the predetermined time.

#### Judgement Value

Malfunction Criteria	Threshold Value
Output voltage level	Low

**Time Needed for Diagnosis:** Less than 1 second

# Diagnostic Trouble Code (DTC) Detecting Criteria

GENERAL DESCRIPTION

## F: DTC P0037 HO2S HEATER CONTROL CIRCUIT LOW (BANK 1 SENSOR 2)

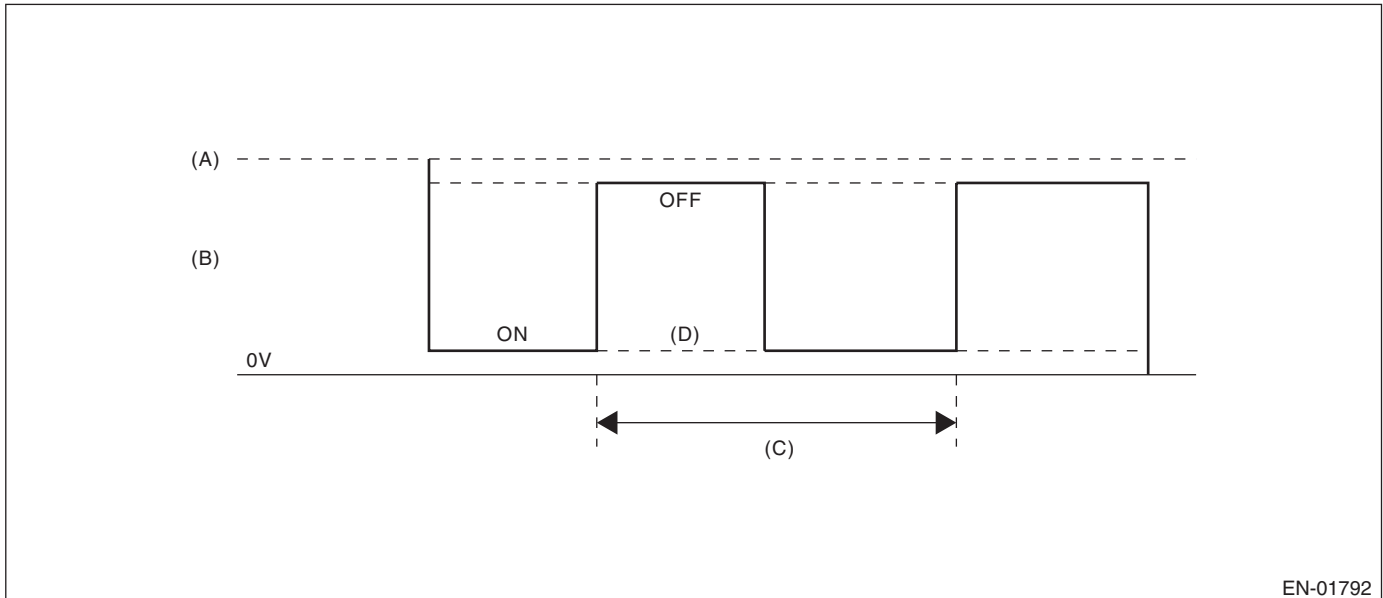
### 1. OUTLINE OF DIAGNOSIS

Detect the rear oxygen sensor heater open or short circuit.

The rear oxygen sensor heater performs duty control, and the output terminal voltage at ON is 0 V, and the output terminal voltage at OFF is the battery voltage.

Judge as NG when the terminal voltage remains Low.

### 2. COMPONENT DESCRIPTION



(A) Battery voltage

(B) Output voltage of the rear oxygen sensor heater

(C) 256 milliseconds (cycles)

(D) Low error

### 3. ENABLE CONDITIONS

Secondary Parameters	Enable Condition
Battery voltage	$\geq 10.9$ V
Elapsed time after engine starting	$\geq 1$ second
Engine speed	$< 8000$ rpm

### 4. GENERAL DRIVING CYCLE

After starting the engine, perform the diagnosis continuously when engine is low speed.

# Diagnostic Trouble Code (DTC) Detecting Criteria

## GENERAL DESCRIPTION

---

### 5. DIAGNOSTIC METHOD

#### • Abnormality Judgement

If the duration of time while the following conditions are met is longer than the time indicated, judge as NG.

#### Judgement Value

Malfunction Criteria	Threshold Value
Output voltage level	Low
Rear oxygen sensor heater control duty	< 75 %

**Time Needed for Diagnosis:** 8 ms × 320 time(s)

**Malfunction Indicator Light Illumination:** Illuminates when malfunction occurs in 2 continuous driving cycles.

#### • Normality Judgement

Judge as OK and clear the NG if the continuous time while the following conditions are established is more than the predetermined time.

#### Judgement Value

Malfunction Criteria	Threshold Value
Output voltage level	High

**Time Needed for Diagnosis:** Less than 1 second

## G: DTC P0038 HO2S HEATER CONTROL CIRCUIT HIGH (BANK 1 SENSOR 2)

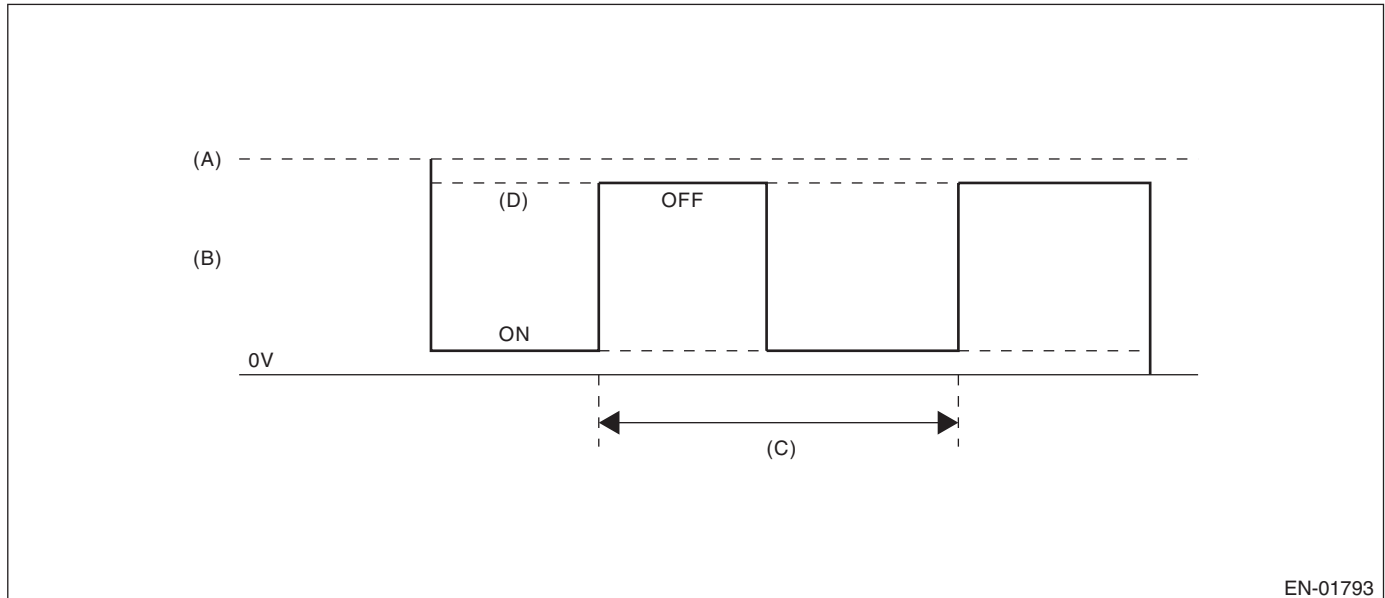
### 1. OUTLINE OF DIAGNOSIS

Detect the rear oxygen sensor heater open or short circuit.

The rear oxygen sensor heater performs duty control, and the output terminal voltage at ON is 0 V, and the output terminal voltage at OFF is the battery voltage.

Judge as NG when the terminal voltage remains High.

### 2. COMPONENT DESCRIPTION



EN-01793

(A) Battery voltage

(B) Output voltage of the rear oxygen sensor heater

(C) 256 milliseconds (cycles)

(D) High error

### 3. ENABLE CONDITIONS

Secondary Parameters	Enable Condition
Battery voltage	$\geq 10.9 \text{ V}$
Elapsed time after engine starting	$\geq 1 \text{ second}$
Engine speed	$< 8000 \text{ rpm}$

### 4. GENERAL DRIVING CYCLE

After starting the engine, perform the diagnosis continuously when engine speed is low.

# Diagnostic Trouble Code (DTC) Detecting Criteria

## GENERAL DESCRIPTION

---

### 5. DIAGNOSTIC METHOD

#### • Abnormality Judgement

If the duration of time while the following conditions are met is longer than the time indicated, judge as NG.

#### Judgement Value

Malfunction Criteria	Threshold Value
Output voltage level	High
Rear oxygen sensor heater control duty	$\geq 20\%$

**Time Needed for Diagnosis:** 8 ms  $\times$  320 time(s)

**Malfunction Indicator Light Illumination:** Illuminates when malfunction occurs in 2 continuous driving cycles.

#### • Normality Judgement

Judge as OK and clear the NG if the continuous time while the following conditions are established is more than the predetermined time.

#### Judgement Value

Malfunction Criteria	Threshold Value
Output voltage level	Low

**Time Needed for Diagnosis:** Less than 1 second

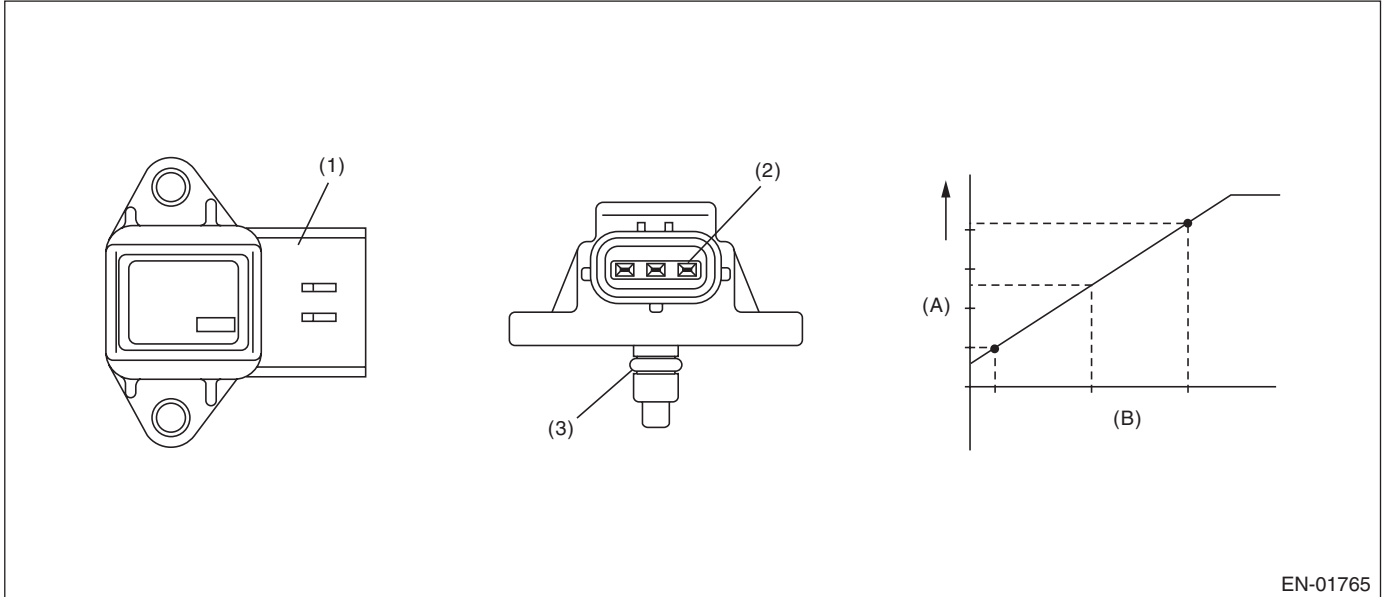
## H: DTC P0068 MAP/MAF - THROTTLE POSITION CORRELATION

### 1. OUTLINE OF DIAGNOSIS

Detect problems in the intake manifold pressure sensor output properties.

Judge as NG when the intake air pressure AD value is Low whereas it seemed to be High from the viewpoint of engine condition, or when it is High whereas it seemed to be Low from the engine condition.

### 2. COMPONENT DESCRIPTION



(A) Output voltage

(B) Absolute pressure

(1) Connector

(2) Terminals

(3) O-ring

### 3. ENABLE CONDITION

Secondary Parameters	Enable Condition
Engine coolant temperature	$\geq 75\text{ }^{\circ}\text{C}$ (167 °F)

### 4. GENERAL DRIVING CYCLE

Perform the diagnosis continuously after idling.

# Diagnostic Trouble Code (DTC) Detecting Criteria

## GENERAL DESCRIPTION

---

### 5. DIAGNOSTIC METHOD

#### • Abnormality Judgement

Judge as NG when Low side or High side becomes NG.

If the duration of time while the following conditions are met is longer than the time indicated, judge as NG.

#### Judgement Value

Malfunction Criteria	Threshold Value
<b>Low</b>	
Engine speed	< 2500 rpm
Throttle position	$\geq 12^\circ$
Output voltage	< 1.63 V
Engine load	> 0.6 g/rev (0.02 oz/rev)
<b>High</b>	
Engine speed	600 rpm — 900 rpm
Throttle position	< $2.44^\circ$
Output voltage	$\geq 3.4$ V
Engine load	< 0.4 g/rev (0.01 oz/rev)

#### Time Needed for Diagnosis:

Low side: 3000 ms

High side: 7000 ms

**Malfunction Indicator Light Illumination:** Illuminates when malfunction occurs in 2 continuous driving cycles.

#### • Normality Judgement

Judge as OK and clear the NG when both Low side and High side become OK.

If the duration of time while the following conditions are met is longer than the time indicated, judge as OK.

#### Judgement Value

Malfunction Criteria	Threshold Value
<b>Low</b>	
Engine speed	< 2500 rpm
Throttle position	$\geq 12^\circ$
Output voltage	$\geq 1.63$ V
Engine load	> 0.6 g/rev (0.02 oz/rev)
<b>High</b>	
Engine speed	600 rpm — 900 rpm
Throttle position	< $2.44^\circ$
Output voltage	< 3.4 V
Engine load	< 0.4 g/rev (0.01 oz/rev)

#### Time Needed for Diagnosis:

Low side: Less than 1 second

High side: Less than 1 second



# Diagnostic Trouble Code (DTC) Detecting Criteria

GENERAL DESCRIPTION

## I: DTC P0076 INTAKE VALVE CONTROL SOLENOID CIRCUIT LOW (BANK 1)

### 1. OUTLINE OF DIAGNOSIS

Detect the open circuit of the oil switching solenoid valve.

Judge as NG when the current is small even though the output duty is large.

### 2. ENABLE CONDITION

Secondary Parameters	Enable Condition
Battery voltage	$\geq 10.9$ V

### 3. GENERAL DRIVING CYCLE

Always perform the diagnosis continuously.

### 4. DIAGNOSTIC METHOD

#### • Abnormality Judgement

If the duration of time while the following conditions are met is longer than the time indicated, judge as NG.

#### Judgement Value

Malfunction Criteria	Threshold Value
Duty ratio	$\geq 30$ %
Control current	$< 0.026$ A

**Time Needed for Diagnosis:** 2000 ms

**Malfunction Indicator Light Illumination:** Illuminates as soon as a malfunction occurs.

#### • Normality Judgement

Judge as OK and clear the NG if the continuous time while the following conditions are established is more than the predetermined time.

#### Judgement Value

Malfunction Criteria	Threshold Value
Oil switching solenoid valve target current value – Oil switching solenoid valve current value	$< 0.08$ A
Target current	$\geq 0.11$ A

**Time Needed for Diagnosis:** 2000 ms

# Diagnostic Trouble Code (DTC) Detecting Criteria

## GENERAL DESCRIPTION

---

### **J: DTC P0077 INTAKE VALVE CONTROL SOLENOID CIRCUIT HIGH (BANK 1)**

#### **1. OUTLINE OF DIAGNOSIS**

Detect short circuits of the oil switching solenoid valve.

Judge as a short NG when the current is large even though the output duty is small.

#### **2. ENABLE CONDITION**

Secondary Parameters	Enable Condition
Battery voltage	$\geq 10.9$ V

#### **3. GENERAL DRIVING CYCLE**

Always perform the diagnosis continuously.

#### **4. DIAGNOSTIC METHOD**

##### • **Abnormality Judgement**

If the duration of time while the following conditions are met is longer than the time indicated, judge as NG.

##### **Judgement Value**

Malfunction Criteria	Threshold Value
Duty ratio	$< 7$ %
Control current	$\geq 0.465$ A

**Time Needed for Diagnosis:** 2000 ms

**Malfunction Indicator Light Illumination:** Illuminates as soon as a malfunction occurs.

##### • **Normality Judgement**

Judge as OK and clear the NG if the continuous time while the following conditions are established is more than the predetermined time.

##### **Judgement Value**

Malfunction Criteria	Threshold Value
Oil switching solenoid valve target current value – Oil switching solenoid valve current value	$< 0.08$ A

**Time Needed for Diagnosis:** 2000 ms

### **K: DTC P0082 INTAKE VALVE CONTROL SOLENOID CIRCUIT LOW (BANK 2)**

#### **1. OUTLINE OF DIAGNOSIS**

NOTE:

For the detection standard, refer to DTC P0076. <Ref. to GD(H4SO)-23, DTC P0076 INTAKE VALVE CONTROL SOLENOID CIRCUIT LOW (BANK 1), Diagnostic Trouble Code (DTC) Detecting Criteria.>

### **L: DTC P0083 INTAKE VALVE CONTROL SOLENOID CIRCUIT HIGH (BANK 2)**

#### **1. OUTLINE OF DIAGNOSIS**

NOTE:

For the detection standard, refer to DTC P0077. <Ref. to GD(H4SO)-24, DTC P0077 INTAKE VALVE CONTROL SOLENOID CIRCUIT HIGH (BANK 1), Diagnostic Trouble Code (DTC) Detecting Criteria.>

# Diagnostic Trouble Code (DTC) Detecting Criteria

GENERAL DESCRIPTION

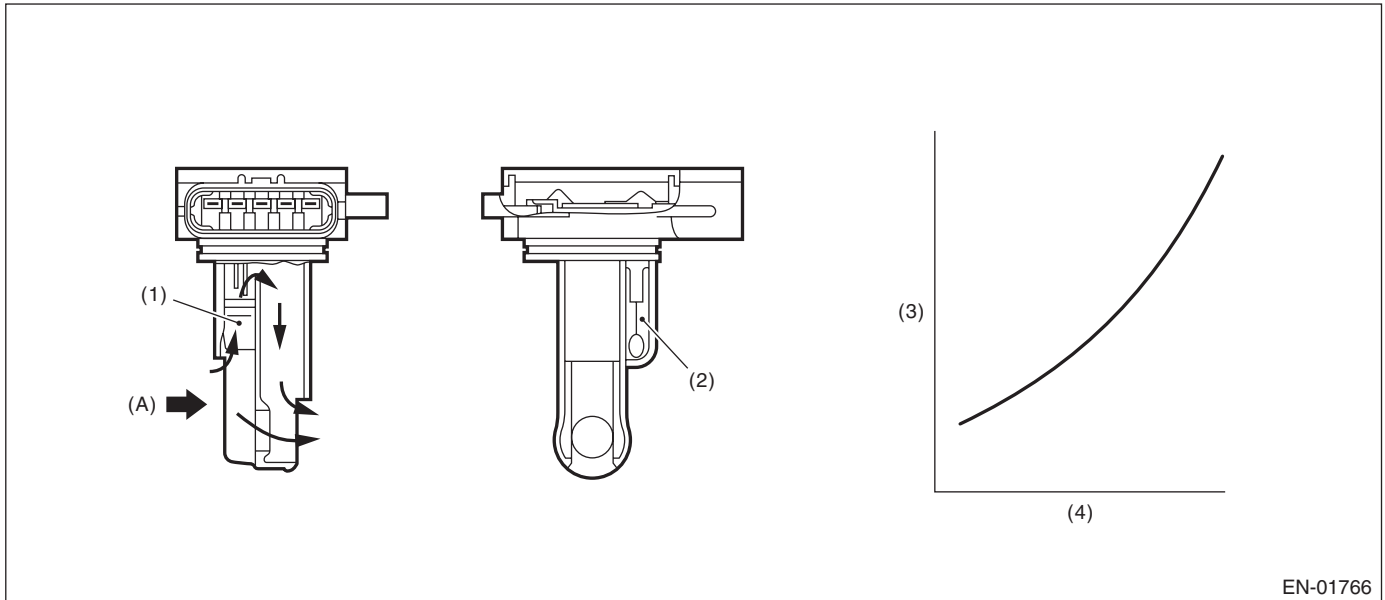
## M: DTC P0101 MASS OR VOLUME AIR FLOW CIRCUIT RANGE/PERFORMANCE

### 1. OUTLINE OF DIAGNOSIS

Detect the malfunction of air flow sensor output properties.

Judge as a low side NG when the air flow voltage indicates a small value regardless of running in a state where the air flow voltage increases. Judge as a high side NG when the air flow voltage indicates a large value regardless of running in a state where the air flow voltage decreases. Judge air flow sensor property NG when the Low side or High side becomes NG.

### 2. COMPONENT DESCRIPTION



EN-01766

(A) Air

(1) Air flow sensor

(2) Intake air temperature sensor

(3) Voltage (V)

(4) Amount of intake air (kg (lb)/s)

(2) Intake air temperature sensor

### 3. ENABLE CONDITIONS

Secondary Parameters	Enable Condition
Engine coolant temperature	$\geq 75\text{ }^{\circ}\text{C}$ (167 °F)

### 4. GENERAL DRIVING CYCLE

Perform the diagnosis continuously after idling.

# Diagnostic Trouble Code (DTC) Detecting Criteria

## GENERAL DESCRIPTION

---

### 5. DIAGNOSTIC METHOD

#### • Abnormality Judgement

Judge as NG when Low side or High side becomes NG.

If the duration of time while the following conditions are met is longer than the time indicated, judge as NG.

#### Judgement Value

Malfunction Criteria	Threshold Value
<b>Low</b>	
Output voltage	< 1.49 V
Engine speed	≥ 2000 rpm
Throttle opening angle	≥ 12 °
Intake manifold pressure	≥ 66.7 kPa (500 mmHg, 19.7 inHg)
<b>High (1)</b>	
Output voltage	≥ 2.66 V
Engine speed	600 rpm — 900 rpm
Throttle opening angle	< 2.44 °
Intake manifold pressure	< 40 kPa (300 mmHg, 11.8 inHg)
<b>High (2)</b>	
Output voltage	≥ 1.45 V
Engine speed	600 rpm — 900 rpm
Throttle opening angle	< 2.44 °
Intake manifold pressure	< 40 kPa (300 mmHg, 11.8 inHg)
Fuel system diagnosis	Rich side malfunction

#### Time Needed for Diagnosis:

Low: 5000 ms

High: 10000 ms

**Malfunction Indicator Light Illumination:** Illuminates when malfunction occurs in 2 continuous driving cycles.

#### • Normality Judgement

Judge as OK and clear the NG when both Low side and High side become OK.

Judge as OK and clear the NG if the continuous time while the following conditions are established is more than the predetermined time.

#### Judgement Value

Malfunction Criteria	Threshold Value
<b>Low</b>	
Output voltage	≥ 1.49 V
Engine speed	≥ 2000 rpm
Throttle opening angle	≥ 12 °
Intake manifold pressure	≥ 66.7 kPa (500 mmHg, 19.7 inHg)
<b>High</b>	
Output voltage	< 2.66 V
Engine speed	600 rpm — 900 rpm
Throttle opening angle	< 2.44 °
Intake manifold pressure	< 40 kPa (300 mmHg, 11.8 inHg)
Fuel system diagnosis	Rich side normal

#### Time Needed for Diagnosis:

Low: Less than 1 second

High: Less than 1 second

# Diagnostic Trouble Code (DTC) Detecting Criteria

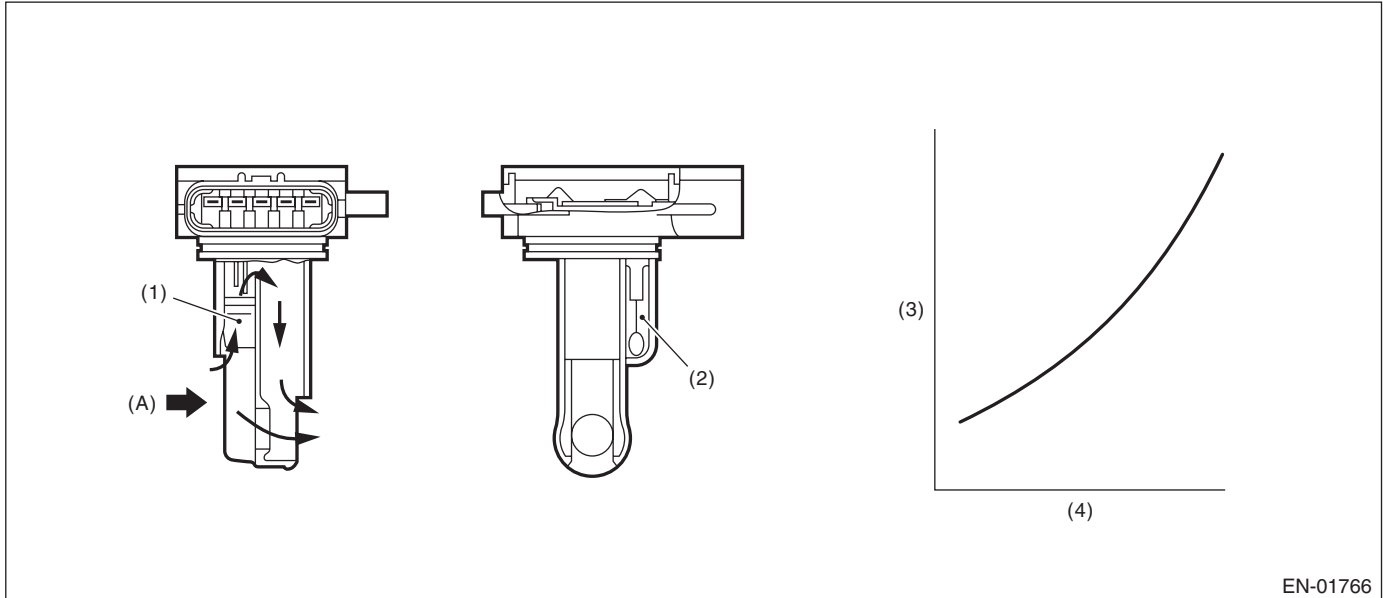
GENERAL DESCRIPTION

## N: DTC P0102 MASS OR VOLUME AIR FLOW CIRCUIT LOW INPUT

### 1. OUTLINE OF DIAGNOSIS

Detect open or short circuits of the air flow sensor.  
Judge as NG if out of specification.

### 2. COMPONENT DESCRIPTION



EN-01766

(A) Air

(1) Air flow sensor

(3) Voltage (V)

(4) Amount of intake air (kg (lb)/s)

(2) Intake air temperature sensor

### 3. ENABLE CONDITIONS

Secondary Parameters	Enable Condition
None	

### 4. GENERAL DRIVING CYCLE

Always perform the diagnosis continuously.

### 5. DIAGNOSTIC METHOD

#### • Abnormality Judgement

If the duration of time while the following conditions are met is longer than the time indicated, judge as NG.

#### Judgement Value

Malfunction Criteria	Threshold Value
Output voltage	$\leq 0.22$ V

**Time Needed for Diagnosis:** 500 ms

**Malfunction Indicator Light Illumination:** Illuminates as soon as a malfunction occurs.

#### • Normality Judgement

Judge as OK and clear the NG if the continuous time while the following conditions are established is more than the predetermined time.

#### Judgement Value

Malfunction Criteria	Threshold Value
Output voltage	$> 0.22$ V

**Time Needed for Diagnosis:** Less than 1 second

# Diagnostic Trouble Code (DTC) Detecting Criteria

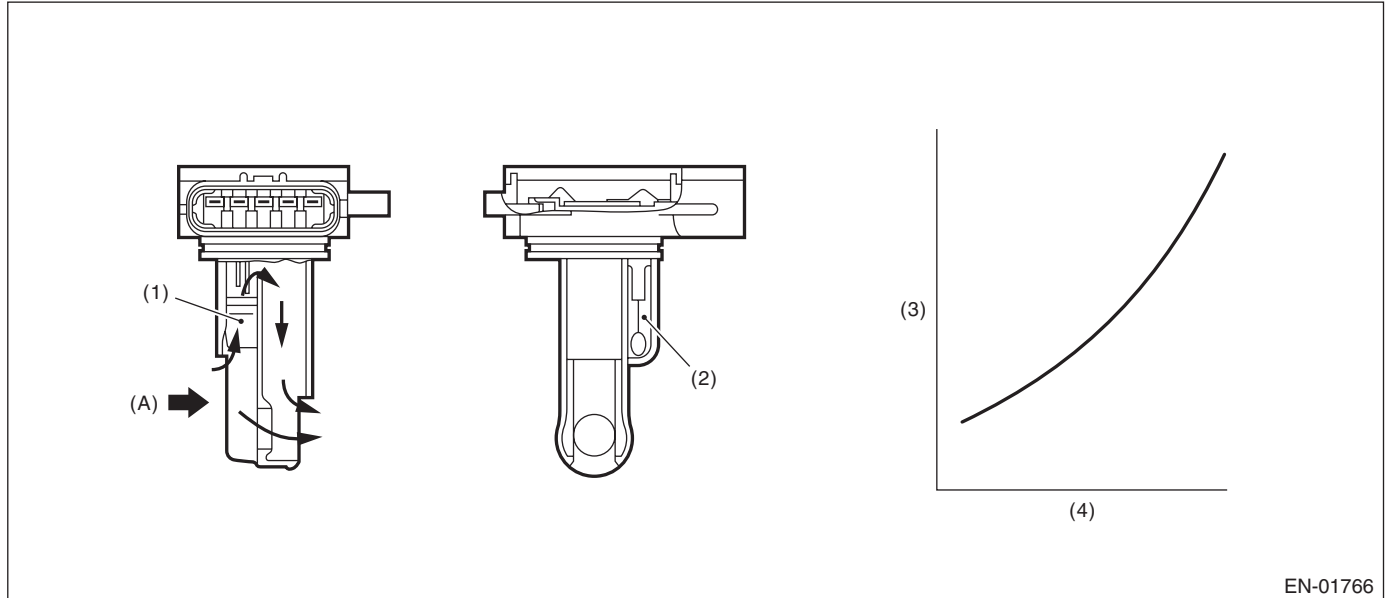
## GENERAL DESCRIPTION

### O: DTC P0103 MASS OR VOLUME AIR FLOW CIRCUIT HIGH INPUT

#### 1. OUTLINE OF DIAGNOSIS

Detect open or short circuits of the air flow sensor.  
Judge as NG if out of specification.

#### 2. COMPONENT DESCRIPTION



EN-01766

(A) Air

(1) Air flow sensor

(3) Voltage (V)

(4) Amount of intake air (kg (lb)/s)

(2) Intake air temperature sensor

#### 3. ENABLE CONDITIONS

Secondary Parameters	Enable Condition
None	

#### 4. GENERAL DRIVING CYCLE

Always perform the diagnosis continuously.

#### 5. DIAGNOSTIC METHOD

##### • Abnormality Judgement

If the duration of time while the following conditions are met is longer than the time indicated, judge as NG.

##### Judgement Value

Malfunction Criteria	Threshold Value
Output voltage	$\geq 4.179943192$ V

**Time Needed for Diagnosis:** 500 ms

**Malfunction Indicator Light Illumination:** Illuminates as soon as a malfunction occurs.

##### • Normality Judgement

Judge as OK and clear the NG if the continuous time while the following conditions are established is more than the predetermined time.

##### Judgement Value

Malfunction Criteria	Threshold Value
Output voltage	$< 4.179943192$ V

**Time Needed for Diagnosis:** Less than 1 second

# Diagnostic Trouble Code (DTC) Detecting Criteria

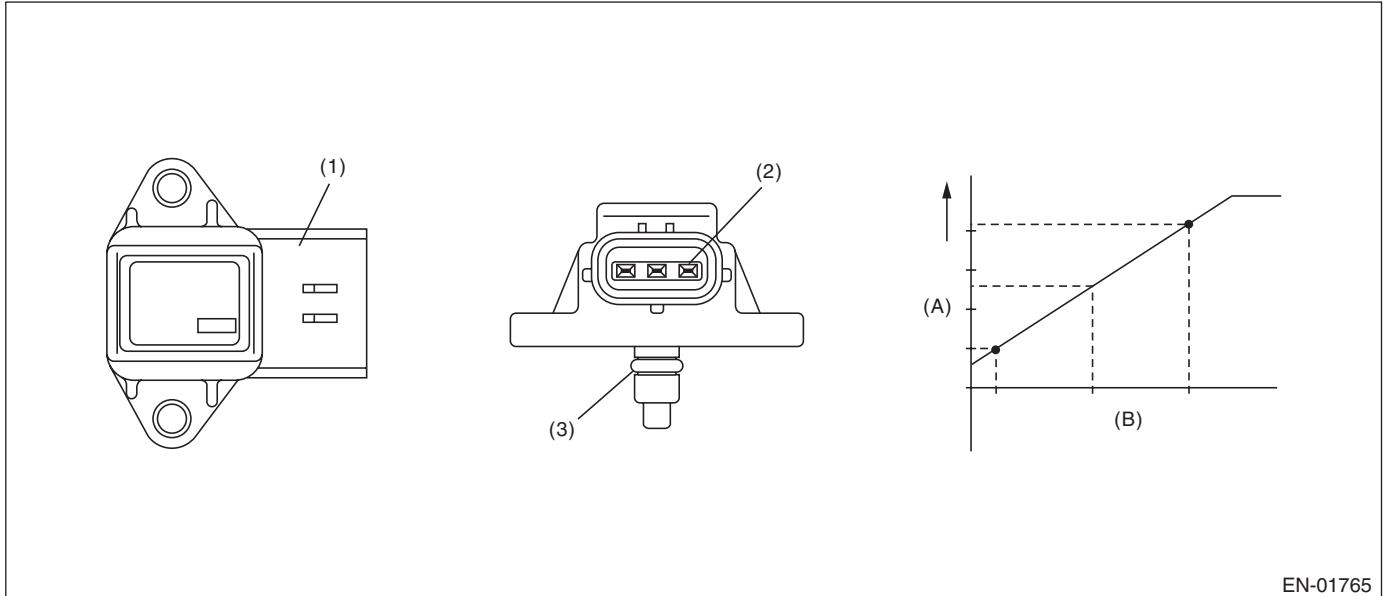
GENERAL DESCRIPTION

## P: DTC P0107 MANIFOLD ABSOLUTE PRESSURE/BAROMETRIC PRESSURE CIRCUIT LOW INPUT

### 1. OUTLINE OF DIAGNOSIS

Detect the open or short circuit of intake manifold pressure sensor.  
Judge as NG if out of specification.

### 2. COMPONENT DESCRIPTION



EN-01765

(A) Output voltage

(B) Absolute pressure

(1) Connector

(2) Terminals

(3) O-ring

### 3. ENABLE CONDITION

Secondary Parameters	Enable Condition
None	

### 4. GENERAL DRIVING CYCLE

Always perform the diagnosis continuously.

### 5. DIAGNOSTIC METHOD

#### • Abnormality Judgement

If the duration of time while the following conditions are met is longer than the time indicated, judge as NG.

#### Judgement Value

Malfunction Criteria	Threshold Value
Output voltage	$\leq 0.573$ V

**Time Needed for Diagnosis:** 500 ms

**Malfunction Indicator Light Illumination:** Illuminates as soon as a malfunction occurs.

#### • Normality Judgement

Judge as OK and clear the NG if the continuous time while the following conditions are established is more than the predetermined time.

#### Judgement Value

Malfunction Criteria	Threshold Value
Output voltage	$> 0.573$ V

**Time Needed for Diagnosis:** Less than 1 second

# Diagnostic Trouble Code (DTC) Detecting Criteria

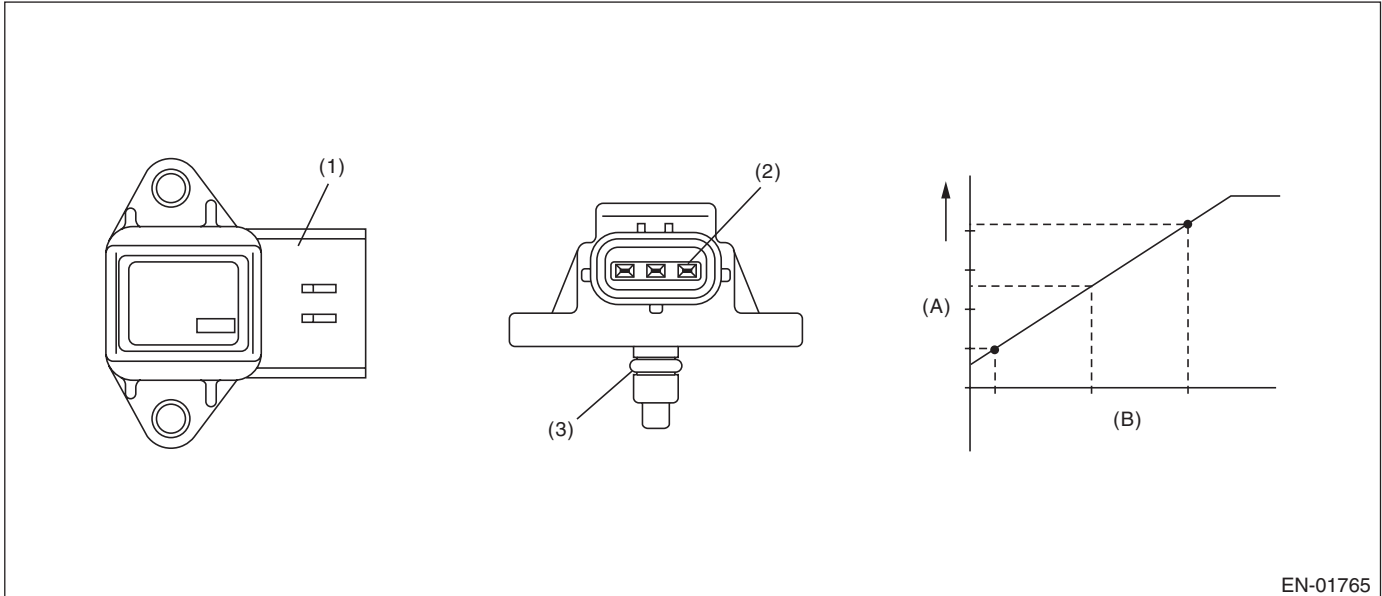
## GENERAL DESCRIPTION

### Q: DTC P0108 MANIFOLD ABSOLUTE PRESSURE/BAROMETRIC PRESSURE CIRCUIT HIGH INPUT

#### 1. OUTLINE OF DIAGNOSIS

Detect the open or short circuit of intake manifold pressure sensor.  
Judge as NG if out of specification.

#### 2. COMPONENT DESCRIPTION



EN-01765

(A) Output voltage

(B) Absolute pressure

(1) Connector

(2) Terminals

(3) O-ring

#### 3. ENABLE CONDITION

Secondary Parameters	Enable Condition
None	

#### 4. GENERAL DRIVING CYCLE

Always perform the diagnosis continuously.

#### 5. DIAGNOSTIC METHOD

##### • Abnormality Judgement

If the duration of time while the following conditions are met is longer than the time indicated, judge as NG.

##### Judgement Value

Malfunction Criteria	Threshold Value
Output voltage	$\geq 4.38757221$ V

**Time Needed for Diagnosis:** 500 ms

**Malfunction Indicator Light Illumination:** Illuminates as soon as a malfunction occurs.

##### • Normality Judgement

Judge as OK and clear the NG if the continuous time while the following conditions are established is more than the predetermined time.

##### Judgement Value

Malfunction Criteria	Threshold Value
Output voltage	$< 4.38757221$ V

**Time Needed for Diagnosis:** Less than 1 second



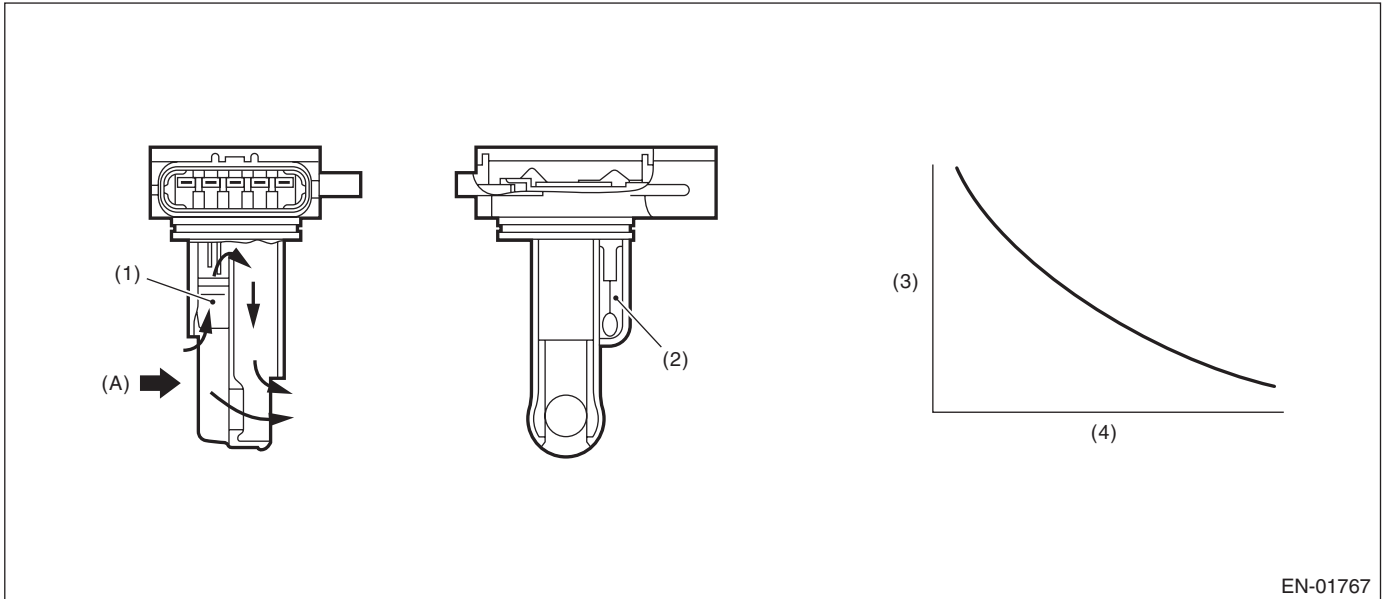
## R: DTC P0111 INTAKE AIR TEMPERATURE SENSOR 1 CIRCUIT RANGE/ PERFORMANCE

### 1. OUTLINE OF DIAGNOSIS

Detect the malfunction of intake air temperature sensor output property.

Judge as NG when the intake air temperature is not varied whereas it seemed to be varied from the viewpoint of engine condition.

### 2. COMPONENT DESCRIPTION



EN-01767

(A) Air

(1) Air flow sensor

(3) Resistance value ( $\Omega$ )

(4) Intake air temperature °C (°F)

(2) Intake air temperature sensor

### 3. ENABLE CONDITIONS

Secondary Parameters	Enable Condition
Engine coolant temperature at engine starting	< 30 °C (86 °F)
Engine coolant temperature	$\geq$ 100 °C (212 °F)
Battery voltage	$\geq$ 10.9 V
Continuous time when the vehicle speed is less than 60 km/h (37.3 MPH)	$\geq$ 600 s

### 4. GENERAL DRIVING CYCLE

Perform the diagnosis when the vehicle speed condition is met after warming up from a cold condition.

# Diagnostic Trouble Code (DTC) Detecting Criteria

## GENERAL DESCRIPTION

---

### 5. DIAGNOSTIC METHOD

#### • Abnormality Judgement

Judge as NG when the following conditions are established.

#### Judgement Value

Malfunction Criteria	Threshold Value
Output voltage difference between Max. and Min.	< 0.02 V (Equivalent to approximately 0.5°C (0.9°F) near 25°C)

**Time Needed for Diagnosis:** Less than 1 second

**Malfunction Indicator Light Illumination:** Illuminates when malfunction occurs in 2 continuous driving cycles.

#### • Normality Judgement

Judge as OK and clear the NG if the following conditions are established.

#### Judgement Value

Malfunction Criteria	Threshold Value
Output voltage difference between Max. and Min.	$\geq 0.02$ V

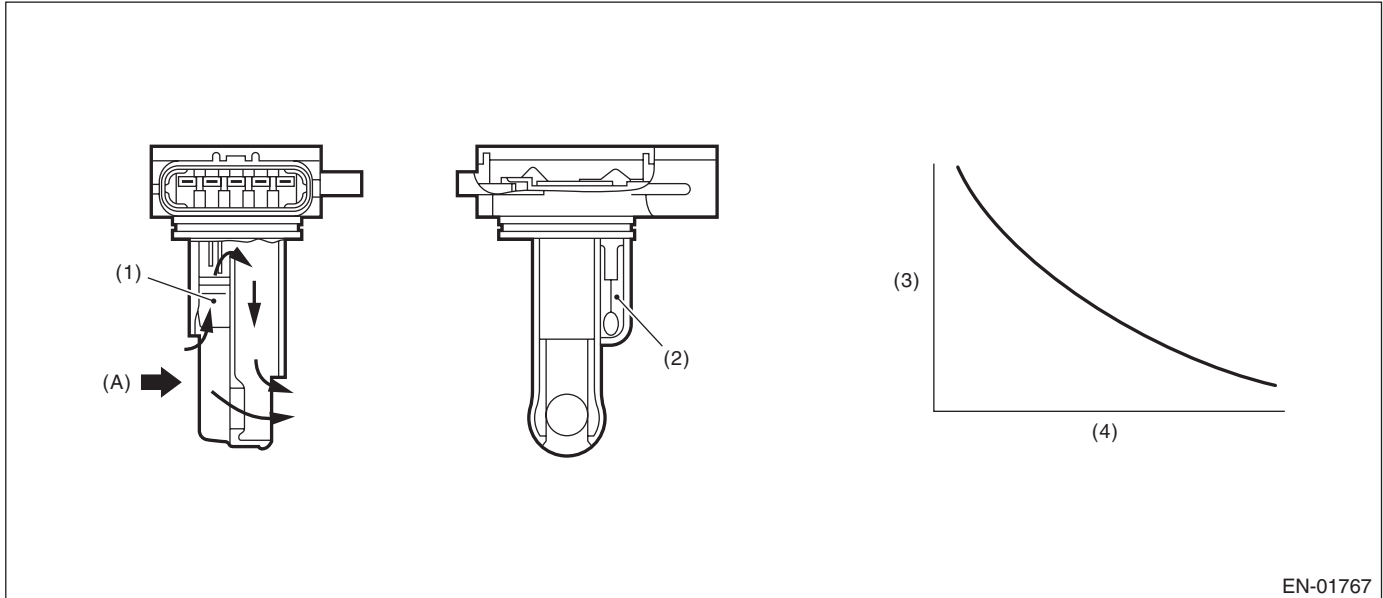
**Time Needed for Diagnosis:** Less than 1 second

## S: DTC P0112 INTAKE AIR TEMPERATURE SENSOR 1 CIRCUIT LOW

### 1. OUTLINE OF DIAGNOSIS

Detect open or short circuit of the intake air temperature sensor.  
Judge as NG if out of specification.

### 2. COMPONENT DESCRIPTION



EN-01767

(A) Air

(1) Air flow sensor

(3) Resistance value (Ω)

(4) Intake air temperature °C (°F)

(2) Intake air temperature sensor

### 3. ENABLE CONDITIONS

Secondary Parameters	Enable Condition
None	

### 4. GENERAL DRIVING CYCLE

Always perform the diagnosis continuously.

### 5. DIAGNOSTIC METHOD

#### • Abnormality Judgement

If the duration of time while the following conditions are met is longer than the time indicated, judge as NG.

#### Judgement Value

Malfunction Criteria	Threshold Value
Output voltage	< 0.230975449 V

**Time Needed for Diagnosis:** 500 ms

**Malfunction Indicator Light Illumination:** Illuminates as soon as a malfunction occurs.

#### • Normality Judgement

Judge as OK and clear the NG if the continuous time while the following conditions are established is more than the predetermined time.

#### Judgement Value

Malfunction Criteria	Threshold Value
Output voltage	≥ 0.230975449 V

**Time Needed for Diagnosis:** Less than 1 second

# Diagnostic Trouble Code (DTC) Detecting Criteria

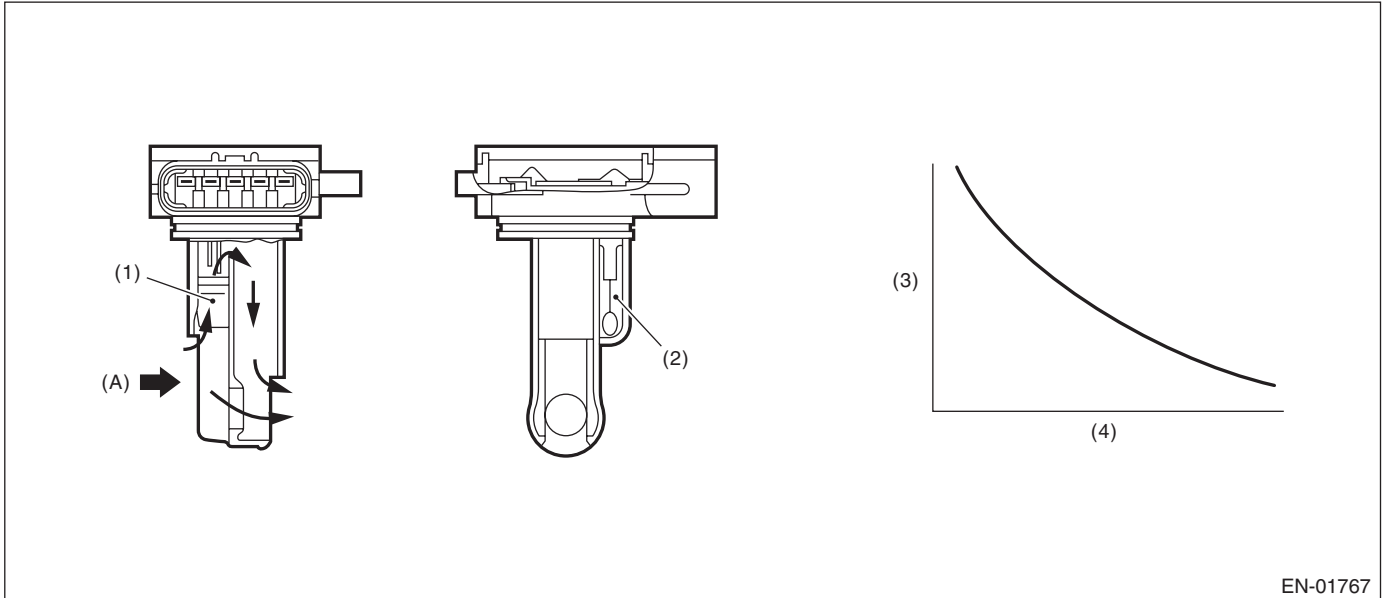
## GENERAL DESCRIPTION

### T: DTC P0113 INTAKE AIR TEMPERATURE SENSOR 1 CIRCUIT HIGH

#### 1. OUTLINE OF DIAGNOSIS

Detect open or short circuit of the intake air temperature sensor.  
Judge as NG if out of specification.

#### 2. COMPONENT DESCRIPTION



EN-01767

(A) Air

(1) Air flow sensor

(3) Resistance value ( $\Omega$ )

(4) Intake air temperature °C (°F)

(2) Intake air temperature sensor

#### 3. ENABLE CONDITIONS

Secondary Parameters	Enable Condition
None	

#### 4. GENERAL DRIVING CYCLE

Always perform the diagnosis continuously.

#### 5. DIAGNOSTIC METHOD

##### • Abnormality Judgement

If the duration of time while the following conditions are met is longer than the time indicated, judge as NG.

##### Judgement Value

Malfunction Criteria	Threshold Value
Output voltage	$\geq 4.716$ V

**Time Needed for Diagnosis:** 500 ms

**Malfunction Indicator Light Illumination:** Illuminates as soon as a malfunction occurs.

##### • Normality Judgement

Judge as OK and clear the NG if the continuous time while the following conditions are established is more than the predetermined time.

##### Judgement Value

Malfunction Criteria	Threshold Value
Output voltage	$< 4.716$ V

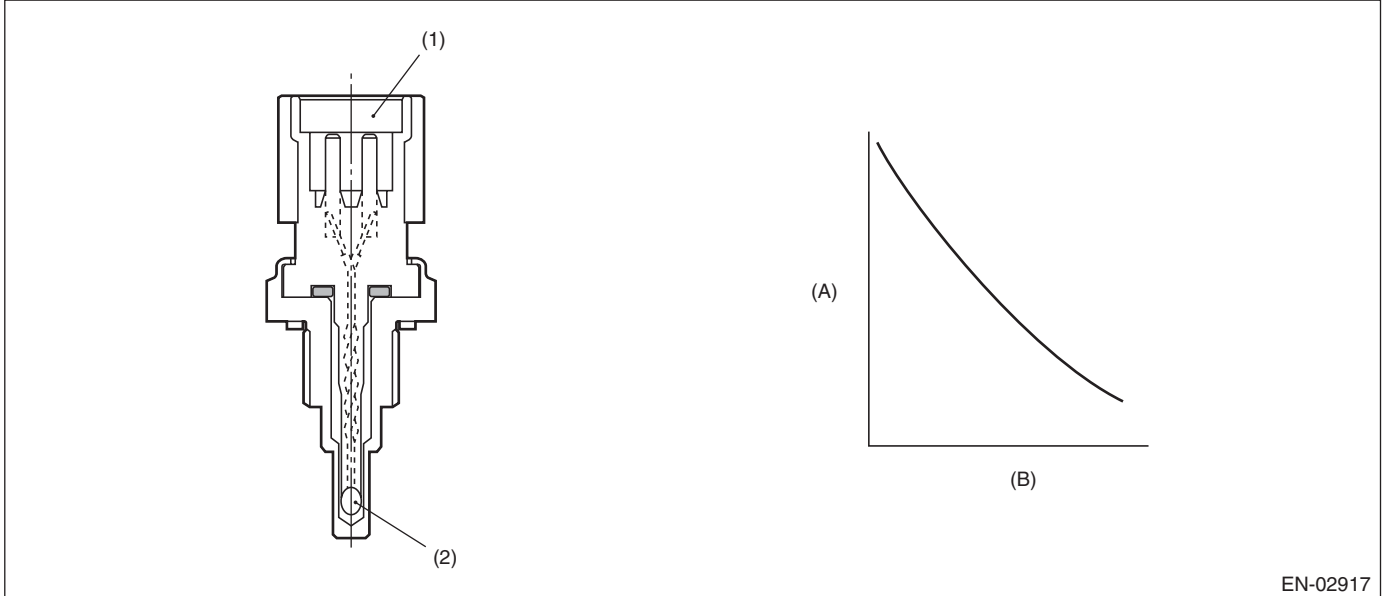
**Time Needed for Diagnosis:** Less than 1 second

## U: DTC P0117 ENGINE COOLANT TEMPERATURE CIRCUIT LOW

### 1. OUTLINE OF DIAGNOSIS

Detect the open or short circuit of the engine coolant temperature sensor.  
Judge as NG if out of specification.

### 2. COMPONENT DESCRIPTION



EN-02917

- (A) Resistance value (kΩ)                      (B) Temperature °C (°F)
- (1) Connector                                      (2) Thermistor element

### 3. ENABLE CONDITIONS

Secondary Parameters	Enable Condition
None	

### 4. GENERAL DRIVING CYCLE

Always perform the diagnosis continuously.

### 5. DIAGNOSTIC METHOD

#### • Abnormality Judgement

If the duration of time while the following conditions are met is longer than the time indicated, judge as NG.

#### Judgement Value

Malfunction Criteria	Threshold Value
Output voltage	< 0.264738528 V

**Time Needed for Diagnosis:** 500 ms

**Malfunction Indicator Light Illumination:** Illuminates as soon as a malfunction occurs.

#### • Normality Judgement

Judge as OK and clear the NG if the continuous time while the following conditions are established is more than the predetermined time.

#### Judgement Value

Malfunction Criteria	Threshold Value
Output voltage	≥ 0.264738528 V

**Time Needed for Diagnosis:** Less than 1 second

# Diagnostic Trouble Code (DTC) Detecting Criteria

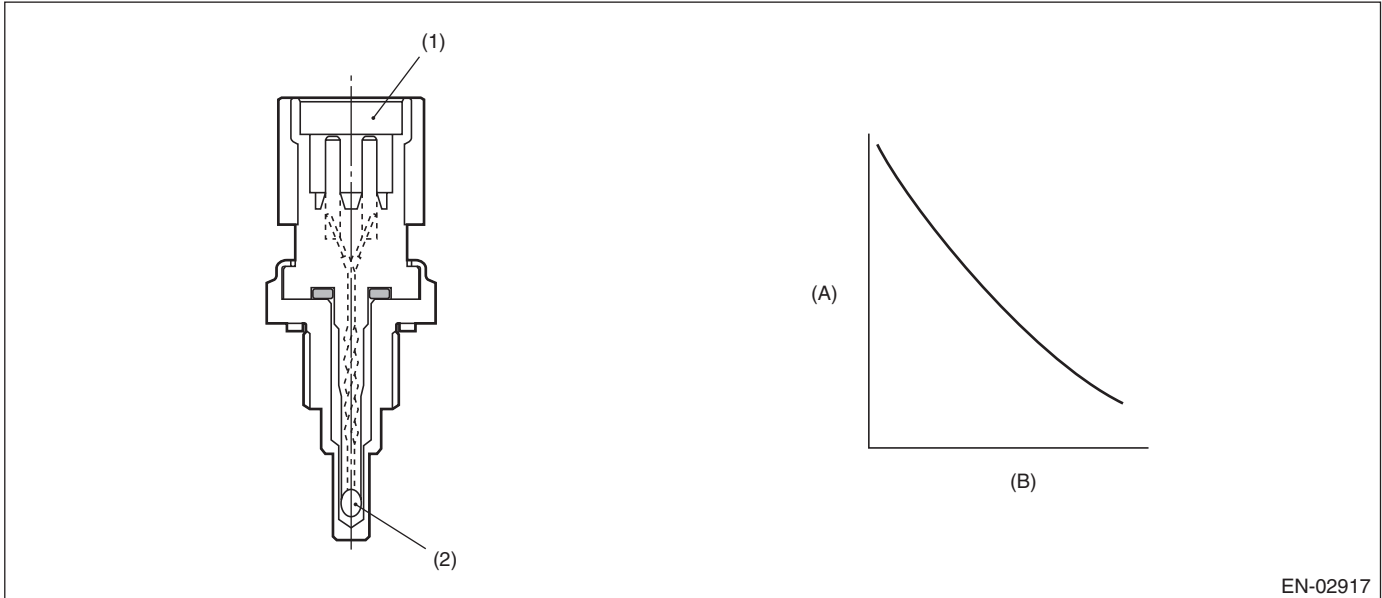
## GENERAL DESCRIPTION

### V: DTC P0118 ENGINE COOLANT TEMPERATURE CIRCUIT HIGH

#### 1. OUTLINE OF DIAGNOSIS

Detect the open or short circuit of the engine coolant temperature sensor.  
Judge as NG if out of specification.

#### 2. COMPONENT DESCRIPTION



EN-02917

- (A) Resistance value (k $\Omega$ )                      (B) Temperature °C (°F)  
(1) Connector    (2) Thermistor element

#### 3. ENABLE CONDITIONS

Secondary Parameters	Enable Condition
None	

#### 4. GENERAL DRIVING CYCLE

Always perform the diagnosis continuously.

#### 5. DIAGNOSTIC METHOD

##### • Abnormality Judgement

If the duration of time while the following conditions are met is longer than the time indicated, judge as NG.

##### Judgement Value

Malfunction Criteria	Threshold Value
Output voltage	$\geq 4.716$ V

**Time Needed for Diagnosis:** 500 ms

**Malfunction Indicator Light Illumination:** Illuminates as soon as a malfunction occurs.

##### • Normality Judgement

Judge as OK and clear the NG if the continuous time while the following conditions are established is more than the predetermined time.

##### Judgement Value

Malfunction Criteria	Threshold Value
Output voltage	$< 4.716$ V

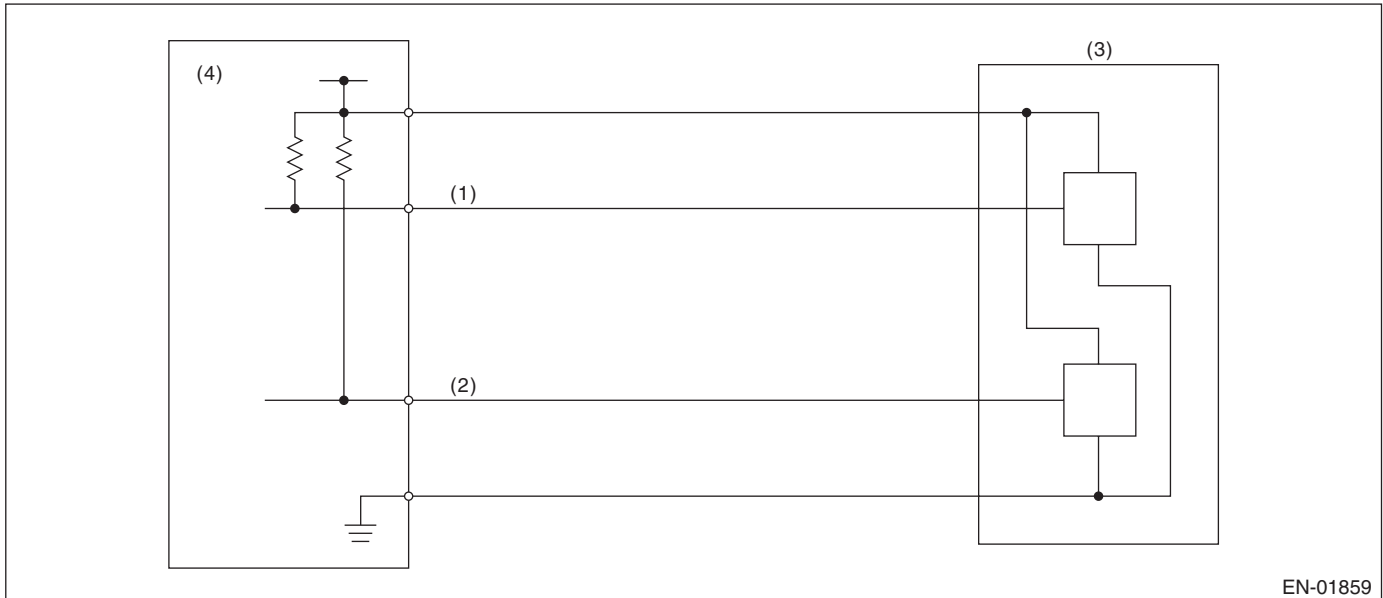
**Time Needed for Diagnosis:** Less than 1 second

## W: DTC P0122 THROTTLE/PEDAL POSITION SENSOR/SWITCH “A” CIRCUIT LOW

### 1. OUTLINE OF DIAGNOSIS

Detect the open or short circuit of throttle position sensor 1.  
Judge as NG if out of specification.

### 2. COMPONENT DESCRIPTION



- (1) Throttle position sensor 1 signal      (3) Throttle position sensor      (4) Engine control module (ECM)  
 (2) Throttle position sensor 2 signal

### 3. ENABLE CONDITIONS

Secondary Parameters	Enable Condition
Ignition switch	ON
Battery voltage	$\geq 6 \text{ V}$

### 4. GENERAL DRIVING CYCLE

Always perform the diagnosis continuously.

### 5. DIAGNOSTIC METHOD

#### • Abnormality Judgement

If the duration of time while the following conditions are met is longer than the time indicated, judge as NG.

#### Judgement Value

Malfunction Criteria	Threshold Value
Sensor 1 input voltage	$\leq 0.217 \text{ V}$

**Time Needed for Diagnosis:** 24 ms

**Malfunction Indicator Light Illumination:** Illuminates as soon as a malfunction occurs.

#### • Normality Judgement

Judge as OK and clear the NG if the continuous time while the following conditions are established is more than the predetermined time.

#### Judgement Value

Malfunction Criteria	Threshold Value
Sensor 1 input voltage	$> 0.217 \text{ V}$

**Time Needed for Diagnosis:** 24 ms

# Diagnostic Trouble Code (DTC) Detecting Criteria

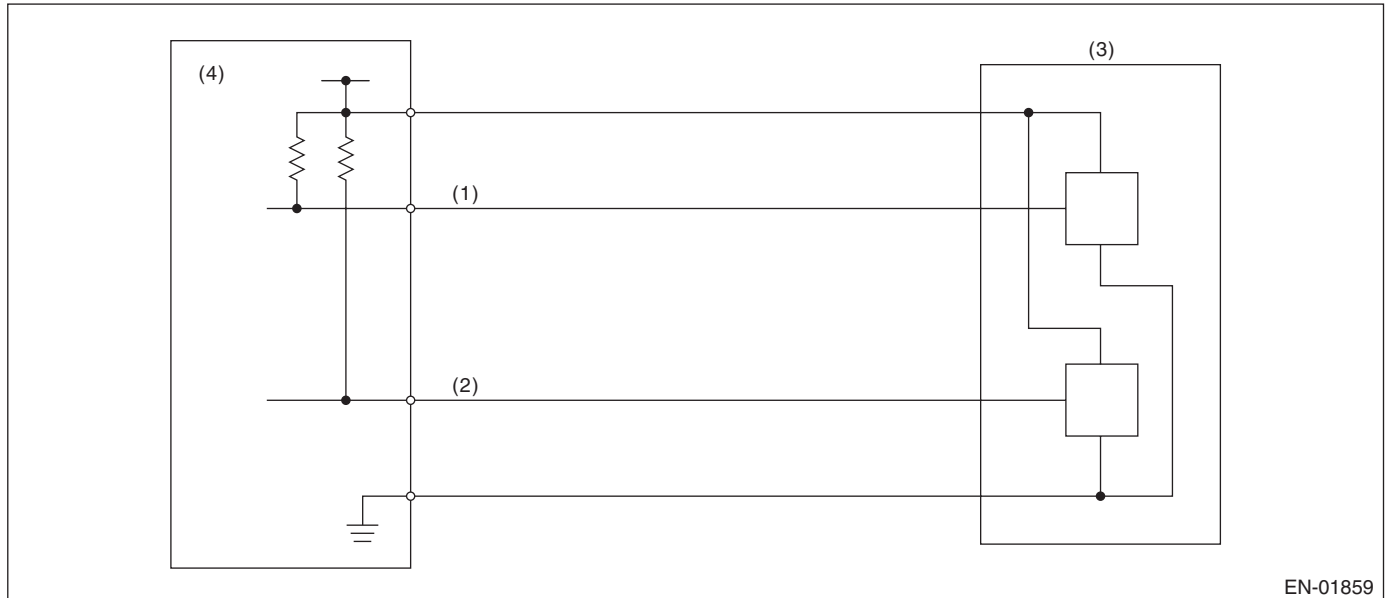
## GENERAL DESCRIPTION

### X: DTC P0123 THROTTLE/PEDAL POSITION SENSOR/SWITCH “A” CIRCUIT HIGH

#### 1. OUTLINE OF DIAGNOSIS

Detect the open or short circuit of throttle position sensor 1.  
Judge as NG if out of specification.

#### 2. COMPONENT DESCRIPTION



EN-01859

- (1) Throttle position sensor 1 signal      (3) Throttle position sensor  
(2) Throttle position sensor 2 signal      (4) Engine control module (ECM)

#### 3. ENABLE CONDITIONS

Secondary Parameters	Enable Condition
Ignition switch	ON
Battery voltage	$\geq 6 \text{ V}$

#### 4. GENERAL DRIVING CYCLE

Always perform the diagnosis continuously.

#### 5. DIAGNOSTIC METHOD

##### • Abnormality Judgement

If the duration of time while the following conditions are met is longer than the time indicated, judge as NG.

##### Judgement Value

Malfunction Criteria	Threshold Value
Sensor 1 input voltage	$\geq 4.858 \text{ V}$

**Time Needed for Diagnosis:** 24 ms

**Malfunction Indicator Light Illumination:** Illuminates as soon as a malfunction occurs.

##### • Normality Judgement

Judge as OK and clear the NG if the continuous time while the following conditions are established is more than the predetermined time.

##### Judgement Value

Malfunction Criteria	Threshold Value
Sensor 1 input voltage	$< 4.858 \text{ V}$

**Time Needed for Diagnosis:** 24 ms



# Diagnostic Trouble Code (DTC) Detecting Criteria

GENERAL DESCRIPTION

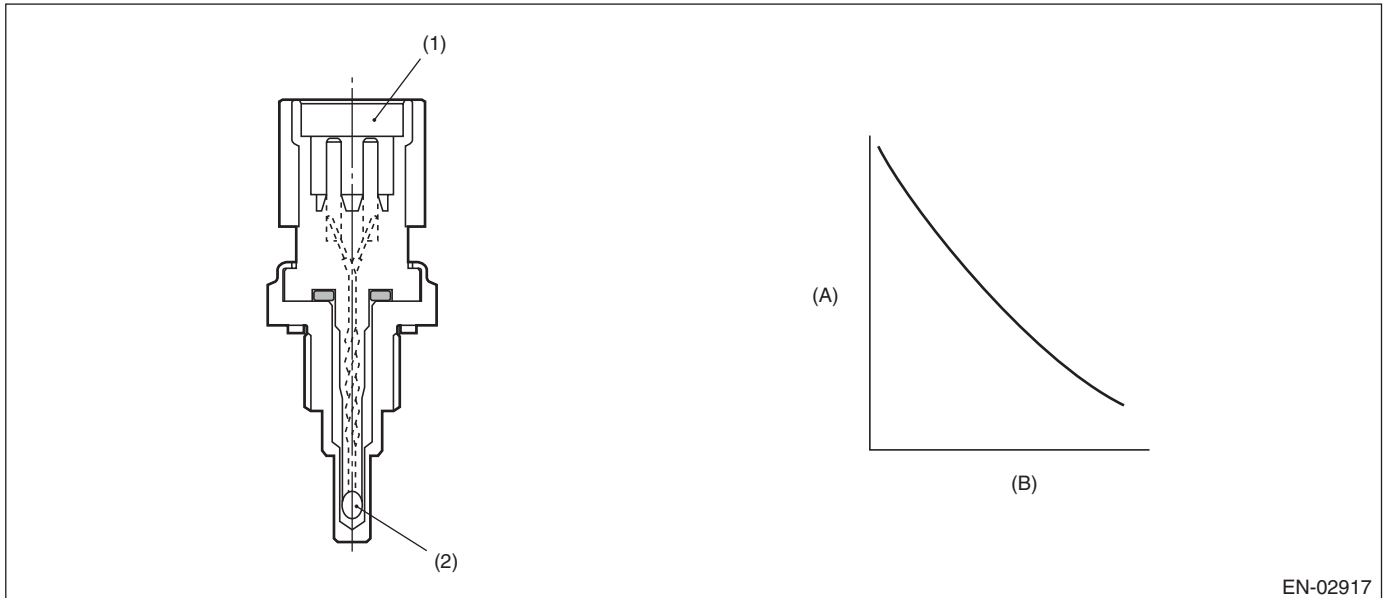
## Y: DTC P0125 INSUFFICIENT COOLANT TEMPERATURE FOR CLOSED LOOP FUEL CONTROL

### 1. OUTLINE OF DIAGNOSIS

Detect the malfunction of engine coolant temperature output property.

Judge as NG when the engine coolant temperature does not rise in driving conditions where it should.

### 2. COMPONENT DESCRIPTION



EN-02917

(A) Resistance value (k $\Omega$ )                      (B) Temperature  $^{\circ}\text{C}$  ( $^{\circ}\text{F}$ )

(1) Connector    (2) Thermistor element

### 3. ENABLE CONDITIONS

Secondary Parameters	Enable Condition
Engine speed	$\geq$ Value from Map
Battery voltage	$\geq 10.9 \text{ V}$

#### Map

Engine coolant temperature $^{\circ}\text{C}$ ( $^{\circ}\text{F}$ )	-40 (-40)	-30 (-22)	-20 (-4)	-10 (14)	0 (32)	10 (50)	20 (68)	30 (86)
Engine speed rpm	500	500	500	500	500	500	500	500

Engine coolant temperature $^{\circ}\text{C}$ ( $^{\circ}\text{F}$ )	40 (104)	50 (122)	60 (140)	70 (158)	80 (176)	90 (194)	100 (212)	110 (230)
Engine speed rpm	500	500	500	500	500	500	500	500

### 4. GENERAL DRIVING CYCLE

Perform the diagnosis only once after engine start.

# Diagnostic Trouble Code (DTC) Detecting Criteria

## GENERAL DESCRIPTION

### 5. DIAGNOSTIC METHOD

#### • Abnormality Judgement

Judge as NG if the criteria below are met.

#### Judgement Value

Malfunction Criteria	Threshold Value
Engine coolant temperature	< 20 °C (68 °F)
Timer for diagnosis after engine start	≥ Judgement value of timer after engine start

Timer for diagnosis after engine start

a. Timer stop at fuel cut

b. During the driving conditions except a) above, timer counts up as follows.

64 milliseconds + TWCNT milliseconds (at the time of 64 milliseconds)

TWCNT is defined as follows

TWCNT = 0 at idle switch ON

TWCNT show on the following table at idle switch OFF.

		Vehicle speed km/h (MPH)							
		0 (0)	8 (5)	16 (9.9)	24 (14.9)	32 (19.9)	40 (24.9)	48 (29.8)	56 (34.8)
Temperature °C (°F)	-20 (-4)	0 ms	32.076 ms	39.977 ms	47.879 ms	82.544 ms	117.209 ms	154.214 ms	185.26 ms
	-10 (14)	0 ms	25.704 ms	33.606 ms	41.508 ms	68.52 ms	95.532 ms	125.667 ms	155.802 ms
	0 (32)	0 ms	17.646 ms	25.548 ms	33.45 ms	53.652 ms	73.855 ms	97.12 ms	120.386 ms
	10 (50)	0 ms	7.901 ms	15.802 ms	23.704 ms	37.941 ms	52.177 ms	68.573 ms	82.538 ms
	20 (68)	0 ms	7.901 ms	15.802 ms	23.704 ms	37.941 ms	52.177 ms	68.573 ms	82.538 ms

Judgement value of timer after engine starting

$$t = 573669 \text{ ms} - 33924 \text{ ms} \times T_i$$

$T_i$  : The lowest coolant temperature after engine start

**Time Needed for Diagnosis:** Less than 1 second

**Malfunction Indicator Light Illumination:** Illuminates when malfunction occurs in 2 continuous driving cycles.

#### • Normality Judgement

Judge as OK and clear the NG when the malfunction criteria below are met.

#### Judgement Value

Malfunction Criteria	Threshold Value
Engine coolant temperature	≥ 20 °C (68 °F)

**Time Needed for Diagnosis:** Less than 1 second

# Diagnostic Trouble Code (DTC) Detecting Criteria

GENERAL DESCRIPTION

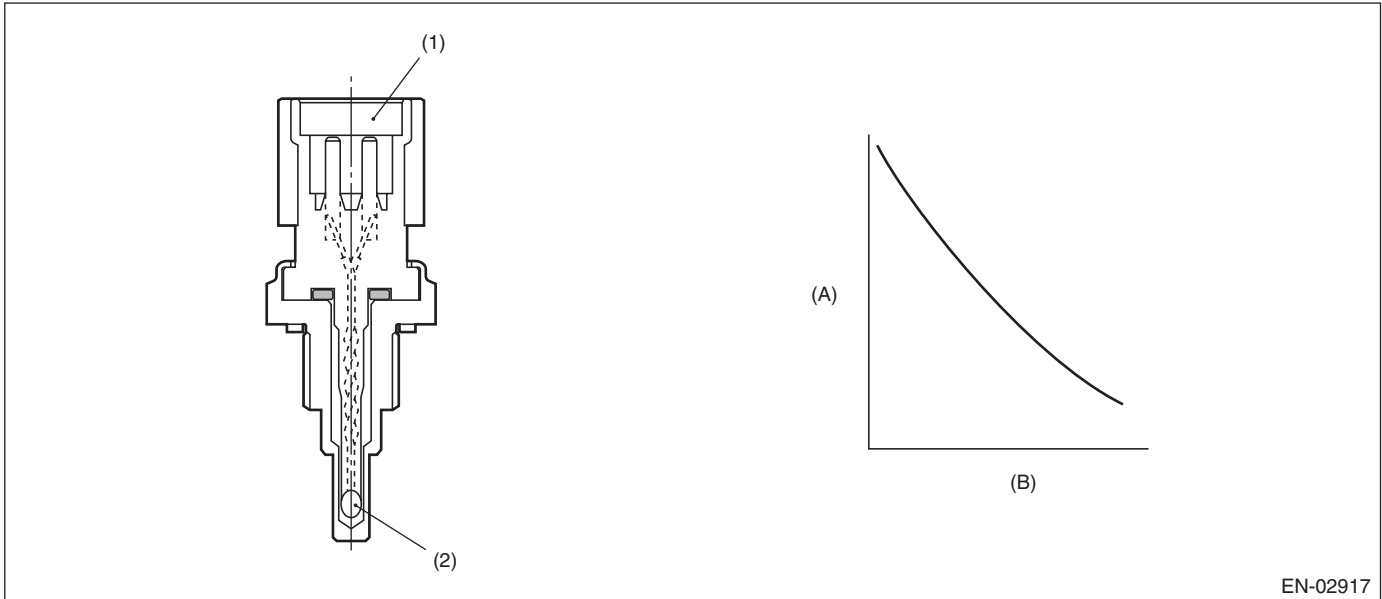
## Z: DTC P0126 INSUFFICIENT ENGINE COOLANT TEMPERATURE FOR STABLE OPERATION

### 1. OUTLINE OF DIAGNOSIS

Detect the malfunction of the engine coolant temperature sensor characteristics.

Memorize the engine coolant temperature and fuel temperature at the last engine stop, and use them to judge as NG when the engine coolant temperature does not decrease when it should.

### 2. COMPONENT DESCRIPTION



EN-02917

(A) Resistance value (k $\Omega$ )

(B) Temperature °C (°F)

(1) Connector

(2) Thermistor element

### 3. ENABLE CONDITIONS

Secondary Parameters	Enable Condition
Battery voltage	$\geq 10.9$ V
Refueling from the last engine stop till the current engine start	None
Fuel level	$\geq 15$ $\ell$ (3.96 US gal, 3.3 Imp gal)
Engine coolant temperature at the last engine stop	$\geq 75$ °C (167 °F)

### 4. GENERAL DRIVING CYCLE

Perform the diagnosis only once after starting the engine.

# Diagnostic Trouble Code (DTC) Detecting Criteria

## GENERAL DESCRIPTION

---

### 5. DIAGNOSTIC METHOD

#### • Abnormality Judgement

If the duration of time while the following conditions are met is longer than the time indicated, judge as NG.

#### Judgement Value

Malfunction Criteria	Threshold Value
Engine coolant temperature at the last engine stop — Minimum engine coolant temperature after the engine start	< 2.5 °C (36.5 °F)
Fuel temperature at the last engine stop — Fuel temperature	≥ 5 °C (41 °F)
Intake air temperature — Fuel temperature	< 2.5 °C (36.5 °F)
Fuel temperature	< 35 °C (95 °F)

**Time Needed for Diagnosis:** 2500 ms

**Malfunction Indicator Light Illumination:** Illuminates when malfunction occurs in 2 continuous driving cycles.

#### • Normality Judgement

Judge as OK and clear the NG if the continuous time while the following conditions are established is more than the predetermined time.

#### Judgement Value

Malfunction Criteria	Threshold Value
Engine coolant temperature at the last engine stop — Minimum engine coolant temperature after the engine start	≥ 2.5 °C (36.5 °F)

**Time Needed for Diagnosis:** Less than 1 second

# Diagnostic Trouble Code (DTC) Detecting Criteria

GENERAL DESCRIPTION

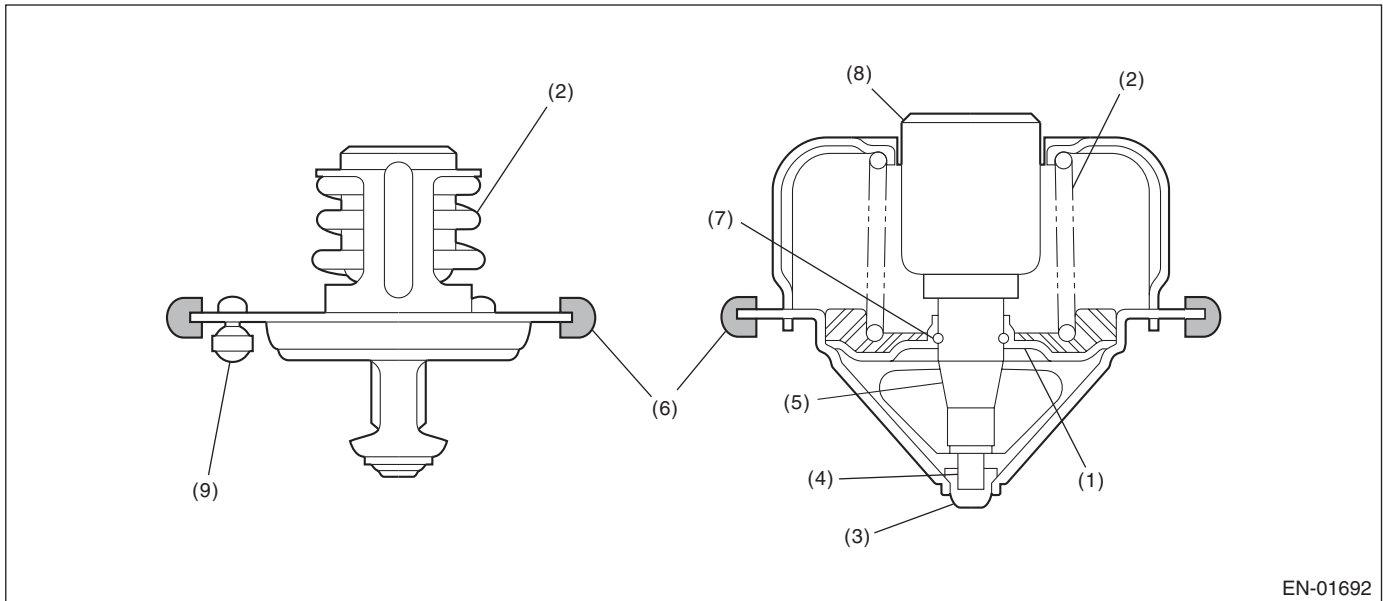
## AA:DTC P0128 COOLANT THERMOSTAT (ENGINE COOLANT TEMPERATURE BELOW THERMOSTAT REGULATING TEMPERATURE)

### 1. OUTLINE OF DIAGNOSIS

Detect malfunctions of the thermostat function.

Judge as NG when the engine coolant temperature is lower than the estimated engine coolant temperature and the difference between them is large. Judge as OK when the engine coolant temperature becomes to 75°C (167°F), and the difference is small, before judging NG.

### 2. COMPONENT DESCRIPTION



EN-01692

- |             |                 |                  |
|-------------|-----------------|------------------|
| (1) Valve   | (4) Piston      | (7) Stop ring    |
| (2) Spring  | (5) Guide       | (8) Wax element  |
| (3) Stopper | (6) Rubber seal | (9) Jiggle valve |

### 3. ENABLE CONDITIONS

Secondary Parameters	Enable Condition
None	

### 4. GENERAL DRIVING CYCLE

Always perform the diagnosis continuously.

# Diagnostic Trouble Code (DTC) Detecting Criteria

## GENERAL DESCRIPTION

---

### 5. DIAGNOSTIC METHOD

#### • Abnormality Judgement

If the duration of time while the following conditions are met is longer than the time indicated, judge as NG.

#### Judgement Value

Malfunction Criteria	Threshold Value
Battery voltage	$\geq 10.9$ V
Estimate ambient temperature	$\geq -7$ °C (19.4 °F)
Thermostat malfunction diagnosis	Incomplete
Engine coolant temperature at engine starting	$< 55$ °C (131 °F)
Estimated coolant temperature	$\geq 75$ °C (167 °F)
Engine coolant temperature (Estimated – Measured) Engine coolant temperature	$\leq 75$ °C (167 °F)
	$> 30$ °C (86 °F)
Vehicle speed	$\geq 30$ km/h (18.6 MPH)

**Time Needed for Diagnosis:** 64 ms  $\times$  3 time(s)  $\times$  152 time(s)

**Malfunction Indicator Light Illumination:** Illuminates when malfunction occurs in 2 continuous driving cycles.

#### • Normality Judgement

Judge as OK and clear the NG if the continuous time while the following conditions are established is more than the predetermined time.

#### Judgement Value

Malfunction Criteria	Threshold Value
Battery voltage	$\geq 10.9$ V
Estimate ambient temperature	$\geq -7$ °C (19.4 °F)
Thermostat malfunction diagnosis	Incomplete
Engine coolant temperature at engine starting	$< 55$ °C (131 °F)
Engine coolant temperature (Estimated – Measured) Engine coolant temperature	$\geq 75$ °C (167 °F)
	$\leq 30$ °C (86 °F)

**Time Needed for Diagnosis:** Less than 1 second

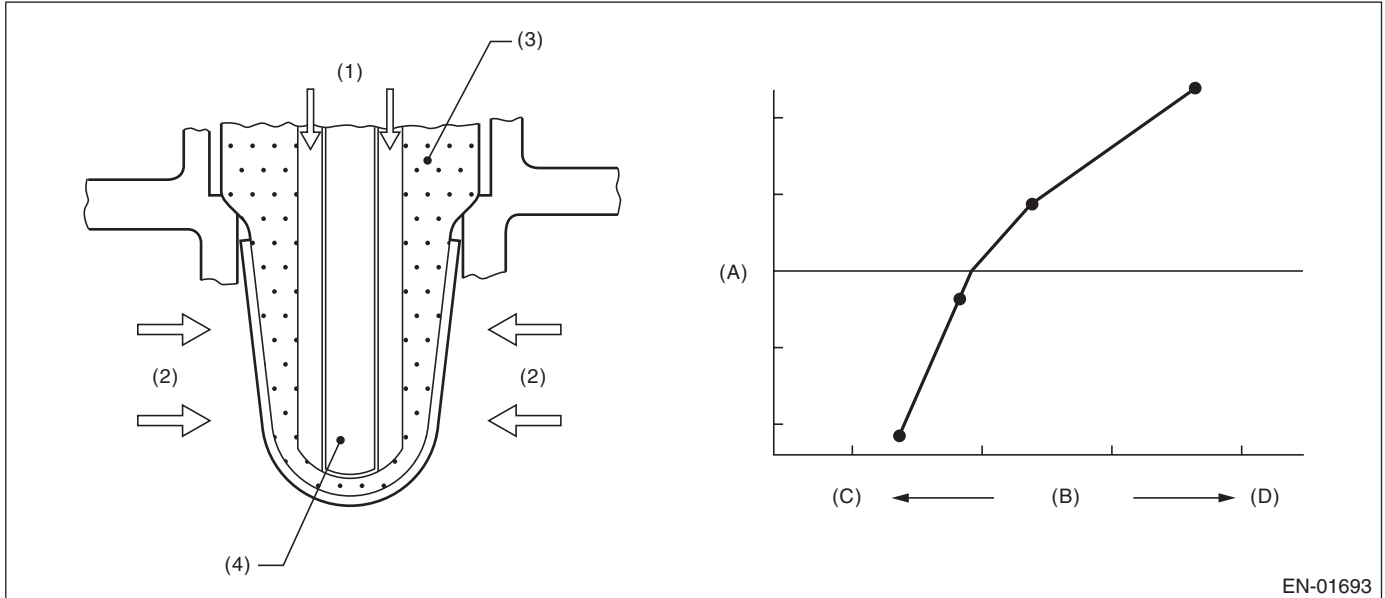
## AB:DTC P0131 O2 SENSOR CIRCUIT LOW VOLTAGE (BANK 1 SENSOR 1)

### 1. OUTLINE OF DIAGNOSIS

Detect the open or short circuit of sensor.

Judge as NG, when the element voltage is out of the specified range.

### 2. COMPONENT DESCRIPTION



EN-01693

(A) Electromotive force  
(D) Rich

(B) Air fuel ratio

(C) Lean

(1) Atmosphere  
(2) Exhaust gas

(3) ZrO<sub>2</sub>

(4) Ceramic heater

### 3. ENABLE CONDITIONS

Secondary Parameters	Enable Condition
Battery voltage	≥ 10.9 V

### 4. GENERAL DRIVING CYCLE

Always perform the diagnosis continuously.

# Diagnostic Trouble Code (DTC) Detecting Criteria

## GENERAL DESCRIPTION

---

### 5. DIAGNOSTIC METHOD

#### • Abnormality Judgement

If the duration of time while the following conditions are met is longer than the time indicated, judge as NG.

#### Judgement Value

Malfunction Criteria	Threshold Value
Input voltage (+) or Input voltage (-)	< 1.128 V
or  Input voltage (+) – Input voltage (-)	< 0.23 V
	< 0.644 V

#### Time Needed for Diagnosis:

Input voltage (+): 1000 ms

Input voltage (-): 1000 ms

|Input voltage (+) – Input voltage (-)|: 1000 ms

**Malfunction Indicator Light Illumination:** Illuminates as soon as a malfunction occurs.

#### • Normality Judgement

Judge as OK and clear the NG if the continuous time while the following conditions are established is more than the predetermined time.

#### Judgement Value

Malfunction Criteria	Threshold Value
Input voltage (+)	$\geq 1.128$ V
Input voltage (-)	$\geq 0.23$ V
Input voltage (+) – Input voltage (-)	$\geq 0.644$ V

**Time Needed for Diagnosis:** Less than 1 second



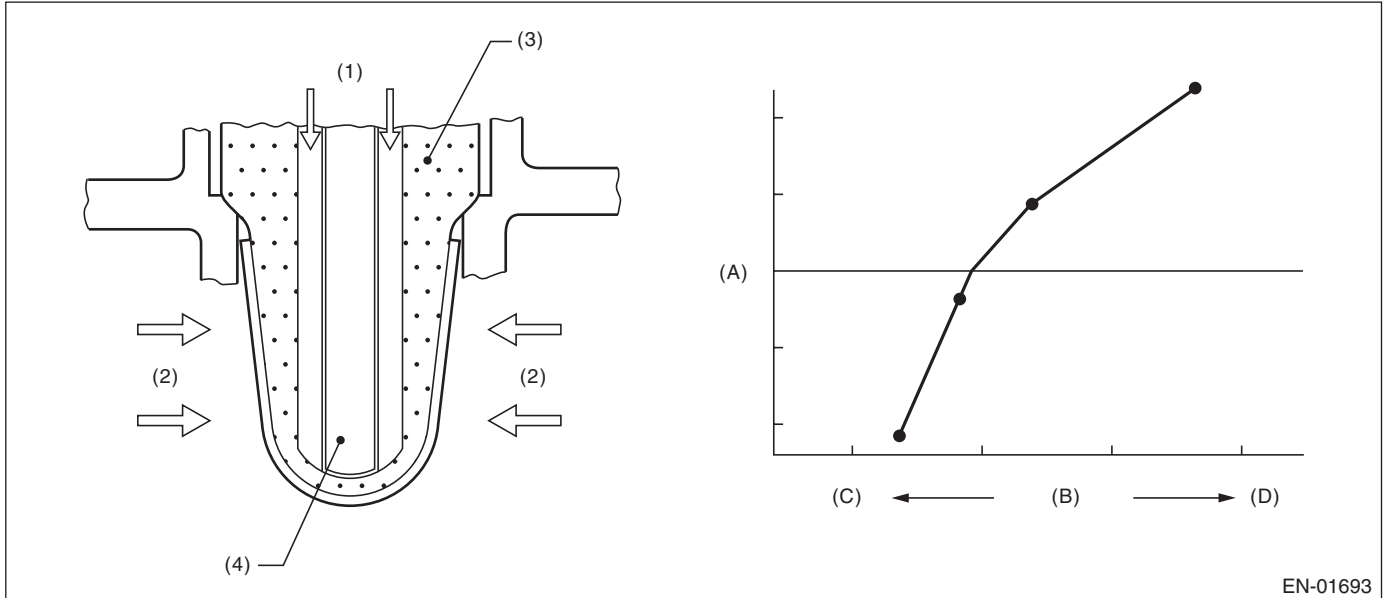
## AC:DTC P0132 O2 SENSOR CIRCUIT HIGH VOLTAGE (BANK 1 SENSOR 1)

### 1. OUTLINE OF DIAGNOSIS

Detect the open or short circuit of sensor.

Judge as NG, when the element voltage is out of the specified range.

### 2. COMPONENT DESCRIPTION



EN-01693

(A) Electromotive force  
(D) Rich

(B) Air fuel ratio

(C) Lean

(1) Atmosphere  
(2) Exhaust gas

(3) ZrO<sub>2</sub>

(4) Ceramic heater

### 3. ENABLE CONDITIONS

Secondary Parameters	Enable Condition
Battery voltage	≥ 10.9 V

### 4. GENERAL DRIVING CYCLE

Always perform the diagnosis continuously.

# Diagnostic Trouble Code (DTC) Detecting Criteria

## GENERAL DESCRIPTION

---

### 5. DIAGNOSTIC METHOD

#### • Abnormality Judgement

If the duration of time while the following conditions are met is longer than the time indicated, judge as NG.

#### Judgement Value

Malfunction Criteria	Threshold Value
Input voltage (+) or Input voltage (-)	> 3.589 V  > 3.541 V

#### Time Needed for Diagnosis:

Input voltage (+): 1000 ms

Input voltage (-): 1000 ms

**Malfunction Indicator Light Illumination:** Illuminates as soon as a malfunction occurs.

#### • Normality Judgement

Judge as OK and clear the NG if the continuous time while the following conditions are established is more than the predetermined time.

#### Judgement Value

Malfunction Criteria	Threshold Value
Input voltage (+)	$\leq 3.589$ V
Input voltage (-)	$\leq 3.541$ V

**Time Needed for Diagnosis:** Less than 1 second

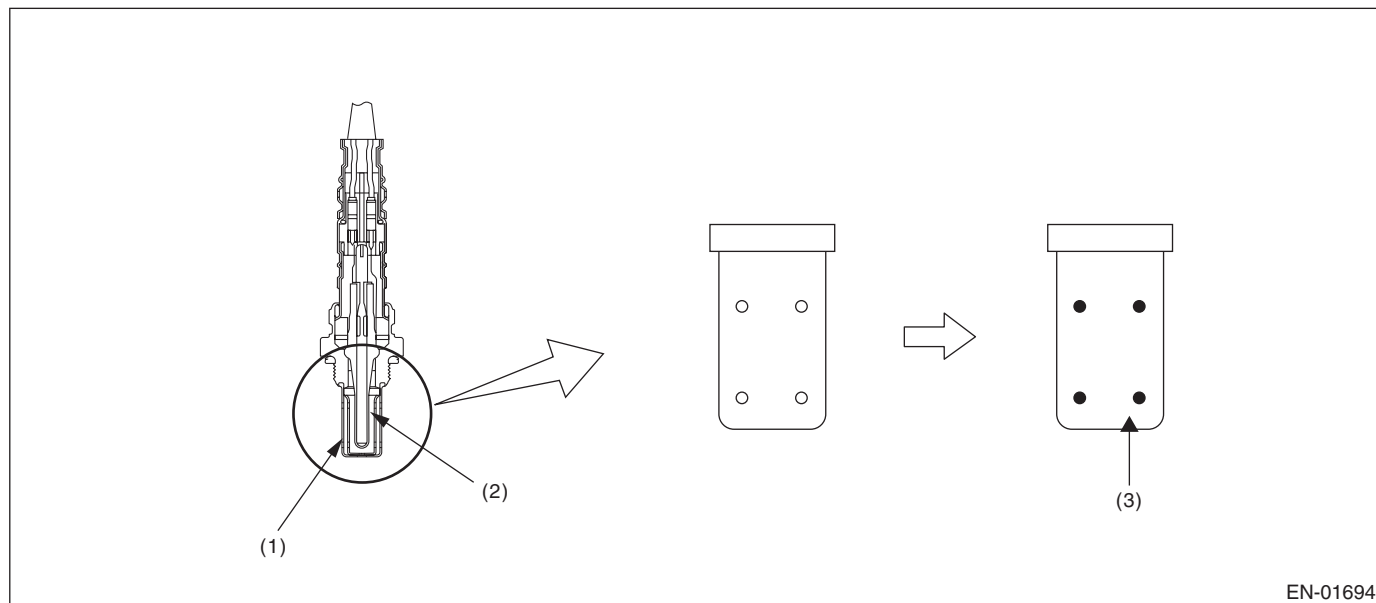
## AD:DTC P0133 O2 SENSOR CIRCUIT SLOW RESPONSE (BANK 1 SENSOR 1)

### 1. OUTLINE OF DIAGNOSIS

Detect the slow response of front oxygen (A/F) sensor.

Front oxygen (A/F) sensor cover has some ventilation holes for exhaust gas. Clogged ventilation holes are diagnosed.

When the holes are clogged, the A/F output variation becomes slow comparing with the actual A/F variation because oxygen which reaches the zirconia layer is insufficient. Therefore, if the sensor cover holes are clogged, the rich to lean judgement in the ECM is delayed when the actual change from rich to lean occurs. Judge as NG when the actual movement in comparison to the ECM control amount is slow.



EN-01694

(1) Cover

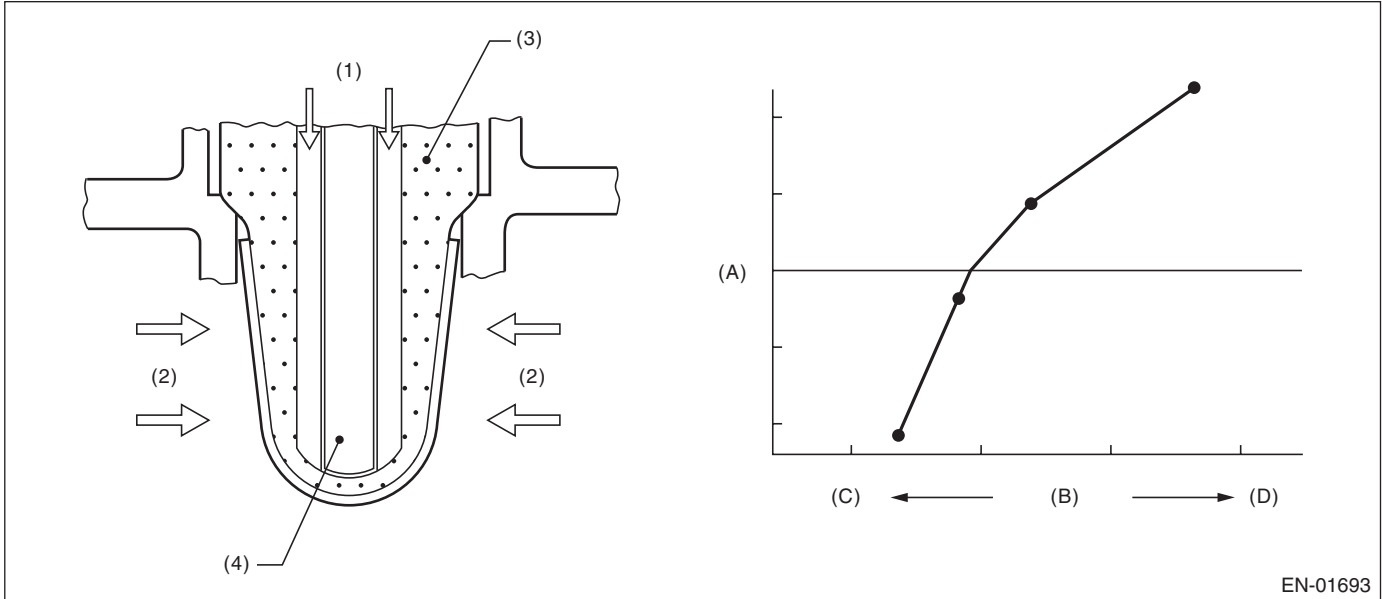
(2) Zirconia

(3) Clogging

# Diagnostic Trouble Code (DTC) Detecting Criteria

## GENERAL DESCRIPTION

### 2. COMPONENT DESCRIPTION



EN-01693

(A) Electromotive force  
(D) Rich

(B) Air fuel ratio

(C) Lean

(1) Atmosphere  
(2) Exhaust gas

(3) ZrO<sub>2</sub>

(4) Ceramic heater

### 3. ENABLE CONDITIONS

Secondary Parameters	Enable Condition
Time needed for all secondary parameters to be in enable conditions	≥ 1024 ms
Battery voltage	≥ 10.9 V
Barometric pressure	> 75 kPa (563 mmHg, 22.2 inHg)
Closed loop control with main feedback	Operation
Front oxygen (A/F) sensor impedance	0 Ω — 50 Ω
Elapsed time after starting the engine	≥ 120000 ms
Engine coolant temperature	≥ 75 °C (167 °F)
Engine speed	1000 rpm — 3200 rpm
Vehicle speed	10 km/h — 120 km/h (6.2 MPH — 74.6 MPH)
Amount of intake air	10 g/s — 40 g/s (0.35 oz/s — 1.41 oz/s)
Engine load	< 0.02 g/rev (0 oz/rev)
Learning value of EVAP conc. during purge	< 0.2
Total time of operating canister purge	≥ 19.9 s

### 4. GENERAL DRIVING CYCLE

Perform diagnosis only once at a constant speed of 10 km/h — 120 km/h (6.2 MPH — 74.6 MPH) 120000 ms or more after starting the engine.

### 5. DIAGNOSTIC METHOD

Calculate faf difference every 32ms × 4 , and the λ value difference. Calculate the diagnosis value after calculating 1640 time(s).

# Diagnostic Trouble Code (DTC) Detecting Criteria

GENERAL DESCRIPTION

## • Abnormality Judgement

If the duration of time while the following conditions are met is longer than the time indicated, judge as NG.

### Judgement Value

Malfunction Criteria	Threshold Value
$\text{para}fca = \text{td}2faf/\text{td}2lmd$ where, $\text{td}2faf(N) = \text{td}2faf(n-1) +  \text{d}2faf(n) $ $\text{td}2lmd(N) = \text{td}2lmd(n-1) +  \text{d}2lmd(n) $ add up to $32 \text{ ms} \times 4 \times 1640 \text{ time(s)}$ . $\text{d}2faf(n) = (\text{faf}(n) - \text{faf}(n-1)) - (\text{faf}(n-1) - \text{faf}(n-2))$ $\text{d}2lmd(n) = (\text{lmd}(n) - \text{lmd}(n-1)) - (\text{lmd}(n-1) - \text{lmd}(n-2))$ faf = main feedback compensation coefficient every 128 milliseconds lmd = output lambda every 128 milliseconds	> 0.45

**Time Needed for Diagnosis:**  $32 \text{ ms} \times 4 \times 1640 \text{ time(s)}$

**Malfunction Indicator Light Illumination:** Illuminates when malfunction occurs in 2 continuous driving cycles.

## • Normality Judgement

Judge as OK and clear the NG if the continuous time while the following conditions are established is more than the predetermined time.

### Judgement Value

Malfunction Criteria	Threshold Value
$\text{para}fca = \text{td}2faf/\text{td}2lmd$ where, $\text{td}2faf(N) = \text{td}2faf(n-1) +  \text{d}2faf(n) $ $\text{td}2lmd(N) = \text{td}2lmd(n-1) +  \text{d}2lmd(n) $ add up to $32 \text{ ms} \times 4 \times 1640 \text{ time(s)}$ . $\text{d}2faf(n) = (\text{faf}(n) - \text{faf}(n-1)) - (\text{faf}(n-1) - \text{faf}(n-2))$ $\text{d}2lmd(n) = (\text{lmd}(n) - \text{lmd}(n-1)) - (\text{lmd}(n-1) - \text{lmd}(n-2))$ faf = main feedback compensation coefficient every 128 milliseconds lmd = output lambda every 128 milliseconds	$\leq 0.45$

**Time Needed for Diagnosis:**  $32 \text{ ms} \times 4 \times 1640 \text{ time(s)}$

# Diagnostic Trouble Code (DTC) Detecting Criteria

## GENERAL DESCRIPTION

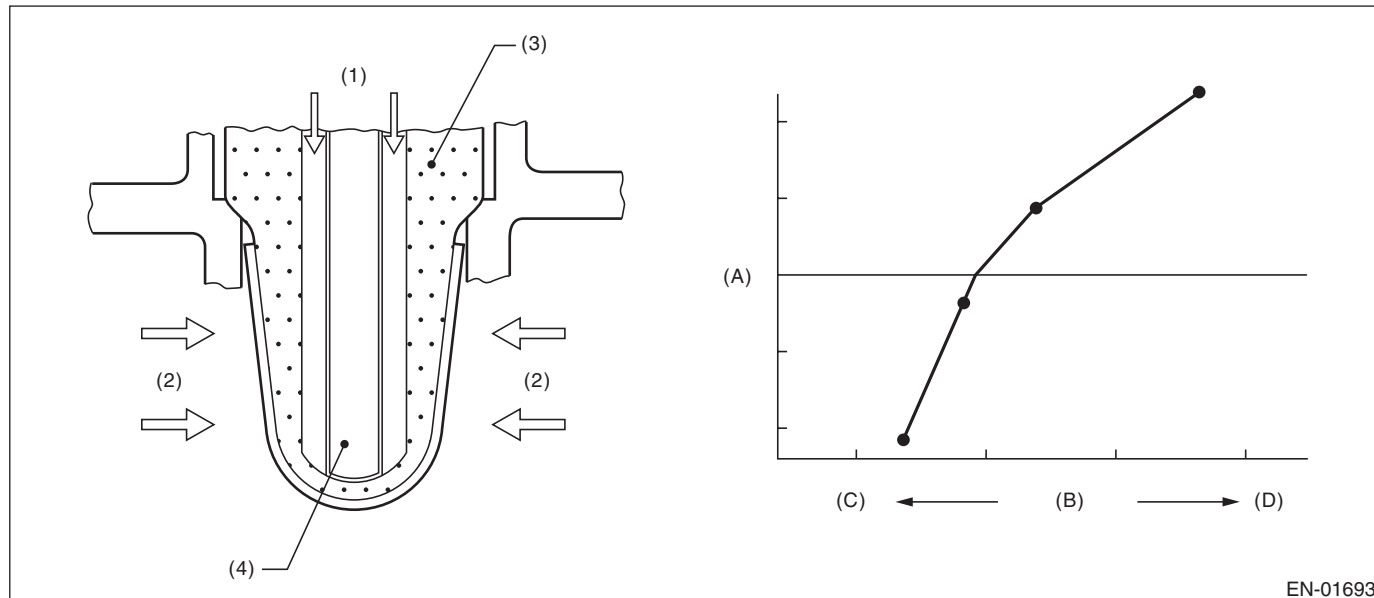
### AE:DTC P0134 O2 SENSOR CIRCUIT NO ACTIVITY DETECTED (BANK 1 SENSOR 1)

#### 1. OUTLINE OF DIAGNOSIS

Detect open circuits of the sensor.

Judge as NG when the impedance of the element is large.

#### 2. COMPONENT DESCRIPTION



(A) Electromotive force

(B) Air fuel ratio

(C) Lean

(D) Rich

(1) Atmosphere

(3)  $ZrO_2$

(4) Ceramic heater

(2) Exhaust gas

EN-01693

#### 3. ENABLE CONDITIONS

Secondary Parameters	Enable Condition
None	

#### 4. GENERAL DRIVING CYCLE

Always perform the diagnosis continuously.

# Diagnostic Trouble Code (DTC) Detecting Criteria

GENERAL DESCRIPTION

## 5. DIAGNOSTIC METHOD

### • Abnormality Judgement

If the duration of time while the following conditions are met is longer than the time indicated, judge as NG.

### Judgement Value

Malfunction Criteria	Threshold Value
Battery voltage	$\geq 10.9$ V
Time of heater control duty at 70 % or more	$\geq 36000$ ms
Front oxygen (A/F) sensor impedance.	$> 500$ $\Omega$

**Time Needed for Diagnosis:** 5000 ms

**Malfunction Indicator Light Illumination:** Illuminates as soon as a malfunction occurs.

### • Normality Judgement

Judge as OK and clear the NG if the continuous time while the following conditions are established is more than the predetermined time.

### Judgement Value

Malfunction Criteria	Threshold Value
Battery voltage	$\geq 10.9$ V
Front oxygen (A/F) sensor impedance.	$\leq 500$ $\Omega$

**Time Needed for Diagnosis:** Less than 1 second

# Diagnostic Trouble Code (DTC) Detecting Criteria

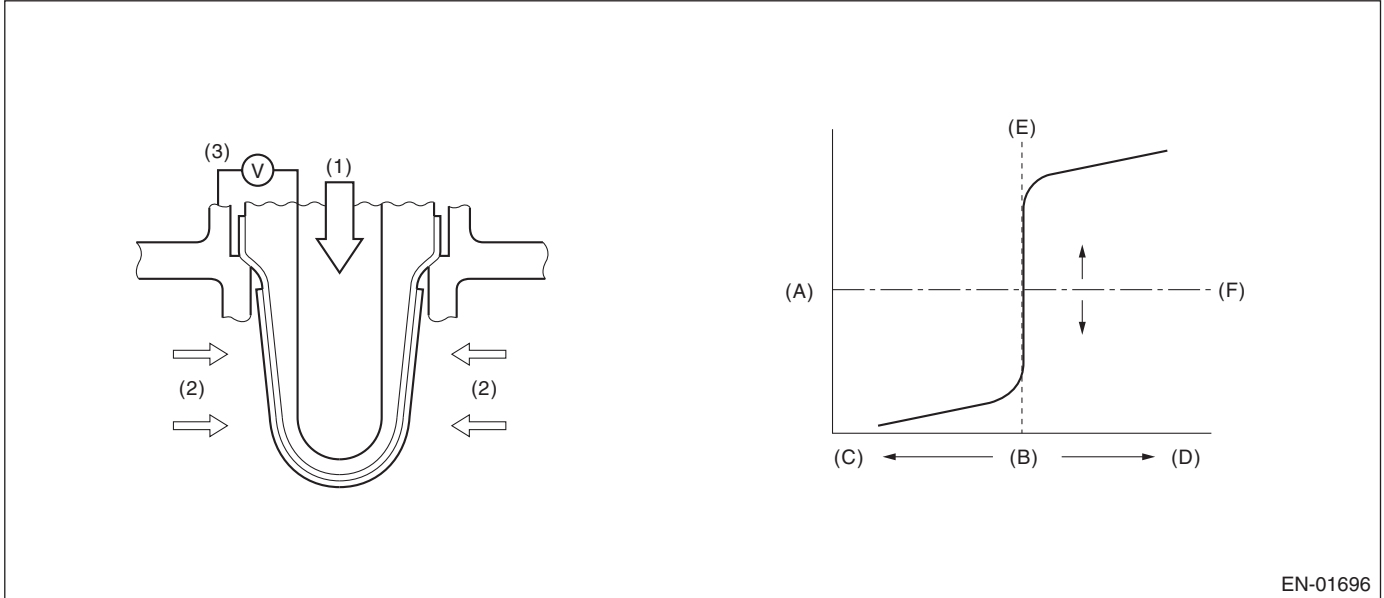
## GENERAL DESCRIPTION

### AF:DTC P0137 O2 SENSOR CIRCUIT LOW VOLTAGE (BANK 1 SENSOR 2)

#### 1. OUTLINE OF DIAGNOSIS

Detect continuity NG of the oxygen sensor. If the oxygen sensor voltage reading is not within the probable range considering the operating conditions, judge as NG.

#### 2. COMPONENT DESCRIPTION



EN-01696

(A) Electromotive force

(B) Air fuel ratio

(C) Rich

(D) Lean

(E) Theoretical air fuel ratio

(F) Comparative voltage

(1) Atmosphere

(2) Exhaust gas

(3) Electromotive force



# Diagnostic Trouble Code (DTC) Detecting Criteria

GENERAL DESCRIPTION

## 3. ENABLE CONDITIONS

### Used for abnormality judgement

Secondary Parameters	Enable Conditions
<b>High</b> Secondary air system Closed loop control at the oxygen sensor Misfire detection every 200 rotations Front oxygen (A/F) sensor compensation coefficient Battery voltage Engine coolant temperature	Not in operation In operation < 5 time(s) Not in limit value ≥ 10.9 V ≥ 75 °C (167 °F)
<b>Low (1)</b> Secondary air system Closed loop control at the oxygen sensor Misfire detection every 200 rotations Front oxygen (A/F) sensor compensation coefficient Battery voltage Engine coolant temperature Amount of intake air	Not in operation In operation < 5 time(s) Not in limit value ≥ 10.9 V ≥ 75 °C (167 °F) ≥ 10 g/s (0.35 oz/s)
<b>Low (2)</b> Secondary air system Closed loop control at the oxygen sensor Misfire detection every 200 rotations Front oxygen (A/F) sensor compensation coefficient Battery voltage Engine coolant temperature Amount of intake air Current continuation time of the rear oxygen sensor heater	Not in operation In operation < 5 time(s) Not in limit value ≥ 10.9 V ≥ 75 °C (167 °F) < 10 g/s (0.35 oz/s) ≥ 30000 ms
<b>Low (3)</b> Secondary air system Closed loop control at the oxygen sensor Misfire detection every 200 rotations Front oxygen (A/F) sensor compensation coefficient Battery voltage Engine coolant temperature Amount of intake air Current continuation time of the rear oxygen sensor heater Fuel cut	Not in operation In operation < 5 time(s) Not in limit value ≥ 10.9 V ≥ 75 °C (167 °F) < 10 g/s (0.35 oz/s) ≥ 30000 ms Experienced

### Used for normality judgement

Secondary Parameters	Enable Conditions
Secondary air system Closed loop control at the oxygen sensor Misfire detection every 200 rotations Front oxygen (A/F) sensor compensation coefficient Battery voltage Engine coolant temperature	Not in operation In operation < 5 time(s) Not in limit value ≥ 10.9 V ≥ 75 °C (167 °F)

## 4. GENERAL DRIVING CYCLE

After starting the engine, continuously perform the diagnosis with the same engine condition.

# Diagnostic Trouble Code (DTC) Detecting Criteria

## GENERAL DESCRIPTION

### 5. DIAGNOSTIC METHOD

#### • Abnormality Judgement

If the duration of time while the following conditions are met is longer than the time indicated, judge as NG.

#### Judgement Value

Malfunction Criteria	Threshold Value	DTC
<b>High</b> Sensor output voltage	> 1.2 V	P0138
<b>Low</b> Sensor output voltage	< 0.03 V	P0137

#### Time Needed for Diagnosis:

- High: 2500 ms
- Low (1): 20000 ms
- Low (2): 40000 ms
- Low (3): Value from Map

#### Map

Fuel Cut Time (second)	0	2000	10000
Time needed for diagnosis (second)	40000	40000	60000

**Malfunction Indicator Light Illumination:** Illuminates when malfunction occurs in 2 continuous driving cycles.

#### • Normality Judgement

Judge as OK and clear the NG if the continuous time while the following conditions are established is more than the predetermined time.

#### Judgement Value

Malfunction Criteria	Threshold Value	DTC
<b>High</b> Sensor output voltage	$\leq 1.2$ V	P0138
<b>Low</b> Sensor output voltage	$\geq 0.03$ V	P0137

#### Time Needed for Diagnosis

- High: Less than 1 second
- Low (1): Less than 1 second
- Low (2): Less than 1 second
- Low (3): Less than 1 second

## AG:DTC P0138 O2 SENSOR CIRCUIT HIGH VOLTAGE (BANK 1 SENSOR 2)

### 1. OUTLINE OF DIAGNOSIS

#### NOTE:

For the detection standard, refer to DTC P0137. <Ref. to GD(H4SO)-54, DTC P0137 O2 SENSOR CIRCUIT LOW VOLTAGE (BANK 1 SENSOR 2), Diagnostic Trouble Code (DTC) Detecting Criteria.>

## AH:DTC P0139 O2 SENSOR CIRCUIT SLOW RESPONSE (BANK 1 SENSOR 2)

### 1. OUTLINE OF DIAGNOSIS

Detect the slow response of the oxygen sensor.

Judge as NG if either the rich to lean response diagnosis or lean to rich response diagnosis is NG, and Judge as OK if both are OK.

[Rich → lean diagnosis response]

1. Measure the response time for oxygen sensor output changes when the A/F ratio changes from rich to lean. If the measured response time is larger than the threshold value, it is NG. If it is smaller, it is OK.

2. Judge as NG when the oxygen sensor voltage is large (rich) when recovering from a deceleration fuel cut.

[Lean → rich diagnosis response]

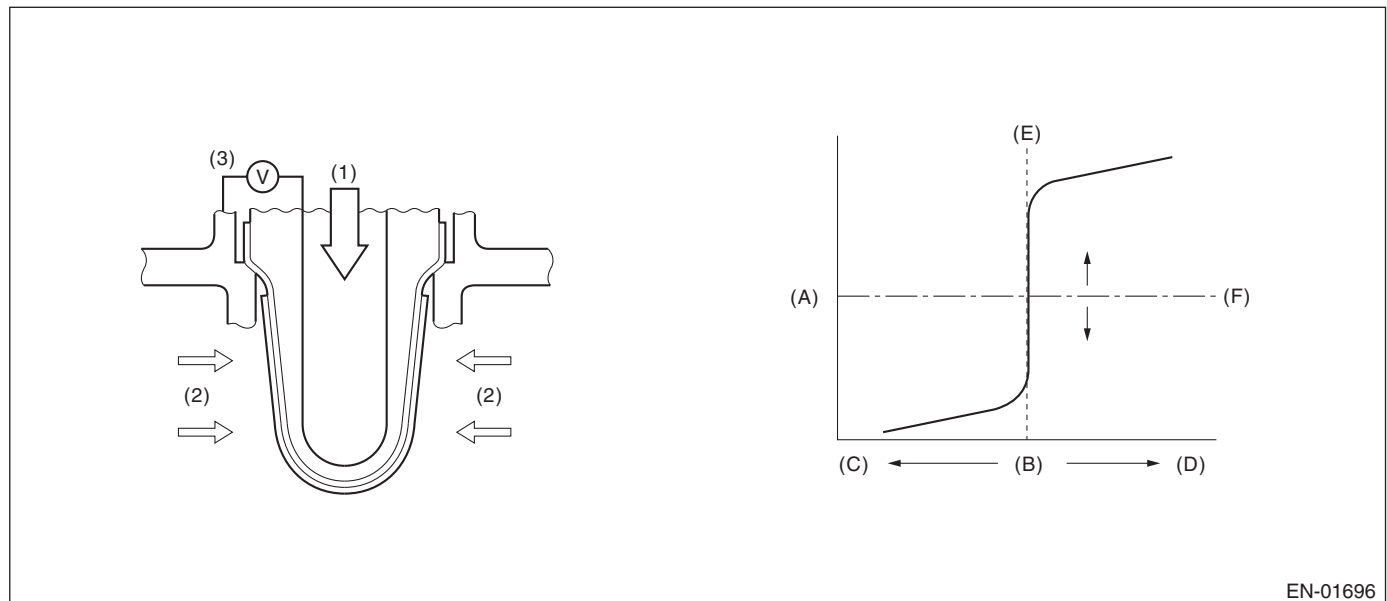
1. Measure the response time for oxygen sensor output changes when the A/F ratio changes from lean to rich. If the measured response time is larger than the threshold value, it is NG.

2. Judge as NG when the oxygen sensor voltage remains small when recovering from a deceleration fuel cut.

### Diagnostic method

Measure the response time of the output change of the oxygen sensor when the A/F ratio changes from rich to lean. And Judge as NG when the measured response time is larger than the threshold value.

### 2. COMPONENT DESCRIPTION



EN-01696

(A) Electromotive force

(B) Air fuel ratio

(C) Rich

(D) Lean

(E) Theoretical air fuel ratio

(F) Comparative voltage

(1) Atmosphere

(2) Exhaust gas

(3) Electromotive force

# Diagnostic Trouble Code (DTC) Detecting Criteria

## GENERAL DESCRIPTION

---

### 3. ENABLE CONDITIONS

Rich → lean diagnosis response

Secondary Parameters	Enable Condition
Battery voltage	≥ 10.9 V
A/F main feedback control condition	Completed
Deceleration fuel cut time is 6000 ms or more.	Experienced
After fuel cut	≥ 2000 ms
Current calculation time of the rear oxygen sensor heater	≥ 60000 ms
Current continuation time of the rear oxygen sensor heater	≥ 30000 ms
Estimated catalyst temperature	≥ 480 °C (896 °F)
Number of deceleration fuel cut	≥ 1 time(s)

### 4. GENERAL DRIVING CYCLE

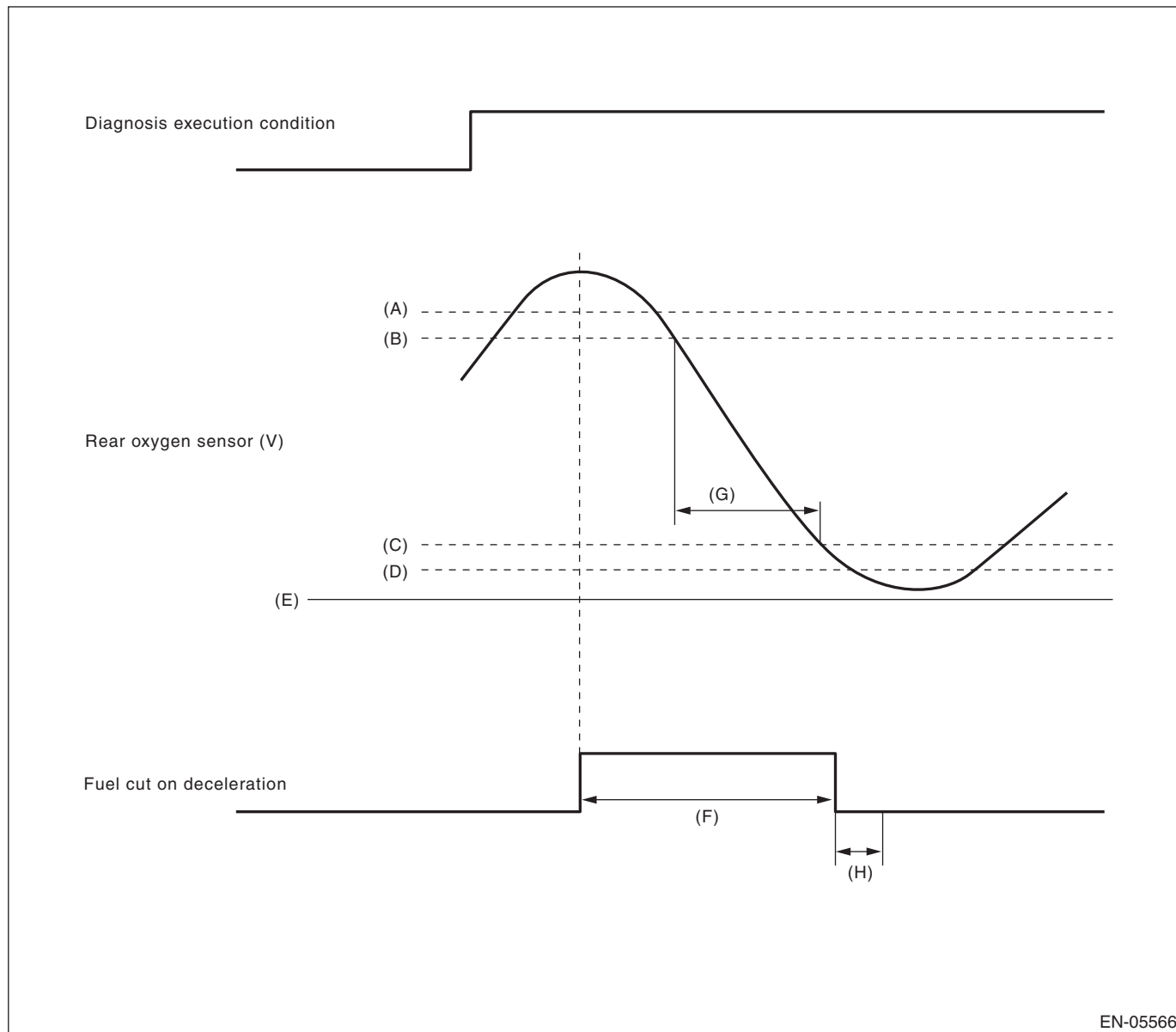
Perform the diagnosis only once when deceleration fuel cut occurs after rapid acceleration. (Pay attention to the oxygen sensor voltage for the timing of the deceleration.)

# Diagnostic Trouble Code (DTC) Detecting Criteria

GENERAL DESCRIPTION

## 5. DIAGNOSTIC METHOD

When the oxygen sensor output voltage changes from 0.55 V (rich) to 0.15 V (lean), calculate the minimum response time for output change between 0.5 V and 0.2 V for the judgement criteria.



EN-05566

- (A) 0.55 V
- (B) 0.5 V
- (C) 0.2 V
- (D) 0.15 V

- (E) 0 V
- (F) More than 6000 ms
- (G) Measure the response time.

- (H) Execute the malfunction judgement in 2000 ms from the recovery of fuel cut on deceleration.

# Diagnostic Trouble Code (DTC) Detecting Criteria

## GENERAL DESCRIPTION

### • Abnormality Judgement

1) Judge as NG when the judgement value is larger than the threshold value after deceleration fuel cut.  
Response time (diagnosis value) > Threshold value → abnormal

#### NOTE:

Variation time of rear oxygen sensor output voltage is short during fuel cut in deceleration. NG judgement should be performed after deceleration fuel cut. Even without deceleration fuel cut, judge as OK if the value is below the threshold.

When the deceleration fuel cut time is 6000 ms or more, judge as NG if the following criteria are met 2000 ms after recovering from the deceleration fuel cut.

2) Judge as NG when the oxygen sensor voltage at recovery from a deceleration fuel cut is large.

If the fuel cut time in a deceleration fuel cut is long (6000 ms or more), and even after recovering from a deceleration fuel cut, the oxygen sensor voltage is high (0.55 V or more), judge as NG.

### Judgement Value

Malfunction Criteria	Threshold Value
Shortest time change from rich (0.5 V O <sub>2</sub> output) to lean (0.2 V) when voltage reduces from 0.55 V to 0.15 V	> 491 ms
or	
Longest time over 0.55 V	≥ 2000 ms

**Time Needed for Diagnosis:** 1 time(s)

**Malfunction Indicator Light Illumination:** Illuminates when malfunction occurs in 2 continuous driving cycles.

### • Normality Judgement

1) Regardless of a deceleration fuel cut, if the response time (diagnosis value) when the oxygen sensor voltage has changed from rich to lean is shorter than the threshold value (judgement value), judge as a normal condition.

Response time (diagnosis value) ≤ Threshold value → normal

2) Do not judge as a normal condition.

Judge as OK and clear the NG if the following conditions are established.

### Judgement Value

Malfunction Criteria	Threshold Value
Shortest time change from rich (0.5 V O <sub>2</sub> output) to lean (0.2 V) when voltage reduces from 0.55 V to 0.15 V	≤ 491 ms

**Time Needed for Diagnosis:** 1 time(s)

## 6. ENABLE CONDITIONS

Lean → rich response diagnosis

Secondary Parameters	Enable Condition
Battery voltage	≥ 10.9 V
A/F main feedback control condition	Completed
Deceleration fuel cut time is 6000 ms or more.	Experienced
After fuel cut	≥ 2000 ms
Current calculation time of the rear oxygen sensor heater	≥ 60000 ms
Current continuation time of the rear oxygen sensor heater	≥ 30000 ms
Estimated catalyst temperature	≥ 450 °C (842 °F)
Number of deceleration fuel cut	≥ 1 time(s)

# Diagnostic Trouble Code (DTC) Detecting Criteria

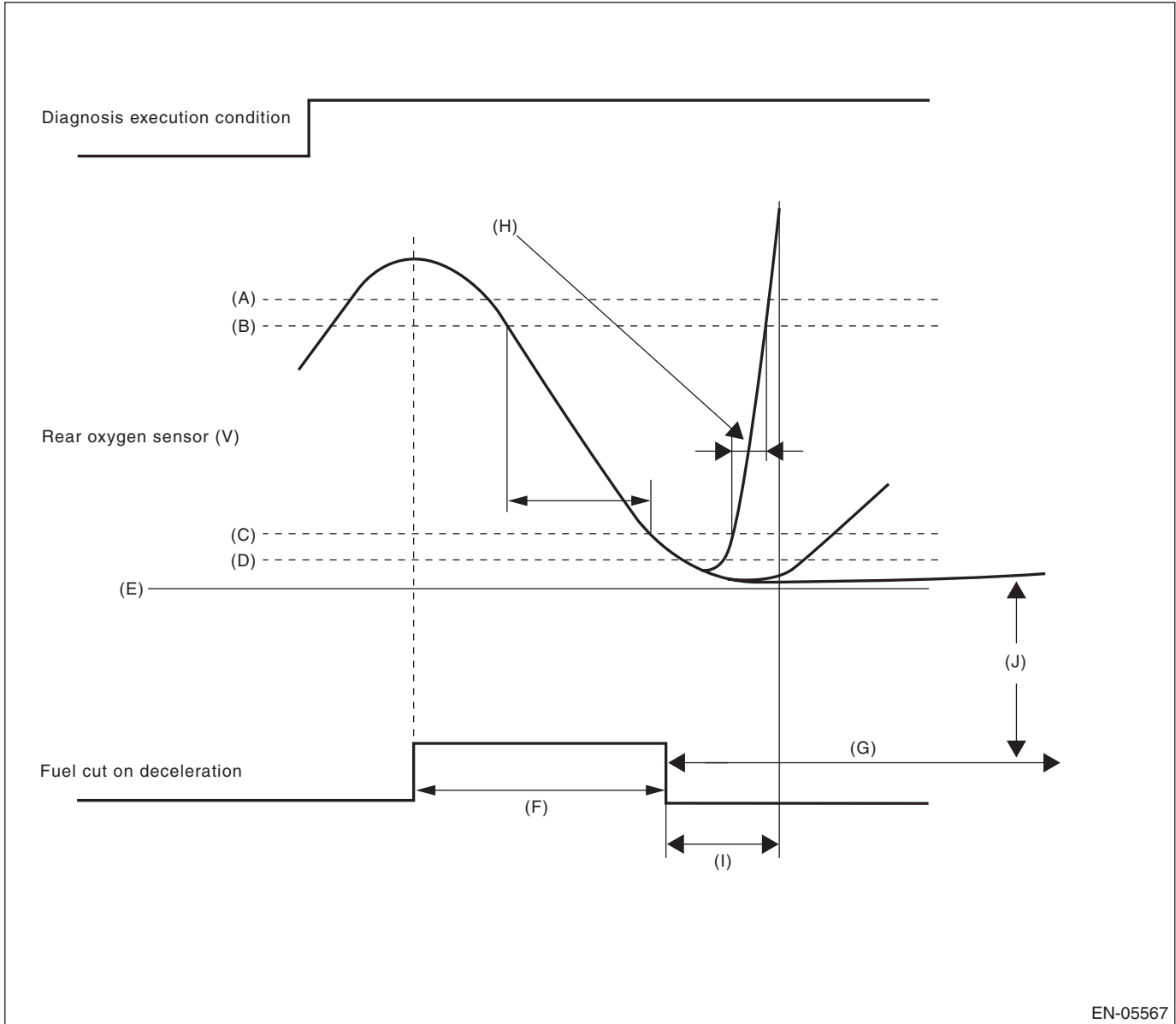
GENERAL DESCRIPTION

## 7. GENERAL DRIVING CYCLE

Perform the diagnosis only once when deceleration fuel cut occurs after rapid acceleration. (Pay attention to the oxygen sensor voltage for the timing of the deceleration.)

## 8. DIAGNOSTIC METHOD

When the oxygen sensor output voltage changes from 0.25 V (lean) to 0.55 V (rich), calculate the minimum response time for output change between 0.3 V and 0.5 V for the judgement criteria.



EN-05567

- (A) 0.55 V
- (B) 0.5 V
- (C) 0.3 V
- (D) 0.25 V
- (E) 0 V
- (F) More than 5 seconds

- (G) More than 120000 ms
- (H) Measure the response time (diagnostic value).
- (I) Execute the malfunction judgement in 2000 ms from the recovery of fuel cut on deceleration.

- (J) Judge NG when the voltage of rear oxygen sensor is 0.25 V or less for 120000 ms or more after recovery of fuel cut on deceleration.

# Diagnostic Trouble Code (DTC) Detecting Criteria

## GENERAL DESCRIPTION

---

### • Abnormality Judgement

1) Judge as NG when the judgement value is larger than the threshold value after deceleration fuel cut.

Response time (diagnosis value) > threshold value → abnormal

2) If the oxygen sensor voltage is small after recovering from a deceleration fuel cut, and remains small, judge as NG.

### Judgement Value

Malfunction Criteria	Threshold Value
Shortest time change from lean (0.3 V O <sub>2</sub> output) to rich (0.5 V) when voltage changes from 0.25 V to 0.55 V	> 2000 ms
or	
Longest time under 0.25 V	≥ 120000 ms

**Time Needed for Diagnosis:** 1 time(s)

**Malfunction Indicator Light Illumination:** Illuminates when malfunction occurs in 2 continuous driving cycles.

### • Normality Judgement

1) Regardless of a deceleration fuel cut, if the response time (diagnosis value) when the oxygen sensor voltage has changed from rich to lean is shorter than the threshold value (judgement value), judge as a normal condition.

Response time (diagnosis value) ≤ threshold value → normal

2) Do not judge as a normal condition.

Judge as OK and clear the NG if the following conditions are established.

### Judgement Value

Malfunction Criteria	Threshold Value
Shortest time change from lean (0.3 V O <sub>2</sub> output) to rich (0.5 V) when voltage changes from 0.25 V to 0.55 V	≤ 2000 ms

**Time Needed for Diagnosis:** 1 time(s)

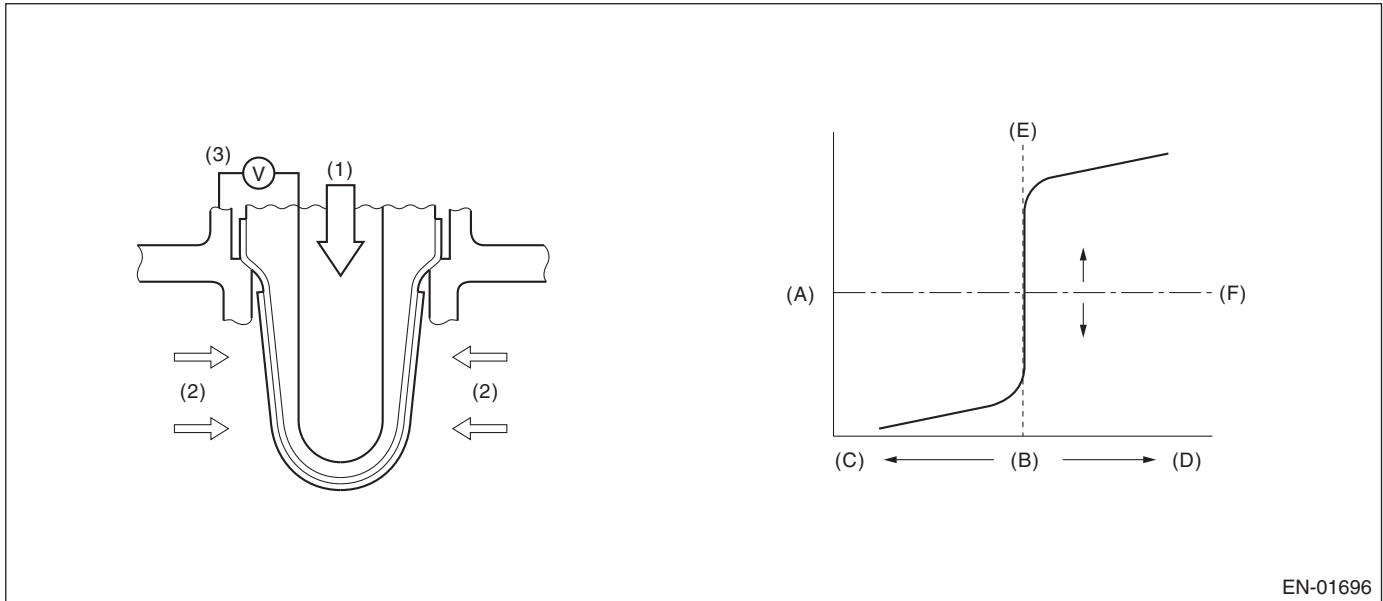


## AI: DTC P0140 O2 SENSOR CIRCUIT NO ACTIVITY DETECTED (BANK1 SENSOR2)

### 1. OUTLINE OF DIAGNOSIS

Detect the rear oxygen sensor open or short circuit. Judge as NG when the rear oxygen sensor voltage can be determined to be abnormal considering conditions such as intake air amount, engine coolant temperature, main feedback control and deceleration fuel cut.

### 2. COMPONENT DESCRIPTION



EN-01696

- |                         |                                |                         |
|-------------------------|--------------------------------|-------------------------|
| (A) Electromotive force | (B) Air fuel ratio             | (C) Rich                |
| (D) Lean                | (E) Theoretical air fuel ratio | (F) Comparative voltage |
| (1) Atmosphere          | (2) Exhaust gas                | (3) Electromotive force |

### 3. ENABLE CONDITION (USED ONLY FOR MALFUNCTION JUDGEMENT)

Secondary Parameters	Enable Condition
Closed loop control at the rear oxygen sensor	In operation
Target output voltage of rear oxygen sensor	$\geq 0.55 \text{ V} + 0.05 \text{ V}$
Amount of intake air	$\geq 10 \text{ g/s (0.35 oz/s)}$
Engine coolant temperature	$\geq 75 \text{ }^\circ\text{C (167 }^\circ\text{F)}$
Misfire detection every 200 rotations	$< 5 \text{ time(s)}$
Front oxygen (A/F) sensor compensation coefficient	Not in limit value
Battery voltage	$\geq 10.9 \text{ V}$
Deceleration fuel cut of 6000 ms or more.	Experienced

### 4. GENERAL DRIVING CYCLE

Perform the diagnosis once after starting the engine.

# Diagnostic Trouble Code (DTC) Detecting Criteria

## GENERAL DESCRIPTION

---

### 5. DIAGNOSTIC METHOD

#### • Abnormality Judgement

If the duration of time while the following conditions are met is longer than the time indicated, judge as NG.

#### Judgement Value

Malfunction Criteria	Threshold Value
Minimum output voltage	> 0.15 V
or	
Maximum output voltage	< 0.55 V

**Time Needed for Diagnosis:** 200000 ms

**Malfunction Indicator Light Illumination:** Illuminates when malfunction occurs in 2 continuous driving cycles.

#### • Normality Judgement

Judge as OK and clear the NG if the following conditions are established.

#### Judgement Value

Malfunction Criteria	Threshold Value
Diagnosis of the rear oxygen sensor voltage low side	Incomplete
Minimum output voltage	$\leq 0.15$ V
Maximum output voltage	$\geq 0.55$ V

**Time Needed for Diagnosis:** Less than 1 second

# Diagnostic Trouble Code (DTC) Detecting Criteria

GENERAL DESCRIPTION

## AJ:DTC P0171 SYSTEM TOO LEAN (BANK 1)

### 1. OUTLINE OF DIAGNOSIS

Detect fuel system malfunction by the amount of main feedback control.

#### Diagnostic method

Fuel system is diagnosed by comparing the target air fuel ratio calculated by ECM with the actual air fuel ratio measured by sensor.

### 2. ENABLE CONDITIONS

Secondary Parameters	Enable Condition
A/F main learning system	In operation
Engine coolant temperature	$\geq 75\text{ }^{\circ}\text{C}$ (167 °F)
Engine load change	$< 0.02\text{ g/rev}$ (0 oz/rev)
Engine load	$\geq$ Value of Map 1

#### Map1

Engine speed (rpm)	Idling	650	1000	1500	2000	2500	3000	3500	4000	4500
Measured value (g(oz)/rev)	na	0.208 (0.01)	0.201 (0.01)	0.185 (0.01)	0.183 (0.01)	0.193 (0.01)	0.206 (0.01)	0.206 (0.01)	0.225 (0.01)	0.245 (0.01)

### 3. GENERAL DRIVING CYCLE

Perform the diagnosis continuously at idling or at a constant speed after warming up the engine.

### 4. DIAGNOSTIC METHOD

#### • Abnormality Judgement

Compare the diagnosed value (fsobd) with the threshold value, and if a condition meeting the malfunction criteria below continues for 10 s  $\times$  5 time(s) or more, judge that there is a fault in the fuel system.

#### Judgement Value

Malfunction Criteria	Threshold Value
$\text{fsobd} = (\text{sglmd} - \text{tglm da}) + \text{faf} + \text{flaf}$ In this case: sglmd = measured lambda tglm da = target lambda faf = main feedback compensation coefficient every 64 milliseconds flaf = main feedback learning compensation coefficient	$\geq$ Value of Map 2

#### Map 2

Amount of air (g (oz)/s)	0 (0)	3.2 (0.11)	6.4 (0.23)	9.6 (0.34)	12.8 (0.45)	16 (0.56)	19.2 (0.68)
fsobdL1 (%)	1.4	1.4	1.332	1.265	1.265	1.265	1.265

**Time Needed for Diagnosis:** 10 s  $\times$  5 time(s)

**Malfunction Indicator Light Illumination:** Illuminates when malfunction occurs in 2 continuous driving cycles.

#### • Normality Judgement

Judge as OK and clear the NG if the continuous time while the following conditions are established is more than the predetermined time.

#### Judgement Value

Malfunction Criteria	Threshold Value
$\text{fsobd} = (\text{sglmd} - \text{tglm da}) + \text{faf} + \text{flaf}$	$< 1.2$

**Time Needed for Diagnosis:** 10 s

# Diagnostic Trouble Code (DTC) Detecting Criteria

## GENERAL DESCRIPTION

### AK:DTC P0172 SYSTEM TOO RICH (BANK 1)

#### 1. OUTLINE OF DIAGNOSIS

Detect fuel system malfunction by the amount of main feedback control.

##### Diagnostic method

Fuel system is diagnosed by comparing the target air fuel ratio calculated by ECM with the actual air fuel ratio measured by sensor.

#### 2. ENABLE CONDITIONS

Secondary Parameters	Enable Condition
A/F main learning system	In operation
Engine coolant temperature	$\geq 75\text{ }^{\circ}\text{C}$ (167 $^{\circ}\text{F}$ )
Engine load change	$\leq 0.02\text{ g/rev}$ (0 oz/rev)
Learning value of EVAP conc.	$< 0.15$
Cumulative time of canister purge after engine start	$\geq 20\text{ s}$
Continuous period after canister purge starting	$\geq 29884\text{ ms}$
Engine load	$\geq$ Value of Map 1

##### Map 1

Engine speed (rpm)	Idling	650	1000	1500	2000	2500	3000	3500	4000	4500
Measured value (g(oz)/rev)	na	0.208 (0.01)	0.201 (0.01)	0.185 (0.01)	0.183 (0.01)	0.193 (0.01)	0.206 (0.01)	0.206 (0.01)	0.225 (0.01)	0.245 (0.01)

#### 3. GENERAL DRIVING CYCLE

Perform the diagnosis continuously at idling or at a constant speed after warming up the engine.

#### 4. DIAGNOSTIC METHOD

##### • Abnormality Judgement

Compare the diagnosed value (fsobd) with the threshold value, and if a condition meeting the malfunction criteria below continues for 10 s  $\times$  5 time(s) or more, judge that there is a fault in the fuel system.

##### Judgement Value

Malfunction Criteria	Threshold Value
$\text{fsobd} = (\text{sglmd} - \text{tglm da}) + \text{faf} + \text{flaf}$ In this case: sglmd = measured lambda tglm da = target lambda faf = main feedback compensation coefficient every 64 milliseconds flaf = main feedback learning compensation coefficient	$<$ Value of Map 2

##### Map 2

Amount of air (g (oz)/s)	0 (0)	3.2 (0.11)	6.4 (0.23)	9.6 (0.34)	12.8 (0.45)	16 (0.56)	19.2 (0.68)
fsobdL1 (%)	0.6	0.6	0.668	0.735	0.735	0.735	0.735

**Time Needed for Diagnosis:** 10 s  $\times$  5 time(s)

**Malfunction Indicator Light Illumination:** Illuminates when malfunction occurs in 2 continuous driving cycles.

##### • Normality Judgement

Judge as OK when the malfunction criteria below continues for 10 seconds.

##### Judgement Value

Malfunction Criteria	Threshold Value
$\text{fsobd} = (\text{sglmd} - \text{tglm da}) + \text{faf} + \text{flaf}$	$\geq 0.8$

**Time Needed for Diagnosis:** 10 s

# Diagnostic Trouble Code (DTC) Detecting Criteria

GENERAL DESCRIPTION

## AL:DTC P0181 FUEL TEMPERATURE SENSOR “A” CIRCUIT RANGE/ PERFORMANCE

### 1. OUTLINE OF DIAGNOSIS

Detect faults in the fuel temperature sensor output properties.

Diagnosis is performed in two methods (drift diagnosis and stuck diagnosis). If either is NG, judge as NG. If both are OK, Judge as OK and clear the NG.

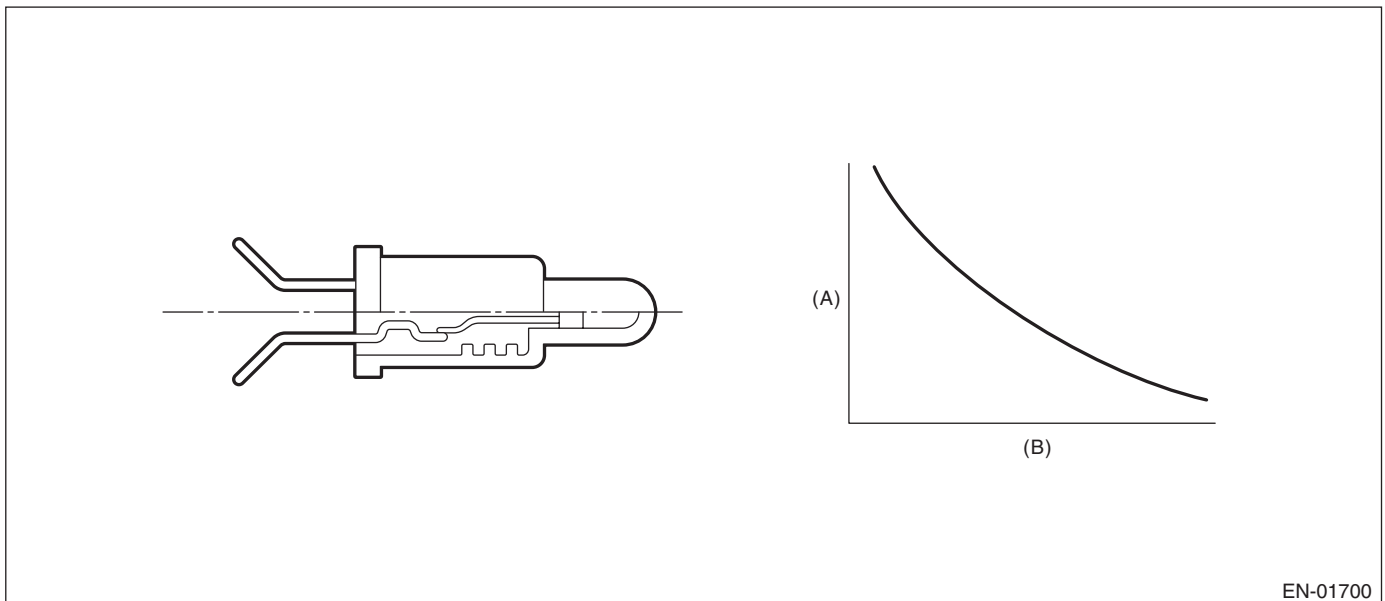
#### DRIFT DIAGNOSIS

Normally fuel temperature is lower than engine coolant temperature. When the fuel temperature becomes higher than the engine coolant temperature, the range is considered to be shifted, and judged as NG.

#### Stuck Diagnosis

As the engine warms up (cumulative amount of intake air after starting is large), if the fuel temperature which should rise does not, determine as being stuck and NG.

### 2. COMPONENT DESCRIPTION



EN-01700

(A) Resistance value ( $\Omega$ )

(B) Fuel temperature °C (°F)

### 3. ENABLE CONDITIONS

#### DRIFT DIAGNOSIS

Secondary Parameters	Enable Conditions
None	

### 4. GENERAL DRIVING CYCLE

Always perform the diagnosis continuously.

# Diagnostic Trouble Code (DTC) Detecting Criteria

## GENERAL DESCRIPTION

---

### 5. DIAGNOSTIC METHOD

#### • Abnormality Judgement

If the duration of time while the following conditions are met is longer than the time indicated, judge as NG.

#### Judgement Value

Malfunction Criteria	Threshold Value
Fuel level	$\geq 9.6 \ell$ (2.54 US gal, 2.11 Imp gal)
Elapsed time after starting the engine	$\geq 20$ s
Engine coolant temperature – Engine coolant temperature at engine start	$> 10$ °C (50 °F)
Fuel temperature – Engine coolant temperature	$\geq 10$ °C (50 °F)
Battery voltage	$\geq 10.9$ V

**Time Needed for Diagnosis:** 120 s

**Malfunction Indicator Light Illumination:** Illuminates when malfunction occurs in 2 continuous driving cycles.

#### • Normality Judgement

Judge as OK and clear the NG if the continuous time while the following conditions are established is more than the predetermined time.

#### Judgement Value

Malfunction Criteria	Threshold Value
Fuel level	$\geq 9.6 \ell$ (2.54 US gal, 2.11 Imp gal)
Elapsed time after starting the engine	$\geq 20$ s
Engine coolant temperature – Engine coolant temperature at engine start	$> 10$ °C (50 °F)
Fuel temperature – Engine coolant temperature	$< 10$ °C (50 °F)
Battery voltage	$\geq 10.9$ V
Engine coolant temperature	$< 75$ °C (167 °F)

**Time Needed for Diagnosis:** Less than 1 second

### 6. ENABLE CONDITION

#### Stuck Diagnosis

Secondary Parameters	Enable Condition
Elapsed time after starting the engine	$\geq 20000$ ms
Battery voltage	$\geq 10.9$ V

### 7. GENERAL DRIVING CYCLE

Always perform diagnosis after 20 seconds have passed since the engine started.

# Diagnostic Trouble Code (DTC) Detecting Criteria

GENERAL DESCRIPTION

## 8. DIAGNOSTIC METHOD

### • Abnormality Judgement

Judge as NG when the following conditions are established.

#### Judgement Value

Malfunction Criteria	Threshold Value
Accumulated amount of intake air	$\geq 551043$ g (19435.29 oz)
Fuel temperature difference between Max. and Min.	$< 2$ °C (35.6 °F)

**Time Needed for Diagnosis:** Less than 1 second

**Malfunction Indicator Light Illumination:** Illuminates when malfunction occurs in 2 continuous driving cycles.

### • Normality Judgement

Judge as OK and clear the NG if the following conditions are established.

#### Judgement Value

Malfunction Criteria	Threshold Value
Fuel temperature difference between Max. and Min.	$\geq 2$ °C (35.6 °F)

**Time Needed for Diagnosis:** Less than 1 second

# Diagnostic Trouble Code (DTC) Detecting Criteria

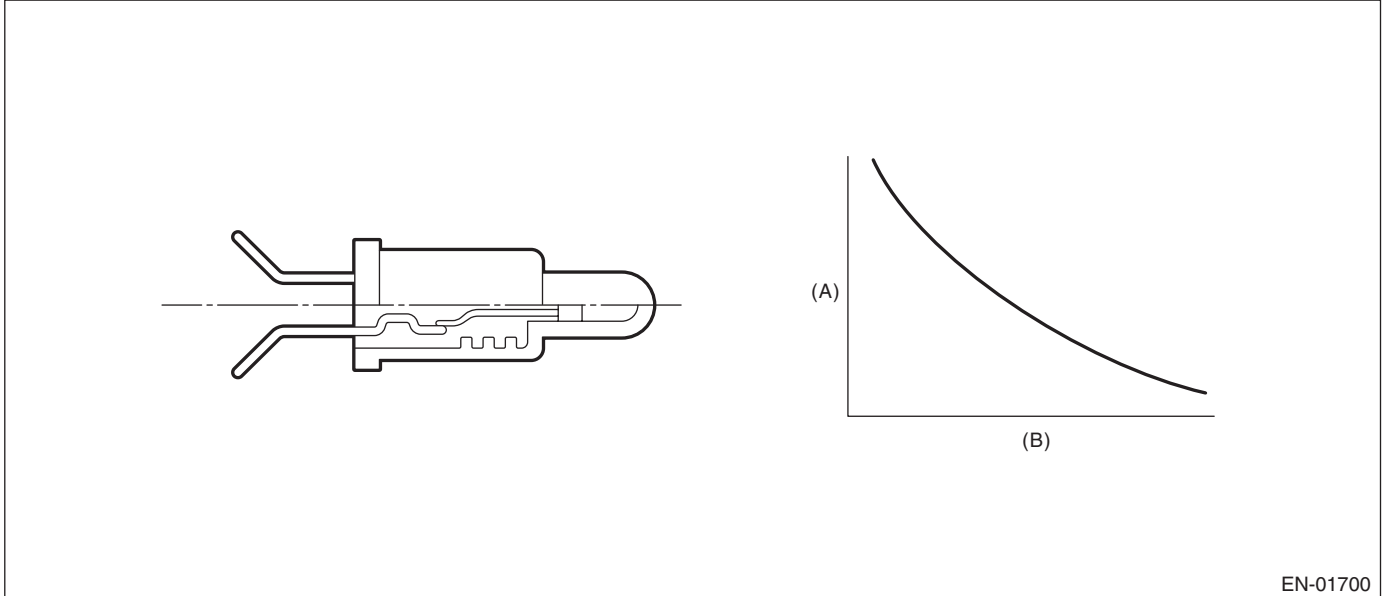
## GENERAL DESCRIPTION

### AM:DTC P0182 FUEL TEMPERATURE SENSOR "A" CIRCUIT LOW INPUT

#### 1. OUTLINE OF DIAGNOSIS

Detect the open or short circuit of fuel temperature sensor.  
Judge as NG if out of specification.

#### 2. COMPONENT DESCRIPTION



EN-01700

(A) Resistance value (Ω)

(B) Fuel temperature °C (°F)

#### 3. ENABLE CONDITION

Secondary Parameters	Enable Condition
None	

#### 4. GENERAL DRIVING CYCLE

Always perform the diagnosis continuously.

#### 5. DIAGNOSTIC METHOD

##### • Abnormality Judgement

If the duration of time while the following conditions are met is longer than the time indicated, judge as NG.

##### Judgement Value

Malfunction Criteria	Threshold Value
Output voltage	< 0.343951474 V
Battery voltage	≥ 10.9 V

**Time Needed for Diagnosis:** 2500 ms

**Malfunction Indicator Light Illumination:** Illuminates as soon as a malfunction occurs.

##### • Normality Judgement

Judge as OK and clear the NG if the continuous time while the following conditions are established is more than the predetermined time.

##### Judgement Value

Malfunction Criteria	Threshold Value
Output voltage	≥ 0.343951474 V
Battery voltage	≥ 10.9 V

**Time Needed for Diagnosis:** Less than 1 second



# Diagnostic Trouble Code (DTC) Detecting Criteria

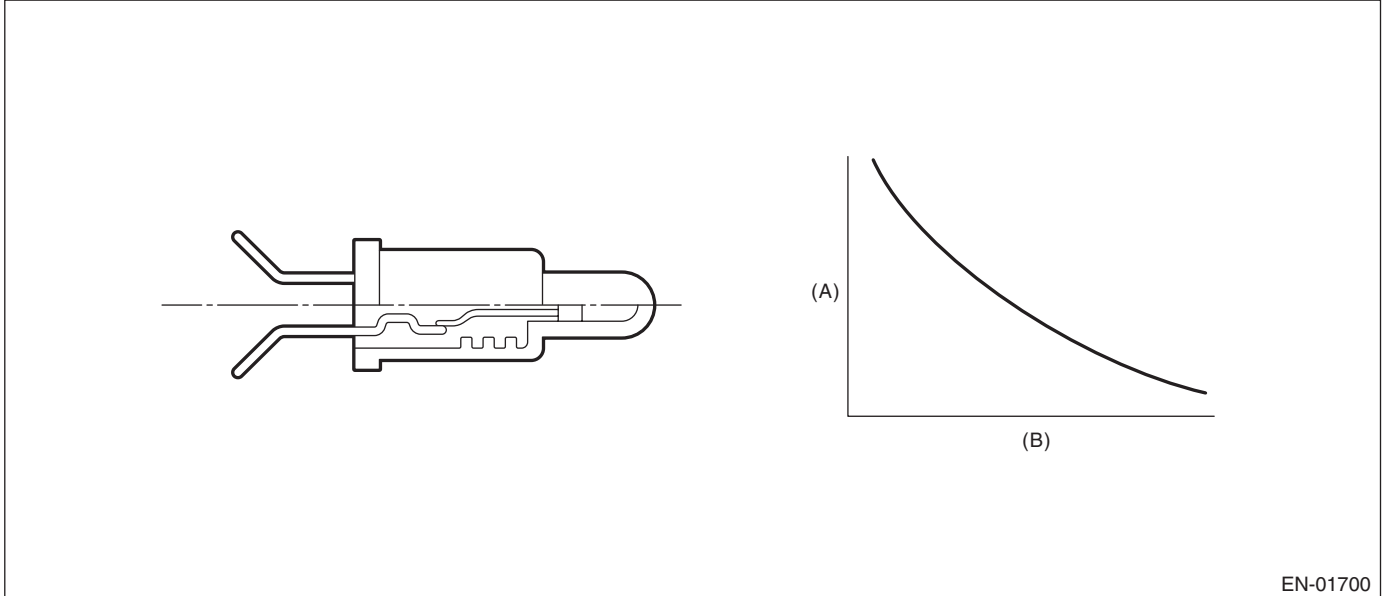
GENERAL DESCRIPTION

## AN:DTC P0183 FUEL TEMPERATURE SENSOR "A" CIRCUIT HIGH INPUT

### 1. OUTLINE OF DIAGNOSIS

Detect the open or short circuit of fuel temperature sensor.  
Judge as NG if out of specification.

### 2. COMPONENT DESCRIPTION



(A) Resistance value (Ω)

(B) Fuel temperature °C (°F)

### 3. ENABLE CONDITION

Secondary Parameters	Enable Condition
None	

### 4. GENERAL DRIVING CYCLE

Always perform the diagnosis continuously.

### 5. DIAGNOSTIC METHOD

#### • Abnormality Judgement

If the duration of time while the following conditions are met is longer than the time indicated, judge as NG.

#### Judgement Value

Malfunction Criteria	Threshold Value
Output voltage	≥ 4.716 V
Battery voltage	≥ 10.9 V

**Time Needed for Diagnosis:** 2500 ms

**Malfunction Indicator Light Illumination:** Illuminates as soon as a malfunction occurs.

#### • Normality Judgement

Judge as OK and clear the NG if the continuous time while the following conditions are established is more than the predetermined time.

#### Judgement Value

Malfunction Criteria	Threshold Value
Output voltage	< 4.716 V
Battery voltage	≥ 10.9 V

**Time Needed for Diagnosis:** Less than 1 second

# Diagnostic Trouble Code (DTC) Detecting Criteria

## GENERAL DESCRIPTION

### AO:DTC P0196 ENGINE OIL TEMPERATURE SENSOR CIRCUIT RANGE/ PERFORMANCE

#### 1. OUTLINE OF DIAGNOSIS

Detect for abnormal values in the oil temperature sensor output properties.

Judge as NG when the oil temperature does not rise even though the engine is running under a condition where it should rise.

#### 2. ENABLE CONDITIONS

Secondary Parameters	Enable Condition
Battery voltage	$\geq 10.9$ V
Engine speed	$\geq$ Value from Map

#### Map

Engine coolant temperature °C (°F)	-40 (-40)	-30 (-22)	-20 (-4)	-10 (14)	0 (32)	10 (50)	20 (68)	30 (86)
Engine speed rpm	500	500	500	500	500	500	500	500

Engine coolant temperature °C (°F)	40 (104)	50 (122)	60 (140)	70 (158)	80 (176)	90 (194)	100 (212)	110 (230)
Engine speed rpm	500	500	500	500	500	500	500	500

#### 3. GENERAL DRIVING CYCLE

Perform the diagnosis continuously after starting the engine.

#### 4. DIAGNOSTIC METHOD

##### • Abnormality Judgement

Judge as NG when the following conditions are established.

##### Judgement Value

Malfunction Criteria	Threshold Value
Engine oil temperature	$< 15$ °C (59 °F)
After engine start oil temperature sensor characteristic diagnosis timer.	$\geq$ Judgement value for after engine start oil temperature sensor characteristic diagnosis timer

# Diagnostic Trouble Code (DTC) Detecting Criteria

GENERAL DESCRIPTION

After engine start oil temperature sensor characteristic diagnosis timer (timer for diagnosis).

- a. Timer stop at fuel cut
- b. During the driving conditions except a) above, timer counts up as follows.  
64 milliseconds + TOILCNT milliseconds (at the time of 64 milliseconds).

Where, TOILCNT is determined as follows,

TOILCNT = 0 at idle switch ON

For TOILCNT at Idle switch off, refer to the following table.

		Vehicle speed km/h (MPH)							
		0 (0)	8 (5)	16 (9.9)	24 (14.9)	32 (19.9)	40 (24.9)	48 (29.8)	56 (34.8)
Temperature °C (°F)	-30 (-22)	64 ms	73.2 ms	83.9 ms	96.3 ms	113.2 ms	133.9 ms	160.2 ms	194.6 ms
	-20 (-4)	64 ms	73.3 ms	84 ms	96.6 ms	113.7 ms	135 ms	162 ms	197.4 ms
	-10 (14)	64 ms	73.4 ms	84.2 ms	96.9 ms	114.5 ms	136.4 ms	164.4 ms	201.5 ms
	0 (32)	64 ms	73.5 ms	84.5 ms	97.4 ms	115.6 ms	138.5 ms	168 ms	207.6 ms
	10 (50)	102.2 ms	114.8 ms	129.4 ms	146.7 ms	171.7 ms	203.4 ms	245.1 ms	302.1 ms

After engine start oil temperature characteristic diagnosis timer judgement value (t).

$$t = 1882940 \text{ ms} - 43302 \text{ ms} \times T_i \quad (t \geq 2400000)$$

T<sub>i</sub> = The lowest coolant temperature after starting the engine.

**Time Needed for Diagnosis:** Less than 1 second

**Malfunction Indicator Light Illumination:** Illuminates when malfunction occurs in 2 continuous driving cycles.

## • Normality Judgement

Judge as OK and clear the NG if the following conditions are established.

### Judgement Value

Malfunction Criteria	Threshold Value
Engine oil temperature	≥ 15 °C (59 °F)

**Time Needed for Diagnosis:** Less than 1 second

# Diagnostic Trouble Code (DTC) Detecting Criteria

## GENERAL DESCRIPTION

---

### AP:DTC P0197 ENGINE OIL TEMPERATURE SENSOR LOW

#### 1. OUTLINE OF DIAGNOSIS

Detect the open or short circuit of the oil temperature sensor.  
Judge as NG when outside of the judgement value.

#### 2. ENABLE CONDITIONS

Secondary Parameters	Enable Condition
None	

#### 3. GENERAL DRIVING CYCLE

Always perform the diagnosis continuously.

#### 4. DIAGNOSTIC METHOD

##### • Abnormality Judgement

If the duration of time while the following conditions are met is longer than the time indicated, judge as NG.

##### Judgement Value

Malfunction Criteria	Threshold Value
Output voltage	< 0.166 V

**Time Needed for Diagnosis:** 500 ms

**Malfunction Indicator Light Illumination:** Illuminates as soon as a malfunction occurs.

##### • Normality Judgement

Judge as OK and clear the NG if the continuous time while the following conditions are established is more than the predetermined time.

##### Judgement Value

Malfunction Criteria	Threshold Value
Output voltage	$\geq 0.166$ V

**Time Needed for Diagnosis:** Less than 1 second

# Diagnostic Trouble Code (DTC) Detecting Criteria

GENERAL DESCRIPTION

## AQ:DTC P0198 ENGINE OIL TEMPERATURE SENSOR HIGH

### 1. OUTLINE OF DIAGNOSIS

Detect the open or short circuit of the oil temperature sensor.  
Judge as NG when outside of the judgement value.

### 2. ENABLE CONDITIONS

Secondary Parameters	Enable Condition
None	

### 3. GENERAL DRIVING CYCLE

Always perform the diagnosis continuously.

### 4. DIAGNOSTIC METHOD

#### • Abnormality Judgement

If the duration of time while the following conditions are met is longer than the time indicated, judge as NG.

#### Judgement Value

Malfunction Criteria	Threshold Value
Output voltage	$\geq 4.716 \text{ V}$

**Time Needed for Diagnosis:** 500 ms

**Malfunction Indicator Light Illumination:** Illuminates as soon as a malfunction occurs.

#### • Normality Judgement

Judge as OK and clear the NG if the continuous time while the following conditions are established is more than the predetermined time.

#### Judgement Value

Malfunction Criteria	Threshold Value
Output voltage	$< 4.716 \text{ V}$

**Time Needed for Diagnosis:** Less than 1 second

# Diagnostic Trouble Code (DTC) Detecting Criteria

## GENERAL DESCRIPTION

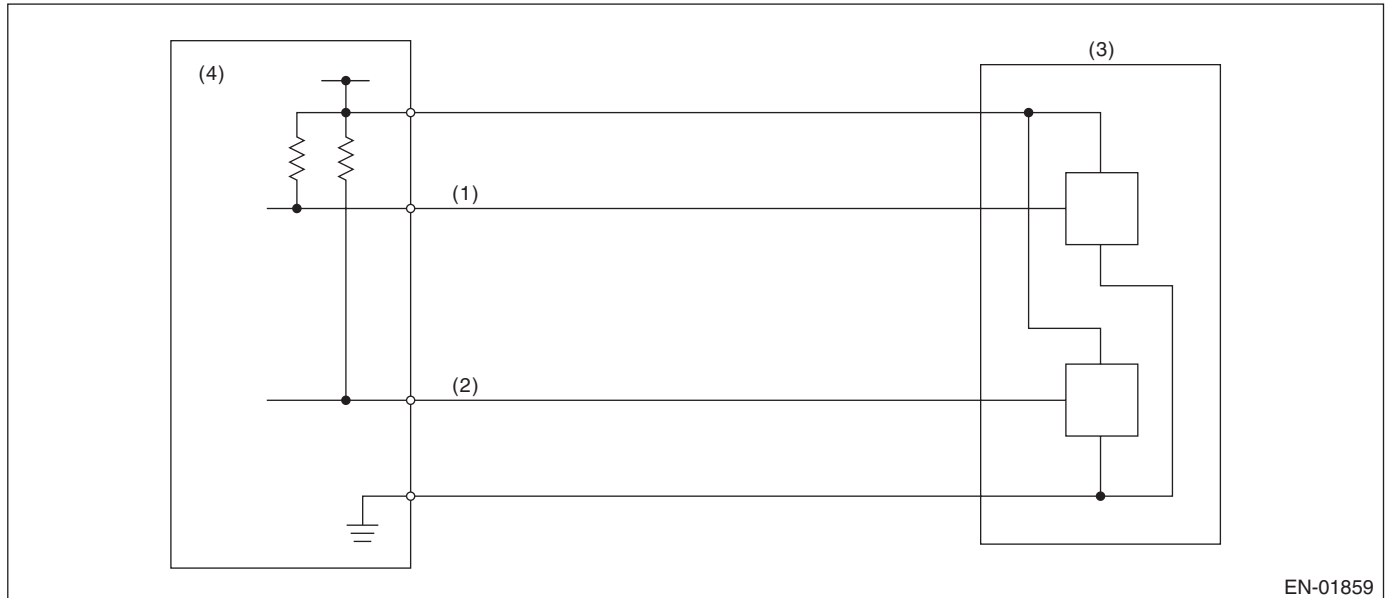
### AR:DTC P0222 THROTTLE/PEDAL POSITION SENSOR/SWITCH “B” CIRCUIT LOW

#### 1. OUTLINE OF DIAGNOSIS

Detect the open or short circuit of throttle position sensor 2.

Judge as NG if out of specification.

#### 2. COMPONENT DESCRIPTION



EN-01859

(1) Throttle position sensor 1 signal

(3) Throttle position sensor

(4) Engine control module (ECM)

(2) Throttle position sensor 2 signal

#### 3. ENABLE CONDITIONS

Secondary Parameters	Enable Condition
Ignition switch	ON
Battery voltage	$\geq 6 \text{ V}$

#### 4. GENERAL DRIVING CYCLE

Always perform the diagnosis continuously.

#### 5. DIAGNOSTIC METHOD

##### • Abnormality Judgement

If the duration of time while the following conditions are met is longer than the time indicated, judge as NG.

##### Judgement Value

Malfunction Criteria	Threshold Value
Sensor 2 input voltage	$\leq 0.926256 \text{ V}$

**Time Needed for Diagnosis:** 24 ms

**Malfunction Indicator Light Illumination:** Illuminates as soon as a malfunction occurs.

##### • Normality Judgement

Judge as OK and clear the NG if the continuous time while the following conditions are established is more than the predetermined time.

##### Judgement Value

Malfunction Criteria	Threshold Value
Sensor 2 input voltage	$> 0.926256 \text{ V}$

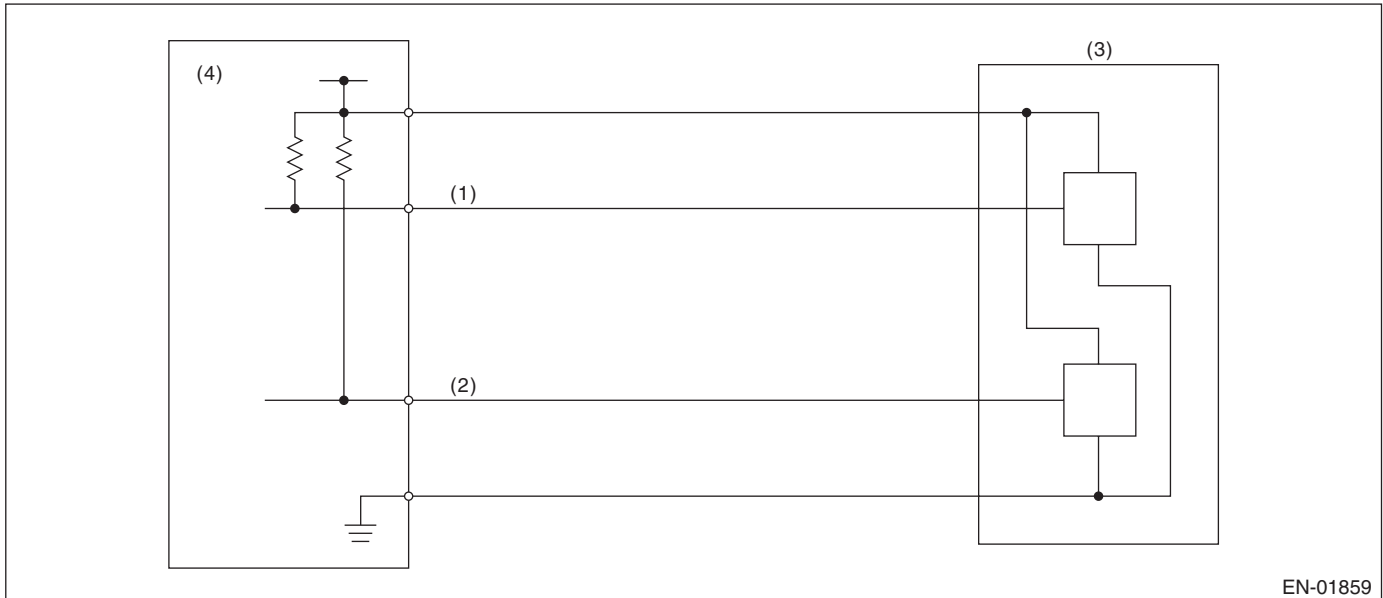
**Time Needed for Diagnosis:** 24 ms

## AS:DTC P0223 THROTTLE/PEDAL POSITION SENSOR/SWITCH “B” CIRCUIT HIGH

### 1. OUTLINE OF DIAGNOSIS

Detect the open or short circuit of throttle position sensor 2.  
Judge as NG if out of specification.

### 2. COMPONENT DESCRIPTION



- (1) Throttle position sensor 1 signal      (3) Throttle position sensor      (4) Engine control module (ECM)  
 (2) Throttle position sensor 2 signal

### 3. ENABLE CONDITIONS

Secondary Parameters	Enable Condition
Ignition switch	ON
Battery voltage	≥ 6 V

### 4. GENERAL DRIVING CYCLE

Always perform the diagnosis continuously.

### 5. DIAGNOSTIC METHOD

#### • Abnormality Judgement

If the duration of time while the following conditions are met is longer than the time indicated, judge as NG.

#### Judgement Value

Malfunction Criteria	Threshold Value
Sensor 2 input voltage	≥ 4.858 V

**Time Needed for Diagnosis:** 24 ms

**Malfunction Indicator Light Illumination:** Illuminates as soon as a malfunction occurs.

#### • Normality Judgement

Judge as OK and clear the NG if the continuous time while the following conditions are established is more than the predetermined time.

#### Judgement Value

Malfunction Criteria	Threshold Value
Sensor 2 input voltage	< 4.858 V

**Time Needed for Diagnosis:** 24 ms

# Diagnostic Trouble Code (DTC) Detecting Criteria

## GENERAL DESCRIPTION

---

### AT:DTC P0301 CYLINDER 1 MISFIRE DETECTED

#### 1. OUTLINE OF DIAGNOSIS

Detect the presence of misfire occurrence. (Revolution fluctuation method)

Monitoring Misfire which influences exhaust deterioration (1.5 times of FTP) and catalyst damage is made obligatory by the law. Misfire affecting these two has two patterns below. :

- Intermittent misfire (The same cylinder misfires in random, or different cylinders misfire in random.): FTP 1.5 times misfire
- Every time misfire (The same cylinder misfires every time.): FTP 1.5 times misfire, Catalyst damage misfire

The following detecting methods are adopted for these detection.

1) Intermittent misfire: FTP 1.5 times misfire

- 180° Interval Difference Method (MT: 1,800 rpm or less; AT: None)
- 360° Interval Difference Method (whole range)
- 720° Interval Difference Method (3,000 rpm or more)

2) Misfire every time: FTP 1.5 times misfire, Catalyst damage misfire

- 360° Interval Difference Method

#### 2. ENABLE CONDITIONS

Secondary Parameters	Enable Condition
All secondary parameters enable conditions	$\geq 1024$ ms
Intake manifold pressure change at 180°CA	$<$ Value of Map 1
Throttle position change during 16 milliseconds	$< 21^\circ$
Fuel shut-off function	Not in operation
Fuel level	$\geq 9.6$ ℓ (2.54 US gal, 2.11 Imp gal)
Vehicle dynamic control or AT torque control	Not in operation
Evaporative system leak check	Not in operation
Engine speed	460 rpm — 6300 rpm
Intake manifold pressure	$\geq$ Value of Map 2
Battery voltage	$\geq 8$ V
Fuel parameter determination	Not extremely low volatility
Elapsed time after starting the engine	$\geq 0$ ms
Engine load change during 32 milliseconds	$< 1000$ rpm



# Diagnostic Trouble Code (DTC) Detecting Criteria

GENERAL DESCRIPTION

## Map 1

- AT model

rpm	700	1000	1500	2000	2500	3000	3500	4000	4500	5000	5500	6000	6300
kPa (mmHg, inHg)	13.3 (100, 3.9)	13.3 (100, 3.9)	13.3 (100, 3.9)	13.3 (100, 3.9)	13.3 (100, 3.9)	13.3 (100, 3.9)	13.3 (100, 3.9)	13.3 (100, 3.9)	13.3 (100, 3.9)	13.3 (100, 3.9)	13.3 (100, 3.9)	13.3 (100, 3.9)	13.3 (100, 3.9)

- MT model

rpm	650	1000	1500	2000	2500	3000	3500	4000	4500	5000	5500	6000	6300
kPa (mmHg, inHg)	13.3 (100, 3.9)	13.3 (100, 3.9)	13.3 (100, 3.9)	13.3 (100, 3.9)	13.3 (100, 3.9)	13.3 (100, 3.9)	13.3 (100, 3.9)	13.3 (100, 3.9)	13.3 (100, 3.9)	13.3 (100, 3.9)	13.3 (100, 3.9)	13.3 (100, 3.9)	13.3 (100, 3.9)

## Map 2

- AT model

rpm	700	1000	1500	2000	2500	3000	3500	4000	4500	5000	5500	6000	6300
kPa (mmHg, inHg)	26 (195.0, 7.7)	23.9 (179.5, 7.1)	23.3 (174.7, 6.9)	23.1 (173.2, 6.8)	23.6 (176.8, 7)	25.1 (188.0, 7.4)	26.2 (196.9, 7.8)	26.6 (199.6, 7.9)	26.9 (201.5, 7.9)	30 (225.0, 8.9)	33.4 (250.4, 9.9)	37.8 (283.5, 11.2)	39.5 (296.0, 11.7)

- MT model

### Vehicle speed < 64 km/h (39.8 MPH)

rpm	650	1000	1500	2000	2500	3000	3500	4000	4500	5000	5500	6000	6300
kPa (mmHg, inHg)	24.5 (184, 7.2)	22.7 (170.3, 6.7)	21.4 (160.2, 6.3)	21.5 (161.6, 6.4)	21.5 (161.4, 6.4)	23.2 (174.4, 6.9)	24.7 (185.5, 7.3)	25.8 (193.3, 7.6)	27.1 (203.2, 8)	28.8 (216.3, 8.5)	32.3 (242.2, 9.5)	36.3 (272, 10.7)	37.9 (284.5, 11.2)

### Vehicle speed ≥ 68 km/h (42.3 MPH)

rpm	650	1000	1500	2000	2500	3000	3500	4000	4500	5000	5500	6000	6300
kPa (mmHg, inHg)	31.6 (237, 9.3)	31.6 (237, 9.3)	31.6 (237, 9.3)	31.1 (233, 9.2)	31.3 (235, 9.3)	33.1 (248, 9.8)	33.9 (254, 10)	28.8 (216, 8.5)	30.1 (226, 8.9)	33.3 (250, 9.8)	36.9 (277, 10.9)	40.1 (301, 11.9)	43.2 (324, 12.8)

## 3. GENERAL DRIVING CYCLE

- If conditions are met, it is possible to detect the misfires from idling to high engine speed. However, in case any engine load or breakage occurs, perform with the engine at idle.
- Perform the diagnosis continuously.

# Diagnostic Trouble Code (DTC) Detecting Criteria

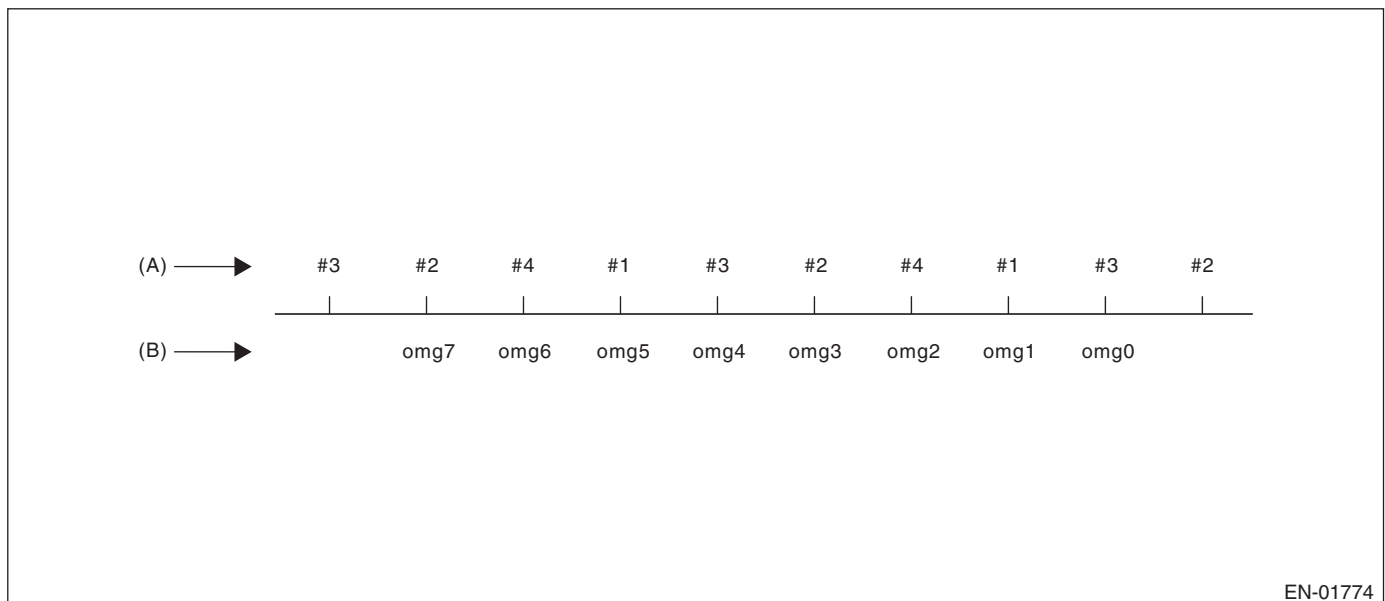
## GENERAL DESCRIPTION

### 4. DIAGNOSTIC METHOD

When a misfire occurs, the engine speed will decrease and the crankshaft position speed will change. Calculate the interval difference value (diagnostic value) from crankshaft position speed by the following formula, and judge whether a misfire is occurring or not comparing the calculated result with judgement value. Count the number of misfires, if the misfire ratio is higher during 1000 revs. or 200 revs., judge corresponding cylinders as NG.

Diagnostic value calculation (Calculate from angle speed) →	Misfire detection every single ignition (Compare diagnostic value with judgement value) →	NG judgement (Misfire occurrence judgement required by the law) (Compare number of misfire with judgement)
	<ul style="list-style-type: none"> <li>• 180° Interval Difference Method</li> <li>• 360° Interval Difference Method</li> <li>• 720° Interval Difference Method</li> </ul>	<ul style="list-style-type: none"> <li>• FTP 1.5 times misfire NG judgement</li> <li>• Catalyst damage misfire NG judgement</li> </ul>

As shown in the following figure, pick a cylinder as the standard and name it omg 0. And the former crankshaft position speed is named omg 1, the second former crankshaft position speed is named omg 2, the third is named omg 3, etc.



EN-01774

(A) Ignition order

(B) Crankshaft position speed

# Diagnostic Trouble Code (DTC) Detecting Criteria

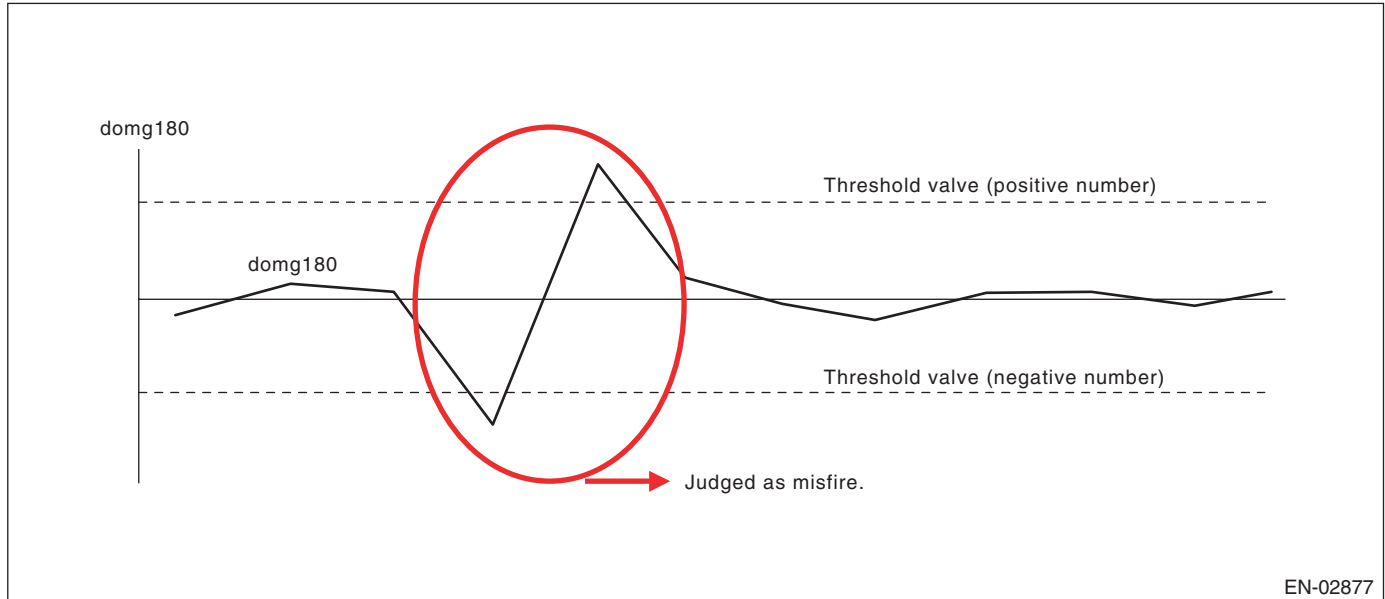
GENERAL DESCRIPTION

## 180° Interval Difference Method

Diagnostic value	$\text{domg } 180 = (\text{omg } 1 - \text{omg } 0) - (\text{omg } 5 - \text{omg } 1)/4$
------------------	--

Judge as a misfire in the following cases.

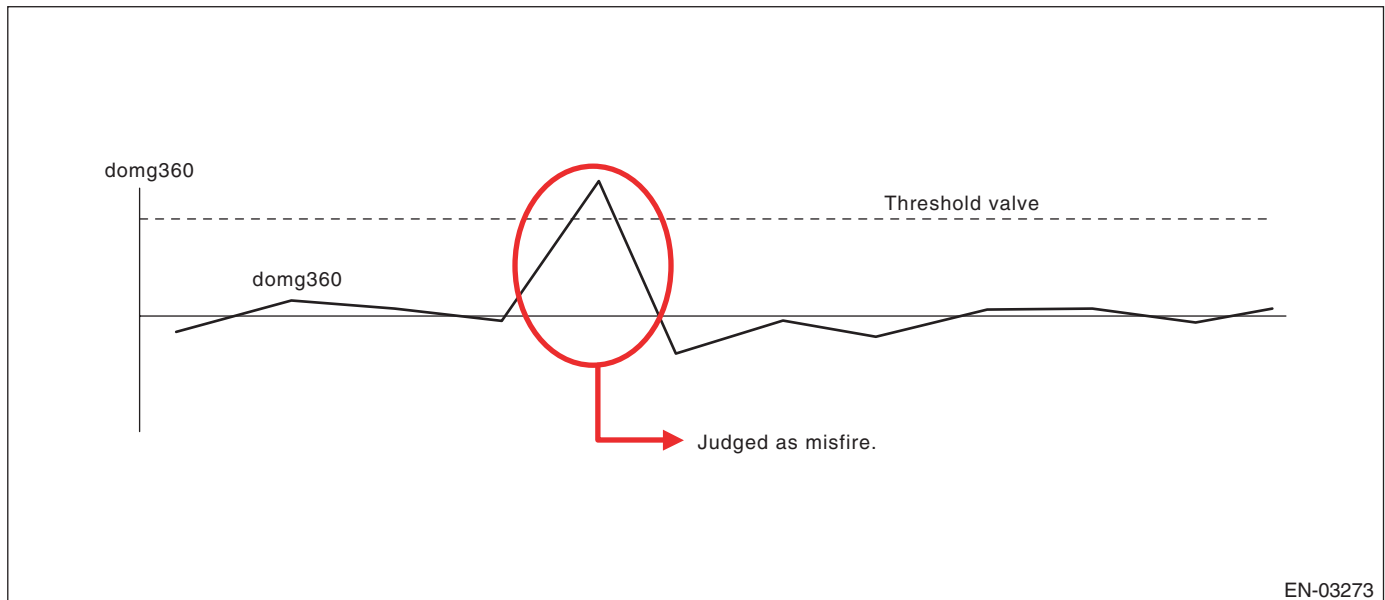
- $\text{domg } 180 > \text{judgement value of positive side}$
- $\text{domg } 180 \leq \text{judgement value of negative side}$   
(Judgement value before 180° CA)



## 360° Interval Difference Method

Diagnostic value	$\text{domg } 360 = (\text{omg } 1 - \text{omg } 0) - (\text{omg } 3 - \text{omg } 2)$
------------------	--

Misfire judgement	$\text{domg } 360 > \text{Judgement value} \rightarrow \text{Judge as misfire}$
-------------------	---

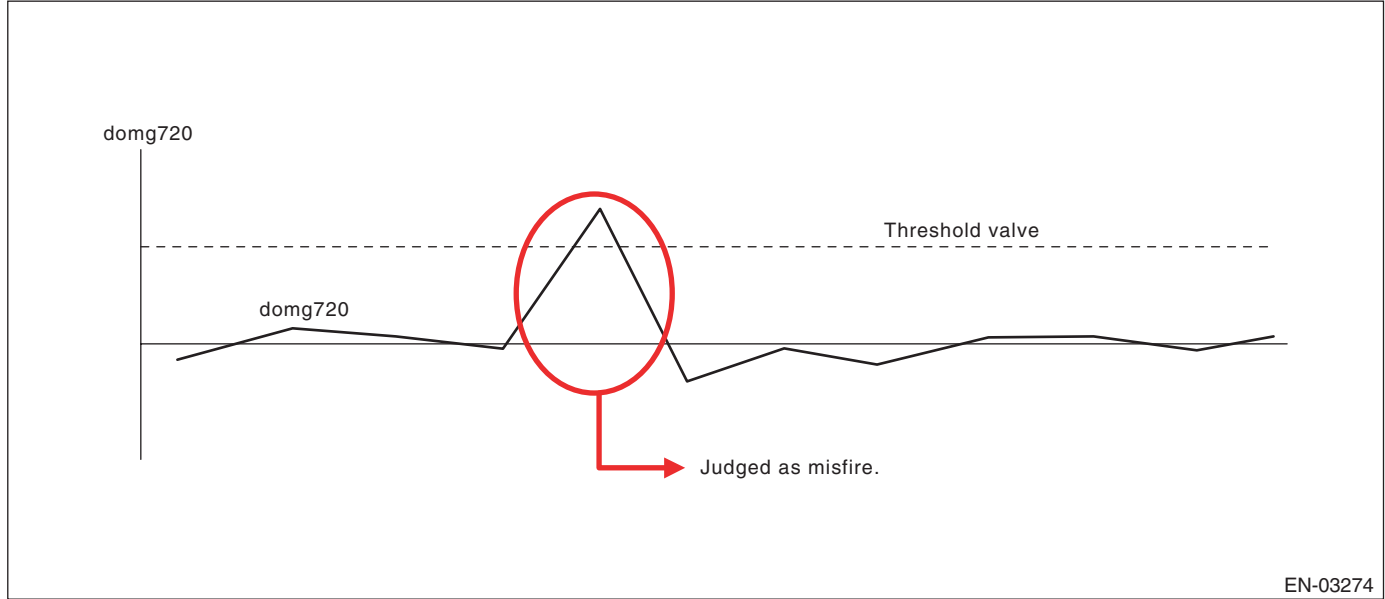


# Diagnostic Trouble Code (DTC) Detecting Criteria

## GENERAL DESCRIPTION

### 720° Interval Difference Method

Diagnostic value	$\text{domg 720} = (\text{omg 1} - \text{omg 0}) - (\text{omg 5} - \text{omg 4})$
Misfire judgement	$\text{domg 720} > \text{Judgement value} \rightarrow \text{Judge as misfire}$



- FTP 1.5 times misfire (Misfire occurrence level which influences exhaust gas)
- Abnormality Judgement

**Judgement Value (Judge that malfunction occurs when the misfire ratio is high in 1000 engine revs.)**

Malfunction Criteria	Threshold Value
FTP emission judgement value	$\geq 20 \times 100/2000\%$ in 1000 revs.

**Time Needed for Diagnosis:** 1000 engine revs.

**Malfunction Indicator Light Illumination:** Illuminates when malfunction occurs in 2 continuous driving cycles.

- Normality Judgement

**Judgement Value**

Malfunction Criteria	Threshold Value
FTP emission judgement value	$< 20 \times 100/2000\%$ in 1000 revs.

**Time Needed for Diagnosis:** 1000 engine revs.

# Diagnostic Trouble Code (DTC) Detecting Criteria

GENERAL DESCRIPTION

- **Catalyst damage misfire (Misfire occurrence level damaging catalyst)**
- **Abnormality Judgement**

## Judgement Value

Malfunction Criteria	Threshold Value
Catalyst damage misfire judgement value	≥ Value from Map 3

## Map 3

		Intake air (g(oz)/rev)							
		0.16 (0.01)	0.28 (0.01)	0.4 (0.01)	0.52 (0.02)	0.64 (0.02)	0.76 (0.03)	0.92 (0.03)	1.1 (0.04)
Engine speed (rpm)	700	100	100	100	100	90	80	64	48
	1000	100	100	100	100	90	80	63	44
	1500	100	100	90	80	73	67	54	40
	2000	80	80	80	80	68	57	51	44
	2500	80	80	73	67	62	57	51	44
	3000	67	67	62	57	51	44	44	44
	3500	67	67	56	44	40	36	34	31
	4000	57	57	44	31	24	20	20	20
	4500	44	44	33	31	20	20	20	20
	5000	44	44	38	31	20	20	20	20
	5500	36	36	31	27	20	20	20	20
	6000	20	20	20	20	20	20	20	20
6300	20	20	20	20	20	20	20	20	

**Time Needed for Diagnosis:** 200 engine revs.

**Malfunction Indicator Light Illumination:** Illuminates as soon as a malfunction occurs.

- **Normality Judgement**

## Judgement Value

Malfunction Criteria	Threshold Value
Catalyst damage misfire judgement value	< Value of Map 3

**Time Needed for Diagnosis:** 200 engine revs.

## AU:DTC P0302 CYLINDER 2 MISFIRE DETECTED

### 1. OUTLINE OF DIAGNOSIS

NOTE:

For the detection standard, refer to DTC P0301. <Ref. to GD(H4SO)-78, DTC P0301 CYLINDER 1 MISFIRE DETECTED, Diagnostic Trouble Code (DTC) Detecting Criteria.>

## AV:DTC P0303 CYLINDER 3 MISFIRE DETECTED

### 1. OUTLINE OF DIAGNOSIS

NOTE:

For the detection standard, refer to DTC P0301. <Ref. to GD(H4SO)-78, DTC P0301 CYLINDER 1 MISFIRE DETECTED, Diagnostic Trouble Code (DTC) Detecting Criteria.>

## AW:DTC P0304 CYLINDER 4 MISFIRE DETECTED

### 1. OUTLINE OF DIAGNOSIS

NOTE:

For the detection standard, refer to DTC P0301. <Ref. to GD(H4SO)-78, DTC P0301 CYLINDER 1 MISFIRE DETECTED, Diagnostic Trouble Code (DTC) Detecting Criteria.>

# Diagnostic Trouble Code (DTC) Detecting Criteria

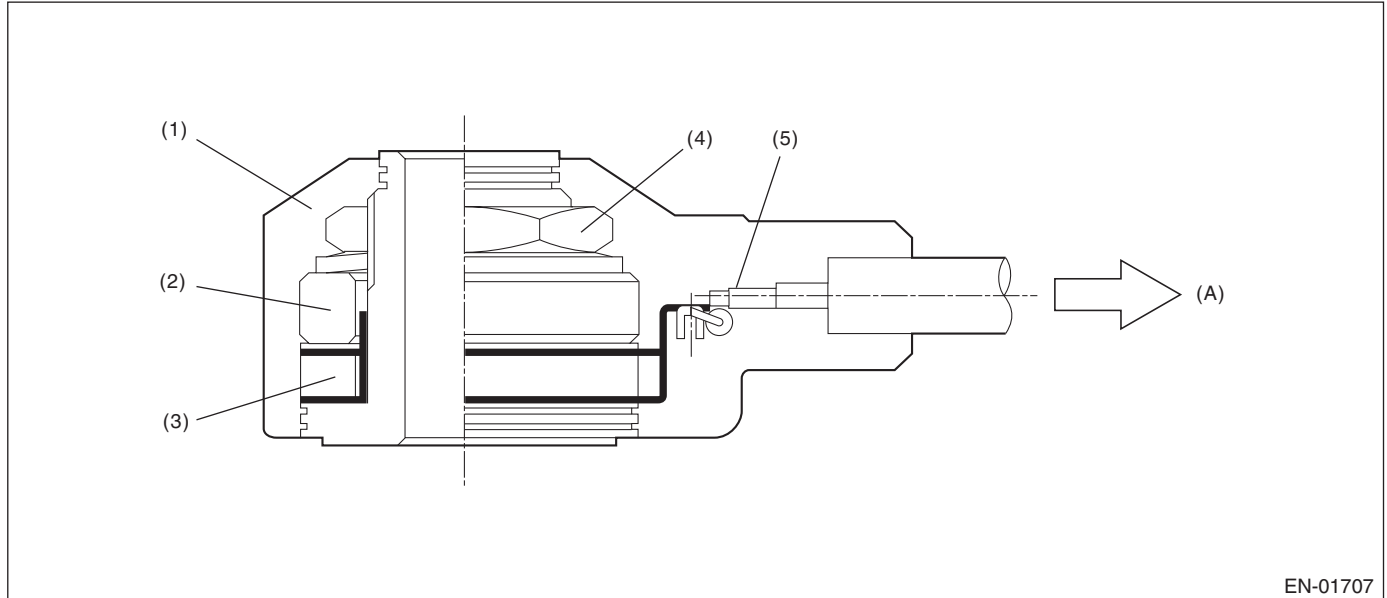
## GENERAL DESCRIPTION

### AX:DTC P0327 KNOCK SENSOR 1 CIRCUIT LOW (BANK 1 OR SINGLE SENSOR)

#### 1. OUTLINE OF DIAGNOSIS

Detect the open or short circuit of knock sensor.  
Judge as NG if out of specification.

#### 2. COMPONENT DESCRIPTION



(A) To knock sensor harness

- |            |                           |                |
|------------|---------------------------|----------------|
| (1) Case   | (3) Piezoelectric element | (5) Resistance |
| (2) Weight | (4) Nut                   |                |

#### 3. ENABLE CONDITION

Secondary Parameters	Enable Condition
None	

#### 4. GENERAL DRIVING CYCLE

Always perform the diagnosis continuously.

#### 5. DIAGNOSTIC METHOD

##### • Abnormality Judgement

If the duration of time while the following conditions are met is longer than the time indicated, judge as NG.

##### Judgement Value

Malfunction Criteria	Threshold Value
Output voltage	< 0.243 V

**Time Needed for Diagnosis:** 1000 ms

**Malfunction Indicator Light Illumination:** Illuminates as soon as a malfunction occurs.

##### • Normality Judgement

Judge as OK and clear the NG if the continuous time while the following conditions are established is more than the predetermined time.

##### Judgement Value

Malfunction Criteria	Threshold Value
Output voltage	≥ 0.243 V

**Time Needed for Diagnosis:** Less than 1 second

# Diagnostic Trouble Code (DTC) Detecting Criteria

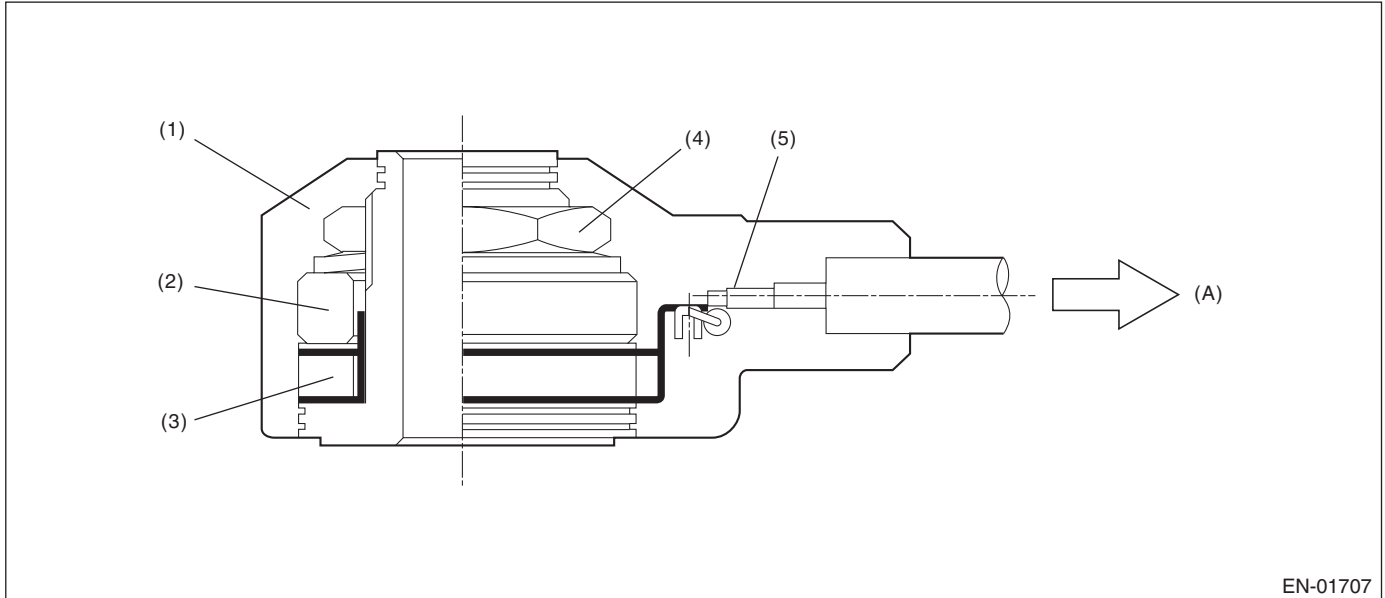
GENERAL DESCRIPTION

## AY:DTC P0328 KNOCK SENSOR 1 CIRCUIT HIGH (BANK 1 OR SINGLE SENSOR)

### 1. OUTLINE OF DIAGNOSIS

Detect the open or short circuit of knock sensor.  
Judge as NG if out of specification.

### 2. COMPONENT DESCRIPTION



(A) To knock sensor harness

(1) Case

(3) Piezoelectric element

(5) Resistance

(2) Weight

(4) Nut

### 3. ENABLE CONDITION

Secondary Parameters	Enable Condition
None	

### 4. GENERAL DRIVING CYCLE

Always perform the diagnosis continuously.

### 5. DIAGNOSTIC METHOD

#### • Abnormality Judgement

If the duration of time while the following conditions are met is longer than the time indicated, judge as NG.

#### Judgement Value

Malfunction Criteria	Threshold Value
Output voltage	$\geq 4.709$ V

**Time Needed for Diagnosis:** 1000 ms

**Malfunction Indicator Light Illumination:** Illuminates as soon as a malfunction occurs.

#### • Normality Judgement

Judge as OK and clear the NG if the continuous time while the following conditions are established is more than the predetermined time.

#### Judgement Value

Malfunction Criteria	Threshold Value
Output voltage	$< 4.709$ V

**Time Needed for Diagnosis:** Less than 1 second

# Diagnostic Trouble Code (DTC) Detecting Criteria

## GENERAL DESCRIPTION

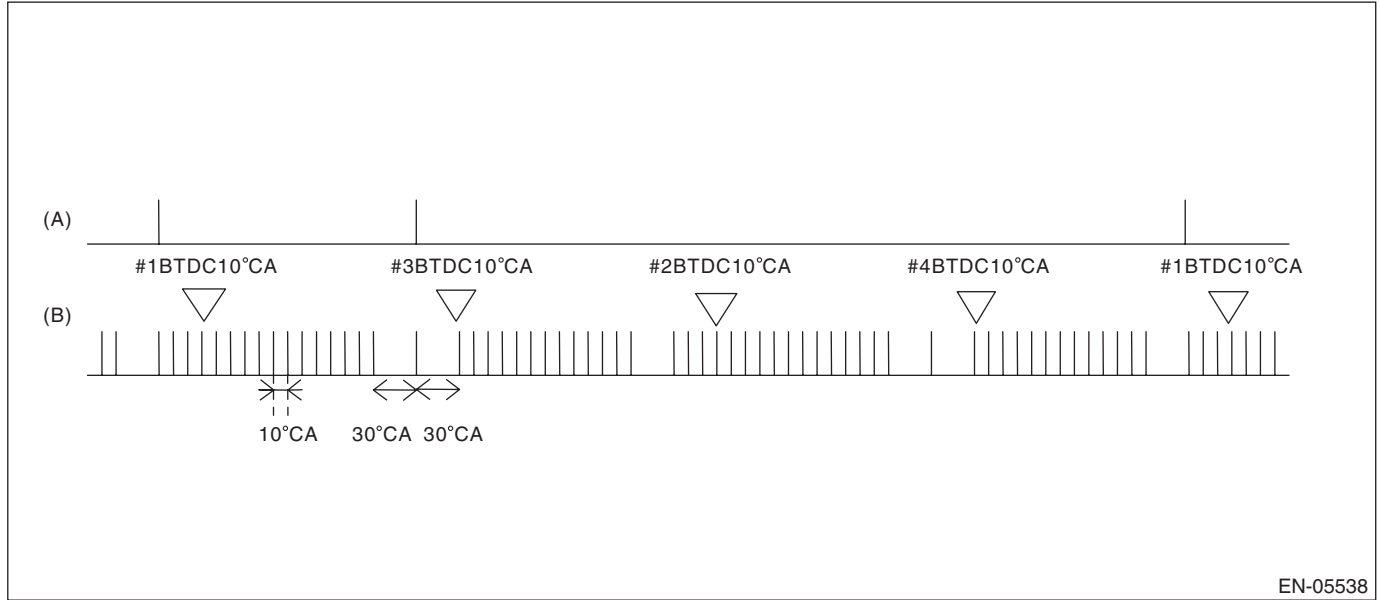
### AZ:DTC P0335 CRANKSHAFT POSITION SENSOR "A" CIRCUIT

#### 1. OUTLINE OF DIAGNOSIS

Detect the open or short circuit of the crankshaft position sensor.

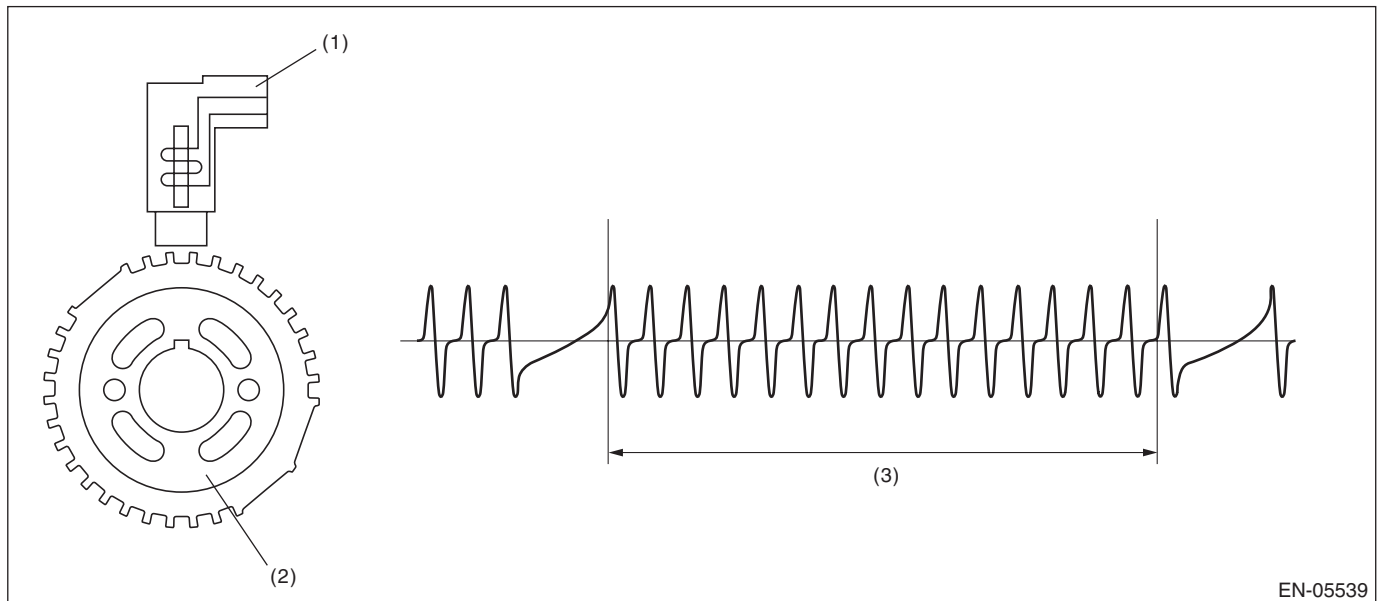
Judge as NG when the crank signal is not input even though the starter was rotated.

#### 2. COMPONENT DESCRIPTION



(A) Cam signal

(B) Crankshaft signal



(1) Crankshaft position sensor

(2) Crank sprocket

(3) Crankshaft half-turn

#### 3. ENABLE CONDITION

Secondary Parameters	Enable Condition
None	

#### 4. GENERAL DRIVING CYCLE

Always perform the diagnosis continuously.



# Diagnostic Trouble Code (DTC) Detecting Criteria

GENERAL DESCRIPTION

## 5. DIAGNOSTIC METHOD

### • Abnormality Judgement

If the duration of time while the following conditions are met is longer than the time indicated, judge as NG.

### Judgement Value

Malfunction Criteria	Threshold Value
Starter switch	ON
Crankshaft position sensor signal	Not detected
Battery voltage	$\geq 8 \text{ V}$

**Time Needed for Diagnosis:** 3000 ms

**Malfunction Indicator Light Illumination:** Illuminates as soon as a malfunction occurs.

### • Normality Judgement

Judge as OK and clear the NG if the continuous time while the following conditions are established is more than the predetermined time.

### Judgement Value

Malfunction Criteria	Threshold Value
Crankshaft position sensor signal	Input exists
Battery voltage	$\geq 8 \text{ V}$

**Time Needed for Diagnosis:** Less than 1 second

# Diagnostic Trouble Code (DTC) Detecting Criteria

## GENERAL DESCRIPTION

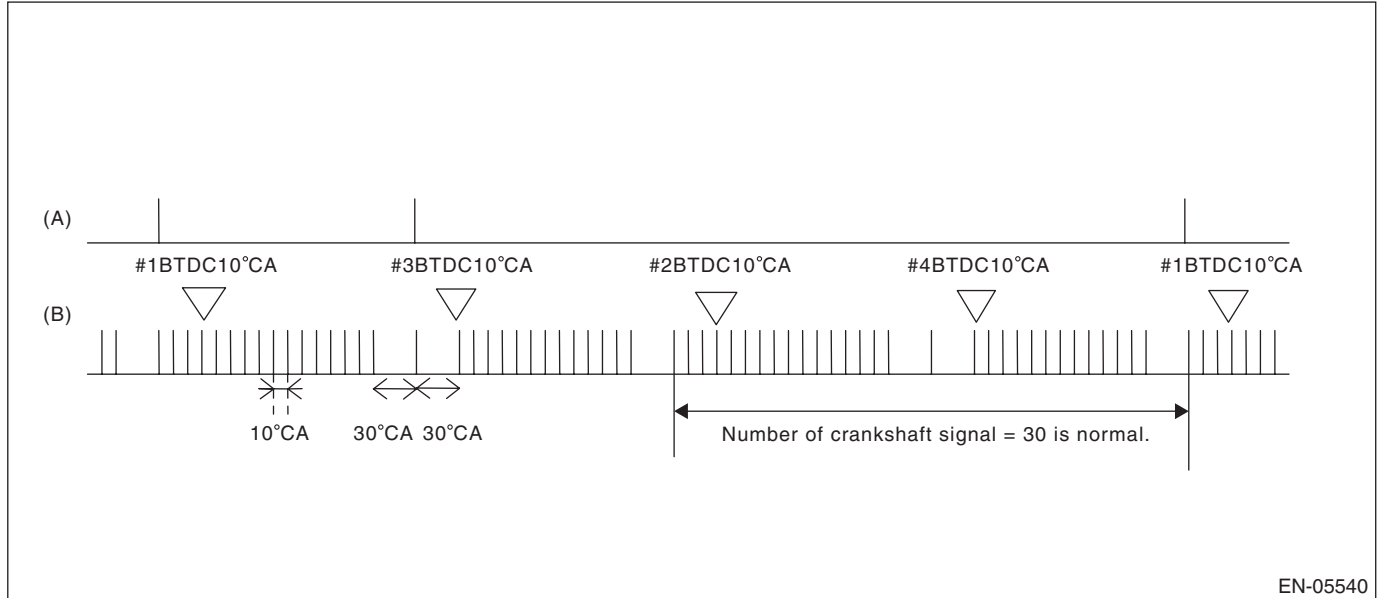
### BA:DTC P0336 CRANKSHAFT POSITION SENSOR "A" CIRCUIT RANGE/ PERFORMANCE

#### 1. OUTLINE OF DIAGNOSIS

Detect for faults in crankshaft position sensor output properties.

Judge as NG when there is a problem in the number of crankshaft signals for every revolution.

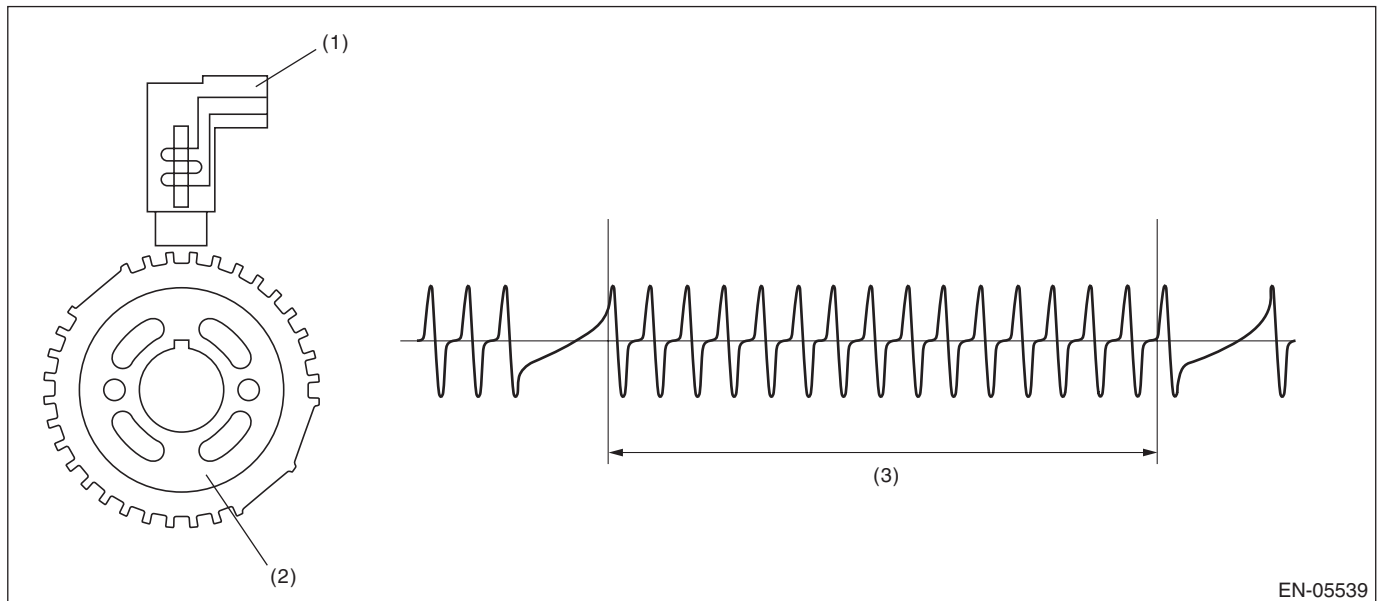
#### 2. COMPONENT DESCRIPTION



EN-05540

(A) Cam signal

(B) Crankshaft signal



EN-05539

(1) Crankshaft position sensor

(2) Crank sprocket

(3) Crankshaft half-turn

#### 3. ENABLE CONDITION

Secondary Parameters	Enable Conditions
Battery voltage	$\geq 8 \text{ V}$
Engine speed	$< 4000 \text{ rpm}$

# Diagnostic Trouble Code (DTC) Detecting Criteria

GENERAL DESCRIPTION

## 4. GENERAL DRIVING CYCLE

Perform the diagnosis continuously under 3000 rpm engine speed.

## 5. DIAGNOSTIC METHOD

### • Abnormality Judgement

Judge as NG when the following conditions are established.

### Judgement Value

Malfunction Criteria	Threshold Value
Cylinder number identification	Completed
Amount of crank sensor signal during 1 rev.	Not = 30

**Time Needed for Diagnosis:** 10 engine revs.

**Malfunction Indicator Light Illumination:** Illuminates when malfunction occurs in 2 continuous driving cycles.

### • Normality Judgement

Judge as OK and clear the NG if the continuous time while the following conditions are established is more than the predetermined time.

### Judgement Value

Malfunction Criteria	Threshold Value
Cylinder number identification	Completed
Amount of crank sensor signal during 1 rev.	= 30

**Time Needed for Diagnosis:** Less than 1 second

# Diagnostic Trouble Code (DTC) Detecting Criteria

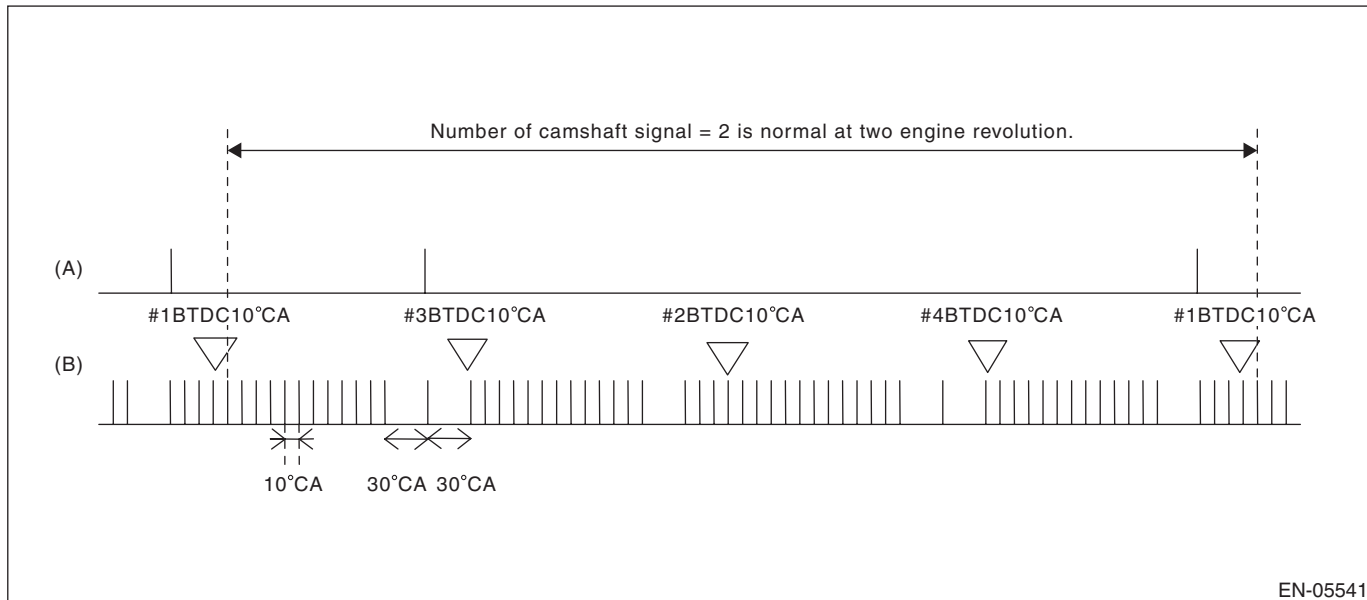
## GENERAL DESCRIPTION

### BB:DTC P0340 CAMSHAFT POSITION SENSOR “A” CIRCUIT (BANK 1 OR SINGLE SENSOR)

#### 1. OUTLINE OF DIAGNOSIS

Detect the open or short circuit of the camshaft position sensor.  
Judge as NG when the number of camshaft signals remains abnormal.

#### 2. COMPONENT DESCRIPTION



EN-05541

(A) Camshaft signal (B) Crankshaft signal

#### 3. ENABLE CONDITIONS

Secondary Parameters	Enable Condition
None	

#### 4. GENERAL DRIVING CYCLE

Always perform the diagnosis continuously.

# Diagnostic Trouble Code (DTC) Detecting Criteria

GENERAL DESCRIPTION

## 5. DIAGNOSTIC METHOD

### Abnormality Judgement

If the duration of time while the following conditions are met is longer than the time indicated, judge as NG.

### Judgement Value

Malfunction Criteria	Threshold Value
Battery voltage	$\geq 8 \text{ V}$
Amount of camshaft sensor signal during 2 revs.	Not = 2

**Time Needed for Diagnosis:** Two engine revs.  $\times$  4 time(s)

**Malfunction Indicator Light Illumination:** Illuminates as soon as a malfunction occurs.

### Normality Judgement

Judge as OK and clear the NG if the continuous time while the following conditions are established is more than the predetermined time.

### Judgement Value

Malfunction Criteria	Threshold Value
Voltage	$\geq 8 \text{ V}$
Amount of camshaft sensor signal during 2 revs.	= 2

**Time Needed for Diagnosis:** Two engine revs.

# Diagnostic Trouble Code (DTC) Detecting Criteria

## GENERAL DESCRIPTION

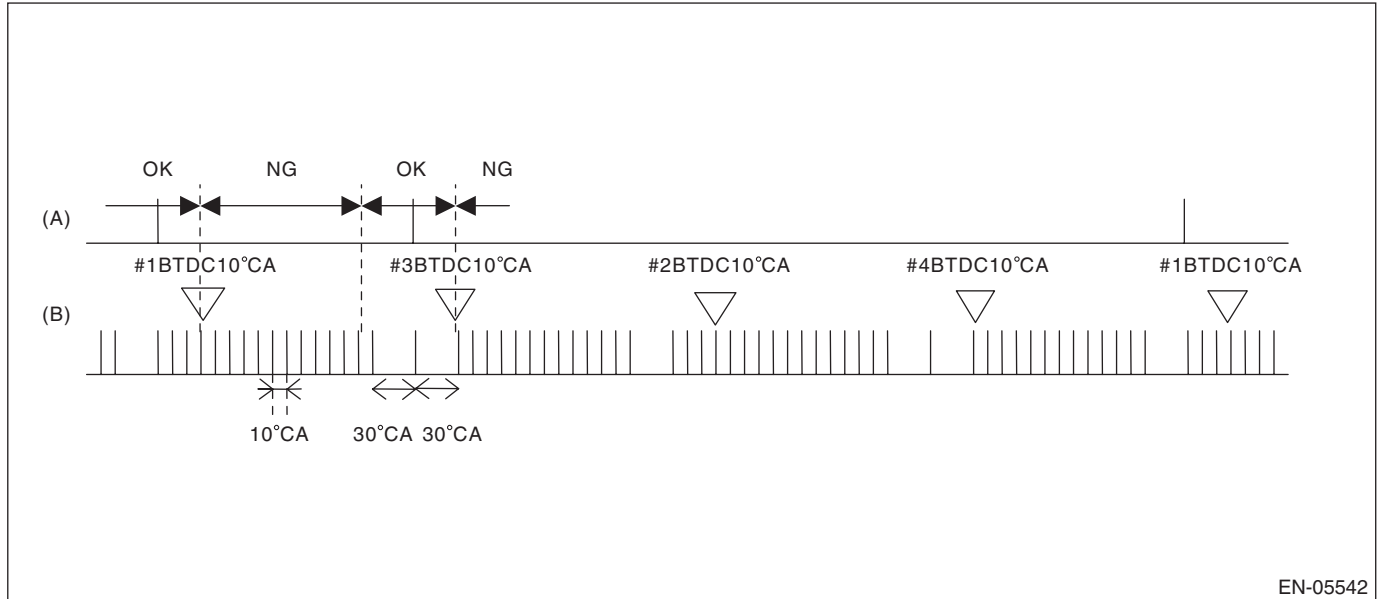
### BC:DTC P0341 CAMSHAFT POSITION SENSOR "A" CIRCUIT RANGE/ PERFORMANCE (BANK 1 OR SINGLE SENSOR)

#### 1. OUTLINE OF DIAGNOSIS

Detect the malfunction of camshaft position sensor output property.

Judge as NG when the camshaft line signal input timing is shifted from the crankshaft signal because of timing belt tooth chip etc.

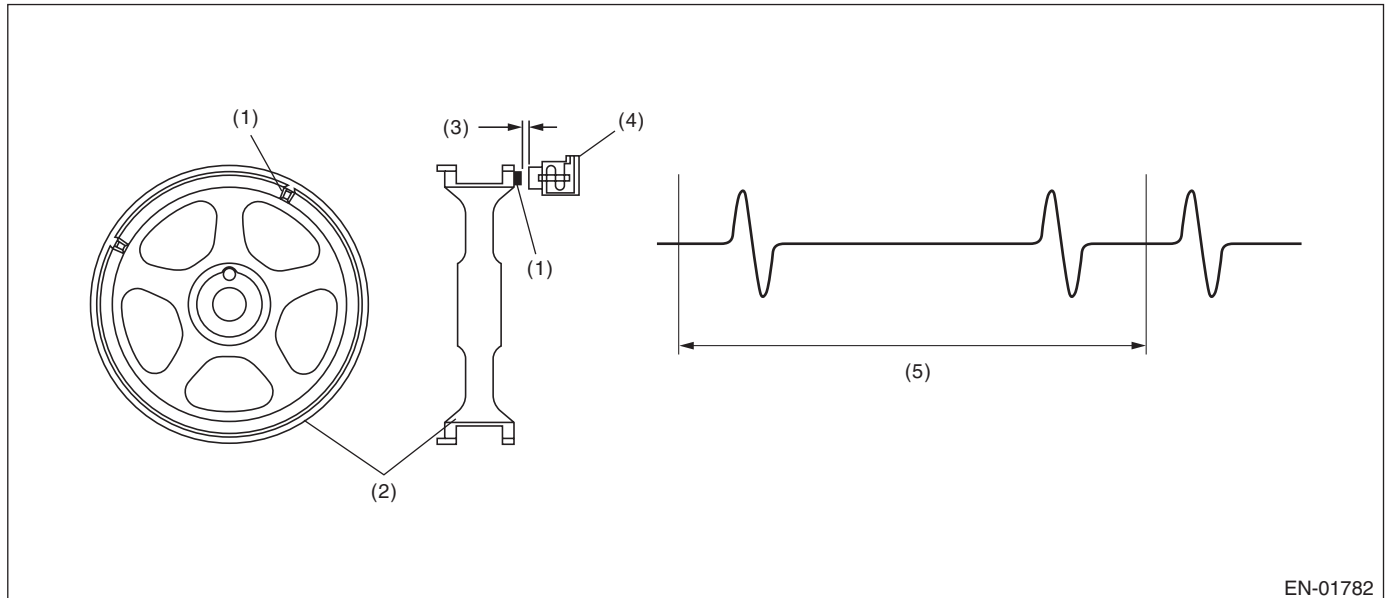
#### 2. COMPONENT DESCRIPTION



EN-05542

(A) Camshaft signal

(B) Crankshaft signal



EN-01782

- (1) Boss
- (2) Cam sprocket

- (3) Air gap
- (4) Camshaft position sensor

- (5) One camshaft revolution  
(two engine revolutions)

# Diagnostic Trouble Code (DTC) Detecting Criteria

GENERAL DESCRIPTION

## 3. ENABLE CONDITIONS

Secondary Parameters	Enable Condition
Cylinder number identification	Completed
Battery voltage	$\geq 8$ V
Engine speed	550 rpm — 1000 rpm
Engine operation	Idling
Misfire	Not detected
Engine load change during 4 milliseconds	$\leq 12799.8$ rpm

## 4. GENERAL DRIVING CYCLE

Always perform the diagnosis continuously at idle speed.

## 5. DIAGNOSTIC METHOD

### • Abnormality Judgement

If the duration of time while the following conditions are met is longer than the time indicated, judge as NG.

### Judgement Value

Malfunction Criteria	Threshold Value
Position of camshaft position sensor signal	Not between BTDC 10°CA and BTDC 80°CA

**Time Needed for Diagnosis:** 10 engine revs.

**Malfunction Indicator Light Illumination:** Illuminates when malfunction occurs in 2 continuous driving cycles.

### • Normality Judgement

Judge as OK and clear the NG if the continuous time while the following conditions are established is more than the predetermined time.

### Judgement Value

Malfunction Criteria	Threshold Value
Position of camshaft position sensor signal	Between BTDC10°CA and BTDC80°CA

**Time Needed for Diagnosis:** Engine two revolutions

# Diagnostic Trouble Code (DTC) Detecting Criteria

## GENERAL DESCRIPTION

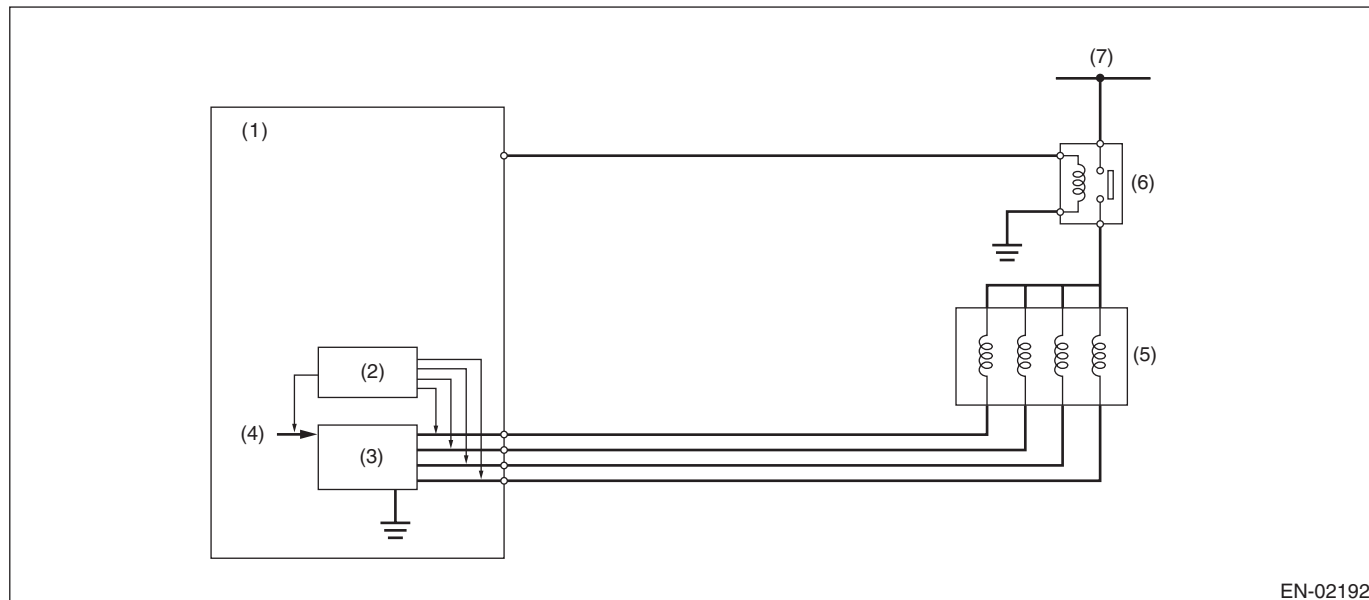
### BD:DTC P0400 EXHAUST GAS RECIRCULATION FLOW

#### 1. OUTLINE OF DIAGNOSIS

Detect EGR system malfunction.

Intake manifold pressure (negative pressure) is constant because the throttle valve is fully closed during deceleration fuel cut. At this time, when the EGR valve is opened/closed, the intake manifold pressure will change. EGR System OK/NG is judged by the range of this change.

#### 2. COMPONENT DESCRIPTION



EN-02192

- |                       |               |                          |
|-----------------------|---------------|--------------------------|
| (1) ECM               | (4) CPU       | (6) Main relay           |
| (2) Detecting circuit | (5) EGR valve | (7) Battery power supply |
| (3) Switching circuit |               |                          |



# Diagnostic Trouble Code (DTC) Detecting Criteria

GENERAL DESCRIPTION

## 3. ENABLE CONDITIONS

Secondary Parameters	Enable Condition
Elapsed time after starting the engine	≥ 40 s
Engine coolant temperature	≥ 75 °C (167 °F)
Engine speed	1200 rpm — 2950 rpm
Intake manifold pressure (absolute pressure)	< 44 kPa (330 mmHg, 13 inHg)
Ambient air temperature	≥ 5 °C (41 °F)
Throttle position	< 0.25 °
Battery voltage	≥ 10.9 V
Barometric pressure	≥ 75 kPa (563 mmHg, 22.2 inHg)
Vehicle speed	≥ 58 km/h (36 MPH)
Fuel shut-off function	In operation
Neutral switch	OFF
After neutral switch ON/OFF change	≥ Value from Map
No load change (A/C, power steering, lighting, rear defogger, heater fan and radiator fan)	≥ 5000 ms

### Map

Engine coolant temperature °C (°F)	-40 (-40)	-30 (-22)	-20 (-4)	-10 (14)	0 (32)	10 (50)	20 (68)	30 (86)
After neutral switch change msec	0	0	0	0	0	0	0	0

Engine coolant temperature °C (°F)	40 (104)	50 (122)	60 (140)	70 (158)	80 (176)	90 (194)	100 (212)	110 (230)
After neutral switch change msec	0	0	0	0	0	0	0	0

## 4. GENERAL DRIVING CYCLE

During deceleration fuel cut from 53 km/h (approx. 33 MPH) or more, perform diagnosis once. Be careful of vehicle speed and engine speed. (Diagnosis will not be completed if the vehicle speed and engine speed conditions become out of specification due to deceleration.)

## 5. DIAGNOSTIC METHOD

Measure the pressure values when the enable conditions are established, and perform diagnosis by calculating those results.

1. Label the intake manifold pressure value as PMOF1, which is observed when enable conditions are established, and set the EGR target step to 50 steps (nearly full open).
2. Label the intake manifold pressure value as PMON, which is observed after one second has passed since EGR target step was set to 50 steps (when the enable conditions were established), and set the EGR target step to 0.
3. Label the intake manifold pressure as PMOF2, which is observed after one second has passed since EGR target step was set to 0 (after two seconds have passed since the enable conditions were established).

# Diagnostic Trouble Code (DTC) Detecting Criteria

## GENERAL DESCRIPTION

### • Abnormality Judgement

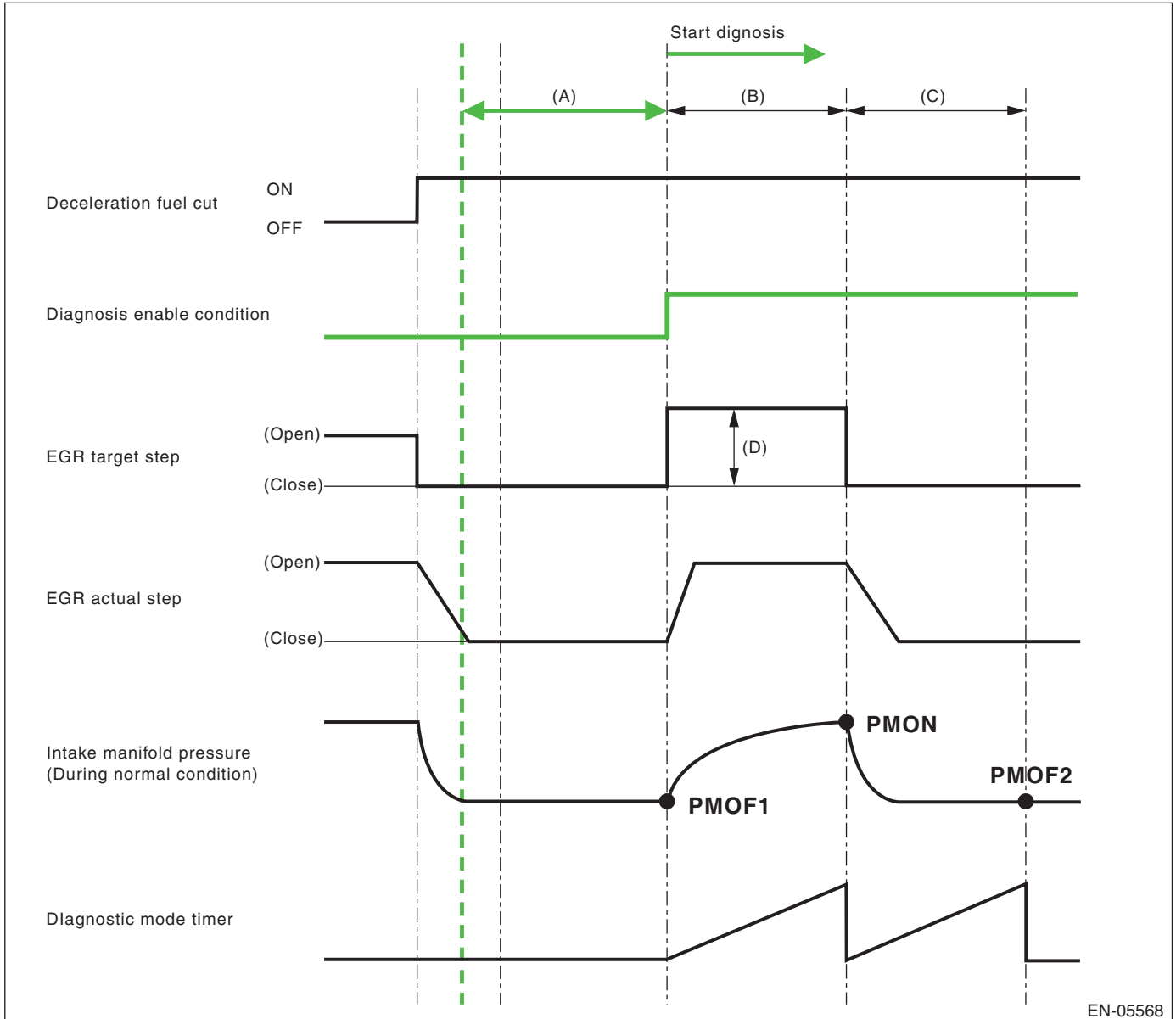
Judge as NG when the following conditions are established.

### Judgement Value

Malfunction Criteria	Threshold Value
$PMON - (PMOF1 + PMOF2)/2$	$< 2.5 \text{ kPa (18.63 mmHg, 0.7 inHg)}$

**Time Needed for Diagnosis:** 1 time

**Malfunction Indicator Light Illumination:** Illuminates when malfunction occurs in 2 continuous driving cycles.



(A) 3000 ms

(C) 1000 ms

(D) 45 step(s)

(B) 1000 ms

### • Normality Judgement

Judge as OK and clear the NG if the following conditions are established.

### Judgement Value

Malfunction Criteria	Threshold Value
$PMON - (PMOF1 + PMOF2)/2$	$\geq 2.5 \text{ kPa (18.63 mmHg, 0.7 inHg)}$

**Time Needed for Diagnosis:** 1 time

# Diagnostic Trouble Code (DTC) Detecting Criteria

GENERAL DESCRIPTION

## BE:DTC P0420 CATALYST SYSTEM EFFICIENCY BELOW THRESHOLD (BANK 1)

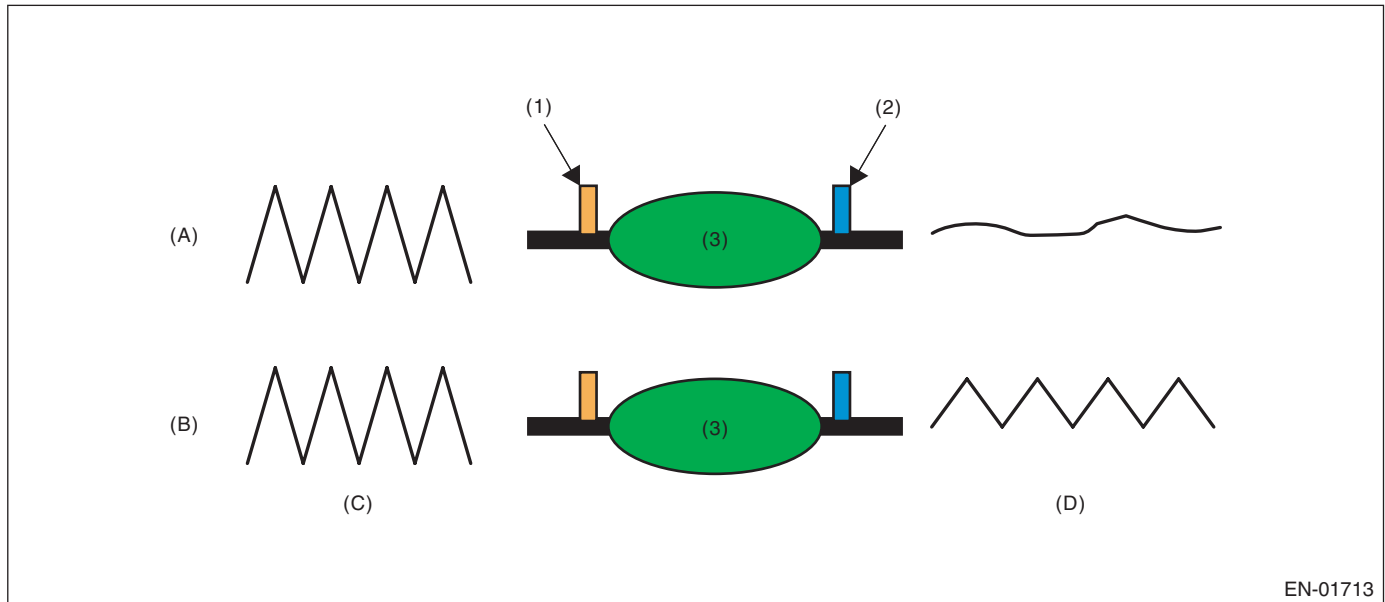
### 1. OUTLINE OF DIAGNOSIS

Detect the deterioration of the catalyst function.

Though the front oxygen sensor output would change slowly with a new catalyst, the sensor output with a deteriorated catalyst becomes high and the inversion time is shortened.

For this reason, the catalyst diagnosis is carried out by monitoring the front oxygen sensor output and comparing it with the front oxygen (A/F) sensor output.

### 2. COMPONENT DESCRIPTION



EN-01713

(A) Normal

(B) Deterioration

(C) Output waveform from the front oxygen (A/F) sensor

(D) Output waveform from the rear oxygen Sensor

(1) Front oxygen (A/F) sensor

(2) Front oxygen sensor

(3) Catalytic converter

### 3. ENABLE CONDITIONS

Secondary Parameters	Enable Condition
Battery voltage	$\geq 10.9$ V
Barometric pressure	$\geq 75$ kPa (563 mmHg, 22.2 inHg)
Engine coolant temperature	$\geq 70$ °C (158 °F)
Estimated catalyst temperature	$\geq 540$ °C (1004 °F)
Misfire detection every 200 rotations	$< 5$ time(s)
Learning value of evaporation gas density	$< 0.2$
Sub feedback	In operation
Evaporative system diagnosis	Not in operation
Time of difference ( $< 0.10$ ) between actual lambda and target lambda	$\geq 1000$ ms
Vehicle speed	$> 70$ km/h (43.5 MPH)
Amount of intake air	$\geq 10$ g/s (0.35 oz/s) and $< 40$ g/s (1.41 oz/s)
Engine load change every 0.5 engine revs.	$< 0.02$ g/rev (0 oz/rev)
Rear oxygen output change from 660 mV or less to 660 mV or more	Experienced after fuel cut
Elapsed time after starting the engine	$\geq 205$ s
Purge execution calculated time	$\geq 0$ s

# Diagnostic Trouble Code (DTC) Detecting Criteria

## GENERAL DESCRIPTION

---

### 4. GENERAL DRIVING CYCLE

Perform the diagnosis only once at a constant 70 km/h (43.5 MPH) or higher.

### 5. DIAGNOSTIC METHOD

After establishing the execution conditions, calculate the front oxygen (A/F) sensor lambda deviation cumulative value per 32 milliseconds  $\times 4$  ( $\sum |(sglmd_n - sglmd_{n-1})|$ ) and rear oxygen sensor output voltage deviation cumulative value ( $\sum |(ro2sad_n - ro2sad_{n-1})|$ ), and when the front oxygen (A/F) sensor lambda deviation cumulative value ( $\sum |(sglmd_n - sglmd_{n-1})|$ ) becomes the predetermined value or more, calculate the diagnostic value.

#### • Abnormality Judgement

If the duration of time while the following conditions are met is within the time indicated, judge as NG.

#### Judgement Value

Malfunction Criteria	Threshold Value
$\sum  (ro2sad_n - ro2sad_{n-1})  / \sum  (sglmd_n - sglmd_{n-1}) $	> 15.5

**Time Needed for Diagnosis:** 30 — 55 seconds

**Malfunction Indicator Light Illumination:** Illuminates when malfunction occurs in 2 continuous driving cycles.

#### • Normality Judgement

Judge as OK and clear the NG if the continuous time while the following conditions are established is within the predetermined time.

#### Judgement Value

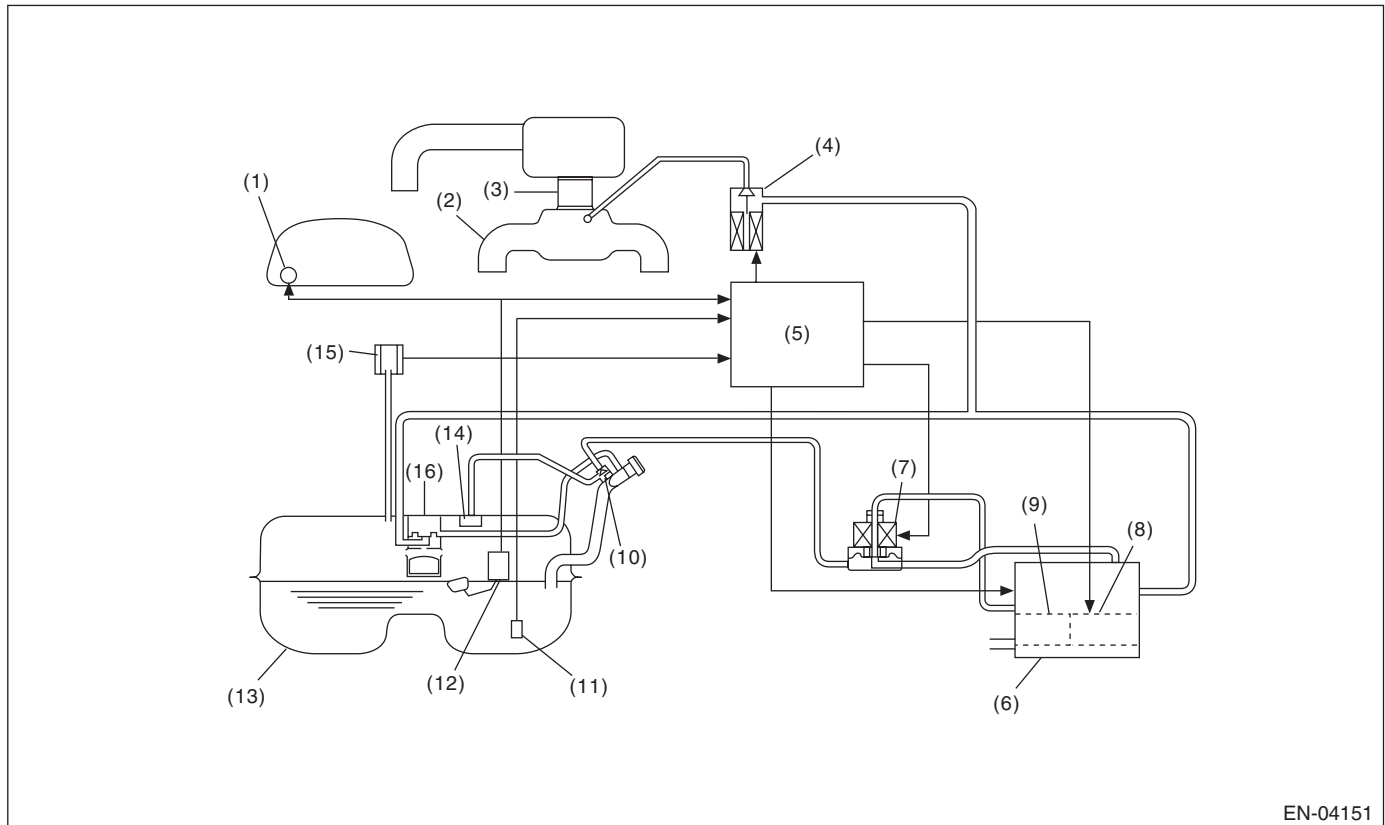
Malfunction Criteria	Threshold Value
$\sum  (ro2sad_n - ro2sad_{n-1})  / \sum  (sglmd_n - sglmd_{n-1}) $	$\leq 15.5$

**Time Needed for Diagnosis:** 30 — 55 seconds

## BF:DTC P0442 EVAPORATIVE EMISSION CONTROL SYSTEM LEAK DETECTED (SMALL LEAK)

### 1. OUTLINE OF DIAGNOSIS

Check if there is a leakage in fuel system or not, and perform the function diagnosis of valve.



EN-04151

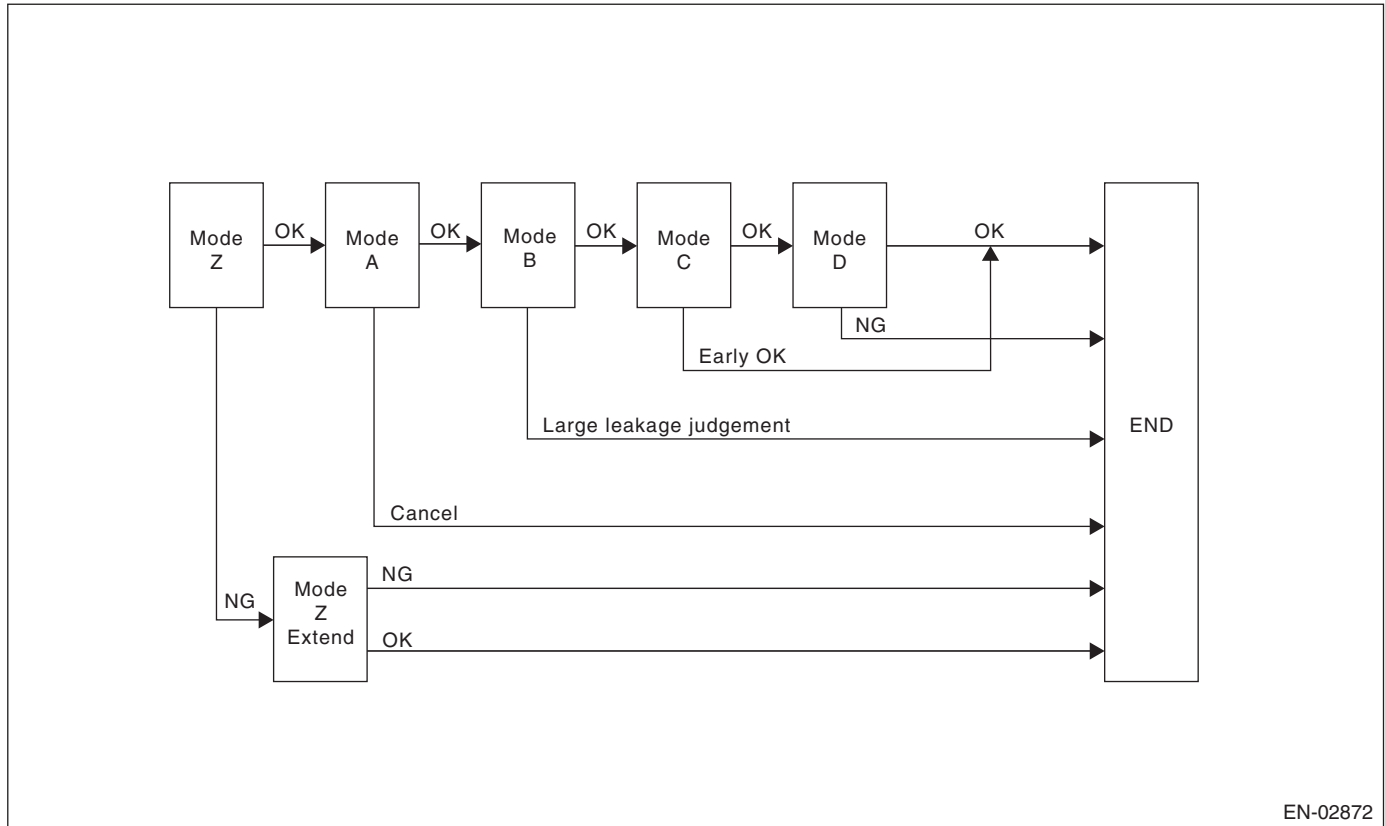
- |                                  |                              |                                |
|----------------------------------|------------------------------|--------------------------------|
| (1) Fuel gauge                   | (7) Pressure control valve   | (12) Fuel level sensor         |
| (2) Intake manifold              | (8) Drain valve              | (13) Fuel tank                 |
| (3) Throttle body                | (9) Drain filter             | (14) Fuel cut valve            |
| (4) Purge control solenoid valve | (10) Shut-off valve          | (15) Fuel tank pressure sensor |
| (5) Engine control module (ECM)  | (11) Fuel temperature sensor | (16) Vent valve                |
| (6) Canister                     |                              |                                |

In this system diagnosis, check for leakage and valve function is conducted by changing the fuel tank pressure and monitoring the pressure change using the fuel tank pressure sensor. When in 0.04 inch diagnosis, perform in the order of mode Z → mode A → mode B → mode C and mode D; When in 0.02 inch diagnosis, perform in the order of mode A → mode B → mode C → mode D and mode E.

# Diagnostic Trouble Code (DTC) Detecting Criteria

## GENERAL DESCRIPTION

### 0.04-inch Diagnosis



EN-02872

Mode	Mode Description	Diagnosis Period
Mode Z (Purge control solenoid valve opening failure diagnosis)	Perform purge control solenoid valve opening failure diagnosis from the size of tank pressure variation from diagnosis start.	0 ms + 3000 ms — 0 ms + 3000 ms + 13000 ms
Mode A (Estimated evaporation amount)	Calculate the tank pressure change amount (P1).	10000 ms
Mode B (Sealed negative pressure, large leakage judgement)	Decrease the pressure in the tank to the target value by introducing the intake manifold pressure to the fuel tank. If the tank pressure cannot be reduced, it is diagnosed as large leak.	0 — 10000 ms + 25000 ms
Mode C (Pressure increase check, advanced OK judgement)	Wait until the tank pressure returns to the target (start level of P2 calculation). If the tank pressure does not become the value, make advanced OK judgement.	0 — 18600 ms
Mode D (Negative pressure variation measurement, evaporation leakage diagnosis)	Calculate the tank pressure variation (P2), and obtain the diagnostic value using P1 found in Mode A. Perform the evaporation diagnosis using the diagnostic value.	0 ms + 10000 ms

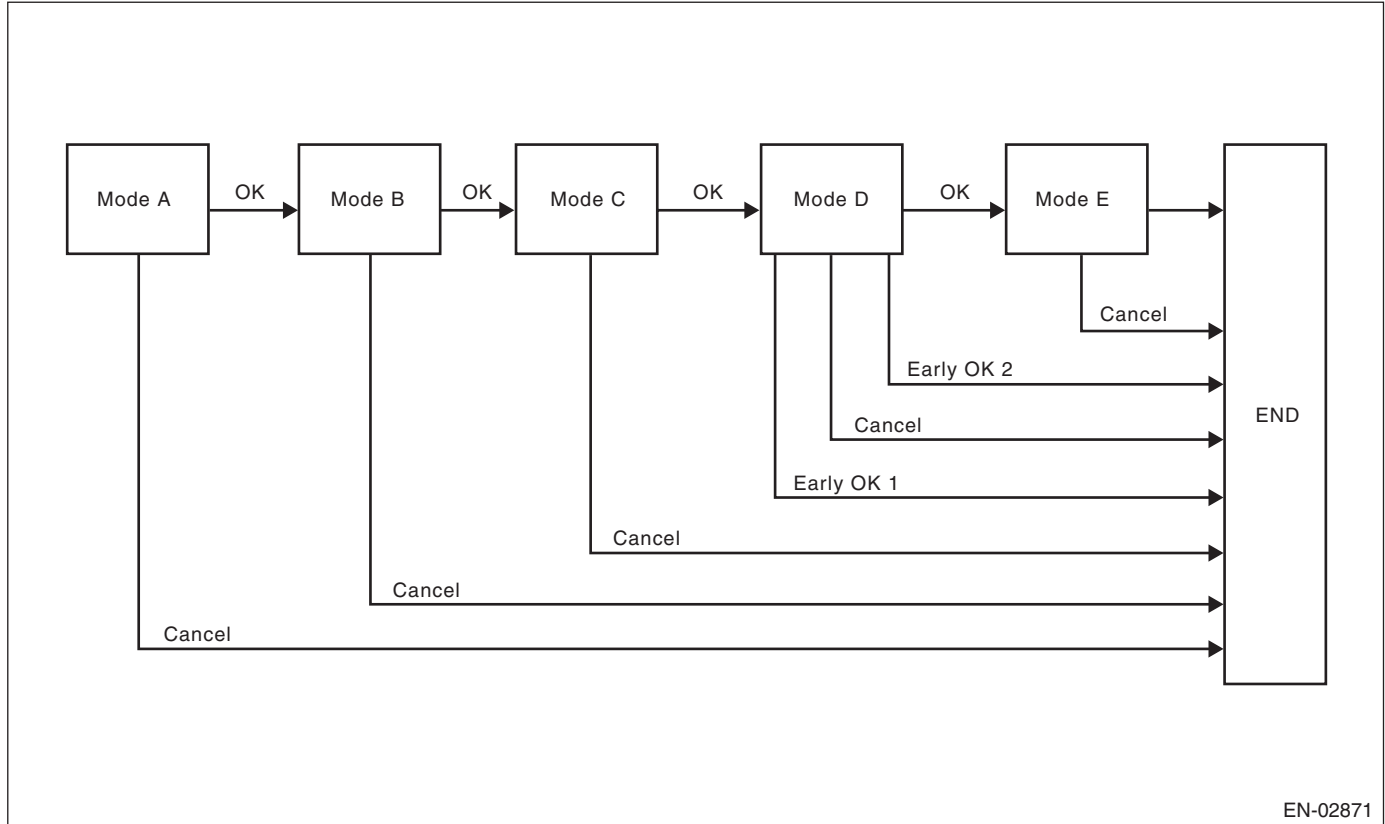
### Mode Table for Evaporative Emission Control System Diagnosis

Mode	Behavior of tank internal pressure under normal conditions	Diagnostic item	DTC
Mode Z	Roughly the same as barometric pressure (Same as 0 kPa (0 mmHg, 0 inHg))	Purge control solenoid valve is judged to be open.	P0457
Mode A	Pressure is in proportion to amount of evaporative emission.	—	None
Mode B	Negative pressure is formed due to intake manifold negative pressure	Large leak	P0457
Mode C	Reaches target pressure	—	None
Mode D	Pressure change is small.	EVAP system large leak determination. [1.0 mm (0.04 in)]	P0442

# Diagnostic Trouble Code (DTC) Detecting Criteria

GENERAL DESCRIPTION

## 0.02-inch Diagnosis



EN-02871

Mode	Mode Description	Diagnosis Period
Mode A (0 point compensation)	When the pressure in the tank is not near 0 mmHg, wait until it returns to 0 point (near 0 mmHg).	0 — Value of Map 1
Mode B (Negative pressure introduced)	Decrease the pressure in the tank to the target value by introducing the intake manifold pressure to the fuel tank.	0 — Value of Map 2
Mode C (Negative pressure maintained)	Wait until the tank pressure returns to the target (start level of P2 calculation).	0 — 25290 ms + 0 + Value of Map 2
Mode D (Negative pressure change calculated)	Calculate the time it takes for the tank pressure to change to the Mode E shifting pressure. If the tank pressure does not change to the Mode E shifting pressure, make advanced OK judgement.	0 — 0 ms + 200000 ms
Mode E (Evaporation generated amount calculation)	Calculate the amount of evaporation (P1).	0 — 0 ms + 200000 ms + Value of Map 3

### Map 1

Fuel level (ℓ, US gal, Imp gal)	0	10, 2.64, 2.2	20, 5.28, 4.4	30, 7.93, 6.6	40, 10.57, 8.8	50, 13.21, 11	60, 15.85, 13.2
Time Needed for Diagnosis (ms)	13800	13800	11400	9000	7000	5000	5000

### Map 2

Fuel level (ℓ, US gal, Imp gal)	0	10, 2.64, 2.2	20, 5.28, 4.4	30, 7.93, 6.6	40, 10.57, 8.8	50, 13.21, 11	60, 15.85, 13.2
Time Needed for Diagnosis (ms)	20030	20030	20800	21580	21970	22360	22360

### Map 3

Fuel level (ℓ, US gal, Imp gal)	0	10, 2.64, 2.2	20, 5.28, 4.4	30, 7.93, 6.6	40, 10.57, 8.8	50, 13.21, 11	60, 15.85, 13.2
Time Needed for Diagnosis (ms)	80000	80000	70000	60000	60000	60000	60000

# Diagnostic Trouble Code (DTC) Detecting Criteria

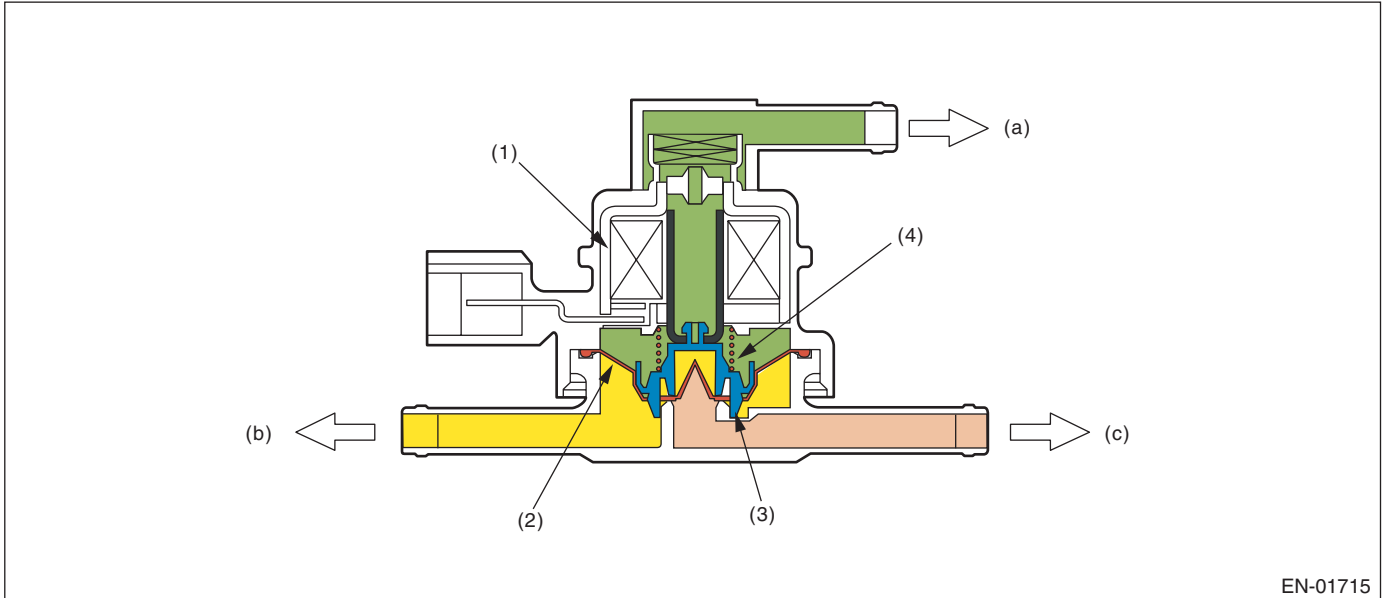
## GENERAL DESCRIPTION

### 2. COMPONENT DESCRIPTION

#### Pressure control solenoid valve

PCV controls the fuel tank pressure to be equal to the atmospheric air pressure. Normally, the solenoid is set to OFF. The valve opens and closes mechanically in accordance with the pressure difference between tank and atmospheric air, or tank and canister.

The valve is forcibly opened by setting the solenoid to ON at the time of diagnosis.



(a) Barometric pressure

(b) Fuel tank

(c) Canister

(1) Solenoid

(3) Valve

(4) Spring

(2) Diaphragm



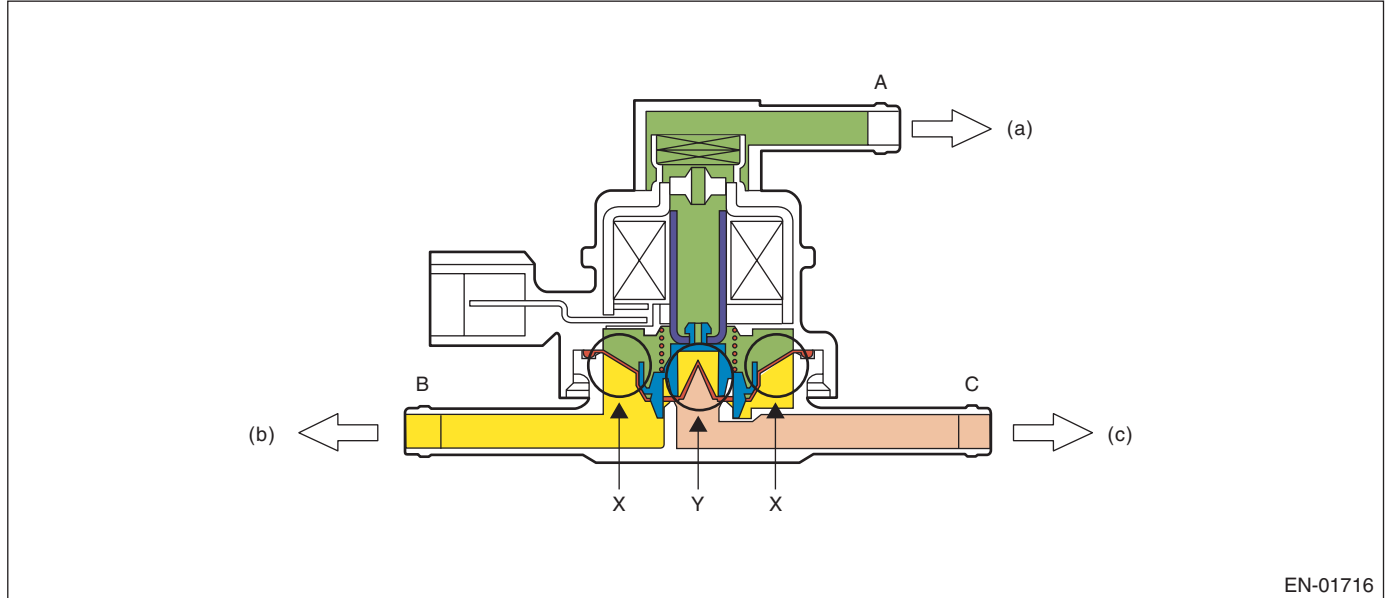
# Diagnostic Trouble Code (DTC) Detecting Criteria

GENERAL DESCRIPTION

## Valve Operation and Air Flow

In the figure below, divided by the diaphragm, the part above X is charged with atmospheric air pressure, and the part below X is charged with tank pressure. Also, the part above Y is charged with tank pressure, and the part below Y is charged with canister pressure.

If the atmospheric air pressure port is A, tank pressure port is B, and canister pressure port is C, the air flows according to pressure difference from each port as shown in the table below.



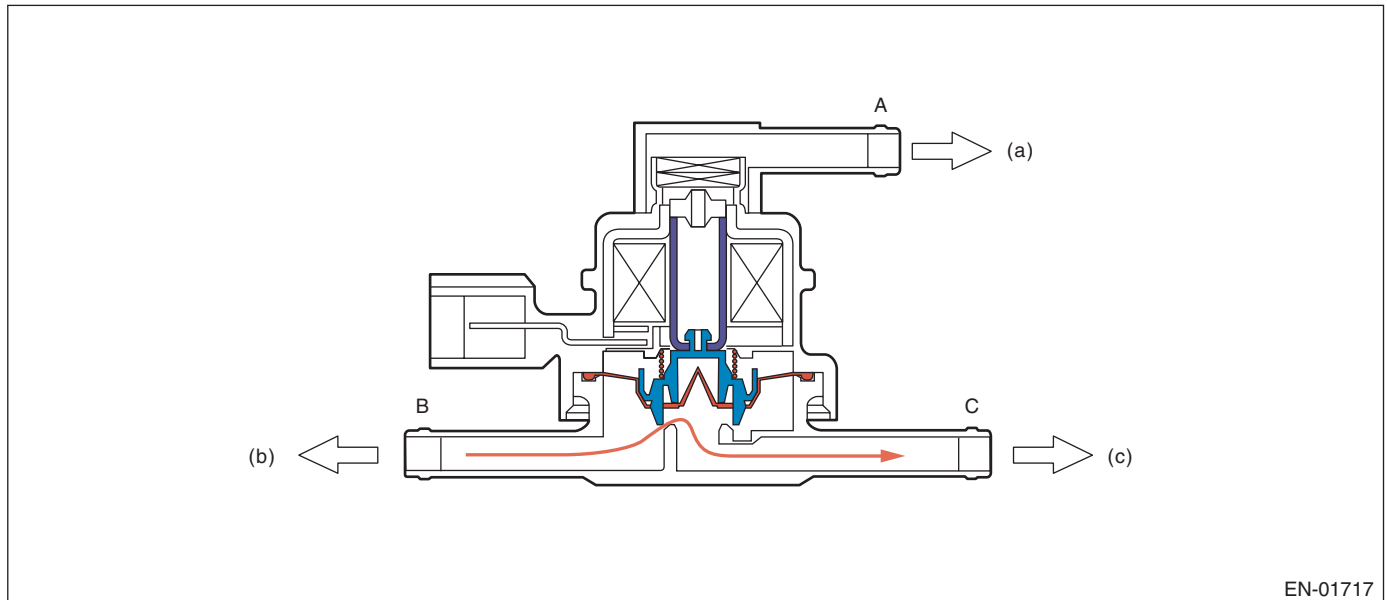
(a) Barometric pressure

(b) Fuel tank

(c) Canister

Condition of pressure	Flow
$A < B$ (solenoid OFF)	$B \rightarrow C$
$B < C$ (solenoid OFF)	$C \rightarrow B$
Solenoid ON	$B \leftrightarrow C$

## When $A < B$ (solenoid OFF)



(a) Barometric pressure

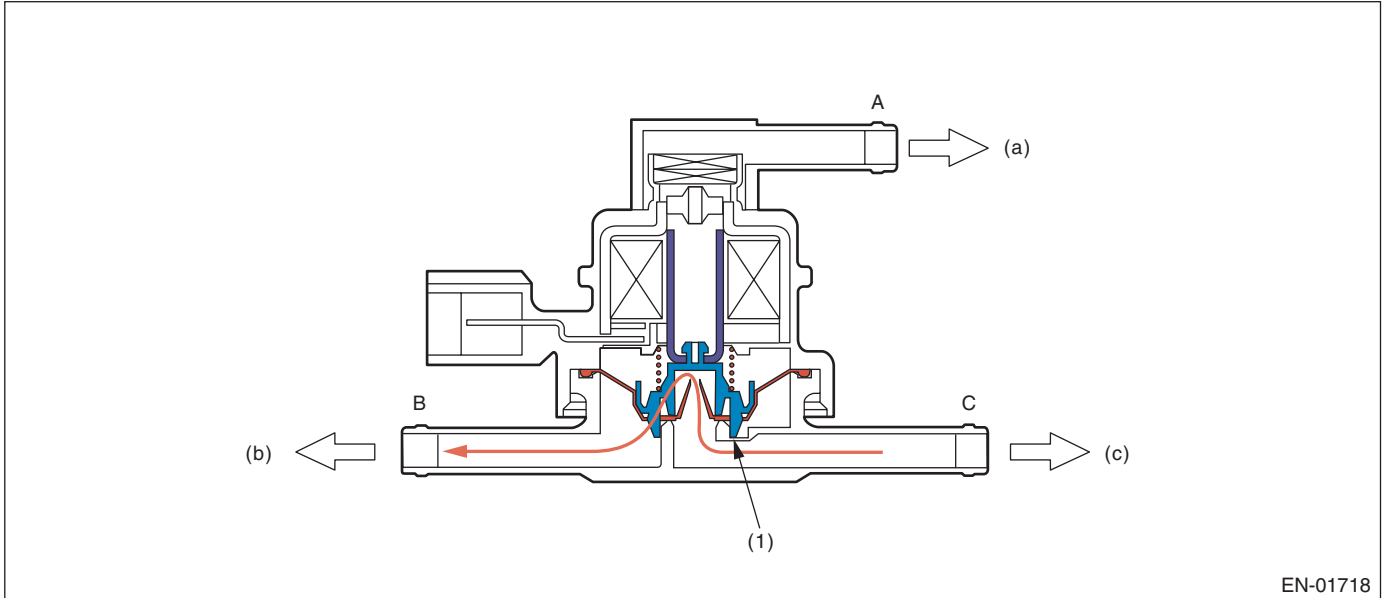
(b) Fuel tank

(c) Canister

# Diagnostic Trouble Code (DTC) Detecting Criteria

## GENERAL DESCRIPTION

### When $B < C$ (solenoid OFF)



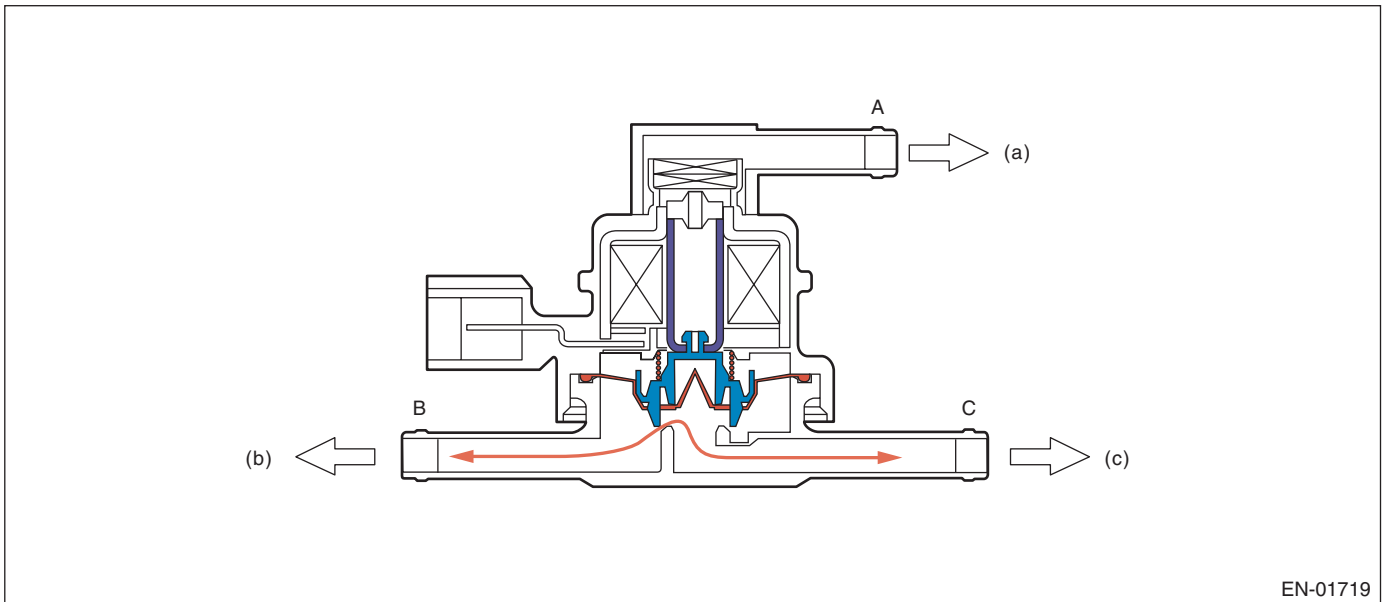
(a) Barometric pressure

(b) Fuel tank

(c) Canister

(1) Valve

### When Solenoid is ON



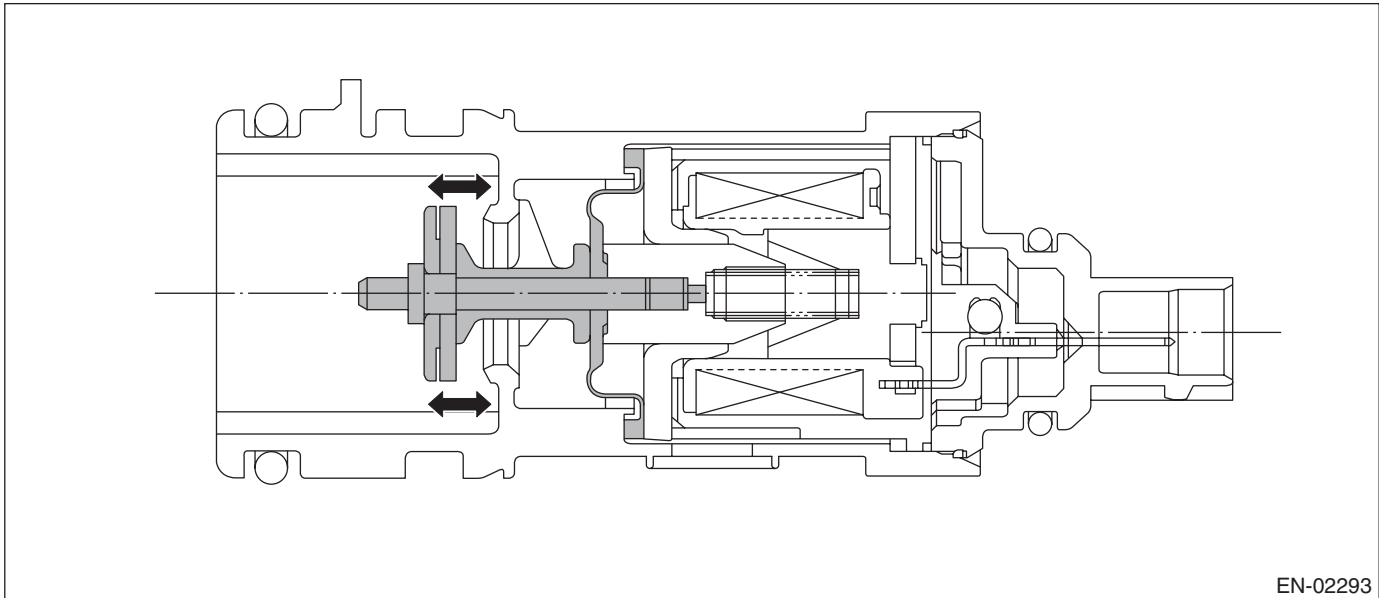
(a) Barometric pressure

(b) Fuel tank

(c) Canister

## Drain valve

Drain valve controls the ambient air to be introduced to the canister.



EN-02293

## 3. ENABLE CONDITIONS

### 0.04-inch Diagnosis

Secondary Parameters	Enable Condition
Battery voltage	$\geq 10.9 \text{ V}$
Barometric pressure	$\geq 75 \text{ kPa}$ (563 mmHg, 22.2 inHg)
Total time of canister purge operation	$\geq 120000 \text{ ms}$
Elapsed time after starting the engine	$\geq 856 \text{ s}$
Learning value of evaporation gas density	$< 0.08$
Engine speed	1050 rpm — 6000 rpm
Fuel tank pressure	$\geq -4 \text{ kPa}$ (-30 mmHg, -1.2 inHg)
Intake manifold relative vacuum (relative pressure)	$\geq -26.7 \text{ kPa}$ (-200 mmHg, -7.9 inHg)
Vehicle speed	$\geq 32 \text{ km/h}$ (19.9 MPH)
Fuel level	9.6 $\ell$ (2.54 US gal, 2.11 Imp gal) — 54.4 $\ell$ (14.37 US gal, 11.97 Imp gal)
Closed air/fuel ratio control	In operation
Fuel temperature	$-10 \text{ }^\circ\text{C}$ (14 $^\circ\text{F}$ ) — $45 \text{ }^\circ\text{C}$ (113 $^\circ\text{F}$ )
Intake air temperature	$\geq -10 \text{ }^\circ\text{C}$ (14 $^\circ\text{F}$ )
Pressure change every one second	$< 1.7 \text{ mmHg}$ (Mode A) $< 1.7 \text{ mmHg}$ (Mode D)
Minimum pressure change value every one second – Maximum pressure change value every one second	$< 1.7 \text{ mmHg}$ (Mode A) $< 1.7 \text{ mmHg}$ (Mode D)
Change of fuel level per 128 milliseconds	$< 2 \text{ } \ell$ (0.53 US gal, 0.44 Imp gal)
Air fuel ratio	0.76 — 1.25

# Diagnostic Trouble Code (DTC) Detecting Criteria

## GENERAL DESCRIPTION

### 0.02-inch Diagnosis

Secondary Parameters	Enable Condition
<b>At starting a diagnosis</b>	
Evap. diagnosis	Incomplete
Battery voltage	≥ 10.9 V
Barometric pressure	≥ 75 kPa (563 mmHg, 22.2 inHg)
Time since last incomplete 0.02-inch leakage diagnosis	
When cancelling in mode A	> 120000 ms
When cancelling in other than mode A	> 600000 ms
Total time of canister purge operation	≥ 120000 ms
Elapsed time after starting the engine	≥ 120 s
Fuel temperature	-10 °C (14 °F) — 55 °C (131 °F)
Fuel level	9.6 ℓ (2.54 US gal, 2.11 Imp gal) — 54.4 ℓ (14.37 US gal, 11.97 Imp gal)
Intake manifold relative vacuum (relative pressure)	≥ -8 kPa (-60 mmHg, -2.4 inHg)
Fuel tank pressure	-0.7 kPa (-5 mmHg, -0.2 inHg) — 1.4 kPa (10.7 mmHg, 0.4 inHg)
Vehicle speed	50 km/h (31.1 MPH) — 510 km/h (316.9 MPH) continues for 125000 ms
Closed air/fuel ratio control	In operation
Engine speed	1050 rpm — 6000 rpm
<b>During diagnosis</b>	
Change of fuel level	≤ Value of Map 4
Pressure change every one second	< 0.1 kPa (0.44 mmHg, 0 inHg)
Minimum pressure change value every one second – Maximum pressure change value every one second	< 0.1 kPa (0.51 mmHg, 0 inHg) (Mode D)
Pressure change in tank every second	≤ 0.1 kPa (0.75 mmHg, 0 inHg)
Barometric pressure change	-0.5 kPa (-3.6 mmHg, -0.1 inHg) — 0.3 kPa (2.4 mmHg, 0.1 inHg) (Mode D) -0.3 kPa (-2.4 mmHg, -0.1 inHg) — 0.3 kPa (2.4 mmHg, 0.1 inHg) (Mode E)

### Map 4

Fuel level (ℓ, US gal, Imp gal)	0	10, 2.64, 2.2	20, 5.28, 4.4	30, 7.93, 6.6	40, 10.57, 8.8	50, 13.21, 11	60, 15.85, 13.2
Change (ℓ, US gal, Imp gal)	5, 1.32, 1.1	5, 1.32, 1.1	5, 1.32, 1.1	5, 1.32, 1.1	5, 1.32, 1.1	5, 1.32, 1.1	5, 1.32, 1.1

## 4. GENERAL DRIVING CYCLE

### 0.04-inch Diagnosis

- Perform the diagnosis only once in 856 seconds or more after starting the engine, at a constant speed of 32 km/h (20 MPH) or more.
- Pay attention to the fuel temperature and fuel level.

### 0.02-inch Diagnosis

- Perform the diagnosis 125 seconds or more at a constant engine speed of 50 km/h (31 MPH) or higher to judge as NG or OK.
- If judgement cannot be made, repeat the diagnosis.
- Pay attention to the fuel level.

# Diagnostic Trouble Code (DTC) Detecting Criteria

GENERAL DESCRIPTION

## 5. DIAGNOSTIC METHOD

### Purge control solenoid valve stuck open fault diagnosis

DTC

P0457 Evaporative Emission Control System Leak Detected (Fuel Cap Loose/Off)

#### Purpose of Mode Z

When performing the leakage diagnosis of EVAP system, the purge control solenoid valve must operate normally. Therefore, mode Z is used to diagnose the purge control solenoid valve stuck open condition. Note that if a purge control solenoid valve stuck open fault is detected, the EVAP system leakage diagnosis is cancelled.

#### Diagnostic method

Purge control solenoid valve functional diagnosis is performed by monitoring the tank pressure in mode Z.

#### • Abnormality Judgement

If OK judgement cannot be made, extend Mode Z, and Judge as NG when the following conditions are established after predetermined amount of time.

#### Judgement Value

Malfunction Criteria	Threshold Value	DTC
evptez – evptezha	> 0.9 kPa (6.5 mmHg, 0.3 inHg)	P0457
evptezini	≤ 1.4 kPa (10.7 mmHg, 0.4 inHg)	
Time of 2 $\varnothing$ (0.53 US gal, 0.44 Imp gal) or more fuel no sloshing	≥ 40000 ms	

**Time Needed for Diagnosis:** 0 ms + 3000 ms + 13000 ms

**Malfunction Indicator Light Illumination:** Illuminates when malfunction occurs in 2 continuous driving cycles.

When judgement for purge control solenoid valve stuck open NG is made, end the evaporative diagnosis. Cancel the evaporative diagnosis when the OK/NG judgement for purge control solenoid valve stuck open cannot be made in Mode Z.

#### • Normality Judgement

Judge as OK and change to Mode A when the following conditions are established after predetermined time has passed since Mode Z started.

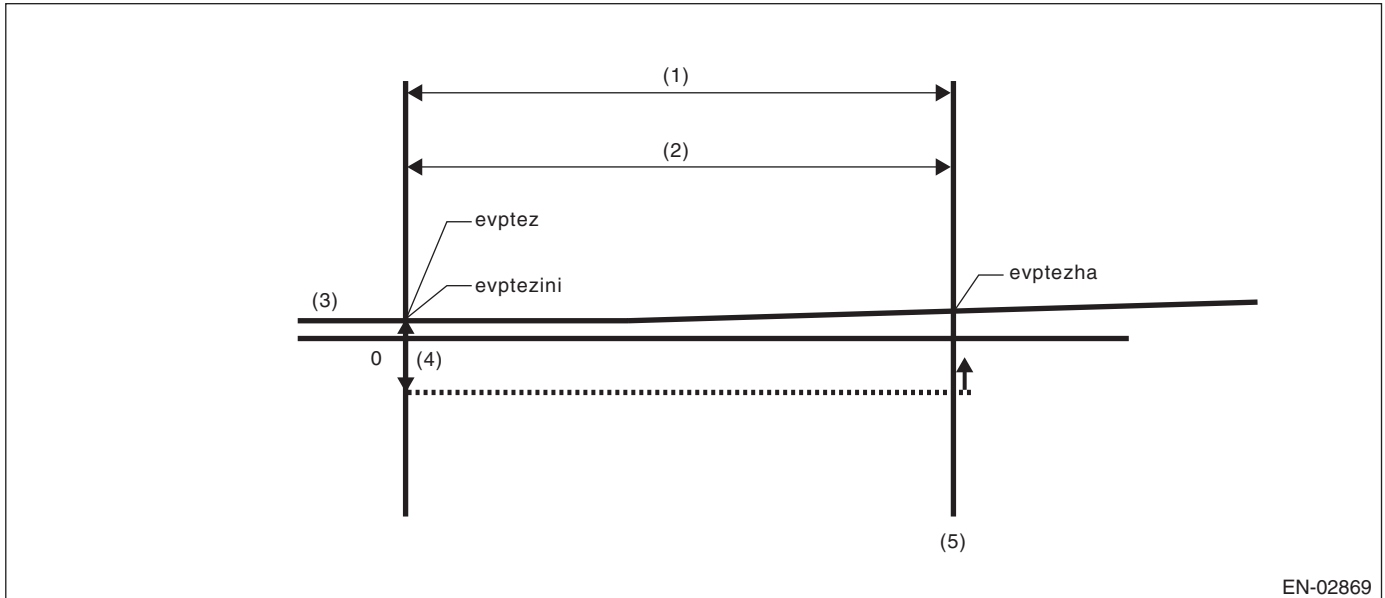
#### Judgement Value

Malfunction Criteria	Threshold Value	DTC
evptez – evptezha	≤ 0.4 kPa (3 mmHg, 0.1 inHg)	P0457

# Diagnostic Trouble Code (DTC) Detecting Criteria

## GENERAL DESCRIPTION

### Normal



EN-02869

(1) Mode Z  
(2) 3000 ms

(3) Fuel tank pressure  
(4) 0.4 kPa (3 mmHg, 0.1 inHg)

(5) OK judgement

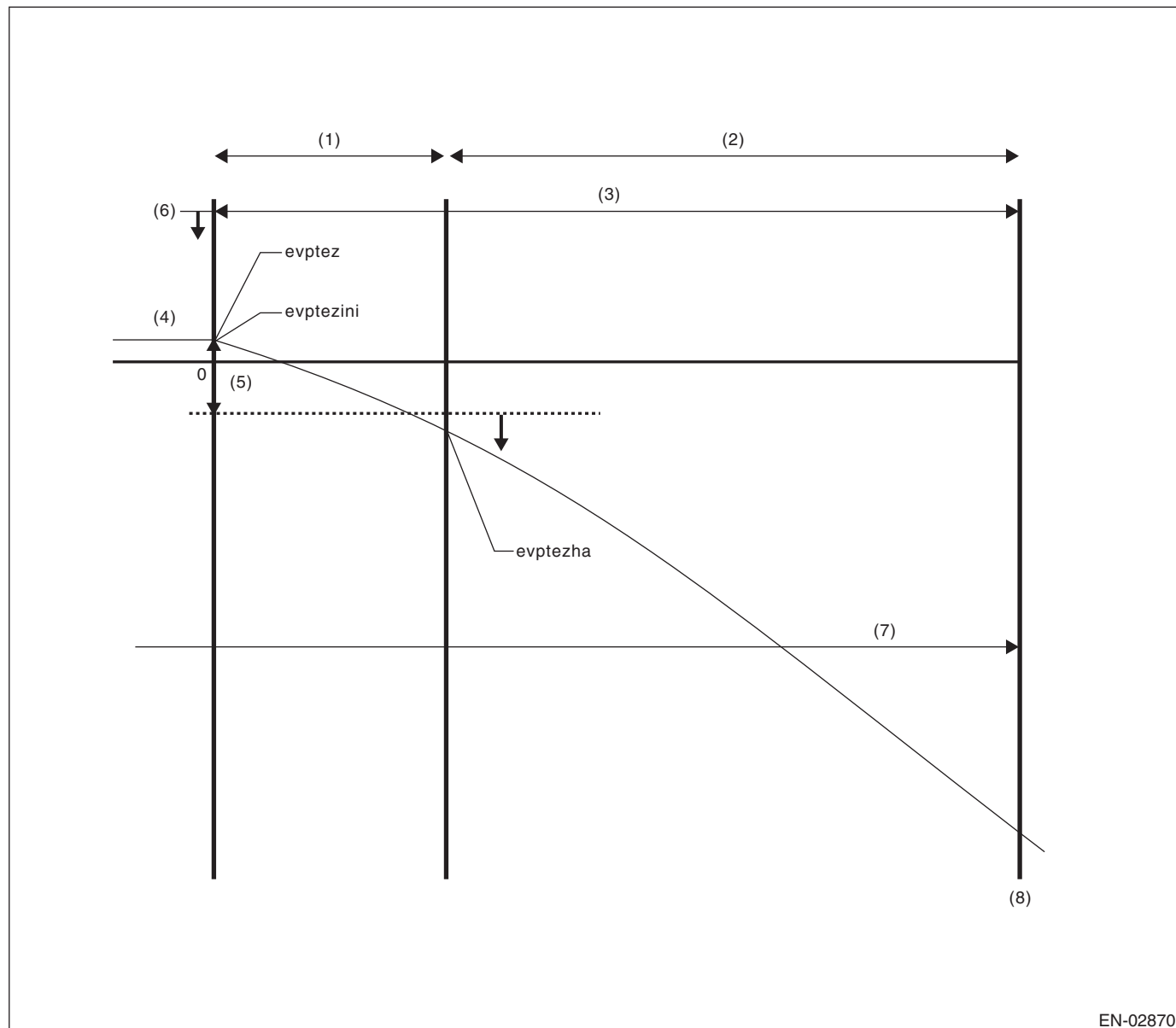
Normal when  $evptez - evptezha \leq 0.4 \text{ kPa (3 mmHg, 0.1 inHg)}$  is established

**Time Needed for Diagnosis:** 0 ms + 3000 ms

# Diagnostic Trouble Code (DTC) Detecting Criteria

GENERAL DESCRIPTION

## Purge control solenoid valve Open Fixation



EN-02870

- |                        |                                   |                               |
|------------------------|-----------------------------------|-------------------------------|
| (1) Mode Z             | (4) Fuel tank pressure            | (7) 40000 ms no fuel sloshing |
| (2) Extended mode Z    | (5) 0.9 kPa (6.5 mmHg, 0.3 inHg)  | (8) NG judgement              |
| (3) 3000 ms + 13000 ms | (6) 1.4 kPa (10.7 mmHg, 0.4 inHg) |                               |

- $evptezini \leq 1.4 \text{ kPa (10.7 mmHg, 0.4 inHg)}$
  - $evptez - evptezha > 0.9 \text{ kPa (6.5 mmHg, 0.3 inHg)}$
  - No fuel sloshing of over 2  $\varnothing$  (0.53 US gal, 0.44 Imp gal) lasts for more than 40000 ms
- Judge as abnormal when all are established.

# Diagnostic Trouble Code (DTC) Detecting Criteria

## GENERAL DESCRIPTION

---

### Leak Diagnosis

#### DTC

P0442 Evaporative Emission Control System Leak Detected (Small Leak)

P0457 Evaporative Emission Control System Leak Detected (Fuel Cap Loose/Off)

- The diagnostic consists of creating a sealed vacuum in the fuel tank and then determining the presence of leakage from the speed at which the tank internal pressure returns to barometric pressure.
- The diagnosis is divided into the following five phases.

#### Mode A: (Estimated evaporation gas amount)

Calculate the tank pressure change amount (P1) when using mode A. After calculating P1, switch to mode B.

#### Mode B: (Negative pressure sealed)

Introduce negative pressure in the intake manifold to the tank.

Approx. 0 → -1.4 kPa (0 → -10.5 mmHg, 0 → -0.4 inHg)

When the pressure above (desired negative pressure) is reached, enters Mode C.

In this case, if the tank pressure does not reach the target negative pressure, judge that there is a large leakage in the system and terminate the evaporative emission control system diagnosis.

#### Abnormality Judgement

Judge as NG (large leakage) when the following conditions are established.

#### Judgement Value

Malfunction Criteria	Threshold Value	DTC
Time to reach target negative pressure or Mode B time (Min. pressure value in tank when in mode B) – (Tank pressure when mode B started)	≥ 10000 ms + 25000 ms  ≥ 10000 ms > -0.3 kPa (-2.5 mmHg, -0.1 inHg)	P0457

**Time Needed for Diagnosis:** 0 ms + 3000 ms + 10000 ms + 10000 ms + 25000 ms

#### Mode C: (Check pressure rise)

Stop the introduction of negative pressure. (Wait until the tank pressure returns to the start level of P2 calculation.)

Change to Mode D when the tank pressure returns to the start level of P2 calculation.

Judge advanced OK and change to Mode E when it does not return in spite of spending the specified time.

Tank pressure when starting calculation of P2	Time for advanced OK judgement
-1.4 kPa (-10.5 mmHg, -0.4 inHg)	18600 ms

**Time Needed for Diagnosis:** 0 ms + 3000 ms + 10000 ms + 10000 ms + 25000 ms + 18600 ms



# Diagnostic Trouble Code (DTC) Detecting Criteria

GENERAL DESCRIPTION

## Mode D: (Measure amount of negative pressure change)

Monitor the tank pressure change amount when using mode D. In this case, the tank pressure increases, (nears barometric pressure) because evaporation occurs. However, if any leakage exists, the pressure increases additionally in proportion to this leakage. The pressure variation of this tank is P2.

After calculating P2, perform a small leak diagnosis according to the items below.

### When Mode D is ended

Assign tank variations measured in Mode A and Mode D, P1 and P2, to the formula below, judge small leaks in the system. If the measured judgement value exceeds the threshold value, it is judged to be a malfunction.

### Abnormality Judgement

Judge as NG when the following conditions are established within the predetermined time. Judge as OK and clear the NG if the following conditions are not established within the predetermined time.

### Judgement Value

Malfunction Criteria	Threshold Value	DTC
$P2 - 1.5 - \times P1$ P2: Tank pressure that changes every 10000 ms in mode D P1: Tank pressure that changes every 10000 ms in mode A	> Value of Map 5	P0442

\*1.5 –: Evaporation amount compensation value when below negative pressure (Amount of evaporation occurrence increases as a vacuum condition increases.)

### Map 5 Malfunction criteria limit for evaporation diagnosis

Fuel temperature vs. Fuel level	25 °C (77 °F)	30 °C (86 °F)	35 °C (95 °F)	40 °C (104 °F)	45 °C (113 °F)
0 ℓ (0 US gal, 0 Imp gal)	0.3 kPa (2.1 mmHg, 0.1 inHg)	0.3 kPa (2.2 mmHg, 0.1 inHg)	0.3 kPa (2.3 mmHg, 0.1 inHg)	0.3 kPa (2.35 mmHg, 0.1 inHg)	0.3 kPa (2.4 mmHg, 0.1 inHg)
10 ℓ (2.64 US gal, 2.2 Imp gal)	0.3 kPa (2.1 mmHg, 0.1 inHg)	0.3 kPa (2.2 mmHg, 0.1 inHg)	0.3 kPa (2.3 mmHg, 0.1 inHg)	0.3 kPa (2.35 mmHg, 0.1 inHg)	0.3 kPa (2.4 mmHg, 0.1 inHg)
20 ℓ (5.28 US gal, 4.4 Imp gal)	0.3 kPa (2.3 mmHg, 0.1 inHg)	0.3 kPa (2.4 mmHg, 0.1 inHg)	0.3 kPa (2.5 mmHg, 0.1 inHg)	0.3 kPa (2.6 mmHg, 0.1 inHg)	0.4 kPa (2.7 mmHg, 0.1 inHg)
30 ℓ (7.93 US gal, 6.6 Imp gal)	0.4 kPa (2.9 mmHg, 0.1 inHg)	0.4 kPa (3.05 mmHg, 0.1 inHg)	0.4 kPa (3.15 mmHg, 0.1 inHg)	0.4 kPa (3.25 mmHg, 0.1 inHg)	0.4 kPa (3.35 mmHg, 0.1 inHg)
40 ℓ (10.57 US gal, 8.8 Imp gal)	0.4 kPa (2.9 mmHg, 0.1 inHg)	0.4 kPa (3.15 mmHg, 0.1 inHg)	0.4 kPa (3.3 mmHg, 0.1 inHg)	0.5 kPa (3.4 mmHg, 0.1 inHg)	0.5 kPa (3.5 mmHg, 0.1 inHg)
50 ℓ (13.21 US gal, 11 Imp gal)	0.4 kPa (3.2 mmHg, 0.1 inHg)	0.4 kPa (3.3 mmHg, 0.1 inHg)	0.5 kPa (3.5 mmHg, 0.1 inHg)	0.5 kPa (3.6 mmHg, 0.1 inHg)	0.5 kPa (3.7 mmHg, 0.1 inHg)
60 ℓ (15.85 US gal, 13.2 Imp gal)	0.4 kPa (3.2 mmHg, 0.1 inHg)	0.4 kPa (3.3 mmHg, 0.1 inHg)	0.5 kPa (3.5 mmHg, 0.1 inHg)	0.5 kPa (3.6 mmHg, 0.1 inHg)	0.5 kPa (3.7 mmHg, 0.1 inHg)

**Time Needed for Diagnosis:** 0 ms + 3000 ms + 10000 ms + 10000 ms + 25000 ms + 18600 ms + 10000 ms

**Malfunction Indicator Light Illumination:** Illuminates when malfunction occurs in 2 continuous driving cycles.

# Diagnostic Trouble Code (DTC) Detecting Criteria

## GENERAL DESCRIPTION

### Leak Diagnosis

#### DTC

P0456 Evaporative Emission Control System Leak Detected (very small leak)

- The diagnostic consists of creating a sealed vacuum in the fuel tank and then determining the presence of leakage from the speed at which the tank internal pressure returns to barometric pressure.
- The diagnosis is divided into the following five phases.

#### Mode A: (0 point compensation)

When the pressure in the tank is not near 0 mmHg, wait until it returns to 0 point (near 0 mmHg). Shift to mode B when returned to the 0 point. Cancel the diagnosis when 0 point does not return in the specified time.

#### Mode B: (Negative pressure introduced)

Introduce negative pressure in the intake manifold to the tank.

Approx. 0 → -2 kPa (0 → -15 mmHg, 0 → -0.6 inHg)

When the pressure above (desired negative pressure) is reached, enters Mode C.

When the tank internal pressure does not reach the target negative pressure, the diagnosis is cancelled.

#### Mode C: (Negative pressure maintained)

Stop the introduction of negative pressure. (Wait until the tank pressure returns to the start level of P2 calculation.)

Change to Mode D either when the tank pressure returns to the start level of P2 calculation, or when the predetermined amount of time has passed.

#### Mode D: (Calculate the amount of negative pressure change)

Monitor the tank pressure in mode D, calculate the pressure change in the tank (P2), and measure the time (evpdset) for the tank pressure to change to the Mode E shifting pressure. When the Mode E shifting pressure is reached, Mode E is entered. If it does not change to the Mode E shifting pressure after the predetermined amount of time has passed, make advanced OK judgement or cancel the diagnosis according to the value of P2.

#### Normality Judgement

Judge as OK when the following conditions are established.

#### Judgement Value

Malfunction Criteria	Threshold Value
<b>Advanced OK judgement 1</b>	
Mode D time	≥ 0 ms + 10000 ms
Tank internal pressure	≤ Value of Map 6
<b>Advanced OK judgement 2</b>	
Mode D time	≥ 0 ms + 200000 ms
P2	≤ Value of Map 7

#### Map 6

Fuel level (ℓ, US gal, Imp gal)	0, 0, 0	10, 2.64, 2.2	20, 5.28, 4.4	30, 7.93, 6.6	40, 10.57, 8.8	50, 13.21, 11	60, 15.85, 13.2
Tank pressure (kPa, mmHg, inHg)	-1.9, -14.62, -0.6	-1.9, -14.62, -0.6	-1.9, -14.59, -0.6	-1.9, -14.56, -0.6	-1.9, -14.42, -0.6	-1.9, -14.28, -0.6	-1.9, -14.28, -0.6

#### Map 7

Fuel level (ℓ, US gal, Imp gal)	0, 0, 0	10, 2.64, 2.2	20, 5.28, 4.4	30, 7.93, 6.6	40, 10.57, 8.8	50, 13.21, 11	60, 15.85, 13.2
Tank pressure (kPa, mmHg, inHg)	0.9, 7, 0.3	0.9, 7, 0.3	0.9, 7.05, 0.3	0.9, 7.1, 0.3	1.1, 8.2, 0.3	1.3, 9.6, 0.4	1.3, 9.6, 0.4

# Diagnostic Trouble Code (DTC) Detecting Criteria

GENERAL DESCRIPTION

## Mode E: (Evaporation occurrence amount calculation)

Calculate the change of tank pressure with the time evpdset (P1) to judge as NG/OK according to the value of P1. (ambiguous determination acceptable).

### • Abnormality Judgement

Judge as NG when the following conditions are established.

### Judgement Value

Malfunction Criteria	Threshold Value
P1	< Value of Map 8

### Map 8 Malfunction criteria limit for evaporation diagnosis

Time (evpdset) vs. Fuel level	0 ms	30000 ms	50000 ms	100000 ms	160000 ms	200000 ms
0 ℓ (0 US gal, 0 Imp gal)	0 kPa (0 mmHg, 0 inHg)	0.1 kPa (0.5 mmHg, 0 inHg)	0.2 kPa (1.7 mmHg, 0.1 inHg)	0.4 kPa (2.7 mmHg, 0.1 inHg)	0.4 kPa (2.7 mmHg, 0.1 inHg)	0.4 kPa (2.7 mmHg, 0.1 inHg)
10 ℓ (2.64 US gal, 2.2 Imp gal)	0 kPa (0 mmHg, 0 inHg)	0.1 kPa (0.5 mmHg, 0 inHg)	0.2 kPa (1.7 mmHg, 0.1 inHg)	0.4 kPa (2.7 mmHg, 0.1 inHg)	0.4 kPa (2.7 mmHg, 0.1 inHg)	0.4 kPa (2.7 mmHg, 0.1 inHg)
20 ℓ (5.28 US gal, 4.4 Imp gal)	0 kPa (0 mmHg, 0 inHg)	0.1 kPa (0.5 mmHg, 0 inHg)	0.2 kPa (1.7 mmHg, 0.1 inHg)	0.4 kPa (2.7 mmHg, 0.1 inHg)	0.4 kPa (2.7 mmHg, 0.1 inHg)	0.4 kPa (2.7 mmHg, 0.1 inHg)
30 ℓ (7.93 US gal, 6.6 Imp gal)	0 kPa (0 mmHg, 0 inHg)	0.1 kPa (0.5 mmHg, 0 inHg)	0.2 kPa (1.7 mmHg, 0.1 inHg)	0.4 kPa (2.7 mmHg, 0.1 inHg)	0.4 kPa (2.7 mmHg, 0.1 inHg)	0.4 kPa (2.7 mmHg, 0.1 inHg)
40 ℓ (10.57 US gal, 8.8 Imp gal)	0 kPa (0 mmHg, 0 inHg)	0.1 kPa (0.5 mmHg, 0 inHg)	0.2 kPa (1.85 mmHg, 0.1 inHg)	0.3 kPa (2.5 mmHg, 0.1 inHg)	0.3 kPa (2.5 mmHg, 0.1 inHg)	0.3 kPa (2.5 mmHg, 0.1 inHg)
50 ℓ (13.21 US gal, 11 Imp gal)	0 kPa (0 mmHg, 0 inHg)	0.1 kPa (0.5 mmHg, 0 inHg)	0.3 kPa (2 mmHg, 0.1 inHg)	0.3 kPa (2.3 mmHg, 0.1 inHg)	0.3 kPa (2.3 mmHg, 0.1 inHg)	0 kPa (0 mmHg, 0 inHg)
60 ℓ (15.85 US gal, 13.2 Imp gal)	0 kPa (0 mmHg, 0 inHg)	0.1 kPa (0.5 mmHg, 0 inHg)	0.3 kPa (2 mmHg, 0.1 inHg)	0.3 kPa (2.3 mmHg, 0.1 inHg)	0.3 kPa (2.3 mmHg, 0.1 inHg)	0 kPa (0 mmHg, 0 inHg)

**Time Needed for Diagnosis:** Value of Map 1 + Value of Map 2 + 25290 ms + 0 + Value of Map 2 + 0 ms + 200000 ms + Value of Map 3 + 0 ms + 200000 ms

**Malfunction Indicator Light Illumination:** Illuminates when malfunction occurs in 2 continuous driving cycles.

# Diagnostic Trouble Code (DTC) Detecting Criteria

## GENERAL DESCRIPTION

### • Normality Judgement

Judge as OK when the following conditions are established.

### Judgement Value

Malfunction Criteria	Threshold Value
P1	> Value of Map 9

### Map 9 Malfunction criteria limit for evaporation diagnosis

Time (evpdset) vs. Fuel level	0 ms	30000 ms	50000 ms	100000 ms	160000 ms	200000 ms
0 ℓ (0 US gal, 0 Imp gal)	0.1 kPa (1 mmHg, 0 inHg)	0.5 kPa (3.5 mmHg, 0.1 inHg)	0.6 kPa (4.2 mmHg, 0.2 inHg)	0.6 kPa (4.2 mmHg, 0.2 inHg)	0.6 kPa (4.2 mmHg, 0.2 inHg)	0.6 kPa (4.2 mmHg, 0.2 inHg)
10 ℓ (2.64 US gal, 2.2 Imp gal)	0.1 kPa (1 mmHg, 0 inHg)	0.5 kPa (3.5 mmHg, 0.1 inHg)	0.6 kPa (4.2 mmHg, 0.2 inHg)	0.6 kPa (4.2 mmHg, 0.2 inHg)	0.6 kPa (4.2 mmHg, 0.2 inHg)	0.6 kPa (4.2 mmHg, 0.2 inHg)
20 ℓ (5.28 US gal, 4.4 Imp gal)	0.1 kPa (1 mmHg, 0 inHg)	0.4 kPa (3.25 mmHg, 0.1 inHg)	0.5 kPa (4.1 mmHg, 0.2 inHg)	0.5 kPa (4.1 mmHg, 0.2 inHg)	0.5 kPa (4.1 mmHg, 0.2 inHg)	0.5 kPa (4.1 mmHg, 0.2 inHg)
30 ℓ (7.93 US gal, 6.6 Imp gal)	0.1 kPa (1 mmHg, 0 inHg)	0.4 kPa (3 mmHg, 0.1 inHg)	0.5 kPa (3.9 mmHg, 0.2 inHg)	0.5 kPa (3.9 mmHg, 0.2 inHg)	0.5 kPa (3.9 mmHg, 0.2 inHg)	0.5 kPa (3.9 mmHg, 0.2 inHg)
40 ℓ (10.57 US gal, 8.8 Imp gal)	0.1 kPa (1 mmHg, 0 inHg)	0.3 kPa (2.25 mmHg, 0.1 inHg)	0.5 kPa (3.4 mmHg, 0.1 inHg)	0.5 kPa (3.4 mmHg, 0.1 inHg)	0.5 kPa (3.4 mmHg, 0.1 inHg)	0.5 kPa (3.4 mmHg, 0.1 inHg)
50 ℓ (13.21 US gal, 11 Imp gal)	0.1 kPa (1 mmHg, 0 inHg)	0.2 kPa (1.5 mmHg, 0.1 inHg)	0.4 kPa (2.9 mmHg, 0.1 inHg)	0.4 kPa (2.9 mmHg, 0.1 inHg)	0.4 kPa (2.9 mmHg, 0.1 inHg)	0.4 kPa (2.9 mmHg, 0.1 inHg)
60 ℓ (15.85 US gal, 13.2 Imp gal)	0.1 kPa (1 mmHg, 0 inHg)	0.2 kPa (1.5 mmHg, 0.1 inHg)	0.4 kPa (2.9 mmHg, 0.1 inHg)	0.4 kPa (2.9 mmHg, 0.1 inHg)	0.4 kPa (2.9 mmHg, 0.1 inHg)	0.4 kPa (2.9 mmHg, 0.1 inHg)

**Time Needed for Diagnosis:** Value of Map 1 + Value of Map 2 + 25290 ms + 0 + Value of Map 2 + 0 ms + 200000 ms + Value of Map 3 + 0 ms + 200000 ms

# Diagnostic Trouble Code (DTC) Detecting Criteria

GENERAL DESCRIPTION

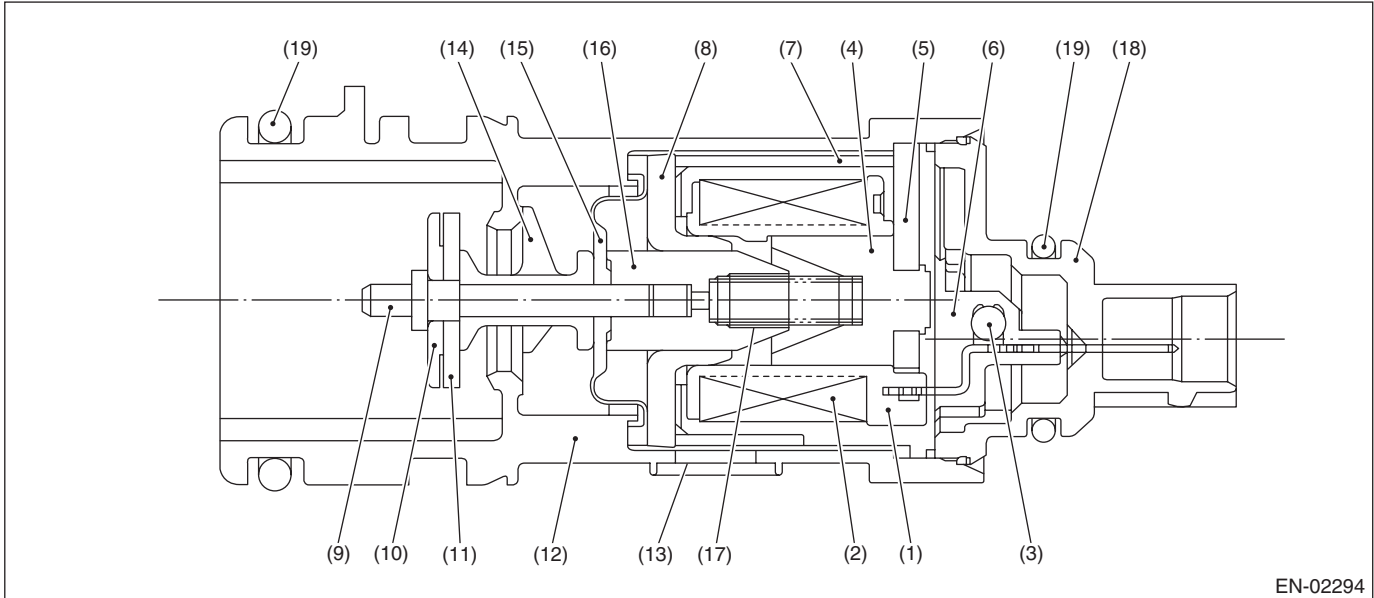
## BG:DTC P0447 EVAPORATIVE EMISSION CONTROL SYSTEM VENT CONTROL CIRCUIT OPEN

### 1. OUTLINE OF DIAGNOSIS

Detect open or short circuit of the drain valve.

Judge as NG when the ECM output level differs from the actual terminal level.

### 2. COMPONENT DESCRIPTION



- |                 |                    |                   |
|-----------------|--------------------|-------------------|
| (1) Bobbin      | (8) Magnetic plate | (14) Retainer     |
| (2) Coil        | (9) Shaft          | (15) Diaphragm    |
| (3) Diode       | (10) Plate         | (16) Movable core |
| (4) Stator core | (11) Valve         | (17) Spring       |
| (5) End plate   | (12) Housing       | (18) Cover        |
| (6) Body        | (13) Filter        | (19) O-ring       |
| (7) Yoke        |                    |                   |

### 3. ENABLE CONDITION

Secondary Parameters	Enable Condition
None	

### 4. GENERAL DRIVING CYCLE

Always perform the diagnosis continuously.

# Diagnostic Trouble Code (DTC) Detecting Criteria

## GENERAL DESCRIPTION

---

### 5. DIAGNOSTIC METHOD

#### • Abnormality Judgement

If the duration of time while the following conditions are met is longer than the time indicated, judge as NG.

#### Judgement Value

Malfunction Criteria	Threshold Value
Battery voltage	$\geq 10.9$ V
Elapsed time after starting the engine	$\geq 1$ second
Terminal output voltage when ECM outputs OFF signal	Low

**Time Needed for Diagnosis:** 2500 ms

**Malfunction Indicator Light Illumination:** Illuminates as soon as a malfunction occurs.

#### • Normality Judgement

Judge as OK and clear the NG if the continuous time while the following conditions are established is more than the predetermined time.

#### Judgement Value

Malfunction Criteria	Threshold Value
Battery voltage	$\geq 10.9$ V
Elapsed time after starting the engine	$\geq 1$ second
Terminal output voltage when ECM outputs OFF signal	High

**Time Needed for Diagnosis:** Less than 1 second

# Diagnostic Trouble Code (DTC) Detecting Criteria

GENERAL DESCRIPTION

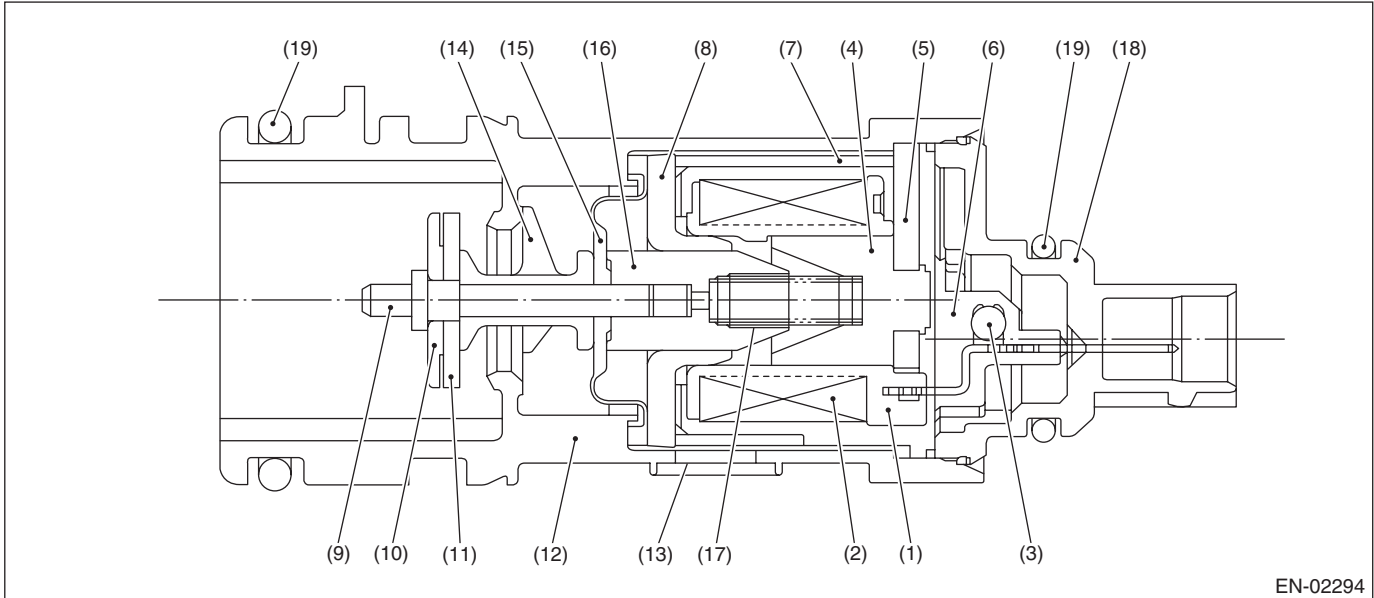
## BH:DTC P0448 EVAPORATIVE EMISSION CONTROL SYSTEM VENT CONTROL CIRCUIT SHORTED

### 1. OUTLINE OF DIAGNOSIS

Detect open or short circuit of the drain valve.

Judge as NG when the ECM output level differs from the actual terminal level.

### 2. COMPONENT DESCRIPTION



- |                 |                    |                   |
|-----------------|--------------------|-------------------|
| (1) Bobbin      | (8) Magnetic plate | (14) Retainer     |
| (2) Coil        | (9) Shaft          | (15) Diaphragm    |
| (3) Diode       | (10) Plate         | (16) Movable core |
| (4) Stator core | (11) Valve         | (17) Spring       |
| (5) End plate   | (12) Housing       | (18) Cover        |
| (6) Body        | (13) Filter        | (19) O-ring       |
| (7) Yoke        |                    |                   |

### 3. ENABLE CONDITION

Secondary Parameters	Enable Condition
None	

### 4. GENERAL DRIVING CYCLE

Always perform the diagnosis continuously.

# Diagnostic Trouble Code (DTC) Detecting Criteria

## GENERAL DESCRIPTION

---

### 5. DIAGNOSTIC METHOD

#### • Abnormality Judgement

If the duration of time while the following conditions are met is longer than the time indicated, judge as NG.

#### Judgement Value

Malfunction Criteria	Threshold Value
Battery voltage	$\geq 10.9$ V
Elapsed time after starting the engine	$\geq 1$ second
Terminal output voltage when ECM outputs ON signal	High

**Time Needed for Diagnosis:** 2500 ms

**Malfunction Indicator Light Illumination:** Illuminates as soon as a malfunction occurs.

#### • Normality Judgement

Judge as OK and clear the NG if the continuous time while the following conditions are established is more than the predetermined time.

#### Judgement Value

Malfunction Criteria	Threshold Value
Battery voltage	$\geq 10.9$ V
Elapsed time after starting the engine	$\geq 1$ second
Terminal output voltage when ECM outputs ON signal	Low

**Time Needed for Diagnosis:** Less than 1 second



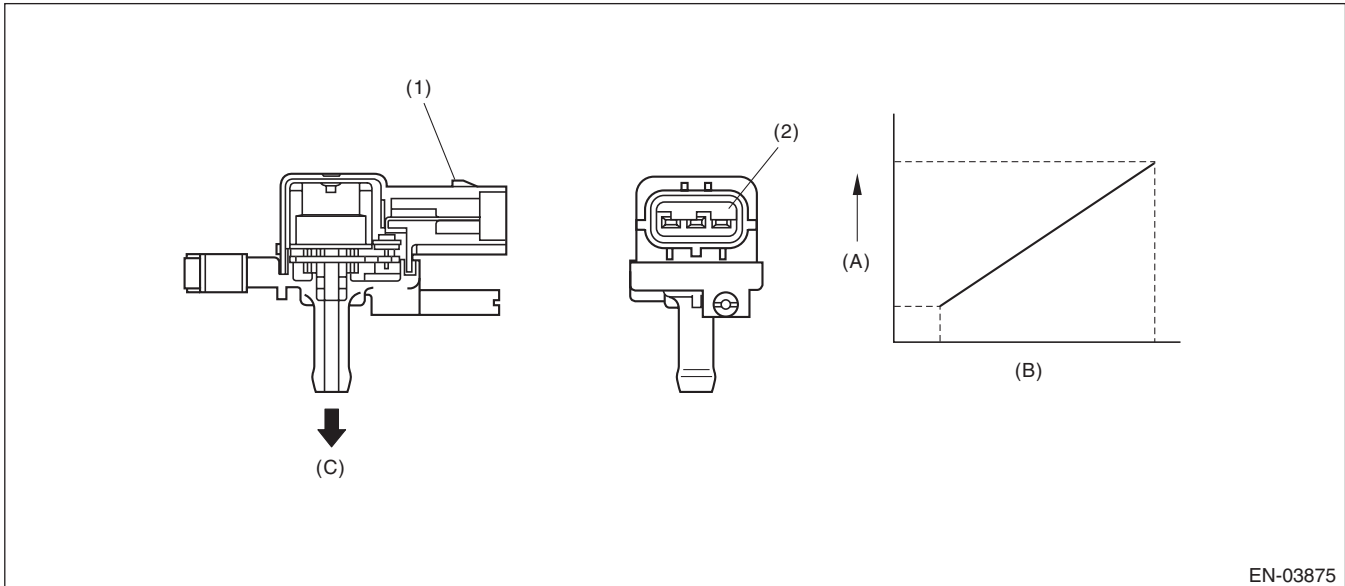
## BI: DTC P0451 EVAPORATIVE EMISSION CONTROL SYSTEM PRESSURE SENSOR

### 1. OUTLINE OF DIAGNOSIS

Detect the tank pressure sensor output property abnormality.

Judge as NG when there is no pressure variation, which should exist in the tank, considering the engine status.

### 2. COMPONENT DESCRIPTION



EN-03875

(A) Output voltage

(B) Input voltage

(C) To fuel tank

(1) Connector

(2) Terminals

### 3. ENABLE CONDITIONS

Secondary Parameters	Enable Condition
Elapsed time after starting the engine	$\geq 60$ s
Fuel level	$\geq 9.6$ ℓ (2.54 US gal, 2.11 Imp gal)
Fuel temperature	$< 35$ °C (95 °F)
Battery voltage	$\geq 10.9$ V
Barometric pressure	$\geq 75$ kPa (563 mmHg, 22.2 inHg)

### 4. GENERAL DRIVING CYCLE

- Perform the diagnosis continuously after 60 s have passed since the engine started.
- Pay attention to the fuel level and temperature.

# Diagnostic Trouble Code (DTC) Detecting Criteria

## GENERAL DESCRIPTION

---

### 5. DIAGNOSTIC METHOD

#### • Abnormality Judgement

If the duration of time while the following conditions are met is longer than the time indicated, judge as NG.

#### Judgement Value

Malfunction Criteria	Threshold Value
Number of times that the difference between the Max. fuel level every 60 s and Min. fuel level every 60 s is 2 ℓ (0.53 US gal, 0.44 Imp gal) or more (with enable condition established)	≥ 16 time(s)
Maximum – Minimum tank pressure (with enable condition completed)	< 0 kPa (0.375 mmHg, 0 inHg)
Maximum – Minimum fuel temperature (with enable condition completed)	≥ 7 °C (44.6 °F)

If the difference between the Max. fuel level every 60 s and Min. fuel level every 60 s is less than 2 ℓ (0.53 US gal, 0.44 Imp gal), extend 60 s and make judgement with the Max. and Min. values for the fuel level in 60 s × 2. If a difference does not appear, extend the time (60 s × 3, 60 s × 4, 60 s × 5) and continue the judgement. If the difference between the Max. fuel level every 60 s and Min. fuel level every 60 s is 2 ℓ (0.53 US gal, 0.44 Imp gal) or more, the diagnosis counter counts up.

**Time Needed for Diagnosis:** 60 s × 16 time(s) or more

**Malfunction Indicator Light Illumination:** Illuminates when malfunction occurs in 2 continuous driving cycles.

#### • Normality Judgement

Judge as OK and clear the NG if the continuous time while the following conditions are established is more than the predetermined time.

#### Judgement Value

Malfunction Criteria	Threshold Value
Maximum - Minimum tank pressure	≥ 0 kPa (0.375 mmHg, 0 inHg)

**Time Needed for Diagnosis:** Less than 1 second

# Diagnostic Trouble Code (DTC) Detecting Criteria

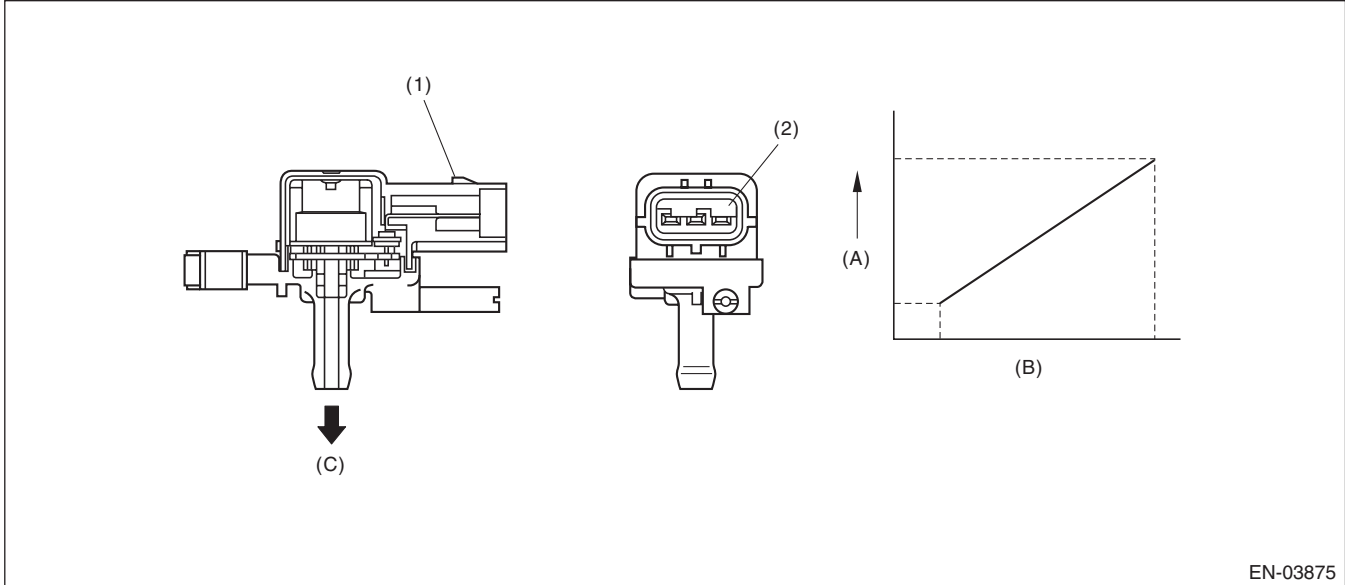
GENERAL DESCRIPTION

## BJ:DTC P0452 EVAPORATIVE EMISSION CONTROL SYSTEM PRESSURE SENSOR LOW INPUT

### 1. OUTLINE OF DIAGNOSIS

Detect the open or short circuit of the fuel tank pressure sensor.  
Judge as NG if out of specification.

### 2. COMPONENT DESCRIPTION



EN-03875

(A) Output voltage

(B) Input voltage

(C) To fuel tank

(1) Connector

(2) Terminals

### 3. ENABLE CONDITIONS

Secondary Parameters	Enable Conditions
None	

### 4. GENERAL DRIVING CYCLE

Always perform the diagnosis continuously.

# Diagnostic Trouble Code (DTC) Detecting Criteria

## GENERAL DESCRIPTION

---

### 5. DIAGNOSTIC METHOD

#### • Abnormality Judgement

If the duration of time while the following conditions are met is longer than the time indicated, judge as NG.

#### Judgement Value

Malfunction Criteria	Threshold Value
Fuel tank pressure	< -7.5 kPa (-55.9 mmHg, -2.2 inHg)
Battery voltage	≥ 10.9 V

**Time Needed for Diagnosis:** 15000 ms

**Malfunction Indicator Light Illumination:** Illuminates as soon as a malfunction occurs.

#### • Normality Judgement

Judge as OK and clear the NG if the continuous time while the following conditions are established is more than the predetermined time.

#### Judgement Value

Malfunction Criteria	Threshold Value
Fuel tank pressure	≥ -7.5 kPa (-55.9 mmHg, -2.2 inHg)
Battery voltage	≥ 10.9 V

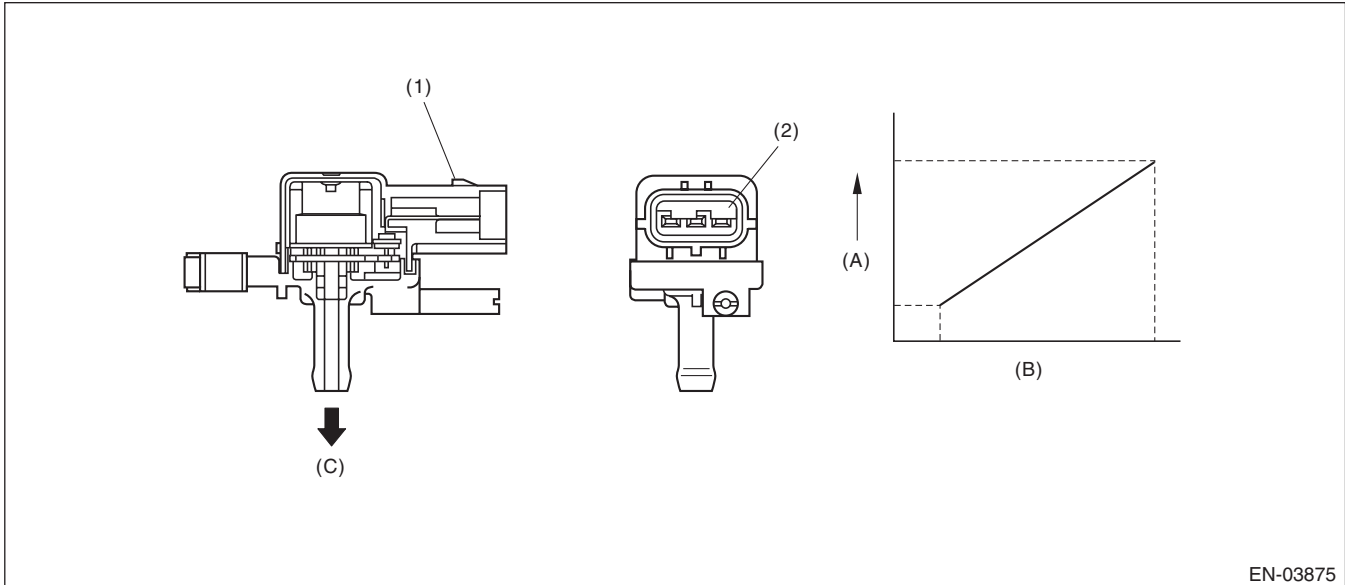
**Time Needed for Diagnosis:** Less than 1 second

## BK:DTC P0453 EVAPORATIVE EMISSION CONTROL SYSTEM PRESSURE SENSOR HIGH INPUT

### 1. OUTLINE OF DIAGNOSIS

Detect the open or short circuit of the fuel tank pressure sensor.  
Judge as NG if out of specification.

### 2. COMPONENT DESCRIPTION



EN-03875

- (A) Output voltage                      (B) Input voltage                      (C) To fuel tank
- (1) Connector                              (2) Terminals

### 3. ENABLE CONDITIONS

Secondary Parameters	Enable Condition
Time needed for all secondary parameters to be in enable conditions	$\geq 5000$ ms
Vehicle speed	$\geq 2$ km/h (1.2 MPH)
All conditions of EVAP canister purge	Completed
Learning value of evaporation gas concentration (left and right)	$< 0.08$
Main feedback compensation coefficient (left and right)	$\geq 0.9$
Battery voltage	$\geq 10.9$ V

### 4. GENERAL DRIVING CYCLE

Perform the diagnosis when purging enable conditions are met without idling.

# Diagnostic Trouble Code (DTC) Detecting Criteria

## GENERAL DESCRIPTION

---

### 5. DIAGNOSTIC METHOD

#### • Abnormality Judgement

If the duration of time while the following conditions are met is longer than the time indicated, judge as NG.

#### Judgement Value

Malfunction Criteria	Threshold Value
Fuel tank pressure	≥ 7.9 kPa (59.6 mmHg, 2.3 inHg)
Fuel temperature	< 35 °C (95 °F)
Barometric pressure	≥ 75 kPa (563 mmHg, 22.2 inHg)

**Time Needed for Diagnosis:** 15000 ms

**Malfunction Indicator Light Illumination:** Illuminates as soon as a malfunction occurs.

#### • Normality Judgement

Judge as OK and clear the NG if the continuous time while the following conditions are established is more than the predetermined time.

#### Judgement Value

Malfunction Criteria	Threshold Value
Fuel tank pressure	< 7.9 kPa (59.6 mmHg, 2.3 inHg)

**Time Needed for Diagnosis:** Less than 1 second

## **BL:DTC P0456 EVAPORATIVE EMISSION CONTROL SYSTEM LEAK DETECTED (VERY SMALL LEAK)**

### 1. OUTLINE OF DIAGNOSIS

NOTE:

For the detection standard, refer to DTC P0442. <Ref. to GD(H4SO)-99, DTC P0442 EVAPORATIVE EMISSION CONTROL SYSTEM LEAK DETECTED (SMALL LEAK), Diagnostic Trouble Code (DTC) Detecting Criteria.>

## **BM:DTC P0457 EVAPORATIVE EMISSION CONTROL SYSTEM LEAK DETECTED (FUEL CAP LOOSE/OFF)**

### 1. OUTLINE OF DIAGNOSIS

NOTE:

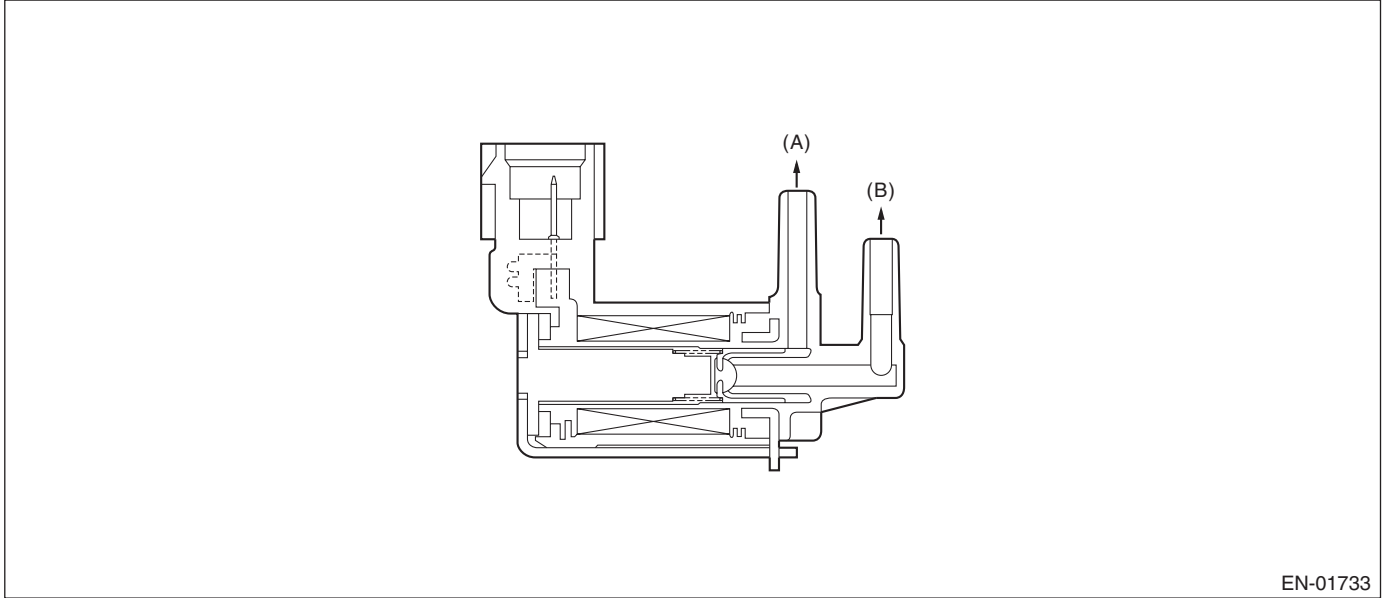
For the detection standard, refer to DTC P0442. <Ref. to GD(H4SO)-99, DTC P0442 EVAPORATIVE EMISSION CONTROL SYSTEM LEAK DETECTED (SMALL LEAK), Diagnostic Trouble Code (DTC) Detecting Criteria.>

## BN:DTC P0458 EVAPORATIVE EMISSION SYSTEM PURGE CONTROL VALVE CIRCUIT LOW

### 1. OUTLINE OF DIAGNOSIS

Detect open or short circuit of the purge control solenoid valve.  
 Judge as NG when the ECM output level differs from the actual terminal level.

### 2. COMPONENT DESCRIPTION



EN-01733

(A) To canister

(B) To intake manifold

### 3. ENABLE CONDITION

Secondary Parameters	Enable Conditions
Battery voltage	≥ 10.9 V
Elapsed time after starting the engine	≥ 1 second

### 4. GENERAL DRIVING CYCLE

Always perform the diagnosis after starting the engine.

# Diagnostic Trouble Code (DTC) Detecting Criteria

## GENERAL DESCRIPTION

---

### 5. DIAGNOSTIC METHOD

#### • Abnormality Judgement

If the duration of time while the following conditions are met is longer than the time indicated, judge as NG.

#### Judgement Value

Malfunction Criteria	Threshold Value
Duty ratio of "ON"	< 0.75
Terminal output voltage	Low

**Time Needed for Diagnosis:** 2500 ms

**Malfunction Indicator Light Illumination:** Illuminates when malfunction occurs in 2 continuous driving cycles.

#### • Normality Judgement

Judge as OK and clear the NG if the continuous time while the following conditions are established is more than the predetermined time.

#### Judgement Value

Malfunction Criteria	Threshold Value
Terminal output voltage	High

**Time Needed for Diagnosis:** Less than 1 second

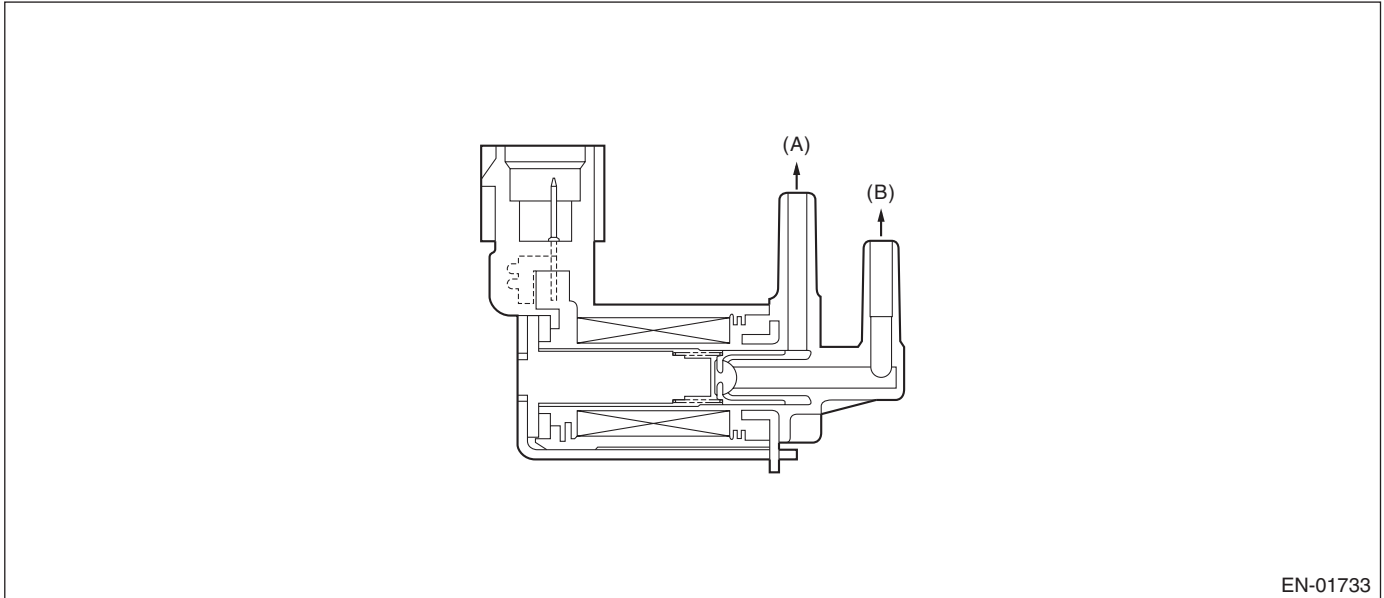


## BO:DTC P0459 EVAPORATIVE EMISSION SYSTEM PURGE CONTROL VALVE CIRCUIT HIGH

### 1. OUTLINE OF DIAGNOSIS

Detect open or short circuit of the purge control solenoid valve.  
 Judge as NG when the ECM output level differs from the actual terminal level.

### 2. COMPONENT DESCRIPTION



EN-01733

(A) To canister

(B) To intake manifold

### 3. ENABLE CONDITION

Secondary Parameters	Enable Conditions
Battery voltage	$\geq 10.9 \text{ V}$
Elapsed time after starting the engine	$\geq 1 \text{ second}$

### 4. GENERAL DRIVING CYCLE

Always perform the diagnosis after starting the engine.

# Diagnostic Trouble Code (DTC) Detecting Criteria

## GENERAL DESCRIPTION

---

### 5. DIAGNOSTIC METHOD

#### • Abnormality Judgement

If the duration of time while the following conditions are met is longer than the time indicated, judge as NG.

#### Judgement Value

Malfunction Criteria	Threshold Value
Duty ratio of "ON"	$\geq 0.25$
Terminal output voltage	High

**Time Needed for Diagnosis:** 2500 ms

**Malfunction Indicator Light Illumination:** Illuminates when malfunction occurs in 2 continuous driving cycles.

#### • Normality Judgement

Judge as OK and clear the NG if the continuous time while the following conditions are established is more than the predetermined time.

#### Judgement Value

Malfunction Criteria	Threshold Value
Terminal output voltage	Low

**Time Needed for Diagnosis:** Less than 1 second

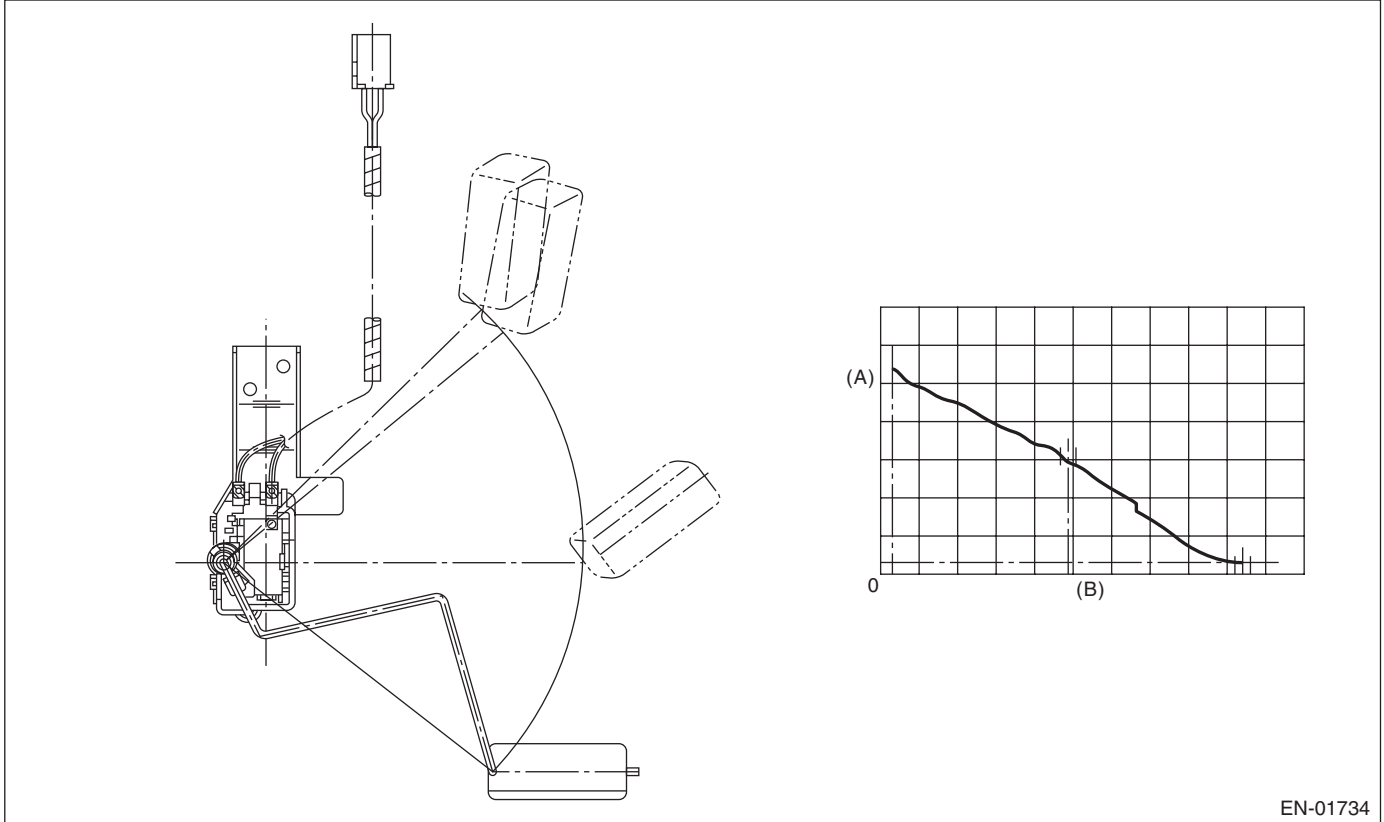
## BP:DTC P0461 FUEL LEVEL SENSOR "A" CIRCUIT RANGE/PERFORMANCE

### 1. OUTLINE OF DIAGNOSIS

Detect malfunctions of the fuel level sensor output property.

If the fuel level does not vary in a particular driving condition / engine condition where it should, judge as NG.

### 2. COMPONENT DESCRIPTION



(A) Fuel level

(B) Resistance

### 3. ENABLE CONDITION

Secondary Parameters	Enable Condition
None	

### 4. GENERAL DRIVING CYCLE

Always perform the diagnosis continuously.

# Diagnostic Trouble Code (DTC) Detecting Criteria

## GENERAL DESCRIPTION

---

### 5. DIAGNOSTIC METHOD

#### • Abnormality Judgement

Judge as NG when the following conditions are established.

#### Judgement Value

Malfunction Criteria	Threshold Value
Accumulated amount of intake air	≥ 330957 g (11672.85 oz)
Max. – Min. values of fuel level output	< 2.6 ℓ (0.69 US gal, 0.57 Imp gal)
Battery voltage	≥ 10.9 V
Engine speed	< 6000 rpm
Elapsed time after starting the engine	≥ 5000 ms

**Time Needed for Diagnosis:** Less than 1 second

**Malfunction Indicator Light Illumination:** Illuminates when malfunction occurs in 2 continuous driving cycles.

#### • Normality Judgement

Judge as OK and clear the NG if the following conditions are established.

#### Judgement Value

Malfunction Criteria	Threshold Value
Accumulated amount of intake air	≥ 330957 g (11672.85 oz)
Max. – Min. values of fuel level output	≥ 2.6 ℓ (0.69 US gal, 0.57 Imp gal)
Battery voltage	≥ 10.9 V
Engine speed	< 6000 rpm
Elapsed time after starting the engine	≥ 5000 ms

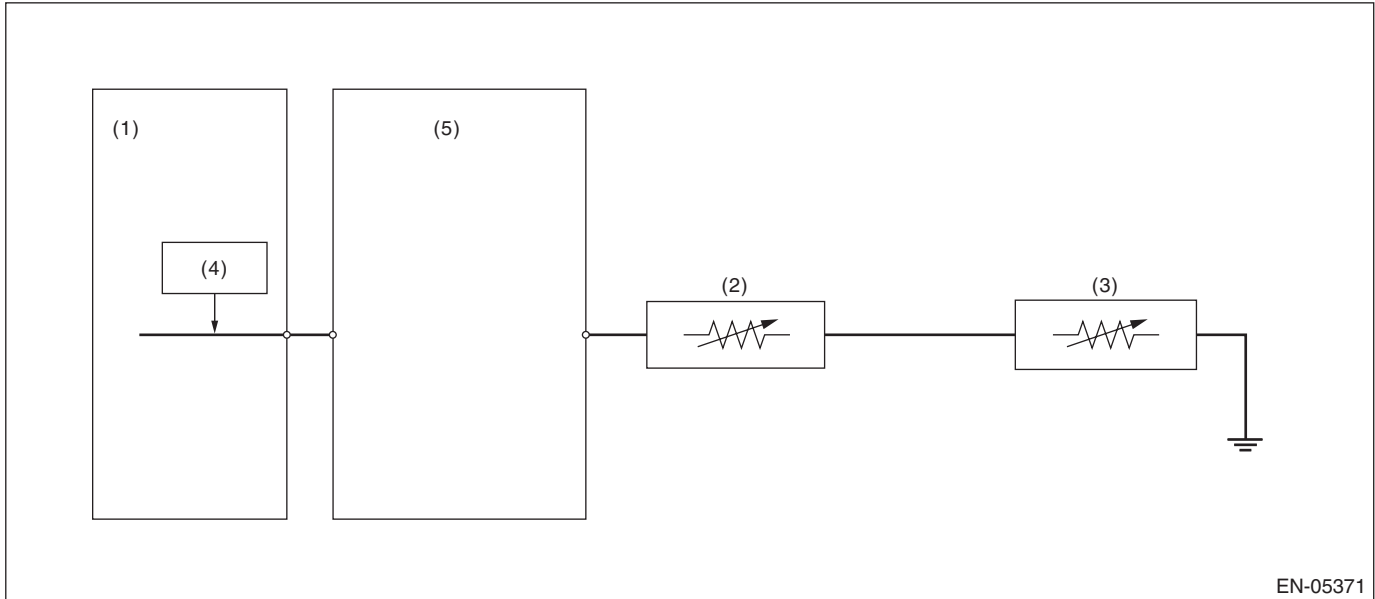
**Time Needed for Diagnosis:** Less than 1 second

## BQ:DTC P0462 FUEL LEVEL SENSOR “A” CIRCUIT LOW

### 1. OUTLINE OF DIAGNOSIS

Detect the open or short circuit of fuel level sensor. Judge as NG if out of specification.

### 2. COMPONENT DESCRIPTION



(1) Engine control module (ECM)

(3) Fuel sub level sensor

(5) Body integrated unit

(2) Fuel level sensor

(4) Detecting circuit

### 3. ENABLE CONDITION

Secondary Parameters	Enable Condition
None	

### 4. GENERAL DRIVING CYCLE

Always perform the diagnosis continuously.

# Diagnostic Trouble Code (DTC) Detecting Criteria

## GENERAL DESCRIPTION

---

### 5. DIAGNOSTIC METHOD

#### • Abnormality Judgement

If the duration of time while the following conditions are met is longer than the time indicated, judge as NG.

#### Judgement Value

Malfunction Criteria	Threshold Value
Battery voltage	$\geq 10.9$ V
Elapsed time after starting the engine	$\geq 3000$ ms
Output voltage	$< 0.173$ V

**Time Needed for Diagnosis:** 2500 ms

**Malfunction Indicator Light Illumination:** Illuminates when malfunction occurs in 2 continuous driving cycles.

#### • Normality Judgement

Judge as OK and clear the NG if the continuous time while the following conditions are established is more than the predetermined time.

#### Judgement Value

Malfunction Criteria	Threshold Value
Battery voltage	$\geq 10.9$ V
Elapsed time after starting the engine	$\geq 3000$ ms
Output voltage	$\geq 0.173$ V

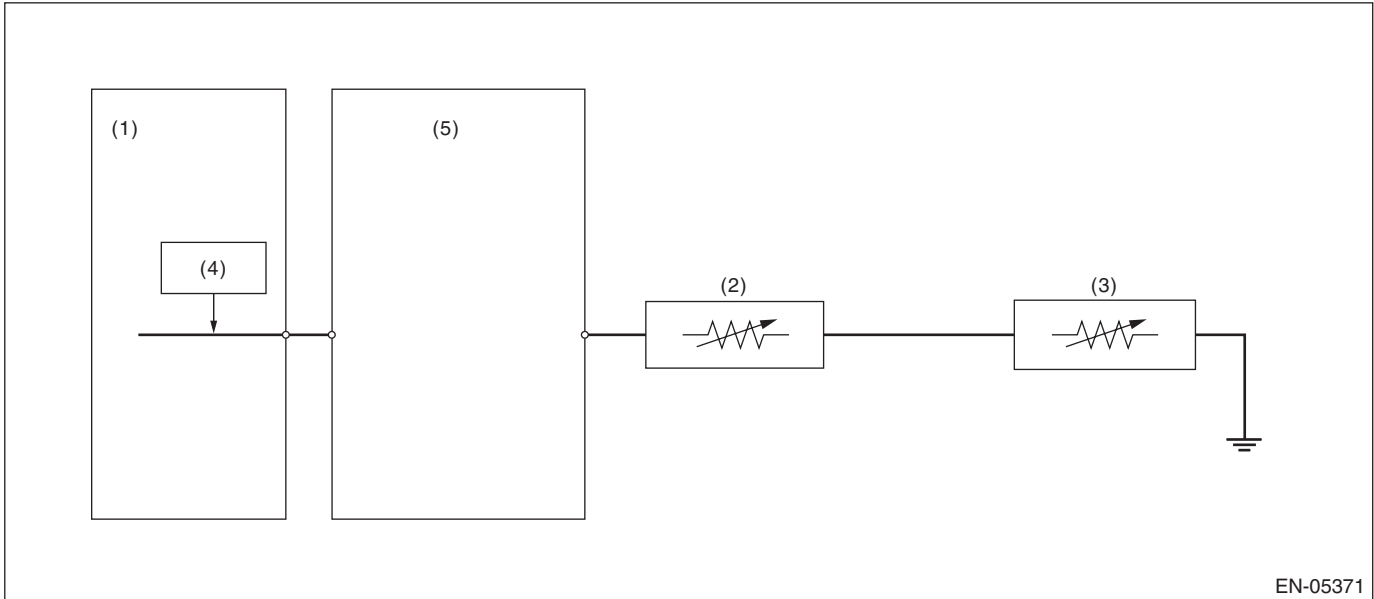
**Time Needed for Diagnosis:** Less than 1 second

## BR:DTC P0463 FUEL LEVEL SENSOR “A” CIRCUIT HIGH

### 1. OUTLINE OF DIAGNOSIS

Detect the open or short circuit of fuel level sensor. Judge as NG if out of specification.

### 2. COMPONENT DESCRIPTION



- |                                 |                           |                          |
|---------------------------------|---------------------------|--------------------------|
| (1) Engine control module (ECM) | (3) Fuel sub level sensor | (5) Body integrated unit |
| (2) Fuel level sensor           | (4) Detecting circuit     |                          |

### 3. ENABLE CONDITION

Secondary Parameters	Enable Condition
None	

### 4. GENERAL DRIVING CYCLE

Always perform the diagnosis continuously.

# Diagnostic Trouble Code (DTC) Detecting Criteria

## GENERAL DESCRIPTION

---

### 5. DIAGNOSTIC METHOD

#### • Abnormality Judgement

If the duration of time while the following conditions are met is longer than the time indicated, judge as NG.

#### Judgement Value

Malfunction Criteria	Threshold Value
Battery voltage	$\geq 10.9$ V
Elapsed time after starting the engine	$\geq 3000$ ms
Output voltage	$\geq 7.212$ V

**Time Needed for Diagnosis:** 1000 ms

**Malfunction Indicator Light Illumination:** Illuminates when malfunction occurs in 2 continuous driving cycles.

#### • Normality Judgement

Judge as OK and clear the NG if the continuous time while the following conditions are established is more than the predetermined time.

#### Judgement Value

Malfunction Criteria	Threshold Value
Battery voltage	$\geq 10.9$ V
Elapsed time after starting the engine	$\geq 3000$ ms
Output voltage	$< 7.212$ V

**Time Needed for Diagnosis:** Less than 1 second



# Diagnostic Trouble Code (DTC) Detecting Criteria

GENERAL DESCRIPTION

## BS:DTC P0464 FUEL LEVEL SENSOR CIRCUIT INTERMITTENT

### 1. OUTLINE OF DIAGNOSIS

Detect the unstable output faults from the fuel level sensor caused by noise. Judge as NG when the max. value and cumulative value of output voltage variation of the fuel level sensor is larger than the threshold value.

### 2. ENABLE CONDITIONS

Malfunction Criteria	Threshold Value
Engine speed	≥ 500 rpm
Elapsed time after starting the engine	≥ 1 second
Battery voltage	≥ 10.9 V
Idle switch	ON
Fuel level	≥ 9.6 ℓ (2.54 US gal, 2.11 Imp gal) and < 54.4 ℓ (14.37 US gal, 11.97 Imp gal)
Vehicle speed = 0 km/h (0 MPH)	≥ 10000 ms

### 3. GENERAL DRIVING CYCLE

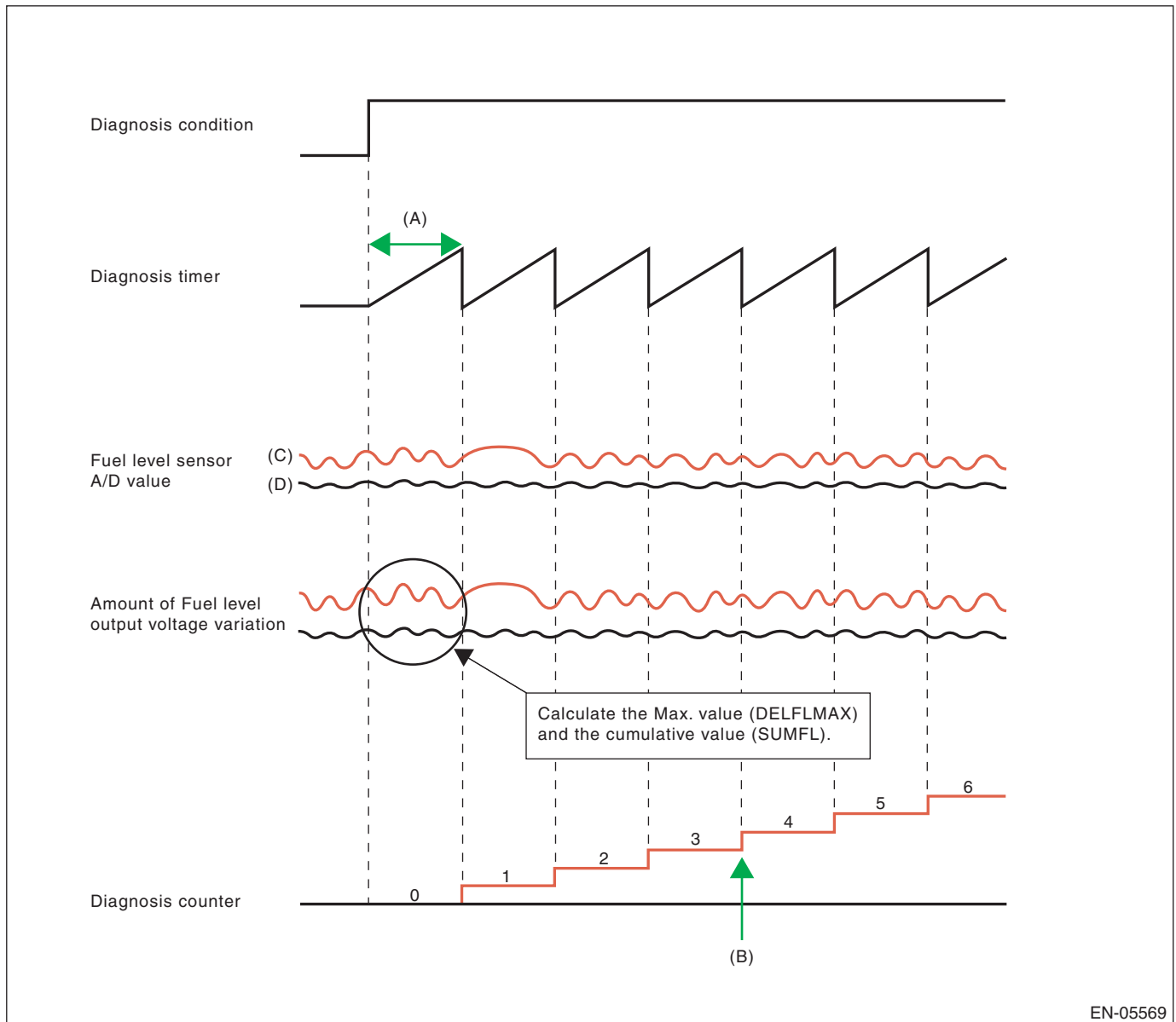
- Always perform the diagnosis continuously at idle speed.
- Pay attention to the fuel level.

# Diagnostic Trouble Code (DTC) Detecting Criteria

## GENERAL DESCRIPTION

### 4. DIAGNOSTIC METHOD

Calculate the Max. value (DELFLMAX) and cumulative value (SUMFL) of output voltage variation of fuel level sensor during 12.2 seconds. Judge it normal when both max. and cumulative values are not over the threshold value. Otherwise, when either of them is over the threshold value, the diagnosis counter counts up. Judge as NG if the counter indicated 4 time(s).



EN-05569

- (A) 12288 ms
- (B) NG at 4 time(s) counts

(C) Malfunction

(D) Normal

# Diagnostic Trouble Code (DTC) Detecting Criteria

GENERAL DESCRIPTION

## • Abnormality Judgement

If the duration of time while the following conditions are met is longer than the time indicated, judge as NG.

### Judgement Value

Malfunction Criteria	Threshold Value
Integrated times of the condition reaching follows, DELFLMAX or SUMFL At this time, DELFLMAX: Maximum difference of sensor output for 12288 ms SUMFL: Integrated value of the sensor output deviation for 12288 ms	≥ 4 time(s) ≥ Value from Map ≥ 25.92 V

### Map

Fuel level (ℓ, US gal, Imp gal)	0, 0, 0	10, 2.64, 2.2	20, 5.28, 4.4	30, 7.93, 6.6	40, 10.57, 8.8	50, 13.21, 11	60, 15.85, 13.2
Measured voltage (V)	0.27	0.27	0.426	0.582	0.738	0.894	0.894

The diagnosis counter does not count up when the following conditions are completed within 12288 ms.

Maximum value – Minimum value of change of tank pressure during 12288 ms	≥ 0 kPa (0.375 mmHg, 0 inHg)
Maximum value – Minimum value of battery voltage during 12288 ms	≥ 1.09 V

**Time Needed for Diagnosis:** 12288 ms × 4 time(s)

**Malfunction Indicator Light Illumination:** Illuminates when malfunction occurs in 2 continuous driving cycles.

## • Normality Judgement

Judge as OK and clear the NG if the continuous time while the following conditions are established is more than the predetermined time.

### Judgement Value

Malfunction Criteria	Threshold Value
DELFLMAX SUMFL At this time, DELFLMAX: Maximum difference of sensor output for 12288 ms SUMFL: Integrated value of the sensor output deviation for 12288 ms	< Value from Map < 25.92 V

**Time Needed for Diagnosis:** 12288 ms

# Diagnostic Trouble Code (DTC) Detecting Criteria

## GENERAL DESCRIPTION

---

### BT:DTC P0500 VEHICLE SPEED SENSOR “A”

#### 1. OUTLINE OF DIAGNOSIS

Judge as NG when outside of the judgement value.

Judge NG when the received data from ABSCM&H/U is abnormal vehicle speed, and the vehicle speed data is impossible.

#### 2. COMPONENT DESCRIPTION

Vehicle speed signals are taken in to the ABS control module and hydraulic control unit, and normal/erroneous data of the ABS wheel speed sensor is received by CAN communication from the ABS control module and hydraulic control unit.

#### 3. ENABLE CONDITION

Secondary Parameters	Enable Conditions
Battery voltage	≥ 10.9 V
Elapsed time after engine starting	≥ 2000 ms

#### 4. GENERAL DRIVING CYCLE

Always perform diagnosis more than 2000 ms after starting the engine.

#### 5. DIAGNOSTIC METHOD

##### • Abnormality Judgement

If the duration of time while the following conditions are met is longer than the time indicated, judge as NG.

##### Judgement Value

Malfunction Criteria	Threshold Value
Front ABS wheel speed sensor status	Malfunction
Either of the following is established	
Front left wheel speed	≥ 300 km/h (186.4 MPH)
Front right wheel speed	≥ 300 km/h (186.4 MPH)

**Time Needed for Diagnosis:** 2500 ms

**Malfunction Indicator Light Illumination:** Illuminates as soon as a malfunction occurs.

##### • Normality Judgement

Judge as OK and clear the NG if the continuous time while the following conditions are established is more than the predetermined time.

##### Judgement Value

Malfunction Criteria	Threshold Value
Front left wheel speed	> 0 km/h (0 MPH) and < 300 km/h (186.4 MPH)
Front right wheel speed	> 0 km/h (0 MPH) and < 300 km/h (186.4 MPH)

**Time Needed for Diagnosis:** 2500 ms

# Diagnostic Trouble Code (DTC) Detecting Criteria

GENERAL DESCRIPTION

## BU:DTC P0506 IDLE AIR CONTROL SYSTEM RPM LOWER THAN EXPECTED

### 1. OUTLINE OF DIAGNOSIS

Detect the malfunction that actual engine speed is not close to target engine speed during idling. Judge as NG when actual engine speed is not close to target engine speed during idling.

### 2. ENABLE CONDITION

Secondary Parameters	Enable Condition
Engine coolant temperature	≥ 75 °C (167 °F)
Battery voltage	≥ 10.9 V
Barometric pressure	≥ 75 kPa (563 mmHg, 22.2 inHg)
Fuel level	≥ 9.6 ℓ (2.54 US gal, 2.11 Imp gal)
Elapsed time after starting the engine	≥ 10.49 s
Feedback of ISC	In operation
Lambda value (left and right)	≥ 0.81 and < 1.1
After switching air conditioner to ON/OFF	≥ 5.1 s
After intake manifold pressure changes by 4 kPa (30 mmHg, 1.2 inHg) or more.	> 5.1 s
Elapsed time after switching neutral position switch to ON/OFF	> 5.1 s
Vehicle speed	0 km/h (0 MPH)

### 3. GENERAL DRIVING CYCLE

Perform the diagnosis continuously at idling after warming up engine.

### 4. DIAGNOSTIC METHOD

#### • Abnormality Judgement

If the duration of time while the following conditions are met is longer than the time indicated, judge as NG.

#### Judgement Value

Malfunction Criteria	Threshold Value
Actual engine speed — Targeted engine speed	< -100 rpm
Feedback value for ISC	Max.

**Time Needed for Diagnosis:** 10 s × 3 time(s)

**Malfunction Indicator Light Illumination:** Illuminates when malfunction occurs in 2 continuous driving cycles.

#### • Normality Judgement

Judge as OK and clear the NG if the continuous time while the following conditions are established is more than the predetermined time.

#### Judgement Value

Malfunction Criteria	Threshold Value
Actual engine speed — Targeted engine speed	≥ -100 rpm

**Time Needed for Diagnosis:** 10 s

# Diagnostic Trouble Code (DTC) Detecting Criteria

## GENERAL DESCRIPTION

### BV:DTC P0507 IDLE AIR CONTROL SYSTEM RPM HIGHER THAN EXPECTED

#### 1. OUTLINE OF DIAGNOSIS

Detect the malfunction that actual engine speed is not close to target engine speed during idling. Judge as NG when actual engine speed is not close to target engine speed during idling.

#### 2. ENABLE CONDITION

Secondary Parameters	Enable Condition
Engine coolant temperature	≥ 75 °C (167 °F)
Battery voltage	≥ 10.9 V
Barometric pressure	≥ 75 kPa (563 mmHg, 22.2 inHg)
Fuel level	≥ 9.6 ℓ (2.54 US gal, 2.11 Imp gal)
Elapsed time after starting the engine	≥ 10.49 s
Feedback of ISC	In operation
Lambda value (left and right)	≥ 0.81 and < 1.1
After switching air conditioner to ON/OFF	≥ 5.1 s
After intake manifold pressure changes by 4 kPa (30 mmHg, 1.2 inHg) or more.	> 5.1 s
Elapsed time after switching neutral position switch to ON/OFF	> 5.1 s
Vehicle speed	0 km/h (0 MPH)

#### 3. GENERAL DRIVING CYCLE

Perform the diagnosis continuously at idling after warming up engine.

#### 4. DIAGNOSTIC METHOD

##### • Abnormality Judgement

If the duration of time while the following conditions are met is longer than the time indicated, judge as NG.

##### Judgement Value

Malfunction Criteria	Threshold Value
Actual – Target engine speed	≥ 200 rpm
Feedback value for ISC	Min.

**Time Needed for Diagnosis:** 10 s × 3 time(s)

**Malfunction Indicator Light Illumination:** Illuminates when malfunction occurs in 2 continuous driving cycles.

##### • Normality Judgement

Judge as OK and clear the NG if the continuous time while the following conditions are established is more than the predetermined time.

##### Judgement Value

Malfunction Criteria	Threshold Value
Actual – Target engine speed	< 200 rpm

**Time Needed for Diagnosis:** 10 s

# Diagnostic Trouble Code (DTC) Detecting Criteria

GENERAL DESCRIPTION

## BW:DTC P0512 STARTER REQUEST CIRCUIT

### 1. OUTLINE OF DIAGNOSIS

Detect the open or short circuit of starter SW.

Judge as ON NG when the starter SW signal remains ON.

### 2. ENABLE CONDITIONS

Secondary Parameters	Enable Condition
None	

### 3. GENERAL DRIVING CYCLE

Always perform the diagnosis continuously.

### 4. DIAGNOSTIC METHOD

#### • Abnormality Judgement

If the duration of time while the following conditions are met is longer than the time indicated, judge as NG.

#### Judgement Value

Malfunction Criteria	Threshold Value
Engine condition	After engine starting
Starter OFF signal	Not detected
Battery voltage	$\geq 8$ V

**Time Needed for Diagnosis:** 180000 ms

**Malfunction Indicator Light Illumination:** Illuminates when malfunction occurs in 2 continuous driving cycles.

#### • Normality Judgement

Judge as OK and clear the NG if the continuous time while the following conditions are established is more than the predetermined time.

#### Judgement Value

Malfunction Criteria	Threshold Value
Starter OFF signal	Detected
Battery voltage	$\geq 8$ V

**Time Needed for Diagnosis:** Less than 1 second

# Diagnostic Trouble Code (DTC) Detecting Criteria

## GENERAL DESCRIPTION

---

### **BX:DTC P0513 INCORRECT IMMOBILIZER KEY**

#### **1. OUTLINE OF DIAGNOSIS**

DTC	Item	Outline of Diagnosis
P0513	Incorrect Immobilizer Key	Incorrect immobilizer key (Use of unregistered key in body integrated unit)
P1570	Antenna	Faulty antenna
P1571	Reference Code Incompatibility	Reference code incompatibility between body integrated unit and ECM
P1572	IMM Circuit Failure (Except Antenna Circuit)	Communication failure between body integrated unit and ECM
P1574	Key Communication Failure	Failure of body integrated unit to verify key (transponder) ID code or transponder failure
P1576	EGI Control Module EEPROM	ECM malfunctioning
P1577	IMM Control Module EEPROM	Body integrated unit malfunctioning
P1578	Meter Failure	Reference code incompatibility between body integrated unit and combination meter

#### **2. ENABLE CONDITIONS**

When starting the engine.

#### **3. GENERAL DRIVING CYCLE**

Perform the diagnosis only after starting the engine.

#### **4. DIAGNOSTIC METHOD**

Judge as NG when the conditions for the outline of the diagnosis of the top are established.



# Diagnostic Trouble Code (DTC) Detecting Criteria

GENERAL DESCRIPTION

## BY:DTC P0600 SERIAL COMMUNICATION LINK

### 1. OUTLINE OF DIAGNOSIS

Detect malfunction of CAN communication.

When CAN communications is not possible, and CAN communications with TCM is not possible, judge as NG if data from the TCM is not normal.

### 2. COMPONENT DESCRIPTION

ECM and TCM are connected by high speed CAN.

#### *(Common Specifications)*

*CAN Protocol 2.0 B (Active)*

*Frame Format: 11 Bit ID Frame (Standard Frame)*

#### *(High speed CAN)*

*Conforms to ISO11898*

*Communication Speed: 500 kbps*

### 3. ENABLE CONDITIONS

Secondary Parameters	Enable Conditions
None	

### 4. GENERAL DRIVING CYCLE

Perform the diagnosis continuously after starting the engine.

### 5. DIAGNOSTIC METHOD

#### • Abnormality Judgement

Judge as NG when the following conditions are established.

#### Judgement Value

Malfunction Criteria	Threshold Value
Battery voltage	> 10.9 V
Starter switch	OFF
Engine	run
bus off flag or error warning flag	set (error)
or	
ID received from control module connected to driving system CAN	None during 500 milliseconds
or	
Data updated from control module connected to driving system CAN	None during 500 milliseconds

**Time Needed for Diagnosis:** Less than 1 second

**Malfunction Indicator Light Illumination:** Illuminates as soon as a malfunction occurs.

# Diagnostic Trouble Code (DTC) Detecting Criteria

## GENERAL DESCRIPTION

---

### • Normality Judgement

Judge as OK and clear the NG if the continuous time while the following conditions are established is more than the predetermined time.

### Judgement Value

Malfunction Criteria	Threshold Value
Battery voltage	> 10.9 V
Starter switch	OFF
Engine	run
bus off flag or error warning flag	clear (No error)
ID received from control module connected to driving system CAN	Yes
Data updated from control module connected to driving system CAN	Yes

**Time Needed for Diagnosis:** 1000 ms

**Malfunction Indicator Light Illumination:** Illuminates as soon as a malfunction occurs.

# Diagnostic Trouble Code (DTC) Detecting Criteria

GENERAL DESCRIPTION

## BZ:DTC P0604 INTERNAL CONTROL MODULE RANDOM ACCESS MEMORY (RAM) ERROR

### 1. OUTLINE OF DIAGNOSIS

Detect the malfunction of microcomputer (RAM).

When there is a problem in the main CPU normal RAM, or the sub CPU normal RAM, judge as NG. Judge as OK when both are operating properly.

If it is possible to write data to the whole area of RAM in the initial routine, and is possible to read the same data, it is judged as OK, and if not, NG.

### 2. ENABLE CONDITIONS

Secondary Parameters	Enable Condition
None	

Diagnosis with the initial routine.

### 3. GENERAL DRIVING CYCLE

Perform the diagnosis as soon as the ignition switch is turned to ON.

### 4. DIAGNOSTIC METHOD

#### Abnormality Judgement

Judge as NG if the criteria below are met.

#### Judgement Value

Malfunction Criteria	Threshold Value
Main CPU normal RAM abnormal Write 5AA5A55A and then read. (Whole area of RAM)	5AA5A55A cannot be read.
Write A55A5AA5 and then read. (Whole area of RAM)	A55A5AA5 cannot be read.
Sub CPU normal RAM abnormal Write 5AA5 and then read. (Whole area of RAM)	5AA5 cannot be read.
Write A55A and then read. (Whole area of RAM)	A55A cannot be read.

**Time Needed for Diagnosis:** Undetermined

**Malfunction Indicator Light Illumination:** Illuminates as soon as a malfunction occurs.

#### Normality Judgement

Judge as OK and clear the NG when the malfunction criteria below are met.

#### Judgement Value

Malfunction Criteria	Threshold Value
Main CPU normal RAM abnormal Write 5AA5A55A and then read. (Whole area of RAM)	5AA5A55A can be read.
And write A55A5AA5 and then read. (Whole area of RAM)	A55A5AA5 can be read.
Sub CPU normal RAM abnormal Write 5AA5 and then read. (Whole area of RAM)	5AA5 can be read.
And write A55A and then read. (Whole area of RAM)	A55A can be read.

# Diagnostic Trouble Code (DTC) Detecting Criteria

## GENERAL DESCRIPTION

---

### CA:DTC P0605 INTERNAL CONTROL MODULE READ ONLY MEMORY (ROM) ERROR

#### 1. OUTLINE OF DIAGNOSIS

Judge as NG when SUM value of ROM is outside the standard value.

#### 2. ENABLE CONDITIONS

Secondary Parameters	Enable Condition
Ignition switch	ON

#### 3. GENERAL DRIVING CYCLE

Always perform the diagnosis continuously.

#### 4. DIAGNOSTIC METHOD

##### Abnormality Judgement

Judge as NG if the criteria below are met.

##### Judgement Value

Malfunction Criteria	Threshold Value
SUM value of ROM	Standard

**Time Needed for Diagnosis:** Undetermined

**Malfunction Indicator Light Illumination:** Illuminates as soon as a malfunction occurs.

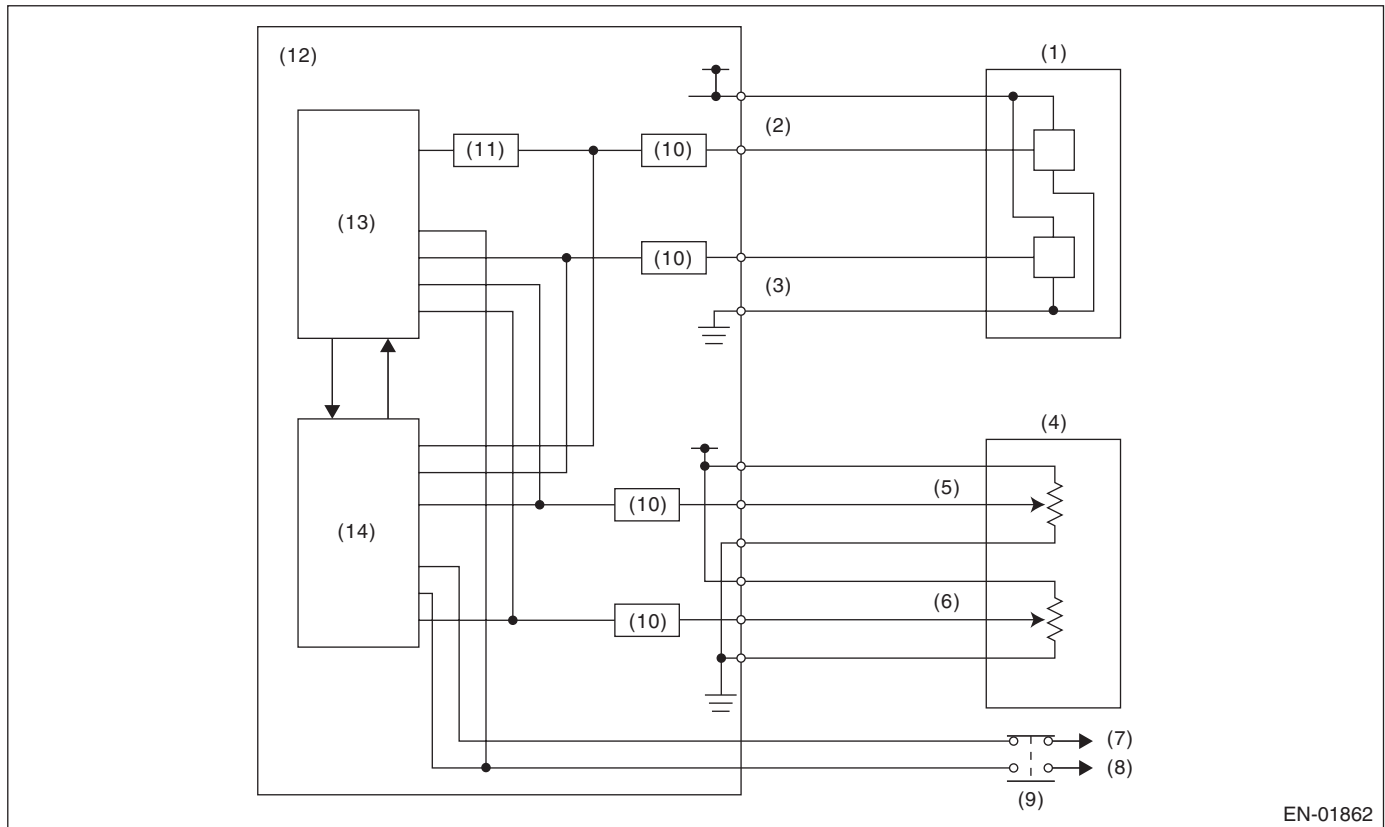
## CB:DTC P0607 THROTTLE CONTROL SYSTEM CIRCUIT RANGE/PERFORMANCE

### 1. OUTLINE OF DIAGNOSIS

Judge as NG when any one of the followings is established.

- 1) When the read value of throttle position sensor 1 signal is mismatched between main CPU and sub CPU.
- 2) When the read value of accelerator pedal position sensor 1 signal is mismatched between main CPU and sub CPU.
- 3) When the sub CPU operates abnormally.
- 4) When the communication between main CPU  $\longleftrightarrow$  sub CPU is abnormal.
- 5) When the input amplifier circuit of throttle position sensor 1 is abnormal.
- 6) When the cruise control cannot be canceled correctly.
- 7) When the signal of brake SW1 and 2 is mismatched.

### 2. COMPONENT DESCRIPTION



- |   |   |                                  |
|---|---|----------------------------------|
| (1) Throttle position sensor            | (6) Accelerator pedal position sensor 2 | (11) Amplifier circuit           |
| (2) Throttle position sensor 1          | (7) Battery                             | (12) Engine control module (ECM) |
| (3) Throttle position sensor 2          | (8) Stop light                          | (13) Sub CPU                     |
| (4) Accelerator pedal position sensor   | (9) Brake switch                        | (14) Main CPU                    |
| (5) Accelerator pedal position sensor 1 | (10) I/F circuit                        |                                  |

# Diagnostic Trouble Code (DTC) Detecting Criteria

## GENERAL DESCRIPTION

---

### 3. ENABLE CONDITIONS

Secondary Parameters	Enable Condition
(1) Ignition switch	ON
(2) Ignition switch	ON
(3) None	—
(4) None	—
(5) Throttle opening angle	
(6) Brake switch (only with cruise control)	ON
(7) None	—

### 4. GENERAL DRIVING CYCLE

- (1) — (4): Always perform the diagnosis continuously.  
(5): Always perform the diagnosis continuously when idling.  
(6): Perform the diagnosis when the brake pedal is depressed.  
(7): Always perform the diagnosis continuously.  
(8): Always perform the diagnosis continuously when the cruise control pedal is not operating.

### 5. DIAGNOSTIC METHOD

Judge as OK and clear the NG when the malfunction criteria below are met.

#### Judgement Value

Malfunction Criteria	Threshold Value
(1) Difference of CPU reading value of the throttle position sensor signal	$\leq 0.0858 \text{ V}$
(2) Difference of CPU read value of the accelerator pedal position sensor signal	$\leq 0.35 \text{ V}$
(3) WD pulse from sub CPU	WD pulse occur
(4) Communication between CPU	Possible to communicate
(5)  Throttle position sensor 1 opening angle — (Throttle position sensor 1 opening angle after passing amplifier) 1/4	$< 3^\circ$
(6) Cruise control cancel signal at brake ON	Cruise control cancel signal ON
(7) Brake switch 1, 2 signal	SW 1 and 2 are matched

#### Time Needed for Diagnosis:

1. 600 milliseconds
2. 830 milliseconds
3. 200 milliseconds
4. 200 milliseconds
5. 24 milliseconds
6. 250 milliseconds
7. 200 milliseconds

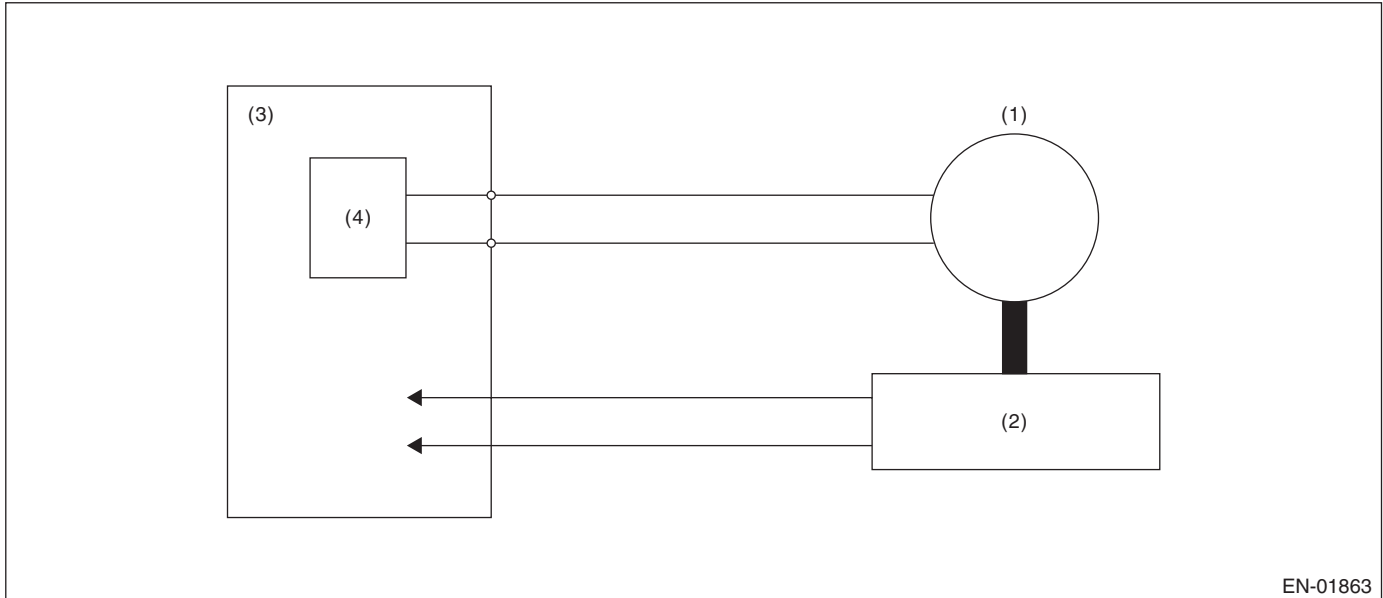
**Malfunction Indicator Light Illumination:** Illuminates as soon as a malfunction occurs.

## CC:DTC P0638 THROTTLE ACTUATOR CONTROL RANGE/PERFORMANCE (BANK 1)

### 1. OUTLINE OF DIAGNOSIS

Judge as NG when the target opening angle and actual opening angle is mismatched or the current to motor is the specified duty or more for specified time continuously.

### 2. COMPONENT DESCRIPTION



EN-01863

- |                              |                                 |                   |
|------------------------------|---------------------------------|-------------------|
| (1) Motor                    | (3) Engine control module (ECM) | (4) Drive circuit |
| (2) Throttle position sensor |                                 |                   |

### 3. ENABLE CONDITIONS

Secondary Parameters	Enable Condition
Ignition switch	ON
Normal operation of electronic throttle control	ON

### 4. GENERAL DRIVING CYCLE

Always perform the diagnosis continuously when the electronic throttle control is operating.

### 5. DIAGNOSTIC METHOD

Judge as OK and clear the NG when the malfunction criteria below are met.

#### Judgement Value

Malfunction Criteria	Threshold Value
Difference between target opening angle and actual opening angle	3.5° or less
Output duty to drive circuit	95% or less

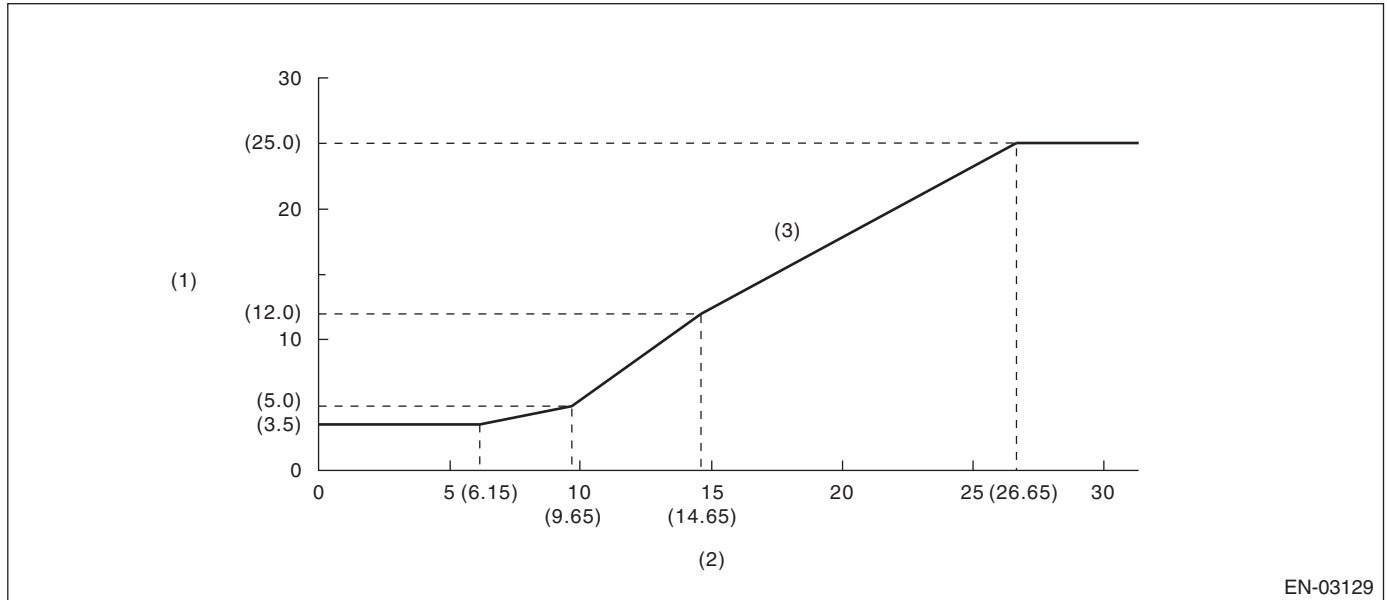
#### Time Needed for Diagnosis:

- Target opening angle and actual opening angle: 250 milliseconds (For NG) 2000 milliseconds (For OK)
- Output duty to drive circuit: 2000 milliseconds

# Diagnostic Trouble Code (DTC) Detecting Criteria

## GENERAL DESCRIPTION

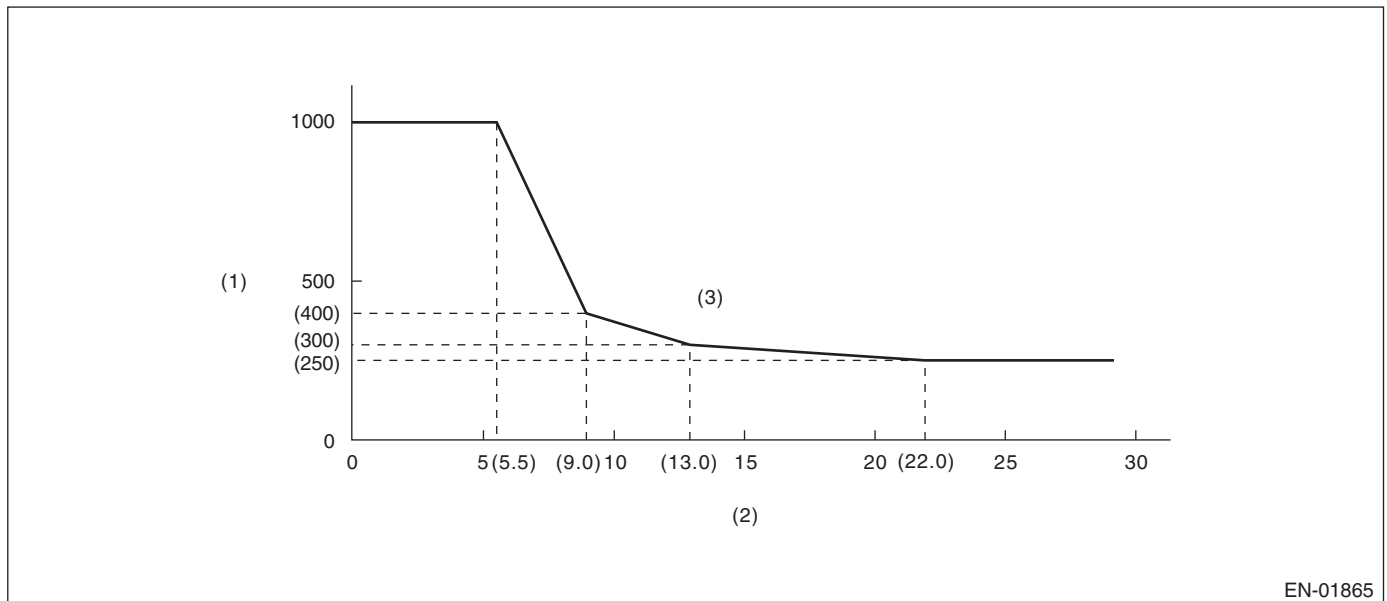
### Details of Judgement Value



EN-03129

- (1) Difference between target opening angle and actual opening angle (°)      (2) Target throttle opening angle (°)      (3) NG area

### Details of Judgement time (The actual opening angle ≤ target opening angle is always 1000 milliseconds)



EN-01865

- (1) Judgement time (milliseconds)      (2) Throttle position sensor 1 opening angle      (3) NG area

**Malfunction Indicator Light Illumination:** Illuminates as soon as a malfunction occurs.



# Diagnostic Trouble Code (DTC) Detecting Criteria

GENERAL DESCRIPTION

## CD:DTC P0700 TRANSMISSION CONTROL SYSTEM (MIL REQUEST)

### 1. OUTLINE OF DIAGNOSIS

Judge as NG when there is CAN communication with the TCM and there is a MIL lighting request.

### 2. ENABLE CONDITIONS

Secondary Parameters	Enable Conditions
None	

### 3. GENERAL DRIVING CYCLE

Always perform the diagnosis continuously.

### 4. DIAGNOSTIC METHOD

#### • Abnormality Judgement

If the duration of time while the following conditions are met is longer than the time indicated, judge as NG.

#### Judgement Value

Malfunction Criteria	Threshold Value
Battery voltage	$\geq 10.9$ V
MIL lighting request from TCM	Yes

**Time Needed for Diagnosis:** 2500 ms

**Malfunction Indicator Light Illumination:** Illuminates as soon as a malfunction occurs.

#### • Normality Judgement

If the duration of time while the following conditions are met is longer than the time indicated, judge as NG.

#### Judgement Value

Malfunction Criteria	Threshold Value
Battery voltage	$\geq 10.9$ V
MIL lighting request from TCM	None

**Time Needed for Diagnosis:** Less than 1 second

# Diagnostic Trouble Code (DTC) Detecting Criteria

## GENERAL DESCRIPTION

---

### CE:DTC P0851 PARK/NEUTRAL SWITCH INPUT CIRCUIT LOW (AT MODEL)

#### 1. OUTLINE OF DIAGNOSIS

Judge the open or short circuit of the neutral SW.

Judge as NG when the ECM neutral terminal input differs from the reception data from TCM.

#### 2. ENABLE CONDITIONS

Secondary Parameters	Enable Conditions
Battery voltage	$\geq 10.9$ V
Starter relay	OFF

#### 3. GENERAL DRIVING CYCLE

Perform the diagnosis continuously in 2 seconds after starting the engine.

#### 4. DIAGNOSTIC METHOD

##### • Abnormality Judgement

If the duration of time while the following conditions are met is longer than the time indicated, judge as NG.

##### Judgement Value

Malfunction Criteria	Threshold Value
Neutral switch signal in ECM when "P"/"N" range in TCM are "OFF" and when the other switches are "ON"	LOW (ON)

**Time Needed for Diagnosis:** 100 time(s)

**Malfunction Indicator Light Illumination:** Illuminates when malfunction occurs in 2 continuous driving cycles.

##### • Normality Judgement

Judge as OK and clear the NG if the continuous time while the following conditions are established is more than the predetermined time.

##### Judgement Value

Malfunction Criteria	Threshold Value
Neutral switch signal in ECM when "P"/"N" range in TCM are "OFF" and when the other switches are "ON"	HIGH (OFF)

**Time Needed for Diagnosis:** Less than 1 second

# Diagnostic Trouble Code (DTC) Detecting Criteria

GENERAL DESCRIPTION

## CF:DTC P0851 NEUTRAL SWITCH INPUT CIRCUIT LOW (MT MODEL)

### 1. OUTLINE OF DIAGNOSIS

Detect the open or short circuit of neutral SW.

Judge as NG when there is no change in the neutral SW even if the driving shift was applied. (There is neutral SW ON/OFF inversion from the vehicle speed and engine speed.)

### 2. ENABLE CONDITIONS

Secondary Parameters	Enable Conditions
Battery voltage	≥ 10.9 V
Starter relay	OFF

### 3. GENERAL DRIVING CYCLE

Perform the diagnosis continuously in 2 seconds after starting the engine.

### 4. DIAGNOSTIC METHOD

#### • Abnormality Judgement

Judge NG when the malfunction criteria below are completed determined times or more after the neutral SW change.

#### Judgement Value

Malfunction Criteria	Threshold Value
Neutral switch signal (while changing from a to b below)	LOW (ON) continues.
Driving condition change	From a) to b)
a) Engine speed 600 rpm — 900 rpm & Vehicle speed = 0 km/h (0 MPH)	
b) Engine speed 1600 rpm — 2550 rpm & Vehicle speed ≥ 64 km/h (39.8 MPH)	

**Time Needed for Diagnosis:** 3 time(s)

**Malfunction Indicator Light Illumination:** Illuminates when malfunction occurs in 2 continuous driving cycles.

#### • Normality Judgement

Judge as OK and clear NG when there is change in the neutral SW.

#### Judgement Value

Malfunction Criteria	Threshold Value
Neutral switch signal (while changing from a to b below)	Changes to HIGH (OFF).
Driving condition change	From a) to b)
a) Engine speed 600 rpm — 900 rpm & Vehicle speed = 0 km/h (0 MPH)	
b) Engine speed 1600 rpm — 2550 rpm & Vehicle speed ≥ 64 km/h (39.8 MPH)	

**Time Needed for Diagnosis:** Less than 1 second

# Diagnostic Trouble Code (DTC) Detecting Criteria

## GENERAL DESCRIPTION

---

### CG:DTC P0852 PARK/NEUTRAL SWITCH INPUT CIRCUIT HIGH (AT MODEL)

#### 1. OUTLINE OF DIAGNOSIS

Judge the open or short circuit of the neutral SW.

Judge as NG when the ECM neutral terminal input differs from the reception data from TCM.

#### 2. ENABLE CONDITIONS

Secondary Parameters	Enable Conditions
Battery voltage	≥ 10.9 V
Starter relay	OFF

#### 3. GENERAL DRIVING CYCLE

Perform the diagnosis continuously in 2 seconds after starting the engine.

#### 4. DIAGNOSTIC METHOD

##### • Abnormality Judgement

If the duration of time while the following conditions are met is longer than the time indicated, judge as NG.

##### Judgement Value

Malfunction Criteria	Threshold Value
Neutral switch signal in ECM when "P"/ "N" range in TCM are "ON" and when the other switches are "OFF"	HIGH (OFF)

**Time Needed for Diagnosis:** 100 time(s)

**Malfunction Indicator Light Illumination:** Illuminates when malfunction occurs in 2 continuous driving cycles.

##### • Normality Judgement

Judge as OK and clear the NG if the continuous time while the following conditions are established is more than the predetermined time.

##### Judgement Value

Malfunction Criteria	Threshold Value
Neutral switch signal in ECM when "P"/ "N" range in TCM are "ON" and when the other switches are "OFF"	LOW (ON)

**Time Needed for Diagnosis:** Less than 1 second

# Diagnostic Trouble Code (DTC) Detecting Criteria

GENERAL DESCRIPTION

## CH:DTC P0852 NEUTRAL SWITCH INPUT CIRCUIT HIGH (MT MODEL)

### 1. OUTLINE OF DIAGNOSIS

Detect the open or short circuit of neutral SW.

Judge as NG when there is no change in the neutral SW even if the driving shift was applied. (There is neutral SW ON/OFF inversion from the vehicle speed and engine speed.)

### 2. ENABLE CONDITIONS

Secondary Parameters	Enable Conditions
Battery voltage	≥ 10.9 V
Starter relay	OFF

### 3. GENERAL DRIVING CYCLE

Perform the diagnosis continuously in 2 seconds after starting the engine.

### 4. DIAGNOSTIC METHOD

#### • Abnormality Judgement

Judge NG when the malfunction criteria below are completed determined times or more after the neutral SW change.

#### Judgement Value

Malfunction Criteria	Threshold Value
Neutral switch signal (while changing from a to b below)	HIGH (OFF) continues.
Driving condition change	From a) to b)
a) Engine speed 600 rpm — 900 rpm & Vehicle speed = 0 km/h (0 MPH)	
b) Engine speed 1600 rpm — 2550 rpm & Vehicle speed ≥ 64 km/h (39.8 MPH)	

**Time Needed for Diagnosis:** 3 time(s)

**Malfunction Indicator Light Illumination:** Illuminates when malfunction occurs in 2 continuous driving cycles.

#### • Normality Judgement

Judge as OK and clear NG when there is change in the neutral SW.

#### Judgement Value

Malfunction Criteria	Threshold Value
Neutral switch signal (while changing from a to b below)	Changes to LOW (ON).
Driving condition change	From a) to b)
a) Engine speed 600 rpm — 900 rpm & Vehicle speed = 0 km/h (0 MPH)	
b) Engine speed 1600 rpm — 2550 rpm & Vehicle speed ≥ 64 km/h (39.8 MPH)	

**Time Needed for Diagnosis:** Less than 1 second

# Diagnostic Trouble Code (DTC) Detecting Criteria

## GENERAL DESCRIPTION

### CI: DTC P1152 O2 SENSOR CIRCUIT RANGE/PERFORMANCE (LOW) (BANK1 SENSOR1)

#### 1. OUTLINE OF DIAGNOSIS

Detect that  $\lambda$  value remains low.

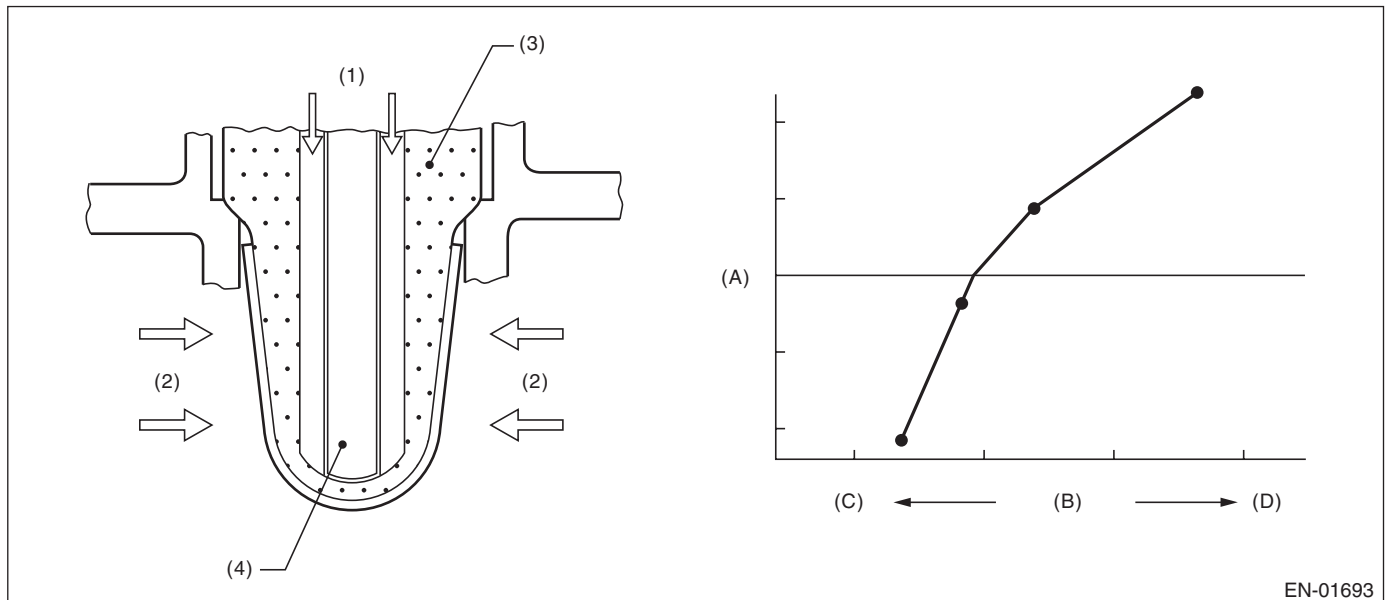
Judge as NG when lambda value is abnormal in accordance with  $\lambda$  value of front oxygen (A/F) sensor and running conditions such as vehicle speed, amount of intake air, engine coolant temperature, sub feedback control, etc.

$\lambda$  value = Actual air fuel ratio/Theoretical air fuel ratio

$\lambda > 1$ : Lean

$\lambda < 1$ : Rich

#### 2. COMPONENT DESCRIPTION



(A) Electromotive force

(B) Air fuel ratio

(C) Lean

(D) Rich

(1) Atmosphere

(3)  $ZrO_2$

(4) Ceramic heater

(2) Exhaust gas

# Diagnostic Trouble Code (DTC) Detecting Criteria

GENERAL DESCRIPTION

## 3. ENABLE CONDITIONS

Secondary Parameters	Enable Condition
Time needed for all secondary parameters to be in enable conditions	$\geq 4096$ ms
Battery voltage	$\geq 10.9$ V
Barometric pressure	$\geq 75$ kPa (563 mmHg, 22.2 inHg)
Rear oxygen sensor sub feedback	Execution
Rear oxygen sensor output voltage – Feedback target voltage or Rear oxygen sensor sub feedback compensation coefficient or Rear oxygen sensor sub feedback compensation coefficient	$-0.2$ V — $0.1$ V On Min. On Max.
Elapsed time after starting the engine	$\geq 60000$ ms
Engine coolant temperature	$\geq 75$ °C (167 °F)
Vehicle speed	$\geq 20$ km/h (12.4 MPH)
Amount of intake air	$\geq 6$ g/s (0.21 oz/s)
Load change at 180°CA	$< 0.02$ g/rev (0 oz/rev)
Front oxygen (A/F) sensor impedance	$0 \Omega$ — $50 \Omega$
Learning value of evaporation gas density	$< 0.2$
Total time of operating canister purge	$\geq 19.9$ s
Targeted lambda value load compensation coefficient	$-0.03$ — $0.000$

## 4. GENERAL DRIVING CYCLE

Perform diagnosis continuously at a constant speed of 20 km/h (12.4 MPH) or more after 60000 ms have passed since the engine started.

## 5. DIAGNOSTIC METHOD

### • Abnormality Judgement

If the duration of time while the following conditions are met is longer than the time indicated, judge as NG.

### Judgement Value

Malfunction Criteria	Threshold Value
$\lambda$ value	$< 0.85$

**Time Needed for Diagnosis:** 10000 ms

**Malfunction Indicator Light Illumination:** Illuminates when malfunction occurs in 2 continuous driving cycles.

### • Normality Judgement

Judge as OK and clear the NG if the continuous time while the following conditions are established is more than the predetermined time.

### Judgement Value

Malfunction Criteria	Threshold Value
$\lambda$ value	$\geq 0.85$

**Time Needed for Diagnosis:** Less than 1 second

# Diagnostic Trouble Code (DTC) Detecting Criteria

## GENERAL DESCRIPTION

### CJ:DTC P1153 O2 SENSOR CIRCUIT RANGE/PERFORMANCE (HIGH) (BANK1 SENSOR1)

#### 1. OUTLINE OF DIAGNOSIS

Detect that  $\lambda$  value remains high.

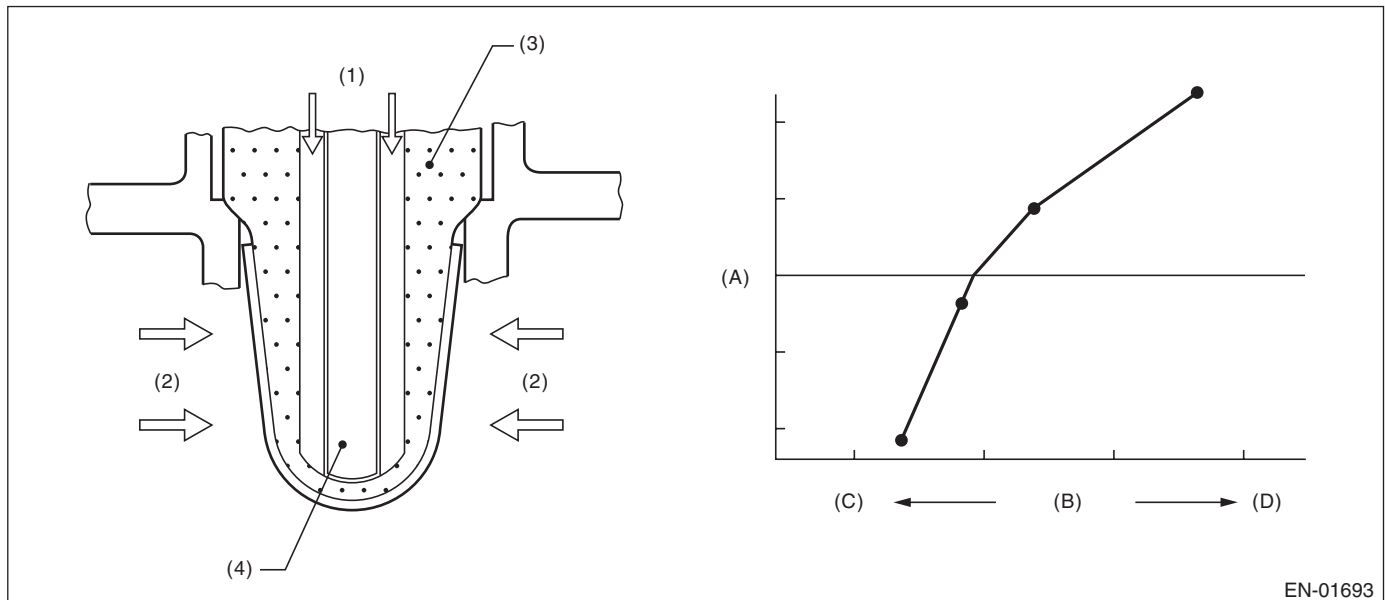
Judge as NG when lambda value is abnormal in accordance with  $\lambda$  value of front oxygen (A/F) sensor and running conditions such as vehicle speed, amount of intake air, engine coolant temperature, sub feedback control, etc.

$\lambda$  value = Actual air fuel ratio/Theoretical air fuel ratio

$\lambda > 1$ : Lean

$\lambda < 1$ : Rich

#### 2. COMPONENT DESCRIPTION



EN-01693

(A) Electromotive force

(B) Air fuel ratio

(C) Lean

(D) Rich

(1) Atmosphere

(3) ZrO<sub>2</sub>

(4) Ceramic heater

(2) Exhaust gas



# Diagnostic Trouble Code (DTC) Detecting Criteria

GENERAL DESCRIPTION

## 3. ENABLE CONDITIONS

Secondary Parameters	Enable Condition
Time needed for all secondary parameters to be in enable conditions	≥ 4096 ms
Battery voltage	≥ 10.9 V
Barometric pressure	≥ 75 kPa (563 mmHg, 22.2 inHg)
Rear oxygen sensor sub feedback	Execution
Rear oxygen sensor output voltage – Feedback target voltage or	–0.2 V — 0.1 V
Rear oxygen sensor sub feedback compensation coefficient or	On Min.
Rear oxygen sensor sub feedback compensation coefficient	On Max.
Elapsed time after starting the engine	≥ 60000 ms
Engine coolant temperature	≥ 75 °C (167 °F)
Vehicle speed	≥ 20 km/h (12.4 MPH)
Amount of intake air	≥ 6 g/s (0.21 oz/s)
Load change at 180°CA	< 0.02 g/rev (0 oz/rev)
Front oxygen (A/F) sensor impedance	0 Ω — 50 Ω
Learning value of evaporation gas density	< 0.2
Total time of operating canister purge	≥ 19.9 s
Targeted lambda value load compensation coefficient	–0.03 — 0.000

## 4. GENERAL DRIVING CYCLE

Perform diagnosis continuously at a constant speed of 20 km/h (12.4 MPH) or more after 60000 ms have passed since the engine started.

## 5. DIAGNOSTIC METHOD

### • Abnormality Judgement

If the duration of time while the following conditions are met is longer than the time indicated, judge as NG.

### Judgement Value

Malfunction Criteria	Threshold Value
λ value	> 1.15

**Time Needed for Diagnosis:** 10000 ms

**Malfunction Indicator Light Illumination:** Illuminates when malfunction occurs in 2 continuous driving cycles.

### • Normality Judgement

Judge as OK and clear the NG if the continuous time while the following conditions are established is more than the predetermined time.

### Judgement Value

Malfunction Criteria	Threshold Value
λ value	≤ 1.15

**Time Needed for Diagnosis:** Less than 1 second

# Diagnostic Trouble Code (DTC) Detecting Criteria

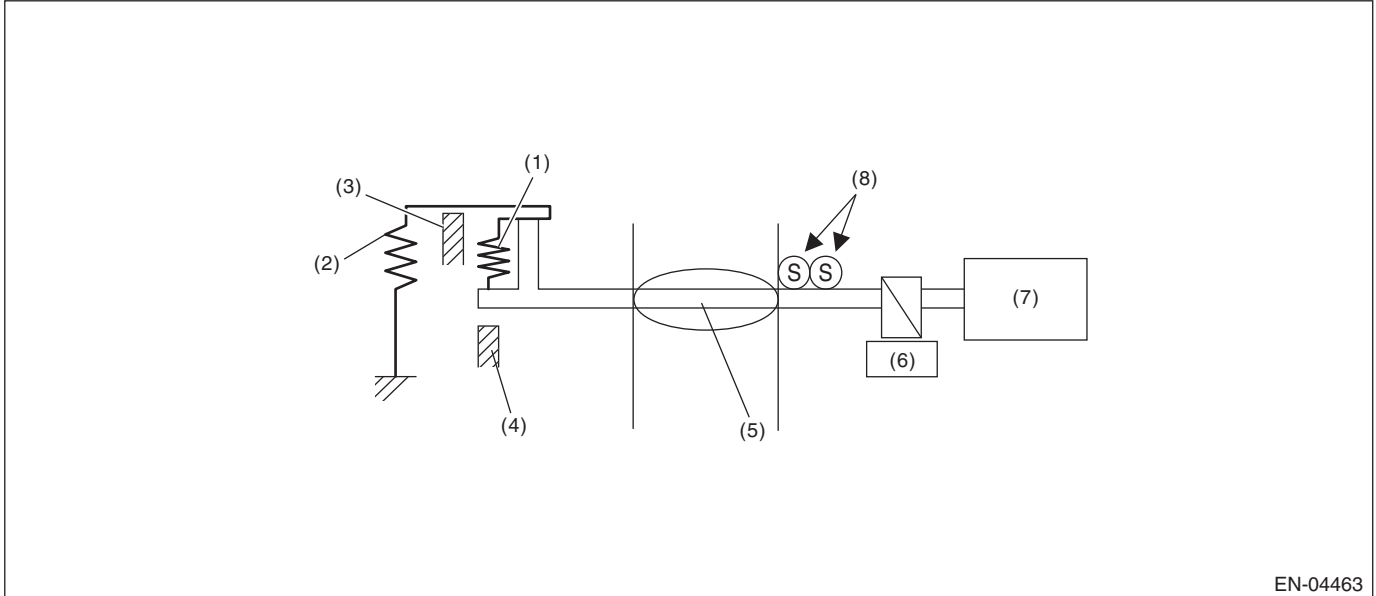
## GENERAL DESCRIPTION

### CK:DTC P1160 RETURN SPRING FAILURE

#### 1. OUTLINE OF DIAGNOSIS

Judge as NG when the valve is opened more than the default opening angle, but does not move to the close direction with the motor power stopped.

#### 2. COMPONENT DESCRIPTION



- |                          |                         |   |
|--------------------------|-------------------------|---|
| (1) Opener spring        | (4) Full closed stopper | (7) DC motor                              |
| (2) Return spring        | (5) Throttle valve      | (8) Main and sub throttle position sensor |
| (3) Intermediate stopper | (6) Gear                |   |

#### 3. ENABLE CONDITIONS

Secondary Parameters	Enable Condition
Battery voltage	$\geq 6\text{ V}$
Throttle position sensor	Normal

#### 4. GENERAL DRIVING CYCLE

- Ignition switch ON → OFF
- Ignition switch OFF → ON (Only after clearing memory)

# Diagnostic Trouble Code (DTC) Detecting Criteria

GENERAL DESCRIPTION

## 5. DIAGNOSTIC METHOD

### • Abnormality Judgement

Judge as NG when the following conditions are established.

#### Judgement Value

Malfunction Criteria	Threshold Value
Opening variation after continuity is set to OFF	$< 2^\circ$

**Time Needed for Diagnosis:** 24 ms

**Malfunction Indicator Light Illumination:** Illuminates as soon as a malfunction occurs.

### • Normality Judgement

Judge as OK and clear the NG if the following conditions are established.

#### Judgement Value

Malfunction Criteria	Threshold Value
Opening variation after continuity is set to OFF	$\geq 2^\circ$

**Time Needed for Diagnosis:** 3400 ms

# Diagnostic Trouble Code (DTC) Detecting Criteria

## GENERAL DESCRIPTION

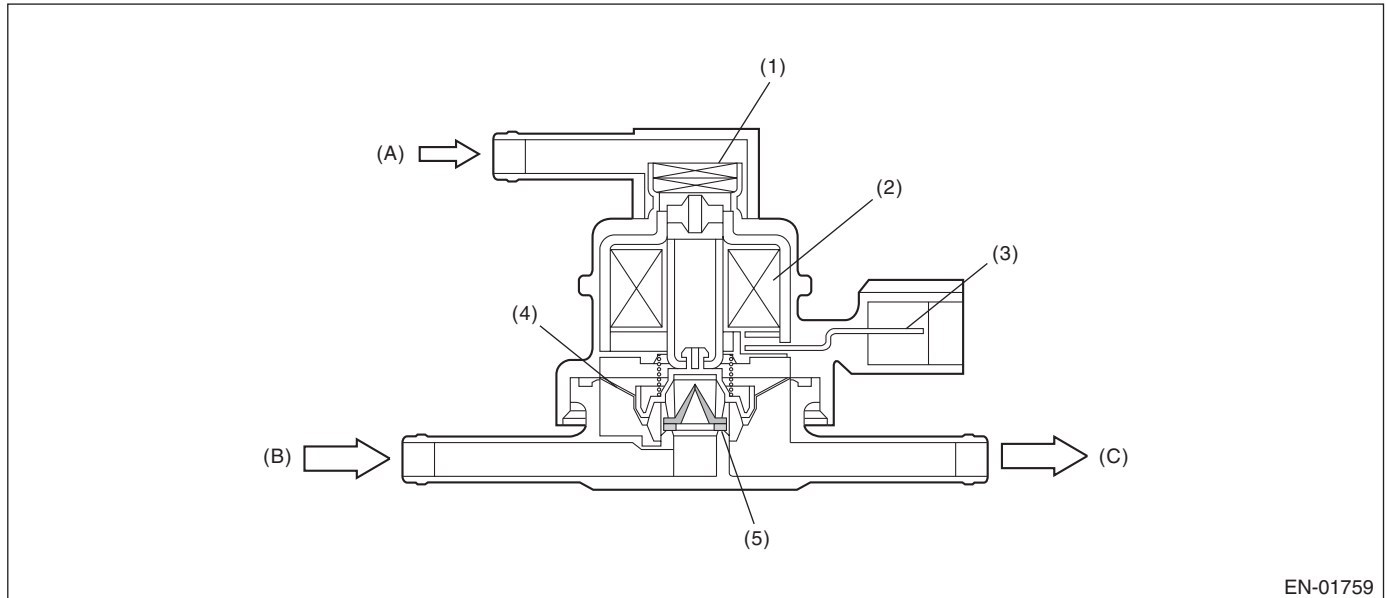
### CL:DTC P1400 FUEL TANK PRESSURE CONTROL SOLENOID VALVE CIRCUIT LOW

#### 1. OUTLINE OF DIAGNOSIS

Detect the open/short circuit of pressure control solenoid valve.

Judge as NG when ECM output level is different from actual terminal level.

#### 2. COMPONENT DESCRIPTION



(A) Barometric pressure

(B) Shut-off valve

(C) To fuel tank

(1) Filter

(3) Connector terminal

(5) Valve

(2) Coil

(4) Diaphragm

#### 3. ENABLE CONDITIONS

Secondary Parameters	Enable Condition
None	

#### 4. GENERAL DRIVING CYCLE

Always perform the diagnosis after starting the engine.

# Diagnostic Trouble Code (DTC) Detecting Criteria

GENERAL DESCRIPTION

## 5. DIAGNOSTIC METHOD

### • Abnormality Judgement

If the duration of time while the following conditions are met is longer than the time indicated, judge as NG.

### Judgement Value

Malfunction Criteria	Threshold Value
Battery voltage	$\geq 10.9$ V
Elapsed time after starting the engine	$\geq 1$ second
Terminal output voltage when ECM outputs OFF signal	Low

**Time Needed for Diagnosis:** 2500 ms

**Malfunction Indicator Light Illumination:** Illuminates when malfunction occurs in 2 continuous driving cycles.

### • Normality Judgement

Judge as OK and clear the NG if the continuous time while the following conditions are established is more than the predetermined time.

### Judgement Value

Malfunction Criteria	Threshold Value
Battery voltage	$\geq 10.9$ V
Elapsed time after starting the engine	$\geq 1$ second
Terminal output voltage when ECM outputs OFF signal	High

**Time Needed for Diagnosis:** Less than 1 second

# Diagnostic Trouble Code (DTC) Detecting Criteria

## GENERAL DESCRIPTION

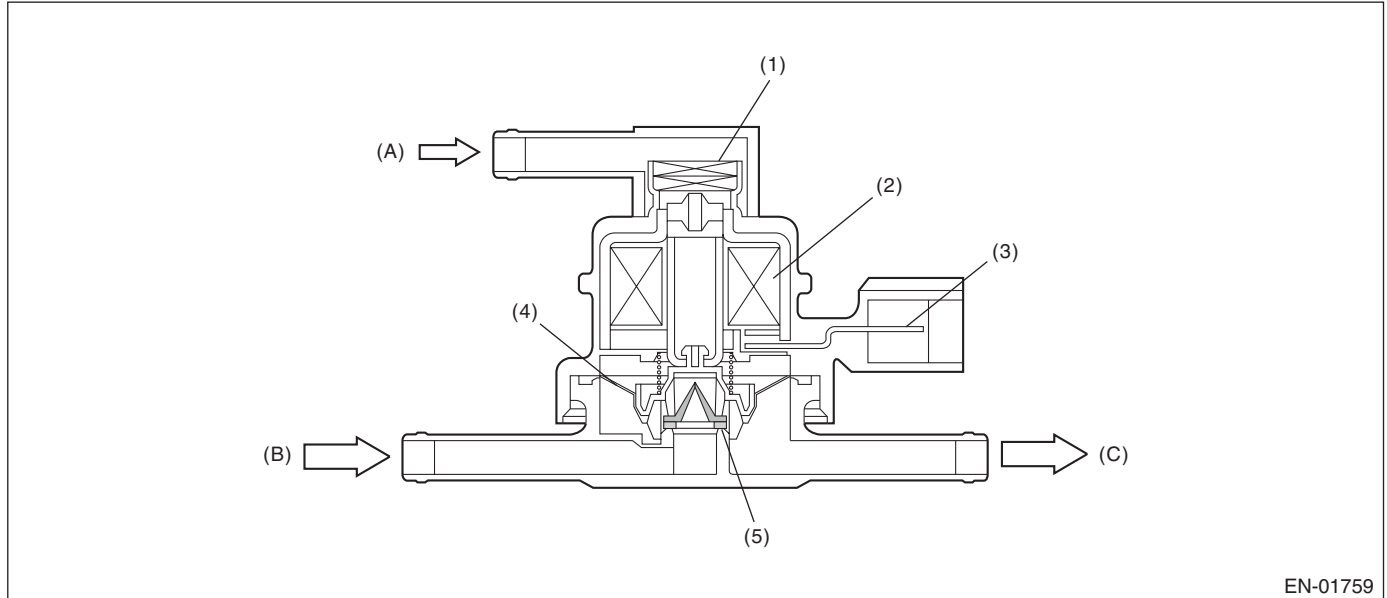
### CM:DTC P1420 FUEL TANK PRESSURE CONTROL SOL. VALVE CIRCUIT HIGH

#### 1. OUTLINE OF DIAGNOSIS

Detect the open/short circuit of pressure control solenoid valve.

Judge as NG when ECM output level is different from actual terminal level.

#### 2. COMPONENT DESCRIPTION



(A) Barometric pressure

(B) Shut-off valve

(C) To fuel tank

(1) Filter

(3) Connector terminal

(5) Valve

(2) Coil

(4) Diaphragm

#### 3. ENABLE CONDITIONS

Secondary Parameters	Enable Condition
None	

#### 4. GENERAL DRIVING CYCLE

Always perform the diagnosis after starting the engine.

# Diagnostic Trouble Code (DTC) Detecting Criteria

GENERAL DESCRIPTION

## 5. DIAGNOSTIC METHOD

### • Abnormality Judgement

If the duration of time while the following conditions are met is longer than the time indicated, judge as NG.

### Judgement Value

Malfunction Criteria	Threshold Value
Battery voltage	$\geq 10.9$ V
Elapsed time after starting the engine	$\geq 1$ second
Terminal output voltage when ECM outputs ON signal	High

**Time Needed for Diagnosis:** 2500 ms

**Malfunction Indicator Light Illumination:** Illuminates when malfunction occurs in 2 continuous driving cycles.

### • Normality Judgement

Judge as OK and clear the NG if the continuous time while the following conditions are established is more than the predetermined time.

### Judgement Value

Malfunction Criteria	Threshold Value
Battery voltage	$\geq 10.9$ V
Elapsed time after starting the engine	$\geq 1$ second
Terminal output voltage when ECM outputs ON signal	Low

**Time Needed for Diagnosis:** Less than 1 second

# Diagnostic Trouble Code (DTC) Detecting Criteria

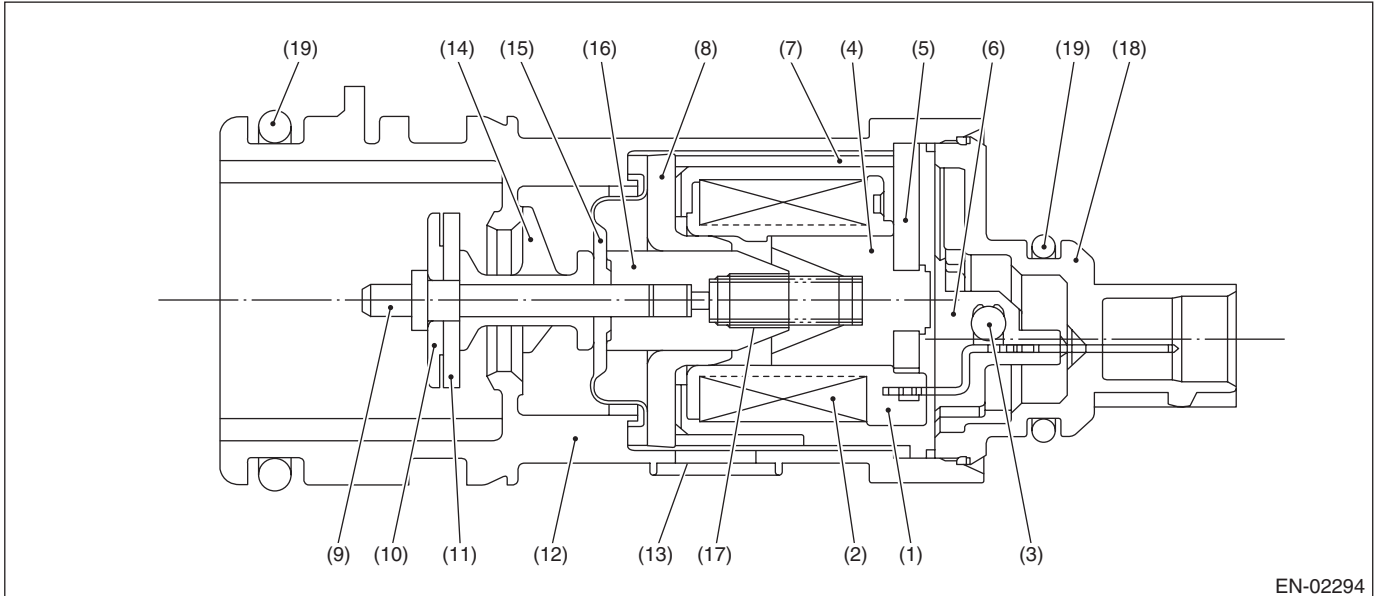
## GENERAL DESCRIPTION

### CN:DTC P1443 VENT CONTROL SOLENOID VALVE FUNCTION PROBLEM

#### 1. OUTLINE OF DIAGNOSIS

Detect the abnormal function (stuck closed) of the drain valve.  
Judge as NG when fuel tank pressure is low.

#### 2. COMPONENT DESCRIPTION



- |                 |                    |                   |
|-----------------|--------------------|-------------------|
| (1) Bobbin      | (8) Magnetic plate | (14) Retainer     |
| (2) Coil        | (9) Shaft          | (15) Diaphragm    |
| (3) Diode       | (10) Plate         | (16) Movable core |
| (4) Stator core | (11) Valve         | (17) Spring       |
| (5) End plate   | (12) Housing       | (18) Cover        |
| (6) Body        | (13) Filter        | (19) O-ring       |
| (7) Yoke        |                    |                   |

#### 3. ENABLE CONDITIONS

Secondary Parameters	Enable Condition
Drain valve	Open
Battery voltage	$\geq 10.9 \text{ V}$
Barometric pressure	$\geq 75 \text{ kPa}$ (563 mmHg, 22.2 inHg)
Tank pressure when starter is OFF → ON	$-0.4 \text{ kPa}$ ( $-3.2 \text{ mmHg}$ , $-0.1 \text{ inHg}$ ) and $1.4 \text{ kPa}$ (10.7 mmHg, 0.4 inHg)

#### 4. GENERAL DRIVING CYCLE

Always perform the diagnosis continuously.



# Diagnostic Trouble Code (DTC) Detecting Criteria

GENERAL DESCRIPTION

## 5. DIAGNOSTIC METHOD

### • Abnormality Judgement

If the duration of time while the following conditions are met is longer than the time indicated, judge as NG.

#### Judgement Value

Malfunction Criteria	Threshold Value
Fuel tank pressure	$\leq -4$ kPa ( $-30$ mmHg, $-1.2$ inHg)

**Time Needed for Diagnosis:** 3000 s

**Malfunction Indicator Light Illumination:** Illuminates as soon as a malfunction occurs.

### • Normality Judgement

Judge as OK and clear the NG if the continuous time while the following conditions are established is more than the predetermined time.

#### Judgement Value

Malfunction Criteria	Threshold Value
Fuel tank pressure	$> -4$ kPa ( $-30$ mmHg, $-1.2$ inHg)
Cumulative time when all the malfunction criteria below are met.	$\geq 30000$ s
Purge control solenoid valve duty	Not = 0
Fuel temperature	$-10$ °C (14 °F) — $70$ °C (158 °F)
Intake manifold relative pressure	$\geq -26.7$ kPa ( $-200$ mmHg, $-7.9$ inHg)

**Time Needed for Diagnosis:** Less than 1 second

# Diagnostic Trouble Code (DTC) Detecting Criteria

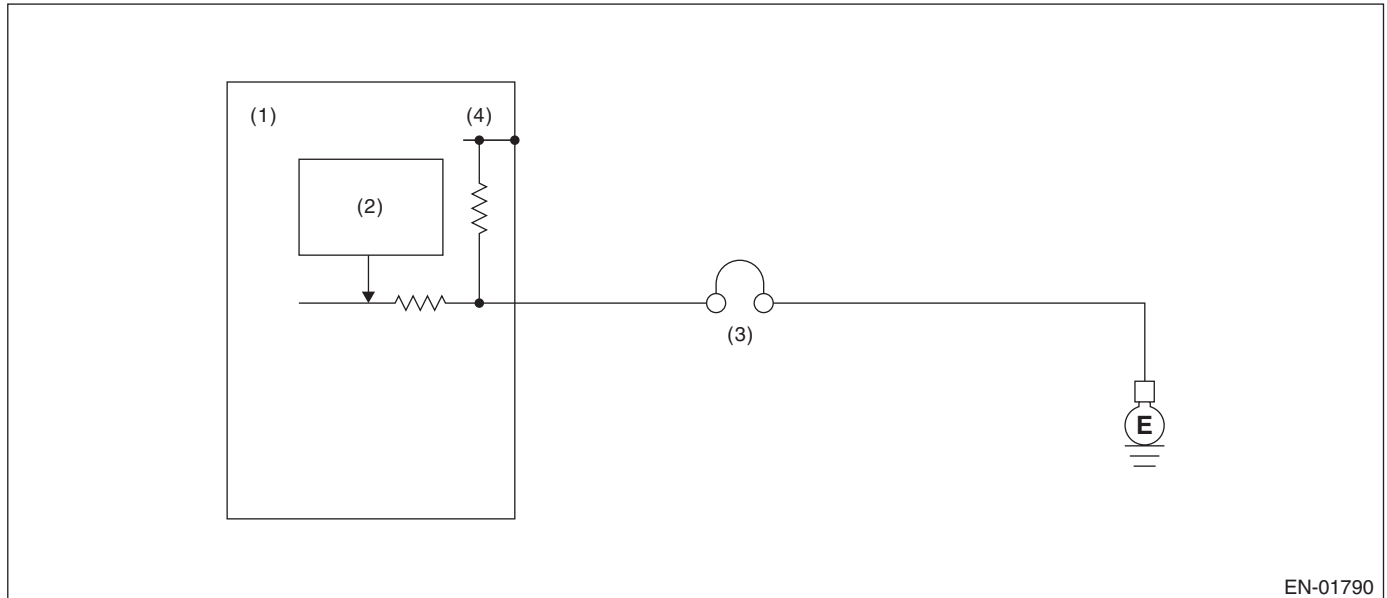
## GENERAL DESCRIPTION

### CO:DTC P1491 POSITIVE CRANKCASE VENTILATION (BLOW-BY) FUNCTION PROBLEM

#### 1. OUTLINE OF DIAGNOSIS

Detect the blow-by hose disconnection abnormality.  
Judge as NG when the diagnosis terminal voltage is high.

#### 2. COMPONENT DESCRIPTION



EN-01790

- (1) Engine control module (ECM)      (3) PCV diagnosis connector      (4) 5 V  
(2) Detecting circuit

#### 3. ENABLE CONDITION

Secondary Parameters	Enable Conditions
None	

#### 4. GENERAL DRIVING CYCLE

Always perform the diagnosis continuously.

# Diagnostic Trouble Code (DTC) Detecting Criteria

GENERAL DESCRIPTION

## 5. DIAGNOSTIC METHOD

### • Abnormality Judgement

If the duration of time while the following conditions are met is longer than the time indicated, judge as NG.

#### Judgement Value

Malfunction Criteria	Threshold Value
Battery voltage	$\geq 10.9$ V
Engine condition	After engine starting
Positive crankcase ventilation diagnosis voltage	High

**Time Needed for Diagnosis:** 2500 ms

**Malfunction Indicator Light Illumination:** Illuminates as soon as a malfunction occurs.

### • Normality Judgement

Judge as OK and clear the NG if the continuous time while the following conditions are established is more than the predetermined time.

#### Judgement Value

Malfunction Criteria	Threshold Value
Battery voltage	$\geq 10.9$ V
Engine condition	After engine starting
Positive crankcase ventilation diagnosis voltage	Low

**Time Needed for Diagnosis:** Less than 1 second

# Diagnostic Trouble Code (DTC) Detecting Criteria

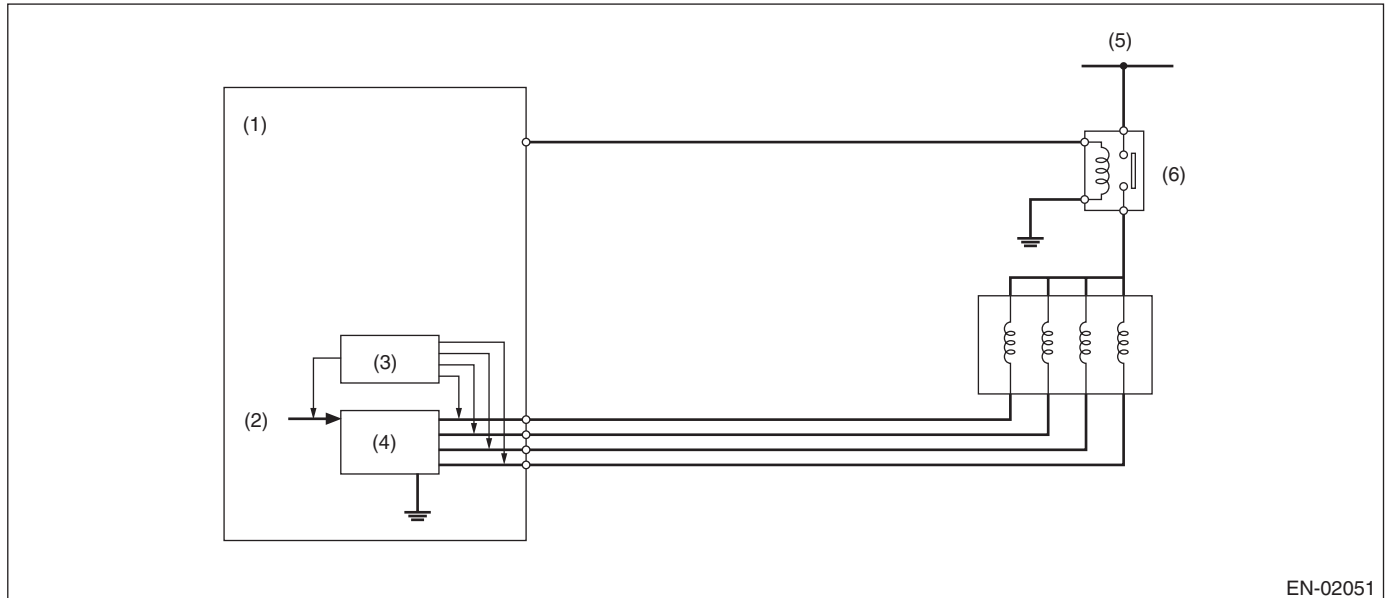
## GENERAL DESCRIPTION

### CP:DTC P1492 EGR SOLENOID VALVE SIGNAL #1 CIRCUIT MALFUNCTION (LOW INPUT)

#### 1. OUTLINE OF DIAGNOSIS

- Detects open or short circuit of EGR.
- Judge as NG when the ECM output level differs from the actual terminal level.

#### 2. COMPONENT DESCRIPTION



(1) Engine control module (ECM)

(3) Detecting circuit

(5) Battery voltage

(2) Computer unit (CPU)

(4) Switch circuit

(6) Main relay

#### 3. ENABLE CONDITIONS

Secondary Parameters	Enable Condition
Elapsed time after starting the engine	$\geq 1$ second
EGR valve target position	$> 0$ step
Battery voltage	$\geq 10.9$ V

#### 4. GENERAL DRIVING CYCLE

Perform diagnosis continuously during EGR operation.

# Diagnostic Trouble Code (DTC) Detecting Criteria

GENERAL DESCRIPTION

## 5. DIAGNOSTIC METHOD

### • Abnormality Judgement

If the duration of time while the following conditions are met is longer than the time indicated, judge as NG.

### Judgement Value

Malfunction Criteria	Threshold Value
Terminal voltage level when ECM outputs OFF signal or Terminal voltage level when EGR operates	Low level

**Time Needed for Diagnosis:** 2500 ms

**Malfunction Indicator Light:** Illuminates as soon as a malfunction occurs.

### • Normality Judgement

Judge as OK and clear the NG if the continuous time while the following conditions are established is more than the predetermined time.

### Judgement Value

Malfunction Criteria	Threshold Value
Terminal voltage level when ECM outputs OFF signal	High level
Terminal voltage level when EGR operates	High level

**Time Needed for Diagnosis:** 128 ms

# Diagnostic Trouble Code (DTC) Detecting Criteria

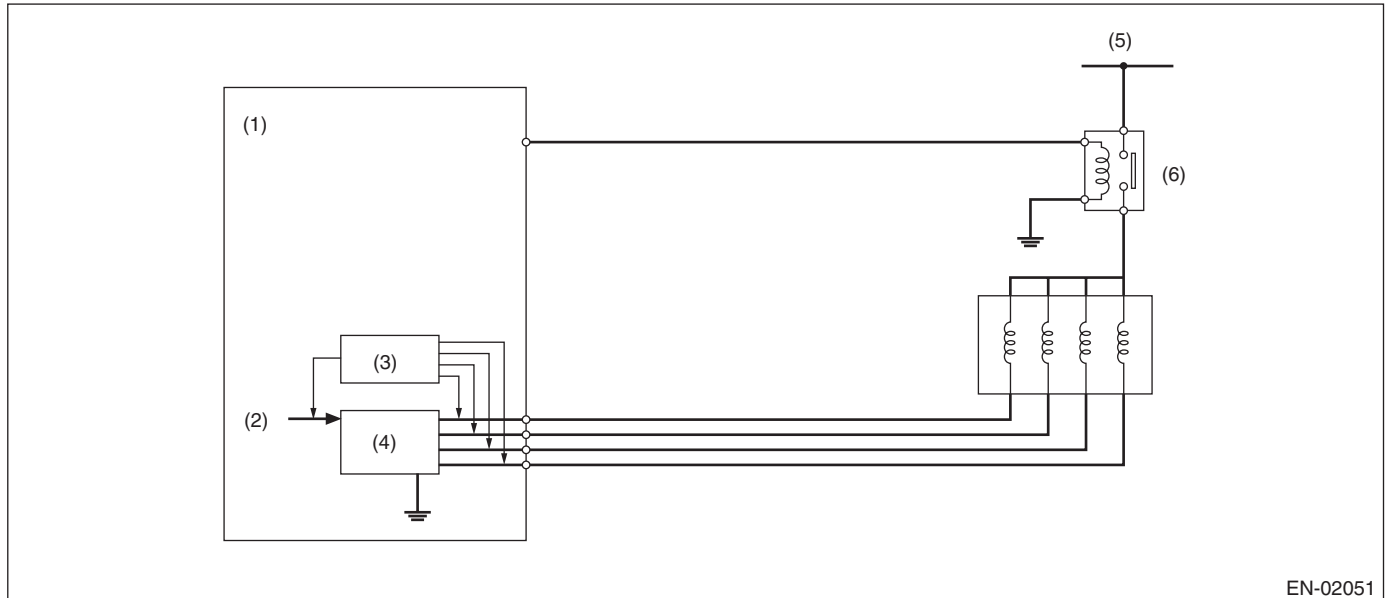
## GENERAL DESCRIPTION

### CQ:DTC P1493 EGR SOLENOID VALVE SIGNAL #1 CIRCUIT MALFUNCTION (HIGH INPUT)

#### 1. OUTLINE OF DIAGNOSIS

- Detects open or short circuit of EGR.
- Judge as NG when the ECM output level differs from the actual terminal level.

#### 2. COMPONENT DESCRIPTION



- (1) Engine control module (ECM)      (3) Detecting circuit      (5) Battery voltage  
(2) Computer unit (CPU)      (4) Switch circuit      (6) Main relay

#### 3. ENABLE CONDITIONS

Secondary Parameters	Enable Condition
Elapsed time after starting the engine	$\geq 1$ second
EGR valve target position	$> 0$ step
Battery voltage	$\geq 10.9$ V

#### 4. GENERAL DRIVING CYCLE

Always perform the diagnosis continuously.

# Diagnostic Trouble Code (DTC) Detecting Criteria

GENERAL DESCRIPTION

## 5. DIAGNOSTIC METHOD

### • Abnormality Judgement

If the duration of time while the following conditions are met is longer than the time indicated, judge as NG.

### Judgement Value

Malfunction Criteria	Threshold Value
Terminal voltage level when ECM outputs OFF signal or Terminal voltage level when EGR operates	High level

**Time Needed for Diagnosis:** 2500 ms

**Malfunction Indicator Light:** Illuminates as soon as a malfunction occurs.

### • Normality Judgement

Judge as OK and clear the NG if the continuous time while the following conditions are established is more than the predetermined time.

### Judgement Value

Malfunction Criteria	Threshold Value
Terminal voltage level when ECM outputs OFF signal	Low level
Terminal voltage level when EGR operates	Low level

**Time Needed for Diagnosis:** 128 ms

## Diagnostic Trouble Code (DTC) Detecting Criteria

### GENERAL DESCRIPTION

---

#### **CR:DTC P1494 EGR SOLENOID VALVE SIGNAL #2 CIRCUIT MALFUNCTION (LOW INPUT)**

##### **1. OUTLINE OF DIAGNOSIS**

###### **NOTE:**

For the detection standard, refer to DTC P1492. <Ref. to GD(H4SO)-170, DTC P1492 EGR SOLENOID VALVE SIGNAL #1 CIRCUIT MALFUNCTION (LOW INPUT), Diagnostic Trouble Code (DTC) Detecting Criteria.>

#### **CS:DTC P1495 EGR SOLENOID VALVE SIGNAL #2 CIRCUIT MALFUNCTION (HIGH INPUT)**

##### **1. OUTLINE OF DIAGNOSIS**

###### **NOTE:**

For the detection standard, refer to DTC P1493. <Ref. to GD(H4SO)-172, DTC P1493 EGR SOLENOID VALVE SIGNAL #1 CIRCUIT MALFUNCTION (HIGH INPUT), Diagnostic Trouble Code (DTC) Detecting Criteria.>

#### **CT:DTC P1496 EGR SOLENOID VALVE SIGNAL #3 CIRCUIT MALFUNCTION (LOW INPUT)**

##### **1. OUTLINE OF DIAGNOSIS**

###### **NOTE:**

For the detection standard, refer to DTC P1492. <Ref. to GD(H4SO)-170, DTC P1492 EGR SOLENOID VALVE SIGNAL #1 CIRCUIT MALFUNCTION (LOW INPUT), Diagnostic Trouble Code (DTC) Detecting Criteria.>

#### **CU:DTC P1497 EGR SOLENOID VALVE SIGNAL #3 CIRCUIT MALFUNCTION (HIGH INPUT)**

##### **1. OUTLINE OF DIAGNOSIS**

###### **NOTE:**

For the detection standard, refer to DTC P1493. <Ref. to GD(H4SO)-172, DTC P1493 EGR SOLENOID VALVE SIGNAL #1 CIRCUIT MALFUNCTION (HIGH INPUT), Diagnostic Trouble Code (DTC) Detecting Criteria.>

#### **CV:DTC P1498 EGR SOLENOID VALVE SIGNAL #4 CIRCUIT MALFUNCTION (LOW INPUT)**

##### **1. OUTLINE OF DIAGNOSIS**

###### **NOTE:**

For the detection standard, refer to DTC P1492. <Ref. to GD(H4SO)-170, DTC P1492 EGR SOLENOID VALVE SIGNAL #1 CIRCUIT MALFUNCTION (LOW INPUT), Diagnostic Trouble Code (DTC) Detecting Criteria.>

#### **CW:DTC P1499 EGR SOLENOID VALVE SIGNAL #4 CIRCUIT MALFUNCTION (HIGH INPUT)**

##### **1. OUTLINE OF DIAGNOSIS**

###### **NOTE:**

For the detection standard, refer to DTC P1493. <Ref. to GD(H4SO)-172, DTC P1493 EGR SOLENOID VALVE SIGNAL #1 CIRCUIT MALFUNCTION (HIGH INPUT), Diagnostic Trouble Code (DTC) Detecting Criteria.>



# Diagnostic Trouble Code (DTC) Detecting Criteria

GENERAL DESCRIPTION

## CX:DTC P1560 BACK-UP VOLTAGE CIRCUIT MALFUNCTION

### 1. OUTLINE OF DIAGNOSIS

Detect the open/short circuit of back-up power supply circuit.  
Judge as NG when the backup power voltage is low.

### 2. ENABLE CONDITIONS

Secondary Parameters	Enable Condition
None	

### 3. GENERAL DRIVING CYCLE

Always perform the diagnosis continuously.

### 4. DIAGNOSTIC METHOD

#### • Abnormality Judgement

If the duration of time while the following conditions are met is longer than the time indicated, judge as NG.

#### Judgement Value

Malfunction Criteria	Threshold Value
Voltage of back-up power supply	Low
Battery voltage	$\geq 10.9$ V
Engine condition	After engine starting

**Time Needed for Diagnosis:** 2500 ms

**Malfunction Indicator Light Illumination:** Illuminates as soon as a malfunction occurs.

#### • Normality Judgement

Judge as OK and clear the NG if the continuous time while the following conditions are established is more than the predetermined time.

#### Judgement Value

Malfunction Criteria	Threshold Value
Voltage of back-up power supply	High
Battery voltage	$\geq 10.9$ V
Engine condition	After engine starting

**Time Needed for Diagnosis:** Less than 1 second

# Diagnostic Trouble Code (DTC) Detecting Criteria

## GENERAL DESCRIPTION

---

### **CY:DTC P1570 ANTENNA**

#### **1. OUTLINE OF DIAGNOSIS**

##### NOTE:

For the detection standard, refer to DTC P0513. <Ref. to GD(H4SO)-142, DTC P0513 INCORRECT IMMOBILIZER KEY, Diagnostic Trouble Code (DTC) Detecting Criteria.>

### **CZ:DTC P1571 REFERENCE CODE INCOMPATIBILITY**

#### **1. OUTLINE OF DIAGNOSIS**

##### NOTE:

For the detection standard, refer to DTC P0513. <Ref. to GD(H4SO)-142, DTC P0513 INCORRECT IMMOBILIZER KEY, Diagnostic Trouble Code (DTC) Detecting Criteria.>

### **DA:DTC P1572 IMM CIRCUIT FAILURE (EXCEPT ANTENNA CIRCUIT)**

#### **1. OUTLINE OF DIAGNOSIS**

##### NOTE:

For the detection standard, refer to DTC P0513. <Ref. to GD(H4SO)-142, DTC P0513 INCORRECT IMMOBILIZER KEY, Diagnostic Trouble Code (DTC) Detecting Criteria.>

### **DB:DTC P1574 KEY COMMUNICATION FAILURE**

#### **1. OUTLINE OF DIAGNOSIS**

##### NOTE:

For the detection standard, refer to DTC P0513. <Ref. to GD(H4SO)-142, DTC P0513 INCORRECT IMMOBILIZER KEY, Diagnostic Trouble Code (DTC) Detecting Criteria.>

### **DC:DTC P1576 EGI CONTROL MODULE EEPROM**

#### **1. OUTLINE OF DIAGNOSIS**

##### NOTE:

For the detection standard, refer to DTC P0513. <Ref. to GD(H4SO)-142, DTC P0513 INCORRECT IMMOBILIZER KEY, Diagnostic Trouble Code (DTC) Detecting Criteria.>

### **DD:DTC P1577 IMM CONTROL MODULE EEPROM**

#### **1. OUTLINE OF DIAGNOSIS**

##### NOTE:

For the detection standard, refer to DTC P0513. <Ref. to GD(H4SO)-142, DTC P0513 INCORRECT IMMOBILIZER KEY, Diagnostic Trouble Code (DTC) Detecting Criteria.>

### **DE:DTC P1578 METER FAILURE**

#### **1. OUTLINE OF DIAGNOSIS**

##### NOTE:

For the detection standard, refer to DTC P0513. <Ref. to GD(H4SO)-142, DTC P0513 INCORRECT IMMOBILIZER KEY, Diagnostic Trouble Code (DTC) Detecting Criteria.>

# Diagnostic Trouble Code (DTC) Detecting Criteria

GENERAL DESCRIPTION

## DF:DTC P1602 CONTROL MODULE PROGRAMMING ERROR

### 1. OUTLINE OF DIAGNOSIS

Detect malfunctions of the catalyst advanced idling retard angle control.

Judge as NG when ECM is not controlling the angle properly during catalyst advanced idling retard angle control.

Judge as NG if there is exhaust gas temperature diagnosis and idle speed diagnosis and if either of them is NG.

- Exhaust gas temperature diagnosis

Judge as NG when the estimated exhausted gas temperature in 14 seconds after the cold start is below the specified value.

- Idle speed diagnosis

Judge as NG when actual engine speed is not close to target engine speed after terminating the retard angle control.

### 2. ENABLE CONDITION

Secondary Parameters	Enable Conditions
Atmospheric pressure	≥ 75 kPa (563 mmHg, 22.2 inHg)
Battery voltage	≥ 10.9 V
Cold start diagnosis	Incomplete
Vehicle speed	< 2 km/h (1.2 MPH)
Misfire in 200 engine revs.	< 5
Time after starting	= 14 seconds

### 3. GENERAL DRIVING CYCLE

Perform the diagnosis at cold start.

### 4. DIAGNOSTIC METHOD

- Exhaust gas temperature diagnosis

#### Abnormality Judgement

Calculate the estimated exhaust gas temperature when the diagnostic enable condition is established. Judge as NG when the following conditions are established after engine starting within the predetermined time.

#### Judgement Value

Malfunction Criteria	Threshold Value
Estimated exhaust gas temperature	< Value from Map

#### Map

Coolant temperature after starting the engine	-40 °C (-40 °F)	-30 °C (-22 °F)	-20 °C (-4 °F)	-10 °C (14 °F)	0 °C (32 °F)	10 °C (50 °F)	20 °C (68 °F)	30 °C (86 °F)	40 °C (104 °F)	50 °C (122 °F)
Threshold value (AT model)	162 °C (323.6 °F)	162 °C (323.6 °F)	162 °C (323.6 °F)	162 °C (323.6 °F)	162 °C (323.6 °F)	162 °C (323.6 °F)	162 °C (323.6 °F)	154 °C (309.2 °F)	142 °C (287.6 °F)	142 °C (287.6 °F)
Threshold value (MT model)	168 °C (334.4 °F)	168 °C (334.4 °F)	168 °C (334.4 °F)	168 °C (334.4 °F)	168 °C (334.4 °F)	168 °C (334.4 °F)	168 °C (334.4 °F)	160 °C (320 °F)	145 °C (293 °F)	145 °C (293 °F)

**Time Needed for Diagnosis:** 14 seconds

**Malfunction Indicator Light Illumination:** Illuminates when malfunction occurs in 2 continuous driving cycles.

#### Normality Judgement

Judge as OK and clear the NG if the following conditions are established.

#### Judgement Value

Malfunction Criteria	Threshold Value
Estimated exhaust gas temperature	≥ Value from Map

**Time Needed for Diagnosis:** Less than 1 second

# Diagnostic Trouble Code (DTC) Detecting Criteria

## GENERAL DESCRIPTION

---

### • Idle speed diagnosis

#### Abnormality Judgement

Judge as NG when the following conditions are established after the predetermined time.

#### Judgement Value

Malfunction Criteria	Threshold Value
Continuous time of (Target engine speed – Actual engine speed > –300 rpm)	≥ 6000 ms
Continuous time of (actual retard amount > 30 °CA)	≥ 0 ms

**Time Needed for Diagnosis:** 14 seconds

**Malfunction Indicator Light Illumination:** Illuminates when malfunction occurs in 2 continuous driving cycles.

#### Normality Judgement

Judge as OK and clear the NG if the following conditions are established.

#### Judgement Value

Malfunction Criteria	Threshold Value
Continuous time of (Target engine speed – Actual engine speed > –300 rpm)	< 6000 ms
Continuous time of (actual retard amount > 30 °CA)	< 0 ms

**Time Needed for Diagnosis:** Less than 1 second

# Diagnostic Trouble Code (DTC) Detecting Criteria

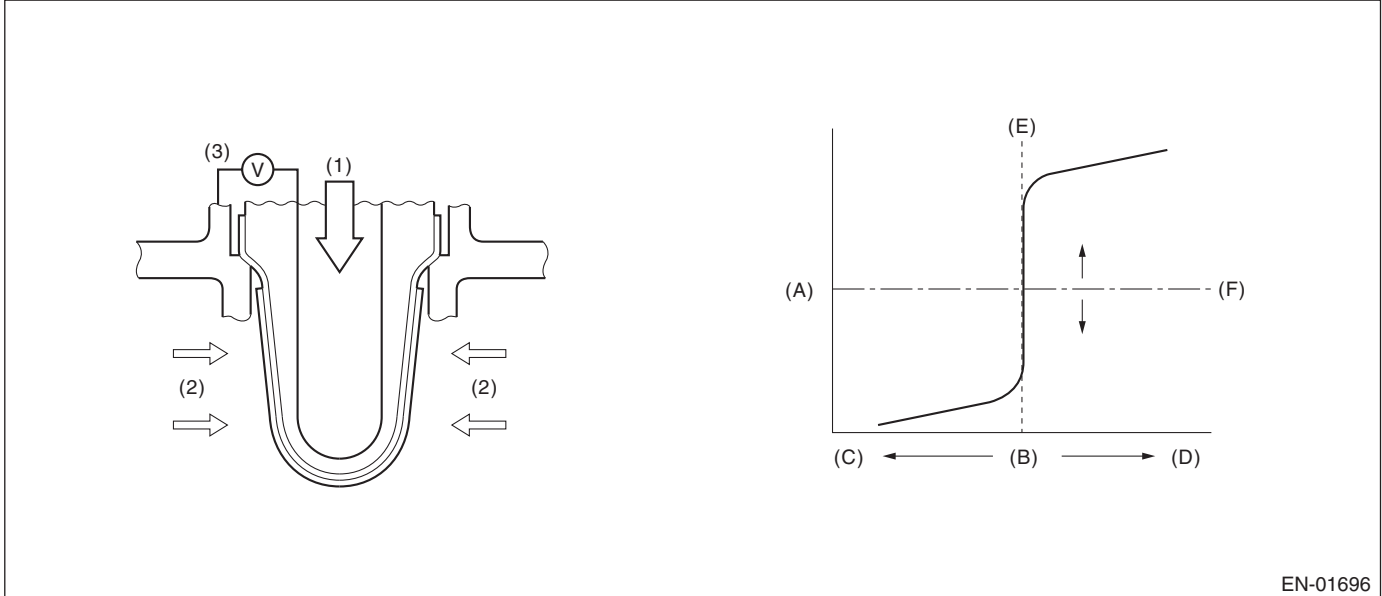
GENERAL DESCRIPTION

## DG:DTC P2096 POST CATALYST FUEL TRIM SYSTEM TOO LEAN (BANK 1)

### 1. OUTLINE OF DIAGNOSIS

Detect the malfunction of fuel system from the size of the sub feedback learning value.  
Control the sub feedback learning and judge as NG when the learning value is in the lean zone.

### 2. COMPONENT DESCRIPTION



EN-01696

- |                         |                                |                         |
|-------------------------|--------------------------------|-------------------------|
| (A) Electromotive force | (B) Air fuel ratio             | (C) Rich                |
| (D) Lean                | (E) Theoretical air fuel ratio | (F) Comparative voltage |
| (1) Atmosphere          | (2) Exhaust gas                | (3) Electromotive force |

### 3. ENABLE CONDITIONS

Secondary Parameters	Enable Conditions
Conditions for carrying out the sub feedback learning	Completed
Continuous time when all conditions are established.	$\geq 1$ s

### 4. GENERAL DRIVING CYCLE

Perform the diagnosis continuously when the vehicle is idling or running at a constant speed of 80 km/h (50 MPH) or more.

# Diagnostic Trouble Code (DTC) Detecting Criteria

## GENERAL DESCRIPTION

---

### 5. DIAGNOSTIC METHOD

#### • Abnormality Judgement

If the duration of time while the following conditions are met is longer than the time indicated, judge as NG.

#### Judgement Value

Malfunction Criteria	Threshold Value
Sub feedback learning value	< -0.04

**Time Needed for Diagnosis:** 5 s × 1 time(s)

**Malfunction Indicator Light Illumination:** Illuminates when malfunction occurs in 2 continuous driving cycles.

#### • Normality Judgement

Judge as OK and clear the NG if the continuous time while the following conditions are established is more than the predetermined time.

#### Judgement Value

Malfunction Criteria	Threshold Value
Sub feedback learning value	≥ -0.04 + 0

**Time Needed for Diagnosis:** 5 s

# Diagnostic Trouble Code (DTC) Detecting Criteria

GENERAL DESCRIPTION

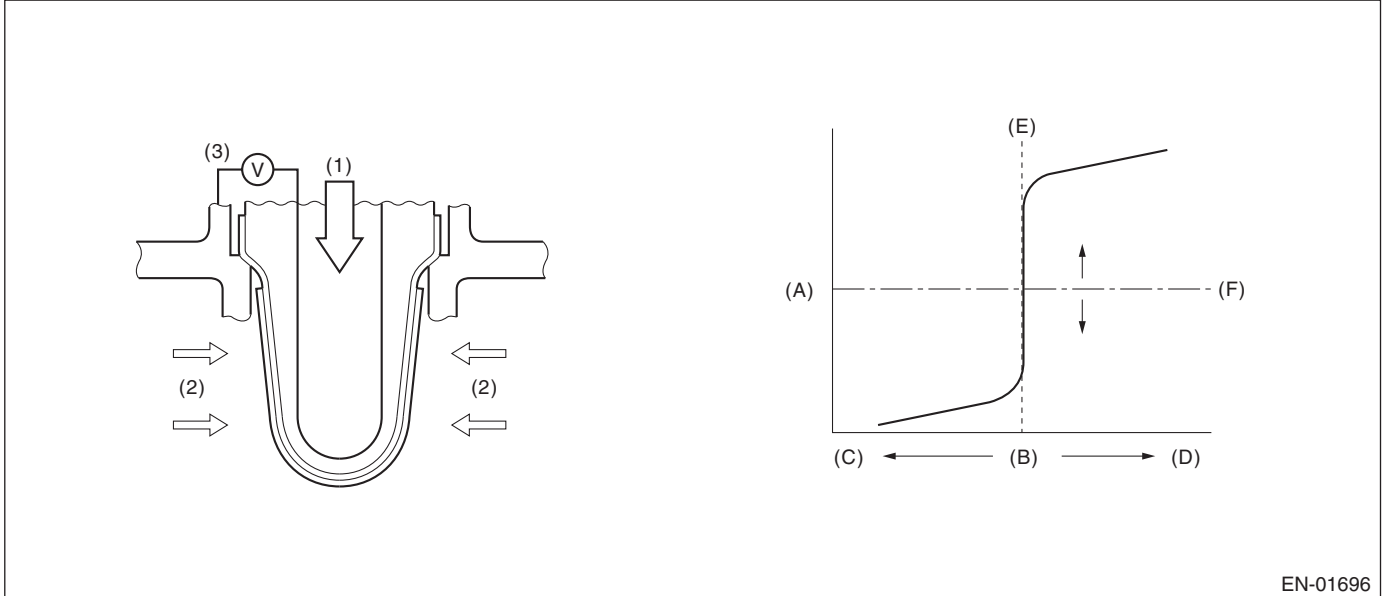
## DH:DTC P2097 POST CATALYST FUEL TRIM SYSTEM TOO RICH (BANK 1)

### 1. OUTLINE OF DIAGNOSIS

Detect the malfunction of fuel system from the size of the sub feedback learning value.

Sub feedback learning is being performed. When the learning value goes to the rich side, judge as NG.

### 2. COMPONENT DESCRIPTION



EN-01696

(A) Electromotive force

(B) Air fuel ratio

(C) Rich

(D) Lean

(E) Theoretical air fuel ratio

(F) Comparative voltage

(1) Atmosphere

(2) Exhaust gas

(3) Electromotive force

### 3. ENABLE CONDITIONS

Secondary Parameters	Enable Conditions
Conditions for carrying out the sub feedback learning	Completed
Continuous time when all conditions are established.	$\geq 1$ s

### 4. GENERAL DRIVING CYCLE

Perform the diagnosis continuously when the vehicle is idling or running at a constant speed of 80 km/h (50 MPH) or more.

# Diagnostic Trouble Code (DTC) Detecting Criteria

## GENERAL DESCRIPTION

---

### 5. DIAGNOSTIC METHOD

#### • Abnormality Judgement

If the duration of time while the following conditions are met is longer than the time indicated, judge as NG.

#### Judgement Value

Malfunction Criteria	Threshold Value
Sub feedback learning value	$\geq 0.04$

**Time Needed for Diagnosis:** 5 s × 1 time(s)

**Malfunction Indicator Light Illumination:** Illuminates when malfunction occurs in 2 continuous driving cycles.

#### • Normality Judgement

Judge as OK and clear the NG if the continuous time while the following conditions are established is more than the predetermined time.

#### Judgement Value

Malfunction Criteria	Threshold Value
Sub feedback learning value	$< 0.04 + -0.002$

**Time Needed for Diagnosis:** 5 s



# Diagnostic Trouble Code (DTC) Detecting Criteria

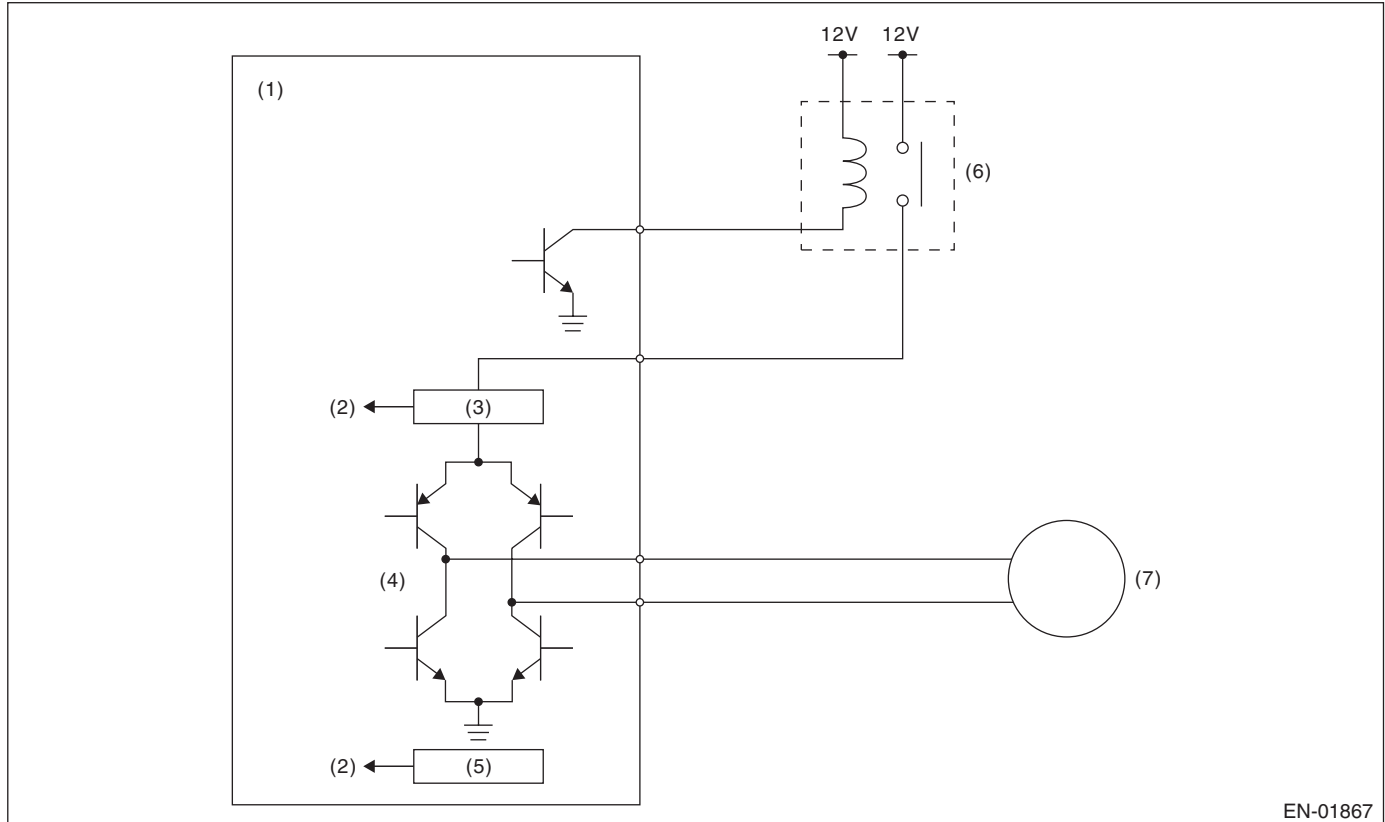
GENERAL DESCRIPTION

## DI: DTC P2101 THROTTLE ACTUATOR CONTROL MOTOR CIRCUIT RANGE/ PERFORMANCE

### 1. OUTLINE OF DIAGNOSIS

Judge as NG when the motor current becomes large or drive circuit is heated.

### 2. COMPONENT DESCRIPTION



EN-01867

- |                                   |                                   |                                       |
|-----------------------------------|-----------------------------------|---------------------------------------|
| (1) Engine control module (ECM)   | (4) Drive circuit                 | (6) Electronic throttle control relay |
| (2) Detecting circuit             | (5) Temperature detection circuit | (7) Motor                             |
| (3) Overcurrent detection circuit |                                   |                                       |

### 3. ENABLE CONDITIONS

Secondary Parameters	Enable Condition
Under control of electronic throttle control	ON

### 4. GENERAL DRIVING CYCLE

Always perform the diagnosis continuously.

### 5. DIAGNOSTIC METHOD

Judge as OK and clear the NG when the malfunction criteria below are met.

#### Judgement Value

Malfunction Criteria	Threshold Value
Motor current	$\leq 8$ A
Drive circuit inner temperature	$\leq 175^{\circ}\text{C}$ ( $347^{\circ}\text{F}$ )

#### Time Needed for Diagnosis:

- 500 milliseconds (For NG)
- 2000 milliseconds (For OK)

**Malfunction Indicator Light Illumination:** Illuminates as soon as a malfunction occurs.

# Diagnostic Trouble Code (DTC) Detecting Criteria

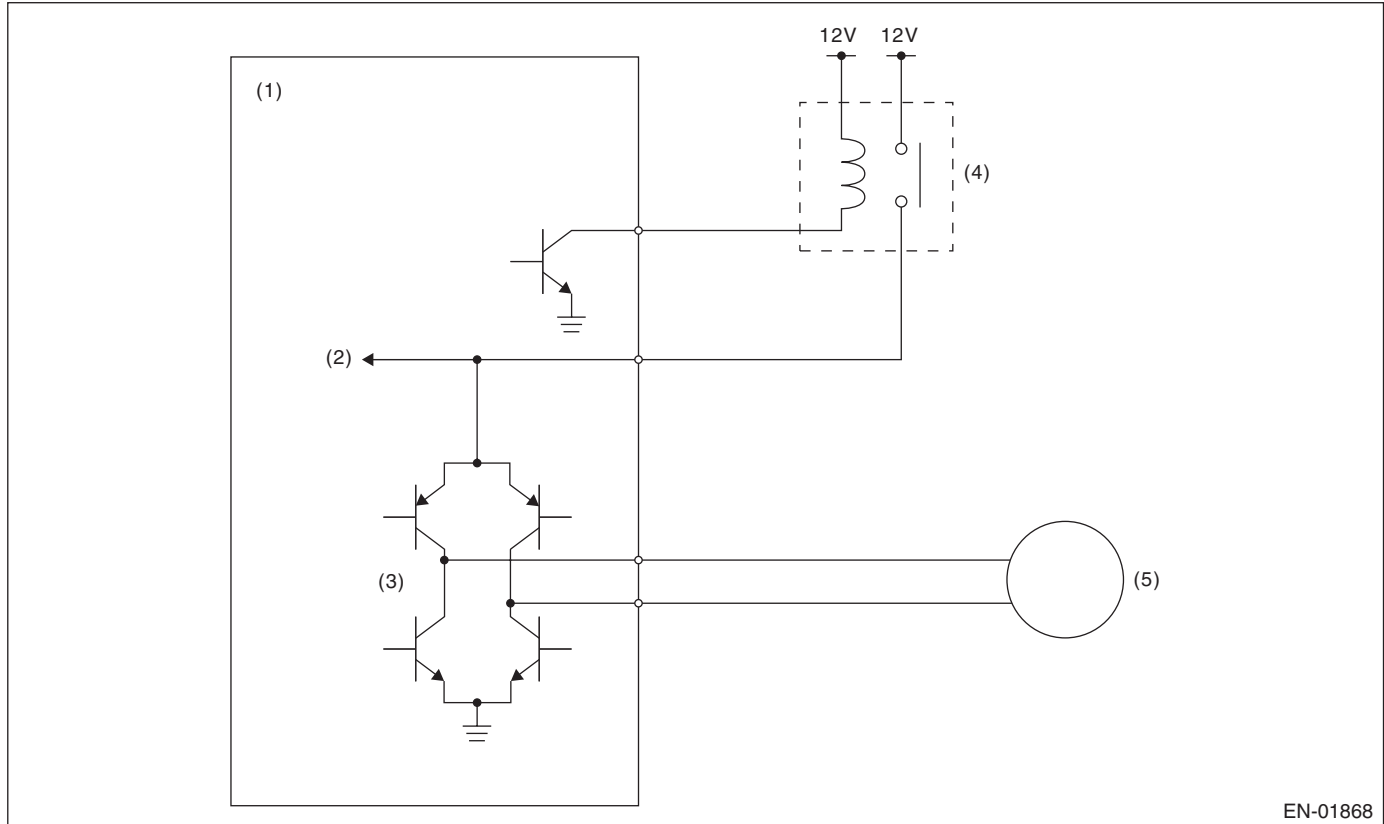
## GENERAL DESCRIPTION

### DJ:DTC P2102 THROTTLE ACTUATOR CONTROL MOTOR CIRCUIT LOW

#### 1. OUTLINE OF DIAGNOSIS

Judge as NG when the electronic throttle control power is not supplied even when ECM sets the electric control throttle relay to ON.

#### 2. COMPONENT DESCRIPTION



EN-01868

- (1) Engine control module (ECM)      (3) Drive circuit      (5) Motor  
 (2) Voltage detection circuit      (4) Electronic throttle control relay

#### 3. ENABLE CONDITIONS

Secondary Parameters	Enable Condition
Electronic throttle control relay output	ON

#### 4. GENERAL DRIVING CYCLE

Always perform the diagnosis continuously.

#### 5. DIAGNOSTIC METHOD

Judge as OK and clear the NG when the malfunction criteria below are met.

##### Judgement Value

Malfunction Criteria	Threshold Value
Motor power voltage	≥ 5 V

##### Time Needed for Diagnosis:

- 400 milliseconds (For NG)
- 2000 milliseconds (For OK)

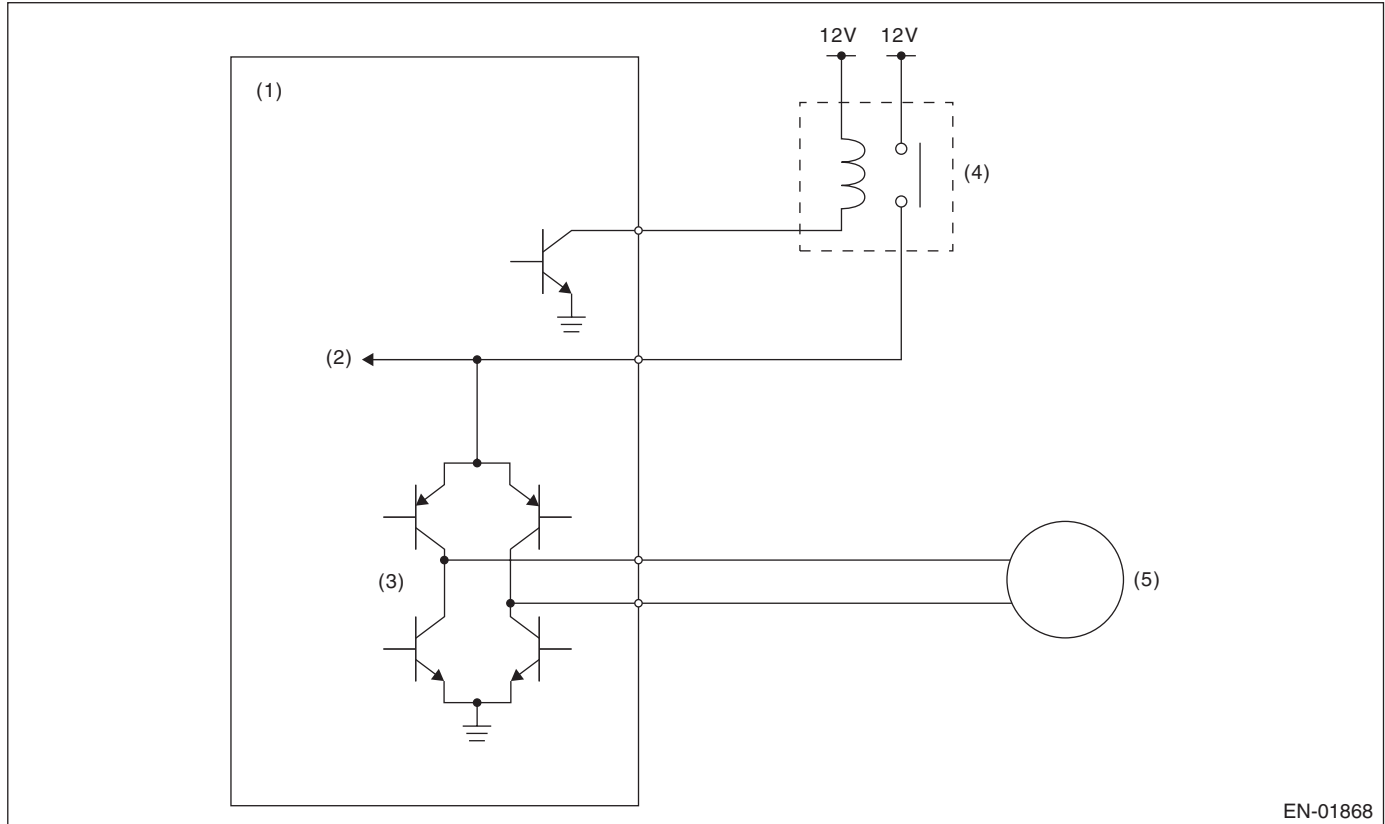
**Malfunction Indicator Light Illumination:** Illuminates as soon as a malfunction occurs.

## DK:DTC P2103 THROTTLE ACTUATOR CONTROL MOTOR CIRCUIT HIGH

### 1. OUTLINE OF DIAGNOSIS

Judge as NG when the electronic throttle control power is supplied even when ECM sets the electronic throttle control relay to OFF.

### 2. COMPONENT DESCRIPTION



EN-01868

- |                                 |                                       |           |
|---------------------------------|---------------------------------------|-----------|
| (1) Engine control module (ECM) | (3) Drive circuit                     | (5) Motor |
| (2) Voltage detection circuit   | (4) Electronic throttle control relay |           |

### 3. ENABLE CONDITIONS

Secondary Parameters	Enable Condition
Electronic throttle control relay output	OFF

### 4. GENERAL DRIVING CYCLE

- When ignition switch ON → OFF
- Ignition switch OFF → ON (Only after clearing memory)

### 5. DIAGNOSTIC METHOD

Judge as OK and clear the NG when the malfunction criteria below are met.

#### Judgement Value

Malfunction Criteria	Threshold Value
Motor power voltage	$\leq 5\text{ V}$

#### Time Needed for Diagnosis:

- 600 milliseconds (For NG)
- 400 milliseconds (For OK)

**Malfunction Indicator Light Illumination:** Illuminates as soon as a malfunction occurs.

# Diagnostic Trouble Code (DTC) Detecting Criteria

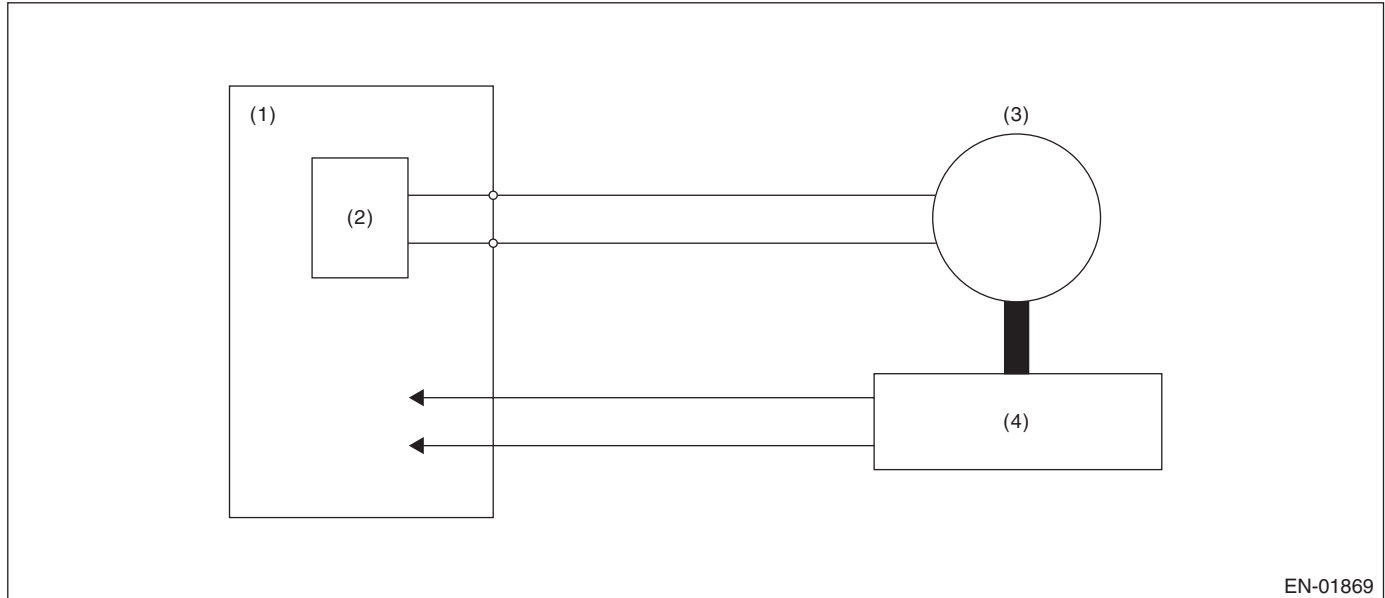
## GENERAL DESCRIPTION

### DL:DTC P2109 THROTTLE/PEDAL POSITION SENSOR “A” MINIMUM STOP PERFORMANCE

#### 1. OUTLINE OF DIAGNOSIS

Judge as NG when full close point learning cannot be conducted or an abnormal value is detected.

#### 2. COMPONENT DESCRIPTION



EN-01869

(1) Engine control module (ECM)

(3) Motor

(4) Throttle position sensor

(2) Drive circuit

#### 3. ENABLE CONDITIONS

Secondary Parameters	Enable Condition
Ignition switch	ON → OFF
Ignition switch (only after clear memory)	OFF → ON

#### 4. GENERAL DRIVING CYCLE

Perform the diagnosis at full closed point learning.

#### 5. DIAGNOSTIC METHOD

Judge as OK and clear the NG when the malfunction criteria below are met.

##### Judgement Value

Malfunction Criteria	Threshold Value
Throttle sensor opening angle at full close point learning	10.127° or more, 19.872° or less
Throttle opening angle when the ignition switch is ON – Throttle minimum stop position	≥ 1.683°

**Time Needed for Diagnosis:** 8 — 80 milliseconds

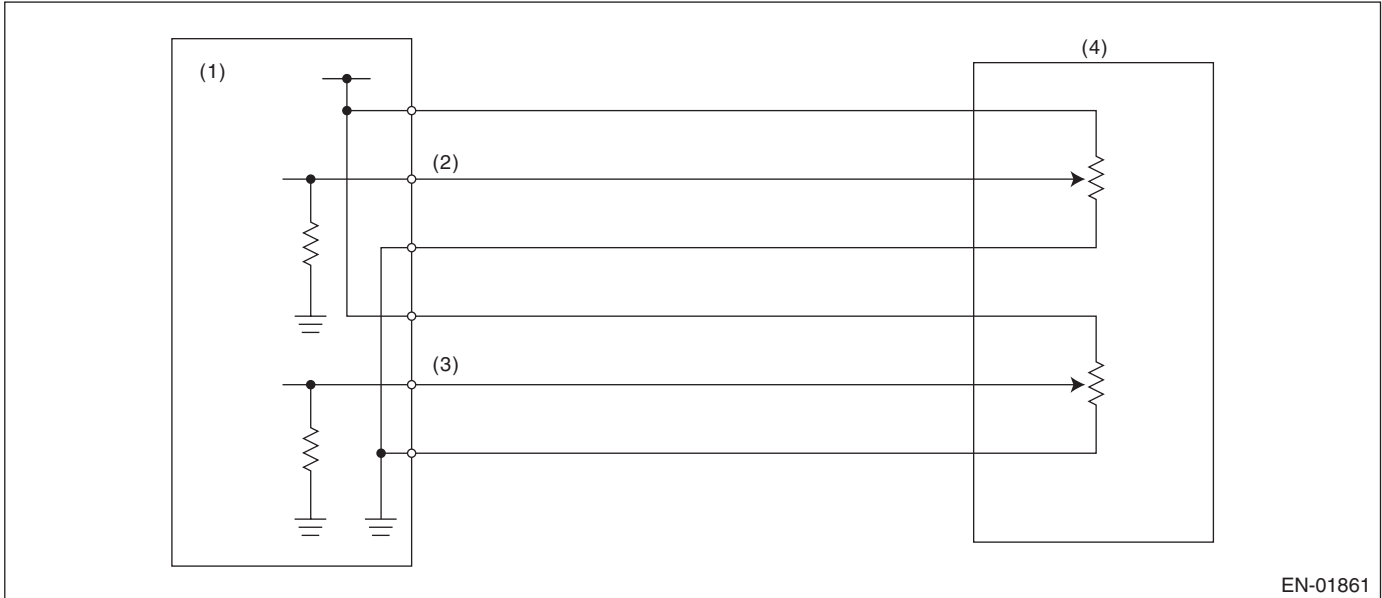
**Malfunction Indicator Light Illumination:** Illuminates as soon as a malfunction occurs.

## DM:DTC P2122 THROTTLE/PEDAL POSITION SENSOR/SWITCH “D” CIRCUIT LOW INPUT

### 1. OUTLINE OF DIAGNOSIS

Detect the open or short circuit of accelerator pedal position sensor 1.  
Judge as NG if out of specification.

### 2. COMPONENT DESCRIPTION



EN-01861

- |  |  |   |
|--|--|---|
| (1) Engine control module (ECM)                | (3) Accelerator pedal position sensor 2 signal | (4) Accelerator pedal position sensor 2 |
| (2) Accelerator pedal position sensor 1 signal |  |   |

### 3. ENABLE CONDITION

Secondary Parameters	Enable Conditions
Ignition switch	ON
Battery voltage	≥ 6 V

### 4. GENERAL DRIVING CYCLE

Always perform the diagnosis continuously.

# Diagnostic Trouble Code (DTC) Detecting Criteria

## GENERAL DESCRIPTION

---

### 5. DIAGNOSTIC METHOD

#### • Abnormality Judgement

If the duration of time while the following conditions are met is longer than the time indicated, judge as NG.

#### Judgement Value

Malfunction Criteria	Threshold Value
Sensor 1 input voltage	< 0.217 V

**Time Needed for Diagnosis:** 100 ms

**Malfunction Indicator Light Illumination:** Illuminates as soon as a malfunction occurs.

#### • Normality Judgement

Judge as OK and clear the NG if the continuous time while the following conditions are established is more than the predetermined time.

#### Judgement Value

Malfunction Criteria	Threshold Value
Sensor 1 input voltage	$\geq 0.217$ V

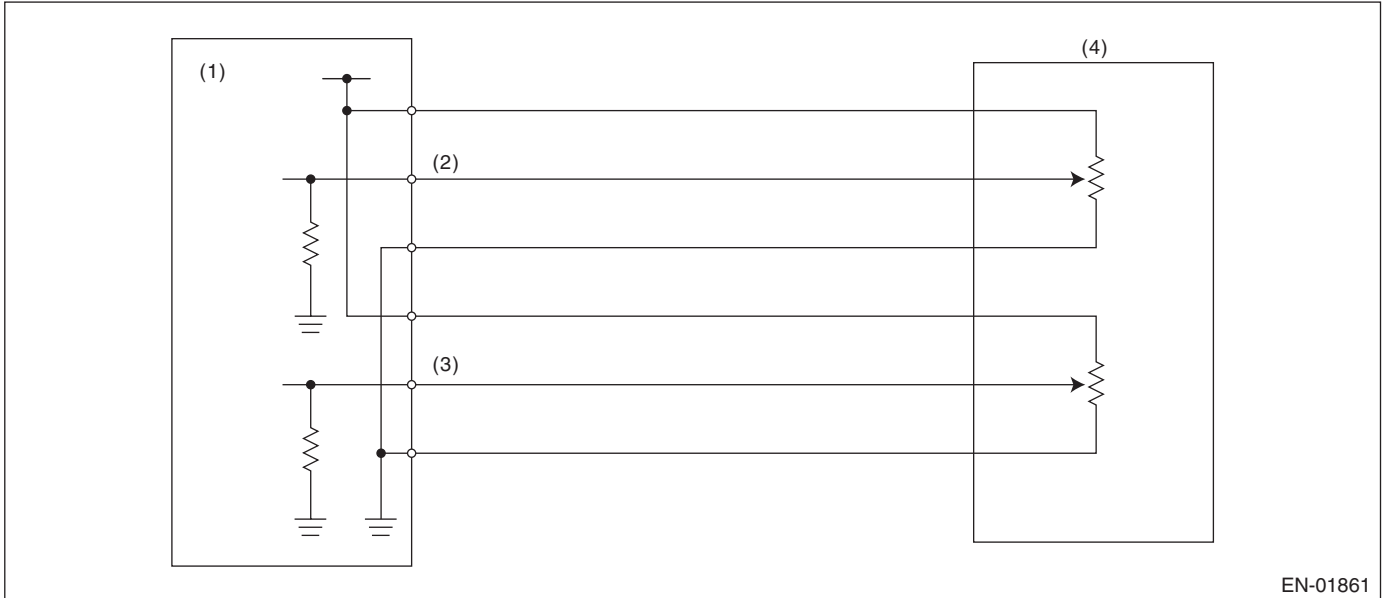
**Time Needed for Diagnosis:** 100 ms

## DN:DTC P2123 THROTTLE/PEDAL POSITION SENSOR/SWITCH “D” CIRCUIT HIGH INPUT

### 1. OUTLINE OF DIAGNOSIS

Detect the open or short circuit of accelerator pedal position sensor 1.  
 Judge as NG if out of specification.

### 2. COMPONENT DESCRIPTION



EN-01861

- |  |  |  |
|--|--|--|
| (1) Engine control module (ECM)                | (3) Accelerator pedal position sensor 2 signal | (4) Accelerator pedal position sensor 2 signal |
| (2) Accelerator pedal position sensor 1 signal |  |  |

### 3. ENABLE CONDITION

Secondary Parameters	Enable Conditions
Ignition switch	ON
Battery voltage	≥ 6 V

### 4. GENERAL DRIVING CYCLE

Always perform the diagnosis continuously.

# Diagnostic Trouble Code (DTC) Detecting Criteria

## GENERAL DESCRIPTION

---

### 5. DIAGNOSTIC METHOD

#### • Abnormality Judgement

If the duration of time while the following conditions are met is longer than the time indicated, judge as NG.

#### Judgement Value

Malfunction Criteria	Threshold Value
Sensor 1 input voltage	$\geq 4.783$ V

**Time Needed for Diagnosis:** 32 ms

**Malfunction Indicator Light Illumination:** Illuminates as soon as a malfunction occurs.

#### • Normality Judgement

Judge as OK and clear the NG if the continuous time while the following conditions are established is more than the predetermined time.

#### Judgement Value

Malfunction Criteria	Threshold Value
Sensor 1 input voltage	$< 4.783$ V

**Time Needed for Diagnosis:** 32 ms

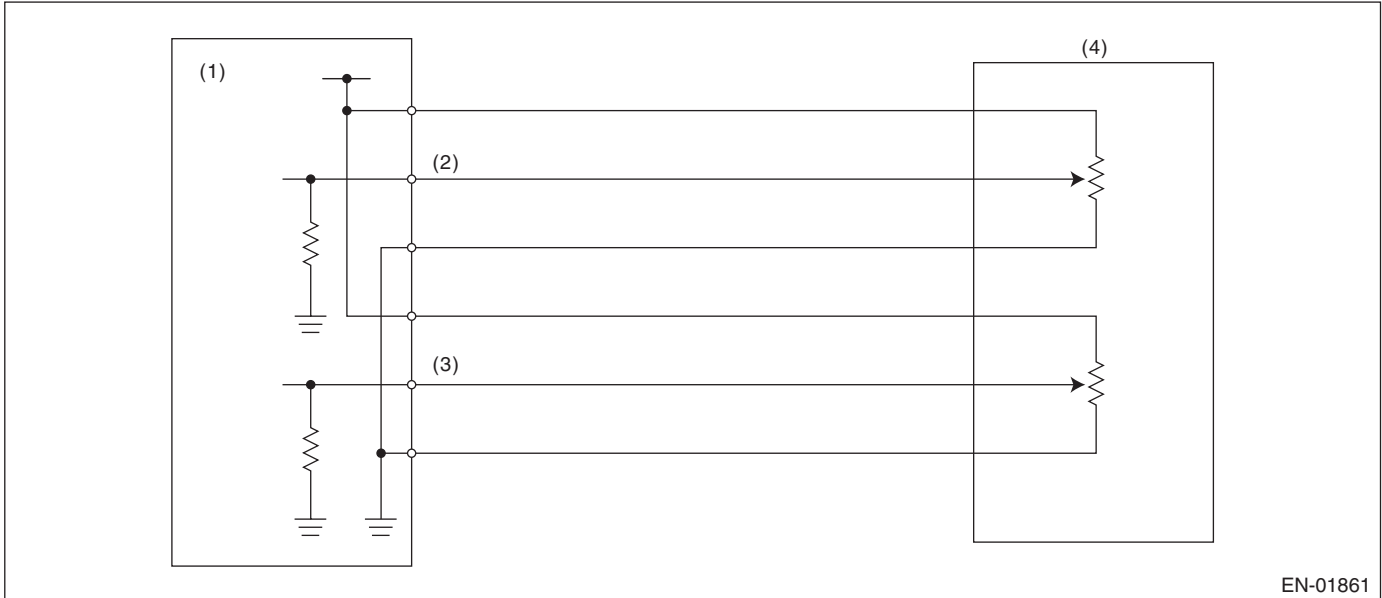


## DO:DTC P2127 THROTTLE/PEDAL POSITION SENSOR/SWITCH “E” CIRCUIT LOW INPUT

### 1. OUTLINE OF DIAGNOSIS

Detect the open or short circuit of accelerator pedal position sensor 2.  
Judge as NG if out of specification.

### 2. COMPONENT DESCRIPTION



EN-01861

- |  |  |   |
|--|--|---|
| (1) Engine control module (ECM)                | (3) Accelerator pedal position sensor 2 signal | (4) Accelerator pedal position sensor 2 |
| (2) Accelerator pedal position sensor 1 signal |  |   |

### 3. ENABLE CONDITION

Secondary Parameters	Enable Conditions
Ignition switch	ON
Battery voltage	$\geq 6 \text{ V}$

### 4. GENERAL DRIVING CYCLE

Always perform the diagnosis continuously.

# Diagnostic Trouble Code (DTC) Detecting Criteria

## GENERAL DESCRIPTION

---

### 5. DIAGNOSTIC METHOD

#### • Abnormality Judgement

If the duration of time while the following conditions are met is longer than the time indicated, judge as NG.

#### Judgement Value

Malfunction Criteria	Threshold Value
Sensor 2 input voltage	< 0.217 V

**Time Needed for Diagnosis:** 100 ms

**Malfunction Indicator Light Illumination:** Illuminates as soon as a malfunction occurs.

#### • Normality Judgement

Judge as OK and clear the NG if the continuous time while the following conditions are established is more than the predetermined time.

#### Judgement Value

Malfunction Criteria	Threshold Value
Sensor 2 input voltage	$\geq 0.217$ V

**Time Needed for Diagnosis:** 100 ms

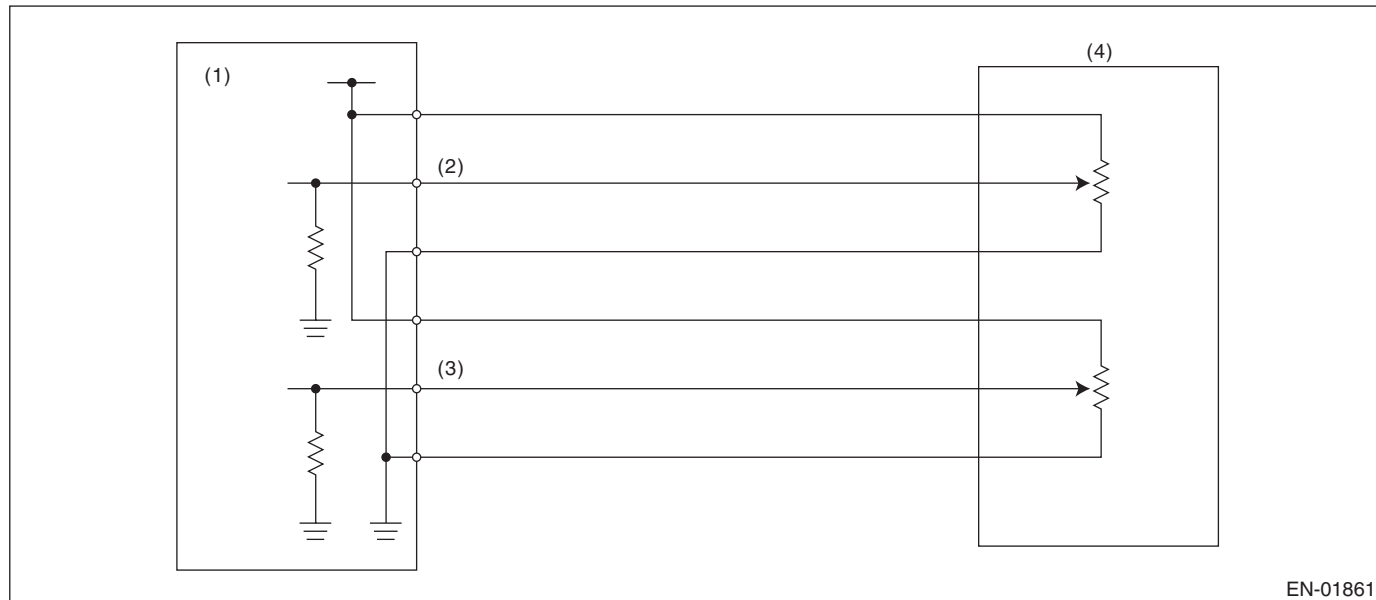
## DP:DTC P2128 THROTTLE/PEDAL POSITION SENSOR/SWITCH “E” CIRCUIT HIGH INPUT

### 1. OUTLINE OF DIAGNOSIS

Detect the open or short circuit of accelerator pedal position sensor 2.

Judge as NG if out of specification.

### 2. COMPONENT DESCRIPTION



- |  |  |  |
|--|--|--|
| (1) Engine control module (ECM)                | (3) Accelerator pedal position sensor 2 signal | (4) Accelerator pedal position sensor 2 signal |
| (2) Accelerator pedal position sensor 1 signal |  |  |

### 3. ENABLE CONDITION

Secondary Parameters	Enable Conditions
Ignition switch	ON
Battery voltage	≥ 6 V

### 4. GENERAL DRIVING CYCLE

Always perform the diagnosis continuously.

# Diagnostic Trouble Code (DTC) Detecting Criteria

## GENERAL DESCRIPTION

---

### 5. DIAGNOSTIC METHOD

#### • Abnormality Judgement

If the duration of time while the following conditions are met is longer than the time indicated, judge as NG.

#### Judgement Value

Malfunction Criteria	Threshold Value
Sensor 2 input voltage	$\geq 4.783$ V

**Time Needed for Diagnosis:** 100 ms

**Malfunction Indicator Light Illumination:** Illuminates as soon as a malfunction occurs.

#### • Normality Judgement

Judge as OK and clear the NG if the continuous time while the following conditions are established is more than the predetermined time.

#### Judgement Value

Malfunction Criteria	Threshold Value
Sensor 2 input voltage	$< 4.783$ V

**Time Needed for Diagnosis:** 100 ms

# Diagnostic Trouble Code (DTC) Detecting Criteria

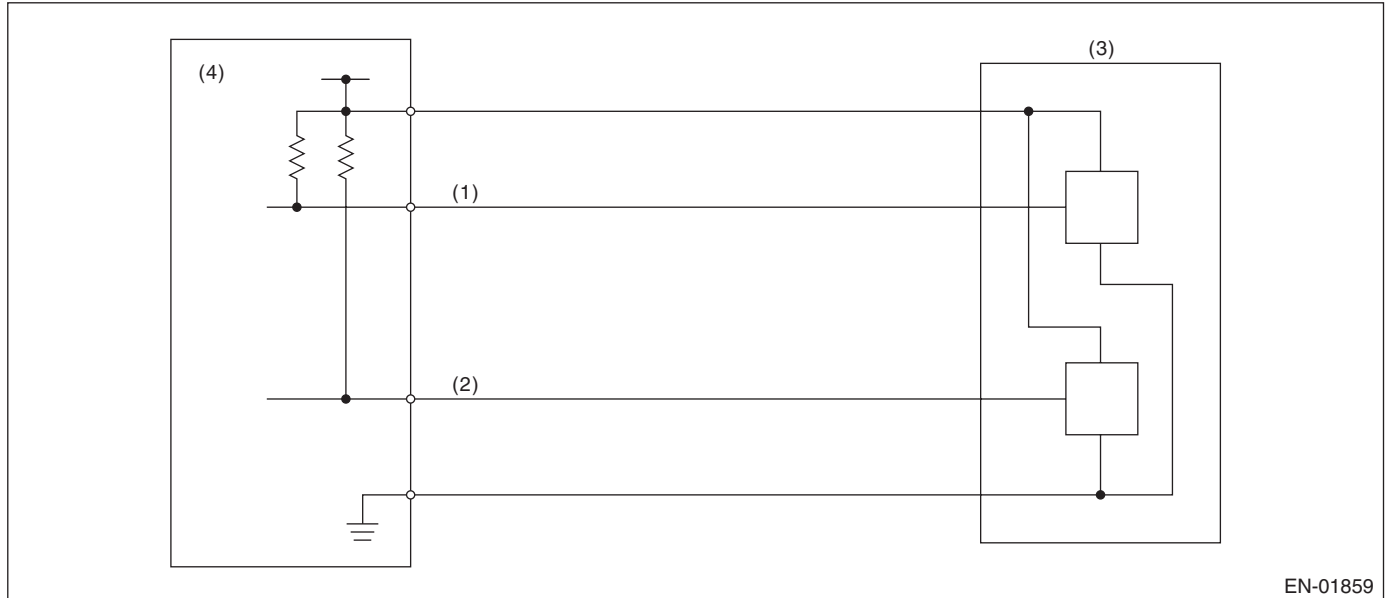
GENERAL DESCRIPTION

## DQ:DTC P2135 THROTTLE/PEDAL POSITION SENSOR/SWITCH “A”/“B” VOLTAGE CORRELATION

### 1. OUTLINE OF DIAGNOSIS

Judge as NG when the signal level of throttle position sensor 1 is different from the throttle position sensor 2.

### 2. COMPONENT DESCRIPTION



(1) Throttle position sensor 1 signal  
(2) Throttle position sensor 2 signal

(3) Throttle position sensor

(4) Engine control module (ECM)

### 3. ENABLE CONDITIONS

Secondary Parameters	Enable Conditions
Ignition switch	ON
Battery voltage	$\geq 6\text{ V}$

### 4. GENERAL DRIVING CYCLE

Always perform the diagnosis continuously.

# Diagnostic Trouble Code (DTC) Detecting Criteria

## GENERAL DESCRIPTION

---

### 5. DIAGNOSTIC METHOD

#### • Abnormality Judgement

If the duration of time while the following conditions are met is longer than the time indicated, judge as NG.

#### Judgement Value

Malfunction Criteria	Threshold Value
Signal difference between two sensors	> Value from Map

#### Map

Throttle position sensor 1 opening angle (°) = d	$0^{\circ} \leq d < 2.125^{\circ}$	$2.125^{\circ} \leq d < 4.25^{\circ}$	$4.25^{\circ} \leq d < 9^{\circ}$	$9^{\circ} \leq d < 31.625^{\circ}$	$31.625^{\circ} \leq d$
Sensor output difference (°)	5.15 °	6.15 °	8.28 °	10.4 °	12.4 °

**Time Needed for Diagnosis:** 212 ms

**Malfunction Indicator Light Illumination:** Illuminates as soon as a malfunction occurs.

#### • Normality Judgement

Judge as OK and clear the NG if the continuous time while the following conditions are established is more than the predetermined time.

#### Judgement Value

Malfunction Criteria	Threshold Value
Signal difference between two sensors	$\leq$ Value from Map

**Time Needed for Diagnosis:** 24 ms

# Diagnostic Trouble Code (DTC) Detecting Criteria

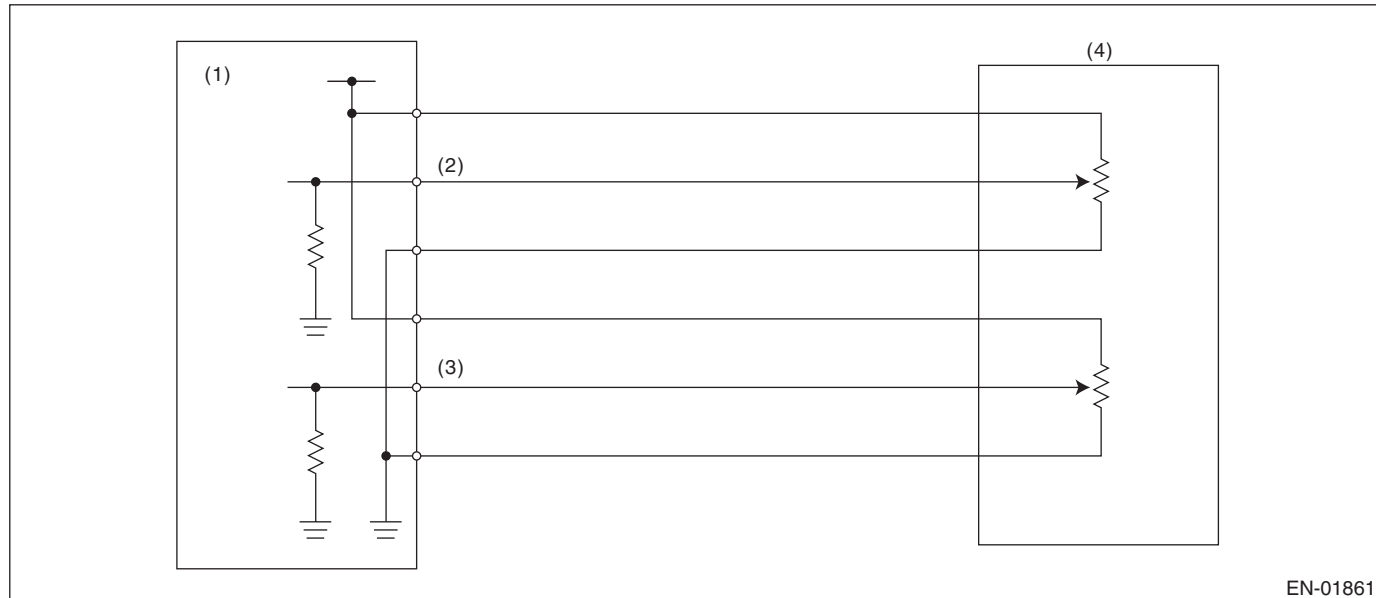
GENERAL DESCRIPTION

## DR:DTC P2138 THROTTLE/PEDAL POSITION SENSOR/SWITCH “D”/“E” VOLTAGE CORRELATION

### 1. OUTLINE OF DIAGNOSIS

Judge as NG when the signal level of throttle position sensor 1 is different from the throttle position sensor 2.

### 2. COMPONENT DESCRIPTION



EN-01861

- (1) Engine control module (ECM)      (3) Accelerator pedal position sensor 2 signal      (4) Accelerator pedal position sensor 2 signal  
(2) Accelerator pedal position sensor 1 signal

### 3. ENABLE CONDITION

Secondary Parameters	Enable Conditions
Ignition switch	ON
Battery voltage	$\geq 6 \text{ V}$

### 4. GENERAL DRIVING CYCLE

Always perform the diagnosis continuously.

# Diagnostic Trouble Code (DTC) Detecting Criteria

## GENERAL DESCRIPTION

---

### 5. DIAGNOSTIC METHOD

#### • Abnormality Judgement

If the duration of time while the following conditions are met is longer than the time indicated, judge as NG.

#### Judgement Value

Malfunction Criteria	Threshold Value
Signal difference between two sensors	> Value from Map

#### Map

Throttle position sensor 1 opening angle (°) = d	$0^{\circ} \leq d < 0.6^{\circ}$	$0.6^{\circ} \leq d < 1.2^{\circ}$	$1.2^{\circ} \leq d < 2^{\circ}$	$2^{\circ} \leq d < 4^{\circ}$	$4^{\circ} \leq d$
Sensor output difference (°)	1.465°	1.597°	1.663°	2.455°	3.116°

**Time Needed for Diagnosis:** 116 ms

**Malfunction Indicator Light Illumination:** Illuminates as soon as a malfunction occurs.

#### • Normality Judgement

Judge as OK and clear the NG if the continuous time while the following conditions are established is more than the predetermined time.

#### Judgement Value

Malfunction Criteria	Threshold Value
Signal difference between two sensors	$\leq$ Value from Map

**Time Needed for Diagnosis:** 116 ms



# Diagnostic Trouble Code (DTC) Detecting Criteria

GENERAL DESCRIPTION

## DS:DTC P2227 BAROMETRIC PRESSURE CIRCUIT RANGE/PERFORMANCE

### 1. OUTLINE OF DIAGNOSIS

Detect the malfunction of barometric pressure sensor output property.

Judge as NG when the barometric pressure sensor output is largely different from the intake manifold pressure at engine start.

### 2. COMPONENT DESCRIPTION

The barometric pressure sensor is built into the ECM.

### 3. ENABLE CONDITIONS

Secondary Parameters	Enable Condition
Engine speed	< 300 rpm
Vehicle speed	< 1 km/h (0.6 MPH)

### 4. GENERAL DRIVING CYCLE

Perform the diagnosis once at ignition switch ON.

### 5. DIAGNOSTIC METHOD

#### • Abnormality Judgement

If the duration of time while the following conditions are met is longer than the time indicated, judge as NG.

#### Judgement Value

Malfunction Criteria	Threshold Value
Barometric pressure – Intake manifold pressure	≥ 26.7 kPa (200 mmHg, 7.9 inHg)
Intake manifold pressure at engine start – Intake manifold pressure	< 1.3 kPa (9.99 mmHg, 0.4 inHg)

**Time Needed for Diagnosis:** 328 ms

**Malfunction Indicator Light Illumination:** Illuminates when malfunction occurs in 2 continuous driving cycles.

#### • Normality Judgement

Judge as OK and clear the NG if the continuous time while the following conditions are established is more than the predetermined time.

#### Judgement Value

Malfunction Criteria	Threshold Value
Barometric pressure – Intake manifold pressure	< 26.7 kPa (200 mmHg, 7.9 inHg)

**Time Needed for Diagnosis:** 262 ms

# Diagnostic Trouble Code (DTC) Detecting Criteria

## GENERAL DESCRIPTION

---

### DT:DTC P2228 BAROMETRIC PRESSURE CIRCUIT LOW

#### 1. OUTLINE OF DIAGNOSIS

Detect the open/short circuit of the barometric pressure sensor.  
Judge as NG if out of specification.

#### 2. COMPONENT DESCRIPTION

The barometric pressure sensor is built into the ECM.

#### 3. ENABLE CONDITIONS

Secondary Parameters	Enable Condition
None	

#### 4. GENERAL DRIVING CYCLE

Always perform the diagnosis continuously.

#### 5. DIAGNOSTIC METHOD

##### • Abnormality Judgement

If the duration of time while the following conditions are met is longer than the time indicated, judge as NG.

##### Judgement Value

Malfunction Criteria	Threshold Value
Output voltage	< 1.706646812 V

**Time Needed for Diagnosis:** 500 ms

**Malfunction Indicator Light Illumination:** Illuminates as soon as a malfunction occurs.

##### • Normality Judgement

Judge as OK and clear the NG if the continuous time while the following conditions are established is more than the predetermined time.

##### Judgement Value

Malfunction Criteria	Threshold Value
Output voltage	$\geq 1.706646812$ V

**Time Needed for Diagnosis:** Less than 1 second

# Diagnostic Trouble Code (DTC) Detecting Criteria

GENERAL DESCRIPTION

## DU:DTC P2229 BAROMETRIC PRESSURE CIRCUIT HIGH

### 1. OUTLINE OF DIAGNOSIS

Detect the open/short circuit of the barometric pressure sensor.  
Judge as NG if out of specification.

### 2. COMPONENT DESCRIPTION

The barometric pressure sensor is built into the ECM.

### 3. ENABLE CONDITIONS

Secondary Parameters	Enable Condition
None	

### 4. GENERAL DRIVING CYCLE

Always perform the diagnosis continuously.

### 5. DIAGNOSTIC METHOD

#### • Abnormality Judgement

If the duration of time while the following conditions are met is longer than the time indicated, judge as NG.

#### Judgement Value

Malfunction Criteria	Threshold Value
Output voltage	$\geq 4.233789985$ V

**Time Needed for Diagnosis:** 500 ms

**Malfunction Indicator Light Illumination:** Illuminates as soon as a malfunction occurs.

#### • Normality Judgement

Judge as OK and clear the NG if the continuous time while the following conditions are established is more than the predetermined time.

#### Judgement Value

Malfunction Criteria	Threshold Value
Output voltage	$< 4.233789985$ V

**Time Needed for Diagnosis:** Less than 1 second

# Diagnostic Trouble Code (DTC) Detecting Criteria

GENERAL DESCRIPTION

---

# General Description

FUEL INJECTION (FUEL SYSTEMS)

---

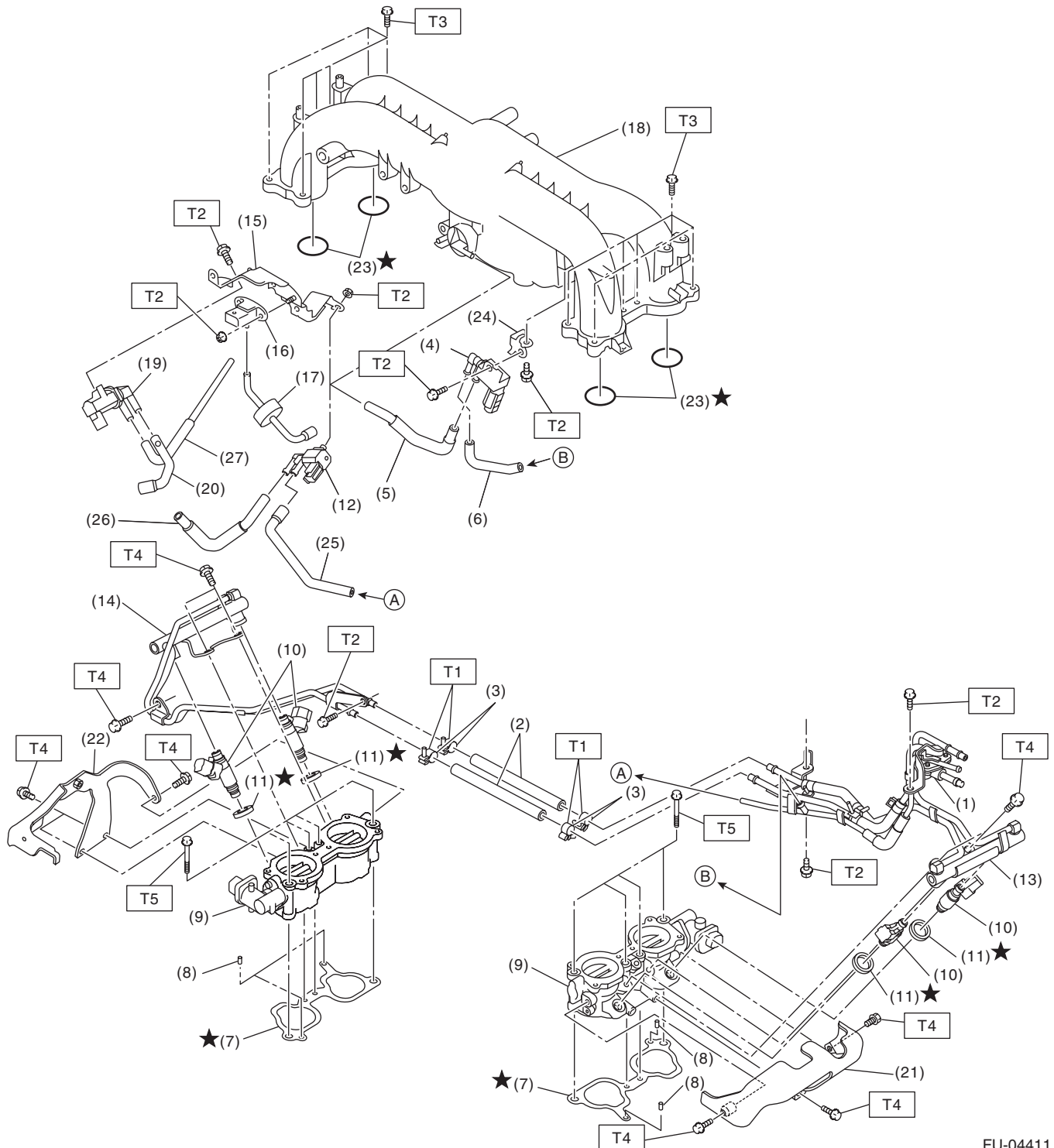
## 1. General Description

### A: SPECIFICATION

Fuel tank	Capacity	64 ℓ (16.9 US gal, 14.1 Imp gal)
	Location	Under rear seat
Fuel pump	Type	Impeller
	Shutoff discharge pressure	550 — 850 kPa (5.61 — 8.67 kgf/cm <sup>2</sup> , 79.8 — 123.3 psi)
	Discharge rate	155 ℓ (40.9 US gal, 34.1 Imp gal)/h or more [12 V at 300 kPa (3.06 kgf/cm <sup>2</sup> , 43.5 psi)]
Fuel filter		In-tank type

## B: COMPONENT

### 1. INTAKE MANIFOLD



FU-04411

# General Description

## FUEL INJECTION (FUEL SYSTEMS)

(1) Pressure regulator	(13) Fuel injector pipe LH	(24) Solenoid valve bracket
(2) Fuel hose	(14) Fuel injector pipe RH	(25) Vacuum hose B
(3) Clamp	(15) Solenoid valve bracket	(26) Vacuum hose A
(4) Purge control solenoid valve 1	(16) Manifold absolute pressure sensor	(27) Air control hose
(5) Vacuum hose D	(17) Filter	
(6) Vacuum hose C	(18) Intake manifold	
(7) Intake manifold gasket	(19) Wastegate control solenoid valve ASSY	
(8) Guide pin	(20) Vacuum hose	
(9) Tumble generator valve ASSY	(21) Fuel pipe protector LH	
(10) Fuel injector	(22) Fuel pipe protector RH	
(11) Seal ring	(23) O-ring	
(12) Purge control solenoid valve 2		

---

**Tightening torque:N-m (kgf-m, ft-lb)**

**T1: 1.25 (0.1, 0.9)**

**T2: 6.4 (0.7, 4.7)**

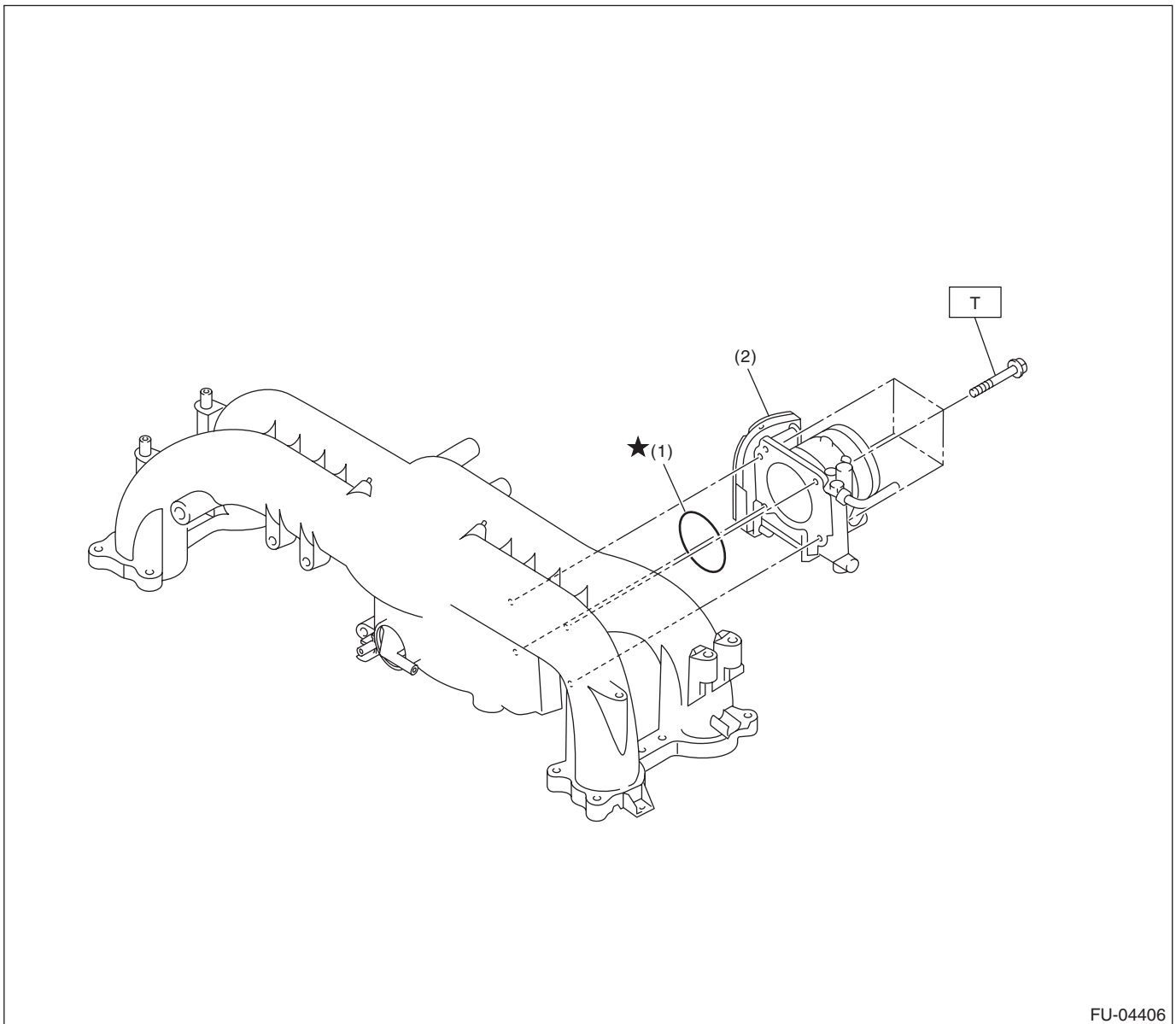
**T3: 8.3 (0.8, 6.1)**

**T4: 19 (1.9, 14.0)**

**T5: 25 (2.5, 18.4)**

---

## 2. AIR INTAKE SYSTEM



FU-04406

(1) O-ring

(2) Throttle body

---

**Tightening torque:N-m (kgf-m, ft-lb)**

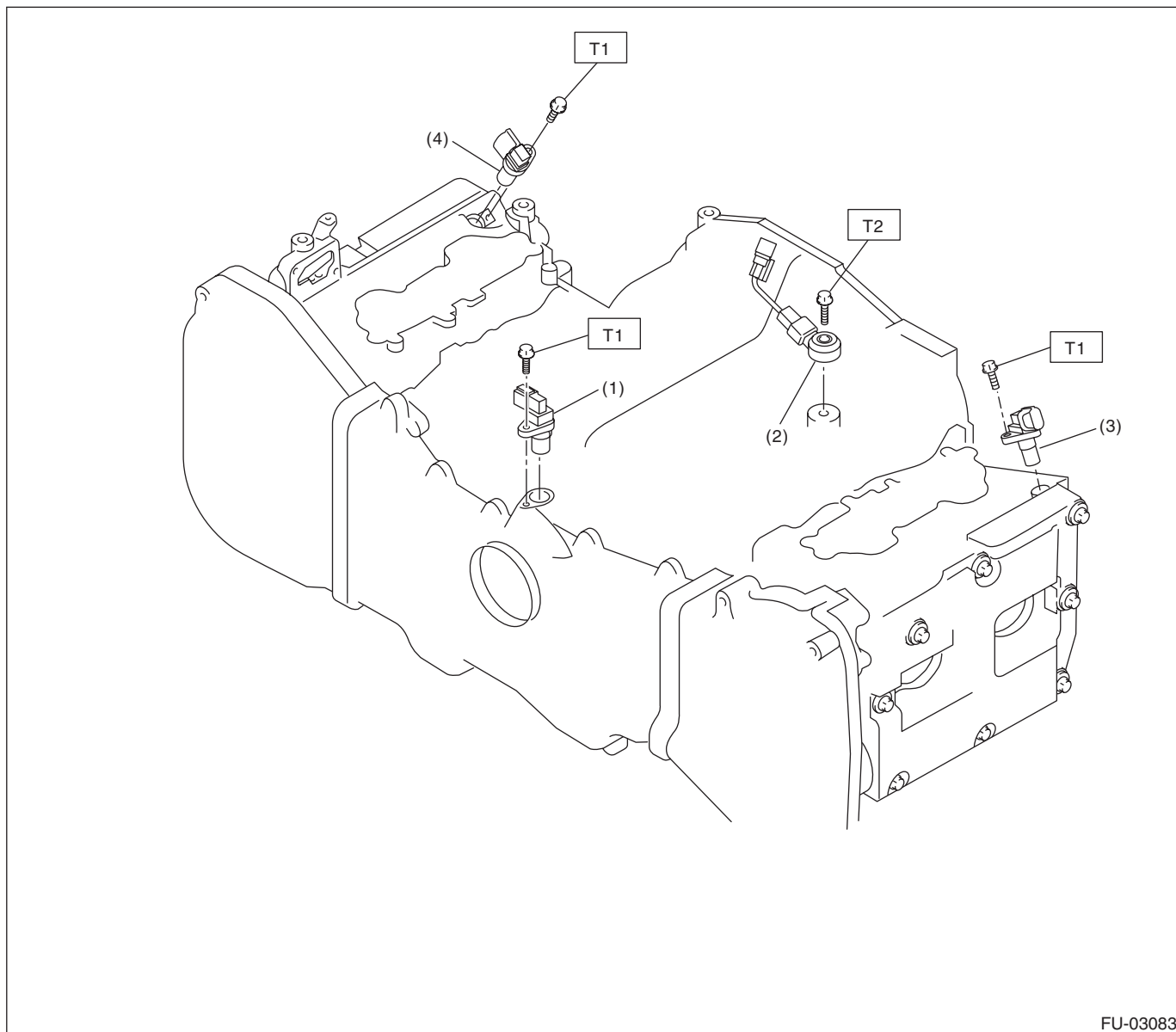
**T: 8 (0.8, 5.9)**

---

# General Description

FUEL INJECTION (FUEL SYSTEMS)

## 3. CRANKSHAFT POSITION, CAMSHAFT POSITION AND KNOCK SENSORS



FU-03083

- (1) Crankshaft position sensor
- (2) Knock sensor

- (3) Camshaft position sensor LH
- (4) Camshaft position sensor RH

**Tightening torque: N·m (kgf-m, ft-lb)**

**T1: 6.4 (0.7, 4.7)**

**T2: 24 (2.4, 17.7)**





# General Description

## FUEL INJECTION (FUEL SYSTEMS)

---

(1) Fuel tank	(11) Fuel sub level sensor	(21) Fuel tank protector LH
(2) Fuel tank band RH	(12) Fuel sub level sensor upper plate	(22) Clip
(3) Fuel tank band LH	(13) Fuel sub level sensor gasket	(23) Self-locking nut
(4) Delivery tube	(14) Fuel sub level sensor protector	
(5) Return tube	(15) Fuel sub level sensor filter	
(6) Jet pump tube	(16) Retainer	
(7) Fuel pump ASSY	(17) Stopper RH	
(8) Fuel pump upper plate	(18) Stopper LH	
(9) Fuel pump gasket	(19) Heat shield cover	
(10) Fuel level sensor	(20) Fuel tank protector RH	

---

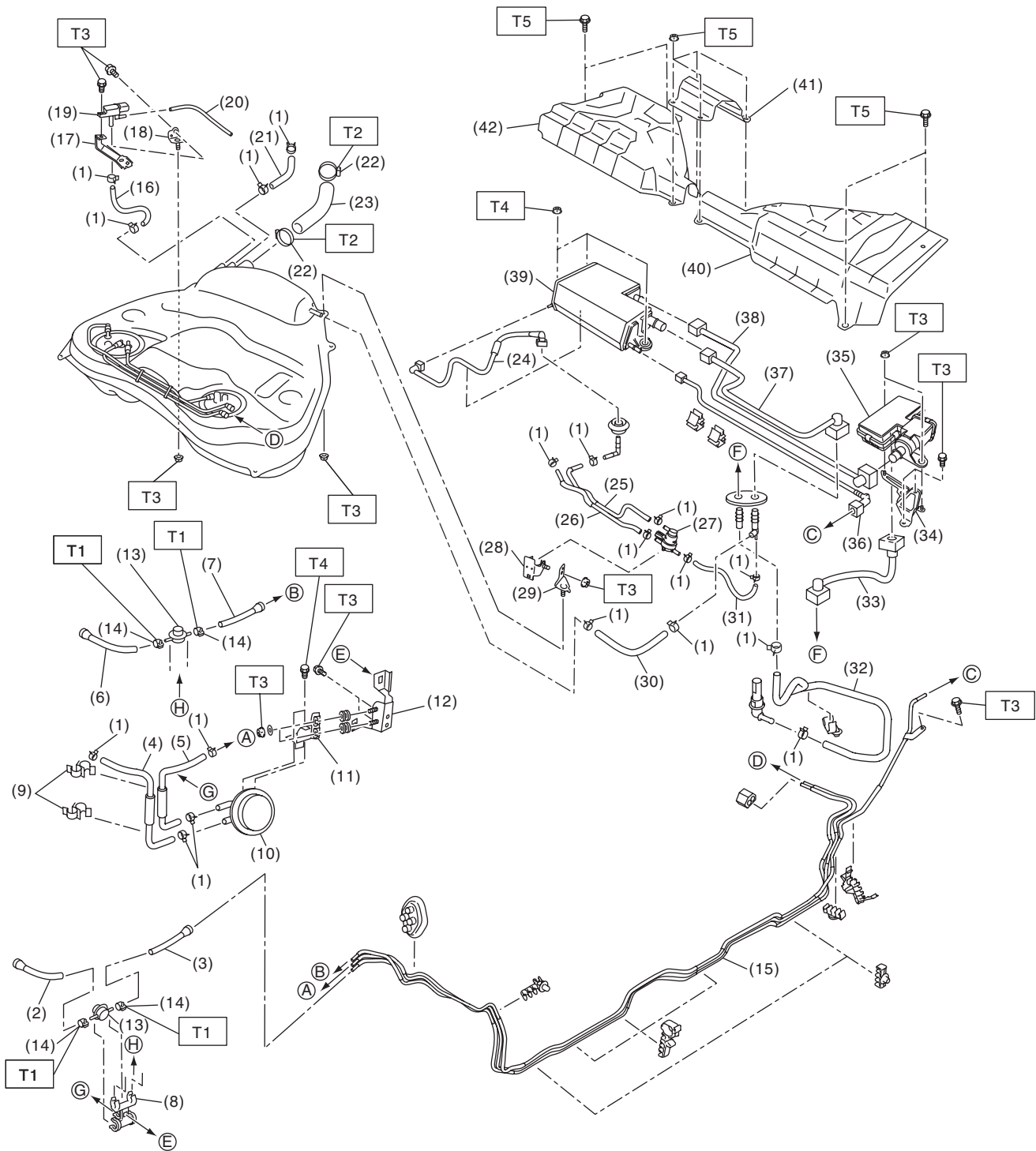
**Tightening torque:N·m (kgf-m, ft-lb)****T1: 4.4 (0.4, 3.2)****T2: 9 (0.9, 6.6)****T3: 18 (1.8, 13.3)****T4: 33 (3.4, 24.3)**

---

# General Description

## FUEL INJECTION (FUEL SYSTEMS)

### 5. FUEL LINE



FU-04298

# General Description

## FUEL INJECTION (FUEL SYSTEMS)

---

(1) Clip	(18) Fuel tank pressure sensor bracket B	(33) Drain tube A
(2) Fuel return hose A	(19) Fuel tank pressure sensor	(34) Drain valve bracket
(3) Fuel return hose B	(20) Vacuum hose	(35) Drain valve
(4) Evaporation hose A	(21) Evaporation hose C	(36) Purge tube
(5) Evaporation hose B	(22) Clamp	(37) Vent tube
(6) Fuel delivery hose A	(23) Fuel filler hose	(38) Drain tube B
(7) Fuel delivery hose B	(24) PCV drain tube	(39) Canister
(8) Fuel damper holder	(25) Evaporation hose D	(40) Canister cover LH
(9) Clamp	(26) Evaporation hose E	(41) Center canister cover
(10) Purge damper	(27) Pressure control solenoid valve	(42) Canister cover RH
(11) Purge damper bracket	(28) Pressure control solenoid valve bracket A	
(12) Damper bracket	(29) Pressure control solenoid valve bracket B	
(13) Fuel damper	(30) Evaporation hose F	
(14) Clamp	(31) Evaporation hose G	
(15) Fuel pipe ASSY	(32) Canister drain hose	
(16) Pressure hose		
(17) Fuel tank pressure sensor bracket A		

---

**Tightening torque:N·m (kgf-m, ft-lb)**

**T1: 1.25 (0.1, 0.9)**

**T2: 2.5 (0.3, 1.8)**

**T3: 7.5 (0.8, 5.5)**

**T4: 8 (0.8, 5.9)**

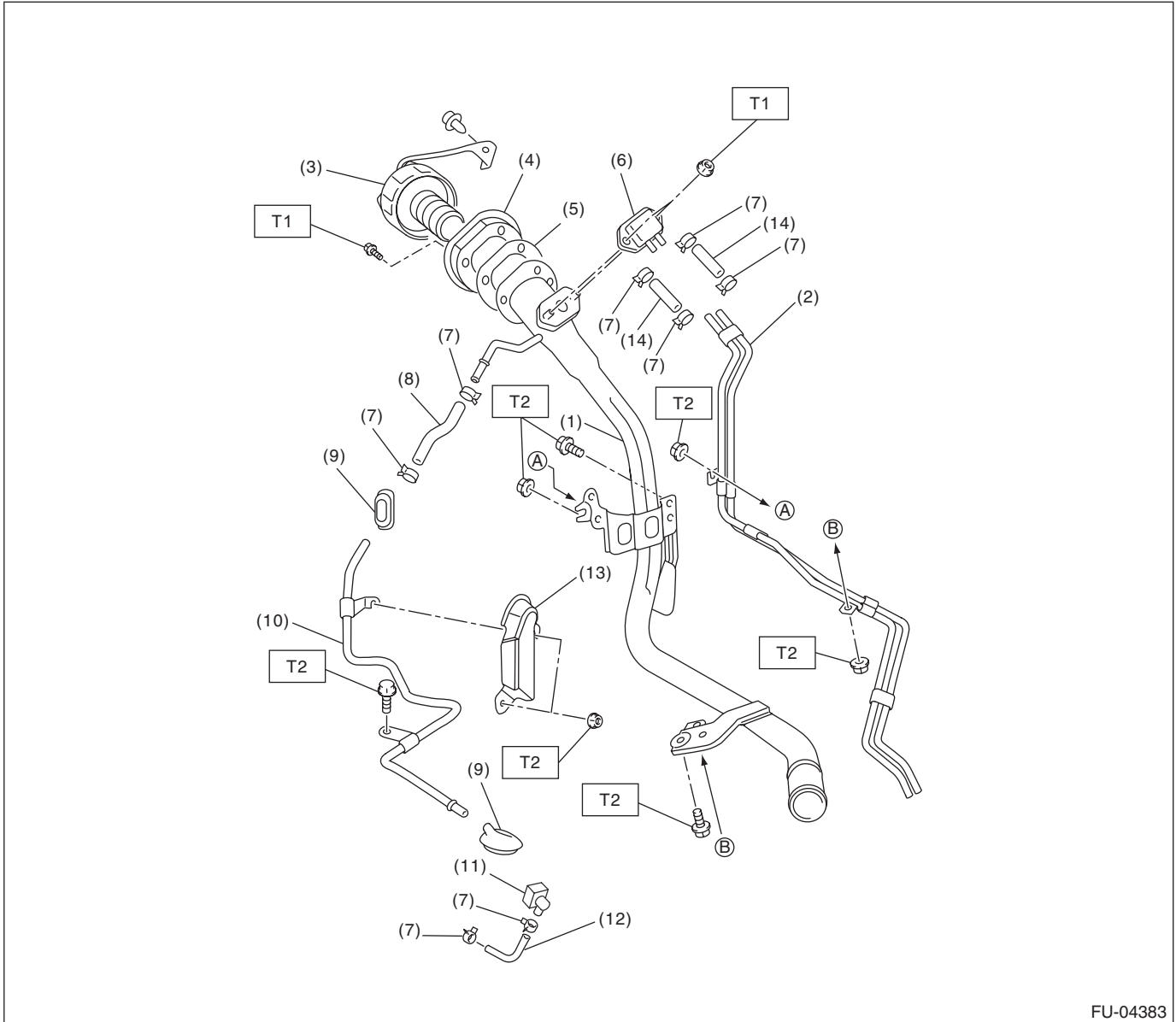
**T5: 18 (1.8, 13.3)**

---

# General Description

## FUEL INJECTION (FUEL SYSTEMS)

### 6. FUEL FILLER PIPE



FU-04383

- (1) Fuel filler pipe ASSY
- (2) Evaporation pipe A
- (3) Fuel filler cap
- (4) Filler ring
- (5) Filler pipe gasket
- (6) Shut valve

- (7) Clip
- (8) Evaporation hose A
- (9) Grommet
- (10) Evaporation pipe B
- (11) Quick connector
- (12) Evaporation hose B

- (13) Evaporation pipe protector
- (14) Evaporation hose C

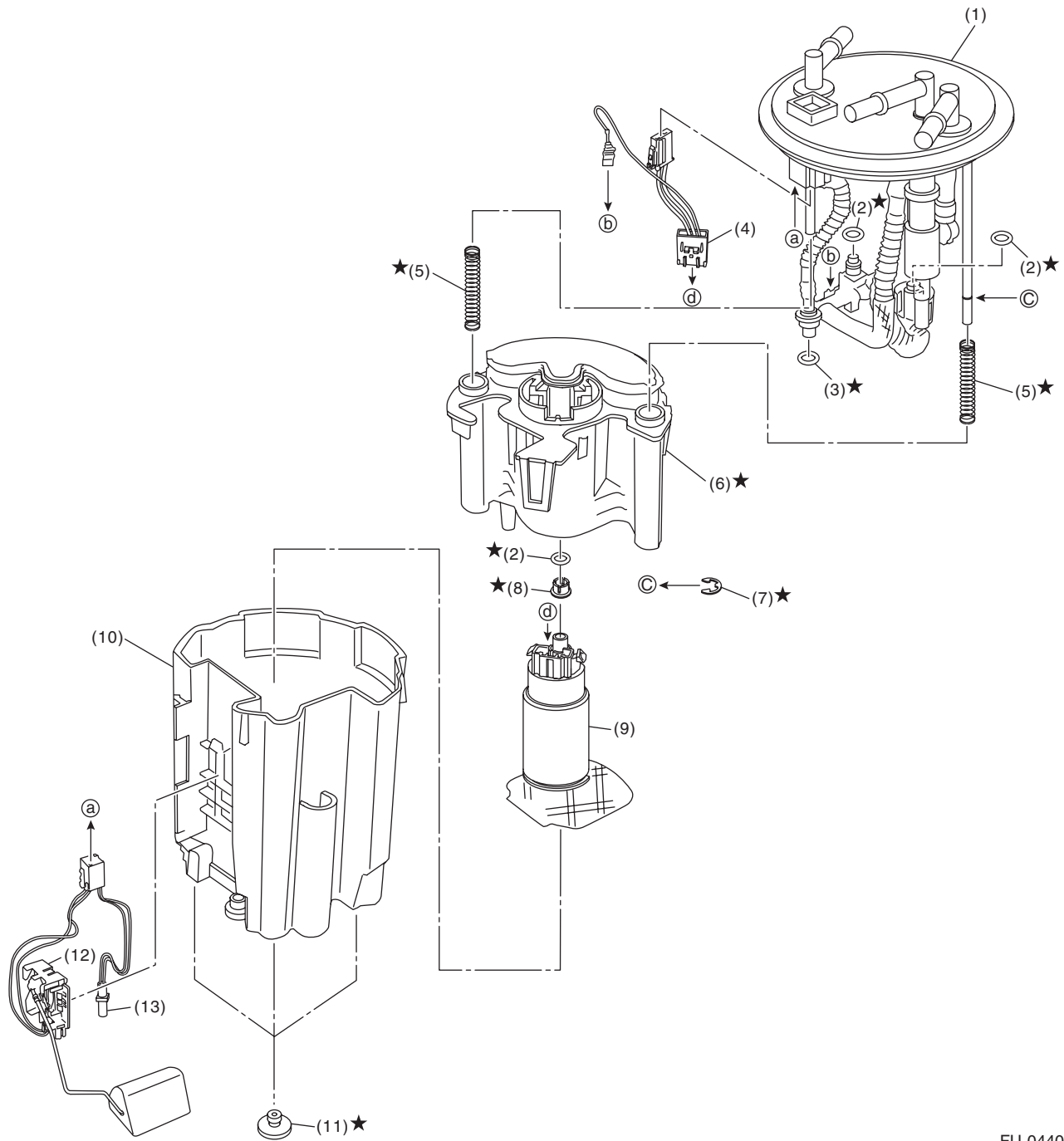
**Tightening torque: N·m (kgf·m, ft·lb)**

**T1: 4.4 (0.4, 3.2)**

**T2: 7.5 (0.8, 5.5)**

# General Description

## 7. FUEL PUMP



FU-04407

- |                           |                 |                              |
|---------------------------|-----------------|------------------------------|
| (1) Sub tank bracket ASSY | (6) Fuel filter | (10) Sub tank                |
| (2) O-ring                | (7) Clip        | (11) Cushion                 |
| (3) O-ring                | (8) Spacer      | (12) Fuel level sensor       |
| (4) Fuel pump harness     | (9) Pump ASSY   | (13) Fuel temperature sensor |
| (5) Spring                |                 |                              |

## General Description

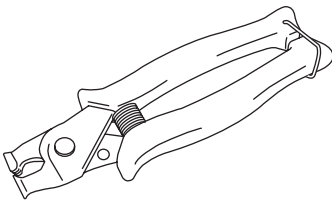
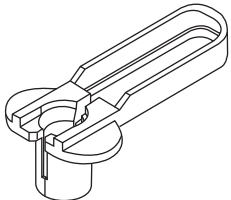
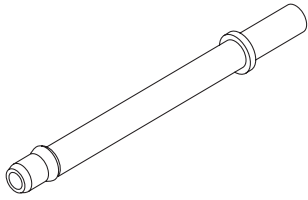
### FUEL INJECTION (FUEL SYSTEMS)

#### C: CAUTION

- Wear appropriate work clothing, including a cap, protective goggles and protective shoes when performing any work.
- Remove contamination including dirt and corrosion before removal, installation or disassembly.
- Keep the disassembled parts in order and protect them from dust and dirt.
- Before removal, installation or disassembly, be sure to clarify the failure. Avoid unnecessary removal, installation, disassembly and replacement.
- Vehicle components are extremely hot after driving. Be wary of receiving burns from heated parts.
- Be sure to tighten fasteners including bolts and nuts to the specified torque.
- Place shop jacks or rigid racks at the specified points.
- Before disconnecting connectors of sensors or units, be sure to disconnect the ground cable from the battery.
- Place “NO OPEN FLAMES” signs near the working area.
- Prepare a container and cloth to prevent scattering of fuels when performing work where fuels can be spilled. If the fuel spills, wipe it off immediately to prevent from penetrating into floor or flowing out for environmental protection.
- Follow all government and local regulations concerning disposal of refuse when disposing fuel.

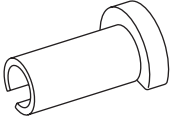
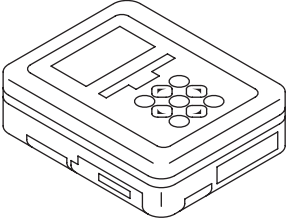
#### D: PREPARATION TOOL

##### 1. SPECIAL TOOL

ILLUSTRATION	TOOL NUMBER	DESCRIPTION	REMARKS
 ST18353AA000	18353AA000	CLAMP PLIERS	<ul style="list-style-type: none"> <li>• Used for removing and installing the PCV hose.</li> <li>• This tool is made by the French company CAILLAU. (code) 54.0.000.205 To make it easier to obtain, it has been provided with a tool number.</li> </ul>
 ST18371AA000	18371AA000	CONNECTOR REMOVER	Used for disconnecting the quick connector on the fuel return hose of the engine compartment.
 ST18471AA000	18471AA000	FUEL PIPE ADAPTER	Used for draining fuel.

# General Description

## FUEL INJECTION (FUEL SYSTEMS)

ILLUSTRATION	TOOL NUMBER	DESCRIPTION	REMARKS
 <p>ST42099AE000</p>	42099AE000	QUICK CONNECTOR RELEASE	Used for disconnecting quick connector on the fuel delivery hose side of the engine compartment.
 <p>ST1B022XU0</p>	1B022XU0	SUBARU SELECT MONITOR III KIT	Used for draining fuel and each inspection.

### 2. GENERAL TOOL

TOOL NAME	REMARKS
Circuit tester	Used for measuring resistance and voltage.
Oscilloscope	Used for inspecting the waveform of each sensor.



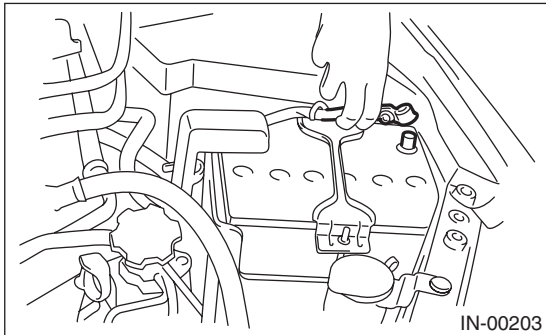
# Throttle Body

## FUEL INJECTION (FUEL SYSTEMS)

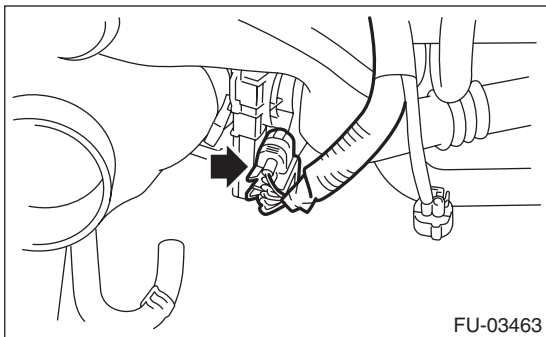
### 2. Throttle Body

#### A: REMOVAL

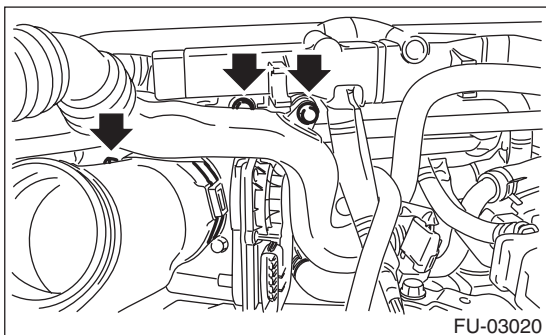
- 1) Set the vehicle on a lift.
- 2) Disconnect the ground cable from battery.



- 3) Lift up the vehicle.
- 4) Remove the under cover.
- 5) Drain approximately 3.0 ℓ (3.2 US qt, 2.6 Imp qt) of coolant. <Ref. to CO(H4DOTC)-14, DRAINING OF ENGINE COOLANT, REPLACEMENT, Engine Coolant.>
- 6) Remove the intercooler. <Ref. to IN(H4DOTC)-13, REMOVAL, Intercooler.>
- 7) Disconnect the connectors from the throttle position sensor.

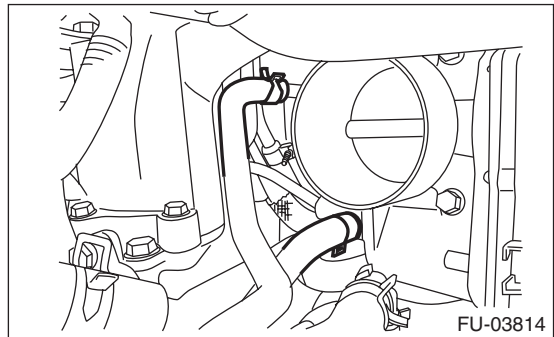


- 8) Remove the bolts which secure the air by-pass pipe and PCV pipe to the intake manifold, and loosen the clamp which connects the throttle body and duct.

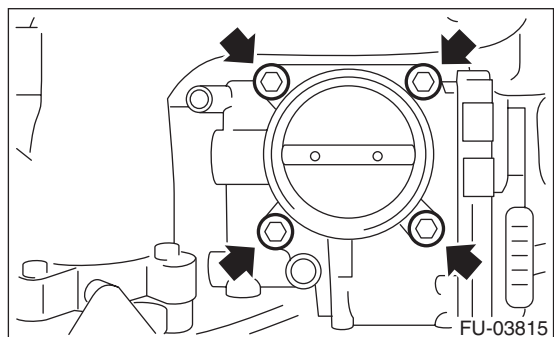


- 9) Remove the duct from the throttle body.

- 10) Disconnect the engine coolant hose from throttle body.



- 11) Remove the bolts which secure the throttle body to the intake manifold and remove the throttle body.



# Throttle Body

FUEL INJECTION (FUEL SYSTEMS)

## B: INSTALLATION

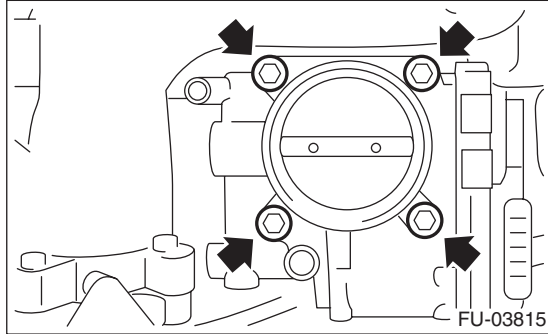
Install in the reverse order of removal.

NOTE:

Use new O-rings.

**Tightening torque:**

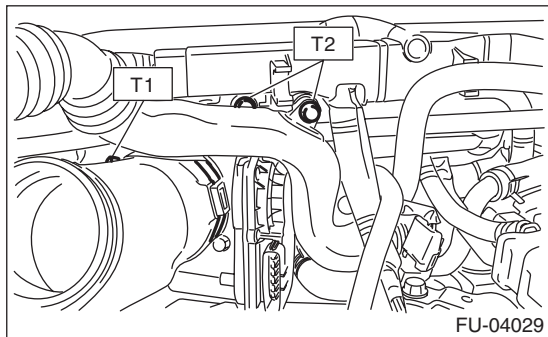
**8 N·m (0.8 kgf-m, 5.9 ft-lb)**



**Tightening torque:**

**T1: 3 N·m (0.3 kgf-m, 2.2 ft-lb)**

**T2: 6.4 N·m (0.7 kgf-m, 4.7 ft-lb)**



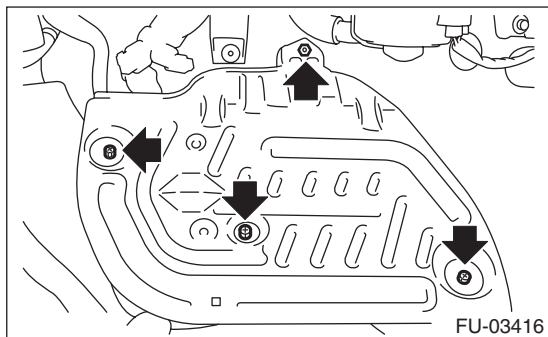
## C: INSPECTION

### 1. THROTTLE SENSOR (METHOD WITH CIRCUIT TESTER)

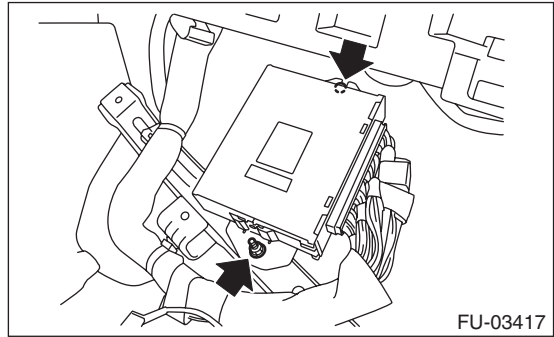
1) Remove the lower inner trim of passenger's side. <Ref. to EI-55, REMOVAL, Lower Inner Trim.>

2) Turn over the floor mat of passenger's seat.

3) Remove the protect cover.

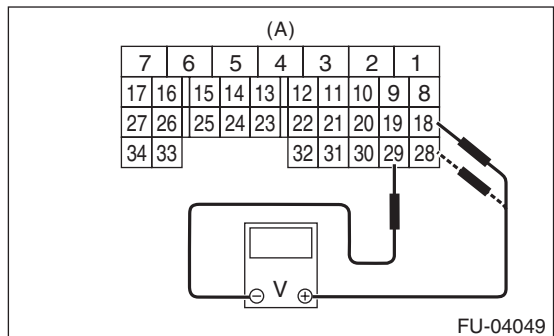


4) Remove the nuts and bolts which hold the ECM to the bracket.



5) Turn the ignition switch to ON. (engine OFF)

6) Measure the voltage between ECM connector terminals.



(A) To ECM connector

Throttle sensor	Accelerator pedal	Terminal No.	Standard
Main	Not depressed (Full closed)	18 (+) and 29 (-)	Approx. 0.6 V
	Depressed (Full opened)		Approx. 3.96 V
Sub	Not depressed (Full closed)	28 (+) and 29 (-)	Approx. 1.48 V
	Depressed (Full opened)		Approx. 4.17 V

### 2. THROTTLE SENSOR (METHOD WITH SUBARU SELECT MONITOR)

1) Turn the ignition switch to ON. (engine OFF)

2) Read the throttle opening angle signal and voltage of throttle sensor using Subaru Select Monitor. <Ref. to EN(H4DOTC)(diag)-35, READ CURRENT DATA FOR ENGINE (NORMAL MODE), OPERATION, Subaru Select Monitor.>

Throttle sensor	Throttle opening angle signal	Standard
Main	0.0 %	Approx. 0.6 V
	100.0 %	Approx. 3.96 V
Sub	0.0 %	Approx. 1.48 V
	100.0 %	Approx. 4.17 V

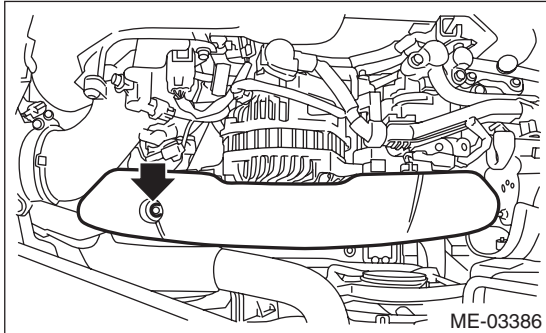
# Intake Manifold

## FUEL INJECTION (FUEL SYSTEMS)

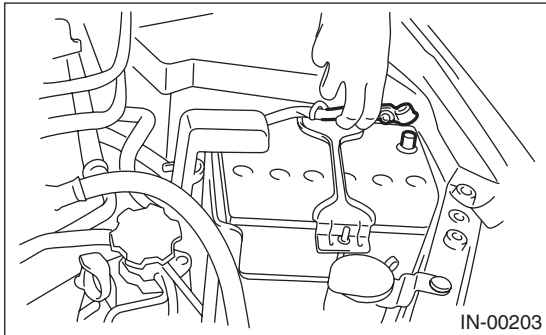
### 3. Intake Manifold

#### A: REMOVAL

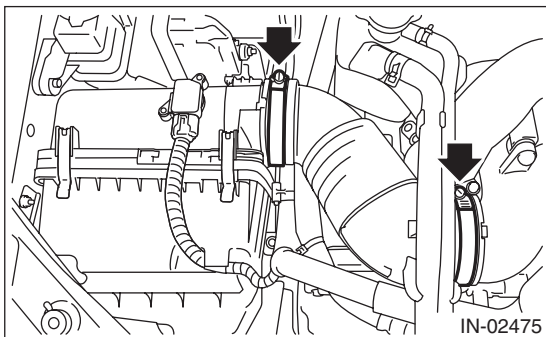
- 1) Set the vehicle on a lift.
- 2) Remove the V-belt covers.



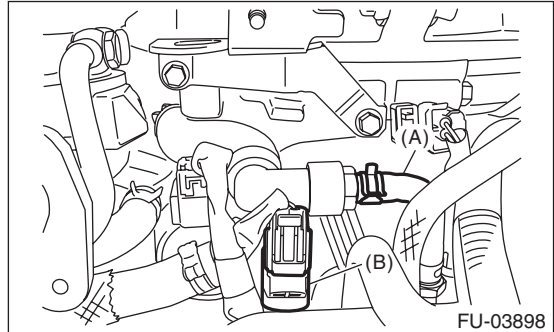
- 3) Collect the refrigerant from A/C system. <Ref. to AC-21, PROCEDURE, Refrigerant Recovery Procedure.>
- 4) Release the fuel pressure. <Ref. to FU(H4DOTC)-60, RELEASING OF FUEL PRESSURE, PROCEDURE, Fuel.>
- 5) Disconnect the ground cable from battery.



- 6) Open the fuel filler lid and remove the fuel filler cap.
- 7) Lift up the vehicle.
- 8) Remove the under cover.
- 9) Drain approximately 3.0 ℓ (3.2 US qt, 2.6 Imp qt) of coolant. <Ref. to CO(H4DOTC)-14, DRAINING OF ENGINE COOLANT, REPLACEMENT, Engine Coolant.>
- 10) Remove the air intake duct. <Ref. to IN(H4DOTC)-11, REMOVAL, Air Intake Duct.>
- 11) Remove the air intake boot.



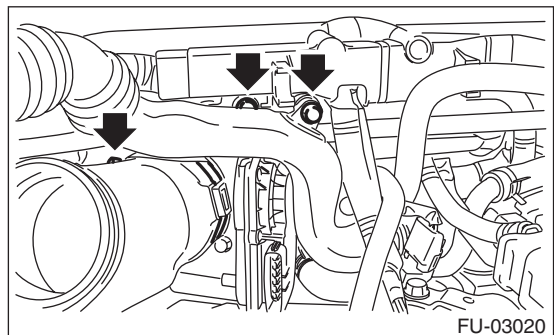
- 12) Remove the intercooler. <Ref. to IN(H4DOTC)-13, REMOVAL, Intercooler.>
- 13) Remove the generator. <Ref. to SC(H4SO)-16, REMOVAL, Generator.>
- 14) Remove the coolant filler tank. <Ref. to CO(H4DOTC)-30, REMOVAL, Coolant Filler Tank.>
- 15) Disconnect the A/C pressure hoses from A/C compressor. <Ref. to AC-38, REMOVAL, Hose and Pipe.>
- 16) Disconnect the vacuum hose (A) and the connector (B) from the PCV hose assembly.



- 17) Remove the connector from the PCV hose assembly.



- 18) Remove the bolts which secure the air by-pass pipe and PCV pipe to the intake manifold, and loosen the clamp which connects the throttle body and duct.

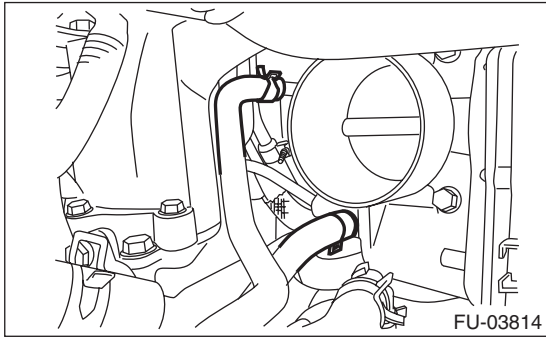


- 19) Remove the duct from the throttle body.

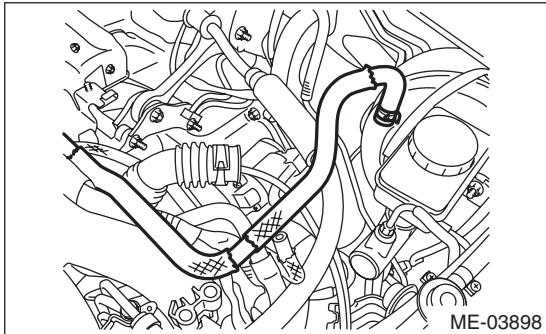
# Intake Manifold

## FUEL INJECTION (FUEL SYSTEMS)

20) Disconnect the engine coolant hose from throttle body.



21) Disconnect the brake booster vacuum hose.

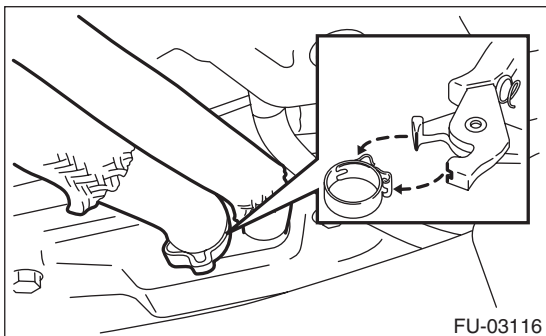


22) Disconnect the PCV hose from the rocker cover.

### NOTE:

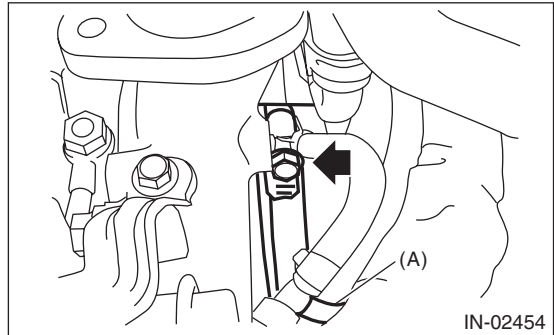
For the PCV hose affixed with the clamp, fit the depression in the ST with the protrusion of the clamp as shown in the figure below, unlock the clamp and disconnect.

ST 18353AA000 CLAMP PLIERS

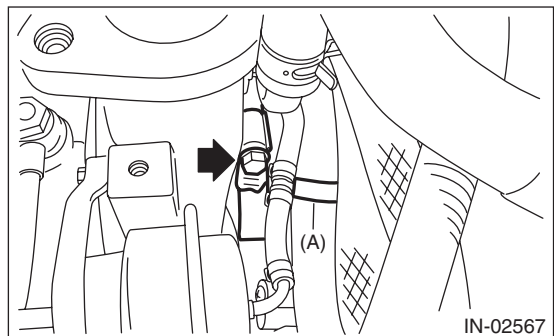


23) Disconnect the air control hose (A) from the wastegate actuator, and loosen the clamp that holds the turbocharger on the intake duct.

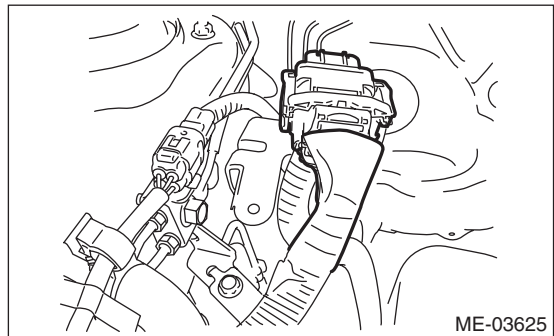
- Except for WRX-SS model



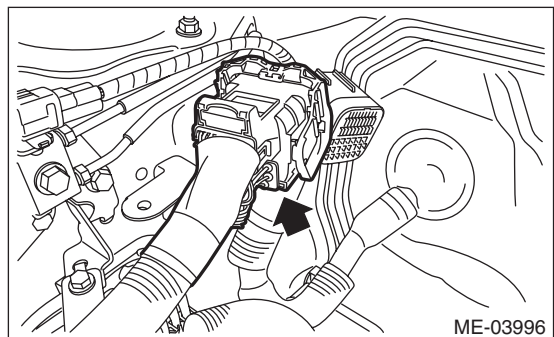
- WRX-SS model



24) Disconnect the bulkhead harness connectors from the engine harness connectors.



25) Remove the engine harness connector from the engine harness bracket.

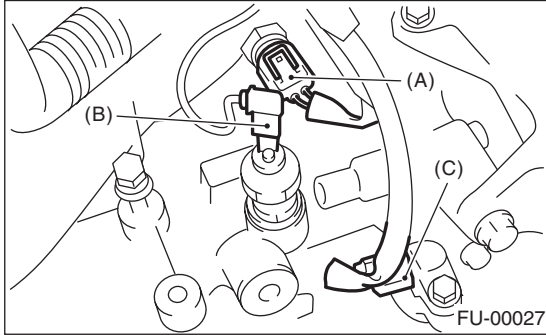




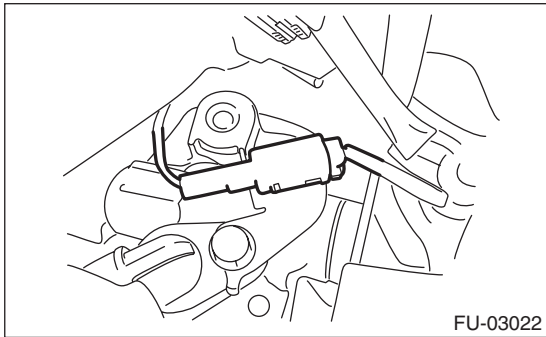
# Intake Manifold

## FUEL INJECTION (FUEL SYSTEMS)

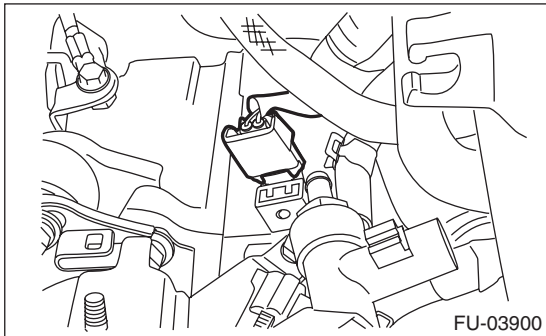
26) Disconnect the connectors from the engine coolant temperature sensor (A), oil pressure switch (B) and crankshaft position sensor (C).



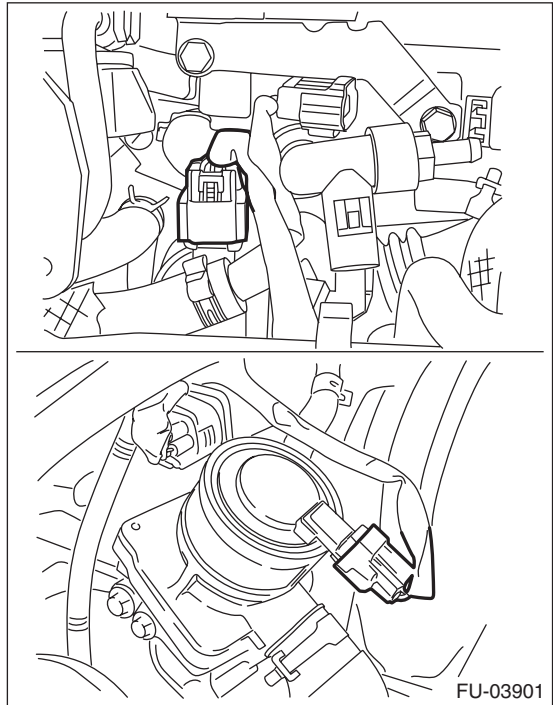
27) Disconnect the connector from power steering pump switch.



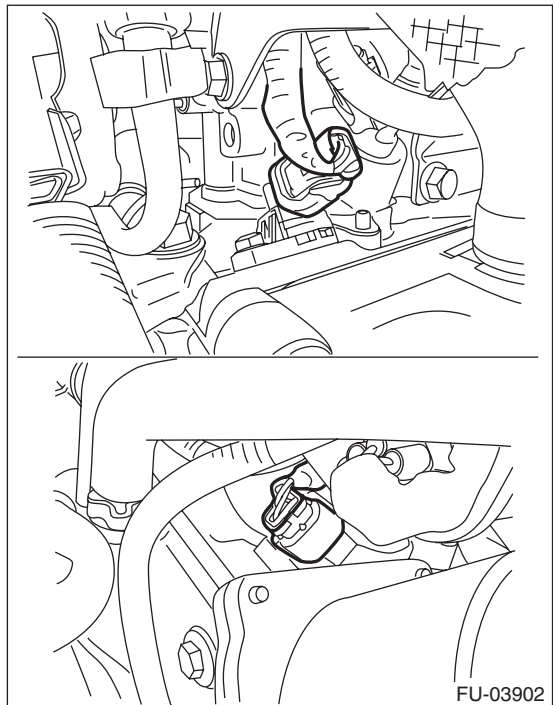
28) Disconnect the knock sensor connector.



29) Disconnect the connector from the secondary air combination valve.



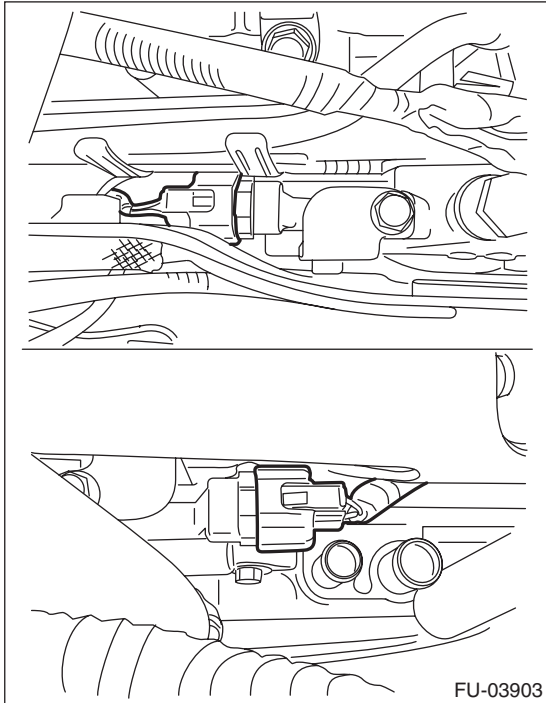
30) Disconnect the connector from camshaft position sensor.



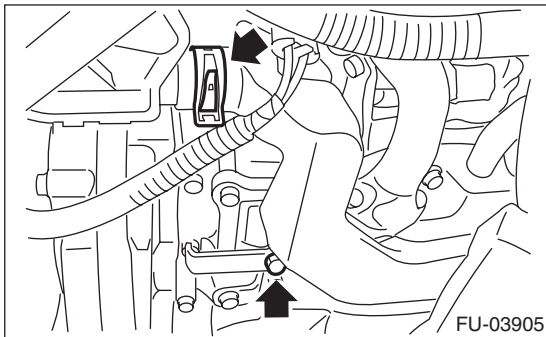
# Intake Manifold

## FUEL INJECTION (FUEL SYSTEMS)

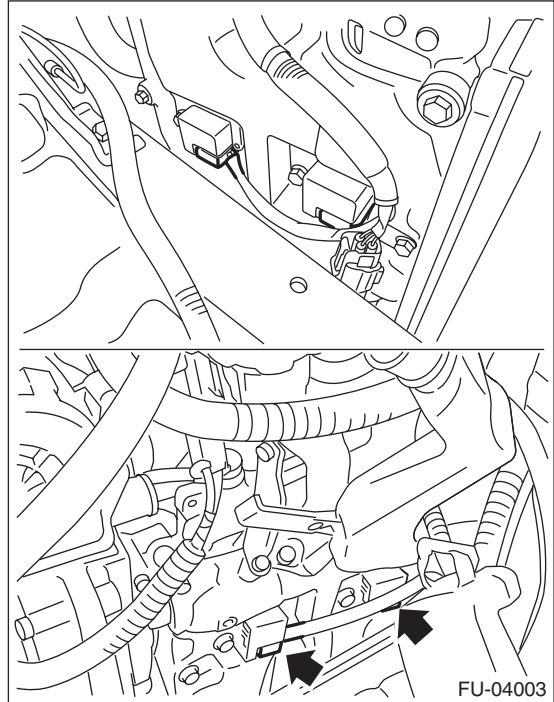
31) Disconnect the connector from the oil flow control solenoid valve.



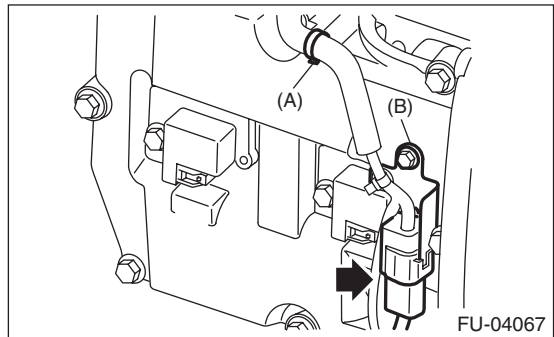
32) Disconnect the air duct from the secondary air pump, and remove the bolts securing the air duct on the rocker cover LH.



33) Disconnect the connector from ignition coil.



34) Disconnect the connector from the front oxygen (A/F) sensor, and remove the clip (A) and stay (B) which hold the engine harness to the rocker cover RH.



# Intake Manifold

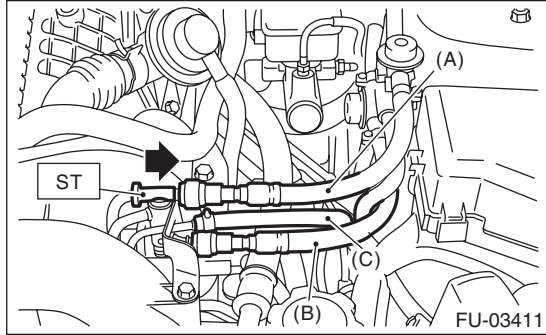
## FUEL INJECTION (FUEL SYSTEMS)

35) Attach ST to the fuel delivery pipe and push ST in the direction of arrow mark to disconnect the fuel delivery hose.

ST 42099AE000 QUICK CONNECTOR RELEASE

### CAUTION:

- Be careful not to spill fuel.
- Catch the fuel from hoses using a container or cloth.



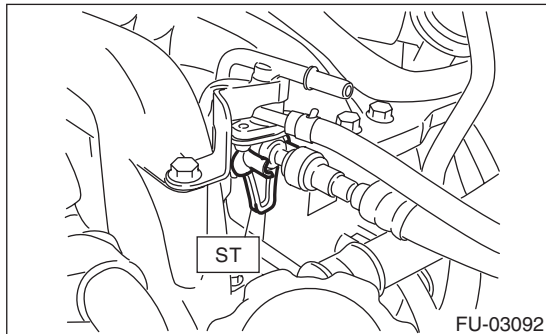
- (A) Fuel delivery hose
- (B) Fuel return hose
- (C) Evaporation hose

36) Disconnect the fuel return hose using the ST.  
ST 18371AA000 CONNECTOR REMOVER

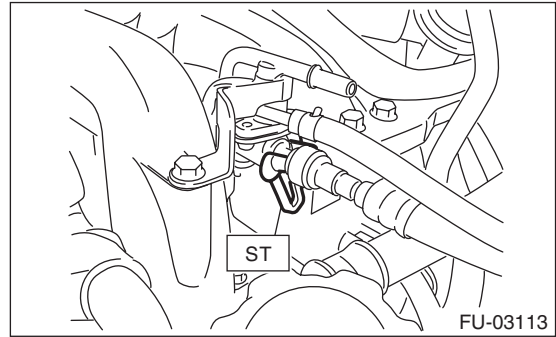
### CAUTION:

- Be careful not to spill fuel.
- Catch the fuel from hoses using a container or cloth.

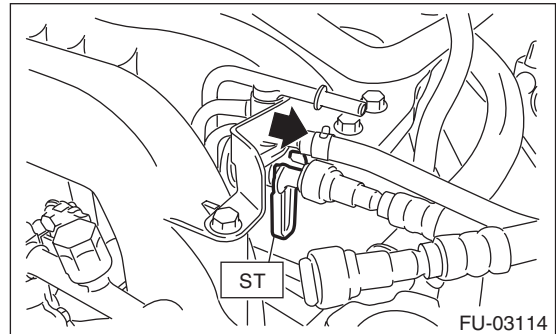
(1) Attach ST to the fuel return pipe as shown in the figure.



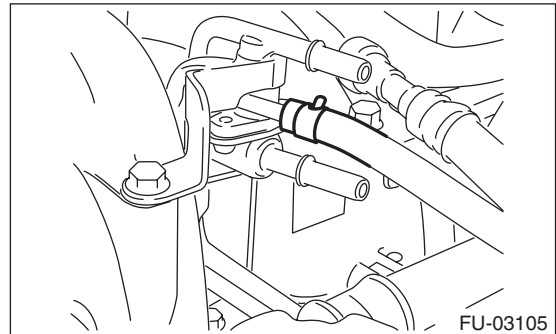
(2) Insert the front side of ST into the quick connector.



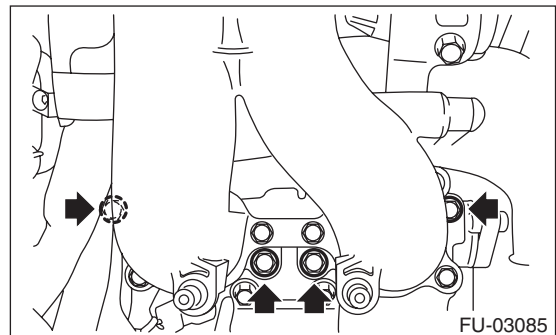
(3) Insert the back side of ST into the quick connector and push ST in the direction of arrow mark to disconnect the fuel return hose.



37) Remove the clip and disconnect the evaporation hose from the fuel pipe.



38) Remove the intake manifold from cylinder head.



## B: INSTALLATION

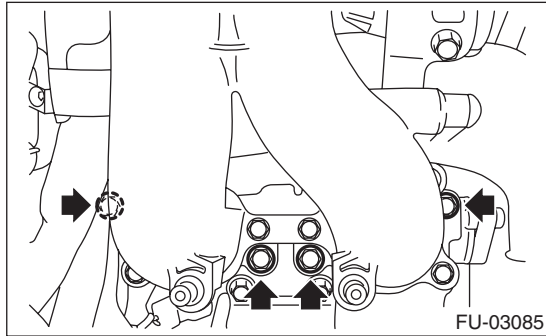
1) Install the intake manifold onto cylinder heads.

NOTE:

Use a new gasket.

**Tightening torque:**

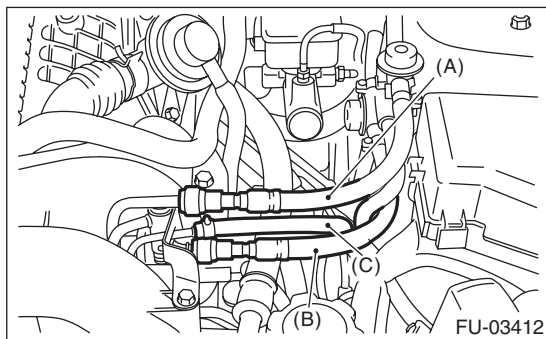
**25 N·m (2.5 kgf-m, 18.4 ft-lb)**



2) Connect the fuel delivery hose, fuel return hose, and evaporation hose.

NOTE:

If fuel hoses or clamps are damaged, replace them with new parts.



(A) Fuel delivery hose

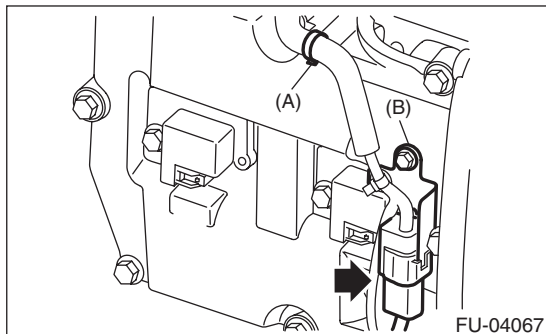
(B) Fuel return hose

(C) Evaporation hose

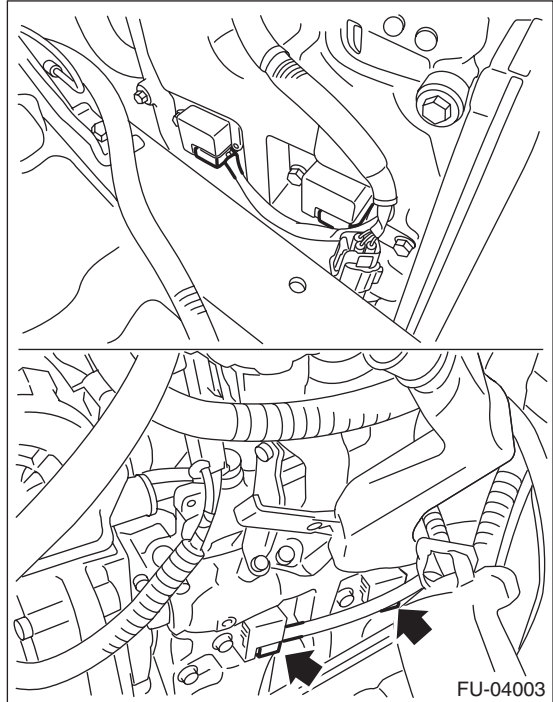
3) Connect the front oxygen (A/F) sensor connector, and secure the engine harness to the rocker cover RH with clip (A) and stay (B).

**Tightening torque:**

**6.4 N·m (0.7 kgf-m, 4.7 ft-lb)**



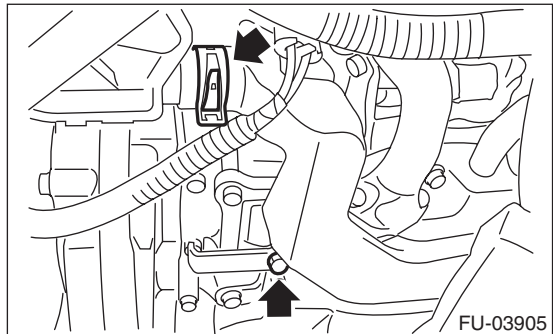
4) Connect the connector to the ignition coil.



5) Connect the air duct to the secondary air pump, and install the air duct on the rocker cover LH.

**Tightening torque:**

**9 N·m (0.9 kgf-m, 6.6 ft-lb)**

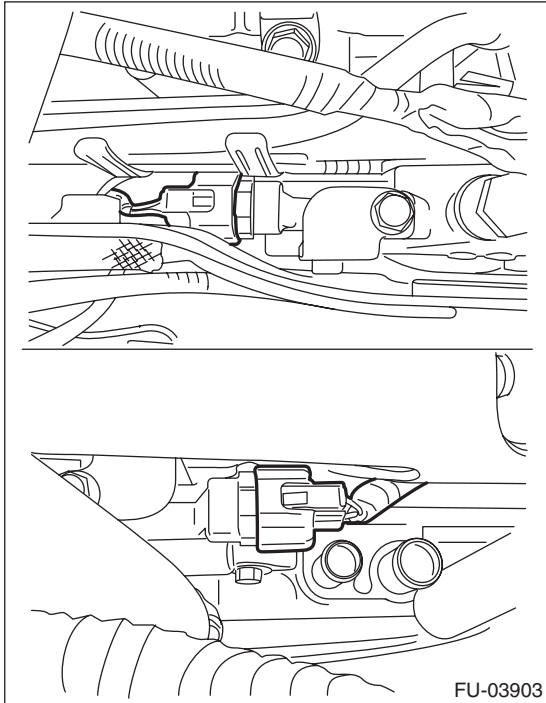




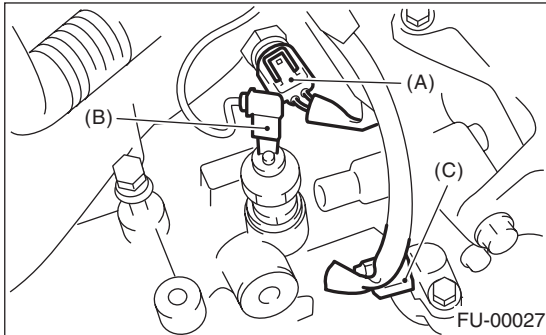
# Intake Manifold

## FUEL INJECTION (FUEL SYSTEMS)

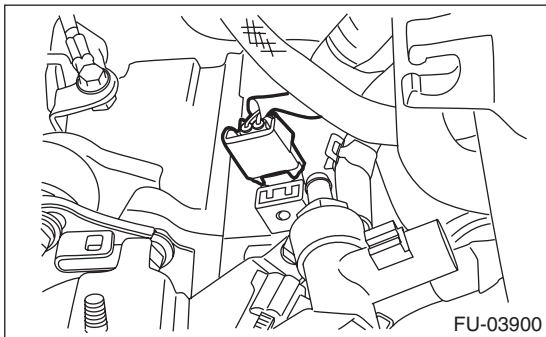
6) Connect the connector to oil flow control solenoid valve.



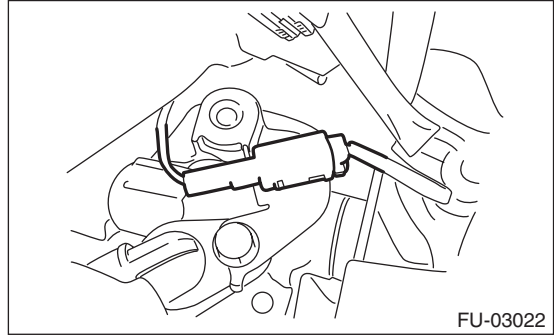
7) Connect the connector to the engine coolant temperature sensor (A), oil pressure switch (B) and crankshaft position sensor (C).



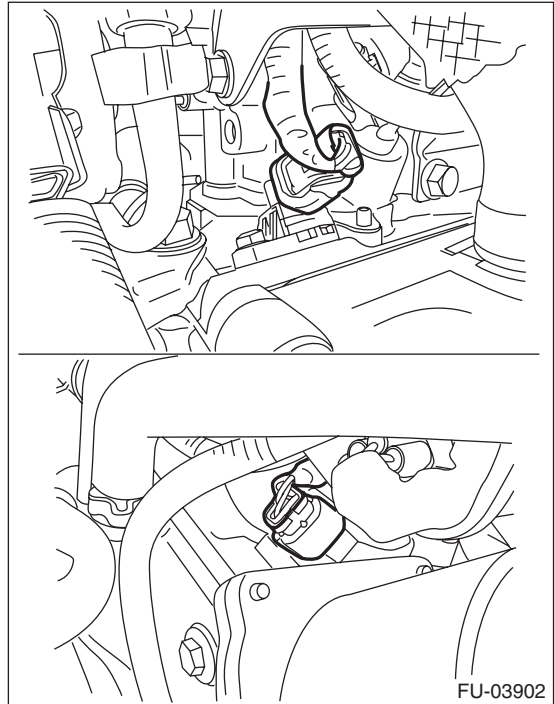
8) Connect the connector to the knock sensor.



9) Connect the connector to the power steering pump switch.



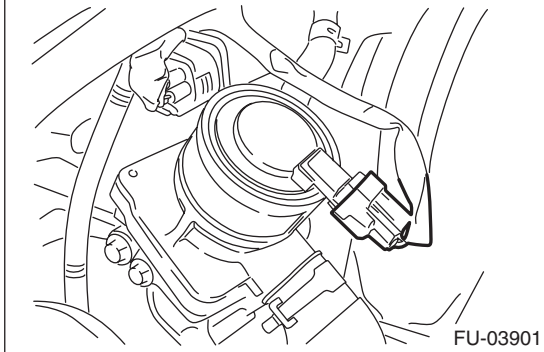
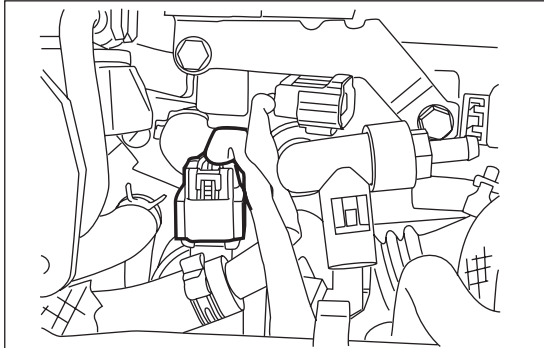
10) Connect the connectors to camshaft position sensor.



# Intake Manifold

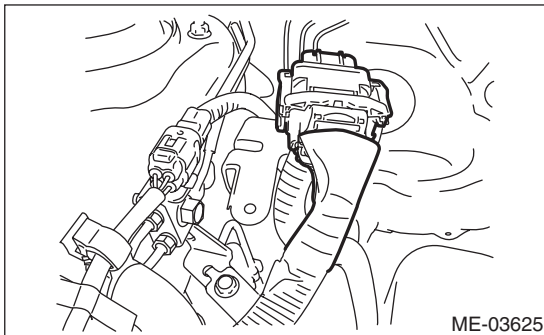
FUEL INJECTION (FUEL SYSTEMS)

11) Connect the connector to the secondary air combination valve.



FU-03901

12) Install the engine harness connector to engine harness bracket, then connect the bulkhead harness connector to the engine harness connector.



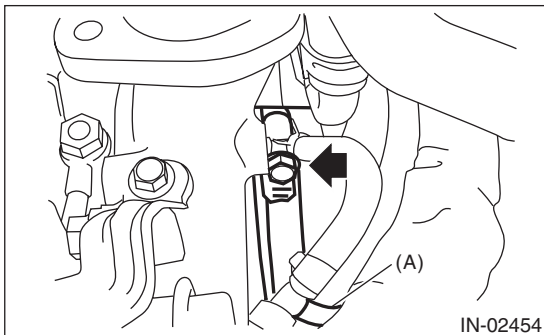
ME-03625

13) Connect the air control hose (A) to the wastegate actuator, and install the turbocharger to the intake duct.

### Tightening torque:

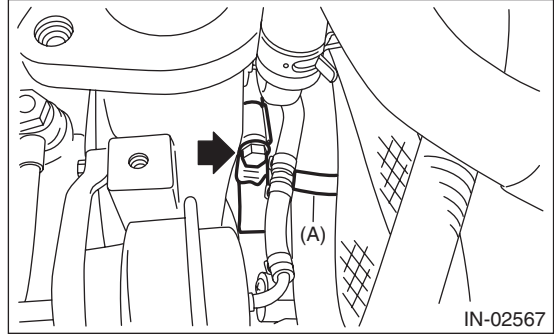
**3 N·m (0.3 kgf·m, 2.2 ft·lb)**

- Except for WRX-SS model



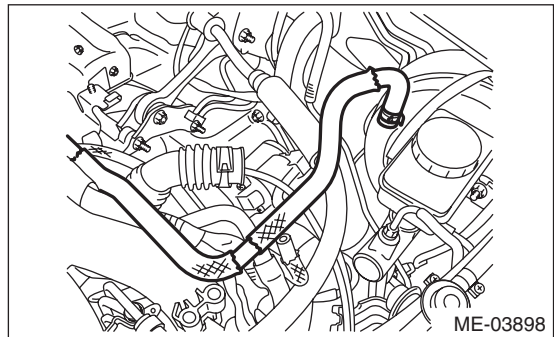
IN-02454

- WRX-SS model



IN-02567

14) Connect the brake booster vacuum hose.



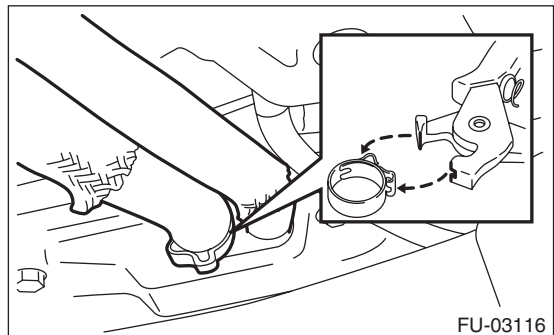
ME-03898

15) Connect the PCV hose to the rocker cover.

### NOTE:

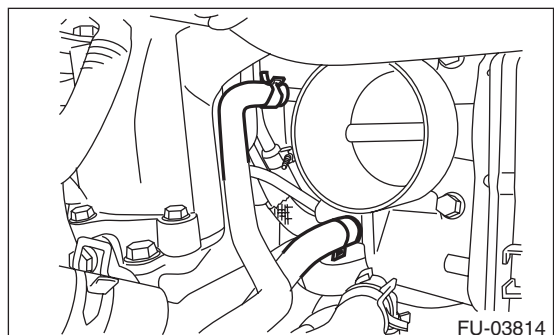
Use a new clamp for the PCV hose clamp, fit the cut out in the ST with the protrusion on the clamp as shown in the figure, and lock the clamp.

ST 18353AA000 CLAMP PLIERS



FU-03116

16) Connect the engine coolant hoses to throttle body.



FU-03814

# Intake Manifold

## FUEL INJECTION (FUEL SYSTEMS)

17) Install the duct to the throttle body.

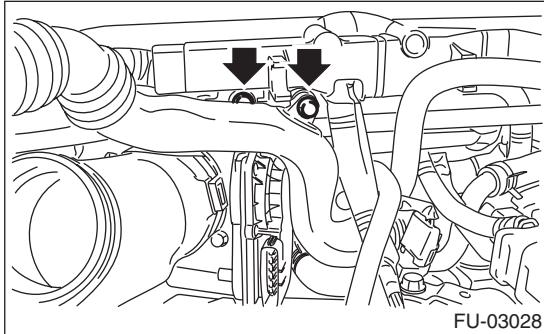
**Tightening torque:**

**3 N-m (0.3 kgf-m, 2.2 ft-lb)**

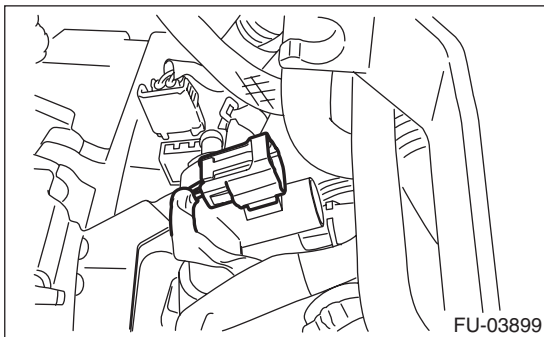
18) Attach the bolts which secure the air by-pass pipe and PCV pipe to the intake manifold.

**Tightening torque:**

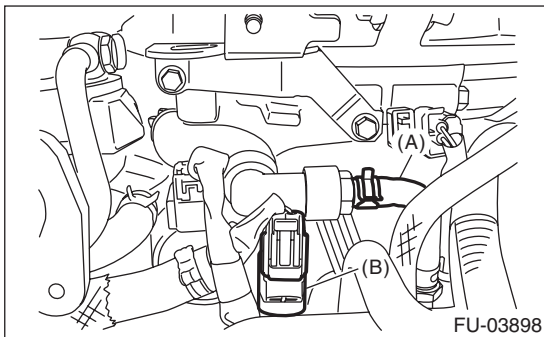
**6.4 N-m (0.7 kgf-m, 4.7 ft-lb)**



19) Attach the connector to the PCV hose assembly.



20) Connect the vacuum hose (A) and the connector (B) to the PCV hose assembly.



21) Install the A/C pressure hoses to A/C compressor. <Ref. to AC-38, INSTALLATION, Hose and Pipe.>

22) Install the coolant filler tank. <Ref. to CO(H4DOTC)-30, INSTALLATION, Coolant Filler Tank.>

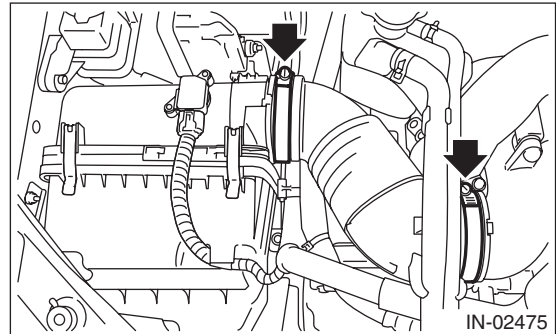
23) Install the generator. <Ref. to SC(H4SO)-16, INSTALLATION, Generator.>

24) Install the intercooler. <Ref. to IN(H4DOTC)-13, INSTALLATION, Intercooler.>

25) Install the air intake boot.

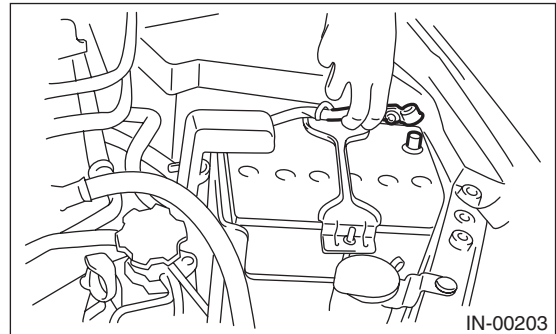
**Tightening torque:**

**2.5 N-m (0.3 kgf-m, 1.8 ft-lb)**



26) Install the air intake duct. <Ref. to IN(H4DOTC)-11, INSTALLATION, Air Intake Duct.>

27) Connect the ground cable to battery.



28) Lift up the vehicle.

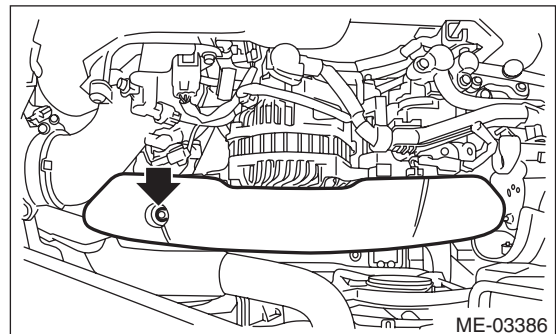
29) Install the under cover.

30) Lower the vehicle.

31) Install the V-belt cover.

**Tightening torque:**

**13 N-m (1.3 kgf-m, 9.6 ft-lb)**

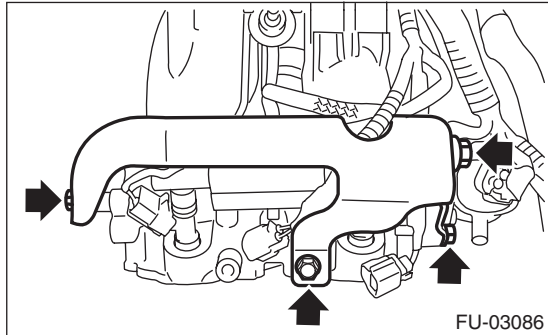


32) Fill engine coolant. <Ref. to CO(H4DOTC)-14, FILLING OF ENGINE COOLANT, REPLACEMENT, Engine Coolant.>

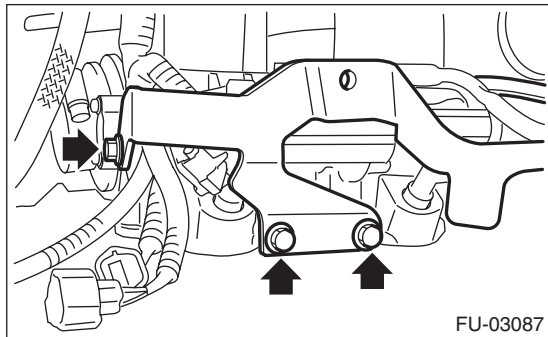
33) Charge the A/C system with refrigerant. <Ref. to AC-22, PROCEDURE, Refrigerant Charging Procedure.>

## C: DISASSEMBLY

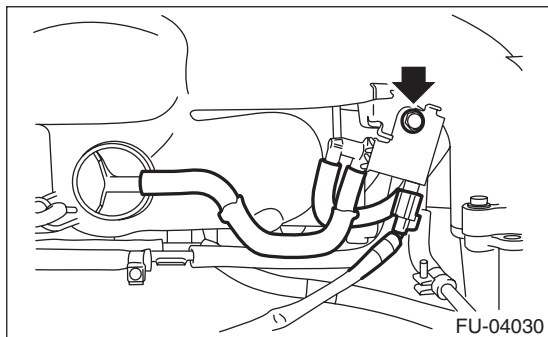
1) Remove the engine ground terminal from the fuel pipe protector LH and remove the fuel pipe protector LH from the intake manifold.



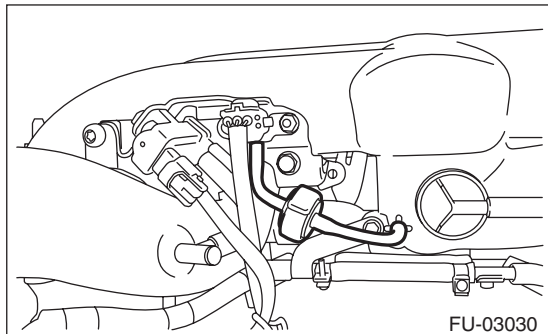
2) Remove the fuel pipe protector RH from the intake manifold.



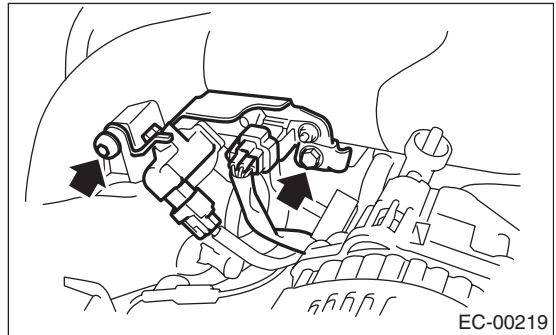
3) Disconnect the evaporation hose and the connector from the purge control solenoid valve 1, and remove the purge control solenoid valve 1 from the intake manifold.



4) Disconnect the filter assembly.

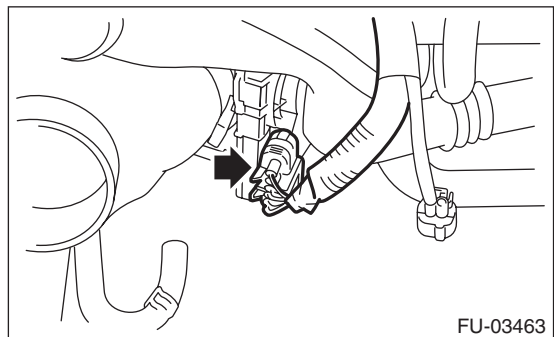


5) Remove the solenoid valve bracket assembly from the intake manifold, and disconnect the connector from the wastegate control solenoid valve, manifold absolute pressure sensor and purge control solenoid valve 2.

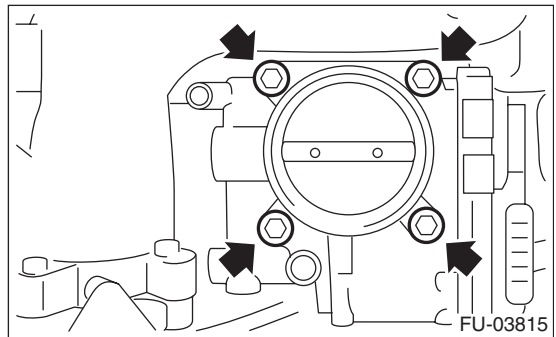


6) Disconnect the evaporation hose of the purge control solenoid valve 2 from the intake duct and fuel pipe assembly.

7) Disconnect the connectors from the throttle position sensor.



8) Remove the throttle body from the intake manifold.

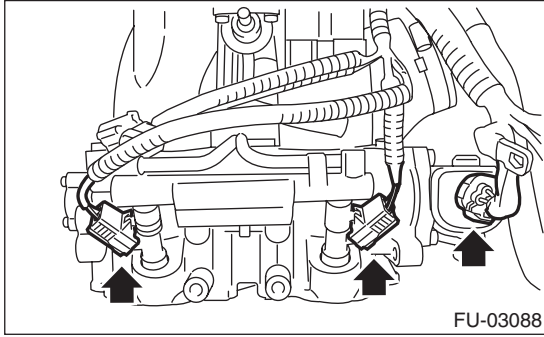




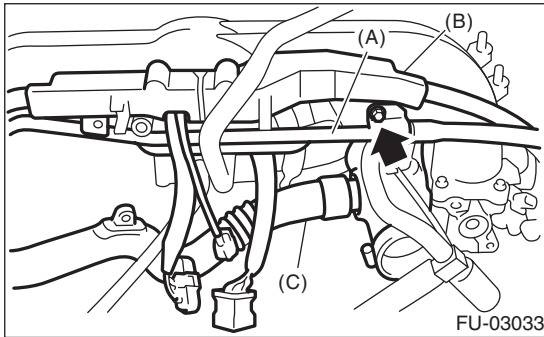
# Intake Manifold

## FUEL INJECTION (FUEL SYSTEMS)

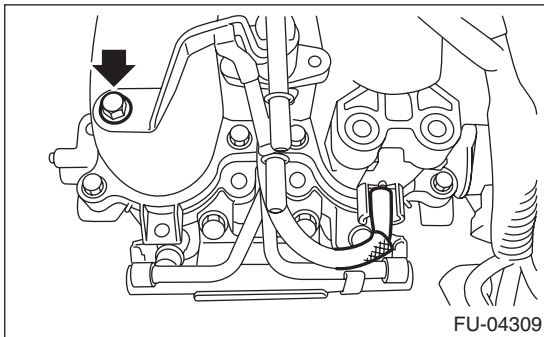
9) Disconnect the connector from the fuel injector and tumble generator valve assembly.



10) Remove the PCV pipe (A), harness assembly (B) and intake duct (C) from the intake manifold.

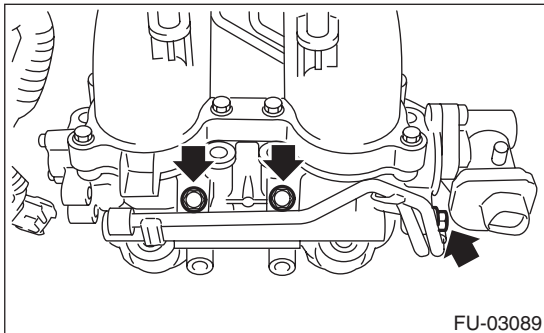


11) Remove the bolt which secures the fuel injector pipe LH onto the intake manifold, and disconnect the pressure regulator vacuum hose from the intake manifold.

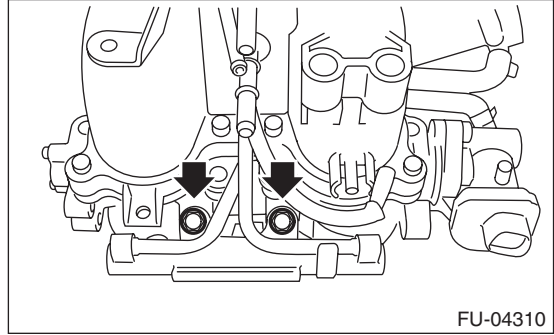


12) Remove the bolts which hold fuel injector pipe onto intake manifold.

- RH side

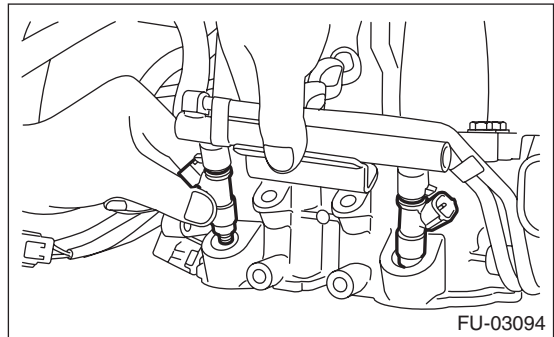


- LH side

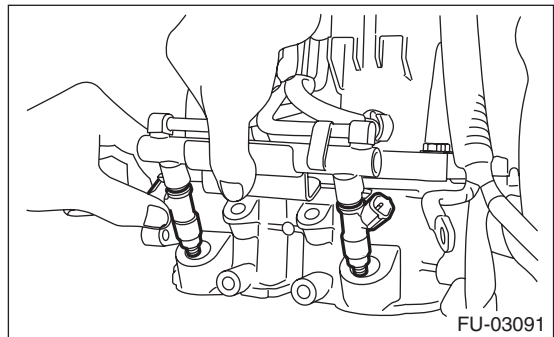


13) Remove the fuel injector.

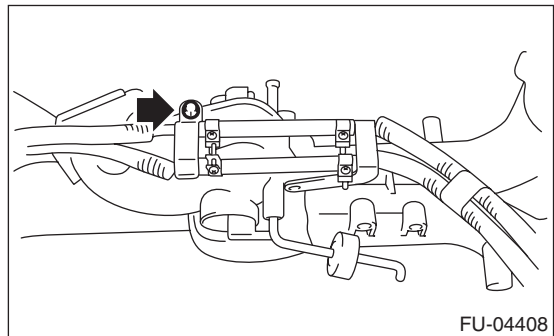
- RH side



- LH side



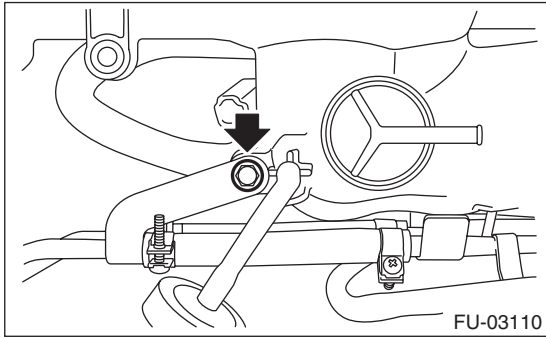
14) Remove the bolt which holds fuel injector pipe LH onto intake manifold.



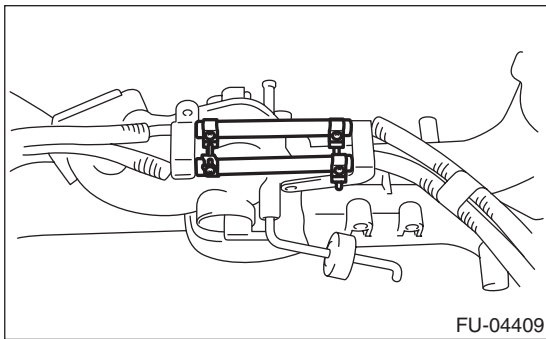
# Intake Manifold

FUEL INJECTION (FUEL SYSTEMS)

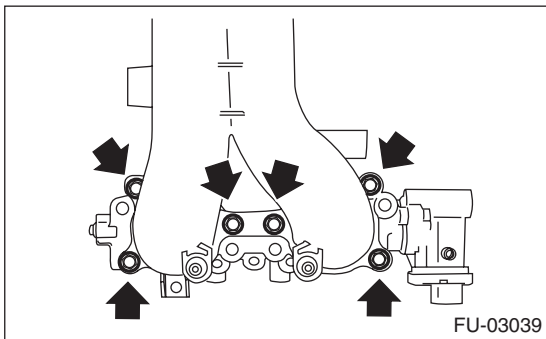
- 15) Remove the bolt which holds fuel injector pipe RH onto intake manifold.



- 16) Loosen the clamp which holds fuel injector pipe to the fuel hose, and then disconnect the fuel hose from fuel injector pipe.



- 17) Remove the fuel injector pipe.  
18) Remove the tumble generator valve assembly from the intake manifold.

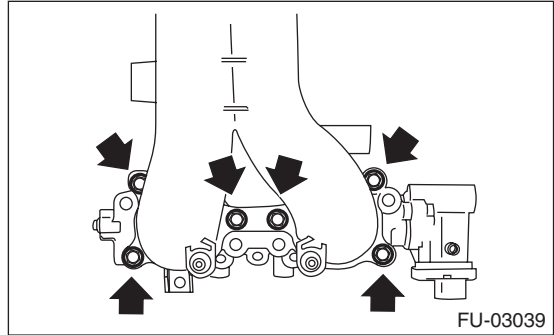


## D: ASSEMBLY

- 1) Install the tumble generator valve assembly onto intake manifold.

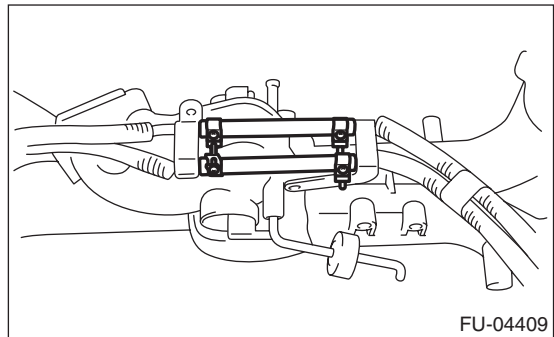
NOTE:  
Use new O-rings.

**Tightening torque:**  
**8.3 N-m (0.8 kgf-m, 6.1 ft-lb)**



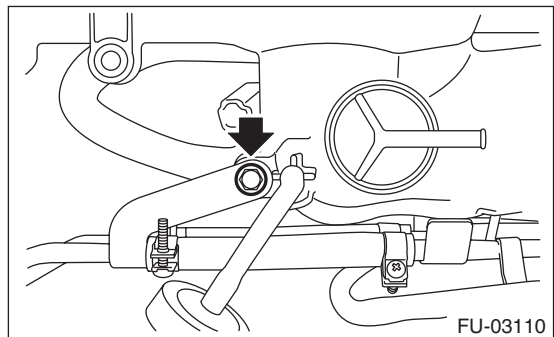
- 2) Install the fuel injector pipe.  
3) Connect fuel hoses to fuel injector pipes, and secure them with the clamps.

**Tightening torque:**  
**1.25 N-m (0.1 kgf-m, 0.9 ft-lb)**



- 4) Secure the fuel injector pipe RH to intake manifold with bolt.

**Tightening torque:**  
**6.4 N-m (0.7 kgf-m, 4.7 ft-lb)**



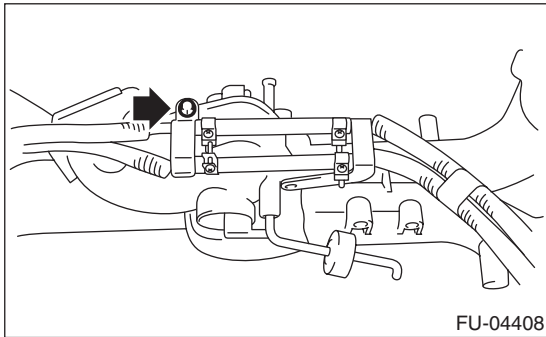
# Intake Manifold

## FUEL INJECTION (FUEL SYSTEMS)

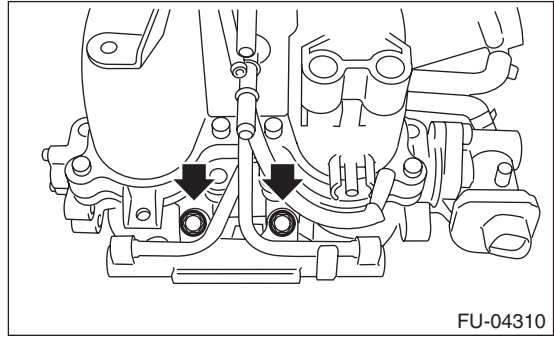
5) Secure the fuel injector pipe LH to intake manifold with bolt.

**Tightening torque:**

**6.4 N·m (0.7 kgf·m, 4.7 ft·lb)**



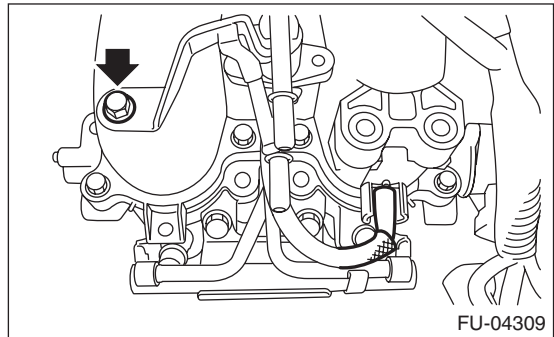
• LH side



8) Secure the fuel injector pipe LH to intake manifold with bolt, and connect the pressure regulator vacuum hose to the intake manifold.

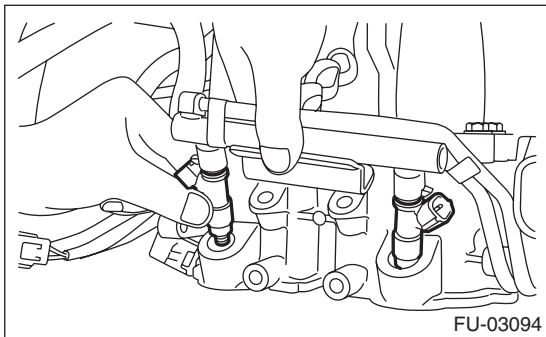
**Tightening torque:**

**6.4 N·m (0.7 kgf·m, 4.7 ft·lb)**

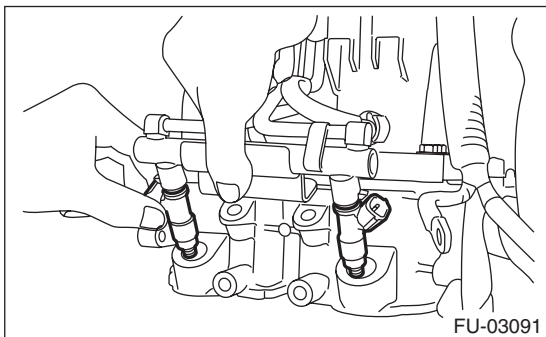


6) Install the fuel injector.

• RH side



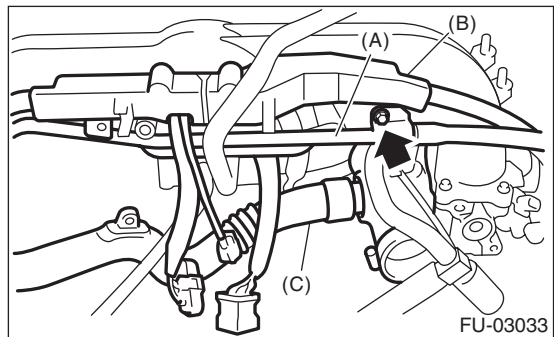
• LH side



9) Install PCV pipe (A), harness assembly (B) and intake duct (C) to the intake manifold.

**Tightening torque:**

**6.4 N·m (0.7 kgf·m, 4.7 ft·lb)**

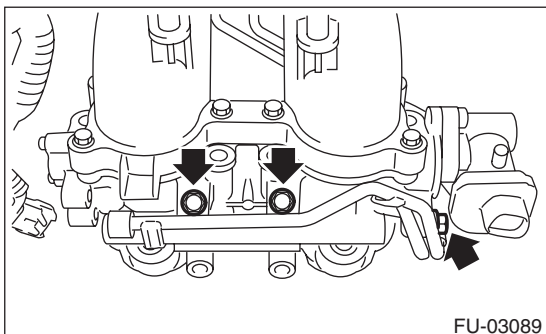


7) Secure the fuel injector pipe to intake manifold with bolts.

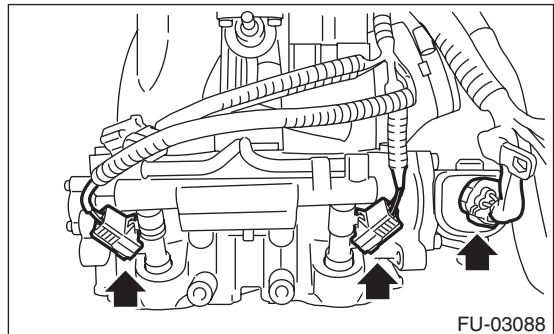
**Tightening torque:**

**19 N·m (1.9 kgf·m, 14.0 ft·lb)**

• RH side



10) Connect the connector to the fuel injector and the tumble generator valve assembly.



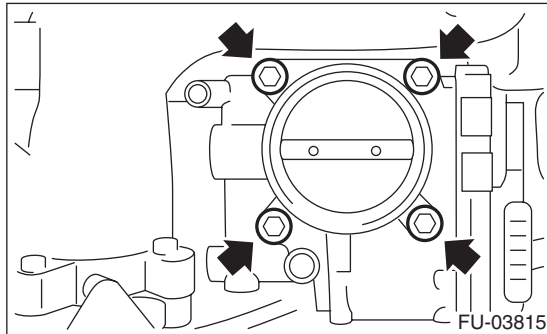
11) Install the throttle body to the intake manifold.

NOTE:

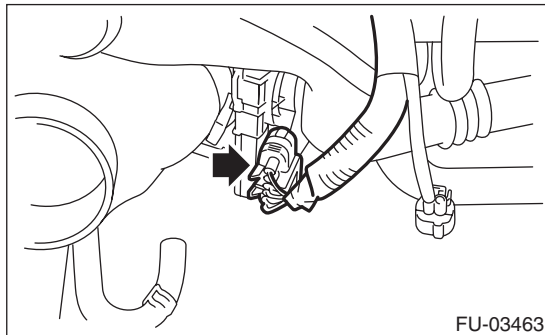
Use new O-rings.

**Tightening torque:**

**8 N·m (0.8 kgf-m, 5.9 ft-lb)**



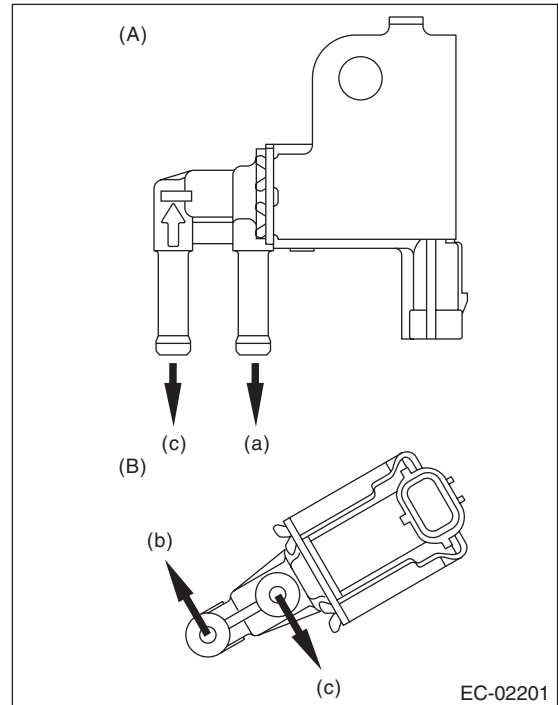
12) Connect the connector to the throttle position sensor.



13) Connect the evaporation hose to purge control solenoid valve 2.

NOTE:

Connect the evaporation hose as shown in the figure.



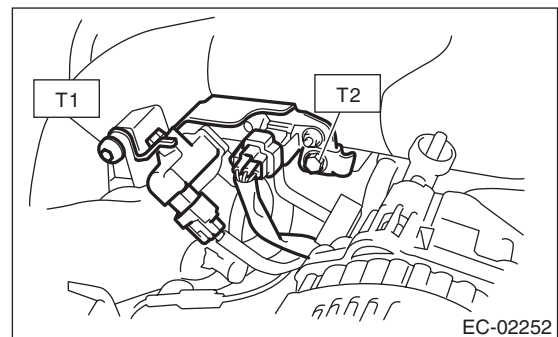
- (A) Purge control solenoid valve 1
- (B) Purge control solenoid valve 2
- (a) To intake manifold
- (b) To intake duct
- (c) To fuel pipe

14) Connect the connectors to the wastegate control solenoid valve, manifold absolute pressure sensor and purge control solenoid valve 2, and install the solenoid valve bracket assembly to the intake manifold.

**Tightening torque:**

**T1: 17 N·m (1.7 kgf-m, 12.5 ft-lb)**

**T2: 19 N·m (1.9 kgf-m, 14.0 ft-lb)**

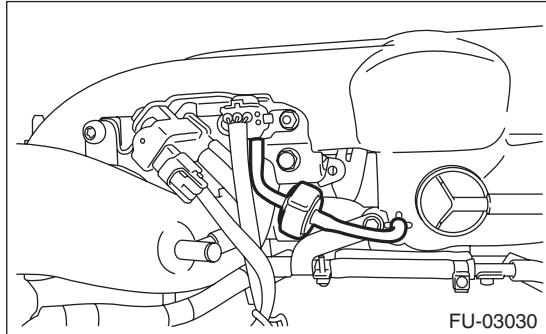




# Intake Manifold

## FUEL INJECTION (FUEL SYSTEMS)

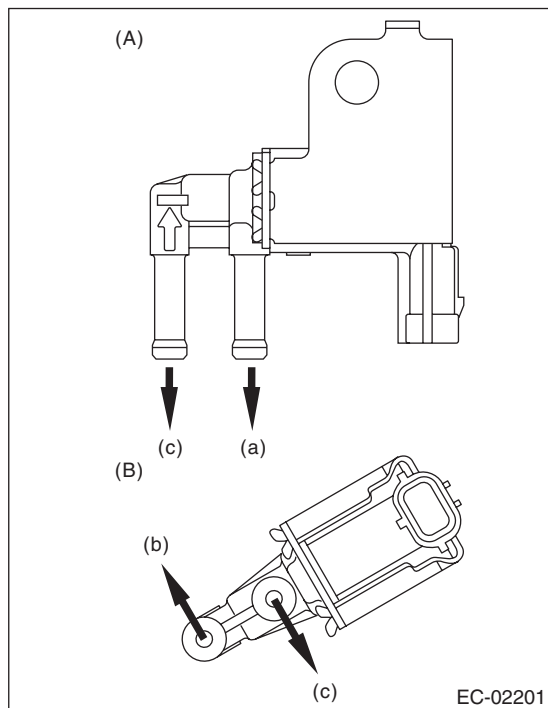
15) Connect the filter assembly.



16) Connect the evaporation hose and the connector to the purge control solenoid valve 1, and install the purge control solenoid valve 1 to the intake manifold.

### NOTE:

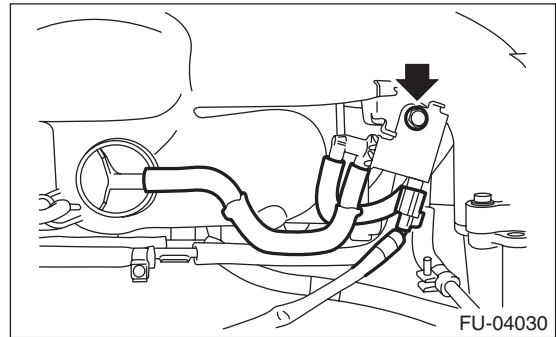
Connect the evaporation hose as shown in the figure.



- (A) Purge control solenoid valve 1
- (B) Purge control solenoid valve 2
- (a) To intake manifold
- (b) To intake duct
- (c) To fuel pipe

**Tightening torque:**

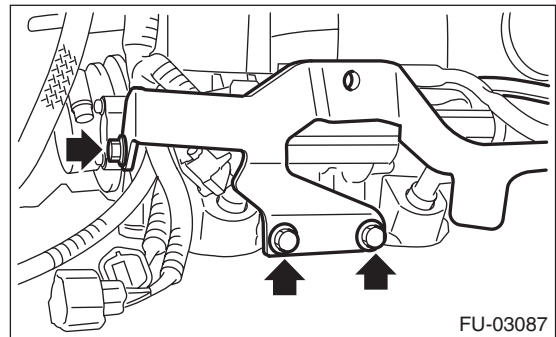
**6.4 N·m (0.7 kgf-m, 4.7 ft-lb)**



17) Install the fuel pipe protector RH to the intake manifold.

**Tightening torque:**

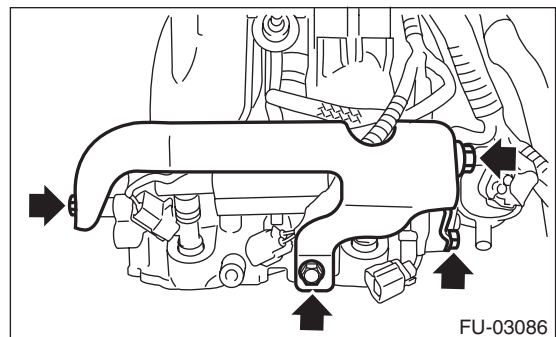
**19 N·m (1.9 kgf-m, 14.0 ft-lb)**



18) Install the fuel pipe protector LH to the intake manifold, and install the engine ground terminal to the fuel pipe protector LH.

**Tightening torque:**

**19 N·m (1.9 kgf-m, 14.0 ft-lb)**



## E: INSPECTION

Make sure that the fuel pipe and fuel hose are not cracked and that the connections are tight.

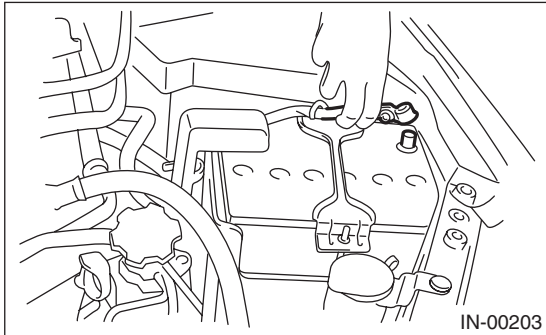
# Engine Coolant Temperature Sensor

FUEL INJECTION (FUEL SYSTEMS)

## 4. Engine Coolant Temperature Sensor

### A: REMOVAL

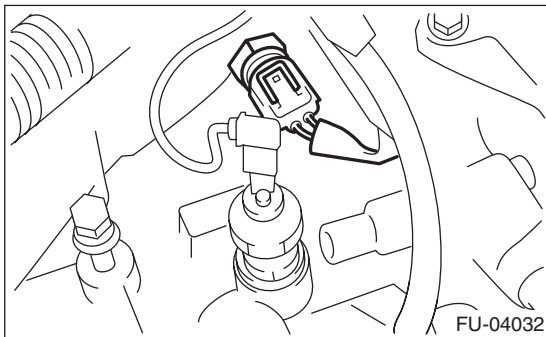
1) Disconnect the ground cable from battery.



2) Remove the generator. <Ref. to SC(H4SO)-16, REMOVAL, Generator.>

3) Drain the engine coolant. <Ref. to CO(H4DOTC)-14, DRAINING OF ENGINE COOLANT, REPLACEMENT, Engine Coolant.>

4) Disconnect the connectors from the engine coolant temperature sensor.



5) Remove the engine coolant temperature sensor.

### B: INSTALLATION

Install in the reverse order of removal.

NOTE:

Use a new gasket.

**Tightening torque:**

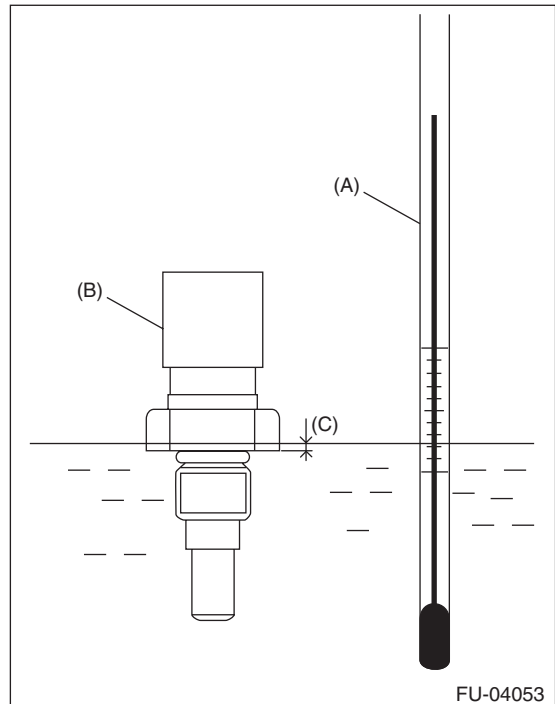
**18 N·m (1.8 kgf·m, 13.3 ft·lb)**

### C: INSPECTION

1) Immerse the engine coolant temperature sensor and a thermometer in water.

**CAUTION:**

**Take care not to allow water to get into the engine coolant temperature sensor connector. Completely remove any water inside.**



(A) Thermometer

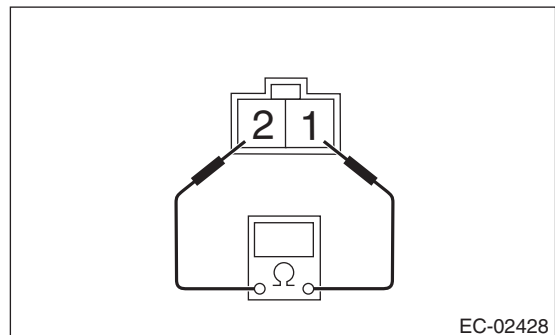
(B) Engine coolant temperature sensor

(C) Hexagonal part height: To approx.  $\frac{1}{3}$

2) Raise water temperature gradually, measure the resistance between the engine coolant temperature sensor terminals when the temperature is 20°C (68°F) and 80°C (176°F).

NOTE:

Agitate the water for even temperature distribution.



Water temperature	Terminal No.	Standard
20°C (68°F)	1 and 2	2.45±0.2 kΩ
80°C (176°F)		0.318±0.013 kΩ

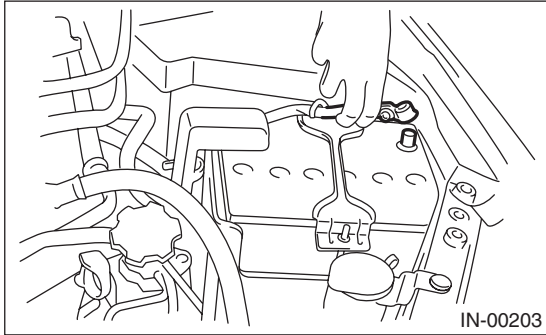
# Crankshaft Position Sensor

FUEL INJECTION (FUEL SYSTEMS)

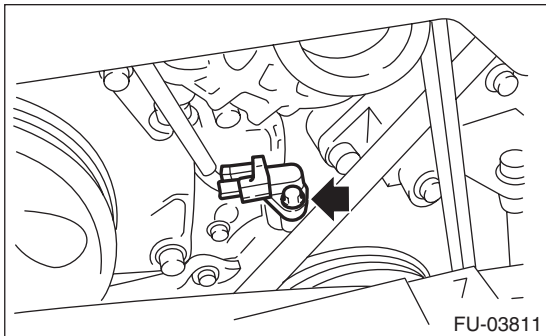
## 5. Crankshaft Position Sensor

### A: REMOVAL

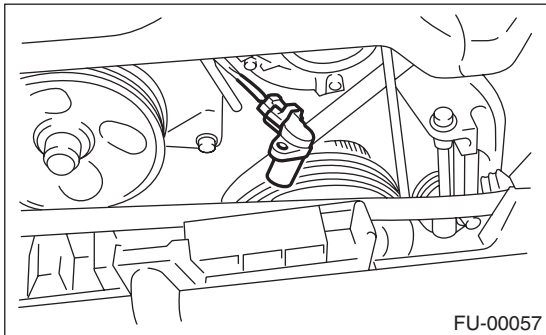
- 1) Disconnect the ground cable from battery.



- 2) Remove the bolt which secures crankshaft position sensor to oil pump.



- 3) Remove the crankshaft position sensor, and then disconnect the connector from it.

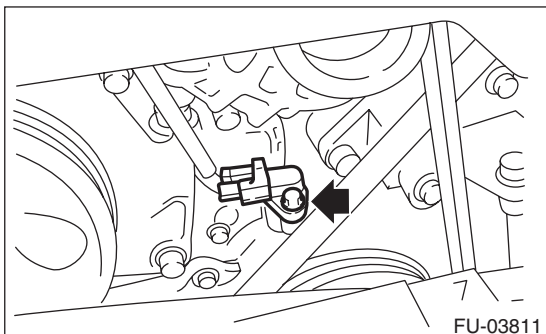


### B: INSTALLATION

Install in the reverse order of removal.

**Tightening torque:**

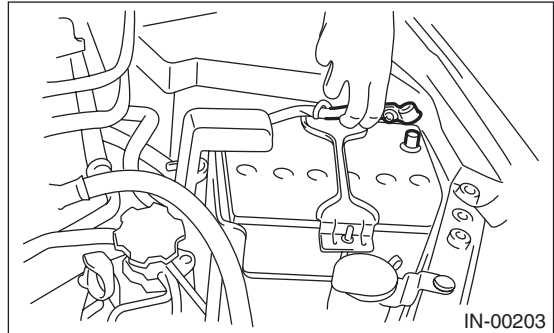
**6.4 N·m (0.7 kgf·m, 4.7 ft·lb)**



### C: INSPECTION

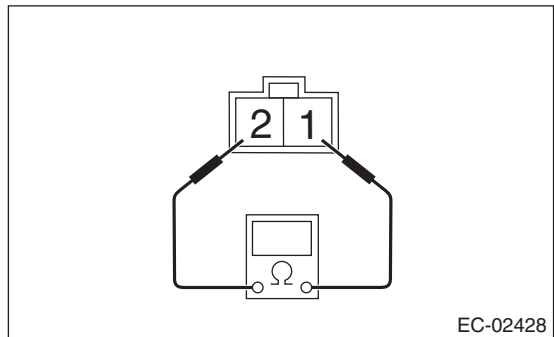
#### 1. CRANKSHAFT POSITION SENSOR (METHOD WITH CIRCUIT TESTER)

- 1) Disconnect the ground cable from battery.



- 2) Remove the crankshaft position sensor. <Ref. to FU(H4DOTC)-32, REMOVAL, Crankshaft Position Sensor.>

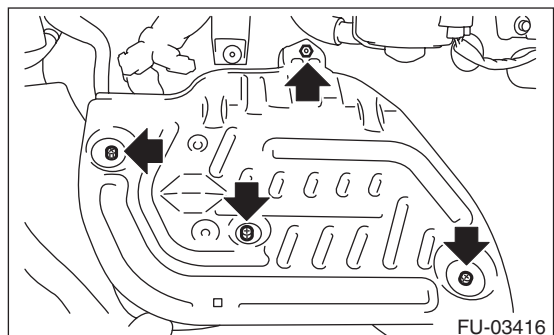
- 3) Measure the resistance between crankshaft position sensor terminals.



Terminal No.	Standard
1 and 2	2.04±0.204 kΩ

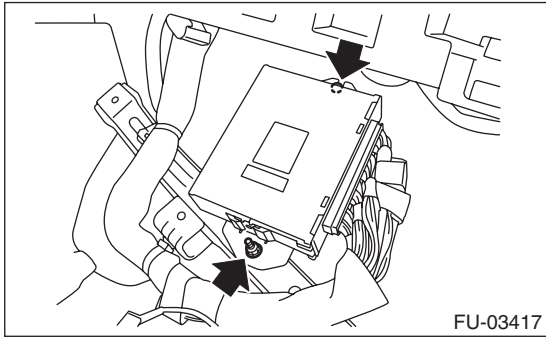
#### 2. CRANKSHAFT POSITION SENSOR (METHOD WITH OSCILLOSCOPE)

- 1) Prepare an oscilloscope.
- 2) Remove the lower inner trim of passenger's side. <Ref. to EI-55, REMOVAL, Lower Inner Trim.>
- 3) Turn over the floor mat of passenger's seat.
- 4) Remove the protect cover.

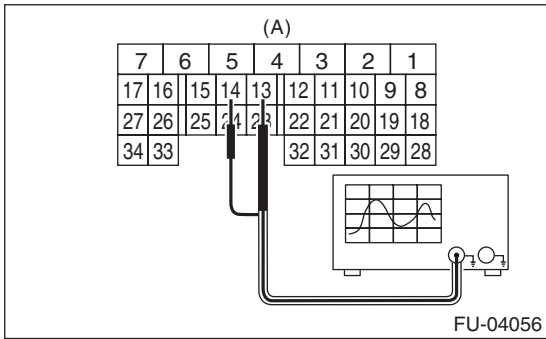


# Crankshaft Position Sensor

5) Remove the nuts and bolts which hold the ECM to the bracket.



6) Connect the probe to ECM connector.

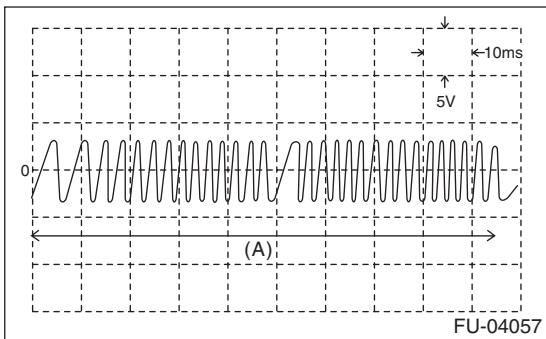


(A) To ECM connector

Terminal No.	Probe
13	+
14	-

7) Start the engine and let it idle.

8) Check the pattern is as same as the waveform and voltage shown below.



(A) One crankshaft rotation

# Camshaft Position Sensor

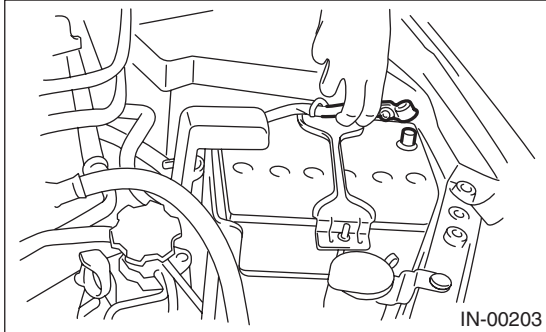
FUEL INJECTION (FUEL SYSTEMS)

## 6. Camshaft Position Sensor

### A: REMOVAL

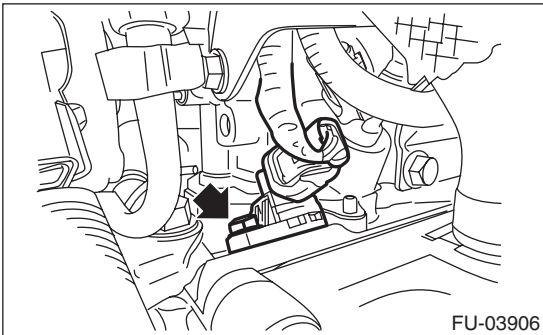
#### 1. CAMSHAFT POSITION SENSOR RH

1) Disconnect the ground cable from battery.



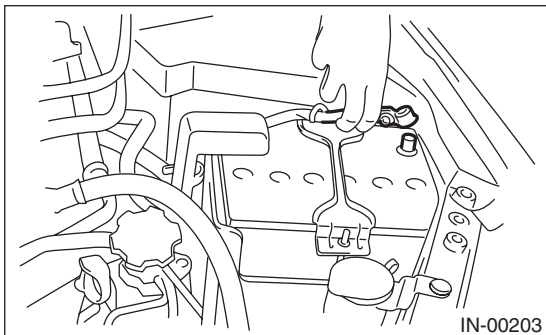
2) Disconnect the connector from camshaft position sensor RH.

3) Remove the camshaft position sensor RH from the rear side of the cylinder head.



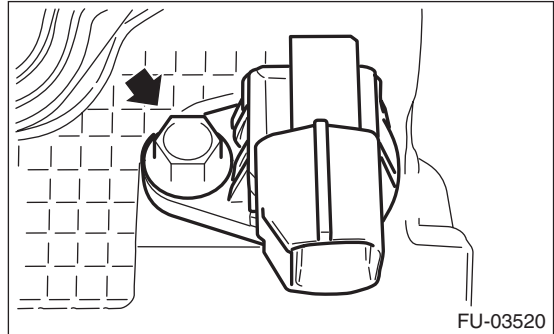
#### 2. CAMSHAFT POSITION SENSOR LH

1) Disconnect the ground cable from battery.



2) Remove the intake manifold. <Ref. to FU(H4DOTC)-16, REMOVAL, Intake Manifold.>

3) Remove the camshaft position sensor LH.



### B: INSTALLATION

Install in the reverse order of removal.

#### Tightening torque:

**6.4 N·m (0.7 kgf·m, 4.7 ft·lb)**

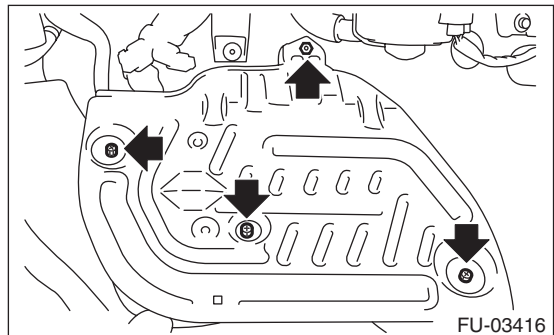
### C: INSPECTION

1) Prepare an oscilloscope.

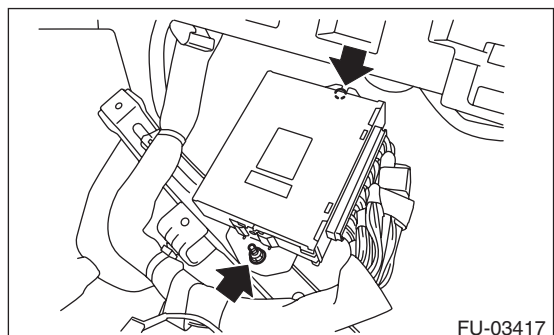
2) Remove the lower inner trim of passenger's side. <Ref. to EI-55, REMOVAL, Lower Inner Trim.>

3) Turn over the floor mat of passenger's seat.

4) Remove the protect cover.

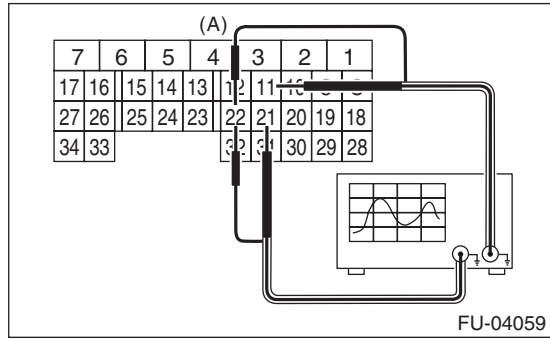


5) Remove the nuts and bolts which hold the ECM to the bracket.



# Camshaft Position Sensor

6) Connect the probe to ECM connector.

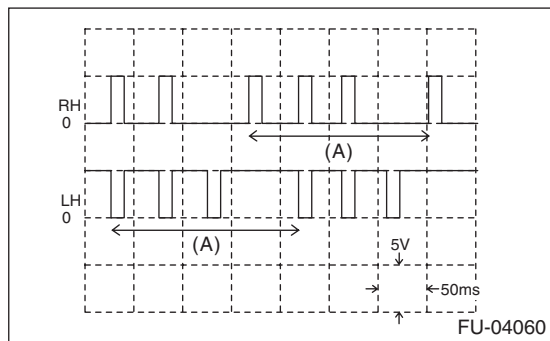


(A) To ECM connector

Camshaft position sensor	Terminal No.	Probe
RH	11	+
LH	21	+
RH and LH	22	-

7) Start the engine and let it idle.

8) Check the pattern is as same as the waveform and voltage shown below.



(A) One camshaft rotation

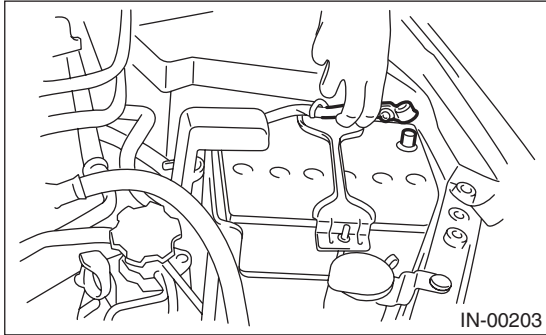
# Knock Sensor

## FUEL INJECTION (FUEL SYSTEMS)

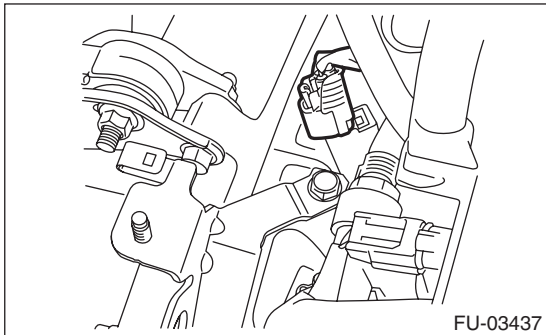
### 7. Knock Sensor

#### A: REMOVAL

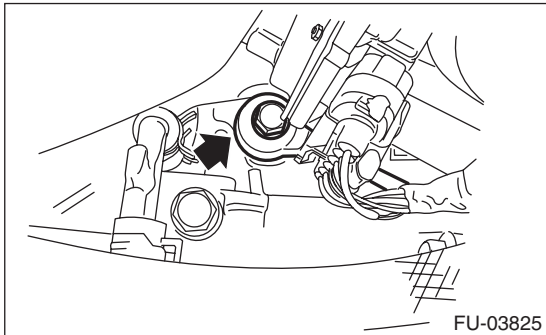
- 1) Disconnect the ground cable from battery.



- 2) Remove the intercooler. <Ref. to IN(H4DOTC)-13, REMOVAL, Intercooler.>
- 3) Disconnect the knock sensor connector.



- 4) Remove the knock sensor from cylinder block.



#### B: INSTALLATION

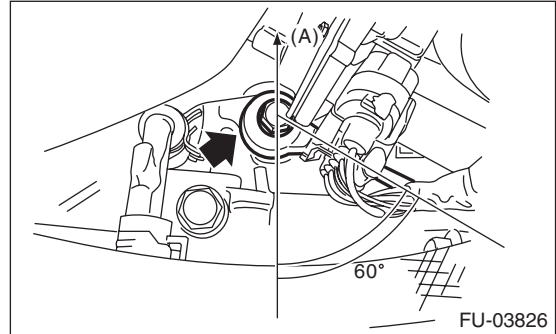
- 1) Install the knock sensor to the cylinder block.

#### NOTE:

The portion of the knock sensor cord that is pulled out must be positioned at a 60° angle relative to the engine rear.

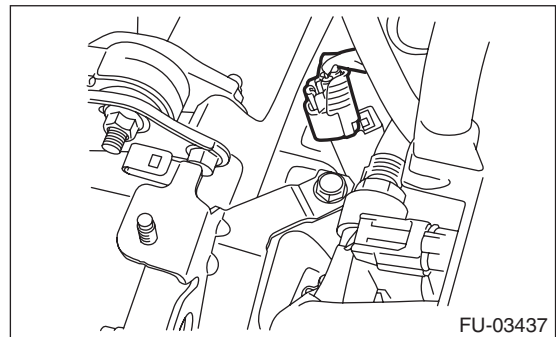
#### Tightening torque:

**24 N·m (2.4 kgf·m, 17.7 ft·lb)**

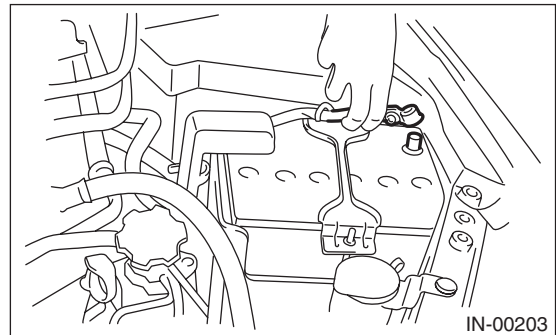


(A) Front side of vehicle

- 2) Connect the knock sensor connector.

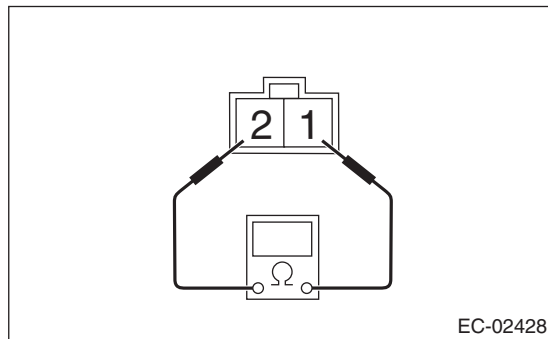


- 3) Install the intercooler. <Ref. to IN(H4DOTC)-13, INSTALLATION, Intercooler.>
- 4) Connect the ground cable to battery.



## C: INSPECTION

Measure the resistance between knock sensor terminals.



Terminal No.	Standard
1 and 2	560 $\pm$ 28 k $\Omega$



# Throttle Position Sensor

FUEL INJECTION (FUEL SYSTEMS)

---

## 8. Throttle Position Sensor

### A: SPECIFICATION

Throttle body is a non-disassembled part, so do not remove the throttle position sensor from throttle body.

Refer to “Throttle Body” for removal and installation procedure. <Ref. to FU(H4DOTC)-14, REMOVAL, Throttle Body.> <Ref. to FU(H4DOTC)-15, INSTALLATION, Throttle Body.>

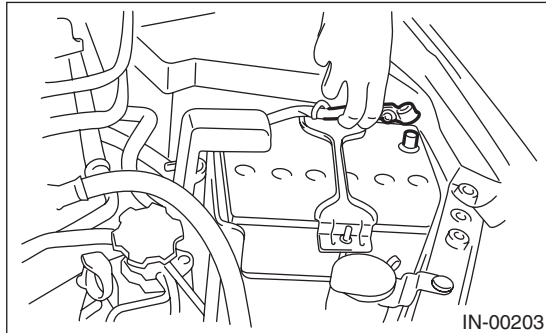
# Mass Air Flow and Intake Air Temperature Sensor

FUEL INJECTION (FUEL SYSTEMS)

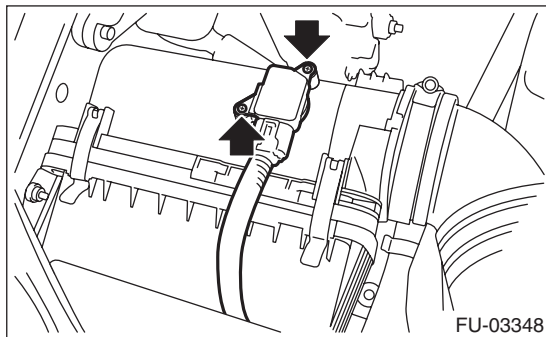
## 9. Mass Air Flow and Intake Air Temperature Sensor

### A: REMOVAL

1) Disconnect the ground cable from battery.



2) Disconnect the connector from the mass air flow and intake air temperature sensor, and remove the mass air flow and intake air temperature sensor.



### B: INSTALLATION

Install in the reverse order of removal.

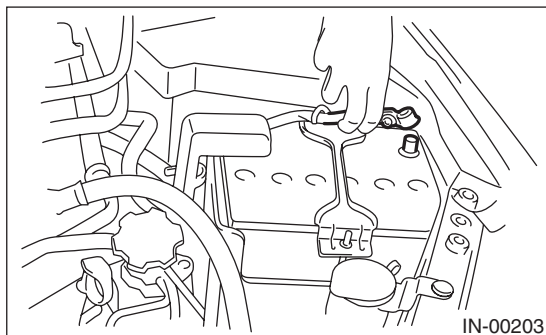
**Tightening torque:**

**1 N·m (0.1 kgf·m, 0.7 ft·lb)**

### C: INSPECTION

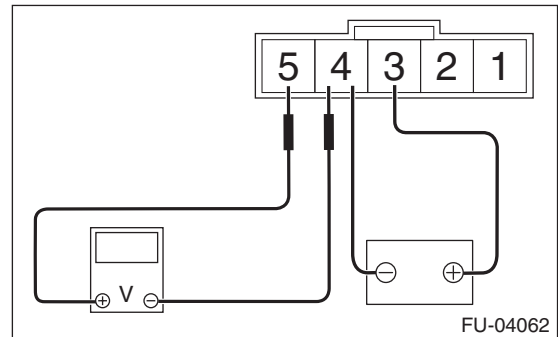
#### 1. CHECK THE MASS AIR FLOW SENSOR UNIT

1) Disconnect the ground cable from battery.

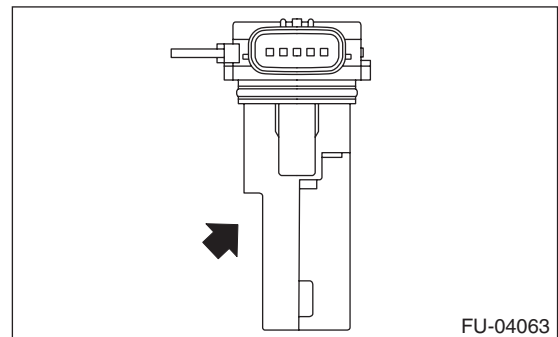


2) Remove the mass air flow and intake air temperature sensor. <Ref. to FU(H4DOTC)-39, REMOVAL, Mass Air Flow and Intake Air Temperature Sensor.>

3) Connect terminal No. 3 to the battery positive terminal and terminal No. 4 to the battery ground terminal, terminal No. 5 to the circuit tester positive terminal and No. 4 to the circuit tester ground terminal.

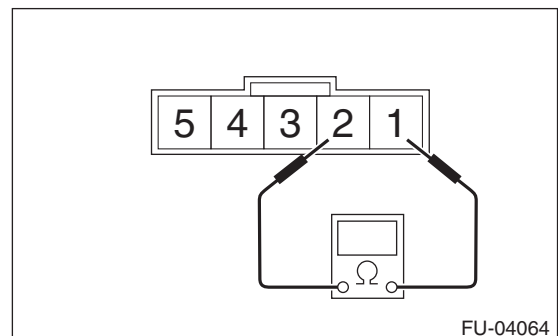


4) Check the voltage changes when air is blown to the mass air flow sensor unit in arrow direction.



#### 2. CHECK THE INTAKE AIR TEMPERATURE SENSOR UNIT

Measure the resistance between intake air temperature sensor terminals.



Temperature	Terminal No.	Standard
-20°C (-4°F)	1 and 2	16.0 ±2.4 kΩ
20°C (68°F)		2.45 ±0.24 kΩ
60°C (140°F)		0.580 ±0.087 kΩ

#### 3. OTHER INSPECTIONS

Check the mass air flow and intake air temperature sensor for damage or dirt.

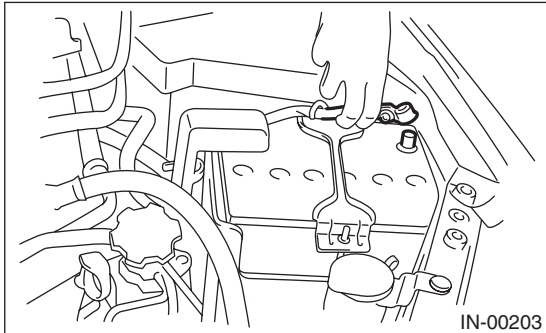
# Manifold Absolute Pressure Sensor

FUEL INJECTION (FUEL SYSTEMS)

## 10. Manifold Absolute Pressure Sensor

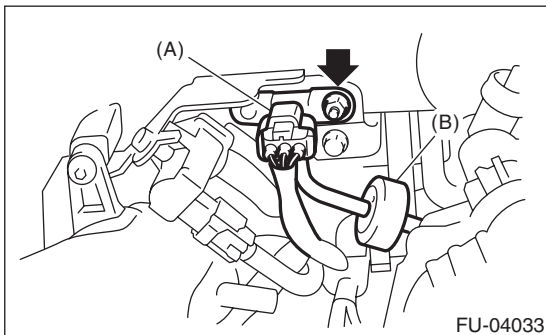
### A: REMOVAL

1) Disconnect the ground cable from battery.



2) Disconnect the connector from manifold absolute pressure sensor (A), and remove the filter assembly (B) from intake manifold.

3) Remove the manifold absolute pressure sensor from the solenoid valve bracket.



### B: INSTALLATION

Install in the reverse order of removal.

**Tightening torque:**

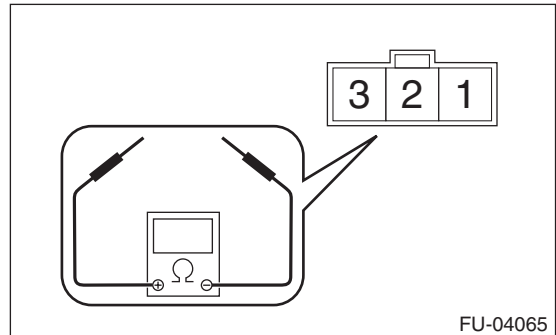
**6.4 N·m (0.7 kgf·m, 4.7 ft·lb)**

### C: INSPECTION

**CAUTION:**

**Pay attention to polarity when measuring the resistance in manifold pressure sensor.**

Measure the resistance between manifold absolute pressure sensor.



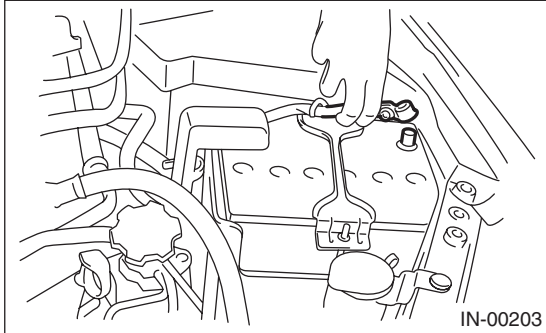
Terminal No.	Standard
2 (+) and 1 (-)	15 kΩ or less
3 (+) and 2 (-)	15 kΩ or less

## 11. Fuel Injector

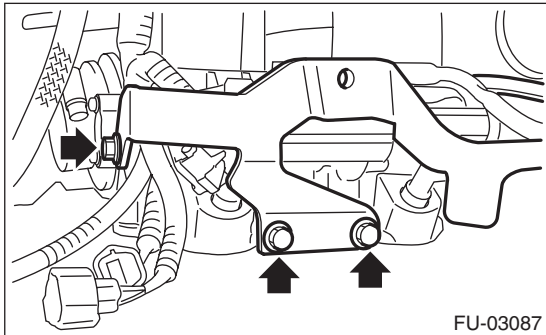
### A: REMOVAL

#### 1. RH SIDE

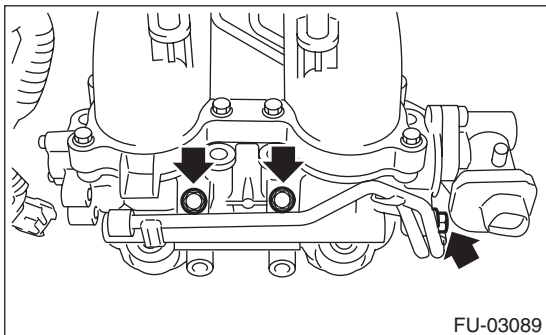
- 1) Release the fuel pressure. <Ref. to FU(H4DOTC)-60, RELEASING OF FUEL PRESSURE, PROCEDURE, Fuel.>
- 2) Disconnect the ground cable from battery.



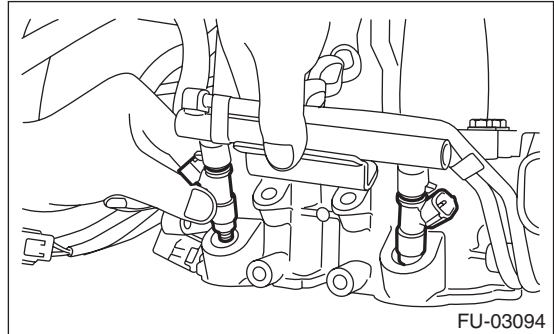
- 3) Open the fuel filler lid and remove the fuel filler cap.
- 4) Remove the intake manifold. <Ref. to FU(H4DOTC)-16, REMOVAL, Intake Manifold.>
- 5) Remove the fuel pipe protector RH from the intake manifold.



- 6) Disconnect the connector from fuel injector.
- 7) Remove the bolts which hold fuel injector pipe onto intake manifold.

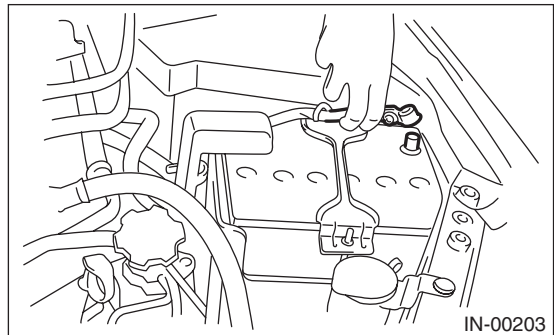


- 8) Remove the fuel injector.

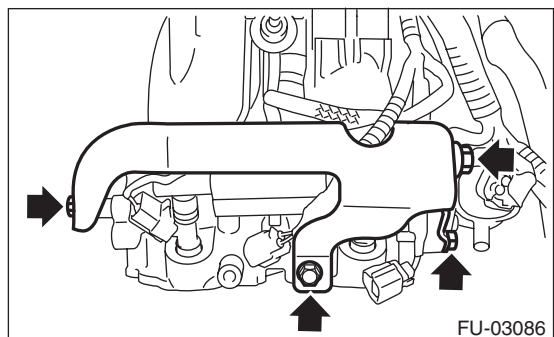


#### 2. LH SIDE

- 1) Release the fuel pressure. <Ref. to FU(H4DOTC)-60, RELEASING OF FUEL PRESSURE, PROCEDURE, Fuel.>
- 2) Disconnect the ground cable from battery.



- 3) Open the fuel filler lid and remove the fuel filler cap.
- 4) Remove the intake manifold. <Ref. to FU(H4DOTC)-16, REMOVAL, Intake Manifold.>
- 5) Remove the engine ground terminal from the fuel pipe protector LH and remove the fuel pipe protector LH from the intake manifold.

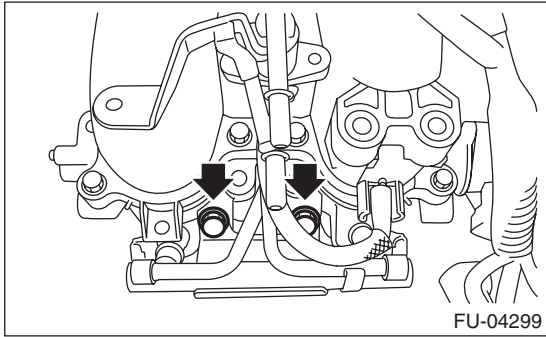
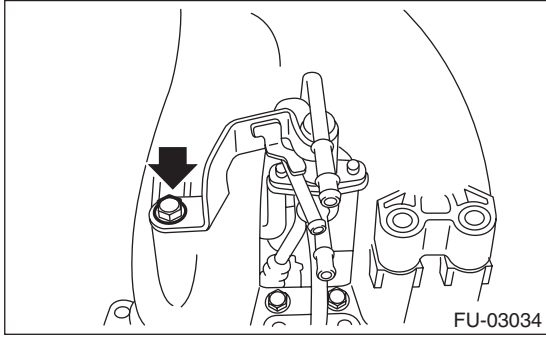


- 6) Disconnect the connector from fuel injector.

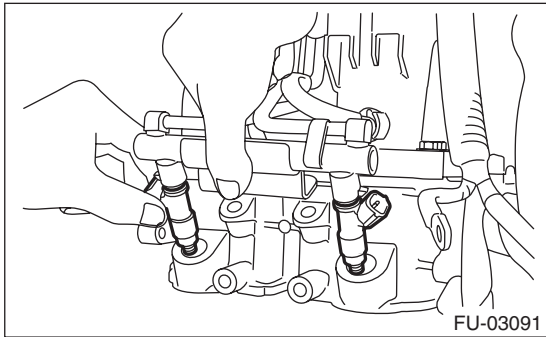
# Fuel Injector

## FUEL INJECTION (FUEL SYSTEMS)

7) Remove the bolts which hold fuel injector pipe onto intake manifold.



8) Remove the fuel injector.



## B: INSTALLATION

### 1. RH SIDE

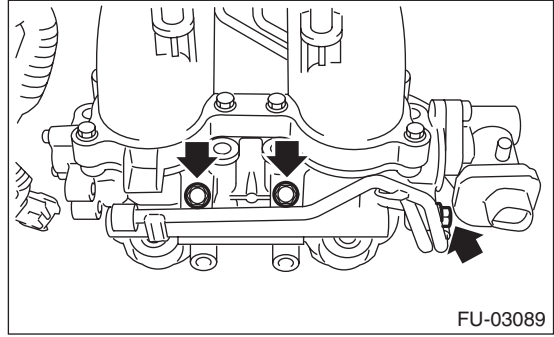
Install in the reverse order of removal.

NOTE:

Use new O-rings.

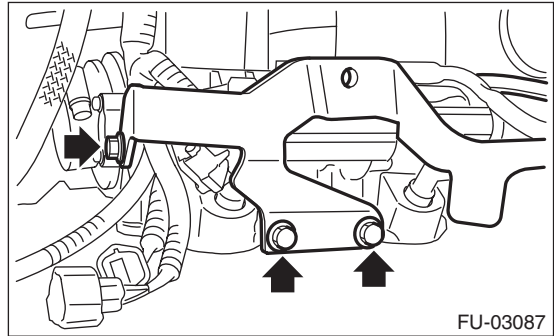
**Tightening torque:**

**19 N·m (1.9 kgf-m, 14.0 ft-lb)**



**Tightening torque:**

**19 N·m (1.9 kgf-m, 14.0 ft-lb)**



### 2. LH SIDE

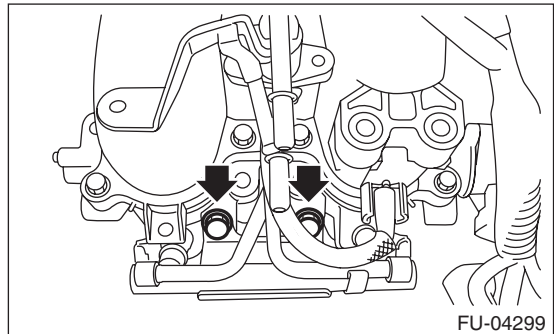
Install in the reverse order of removal.

NOTE:

Use new O-rings.

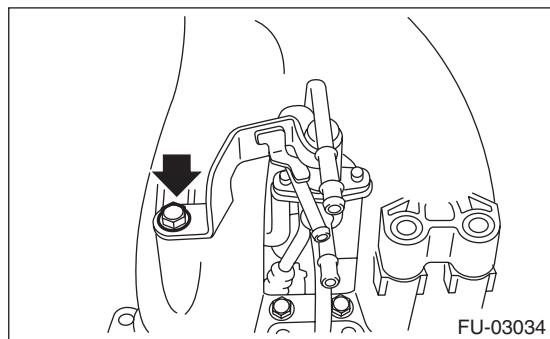
**Tightening torque:**

**19 N·m (1.9 kgf-m, 14.0 ft-lb)**



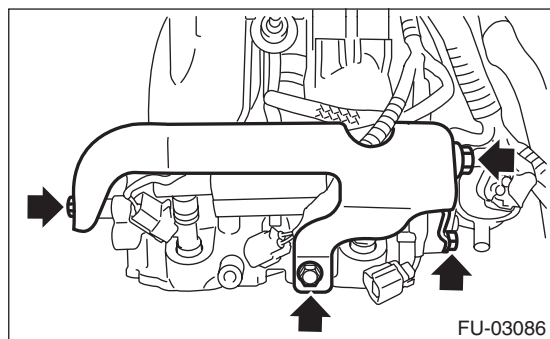
**Tightening torque:**

**6.4 N·m (0.7 kgf-m, 4.7 ft-lb)**



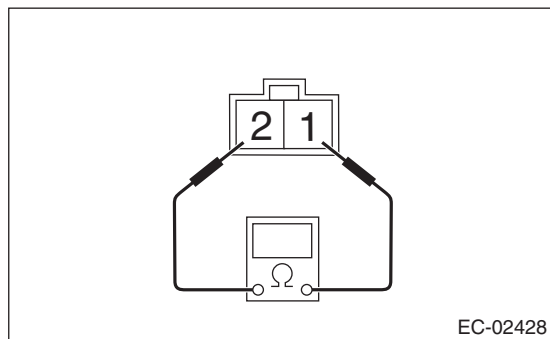
**Tightening torque:**

**19 N·m (1.9 kgf-m, 14.0 ft-lb)**



## C: INSPECTION

Measure the resistance between fuel injector terminals.



Terminal No.	Standard
1 and 2	Approx. 12.0 Ω (when 20°C (68°F))

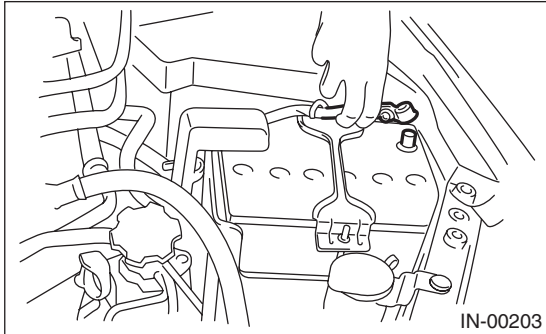
# Tumble Generator Valve Assembly

FUEL INJECTION (FUEL SYSTEMS)

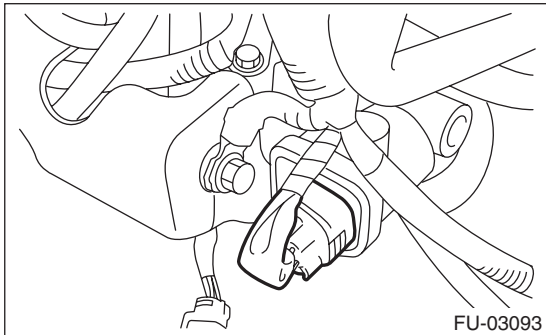
## 12. Tumble Generator Valve Assembly

### A: REMOVAL

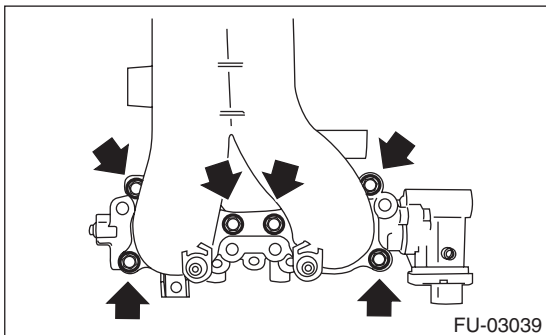
- 1) Release the fuel pressure. <Ref. to FU(H4DOTC)-60, RELEASING OF FUEL PRESSURE, PROCEDURE, Fuel.>
- 2) Disconnect the ground cable from battery.



- 3) Open the fuel filler lid and remove the fuel filler cap.
- 4) Remove the intake manifold. <Ref. to FU(H4DOTC)-16, REMOVAL, Intake Manifold.>
- 5) Disconnect the connector from the tumble generator valve assembly.



- 6) Remove the fuel injector. <Ref. to FU(H4DOTC)-41, REMOVAL, Fuel Injector.>
- 7) Remove the tumble generator valve assembly from the intake manifold.



### B: INSTALLATION

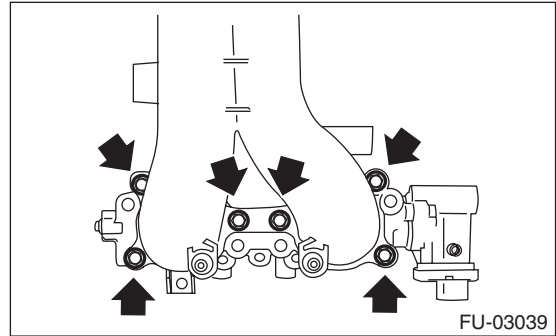
Install in the reverse order of removal.

NOTE:

Use a new gasket.

**Tightening torque:**

**8.3 N·m (0.8 kgf-m, 6.1 ft-lb)**



### C: INSPECTION

Check tumble generator valve for contamination or clogging.

## 13. Tumble Generator Valve Actuator

### A: SPECIFICATION

The tumble generator valve assembly cannot be disassembled.

Refer to "Tumble Generator Valve Assembly" for removal and installation procedures. <Ref. to FU(H4DOTC)-44, REMOVAL, Tumble Generator Valve Assembly.> <Ref. to FU(H4DOTC)-44, INSTALLATION, Tumble Generator Valve Assembly.>



# Oil Flow Control Solenoid Valve

FUEL INJECTION (FUEL SYSTEMS)

## 14.Oil Flow Control Solenoid Valve

### A: REMOVAL

Oil flow control solenoid valve is a unit with front camshaft cap.

Refer to “Camshaft” for removal procedures. <Ref. to ME(H4DOTC)-61, REMOVAL, Camshaft.>

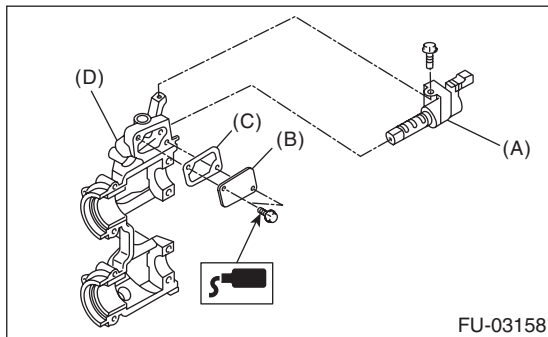
### B: INSTALLATION

Refer to “Camshaft” for installation procedure. <Ref. to ME(H4DOTC)-62, INSTALLATION, Camshaft.>

### C: DISASSEMBLY

1) Remove the two mounting bolts securing oil return cover, and remove the oil return cover and gasket.

2) Remove the bolt securing oil flow control solenoid valve, and remove the oil flow control solenoid valve.



- (A) Oil flow control solenoid valve
- (B) Oil return cover
- (C) Gasket
- (D) Front camshaft cap

### D: ASSEMBLY

1) Install the oil flow control solenoid valve.

**Tightening torque:**

**8 N·m (0.8 kgf·m, 5.9 ft·lb)**

2) Apply liquid gasket to the two bolts securing oil return cover.

**Liquid gasket:**

**THREE BOND 1324 (Part No. 004403042) or equivalent**

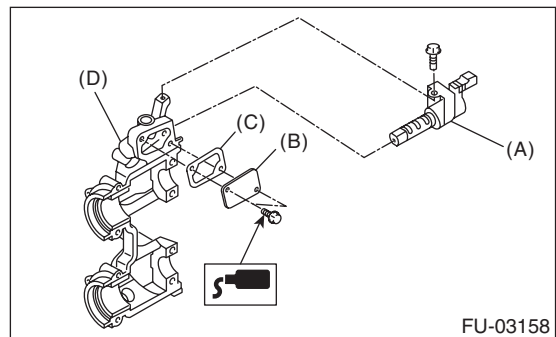
3) Attach the oil return cover and gasket.

**Tightening torque:**

**8 N·m (0.8 kgf·m, 5.9 ft·lb)**

NOTE:

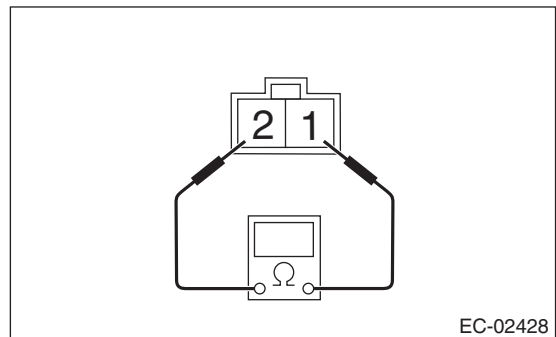
Use a new gasket.



- (A) Oil flow control solenoid valve
- (B) Oil return cover
- (C) Gasket
- (D) Front camshaft cap

### E: INSPECTION

Measure the resistance between the oil flow control solenoid valve terminals.



Terminal No.	Standard
1 and 2	7.4 ±0.5 Ω (20°C (68°F))

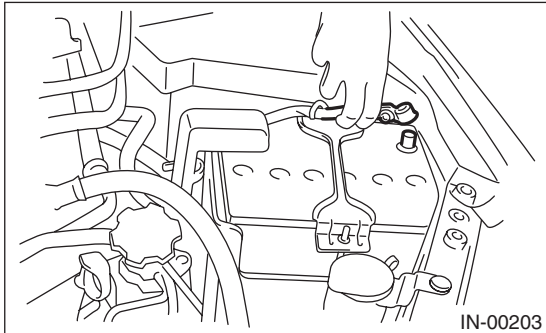
# Wastegate Control Solenoid Valve

FUEL INJECTION (FUEL SYSTEMS)

## 15. Wastegate Control Solenoid Valve

### A: REMOVAL

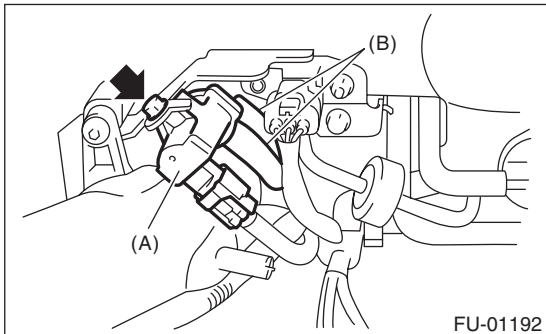
1) Disconnect the ground cable from battery.



2) Disconnect the connector from the wastegate control solenoid valve (A).

3) Disconnect pressure hose (B) from the wastegate control solenoid valve.

4) Remove the wastegate control solenoid valve from the bracket.



### B: INSTALLATION

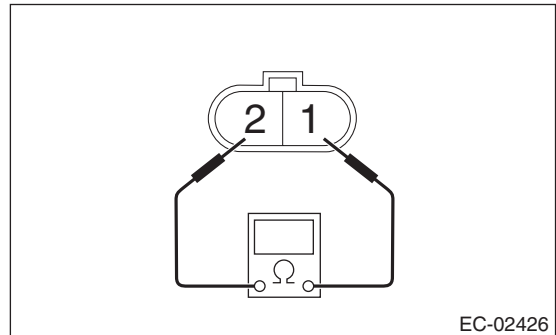
Install in the reverse order of removal.

**Tightening torque:**

**6.4 N·m (0.7 kgf·m, 4.7 ft·lb)**

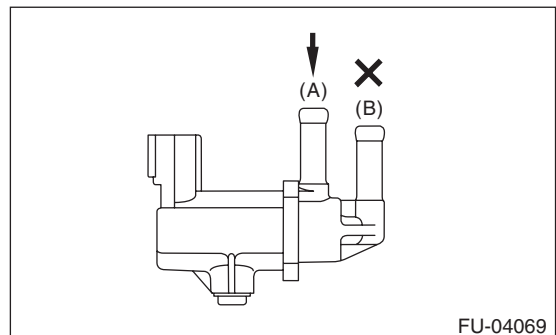
### C: INSPECTION

1) Measure the resistance between the boost control solenoid valve terminals.

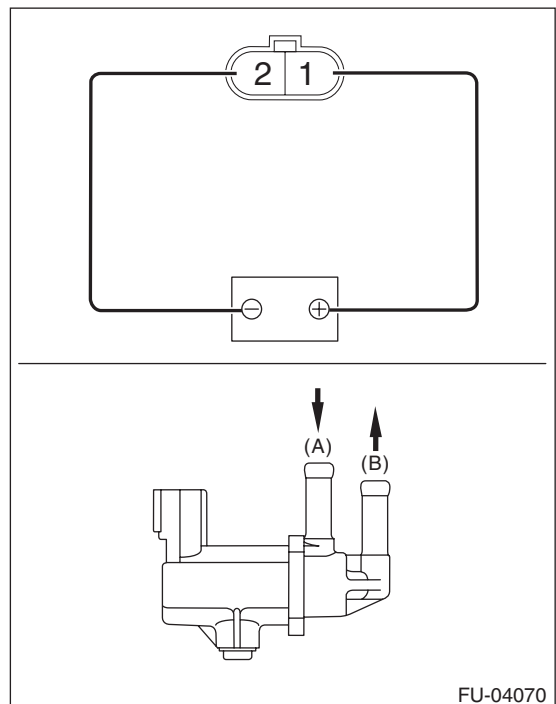


Terminal No.	Standard
1 and 2	$28 \pm 2 \Omega$ (20°C (68°F))

2) Check that air does not come out of (B) when blowing in (A).



3) Connect the terminal No. 1 to the battery positive terminal and the terminal No. 2 to the battery negative terminal. When supplying air to (A), check that air is discharged from (B).



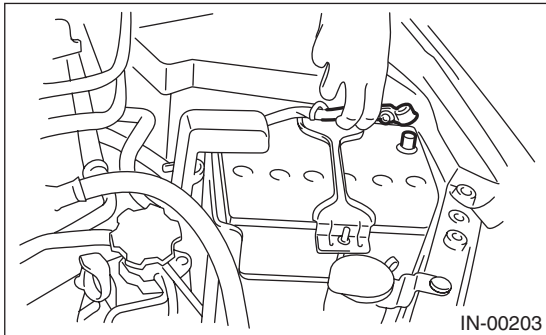
# Front Oxygen (A/F) Sensor

FUEL INJECTION (FUEL SYSTEMS)

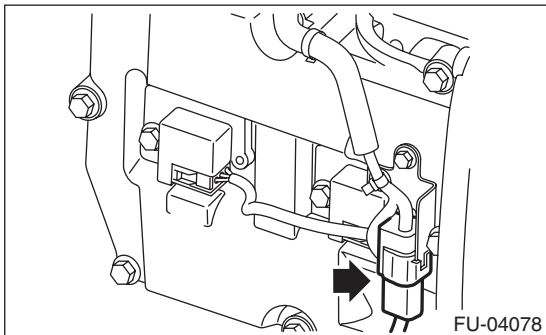
## 16. Front Oxygen (A/F) Sensor

### A: REMOVAL

- 1) Set the vehicle on a lift.
- 2) Disconnect the ground cable from battery.



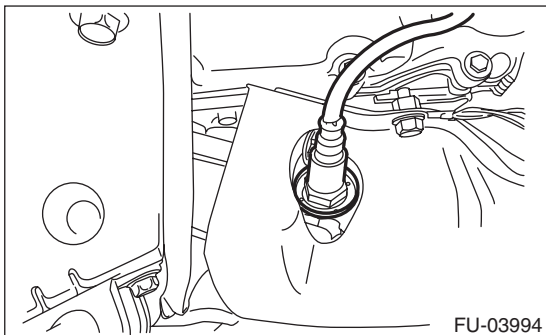
- 3) Remove the air intake duct and air cleaner case. <Ref. to IN(H4DOTC)-11, REMOVAL, Air Intake Duct.> <Ref. to IN(H4DOTC)-9, REMOVAL, Air Cleaner Case.>
- 4) Disconnect the connector from front oxygen (A/F) sensor.



- 5) Lift up the vehicle.
- 6) Remove the under cover.
- 7) Apply spray-type lubricant to the threaded portion of front oxygen (A/F) sensor, and leave it for one minute or more.
- 8) Remove the front oxygen (A/F) sensor.

### CAUTION:

**When removing the front oxygen (A/F) sensor, wait until exhaust pipe cools, otherwise it will damage the exhaust pipe.**



### B: INSTALLATION

#### CAUTION:

**If lubricant is spilled onto the exhaust pipe, wipe it off completely with cloth to avoid emission of smoke or causing a fire.**

- 1) Before installing front oxygen (A/F) sensor, apply anti-seize compound only to the threaded portion of front oxygen (A/F) sensor to make the next removal easier.

#### CAUTION:

**Never apply anti-seize compound to the protector of front oxygen (A/F) sensor.**

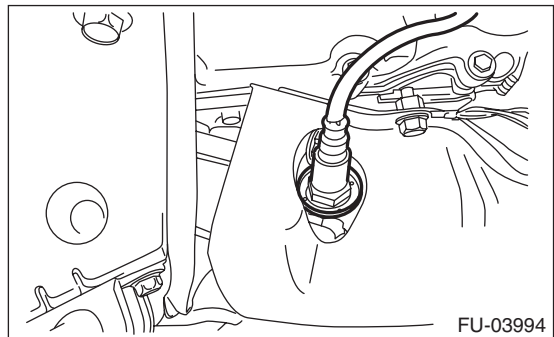
#### Anti-seize compound:

**NEVER-SEEZ NSN, JET LUBE SS-30 or equivalent**

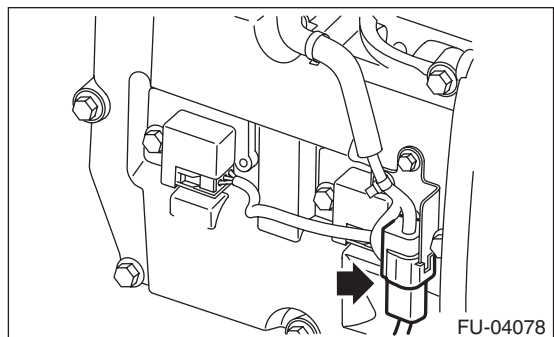
- 2) Install the front oxygen (A/F) sensor.

#### Tightening torque:

**30 N·m (3.1 kgf-m, 22.1 ft-lb)**



- 3) Install the under cover.
- 4) Lower the vehicle.
- 5) Connect the connector of front oxygen (A/F) sensor.

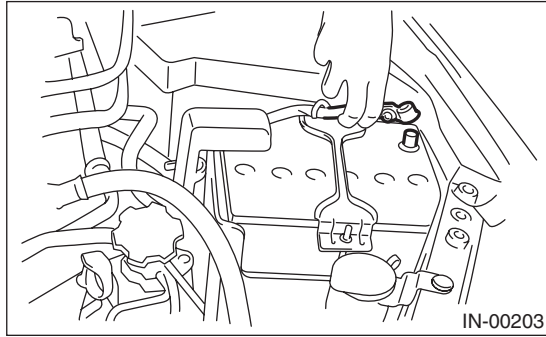


- 6) Install the air intake duct and air cleaner case. <Ref. to IN(H4DOTC)-9, INSTALLATION, Air Cleaner Case.> <Ref. to IN(H4DOTC)-11, INSTALLATION, Air Intake Duct.>

# Front Oxygen (A/F) Sensor

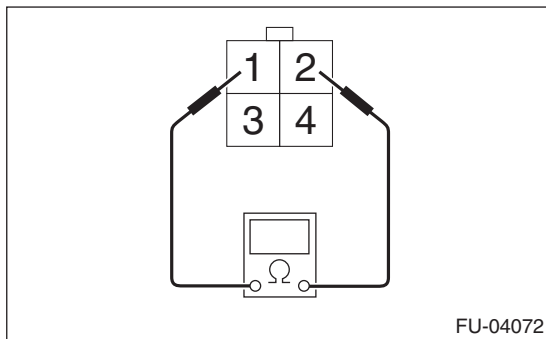
FUEL INJECTION (FUEL SYSTEMS)

7) Connect the ground cable to battery.



## C: INSPECTION

Measure the resistance between front oxygen (A/F) sensor terminal.



Terminal No.	Standard
1 and 2	2.4 ±0.24 Ω (20°C (68°F))

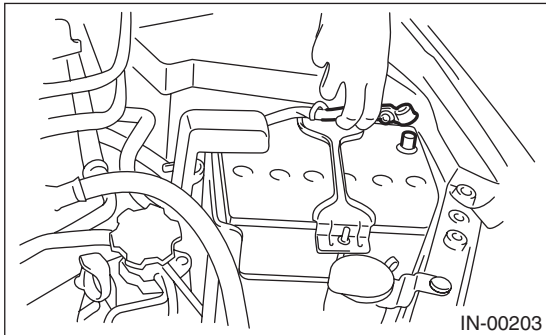
# Rear Oxygen Sensor

FUEL INJECTION (FUEL SYSTEMS)

## 17. Rear Oxygen Sensor

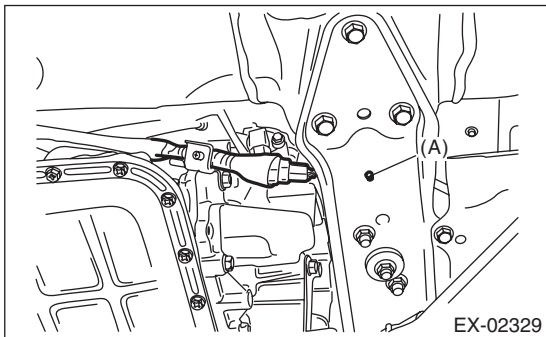
### A: REMOVAL

- 1) Set the vehicle on a lift.
- 2) Disconnect the ground cable from battery.

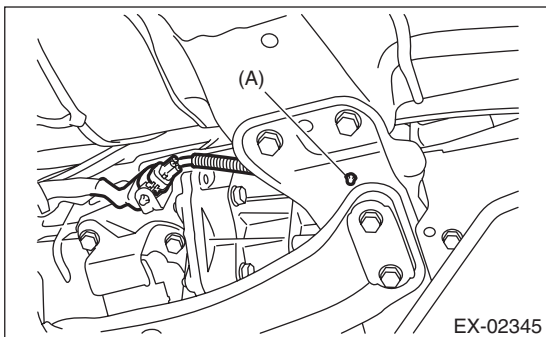


- 3) Lift up the vehicle.
- 4) Disconnect the connector from the rear oxygen sensor, and remove the clip (A) holding the rear oxygen sensor harness.

#### • AT MODEL



#### • MT MODEL

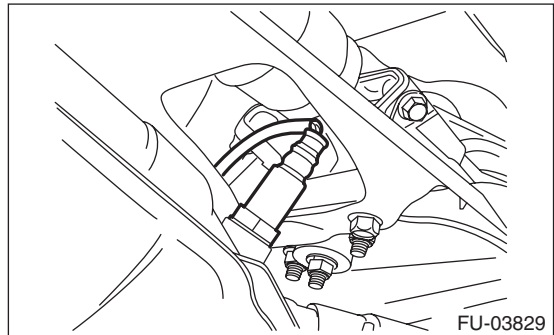


- 5) Apply spray-type lubricant to the threaded portion of rear oxygen sensor, and leave it for one minute or more.

- 6) Remove the rear oxygen sensor.

### CAUTION:

When removing the rear oxygen sensor, wait until exhaust pipe cools, otherwise it will damage the exhaust pipe.



### B: INSTALLATION

#### CAUTION:

If lubricant is spilled onto the exhaust pipe, wipe it off completely with cloth to avoid emission of smoke or causing a fire.

- 1) Before installing rear oxygen sensor, apply the anti-seize compound only to the threaded portion of rear oxygen sensor to make the next removal easier.

#### CAUTION:

Never apply anti-seize compound to the protector of rear oxygen sensor.

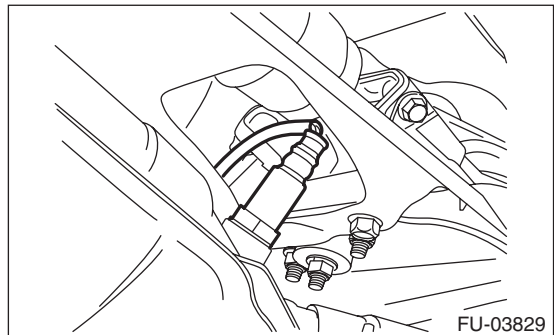
#### Anti-seize compound:

**NEVER-SEEZ NSN, JET LUBE SS-30 or equivalent**

- 2) Install the rear oxygen sensor.

#### Tightening torque:

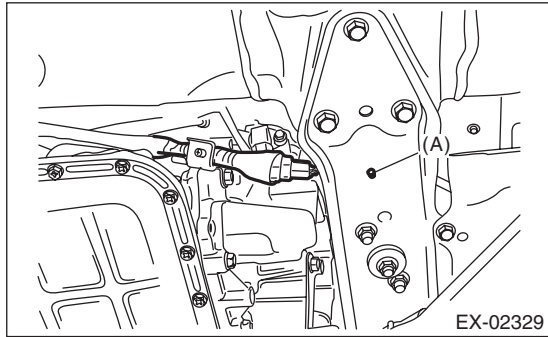
**21 N·m (2.1 kgf·m, 15.5 ft·lb)**



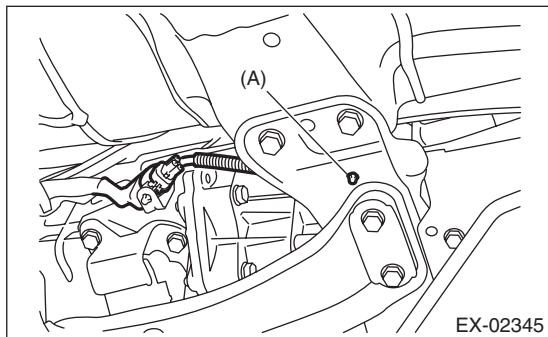
# Rear Oxygen Sensor

3) Connect the connector to the rear oxygen sensor, and hold the rear oxygen sensor harness with the clip (A).

- AT MODEL

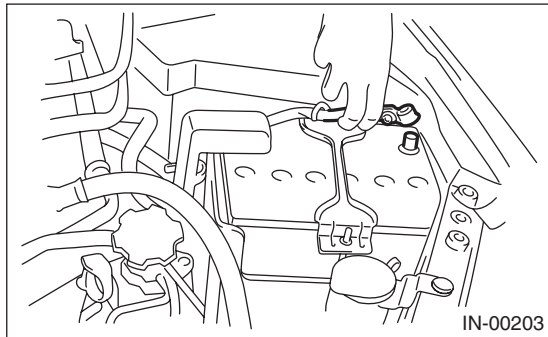


- MT MODEL



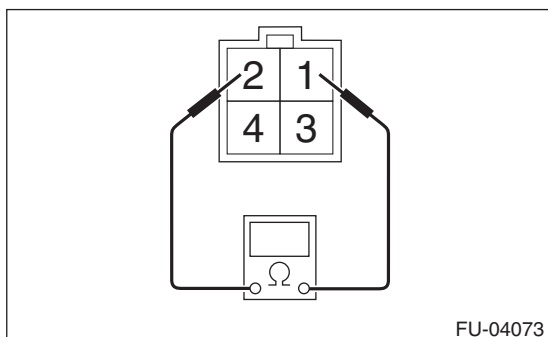
4) Lower the vehicle.

5) Connect the ground cable to battery.



## C: INSPECTION

Measure the resistance between rear oxygen sensor terminal.



Terminal No.	Standard
1 and 2	$5.6^{+0.8}_{-0.6} \Omega$ (when 20°C (68°F))

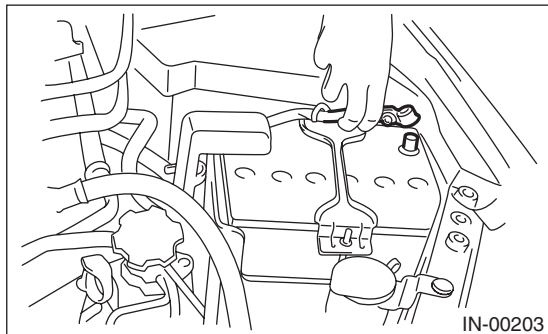
# Engine Control Module (ECM)

## FUEL INJECTION (FUEL SYSTEMS)

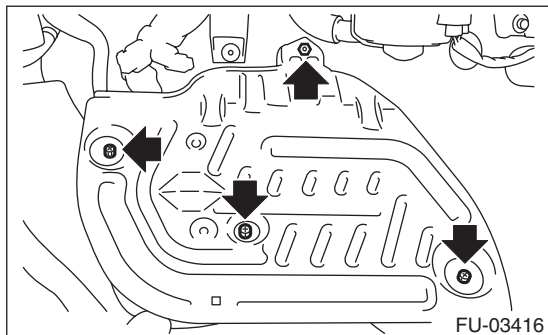
### 18.Engine Control Module (ECM)

#### A: REMOVAL

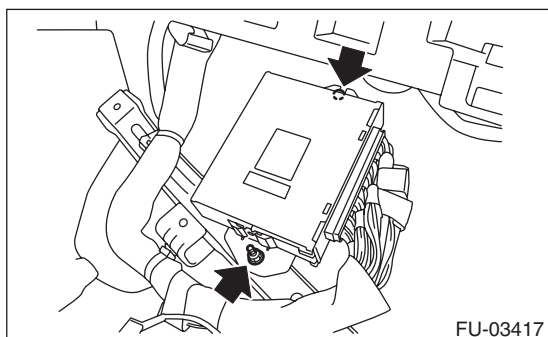
- 1) Disconnect the ground cable from battery.



- 2) Remove the lower inner trim of passenger's side. <Ref. to EI-55, REMOVAL, Lower Inner Trim.>
- 3) Turn over the floor mat of passenger's seat.
- 4) Remove the protect cover.



- 5) Remove the nuts and bolts which hold the ECM to the bracket.



- 6) Disconnect the ECM connectors, and take out the ECM.

#### B: INSTALLATION

Install in the reverse order of removal.

#### CAUTION:

When the ECM of model with immobilizer has been replaced, be sure to perform the registration of immobilizer system. (Refer to "PC application help for Subaru Select Monitor".)

#### NOTE:

When replacing the ECM, be careful not to use the wrong spec. ECM to avoid any damage on the fuel injection system.

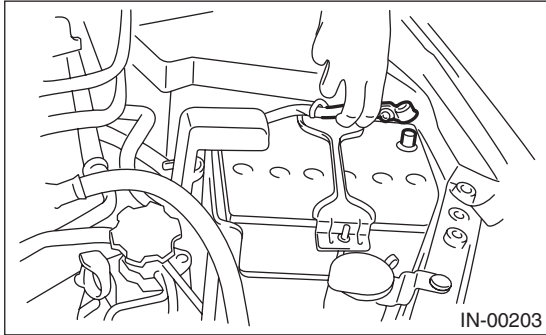
#### Tightening torque:

**7.5 N·m (0.8 kgf-m, 5.5 ft-lb)**

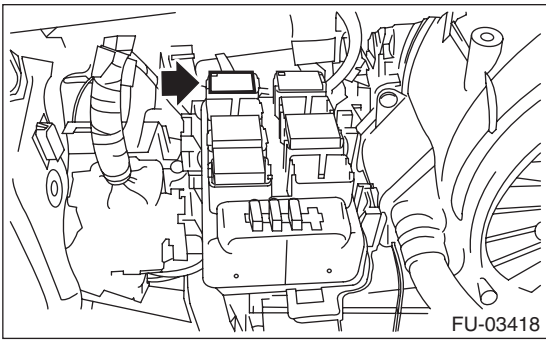
## 19. Main Relay

### A: REMOVAL

1) Disconnect the ground cable from battery.



2) Remove the main relay from the relay block on the back side of the glove box.

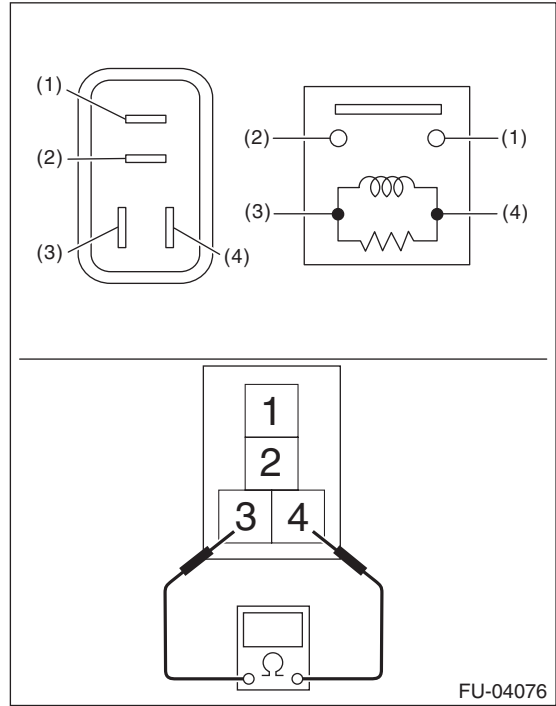


### B: INSTALLATION

Install in the reverse order of removal.

### C: INSPECTION

1) Measure the resistance between main relay terminals.



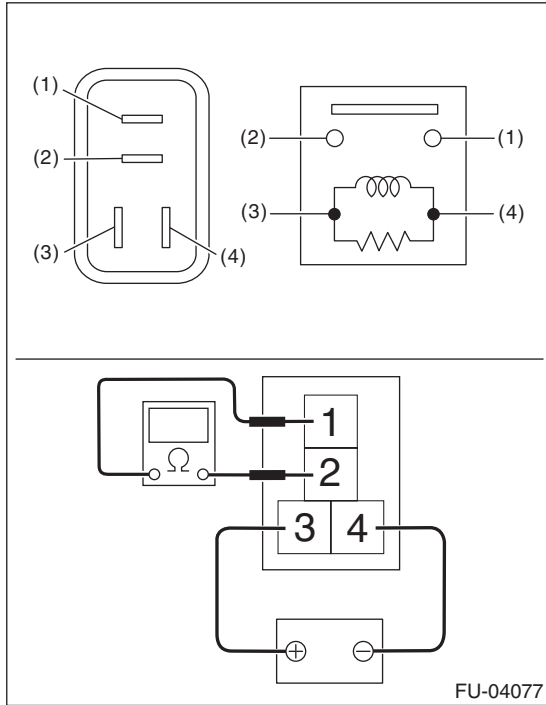
Terminal No.	Standard
1 and 2	1 M $\Omega$ or more
3 and 4	130.4 — 230.8 $\Omega$ (When 20°C (68°F))



# Main Relay

## FUEL INJECTION (FUEL SYSTEMS)

2) Connect terminal No. 3 to the battery positive terminal and the No. 4 terminal to the battery ground terminal, and measure the resistance between the main relay terminals.

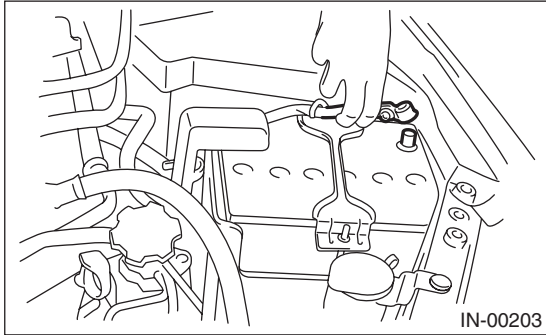


Terminal No.	Standard
1 and 2	Less than 1 $\Omega$

## 20. Fuel Pump Relay

### A: REMOVAL

1) Disconnect the ground cable from battery.



2) Remove the fuel pump relay from the relay block on the back side of the glove box.

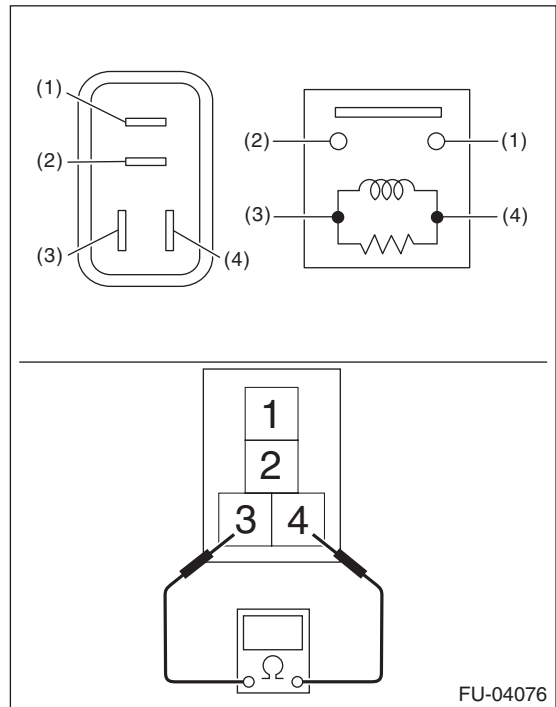


### B: INSTALLATION

Install in the reverse order of removal.

### C: INSPECTION

1) Measure the resistance between fuel pump relay terminals.

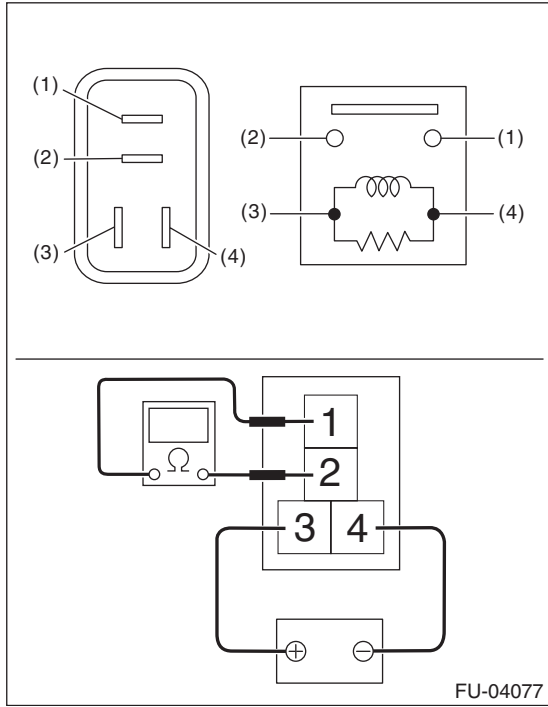


Terminal No.	Standard
1 and 2	1 M $\Omega$ or more
3 and 4	93.8 — 136.4 $\Omega$ (When 20°C (68°F))

# Fuel Pump Relay

## FUEL INJECTION (FUEL SYSTEMS)

2) Connect terminal No. 3 to the battery positive terminal and the No. 4 terminal to the battery ground terminal, and measure the resistance between the fuel pump relay terminals.



Terminal No.	Standard
1 and 2	Less than 1 $\Omega$

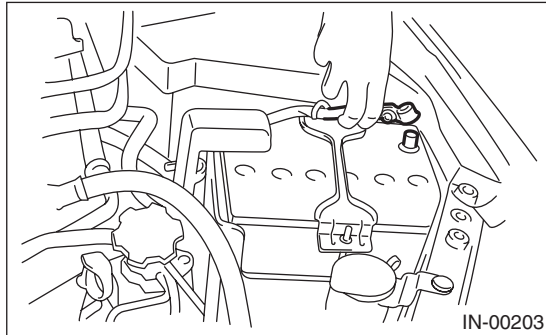
# Electronic Throttle Control Relay

FUEL INJECTION (FUEL SYSTEMS)

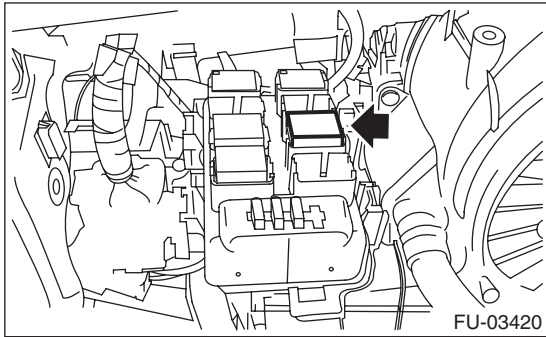
## 21. Electronic Throttle Control Relay

### A: REMOVAL

1) Disconnect the ground cable from battery.



2) Remove the electronic throttle control relay from the relay block on the back side of the glove box.

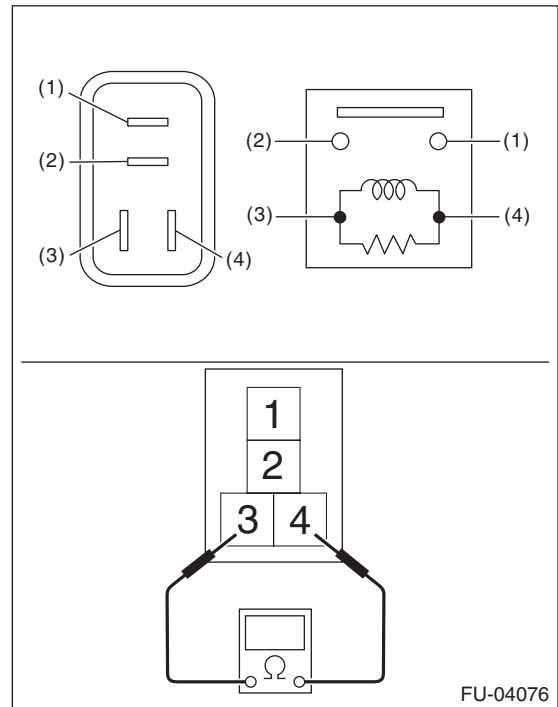


### B: INSTALLATION

Install in the reverse order of removal.

### C: INSPECTION

1) Measure the resistance between electronic throttle control relay terminals.

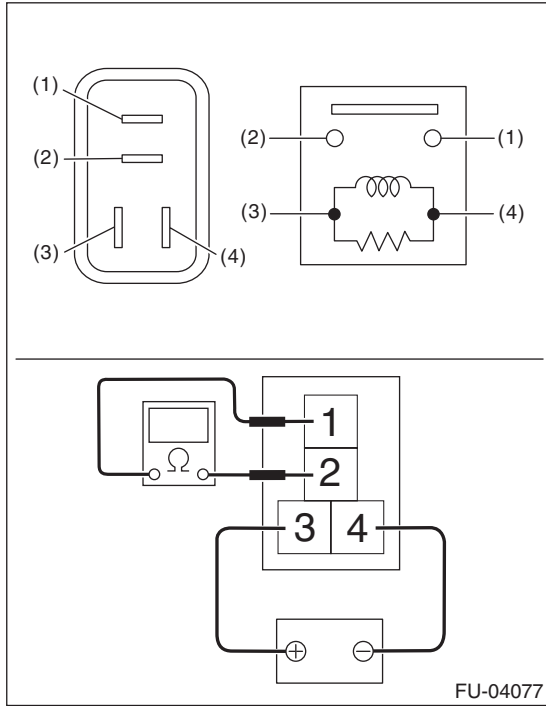


Terminal No.	Standard
1 and 2	1 M $\Omega$ or more
3 and 4	93.8 — 136.4 $\Omega$ (When 20°C (68°F))

# Electronic Throttle Control Relay

## FUEL INJECTION (FUEL SYSTEMS)

2) Connect terminal No. 3 to the battery positive terminal and the No. 4 terminal to the battery ground terminal, and measure the resistance between the electronic throttle control relay terminals.

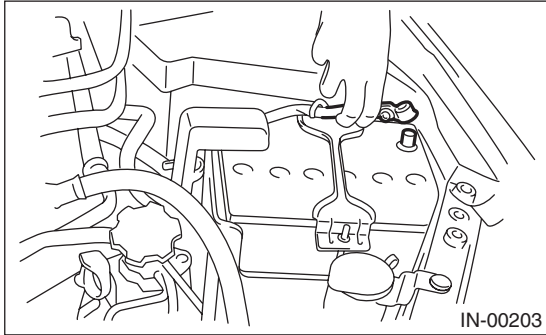


Terminal No.	Standard
1 and 2	Less than 1 $\Omega$

## 22. Fuel Pump Control Unit

### A: REMOVAL

1) Disconnect the ground cable from battery.

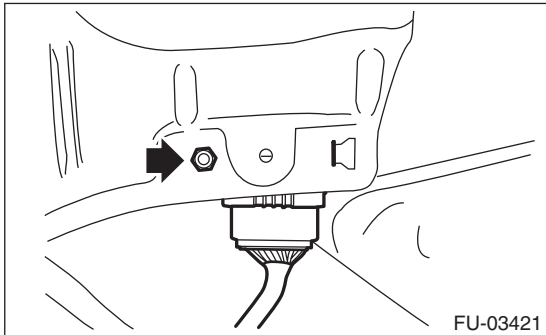


2) Remove the right side trunk side trim. (4 door model) <Ref. to EI-61, REMOVAL, Trunk Room Trim.>

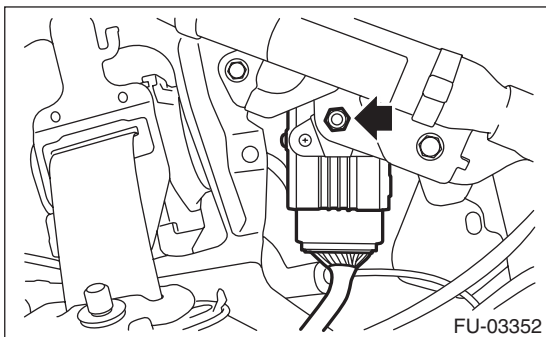
3) Remove the right side rear quarter trim. (5 door model) <Ref. to EI-58, REMOVAL, Rear Quarter Trim.>

4) Remove the fuel pump control unit.

- 4 DOOR MODEL



- 5 DOOR MODEL



5) Disconnect the connector from fuel pump control unit.

### B: INSTALLATION

Install in the reverse order of removal.

**Tightening torque:**

**5 N·m (0.5 kgf·m, 3.7 ft·lb)**

### 23. Fuel

#### A: PROCEDURE

##### 1. RELEASING OF FUEL PRESSURE

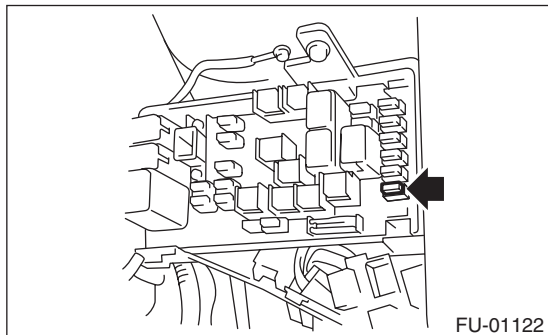
###### WARNING:

Place “NO OPEN FLAMES” signs near the working area.

###### CAUTION:

**Be careful not to spill fuel.**

1) Remove the fuse of fuel pump from main fuse box.



- 2) Start the engine and run it until it stalls.
- 3) After the engine stalls, crank it for five more seconds.
- 4) Turn the ignition switch to OFF.
- 5) Install the fuse of fuel pump to the main fuse box.

##### 2. DRAINING FUEL (WITH SUBARU SELECT MONITOR)

###### WARNING:

Place “NO OPEN FLAMES” signs near the working area.

###### CAUTION:

**Be careful not to spill fuel.**

###### NOTE:

- If the fuel pump cannot be driven, refer to the procedures for draining from the fuel filler hose. <Ref. to FU(H4DOTC)-61, DRAINING FUEL (THROUGH THE FUEL FILLER HOSE), PROCEDURE, Fuel.>

- Be careful not to let the battery run-out.

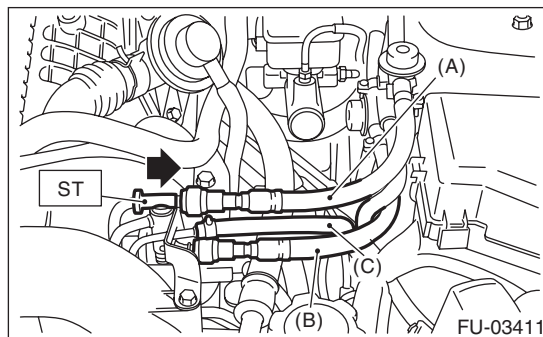
1) Release the fuel pressure. <Ref. to FU(H4DOTC)-60, RELEASING OF FUEL PRESSURE, PROCEDURE, Fuel.>

2) Attach ST to the fuel delivery pipe and push ST in the direction of arrow mark to disconnect the fuel delivery hose.

ST 42099AE000 QUICK CONNECTOR  
RELEASE

###### CAUTION:

- Be careful not to spill fuel.
- Catch the fuel from hoses using a container or cloth.



- (A) Fuel delivery hose
- (B) Fuel return hose
- (C) Evaporation hose

3) Connect ST to the fuel delivery hose.

ST 18471AA000 FUEL PIPE ADAPTER

4) Connect the gasoline proof hose to ST and put the end of the hose in the container.

5) Drive the fuel pump and drain the fuel using Subaru Select Monitor. <Ref. to EN(H4DOTC)(diag)-57, FUEL PUMP CONTROL (ON/OFF DRIVE), OPERATION, System Operation Check Mode.>

###### CAUTION:

**Be careful not to spill fuel.**

6) Install the related parts in the reverse order after draining the fuel.

### 3. DRAINING FUEL (THROUGH THE FUEL FILLER HOSE)

#### • 4 DOOR MODEL

#### WARNING:

Place “NO OPEN FLAMES” signs near the working area.

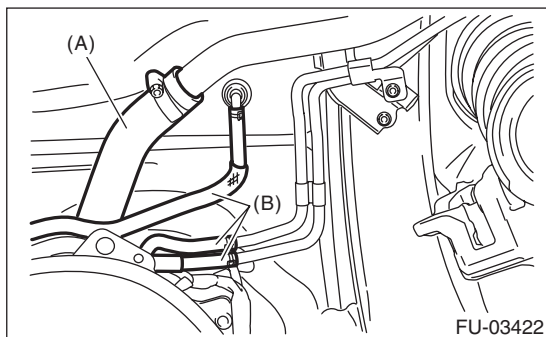
#### CAUTION:

- Be careful not to spill fuel.
- Fuel may remain in the fuel filler pipe. Draining the fuel from the fuel filler pipe through the fill opening using the gasoline proof pump and the gasoline proof hose (ø10 or less) before the operation.

- 1) Set the vehicle on a lift.
- 2) Lift up the vehicle.
- 3) Remove the rear exhaust pipe and muffler. <Ref. to EX(H4DOTC)-13, REMOVAL, Rear Exhaust Pipe.> <Ref. to EX(H4DOTC)-15, REMOVAL, Muffler.>
- 4) Remove the rear sub frame. <Ref. to RS-17, REMOVAL, Rear Sub Frame.>
- 5) Open the fuel filler lid and remove the fuel filler cap.
- 6) Drain the fuel from the fuel filler pipe through the filler opening using the gasoline proof pump and the gasoline proof hose (ø10 or less).
- 7) Disconnect the fuel filler hose (A) from the fuel filler pipe assembly.

#### CAUTION:

- Be careful not to spill fuel.
- Catch the fuel from hoses using a container or cloth.



- (A) Fuel filler hose  
(B) Evaporation hose

- 8) Set the container under the vehicle and insert the gasoline proof hose (ø10 or less) into the fuel filler hose to drain the fuel.

#### CAUTION:

**Be careful not to spill fuel.**

- 9) Install the related parts in the reverse order after draining the fuel.

#### Tightening torque:

**2.5 N·m (0.3 kgf·m, 1.8 ft·lb)**

#### • 5 DOOR MODEL

#### WARNING:

Place “NO OPEN FLAMES” signs near the working area.

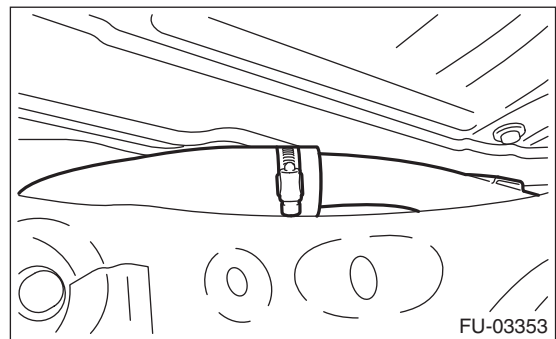
#### CAUTION:

- Be careful not to spill fuel.
- Fuel may remain in the fuel filler pipe. Draining the fuel from the fuel filler pipe through the fill opening using the gasoline proof pump and the gasoline proof hose (ø10 or less) before the operation.

- 1) Set the vehicle on a lift.
- 2) Lift up the vehicle.
- 3) Remove the rear exhaust pipe and muffler. <Ref. to EX(H4DOTC)-13, REMOVAL, Rear Exhaust Pipe.> <Ref. to EX(H4DOTC)-15, REMOVAL, Muffler.>
- 4) Open the fuel filler lid and remove the fuel filler cap.
- 5) Drain the fuel from the fuel filler pipe through the filler opening using the gasoline proof pump and the gasoline proof hose (ø10 or less).
- 6) Disconnect the fuel filler hose from the fuel filler pipe assembly.

#### CAUTION:

- Be careful not to spill fuel.
- Catch the fuel from hoses using a container or cloth.



- 7) Set the container under the vehicle and insert the gasoline proof hose (ø10 or less) into the fuel filler hose to drain the fuel.

#### CAUTION:

**Be careful not to spill fuel.**

- 8) Install the related parts in the reverse order after draining the fuel.

#### Tightening torque:

**2.5 N·m (0.3 kgf·m, 1.8 ft·lb)**



# Fuel Tank

## FUEL INJECTION (FUEL SYSTEMS)

### 24. Fuel Tank

#### A: REMOVAL

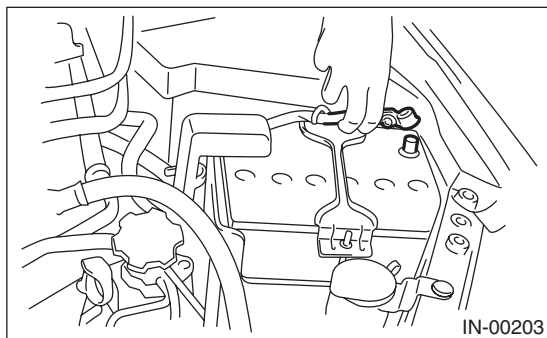
##### WARNING:

Place "NO OPEN FLAMES" signs near the working area.

##### CAUTION:

Be careful not to spill fuel.

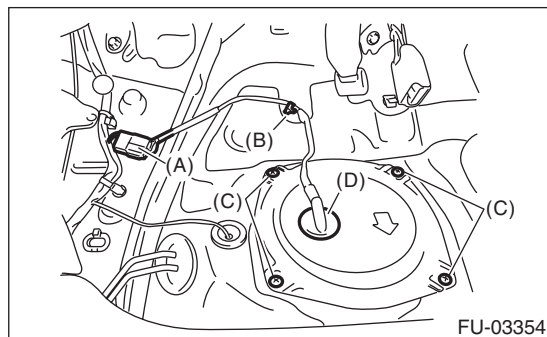
- 1) Set the vehicle on a lift.
- 2) Release the fuel pressure. <Ref. to FU(H4DOTC)-60, RELEASING OF FUEL PRESSURE, PROCEDURE, Fuel.>
- 3) Drain fuel. <Ref. to FU(H4DOTC)-60, DRAINING FUEL (WITH SUBARU SELECT MONITOR), PROCEDURE, Fuel.>
- 4) Disconnect the ground cable from battery.



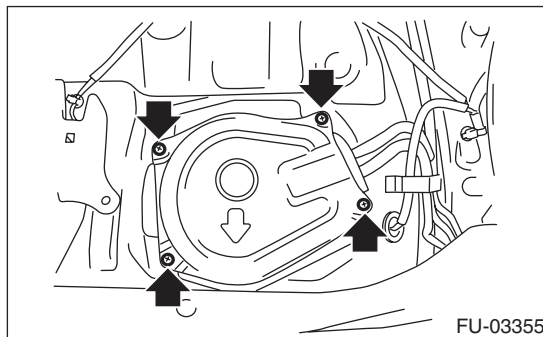
5) Remove the rear seat cushion. <Ref. to SE-11, REMOVAL, Rear Seat.>

6) Remove the service hole cover of fuel pump.

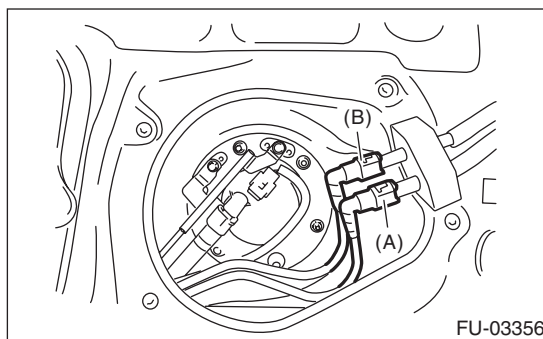
- (1) Disconnect fuel pump connector (A), and remove clip (B).
- (2) Remove the screw (C).
- (3) Push the grommet (D) down and remove the service hole cover.



7) Remove the service hole cover of fuel sub level sensor.



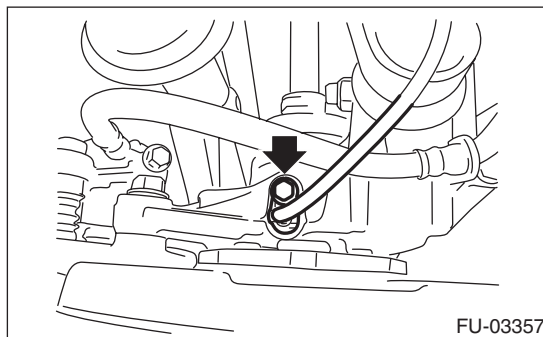
8) Disconnect the quick connector of fuel delivery tube (A) and fuel return tube (B). <Ref. to FU(H4DOTC)-84, REMOVAL, Fuel Delivery, Return and Evaporation Lines.>



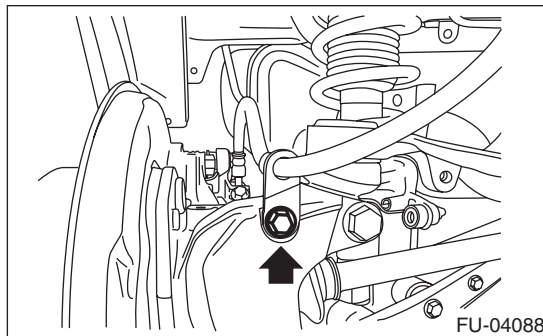
9) Remove the rear wheels.

10) Lift up the vehicle.

11) Remove the rear ABS wheel speed sensor from the rear housing.



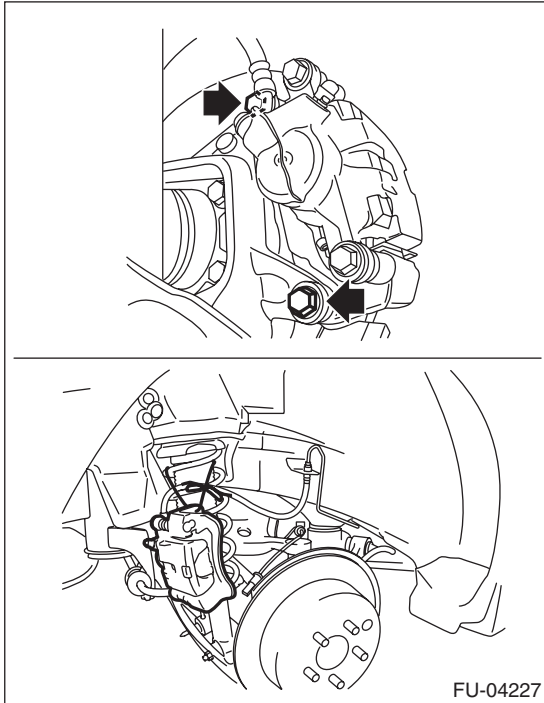
12) Remove the rear brake hose bracket from rear housing.



# Fuel Tank

## FUEL INJECTION (FUEL SYSTEMS)

13) Remove the rear disc brake assembly and tie it to the body side of the vehicle.



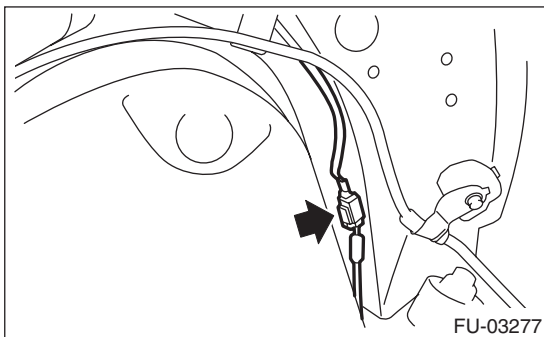
14) Remove the parking brake cable from parking brake assembly. <Ref. to PB-6, REMOVAL, Parking Brake Assembly (Rear Disc Brake).>

15) Remove the rear exhaust pipe and muffler. <Ref. to EX(H4DOTC)-13, REMOVAL, Rear Exhaust Pipe.> <Ref. to EX(H4DOTC)-15, REMOVAL, Muffler.>

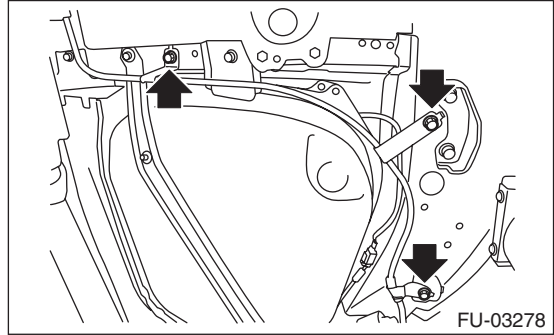
16) Remove the propeller shaft. <Ref. to DS-10, REMOVAL, Propeller Shaft.>

17) Remove the heat shield cover and fuel tank protector.

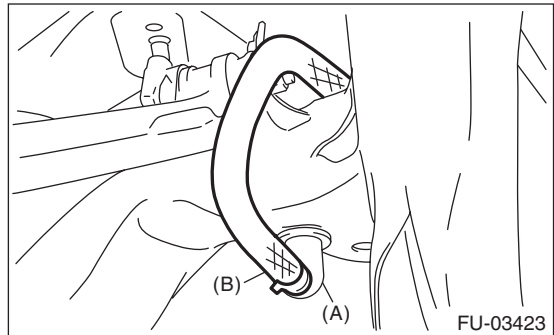
18) Disconnect the connector from the rear ABS wheel speed sensor.



19) Remove the parking brake cable clamp from the body.



20) Disconnect canister drain hose (B) from canister drain connector (A).



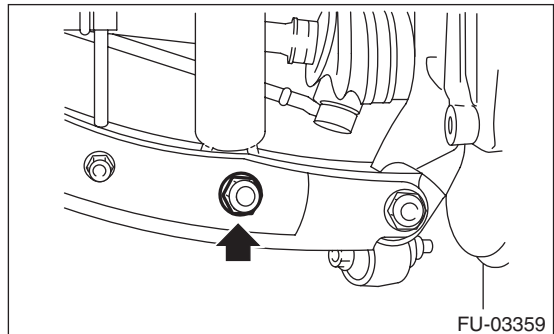
21) Remove the rear suspension assembly.

### WARNING:

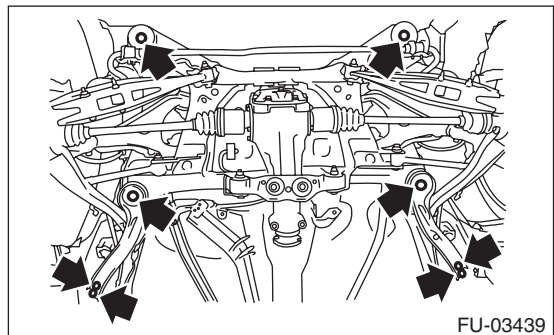
**A helper is required to perform this work.**

(1) Support the rear differential with the transmission jack.

(2) Remove the bolt and nut which secures rear shock absorber to rear suspension arm.



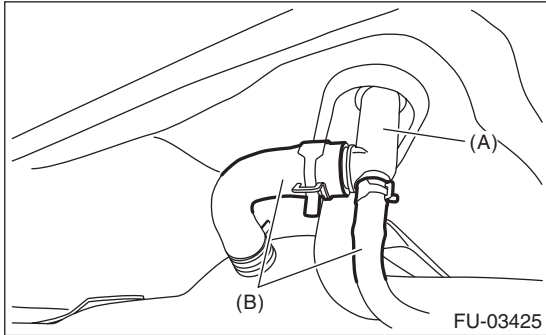
(3) Remove the bolts which secure the rear suspension assembly to the body.



# Fuel Tank

## FUEL INJECTION (FUEL SYSTEMS)

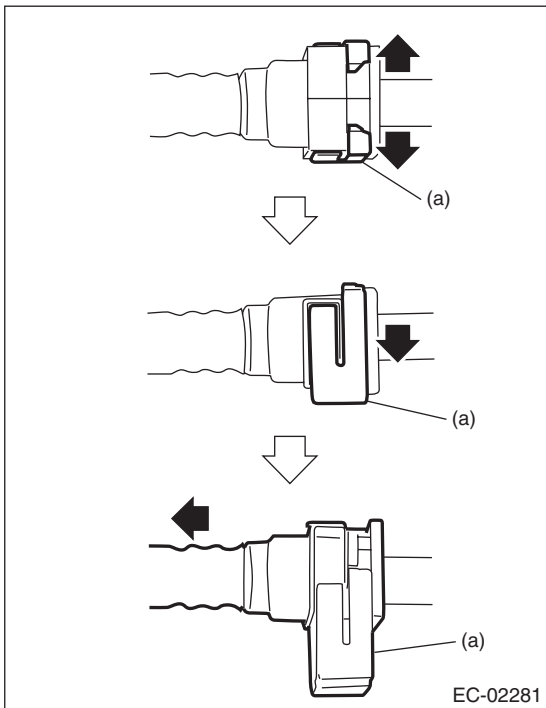
- (4) Remove the rear suspension assembly.  
22) Disconnect evaporation hose (B) from connector (A).



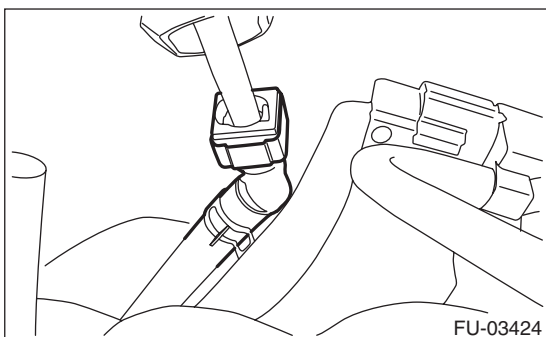
- 23) Disconnect the quick connector of the evaporation hose from the evaporation pipe.

### NOTE:

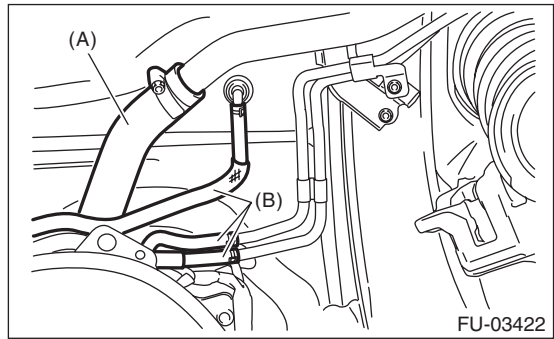
Disconnect the quick connector as shown in the figure.



(a) Retainer



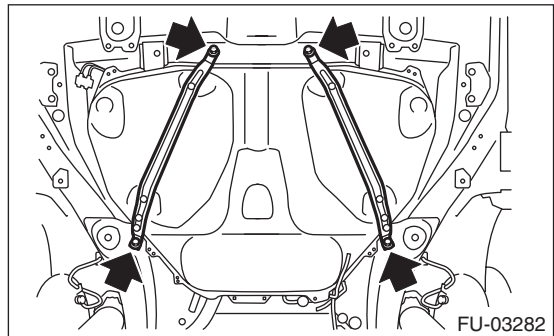
- 24) Disconnect the fuel filler hose (A) and evaporation hose (B).



- 25) Support the fuel tank with a transmission jack, remove the bolts from the fuel tank band, and remove the fuel tank from the vehicle.

### WARNING:

- A helper is required to perform this work.
- Fuel may remain in the fuel tank. This will cause the left and right sides to be unbalanced. Be careful not to drop the fuel tank when removing.

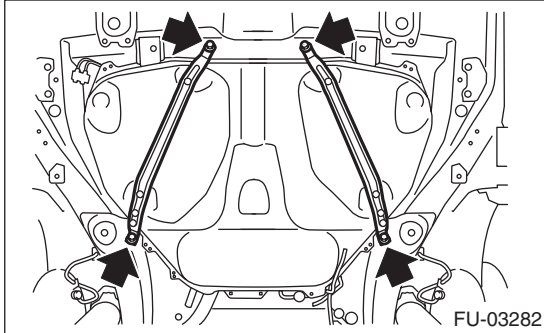


## B: INSTALLATION

1) Support the fuel tank with a transmission jack, set the fuel tank in place, and temporarily tighten the bolts of the fuel tank band.

### WARNING:

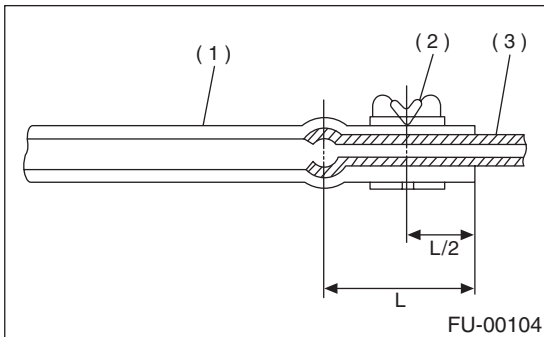
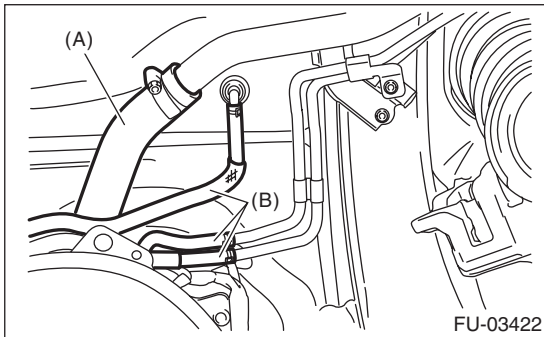
A helper is required to perform this work.



2) Securely insert the fuel filler hose (A) and evaporation hose (B) into the specified position, then attach the clamp or clip as shown in the figure.

### Tightening torque:

**2.5 N·m (0.3 kgf-m, 1.8 ft-lb)**

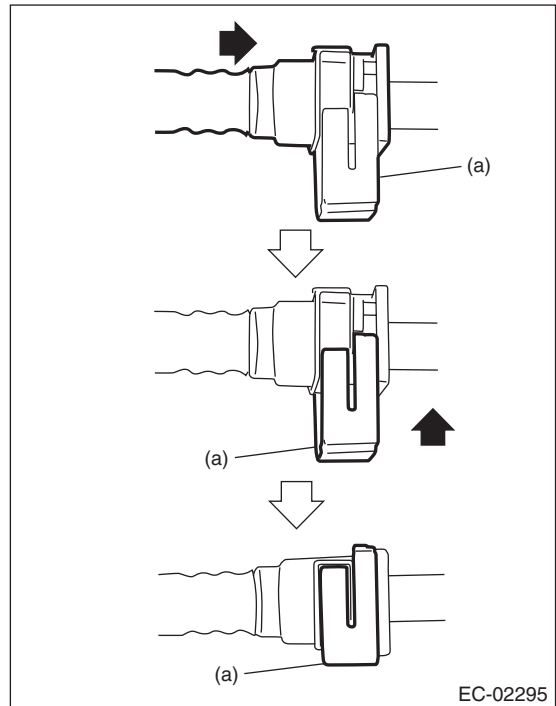


- (1) Hose
- (2) Clamp or clip
- (3) Pipe

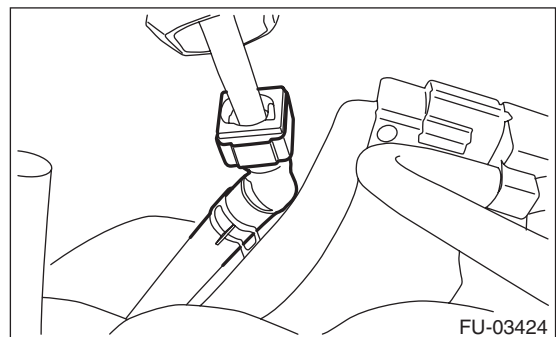
3) Connect the quick connector of the evaporation hose to the evaporation pipe.

### CAUTION:

- Check that there is no damage or dust on the quick connector. If necessary, clean the seal surface of the pipe.
- When connecting the quick connector, securely insert the pipe all the way before locking the retainer.
- When it is difficult to lock the retainer, make sure that the pipe is securely inserted.
- Make sure that the quick connector is securely connected.



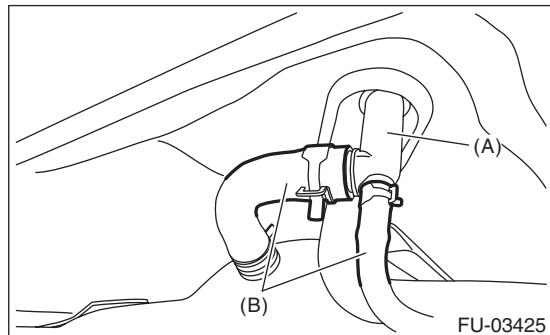
(a) Retainer



# Fuel Tank

## FUEL INJECTION (FUEL SYSTEMS)

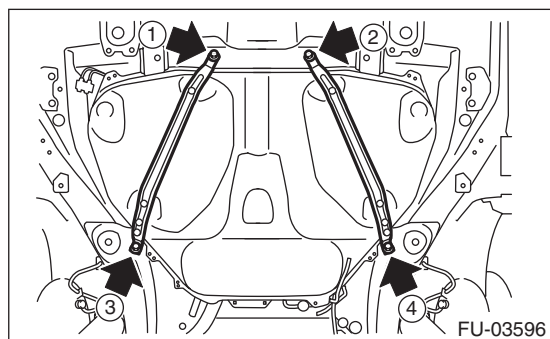
4) Connect evaporation hose (B) to connector (A).



5) Tighten the bolts of the fuel tank band in the order shown in the figure.

**Tightening torque:**

**33 N·m (3.4 kgf-m, 24.3 ft-lb)**



6) Install the rear suspension assembly.

### **WARNING:**

**A helper is required to perform this work.**

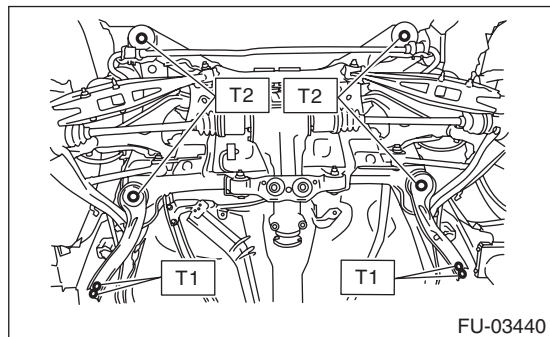
(1) Support the rear differential with the transmission jack.

(2) Support the rear suspension assembly and install the rear suspension assembly to the body.

**Tightening torque:**

**T1: 70 N·m (7.1 kgf-m, 51.6 ft-lb)**

**T2: 145 N·m (14.8 kgf-m, 106.9 ft-lb)**



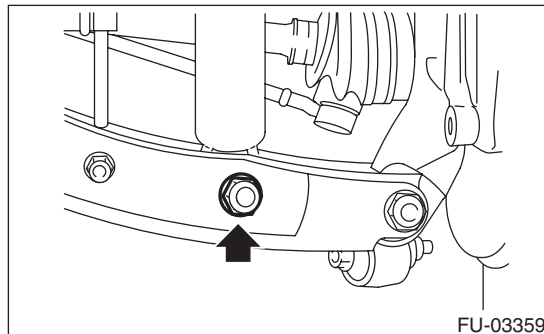
(3) Install the rear shock absorber to the rear suspension arm.

### **NOTE:**

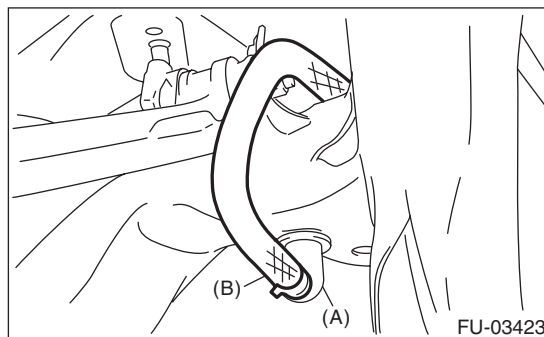
Use a new self-locking nut.

**Tightening torque:**

**120 N·m (12.2 kgf-m, 88.5 ft-lb)**



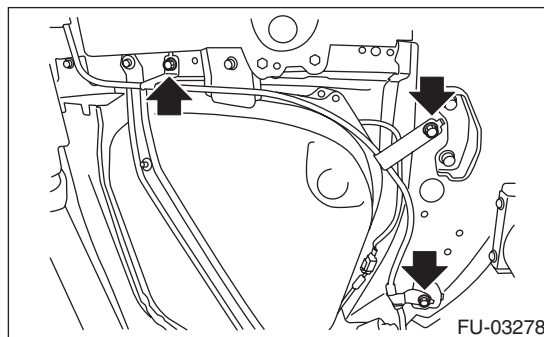
7) Connect canister drain hose (B) to canister drain connector (A).



8) Install the parking brake cable clamp to the body.

**Tightening torque:**

**18 N·m (1.8 kgf-m, 13.3 ft-lb)**

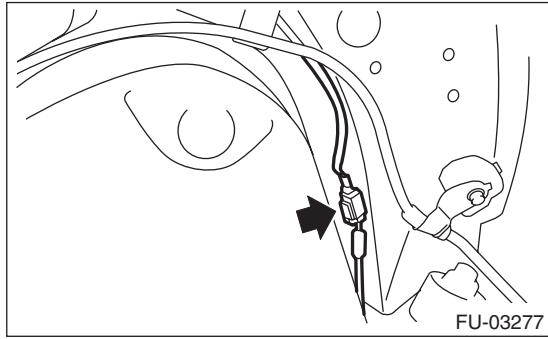




# Fuel Tank

## FUEL INJECTION (FUEL SYSTEMS)

- 9) Connect the connector to the rear ABS wheel speed sensor.



- 10) Install the heat shield cover.

**Tightening torque:**

**18 N·m (1.8 kgf·m, 13.3 ft·lb)**

- 11) Install the fuel tank protector.

**Tightening torque:**

**Nut: 9 N·m (0.9 kgf·m, 6.6 ft·lb)**

**Bolt: 18 N·m (1.8 kgf·m, 13.3 ft·lb)**

- 12) Install the propeller shaft. <Ref. to DS-11, INSTALLATION, Propeller Shaft.>

- 13) Install the rear exhaust pipe and muffler. <Ref. to EX(H4DOTC)-13, INSTALLATION, Rear Exhaust Pipe.> <Ref. to EX(H4DOTC)-15, INSTALLATION, Muffler.>

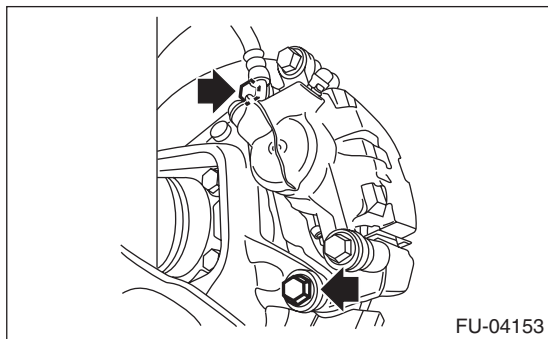
- 14) Lower the vehicle.

- 15) Connect the parking brake cable to the parking brake assembly. <Ref. to PB-7, INSTALLATION, Parking Brake Assembly (Rear Disc Brake).>

- 16) Install the rear disc brake assembly.

**Tightening torque:**

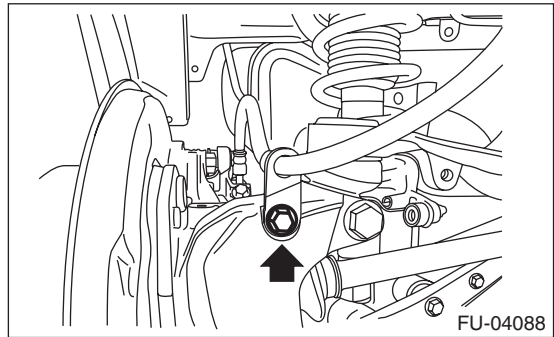
**66 N·m (6.7 kgf·m, 48.7 ft·lb)**



- 17) Install the rear brake hose bracket to the rear housing.

**Tightening torque:**

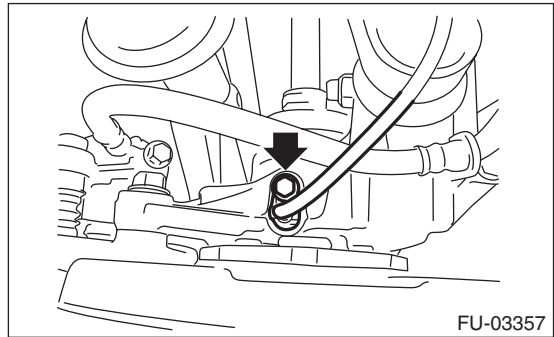
**33 N·m (3.4 kgf·m, 24.3 ft·lb)**



- 18) Attach the rear ABS wheel speed sensor to the rear housing.

**Tightening torque:**

**7.5 N·m (0.8 kgf·m, 5.5 ft·lb)**



- 19) Install the rear wheels.

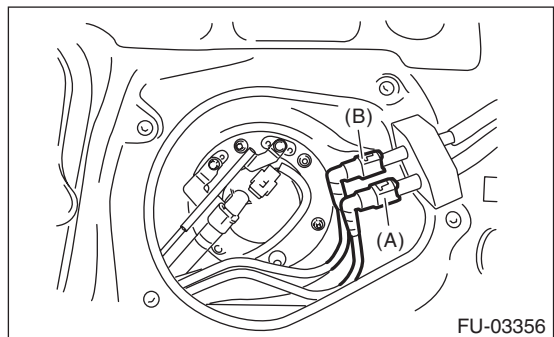
**Tightening torque:**

**100 N·m (10.2 kgf·m, 73.8 ft·lb)**

- 20) Connect the quick connector of fuel delivery tube (A) and fuel return tube (B). <Ref. to FU(H4DOTC)-85, INSTALLATION, Fuel Delivery, Return and Evaporation Lines.>

**NOTE:**

When connecting, be careful not to reverse the delivery side and return side.

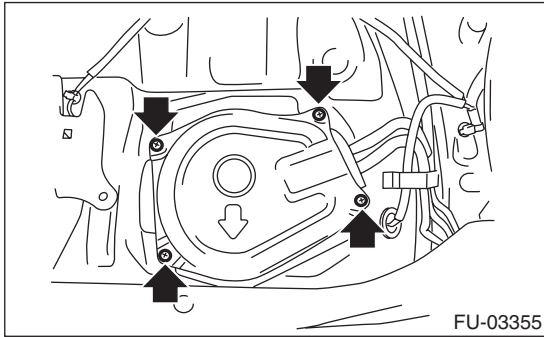


# Fuel Tank

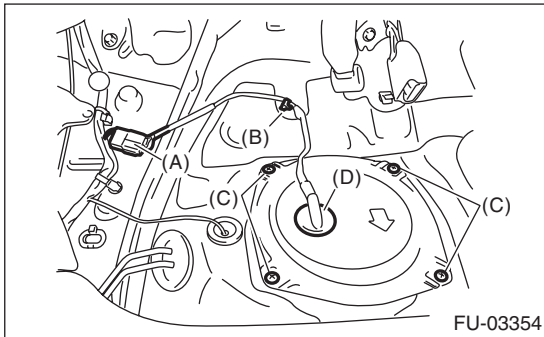
## FUEL INJECTION (FUEL SYSTEMS)

---

21) Install the service hole cover of fuel sub level sensor.



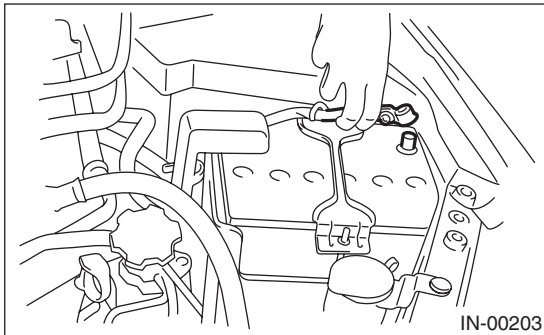
22) Attach the service hole cover of the fuel pump, and attach the connector and clip.



- (A) Connector
- (B) Clip
- (C) Screw
- (D) Grommet

23) Install the rear seat cushion. <Ref. to SE-12, INSTALLATION, Rear Seat.>

24) Connect the ground cable to battery.



25) Inspect the wheel alignment and adjust if necessary.

## C: INSPECTION

- 1) Check that the fuel tank does not have holes, cracks or is damaged in any other way.
- 2) Make sure that the fuel pipe and fuel hose are not cracked and that the connections are tight.

## 25. Fuel Filler Pipe

### A: REMOVAL

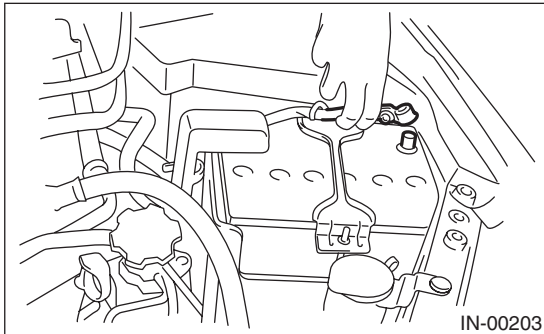
**WARNING:**

Place "NO OPEN FLAMES" signs near the working area.

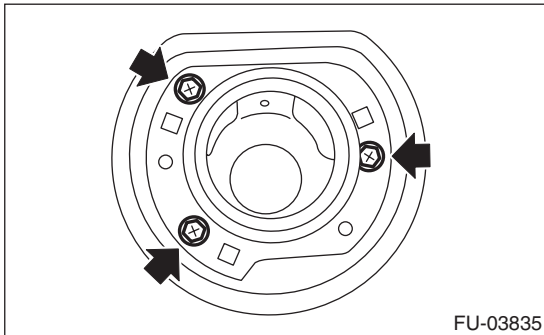
**CAUTION:**

Be careful not to spill fuel.

- 1) Set the vehicle on a lift.
- 2) Release the fuel pressure. <Ref. to FU(H4DOTC)-60, RELEASING OF FUEL PRESSURE, PROCEDURE, Fuel.>
- 3) Drain fuel. <Ref. to FU(H4DOTC)-60, DRAINING FUEL (WITH SUBARU SELECT MONITOR), PROCEDURE, Fuel.>
- 4) Disconnect the ground cable from battery.

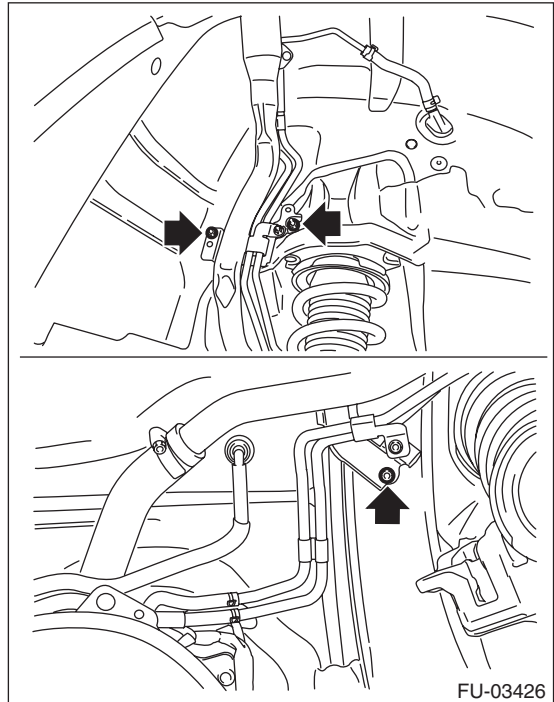


- 5) Open the fuel filler lid, and remove the filler cap.
- 6) Remove the screws which secure gasket.

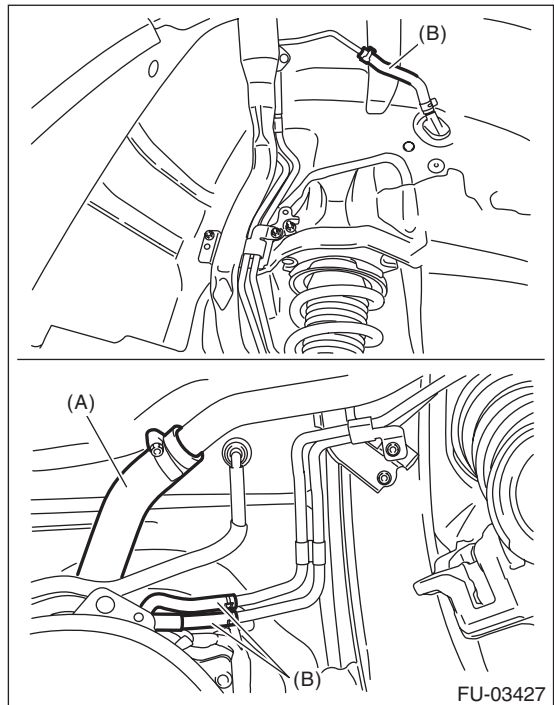


- 7) Remove the rear wheel RH.
- 8) Lift up the vehicle.
- 9) Remove the rear mud guard RH. <Ref. to EI-28, REMOVAL, Mud Guard.>
- 10) Remove the rear sub frame. <Ref. to RS-17, REMOVAL, Rear Sub Frame.>

- 11) Remove the bolts and nuts which hold fuel filler pipe on the body.



- 12) Disconnect the fuel filler hose (A) and evaporation hose (B).



- 13) Remove the fuel filler pipe to the underside of the vehicle.



# Fuel Filler Pipe

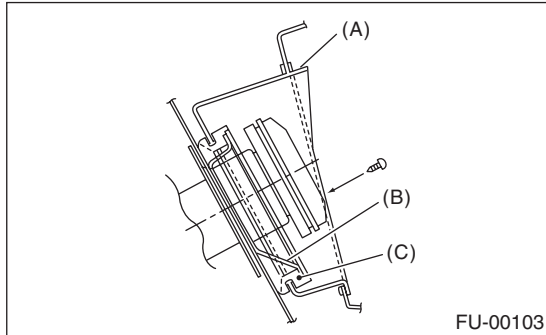
## FUEL INJECTION (FUEL SYSTEMS)

### B: INSTALLATION

- 1) Open the fuel filler lid.
- 2) Set the fuel saucer (A) with rubber gasket (C), and insert the fuel filler pipe into hole from the inner side of apron.
- 3) Align the holes in fuel filler pipe neck and set the cup (B), and tighten the screws.

#### NOTE:

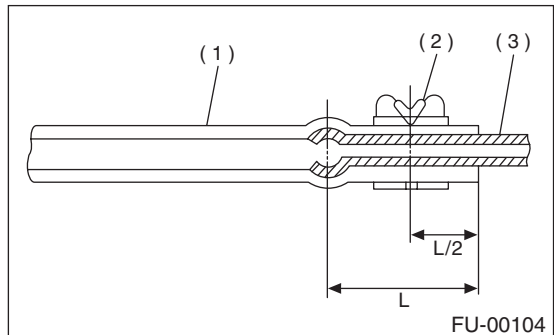
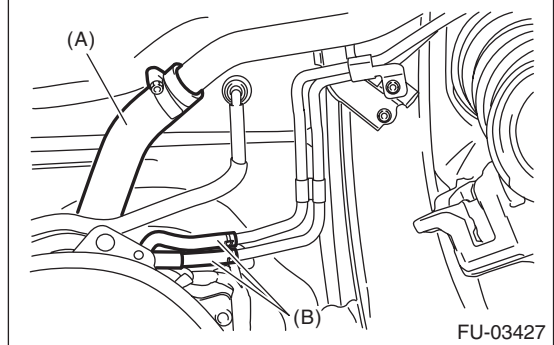
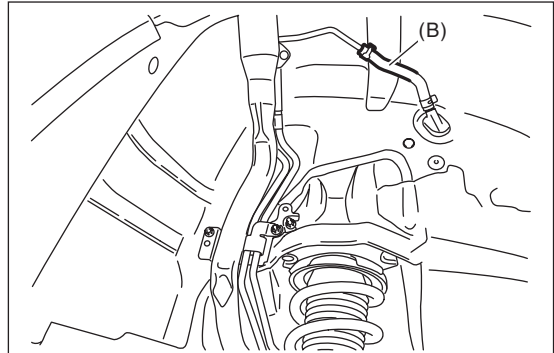
If the edges of rubber gasket are folded toward inside, straighten it with a flat tip screwdriver.



- 4) Securely insert the fuel filler hose (A) and evaporation hose (B) into the specified position, then attach the clamp or clip as shown in the figure.

#### Tightening torque:

**2.5 N·m (0.3 kgf-m, 1.8 ft-lb)**

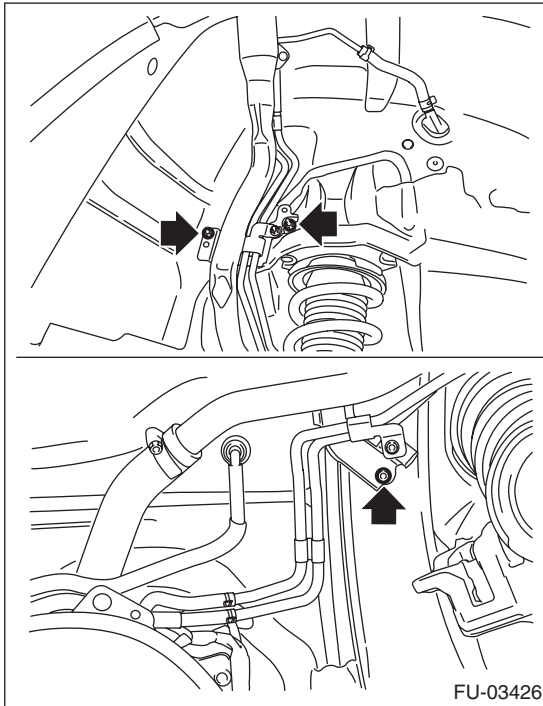


- (1) Hose
- (2) Clamp or clip
- (3) Pipe

5) Install the fuel filler pipe to the body.

**Tightening torque:**

**7.5 N·m (0.8 kgf·m, 5.5 ft·lb)**



6) Install the rear sub frame. <Ref. to RS-18, INSTALLATION, Rear Sub Frame.>

7) Install the rear mud guard RH. <Ref. to EI-28, INSTALLATION, Mud Guard.>

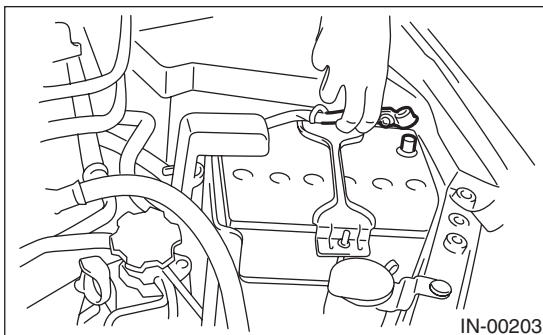
8) Lower the vehicle.

9) Install the rear wheel RH.

**Tightening torque:**

**100 N·m (10.2 kgf·m, 73.8 ft·lb)**

10) Connect the ground cable to battery.

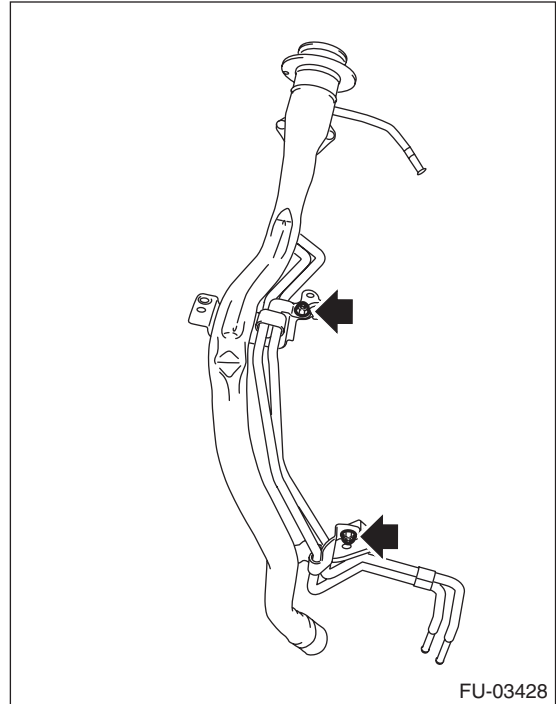


11) Inspect the wheel alignment and adjust if necessary.

## C: DISASSEMBLY

1) Remove the shut valve from the fuel filler pipe. <Ref. to EC(H4DOTC)-21, REMOVAL, Shut Valve.>

2) Remove the evaporation pipe from the fuel filler pipe.



# Fuel Filler Pipe

FUEL INJECTION (FUEL SYSTEMS)

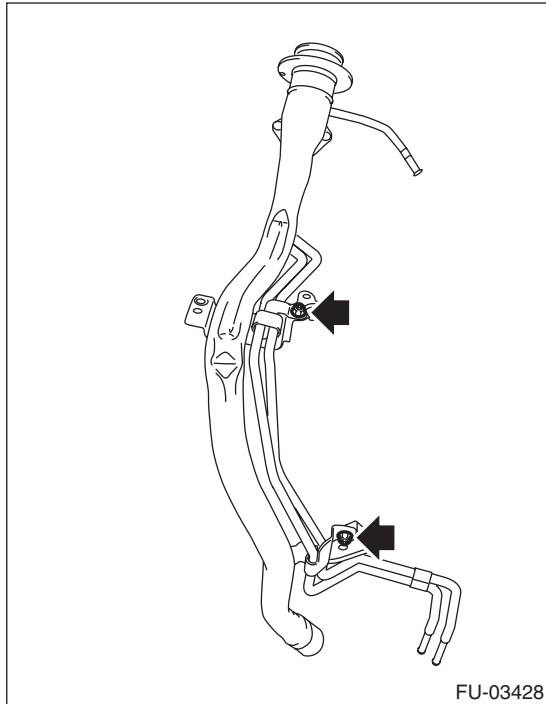
---

## D: ASSEMBLY

1) Install the evaporation pipe to the fuel filler pipe.

**Tightening torque:**

**7.5 N·m (0.8 kgf-m, 5.5 ft-lb)**



2) Install the shut valve to the fuel filler pipe. <Ref. to EC(H4DOTC)-21, INSTALLATION, Shut Valve.>

## E: INSPECTION

- 1) Check that the fuel filler pipe does not have holes, cracks or is damaged in any other way.
- 2) Make sure that the fuel hose is not cracked and that the connections are tight.

## 26. Fuel Pump

### A: REMOVAL

**WARNING:**

Place "NO OPEN FLAMES" signs near the working area.

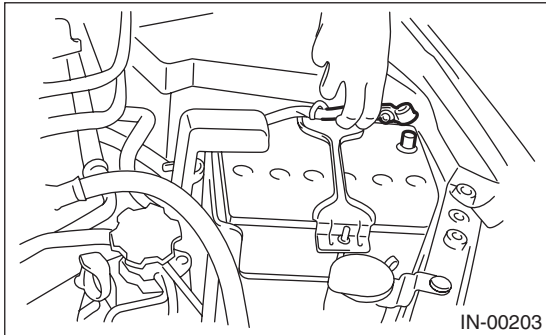
**CAUTION:**

- Be careful not to spill fuel.
- If the fuel gauge indicates that two thirds or more of the fuel is remaining, be sure to drain fuel before starting work to avoid the fuel to spill.

**NOTE:**

Fuel pump assembly consists of fuel pump, fuel filter and fuel level sensor.

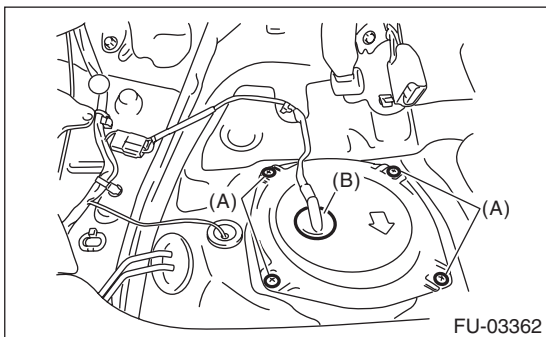
- 1) Release the fuel pressure. <Ref. to FU(H4DOTC)-60, RELEASING OF FUEL PRESSURE, PROCEDURE, Fuel.>
- 2) Drain fuel. <Ref. to FU(H4DOTC)-60, DRAINING FUEL (WITH SUBARU SELECT MONITOR), PROCEDURE, Fuel.>
- 3) Disconnect the ground cable from battery.



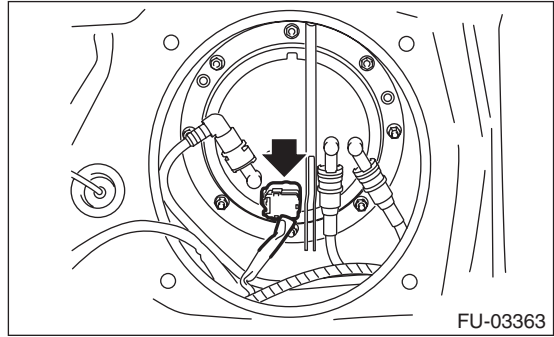
4) Remove the rear seat cushion. <Ref. to SE-11, REMOVAL, Rear Seat.>

5) Remove the service hole cover.

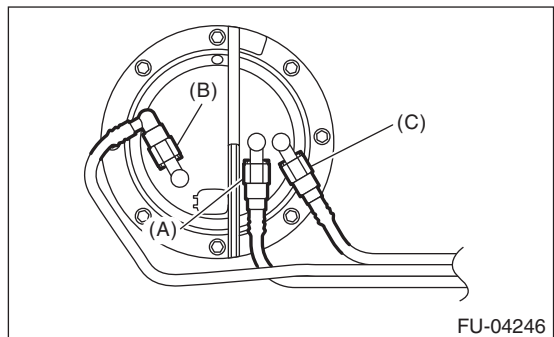
- (1) Remove the screws (A).
- (2) Push the grommet (B) down and remove the service hole cover.



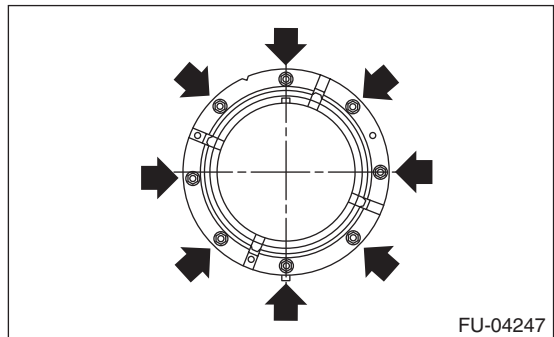
6) Disconnect the connector from fuel pump.



7) Disconnect the quick connectors of fuel delivery tube (A), fuel return tube (B), and jet pump tube (C). <Ref. to FU(H4DOTC)-84, REMOVAL, Fuel Delivery, Return and Evaporation Lines.>



8) Remove the nuts which hold the fuel pump assembly to the fuel tank.



9) Remove the fuel pump assembly from the fuel tank.

# Fuel Pump

## FUEL INJECTION (FUEL SYSTEMS)

### B: INSTALLATION

Install in the reverse order of removal while being careful of the following.

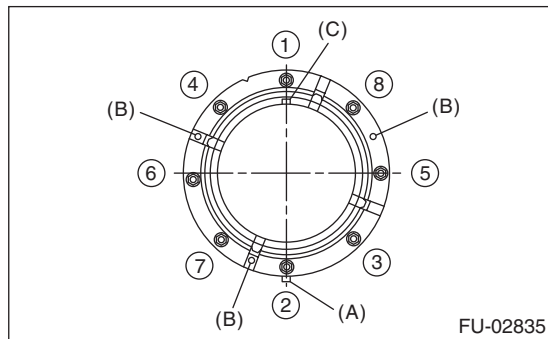
- Make sure the sealing portion is free from fuel or foreign matter before installation.
- Install with the protrusion (A) of gasket aimed at the front side of the vehicle.
- Insert the protrusion (B) of gasket into the upper plate. (3 places)
- Align the protrusion (C) of fuel pump assembly with the cutout on the upper plate.
- Tighten the nuts to the specified torque in the order as shown in the figure.

NOTE:

Use a new gasket and retainer.

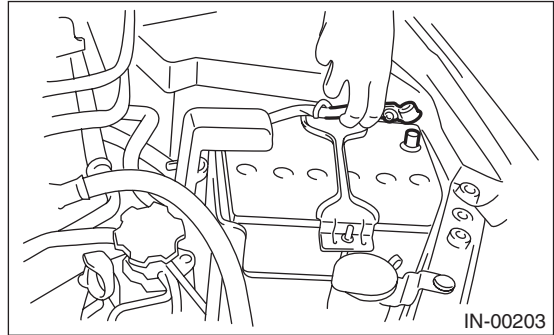
**Tightening torque:**

**4.4 N·m (0.4 kgf·m, 3.2 ft·lb)**



### C: INSPECTION

- 1) Disconnect the ground cable from battery.

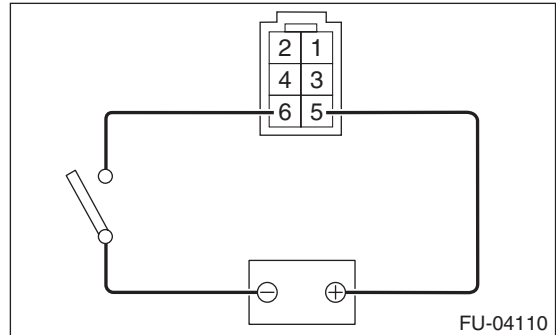


- 2) Remove the fuel pump. <Ref. to FU(H4DOTC)-73, REMOVAL, Fuel Pump.>

- 3) Connect terminal No. 5 to the battery positive terminal and the No. 6 terminal to the battery ground terminal, and inspect the fuel pump operation.

**WARNING:**

- Wipe off fuel completely.
- Keep the battery as far apart from fuel pump as possible.
- Do not run the fuel pump for a long time under non-load condition.



## 27. Fuel Level Sensor

### A: REMOVAL

**WARNING:**

Place "NO OPEN FLAMES" signs near the working area.

**CAUTION:**

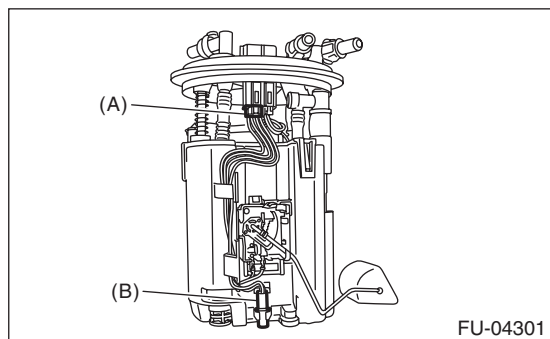
- Be careful not to spill fuel.
- If the fuel gauge indicates that two thirds or more of the fuel is remaining, be sure to drain fuel before starting work to avoid the fuel to spill.

**NOTE:**

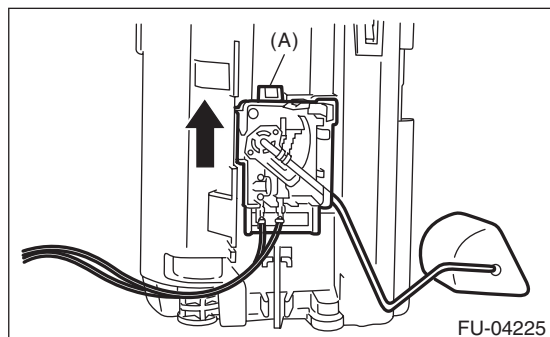
The fuel level sensor is built in fuel pump assembly.  
1) Remove the fuel pump assembly. <Ref. to FU(H4DOTC)-73, REMOVAL, Fuel Pump.>

2) Disconnect the connector (A) from the sub tank bracket assembly.

3) Remove the fuel temperature sensor (B) from sub tank.



4) Slide the fuel level sensor in the direction of the arrow and remove the fuel level sensor by pressing the claw (A) of the fuel level sensor.



### B: INSTALLATION

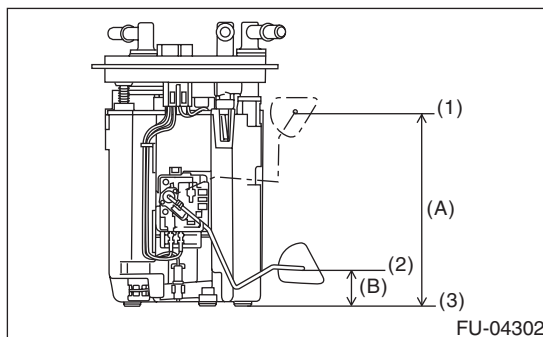
Install in the reverse order of removal.

### C: INSPECTION

**NOTE:**

When inspecting the fuel level sensor, perform the work with it installed to the fuel pump.

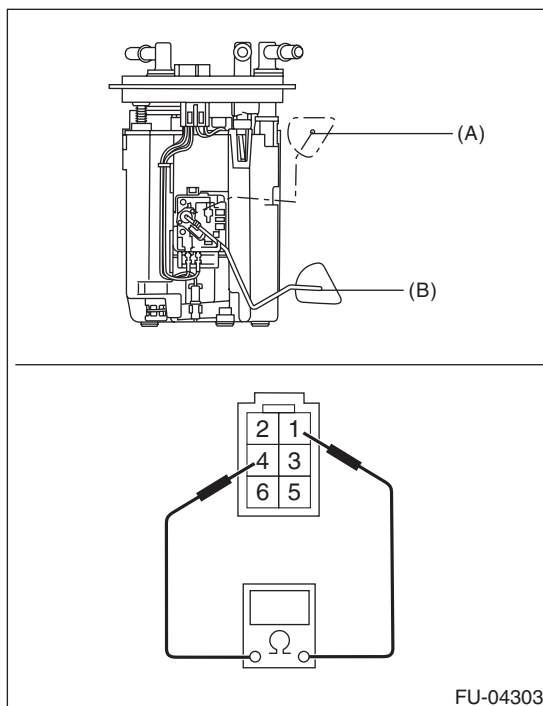
1) Measure the fuel level sensor float position.



- (1) FULL
- (2) EMPTY
- (3) Fuel tank seating surface

Float position	Standard
FULL to Fuel tank seating surface (A)	135 ±4 mm (5.315±0.157 in)
EMPTY to Fuel tank seating surface (B)	23.7 ±4 mm (0.933±0.157 in)

2) Measure the resistance between fuel level sensor terminals.



Float position	Terminal No.	Standard
FULL (A)	1 and 4	2.0±1.0 Ω
EMPTY (B)		31.9±1.0 Ω

# Fuel Sub Level Sensor

FUEL INJECTION (FUEL SYSTEMS)

## 28. Fuel Sub Level Sensor

### A: REMOVAL

#### WARNING:

Place "NO OPEN FLAMES" signs near the working area.

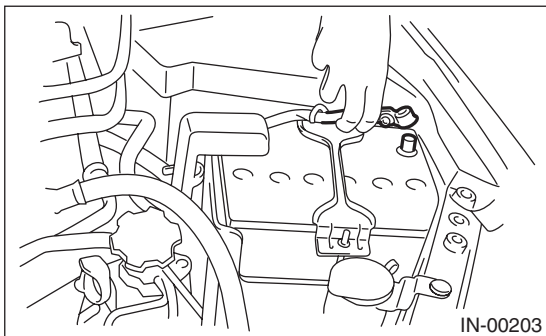
#### CAUTION:

- Be careful not to spill fuel.
- If the fuel gauge indicates that two thirds or more of the fuel is remaining, be sure to drain fuel before starting work to avoid the fuel to spill.

1) Release the fuel pressure. <Ref. to FU(H4DOTC)-60, RELEASING OF FUEL PRESSURE, PROCEDURE, Fuel.>

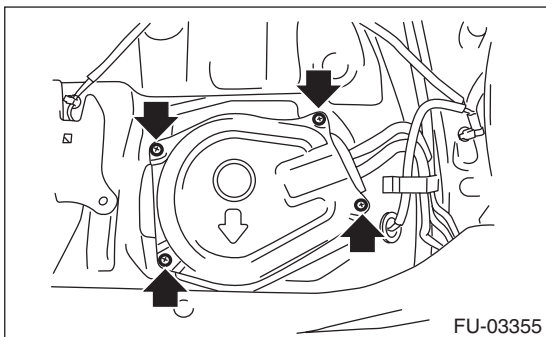
2) Drain fuel. <Ref. to FU(H4DOTC)-60, DRAINING FUEL (WITH SUBARU SELECT MONITOR), PROCEDURE, Fuel.>

3) Disconnect the ground cable from battery.

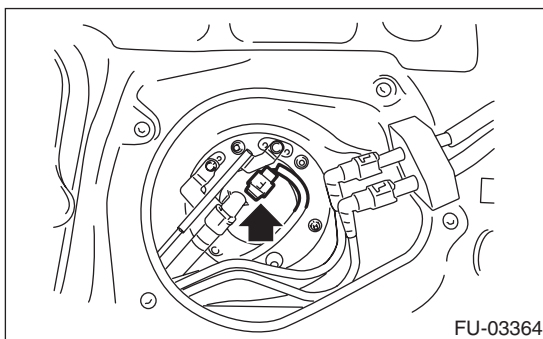


4) Remove the rear seat cushion. <Ref. to SE-11, REMOVAL, Rear Seat.>

5) Remove the service hole cover.

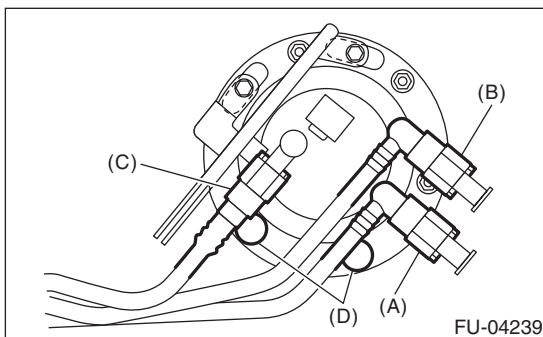


6) Disconnect the connector from the fuel sub level sensor.

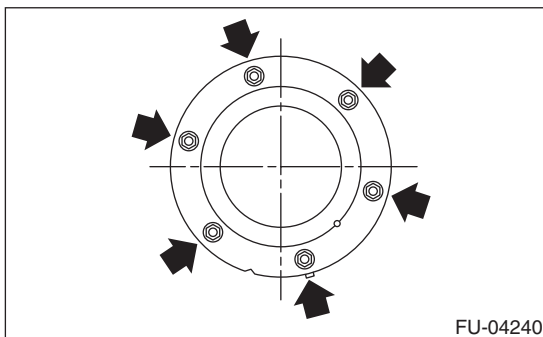
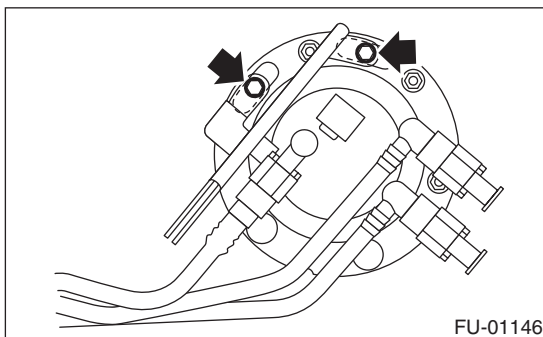


7) Disconnect the quick connectors of fuel delivery tube (A), fuel return tube (B), and jet pump tube (C). <Ref. to FU(H4DOTC)-84, REMOVAL, Fuel Delivery, Return and Evaporation Lines.>

8) Remove the rubber cap (D) from the nut.



9) Remove the bolts and nuts which hold fuel sub level sensor to the fuel tank.



10) Remove the fuel sub level sensor.

## B: INSTALLATION

Install in the reverse order of removal while being careful of the following.

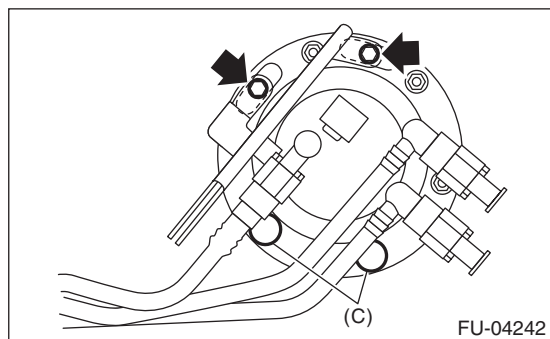
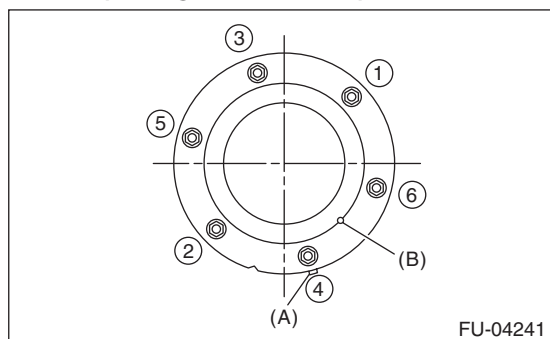
- Make sure the sealing portion is free from fuel or foreign matter before installation.
- Align protrusion (A) of the gasket to the position shown in the following figure.
- Align protrusion (B) of the fuel sub level sensor to the cut out in the fuel sub level sensor upper plate.
- Tighten the nuts and bolts to the specified torque in the order as shown in the figure.
- After tightening, install the rubber cap (C) shown in the figure.

### NOTE:

- Use a new gasket and retainer.
- Do not forget to install rubber cap (C).

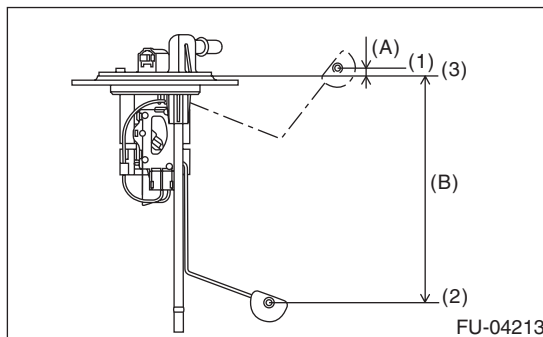
### Tightening torque:

**4.4 N·m (0.4 kgf-m, 3.2 ft-lb)**



## C: INSPECTION

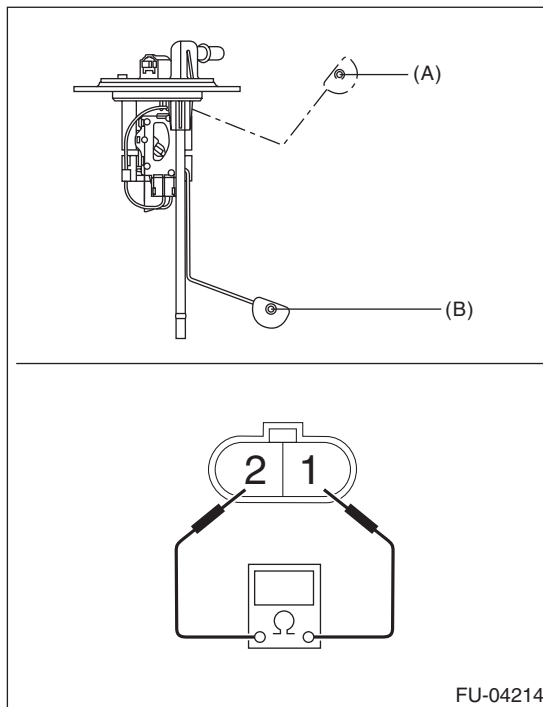
1) Measure the fuel sub level sensor float position.



- (1) FULL
- (2) EMPTY
- (3) Datum points

Float position	Standard
FULL to Datum point (A)	5.31 ±3.5 mm (0.209±0.138 in)
EMPTY to Datum point (B)	160.6 ±3.5 mm (6.323±0.138 in)

2) Measure the resistance between fuel sub level sensor terminals.



Float position	Terminal No.	Standard
FULL (A)	1 and 2	2.0±1.0 Ω
EMPTY (B)		62.1±1.0 Ω



# Fuel Filter

FUEL INJECTION (FUEL SYSTEMS)

## 29. Fuel Filter

### A: REMOVAL

#### WARNING:

Place "NO OPEN FLAMES" signs near the working area.

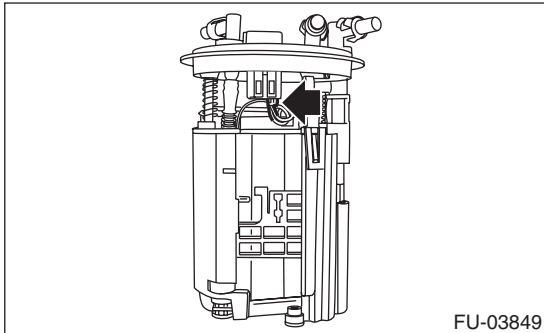
#### CAUTION:

- Be careful not to spill fuel.
- If the fuel gauge indicates that two thirds or more of the fuel is remaining, be sure to drain fuel before starting work to avoid the fuel to spill.
- Be careful not to drop or apply any impact to the fuel pump during work. This may deteriorate its performance.

#### NOTE:

The fuel filter is built in fuel pump assembly.

- 1) Remove the fuel pump assembly. <Ref. to FU(H4DOTC)-73, REMOVAL, Fuel Pump.>
- 2) Remove the fuel level sensor and fuel temperature sensor. <Ref. to FU(H4DOTC)-75, REMOVAL, Fuel Level Sensor.>
- 3) Disconnect the pump assembly connector from the sub tank bracket assembly.



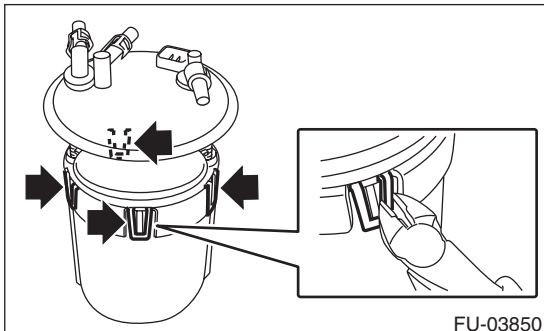
- 4) Cut off the tab holders connecting the sub tank bracket assembly and the sub tank in four locations, and separate the two.

#### CAUTION:

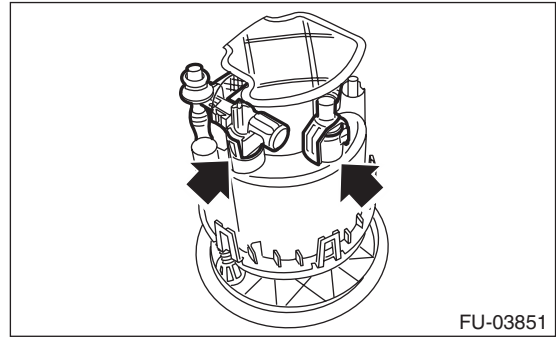
Be careful not to damage the sub tank.

#### NOTE:

If the O-ring is remaining on the sub tank, remove.



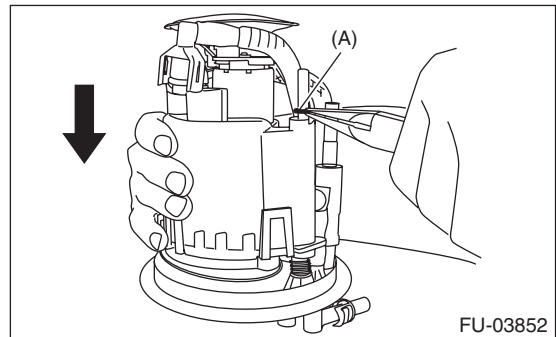
- 5) Disconnect the fuel piping connector from the fuel filter assembly in two locations.



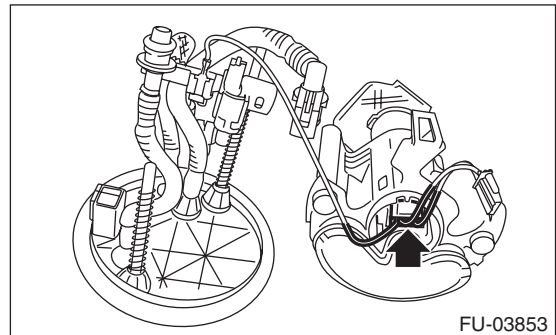
- 6) Push to compress the fuel filter assembly in the direction of the arrow, remove clip (A), and separate the sub tank bracket assembly and the fuel filter assembly.

#### CAUTION:

When separating the sub tank bracket assembly and the fuel filter assembly, be careful not to damage the ground wire.



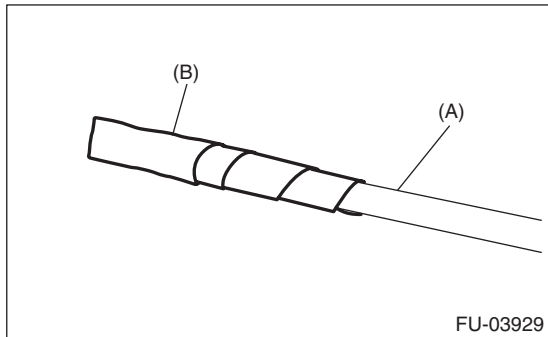
- 7) Disconnect the connector from the pump assembly.



8) Lift the two tab holders connecting the pump assembly to the fuel filter using a flat tip screwdriver (with a shaft diameter of approx. 3 mm (0.12 in)), etc., and separate the fuel filter and pump assembly.

**CAUTION:**

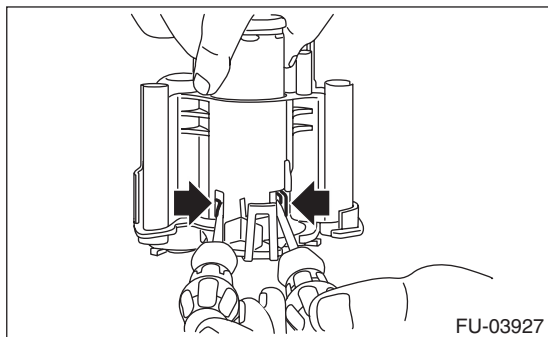
- To prevent damaging the tabs of the pump assembly, wrap the tip of flat tip screwdriver (A), etc. with tape (B).



- Be careful not to drop or apply any impact to the pump assembly.

**NOTE:**

If the spacer and O-ring is remaining on the pump assembly, remove these.

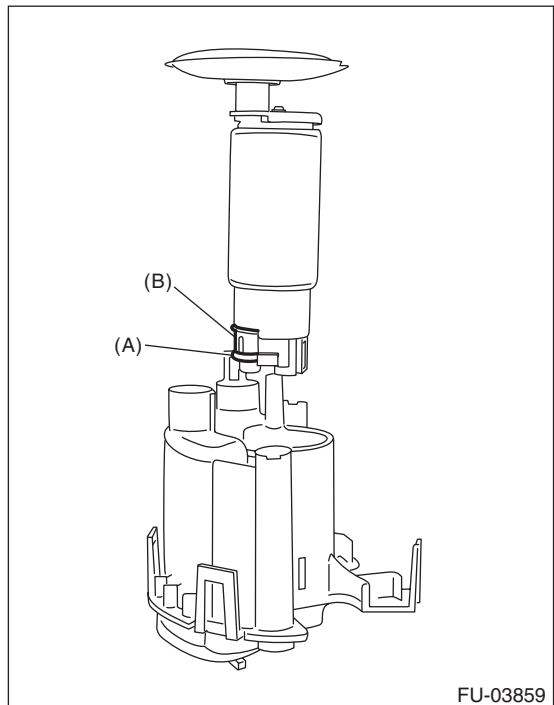


### B: INSTALLATION

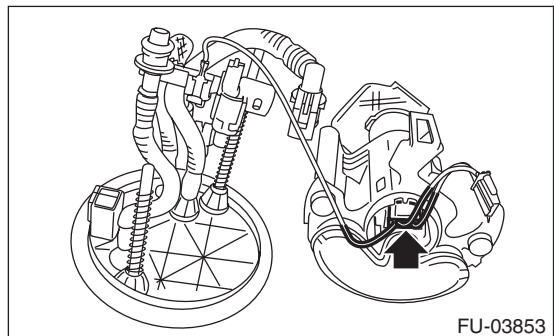
1) Assemble O-ring (A) and spacer (B) to the pump assembly and attach the pump assembly to the fuel filter.

**NOTE:**

- Use new O-rings (8 mm (0.31 in) inner diameter).
- Use a new spacer.
- Apply gasoline to the O-ring.
- Insert the pump assembly until a click is heard.



2) Connect the connector to the pump assembly.



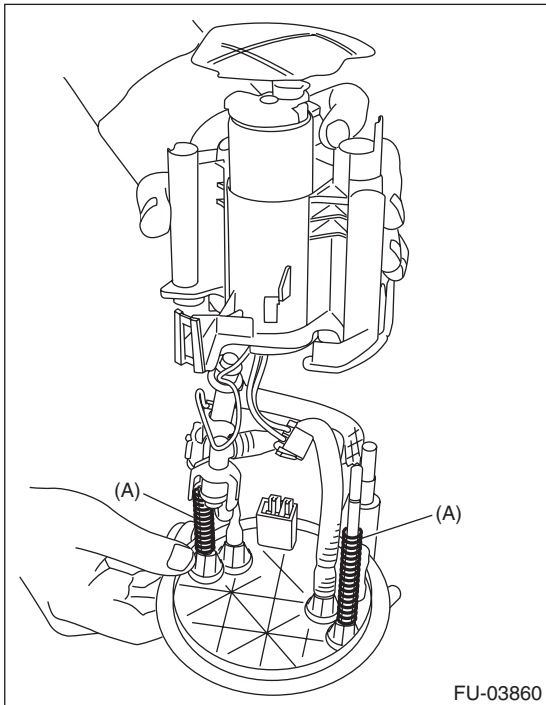
# Fuel Filter

## FUEL INJECTION (FUEL SYSTEMS)

3) Attach spring (A) to the metal rod of the sub tank bracket assembly, and assemble the fuel filter assembly.

**NOTE:**

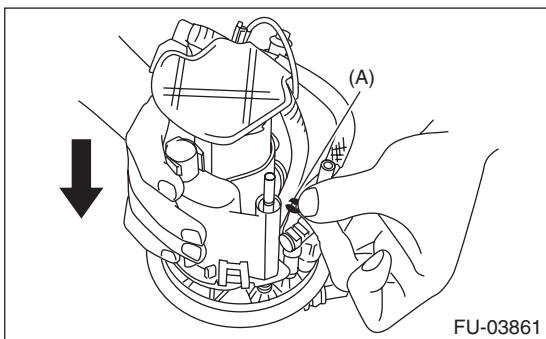
Use a new spring.



4) Push the fuel filter assembly in the direction of the arrow to compress, and attach clip (A).

**NOTE:**

Use a new clip.



5) Connect the fuel piping connector to the fuel filter assembly.

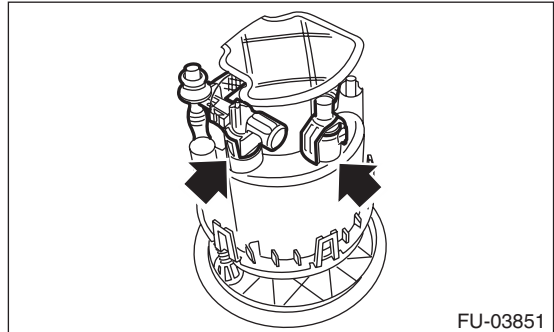
**NOTE:**

- Use new O-rings.
- Apply gasoline to the O-ring.
- The O-rings of the black and white connectors are identified by a difference in diameter. Be careful not to confuse the two during assembly.

**O-ring inner diameter:**

**Black connector O-ring [Approx. 7 mm (0.28 in)]**

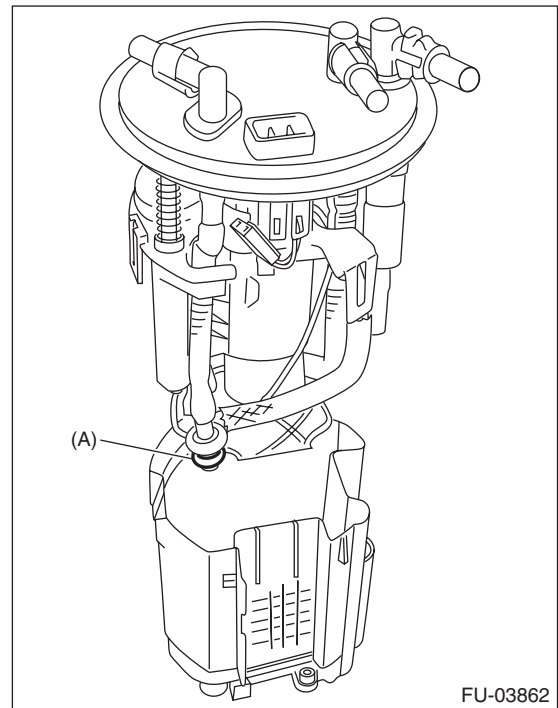
**White connector O-ring [Approx. 8 mm (0.31 in)]**



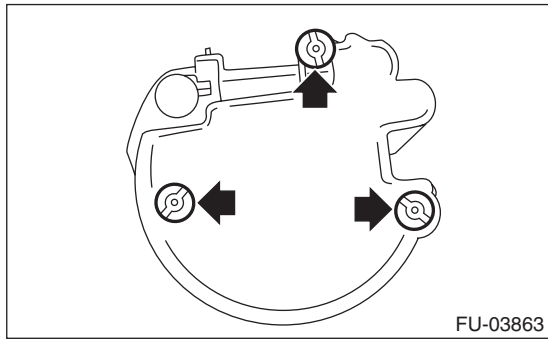
6) Attach the O-ring (A) to the fuel filter assembly, and attach the sub tank to the sub tank bracket assembly.

**NOTE:**

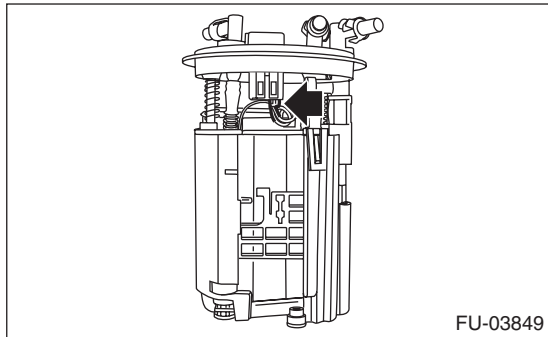
- Use new O-rings (8 mm (0.31 in) inner diameter).
- Apply gasoline to the O-ring.
- Insert the pump assembly until a “pop” is heard.



7) Replace the cushion on the rear face of the sub tank with a new cushion.



8) Connect the pump assembly connector to the sub tank bracket assembly.



9) Install the fuel level sensor and fuel temperature sensor. <Ref. to FU(H4DOTC)-75, INSTALLATION, Fuel Level Sensor.>

10) Inspect the fuel level sensor. <Ref. to FU(H4DOTC)-75, INSPECTION, Fuel Level Sensor.>

11) Install the fuel pump assembly. <Ref. to FU(H4DOTC)-74, INSTALLATION, Fuel Pump.>

# Fuel Damper

FUEL INJECTION (FUEL SYSTEMS)

---

## 30. Fuel Damper

### A: REMOVAL

#### WARNING:

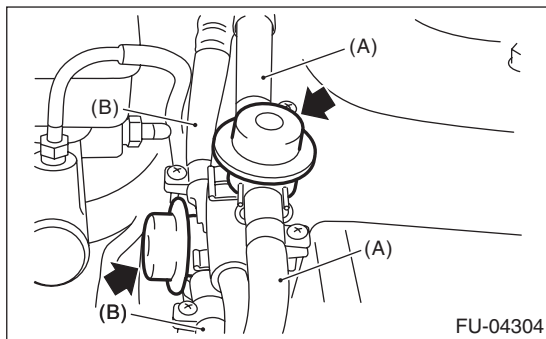
Place “NO OPEN FLAMES” signs near the working area.

#### CAUTION:

- Be careful not to spill fuel.
- Catch the fuel from hoses using a container or cloth.

1) Release the fuel pressure. <Ref. to FU(H4DOTC)-60, RELEASING OF FUEL PRESSURE, PROCEDURE, Fuel.>

2) Remove the fuel damper from fuel delivery hose (A) and fuel return hose (B).



### B: INSTALLATION

#### CAUTION:

If fuel hoses or clamps are damaged, replace them with new parts.

Install in the reverse order of removal.

#### Tightening torque:

**1.25 N·m (0.1 kgf-m, 0.9 ft-lb)**

### C: INSPECTION

Check that the fuel hose and fuel damper does not have deformation, cracks and damage.

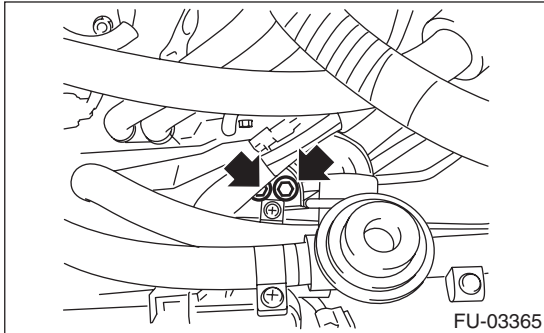
## 31.Purge Damper

### A: REMOVAL

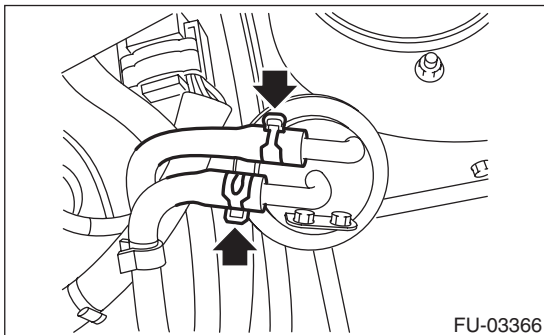
#### WARNING:

Place “NO OPEN FLAMES” signs near the working area.

1) Remove the purge damper from the purge damper stay.



2) Disconnect the evaporation hose from the purge damper and remove the purge damper.



### B: INSTALLATION

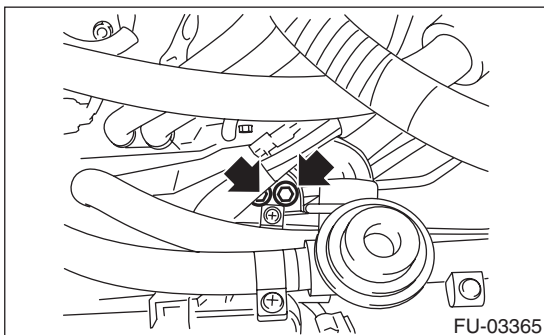
#### CAUTION:

If the evaporation hose is damaged, replace with a new hose.

Install in the reverse order of removal.

#### Tightening torque:

**8 N·m (0.8 kgf-m, 5.9 ft-lb)**



### C: INSPECTION

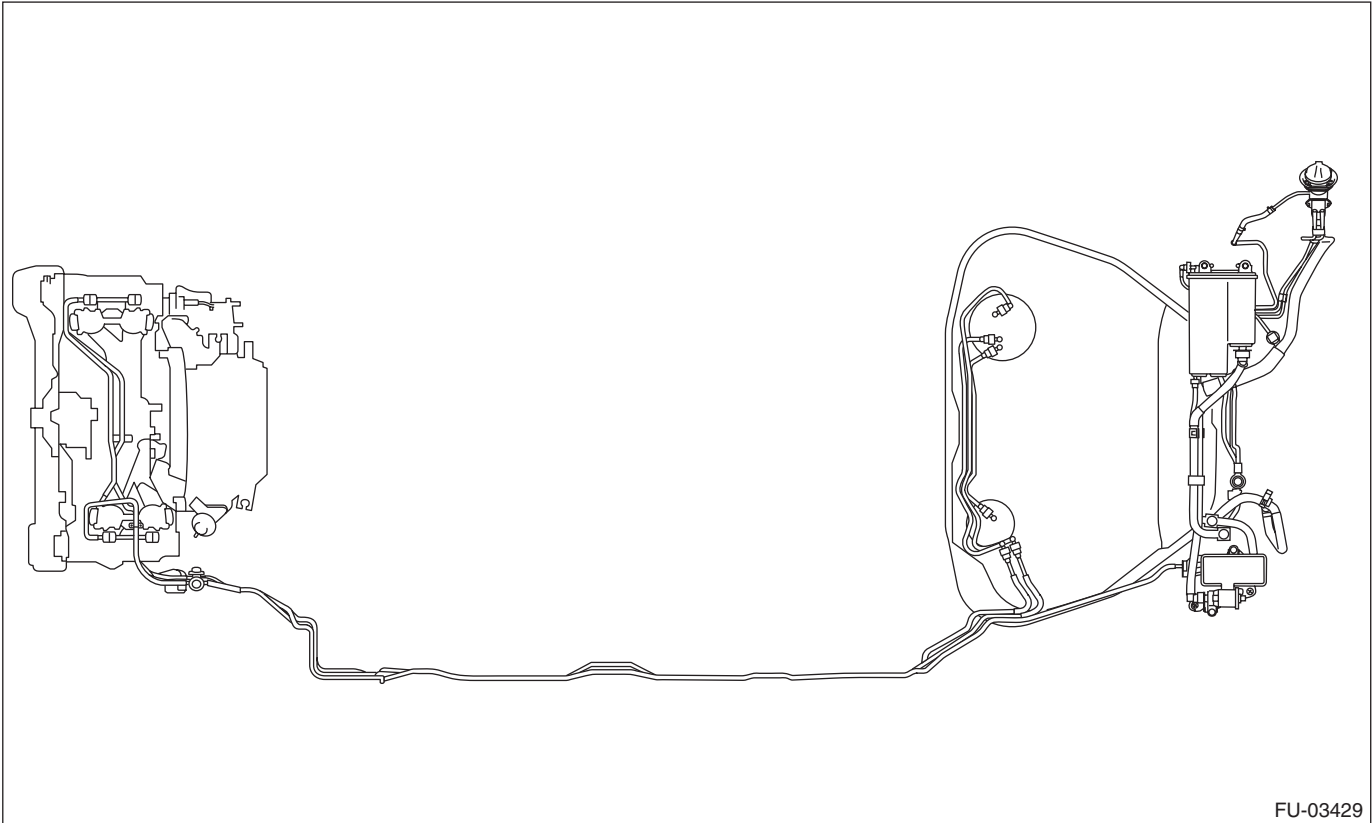
Check that the evaporation hose and purge damper does not have deformation, cracks and damage.

# Fuel Delivery, Return and Evaporation Lines

FUEL INJECTION (FUEL SYSTEMS)

## 32. Fuel Delivery, Return and Evaporation Lines

### A: REMOVAL



**WARNING:**  
Place “NO OPEN FLAMES” signs near the working area.

**CAUTION:**  
Be careful not to spill fuel.

- 1) Set the vehicle on a lift.
- 2) Release the fuel pressure. <Ref. to FU(H4DOTC)-60, RELEASING OF FUEL PRESSURE, PROCEDURE, Fuel.>
- 3) Open the fuel filler lid and remove the fuel filler cap.
- 4) Remove the floor mat. <Ref. to EI-68, REMOVAL, Floor Mat.>
- 5) In the engine compartment, disconnect the fuel delivery hoses, fuel return hoses and evaporation hoses.

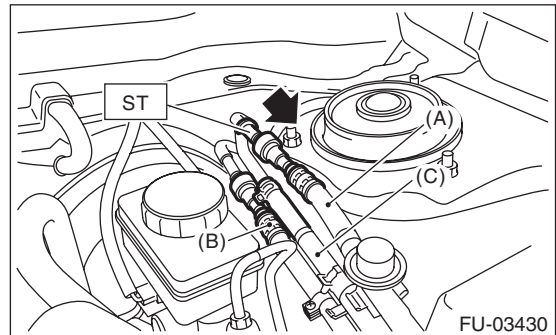
**CAUTION:**

- Be careful not to spill fuel.
- Catch the fuel from hoses using a container or cloth.

(1) Set the ST to the fuel pipe.  
ST 42099AE000 QUICK CONNECTOR  
RELEASE

(2) Disconnect the quick connector of the fuel delivery hose and fuel return hose by pushing the ST in the direction of the arrow.

(3) Remove the clip and disconnect the evaporation hose from the fuel pipe.



- (A) Fuel delivery hose
- (B) Fuel return hose
- (C) Evaporation hose

- 6) Remove the canister. <Ref. to EC(H4DOTC)-7, REMOVAL, Canister.>
- 7) Remove the fuel tank. <Ref. to FU(H4DOTC)-62, REMOVAL, Fuel Tank.>
- 8) Remove the fuel pipe assembly.



# Fuel Delivery, Return and Evaporation Lines

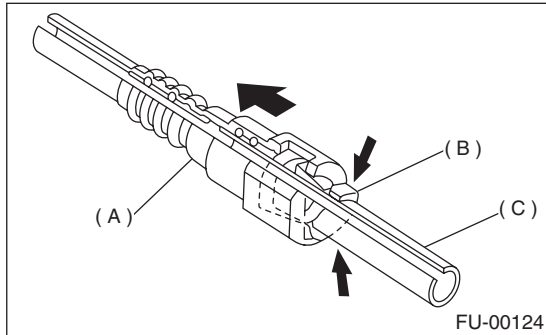
FUEL INJECTION (FUEL SYSTEMS)

9) Disconnect the quick connector, then disconnect the fuel delivery tube, fuel return tube and jet pump tube.

(1) Push the retainer in the direction of the arrow, disconnect the quick connector from pipe.

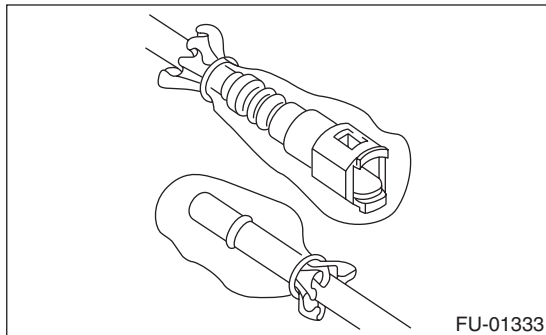
## NOTE:

Clean the pipe and quick connector, if they are covered with dust.



- (A) Quick connector
- (B) Retainer
- (C) Pipe

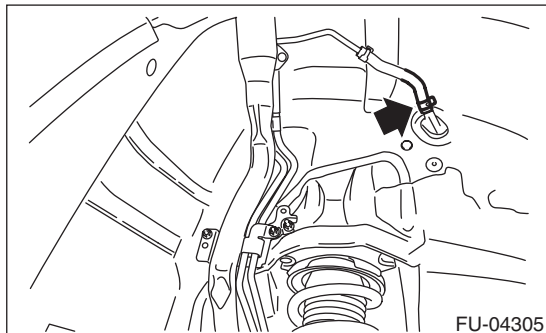
(2) To prevent from damaging or entering foreign matter, wrap the pipes and quick connectors with plastic bag etc.



10) Remove the evaporation pipe.

(1) Remove the rear mud guard RH. <Ref. to EI-28, REMOVAL, Mud Guard.>

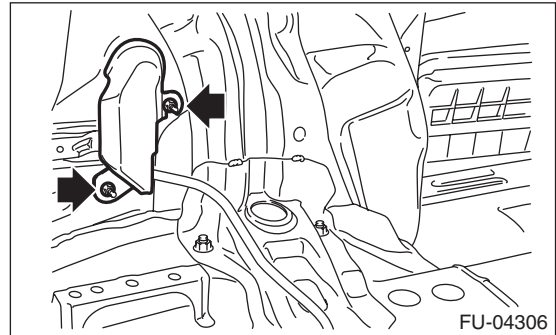
(2) Remove the evaporation hose.



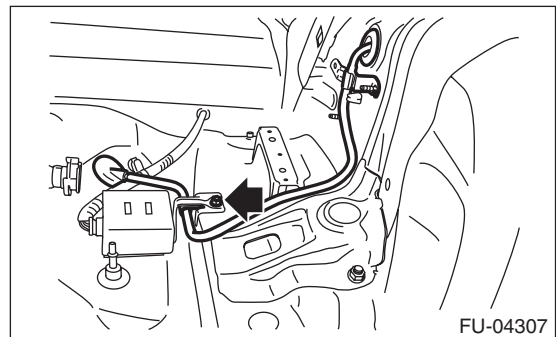
(3) Remove the right side trunk side trim. (4 door model) <Ref. to EI-61, REMOVAL, Trunk Room Trim.>

(4) Remove the right side rear quarter trim. (5 door model) <Ref. to EI-58, REMOVAL, Rear Quarter Trim.>

(5) Remove the evaporation pipe protector.



(6) Remove the evaporation pipe from vehicle.

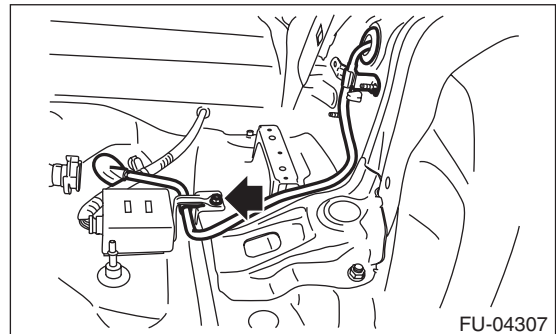


## B: INSTALLATION

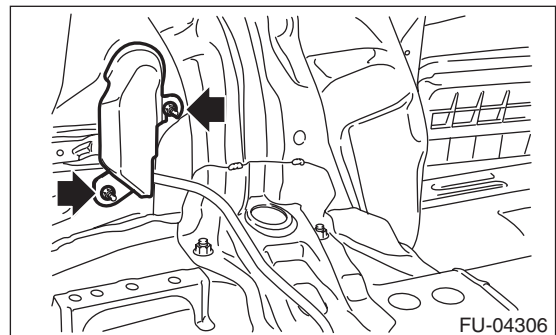
Install in the reverse order of removal while being careful of the following.

### 1. EVAPORATION PIPE INSTALLATION

1) Install the evaporation pipe to the vehicle.



2) Install the evaporation pipe protector.





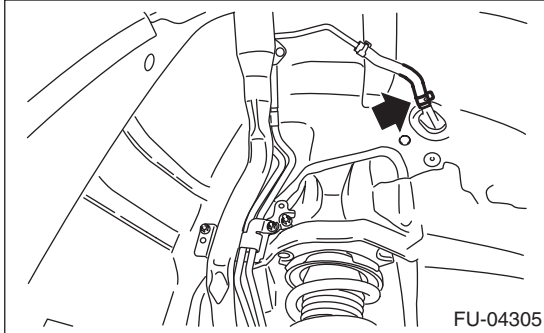
# Fuel Delivery, Return and Evaporation Lines

## FUEL INJECTION (FUEL SYSTEMS)

3) Install the right side trunk side trim. (4 door model) <Ref. to EI-61, INSTALLATION, Trunk Room Trim.>

4) Install the right side rear quarter trim. (5 door model) <Ref. to EI-59, INSTALLATION, Rear Quarter Trim.>

5) Install the evaporation hose.

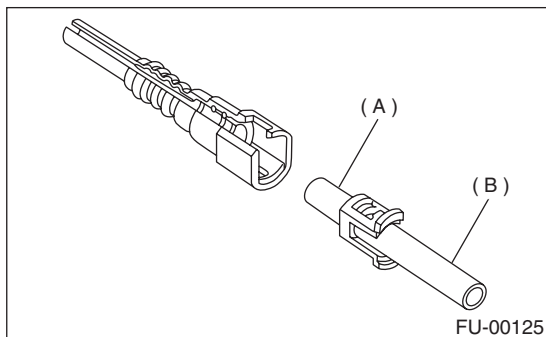


6) Install the rear mud guard RH. <Ref. to EI-28, INSTALLATION, Mud Guard.>

## 2. CONNECTING THE FUEL LINE QUICK CONNECTOR

### CAUTION:

Make sure there are no damage or dust on connections. If necessary, clean seal surface of pipe.



(A) Seal surface

(B) Pipe

1) Set the retainer to quick connector.

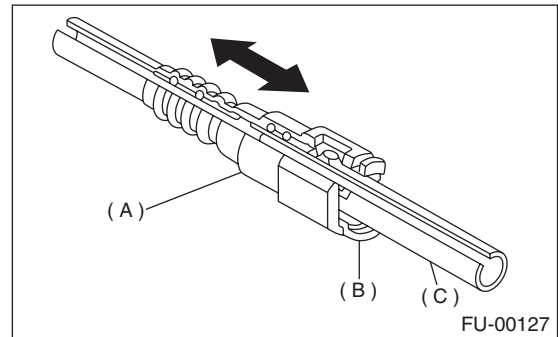
### NOTE:

Use a new retainer.

2) Connect the quick connector to pipe.

### CAUTION:

• Make sure that the quick connector is securely connected.



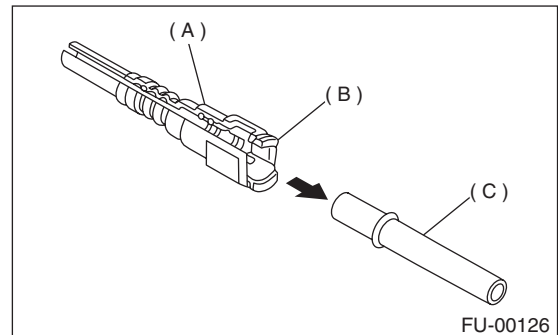
(A) Quick connector

(B) Retainer

(C) Pipe

• Make sure the two retainer pawls are engaged in their mating positions in the quick connector.

• Be sure to inspect tubes and their connections for any leakage of fuel.



(A) Quick connector

(B) Retainer

(C) Pipe

### 3. CONNECT FUEL DELIVERY HOSE AND FUEL RETURN HOSE

Connect the fuel delivery hose and fuel return hose to the pipe with an overlap of 20 to 25 mm (0.79 to 0.98 in).

Type A: When the amount to be inserted is specified.

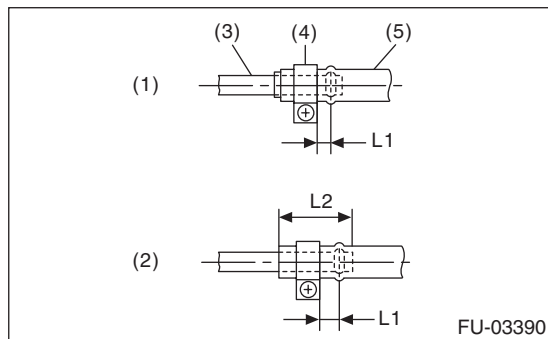
Type B: When the amount to be inserted is not specified.

**L1:  $2.5 \pm 1.5$  mm ( $0.098 \pm 0.059$  in)**

**L2:  $22.5 \pm 2.5$  mm ( $0.886 \pm 0.098$  in)**

#### CAUTION:

**Be sure to inspect hoses and their connections for any leakage of fuel.**

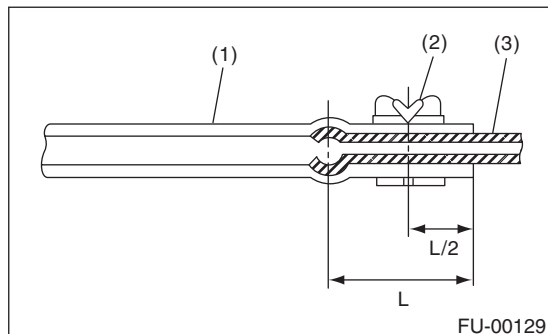


- (1) Type A
- (2) Type B
- (3) Pipe
- (4) Clamp
- (5) Hose

### 4. EVAPORATION HOSE CONNECTION

Connect the evaporation hose to the pipe with an overlap of 15 to 20 mm (0.59 to 0.79 in).

**L =  $17.5 \pm 2.5$  mm ( $0.689 \pm 0.098$  in)**



- (1) Hose
- (2) Clip
- (3) Pipe

### C: INSPECTION

- 1) Make sure that there are no cracks on the fuel pipes and fuel hoses.
- 2) Make sure the fuel pipe and fuel hose connections are tightened firmly.

# Fuel System Trouble in General

FUEL INJECTION (FUEL SYSTEMS)

## 33. Fuel System Trouble in General

### A: INSPECTION

Trouble and possible cause		Corrective action
<b>1. Insufficient fuel supply to injector</b>		
1)	Fuel pump does not operate.	
	○ Defective terminal contact	Inspect contact, especially ground, and tighten it securely.
	○ Trouble in electromagnetic or electronic circuit parts	Replace the faulty parts.
2)	Decline of fuel pump function	Replace the fuel pump.
3)	Clogged fuel filter	Replace the fuel filter. Clean or replace the fuel tank if necessary.
4)	Clogged or bent fuel pipe or hose	Clean, correct or replace fuel pipe or hose.
5)	Air is mixed in the fuel system.	Inspect or retighten each connection part.
6)	Clogged or bent air breather tube or pipe.	Clean, correct or replace the air breather tube or pipe.
7)	Damaged diaphragm of pressure regulator	Replace.
<b>2. Leakage or blow out of fuel</b>		
1)	Loose joints of the fuel pipe	Retighten.
2)	Cracked fuel pipe, hose and fuel tank	Replace.
3)	Defective welding part on the fuel tank	Replace.
4)	Clogged or bent air breather tube or air vent tube	Clean, correct or replace the air breather tube or air vent tube.
<b>3. Gasoline smell inside of compartment</b>		
1)	Loose joints at air breather tube, air vent tube and fuel filler pipe	Retighten.
2)	Problem in tightening of the fuel saucer gasket air	Correct or replace the gasket.
3)	Inoperative fuel pump modulator or circuit	Replace.
<b>4. Defective fuel meter indicator</b>		
1)	Defective operation of fuel level sensor	Replace.
2)	Defective operation of fuel meter	Replace.
<b>5. Noise</b>		
1)	Large operation noise or vibration of fuel pump	Replace.

#### NOTE:

- When the vehicle is left unattended for an extended period of time, water may accumulate in the fuel tank. Fill fuel fully to prevent the problem.
- In snow-covered areas, mountainous areas, skiing areas, etc. where ambient temperatures drop to 0°C (32°F) or less throughout the winter season, use a water removing agent in the fuel system to prevent freezing fuel system and accumulating water.
- When water is accumulated in fuel filter, fill the water removing agent in the fuel tank.
- Before using water removing agent, follow the cautions noted on the bottle.

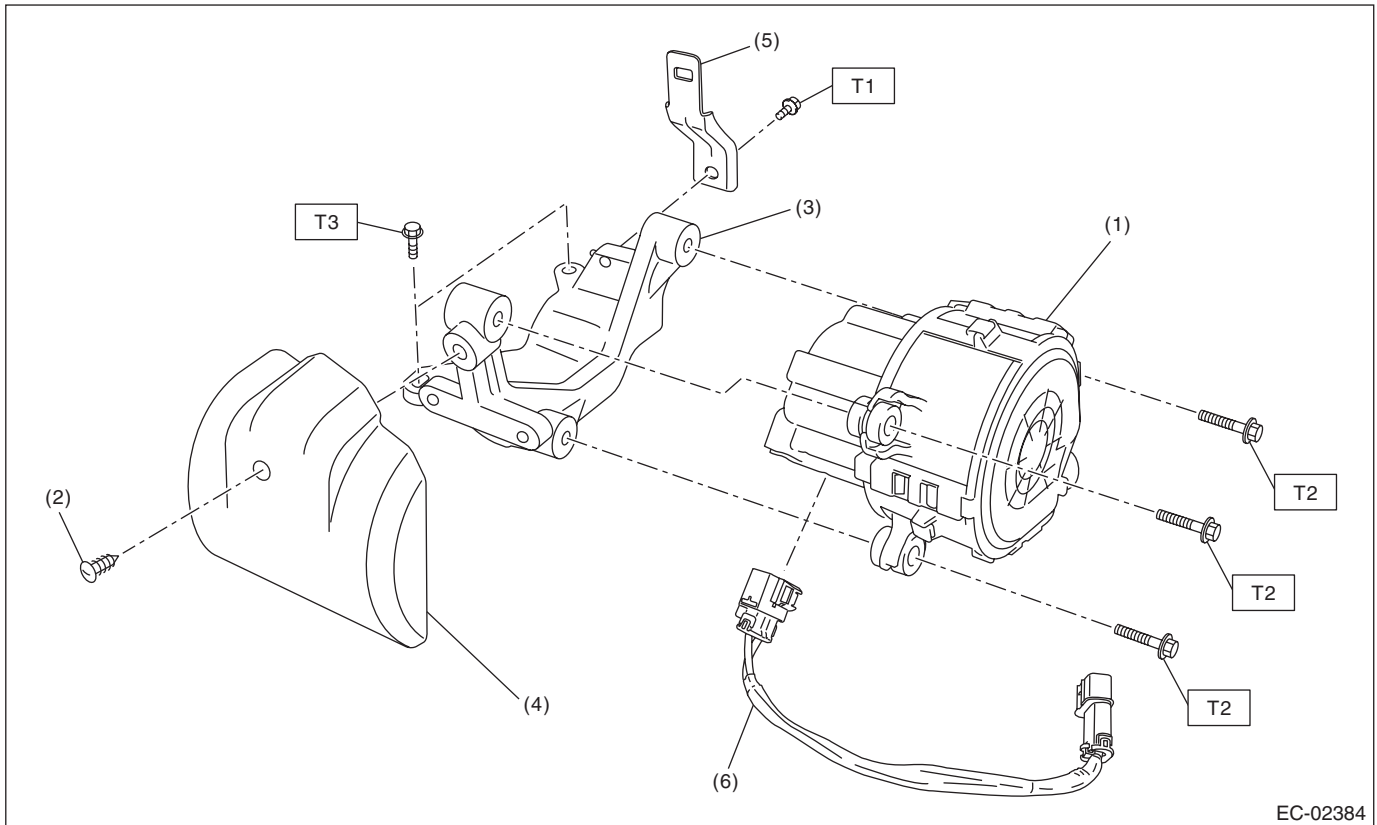
# General Description

EMISSION CONTROL (AUX. EMISSION CONTROL DEVICES)

## 1. General Description

### A: COMPONENT

#### 1. SECONDARY AIR PUMP



- |                                |                                |
|--------------------------------|--------------------------------|
| (1) Secondary air pump         | (4) Secondary air pump cover   |
| (2) Clip                       | (5) Harness stay               |
| (3) Secondary air pump bracket | (6) Secondary air pump harness |

**Tightening torque: N·m (kgf·m, ft·lb)**

**T1: 6.4 (0.7, 4.7)**

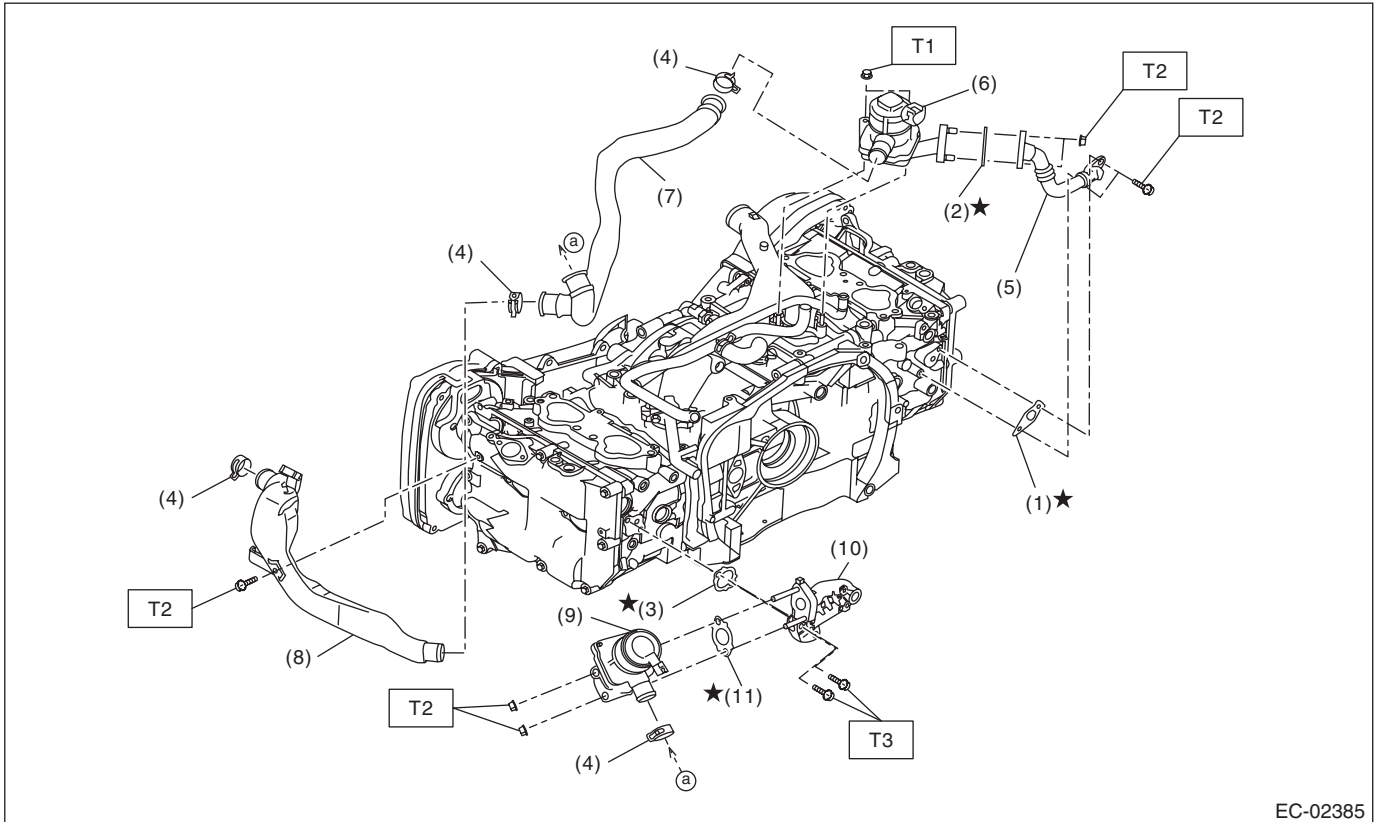
**T2: 9 (0.9, 6.6)**

**T3: 19 (1.9, 14.0)**

# General Description

EMISSION CONTROL (AUX. EMISSION CONTROL DEVICES)

## 2. SECONDARY AIR COMBINATION VALVE



EC-02385

- |  |  |
|--|--|
| (1) Gasket                             | (7) Air duct A                         |
| (2) Gasket                             | (8) Air duct B                         |
| (3) Gasket                             | (9) Secondary air combination valve LH |
| (4) Clip                               | (10) Secondary air pipe LH             |
| (5) Secondary air pipe RH              | (11) Gasket                            |
| (6) Secondary air combination valve RH |  |

**Tightening torque: N-m (kgf-m, ft-lb)**

**T1: 6.4 (0.7, 4.7)**

**T2: 9 (0.9, 6.6)**

**T3: 19 (1.9, 14.0)**

# General Description

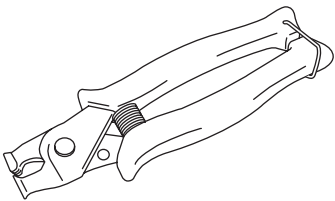
EMISSION CONTROL (AUX. EMISSION CONTROL DEVICES)

## B: CAUTION

- Wear appropriate work clothing, including a cap, protective goggles and protective shoes when performing any work.
- Remove contamination including dirt and corrosion before removal, installation or disassembly.
- Keep the disassembled parts in order and protect them from dust and dirt.
- Before removal, installation or disassembly, be sure to clarify the failure. Avoid unnecessary removal, installation, disassembly and replacement.
- Vehicle components are extremely hot after driving. Be wary of receiving burns from heated parts.
- Be sure to tighten fasteners including bolts and nuts to the specified torque.
- Place shop jacks or rigid racks at the specified points.
- Before disconnecting connectors of sensors or units, be sure to disconnect the ground cable from the battery.

## C: PREPARATION TOOL

### 1. SPECIAL TOOL

ILLUSTRATION	TOOL NUMBER	DESCRIPTION	REMARKS
 ST18353AA000	18353AA000	CLAMP PLIERS	<ul style="list-style-type: none"><li>• Used for removing and installing the PCV hose.</li><li>• This tool is made by the French company CAILLAU. (code) 54.0.000.205</li></ul> To make it easier to obtain, it has been provided with a tool number.

### 2. GENERAL TOOL

TOOL NAME	REMARKS
Circuit tester	Used for measuring resistance.

# Front Catalytic Converter

EMISSION CONTROL (AUX. EMISSION CONTROL DEVICES)

---

## 2. Front Catalytic Converter

### A: REMOVAL

The front catalytic converter is integrated into the center exhaust pipe (front). Refer to “Center Exhaust Pipe” for removal procedures. <Ref. to EX(H4DOTC)-8, REMOVAL, Center Exhaust Pipe.>

### B: INSTALLATION

The front catalytic converter is integrated into the center exhaust pipe (front). Refer to “Center Exhaust Pipe” for installation procedures. <Ref. to EX(H4DOTC)-10, INSTALLATION, Center Exhaust Pipe.>

### C: INSPECTION

- 1) Check the connections and welds for exhaust leaks.
- 2) Make sure there are no holes or rusting.

# Rear Catalytic Converter

EMISSION CONTROL (AUX. EMISSION CONTROL DEVICES)

---

## 3. Rear Catalytic Converter

### A: REMOVAL

The rear catalytic converter is integrated into the center exhaust pipe (rear). Refer to "Center Exhaust Pipe" for removal procedures. <Ref. to EX(H4DOTC)-8, REMOVAL, Center Exhaust Pipe.>

### B: INSTALLATION

The rear catalytic converter is integrated into the center exhaust pipe (rear). Refer to "Center Exhaust Pipe" for installation procedures. <Ref. to EX(H4DOTC)-10, INSTALLATION, Center Exhaust Pipe.>

### C: INSPECTION

- 1) Check the connections and welds for exhaust leaks.
- 2) Make sure there are no holes or rusting.



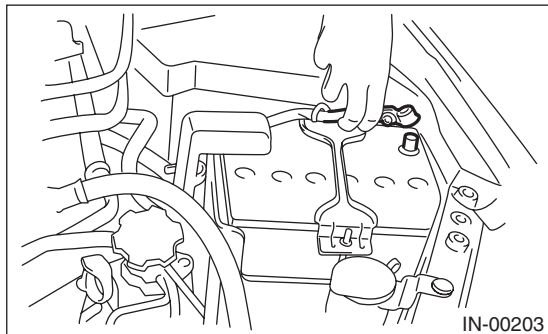
# Canister

EMISSION CONTROL (AUX. EMISSION CONTROL DEVICES)

## 4. Canister

### A: REMOVAL

1) Disconnect the ground cable from battery.



2) Open the trunk, and remove the trunk room mat. (4 door model)

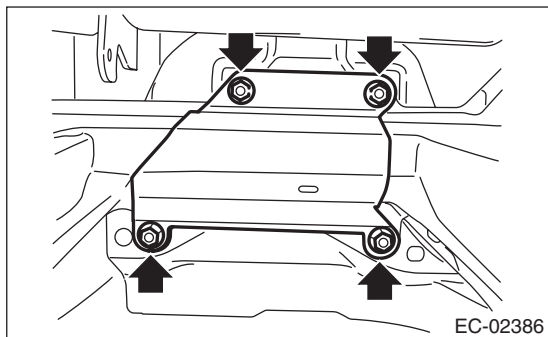
3) Open the rear gate, and remove the luggage floor mat. (5 door model)

4) Tilt the rear seat backrest forward.

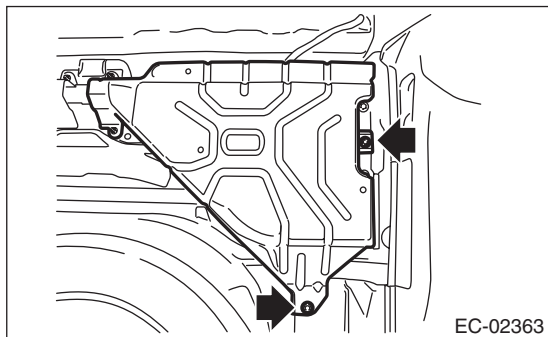
5) Remove the sub trunk box and spacers. (4 door model)

6) Remove the luggage floor box and spacers. (5 door model)

7) Remove the center canister cover.



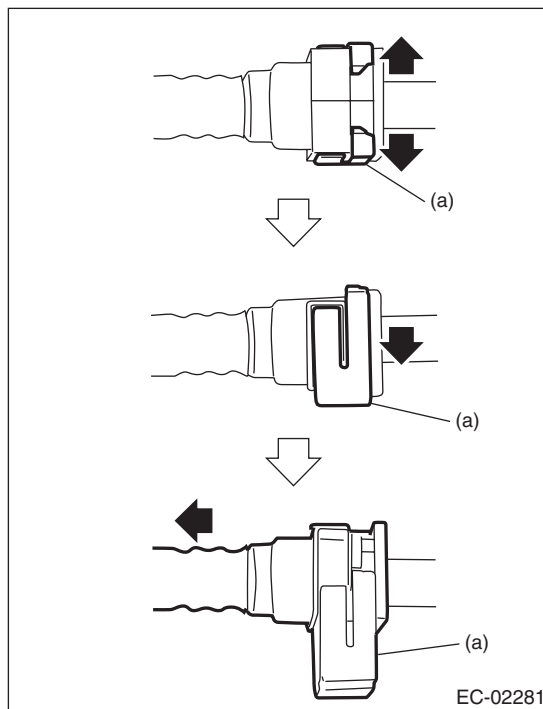
8) Remove the canister cover RH.



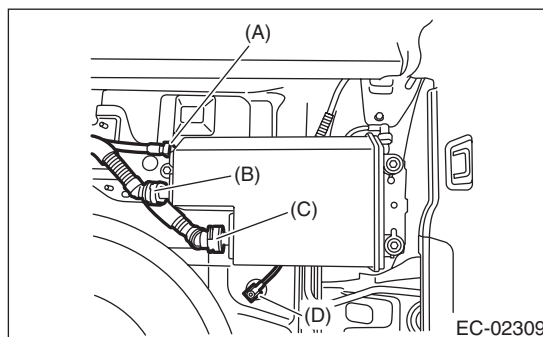
9) Disconnect the purge tube (A), vent tube (B), drain tube A (C) and PCV drain tube (D).

NOTE:

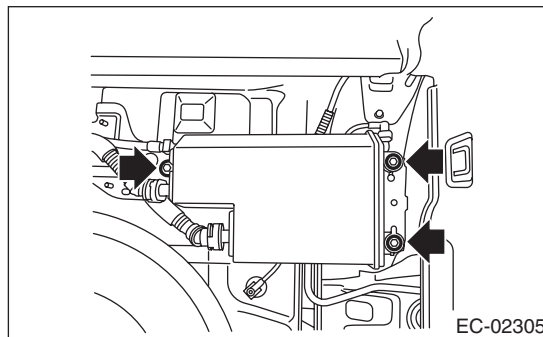
Disconnect the quick connector as shown in the figure.



(a) Retainer



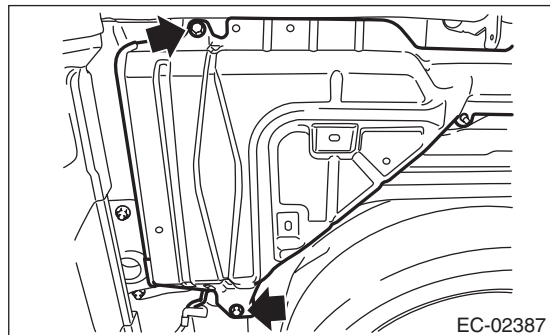
10) Remove the canister.



# Canister

## EMISSION CONTROL (AUX. EMISSION CONTROL DEVICES)

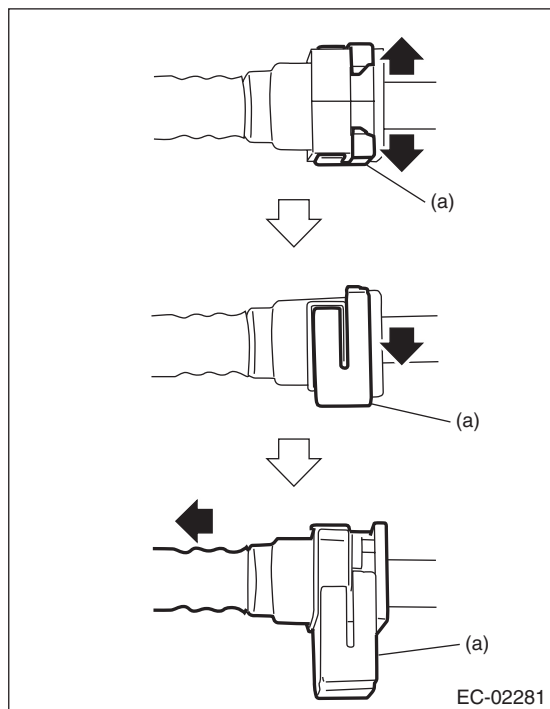
11) Remove the canister cover LH.



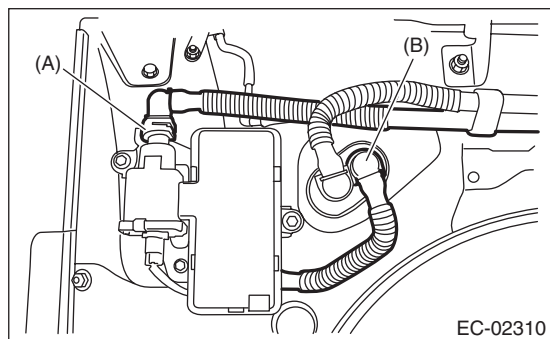
12) Disconnect drain tube A (A) and drain tube B (B).

NOTE:

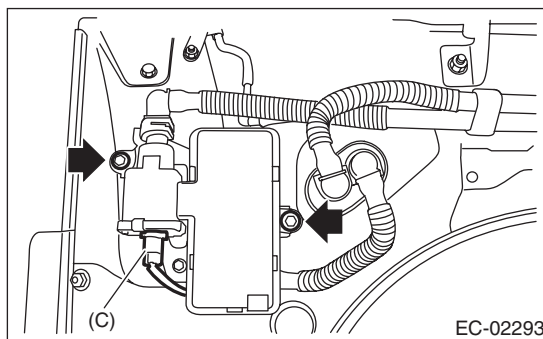
Disconnect the quick connector as shown in the figure.



(a) Retainer



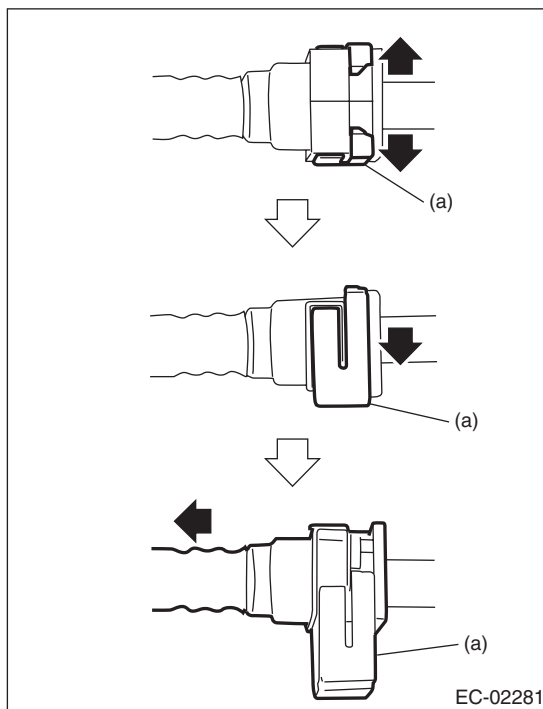
13) Disconnect connector (C) from the drain valve, and remove the drain valve.



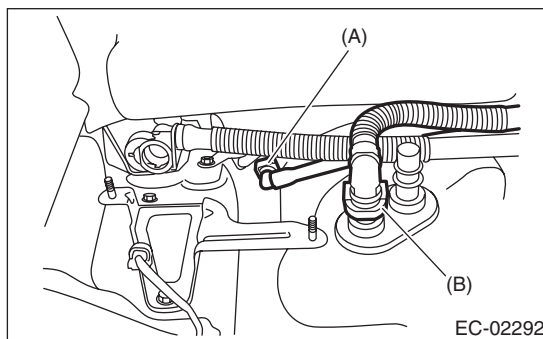
14) Disconnect purge tube (A) and vent tube (B).

NOTE:

Disconnect the quick connector as shown in the figure.



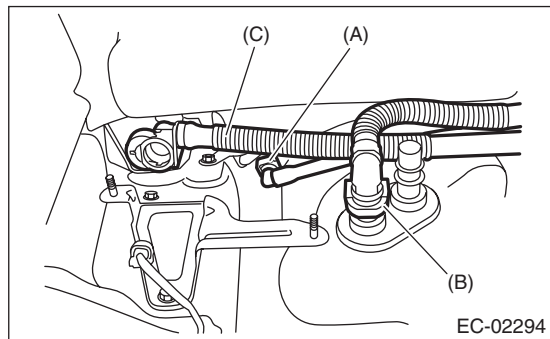
(a) Retainer



# Canister

EMISSION CONTROL (AUX. EMISSION CONTROL DEVICES)

15) Remove purge tube (A), vent tube (B), and drain tube A (C).



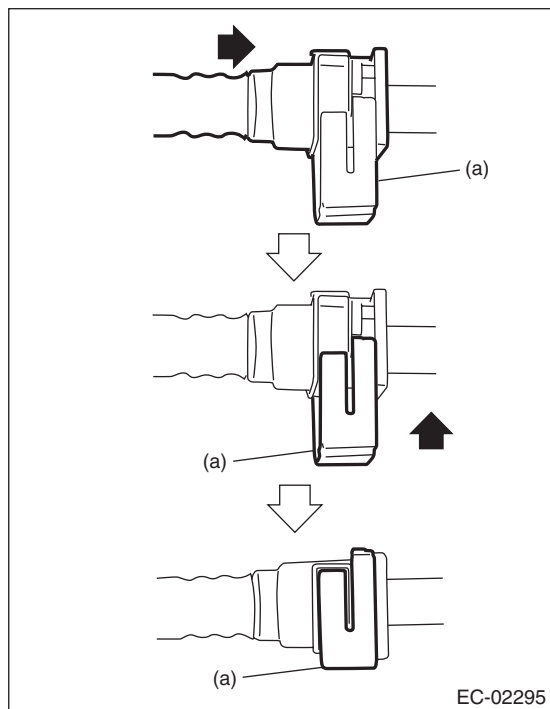
## B: INSTALLATION

Install in the reverse order of removal while being careful of the following.

- Connect the quick connector as shown in the figure.

### CAUTION:

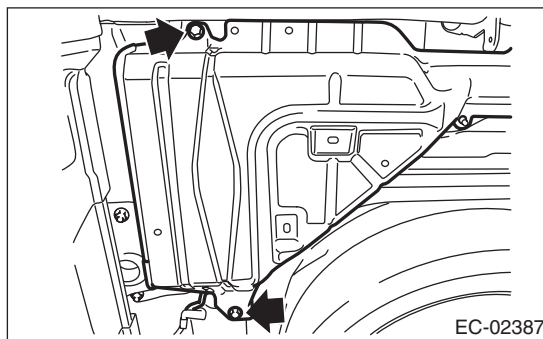
- Check that there is no damage or dust on the quick connector. If necessary, clean the seal surface of the pipe.
- When connecting the quick connector, securely insert the pipe all the way before locking the retainer.
- If it is not possible to perform the push lock operation of the retainer, recheck whether the pipe is securely inserted.
- Make sure that the quick connector is securely connected.



(a) Retainer

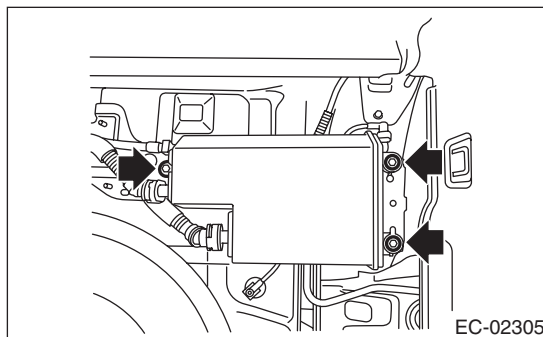
**Tightening torque:**

**18 N·m (1.8 kgf-m, 13.3 ft-lb)**



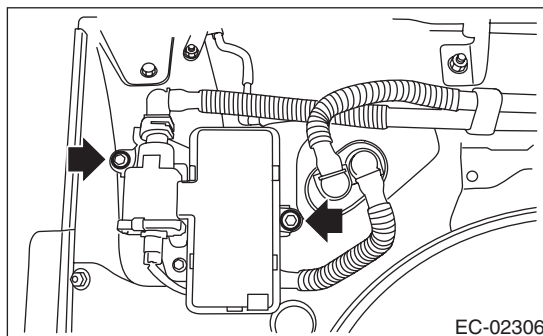
**Tightening torque:**

**8 N·m (0.8 kgf-m, 5.9 ft-lb)**



**Tightening torque:**

**7.5 N·m (0.8 kgf-m, 5.5 ft-lb)**



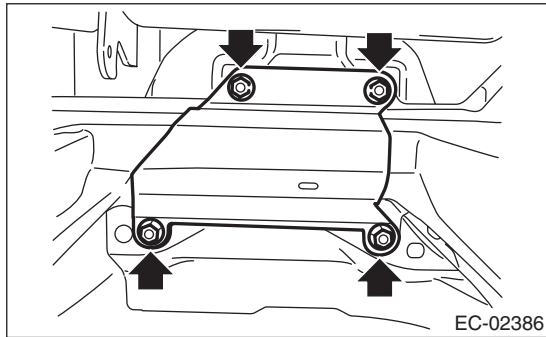
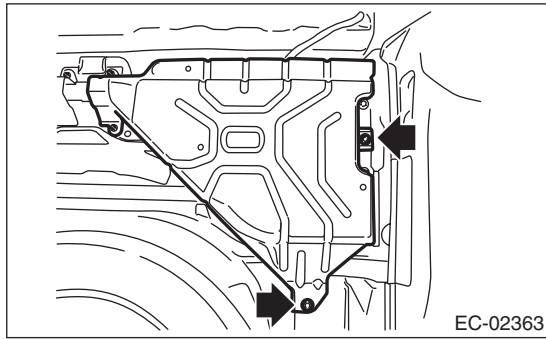
# Canister

EMISSION CONTROL (AUX. EMISSION CONTROL DEVICES)

---

**Tightening torque:**

**18 N·m (1.8 kgf-m, 13.3 ft-lb)**



## C: INSPECTION

Make sure that the canister, drain valve and tube are not cracked or loose.

# Purge Control Solenoid Valve

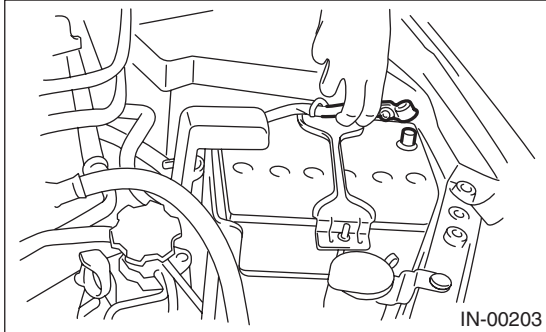
EMISSION CONTROL (AUX. EMISSION CONTROL DEVICES)

## 5. Purge Control Solenoid Valve

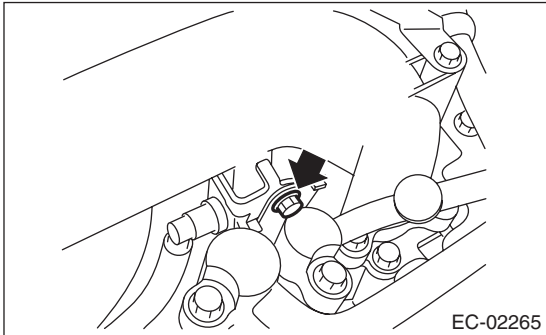
### A: REMOVAL

#### 1. PURGE CONTROL SOLENOID VALVE 1

1) Disconnect the ground cable from battery.



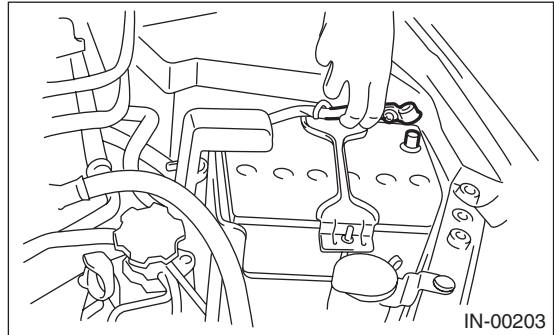
2) Remove the bolts which secure purge control solenoid valve 1 to the intake manifold, and disconnect the connector from the purge control solenoid valve 1.



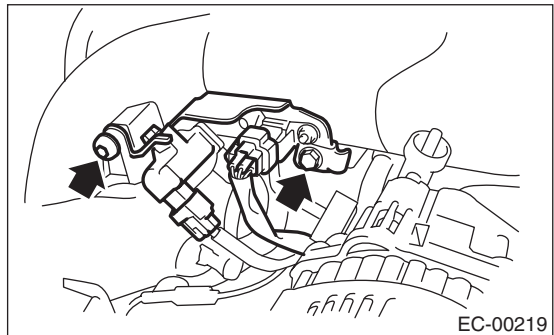
3) Disconnect the evaporation hose from the intake manifold and fuel pipe assembly.

#### 2. PURGE CONTROL SOLENOID VALVE 2

1) Disconnect the ground cable from battery.



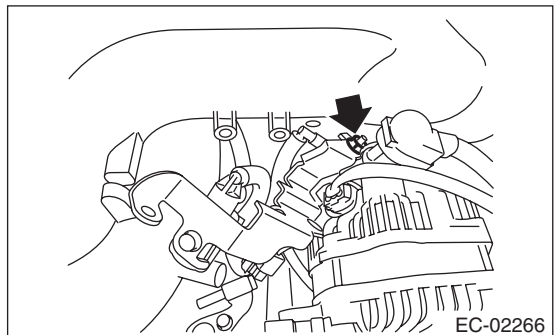
2) Remove the solenoid valve bracket assembly from the intake manifold.



3) Disconnect the connector from purge control solenoid valve 2.

4) Disconnect the evaporation hose from the intake duct and fuel pipe assembly.

5) Remove the purge control solenoid valve 2 from the solenoid valve bracket assembly.



# Purge Control Solenoid Valve

EMISSION CONTROL (AUX. EMISSION CONTROL DEVICES)

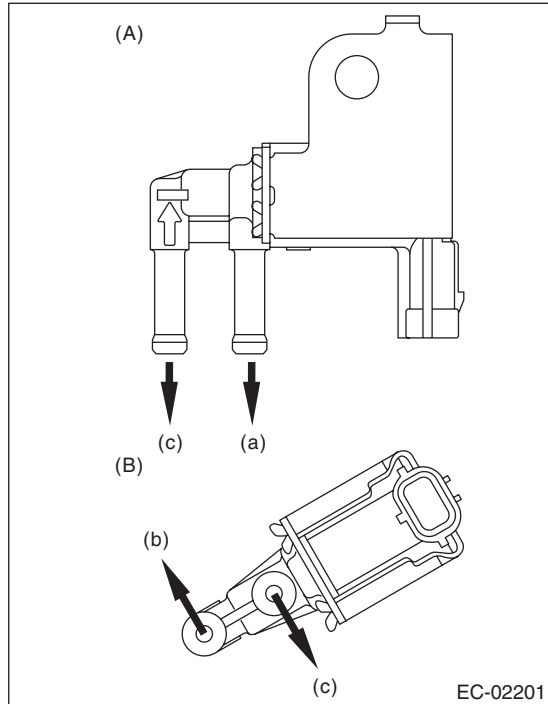
## B: INSTALLATION

### 1. PURGE CONTROL SOLENOID VALVE 1

Install in the reverse order of removal.

NOTE:

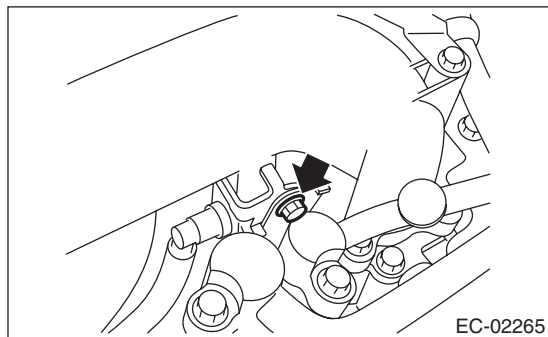
Connect the evaporation hose as shown in the figure.



- (A) Purge control solenoid valve 1
- (B) Purge control solenoid valve 2
- (a) To intake manifold
- (b) To intake duct
- (c) To fuel pipe

**Tightening torque:**

**6.4 N·m (0.7 kgf·m, 4.7 ft·lb)**

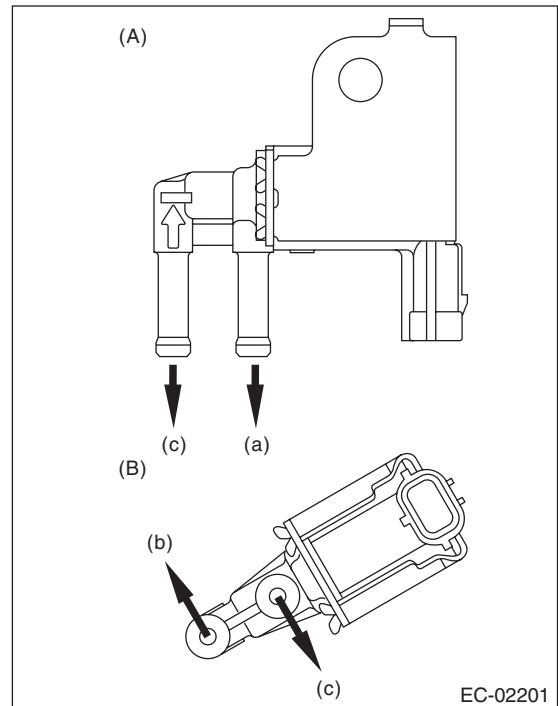


### 2. PURGE CONTROL SOLENOID VALVE 2

Install in the reverse order of removal.

NOTE:

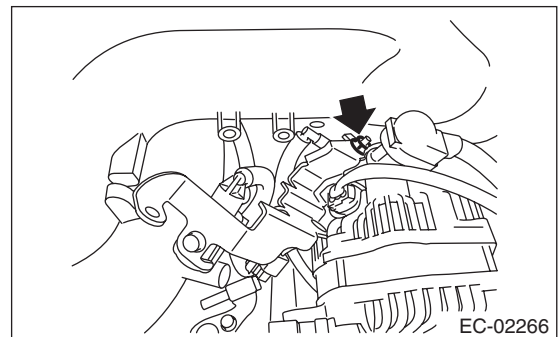
Connect the evaporation hose as shown in the figure.



- (A) Purge control solenoid valve 1
- (B) Purge control solenoid valve 2
- (a) To intake manifold
- (b) To intake duct
- (c) To fuel pipe

**Tightening torque:**

**6.4 N·m (0.7 kgf·m, 4.7 ft·lb)**



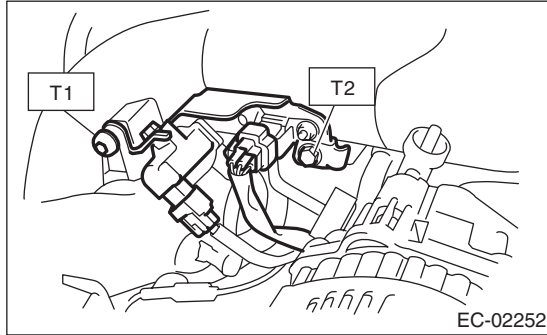
# Purge Control Solenoid Valve

EMISSION CONTROL (AUX. EMISSION CONTROL DEVICES)

## Tightening torque:

T1: 17 N·m (1.7 kgf-m, 12.5 ft-lb)

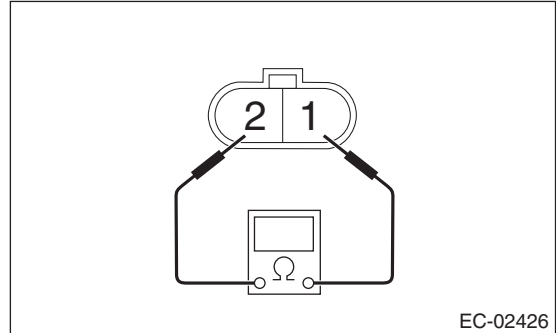
T2: 19 N·m (1.9 kgf-m, 14.0 ft-lb)



## C: INSPECTION

### 1. PURGE CONTROL SOLENOID VALVE

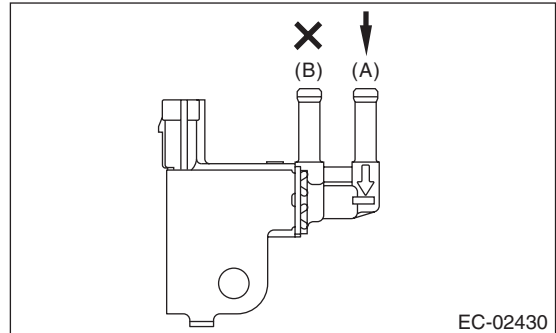
1) Measure the resistance between the purge control solenoid valve terminals.



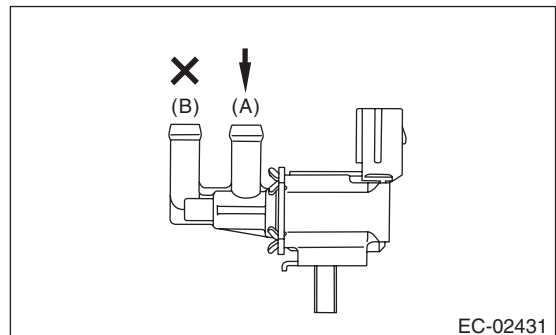
	Terminal No.	Standard
Purge control solenoid valve 1	1 and 2	32±2 Ω (20°C (68°F))
Purge control solenoid valve 2		24±3 Ω (20°C (68°F))

2) Check that air does not come out of (B) when blowing in (A).

- Purge control solenoid valve 1



- Purge control solenoid valve 2



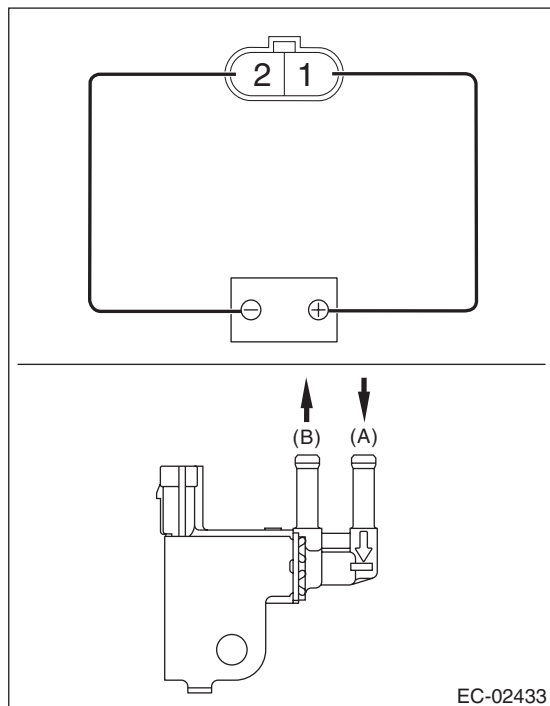
# Purge Control Solenoid Valve

EMISSION CONTROL (AUX. EMISSION CONTROL DEVICES)

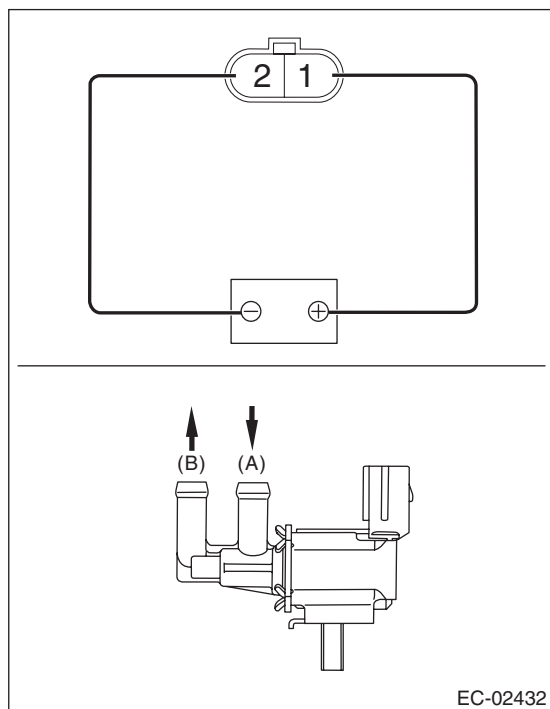
---

3) Connect the terminal No. 1 to the battery positive terminal and the terminal No. 2 to the battery negative terminal. When supplying air to (A), check that air is discharged from (B).

- Purge control solenoid valve 1



- Purge control solenoid valve 2



## 2. OTHER INSPECTIONS

Make sure the hoses are not cracked or loose.



# Fuel Level Sensor

EMISSION CONTROL (AUX. EMISSION CONTROL DEVICES)

---

## 6. Fuel Level Sensor

### A: REMOVAL

For removal procedures, refer to the “FU (H4DOTC)” section. <Ref. to FU(H4DOTC)-75, REMOVAL, Fuel Level Sensor.>

### B: INSTALLATION

For installation procedures, refer to the “FU (H4DOTC)” section. <Ref. to FU(H4DOTC)-75, INSTALLATION, Fuel Level Sensor.>

### C: INSPECTION

For inspection procedures, refer to the “FU(H4DOTC)” section. <Ref. to FU(H4DOTC)-75, INSPECTION, Fuel Level Sensor.>

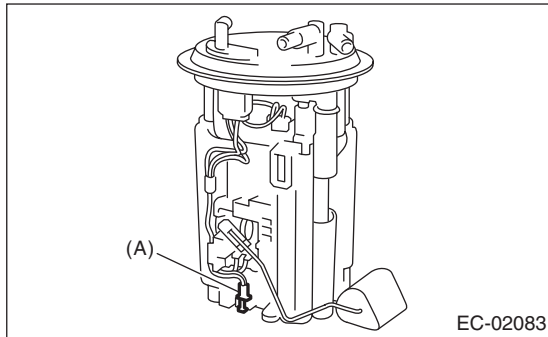
# Fuel Temperature Sensor

EMISSION CONTROL (AUX. EMISSION CONTROL DEVICES)

## 7. Fuel Temperature Sensor

### A: REMOVAL

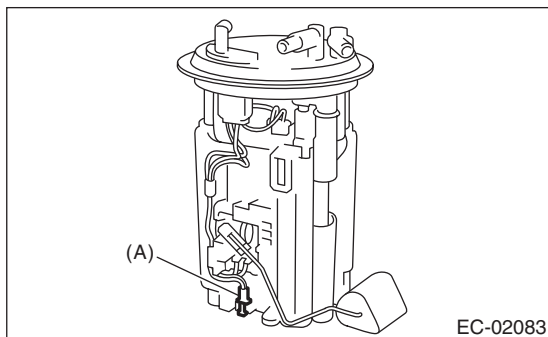
The fuel temperature sensor is integrated into the fuel level sensor as one unit; therefore, refer to “Fuel Level Sensor” for removal procedures. <Ref. to FU(H4DOTC)-75, REMOVAL, Fuel Level Sensor.>



(A) Fuel temperature sensor

### B: INSTALLATION

The fuel temperature sensor and fuel level sensor are integrated into one unit; therefore, refer to “Fuel Level Sensor” for installation procedure. <Ref. to FU(H4DOTC)-75, INSTALLATION, Fuel Level Sensor.>



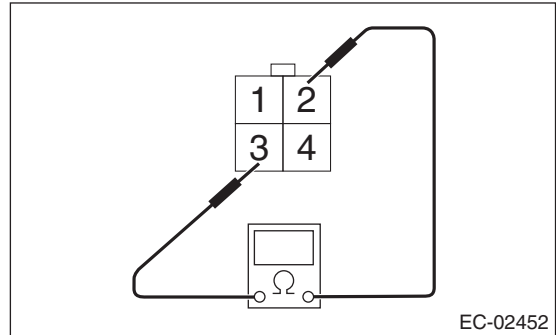
(A) Fuel temperature sensor

### C: INSPECTION

Measure the resistance between fuel temperature sensor terminals.

#### CAUTION:

When measuring the resistance, check the circuit tester specification and be careful not to turn on electricity 3 V or more to prevent damaging the fuel temperature sensor.



Temperature	Terminal No.	Standard
-10°C (14°F)	2 and 3	11.21±0.69 kΩ (measured current 0.10 mA)
20°C (68°F)		2.502±0.08 kΩ (measured current 0.10 mA)
50°C (122°F)		0.7176±0.034 kΩ (measured current 0.10 mA)

# Fuel Sub Level Sensor

EMISSION CONTROL (AUX. EMISSION CONTROL DEVICES)

---

## 8. Fuel Sub Level Sensor

### A: REMOVAL

For removal procedures, refer to the “FU (H4DOTC)” section. <Ref. to FU(H4DOTC)-76, REMOVAL, Fuel Sub Level Sensor.>

### B: INSTALLATION

For installation procedures, refer to the “FU(H4DOTC)” section. <Ref. to FU(H4DOTC)-77, INSTALLATION, Fuel Sub Level Sensor.>

### C: INSPECTION

For inspection procedures, refer to the “FU(H4DOTC)” section. <Ref. to FU(H4DOTC)-77, INSPECTION, Fuel Sub Level Sensor.>

# Fuel Tank Pressure Sensor

EMISSION CONTROL (AUX. EMISSION CONTROL DEVICES)

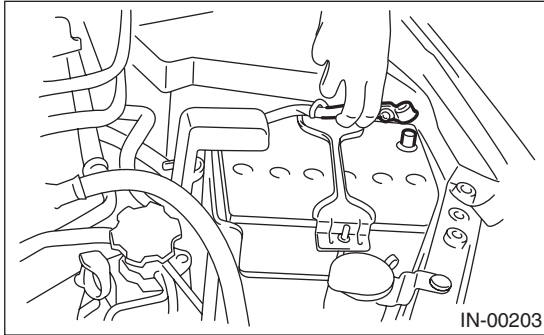
## 9. Fuel Tank Pressure Sensor

### A: REMOVAL

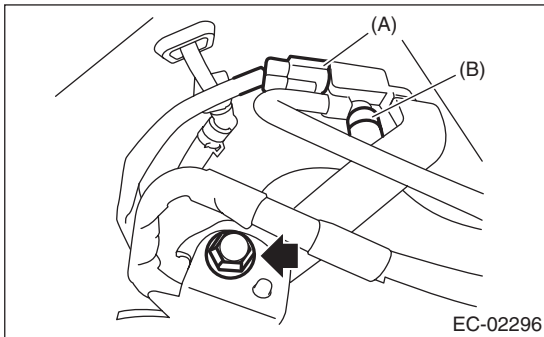
#### WARNING:

Place "NO OPEN FLAMES" signs near the working area.

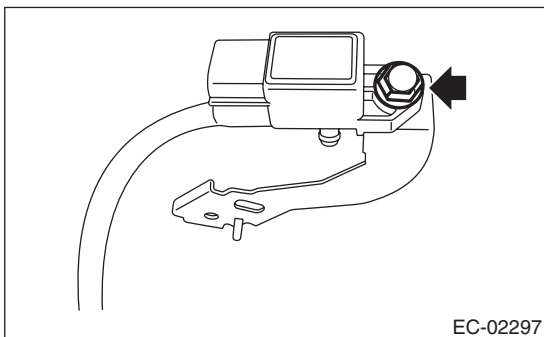
- 1) Set the vehicle on a lift.
- 2) Disconnect the ground cable from battery.



- 3) Open the fuel filler lid and remove the fuel filler cap.
- 4) Lift up the vehicle.
- 5) Disconnect the connector from the fuel tank pressure sensor (A).
- 6) Disconnect the pressure hose from the fuel tank pressure sensor (B).
- 7) Remove the fuel tank pressure sensor along with the bracket.



- 8) Remove the fuel pressure sensor from the bracket.

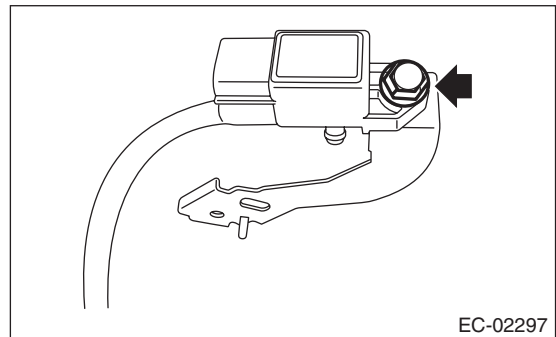
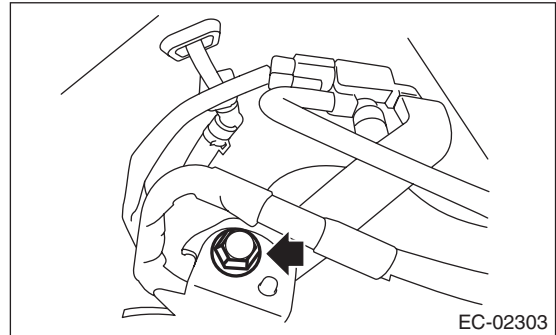


### B: INSTALLATION

Install in the reverse order of removal.

#### Tightening torque:

7.35 N·m (0.7 kgf-m, 5.4 ft-lb)



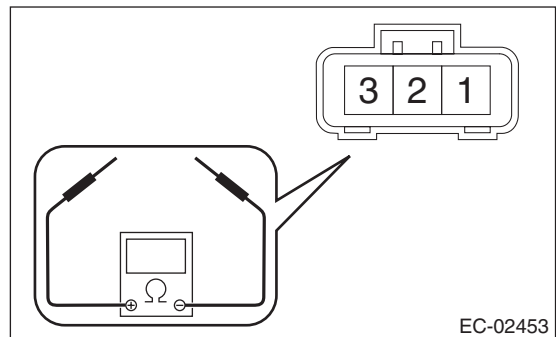
### C: INSPECTION

#### 1. FUEL TANK PRESSURE SENSOR

#### CAUTION:

Pay attention to polarity when measuring the resistance in fuel tank pressure sensor.

Measure the resistance between fuel tank pressure sensor terminals.



Terminal No.	Standard
3 (+) and 1 (-)	8.57 kΩ±0.5
1 (+) and 2 (-)	7.14 kΩ±0.23

#### 2. OTHER INSPECTIONS

Make sure the hoses are not cracked or loose.

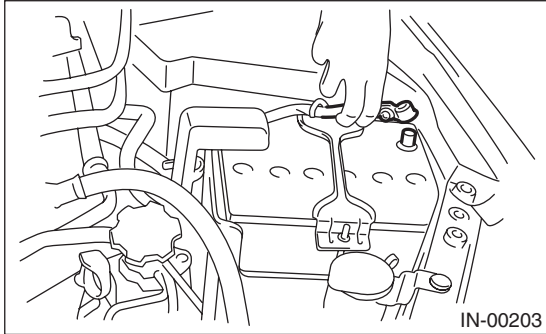
# Pressure Control Solenoid Valve

EMISSION CONTROL (AUX. EMISSION CONTROL DEVICES)

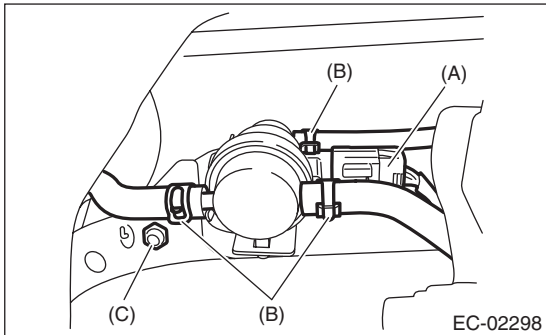
## 10. Pressure Control Solenoid Valve

### A: REMOVAL

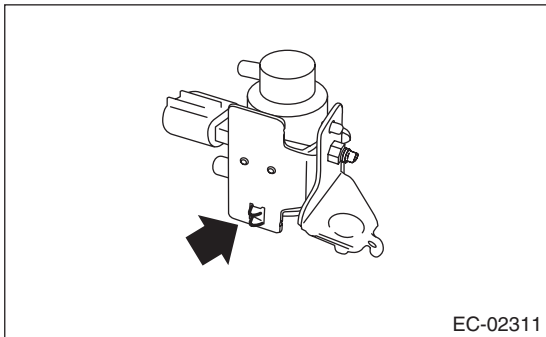
- 1) Set the vehicle on a lift.
- 2) Disconnect the ground cable from battery.



- 3) Lift up the vehicle.
- 4) Disconnect connector (A) from the pressure control solenoid valve.
- 5) Disconnect the evaporation hose (B) from the pressure control solenoid valve.
- 6) Remove the nuts (C) which secure the bracket to the fuel tank.



- 7) Remove the pressure control solenoid valve and bracket as a unit.
- 8) Remove the pressure control solenoid valve from the bracket.



### B: INSTALLATION

Install in the reverse order of removal.

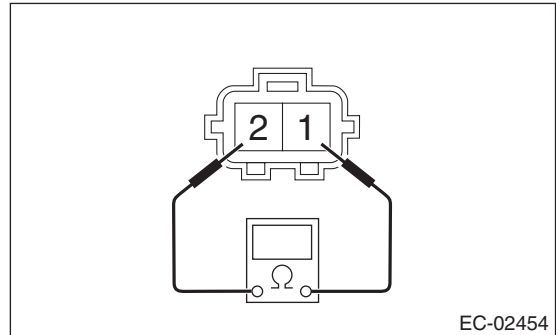
**Tightening torque:**

**7.35 N·m (0.7 kgf-m, 5.4 ft-lb)**

### C: INSPECTION

#### 1. PRESSURE CONTROL SOLENOID VALVE

Measure the resistance between the pressure control solenoid valve terminals.



Terminal No.	Standard
1 and 2	20 — 30 $\Omega$

#### 2. OTHER INSPECTIONS

Make sure the hoses are not cracked or loose.

### 11.Drain Filter

#### A: SPECIFICATION

The drain valve is a non-disassembled part, so do not remove the drain filter from drain valve. Refer to "Canister" for removal and installation procedures.  
<Ref. to EC(H4DOTC)-7, REMOVAL, Canister.>  
<Ref. to EC(H4DOTC)-9, INSTALLATION, Canister.>

# Shut Valve

EMISSION CONTROL (AUX. EMISSION CONTROL DEVICES)

## 12. Shut Valve

### A: REMOVAL

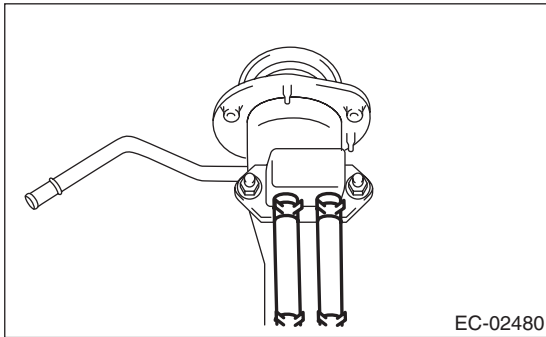
#### WARNING:

Place "NO OPEN FLAMES" signs near the working area.

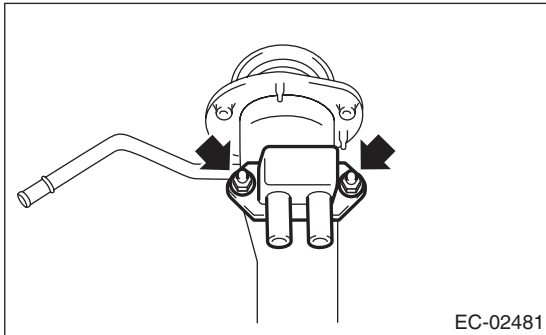
#### CAUTION:

Be careful not to spill fuel.

- 1) Remove the fuel filler pipe. <Ref. to FU(H4DOTC)-69, REMOVAL, Fuel Filler Pipe.>
- 2) Disconnect the evaporation hose from the shut valve.



- 3) Remove the shut valve from the fuel filler pipe.

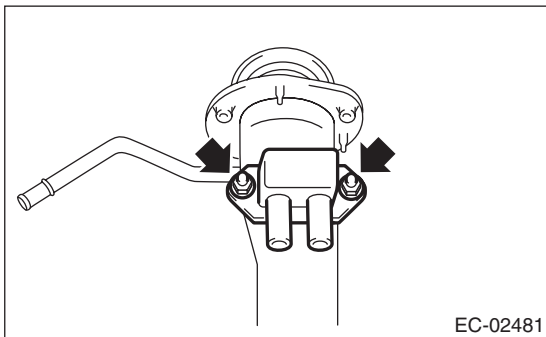


### B: INSTALLATION

Install in the reverse order of removal.

#### Tightening torque:

**4.5 N·m (0.5 kgf-m, 3.3 ft-lb)**



### C: INSPECTION

Make sure the hoses are not cracked or loose.

# Drain Valve

EMISSION CONTROL (AUX. EMISSION CONTROL DEVICES)

---

## 13. Drain Valve

### A: REMOVAL

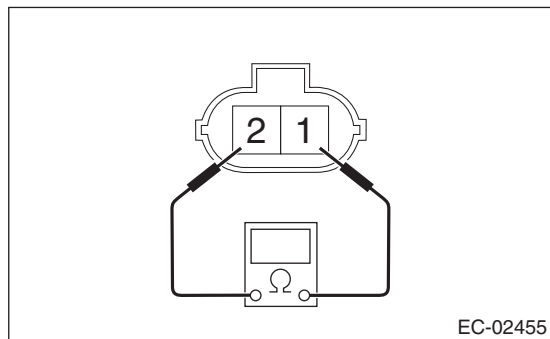
Refer to “Canister” for removal procedures. <Ref. to EC(H4DOTC)-7, REMOVAL, Canister.>

### B: INSTALLATION

Refer to “Canister” for installation procedures. <Ref. to EC(H4DOTC)-9, INSTALLATION, Canister.>

### C: INSPECTION

Measure the resistance between drain valve terminals.



Terminal No.	Standard
1 and 2	20 — 30 Ω



# PCV Hose Assembly

EMISSION CONTROL (AUX. EMISSION CONTROL DEVICES)

## 14.PCV Hose Assembly

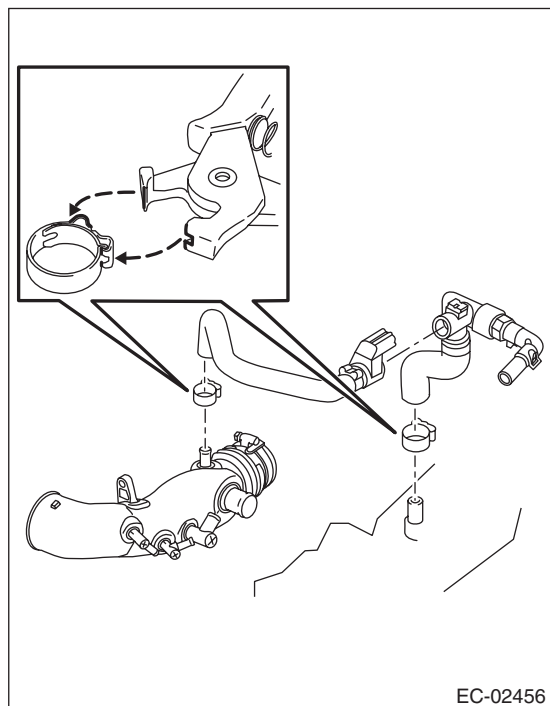
### A: REMOVAL

#### CAUTION:

**Do not remove unless the PCV hose, diagnostics connector and PCV valve are damaged.**

- 1) Remove the intake manifold. <Ref. to FU(H4DOTC)-16, REMOVAL, Intake Manifold.>
- 2) Remove the secondary air combination valve RH. <Ref. to EC(H4DOTC)-25, SECONDARY AIR COMBINATION VALVE RH, REMOVAL, Secondary Air Combination Valve.>
- 3) Fit the depression in the ST with the protrusion on the clamp securing PCV hose assembly to unlock.
- 4) Remove the PCV hose assembly.

ST 18353AA000 CLAMP PLIERS



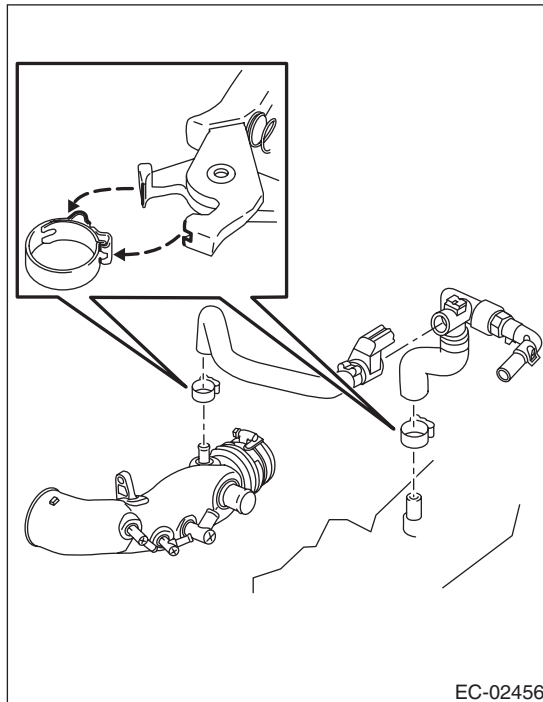
### B: INSTALLATION

- 1) Install the PCV hose assembly, then lock by fitting the ST on the clamp protrusion.

#### NOTE:

Use a new clamp.

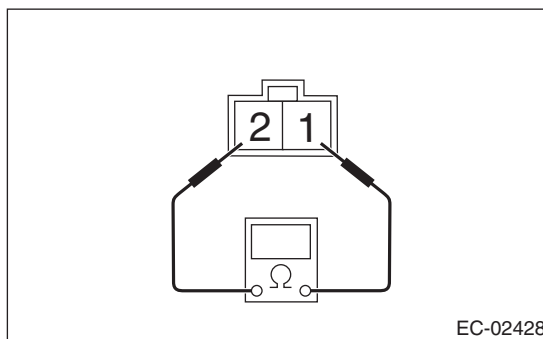
ST 18353AA000 CLAMP PLIERS



- 2) Install the secondary air combination valve RH. <Ref. to EC(H4DOTC)-26, SECONDARY AIR COMBINATION VALVE RH, INSTALLATION, Secondary Air Combination Valve.>
- 3) Install the intake manifold. <Ref. to FU(H4DOTC)-21, INSTALLATION, Intake Manifold.>

### C: INSPECTION

- 1) Measure the resistance between PCV hose assembly terminals.



Terminal No.	Standard
1 and 2	Less than 1 $\Omega$

- 2) Make sure that there are no cracks or other damages on PCV hose assembly.

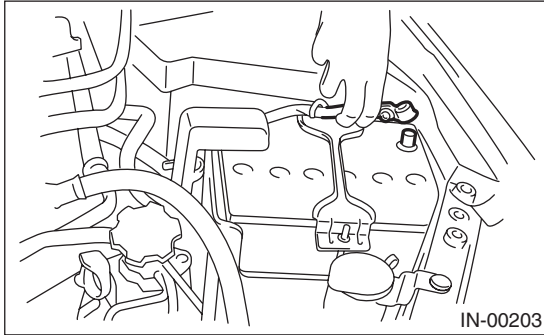
# Secondary Air Pump

EMISSION CONTROL (AUX. EMISSION CONTROL DEVICES)

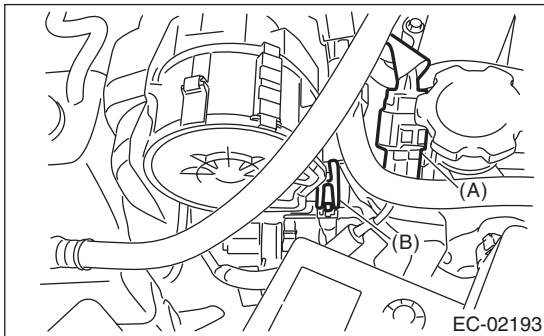
## 15. Secondary Air Pump

### A: REMOVAL

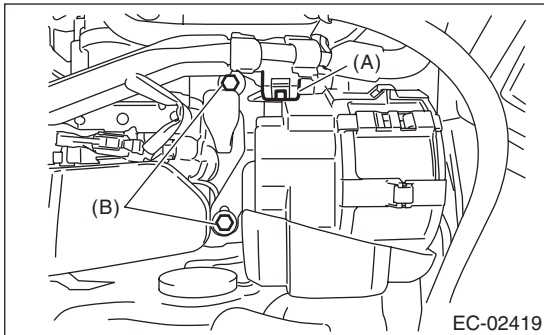
- 1) Disconnect the ground cable from battery.



- 2) Disconnect the connector (A) and air duct (B) from secondary air pump.



- 3) Remove the clip (A) which holds the harness on the harness stay and remove the bolt (B) which holds the secondary air pump on the vehicle.

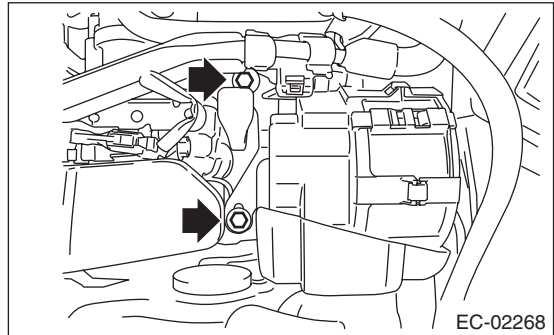


### B: INSTALLATION

Install in the reverse order of removal.

**Tightening torque:**

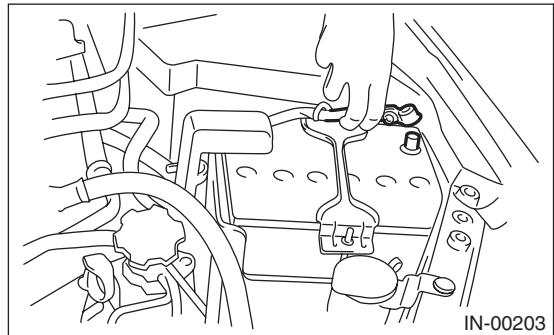
**19 N·m (1.9 kgf·m, 14.0 ft·lb)**



### C: INSPECTION

#### 1. SECONDARY AIR PUMP

- 1) Disconnect the ground cable from battery.

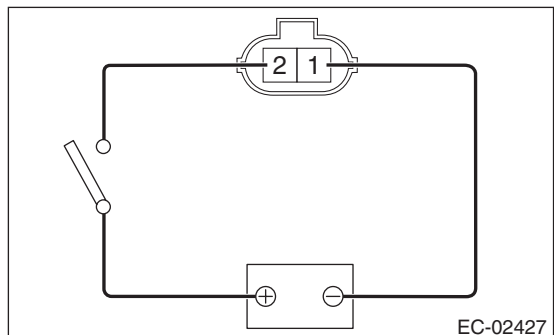


- 2) Remove the secondary air pump. <Ref. to EC(H4DOTC)-24, REMOVAL, Secondary Air Pump.>

- 3) Connect terminal No. 2 to the battery positive terminal and terminal No. 1 to the battery negative terminal, and inspect the secondary air pump operation.

#### CAUTION:

**Do not operate the secondary air pump continuously for 80 seconds or more.**



#### 2. OTHER INSPECTIONS

Make sure the air duct is not cracked or loose.

# Secondary Air Combination Valve

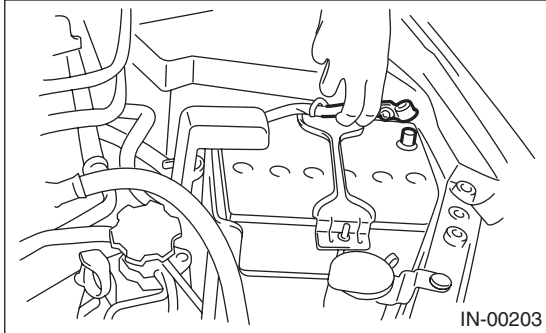
EMISSION CONTROL (AUX. EMISSION CONTROL DEVICES)

## 16. Secondary Air Combination Valve

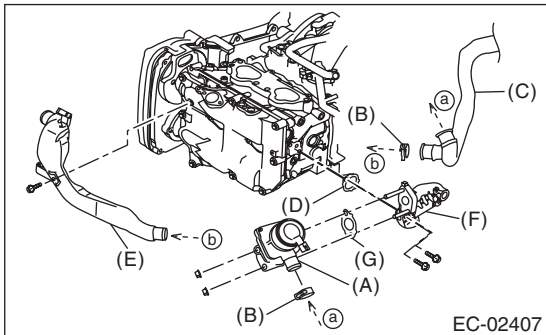
### A: REMOVAL

#### 1. SECONDARY AIR COMBINATION VALVE LH

1) Disconnect the ground cable from battery.



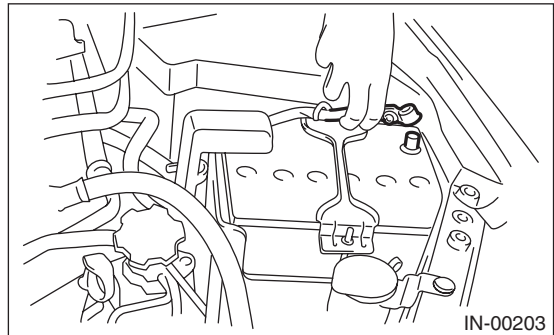
- 2) Remove the intercooler. <Ref. to IN(H4DOTC)-13, REMOVAL, Intercooler.>
- 3) Disconnect the connector from the secondary air combination valve LH.
- 4) Disconnect the air duct A.
- 5) Remove the secondary air pipe LH.
- 6) Remove the secondary air combination valve LH.



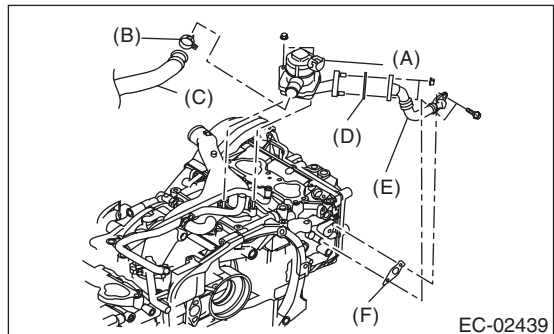
- (A) Secondary air combination valve LH
- (B) Clip
- (C) Air duct A
- (D) Gasket
- (E) Air duct B
- (F) Secondary air pipe LH
- (G) Gasket

#### 2. SECONDARY AIR COMBINATION VALVE RH

1) Disconnect the ground cable from battery.



- 2) Remove the intercooler. <Ref. to IN(H4DOTC)-13, REMOVAL, Intercooler.>
- 3) Remove the intake manifold. <Ref. to FU(H4DOTC)-16, REMOVAL, Intake Manifold.>
- 4) Disconnect the air duct A.
- 5) Disconnect the secondary air pipe RH.
- 6) Remove the secondary air combination valve RH.



- (A) Secondary air combination valve RH
- (B) Clip
- (C) Air duct A
- (D) Gasket
- (E) Secondary air pipe RH
- (F) Gasket

# Secondary Air Combination Valve

EMISSION CONTROL (AUX. EMISSION CONTROL DEVICES)

## B: INSTALLATION

### 1. SECONDARY AIR COMBINATION VALVE LH

Install in the reverse order of removal.

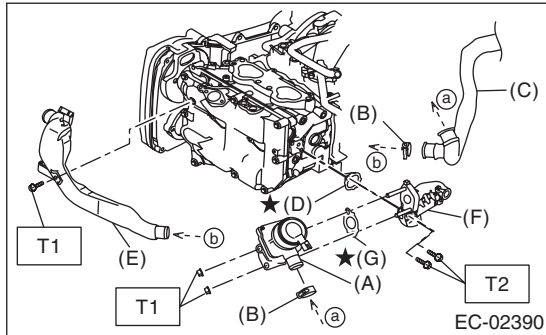
NOTE:

Use a new gasket.

**Tightening torque:**

**T1: 9 N·m (0.9 kgf-m, 6.6 ft-lb)**

**T2: 19 N·m (1.9 kgf-m, 14.0 ft-lb)**



- (A) Secondary air combination valve LH
- (B) Clip
- (C) Air duct A
- (D) Gasket
- (E) Air duct B
- (F) Secondary air pipe LH
- (G) Gasket

### 2. SECONDARY AIR COMBINATION VALVE RH

Install in the reverse order of removal.

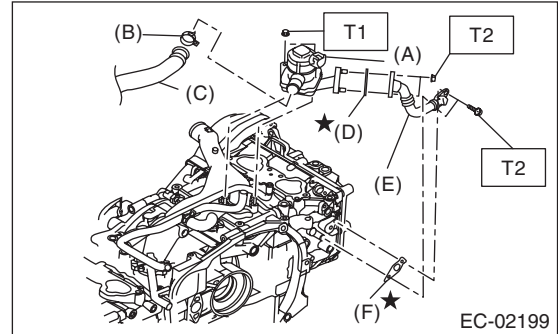
NOTE:

Use a new gasket.

**Tightening torque:**

**T1: 6.4 N·m (0.7 kgf-m, 4.7 ft-lb)**

**T2: 9 N·m (0.9 kgf-m, 6.6 ft-lb)**



- (A) Secondary air combination valve RH
- (B) Clip
- (C) Air duct A
- (D) Gasket
- (E) Secondary air pipe RH
- (F) Gasket

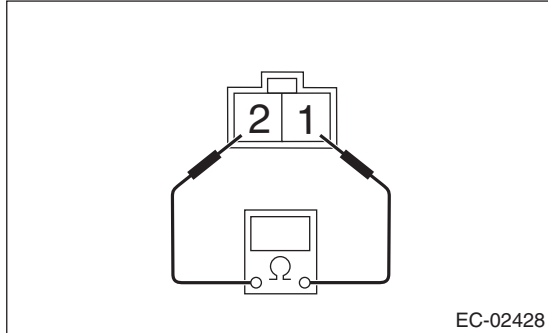
# Secondary Air Combination Valve

EMISSION CONTROL (AUX. EMISSION CONTROL DEVICES)

## C: INSPECTION

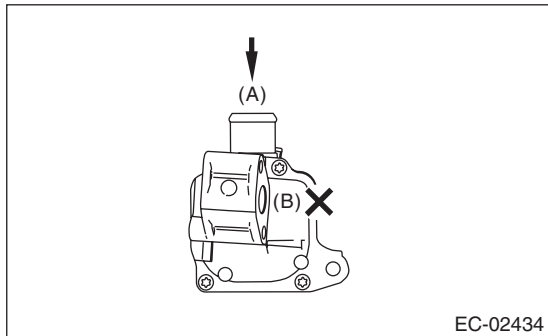
### 1. SECONDARY AIR COMBINATION VALVE LH

1) Measure the resistance between the terminals of secondary air combination valve LH.

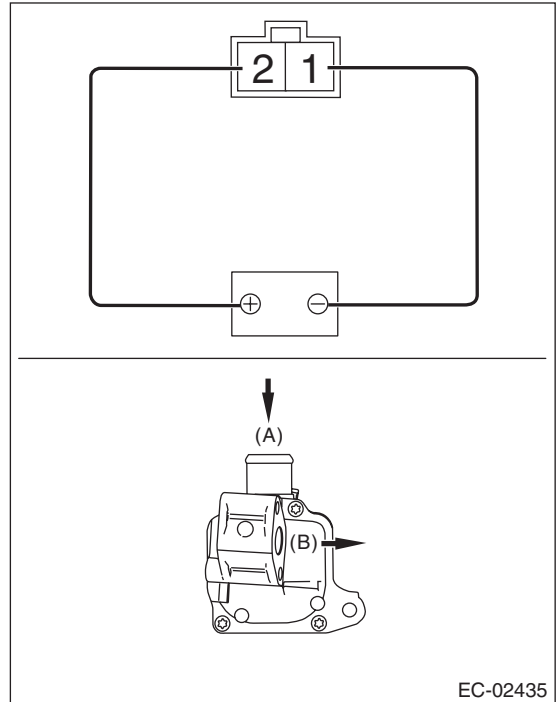


Terminal No.	Standard
1 and 2	$5.0 \pm 0.5 \Omega$ (20°C (68°F))

2) Check that air does not come out of (B) when blowing in (A).



3) Connect the terminal No. 2 to the battery positive terminal and the terminal No. 1 to the battery negative terminal. When supplying air to (A), check that air is discharged from (B).

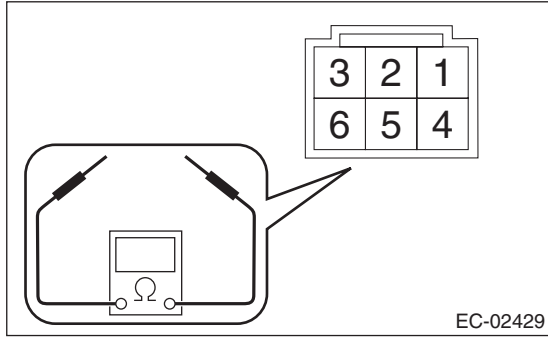


# Secondary Air Combination Valve

EMISSION CONTROL (AUX. EMISSION CONTROL DEVICES)

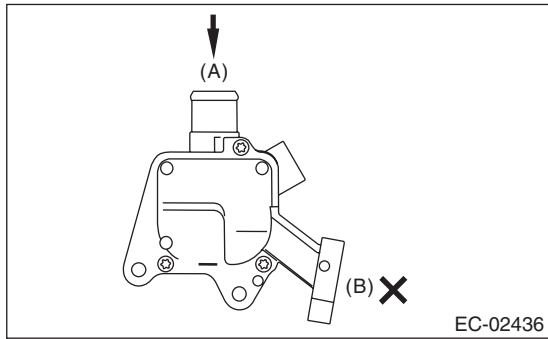
## 2. SECONDARY AIR COMBINATION VALVE RH

1) Measure the resistance between the terminals of secondary air combination valve RH.

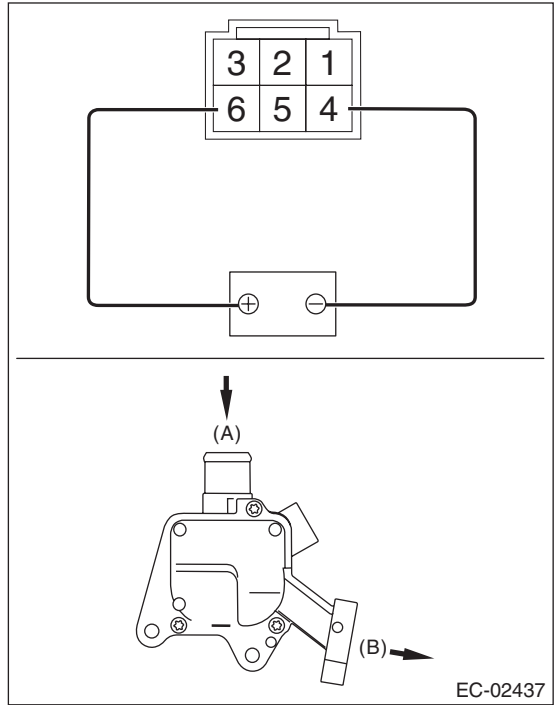


Terminal No.	Standard
4 and 6	$5.0 \pm 0.5 \Omega$ (20°C (68°F))
2 and 3	15 kΩ or less
1 and 2	4.5 kΩ or less

2) Check that air does not come out of (B) when blowing in (A).



3) Connect the terminal No. 6 to the battery positive terminal and the terminal No. 4 to the battery negative terminal. When supplying air to (A), check that air is discharged from (B).



## 3. OTHER INSPECTIONS

Check the air duct and pipe for looseness.

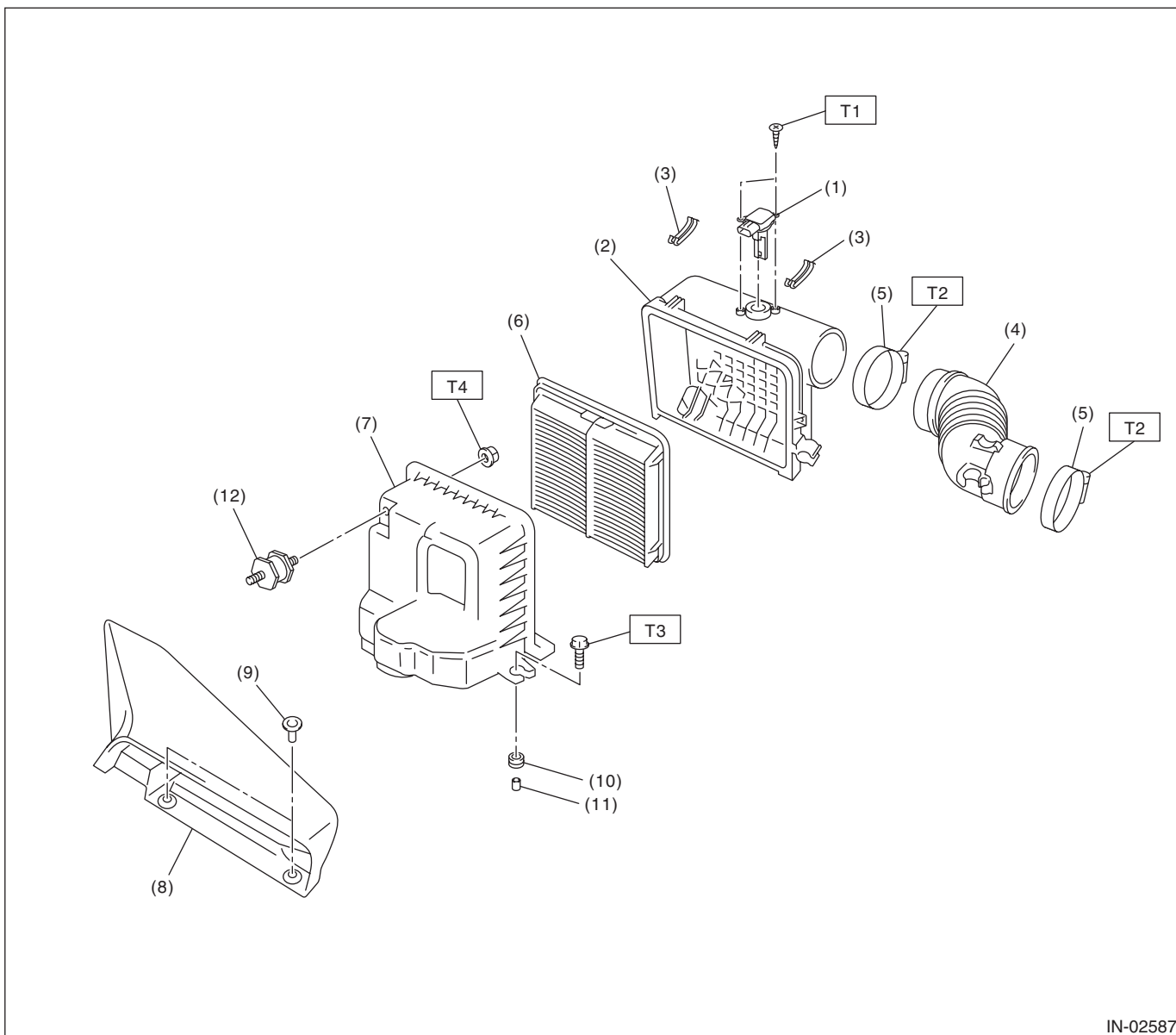
# General Description

INTAKE (INDUCTION)

## 1. General Description

### A: COMPONENT

#### 1. AIR CLEANER



IN-02587

- |   |                              |
|---|------------------------------|
| (1) Mass air flow and intake air temperature sensor | (7) Air cleaner case (Front) |
| (2) Air cleaner case (Rear)                         | (8) Air intake duct          |
| (3) Clip  | (9) Clip                     |
| (4) Air intake boot                                 | (10) Cushion                 |
| (5) Clamp   | (11) Spacer                  |
| (6) Air cleaner element                             | (12) Cushion                 |

**Tightening torque: N·m (kgf·m, ft·lb)**

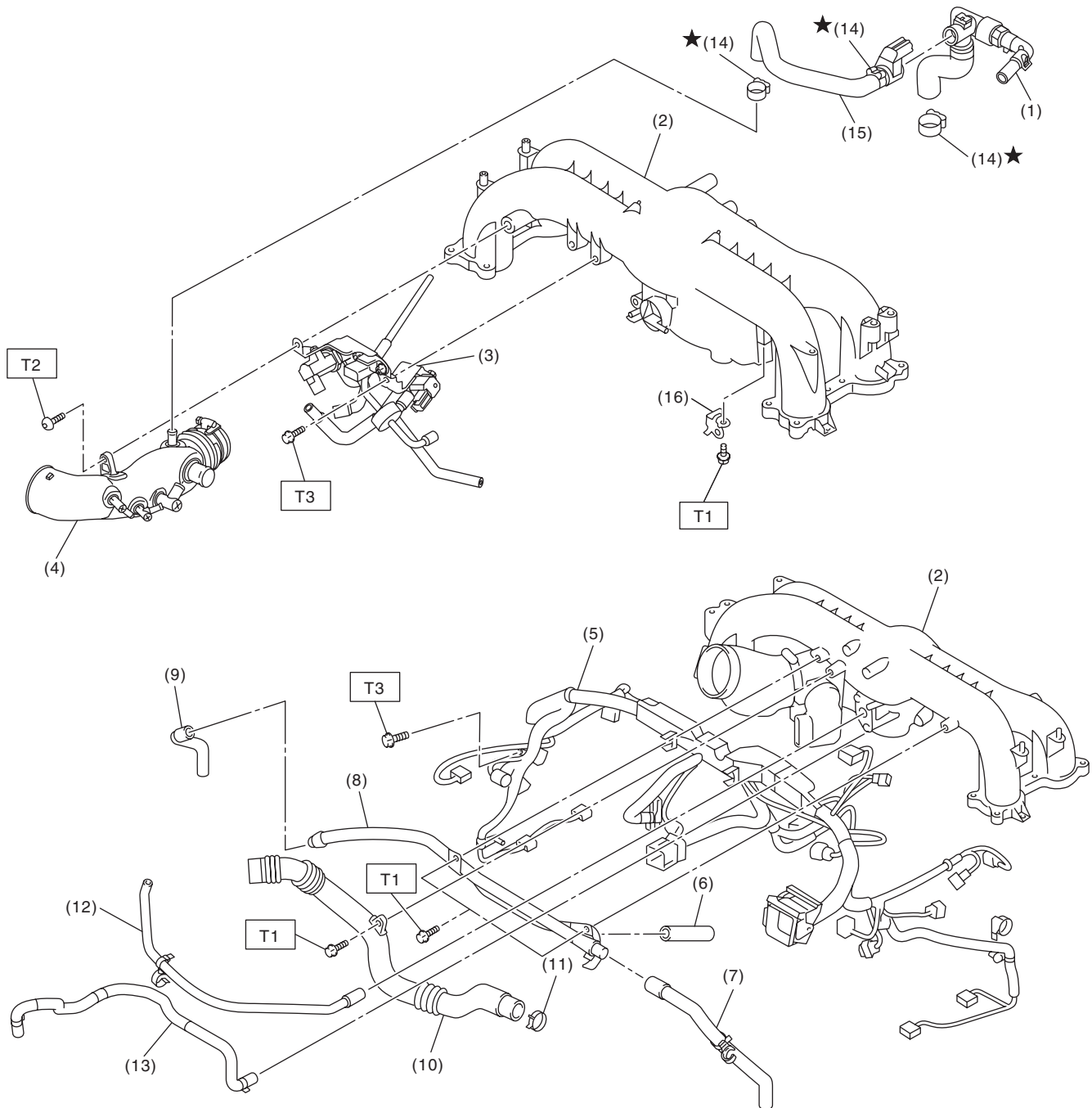
**T1: 1 (0.1, 0.7)**

**T2: 2.5 (0.3, 1.8)**

**T3: 6 (0.6, 4.4)**

**T4: 7.5 (0.8, 5.5)**

## 2. INTAKE DUCT



IN-02565

- |                                 |                                |                             |
|---------------------------------|--------------------------------|-----------------------------|
| (1) PCV hose ASSY A             | (8) PCV pipe                   | (15) PCV hose ASSY B        |
| (2) Intake manifold             | (9) Vacuum hose                | (16) Solenoid valve bracket |
| (3) Solenoid valve bracket ASSY | (10) Air by-pass pipe          |                             |
| (4) Intake duct                 | (11) Clip                      |                             |
| (5) Engine harness ASSY         | (12) Vacuum hose               |                             |
| (6) Vacuum hose                 | (13) Brake booster vacuum hose |                             |
| (7) Vacuum hose                 | (14) Clamp                     |                             |

**Tightening torque: N·m (kgf·m, ft·lb)**

**T1: 6.4 (0.7, 4.7)**

**T2: 17 (1.7, 12.5)**

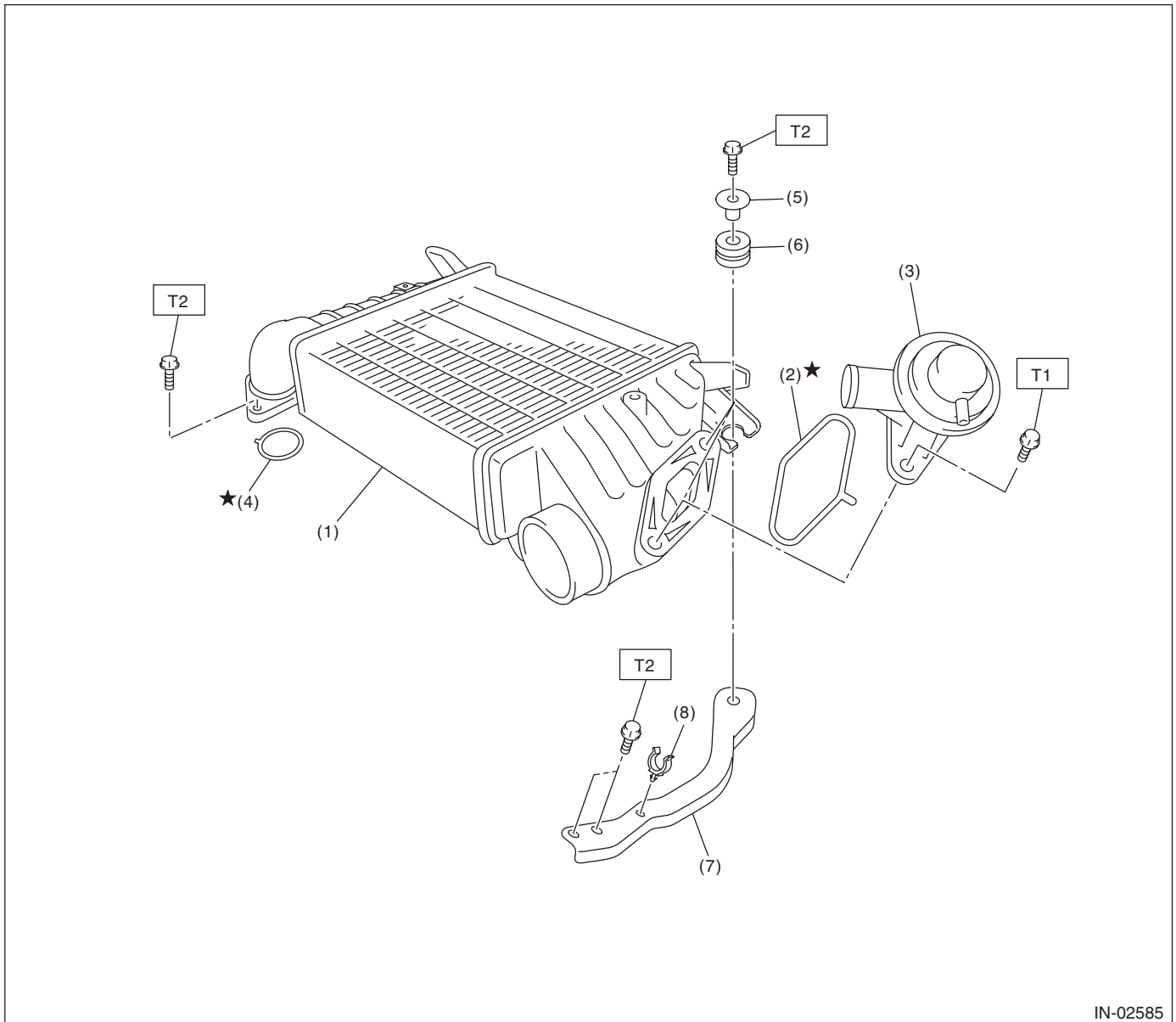
**T3: 19 (1.9, 14.0)**



# General Description

INTAKE (INDUCTION)

## 3. INTERCOOLER



IN-02585

- |                       |                      |
|-----------------------|----------------------|
| (1) Intercooler       | (5) Spacer           |
| (2) O-ring            | (6) Cushion          |
| (3) Air by-pass valve | (7) Intercooler stay |
| (4) O-ring            | (8) Clip             |

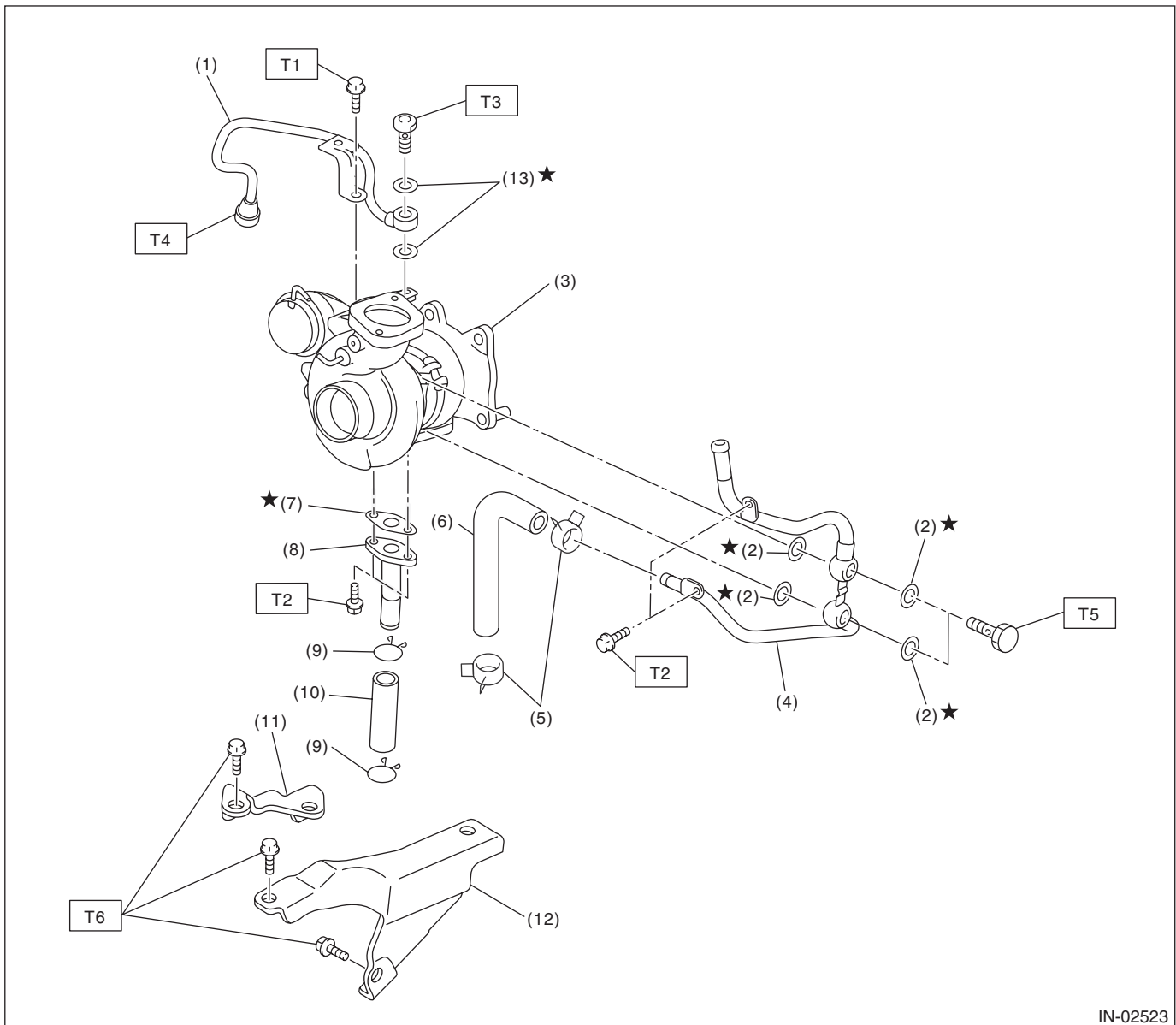
**Tightening torque: N·m (kgf·m, ft·lb)**

**T1: 6.5 (0.7, 4.8)**

**T2: 16 (1.6, 11.8)**

## 4. TURBOCHARGER

- Except for WRX-SS model



IN-02523

- |                         |                           |
|-------------------------|---------------------------|
| (1) Oil inlet pipe      | (8) Oil outlet pipe       |
| (2) Gasket              | (9) Clip                  |
| (3) Turbocharger        | (10) Oil outlet hose      |
| (4) Water pipe          | (11) Turbocharger stay RH |
| (5) Clip                | (12) Turbocharger stay LH |
| (6) Engine coolant hose | (13) Gasket               |
| (7) Gasket              |                           |

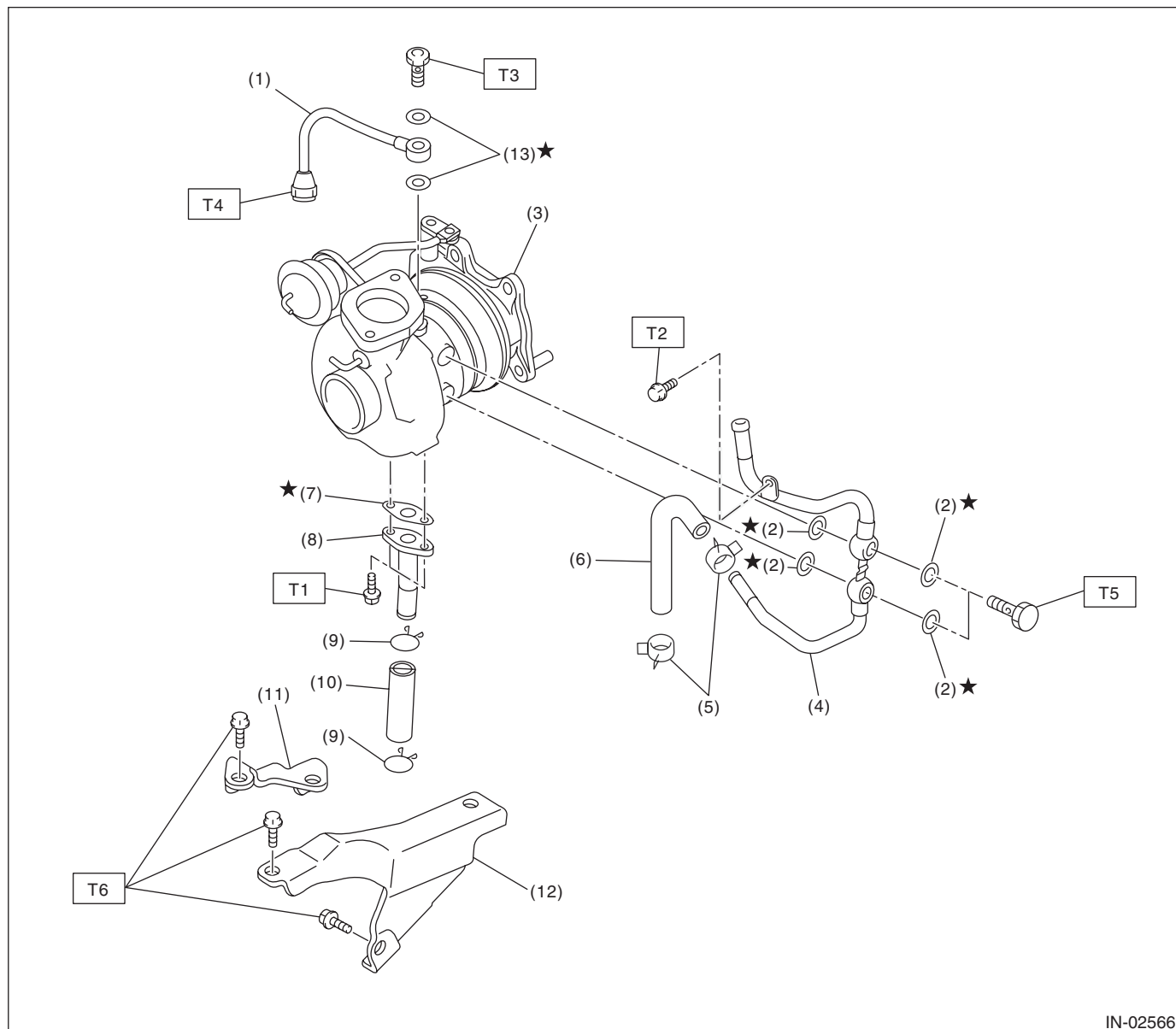
**Tightening torque: N·m (kgf·m, ft·lb)**

- T1: 5 (0.5, 3.7)**  
**T2: 8.8 (0.9, 6.5)**  
**T3: 16 (1.6, 11.8)**  
**T4: 20 (2.0, 14.8)**  
**T5: 23 (2.3, 17.0)**  
**T6: 33 (3.4, 24.3)**

# General Description

## INTAKE (INDUCTION)

- WRX-SS model



IN-02566

- |                         |                           |
|-------------------------|---------------------------|
| (1) Oil inlet pipe      | (8) Oil outlet pipe       |
| (2) Gasket              | (9) Clip                  |
| (3) Turbocharger        | (10) Oil outlet hose      |
| (4) Water pipe          | (11) Turbocharger stay RH |
| (5) Clip                | (12) Turbocharger stay LH |
| (6) Engine coolant hose | (13) Gasket               |
| (7) Gasket              |                           |

### **Tightening torque: N·m (kgf·m, ft·lb)**

**T1: 4.9 (0.5, 3.6)**

**T2: 6.5 (0.7, 4.8)**

**T3: 16 (1.6, 11.8)**

**T4: 20 (2.0, 14.8)**

**T5: 23 (2.3, 17.0)**

**T6: 33 (3.4, 24.3)**

# General Description

INTAKE (INDUCTION)

## B: CAUTION

- Wear appropriate work clothing, including a cap, protective goggles and protective shoes when performing any work.
- Remove contamination including dirt and corrosion before removal, installation or disassembly.
- Keep the disassembled parts in order and protect them from dust and dirt.
- Before removal, installation or disassembly, be sure to clarify the failure. Avoid unnecessary removal, installation, disassembly and replacement.
- Vehicle components are extremely hot after driving. Be wary of receiving burns from heated parts.
- Be sure to tighten fasteners including bolts and nuts to the specified torque.
- Place shop jacks or rigid racks at the specified points.
- Before disconnecting connectors of sensors or units, be sure to disconnect the ground cable from the battery.

## C: PREPARATION TOOL

### 1. GENERAL TOOL

TOOL NAME	REMARKS
Mighty Vac	Used to inspect the waste gate actuator.

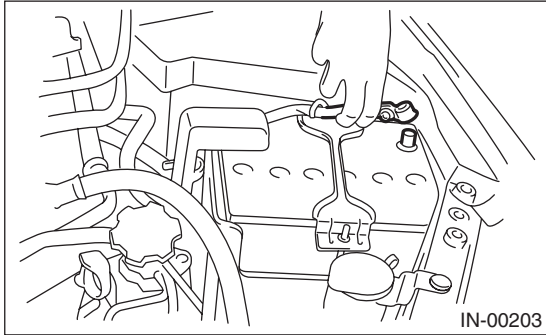
# Air Cleaner Element

INTAKE (INDUCTION)

## 2. Air Cleaner Element

### A: REMOVAL

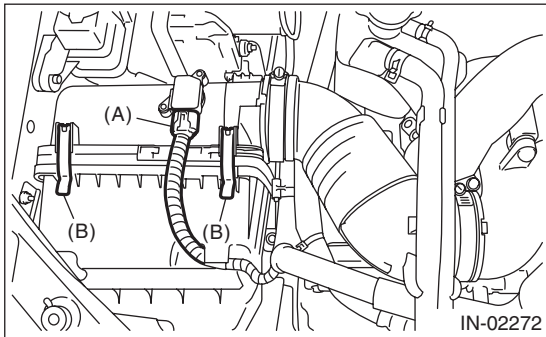
1) Disconnect the ground cable from battery.



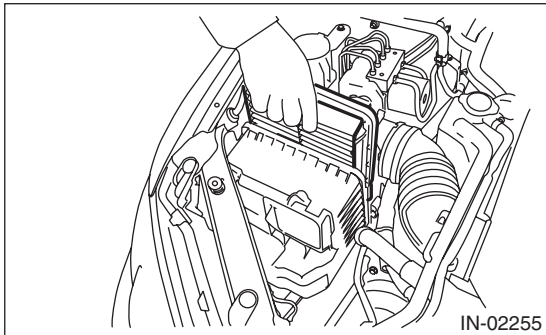
2) Remove the air intake duct. <Ref. to IN(H4DOTC)-11, REMOVAL, Air Intake Duct.>

3) Disconnect the connector from air flow and intake air temperature sensor.

4) Remove the clip (B) from the air cleaner case (front).



5) Open the air cleaner case, and remove the air cleaner element.



### B: INSTALLATION

Install in the reverse order of removal.

#### CAUTION:

Be sure to use **SUBARU** genuine air cleaner element depending on the engine type when replacing the air cleaner elements. Otherwise engine performance may be damaged.

#### NOTE:

Check that there are no foreign objects in the air cleaner case.

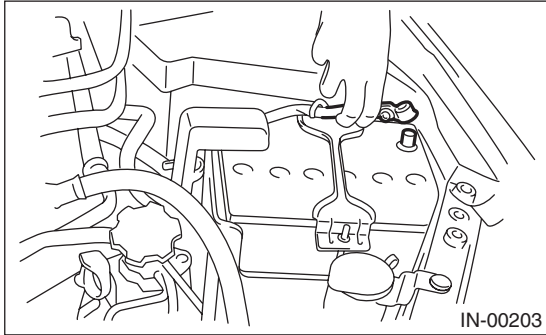
### C: INSPECTION

Replace if excessively damaged or dirty.

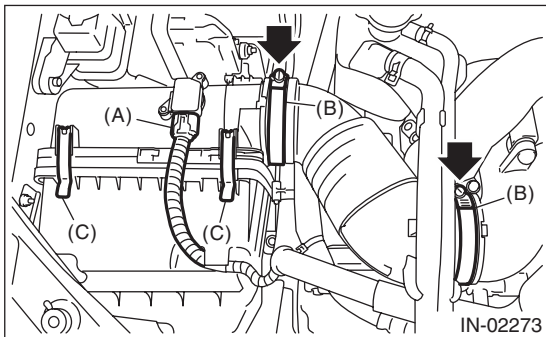
## 3. Air Cleaner Case

### A: REMOVAL

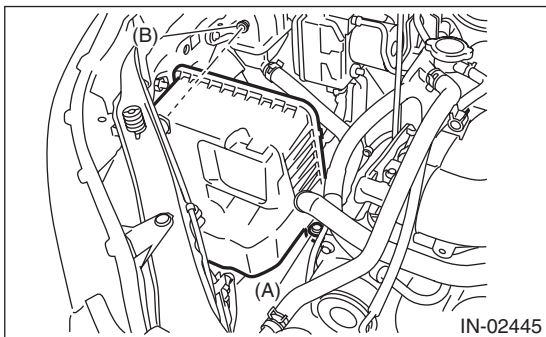
- 1) Disconnect the ground cable from battery.



- 2) Remove the air intake duct. <Ref. to IN(H4DOTC)-11, REMOVAL, Air Intake Duct.>
- 3) Disconnect the connector from air flow and intake air temperature sensor.
- 4) Loosen the clamp (B) which connects the air intake boot and intake duct.
- 5) Remove the clip (C) from the air cleaner case (front).



- 6) Remove the air cleaner case (rear) and air intake boot.
- 7) Remove the air cleaner element.
- 8) Remove the bolt (A) and nut (B) which secure the air cleaner case (front) to the body.



- 9) Remove the air cleaner case (front).

### B: INSTALLATION

- 1) Install the bolt (A) and nut (B) which secure the air cleaner case (front) to the body.

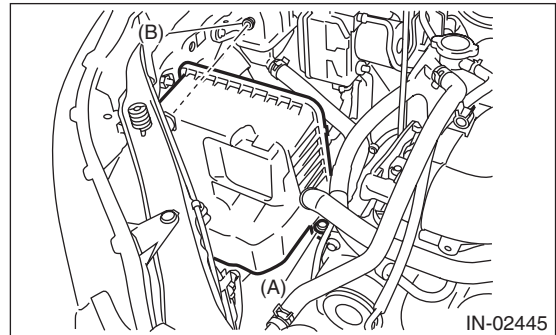
#### Tightening torque:

**Bolt (A)**

**6 N·m (0.6 kgf-m, 4.4 ft-lb)**

**Nut (B)**

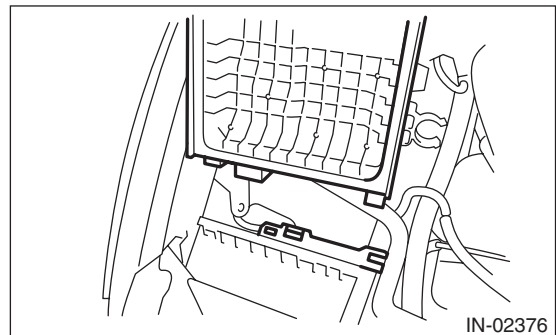
**7.5 N·m (0.8 kgf-m, 5.5 ft-lb)**



- 2) Install the air cleaner element.
- 3) Install the air cleaner case (rear) and air intake boot.

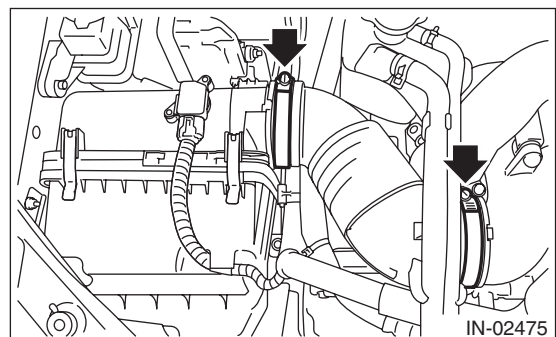
#### NOTE:

When installing the air cleaner case (rear), align the protrusion of the air cleaner case (rear) to the hole on the air cleaner case (front) to install.



#### Tightening torque:

**2.5 N·m (0.3 kgf-m, 1.8 ft-lb)**



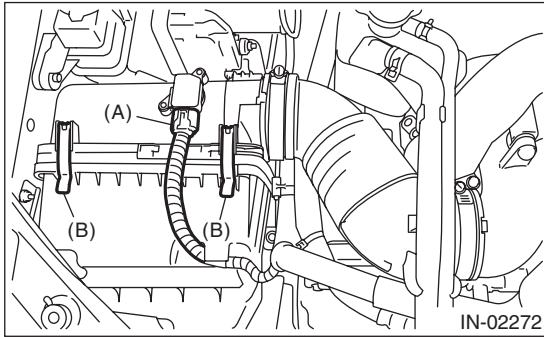
- 4) Install the clip (B) to the air cleaner case (front).

## Air Cleaner Case

### INTAKE (INDUCTION)

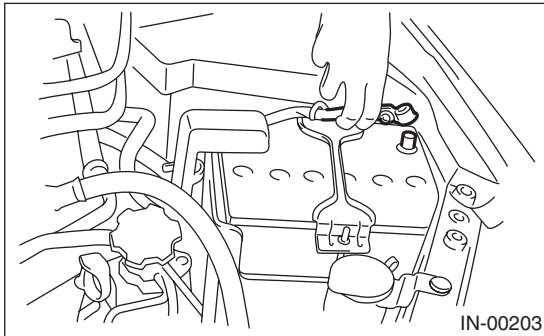
---

5) Connect the connector (A) to the mass air flow and intake air temperature sensor.



6) Install the air intake duct. <Ref. to IN(H4DOTC)-11, INSTALLATION, Air Intake Duct.>

7) Connect the ground cable to battery.



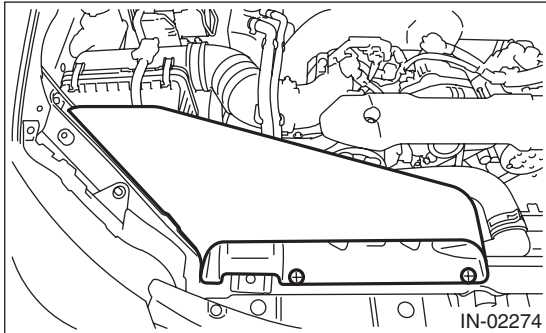
### C: INSPECTION

Check for cracks or loose connections.

## 4. Air Intake Duct

### A: REMOVAL

Remove the clip which secures the air intake duct, and remove the air intake duct.



### B: INSTALLATION

Install in the reverse order of removal.

### C: INSPECTION

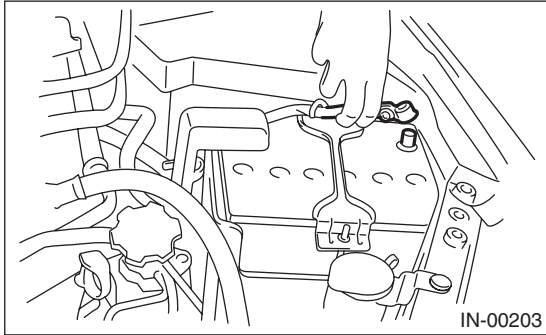
- 1) Check for cracks or loose connections.
- 2) Inspect that no foreign objects in the air intake duct.



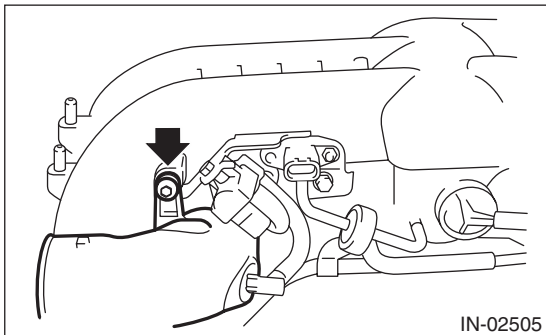
### 5. Intake Duct

#### A: REMOVAL

- 1) Disconnect the ground cable from battery.



- 2) Remove the intake manifold. <Ref. to FU(H4DOTC)-16, REMOVAL, Intake Manifold.>
- 3) Remove the sensor, engine harness and fuel pipe attached to the intake manifold. <Ref. to FU(H4DOTC)-25, DISASSEMBLY, Intake Manifold.>
- 4) Remove the intake duct from intake manifold.

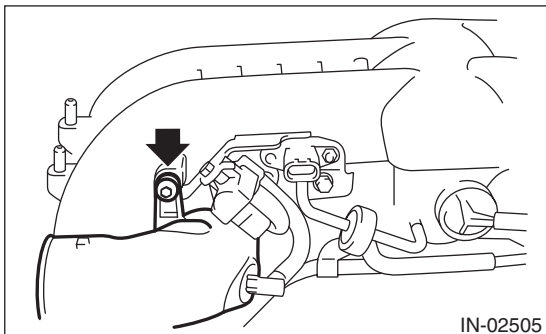


#### B: INSTALLATION

Install in the reverse order of removal.

#### *Tightening torque:*

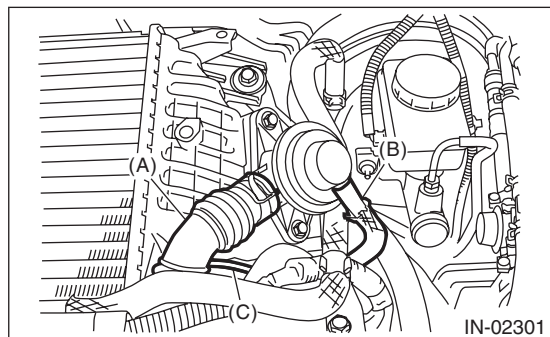
**17 N·m (1.7 kgf·m, 12.5 ft·lb)**



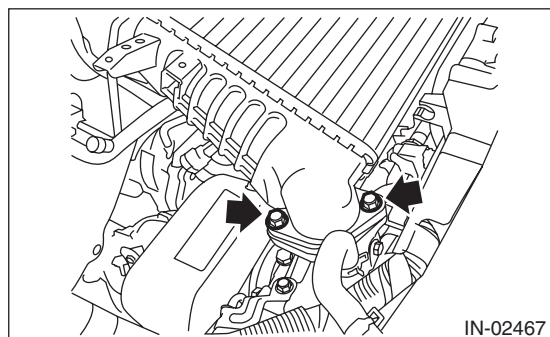
## 6. Intercooler

### A: REMOVAL

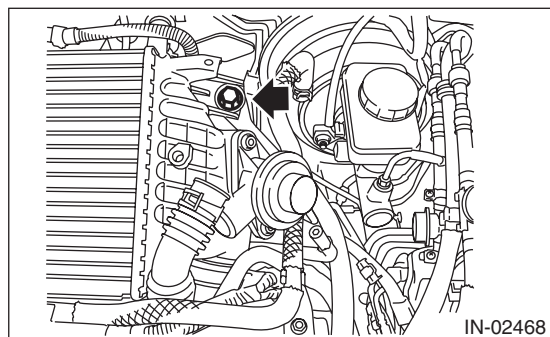
- 1) Disconnect the air by-pass pipe (A) and vacuum hose (B) from the air by-pass valve.
- 2) Loosen the clamp (C) which connects the intercooler and intake duct.



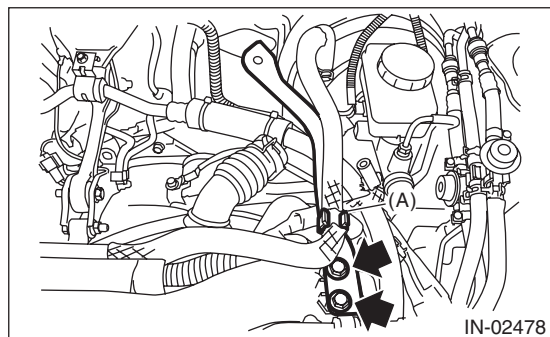
- 3) Remove the bolts which secure the intercooler to the turbocharger.



- 4) Remove the bolts which secure the intercooler to the intercooler stay, and remove the intercooler.



- 5) Remove the brake booster vacuum hose from the clip (A), and remove the intercooler stay.



### B: INSTALLATION

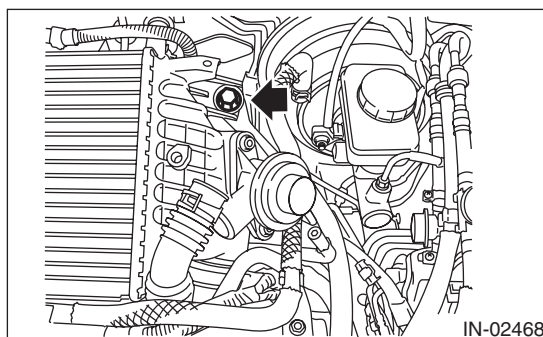
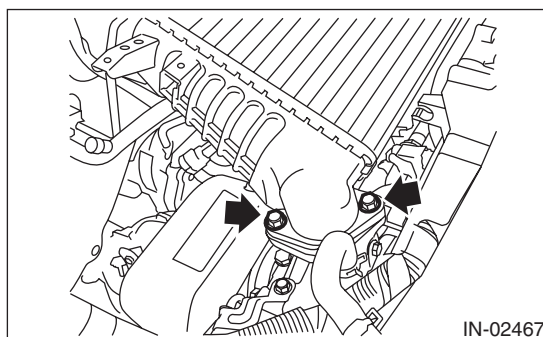
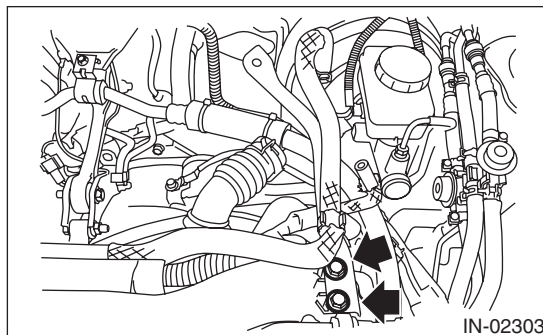
Install in the reverse order of removal.

#### NOTE:

- Use new O-rings.
- Be careful not to pinch the O-ring.

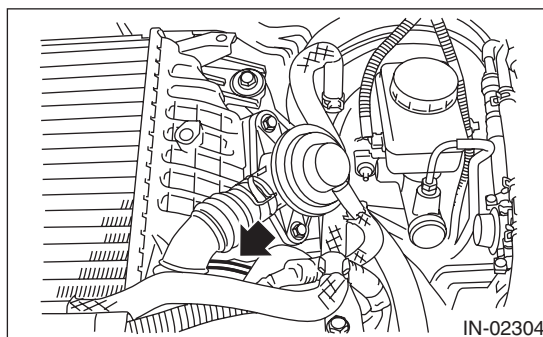
#### Tightening torque:

**16 N·m (1.6 kgf-m, 11.8 ft-lb)**



#### Tightening torque:

**3 N·m (0.3 kgf-m, 2.2 ft-lb)**



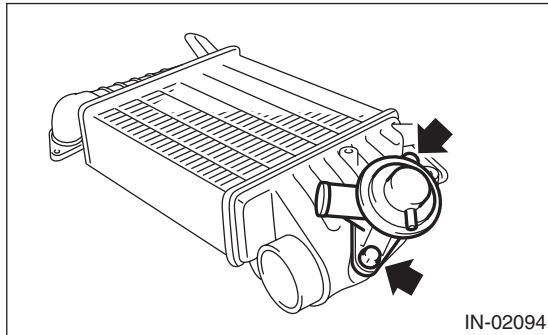
# Intercooler

INTAKE (INDUCTION)

---

## C: DISASSEMBLY

1) Remove the air by-pass valve from intercooler.



## D: ASSEMBLY

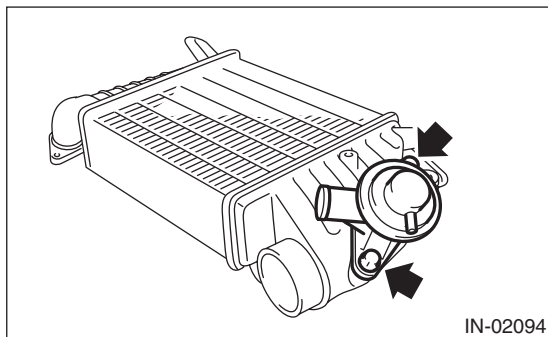
Assemble in the reverse order of disassembly.

NOTE:

- Use new O-rings.
- Be careful not to pinch the O-ring.

**Tightening torque:**

**6.5 N·m (0.7 kgf-m, 4.8 ft-lb)**



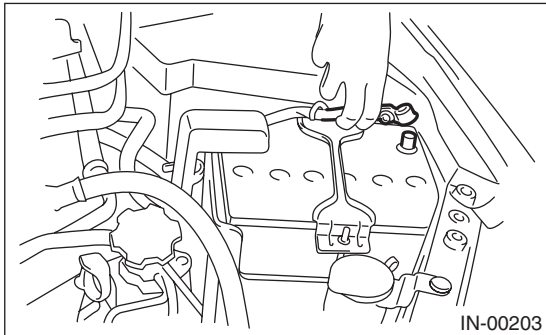
## E: INSPECTION

Check for cracks or loose connections.

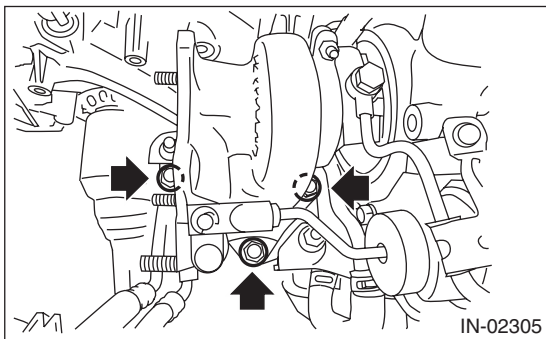
## 7. Turbocharger

### A: REMOVAL

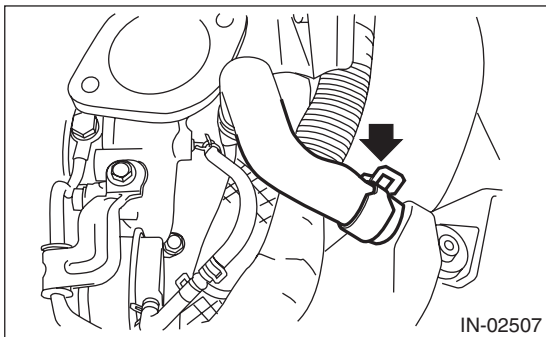
- 1) Set the vehicle on a lift.
- 2) Disconnect the ground cable from battery.



- 3) Lift up the vehicle.
- 4) Drain approximately 3.0 ℓ (3.2 US qt, 2.6 Imp qt) of coolant. <Ref. to CO(H4DOTC)-14, DRAINING OF ENGINE COOLANT, REPLACEMENT, Engine Coolant.>
- 5) Lower the vehicle.
- 6) Remove the intercooler. <Ref. to IN(H4DOTC)-13, REMOVAL, Intercooler.>
- 7) Remove the center exhaust pipe. <Ref. to EX(H4DOTC)-8, REMOVAL, Center Exhaust Pipe.>
- 8) Lower the vehicle.
- 9) Remove the joint pipe from the turbocharger.

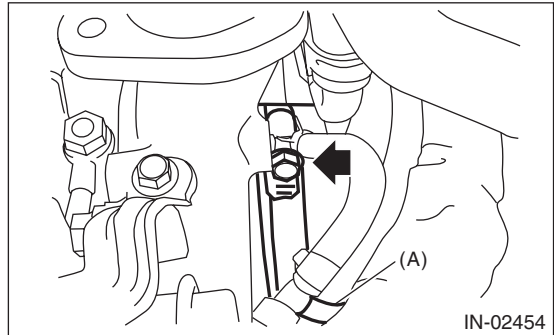


- 10) Disconnect the engine coolant hoses from coolant filler tank.

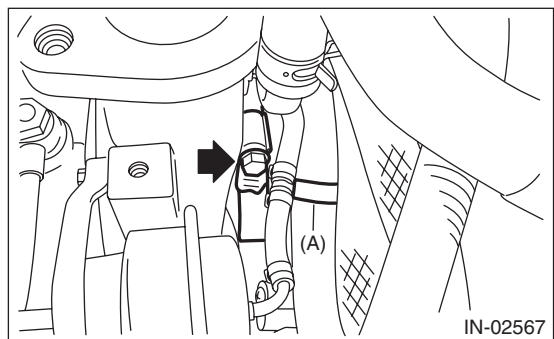


- 11) Disconnect the air control hose (A), and loosen the clamp holding the turbocharger to the intake duct.

- Except for WRX-SS model

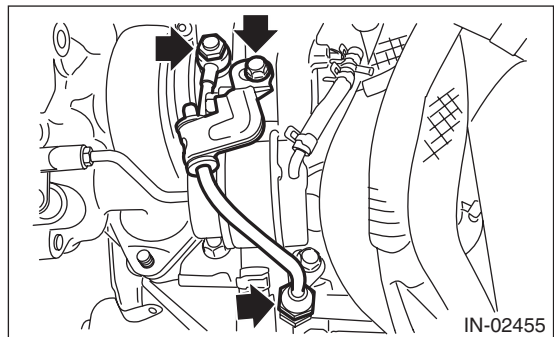


- WRX-SS model

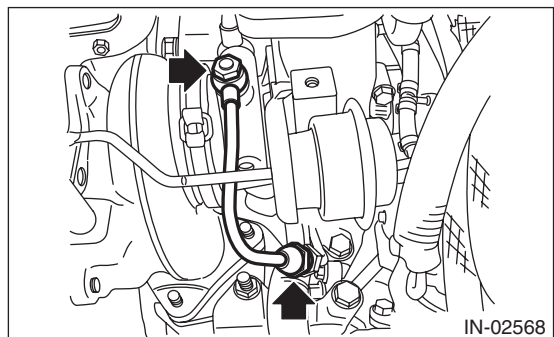


- 12) Remove the oil inlet pipe from the turbocharger.

- Except for WRX-SS model



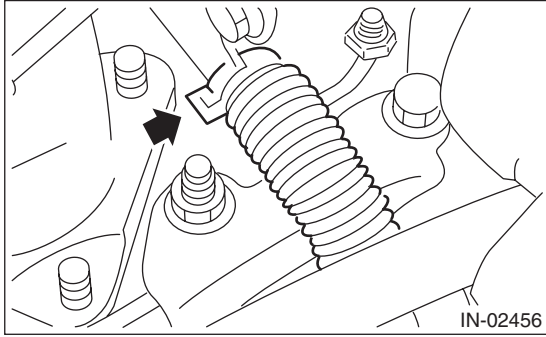
- WRX-SS model



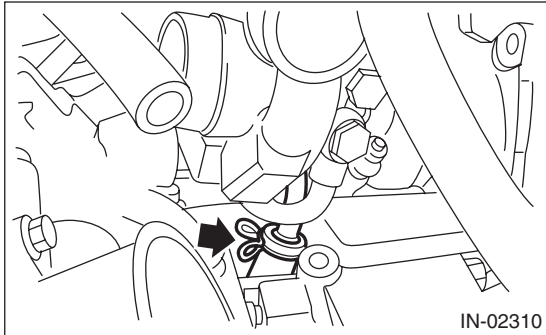
# Turbocharger

## INTAKE (INDUCTION)

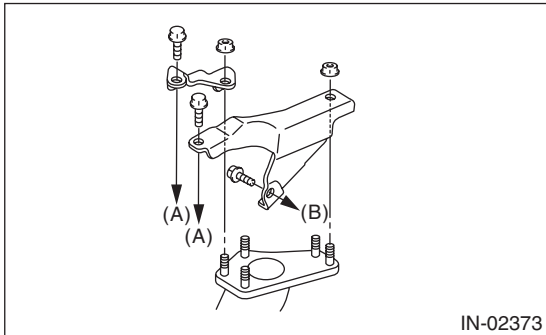
13) Disconnect the engine coolant hose from the water pipe.



14) Disconnect the oil outlet hose from the oil outlet pipe, and remove the turbocharger.



15) Remove the turbocharger stay.



- (A) To cylinder head RH
- (B) To cylinder block RH

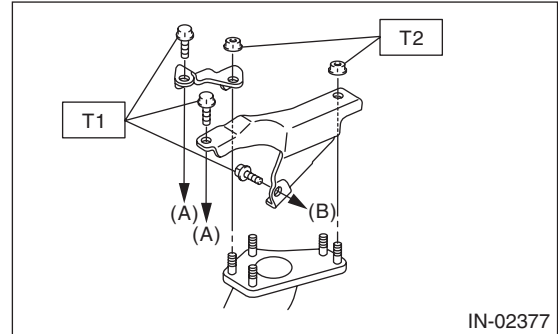
## B: INSTALLATION

1) Install the turbocharger stay.

**Tightening torque:**

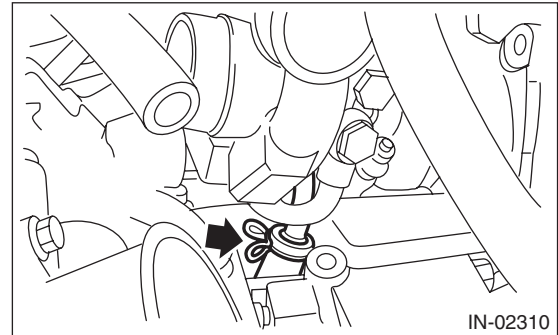
**T1: 33 N·m (3.4 kgf·m, 24.3 ft·lb)**

**T2: 42.5 N·m (4.3 kgf·m, 31.3 ft·lb)**

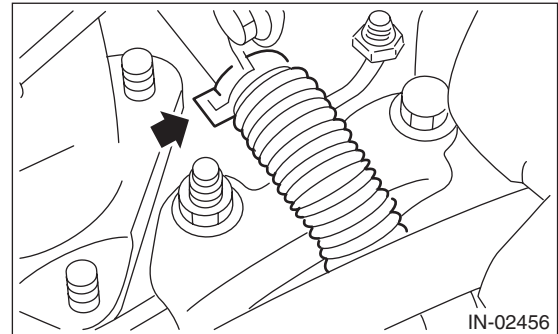


- (A) To cylinder head RH
- (B) To cylinder block RH

2) Connect the oil outlet hose to the oil outlet pipe.



3) Connect the engine coolant hoses to the water pipe.

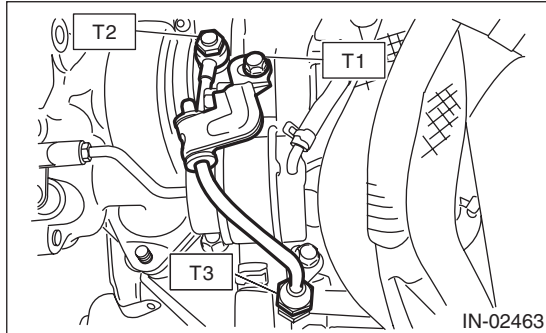




- 4) Install the oil inlet pipe to turbocharger.
- Except for WRX - SS model

**Tightening torque:**

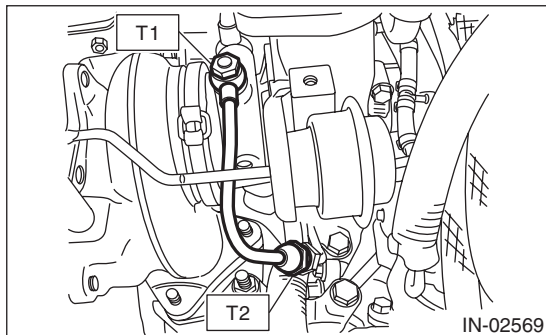
- T1: 5 N·m (0.5 kgf-m, 3.7 ft-lb)**
- T2: 16 N·m (1.6 kgf-m, 11.8 ft-lb)**
- T3: 20 N·m (2.0 kgf-m, 14.8 ft-lb)**



- WRX-SS model

**Tightening torque:**

- T1: 16 N·m (1.6 kgf-m, 11.8 ft-lb)**
- T2: 20 N·m (2.0 kgf-m, 14.8 ft-lb)**

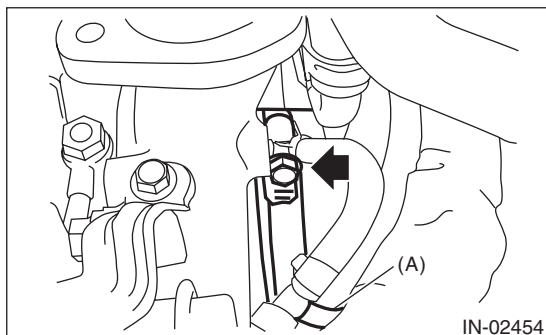


- 5) Connect the air control hose (A), and install the turbocharger to the intake duct.

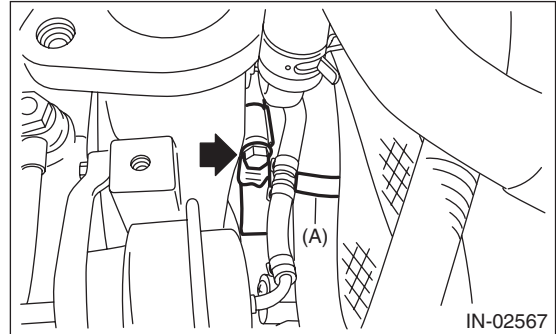
**Tightening torque:**

- 3 N·m (0.3 kgf-m, 2.2 ft-lb)**

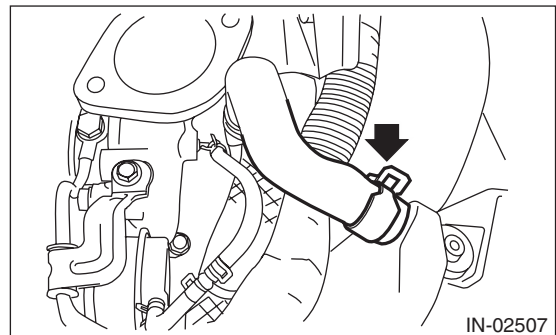
- Except for WRX-SS model



- WRX-SS model



- 6) Connect the engine coolant hoses to the coolant filler tank.



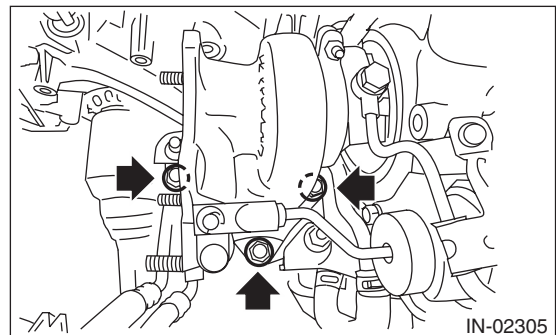
- 7) Install the joint pipe to turbocharger.

**NOTE:**

Replace the gasket with a new part.

**Tightening torque:**

- 42.5 N·m (4.3 kgf-m, 31.3 ft-lb)**



- 8) Lift up the vehicle.

- 9) Install the center exhaust pipe. <Ref. to EX(H4DOTC)-10, INSTALLATION, Center Exhaust Pipe.>

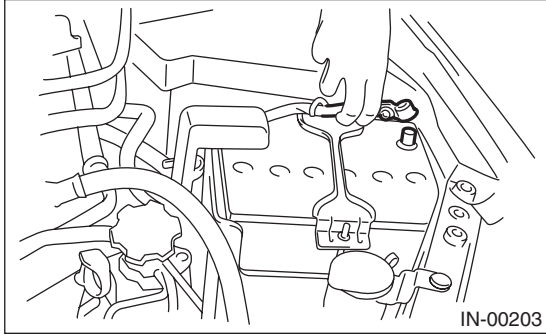
- 10) Lower the vehicle.

- 11) Install the intercooler. <Ref. to IN(H4DOTC)-13, INSTALLATION, Intercooler.>

# Turbocharger

## INTAKE (INDUCTION)

12) Connect the ground cable to battery.



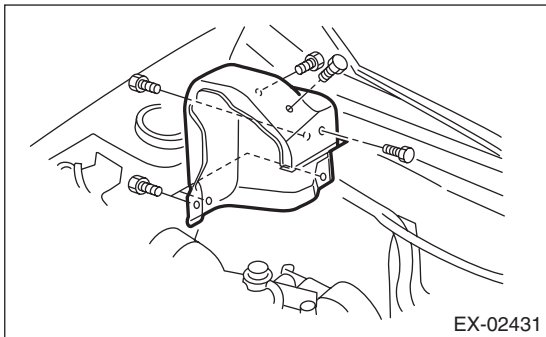
13) Fill engine coolant. <Ref. to CO(H4DOTC)-14, FILLING OF ENGINE COOLANT, REPLACEMENT, Engine Coolant.>

## C: INSPECTION

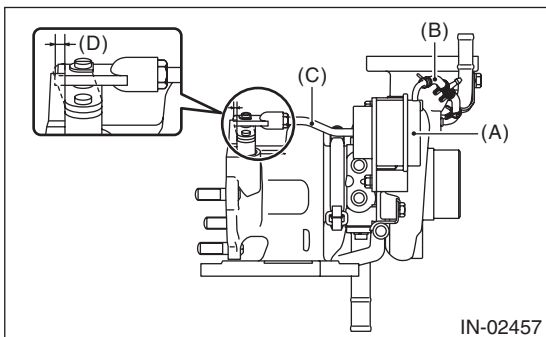
### 1. WASTE GATE ACTUATOR

• Except for WRX-SS model

- 1) Remove the intercooler. <Ref. to IN(H4DOTC)-13, REMOVAL, Intercooler.>
- 2) Remove the turbocharger upper cover.



3) Remove the boost hose (B) from the waste gate actuator (A) of the turbocharger, and connect the Mighty Vac to the waste gate actuator (A).



- (A) Waste gate actuator
- (B) Boost hose
- (C) Control rod
- (D) Control rod stroke

4) Pressurize slowly with the Mighty Vac, and measure the pressure when the control rod stroke (D) becomes 1 mm (0.04 in). If it is not within the standard, replace the turbocharger assembly.

### CAUTION:

Do not pressurize over 56.0 kPa (0.57 kgf/cm<sup>2</sup>, 8.12 psi) to prevent damaging the waste gate actuator.

### Operating pressure

(Control rod stroke 1 mm (0.04 in)):

#### Standard

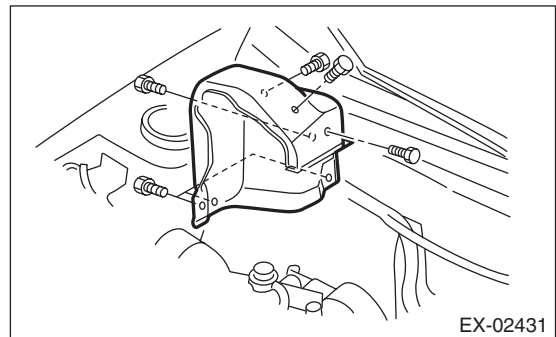
44.0 — 46.6 kPa

(0.45 — 0.48 kgf/cm<sup>2</sup>, 6.38 — 6.76 psi)

5) After inspection, install the related parts in the reverse order of removal.

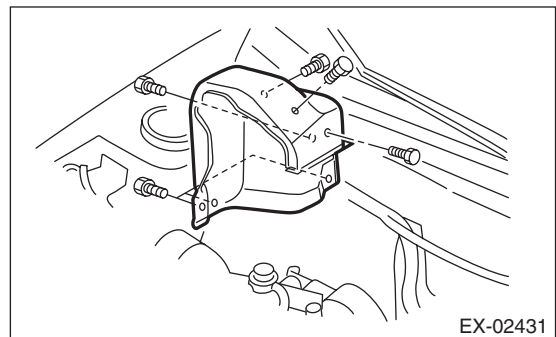
### Tightening torque:

7.5 N·m (0.8 kgf·m, 5.5 ft·lb)

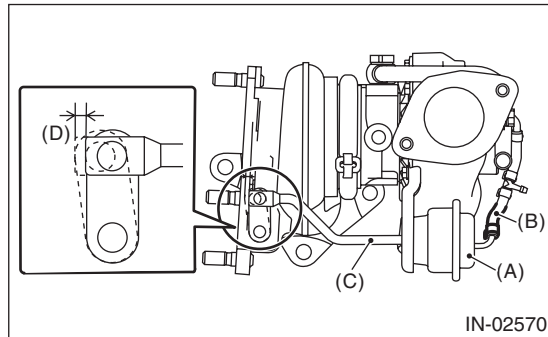


• WRX-SS model

- 1) Remove the intercooler. <Ref. to IN(H4DOTC)-13, REMOVAL, Intercooler.>
- 2) Remove the turbocharger upper cover.



- 3) Remove the boost hose (B) from the waste gate actuator (A) of the turbocharger, and connect the Mighty Vac to the waste gate actuator (A).



- (A) Waste gate actuator
- (B) Boost hose
- (C) Control rod
- (D) Control rod stroke

- 4) Pressurize slowly with the Mighty Vac, and measure the pressure when the control rod stroke (D) becomes 2 mm (0.08 in). If it is not within the standard, replace the turbocharger assembly.

**CAUTION:**

**Do not pressurize over 89.9 kPa (0.92 kgf/cm<sup>2</sup>, 13.0 psi) to prevent damaging the waste gate actuator.**

**Operating pressure**

**(Control rod stroke 2 mm (0.08 in)):**

**Standard**

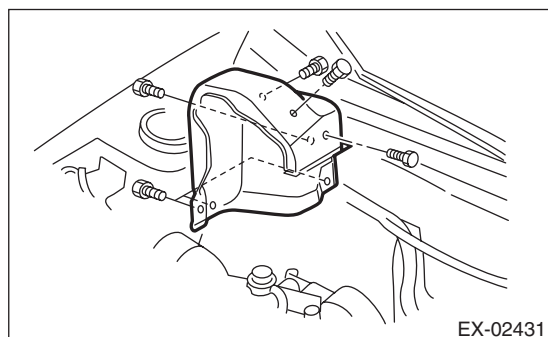
**74.7 — 80.8 kPa**

**(0.76 — 0.82 kgf/cm<sup>2</sup>, 10.8 — 11.7 psi)**

- 5) After inspection, install the related parts in the reverse order of removal.

**Tightening torque:**

**7.5 N·m (0.8 kgf-m, 5.5 ft-lb)**



## 2. OIL PIPE AND WATER PIPE

- Check that there are no oil leakage or water leakage from the pipe attachment section.
- Check for cracks or loose connections.



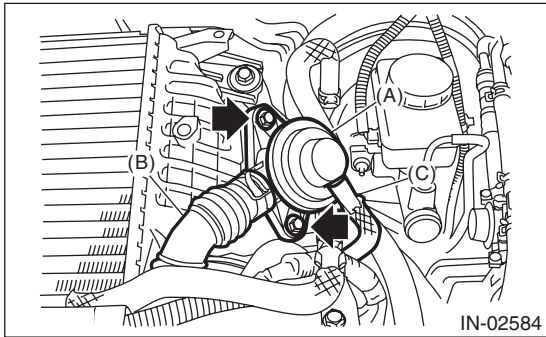
# Air By-pass Valve

INTAKE (INDUCTION)

## 8. Air By-pass Valve

### A: REMOVAL

- 1) Disconnect the air by-pass pipe (B) and vacuum hose (C) from the air by-pass valve (A).
- 2) Remove the air by-pass valve (A) from the inter-cooler.



### B: INSTALLATION

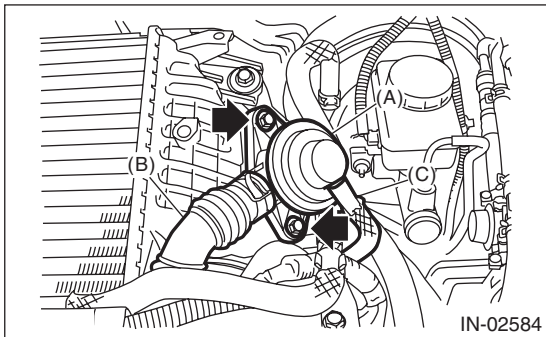
Install in the reverse order of removal.

NOTE:

- Use new O-rings.
- Be careful not to pinch the O-ring.

**Tightening torque:**

**6.5 N·m (0.7 kgf·m, 4.8 ft·lb)**



- (A) Air by-pass valve
- (B) Air by-pass pipe
- (C) Vacuum hose

# General Description

MECHANICAL

## 1. General Description

### A: SPECIFICATION

Engine	Model		2.5 L			
	Cylinder arrangement		Horizontally opposed, liquid cooled, 4-cylinder, 4-stroke gasoline engine			
	Valve system mechanism		Belt driven, double overhead camshaft, 4-valve/cylinder			
	Bore × Stroke		mm (in)	99.5 × 79.0 (3.92 × 3.11)		
	Displacement		cm <sup>3</sup> (cu in)	2,457 (149.94)		
	Compression ratio		8.4			
	Compression pressure (at 200 — 300 rpm)		kPa (kg/cm <sup>2</sup> , psi)	981 — 1,177 (10 — 12, 142 — 171)		
	Number of piston rings		Pressure ring: 2, Oil ring: 1			
	Intake valve timing		Open	Max. retard	ATDC 5°	
				Min. advance	BTDC 35°	
			Close	Max. retard	ABDC 65°	
				Min. advance	ABDC 25°	
	Exhaust valve timing		Open	BBDC 55°		
			Close	ATDC 5°		
	Valve clearance		Inspection value	mm (in)	Intake	0.20 <sup>+0.04</sup> <sub>-0.06</sub> (0.0079 <sup>+0.0016</sup> <sub>-0.0024</sub> )
				Exhaust	0.35±0.05 (0.0138±0.0020)	
			Adjustment value	Intake	0.20 <sup>+0.01</sup> <sub>-0.03</sub> (0.0079 <sup>+0.0004</sup> <sub>-0.0012</sub> )	
				Exhaust	0.35±0.02 (0.0138±0.0008)	
	Idling speed (at “P” or “N” position on AT model, or neutral position on MT model)		rpm	No load	700±100	
				A/C ON	AT model: 825±100 MT model: 800±100	
Ignition order		1 → 3 → 2 → 4				
Ignition timing		BTDC/rpm		AT model: 17°±10°/700		
				MT model: 12°±10°/700		

# General Description

MECHANICAL

NOTE:

OS: Oversize    US: Undersize

Belt tension adjuster	Protrusion of adjuster rod		mm (in)	5.2 — 6.2 (0.205 — 0.244)	
Camshaft	Bending limit		mm (in)	0.020 (0.00079)	
	Cam lobe height	mm (in)	Intake	Standard	46.55 — 46.65 (1.833 — 1.837)
			Exhaust	Standard	46.75 — 46.85 (1.841 — 1.844)
	Cam base circle diameter		mm (in)	Standard	37.0 (1.457)
	Journal O.D.	mm (in)	Front	Standard	37.946 — 37.963 (1.4939 — 1.4946)
			Center, rear		29.946 — 29.963 (1.1790 — 1.1796)
Oil clearance		mm (in)	Standard	0.037 — 0.072 (0.0015 — 0.0028)	
Thrust clearance		mm (in)	Standard	0.068 — 0.116 (0.0027 — 0.0047)	
Cylinder head	Warping limit (Mating surface with cylinder block)		mm (in)	0.035 (0.0014)	
	Grinding limit		mm (in)	0.3 (0.012)	
	Standard height		mm (in)	127.5 (5.02)	
Valve seat	Seating angle between valve and valve seat			90°	
	Contacting width between valve and valve seat	mm (in)	Intake	Standard	0.6 — 1.4 (0.024 — 0.055)
			Exhaust	Standard	1.2 — 1.8 (0.047 — 0.071)
Valve guide	Clearance between the valve and valve stem	mm (in)	Intake	Standard	0.030 — 0.057 (0.0012 — 0.0022)
			Exhaust		0.040 — 0.067 (0.0016 — 0.0026)
	Inside diameter		mm (in)	6.000 — 6.012 (0.2362 — 0.2367)	
	Valve stem outer diameters	mm (in)	Intake	5.955 — 5.970 (0.2344 — 0.2350)	
			Exhaust	5.945 — 5.960 (0.2341 — 0.2346)	
Valve guide protrusion		mm (in)	15.8 — 16.2 (0.622 — 0.638)		
Valve	Head edge thickness	mm (in)	Intake	Standard	1.0 — 1.4 (0.039 — 0.055)
			Exhaust	Standard	1.3 — 1.7 (0.051 — 0.067)
	Overall length	mm (in)	Intake	104.4 (4.110)	
			Exhaust	104.65 (4.1201)	
Valve spring	Free length		mm (in)	47.32 (1.863)	
	Tension/spring height	N (kgf, lb)/mm (in)	Set	205 — 235 (20.9 — 24.0, 46.1 — 52.8)/36.0 (1.417)	
			Lift	426 — 490 (43.4 — 50.0, 95.8 — 110)/26.50 (1.043)	
	Squareness			2.5°, 2.1 mm (0.083 in) or less	
Valve lifter	Outer diameter	mm (in)	Standard	34.959 — 34.975 (1.3763 — 1.3770)	
	Valve lifter mating surface inner diameter	mm (in)	Standard	34.994 — 35.016 (1.3777 — 1.3786)	
	Valve lifter and valve lifter mating surface clearance	mm (in)	Standard	0.019 — 0.057 (0.0007 — 0.0022)	
Cylinder block	Warping limit (Mating surface with cylinder head)		mm (in)	0.025 (0.0098)	
	Grinding limit		mm (in)	0.1 (0.004)	
	Standard height		mm (in)	201.0 (7.91)	
	Taper	mm (in)	Standard	0.015 (0.0006)	
	Out-of-roundness		mm (in)	Standard	0.010 (0.0004)
	Cylinder to piston clearance at 20°C (68°F)		mm (in)	Standard	-0.010 — 0.010 (-0.00039 — 0.00039)
	Cylinder inner diameter boring limit (diameter)		mm (in)	To 100.005 (3.9372)	

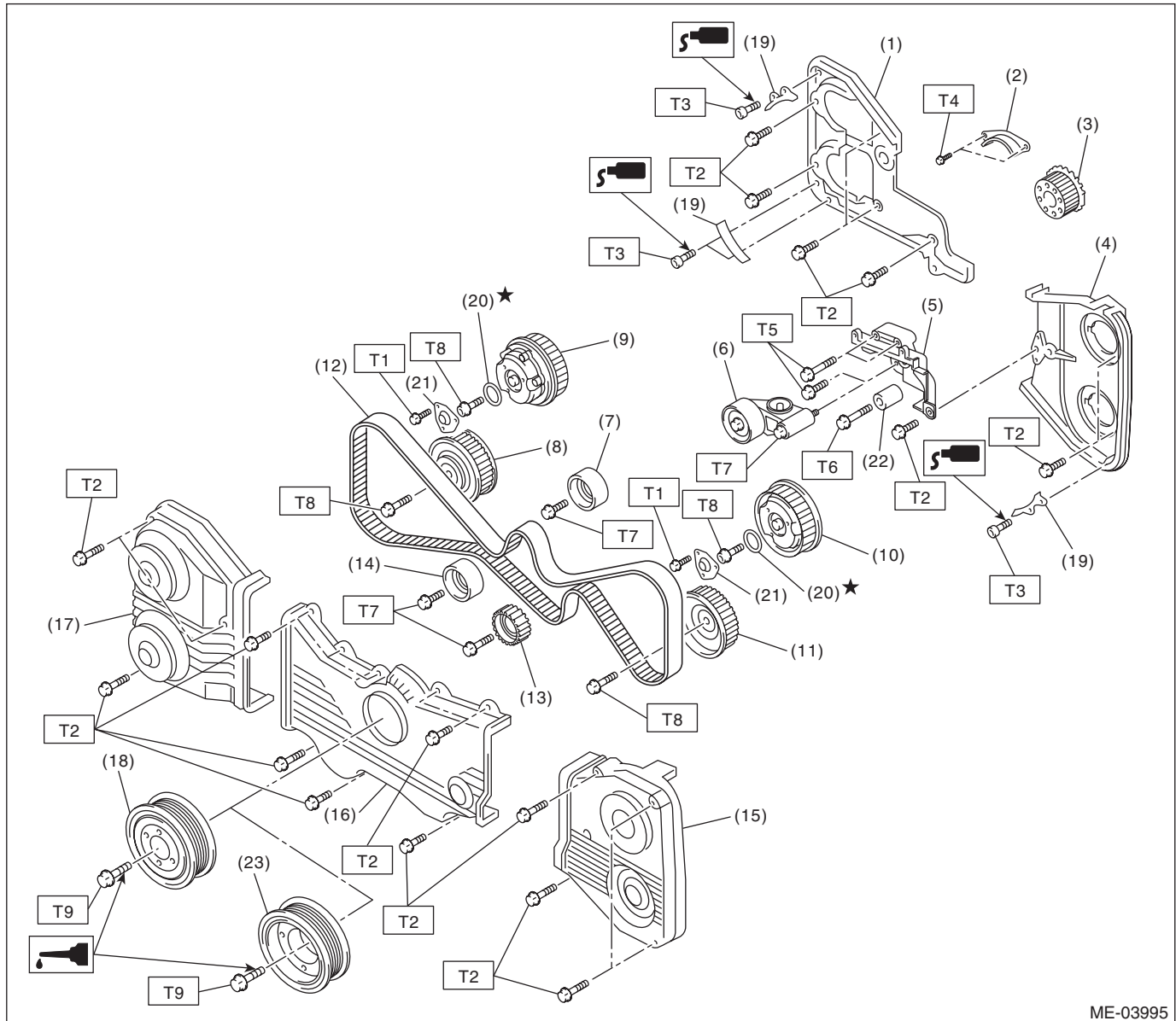
# General Description

## MECHANICAL

Piston	Piston grade point		mm (in)	38.2 (1.50)		
	Outer diameter	mm (in)	Standard	A	99.505 — 99.515 (3.9175 — 3.9179)	
				B	99.495 — 99.505 (3.9171 — 3.9175)	
			0.25 (0.0098) OS		99.745 — 99.765 (3.9270 — 3.9278)	
		0.50 (0.0197) OS		99.995 — 100.015 (3.9368 — 3.9376)		
Piston pin	Degree of fit			Piston pin must be fitted into position with thumb at 20°C (68°F).		
	Clearance between piston hole and piston pin		mm (in)	Standard	0.004 — 0.008 (0.0002 — 0.0003)	
Piston ring	Piston ring gap	mm (in)	Top ring	Standard	0.20 — 0.25 (0.0079 — 0.0098)	
			Second ring	Standard	0.37 — 0.52 (0.015 — 0.0203)	
			Oil ring	Standard	0.20 — 0.50 (0.0079 — 0.0197)	
	Clearance between piston ring and piston ring groove	mm (in)	Top ring	Standard	0.040 — 0.080 (0.0016 — 0.0031)	
			Second ring	Standard	0.030 — 0.070 (0.0012 — 0.0028)	
Connecting rod and connecting rod bearing	Bend or twist per 100 mm (3.94 in) in length		mm (in)	Limit	0.10 (0.0039)	
	Thrust clearance		mm (in)	Standard	0.070 — 0.330 (0.0028 — 0.0130)	
	Oil clearance		mm (in)	Standard	0.017 — 0.045 (0.0007 — 0.0018)	
	Bearing size (Thickness at center)	mm (in)	Standard		1.490 — 1.502 (0.0587 — 0.0591)	
			0.03 (0.0012) US		1.504 — 1.512 (0.0592 — 0.0595)	
			0.05 (0.0020) US		1.514 — 1.522 (0.0596 — 0.0599)	
0.25 (0.0098) US			1.614 — 1.622 (0.0635 — 0.0639)			
Bushing of small end	Clearance between piston pin and bushing		mm (in)	Standard	0 — 0.022 (0 — 0.0009)	
Crankshaft and crankshaft bearing	Bending limit		mm (in)		0.035 (0.0014)	
	Crank pin	Out-of-roundness	mm (in)		0.003 (0.0001)	
		Cylindricity	mm (in)		0.004 (0.0002)	
		Grinding limit (dia.)	mm (in)		To 51.750 (2.0374)	
	Crank journal	Out-of-roundness	mm (in)		0.005 (0.0002)	
		Cylindricity	mm (in)		0.006 (0.0002)	
		Grinding limit (dia.)	mm (in)		To 59.758 (2.3527)	
	Crank pin outer diameter	mm (in)	Standard		51.984 — 52.000 (2.0466 — 2.0472)	
			0.03 (0.0012) US		51.954 — 51.970 (2.0454 — 2.0461)	
			0.05 (0.0020) US		51.934 — 51.950 (2.0447 — 2.0453)	
			0.25 (0.0098) US		51.734 — 51.750 (2.0368 — 2.0374)	
	Crank journal outer diameter	mm (in)	Standard		59.992 — 60.008 (2.3619 — 2.3625)	
			0.03 (0.0012) US		59.962 — 59.978 (2.3607 — 2.3613)	
			0.05 (0.0020) US		59.942 — 59.958 (2.3599 — 2.3605)	
			0.25 (0.0098) US		59.742 — 59.758 (2.3520 — 2.3527)	
	Bearing size (Thickness at center)	#1, #3	mm (in)	Standard		1.998 — 2.011 (0.0787 — 0.0792)
				0.03 (0.0012) US		2.017 — 2.020 (0.0794 — 0.0795)
				0.05 (0.0020) US		2.027 — 2.030 (0.0798 — 0.0799)
				0.25 (0.0098) US		2.127 — 2.130 (0.0837 — 0.0839)
		#2, #4, #5	Standard		2.000 — 2.013 (0.0787 — 0.0793)	
0.03 (0.0012) US			2.019 — 2.022 (0.0795 — 0.0796)			
0.05 (0.0020) US			2.029 — 2.032 (0.0799 — 0.0800)			
0.25 (0.0098) US			2.129 — 2.132 (0.0838 — 0.0839)			
Thrust clearance		mm (in)	Standard	0.030 — 0.115 (0.0012 — 0.0045)		
Oil clearance		mm (in)	Standard	0.010 — 0.030 (0.0004 — 0.0012)		

## B: COMPONENT

### 1. TIMING BELT



ME-03995

- |  |                                   |
|--|-----------------------------------|
| (1) Timing belt cover No. 2 RH           | (12) Timing belt                  |
| (2) Timing belt guide (MT model)         | (13) Belt idler No. 2             |
| (3) Crank sprocket                       | (14) Belt idler                   |
| (4) Timing belt cover No. 2 LH           | (15) Timing belt cover LH         |
| (5) Tensioner bracket                    | (16) Front belt cover             |
| (6) Automatic belt tension adjuster ASSY | (17) Timing belt cover RH         |
| (7) Belt idler                           | (18) Crank pulley (MT model)      |
| (8) Exhaust cam sprocket RH              | (19) Timing belt guide (MT model) |
| (9) Intake cam sprocket RH               | (20) O-ring                       |
| (10) Intake cam sprocket LH              | (21) Actuator cover               |
| (11) Exhaust cam sprocket LH             | (22) Belt idler                   |
|  | (23) Crank pulley (AT model)      |

**Tightening torque: N·m (kgf·m, ft·lb)**

**T1: 3.4 (0.3, 2.5)**

**T2: 5 (0.5, 3.7)**

**T3: 6.4 (0.7, 4.7)**

**T4: 9.75 (1.0, 7.2)**

**T5: 24.5 (2.5, 18.1)**

**T6: 25 (2.5, 18.4)**

**T7: 39 (4.0, 28.8)**

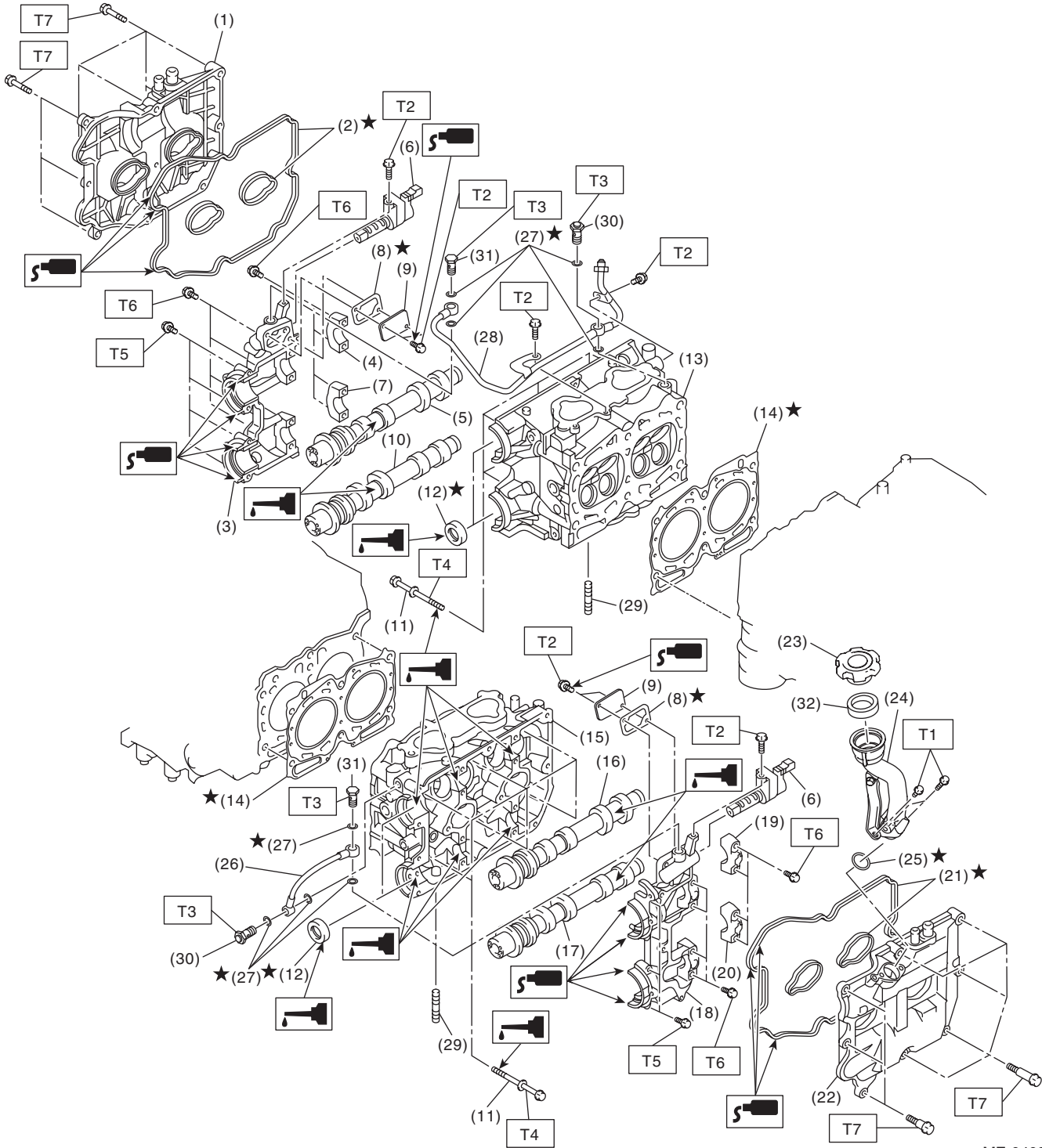
**T8: <Ref. to ME(H4DOTC)-59, INSTALLATION, Cam Sprocket.>**

**T9: <Ref. to ME(H4DOTC)-47, INSTALLATION, Crank Pulley.>**

# General Description

MECHANICAL

## 2. CYLINDER HEAD AND CAMSHAFT



ME-04094

# General Description

MECHANICAL

- |                                     |   |
|-------------------------------------|---|
| (1) Rocker cover RH                 | (18) Front camshaft cap LH                              |
| (2) Rocker cover gasket RH          | (19) Intake camshaft cap LH                             |
| (3) Front camshaft cap RH           | (20) Exhaust camshaft cap LH                            |
| (4) Intake camshaft cap RH          | (21) Rocker cover gasket LH                             |
| (5) Intake camshaft RH              | (22) Rocker cover LH                                    |
| (6) Oil flow control solenoid valve | (23) Oil filler cap                                     |
| (7) Exhaust camshaft cap RH         | (24) Oil filler duct                                    |
| (8) Gasket                          | (25) O-ring   |
| (9) Oil return cover                | (26) Oil pipe LH  |
| (10) Exhaust camshaft RH            | (27) Gasket   |
| (11) Cylinder head bolt             | (28) Oil pipe RH  |
| (12) Oil seal                       | (29) Stud bolt  |
| (13) Cylinder head RH               | (30) Union screw with filter<br>(with protrusion)       |
| (14) Cylinder head gasket           | (31) Union screw without filter<br>(without protrusion) |
| (15) Cylinder head LH               |   |
| (16) Intake camshaft LH             |   |
| (17) Exhaust camshaft LH            |   |

- (32) Gasket

---

**Tightening torque:N·m (kgf·m, ft·lb)**

**T1: 6.4 (0.7, 4.7)**

**T2: 8 (0.8, 5.9)**

**T3: 29 (3.0, 21.4)**

**T4: <Ref. to ME(H4DOTC)-68,  
INSTALLATION, Cylinder Head.>**

**T5: <Ref. to ME(H4DOTC)-62,  
INSTALLATION, Camshaft.>**

**T6: <Ref. to ME(H4DOTC)-62,  
INSTALLATION, Camshaft.>**

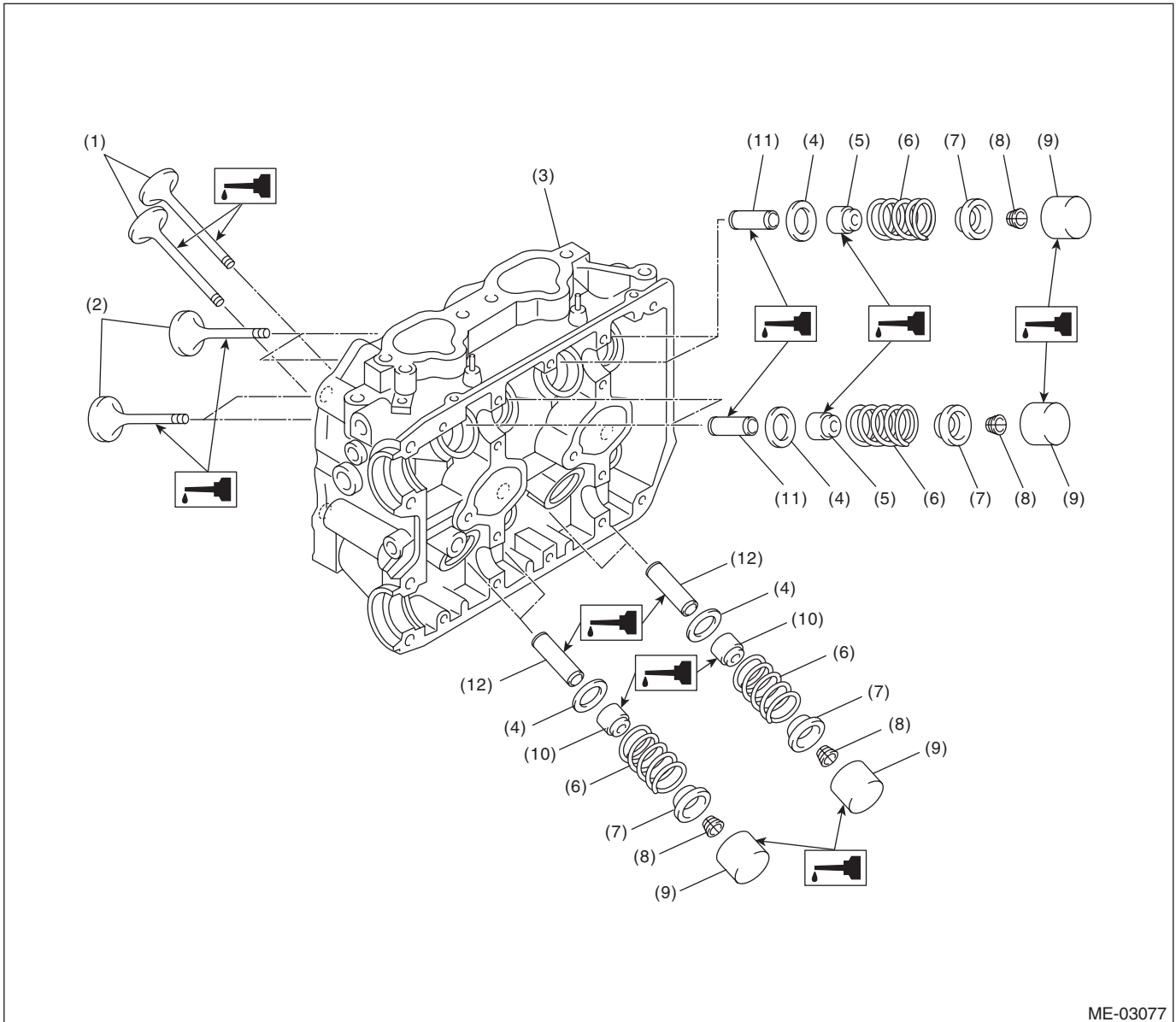
**T7: <Ref. to ME(H4DOTC)-62,  
INSTALLATION, Camshaft.>**

---

# General Description

MECHANICAL

## 3. CYLINDER HEAD AND VALVE ASSEMBLY

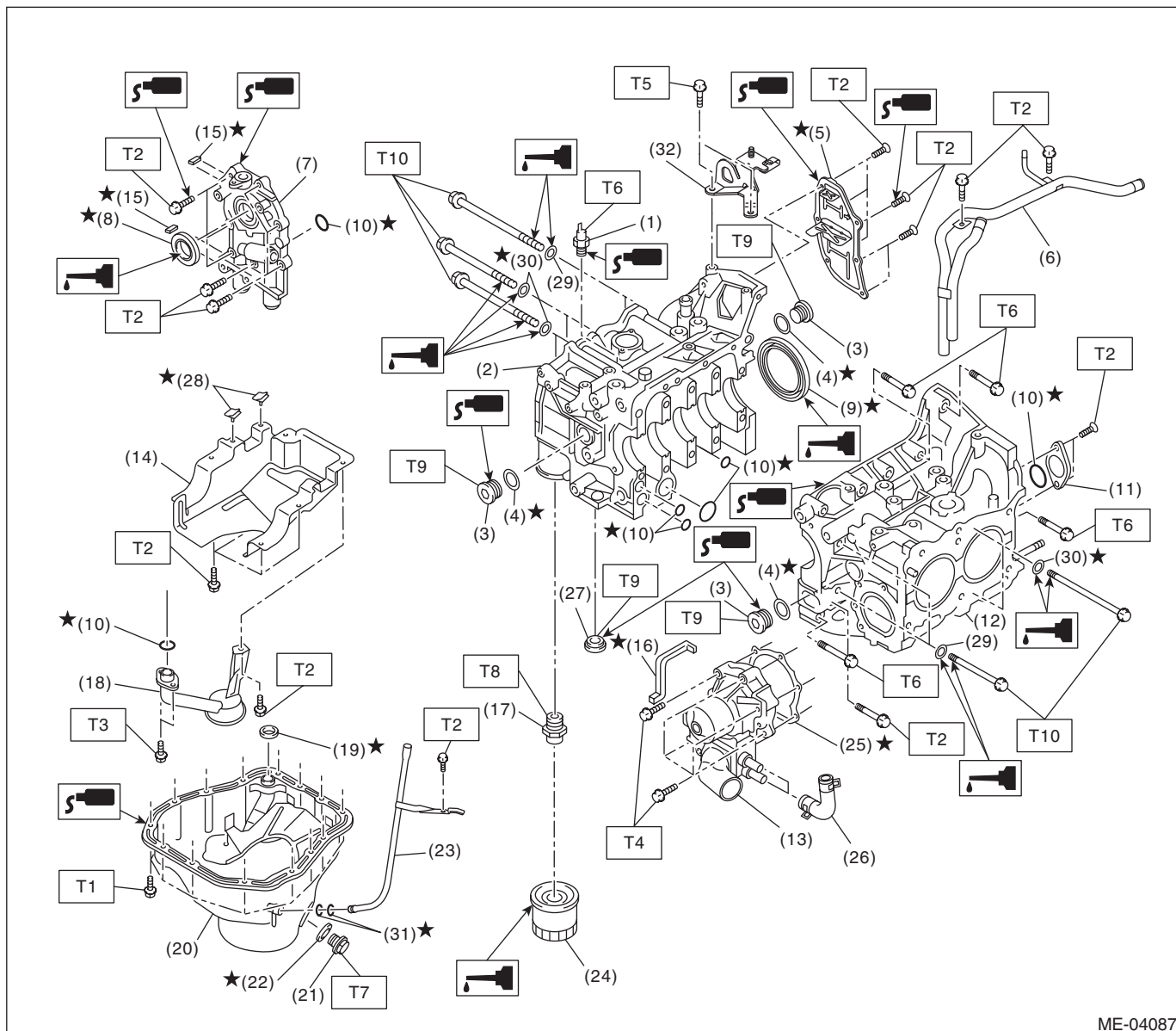


ME-03077

- |                       |                           |                             |
|-----------------------|---------------------------|-----------------------------|
| (1) Exhaust valve     | (5) Intake valve oil seal | (9) Valve lifter            |
| (2) Intake valve      | (6) Valve spring          | (10) Exhaust valve oil seal |
| (3) Cylinder head     | (7) Retainer              | (11) Intake valve guide     |
| (4) Valve spring seat | (8) Retainer key          | (12) Exhaust valve guide    |



## 4. CYLINDER BLOCK



ME-04087

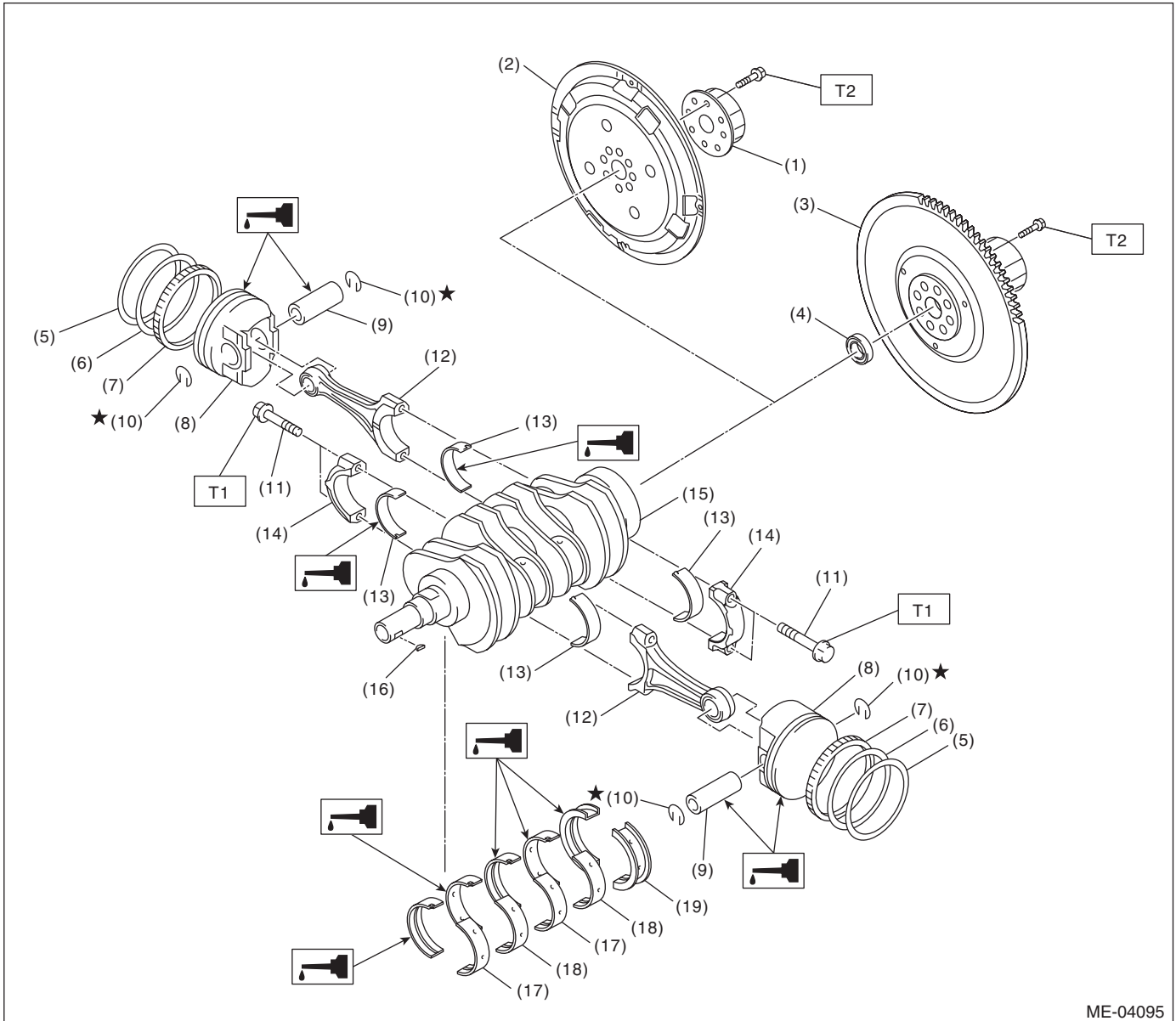
## General Description

### MECHANICAL

---

(1) Oil pressure switch	(17) Oil filter connector	(32) Engine rear hanger
(2) Cylinder block RH	(18) Oil strainer	
(3) Service hole plug	(19) Gasket	<hr/> <b>Tightening torque:N·m (kgf-m, ft-lb)</b>
(4) Gasket	(20) Oil pan	<b>T1: 5 (0.5, 3.7)</b>
(5) Oil separator cover	(21) Drain plug	<b>T2: 6.4 (0.7, 4.7)</b>
(6) Water by-pass pipe	(22) Drain plug gasket	<b>T3: 10 (1.0, 7.2)</b>
(7) Oil pump	(23) Oil level gauge guide	<b>T4: First 12 (1.2, 8.9)</b>
(8) Front oil seal	(24) Oil filter	<b>Second 12 (1.2, 8.9)</b>
(9) Rear oil seal	(25) Gasket	<b>T5: 16 (1.6, 11.8)</b>
(10) O-ring	(26) Water pump hose	<b>T6: 25 (2.5, 18.4)</b>
(11) Service hole cover	(27) Plug	<b>T7: 44 (4.5, 32.5)</b>
(12) Cylinder block LH	(28) Seal	<b>T8: 45 (4.6, 33.2)</b>
(13) Water pump	(29) Washer	<b>T9: 70 (7.1, 51.6)</b>
(14) Baffle plate	(30) Seal washer	<b>T10: &lt;Ref. to ME(H4DOTC)-81,</b>
(15) Oil pump seal	(31) O-ring	<b>INSTALLATION, Cylinder Block.&gt;</b>
(16) Water pump sealing		<hr/>

## 5. CRANKSHAFT AND PISTON



ME-04095

- |                              |                             |                                |
|------------------------------|-----------------------------|--------------------------------|
| (1) Reinforcement (AT model) | (9) Piston pin              | (17) Crankshaft bearing #1, #3 |
| (2) Drive plate (AT model)   | (10) Snap ring              | (18) Crankshaft bearing #2, #4 |
| (3) Flywheel (MT model)      | (11) Connecting rod bolt    | (19) Crankshaft bearing #5     |
| (4) Ball bearing (MT model)  | (12) Connecting rod         |                                |
| (5) Top ring                 | (13) Connecting rod bearing |                                |
| (6) Second ring              | (14) Connecting rod cap     |                                |
| (7) Oil ring                 | (15) Crankshaft             |                                |
| (8) Piston                   | (16) Woodruff key           |                                |

**Tightening torque: N·m (kgf·m, ft·lb)**

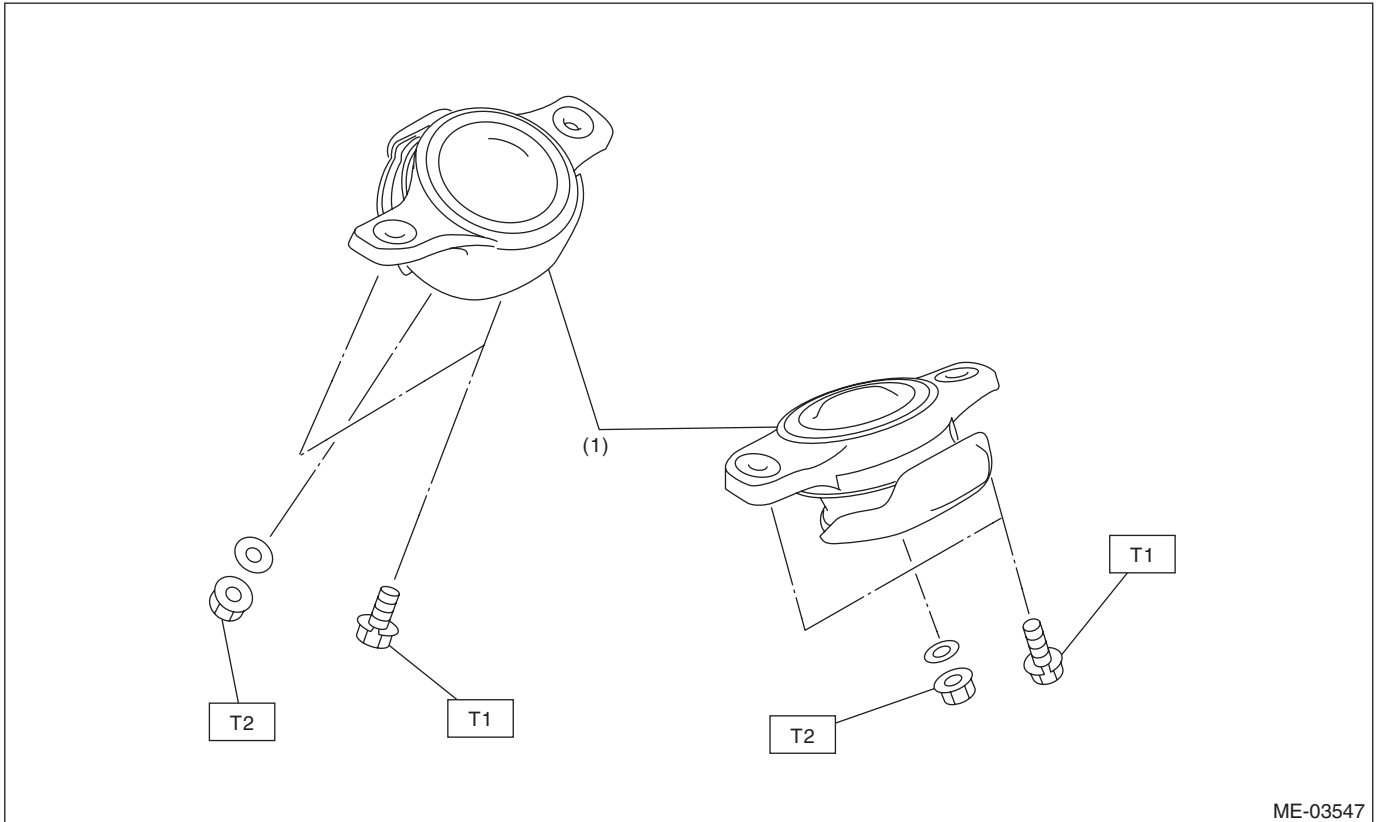
**T1: 52 (5.3, 38.4)**

**T2: 72 (7.3, 53.1)**

# General Description

MECHANICAL

## 6. ENGINE MOUNTING



(1) Front cushion rubber

**Tightening torque: N-m (kgf-m, ft-lb)**

**T1: 35 (3.6, 25.8)**

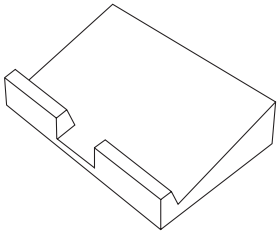
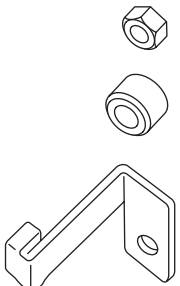
**T2: 85 (8.7, 62.7)**

## C: CAUTION

- Wear appropriate work clothing, including a cap, protective goggles and protective shoes when performing any work.
- Remove contamination including dirt and corrosion before removal, installation or disassembly.
- Keep the disassembled parts in order and protect them from dust and dirt.
- Before removal, installation or disassembly, be sure to clarify the failure. Avoid unnecessary removal, installation, disassembly and replacement.
- Vehicle components are extremely hot after driving. Be wary of receiving burns from heated parts.
- Be sure to tighten fasteners including bolts and nuts to the specified torque.
- Place shop jacks or rigid racks at the specified points.
- Before disconnecting connectors of sensors or units, be sure to disconnect the ground cable from the battery.
- All parts should be thoroughly cleaned, paying special attention to engine oil passages, pistons and bearings.
- Rotating parts and sliding parts such as piston, bearing and gear should be coated with oil prior to assembly.
- Be careful not to let oil, grease or engine coolant contact the timing belt, clutch disc and flywheel.
- All removed parts, if to be reused, should be reinstalled in the original positions and directions.
- Bolts, nuts and washers should be replaced with new parts as required.
- Even if necessary inspections have been made in advance, proceed with assembly work while making rechecks.
- Remove or install the engine in an area where chain hoists, lifting devices, etc. are available for ready use.
- Be sure not to damage coated surfaces of body panels with tools, or not to stain seats and windows with coolant or oil. Place a cover over fender, as required, for protection.
- Prior to starting work, prepare the following:  
Service tools, clean cloth, containers to catch coolant and oil, wire ropes, chain hoist, transmission jacks, etc.
- Lift up or lower the vehicle when necessary. Make sure to support the correct positions.

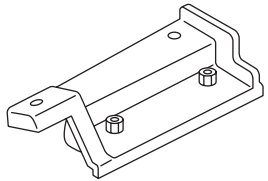
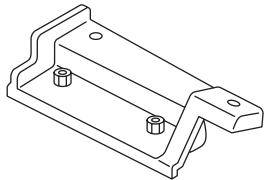
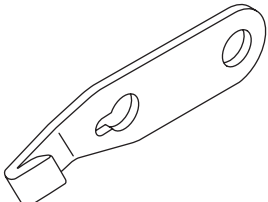
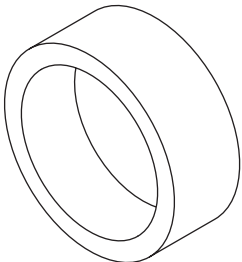
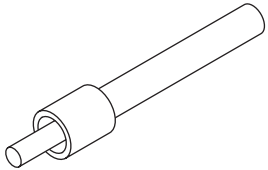
## D: PREPARATION TOOL

### 1. SPECIAL TOOL

ILLUSTRATION	TOOL NUMBER	DESCRIPTION	REMARKS
 <p style="text-align: center;">ST-498267600</p>	498267600	CYLINDER HEAD TABLE	<ul style="list-style-type: none"> <li>• Used for replacing valve guides.</li> <li>• Used for removing and installing valve spring.</li> </ul>
 <p style="text-align: center;">ST-498277200</p>	498277200	STOPPER SET	Used for installing automatic transmission assembly to engine.

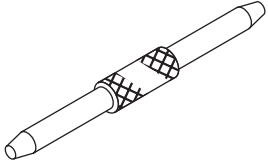
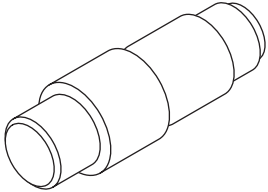
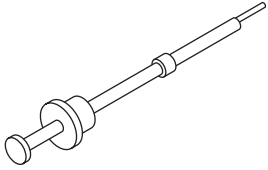
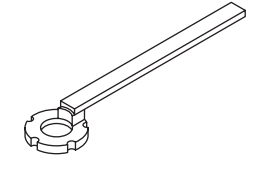
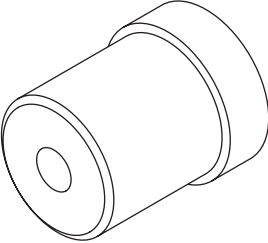
# General Description

## MECHANICAL

ILLUSTRATION	TOOL NUMBER	DESCRIPTION	REMARKS
 <p style="text-align: center;">ST-498457000</p>	498457000	ENGINE STAND ADAPTER RH	Used together with ENGINE STAND (499817100).
 <p style="text-align: center;">ST-498457100</p>	498457100	ENGINE STAND ADAPTER LH	Used together with ENGINE STAND (499817100).
 <p style="text-align: center;">ST-498497100</p>	498497100	CRANKSHAFT STOPPER	Used for removing and installing the flywheel and drive plate.
 <p style="text-align: center;">ST-498747300</p>	498747300	PISTON GUIDE	Used for installing the piston into the cylinder.
 <p style="text-align: center;">ST-498857100</p>	498857100	VALVE OIL SEAL GUIDE	Used for press-fitting of intake and exhaust valve guide oil seals.

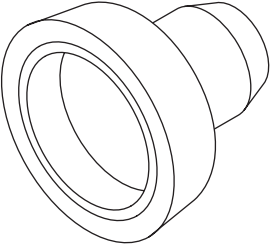
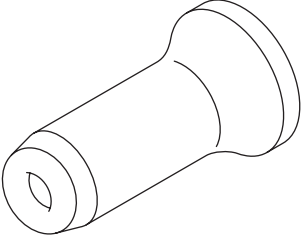
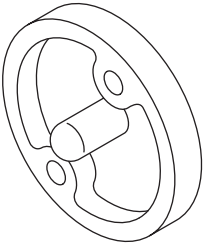
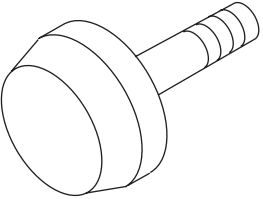
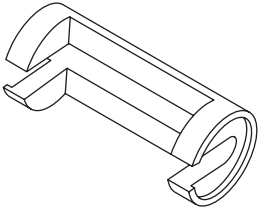
# General Description

MECHANICAL

ILLUSTRATION	TOOL NUMBER	DESCRIPTION	REMARKS
 <p data-bbox="337 520 472 541">ST-499017100</p>	499017100	PISTON PIN GUIDE	Used for installing piston pin, piston and connecting rod.
 <p data-bbox="337 871 472 892">ST-499037100</p>	499037100	CONNECTING ROD BUSHING REMOVER AND INSTALLER	Used for removing and installing connecting rod bushing.
 <p data-bbox="337 1222 472 1243">ST-499097700</p>	499097700	PISTON PIN REMOVER ASSY	Used for removing piston pin.
 <p data-bbox="337 1579 472 1600">ST-499207400</p>	499207400	CAM SPROCKET WRENCH	Used for removing and installing exhaust cam sprocket.
 <p data-bbox="337 1923 472 1944">ST-499587100</p>	499587100	OIL SEAL INSTALLER	Used for installing oil pump oil seal.

# General Description

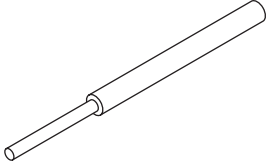
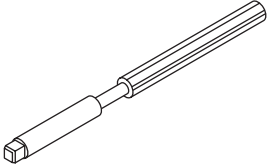
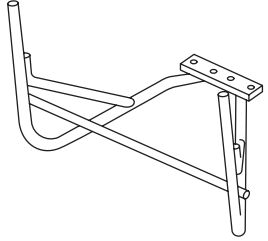
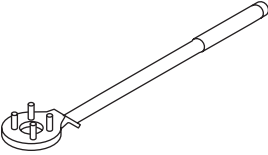
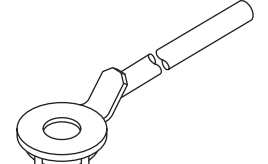
## MECHANICAL

ILLUSTRATION	TOOL NUMBER	DESCRIPTION	REMARKS
 <p style="text-align: center;">ST-499587200</p>	499587200	CRANKSHAFT OIL SEAL INSTALLER	<ul style="list-style-type: none"> <li>• Used for installing crankshaft oil seal.</li> <li>• Used together with CRANKSHAFT OIL SEAL GUIDE (499597100).</li> </ul>
 <p style="text-align: center;">ST-499587600</p>	499587600	OIL SEAL INSTALLER	Used for installing the camshaft oil seal.
 <p style="text-align: center;">ST-499597100</p>	499597100	CRANKSHAFT OIL SEAL GUIDE	<ul style="list-style-type: none"> <li>• Used for installing crankshaft oil seal.</li> <li>• Used together with CRANKSHAFT OIL SEAL INSTALLER (499587200).</li> </ul>
 <p style="text-align: center;">ST-499597200</p>	499597200	OIL SEAL GUIDE	<ul style="list-style-type: none"> <li>• Used for installing the camshaft oil seal.</li> <li>• Used together with OIL SEAL INSTALLER (499587600).</li> </ul>
 <p style="text-align: center;">ST-499718000</p>	499718000	VALVE SPRING REMOVER	Used for removing and installing valve spring.



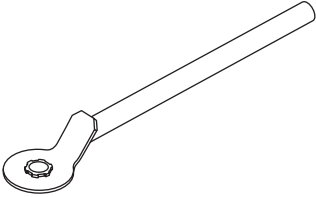
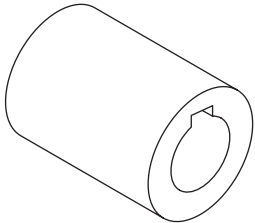
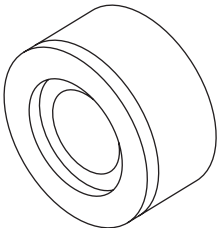
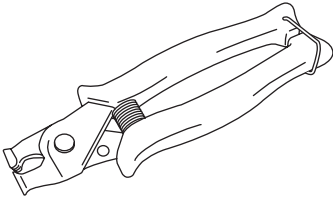
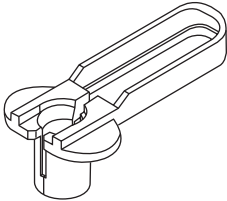
# General Description

MECHANICAL

ILLUSTRATION	TOOL NUMBER	DESCRIPTION	REMARKS
 <p>ST-499767200</p>	499767200	VALVE GUIDE REMOVER	Used for removing valve guides.
 <p>ST-499767400</p>	499767400	VALVE GUIDE REAMER	Used for reaming valve guides.
 <p>ST-499817100</p>	499817100	ENGINE STAND	<ul style="list-style-type: none"> <li>• Used for disassembling and assembling engine.</li> <li>• Used together with ENGINE STAND ADAPTER RH (498457000) &amp; LH (498457100).</li> </ul>
 <p>ST-499977100</p>	499977100	CRANK PULLEY WRENCH	Used to stop rotation of the crank pulley when loosening or tightening crank pulley bolts. (MT model)
 <p>ST-499977400</p>	499977400	CRANK PULLEY WRENCH	Used to stop rotation of the crank pulley when loosening or tightening crank pulley bolts. (AT model)

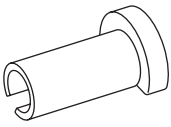
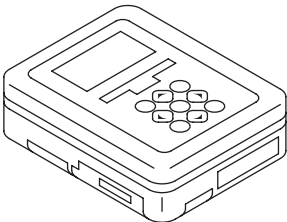
# General Description

## MECHANICAL

ILLUSTRATION	TOOL NUMBER	DESCRIPTION	REMARKS
 <p style="text-align: center;">ST-499977500</p>	499977500	CAM SPROCKET WRENCH	Used for removing and installing intake cam sprocket.
 <p style="text-align: center;">ST-499987500</p>	499987500	CRANKSHAFT SOCKET	Used for rotating crankshaft.
 <p style="text-align: center;">ST18251AA020</p>	18251AA020	VALVE GUIDE ADJUSTER	Used for installing intake and exhaust valve guides.
 <p style="text-align: center;">ST18353AA000</p>	18353AA000	CLAMP PLIERS	<ul style="list-style-type: none"> <li>• Used for removing and installing the PCV hose.</li> <li>• This tool is made by the French company CAILLAU. (code) 54.0.000.205</li> </ul> To make it easier to obtain, it has been provided with a tool number.
 <p style="text-align: center;">ST18371AA000</p>	18371AA000	CONNECTOR REMOVER	Used for disconnecting the quick connector on the fuel return hose of the engine compartment.

# General Description

MECHANICAL

ILLUSTRATION	TOOL NUMBER	DESCRIPTION	REMARKS
 ST42099AE000	42099AE000	QUICK CONNECTOR RELEASE	Used for disconnecting quick connector of the engine compartment.
 ST1B022XU0	1B022XU0	SUBARU SELECT MONITOR III KIT	Used for various inspections.

## 2. GENERAL TOOL

TOOL NAME	REMARKS
Compression gauge	Used for measuring compression.
Timing light	Used for measuring ignition timing.
Vacuum gauge	Used for measuring intake manifold vacuum.
Oil pressure gauge	Used for measuring engine oil pressure.
Fuel pressure gauge	Used for measuring fuel pressure.

## E: PROCEDURE

It is possible to conduct the following service procedures with engine on vehicle, however, the procedures described in this section are based on the condition that the engine is removed from vehicle.

- V-belt
- Timing belt
- Camshaft
- Cylinder head

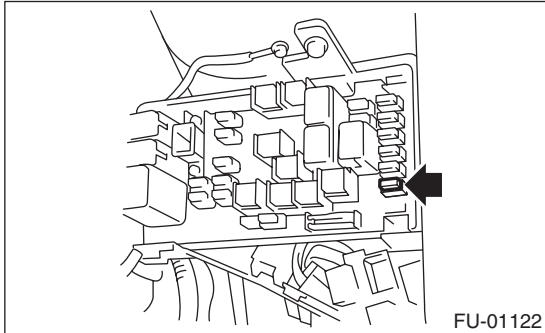
## 2. Compression

### A: INSPECTION

#### CAUTION:

After warming-up, engine becomes very hot. Be careful not to burn yourself during measurement.

- 1) After warming-up the engine, turn the ignition switch to OFF.
- 2) Make sure that the battery is fully charged.
- 3) Remove the fuse of fuel pump from main fuse box.

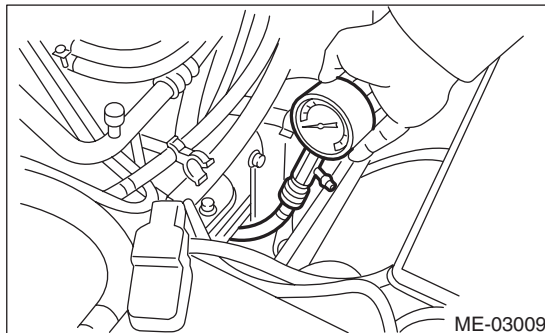


- 4) Start the engine and run it until it stalls.
- 5) After the engine stalls, crank it for five more seconds.
- 6) Turn the ignition switch to OFF.
- 7) Remove all spark plugs. <Ref. to IG(H4DOTC)-4, REMOVAL, Spark Plug.>
- 8) Fully open the throttle valve.
- 9) Check the starter motor for satisfactory performance and operation.
- 10) Secure the compression gauge tightly against the spark plug hole.

#### NOTE:

When using a screw-in type compression gauge, the screw should be less than 18 mm (0.71 in) long.

- 11) Crank the engine by the starter motor, and read the maximum value on the gauge when the needle of compression gauge is steady.



- 12) Perform at least two measurements per cylinder, and make sure that the values are correct.

#### *Compression (fully open throttle):*

##### *Standard*

**981 — 1,177 kPa**

**(10 — 12 kgf/cm<sup>2</sup>, 142 — 171 psi)**

##### *Difference between cylinders*

**49 kPa (0.5 kgf/cm<sup>2</sup>, 7 psi) or less**

- 13) After inspection, install the related parts in the reverse order of removal.

### 3. Idle Speed

#### A: INSPECTION

1) Before checking the idle speed, check the following item:

(1) Check the air cleaner element is free from clogging, ignition timing is correct, spark plugs are in good condition, and hoses are connected properly.

(2) Check the malfunction indicator light does not illuminate.

2) Warm up the engine.

3) Read the engine idle speed using Subaru Select Monitor. <Ref. to EN(H4DOTC)(diag)-35, READ CURRENT DATA FOR ENGINE (NORMAL MODE), OPERATION, Subaru Select Monitor.>?

4) Check the idle speed when no-loaded. (Headlight, heater fan, rear defroster, radiator fan, A/C and etc. are OFF)

***Idle speed (No load and at "P" or "N" position on AT model, or neutral position on MT model):***

***700±100 rpm***

5) Check the idle speed when loaded. (Turn the A/C switch to "ON" and operate the compressor for at least one minute before measurement.)

***Idle speed (A/C ON and at "P" or "N" position on AT model, or neutral position on MT model):***

***825±100 rpm (AT model)***

***800±100 rpm (MT model)***

NOTE:

Idle speed cannot be adjusted manually, because the idle speed is automatically adjusted. If the prescribed idle speed cannot be maintained, refer to the General On-board Diagnosis Table under "Engine Control System". <Ref. to EN(H4DOTC)(diag)-2, Basic Diagnostic Procedure.>

## 4. Ignition Timing

### A: INSPECTION

#### CAUTION:

**After warming-up, engine becomes very hot. Be careful not to burn yourself at measurement.**

#### 1. METHOD WITH SUBARU SELECT MONITOR

1) Before checking the ignition timing, check the following item:

(1) Check the air cleaner element is free from clogging, spark plugs are in good condition, and hoses are connected properly.

(2) Check the malfunction indicator light does not illuminate.

2) Warm up the engine.

3) Read the ignition timing using Subaru Select Monitor. <Ref. to EN(H4DOTC)(diag)-35, READ CURRENT DATA FOR ENGINE (NORMAL MODE), OPERATION, Subaru Select Monitor.>?

#### **Ignition timing [BTDC/rpm]:**

**$17^{\circ} \pm 10^{\circ} / 700$  (AT model)**

**$12^{\circ} \pm 10^{\circ} / 700$  (MT model)**

If the timing is not correct, check the ignition control system. Refer to "Engine Control System". <Ref. to EN(H4DOTC)(diag)-2, Basic Diagnostic Procedure.>

#### 2. METHOD WITH TIMING LIGHT

1) Before checking the ignition timing, check the following item:

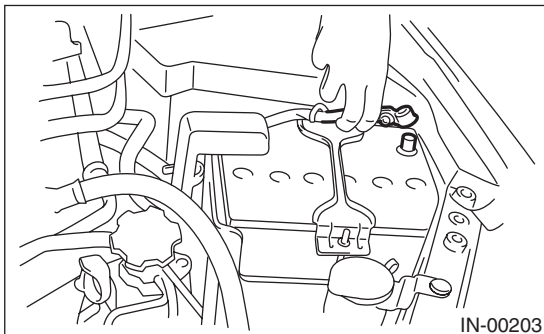
(1) Check the air cleaner element is free from clogging, spark plugs are in good condition, and hoses are connected properly.

(2) Check the malfunction indicator light does not illuminate.

2) Warm up the engine.

3) Stop the engine, and turn the ignition switch to OFF.

4) Disconnect the ground cable from battery.



5) Remove the air intake duct. <Ref. to IN(H4DOTC)-11, REMOVAL, Air Intake Duct.>

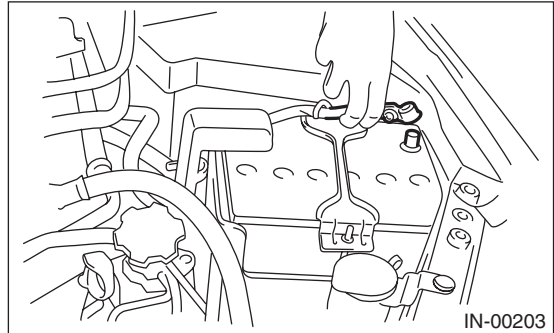
6) Disconnect the connector from mass air flow and intake air temperature sensor.

7) Remove the air cleaner case and element.

8) Connect the timing light to the power wire of #1 ignition coil.

9) Install the connectors of air cleaner case, element, and the mass air flow and intake air temperature sensor.

10) Connect the ground cable to battery.



11) Start the engine, turn the timing light to the crank pulley, and check the ignition timing by means of crank pulley indicator.

#### **Ignition timing [BTDC/rpm]:**

**$17^{\circ} \pm 10^{\circ} / 700$  (AT model)**

**$12^{\circ} \pm 10^{\circ} / 700$  (MT model)**

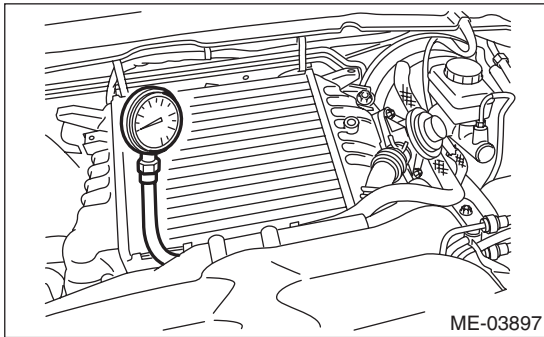
If the timing is not correct, check the ignition control system. Refer to "Engine Control System". <Ref. to EN(H4DOTC)(diag)-2, Basic Diagnostic Procedure.>

## 5. Intake Manifold Vacuum

### A: INSPECTION

- 1) Warm up the engine.
- 2) Remove the intercooler. <Ref. to IN(H4DOTC)-13, REMOVAL, Intercooler.>
- 3) Disconnect the brake booster vacuum hose from the intake manifold, and install the vacuum gauge.
- 4) Install the intercooler. <Ref. to IN(H4DOTC)-13, INSTALLATION, Intercooler.>
- 5) Keep the engine at idle speed and read the vacuum gauge indication.

By observing the vacuum gauge needle movement, the internal condition of the engine can be diagnosed as described below.



**Intake manifold vacuum (at idling, A/C OFF):**

**–68.0 kPa (–510 mmHg, –20.08 inHg) or more (AT model)**

**–70.6 kPa (–530 mmHg, –20.85 inHg) or more (MT model)**

Diagnosis of engine condition by measurement of intake manifold vacuum	
Vacuum gauge indication	Possible engine condition
1. Needle is steady but lower than normal position. This tendency becomes more evident as engine temperature rises.	Leakage around intake manifold gasket, or disconnected or damaged vacuum hose
2. Needle intermittently drops to position lower than normal position.	Leakage around cylinder
3. Needle drops suddenly and intermittently from normal position.	Sticky valve
4. When engine speed is gradually increased, needle begins to vibrate rapidly at certain speed, and then vibration increases as engine speed increases.	Weak or broken valve springs
5. Needle vibrates above and below normal position in narrow range.	Defective ignition system

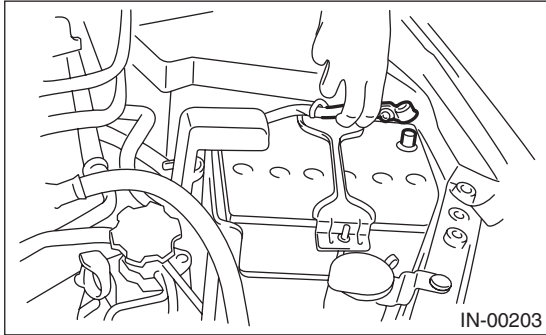
# Engine Oil Pressure

MECHANICAL

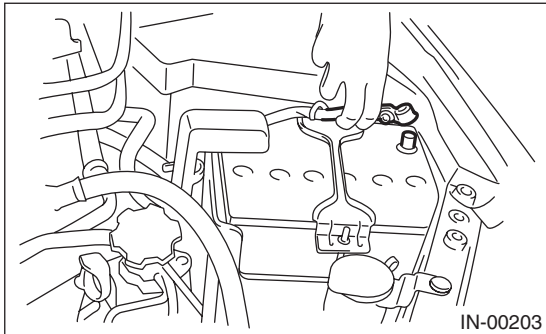
## 6. Engine Oil Pressure

### A: INSPECTION

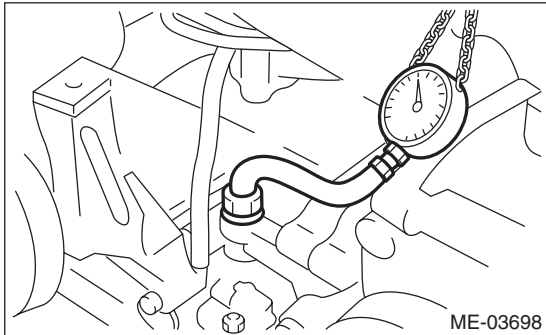
- 1) Disconnect the ground cable from battery.



- 2) Remove the oil pressure switch. <Ref. to LU(H4SO)-19, REMOVAL, Oil Pressure Switch.>
- 3) Install the oil pressure gauge to cylinder block.
- 4) Connect the ground cable to battery.



- 5) Start the engine, and measure the oil pressure.



#### **Engine oil pressure:**

##### **Standard**

**98 kPa (1.0 kgf/cm<sup>2</sup>, 14 psi) or more  
(at 600 rpm)**

**294 kPa (3.0 kgf/cm<sup>2</sup>, 43 psi) or more  
(at 5,000 rpm)**

- If the oil pressure is out of specification, check oil pump, oil filter and lubrication line. <Ref. to LU(H4SO)-22, INSPECTION, Engine Lubrication System Trouble in General.>
- If the oil pressure warning light is ON and oil pressure is within specification, check the oil pressure switch. <Ref. to LU(H4SO)-22, INSPECTION, Engine Lubrication System Trouble in General.>

#### **NOTE:**

Standard value is based on an engine oil temperature of 80°C (176°F).

6) After measuring the oil pressure, install the oil pressure switch. <Ref. to LU(H4SO)-19, INSTALLATION, Oil Pressure Switch.>



## 7. Fuel Pressure

### A: INSPECTION

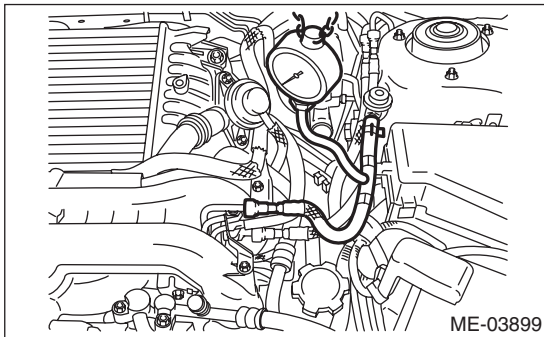
#### CAUTION:

- Before removing the fuel pressure gauge, release the fuel pressure.
- Be careful not to spill fuel.
- Catch the fuel from hoses using a container or cloth.

#### NOTE:

If the fuel pressure is out of specification, check or replace the pressure regulator and pressure regulator vacuum hose.

- 1) Release the fuel pressure. <Ref. to FU(H4DOTC)-60, RELEASING OF FUEL PRESSURE, PROCEDURE, Fuel.>
- 2) Open the fuel filler lid and remove the fuel filler cap.
- 3) Disconnect the fuel delivery hose from fuel damper, and connect fuel pressure gauge.



- 4) Start the engine.
- 5) Measure the fuel pressure while disconnecting pressure regulator vacuum hose from intake manifold.

#### NOTE:

The fuel pressure gauge registers 10 to 20 kPa (0.1 to 0.2 kgf/cm<sup>2</sup>, 1 to 3 psi) higher than standard values during high-altitude operations.

#### **Fuel pressure:**

##### **Standard**

**284 — 314 kPa  
(2.9 — 3.2 kgf/cm<sup>2</sup>, 41 — 46 psi)**

- 6) After connecting the pressure regulator vacuum hose, measure the fuel pressure.

#### NOTE:

The fuel pressure gauge registers 10 to 20 kPa (0.1 to 0.2 kgf/cm<sup>2</sup>, 1 to 3 psi) higher than standard values during high-altitude operations.

#### **Fuel pressure:**

##### **Standard**

**230 — 260 kPa  
(2.35 — 2.65 kgf/cm<sup>2</sup>, 33 — 38 psi)**

# Valve Clearance

MECHANICAL

## 8. Valve Clearance

### A: INSPECTION

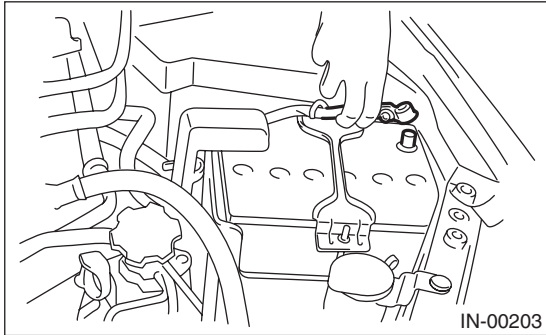
#### CAUTION:

If engine oil is spilt onto the exhaust pipe, wipe it off with cloth to avoid emission of smoke or causing a fire.

#### NOTE:

Inspection and adjustment of valve clearance should be performed while engine is cold.

- 1) Set the vehicle on a lift.
- 2) Disconnect the ground cable from battery.



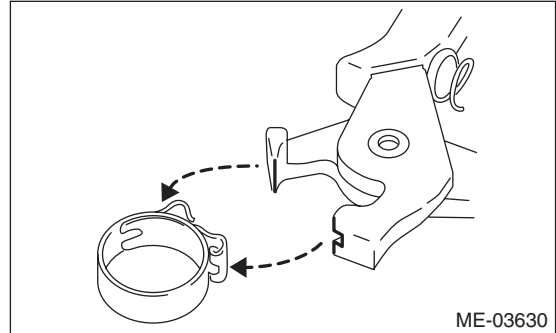
- 3) Remove the air intake duct. <Ref. to IN(H4DOTC)-11, REMOVAL, Air Intake Duct.>
- 4) Remove the bolt which secures timing belt cover RH.
- 5) Lift up the vehicle.
- 6) Remove the under cover.
- 7) Loosen the remaining bolts which secure timing belt cover RH, then remove the timing belt cover.
- 8) Lower the vehicle.
- 9) When inspecting #1 and #3 cylinders
  - (1) Remove the air cleaner case. <Ref. to IN(H4DOTC)-9, REMOVAL, Air Cleaner Case.>
  - (2) Remove the ignition coil. <Ref. to IG(H4DOTC)-7, REMOVAL, Ignition Coil.>
  - (3) Place a suitable container under the vehicle.

- (4) Disconnect the PCV hose from the rocker cover RH.

#### NOTE:

For the PCV hose affixed with the clamp, fit the depression in the ST with the protrusion of the clamp as shown in the figure below, unlock the clamp and disconnect.

ST 18353AA000 CLAMP PLIERS

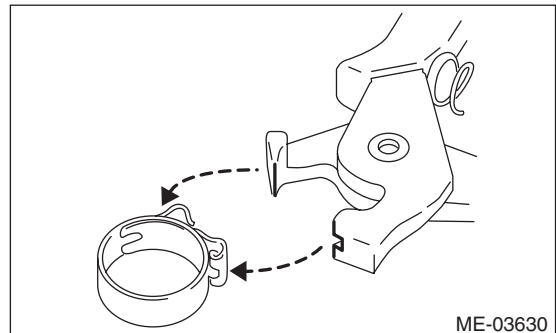


- (5) Remove the bolts, then remove the rocker cover RH.
- 10) When inspecting #2 and #4 cylinders
  - (1) Remove the battery. <Ref. to SC(H4SO)-22, REMOVAL, Battery.>
  - (2) Remove the secondary air pump. <Ref. to EC(H4DOTC)-24, REMOVAL, Secondary Air Pump.>
  - (3) Remove the ignition coil. <Ref. to IG(H4DOTC)-7, REMOVAL, Ignition Coil.>
  - (4) Place a suitable container under the vehicle.
  - (5) Disconnect the PCV hose from the rocker cover LH.

#### NOTE:

For the PCV hose affixed with the clamp, fit the depression in the ST with the protrusion of the clamp as shown in the figure below, unlock the clamp and disconnect.

ST 18353AA000 CLAMP PLIERS



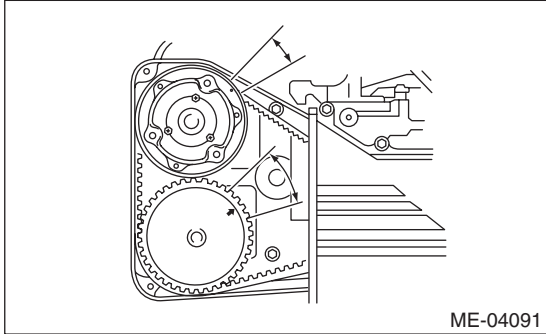
- (6) Remove the bolts, then remove the rocker cover LH.

11) Turn the crank pulley clockwise until the round mark and arrow mark on the cam sprocket are set to position shown in the figure.

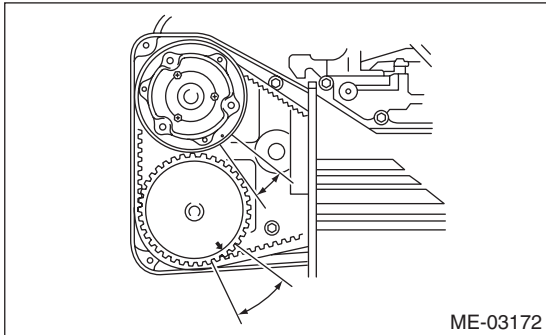
**NOTE:**

Turn the crank pulley using a socket wrench.

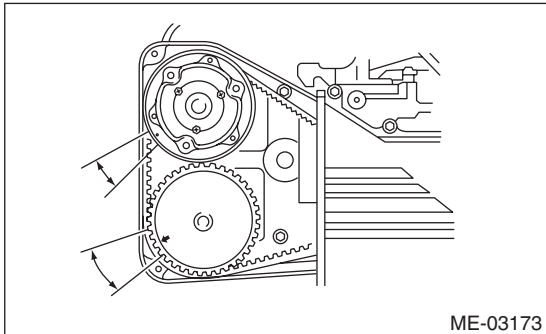
- Measurement of clearance of #1 cylinder intake valve and #3 cylinder exhaust valve



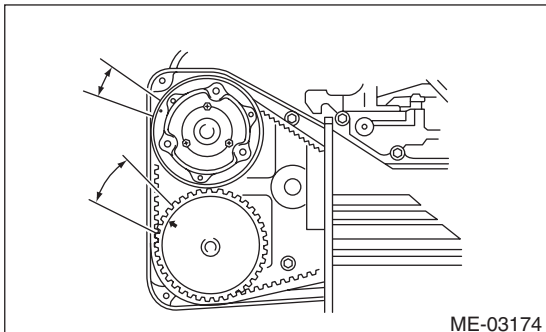
- Measurement of clearance of #2 cylinder exhaust valve and #3 cylinder intake valve



- Measurement of clearance of #2 cylinder intake valve and #4 cylinder exhaust valve



- Measurement of clearance of #1 cylinder exhaust valve and #4 cylinder intake valve



12) Measure the clearance of intake valve and exhaust valve using thickness gauge (A).

**NOTE:**

- Insert a thickness gauge in a direction as horizontal as possible with respect to the valve lifter.
- Lift up the vehicle, and then measure the exhaust valve clearances.
- If the measured value is not within the inspection value, take notes of the value in order to adjust the valve clearance later on.

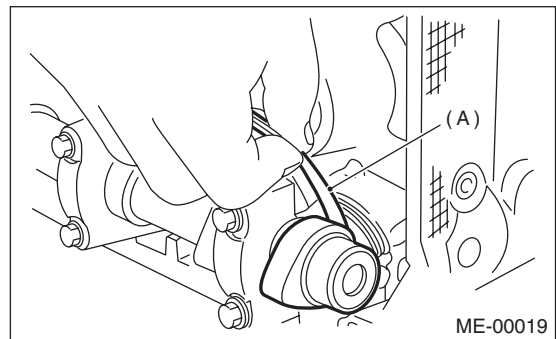
**Valve clearance (inspection value):**

**Intake**

$$0.20^{+0.04} \text{ } ^{-0.06} \text{ mm (0.0079}^{+0.0016} \text{ } ^{-0.0024} \text{ in)}$$

**Exhaust**

$$0.35 \pm 0.05 \text{ mm (0.0138} \pm 0.0020 \text{ in)}$$

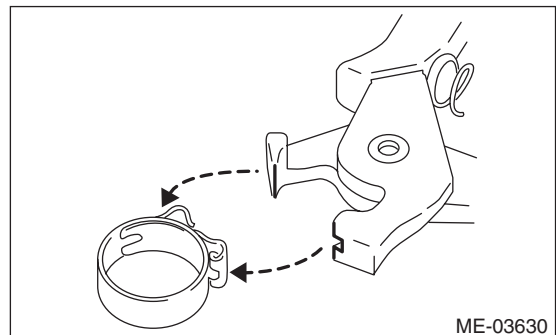


13) If necessary, adjust the valve clearance. <Ref. to ME(H4DOTC)-28, ADJUSTMENT, Valve Clearance.>

14) After inspection, install the related parts in the reverse order of removal.

**NOTE:**

- Use a new rocker cover gasket.
- Use a new clamp for the PCV hose clamp, fit the cut out in the ST with the protrusion on the clamp as shown in the figure, and lock the clamp.  
ST 18353AA000 CLAMP PLIERS



# Valve Clearance

MECHANICAL

## B: ADJUSTMENT

### CAUTION:

If engine oil is spilt onto the exhaust pipe, wipe it off with cloth to avoid emission of smoke or causing a fire.

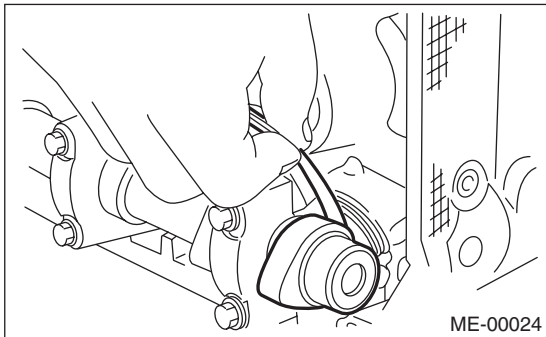
### NOTE:

Adjustment of valve clearance should be performed while engine is cold.

1) Measure all the valve clearances. <Ref. to ME(H4DOTC)-26, INSPECTION, Valve Clearance.>

### NOTE:

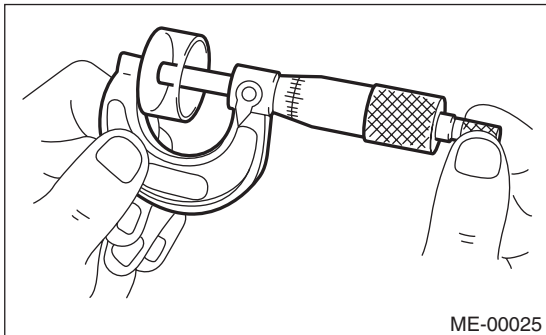
Record each valve clearance after measurement.



2) Remove the camshaft. <Ref. to ME(H4DOTC)-61, REMOVAL, Camshaft.>

3) Remove the valve lifter.

4) Measure the thickness of valve lifter using micrometer.



5) Select a valve lifter of suitable thickness from the following table using the measured valve clearance and valve lifter thickness, and install it.

### NOTE:

Use a new valve lifter.

Unit: mm (in)
Intake valve: $S = (V + T) - 0.19$ (0.0075)
Exhaust valve: $S = (V + T) - 0.35$ (0.0138)
S: Valve lifter thickness required
V: Measured valve clearance
T: Valve lifter thickness to be used

Part No.	Thickness mm (in)
13228 AB102	4.68 (0.1843)
13228 AB112	4.69 (0.1846)
13228 AB122	4.70 (0.1850)
13228 AB132	4.71 (0.1854)
13228 AB142	4.72 (0.1858)
13228 AB152	4.73 (0.1862)
13228 AB162	4.74 (0.1866)
13228 AB172	4.75 (0.1870)
13228 AB182	4.76 (0.1874)
13228 AB192	4.77 (0.1878)
13228 AB202	4.78 (0.1882)
13228 AB212	4.79 (0.1886)
13228 AB222	4.80 (0.1890)
13228 AB232	4.81 (0.1894)
13228 AB242	4.82 (0.1898)
13228 AB252	4.83 (0.1902)
13228 AB262	4.84 (0.1906)
13228 AB272	4.85 (0.1909)
13228 AB282	4.86 (0.1913)
13228 AB292	4.87 (0.1917)
13228 AB302	4.88 (0.1921)
13228 AB312	4.89 (0.1925)
13228 AB322	4.90 (0.1929)
13228 AB332	4.91 (0.1933)
13228 AB342	4.92 (0.1937)
13228 AB352	4.93 (0.1941)
13228 AB362	4.94 (0.1945)
13228 AB372	4.95 (0.1949)
13228 AB382	4.96 (0.1953)
13228 AB392	4.97 (0.1957)
13228 AB402	4.98 (0.1961)
13228 AB412	4.99 (0.1965)
13228 AB422	5.00 (0.1969)
13228 AB432	5.01 (0.1972)
13228 AB442	5.02 (0.1976)
13228 AB452	5.03 (0.1980)
13228 AB462	5.04 (0.1984)
13228 AB472	5.05 (0.1988)
13228 AB482	5.06 (0.1992)
13228 AB492	5.07 (0.1996)
13228 AB502	5.08 (0.2000)
13228 AB512	5.09 (0.2004)
13228 AB522	5.10 (0.2008)
13228 AB532	5.11 (0.2012)
13228 AB542	5.12 (0.2016)
13228 AB552	5.13 (0.2020)
13228 AB562	5.14 (0.2024)
13228 AB572	5.15 (0.2028)
13228 AB582	5.16 (0.2031)
13228 AB592	5.17 (0.2035)

Part No.	Thickness mm (in)
13228 AB602	5.18 (0.2039)
13228 AB612	5.19 (0.2043)
13228 AB622	5.20 (0.2047)
13228 AB632	5.21 (0.2051)
13228 AB642	5.22 (0.2055)
13228 AB652	5.23 (0.2059)
13228 AB662	5.24 (0.2063)
13228 AB672	5.25 (0.2067)
13228 AB682	5.26 (0.2071)
13228 AB692	5.27 (0.2075)
13228 AB702	4.38 (0.1724)
13228 AB712	4.40 (0.1732)
13228 AB722	4.42 (0.1740)
13228 AB732	4.44 (0.1748)
13228 AB742	4.46 (0.1756)
13228 AB752	4.48 (0.1764)
13228 AB762	4.50 (0.1771)
13228 AB772	4.52 (0.1780)
13228 AB782	4.54 (0.1787)
13228 AB792	4.56 (0.1795)
13228 AB802	4.58 (0.1803)
13228 AB812	4.60 (0.1811)
13228 AB822	4.62 (0.1819)
13228 AB832	4.64 (0.1827)
13228 AB842	4.66 (0.1835)
13228 AB852	5.29 (0.2083)
13228 AB862	5.31 (0.2091)
13228 AB872	5.33 (0.2098)
13228 AB882	5.35 (0.2106)
13228 AB892	5.37 (0.2114)
13228 AB902	5.39 (0.2122)
13228 AB912	5.41 (0.2123)
13228 AB922	5.43 (0.2138)
13228 AB932	5.45 (0.2146)
13228 AB942	5.47 (0.2154)
13228 AB952	5.49 (0.2161)
13228 AB962	5.51 (0.2169)
13228 AB972	5.53 (0.2177)
13228 AB982	5.55 (0.2185)
13228 AB992	5.57 (0.2193)
13228 AC002	5.59 (0.2201)
13228 AC012	5.61 (0.2209)
13228 AC022	5.63 (0.2217)
13228 AC032	5.65 (0.2224)

6) Install the camshaft. <Ref. to ME(H4DOTC)-62, INSTALLATION, Camshaft.>

7) Install the cam sprocket. <Ref. to ME(H4DOTC)-59, INSTALLATION, Cam Sprocket.>

8) Install the timing belt. <Ref. to ME(H4DOTC)-53, TIMING BELT, INSTALLATION, Timing Belt.>

9) Measure all valves for valve clearance again at this time. If the valve clearance is not within the adjustment value, repeat the procedure over again from the first step.

**Valve clearance (adjustment value):**

**Intake**

$0.20^{+0.01} -0.03$  mm ( $0.0079^{+0.0004} -0.0012$  in)

**Exhaust**

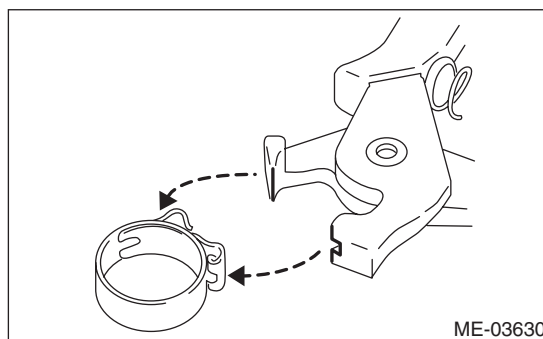
$0.35 \pm 0.02$  mm ( $0.0138 \pm 0.0008$  in)

10) After measurement, install the related parts in the reverse order of removal.

**NOTE:**

- Use a new rocker cover gasket.
- Use a new clamp for the PCV hose clamp, fit the cut out in the ST with the protrusion on the clamp as shown in the figure, and lock the clamp.

ST 18353AA000 CLAMP PLIERS





# Engine Assembly

MECHANICAL

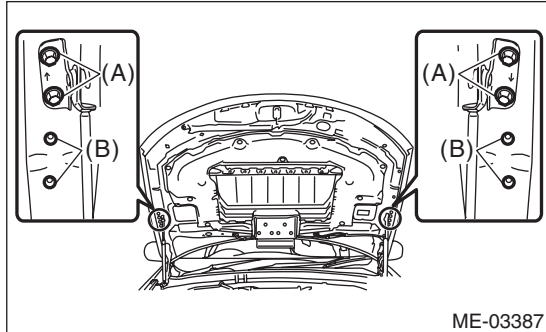
## 9. Engine Assembly

### A: REMOVAL

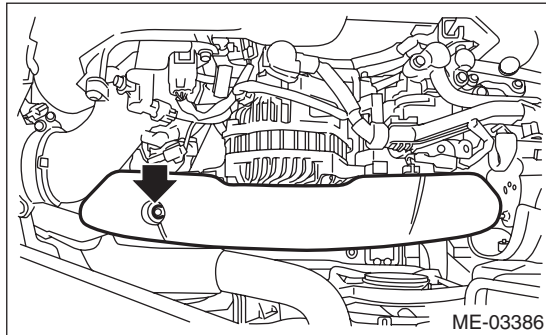
- 1) Set the vehicle on a lift.
- 2) Change the bolt installation position from (A) to (B), then open the front hood completely.

**Tightening torque:**

**7.5 N·m (0.8 kgf-m, 5.5 ft-lb)**

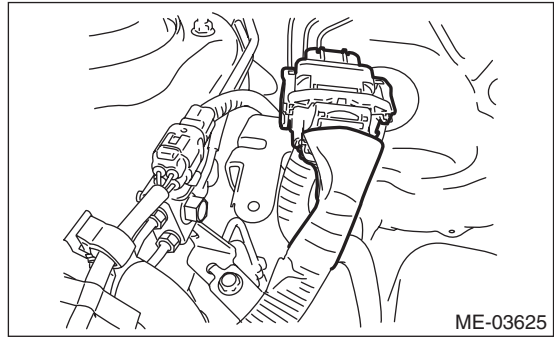


- 3) Remove the V-belt covers.

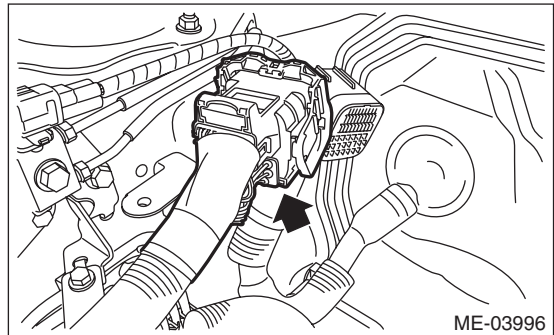


- 4) Collect the refrigerant from A/C system. <Ref. to AC-21, Refrigerant Recovery Procedure.>
- 5) Release the fuel pressure. <Ref. to FU(H4DOTC)-60, RELEASING OF FUEL PRESSURE, PROCEDURE, Fuel.>
- 6) Remove the battery. <Ref. to SC(H4SO)-22, REMOVAL, Battery.>
- 7) Open the fuel filler lid and remove the fuel filler cap.
- 8) Remove the air intake duct and air cleaner case. <Ref. to IN(H4DOTC)-11, REMOVAL, Air Intake Duct.> <Ref. to IN(H4DOTC)-9, REMOVAL, Air Cleaner Case.>
- 9) Remove the intercooler. <Ref. to IN(H4DOTC)-13, REMOVAL, Intercooler.>
- 10) Remove the radiator. <Ref. to CO(H4DOTC)-20, REMOVAL, Radiator.>
- 11) Remove the coolant filler tank. <Ref. to CO(H4DOTC)-30, REMOVAL, Coolant Filler Tank.>
- 12) Disconnect the A/C pressure hoses from A/C compressor. <Ref. to AC-38, REMOVAL, Hose and Pipe.>

- 13) Disconnect the bulkhead harness connectors from the engine harness connectors.

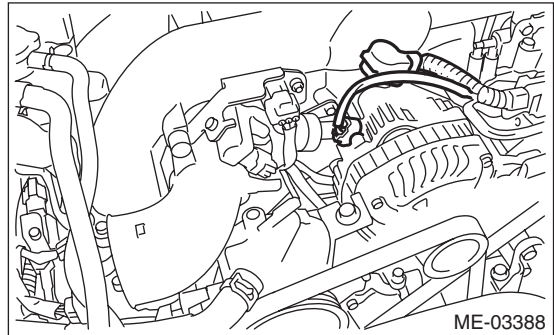


- 14) Remove the engine harness connector from the engine harness bracket.

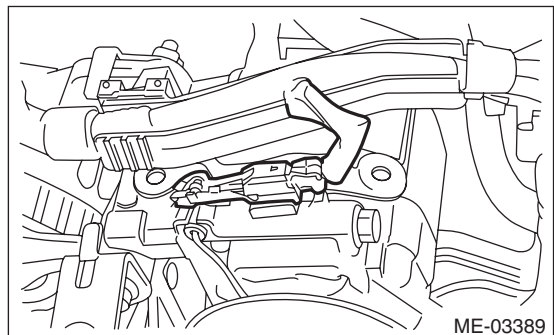


- 15) Disconnect the following connectors and terminals.

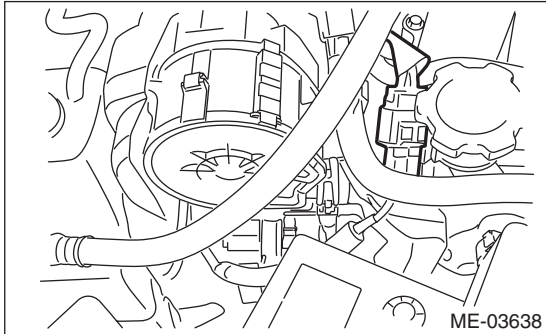
- (1) Generator connector and terminal



- (2) A/C compressor connector

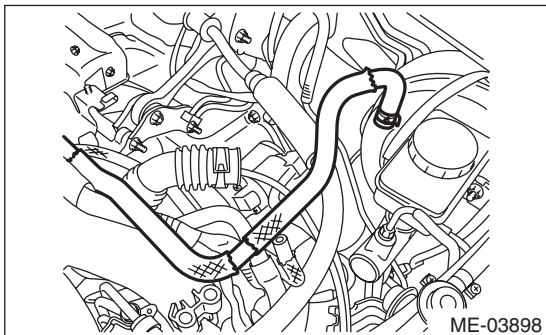


(3) Secondary air pump connector

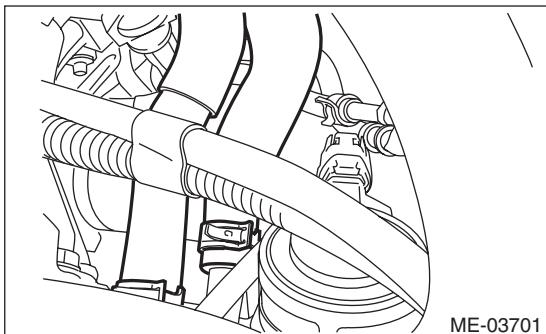


16) Disconnect the following hoses.

(1) Brake booster vacuum hose



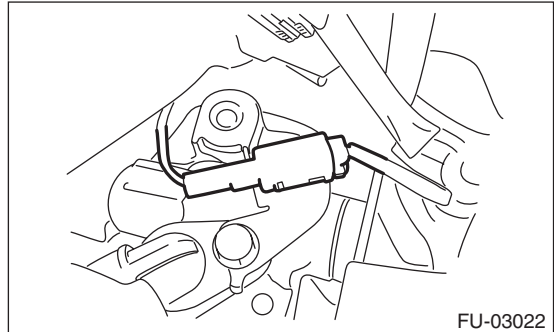
(2) Heater inlet and outlet hoses



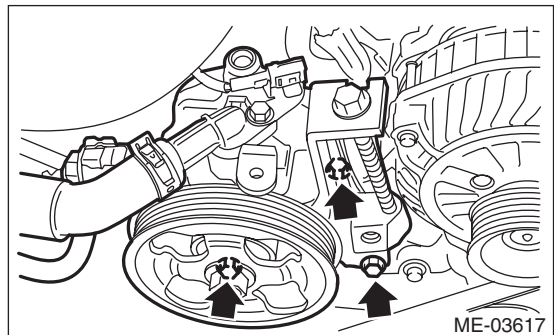
17) Remove the power steering pump.

(1) Remove the front side belts. <Ref. to ME(H4DOTC)-40, FRONT SIDE BELT, REMOVAL, V-belt.>

(2) Disconnect the power steering pump switch connector.



(3) Remove the power steering pump from the engine.



(4) Place the power steering pump on the right side wheel apron.

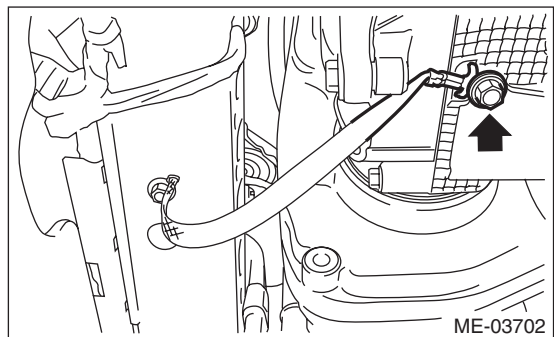
18) Remove the center exhaust pipe. <Ref. to EX(H4DOTC)-8, REMOVAL, Center Exhaust Pipe.>

19) Remove the turbocharger. <Ref. to IN(H4DOTC)-15, REMOVAL, Turbocharger.>

20) Remove the joint pipe and front exhaust pipe. <Ref. to EX(H4DOTC)-12, REMOVAL, Joint Pipe.>

<Ref. to EX(H4DOTC)-6, REMOVAL, Front Exhaust Pipe.>

21) Disconnect the ground cable on the engine side.

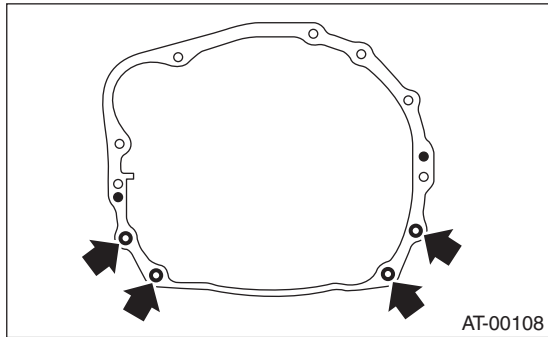


# Engine Assembly

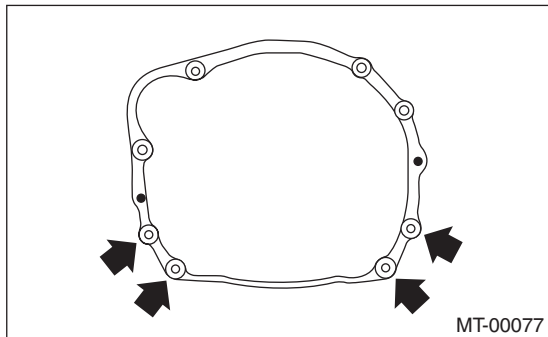
## MECHANICAL

22) Remove the bolts and nuts which hold the lower side of transmission to the engine.

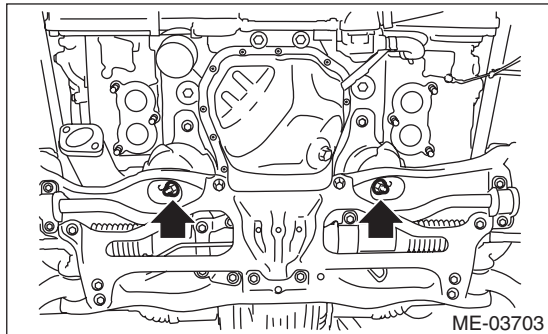
- AT MODEL



- MT MODEL



23) Remove the nuts which secure the engine mounting to the front crossmember.

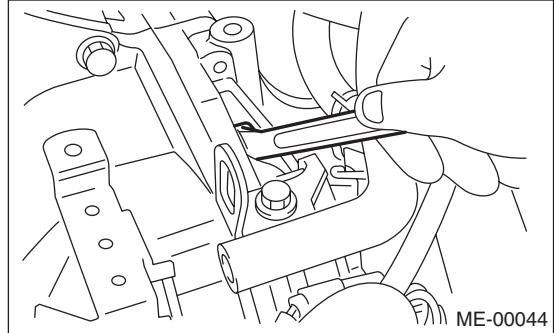


24) Lower the vehicle.

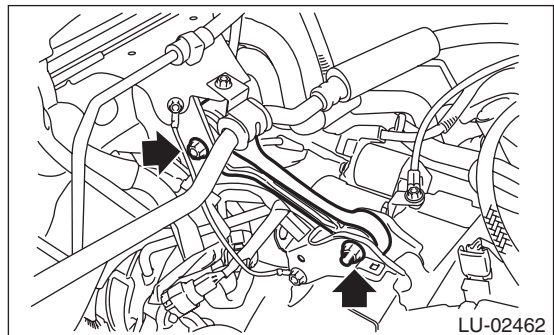
25) Separate the torque converter clutch from the drive plate. (AT model)

(1) Remove the service hole plug.

(2) Insert the wrench into the crank pulley bolt and rotate the crank pulley to remove the bolts which hold torque converter clutch to drive plate.



26) Remove the pitching stopper.

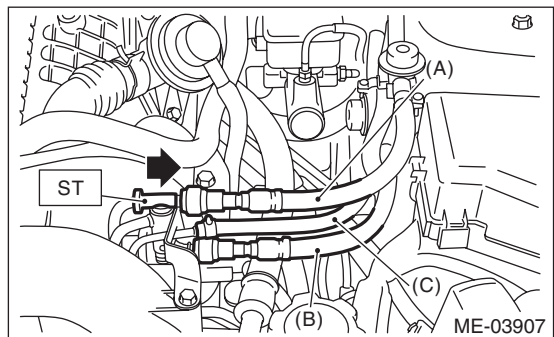


27) Attach ST to the fuel delivery pipe and push ST in the direction of arrow mark to disconnect the fuel delivery hose.

ST 42099AE000 QUICK CONNECTOR RELEASE

**CAUTION:**

- Be careful not to spill fuel.
- Catch the fuel from hoses using a container or cloth.



- (A) Fuel delivery hose
- (B) Fuel return hose
- (C) Evaporation hose

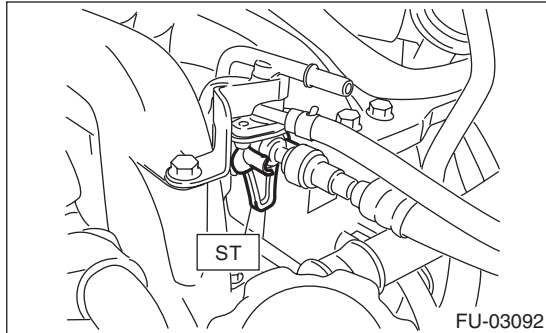


28) Disconnect the fuel return hose using the ST.  
ST 18371AA000 CONNECTOR REMOVER

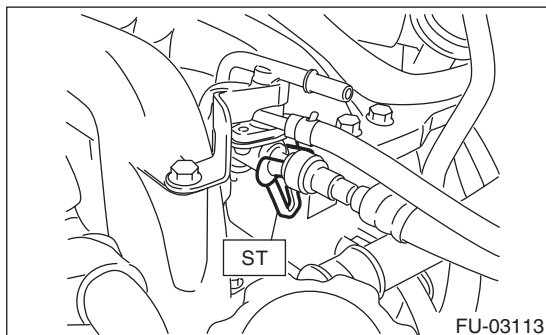
**CAUTION:**

- Be careful not to spill fuel.
- Catch the fuel from hoses using a container or cloth.

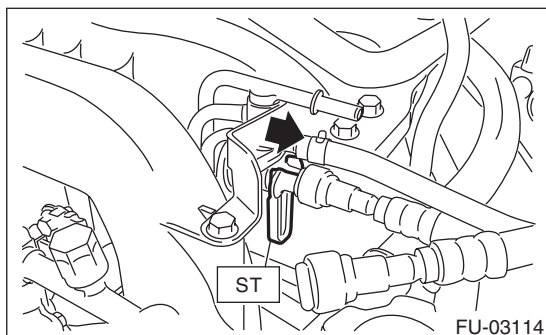
(1) Attach ST to the fuel return pipe as shown in the figure.



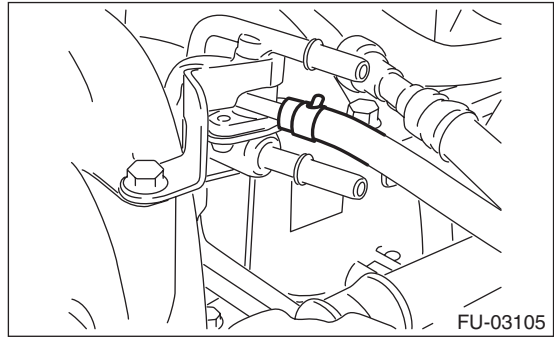
(2) Insert the front side of ST into the quick connector.



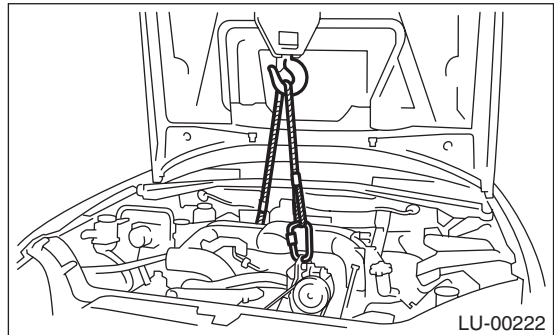
(3) Insert the back side of ST into the quick connector and push ST in the direction of arrow mark to disconnect the fuel return hose.



29) Remove the clip and disconnect the evaporation hose from the fuel pipe.



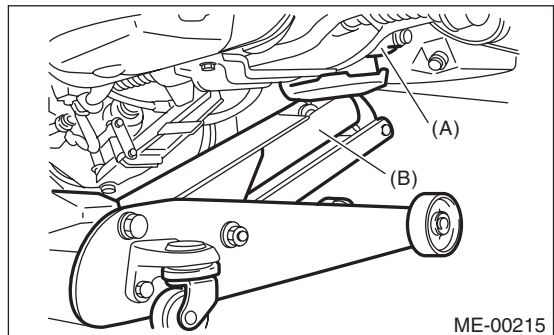
30) Support the engine with a lifting device and wire ropes.



31) Support the transmission with a garage jack.

**CAUTION:**

Be sure to perform this procedure to prevent the transmission from lowering by its own weight.



- (A) Transmission
- (B) Garage jack

# Engine Assembly

## MECHANICAL

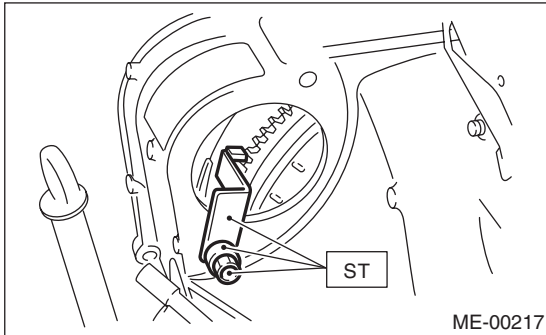
### 32) Separation of engine and transmission

#### CAUTION:

**Before removing the engine away from transmission, check to be sure no work has been overlooked.**

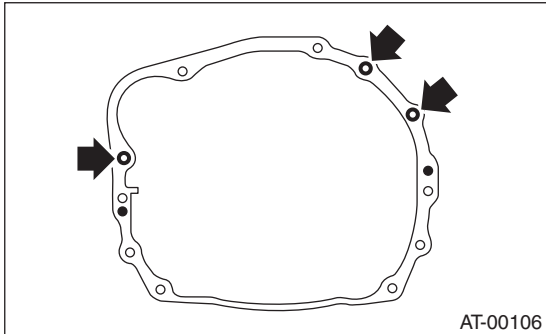
- (1) Remove the starter. <Ref. to SC(H4SO)-7, REMOVAL, Starter.>
- (2) Attach the ST to the torque converter clutch case. (AT model)

ST 498277200 STOPPER SET

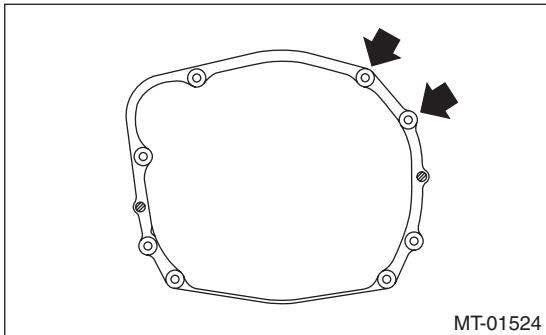


- (3) Remove the bolts which hold the upper side of the transmission to the engine.

- AT MODEL



- MT MODEL



### 33) Remove the engine from vehicle.

- (1) Slightly raise the engine.
- (2) Raise the transmission with garage jack.
- (3) Move the engine horizontally until main shaft is withdrawn from clutch cover. (MT model)
- (4) Slowly move the engine away from engine compartment.

#### NOTE:

Be careful not to damage adjacent parts or body panels with crank pulley, oil level gauge, etc.

- 34) Remove the engine mounting from the engine.

## B: INSTALLATION

- 1) Install the engine mounting onto the engine.

#### Tightening torque:

**35 N·m (3.6 kgf·m, 25.8 ft·lb)**

- 2) Apply a small amount of grease to splines of main shaft. (MT model)

#### Grease:

**NICHIMOLY N-130 or equivalent**

- 3) Position the engine in engine compartment and align it with transmission.

#### NOTE:

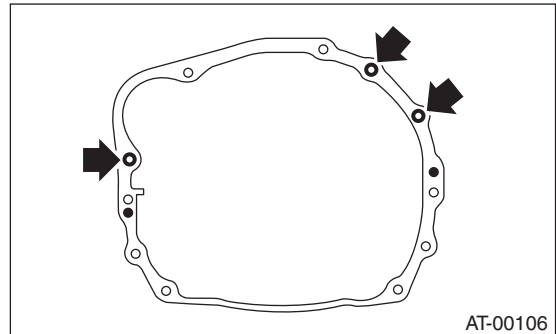
Be careful not to damage adjacent parts or body panels with crank pulley, oil level gauge, etc.

- 4) Tighten the bolts which hold upper side of transmission to engine.

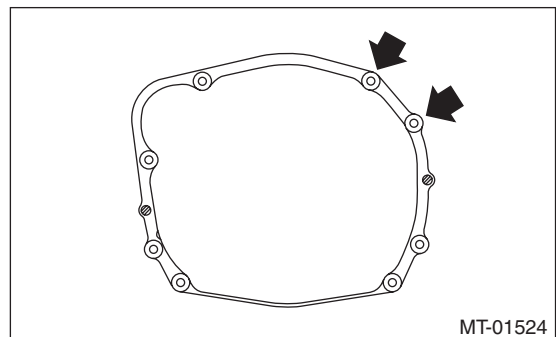
#### Tightening torque:

**50 N·m (5.1 kgf·m, 36.9 ft·lb)**

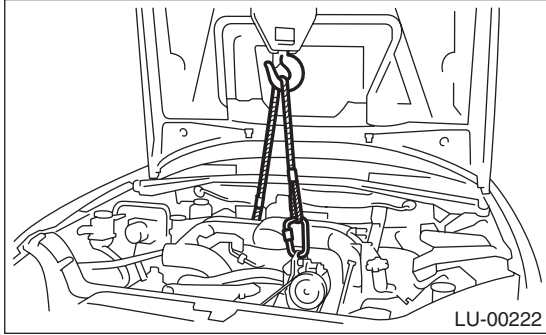
- AT MODEL



- MT MODEL



- 5) Remove the lifting device and wire ropes.

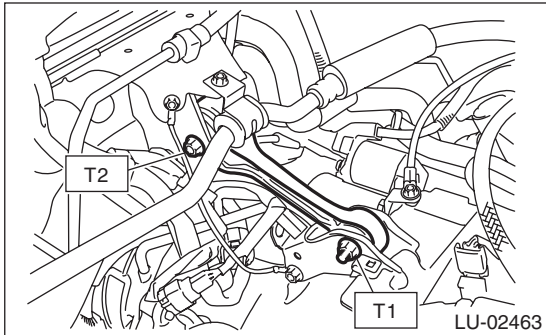


- 6) Remove the garage jack.  
7) Install the pitching stopper.

**Tightening torque:**

**T1: 50 N·m (5.1 kgf-m, 36.9 ft-lb)**

**T2: 58 N·m (5.9 kgf-m, 42.8 ft-lb)**

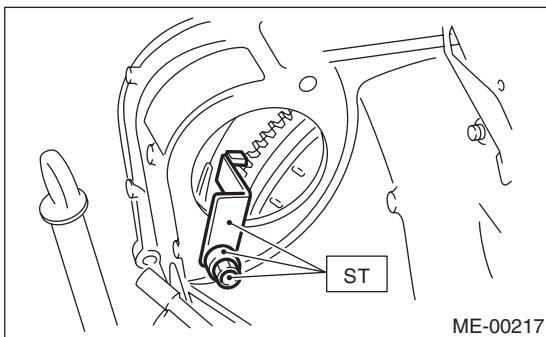


- 8) Remove the ST from torque converter clutch case. (AT model)

**NOTE:**

Be careful not to drop the ST into the torque converter clutch case when removing the ST.

ST 498277200 STOPPER SET



- 9) Install the starter. <Ref. to SC(H4SO)-7, INSTALLATION, Starter.>

- 10) Install the torque converter clutch to drive plate. (AT model)

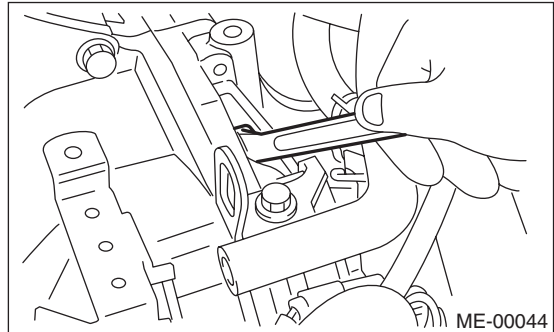
(1) Insert the wrench into the crank pulley bolt and rotate the crank pulley to install the bolts which hold torque converter clutch to drive plate.

**NOTE:**

Be careful not to drop bolts into the torque converter clutch case.

**Tightening torque:**

**25 N·m (2.5 kgf-m, 18.4 ft-lb)**



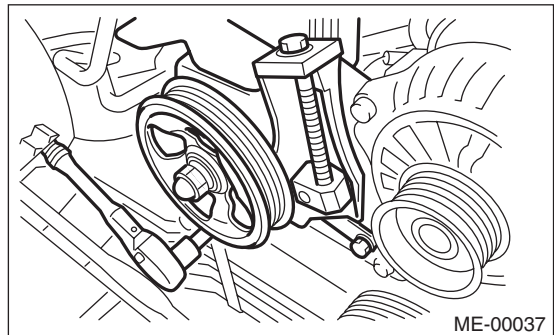
(2) Fit the plug to service hole.

- 11) Install the power steering pump.

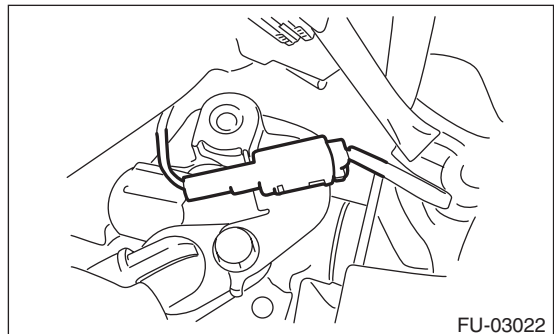
(1) Install the power steering pump onto the engine.

**Tightening torque:**

**Refer to "COMPONENT" of "Power Steering" for the tightening torque. <Ref. to PS-3, COMPONENT, General Description.>**



(2) Connect the power steering pump switch connector.



# Engine Assembly

## MECHANICAL

(3) Install and adjust the front side belt. <Ref. to ME(H4DOTC)-40, FRONT SIDE BELT, INSTALLATION, V-belt.>

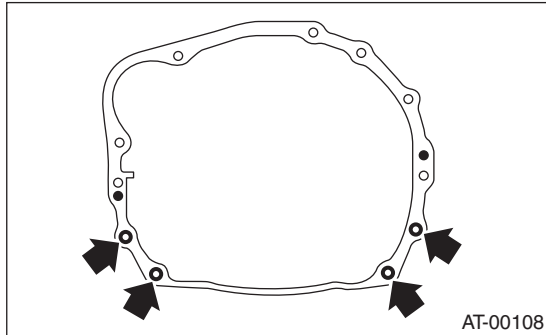
12) Lift up the vehicle.

13) Install the bolts and nuts which hold lower side of the transmission to engine.

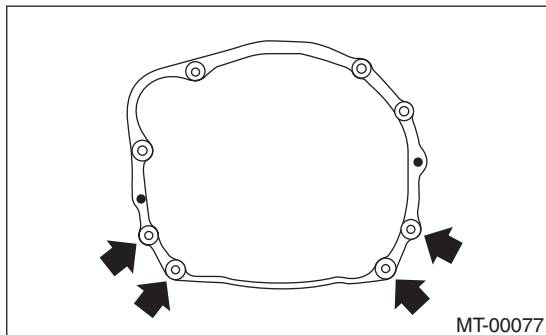
### Tightening torque:

**50 N·m (5.1 kgf·m, 36.9 ft·lb)**

#### • AT MODEL



#### • MT MODEL



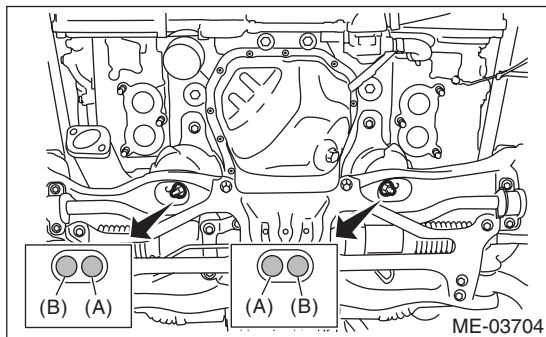
14) Install the nuts which hold the engine mounting to the crossmember.

### NOTE:

Make sure that the engine mounting nuts (A) and locator (B) are securely installed.

### Tightening torque:

**85 N·m (8.7 kgf·m, 62.7 ft·lb)**



15) Install the joint pipe and front exhaust pipe. <Ref. to EX(H4DOTC)-7, INSTALLATION, Front Exhaust Pipe.> <Ref. to EX(H4DOTC)-12, INSTALLATION, Joint Pipe.>

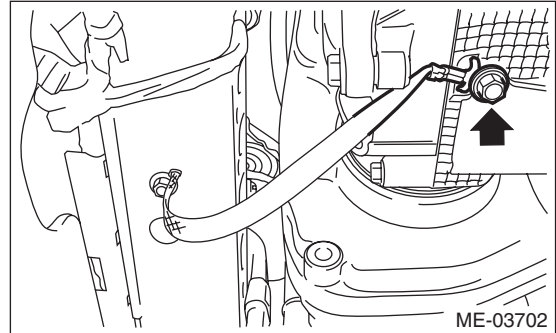
16) Install the turbocharger. <Ref. to IN(H4DOTC)-16, INSTALLATION, Turbocharger.>

17) Install the center exhaust pipe. <Ref. to EX(H4DOTC)-10, INSTALLATION, Center Exhaust Pipe.>

18) Connect the ground cable.

### Tightening torque:

**7.5 N·m (0.8 kgf·m, 5.5 ft·lb)**



19) Lower the vehicle.

20) Connect the following hoses.

(1) Fuel delivery hose, fuel return hose and evaporation hose

(2) Heater inlet and outlet hoses

(3) Brake booster vacuum hose

21) Connect the following connectors and terminals.

(1) Generator connector and terminal

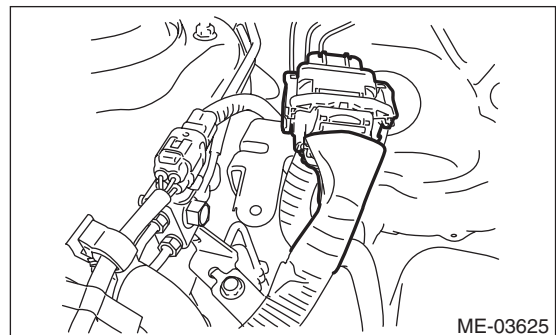
### Tightening torque:

**15 N·m (1.5 kgf·m, 11.1 ft·lb)**

(2) A/C compressor connector

(3) Secondary air pump connector

22) Install the engine harness connector to engine harness bracket, then connect the bulkhead harness connector to the engine harness connector.



23) Install the intercooler. <Ref. to IN(H4DOTC)-13, INSTALLATION, Intercooler.>

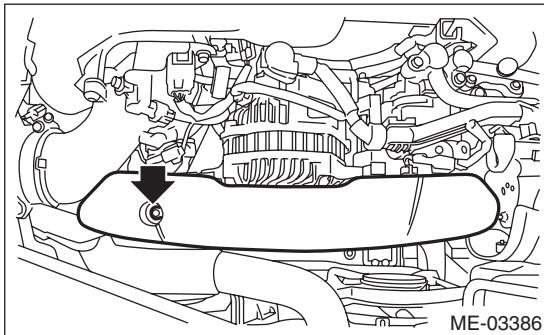
24) Install the A/C pressure hoses to A/C compressor. <Ref. to AC-38, INSTALLATION, Hose and Pipe.>

25) Install the radiator. <Ref. to CO(H4DOTC)-21, INSTALLATION, Radiator.>

- 26) Install the coolant filler tank. <Ref. to CO(H4DOTC)-30, INSTALLATION, Coolant Filler Tank.>
- 27) Install the air cleaner case and air intake duct. <Ref. to IN(H4DOTC)-9, INSTALLATION, Air Cleaner Case.> <Ref. to IN(H4DOTC)-11, INSTALLATION, Air Intake Duct.>
- 28) Install the battery. <Ref. to SC(H4SO)-22, INSTALLATION, Battery.>
- 29) Fill engine coolant. <Ref. to CO(H4DOTC)-14, FILLING OF ENGINE COOLANT, REPLACEMENT, Engine Coolant.>
- 30) Charge the A/C system with refrigerant. <Ref. to AC-22, PROCEDURE, Refrigerant Charging Procedure.>
- 31) Check the ATF level and replenish it if necessary. (AT model) <Ref. to 4AT-27, INSPECTION, Automatic Transmission Fluid.>
- 32) Install the V-belt cover.

**Tightening torque:**

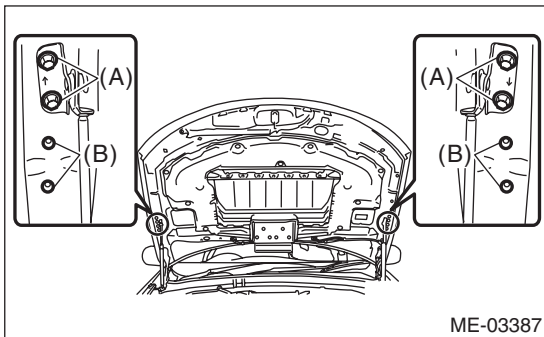
**13 N·m (1.3 kgf-m, 9.6 ft-lb)**



- 33) Change the bolt installation position from (B) to (A), then close the front hood.

**Tightening torque:**

**7.5 N·m (0.8 kgf-m, 5.5 ft-lb)**



## C: INSPECTION

- 1) Check that pipes, hoses, connectors and clamps are installed firmly.
- 2) Check the engine coolant is at specified level.
- 3) Check that the ATF is at specified level. (AT model)
- 4) Start the engine and check for exhaust gas, engine coolant, leaks of fuel, etc. Also check for noise and vibrations.

## 10.Engine Mounting

### A: REMOVAL

- 1) Remove the engine assembly. <Ref. to ME(H4DOTC)-30, REMOVAL, Engine Assembly.>
- 2) Remove the engine mounting from the engine assembly.

### B: INSTALLATION

Install in the reverse order of removal.

#### *Tightening torque:*

*35 N·m (3.6 kgf·m, 25.8 ft-lb)*

### C: INSPECTION

Make sure that no crack or other damages do not exist.

## 11. Preparation for Overhaul

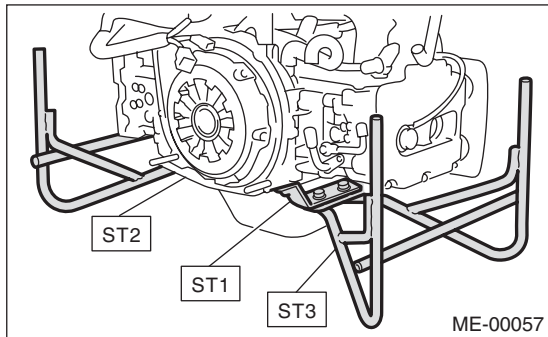
### A: PROCEDURE

1) After removing the engine from body, secure it to ST in the following procedure.

ST1 498457000 ENGINE STAND ADAPTER  
RH

ST2 498457100 ENGINE STAND ADAPTER  
LH

ST3 499817100 ENGINE STAND



2) In this section the procedures described under each index are all connected and stated in order. The procedure for overhauling of the engine will be completed when you go through all steps in the process.

Therefore, in this section, to conduct the particular procedure within the flow of a section, you need to go back and conduct the procedure described previously in order to do that particular procedure.



## 12.V-belt

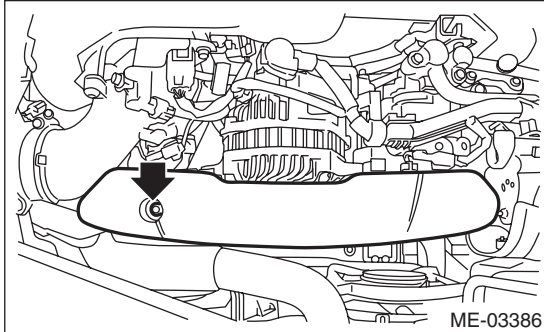
### A: REMOVAL

**NOTE:**

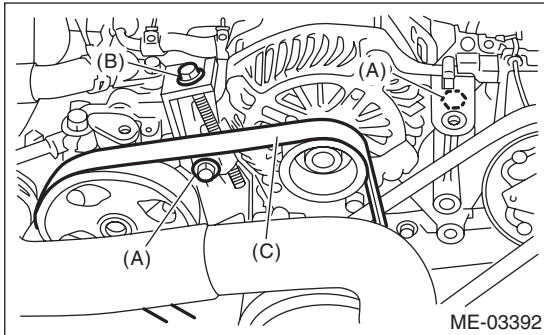
When replacing the single part, perform the work with the engine installed to body.

#### 1. FRONT SIDE BELT

1) Remove the V-belt covers.

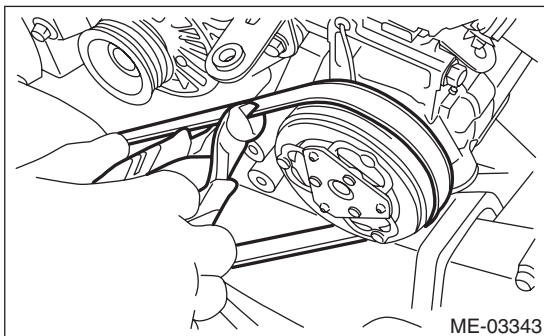


- 2) Remove the air intake duct. <Ref. to IN(H4DOTC)-11, REMOVAL, Air Intake Duct.>
- 3) Loosen the bolt (A).
- 4) Loosen the slider bolt (B).
- 5) Remove the front side belt (C).



#### 2. REAR SIDE BELT

- 1) Remove the front side belts. <Ref. to ME(H4DOTC)-40, FRONT SIDE BELT, REMOVAL, V-belt.>
- 2) Cut the rear side belt with a wire cutter, etc., and discard.



### B: INSTALLATION

#### 1. FRONT SIDE BELT

**CAUTION:**

- When reusing the front side belt, wipe off dust and water with cloth.
- Do not use the front side belt if there is any oil, grease or coolant on the belt.
- Be careful not to rub the belt end surface with bare hands; exposed core may cause injury.

- 1) Wipe off any dust, oil and water on the groove of each pulley with cloth.
- 2) Install the front side belt (C), and adjust the slider bolt (B) so as to obtain the specified belt tension. <Ref. to ME(H4DOTC)-46, INSPECTION, V-belt.>
- 3) Tighten the bolt (A).
- 4) Tighten the slider bolt (B).

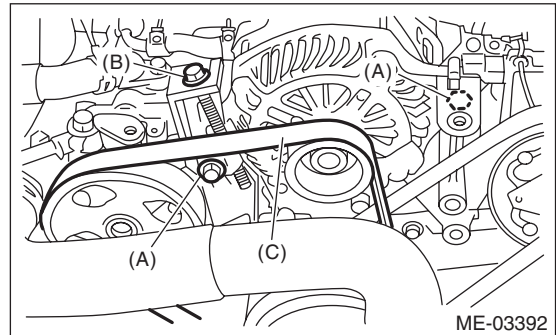
**Tightening torque:**

**Bolt (A)**

**25 N·m (2.5 kgf·m, 18.4 ft·lb)**

**Slider bolt (B)**

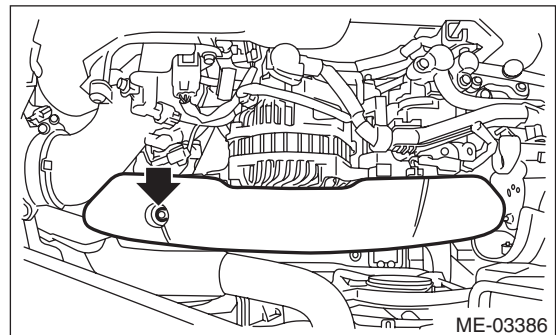
**8 N·m (0.8 kgf·m, 5.9 ft·lb)**



- 5) Install the air intake duct. <Ref. to IN(H4DOTC)-11, INSTALLATION, Air Intake Duct.>
- 6) Install the V-belt cover.

**Tightening torque:**

**13 N·m (1.3 kgf·m, 9.6 ft·lb)**

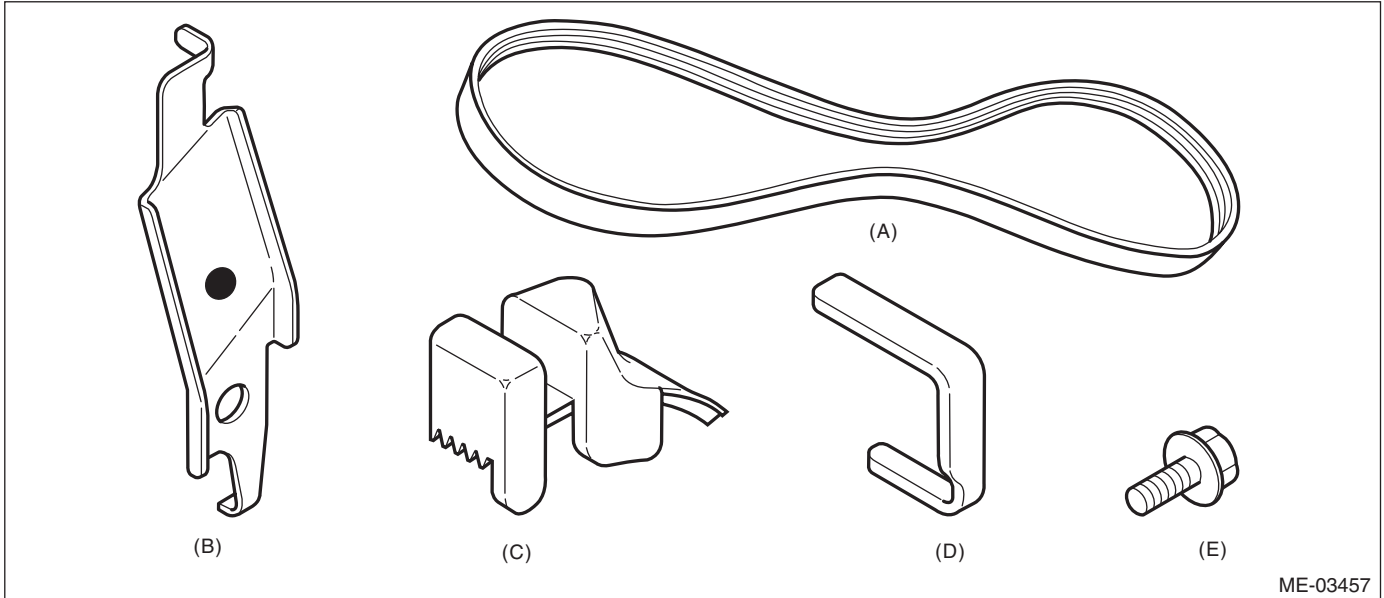




## 2. REAR SIDE BELT

**CAUTION:**

- Do not re-use the rear side belt.
- Be careful not to let oil, grease or coolant contact a new rear side belt.
- Be careful not to rub the belt end surface with bare hands; exposed core may cause injury.
- To install the rear side belt, always use the provided tools (belt stopper, belt guide, belt guide holder, and bolt).

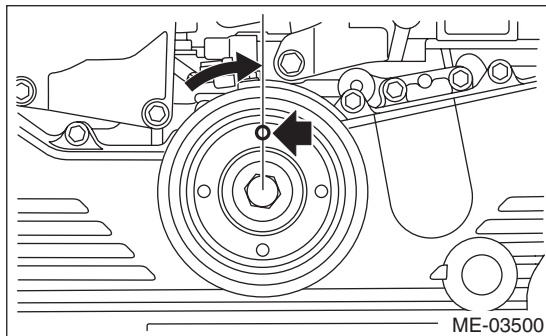


- |                    |                       |          |
|--------------------|-----------------------|----------|
| (A) Rear side belt | (C) Belt guide        | (E) Bolt |
| (B) Belt stopper   | (D) Belt guide holder |          |

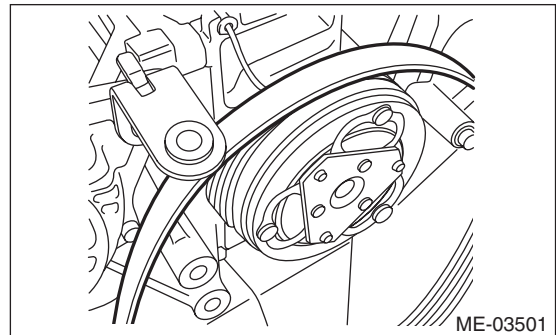
- 1) Wipe off any dust, oil and water on the groove of each pulley with cloth.
- 2) Wipe off any oil, water, dirt, and rust on the front of the crank pulley with cloth.
- 3) Slowly turn the crank pulley clockwise so that the service hole of the crank pulley comes around the top.

**CAUTION:**

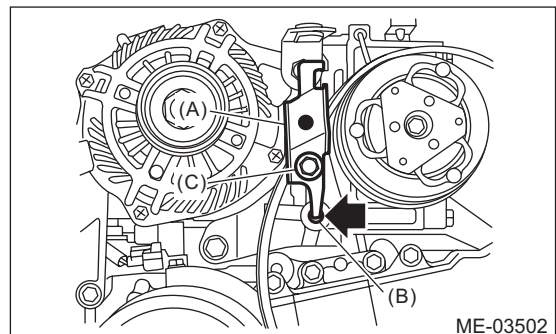
Do not turn the crank pulley counterclockwise.



- 4) Hook a new rear side belt on the A/C compressor pulley.



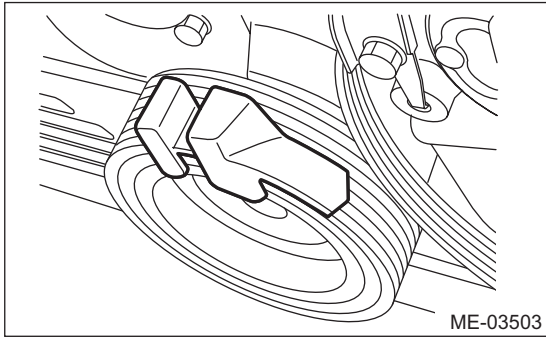
- 5) As shown in the figure, insert the claw of the belt stopper (A) to the lower hole (B) of the compressor bracket, then attach with bolt (C).



# V-belt

## MECHANICAL

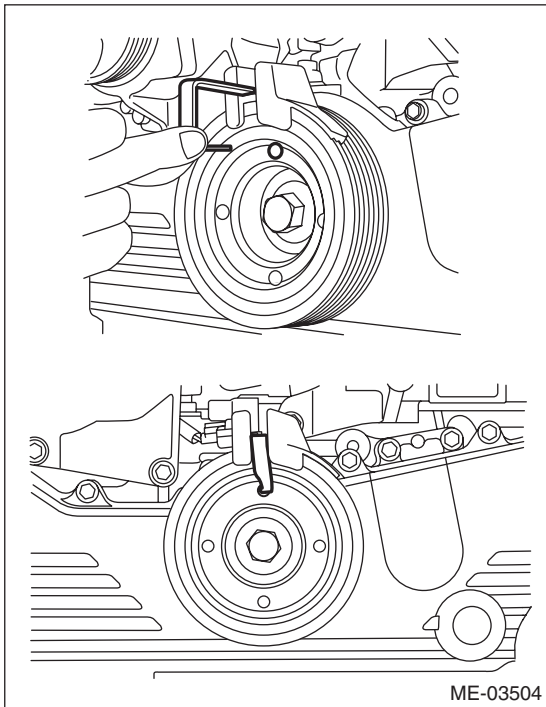
6) Place the belt guide while aligning it with the belt line of the crank pulley on the front side belt side.



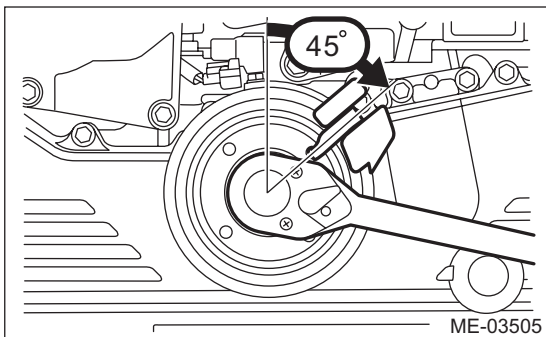
7) Insert the belt guide holder into the service hole of the crank pulley so that the belt guide comes in between.

### NOTE:

Place the belt guide holder with the longer side up.



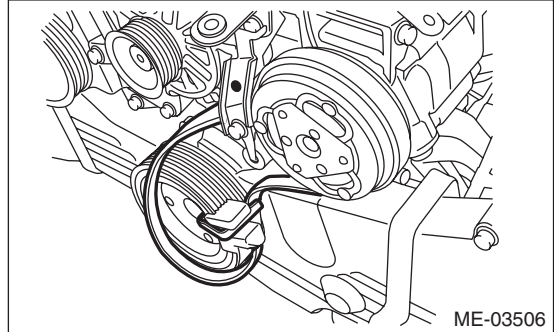
8) Slowly turn the crank pulley clockwise until the belt guide comes to approximately 45°.



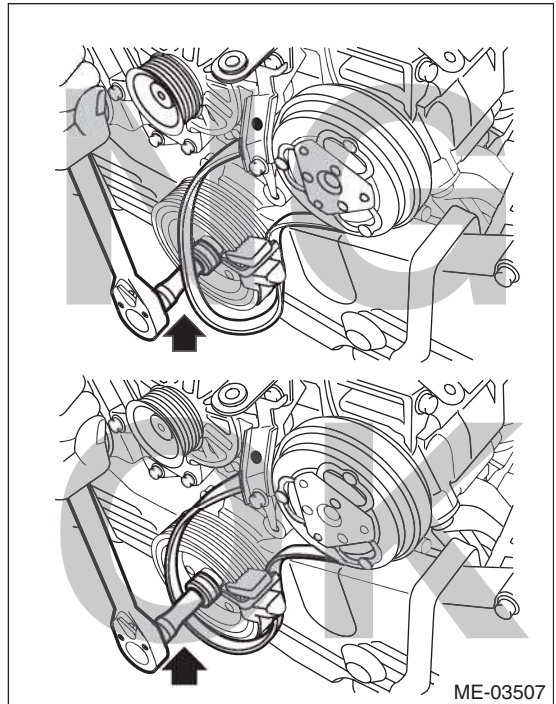
9) Place the rib surface of the rear side belt into the crank pulley groove, so that the rear side belt comes in between the belt guide holder.

### CAUTION:

When it is difficult to place the rear side belt to the crank pulley groove, pull out the belt guide holder half way, then place the rear side belt into the groove so that it comes in between the belt guide holder.



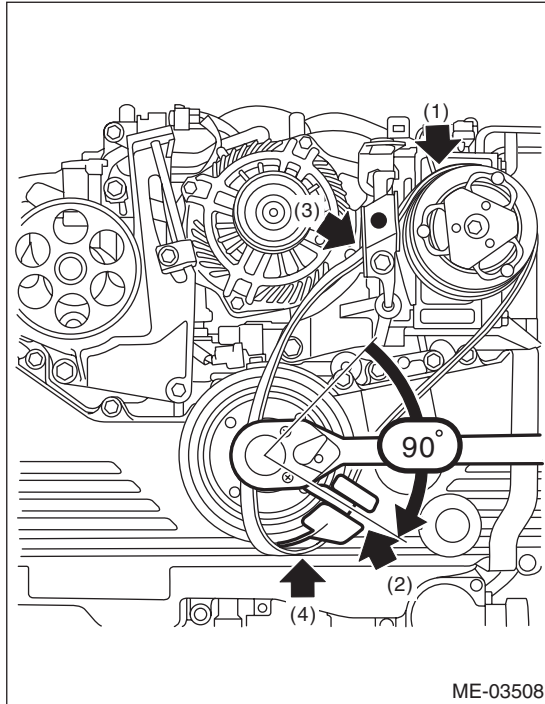
10) Place the tool through the loop of the rear side belt, and set on the crank pulley bolt.



11) While checking the following, slowly turn the crank pulley approximately 90° clockwise so that the belt guide comes to the position shown in the figure.

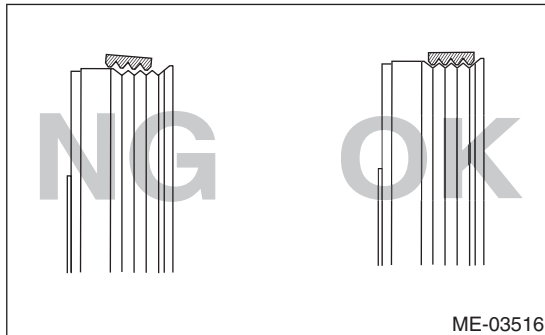
**CAUTION:**

**When turning the crank pulley, always make sure that the belt guide is not off from the crank pulley groove.**



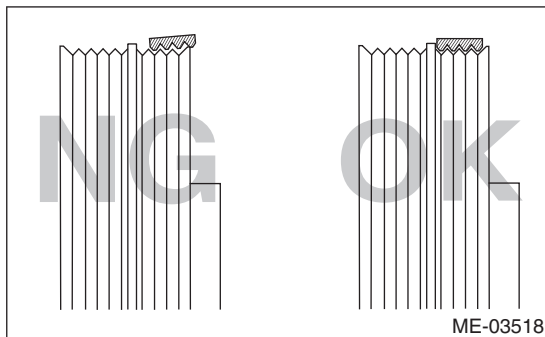
ME-03508

(1) The rib of the rear side belt is securely placed on the groove of the A/C compressor pulley.



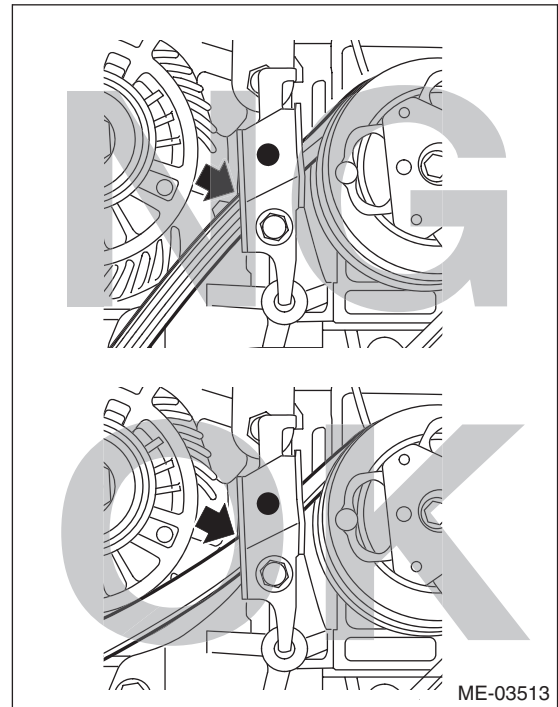
ME-03516

(2) The rib of the rear side belt is securely placed on the groove of the crank pulley.



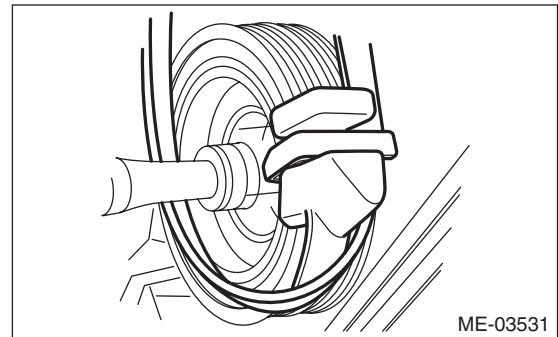
ME-03518

(3) The surface of the rear side belt is held by the belt stopper.



ME-03513

(4) The rear side belt is securely placed on the belt guide.

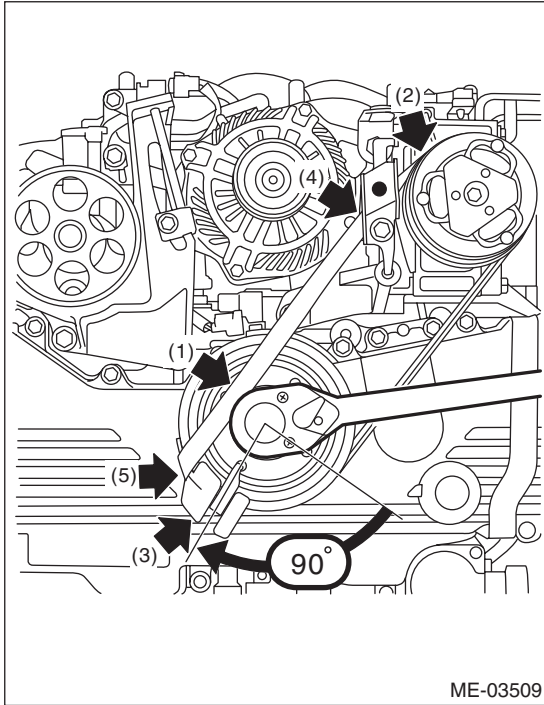


ME-03531

# V-belt

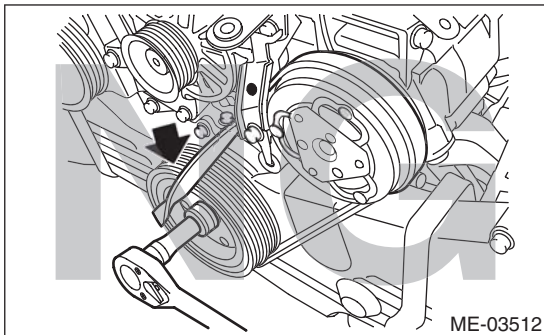
## MECHANICAL

12) While checking the following, slowly turn the crank pulley approximately 90° clockwise so that the belt guide comes to the position shown in the figure.



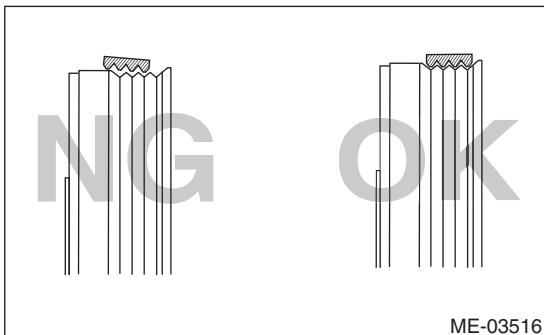
ME-03509

(1) The rear side belt is not twisted.



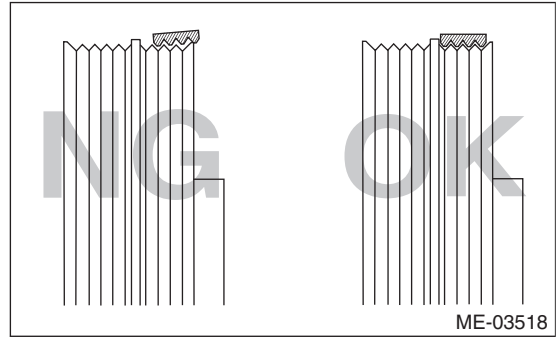
ME-03512

(2) The rib of the rear side belt is securely placed on the groove of the A/C compressor pulley.



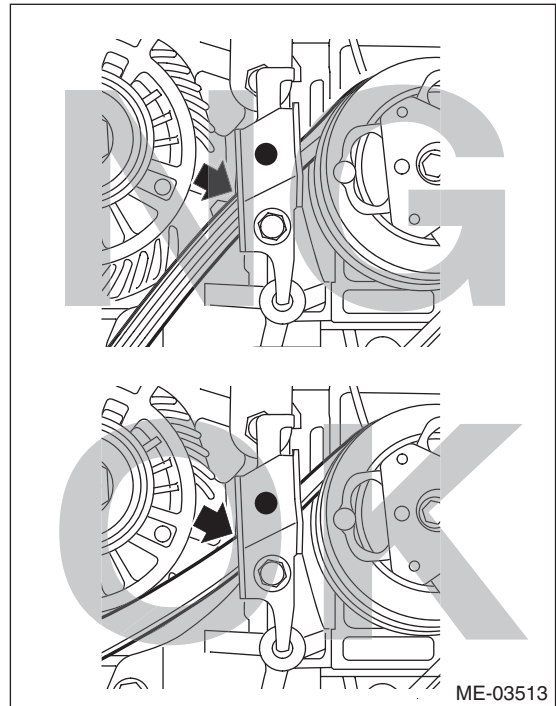
ME-03516

(3) The rib of the rear side belt is securely placed on the groove of the crank pulley.



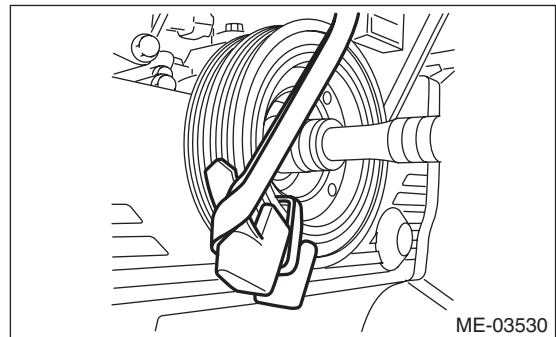
ME-03518

(4) The surface of the rear side belt is held by the belt stopper.



ME-03513

(5) The rear side belt is securely placed on the belt guide.



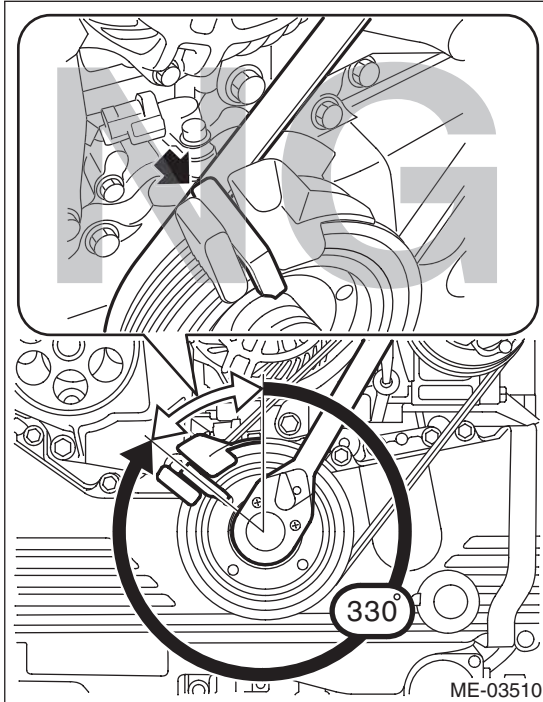
ME-03530



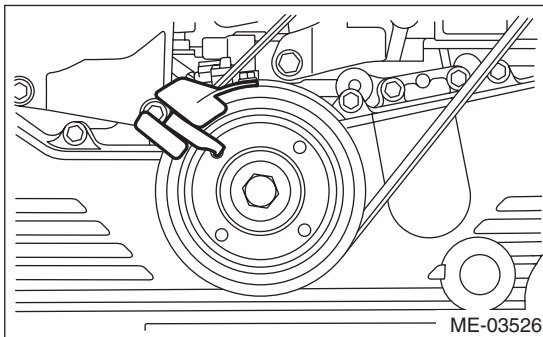
13) Slowly turn the crank pulley clockwise, and install the rear side belt.

**CAUTION:**

Be careful that the total of procedures 8), 11), 12) and 13) does not exceed 330°; failure to do so may cause damage to the rear side belt and fall of the belt guide holder.



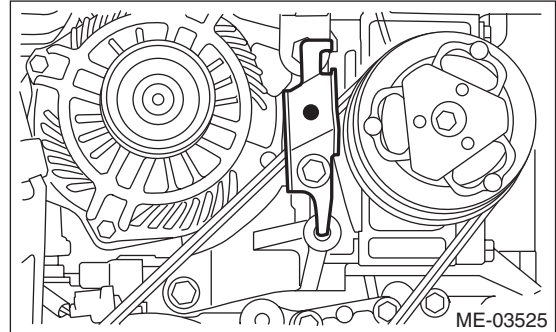
14) Remove the belt guide and belt guide holder from the crank pulley.



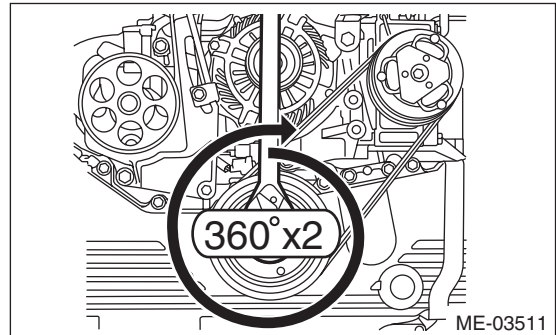
15) Remove the belt stopper from the compressor bracket.

**CAUTION:**

Always remove the belt stopper; failure to do so may cause smoke, fire, or belt cutting.



16) Make sure that the belt rib is securely installed on the groove of each pulley, then turn the crank pulley slowly, twice in the clockwise direction, to seat the rear side belt properly.



17) Discard the provided tools (belt stopper, belt guide, belt guide holder, and bolt) that are used.

18) Install the front side belt. <Ref. to ME(H4DOTC)-40, FRONT SIDE BELT, INSTALLATION, V-belt.>

## C: INSPECTION

### 1. FRONT SIDE BELT

#### CAUTION:

Check and adjust the front side belt tension so that it is within the specified range. Using the belt with a tension out of the specified range may result in a fault such as the following:

- If the front side belt tension is higher, unexpected force is generated at the power steering oil pump, generator and crankshaft bearing, causing abnormal noise due to abnormal wear of the bearing.
- If the front side belt tension is lower, the front side belt and crank pulley slip, causing abnormally high temperature on the crank pulley due to frictional heat. If this condition repeatedly occurs, the front side belt may abnormally wear, causing abnormal noise, front side belt damage or crank pulley damage.

- 1) Replace the front side belt, if crack, fraying or wear is found.
- 2) Check the front side belt tension and adjust it if necessary by changing the generator installing position.

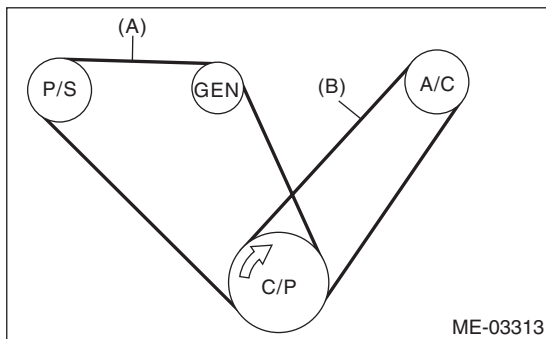
#### Front side belt tension (with belt tension gauge):

When installing new parts

640 — 780 N (65 — 80 kgf, 144 — 175 lbf)

At inspection

490 — 640 N (50 — 65 kgf, 110 — 144 lbf)



- (A) Front side belt
- (B) Rear side belt
- C/P Crank pulley
- GEN Generator pulley
- P/S Power steering oil pump pulley
- A/C A/C compressor pulley

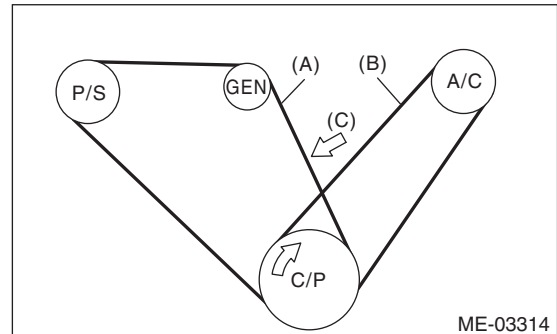
#### Front side belt tension (without belt tension gauge):

When installing new parts

7 — 9 mm (0.276 — 0.354 in)

At inspection

9 — 11 mm (0.354 — 0.433 in)



- (A) Front side belt
- (B) Rear side belt
- (C) 98 N (10 kgf, 22 lbf)
- C/P Crank pulley
- GEN Generator pulley
- P/S Power steering oil pump pulley
- A/C A/C compressor pulley

### 2. REAR SIDE BELT

If cracks, fraying or wear is found, and when abnormal noise is produced, replace the rear side belt.

#### NOTE:

Because the rear side belt is a stretch type belt, it is not necessary to check deflection and tension.

## 13.Crank Pulley

### A: REMOVAL

#### NOTE:

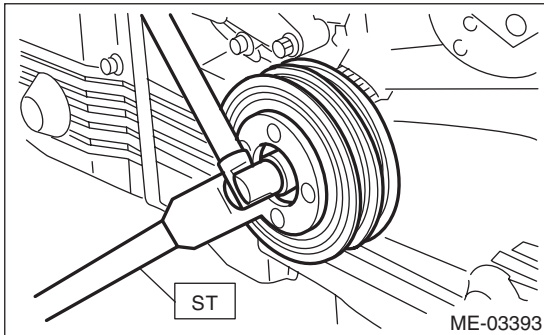
Perform the work with the engine installed to body when replacing a single part.

1) Remove the V-belts. <Ref. to ME(H4DOTC)-40, REMOVAL, V-belt.>

2) Use the ST to lock the crank pulley, and remove the crank pulley bolt.

ST 499977400 CRANK PULLEY WRENCH  
(AT MODEL)

ST 499977100 CRANK PULLEY WRENCH  
(MT MODEL)



3) Remove the crank pulley.

### B: INSTALLATION

#### 1. AT MODEL

1) Install the crank pulley.

2) Use the ST to secure the crank pulley, and attach the crank pulley bolts.

ST 499977400 CRANK PULLEY WRENCH

(1) Clean the crankshaft thread using compressed air.

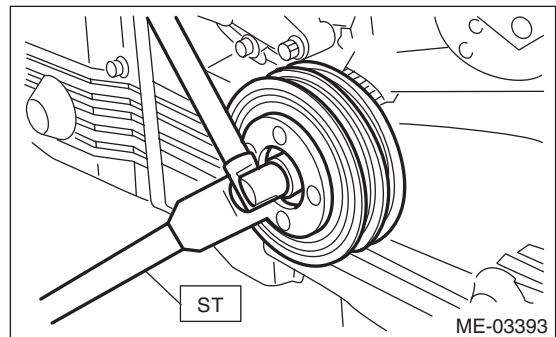
(2) Apply engine oil to the crank pulley bolt seat and thread.

(3) Tighten the bolts temporarily with tightening torque of 44 N·m (4.5 kgf·m, 32.5 ft·lb).

(4) Tighten the crank pulley bolts.

#### **Tightening torque:**

**130 N·m (13.3 kgf·m, 95.9 ft·lb)**



3) Check that the tightening angle of the crank pulley bolt is 45° or more. Perform the following procedure when less than 45°.

#### **CAUTION:**

**If the tightening angle of crank pulley bolt is less than 45°, the bolt is damaged. In this case, the bolt must be replaced.**

(1) Replace the crank pulley bolts and clean them.

#### **Crank pulley bolt:**

**Part No. 12369AA011**

(2) Clean the crankshaft thread using compressed air.

(3) Apply engine oil to the crank pulley bolt seat and thread.

(4) Tighten the bolts temporarily with tightening torque of 44 N·m (4.5 kgf·m, 32.5 ft·lb).

(5) Tighten the crank pulley bolts by 45° to 60°.

#### **NOTE:**

Conduct the tightening procedures by confirming the turning angle of crank pulley bolt referring to the gauge indicated on timing belt cover.

4) Install the V-belts. <Ref. to ME(H4DOTC)-40, INSTALLATION, V-belt.>

# Crank Pulley

MECHANICAL

## 2. MT MODEL

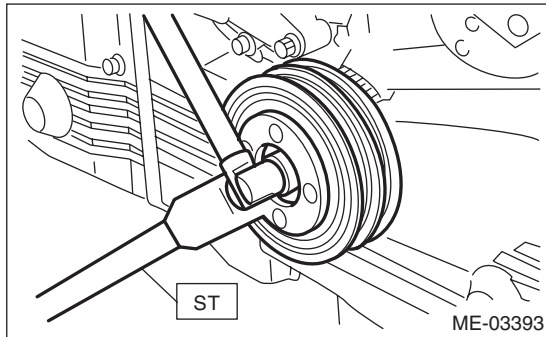
- 1) Install the crank pulley.
- 2) Use the ST to lock the crank pulley, and attach the crank pulley bolts.

ST 499977100 CRANK PULLEY WRENCH

- (1) Clean the crankshaft thread using compressed air.
- (2) Apply engine oil to the crank pulley bolt seat and thread.
- (3) 44 Tighten the bolts temporarily with tightening torque of 44 N·m (4.5 kgf-m, 32.5 ft-lb).
- (4) Tighten the crank pulley bolts.

### **Tightening torque:**

**180 N·m (18.4 kgf-m, 132.8 ft-lb)**



- 3) Check that the tightening angle of the crank pulley bolt is 65° or more. Perform the following procedure when less than 65°.

### **CAUTION:**

**If the tightening angle of crank pulley bolt is less than 65°, the bolt is damaged. In this case, the bolt must be replaced.**

- (1) Replace the crank pulley bolts and clean them.

### **Crank pulley bolt:**

**Part No. 12369AA011**

- (2) Clean the crankshaft thread using compressed air.
- (3) Apply engine oil to the crank pulley bolt seat and thread.
- (4) 44 Tighten the bolts temporarily with tightening torque of 44 N·m (4.5 kgf-m, 32.5 ft-lb).
- (5) Tighten the crank pulley bolts by 65° to 75°.

### **NOTE:**

Conduct the tightening procedures by confirming the turning angle of crank pulley bolt referring to the gauge indicated on timing belt cover.

- 4) Install the V-belts. <Ref. to ME(H4DOTC)-40, INSTALLATION, V-belt.>

## C: INSPECTION

- 1) Make sure the V-belt is not worn or otherwise damaged.
- 2) Check the tension of the front side belt. <Ref. to ME(H4DOTC)-46, INSPECTION, V-belt.>



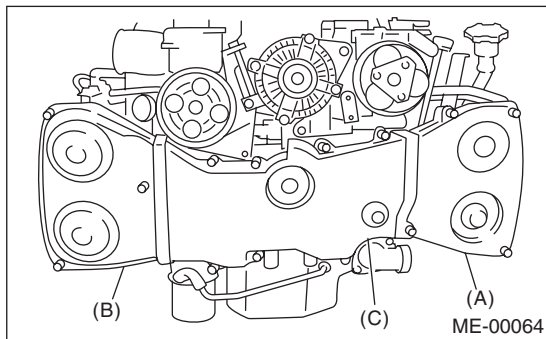
## 14. Timing Belt Cover

### A: REMOVAL

**NOTE:**

Perform the work with the engine installed to body when replacing a single part.

- 1) Remove the secondary air pump. <Ref. to EC(H4DOTC)-24, REMOVAL, Secondary Air Pump.>
- 2) Remove the V-belts. <Ref. to ME(H4DOTC)-40, REMOVAL, V-belt.>
- 3) Remove the crank pulley. <Ref. to ME(H4DOTC)-47, REMOVAL, Crank Pulley.>
- 4) Remove the timing belt cover LH (A).
- 5) Remove the timing belt cover RH (B).
- 6) Remove the front timing belt cover (C).



### B: INSTALLATION

- 1) Install the front timing belt cover (C).

**Tightening torque:**

**5 N·m (0.5 kgf·m, 3.7 ft·lb)**

- 2) Install the timing belt cover RH (B).

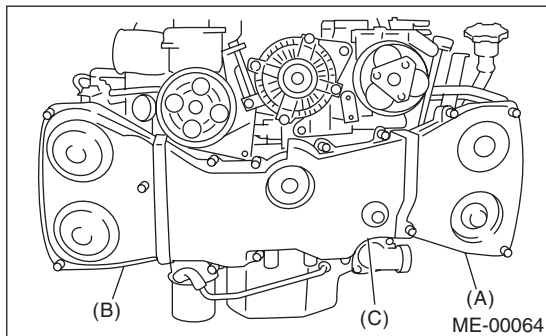
**Tightening torque:**

**5 N·m (0.5 kgf·m, 3.7 ft·lb)**

- 3) Install the timing belt cover LH (A).

**Tightening torque:**

**5 N·m (0.5 kgf·m, 3.7 ft·lb)**



- 4) Install the crank pulley. <Ref. to ME(H4DOTC)-47, INSTALLATION, Crank Pulley.>
- 5) Install the V-belts. <Ref. to ME(H4DOTC)-40, INSTALLATION, V-belt.>
- 6) Install the secondary air pump. <Ref. to EC(H4DOTC)-24, INSTALLATION, Secondary Air Pump.>

# Timing Belt

MECHANICAL

## 15. Timing Belt

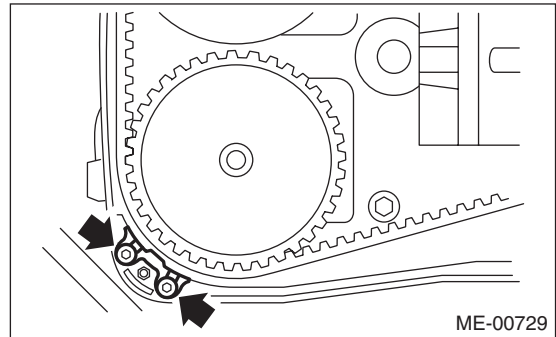
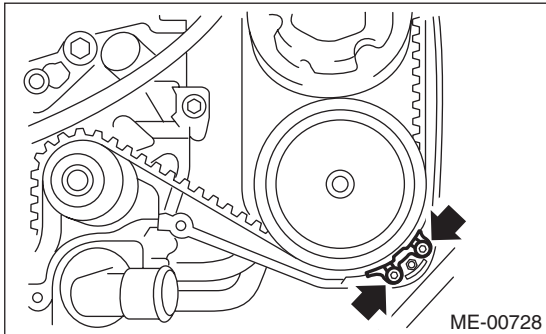
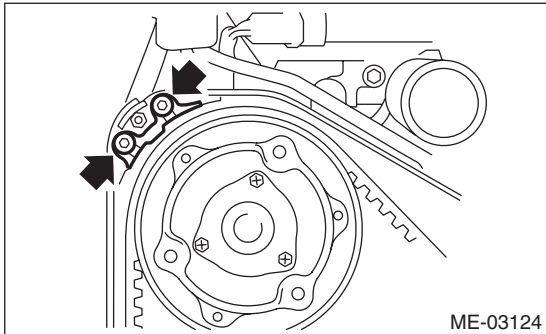
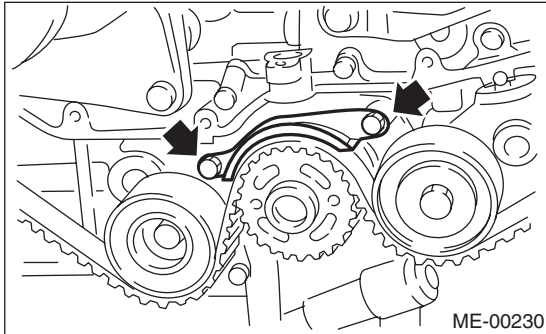
### A: REMOVAL

#### NOTE:

Perform the work with the engine installed to body when replacing a single part. For operation procedures, refer to "Timing Belt" in the PM section. <Ref. to PM-14, Timing Belt.>

#### 1. TIMING BELT

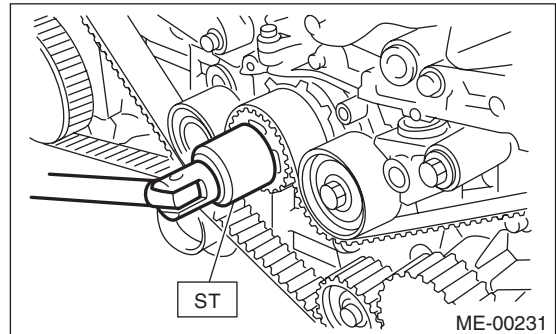
- 1) Remove the V-belts. <Ref. to ME(H4DOTC)-40, REMOVAL, V-belt.>
- 2) Remove the crank pulley. <Ref. to ME(H4DOTC)-47, REMOVAL, Crank Pulley.>
- 3) Remove the timing belt cover. <Ref. to ME(H4DOTC)-49, REMOVAL, Timing Belt Cover.>
- 4) Remove the timing belt guide. (MT model)



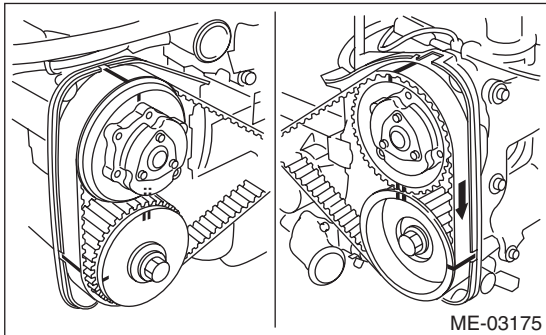
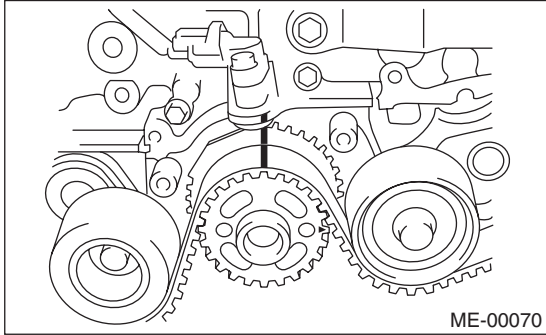
5) If the alignment mark or arrow mark (which indicates the direction of rotation) on timing belt fade away, put new marks before removing the timing belt as shown in procedures below.

(1) Turn the crankshaft using ST, and align the alignment marks on crank sprocket, intake cam sprocket LH, exhaust cam sprocket LH, intake cam sprocket RH and exhaust cam sprocket RH with marks on oil pump and notches of timing belt cover.

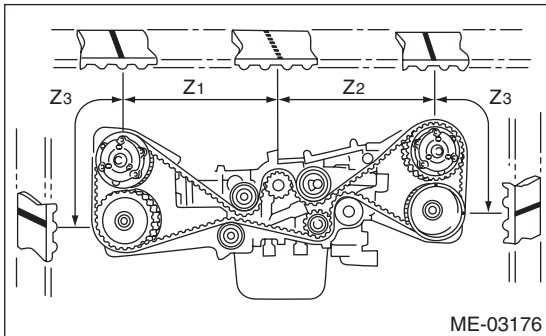
ST 499987500 CRANKSHAFT SOCKET



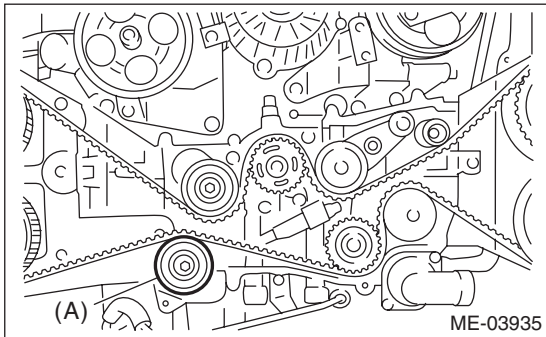
(2) Using white paint, put an alignment mark or an arrow mark on timing belts in relation to the crank sprocket and cam sprockets.



**Z<sub>1</sub>: 54.5 teeth**  
**Z<sub>2</sub>: 51 teeth**  
**Z<sub>3</sub>: 28 teeth**



6) Remove the belt idler (A).



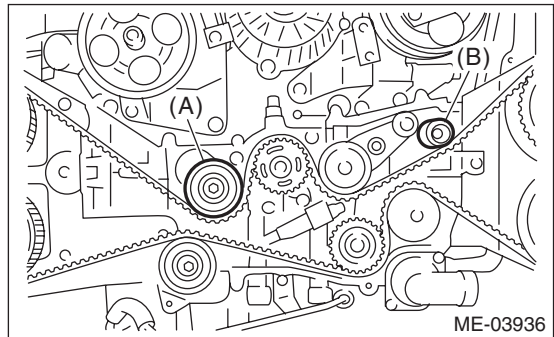
7) Remove the timing belt.

**CAUTION:**

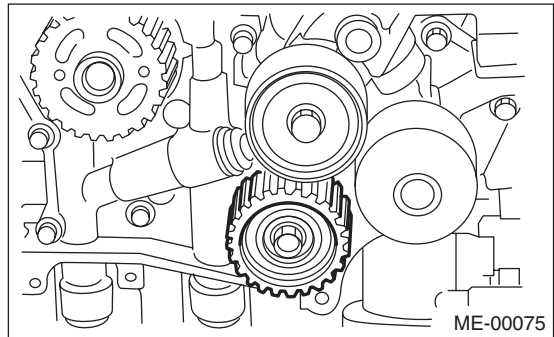
After the timing belt has been removed, never rotate the intake and exhaust sprocket. If the cam sprocket is rotated, the intake and exhaust valve heads strike together and valve stems are bent.

**2. AUTOMATIC BELT TENSION ADJUSTER ASSEMBLY AND BELT IDLER**

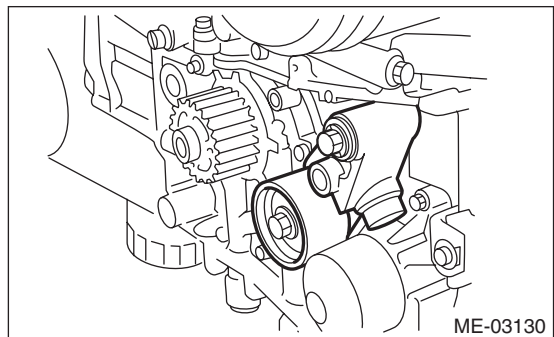
1) Remove the belt idler (A) and (B).



2) Remove the belt idler No. 2.



3) Remove the automatic belt tension adjuster assembly.



# Timing Belt

MECHANICAL

## B: INSTALLATION

### 1. AUTOMATIC BELT TENSION ADJUSTER ASSEMBLY AND BELT IDLER

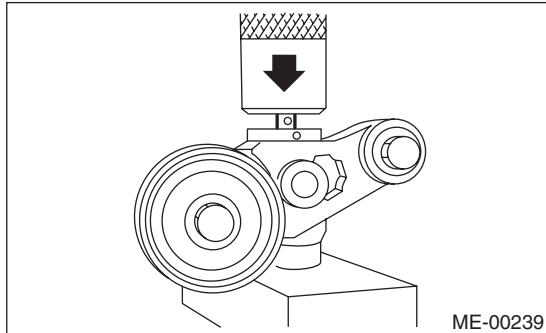
1) Prepare for installation of the automatic belt tension adjuster assembly.

#### CAUTION:

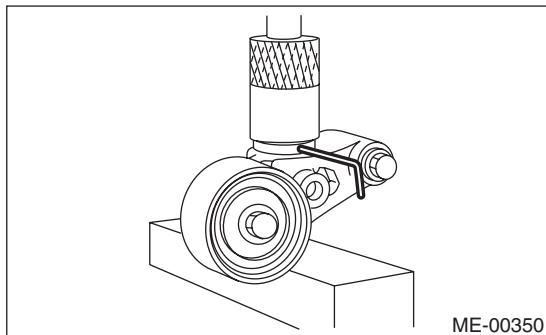
- Always use a vertical type pressing tool to move the adjuster rod down.
- Do not use a lateral type vise.
- Push the adjuster rod vertically.
- Press-in the push adjuster rod gradually taking three minutes or more.
- Do not allow press pressure to exceed 9,807 N (1,000 kgf, 2,205 lb).
- Push in the adjuster rod to the end face of the cylinder. However, do not press the adjuster rod below the end face of the cylinder. Doing so may damage the cylinder.
- Do not release the press pressure until stopper pin is completely inserted.

(1) Attach the automatic belt tension adjuster assembly to vertical pressing tool.

(2) Slowly push in the adjuster rod with a pressure of 165 N (16.8 kgf, 37.1 lb) or more until the adjuster rod is aligned with the stopper pin hole in the cylinder.



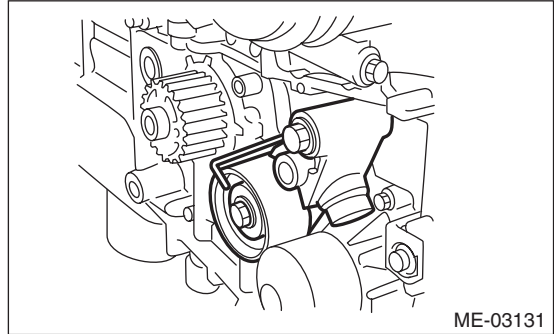
(3) With a 2 mm (0.08 in) dia. stopper pin or a 2 mm (nominal) dia. hex wrench inserted into the stopper pin hole in cylinder, secure the adjuster rod.



2) Install the automatic belt tension adjuster assembly.

#### Tightening torque:

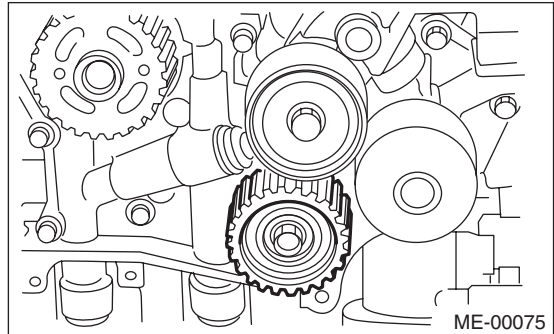
**39 N·m (4.0 kgf·m, 28.8 ft·lb)**



3) Install the belt idler No. 2.

#### Tightening torque:

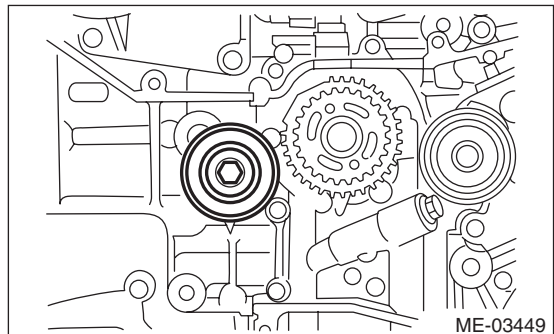
**39 N·m (4.0 kgf·m, 28.8 ft·lb)**



4) Install the belt idlers.

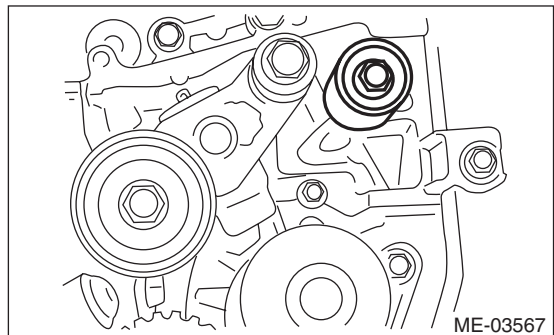
#### Tightening torque:

**39 N·m (4.0 kgf·m, 28.8 ft·lb)**



#### Tightening torque:

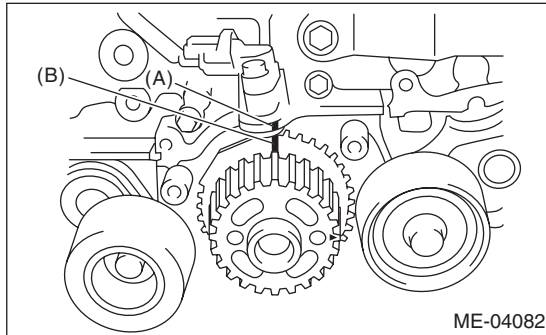
**25 N·m (2.5 kgf·m, 18.4 ft·lb)**



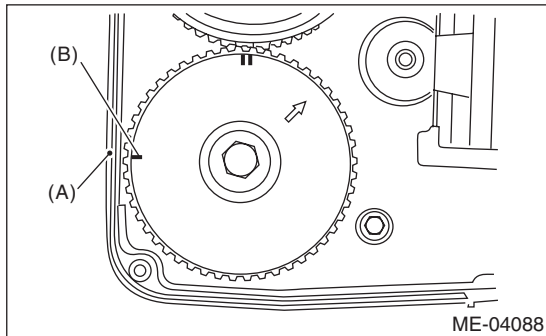
## 2. TIMING BELT

1) Prepare for installation of the automatic belt tension adjuster assembly. <Ref. to ME(H4DOTC)-52, AUTOMATIC BELT TENSION ADJUSTER ASSEMBLY AND BELT IDLER, INSTALLATION, Timing Belt.>

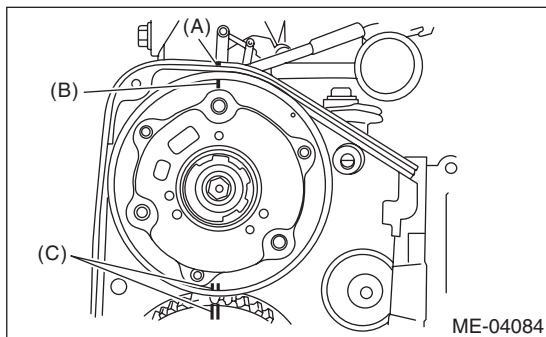
2) Align the mark (B) on crank sprocket with the mark (A) on oil pump.



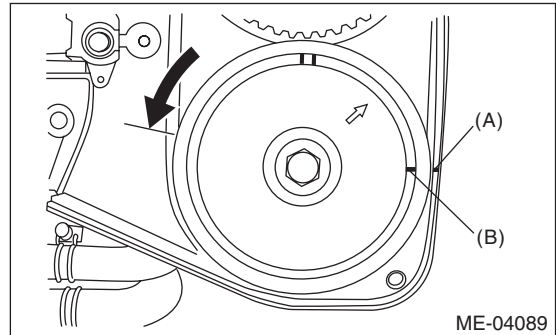
3) Align the single line mark (B) on the exhaust cam sprocket RH with notch (A) on the timing belt cover.



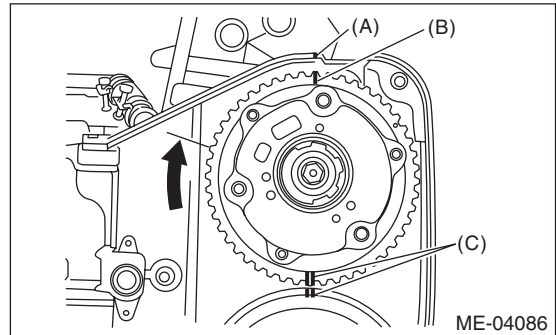
4) Align the single line mark (B) on the intake cam sprocket RH with notch (A) on the timing belt cover. Make sure that the double line marks (C) on intake and exhaust cam sprockets are aligned.



5) Align the single line mark (B) on exhaust cam sprocket LH with notch (A) on the timing belt cover by turning the sprocket counterclockwise (as viewed from front of engine).



6) Align the single line mark (B) on intake cam sprocket LH with notch (A) on the timing belt cover by turning the sprocket clockwise (as viewed from front of engine). Make sure the double line marks (C) on the intake and exhaust cam sprockets are aligned.





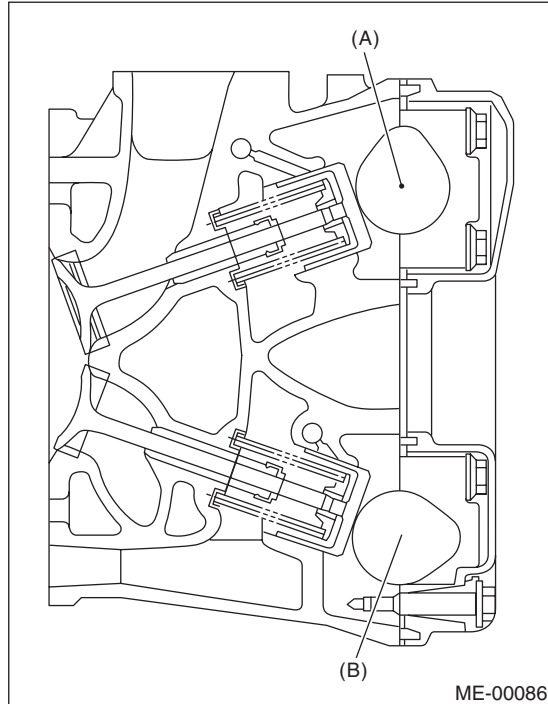
# Timing Belt

## MECHANICAL

7) Make sure that the cam and crank sprockets are positioned properly.

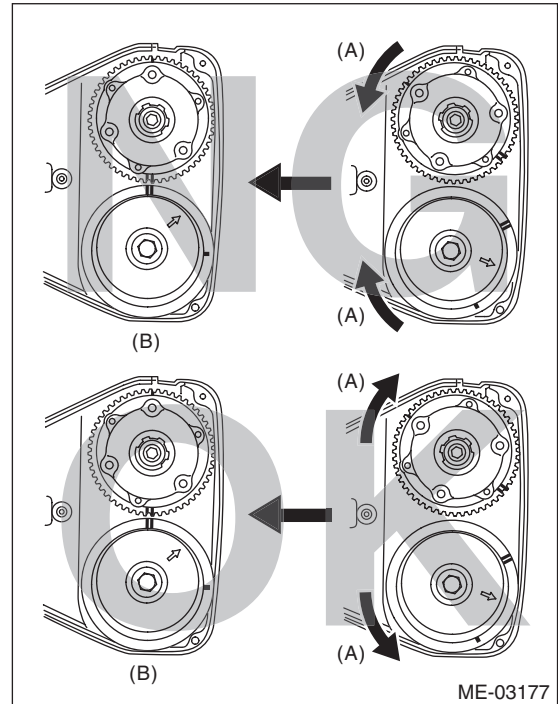
### CAUTION:

- Intake and exhaust camshafts for this DOHC engine can be independently rotated with the timing belts removed. As can be seen from the figure, if the intake and exhaust valves are lifted simultaneously, the valve heads will interfere with each other, resulting in bent valves.



- (A) Intake camshaft
- (B) Exhaust camshaft

- Do not allow the camshafts to rotate in the direction shown in the upper figure. Doing this may cause both the intake and exhaust valves to lift simultaneously, resulting in mutual interference of valve heads.



- (A) Direction of rotation
- (B) Timing belt installation position

- When the timing belts are not installed, four camshafts are held at the “zero-lift” position, where all cams on camshafts are not pushing down on the intake and exhaust valves. (Under this condition, all valves remain unlifted.)

- When the camshafts are rotated to install the timing belts, #2 intake and #4 exhaust cam of camshaft LH are held, pushing their corresponding LH valves down. (Under this condition, these valves are held lifted.) Camshaft RH are held so that their cams do not push the valves down.

- Camshafts LH must be rotated from the zero-lift position to the position where the timing belt is to be installed with the smallest possible angle, in order to prevent mutual interference of intake and exhaust valve heads.

# Timing Belt

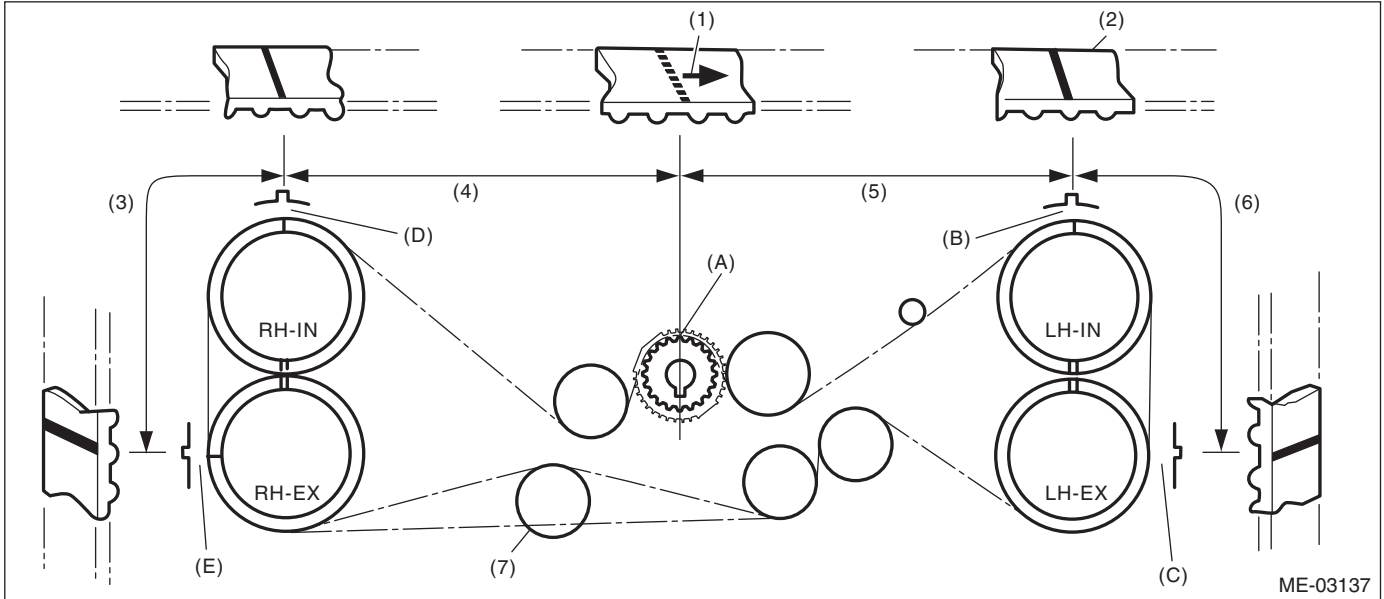
MECHANICAL

8) Install the timing belt.

Align the alignment mark on the timing belt with marks on the sprockets in the alphabetical order shown in the figure. While aligning marks, position the timing belt properly.

### CAUTION:

- If the timing belt slips by 1 or more teeth, the valve and piston may hit each other.
- Make sure that the direction of belt rotation is correct.



- |                 |                |                           |
|-----------------|----------------|---------------------------|
| (1) Arrow mark  | (4) 54.5 teeth | (6) 28 teeth              |
| (2) Timing belt | (5) 51 teeth   | (7) Install it in the end |
| (3) 28 teeth    |                |                           |

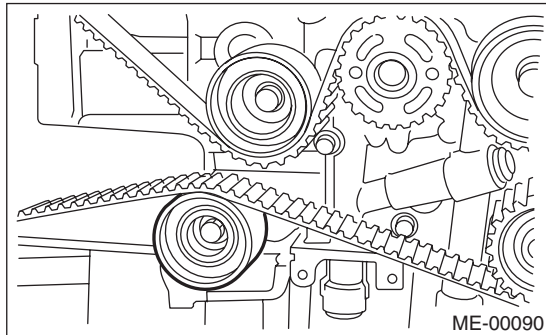
9) Install the belt idlers.

### Tightening torque:

**39 N·m (4.0 kgf·m, 28.8 ft·lb)**

### NOTE:

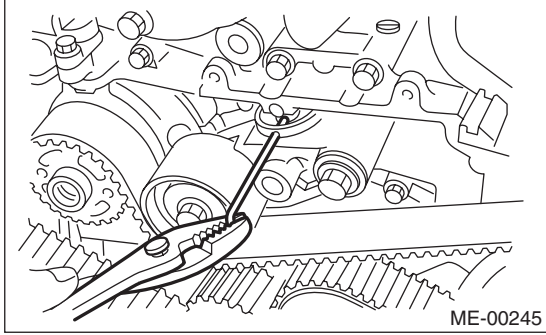
Make sure that the marks on the timing belt and sprockets are aligned.



# Timing Belt

## MECHANICAL

10) After ensuring that the marks on the timing belt and sprockets are aligned, remove the stopper pin from tensioner adjuster.



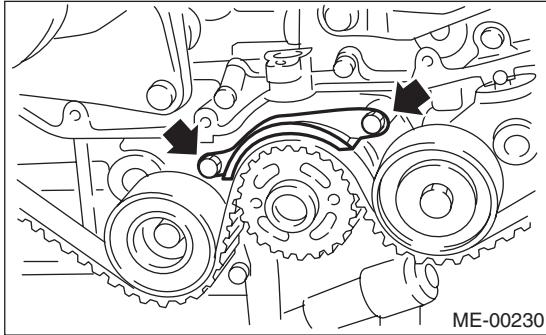
11) Install the timing belt guide. (MT model)  
(1) Temporarily tighten the bolts mounting the timing belt guide.

### NOTE:

- Before attaching the bolts, clean the bolt holes of the timing belt cover.
- Apply liquid gasket to the bolt thread of cam sprocket section. (when reusing bolts)

### Liquid gasket:

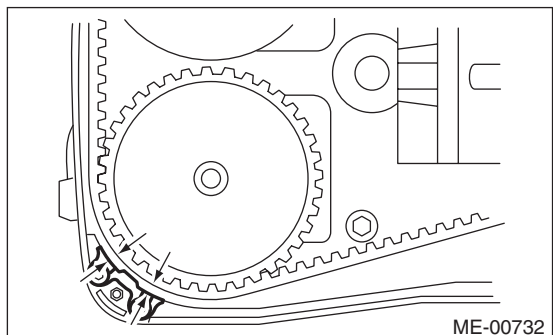
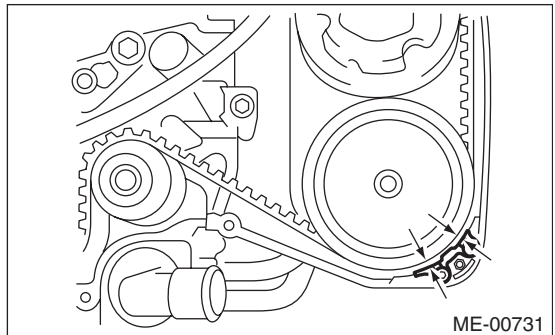
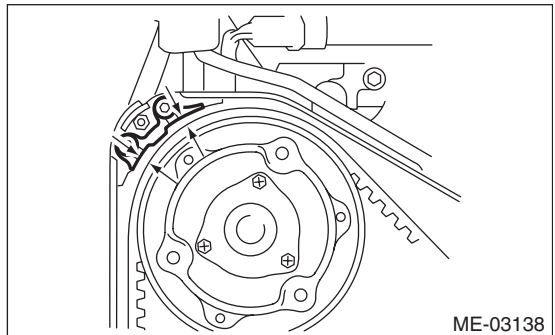
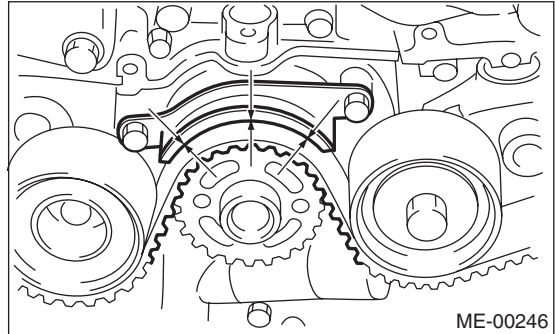
**THREE BOND 1324 (Part No. 004403042) or equivalent**



(2) Check and adjust the clearance between timing belt and timing belt guide using a thickness gauge.

### Clearance:

**$1.0 \pm 0.5$  mm ( $0.039 \pm 0.020$  in)**

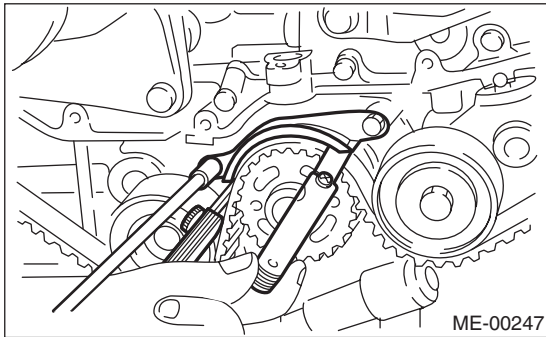




(3) Tighten the bolts mounting the timing belt guide.

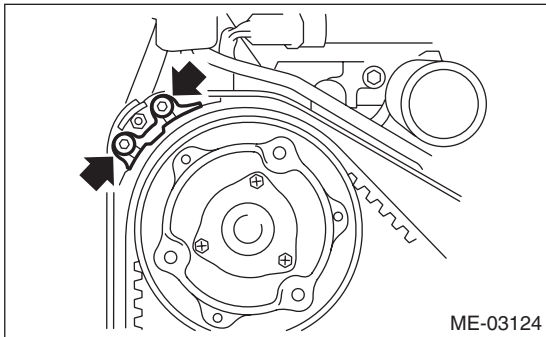
**Tightening torque:**

**9.75 N·m (1.0 kgf·m, 7.2 ft·lb)**



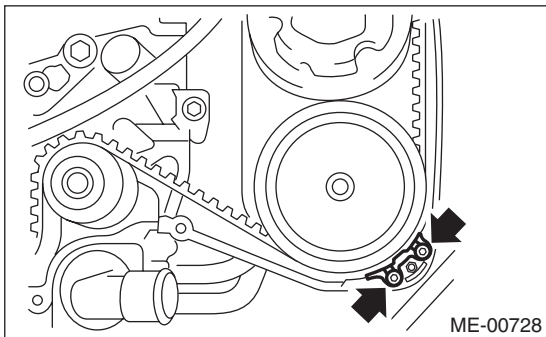
**Tightening torque:**

**6.4 N·m (0.7 kgf·m, 4.7 ft·lb)**



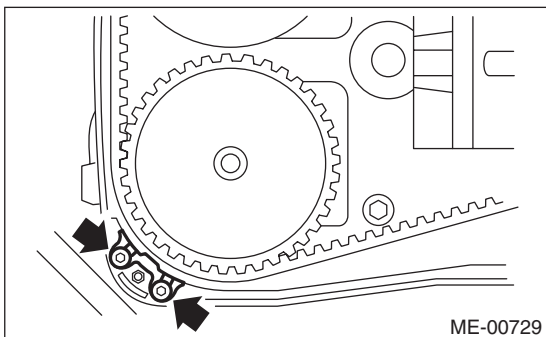
**Tightening torque:**

**6.4 N·m (0.7 kgf·m, 4.7 ft·lb)**



**Tightening torque:**

**6.4 N·m (0.7 kgf·m, 4.7 ft·lb)**



12) Install the timing belt cover. <Ref. to ME(H4DOTC)-49, INSTALLATION, Timing Belt Cover.>

13) Install the crank pulley. <Ref. to ME(H4DOTC)-47, INSTALLATION, Crank Pulley.>

14) Install the V-belts. <Ref. to ME(H4DOTC)-40, INSTALLATION, V-belt.>

## C: INSPECTION

### 1. TIMING BELT

1) Check the timing belt teeth for breaks, cracks or wear. If any fault is found, replace the timing belt.

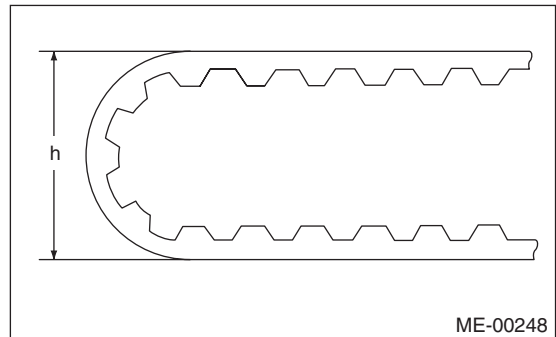
2) Check the condition on the back surface of the timing belt. If cracks are found, replace the timing belt.

#### CAUTION:

- Be careful not to let oil, grease or coolant contact the timing belt. Remove quickly and thoroughly if this happens.
- Do not bend the timing belt sharply.

*In radial diameter h:*

**60 mm (2.36 in) or more**



### 2. AUTOMATIC BELT TENSION ADJUSTER

1) Visually check the oil seals for leaks, and rod ends for abnormal wear and scratches. If necessary, replace the automatic belt tension adjuster assembly.

#### NOTE:

Slight traces of oil at the rod oil seal does not indicate a problem.

2) Check that the adjuster rod does not move when a pressure of 165 N (16.8 kgf, 37.1 lb) is applied to it. This is to check adjuster rod stiffness.

3) If the adjuster rod is not stiff and moves freely when applying 165 N (16.8 kgf, 37.1 lb), check it using the following procedures:

(1) Slowly press the adjuster rod down to the end surface of cylinder. Repeat this operation two to three times.

(2) With the adjuster rod moved all the way up, apply a pressure of 165 N (16.8 kgf, 37.1 lb) to it, and check the adjuster rod stiffness.

# Timing Belt

## MECHANICAL

(3) If the adjuster rod is not stiff and moves down, replace the automatic belt tension adjuster assembly with a new part.

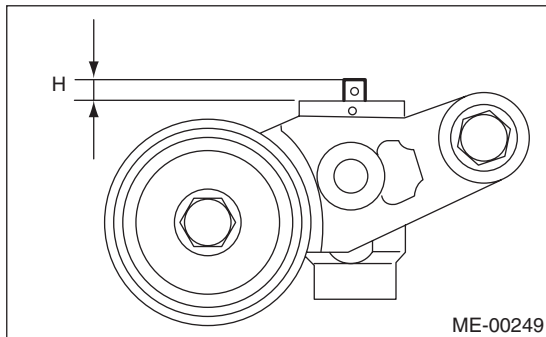
### CAUTION:

- Always use a vertical type pressing tool to move the adjuster rod down.
- Do not use a lateral type vise.
- Push the adjuster rod vertically.
- Press-in the push adjuster rod gradually taking three minutes or more.
- Do not allow press pressure to exceed 9,807 N (1,000 kgf, 2,205 lb).
- Push in the adjuster rod to the end face of the cylinder. However, do not press the adjuster rod below the end face of the cylinder. Doing so may damage the cylinder.

4) Measure the amount of rod protrusion "H" from the end surface of the body. If it is not within specifications, replace the automatic belt tension adjuster assembly with a new part.

### **Amount of rod protrusion H:**

**5.2 — 6.2 mm (0.205 — 0.244 in)**



### 3. BELT TENSION PULLEY

1) Check the mating surfaces of timing belt and contact point of adjuster rod for abnormal wear or scratches. Replace the automatic belt tension adjuster assembly with a new part if faulty.

2) Check the belt tension pulley for smooth rotation. Replace the automatic belt tension adjuster assembly with a new part if abnormal noise or excessive play occurs.

3) Check the belt tension pulley for grease leakage.

### 4. BELT IDLER

1) Check the belt idler for smooth rotation. Replace if noise or excessive play occurs.

2) Check the outer contacting surfaces of idler pulley for abnormal wear and scratches.

3) Check the belt idler for grease leakage.

## 16. Cam Sprocket

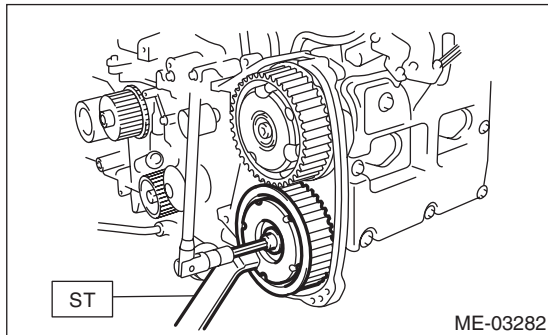
### A: REMOVAL

**NOTE:**

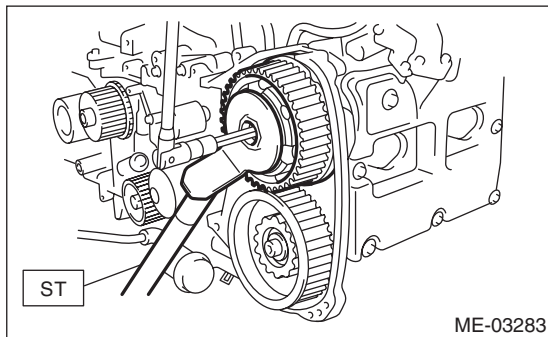
Perform the work with the engine installed to body when replacing a single part.

- 1) Remove the V-belts. <Ref. to ME(H4DOTC)-40, REMOVAL, V-belt.>
- 2) Remove the crank pulley. <Ref. to ME(H4DOTC)-47, REMOVAL, Crank Pulley.>
- 3) Remove the timing belt cover. <Ref. to ME(H4DOTC)-49, REMOVAL, Timing Belt Cover.>
- 4) Remove the timing belt. <Ref. to ME(H4DOTC)-50, REMOVAL, Timing Belt.>
- 5) Remove the actuator cover of the intake cam sprocket.
- 6) Fasten the cam sprocket and remove from the camshaft using ST.

ST 499207400 CAM SPROCKET WRENCH



ST 499977500 CAM SPROCKET WRENCH



### B: INSTALLATION

- 1) Fasten the cam sprocket and install to the camshaft using ST.

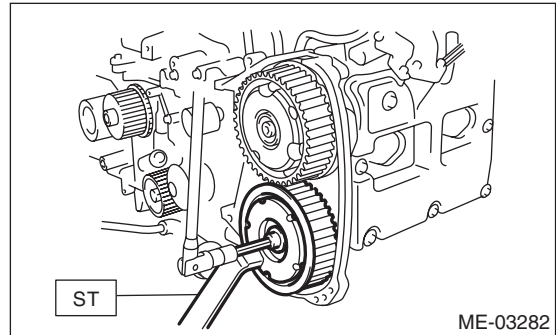
**NOTE:**

Do not confuse cam sprockets (LH) and (RH) during installation.

ST 499207400 CAM SPROCKET WRENCH

**Tightening torque:**

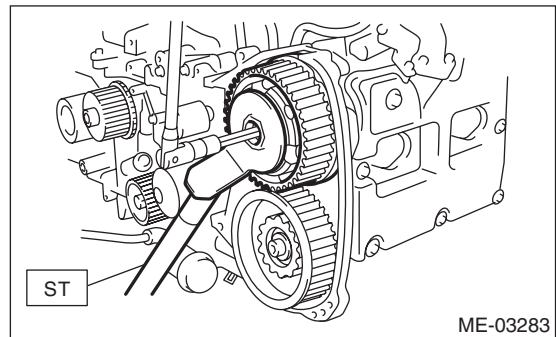
**Tighten to 30 N·m (3.1 kgf·m, 22.1 ft·lb) of torque, and then tighten further by 45°.**



ST 499977500 CAM SPROCKET WRENCH

**Tightening torque:**

**Tighten to 30 N·m (3.1 kgf·m, 22.1 ft·lb) of torque, and then tighten further by 45°.**



- 2) Install the actuator cover of the intake cam sprocket.

**NOTE:**

Use new O-rings.

**Tightening torque:**

**3.4 N·m (0.3 kgf·m, 2.5 ft·lb)**

- 3) Install the timing belt. <Ref. to ME(H4DOTC)-52, INSTALLATION, Timing Belt.>
- 4) Install the timing belt cover. <Ref. to ME(H4DOTC)-49, INSTALLATION, Timing Belt Cover.>
- 5) Install the crank pulley. <Ref. to ME(H4DOTC)-47, INSTALLATION, Crank Pulley.>
- 6) Install the V-belts. <Ref. to ME(H4DOTC)-40, INSTALLATION, V-belt.>

### C: INSPECTION

- 1) Check the cam sprocket teeth for abnormal wear and scratches.
- 2) Make sure there is no free play between cam sprocket and key.

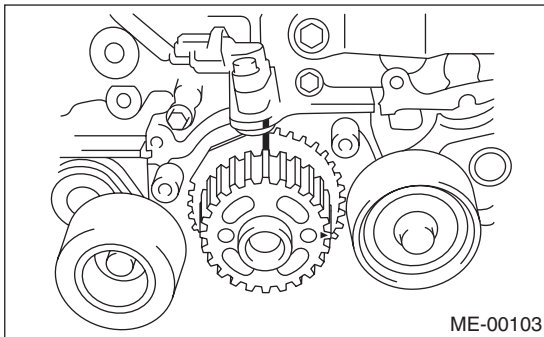
## 17.Crank Sprocket

### A: REMOVAL

#### NOTE:

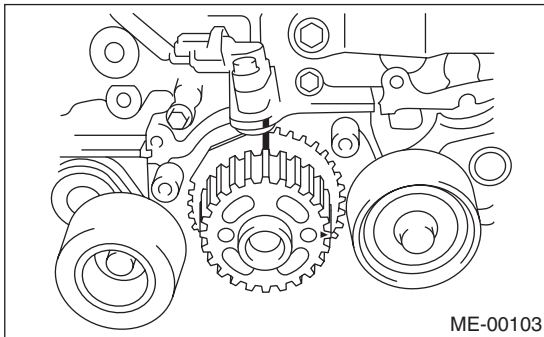
Perform the work with the engine installed to body when replacing a single part.

- 1) Remove the V-belts. <Ref. to ME(H4DOTC)-40, REMOVAL, V-belt.>
- 2) Remove the crank pulley. <Ref. to ME(H4DOTC)-47, REMOVAL, Crank Pulley.>
- 3) Remove the timing belt cover. <Ref. to ME(H4DOTC)-49, REMOVAL, Timing Belt Cover.>
- 4) Remove the timing belt. <Ref. to ME(H4DOTC)-50, REMOVAL, Timing Belt.>
- 5) Remove the crank sprocket.



### B: INSTALLATION

- 1) Install the crank sprocket.



- 2) Install the timing belt. <Ref. to ME(H4DOTC)-52, INSTALLATION, Timing Belt.>
- 3) Install the timing belt cover. <Ref. to ME(H4DOTC)-49, INSTALLATION, Timing Belt Cover.>
- 4) Install the crank pulley. <Ref. to ME(H4DOTC)-47, INSTALLATION, Crank Pulley.>
- 5) Install the V-belts. <Ref. to ME(H4DOTC)-40, INSTALLATION, V-belt.>

### C: INSPECTION

- 1) Check the crank sprocket teeth for abnormal wear and scratches.
- 2) Make sure there is no free play between crank sprocket and key.
- 3) Check the crank sprocket protrusion used for sensor for damage and contamination of foreign matter.

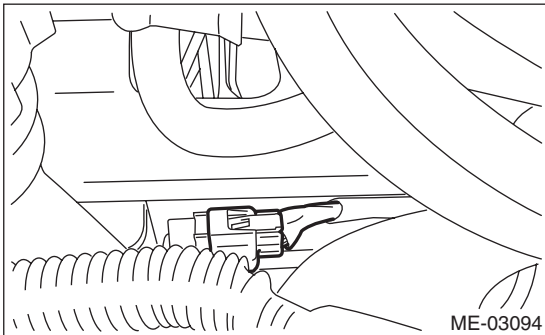
## 18. Camshaft

### A: REMOVAL

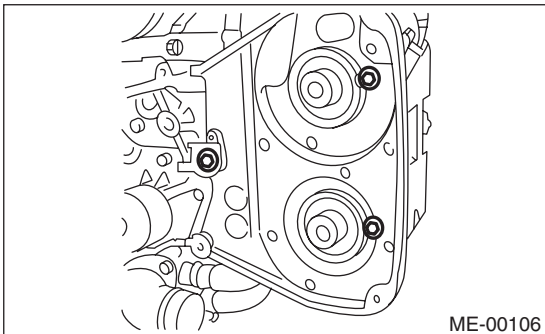
**NOTE:**

Perform the work with the engine installed to body when replacing a single part. Refer to "Valve Clearance" for preparation procedures. <Ref. to ME(H4DOTC)-26, INSPECTION, Valve Clearance.>

- 1) Remove the V-belts. <Ref. to ME(H4DOTC)-40, REMOVAL, V-belt.>
- 2) Remove the crank pulley. <Ref. to ME(H4DOTC)-47, REMOVAL, Crank Pulley.>
- 3) Remove the timing belt cover. <Ref. to ME(H4DOTC)-49, REMOVAL, Timing Belt Cover.>
- 4) Remove the timing belt. <Ref. to ME(H4DOTC)-50, REMOVAL, Timing Belt.>
- 5) Remove the cam sprocket. <Ref. to ME(H4DOTC)-59, REMOVAL, Cam Sprocket.>
- 6) Disconnect the oil flow control solenoid valve connector.



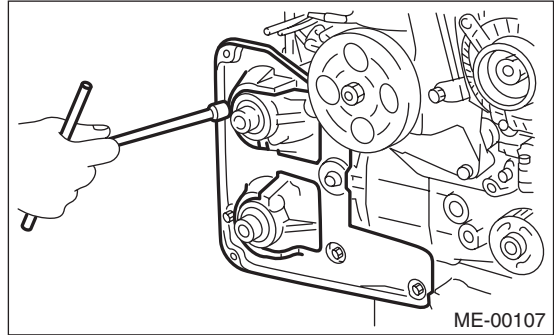
- 7) Remove the timing belt cover No. 2 LH.



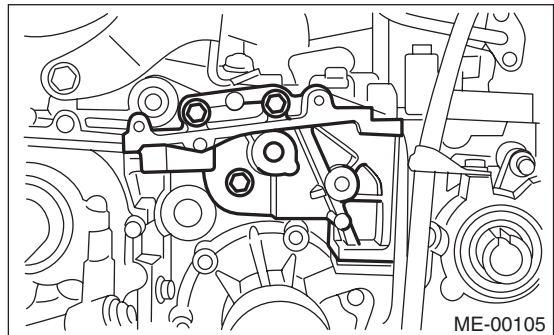
- 8) Remove the timing belt cover No. 2 RH.

**NOTE:**

Do not damage or lose the seal rubber when removing the timing belt covers.



- 9) Remove the tensioner bracket.

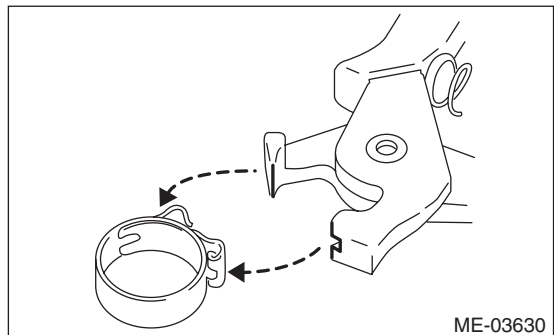


- 10) Remove the ignition coil. <Ref. to IG(H4DOTC)-7, REMOVAL, Ignition Coil.>
- 11) Disconnect the PCV hose from the rocker cover.

**NOTE:**

For the PCV hose affixed with the clamp, fit the depression in the ST with the protrusion of the clamp as shown in the figure below, unlock the clamp and disconnect.

ST 18353AA000 CLAMP PLIERS



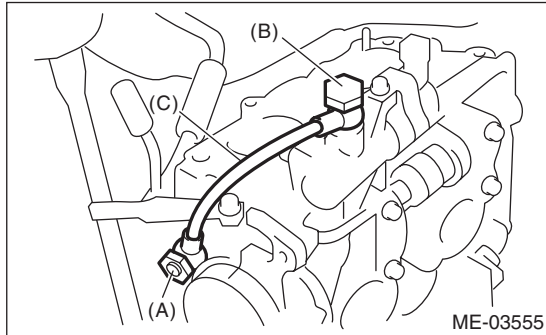
- 12) Remove the rocker cover and gasket.



# Camshaft

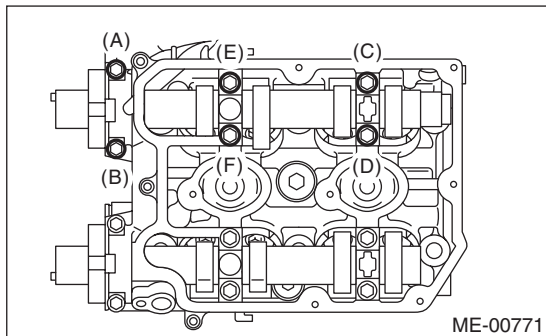
## MECHANICAL

13) Remove the union screw without filter (without protrusion) which secures the oil pipe to the front camshaft cap.

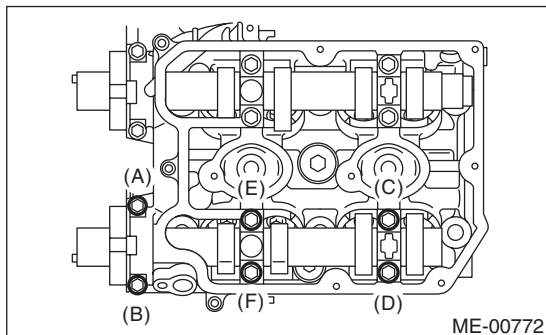


- (A) Union screw with filter (with protrusion)
- (B) Union screw without filter (without protrusion)
- (C) Oil pipe

14) Loosen the upper side of the front camshaft cap and the intake camshaft cap bolts equally, a little at a time in alphabetical sequence shown in the figure.



15) Loosen the lower side of the front camshaft cap and the exhaust camshaft cap bolts equally, a little at a time in alphabetical sequence shown in the figure.



- 16) Remove the front camshaft cap.
- 17) Remove the intake camshaft caps and intake camshaft.
- 18) Remove the exhaust camshaft caps and exhaust camshaft.

### NOTE:

Arrange camshaft caps in order so that they can be installed in their original positions.

19) Remove the oil seal.

### CAUTION:

**Do not scratch the journal surface when removing the oil seal.**

20) Similarly, remove the camshaft RH and related parts.

## B: INSTALLATION

1) Install the camshaft.

Apply engine oil to the cylinder head at camshaft bearing installation location before installing the camshaft. Install the camshaft so that each valve is close to or in contact with base circle of the cam lobe.

### NOTE:

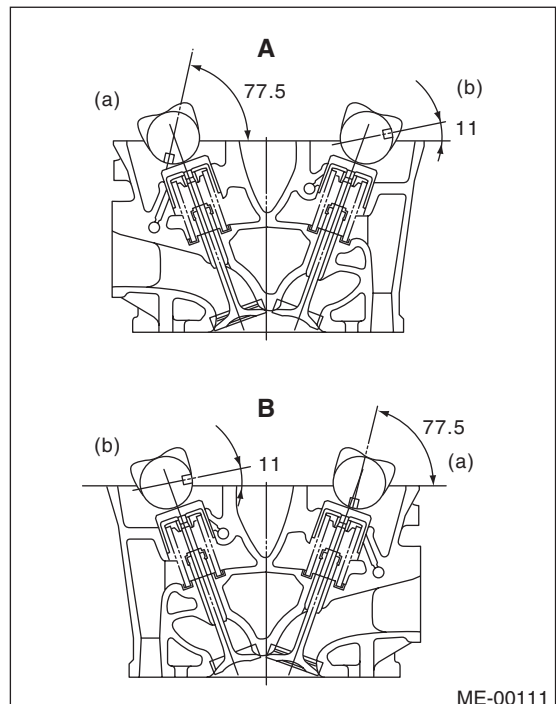
- Set the camshaft to the position shown in the figure.
- When set at the position shown in the figure, it is not necessary to rotate the camshaft RH when installing the timing belt, but it is necessary to rotate the camshaft LH slightly.

**Intake camshaft LH:**

**Rotate 80° clockwise.**

**Exhaust camshaft LH:**

**Rotate 45° counterclockwise.**



- A Cylinder head LH
- B Cylinder head RH
- (a) Intake camshaft
- (b) Exhaust camshaft

2) Install the camshaft cap.

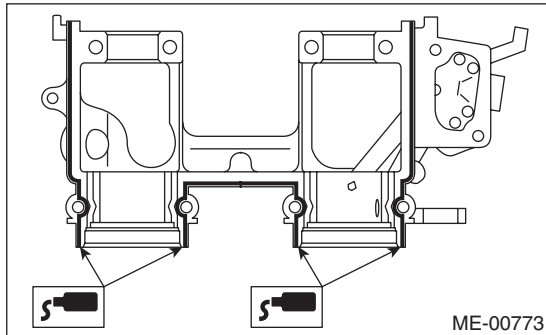
(1) Apply small amount of liquid gasket to the mating surface of cap.

**NOTE:**

- Install within 5 min. after applying liquid gasket.
- Do not apply liquid gasket excessively. Applying excessively may cause excess gasket to come out and flow toward oil seal, resulting in oil leak.

**Liquid gasket:**

**THREE BOND 1217G (Part No. K0877Y0100) or equivalent**



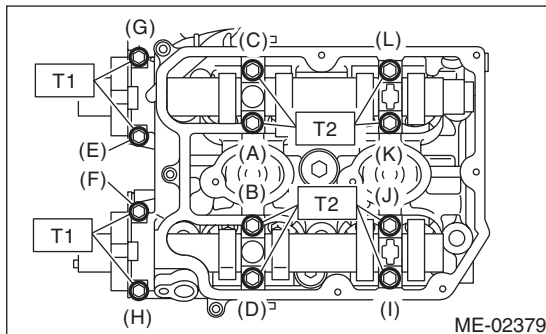
(2) Apply a thin coat of engine oil to the cap journal surface, and install the camshaft cap to the camshaft.

(3) Gradually tighten the camshaft cap in at least two steps, in alphabetical order shown in the figure, and then tighten to the specified torque.

**Tightening torque:**

**T1: 9.75 N·m (1.0 kgf-m, 7.2 ft-lb)**

**T2: 20 N·m (2.0 kgf-m, 14.8 ft-lb)**



(4) After tightening the camshaft cap, ensure the camshaft rotates only slightly while holding it at base circle.

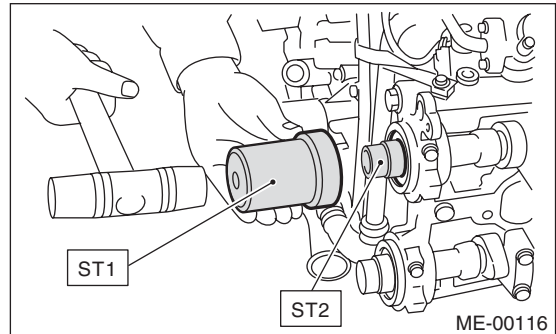
3) Apply a thin coat of engine oil to the periphery of the camshaft oil seal and oil seal lip, and install the oil seal on the camshaft using ST1 and ST2.

**NOTE:**

Use a new oil seal.

ST1 499587600 OIL SEAL INSTALLER

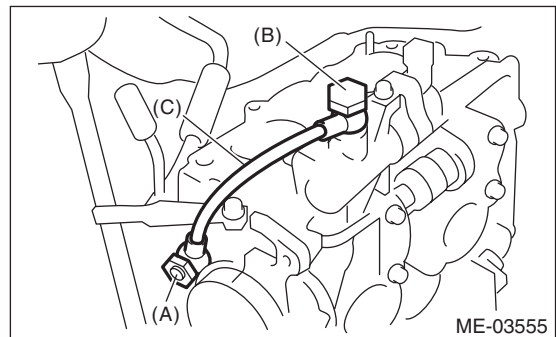
ST2 499597200 OIL SEAL GUIDE



4) Install the oil pipe to the front camshaft cap using the union screw without filter (without protrusion).

**Tightening torque:**

**29 N·m (3.0 kgf-m, 21.4 ft-lb)**



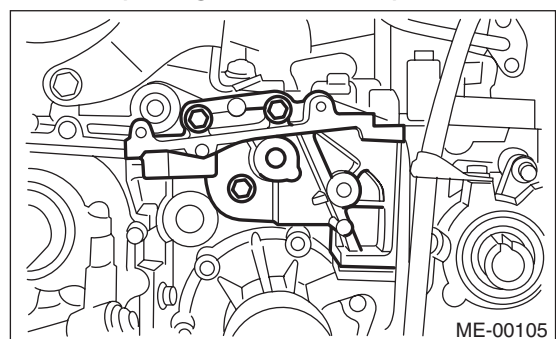
- (A) Union screw with filter (with protrusion)
- (B) Union screw without filter (without protrusion)
- (C) Oil pipe

5) Similarly, install the parts on right-hand side.

6) Install the tensioner bracket.

**Tightening torque:**

**24.5 N·m (2.5 kgf-m, 18.1 ft-lb)**



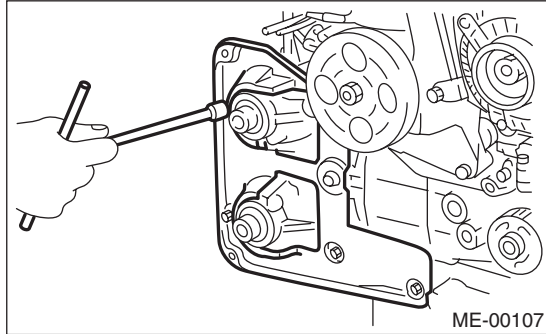
# Camshaft

## MECHANICAL

7) Install the timing belt cover No. 2 RH.

**Tightening torque:**

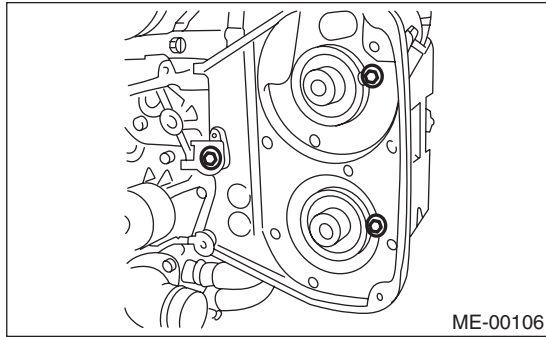
**5 N·m (0.5 kgf·m, 3.7 ft·lb)**



8) Install the timing belt cover No. 2 LH.

**Tightening torque:**

**5 N·m (0.5 kgf·m, 3.7 ft·lb)**



9) Install the cam sprocket. <Ref. to ME(H4DOTC)-59, INSTALLATION, Cam Sprocket.>

10) Install the timing belt. <Ref. to ME(H4DOTC)-52, INSTALLATION, Timing Belt.>

11) Adjust the valve clearance. <Ref. to ME(H4DOTC)-28, ADJUSTMENT, Valve Clearance.>

12) Install the rocker cover.

(1) Install the rocker cover gasket to the rocker cover. (Outer section and ignition coil section)

**NOTE:**

Use a new rocker cover gasket.

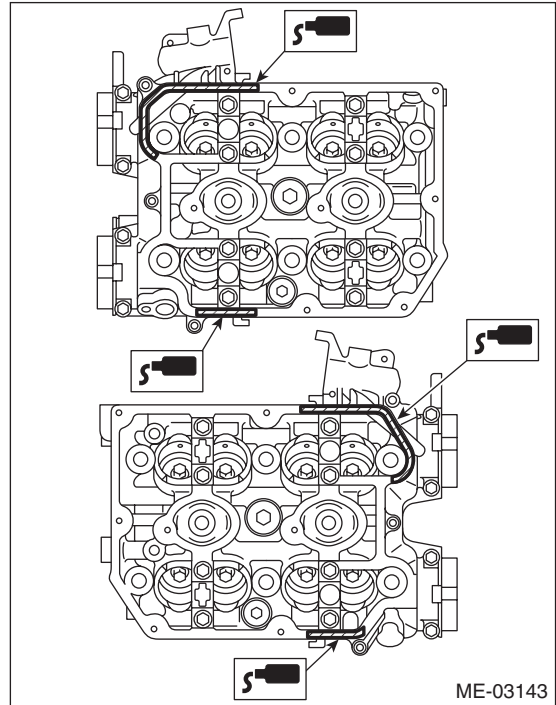
(2) Apply liquid gasket to the specified point of the cylinder head.

**NOTE:**

Install within 5 min. after applying liquid gasket.

**Liquid gasket:**

**THREE BOND 1217G (Part No. K0877Y0100) or equivalent**

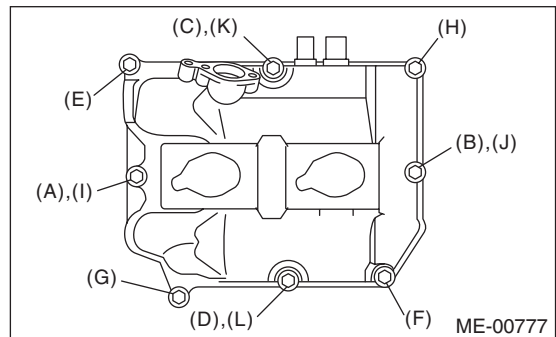


(3) Install the rocker cover onto cylinder heads. Ensure the gasket is properly positioned during installation.

(4) Temporarily tighten the rocker cover tightening bolts in alphabetical order shown in the figure, and then tighten to specified torque in alphabetical order.

**Tightening torque:**

**6.4 N·m (0.7 kgf·m, 4.7 ft·lb)**



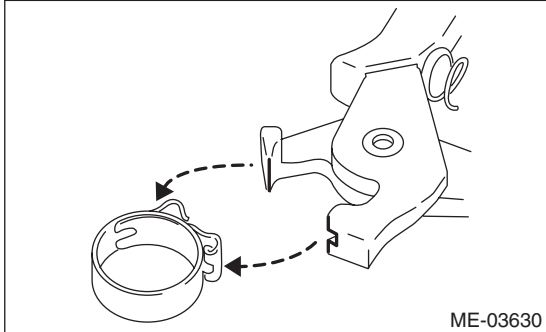


13) Connect the PCV hose to the rocker cover.

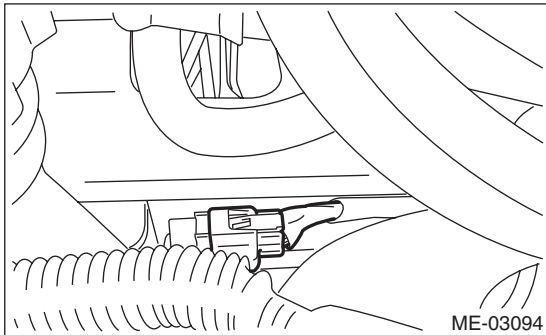
**NOTE:**

Use a new clamp for the PCV hose clamp, fit the cut out in the ST with the protrusion on the clamp as shown in the figure, and lock the clamp.

ST 18353AA000 CLAMP PLIERS



14) Connect the connector to oil flow control solenoid valve.



15) Install the ignition coil. <Ref. to IG(H4DOTC)-7, INSTALLATION, Ignition Coil.>

16) Install the timing belt cover. <Ref. to ME(H4DOTC)-49, INSTALLATION, Timing Belt Cover.>

17) Install the crank pulley. <Ref. to ME(H4DOTC)-47, INSTALLATION, Crank Pulley.>

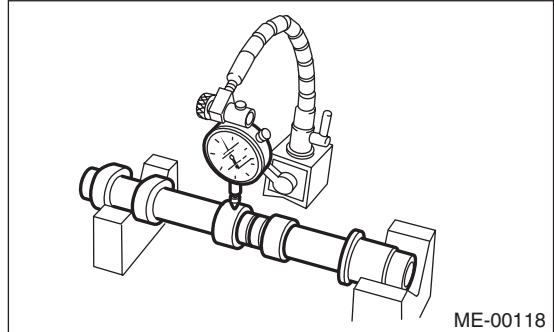
18) Install the V-belts. <Ref. to ME(H4DOTC)-40, INSTALLATION, V-belt.>

## C: INSPECTION

1) Measure the bend, and repair or replace if necessary.

**Camshaft bend limit:**

**0.020 mm (0.00079 in)**



2) Check the journal for damage and wear. Replace if faulty.

3) Check the cutout portion used for camshaft sensor for damage. Replace if faulty.

4) Check the cam face condition, and remove the minor faults by grinding with oil stone. If offset wear occurs, replace it.

5) Measure the cam lobe height H and cam base circle diameter A. If it exceeds the standard or offset wear occurs, replace it.

**Cam lobe height H:**

**Standard**

**Intake**

**46.55 — 46.65 mm (1.833 — 1.837 in)**

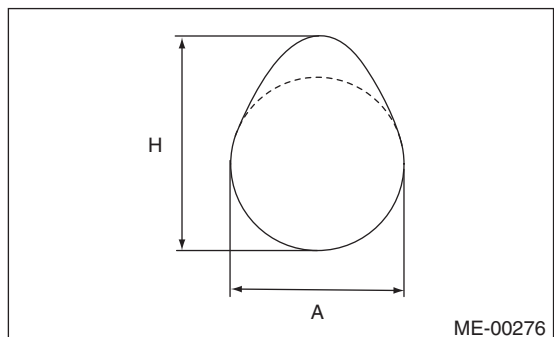
**Exhaust**

**46.75 — 46.85 mm (1.841 — 1.844 in)**

**Cam base circle diameter A:**

**Standard**

**37.0 mm (1.457 in)**



6) Measure the outside diameter of camshaft journal. If the journal diameter is not within specification, check the oil clearance.

	Camshaft journal	
	Front	Center, rear
Standard mm (in)	37.946 — 37.963 (1.4939 — 1.4946)	29.946 — 29.963 (1.1790 — 1.1796)

# Camshaft

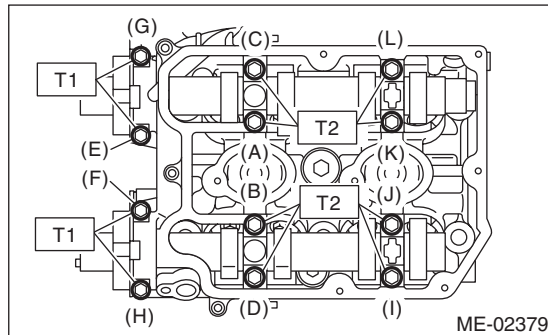
## MECHANICAL

- 7) Measure the oil clearance of camshaft journal.
- (1) Clean the camshaft cap and the camshaft journal of the cylinder head.
  - (2) Place the camshaft on the cylinder head. (Without installing the valve lifter)
  - (3) Place a plastigauge across each camshaft journals.
  - (4) Gradually tighten the camshaft cap in at least two steps, in alphabetical order shown in the figure, and then tighten to the specified torque. Do not turn the camshaft.

### Tightening torque:

**T1: 9.75 N·m (1.0 kgf-m, 7.2 ft-lb)**

**T2: 20 N·m (2.0 kgf-m, 14.8 ft-lb)**

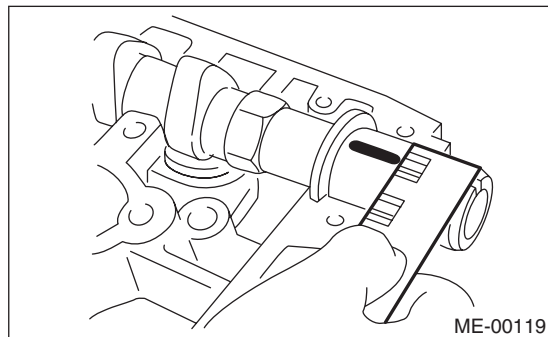


- (5) Remove the camshaft cap.
- (6) Measure the widest point of the plastigauge on each journal. If oil clearance exceeds the standard, replace the camshaft. If necessary, replace the camshaft caps and cylinder head as a set.

### Camshaft oil clearance:

#### Standard

**0.037 — 0.072 mm (0.0015 — 0.0028 in)**



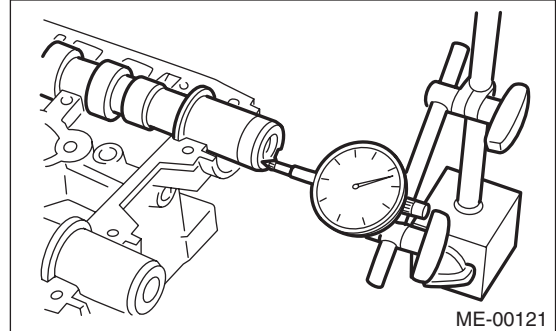
- (7) Completely remove the plastigauge.

- 8) Measure the thrust clearance with setting the dial gauge at end surface of camshaft. If the thrust clearance is not within the standard or there is off-set wear, replace the camshaft caps and cylinder head as a set. If necessary, replace the camshaft.

### Camshaft thrust clearance:

#### Standard

**0.068 — 0.116 mm (0.0027 — 0.0047 in)**



## 19. Cylinder Head

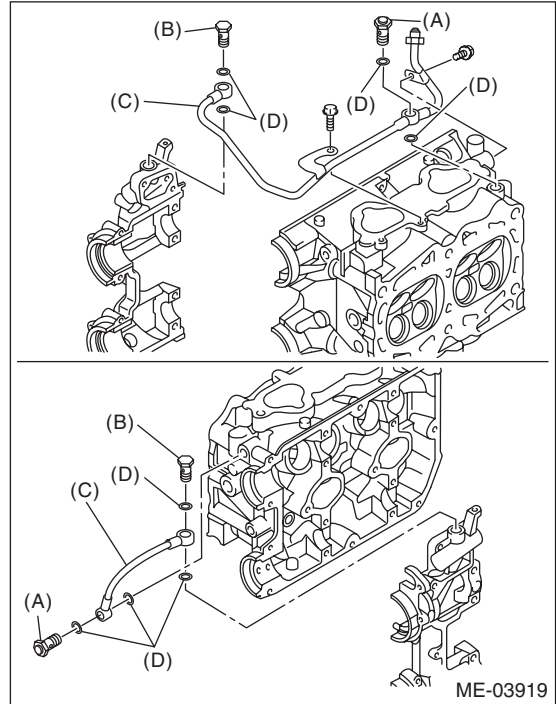
### A: REMOVAL

**NOTE:**

- When replacing the single part, perform the work with the engine installed to body. Refer to “Valve Clearance” for preparation procedures. <Ref. to ME(H4DOTC)-26, INSPECTION, Valve Clearance.>
- When performing the work with the engine installed to body, the following parts must also be removed/installed.
  - Center exhaust pipe <Ref. to EX(H4DOTC)-8, REMOVAL, Center Exhaust Pipe.> <Ref. to EX(H4DOTC)-10, INSTALLATION, Center Exhaust Pipe.>
  - Turbocharger <Ref. to IN(H4DOTC)-15, REMOVAL, Turbocharger.> <Ref. to IN(H4DOTC)-16, INSTALLATION, Turbocharger.>
  - Joint pipe <Ref. to EX(H4DOTC)-12, REMOVAL, Joint Pipe.> <Ref. to EX(H4DOTC)-12, INSTALLATION, Joint Pipe.>
  - Front exhaust pipe <Ref. to EX(H4DOTC)-6, REMOVAL, Front Exhaust Pipe.> <Ref. to EX(H4DOTC)-7, INSTALLATION, Front Exhaust Pipe.>

- 1) Remove the V-belts. <Ref. to ME(H4DOTC)-40, REMOVAL, V-belt.>
- 2) Remove the intake manifold. <Ref. to FU(H4DOTC)-16, REMOVAL, Intake Manifold.>
- 3) Remove the crank pulley. <Ref. to ME(H4DOTC)-47, REMOVAL, Crank Pulley.>
- 4) Remove the timing belt cover. <Ref. to ME(H4DOTC)-49, REMOVAL, Timing Belt Cover.>
- 5) Remove the timing belt. <Ref. to ME(H4DOTC)-50, REMOVAL, Timing Belt.>
- 6) Remove the cam sprocket. <Ref. to ME(H4DOTC)-59, REMOVAL, Cam Sprocket.>
- 7) Remove the secondary air combination valve. <Ref. to EC(H4DOTC)-25, REMOVAL, Secondary Air Combination Valve.>
- 8) Remove the bolts which secure A/C compressor bracket to cylinder head.

- 9) Remove the oil pipe.

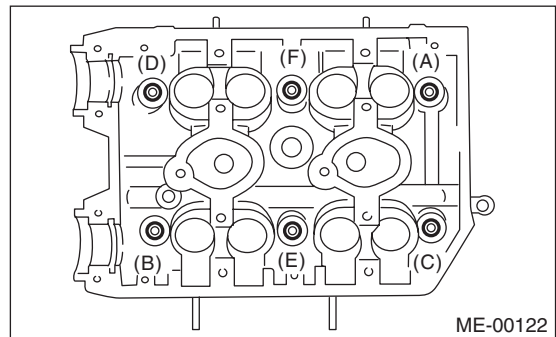


- (A) Union screw with filter (with protrusion)
- (B) Union screw without filter (without protrusion)
- (C) Oil pipe
- (D) Gasket

- 10) Remove the camshaft. <Ref. to ME(H4DOTC)-61, REMOVAL, Camshaft.>
- 11) Remove the oil level gauge guide. (LH side only)
- 12) Remove the cylinder head bolts in alphabetical order shown in the figure.

**NOTE:**

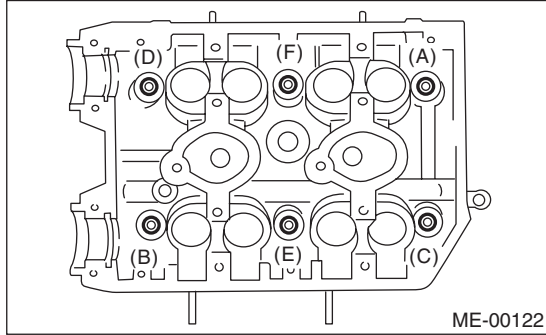
Leave the bolts (A) and (D) engaged by three or four threads to prevent the cylinder head from falling.



# Cylinder Head

## MECHANICAL

13) While tapping the cylinder head with a plastic hammer, separate it from cylinder block. Remove the bolts (A) and (D) to remove cylinder head.



14) Remove the cylinder head gasket.

### CAUTION:

**Be careful not to scratch the mating surface of cylinder head and cylinder block.**

15) Similarly, remove the right side cylinder head.

## B: INSTALLATION

1) Install the cylinder head and gaskets on cylinder block.

### CAUTION:

**Be careful not to scratch the mating surface of cylinder head and cylinder block.**

### NOTE:

Use a new cylinder head gasket.

2) Tighten the cylinder head bolts.

(1) Apply a thin coat of engine oil to washer and bolt thread.

(2) Tighten all bolts to 29 N·m (3.0 kgf-m, 21.4 ft-lb) in alphabetical order.

(3) Retighten all bolts to 69 N·m (7.0 kgf-m, 50.9 ft-lb) in alphabetical order.

(4) Loosen all the bolts by 180° in the reverse order of installing, and loosen them further by 180°.

(5) Tighten all bolts to 49 N·m (5.0 kgf-m, 36.1 ft-lb) in alphabetical order.

(6) Tighten all bolts by 80 to 90° in alphabetical order.

(7) Tighten all bolts by 40 to 45° in alphabetical order again.

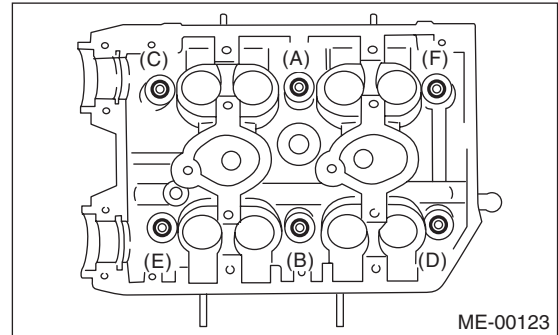
### CAUTION:

**The tightening angle of the bolt should not exceed 45°.**

(8) Tighten bolts (A) and (B) further by 40 — 45°.

### CAUTION:

**Make sure the total “re-tightening angle” of the step (7) and (8) does not exceed 90°.**



3) Install the oil level gauge guide. (LH side only)

### Tightening torque:

**6.4 N·m (0.7 kgf-m, 4.7 ft-lb)**

4) Install the camshaft. <Ref. to ME(H4DOTC)-62, INSTALLATION, Camshaft.>

5) Install the oil pipe.

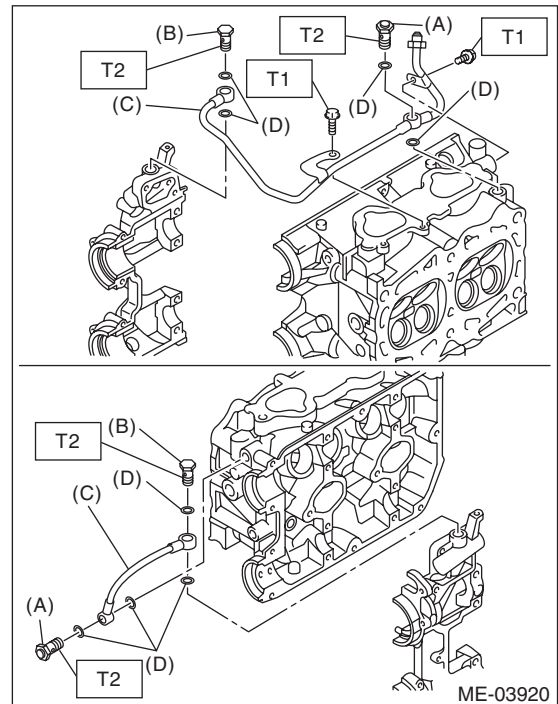
### NOTE:

Be careful of the install location of the union screw; the location will differ depending on whether or not there is a filter.

### Tightening torque:

**T1: 8 N·m (0.8 kgf-m, 5.9 ft-lb)**

**T2: 29 N·m (3.0 kgf-m, 21.4 ft-lb)**



(A) Union screw with filter (with protrusion)

(B) Union screw without filter (without protrusion)

(C) Oil pipe

(D) Gasket

6) Install the A/C compressor bracket on cylinder head.

**Tightening torque:**

**36 N·m (3.7 kgf·m, 26.6 ft·lb)**

7) Install the secondary air combination valve. <Ref. to EC(H4DOTC)-26, INSTALLATION, Secondary Air Combination Valve.>

8) Install the cam sprocket. <Ref. to ME(H4DOTC)-59, INSTALLATION, Cam Sprocket.>

9) Install the timing belt. <Ref. to ME(H4DOTC)-52, INSTALLATION, Timing Belt.>

10) Adjust the valve clearance. <Ref. to ME(H4DOTC)-28, ADJUSTMENT, Valve Clearance.>

11) Install the rocker cover.

(1) Install the rocker cover gasket to the rocker cover. (Outer section and ignition coil section)

**NOTE:**

Use a new rocker cover gasket.

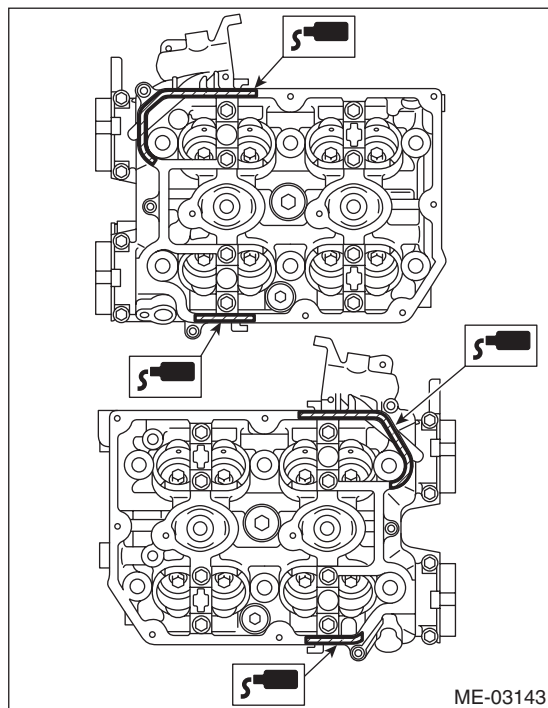
(2) Apply liquid gasket to the specified point of the cylinder head.

**NOTE:**

Install within 5 min. after applying liquid gasket.

**Liquid gasket:**

**THREE BOND 1217G (Part No. K0877Y0100) or equivalent**

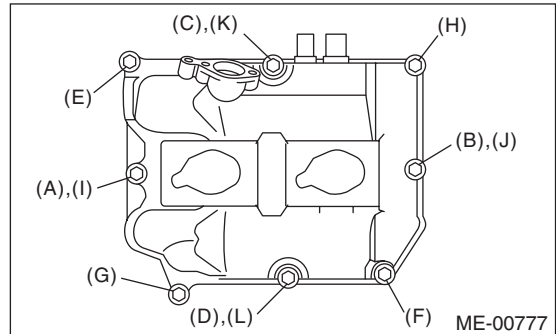


(3) Install the rocker cover onto cylinder heads. Ensure the gasket is properly positioned during installation.

(4) Temporarily tighten the rocker cover tightening bolts in alphabetical order shown in the figure, and then tighten to specified torque in alphabetical order.

**Tightening torque:**

**6.4 N·m (0.7 kgf·m, 4.7 ft·lb)**



12) Install the timing belt cover. <Ref. to ME(H4DOTC)-49, INSTALLATION, Timing Belt Cover.>

13) Install the crank pulley. <Ref. to ME(H4DOTC)-47, INSTALLATION, Crank Pulley.>

14) Install the intake manifold. <Ref. to FU(H4DOTC)-21, INSTALLATION, Intake Manifold.>

15) Install the V-belts. <Ref. to ME(H4DOTC)-40, INSTALLATION, V-belt.>

# Cylinder Head

MECHANICAL

---

## C: DISASSEMBLY

1) Remove the valve lifter.

2) Place the cylinder head on ST1.

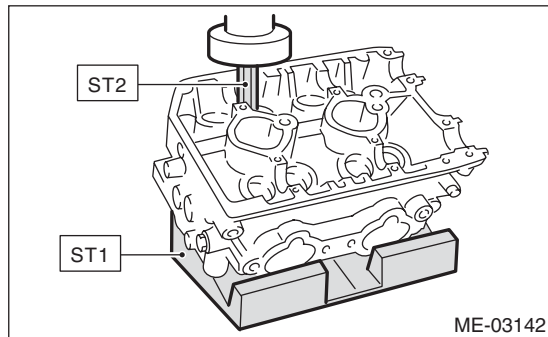
ST1 498267600 CYLINDER HEAD TABLE

3) Using ST2, compress the valve spring and remove the valve spring retainer key. Remove each valve and valve spring.

ST2 499718000 VALVE SPRING REMOVER

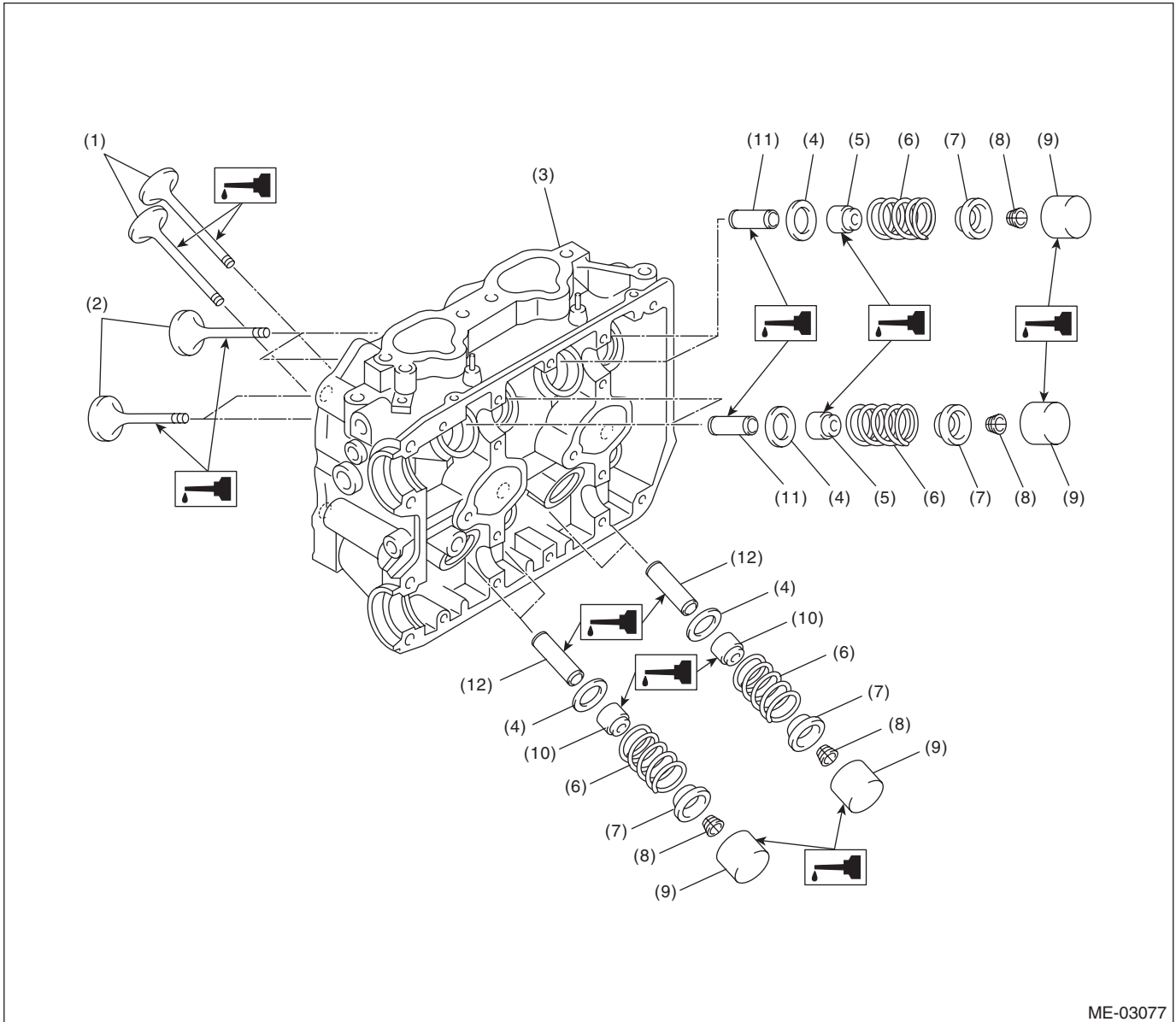
### NOTE:

- Mark each valve to prevent confusion.
- Pay careful attention not to damage the lips of intake valve oil seals and exhaust valve oil seals.
- Keep all the removed parts in order for re-installing in their original positions.
- For removal and installation procedures of the valve guide, intake valve oil seal and exhaust valve oil seal, refer to "INSPECTION". <Ref. to ME(H4DOTC)-72, VALVE GUIDE, INSPECTION, Cylinder Head.> <Ref. to ME(H4DOTC)-75, INTAKE AND EXHAUST VALVE OIL SEAL, INSPECTION, Cylinder Head.>





## D: ASSEMBLY



ME-03077

- |                       |                           |                             |
|-----------------------|---------------------------|-----------------------------|
| (1) Exhaust valve     | (5) Intake valve oil seal | (9) Valve lifter            |
| (2) Intake valve      | (6) Valve spring          | (10) Exhaust valve oil seal |
| (3) Cylinder head     | (7) Retainer              | (11) Intake valve guide     |
| (4) Valve spring seat | (8) Retainer key          | (12) Exhaust valve guide    |

### 1) Install the valve spring and valve.

(1) Coat the stem of each valve with engine oil and insert the valve into valve guide.

#### NOTE:

When inserting the valve into valve guide, use special care not to damage the oil seal lip.

(2) Set the cylinder head on ST1.

ST1 498267600 CYLINDER HEAD TABLE

(3) Install the valve spring and retainer.

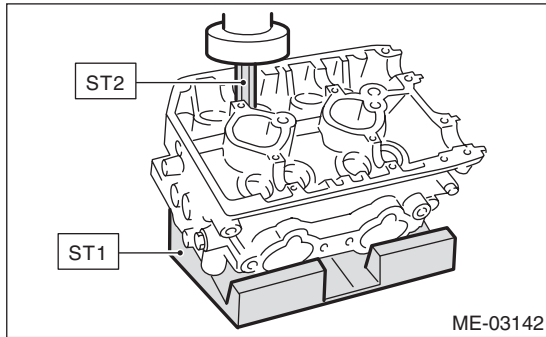
#### NOTE:

Be sure to install the valve spring with its close-coiled end facing the cylinder head side.

# Cylinder Head

## MECHANICAL

- (4) Set the ST2 on valve spring.  
ST2 499718000 VALVE SPRING REMOVER



- (5) Compress the valve spring and fit the valve spring retainer key.  
(6) After installing, tap the valve spring retainers lightly with a plastic hammer for better seating.  
2) Apply oil to the surfaces of the valve lifter.  
3) Install the valve lifter.

## E: INSPECTION

### 1. CYLINDER HEAD

- 1) Check for cracks or damage. Use liquid penetrant tester on the important sections to check for fissures. Check that there are no marks of gas leaking or water leaking on gasket installing surface.  
2) Measure the warping of the cylinder head surface that mates with cylinder block using a straight edge (A) and thickness gauge (B).  
If the warping exceeds the limit, correct the surface by grinding it with a surface grinder.

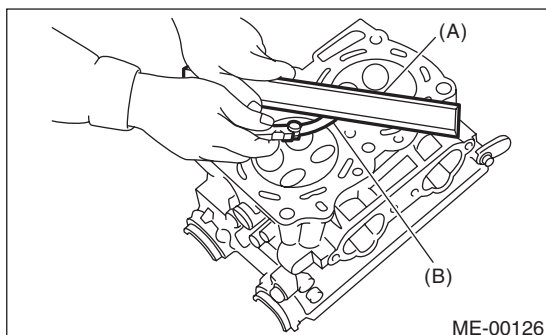
**Warping limit:**  
**0.035 mm (0.0014 in)**

**Grinding limit:**  
**0.3 mm (0.012 in)**

**Standard height of cylinder head:**  
**127.5 mm (5.02 in)**

#### NOTE:

Uneven torque for the cylinder head bolts can cause warpage. When reinstalling, pay special attention to the torque so as to tighten evenly.



### 2. VALVE SEAT

Inspect the intake and exhaust valve seats, and correct the contact surfaces with a valve seat cutter if they are defective or when valve guides are replaced.

**Contacting width  $W$  between valve and valve seat:**

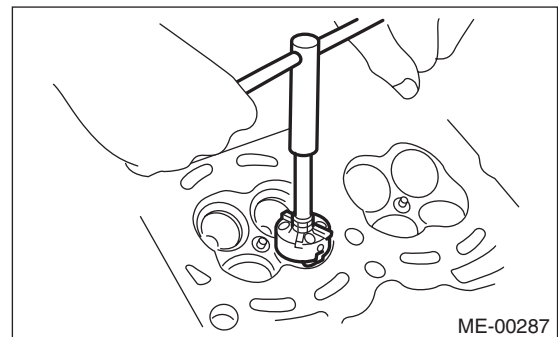
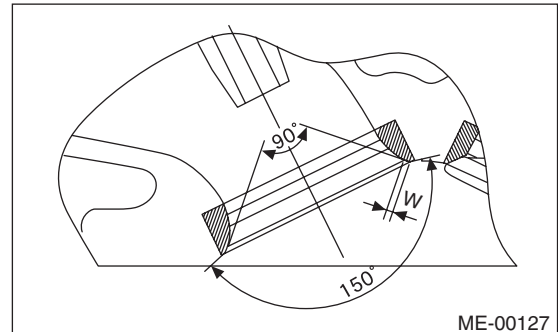
**Standard**

**Intake**

**0.6 — 1.4 mm (0.024 — 0.055 in)**

**Exhaust**

**1.2 — 1.8 mm (0.047 — 0.071 in)**



### 3. VALVE GUIDE

1) Check the clearance between valve guide and valve stem. The clearance can be checked by measuring respectively the outer diameter of valve stem with a micrometer and the inner diameter of valve guide with a caliper gauge.

**Clearance between the valve guide and valve stem:**

**Standard**

**Intake**

**0.030 — 0.057 mm (0.0012 — 0.0022 in)**

**Exhaust**

**0.040 — 0.067 mm (0.0016 — 0.0026 in)**



2) If the clearance between valve guide and valve stem exceeds the standard, replace the valve guide or valve itself, whichever shows the greater amount of wear or damage. See the following procedure for valve guide replacement.

**Valve guide inner diameter:**

**6.000 — 6.012 mm (0.2362 — 0.2367 in)**

**Valve stem outer diameters:**

**Intake**

**5.955 — 5.970 mm (0.2344 — 0.2350 in)**

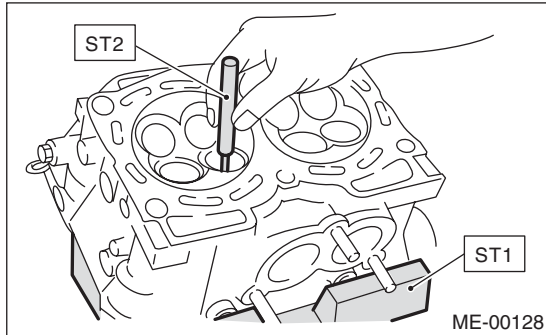
**Exhaust**

**5.945 — 5.960 mm (0.2341 — 0.2346 in)**

(1) Place the cylinder head on ST1 with the combustion chamber upward so that valve guides fit the holes in ST1.

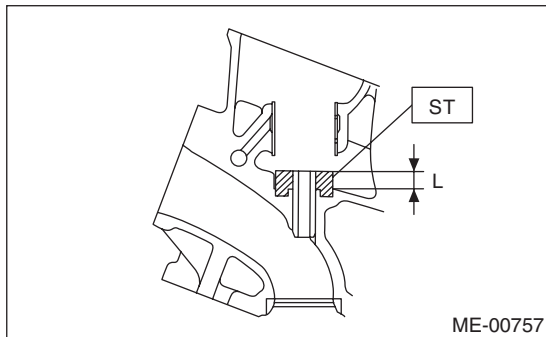
(2) Insert the ST2 into valve guide and press it down to remove the valve guide.

ST1 498267600 CYLINDER HEAD TABLE  
ST2 499767200 VALVE GUIDE REMOVER



(3) Turn the cylinder head upside down and place the ST as shown in the figure.

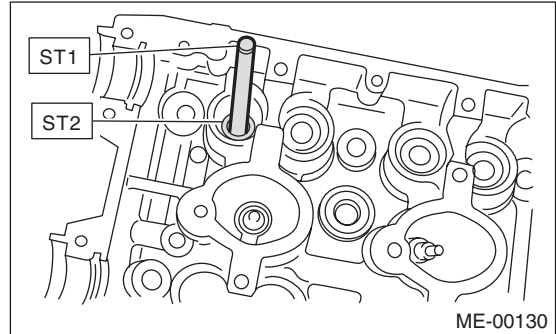
ST 18251AA020 VALVE GUIDE ADJUSTER



(4) Before installing a new valve guide, make sure that neither scratches nor damages exist on the inner surface of valve guide holes in cylinder head.

(5) Put a new valve guide, coated with sufficient oil, in the cylinder head, and insert the ST1 into valve guide. Press in until the valve guide upper end is flush with the upper surface of ST2.

ST1 499767200 VALVE GUIDE REMOVER  
ST2 18251AA020 VALVE GUIDE ADJUSTER



(6) Check the valve guide protrusion.

**Valve guide protrusion L:**

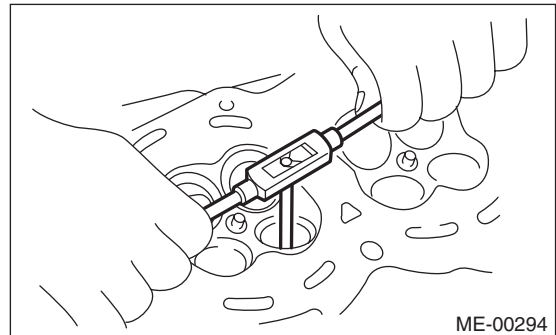
**15.8 — 16.2 mm (0.622 — 0.638 in)**

(7) Ream the inside of valve guide using ST. Put the ST in valve guide, and rotate the ST slowly clockwise while pushing it lightly. Bring the ST back while rotating it clockwise.

**NOTE:**

- Apply engine oil to the ST when reaming.
- If the inner surface of valve guide is damaged, the edge of ST should be slightly ground with oil stone.
- If the inner surface of valve guide becomes lustrous and the ST does not chip, use a new ST or remedy the ST.

ST 499767400 VALVE GUIDE REAMER



(8) After reaming, clean the valve guide to remove chips.

(9) Recheck the contact condition between valve and valve seat after replacing the valve guide.

# Cylinder Head

MECHANICAL

## 4. INTAKE AND EXHAUST VALVE

1) Inspect the flange of valve and valve stem, and replace the valve with a new part if damaged, worn, deformed, or if dimension "H" in the figure is outside of the specified limit.

**Head edge thickness H:**

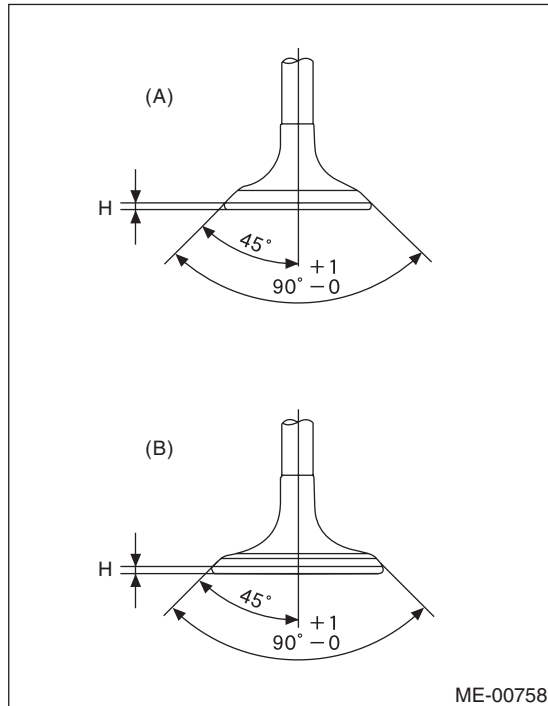
**Standard**

**Intake (A)**

**1.0 — 1.4 mm (0.039 — 0.055 in)**

**Exhaust (B)**

**1.3 — 1.7 mm (0.051 — 0.067 in)**



2) Put a small amount of grinding compound on the valve seat surface, and lap the valve and valve seat surface. Replace with a new valve oil seal after lapping.

**NOTE:**

It is possible to differentiate between the intake valve and the exhaust valve by their overall length.

**Valve overall length:**

**Intake**

**104.4 mm (4.110 in)**

**Exhaust**

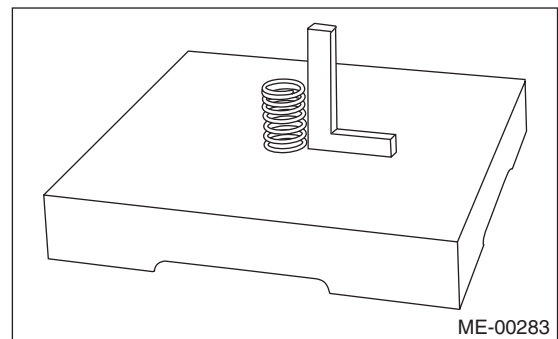
**104.65 mm (4.1201 in)**

## 5. VALVE SPRING

1) Check the valve springs for damage, free length, and tension. Replace the valve spring if it is not within the standard value presented in the table.

2) To measure the squareness of the valve spring, stand the valve spring on a surface plate and measure its deflection at the top of the valve spring using a try square.

Free length	mm (in)	47.32 (1.863)
Tension/spring height N (kgf, lb)/mm (in)	Set	205 — 235 (20.9 — 24.0, 46.1 — 52.8)/36.0 (1.417)
	Lift	426 — 490 (43.4 — 50.0, 95.8 — 110)/26.50 (1.041)
Squareness		2.5°, 2.1 mm (0.083 in) or less



## 6. INTAKE AND EXHAUST VALVE OIL SEAL

1) For the following, replace the oil seal with a new part. See the procedure 2) and subsequent for replacement procedures.

- When the lip is damaged.
- When the spring is out of the specified position.
- When readjusting the surfaces of valve and valve seat.
- When replacing the valve guide.

2) Place the cylinder head on ST1, and use ST2 to press-fit the oil seal.

ST1 498267600 CYLINDER HEAD TABLE

ST2 498857100 VALVE OIL SEAL GUIDE

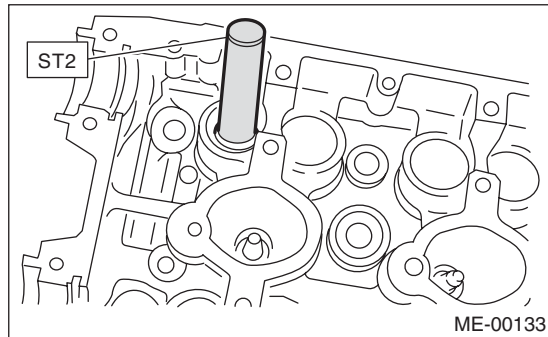
NOTE:

- Apply engine oil to oil seal before press-fitting.
- When press-fitting the oil seal, do not use a hammer to strike in.
- The intake valve oil seals and exhaust valve oil seals are distinguished by their colors.

**Color of rubber part:**

**Intake [Gray]**

**Exhaust [Green]**

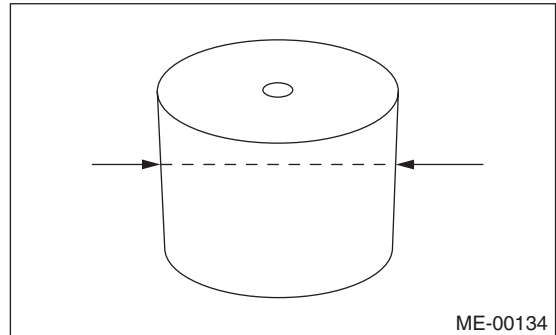


## 7. VALVE LIFTER

- 1) Check the valve lifter visually.
- 2) Measure the outer diameter of valve lifter.

**Outer diameter of valve lifter:**

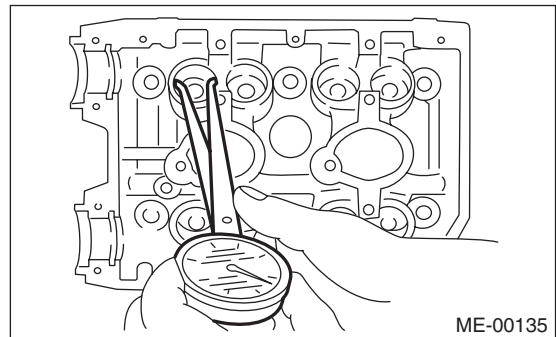
**34.959 — 34.975 mm (1.3763 — 1.3770 in)**



- 3) Measure the inner diameter of valve lifter mating surface on cylinder head.

**Valve lifter mating surface inner diameter:**

**34.994 — 35.016 mm (1.3777 — 1.3786 in)**



- 4) Check the clearance between valve lifter and valve lifter mating surface. The clearance can be checked by measuring respectively the outer diameter of valve lifter and the inner diameter of valve lifter. If it exceeds the standard or offset wear occurs, replace the cylinder head.

**Valve lifter and valve lifter mating surface clearance:**

**Standard**

**0.019 — 0.057 mm (0.0007 — 0.0022 in)**

# Cylinder Block

MECHANICAL

## 20. Cylinder Block

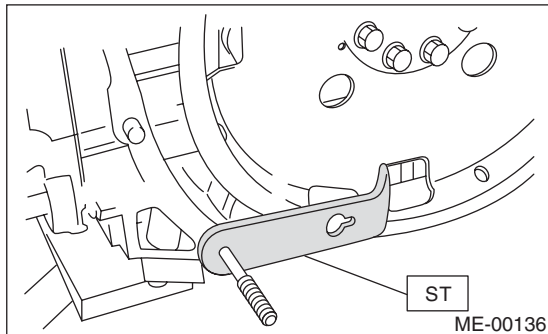
### A: REMOVAL

#### NOTE:

Before conducting this procedure, drain the engine oil completely.

- 1) Remove the V-belts. <Ref. to ME(H4DOTC)-40, REMOVAL, V-belt.>
- 2) Remove the intake manifold. <Ref. to FU(H4DOTC)-16, REMOVAL, Intake Manifold.>
- 3) Remove the crank pulley. <Ref. to ME(H4DOTC)-47, REMOVAL, Crank Pulley.>
- 4) Remove the timing belt cover. <Ref. to ME(H4DOTC)-49, REMOVAL, Timing Belt Cover.>
- 5) Remove the timing belt. <Ref. to ME(H4DOTC)-50, REMOVAL, Timing Belt.>
- 6) Remove the cam sprocket. <Ref. to ME(H4DOTC)-59, REMOVAL, Cam Sprocket.>
- 7) Remove the crank sprocket. <Ref. to ME(H4DOTC)-60, REMOVAL, Crank Sprocket.>
- 8) Remove the generator and A/C compressor with their brackets.
- 9) Remove the camshaft. <Ref. to ME(H4DOTC)-61, REMOVAL, Camshaft.>
- 10) Remove the cylinder head. <Ref. to ME(H4DOTC)-67, REMOVAL, Cylinder Head.>
- 11) Use the ST to lock the crankshaft, and remove the drive plate. (AT model)

ST 498497100 CRANKSHAFT STOPPER

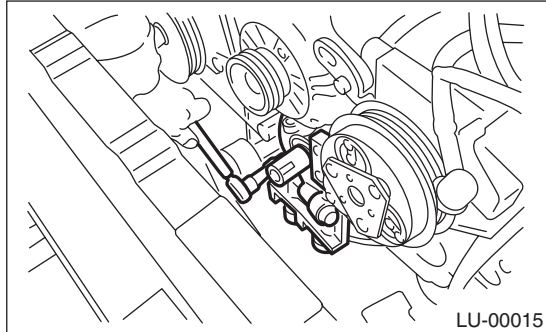


- 12) Remove the clutch disc and cover. (MT model) <Ref. to CL-10, REMOVAL, Clutch Disc and Cover.>
- 13) Remove the flywheel. (MT model) <Ref. to CL-13, REMOVAL, Flywheel.>
- 14) Remove the oil separator cover.
- 15) Remove the water by-pass pipe for heater.
- 16) Remove the oil filter. <Ref. to LU(H4SO)-21, REMOVAL, Engine Oil Filter.>
- 17) Remove the water pump. <Ref. to CO(H4DOTC)-16, REMOVAL, Water Pump.>

18) Remove the bolts which secure oil pump to cylinder block.

**NOTE:**

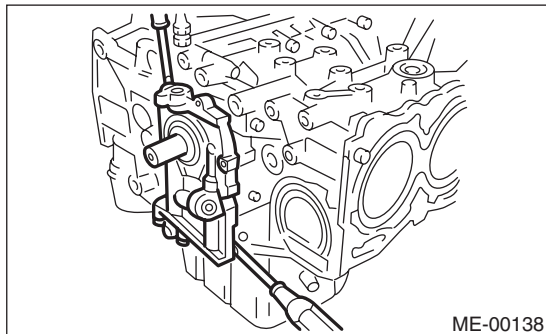
When disassembling and checking the oil pump, loosen the relief valve plug before removing the oil pump.



19) Remove the oil pump from cylinder block using a flat tip screwdriver.

**CAUTION:**

**Be careful not to scratch the mating surface of cylinder block and oil pump.**



20) Remove the front oil seal from the oil pump.

21) Remove the oil pan.

(1) Set the part so that the cylinder block LH is on the upper side.

(2) Remove the bolts which secure oil pan to cylinder block.

(3) Insert an oil pan cutter blade between cylinder block-to-oil pan clearance and remove the oil pan.

**CAUTION:**

**Do not use a screwdriver or similar tools in place of oil pan cutter.**

22) Remove the oil strainer.

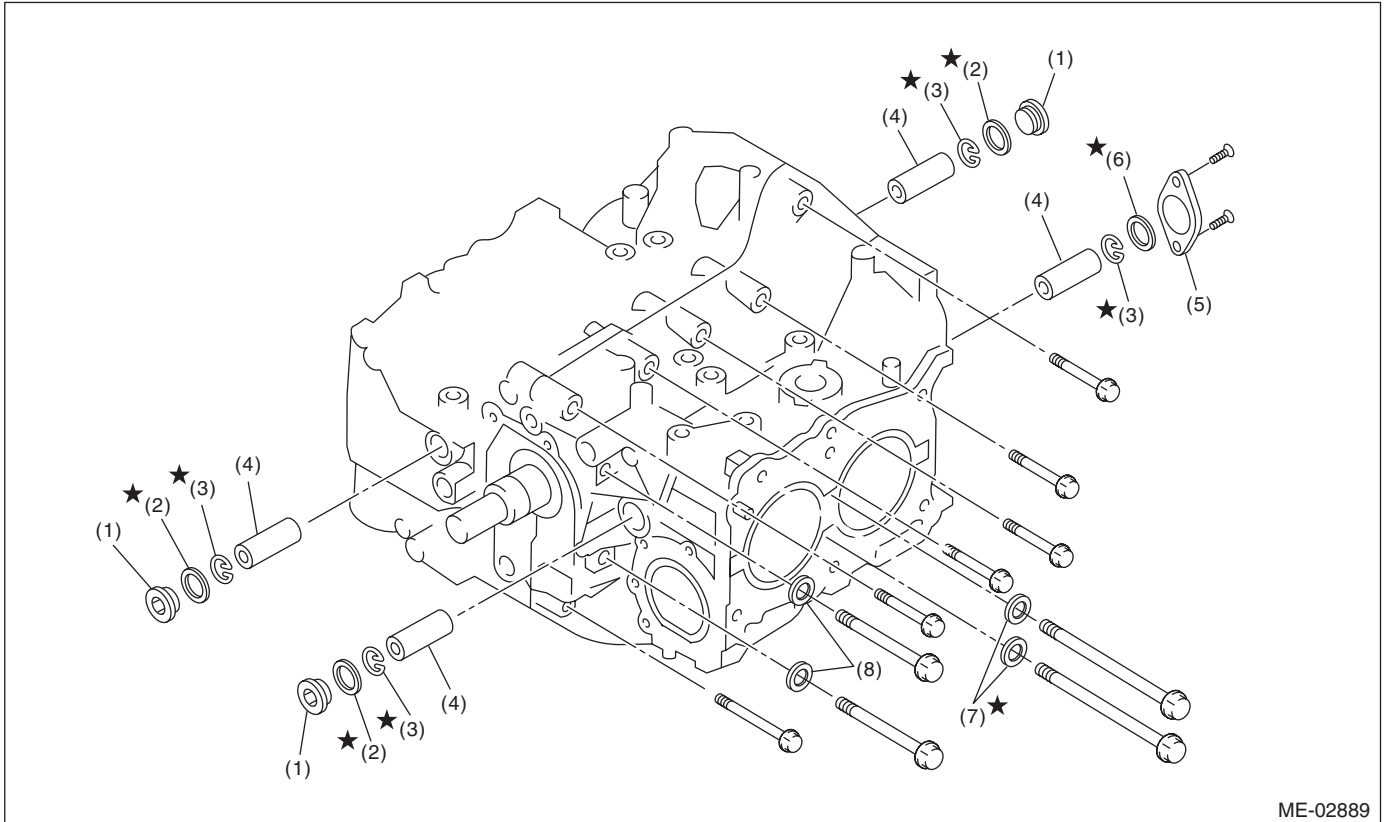
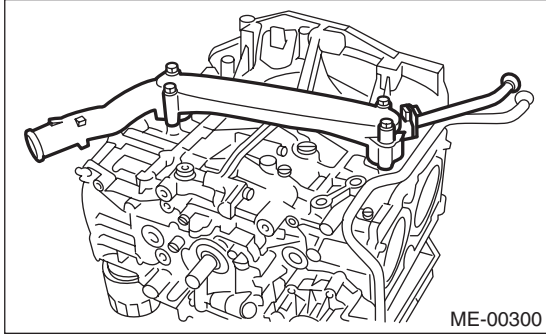
23) Remove the baffle plate.

24) Remove the water tank pipe assembly.

# Cylinder Block

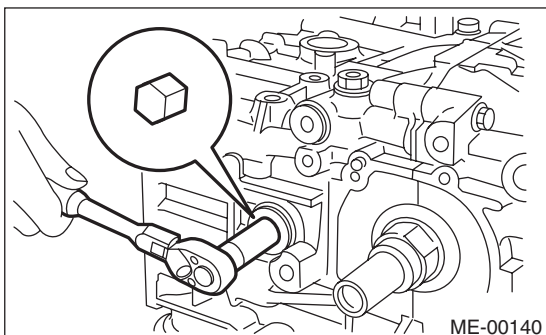
MECHANICAL

25) Remove the water pipe assembly.



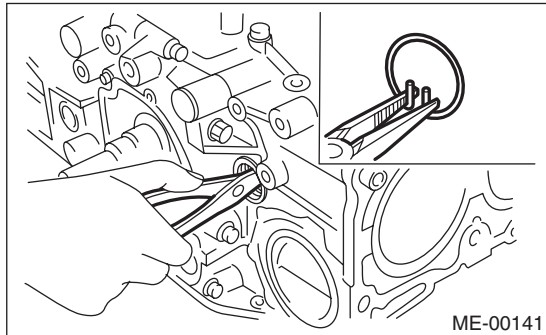
- |                       |                        |                 |
|-----------------------|------------------------|-----------------|
| (1) Service hole plug | (4) Piston pin         | (7) Seal washer |
| (2) Gasket            | (5) Service hole cover | (8) Washer      |
| (3) Snap ring         | (6) O-ring             |                 |

26) Remove the service hole plugs using a hexagon wrench [14 mm].



27) Remove the service hole cover.

28) Rotate the crankshaft to bring #1 and #2 pistons to bottom dead center position, then remove the piston snap ring through service hole of #1 and #2 cylinders.

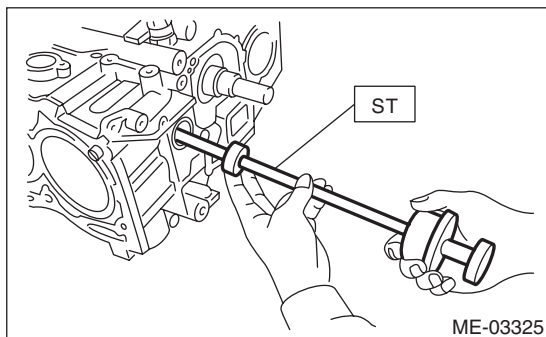


29) Draw out the piston pin from #1 and #2 pistons using ST.

ST 499097700 PISTON PIN REMOVER ASSY

**NOTE:**

Be careful not to confuse the original combination of piston, piston pin and cylinder.



30) Similarly draw out the piston pins from #3 and #4 pistons.

31) Remove the cylinder block connecting bolt on the RH side.

32) Loosen the cylinder block connecting bolt on the LH side by 2 to 3 turns.

33) Set the part so that the cylinder block LH is on the upper side, and remove the cylinder block connecting bolt.

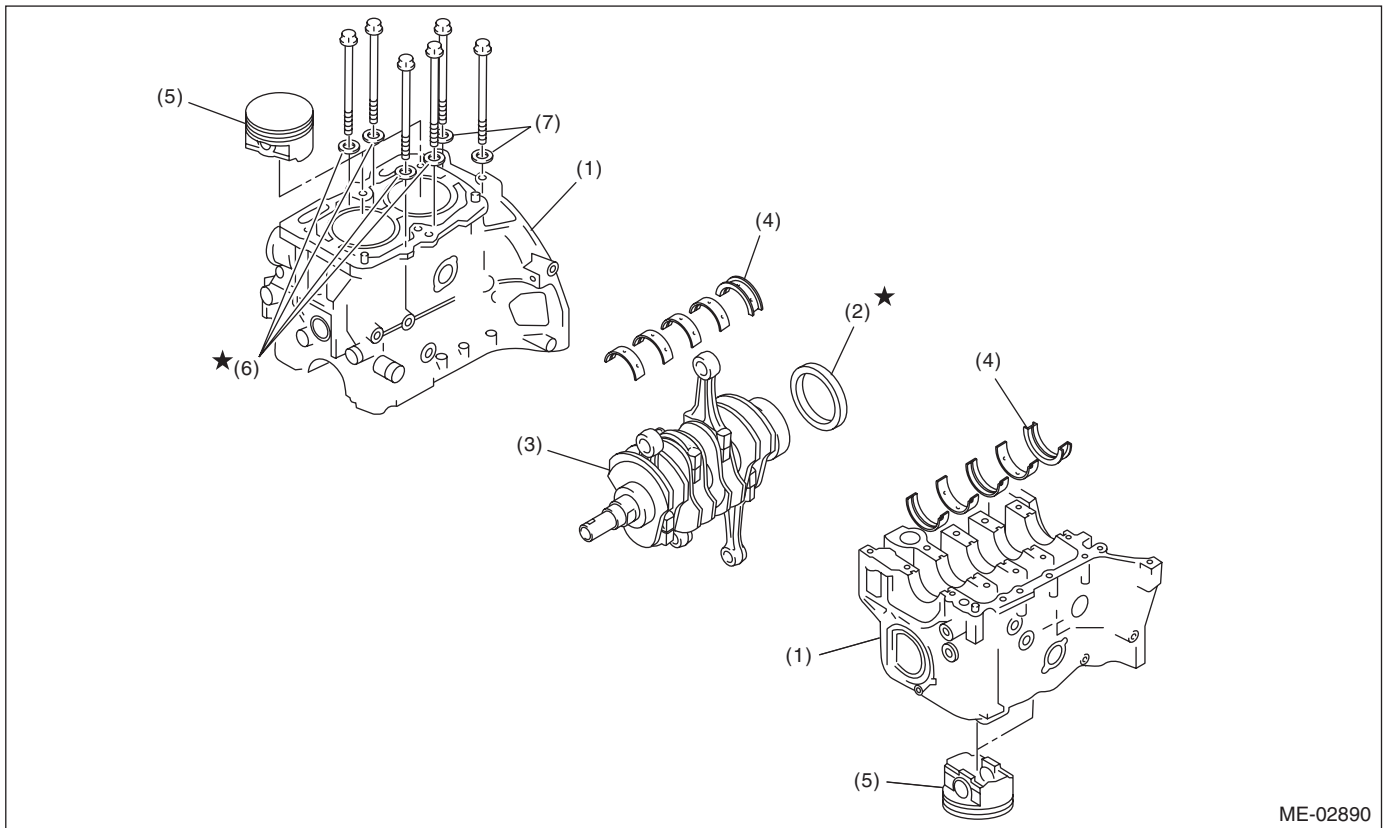
# Cylinder Block

## MECHANICAL

34) Separate the cylinder block LH and RH.

### NOTE:

When separating the cylinder block, do not allow the connecting rod to fall or damage the cylinder block.



ME-02890

- |                    |                        |                 |
|--------------------|------------------------|-----------------|
| (1) Cylinder block | (4) Crankshaft bearing | (6) Seal washer |
| (2) Rear oil seal  | (5) Piston             | (7) Washer      |
| (3) Crankshaft     |                        |                 |

35) Remove the rear oil seal.

36) Remove the crankshaft together with connecting rod.

37) Remove the crankshaft bearings from cylinder block using a hammer handle.

### NOTE:

- Press the crankshaft bearing at the end opposite to locking lip to remove.
- Be careful not to confuse the crankshaft bearing combination.

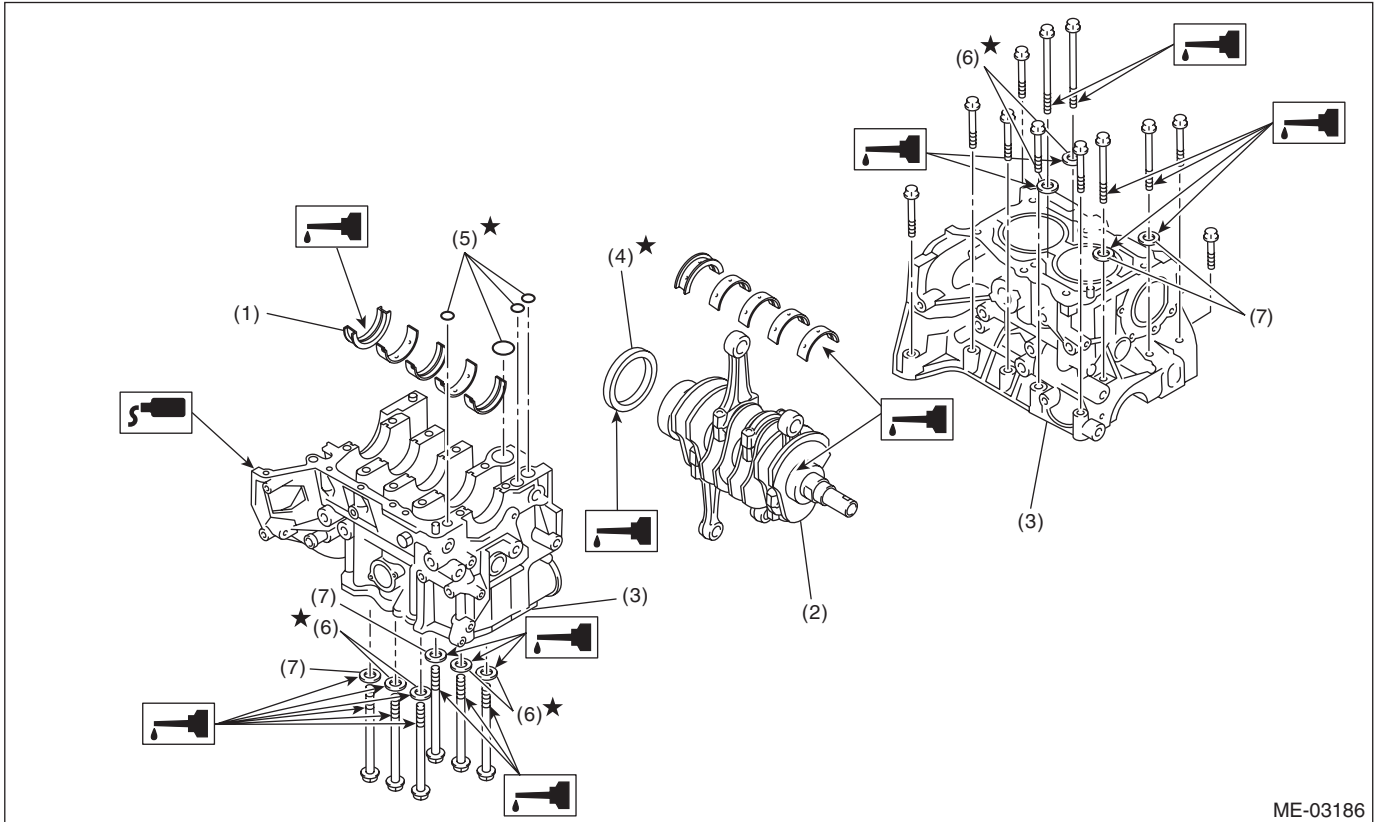
38) Remove each piston from the cylinder block using a wooden bar or hammer handle.

### NOTE:

Be careful not to confuse the original combination of piston and cylinder.



## B: INSTALLATION



- |                        |                   |                 |
|------------------------|-------------------|-----------------|
| (1) Crankshaft bearing | (4) Rear oil seal | (6) Seal washer |
| (2) Crankshaft         | (5) O-ring        | (7) Washer      |
| (3) Cylinder block     |                   |                 |

1) Remove oil on the mating surface of cylinder block before installation. Apply a coat of engine oil to the bearing and crankshaft journal.

2) Position the crankshaft and O-ring on cylinder block RH.

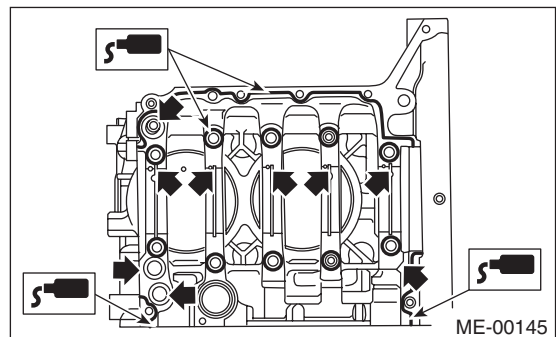
NOTE:  
Use new O-rings.

3) Apply liquid gasket to the mating surfaces of cylinder block RH, and position cylinder block LH.

NOTE:

- Install within 5 min. after applying liquid gasket.
- Do not allow liquid gasket to jut into O-ring grooves, oil passages, bearing grooves, etc.

**Liquid gasket:**  
**THREE BOND 1217G (Part No. K0877Y0100)**  
**or equivalent**



# Cylinder Block

## MECHANICAL

4) Apply a coat of engine oil to the washer and bolt thread.

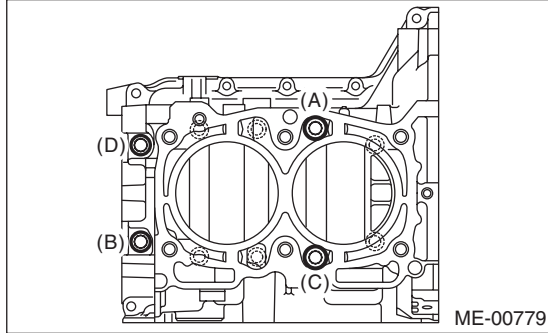
### NOTE:

Use a new seal washer.

5) Tighten the 10 mm cylinder block connecting bolts on the LH side (A — D) in alphabetical order.

### Tightening torque:

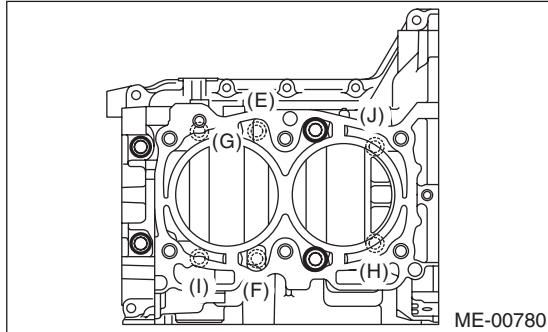
**10 N·m (1.0 kgf·m, 7.4 ft·lb)**



6) Tighten the 10 mm cylinder block connecting bolts on the RH side (E — J) in alphabetical order.

### Tightening torque:

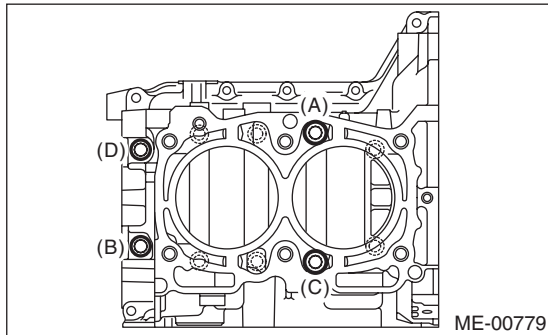
**10 N·m (1.0 kgf·m, 7.4 ft·lb)**



7) Tighten the LH side cylinder block connecting bolts (A — D) further in alphabetical order.

### Tightening torque:

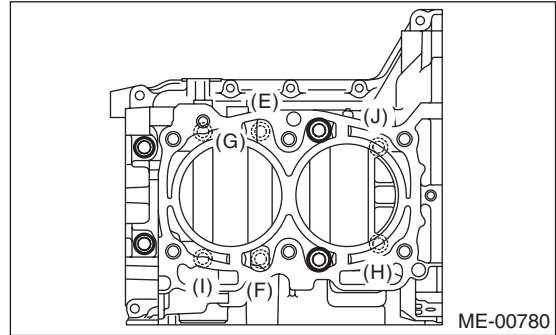
**18 N·m (1.8 kgf·m, 13.3 ft·lb)**



8) Tighten the RH side cylinder block connecting bolts (E — J) further in alphabetical order.

### Tightening torque:

**18 N·m (1.8 kgf·m, 13.3 ft·lb)**



9) Tighten the LH side cylinder block connecting bolts (A — D) further in alphabetical order.

- (A), (C): Angle tightening

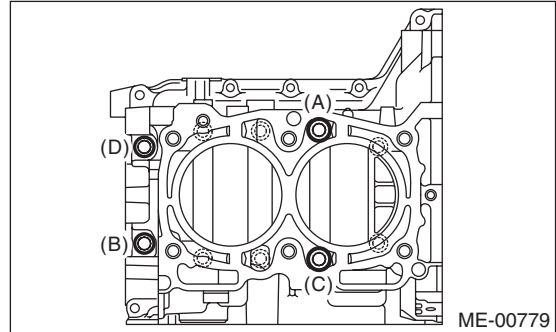
### Tightening angle:

**90°**

- (B), (D): Torque tightening

### Tightening torque:

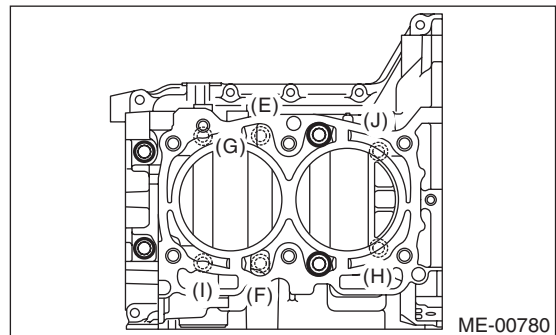
**40 N·m (4.1 kgf·m, 29.5 ft·lb)**



10) Tighten the RH side cylinder block connecting bolts (E — J) further in alphabetical order.

### Tightening angle:

**90°**



# Cylinder Block

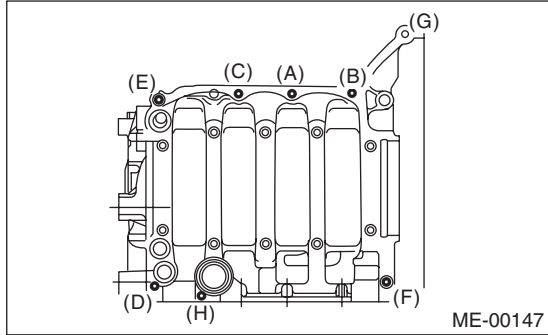
MECHANICAL

11) Tighten the 8 mm and 6 mm cylinder block connecting bolts on the LH side (A — H) in alphabetical order.

**Tightening torque:**

(A) — (G): 25 N·m (2.5 kgf·m, 18.4 ft·lb)

(H): 6.4 N·m (0.7 kgf·m, 4.7 ft·lb)



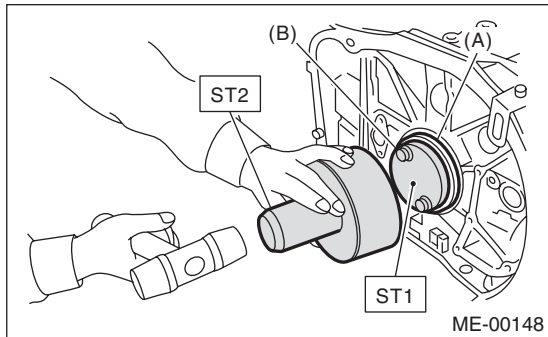
12) Apply a coat of engine oil to the oil seal periphery and install the rear oil seal using ST1 and ST2.

**NOTE:**

Use a new rear oil seal.

ST1 499597100 CRANKSHAFT OIL SEAL GUIDE

ST2 499587200 CRANKSHAFT OIL SEAL INSTALLER

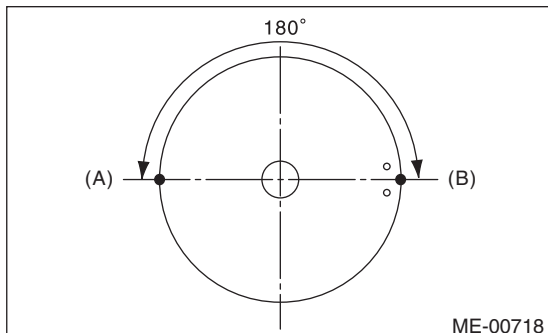


(A) Rear oil seal

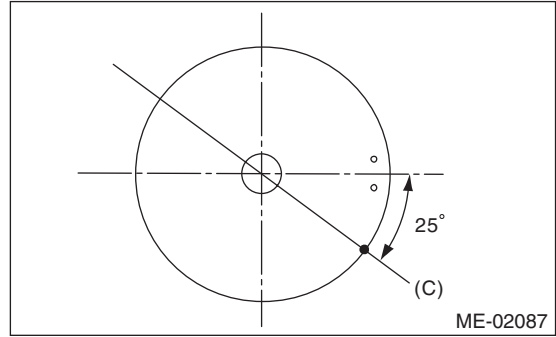
(B) Flywheel attachment bolt

13) Position the top ring gap at (A) or (B) in the figure.

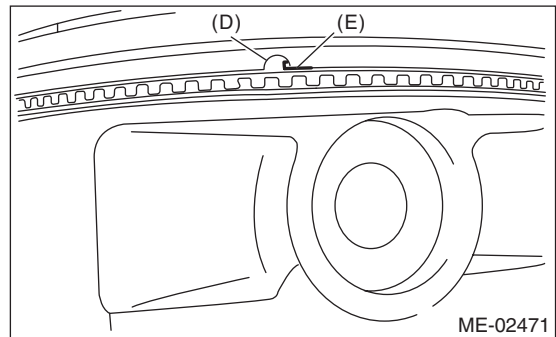
14) Position the second ring gap at 180° on the reverse side the top ring gap.



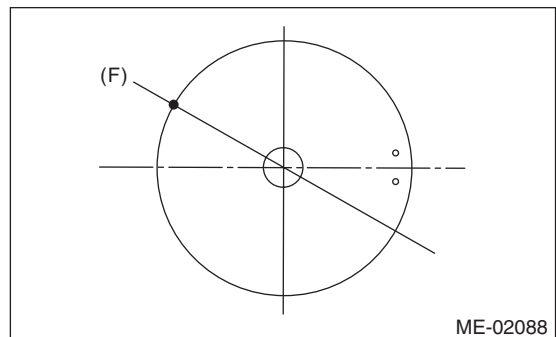
15) Position the upper rail gap at (C) in the figure.



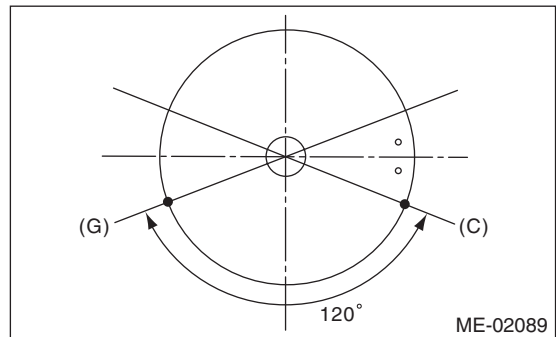
16) Align the upper rail spin stopper (E) to the side hole (D) on the piston.



17) Position the expander gap at (F) in the figure on the 180° opposite direction of (C).



18) Set the lower rail gap at position (G), located 120° clockwise from (C) in the figure.



**NOTE:**

- Make sure ring gaps do not face the same direction.
- Make sure ring gaps are not within the piston skirt area.

# Cylinder Block

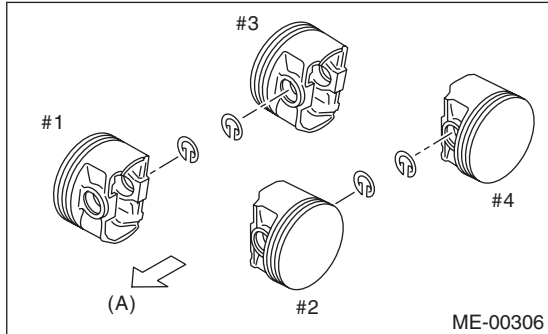
## MECHANICAL

19) Install the snap ring.

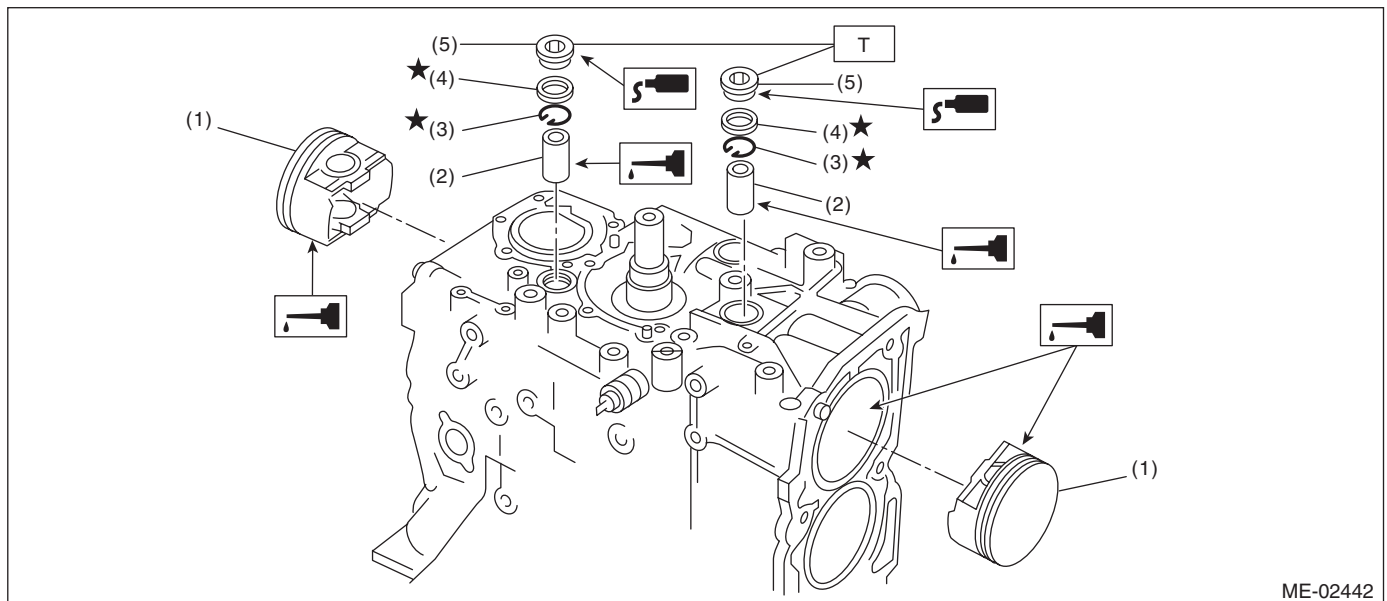
Before positioning the piston on the cylinder block, attach the snap ring in the service hole of the cylinder block, and the piston hole on the opposite side.

### NOTE:

Use new snap rings.



(A) Front side



- |                |                       |
|----------------|-----------------------|
| (1) Piston     | (4) Gasket            |
| (2) Piston pin | (5) Service hole plug |
| (3) Snap ring  |                       |

**Tightening torque: N-m (kgf-m, ft-lb)**

**T: 70 (7.1, 51.6)**

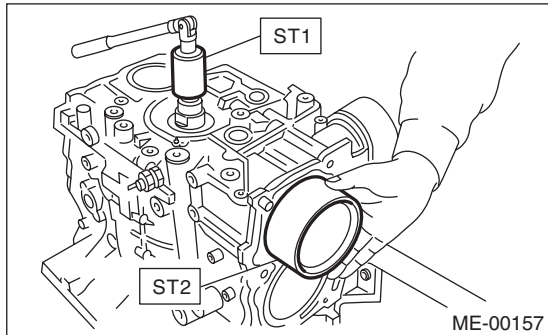
20) Install the piston.

- (1) Set the parts so that the #1 and #2 cylinders are on the upper side.
- (2) Using the ST1, turn the crankshaft so that #1 and #2 connecting rods are set at bottom dead center.

ST1 499987500 CRANKSHAFT SOCKET

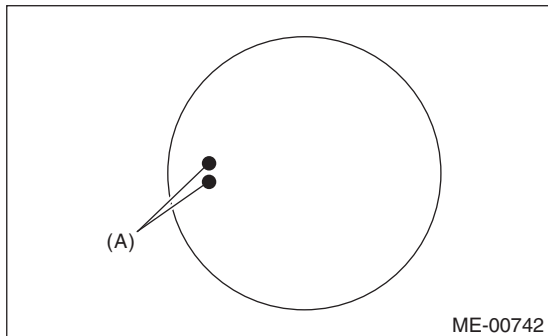
- (3) Apply a coat of engine oil to the pistons and cylinders and insert pistons in their cylinders using ST2.

ST2 498747300 PISTON GUIDE



NOTE:

Face the piston front mark towards the front of the engine.

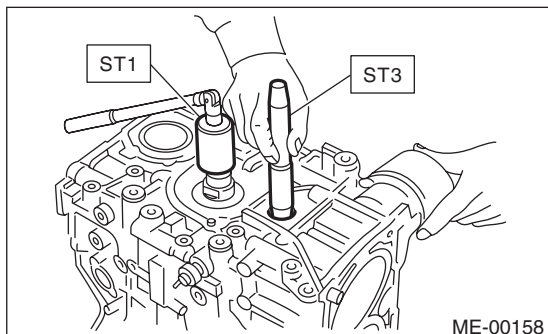


(A) Front mark

21) Install the piston pin.

- (1) Apply a coat of engine oil to ST3.
- (2) Insert ST3 into the service hole to align the piston pin hole and the connecting rod small end.

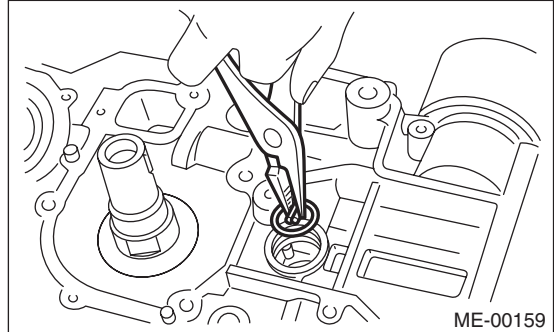
ST3 499017100 PISTON PIN GUIDE



- (3) Apply a coat of engine oil to piston pin, and insert the piston pin into piston and connecting rod through service hole.
- (4) Install the snap ring.

NOTE:

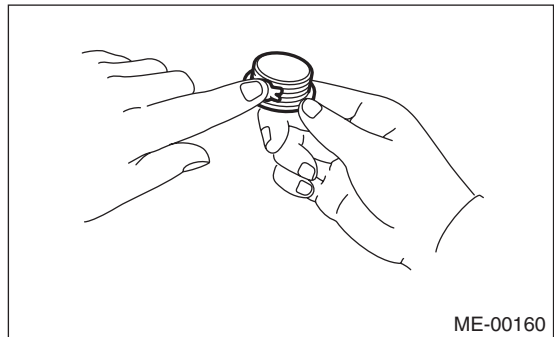
Use new snap rings.



- (5) Apply liquid gasket to the threaded portion of the service hole plug.

**Liquid gasket:**

**THREE BOND 1105 (Part No. 004403010) or equivalent**



# Cylinder Block

## MECHANICAL

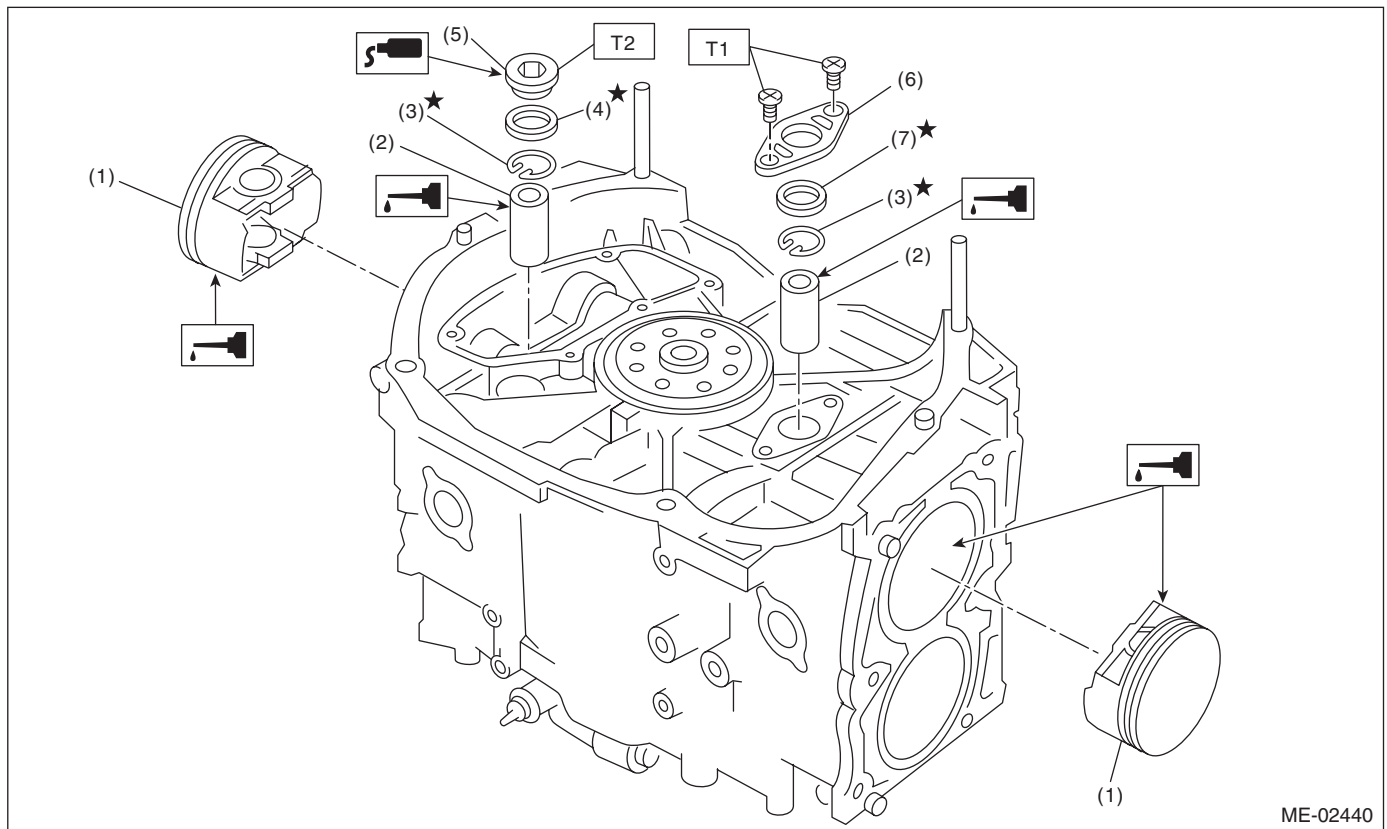
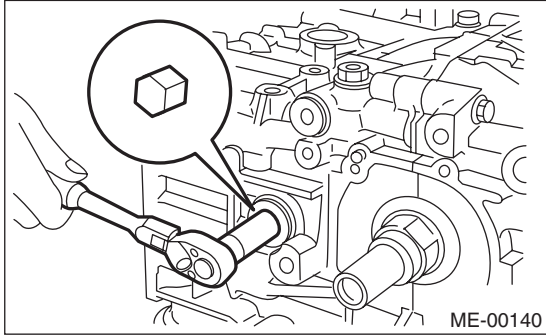
(6) Install the service hole plug and gasket.

### NOTE:

Use a new gasket.

### Tightening torque:

**70 N·m (7.1 kgf·m, 51.6 ft·lb)**



- |                |                        |
|----------------|------------------------|
| (1) Piston     | (5) Service hole plug  |
| (2) Piston pin | (6) Service hole cover |
| (3) Snap ring  | (7) O-ring             |
| (4) Gasket     |                        |

### Tightening torque: N·m (kgf·m, ft·lb)

**T1: 6.4 (0.7, 4.7)**

**T2: 70 (7.1, 51.6)**

(7) Set the parts so that the #3 and #4 cylinders are on the upper side. Following the same procedures as used for #1 and #2 cylinders, install the pistons and piston pins.

(8) Install the service hole cover.

### NOTE:

Use new O-rings.

### Tightening torque:

**6.4 N·m (0.7 kgf·m, 4.7 ft·lb)**

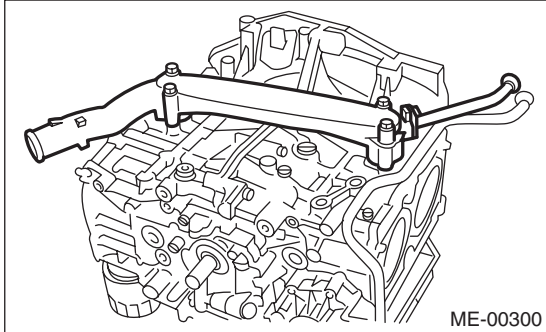
22) Install the water pipe assembly.

NOTE:

Use new O-rings.

**Tightening torque:**

**6.4 N·m (0.7 kgf-m, 4.7 ft-lb)**



23) Install the water tank pipe assembly.

**Tightening torque:**

**6.4 N·m (0.7 kgf-m, 4.7 ft-lb)**

24) Install the baffle plate.

**Tightening torque:**

**6.4 N·m (0.7 kgf-m, 4.7 ft-lb)**

25) Install the oil strainer.

NOTE:

Use new O-rings.

**Tightening torque:**

**10 N·m (1.0 kgf-m, 7.4 ft-lb)**

26) Tighten the oil strainer stay together with the baffle plate.

**Tightening torque:**

**6.4 N·m (0.7 kgf-m, 4.7 ft-lb)**

27) Apply liquid gasket to the mating surfaces of oil pan, and install the oil pan.

NOTE:

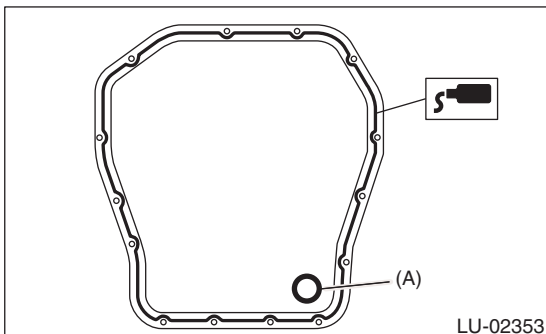
Install within 5 min. after applying liquid gasket.

**Liquid gasket:**

**THREE BOND 1217G (Part No. K0877Y0100) or equivalent**

**Tightening torque:**

**5 N·m (0.5 kgf-m, 3.7 ft-lb)**



(A) Gasket

28) Apply liquid gasket to the mating surface of oil separator cover and the threaded portion of bolt (A) shown in the figure (when reusing the bolt), and then install the oil separator cover.

NOTE:

- Install within 5 min. after applying liquid gasket.
- Use new oil separator cover.

**Liquid gasket:**

**Mating surface**

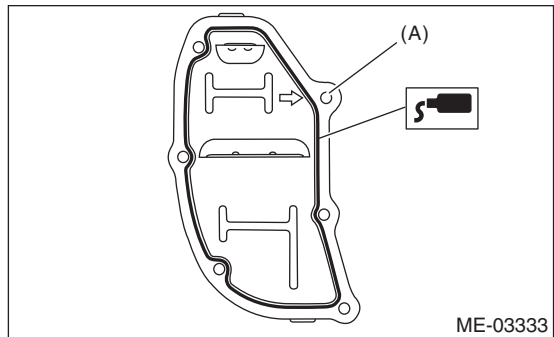
**THREE BOND 1217G (Part No. K0877Y0100) or equivalent**

**Bolt thread (A) (when reusing the bolt)**

**THREE BOND 1324 (Part No. 004403042) or equivalent**

**Tightening torque:**

**6.4 N·m (0.7 kgf-m, 4.7 ft-lb)**

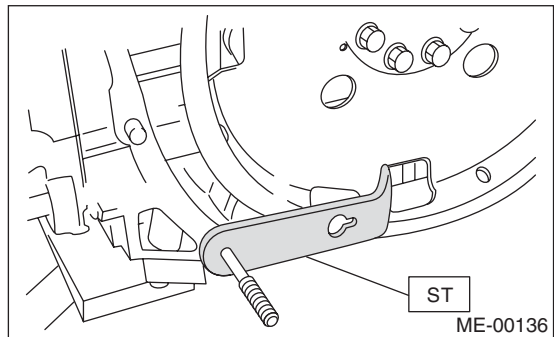


29) Use the ST to lock the crankshaft, and install the drive plate. (AT model)

ST 498497100 CRANKSHAFT STOPPER

**Tightening torque:**

**72 N·m (7.3 kgf-m, 53.1 ft-lb)**



30) Install the flywheel. (MT model) <Ref. to CL-13, INSTALLATION, Flywheel.>



# Cylinder Block

## MECHANICAL

31) Install the clutch disc and cover. (MT model) <Ref. to CL-10, INSTALLATION, Clutch Disc and Cover.>

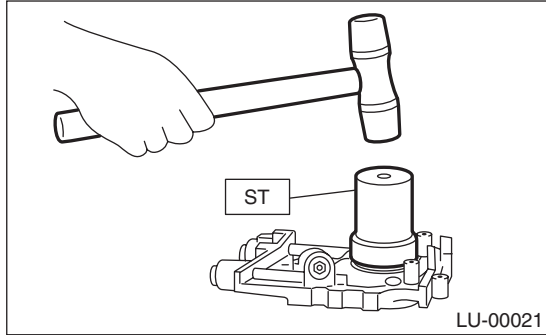
32) Install the oil pump.

(1) Using the ST, install the front oil seal.

ST 499587100 OIL SEAL INSTALLER

NOTE:

Use a new front oil seal.



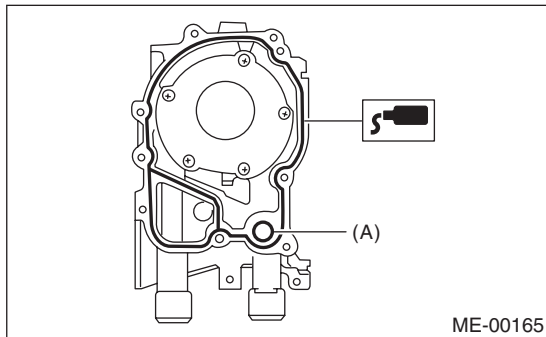
(2) Apply liquid gasket to the mating surfaces of oil pump.

NOTE:

Install within 5 min. after applying liquid gasket.

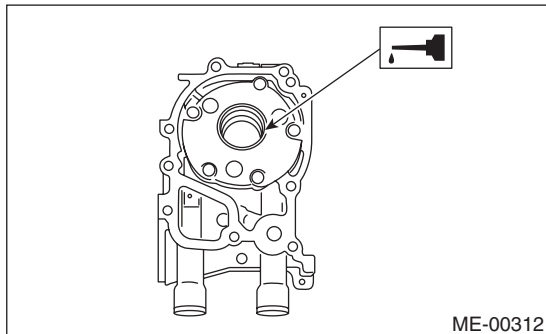
**Liquid gasket:**

**THREE BOND 1217G (Part No. K0877Y0100) or equivalent**



(A) O-ring

(3) Apply a coat of engine oil to the inside of oil seal.



(4) Install the oil pump to cylinder block. Be careful not to damage the oil seal during installation.

NOTE:

- Make sure the oil seal lip is not folded.
- Align the flat surface of oil pump's inner rotor with crankshaft before installation.
- Use new O-rings and oil seals.
- Do not forget to assemble O-rings.

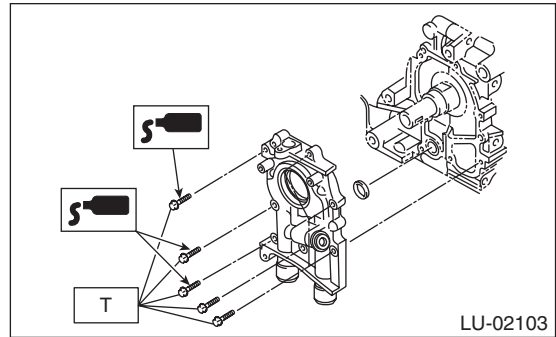
(5) Apply liquid gasket to the three bolts thread shown in figure. (when reusing bolts)

**Liquid gasket:**

**THREE BOND 1324 (Part No. 004403042) or equivalent**

**Tightening torque:**

**6.4 N·m (0.7 kgf·m, 4.7 ft·lb)**



33) Install the water pump and gasket.

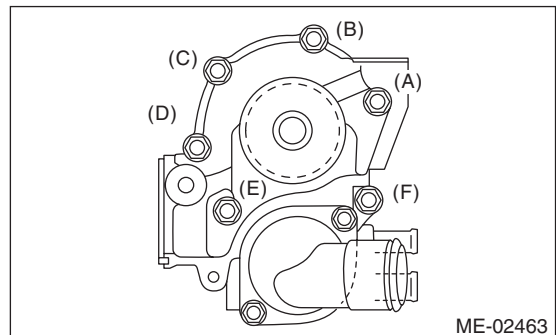
NOTE:

- When installing the water pump, tighten bolts in two stages in alphabetical order as shown in the figure.
- Use a new gasket.

**Tightening torque:**

**First: 12 N·m (1.2 kgf·m, 8.9 ft·lb)**

**Second: 12 N·m (1.2 kgf·m, 8.9 ft·lb)**



34) Install the water by-pass pipe for heater.

**Tightening torque:**

**6.4 N·m (0.7 kgf·m, 4.7 ft·lb)**

35) Install the oil filter. <Ref. to LU(H4SO)-21, INSTALLATION, Engine Oil Filter.>



36) Install the cylinder head. <Ref. to ME(H4DOTC)-68, INSTALLATION, Cylinder Head.>

37) Install the camshaft. <Ref. to ME(H4DOTC)-62, INSTALLATION, Camshaft.>

38) Install the generator and A/C compressor with their brackets.

**Tightening torque:**

**36 N·m (3.7 kgf·m, 26.6 ft·lb)**

39) Install the crank sprocket. <Ref. to ME(H4DOTC)-60, INSTALLATION, Crank Sprocket.>

40) Install the cam sprocket. <Ref. to ME(H4DOTC)-59, INSTALLATION, Cam Sprocket.>

41) Install the timing belt. <Ref. to ME(H4DOTC)-52, INSTALLATION, Timing Belt.>

42) Adjust the valve clearance. <Ref. to ME(H4DOTC)-28, ADJUSTMENT, Valve Clearance.>

43) Install the rocker cover.

- (1) Install the rocker cover gasket to the rocker cover. (Outer section and ignition coil section)

**NOTE:**

Use a new rocker cover gasket.

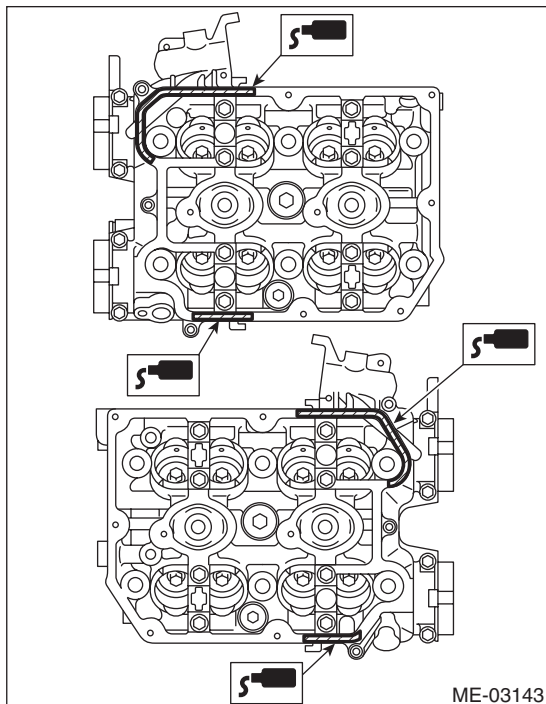
- (2) Apply liquid gasket to the specified point of the cylinder head.

**NOTE:**

Install within 5 min. after applying liquid gasket.

**Liquid gasket:**

**THREE BOND 1217G (Part No. K0877Y0100) or equivalent**

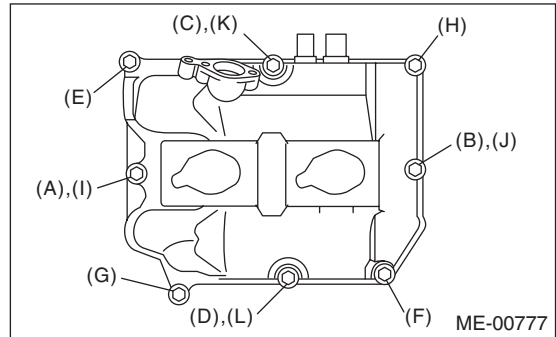


(3) Install the rocker cover onto cylinder heads. Ensure the gasket is properly positioned during installation.

(4) Temporarily tighten the rocker cover tightening bolts in alphabetical order shown in the figure, and then tighten to specified torque in alphabetical order.

**Tightening torque:**

**6.4 N·m (0.7 kgf·m, 4.7 ft·lb)**



44) Install the timing belt cover. <Ref. to ME(H4DOTC)-49, INSTALLATION, Timing Belt Cover.>

45) Install the crank pulley. <Ref. to ME(H4DOTC)-47, INSTALLATION, Crank Pulley.>

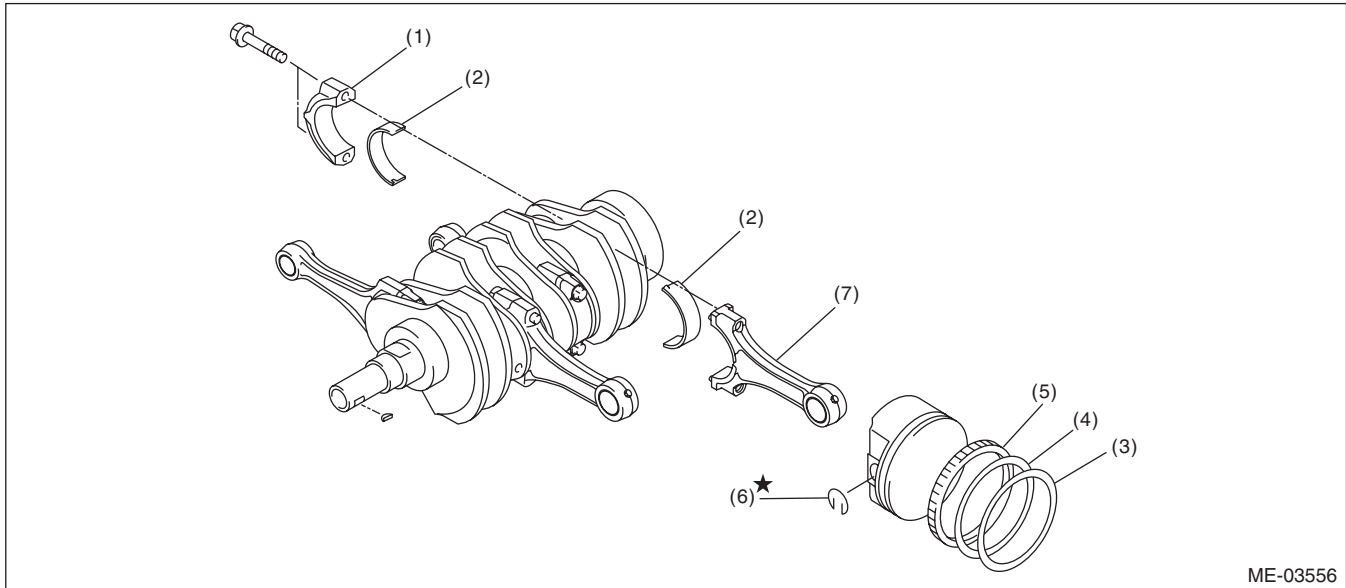
46) Install the intake manifold. <Ref. to FU(H4DOTC)-21, INSTALLATION, Intake Manifold.>

47) Install the V-belts. <Ref. to ME(H4DOTC)-40, INSTALLATION, V-belt.>

# Cylinder Block

MECHANICAL

## C: DISASSEMBLY



- |                            |                 |                    |
|----------------------------|-----------------|--------------------|
| (1) Connecting rod cap     | (4) Second ring | (6) Snap ring      |
| (2) Connecting rod bearing | (5) Oil ring    | (7) Connecting rod |
| (3) Top ring               |                 |                    |

- 1) Remove the connecting rod cap.
- 2) Remove the connecting rod bearing.

### NOTE:

Keep the removed connecting rods, connecting rod caps and bearings in order so that they are kept in their original combinations/groups, and not mixed together.

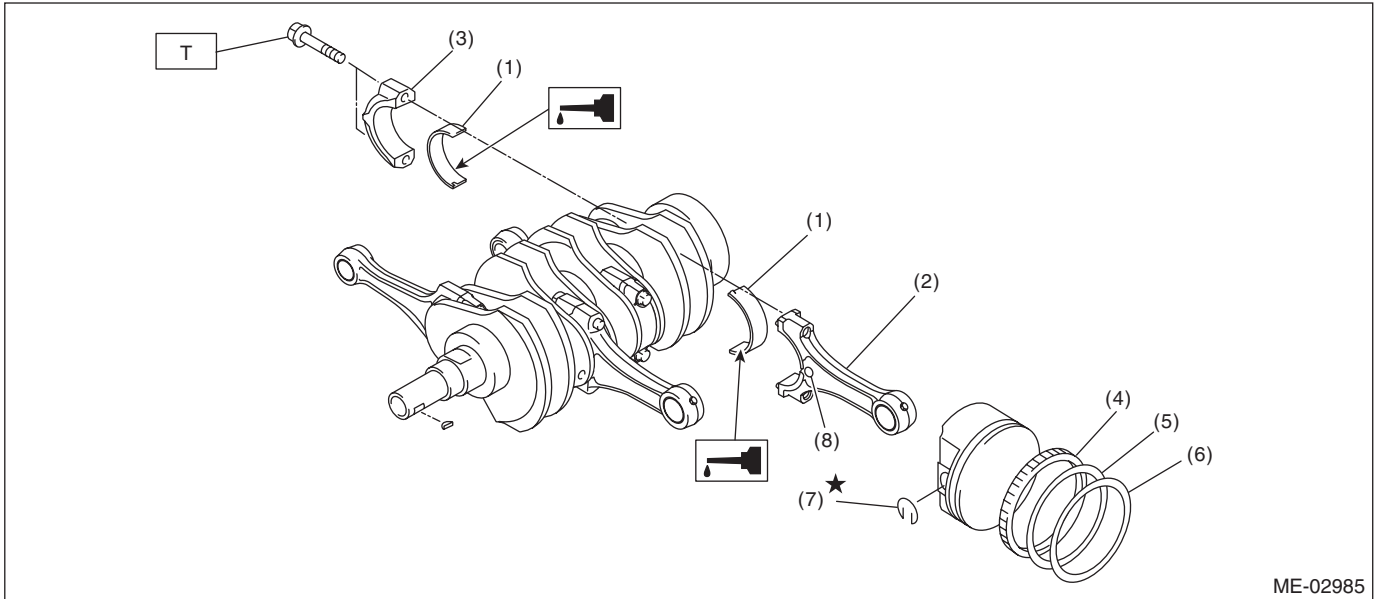
- 3) Remove the piston rings using piston ring expander.
- 4) Remove the oil ring by hand.

### NOTE:

Arrange the removed piston rings in proper order, to prevent confusion.

- 5) Remove the snap ring.

## D: ASSEMBLY



- |                            |                 |
|----------------------------|-----------------|
| (1) Connecting rod bearing | (5) Second ring |
| (2) Connecting rod         | (6) Top ring    |
| (3) Connecting rod cap     | (7) Snap ring   |
| (4) Oil ring               | (8) Side mark   |

**Tightening torque: N·m (kgf·m, ft·lb)**

**T: 52 (5.3, 38.4)**

- 1) Apply engine oil to the surface of the connecting rod bearings, and install the connecting rod bearings on connecting rods and connecting rod caps.
- 2) Position each connecting rod with the side with a side mark facing forward, and install it.
- 3) Attach the connecting rod cap and tighten it with connecting rod bolt. Make sure the arrow on connecting rod cap faces the front during installation.

**NOTE:**

- Each connecting rod has its own mating cap. Make sure that they are assembled correctly by checking their matching number.
- When tightening the connecting rod bolts, apply oil on the threads.

**Tightening torque:**

**52 N·m (5.3 kgf·m, 38.4 ft·lb)**

- 4) Install the oil ring upper rail, expander and lower rail by hand.
- 5) Install the second ring and top ring using piston ring expander.

**NOTE:**

Assemble so that the piston ring mark "R" faces the top side of the piston.

## E: INSPECTION

### 1. CYLINDER BLOCK

- 1) Check for cracks or damage. Use liquid penetrant tester on the important sections to check for fissures. Check that there are no marks of gas leaking or water leaking on gasket installing surface.
- 2) Check the oil passages for clogging.
- 3) Inspect the cylinder block surface that mates with cylinder head for warping by using a straight edge, and correct by grinding if necessary.

**Warping limit:**

**0.025 mm (0.00098 in)**

**Grinding limit:**

**0.1 mm (0.004 in)**

**Standard height of cylinder block:**

**201.0 mm (7.91 in)**

# Cylinder Block

## MECHANICAL

### 2. CYLINDER AND PISTON

1) The cylinder bore size is stamped on the front upper face of the cylinder block.

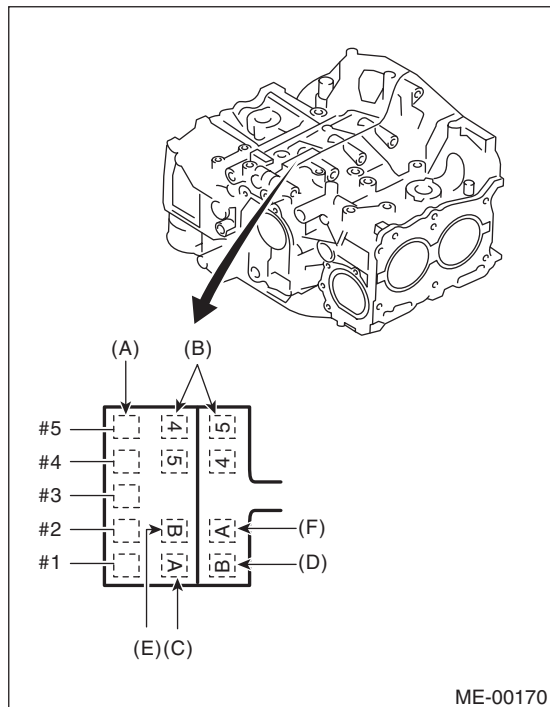
**NOTE:**

- Measurement should be performed at a temperature of 20°C (68°F).
- Standard sized pistons are classified into two grades, “A” and “B”. These grades should be used as guide lines in selecting a standard piston.

**Standard diameter:**

**A: 99.505 — 99.515 mm (3.9175 — 3.9179 in)**

**B: 99.495 — 99.505 mm (3.9171 — 3.9175 in)**



- (A) Main journal size mark
- (B) Cylinder block (RH) – (LH) combination mark
- (C) #1 cylinder bore size mark
- (D) #2 cylinder bore size mark
- (E) #3 cylinder bore size mark
- (F) #4 cylinder bore size mark

2) Measure inner diameter of each cylinder. Measure the inner diameter of each cylinder in both the thrust and piston pin directions at the heights as shown in the figure, using a cylinder bore gauge.

**NOTE:**

Measurement should be performed at a temperature of 20°C (68°F).

**Taper:**

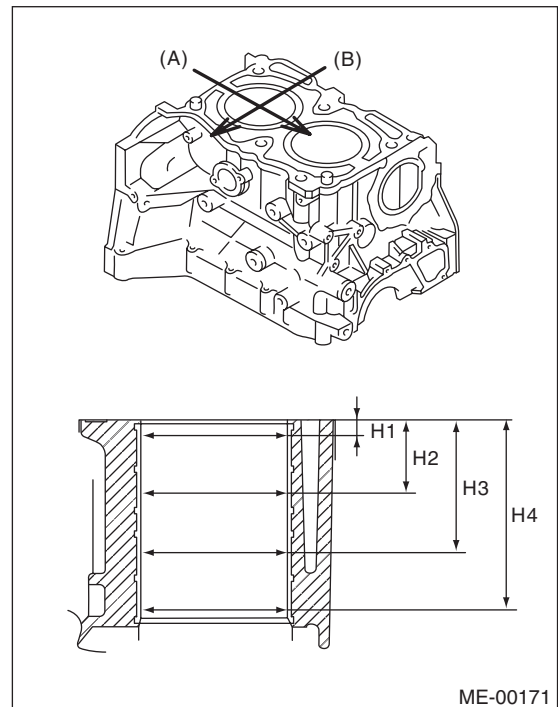
**Standard**

**0.015 mm (0.0006 in)**

**Out-of-roundness:**

**Standard**

**0.010 mm (0.0004 in)**



- (A) Piston pin direction
- (B) Thrust direction
- H1: 10 mm (0.39 in)
- H2: 45 mm (1.77 in)
- H3: 80 mm (3.15 in)
- H4: 115 mm (4.53 in)

3) When the piston is to be replaced due to general or cylinder wear, select a suitable sized piston by measuring the piston clearance.

4) Measure outer diameter of each piston.  
Measure the outer diameter of each piston at the height as shown in the figure. (Thrust direction)

**NOTE:**

Measurement should be performed at a temperature of 20°C (68°F).

**Piston grade point H:**  
**38.2 mm (1.50 in)**

**Piston outer diameter:**

**Standard**

**A: 99.505 — 99.515 mm (3.9175 — 3.9179 in)**

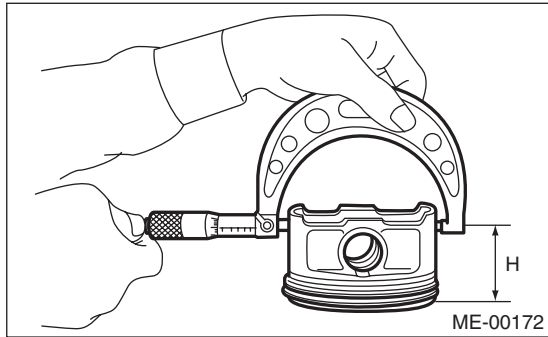
**B: 99.495 — 99.505 mm (3.9171 — 3.9175 in)**

**0.25 mm (0.0098 in) oversize**

**99.745 — 99.765 mm (3.9270 — 3.9278 in)**

**0.50 mm (0.0197 in) oversize**

**99.995 — 100.015 mm (3.9368 — 3.9376 in)**



5) Calculate the clearance between cylinder and piston.

**NOTE:**

Measurement should be performed at a temperature of 20°C (68°F).

**Cylinder to piston clearance at 20°C (68°F):**

**Standard**

**-0.010 — 0.010 mm (-0.00039 — 0.00039 in)**

6) Boring and honing

(1) If any of the measured value of taper, out-of-roundness or cylinder-to-piston clearance is out of standard or if there is any damage on the cylinder wall, rebore it to replace with an oversize piston.

**CAUTION:**

**When any of the cylinders needs reboring, all other cylinders must be bored at the same time, and replaced with oversize pistons.**

(2) If the cylinder inner diameter exceeds the limit after boring and honing, replace the cylinder block.

**NOTE:**

Immediately after reboring, the cylinder diameter may differ from its real diameter due to temperature rise. Thus, when measuring the cylinder diameter, wait until it has cooled to room temperature.

**Cylinder inner diameter boring limit (diameter):**  
**To 100.005 mm (3.9372 in)**

### 3. PISTON AND PISTON PIN

1) Check the piston and piston pin for damage, cracks or wear. Replace if faulty.

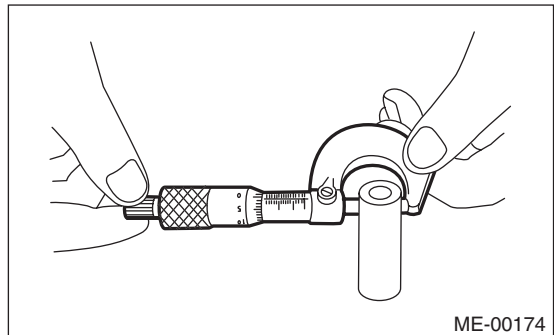
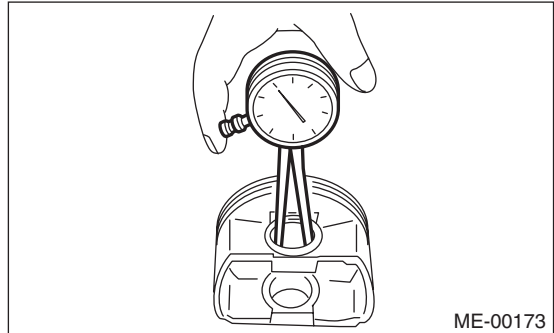
2) Check the piston ring groove for wear and damage. Replace if faulty.

3) Make sure that the piston pin can be inserted into the piston pin hole with a thumb at 20°C (68°F). Replace if faulty.

**Clearance between piston hole and piston pin:**

**Standard**

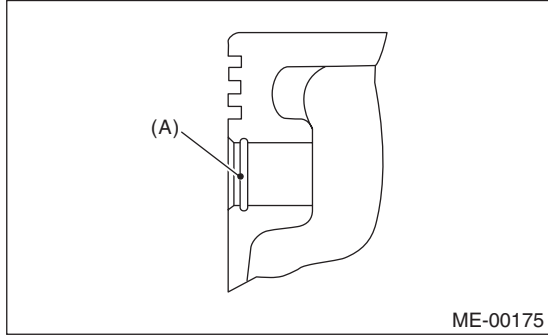
**0.004 — 0.008 mm (0.0002 — 0.0003 in)**



# Cylinder Block

## MECHANICAL

4) Check the snap ring installation groove (A) on the piston for burr. If necessary, remove burr from the groove so that the piston pin can lightly move.



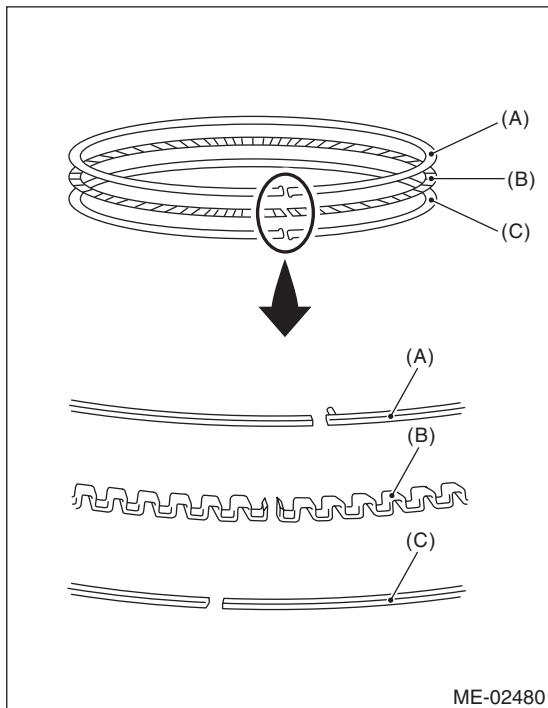
5) Check the piston pin snap ring for distortion, cracks and wear.

### 4. PISTON RING

1) If the piston ring is broken, damaged or worn, or if its tension is insufficient, or when the piston is replaced, replace the piston ring with a new part of the same size as piston.

#### NOTE:

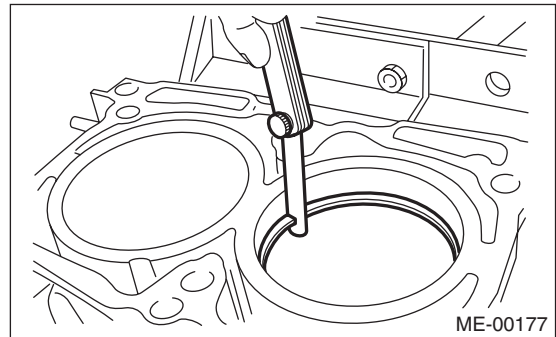
- The top ring and second ring have the mark to determine the direction for installing. When installing the ring to piston, face marks to the top side.
- Oil ring consists of the upper rail, expander and lower rail. When installing oil ring on piston, be careful of the direction of each rail.



- (A) Upper rail
- (B) Expander
- (C) Lower rail

2) Using the piston, insert the piston ring and oil ring into the cylinder so that they are perpendicular to the cylinder wall, and measure the piston ring gap with a thickness gauge.

		Standard mm (in)
Piston ring gap	Top ring	0.20 — 0.25 (0.0079 — 0.0098)
	Second ring	0.37 — 0.52 (0.015 — 0.020)
	Oil ring rail	0.20 — 0.50 (0.0079 — 0.0197)

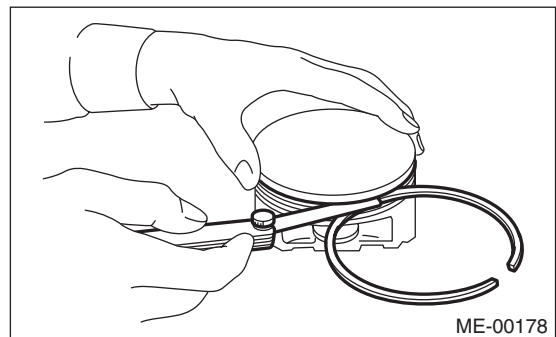


3) Fit the piston ring straight into the piston ring groove, then measure the clearance between piston ring and piston ring groove with a thickness gauge.

#### NOTE:

Before measuring the clearance, clean the piston ring groove and piston ring.

		Standard mm (in)
Clearance between piston ring and piston ring groove	Top ring	0.040 — 0.080 (0.0016 — 0.0031)
	Second ring	0.030 — 0.070 (0.0012 — 0.0028)

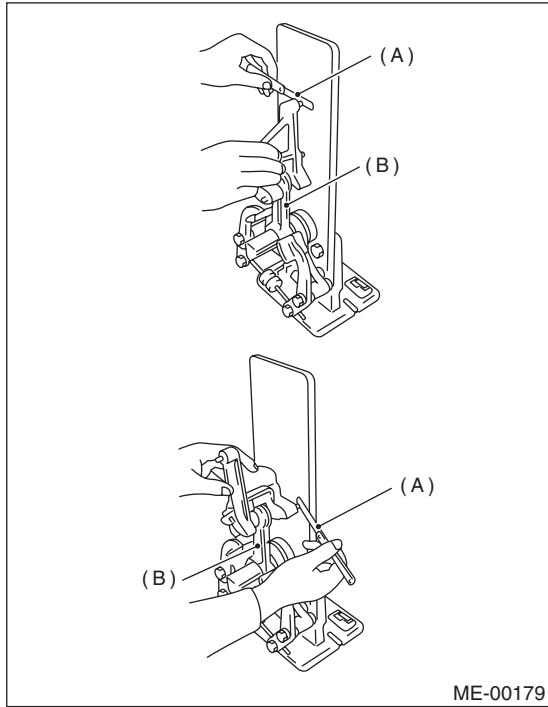


## 5. CONNECTING ROD

- 1) Replace the connecting rod, if the large or small end thrust surface is damaged.
- 2) Check for bend or twist using a connecting rod aligner. Replace the connecting rod if the bend or twist exceeds the limit.

**Limit of bend or twist per 100 mm (3.94 in) in length:**

**0.10 mm (0.0039 in)**



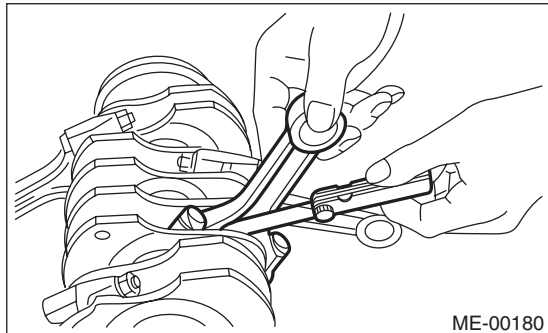
- (A) Thickness gauge
- (B) Connecting rod

- 3) Install the connecting rod with bearings attached to the crankshaft, and measure the thrust clearance using a thickness gauge. If the thrust clearance exceeds the standard or uneven wear is found, replace the connecting rod.

**Connecting rod thrust clearance:**

**Standard**

**0.070 — 0.330 mm (0.0028 — 0.0130 in)**



- 4) Inspect the connecting rod bearing for scar, peeling, seizure, melting, wear, etc.

- 5) Measure the oil clearance on each connecting rod bearing using plastigauge. If any oil clearance is not within the standard, replace the defective bearing with a new part of standard size or under-size as necessary.

**Connecting rod oil clearance:**

**Standard**

**0.017 — 0.045 mm (0.0007 — 0.0018 in)**

Unit: mm (in)		
Bearing	Bearing size (Thickness at center)	Outer diameter of crank pin
Standard	1.490 — 1.502 (0.0587 — 0.0591)	51.984 — 52.000 (2.0466 — 2.0472)
0.03 (0.0012) undersize	1.504 — 1.512 (0.0592 — 0.0595)	51.954 — 51.970 (2.0454 — 2.0461)
0.05 (0.0020) undersize	1.514 — 1.522 (0.0596 — 0.0599)	51.934 — 51.950 (2.0447 — 2.0453)
0.25 (0.0098) undersize	1.614 — 1.622 (0.0635 — 0.0639)	51.734 — 51.750 (2.0368 — 2.0374)

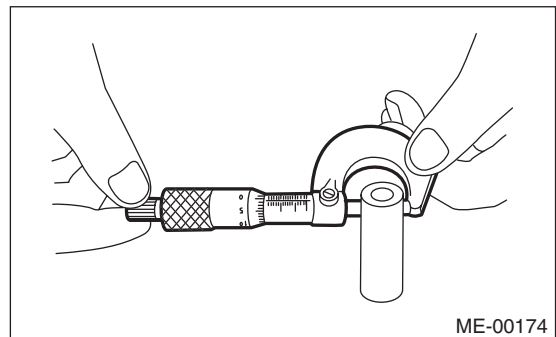
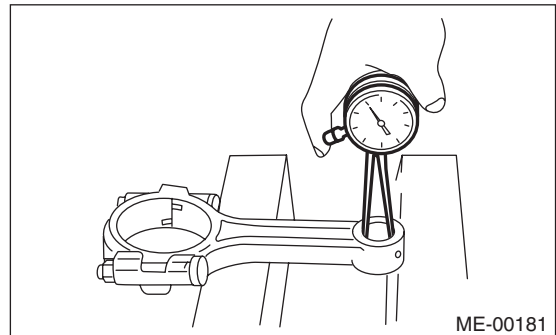
- 6) Inspect the bushing at connecting rod small end, and replace with a new part if worn or damaged.

- 7) Measure the piston pin clearance at connecting rod small end. If the measured value is not within the standard, replace it with a new part.

**Clearance between piston pin and bushing:**

**Standard**

**0 — 0.022 mm (0 — 0.0009 in)**





# Cylinder Block

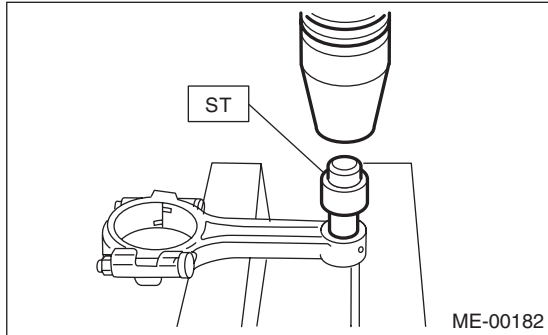
## MECHANICAL

8) The replacement procedure for the connecting rod small end bushing is as follows.

(1) Remove the bushing from connecting rod with ST and press.

(2) Press the bushing with the ST after applying oil on the periphery of new bushing.

ST 499037100 CONNECTING ROD  
BUSHING REMOVER AND  
INSTALLER



(3) Make two 3 mm (0.12 in) holes in the pressed bushing to match the pre-manufactured holes on the connecting rod, then ream the inside of the bushing.

(4) After completion of reaming, clean the bushing to remove chips.

## 6. CRANKSHAFT AND CRANKSHAFT BEARING

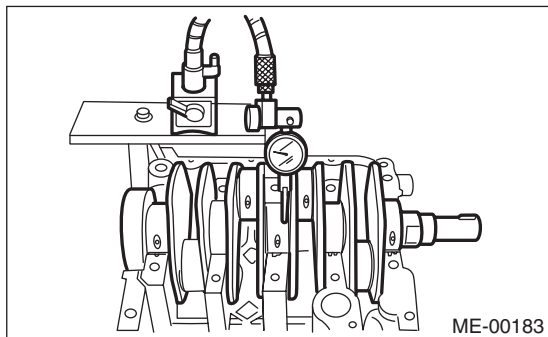
1) Clean the crankshaft completely, and check it for cracks using liquid penetrant tester. If defective, replace the crankshaft.

2) Measure warping of the crankshaft. If it exceeds the limit, correct or replace it.

### NOTE:

If a suitable V-block is not available, using just the #1 and #5 crankshaft bearings on cylinder block, position the crankshaft on cylinder block. Then, measure the crankshaft bend using a dial gauge.

**Crankshaft bend limit:**  
**0.035 mm (0.0014 in)**



3) Inspect the crank journal and crank pin for wear. If they are not within the standard, replace the bearing with a suitable (undersize) one, and replace or grind to correct the crankshaft as necessary. When grinding the crank journal or crank pin, finish them to the specified dimensions according to the undersize bearing to be used.

### Crank pin:

#### Out-of-roundness

0.003 mm (0.0001 in)

#### Cylindricity

0.004 mm (0.0002 in)

#### Grinding limit (dia.)

To 51.750 mm (2.0374 in)

### Crank journal:

#### Out-of-roundness

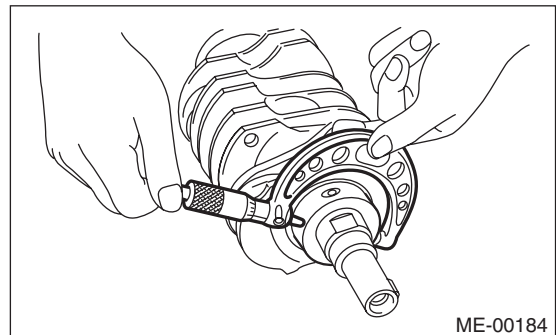
0.005 mm (0.0002 in)

#### Cylindricity

0.006 mm (0.0002 in)

#### Grinding limit (dia.)

To 59.758 mm (2.3527 in)





# Cylinder Block

MECHANICAL

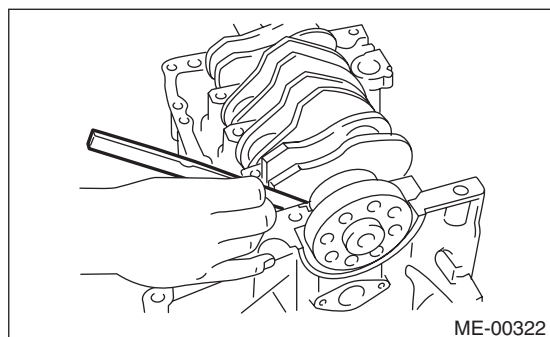
		Crank journal diameter		Unit: mm (in)
		#1, #3	#2, #4, #5	Crank pin outer diameter
Standard	Journal O.D.	59.992 — 60.008 (2.3619 — 2.3625)	59.992 — 60.008 (2.3619 — 2.3625)	51.984 — 52.000 (2.0466 — 2.0472)
	Bearing size (Thickness at center)	1.998 — 2.011 (0.0787 — 0.0792)	2.000 — 2.013 (0.0787 — 0.0793)	1.490 — 1.502 (0.0587 — 0.0591)
0.03 (0.0012) undersize	Journal O.D.	59.962 — 59.978 (2.3607 — 2.3613)	59.962 — 59.978 (2.3607 — 2.3613)	51.954 — 51.970 (2.0454 — 2.0461)
	Bearing size (Thickness at center)	2.017 — 2.020 (0.0794 — 0.0795)	2.019 — 2.022 (0.0795 — 0.0796)	1.504 — 1.512 (0.0592 — 0.0595)
0.05 (0.0020) undersize	Journal O.D.	59.942 — 59.958 (2.3599 — 2.3605)	59.942 — 59.958 (2.3599 — 2.3605)	51.934 — 51.950 (2.0447 — 2.0453)
	Bearing size (Thickness at center)	2.027 — 2.030 (0.0798 — 0.0799)	2.029 — 2.032 (0.0799 — 0.0800)	1.514 — 1.522 (0.0596 — 0.0599)
0.25 (0.0098) undersize	Journal O.D.	59.742 — 59.758 (2.3520 — 2.3527)	59.742 — 59.758 (2.3520 — 2.3527)	51.734 — 51.750 (2.0368 — 2.0374)
	Bearing size (Thickness at center)	2.127 — 2.130 (0.0837 — 0.0839)	2.129 — 2.132 (0.0838 — 0.0839)	1.614 — 1.622 (0.0635 — 0.0639)

4) Use a thickness gauge to measure the thrust clearance of crankshaft at #5 crank journal bearing. If clearance exceeds the standard, replace the bearing.

### **Crankshaft thrust clearance:**

#### **Standard**

**0.030 — 0.115 mm (0.0012 — 0.0045 in)**



5) Inspect individual crankshaft bearings for signs of flaking, seizure, melting and wear.

6) Measure the oil clearance on each crankshaft bearing using plastigauge. If the measured value is out of standard, replace the defective bearing with an undersize one, and replace or grind to correct the crankshaft as necessary.

### **Crankshaft oil clearance:**

#### **Standard**

**0.010 — 0.030 mm (0.0004 — 0.0012 in)**

## 21. Intake and Exhaust Valve

### A: SPECIFICATION

Refer to "Cylinder Head" for removal and installation procedures of the intake and exhaust valves.  
<Ref. to ME(H4DOTC)-67, REMOVAL, Cylinder Head.> <Ref. to ME(H4DOTC)-68, INSTALLATION, Cylinder Head.>

## 22.Piston

### A: SPECIFICATION

Refer to “Cylinder Block” for removal and installation procedures of pistons. <Ref. to ME(H4DOTC)-76, REMOVAL, Cylinder Block.> <Ref. to ME(H4DOTC)-81, INSTALLATION, Cylinder Block.>

## 23.Connecting Rod

### A: SPECIFICATION

Refer to “Cylinder Block” for removal and installation procedures of connecting rod.

<Ref. to ME(H4DOTC)-76, REMOVAL, Cylinder Block.> <Ref. to ME(H4DOTC)-81, INSTALLATION, Cylinder Block.>

## 24.Crankshaft

### A: SPECIFICATION

Refer to "Cylinder Block" for removal and installation procedures of the crankshaft. <Ref. to ME(H4DOTC)-76, REMOVAL, Cylinder Block.>  
<Ref. to ME(H4DOTC)-81, INSTALLATION, Cylinder Block.>

# Engine Trouble in General

MECHANICAL

## 25. Engine Trouble in General

### A: INSPECTION

NOTE:

The "RANK" shown in the chart shows the possibilities of the cause of trouble in order from "Very often" to "Rarely".

A — Very often

B — Sometimes

C — Rarely

Symptom	Problem parts etc.	Possible cause	RANK
1. Engine does not start.			
1) Starter does not turn.	Starter	Defective battery-to-starter harness	B
		Defective starter switch	C
		Defective inhibitor switch	C
		Defective starter	B
	Battery	Improper connection of terminal	A
		Run-down battery	A
		Defective charging system	B
	Friction	Seizure of crankshaft and connecting rod bearing	C
		Seized camshaft	C
		Seized or stuck piston and cylinder	C
2) Initial combustion does not occur.	Starter	Defective starter	C
	Engine control system <Ref. to EN(H4DOTC)(diag)-2, Basic Diagnostic Procedure.>		A
	Fuel line	Defective fuel pump and relay	A
		Clogged fuel line	C
		Lack of fuel or insufficient fuel	B
	Timing belt	Degradation, etc.	B
		Defective timing	B
	Compression	Incorrect valve clearance	C
		Loosened spark plug or defective gasket	C
		Loosened cylinder head bolt or defective cylinder head gasket	C
		Improper valve sealing	C
		Defective valve stem	C
		Worn or broken valve spring	B
		Worn or stuck piston rings, cylinder and piston	C
Incorrect valve timing		B	
Improper engine oil (low viscosity)		B	

# Engine Trouble in General

MECHANICAL

Symptom	Problem parts etc.	Possible cause	RANK
3) Initial combustion occurs.	Engine control system <Ref. to EN(H4DOTC)(diag)-2, Basic Diagnostic Procedure.>		A
	Intake system	Defective intake manifold gasket	B
		Defective throttle body gasket	B
	Fuel line	Defective fuel pump and relay	C
		Clogged fuel line	C
		Lack of fuel or insufficient fuel	B
	Timing belt	Degradation, etc.	B
		Defective timing	B
	Compression	Incorrect valve clearance	C
		Loosened spark plug or defective gasket	C
		Loosened cylinder head bolt or defective cylinder head gasket	C
		Improper valve sealing	C
		Defective valve stem	C
		Worn or broken valve spring	B
Worn or stuck piston rings, cylinder and piston		C	
Incorrect valve timing		B	
Improper engine oil (low viscosity)		B	
4) Engine stalls after initial combustion.	Engine control system <Ref. to EN(H4DOTC)(diag)-2, Basic Diagnostic Procedure.>		A
	Intake system	Loosened or cracked intake duct	B
		Loosened or cracked PCV hose	C
		Loosened or cracked vacuum hose	C
		Defective intake manifold gasket	B
		Defective throttle body gasket	B
		Dirty air cleaner element	C
	Fuel line	Clogged fuel line	C
		Lack of fuel or insufficient fuel	B
	Timing belt	Degradation, etc.	B
		Defective timing	B
	Compression	Incorrect valve clearance	C
		Loosened spark plug or defective gasket	C
		Loosened cylinder head bolt or defective cylinder head gasket	C
		Improper valve sealing	C
		Defective valve stem	C
		Worn or broken valve spring	B
		Worn or stuck piston rings, cylinder and piston	C
		Incorrect valve timing	B
Improper engine oil (low viscosity)	B		

# Engine Trouble in General

## MECHANICAL

Symptom	Problem parts etc.	Possible cause	RANK
2. Rough idle and engine stall	Engine control system <Ref. to EN(H4DOTC)(diag)-2, Basic Diagnostic Procedure.>		A
	Intake system	Loosened or cracked intake duct	A
		Loosened or cracked PCV hose	A
		Loosened or cracked vacuum hose	A
		Defective intake manifold gasket	B
		Defective throttle body gasket	B
		Defective PCV valve	C
		Loosened oil filler cap	B
		Dirty air cleaner element	C
	Fuel line	Defective fuel pump and relay	C
		Clogged fuel line	C
		Lack of fuel or insufficient fuel	B
	Timing belt	Defective timing	C
	Compression	Incorrect valve clearance	B
		Loosened spark plug or defective gasket	B
		Loosened cylinder head bolt or defective cylinder head gasket	B
		Improper valve sealing	B
		Defective valve stem	C
		Worn or broken valve spring	B
		Worn or stuck piston rings, cylinder and piston	B
		Incorrect valve timing	A
	Improper engine oil (low viscosity)	B	
	Lubrication system	Incorrect oil pressure	B
Defective rocker cover gasket		C	
Cooling system	Over-heating	C	
Others	Evaporative emission control system malfunction	A	
	Stuck or damaged throttle valve	B	



# Engine Trouble in General

MECHANICAL

Symptom	Problem parts etc.	Possible cause	RANK
3. Low output, hesitation and poor acceleration	Engine control system <Ref. to EN(H4DOTC)(diag)-2, Basic Diagnostic Procedure.>		A
	Intake system	Loosened or cracked intake duct	A
		Loosened or cracked PCV hose	A
		Loosened or cracked vacuum hose	B
		Defective intake manifold gasket	B
		Defective throttle body gasket	B
		Defective PCV valve	B
		Loosened oil filler cap	B
		Dirty air cleaner element	A
	Fuel line	Defective fuel pump and relay	B
		Clogged fuel line	B
		Lack of fuel or insufficient fuel	C
	Timing belt	Defective timing	B
	Compression	Incorrect valve clearance	B
		Loosened spark plug or defective gasket	B
		Loosened cylinder head bolt or defective cylinder head gasket	B
		Improper valve sealing	B
		Defective valve stem	C
		Worn or broken valve spring	B
		Worn or stuck piston rings, cylinder and piston	C
		Incorrect valve timing	A
	Improper engine oil (low viscosity)	B	
	Lubrication system	Incorrect oil pressure	B
Cooling system	Over-heating	C	
	Over-cooling	C	
Others	Evaporative emission control system malfunction	A	

# Engine Trouble in General

## MECHANICAL

Symptom	Problem parts etc.	Possible cause	RANK
4. Surging	Engine control system <Ref. to EN(H4DOTC)(diag)-2, Basic Diagnostic Procedure.>		A
	Intake system	Loosened or cracked intake duct	A
		Loosened or cracked PCV hose	A
		Loosened or cracked vacuum hose	A
		Defective intake manifold gasket	B
		Defective throttle body gasket	B
		Defective PCV valve	B
		Loosened oil filler cap	B
		Dirty air cleaner element	B
	Fuel line	Defective fuel pump and relay	B
		Clogged fuel line	B
		Lack of fuel or insufficient fuel	C
	Timing belt	Defective timing	B
	Compression	Incorrect valve clearance	B
		Loosened spark plug or defective gasket	C
		Loosened cylinder head bolt or defective cylinder head gasket	C
		Improper valve sealing	C
		Defective valve stem	C
		Worn or broken valve spring	C
		Worn or stuck piston rings, cylinder and piston	C
Incorrect valve timing		A	
Improper engine oil (low viscosity)	B		
Cooling system	Over-heating	B	
Others	Evaporative emission control system malfunction	C	
5. Engine does not return to idle.	Engine control system <Ref. to EN(H4DOTC)(diag)-2, Basic Diagnostic Procedure.>		A
	Intake system	Loosened or cracked vacuum hose	A
	Others	Stuck or damaged throttle valve	A
6. Dieseling (Run-on)	Engine control system <Ref. to EN(H4DOTC)(diag)-2, Basic Diagnostic Procedure.>		A
	Cooling system	Over-heating	B
	Others	Evaporative emission control system malfunction	B
7. After burning in exhaust system	Engine control system <Ref. to EN(H4DOTC)(diag)-2, Basic Diagnostic Procedure.>		A
	Intake system	Loosened or cracked intake duct	C
		Loosened or cracked PCV hose	C
		Loosened or cracked vacuum hose	B
		Defective PCV valve	B
		Loosened oil filler cap	C
	Timing belt	Defective timing	B
	Compression	Incorrect valve clearance	B
		Loosened spark plug or defective gasket	C
		Loosened cylinder head bolt or defective cylinder head gasket	C
		Improper valve sealing	B
		Defective valve stem	C
		Worn or broken valve spring	C
		Worn or stuck piston rings, cylinder and piston	C
		Incorrect valve timing	A
	Lubrication system	Incorrect oil pressure	C
Cooling system	Over-cooling	C	
Others	Evaporative emission control system malfunction	C	

# Engine Trouble in General

MECHANICAL

Symptom	Problem parts etc.	Possible cause	RANK
8. Knocking	Engine control system <Ref. to EN(H4DOTC)(diag)-2, Basic Diagnostic Procedure.>		A
	Intake system	Loosened oil filler cap	B
	Timing belt	Defective timing	B
	Compression	Incorrect valve clearance	C
		Incorrect valve timing	B
Cooling system	Over-heating	A	
9. Excessive engine oil consumption	Intake system	Loosened or cracked PCV hose	A
		Defective PCV valve	B
		Loosened oil filler cap	C
	Compression	Defective valve stem	A
		Worn or stuck piston rings, cylinder and piston	A
	Lubrication system	Loosened oil pump attaching bolts and defective gasket	B
		Defective oil filter gasket	B
		Defective crankshaft oil seal	B
		Defective rocker cover gasket	B
		Loosened oil drain plug or defective gasket	B
	Loosened oil pan fitting bolts or defective oil pan	B	
10. Excessive fuel consumption	Engine control system <Ref. to EN(H4DOTC)(diag)-2, Basic Diagnostic Procedure.>		A
	Intake system	Dirty air cleaner element	A
	Timing belt	Defective timing	B
	Compression	Incorrect valve clearance	B
		Loosened spark plug or defective gasket	C
		Loosened cylinder head bolt or defective cylinder head gasket	C
		Improper valve sealing	B
		Defective valve stem	C
		Worn or broken valve spring	C
		Worn or stuck piston rings, cylinder and piston	B
		Incorrect valve timing	B
	Lubrication system	Incorrect oil pressure	C
	Cooling system	Over-cooling	C

# Engine Noise

MECHANICAL

## 26.Engine Noise

### A: INSPECTION

Type of sound	Condition	Possible cause
Regular clicking sound	Sound increases as engine speed increases.	<ul style="list-style-type: none"> <li>• Valve mechanism is defective.</li> <li>• Incorrect valve clearance</li> <li>• Worn camshaft</li> <li>• Broken valve spring</li> </ul>
Heavy and dull clank	Oil pressure is low.	<ul style="list-style-type: none"> <li>• Worn crankshaft main bearing</li> <li>• Worn connecting rod bearing (large end)</li> </ul>
	Oil pressure is normal.	<ul style="list-style-type: none"> <li>• Loosened flywheel mounting bolt</li> <li>• Damaged engine mounting</li> </ul>
High-pitched clank	Sound is noticeable when accelerating with an overload condition.	<ul style="list-style-type: none"> <li>• Ignition timing advanced</li> <li>• Accumulation of carbon inside combustion chamber</li> <li>• Wrong heat range of spark plug</li> <li>• Improper octane value gasoline</li> </ul>
Clank when engine speed is between 1,000 and 2,000 rpms.	Noise is reduced when fuel injector connector of noisy cylinder is disconnected. (NOTE*)	<ul style="list-style-type: none"> <li>• Worn crankshaft main bearing</li> <li>• Worn connecting rod bearing (large end)</li> </ul>
Knocking sound when engine is operating under idling speed and engine is warm	Noise is reduced when fuel injector connector of noisy cylinder is disconnected. (NOTE*)	<ul style="list-style-type: none"> <li>• Worn cylinder liner and piston ring</li> <li>• Broken or stuck piston ring</li> <li>• Worn piston pin and hole at piston end of connecting rod</li> </ul>
	Sound is not reduced if each fuel injector connector is disconnected in turn. (NOTE*)	<ul style="list-style-type: none"> <li>• Unusually worn valve lifter</li> <li>• Worn cam sprocket</li> <li>• Worn camshaft journal bore in cylinder head</li> </ul>
Squeaky sound	—	Insufficient generator lubrication
Rubbing sound	—	Poor contact of generator brush and rotor
Gear scream when starting engine	—	<ul style="list-style-type: none"> <li>• Defective ignition starter switch</li> <li>• Worn gear and starter pinion</li> </ul>
Sound like polishing glass with a dry cloth	—	<ul style="list-style-type: none"> <li>• Loose V-belt</li> <li>• Defective water pump shaft</li> </ul>
Hissing sound	—	<ul style="list-style-type: none"> <li>• Insufficient compression</li> <li>• Air leakage in air intake system, hose, connection or manifold</li> </ul>
Timing belt noise	—	<ul style="list-style-type: none"> <li>• Loose timing belt</li> <li>• Timing belt contacting with adjacent part</li> </ul>
Valve noise	—	Incorrect valve clearance

(NOTE\*)

When disconnecting the fuel injector connector, the malfunction indicator light illuminates and DTC is stored in ECM memory. Therefore, perform the Clear Memory Mode <Ref. to EN(H4DOTC)(diag)-54, OPERATION, Clear Memory Mode.> and Inspection Mode <Ref. to EN(H4DOTC)(diag)-43, PROCEDURE, Inspection Mode.> after connecting the fuel injector connector.

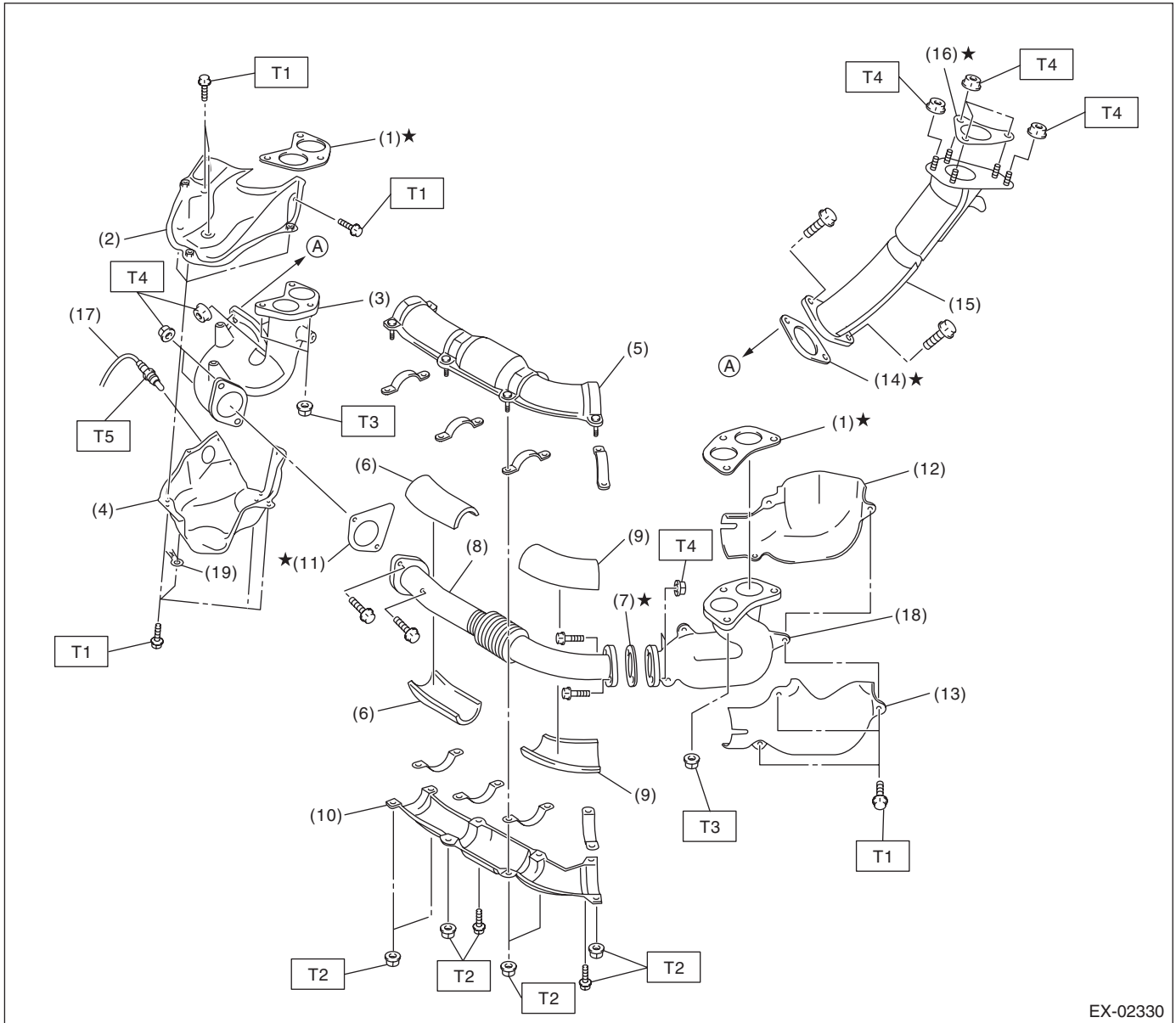
# General Description

## EXHAUST

### 1. General Description

#### A: COMPONENT

#### 1. FRONT EXHAUST PIPE



- |                                     |                                      |
|-------------------------------------|--------------------------------------|
| (1) Gasket                          | (11) Gasket                          |
| (2) Exhaust manifold RH upper cover | (12) Exhaust manifold LH inner cover |
| (3) Exhaust manifold RH             | (13) Exhaust manifold LH outer cover |
| (4) Exhaust manifold RH lower cover | (14) Gasket                          |
| (5) Front exhaust pipe upper cover  | (15) Joint pipe                      |
| (6) Front exhaust pipe insulator RH | (16) Gasket                          |
| (7) Gasket                          | (17) Front oxygen (A/F) sensor       |
| (8) Front exhaust pipe              | (18) Exhaust manifold LH             |
| (9) Front exhaust pipe insulator LH | (19) Ground cable                    |
| (10) Front exhaust pipe lower cover |                                      |

#### **Tightening torque: N·m (kgf·m, ft·lb)**

**T1: 19 (1.9, 14.0)**

**T2: 25 (2.5, 18.4)**

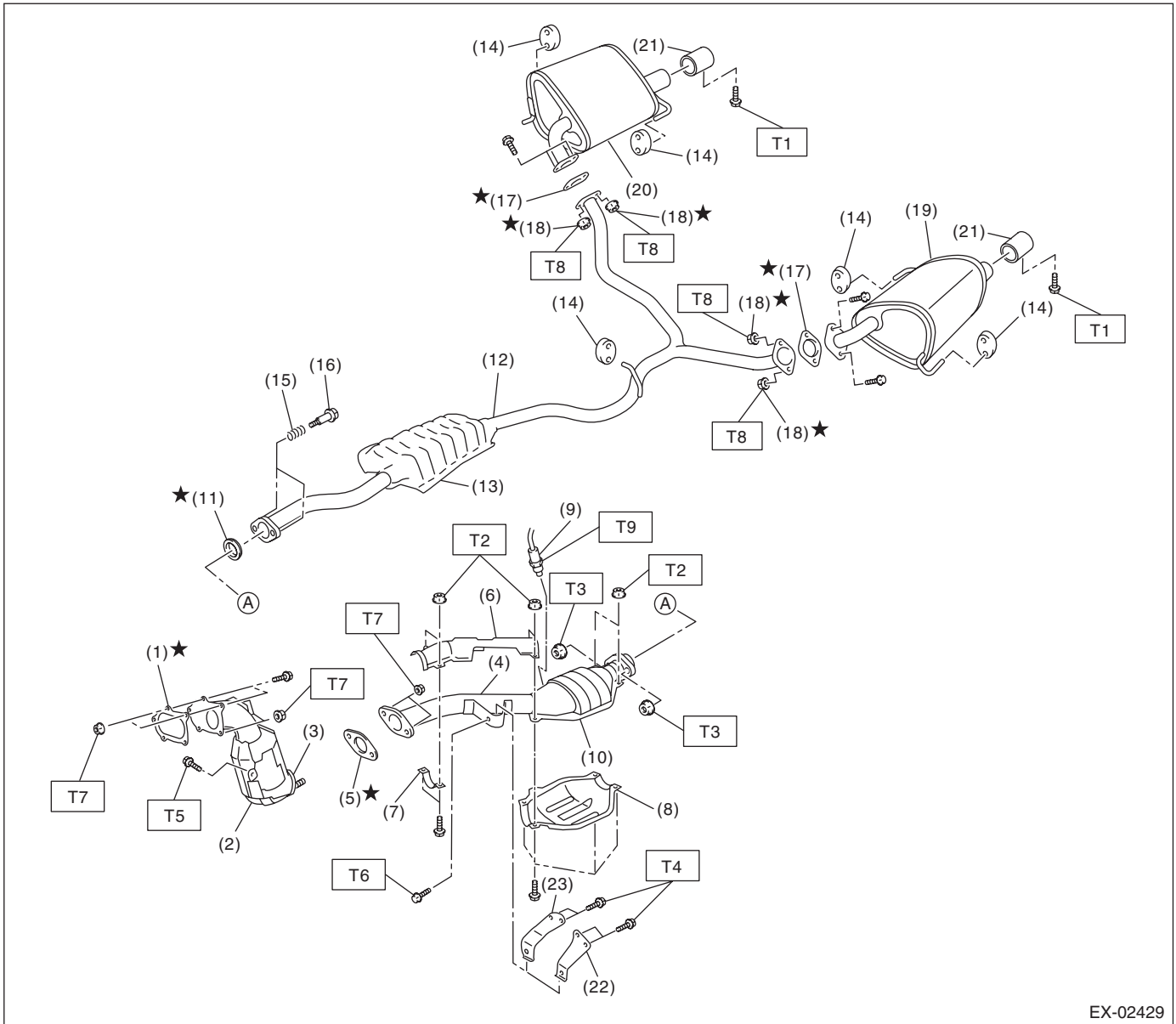
**T3: 40 (4.1, 29.5)**

**T4: 42.5 (4.3, 31.3)**

**T5: <Ref. to FU(H4DOTC)-48, INSTALLATION, Front Oxygen (A/F) Sensor.>**

## 2. CENTER AND REAR EXHAUST PIPE, AND MUFFLER

- 4 DOOR MODEL



EX-02429

- |  |   |
|--|---|
| (1) Gasket                               | (13) Chamber  |
| (2) Front catalytic converter            | (14) Cushion rubber                                 |
| (3) Center exhaust pipe (Front)          | (15) Spring   |
| (4) Center exhaust pipe (Rear)           | (16) Bolt   |
| (5) Gasket                               | (17) Gasket   |
| (6) Center pipe upper cover (Rear)       | (18) Self-locking nut                               |
| (7) Clamp                                | (19) Muffler LH                                     |
| (8) Rear catalytic converter lower cover | (20) Muffler RH                                     |
| (9) Rear oxygen sensor                   | (21) Muffler cutter<br>(Models with muffler cutter) |
| (10) Rear catalytic converter            | (22) Hanger bracket (AT model)                      |
| (11) Gasket                              | (23) Hanger bracket (MT model)                      |
| (12) Rear exhaust pipe                   |   |

**Tightening torque: N·m (kgf·m, ft·lb)**

**T1: 7.5 (0.8, 5.5)**

**T2: 13 (1.3, 9.6)**

**T3: 18 (1.8, 13.3)**

**T4: 23 (2.3, 17.0)**

**T5: 30 (3.1, 22.1)**

**T6: 35 (3.6, 25.8)**

**T7: 42.5 (4.3, 31.3)**

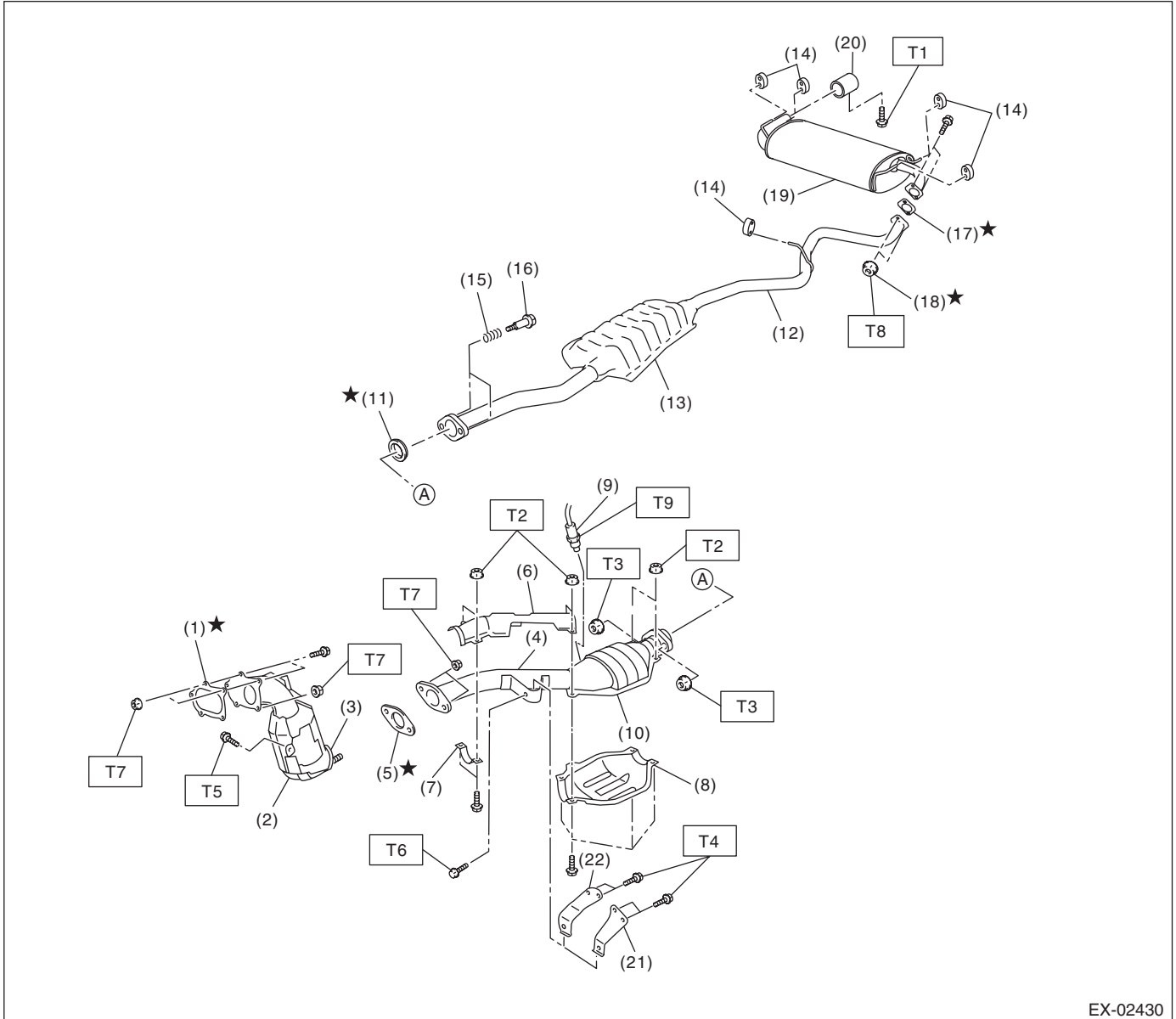
**T8: 48 (4.9, 35.4)**

**T9: <Ref. to FU(H4DOTC)-50,  
INSTALLATION, Rear Oxygen  
Sensor.>**

# General Description

## EXHAUST

### • 5 DOOR MODEL



EX-02430

- |  |   |
|--|---|
| (1) Gasket                               | (12) Rear exhaust pipe                              |
| (2) Front catalytic converter            | (13) Chamber  |
| (3) Center exhaust pipe (Front)          | (14) Cushion rubber                                 |
| (4) Center exhaust pipe (Rear)           | (15) Spring   |
| (5) Gasket                               | (16) Bolt   |
| (6) Center pipe upper cover (Rear)       | (17) Gasket   |
| (7) Clamp                                | (18) Self-locking nut                               |
| (8) Rear catalytic converter lower cover | (19) Muffler  |
| (9) Rear oxygen sensor                   | (20) Muffler cutter<br>(Models with muffler cutter) |
| (10) Rear catalytic converter            | (21) Hanger bracket (AT model)                      |
| (11) Gasket                              | (22) Hanger bracket (MT model)                      |

#### **Tightening torque: N·m (kgf·m, ft·lb)**

**T1: 7.5 (0.8, 5.5)**

**T2: 13 (1.3, 9.6)**

**T3: 18 (1.8, 13.3)**

**T4: 23 (2.3, 17.0)**

**T5: 30 (3.1, 22.1)**

**T6: 35 (3.6, 25.8)**

**T7: 42.5 (4.3, 31.3)**

**T8: 48 (4.9, 35.4)**

**T9: <Ref. to FU(H4DOTC)-50,  
INSTALLATION, Rear Oxygen  
Sensor.>**

### **B: CAUTION**

- Wear appropriate work clothing, including a cap, protective goggles and protective shoes when performing any work.
- Remove contamination including dirt and corrosion before removal, installation or disassembly.
- Keep the disassembled parts in order and protect them from dust and dirt.
- Before removal, installation or disassembly, be sure to clarify the failure. Avoid unnecessary removal, installation, disassembly and replacement.
- Vehicle components are extremely hot after driving. Be wary of receiving burns from heated parts.
- Be sure to tighten fasteners including bolts and nuts to the specified torque.
- Place shop jacks or rigid racks at the specified points.
- Before disconnecting connectors of sensors or units, be sure to disconnect the ground cable from the battery.
- If any fat adheres to the exhaust pipe, wipe it off. Otherwise a fire may happen.



# Front Exhaust Pipe

EXHAUST

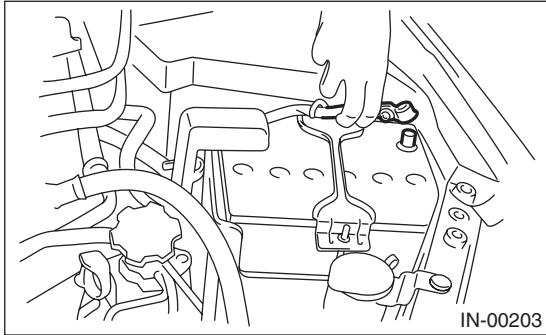
## 2. Front Exhaust Pipe

### A: REMOVAL

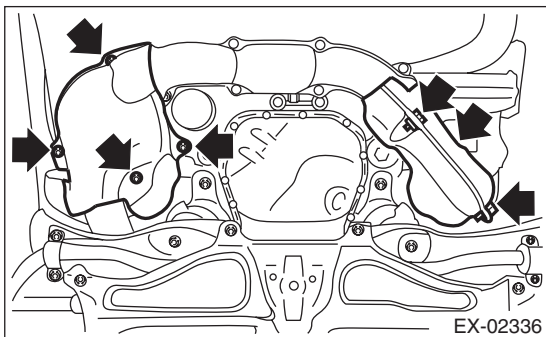
#### CAUTION:

Vehicle components are extremely hot after driving. Be wary of receiving burns from heated parts.

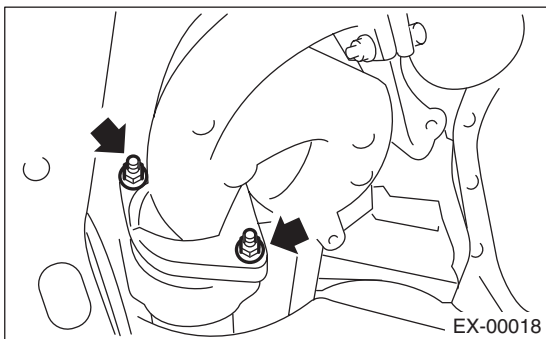
- 1) Set the vehicle on a lift.
- 2) Disconnect the ground cable from battery.



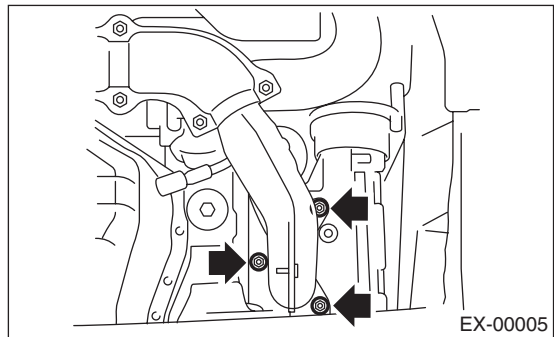
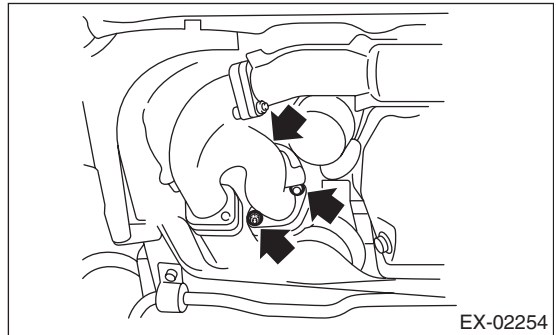
- 3) Lift up the vehicle.
- 4) Remove the under cover.
- 5) Remove the front oxygen (A/F) sensor. <Ref. to FU(H4DOTC)-48, REMOVAL, Front Oxygen (A/F) Sensor.>
- 6) Remove the exhaust manifold RH lower cover and exhaust manifold LH cover.



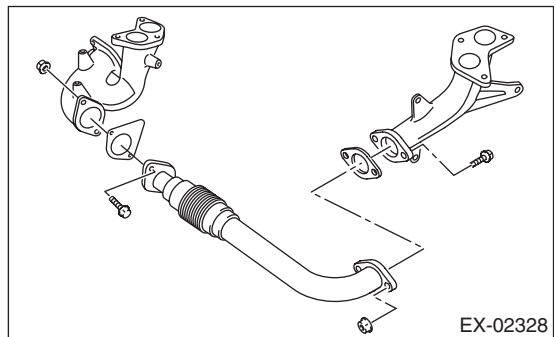
- 7) Remove the bolts and nuts which hold front exhaust pipe assembly onto joint pipe.



- 8) While holding the front exhaust pipe assembly with one hand, remove the nuts which hold the front exhaust pipe assembly to cylinder head exhaust port.



- 9) Remove the front exhaust pipe assembly.
- 10) Remove the exhaust manifold RH upper cover and the front exhaust pipe cover.
- 11) Remove the exhaust manifold from the front exhaust pipe.



## B: INSTALLATION

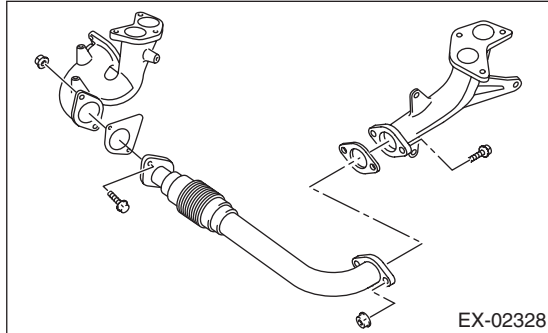
1) Install the exhaust manifold to the front exhaust pipe.

NOTE:

Use a new gasket.

**Tightening torque:**

**42.5 N·m (4.3 kgf-m, 31.3 ft-lb)**



2) Install the front exhaust pipe cover.

**Tightening torque:**

**25 N·m (2.5 kgf-m, 18.4 ft-lb)**

3) Install the exhaust manifold RH upper cover.

**Tightening torque:**

**19 N·m (1.9 kgf-m, 14.0 ft-lb)**

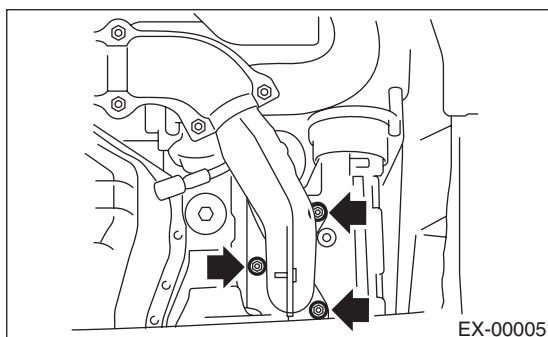
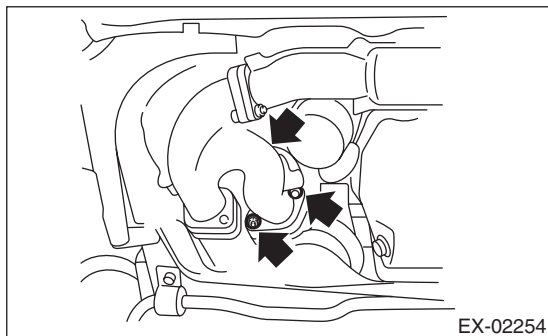
4) Install the front exhaust pipe assembly.

NOTE:

Use a new gasket.

**Tightening torque:**

**40 N·m (4.1 kgf-m, 29.5 ft-lb)**



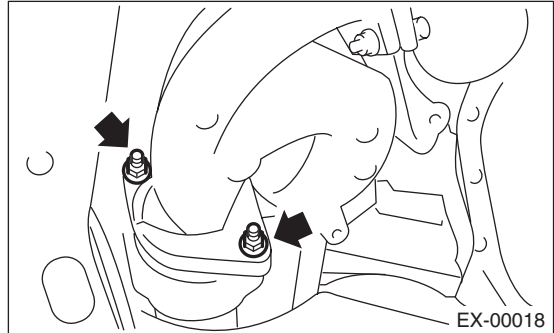
5) Install the joint pipe to the front exhaust pipe assembly.

NOTE:

Use a new gasket.

**Tightening torque:**

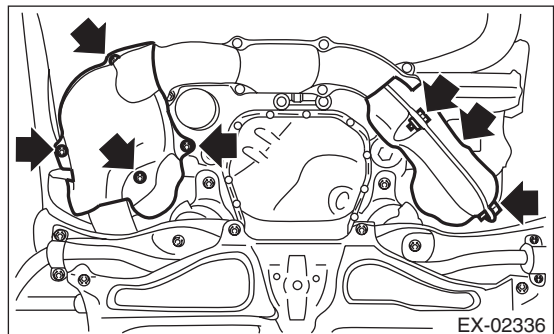
**42.5 N·m (4.3 kgf-m, 31.3 ft-lb)**



6) Install the exhaust manifold RH lower cover and exhaust manifold LH cover.

**Tightening torque:**

**19 N·m (1.9 kgf-m, 14.0 ft-lb)**

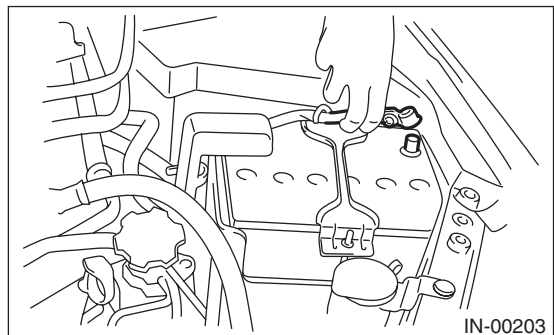


7) Install the front oxygen (A/F) sensor. <Ref. to FU(H4DOTC)-48, INSTALLATION, Front Oxygen (A/F) Sensor.>

8) Install the under cover.

9) Lower the vehicle.

10) Connect the ground cable to battery.



## C: INSPECTION

1) Check the connections and welds for exhaust leaks.

2) Make sure there are no holes or rusting.

# Center Exhaust Pipe

## EXHAUST

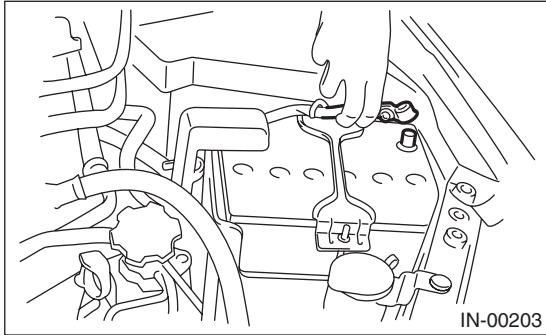
### 3. Center Exhaust Pipe

#### A: REMOVAL

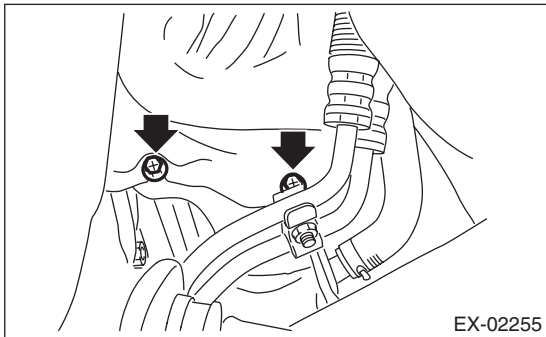
##### CAUTION:

Vehicle components are extremely hot after driving. Be wary of receiving burns from heated parts.

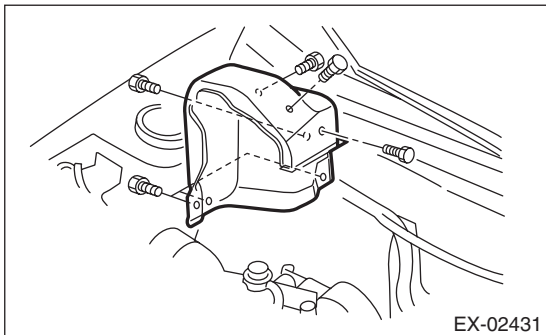
- 1) Set the vehicle on a lift.
- 2) Disconnect the ground cable from battery.



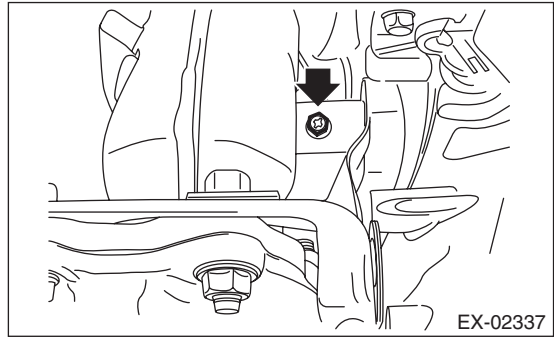
- 3) Remove the intercooler. <Ref. to IN(H4DOTC)-13, REMOVAL, Intercooler.>
- 4) Lift up the vehicle.
- 5) Remove the bolts which secure the lower side of the turbocharger lower cover.



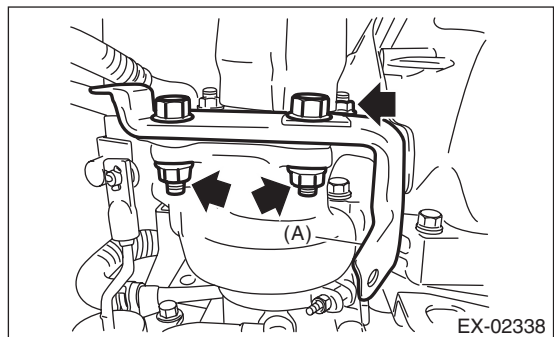
- 6) Lower the vehicle.
- 7) Remove the turbocharger upper cover.



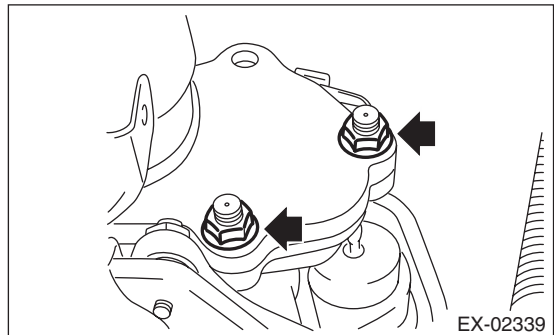
- 8) Remove the bolts which hold the upper side of the turbocharger lower cover.



- 9) Remove the upper side bolts and nuts that hold the center exhaust pipe on the turbocharger, and remove the turbocharger cover stay (A).



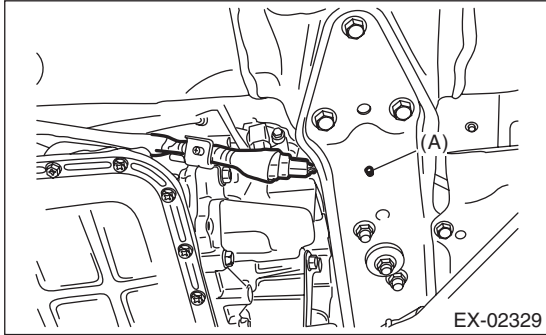
- 10) Lift up the vehicle.
- 11) Remove the lower side nuts (two places) that hold the center exhaust pipe on the turbocharger.



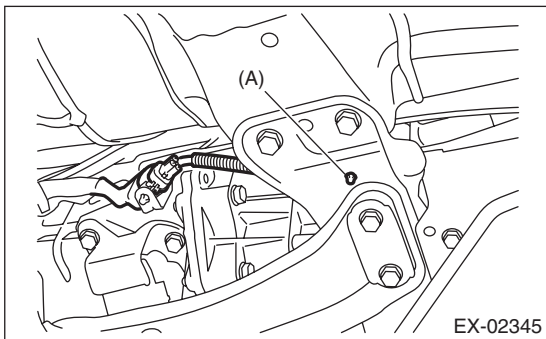
# Center Exhaust Pipe

12) Disconnect the connector from the rear oxygen sensor, and remove the clip (A) holding the rear oxygen sensor harness.

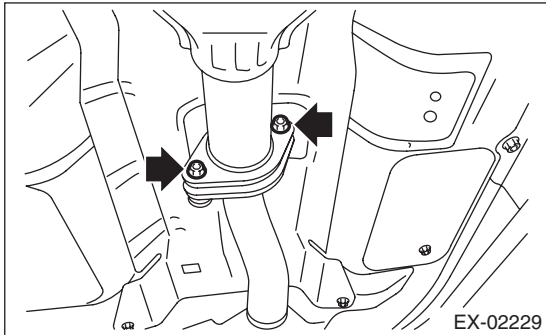
- AT MODEL



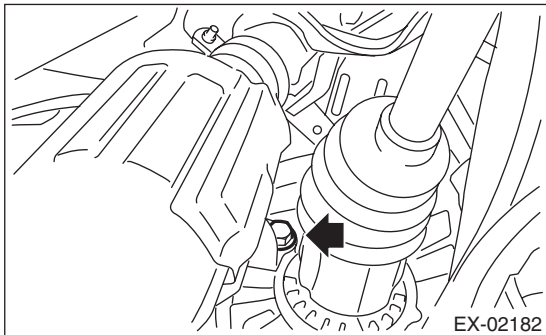
- MT MODEL



13) Remove the rear exhaust pipe from center exhaust pipe.



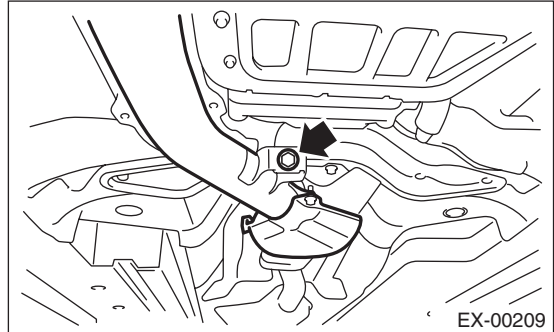
14) Remove the bolt which holds center exhaust pipe bracket to transmission.



15) Remove the bolt which holds center exhaust pipe to hanger bracket, and remove the center exhaust pipe.

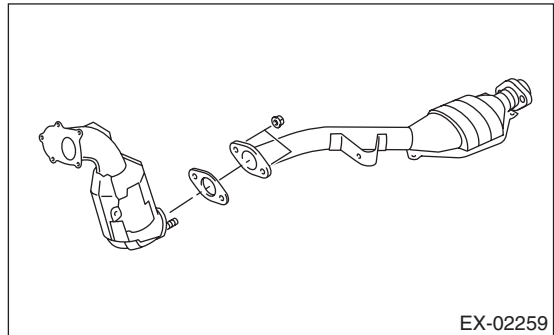
**CAUTION:**

**Be careful not to drop the center exhaust pipe.**



16) Remove the turbocharger lower cover.

17) Remove the center exhaust pipe (rear) from the center exhaust pipe (front).



# Center Exhaust Pipe

## EXHAUST

### B: INSTALLATION

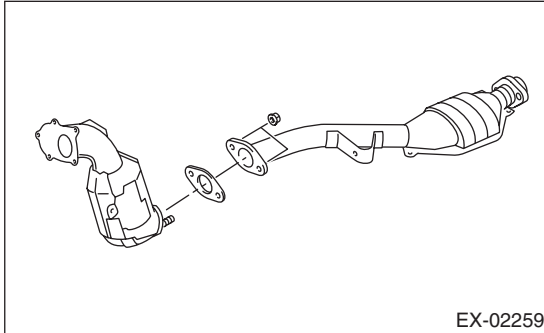
1) Assemble the center exhaust pipe (rear) to the center exhaust pipe (front).

NOTE:

Use a new gasket.

**Tightening torque:**

**42.5 N·m (4.3 kgf·m, 31.3 ft·lb)**



2) Set the turbocharger lower cover, and temporarily tighten the bolts that hold the lower side of the turbocharger lower cover.

3) Install the center exhaust pipe and temporarily tighten the bolt which holds center exhaust pipe to hanger bracket.

4) Temporarily tighten the bolt which holds the center exhaust pipe to the transmission.

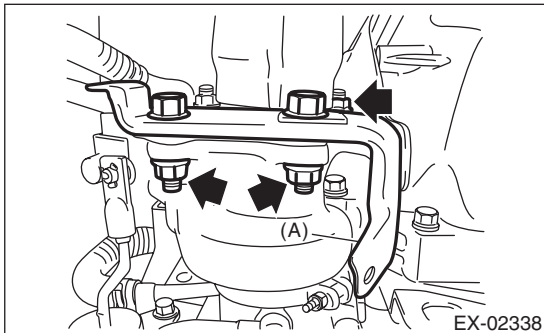
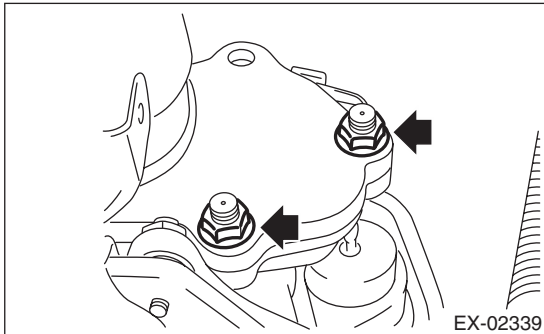
5) Install the center exhaust pipe along with the turbocharger cover stay (A) to the turbocharger.

NOTE:

Use a new gasket.

**Tightening torque:**

**42.5 N·m (4.3 kgf·m, 31.3 ft·lb)**



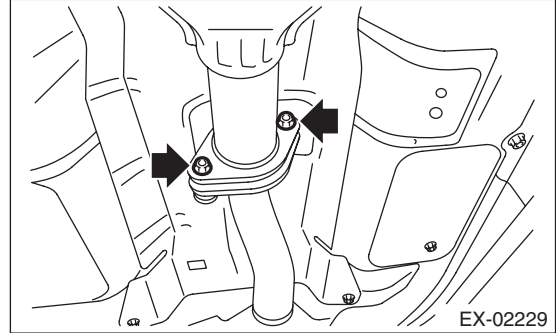
6) Install the rear exhaust pipe to center exhaust pipe.

NOTE:

Use a new gasket.

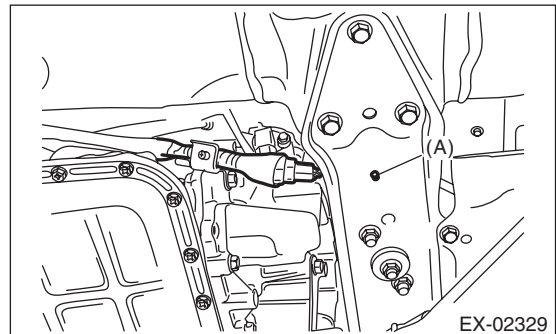
**Tightening torque:**

**18 N·m (1.8 kgf·m, 13.3 ft·lb)**

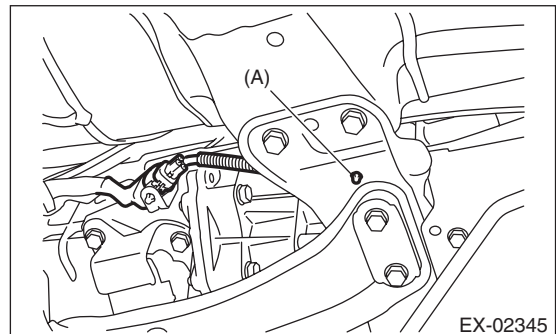


7) Connect the connector to the rear oxygen sensor, and hold the rear oxygen sensor harness with the clip (A).

• AT MODEL



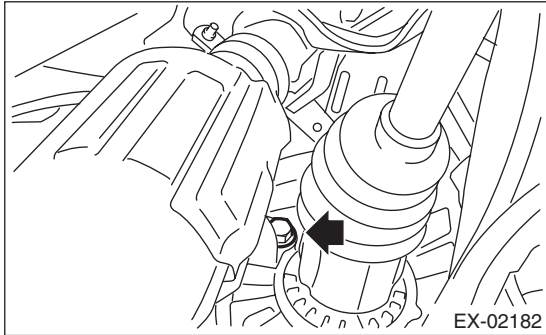
• MT MODEL





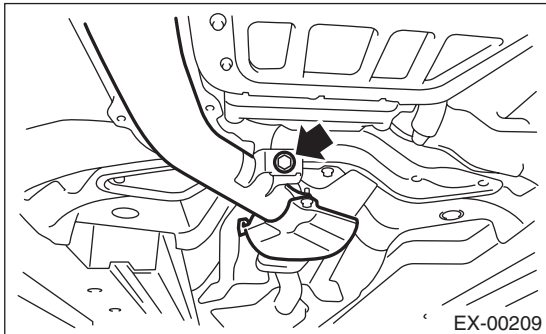
8) Tighten the bolt which holds center exhaust pipe bracket to transmission.

**Tightening torque:**  
**30 N·m (3.1 kgf-m, 22.1 ft-lb)**



9) Tighten the bolts which install center exhaust pipe to hanger bracket.

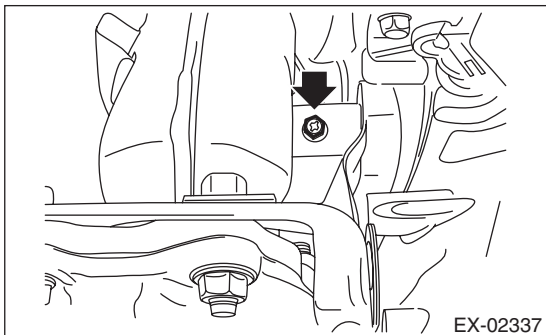
**Tightening torque:**  
**35 N·m (3.6 kgf-m, 25.8 ft-lb)**



10) Lower the vehicle.

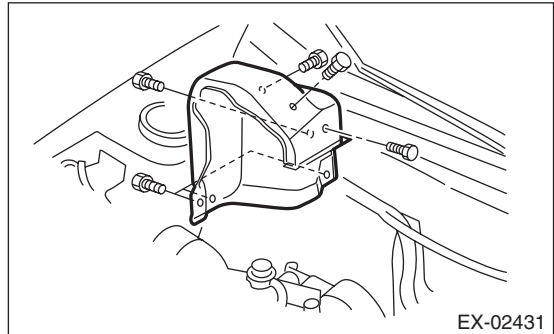
11) Attach the bolt which holds the upper side of the turbocharger lower cover.

**Tightening torque:**  
**7.5 N·m (0.8 kgf-m, 5.5 ft-lb)**



12) Attach the turbocharger upper cover.

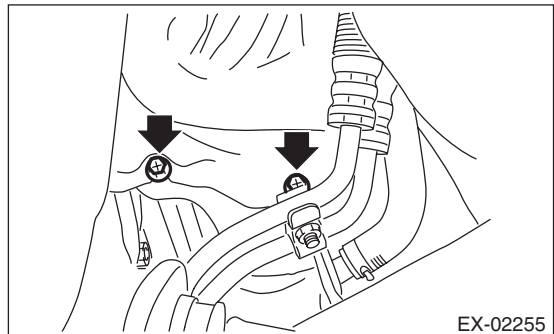
**Tightening torque:**  
**7.5 N·m (0.8 kgf-m, 5.5 ft-lb)**



13) Lift up the vehicle.

14) Tighten the bolts that secure the lower side of the turbocharger lower cover.

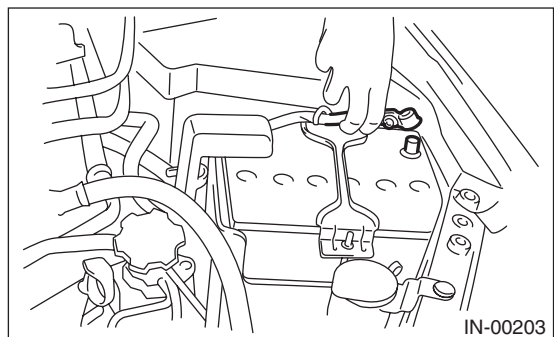
**Tightening torque:**  
**7.5 N·m (0.8 kgf-m, 5.5 ft-lb)**



15) Lower the vehicle.

16) Install the intercooler. <Ref. to IN(H4DOTC)-13, INSTALLATION, Intercooler.>

17) Connect the ground cable to battery.



## C: INSPECTION

- 1) Check the connections and welds for exhaust leaks.
- 2) Make sure there are no holes or rusting.

# Joint Pipe

EXHAUST

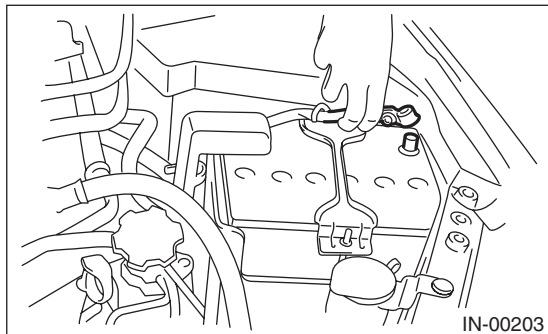
## 4. Joint Pipe

### A: REMOVAL

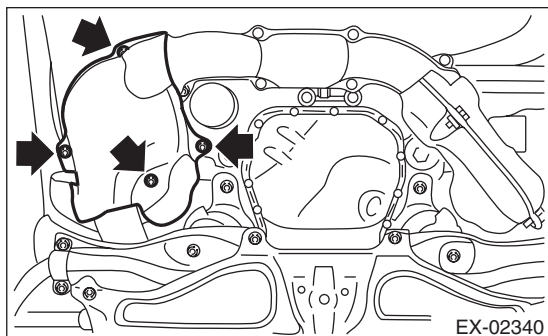
#### CAUTION:

Vehicle components are extremely hot after driving. Be wary of receiving burns from heated parts.

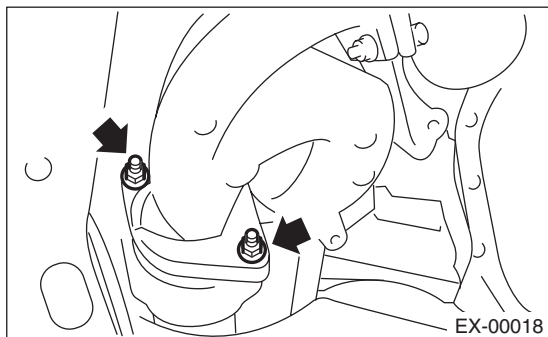
- 1) Set the vehicle on a lift.
- 2) Disconnect the ground cable from battery.



- 3) Lift up the vehicle.
- 4) Remove the under cover.
- 5) Remove the front oxygen (A/F) sensor. <Ref. to FU(H4DOTC)-48, REMOVAL, Front Oxygen (A/F) Sensor.>
- 6) Remove the exhaust manifold RH lower cover.



- 7) Remove the bolts and nuts which hold front exhaust pipe assembly onto joint pipe.



- 8) Remove the center exhaust pipe. <Ref. to EX(H4DOTC)-8, REMOVAL, Center Exhaust Pipe.>
- 9) Remove the turbocharger. <Ref. to IN(H4DOTC)-15, REMOVAL, Turbocharger.>
- 10) Take off the joint pipe in the upward direction.

### B: INSTALLATION

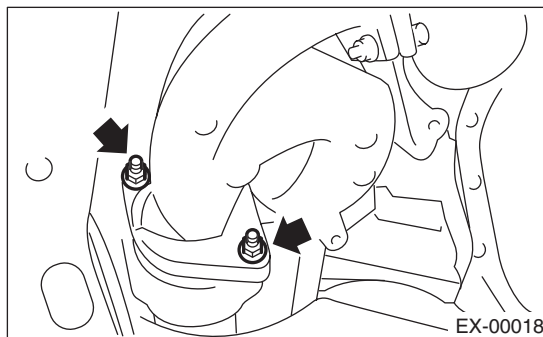
Install in the reverse order of removal.

#### NOTE:

Use a new gasket.

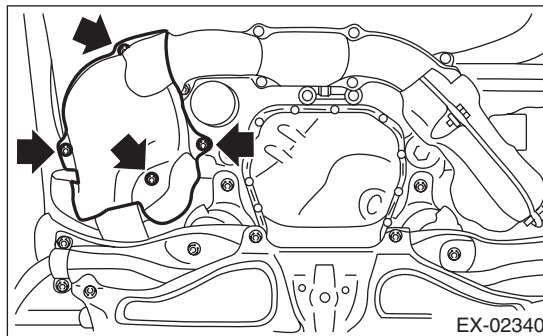
#### Tightening torque:

42.5 N·m (4.3 kgf·m, 31.3 ft·lb)



#### Tightening torque:

19 N·m (1.9 kgf·m, 14.0 ft·lb)



### C: INSPECTION

- 1) Check the connections and welds for exhaust leaks.
- 2) Make sure there are no holes or rusting.

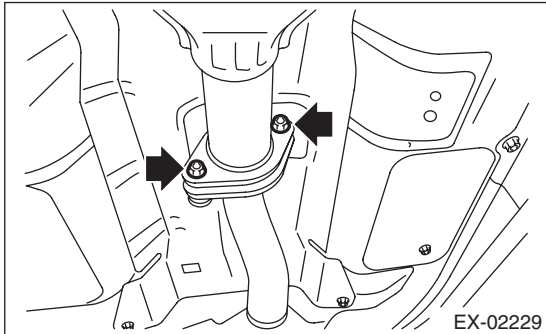
## 5. Rear Exhaust Pipe

### A: REMOVAL

**CAUTION:**

Vehicle components are extremely hot after driving. Be wary of receiving burns from heated parts.

- 1) Set the vehicle on a lift.
- 2) Lift up the vehicle.
- 3) Remove the center exhaust pipe from rear exhaust pipe.

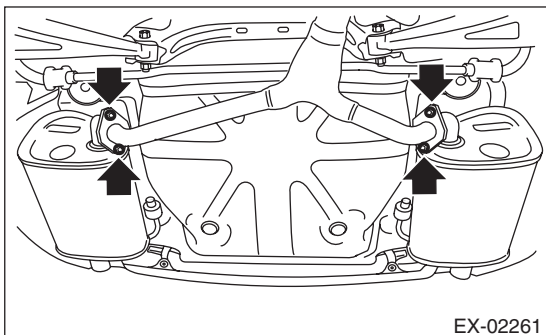


- 4) Remove the muffler from rear exhaust pipe.

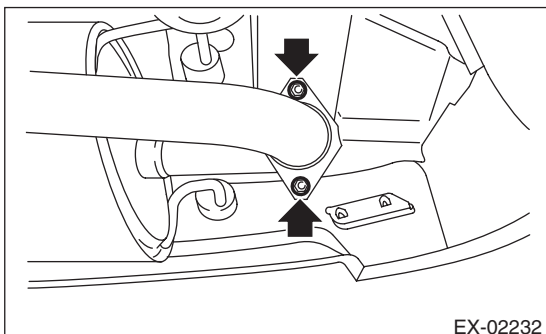
**CAUTION:**

Be careful not to drop the rear exhaust pipe.

- 4 DOOR MODEL

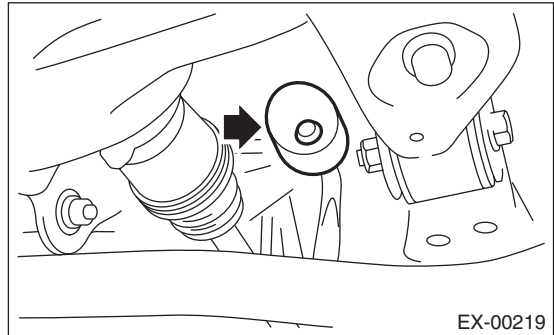


- 5 DOOR MODEL



- 5) Apply a coat of spray type lubricant to the mating area of cushion rubber.

- 6) Remove the rear exhaust pipe from the cushion rubber.



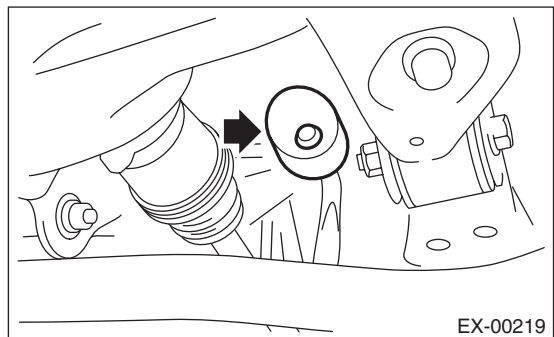
### B: INSTALLATION

- 1) Apply a coat of spray type lubricant to the mating area of cushion rubber.

- 2) Install the rear exhaust pipe to cushion rubber.

**NOTE:**

After assembling, degrease the lubricant which was applied to the cushion rubber while removing/installing.





# Rear Exhaust Pipe

## EXHAUST

3) Install the rear exhaust pipe to the muffler.

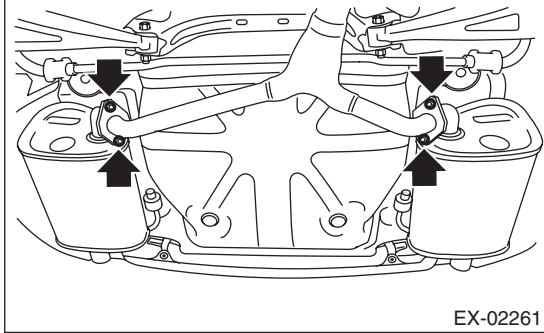
### NOTE:

Use a new gasket and self-locking nut.

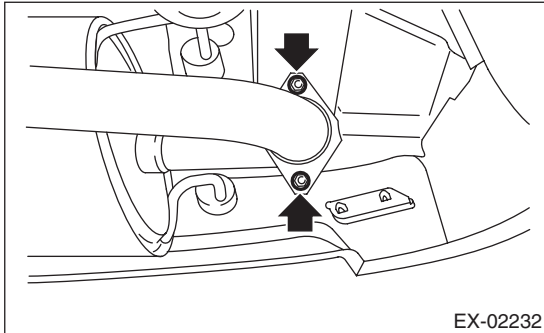
### Tightening torque:

**48 N·m (4.9 kgf·m, 35.4 ft·lb)**

- 4 DOOR MODEL



- 5 DOOR MODEL



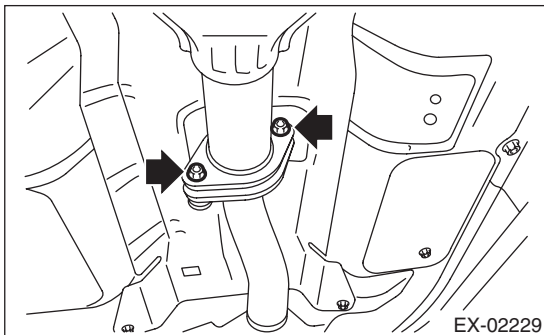
4) Install the center exhaust pipe to rear exhaust pipe.

### NOTE:

Use a new gasket.

### Tightening torque:

**18 N·m (1.8 kgf·m, 13.3 ft·lb)**



5) Lower the vehicle.

## C: INSPECTION

- 1) Check the connections and welds for exhaust leaks.
- 2) Make sure there are no holes or rusting.
- 3) Check the cushion rubber for wear or crack.

## 6. Muffler

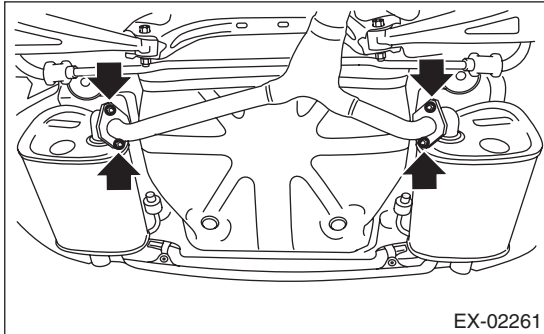
### A: REMOVAL

**CAUTION:**

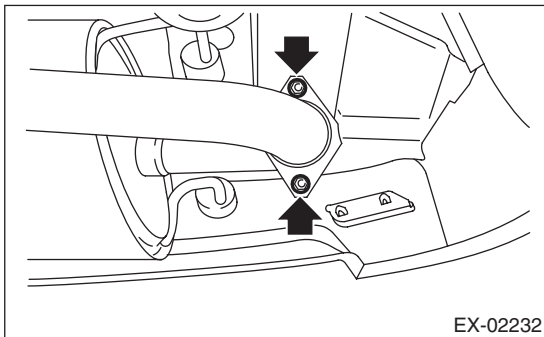
Vehicle components are extremely hot after driving. Be wary of receiving burns from heated parts.

- 1) Set the vehicle on a lift.
- 2) Lift up the vehicle.
- 3) Remove the rear exhaust pipe from the muffler.

- 4 DOOR MODEL



- 5 DOOR MODEL

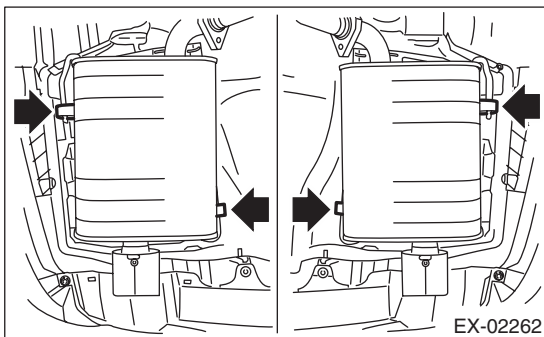


- 4) Apply a coat of spray type lubricant to the mating area of cushion rubber.
- 5) Remove the muffler from the cushion rubber.

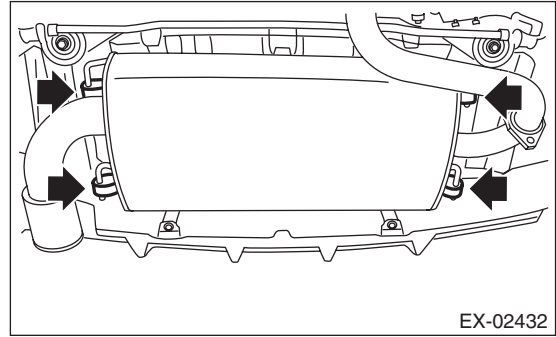
**CAUTION:**

Be careful not to drop the muffler during removal.

- 4 DOOR MODEL



- 5 DOOR MODEL



### B: INSTALLATION

Install in the reverse order of removal.

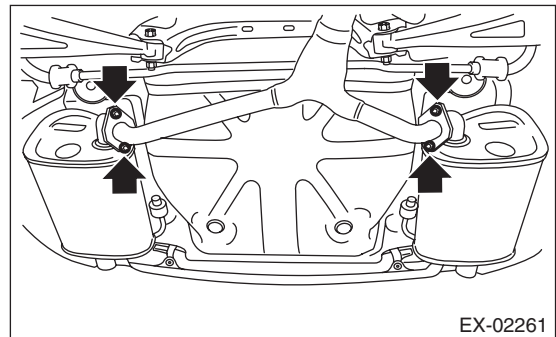
**NOTE:**

- Use a new gasket and self-locking nut.
- After assembling, degrease the lubricant which was applied to the cushion rubber while removing/installing.

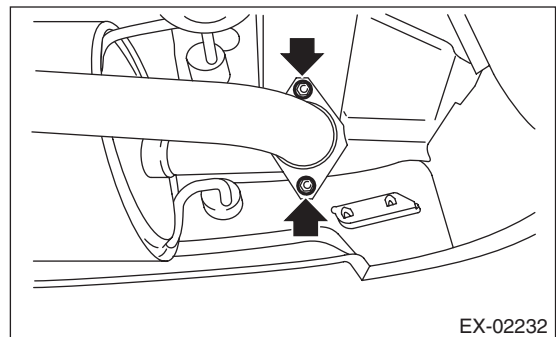
**Tightening torque:**

**48 N·m (4.9 kgf-m, 35.4 ft-lb)**

- 4 DOOR MODEL



- 5 DOOR MODEL



### C: INSPECTION

- 1) Check the connections and welds for exhaust leaks.
- 2) Make sure there are no holes or rusting.
- 3) Check the cushion rubber for wear or crack.

# Muffler

EXHAUST

---

# General Description

COOLING

## 1. General Description

### A: SPECIFICATION

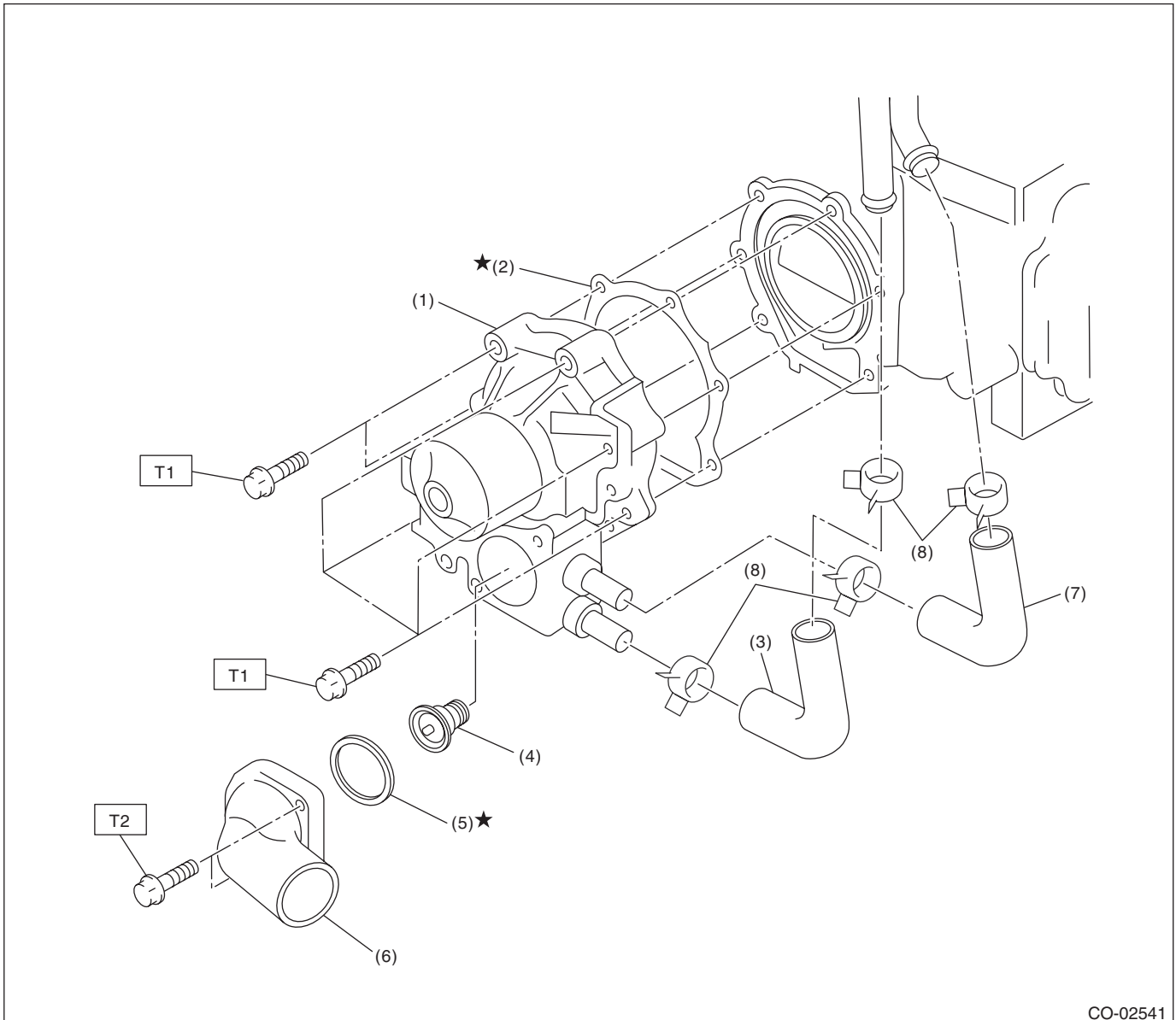
Cooling system			Electric fan + Forced engine coolant circulation system	
Total engine coolant capacity		ℓ (US qt, Imp qt)	AT model: Approx. 7.4 (7.8, 6.5) MT model: Approx. 7.5 (7.9, 6.6)	
Water pump	Type		Centrifugal impeller type	
	Discharge performance I	Discharge rate	ℓ (US gal, Imp gal) /min. 20 (5.3, 4.4)	
		Pump speed — Discharge pressure		760 rpm — 2.9 kPa (0.3 mAq)
		Engine coolant temperature		80°C (176°F)
	Discharge performance II	Discharge rate	ℓ (US gal, Imp gal) /min. 100 (26.4, 22.0)	
		Pump speed — Discharge pressure		3,000 rpm — 49.0 kPa (5.0 mAq)
		Engine coolant temperature		80°C (176°F)
	Discharge performance III	Discharge rate	ℓ (US gal, Imp gal) /min. 200 (52.8, 44.0)	
		Pump speed — Discharge pressure		6,000 rpm — 225.4 kPa (23.0 mAq)
		Engine coolant temperature		80°C (176°F)
Impeller diameter		mm (in)	76 (2.99)	
Number of impeller vanes			8	
Pump pulley diameter		mm (in)	60 (2.36)	
Clearance between impeller and case	Standard	mm (in)	0.5 — 1.5 (0.020 — 0.059)	
Thermostat	Type		Wax pellet type	
	Starting temperature to open		76 — 80°C (169 — 176°F)	
	Fully opens		91°C (196°F)	
	Valve lift	mm (in)	9.0 (0.354) or more	
	Valve bore	mm (in)	35 (1.38)	
Radiator fan	Motor input	Main fan	W 120	
		Sub fan	W 120	
	Fan diameter / Blade	Main fan	318.5 mm (12.54 in)/9	
		Sub fan	318.5 mm (12.54 in)/11	
Radiator	Type		Down flow	
	Core dimensions	Width × Height × Thickness	mm (in) 687.4 × 340 × 16 (27.06 × 13.39 × 0.63)	
	Pressure range in which cap valve is open	Coolant filler tank side	kPa (kg/cm <sup>2</sup> , psi)	Above: 108±14.7 (1.1±0.15, 16±2.1) Below: -1.0 — -4.9 (-0.01 — -0.05, -0.1 — -0.7)
		Radiator side	kPa (kg/cm <sup>2</sup> , psi)	Above only: 137±14.7 (1.40±0.15, 20±2.1)
	Fins			Corrugated fin type
Reservoir tank	Capacity	ℓ (US qt, Imp qt)	0.45 (0.48, 0.40)	

	Recommended materials	Item number	Alternative
Coolant	SUBARU SUPER COOLANT (Concentrated type)	—	—
	SUBARU SUPER COOLANT (Diluted type)	K0670Y0000	
Water for dilution	Distilled water	—	Soft water or tap water
Cooling system protective agent	Cooling system conditioner	SOA345001	—

**CO(H4DOTC)-2**

## B: COMPONENT

### 1. WATER PUMP



CO-02541

- |                         |                                 |
|-------------------------|---------------------------------|
| (1) Water pump ASSY     | (5) Gasket                      |
| (2) Gasket              | (6) Thermostat cover            |
| (3) Heater by-pass hose | (7) Coolant filler by-pass hose |
| (4) Thermostat          | (8) Clip                        |

**Tightening torque:N·m (kgf·m, ft·lb)**

**T1: First 12 (1.2, 8.9)**

**Second 12 (1.2, 8.9)**

**T2: 12 (1.2, 8.9)**



(1) Radiator lower cushion	(15) ATF hose clip (AT model)	(27) Coolant filler tank hose B
(2) Radiator	(16) ATF hose A (AT model)	(28) Radiator lower bracket
(3) Radiator upper cushion	(17) ATF hose B (AT model)	(29) Over flow hose B
(4) Radiator upper bracket	(18) ATF pipe (AT model)	(30) Heat shield cover (AT model)
(5) Clip	(19) ATF hose C (AT model)	(31) Main fan motor
(6) Radiator inlet hose	(20) ATF hose D (AT model)	(32) Sub fan motor
(7) Engine coolant reservoir tank cap	(21) Radiator outlet hose	
(8) Over flow hose A	(22) Radiator drain plug	
(9) Engine coolant reservoir tank	(23) O-ring	
(10) Over flow pipe	(24) Engine coolant filler tank	
(11) Radiator sub fan shroud	(25) Radiator cap	
(12) Radiator main fan shroud	(Engine coolant filler tank cap)	
(13) Radiator sub fan	(26) Coolant filler tank hose A	
(14) Radiator main fan		

---

***Tightening torque:N·m (kgf-m, ft-lb)***

***T1: 3 (0.3, 2.2)***

***T2: 3.4 (0.3, 2.5)***

***T3: 4.41 (0.45, 3.25)***

***T4: 7.5 (0.8, 5.5)***

***T5: 12 (1.2, 8.9)***

---

## C: CAUTION

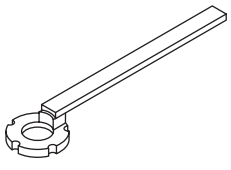
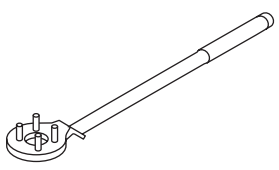
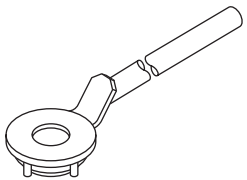
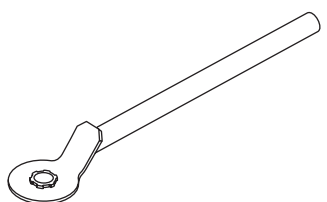
- Wear appropriate work clothing, including a cap, protective goggles and protective shoes when performing any work.
- Remove contamination including dirt and corrosion before removal, installation or disassembly.
- Keep the disassembled parts in order and protect them from dust and dirt.
- Before removal, installation or disassembly, be sure to clarify the failure. Avoid unnecessary removal, installation, disassembly and replacement.
- Vehicle components are extremely hot after driving. Be wary of receiving burns from heated parts.
- Be sure to tighten fasteners including bolts and nuts to the specified torque.
- Place shop jacks or rigid racks at the specified points.
- Before disconnecting connectors of sensors or units, be sure to disconnect the ground cable from battery.
- Prepare a container and cloth to prevent scattering of engine coolant when performing work where engine coolant can be spilled. If the oil spills, wipe it off immediately to prevent from penetrating into floor or flowing out for environmental protection.
- Follow all government and local regulations concerning disposal of refuse when disposing engine coolant.

# General Description

COOLING

## D: PREPARATION TOOL

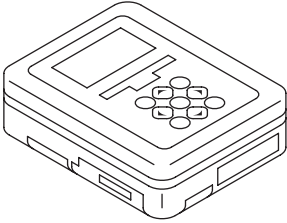
### 1. SPECIAL TOOL

ILLUSTRATION	TOOL NUMBER	DESCRIPTION	REMARKS
 <p style="text-align: center;">ST-499207400</p>	499207400	CAM SPROCKET WRENCH	Used for removing and installing exhaust cam sprocket.
 <p style="text-align: center;">ST-499977100</p>	499977100	CRANK PULLEY WRENCH	Used to stop rotation of the crank pulley when loosening or tightening crank pulley bolts. (MT model)
 <p style="text-align: center;">ST-499977400</p>	499977400	CRANK PULLEY WRENCH	Used to stop rotation of the crank pulley when loosening or tightening crank pulley bolts. (AT model)
 <p style="text-align: center;">ST-499977500</p>	499977500	CAM SPROCKET WRENCH	Used for removing and installing intake cam sprocket.



# General Description

COOLING

ILLUSTRATION	TOOL NUMBER	DESCRIPTION	REMARKS
 ST1B022XU0	1B022XU0	SUBARU SELECT MONITOR III KIT	Used for troubleshooting the electrical system.

## 2. GENERAL TOOL

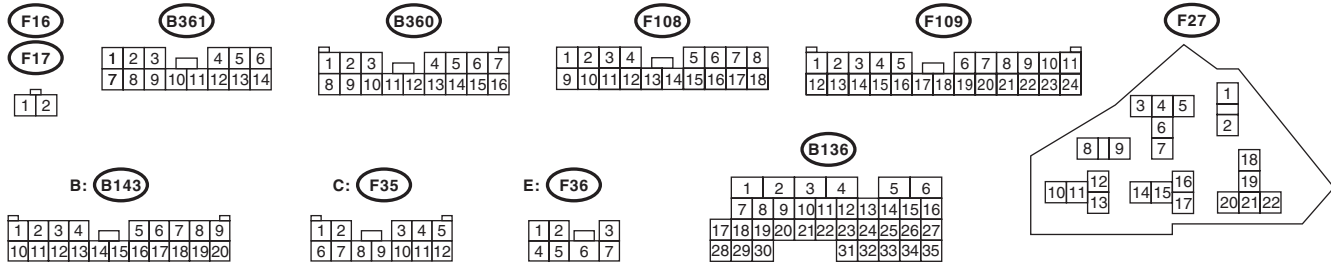
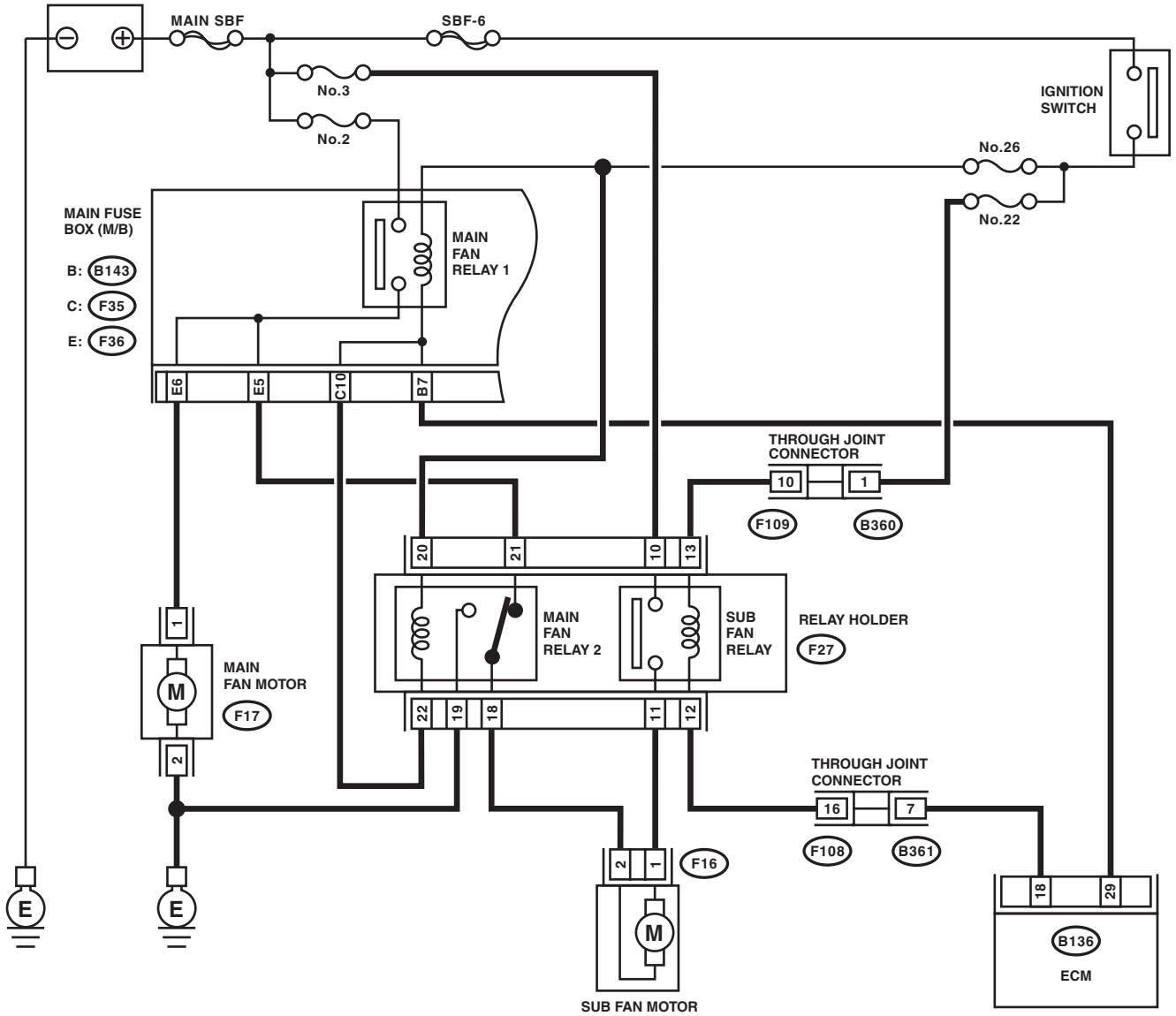
TOOL NAME	REMARKS
Circuit tester	Used for measuring resistance and voltage.
Radiator cap tester	Used for checking radiator and radiator cap.

# Radiator Fan System

COOLING

## 2. Radiator Fan System

### A: WIRING DIAGRAM



CO-02526

# Radiator Fan System

COOLING

## B: INSPECTION

### OPERATING CONDITION:

Vehicle speed	A/C compressor load	Engine coolant temperature		
		Increase: 94°C (201°F) or less Decrease: 91°C (196°F) or less	Increase: 95 — 96°C (203 — 205°F) Decrease: 92 — 94°C (198 — 201°F)	Increase: 97°C (207°F) or more Decrease: 95°C (203°F) or more
		Radiator fan operation	Radiator fan operation	Radiator fan operation
During acceleration: 19 km/h (12 MPH) or less During deceleration: 10 km/h (6 MPH) or less	OFF	OFF	Low-Speed	High-Speed
	Low	Low-Speed	Low-Speed	High-Speed
	High	High-Speed	High-Speed	High-Speed
During acceleration: 20 — 69 km/h (12 — 43 MPH) During deceleration: 11 — 64 km/h (7 — 40 MPH)	OFF	OFF	Low-Speed	High-Speed
	Low	High-Speed	High-Speed	High-Speed
	High	High-Speed	High-Speed	High-Speed
During acceleration: 70 — 105 km/h (43 — 65 MPH) During deceleration: 65 — 103 km/h (40 — 64 MPH)	OFF	OFF	Low-Speed	High-Speed
	Low	High-Speed	High-Speed	High-Speed
	High	High-Speed	High-Speed	High-Speed
During acceleration: 106 km/h (66 MPH) or more During deceleration: 104 km/h (65 MPH) or more	OFF	OFF	High-Speed	High-Speed
	Low	High-Speed	High-Speed	High-Speed
	High	High-Speed	High-Speed	High-Speed

### DIAGNOSIS:

Radiator main fan and radiator sub fans do not rotate under the above operating conditions.

Step	Check	Yes	No
<b>1 CHECK OPERATION OF RADIATOR FAN.</b> 1) Connect the delivery (test) mode connector. 2) Turn the ignition switch to ON. 3) Using the Subaru Select Monitor, check the forced operation of the radiator fan relay. NOTE: • When performing a forced operation radiator fan relay check using the Subaru Select Monitor, the radiator main fan and radiator sub fan will repeat low speed revolution → high speed revolution → OFF in this order. • Subaru Select Monitor Refer to “Compulsory Valve Operation Check Mode” for detailed procedures. <Ref. to EN(H4DOTC)(diag)-55, Compulsory Valve Operation Check Mode.>	Do the radiator main fans and radiator sub fans rotate at low speed?	Go to step 2.	Go to step 3.

# Radiator Fan System

## COOLING

Step	Check	Yes	No
<p><b>2 CHECK OPERATION OF RADIATOR FAN.</b></p> <p>1) Connect the delivery (test) mode connector. 2) Turn the ignition switch to ON. 3) Perform the compulsory operation check for the radiator fan relay using Subaru Select Monitor.</p> <p>NOTE:</p> <ul style="list-style-type: none"> <li>When performing a forced operation radiator fan relay check using the Subaru Select Monitor, the radiator main fan and radiator sub fan will repeat low speed revolution → high speed revolution → OFF in this order.</li> <li>Subaru Select Monitor</li> </ul> <p>Refer to “Compulsory Valve Operation Check Mode” for detailed procedures. &lt;Ref. to EN(H4DOTC)(diag)-55, Compulsory Valve Operation Check Mode.&gt;</p>	Do the radiator main fans and radiator sub fans rotate at high speed?	Radiator main fan system is normal.	Go to step 27.
<p><b>3 CHECK POWER SUPPLY TO SUB FAN RELAY.</b></p> <p>1) Turn the ignition switch to OFF. 2) Remove the sub fan relay from the relay holder. 3) Measure the voltage between the sub fan relay terminal and chassis ground.</p> <p><b>Connector &amp; terminal</b> <b>(F27) No. 10 (+) — Chassis ground (-):</b></p>	Is the voltage 10 V or more?	Go to step 4.	Go to step 5.
<p><b>4 CHECK POWER SUPPLY TO SUB FAN RELAY.</b></p> <p>1) Turn the ignition switch to ON. 2) Measure the voltage between the sub fan relay terminal and chassis ground.</p> <p><b>Connector &amp; terminal</b> <b>(F27) No. 13 (+) — Chassis ground (-):</b></p>	Is the voltage 10 V or more?	Go to step 7.	Go to step 6.
<p><b>5 CHECK FUSE.</b></p> <p>1) Turn the ignition switch to OFF. 2) Remove the fuse No. 3. 3) Check the condition of fuse.</p>	Is the fuse blown out?	Replace the fuse.	Repair the power supply line.
<p><b>6 CHECK FUSE.</b></p> <p>1) Turn the ignition switch to OFF. 2) Remove the fuse No. 22. 3) Check the condition of fuse.</p>	Is the fuse blown out?	Replace the fuse.	Repair the power supply line.
<p><b>7 CHECK SUB FAN RELAY.</b></p> <p>1) Turn the ignition switch to OFF. 2) Measure the resistance between sub fan relay terminals.</p> <p><b>Terminals</b> <b>No. 10 — No. 11:</b></p>	Is the resistance 1 MΩ or more?	Go to step 8.	Replace the sub fan relay.
<p><b>8 CHECK SUB FAN RELAY.</b></p> <p>1) Connect the battery to terminals No. 12 and No. 13 of the sub fan relay. 2) Measure the resistance between sub fan relay terminals.</p> <p><b>Terminals</b> <b>No. 10 — No. 11:</b></p>	Is the resistance less than 1 Ω?	Go to step 9.	Replace the sub fan relay.

# Radiator Fan System

COOLING

Step	Check	Yes	No
<p><b>9 CHECK HARNESS BETWEEN SUB FAN RELAY TERMINAL AND SUB FAN MOTOR CONNECTOR.</b></p> <p>1) Disconnect the connector from the sub fan motor.</p> <p>2) Measure the resistance of harness between the sub fan relay terminal and sub fan motor connector.</p> <p><b>Connector &amp; terminal</b> <b>(F16) No. 1 — (F27) No. 11:</b></p>	Is the resistance less than 1 $\Omega$ ?	Go to step 10.	Repair the open circuit of harness between sub fan relay terminal and sub fan motor connector.
<p><b>10 CHECK HARNESS BETWEEN SUB FAN MOTOR CONNECTOR AND MAIN FAN RELAY 2 CONNECTOR.</b></p> <p>1) Remove main fan relay 2 from the relay holder.</p> <p>2) Measure the resistance of harness between sub fan motor connector and main fan relay 2 connector.</p> <p><b>Connector &amp; terminal</b> <b>(F16) No. 2 — (F27) No. 18:</b></p>	Is the resistance less than 1 $\Omega$ ?	Go to step 11.	Repair the open circuit of the harness between sub fan motor connector and main fan relay 2 connector.
<p><b>11 CHECK POOR CONTACT.</b></p> <p>Check poor contact of sub fan motor connector.</p>	Is there poor contact of the sub fan motor connector?	Repair the poor contact of sub fan motor connector.	Go to step 12.
<p><b>12 CHECK SUB FAN MOTOR.</b></p> <p>Connect the battery positive (+) terminal to terminal No. 1 of the sub fan motor, and the ground (-) terminal to terminal No. 2.</p>	Does the radiator sub fan rotate?	Go to step 13.	Replace the sub fan motor.
<p><b>13 CHECK MAIN FAN RELAY 2.</b></p> <p>Measure the resistance of main fan relay 2.</p> <p><b>Terminals</b> <b>No. 21 — No. 18:</b></p>	Is the resistance less than 1 $\Omega$ ?	Go to step 14.	Replace the main fan relay 2.
<p><b>14 CHECK HARNESS BETWEEN MAIN FAN RELAY 2 AND MAIN FAN MOTOR CONNECTOR.</b></p> <p>1) Disconnect the connector from the main fan motor.</p> <p>2) Measure the resistance of the harness between main fan relay 2 terminal and main fan motor connector.</p> <p><b>Connector &amp; terminal</b> <b>(F17) No. 1 — (F27) No. 21:</b></p>	Is the resistance less than 1 $\Omega$ ?	Go to step 15.	Repair the open circuit of the harness between main fan relay 2 terminal and main fan motor connector.
<p><b>15 CHECK MAIN FAN MOTOR AND GROUND CIRCUIT.</b></p> <p>Measure the resistance between main fan motor connector and chassis ground.</p> <p><b>Connector &amp; terminal</b> <b>(F17) No. 2 — Chassis ground:</b></p>	Is the resistance less than 5 $\Omega$ ?	Go to step 16.	Repair the open circuit of the harness between main fan motor connector and chassis ground.
<p><b>16 CHECK POOR CONTACT.</b></p> <p>Check poor contact of main fan motor connector.</p>	Is there poor contact of the main fan motor connector?	Repair the poor contact of main fan motor connector.	Go to step 17.
<p><b>17 CHECK MAIN FAN MOTOR.</b></p> <p>Connect the battery positive (+) terminal to terminal No. 1 of the main fan motor, and the ground (-) terminal to terminal No. 2.</p>	Does the radiator main fan rotate?	Go to step 18.	Replace the main fan motor.

# Radiator Fan System

## COOLING

Step	Check	Yes	No
<b>18 CHECK HARNESS BETWEEN SUB FAN RELAY AND ECM.</b> 1) Disconnect the connectors from ECM. 2) Measure the resistance between the sub fan relay terminal and ECM connector. <b>Connector &amp; terminal</b> <b>(B136) No. 18 — (F27) No. 12:</b>	Is the resistance less than 1 Ω?	Go to step 19.	Repair the open circuit of harness between sub fan relay terminal and ECM.
<b>19 CHECK POOR CONTACT.</b> Check for poor contact of ECM connector.	Is there poor contact of ECM connector?	Repair the poor contact of ECM connector.	Check the DTC. Repair the trouble cause. <Ref. to EN(H4DOTC)(diag)-42, Read Diagnostic Trouble Code (DTC).>
<b>20 CHECK MAIN FAN RELAY 1.</b> 1) Turn the ignition switch to OFF. 2) Remove main fan relay 1 from the main fuse box. 3) Measure the resistance of terminal in main fan relay 1 switch.	Is the resistance 1 MΩ or more?	Go to step 21.	Replace the main fan relay 1.
<b>21 CHECK MAIN FAN RELAY 1.</b> 1) Connect the main fan relay 1 coil side terminal to the battery. 2) Measure the resistance between terminals of main fan relay 1 switch.	Is the resistance less than 1 Ω?	Go to step 22.	Replace the main fan relay 1.
<b>22 CHECK HARNESS BETWEEN MAIN FAN RELAY 1 AND MAIN FAN MOTOR CONNECTOR.</b> 1) Disconnect the connector from the main fan motor. 2) Measure the resistance of the harness between main fan relay 1 terminal and main fan motor connector. <b>Connector &amp; terminal</b> <b>(F17) No. 1 — (F36) No. 6:</b>	Is the resistance less than 1 Ω?	Go to step 23.	Repair the open circuit of the harness between main fan relay 1 terminal and main fan motor connector.
<b>23 CHECK HARNESS BETWEEN MAIN FAN RELAY 1 AND ECM.</b> 1) Disconnect the connectors from ECM. 2) Measure the resistance between main fan relay 1 terminal and ECM connector. <b>Connector &amp; terminal</b> <b>(B136) No. 29 — (B143) No. 7:</b>	Is the resistance less than 1 Ω?	Go to step 24.	Repair the open circuit of the harness between main fan relay 1 terminal and ECM.
<b>24 CHECK HARNESS BETWEEN MAIN FAN RELAY 2 AND ECM.</b> Measure the resistance between main fan relay 2 terminal and ECM connector. <b>Connector &amp; terminal</b> <b>(B136) No. 29 — (F27) No. 22:</b>	Is the resistance less than 1 Ω?	Go to step 25.	Repair the open circuit of the harness between main fan relay 2 terminal and ECM.
<b>25 CHECK FUSE.</b> 1) Turn the ignition switch to OFF. 2) Remove the fuse No. 2 and 26. 3) Check the condition of fuse.	Is the fuse blown out?	Replace the fuse.	Go to step 26.
<b>26 CHECK POOR CONTACT.</b> Check for poor contact of ECM connector.	Is there poor contact of ECM connector?	Repair the poor contact of ECM connector.	Repair the power supply circuit to the main fuse box.
<b>27 CHECK OPERATION OF RADIATOR FAN.</b> If the both fans do not rotate at high speed in the condition of step 2, check whether the radiator sub fan is rotating.	Does the radiator sub fan rotate?	Go to step 20.	Go to step 28.

# Radiator Fan System

COOLING

Step	Check	Yes	No
<b>28 CHECK GROUND CIRCUIT OF MAIN FAN RELAY 2.</b> 1) Remove main fan relay 2 from the relay holder. 2) Measure the resistance between main fan relay 2 terminal and chassis ground. <b>Connector &amp; terminal</b> <b>(F27) No. 19 — Chassis ground:</b>	Is the resistance less than 1 $\Omega$ ?	Go to step 29.	Repair the open circuit of harness between main fan relay 2 and chassis ground.
<b>29 CHECK POWER SUPPLY TO MAIN FAN RELAY 2.</b> 1) Turn the ignition switch to ON. 2) Measure the voltage between main fan relay 2 terminal and chassis ground. <b>Connector &amp; terminal</b> <b>(F27) No. 20 (+) — Chassis ground (-):</b>	Is the voltage 10 V or more?	Go to step 30.	Repair the power supply line.
<b>30 CHECK MAIN FAN RELAY 2.</b> 1) Turn the ignition switch to OFF. 2) Remove the main fan relay 2. 3) Measure the resistance of main fan relay 2. <b>Terminals</b> <b>(F27) No. 18 — (F27) No. 19:</b>	Is the resistance 1 M $\Omega$ or more?	Go to step 31.	Replace the main fan relay 2.
<b>31 CHECK MAIN FAN RELAY 2.</b> 1) Connect the battery to terminals No. 20 and No. 22 of the main fan relay 2. 2) Measure the resistance of main fan relay 2. <b>Terminals</b> <b>(F27) No. 18 — (F27) No. 19:</b>	Is the resistance less than 1 $\Omega$ ?	Go to step 23.	Replace the main fan relay 2.

## 3. Engine Coolant

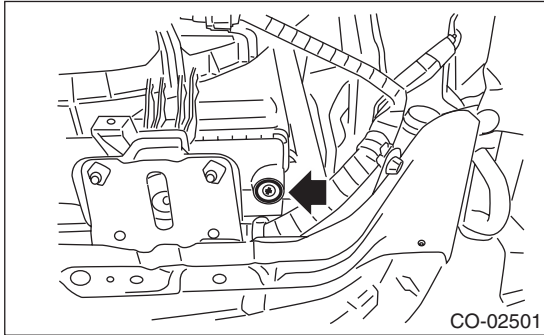
### A: REPLACEMENT

#### 1. DRAINING OF ENGINE COOLANT

- 1) Set the vehicle on a lift.
- 2) Lift up the vehicle.
- 3) Remove the under cover.
- 4) Remove the drain plug to drain engine coolant into container.

**NOTE:**

Remove the coolant filler tank cap so that engine coolant will drain faster.



- 5) Install the drain plug.
- 6) Install the under cover.

#### 2. FILLING OF ENGINE COOLANT

- 1) Pour cooling system conditioner through the filler neck.

**Cooling system protective agent:**

Refer to “SPECIFICATION” for cooling system protective agent. <Ref. to CO(H4DOTC)-2, SPECIFICATION, General Description.>

- 2) Fill the engine coolant into coolant filler tank up to the filler neck position.

**Recommended engine coolant:**

Refer to “SPECIFICATION” for recommended engine coolant. <Ref. to CO(H4DOTC)-2, SPECIFICATION, General Description.>

**Engine coolant level:**

Refer to “SPECIFICATION” for engine coolant level. <Ref. to CO(H4DOTC)-2, SPECIFICATION, General Description.>

**Engine coolant concentration:**

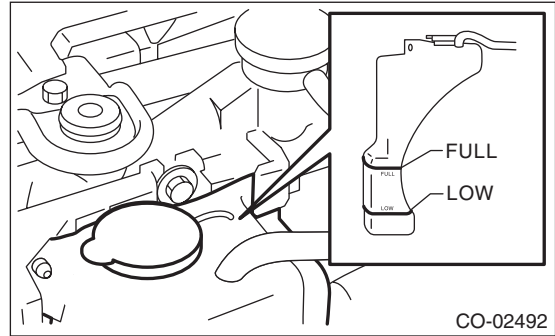
Refer to “ADJUSTMENT” for the recommended engine coolant concentration. <Ref. to CO(H4DOTC)-15, ADJUSTMENT, Engine Coolant.>

**CAUTION:**

Do not confuse the cap of coolant filler tank and cap of radiator.

**NOTE:**

- When pouring the engine coolant, the radiator side cap must not be removed.
  - The SUBARU Super Coolant contains anti-freeze and anti-rust agents, and is especially made for Subaru engines with an aluminum cylinder block. Always use SUBARU Super Coolant, since other coolant may cause corrosion.
- 3) Fill engine coolant into the reservoir tank up to “FULL” level.



- 4) Close the coolant filler tank cap, and start the engine. Race 5 to 6 times at 3,000 rpm or less, then stop the engine. (Complete this operation within 40 seconds.)

- 5) Wait for one minute after the engine stops, then open the coolant filler tank cap. If the engine coolant level drops, add engine coolant into the coolant filler tank up to the filler neck position.

- 6) Perform the procedures 4) and 5) again.

- 7) Install the coolant filler tank cap and reservoir tank cap properly.

- 8) Start the engine and operate the heater at maximum hot position and the blower speed setting to “LO”.

- 9) Run the engine at 2,000 rpm or less until radiator fan starts and stops.

**NOTE:**

Be careful with the engine coolant temperature gauge to prevent overheating.

- 10) Stop the engine and wait until the engine coolant temperature lowers to 30°C (86°F) or less.

- 11) Open the coolant filler tank cap. If the engine coolant level drops, add engine coolant into the coolant filler tank up to the filler neck position and the reservoir tank to “FULL” level.

- 12) Install the coolant filler tank cap and reservoir tank cap properly.

- 13) Set the heater setting to maximum hot position and the blower speed setting to “LO” and start the engine. Perform racing at 3,000 rpm or less. If the flowing sound is heard from heater core, repeat the procedures from step 9).



## B: ADJUSTMENT

### 1. PROCEDURE TO ADJUST THE SUBARU SUPER COOLANT CONCENTRATION

**CAUTION:**

**Use the SUBARU Super Coolant with a 50 — 60% concentration in order to obtain maximum anti-freeze and anti-rust performance.**

To adjust the concentration of SUBARU Super Coolant according to temperature, find the proper SUBARU Super Coolant concentration in the table, and add dilution water to the SUBARU Super Coolant (concentrated type) until it reaches the proper dilution.

Relationship of SUBARU Super Coolant concentration and freezing temperature			
SUBARU Super Coolant concentration	50%	55%	60%
Freezing temperature	-36°C (-33°F)	-41°C (-42°F)	-50°C (-58°F)

***Engine coolant and diluting water:***

***Refer to “SPECIFICATION” for recommended engine coolant and diluting water. <Ref. to CO(H4DOTC)-2, SPECIFICATION, General Description.>***

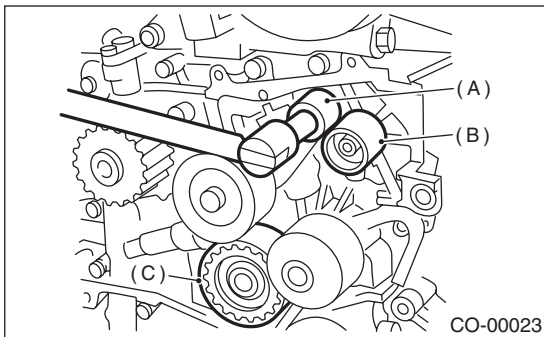
# Water Pump

## COOLING

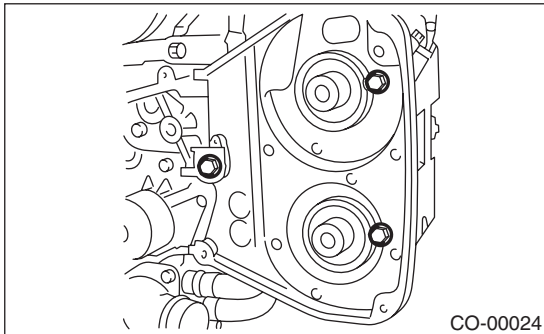
### 4. Water Pump

#### A: REMOVAL

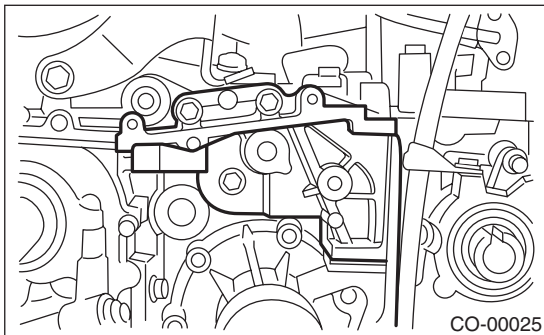
- 1) Remove the radiator. <Ref. to CO(H4DOTC)-20, REMOVAL, Radiator.>
- 2) Remove the V-belts. <Ref. to ME(H4DOTC)-40, REMOVAL, V-belt.>
- 3) Remove the crank pulley. <Ref. to ME(H4DOTC)-47, REMOVAL, Crank Pulley.>
- 4) Remove the timing belt cover. <Ref. to ME(H4DOTC)-49, REMOVAL, Timing Belt Cover.>
- 5) Remove the timing belt. <Ref. to ME(H4DOTC)-50, REMOVAL, Timing Belt.>
- 6) Remove the automatic belt tension adjuster (A).
- 7) Remove the belt idler (B).
- 8) Remove the belt idler No. 2 (C).



- 9) Remove the cam sprocket LH. <Ref. to ME(H4DOTC)-59, REMOVAL, Cam Sprocket.>
- 10) Remove the belt cover No. 2 LH.

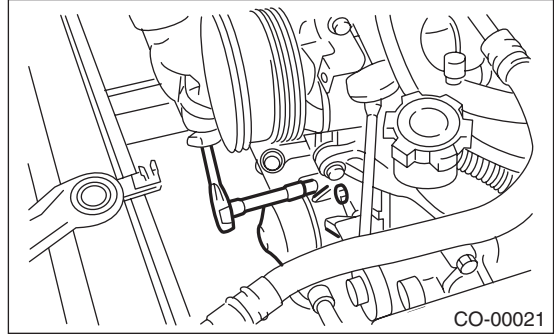


- 11) Remove the tensioner bracket.



- 12) Disconnect the hose from water pump.

- 13) Remove the water pump.



#### B: INSTALLATION

- 1) Install the water pump onto cylinder block LH.

##### NOTE:

- Use a new gasket.
- When installing the water pump, tighten the bolts in two stages in alphabetical sequence as shown in figure.

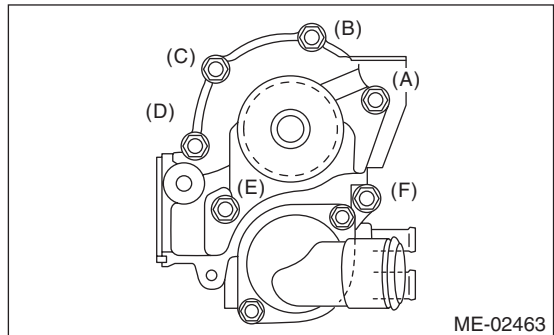
##### Tightening torque:

###### First:

**12 N·m (1.2 kgf-m, 8.9 ft-lb)**

###### Second:

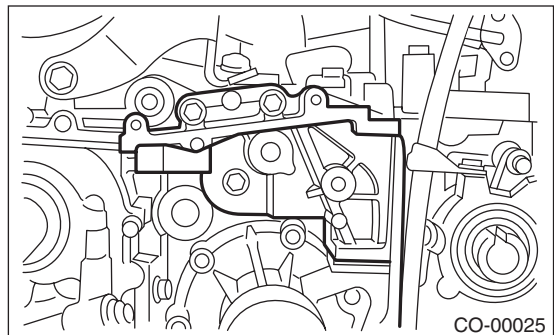
**12 N·m (1.2 kgf-m, 8.9 ft-lb)**



- 2) Install the hose to water pump.
- 3) Install the tensioner bracket.

##### Tightening torque:

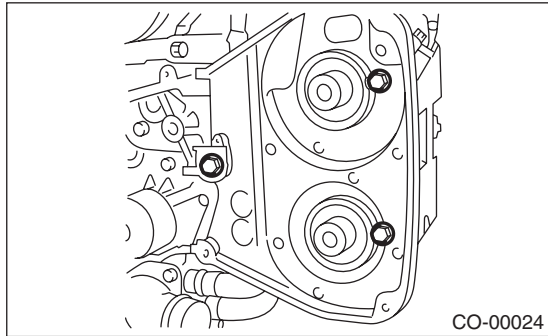
**24.5 N·m (2.5 kgf-m, 18.1 ft-lb)**



4) Install the belt cover No. 2 LH.

**Tightening torque:**

**5 N·m (0.5 kgf·m, 3.7 ft·lb)**



5) Install the cam sprocket LH. <Ref. to ME(H4DOTC)-59, INSTALLATION, Cam Sprocket.>

6) Install the belt idler No. 2 (C).

**Tightening torque:**

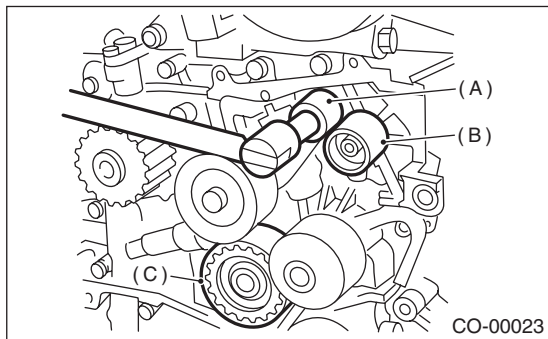
**39 N·m (4.0 kgf·m, 28.8 ft·lb)**

7) Install the belt idler (B).

**Tightening torque:**

**25 N·m (2.5 kgf·m, 18.4 ft·lb)**

8) Install the automatic belt tension adjuster (A) with the tension rod held by a pin. <Ref. to ME(H4DOTC)-52, AUTOMATIC BELT TENSION ADJUSTER ASSEMBLY AND BELT IDLER, INSTALLATION, Timing Belt.>



9) Install the timing belt. <Ref. to ME(H4DOTC)-53, TIMING BELT, INSTALLATION, Timing Belt.>

10) Install the timing belt cover. <Ref. to ME(H4DOTC)-49, INSTALLATION, Timing Belt Cover.>

11) Install the crank pulley. <Ref. to ME(H4DOTC)-47, INSTALLATION, Crank Pulley.>

12) Install the V-belts. <Ref. to ME(H4DOTC)-40, INSTALLATION, V-belt.>

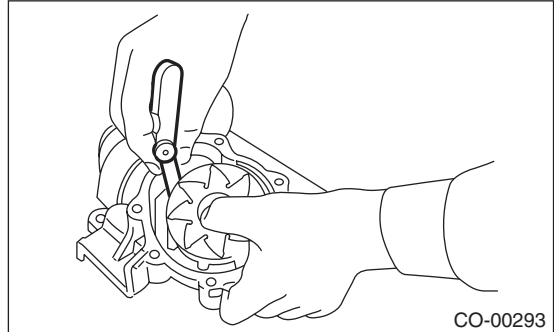
13) Install the radiator. <Ref. to CO(H4DOTC)-21, INSTALLATION, Radiator.>

## C: INSPECTION

- 1) Check the water pump bearing for smooth rotation.
- 2) Check the water pump pulley for abnormalities.
- 3) Make sure the impeller is not abnormally deformed or damaged.
- 4) Inspect the clearance between impeller and pump case.

**Clearance between impeller and pump case:  
Specification**

**0.5 — 1.5 mm (0.020 — 0.059 in)**



5) After water pump installation, check pulley shaft for engine coolant leaks or noise. If leaks or noise are noted, replace the water pump assembly.

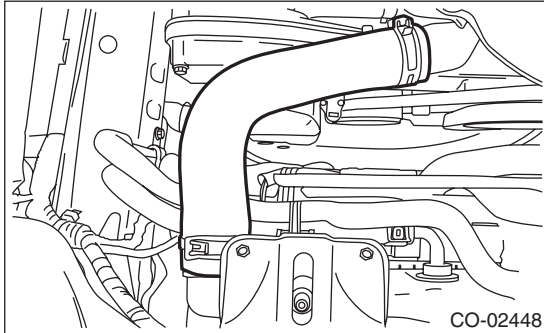
# Thermostat

## COOLING

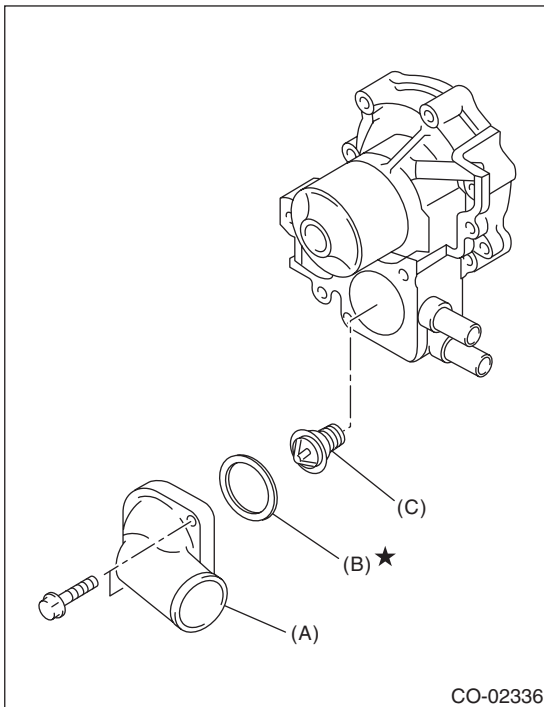
### 5. Thermostat

#### A: REMOVAL

- 1) Set the vehicle on a lift.
- 2) Lift up the vehicle.
- 3) Remove the under cover.
- 4) Drain the engine coolant. <Ref. to CO(H4DOTC)-14, DRAINING OF ENGINE COOLANT, REPLACEMENT, Engine Coolant.>
- 5) Disconnect the radiator outlet hose from thermostat cover.



- 6) Remove the thermostat cover, and then remove the gasket and thermostat.



- (A) Thermostat cover
- (B) Gasket
- (C) Thermostat

#### B: INSTALLATION

- 1) Install a gasket to thermostat.

#### NOTE:

Use a new gasket.

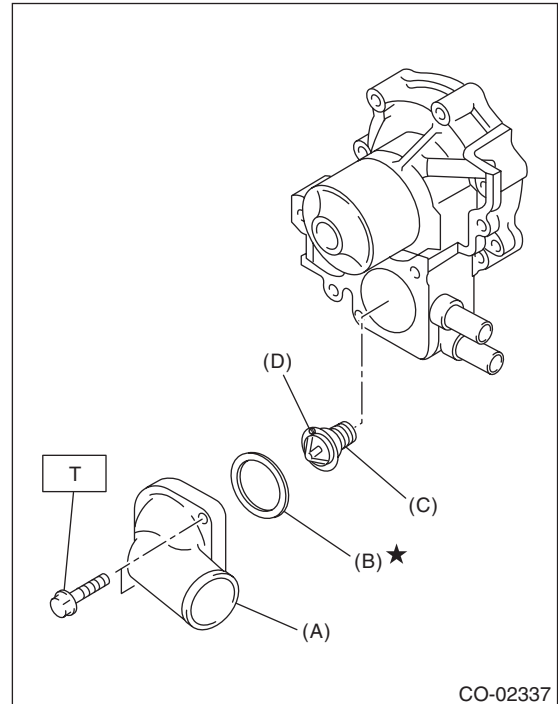
- 2) Install the thermostat and thermostat cover.

#### NOTE:

Install the parts with the jiggle pin facing upward.

#### Tightening torque:

**12 N·m (1.2 kgf·m, 8.9 ft-lb)**



- (A) Thermostat cover
- (B) Gasket
- (C) Thermostat
- (D) Jiggle pin

- 3) Connect the radiator outlet hose to thermostat cover.
- 4) Install the under cover.
- 5) Lower the vehicle.
- 6) Fill engine coolant. <Ref. to CO(H4DOTC)-14, FILLING OF ENGINE COOLANT, REPLACEMENT, Engine Coolant.>

**C: INSPECTION**

Replace the thermostat if the valve does not close completely at an ambient temperature or if the following test shows unsatisfactory results.

- Inspection method

Immerse the thermostat and a thermometer in water. Raise water temperature gradually, and measure the temperature and valve lift when the valve begins to open and when the valve is fully opened. During the test, agitate the water for even temperature distribution. The measured value should meet the specification.

**NOTE:**

- Leave the thermostat in the boiling water for five minutes or more before measuring the valve lift.
- Hold the thermostat with a wire or the like to avoid contacting the container.

**Starting temperature to open:**

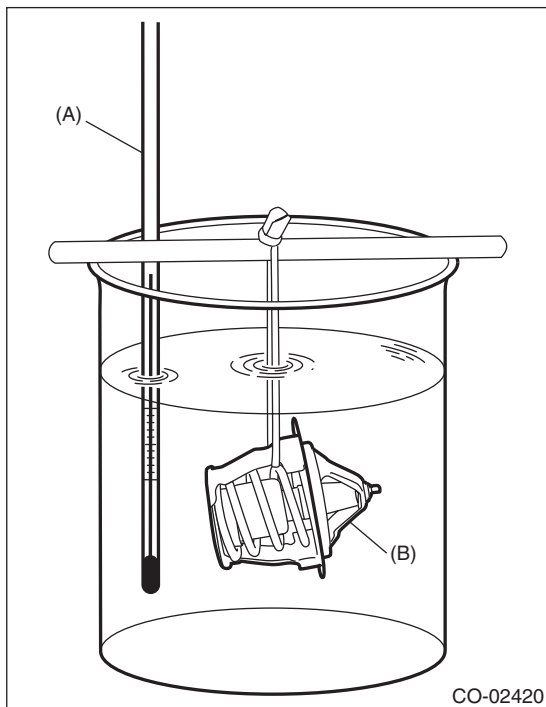
**76 — 80°C (169 — 176°F)**

**Full open temperature:**

**91°C (196°F)**

**Total valve lift:**

**9.0 mm (0.354 in) or more**



- (A) Thermometer  
(B) Thermostat

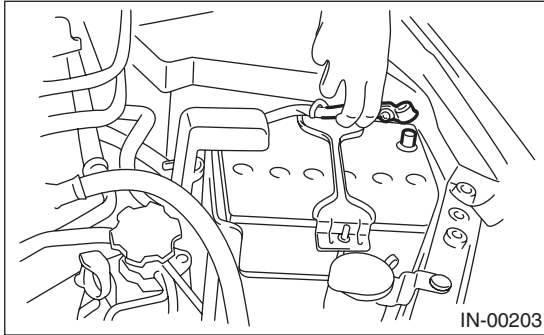
## 6. Radiator

### A: REMOVAL

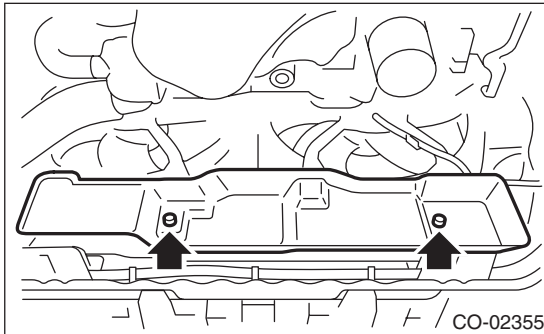
**CAUTION:**

The radiator is pressurized when the engine and radiator are hot. Wait until engine and radiator cool down before working on the radiator.

- 1) Set the vehicle on a lift.
- 2) Disconnect the ground cable from battery.

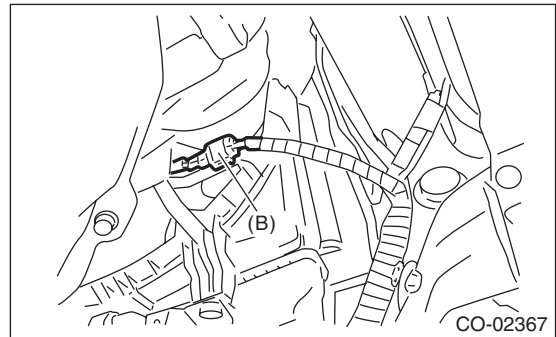
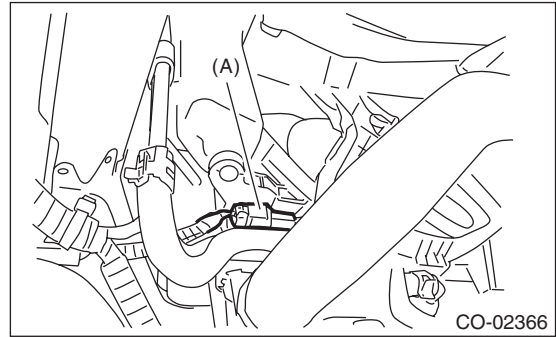


- 3) Lift up the vehicle.
- 4) Remove the under cover.
- 5) Remove the heat shield cover from radiator. (AT model)

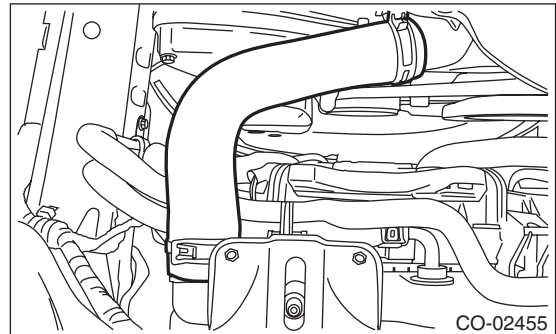


- 6) Drain the engine coolant. <Ref. to CO(H4DOTC)-14, DRAINING OF ENGINE COOLANT, REPLACEMENT, Engine Coolant.>

- 7) Disconnect the connectors of main fan motor connector (A) and sub fan motor connector (B).



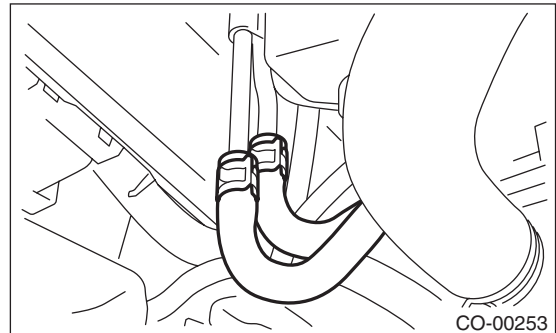
- 8) Disconnect the radiator outlet hose from thermostat cover.



- 9) Disconnect the ATF cooler hoses from ATF pipes. (AT model)

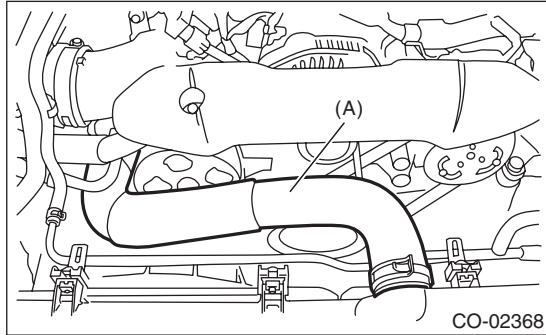
**NOTE:**

Plug the ATF pipe to prevent ATF from leaking.

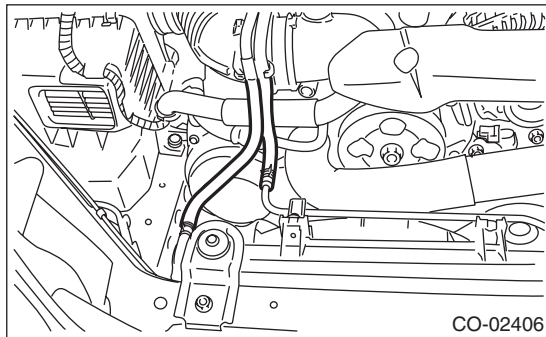




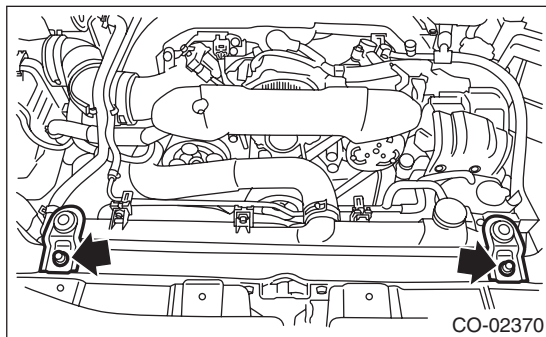
- 10) Lower the vehicle.
- 11) Remove the air intake duct. <Ref. to IN(H4DOTC)-11, REMOVAL, Air Intake Duct.>
- 12) Remove the reservoir tank. <Ref. to CO(H4DOTC)-29, REMOVAL, Reservoir Tank.>
- 13) Disconnect the radiator inlet hose (A) from the radiator.



- 14) Disconnect the two coolant filler tank hoses from the radiator.



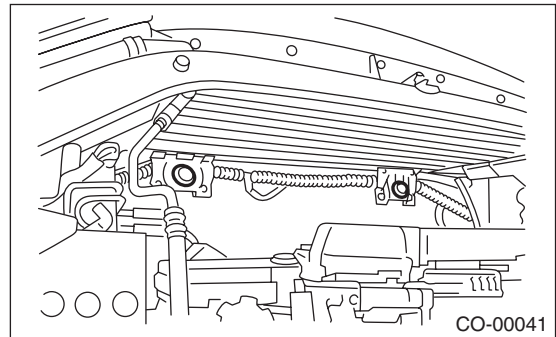
- 15) Remove the radiator upper brackets.



- 16) Move the radiator to the left while lifting it upward.
- 17) Lift the radiator up and remove the radiator from vehicle.

## B: INSTALLATION

- 1) Attach the radiator lower cushion to the hole on the radiator lower bracket.



- 2) Install the radiator to vehicle.

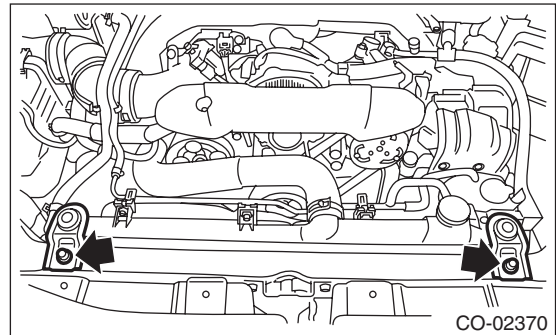
### NOTE:

Make pins on the lower side of radiator be fitted into the radiator lower cushions.

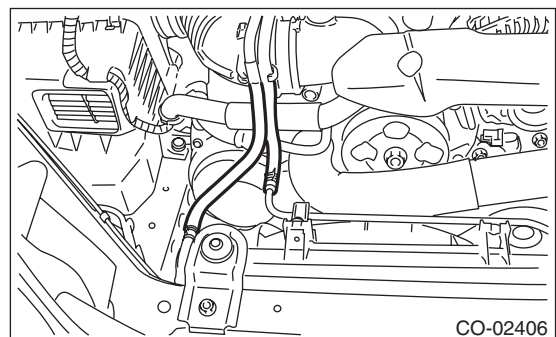
- 3) Install the radiator upper brackets and tighten the bolts.

### Tightening torque:

**12 N·m (1.2 kgf-m, 8.9 ft-lb)**



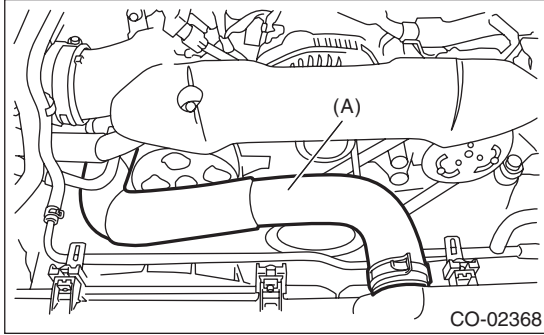
- 4) Connect the two coolant filler tank hoses to the radiator.



# Radiator

## COOLING

5) Connect the radiator inlet hose (A).

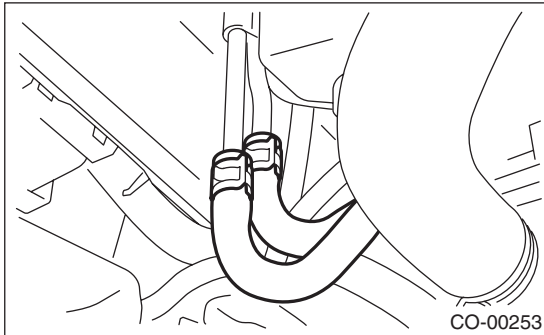


6) Install the reservoir tank. <Ref. to CO(H4DOTC)-29, INSTALLATION, Reservoir Tank.>

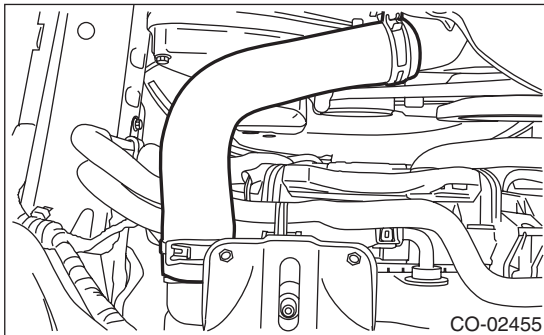
7) Install the air intake duct. <Ref. to IN(H4DOTC)-11, INSTALLATION, Air Intake Duct.>

8) Lift up the vehicle.

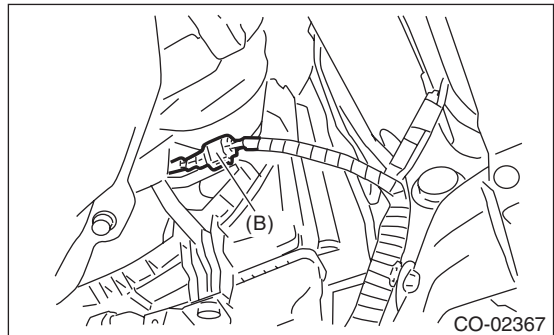
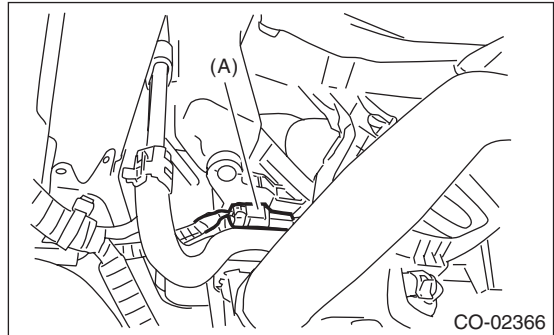
9) Connect the ATF cooler hoses. (AT model)



10) Connect the radiator outlet hose.



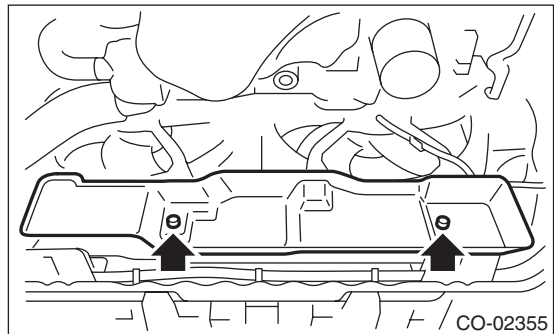
11) Connect the connectors of main fan motor connector (A) and sub fan motor connector (B).



12) Install the heat shield cover to the radiator. (AT model)

**Tightening torque:**

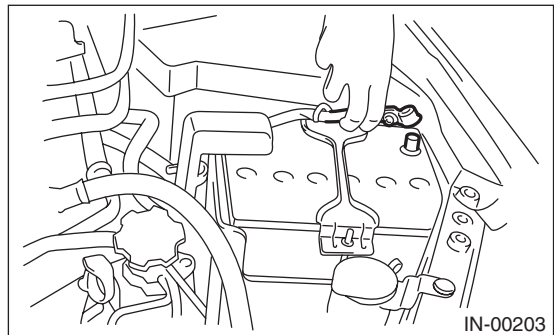
**3 N·m (0.3 kgf·m, 2.2 ft·lb)**



13) Install the under cover.

14) Lower the vehicle.

15) Connect the ground cable to battery.



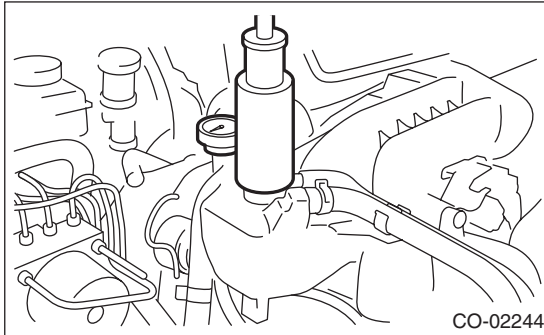


16) Fill engine coolant. <Ref. to CO(H4DOTC)-14, FILLING OF ENGINE COOLANT, REPLACEMENT, Engine Coolant.>

17) Check the ATF level. (AT model) <Ref. to 4AT-27, INSPECTION, Automatic Transmission Fluid.>

### C: INSPECTION

1) Remove the coolant filler tank cap, fill the coolant filler tank with engine coolant, then install the tester to the installation position of the cap.



2) Apply a pressure of 122 kPa (1.2 kg/cm<sup>2</sup>, 18 psi) to the radiator and check the following points:

- Leakage from the radiator or its vicinity
- Leakage from the hose or its connections

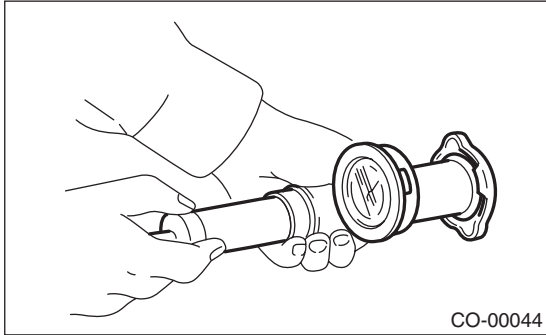
#### CAUTION:

- **Inspection must be carried out at the side of coolant filler tank, not at the side of radiator.**
- **Engine should be turned off.**
- **Wipe engine coolant from check points in advance.**
- **Be careful of the spurt of engine coolant when removing the tester.**
- **Be careful not to deform the filler neck of the coolant filler tank when installing and removing the tester.**

## 7. Radiator Cap

### A: INSPECTION

1) Attach the radiator cap tester to radiator cap.



2) Increase pressure until the radiator cap tester gauge pointer stops. Radiator cap is functioning properly if it holds the service limit pressure for 5 — 6 seconds. Replace the cap if it is opened under a pressure less than the service limit value.

#### **Coolant filler tank side**

##### **Specification:**

**93 — 123 kPa**

**(0.95 — 1.25 kg/cm<sup>2</sup>, 14 — 18 psi)**

##### **Service limit:**

**83 kPa (0.85 kg/cm<sup>2</sup>, 12 psi)**

#### **Radiator side**

##### **Specification:**

**122 — 152 kPa**

**(1.24 — 1.55 kg/cm<sup>2</sup>, 18 — 22 psi)**

##### **Service limit:**

**112 kPa (1.14 kg/cm<sup>2</sup>, 16 psi)**

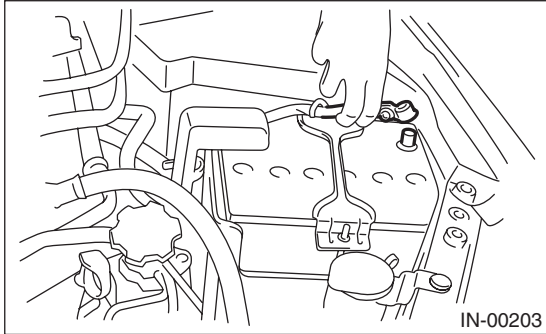
#### **CAUTION:**

- Be sure to remove foreign matter and rust from the cap in advance. Otherwise, results of pressure test will be incorrect.
- Do not confuse the cap of coolant filler tank and cap of radiator.

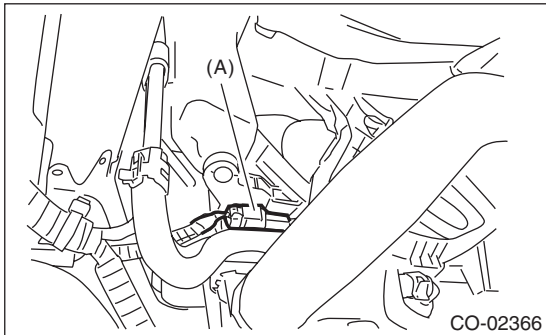
## 8. Radiator Main Fan and Fan Motor

### A: REMOVAL

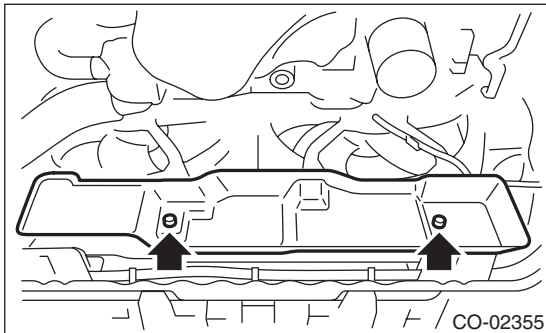
- 1) Set the vehicle on a lift.
- 2) Disconnect the ground cable from battery.



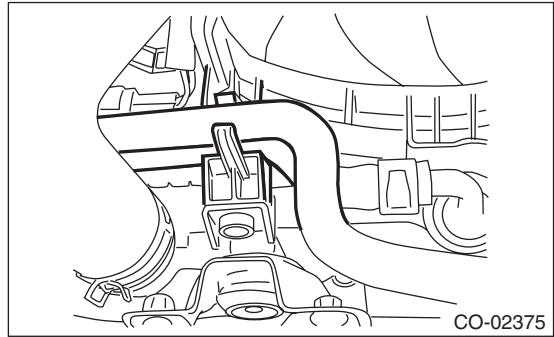
- 3) Lift up the vehicle.
- 4) Remove the under cover.
- 5) Disconnect the main fan motor connector (A).



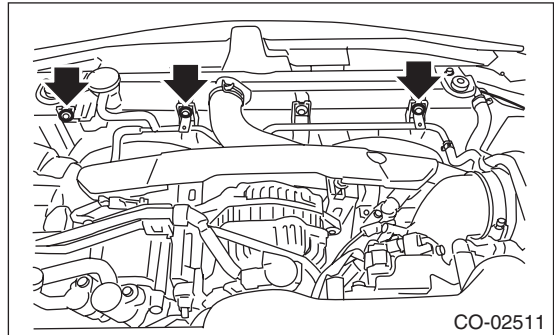
- 6) Remove the heat shield cover from radiator. (AT model)



- 7) Remove the ATF hose from the hose clip of the radiator main fan motor assembly. (AT model)



- 8) Lower the vehicle.
- 9) Remove the air intake duct. <Ref. to IN(H4DOTC)-11, REMOVAL, Air Intake Duct.>
- 10) Remove the reservoir tank. <Ref. to CO(H4DOTC)-29, REMOVAL, Reservoir Tank.>
- 11) Remove the bolts which secure the radiator main fan motor assembly and the over flow pipe.



- 12) Remove the radiator main fan motor assembly from the upper side of the vehicle.

# Radiator Main Fan and Fan Motor

## COOLING

### B: INSTALLATION

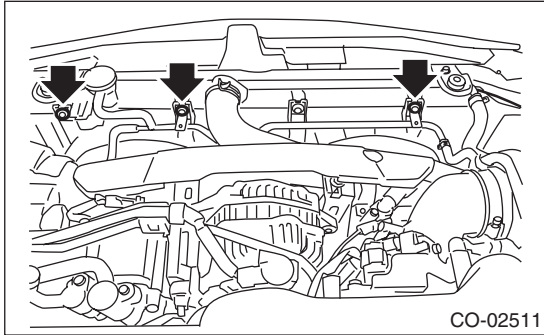
Install in the reverse order of removal.

#### CAUTION:

Check if the radiator hose and the over flow hose are properly connected.

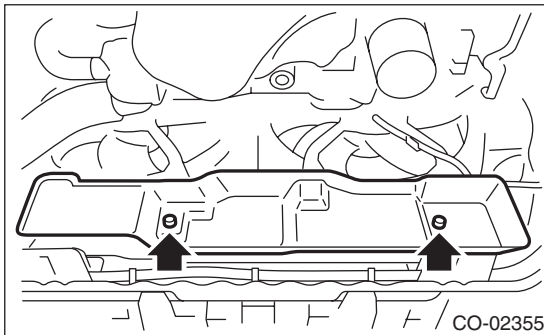
**Tightening torque:**

**7.5 N·m (0.8 kgf-m, 5.5 ft-lb)**



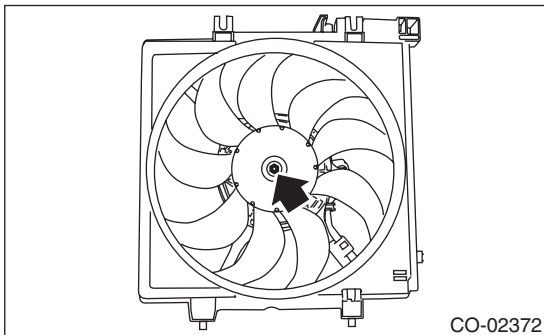
**Tightening torque:**

**3 N·m (0.3 kgf-m, 2.2 ft-lb)**

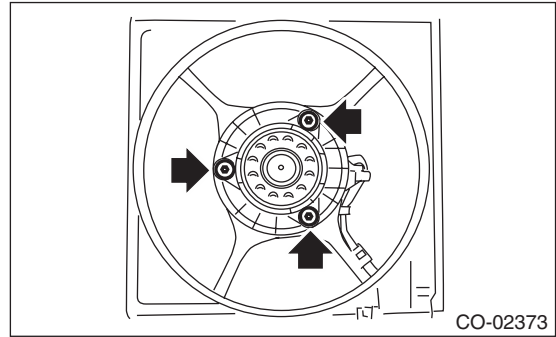


### C: DISASSEMBLY

- 1) Remove the clip which holds the main fan motor connector onto the radiator main fan shroud.
- 2) Remove the nut which holds the radiator main fan to the main fan motor.



- 3) Remove the bolts which hold the main fan motor onto the radiator main fan shroud.

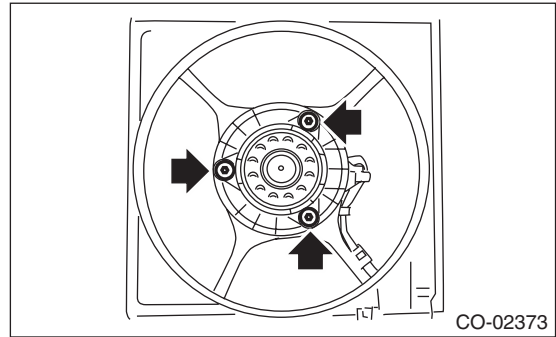


### D: ASSEMBLY

Assemble in the reverse order of disassembly.

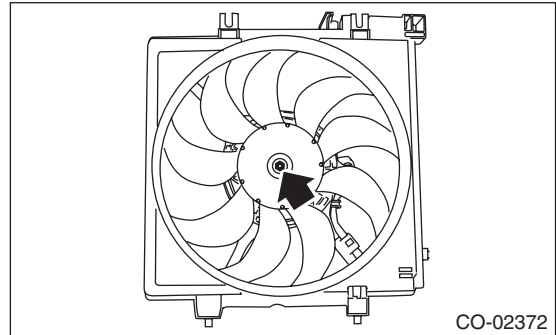
**Tightening torque:**

**4.41 N·m (0.45 kgf-m, 3.25 ft-lb)**



**Tightening torque:**

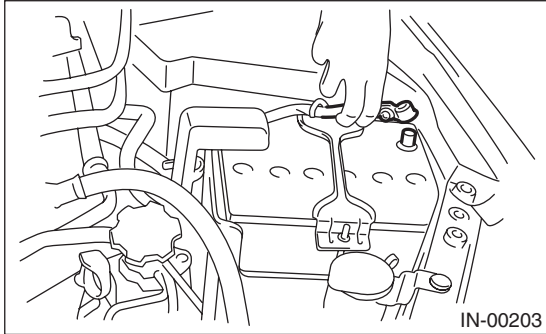
**3.4 N·m (0.3 kgf-m, 2.5 ft-lb)**



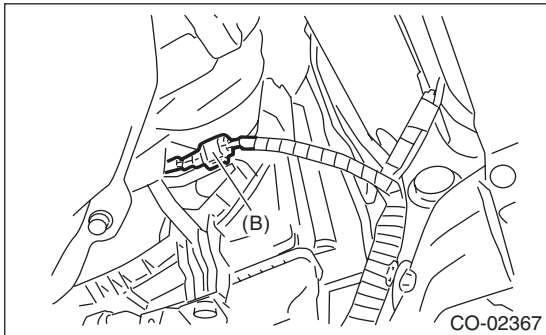
## 9. Radiator Sub Fan and Fan Motor

### A: REMOVAL

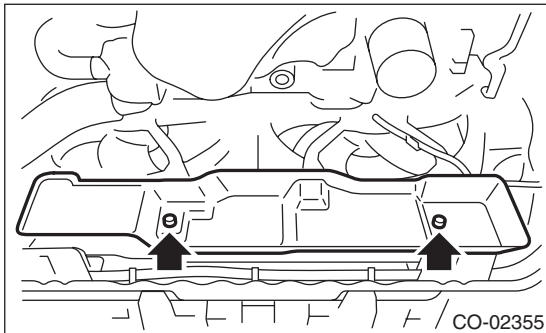
- 1) Set the vehicle on a lift.
- 2) Disconnect the ground cable from battery.



- 3) Lift up the vehicle.
- 4) Remove the under cover.
- 5) Disconnect the sub fan motor connector (B).

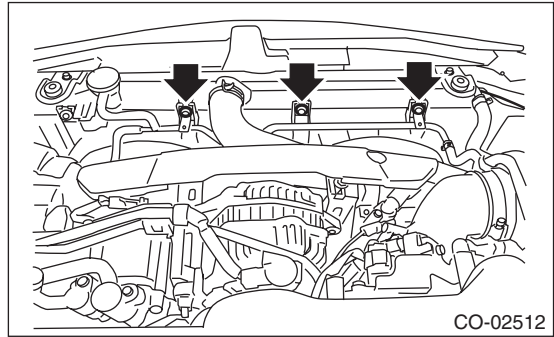


- 6) Remove the heat shield cover from radiator. (AT model)



- 7) Lower the vehicle.
- 8) Remove the air intake duct. <Ref. to IN(H4DOTC)-11, REMOVAL, Air Intake Duct.>

- 9) Remove the bolts which secure the radiator sub fan motor assembly and the over flow pipe.



- 10) Raise the radiator sub fan motor assembly slightly, remove the pin at the lower part of the radiator sub fan motor assembly from the radiator hole, and remove the radiator sub fan motor assembly from the lower side of the vehicle.

### B: INSTALLATION

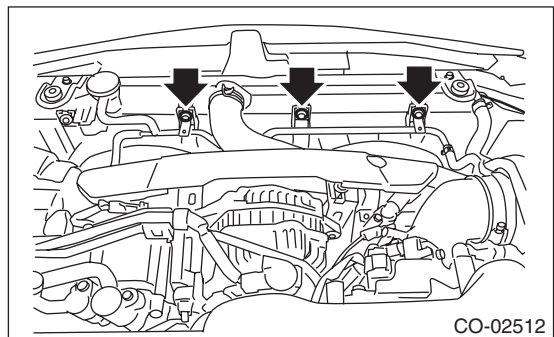
Install in the reverse order of removal.

#### CAUTION:

Check if the radiator hose and the over flow hose are properly connected.

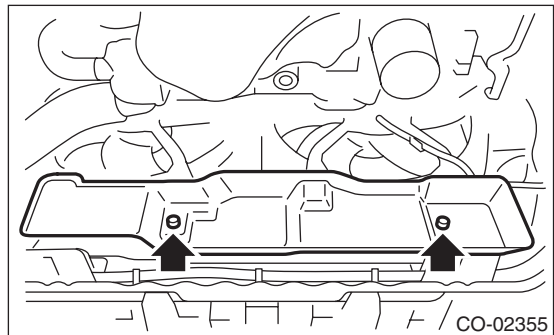
#### Tightening torque:

**7.5 N·m (0.8 kgf-m, 5.5 ft-lb)**



#### Tightening torque:

**3 N·m (0.3 kgf-m, 2.2 ft-lb)**

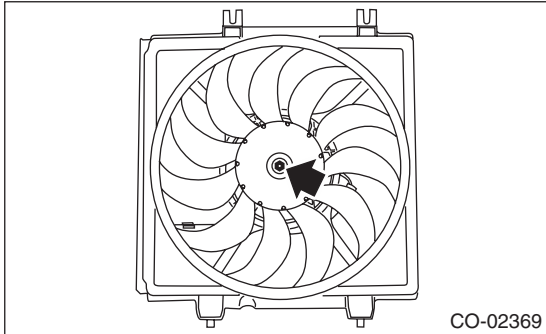


# Radiator Sub Fan and Fan Motor

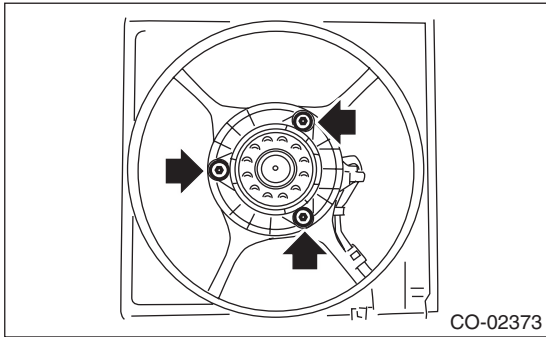
## COOLING

### C: DISASSEMBLY

- 1) Remove the clip which holds the sub fan motor connector onto the radiator sub fan shroud.
- 2) Remove the nut which holds the radiator sub fan to the sub fan motor.



- 3) Remove the bolts which hold the sub fan motor onto the radiator sub fan shroud.

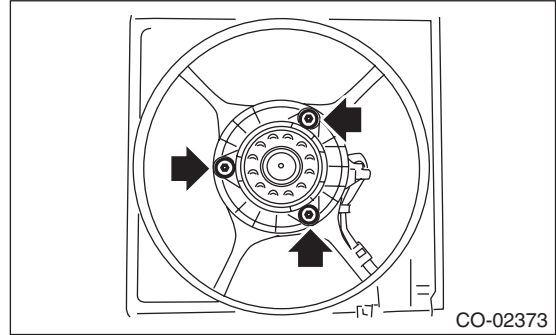


### D: ASSEMBLY

Assemble in the reverse order of disassembly.

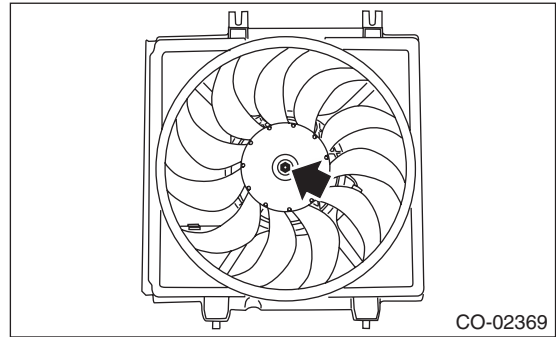
#### **Tightening torque:**

**4.41 N·m (0.45 kgf-m, 3.25 ft-lb)**



#### **Tightening torque:**

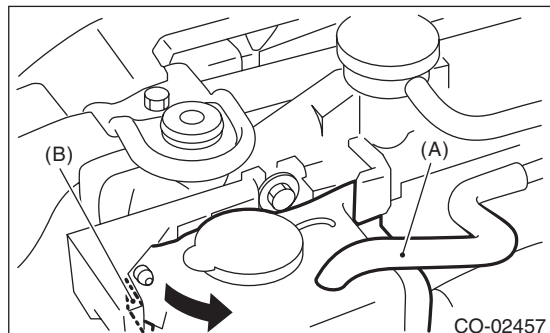
**3.4 N·m (0.3 kgf-m, 2.5 ft-lb)**



## 10. Reservoir Tank

### A: REMOVAL

- 1) Pull out the over flow hose (A).
- 2) Pull out the reservoir tank to the arrow direction while pushing the claw (B).



### B: INSTALLATION

Install in the reverse order of removal.

### C: INSPECTION

Make sure the engine coolant level is between "FULL" and "LOW".

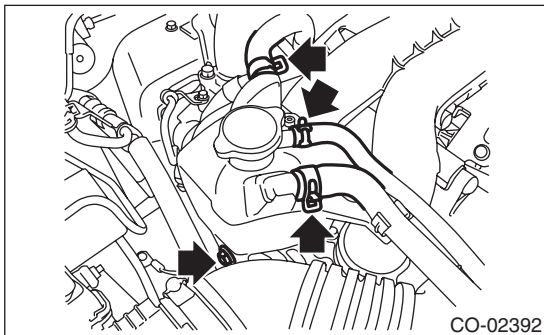
## 11. Coolant Filler Tank

### A: REMOVAL

#### CAUTION:

The coolant filler tank is pressurized when the engine and radiator are hot. Wait until engine and radiator cool down before working on the coolant filler tank.

- 1) Drain approximately 3.0 ℓ (3.2 US qt, 2.6 Imp qt) of coolant. <Ref. to CO(H4DOTC)-14, DRAINING OF ENGINE COOLANT, REPLACEMENT, Engine Coolant.>
- 2) Disconnect the engine coolant hoses from coolant filler tank.
- 3) Remove the bolts which secure the coolant filler tank.



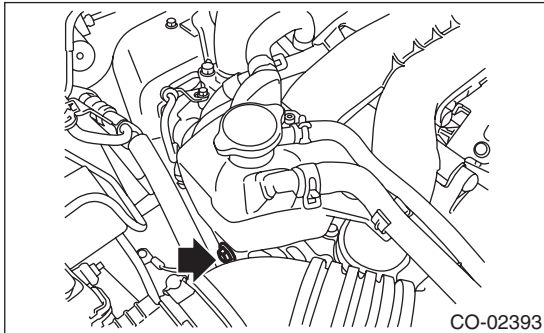
- 4) Disconnect the engine coolant hose which connects the under side of coolant filler tank.
- 5) Remove the coolant filler tank.

### B: INSTALLATION

Install in the reverse order of removal.

#### Tightening torque:

**16 N·m (1.6 kgf·m, 11.8 ft·lb)**





## 12.Engine Cooling System Trouble in General

### A: INSPECTION

Trouble	Possible cause	Corrective action
Over-heating	a. Insufficient engine coolant	Replenish engine coolant, inspect for leakage, and repair it if necessary.
	b. Loose timing belt	Repair or replace timing belt tensioner.
	c. Oil on timing belt	Replace.
	d. Malfunction of thermostat	Replace.
	e. Malfunction of water pump	Replace.
	f. Clogged engine coolant passage	Clean.
	g. Improper ignition timing	Inspect and repair ignition control system. <Ref. to EN(H4DOTC)(diag)-2, PROCEDURE, Basic Diagnostic Procedure.>
	h. Clogged or leaking radiator	Clean, repair or replace.
	i. Defective radiator fan	Replace.
	j. Improper engine oil in engine coolant	Replace the engine coolant. If ineffective, check, repair or replace engine components.
	k. Air/fuel mixture ratio too lean	Inspect and repair the fuel injection system. <Ref. to EN(H4DOTC)(diag)-2, PROCEDURE, Basic Diagnostic Procedure.>
	l. Excessive back pressure in exhaust system	Clean or replace.
	m. Insufficient clearance between piston and cylinder	Adjust or replace.
	n. Slipping clutch	Repair or replace.
	o. Dragging brake	Adjust.
p. Defective radiator fan	Inspect the radiator fan relay, engine coolant temperature sensor or fan motor and replace them.	
Over-cooling	a. Ambient temperature extremely low	Partly cover radiator front area.
	b. Defective thermostat	Replace.
Engine coolant leaks	a. Loosened or damaged connecting units on hoses	Repair or replace.
	b. Leakage from water pump	Replace.
	c. Leakage from water pipe	Repair or replace.
	d. Leakage around cylinder head gasket	Retighten cylinder head bolts or replace cylinder head gasket.
	e. Damaged or cracked cylinder head and cylinder block	Repair or replace.
	f. Damaged or cracked thermostat cover	Repair or replace.
	g. Leakage from radiator	Repair or replace.
Noise	a. Timing belt problem	Replace.
	b. Defective radiator fan	Replace.
	c. Defective water pump bearing	Replace water pump.
	d. Defective water pump mechanical seal	Replace water pump.

# Engine Cooling System Trouble in General

COOLING

---

## 1. General Description

### A: SPECIFICATION

Specifications for the turbo model are included in the LU (H4SO) section. <Ref. to LU(H4SO)-2, General Description.>

## 1. General Description

### A: SPECIFICATION

Specifications for the turbo model are the same as the SOHC model. <Ref. to SP(H4SO)-2, General Description.>

# General Description

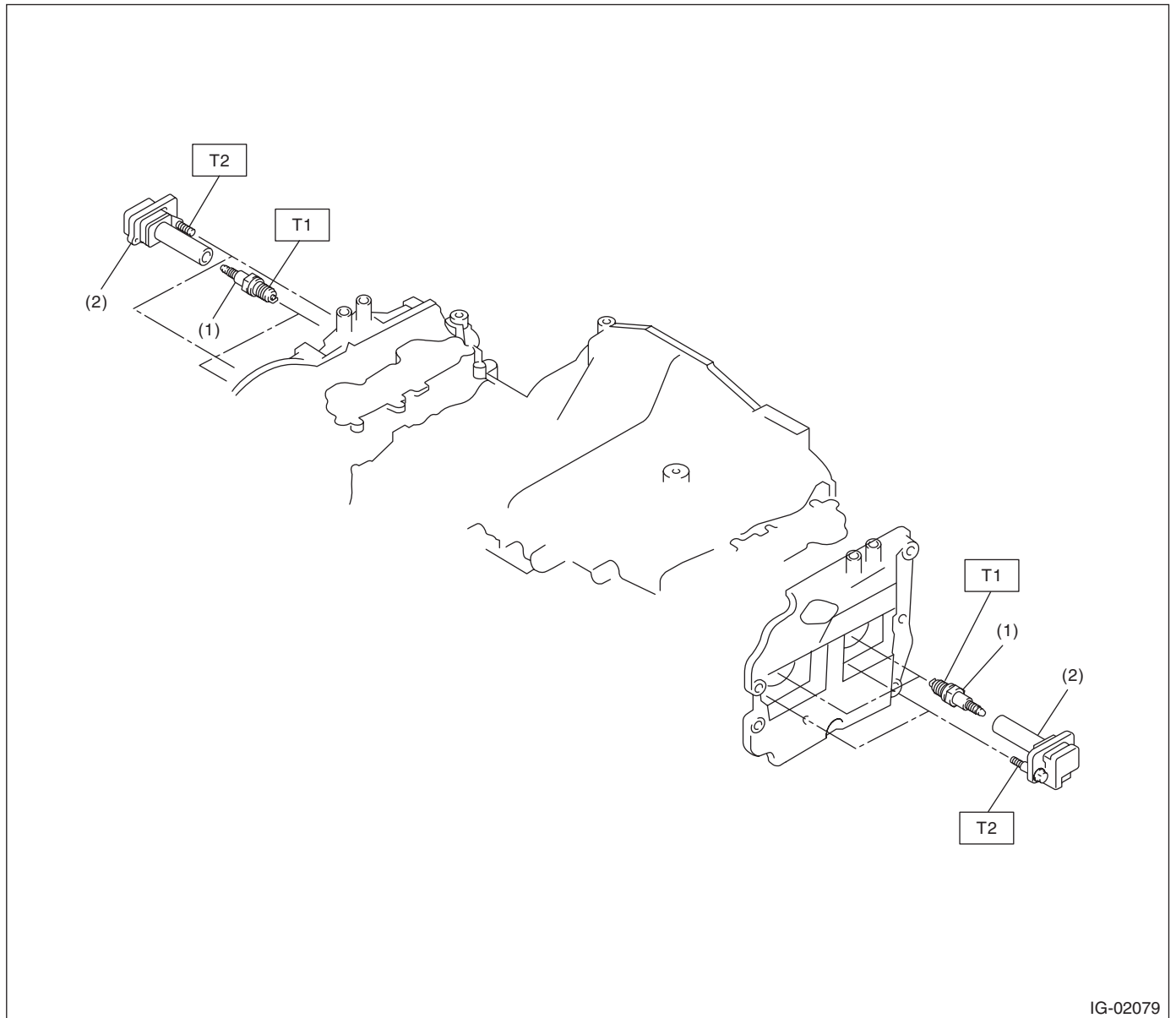
## IGNITION

### 1. General Description

#### A: SPECIFICATION

Item		Specifications	
Ignition coil	Type	FK0334	
	Ignition system	Independent ignition coil	
	Manufacturer	Diamond Electric	
Spark plug	Manufacturer and type	NGK: SILFR6A	
	Thread size (diameter, pitch, length)	mm	14,1.25,26.5
	Spark plug gap	mm (in)	0.7 — 0.8 (0.028 — 0.031)
	Electrode		Iridium

#### B: COMPONENT



IG-02079

(1) Spark plug

(2) Ignition coil

**Tightening torque: N·m (kgf·m, ft·lb)**

**T1: 21 (2.1, 15.5)**

**T2: 16 (1.6, 11.8)**

### **C: CAUTION**

- Wear appropriate work clothing, including a cap, protective goggles and protective shoes when performing any work.
- Remove contamination including dirt and corrosion before removal, installation or disassembly.
- Keep the disassembled parts in order and protect them from dust and dirt.
- Before removal, installation or disassembly, be sure to clarify the failure. Avoid unnecessary removal, installation, disassembly and replacement.
- Vehicle components are extremely hot after driving. Be wary of receiving burns from heated parts.
- Be sure to tighten fasteners including bolts and nuts to the specified torque.
- Place shop jacks or rigid racks at the specified points.
- Before disconnecting connectors of sensors or units, be sure to disconnect the ground cable from the battery.

# Spark Plug

## IGNITION

### 2. Spark Plug

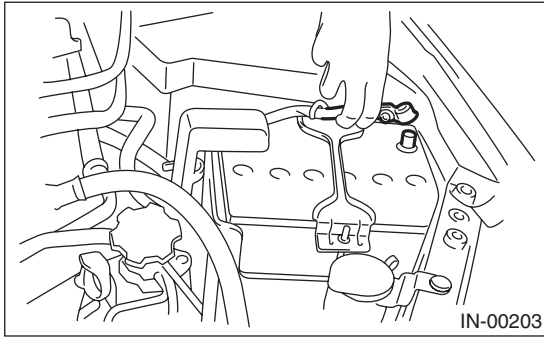
#### A: REMOVAL

##### Spark plug:

Refer to "SPECIFICATION" for the spark plug. <Ref. to IG(H4DOTC)-2, SPECIFICATION, General Description.>

#### 1. RH SIDE

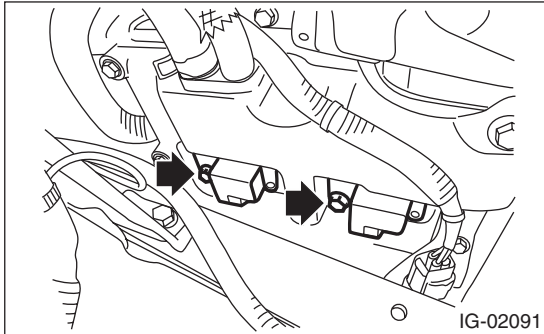
- 1) Disconnect the ground cable from battery.



- 2) Remove the air cleaner case. <Ref. to IN(H4DOTC)-9, REMOVAL, Air Cleaner Case.>
- 3) Disconnect the connector from ignition coil.
- 4) Remove the ignition coil.

##### NOTE:

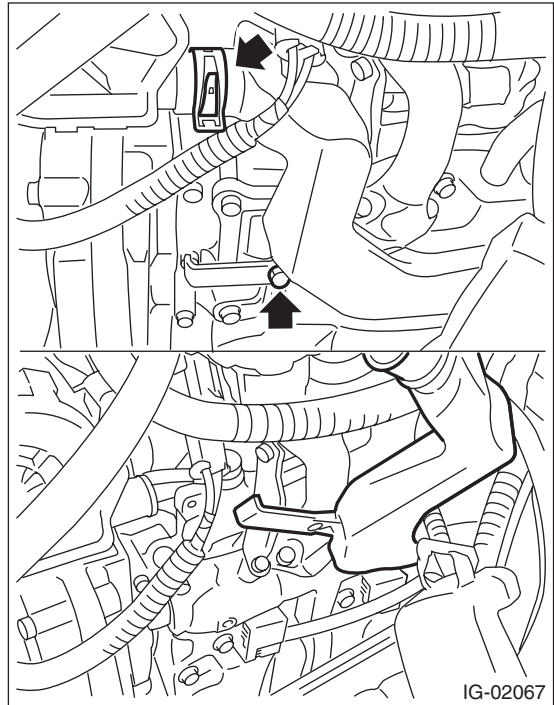
Turn #3 ignition coil by 180 degrees to remove it.



- 5) Remove the spark plug with a spark plug socket.

#### 2. LH SIDE

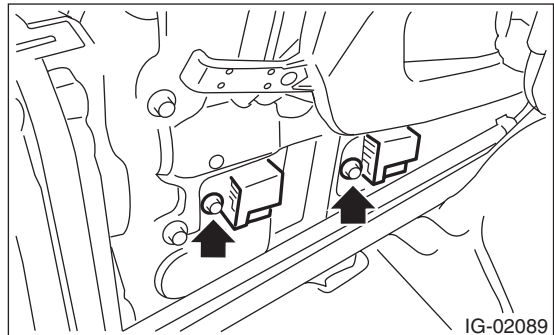
- 1) Remove the battery. <Ref. to SC(H4SO)-22, REMOVAL, Battery.>
- 2) Disconnect the air duct from the secondary air pump.
- 3) Remove the bolts that secure the air duct to the rocker cover LH, and lift the air duct.



- 4) Disconnect the connector from ignition coil.
- 5) Remove the ignition coil.

##### NOTE:

Turn #4 ignition coil by 180 degrees to remove it.



- 6) Remove the spark plug with a spark plug socket.

## B: INSTALLATION

### 1. RH SIDE

Install in the reverse order of removal.

**Tightening torque (Spark plug):**  
**21 N·m (2.1 kgf·m, 15.5 ft·lb)**

**Tightening torque (Ignition coil):**  
**16 N·m (1.6 kgf·m, 11.8 ft·lb)**

### 2. LH SIDE

Install in the reverse order of removal.

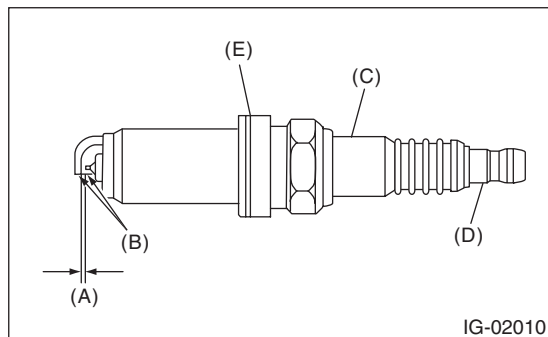
**Tightening torque (Spark plug):**  
**21 N·m (2.1 kgf·m, 15.5 ft·lb)**

**Tightening torque (Ignition coil):**  
**16 N·m (1.6 kgf·m, 11.8 ft·lb)**

**Tightening torque (Air pump duct):**  
**9 N·m (0.9 kgf·m, 6.6 ft·lb)**

## C: INSPECTION

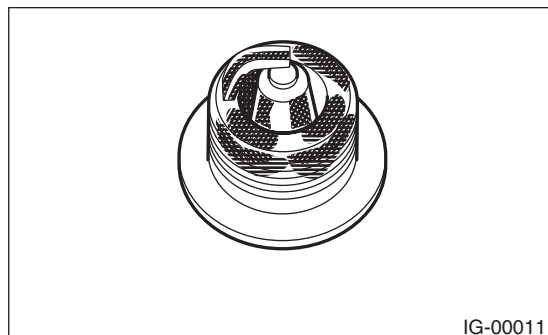
Check the electrodes and inner and outer ceramic insulator of plugs, noting the type of deposits and the degree of electrode erosion.



- (A) Spark plug gap
- (B) Carbon accumulation or wear
- (C) Cracks
- (D) Damage
- (E) Damaged gasket

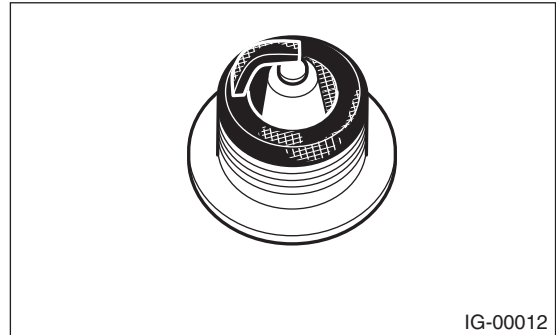
#### 1) Normal:

Brown to grayish-tan deposits and slight electrode wear indicate correct spark plug heat range.



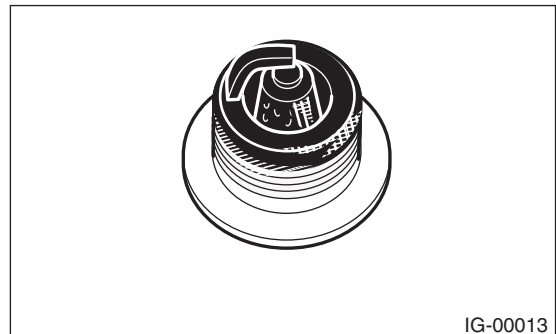
#### 2) Carbon fouled:

Dry fluffy carbon deposits on insulator and electrode are mostly caused by slow speed driving in the city, weak ignition, too rich fuel mixture, dirty air cleaner, etc.



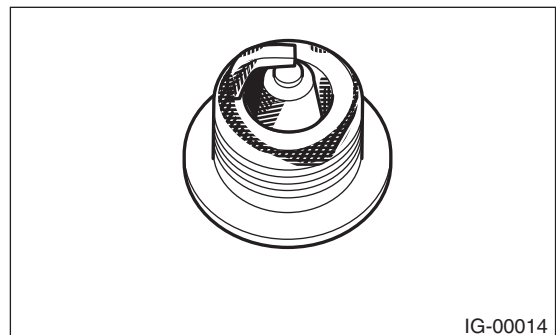
#### 3) Oil fouled:

Wet black deposits show oil entrance into combustion chamber through worn rings or increased clearance between valve guides and stems.



#### 4) Overheating:

White or light gray insulator with black or brown spots and bluish burnt electrodes indicate engine overheating, incorrect ignition timing, improper fuel, or loose spark plugs.





# Spark Plug

IGNITION

---

## D: ADJUSTMENT

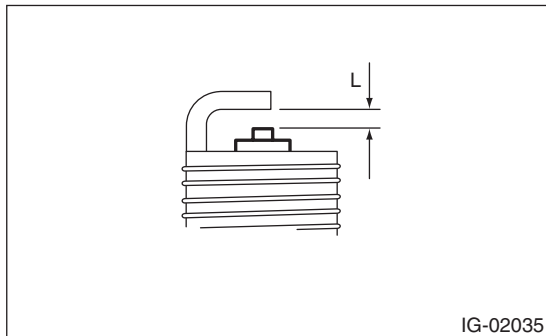
Clean spark plugs with a nylon brush, etc. Clean and remove the carbon or oxide deposits. If deposits are too stubborn, replace the spark plugs. After cleaning the spark plugs, measure the spark plug gap using a gap gauge.

NOTE:

- Never use a plug cleaner.
- Never use a metal brush because it makes insulator worn.

**Spark plug gap L:**

***0.7 — 0.8 mm (0.028 — 0.031 in)***



IG-02035

### 3. Ignition Coil

#### A: REMOVAL

Direct ignition type is adopted. Refer to “Spark Plug” for removal procedure. <Ref. to IG(H4DOTC)-4, REMOVAL, Spark Plug.>

#### B: INSTALLATION

Install in the reverse order of removal.

#### *Tightening torque:*

**16 N·m (1.6 kgf-m, 11.8 ft-lb)**

#### C: INSPECTION

For inspection procedure, refer to “Diagnostics for Engine Starting Failure”. <Ref. to EN(H4DOTC)(diag)-75, IGNITION CONTROL SYSTEM, Diagnostics for Engine Starting Failure.>

# Ignition Coil

IGNITION

---

# General Description

STARTING/CHARGING SYSTEMS

---

## 1. General Description

### A: SPECIFICATION

Specifications for the turbo model are included in the "SC(H4SO)" section. <Ref. to SC(H4SO)-2, General Description.>

# Basic Diagnostic Procedure

ENGINE (DIAGNOSTICS)

## 1. Basic Diagnostic Procedure

### A: PROCEDURE

#### 1. ENGINE

	Step	Check	Yes	No
1	<p><b>CHECK ENGINE START FAILURE.</b></p> <p>1) Ask the customer when and how the trouble occurred using the interview check list. &lt;Ref. to EN(H4DOTC)(diag)-3, CHECK, Check List for Interview.&gt;</p> <p>2) Start the engine.</p>	Does the engine start?	Go to step 2.	Inspection using “Diagnostics for Engine Start Failure”. <Ref. to EN(H4DOTC)(diag)-68, Diagnostics for Engine Starting Failure.>
2	<p><b>CHECK ILLUMINATION OF MALFUNCTION INDICATOR LIGHT.</b></p>	Does the malfunction indicator light illuminate?	Go to step 4.	Inspection using “General Diagnostic Table”. <Ref. to EN(H4DOTC)(diag)-367, General Diagnostic Table.>
3	<p><b>CHECK COMMUNICATION STATUS.</b></p> <p>1) Turn the ignition switch to OFF.</p> <p>2) Connect the Subaru Select Monitor or general scan tool to the data link connector.</p> <p>3) Turn the ignition switch to ON, and run the Subaru Select Monitor or general scan tool.</p> <p>NOTE:</p> <ul style="list-style-type: none"> <li>Subaru Select Monitor</li> </ul> <p>For detailed procedures, refer to “Subaru Select Monitor”. &lt;Ref. to EN(H4DOTC)(diag)-34, Subaru Select Monitor.&gt;</p> <ul style="list-style-type: none"> <li>General scan tool</li> </ul> <p>For detailed operation procedures, refer to the general scan tool operation manual.</p>	Does Subaru select monitor or general scan tool communicate with vehicle normally?	Go to step 4.	Inspection using “Diagnostics Procedure for Subaru Select Monitor Communication”. <Ref. to EN(H4DOTC)(diag)-81, Diagnostic Procedure for Subaru Select Monitor Communication.>
4	<p><b>CHECK DTC.</b></p> <p>Read DTC using Subaru Select Monitor or general scan tool.</p> <p>NOTE:</p> <ul style="list-style-type: none"> <li>Subaru Select Monitor</li> </ul> <p>Refer to “Read Diagnostic Trouble Code” for detailed operation procedure. &lt;Ref. to EN(H4DOTC)(diag)-42, Read Diagnostic Trouble Code (DTC).&gt;</p> <ul style="list-style-type: none"> <li>General scan tool</li> </ul> <p>For detailed operation procedures, refer to the general scan tool operation manual.</p>	Is DTC displayed on the Subaru Select Monitor or general scan tool?	Record the DTC. Repair the trouble cause. <Ref. to EN(H4DOTC)(diag)-83, List of Diagnostic Trouble Code (DTC).> Go to step 5.	Repair the related parts. NOTE: If DTC is not shown on display although the malfunction indicator light illuminates, perform the diagnosis of malfunction indicator light circuit or combination meter. <Ref. to EN(H4DOTC)(diag)-59, Malfunction Indicator Light.>
5	<p><b>PERFORM DIAGNOSIS.</b></p> <p>1) Perform the Clear Memory Mode. &lt;Ref. to EN(H4DOTC)(diag)-54, Clear Memory Mode.&gt;</p> <p>2) Perform the Inspection Mode. &lt;Ref. to EN(H4DOTC)(diag)-43, Inspection Mode.&gt;</p>	Is DTC displayed on the Subaru Select Monitor or general scan tool?	Inspect using “Diagnostic Procedure with Diagnostic Trouble Code (DTC)”. <Ref. to EN(H4DOTC)(diag)-91, Diagnostic Procedure with Diagnostic Trouble Code (DTC).>	Finish the diagnosis.

# Check List for Interview

ENGINE (DIAGNOSTICS)

## 2. Check List for Interview

### A: CHECK

#### 1. CHECK LIST NO. 1

Check the following item when problem has occurred.

NOTE:

Use copies of this page for interviewing customers.

Customer's name		Engine No.	
Date of purchase		Fuel type	
Date of repair		Odometer reading	km
V.I.N.			miles
Weather	<input type="checkbox"/> Fine <input type="checkbox"/> Cloudy <input type="checkbox"/> Rainy <input type="checkbox"/> Snowy <input type="checkbox"/> Various/Others:		
Ambient air temperature	°C ( °F)		
	<input type="checkbox"/> Hot <input type="checkbox"/> Warm <input type="checkbox"/> Cool <input type="checkbox"/> Cold		
Place	<input type="checkbox"/> Highway <input type="checkbox"/> Suburbs <input type="checkbox"/> Inner city <input type="checkbox"/> Uphill <input type="checkbox"/> Downhill <input type="checkbox"/> Rough road <input type="checkbox"/> Others:		
	<input type="checkbox"/> Cold <input type="checkbox"/> Warming-up <input type="checkbox"/> After warming-up <input type="checkbox"/> Any temperature <input type="checkbox"/> Others:		
Engine speed	rpm		
Vehicle speed	km/h (MPH)		
Driving conditions	<input type="checkbox"/> Not affected <input type="checkbox"/> At starting <input type="checkbox"/> While idling <input type="checkbox"/> At racing <input type="checkbox"/> While accelerating <input type="checkbox"/> While cruising <input type="checkbox"/> While decelerating <input type="checkbox"/> While turning (RH/LH)		
	<input type="checkbox"/> ON/ <input type="checkbox"/> OFF		
Headlight	Rear defogger		<input type="checkbox"/> ON/ <input type="checkbox"/> OFF
Blower	Audio		<input type="checkbox"/> ON/ <input type="checkbox"/> OFF
A/C compressor	CD/Cassette		<input type="checkbox"/> ON/ <input type="checkbox"/> OFF
Radiator fan	Car phone		<input type="checkbox"/> ON/ <input type="checkbox"/> OFF
Front wiper	Wireless device		<input type="checkbox"/> ON/ <input type="checkbox"/> OFF
Rear wiper	<input type="checkbox"/> ON/ <input type="checkbox"/> OFF		

# Check List for Interview

## ENGINE (DIAGNOSTICS)

### 2. CHECK LIST NO. 2

Check the following item about the vehicle's state when malfunction indicator light turns on.

NOTE:

Use copies of this page for interviewing customers.

a) Other warning lights or indicators illuminate. <input type="checkbox"/> Yes / <input type="checkbox"/> No
<input type="checkbox"/> Low fuel warning light <input type="checkbox"/> Charge warning light <input type="checkbox"/> Engine coolant temperature warning light <input type="checkbox"/> Oil pressure warning light <input type="checkbox"/> ATF temperature warning light or SPORT indicator light <input type="checkbox"/> Driver's control center differential indicator light <input type="checkbox"/> ABS warning light <input type="checkbox"/> VDC warning light <input type="checkbox"/> Cruise indicator light <input type="checkbox"/> SI-CRUISE warning light <input type="checkbox"/> Immobilizer indicator light <input type="checkbox"/> STEERING warning light <input type="checkbox"/> Glow indicator <input type="checkbox"/> Sedimentor warning light <input type="checkbox"/> Others:
b) Fuel level
<ul style="list-style-type: none"><li>• Lack of fuel: <input type="checkbox"/> Yes / <input type="checkbox"/> No</li><li>• Indicator position of fuel gauge:</li><li>• Experienced running out of fuel: <input type="checkbox"/> Yes / <input type="checkbox"/> No</li></ul>
c) Intentional connecting or disconnecting of harness connectors or spark plug cords: <input type="checkbox"/> Yes / <input type="checkbox"/> No
<ul style="list-style-type: none"><li>• What:</li></ul>
d) Intentional connecting or disconnecting of hoses: <input type="checkbox"/> Yes / <input type="checkbox"/> No
<ul style="list-style-type: none"><li>• What:</li></ul>
e) Installing of other parts except genuine parts: <input type="checkbox"/> Yes / <input type="checkbox"/> No
<ul style="list-style-type: none"><li>• What:</li><li>• Where:</li></ul>
f) Occurrence of noise: <input type="checkbox"/> Yes / <input type="checkbox"/> No
<ul style="list-style-type: none"><li>• From where:</li><li>• What kind:</li></ul>
g) Occurrence of smell: <input type="checkbox"/> Yes / <input type="checkbox"/> No
<ul style="list-style-type: none"><li>• From where:</li><li>• What kind:</li></ul>
h) Intrusion of water into engine compartment or passenger compartment: <input type="checkbox"/> Yes / <input type="checkbox"/> No
i) Troubles occurred
<input type="checkbox"/> Engine does not start. <input type="checkbox"/> Engine stalls during idling. <input type="checkbox"/> Engine stalls while driving. <input type="checkbox"/> Engine speed decreases. <input type="checkbox"/> Engine speed does not decrease. <input type="checkbox"/> Rough idling <input type="checkbox"/> Poor acceleration <input type="checkbox"/> Back fire <input type="checkbox"/> After fire <input type="checkbox"/> Does not shift. <input type="checkbox"/> Excessive shift shock

## 3. General Description

### A: CAUTION

1) Airbag system wiring harness is routed near the ECM, main relay and fuel pump relay.

#### CAUTION:

- Do not use electrical test equipment on the airbag system circuits.
- Be careful not to damage the airbag system wiring harness when servicing the ECM, TCM, main relay and fuel pump relay.

2) Never connect the battery in reverse polarity. Doing so will damage the ECM instantly, and other parts will also be damaged.

3) Do not disconnect the battery terminals while the engine is running. A large counter electromotive force will be generated in the generator, and this voltage may damage electronic parts such as ECM etc.

4) Before disconnecting the connectors of each sensor and ECM, be sure to turn the ignition switch to OFF. Perform the Clear Memory Mode after connecting the connectors. <Ref. to EN(H4DOTC)(diag)-54, Clear Memory Mode.>

5) When measuring the voltage or resistance of individual sensor or all electrical control modules, use a tapered pin with a diameter of less than 0.6 mm (0.024 in). Do not insert the pin 4 mm (0.16 in) or more into the part.

#### CAUTION:

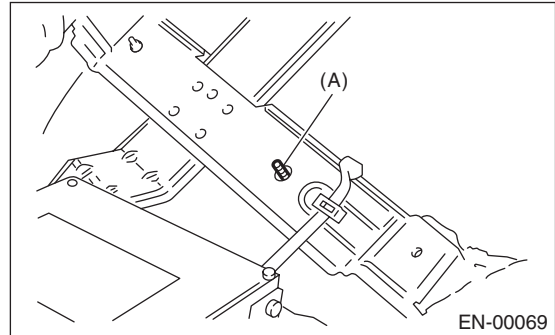
**When replacing the ECM, be careful not to use the wrong spec. ECM to avoid any damage on the fuel injection system.**

#### NOTE:

When replacing the ECM of the models with Immobilizer, immobilizer system must be registered. To do so, all ignition keys and ID cards need to be prepared. Refer to the "PC application help for Subaru Select Monitor".

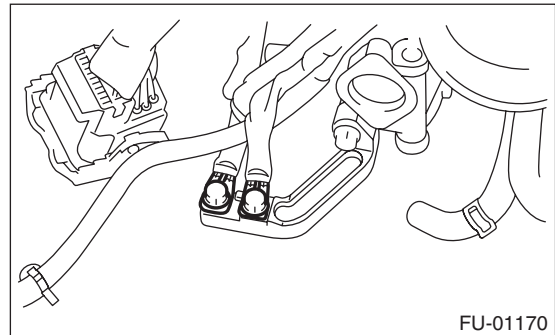
6) Take care not to allow water to get into the connectors when servicing or washing the vehicle in rainy weather. Avoid exposure to water even if the connectors are waterproof.

7) Use ECM mounting stud bolts at the body side grounding point when measuring voltage and resistance inside the passenger compartment.



(A) Stud bolt

8) Use the engine ground terminal or engine assembly as the grounding point to chassis when measuring the voltage and resistance in engine compartment.



9) Every engine control system-related part is a precision part. Do not drop them.

10) Observe the following cautions when installing a radio in vehicle.

#### CAUTION:

- The antenna must be kept as far apart as possible from control module. (ECM is installed under the passenger's side floor mat.)
- The antenna feeder must be placed as far apart as possible from the ECM and engine control system harness.
- Carefully adjust the antenna for correct matching.
- When mounting a large power type radio, pay special attention to the three items mentioned above.
- Incorrect installation of the radio may affect the operation of ECM.



# General Description

## ENGINE (DIAGNOSTICS)

11) When disconnecting the fuel hose, release the fuel pressure. <Ref. to FU(H4DOTC)-60, RELEASING OF FUEL PRESSURE, PROCEDURE, Fuel.>

12) Warning lights may illuminate when performing driving test with jacked-up or lifted-up condition, but this is not a system malfunction. The reason for this is the speed difference between the front and rear wheels. After diagnosis of engine control system, perform the ABS memory clear procedure of self-diagnosis function.

### B: INSPECTION

Before performing diagnostics, check the following item which might affect engine problems.

#### 1. BATTERY

1) Measure the battery voltage and specific gravity of the electrolyte.

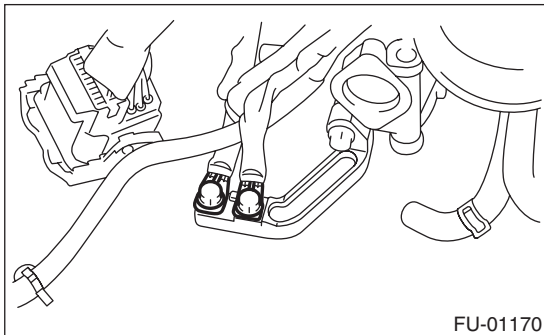
**Standard voltage: 12 V**

**Specific gravity: 1.260 or more**

2) Check the condition of the main and other fuses, and harnesses and connectors. Also check for proper grounding.

#### 2. ENGINE GROUND

Check if the engine ground terminal is properly connected to engine.



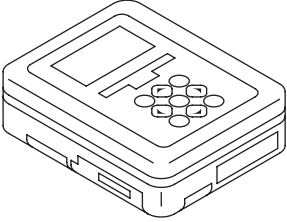
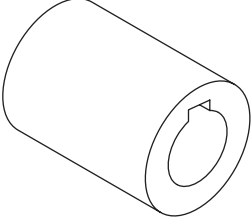
### C: NOTE

- The on-board diagnostic (OBD) system detects and indicates a fault in various inputs and outputs of the complex electronic control. Malfunction indicator light in the combination meter indicates occurrence of a fault or trouble.
- Further, against such a failure of sensors as may disable the drive, the fail-safe function is provided to ensure the minimal drivability.
- The OBD system incorporated with the vehicles within this type of engine complies with OBD-II regulations. The OBD system monitors the components and the system malfunction listed in "Engine Section" which affects on emissions.
- When the system decides that a malfunction occurs, malfunction indicator light illuminates. At the same time of the malfunction indicator light illumination or blinking, a DTC and a freeze frame engine conditions are stored into on-board computer.
- The OBD system stores freeze frame engine condition data (engine load, engine coolant temperature, fuel trim, engine speed and vehicle speed, etc.) into on-board computer when it detects a malfunction.
- Freeze frame engine condition data are stored until the DTCs are cleared. However when such malfunctions as fuel trim fault and misfire are detected with the freeze frame engine condition data stored, they are rewritten into those related to the fuel trim fault and misfire.
- When the malfunction does not occur again for three consecutive driving cycles, malfunction indicator light is turned off, but DTC remains at on-board computer.
- When performing diagnosis, connect the Subaru Select Monitor or general scan tool to the vehicle.

# General Description

ENGINE (DIAGNOSTICS)

## D: PREPARATION TOOL

ILLUSTRATION	TOOL NUMBER	DESCRIPTION	REMARKS
 ST1B022XU0	1B022XU0	SUBARU SELECT MONITOR III KIT	Used for troubleshooting the electrical system.
 ST-499987500	499987500	CRANKSHAFT SOCKET	Used for rotating crankshaft.

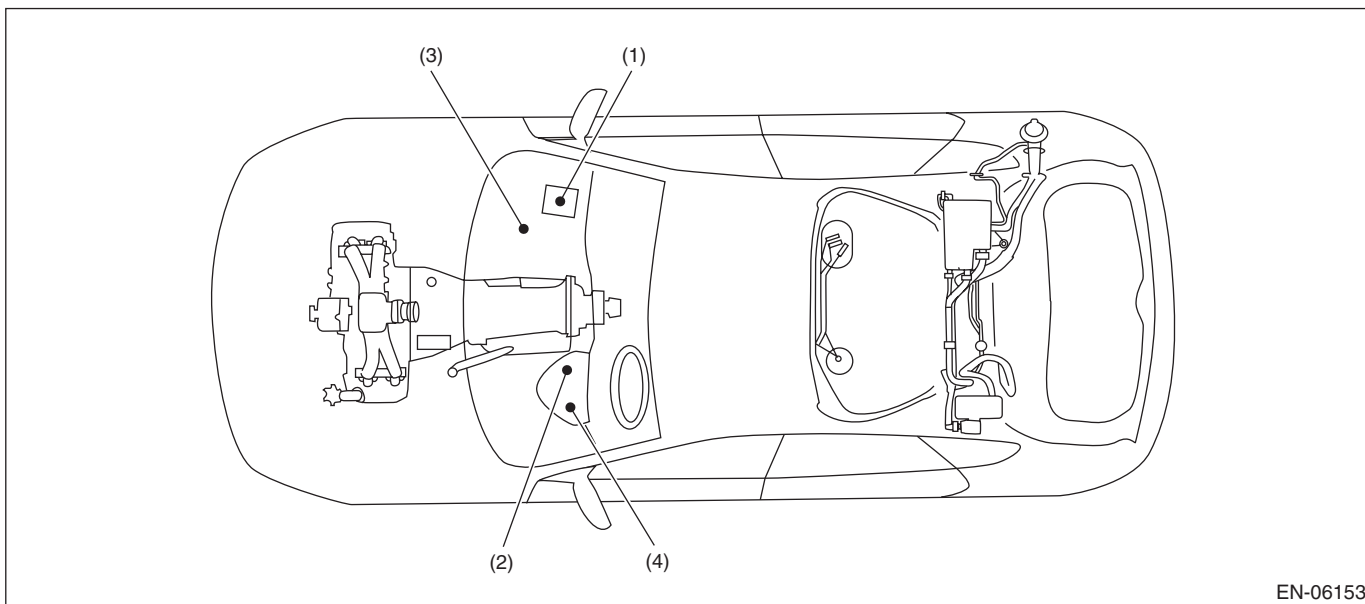
# Electrical Component Location

ENGINE (DIAGNOSTICS)

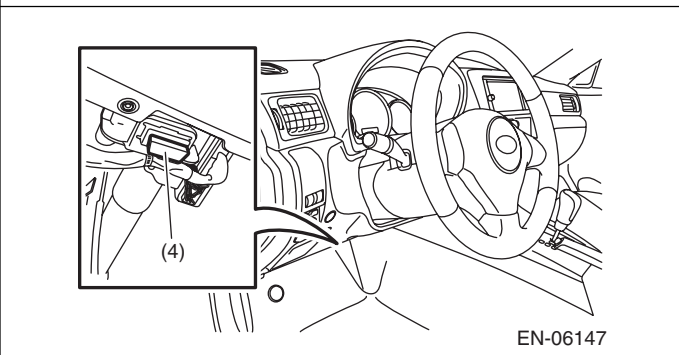
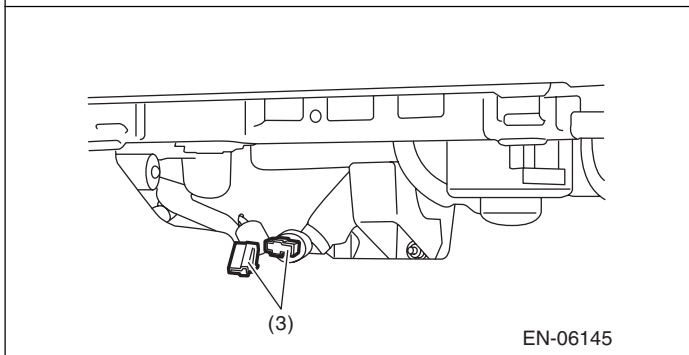
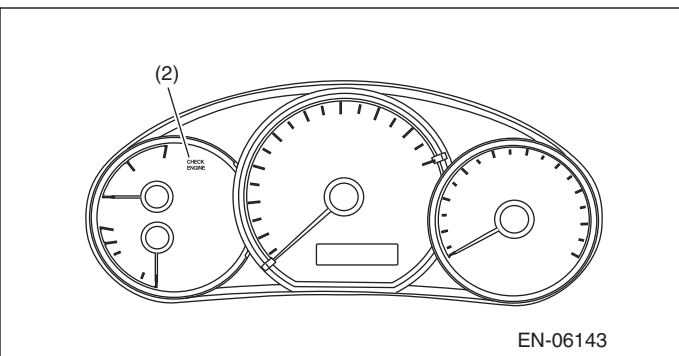
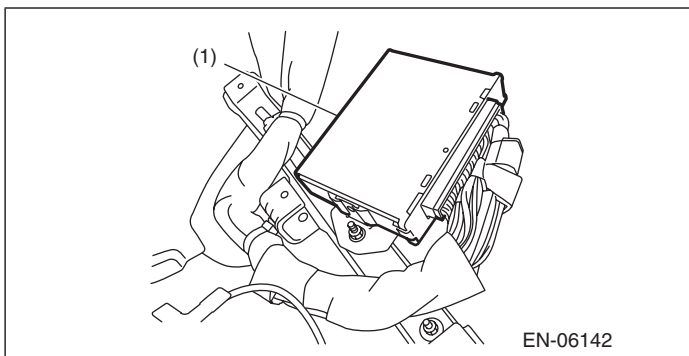
## 4. Electrical Component Location

### A: LOCATION

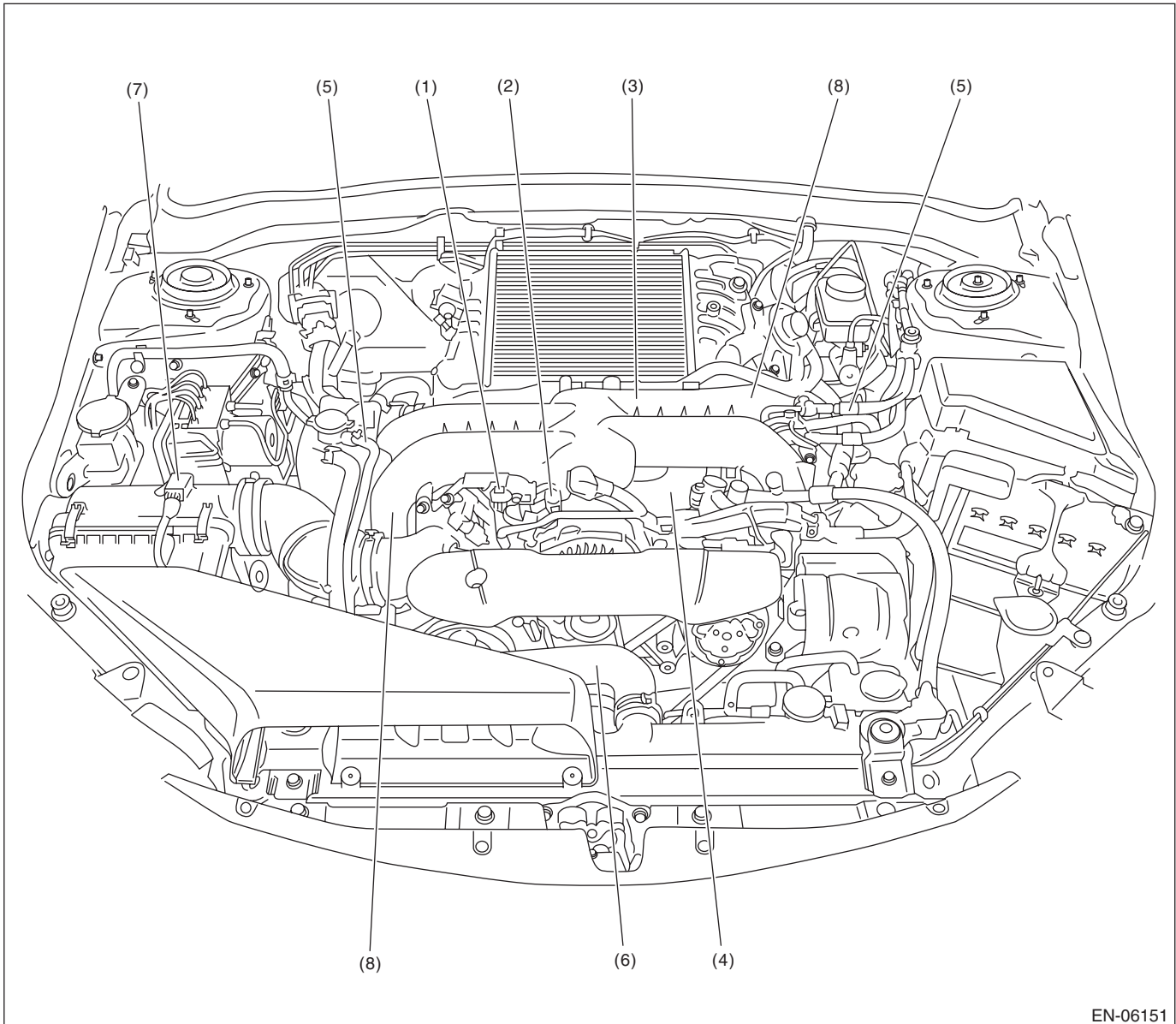
#### 1. CONTROL MODULE



- (1) Engine control module (ECM)      (3) Delivery (test) mode connector      (4) Data link connector  
(2) Malfunction indicator light



## 2. SENSOR

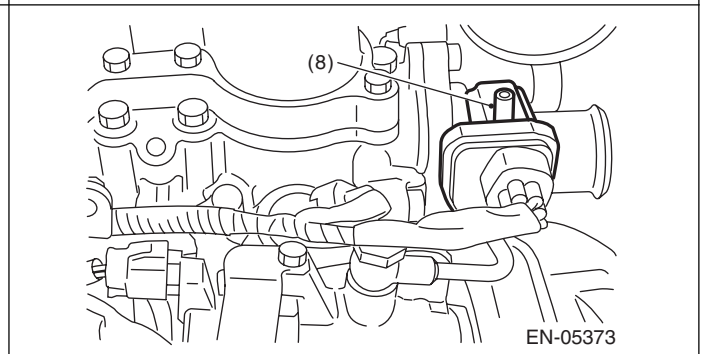
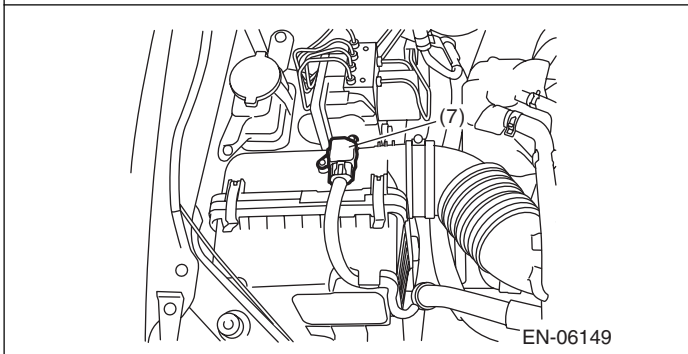
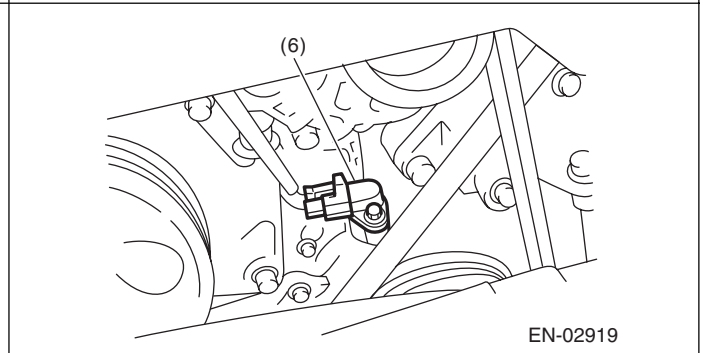
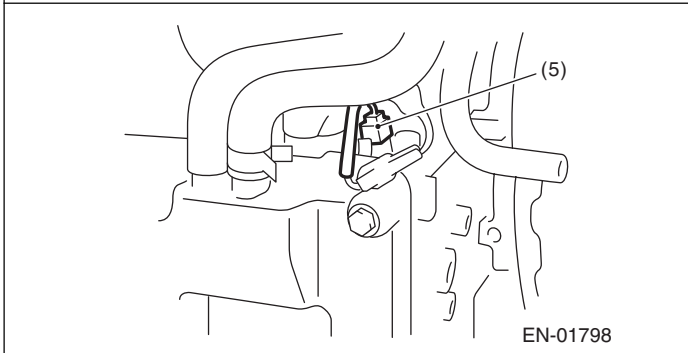
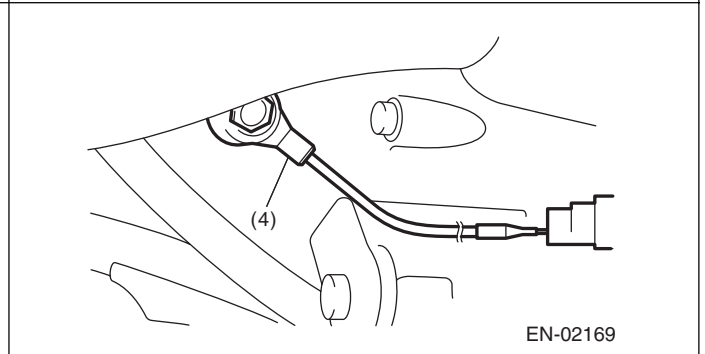
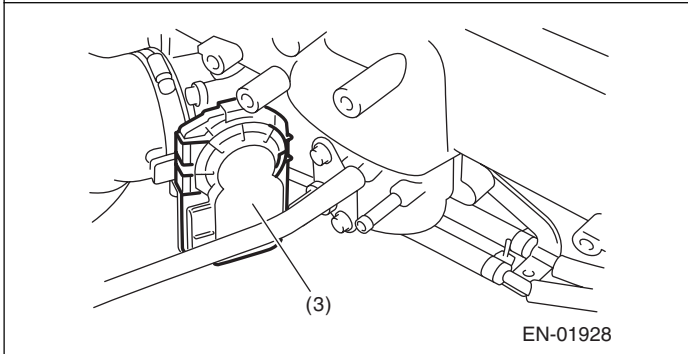
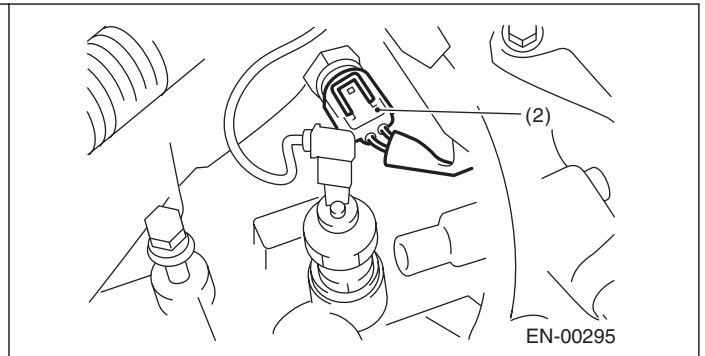
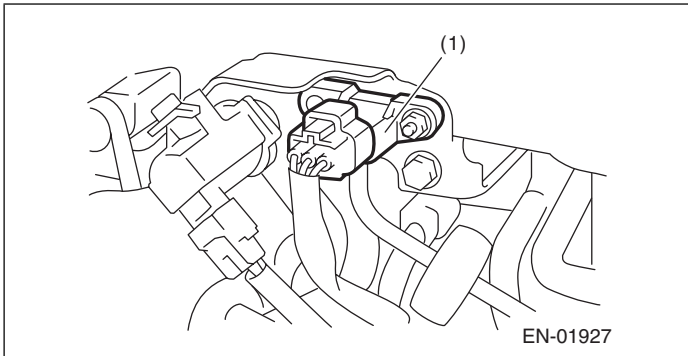


EN-06151

- |                                       |                                     |   |
|---------------------------------------|-------------------------------------|---|
| (1) Manifold absolute pressure sensor | (4) Knock sensor                    | (7) Mass air flow and intake air temperature sensor |
| (2) Engine coolant temperature sensor | (5) Intake camshaft position sensor | (8) Tumble generator valve ASSY                     |
| (3) Electronic throttle control       | (6) Crankshaft position sensor      |   |

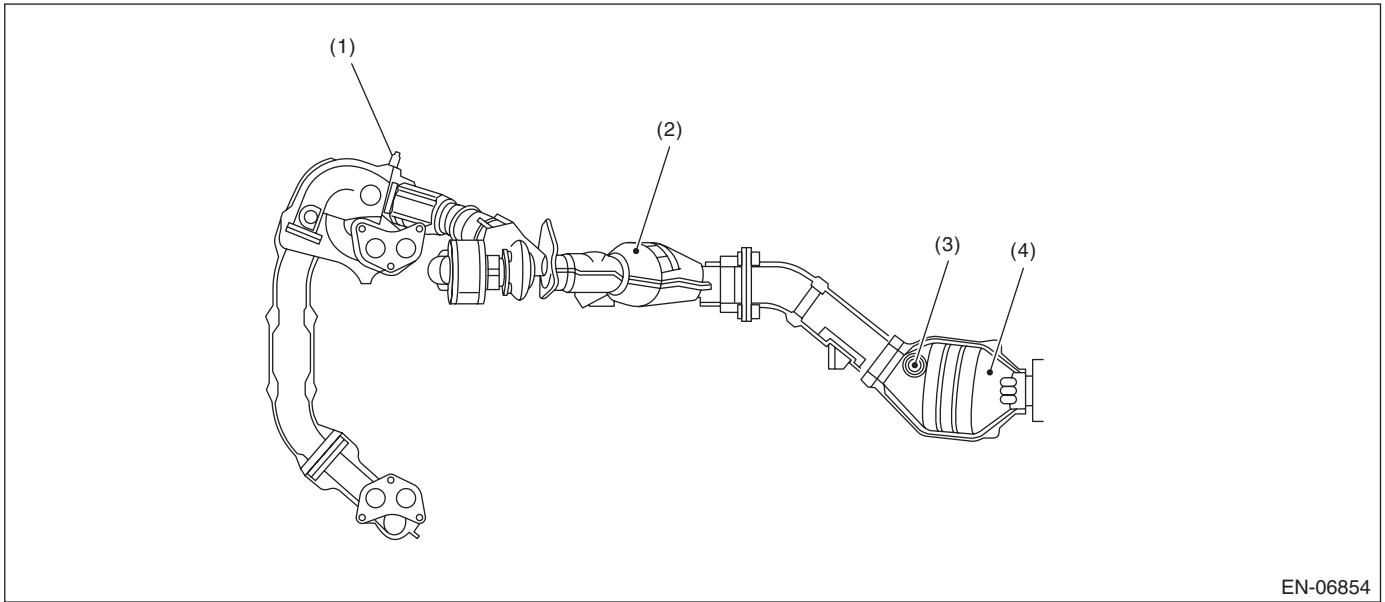
# Electrical Component Location

## ENGINE (DIAGNOSTICS)



# Electrical Component Location

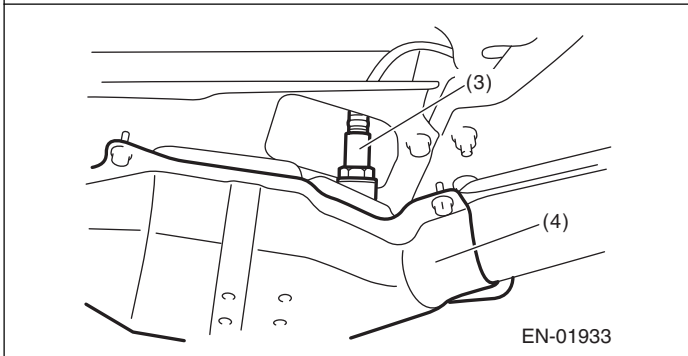
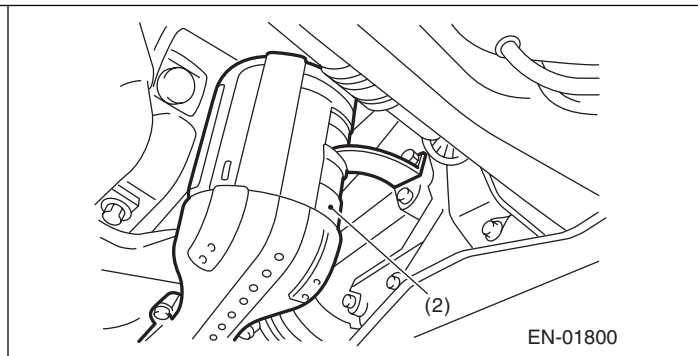
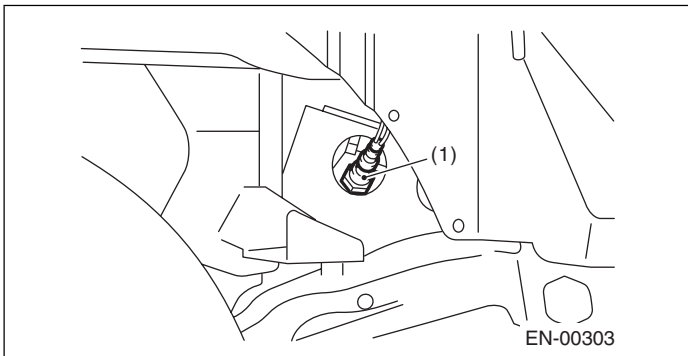
ENGINE (DIAGNOSTICS)



(1) Front oxygen (A/F) sensor  
(2) Front catalytic converter

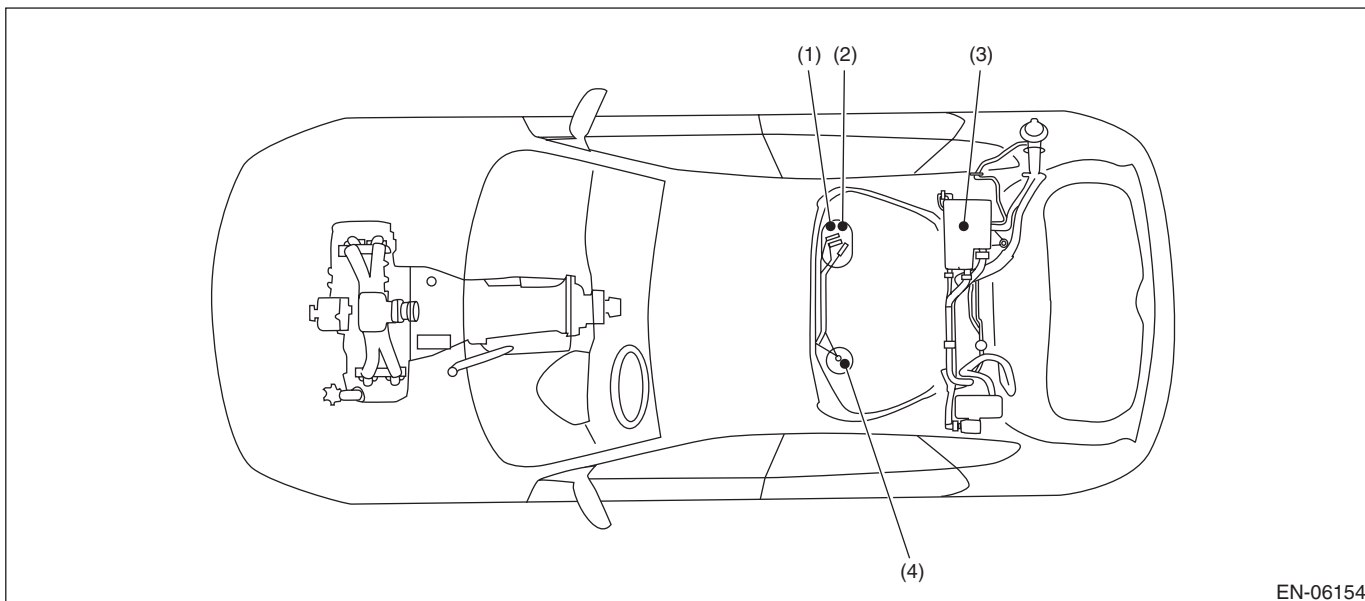
(3) Rear oxygen sensor

(4) Rear catalytic converter



# Electrical Component Location

## ENGINE (DIAGNOSTICS)



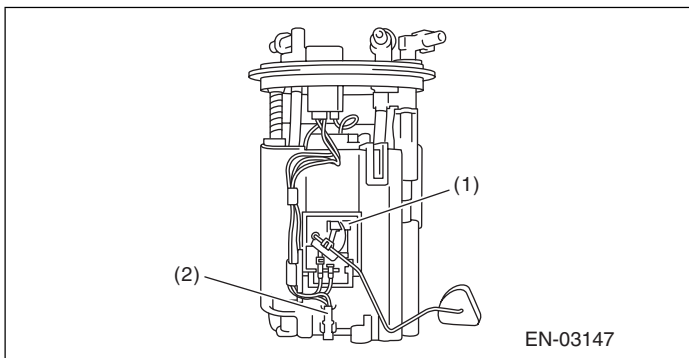
EN-06154

(1) Fuel level sensor

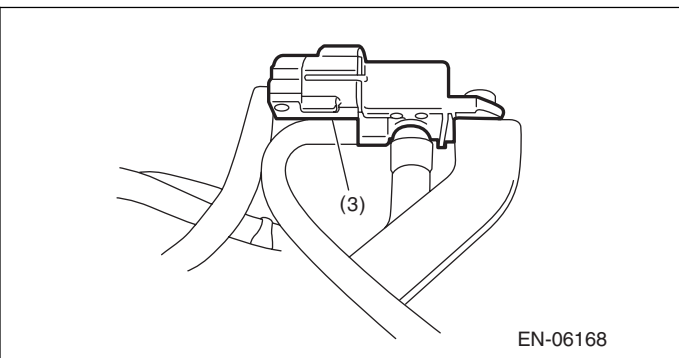
(3) Fuel tank pressure sensor

(4) Fuel sub level sensor

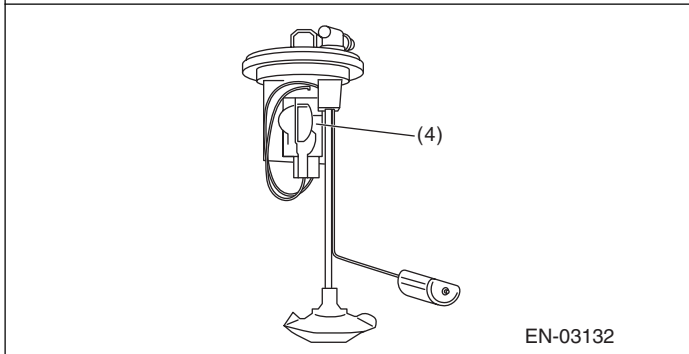
(2) Fuel temperature sensor



EN-03147



EN-06168



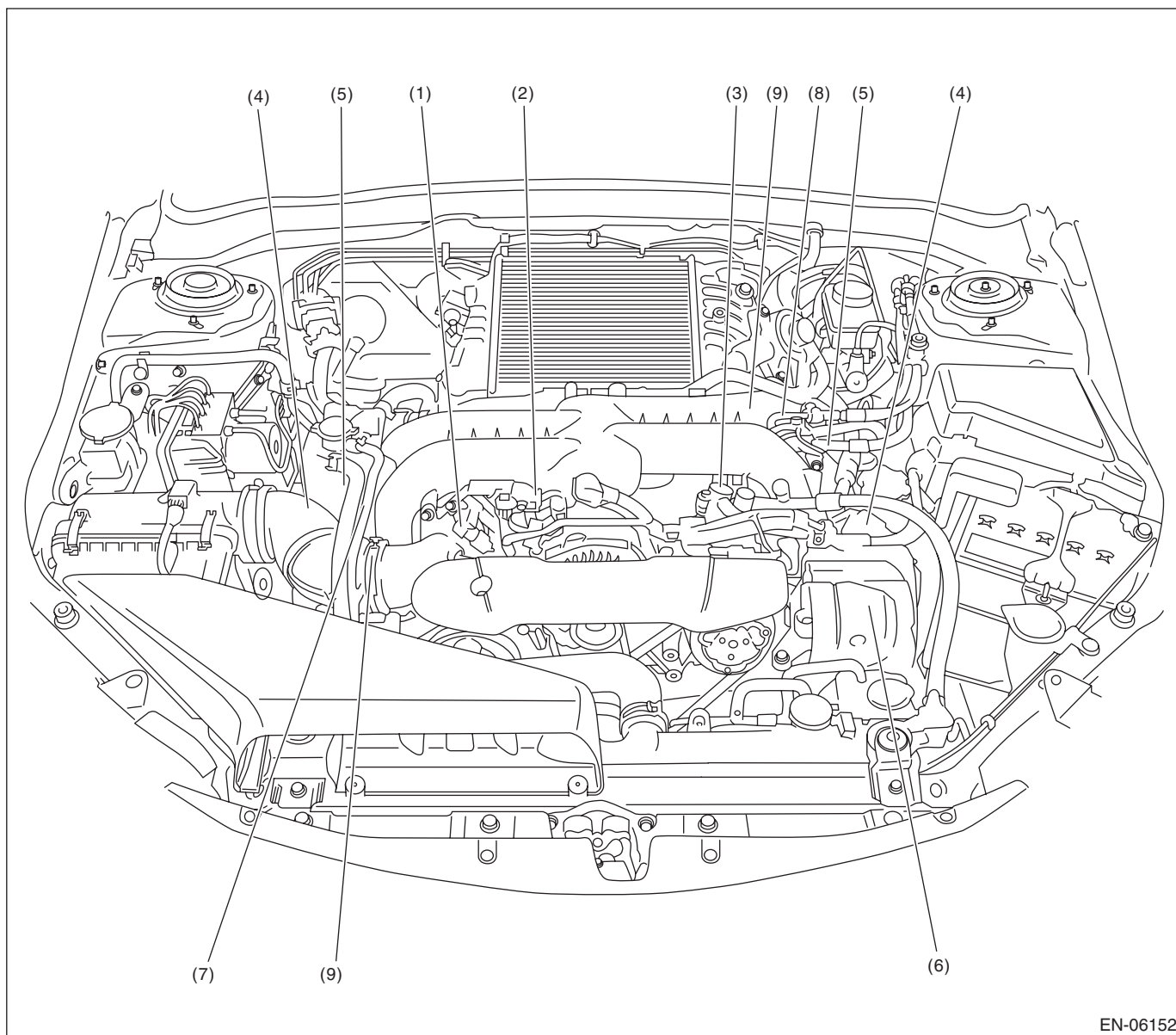
EN-03132

**SUBARU.**

# Electrical Component Location

ENGINE (DIAGNOSTICS)

## 3. SOLENOID VALVE, ACTUATOR, EMISSION CONTROL SYSTEM PARTS AND IGNITION SYSTEM PARTS



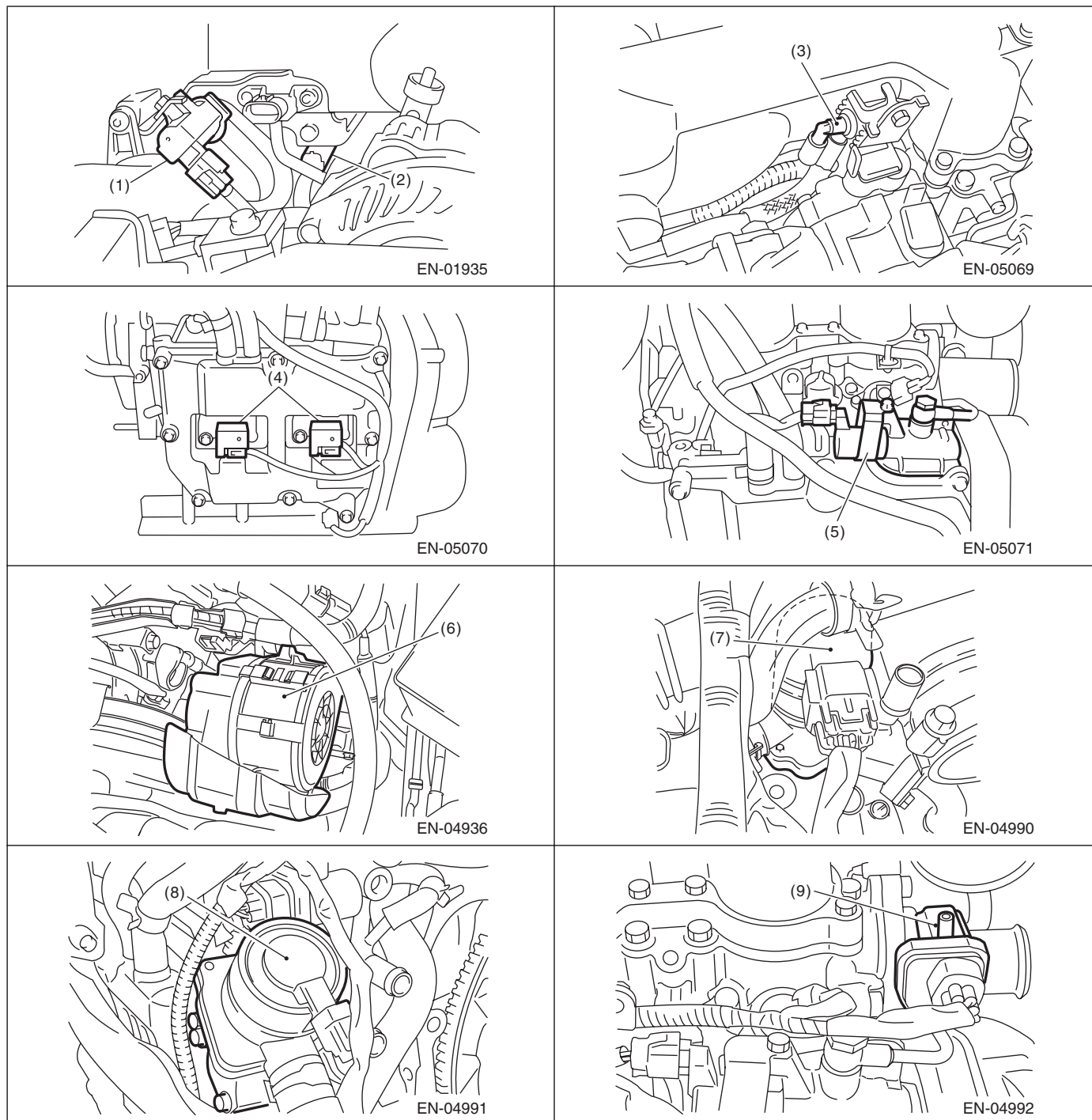
EN-06152

- |                                      |  |  |
|--------------------------------------|--|--|
| (1) Wastegate control solenoid valve | (4) Ignition coil                          | (7) Secondary air combination valve RH |
| (2) Purge control solenoid valve 2   | (5) Intake oil flow control solenoid valve | (8) Secondary air combination valve LH |
| (3) Purge control solenoid valve 1   | (6) Secondary air pump                     | (9) Tumble generator valve ASSY        |



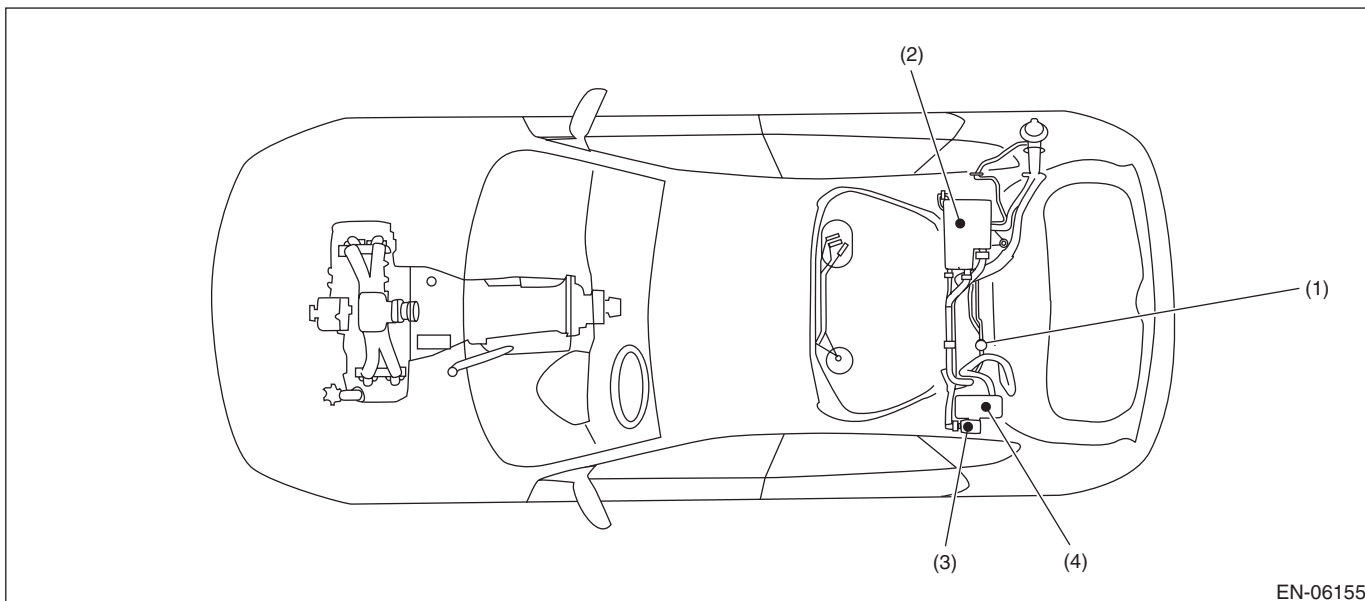
# Electrical Component Location

## ENGINE (DIAGNOSTICS)



# Electrical Component Location

ENGINE (DIAGNOSTICS)



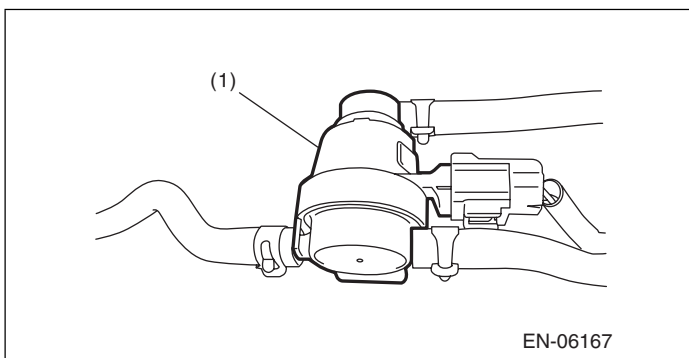
EN-06155

(1) Pressure control solenoid valve

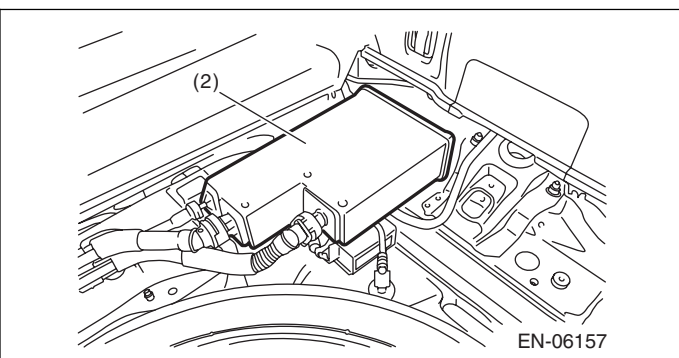
(3) Drain valve

(4) Drain filter

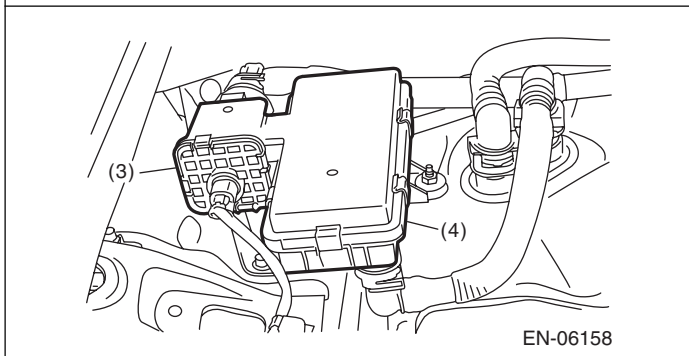
(2) Canister



EN-06167



EN-06157

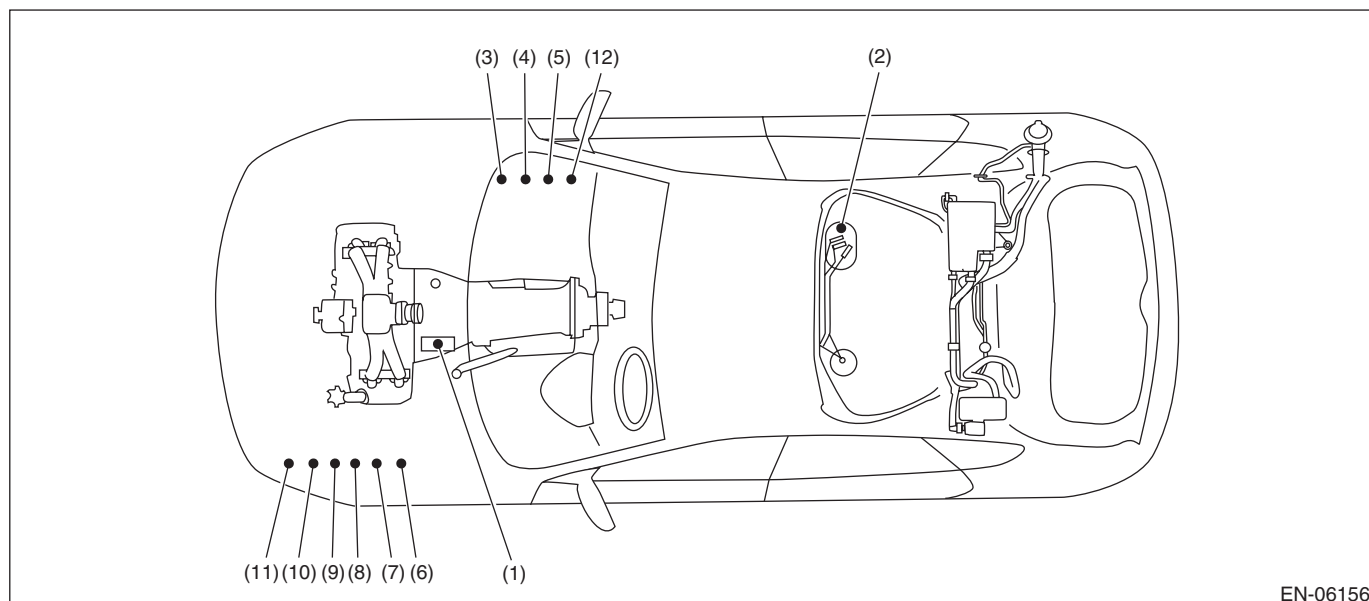


EN-06158

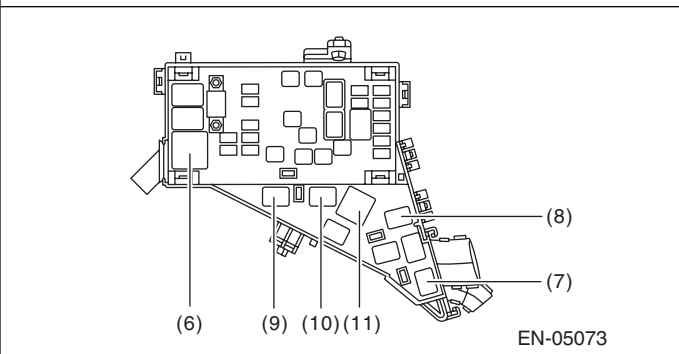
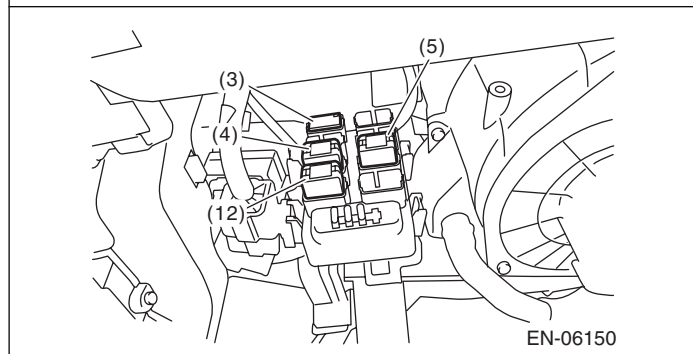
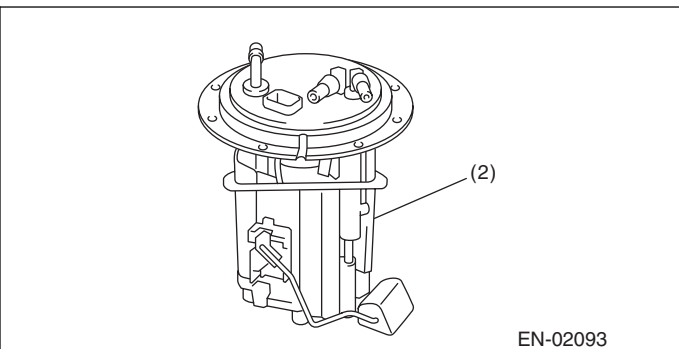
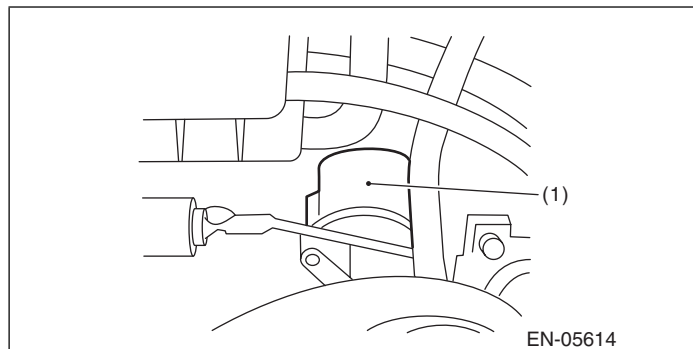
SUBARU.

# Electrical Component Location

## ENGINE (DIAGNOSTICS)

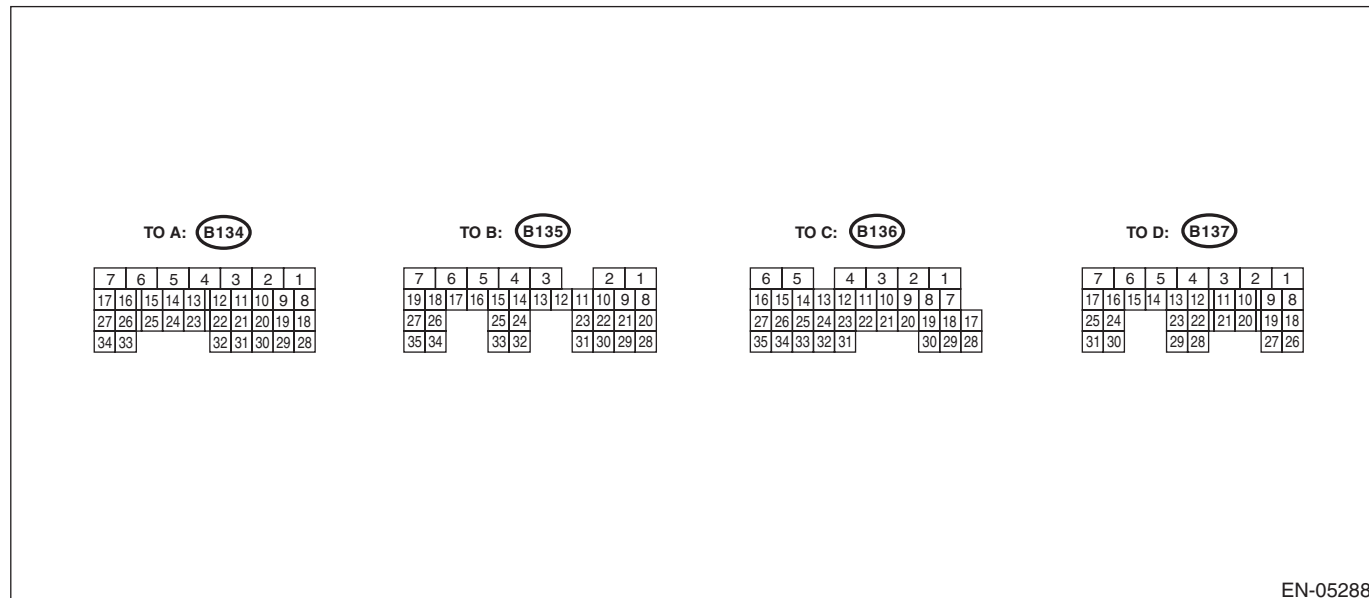


- |                                       |   |  |
|---------------------------------------|---|--|
| (1) Starter                           | (6) Radiator main fan relay 1               | (10) Secondary air combination valve relay 2 |
| (2) Fuel pump                         | (7) Radiator sub fan relay                  | (11) Secondary air pump relay                |
| (3) Main relay                        | (8) Radiator main fan relay 2               | (12) A/F, oxygen sensor relay                |
| (4) Fuel pump relay                   | (9) Secondary air combination valve relay 1 |  |
| (5) Electronic throttle control relay |   |  |



## 5. Engine Control Module (ECM) I/O Signal

### A: ELECTRICAL SPECIFICATION



Contents	Connector No.	Terminal No.	Signal (V)		Note	
			Ignition SW ON (engine OFF)	Engine ON (idling)		
Crankshaft position sensor	Signal (+)	B134	13	0	-7 — +7	Waveform
	Signal (-)	B134	14	0	0	—
	Shield	B134	24	0	0	—
Rear oxygen sensor	Signal	B135	4	0	0 — 0.9	—
	Shield	B135	1	0	0	—
	Ground (sensor)	B135	30	0	0	—
Front oxygen (A/F) sensor heater	Signal 1	B136	3	—	—	Waveform
	Signal 2	B136	2	—	—	Waveform
Rear oxygen sensor heater signal	B136	4	0 — 13	12 — 14	Waveform	
Engine coolant temperature sensor	Signal	B134	34	1.0 — 1.4	1.0 — 1.4	After engine is warmed up.
	Ground (sensor)	B134	29	0	0	After engine is warmed up.
Air flow sensor	Signal	B135	26	—	0.3 — 4.5	—
	Shield	B135	35	0	0	—
	Ground	B135	34	0	0	—
Intake air temperature sensor signal	B135	18	0.3 — 4.6	0.3 — 4.6	—	
Wastegate control solenoid valve	B137	27	0 or 10 — 13	0 or 12 — 14	Waveform	
Starter switch	B136	32	0	0	Cranking: 8 — 14	
A/C switch	B136	24	ON: 10 — 13 OFF: 0	ON: 12 — 14 OFF: 0	—	
Ignition switch	B135	19	10 — 13	12 — 14	—	
Neutral position switch	B136	31	ON: 0 OFF: 10 — 13	ON: 0 OFF: 12 — 14	—	
Delivery (test) mode connector	B135	27	10 — 13	13 — 14	When connected: 0	
Knock sensor	Signal	B134	15	2.8	2.8	—
	Shield	B134	25	0	0	—

## Engine Control Module (ECM) I/O Signal

### ENGINE (DIAGNOSTICS)

Contents	Connector No.	Terminal No.	Signal (V)		Note	
			Ignition SW ON (engine OFF)	Engine ON (idling)		
Back-up power supply	B135	5	10 — 13	12 — 14	Ignition switch "OFF": 10 — 13	
Control module power supply	B134	7	10 — 13	12 — 14	—	
	B135	2	10 — 13	12 — 14	—	
Sensor power supply	B134	19	5	5	—	
Ignition control	#1	B137	18	0	12 — 14	Waveform
	#2	B137	19	0	12 — 14	Waveform
	#3	B137	20	0	12 — 14	Waveform
	#4	B137	21	0	12 — 14	Waveform
Fuel injector	#1	B137	8	10 — 13	1 — 14	Waveform
	#2	B137	9	10 — 13	1 — 14	Waveform
	#3	B137	10	10 — 13	1 — 14	Waveform
	#4	B137	11	10 — 13	1 — 14	Waveform
Fuel pump control unit	Signal 1	B135	33	10 — 13	12 — 14	—
	Signal 2	B136	12	0 or 5	0 or 5	Waveform
A/C relay control	B136	9	ON: 0.5 or less OFF: 10 — 13	ON: 0.5 or less OFF: 12 — 14	—	
Radiator fan relay 1 control	B136	18	ON: 0.5 or less OFF: 10 — 13	ON: 0.5 or less OFF: 12 — 14	—	
Radiator fan relay 2 control	B136	29	ON: 0.5 or less OFF: 10 — 13	ON: 0.5 or less OFF: 12 — 14	Model with A/C only	
Malfunction indicator light	B136	11	—	—	Light "ON": 1 or less Light "OFF": 10 — 14	
Engine speed output	B136	22	—	0 — 13 or more	Waveform	
Purge control solenoid valve 1	B137	29	ON: 1 or less OFF: 10 — 13	ON: 1 or less OFF: 12 — 14	Waveform	
Purge control solenoid valve 2	B136	7	ON: 1 or less OFF: 10 — 13	ON: 1 or less OFF: 12 — 14	Waveform	
Manifold absolute pressure sensor	Signal	B134	6	1.7 — 2.4	1.1 — 1.6	—
	Power supply	B134	19	5	5	
	Ground (sensor)	B134	29	0	0	
Power steering oil pressure switch	B134	33	10 — 13	ON: 0 OFF: 12 — 14	—	
Front oxygen (A/F) sensor signal (+)	B135	9	2.8 — 3.2	2.8 — 3.2	—	
Front oxygen (A/F) sensor signal (-)	B135	8	2.4 — 2.7	2.4 — 2.7	—	
Front oxygen (A/F) sensor shield	B135	1	0	0	—	
SSM/GST communication line	B136	16	1 or less ←→ 4 or more	1 or less ←→ 4 or more	—	
Intake camshaft position sensor (LH)	B134	21	0 or 5	0 or 5	Waveform	
Intake camshaft position sensor (RH)	B134	11	0 or 5	0 or 5	Waveform	
Intake camshaft position sensor ground	B134	22	0	0	—	

# Engine Control Module (ECM) I/O Signal

ENGINE (DIAGNOSTICS)

Contents		Connector No.	Terminal No.	Signal (V)		Note
				Ignition SW ON (engine OFF)	Engine ON (idling)	
Electronic throttle control	Main	B134	18	0.64 — 0.72 Fully opened: 3.96	0.64 — 0.72 (After engine is warmed up.)	Fully closed: 0.6 Fully opened: 3.96
	Sub	B134	28	1.51 — 1.58 Fully opened: 4.17	1.51 — 1.58 (After engine is warmed up.)	Fully closed: 1.48 Fully opened: 4.17
	Power supply	B134	19	5	5	—
	Ground (sensor)	B134	29	0	0	—
Electronic throttle control motor (+)		B137	5	Duty waveform	Duty waveform	Drive frequency: 500 Hz
Electronic throttle control motor (-)		B137	4	Duty waveform	Duty waveform	Drive frequency: 500 Hz
Electronic throttle control motor power supply		B136	1	10 — 13	12 — 14	—
Electronic throttle control motor relay		B136	21	ON: 0 OFF: 10 — 13	ON: 0 OFF: 12 — 14	When ignition switch is turned to ON: ON
Intake oil flow control solenoid valve (LH)	Signal (+)	B137	15	ON: 10 — 13 OFF: 0	ON: 12 — 14 OFF: 0	—
	Signal (-)	B137	14	0	0	—
Intake oil flow control solenoid valve (RH)	Signal (+)	B137	17	ON: 10 — 13 OFF: 0	ON: 12 — 14 OFF: 0	—
	Signal (-)	B137	16	0	0	—
Accelerator pedal position sensor	Main sensor signal	B135	23	Fully closed: 1 Fully opened: 3.3	Fully closed: 1 Fully opened: 3.3	—
	Main power supply	B135	21	5	5	—
	Ground (main sensor)	B135	29	0	0	—
	Shield	B136	6	0	0	—
	Sub sensor signal	B135	31	Fully closed: 1 Fully opened: 3.3	Fully closed: 1 Fully opened: 3.3	—
	Sub power supply	B135	22	5	5	—
Starter relay		B136	20	ON: 0 OFF: 10 — 13	ON: 0 OFF: 12 — 14	ON: cranking
A/C middle pressure switch		B136	33	ON: 0 OFF: 10 — 13	ON: 0 OFF: 12 — 14	—
Clutch switch		B136	25	When clutch pedal is depressed: 0 When clutch pedal is released: 10 — 13	When clutch pedal is depressed: 0 When clutch pedal is released: 12 — 14	—
Brake switch 1		B135	20	When brake pedal is depressed: 0 When brake pedal is released: 10 — 13	When brake pedal is depressed: 0 When brake pedal is released: 12 — 14	—
Brake switch 2		B135	28	When brake pedal is depressed: 10 — 13 When brake pedal is released: 0	When brake pedal is depressed: 12 — 14 When brake pedal is released: 0	—

# Engine Control Module (ECM) I/O Signal

## ENGINE (DIAGNOSTICS)

Contents	Connector No.	Terminal No.	Signal (V)		Note	
			Ignition SW ON (engine OFF)	Engine ON (idling)		
Cruise control command switch	B135	24	When operating nothing: 3.5 — 4.5 When operating RES/ACC: 2.5 — 3.5 When operating SET/COAST: 0.5 — 1.5 When operating CANCEL: 0 — 0.5	When operating nothing: 3.5 — 4.5 When operating RES/ACC: 2.5 — 3.5 When operating SET/COAST: 0.5 — 1.5 When operating CANCEL: 0 — 0.5	—	
Cruise control main switch	B135	12	ON: 0 OFF: 5	ON: 0 OFF: 5	—	
Fuel tank pressure sensor	B135	32	2.3 — 2.7	2.3 — 2.7	—	
Pressure control solenoid valve	B136	28	ON: 1 or less OFF: 10 — 13	ON: 1 or less OFF: 12 — 14	—	
Drain valve	B136	17	ON: 1 or less OFF: 10 — 13	ON: 1 or less OFF: 12 — 14	—	
Fuel temperature sensor	B135	17	2.5 — 3.8	2.5 — 3.8	Ambient temperature: 25°C (77°F)	
Immobilizer	Signal 1	B136	26	—	—	
	Signal 2	B136	34	—	—	
CAN communication (+)	B136	27	—	—	—	
CAN communication (—)	B136	35	—	—	—	
AT/MT identification	B136	15	0	0	—	
Blow-by leak diagnosis	B134	30	0	0	At the time of open circuit (fault): 5	
Tumble generator valve position sensor signal (RH)	B134	26	Fully closed: 0.4 — 1.2 Fully opened: 2.8 — 4.6	Fully closed: 0.4 — 1.2 Fully opened: 2.8 — 4.6	—	
Tumble generator valve position sensor signal (LH)	B134	16	Fully closed: 0.4 — 1.2 Fully opened: 2.8 — 4.6	Fully closed: 0.4 — 1.2 Fully opened: 2.8 — 4.6	—	
Tumble generator valve RH (closed)	B137	23	0 or 10 — 13	0 or 12 — 14	—	
Tumble generator valve LH (closed)	B137	13	0 or 10 — 13	0 or 12 — 14	—	
Tumble generator valve (RH open)	B137	22	0 or 10 — 13	0 or 12 — 14	—	
Tumble generator valve (LH open)	B137	12	0 or 10 — 13	0 or 12 — 14	—	
Secondary air pipe pressure sensor	Signal	B134	27	2.2 — 2.8	2.2 — 2.8	When secondary air is inducted: 3.2 — 4.9
	Power supply	B134	19	5.12	5.12	—
	Ground (sensor)	B134	29	0	0	—
Secondary air combination valve relay 1	B135	15	ON: 0 OFF: 10 — 13	ON: 0 OFF: 12 — 14	—	
Secondary air combination valve relay 2	B135	14	ON: 0 OFF: 10 — 13	ON: 0 OFF: 12 — 14	—	
Secondary air pump relay	B136	8	ON: 0 OFF: 10 — 13	ON: 0 OFF: 12 — 14	—	
Self-shutoff control	B136	23	10 — 13	12 — 14	—	
Ground (ignition system)	B137	26	0	0	—	
	B137	6	0	0	—	
Ground (engine 1)	B134	5	0	0	—	
Ground (engine 2)	B137	7	0	0	—	

# Engine Control Module (ECM) I/O Signal

ENGINE (DIAGNOSTICS)

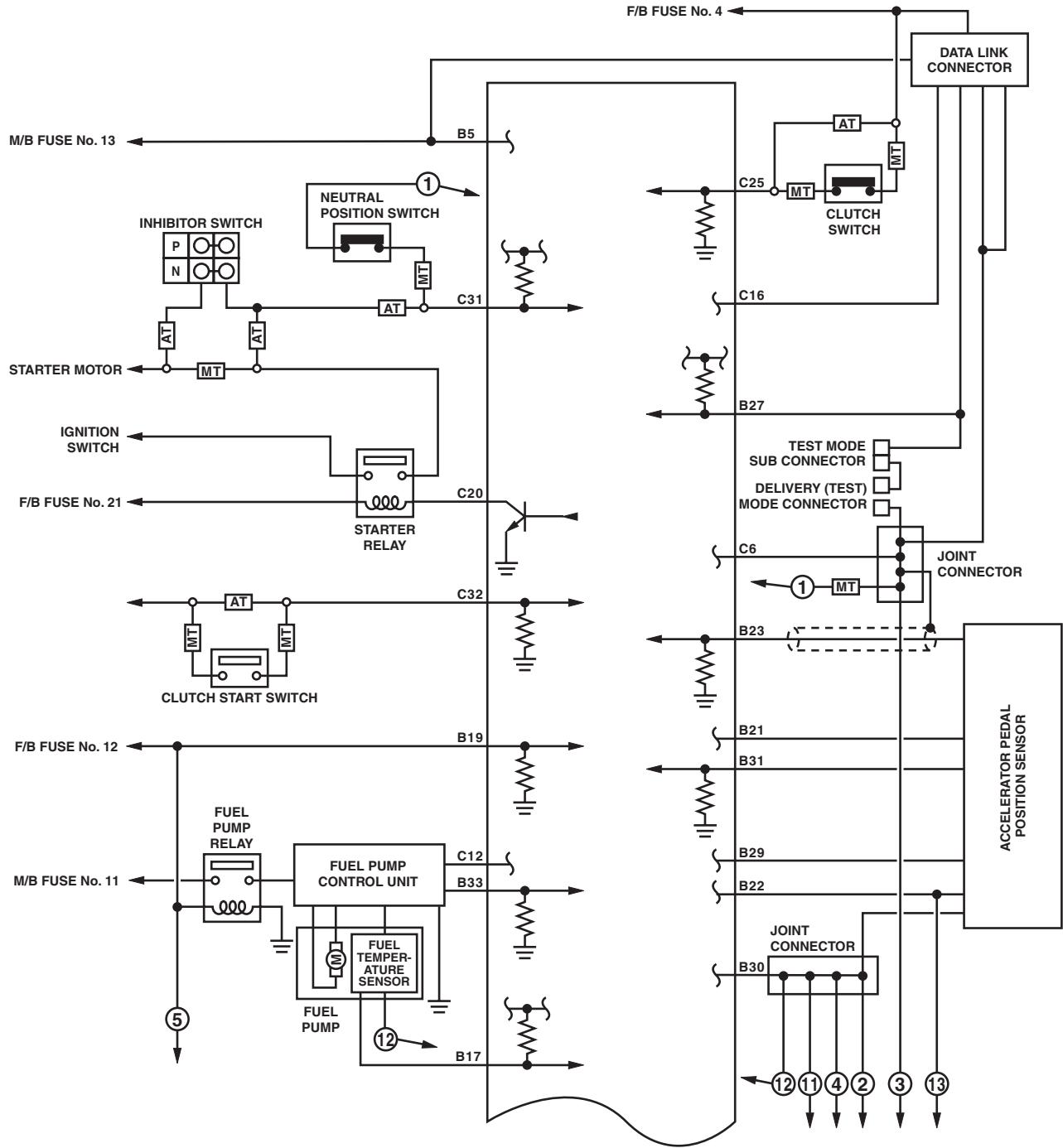
Contents	Connector No.	Terminal No.	Signal (V)		Note
			Ignition SW ON (engine OFF)	Engine ON (idling)	
Ground (engine 3)	B137	2	0	0	—
Ground (engine 4)	B137	1	0	0	—
Ground (engine 5)	B137	3	0	0	—
Ground (body)	B136	6	0	0	—

Input/output name	Measuring condition	Waveform
1. Crankshaft position sensor	At idling	<p>EN-05322</p>
2. Camshaft position sensor	At idling	<p>EN-05359</p>



# Engine Control Module (ECM) I/O Signal

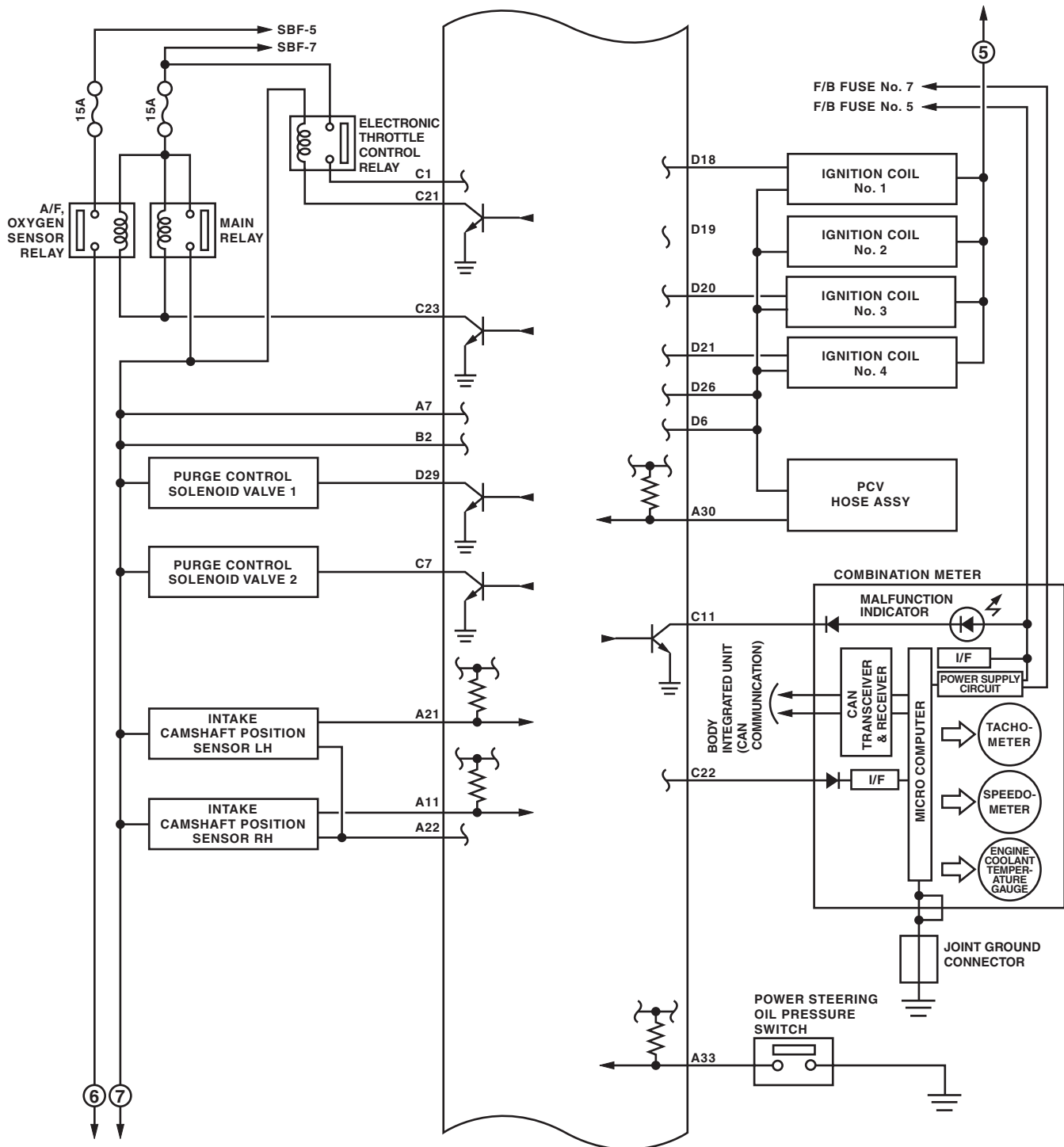
ENGINE (DIAGNOSTICS)



EN-07199

# Engine Control Module (ECM) I/O Signal

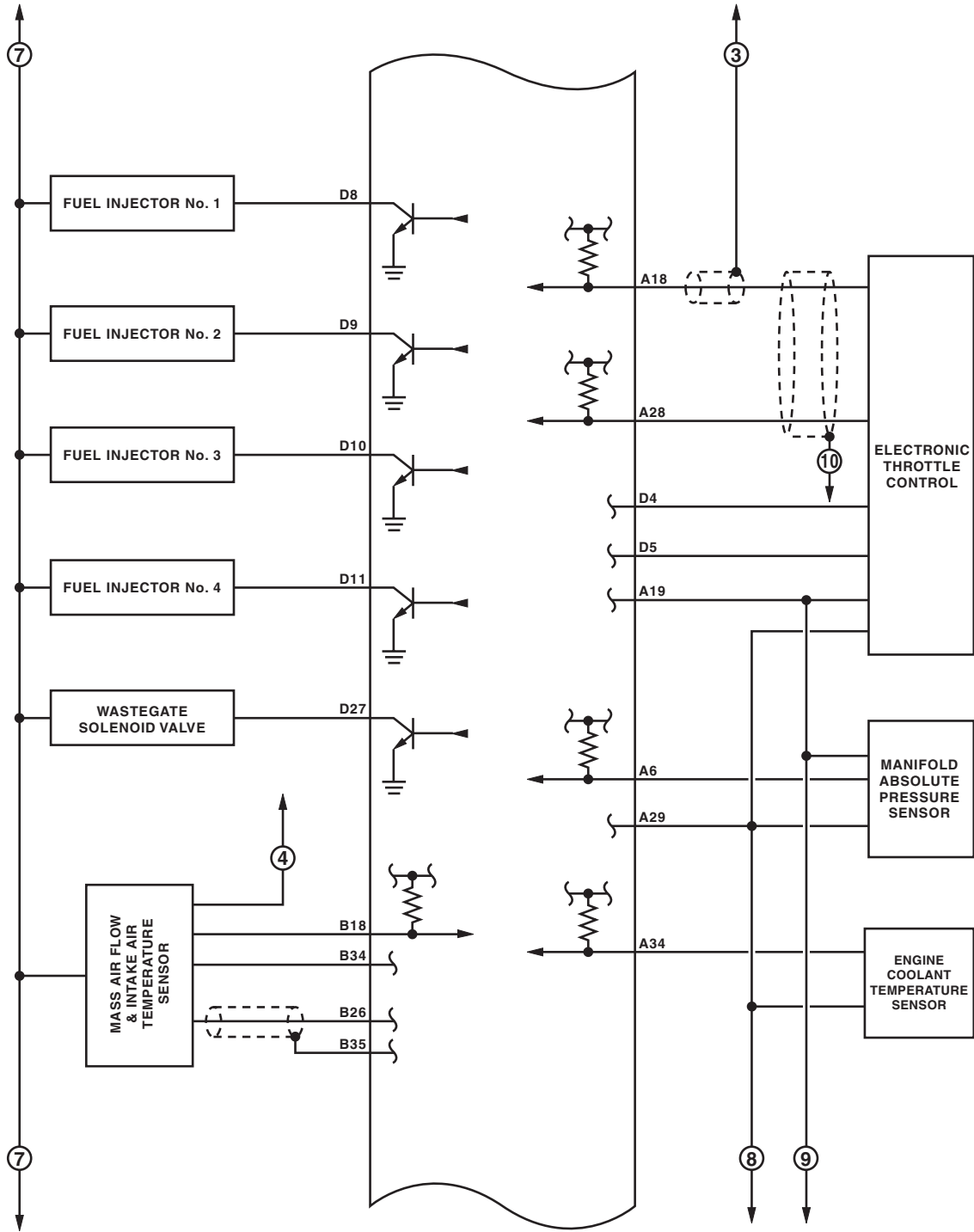
ENGINE (DIAGNOSTICS)



EN-06125

# Engine Control Module (ECM) I/O Signal

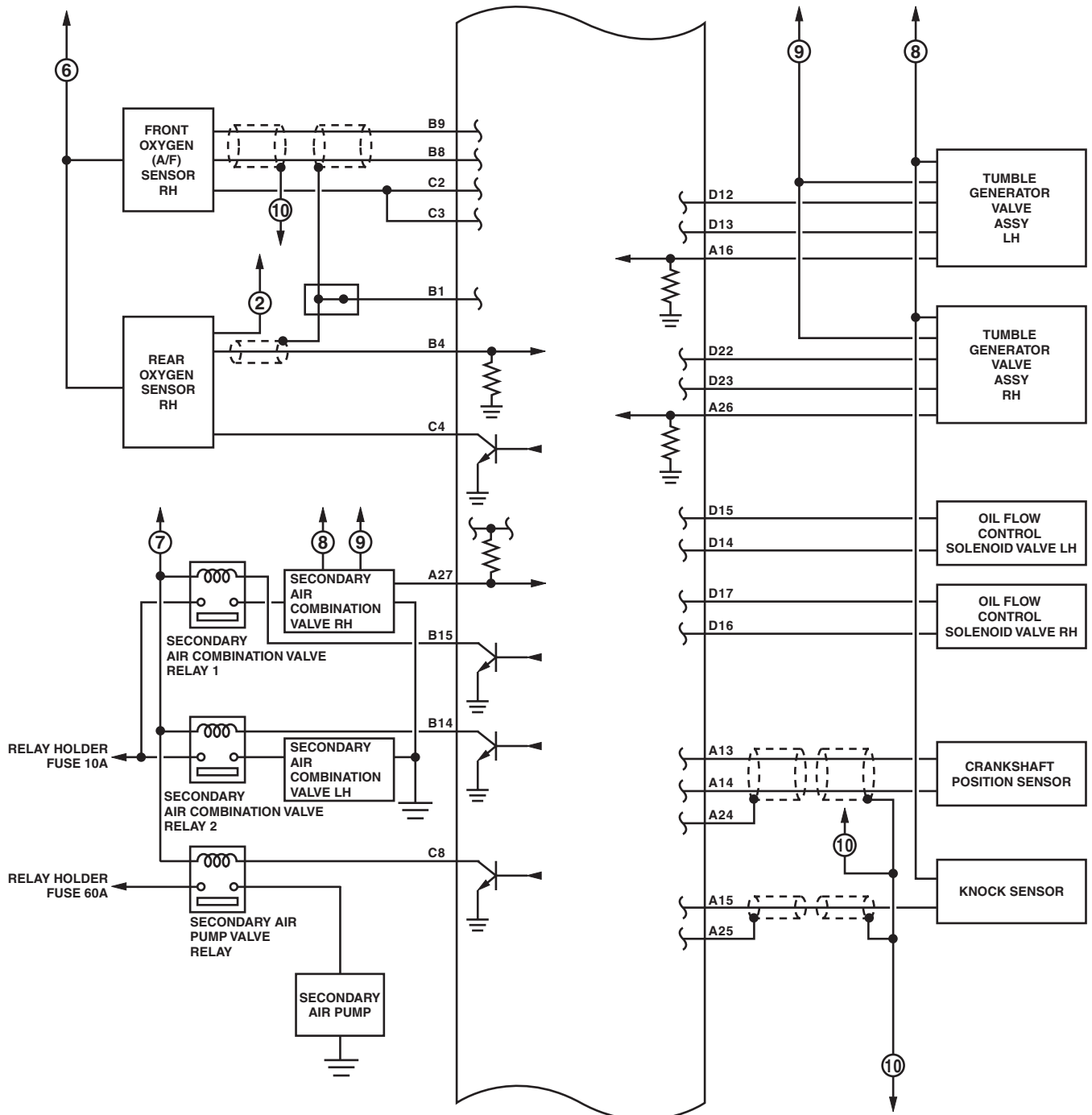
ENGINE (DIAGNOSTICS)



EN-06126

# Engine Control Module (ECM) I/O Signal

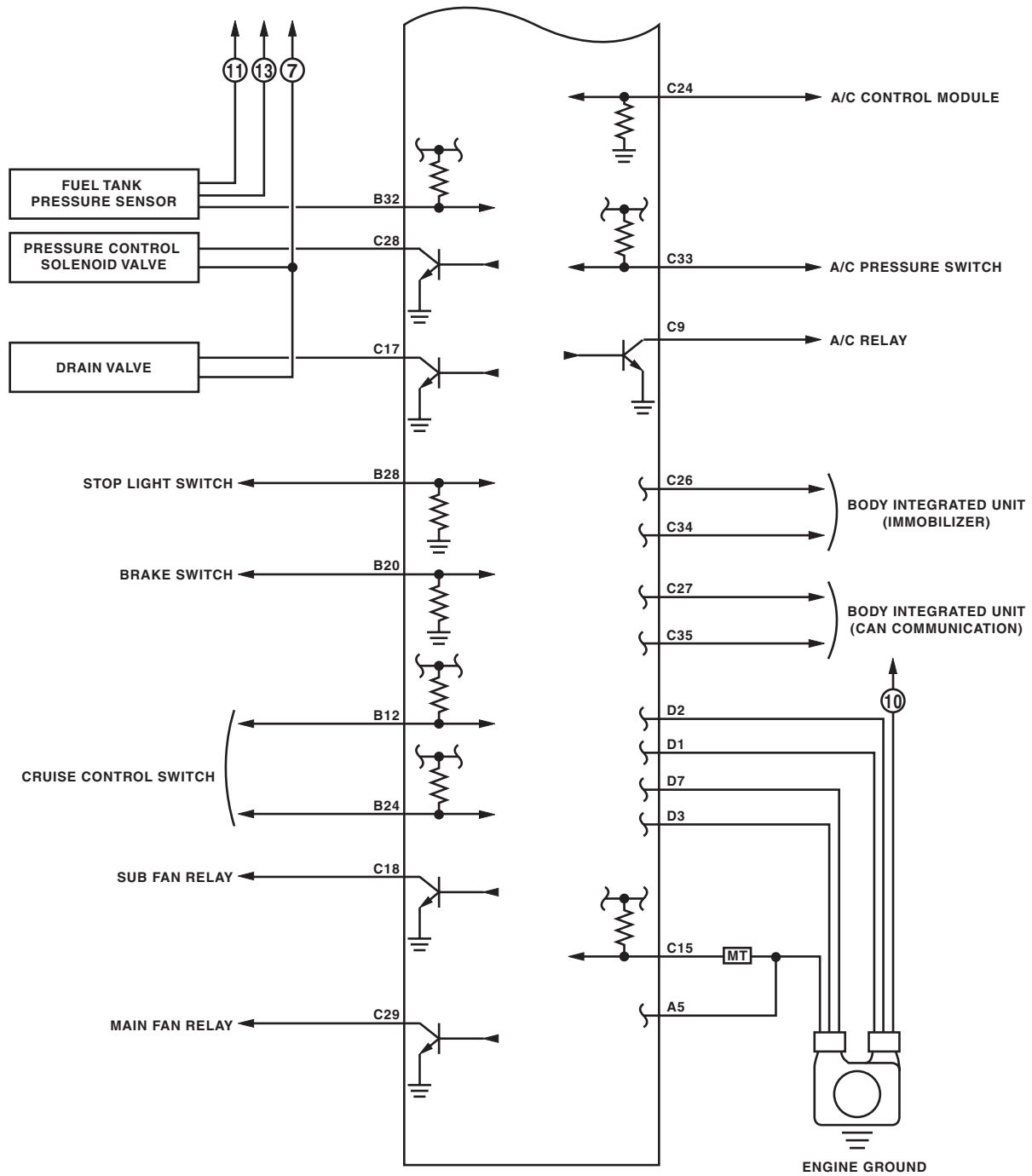
ENGINE (DIAGNOSTICS)



EN-07305

# Engine Control Module (ECM) I/O Signal

ENGINE (DIAGNOSTICS)



EN-05718

## 6. Engine Condition Data

### A: ELECTRICAL SPECIFICATION

Content	Specifications
Engine load	17.6 — 35.64 (%): Idling
	13.2 — 26.73 (%): 2,500 rpm racing

Measuring condition:

- After engine is warmed up.
- Set the select lever in “P” range or “N” range, or the shift lever in neutral.
- Turn the A/C to OFF.
- Turn all the accessory switches to OFF.

# Data Link Connector

ENGINE (DIAGNOSTICS)

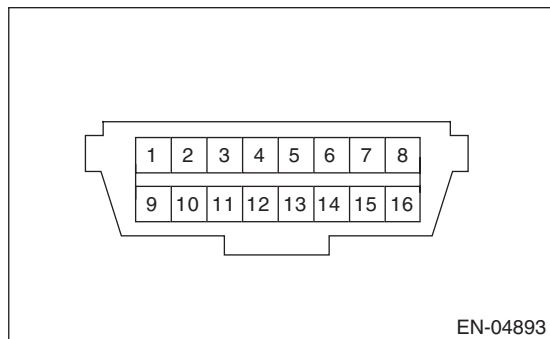
## 7. Data Link Connector

### A: NOTE

This connector is used for Subaru Select Monitor.

### CAUTION:

**Do not connect any scan tools except Subaru Select Monitor or general scan tool because the circuit for Subaru Select Monitor may be damaged.**



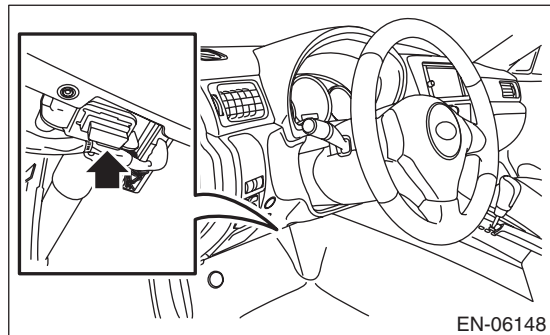
Terminal No.	Contents	Terminal No.	Contents
1	Power supply	9	Blank
2	Blank	10	Blank
3	Blank	11	Blank
4	Ground	12	Blank
5	Ground	13	Blank
6	CAN communication (+)	14	CAN communication (-)
7	Subaru Select Monitor signal	15	Blank
8	Blank	16	Power supply

## 8. General Scan Tool

### A: OPERATION

#### 1. HOW TO USE GENERAL SCAN TOOL

- 1) Prepare a scan tool (general scan tool) required by SAE J1978.
- 2) Open the cover and connect the general scan tool to the data link connector located in the lower portion of instrument panel (on the driver's side).



- 3) Using the general scan tool, call up DTC and freeze frame data.

General scan tool functions consist of:

- (1) MODE \$01: Current powertrain diagnostic data
- (2) MODE \$02: Powertrain freeze frame data
- (3) MODE \$03: Emission-related powertrain DTC
- (4) MODE \$04: Clear/Reset emission-related diagnostic information
- (5) MODE \$06: Request on-board monitoring test results for intermittently monitored systems
- (6) MODE \$07: Request on-board monitoring test results for continuously monitored systems
- (7) MODE \$09: Request vehicle information

NOTE:

- Read out the data according to repair procedures. (For detailed operation procedure, refer to the general scan tool operation manual.)
- For details concerning DTC, refer to "List of Diagnostic Trouble Code (DTC)". <Ref. to EN(H4DOTC)(diag)-83, List of Diagnostic Trouble Code (DTC).>



## General Scan Tool

### ENGINE (DIAGNOSTICS)

#### 2. MODE \$01 (CURRENT POWERTRAIN DIAGNOSTIC DATA)

Refer to data denoting the current operating condition of analog input/output, digital input/output or the powertrain system.

A list of the support data and PID (Parameter Identification) codes are shown in the following table.

PID	Data	Unit of measure
\$01	Number of emission-related powertrain DTC, and malfunction indicator light status and diagnosis support information	—
\$03	Fuel system control status	—
\$04	Calculated engine load value	%
\$05	Engine coolant temperature	°C
\$06	Short term fuel trim	%
\$07	Long term fuel trim	%
\$0B	Intake manifold absolute pressure	kPa
\$0C	Engine speed	rpm
\$0D	Vehicle speed	MPH
\$0E	Ignition timing advance	°
\$0F	Intake air temperature	°C
\$10	Air flow rate from mass air flow sensor	gm/s
\$11	Throttle valve absolute opening angle	%
\$12	Secondary air control status	—
\$13	Check whether oxygen sensor is installed.	—
\$15	Oxygen sensor output voltage and short term fuel trim associated with oxygen sensor	V and %
\$1C	Supporting OBD system	—
\$1F	Elapsed time after starting the engine	sec
\$21	Running distance after MIL turns on	miles
\$24	A/F value and A/F sensor output voltage	— and V
\$2E	Evaporative purge	%
\$2F	Fuel level	%
\$30	Number of warm ups after DTC clear	—
\$31	Travel distance after DTC clear	miles
\$32	Fuel tank pressure	Pa
\$33	Barometric pressure	kPa
\$34	A/F sensor $\lambda$ value, current	— and mA
\$3C	Catalyst temperature	°C
\$41	Diagnostic monitor of each drive cycle	—
\$42	ECM power voltage	V
\$43	Absolute load	%
\$44	A/F target lambda	—
\$45	Relative throttle opening angle	%
\$46	Ambient temperature	°C
\$47	Absolute throttle opening angle 2	%
\$49	Absolute accelerator opening angle 1	%
\$4A	Absolute accelerator opening angle 2	%
\$4C	Target throttle opening angle	%
\$4D	Engine operation time during MIL on	min
\$4E	Elapsed time after DTC clear	min
\$51	Fuel used	—
\$5A	Relative accelerator opening angle	%

#### NOTE:

Refer to general scan tool manufacturer's instruction manual to access generic OBD-II PIDs (MODE \$01).

### 3. MODE \$02 (POWERTRAIN FREEZE FRAME DATA)

Refer to data denoting the operating condition when trouble is detected by on-board diagnosis system. A list of the support data and PID (Parameter Identification) codes are shown in the following table.

PID	Data	Unit of measure
\$02	DTC that caused the freeze frame data storage required by CARB	—
\$03	Fuel system control status	—
\$04	Calculated engine load value	%
\$05	Engine coolant temperature	°C
\$06	Short term fuel trim	%
\$07	Long term fuel trim	%
\$0B	Intake manifold absolute pressure	kPa
\$0C	Engine speed	rpm
\$0D	Vehicle speed	MPH
\$0E	Ignition timing advance	°
\$0F	Intake air temperature	°C
\$10	Air flow rate from mass air flow sensor	gm/s
\$11	Throttle valve absolute opening angle	%
\$12	Secondary air control status	—
\$13	Air fuel ratio sensor	—
\$15	Rear oxygen sensor voltage, compensation value	V and %
\$1C	Supporting OBD system	—
\$1F	Elapsed time after starting the engine	sec
\$2E	Evaporative purge	%
\$2F	Fuel level	%
\$32	Fuel tank pressure	Pa
\$33	Barometric pressure	kPa
\$42	ECM power voltage	V
\$43	Absolute load	%
\$44	A/F target lambda	—
\$45	Relative throttle opening angle	%
\$46	Ambient temperature	°C
\$47	Absolute throttle opening angle 2	%
\$49	Absolute accelerator opening angle 1	%
\$4A	Absolute accelerator opening angle 2	%
\$4C	Target throttle opening angle	%

**NOTE:**

Refer to general scan tool manufacturer's operation manual to access freeze frame data (MODE \$02).

### 4. MODE \$03 (EMISSION-RELATED POWERTRAIN DTC)

Refer to "List of Diagnostic Trouble Code (DTC)" for information about data denoting emission-related powertrain DTC. <Ref. to EN(H4DOTC)(diag)-83, List of Diagnostic Trouble Code (DTC).>

### 5. MODE \$04 (CLEAR/RESET EMISSION-RELATED DIAGNOSTIC INFORMATION)

Refer to the mode used to clear or reset emission-related diagnostic information (OBD-II trouble diagnostic information).

**NOTE:**

Refer to general scan tool manufacturer's instruction manual to clear the emission-related diagnostic information (MODE \$04).

# General Scan Tool

## ENGINE (DIAGNOSTICS)

### 6. MODE \$06

Refer to test value of troubleshooting and data of test limit indicated on the support data bit sequence table. A list of the support data is shown in the following table.

OBDMID	TID	SID	Diagnostic item
\$01	\$81	\$0A	A/F sensor continuity failure (Bank 1 Sensor 1)
	\$82	\$8D	
	\$83	\$14	
	\$84	\$1E	A/F sensor range failure (Bank 1 Sensor 1)
	\$85	\$1E	
	\$86	\$20	A/F sensor response failure (Bank 1 Sensor 1)
\$02	\$87	\$0B	Oxygen sensor circuit failure (Bank 1 Sensor 2)
	\$88	\$0B	
	\$07	\$0B	Oxygen sensor drop failure (Bank 1 Sensor 2)
	\$08	\$0B	
	\$A5	\$0B	
	\$05	\$10	Oxygen sensor response failure (Bank 1 Sensor 2)
\$06	\$10		
\$21	\$89	\$20	Catalyst deterioration diagnosis (Bank 1)
\$39	\$93	\$FE	Evaporative emission control system leak detected (Fuel filler cap off)
\$3B	\$94	\$FE	Evaporative emission control system (0.04 inch leak)
	\$95	\$FE	
\$3C	\$96	\$FE	Evaporative emission control system (0.02 inch leak)
	\$97	\$FE	
\$3D	\$98	\$FE	Evaporative emission control system (Purge flow)
\$41	\$99	\$24	A/F sensor heater failure (Bank 1 Sensor 1)
	\$9A	\$24	
	\$9B	\$14	A/F sensor heater characteristics failure (Bank 1 Sensor 1)
\$42	\$9C	\$24	Oxygen sensor heater failure (Bank 1 Sensor 2)
	\$9D	\$24	
\$71	\$9E	\$17	Secondary air system (all systems)
	\$9F	\$0B	
	\$A0	\$0B	
	\$B0	\$17	Secondary air system (relay 2 — combination valve 2)
	\$B1	\$0B	
	\$B1	\$17	
	\$B2	\$0B	
	\$B2	\$17	
	\$B3	\$0B	
	\$B4	\$0B	
	\$B5	\$0B	
	\$B6	\$31	
\$B7	\$31		
\$A1	\$0B	\$24	Misfire monitoring (All cylinders)
	\$0C	\$24	
\$A2	\$0B	\$24	Misfire monitoring (#1 cylinder)
	\$0C	\$24	
\$A3	\$0B	\$24	Misfire monitoring (#2 cylinder)
	\$0C	\$24	
\$A4	\$0B	\$24	Misfire monitoring (#3 cylinder)
	\$0C	\$24	
\$A5	\$0B	\$24	Misfire monitoring (#4 cylinder)
	\$0C	\$24	
\$E1	\$A6	\$FE	Purge control solenoid valve 2 close seized

## **7. MODE \$07**

Refer to the data of DTC (pending code) for troubleshooting result about emission in the first time.

## **8. MODE \$09**

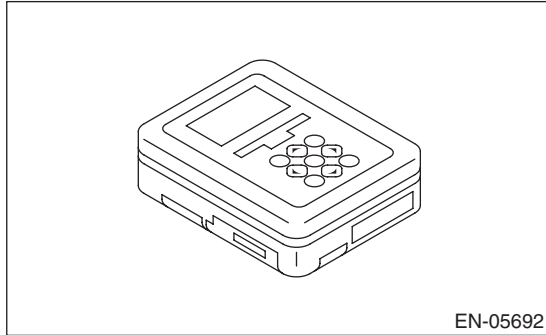
Refer to the data of vehicle specification (V.I.N., calibration ID, etc.).

## 9. Subaru Select Monitor

### A: OPERATION

#### 1. HOW TO USE THE SUBARU SELECT MONITOR

1) Prepare the Subaru Select Monitor kit. <Ref. to EN(H4DOTC)(diag)-7, PREPARATION TOOL, General Description.>



2) Prepare the personal computer which has been installed the Subaru Select Monitor.

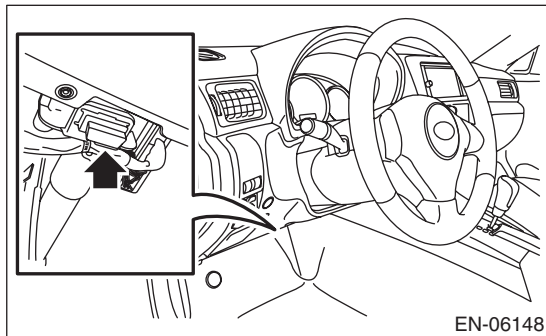
3) Connect the USB cable between SDI (Subaru Diagnosis Interface) and USB port on the personal computer (dedicated port for the Subaru Select Monitor).

#### NOTE:

The dedicated port for the Subaru Select Monitor means the USB port which was used to install the Subaru Select Monitor.

4) Connect the diagnosis cable to the SDI.

5) Connect the SDI to data link connector located in the lower portion of the instrument panel (on the driver's side).



#### CAUTION:

**Do not connect the scan tools except for Subaru Select Monitor and general scan tool.**

6) Start up the personal computer.

7) Turn the ignition switch to ON (engine OFF), and run the "PC application for Subaru Select Monitor".

8) Call up DTC and data, then record them.

#### NOTE:

For detailed operation procedure, refer to the "PC application help for Subaru Select Monitor".

**2. READ CURRENT DATA FOR ENGINE (NORMAL MODE)**

- 1) On «Main Menu» display, select {Each System Check}.
  - 2) On «System Selection Menu» display, select {Engine Control System}.
  - 3) Click the [OK] button after the information of engine type has been displayed.
  - 4) On «Engine Diagnosis» display, select {Current Data Display & Save}.
  - 5) On «Current Data Display & Save» display, select {Normal sampling}.
  - 6) Using the scroll key, scroll the display screen up or down until the desired data is shown.
- A list of the support data is shown in the following table.

Contents	Display	Unit of measure	Note (at idling)
Engine Load	Engine Load	%	21.0%
Engine coolant temperature signal	Coolant Temp.	°C or °F	80 — 100°C or 176 — 212°F
A/F Correction #1	A/F Correction #1	%	-10 — +10%
A/F Learning #1	A/F Learning #1	%	-15 — +15%
Intake manifold absolute pressure	Mani. Absolute Pressure	mmHg, kPa, inHg or psig	220 — 275 mmHg, 29.5 — 37 kPa, 8.7 — 10 inHg or 4.2 — 5.3 psig
Engine speed signal	Engine Speed	rpm	630 — 770 rpm (Agree with the tachometer indication)
Meter vehicle speed signal	Vehicle Speed	km/h or MPH	0 km/h or 0 MPH (at parking)
Ignition timing signal	Ignition Timing	deg	10 — 15 deg
Intake air temperature signal	Intake Air Temp.	°C or °F	20 — 50°C or 68 — 122°F
Intake air amount	Mass Air Flow	g/s or lb/m	2.1 — 3.1 g/s or 0.35 — 0.40 lb/m
Throttle opening angle signal	Throttle Opening Angle	%	2.0 — 2.4%
Rear oxygen sensor voltage	Rear O2 Sensor	V	0 — 1.0 V
Battery voltage	Battery Voltage	V	12 — 15 V
Mass air flow voltage	Air Flow Sensor Voltage	V	1.0 — 1.7 V
Injection 1 pulse width	Fuel Injection #1 Pulse	ms	1.2 — 2.2 ms
Atmospheric pressure	Atmosphere Pressure	mmHg, kPa, inHg or psig	—
Intake manifold relative pressure	Mani. Relative Pressure	mmHg, kPa, inHg or psig	Air intake absolute pressure — Atmospheric pressure
Learned Ignition Timing	Learned Ignition Timing	deg	0 deg
Acceleration opening angle signal	Accel. Opening Angle	%	0.0%
Fuel temperature signal	Fuel Temp.	°C or °F	+28°C or 82°F
Primary supercharged pressure control signal	Primary Control	%	0.0%
Purge control solenoid duty ratio	CPC Valve Duty Ratio	%	0 — 25%
Tumble generator valve RH opening signal	TGV Position Sensor R	V	0.81 V
Tumble generator valve LH opening signal	TGV Position Sensor L	V	0.81 V
Fuel pump duty ratio	Fuel Pump Duty	%	30 — 40%
AVCS advance angle amount RH	VVT Adv. Ang. Amount R	deg	±5 deg
AVCS advance angle amount LH	VVT Adv. Ang. Amount L	deg	±5 deg
Oil flow control solenoid valve duty RH (AVCS)	OCV Duty R	%	0 — 20%
Oil flow control solenoid valve duty LH (AVCS)	OCV Duty L	%	0 — 20%
Oil flow control solenoid valve current RH	OCV Current R	mA	40 — 100 mA
Oil flow control solenoid valve current LH	OCV Current L	mA	40 — 100 mA
A/F sensor current value 1	A/F Sensor #1 Current	mA	-20 — 20 mA
A/F sensor resistance value 1	A/F Sensor #1 Resistance	Ω	27 — 35 mA

# Subaru Select Monitor

## ENGINE (DIAGNOSTICS)

Contents	Display	Unit of measure	Note (at idling)
A/F sensor output lambda 1	A/F Sensor #1	—	1.0
A/F Correction #3	A/F Correction #3	%	0.00%
A/F Learning #3	A/F Learning #3	%	0.00%
Throttle motor duty	Throttle Motor Duty	%	-5%
Throttle Motor Voltage	Throttle Motor Voltage	V	12 — 15 V
Sub throttle sensor voltage	Sub-Throttle Sensor	V	1.5 V
Main throttle sensor voltage	Main-Throttle Sensor	V	0.6 V
Sub accelerator sensor voltage	Sub-Accelerator Sensor	V	1.1 V
Main acceleration sensor voltage	Main-Accelerator Sensor	V	1.0 V
Secondary air supply piping pressure signal	Sec. Air Piping Pressure	mmHg, kPa, inHg or psig	765 mmHg, 102 kPa, 30.1 inHg or 14.8 psig
Secondary airflow signal	Sec. Air Flow	g/s or lb/m	0.00 g/s or 0.00 lb/m
Memory vehicle speed	Memorized Cruise Speed	km/h or MPH	—
Fuel level sensor resistance	Fuel level resistance	Ω	4 — 96 Ω
Odometer	Odometer	km	—
#1 cylinder roughness monitor	Roughness Monitor #1	—	0
#2 cylinder roughness monitor	Roughness Monitor #2	—	0
#3 cylinder roughness monitor	Roughness Monitor #3	—	0
#4 cylinder roughness monitor	Roughness Monitor #4	—	0
Knock sensor correction	Knocking Correction	deg	0.0 deg
Fuel tank pressure signal	Fuel Tank Pressure	mmHg, kPa, inHg or psig	+8.8 mmHg, +1.2 kPa, +0.4 inHg or +0.2 psig
AT Vehicle ID Signal	AT Vehicle ID Signal	—	ON/OFF
Delivery (test) mode terminal	Test Mode Signal	—	OFF
D-check Require Flag	D-check Require Flag	—	OFF
Delivery (test) mode terminal	Delivery Mode Connector (Test Mode Connector)	—	OFF
Neutral position switch signal	Neutral Position Switch	—	ON
Soft idle switch signal	Idle Switch Signal	—	ON
Ignition switch signal	Ignition Switch	—	ON
Power steering switch signal	P/S Switch Signal	—	OFF (when OFF)
Air conditioning switch signal	A/C Switch	—	OFF (when OFF)
Starter switch signal	Starter Switch	—	OFF
Rear oxygen monitor	Rear O2 Rich Signal	—	ON/OFF
Knocking signal	Knocking Signal	—	OFF
Crankshaft position sensor signal	Crankshaft Position Sig.	—	ON
Camshaft position sensor signal	Camshaft Position Sig.	—	ON
Rear defogger switch signal	Rear Defogger SW	—	OFF (when OFF)
Blower fan switch signal	Blower Fan SW	—	OFF (when OFF)
Light switch signal	Light Switch	—	OFF (when OFF)
A/C middle pressure switch signal	A/C Mid Pressure Switch	—	OFF (when OFF)
Air conditioner compressor relay output signal	A/C Compressor Signal	—	OFF (when OFF)
Radiator fan relay 1 signal	Radiator Fan Relay #1	—	OFF (when OFF)
Radiator fan relay 2 signal	Radiator Fan Relay #2	—	OFF (when OFF)
PCV hose assembly diagnosis signal	Blow-by leak Connector	—	Connected
Pressure control solenoid valve signal	PCV Solenoid Valve	—	OFF (when OFF)
Tumble generator valve output signal	TGV Output	—	OFF
Tumble generator valve driving signal	TGV Drive	—	Open
Drain valve signal	Vent. Solenoid Valve	—	OFF (when OFF)

# Subaru Select Monitor

ENGINE (DIAGNOSTICS)

Contents	Display	Unit of measure	Note (at idling)
Purge control solenoid valve 2 signal	CPC Solenoid 2	—	OFF (when OFF)
AT coordinate retard angle demand signal	Retard Signal from AT	—	OFF
AT coordinate fuel cut demand signal	Fuel Cut signal from AT	—	OFF
Vehicle dynamics control (VDC) torque down prohibition output	Ban of Torque Down	—	ON
Vehicle dynamics control (VDC) torque down demand	Request Torque Down VDC	—	OFF
AT coordinate permission signal	Torque permission signal	—	ON/OFF
ETC motor relay signal	ETC Motor Relay	—	ON
Clutch switch signal	Clutch Switch	—	OFF (when OFF)
Stop light switch signal	Stop Light Switch	—	OFF (when OFF)
SET/COAST switch signal	SET/COAST Switch	—	OFF (when OFF)
RES/ACC switch signal	RESUME/ACCEL Switch	—	OFF (when OFF)
Brake switch signal	Brake Switch	—	OFF (when OFF)
Main switch signal	Main Switch	—	OFF (when OFF)
Body integrated unit data reception	Body Int. Unit Data	—	ON
Body integrated unit counter update	Body Int. Unit Count	—	ON
Secondary air combination valve relay 2 signal	Sec. Air Combi V Relay 2	—	OFF (when OFF)
Secondary air pump relay signal	Secondary Air Pump Relay	—	OFF (when OFF)
Secondary air combination valve relay 1 signal	Sec. Air Combi V Relay 1	—	OFF (when OFF)
Cruise control cancel switch signal	CC Cancel SW	—	OFF (when OFF)
Malfunction indicator light signal	MIL On Flag	—	OFF (when unlit)

**NOTE:**

For detailed operation procedures, refer to “PC application help for Subaru Select Monitor”.



# Subaru Select Monitor

## ENGINE (DIAGNOSTICS)

### 3. READ CURRENT DATA FOR ENGINE (OBD MODE)

- 1) On «Main Menu» display, select {Each System Check}.
  - 2) On «System Selection Menu» display, select {Engine Control System}.
  - 3) Click the [OK] button after the information of engine type has been displayed.
  - 4) On «Engine Diagnosis» display, select {OBD System}.
  - 5) On «OBD Menu» display, select {Current Data Display & Save}.
  - 6) On «Current Data Display & Save» display, select {All data display}.
  - 7) Using the scroll key, scroll the display screen up or down until the desired data is shown.
- A list of the support data is shown in the following table.

Contents	Display	Referential value (at idling)	Unit of measure
Number of diagnosis code	Number of Diag. Code:	0	—
Condition of malfunction indicator light	MI(MIL)	OFF	—
Monitoring test of misfire	Misfire monitoring (Supp)	YES	—
Monitoring test of misfire	Misfire monitoring (Rdy)	YES	—
Monitoring test of fuel system	Fuel system monitoring (Supp)	YES	—
Monitoring test of fuel system	Fuel system monitoring (Rdy)	YES	—
Monitoring test of comprehensive component	Component monitoring (Supp)	YES	—
Monitoring test of comprehensive component	Component monitoring (Rdy)	YES	—
Test of catalyst	Catalyst Diagnosis (Supp)	YES	—
Test of catalyst	Catalyst Diagnosis (Rdy)	NO	—
Test of heating-type catalyst	Heated catalyst (Supp)	NO	—
Test of heating-type catalyst	Heated catalyst (Rdy)	N/A	—
Test of evaporative emission purge control system	Evaporative purge system (Supp)	YES	—
Test of evaporative emission purge control system	Evaporative purge system (Rdy)	NO	—
Secondary air system test	Secondary air system (Supp)	YES	—
Secondary air system test	Secondary air system (Rdy)	NO	—
Test of air conditioning system refrigerant	A/C system refrigerant (Supp)	NO	—
Test of air conditioning system refrigerant	A/C system refrigerant (Rdy)	N/A	—
Test of oxygen sensor	Oxygen sensor (Supp)	YES	—
Test of oxygen sensor	Oxygen sensor (Rdy)	NO	—
Test of oxygen sensor heater	O2 Heater Diagnosis (Supp)	YES	—
Test of oxygen sensor heater	O2 Heater Diagnosis (Rdy)	YES	—
Test of EGR system	EGR system (Supp)	NO	—
Test of EGR system	EGR system (Rdy)	N/A	—
Air fuel ratio control system for bank 1	Fuel system for Bank 1	Cl_normal	—
Engine load data	Calculated load value	19.2	%
Engine coolant temperature signal	Coolant Temp.	96	°C
Short term fuel trim by front oxygen (A/F) sensor (Bank 1)	Short term fuel trim B1	17.2	%
Long term fuel trim by front oxygen (A/F) sensor (Bank 1)	Long term fuel trim B1	5.5	%
Intake manifold absolute pressure signal	Mani. Absolute Pressure	248	mmHg
Engine speed signal	Engine Speed	846	rpm
Vehicle speed signal	Vehicle Speed	0	km/h
#1 Cylinder ignition timing	Ignition timing adv. #1	13.5	°
Intake air temperature signal	Intake Air Temp.	44	°C
Intake air amount	Mass Air Flow	3.6	g/s
Throttle position signal	Throttle Opening Angle	13	%
Secondary air control status	Secondary air system	Stop	—

# Subaru Select Monitor

## ENGINE (DIAGNOSTICS)

Contents	Display	Referential value (at idling)	Unit of measure
Oxygen sensor (Bank 1 Sensor 2)	Oxygen sensor #12	0.1 — 0.7	V
A/F correction (Bank 1 Sensor 2)	Short term fuel trim #12	0.0	%
On-board diagnostic system	OBD system	OBD/OBD2	—
Front oxygen (A/F) sensor (Bank 1 Sensor 1)	Oxygen sensor #11	Supported	—
Oxygen sensor (Bank 1 Sensor 2)	Oxygen sensor #12	Supported	—
Elapsed time after engine start	Time Since Engine Start	—	sec
Travel distance after the malfunction indicator light illuminates	Lighted MI lamp history	—	km
A/F lambda signal (Bank 1 Sensor 1)	A/F Sensor #11	0.951	—
A/F sensor output signal (Bank 1 Sensor 1)	A/F Sensor #11	2.468	V
Evaporative purge	Commanded Evap Purge	0	%
Fuel level signal	Fuel level	—	%
Number of warm ups after DTC clear	Number of warm-ups	—	—
Travel distance after DTC clear	Meter since DTC cleared	—	km
Fuel tank pressure signal	Fuel Tank Pressure	9.664	mmHg
Atmospheric pressure signal	Atmosphere Pressure	Atmospheric pressure	mmHg
A/F lambda signal (Bank 1 Sensor 1)	A/F Sensor #11	0.957	—
A/F sensor output signal (Bank 1 Sensor 1)	A/F Sensor #11	-0.18	mA
Catalytic temperature #1	Catalyst Temperature #11	—	°C
Monitoring test of misfire	Misfire monitoring (Enable)	YES	—
Monitoring test of misfire	Misfire monitoring (Comp)	YES	—
Monitoring test of fuel system	Fuel system monitoring (Enable)	YES	—
Monitoring test of fuel system	Fuel system monitoring (Comp)	NO	—
Monitoring test of comprehensive component	Component monitoring (Enable)	NO	—
Monitoring test of comprehensive component	Component monitoring (Comp)	NO	—
Test of catalyst	Catalyst Diagnosis (Enable)	YES	—
Test of catalyst	Catalyst Diagnosis (Comp)	NO	—
Test of heating-type catalyst	Heated catalyst (Enable)	N/A	—
Test of heating-type catalyst	Heated catalyst (Comp)	N/A	—
Test of evaporative emission purge control system	Evaporative purge system (Enable)	YES	—
Test of evaporative emission purge control system	Evaporative purge system (Comp)	NO	—
Secondary air system test	Secondary air system (Enable)	YES	—
Secondary air system test	Secondary air system (Comp)	NO	—
Test of air conditioning system refrigerant	A/C system refrigerant (Enable)	N/A	—
Test of air conditioning system refrigerant	A/C system refrigerant (Comp)	N/A	—
Test of oxygen sensor	Oxygen sensor (Enable)	YES	—
Test of oxygen sensor	Oxygen sensor (Comp)	NO	—
Test of oxygen sensor heater	O2 Heater Diagnosis (Enable)	YES	—
Test of oxygen sensor heater	O2 Heater Diagnosis (Comp)	YES	—
Test of EGR system	EGR system (Enable)	N/A	—
Test of EGR system	EGR system (Comp)	N/A	—
ECM power supply voltage	Control module voltage	13.848	V

## Subaru Select Monitor

### ENGINE (DIAGNOSTICS)

Contents	Display	Referential value (at idling)	Unit of measure
Absolute load	Absolute Load Value	21	%
A/F target lambda	Target Equivalence Ratio	0.993	—
Relative throttle opening angle	Relative Throttle Pos.	2	%
Ambient temperature	Ambient Temperature	Ambient temperature	°C
Absolute throttle opening angle 2	Absolute Throttle Pos.#2	31	%
Absolute accelerator opening angle 1	Accelerator Pedal Pos.#1	13	%
Absolute accelerator opening angle 2	Accelerator Pedal Pos.#2	13	%
Target throttle opening angle	Target Throt. Act. Cont.	0	%
Engine operating time while malfunction indicator light lit	Time while MIL lighted	—	min
Elapsed time after DTC clear	Time since DTC cleared	—	min
Type of fuel	Type of fuel	GAS	—
Relative acceleration opening angle	Relative Accelera. Pos.	0	%

**NOTE:**

For detailed operation procedures, refer to “PC application help for Subaru Select Monitor”.

**4. READ FREEZE FRAME DATA FOR ENGINE (OBD MODE)**

- 1) On «Main Menu» display, select {Each System Check}.
  - 2) On «System Selection Menu» display, select {Engine Control System}.
  - 3) Click the [OK] button after the information of engine type has been displayed.
  - 4) On «Engine Diagnosis» display, select {OBD System}.
  - 5) On «OBD Menu» display, select {Freeze Frame Data Display}.
- A list of the support data is shown in the following table.

Contents	Display	Unit of measure
DTC of freeze frame data	Freeze frame data	DTC
Air fuel ratio control system for bank 1	Fuel system for Bank 1	—
Engine load data	Calculated load value	%
Engine coolant temperature signal	Coolant Temp.	°C or °F
Short term fuel trim by front oxygen (A/F) sensor (Bank 1)	Short term fuel trim B1	%
Long term fuel trim by front oxygen (A/F) sensor (Bank 1)	Long term fuel trim B1	%
Intake manifold absolute pressure signal	Mani. Absolute Pressure	mmHg, kPa, inHg or psi
Engine speed signal	Engine Speed	rpm
Vehicle speed signal	Vehicle Speed	km/h or MPH
Ignition timing adv. #1	Ignition timing adv. #1	°
Intake air temperature	Intake Air Temp.	°C
Amount of intake air	Mass Air Flow	g/s
Throttle valve angle	Throttle Opening Angle	%
Secondary air control status	Secondary air system	—
Oxygen sensor #12	Oxygen sensor #12	V
A/F correction #12	Short term fuel trim #12	%
OBD system	OBD system	—
Oxygen sensor #11	Oxygen sensor #11	Supported
Oxygen sensor #12	Oxygen sensor #12	Supported
Elapsed time after starting engine	Time Since Engine Start	sec
Evaporative purge	Commanded Evap Purge	%
Fuel level	Fuel level	%
Fuel tank pressure	Fuel Tank Pressure	mmHg, kPa, inHg or psig
Atmospheric pressure	Atmosphere Pressure	mmHg, kPa, inHg or psig
ECM power supply voltage	Control module voltage	V
Absolute load	Absolute Load Value	%
A/F target lambda	Target Equivalence Ratio	—
Relative throttle opening angle	Relative Throttle Pos.	%
Ambient temperature	Ambient Temperature	°C or °F
Absolute throttle opening angle 2	Absolute Throttle Pos.#2	%
Absolute accelerator opening angle 1	Accelerator Pedal Pos.#1	%
Absolute accelerator opening angle 2	Accelerator Pedal Pos.#2	%
Target throttle opening angle	Target Throt. Act. Cont.	%

**NOTE:**

For detailed operation procedures, refer to “PC application help for Subaru Select Monitor”.

**5. V.I.N. REGISTRATION**

- 1) On «Main Menu» display, select {Each System Check}.
- 2) On «System Selection Menu» display, select {Engine Control System}.
- 3) Click the [OK] button after the information of engine type has been displayed.
- 4) On «Engine Diagnosis» display, select {Entry VIN}.
- 5) Perform the procedures shown on the display screen.

**NOTE:**

For detailed operation procedures, refer to “PC application help for Subaru Select Monitor”.

# Read Diagnostic Trouble Code (DTC)

ENGINE (DIAGNOSTICS)

---

## 10. Read Diagnostic Trouble Code (DTC)

### A: OPERATION

#### 1. SUBARU SELECT MONITOR (NORMAL MODE)

- 1) On «Main Menu» display, select {Each System Check}.
- 2) On «System Selection Menu» display, select {Engine Control System}.
- 3) Click the [OK] button after the information of engine type has been displayed.
- 4) On «Engine Diagnosis» display, select {Diagnostic Code(s) Display}.
- 5) On «Diagnostic Code(s) Display» display, select {Temporary Diagnostic Code(s)} or {Memorized Diagnostic Code(s)}.

#### NOTE:

- For detailed operation procedures, refer to “PC application help for Subaru Select Monitor”.
- For details concerning DTC, refer to “List of Diagnostic Trouble Code (DTC)”. <Ref. to EN(H4DOTC)(diag)-83, List of Diagnostic Trouble Code (DTC).>

#### 2. SUBARU SELECT MONITOR (OBD MODE)

- 1) On «Main Menu» display, select {Each System Check}.
- 2) On «System Selection Menu» display, select {Engine Control System}.
- 3) Click the [OK] button after the information of engine type has been displayed.
- 4) On «Engine Diagnosis» display, select {OBD System}.
- 5) On «OBD Menu» display, select {Diagnostic Code(s) Display}.
- 6) Make sure DTC is shown on the screen.

#### NOTE:

- For detailed operation procedures, refer to “PC application help for Subaru Select Monitor”.
- For details concerning DTC, refer to “List of Diagnostic Trouble Code (DTC)”. <Ref. to EN(H4DOTC)(diag)-83, List of Diagnostic Trouble Code (DTC).>

#### 3. GENERAL SCAN TOOL

Refer to data denoting emission-related powertrain DTC.

For details concerning DTC, refer to “List of Diagnostic Trouble Code (DTC)”. <Ref. to EN(H4DOTC)(diag)-83, List of Diagnostic Trouble Code (DTC).>

#### NOTE:

Refer to general scan tool manufacturer’s instruction manual to access powertrain DTC (MODE \$03).

## 11. Inspection Mode

### A: PROCEDURE

Perform the diagnosis shown in the following DTC table.

When performing the diagnosis not listed in “List of Diagnostic Trouble Code (DTC)”, refer to the item on the drive cycle. <Ref. to EN(H4DOTC)(diag)-49, Drive Cycle.>

DTC	Item	Condition
P0011	Intake Camshaft Position - Timing Over-Advanced or System Performance (Bank 1)	—
P0016	Crankshaft Position - Camshaft Position Correlation (Bank1)	—
P0018	Crankshaft Position - Camshaft Position Correlation (Bank2)	—
P0021	Intake Camshaft Position - Timing Over-Advanced or System Performance (Bank 2)	—
P0031	HO2S Heater Control Circuit Low (Bank 1 Sensor 1)	—
P0032	HO2S Heater Control Circuit High (Bank 1 Sensor 1)	—
P0037	HO2S Heater Control Circuit Low (Bank 1 Sensor 2)	—
P0038	HO2S Heater Control Circuit High (Bank 1 Sensor 2)	—
P0102	Mass or Volume Air Flow Circuit Low Input	—
P0103	Mass or Volume Air Flow Circuit High Input	—
P0107	Manifold Absolute Pressure/Barometric Pressure Circuit Low Input	—
P0108	Manifold Absolute Pressure/Barometric Pressure Circuit High Input	—
P0112	Intake Air Temperature Sensor 1 Circuit Low	—
P0113	Intake Air Temperature Sensor 1 Circuit High	—
P0117	Engine Coolant Temperature Circuit Low	—
P0118	Engine Coolant Temperature Circuit High	—
P0122	Throttle/Pedal Position Sensor/Switch “A” Circuit Low	—
P0123	Throttle/Pedal Position Sensor/Switch “A” Circuit High	—
P0131	O2 Sensor Circuit Low Voltage (Bank 1 Sensor 1)	—
P0132	O2 Sensor Circuit High Voltage (Bank 1 Sensor 1)	—
P0137	O2 Sensor Circuit Low Voltage (Bank 1 Sensor 2)	—
P0138	O2 Sensor Circuit High Voltage (Bank 1 Sensor 2)	—
P0140	O2 Sensor Circuit No Activity Detected (Bank 1 Sensor 2)	—
P0182	Fuel Temperature Sensor “A” Circuit Low Input	—
P0183	Fuel Temperature Sensor “A” Circuit High Input	—
P0222	Throttle/Pedal Position Sensor/Switch “B” Circuit Low	—
P0223	Throttle/Pedal Position Sensor/Switch “B” Circuit High	—
P0230	Fuel Pump Primary Circuit	—
P0245	Turbo/Super Charger Wastegate Solenoid “A” Low	—
P0327	Knock Sensor 1 Circuit Low (Bank 1 or Single Sensor)	—
P0328	Knock Sensor 1 Circuit High (Bank 1 or Single Sensor)	—
P0335	Crankshaft Position Sensor “A” Circuit	—
P0336	Crankshaft Position Sensor “A” Circuit Range/Performance	—
P0340	Camshaft Position Sensor “A” Circuit (Bank 1 or Single Sensor)	—
P0345	Camshaft Position Sensor “A” Circuit (Bank 2)	—
P0413	Secondary Air Injection System Switching Valve “A” Circuit Open	—
P0416	Secondary Air Injection System Switching Valve “B” Circuit Open	—
P0418	Secondary Air Injection System Control “A” Circuit Open	—
P0447	Evaporative Emission Control System Vent Control Circuit Open	—
P0448	Evaporative Emission Control System Vent Control Circuit Shorted	—
P0452	Evaporative Emission Control System Pressure Sensor Low Input	—
P0453	Evaporative Emission Control System Pressure Sensor High Input	—
P0458	Evaporative Emission System Purge Control Valve Circuit Low	—
P0462	Fuel Level Sensor “A” Circuit Low	—

## Inspection Mode

### ENGINE (DIAGNOSTICS)

DTC	Item	Condition
P0463	Fuel Level Sensor "A" Circuit High	—
P0500	Vehicle Speed Sensor "A"	—
P0512	Starter Request Circuit	—
P0513	Incorrect Immobilizer Key	—
P0600	Serial Communication Link	—
P0604	Internal Control Module Random Access Memory (RAM) Error	—
P0605	Internal Control Module Read Only Memory (ROM) Error	—
P0607	Throttle Control System Circuit Range/Performance	—
P0638	Throttle Actuator Control Range/Performance (Bank 1)	—
P0700	Transmission Control System (Mil Request)	—
P0851	Park/Neutral Switch Input Circuit Low	—
P0852	Park/Neutral Switch Input Circuit High	—
P1152	O2 Sensor Circuit Range/Performance (Low) (Bank1 Sensor1)	—
P1153	O2 Sensor Circuit Range/Performance (High) (Bank1 Sensor1)	—
P1160	Return Spring Failure	—
P1400	Fuel Tank Pressure Control Solenoid Valve Circuit Low	—
P1410	Secondary Air Injection System Switching Valve Stuck Open	—
P1420	Fuel Tank Pressure Control Sol. Valve Circuit High	—
P1491	Positive Crankcase Ventilation (Blow-by) Function Problem	—
P1560	Back-Up Voltage Circuit Malfunction	—
P1570	Antenna	—
P1571	Reference Code Incompatibility	—
P1572	IMM Circuit Failure (Except Antenna Circuit)	—
P1574	Key Communication Failure	—
P1576	EGI Control Module EEPROM	—
P1577	IMM Control Module EEPROM	—
P1578	Meter Failure	—
P2006	Intake Manifold Runner Control Stuck Closed (Bank 1)	—
P2007	Intake Manifold Runner Control Stuck Closed (Bank 2)	—
P2008	Intake Manifold Runner Control Circuit / Open (Bank 1)	—
P2009	Intake Manifold Runner Control Circuit Low (Bank 1)	—
P2011	Intake Manifold Runner Control Circuit / Open (Bank 2)	—
P2012	Intake Manifold Runner Control Circuit Low (Bank 2)	—
P2016	Intake Manifold Runner Position Sensor / Switch Circuit Low (Bank 1)	—
P2017	Intake Manifold Runner Position Sensor / Switch Circuit High (Bank 1)	—
P2021	Intake Manifold Runner Position Sensor / Switch Circuit Low (Bank 2)	—
P2022	Intake Manifold Runner Position Sensor / Switch Circuit High (Bank 2)	—
P2088	Intake Camshaft Position Actuator Control Circuit Low (Bank 1)	—
P2089	Intake Camshaft Position Actuator Control Circuit High (Bank 1)	—
P2092	Intake Camshaft Position Actuator Control Circuit Low (Bank 2)	—
P2093	Intake Camshaft Position Actuator Control Circuit High (Bank 2)	—
P2101	Throttle Actuator Control Motor Circuit Range/Performance	—
P2102	Throttle Actuator Control Motor Circuit Low	—
P2103	Throttle Actuator Control Motor Circuit High	—
P2109	Throttle/Pedal Position Sensor "A" Minimum Stop Performance	—
P2122	Throttle/Pedal Position Sensor/Switch "D" Circuit Low Input	—
P2123	Throttle/Pedal Position Sensor/Switch "D" Circuit High Input	—
P2127	Throttle/Pedal Position Sensor/Switch "E" Circuit Low Input	—
P2128	Throttle/Pedal Position Sensor/Switch "E" Circuit High Input	—
P2135	Throttle/Pedal Position Sensor/Switch "A"/"B" Voltage Correlation	—

# Inspection Mode

ENGINE (DIAGNOSTICS)

DTC	Item	Condition
P2138	Throttle/Pedal Position Sensor/Switch "D"/"E" Voltage Correlation	—
P2419	Evaporative Emission System Switching Valve Control Circuit Low	—
P2420	Evaporative Emission System Switching Valve Control Circuit High	—
P2431	Secondary Air Injection System Air Flow /Pressure Sensor Circuit Range/Performance	—
P2432	Secondary Air Injection System Air Flow /Pressure Sensor Circuit Low	—
P2433	Secondary Air Injection System Air Flow /Pressure Sensor Circuit High	—
P2444	Secondary Air Injection System Pump Stuck On	—



# Inspection Mode

## ENGINE (DIAGNOSTICS)

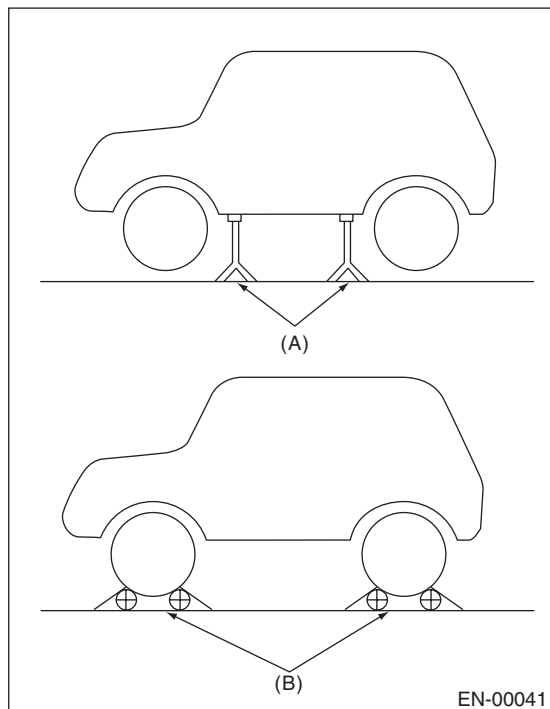
### 1. PREPARATION FOR THE INSPECTION MODE

1) Check that the battery voltage is 12 V or more and fuel remains approx. half [20 — 40 ℓ (5.3 — 10.6 US gal, 4.4 — 8.8 Imp gal)].

2) Lift up the vehicle using a garage jack and place it on rigid racks, or drive the vehicle onto free rollers.

#### WARNING:

- Before raising the vehicle, ensure parking brakes are applied.
- Do not use a pantograph jack in place of a rigid rack.
- Secure a rope or wire to the front or rear towing hooks to prevent the lateral runout of front wheels.
- Before rotating the wheels, make sure that there is no one in front of the vehicle. Besides while the wheels are rotating, make sure that no one approaches the vehicle front side.
- Make sure that there is nothing around the wheels. For AWD model, pay special attention to all four wheels.
- While servicing, do not depress or release the clutch pedal or accelerator pedal quickly regardless of the engine speed. Quick operation may cause the vehicle to drop off the free roller.
- To prevent the vehicle from slipping due to vibration, do not place anything between rigid rack and the vehicle.



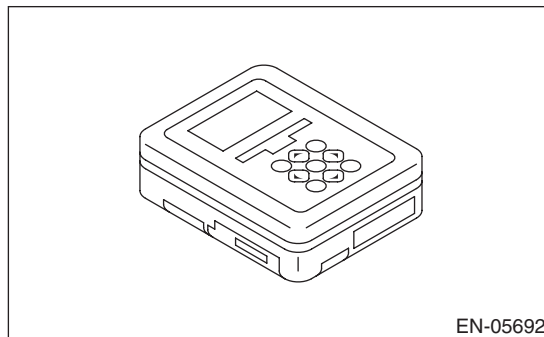
- (A) Rigid racks  
(B) Free rollers

### 2. SUBARU SELECT MONITOR

1) Check that no DTC remains after clearing memory. <Ref. to EN(H4DOTC)(diag)-54, Clear Memory Mode.>

2) Warm up the engine.

3) Prepare the Subaru Select Monitor kit. <Ref. to EN(H4DOTC)(diag)-7, PREPARATION TOOL, General Description.>



4) Prepare PC with Subaru Select Monitor installed.

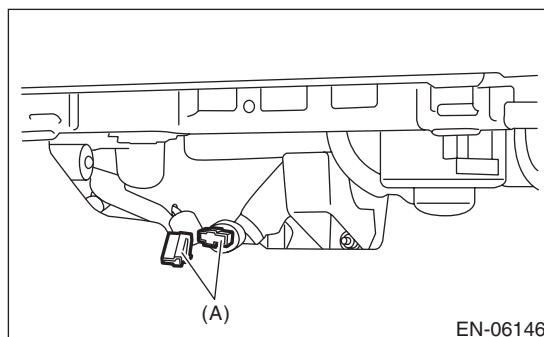
5) Connect the USB cable to SDI (Subaru Diagnosis Interface) and USB port on the personal computer (dedicated port for the Subaru Select Monitor).

#### NOTE:

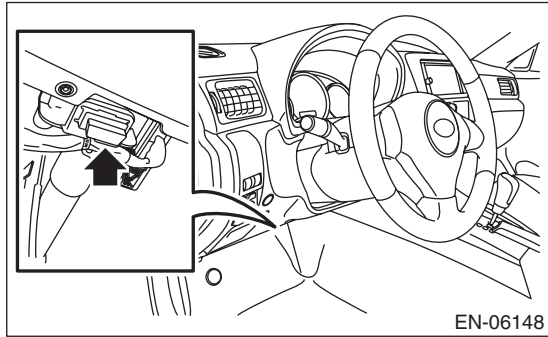
The dedicated port for the Subaru Select Monitor means the USB port which was used to install the Subaru Select Monitor.

6) Connect the diagnosis cable to SDI.

7) Connect the delivery (test) mode connector (A) located under the glove box.



8) Connect SDI to data link connector located in the lower portion of the instrument panel (on the driver's side).



**CAUTION:**

**Do not connect the scan tools except for Subaru Select Monitor and general scan tool.**

9) Start the PC.

10) Turn the ignition switch to ON (engine OFF) and run the "PC application for Subaru Select Monitor".

11) On «Main Menu» display, select {Each System Check}.

12) On «System Selection Menu» display, select {Engine Control System}.

13) Click the [OK] button after the information of engine type has been displayed.

14) On «Engine Diagnosis» display, select {Dealer Check Mode Procedure}.

15) When the «Perform Inspection (Dealer Check) Mode?» is shown on the screen, click the [Next] button.

16) Perform subsequent procedures as instructed on the display screen.

- If trouble still remains in the memory, the corresponding DTC appears on the display screen.

**NOTE:**

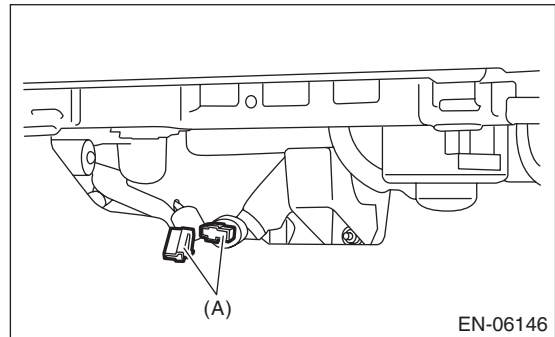
- For detailed operation procedures, refer to "PC application help for Subaru Select Monitor".
- For details concerning DTC, refer to "List of Diagnostic Trouble Code (DTC)".  
<Ref. to EN(H4DOTC)(diag)-83, List of Diagnostic Trouble Code (DTC).>
- Release the parking brake.
- The speed difference between front and rear wheels may light the ABS warning light, but this does not indicate a malfunction. When engine control diagnosis is finished, perform the ABS memory clearance procedure of the self-diagnosis system. <Ref. to ABS(diag)-21, Clear Memory Mode.>

### 3. GENERAL SCAN TOOL

1) Check that no DTC remains after clearing memory. <Ref. to EN(H4DOTC)(diag)-54, Clear Memory Mode.>

2) Warm up the engine.

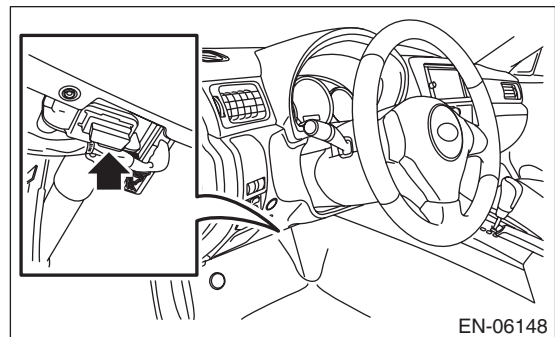
3) Connect the delivery (test) mode connector (A) located under the glove box.



4) Connect the general scan tool to data link connector located in the lower portion of the instrument panel (on the driver's side).

**CAUTION:**

**Do not connect the scan tools except for Subaru Select Monitor and general scan tool.**



5) Start the engine.

**NOTE:**

- Make sure the select lever is placed in the "P" position before starting. (AT model)
  - Depress the clutch pedal when starting engine. (MT model)
- 6) Turn the neutral position switch to ON using select lever or shift lever.
- 7) Depress the brake pedal to turn the brake switch ON. (AT model)
- 8) Keep the engine speed in 2,500 — 3,000 rpm range for 40 seconds.

## Inspection Mode

### ENGINE (DIAGNOSTICS)

---

9) Place the select lever or shift lever in “D” position (AT model) or “1st gear” (MT model) and drive the vehicle at 5 to 10 km/h (3 to 6 MPH).

**NOTE:**

- For AWD model, release the parking brake.
- The speed difference between front and rear wheels may light the ABS warning light, but this indicates no malfunctions. When engine control diagnosis is finished, perform the ABS memory clearance procedure of self-diagnosis system. <Ref. to ABS(diag)-21, Clear Memory Mode.>

10) Using the general scan tool, check for DTC and record the result(s).

**NOTE:**

- For detailed operation procedures, refer to the general scan tool operation manual.
- For details concerning DTC, refer to “List of Diagnostic Trouble Code (DTC)”.

<Ref. to EN(H4DOTC)(diag)-83, List of Diagnostic Trouble Code (DTC).>

## 12. Drive Cycle

### A: PROCEDURE

For the troubleshooting, there are driving patterns described below. Driving in the specified pattern allows to diagnose malfunctioning items listed below. After the repair of the following trouble items, be sure to drive the vehicle with the specified drive patterns to check whether the function is resumed correctly.

#### 1. PREPARATION FOR DRIVE CYCLE

- 1) Check that the battery voltage is 12 V or more and fuel remains approx. half [20 — 40 ℓ (5.3 — 10.6 US gal, 4.4 — 8.8 Imp gal)].
- 2) After performing the diagnostics and clearing the memory, check that no DTC remains. <Ref. to EN(H4DOTC)(diag)-54, Clear Memory Mode.>
- 3) Disconnect the delivery (test) mode connector.

#### NOTE:

- Perform the diagnosis after warming up the engine except when the engine coolant temperature at starting is specified.
- Perform the diagnosis twice if the DTC marked with \*. After completing the first diagnosis, stop the engine and perform second diagnosis in same condition.

## Drive Cycle

### ENGINE (DIAGNOSTICS)

#### 2. DRIVE CYCLE A — DRIVE THE VEHICLE WITH 80 KM/H (50 MPH) FOR 20 MINUTES, AND THEN IDLE THE ENGINE FOR A MINUTE

DTC	Item	Condition
*P0125	Insufficient Coolant Temperature for Closed Loop Fuel Control	Engine coolant temperature at engine start is less than 20°C (68°F).
*P0126	Insufficient Engine Coolant Temperature for Stable Operation	—
*P0128	Coolant Thermostat (Engine Coolant Temperature Below Thermostat Regulating Temperature)	Engine coolant temperature at engine start is less than 55°C (131°F).
*P0133	O2 Sensor Circuit Slow Response (Bank 1 Sensor 1)	—
*P0171	System Too Lean (Bank 1)	Complete diagnosis with drive cycle B or C as well.
*P0172	System Too Rich (Bank 1)	Complete diagnosis with drive cycle B or C as well.
*P0301	Cylinder 1 Misfire Detected	Complete diagnosis with drive cycle B or C as well.
*P0302	Cylinder 2 Misfire Detected	Complete diagnosis with drive cycle B or C as well.
*P0303	Cylinder 3 Misfire Detected	Complete diagnosis with drive cycle B or C as well.
*P0304	Cylinder 4 Misfire Detected	Complete diagnosis with drive cycle B or C as well.
*P0420	Catalyst System Efficiency below Threshold (Bank 1)	—
*P0441	Evaporative Emission System Incorrect Purge Flow	—
*P0442	Evaporative Emission Control System Leak Detected (Small Leak)	Engine coolant temperature at engine start is less than 25°C (77°F).
*P0451	Evaporative Emission Control System Pressure Sensor	—
*P0456	Evaporative Emission Control System Leak Detected (Very Small Leak)	Engine coolant temperature at engine start is less than 25°C (77°F).
*P0457	Evaporative Emission Control System Leak Detected (Fuel Cap Loose/Off)	Engine coolant temperature at engine start is less than 25°C (77°F).
*P0459	Evaporative Emission System Purge Control Valve Circuit High	—
P1443	Vent Control Solenoid Valve Function Problem	—
*P2096	Post Catalyst Fuel Trim System Too Lean (Bank 1)	Complete diagnosis with drive cycle B or C as well.
*P2097	Post Catalyst Fuel Trim System Too Rich (Bank 1)	Complete diagnosis with drive cycle B or C as well.

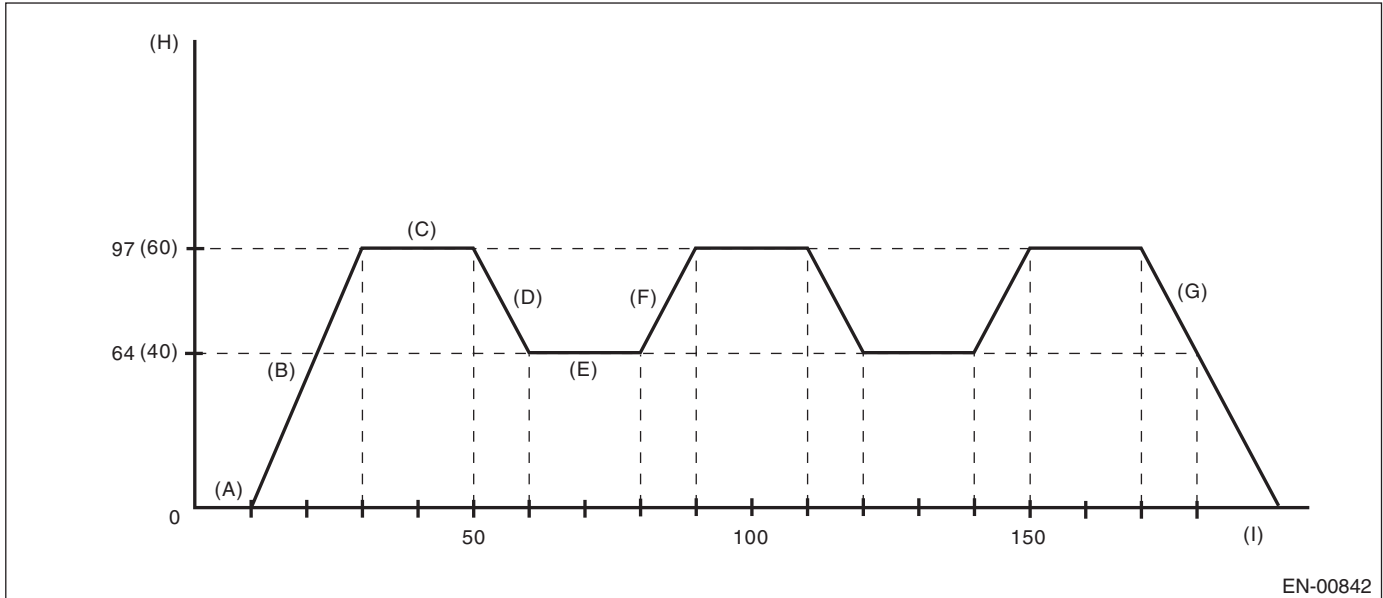
#### 3. DRIVE CYCLE B — 10 MINUTES IDLING

##### NOTE:

Drive the vehicle at 10 km/h (6 MPH) or faster before diagnosis.

DTC	Item	Condition
*P0171	System Too Lean (Bank 1)	Complete diagnosis with drive cycle A or C as well.
*P0172	System Too Rich (Bank 1)	Complete diagnosis with drive cycle A or C as well.
*P0301	Cylinder 1 Misfire Detected	Complete diagnosis with drive cycle A or C as well.
*P0302	Cylinder 2 Misfire Detected	Complete diagnosis with drive cycle A or C as well.
*P0303	Cylinder 3 Misfire Detected	Complete diagnosis with drive cycle A or C as well.
*P0304	Cylinder 4 Misfire Detected	Complete diagnosis with drive cycle A or C as well.
*P0464	Fuel Level Sensor Circuit Intermittent	—
*P2096	Post Catalyst Fuel Trim System Too Lean (Bank 1)	Complete diagnosis with drive cycle A or C as well.
*P2097	Post Catalyst Fuel Trim System Too Rich (Bank 1)	Complete diagnosis with drive cycle A or C as well.

## 4. DRIVE CYCLE C — DRIVE THE VEHICLE WITH FOLLOWING DRIVE PATTERNS



EN-00842

- |   |  |  |
|---|--|--|
| (A) Idle the engine for 10 seconds or more.               | (D) Decelerate with fully closed throttle to 64 km/h (40 MPH). | (G) Stop the vehicle with throttle fully closed. |
| (B) Accelerate to 97 km/h (60 MPH) within 20 seconds.     | (E) Drive the vehicle at 64 km/h (40 MPH) for 20 seconds.      | (H) Vehicle speed km/h (MPH)                     |
| (C) Drive the vehicle at 97 km/h (60 MPH) for 20 seconds. | (F) Accelerate to 97 km/h (60 MPH) within 10 seconds.          | (I) Sec.   |

DTC	Item	Condition
*P0030	HO2S Heater Control Circuit (Bank 1 Sensor 1)	—
*P0068	MAP/MAF - Throttle Position Correlation	—
*P0101	Mass or Volume Air Flow Circuit Range/Performance	—
P0134	O2 Sensor Circuit No Activity Detected (Bank 1 Sensor 1)	—
*P0139	O2 Sensor Circuit Slow Response (Bank 1 Sensor 2)	—
*P0171	System Too Lean (Bank 1)	Complete diagnosis with drive cycle A or B as well.
*P0172	System Too Rich (Bank 1)	Complete diagnosis with drive cycle A or B as well.
P0244	Turbo/Super Charger Wastegate Solenoid "A" Range/Performance	—
P0246	Turbo/Super Charger Wastegate Solenoid "A" High	—
*P0301	Cylinder 1 Misfire Detected	Complete diagnosis with drive cycle A or B as well.
*P0302	Cylinder 2 Misfire Detected	Complete diagnosis with drive cycle A or B as well.
*P0303	Cylinder 3 Misfire Detected	Complete diagnosis with drive cycle A or B as well.
*P0304	Cylinder 4 Misfire Detected	Complete diagnosis with drive cycle A or B as well.
P2004	Intake Manifold Runner Control Stuck Open (Bank 1)	—
P2005	Intake Manifold Runner Control Stuck Open (Bank 2)	—
*P2096	Post Catalyst Fuel Trim System Too Lean (Bank 1)	Complete diagnosis with drive cycle A or B as well.
*P2097	Post Catalyst Fuel Trim System Too Rich (Bank 1)	Complete diagnosis with drive cycle A or B as well.

# Drive Cycle

## ENGINE (DIAGNOSTICS)

---

### 5. DRIVE CYCLE D

#### DRIFT DIAGNOSIS

- 1) Make sure that the engine coolant temperature at engine starting is less than 30°C (86°F).
- 2) Make sure that fuel remains 10 ℓ (2.6 US gal, 2.2 Imp gal) or more and the battery voltage is 10.9 V or more.
- 3) Start the engine, and check that the engine coolant temperature increases by 10°C (18°F) or more, and reaches 75°C (167°F) or more, when the engine is warmed up.
- 4) Idle the engine for 120 seconds or more in the condition of step 3).

#### STUCK DIAGNOSIS

- 1) Make sure that the battery voltage is 10.9 V or more.
- 2) Perform the Clear Memory Mode. <Ref. to EN(H4DOTC)(diag)-54, Clear Memory Mode.>
- 3) Drive for approximately 50 ℓ (13.2 US gal, 11 Imp gal) of fuel.

#### NOTE:

- It is acceptable to drive the vehicle intermittently.
- Do not disconnect the battery terminals while diagnosing. (Data will be cleared by disconnecting the battery terminals.)

DTC	Item	Condition
*P0181	Fuel Temperature Sensor "A" Circuit Range/Performance	—

### 6. DRIVE CYCLE E

- 1) Make sure that the battery voltage is 10.9 V or more.
- 2) Perform the Clear Memory Mode. <Ref. to EN(H4DOTC)(diag)-54, Clear Memory Mode.>
- 3) Drive for approximately 30 ℓ (7.9 US gal, 6.6 Imp gal) of fuel.

#### NOTE:

- It is acceptable to drive the vehicle intermittently.
- Do not disconnect the battery terminals while diagnosing. (Data will be cleared by disconnecting the battery terminals.)

DTC	Item	Condition
*P0461	Fuel Level Sensor "A" Circuit Range/Performance	—

### 7. DRIVE CYCLE F

- 1) Make sure that the engine coolant temperature at engine starting is less than 30°C (86°F).
- 2) Start the engine, and warm it up until engine coolant temperature increases over 95°C (203°F).
- 3) Idle the engine for 10 minutes or more in the condition of step 2.

#### NOTE:

Do not disconnect the battery terminals while diagnosing. (Data will be cleared by disconnecting the battery terminals.)

DTC	Item	Condition
*P0111	Intake Air Temperature Sensor 1 Circuit Range/Performance	—

## 8. DRIVE CYCLE G

- 1) Disconnect the battery negative terminal, and reconnect after 10 seconds have passed.
- 2) Start the engine and warm up engine until coolant temperature is 80°C (176°F).
- 3) Turn OFF the engine and wait until the coolant temperature drop to 40°C (104°F) or less.

**NOTE:**

Do not let engine coolant temperature drop to 5°C (41°F) or less.

- 4) Start the engine and warm up engine until coolant temperature is 80°C (176°F).
- 5) Turn OFF the engine and wait until the coolant temperature drop to 40°C (104°F) or less.

**NOTE:**

Do not let engine coolant temperature drop to 5°C (41°F) or less.

- 6) Start the engine and let it idle.

DTC	Item	Condition
*P0410	Secondary Air Injection System	—
*P0411	Secondary Air Injection System Incorrect Flow Detected	—
P0414	Secondary Air Injection System Switching Valve "A" Circuit Shorted	—
P0417	Secondary Air Injection System Switching Valve "B" Circuit Shorted	—
P1418	Secondary Air Injection System Control "A" Circuit Shorted	—
*P2440	Secondary Air Injection System Switching Valve Stuck Open (Bank1)	—
*P2441	Secondary Air Injection System Switching Valve Stuck Closed (Bank 1)	—
*P2442	Secondary Air Injection System Switching Valve Stuck Open (Bank2)	—
*P2443	Secondary Air Injection System Switching Valve Stuck Closed (Bank 2)	—

## 9. DRIVE CYCLE H

- 1) Perform the Clear Memory Mode. <Ref. to EN(H4DOTC)(diag)-54, Clear Memory Mode.>
- 2) With the ignition switch ON, read the engine coolant temperature, intake air temperature and fuel temperature. <Ref. to EN(H4DOTC)(diag)-35, READ CURRENT DATA FOR ENGINE (NORMAL MODE), OPERATION, Subaru Select Monitor.>
- 3) If the values from step 2) satisfy the following two conditions, start the engine.

**Condition:**

***|Engine coolant temperature — Intake air temperature | ≤ 5°C (41°F)***

***|Engine coolant temperature — Fuel temperature | ≤ 2°C (36°F)***

**NOTE:**

- If the conditions are not satisfied, turn the ignition switch to OFF and wait until the parameters are satisfied.
  - Start AT vehicles in the P range, and MT vehicles in the N position.
- 4) Idle the engine for 1 minute under the conditions in step 3).

DTC	Item	Condition
*P1602	Control Module Programming Error	—



# Clear Memory Mode

ENGINE (DIAGNOSTICS)

---

## 13. Clear Memory Mode

### A: OPERATION

#### 1. SUBARU SELECT MONITOR (NORMAL MODE)

- 1) On «Main Menu» display, select {Each System Check}.
- 2) On «System Selection Menu» display, select {Engine Control System}.
- 3) Click the [OK] button after the information of engine type has been displayed.
- 4) On «Engine Diagnosis» display, select {Clearing Memory}.
- 5) When the “Clear Memory?” is shown on the screen, click the [YES] button.
- 6) When “Done” and “Turn off the ignition switch.” are shown on the display screen, turn the ignition switch to OFF.

#### NOTE:

- Initial diagnosis of electronic throttle control is performed after memory clearance. Wait for 10 seconds or more after turning the ignition switch to ON, and then start the engine.
- For detailed operation procedures, refer to “PC application help for Subaru Select Monitor”.

#### 2. SUBARU SELECT MONITOR (OBD MODE)

- 1) On «Main Menu» display, select {Each System Check}.
- 2) On «System Selection Menu» display, select {Engine Control System}.
- 3) Click the [OK] button after the information of engine type has been displayed.
- 4) On «Engine Diagnosis» display, select {OBD System}.
- 5) On «OBD Menu» display, select {Clear Diagnostic Code}.
- 6) When the “Clear Diagnostic Code?” is shown on the screen, click the [Yes] button.
- 7) When “Done” and “Turn off the ignition switch.” are shown on the display screen, turn the ignition switch to OFF.

#### NOTE:

- Initial diagnosis of electronic throttle control is performed after memory clearance. Wait for 10 seconds or more after turning the ignition switch to ON, and then start the engine.
- For detailed operation procedures, refer to “PC application help for Subaru Select Monitor”.

#### 3. GENERAL SCAN TOOL

For procedures clearing memory using the general scan tool, refer to the general scan tool operation manual.

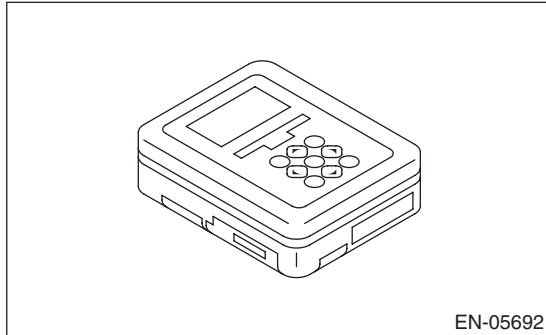
#### NOTE:

Initial diagnosis of electronic throttle control is performed after memory clearance. For this reason, start the engine after 10 seconds or more have elapsed since the ignition switch was turned to ON.

## 14. Compulsory Valve Operation Check Mode

### A: OPERATION

1) Prepare the Subaru Select Monitor kit. <Ref. to EN(H4DOTC)(diag)-7, PREPARATION TOOL, General Description.>

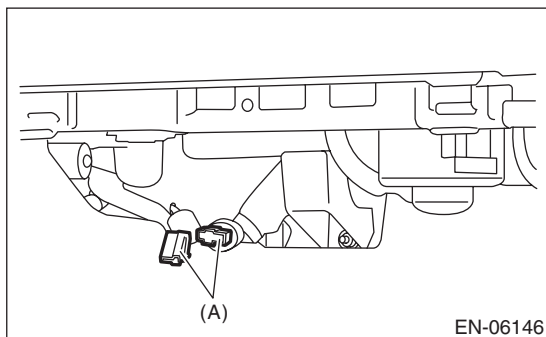


2) Prepare PC with Subaru Select Monitor installed.  
3) Connect the USB cable to SDI (Subaru Diagnosis Interface) and USB port on the personal computer (dedicated port for the Subaru Select Monitor).

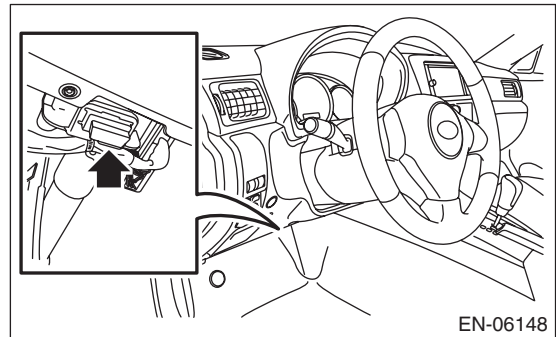
**NOTE:**

The dedicated port for the Subaru Select Monitor means the USB port which was used to install the Subaru Select Monitor.

4) Connect the diagnosis cable to SDI.  
5) Connect the delivery (test) mode connector (A) located under the glove box.



6) Connect SDI to data link connector located in the lower portion of the instrument panel (on the driver's side).



**CAUTION:**

**Do not connect the scan tools except for Subaru Select Monitor and general scan tool.**

- 7) Start the PC.
- 8) Turn the ignition switch to ON (engine OFF) and run the "PC application for Subaru Select Monitor".
- 9) On «Main Menu» display, select {Each System Check}.
- 10) On «System Selection Menu» display, select {Engine Control System}.
- 11) Click the [OK] button after the information of engine type has been displayed.
- 12) On «Engine Diagnosis» display, select {System Operation Check Mode}.
- 13) On «System Operation Check Mode» display, select {Actuator ON/OFF Operation}.
- 14) Select the desired compulsory actuator on the «Actuator ON/OFF Operation» display screen and click the [Next] button.

## Compulsory Valve Operation Check Mode

### ENGINE (DIAGNOSTICS)

---

15) Clicking the [Exit] button completes the compulsory valve operation check mode. The display will then return to the «Actuator ON/OFF Operation» screen.

- A list of the support data is shown in the following table.

Description	Display
Compulsory fuel pump relay operation check	Fuel Pump Relay
Compulsory purge control solenoid valve operation check	CPC Solenoid Valve
Compulsory purge control solenoid valve 2 operation check	CPC Solenoid 2
Compulsory radiator fan relay operation check	Radiator Fan Relay
Compulsory air conditioning relay operation check	A/C Compressor Relay
Compulsory wastegate control solenoid valve operation check	Turbocharger Wastegate Solenoid
Compulsory pressure control solenoid valve operation check	PCV Solenoid Valve
Compulsory drain valve operation check	Vent. Solenoid Valve
Compulsory secondary air combination valve 1 operation check	Secondary Air Combi Valve 2
Compulsory secondary air combination valve 2 operation check	Secondary Air Combi Valve 2
Compulsory secondary air pump relay operation check	Secondary Air Pump Relay

#### NOTE:

- The following parts will be displayed but not functional.

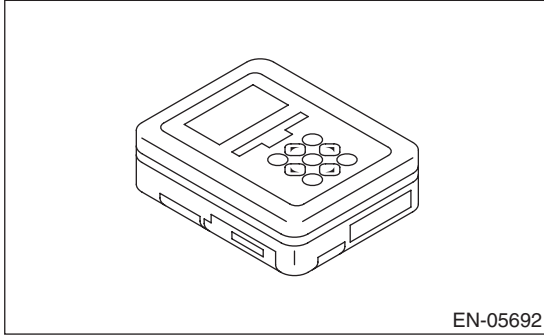
Display
EGR Solenoid Valve
ASV Solenoid Valve
FICD Solenoid
Pressure Switching Sol.1
Pressure Switching Sol.2
AAI Solenoid Valve
Tank Sensor Cntl Valve
EXH. Bypass Control Permit Flag
Sub Fuel Pump Relay
Fuel Pressure Switching Solenoid

- For detailed operation procedures, refer to “PC application help for Subaru Select Monitor”.

## 15. System Operation Check Mode

### A: OPERATION

1) Prepare the Subaru Select Monitor kit. <Ref. to EN(H4DOTC)(diag)-7, PREPARATION TOOL, General Description.>



2) Prepare PC with Subaru Select Monitor installed.

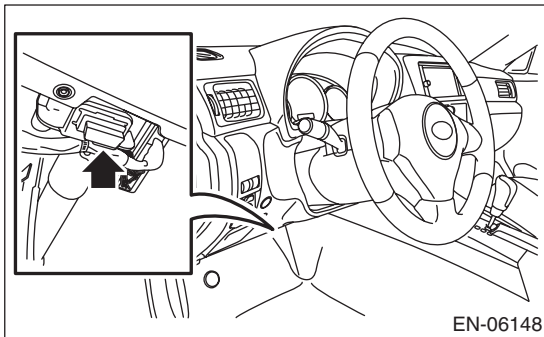
3) Connect the USB cable to SDI (Subaru Diagnosis Interface) and USB port on the personal computer (dedicated port for the Subaru Select Monitor).

#### NOTE:

The dedicated port for the Subaru Select Monitor means the USB port which was used to install the Subaru Select Monitor.

4) Connect the diagnosis cable to SDI.

5) Connect SDI to data link connector located in the lower portion of the instrument panel (on the driver's side).



#### CAUTION:

**Do not connect the scan tools except for Subaru Select Monitor and general scan tool.**

6) Start the PC.

7) Turn the ignition switch to ON (engine OFF) and run the "PC application for Subaru Select Monitor".

8) On «Main Menu» display, select {Each System Check}.

9) On «System Selection Menu» display, select {Engine Control System}.

10) Click the [OK] button after the information of engine type has been displayed.

11) On «Engine Diagnosis» display, select {System Operation Check Mode}.

12) The following items are displayed on the monitor.

Display
Actuator ON/OFF Operation
Immobilizer System
Fuel Pump Control
Fixed Idle Ignition Timing
Idle Speed Control
Injector Control

### 1. FUEL PUMP CONTROL (OFF DRIVE)

#### CAUTION:

**After executing the system operation check mode, execute the Clear Memory Mode. <Ref. to EN(H4DOTC)(diag)-54, OPERATION, Clear Memory Mode.>**

1) On «System Operation Check Mode» display, select {Fuel Pump Control}.

2) On «Fuel Pump Control» display, select {OFF Drive}.

3) On «Start the Engine» display, start the engine and click the [OK] button.

4) On «OFF Drive» display, click the [Execution] button and execute the OFF drive.

5) Click the [Cancel] button to stop the OFF drive.

6) Click the [Exit] button to end the OFF drive. The screen will return to the «Fuel Pump Control» screen.

#### NOTE:

For detailed operation procedures, refer to "PC application help for Subaru Select Monitor".

### 2. FUEL PUMP CONTROL (ON/OFF DRIVE)

#### CAUTION:

**After executing the system operation check mode, execute the Clear Memory Mode. <Ref. to EN(H4DOTC)(diag)-54, OPERATION, Clear Memory Mode.>**

1) On «System Operation Check Mode» display, select {Fuel Pump Control}.

2) On «Fuel Pump Control» display, select {ON/OFF Dr.}.

3) On «Turn Ignition Switch ON with Engine OFF» display, turn the ignition switch to ON and click the [OK] button.

4) On «ON/OFF Dr.» display, click the [Execution] button and execute the ON/OFF drive.

5) Click the [Cancel] button to stop the ON/OFF drive.

6) Click the [Exit] button to end the ON/OFF drive. The screen will return to the «Fuel Pump Control» screen.

#### NOTE:

For detailed operation procedures, refer to "PC application help for Subaru Select Monitor".

# System Operation Check Mode

ENGINE (DIAGNOSTICS)

## 3. IDLING IGNITION TIMING FIXED

### CAUTION:

After executing the system operation check mode, execute the Clear Memory Mode. <Ref. to EN(H4DOTC)(diag)-54, OPERATION, Clear Memory Mode.>

- 1) On «System Operation Check Mode» display, select {Fixed Idle Ignition Timing}.
- 2) On «Start the Engine» display, start the engine and click the [OK] button.
- 3) On «Fixed Idle Ignition Timing» display, click the [Execution] button and execute the idling ignition timing fixed.
- 4) Click the [Cancel] button to stop the idling ignition timing fixed.
- 5) Click the [Exit] button to end the idling ignition timing fixed. The screen will return to the «System Operation Check Mode» screen.

### NOTE:

For detailed operation procedures, refer to “PC application help for Subaru Select Monitor”.

## 4. IDLE SPEED CONTROL

### CAUTION:

After executing the system operation check mode, execute the Clear Memory Mode. <Ref. to EN(H4DOTC)(diag)-54, OPERATION, Clear Memory Mode.>

- 1) On «System Operation Check Mode» display, select {Idle Speed Control}.
- 2) On «Start the Engine» display, start the engine and click the [OK] button.
- 3) In the «Idle Speed Control» display, click the [▲] button or the [▼] button to change the setting values, then click the [OK] button.

Setting is possible in a range between 500 rpm — 2,000 rpm, in increments of 50 rpm. However, the engine speed that can actually be controlled will vary depending on the vehicle.

- 4) Click the [Cancel] button to stop the idle speed control.
- 5) Click the [Exit] button to end the idle speed control. The screen will return to the «System Operation Check Mode» screen.

### NOTE:

For detailed operation procedures, refer to “PC application help for Subaru Select Monitor”.

## 5. INJECTOR CONTROL (INJECTION STOP MODE)

### CAUTION:

After executing the system operation check mode, execute the Clear Memory Mode. <Ref. to EN(H4DOTC)(diag)-54, OPERATION, Clear Memory Mode.>

- 1) On «System Operation Check Mode» display, select {Injector Control}.
- 2) On «Injector Control» display, select {Injection Stop Mode}.
- 3) On «Injection Stop Mode» display, select the fuel injector to be stopped.
- 4) On «Start the Engine» display, start the engine and click the [OK] button.
- 5) On «Fuel Injector #» display, click the [Execution] button and execute the injection stop mode.
- 6) Click the [Cancel] button to stop the injection stop mode.
- 7) Click the [Exit] button to return the «Injection Stop Mode» display screen.
- 8) On «Injection Stop Mode» display, click the [Return] button to end the «Injection Stop Mode». The screen will return to the «Injector Control» screen.

### NOTE:

For detailed operation procedures, refer to “PC application help for Subaru Select Monitor”.

## 6. INJECTOR CONTROL (INJECTION QUANTITY CONTROL)

### CAUTION:

After executing the system operation check mode, execute the Clear Memory Mode. <Ref. to EN(H4DOTC)(diag)-54, OPERATION, Clear Memory Mode.>

- 1) On «System Operation Check Mode» display, select {Injector Control}.
- 2) On «Injector Control» display, select {Injection Quantity Control}.
- 3) On «Start the Engine» display, start the engine and click the [OK] button.
- 4) In the «Injection Quantity Control» display, click the [▲] button or the [▼] button to change the setting values, then click the [OK] button. Setting is possible in a range between 0 — 20%, in increments of 1%.
- 5) Click the [Cancel] button to stop the injection quantity control.
- 6) Click the [Exit] button to end the injection quantity control. The screen will return to the «Injector Control» screen.

### NOTE:

For detailed operation procedures, refer to “PC application help for Subaru Select Monitor”.

## 16. Malfunction Indicator Light

### A: PROCEDURE

1. Activation of malfunction indicator light. <Ref. to EN(H4DOTC)(diag)-60, ACTIVATION OF MALFUNCTION INDICATOR LIGHT, Malfunction Indicator Light.>
↓
2. Malfunction indicator light does not come on. <Ref. to EN(H4DOTC)(diag)-61, MALFUNCTION INDICATOR LIGHT DOES NOT COME ON, Malfunction Indicator Light.>
↓
3. Malfunction indicator light does not go off <Ref. to EN(H4DOTC)(diag)-63, MALFUNCTION INDICATOR LIGHT DOES NOT GO OFF, Malfunction Indicator Light.>
↓
4. Malfunction indicator light does not blink <Ref. to EN(H4DOTC)(diag)-64, MALFUNCTION INDICATOR LIGHT DOES NOT BLINK, Malfunction Indicator Light.>
↓
5. Malfunction indicator light remains blinking <Ref. to EN(H4DOTC)(diag)-66, MALFUNCTION INDICATOR LIGHT REMAINS BLINKING, Malfunction Indicator Light.>

# Malfunction Indicator Light

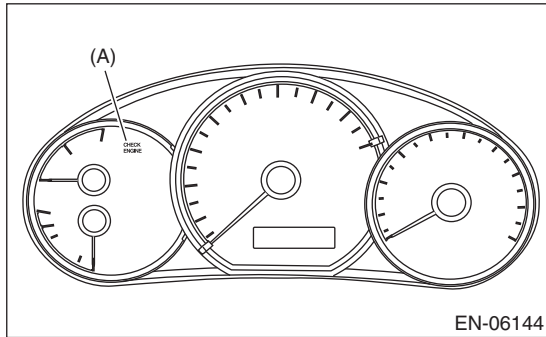
## ENGINE (DIAGNOSTICS)

### B: ACTIVATION OF MALFUNCTION INDICATOR LIGHT

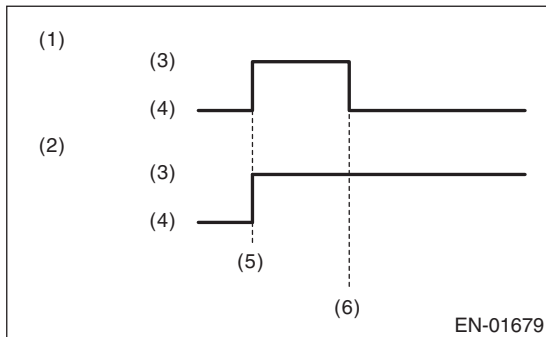
1) When the ignition switch is turned to ON (engine OFF), the malfunction indicator light (A) in the combination meter illuminates.

#### NOTE:

If the malfunction indicator light does not illuminate, perform diagnostics of the malfunction indicator light circuit or the combination meter circuit. <Ref. to EN(H4DOTC)(diag)-61, MALFUNCTION INDICATOR LIGHT DOES NOT COME ON, Malfunction Indicator Light.>



2) After starting the engine, the malfunction indicator light goes out. If it does not go off, either the engine or emission control system has malfunction.



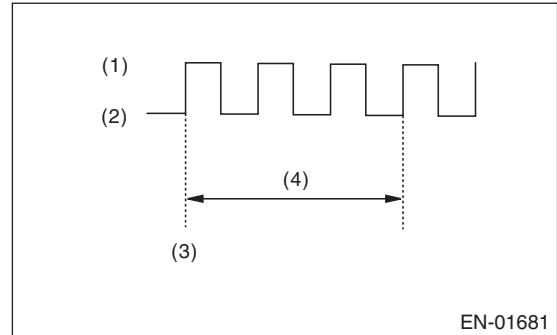
- (1) No DTC
- (2) Trouble occurs
- (3) ON
- (4) OFF
- (5) Ignition switch ON
- (6) Engine start

3) Turn the ignition switch to OFF and connect the delivery (test) mode connector.

(1) When the ignition switch is turned to ON (engine OFF), the malfunction indicator light illuminates.

(2) After the engine starts, malfunction indicator light blinks in a cycle of 0.5 Hz. (During diagnosis)

(3) Malfunction indicator light blinks at a cycle of 3 Hz after diagnosis if there is no trouble. Malfunction indicator light illuminates if faulty.



- (1) ON
- (2) OFF
- (3) Ignition switch ON
- (4) 1 second

# Malfunction Indicator Light

## C: MALFUNCTION INDICATOR LIGHT DOES NOT COME ON

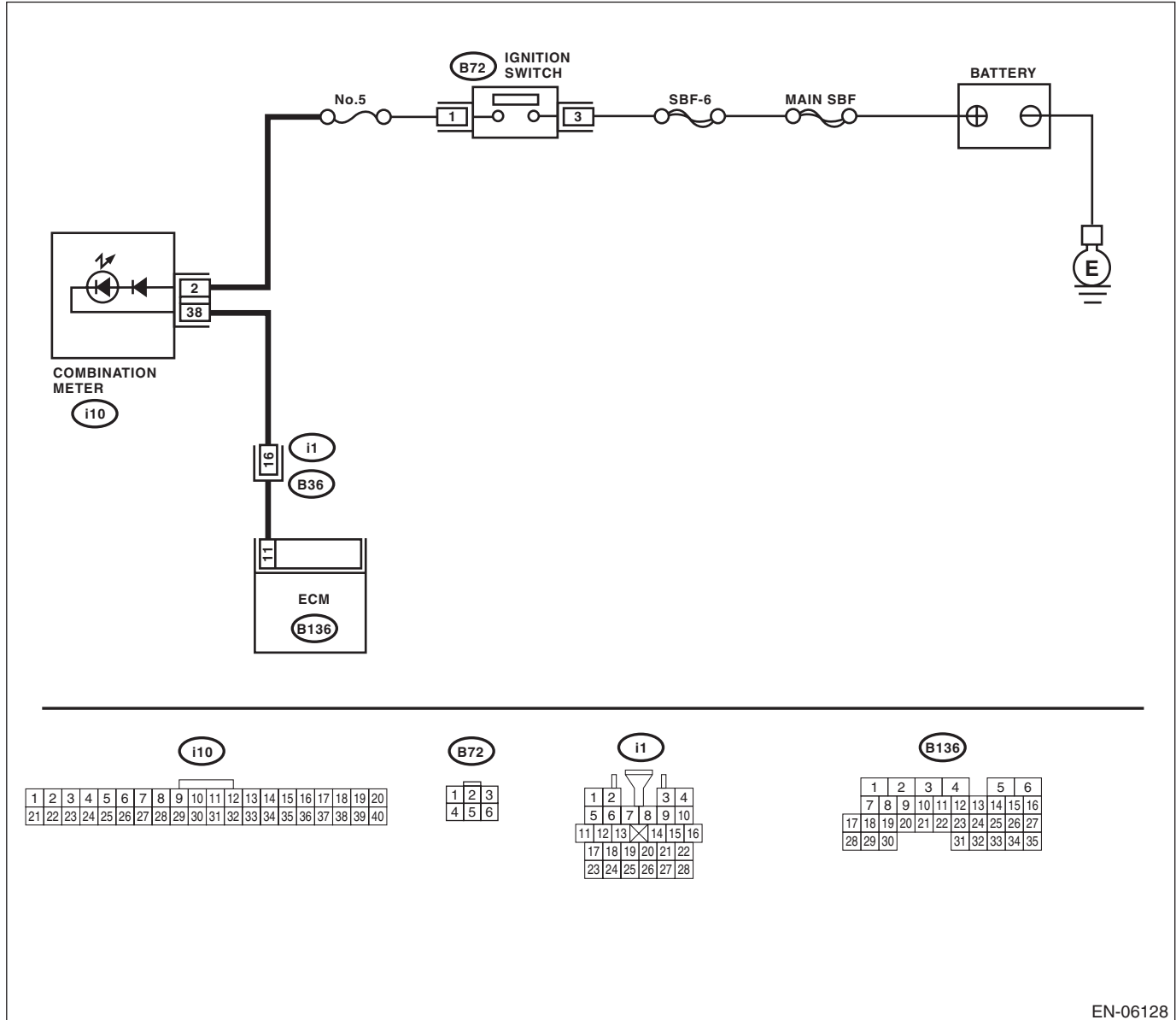
### DIAGNOSIS:

The malfunction indicator light circuit is open or shorted.

### TROUBLE SYMPTOM:

When the ignition switch is turned to ON (engine OFF), malfunction indicator light does not illuminate.

### WIRING DIAGRAM:



EN-06128



# Malfunction Indicator Light

## ENGINE (DIAGNOSTICS)

Step	Check	Yes	No
<b>1 CHECK OUTPUT SIGNAL OF ECM.</b> 1) Turn the ignition switch to ON. 2) Measure the voltage between ECM and chassis ground. <i>Connector &amp; terminal</i> <i>(B136) No. 11 (+) — Chassis ground (-):</i>	Is the voltage 10 V or more?	Go to step 5.	Go to step 2.
<b>2 CHECK HARNESS BETWEEN ECM AND COMBINATION METER CONNECTOR.</b> 1) Turn the ignition switch to OFF. 2) Remove the combination meter. <Ref. to IDI-16, Combination Meter.> 3) Disconnect the connectors from ECM and combination meter. 4) Measure the resistance of harness between ECM and combination meter connector. <i>Connector &amp; terminal</i> <i>(B136) No. 11 — (i10) No. 38:</i>	Is the resistance less than 1 $\Omega$ ?	Go to step 3.	Repair the harness and connector. NOTE: In this case, repair the following item: • Open circuit in harness between ECM and combination meter connector • Poor contact of coupling connector
<b>3 CHECK POOR CONTACT.</b> Check for poor contact of combination meter connector.	Is there poor contact of combination meter connector?	Repair the poor contact of combination meter connector.	Go to step 4.
<b>4 CHECK HARNESS BETWEEN COMBINATION METER AND IGNITION SWITCH CONNECTOR.</b> 1) Turn the ignition switch to ON. 2) Measure the voltage between combination meter connector and chassis ground. <i>Connector &amp; terminal</i> <i>(i10) No. 2 (+) — Chassis ground (-):</i>	Is the voltage 10 V or more?	Replace the combination meter circuit board. <Ref. to IDI-16, Combination Meter.>	Check the following item and repair if necessary. NOTE: • Blown out of fuse (No. 5) • Open or short circuit in harness between fuse (No. 5) and battery terminal • Poor contact of ignition switch connector
<b>5 CHECK POOR CONTACT.</b> Check for poor connection by shaking or pulling ECM connector and harness.	Does the malfunction indicator light illuminate?	Repair the poor contact of ECM connector.	Go to step 6.
<b>6 CHECK ECM CONNECTOR.</b> Check the connection of ECM connector.	Is the ECM connector correctly connected?	Replace the ECM. <Ref. to FU(H4DOTC)-52, Engine Control Module (ECM).>	Repair the connection of ECM connector.

# Malfunction Indicator Light

ENGINE (DIAGNOSTICS)

## D: MALFUNCTION INDICATOR LIGHT DOES NOT GO OFF

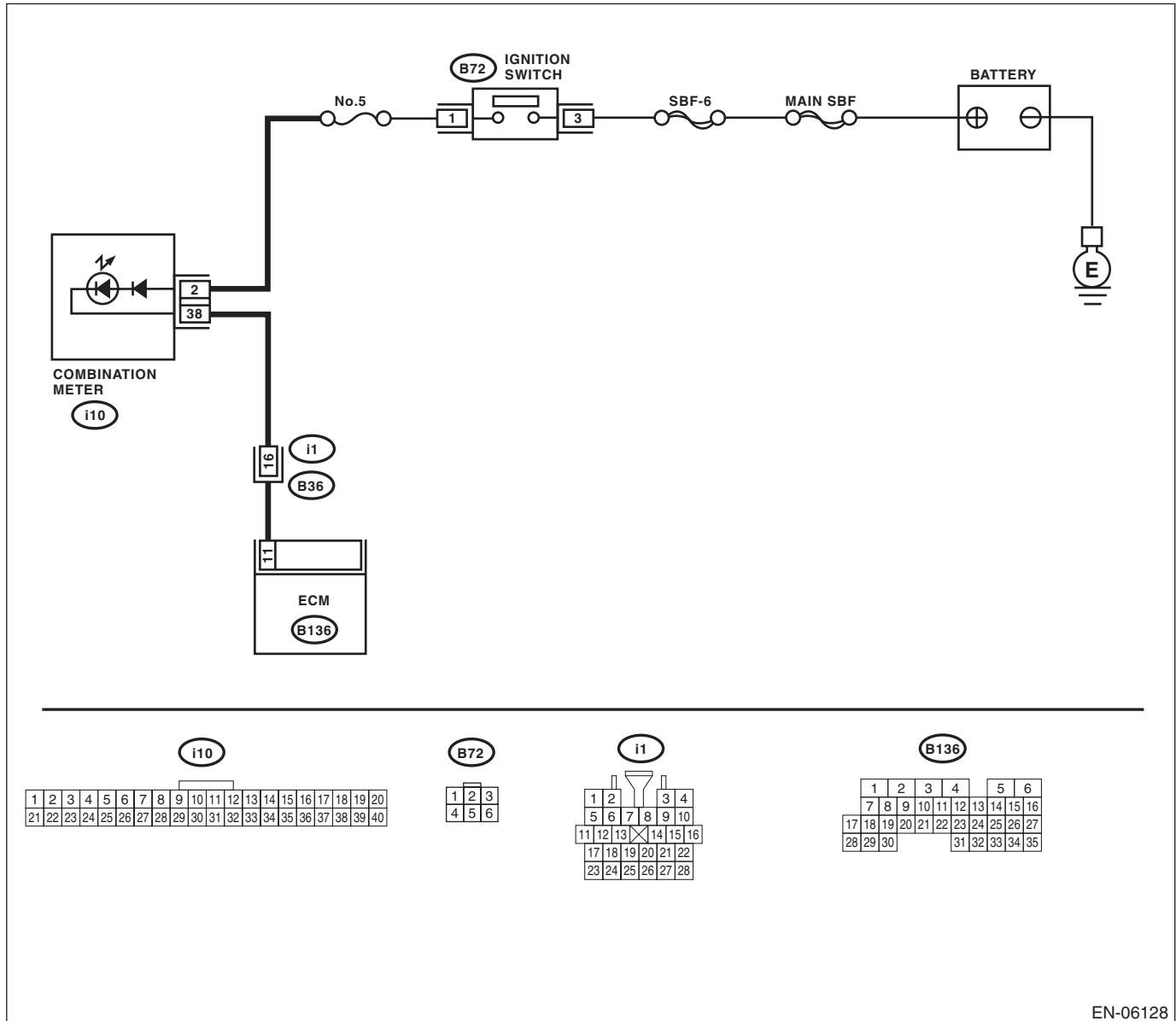
### DIAGNOSIS:

The malfunction indicator light circuit is shorted.

### TROUBLE SYMPTOM:

Although malfunction indicator light comes on when the engine runs, DTC is not shown on the Subaru Select Monitor display.

### WIRING DIAGRAM:



EN-06128

Step	Check	Yes	No
<b>1</b> <b>CHECK HARNESS BETWEEN ECM AND COMBINATION METER CONNECTOR.</b> 1) Turn the ignition switch to OFF. 2) Disconnect the connectors from ECM. 3) Turn the ignition switch to ON.	Does the malfunction indicator light illuminate?	Repair the ground short circuit of harness between ECM and combination meter connector.	Replace the ECM. <Ref. to FU(H4DOTC)-52, Engine Control Module (ECM).>

# Malfunction Indicator Light

ENGINE (DIAGNOSTICS)

## E: MALFUNCTION INDICATOR LIGHT DOES NOT BLINK

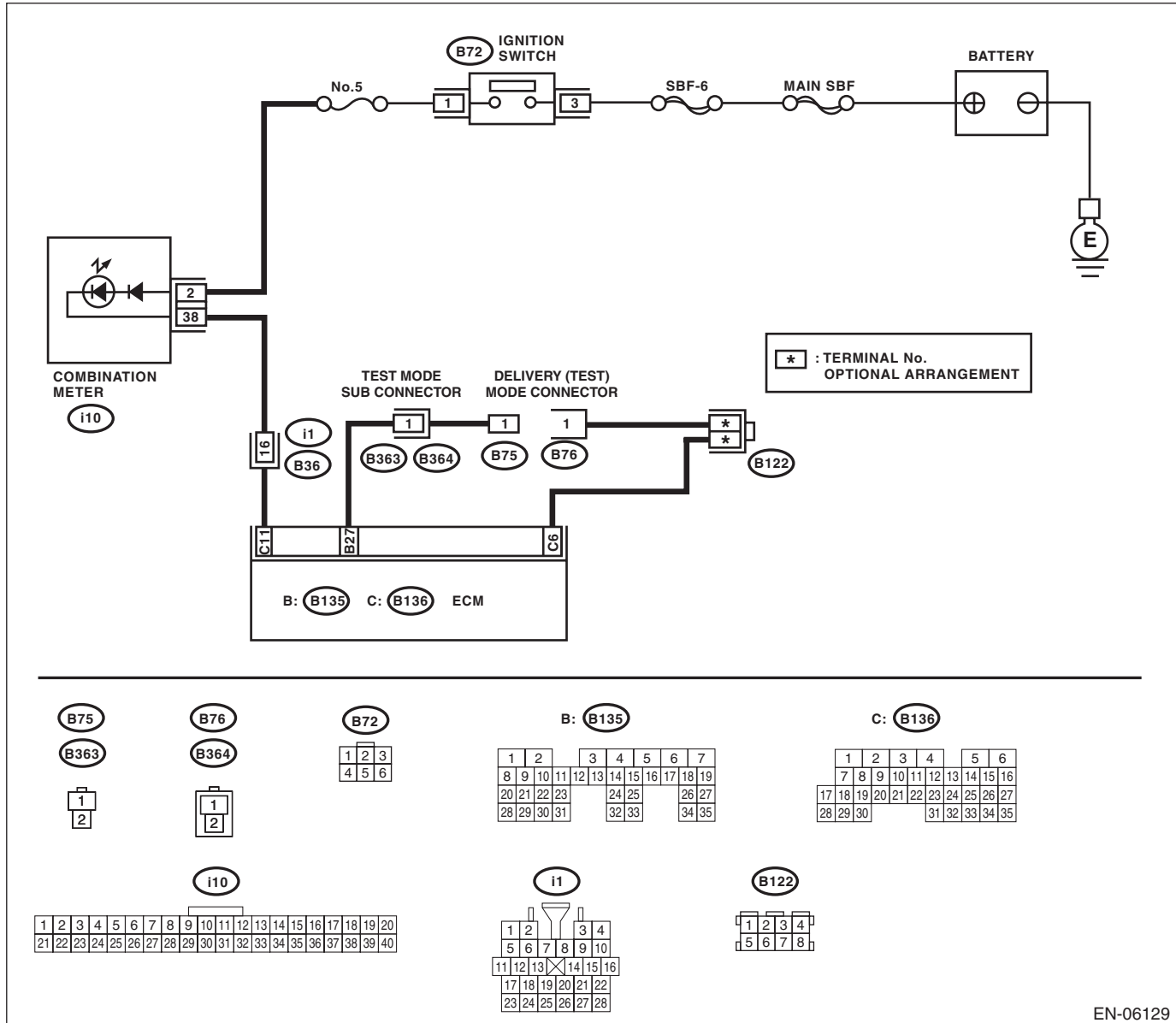
### DIAGNOSIS:

- The malfunction indicator light circuit is open or shorted.
- The delivery (test) mode connector circuit is open.

### TROUBLE SYMPTOM:

Malfunction indicator light does not blink during Inspection Mode.

### WIRING DIAGRAM:



EN-06129

# Malfunction Indicator Light

ENGINE (DIAGNOSTICS)

Step	Check	Yes	No
<b>1 CHECK STATUS OF MALFUNCTION INDICATOR LIGHT.</b> 1) Turn the ignition switch to OFF. 2) Disconnect the delivery (test) mode connector. 3) Turn the ignition switch to ON. (engine OFF)	Does the malfunction indicator light illuminate?	Go to step 2.	Repair the malfunction indicator light circuit. <Ref. to EN(H4DOTC)(diag)-61, MALFUNCTION INDICATOR LIGHT DOES NOT COME ON, Malfunction Indicator Light.>
<b>2 CHECK HARNESS BETWEEN ECM AND COMBINATION METER CONNECTOR.</b> 1) Turn the ignition switch to OFF. 2) Disconnect the connectors from ECM. 3) Turn the ignition switch to ON.	Does the malfunction indicator light illuminate?	Repair the ground short circuit of harness between ECM and combination meter connector.	Go to step 3.
<b>3 CHECK HARNESS BETWEEN ECM AND DELIVERY (TEST) MODE CONNECTOR.</b> 1) Turn the ignition switch to OFF. 2) Disconnect the connectors from ECM. 3) Measure the resistance of harness between ECM and delivery (test) mode connector. <b>Connector &amp; terminal</b> <b>(B76) No. 1 — (B136) No. 6:</b> <b>(B75) No. 1 — (B135) No. 27:</b>	Is the resistance less than 1 Ω?	Go to step 4.	Repair the harness and connector. NOTE: In this case, repair the following item: <ul style="list-style-type: none"> <li>• Open circuit of harness between ECM and delivery (test) mode connector</li> <li>• Poor contact of joint connector</li> </ul>
<b>4 CHECK POOR CONTACT.</b> Check for poor contact of ECM connector.	Is there poor contact of ECM connector?	Repair the poor contact of ECM connector.	Replace the ECM. <Ref. to FU(H4DOTC)-52, Engine Control Module (ECM).>

# Malfunction Indicator Light

ENGINE (DIAGNOSTICS)

## F: MALFUNCTION INDICATOR LIGHT REMAINS BLINKING

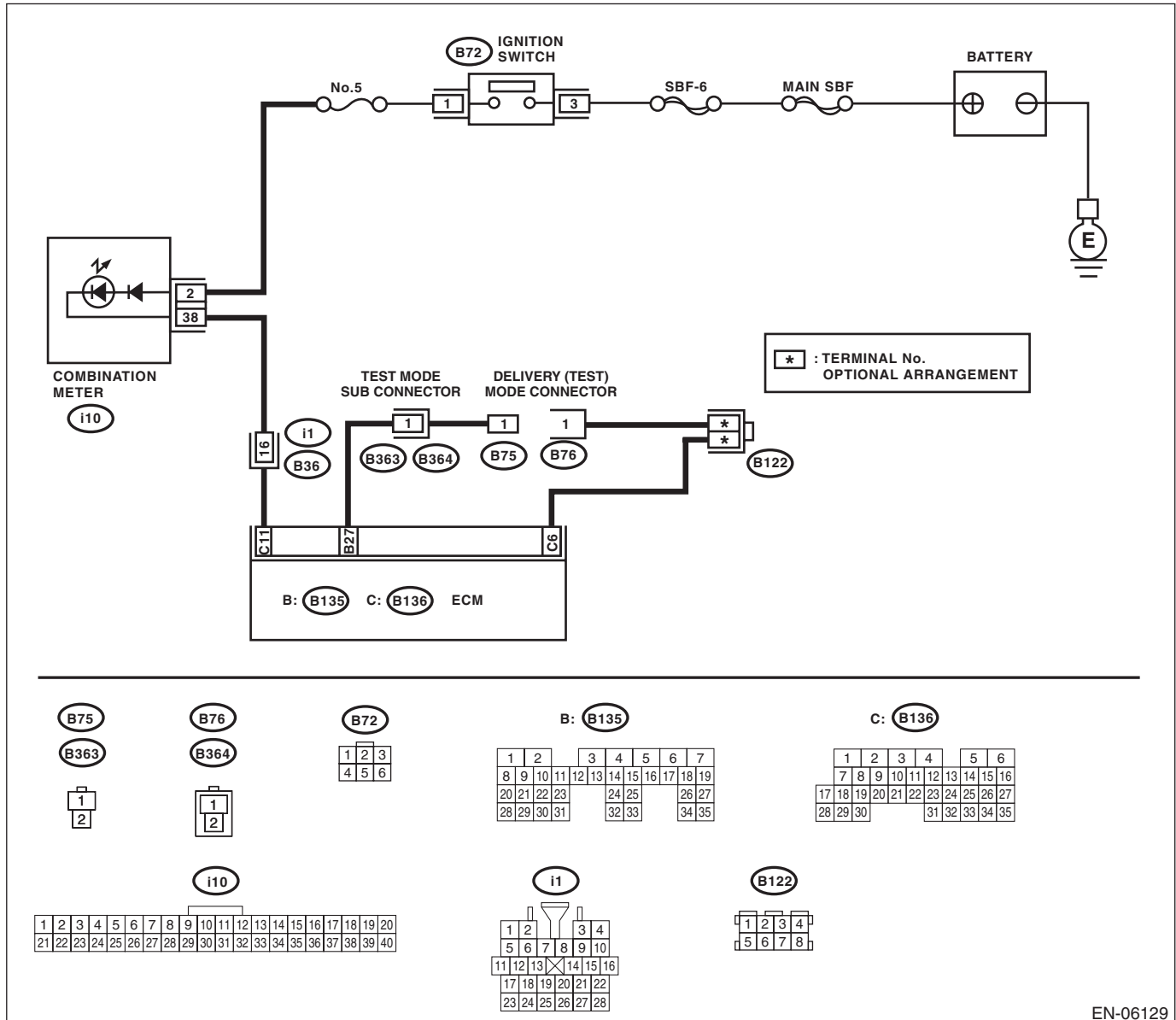
### DIAGNOSIS:

The delivery (test) mode connector circuit is shorted.

### TROUBLE SYMPTOM:

Malfunction indicator light blinks when delivery (test) mode connector is not connected.

### WIRING DIAGRAM:



EN-06129

# Malfunction Indicator Light

ENGINE (DIAGNOSTICS)

Step	Check	Yes	No
<b>1 CHECK DELIVERY (TEST) MODE CONNECTOR.</b> 1) Check the delivery (test) mode connector is disconnected. 2) Turn the ignition switch to ON.	Does the malfunction indicator light blink?	Go to step 2.	System is normal. NOTE: Malfunction indicator light blinks when delivery (test) mode connector is connected.
<b>2 CHECK HARNESS BETWEEN ECM AND CHASSIS GROUND TERMINAL.</b> 1) Turn the ignition switch to OFF. 2) Disconnect the connectors from ECM. 3) Measure the resistance of harness between ECM and chassis ground. <i>Connector &amp; terminal                      (B135) No. 27 — Chassis ground:</i>	Is the resistance less than 5 Ω?	Repair the short circuit to ground in harness between ECM and delivery (test) mode connector.	Replace the ECM. <Ref. to FU(H4DOTC)-52, Engine Control Module (ECM).>

# Diagnostics for Engine Starting Failure

ENGINE (DIAGNOSTICS)

---

## 17. Diagnostics for Engine Starting Failure

### A: PROCEDURE

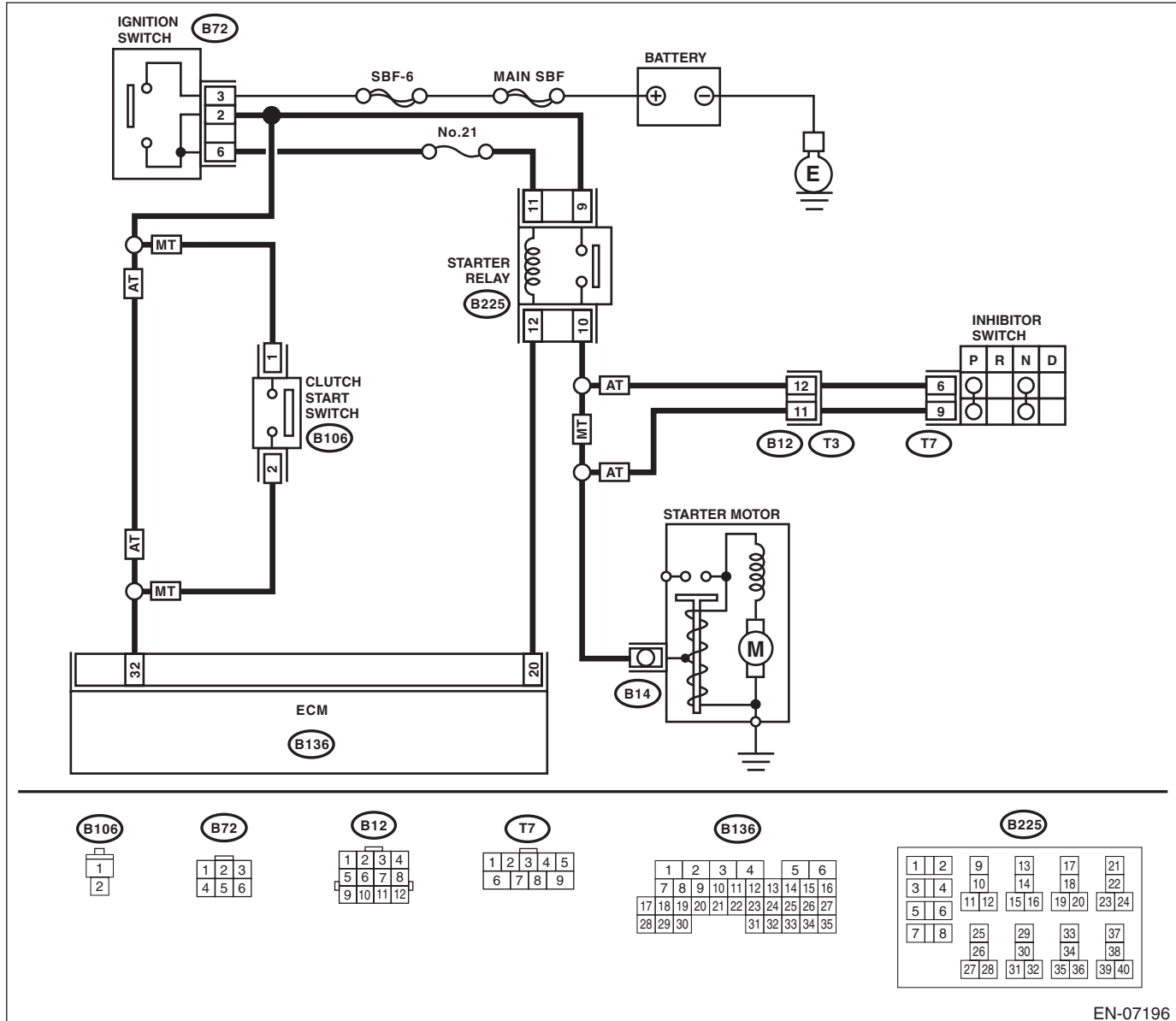
1. Check for fuel amount.
↓
2. Inspection of starter motor circuit. <Ref. to EN(H4DOTC)(diag)-69, STARTER MOTOR CIRCUIT, Diagnostics for Engine Starting Failure.>
↓
3. Inspection of ECM power supply and ground line. <Ref. to EN(H4DOTC)(diag)-73, CHECK POWER SUPPLY AND GROUND LINE OF ENGINE CONTROL MODULE (ECM), Diagnostics for Engine Starting Failure.>
↓
4. Inspection of ignition control system. <Ref. to EN(H4DOTC)(diag)-75, IGNITION CONTROL SYSTEM, Diagnostics for Engine Starting Failure.>
↓
5. Inspection of fuel pump circuit. <Ref. to EN(H4DOTC)(diag)-78, FUEL PUMP CIRCUIT, Diagnostics for Engine Starting Failure.>
↓
6. Inspection of fuel injector circuit. <Ref. to EN(H4DOTC)(diag)-79, FUEL INJECTOR CIRCUIT, Diagnostics for Engine Starting Failure.>

## B: STARTER MOTOR CIRCUIT

**CAUTION:**

After servicing or replacing faulty parts, perform Clear Memory Mode <Ref. to EN(H4DOTC)(diag)-54, OPERATION, Clear Memory Mode.>, and Inspection Mode <Ref. to EN(H4DOTC)(diag)-43, PROCEDURE, Inspection Mode.>.

**WIRING DIAGRAM:**



EN-07196



# Diagnostics for Engine Starting Failure

## ENGINE (DIAGNOSTICS)

Step	Check	Yes	No	
1	<b>CHECK BATTERY.</b> Check the battery voltage.	Is the voltage 12 V or more?	Go to step 2.	Charge or replace the battery.
2	<b>CHECK OPERATION OF STARTER MOTOR.</b>	Does the starter motor operate?	Go to step 3.	Go to step 4.
3	<b>CHECK DTC.</b>	Is DTC displayed? <Ref. to EN(H4DOTC)(diag)-42, OPERATION, Read Diagnostic Trouble Code (DTC).>	Check the appropriate DTC using the "List of Diagnostic Trouble Code (DTC)". <Ref. to EN(H4DOTC)(diag)-83, List of Diagnostic Trouble Code (DTC).>	The circuit has returned to a normal condition at this time. Reproduce the failure, and then perform the diagnosis again. <b>NOTE:</b> In this case, temporary poor contact of connector may be the cause.
4	<b>CHECK INPUT SIGNAL FOR STARTER MOTOR.</b> 1) Turn the ignition switch to OFF. 2) Disconnect the connector from starter motor. 3) On AT models, set the select lever to the "P" range or "N" range, and on MT models, depress the clutch pedal. 4) Turn the ignition switch to START. 5) Measure the voltage between the starter motor connector and the engine ground. <b>Connector &amp; terminal</b> <b>(B14) No. 1 (+) — Engine ground (-):</b>	Is the voltage 10 V or more?	Check the starter motor. <Ref. to SC(H4SO)-7, Starter.>	Go to step 5.
5	<b>CHECK HARNESS BETWEEN BATTERY AND IGNITION SWITCH CONNECTOR.</b> 1) Turn the ignition switch to OFF. 2) Disconnect the connector from ignition switch. 3) Measure the voltage between ignition switch connector and chassis ground. <b>Connector &amp; terminal</b> <b>(B72) No. 3 (+) — Chassis ground (-):</b>	Is the voltage 10 V or more?	Go to step 6.	Check the following item and repair if necessary. • Blown out of fuse • Open or short circuit to ground in harness between ignition switch connector and battery
6	<b>CHECK IGNITION SWITCH.</b> Measure the resistance between ignition switch terminals after turning the ignition switch to START position. <b>Terminals</b> <b>No. 3 — No. 2:</b> <b>No. 3 — No. 6:</b>	Is the resistance less than 1 $\Omega$ ?	Go to step 7.	Replace the ignition switch. <Ref. to SL-44, REPLACEMENT, Ignition Key Lock.>
7	<b>CHECK INPUT VOLTAGE OF STARTER RELAY.</b> 1) Remove the starter relay. 2) Connect the connector to ignition switch. 3) Measure the voltage between starter relay connector and chassis ground after turning the ignition switch to START position. <b>Connector &amp; terminal</b> <b>(B225) No. 9 (+) — Chassis ground (-):</b> <b>(B225) No. 11 (+) — Chassis ground (-):</b>	Is the voltage 10 V or more?	Go to step 8.	Check the following item and repair if necessary. • Open or short circuit to ground in harness between starter relay connector and ignition switch connector • Blown out of fuse

# Diagnostics for Engine Starting Failure

ENGINE (DIAGNOSTICS)

Step	Check	Yes	No
<b>8 CHECK STARTER RELAY.</b> 1) Connect the battery to starter relay terminals No. 11 and No. 12. 2) Measure the resistance between starter relay terminals. <i>Terminals</i> <i>No. 9 — No. 10:</i>	Is the resistance less than 1 $\Omega$ ?	Go to step 9.	Replace the starter relay.
<b>9 CHECK HARNESS BETWEEN ECM AND STARTER RELAY CONNECTOR.</b> 1) Turn the ignition switch to OFF. 2) Disconnect the connectors from ECM. 3) Measure the resistance of harness between ECM and starter relay connector. <i>Connector &amp; terminal</i> <i>(B136) No. 20 — (B225) No. 12:</i>	Is the resistance less than 1 $\Omega$ ?	Go to step 10.	Repair the open circuit of harness between ECM and starter relay connector.
<b>10 CHECK TRANSMISSION TYPE.</b>	Is the transmission type AT?	Go to step 14.	Go to step 11.
<b>11 CHECK INPUT VOLTAGE OF CLUTCH START SWITCH.</b> 1) Turn the ignition switch to OFF. 2) Disconnect the clutch start switch connector. 3) Turn the ignition switch to START. 4) Measure the voltage between the clutch start switch connector and chassis ground. <i>Connector &amp; terminal</i> <i>(B106) No. 1 (+) — Chassis ground (-):</i>	Is the voltage 10 V or more?	Go to step 12.	Repair open circuit or short circuit to ground in harness between ignition switch connector and clutch start switch connector.
<b>12 CHECK CLUTCH START SWITCH.</b> Measure the resistance between clutch start switch terminals while depressing the clutch pedal. <i>Terminals</i> <i>No. 1 — No. 2:</i>	Is the resistance less than 1 $\Omega$ ?	Go to step 13.	Replace the clutch start switch. <Ref. to CL-27, Clutch Switch.>
<b>13 CHECK HARNESS BETWEEN ECM AND CLUTCH START SWITCH.</b> Measure the resistance of harness between ECM and clutch start switch connector. <i>Connector &amp; terminal</i> <i>(B136) No. 32 — (B106) No. 2:</i>	Is the resistance less than 1 $\Omega$ ?	Check the engine control module (ECM) power supply and ground line. <Ref. to EN(H4DOTC)(diag)-73, CHECK POWER SUPPLY AND GROUND LINE OF ENGINE CONTROL MODULE (ECM), Diagnostics for Engine Starting Failure.>	Repair open circuit or short circuit to ground in harness between ECM and clutch start switch connector.
<b>14 CHECK HARNESS BETWEEN ECM AND IGNITION SWITCH.</b> 1) Turn the ignition switch to OFF. 2) Measure the resistance of harness between the ECM and ignition switch connector. <i>Connector &amp; terminal</i> <i>(B136) No. 32 — (B72) No. 6:</i>	Is the resistance less than 1 $\Omega$ ?	Go to step 15.	Repair open circuit or short circuit to ground in harness between ECM and ignition switch connector.

## Diagnostics for Engine Starting Failure

### ENGINE (DIAGNOSTICS)

Step	Check	Yes	No
<b>15 CHECK INPUT VOLTAGE OF INHIBITOR SWITCH.</b> 1) Turn the ignition switch to OFF. 2) Disconnect the connector from inhibitor switch. 3) Connect the starter relay and ECM. 4) Measure the input voltage between inhibitor switch connector and engine ground after turning the ignition switch to START position. <b>Connector &amp; terminal</b> <b>(T7) No. 6 (+) — Engine ground (-):</b>	Is the voltage 10 V or more?	Go to step 16.	Repair the open circuit in harness between inhibitor switch connector and starter relay connector.
<b>16 CHECK INHIBITOR SWITCH.</b> 1) Place the select lever in "P" range or "N" range. 2) Measure the resistance between inhibitor switch terminals. <b>Connector &amp; terminal</b> <b>No. 6 — No. 9:</b>	Is the resistance less than 1 $\Omega$ ?	Go to step 17.	Replace the inhibitor switch. <Ref. to 4AT-48, Inhibitor Switch.>
<b>17 CHECK HARNESS BETWEEN INHIBITOR SWITCH AND STARTER MOTOR.</b> Measure the resistance of harness between the inhibitor switch connector and starter motor. <b>Connector &amp; terminal</b> <b>(T7) No. 9 — (B14) No. 1:</b>	Is the resistance less than 1 $\Omega$ ?	Check the engine control module (ECM) power supply and ground line. <Ref. to EN(H4DOTC)(diag)-73, CHECK POWER SUPPLY AND GROUND LINE OF ENGINE CONTROL MODULE (ECM), Diagnostics for Engine Starting Failure.>	Repair the harness and connector. <b>NOTE:</b> In this case, repair the following item: <ul style="list-style-type: none"> <li>• Open or ground short circuit of harness between inhibitor switch connector and starter motor</li> <li>• Poor contact of coupling connector</li> </ul>

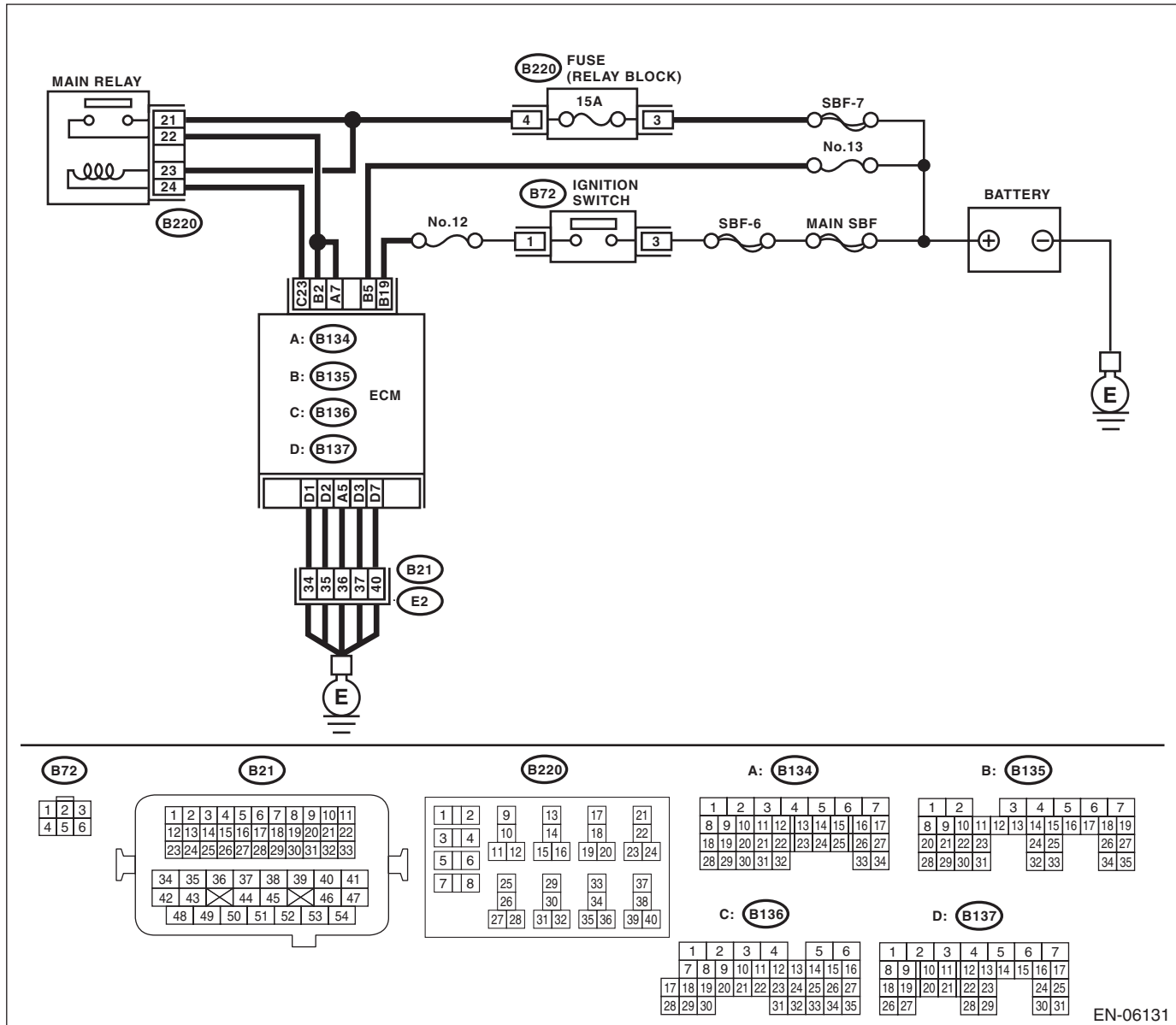
# Diagnostics for Engine Starting Failure

## C: CHECK POWER SUPPLY AND GROUND LINE OF ENGINE CONTROL MODULE (ECM)

### CAUTION:

After servicing or replacing faulty parts, perform Clear Memory Mode <Ref. to EN(H4DOTC)(diag)-54, OPERATION, Clear Memory Mode.>, and Inspection Mode <Ref. to EN(H4DOTC)(diag)-43, PROCEDURE, Inspection Mode.>.

### WIRING DIAGRAM:



# Diagnostics for Engine Starting Failure

## ENGINE (DIAGNOSTICS)

Step	Check	Yes	No
<b>1 CHECK MAIN RELAY.</b> 1) Turn the ignition switch to OFF. 2) Remove the main relay. 3) Connect the battery to main relay terminals No. 23 and No. 24. 4) Measure the resistance between main relay terminals. <b>Terminals</b> <b>No. 21 — No. 22:</b>	Is the resistance less than 1 $\Omega$ ?	Go to step 2.	Replace the main relay. <Ref. to EN(H4DOTC)(diag)-8, Electrical Component Location.>
<b>2 CHECK GROUND CIRCUIT FOR ECM.</b> 1) Disconnect the connectors from ECM. 2) Measure the resistance of harness between ECM and chassis ground. <b>Connector &amp; terminal</b> <b>(B134) No. 5 — Chassis ground:</b> <b>(B137) No. 1 — Chassis ground:</b> <b>(B137) No. 2 — Chassis ground:</b> <b>(B137) No. 3 — Chassis ground:</b> <b>(B137) No. 7 — Chassis ground:</b>	Is the resistance less than 5 $\Omega$ ?	Go to step 3.	Repair the harness and connector.  NOTE: In this case, repair the following item: <ul style="list-style-type: none"> <li>• Open circuit of harness between ECM and engine ground</li> <li>• Poor contact of coupling connector</li> </ul>
<b>3 CHECK INPUT VOLTAGE OF ECM.</b> 1) Turn the ignition switch to ON. 2) Measure the voltage between ECM and chassis ground. <b>Connector &amp; terminal</b> <b>(B135) No. 5 (+) — Chassis ground (-):</b> <b>(B135) No. 19 (+) — Chassis ground (-):</b>	Is the voltage 10 V or more?	Go to step 4.	Repair the open or ground short circuit of power supply circuit.
<b>4 CHECK INPUT VOLTAGE OF MAIN RELAY.</b> Measure the voltage between main relay connector and chassis ground. <b>Connector &amp; terminal</b> <b>(B220) No. 21 (+) — Chassis ground (-):</b> <b>(B220) No. 23 (+) — Chassis ground (-):</b>	Is the voltage 10 V or more?	Go to step 5.	Repair the open or ground short circuit of harness of power supply circuit.
<b>5 CHECK INPUT VOLTAGE OF ECM.</b> 1) Turn the ignition switch to OFF. 2) Install the main relay. 3) Measure the voltage between ECM and chassis ground. <b>Connector &amp; terminal</b> <b>(B136) No. 23 (+) — Chassis ground (-):</b>	Is the voltage 10 V or more?	Go to step 6.	Repair the open or ground short circuit of harness between ECM and main relay connector.
<b>6 CHECK INPUT VOLTAGE OF ECM.</b> 1) Turn the ignition switch to OFF. 2) Connect the connector to ECM. 3) Turn the ignition switch to ON. 4) Measure the voltage between ECM and chassis ground. <b>Connector &amp; terminal</b> <b>(B134) No. 7 (+) — Chassis ground (-):</b> <b>(B135) No. 2 (+) — Chassis ground (-):</b>	Is the voltage 10 V or more?	Check ignition control system. <Ref. to EN(H4DOTC)(diag)-75, IGNITION CONTROL SYSTEM, Diagnostics for Engine Starting Failure.>	Repair the harness and connector.  NOTE: In this case, repair the following item: <ul style="list-style-type: none"> <li>• Open circuit in harness between ECM and main relay connector</li> <li>• Poor contact of main relay connector</li> </ul>



# Diagnostics for Engine Starting Failure

## ENGINE (DIAGNOSTICS)

Step	Check	Yes	No
<b>1 CHECK SPARK PLUG CONDITION.</b> 1) Remove the spark plug. <Ref. to IG(H4DOTC)-4, REMOVAL, Spark Plug.> 2) Check the spark plug condition. <Ref. to IG(H4DOTC)-5, INSPECTION, Spark Plug.>	Is the spark plug condition normal?	Go to step 2.	Replace the spark plug. <Ref. to IG(H4DOTC)-4, Spark Plug.>
<b>2 CHECK IGNITION SYSTEM FOR SPARKS.</b> 1) Connect the spark plug to ignition coil. 2) Release the fuel pressure. <Ref. to FU(H4DOTC)-60, RELEASING OF FUEL PRESSURE, PROCEDURE, Fuel.> 3) Contact the spark plug thread portion to engine. 4) While opening the throttle valve fully, crank the engine to check that spark occurs at each cylinder.	Does spark occur at each cylinder?	Check fuel pump system. <Ref. to EN(H4DOTC)(diag)-78, FUEL PUMP CIRCUIT, Diagnostics for Engine Starting Failure.>	Go to step 3.
<b>3 CHECK POWER SUPPLY CIRCUIT OF IGNITION COIL.</b> 1) Turn the ignition switch to OFF. 2) Disconnect the connector from ignition coil. 3) Turn the ignition switch to ON. 4) Measure the power supply voltage between ignition coil connector and engine ground. <i>Connector &amp; terminal</i> (E31) No. 3 (+) — Engine ground (-): (E32) No. 3 (+) — Engine ground (-): (E33) No. 3 (+) — Engine ground (-): (E34) No. 3 (+) — Engine ground (-):	Is the voltage 10 V or more?	Go to step 4.	Repair the harness and connector. NOTE: In this case, repair the following item: • Open circuit in harness between ignition coil connector and ignition switch connector • Poor contact of coupling connector
<b>4 CHECK HARNESS OF IGNITION COIL GROUND CIRCUIT.</b> 1) Turn the ignition switch to OFF. 2) Measure the resistance between ECM and ignition coil connector. <i>Connector &amp; terminal</i> (E31) No. 2 — (B137) No. 6: (E32) No. 2 — (B137) No. 6: (E33) No. 2 — (B137) No. 6: (E34) No. 2 — (B137) No. 6: (E31) No. 2 — (B137) No. 26: (E32) No. 2 — (B137) No. 26: (E33) No. 2 — (B137) No. 26: (E34) No. 2 — (B137) No. 26:	Is the resistance less than 1 Ω?	Go to step 5.	Repair the harness and connector. NOTE: In this case, repair the following item: • Open circuit of harness between ECM and ignition coil connector • Poor contact of coupling connector
<b>5 CHECK HARNESS BETWEEN ECM AND IGNITION COIL CONNECTOR.</b> 1) Turn the ignition switch to OFF. 2) Disconnect the connector from ECM and ignition coil. 3) Measure the resistance of harness between ECM and ignition coil connector. <i>Connector &amp; terminal</i> (B137) No. 18 — (E31) No. 1: (B137) No. 19 — (E32) No. 1: (B137) No. 20 — (E33) No. 1: (B137) No. 21 — (E34) No. 1:	Is the resistance less than 1 Ω?	Go to step 6.	Repair the harness and connector. NOTE: In this case, repair the following item: • Open circuit of harness between ECM and ignition coil connector • Poor contact of coupling connector

# Diagnostics for Engine Starting Failure

ENGINE (DIAGNOSTICS)

Step	Check	Yes	No
<b>6</b> <b>CHECK HARNESS BETWEEN ECM AND IGNITION COIL CONNECTOR.</b> Measure the resistance of harness between ECM and engine ground. <b>Connector &amp; terminal</b> <i>(B137) No. 18 — Engine ground:</i> <i>(B137) No. 19 — Engine ground:</i> <i>(B137) No. 20 — Engine ground:</i> <i>(B137) No. 21 — Engine ground:</i>	Is the resistance 1 M $\Omega$ or more?	Go to step 7.	Repair the ground short circuit of harness between ECM and ignition coil connector.
<b>7</b> <b>CHECK POOR CONTACT.</b> Check for poor contact of ECM connector.	Is there poor contact of ECM connector?	Repair the poor contact of ECM connector.	Replace the ignition coil. <Ref. to IG(H4DOTC)-7, Ignition Coil.>



# Diagnostics for Engine Starting Failure

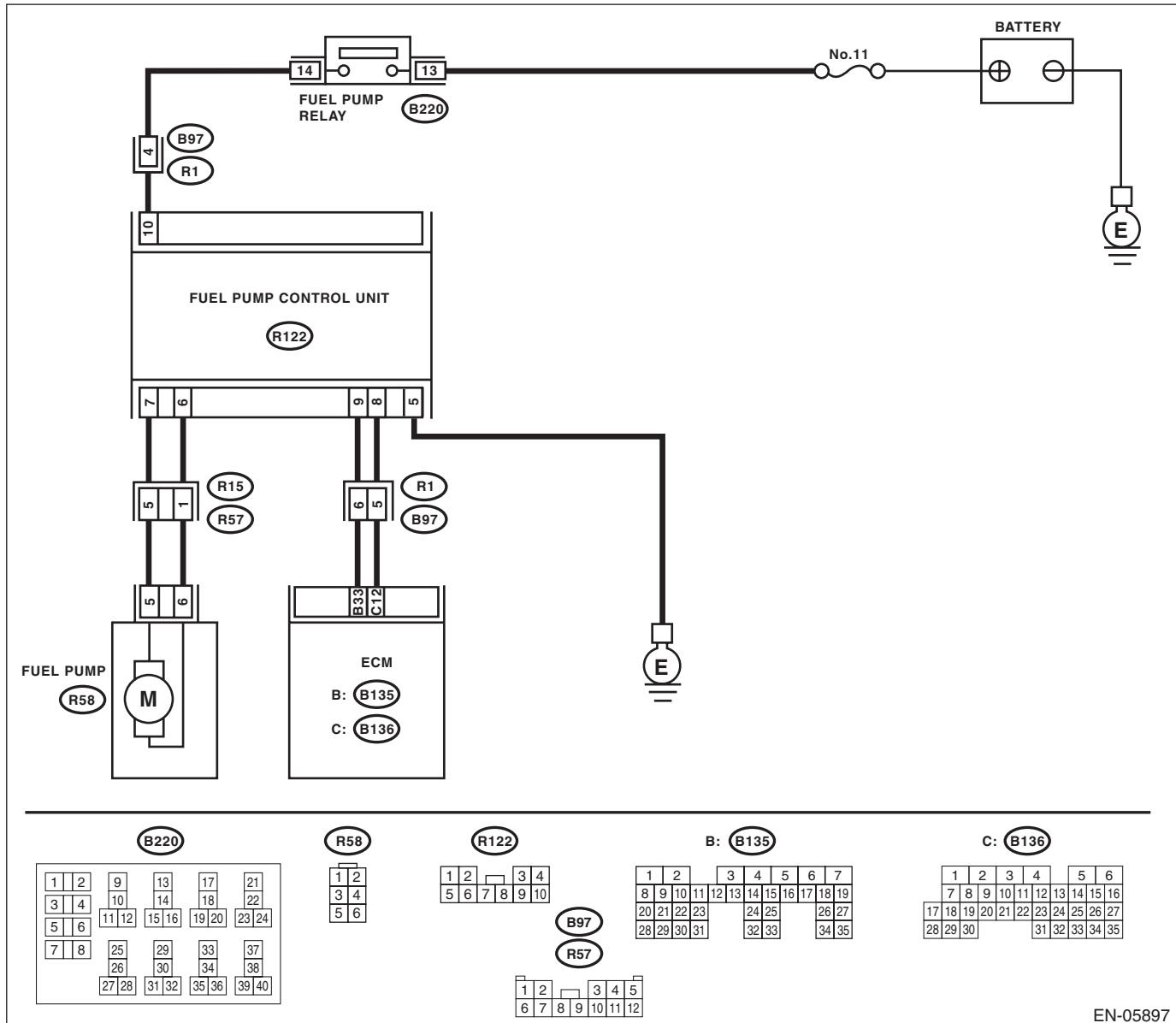
ENGINE (DIAGNOSTICS)

## E: FUEL PUMP CIRCUIT

### CAUTION:

After repair or replacement of faulty parts, perform Clear Memory Mode <Ref. to EN(H4DOTC)(diag)-54, OPERATION, Clear Memory Mode.> and Inspection Mode <Ref. to EN(H4DOTC)(diag)-43, PROCEDURE, Inspection Mode.>.

### WIRING DIAGRAM:



EN-05897

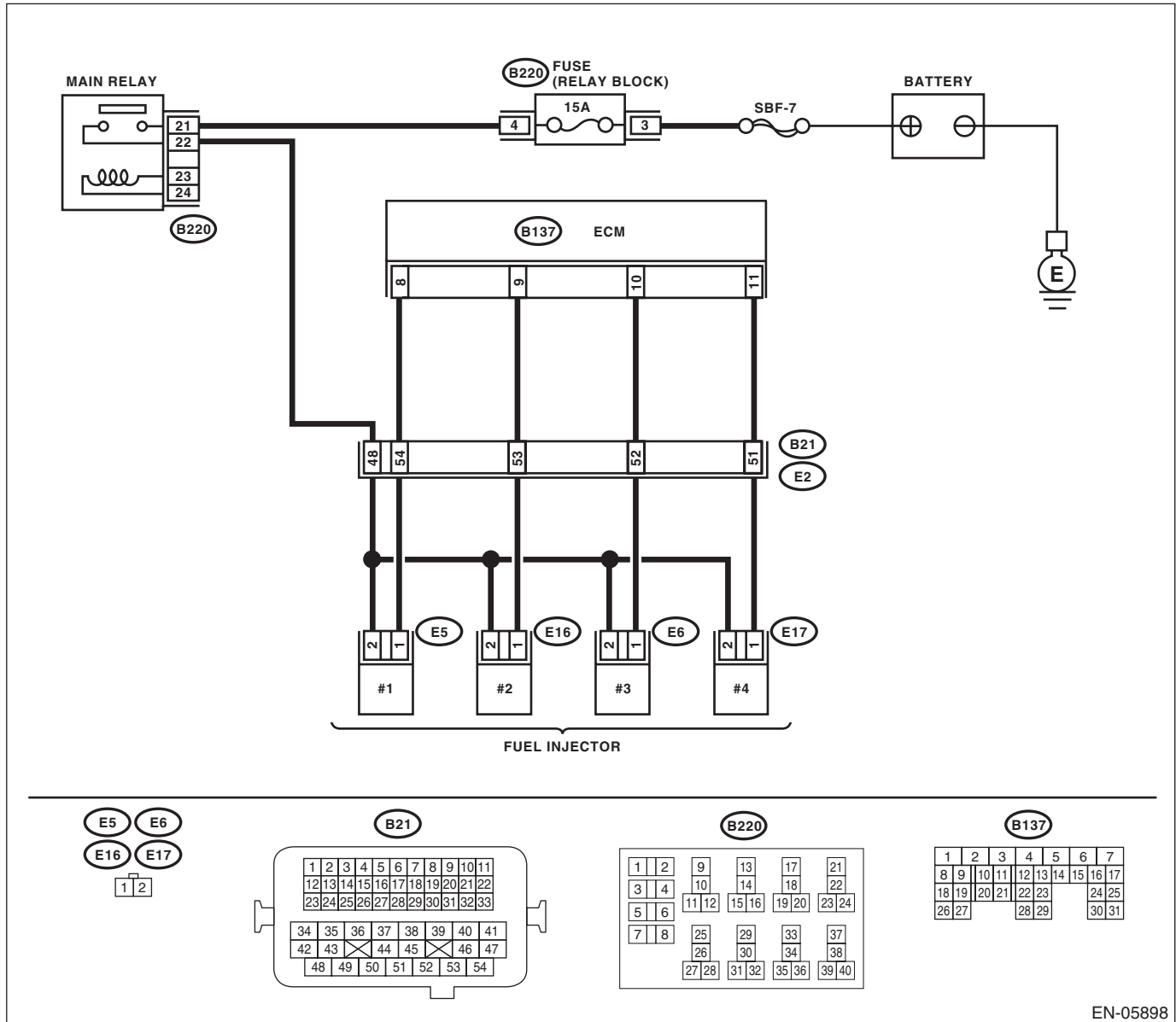
Step	Check	Yes	No
1	<p><b>CHECK OPERATING SOUND OF FUEL PUMP.</b></p> <p>Make sure that the fuel pump operates for two seconds when turning the ignition switch to ON.</p> <p>NOTE: Fuel pump operation can be executed using the Subaru Select Monitor. Regarding the procedures, refer to "Compulsory Valve Operation Check Mode". &lt;Ref. to EN(H4DOTC)(diag)-55, Compulsory Valve Operation Check Mode.&gt;</p>	<p>Does the fuel pump emit operating sound?</p> <p>Check the fuel injector circuit. &lt;Ref. to EN(H4DOTC)(diag)-79, FUEL INJECTOR CIRCUIT, Diagnostics for Engine Starting Failure.&gt;</p>	<p>Display the DTC. &lt;Ref. to EN(H4DOTC)(diag)-42, OPERATION, Read Diagnostic Trouble Code (DTC).&gt;</p>

## F: FUEL INJECTOR CIRCUIT

### CAUTION:

- Check or repair only faulty parts.
- After servicing or replacing faulty parts, perform Clear Memory Mode <Ref. to EN(H4DOTC)(diag)-54, OPERATION, Clear Memory Mode.>, and Inspection Mode <Ref. to EN(H4DOTC)(diag)-43, PROCEDURE, Inspection Mode.>.

### WIRING DIAGRAM:



EN-05898

# Diagnostics for Engine Starting Failure

## ENGINE (DIAGNOSTICS)

Step	Check	Yes	No
<b>1 CHECK OPERATION OF EACH FUEL INJECTOR.</b> While cranking the engine, check each fuel injector emits operating sound. Use a sound scope or attach a screwdriver to the injector for this check.	Does the fuel injector emit operating sound?	Check the fuel pressure. <Ref. to ME(H4DOTC)-25, INSPECTION, Fuel Pressure.>	Go to step 2.
<b>2 CHECK POWER SUPPLY TO EACH FUEL INJECTOR.</b> 1) Turn the ignition switch to OFF. 2) Disconnect the connector from fuel injector. 3) Turn the ignition switch to ON. 4) Measure the power supply voltage between fuel injector connector and the engine ground. <b>Connector &amp; terminal</b> <b>#1 (E5) No. 2 (+) — Engine ground (-):</b> <b>#2 (E16) No. 2 (+) — Engine ground (-):</b> <b>#3 (E6) No. 2 (+) — Engine ground (-):</b> <b>#4 (E17) No. 2 (+) — Engine ground (-):</b>	Is the voltage 10 V or more?	Go to step 3.	Repair the harness and connector. <b>NOTE:</b> In this case, repair the following item: • Open circuit in harness between main relay connector and fuel injector connector • Poor contact of main relay connector • Poor contact of coupling connector
<b>3 CHECK HARNESS BETWEEN ECM AND FUEL INJECTOR CONNECTOR.</b> 1) Turn the ignition switch to OFF. 2) Disconnect the connectors from ECM. 3) Measure the resistance of harness between ECM and fuel injector connector. <b>Connector &amp; terminal</b> <b>(B137) No. 8 — (E5) No. 1:</b> <b>(B137) No. 9 — (E16) No. 1:</b> <b>(B137) No. 10 — (E6) No. 1:</b> <b>(B137) No. 11 — (E17) No. 1:</b>	Is the resistance less than 1 Ω?	Go to step 4.	Repair the harness and connector. <b>NOTE:</b> In this case, repair the following item: • Open circuit in harness between ECM and fuel injector connector • Poor contact of coupling connector
<b>4 CHECK HARNESS BETWEEN ECM AND FUEL INJECTOR CONNECTOR.</b> Measure the resistance of harness between ECM and chassis ground. <b>Connector &amp; terminal</b> <b>(B137) No. 8 — Chassis ground:</b> <b>(B137) No. 9 — Chassis ground:</b> <b>(B137) No. 10 — Chassis ground:</b> <b>(B137) No. 11 — Chassis ground:</b>	Is the resistance 1 MΩ or more?	Go to step 5.	Repair the short circuit to ground in harness between ECM and fuel injector connector.
<b>5 CHECK EACH FUEL INJECTOR.</b> Measure the resistance between each fuel injector terminals. <b>Terminals</b> <b>No. 1 — No. 2:</b>	Is the resistance 5 — 20 Ω?	Go to step 6.	Replace the faulty fuel injector. <Ref. to FU(H4DOTC)-41, Fuel Injector.>
<b>6 CHECK POOR CONTACT.</b> Check for poor contact of ECM connector.	Is there poor contact of ECM connector?	Repair the poor contact of ECM connector.	Inspection using “General Diagnostic Table”. <Ref. to EN(H4DOTC)(diag)-367, INSPECTION, General Diagnostic Table.>

## 18. Diagnostic Procedure for Subaru Select Monitor Communication

### A: COMMUNICATION FOR INITIALIZING IMPOSSIBLE

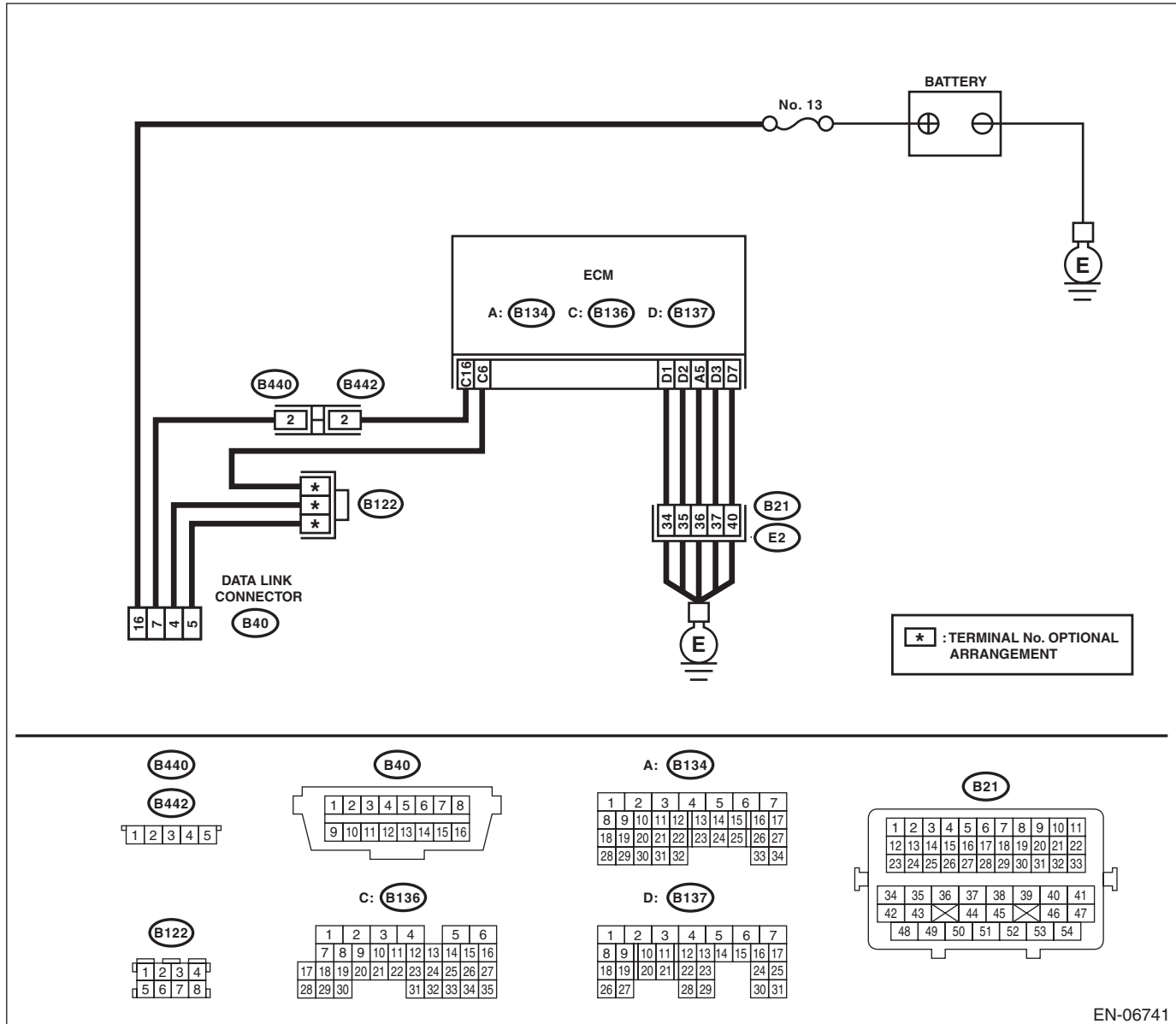
**DIAGNOSIS:**

Open or short circuit in data link connector

**TROUBLE SYMPTOM:**

Subaru Select Monitor communication failure

**WIRING DIAGRAM:**



# Diagnostic Procedure for Subaru Select Monitor Communication

ENGINE (DIAGNOSTICS)

	Step	Check	Yes	No
1	<b>CHECK POWER SUPPLY CIRCUIT.</b> Connect the SDI (Subaru Diagnosis Interface) or general scan tool to data link connector.	Does SDI or general scan tool turn ON?	Go to step 4.	Go to step 2.
2	<b>CHECK POWER SUPPLY CIRCUIT.</b> Measure the voltage between data link connector and chassis ground. <b>Connector &amp; terminal</b> <b>(B40) No. 16 (+) — Chassis ground (-):</b>	Is the voltage 10 V or more?	Go to step 3.	Repair the power supply circuit. <b>NOTE:</b> In this case, repair the following item: • Open or ground short circuit of harness between battery and data link connector • Blown out of fuse (M/B No. 13)
3	<b>CHECK HARNESS BETWEEN DATA LINK CONNECTOR AND CHASSIS GROUND.</b> 1) Turn the ignition switch to OFF. 2) Measure the resistance of harness between data link connector and chassis ground. <b>Connector &amp; terminal</b> <b>(B40) No. 4 — Chassis ground:</b> <b>(B40) No. 5 — Chassis ground:</b>	Is the resistance less than 5 Ω?	Repair the poor contact of data link connector.	Repair the harness and connector. <b>NOTE:</b> In this case, repair the following item: • Open circuit of harness between ECM and data link connector • Open circuit of harness between ECM and engine ground • Poor contact of ECM connector • Poor contact of coupling connector
4	<b>CHECK HARNESS BETWEEN ECM AND DATA LINK CONNECTOR.</b> 1) Disconnect the connector from ECM, TCM, VDC CU, airbag CM and body integrated unit. <b>CAUTION:</b> <b>When disconnecting the connector from airbag control module, always follow the precautions on AB section. &lt;Ref. to AB-5, CAUTION, General Description.&gt;</b> 2) Measure the resistance of harness between ECM and data link connector. <b>Connector &amp; terminal</b> <b>(B136) No. 16 — (B40) No. 7:</b>	Is the resistance less than 1 Ω?	Go to step 5.	Repair the harness and connector. <b>NOTE:</b> In this case, repair the following item: • Open circuit of harness between ECM and data link connector • Poor contact of coupling connector
5	<b>CHECK HARNESS BETWEEN ECM AND DATA LINK CONNECTOR.</b> Measure the resistance between data link connector and chassis ground. <b>Connector &amp; terminal</b> <b>(B40) No. 7 — Chassis ground:</b>	Is the resistance 1 MΩ or more?	Repair the poor contact of the ECM or data link connector.	Repair the ground short circuit of harness between ECM and data link connector.

# List of Diagnostic Trouble Code (DTC)

ENGINE (DIAGNOSTICS)

## 19. List of Diagnostic Trouble Code (DTC)

### A: LIST

DTC	Item	Reference
P0011	Intake Camshaft Position - Timing Over-Advanced or System Performance (Bank 1)	<Ref. to EN(H4DOTC)(diag)-91, DTC P0011 INTAKE CAMSHAFT POSITION - TIMING OVER-ADVANCED OR SYSTEM PERFORMANCE (BANK 1), Diagnostic Procedure with Diagnostic Trouble Code (DTC).>
P0016	Crankshaft Position - Camshaft Position Correlation (Bank1)	<Ref. to EN(H4DOTC)(diag)-92, DTC P0016 CRANKSHAFT POSITION - CAMSHAFT POSITION CORRELATION (BANK1), Diagnostic Procedure with Diagnostic Trouble Code (DTC).>
P0018	Crankshaft Position - Camshaft Position Correlation (Bank2)	<Ref. to EN(H4DOTC)(diag)-93, DTC P0018 CRANKSHAFT POSITION - CAMSHAFT POSITION CORRELATION (BANK2), Diagnostic Procedure with Diagnostic Trouble Code (DTC).>
P0021	Intake Camshaft Position - Timing Over-Advanced or System Performance (Bank 2)	<Ref. to EN(H4DOTC)(diag)-94, DTC P0021 INTAKE CAMSHAFT POSITION - TIMING OVER-ADVANCED OR SYSTEM PERFORMANCE (BANK 2), Diagnostic Procedure with Diagnostic Trouble Code (DTC).>
P0030	HO2S Heater Control Circuit (Bank 1 Sensor 1)	<Ref. to EN(H4DOTC)(diag)-95, DTC P0030 HO2S HEATER CONTROL CIRCUIT (BANK 1 SENSOR 1), Diagnostic Procedure with Diagnostic Trouble Code (DTC).>
P0031	HO2S Heater Control Circuit Low (Bank 1 Sensor 1)	<Ref. to EN(H4DOTC)(diag)-97, DTC P0031 HO2S HEATER CONTROL CIRCUIT LOW (BANK 1 SENSOR 1), Diagnostic Procedure with Diagnostic Trouble Code (DTC).>
P0032	HO2S Heater Control Circuit High (Bank 1 Sensor 1)	<Ref. to EN(H4DOTC)(diag)-99, DTC P0032 HO2S HEATER CONTROL CIRCUIT HIGH (BANK 1 SENSOR 1), Diagnostic Procedure with Diagnostic Trouble Code (DTC).>
P0037	HO2S Heater Control Circuit Low (Bank 1 Sensor 2)	<Ref. to EN(H4DOTC)(diag)-101, DTC P0037 HO2S HEATER CONTROL CIRCUIT LOW (BANK 1 SENSOR 2), Diagnostic Procedure with Diagnostic Trouble Code (DTC).>
P0038	HO2S Heater Control Circuit High (Bank 1 Sensor 2)	<Ref. to EN(H4DOTC)(diag)-103, DTC P0038 HO2S HEATER CONTROL CIRCUIT HIGH (BANK 1 SENSOR 2), Diagnostic Procedure with Diagnostic Trouble Code (DTC).>
P0068	MAP/MAF - Throttle Position Correlation	<Ref. to EN(H4DOTC)(diag)-105, DTC P0068 MAP/MAF - THROTTLE POSITION CORRELATION, Diagnostic Procedure with Diagnostic Trouble Code (DTC).>
P0101	Mass or Volume Air Flow Circuit Range/Performance	<Ref. to EN(H4DOTC)(diag)-107, DTC P0101 MASS OR VOLUME AIR FLOW CIRCUIT RANGE/PERFORMANCE, Diagnostic Procedure with Diagnostic Trouble Code (DTC).>
P0102	Mass or Volume Air Flow Circuit Low Input	<Ref. to EN(H4DOTC)(diag)-109, DTC P0102 MASS OR VOLUME AIR FLOW CIRCUIT LOW INPUT, Diagnostic Procedure with Diagnostic Trouble Code (DTC).>
P0103	Mass or Volume Air Flow Circuit High Input	<Ref. to EN(H4DOTC)(diag)-111, DTC P0103 MASS OR VOLUME AIR FLOW CIRCUIT HIGH INPUT, Diagnostic Procedure with Diagnostic Trouble Code (DTC).>
P0107	Manifold Absolute Pressure/Barometric Pressure Circuit Low Input	<Ref. to EN(H4DOTC)(diag)-113, DTC P0107 MANIFOLD ABSOLUTE PRESSURE/BAROMETRIC PRESSURE CIRCUIT LOW INPUT, Diagnostic Procedure with Diagnostic Trouble Code (DTC).>
P0108	Manifold Absolute Pressure/Barometric Pressure Circuit High Input	<Ref. to EN(H4DOTC)(diag)-115, DTC P0108 MANIFOLD ABSOLUTE PRESSURE/BAROMETRIC PRESSURE CIRCUIT HIGH INPUT, Diagnostic Procedure with Diagnostic Trouble Code (DTC).>
P0111	Intake Air Temperature Sensor 1 Circuit Range/Performance	<Ref. to EN(H4DOTC)(diag)-117, DTC P0111 INTAKE AIR TEMPERATURE SENSOR 1 CIRCUIT RANGE/PERFORMANCE, Diagnostic Procedure with Diagnostic Trouble Code (DTC).>
P0112	Intake Air Temperature Sensor 1 Circuit Low	<Ref. to EN(H4DOTC)(diag)-119, DTC P0112 INTAKE AIR TEMPERATURE SENSOR 1 CIRCUIT LOW, Diagnostic Procedure with Diagnostic Trouble Code (DTC).>

## List of Diagnostic Trouble Code (DTC)

### ENGINE (DIAGNOSTICS)

DTC	Item	Reference
P0113	Intake Air Temperature Sensor 1 Circuit High	<Ref. to EN(H4DOTC)(diag)-121, DTC P0113 INTAKE AIR TEMPERATURE SENSOR 1 CIRCUIT HIGH, Diagnostic Procedure with Diagnostic Trouble Code (DTC).>
P0117	Engine Coolant Temperature Circuit Low	<Ref. to EN(H4DOTC)(diag)-123, DTC P0117 ENGINE COOLANT TEMPERATURE CIRCUIT LOW, Diagnostic Procedure with Diagnostic Trouble Code (DTC).>
P0118	Engine Coolant Temperature Circuit High	<Ref. to EN(H4DOTC)(diag)-125, DTC P0118 ENGINE COOLANT TEMPERATURE CIRCUIT HIGH, Diagnostic Procedure with Diagnostic Trouble Code (DTC).>
P0122	Throttle/Pedal Position Sensor/Switch "A" Circuit Low	<Ref. to EN(H4DOTC)(diag)-127, DTC P0122 THROTTLE/PEDAL POSITION SENSOR/SWITCH "A" CIRCUIT LOW, Diagnostic Procedure with Diagnostic Trouble Code (DTC).>
P0123	Throttle/Pedal Position Sensor/Switch "A" Circuit High	<Ref. to EN(H4DOTC)(diag)-129, DTC P0123 THROTTLE/PEDAL POSITION SENSOR/SWITCH "A" CIRCUIT HIGH, Diagnostic Procedure with Diagnostic Trouble Code (DTC).>
P0125	Insufficient Coolant Temperature for Closed Loop Fuel Control	<Ref. to EN(H4DOTC)(diag)-131, DTC P0125 INSUFFICIENT COOLANT TEMPERATURE FOR CLOSED LOOP FUEL CONTROL, Diagnostic Procedure with Diagnostic Trouble Code (DTC).>
P0126	Insufficient Engine Coolant Temperature for Stable Operation	<Ref. to EN(H4DOTC)(diag)-132, DTC P0126 INSUFFICIENT ENGINE COOLANT TEMPERATURE FOR STABLE OPERATION, Diagnostic Procedure with Diagnostic Trouble Code (DTC).>
P0128	Coolant Thermostat (Engine Coolant Temperature Below Thermostat Regulating Temperature)	<Ref. to EN(H4DOTC)(diag)-134, DTC P0128 COOLANT THERMOSTAT (ENGINE COOLANT TEMPERATURE BELOW THERMOSTAT REGULATING TEMPERATURE), Diagnostic Procedure with Diagnostic Trouble Code (DTC).>
P0131	O2 Sensor Circuit Low Voltage (Bank 1 Sensor 1)	<Ref. to EN(H4DOTC)(diag)-135, DTC P0131 O2 SENSOR CIRCUIT LOW VOLTAGE (BANK 1 SENSOR 1), Diagnostic Procedure with Diagnostic Trouble Code (DTC).>
P0132	O2 Sensor Circuit High Voltage (Bank 1 Sensor 1)	<Ref. to EN(H4DOTC)(diag)-137, DTC P0132 O2 SENSOR CIRCUIT HIGH VOLTAGE (BANK 1 SENSOR 1), Diagnostic Procedure with Diagnostic Trouble Code (DTC).>
P0133	O2 Sensor Circuit Slow Response (Bank 1 Sensor 1)	<Ref. to EN(H4DOTC)(diag)-139, DTC P0133 O2 SENSOR CIRCUIT SLOW RESPONSE (BANK 1 SENSOR 1), Diagnostic Procedure with Diagnostic Trouble Code (DTC).>
P0134	O2 Sensor Circuit No Activity Detected (Bank 1 Sensor 1)	<Ref. to EN(H4DOTC)(diag)-141, DTC P0134 O2 SENSOR CIRCUIT NO ACTIVITY DETECTED (BANK 1 SENSOR 1), Diagnostic Procedure with Diagnostic Trouble Code (DTC).>
P0137	O2 Sensor Circuit Low Voltage (Bank 1 Sensor 2)	<Ref. to EN(H4DOTC)(diag)-143, DTC P0137 O2 SENSOR CIRCUIT LOW VOLTAGE (BANK 1 SENSOR 2), Diagnostic Procedure with Diagnostic Trouble Code (DTC).>
P0138	O2 Sensor Circuit High Voltage (Bank 1 Sensor 2)	<Ref. to EN(H4DOTC)(diag)-145, DTC P0138 O2 SENSOR CIRCUIT HIGH VOLTAGE (BANK 1 SENSOR 2), Diagnostic Procedure with Diagnostic Trouble Code (DTC).>
P0139	O2 Sensor Circuit Slow Response (Bank 1 Sensor 2)	<Ref. to EN(H4DOTC)(diag)-147, DTC P0139 O2 SENSOR CIRCUIT SLOW RESPONSE (BANK 1 SENSOR 2), Diagnostic Procedure with Diagnostic Trouble Code (DTC).>
P0140	O2 Sensor Circuit No Activity Detected (Bank 1 Sensor 2)	<Ref. to EN(H4DOTC)(diag)-149, DTC P0140 O2 SENSOR CIRCUIT NO ACTIVITY DETECTED (BANK 1 SENSOR 2), Diagnostic Procedure with Diagnostic Trouble Code (DTC).>
P0171	System Too Lean (Bank 1)	<Ref. to EN(H4DOTC)(diag)-151, DTC P0171 SYSTEM TOO LEAN (BANK 1), Diagnostic Procedure with Diagnostic Trouble Code (DTC).>
P0172	System Too Rich (Bank 1)	<Ref. to EN(H4DOTC)(diag)-152, DTC P0172 SYSTEM TOO RICH (BANK 1), Diagnostic Procedure with Diagnostic Trouble Code (DTC).>
P0181	Fuel Temperature Sensor "A" Circuit Range/Performance	<Ref. to EN(H4DOTC)(diag)-154, DTC P0181 FUEL TEMPERATURE SENSOR "A" CIRCUIT RANGE/PERFORMANCE, Diagnostic Procedure with Diagnostic Trouble Code (DTC).>

# List of Diagnostic Trouble Code (DTC)

ENGINE (DIAGNOSTICS)

DTC	Item	Reference
P0182	Fuel Temperature Sensor "A" Circuit Low Input	<Ref. to EN(H4DOTC)(diag)-156, DTC P0182 FUEL TEMPERATURE SENSOR "A" CIRCUIT LOW INPUT, Diagnostic Procedure with Diagnostic Trouble Code (DTC).>
P0183	Fuel Temperature Sensor "A" Circuit High Input	<Ref. to EN(H4DOTC)(diag)-158, DTC P0183 FUEL TEMPERATURE SENSOR "A" CIRCUIT HIGH INPUT, Diagnostic Procedure with Diagnostic Trouble Code (DTC).>
P0222	Throttle/Pedal Position Sensor/Switch "B" Circuit Low	<Ref. to EN(H4DOTC)(diag)-160, DTC P0222 THROTTLE/PEDAL POSITION SENSOR/SWITCH "B" CIRCUIT LOW, Diagnostic Procedure with Diagnostic Trouble Code (DTC).>
P0223	Throttle/Pedal Position Sensor/Switch "B" Circuit High	<Ref. to EN(H4DOTC)(diag)-162, DTC P0223 THROTTLE/PEDAL POSITION SENSOR/SWITCH "B" CIRCUIT HIGH, Diagnostic Procedure with Diagnostic Trouble Code (DTC).>
P0230	Fuel Pump Primary Circuit	<Ref. to EN(H4DOTC)(diag)-164, DTC P0230 FUEL PUMP PRIMARY CIRCUIT, Diagnostic Procedure with Diagnostic Trouble Code (DTC).>
P0244	Turbo/Super Charger Wastegate Solenoid "A" Range/Performance	<Ref. to EN(H4DOTC)(diag)-167, DTC P0244 TURBO/SUPER CHARGER WASTEGATE SOLENOID "A" RANGE/PERFORMANCE, Diagnostic Procedure with Diagnostic Trouble Code (DTC).>
P0245	Turbo/Super Charger Wastegate Solenoid "A" Low	<Ref. to EN(H4DOTC)(diag)-169, DTC P0245 TURBO/SUPER CHARGER WASTEGATE SOLENOID "A" LOW, Diagnostic Procedure with Diagnostic Trouble Code (DTC).>
P0246	Turbo/Super Charger Wastegate Solenoid "A" High	<Ref. to EN(H4DOTC)(diag)-171, DTC P0246 TURBO/SUPER CHARGER WASTEGATE SOLENOID "A" HIGH, Diagnostic Procedure with Diagnostic Trouble Code (DTC).>
P0301	Cylinder 1 Misfire Detected	<Ref. to EN(H4DOTC)(diag)-172, DTC P0301 CYLINDER 1 MISFIRE DETECTED, Diagnostic Procedure with Diagnostic Trouble Code (DTC).>
P0302	Cylinder 2 Misfire Detected	<Ref. to EN(H4DOTC)(diag)-172, DTC P0302 CYLINDER 2 MISFIRE DETECTED, Diagnostic Procedure with Diagnostic Trouble Code (DTC).>
P0303	Cylinder 3 Misfire Detected	<Ref. to EN(H4DOTC)(diag)-172, DTC P0303 CYLINDER 3 MISFIRE DETECTED, Diagnostic Procedure with Diagnostic Trouble Code (DTC).>
P0304	Cylinder 4 Misfire Detected	<Ref. to EN(H4DOTC)(diag)-173, DTC P0304 CYLINDER 4 MISFIRE DETECTED, Diagnostic Procedure with Diagnostic Trouble Code (DTC).>
P0327	Knock Sensor 1 Circuit Low (Bank 1 or Single Sensor)	<Ref. to EN(H4DOTC)(diag)-179, DTC P0327 KNOCK SENSOR 1 CIRCUIT LOW (BANK 1 OR SINGLE SENSOR), Diagnostic Procedure with Diagnostic Trouble Code (DTC).>
P0328	Knock Sensor 1 Circuit High (Bank 1 or Single Sensor)	<Ref. to EN(H4DOTC)(diag)-181, DTC P0328 KNOCK SENSOR 1 CIRCUIT HIGH (BANK 1 OR SINGLE SENSOR), Diagnostic Procedure with Diagnostic Trouble Code (DTC).>
P0335	Crankshaft Position Sensor "A" Circuit	<Ref. to EN(H4DOTC)(diag)-183, DTC P0335 CRANKSHAFT POSITION SENSOR "A" CIRCUIT, Diagnostic Procedure with Diagnostic Trouble Code (DTC).>
P0336	Crankshaft Position Sensor "A" Circuit Range/Performance	<Ref. to EN(H4DOTC)(diag)-185, DTC P0336 CRANKSHAFT POSITION SENSOR "A" CIRCUIT RANGE/PERFORMANCE, Diagnostic Procedure with Diagnostic Trouble Code (DTC).>
P0340	Camshaft Position Sensor "A" Circuit (Bank 1 or Single Sensor)	<Ref. to EN(H4DOTC)(diag)-187, DTC P0340 CAMSHAFT POSITION SENSOR "A" CIRCUIT (BANK 1 OR SINGLE SENSOR), Diagnostic Procedure with Diagnostic Trouble Code (DTC).>
P0345	Camshaft Position Sensor "A" Circuit (Bank 2)	<Ref. to EN(H4DOTC)(diag)-189, DTC P0345 CAMSHAFT POSITION SENSOR "A" CIRCUIT (BANK 2), Diagnostic Procedure with Diagnostic Trouble Code (DTC).>
P0410	Secondary Air Injection System	<Ref. to EN(H4DOTC)(diag)-191, DTC P0410 SECONDARY AIR INJECTION SYSTEM, Diagnostic Procedure with Diagnostic Trouble Code (DTC).>
P0411	Secondary Air Injection System Incorrect Flow Detected	<Ref. to EN(H4DOTC)(diag)-195, DTC P0411 SECONDARY AIR INJECTION SYSTEM INCORRECT FLOW DETECTED, Diagnostic Procedure with Diagnostic Trouble Code (DTC).>



## List of Diagnostic Trouble Code (DTC)

### ENGINE (DIAGNOSTICS)

DTC	Item	Reference
P0413	Secondary Air Injection System Switching Valve "A" Circuit Open	<Ref. to EN(H4DOTC)(diag)-198, DTC P0413 SECONDARY AIR INJECTION SYSTEM SWITCHING VALVE "A" CIRCUIT OPEN, Diagnostic Procedure with Diagnostic Trouble Code (DTC).>
P0414	Secondary Air Injection System Switching Valve "A" Circuit Shorted	<Ref. to EN(H4DOTC)(diag)-201, DTC P0414 SECONDARY AIR INJECTION SYSTEM SWITCHING VALVE "A" CIRCUIT SHORTED, Diagnostic Procedure with Diagnostic Trouble Code (DTC).>
P0416	Secondary Air Injection System Switching Valve "B" Circuit Open	<Ref. to EN(H4DOTC)(diag)-204, DTC P0416 SECONDARY AIR INJECTION SYSTEM SWITCHING VALVE "B" CIRCUIT OPEN, Diagnostic Procedure with Diagnostic Trouble Code (DTC).>
P0417	Secondary Air Injection System Switching Valve "B" Circuit Shorted	<Ref. to EN(H4DOTC)(diag)-207, DTC P0417 SECONDARY AIR INJECTION SYSTEM SWITCHING VALVE "B" CIRCUIT SHORTED, Diagnostic Procedure with Diagnostic Trouble Code (DTC).>
P0418	Secondary Air Injection System Control "A" Circuit Open	<Ref. to EN(H4DOTC)(diag)-210, DTC P0418 SECONDARY AIR INJECTION SYSTEM CONTROL "A" CIRCUIT OPEN, Diagnostic Procedure with Diagnostic Trouble Code (DTC).>
P0420	Catalyst System Efficiency below Threshold (Bank 1)	<Ref. to EN(H4DOTC)(diag)-213, DTC P0420 CATALYST SYSTEM EFFICIENCY BELOW THRESHOLD (BANK 1), Diagnostic Procedure with Diagnostic Trouble Code (DTC).>
P0441	Evaporative Emission System Incorrect Purge Flow	<Ref. to EN(H4DOTC)(diag)-217, DTC P0441 EVAPORATIVE EMISSION SYSTEM INCORRECT PURGE FLOW, Diagnostic Procedure with Diagnostic Trouble Code (DTC).>
P0442	Evaporative Emission Control System Leak Detected (Small Leak)	<Ref. to EN(H4DOTC)(diag)-218, DTC P0442 EVAPORATIVE EMISSION CONTROL SYSTEM LEAK DETECTED (SMALL LEAK), Diagnostic Procedure with Diagnostic Trouble Code (DTC).>
P0447	Evaporative Emission Control System Vent Control Circuit Open	<Ref. to EN(H4DOTC)(diag)-221, DTC P0447 EVAPORATIVE EMISSION CONTROL SYSTEM VENT CONTROL CIRCUIT OPEN, Diagnostic Procedure with Diagnostic Trouble Code (DTC).>
P0448	Evaporative Emission Control System Vent Control Circuit Shorted	<Ref. to EN(H4DOTC)(diag)-223, DTC P0448 EVAPORATIVE EMISSION CONTROL SYSTEM VENT CONTROL CIRCUIT SHORTED, Diagnostic Procedure with Diagnostic Trouble Code (DTC).>
P0451	Evaporative Emission Control System Pressure Sensor	<Ref. to EN(H4DOTC)(diag)-225, DTC P0451 EVAPORATIVE EMISSION CONTROL SYSTEM PRESSURE SENSOR, Diagnostic Procedure with Diagnostic Trouble Code (DTC).>
P0452	Evaporative Emission Control System Pressure Sensor Low Input	<Ref. to EN(H4DOTC)(diag)-227, DTC P0452 EVAPORATIVE EMISSION CONTROL SYSTEM PRESSURE SENSOR LOW INPUT, Diagnostic Procedure with Diagnostic Trouble Code (DTC).>
P0453	Evaporative Emission Control System Pressure Sensor High Input	<Ref. to EN(H4DOTC)(diag)-229, DTC P0453 EVAPORATIVE EMISSION CONTROL SYSTEM PRESSURE SENSOR HIGH INPUT, Diagnostic Procedure with Diagnostic Trouble Code (DTC).>
P0456	Evaporative Emission Control System Leak Detected (Very Small Leak)	<Ref. to EN(H4DOTC)(diag)-231, DTC P0456 EVAPORATIVE EMISSION CONTROL SYSTEM LEAK DETECTED (VERY SMALL LEAK), Diagnostic Procedure with Diagnostic Trouble Code (DTC).>
P0457	Evaporative Emission Control System Leak Detected (Fuel Cap Loose/Off)	<Ref. to EN(H4DOTC)(diag)-234, DTC P0457 EVAPORATIVE EMISSION CONTROL SYSTEM LEAK DETECTED (FUEL CAP LOOSE/OFF), Diagnostic Procedure with Diagnostic Trouble Code (DTC).>
P0458	Evaporative Emission System Purge Control Valve Circuit Low	<Ref. to EN(H4DOTC)(diag)-237, DTC P0458 EVAPORATIVE EMISSION SYSTEM PURGE CONTROL VALVE CIRCUIT LOW, Diagnostic Procedure with Diagnostic Trouble Code (DTC).>
P0459	Evaporative Emission System Purge Control Valve Circuit High	<Ref. to EN(H4DOTC)(diag)-239, DTC P0459 EVAPORATIVE EMISSION SYSTEM PURGE CONTROL VALVE CIRCUIT HIGH, Diagnostic Procedure with Diagnostic Trouble Code (DTC).>
P0461	Fuel Level Sensor "A" Circuit Range/Performance	<Ref. to EN(H4DOTC)(diag)-241, DTC P0461 FUEL LEVEL SENSOR "A" CIRCUIT RANGE/PERFORMANCE, Diagnostic Procedure with Diagnostic Trouble Code (DTC).>
P0462	Fuel Level Sensor "A" Circuit Low	<Ref. to EN(H4DOTC)(diag)-241, DTC P0462 FUEL LEVEL SENSOR "A" CIRCUIT LOW, Diagnostic Procedure with Diagnostic Trouble Code (DTC).>

# List of Diagnostic Trouble Code (DTC)

ENGINE (DIAGNOSTICS)

DTC	Item	Reference
P0463	Fuel Level Sensor "A" Circuit High	<Ref. to EN(H4DOTC)(diag)-241, DTC P0463 FUEL LEVEL SENSOR "A" CIRCUIT HIGH, Diagnostic Procedure with Diagnostic Trouble Code (DTC).>
P0464	Fuel Level Sensor Circuit Intermittent	<Ref. to EN(H4DOTC)(diag)-242, DTC P0464 FUEL LEVEL SENSOR CIRCUIT INTERMITTENT, Diagnostic Procedure with Diagnostic Trouble Code (DTC).>
P0500	Vehicle Speed Sensor "A"	<Ref. to EN(H4DOTC)(diag)-242, DTC P0500 VEHICLE SPEED SENSOR "A", Diagnostic Procedure with Diagnostic Trouble Code (DTC).>
P0512	Starter Request Circuit	<Ref. to EN(H4DOTC)(diag)-243, DTC P0512 STARTER REQUEST CIRCUIT, Diagnostic Procedure with Diagnostic Trouble Code (DTC).>
P0513	Incorrect Immobilizer Key	<Ref. to IM(diag)-15, DTC P0513 INCORRECT IMMOBILIZER KEY, Diagnostic Procedure with Diagnostic Trouble Code (DTC).>
P0600	Serial Communication Link	<Ref. to EN(H4DOTC)(diag)-244, DTC P0600 SERIAL COMMUNICATION LINK, Diagnostic Procedure with Diagnostic Trouble Code (DTC).>
P0604	Internal Control Module Random Access Memory (RAM) Error	<Ref. to EN(H4DOTC)(diag)-245, DTC P0604 INTERNAL CONTROL MODULE RANDOM ACCESS MEMORY (RAM) ERROR, Diagnostic Procedure with Diagnostic Trouble Code (DTC).>
P0605	Internal Control Module Read Only Memory (ROM) Error	<Ref. to EN(H4DOTC)(diag)-246, DTC P0605 INTERNAL CONTROL MODULE READ ONLY MEMORY (ROM) ERROR, Diagnostic Procedure with Diagnostic Trouble Code (DTC).>
P0607	Throttle Control System Circuit Range/Performance	<Ref. to EN(H4DOTC)(diag)-247, DTC P0607 THROTTLE CONTROL SYSTEM CIRCUIT RANGE/PERFORMANCE, Diagnostic Procedure with Diagnostic Trouble Code (DTC).>
P0638	Throttle Actuator Control Range/Performance (Bank 1)	<Ref. to EN(H4DOTC)(diag)-248, DTC P0638 THROTTLE ACTUATOR CONTROL RANGE/PERFORMANCE (BANK 1), Diagnostic Procedure with Diagnostic Trouble Code (DTC).>
P0700	Transmission Control System (Mil Request)	<Ref. to EN(H4DOTC)(diag)-248, DTC P0700 TRANSMISSION CONTROL SYSTEM (MIL REQUEST), Diagnostic Procedure with Diagnostic Trouble Code (DTC).>
P0851	Park/Neutral Switch Input Circuit Low (AT Model)	<Ref. to EN(H4DOTC)(diag)-249, DTC P0851 PARK/NEUTRAL SWITCH INPUT CIRCUIT LOW (AT MODEL), Diagnostic Procedure with Diagnostic Trouble Code (DTC).>
P0851	Neutral Switch Input Circuit Low (MT Model)	<Ref. to EN(H4DOTC)(diag)-251, DTC P0851 NEUTRAL SWITCH INPUT CIRCUIT LOW (MT MODEL), Diagnostic Procedure with Diagnostic Trouble Code (DTC).>
P0852	Park/Neutral Switch Input Circuit High (AT Model)	<Ref. to EN(H4DOTC)(diag)-253, DTC P0852 PARK/NEUTRAL SWITCH INPUT CIRCUIT HIGH (AT MODEL), Diagnostic Procedure with Diagnostic Trouble Code (DTC).>
P0852	Neutral Switch Input Circuit High (MT Model)	<Ref. to EN(H4DOTC)(diag)-255, DTC P0852 NEUTRAL SWITCH INPUT CIRCUIT HIGH (MT MODEL), Diagnostic Procedure with Diagnostic Trouble Code (DTC).>
P1152	O2 Sensor Circuit Range/Performance (Low) (Bank1 Sensor1)	<Ref. to EN(H4DOTC)(diag)-257, DTC P1152 O2 SENSOR CIRCUIT RANGE/PERFORMANCE (LOW) (BANK1 SENSOR1), Diagnostic Procedure with Diagnostic Trouble Code (DTC).>
P1153	O2 Sensor Circuit Range/Performance (High) (Bank1 Sensor1)	<Ref. to EN(H4DOTC)(diag)-259, DTC P1153 O2 SENSOR CIRCUIT RANGE/PERFORMANCE (HIGH) (BANK1 SENSOR1), Diagnostic Procedure with Diagnostic Trouble Code (DTC).>
P1160	Return Spring Failure	<Ref. to EN(H4DOTC)(diag)-260, DTC P1160 RETURN SPRING FAILURE, Diagnostic Procedure with Diagnostic Trouble Code (DTC).>
P1400	Fuel Tank Pressure Control Solenoid Valve Circuit Low	<Ref. to EN(H4DOTC)(diag)-261, DTC P1400 FUEL TANK PRESSURE CONTROL SOLENOID VALVE CIRCUIT LOW, Diagnostic Procedure with Diagnostic Trouble Code (DTC).>
P1410	Secondary Air Injection System Switching Valve Stuck Open	<Ref. to EN(H4DOTC)(diag)-263, DTC P1410 SECONDARY AIR INJECTION SYSTEM SWITCHING VALVE STUCK OPEN, Diagnostic Procedure with Diagnostic Trouble Code (DTC).>

## List of Diagnostic Trouble Code (DTC)

### ENGINE (DIAGNOSTICS)

DTC	Item	Reference
P1418	Secondary Air Injection System Control "A" Circuit Shorted	<Ref. to EN(H4DOTC)(diag)-266, DTC P1418 SECONDARY AIR INJECTION SYSTEM CONTROL "A" CIRCUIT SHORTED, Diagnostic Procedure with Diagnostic Trouble Code (DTC).>
P1420	Fuel Tank Pressure Control Sol. Valve Circuit High	<Ref. to EN(H4DOTC)(diag)-269, DTC P1420 FUEL TANK PRESSURE CONTROL SOL. VALVE CIRCUIT HIGH, Diagnostic Procedure with Diagnostic Trouble Code (DTC).>
P1443	Vent Control Solenoid Valve Function Problem	<Ref. to EN(H4DOTC)(diag)-271, DTC P1443 VENT CONTROL SOLENOID VALVE FUNCTION PROBLEM, Diagnostic Procedure with Diagnostic Trouble Code (DTC).>
P1491	Positive Crankcase Ventilation (Blow-by) Function Problem	<Ref. to EN(H4DOTC)(diag)-273, DTC P1491 POSITIVE CRANKCASE VENTILATION (BLOW-BY) FUNCTION PROBLEM, Diagnostic Procedure with Diagnostic Trouble Code (DTC).>
P1560	Back-Up Voltage Circuit Malfunction	<Ref. to EN(H4DOTC)(diag)-275, DTC P1560 BACK-UP VOLTAGE CIRCUIT MALFUNCTION, Diagnostic Procedure with Diagnostic Trouble Code (DTC).>
P1570	Antenna	<Ref. to IM(diag)-16, DTC P1570 ANTENNA, Diagnostic Procedure with Diagnostic Trouble Code (DTC).>
P1571	Reference Code Incompatibility	<Ref. to IM(diag)-18, DTC P1571 REFERENCE CODE INCOMPATIBILITY, Diagnostic Procedure with Diagnostic Trouble Code (DTC).>
P1572	IMM Circuit Failure (Except Antenna Circuit)	<Ref. to IM(diag)-19, DTC P1572 IMM CIRCUIT FAILURE (EXCEPT ANTENNA CIRCUIT), Diagnostic Procedure with Diagnostic Trouble Code (DTC).>
P1574	Key Communication Failure	<Ref. to IM(diag)-22, DTC P1574 KEY COMMUNICATION FAILURE, Diagnostic Procedure with Diagnostic Trouble Code (DTC).>
P1576	EGI Control Module EEPROM	<Ref. to IM(diag)-22, DTC P1576 EGI CONTROL MODULE EEPROM, Diagnostic Procedure with Diagnostic Trouble Code (DTC).>
P1577	IMM Control Module EEPROM	<Ref. to IM(diag)-23, DTC P1577 IMM CONTROL MODULE EEPROM, Diagnostic Procedure with Diagnostic Trouble Code (DTC).>
P1578	Meter Failure	<Ref. to IM(diag)-23, DTC P1578 METER FAILURE, Diagnostic Procedure with Diagnostic Trouble Code (DTC).>
P1602	Control Module Programming Error	<Ref. to EN(H4DOTC)(diag)-277, DTC P1602 CONTROL MODULE PROGRAMMING ERROR, Diagnostic Procedure with Diagnostic Trouble Code (DTC).>
P2004	Intake Manifold Runner Control Stuck Open (Bank 1)	<Ref. to EN(H4DOTC)(diag)-286, DTC P2004 INTAKE MANIFOLD RUNNER CONTROL STUCK OPEN (BANK 1), Diagnostic Procedure with Diagnostic Trouble Code (DTC).>
P2005	Intake Manifold Runner Control Stuck Open (Bank 2)	<Ref. to EN(H4DOTC)(diag)-286, DTC P2005 INTAKE MANIFOLD RUNNER CONTROL STUCK OPEN (BANK 2), Diagnostic Procedure with Diagnostic Trouble Code (DTC).>
P2006	Intake Manifold Runner Control Stuck Closed (Bank 1)	<Ref. to EN(H4DOTC)(diag)-287, DTC P2006 INTAKE MANIFOLD RUNNER CONTROL STUCK CLOSED (BANK 1), Diagnostic Procedure with Diagnostic Trouble Code (DTC).>
P2007	Intake Manifold Runner Control Stuck Closed (Bank 2)	<Ref. to EN(H4DOTC)(diag)-287, DTC P2007 INTAKE MANIFOLD RUNNER CONTROL STUCK CLOSED (BANK 2), Diagnostic Procedure with Diagnostic Trouble Code (DTC).>
P2008	Intake Manifold Runner Control Circuit / Open (Bank 1)	<Ref. to EN(H4DOTC)(diag)-288, DTC P2008 INTAKE MANIFOLD RUNNER CONTROL CIRCUIT / OPEN (BANK 1), Diagnostic Procedure with Diagnostic Trouble Code (DTC).>
P2009	Intake Manifold Runner Control Circuit Low (Bank 1)	<Ref. to EN(H4DOTC)(diag)-290, DTC P2009 INTAKE MANIFOLD RUNNER CONTROL CIRCUIT LOW (BANK 1), Diagnostic Procedure with Diagnostic Trouble Code (DTC).>
P2011	Intake Manifold Runner Control Circuit / Open (Bank 2)	<Ref. to EN(H4DOTC)(diag)-292, DTC P2011 INTAKE MANIFOLD RUNNER CONTROL CIRCUIT / OPEN (BANK 2), Diagnostic Procedure with Diagnostic Trouble Code (DTC).>

# List of Diagnostic Trouble Code (DTC)

ENGINE (DIAGNOSTICS)

DTC	Item	Reference
P2012	Intake Manifold Runner Control Circuit Low (Bank 2)	<Ref. to EN(H4DOTC)(diag)-294, DTC P2012 INTAKE MANIFOLD RUNNER CONTROL CIRCUIT LOW (BANK 2), Diagnostic Procedure with Diagnostic Trouble Code (DTC).>
P2016	Intake Manifold Runner Position Sensor / Switch Circuit Low (Bank 1)	<Ref. to EN(H4DOTC)(diag)-296, DTC P2016 INTAKE MANIFOLD RUNNER POSITION SENSOR / SWITCH CIRCUIT LOW (BANK 1), Diagnostic Procedure with Diagnostic Trouble Code (DTC).>
P2017	Intake Manifold Runner Position Sensor / Switch Circuit High (Bank 1)	<Ref. to EN(H4DOTC)(diag)-298, DTC P2017 INTAKE MANIFOLD RUNNER POSITION SENSOR / SWITCH CIRCUIT HIGH (BANK 1), Diagnostic Procedure with Diagnostic Trouble Code (DTC).>
P2021	Intake Manifold Runner Position Sensor / Switch Circuit Low (Bank 2)	<Ref. to EN(H4DOTC)(diag)-300, DTC P2021 INTAKE MANIFOLD RUNNER POSITION SENSOR / SWITCH CIRCUIT LOW (BANK 2), Diagnostic Procedure with Diagnostic Trouble Code (DTC).>
P2022	Intake Manifold Runner Position Sensor / Switch Circuit High (Bank 2)	<Ref. to EN(H4DOTC)(diag)-302, DTC P2022 INTAKE MANIFOLD RUNNER POSITION SENSOR / SWITCH CIRCUIT HIGH (BANK 2), Diagnostic Procedure with Diagnostic Trouble Code (DTC).>
P2088	Intake Camshaft Position Actuator Control Circuit Low (Bank 1)	<Ref. to EN(H4DOTC)(diag)-304, DTC P2088 INTAKE CAMSHAFT POSITION ACTUATOR CONTROL CIRCUIT LOW (BANK 1), Diagnostic Procedure with Diagnostic Trouble Code (DTC).>
P2089	Intake Camshaft Position Actuator Control Circuit High (Bank 1)	<Ref. to EN(H4DOTC)(diag)-306, DTC P2089 INTAKE CAMSHAFT POSITION ACTUATOR CONTROL CIRCUIT HIGH (BANK 1), Diagnostic Procedure with Diagnostic Trouble Code (DTC).>
P2092	Intake Camshaft Position Actuator Control Circuit Low (Bank 2)	<Ref. to EN(H4DOTC)(diag)-308, DTC P2092 INTAKE CAMSHAFT POSITION ACTUATOR CONTROL CIRCUIT LOW (BANK 2), Diagnostic Procedure with Diagnostic Trouble Code (DTC).>
P2093	Intake Camshaft Position Actuator Control Circuit High (Bank 2)	<Ref. to EN(H4DOTC)(diag)-310, DTC P2093 INTAKE CAMSHAFT POSITION ACTUATOR CONTROL CIRCUIT HIGH (BANK 2), Diagnostic Procedure with Diagnostic Trouble Code (DTC).>
P2096	Post Catalyst Fuel Trim System Too Lean (Bank 1)	<Ref. to EN(H4DOTC)(diag)-311, DTC P2096 POST CATALYST FUEL TRIM SYSTEM TOO LEAN (BANK 1), Diagnostic Procedure with Diagnostic Trouble Code (DTC).>
P2097	Post Catalyst Fuel Trim System Too Rich (Bank 1)	<Ref. to EN(H4DOTC)(diag)-312, DTC P2097 POST CATALYST FUEL TRIM SYSTEM TOO RICH (BANK 1), Diagnostic Procedure with Diagnostic Trouble Code (DTC).>
P2101	Throttle Actuator Control Motor Circuit Range/Performance	<Ref. to EN(H4DOTC)(diag)-319, DTC P2101 THROTTLE ACTUATOR CONTROL MOTOR CIRCUIT RANGE/PERFORMANCE, Diagnostic Procedure with Diagnostic Trouble Code (DTC).>
P2102	Throttle Actuator Control Motor Circuit Low	<Ref. to EN(H4DOTC)(diag)-324, DTC P2102 THROTTLE ACTUATOR CONTROL MOTOR CIRCUIT LOW, Diagnostic Procedure with Diagnostic Trouble Code (DTC).>
P2103	Throttle Actuator Control Motor Circuit High	<Ref. to EN(H4DOTC)(diag)-326, DTC P2103 THROTTLE ACTUATOR CONTROL MOTOR CIRCUIT HIGH, Diagnostic Procedure with Diagnostic Trouble Code (DTC).>
P2109	Throttle/Pedal Position Sensor "A" Minimum Stop Performance	<Ref. to EN(H4DOTC)(diag)-327, DTC P2109 THROTTLE/PEDAL POSITION SENSOR "A" MINIMUM STOP PERFORMANCE, Diagnostic Procedure with Diagnostic Trouble Code (DTC).>
P2122	Throttle/Pedal Position Sensor/ Switch "D" Circuit Low Input	<Ref. to EN(H4DOTC)(diag)-328, DTC P2122 THROTTLE/PEDAL POSITION SENSOR/SWITCH "D" CIRCUIT LOW INPUT, Diagnostic Procedure with Diagnostic Trouble Code (DTC).>
P2123	Throttle/Pedal Position Sensor/ Switch "D" Circuit High Input	<Ref. to EN(H4DOTC)(diag)-330, DTC P2123 THROTTLE/PEDAL POSITION SENSOR/SWITCH "D" CIRCUIT HIGH INPUT, Diagnostic Procedure with Diagnostic Trouble Code (DTC).>
P2127	Throttle/Pedal Position Sensor/ Switch "E" Circuit Low Input	<Ref. to EN(H4DOTC)(diag)-332, DTC P2127 THROTTLE/PEDAL POSITION SENSOR/SWITCH "E" CIRCUIT LOW INPUT, Diagnostic Procedure with Diagnostic Trouble Code (DTC).>
P2128	Throttle/Pedal Position Sensor/ Switch "E" Circuit High Input	<Ref. to EN(H4DOTC)(diag)-334, DTC P2128 THROTTLE/PEDAL POSITION SENSOR/SWITCH "E" CIRCUIT HIGH INPUT, Diagnostic Procedure with Diagnostic Trouble Code (DTC).>

## List of Diagnostic Trouble Code (DTC)

### ENGINE (DIAGNOSTICS)

DTC	Item	Reference
P2135	Throttle/Pedal Position Sensor/Switch "A"/"B" Voltage Correlation	<Ref. to EN(H4DOTC)(diag)-336, DTC P2135 THROTTLE/PEDAL POSITION SENSOR/SWITCH "A"/"B" VOLTAGE CORRELATION, Diagnostic Procedure with Diagnostic Trouble Code (DTC).>
P2138	Throttle/Pedal Position Sensor/Switch "D"/"E" Voltage Correlation	<Ref. to EN(H4DOTC)(diag)-339, DTC P2138 THROTTLE/PEDAL POSITION SENSOR/SWITCH "D"/"E" VOLTAGE CORRELATION, Diagnostic Procedure with Diagnostic Trouble Code (DTC).>
P2419	Evaporative Emission System Switching Valve Control Circuit Low	<Ref. to EN(H4DOTC)(diag)-341, DTC P2419 EVAPORATIVE EMISSION SYSTEM SWITCHING VALVE CONTROL CIRCUIT LOW, Diagnostic Procedure with Diagnostic Trouble Code (DTC).>
P2420	Evaporative Emission System Switching Valve Control Circuit High	<Ref. to EN(H4DOTC)(diag)-343, DTC P2420 EVAPORATIVE EMISSION SYSTEM SWITCHING VALVE CONTROL CIRCUIT HIGH, Diagnostic Procedure with Diagnostic Trouble Code (DTC).>
P2431	Secondary Air Injection System Air Flow /Pressure Sensor Circuit Range/Performance	<Ref. to EN(H4DOTC)(diag)-345, DTC P2431 SECONDARY AIR INJECTION SYSTEM AIR FLOW /PRESSURE SENSOR CIRCUIT RANGE/PERFORMANCE, Diagnostic Procedure with Diagnostic Trouble Code (DTC).>
P2432	Secondary Air Injection System Air Flow /Pressure Sensor Circuit Low	<Ref. to EN(H4DOTC)(diag)-348, DTC P2432 SECONDARY AIR INJECTION SYSTEM AIR FLOW /PRESSURE SENSOR CIRCUIT LOW, Diagnostic Procedure with Diagnostic Trouble Code (DTC).>
P2433	Secondary Air Injection System Air Flow /Pressure Sensor Circuit High	<Ref. to EN(H4DOTC)(diag)-351, DTC P2433 SECONDARY AIR INJECTION SYSTEM AIR FLOW /PRESSURE SENSOR CIRCUIT HIGH, Diagnostic Procedure with Diagnostic Trouble Code (DTC).>
P2440	Secondary Air Injection System Switching Valve Stuck Open (Bank1)	<Ref. to EN(H4DOTC)(diag)-354, DTC P2440 SECONDARY AIR INJECTION SYSTEM SWITCHING VALVE STUCK OPEN (BANK1), Diagnostic Procedure with Diagnostic Trouble Code (DTC).>
P2441	Secondary Air Injection System Switching Valve Stuck Closed (Bank 1)	<Ref. to EN(H4DOTC)(diag)-358, DTC P2441 SECONDARY AIR INJECTION SYSTEM SWITCHING VALVE STUCK CLOSED (BANK1), Diagnostic Procedure with Diagnostic Trouble Code (DTC).>
P2442	Secondary Air Injection System Switching Valve Stuck Open (Bank2)	<Ref. to EN(H4DOTC)(diag)-359, DTC P2442 SECONDARY AIR INJECTION SYSTEM SWITCHING VALVE STUCK OPEN (BANK2), Diagnostic Procedure with Diagnostic Trouble Code (DTC).>
P2443	Secondary Air Injection System Switching Valve Stuck Closed (Bank 2)	<Ref. to EN(H4DOTC)(diag)-363, DTC P2443 SECONDARY AIR INJECTION SYSTEM SWITCHING VALVE STUCK CLOSED (BANK2), Diagnostic Procedure with Diagnostic Trouble Code (DTC).>
P2444	Secondary Air Injection System Pump Stuck On	<Ref. to EN(H4DOTC)(diag)-364, DTC P2444 SECONDARY AIR INJECTION SYSTEM PUMP STUCK ON, Diagnostic Procedure with Diagnostic Trouble Code (DTC).>

## 20. Diagnostic Procedure with Diagnostic Trouble Code (DTC)

### A: DTC P0011 INTAKE CAMSHAFT POSITION - TIMING OVER-ADVANCED OR SYSTEM PERFORMANCE (BANK 1)

#### DTC DETECTING CONDITION:

- Detected when two consecutive driving cycles with fault occur.
- GENERAL DESCRIPTION <Ref. to GD(H4DOTC)-10, DTC P0011 INTAKE CAMSHAFT POSITION - TIMING OVER-ADVANCED OR SYSTEM PERFORMANCE (BANK 1), Diagnostic Trouble Code (DTC) Detecting Criteria.>

#### TROUBLE SYMPTOM:

- Engine stalls.
- Improper idling

#### CAUTION:

**After servicing or replacing faulty parts, perform Clear Memory Mode <Ref. to EN(H4DOTC)(diag)-54, OPERATION, Clear Memory Mode.>, and Inspection Mode <Ref. to EN(H4DOTC)(diag)-43, PROCEDURE, Inspection Mode.>.**

Step	Check	Yes	No
<p><b>1</b></p> <p><b>CHECK CURRENT DATA.</b>                      1) Start the engine and let it idle.                      2) Check the AVCS system operating angle using Subaru Select Monitor or general scan tool.</p> <p>NOTE:                      • Subaru Select Monitor                      For detailed operation procedures, refer to "READ CURRENT DATA FOR ENGINE". &lt;Ref. to EN(H4DOTC)(diag)-34, Subaru Select Monitor.&gt;                      • General scan tool                      For detailed operation procedures, refer to the general scan tool operation manual.</p>	<p>Is the AVCS system operating angle approximately 0°?</p>	<p>Go to step 2.</p>	<p>Check the following item and repair or replace if necessary.</p> <ul style="list-style-type: none"> <li>• Oil pipe (clog)</li> <li>• Oil flow control solenoid valve (clog or dirt of oil routing, setting of spring)</li> <li>• Intake camshaft (dirt, damage of camshaft)</li> </ul>
<p><b>2</b></p> <p><b>CHECK CURRENT DATA.</b>                      1) Drive with acceleration and deceleration at 80 km/h (50 MPH) or less.</p> <p>NOTE:                      Drive to an extent that the duty output of oil flow control solenoid valve increases.                      2) Measure the AVCS system operating angle and oil flow control solenoid valve duty output using Subaru Select Monitor or general scan tool.</p> <p>NOTE:                      • Subaru Select Monitor                      For detailed operation procedures, refer to "READ CURRENT DATA FOR ENGINE". &lt;Ref. to EN(H4DOTC)(diag)-34, Subaru Select Monitor.&gt;                      • General scan tool                      For detailed operation procedures, refer to the general scan tool operation manual.</p>	<p>When the oil flow control solenoid valve duty output exceeds 10%, is the AVCS system operating angle approx. 0°?</p>	<p>Check the following item and repair or replace if necessary.</p> <ul style="list-style-type: none"> <li>• Oil pipe (clog)</li> <li>• Oil flow control solenoid valve (clog or dirt of oil routing, setting of spring)</li> <li>• Intake camshaft (dirt, damage of camshaft)</li> </ul>	<p>Perform the following procedures, and clean the oil routing.                      Replace the engine oil and idle the engine for 5 minutes, and then replace the oil filter and engine oil.                      &lt;Ref. to LU(H4SO)-9, REPLACEMENT, Engine Oil.&gt; &lt;Ref. to LU(H4SO)-21, Engine Oil Filter.&gt;</p>

# Diagnostic Procedure with Diagnostic Trouble Code (DTC)

ENGINE (DIAGNOSTICS)

## B: DTC P0016 CRANKSHAFT POSITION - CAMSHAFT POSITION CORRELATION (BANK1)

### DTC DETECTING CONDITION:

- Detected when two consecutive driving cycles with fault occur.
- GENERAL DESCRIPTION <Ref. to GD(H4DOTC)-12, DTC P0016 CRANKSHAFT POSITION - CAMSHAFT POSITION CORRELATION (BANK1), Diagnostic Trouble Code (DTC) Detecting Criteria.>

### TROUBLE SYMPTOM:

- Engine stalls.
- Improper idling

### CAUTION:

After servicing or replacing faulty parts, perform Clear Memory Mode <Ref. to EN(H4DOTC)(diag)-54, OPERATION, Clear Memory Mode.>, and Inspection Mode <Ref. to EN(H4DOTC)(diag)-43, PROCEDURE, Inspection Mode.>.

	Step	Check	Yes	No
1	<p><b>CHECK CURRENT DATA.</b></p> <p>1) Start the engine and let it idle.</p> <p>2) Measure the AVCS system operating angle and oil flow control solenoid valve duty output using Subaru Select Monitor or general scan tool.</p> <p>NOTE:</p> <ul style="list-style-type: none"> <li>• Subaru Select Monitor</li> </ul> <p>For detailed operation procedures, refer to "READ CURRENT DATA FOR ENGINE". &lt;Ref. to EN(H4DOTC)(diag)-34, Subaru Select Monitor.&gt;</p> <ul style="list-style-type: none"> <li>• General scan tool</li> </ul> <p>For detailed operation procedures, refer to the general scan tool operation manual.</p>	<p>Is the AVCS system operating angle approx. 0°, and oil flow control solenoid valve duty output approx. 10%?</p>	<p>Perform the following procedures, and clean the oil routing.</p> <p>Replace the engine oil and idle the engine for 5 minutes, and then replace the oil filter and engine oil.</p> <p>&lt;Ref. to LU(H4SO)-9, REPLACEMENT, Engine Oil.&gt; &lt;Ref. to LU(H4SO)-21, Engine Oil Filter.&gt;</p>	<p>Check the following item and repair or replace if necessary.</p> <ul style="list-style-type: none"> <li>• Oil pipe (clog)</li> <li>• Oil flow control solenoid valve (clog or dirt of oil routing, setting of spring)</li> <li>• Intake camshaft (dirt, damage of camshaft)</li> <li>• Timing belt (matching of timing mark)</li> </ul>

# Diagnostic Procedure with Diagnostic Trouble Code (DTC)

ENGINE (DIAGNOSTICS)

## C: DTC P0018 CRANKSHAFT POSITION - CAMSHAFT POSITION CORRELATION (BANK2)

### DTC DETECTING CONDITION:

- Detected when two consecutive driving cycles with fault occur.
- GENERAL DESCRIPTION <Ref. to GD(H4DOTC)-13, DTC P0018 CRANKSHAFT POSITION - CAMSHAFT POSITION CORRELATION (BANK2), Diagnostic Trouble Code (DTC) Detecting Criteria.>

### TROUBLE SYMPTOM:

- Engine stalls.
- Improper idling

### CAUTION:

After servicing or replacing faulty parts, perform Clear Memory Mode <Ref. to EN(H4DOTC)(diag)-54, OPERATION, Clear Memory Mode.>, and Inspection Mode <Ref. to EN(H4DOTC)(diag)-43, PROCEDURE, Inspection Mode.>.

	Step	Check	Yes	No
1	<p><b>CHECK CURRENT DATA.</b></p> <p>1) Start the engine and let it idle.</p> <p>2) Measure the AVCS system operating angle and oil flow control solenoid valve duty output using Subaru Select Monitor or general scan tool.</p> <p>NOTE:</p> <ul style="list-style-type: none"><li>• Subaru Select Monitor</li></ul> <p>For detailed operation procedures, refer to "READ CURRENT DATA FOR ENGINE". &lt;Ref. to EN(H4DOTC)(diag)-34, Subaru Select Monitor.&gt;</p> <ul style="list-style-type: none"><li>• General scan tool</li></ul> <p>For detailed operation procedures, refer to the general scan tool operation manual.</p>	<p>Is the AVCS system operating angle approx. 0°, and oil flow control solenoid valve duty output approx. 10%?</p>	<p>Perform the following procedures, and clean the oil routing.</p> <p>Replace the engine oil and idle the engine for 5 minutes, and then replace the oil filter and engine oil.</p> <p>&lt;Ref. to LU(H4SO)-9, REPLACEMENT, Engine Oil.&gt; &lt;Ref. to LU(H4SO)-21, Engine Oil Filter.&gt;</p>	<p>Check the following item and repair or replace if necessary.</p> <ul style="list-style-type: none"><li>• Oil pipe (clog)</li><li>• Oil flow control solenoid valve (clog or dirt of oil routing, setting of spring)</li><li>• Intake camshaft (dirt, damage of camshaft)</li><li>• Timing belt (matching of timing mark)</li></ul>



# Diagnostic Procedure with Diagnostic Trouble Code (DTC)

ENGINE (DIAGNOSTICS)

## D: DTC P0021 INTAKE CAMSHAFT POSITION - TIMING OVER-ADVANCED OR SYSTEM PERFORMANCE (BANK 2)

### DTC DETECTING CONDITION:

- Detected when two consecutive driving cycles with fault occur.
- GENERAL DESCRIPTION <Ref. to GD(H4DOTC)-13, DTC P0021 INTAKE CAMSHAFT POSITION - TIMING OVER-ADVANCED OR SYSTEM PERFORMANCE (BANK 2), Diagnostic Trouble Code (DTC) Detecting Criteria.>

### TROUBLE SYMPTOM:

- Engine stalls.
- Improper idling

### CAUTION:

After servicing or replacing faulty parts, perform Clear Memory Mode <Ref. to EN(H4DOTC)(diag)-54, OPERATION, Clear Memory Mode.>, and Inspection Mode <Ref. to EN(H4DOTC)(diag)-43, PROCEDURE, Inspection Mode.>.

	Step	Check	Yes	No
1	<p><b>CHECK CURRENT DATA.</b></p> <p>1) Start the engine and let it idle.</p> <p>2) Check the AVCS system operating angle using Subaru Select Monitor or general scan tool.</p> <p>NOTE:</p> <ul style="list-style-type: none"> <li>• Subaru Select Monitor</li> </ul> <p>For detailed operation procedures, refer to "READ CURRENT DATA FOR ENGINE". &lt;Ref. to EN(H4DOTC)(diag)-34, Subaru Select Monitor.&gt;</p> <ul style="list-style-type: none"> <li>• General scan tool</li> </ul> <p>For detailed operation procedures, refer to the general scan tool operation manual.</p>	Is the AVCS system operating angle approximately 0°?	Go to step 2.	<p>Check the following item and repair or replace if necessary.</p> <ul style="list-style-type: none"> <li>• Oil pipe (clog)</li> <li>• Oil flow control solenoid valve (clog or dirt of oil routing, setting of spring)</li> <li>• Intake camshaft (dirt, damage of camshaft)</li> </ul>
2	<p><b>CHECK CURRENT DATA.</b></p> <p>1) Drive with acceleration and deceleration at 80 km/h (50 MPH) or less.</p> <p>NOTE:</p> <p>Drive to an extent that the duty output of oil flow control solenoid valve increases.</p> <p>2) Measure the AVCS system operating angle and oil flow control solenoid valve duty output using Subaru Select Monitor or general scan tool.</p> <p>NOTE:</p> <ul style="list-style-type: none"> <li>• Subaru Select Monitor</li> </ul> <p>For detailed operation procedures, refer to "READ CURRENT DATA FOR ENGINE". &lt;Ref. to EN(H4DOTC)(diag)-34, Subaru Select Monitor.&gt;</p> <ul style="list-style-type: none"> <li>• General scan tool</li> </ul> <p>For detailed operation procedures, refer to the general scan tool operation manual.</p>	When the oil flow control solenoid valve duty output exceeds 10%, is the AVCS system operating angle approx. 0°?	<p>Check the following item and repair or replace if necessary.</p> <ul style="list-style-type: none"> <li>• Oil pipe (clog)</li> <li>• Oil flow control solenoid valve (clog or dirt of oil routing, setting of spring)</li> <li>• Intake camshaft (dirt, damage of camshaft)</li> </ul>	<p>Perform the following procedures, and clean the oil routing.</p> <p>Replace the engine oil and idle the engine for 5 minutes, and then replace the oil filter and engine oil.</p> <p>&lt;Ref. to LU(H4SO)-9, REPLACEMENT, Engine Oil.&gt; &lt;Ref. to LU(H4SO)-21, Engine Oil Filter.&gt;</p>

# Diagnostic Procedure with Diagnostic Trouble Code (DTC)

ENGINE (DIAGNOSTICS)

## E: DTC P0030 HO2S HEATER CONTROL CIRCUIT (BANK 1 SENSOR 1)

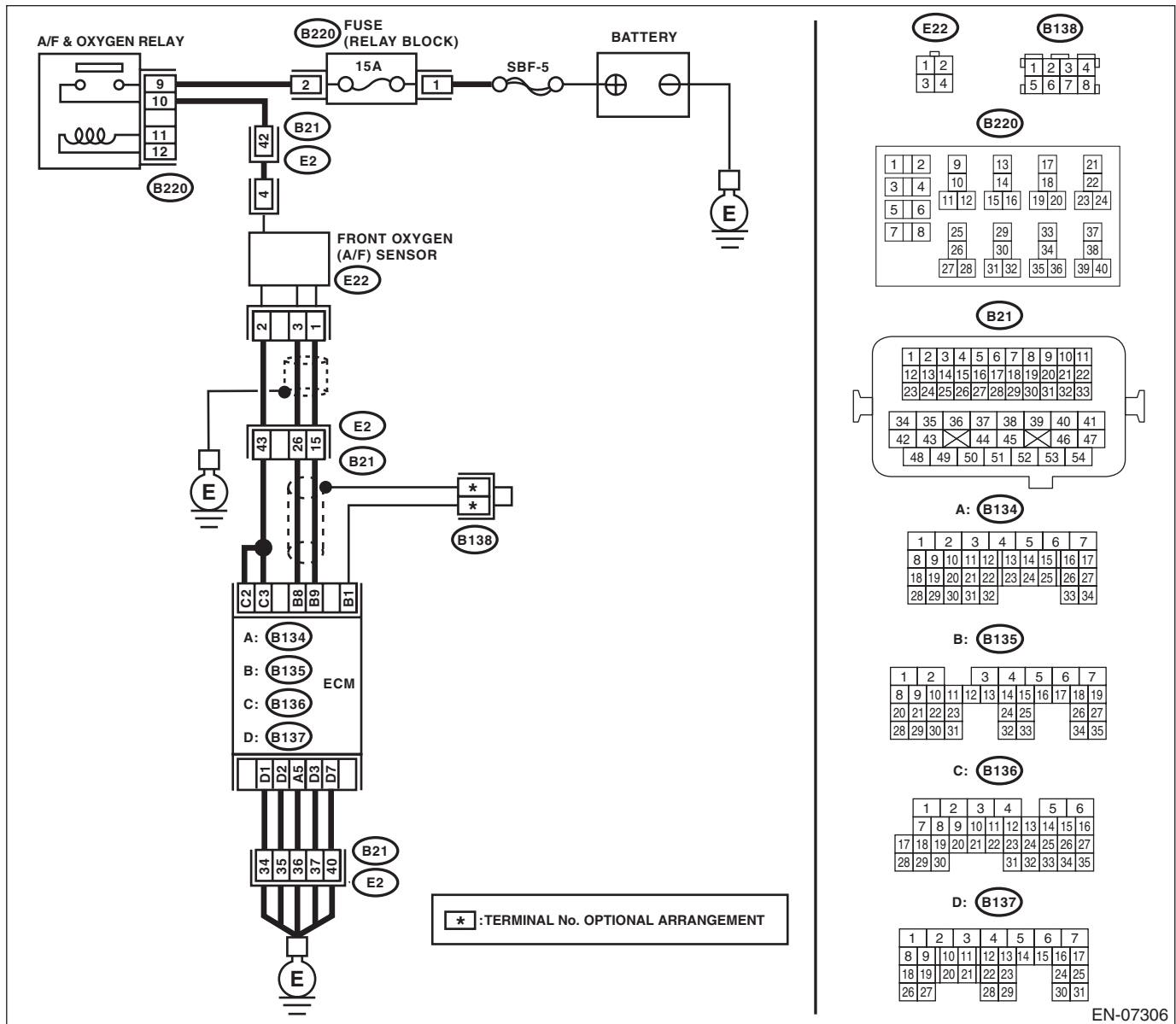
### DTC DETECTING CONDITION:

- Detected when two consecutive driving cycles with fault occur.
- GENERAL DESCRIPTION <Ref. to GD(H4DOTC)-14, DTC P0030 HO2S HEATER CONTROL CIRCUIT (BANK 1 SENSOR 1), Diagnostic Trouble Code (DTC) Detecting Criteria.>

### CAUTION:

After servicing or replacing faulty parts, perform Clear Memory Mode <Ref. to EN(H4DOTC)(diag)-54, OPERATION, Clear Memory Mode.>, and Inspection Mode <Ref. to EN(H4DOTC)(diag)-43, PROCEDURE, Inspection Mode.>.

### WIRING DIAGRAM:



EN-07306

# Diagnostic Procedure with Diagnostic Trouble Code (DTC)

## ENGINE (DIAGNOSTICS)

Step	Check	Yes	No
<b>1 CHECK HARNESS BETWEEN ECM AND FRONT OXYGEN (A/F) SENSOR CONNECTOR.</b> 1) Start and warm up the engine. 2) Turn the ignition switch to OFF. 3) Disconnect the connectors from ECM and front oxygen (A/F) sensor. 4) Measure the resistance of harness between ECM and front oxygen (A/F) sensor connector. <b>Connector &amp; terminal</b> <i>(B136) No. 3 — (E22) No. 2:</i> <i>(B136) No. 2 — (E22) No. 2:</i> <i>(B135) No. 9 — (E22) No. 1:</i> <i>(B135) No. 8 — (E22) No. 3:</i>	Is the resistance less than 1 $\Omega$ ?	Go to step 2.	Repair the harness and connector.  NOTE: In this case, repair the following item: <ul style="list-style-type: none"> <li>• Open circuit in harness between ECM and front oxygen (A/F) sensor connector</li> <li>• Poor contact of coupling connector</li> </ul>
<b>2 CHECK FRONT OXYGEN (A/F) SENSOR.</b> Measure the resistance between front oxygen (A/F) sensor terminals. <b>Terminals</b> <i>No. 2 — No. 4:</i>	Is the resistance less than 2 — 3 $\Omega$ ?	Go to step 3.	Replace the front oxygen (A/F) sensor. <Ref. to FU(H4DOTC)-48, Front Oxygen (A/F) Sensor.>
<b>3 CHECK POOR CONTACT.</b> Check for poor contact of ECM and front oxygen (A/F) sensor connector.	Is there poor contact of ECM or front oxygen (A/F) sensor connector?	Repair the poor contact of ECM or front oxygen (A/F) sensor connector.	Replace the front oxygen (A/F) sensor. <Ref. to FU(H4DOTC)-48, Front Oxygen (A/F) Sensor.>

# Diagnostic Procedure with Diagnostic Trouble Code (DTC)

ENGINE (DIAGNOSTICS)

## F: DTC P0031 HO2S HEATER CONTROL CIRCUIT LOW (BANK 1 SENSOR 1)

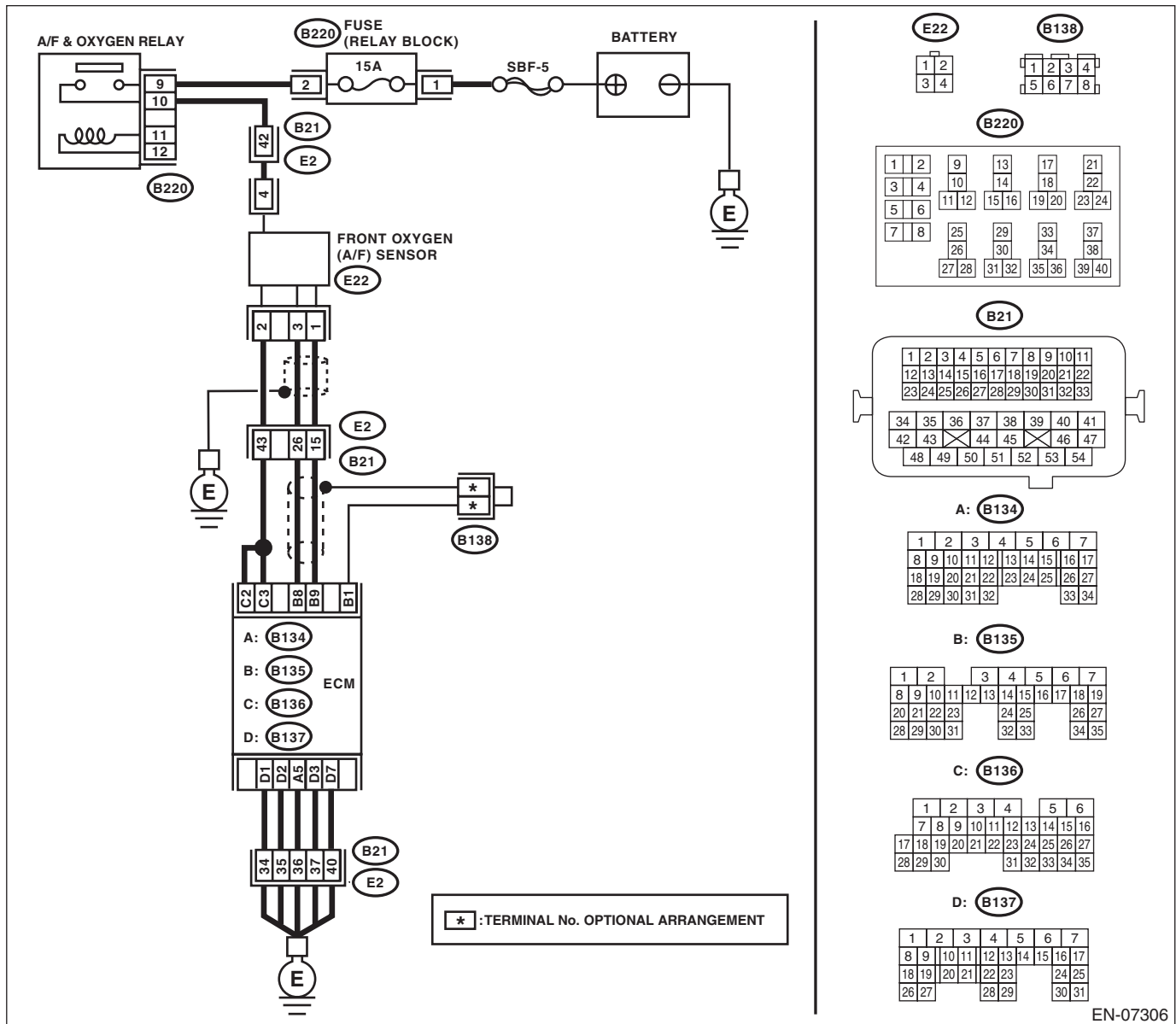
### DTC DETECTING CONDITION:

- Immediately at fault recognition
- GENERAL DESCRIPTION <Ref. to GD(H4DOTC)-16, DTC P0031 HO2S HEATER CONTROL CIRCUIT LOW (BANK 1 SENSOR 1), Diagnostic Trouble Code (DTC) Detecting Criteria.>

### CAUTION:

After servicing or replacing faulty parts, perform Clear Memory Mode <Ref. to EN(H4DOTC)(diag)-54, OPERATION, Clear Memory Mode.>, and Inspection Mode <Ref. to EN(H4DOTC)(diag)-43, PROCEDURE, Inspection Mode.>.

### WIRING DIAGRAM:



EN-07306

# Diagnostic Procedure with Diagnostic Trouble Code (DTC)

## ENGINE (DIAGNOSTICS)

Step	Check	Yes	No
<p><b>1 CHECK POWER SUPPLY TO FRONT OXYGEN (A/F) SENSOR.</b></p> <p>1) Turn the ignition switch to OFF.                      2) Disconnect the connector from front oxygen (A/F) sensor.                      3) Turn the ignition switch to ON.                      4) Measure the voltage between front oxygen (A/F) sensor connector and engine ground.</p> <p><b>Connector &amp; terminal</b>  <b>(E22) No. 4 (+) — Engine ground (-):</b></p>	Is the voltage 10 V or more?	Go to step 2.	Repair the power supply line. NOTE: In this case, repair the following item: <ul style="list-style-type: none"> <li>• Open circuit in harness between A/F, oxygen sensor relay and front oxygen (A/F) sensor connector</li> <li>• Poor contact of A/F, oxygen sensor relay connector</li> <li>• Malfunction of A/F, oxygen sensor relay</li> <li>• Poor contact of coupling connector</li> </ul>
<p><b>2 CHECK HARNESS BETWEEN ECM AND FRONT OXYGEN (A/F) SENSOR CONNECTOR.</b></p> <p>1) Turn the ignition switch to OFF.                      2) Disconnect the connectors from ECM.                      3) Measure the resistance between ECM and front oxygen (A/F) sensor connector.</p> <p><b>Connector &amp; terminal</b>  <b>(B136) No. 3 — (E22) No. 2:</b>  <b>(B136) No. 2 — (E22) No. 2:</b></p>	Is the resistance less than 1 $\Omega$ ?	Go to step 3.	Repair the harness and connector. NOTE: In this case, repair the following item: <ul style="list-style-type: none"> <li>• Open circuit in harness between ECM and front oxygen (A/F) sensor connector</li> <li>• Poor contact of coupling connector</li> </ul>
<p><b>3 CHECK GROUND CIRCUIT FOR ECM.</b></p> <p>Measure the resistance of harness between ECM and chassis ground.</p> <p><b>Connector &amp; terminal</b>  <b>(B134) No. 5 — Chassis ground:</b>  <b>(B137) No. 1 — Chassis ground:</b>  <b>(B137) No. 2 — Chassis ground:</b>  <b>(B137) No. 3 — Chassis ground:</b>  <b>(B137) No. 7 — Chassis ground:</b></p>	Is the resistance less than 5 $\Omega$ ?	Go to step 4.	Repair the harness and connector. NOTE: In this case, repair the following item: <ul style="list-style-type: none"> <li>• Open circuit of harness between ECM and engine ground</li> <li>• Poor contact of coupling connector</li> </ul>
<p><b>4 CHECK FRONT OXYGEN (A/F) SENSOR.</b></p> <p>Measure the resistance between front oxygen (A/F) sensor terminals.</p> <p><b>Terminals</b>  <b>No. 2 — No. 4:</b></p>	Is the resistance 2 — 3 $\Omega$ ?	Repair the poor contact of ECM connector.	Replace the front oxygen (A/F) sensor. <Ref. to FU(H4DOTC)-48, Front Oxygen (A/F) Sensor.>

# Diagnostic Procedure with Diagnostic Trouble Code (DTC)

ENGINE (DIAGNOSTICS)

## G: DTC P0032 HO2S HEATER CONTROL CIRCUIT HIGH (BANK 1 SENSOR 1)

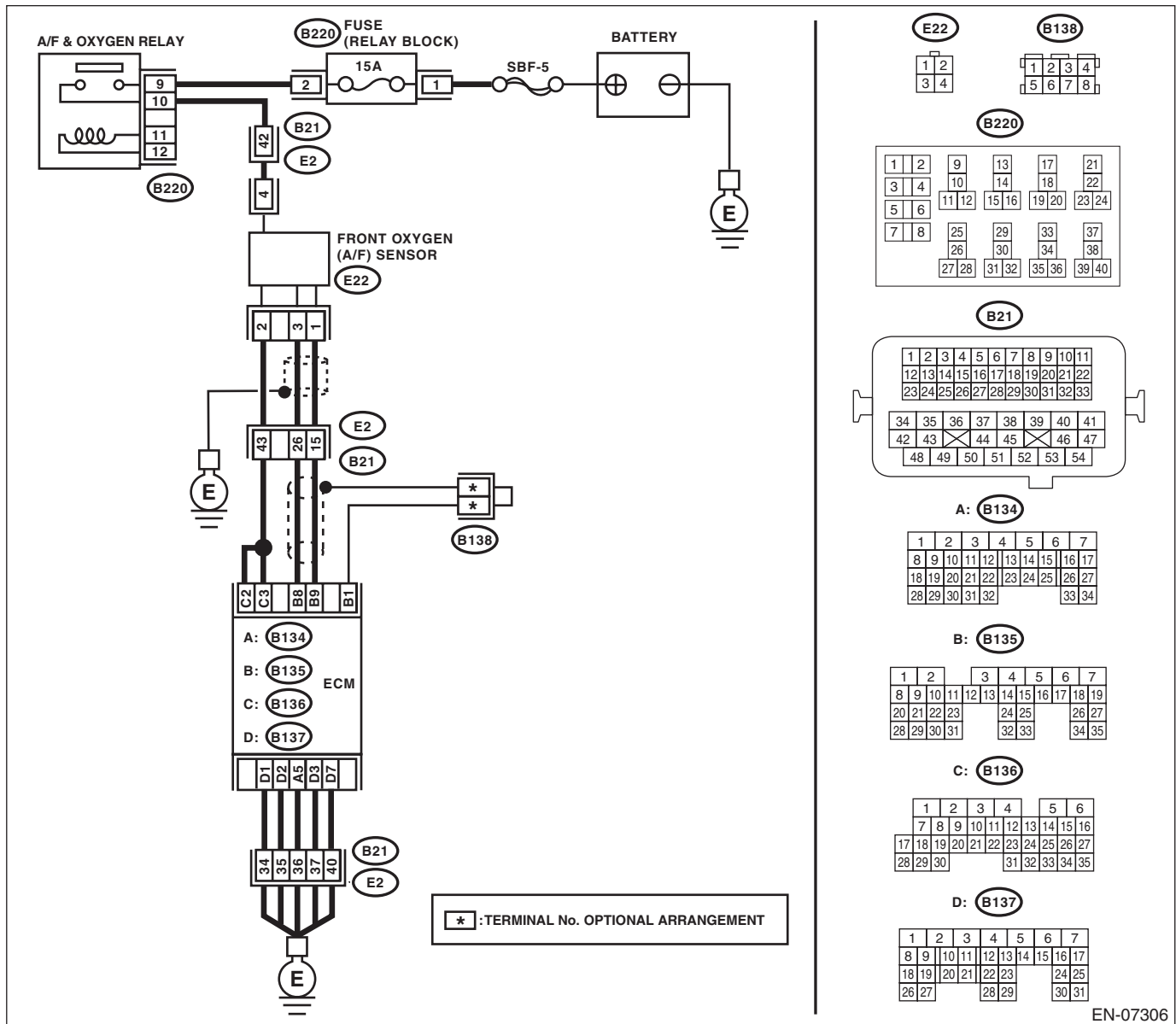
### DTC DETECTING CONDITION:

- Immediately at fault recognition
- GENERAL DESCRIPTION <Ref. to GD(H4DOTC)-18, DTC P0032 HO2S HEATER CONTROL CIRCUIT HIGH (BANK 1 SENSOR 1), Diagnostic Trouble Code (DTC) Detecting Criteria.>

### CAUTION:

After servicing or replacing faulty parts, perform Clear Memory Mode <Ref. to EN(H4DOTC)(diag)-54, OPERATION, Clear Memory Mode.>, and Inspection Mode <Ref. to EN(H4DOTC)(diag)-43, PROCEDURE, Inspection Mode.>.

### WIRING DIAGRAM:



# Diagnostic Procedure with Diagnostic Trouble Code (DTC)

## ENGINE (DIAGNOSTICS)

	Step	Check	Yes	No
1	<p><b>CHECK HARNESS BETWEEN ECM AND FRONT OXYGEN (A/F) SENSOR.</b></p> <p>1) Turn the ignition switch to OFF.</p> <p>2) Measure the voltage between ECM and chassis ground.</p> <p><b>Connector &amp; terminal</b></p> <p><b>(B136) No. 3 (+) — Chassis ground (-):</b></p> <p><b>(B136) No. 2 (+) — Chassis ground (-):</b></p>	Is the voltage 10 V or more?	Repair the short circuit to power in the harness between ECM and front oxygen (A/F) sensor connector.	Go to step 2.
2	<p><b>CHECK GROUND CIRCUIT FOR ECM.</b></p> <p>1) Disconnect the connectors from ECM.</p> <p>2) Measure the resistance between ECM and chassis ground.</p> <p><b>Connector &amp; terminal</b></p> <p><b>(B134) No. 5 — Chassis ground:</b></p> <p><b>(B137) No. 1 — Chassis ground:</b></p> <p><b>(B137) No. 2 — Chassis ground:</b></p> <p><b>(B137) No. 3 — Chassis ground:</b></p> <p><b>(B137) No. 7 — Chassis ground:</b></p>	Is the resistance less than 5 Ω?	Repair the poor contact of ECM connector.	<p>Repair the harness and connector.</p> <p><b>NOTE:</b></p> <p>In this case, repair the following item:</p> <ul style="list-style-type: none"> <li>• Open circuit of harness between ECM and engine ground</li> <li>• Poor contact of coupling connector</li> </ul>

# Diagnostic Procedure with Diagnostic Trouble Code (DTC)

ENGINE (DIAGNOSTICS)

## H: DTC P0037 HO2S HEATER CONTROL CIRCUIT LOW (BANK 1 SENSOR 2)

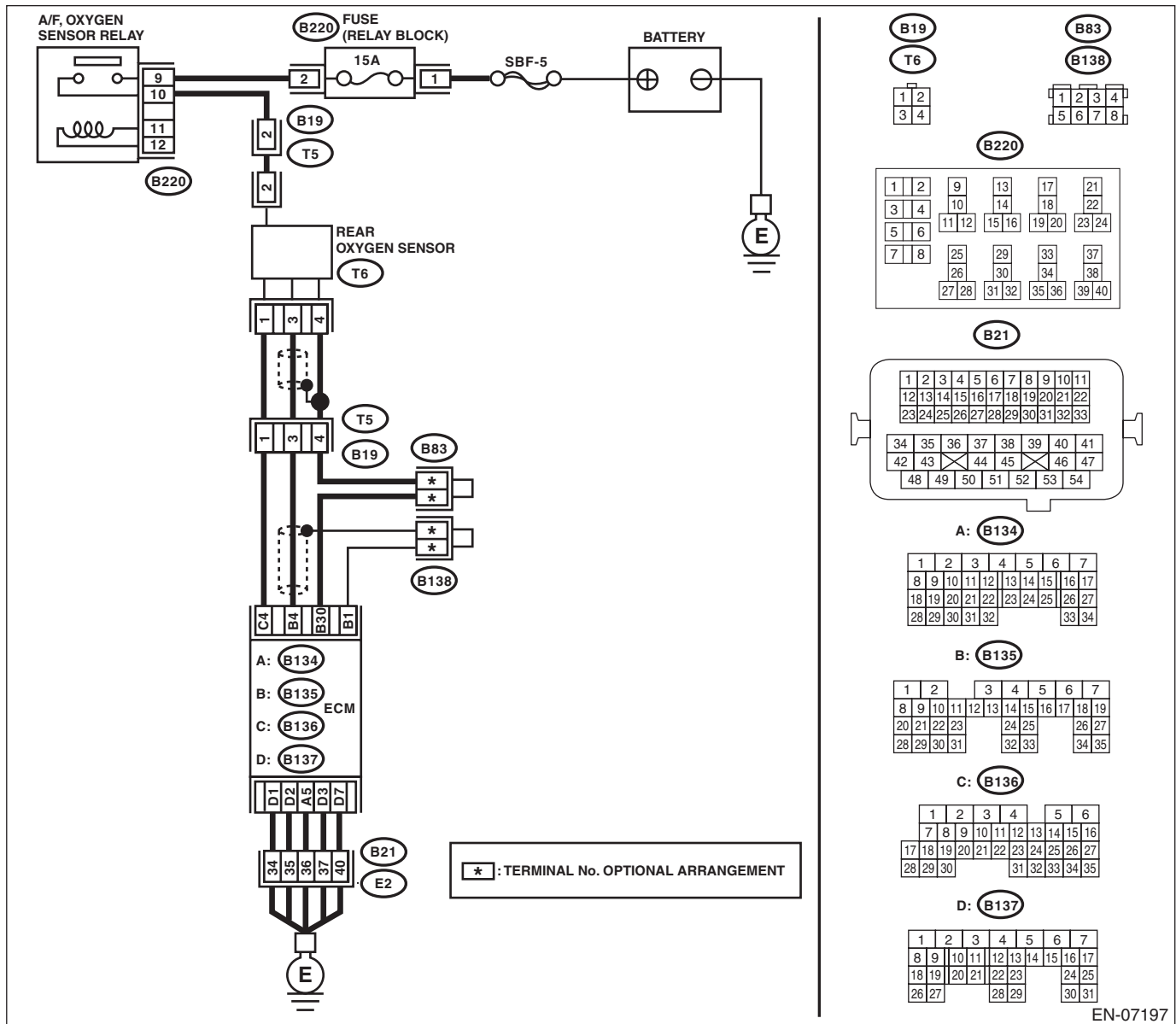
### DTC DETECTING CONDITION:

- Detected when two consecutive driving cycles with fault occur.
- GENERAL DESCRIPTION <Ref. to GD(H4DOTC)-20, DTC P0037 HO2S HEATER CONTROL CIRCUIT LOW (BANK 1 SENSOR 2), Diagnostic Trouble Code (DTC) Detecting Criteria.>

### CAUTION:

After servicing or replacing faulty parts, perform Clear Memory Mode <Ref. to EN(H4DOTC)(diag)-54, OPERATION, Clear Memory Mode.>, and Inspection Mode <Ref. to EN(H4DOTC)(diag)-43, PROCEDURE, Inspection Mode.>.

### WIRING DIAGRAM:



EN-07197



# Diagnostic Procedure with Diagnostic Trouble Code (DTC)

## ENGINE (DIAGNOSTICS)

Step	Check	Yes	No
<p><b>1 CHECK POWER SUPPLY TO REAR OXYGEN SENSOR.</b></p> <p>1) Turn the ignition switch to OFF.                      2) Disconnect the connector from rear oxygen sensor.                      3) Turn the ignition switch to ON.                      4) Measure the voltage between rear oxygen sensor connector and engine ground.</p> <p><b>Connector &amp; terminal</b>  <b>(T6) No. 2 (+) — Engine ground (-):</b></p>	Is the voltage 10 V or more?	Go to step 2.	Repair the power supply line. NOTE: In this case, repair the following item: <ul style="list-style-type: none"> <li>• Open circuit in harness between A/F, oxygen sensor relay and rear oxygen sensor connector</li> <li>• Poor contact of A/F, oxygen sensor relay connector</li> <li>• Poor contact of coupling connector</li> <li>• Malfunction of A/F, oxygen sensor relay</li> </ul>
<p><b>2 CHECK HARNESS BETWEEN ECM AND REAR OXYGEN SENSOR CONNECTOR.</b></p> <p>1) Turn the ignition switch to OFF.                      2) Disconnect the connectors from ECM.                      3) Measure the resistance between the ECM and rear oxygen sensor connector.</p> <p><b>Connector &amp; terminal</b>  <b>(B136) No. 4 — (T6) No. 1:</b></p>	Is the resistance less than 1 $\Omega$ ?	Go to step 3.	Repair the harness and connector. NOTE: In this case, repair the following item: <ul style="list-style-type: none"> <li>• Open circuit in harness between ECM and rear oxygen sensor connector</li> <li>• Poor contact of coupling connector</li> </ul>
<p><b>3 CHECK GROUND CIRCUIT FOR ECM.</b></p> <p>Measure the resistance of harness between ECM and chassis ground.</p> <p><b>Connector &amp; terminal</b>  <b>(B134) No. 5 — Chassis ground:</b>  <b>(B137) No. 1 — Chassis ground:</b>  <b>(B137) No. 2 — Chassis ground:</b>  <b>(B137) No. 3 — Chassis ground:</b>  <b>(B137) No. 7 — Chassis ground:</b></p>	Is the resistance less than 5 $\Omega$ ?	Go to step 4.	Repair the harness and connector. NOTE: In this case, repair the following item: <ul style="list-style-type: none"> <li>• Open circuit of harness between ECM and engine ground</li> <li>• Poor contact of ECM connector</li> <li>• Poor contact of coupling connector</li> </ul>
<p><b>4 CHECK REAR OXYGEN SENSOR.</b></p> <p>Measure the resistance between rear oxygen sensor terminals.</p> <p><b>Terminals</b>  <b>No. 1 — No. 2:</b></p>	Is the resistance 5 — 7 $\Omega$ ?	Repair the poor contact of ECM connector.	Replace the rear oxygen sensor. <Ref. to FU(H4DOTC)-50, Rear Oxygen Sensor.>

# Diagnostic Procedure with Diagnostic Trouble Code (DTC)

ENGINE (DIAGNOSTICS)

## I: DTC P0038 HO2S HEATER CONTROL CIRCUIT HIGH (BANK 1 SENSOR 2)

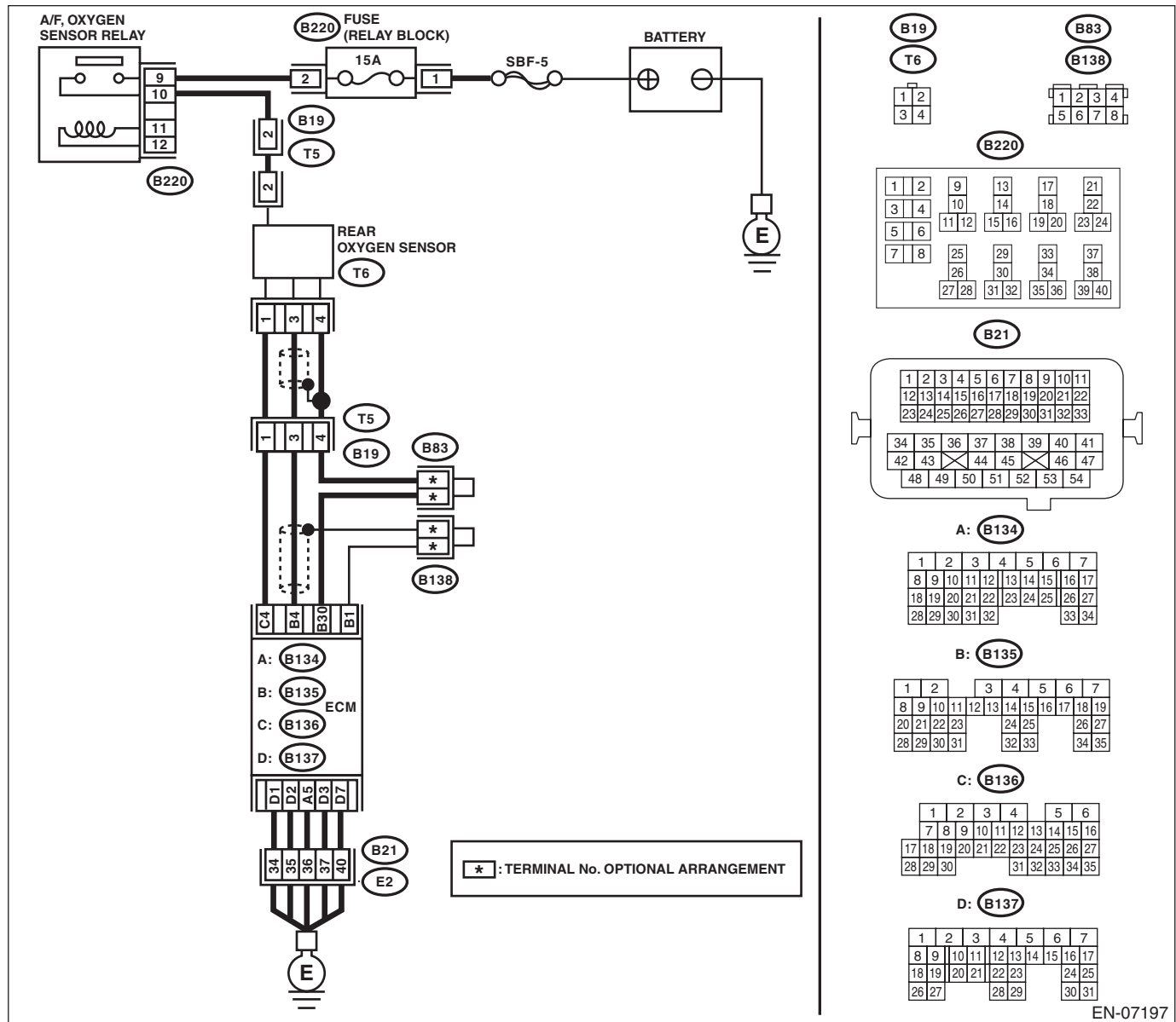
### DTC DETECTING CONDITION:

- Detected when two consecutive driving cycles with fault occur.
- GENERAL DESCRIPTION <Ref. to GD(H4DOTC)-22, DTC P0038 HO2S HEATER CONTROL CIRCUIT HIGH (BANK 1 SENSOR 2), Diagnostic Trouble Code (DTC) Detecting Criteria.>

### CAUTION:

After servicing or replacing faulty parts, perform Clear Memory Mode <Ref. to EN(H4DOTC)(diag)-54, OPERATION, Clear Memory Mode.>, and Inspection Mode <Ref. to EN(H4DOTC)(diag)-43, PROCEDURE, Inspection Mode.>.

### WIRING DIAGRAM:



EN-07197

# Diagnostic Procedure with Diagnostic Trouble Code (DTC)

## ENGINE (DIAGNOSTICS)

Step	Check	Yes	No
<b>1 CHECK HARNESS BETWEEN ECM AND REAR OXYGEN SENSOR.</b> 1) Turn the ignition switch to OFF. 2) Measure the voltage between ECM and chassis ground. <b>Connector &amp; terminal</b> <b>(B136) No. 4 (+) — Chassis ground (-):</b>	Is the voltage 10 V or more?	Repair the short circuit to power in the harness between ECM and rear oxygen sensor connector.	Go to step 2.
<b>2 CHECK GROUND CIRCUIT FOR ECM.</b> 1) Disconnect the connectors from ECM. 2) Measure the resistance between ECM and chassis ground. <b>Connector &amp; terminal</b> <b>(B134) No. 5 — Chassis ground:</b> <b>(B137) No. 1 — Chassis ground:</b> <b>(B137) No. 2 — Chassis ground:</b> <b>(B137) No. 3 — Chassis ground:</b> <b>(B137) No. 7 — Chassis ground:</b>	Is the resistance less than 5 $\Omega$ ?	Repair the poor contact of ECM connector.	Repair the harness and connector. <b>NOTE:</b> In this case, repair the following item: <ul style="list-style-type: none"> <li>• Open circuit of harness between ECM and engine ground</li> <li>• Poor contact of coupling connector</li> </ul>

# Diagnostic Procedure with Diagnostic Trouble Code (DTC)

ENGINE (DIAGNOSTICS)

## J: DTC P0068 MAP/MAF - THROTTLE POSITION CORRELATION

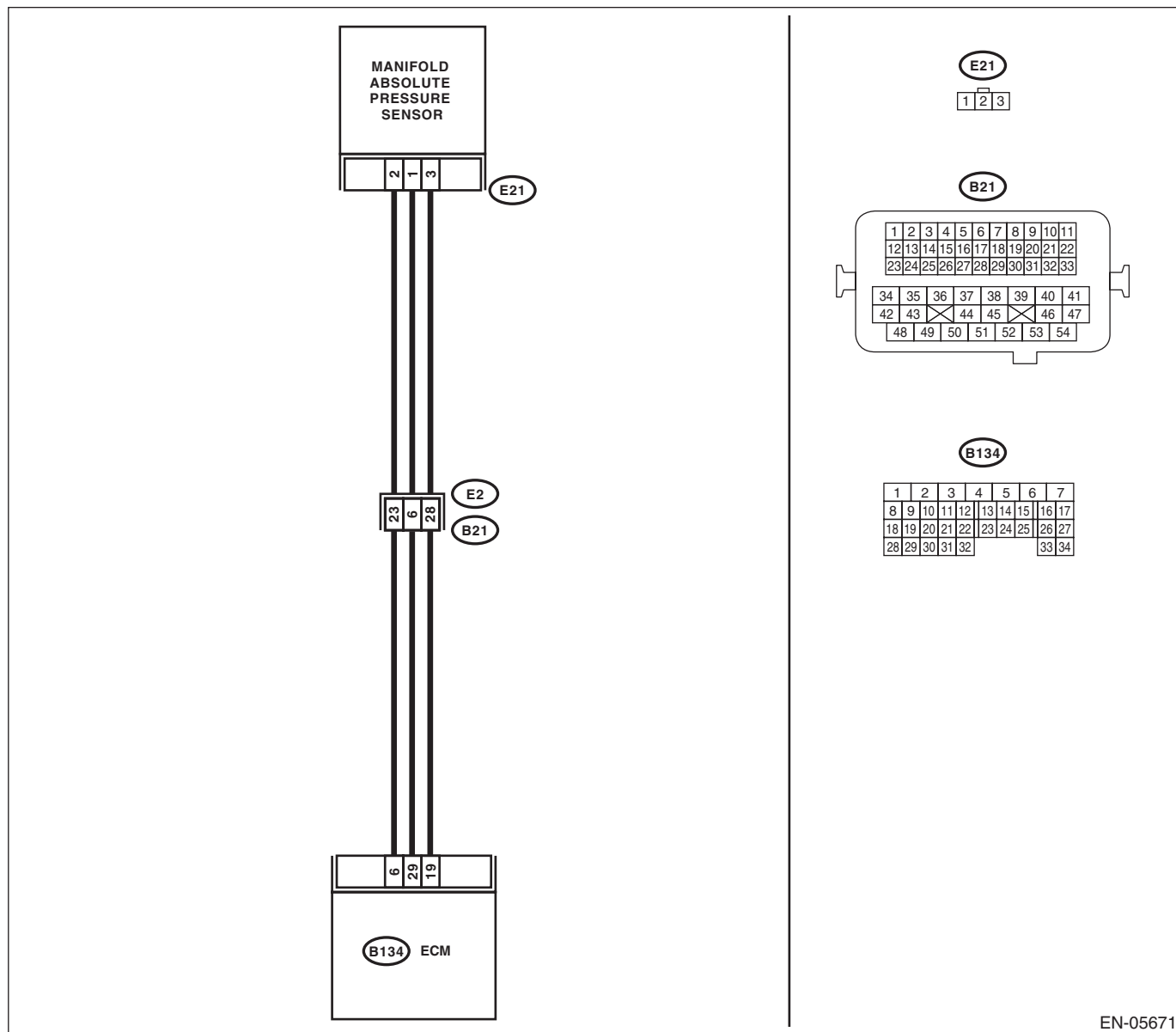
### DTC DETECTING CONDITION:

- Detected when two consecutive driving cycles with fault occur.
- GENERAL DESCRIPTION <Ref. to GD(H4DOTC)-24, DTC P0068 MAP/MAF - THROTTLE POSITION CORRELATION, Diagnostic Trouble Code (DTC) Detecting Criteria.>

### CAUTION:

After servicing or replacing faulty parts, perform Clear Memory Mode <Ref. to EN(H4DOTC)(diag)-54, OPERATION, Clear Memory Mode.>, and Inspection Mode <Ref. to EN(H4DOTC)(diag)-43, PROCEDURE, Inspection Mode.>.

### WIRING DIAGRAM:



EN-05671

# Diagnostic Procedure with Diagnostic Trouble Code (DTC)

## ENGINE (DIAGNOSTICS)

	Step	Check	Yes	No
1	<b>CHECK AIR INTAKE SYSTEM.</b>	Are there holes, loose bolts or disconnection of hose on air intake system?	Repair the air intake system.	Go to step 2.
2	<b>CHECK MANIFOLD ABSOLUTE PRESSURE SENSOR.</b> 1) Start the engine and warm up engine until coolant temperature is higher than 75°C (167°F). 2) For AT models, set the select lever to "P" range or "N" range, and for MT models, place the shift lever in the neutral position. 3) Turn the A/C switch to OFF. 4) Turn all the accessory switches to OFF. 5) Read the data of intake manifold absolute pressure sensor signal using the Subaru Select Monitor or general scan tool.  NOTE: • Subaru Select Monitor For detailed operation procedures, refer to "READ CURRENT DATA FOR ENGINE". <Ref. to EN(H4DOTC)(diag)-34, Subaru Select Monitor.> • General scan tool For detailed operation procedures, refer to the "General Scan Tool Instruction Manual".	Is the measured value 73.3 — 106.6 kPa (550 — 800 mmHg, 21.65 — 31.50 inHg) when the ignition is turned ON, and 20.0 — 46.7 kPa (150 — 350 mmHg, 5.91 — 13.78 inHg) during idling?	Go to step 3.	Replace the manifold absolute pressure sensor. <Ref. to FU(H4DOTC)-40, Manifold Absolute Pressure Sensor.>
3	<b>CHECK THROTTLE OPENING ANGLE.</b> Read the data of throttle position signal using Subaru Select Monitor or general scan tool.  NOTE: • Subaru Select Monitor For detailed operation procedures, refer to "READ CURRENT DATA FOR ENGINE". <Ref. to EN(H4DOTC)(diag)-34, Subaru Select Monitor.> • General scan tool For detailed operation procedures, refer to the "General Scan Tool Instruction Manual".	Is the measured value less than 5% when throttle is fully closed?	Go to step 4.	Replace the electronic throttle control. <Ref. to FU(H4DOTC)-14, Throttle Body.>
4	<b>CHECK THROTTLE OPENING ANGLE.</b>	Is the measured value 85% or more when throttle is fully open?	Replace the manifold absolute pressure sensor. <Ref. to FU(H4DOTC)-40, Manifold Absolute Pressure Sensor.>	Replace the electronic throttle control. <Ref. to FU(H4DOTC)-14, Throttle Body.>

# Diagnostic Procedure with Diagnostic Trouble Code (DTC)

ENGINE (DIAGNOSTICS)

## K: DTC P0101 MASS OR VOLUME AIR FLOW CIRCUIT RANGE/PERFORMANCE

### DTC DETECTING CONDITION:

- Detected when two consecutive driving cycles with fault occur.
- GENERAL DESCRIPTION <Ref. to GD(H4DOTC)-26, DTC P0101 MASS OR VOLUME AIR FLOW CIRCUIT RANGE/PERFORMANCE, Diagnostic Trouble Code (DTC) Detecting Criteria.>

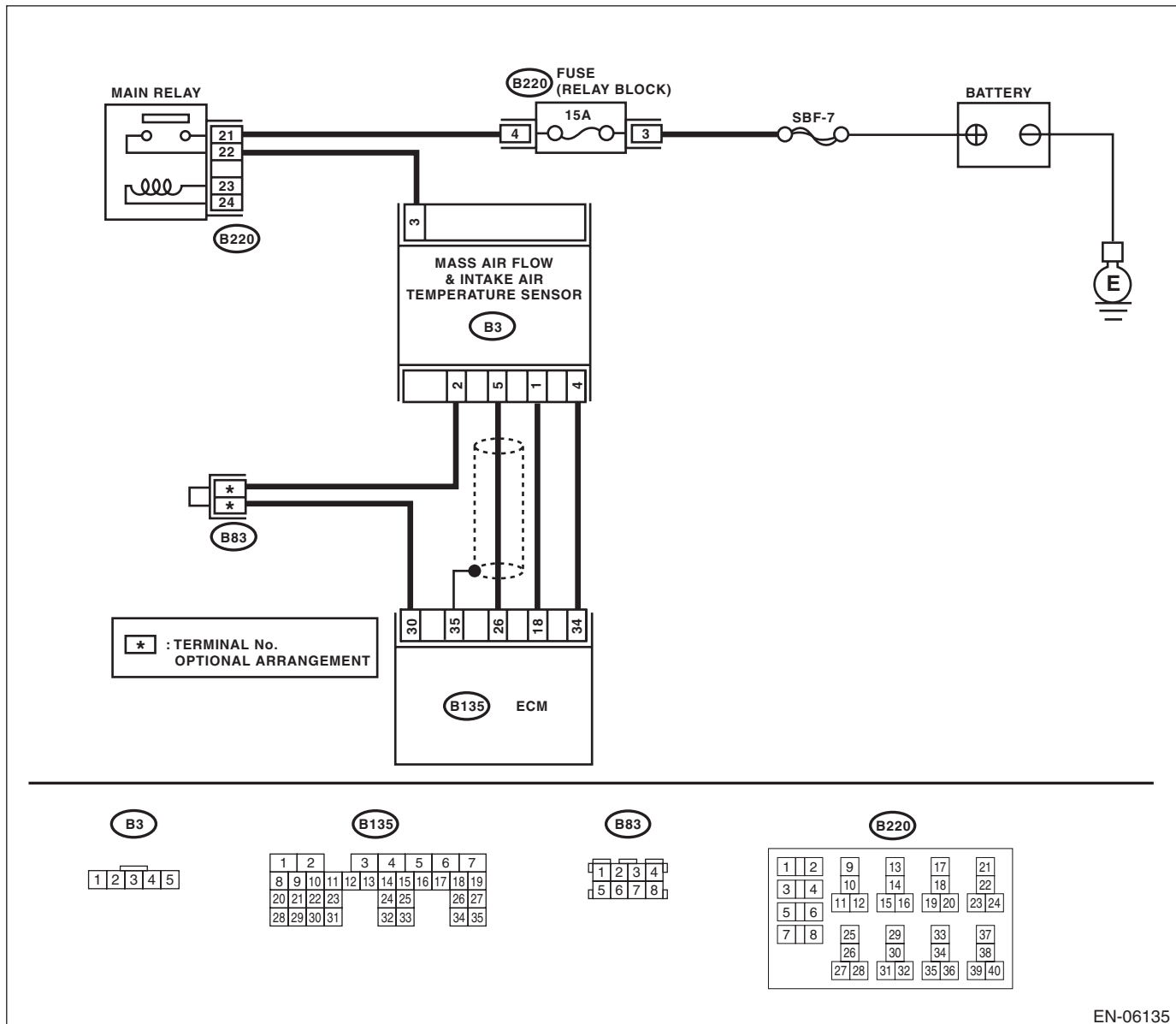
### TROUBLE SYMPTOM:

- Improper idling
- Engine stalls.
- Poor driving performance

### CAUTION:

After repair or replacement of faulty parts, perform Clear Memory Mode <Ref. to EN(H4DOTC)(diag)-54, OPERATION, Clear Memory Mode.> and Inspection Mode <Ref. to EN(H4DOTC)(diag)-43, PROCEDURE, Inspection Mode.>.

### WIRING DIAGRAM:



EN-06135

# Diagnostic Procedure with Diagnostic Trouble Code (DTC)

ENGINE (DIAGNOSTICS)

Step	Check	Yes	No
1 <b>CHECK FOR ANY OTHER DTC ON DISPLAY.</b>	Is any other DTC displayed?	Check the appropriate DTC using the "List of Diagnostic Trouble Code (DTC)". <Ref. to EN(H4DOTC)(diag)-83, List of Diagnostic Trouble Code (DTC).>	Replace the mass air flow and intake air temperature sensor. <Ref. to FU(H4DOTC)-39, Mass Air Flow and Intake Air Temperature Sensor.>

## L: DTC P0102 MASS OR VOLUME AIR FLOW CIRCUIT LOW INPUT

### DTC DETECTING CONDITION:

- Immediately at fault recognition
- GENERAL DESCRIPTION <Ref. to GD(H4DOTC)-28, DTC P0102 MASS OR VOLUME AIR FLOW CIRCUIT LOW INPUT, Diagnostic Trouble Code (DTC) Detecting Criteria.>

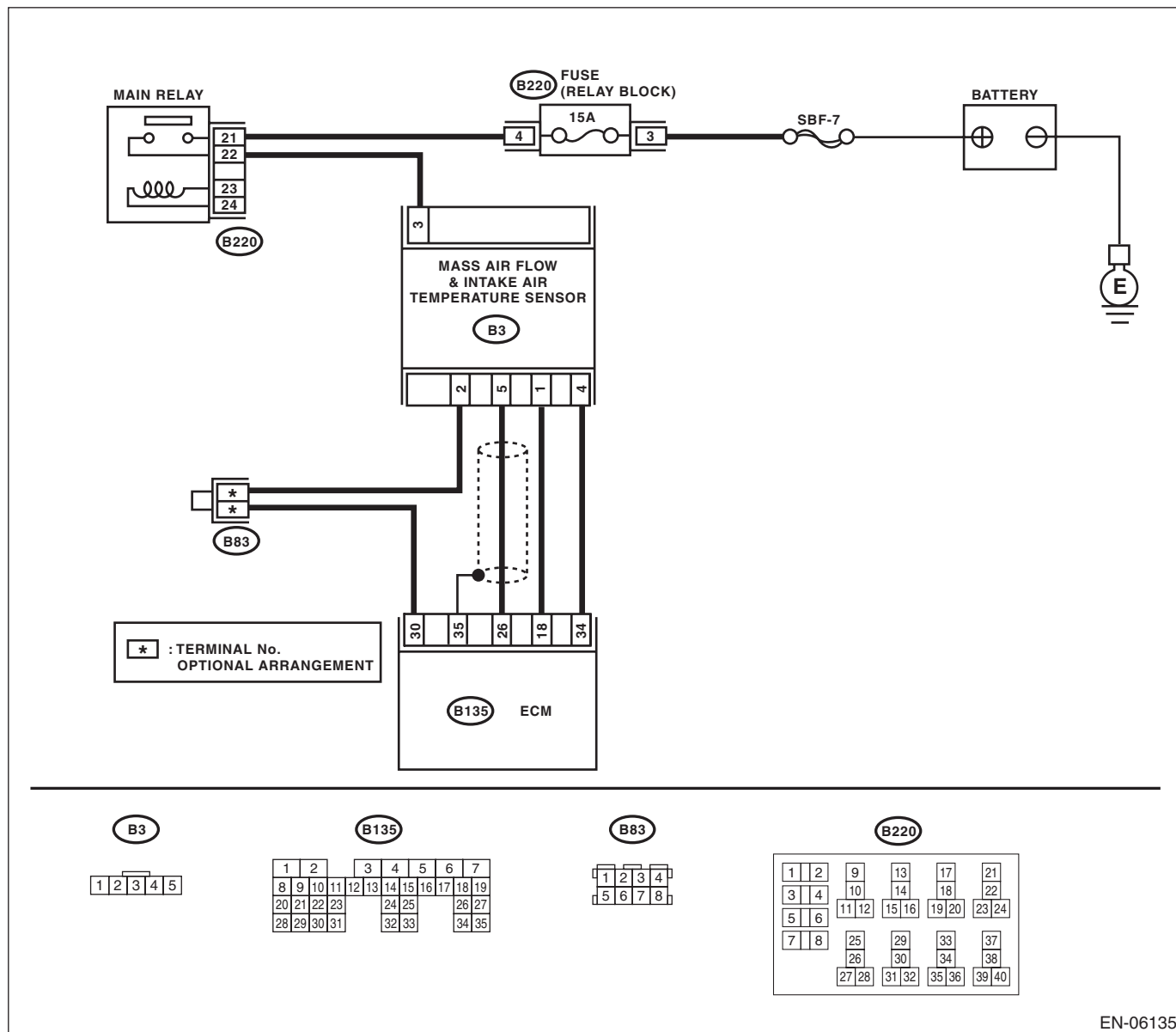
### TROUBLE SYMPTOM:

- Improper idling
- Engine stalls.
- Poor driving performance

### CAUTION:

**After servicing or replacing faulty parts, perform Clear Memory Mode <Ref. to EN(H4DOTC)(diag)-54, OPERATION, Clear Memory Mode.>, and Inspection Mode <Ref. to EN(H4DOTC)(diag)-43, PROCEDURE, Inspection Mode.>.**

### WIRING DIAGRAM:



EN-06135



# Diagnostic Procedure with Diagnostic Trouble Code (DTC)

## ENGINE (DIAGNOSTICS)

Step	Check	Yes	No
<b>1</b> <b>CHECK CURRENT DATA.</b> 1) Start the engine. 2) Read the data of air flow sensor signal using Subaru Select Monitor or general scan tool. NOTE: <ul style="list-style-type: none"> <li>• Subaru Select Monitor</li> </ul> For detailed operation procedures, refer to "READ CURRENT DATA FOR ENGINE". <Ref. to EN(H4DOTC)(diag)-34, Subaru Select Monitor.> <ul style="list-style-type: none"> <li>• General scan tool</li> </ul> For detailed operation procedures, refer to the general scan tool operation manual.	Is the voltage less than 0.2 V?	Go to step 2.	Even if DTC is detected, the circuit has returned to a normal condition at this time. Reproduce the failure, and then perform the diagnosis again. NOTE: In this case, temporary poor contact of connector may be the cause.
<b>2</b> <b>CHECK POWER SUPPLY OF MASS AIR FLOW AND INTAKE AIR TEMPERATURE SENSOR.</b> 1) Turn the ignition switch to OFF. 2) Disconnect the connectors from the mass air flow and intake air temperature sensor. 3) Turn the ignition switch to ON. 4) Measure the voltage between mass air flow and intake air temperature sensor connector and engine ground. <b>Connector &amp; terminal</b> <b>(B3) No. 3 (+) — Engine ground (-):</b>	Is the voltage 10 V or more?	Go to step 3.	Repair the harness and connector. NOTE: In this case, repair the following item: <ul style="list-style-type: none"> <li>• Open circuit in harness between main relay connector and mass air flow and intake air temperature sensor connector</li> <li>• Poor contact of main relay connector</li> </ul>
<b>3</b> <b>CHECK HARNESS BETWEEN ECM AND MASS AIR FLOW AND INTAKE AIR TEMPERATURE SENSOR CONNECTOR.</b> 1) Turn the ignition switch to OFF. 2) Disconnect the connectors from ECM. 3) Measure the resistance of harness between ECM and the mass air flow and intake air temperature sensor connector. <b>Connector &amp; terminal</b> <b>(B135) No. 26 — (B3) No. 5:</b>	Is the resistance less than 1 Ω?	Go to step 4.	Repair the open circuit in harness between ECM and the mass air flow and intake air temperature sensor connector.
<b>4</b> <b>CHECK HARNESS BETWEEN ECM AND MASS AIR FLOW AND INTAKE AIR TEMPERATURE SENSOR CONNECTOR.</b> Measure the resistance between ECM and chassis ground. <b>Connector &amp; terminal</b> <b>(B135) No. 26 — Chassis ground:</b>	Is the resistance 1 MΩ or more?	Go to step 5.	Repair the short circuit to ground in harness between ECM and the mass air flow and intake air temperature sensor connector.
<b>5</b> <b>CHECK POOR CONTACT.</b> Check for poor contact of ECM and mass air flow and intake air temperature sensor connector.	Is there poor contact of ECM or mass air flow and intake air temperature sensor connector?	Repair the poor contact of ECM or mass air flow and intake air temperature sensor connector.	Replace the mass air flow and intake air temperature sensor. <Ref. to FU(H4DOTC)-39, Mass Air Flow and Intake Air Temperature Sensor.>

## M: DTC P0103 MASS OR VOLUME AIR FLOW CIRCUIT HIGH INPUT

### DTC DETECTING CONDITION:

- Immediately at fault recognition
- GENERAL DESCRIPTION <Ref. to GD(H4DOTC)-29, DTC P0103 MASS OR VOLUME AIR FLOW CIRCUIT HIGH INPUT, Diagnostic Trouble Code (DTC) Detecting Criteria.>

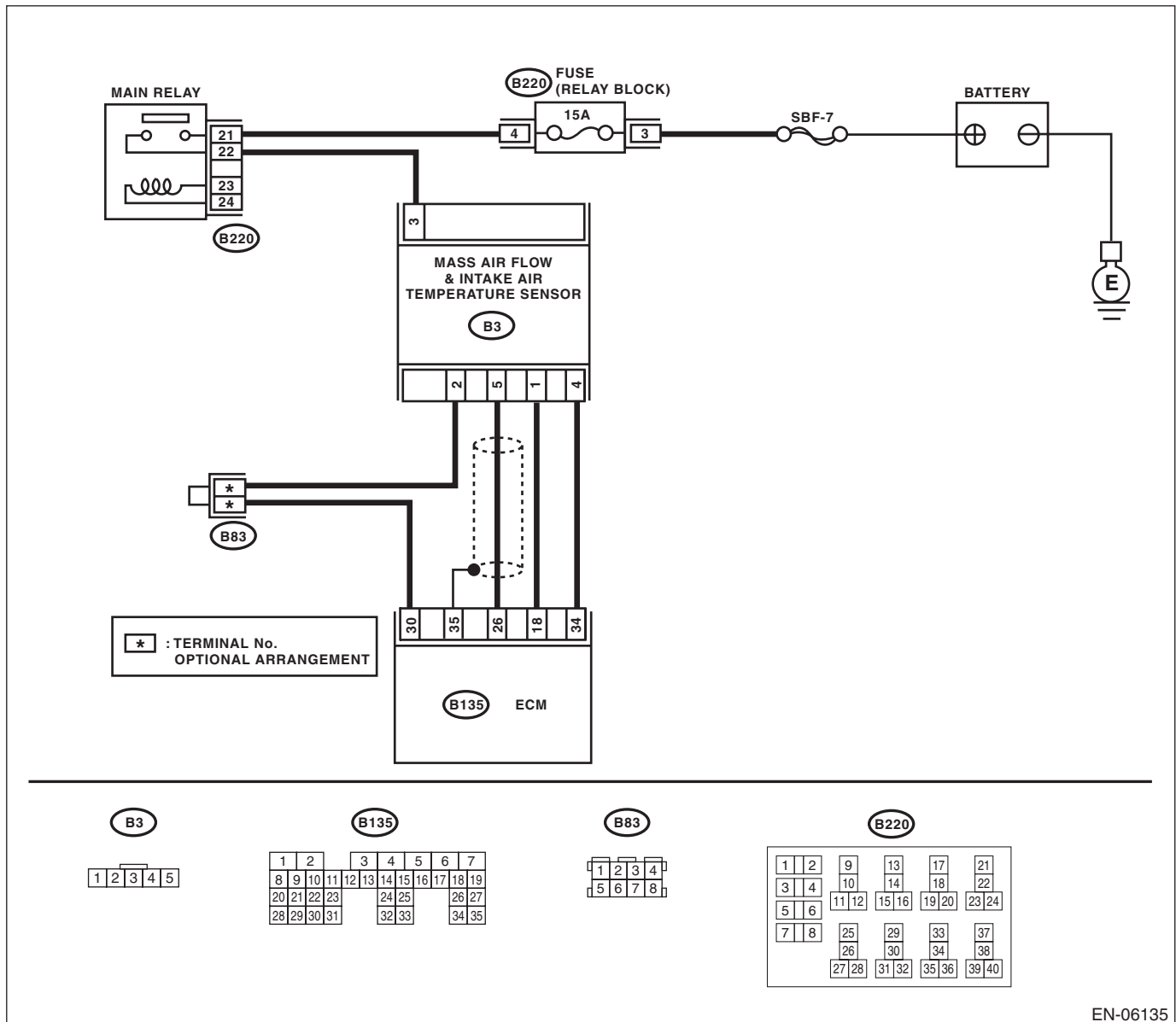
### TROUBLE SYMPTOM:

- Improper idling
- Engine stalls.
- Poor driving performance

### CAUTION:

**After servicing or replacing faulty parts, perform Clear Memory Mode <Ref. to EN(H4DOTC)(diag)-54, OPERATION, Clear Memory Mode.>, and Inspection Mode <Ref. to EN(H4DOTC)(diag)-43, PROCEDURE, Inspection Mode.>.**

### WIRING DIAGRAM:



EN-06135

# Diagnostic Procedure with Diagnostic Trouble Code (DTC)

## ENGINE (DIAGNOSTICS)

Step	Check	Yes	No
<b>1</b> <b>CHECK CURRENT DATA.</b> 1) Start the engine. 2) Read the data of air flow sensor signal using Subaru Select Monitor or general scan tool. NOTE: <ul style="list-style-type: none"> <li>• Subaru Select Monitor</li> </ul> For detailed operation procedures, refer to "READ CURRENT DATA FOR ENGINE". <Ref. to EN(H4DOTC)(diag)-34, Subaru Select Monitor.> <ul style="list-style-type: none"> <li>• General scan tool</li> </ul> For detailed operation procedures, refer to the general scan tool operation manual.	Is the voltage 5 V or more?	Go to step 2.	Even if DTC is detected, the circuit has returned to a normal condition at this time. Reproduce the failure, and then perform the diagnosis again. NOTE: In this case, temporary poor contact of connector may be the cause.
<b>2</b> <b>CHECK HARNESS BETWEEN ECM AND MASS AIR FLOW AND INTAKE AIR TEMPERATURE SENSOR CONNECTOR.</b> 1) Turn the ignition switch to OFF. 2) Disconnect the connectors from the mass air flow and intake air temperature sensor. 3) Start the engine. 4) Read the data of air flow sensor signal using Subaru Select Monitor or general scan tool. NOTE: <ul style="list-style-type: none"> <li>• Subaru Select Monitor</li> </ul> For detailed operation procedures, refer to "READ CURRENT DATA FOR ENGINE". <Ref. to EN(H4DOTC)(diag)-34, Subaru Select Monitor.> <ul style="list-style-type: none"> <li>• General scan tool</li> </ul> For detailed operation procedures, refer to the general scan tool operation manual.	Is the voltage 5 V or more?	Repair the short circuit of harness to power supply between ECM and mass air flow and intake air temperature sensor connector.	Go to step 3.
<b>3</b> <b>CHECK HARNESS BETWEEN ECM AND MASS AIR FLOW AND INTAKE AIR TEMPERATURE SENSOR CONNECTOR.</b> 1) Turn the ignition switch to OFF. 2) Measure the resistance of harness between mass air flow and intake air temperature sensor connector and engine ground. <b>Connector &amp; terminal</b> <b>(B3) No. 4 — Engine ground:</b>	Is the resistance less than 5 Ω?	Go to step 4.	Repair the harness and connector. NOTE: In this case, repair the following item: <ul style="list-style-type: none"> <li>• Open circuit in harness between ECM and mass air flow and intake air temperature sensor connector.</li> <li>• Poor contact of ECM connector</li> </ul>
<b>4</b> <b>CHECK POOR CONTACT.</b> Check for poor contact of mass air flow and intake air temperature sensor connector.	Is there poor contact of mass air flow and intake air temperature sensor connector?	Repair the poor contact of mass air flow and intake air temperature sensor connector.	Replace the mass air flow and intake air temperature sensor. <Ref. to FU(H4DOTC)-39, Mass Air Flow and Intake Air Temperature Sensor.>

# Diagnostic Procedure with Diagnostic Trouble Code (DTC)

ENGINE (DIAGNOSTICS)

## N: DTC P0107 MANIFOLD ABSOLUTE PRESSURE/BAROMETRIC PRESSURE CIRCUIT LOW INPUT

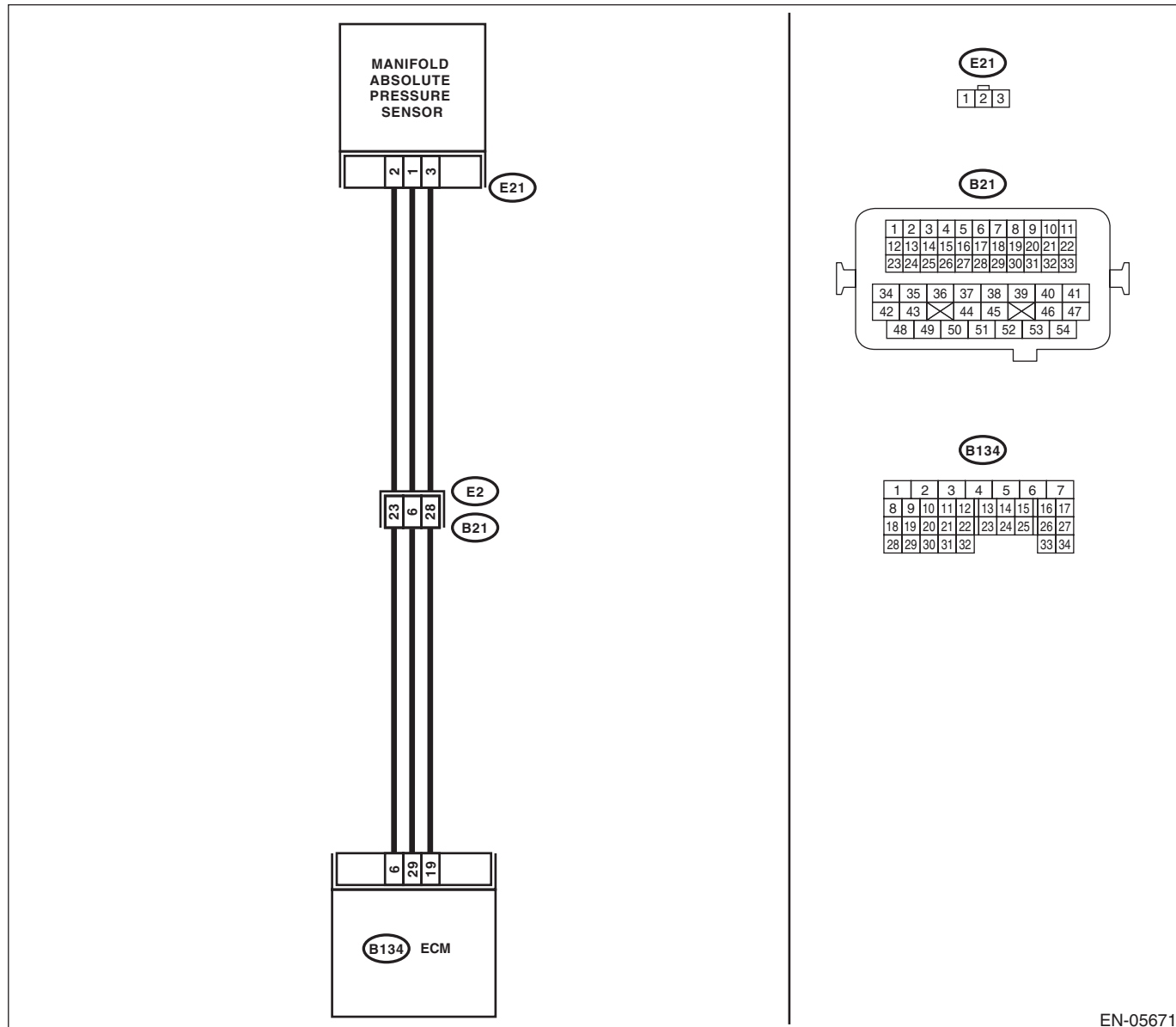
### DTC DETECTING CONDITION:

- Immediately at fault recognition
- GENERAL DESCRIPTION <Ref. to GD(H4DOTC)-30, DTC P0107 MANIFOLD ABSOLUTE PRESSURE/BAROMETRIC PRESSURE CIRCUIT LOW INPUT, Diagnostic Trouble Code (DTC) Detecting Criteria.>

### CAUTION:

After servicing or replacing faulty parts, perform Clear Memory Mode <Ref. to EN(H4DOTC)(diag)-54, OPERATION, Clear Memory Mode.>, and Inspection Mode <Ref. to EN(H4DOTC)(diag)-43, PROCEDURE, Inspection Mode.>.

### WIRING DIAGRAM:



EN-05671

# Diagnostic Procedure with Diagnostic Trouble Code (DTC)

## ENGINE (DIAGNOSTICS)

	Step	Check	Yes	No
1	<p><b>CHECK CURRENT DATA.</b></p> <p>1) Start the engine.</p> <p>2) Read the data of intake manifold absolute pressure signal using Subaru Select Monitor or general scan tool.</p> <p>NOTE:</p> <ul style="list-style-type: none"> <li>Subaru Select Monitor</li> </ul> <p>For detailed operation procedures, refer to "READ CURRENT DATA FOR ENGINE". &lt;Ref. to EN(H4DOTC)(diag)-34, Subaru Select Monitor.&gt;</p> <ul style="list-style-type: none"> <li>General scan tool</li> </ul> <p>For detailed operation procedures, refer to the general scan tool operation manual.</p>	Is the measured value less than 13.3 kPa (100 mmHg, 3.94 inHg)?	Go to step 2.	<p>Even if DTC is detected, the circuit has returned to a normal condition at this time. Reproduce the failure, and then perform the diagnosis again.</p> <p>NOTE:</p> <p>In this case, temporary poor contact of connector may be the cause.</p>
2	<p><b>CHECK POWER SUPPLY OF MANIFOLD ABSOLUTE PRESSURE SENSOR.</b></p> <p>1) Turn the ignition switch to OFF.</p> <p>2) Disconnect the connector from manifold absolute pressure sensor.</p> <p>3) Turn the ignition switch to ON.</p> <p>4) Measure the voltage between manifold absolute pressure sensor connector and engine ground.</p> <p><b>Connector &amp; terminal</b> <b>(E21) No. 3 (+) — Engine ground (-):</b></p>	Is the voltage 4.5 V or more?	Go to step 3.	<p>Repair the harness and connector.</p> <p>NOTE:</p> <p>In this case, repair the following item:</p> <ul style="list-style-type: none"> <li>Open circuit of harness between ECM and manifold absolute pressure sensor connector.</li> <li>Poor contact of ECM connector</li> <li>Poor contact of coupling connector</li> </ul>
3	<p><b>CHECK HARNESS BETWEEN ECM AND MANIFOLD ABSOLUTE PRESSURE SENSOR CONNECTOR.</b></p> <p>1) Turn the ignition switch to OFF.</p> <p>2) Disconnect the connectors from ECM.</p> <p>3) Measure the resistance of harness between ECM and manifold absolute pressure sensor connector.</p> <p><b>Connector &amp; terminal</b> <b>(B134) No. 6 — (E21) No. 2:</b></p>	Is the resistance less than 1 Ω?	Go to step 4.	<p>Repair the harness and connector.</p> <p>NOTE:</p> <p>In this case, repair the following item:</p> <ul style="list-style-type: none"> <li>Open circuit of harness between ECM and manifold absolute pressure sensor connector.</li> <li>Poor contact of coupling connector</li> </ul>
4	<p><b>CHECK HARNESS BETWEEN ECM AND MANIFOLD ABSOLUTE PRESSURE SENSOR CONNECTOR.</b></p> <p>Measure the resistance between ECM and chassis ground.</p> <p><b>Connector &amp; terminal</b> <b>(B134) No. 6 — Chassis ground:</b></p>	Is the resistance 1 MΩ or more?	Go to step 5.	<p>Repair ground short circuit of harness between ECM and manifold absolute pressure sensor connector.</p>
5	<p><b>CHECK POOR CONTACT.</b></p> <p>Check for poor contact of ECM and manifold absolute pressure sensor connector.</p>	Is there poor contact of ECM or manifold absolute pressure sensor connector?	Repair the poor contact of ECM or manifold absolute pressure sensor connector.	<p>Replace the manifold absolute pressure sensor. &lt;Ref. to FU(H4DOTC)-40, Manifold Absolute Pressure Sensor.&gt;</p>

# Diagnostic Procedure with Diagnostic Trouble Code (DTC)

ENGINE (DIAGNOSTICS)

## O: DTC P0108 MANIFOLD ABSOLUTE PRESSURE/BAROMETRIC PRESSURE CIRCUIT HIGH INPUT

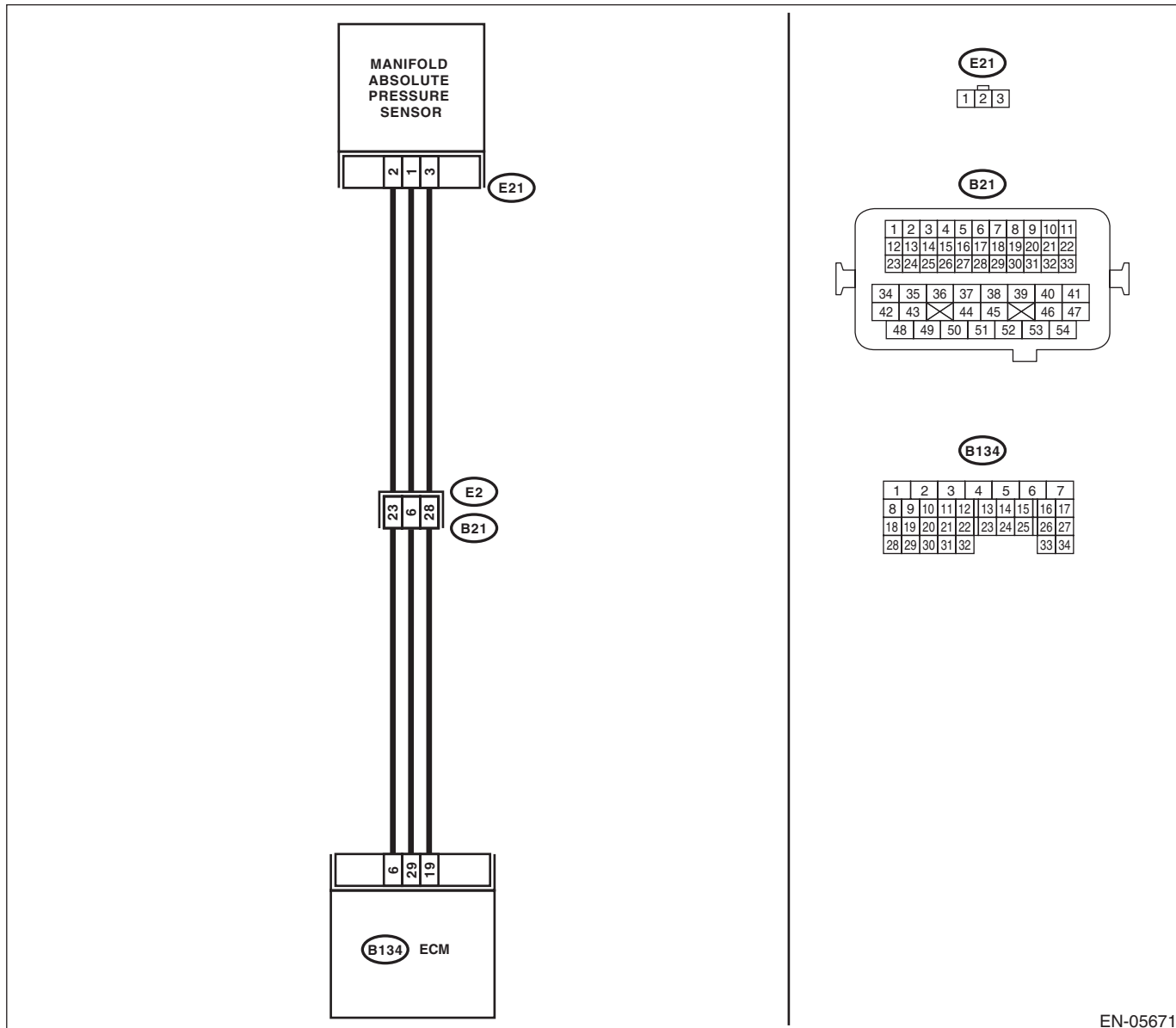
### DTC DETECTING CONDITION:

- Immediately at fault recognition
- GENERAL DESCRIPTION <Ref. to GD(H4DOTC)-31, DTC P0108 MANIFOLD ABSOLUTE PRESSURE/BAROMETRIC PRESSURE CIRCUIT HIGH INPUT, Diagnostic Trouble Code (DTC) Detecting Criteria.>

### CAUTION:

After servicing or replacing faulty parts, perform Clear Memory Mode <Ref. to EN(H4DOTC)(diag)-54, OPERATION, Clear Memory Mode.>, and Inspection Mode <Ref. to EN(H4DOTC)(diag)-43, PROCEDURE, Inspection Mode.>.

### WIRING DIAGRAM:



EN-05671

# Diagnostic Procedure with Diagnostic Trouble Code (DTC)

## ENGINE (DIAGNOSTICS)

	Step	Check	Yes	No
1	<p><b>CHECK CURRENT DATA.</b></p> <p>1) Start the engine.</p> <p>2) Read the data of intake manifold absolute pressure signal using Subaru Select Monitor or general scan tool.</p> <p>NOTE:</p> <ul style="list-style-type: none"> <li>Subaru Select Monitor</li> </ul> <p>For detailed operation procedures, refer to "READ CURRENT DATA FOR ENGINE". &lt;Ref. to EN(H4DOTC)(diag)-34, Subaru Select Monitor.&gt;</p> <ul style="list-style-type: none"> <li>General scan tool</li> </ul> <p>For detailed operation procedures, refer to the general scan tool operation manual.</p>	<p>Is the measured value 119.5 kPa (896.5 mmHg, 35.29 inHg) or more?</p>	<p>Go to step 2.</p>	<p>Even if DTC is detected, the circuit has returned to a normal condition at this time. Reproduce the failure, and then perform the diagnosis again.</p> <p>NOTE:</p> <p>In this case, temporary poor contact of connector may be the cause.</p>
2	<p><b>CHECK HARNESS BETWEEN ECM AND MANIFOLD ABSOLUTE PRESSURE SENSOR CONNECTOR.</b></p> <p>1) Turn the ignition switch to OFF.</p> <p>2) Disconnect the connector from manifold absolute pressure sensor.</p> <p>3) Start the engine.</p> <p>4) Read the data of intake manifold absolute pressure signal using Subaru Select Monitor or general scan tool.</p> <p>NOTE:</p> <ul style="list-style-type: none"> <li>Subaru Select Monitor</li> </ul> <p>For detailed operation procedures, refer to "READ CURRENT DATA FOR ENGINE". &lt;Ref. to EN(H4DOTC)(diag)-34, Subaru Select Monitor.&gt;</p> <ul style="list-style-type: none"> <li>General scan tool</li> </ul> <p>For detailed operation procedures, refer to the general scan tool operation manual.</p>	<p>Is the measured value 119.5 kPa (896.5 mmHg, 35.29 inHg) or more?</p>	<p>Repair the short circuit to power in harness between ECM and manifold absolute pressure sensor connector.</p>	<p>Go to step 3.</p>
3	<p><b>CHECK HARNESS BETWEEN ECM AND MANIFOLD ABSOLUTE PRESSURE SENSOR CONNECTOR.</b></p> <p>1) Turn the ignition switch to OFF.</p> <p>2) Measure the resistance of harness between manifold absolute pressure sensor connector and engine ground.</p> <p><b>Connector &amp; terminal</b> <b>(E21) No. 1 — Engine ground:</b></p>	<p>Is the resistance less than 5 Ω?</p>	<p>Go to step 4.</p>	<p>Repair the harness and connector.</p> <p>NOTE:</p> <p>In this case, repair the following item:</p> <ul style="list-style-type: none"> <li>Open circuit of harness between ECM and manifold absolute pressure sensor connector.</li> <li>Poor contact of ECM connector</li> <li>Poor contact of coupling connector</li> </ul>
4	<p><b>CHECK POOR CONTACT.</b></p> <p>Check for poor contact of manifold absolute pressure sensor connector.</p>	<p>Is there poor contact of manifold absolute pressure sensor connector?</p>	<p>Repair the poor contact of manifold absolute pressure sensor connector.</p>	<p>Replace the manifold absolute pressure sensor. &lt;Ref. to FU(H4DOTC)-40, Manifold Absolute Pressure Sensor.&gt;</p>

## P: DTC P0111 INTAKE AIR TEMPERATURE SENSOR 1 CIRCUIT RANGE/ PERFORMANCE

### DTC DETECTING CONDITION:

- Detected when two consecutive driving cycles with fault occur.
- GENERAL DESCRIPTION <Ref. to GD(H4DOTC)-32, DTC P0111 INTAKE AIR TEMPERATURE SENSOR 1 CIRCUIT RANGE/PERFORMANCE, Diagnostic Trouble Code (DTC) Detecting Criteria.>

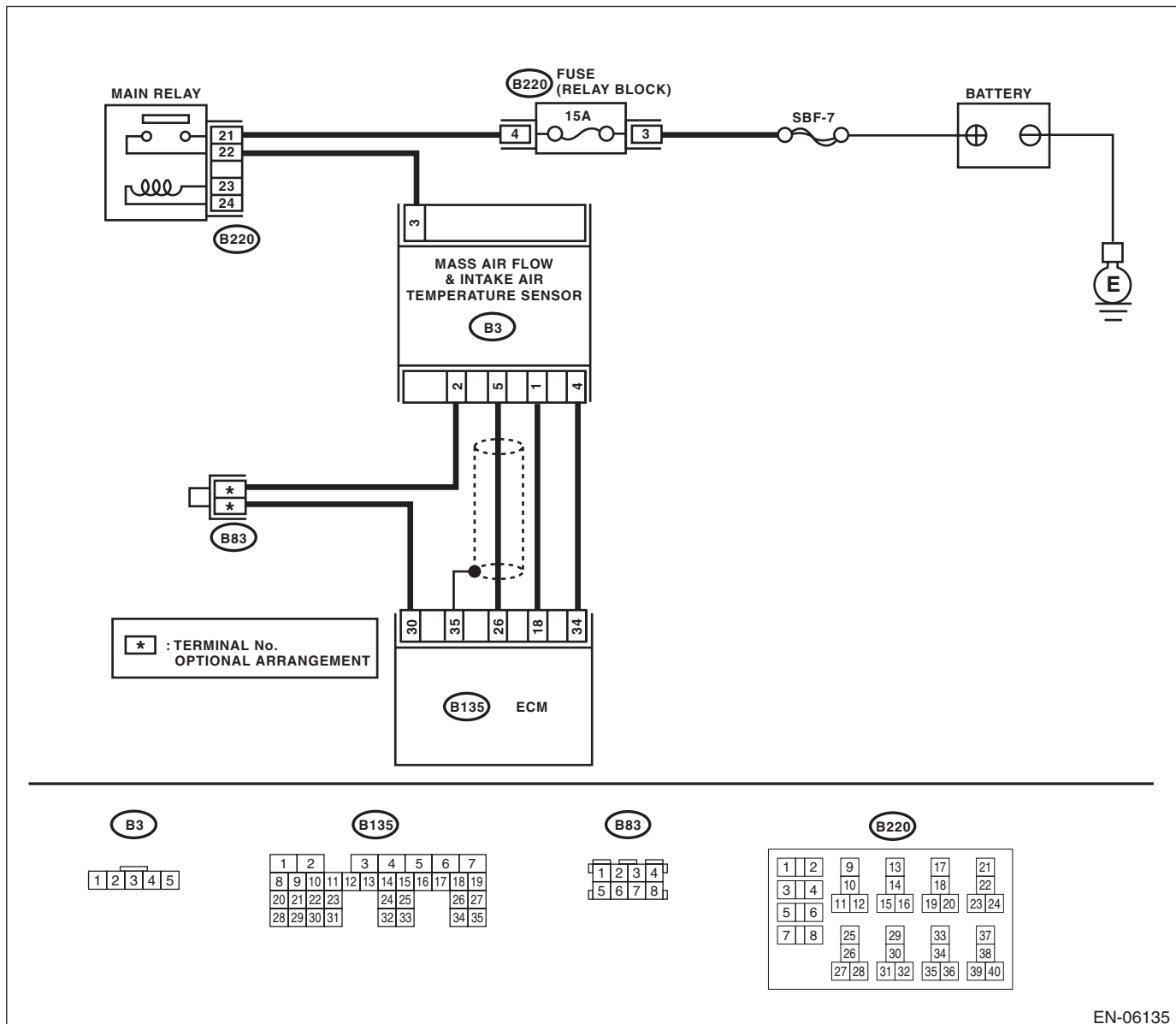
### TROUBLE SYMPTOM:

- Improper idling
- Poor driving performance

### CAUTION:

After servicing or replacing faulty parts, perform Clear Memory Mode <Ref. to EN(H4DOTC)(diag)-54, OPERATION, Clear Memory Mode.>, and Inspection Mode <Ref. to EN(H4DOTC)(diag)-43, PROCEDURE, Inspection Mode.>.

### WIRING DIAGRAM:



EN-06135



# Diagnostic Procedure with Diagnostic Trouble Code (DTC)

## ENGINE (DIAGNOSTICS)

	Step	Check	Yes	No
1	<p><b>CHECK ENGINE COOLANT TEMPERATURE.</b></p> <p>1) Start the engine and warm up completely.</p> <p>2) Measure the engine coolant temperature using the Subaru Select Monitor or general scan tool.</p> <p>NOTE:</p> <ul style="list-style-type: none"><li>• Subaru Select Monitor</li></ul> <p>For detailed operation procedures, refer to "READ CURRENT DATA FOR ENGINE". &lt;Ref. to EN(H4DOTC)(diag)-34, Subaru Select Monitor.&gt;</p> <ul style="list-style-type: none"><li>• General scan tool</li></ul> <p>For detailed operation procedures, refer to the general scan tool operation manual.</p>	Is the engine coolant temperature 75°C (167°F) or higher?	Replace the mass air flow and intake air temperature sensor. <Ref. to FU(H4DOTC)-39, Mass Air Flow and Intake Air Temperature Sensor.>	Check DTC P0125 using "List of Diagnostic Trouble Code (DTC)". <Ref. to EN(H4DOTC)(diag)-83, List of Diagnostic Trouble Code (DTC).>

# Diagnostic Procedure with Diagnostic Trouble Code (DTC)

ENGINE (DIAGNOSTICS)

## Q: DTC P0112 INTAKE AIR TEMPERATURE SENSOR 1 CIRCUIT LOW

### DTC DETECTING CONDITION:

- Immediately at fault recognition
- GENERAL DESCRIPTION <Ref. to GD(H4DOTC)-34, DTC P0112 INTAKE AIR TEMPERATURE SENSOR 1 CIRCUIT LOW, Diagnostic Trouble Code (DTC) Detecting Criteria.>

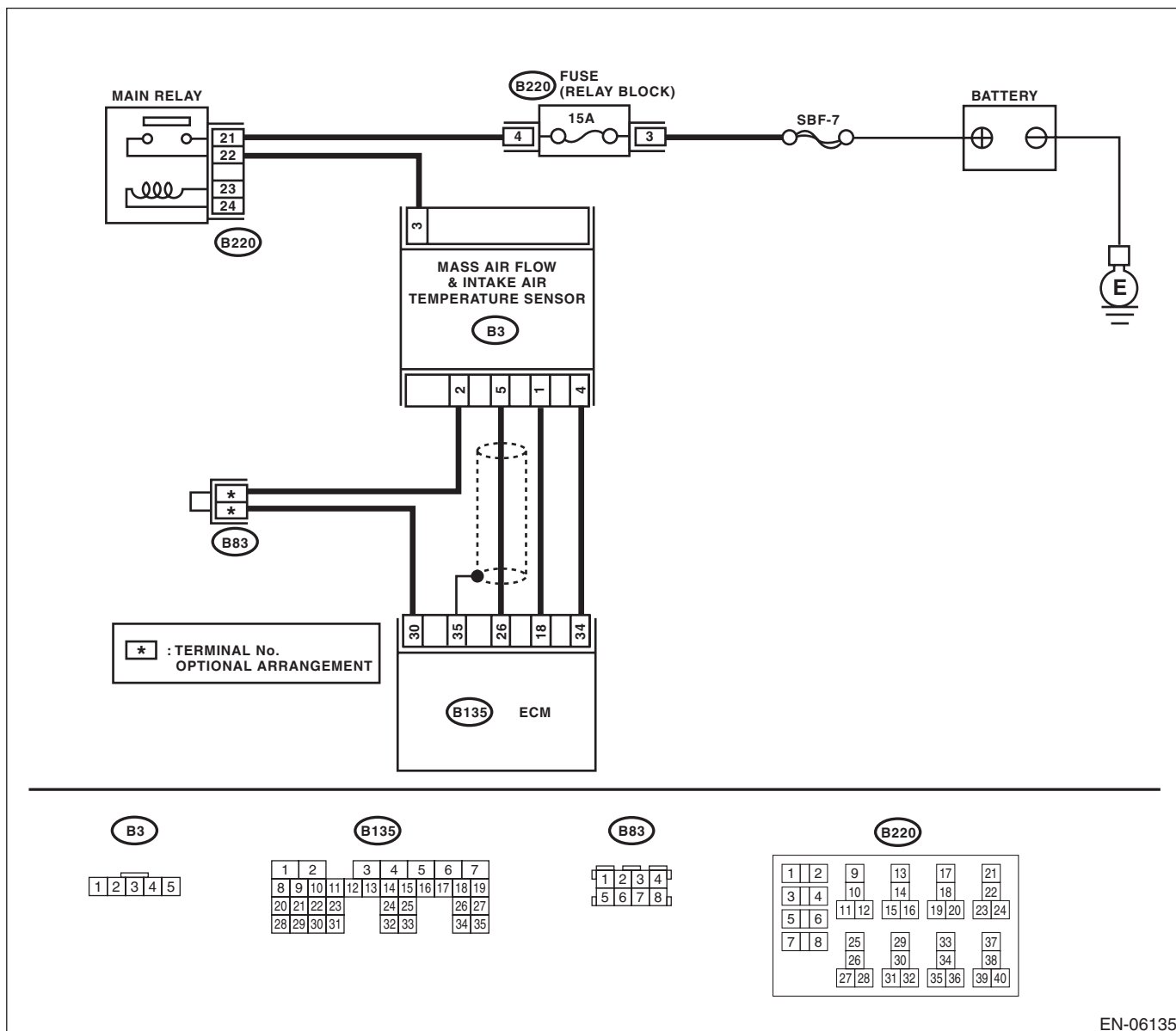
### TROUBLE SYMPTOM:

- Improper idling
- Poor driving performance

### CAUTION:

After servicing or replacing faulty parts, perform Clear Memory Mode <Ref. to EN(H4DOTC)(diag)-54, OPERATION, Clear Memory Mode.>, and Inspection Mode <Ref. to EN(H4DOTC)(diag)-43, PROCEDURE, Inspection Mode.>.

### WIRING DIAGRAM:



EN-06135

# Diagnostic Procedure with Diagnostic Trouble Code (DTC)

## ENGINE (DIAGNOSTICS)

	Step	Check	Yes	No
1	<p><b>CHECK CURRENT DATA.</b></p> <p>1) Start the engine.</p> <p>2) Read the data of intake air temperature sensor signal using Subaru Select Monitor or general scan tool.</p> <p>NOTE:</p> <ul style="list-style-type: none"> <li>• Subaru Select Monitor</li> </ul> <p>For detailed operation procedures, refer to "READ CURRENT DATA FOR ENGINE". &lt;Ref. to EN(H4DOTC)(diag)-34, Subaru Select Monitor.&gt;</p> <ul style="list-style-type: none"> <li>• General scan tool</li> </ul> <p>For detailed operation procedures, refer to the general scan tool operation manual.</p>	<p>Is the intake air temperature 120°C (248°F) or more?</p>	<p>Go to step 2.</p>	<p>Even if DTC is detected, the circuit has returned to a normal condition at this time. Reproduce the failure, and then perform the diagnosis again.</p> <p>NOTE:</p> <p>In this case, temporary poor contact of connector may be the cause.</p>
2	<p><b>CHECK HARNESS BETWEEN ECM AND MASS AIR FLOW AND INTAKE AIR TEMPERATURE SENSOR CONNECTOR.</b></p> <p>1) Turn the ignition switch to OFF.</p> <p>2) Disconnect the connector from ECM and the mass air flow and intake air temperature sensor.</p> <p>3) Measure the resistance between ECM and chassis ground.</p> <p><b>Connector &amp; terminal</b> <b>(B135) No. 18 — Chassis ground:</b></p>	<p>Is the resistance 1 MΩ or more?</p>	<p>Replace the mass air flow and intake air temperature sensor. &lt;Ref. to FU(H4DOTC)-39, Mass Air Flow and Intake Air Temperature Sensor.&gt;</p>	<p>Repair the short circuit to ground in harness between ECM and the mass air flow and intake air temperature sensor connector.</p>

# Diagnostic Procedure with Diagnostic Trouble Code (DTC)

ENGINE (DIAGNOSTICS)

## R: DTC P0113 INTAKE AIR TEMPERATURE SENSOR 1 CIRCUIT HIGH

### DTC DETECTING CONDITION:

- Immediately at fault recognition
- GENERAL DESCRIPTION <Ref. to GD(H4DOTC)-35, DTC P0113 INTAKE AIR TEMPERATURE SENSOR 1 CIRCUIT HIGH, Diagnostic Trouble Code (DTC) Detecting Criteria.>

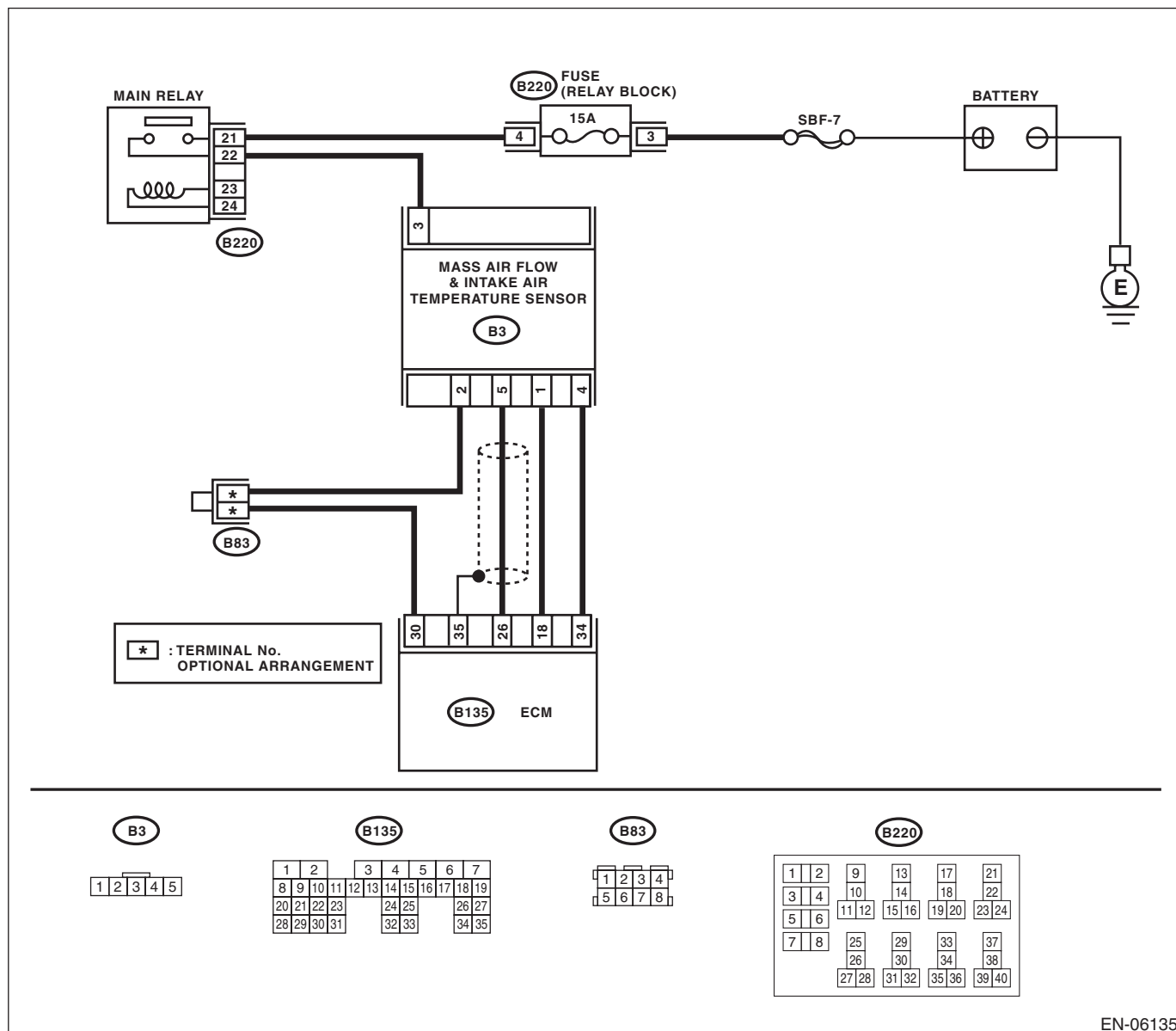
### TROUBLE SYMPTOM:

- Improper idling
- Poor driving performance

### CAUTION:

After servicing or replacing faulty parts, perform Clear Memory Mode <Ref. to EN(H4DOTC)(diag)-54, OPERATION, Clear Memory Mode.>, and Inspection Mode <Ref. to EN(H4DOTC)(diag)-43, PROCEDURE, Inspection Mode.>.

### WIRING DIAGRAM:



EN-06135

# Diagnostic Procedure with Diagnostic Trouble Code (DTC)

## ENGINE (DIAGNOSTICS)

	Step	Check	Yes	No
1	<p><b>CHECK CURRENT DATA.</b></p> <p>1) Start the engine.</p> <p>2) Read the data of intake air temperature sensor signal using Subaru Select Monitor or general scan tool.</p> <p>NOTE:</p> <ul style="list-style-type: none"> <li>Subaru Select Monitor</li> </ul> <p>For detailed operation procedures, refer to "READ CURRENT DATA FOR ENGINE". &lt;Ref. to EN(H4DOTC)(diag)-34, Subaru Select Monitor.&gt;</p> <ul style="list-style-type: none"> <li>General scan tool</li> </ul> <p>For detailed operation procedures, refer to the general scan tool operation manual.</p>	Is the intake air temperature less than $-40^{\circ}\text{C}$ ( $-40^{\circ}\text{F}$ ) ?	Go to step 2.	<p>Even if DTC is detected, the circuit has returned to a normal condition at this time. Reproduce the failure, and then perform the diagnosis again.</p> <p>NOTE:</p> <p>In this case, temporary poor contact of connector may be the cause.</p>
2	<p><b>CHECK POOR CONTACT.</b></p> <p>Check for poor contact of ECM and mass air flow and intake air temperature sensor connector.</p>	Is there poor contact of ECM or mass air flow and intake air temperature sensor connector?	Repair the poor contact of ECM or mass air flow and intake air temperature sensor connector.	Go to step 3.
3	<p><b>CHECK HARNESS BETWEEN ECM AND MASS AIR FLOW AND INTAKE AIR TEMPERATURE SENSOR CONNECTOR.</b></p> <p>1) Turn the ignition switch to OFF.</p> <p>2) Disconnect the connector from ECM and the mass air flow and intake air temperature sensor.</p> <p>3) Measure the resistance of harness between ECM and the mass air flow and intake air temperature sensor connector.</p> <p><b>Connector &amp; terminal</b></p> <p><b>(B135) No. 18 — (B3) No. 1:</b></p> <p><b>(B135) No. 30 — (B3) No. 2:</b></p>	Is the resistance less than $1\ \Omega$ ?	Go to step 4.	Repair the open circuit in harness between ECM and the mass air flow and intake air temperature sensor connector.
4	<p><b>CHECK HARNESS BETWEEN ECM AND MASS AIR FLOW AND INTAKE AIR TEMPERATURE SENSOR CONNECTOR.</b></p> <p>1) Connect all connectors.</p> <p>2) Turn the ignition switch to ON.</p> <p>3) Measure the voltage between ECM and chassis ground.</p> <p><b>Connector &amp; terminal</b></p> <p><b>(B135) No. 18 (+) — Chassis ground (-):</b></p>	Is the voltage 5 V or more?	Repair the short circuit of harness to power supply between ECM and mass air flow and intake air temperature sensor connector.	Replace the mass air flow and intake air temperature sensor. <Ref. to FU(H4DOTC)-39, Mass Air Flow and Intake Air Temperature Sensor.>

# Diagnostic Procedure with Diagnostic Trouble Code (DTC)

ENGINE (DIAGNOSTICS)

## S: DTC P0117 ENGINE COOLANT TEMPERATURE CIRCUIT LOW

### DTC DETECTING CONDITION:

- Immediately at fault recognition
- GENERAL DESCRIPTION <Ref. to GD(H4DOTC)-36, DTC P0117 ENGINE COOLANT TEMPERATURE CIRCUIT LOW, Diagnostic Trouble Code (DTC) Detecting Criteria.>

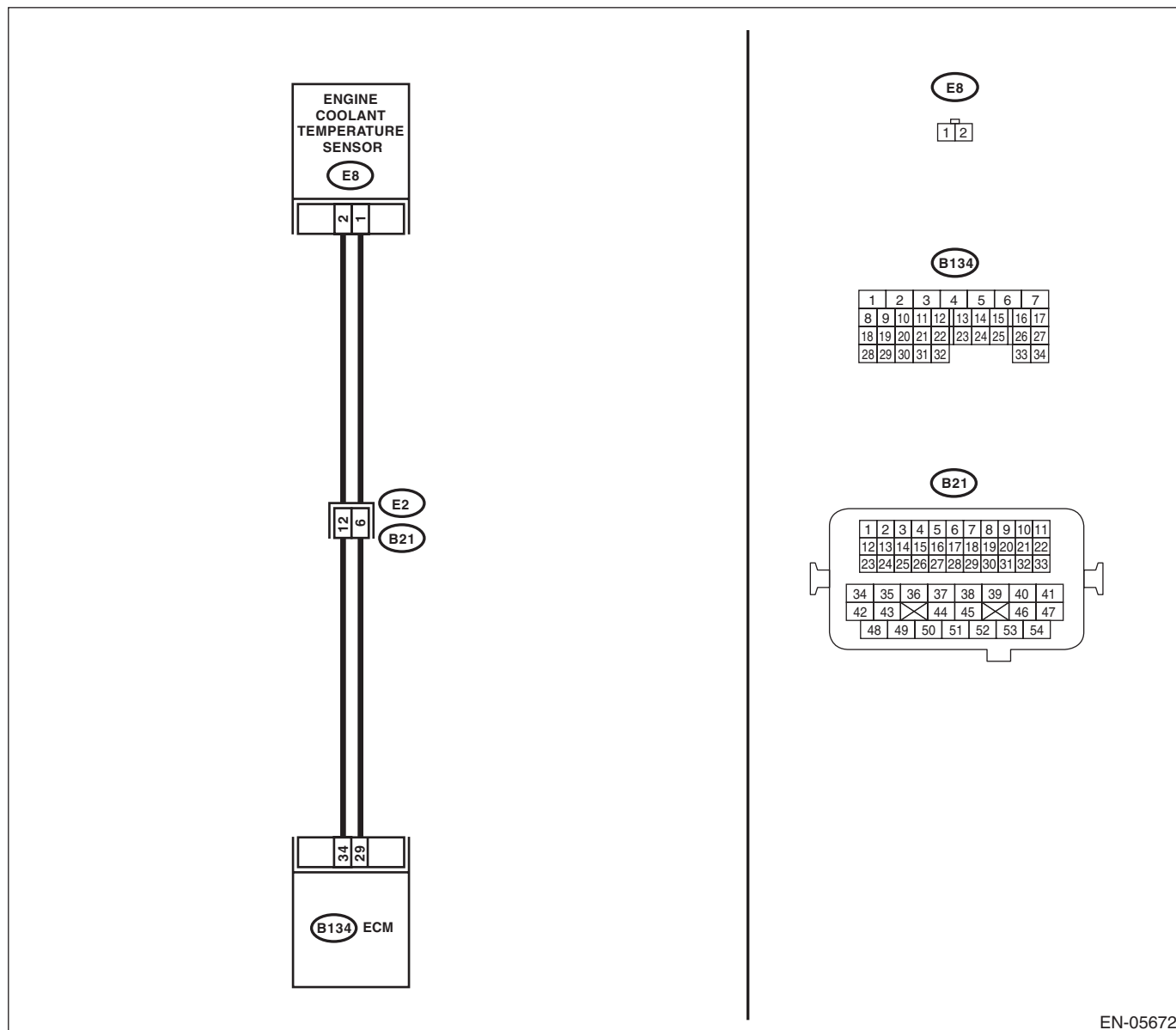
### TROUBLE SYMPTOM:

- Hard to start
- Improper idling
- Poor driving performance

### CAUTION:

After servicing or replacing faulty parts, perform Clear Memory Mode <Ref. to EN(H4DOTC)(diag)-54, OPERATION, Clear Memory Mode.>, and Inspection Mode <Ref. to EN(H4DOTC)(diag)-43, PROCEDURE, Inspection Mode.>.

### WIRING DIAGRAM:



EN-05672

# Diagnostic Procedure with Diagnostic Trouble Code (DTC)

## ENGINE (DIAGNOSTICS)

	Step	Check	Yes	No
1	<p><b>CHECK CURRENT DATA.</b></p> <p>1) Start the engine.</p> <p>2) Read the data of engine coolant temperature sensor signal using Subaru Select Monitor or general scan tool.</p> <p>NOTE:</p> <ul style="list-style-type: none"> <li>Subaru Select Monitor</li> </ul> <p>For detailed operation procedures, refer to "READ CURRENT DATA FOR ENGINE". &lt;Ref. to EN(H4DOTC)(diag)-34, Subaru Select Monitor.&gt;</p> <ul style="list-style-type: none"> <li>General scan tool</li> </ul> <p>For detailed operation procedures, refer to the general scan tool operation manual.</p>	Is the engine coolant temperature 150°C (302°F) or higher?	Go to step 2.	<p>Even if DTC is detected, the circuit has returned to a normal condition at this time. Reproduce the failure, and then perform the diagnosis again.</p> <p>NOTE:</p> <p>In this case, temporary poor contact of connector may be the cause.</p>
2	<p><b>CHECK HARNESS BETWEEN ECM AND ENGINE COOLANT TEMPERATURE SENSOR CONNECTOR.</b></p> <p>1) Turn the ignition switch to OFF.</p> <p>2) Disconnect the connectors from ECM and engine coolant temperature sensor.</p> <p>3) Measure the resistance between ECM and chassis ground.</p> <p><b>Connector &amp; terminal</b> <b>(B134) No. 34 — Chassis ground:</b></p>	Is the resistance 1 MΩ or more?	Replace the engine coolant temperature sensor. <Ref. to FU(H4DOTC)-31, Engine Coolant Temperature Sensor.>	Repair short circuit in harness to ground between ECM and engine coolant temperature sensor connector.

# Diagnostic Procedure with Diagnostic Trouble Code (DTC)

ENGINE (DIAGNOSTICS)

## T: DTC P0118 ENGINE COOLANT TEMPERATURE CIRCUIT HIGH

### DTC DETECTING CONDITION:

- Immediately at fault recognition
- GENERAL DESCRIPTION <Ref. to GD(H4DOTC)-37, DTC P0118 ENGINE COOLANT TEMPERATURE CIRCUIT HIGH, Diagnostic Trouble Code (DTC) Detecting Criteria.>

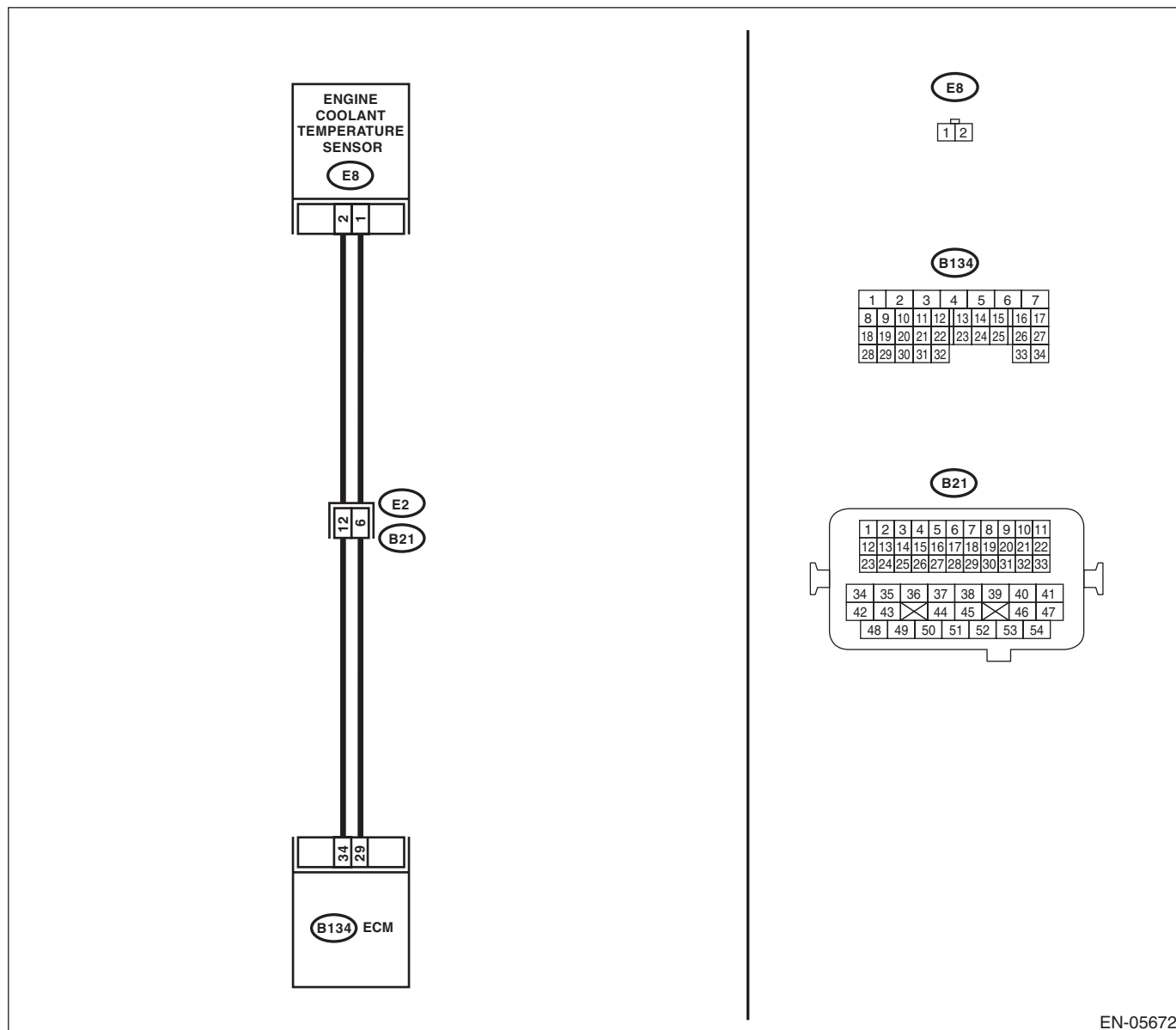
### TROUBLE SYMPTOM:

- Hard to start
- Improper idling
- Poor driving performance

### CAUTION:

After servicing or replacing faulty parts, perform Clear Memory Mode <Ref. to EN(H4DOTC)(diag)-54, OPERATION, Clear Memory Mode.>, and Inspection Mode <Ref. to EN(H4DOTC)(diag)-43, PROCEDURE, Inspection Mode.>.

### WIRING DIAGRAM:



EN-05672



# Diagnostic Procedure with Diagnostic Trouble Code (DTC)

## ENGINE (DIAGNOSTICS)

	Step	Check	Yes	No
1	<p><b>CHECK CURRENT DATA.</b></p> <p>1) Start the engine.</p> <p>2) Read the data of engine coolant temperature sensor signal using Subaru Select Monitor or general scan tool.</p> <p>NOTE:</p> <ul style="list-style-type: none"> <li>Subaru Select Monitor</li> </ul> <p>For detailed operation procedures, refer to "READ CURRENT DATA FOR ENGINE". &lt;Ref. to EN(H4DOTC)(diag)-34, Subaru Select Monitor.&gt;</p> <ul style="list-style-type: none"> <li>General scan tool</li> </ul> <p>For detailed operation procedures, refer to the general scan tool operation manual.</p>	Is the engine coolant temperature less than $-40^{\circ}\text{C}$ ( $-40^{\circ}\text{F}$ ) ?	Go to step 2.	<p>Even if DTC is detected, the circuit has returned to a normal condition at this time. Reproduce the failure, and then perform the diagnosis again.</p> <p>NOTE:</p> <p>In this case, temporary poor contact of connector may be the cause.</p>
2	<p><b>CHECK POOR CONTACT.</b></p> <p>Check for poor contact of ECM and engine coolant temperature sensor connector.</p>	Is there poor contact of ECM or engine coolant temperature sensor connector?	Repair the poor contact of ECM or engine coolant temperature sensor connector.	Go to step 3.
3	<p><b>CHECK HARNESS BETWEEN ECM AND ENGINE COOLANT TEMPERATURE SENSOR CONNECTOR.</b></p> <p>1) Turn the ignition switch to OFF.</p> <p>2) Disconnect the connectors from ECM and engine coolant temperature sensor.</p> <p>3) Measure the resistance of harness between ECM and engine coolant temperature sensor connector.</p> <p><b>Connector &amp; terminal</b></p> <p><b>(B134) No. 34 — (E8) No. 2:</b></p> <p><b>(B134) No. 29 — (E8) No. 1:</b></p>	Is the resistance less than $1\ \Omega$ ?	Go to step 4.	<p>Repair the harness and connector.</p> <p>NOTE:</p> <p>In this case, repair the following item:</p> <ul style="list-style-type: none"> <li>Open circuit in harness between ECM and engine coolant temperature sensor connector</li> <li>Poor contact of coupling connector</li> </ul>
4	<p><b>CHECK HARNESS BETWEEN ECM AND ENGINE COOLANT TEMPERATURE SENSOR CONNECTOR.</b></p> <p>1) Connect all connectors.</p> <p>2) Turn the ignition switch to ON.</p> <p>3) Measure the voltage between ECM and chassis ground.</p> <p><b>Connector &amp; terminal</b></p> <p><b>(B134) No. 34 (+) — Chassis ground (-):</b></p>	Is the voltage 5 V or more?	Repair the short circuit to power in harness between ECM and engine coolant temperature sensor connector.	Replace the engine coolant temperature sensor. <Ref. to FU(H4DOTC)-31, Engine Coolant Temperature Sensor.>

# Diagnostic Procedure with Diagnostic Trouble Code (DTC)

ENGINE (DIAGNOSTICS)

## U: DTC P0122 THROTTLE/PEDAL POSITION SENSOR/SWITCH "A" CIRCUIT LOW

### DTC DETECTING CONDITION:

- Immediately at fault recognition
- GENERAL DESCRIPTION <Ref. to GD(H4DOTC)-38, DTC P0122 THROTTLE/PEDAL POSITION SENSOR/SWITCH "A" CIRCUIT LOW, Diagnostic Trouble Code (DTC) Detecting Criteria.>

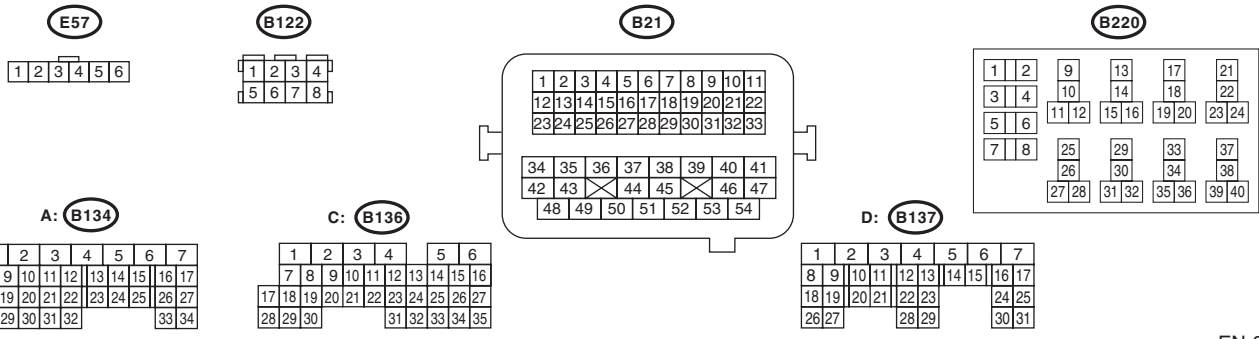
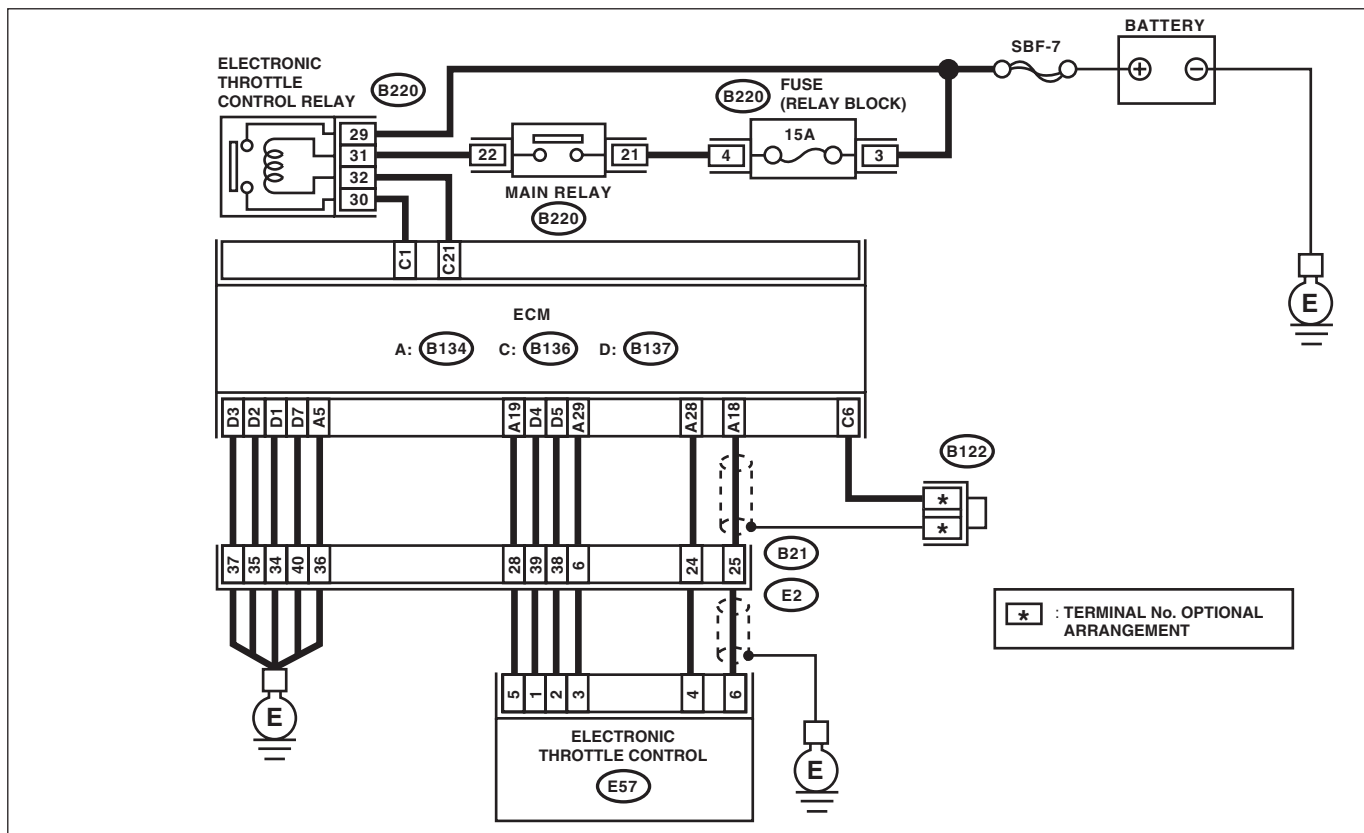
### TROUBLE SYMPTOM:

- Improper idling
- Engine stalls.
- Poor driving performance

### CAUTION:

After servicing or replacing faulty parts, perform Clear Memory Mode <Ref. to EN(H4DOTC)(diag)-54, OPERATION, Clear Memory Mode.>, and Inspection Mode <Ref. to EN(H4DOTC)(diag)-43, PROCEDURE, Inspection Mode.>.

### WIRING DIAGRAM:



EN-05902

# Diagnostic Procedure with Diagnostic Trouble Code (DTC)

## ENGINE (DIAGNOSTICS)

	Step	Check	Yes	No
1	<p><b>CHECK HARNESS BETWEEN ECM AND ELECTRONIC THROTTLE CONTROL CONNECTOR.</b></p> <p>1) Turn the ignition switch to OFF. 2) Disconnect the connectors from ECM and electronic throttle control. 3) Measure the resistance between ECM and chassis ground.</p> <p><b>Connector &amp; terminal</b> <b>(B134) No. 19 — Chassis ground:</b> <b>(B134) No. 18 — Chassis ground:</b> <b>(B134) No. 18 — (B136) No. 6:</b></p>	Is the resistance 1 MΩ or more?	Go to step 2.	Repair the short circuit to ground in harness between ECM and electronic throttle control connector.
2	<p><b>CHECK SHORT CIRCUIT INSIDE THE ECM.</b></p> <p>1) Connect the connector to ECM. 2) Measure the resistance between electronic throttle control connector and engine ground.</p> <p><b>Connector &amp; terminal</b> <b>(E57) No. 6 — Engine ground:</b></p>	Is the resistance 1 MΩ or more?	Replace the electronic throttle control. <Ref. to FU(H4DOTC)-14, Throttle Body.>	Repair the short circuit to ground in harness between ECM and electronic throttle control connector. Replace the ECM if defective. <Ref. to FU(H4DOTC)-52, Engine Control Module (ECM).>

# Diagnostic Procedure with Diagnostic Trouble Code (DTC)

ENGINE (DIAGNOSTICS)

## V: DTC P0123 THROTTLE/PEDAL POSITION SENSOR/SWITCH "A" CIRCUIT HIGH

### DTC DETECTING CONDITION:

- Immediately at fault recognition
- GENERAL DESCRIPTION <Ref. to GD(H4DOTC)-39, DTC P0123 THROTTLE/PEDAL POSITION SENSOR/SWITCH "A" CIRCUIT HIGH, Diagnostic Trouble Code (DTC) Detecting Criteria.>

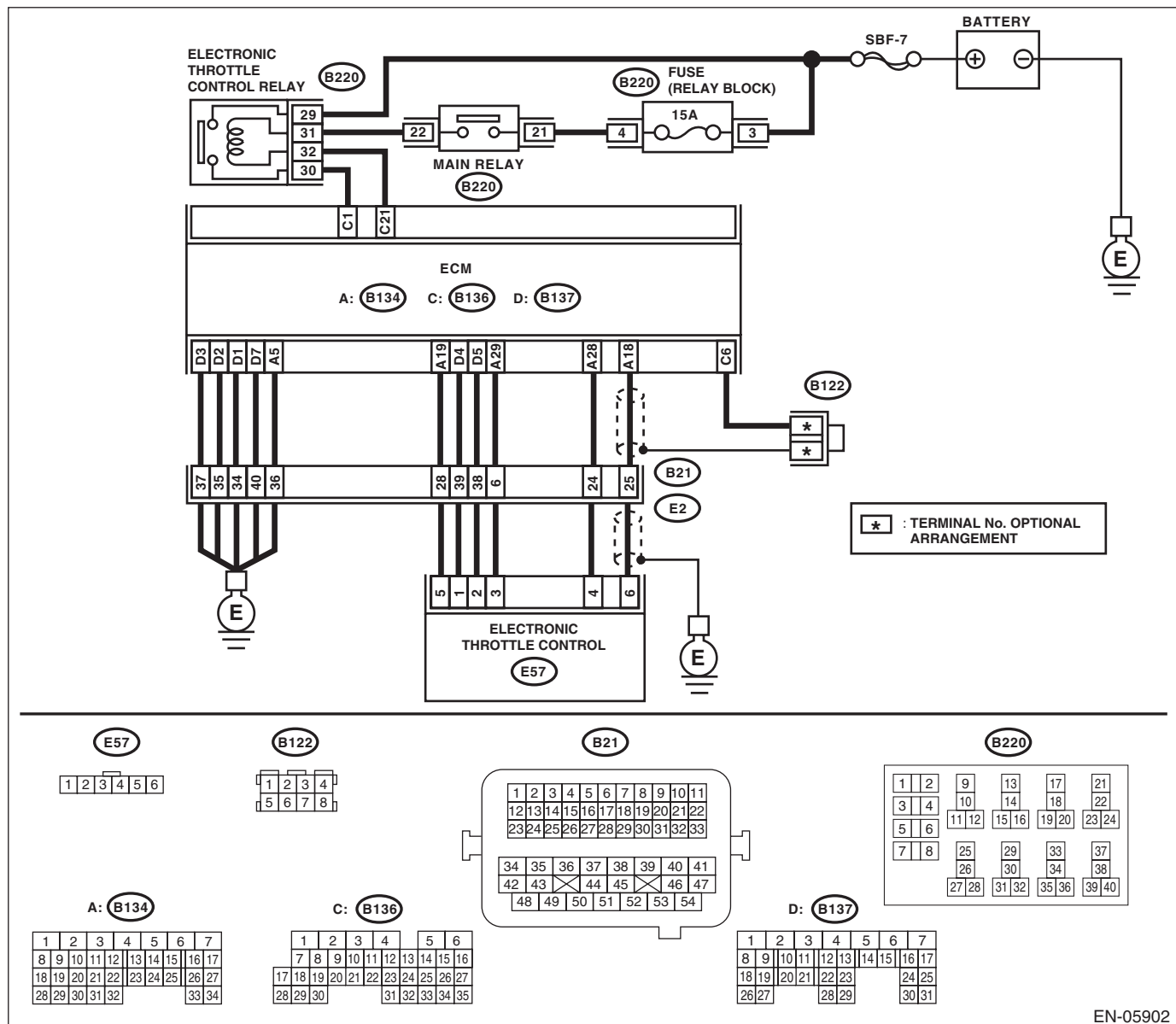
### TROUBLE SYMPTOM:

- Improper idling
- Engine stalls.
- Poor driving performance

### CAUTION:

After servicing or replacing faulty parts, perform Clear Memory Mode <Ref. to EN(H4DOTC)(diag)-54, OPERATION, Clear Memory Mode.>, and Inspection Mode <Ref. to EN(H4DOTC)(diag)-43, PROCEDURE, Inspection Mode.>.

### WIRING DIAGRAM:



EN-05902

# Diagnostic Procedure with Diagnostic Trouble Code (DTC)

ENGINE (DIAGNOSTICS)

Step	Check	Yes	No
<p><b>1</b></p> <p><b>CHECK HARNESS BETWEEN ECM AND ELECTRONIC THROTTLE CONTROL CONNECTOR.</b></p> <p>1) Turn the ignition switch to OFF. 2) Disconnect the connectors from ECM and electronic throttle control. 3) Measure the resistance of harness between ECM and electronic throttle control connector.</p> <p><b>Connector &amp; terminal</b> <b>(B134) No. 18 — (E57) No. 6:</b> <b>(B134) No. 29 — (E57) No. 3:</b></p>	Is the resistance less than 1 Ω?	Go to step 2.	Repair the harness and connector.  NOTE: In this case, repair the following item: • Open circuit in harness between ECM and electronic throttle control connector • Poor contact of coupling connector
<p><b>2</b></p> <p><b>CHECK HARNESS BETWEEN ECM AND ELECTRONIC THROTTLE CONTROL CONNECTOR.</b></p> <p>1) Connect the connector to ECM. 2) Measure the resistance between electronic throttle control connector and engine ground.</p> <p><b>Connector &amp; terminal</b> <b>(E57) No. 3 — Engine ground:</b></p>	Is the resistance less than 5 Ω?	Go to step 3.	Repair the harness and connector.  NOTE: In this case, repair the following item: • Open circuit of harness between ECM and engine ground • Poor contact of ECM connector • Poor contact of coupling connector
<p><b>3</b></p> <p><b>CHECK HARNESS BETWEEN ECM AND ELECTRONIC THROTTLE CONTROL CONNECTOR.</b></p> <p>1) Turn the ignition switch to ON. 2) Measure the voltage between electronic throttle control connector and engine ground.</p> <p><b>Connector &amp; terminal</b> <b>(E57) No. 6 (+) — Engine ground (-):</b></p>	Is the voltage 4.85 V or more?	Repair the short circuit to power in harness between ECM and electronic throttle control connector.	Go to step 4.
<p><b>4</b></p> <p><b>CHECK HARNESS BETWEEN ECM AND ELECTRONIC THROTTLE CONTROL CONNECTOR.</b></p> <p>1) Turn the ignition switch to OFF. 2) Disconnect the connectors from ECM. 3) Measure the resistance between ECM connectors.</p> <p><b>Connector &amp; terminal</b> <b>(B134) No. 19 — (B134) No. 18:</b></p>	Is the resistance 1 MΩ or more?	Repair the poor contact of electronic throttle control connector. Replace the electronic throttle control if defective. <Ref. to FU(H4DOTC)-14, Throttle Body.>	Repair the short circuit to power in harness between ECM and electronic throttle control connector.

# Diagnostic Procedure with Diagnostic Trouble Code (DTC)

ENGINE (DIAGNOSTICS)

## W: DTC P0125 INSUFFICIENT COOLANT TEMPERATURE FOR CLOSED LOOP FUEL CONTROL

### DTC DETECTING CONDITION:

- Detected when two consecutive driving cycles with fault occur.
- GENERAL DESCRIPTION <Ref. to GD(H4DOTC)-40, DTC P0125 INSUFFICIENT COOLANT TEMPERATURE FOR CLOSED LOOP FUEL CONTROL, Diagnostic Trouble Code (DTC) Detecting Criteria.>

### TROUBLE SYMPTOM:

Engine does not return to idle.

### CAUTION:

After servicing or replacing faulty parts, perform Clear Memory Mode <Ref. to EN(H4DOTC)(diag)-54, OPERATION, Clear Memory Mode.>, and Inspection Mode <Ref. to EN(H4DOTC)(diag)-43, PROCEDURE, Inspection Mode.>.

	Step	Check	Yes	No
1	<b>CHECK TIRE SIZE.</b>	Is the tire size as specified and the same size as three other wheels?	Go to step 2.	Replace the tire.
2	<b>CHECK ENGINE COOLANT.</b> Check the following items: <ul style="list-style-type: none"><li>• Amount of engine coolant</li><li>• Engine coolant freeze</li><li>• Contamination of engine coolant</li></ul>	Is the engine coolant normal?	Go to step 3.	Fill or replace the engine coolant. <Ref. to CO(H4DOTC)-14, REPLACEMENT, Engine Coolant.>
3	<b>CHECK THERMOSTAT.</b>	Does the thermostat remain opened?	Replace the thermostat. <Ref. to CO(H4DOTC)-18, Thermostat.>	Replace the engine coolant temperature sensor. <Ref. to FU(H4DOTC)-31, Engine Coolant Temperature Sensor.>

# Diagnostic Procedure with Diagnostic Trouble Code (DTC)

ENGINE (DIAGNOSTICS)

## X: DTC P0126 INSUFFICIENT ENGINE COOLANT TEMPERATURE FOR STABLE OPERATION

### DTC DETECTING CONDITION:

- Detected when two consecutive driving cycles with fault occur.
- GENERAL DESCRIPTION <Ref. to GD(H4DOTC)-42, DTC P0126 INSUFFICIENT ENGINE COOLANT TEMPERATURE FOR STABLE OPERATION, Diagnostic Trouble Code (DTC) Detecting Criteria.>

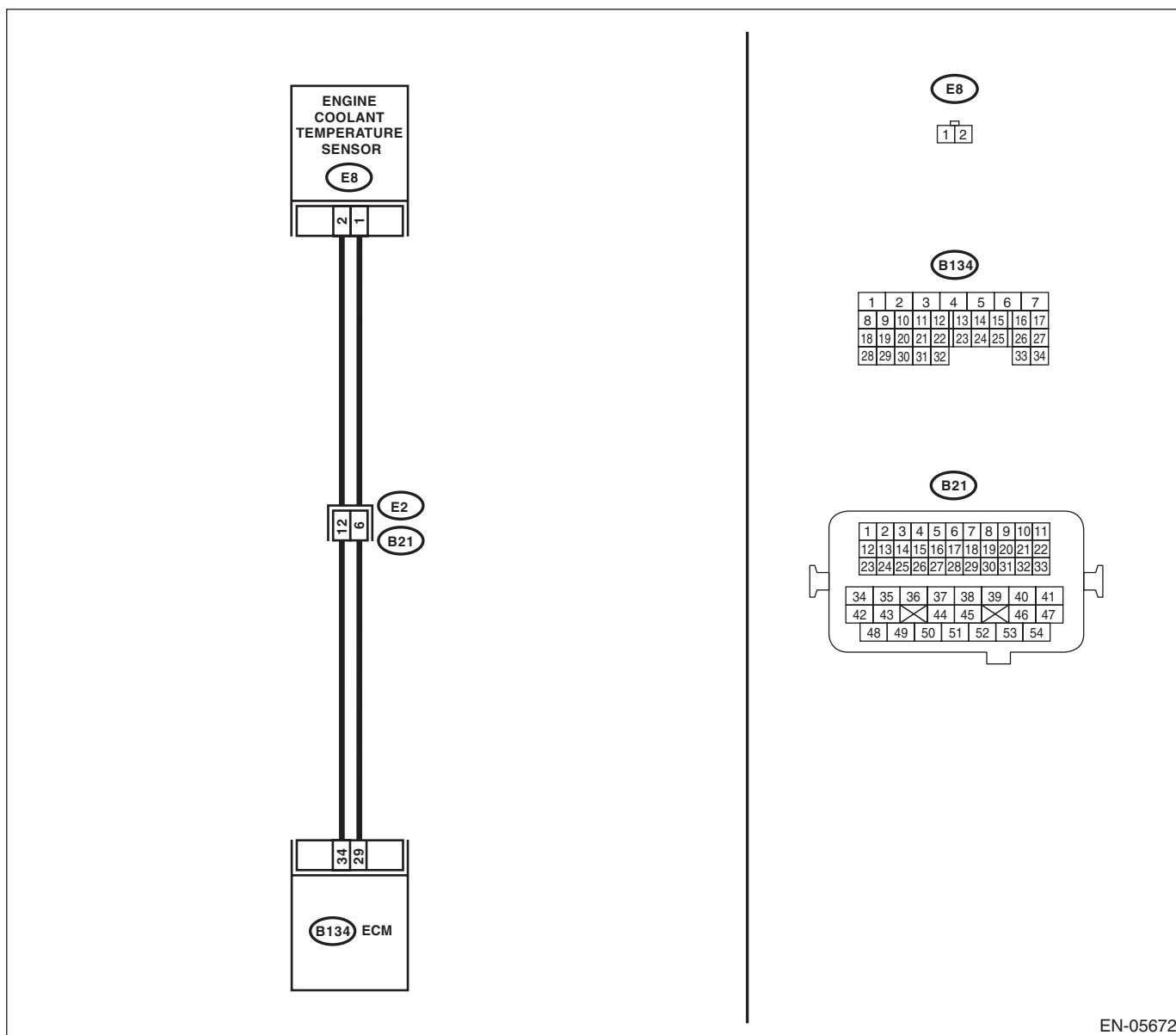
### TROUBLE SYMPTOM:

- Hard to start
- Improper idling
- Poor driving performance

### CAUTION:

After repair or replacement of faulty parts, perform Clear Memory Mode <Ref. to EN(H4DOTC)(diag)-54, OPERATION, Clear Memory Mode.> and Inspection Mode <Ref. to EN(H4DOTC)(diag)-43, PROCEDURE, Inspection Mode.>.

### WIRING DIAGRAM:



EN-05672

# Diagnostic Procedure with Diagnostic Trouble Code (DTC)

ENGINE (DIAGNOSTICS)

	<b>Step</b>	<b>Check</b>	<b>Yes</b>	<b>No</b>
1	<b>CHECK ENGINE COOLANT TEMPERATURE SENSOR.</b> Measure the resistance between engine coolant temperature sensor terminals when the engine coolant is cold and after warmed-up. <i>Terminals</i> <i>No. 1 — No. 2:</i>	Is the resistance of engine coolant temperature sensor different between when engine coolant is cold and after warmed-up?	Repair the poor contact of the ECM connector.	Replace the engine coolant temperature sensor. <Ref. to FU(H4DOTC)-31, Engine Coolant Temperature Sensor.>



# Diagnostic Procedure with Diagnostic Trouble Code (DTC)

ENGINE (DIAGNOSTICS)

## Y: DTC P0128 COOLANT THERMOSTAT (ENGINE COOLANT TEMPERATURE BELOW THERMOSTAT REGULATING TEMPERATURE)

### DTC DETECTING CONDITION:

- Detected when two consecutive driving cycles with fault occur.
- GENERAL DESCRIPTION <Ref. to GD(H4DOTC)-44, DTC P0128 COOLANT THERMOSTAT (ENGINE COOLANT TEMPERATURE BELOW THERMOSTAT REGULATING TEMPERATURE), Diagnostic Trouble Code (DTC) Detecting Criteria.>

### TROUBLE SYMPTOM:

Thermostat remains open.

### CAUTION:

After servicing or replacing faulty parts, perform Clear Memory Mode <Ref. to EN(H4DOTC)(diag)-54, OPERATION, Clear Memory Mode.>, and Inspection Mode <Ref. to EN(H4DOTC)(diag)-43, PROCEDURE, Inspection Mode.>.

	Step	Check	Yes	No
1	<b>CHECK ENGINE COOLANT.</b>	Are the coolant level and mixture ratio of engine coolant to anti-freeze solution correct?	Go to step 2.	Replace the engine coolant. <Ref. to CO(H4DOTC)-14, REPLACEMENT, Engine Coolant.>
2	<b>CHECK RADIATOR FAN.</b> 1) Start the engine. 2) Check the radiator fan operation.	Does the radiator fan continuously rotate for 3 minutes or more during idling?	Repair radiator fan circuit. <Ref. to CO(H4DOTC)-25, Radiator Main Fan and Fan Motor.> <Ref. to CO(H4DOTC)-27, Radiator Sub Fan and Fan Motor.>	Replace the thermostat. <Ref. to CO(H4DOTC)-18, Thermostat.>

# Diagnostic Procedure with Diagnostic Trouble Code (DTC)

ENGINE (DIAGNOSTICS)

## Z: DTC P0131 O2 SENSOR CIRCUIT LOW VOLTAGE (BANK 1 SENSOR 1)

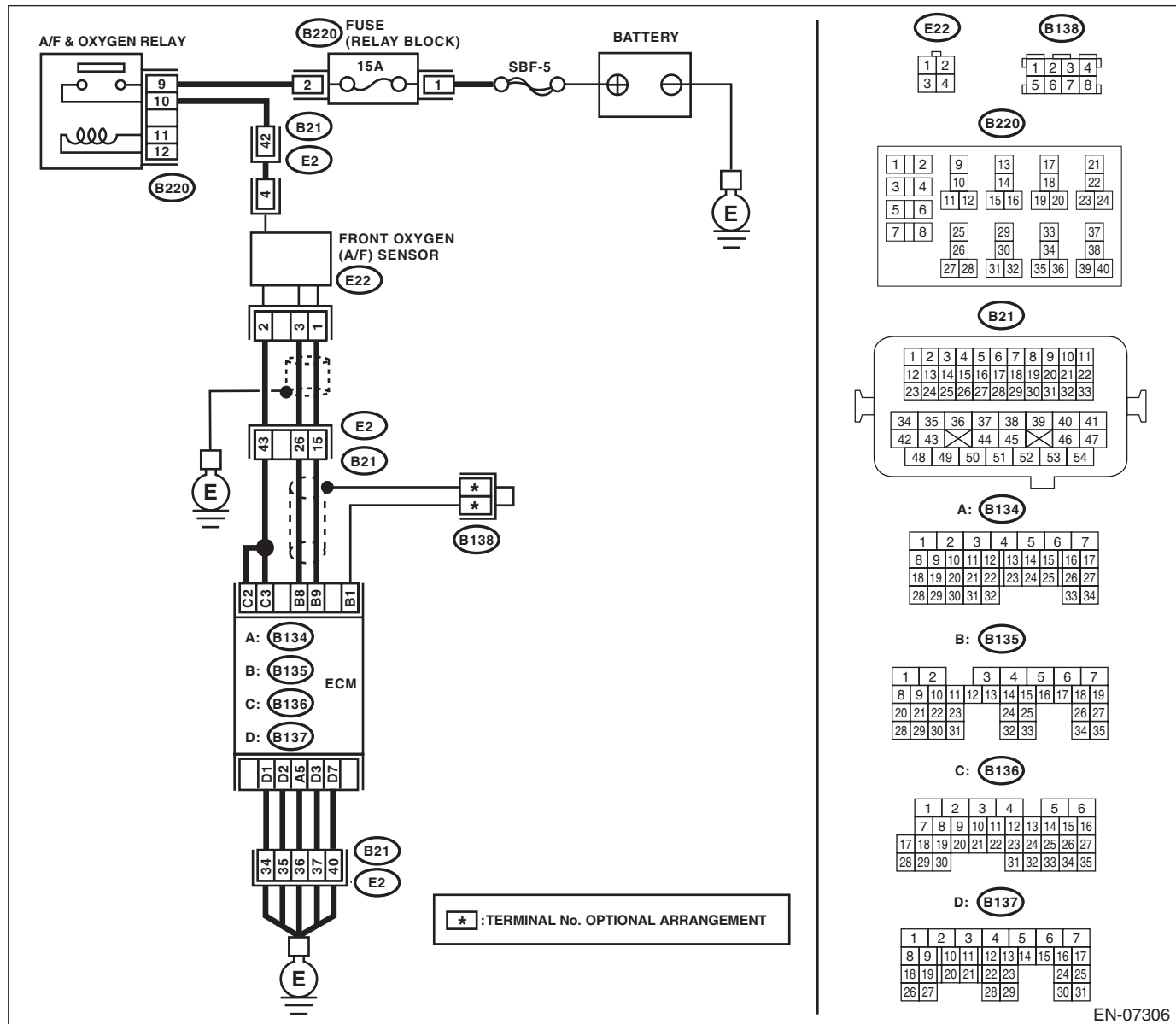
### DTC DETECTING CONDITION:

- Immediately at fault recognition
- GENERAL DESCRIPTION <Ref. to GD(H4DOTC)-46, DTC P0131 O2 SENSOR CIRCUIT LOW VOLTAGE (BANK 1 SENSOR 1), Diagnostic Trouble Code (DTC) Detecting Criteria.>

### CAUTION:

After servicing or replacing faulty parts, perform Clear Memory Mode <Ref. to EN(H4DOTC)(diag)-54, OPERATION, Clear Memory Mode.>, and Inspection Mode <Ref. to EN(H4DOTC)(diag)-43, PROCEDURE, Inspection Mode.>.

### WIRING DIAGRAM:



# Diagnostic Procedure with Diagnostic Trouble Code (DTC)

ENGINE (DIAGNOSTICS)

Step	Check	Yes	No
<b>1</b> <b>CHECK FRONT OXYGEN (A/F) SENSOR CONNECTOR AND COUPLING CONNECTOR.</b>	Has water entered the connector?	Completely remove any water inside.	Go to step 2.
<b>2</b> <b>CHECK HARNESS BETWEEN ECM AND FRONT OXYGEN (A/F) SENSOR CONNECTOR.</b> 1) Turn the ignition switch to OFF. 2) Disconnect the connector from ECM and front oxygen (A/F) sensor connector. 3) Measure the resistance between ECM and chassis ground. <b>Connector &amp; terminal</b> <b>(B135) No. 9 — Chassis ground:</b> <b>(B135) No. 8 — Chassis ground:</b>	Is the resistance 1 MΩ or more?	Go to step 3.	Repair the ground short circuit of harness between ECM and front oxygen (A/F) sensor connector.
<b>3</b> <b>CHECK POOR CONTACT.</b> Check for poor contact of the front oxygen (A/F) sensor connector.	Is there poor contact of front oxygen (A/F) sensor connector?	Repair the poor contact of front oxygen (A/F) sensor connector.	Replace the front oxygen (A/F) sensor. <Ref. to FU(H4DOTC)-48, Front Oxygen (A/F) Sensor.>

# Diagnostic Procedure with Diagnostic Trouble Code (DTC)

ENGINE (DIAGNOSTICS)

## AA:DTC P0132 O2 SENSOR CIRCUIT HIGH VOLTAGE (BANK 1 SENSOR 1)

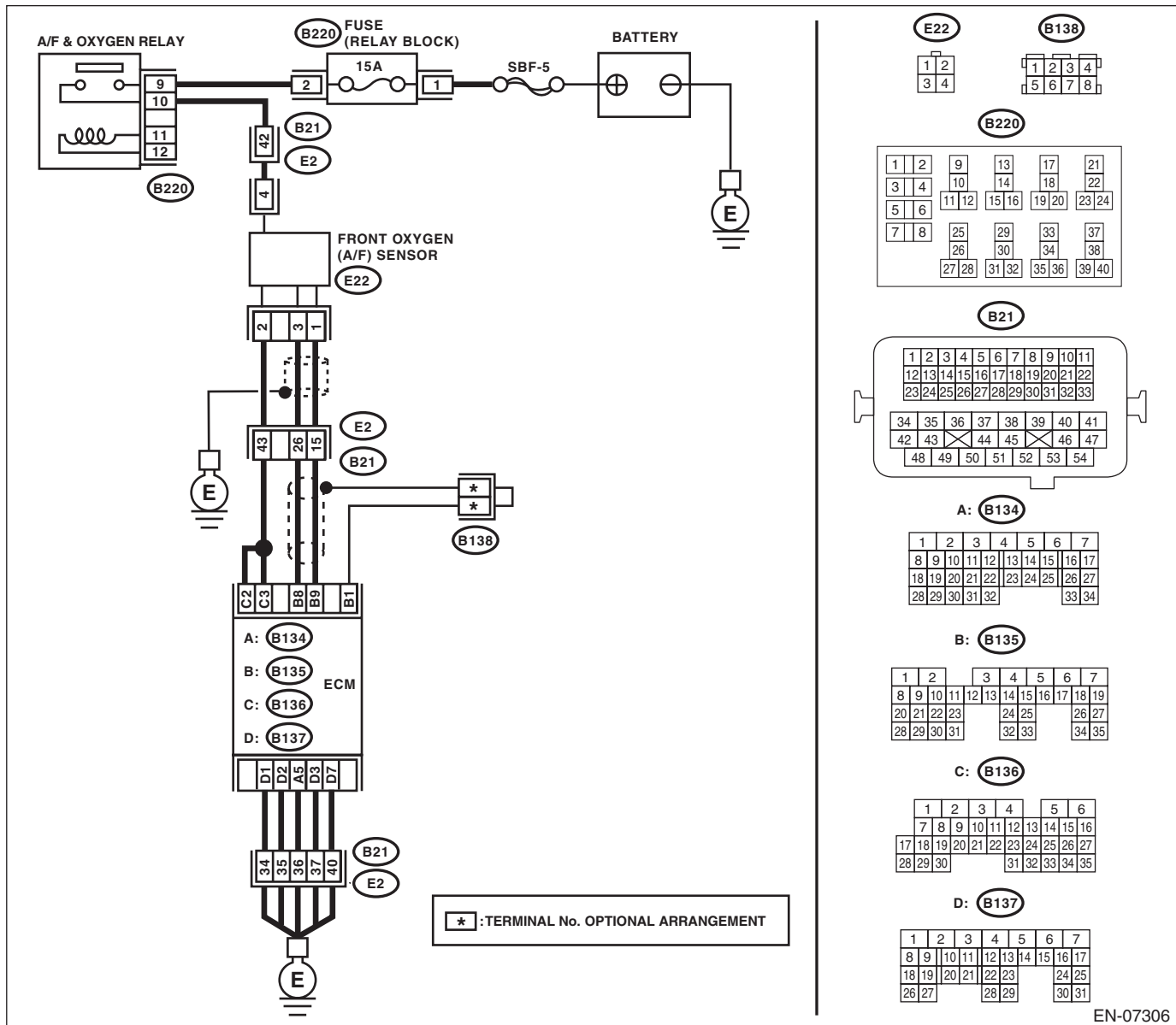
### DTC DETECTING CONDITION:

- Immediately at fault recognition
- GENERAL DESCRIPTION <Ref. to GD(H4DOTC)-48, DTC P0132 O2 SENSOR CIRCUIT HIGH VOLTAGE (BANK 1 SENSOR 1), Diagnostic Trouble Code (DTC) Detecting Criteria.>

### CAUTION:

After servicing or replacing faulty parts, perform Clear Memory Mode <Ref. to EN(H4DOTC)(diag)-54, OPERATION, Clear Memory Mode.>, and Inspection Mode <Ref. to EN(H4DOTC)(diag)-43, PROCEDURE, Inspection Mode.>.

### WIRING DIAGRAM:



EN-07306

# Diagnostic Procedure with Diagnostic Trouble Code (DTC)

ENGINE (DIAGNOSTICS)

Step	Check	Yes	No
<b>1</b> <b>CHECK FRONT OXYGEN (A/F) SENSOR CONNECTOR AND COUPLING CONNECTOR.</b>	Has water entered the connector?	Completely remove any water inside.	Go to step 2.
<b>2</b> <b>CHECK HARNESS BETWEEN ECM AND FRONT OXYGEN (A/F) SENSOR CONNECTOR.</b> 1) Turn the ignition switch to OFF. 2) Disconnect the connector from front oxygen (A/F) sensor. 3) Turn the ignition switch to ON. 4) Measure the voltage between ECM and chassis ground. <b>Connector &amp; terminal</b> <b>(B135) No. 9 (+) — Chassis ground (-):</b> <b>(B135) No. 8 (+) — Chassis ground (-):</b>	Is the voltage 8 V or more?	Repair the short circuit to power in the harness between ECM and front oxygen (A/F) sensor connector.	Replace the front oxygen (A/F) sensor. <Ref. to FU(H4DOTC)-48, Front Oxygen (A/F) Sensor.>

# Diagnostic Procedure with Diagnostic Trouble Code (DTC)

ENGINE (DIAGNOSTICS)

## AB:DTC P0133 O2 SENSOR CIRCUIT SLOW RESPONSE (BANK 1 SENSOR 1)

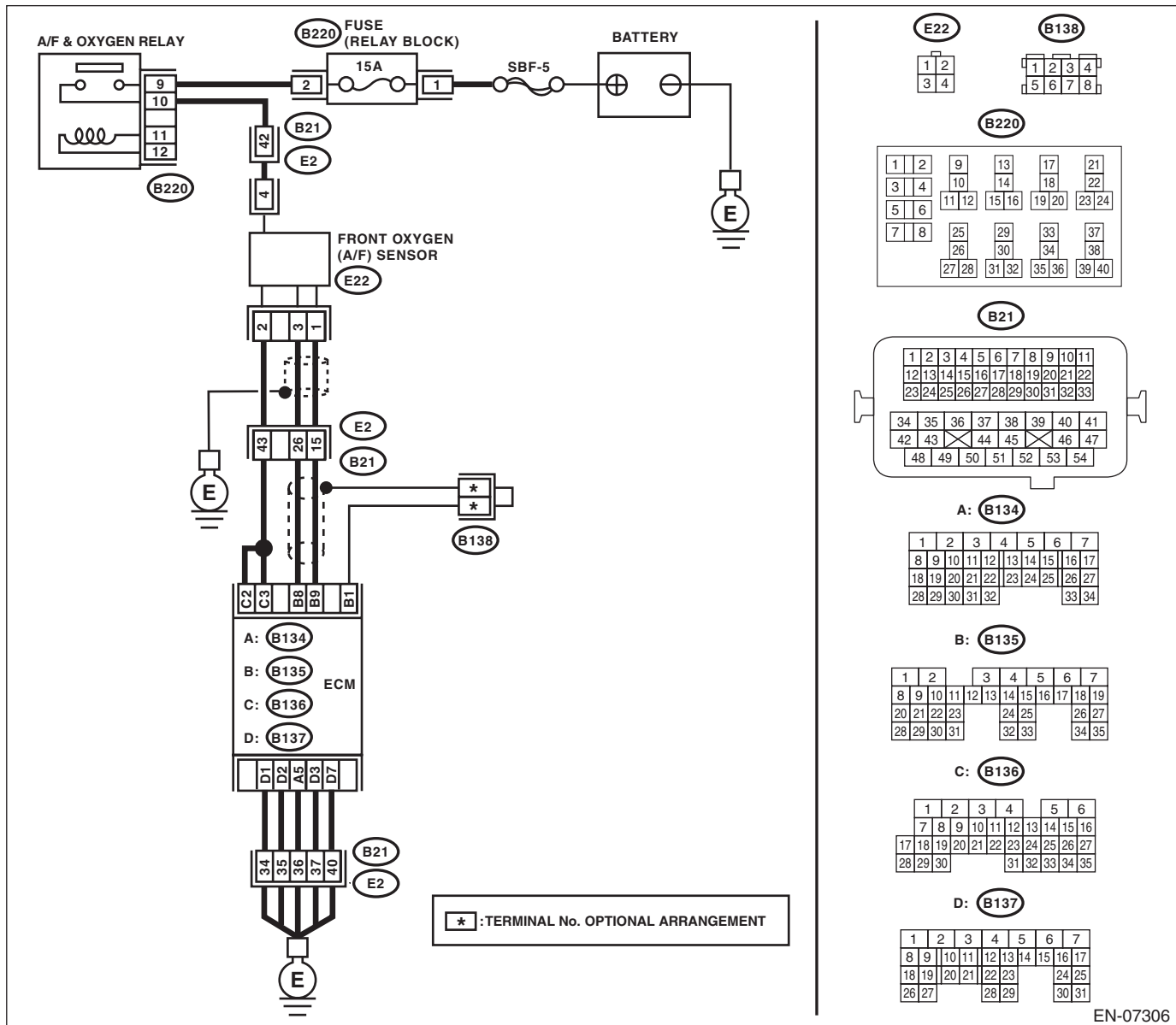
### DTC DETECTING CONDITION:

- Detected when two consecutive driving cycles with fault occur.
- GENERAL DESCRIPTION <Ref. to GD(H4DOTC)-50, DTC P0133 O2 SENSOR CIRCUIT SLOW RESPONSE (BANK 1 SENSOR 1), Diagnostic Trouble Code (DTC) Detecting Criteria.>

### CAUTION:

After servicing or replacing faulty parts, perform Clear Memory Mode <Ref. to EN(H4DOTC)(diag)-54, OPERATION, Clear Memory Mode.>, and Inspection Mode <Ref. to EN(H4DOTC)(diag)-43, PROCEDURE, Inspection Mode.>.

### WIRING DIAGRAM:



# Diagnostic Procedure with Diagnostic Trouble Code (DTC)

## ENGINE (DIAGNOSTICS)

	<b>Step</b>	<b>Check</b>	<b>Yes</b>	<b>No</b>
<b>1</b>	<b>CHECK EXHAUST SYSTEM.</b> NOTE: Check the following items. <ul style="list-style-type: none"><li>• Loose installation of front portion of exhaust pipe onto cylinder heads</li><li>• Loose connection between front exhaust pipe and front catalytic converter</li><li>• Damage of exhaust pipe resulting in a hole</li></ul>	Is there any fault in exhaust system?	Repair the exhaust system.	Replace the front oxygen (A/F) sensor. <Ref. to FU(H4DOTC)-48, Front Oxygen (A/F) Sensor.>

## AC:DTC P0134 O2 SENSOR CIRCUIT NO ACTIVITY DETECTED (BANK 1 SENSOR 1)

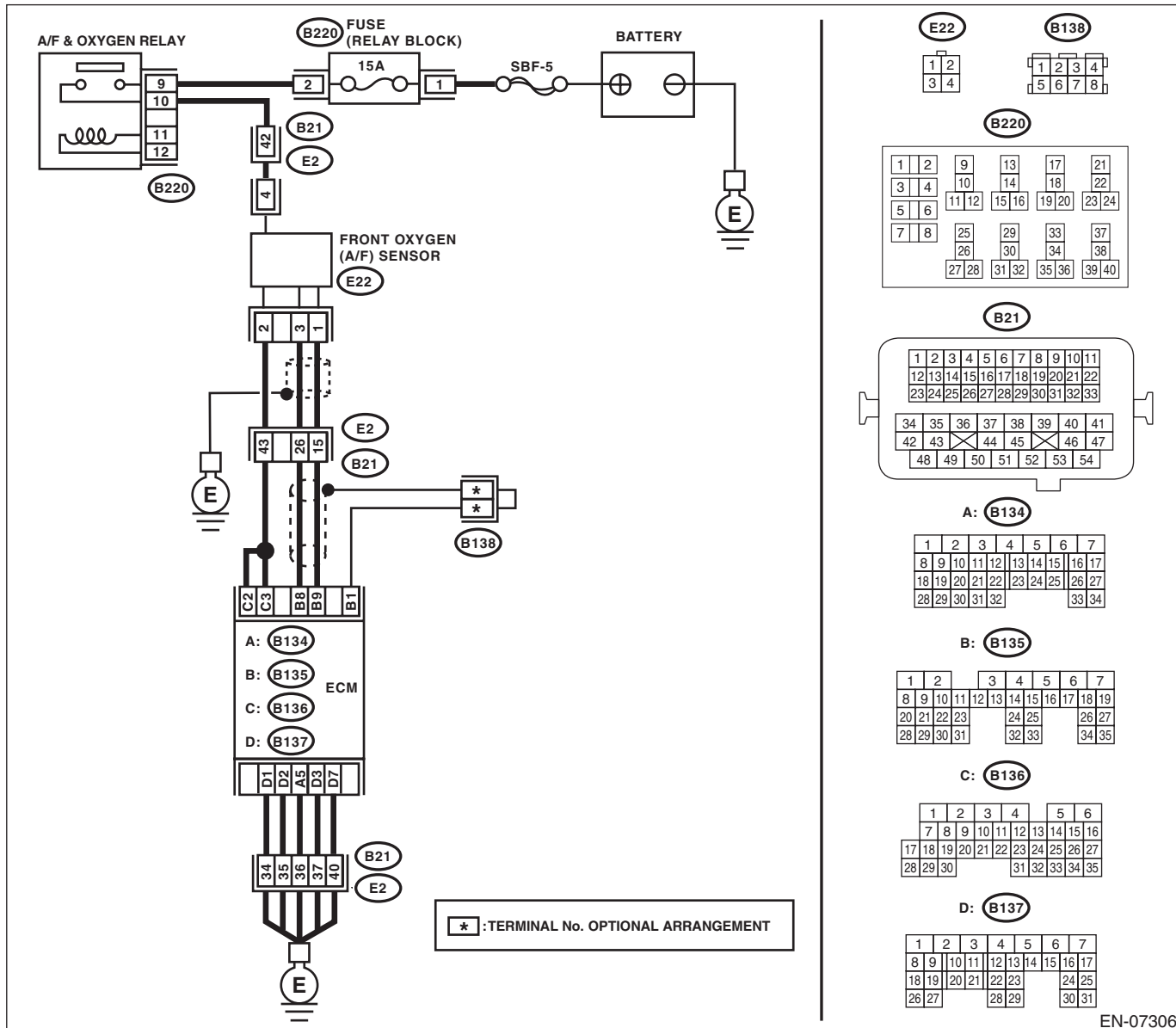
### DTC DETECTING CONDITION:

- Immediately at fault recognition
- GENERAL DESCRIPTION <Ref. to GD(H4DOTC)-53, DTC P0134 O2 SENSOR CIRCUIT NO ACTIVITY DETECTED (BANK 1 SENSOR 1), Diagnostic Trouble Code (DTC) Detecting Criteria.>

### CAUTION:

**After servicing or replacing faulty parts, perform Clear Memory Mode <Ref. to EN(H4DOTC)(diag)-54, OPERATION, Clear Memory Mode.>, and Inspection Mode <Ref. to EN(H4DOTC)(diag)-43, PROCEDURE, Inspection Mode.>.**

### WIRING DIAGRAM:





# Diagnostic Procedure with Diagnostic Trouble Code (DTC)

ENGINE (DIAGNOSTICS)

Step	Check	Yes	No
<p><b>1</b></p> <p><b>CHECK HARNESS BETWEEN ECM AND FRONT OXYGEN (A/F) SENSOR CONNECTOR.</b></p> <p>1) Turn the ignition switch to OFF.                      2) Disconnect the connector from ECM and front oxygen (A/F) sensor connector.                      3) Measure the resistance of harness between ECM and front oxygen (A/F) sensor connector.</p> <p><b>Connector &amp; terminal</b>  <b>(B135) No. 9 — (E22) No. 1:</b>  <b>(B135) No. 8 — (E22) No. 3:</b></p>	<p>Is the resistance less than 1 Ω?</p>	<p>Go to step 2.</p>	<p>Repair the harness and connector.</p> <p>NOTE:                      In this case, repair the following item:</p> <ul style="list-style-type: none"> <li>• Open circuit in harness between ECM and front oxygen (A/F) sensor connector</li> <li>• Poor contact of coupling connector</li> </ul>
<p><b>2</b></p> <p><b>CHECK POOR CONTACT.</b>                      Check for poor contact of ECM and front oxygen (A/F) sensor connector.</p>	<p>Is there poor contact of ECM or front oxygen (A/F) sensor connector?</p>	<p>Repair the poor contact of ECM or front oxygen (A/F) sensor connector.</p>	<p>Replace the front oxygen (A/F) sensor. &lt;Ref. to FU(H4DOTC)-48, Front Oxygen (A/F) Sensor.&gt;</p>

# Diagnostic Procedure with Diagnostic Trouble Code (DTC)

ENGINE (DIAGNOSTICS)

## AD:DTC P0137 O2 SENSOR CIRCUIT LOW VOLTAGE (BANK 1 SENSOR 2)

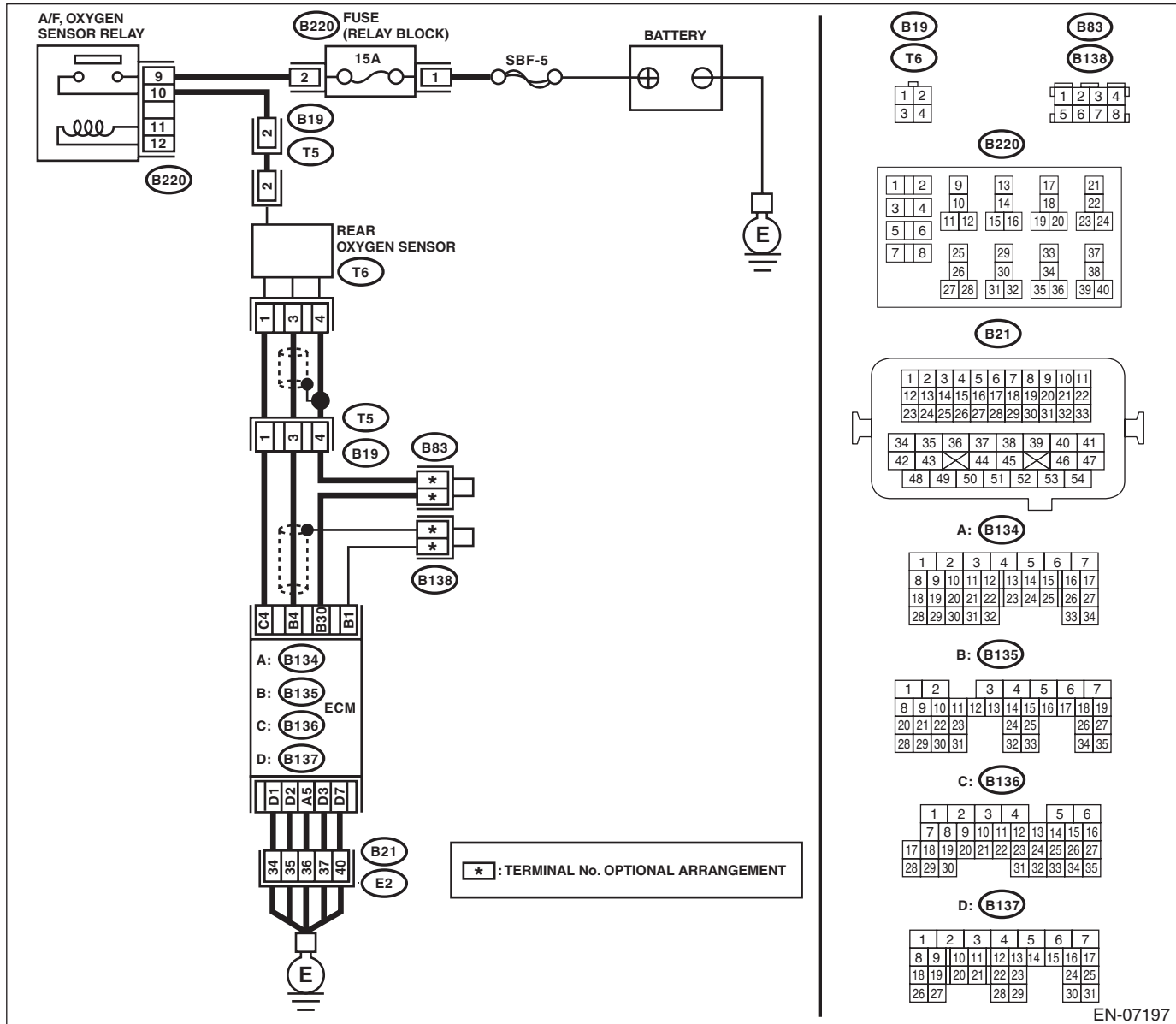
### DTC DETECTING CONDITION:

- Detected when two consecutive driving cycles with fault occur.
- GENERAL DESCRIPTION <Ref. to GD(H4DOTC)-55, DTC P0137 O2 SENSOR CIRCUIT LOW VOLTAGE (BANK 1 SENSOR 2), Diagnostic Trouble Code (DTC) Detecting Criteria.>

### CAUTION:

After servicing or replacing faulty parts, perform Clear Memory Mode <Ref. to EN(H4DOTC)(diag)-54, OPERATION, Clear Memory Mode.>, and Inspection Mode <Ref. to EN(H4DOTC)(diag)-43, PROCEDURE, Inspection Mode.>.

### WIRING DIAGRAM:



EN-07197

# Diagnostic Procedure with Diagnostic Trouble Code (DTC)

## ENGINE (DIAGNOSTICS)

Step	Check	Yes	No
<b>1 CHECK REAR OXYGEN SENSOR DATA.</b> 1) Warm up the engine until engine coolant temperature is higher than 75°C (167°F), and keep the engine speed at 3,000 rpm. (2 minutes maximum) 2) Read the data of rear oxygen sensor signal using Subaru Select Monitor or general scan tool. NOTE: <ul style="list-style-type: none"> <li>• Subaru Select Monitor</li> </ul> For detailed operation procedures, refer to "READ CURRENT DATA FOR ENGINE". <Ref. to EN(H4DOTC)(diag)-34, Subaru Select Monitor.> <ul style="list-style-type: none"> <li>• General scan tool</li> </ul> For detailed operation procedures, refer to the general scan tool operation manual.	Is the voltage 490 mV or more?	Go to step 5.	Go to step 2.
<b>2 CHECK REAR OXYGEN SENSOR CONNECTOR AND COUPLING CONNECTOR.</b>	Has water entered the connector?	Completely remove any water inside.	Go to step 3.
<b>3 CHECK HARNESS BETWEEN ECM AND REAR OXYGEN SENSOR CONNECTOR.</b> 1) Turn the ignition switch to OFF. 2) Disconnect the connector from ECM and rear oxygen sensor. 3) Measure the resistance of harness between ECM and rear oxygen sensor connector. <b>Connector &amp; terminal</b> <b>(B135) No. 4 — (T6) No. 3:</b> <b>(B135) No. 30 — (T6) No. 4:</b>	Is the resistance less than 1 Ω?	Go to step 4.	Repair the harness and connector. NOTE: In this case, repair the following item: <ul style="list-style-type: none"> <li>• Open circuit in harness between ECM and rear oxygen sensor connector</li> <li>• Poor contact of coupling connector</li> </ul>
<b>4 CHECK HARNESS BETWEEN ECM AND REAR OXYGEN SENSOR CONNECTOR.</b> 1) Connect the connector to ECM. 2) Turn the ignition switch to ON. 3) Measure the voltage between rear oxygen sensor connector and chassis ground. <b>Connector &amp; terminal</b> <b>(T6) No. 3 (+) — Chassis ground (-):</b>	Is the voltage 0.2 — 0.5 V?	Replace the rear oxygen sensor. <Ref. to FU(H4DOTC)-50, Rear Oxygen Sensor.>	Repair the harness and connector. NOTE: In this case, repair the following item: <ul style="list-style-type: none"> <li>• Open circuit in harness between ECM and rear oxygen sensor connector</li> <li>• Poor contact of rear oxygen sensor connector</li> <li>• Poor contact of ECM connector</li> <li>• Poor contact of coupling connector</li> </ul>
<b>5 CHECK EXHAUST SYSTEM.</b> Check exhaust system parts. NOTE: Check the following items. <ul style="list-style-type: none"> <li>• Looseness and improper fitting of exhaust system parts</li> <li>• Damage (crack, hole etc.) of parts</li> <li>• Loose part and improper installation between front oxygen (A/F) sensor and rear oxygen sensor</li> </ul>	Is there any fault in exhaust system?	Repair or replace faulty parts.	Replace the rear oxygen sensor. <Ref. to FU(H4DOTC)-50, Rear Oxygen Sensor.>

# Diagnostic Procedure with Diagnostic Trouble Code (DTC)

ENGINE (DIAGNOSTICS)

## AE:DTC P0138 O2 SENSOR CIRCUIT HIGH VOLTAGE (BANK 1 SENSOR 2)

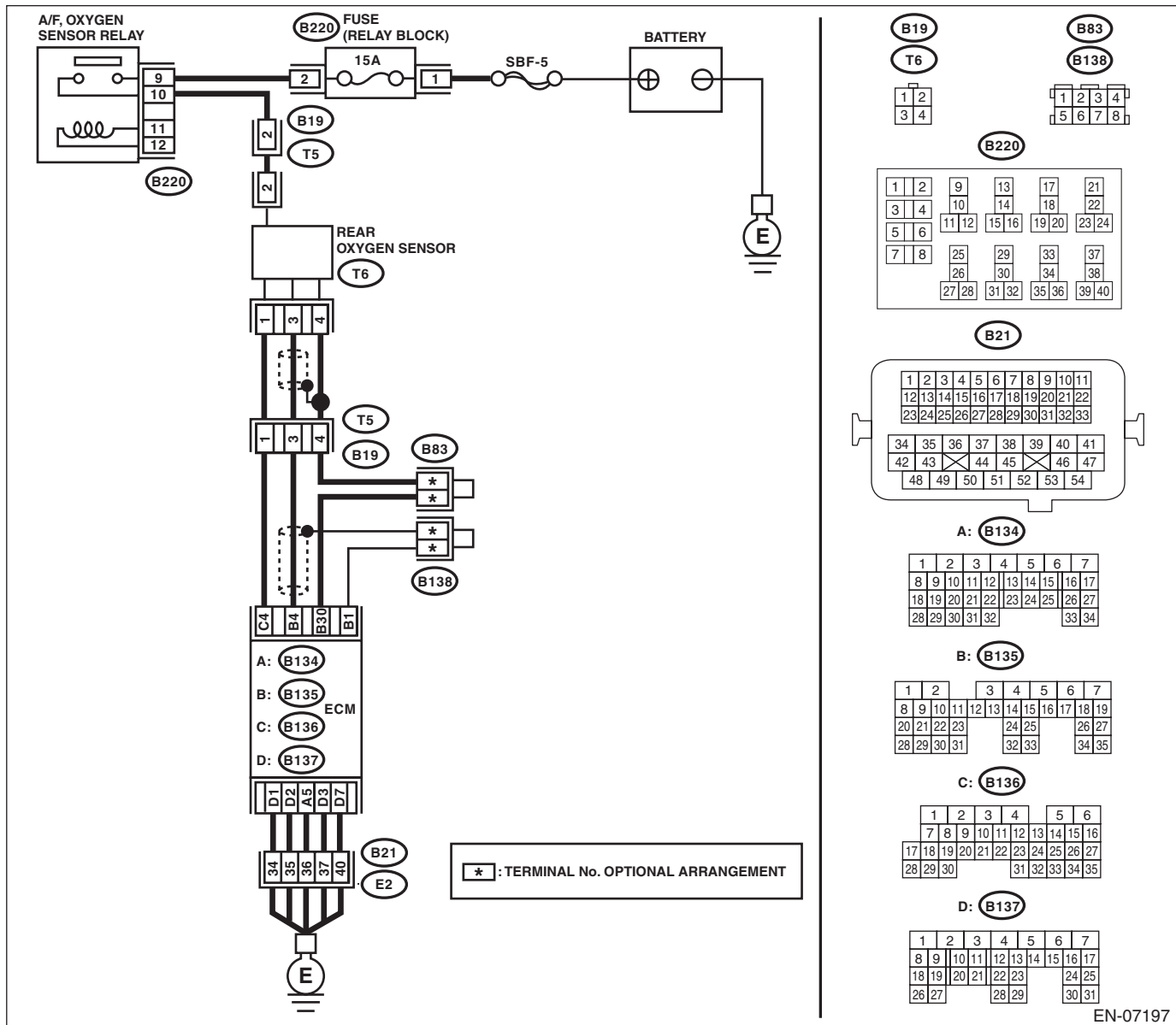
### DTC DETECTING CONDITION:

- Detected when two consecutive driving cycles with fault occur.
- GENERAL DESCRIPTION <Ref. to GD(H4DOTC)-57, DTC P0138 O2 SENSOR CIRCUIT HIGH VOLTAGE (BANK 1 SENSOR 2), Diagnostic Trouble Code (DTC) Detecting Criteria.>

### CAUTION:

After servicing or replacing faulty parts, perform Clear Memory Mode <Ref. to EN(H4DOTC)(diag)-54, OPERATION, Clear Memory Mode.>, and Inspection Mode <Ref. to EN(H4DOTC)(diag)-43, PROCEDURE, Inspection Mode.>.

### WIRING DIAGRAM:



EN-07197

# Diagnostic Procedure with Diagnostic Trouble Code (DTC)

## ENGINE (DIAGNOSTICS)

Step	Check	Yes	No
<b>1 CHECK REAR OXYGEN SENSOR DATA.</b> 1) Warm up the engine until engine coolant temperature is higher than 75°C (167°F), and rapidly reduce the engine speed from 3,000 rpm. 2) Read the data of rear oxygen sensor signal using Subaru Select Monitor or general scan tool. <b>NOTE:</b> <ul style="list-style-type: none"> <li>• Subaru Select Monitor</li> </ul> For detailed operation procedures, refer to "READ CURRENT DATA FOR ENGINE". <Ref. to EN(H4DOTC)(diag)-34, Subaru Select Monitor.> <ul style="list-style-type: none"> <li>• General scan tool</li> </ul> For detailed operation procedures, refer to the general scan tool operation manual.	Is the voltage 250 mV or less?	Go to step 5.	Go to step 2.
<b>2 CHECK REAR OXYGEN SENSOR CONNECTOR AND COUPLING CONNECTOR.</b>	Has water entered the connector?	Completely remove any water inside.	Go to step 3.
<b>3 CHECK HARNESS BETWEEN ECM AND REAR OXYGEN SENSOR CONNECTOR.</b> 1) Turn the ignition switch to OFF. 2) Disconnect the connector from ECM and rear oxygen sensor. 3) Measure the resistance of harness between ECM and rear oxygen sensor connector. <b>Connector &amp; terminal</b> <b>(B135) No. 4 — (T6) No. 3:</b> <b>(B135) No. 30 — (T6) No. 4:</b>	Is the resistance less than 1 Ω?	Go to step 4.	Repair the harness and connector. <b>NOTE:</b> In this case, repair the following item: <ul style="list-style-type: none"> <li>• Open circuit in harness between ECM and rear oxygen sensor connector</li> <li>• Poor contact of coupling connector</li> </ul>
<b>4 CHECK HARNESS BETWEEN ECM AND REAR OXYGEN SENSOR CONNECTOR.</b> 1) Connect the connector to ECM. 2) Turn the ignition switch to ON. 3) Measure the voltage between rear oxygen sensor connector and chassis ground. <b>Connector &amp; terminal</b> <b>(T6) No. 3 (+) — Chassis ground (-):</b>	Is the voltage 0.2 — 0.5 V?	Replace the rear oxygen sensor. <Ref. to FU(H4DOTC)-50, Rear Oxygen Sensor.>	Repair the harness and connector. <b>NOTE:</b> In this case, repair the following item: <ul style="list-style-type: none"> <li>• Open circuit in harness between ECM and rear oxygen sensor connector</li> <li>• Poor contact of rear oxygen sensor connector</li> <li>• Poor contact of ECM connector</li> <li>• Poor contact of coupling connector</li> </ul>
<b>5 CHECK EXHAUST SYSTEM.</b> Check exhaust system parts. <b>NOTE:</b> Check the following items. <ul style="list-style-type: none"> <li>• Looseness and improper fitting of exhaust system parts</li> <li>• Damage (crack, hole etc.) of parts</li> <li>• Loose part and improper installation between front oxygen (A/F) sensor and rear oxygen sensor</li> </ul>	Is there any fault in exhaust system?	Repair or replace faulty parts.	Replace the rear oxygen sensor. <Ref. to FU(H4DOTC)-50, Rear Oxygen Sensor.>

# Diagnostic Procedure with Diagnostic Trouble Code (DTC)

ENGINE (DIAGNOSTICS)

## AF:DTC P0139 O2 SENSOR CIRCUIT SLOW RESPONSE (BANK 1 SENSOR 2)

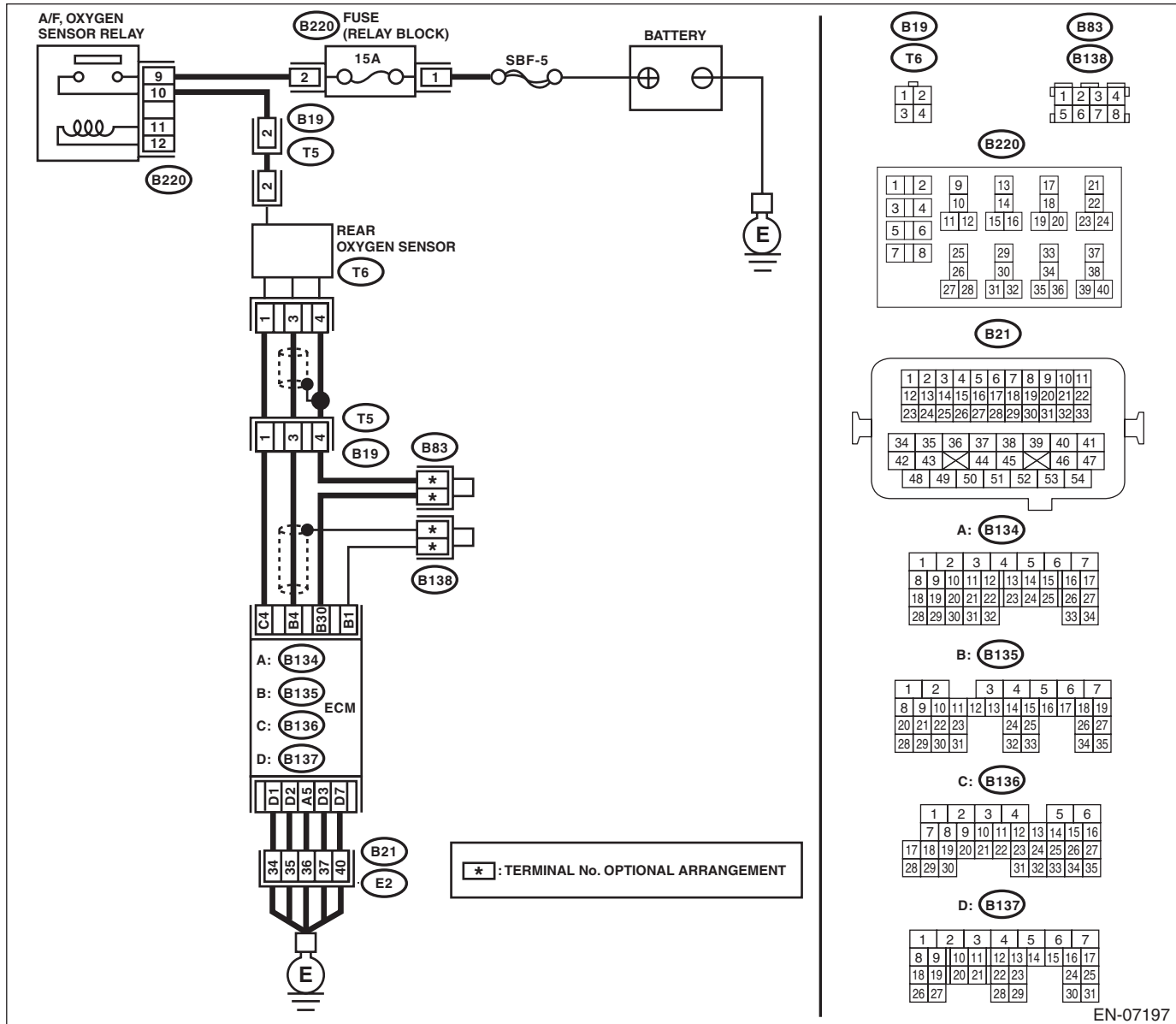
### DTC DETECTING CONDITION:

- Detected when two consecutive driving cycles with fault occur.
- GENERAL DESCRIPTION <Ref. to GD(H4DOTC)-58, DTC P0139 O2 SENSOR CIRCUIT SLOW RESPONSE (BANK 1 SENSOR 2), Diagnostic Trouble Code (DTC) Detecting Criteria.>

### CAUTION:

After servicing or replacing faulty parts, perform Clear Memory Mode <Ref. to EN(H4DOTC)(diag)-54, OPERATION, Clear Memory Mode.>, and Inspection Mode <Ref. to EN(H4DOTC)(diag)-43, PROCEDURE, Inspection Mode.>.

### WIRING DIAGRAM:



EN-07197

## Diagnostic Procedure with Diagnostic Trouble Code (DTC)

ENGINE (DIAGNOSTICS)

Step	Check	Yes	No
<p><b>1</b></p> <p><b>CHECK HARNESS BETWEEN ECM AND REAR OXYGEN SENSOR CONNECTOR.</b></p> <p>1) Turn the ignition switch to OFF. 2) Disconnect the connector from ECM and rear oxygen sensor. 3) Measure the resistance of harness between ECM and rear oxygen sensor connector.</p> <p><b>Connector &amp; terminal</b> <b>(B135) No. 4 — (T6) No. 3:</b></p>	<p>Is the resistance less than 1 Ω?</p>	<p>Go to step 2.</p>	<p>Repair the harness and connector.</p> <p><b>NOTE:</b> In this case, repair the following item:</p> <ul style="list-style-type: none"> <li>• Open circuit in harness between ECM and rear oxygen sensor connector</li> <li>• Poor contact of coupling connector</li> </ul>
<p><b>2</b></p> <p><b>CHECK HARNESS BETWEEN ECM AND REAR OXYGEN SENSOR CONNECTOR.</b></p> <p>Measure the resistance between rear oxygen sensor connector and chassis ground.</p> <p><b>Connector &amp; terminal</b> <b>(T6) No. 3 — Chassis ground:</b></p>	<p>Is the resistance 1 MΩ or more?</p>	<p>Go to step 3.</p>	<p>Repair the ground short circuit of harness between ECM and rear oxygen sensor connector.</p>
<p><b>3</b></p> <p><b>CHECK REAR OXYGEN SENSOR.</b></p> <p>Measure the resistance between rear oxygen sensor terminals.</p> <p><b>Terminals</b> <b>No. 3 — No. 4</b></p>	<p>Is the resistance less than 1 Ω?</p>	<p>Replace the rear oxygen sensor. &lt;Ref. to FU(H4DOTC)-50, Rear Oxygen Sensor.&gt;</p>	<p>Even if DTC is detected, the circuit has returned to a normal condition at this time. Reproduce the failure, and then perform the diagnosis again.</p> <p><b>NOTE:</b> In this case, temporary poor contact of connector may be the cause.</p>

# Diagnostic Procedure with Diagnostic Trouble Code (DTC)

ENGINE (DIAGNOSTICS)

## AG:DTC P0140 O2 SENSOR CIRCUIT NO ACTIVITY DETECTED (BANK1 SENSOR2)

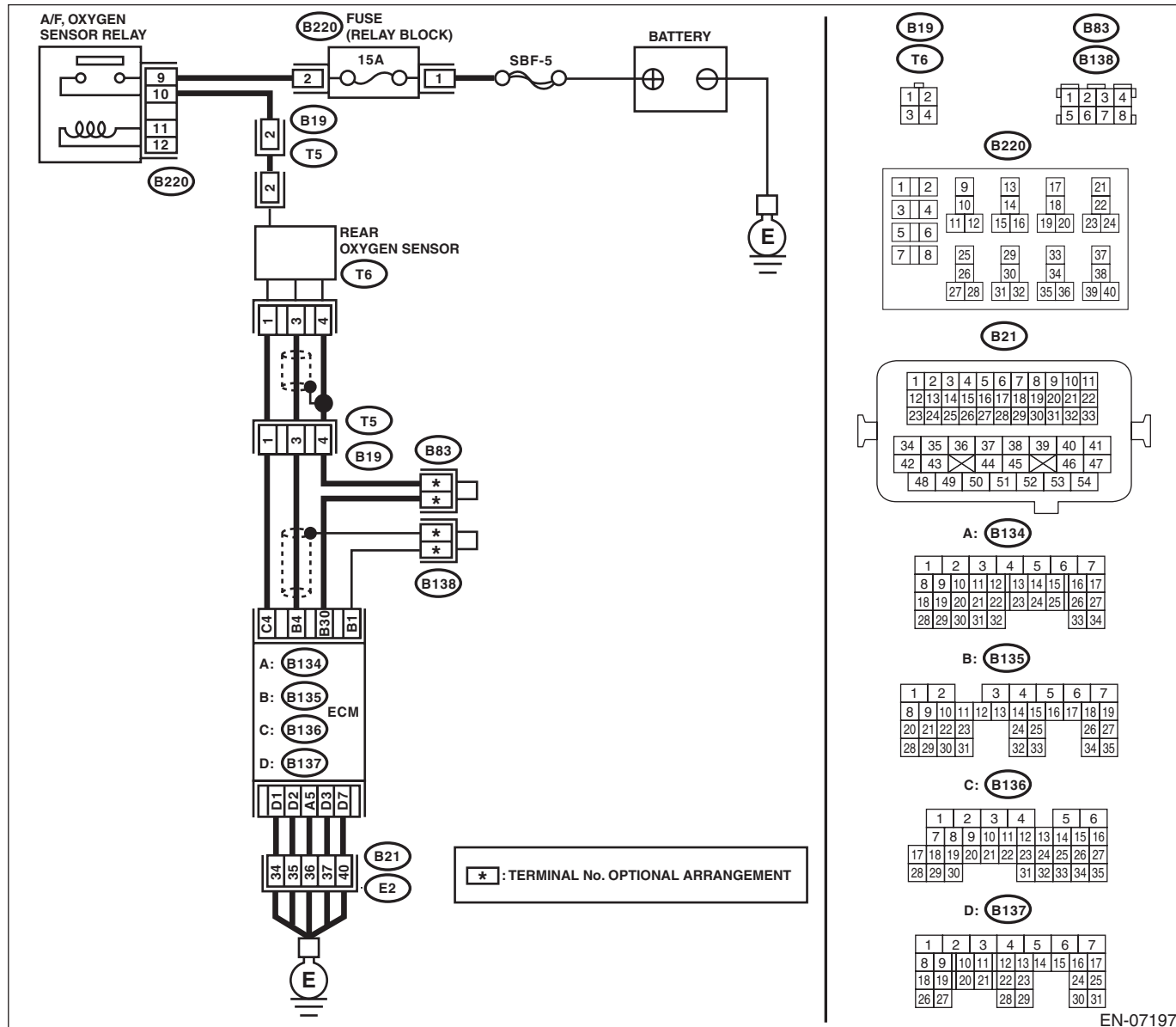
### DTC DETECTING CONDITION:

- Detected when two consecutive driving cycles with fault occur.
- GENERAL DESCRIPTION <Ref. to GD(H4DOTC)-64, DTC P0140 O2 SENSOR CIRCUIT NO ACTIVITY DETECTED (BANK1 SENSOR2), Diagnostic Trouble Code (DTC) Detecting Criteria.>

### CAUTION:

After servicing or replacing faulty parts, perform Clear Memory Mode <Ref. to EN(H4DOTC)(diag)-54, OPERATION, Clear Memory Mode.>, and Inspection Mode <Ref. to EN(H4DOTC)(diag)-43, PROCEDURE, Inspection Mode.>.

### WIRING DIAGRAM:



EN-07197



# Diagnostic Procedure with Diagnostic Trouble Code (DTC)

## ENGINE (DIAGNOSTICS)

Step	Check	Yes	No
<b>1 CHECK REAR OXYGEN SENSOR DATA.</b> 1) Warm up the engine until engine coolant temperature is higher than 75°C (167°F), and keep the engine speed at 3,000 rpm. (2 minutes maximum) 2) Read the data of rear oxygen sensor signal using Subaru Select Monitor or general scan tool. NOTE: • Subaru Select Monitor For detailed operation procedures, refer to "READ CURRENT DATA FOR ENGINE". <Ref. to EN(H4DOTC)(diag)-34, Subaru Select Monitor.> • General scan tool For detailed operation procedures, refer to the general scan tool operation manual.	Is the voltage 490 mV or more?	Go to step 6.	Go to step 2.
<b>2 CHECK REAR OXYGEN SENSOR DATA.</b> 1) Warm up the engine until engine coolant temperature is higher than 75°C (167°F), and rapidly reduce the engine speed from 3,000 rpm. 2) Read the data of rear oxygen sensor signal using Subaru Select Monitor or general scan tool. NOTE: • Subaru Select Monitor For detailed operation procedures, refer to "READ CURRENT DATA FOR ENGINE". <Ref. to EN(H4DOTC)(diag)-34, Subaru Select Monitor.> • General scan tool For detailed operation procedures, refer to the general scan tool operation manual.	Is the voltage 250 mV or less?	Go to step 6.	Go to step 3.
<b>3 CHECK REAR OXYGEN SENSOR CONNECTOR AND COUPLING CONNECTOR.</b>	Has water entered the connector?	Completely remove any water inside.	Go to step 4.
<b>4 CHECK HARNESS BETWEEN ECM AND REAR OXYGEN SENSOR CONNECTOR.</b> 1) Turn the ignition switch to OFF. 2) Disconnect the connector from ECM and rear oxygen sensor. 3) Measure the resistance of harness between ECM and rear oxygen sensor connector. <b>Connector &amp; terminal</b> <b>(B135) No. 4 — (T6) No. 3:</b> <b>(B135) No. 30 — (T6) No. 4:</b>	Is the resistance less than 1 Ω?	Go to step 5.	Repair the harness and connector. NOTE: In this case, repair the following item: • Open circuit in harness between ECM and rear oxygen sensor connector • Poor contact of coupling connector

# Diagnostic Procedure with Diagnostic Trouble Code (DTC)

ENGINE (DIAGNOSTICS)

Step	Check	Yes	No
<p><b>5</b></p> <p><b>CHECK HARNESS BETWEEN ECM AND REAR OXYGEN SENSOR CONNECTOR.</b></p> <p>1) Connect the connector to ECM. 2) Turn the ignition switch to ON. 3) Measure the voltage between rear oxygen sensor connector and chassis ground.</p> <p><b>Connector &amp; terminal</b> <b>(T6) No. 3 (+) — Chassis ground (-):</b></p>	<p>Is the voltage 0.2 — 0.5 V?</p>	<p>Replace the rear oxygen sensor. &lt;Ref. to FU(H4DOTC)-50, Rear Oxygen Sensor.&gt;</p>	<p>Repair the harness and connector.</p> <p><b>NOTE:</b> In this case, repair the following item:</p> <ul style="list-style-type: none"> <li>• Open circuit in harness between ECM and rear oxygen sensor connector</li> <li>• Poor contact of rear oxygen sensor connector</li> <li>• Poor contact of ECM connector</li> <li>• Poor contact of coupling connector</li> </ul>
<p><b>6</b></p> <p><b>CHECK EXHAUST SYSTEM.</b></p> <p>Check exhaust system parts.</p> <p><b>NOTE:</b> Check the following items.</p> <ul style="list-style-type: none"> <li>• Looseness and improper fitting of exhaust system parts</li> <li>• Damage (crack, hole etc.) of parts</li> <li>• Loose part and improper installation between front oxygen (A/F) sensor and rear oxygen sensor</li> </ul>	<p>Is there any fault in exhaust system?</p>	<p>Repair or replace faulty parts.</p>	<p>Replace the rear oxygen sensor. &lt;Ref. to FU(H4DOTC)-50, Rear Oxygen Sensor.&gt;</p>

## AH:DTC P0171 SYSTEM TOO LEAN (BANK 1)

Refer to DTC P0172 for diagnostic procedure. <Ref. to EN(H4DOTC)(diag)-152, DTC P0172 SYSTEM TOO RICH (BANK 1), Diagnostic Procedure with Diagnostic Trouble Code (DTC).>

# Diagnostic Procedure with Diagnostic Trouble Code (DTC)

ENGINE (DIAGNOSTICS)

## AI: DTC P0172 SYSTEM TOO RICH (BANK 1)

### DTC DETECTING CONDITION:

- Detected when two consecutive driving cycles with fault occur.
- GENERAL DESCRIPTION <Ref. to GD(H4DOTC)-67, DTC P0172 SYSTEM TOO RICH (BANK 1), Diagnostic Trouble Code (DTC) Detecting Criteria.>

### TROUBLE SYMPTOM:

- Improper idling
- Engine stalls.
- Poor driving performance

### CAUTION:

After servicing or replacing faulty parts, perform Clear Memory Mode <Ref. to EN(H4DOTC)(diag)-54, OPERATION, Clear Memory Mode.>, and Inspection Mode <Ref. to EN(H4DOTC)(diag)-43, PROCEDURE, Inspection Mode.>.

Step	Check	Yes	No
1	<b>CHECK EXHAUST SYSTEM.</b>	Are there holes or loose bolts on exhaust system?	Repair the exhaust system. Go to step 2.
2	<b>CHECK AIR INTAKE SYSTEM.</b>	Are there holes, loose bolts or disconnection of hose on air intake system?	Repair the air intake system. Go to step 3.
3	<b>CHECK FUEL PRESSURE.</b> <b>WARNING:</b> Place "NO OPEN FLAMES" signs near the working area. <b>CAUTION:</b> Be careful not to spill fuel. Measure the fuel pressure while disconnecting pressure regulator vacuum hose from intake manifold. <Ref. to ME(H4DOTC)-25, INSPECTION, Fuel Pressure.> <b>CAUTION:</b> Release fuel pressure before removing the fuel pressure gauge. NOTE: If fuel pressure does not increase, squeeze the fuel return hose 2 to 3 times, then measure fuel pressure again.	Is the measured value 284 — 314 kPa (2.9 — 3.2 kg/cm <sup>2</sup> , 41 — 46 psi)?	Go to step 4.  Repair the following item. Fuel pressure is too high: • Clogged fuel return line or bent hose Fuel pressure is too low: • Improper fuel pump discharge • Clogged fuel supply line
4	<b>CHECK FUEL PRESSURE.</b> After connecting the pressure regulator vacuum hose, measure fuel pressure. <Ref. to ME(H4DOTC)-25, INSPECTION, Fuel Pressure.> <b>CAUTION:</b> Release fuel pressure before removing the fuel pressure gauge. NOTE: • If fuel pressure does not increase, squeeze fuel return hose 2 to 3 times, then measure fuel pressure again. • If the measured value at this step is out of specification, check or replace pressure regulator and pressure regulator vacuum hose.	Is the measured value 230 — 260 kPa (2.35 — 2.65 kg/cm <sup>2</sup> , 33 — 38 psi)?	Go to step 5.  Repair the following item. Fuel pressure is too high: • Faulty pressure regulator • Clogged fuel return line or bent hose Fuel pressure is too low: • Faulty pressure regulator • Improper fuel pump discharge • Clogged fuel supply line

# Diagnostic Procedure with Diagnostic Trouble Code (DTC)

ENGINE (DIAGNOSTICS)

Step	Check	Yes	No
<p><b>5 CHECK ENGINE COOLANT TEMPERATURE SENSOR.</b></p> <p>1) Start the engine and warm up completely.</p> <p>2) Read the data of engine coolant temperature sensor signal using Subaru Select Monitor or general scan tool.</p> <p>NOTE:</p> <ul style="list-style-type: none"> <li>• Subaru Select Monitor</li> </ul> <p>For detailed operation procedures, refer to “READ CURRENT DATA FOR ENGINE”. &lt;Ref. to EN(H4DOTC)(diag)-34, Subaru Select Monitor.&gt;</p> <ul style="list-style-type: none"> <li>• General scan tool</li> </ul> <p>For detailed operation procedures, refer to the general scan tool operation manual.</p>	<p>Is the engine coolant temperature 75°C (167°F) or higher?</p>	<p>Go to step 6.</p>	<p>Replace the engine coolant temperature sensor. &lt;Ref. to FU(H4DOTC)-31, Engine Coolant Temperature Sensor.&gt;</p>
<p><b>6 CHECK MASS AIR FLOW AND INTAKE AIR TEMPERATURE SENSOR.</b></p> <p>1) Start the engine and warm up engine until coolant temperature is higher than 75°C (167°F).</p> <p>2) For AT models, set the select lever to “P” range or “N” range, and for MT models, place the shift lever in the neutral position.</p> <p>3) Turn the A/C switch to OFF.</p> <p>4) Turn all the accessory switches to OFF.</p> <p>5) Read the data of the mass air flow and intake air temperature sensor signal using Subaru Select Monitor or general scan tool.</p> <p>NOTE:</p> <ul style="list-style-type: none"> <li>• Subaru Select Monitor</li> </ul> <p>For detailed operation procedures, refer to “READ CURRENT DATA FOR ENGINE”. &lt;Ref. to EN(H4DOTC)(diag)-34, Subaru Select Monitor.&gt;</p> <ul style="list-style-type: none"> <li>• General scan tool</li> </ul> <p>For detailed operation procedures, refer to the general scan tool operation manual.</p>	<p>Is the measured value 2.0 — 5.0 g/s (0.26 — 0.66 lb/m)?</p>	<p>Go to step 7.</p>	<p>Replace the mass air flow and intake air temperature sensor. &lt;Ref. to FU(H4DOTC)-39, Mass Air Flow and Intake Air Temperature Sensor.&gt;</p>
<p><b>7 CHECK MASS AIR FLOW AND INTAKE AIR TEMPERATURE SENSOR.</b></p> <p>1) Start the engine and warm up engine until coolant temperature is higher than 75°C (167°F).</p> <p>2) For AT models, set the select lever to “P” range or “N” range, and for MT models, place the shift lever in the neutral position.</p> <p>3) Turn the A/C switch to OFF.</p> <p>4) Turn all the accessory switches to OFF.</p> <p>5) Open the front hood.</p> <p>6) Measure the ambient temperature.</p> <p>7) Read the data of the mass air flow and intake air temperature sensor signal using Subaru Select Monitor or general scan tool.</p> <p>NOTE:</p> <ul style="list-style-type: none"> <li>• Subaru Select Monitor</li> </ul> <p>For detailed operation procedures, refer to “READ CURRENT DATA FOR ENGINE”. &lt;Ref. to EN(H4DOTC)(diag)-34, Subaru Select Monitor.&gt;</p> <ul style="list-style-type: none"> <li>• General scan tool</li> </ul> <p>For detailed operation procedures, refer to the general scan tool operation manual.</p>	<p>Subtract ambient temperature from intake air temperature. Is the obtained value -10 — 50°C (-18 — 90°F)?</p>	<p>Repair the poor contact of ECM connector.</p>	<p>Check the mass air flow and intake air temperature sensor. &lt;Ref. to FU(H4DOTC)-39, Mass Air Flow and Intake Air Temperature Sensor.&gt;</p>

# Diagnostic Procedure with Diagnostic Trouble Code (DTC)

ENGINE (DIAGNOSTICS)

## AJ:DTC P0181 FUEL TEMPERATURE SENSOR "A" CIRCUIT RANGE/ PERFORMANCE

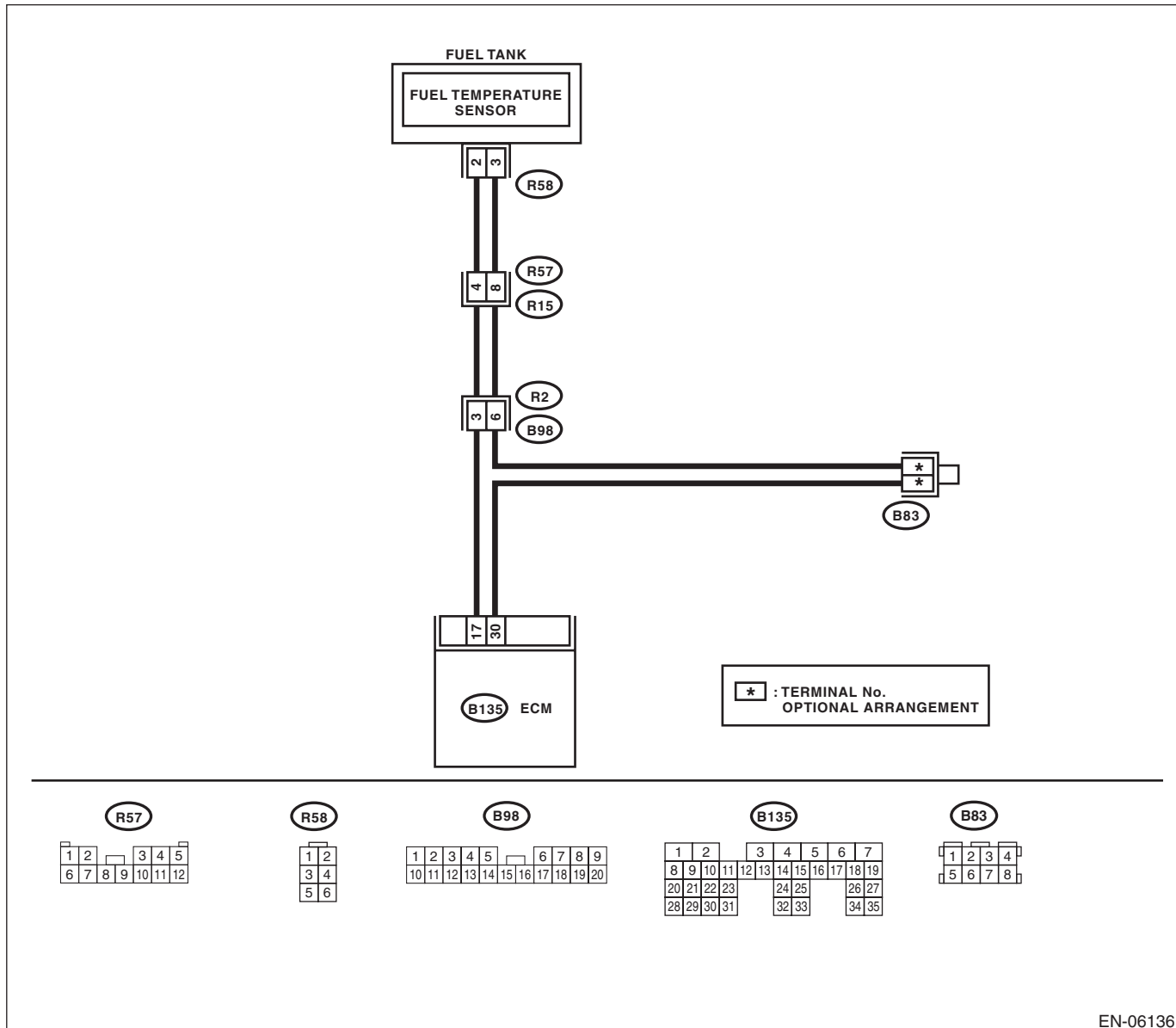
### DTC DETECTING CONDITION:

- Detected when two consecutive driving cycles with fault occur.
- GENERAL DESCRIPTION <Ref. to GD(H4DOTC)-68, DTC P0181 FUEL TEMPERATURE SENSOR "A" CIRCUIT RANGE/PERFORMANCE, Diagnostic Trouble Code (DTC) Detecting Criteria.>

### CAUTION:

After repair or replacement of faulty parts, perform Clear Memory Mode <Ref. to EN(H4DOTC)(diag)-54, OPERATION, Clear Memory Mode.> and Inspection Mode <Ref. to EN(H4DOTC)(diag)-43, PROCEDURE, Inspection Mode.>.

### WIRING DIAGRAM:



# Diagnostic Procedure with Diagnostic Trouble Code (DTC)

ENGINE (DIAGNOSTICS)

	Step	Check	Yes	No
1	CHECK FOR ANY OTHER DTC ON DISPLAY.	Is any other DTC displayed?	Check the appropriate DTC using the "List of Diagnostic Trouble Code (DTC)". <Ref. to EN(H4DOTC)(diag)-83, List of Diagnostic Trouble Code (DTC).>	Replace the fuel temperature sensor. <Ref. to EC(H4DOTC)-16, Fuel Temperature Sensor.>

# Diagnostic Procedure with Diagnostic Trouble Code (DTC)

ENGINE (DIAGNOSTICS)

## AK:DTC P0182 FUEL TEMPERATURE SENSOR "A" CIRCUIT LOW INPUT

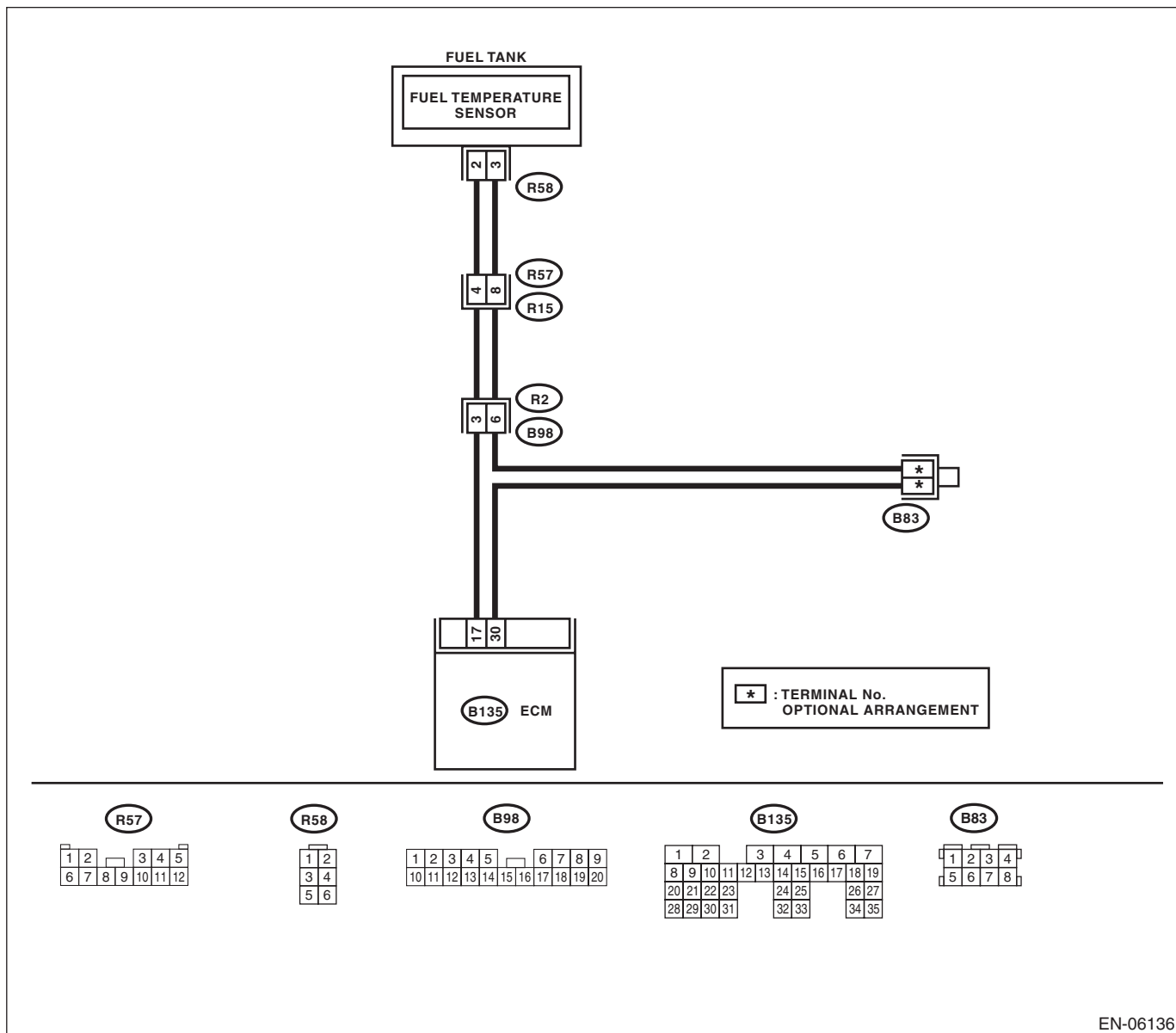
### DTC DETECTING CONDITION:

- Immediately at fault recognition
- GENERAL DESCRIPTION <Ref. to GD(H4DOTC)-71, DTC P0182 FUEL TEMPERATURE SENSOR "A" CIRCUIT LOW INPUT, Diagnostic Trouble Code (DTC) Detecting Criteria.>

### CAUTION:

After servicing or replacing faulty parts, perform Clear Memory Mode <Ref. to EN(H4DOTC)(diag)-54, OPERATION, Clear Memory Mode.>, and Inspection Mode <Ref. to EN(H4DOTC)(diag)-43, PROCEDURE, Inspection Mode.>.

### WIRING DIAGRAM:



EN-06136

# Diagnostic Procedure with Diagnostic Trouble Code (DTC)

ENGINE (DIAGNOSTICS)

Step	Check	Yes	No
<p><b>1</b></p> <p><b>CHECK CURRENT DATA.</b></p> <p>1) Start the engine.</p> <p>2) Read the data of fuel temperature sensor signal using Subaru Select Monitor.</p> <p>NOTE: For detailed operation procedures, refer to "READ CURRENT DATA FOR ENGINE". &lt;Ref. to EN(H4DOTC)(diag)-34, Subaru Select Monitor.&gt;</p>	<p>Is the temperature 120°C (248°F) or higher?</p>	<p>Go to step 2.</p>	<p>Even if DTC is detected, the circuit has returned to a normal condition at this time. Reproduce the failure, and then perform the diagnosis again.</p> <p>NOTE: In this case, temporary poor contact of connector may be the cause.</p>
<p><b>2</b></p> <p><b>CHECK HARNESS BETWEEN ECM AND FUEL TEMPERATURE SENSOR CONNECTOR.</b></p> <p>1) Turn the ignition switch to OFF.</p> <p>2) Disconnect the connectors from ECM and fuel temperature sensor.</p> <p>3) Measure the resistance between ECM and chassis ground.</p> <p><b>Connector &amp; terminal</b> <b>(B135) No. 17 — Chassis ground:</b></p>	<p>Is the resistance 1 MΩ or more?</p>	<p>Replace the fuel temperature sensor. &lt;Ref. to EC(H4DOTC)-16, Fuel Temperature Sensor.&gt;</p>	<p>Repair the ground short circuit of harness between ECM and fuel pump connector.</p>



# Diagnostic Procedure with Diagnostic Trouble Code (DTC)

ENGINE (DIAGNOSTICS)

## AL:DTC P0183 FUEL TEMPERATURE SENSOR "A" CIRCUIT HIGH INPUT

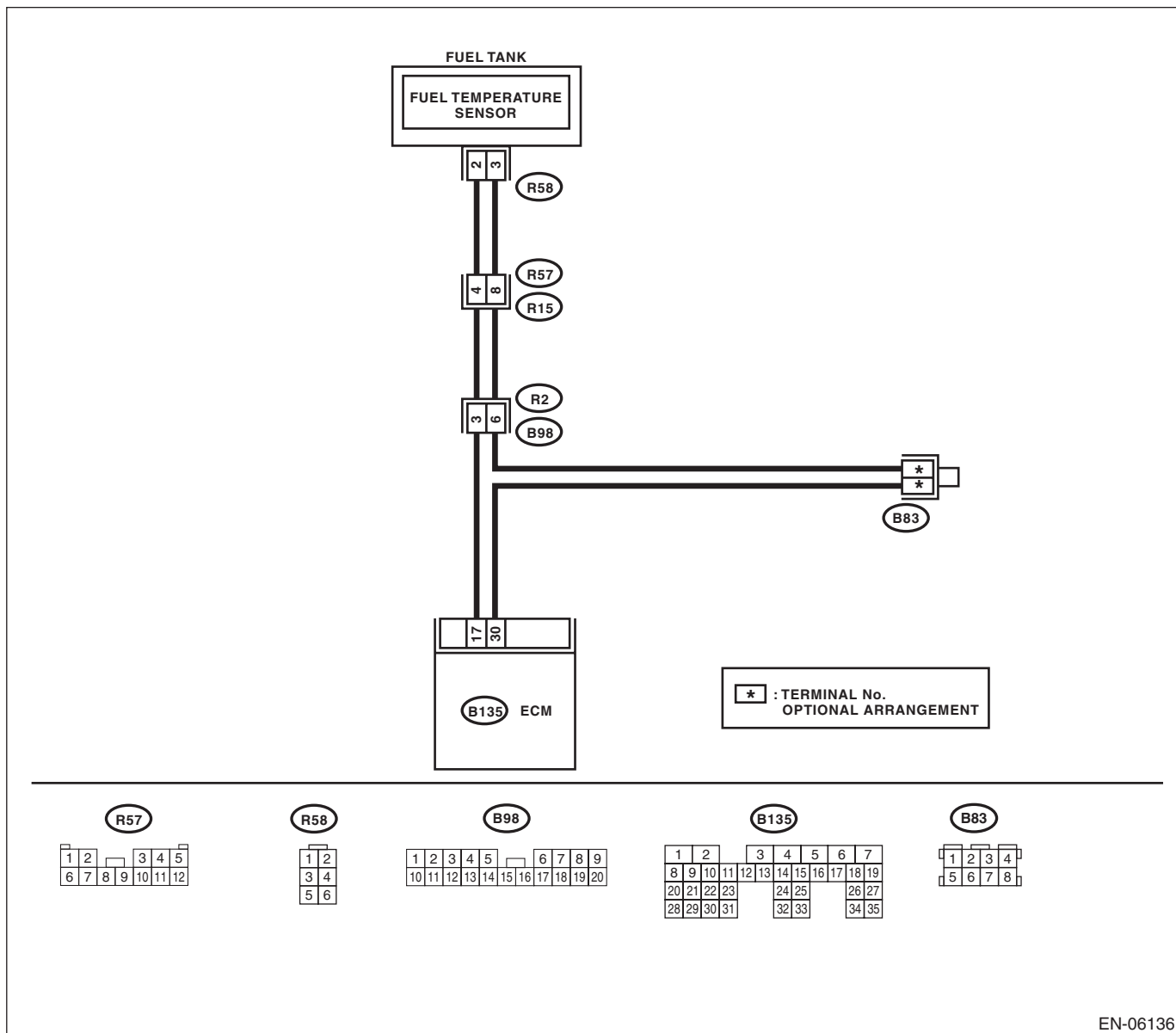
### DTC DETECTING CONDITION:

- Immediately at fault recognition
- GENERAL DESCRIPTION <Ref. to GD(H4DOTC)-72, DTC P0183 FUEL TEMPERATURE SENSOR "A" CIRCUIT HIGH INPUT, Diagnostic Trouble Code (DTC) Detecting Criteria.>

### CAUTION:

After servicing or replacing faulty parts, perform Clear Memory Mode <Ref. to EN(H4DOTC)(diag)-54, OPERATION, Clear Memory Mode.>, and Inspection Mode <Ref. to EN(H4DOTC)(diag)-43, PROCEDURE, Inspection Mode.>.

### WIRING DIAGRAM:



# Diagnostic Procedure with Diagnostic Trouble Code (DTC)

ENGINE (DIAGNOSTICS)

	Step	Check	Yes	No
1	<p><b>CHECK CURRENT DATA.</b></p> <p>1) Start the engine.</p> <p>2) Read the data of fuel temperature sensor signal using Subaru Select Monitor.</p> <p>NOTE: For detailed operation procedures, refer to "READ CURRENT DATA FOR ENGINE". &lt;Ref. to EN(H4DOTC)(diag)-34, Subaru Select Monitor.&gt;</p>	Is the temperature less than $-40^{\circ}\text{C}$ ( $-40^{\circ}\text{F}$ )?	Go to step 2.	Even if DTC is detected, the circuit has returned to a normal condition at this time. Reproduce the failure, and then perform the diagnosis again.  NOTE: In this case, temporary poor contact of connector may be the cause.
2	<p><b>CHECK POOR CONTACT.</b></p> <p>Repair any poor contact between the ECM and fuel temperature sensor connectors.</p>	Is there poor contact of the ECM or fuel temperature sensor connectors?	Repair any poor contact between the ECM and fuel temperature sensor connectors.	Go to step 3.
3	<p><b>CHECK HARNESS BETWEEN ECM AND FUEL TEMPERATURE SENSOR CONNECTOR.</b></p> <p>1) Turn the ignition switch to OFF.</p> <p>2) Disconnect the connectors from ECM and fuel temperature sensor.</p> <p>3) Measure the resistance of the harness between the ECM and fuel temperature sensor connector.</p> <p><b>Connector &amp; terminal</b> <b>(B135) No. 17 — (R58) No. 2:</b> <b>(B135) No. 30 — (R58) No. 3:</b></p>	Is the resistance less than $1\ \Omega$ ?	Go to step 4.	Repair the harness and connector.  NOTE: In this case, repair the following item: • Open circuit in harness between ECM and fuel temperature sensor connector • Poor contact of coupling connector
4	<p><b>CHECK HARNESS BETWEEN ECM AND FUEL TEMPERATURE SENSOR CONNECTOR.</b></p> <p>1) Connect all connectors.</p> <p>2) Turn the ignition switch to ON.</p> <p>3) Measure the voltage between ECM and chassis ground.</p> <p><b>Connector &amp; terminal</b> <b>(B135) No. 17 (+) — Chassis ground (-):</b></p>	Is the voltage 5 V or more?	Repair the short circuit to power in the harness between the ECM and fuel temperature sensor connector.	Replace the fuel temperature sensor. <Ref. to EC(H4DOTC)-16, Fuel Temperature Sensor.>

# Diagnostic Procedure with Diagnostic Trouble Code (DTC)

ENGINE (DIAGNOSTICS)

## AM:DTC P0222 THROTTLE/PEDAL POSITION SENSOR/SWITCH "B" CIRCUIT LOW

### DTC DETECTING CONDITION:

- Immediately at fault recognition
- GENERAL DESCRIPTION <Ref. to GD(H4DOTC)-73, DTC P0222 THROTTLE/PEDAL POSITION SENSOR/SWITCH "B" CIRCUIT LOW, Diagnostic Trouble Code (DTC) Detecting Criteria.>

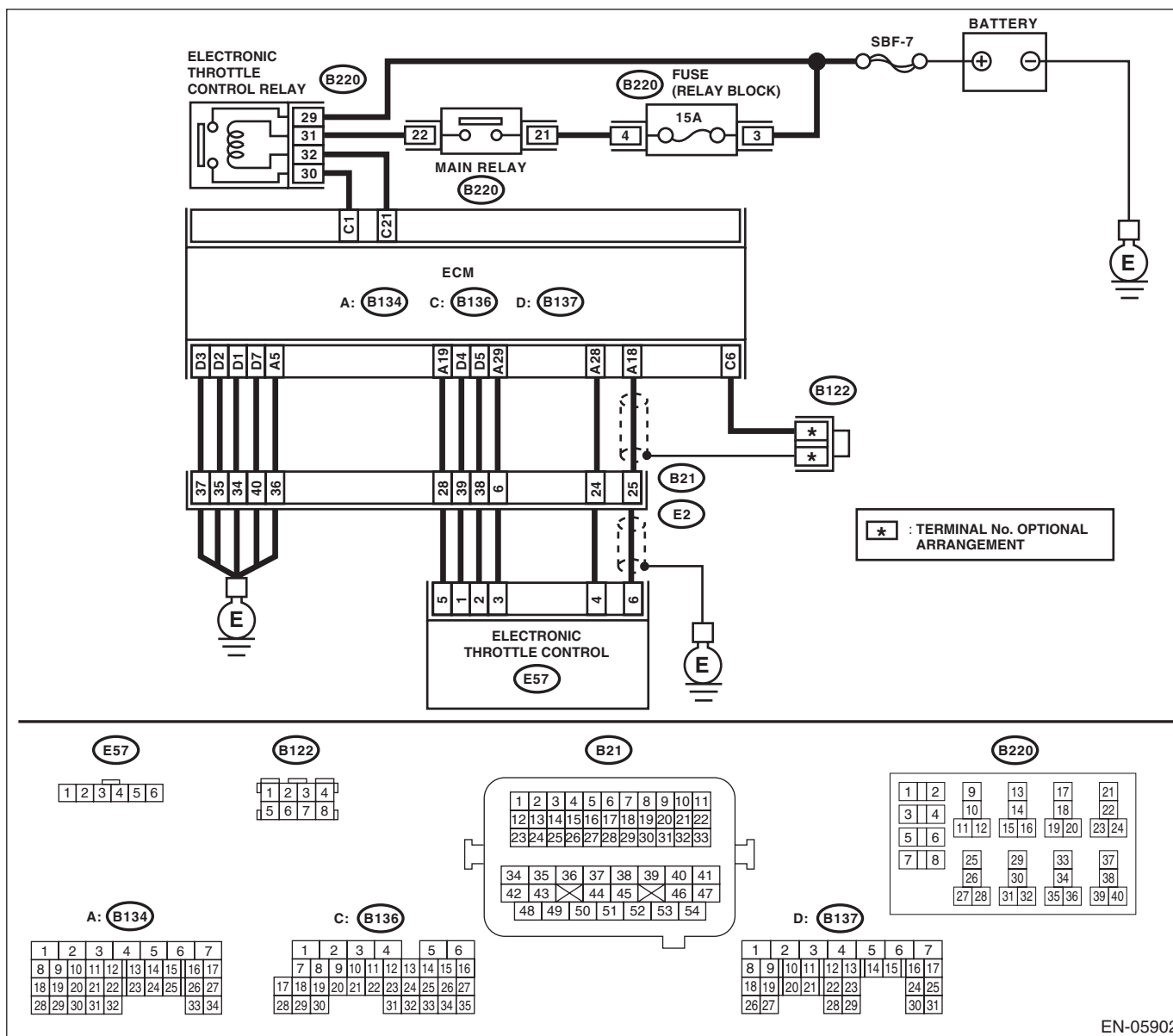
### TROUBLE SYMPTOM:

- Improper idling
- Poor driving performance
- Engine stalls.

### CAUTION:

After servicing or replacing faulty parts, perform Clear Memory Mode <Ref. to EN(H4DOTC)(diag)-54, OPERATION, Clear Memory Mode.>, and Inspection Mode <Ref. to EN(H4DOTC)(diag)-43, PROCEDURE, Inspection Mode.>.

### WIRING DIAGRAM:



EN-05902

# Diagnostic Procedure with Diagnostic Trouble Code (DTC)

ENGINE (DIAGNOSTICS)

	Step	Check	Yes	No
1	<p><b>CHECK HARNESS BETWEEN ECM AND ELECTRONIC THROTTLE CONTROL CONNECTOR.</b></p> <p>1) Turn the ignition switch to OFF. 2) Disconnect the connectors from ECM and electronic throttle control. 3) Measure the resistance between ECM and chassis ground.</p> <p><b>Connector &amp; terminal</b> <b>(B134) No. 19 — Chassis ground:</b> <b>(B134) No. 28 — Chassis ground:</b></p>	Is the resistance 1 MΩ or more?	Go to step 2.	Repair the short circuit to ground in harness between ECM and electronic throttle control connector.
2	<p><b>CHECK SHORT CIRCUIT INSIDE THE ECM.</b></p> <p>1) Connect the connector to ECM. 2) Measure the resistance between electronic throttle control connector and engine ground.</p> <p><b>Connector &amp; terminal</b> <b>(E57) No. 4 — Engine ground:</b></p>	Is the resistance 1 MΩ or more?	Replace the electronic throttle control. <Ref. to FU(H4DOTC)-14, Throttle Body.>	Repair the short circuit to ground in harness between ECM and electronic throttle control connector. Replace the ECM if defective. <Ref. to FU(H4DOTC)-52, Engine Control Module (ECM).>

# Diagnostic Procedure with Diagnostic Trouble Code (DTC)

ENGINE (DIAGNOSTICS)

## AN:DTC P0223 THROTTLE/PEDAL POSITION SENSOR/SWITCH "B" CIRCUIT HIGH

### DTC DETECTING CONDITION:

- Immediately at fault recognition
- GENERAL DESCRIPTION <Ref. to GD(H4DOTC)-74, DTC P0223 THROTTLE/PEDAL POSITION SENSOR/SWITCH "B" CIRCUIT HIGH, Diagnostic Trouble Code (DTC) Detecting Criteria.>

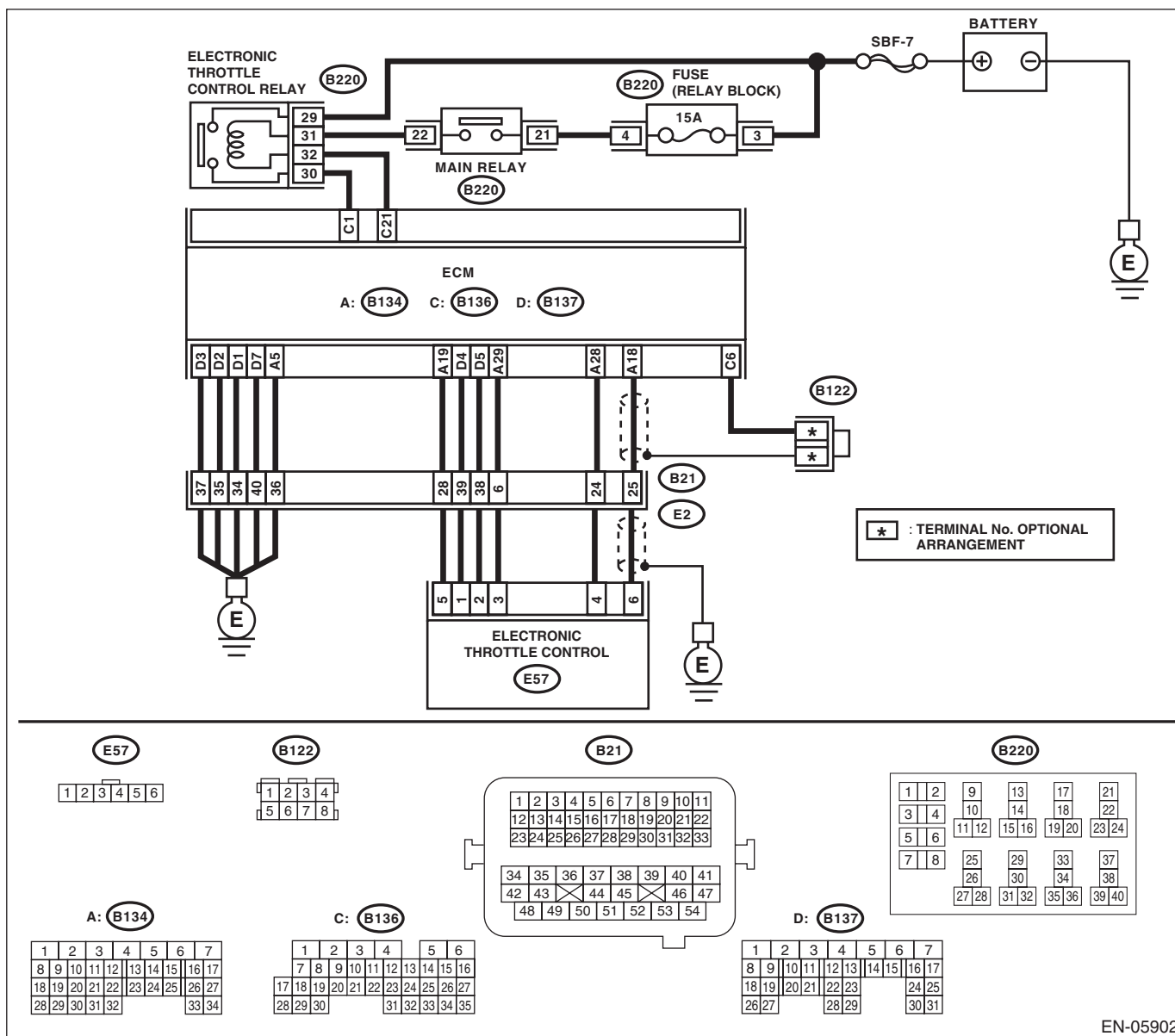
### TROUBLE SYMPTOM:

- Improper idling
- Poor driving performance
- Engine stalls.

### CAUTION:

After servicing or replacing faulty parts, perform Clear Memory Mode <Ref. to EN(H4DOTC)(diag)-54, OPERATION, Clear Memory Mode.>, and Inspection Mode <Ref. to EN(H4DOTC)(diag)-43, PROCEDURE, Inspection Mode.>.

### WIRING DIAGRAM:



EN-05902

# Diagnostic Procedure with Diagnostic Trouble Code (DTC)

ENGINE (DIAGNOSTICS)

Step	Check	Yes	No
<b>1</b> <b>CHECK HARNESS BETWEEN ECM AND ELECTRONIC THROTTLE CONTROL CONNECTOR.</b> 1) Turn the ignition switch to OFF. 2) Disconnect the connectors from ECM and electronic throttle control. 3) Measure the resistance of harness between ECM and electronic throttle control connector. <b>Connector &amp; terminal</b> <b>(B134) No. 28 — (E57) No. 4:</b> <b>(B134) No. 29 — (E57) No. 3:</b>	Is the resistance less than 1 Ω?	Go to step 2.	Repair the harness and connector. NOTE: In this case, repair the following item: • Open circuit in harness between ECM and electronic throttle control connector • Poor contact of coupling connector
<b>2</b> <b>CHECK HARNESS BETWEEN ECM AND ELECTRONIC THROTTLE CONTROL CONNECTOR.</b> 1) Connect the connector to ECM. 2) Measure the resistance between electronic throttle control connector and engine ground. <b>Connector &amp; terminal</b> <b>(E57) No. 3 — Engine ground:</b>	Is the resistance less than 5 Ω?	Go to step 3.	Repair the harness and connector. NOTE: In this case, repair the following item: • Open circuit of harness between ECM and engine ground • Poor contact of ECM connector • Poor contact of coupling connector
<b>3</b> <b>CHECK HARNESS BETWEEN ECM AND ELECTRONIC THROTTLE CONTROL CONNECTOR.</b> 1) Turn the ignition switch to ON. 2) Measure the voltage between electronic throttle control connector and engine ground. <b>Connector &amp; terminal</b> <b>(E57) No. 4 (+) — Engine ground (-):</b>	Is the voltage 4.85 V or more?	Repair the short circuit to power in harness between ECM and electronic throttle control connector.	Go to step 4.
<b>4</b> <b>CHECK HARNESS BETWEEN ECM AND ELECTRONIC THROTTLE CONTROL CONNECTOR.</b> 1) Turn the ignition switch to OFF. 2) Disconnect the connectors from ECM. 3) Measure the resistance between ECM connectors. <b>Connector &amp; terminal</b> <b>(B134) No. 19 — (B134) No. 28:</b>	Is the resistance 1 MΩ or more?	Repair the poor contact of electronic throttle control connector. Replace the electronic throttle control if defective. <Ref. to FU(H4DOTC)-14, Throttle Body.>	Repair the short circuit to power in harness between ECM and electronic throttle control connector.

# Diagnostic Procedure with Diagnostic Trouble Code (DTC)

ENGINE (DIAGNOSTICS)

## AO:DTC P0230 FUEL PUMP PRIMARY CIRCUIT

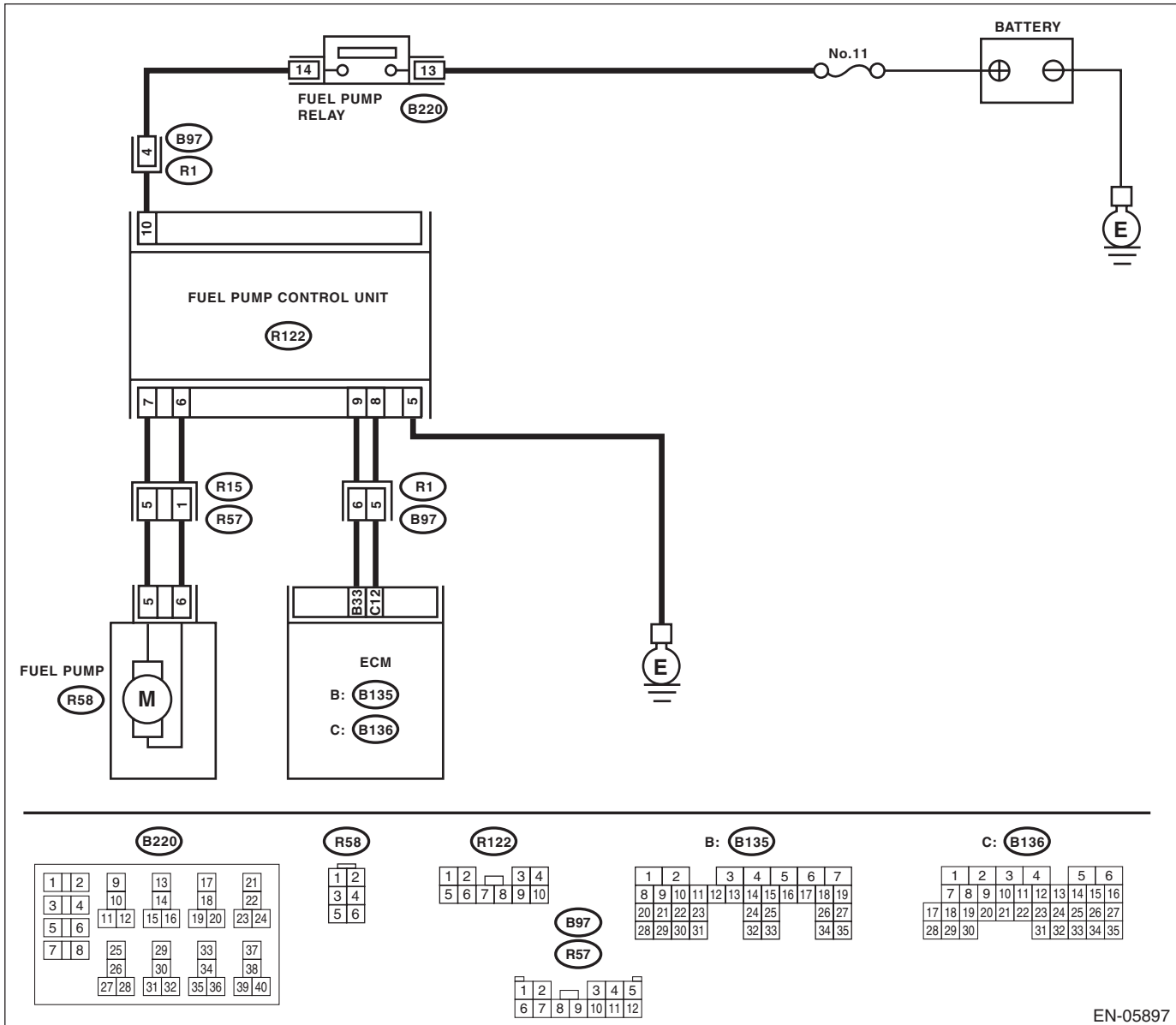
### DTC DETECTING CONDITION:

- Detected when two consecutive driving cycles with fault occur.
- GENERAL DESCRIPTION <Ref. to GD(H4DOTC)-75, DTC P0230 FUEL PUMP PRIMARY CIRCUIT, Diagnostic Trouble Code (DTC) Detecting Criteria.>

### CAUTION:

After servicing or replacing faulty parts, perform Clear Memory Mode <Ref. to EN(H4DOTC)(diag)-54, OPERATION, Clear Memory Mode.>, and Inspection Mode <Ref. to EN(H4DOTC)(diag)-43, PROCEDURE, Inspection Mode.>.

### WIRING DIAGRAM:



# Diagnostic Procedure with Diagnostic Trouble Code (DTC)

ENGINE (DIAGNOSTICS)

Step	Check	Yes	No
<p><b>1</b></p> <p><b>CHECK POWER SUPPLY CIRCUIT TO FUEL PUMP CONTROL UNIT.</b></p> <p>1) Turn the ignition switch to OFF. 2) Disconnect the connector from fuel pump control unit. 3) Turn the ignition switch to ON. 4) Measure the voltage between fuel pump control unit and chassis ground.</p> <p><b>Connector &amp; terminal</b> <b>(R122) No. 10 (+) — Chassis ground (-):</b></p>	<p>Is the voltage 10 V or more?</p>	<p>Go to step 2.</p>	<p>Repair the power supply circuit.</p> <p>NOTE: In this case, repair the following item:</p> <ul style="list-style-type: none"> <li>• Open circuit or short circuit to ground in harness between fuel pump relay connector and fuel pump control unit connector</li> <li>• Poor contact of fuel pump control unit connector</li> <li>• Poor contact of fuel pump relay connector</li> <li>• Poor contact of coupling connector</li> </ul>
<p><b>2</b></p> <p><b>CHECK GROUND CIRCUIT OF FUEL PUMP CONTROL UNIT.</b></p> <p>1) Turn the ignition switch to OFF. 2) Measure the resistance of harness between fuel pump control unit connector and chassis ground.</p> <p><b>Connector &amp; terminal</b> <b>(R122) No. 5 — Chassis ground:</b></p>	<p>Is the resistance less than 5 Ω?</p>	<p>Go to step 3.</p>	<p>Repair the harness and connector.</p> <p>NOTE: In this case, repair the following item:</p> <ul style="list-style-type: none"> <li>• Open circuit in harness between fuel pump control unit connector and chassis ground</li> <li>• Poor contact of fuel pump control unit connector</li> </ul>
<p><b>3</b></p> <p><b>CHECK HARNESS BETWEEN FUEL PUMP CONTROL UNIT AND FUEL PUMP CONNECTOR.</b></p> <p>1) Disconnect the connector from fuel pump. 2) Measure the resistance of harness between fuel pump control unit and fuel pump connector.</p> <p><b>Connector &amp; terminal</b> <b>(R122) No. 7 — (R58) No. 5:</b> <b>(R122) No. 6 — (R58) No. 6:</b></p>	<p>Is the resistance less than 1 Ω?</p>	<p>Go to step 4.</p>	<p>Repair the harness and connector.</p> <p>NOTE: In this case, repair the following item:</p> <ul style="list-style-type: none"> <li>• Open circuit in harness between fuel pump control unit connector and fuel pump connector</li> <li>• Poor contact of coupling connector</li> </ul>
<p><b>4</b></p> <p><b>CHECK HARNESS BETWEEN FUEL PUMP CONTROL UNIT AND FUEL PUMP CONNECTOR.</b></p> <p>Measure the resistance between fuel pump control unit connector and chassis ground.</p> <p><b>Connector &amp; terminal</b> <b>(R122) No. 7 — Chassis ground:</b> <b>(R122) No. 6 — Chassis ground:</b></p>	<p>Is the resistance 1 MΩ or more?</p>	<p>Go to step 5.</p>	<p>Repair the short circuit to ground in harness between fuel pump control unit connector and fuel pump connector.</p>



# Diagnostic Procedure with Diagnostic Trouble Code (DTC)

## ENGINE (DIAGNOSTICS)

Step	Check	Yes	No
<b>5 CHECK HARNESS BETWEEN ECM AND FUEL PUMP CONTROL UNIT CONNECTOR.</b> 1) Disconnect the connectors from ECM. 2) Measure the resistance of harness between ECM and fuel pump control unit connector. <i><b>Connector &amp; terminal</b></i> <i><b>(B135) No. 33 — (R122) No. 9:</b></i> <i><b>(B136) No. 12 — (R122) No. 8:</b></i>	Is the resistance less than 1 $\Omega$ ?	Go to step 6.	Repair the harness and connector.  NOTE: In this case, repair the following item: <ul style="list-style-type: none"> <li>• Open circuit in harness between ECM and fuel pump control unit</li> <li>• Poor contact of coupling connector</li> </ul>
<b>6 CHECK HARNESS BETWEEN ECM AND FUEL PUMP CONTROL UNIT CONNECTOR.</b> Measure the resistance between fuel pump control unit connector and chassis ground. <i><b>Connector &amp; terminal</b></i> <i><b>(R122) No. 9 — Chassis ground:</b></i> <i><b>(R122) No. 8 — Chassis ground:</b></i>	Is the resistance 1 M $\Omega$ or more?	Go to step 7.	Repair the short circuit to ground in harness between ECM and fuel pump control unit connector.
<b>7 CHECK POOR CONTACT.</b> Check for poor contact of ECM and fuel pump control unit connector.	Is there poor contact of ECM or fuel pump control unit connector?	Repair the poor contact of ECM or fuel pump control unit connector.	Go to step 8.
<b>8 CHECK EXPERIENCE OF RUNNING OUT OF FUEL.</b>	Has the vehicle experienced running out of fuel?	Finish the diagnosis.  NOTE: DTC may be recorded as a result of fuel pump idling while running out of fuel.	Replace the fuel pump control unit. <Ref. to FU(H4DOTC)-59, Fuel Pump Control Unit.>

## AP:DTC P0244 TURBO/SUPER CHARGER WASTEGATE SOLENOID “A” RANGE/PERFORMANCE

**DTC DETECTING CONDITION:**

- Immediately at fault recognition
- GENERAL DESCRIPTION <Ref. to GD(H4DOTC)-77, DTC P0244 TURBO/SUPER CHARGER WASTEGATE SOLENOID “A” RANGE/PERFORMANCE, Diagnostic Trouble Code (DTC) Detecting Criteria.>

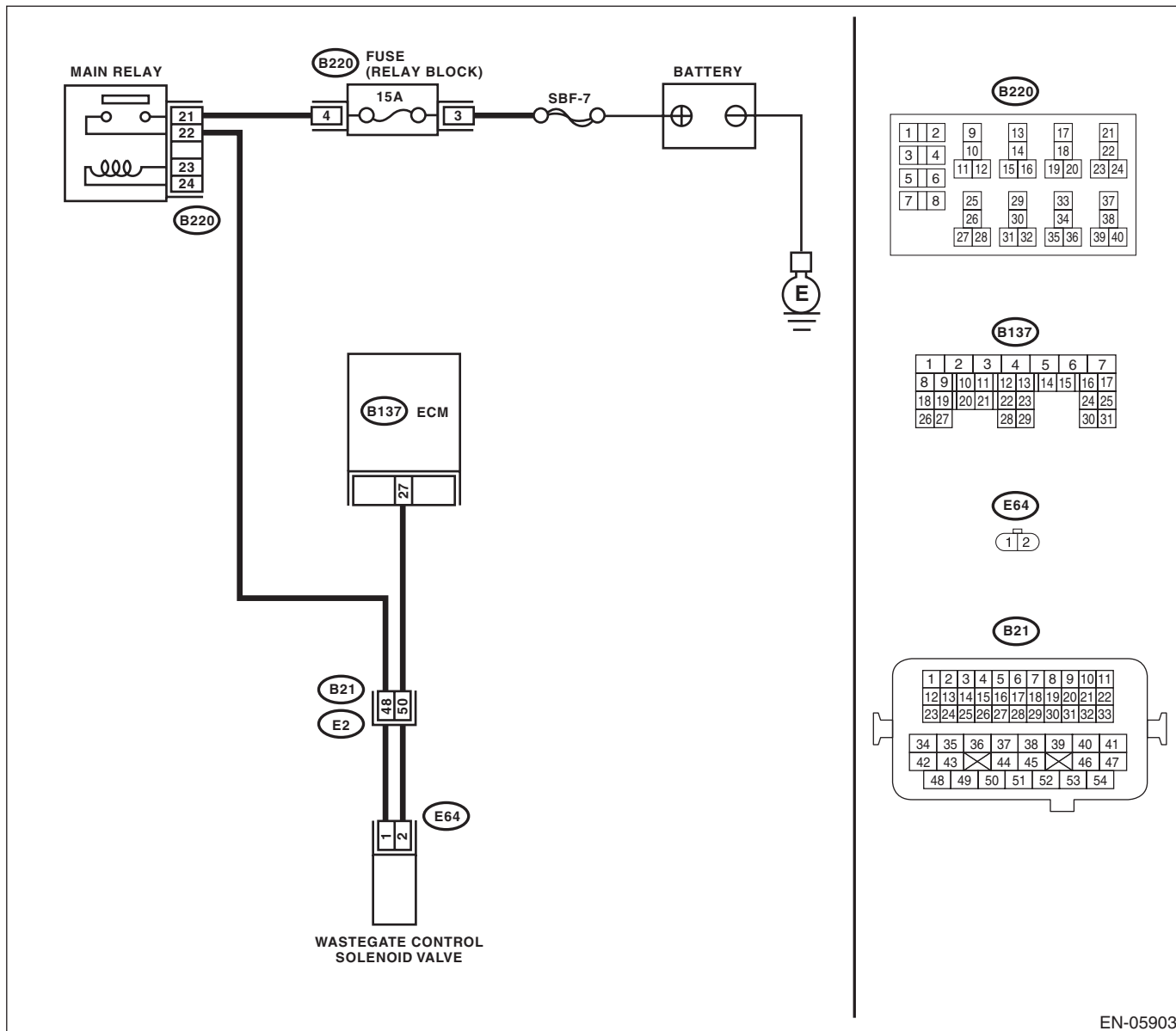
**TROUBLE SYMPTOM:**

Poor driving performance

**CAUTION:**

After repair or replacement of faulty parts, perform Clear Memory Mode <Ref. to EN(H4DOTC)(diag)-54, OPERATION, Clear Memory Mode.> and Inspection Mode <Ref. to EN(H4DOTC)(diag)-43, PROCEDURE, Inspection Mode.>.

**WIRING DIAGRAM:**



EN-05903

# Diagnostic Procedure with Diagnostic Trouble Code (DTC)

ENGINE (DIAGNOSTICS)

Step	Check	Yes	No
1 <b>CHECK FOR ANY OTHER DTC ON DISPLAY.</b>	Is any other DTC displayed?	Check the appropriate DTC using the "List of Diagnostic Trouble Code (DTC)". <Ref. to EN(H4DOTC)(diag)-83, List of Diagnostic Trouble Code (DTC).>	Replace the wastegate control solenoid valve. <Ref. to FU(H4DOTC)-47, Wastegate Control Solenoid Valve.>

# Diagnostic Procedure with Diagnostic Trouble Code (DTC)

ENGINE (DIAGNOSTICS)

## AQ:DTC P0245 TURBO/SUPER CHARGER WASTEGATE SOLENOID "A" LOW

### DTC DETECTING CONDITION:

- Immediately at fault recognition
- GENERAL DESCRIPTION <Ref. to GD(H4DOTC)-79, DTC P0245 TURBO/SUPER CHARGER WASTEGATE SOLENOID "A" LOW, Diagnostic Trouble Code (DTC) Detecting Criteria.>

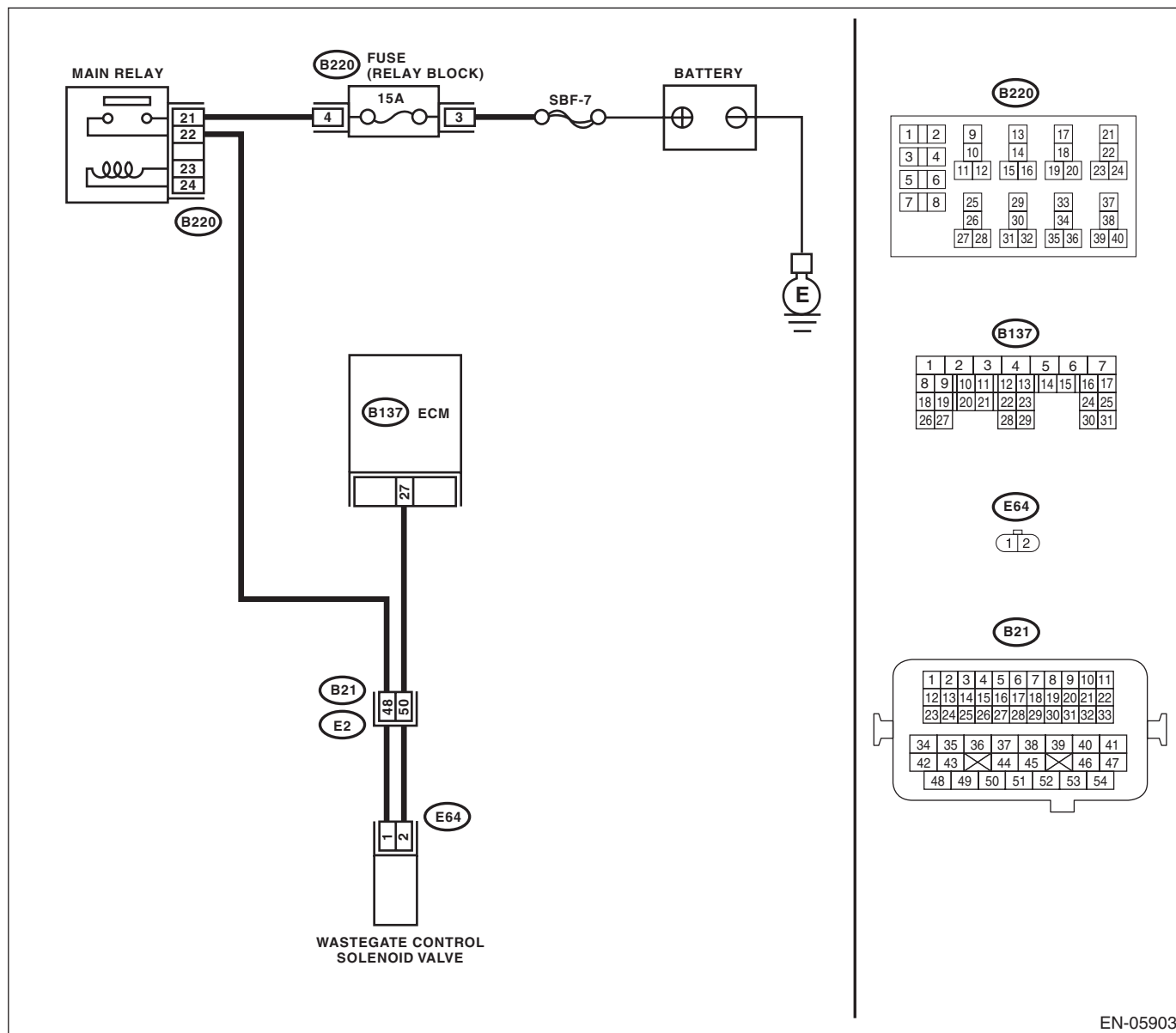
### TROUBLE SYMPTOM:

Poor driving performance

### CAUTION:

After servicing or replacing faulty parts, perform Clear Memory Mode <Ref. to EN(H4DOTC)(diag)-54, OPERATION, Clear Memory Mode.>, and Inspection Mode <Ref. to EN(H4DOTC)(diag)-43, PROCEDURE, Inspection Mode.>.

### WIRING DIAGRAM:



# Diagnostic Procedure with Diagnostic Trouble Code (DTC)

ENGINE (DIAGNOSTICS)

Step	Check	Yes	No
<b>1 CHECK OUTPUT SIGNAL OF ECM.</b> 1) Turn the ignition switch to ON. 2) Measure the voltage between ECM and chassis ground. <i>Connector &amp; terminal</i> <i>(B137) No. 27 (+) — Chassis ground (-):</i>	Is the voltage 10 V or more?	Repair the poor contact of ECM connector.	Go to step 2.
<b>2 CHECK HARNESS BETWEEN ECM AND WASTEGATE CONTROL SOLENOID VALVE CONNECTOR.</b> 1) Turn the ignition switch to OFF. 2) Disconnect the connectors from ECM and wastegate control solenoid valve. 3) Measure the resistance between wastegate control solenoid valve connector and engine ground. <i>Connector &amp; terminal</i> <i>(E64) No. 2 — Engine ground:</i>	Is the resistance 1 M $\Omega$ or more?	Go to step 3.	Repair ground short circuit of harness between ECM and wastegate control solenoid valve connector.
<b>3 CHECK HARNESS BETWEEN ECM AND WASTEGATE CONTROL SOLENOID VALVE CONNECTOR.</b> Measure the resistance of harness between ECM and wastegate control solenoid valve connector. <i>Connector &amp; terminal</i> <i>(B137) No. 27 — (E64) No. 2:</i>	Is the resistance less than 1 $\Omega$ ?	Go to step 4.	Repair the harness and connector. NOTE: In this case, repair the following item: <ul style="list-style-type: none"> <li>• Open circuit of harness between ECM and wastegate control solenoid valve connector</li> <li>• Poor contact of coupling connector</li> </ul>
<b>4 CHECK WASTEGATE CONTROL SOLENOID VALVE.</b> 1) Remove the wastegate control solenoid valve. 2) Measure the resistance between wastegate control solenoid valve terminals. <i>Terminals</i> <i>No. 1 — No. 2:</i>	Is the resistance 10 — 100 $\Omega$ ?	Go to step 5.	Replace the wastegate control solenoid valve. <Ref. to FU(H4DOTC)-47, Wastegate Control Solenoid Valve.>
<b>5 CHECK POWER SUPPLY TO WASTEGATE CONTROL SOLENOID VALVE.</b> 1) Turn the ignition switch to ON. 2) Measure the voltage between wastegate control solenoid valve connector and engine ground. <i>Connector &amp; terminal</i> <i>(E64) No. 1 (+) — Engine ground (-):</i>	Is the voltage 10 V or more?	Repair poor contact of wastegate control solenoid valve connector.	Repair the harness and connector. NOTE: In this case, repair the following item: <ul style="list-style-type: none"> <li>• Open circuit in harness between main relay connector and wastegate control solenoid valve connector</li> <li>• Poor contact of coupling connector</li> <li>• Poor contact of main relay connector</li> </ul>

# Diagnostic Procedure with Diagnostic Trouble Code (DTC)

ENGINE (DIAGNOSTICS)

## AR:DTC P0246 TURBO/SUPER CHARGER WASTEGATE SOLENOID "A" HIGH

### DTC DETECTING CONDITION:

- Immediately at fault recognition
- GENERAL DESCRIPTION <Ref. to GD(H4DOTC)-80, DTC P0246 TURBO/SUPER CHARGER WASTEGATE SOLENOID "A" HIGH, Diagnostic Trouble Code (DTC) Detecting Criteria.>

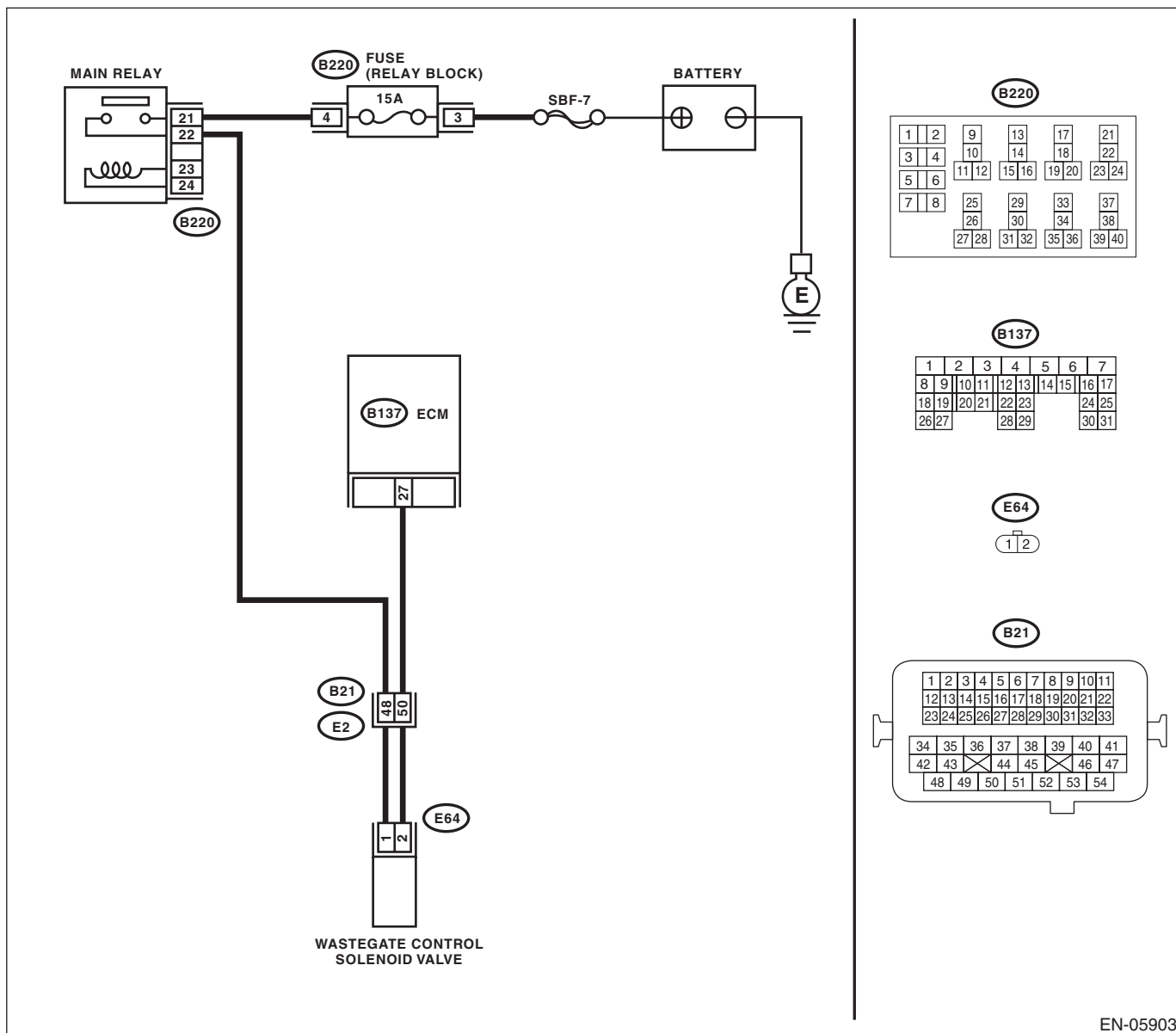
### TROUBLE SYMPTOM:

Poor driving performance

### CAUTION:

After servicing or replacing faulty parts, perform Clear Memory Mode <Ref. to EN(H4DOTC)(diag)-54, OPERATION, Clear Memory Mode.>, and Inspection Mode <Ref. to EN(H4DOTC)(diag)-43, PROCEDURE, Inspection Mode.>.

### WIRING DIAGRAM:



EN-05903

# Diagnostic Procedure with Diagnostic Trouble Code (DTC)

ENGINE (DIAGNOSTICS)

	Step	Check	Yes	No
1	<b>CHECK HARNESS BETWEEN ECM AND WASTEGATE CONTROL SOLENOID VALVE CONNECTOR.</b> 1) Turn the ignition switch to OFF. 2) Disconnect the connectors from ECM and wastegate control solenoid valve. 3) Turn the ignition switch to ON. 4) Measure the voltage between ECM and chassis ground. <b>Connector &amp; terminal</b> <b>(B137) No. 27 (+) — Chassis ground (-):</b>	Is the voltage 10 V or more?	Repair short circuit to power in the harness between ECM and wastegate control solenoid valve connector.	Go to step 2.
2	<b>CHECK WASTEGATE CONTROL SOLENOID VALVE.</b> 1) Turn the ignition switch to OFF. 2) Measure the resistance between wastegate control solenoid valve terminals. <b>Terminals</b> <b>No. 1 — No. 2:</b>	Is the resistance less than 1 $\Omega$ ?	Replace the wastegate control solenoid valve. <Ref. to FU(H4DOTC)-47, Wastegate Control Solenoid Valve.>	Repair the poor contact of ECM connector.

## AS:DTC P0301 CYLINDER 1 MISFIRE DETECTED

NOTE:

For the diagnostic procedure, refer to DTC P0304. <Ref. to EN(H4DOTC)(diag)-173, DTC P0304 CYLINDER 4 MISFIRE DETECTED, Diagnostic Procedure with Diagnostic Trouble Code (DTC).>

## AT:DTC P0302 CYLINDER 2 MISFIRE DETECTED

NOTE:

For the diagnostic procedure, refer to DTC P0304. <Ref. to EN(H4DOTC)(diag)-173, DTC P0304 CYLINDER 4 MISFIRE DETECTED, Diagnostic Procedure with Diagnostic Trouble Code (DTC).>

## AU:DTC P0303 CYLINDER 3 MISFIRE DETECTED

NOTE:

For the diagnostic procedure, refer to DTC P0304. <Ref. to EN(H4DOTC)(diag)-173, DTC P0304 CYLINDER 4 MISFIRE DETECTED, Diagnostic Procedure with Diagnostic Trouble Code (DTC).>

# Diagnostic Procedure with Diagnostic Trouble Code (DTC)

ENGINE (DIAGNOSTICS)

## AV:DTC P0304 CYLINDER 4 MISFIRE DETECTED

### DTC DETECTING CONDITION:

- Detected when two consecutive driving cycles with fault occur.
- Immediately at fault recognition (A misfire which could damage catalyst occurs.)
- GENERAL DESCRIPTION <Ref. to GD(H4DOTC)-87, DTC P0304 CYLINDER 4 MISFIRE DETECTED, Diagnostic Trouble Code (DTC) Detecting Criteria.>

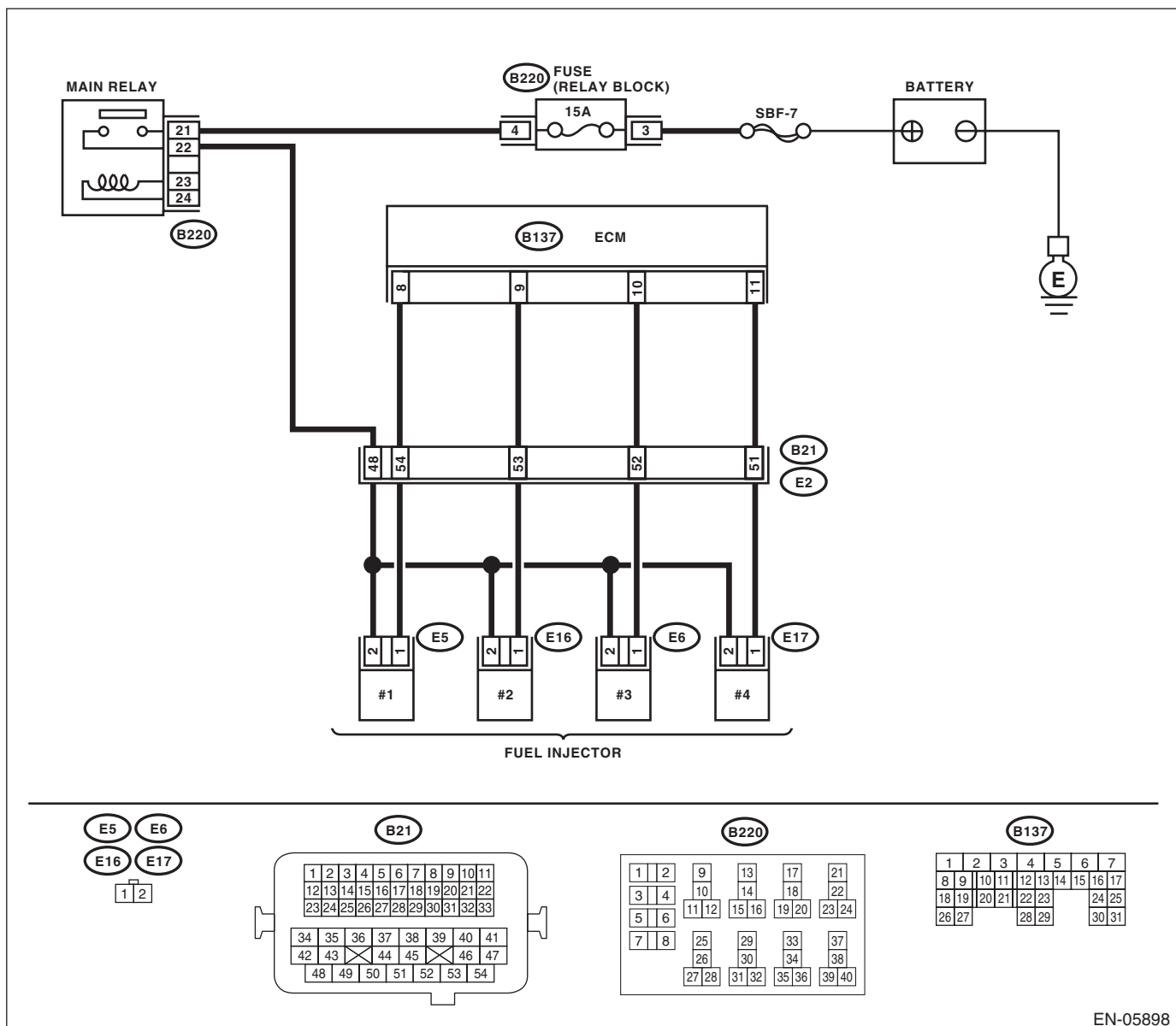
### TROUBLE SYMPTOM:

- Engine stalls.
- Improper idling
- Rough driving

### CAUTION:

After servicing or replacing faulty parts, perform Clear Memory Mode <Ref. to EN(H4DOTC)(diag)-54, OPERATION, Clear Memory Mode.>, and Inspection Mode <Ref. to EN(H4DOTC)(diag)-43, PROCEDURE, Inspection Mode.>.

### WIRING DIAGRAM:



EN-05898



# Diagnostic Procedure with Diagnostic Trouble Code (DTC)

## ENGINE (DIAGNOSTICS)

Step	Check	Yes	No
<b>1 CHECK OUTPUT SIGNAL OF ECM.</b> 1) Turn the ignition switch to ON. 2) Measure the voltage between ECM and chassis ground on faulty cylinders. <b>Connector &amp; terminal</b> <i>#1 (B137) No. 8 (+) — Chassis ground (-):</i> <i>#2 (B137) No. 9 (+) — Chassis ground (-):</i> <i>#3 (B137) No. 10 (+) — Chassis ground (-):</i> <i>#4 (B137) No. 11 (+) — Chassis ground (-):</i>	Is the voltage 10 V or more?	Go to step 6.	Go to step 2.
<b>2 CHECK HARNESS BETWEEN ECM AND FUEL INJECTOR CONNECTOR.</b> 1) Turn the ignition switch to OFF. 2) Disconnect the connector from fuel injector on faulty cylinders. 3) Measure the resistance between fuel injector connector and engine ground on faulty cylinders. <b>Connector &amp; terminal</b> <i>#1 (E5) No. 1 — Engine ground:</i> <i>#2 (E16) No. 1 — Engine ground:</i> <i>#3 (E6) No. 1 — Engine ground:</i> <i>#4 (E17) No. 1 — Engine ground:</i>	Is the resistance 1 M $\Omega$ or more?	Go to step 3.	Repair the short circuit to ground in harness between ECM and fuel injector connector.
<b>3 CHECK HARNESS BETWEEN ECM AND FUEL INJECTOR CONNECTOR.</b> Measure the resistance of harness between ECM and fuel injector connector on faulty cylinders. <b>Connector &amp; terminal</b> <i>#1 (B137) No. 8 — (E5) No. 1:</i> <i>#2 (B137) No. 9 — (E16) No. 1:</i> <i>#3 (B137) No. 10 — (E6) No. 1:</i> <i>#4 (B137) No. 11 — (E17) No. 1:</i>	Is the resistance less than 1 $\Omega$ ?	Go to step 4.	Repair the harness and connector. NOTE: In this case, repair the following item: <ul style="list-style-type: none"> <li>• Open circuit in harness between ECM and fuel injector connector</li> <li>• Poor contact of coupling connector</li> </ul>
<b>4 CHECK FUEL INJECTOR.</b> Measure the resistance between fuel injector terminals on faulty cylinder. <b>Terminals</b> <i>No. 1 — No. 2:</i>	Is the resistance 5 — 20 $\Omega$ ?	Go to step 5.	Replace the faulty fuel injector. <Ref. to FU(H4DOTC)-41, Fuel Injector.>
<b>5 CHECK POWER SUPPLY LINE.</b> 1) Turn the ignition switch to ON. 2) Measure the voltage between fuel injector connector of faulty cylinders and engine ground. <b>Connector &amp; terminal</b> <i>#1 (E5) No. 2 (+) — Engine ground (-):</i> <i>#2 (E16) No. 2 (+) — Engine ground (-):</i> <i>#3 (E6) No. 2 (+) — Engine ground (-):</i> <i>#4 (E17) No. 2 (+) — Engine ground (-):</i>	Is the voltage 10 V or more?	Repair the poor contact of all connectors in fuel injector circuit.	Repair the harness and connector. NOTE: In this case, repair the following item: <ul style="list-style-type: none"> <li>• Open circuit in harness between the main relay connector and fuel injector connector on faulty cylinders</li> <li>• Poor contact of coupling connector</li> <li>• Poor contact of main relay connector</li> </ul>

# Diagnostic Procedure with Diagnostic Trouble Code (DTC)

ENGINE (DIAGNOSTICS)

Step	Check	Yes	No
<b>6 CHECK HARNESS BETWEEN ECM AND FUEL INJECTOR CONNECTOR.</b> 1) Turn the ignition switch to OFF. 2) Disconnect the connector from fuel injector on faulty cylinders. 3) Turn the ignition switch to ON. 4) Measure the voltage between ECM and chassis ground on faulty cylinders. <b>Connector &amp; terminal</b> <b>#1 (B137) No. 8 (+) — Chassis ground (-):</b> <b>#2 (B137) No. 9 (+) — Chassis ground (-):</b> <b>#3 (B137) No. 10 (+) — Chassis ground (-):</b> <b>#4 (B137) No. 11 (+) — Chassis ground (-):</b>	Is the voltage 10 V or more?	Repair the short circuit to power in harness between ECM and fuel injector connector.	Go to step 7.
<b>7 CHECK FUEL INJECTOR.</b> 1) Turn the ignition switch to OFF. 2) Measure the resistance between fuel injector terminals on faulty cylinder. <b>Terminals</b> <b>No. 1 — No. 2:</b>	Is the resistance less than 1 $\Omega$ ?	Replace the faulty fuel injector. <Ref. to FU(H4DOTC)-41, Fuel Injector.>	Go to step 8.
<b>8 CHECK INSTALLATION OF CAMSHAFT POSITION SENSOR/CRANKSHAFT POSITION SENSOR.</b>	Is the camshaft position sensor or crankshaft position sensor loosely installed?	Tighten the camshaft position sensor or crankshaft position sensor.	Go to step 9.
<b>9 CHECK CRANK SPROCKET.</b> Remove the timing belt cover.	Is the crank sprocket rusted or does it have broken teeth?	Replace the crank sprocket. <Ref. to ME(H4DOTC)-60, Crank Sprocket.>	Go to step 10.
<b>10 CHECK INSTALLATION CONDITION OF TIMING BELT.</b> Turn the crankshaft, and align alignment mark on crank sprocket with alignment mark on cylinder block. ST 499987500                      CRANKSHAFT SOCKET	Is the timing belt dislocated from its proper position?	Repair the installation condition of timing belt. <Ref. to ME(H4DOTC)-50, Timing Belt.>	Go to step 11.
<b>11 CHECK FUEL LEVEL.</b>	Is the fuel meter indication higher than the "Lower" level?	Go to step 12.	Replenish the fuel so that fuel meter indication is higher than the "Lower" level. After replenishing fuel, Go to step 12.
<b>12 CHECK STATUS OF MALFUNCTION INDICATOR LIGHT.</b> 1) Clear the memory using the Subaru Select Monitor or general scan tool. <Ref. to EN(H4DOTC)(diag)-54, Clear Memory Mode.> 2) Start the engine, and drive the vehicle 10 minutes or more.	Does the malfunction indicator light illuminate or blink?	Go to step 14.	Go to step 13.

# Diagnostic Procedure with Diagnostic Trouble Code (DTC)

## ENGINE (DIAGNOSTICS)

Step	Check	Yes	No	
<b>13</b>	<b>CHECK CAUSE OF MISFIRE.</b>	Finish diagnostics operation, if the engine has no abnormality.	Repair the poor contact of connector. <b>NOTE:</b> In this case, repair the following item: <ul style="list-style-type: none"> <li>• Poor contact of ignition coil connector</li> <li>• Poor contact of fuel injector connector on faulty cylinders</li> <li>• Poor contact of ECM connector</li> <li>• Poor contact of coupling connector</li> </ul>	
<b>14</b>	<b>CHECK AIR INTAKE SYSTEM.</b>	Repair the air intake system. <b>NOTE:</b> Check the following items. <ul style="list-style-type: none"> <li>• Are there air leaks or air suction caused by loose or dislocated nuts and bolts?</li> <li>• Are there cracks or any disconnection of hoses?</li> </ul>	Go to step 15.	
<b>15</b>	<b>CHECK MISFIRE SYMPTOM.</b> 1) Turn the ignition switch to ON. 2) Read the DTC. <b>NOTE:</b> <ul style="list-style-type: none"> <li>• Subaru Select Monitor</li> </ul> For detailed operation procedures, refer to "READ CURRENT DATA FOR ENGINE". <Ref. to EN(H4DOTC)(diag)-34, Subaru Select Monitor.> <ul style="list-style-type: none"> <li>• General scan tool</li> </ul> For detailed operation procedures, refer to the general scan tool operation manual.	Does the Subaru Select Monitor or general scan tool indicate only one DTC?	Go to step 20.	Go to step 16.
<b>16</b>	<b>CHECK DTC.</b>	Are DTC P0301 and P0302 displayed on the Subaru Select Monitor or general scan tool?	Go to step 21.	Go to step 17.
<b>17</b>	<b>CHECK DTC.</b>	Are DTC P0303 and P0304 displayed on the Subaru Select Monitor or general scan tool?	Go to step 22.	Go to step 18.
<b>18</b>	<b>CHECK DTC.</b>	Are DTC P0301 and P0303 displayed on the Subaru Select Monitor or general scan tool?	Go to step 23.	Go to step 19.
<b>19</b>	<b>CHECK DTC.</b>	Are DTC P0302 and P0304 displayed on the Subaru Select Monitor or general scan tool?	Go to step 24.	Go to step 25.

# Diagnostic Procedure with Diagnostic Trouble Code (DTC)

ENGINE (DIAGNOSTICS)

Step	Check	Yes	No
<b>20</b> <b>ONLY ONE CYLINDER.</b>	Is there any fault in the cylinder?	Repair or replace faulty parts. NOTE: Check the following items. <ul style="list-style-type: none"> <li>• Spark plug</li> <li>• Spark plug cord</li> <li>• Fuel injector</li> <li>• Compression ratio</li> </ul>	Go to DTC P0171. <Ref. to EN(H4DOTC)(diag)-151, DTC P0171 SYSTEM TOO LEAN (BANK 1), Diagnostic Procedure with Diagnostic Trouble Code (DTC).>
<b>21</b> <b>GROUP OF #1 AND #2 CYLINDERS.</b>	Are there any faults in #1 and #2 cylinders?	Repair or replace faulty parts. NOTE: • Check the following items. <ul style="list-style-type: none"> <li>• Spark plug</li> <li>• Fuel injector</li> <li>• Ignition coil</li> <li>• Compression ratio</li> </ul> • If any fault is not found, check the "IGNITION CONTROL SYSTEM" of #1 and #2 cylinders side. <Ref. to EN(H4DOTC)(diag)-75, IGNITION CONTROL SYSTEM, Diagnostics for Engine Starting Failure.>	Go to DTC P0171. <Ref. to EN(H4DOTC)(diag)-151, DTC P0171 SYSTEM TOO LEAN (BANK 1), Diagnostic Procedure with Diagnostic Trouble Code (DTC).>
<b>22</b> <b>GROUP OF #3 AND #4 CYLINDERS.</b>	Are there any faults in #3 and #4 cylinders?	Repair or replace faulty parts. NOTE: • Check the following items. <ul style="list-style-type: none"> <li>• Spark plug</li> <li>• Fuel injector</li> <li>• Ignition coil</li> <li>• Compression ratio</li> </ul> • If any fault is not found, check the "IGNITION CONTROL SYSTEM" of #3 and #4 cylinders side. <Ref. to EN(H4DOTC)(diag)-75, IGNITION CONTROL SYSTEM, Diagnostics for Engine Starting Failure.>	Go to DTC P0171. <Ref. to EN(H4DOTC)(diag)-151, DTC P0171 SYSTEM TOO LEAN (BANK 1), Diagnostic Procedure with Diagnostic Trouble Code (DTC).>

## Diagnostic Procedure with Diagnostic Trouble Code (DTC)

### ENGINE (DIAGNOSTICS)

Step	Check	Yes	No
<b>23</b> <b>GROUP OF #1 AND #3 CYLINDERS.</b>	Are there any faults in #1 and #3 cylinders?	Repair or replace faulty parts. NOTE: Check the following items. • Spark plug • Fuel injector • Compression ratio • Skipping timing belt teeth	Go to DTC P0171. <Ref. to EN(H4DOTC)(diag)-151, DTC P0171 SYSTEM TOO LEAN (BANK 1), Diagnostic Procedure with Diagnostic Trouble Code (DTC).>
<b>24</b> <b>GROUP OF #2 AND #4 CYLINDERS.</b>	Are there any faults in #2 and #4 cylinders?	Repair or replace faulty parts. NOTE: Check the following items. • Spark plug • Fuel injector • Compression ratio • Skipping timing belt teeth	Go to DTC P0171. <Ref. to EN(H4DOTC)(diag)-151, DTC P0171 SYSTEM TOO LEAN (BANK 1), Diagnostic Procedure with Diagnostic Trouble Code (DTC).>
<b>25</b> <b>CYLINDER AT RANDOM.</b>	Is the engine idle rough?	Go to DTC P0171. <Ref. to EN(H4DOTC)(diag)-151, DTC P0171 SYSTEM TOO LEAN (BANK 1), Diagnostic Procedure with Diagnostic Trouble Code (DTC).>	Repair or replace faulty parts. NOTE: Check the following items. • Spark plug • Fuel injector • Compression ratio

# Diagnostic Procedure with Diagnostic Trouble Code (DTC)

ENGINE (DIAGNOSTICS)

## AW:DTC P0327 KNOCK SENSOR 1 CIRCUIT LOW (BANK 1 OR SINGLE SENSOR)

### DTC DETECTING CONDITION:

- Immediately at fault recognition
- GENERAL DESCRIPTION <Ref. to GD(H4DOTC)-88, DTC P0327 KNOCK SENSOR 1 CIRCUIT LOW (BANK 1 OR SINGLE SENSOR), Diagnostic Trouble Code (DTC) Detecting Criteria.>

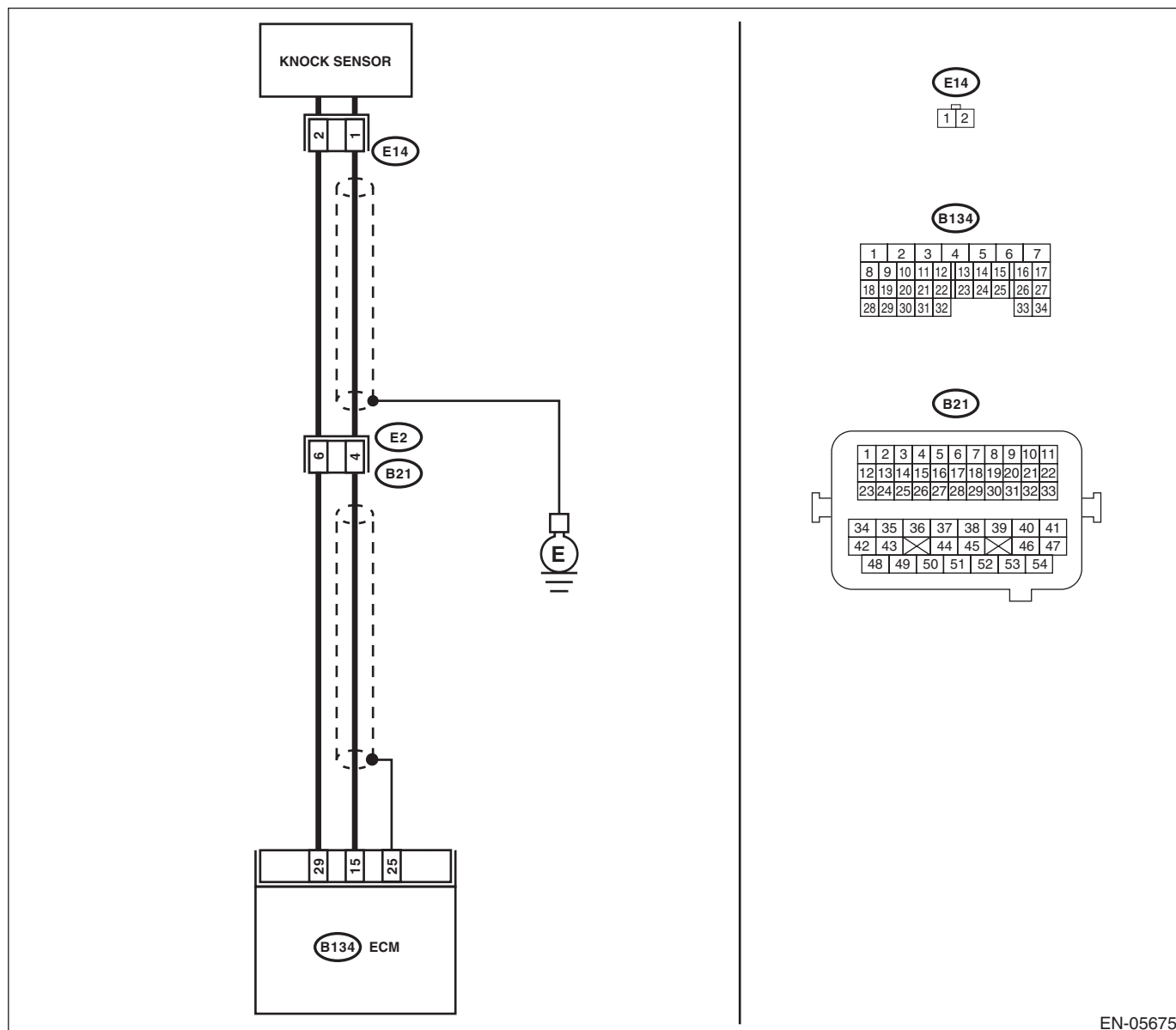
### TROUBLE SYMPTOM:

- Poor driving performance
- Knocking occurs.

### CAUTION:

After servicing or replacing faulty parts, perform Clear Memory Mode <Ref. to EN(H4DOTC)(diag)-54, OPERATION, Clear Memory Mode.>, and Inspection Mode <Ref. to EN(H4DOTC)(diag)-43, PROCEDURE, Inspection Mode.>.

### WIRING DIAGRAM:



EN-05675

# Diagnostic Procedure with Diagnostic Trouble Code (DTC)

ENGINE (DIAGNOSTICS)

	Step	Check	Yes	No
1	<p><b>CHECK HARNESS BETWEEN ECM AND KNOCK SENSOR CONNECTOR.</b></p> <p>1) Turn the ignition switch to OFF.</p> <p>2) Disconnect the connectors from ECM.</p> <p>3) Measure the resistance between ECM connectors.</p> <p><b>Connector &amp; terminal</b> <b>(B134) No. 15 — (B134) No. 29:</b></p>	<p>Is the resistance 600 kΩ or more?</p>	<p>Go to step 2.</p>	<p>Repair the poor contact of ECM connector.</p>
2	<p><b>CHECK KNOCK SENSOR.</b></p> <p>1) Disconnect the connector from knock sensor.</p> <p>2) Measure the resistance between knock sensor terminals.</p> <p><b>Terminals</b> <b>No. 1 — No. 2:</b></p>	<p>Is the resistance 600 kΩ or more?</p>	<p>Replace the knock sensor. &lt;Ref. to FU(H4DOTC)-36, Knock Sensor.&gt;</p>	<p>Repair the harness and connector.</p> <p><b>NOTE:</b> In this case, repair the following item:</p> <ul style="list-style-type: none"> <li>• Open circuit in harness between ECM and knock sensor connector</li> <li>• Poor contact of knock sensor connector</li> <li>• Poor contact of coupling connector</li> </ul>

# Diagnostic Procedure with Diagnostic Trouble Code (DTC)

ENGINE (DIAGNOSTICS)

## AX:DTC P0328 KNOCK SENSOR 1 CIRCUIT HIGH (BANK 1 OR SINGLE SENSOR)

### DTC DETECTING CONDITION:

- Immediately at fault recognition
- GENERAL DESCRIPTION <Ref. to GD(H4DOTC)-90, DTC P0328 KNOCK SENSOR 1 CIRCUIT HIGH (BANK 1 OR SINGLE SENSOR), Diagnostic Trouble Code (DTC) Detecting Criteria.>

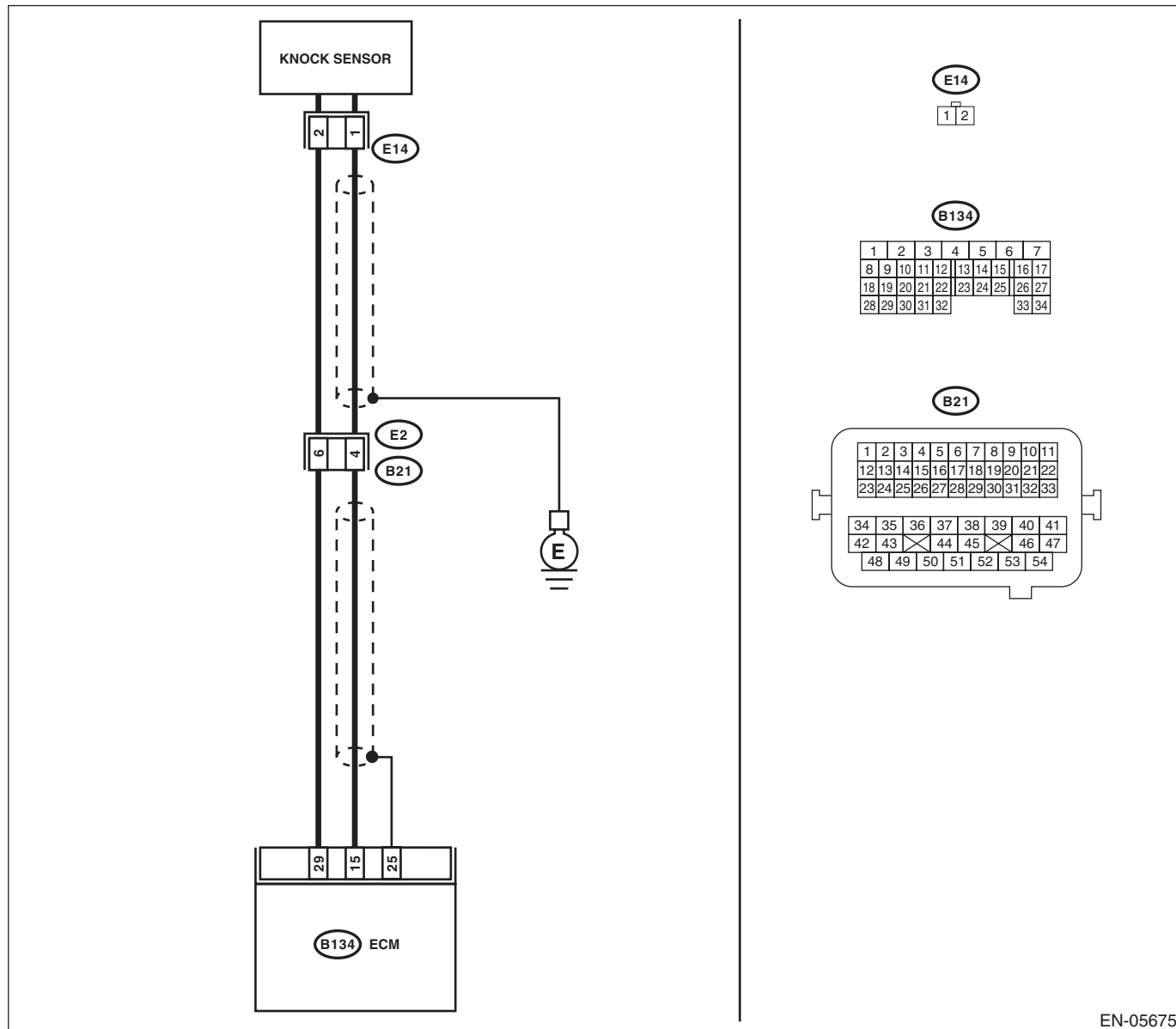
### TROUBLE SYMPTOM:

- Poor driving performance
- Knocking occurs.

### CAUTION:

After servicing or replacing faulty parts, perform Clear Memory Mode <Ref. to EN(H4DOTC)(diag)-54, OPERATION, Clear Memory Mode.>, and Inspection Mode <Ref. to EN(H4DOTC)(diag)-43, PROCEDURE, Inspection Mode.>.

### WIRING DIAGRAM:



EN-05675



# Diagnostic Procedure with Diagnostic Trouble Code (DTC)

## ENGINE (DIAGNOSTICS)

Step	Check	Yes	No
<p><b>1 CHECK HARNESS BETWEEN ECM AND KNOCK SENSOR.</b></p> <p>1) Turn the ignition switch to OFF. 2) Disconnect the connectors from ECM. 3) Measure the resistance between ECM connectors.</p> <p><b>Connector &amp; terminal</b> <b>(B134) No. 15 — (B134) No. 29:</b></p>	<p>Is the resistance less than 500 k<math>\Omega</math>?</p>	<p>Go to step 2.</p>	<p>Go to step 3.</p>
<p><b>2 CHECK KNOCK SENSOR.</b></p> <p>1) Disconnect the connector from knock sensor. 2) Measure the resistance between knock sensor connectors.</p> <p><b>Terminals</b> <b>No. 1 — No. 2:</b></p>	<p>Is the resistance less than 500 k<math>\Omega</math>?</p>	<p>Replace the knock sensor. &lt;Ref. to FU(H4DOTC)-36, Knock Sensor.&gt;</p>	<p>Repair the short circuit to ground in harness between ECM and knock sensor connector.</p> <p><b>NOTE:</b> The harness between both connectors are shielded. Remove the shield and repair the short circuit of harness.</p>
<p><b>3 CHECK INPUT SIGNAL OF ECM.</b></p> <p>1) Connect the connector to ECM. 2) Turn the ignition switch to ON. 3) Measure the voltage between ECM and chassis ground.</p> <p><b>Connector &amp; terminal</b> <b>(B134) No. 15 (+) — Chassis ground (-):</b></p>	<p>Is the voltage 2 V or more?</p>	<p>Even if DTC is detected, the circuit has returned to a normal condition at this time. Reproduce the failure, and then perform the diagnosis again.</p> <p><b>NOTE:</b> In this case, temporary poor contact of connector may be the cause.</p>	<p>Repair the poor contact of ECM connector.</p>

# Diagnostic Procedure with Diagnostic Trouble Code (DTC)

ENGINE (DIAGNOSTICS)

## AY:DTC P0335 CRANKSHAFT POSITION SENSOR "A" CIRCUIT

### DTC DETECTING CONDITION:

- Immediately at fault recognition
- GENERAL DESCRIPTION <Ref. to GD(H4DOTC)-92, DTC P0335 CRANKSHAFT POSITION SENSOR "A" CIRCUIT, Diagnostic Trouble Code (DTC) Detecting Criteria.>

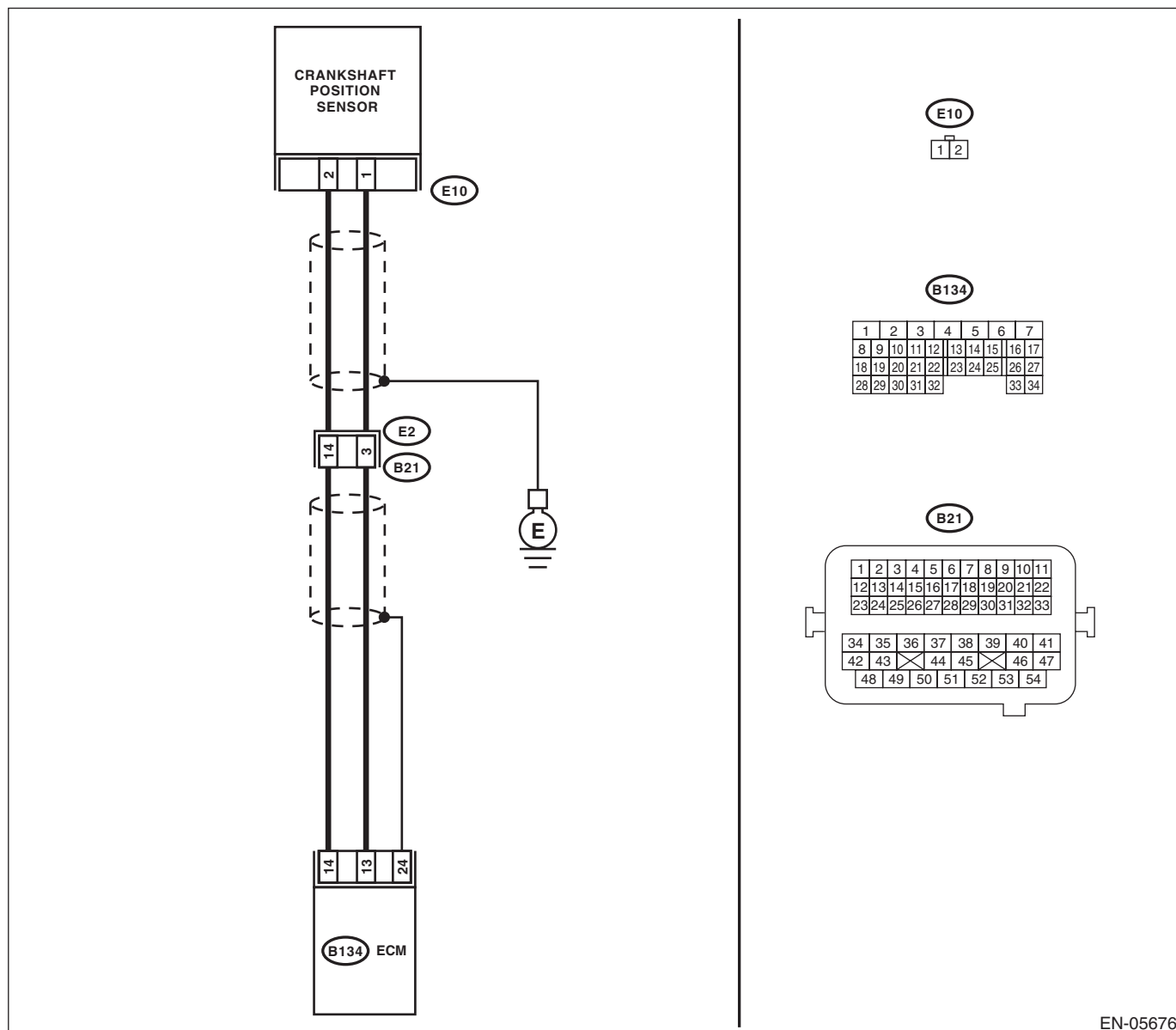
### TROUBLE SYMPTOM:

- Engine stalls.
- Failure of engine to start

### CAUTION:

After servicing or replacing faulty parts, perform Clear Memory Mode <Ref. to EN(H4DOTC)(diag)-54, OPERATION, Clear Memory Mode.>, and Inspection Mode <Ref. to EN(H4DOTC)(diag)-43, PROCEDURE, Inspection Mode.>.

### WIRING DIAGRAM:



EN-05676

# Diagnostic Procedure with Diagnostic Trouble Code (DTC)

ENGINE (DIAGNOSTICS)

Step	Check	Yes	No
<b>1</b> <b>CHECK CONDITION OF CRANKSHAFT POSITION SENSOR.</b>	Is the crankshaft position sensor installation bolt tightened securely?	Go to step 2.	Tighten the crankshaft position sensor installation bolt securely.
<b>2</b> <b>CHECK CRANKSHAFT POSITION SENSOR.</b> 1) Turn the ignition switch to OFF. 2) Remove the crankshaft position sensor. 3) Measure the resistance between terminals of crankshaft position sensor. <b>Terminals</b> <b>No. 1 — No. 2:</b>	Is the resistance between 1 and 4 k $\Omega$ ?	Go to step 3.	Replace the crankshaft position sensor. <Ref. to FU(H4DOTC)-32, Crankshaft Position Sensor.>
<b>3</b> <b>CHECK HARNESS BETWEEN ECM AND CRANKSHAFT POSITION SENSOR.</b> 1) Disconnect the connectors from ECM. 2) Measure the resistance of harness between ECM and crankshaft position sensor connector. <b>Connector &amp; terminal</b> <b>(B134) No. 13 — (E10) No. 1:</b> <b>(B134) No. 14 — (E10) No. 2:</b>	Is the resistance less than 1 $\Omega$ ?	Repair the poor contact of ECM and crankshaft position sensor connector.	Repair the harness and connector. <b>NOTE:</b> In this case, repair the following item: • Open circuit in harness between ECM and crankshaft position sensor connector • Poor contact of coupling connector

# Diagnostic Procedure with Diagnostic Trouble Code (DTC)

ENGINE (DIAGNOSTICS)

## AZ:DTC P0336 CRANKSHAFT POSITION SENSOR "A" CIRCUIT RANGE/ PERFORMANCE

### DTC DETECTING CONDITION:

- Detected when two consecutive driving cycles with fault occur.
- GENERAL DESCRIPTION <Ref. to GD(H4DOTC)-94, DTC P0336 CRANKSHAFT POSITION SENSOR "A" CIRCUIT RANGE/PERFORMANCE, Diagnostic Trouble Code (DTC) Detecting Criteria.>

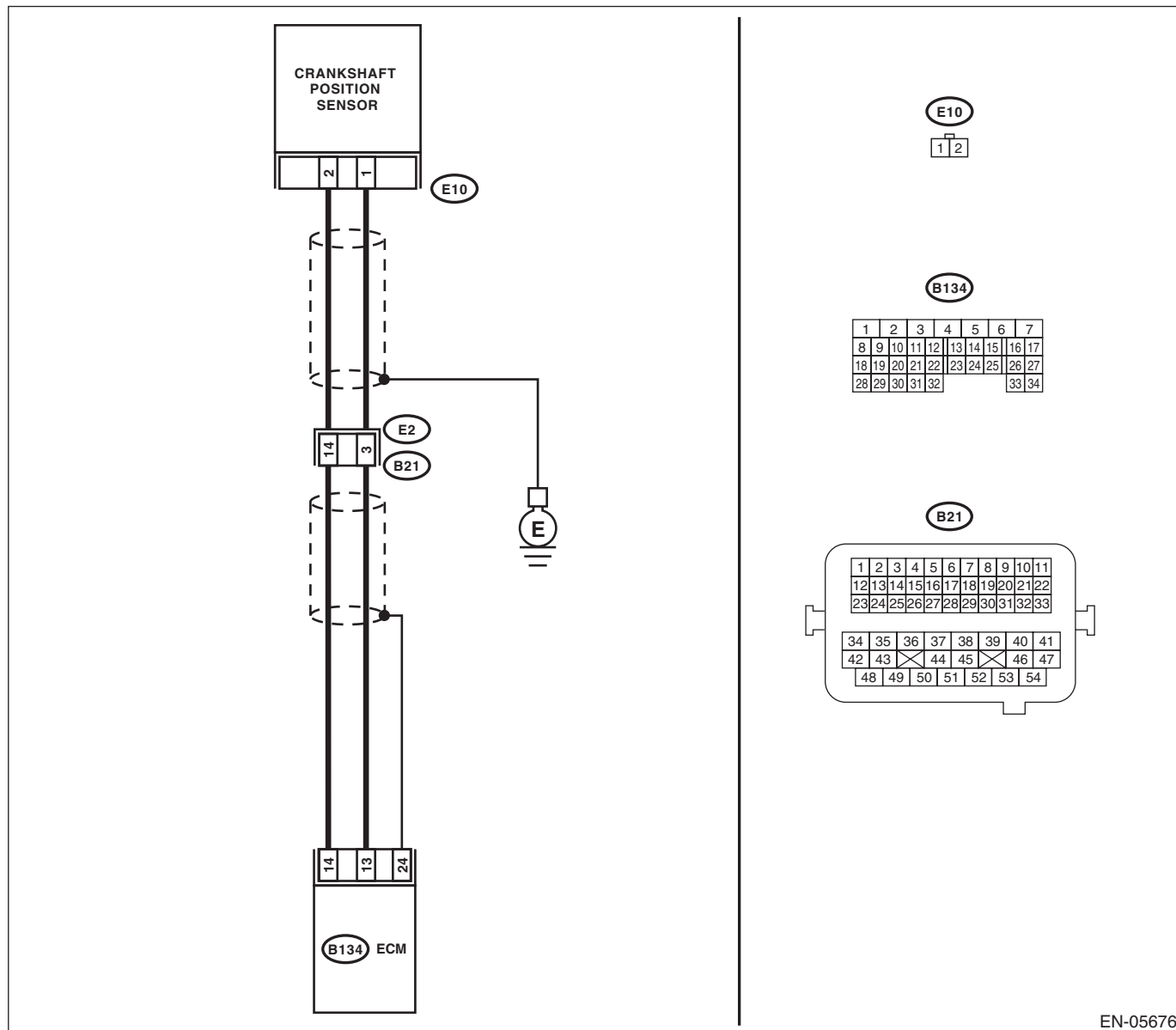
### TROUBLE SYMPTOM:

- Engine stalls.
- Failure of engine to start

### CAUTION:

After servicing or replacing faulty parts, perform Clear Memory Mode <Ref. to EN(H4DOTC)(diag)-54, OPERATION, Clear Memory Mode.>, and Inspection Mode <Ref. to EN(H4DOTC)(diag)-43, PROCEDURE, Inspection Mode.>.

### WIRING DIAGRAM:



EN-05676

## Diagnostic Procedure with Diagnostic Trouble Code (DTC)

ENGINE (DIAGNOSTICS)

Step	Check	Yes	No
<b>1</b> <b>CHECK CONDITION OF CRANKSHAFT POSITION SENSOR.</b> Turn the ignition switch to OFF.	Is the crankshaft position sensor installation bolt tightened securely?	Go to step 2.	Tighten the crankshaft position sensor installation bolt securely.
<b>2</b> <b>CHECK CRANK SPROCKET.</b> Remove the timing belt cover.	Are crank sprocket teeth cracked or damaged?	Replace the crank sprocket. <Ref. to ME(H4DOTC)-60, Crank Sprocket.>	Go to step 3.
<b>3</b> <b>CHECK INSTALLATION CONDITION OF TIMING BELT.</b> Turn the crankshaft, and align alignment mark on crank sprocket with alignment mark on cylinder block. ST 499987500                      CRANKSHAFT SOCKET	Is the timing belt dislocated from its proper position?	Repair the installation condition of timing belt. <Ref. to ME(H4DOTC)-50, Timing Belt.>	Replace the crankshaft position sensor. <Ref. to FU(H4DOTC)-32, Crankshaft Position Sensor.>

# Diagnostic Procedure with Diagnostic Trouble Code (DTC)

ENGINE (DIAGNOSTICS)

## BA:DTC P0340 CAMSHAFT POSITION SENSOR "A" CIRCUIT (BANK 1 OR SINGLE SENSOR)

### DTC DETECTING CONDITION:

- Immediately at fault recognition
- GENERAL DESCRIPTION <Ref. to GD(H4DOTC)-96, DTC P0340 CAMSHAFT POSITION SENSOR "A" CIRCUIT (BANK 1 OR SINGLE SENSOR), Diagnostic Trouble Code (DTC) Detecting Criteria.>

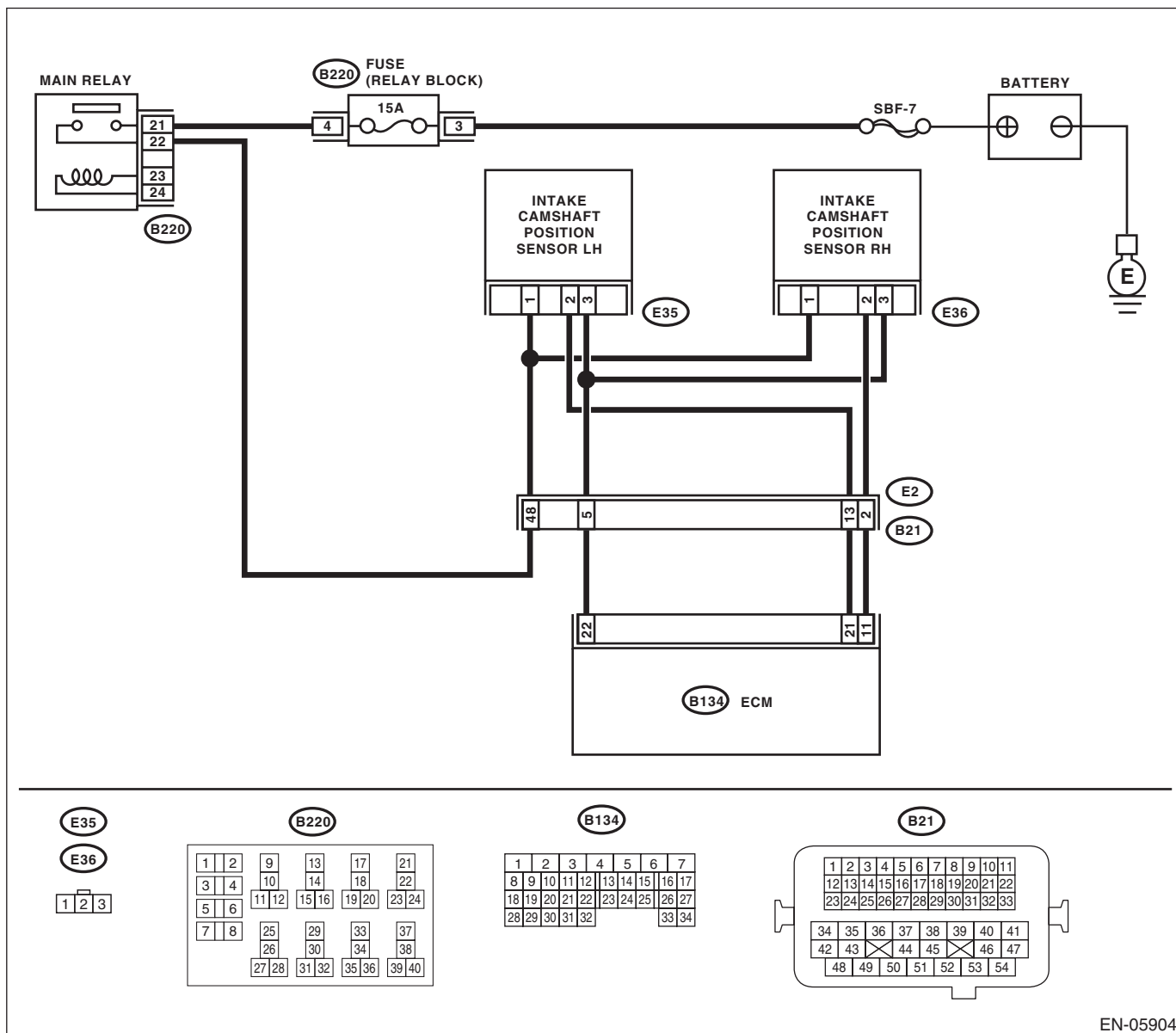
### TROUBLE SYMPTOM:

- Engine stalls.
- Failure of engine to start

### CAUTION:

After servicing or replacing faulty parts, perform Clear Memory Mode <Ref. to EN(H4DOTC)(diag)-54, OPERATION, Clear Memory Mode.>, and Inspection Mode <Ref. to EN(H4DOTC)(diag)-43, PROCEDURE, Inspection Mode.>.

### WIRING DIAGRAM:



EN-05904

# Diagnostic Procedure with Diagnostic Trouble Code (DTC)

## ENGINE (DIAGNOSTICS)

Step	Check	Yes	No
<b>1</b> <b>CHECK POWER SUPPLY OF CAMSHAFT POSITION SENSOR.</b> 1) Turn the ignition switch to OFF. 2) Disconnect the connector from camshaft position sensor. 3) Turn the ignition switch to ON. 4) Measure the voltage between camshaft position sensor connector and engine ground. <b>Connector &amp; terminal</b> <b>(E36) No. 1 (+) — Engine ground (-):</b>	Is the voltage 10 V or more?	Go to step 2.	Repair the harness and connector. <b>NOTE:</b> In this case, repair the following item: <ul style="list-style-type: none"> <li>• Open circuit or short circuit to ground in harness between main relay connector and camshaft position sensor connector</li> <li>• Poor contact of coupling connector</li> </ul>
<b>2</b> <b>CHECK HARNESS BETWEEN ECM AND CAMSHAFT POSITION SENSOR CONNECTOR.</b> 1) Turn the ignition switch to OFF. 2) Disconnect the connectors from ECM. 3) Measure the resistance between ECM and camshaft position sensor connector. <b>Connector &amp; terminal</b> <b>(B134) No. 11 — (E36) No. 2:</b> <b>(B134) No. 22 — (E36) No. 3:</b>	Is the resistance less than 1 Ω?	Go to step 3.	Repair the harness and connector. <b>NOTE:</b> In this case, repair the following item: <ul style="list-style-type: none"> <li>• Open circuit in harness between ECM and camshaft position sensor connector</li> <li>• Poor contact of coupling connector</li> </ul>
<b>3</b> <b>CHECK HARNESS BETWEEN ECM AND CAMSHAFT POSITION SENSOR CONNECTOR.</b> Measure the resistance between camshaft position sensor connector and engine ground. <b>Connector &amp; terminal</b> <b>(E36) No. 2 — Engine ground:</b>	Is the resistance 1 MΩ or more?	Go to step 4.	Repair short circuit to ground in harness between ECM and camshaft position sensor connector.
<b>4</b> <b>CHECK HARNESS BETWEEN ECM AND CAMSHAFT POSITION SENSOR CONNECTOR.</b> Measure the voltage between camshaft position sensor connector and engine ground. <b>Connector &amp; terminal</b> <b>(E36) No. 2 (+) — Engine ground (-):</b>	Is the voltage 5 V or more?	Repair the short circuit to power in the harness between ECM and camshaft position sensor connector.	Go to step 5.
<b>5</b> <b>CHECK CONDITION OF CAMSHAFT POSITION SENSOR.</b>	Is the camshaft position sensor installation bolt tightened securely?	Go to step 6.	Tighten the camshaft position sensor installation bolt securely.
<b>6</b> <b>CHECK CAMSHAFT POSITION SENSOR.</b> Check the waveform of the camshaft position sensor. <Ref. to EN(H4DOTC)(diag)-17, Engine Control Module (ECM) I/O Signal.>	Is there any abnormality in waveform?	Replace the camshaft position sensor. <Ref. to FU(H4DOTC)-34, Camshaft Position Sensor.>	Repair the following item. <ul style="list-style-type: none"> <li>• Poor contact of ECM connector</li> <li>• Poor contact of camshaft position sensor connector</li> <li>• Poor contact of coupling connector</li> </ul>

# Diagnostic Procedure with Diagnostic Trouble Code (DTC)

ENGINE (DIAGNOSTICS)

## BB:DTC P0345 CAMSHAFT POSITION SENSOR "A" CIRCUIT (BANK 2)

### DTC DETECTING CONDITION:

- Immediately at fault recognition
- GENERAL DESCRIPTION <Ref. to GD(H4DOTC)-97, DTC P0345 CAMSHAFT POSITION SENSOR "A" CIRCUIT (BANK 2), Diagnostic Trouble Code (DTC) Detecting Criteria.>

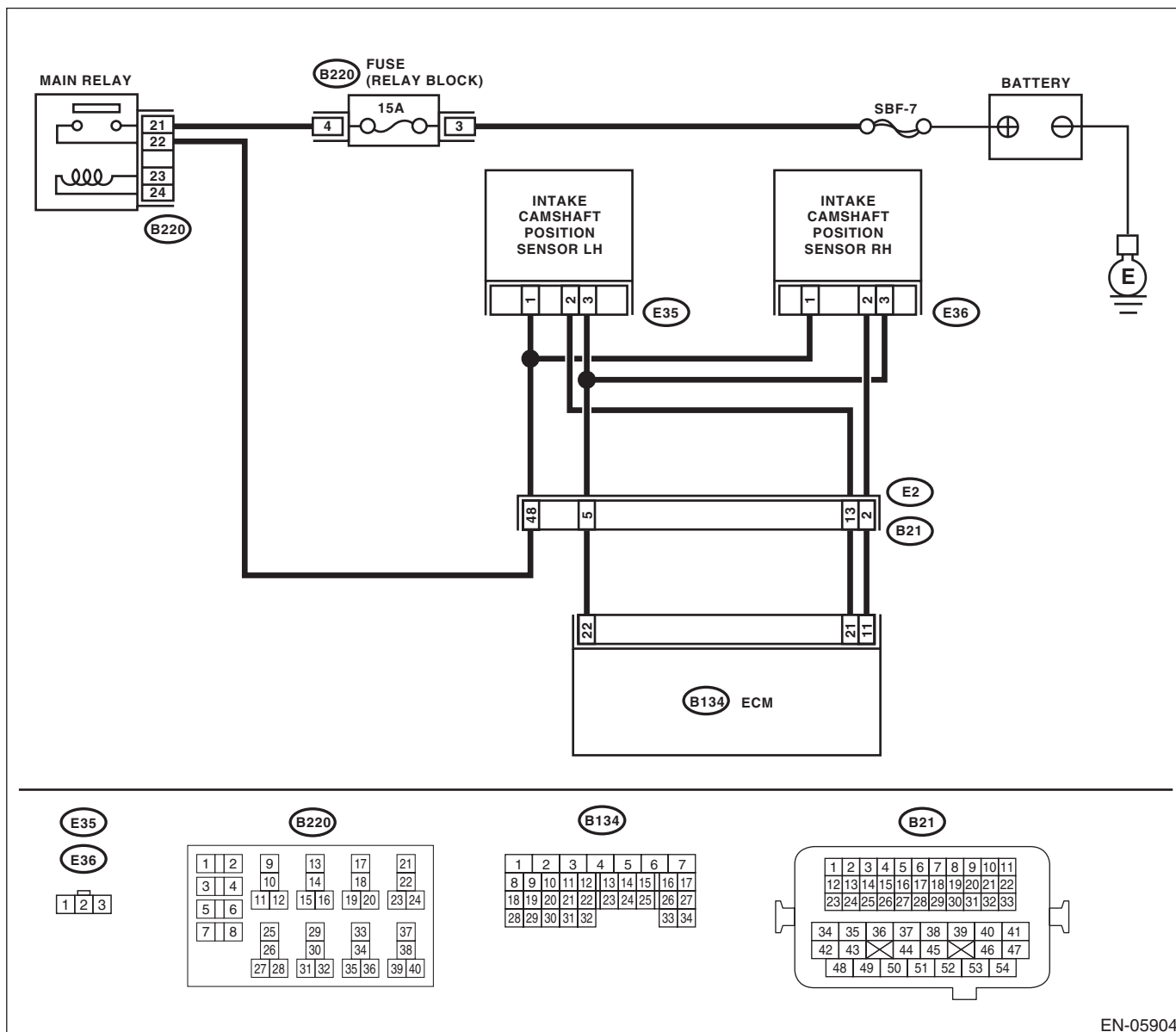
### TROUBLE SYMPTOM:

- Engine stalls.
- Failure of engine to start

### CAUTION:

After servicing or replacing faulty parts, perform Clear Memory Mode <Ref. to EN(H4DOTC)(diag)-54, OPERATION, Clear Memory Mode.>, and Inspection Mode <Ref. to EN(H4DOTC)(diag)-43, PROCEDURE, Inspection Mode.>.

### WIRING DIAGRAM:



EN-05904



# Diagnostic Procedure with Diagnostic Trouble Code (DTC)

## ENGINE (DIAGNOSTICS)

Step	Check	Yes	No
<b>1</b> <b>CHECK POWER SUPPLY OF CAMSHAFT POSITION SENSOR.</b> 1) Turn the ignition switch to OFF. 2) Disconnect the connector from camshaft position sensor. 3) Turn the ignition switch to ON. 4) Measure the voltage between camshaft position sensor connector and engine ground. <b>Connector &amp; terminal</b> <b>(E35) No. 1 (+) — Engine ground (-):</b>	Is the voltage 10 V or more?	Go to step 2.	Repair the harness and connector. NOTE: In this case, repair the following item: <ul style="list-style-type: none"> <li>• Open circuit or short circuit to ground in harness between main relay connector and camshaft position sensor connector</li> <li>• Poor contact of coupling connector</li> </ul>
<b>2</b> <b>CHECK HARNESS BETWEEN ECM AND CAMSHAFT POSITION SENSOR CONNECTOR.</b> 1) Turn the ignition switch to OFF. 2) Disconnect the connectors from ECM. 3) Measure the resistance between ECM and camshaft position sensor connector. <b>Connector &amp; terminal</b> <b>(B134) No. 21 — (E35) No. 2:</b> <b>(B134) No. 22 — (E35) No. 3:</b>	Is the resistance less than 1 Ω?	Go to step 3.	Repair the harness and connector. NOTE: In this case, repair the following item: <ul style="list-style-type: none"> <li>• Open circuit in harness between ECM connector and camshaft position sensor connector</li> <li>• Poor contact of coupling connector</li> </ul>
<b>3</b> <b>CHECK HARNESS BETWEEN ECM AND CAMSHAFT POSITION SENSOR CONNECTOR.</b> Measure the resistance between camshaft position sensor connector and engine ground. <b>Connector &amp; terminal</b> <b>(E35) No. 2 — Engine ground:</b>	Is the resistance 1 MΩ or more?	Go to step 4.	Repair short circuit to ground in harness between ECM and camshaft position sensor connector.
<b>4</b> <b>CHECK HARNESS BETWEEN ECM AND CAMSHAFT POSITION SENSOR CONNECTOR.</b> Measure the voltage between camshaft position sensor connector and engine ground. <b>Connector &amp; terminal</b> <b>(E35) No. 2 (+) — Engine ground (-):</b>	Is the voltage 5 V or more?	Repair the short circuit to power in the harness between ECM and camshaft position sensor connector.	Go to step 5.
<b>5</b> <b>CHECK CONDITION OF CAMSHAFT POSITION SENSOR.</b>	Is the camshaft position sensor installation bolt tightened securely?	Go to step 6.	Tighten the camshaft position sensor installation bolt securely.
<b>6</b> <b>CHECK CAMSHAFT POSITION SENSOR.</b> Check the waveform of the camshaft position sensor. <Ref. to EN(H4DOTC)(diag)-17, Engine Control Module (ECM) I/O Signal.>	Is there any abnormality in waveform?	Replace the camshaft position sensor. <Ref. to FU(H4DOTC)-34, Camshaft Position Sensor.>	Repair the following item. <ul style="list-style-type: none"> <li>• Poor contact of ECM connector</li> <li>• Poor contact of camshaft position sensor connector</li> <li>• Poor contact of coupling connector</li> </ul>

## **BC:DTC P0410 SECONDARY AIR INJECTION SYSTEM**

### **DTC DETECTING CONDITION:**

- Detected when two consecutive driving cycles with fault occur.
- GENERAL DESCRIPTION <Ref. to GD(H4DOTC)-98, DTC P0410 SECONDARY AIR INJECTION SYSTEM, Diagnostic Trouble Code (DTC) Detecting Criteria.>

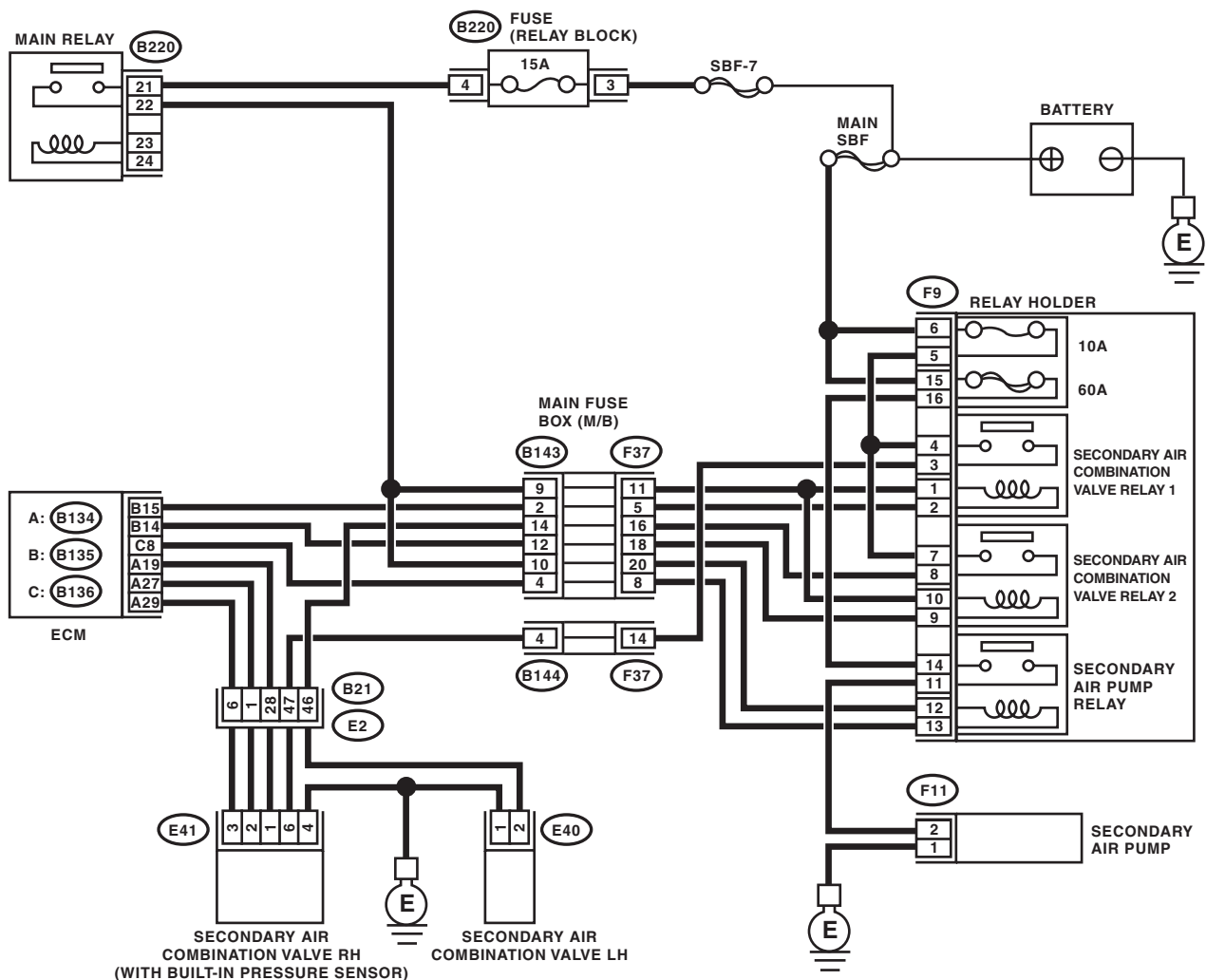
### **CAUTION:**

**After servicing or replacing faulty parts, perform Clear Memory Mode <Ref. to EN(H4DOTC)(diag)-54, OPERATION, Clear Memory Mode.>, and Inspection Mode <Ref. to EN(H4DOTC)(diag)-43, PROCEDURE, Inspection Mode.>.**

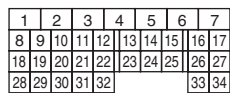
# Diagnostic Procedure with Diagnostic Trouble Code (DTC)

ENGINE (DIAGNOSTICS)

## WIRING DIAGRAM:



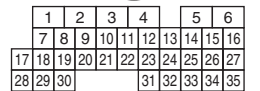
A: B134



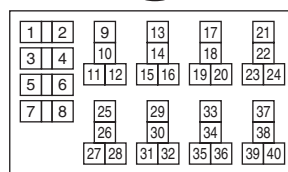
B: B135



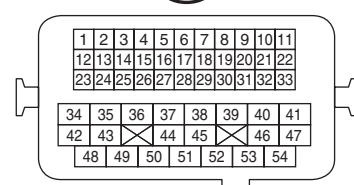
C: B136



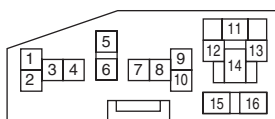
B220



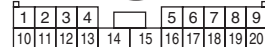
B21



F9



F37



B143



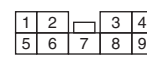
E40



E41



B144



EN-06137

# Diagnostic Procedure with Diagnostic Trouble Code (DTC)

ENGINE (DIAGNOSTICS)

	Step	Check	Yes	No
1	<b>CHECK SECONDARY AIR PUMP FUSE.</b> Check if the secondary air pump fuse (60 A) is blown out.	Is the fuse blown out?	Go to step 2.	Go to step 3.
2	<b>CHECK HARNESS BETWEEN FUSE BOX AND SECONDARY AIR PUMP CONNECTOR.</b> 1) Remove the secondary air pump fuse from the fuse box. 2) Disconnect the secondary air pump connector. 3) Measure the resistance between the secondary air pump fuse and secondary air pump connector, and chassis ground. <b>Connector &amp; terminal</b> <b>(F9) No. 16 — Chassis ground:</b> <b>(F11) No. 2 — Chassis ground:</b>	Is the resistance 1 MΩ or more?	Replace the fuse with a new part, and connect the secondary air pump connector. Go to step 3.	Repair ground short of the harness between the fuse box and the secondary air pump connector.
3	<b>CHECK SECONDARY AIR PUMP OPERATION.</b> 1) Connect the delivery (test) mode connector. 2) Turn the ignition switch to ON. 3) Perform the Clear Memory Mode. 4) Perform operation check for the secondary air pump using the Subaru Select Monitor. NOTE: • Subaru Select Monitor For detailed operation procedure, refer to “Clear Memory Mode” <Ref. to EN(H4DOTC)(diag)-54, Clear Memory Mode.> and “Compulsory Valve Operation Check Mode” <Ref. to EN(H4DOTC)(diag)-55, Compulsory Valve Operation Check Mode.> • The compulsory operation using the Subaru Select Monitor is performed only for 5 seconds in order to protect the secondary air pump. When operating again, perform the Clear Memory Mode.	Does the secondary air pump operate?	Go to step 4.	Go to step 5.
4	<b>CHECK DUCT BETWEEN SECONDARY AIR PUMP AND COMBINATION VALVE.</b> Check the duct between secondary air pump and combination valve.	Is there damage, clog or disconnection of the duct?	Replace, clean or connect the duct.	Replace the secondary air combination valve RH. <Ref. to EC(H4DOTC)-25, Secondary Air Combination Valve.>
5	<b>CHECK POWER SUPPLY TO SECONDARY AIR PUMP.</b> 1) Perform the Clear Memory Mode. 2) Turn the ignition switch to OFF. 3) Disconnect the secondary air pump connector. 4) In the condition of step 3, measure the voltage between the secondary air pump connector and the chassis ground. NOTE: For detailed procedures, refer to “Clear Memory Mode”. <Ref. to EN(H4DOTC)(diag)-54, Clear Memory Mode.> <b>Connector &amp; terminal</b> <b>(F11) No. 2 (+) — Chassis ground (-):</b>	Is the voltage 10 V or more?	Replace the secondary air pump. <Ref. to EC(H4DOTC)-24, Secondary Air Pump.>	Go to step 6.

# Diagnostic Procedure with Diagnostic Trouble Code (DTC)

## ENGINE (DIAGNOSTICS)

Step	Check	Yes	No
<b>6</b> <b>CHECK HARNESS BETWEEN SECONDARY AIR PUMP RELAY AND SECONDARY AIR PUMP CONNECTOR.</b> 1) Turn the ignition switch to OFF. 2) Remove the secondary air pump relay. 3) Measure the resistance of harness between secondary air pump relay connector and secondary air pump connector. <i><b>Connector &amp; terminal</b></i> <i><b>(F9) No. 11 — (F11) No. 2:</b></i>	Is the resistance less than 1 $\Omega$ ?	Go to step 7.	Repair the open circuit in harness between secondary air pump relay connector and secondary air pump connector.
<b>7</b> <b>CHECK HARNESS BETWEEN SECONDARY AIR PUMP CONNECTOR AND CHASSIS GROUND.</b> Measure the resistance of the harness between secondary air pump connector and chassis ground. <i><b>Connector &amp; terminal</b></i> <i><b>(F11) No. 1 — Chassis ground:</b></i>	Is the resistance less than 5 $\Omega$ ?	Go to step 8.	Repair the open circuit of the harness between secondary air pump connector and chassis ground.
<b>8</b> <b>CHECK SECONDARY AIR PUMP RELAY.</b> 1) Connect the battery to terminals No. 12 and No. 13 of the secondary air pump relay. 2) Measure the resistance between secondary air pump relay terminals. <i><b>Terminals</b></i> <i><b>No. 14 — No. 11:</b></i>	Is the resistance less than 1 $\Omega$ ?	Go to step 9.	Replace the secondary air pump relay. <Ref. to EN(H4DOTC)(diag)-8, Electrical Component Location.>
<b>9</b> <b>CHECK SECONDARY AIR PUMP RELAY POWER SUPPLY.</b> 1) Turn the ignition switch to ON. 2) Measure the voltage between the secondary air pump relay connector and chassis ground. <i><b>Connector &amp; terminal</b></i> <i><b>(F9) No. 14 (+) — Chassis ground (-):</b></i> <i><b>(F9) No. 12 (+) — Chassis ground (-):</b></i>	Is the voltage 10 V or more?	Go to step 10.	Repair the open or ground short circuit of power supply circuit.
<b>10</b> <b>CHECK HARNESS BETWEEN ECM AND SECONDARY AIR PUMP RELAY CONNECTOR.</b> 1) Turn the ignition switch to OFF. 2) Disconnect the connector of ECM. 3) Measure the resistance of harness between ECM and secondary air pump relay connector. <i><b>Connector &amp; terminal</b></i> <i><b>(B136) No. 8 — (F9) No. 13:</b></i>	Is the resistance less than 1 $\Omega$ ?	Repair the poor contact of ECM connector.	Repair the harness and connector. NOTE: In this case, repair the following item: • Repair the open circuit in harness between ECM connector and secondary air pump relay connector. • Poor contact of coupling connector

## **BD:DTC P0411 SECONDARY AIR INJECTION SYSTEM INCORRECT FLOW DETECTED**

### **DTC DETECTING CONDITION:**

- Detected when two consecutive driving cycles with fault occur.
- GENERAL DESCRIPTION <Ref. to GD(H4DOTC)-107, DTC P0411 SECONDARY AIR INJECTION SYSTEM INCORRECT FLOW DETECTED, Diagnostic Trouble Code (DTC) Detecting Criteria.>

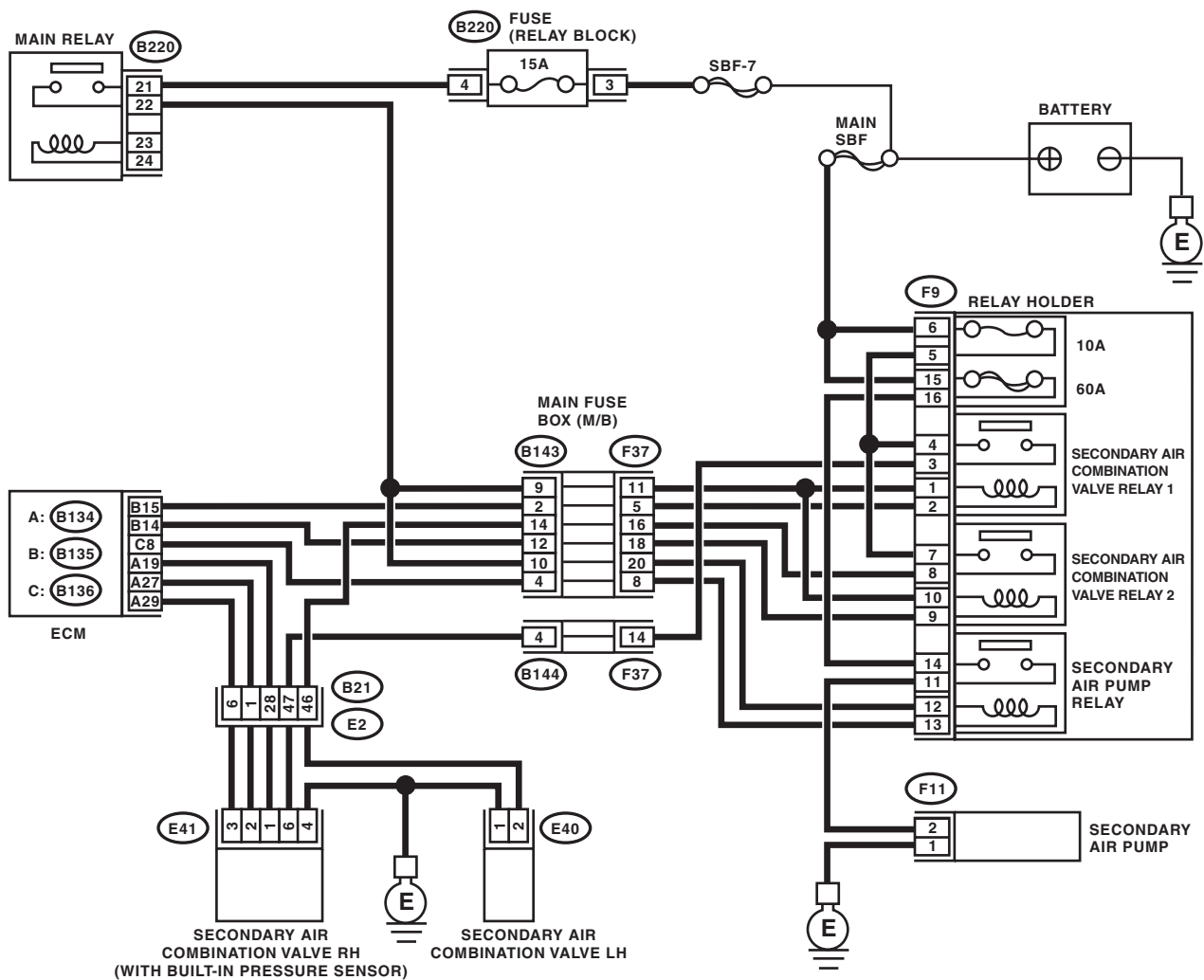
### **CAUTION:**

**After servicing or replacing faulty parts, perform Clear Memory Mode <Ref. to EN(H4DOTC)(diag)-54, OPERATION, Clear Memory Mode.>, and Inspection Mode <Ref. to EN(H4DOTC)(diag)-43, PROCEDURE, Inspection Mode.>.**

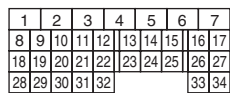
# Diagnostic Procedure with Diagnostic Trouble Code (DTC)

ENGINE (DIAGNOSTICS)

## WIRING DIAGRAM:



A: B134



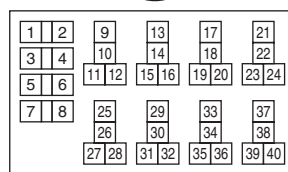
B: B135



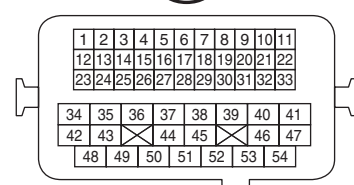
C: B136



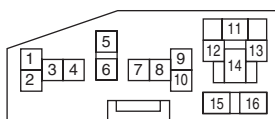
B220



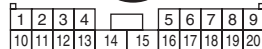
B21



F9



F37



B143



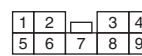
E40



E41



B144



EN-06137

# Diagnostic Procedure with Diagnostic Trouble Code (DTC)

ENGINE (DIAGNOSTICS)

	<b>Step</b>	<b>Check</b>	<b>Yes</b>	<b>No</b>
<b>1</b>	<b>CHECK SECONDARY AIR COMBINATION VALVE.</b> Check the pipe between the secondary air combination valve and cylinder head.	Is there damage or disconnection of the pipe?	Replace the pipe between secondary air combination valve and cylinder head.	Go to step 2.
<b>2</b>	<b>CHECK SECONDARY AIR COMBINATION VALVE.</b> Race the engine at 2,000 rpm to check whether or not the exhaust leak is heard.	Is there any exhaust leak?	Replace the pipe between secondary air combination valve and cylinder head.	Repair the poor contact of ECM connector.



## Diagnostic Procedure with Diagnostic Trouble Code (DTC)

ENGINE (DIAGNOSTICS)

---

### **BE:DTC P0413 SECONDARY AIR INJECTION SYSTEM SWITCHING VALVE “A” CIRCUIT OPEN**

#### **DTC DETECTING CONDITION:**

- Immediately at fault recognition
- GENERAL DESCRIPTION <Ref. to GD(H4DOTC)-108, DTC P0413 SECONDARY AIR INJECTION SYSTEM SWITCHING VALVE “A” CIRCUIT OPEN, Diagnostic Trouble Code (DTC) Detecting Criteria.>

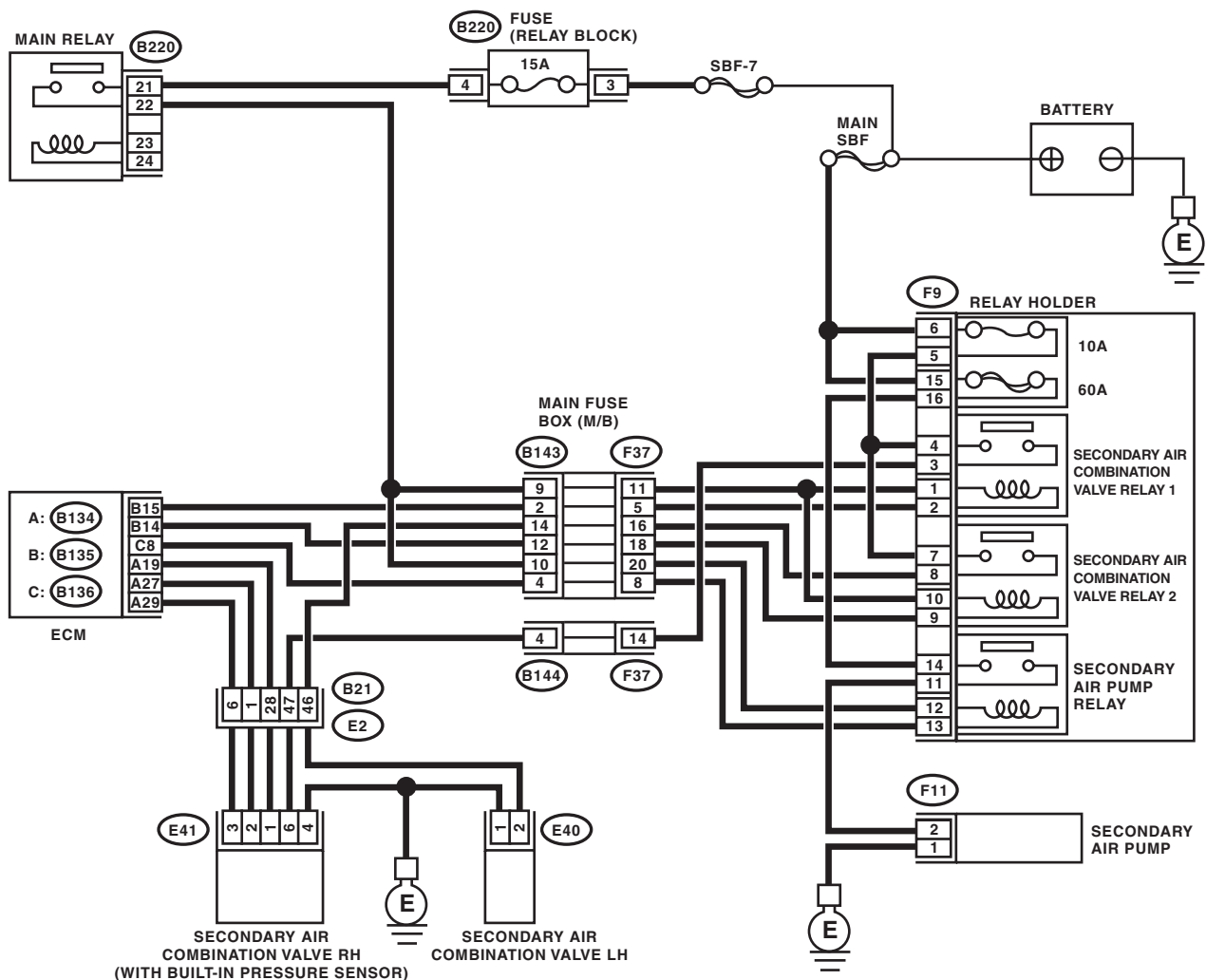
#### **CAUTION:**

**After servicing or replacing faulty parts, perform Clear Memory Mode <Ref. to EN(H4DOTC)(diag)-54, OPERATION, Clear Memory Mode.>, and Inspection Mode <Ref. to EN(H4DOTC)(diag)-43, PROCEDURE, Inspection Mode.>.**

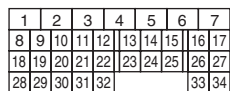
# Diagnostic Procedure with Diagnostic Trouble Code (DTC)

ENGINE (DIAGNOSTICS)

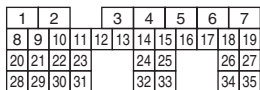
## WIRING DIAGRAM:



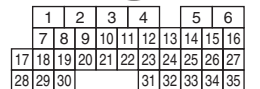
A: (B134)



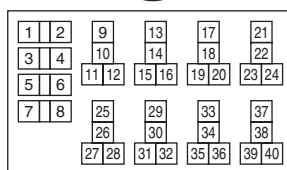
B: (B135)



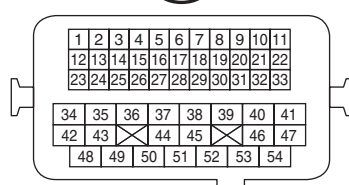
C: (B136)



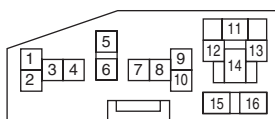
(B220)



(B21)



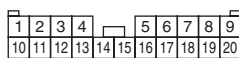
(F9)



(F37)



(B143)



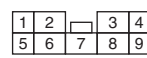
(E40)



(E41)



(B144)



EN-06137

# Diagnostic Procedure with Diagnostic Trouble Code (DTC)

ENGINE (DIAGNOSTICS)

	Step	Check	Yes	No
1	<p><b>CHECK HARNESS BETWEEN ECM AND SECONDARY AIR COMBINATION VALVE RELAY 1 CONNECTOR.</b></p> <p>1) Turn the ignition switch to OFF.                      2) Disconnect the connector from ECM and secondary air combination valve relay 1.                      3) Measure the resistance of harness between ECM and secondary air combination valve relay 1 connector.</p> <p><b>Connector &amp; terminal</b>  <b>(B135) No. 15 — (F9) No. 2:</b></p>	Is the resistance less than 1 Ω?	Go to step 2.	<p>Repair the harness and connector.</p> <p>NOTE:                      In this case, repair the following item:</p> <ul style="list-style-type: none"> <li>• Open circuit in harness between ECM and secondary air combination valve relay 1 connector</li> <li>• Poor contact of coupling connector</li> </ul>
2	<p><b>CHECK HARNESS BETWEEN ECM AND SECONDARY AIR COMBINATION VALVE RELAY 1 CONNECTOR.</b></p> <p>Measure the resistance between ECM and chassis ground.</p> <p><b>Connector &amp; terminal</b>  <b>(B135) No. 15 — Chassis ground:</b></p>	Is the resistance 1 MΩ or more?	<p>Even if DTC is detected, the circuit has returned to a normal condition at this time. Reproduce the failure, and then perform the diagnosis again.</p> <p>NOTE:                      In this case, temporary poor contact of connector may be the cause.</p>	Repair the short circuit to ground in harness between ECM and secondary air combination valve relay 1 connector.

## **BF:DTC P0414 SECONDARY AIR INJECTION SYSTEM SWITCHING VALVE “A” CIRCUIT SHORTED**

### **DTC DETECTING CONDITION:**

- Immediately at fault recognition
- GENERAL DESCRIPTION <Ref. to GD(H4DOTC)-109, DTC P0414 SECONDARY AIR INJECTION SYSTEM SWITCHING VALVE “A” CIRCUIT SHORTED, Diagnostic Trouble Code (DTC) Detecting Criteria.>

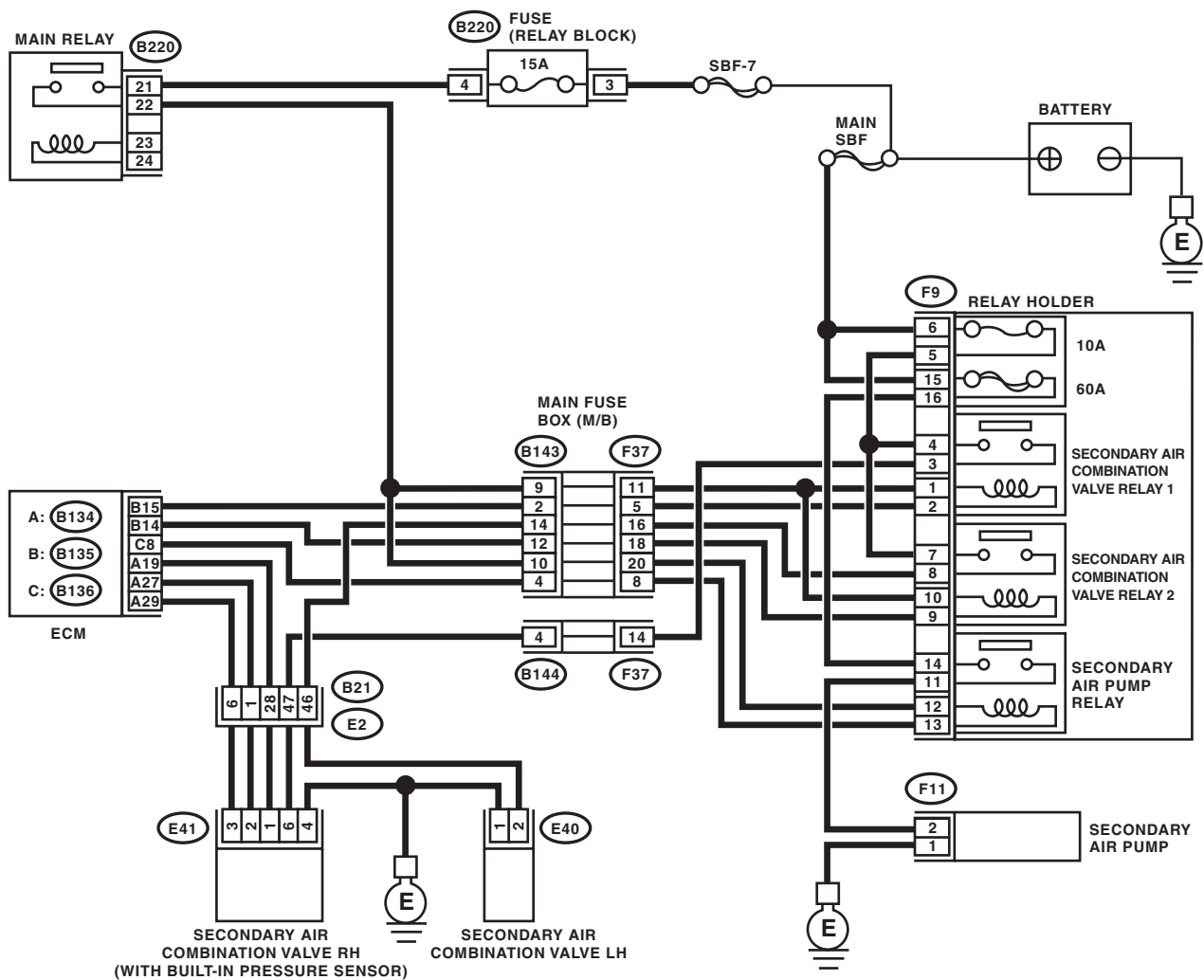
### **CAUTION:**

**After servicing or replacing faulty parts, perform Clear Memory Mode <Ref. to EN(H4DOTC)(diag)-54, OPERATION, Clear Memory Mode.>, and Inspection Mode <Ref. to EN(H4DOTC)(diag)-43, PROCEDURE, Inspection Mode.>.**

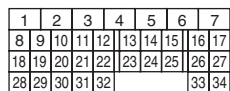
# Diagnostic Procedure with Diagnostic Trouble Code (DTC)

ENGINE (DIAGNOSTICS)

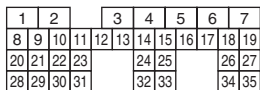
## WIRING DIAGRAM:



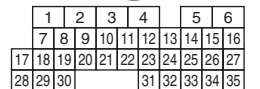
A: (B134)



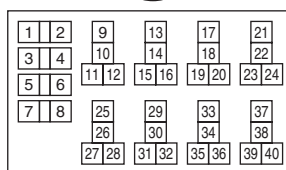
B: (B135)



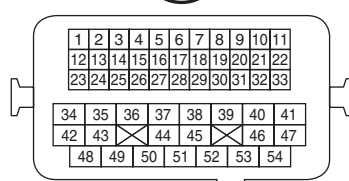
C: (B136)



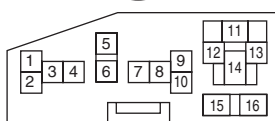
(B220)



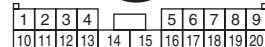
(B21)



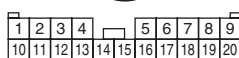
(F9)



(F37)



(B143)



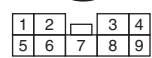
(E40)



(E41)



(B144)



EN-06137

# Diagnostic Procedure with Diagnostic Trouble Code (DTC)

ENGINE (DIAGNOSTICS)

	Step	Check	Yes	No
1	<p><b>CHECK HARNESS BETWEEN ECM AND SECONDARY AIR COMBINATION VALVE RELAY 1 CONNECTOR.</b></p> <p>1) Turn the ignition switch to OFF. 2) Disconnect the connector from ECM and secondary air combination valve relay 1. 3) Measure the voltage between ECM and chassis ground.</p> <p><b>Connector &amp; terminal</b> <b>(B135) No. 15 (+) — Chassis ground (-):</b></p>	Is the voltage 10 V or more?	Repair the short circuit to power in harness between ECM and secondary air combination valve relay 1 connector.	Repair the poor contact of ECM connector.

## Diagnostic Procedure with Diagnostic Trouble Code (DTC)

ENGINE (DIAGNOSTICS)

---

### **BG:DTC P0416 SECONDARY AIR INJECTION SYSTEM SWITCHING VALVE “B” CIRCUIT OPEN**

#### **DTC DETECTING CONDITION:**

- Immediately at fault recognition
- GENERAL DESCRIPTION <Ref. to GD(H4DOTC)-109, DTC P0416 SECONDARY AIR INJECTION SYSTEM SWITCHING VALVE “B” CIRCUIT OPEN, Diagnostic Trouble Code (DTC) Detecting Criteria.>

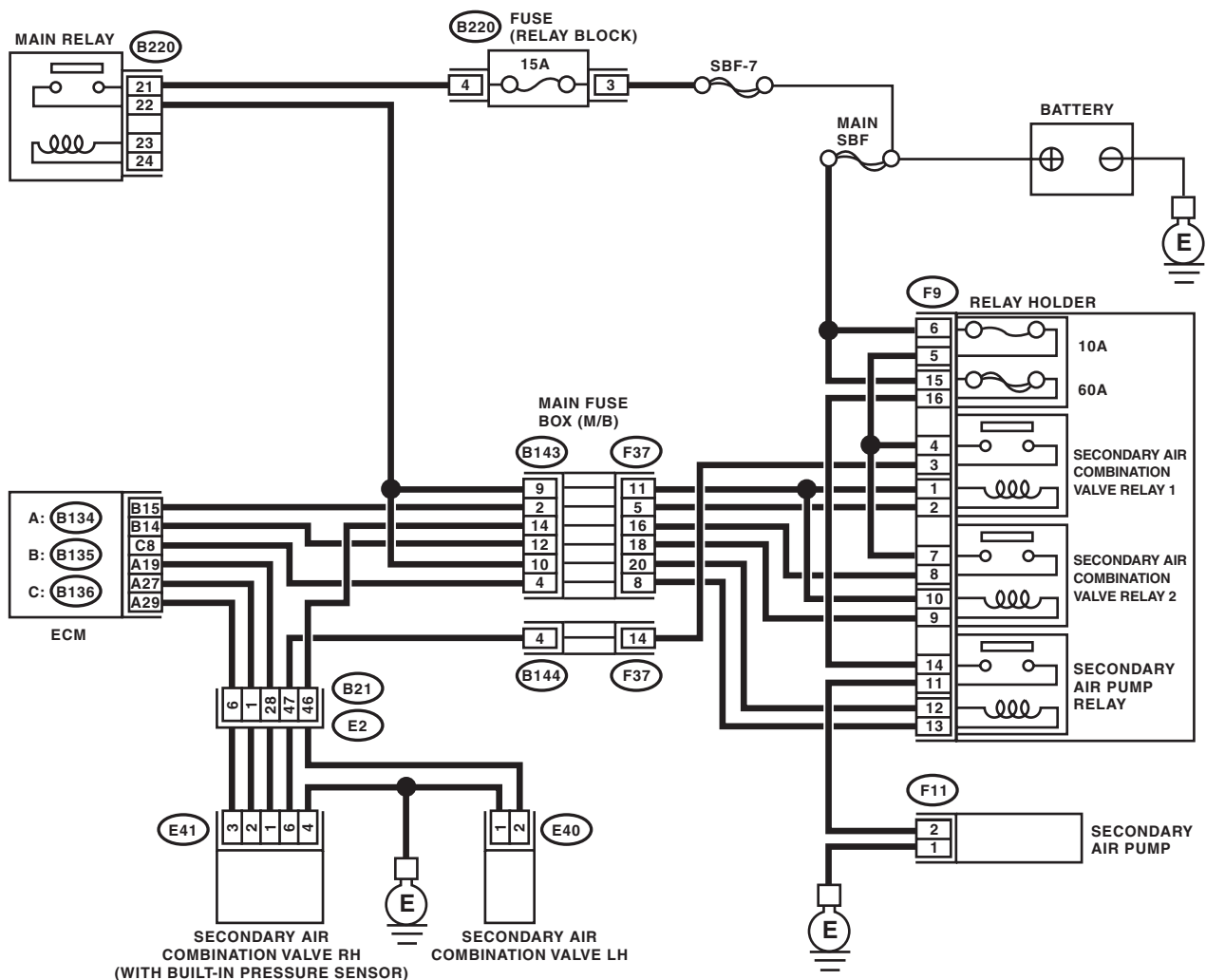
#### **CAUTION:**

**After servicing or replacing faulty parts, perform Clear Memory Mode <Ref. to EN(H4DOTC)(diag)-54, OPERATION, Clear Memory Mode.>, and Inspection Mode <Ref. to EN(H4DOTC)(diag)-43, PROCEDURE, Inspection Mode.>.**

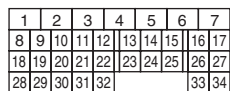
# Diagnostic Procedure with Diagnostic Trouble Code (DTC)

ENGINE (DIAGNOSTICS)

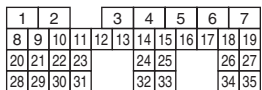
## WIRING DIAGRAM:



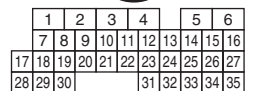
A: B134



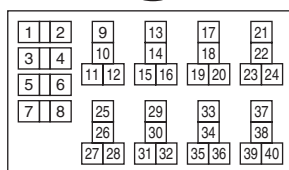
B: B135



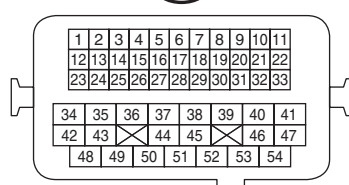
C: B136



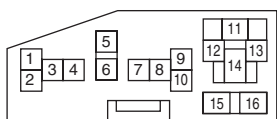
B220



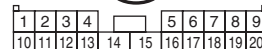
B21



F9



F37



B143



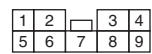
E40



E41



B144



EN-06137



# Diagnostic Procedure with Diagnostic Trouble Code (DTC)

ENGINE (DIAGNOSTICS)

	Step	Check	Yes	No
1	<p><b>CHECK HARNESS BETWEEN ECM AND SECONDARY AIR COMBINATION VALVE RELAY 2 CONNECTOR.</b></p> <p>1) Turn the ignition switch to OFF.                      2) Disconnect the connector from ECM and secondary air combination valve relay 2.                      3) Measure the resistance of harness between ECM and secondary air combination valve relay 2 connector.</p> <p><b>Connector &amp; terminal</b>  <b>(B135) No. 14 — (F9) No. 9:</b></p>	Is the resistance less than 1 Ω?	Go to step 2.	<p>Repair the harness and connector.</p> <p>NOTE:                      In this case, repair the following item:</p> <ul style="list-style-type: none"> <li>• Open circuit in harness between ECM and secondary air combination valve relay 2 connector</li> <li>• Poor contact of coupling connector</li> </ul>
2	<p><b>CHECK HARNESS BETWEEN ECM AND SECONDARY AIR COMBINATION VALVE RELAY 2 CONNECTOR.</b></p> <p>Measure the resistance between ECM and chassis ground.</p> <p><b>Connector &amp; terminal</b>  <b>(B135) No. 14 — Chassis ground:</b></p>	Is the resistance 1 MΩ or more?	<p>Even if DTC is detected, the circuit has returned to a normal condition at this time. Reproduce the failure, and then perform the diagnosis again.</p> <p>NOTE:                      In this case, temporary poor contact of connector may be the cause.</p>	Repair the short circuit to ground in harness between ECM and secondary air combination valve relay 2 connector.

## **BH:DTC P0417 SECONDARY AIR INJECTION SYSTEM SWITCHING VALVE “B” CIRCUIT SHORTED**

### **DTC DETECTING CONDITION:**

- Immediately at fault recognition
- GENERAL DESCRIPTION <Ref. to GD(H4DOTC)-109, DTC P0417 SECONDARY AIR INJECTION SYSTEM SWITCHING VALVE “B” CIRCUIT SHORTED, Diagnostic Trouble Code (DTC) Detecting Criteria.>

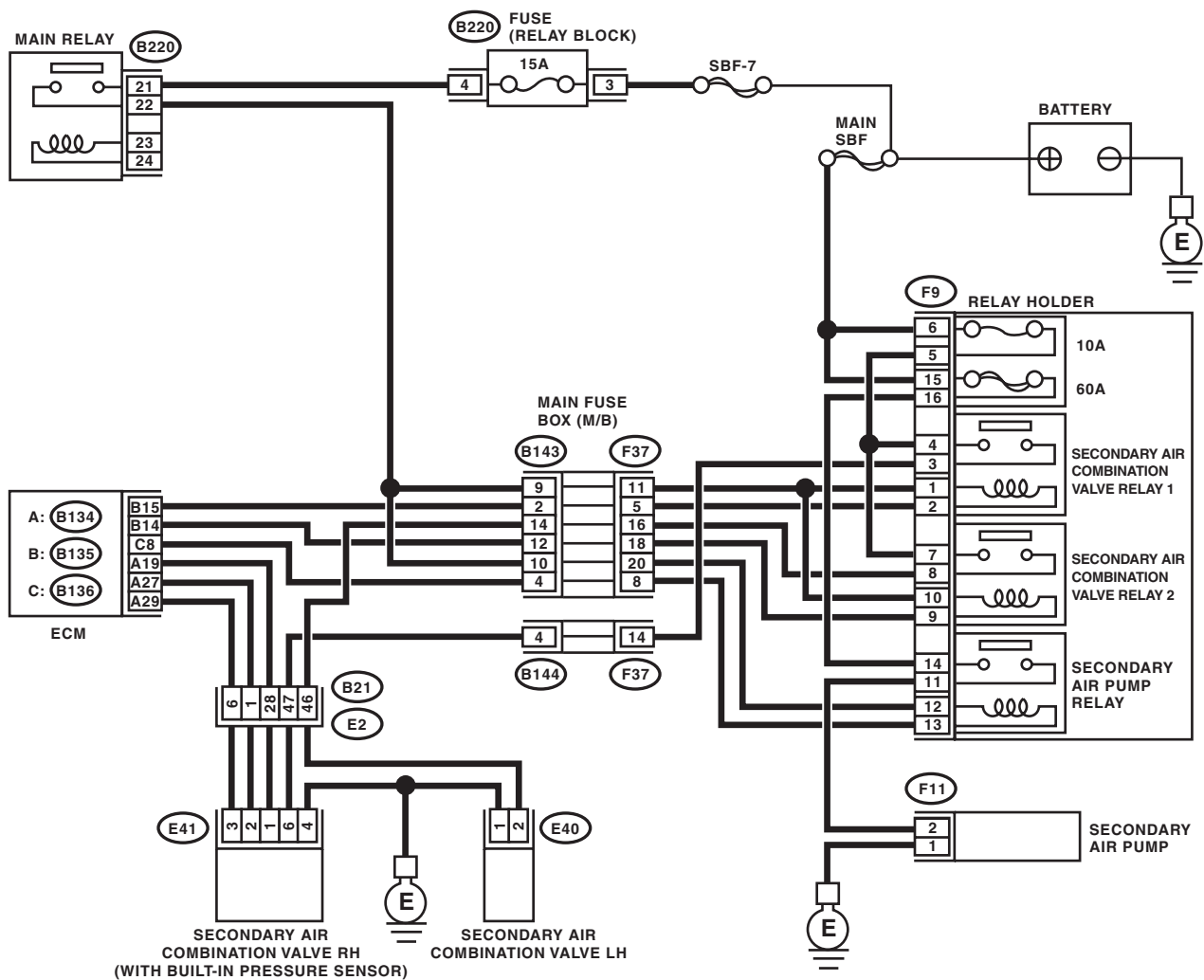
### **CAUTION:**

**After servicing or replacing faulty parts, perform Clear Memory Mode <Ref. to EN(H4DOTC)(diag)-54, OPERATION, Clear Memory Mode.>, and Inspection Mode <Ref. to EN(H4DOTC)(diag)-43, PROCEDURE, Inspection Mode.>.**

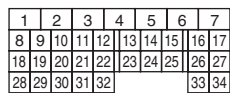
# Diagnostic Procedure with Diagnostic Trouble Code (DTC)

ENGINE (DIAGNOSTICS)

## WIRING DIAGRAM:



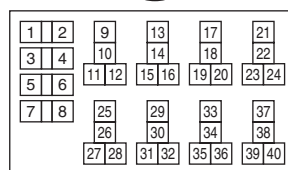
A: (B134)



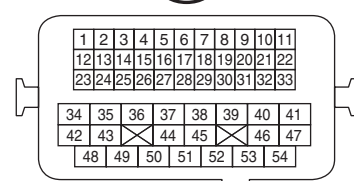
B: (B135)



(B220)



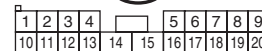
(B21)



C: (B136)



(F37)



(B143)



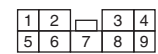
(E40)



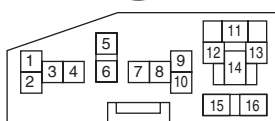
(E41)



(B144)



(F9)



EN-06137

# Diagnostic Procedure with Diagnostic Trouble Code (DTC)

ENGINE (DIAGNOSTICS)

	Step	Check	Yes	No
1	<p><b>CHECK HARNESS BETWEEN ECM AND SECONDARY AIR COMBINATION VALVE RELAY 2 CONNECTOR.</b></p> <p>1) Turn the ignition switch to OFF. 2) Disconnect the connector from ECM and secondary air combination valve relay 2. 3) Measure the voltage between ECM and chassis ground.</p> <p><b>Connector &amp; terminal</b> <b>(B135) No. 14 (+) — Chassis ground (-):</b></p>	Is the voltage 10 V or more?	Repair the short circuit to power in harness between ECM and secondary air combination valve relay 2 connector.	Repair the poor contact of ECM connector.

## Diagnostic Procedure with Diagnostic Trouble Code (DTC)

ENGINE (DIAGNOSTICS)

---

### **BI: DTC P0418 SECONDARY AIR INJECTION SYSTEM CONTROL “A” CIRCUIT OPEN**

#### **DTC DETECTING CONDITION:**

- Immediately at fault recognition
- GENERAL DESCRIPTION <Ref. to GD(H4DOTC)-110, DTC P0418 SECONDARY AIR INJECTION SYSTEM CONTROL “A” CIRCUIT OPEN, Diagnostic Trouble Code (DTC) Detecting Criteria.>

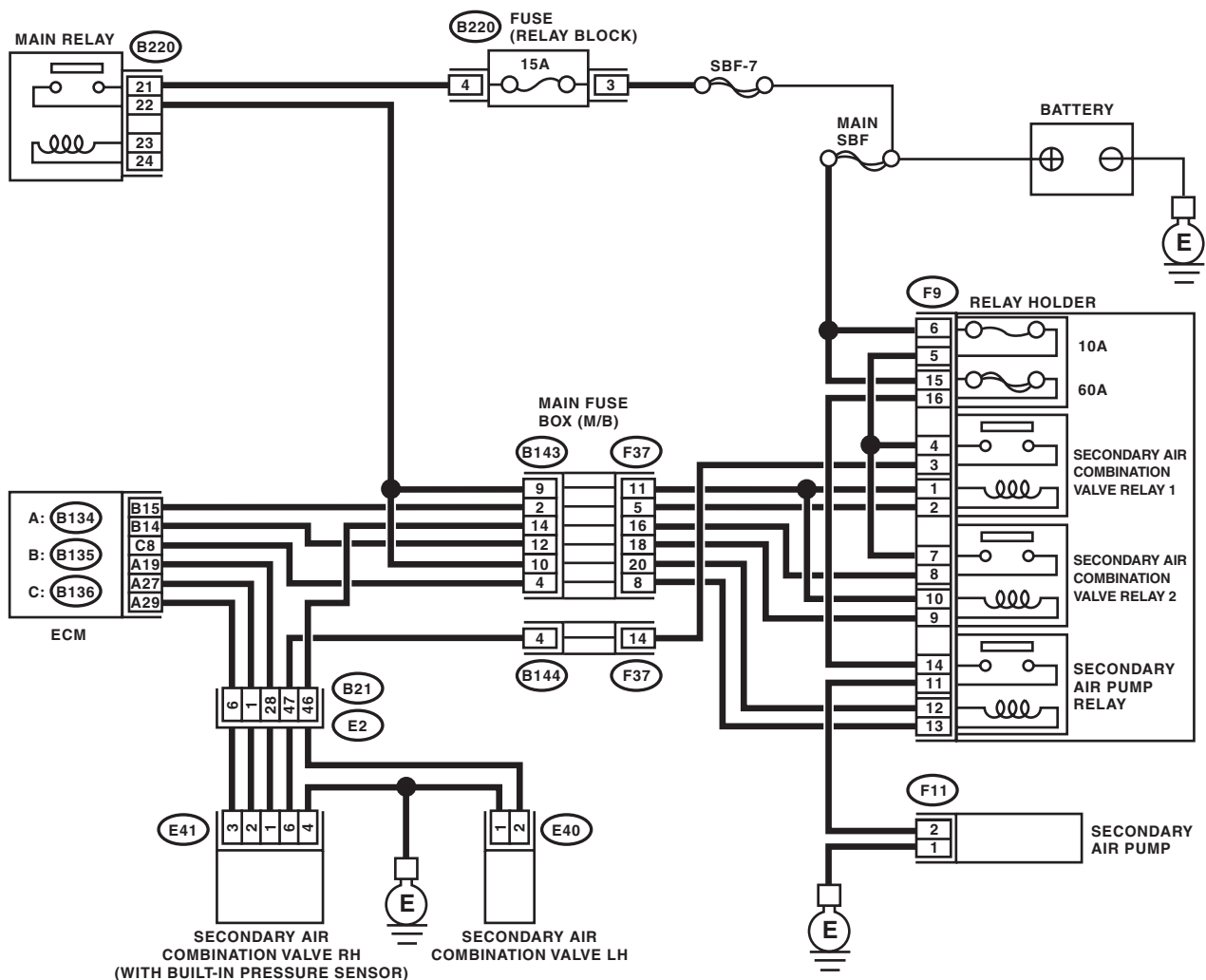
#### **CAUTION:**

**After servicing or replacing faulty parts, perform Clear Memory Mode <Ref. to EN(H4DOTC)(diag)-54, OPERATION, Clear Memory Mode.>, and Inspection Mode <Ref. to EN(H4DOTC)(diag)-43, PROCEDURE, Inspection Mode.>.**

# Diagnostic Procedure with Diagnostic Trouble Code (DTC)

ENGINE (DIAGNOSTICS)

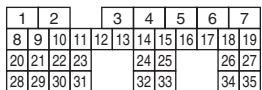
## WIRING DIAGRAM:



A: B134



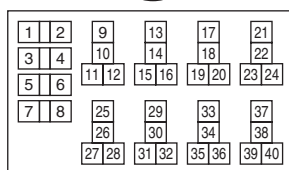
B: B135



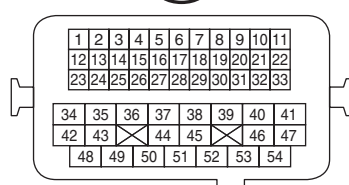
C: B136



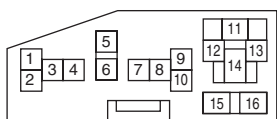
B220



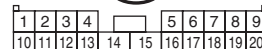
B21



F9



F37



B143



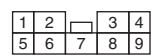
E40



E41



B144



F11



EN-06137

# Diagnostic Procedure with Diagnostic Trouble Code (DTC)

ENGINE (DIAGNOSTICS)

Step	Check	Yes	No
<p><b>1</b></p> <p><b>CHECK HARNESS BETWEEN ECM AND SECONDARY AIR PUMP RELAY CONNECTOR.</b></p> <p>1) Turn the ignition switch to OFF.                      2) Disconnect the connector from the ECM and secondary air pump relay.                      3) Measure the resistance of harness between ECM and secondary air pump relay connector.</p> <p><b>Connector &amp; terminal</b>  <b>(B136) No. 8 — (F9) No. 13:</b></p>	<p>Is the resistance less than 1 Ω?</p>	<p>Go to step 2.</p>	<p>Repair the harness and connector.</p> <p>NOTE:                      In this case, repair the following item:</p> <ul style="list-style-type: none"> <li>• Open circuit in harness between ECM and secondary air pump relay connector</li> <li>• Poor contact of coupling connector</li> </ul>
<p><b>2</b></p> <p><b>CHECK HARNESS BETWEEN ECM AND SECONDARY AIR PUMP RELAY CONNECTOR.</b></p> <p>Measure the resistance between ECM and chassis ground.</p> <p><b>Connector &amp; terminal</b>  <b>(B136) No. 8 — Chassis ground:</b></p>	<p>Is the resistance 1 MΩ or more?</p>	<p>Even if DTC is detected, the circuit has returned to a normal condition at this time. Reproduce the failure, and then perform the diagnosis again.</p> <p>NOTE:                      In this case, temporary poor contact of connector may be the cause.</p>	<p>Repair the short circuit to ground in harness between ECM and secondary air pump relay connector.</p>

# Diagnostic Procedure with Diagnostic Trouble Code (DTC)

ENGINE (DIAGNOSTICS)

## BJ:DTC P0420 CATALYST SYSTEM EFFICIENCY BELOW THRESHOLD (BANK 1)

### DTC DETECTING CONDITION:

- Detected when two consecutive driving cycles with fault occur.
- GENERAL DESCRIPTION <Ref. to GD(H4DOTC)-111, DTC P0420 CATALYST SYSTEM EFFICIENCY BELOW THRESHOLD (BANK 1), Diagnostic Trouble Code (DTC) Detecting Criteria.>

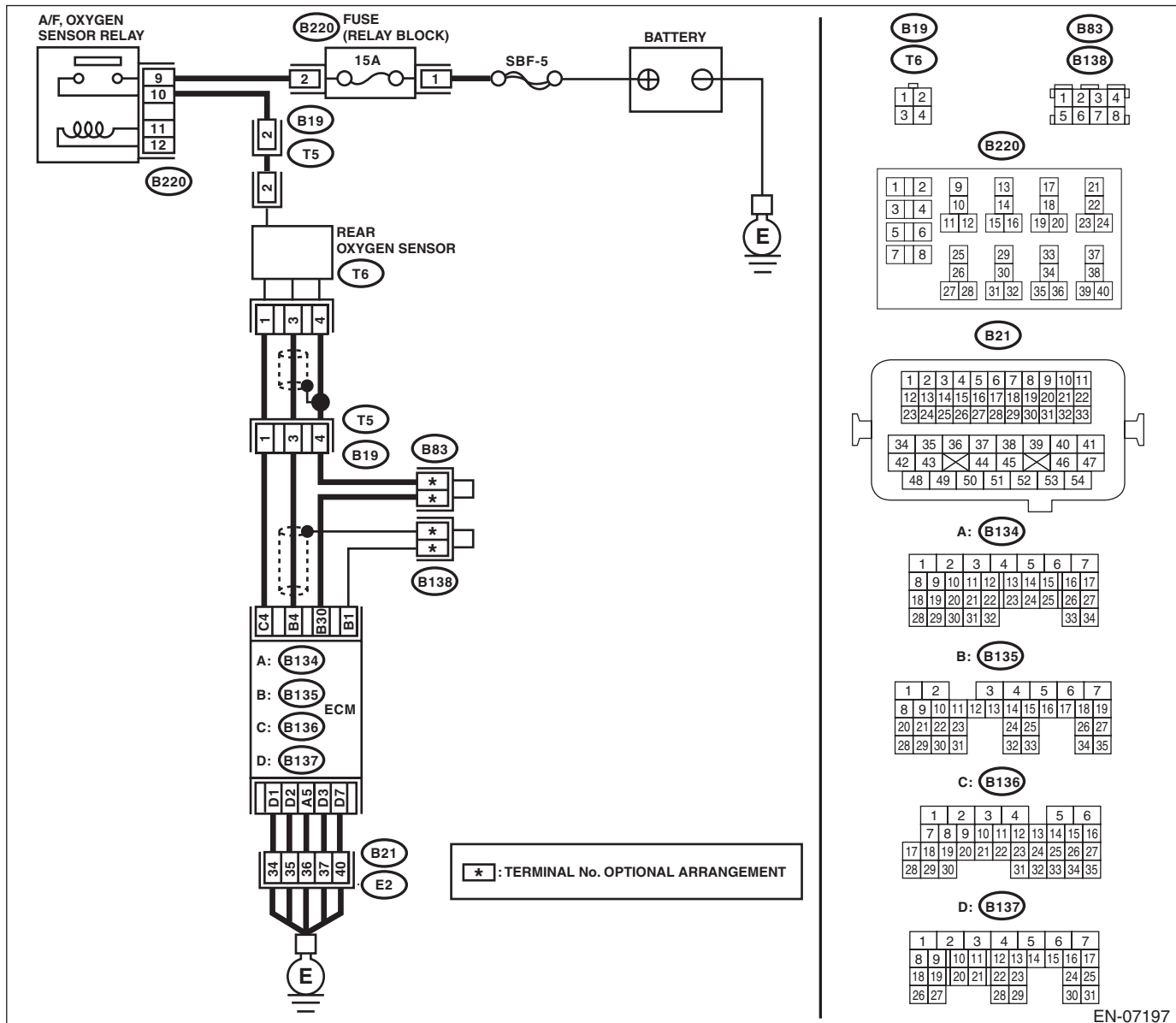
### TROUBLE SYMPTOM:

- Engine stalls.
- Idle mixture is out of specifications.

### CAUTION:

After servicing or replacing faulty parts, perform Clear Memory Mode <Ref. to EN(H4DOTC)(diag)-54, OPERATION, Clear Memory Mode.>, and Inspection Mode <Ref. to EN(H4DOTC)(diag)-43, PROCEDURE, Inspection Mode.>.

### WIRING DIAGRAM:

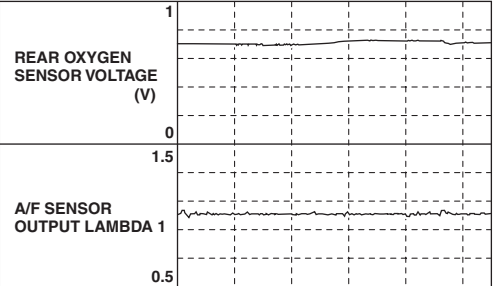
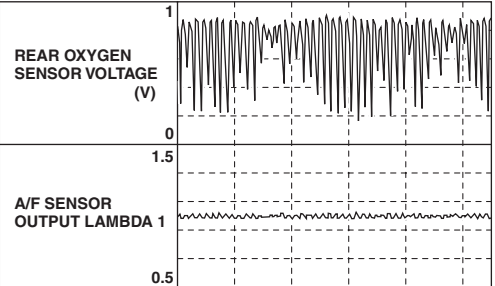


EN-07197



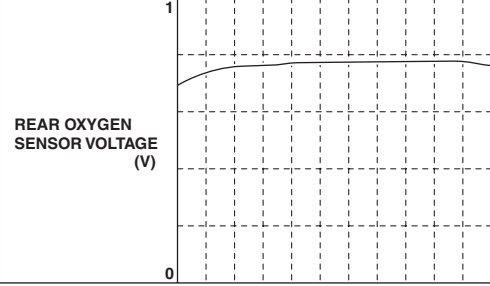
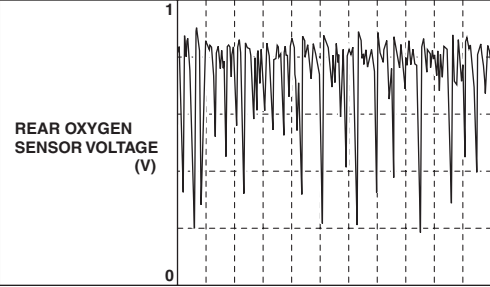
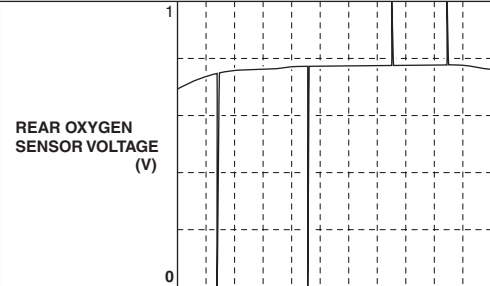
# Diagnostic Procedure with Diagnostic Trouble Code (DTC)

## ENGINE (DIAGNOSTICS)

Step	Check	Yes	No
<b>1</b> <b>CHECK EXHAUST SYSTEM.</b> Check for gas leaks or air suction caused by loose or dislocated nuts and bolts, and open hole at exhaust pipes. NOTE: Check the following positions. <ul style="list-style-type: none"> <li>• Between cylinder head and front exhaust pipe</li> <li>• Between front exhaust pipe and front catalytic converter</li> <li>• Between front catalytic converter and rear catalytic converter</li> <li>• Loose or improperly attached front oxygen (A/F) sensor or rear oxygen sensor</li> </ul>	Is there any fault in exhaust system?	Repair or replace the exhaust system. <Ref. to EX(H4DOTC)-2, General Description.>	Go to step 2.
<b>2</b> <b>CHECK WAVEFORM DATA ON THE SUBARU SELECT MONITOR (WHILE DRIVING).</b> 1) Drive at a constant speed between 80 — 112 km/h (50 — 70 MPH). 2) After 5 minutes have elapsed in the condition of step 1), use the Subaru Select Monitor while still driving to read the waveform data. <ul style="list-style-type: none"> <li>• At normal condition</li> </ul>  <p>10 sec/div EN-06666</p> <ul style="list-style-type: none"> <li>• At abnormal condition (numerous inversion)</li> </ul>  <p>10 sec/div EN-06667</p>	Is a normal waveform displayed?	Even if DTC is detected, the circuit has returned to a normal condition at this time. Reproduce the failure, and then perform the diagnosis again. NOTE: In this case, temporary poor contact of connector may be the cause.	Go to step 3.

# Diagnostic Procedure with Diagnostic Trouble Code (DTC)

ENGINE (DIAGNOSTICS)

Step	Check	Yes	No
<p><b>3</b></p> <p><b>CHECK WAVEFORM DATA ON THE SUBARU SELECT MONITOR (WHILE IDLING).</b></p> <p>1) Run the engine at idle. 2) In the condition of step 1), use the Subaru Select Monitor to read the waveform data.</p> <ul style="list-style-type: none"> <li>At normal condition</li> </ul>  <p>10 sec/div EN-06668</p> <ul style="list-style-type: none"> <li>At abnormal condition 1 (numerous inversion)</li> </ul>  <p>10 sec/div EN-06669</p> <ul style="list-style-type: none"> <li>At abnormal condition 2 (noise input)</li> </ul>  <p>10 sec/div EN-06670</p>	<p>Is a normal waveform displayed?</p>	<p>Go to step 4.</p>	<ul style="list-style-type: none"> <li>The waveform is displayed at abnormal condition 1: Go to step 4.</li> <li>The waveform is displayed at abnormal condition 2: Go to step 5.</li> </ul>
<p><b>4</b></p> <p><b>CHECK CATALYTIC CONVERTER.</b></p>	<p>Is the catalytic converter damaged?</p>	<p>Replace the catalytic converter. &lt;Ref. to EC(H4DOTC)-5, Front Catalytic Converter.&gt;</p>	<p>Go to step 5.</p>
<p><b>5</b></p> <p><b>CHECK REAR OXYGEN SENSOR CONNECTOR AND COUPLING CONNECTOR.</b></p>	<p>Has water entered the connector?</p>	<p>Completely remove any water inside.</p>	<p>Go to step 6.</p>

# Diagnostic Procedure with Diagnostic Trouble Code (DTC)

## ENGINE (DIAGNOSTICS)

Step	Check	Yes	No
<b>6 CHECK HARNESS BETWEEN ECM AND REAR OXYGEN SENSOR CONNECTOR.</b> 1) Turn the ignition switch to OFF. 2) Disconnect the connector from ECM and rear oxygen sensor. 3) Measure the resistance of harness between ECM and rear oxygen sensor connector. <i><b>Connector &amp; terminal</b></i> <i><b>(B135) No. 4 — (T6) No. 3:</b></i> <i><b>(B135) No. 30 — (T6) No. 4:</b></i>	Is the resistance less than 1 $\Omega$ ?	Go to step 7.	Repair the harness and connector. NOTE: Repair the following locations. • Open circuit in harness between ECM and rear oxygen sensor connector • Poor contact of coupling connector
<b>7 CHECK HARNESS BETWEEN ECM AND REAR OXYGEN SENSOR CONNECTOR.</b> 1) Turn the ignition switch to ON. 2) Measure the voltage between rear oxygen sensor connector and chassis ground. <i><b>Connector &amp; terminal</b></i> <i><b>(T6) No. 3 (+) — Chassis ground (-):</b></i>	Is the voltage 0.2 — 0.5 V?	Go to step 8.	Repair the harness and connector. NOTE: Repair the following locations. • Open circuit in harness between ECM and rear oxygen sensor connector • Poor contact of ECM connector • Poor contact of coupling connector
<b>8 CHECK REAR OXYGEN SENSOR SHIELD.</b> 1) Turn the ignition switch to OFF. 2) Expose the rear oxygen sensor connector body side harness sensor shield. 3) Measure the resistance between sensor shield and chassis ground.	Is the resistance less than 1 $\Omega$ ?	Replace the rear oxygen sensor. <Ref. to FU(H4DOTC)-50, Rear Oxygen Sensor.>	Repair the open circuit of rear oxygen sensor harness.

# Diagnostic Procedure with Diagnostic Trouble Code (DTC)

ENGINE (DIAGNOSTICS)

## BK:DTC P0441 EVAPORATIVE EMISSION SYSTEM INCORRECT PURGE FLOW

### DTC DETECTING CONDITION:

- Detected when two consecutive driving cycles with fault occur.
- GENERAL DESCRIPTION <Ref. to GD(H4DOTC)-113, DTC P0441 EVAPORATIVE EMISSION SYSTEM INCORRECT PURGE FLOW, Diagnostic Trouble Code (DTC) Detecting Criteria.>

### CAUTION:

After servicing or replacing faulty parts, perform Clear Memory Mode <Ref. to EN(H4DOTC)(diag)-54, OPERATION, Clear Memory Mode.>, and Inspection Mode <Ref. to EN(H4DOTC)(diag)-43, PROCEDURE, Inspection Mode.>.

Step	Check	Yes	No
1 <b>CHECK FOR ANY OTHER DTC ON DISPLAY.</b>	Is any other DTC displayed?	Check the appropriate DTC using the "List of Diagnostic Trouble Code (DTC)". <Ref. to EN(H4DOTC)(diag)-83, List of Diagnostic Trouble Code (DTC).>	Go to step 2.
2 <b>CHECK PURGE LINE OF THE PURGE CONTROL SOLENOID VALVE 2.</b>	Is there any clogging, flattened part or bent in the purge line of purge control solenoid valve 2?	Repair or replace the purge line of purge control solenoid valve 2.	Go to step 3.
3 <b>CHECK PURGE CONTROL SOLENOID VALVE 2.</b> 1) Connect the delivery (test) mode connector. 2) Turn the ignition switch to ON. 3) Operate the purge control solenoid valve 2 using the Subaru Select Monitor. <b>NOTE:</b> Purge control solenoid valve 2 can be operated using the Subaru Select Monitor. For the procedures, refer to "Compulsory Valve Operation Check Mode". <Ref. to EN(H4DOTC)(diag)-55, Compulsory Valve Operation Check Mode.>	Does the purge control solenoid valve 2 operate?	Repair the poor contact of ECM connector.	Replace the purge control solenoid valve 2. <Ref. to EC(H4DOTC)-11, Purge Control Solenoid Valve.>

# Diagnostic Procedure with Diagnostic Trouble Code (DTC)

ENGINE (DIAGNOSTICS)

## BL:DTC P0442 EVAPORATIVE EMISSION CONTROL SYSTEM LEAK DETECTED (SMALL LEAK)

### DTC DETECTING CONDITION:

- Detected when two consecutive driving cycles with fault occur.
- GENERAL DESCRIPTION <Ref. to GD(H4DOTC)-114, DTC P0442 EVAPORATIVE EMISSION CONTROL SYSTEM LEAK DETECTED (SMALL LEAK), Diagnostic Trouble Code (DTC) Detecting Criteria.>

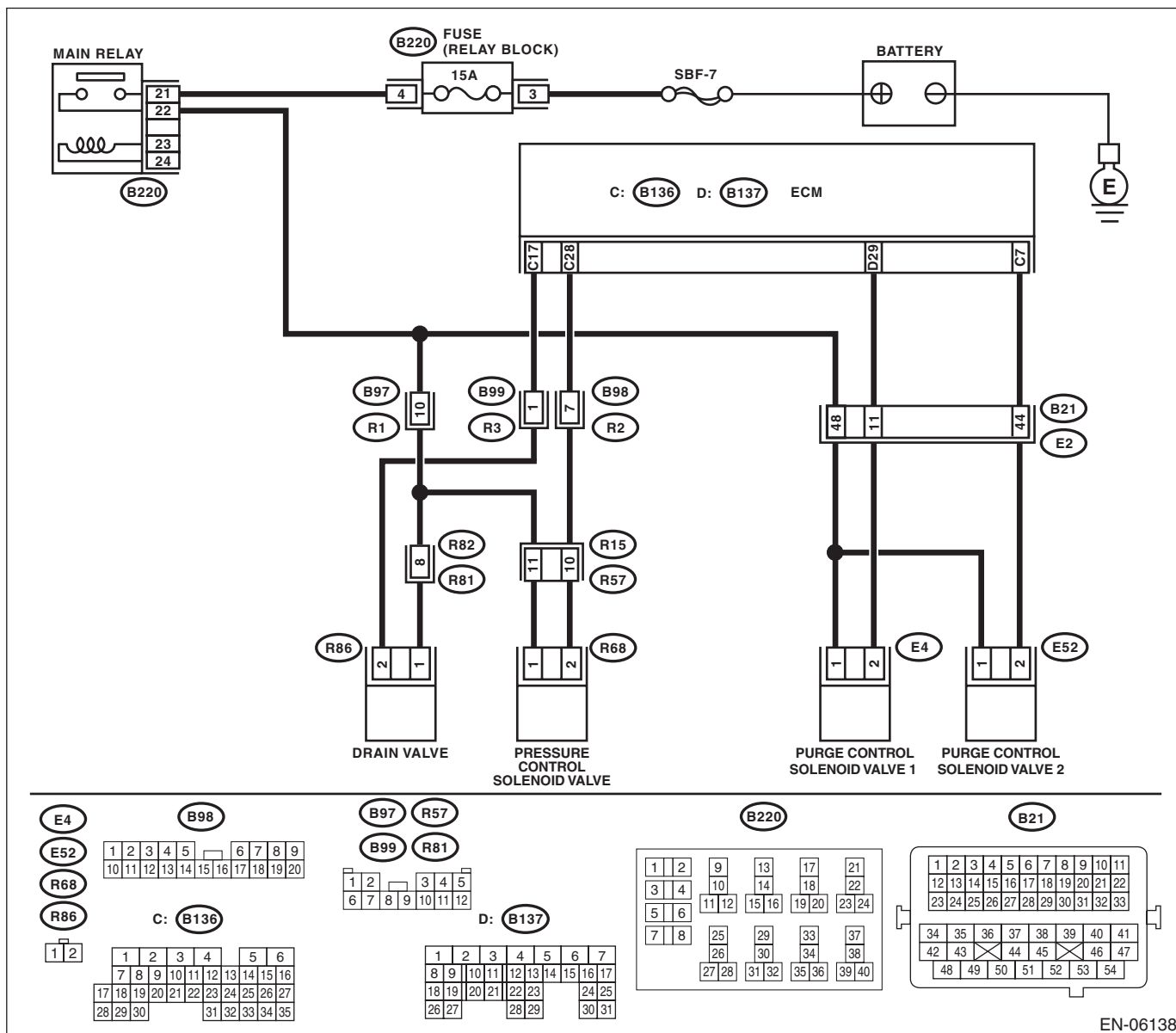
### TROUBLE SYMPTOM:

- Fuel odor
- There is a hole of more than 1.0 mm (0.04 in) dia. in evaporation system or fuel tank.

### CAUTION:

After servicing or replacing faulty parts, perform Clear Memory Mode <Ref. to EN(H4DOTC)(diag)-54, OPERATION, Clear Memory Mode.>, and Inspection Mode <Ref. to EN(H4DOTC)(diag)-43, PROCEDURE, Inspection Mode.>.

### WIRING DIAGRAM:



EN-06138

# Diagnostic Procedure with Diagnostic Trouble Code (DTC)

ENGINE (DIAGNOSTICS)

	Step	Check	Yes	No
1	<b>CHECK FUEL FILLER CAP.</b> 1) Turn the ignition switch to OFF. 2) Check the fuel filler cap.  NOTE: The DTC is stored in memory if fuel filler cap is or was loose or if the cap chain has caught while tightening.	Is the fuel filler cap tightened securely?	Go to step 2.	Tighten fuel filler cap securely.
2	<b>CHECK FUEL FILLER CAP.</b>	Is the fuel filler cap genuine?	Go to step 3.	Replace with a genuine fuel filler cap.
3	<b>CHECK FUEL FILLER PIPE GASKET.</b>	Is there any damage to the seal between fuel filler cap and fuel filler pipe?	Repair or replace the fuel filler cap and fuel filler pipe. <Ref. to FU(H4DOTC)-69, Fuel Filler Pipe.>	Go to step 4.
4	<b>CHECK DRAIN VALVE.</b> 1) Connect the delivery (test) mode connector. 2) Turn the ignition switch to ON. 3) Operate the drain valve using the Subaru Select Monitor.  NOTE: The drain valve can be operated using Subaru Select Monitor. For the procedures, refer to "Compulsory Valve Operation Check Mode". <Ref. to EN(H4DOTC)(diag)-55, Compulsory Valve Operation Check Mode.>	Does the drain valve operate?	Go to step 5.	Replace the drain valve. <Ref. to EC(H4DOTC)-22, Drain Valve.>
5	<b>CHECK PURGE CONTROL SOLENOID VALVE.</b> Operate the purge control solenoid valve using the Subaru Select Monitor.  NOTE: Purge control solenoid valve operation can be executed using Subaru Select Monitor. For the procedures, refer to "Compulsory Valve Operation Check Mode". <Ref. to EN(H4DOTC)(diag)-55, Compulsory Valve Operation Check Mode.>	Does the purge control solenoid valve operate?	Go to step 6.	Replace the purge control solenoid valve. <Ref. to EC(H4DOTC)-11, Purge Control Solenoid Valve.>
6	<b>CHECK PRESSURE CONTROL SOLENOID VALVE.</b> Operate the pressure control solenoid valve using the Subaru Select Monitor.  NOTE: The pressure control solenoid valve operation can be executed using the Subaru Select Monitor. For the procedures, refer to "Compulsory Valve Operation Check Mode". <Ref. to EN(H4DOTC)(diag)-55, Compulsory Valve Operation Check Mode.>	Does the pressure control solenoid valve operate?	Go to step 7.	Replace the pressure control solenoid valve. <Ref. to EC(H4DOTC)-19, Pressure Control Solenoid Valve.>
7	<b>CHECK EVAPORATIVE EMISSION CONTROL SYSTEM LINE.</b> 1) Turn the ignition switch to OFF. 2) Disconnect the delivery (test) mode connector.	Is there any hole of more than 1.0 mm (0.04 in) dia. on evaporation line?	Repair or replace the evaporation line. <Ref. to FU(H4DOTC)-84, Fuel Delivery, Return and Evaporation Lines.>	Go to step 8.

## Diagnostic Procedure with Diagnostic Trouble Code (DTC)

### ENGINE (DIAGNOSTICS)

	<b>Step</b>	<b>Check</b>	<b>Yes</b>	<b>No</b>
<b>8</b>	<b>CHECK CANISTER.</b>	Is the canister damaged or is there a hole of more than 1.0 mm (0.04 in) dia. in it?	Repair or replace the canister. <Ref. to EC(H4DOTC)-7, Canister.>	Go to step <b>9</b> .
<b>9</b>	<b>CHECK FUEL TANK.</b> Remove the fuel tank. <Ref. to FU(H4DOTC)-62, Fuel Tank.>	Is the fuel tank damaged or is there any hole of more than 1.0 mm (0.04 in) dia. in it?	Repair or replace the fuel tank. <Ref. to FU(H4DOTC)-62, Fuel Tank.>	Go to step <b>10</b> .
<b>10</b>	<b>CHECK ANY OTHER MECHANICAL TROUBLE IN EVAPORATIVE EMISSION CONTROL SYSTEM.</b>	Is there any hole of more than 1.0 mm (0.04 in) dia., crack, clogging, or disconnections, bend, misconnection of hoses or pipes in evaporative emission control system?	Repair or replace the hoses or pipes.	Repair the poor contact of ECM connector.

# Diagnostic Procedure with Diagnostic Trouble Code (DTC)

ENGINE (DIAGNOSTICS)

## BM:DTC P0447 EVAPORATIVE EMISSION CONTROL SYSTEM VENT CONTROL CIRCUIT OPEN

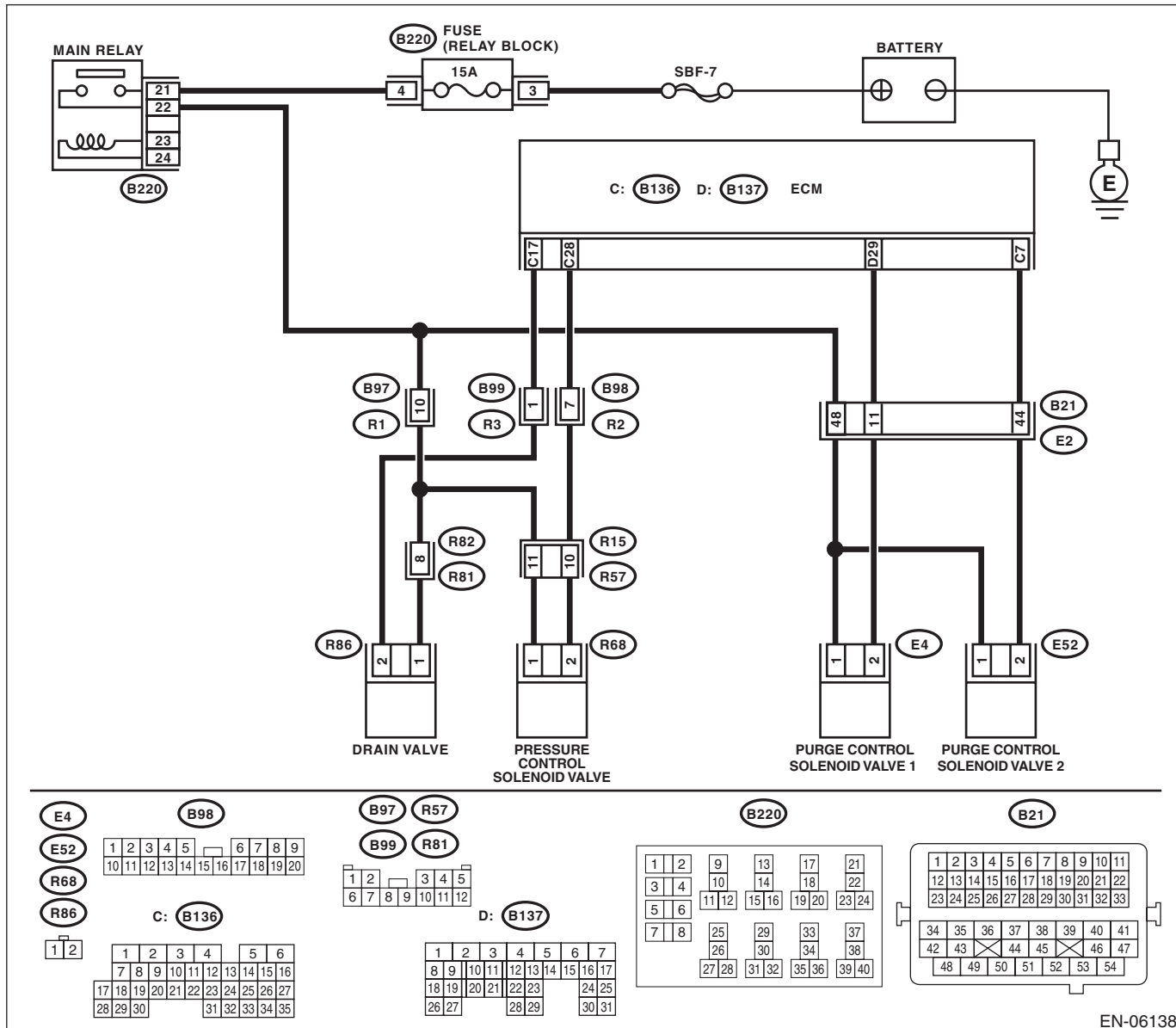
### DTC DETECTING CONDITION:

- Immediately at fault recognition
- GENERAL DESCRIPTION <Ref. to GD(H4DOTC)-130, DTC P0447 EVAPORATIVE EMISSION CONTROL SYSTEM VENT CONTROL CIRCUIT OPEN, Diagnostic Trouble Code (DTC) Detecting Criteria.>

### CAUTION:

After servicing or replacing faulty parts, perform Clear Memory Mode <Ref. to EN(H4DOTC)(diag)-54, OPERATION, Clear Memory Mode.>, and Inspection Mode <Ref. to EN(H4DOTC)(diag)-43, PROCEDURE, Inspection Mode.>.

### WIRING DIAGRAM:



EN-06138



# Diagnostic Procedure with Diagnostic Trouble Code (DTC)

## ENGINE (DIAGNOSTICS)

Step	Check	Yes	No
<b>1 CHECK OUTPUT SIGNAL OF ECM.</b> 1) Turn the ignition switch to ON. 2) Measure the voltage between ECM and chassis ground. <i>Connector &amp; terminal</i> <i>(B136) No. 17 (+) — Chassis ground (-):</i>	Is the voltage 10 V or more?	Repair the poor contact of ECM connector.	Go to step 2.
<b>2 CHECK HARNESS BETWEEN ECM AND DRAIN VALVE CONNECTOR.</b> 1) Turn the ignition switch to OFF. 2) Disconnect the connectors from the ECM and drain valve. 3) Measure the resistance between the drain valve connector and chassis ground. <i>Connector &amp; terminal</i> <i>(R86) No. 2 — Chassis ground:</i>	Is the resistance 1 M $\Omega$ or more?	Go to step 3.	Repair the ground short circuit of harness between ECM and drain valve connector.
<b>3 CHECK HARNESS BETWEEN ECM AND DRAIN VALVE CONNECTOR.</b> Measure the resistance of harness between ECM and drain valve connector. <i>Connector &amp; terminal</i> <i>(B136) No. 17 — (R86) No. 2:</i>	Is the resistance less than 1 $\Omega$ ?	Go to step 4.	Repair the harness and connector. NOTE: In this case, repair the following item: <ul style="list-style-type: none"> <li>• Open circuit of harness between ECM and drain valve connector</li> <li>• Poor contact of coupling connector</li> </ul>
<b>4 CHECK DRAIN VALVE.</b> Measure the resistance between drain valve terminals. <i>Terminals</i> <i>No. 1 — No. 2:</i>	Is the resistance 10 — 100 $\Omega$ ?	Go to step 5.	Replace the drain valve. <Ref. to EC(H4DOTC)-22, Drain Valve.>
<b>5 CHECK POWER SUPPLY TO DRAIN VALVE.</b> 1) Turn the ignition switch to ON. 2) Measure the voltage between drain valve and chassis ground. <i>Connector &amp; terminal</i> <i>(R86) No. 1 (+) — Chassis ground (-):</i>	Is the voltage 10 V or more?	Repair the poor contact of drain valve connector.	Repair the harness and connector. NOTE: In this case, repair the following item: <ul style="list-style-type: none"> <li>• Open circuit in harness between main relay connector and drain valve connector</li> <li>• Poor contact of coupling connector</li> <li>• Poor contact of main relay connector</li> </ul>

# Diagnostic Procedure with Diagnostic Trouble Code (DTC)

ENGINE (DIAGNOSTICS)

## BN:DTC P0448 EVAPORATIVE EMISSION CONTROL SYSTEM VENT CONTROL CIRCUIT SHORTED

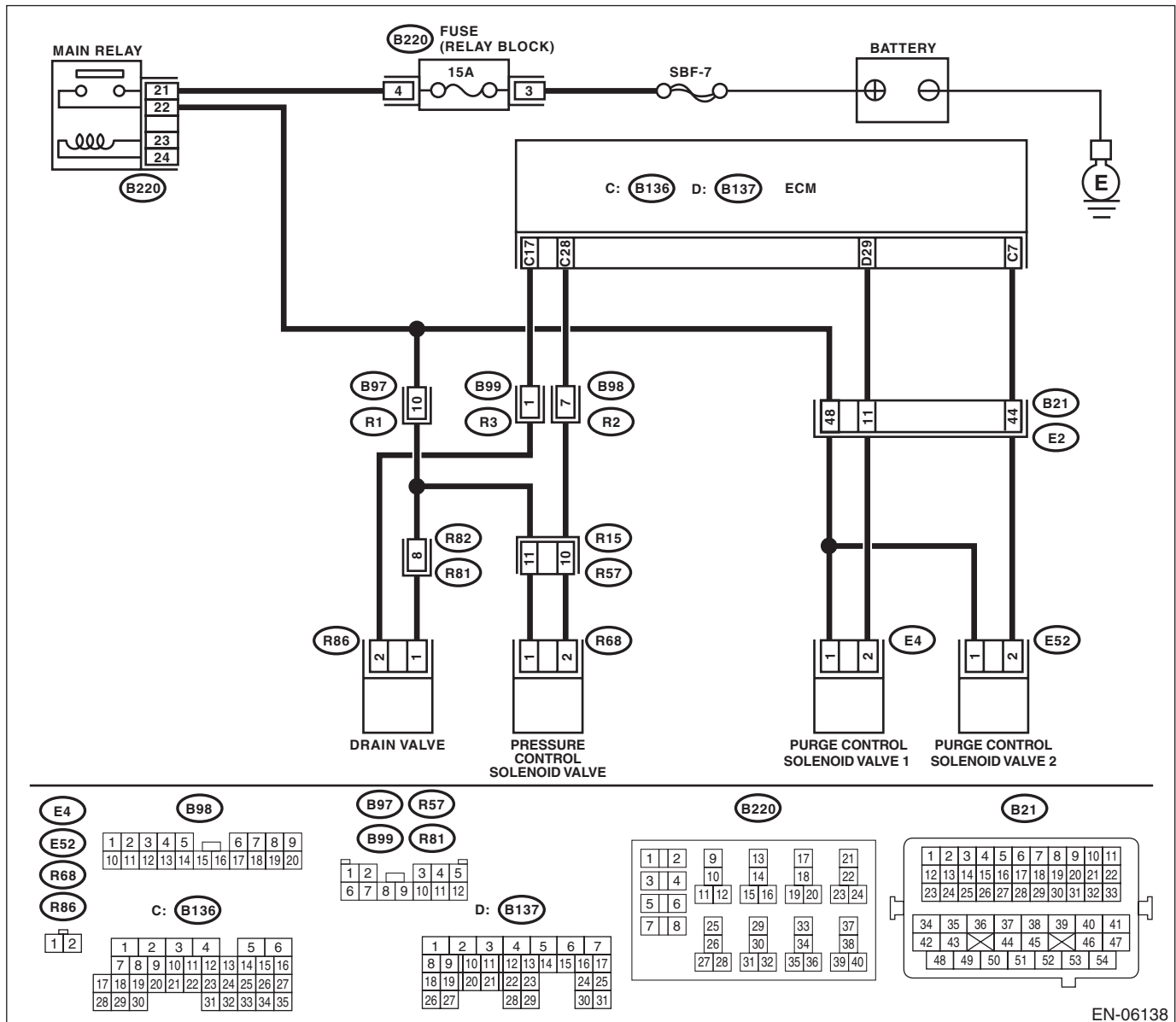
### DTC DETECTING CONDITION:

- Immediately at fault recognition
- GENERAL DESCRIPTION <Ref. to GD(H4DOTC)-132, DTC P0448 EVAPORATIVE EMISSION CONTROL SYSTEM VENT CONTROL CIRCUIT SHORTED, Diagnostic Trouble Code (DTC) Detecting Criteria.>

### CAUTION:

After servicing or replacing faulty parts, perform Clear Memory Mode <Ref. to EN(H4DOTC)(diag)-54, OPERATION, Clear Memory Mode.>, and Inspection Mode <Ref. to EN(H4DOTC)(diag)-43, PROCEDURE, Inspection Mode.>.

### WIRING DIAGRAM:



EN-06138

# Diagnostic Procedure with Diagnostic Trouble Code (DTC)

ENGINE (DIAGNOSTICS)

	Step	Check	Yes	No
1	<b>CHECK HARNESS BETWEEN ECM AND DRAIN VALVE CONNECTOR.</b> 1) Turn the ignition switch to OFF. 2) Disconnect the connectors from the ECM and drain valve. 3) Turn the ignition switch to ON. 4) Measure the voltage between ECM and chassis ground. <b>Connector &amp; terminal</b> <b>(B136) No. 17 (+) — Chassis ground (-):</b>	Is the voltage 10 V or more?	Repair the short circuit to power in the harness between ECM and drain valve connector.	Go to step 2.
2	<b>CHECK DRAIN VALVE.</b> 1) Turn the ignition switch to OFF. 2) Measure the resistance between drain valve terminals. <b>Terminals</b> <b>No. 1 — No. 2:</b>	Is the resistance less than 1 $\Omega$ ?	Replace the drain valve. <Ref. to EC(H4DOTC)-22, Drain Valve.>	Repair the poor contact of ECM connector.

## BO:DTC P0451 EVAPORATIVE EMISSION CONTROL SYSTEM PRESSURE SENSOR

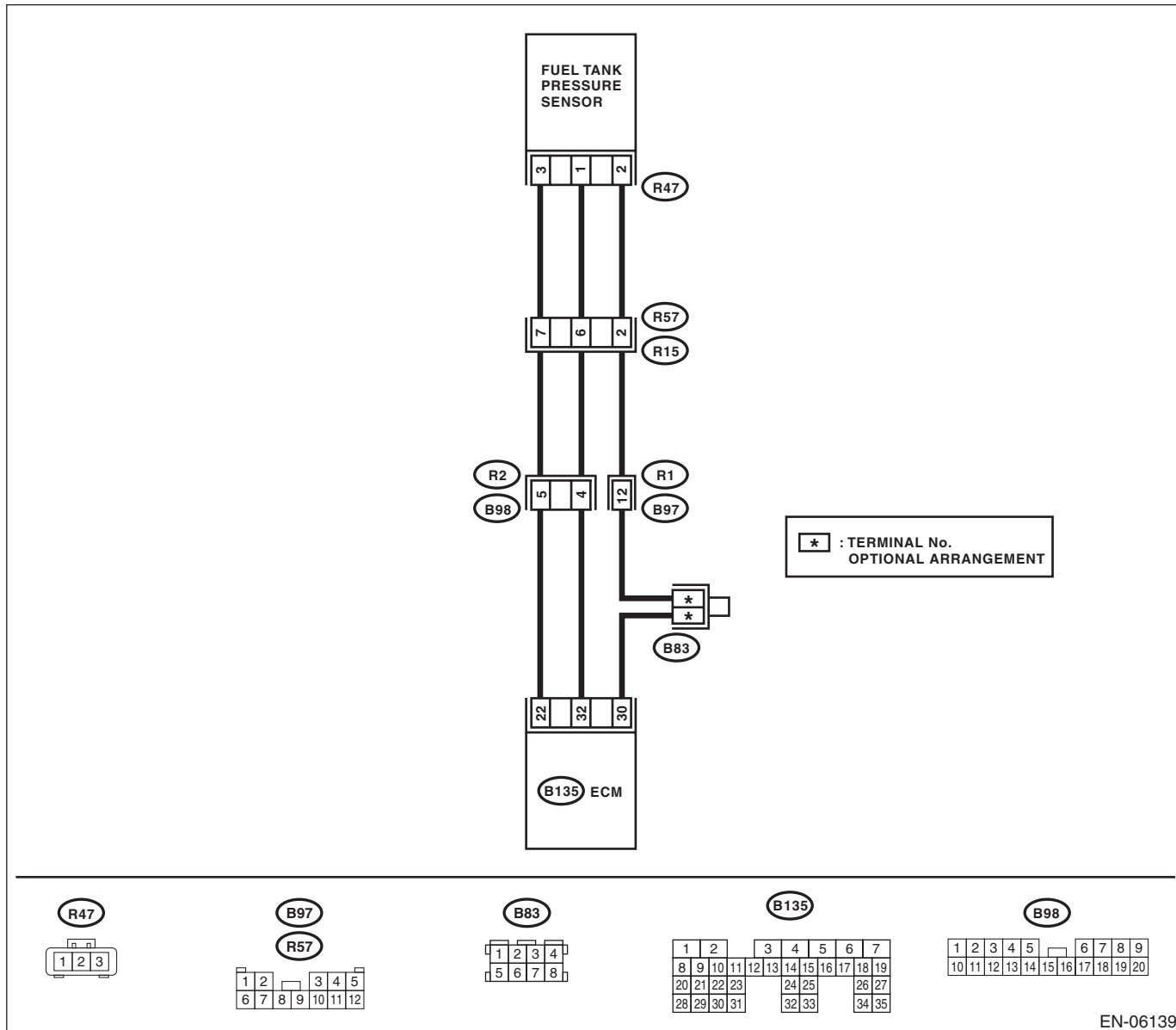
### DTC DETECTING CONDITION:

- Detected when two consecutive driving cycles with fault occur.
- GENERAL DESCRIPTION <Ref. to GD(H4DOTC)-134, DTC P0451 EVAPORATIVE EMISSION CONTROL SYSTEM PRESSURE SENSOR, Diagnostic Trouble Code (DTC) Detecting Criteria.>

### CAUTION:

**After servicing or replacing faulty parts, perform Clear Memory Mode <Ref. to EN(H4DOTC)(diag)-54, OPERATION, Clear Memory Mode.>, and Inspection Mode <Ref. to EN(H4DOTC)(diag)-43, PROCEDURE, Inspection Mode.>.**

### WIRING DIAGRAM:



EN-06139

# Diagnostic Procedure with Diagnostic Trouble Code (DTC)

## ENGINE (DIAGNOSTICS)

	<b>Step</b>	<b>Check</b>	<b>Yes</b>	<b>No</b>
<b>1</b>	<b>CHECK FUEL FILLER CAP.</b> 1) Turn the ignition switch to OFF. 2) Open the fuel flap.	Is the fuel filler cap tightened securely?	Go to step 2.	Tighten fuel filler cap securely.
<b>2</b>	<b>CHECK PRESSURE VACUUM LINE.</b> NOTE: Check the following items. <ul style="list-style-type: none"><li>• Disconnection, leakage and clogging of the vacuum hoses and pipes between fuel tank pressure sensor and fuel tank</li><li>• Disconnection, leakage and clogging of air ventilation hoses and pipes between fuel filler pipe and fuel tank</li></ul>	Is there any fault in pressure/vacuum line?	Repair or replace the hoses and pipes.	Replace the fuel tank pressure sensor. <Ref. to EC(H4DOTC)-18, Fuel Tank Pressure Sensor.>

## BP:DTC P0452 EVAPORATIVE EMISSION CONTROL SYSTEM PRESSURE SENSOR LOW INPUT

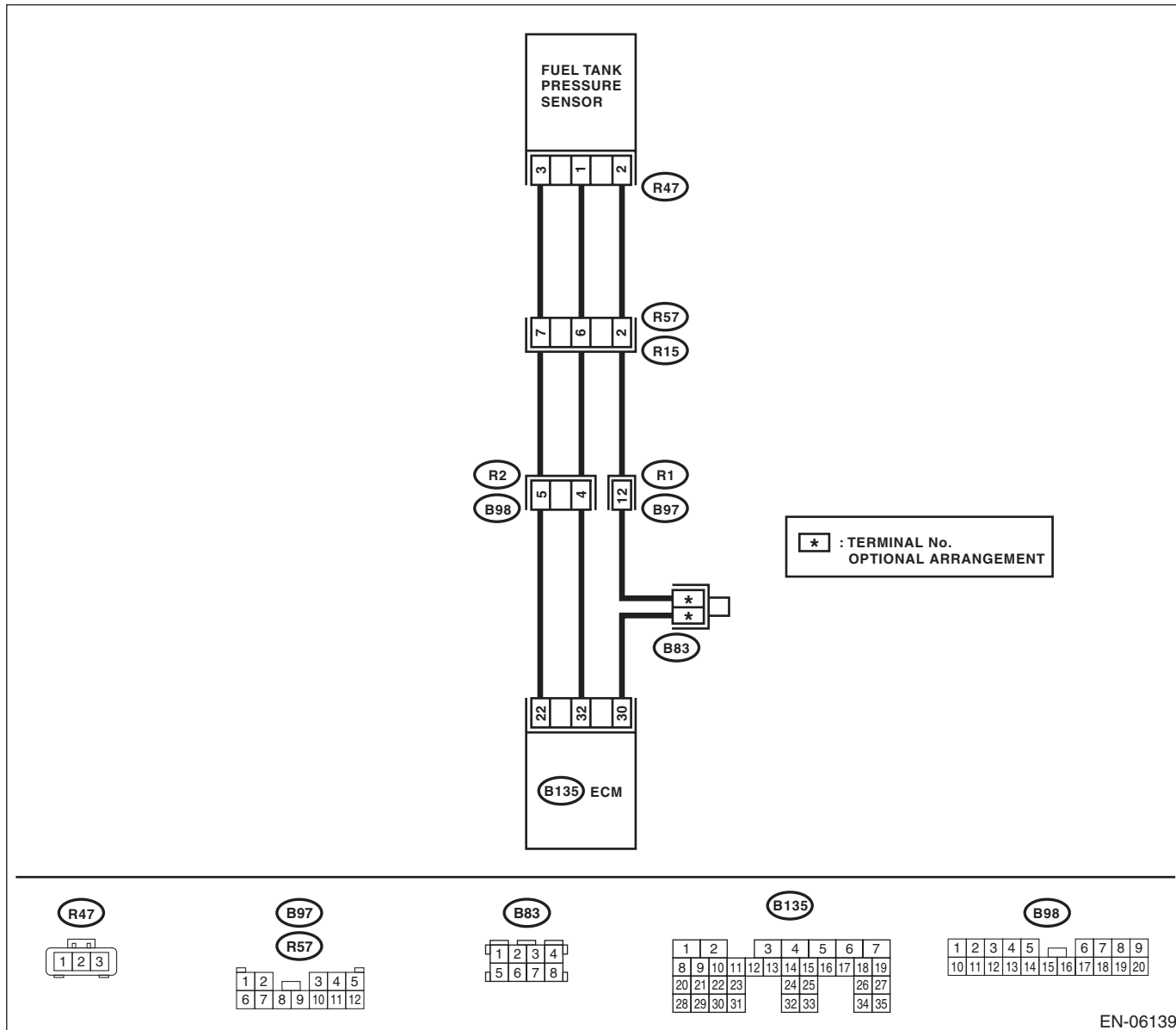
### DTC DETECTING CONDITION:

- Immediately at fault recognition
- GENERAL DESCRIPTION <Ref. to GD(H4DOTC)-136, DTC P0452 EVAPORATIVE EMISSION CONTROL SYSTEM PRESSURE SENSOR LOW INPUT, Diagnostic Trouble Code (DTC) Detecting Criteria.>

### CAUTION:

**After servicing or replacing faulty parts, perform Clear Memory Mode <Ref. to EN(H4DOTC)(diag)-54, OPERATION, Clear Memory Mode.>, and Inspection Mode <Ref. to EN(H4DOTC)(diag)-43, PROCEDURE, Inspection Mode.>.**

### WIRING DIAGRAM:



# Diagnostic Procedure with Diagnostic Trouble Code (DTC)

## ENGINE (DIAGNOSTICS)

Step	Check	Yes	No
<b>1</b> <b>CHECK CURRENT DATA.</b> 1) Turn the ignition switch to ON. 2) Read the data of fuel tank pressure sensor signal using the Subaru Select Monitor or general scan tool.  NOTE: • Subaru Select Monitor For detailed operation procedures, refer to "READ CURRENT DATA FOR ENGINE". <Ref. to EN(H4DOTC)(diag)-34, Subaru Select Monitor.> • General scan tool For detailed operation procedures, refer to the general scan tool operation manual.	Is the measured value less than -7.45 kPa (-55.89 mmHg, -2.2003 inHg) ?	Go to step 2.	Even if DTC is detected, the circuit has returned to a normal condition at this time. Reproduce the failure, and then perform the diagnosis again.  NOTE: In this case, temporary poor contact of connector may be the cause.
<b>2</b> <b>CHECK FUEL TANK PRESSURE SENSOR POWER SUPPLY.</b> 1) Turn the ignition switch to OFF. 2) Disconnect the connector from the fuel tank pressure sensor. 3) Turn the ignition switch to ON. 4) Measure the voltage between the fuel tank pressure sensor connector and chassis ground. <b>Connector &amp; terminal</b> <b>(R47) No. 3 (+) — Chassis ground (-):</b>	Is the voltage 4.5 V or more?	Go to step 3.	Repair the harness and connector.  NOTE: In this case, repair the following item: • Open circuit of harness between ECM and fuel tank pressure sensor connector • Poor contact of ECM connector • Poor contact of coupling connector
<b>3</b> <b>CHECK HARNESS BETWEEN ECM AND FUEL TANK PRESSURE SENSOR CONNECTOR.</b> 1) Turn the ignition switch to OFF. 2) Disconnect the connectors from ECM. 3) Measure the resistance of harness between the ECM and fuel tank pressure sensor connector. <b>Connector &amp; terminal</b> <b>(B135) No. 32 — (R47) No. 1:</b>	Is the resistance less than 1 Ω?	Go to step 4.	Repair the harness and connector.  NOTE: In this case, repair the following item: • Open circuit of harness between ECM and fuel tank pressure sensor connector • Poor contact of coupling connector
<b>4</b> <b>CHECK HARNESS BETWEEN ECM AND FUEL TANK PRESSURE SENSOR CONNECTOR.</b> Measure the resistance between ECM and chassis ground. <b>Connector &amp; terminal</b> <b>(B135) No. 32 — Chassis ground:</b>	Is the resistance 1 MΩ or more?	Go to step 5.	Repair the ground short circuit of harness between ECM and fuel tank pressure sensor connector.
<b>5</b> <b>CHECK POOR CONTACT.</b> Check for poor contact between the ECM and fuel tank pressure sensor connector.	Is there poor contact of the ECM or fuel tank pressure sensor connector?	Repair the poor contact of the ECM or fuel tank pressure sensor connector.	Replace the fuel tank pressure sensor. <Ref. to EC(H4DOTC)-18, Fuel Tank Pressure Sensor.>

## BQ:DTC P0453 EVAPORATIVE EMISSION CONTROL SYSTEM PRESSURE SENSOR HIGH INPUT

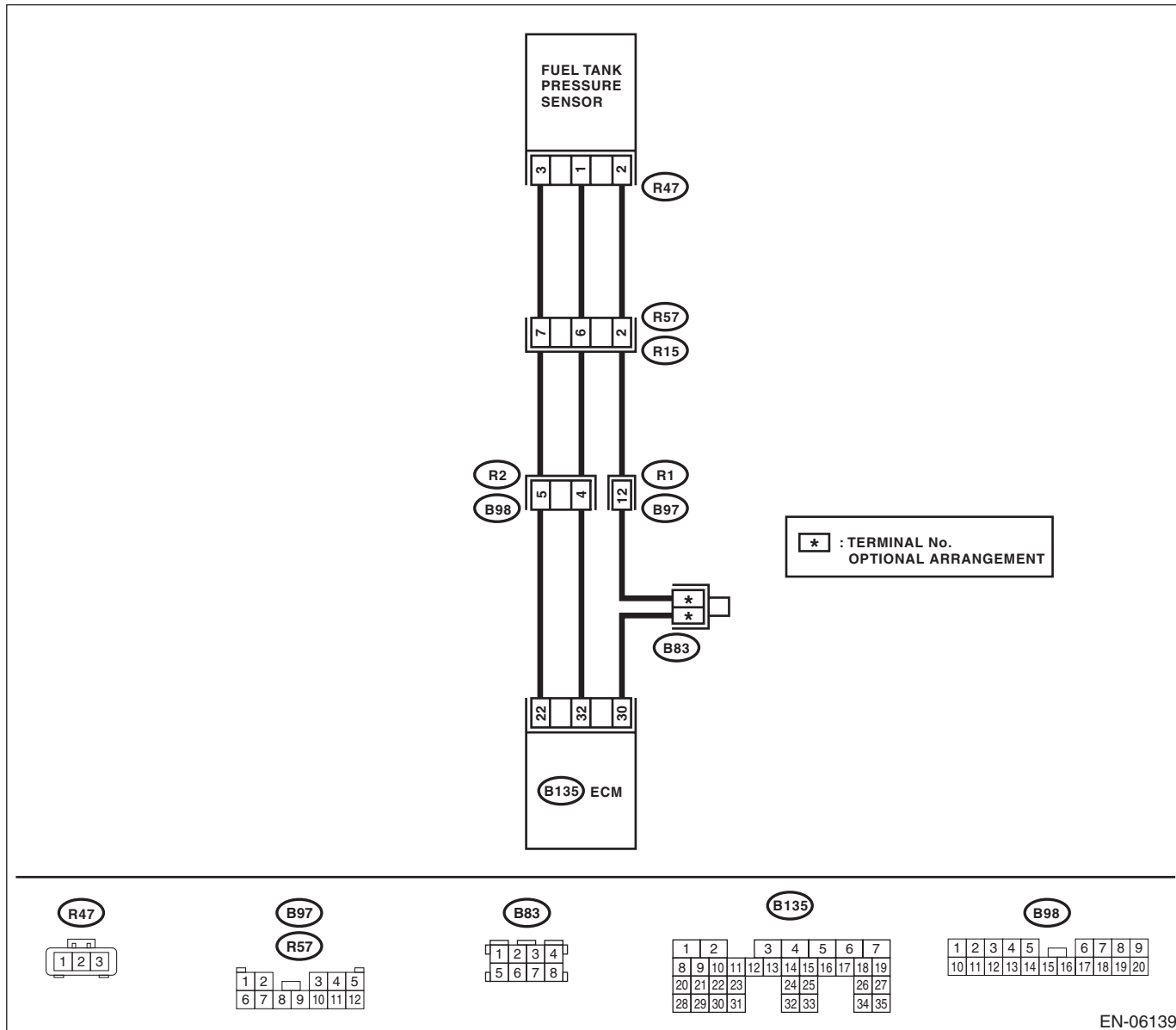
### DTC DETECTING CONDITION:

- Immediately at fault recognition
- GENERAL DESCRIPTION <Ref. to GD(H4DOTC)-138, DTC P0453 EVAPORATIVE EMISSION CONTROL SYSTEM PRESSURE SENSOR HIGH INPUT, Diagnostic Trouble Code (DTC) Detecting Criteria.>

### CAUTION:

**After servicing or replacing faulty parts, perform Clear Memory Mode <Ref. to EN(H4DOTC)(diag)-54, OPERATION, Clear Memory Mode.>, and Inspection Mode <Ref. to EN(H4DOTC)(diag)-43, PROCEDURE, Inspection Mode.>.**

### WIRING DIAGRAM:





# Diagnostic Procedure with Diagnostic Trouble Code (DTC)

## ENGINE (DIAGNOSTICS)

Step	Check	Yes	No
<b>1</b> <b>CHECK CURRENT DATA.</b> 1) Turn the ignition switch to ON. 2) Read the data of fuel tank pressure sensor signal using the Subaru Select Monitor or general scan tool.  NOTE: • Subaru Select Monitor For detailed operation procedures, refer to "READ CURRENT DATA FOR ENGINE". <Ref. to EN(H4DOTC)(diag)-34, Subaru Select Monitor.> • General scan tool For detailed operation procedures, refer to the general scan tool operation manual.	Is the measured value 7.95 kPa (59.6 mmHg, 2.347 inHg) or more?	Go to step 2.	Even if DTC is detected, the circuit has returned to a normal condition at this time. Reproduce the failure, and then perform the diagnosis again.  NOTE: In this case, temporary poor contact of connector may be the cause.
<b>2</b> <b>CHECK HARNESS BETWEEN ECM AND FUEL TANK PRESSURE SENSOR CONNECTOR.</b> 1) Turn the ignition switch to OFF. 2) Disconnect the connector from the fuel tank pressure sensor. 3) Turn the ignition switch to ON. 4) Read the data of fuel tank pressure sensor signal using the Subaru Select Monitor or general scan tool.  NOTE: • Subaru Select Monitor For detailed operation procedures, refer to "READ CURRENT DATA FOR ENGINE". <Ref. to EN(H4DOTC)(diag)-34, Subaru Select Monitor.> • General scan tool For detailed operation procedures, refer to the general scan tool operation manual.	Is the measured value 7.95 kPa (59.6 mmHg, 2.347 inHg) or more?	Repair the short circuit to power in the harness between ECM and fuel tank pressure sensor connector.	Go to step 3.
<b>3</b> <b>CHECK HARNESS BETWEEN ECM AND FUEL TANK PRESSURE SENSOR CONNECTOR.</b> 1) Turn the ignition switch to OFF. 2) Measure the resistance of harness between fuel tank pressure sensor connector and engine ground.  <b>Connector &amp; terminal</b> <b>(R47) No. 2 — Engine ground:</b>	Is the resistance less than 5 Ω?	Go to step 4.	Repair the harness and connector.  NOTE: In this case, repair the following item: • Open circuit of harness between ECM and fuel tank pressure sensor connector • Poor contact of ECM connector • Poor contact of coupling connector
<b>4</b> <b>CHECK POOR CONTACT.</b> Check for poor contact of the fuel tank pressure sensor connector.	Is there poor contact of fuel tank pressure sensor connector?	Repair the poor contact of fuel tank pressure sensor connector.	Replace the fuel tank pressure sensor. <Ref. to EC(H4DOTC)-18, Fuel Tank Pressure Sensor.>

# Diagnostic Procedure with Diagnostic Trouble Code (DTC)

ENGINE (DIAGNOSTICS)

## BR:DTC P0456 EVAPORATIVE EMISSION CONTROL SYSTEM LEAK DETECTED (VERY SMALL LEAK)

### DTC DETECTING CONDITION:

- Detected when two consecutive driving cycles with fault occur.
- GENERAL DESCRIPTION <Ref. to GD(H4DOTC)-139, DTC P0456 EVAPORATIVE EMISSION CONTROL SYSTEM LEAK DETECTED (VERY SMALL LEAK), Diagnostic Trouble Code (DTC) Detecting Criteria.>

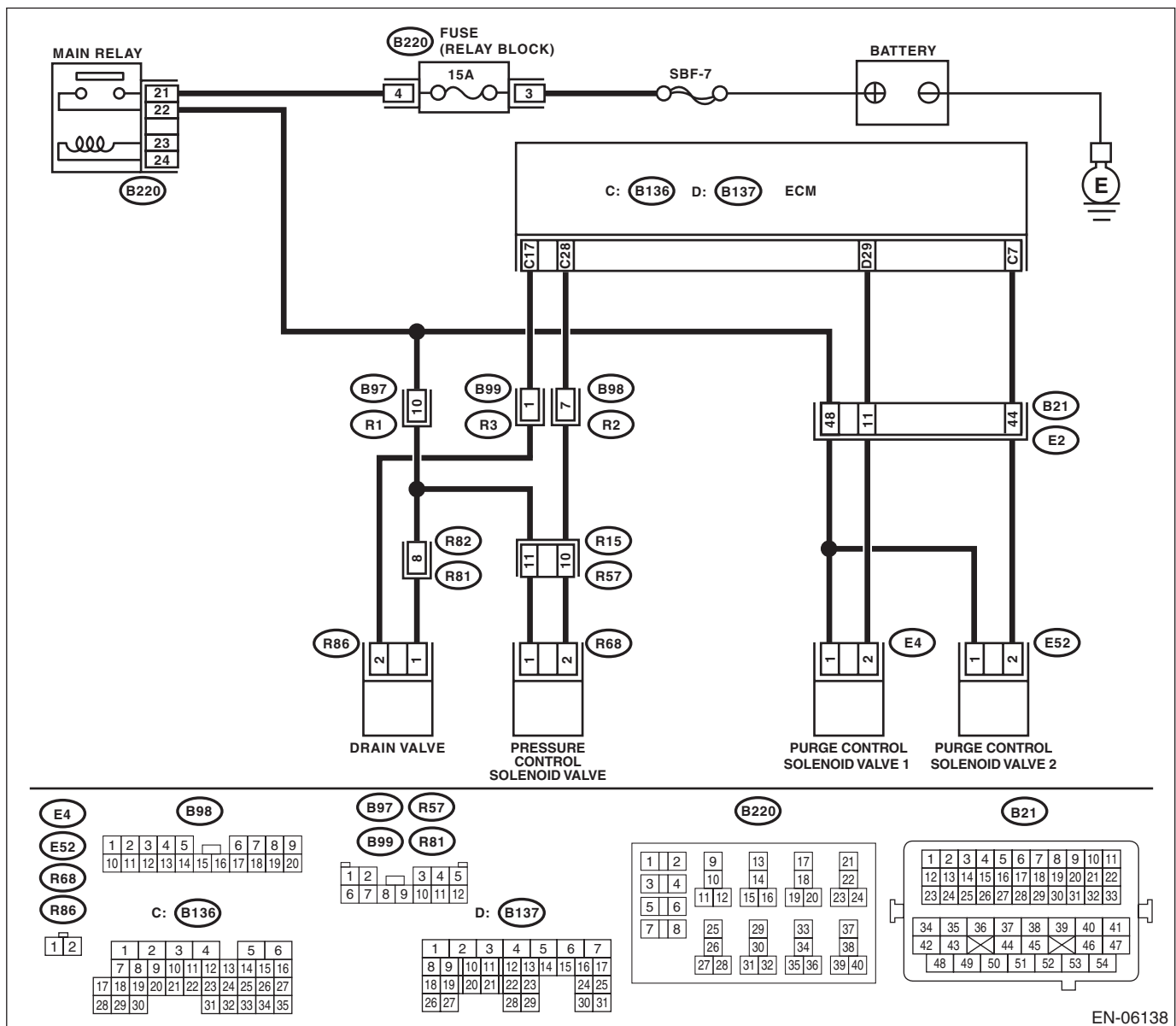
### TROUBLE SYMPTOM:

- Fuel odor
- There is a hole of more than 0.5 mm (0.020 in) dia. in evaporation system or fuel tank.

### CAUTION:

After servicing or replacing faulty parts, perform Clear Memory Mode <Ref. to EN(H4DOTC)(diag)-54, OPERATION, Clear Memory Mode.>, and Inspection Mode <Ref. to EN(H4DOTC)(diag)-43, PROCEDURE, Inspection Mode.>.

### WIRING DIAGRAM:



EN-06138

# Diagnostic Procedure with Diagnostic Trouble Code (DTC)

## ENGINE (DIAGNOSTICS)

	Step	Check	Yes	No
1	<b>CHECK FUEL FILLER CAP.</b> 1) Turn the ignition switch to OFF. 2) Check the fuel filler cap.  NOTE: The DTC is stored in memory if fuel filler cap is or was loose or if the cap chain has caught while tightening.	Is the fuel filler cap tightened securely?	Go to step 2.	Tighten fuel filler cap securely.
2	<b>CHECK FUEL FILLER CAP.</b>	Is the fuel filler cap genuine?	Go to step 3.	Replace with a genuine fuel filler cap.
3	<b>CHECK FUEL FILLER PIPE GASKET.</b>	Is there any damage to the seal between fuel filler cap and fuel filler pipe?	Repair or replace the fuel filler cap and fuel filler pipe. <Ref. to FU(H4DOTC)-69, Fuel Filler Pipe.>	Go to step 4.
4	<b>CHECK DRAIN VALVE.</b> 1) Connect the delivery (test) mode connector. 2) Turn the ignition switch to ON. 3) Operate the drain valve using the Subaru Select Monitor.  NOTE: Drain valve can be operated using the Subaru Select Monitor. For the procedures, refer to "Compulsory Valve Operation Check Mode". <Ref. to EN(H4DOTC)(diag)-55, Compulsory Valve Operation Check Mode.>	Does the drain valve operate?	Go to step 5.	Replace the drain valve. <Ref. to EC(H4DOTC)-22, Drain Valve.>
5	<b>CHECK PURGE CONTROL SOLENOID VALVE.</b> Operate the purge control solenoid valve using the Subaru Select Monitor.  NOTE: Purge control solenoid valve operation can be executed using Subaru Select Monitor. For the procedures, refer to "Compulsory Valve Operation Check Mode". <Ref. to EN(H4DOTC)(diag)-55, Compulsory Valve Operation Check Mode.>	Does the purge control solenoid valve operate?	Go to step 6.	Replace the purge control solenoid valve. <Ref. to EC(H4DOTC)-11, Purge Control Solenoid Valve.>
6	<b>CHECK PRESSURE CONTROL SOLENOID VALVE.</b> Operate the pressure control solenoid valve using the Subaru Select Monitor.  NOTE: The pressure control solenoid valve operation can be executed using the Subaru Select Monitor. For the procedures, refer to "Compulsory Valve Operation Check Mode". <Ref. to EN(H4DOTC)(diag)-55, Compulsory Valve Operation Check Mode.>	Does the pressure control solenoid valve operate?	Go to step 7.	Replace the pressure control solenoid valve. <Ref. to EC(H4DOTC)-19, Pressure Control Solenoid Valve.>
7	<b>CHECK EVAPORATIVE EMISSION CONTROL SYSTEM LINE.</b> 1) Turn the ignition switch to OFF. 2) Disconnect the delivery (test) mode connector.	Is there any hole of more than 0.5 mm (0.020 in) dia. on evaporation line?	Repair or replace the evaporation line. <Ref. to FU(H4DOTC)-84, Fuel Delivery, Return and Evaporation Lines.>	Go to step 8.

# Diagnostic Procedure with Diagnostic Trouble Code (DTC)

ENGINE (DIAGNOSTICS)

	<b>Step</b>	<b>Check</b>	<b>Yes</b>	<b>No</b>
<b>8</b>	<b>CHECK CANISTER.</b>	Is the canister damaged or is there a hole of more than 0.5 mm (0.020 in) dia. in it?	Repair or replace the canister. <Ref. to EC(H4DOTC)-7, Canister.>	Go to step <b>9</b> .
<b>9</b>	<b>CHECK FUEL TANK.</b> Remove the fuel tank. <Ref. to FU(H4DOTC)-62, Fuel Tank.>	Is the fuel tank damaged or is there any hole of more than 0.5 mm (0.020 in) dia. in it?	Repair or replace the fuel tank. <Ref. to FU(H4DOTC)-62, Fuel Tank.>	Go to step <b>10</b> .
<b>10</b>	<b>CHECK ANY OTHER MECHANICAL TROUBLE IN EVAPORATIVE EMISSION CONTROL SYSTEM.</b>	Is there any hole of more than 0.5 mm (0.020 in) dia., crack, clogging, or disconnections, bend, misconnection of hoses or pipes in evaporative emission control system?	Repair or replace the hoses or pipes.	Repair the poor contact of ECM connector.

# Diagnostic Procedure with Diagnostic Trouble Code (DTC)

ENGINE (DIAGNOSTICS)

## BS:DTC P0457 EVAPORATIVE EMISSION CONTROL SYSTEM LEAK DETECTED (FUEL CAP LOOSE/OFF)

### DTC DETECTING CONDITION:

- Detected when two consecutive driving cycles with fault occur.
- GENERAL DESCRIPTION <Ref. to GD(H4DOTC)-139, DTC P0457 EVAPORATIVE EMISSION CONTROL SYSTEM LEAK DETECTED (FUEL CAP LOOSE/OFF), Diagnostic Trouble Code (DTC) Detecting Criteria.>

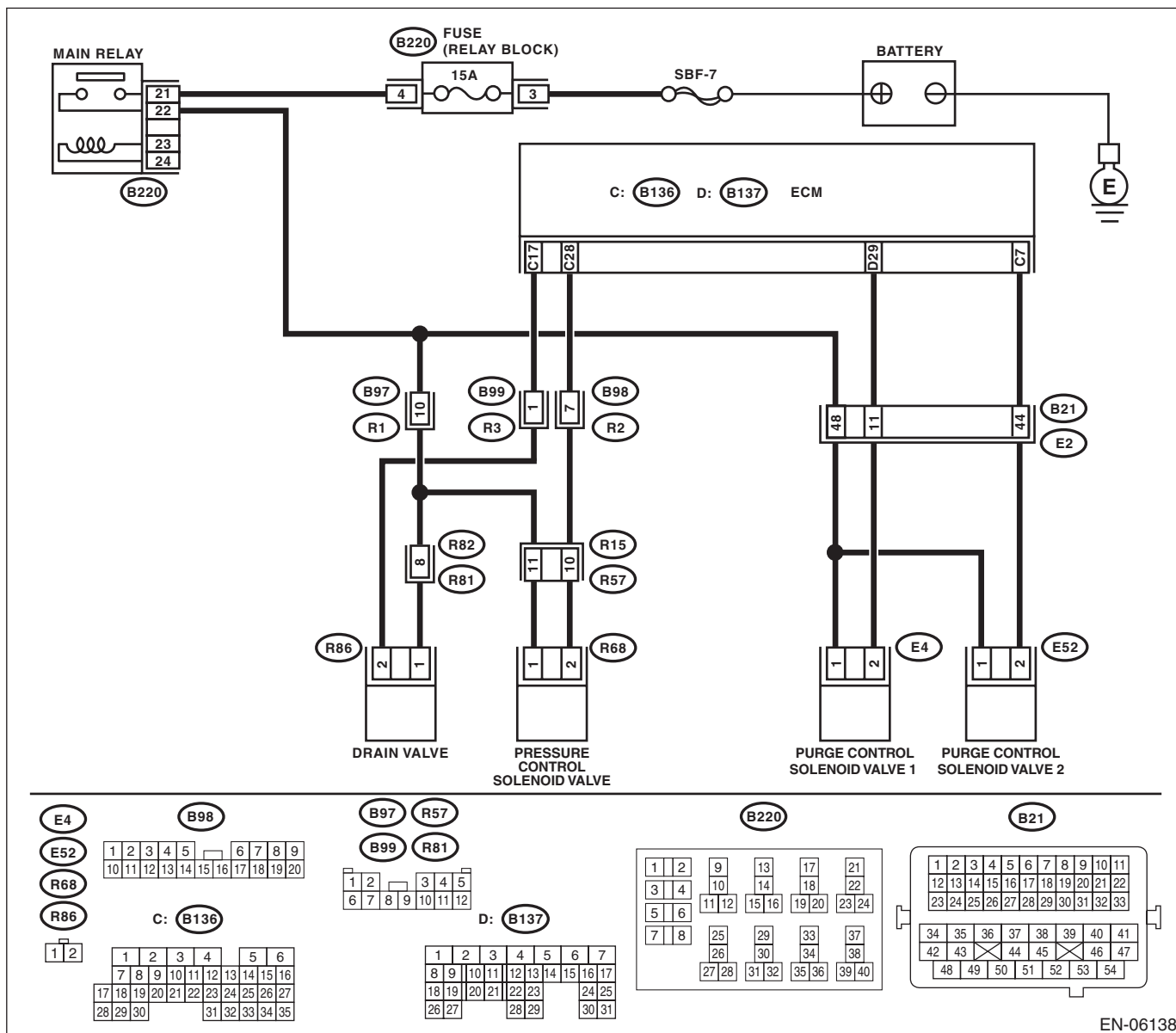
### TROUBLE SYMPTOM:

- Fuel odor
- Fuel filler cap loose or lost

### CAUTION:

After servicing or replacing faulty parts, perform Clear Memory Mode <Ref. to EN(H4DOTC)(diag)-54, OPERATION, Clear Memory Mode.>, and Inspection Mode <Ref. to EN(H4DOTC)(diag)-43, PROCEDURE, Inspection Mode.>.

### WIRING DIAGRAM:



EN-06138

# Diagnostic Procedure with Diagnostic Trouble Code (DTC)

ENGINE (DIAGNOSTICS)

	Step	Check	Yes	No
1	<b>CHECK FUEL FILLER CAP.</b> 1) Turn the ignition switch to OFF. 2) Check the fuel filler cap.  NOTE: The DTC is stored in memory if fuel filler cap is or was loose or if the cap chain has caught while tightening.	Is the fuel filler cap tightened securely?	Go to step 2.	Tighten fuel filler cap securely.
2	<b>CHECK FUEL FILLER CAP.</b>	Is the fuel filler cap genuine?	Go to step 3.	Replace with a genuine fuel filler cap.
3	<b>CHECK FUEL FILLER PIPE GASKET.</b>	Is there any damage to the seal between fuel filler cap and fuel filler pipe?	Repair or replace the fuel filler cap and fuel filler pipe. <Ref. to FU(H4DOTC)-69, Fuel Filler Pipe.>	Go to step 4.
4	<b>CHECK DRAIN VALVE.</b> 1) Connect the delivery (test) mode connector. 2) Turn the ignition switch to ON. 3) Operate the drain valve using the Subaru Select Monitor.  NOTE: Drain valve can be operated using the Subaru Select Monitor. For the procedures, refer to "Compulsory Valve Operation Check Mode". <Ref. to EN(H4DOTC)(diag)-55, Compulsory Valve Operation Check Mode.>	Does the drain valve operate?	Go to step 5.	Replace the drain valve. <Ref. to EC(H4DOTC)-22, Drain Valve.>
5	<b>CHECK PURGE CONTROL SOLENOID VALVE.</b> Operate the purge control solenoid valve using the Subaru Select Monitor.  NOTE: Purge control solenoid valve operation can be executed using Subaru Select Monitor. For the procedures, refer to "Compulsory Valve Operation Check Mode". <Ref. to EN(H4DOTC)(diag)-55, Compulsory Valve Operation Check Mode.>	Does the purge control solenoid valve operate?	Go to step 6.	Replace the purge control solenoid valve. <Ref. to EC(H4DOTC)-11, Purge Control Solenoid Valve.>
6	<b>CHECK PRESSURE CONTROL SOLENOID VALVE.</b> Operate the pressure control solenoid valve using the Subaru Select Monitor.  NOTE: The pressure control solenoid valve operation can be executed using the Subaru Select Monitor. For the procedures, refer to "Compulsory Valve Operation Check Mode". <Ref. to EN(H4DOTC)(diag)-55, Compulsory Valve Operation Check Mode.>	Does the pressure control solenoid valve operate?	Go to step 7.	Replace the pressure control solenoid valve. <Ref. to EC(H4DOTC)-19, Pressure Control Solenoid Valve.>
7	<b>CHECK EVAPORATIVE EMISSION CONTROL SYSTEM LINE.</b> 1) Turn the ignition switch to OFF. 2) Disconnect the delivery (test) mode connector.	Is there any disconnection, damage or clogging on the evaporation line?	Repair or replace the evaporation line. <Ref. to FU(H4DOTC)-84, Fuel Delivery, Return and Evaporation Lines.>	Go to step 8.

## Diagnostic Procedure with Diagnostic Trouble Code (DTC)

### ENGINE (DIAGNOSTICS)

	<b>Step</b>	<b>Check</b>	<b>Yes</b>	<b>No</b>
<b>8</b>	<b>CHECK CANISTER.</b>	Is the canister damaged?	Repair or replace the canister. <Ref. to EC(H4DOTC)-7, Canister.>	Go to step <b>9</b> .
<b>9</b>	<b>CHECK FUEL TANK.</b> Remove the fuel tank. <Ref. to FU(H4DOTC)-62, Fuel Tank.>	Is the fuel tank damaged?	Repair or replace the fuel tank. <Ref. to FU(H4DOTC)-62, Fuel Tank.>	Go to step <b>10</b> .
<b>10</b>	<b>CHECK ANY OTHER MECHANICAL TROUBLE IN EVAPORATIVE EMISSION CONTROL SYSTEM.</b>	Are there holes, cracks, clogging, or disconnections, misconnection of hoses or pipes in evaporative emission control system?	Repair or replace the hoses or pipes.	Repair the poor contact of ECM connector.

# Diagnostic Procedure with Diagnostic Trouble Code (DTC)

ENGINE (DIAGNOSTICS)

## BT:DTC P0458 EVAPORATIVE EMISSION SYSTEM PURGE CONTROL VALVE CIRCUIT LOW

### DTC DETECTING CONDITION:

- Detected when two consecutive driving cycles with fault occur.
- GENERAL DESCRIPTION <Ref. to GD(H4DOTC)-140, DTC P0458 EVAPORATIVE EMISSION SYSTEM PURGE CONTROL VALVE CIRCUIT LOW, Diagnostic Trouble Code (DTC) Detecting Criteria.>

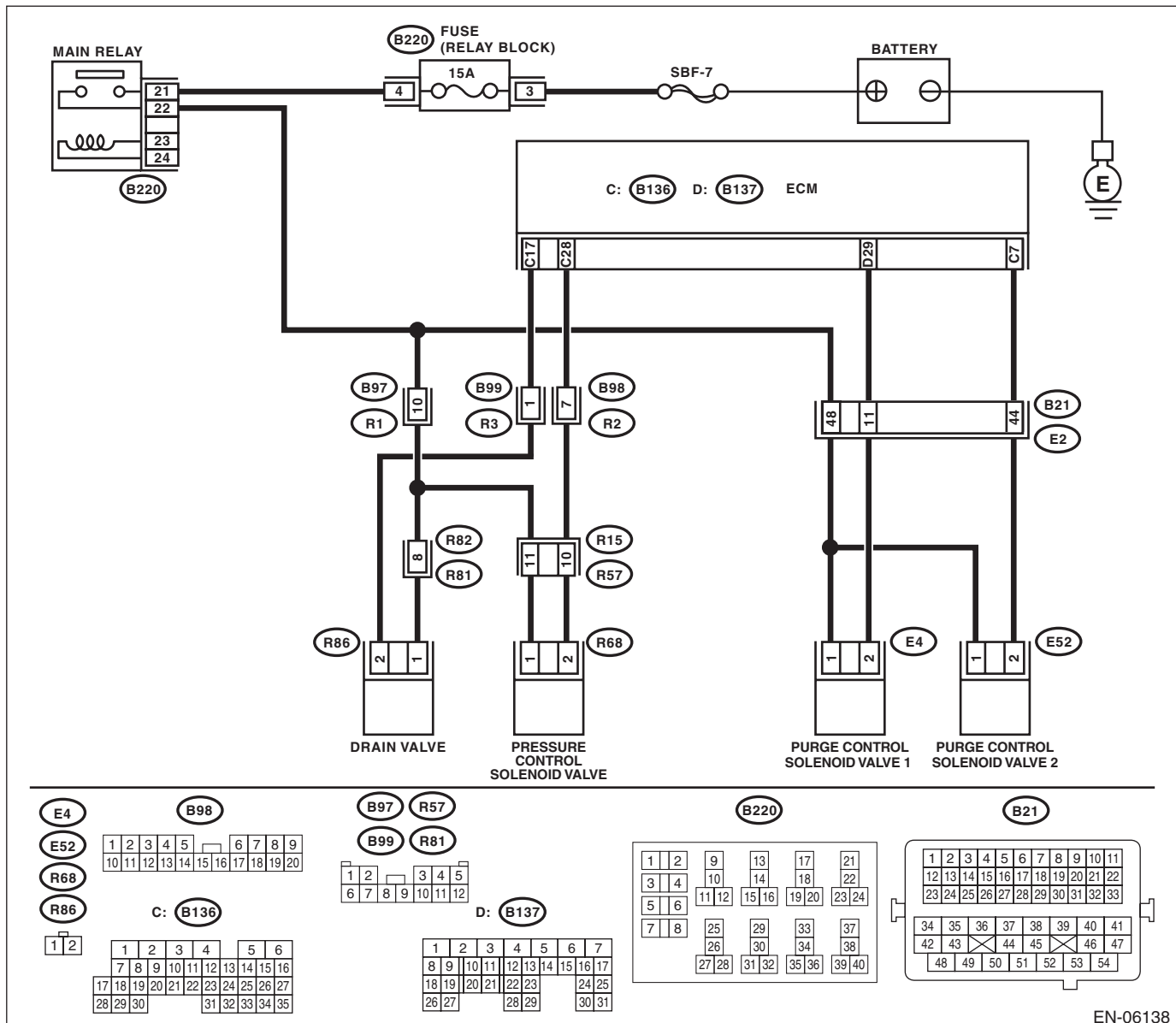
### TROUBLE SYMPTOM:

Improper idling

### CAUTION:

After servicing or replacing faulty parts, perform Clear Memory Mode <Ref. to EN(H4DOTC)(diag)-54, OPERATION, Clear Memory Mode.>, and Inspection Mode <Ref. to EN(H4DOTC)(diag)-43, PROCEDURE, Inspection Mode.>.

### WIRING DIAGRAM:



EN-06138



# Diagnostic Procedure with Diagnostic Trouble Code (DTC)

## ENGINE (DIAGNOSTICS)

Step	Check	Yes	No
<b>1 CHECK OUTPUT SIGNAL OF ECM.</b> 1) Turn the ignition switch to ON. 2) Measure the voltage between ECM and chassis ground. <i>Connector &amp; terminal</i> <i>(B137) No. 29 (+) — Chassis ground (-):</i>	Is the voltage 10 V or more?	Repair the poor contact of ECM connector.	Go to step 2.
<b>2 CHECK HARNESS BETWEEN ECM AND PURGE CONTROL SOLENOID VALVE CONNECTOR.</b> 1) Turn the ignition switch to OFF. 2) Disconnect the connectors from ECM and purge control solenoid valve. 3) Measure the resistance between the purge control solenoid valve connector and engine ground. <i>Connector &amp; terminal</i> <i>(E4) No. 2 — Engine ground:</i>	Is the resistance 1 M $\Omega$ or more?	Go to step 3.	Repair the ground short circuit of harness between ECM and purge control solenoid valve connector.
<b>3 CHECK HARNESS BETWEEN ECM AND PURGE CONTROL SOLENOID VALVE CONNECTOR.</b> Measure the resistance of harness between ECM and purge control solenoid valve. <i>Connector &amp; terminal</i> <i>(B137) No. 29 — (E4) No. 2:</i>	Is the resistance less than 1 $\Omega$ ?	Go to step 4.	Repair the harness and connector. NOTE: In this case, repair the following item: <ul style="list-style-type: none"> <li>• Open circuit in harness between ECM and purge control solenoid valve connector</li> <li>• Poor contact of coupling connector</li> </ul>
<b>4 CHECK PURGE CONTROL SOLENOID VALVE.</b> 1) Remove the purge control solenoid valve. 2) Measure the resistance between purge control solenoid valve terminals. <i>Terminals</i> <i>No. 1 — No. 2:</i>	Is the resistance 10 — 100 $\Omega$ ?	Go to step 5.	Replace the purge control solenoid valve. <Ref. to EC(H4DOTC)-11, Purge Control Solenoid Valve.>
<b>5 CHECK POWER SUPPLY TO PURGE CONTROL SOLENOID VALVE CONNECTOR.</b> 1) Turn the ignition switch to ON. 2) Measure the voltage between purge control solenoid valve and engine ground. <i>Connector &amp; terminal</i> <i>(E4) No. 1 (+) — Engine ground (-):</i>	Is the voltage 10 V or more?	Repair the poor contact of purge control solenoid valve connector.	Repair the harness and connector. NOTE: In this case, repair the following item: <ul style="list-style-type: none"> <li>• Open circuit in harness between main relay connector and purge control solenoid valve connector</li> <li>• Poor contact of coupling connector</li> <li>• Poor contact of main relay connector</li> </ul>

# Diagnostic Procedure with Diagnostic Trouble Code (DTC)

ENGINE (DIAGNOSTICS)

## BU:DTC P0459 EVAPORATIVE EMISSION SYSTEM PURGE CONTROL VALVE CIRCUIT HIGH

### DTC DETECTING CONDITION:

- Detected when two consecutive driving cycles with fault occur.
- GENERAL DESCRIPTION <Ref. to GD(H4DOTC)-142, DTC P0459 EVAPORATIVE EMISSION SYSTEM PURGE CONTROL VALVE CIRCUIT HIGH, Diagnostic Trouble Code (DTC) Detecting Criteria.>

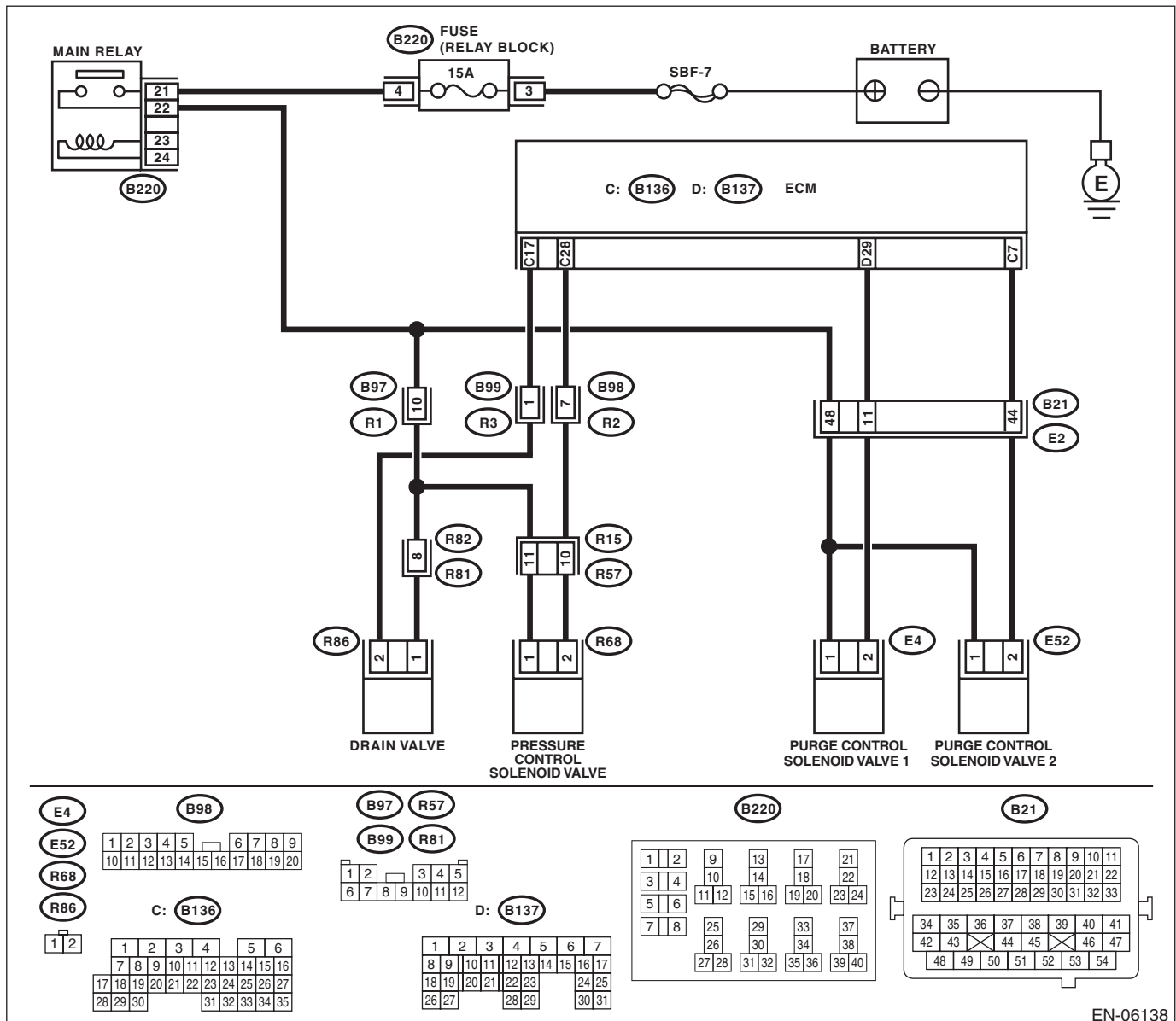
### TROUBLE SYMPTOM:

Improper idling

### CAUTION:

After servicing or replacing faulty parts, perform Clear Memory Mode <Ref. to EN(H4DOTC)(diag)-54, OPERATION, Clear Memory Mode.>, and Inspection Mode <Ref. to EN(H4DOTC)(diag)-43, PROCEDURE, Inspection Mode.>.

### WIRING DIAGRAM:



EN-06138

# Diagnostic Procedure with Diagnostic Trouble Code (DTC)

ENGINE (DIAGNOSTICS)

	Step	Check	Yes	No
1	<b>CHECK HARNESS BETWEEN ECM AND PURGE CONTROL SOLENOID VALVE CONNECTOR.</b> 1) Turn the ignition switch to OFF. 2) Disconnect the connectors from ECM and purge control solenoid valve. 3) Turn the ignition switch to ON. 4) Measure the voltage between ECM and chassis ground. <b>Connector &amp; terminal</b> <b>(B137) No. 29 (+) — Chassis ground (-):</b>	Is the voltage 10 V or more?	Repair the short circuit to power in the harness between ECM and purge control solenoid valve connector.	Go to step 2.
2	<b>CHECK PURGE CONTROL SOLENOID VALVE.</b> 1) Turn the ignition switch to OFF. 2) Measure the resistance between purge control solenoid valve terminals. <b>Terminals</b> <b>No. 1 — No. 2:</b>	Is the resistance less than 1 $\Omega$ ?	Replace the purge control solenoid valve. <Ref. to EC(H4DOTC)-11, Purge Control Solenoid Valve.>	Repair the poor contact of ECM connector.

# Diagnostic Procedure with Diagnostic Trouble Code (DTC)

ENGINE (DIAGNOSTICS)

## BV:DTC P0461 FUEL LEVEL SENSOR “A” CIRCUIT RANGE/PERFORMANCE

### DTC DETECTING CONDITION:

- Detected when two consecutive driving cycles with fault occur.
- GENERAL DESCRIPTION <Ref. to GD(H4DOTC)-144, DTC P0461 FUEL LEVEL SENSOR “A” CIRCUIT RANGE/PERFORMANCE, Diagnostic Trouble Code (DTC) Detecting Criteria.>

### CAUTION:

After repair or replacement of faulty parts, perform Clear Memory Mode <Ref. to EN(H4DOTC)(diag)-54, OPERATION, Clear Memory Mode.> and Inspection Mode <Ref. to EN(H4DOTC)(diag)-43, PROCEDURE, Inspection Mode.>.

Step	Check	Yes	No
1 CHECK FOR ANY OTHER DTC ON DISPLAY.	Is any other DTC displayed?	Check the appropriate DTC using the “List of Diagnostic Trouble Code (DTC)”. <Ref. to EN(H4DOTC)(diag)-83, List of Diagnostic Trouble Code (DTC).>	Replace the fuel level sensor and fuel sub level sensor. <Ref. to FU(H4DOTC)-75, Fuel Level Sensor.> <Ref. to FU(H4DOTC)-76, Fuel Sub Level Sensor.>

## BW:DTC P0462 FUEL LEVEL SENSOR “A” CIRCUIT LOW

### NOTE:

For the diagnostic procedure, refer to DTC P0463. <Ref. to EN(H4DOTC)(diag)-241, DTC P0463 FUEL LEVEL SENSOR “A” CIRCUIT HIGH, Diagnostic Procedure with Diagnostic Trouble Code (DTC).>

## BX:DTC P0463 FUEL LEVEL SENSOR “A” CIRCUIT HIGH

### DTC DETECTING CONDITION:

- Detected when two consecutive driving cycles with fault occur.
- GENERAL DESCRIPTION <Ref. to GD(H4DOTC)-148, DTC P0463 FUEL LEVEL SENSOR “A” CIRCUIT HIGH, Diagnostic Trouble Code (DTC) Detecting Criteria.>

### CAUTION:

After servicing or replacing faulty parts, perform Clear Memory Mode <Ref. to EN(H4DOTC)(diag)-54, OPERATION, Clear Memory Mode.>, and Inspection Mode <Ref. to EN(H4DOTC)(diag)-43, PROCEDURE, Inspection Mode.>.

Step	Check	Yes	No
1 CHECK FOR ANY OTHER DTC ON DISPLAY.	Is DTC P0462 or P0463 displayed on the Subaru Select Monitor?	Check the combination meter. <Ref. to IDI-8, CHECK FUEL LEVEL SENSOR., INSPECTION, Combination Meter System.>	Even if DTC is detected, the circuit has returned to a normal condition at this time. Reproduce the failure, and then perform the diagnosis again.  NOTE: In this case, temporary poor contact of connector may be the cause.

# Diagnostic Procedure with Diagnostic Trouble Code (DTC)

ENGINE (DIAGNOSTICS)

## BY:DTC P0464 FUEL LEVEL SENSOR CIRCUIT INTERMITTENT

### DTC DETECTING CONDITION:

- Detected when two consecutive driving cycles with fault occur.
- GENERAL DESCRIPTION <Ref. to GD(H4DOTC)-150, DTC P0464 FUEL LEVEL SENSOR CIRCUIT INTERMITTENT, Diagnostic Trouble Code (DTC) Detecting Criteria.>

### CAUTION:

After servicing or replacing faulty parts, perform Clear Memory Mode <Ref. to EN(H4DOTC)(diag)-54, OPERATION, Clear Memory Mode.>, and Inspection Mode <Ref. to EN(H4DOTC)(diag)-43, PROCEDURE, Inspection Mode.>.

Step	Check	Yes	No
1 <b>CHECK FOR ANY OTHER DTC ON DISPLAY.</b>	Is DTC P0464 displayed on the display?	Check the combination meter. <Ref. to IDI-8, CHECK FUEL LEVEL SENSOR., INSPECTION, Combination Meter System.>	Even if DTC is detected, the circuit has returned to a normal condition at this time. Reproduce the failure, and then perform the diagnosis again.  NOTE: In this case, temporary poor contact of connector may be the cause.

## BZ:DTC P0500 VEHICLE SPEED SENSOR "A"

### DTC DETECTING CONDITION:

- Immediately at fault recognition
- GENERAL DESCRIPTION <Ref. to GD(H4DOTC)-153, DTC P0500 VEHICLE SPEED SENSOR "A", Diagnostic Trouble Code (DTC) Detecting Criteria.>

### CAUTION:

After servicing or replacing faulty parts, perform Clear Memory Mode <Ref. to EN(H4DOTC)(diag)-54, OPERATION, Clear Memory Mode.>, and Inspection Mode <Ref. to EN(H4DOTC)(diag)-43, PROCEDURE, Inspection Mode.>.

Step	Check	Yes	No
1 <b>CHECK DTC OF ABS OR VDC.</b> Check DTC of ABS or VDC.	Is DTC of ABS or VDC displayed?	Perform the diagnosis according to DTC. <Ref. to ABS(diag)-26, List of Diagnostic Trouble Code (DTC).> <Ref. to VDC(diag)-33, List of Diagnostic Trouble Code (DTC).>	Repair the poor contact of ECM connector.

## CA:DTC P0512 STARTER REQUEST CIRCUIT

### DTC DETECTING CONDITION:

- Detected when two consecutive driving cycles with fault occur.
- GENERAL DESCRIPTION <Ref. to GD(H4DOTC)-154, DTC P0512 STARTER REQUEST CIRCUIT, Diagnostic Trouble Code (DTC) Detecting Criteria.>

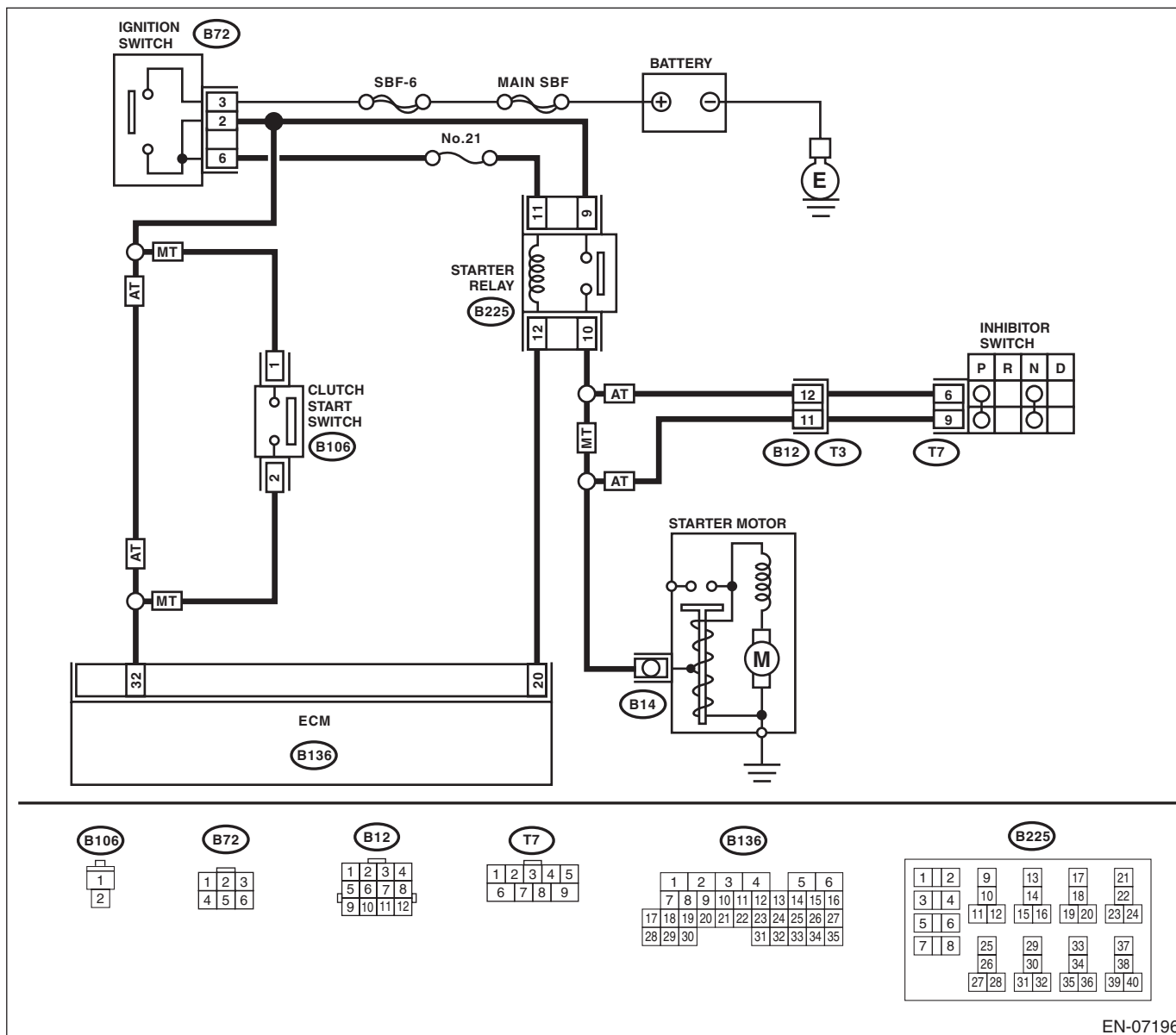
### TROUBLE SYMPTOM:

Failure of engine to start

### CAUTION:

After servicing or replacing faulty parts, perform Clear Memory Mode <Ref. to EN(H4DOTC)(diag)-54, OPERATION, Clear Memory Mode.>, and Inspection Mode <Ref. to EN(H4DOTC)(diag)-43, PROCEDURE, Inspection Mode.>.

### WIRING DIAGRAM:



EN-07196

# Diagnostic Procedure with Diagnostic Trouble Code (DTC)

ENGINE (DIAGNOSTICS)

Step	Check	Yes	No
<b>1</b> <b>CHECK FOR ANY OTHER DTC ON DISPLAY.</b>	Is any other DTC displayed?	Check the appropriate DTC using the "List of Diagnostic Trouble Code (DTC)". <Ref. to EN(H4DOTC)(diag)-83, List of Diagnostic Trouble Code (DTC).>	Go to step 2.
<b>2</b> <b>CHECK HARNESS BETWEEN ECM AND IGNITION SWITCH CONNECTOR.</b> 1) Turn the ignition switch to OFF. 2) Disconnect the connectors from ECM. 3) Turn the ignition switch to ON. 4) Measure the voltage between ECM and chassis ground. <b>Connector &amp; terminal</b> <b>(B136) No. 32 (+) — Chassis ground (-):</b>	Is the voltage 10 V or more?	Repair the short circuit to power in harness between ECM and ignition switch connector.	Repair the poor contact of ECM connector.

## CB:DTC P0600 SERIAL COMMUNICATION LINK

NOTE:

For the diagnostic procedure, refer to LAN section. <Ref. to LAN(diag)-2, Basic Diagnostic Procedure.>

# Diagnostic Procedure with Diagnostic Trouble Code (DTC)

ENGINE (DIAGNOSTICS)

## CC:DTC P0604 INTERNAL CONTROL MODULE RANDOM ACCESS MEMORY (RAM) ERROR

### DTC DETECTING CONDITION:

- Immediately at fault recognition
- GENERAL DESCRIPTION <Ref. to GD(H4DOTC)-158, DTC P0604 INTERNAL CONTROL MODULE RANDOM ACCESS MEMORY (RAM) ERROR, Diagnostic Trouble Code (DTC) Detecting Criteria.>

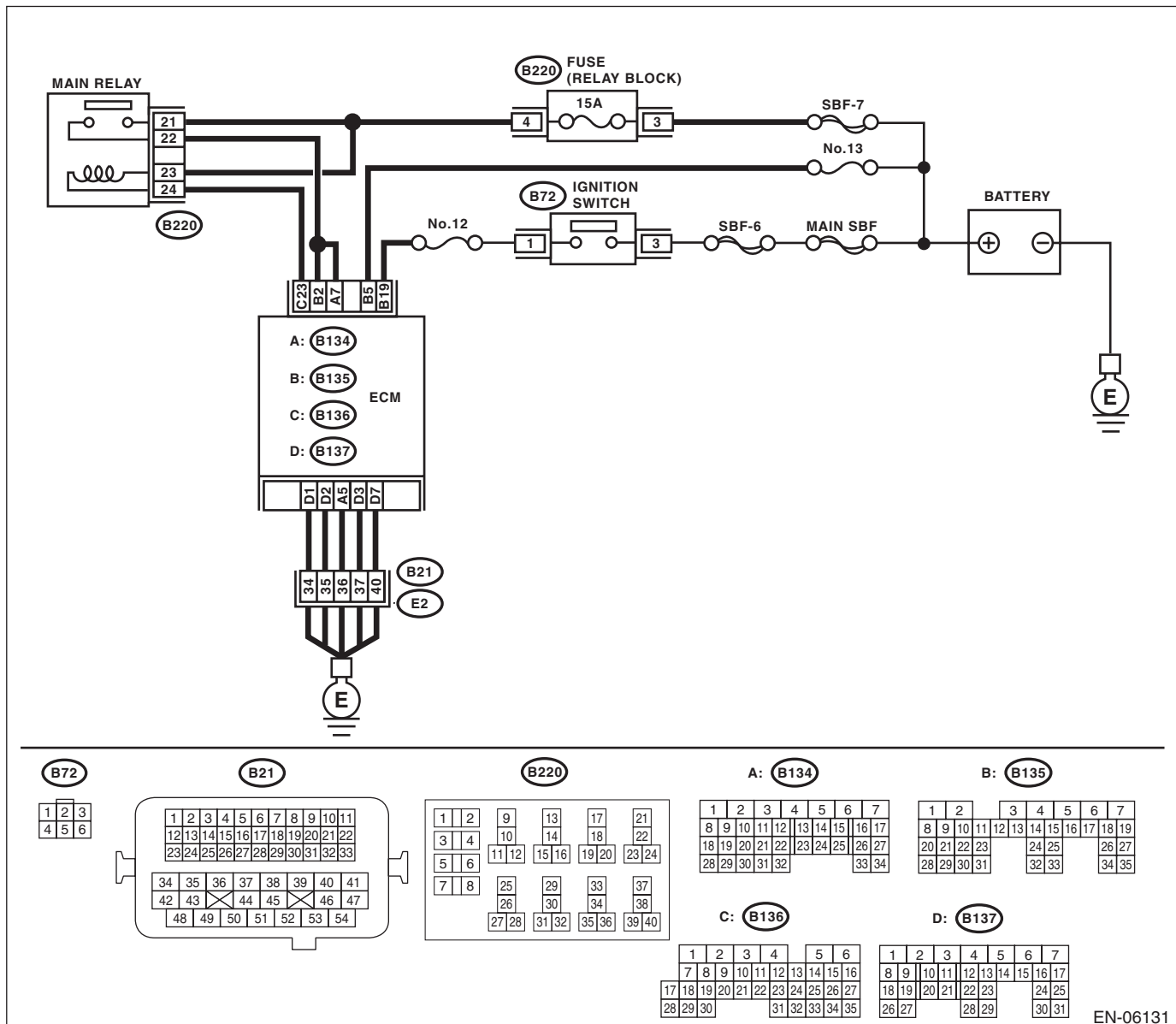
### TROUBLE SYMPTOM:

- Engine does not start.
- Engine stalls.

### CAUTION:

After servicing or replacing faulty parts, perform Clear Memory Mode <Ref. to EN(H4DOTC)(diag)-54, OPERATION, Clear Memory Mode.>, and Inspection Mode <Ref. to EN(H4DOTC)(diag)-43, PROCEDURE, Inspection Mode.>.

### WIRING DIAGRAM:



EN-06131



# Diagnostic Procedure with Diagnostic Trouble Code (DTC)

ENGINE (DIAGNOSTICS)

Step	Check	Yes	No
1 <b>CHECK FOR ANY OTHER DTC ON DISPLAY.</b>	Is any other DTC displayed?	Check the appropriate DTC using the "List of Diagnostic Trouble Code (DTC)". <Ref. to EN(H4DOTC)(diag)-83, List of Diagnostic Trouble Code (DTC).>	Even if DTC is detected, the circuit has returned to a normal condition at this time. Reproduce the failure, and then perform the diagnosis again.  NOTE: In this case, temporary poor contact of connector may be the cause.

## CD:DTC P0605 INTERNAL CONTROL MODULE READ ONLY MEMORY (ROM) ERROR

NOTE:

For the diagnostic procedure, refer to DTC P0607. <Ref. to EN(H4DOTC)(diag)-247, DTC P0607 THROTTLE CONTROL SYSTEM CIRCUIT RANGE/PERFORMANCE, Diagnostic Procedure with Diagnostic Trouble Code (DTC).>

# Diagnostic Procedure with Diagnostic Trouble Code (DTC)

ENGINE (DIAGNOSTICS)

## CE:DTC P0607 THROTTLE CONTROL SYSTEM CIRCUIT RANGE/PERFORMANCE

### DTC DETECTING CONDITION:

- Immediately at fault recognition
- GENERAL DESCRIPTION <Ref. to GD(H4DOTC)-160, DTC P0607 THROTTLE CONTROL SYSTEM CIRCUIT RANGE/PERFORMANCE, Diagnostic Trouble Code (DTC) Detecting Criteria.>

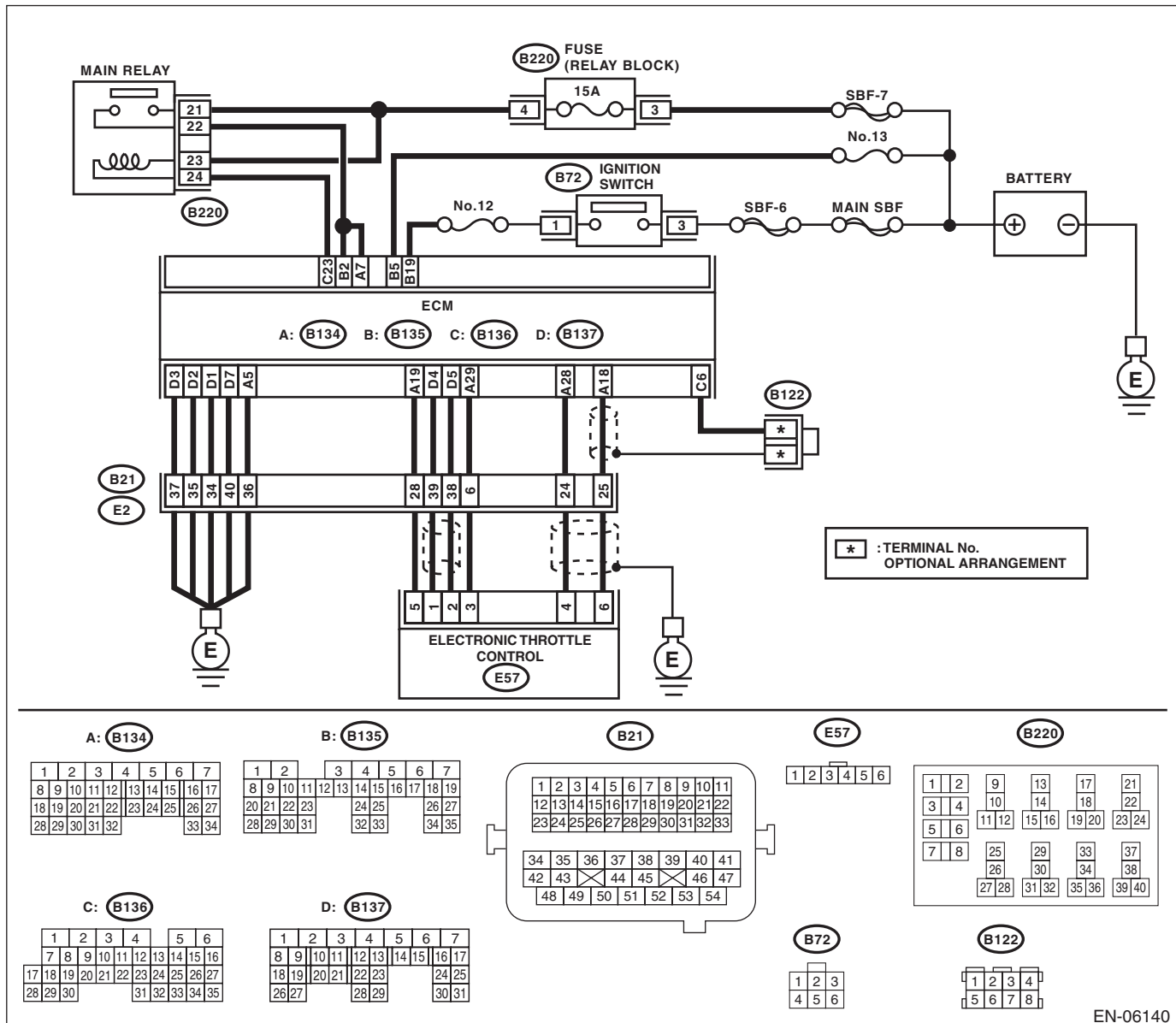
### TROUBLE SYMPTOM:

- Improper idling
- Poor driving performance

### CAUTION:

After servicing or replacing faulty parts, perform Clear Memory Mode <Ref. to EN(H4DOTC)(diag)-54, OPERATION, Clear Memory Mode.>, and Inspection Mode <Ref. to EN(H4DOTC)(diag)-43, PROCEDURE, Inspection Mode.>.

### WIRING DIAGRAM:



EN-06140

# Diagnostic Procedure with Diagnostic Trouble Code (DTC)

## ENGINE (DIAGNOSTICS)

Step	Check	Yes	No
<b>1 CHECK INPUT VOLTAGE OF ECM.</b> 1) Turn the ignition switch to ON. 2) Measure the voltage between ECM and chassis ground. <i>Connector &amp; terminal</i> <i>(B134) No. 7 (+) — Chassis ground (-):</i> <i>(B135) No. 2 (+) — Chassis ground (-):</i>	Is the voltage 10 — 13 V?	Go to step 2.	Repair the open or ground short circuit of power supply circuit.
<b>2 CHECK INPUT VOLTAGE OF ECM.</b> 1) Start the engine. 2) Measure the voltage between ECM and chassis ground. <i>Connector &amp; terminal</i> <i>(B134) No. 7 (+) — Chassis ground (-):</i> <i>(B135) No. 2 (+) — Chassis ground (-):</i>	Is the voltage 13 — 15 V?	Go to step 3.	Repair the open or ground short circuit of power supply circuit.
<b>3 CHECK HARNESS BETWEEN ECM AND ELECTRONIC THROTTLE CONTROL CONNECTOR.</b> 1) Turn the ignition switch to OFF. 2) Disconnect the connectors from ECM and electronic throttle control. 3) Measure the resistance of harness between ECM and electronic throttle control connector. <i>Connector &amp; terminal</i> <i>(B134) No. 19 — (E57) No. 5:</i> <i>(B134) No. 29 — (E57) No. 3:</i>	Is the resistance less than 1 Ω?	Go to step 4.	Repair the open circuit of harness between ECM and electronic throttle control connector.
<b>4 CHECK ECM GROUND HARNESS.</b> 1) Connect all connectors. 2) Turn the ignition switch to ON. 3) Measure the voltage between ECM and chassis ground. <i>Connector &amp; terminal</i> <i>(B134) No. 5 (+) — Chassis ground (-):</i> <i>(B137) No. 1 (+) — Chassis ground (-):</i> <i>(B137) No. 2 (+) — Chassis ground (-):</i> <i>(B137) No. 3 (+) — Chassis ground (-):</i> <i>(B137) No. 7 (+) — Chassis ground (-):</i>	Is the voltage less than 1 V?	Repair the poor contact of ECM connector.	Repair the following item. • Open circuit in ground circuit • Further tightening of the engine ground terminal • Poor contact of ECM connector • Poor contact of coupling connector

### CF:DTC P0638 THROTTLE ACTUATOR CONTROL RANGE/PERFORMANCE (BANK 1)

**NOTE:**

For the diagnostic procedure, refer to DTC P2101. <Ref. to EN(H4DOTC)(diag)-319, DTC P2101 THROTTLE ACTUATOR CONTROL MOTOR CIRCUIT RANGE/PERFORMANCE, Diagnostic Procedure with Diagnostic Trouble Code (DTC).>

### CG:DTC P0700 TRANSMISSION CONTROL SYSTEM (MIL REQUEST)

**NOTE:**

For the diagnostic procedure, refer to AT section. <Ref. to 4AT(diag)-2, Basic Diagnostic Procedure.>

# Diagnostic Procedure with Diagnostic Trouble Code (DTC)

ENGINE (DIAGNOSTICS)

## CH:DTC P0851 PARK/NEUTRAL SWITCH INPUT CIRCUIT LOW (AT MODEL)

### DTC DETECTING CONDITION:

- Detected when two consecutive driving cycles with fault occur.
- GENERAL DESCRIPTION <Ref. to GD(H4DOTC)-165, DTC P0851 PARK/NEUTRAL SWITCH INPUT CIRCUIT LOW (AT MODEL), Diagnostic Trouble Code (DTC) Detecting Criteria.>

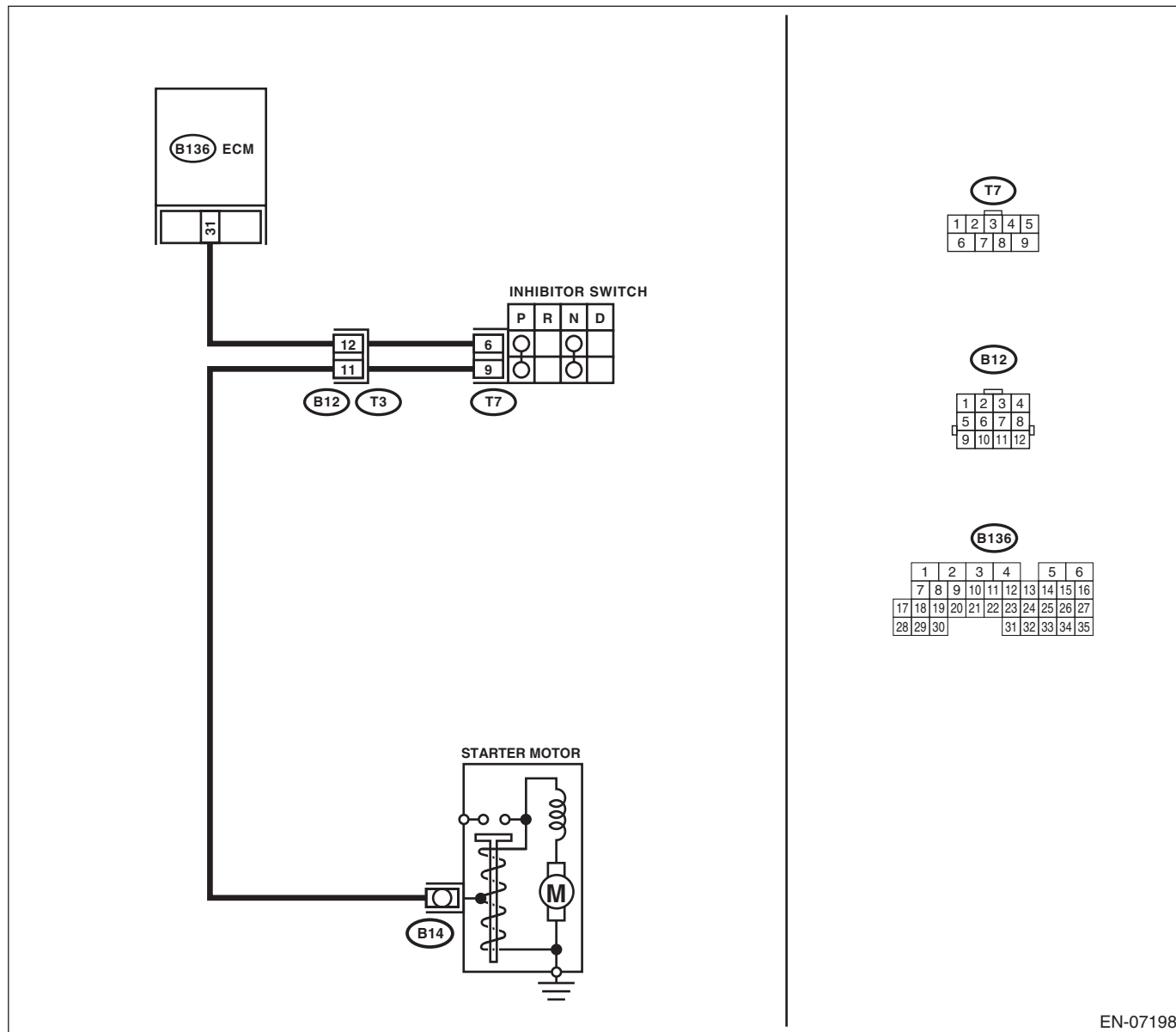
### TROUBLE SYMPTOM:

Improper idling

### CAUTION:

After servicing or replacing faulty parts, perform Clear Memory Mode <Ref. to EN(H4DOTC)(diag)-54, OPERATION, Clear Memory Mode.>, and Inspection Mode <Ref. to EN(H4DOTC)(diag)-43, PROCEDURE, Inspection Mode.>.

### WIRING DIAGRAM:



EN-07198

# Diagnostic Procedure with Diagnostic Trouble Code (DTC)

ENGINE (DIAGNOSTICS)

Step	Check	Yes	No
<b>1</b> <b>CHECK SELECT CABLE.</b>	Is there any fault in select cable?	Repair or adjust the select cable. <Ref. to CS-25, Select Cable.>	Go to step 2.
<b>2</b> <b>CHECK INPUT SIGNAL OF ECM.</b> 1) Turn the ignition switch to ON. 2) Place the select lever in other than "P" range and "N" range. 3) Measure the voltage between ECM and chassis ground. <b>Connector &amp; terminal</b> <b>(B136) No. 31 (+) — Chassis ground (-):</b>	Is the voltage 10 V or more?	Repair the poor contact of ECM connector.	Go to step 3.
<b>3</b> <b>CHECK HARNESS BETWEEN ECM AND TRANSMISSION HARNESS CONNECTOR.</b> 1) Turn the ignition switch to OFF. 2) Disconnect the connectors from ECM and transmission harness connector (T3). 3) Measure the resistance between ECM and chassis ground. <b>Connector &amp; terminal</b> <b>(B136) No. 31 — Chassis ground:</b>	Is the resistance 1 MΩ or more?	Go to step 4.	Repair the ground short circuit of harness between ECM and transmission harness connector.
<b>4</b> <b>CHECK TRANSMISSION HARNESS CONNECTOR.</b> 1) Disconnect the connector from inhibitor switch. 2) Measure the resistance between transmission harness connector and engine ground. <b>Connector &amp; terminal</b> <b>(T3) No. 12 — Engine ground:</b>	Is the resistance 1 MΩ or more?	Replace the inhibitor switch. <Ref. to 4AT-48, Inhibitor Switch.>	Repair short circuit to ground in harness between transmission harness connector and inhibitor switch connector.

## CI: DTC P0851 NEUTRAL SWITCH INPUT CIRCUIT LOW (MT MODEL)

### DTC DETECTING CONDITION:

- Detected when two consecutive driving cycles with fault occur.
- GENERAL DESCRIPTION <Ref. to GD(H4DOTC)-166, DTC P0851 NEUTRAL SWITCH INPUT CIRCUIT LOW (MT MODEL), Diagnostic Trouble Code (DTC) Detecting Criteria.>

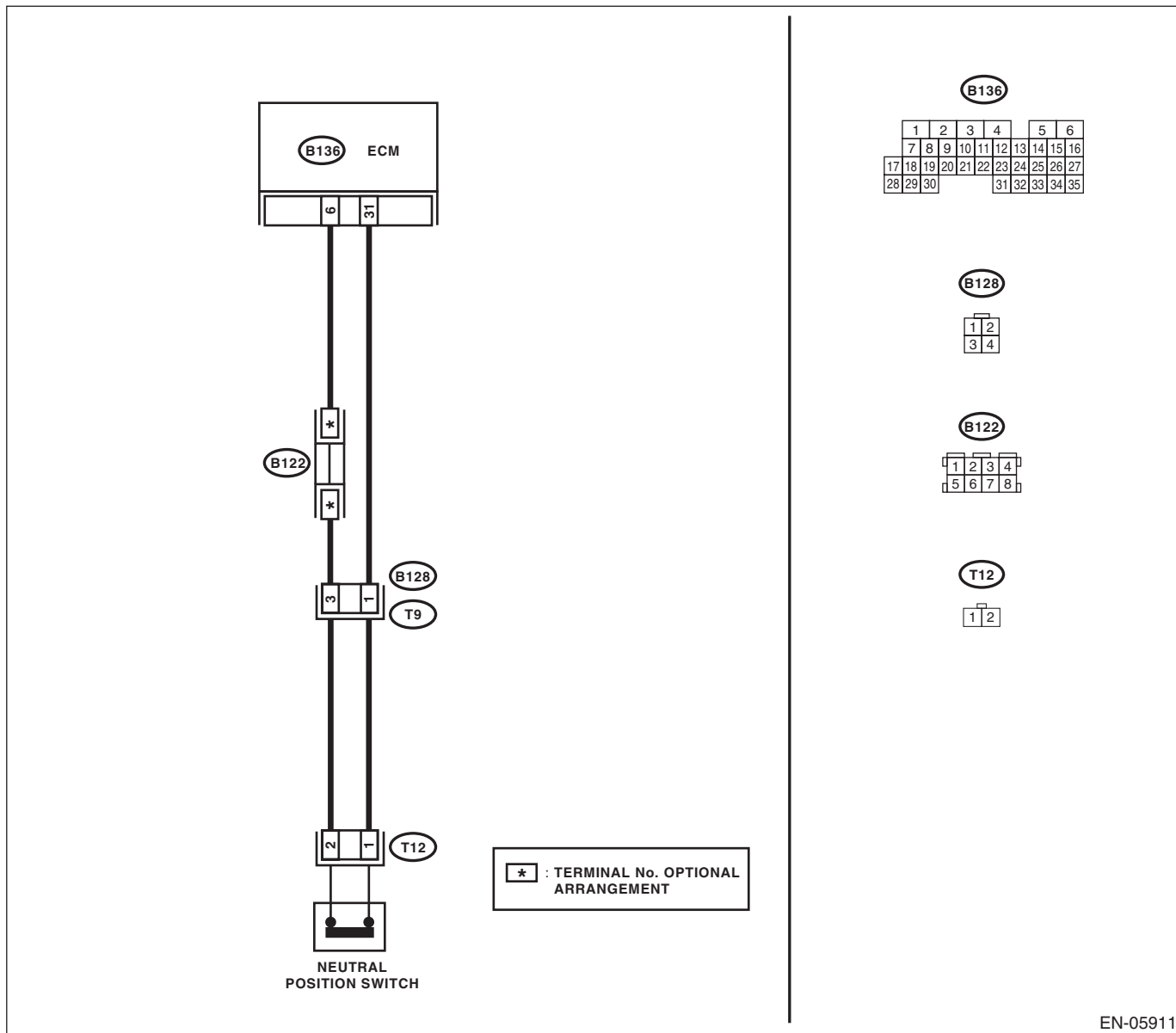
### TROUBLE SYMPTOM:

Improper idling

### CAUTION:

After servicing or replacing faulty parts, perform Clear Memory Mode <Ref. to EN(H4DOTC)(diag)-54, OPERATION, Clear Memory Mode.>, and Inspection Mode <Ref. to EN(H4DOTC)(diag)-43, PROCEDURE, Inspection Mode.>.

### WIRING DIAGRAM:



EN-05911

# Diagnostic Procedure with Diagnostic Trouble Code (DTC)

## ENGINE (DIAGNOSTICS)

Step	Check	Yes	No
<p><b>1</b>     <b>CHECK INPUT SIGNAL OF ECM.</b>            1) Turn the ignition switch to ON.            2) Place the shift lever in a position other than neutral.            3) Measure the voltage between ECM and chassis ground.  <b>Connector &amp; terminal</b>  <b>(B136) No. 31 (+) — Chassis ground (-):</b></p>	<p>Is the voltage 10 V or more?</p>	<p>Repair the poor contact of ECM connector.</p>	<p>Go to step 2.</p>
<p><b>2</b>     <b>CHECK HARNESS BETWEEN ECM AND NEUTRAL POSITION SWITCH CONNECTOR.</b>            1) Turn the ignition switch to OFF.            2) Disconnect the connectors from ECM and neutral position switch.            3) Measure the resistance between ECM and chassis ground.  <b>Connector &amp; terminal</b>  <b>(B136) No. 31 — Chassis ground:</b></p>	<p>Is the resistance 1 MΩ or more?</p>	<p>Replace the neutral position switch.            &lt;Ref. to 5MT-33, Switches and Harness.&gt;</p>	<p>Repair the short circuit to ground harness between ECM and neutral position switch connector.</p>

# Diagnostic Procedure with Diagnostic Trouble Code (DTC)

ENGINE (DIAGNOSTICS)

## CJ:DTC P0852 PARK/NEUTRAL SWITCH INPUT CIRCUIT HIGH (AT MODEL)

### DTC DETECTING CONDITION:

- Detected when two consecutive driving cycles with fault occur.
- GENERAL DESCRIPTION <Ref. to GD(H4DOTC)-167, DTC P0852 PARK/NEUTRAL SWITCH INPUT CIRCUIT HIGH (AT MODEL), Diagnostic Trouble Code (DTC) Detecting Criteria.>

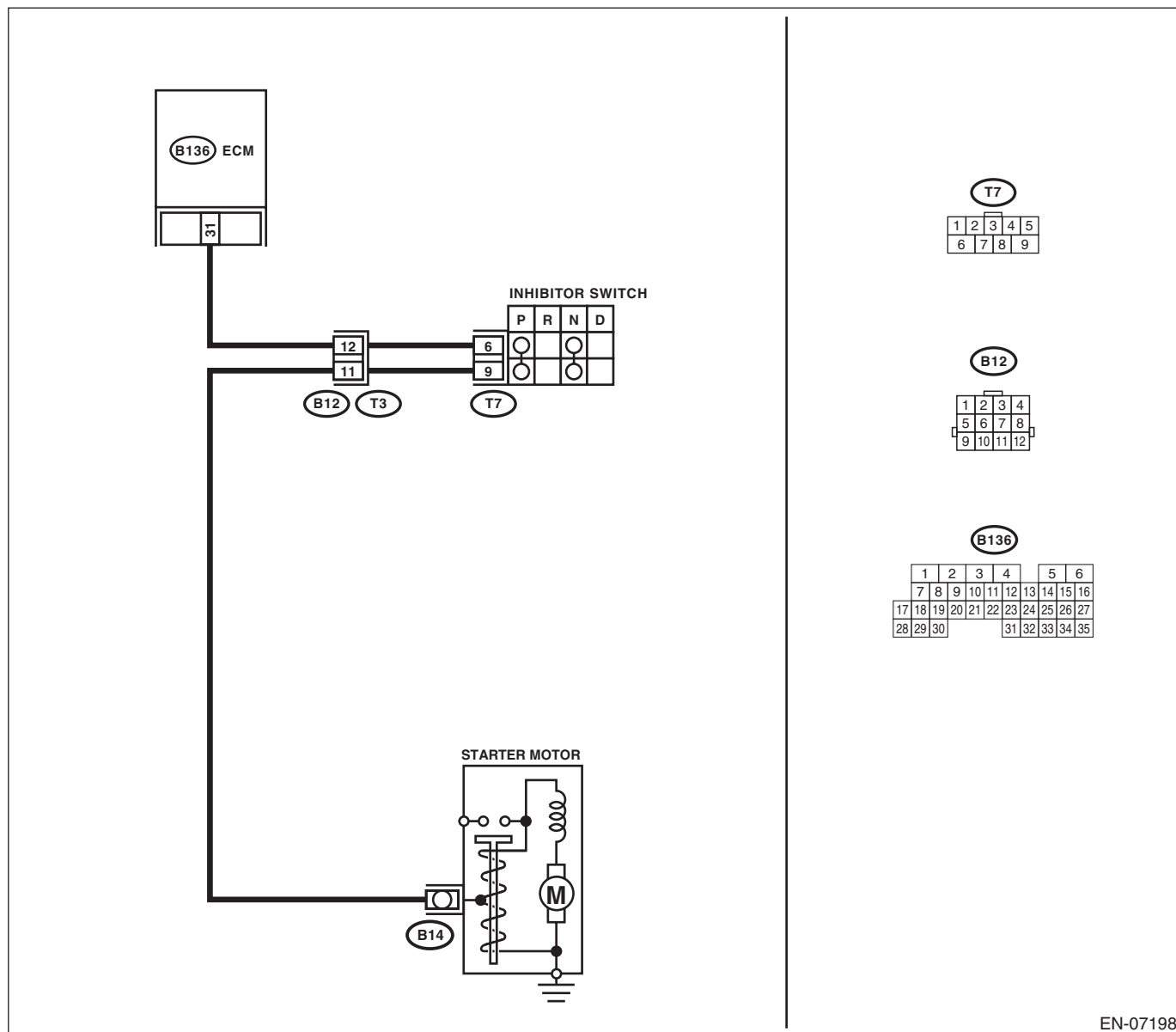
### TROUBLE SYMPTOM:

Improper idling

### CAUTION:

After servicing or replacing faulty parts, perform Clear Memory Mode <Ref. to EN(H4DOTC)(diag)-54, OPERATION, Clear Memory Mode.>, and Inspection Mode <Ref. to EN(H4DOTC)(diag)-43, PROCEDURE, Inspection Mode.>.

### WIRING DIAGRAM:



EN-07198



# Diagnostic Procedure with Diagnostic Trouble Code (DTC)

ENGINE (DIAGNOSTICS)

Step	Check	Yes	No
<b>1</b> <b>CHECK SELECT CABLE.</b>	Is there any fault in select cable?	Repair or adjust the select cable. <Ref. to CS-25, Select Cable.>	Go to step 2.
<b>2</b> <b>CHECK INPUT SIGNAL OF ECM.</b> 1) Turn the ignition switch to ON. 2) Measure the voltage between ECM and chassis ground with select lever at "P" range and "N" range. <b>Connector &amp; terminal</b> <b>(B136) No. 31 (+) — Chassis ground (-):</b>	Is the voltage less than 1 V?	Repair the poor contact of ECM connector.	Go to step 3.
<b>3</b> <b>CHECK HARNESS BETWEEN ECM AND INHIBITOR SWITCH CONNECTOR.</b> 1) Turn the ignition switch to OFF. 2) Disconnect the connectors from ECM and inhibitor switch. 3) Measure the resistance of harness between ECM and inhibitor switch connector. <b>Connector &amp; terminal</b> <b>(B136) No. 31 — (T7) No. 6:</b>	Is the resistance less than 1 Ω?	Go to step 4.	Repair the harness and connector. NOTE: In this case, repair the following item: • Open circuit in harness between ECM and inhibitor switch connector • Poor contact of coupling connector
<b>4</b> <b>CHECK INHIBITOR SWITCH GROUND LINE.</b> Measure the resistance of harness between inhibitor switch connector and engine ground. <b>Connector &amp; terminal</b> <b>(T7) No. 9 — Engine ground:</b>	Is the resistance less than 5 Ω?	Replace the inhibitor switch. <Ref. to 4AT-48, Inhibitor Switch.>	Repair the harness and connector. NOTE: In this case, repair the following item: • Open circuit in harness between inhibitor switch connector and starter motor • Poor contact of coupling connector • Poor contact of starter motor connector • Poor contact of starter motor ground • Starter motor

# Diagnostic Procedure with Diagnostic Trouble Code (DTC)

ENGINE (DIAGNOSTICS)

## CK:DTC P0852 NEUTRAL SWITCH INPUT CIRCUIT HIGH (MT MODEL)

### DTC DETECTING CONDITION:

- Detected when two consecutive driving cycles with fault occur.
- GENERAL DESCRIPTION <Ref. to GD(H4DOTC)-168, DTC P0852 NEUTRAL SWITCH INPUT CIRCUIT HIGH (MT MODEL), Diagnostic Trouble Code (DTC) Detecting Criteria.>

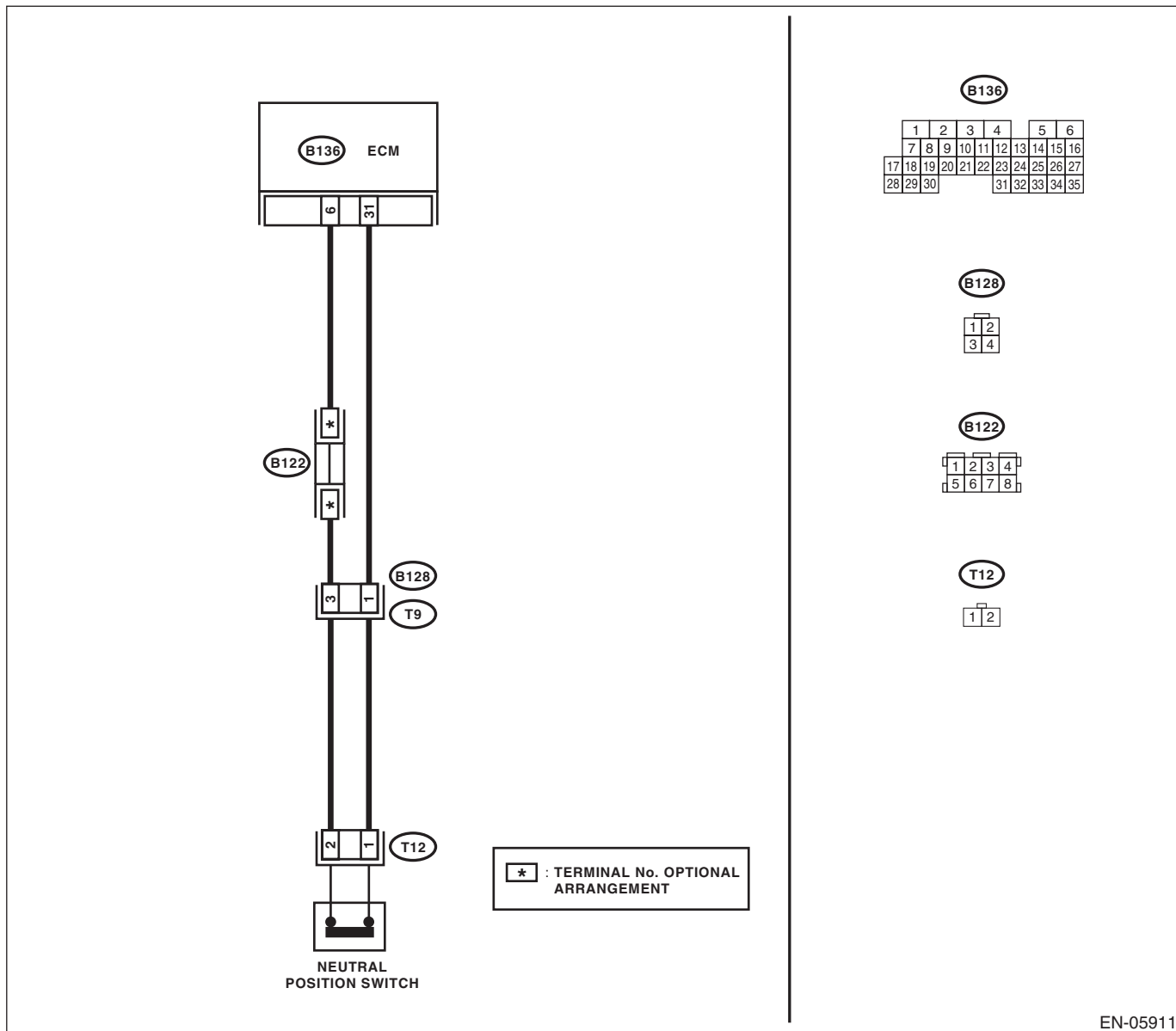
### TROUBLE SYMPTOM:

Improper idling

### CAUTION:

After servicing or replacing faulty parts, perform Clear Memory Mode <Ref. to EN(H4DOTC)(diag)-54, OPERATION, Clear Memory Mode.>, and Inspection Mode <Ref. to EN(H4DOTC)(diag)-43, PROCEDURE, Inspection Mode.>.

### WIRING DIAGRAM:



# Diagnostic Procedure with Diagnostic Trouble Code (DTC)

## ENGINE (DIAGNOSTICS)

Step	Check	Yes	No
<b>1 CHECK INPUT SIGNAL OF ECM.</b> 1) Turn the ignition switch to ON. 2) Place the shift lever in neutral. 3) Measure the voltage between ECM and chassis ground. <b>Connector &amp; terminal</b> <b>(B136) No. 31 (+) — Chassis ground (-):</b>	Is the voltage less than 1 V?	Repair the poor contact of ECM connector.	Go to step 2.
<b>2 CHECK HARNESS BETWEEN ECM AND NEUTRAL POSITION SWITCH CONNECTOR.</b> 1) Turn the ignition switch to OFF. 2) Disconnect the connectors from ECM and neutral position switch. 3) Measure the resistance of harness between ECM and neutral position switch connector. <b>Connector &amp; terminal</b> <b>(B136) No. 31 — (T12) No. 1:</b> <b>(B136) No. 6 — (T12) No. 2:</b>	Is the resistance less than 1 $\Omega$ ?	Go to step 3.	Repair the harness and connector. <b>NOTE:</b> In this case, repair the following item: <ul style="list-style-type: none"> <li>• Open circuit in harness between ECM and neutral position switch connector</li> <li>• Poor contact of coupling connector</li> </ul>
<b>3 CHECK NEUTRAL POSITION SWITCH.</b> 1) Place the shift lever in neutral. 2) Measure the resistance between neutral position switch terminals. <b>Terminals</b> <b>No. 1 — No. 2:</b>	Is the resistance less than 1 $\Omega$ ?	Repair the poor contact of ECM connector.	Replace the neutral position switch. <Ref. to 5MT-33, Switches and Harness.>

# Diagnostic Procedure with Diagnostic Trouble Code (DTC)

ENGINE (DIAGNOSTICS)

## CL:DTC P1152 O2 SENSOR CIRCUIT RANGE/PERFORMANCE (LOW) (BANK1 SENSOR1)

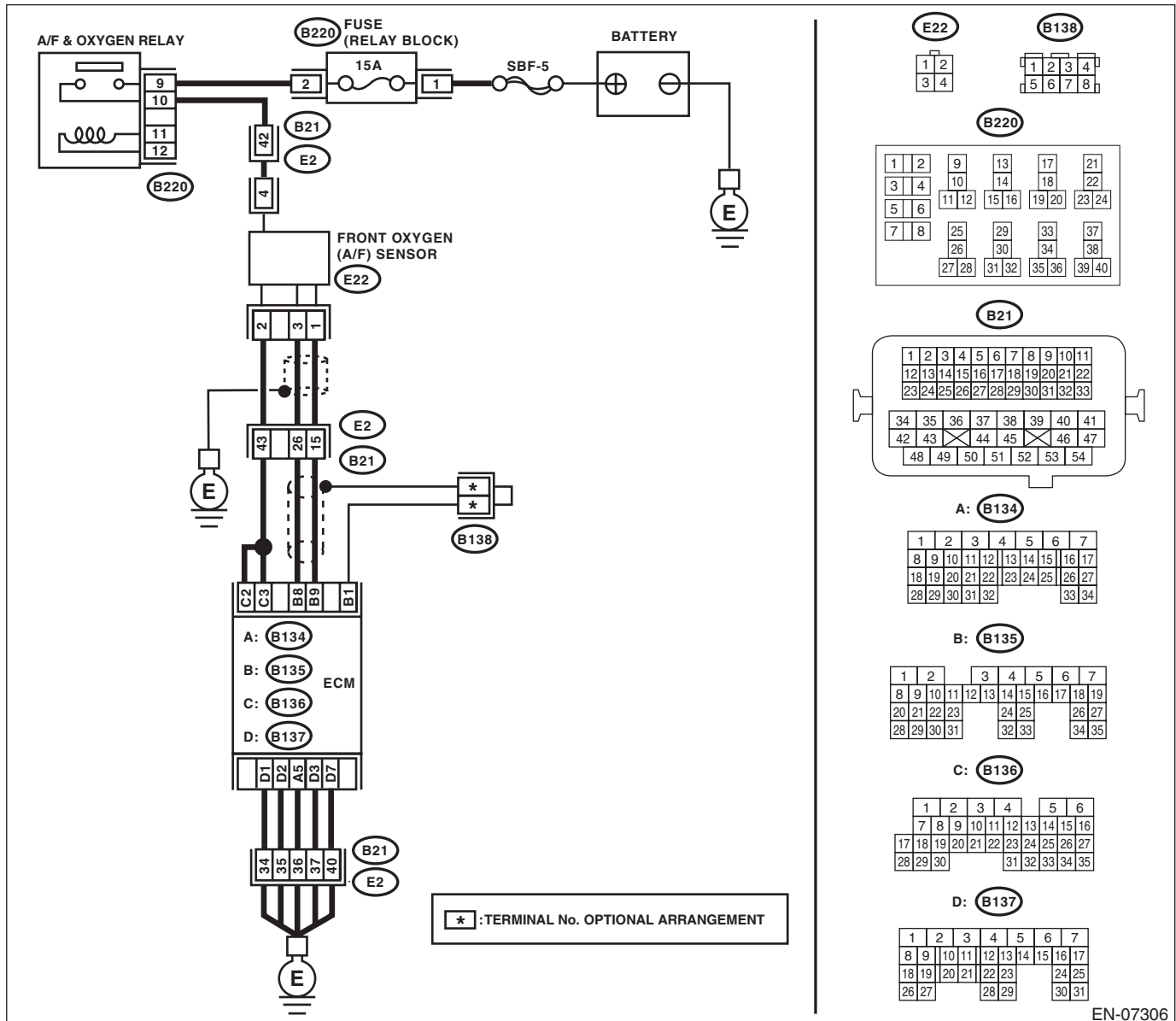
### DTC DETECTING CONDITION:

- Detected when two consecutive driving cycles with fault occur.
- GENERAL DESCRIPTION <Ref. to GD(H4DOTC)-169, DTC P1152 O2 SENSOR CIRCUIT RANGE/PERFORMANCE (LOW) (BANK1 SENSOR1), Diagnostic Trouble Code (DTC) Detecting Criteria.>

### CAUTION:

After servicing or replacing faulty parts, perform Clear Memory Mode <Ref. to EN(H4DOTC)(diag)-54, OPERATION, Clear Memory Mode.>, and Inspection Mode <Ref. to EN(H4DOTC)(diag)-43, PROCEDURE, Inspection Mode.>.

### WIRING DIAGRAM:



EN-07306

# Diagnostic Procedure with Diagnostic Trouble Code (DTC)

ENGINE (DIAGNOSTICS)

Step	Check	Yes	No
<b>1</b> <b>CHECK FRONT OXYGEN (A/F) SENSOR CONNECTOR AND COUPLING CONNECTOR.</b>	Has water entered the connector?	Completely remove any water inside.	Go to step 2.
<b>2</b> <b>CHECK HARNESS BETWEEN ECM AND FRONT OXYGEN (A/F) SENSOR CONNECTOR.</b> 1) Turn the ignition switch to OFF. 2) Disconnect the connectors from ECM and front oxygen (A/F) sensor. 3) Measure the resistance of harness between ECM and front oxygen (A/F) sensor connector. <b>Connector &amp; terminal</b> <b>(B135) No. 9 — (E22) No. 1:</b> <b>(B135) No. 8 — (E22) No. 3:</b>	Is the resistance less than 1 Ω?	Go to step 3.	Repair the harness and connector. NOTE: In this case, repair the following item: • Open circuit in harness between ECM and front oxygen (A/F) sensor connector • Poor contact of coupling connector
<b>3</b> <b>CHECK POOR CONTACT.</b> Check for poor contact of the front oxygen (A/F) sensor connector.	Is there poor contact of front oxygen (A/F) sensor connector?	Repair the poor contact of front oxygen (A/F) sensor connector.	Replace the front oxygen (A/F) sensor. <Ref. to FU(H4DOTC)-48, Front Oxygen (A/F) Sensor.>

## CM:DTC P1153 O2 SENSOR CIRCUIT RANGE/PERFORMANCE (HIGH) (BANK1 SENSOR1)

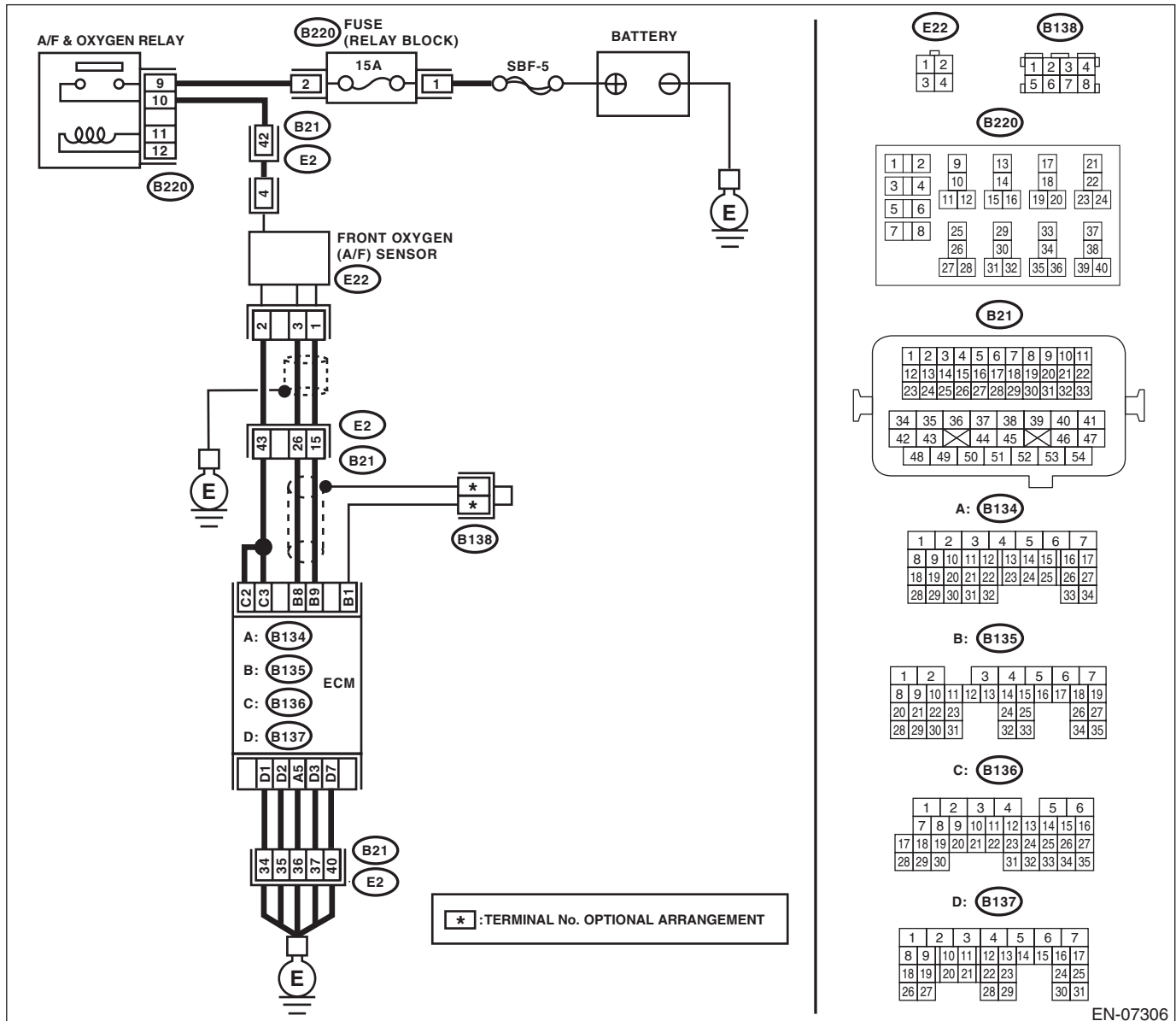
### DTC DETECTING CONDITION:

- Detected when two consecutive driving cycles with fault occur.
- GENERAL DESCRIPTION <Ref. to GD(H4DOTC)-171, DTC P1153 O2 SENSOR CIRCUIT RANGE/PERFORMANCE (HIGH) (BANK1 SENSOR1), Diagnostic Trouble Code (DTC) Detecting Criteria.>

### CAUTION:

After servicing or replacing faulty parts, perform Clear Memory Mode <Ref. to EN(H4DOTC)(diag)-54, OPERATION, Clear Memory Mode.>, and Inspection Mode <Ref. to EN(H4DOTC)(diag)-43, PROCEDURE, Inspection Mode.>.

### WIRING DIAGRAM:



EN-07306

## Diagnostic Procedure with Diagnostic Trouble Code (DTC)

ENGINE (DIAGNOSTICS)

Step	Check	Yes	No
<b>1</b> <b>CHECK FRONT OXYGEN (A/F) SENSOR CONNECTOR AND COUPLING CONNECTOR.</b>	Has water entered the connector?	Completely remove any water inside.	Go to step 2.
<b>2</b> <b>CHECK HARNESS BETWEEN ECM AND FRONT OXYGEN (A/F) SENSOR CONNECTOR.</b> 1) Turn the ignition switch to OFF. 2) Disconnect the connectors from ECM. 3) Measure the resistance between ECM and chassis ground. <b>Connector &amp; terminal</b> <b>(B135) No. 9 — Chassis ground:</b> <b>(B135) No. 8 — Chassis ground:</b>	Is the resistance 1 MΩ or more?	Go to step 3.	Repair the ground short circuit of harness between ECM and front oxygen (A/F) sensor connector.
<b>3</b> <b>CHECK OUTPUT SIGNAL FOR ECM.</b> 1) Connect the connector to ECM. 2) Turn the ignition switch to ON. 3) Measure the voltage between ECM and chassis ground. <b>Connector &amp; terminal</b> <b>(B135) No. 9 (+) — Chassis ground (-):</b>	Is the voltage 4.5 V or more?	Go to step 5.	Go to step 4.
<b>4</b> <b>CHECK OUTPUT SIGNAL FOR ECM.</b> Measure the voltage between ECM and chassis ground. <b>Connector &amp; terminal</b> <b>(B135) No. 8 (+) — Chassis ground (-):</b>	Is the voltage 4.95 V or more?	Go to step 5.	Replace the front oxygen (A/F) sensor. <Ref. to FU(H4DOTC)-48, Front Oxygen (A/F) Sensor.>
<b>5</b> <b>CHECK OUTPUT SIGNAL FOR ECM.</b> Measure the voltage between ECM and chassis ground. <b>Connector &amp; terminal</b> <b>(B135) No. 9 (+) — Chassis ground (-):</b> <b>(B135) No. 8 (+) — Chassis ground (-):</b>	Is the voltage 8 V or more?	Repair the short circuit to power in the harness between ECM and front oxygen (A/F) sensor connector. After repair, replace the ECM. <Ref. to FU(H4DOTC)-52, Engine Control Module (ECM).>	Repair the poor contact of ECM connector.

### CN:DTC P1160 RETURN SPRING FAILURE

NOTE:

For the diagnostic procedure, refer to DTC P2101. <Ref. to EN(H4DOTC)(diag)-319, DTC P2101 THROTTLE ACTUATOR CONTROL MOTOR CIRCUIT RANGE/PERFORMANCE, Diagnostic Procedure with Diagnostic Trouble Code (DTC).>

# Diagnostic Procedure with Diagnostic Trouble Code (DTC)

ENGINE (DIAGNOSTICS)

## CO:DTC P1400 FUEL TANK PRESSURE CONTROL SOLENOID VALVE CIRCUIT LOW

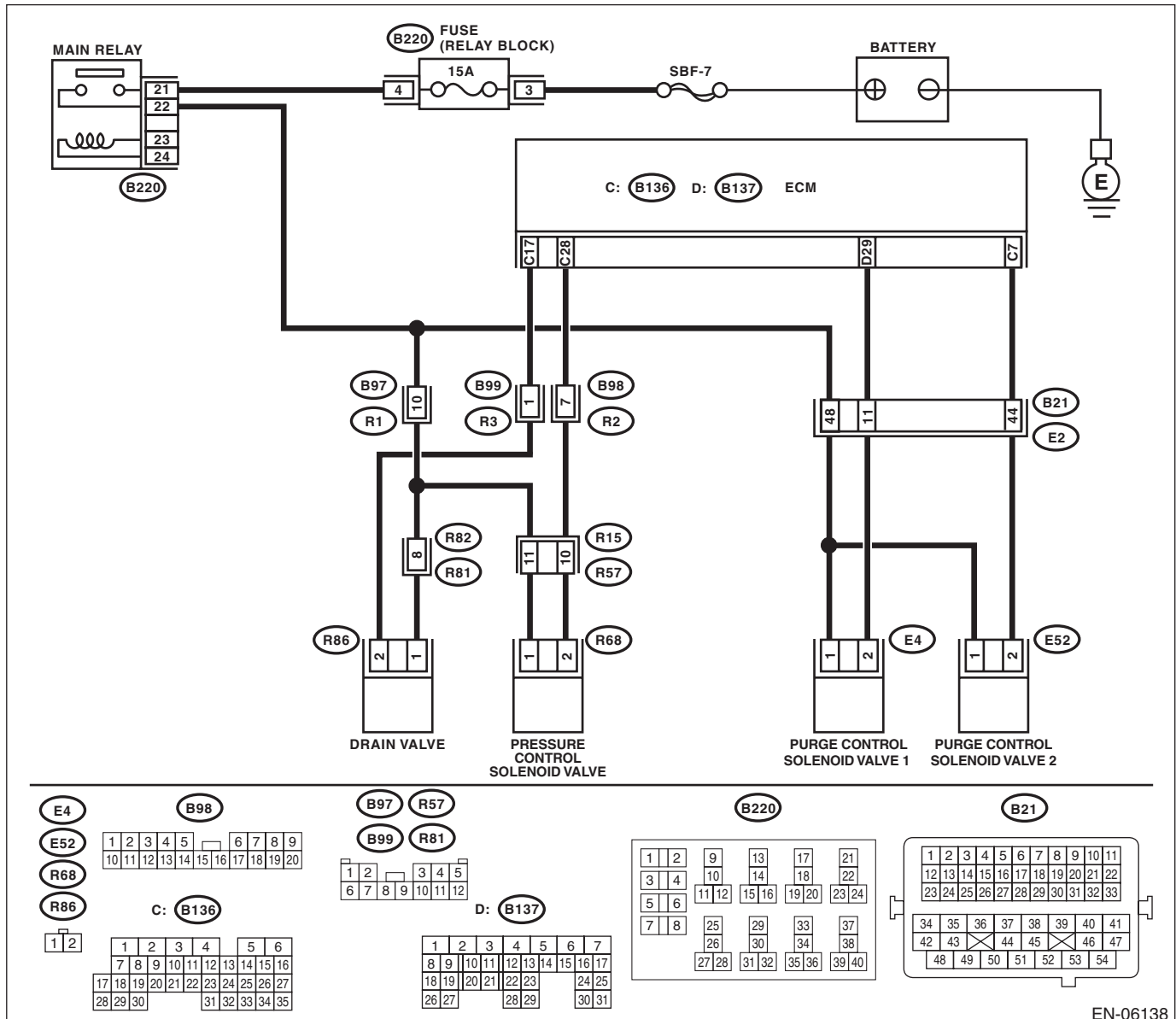
### DTC DETECTING CONDITION:

- Detected when two consecutive driving cycles with fault occur.
- GENERAL DESCRIPTION <Ref. to GD(H4DOTC)-175, DTC P1400 FUEL TANK PRESSURE CONTROL SOLENOID VALVE CIRCUIT LOW, Diagnostic Trouble Code (DTC) Detecting Criteria.>

### CAUTION:

After servicing or replacing faulty parts, perform Clear Memory Mode <Ref. to EN(H4DOTC)(diag)-54, OPERATION, Clear Memory Mode.>, and Inspection Mode <Ref. to EN(H4DOTC)(diag)-43, PROCEDURE, Inspection Mode.>.

### WIRING DIAGRAM:



EN-06138



# Diagnostic Procedure with Diagnostic Trouble Code (DTC)

ENGINE (DIAGNOSTICS)

Step	Check	Yes	No
<b>1</b> <b>CHECK OUTPUT SIGNAL OF ECM.</b> 1) Turn the ignition switch to ON. 2) Measure the voltage between ECM and chassis ground. <i>Connector &amp; terminal</i> <i>(B136) No. 28 (+) — Chassis ground (-):</i>	Is the voltage 10 V or more?	Repair the poor contact of ECM connector.	Go to step 2.
<b>2</b> <b>CHECK HARNESS BETWEEN ECM AND PRESSURE CONTROL SOLENOID VALVE CONNECTOR.</b> 1) Turn the ignition switch to OFF. 2) Disconnect the connector from the ECM and pressure control solenoid valve. 3) Measure the resistance between pressure control solenoid valve and chassis ground. <i>Connector &amp; terminal</i> <i>(R68) No. 2 — Chassis ground:</i>	Is the resistance 1 M $\Omega$ or more?	Go to step 3.	Repair the ground short circuit of harness between ECM and pressure control solenoid valve connector.
<b>3</b> <b>CHECK HARNESS BETWEEN ECM AND PRESSURE CONTROL SOLENOID VALVE CONNECTOR.</b> Measure the resistance of harness between ECM and pressure control solenoid valve connector. <i>Connector &amp; terminal</i> <i>(B136) No. 28 — (R68) No. 2:</i>	Is the resistance less than 1 $\Omega$ ?	Go to step 4.	Repair the harness and connector. NOTE: In this case, repair the following item: <ul style="list-style-type: none"> <li>• Open circuit in harness between ECM and pressure control solenoid valve connector</li> <li>• Poor contact of coupling connector</li> </ul>
<b>4</b> <b>CHECK PRESSURE CONTROL SOLENOID VALVE.</b> Measure the resistance between pressure control solenoid valve terminals. <i>Terminals</i> <i>No. 1 — No. 2:</i>	Is the resistance 10 — 100 $\Omega$ ?	Go to step 5.	Replace the pressure control solenoid valve. <Ref. to EC(H4DOTC)-19, Pressure Control Solenoid Valve.>
<b>5</b> <b>CHECK POWER SUPPLY TO THE PRESSURE CONTROL SOLENOID VALVE.</b> 1) Turn the ignition switch to ON. 2) Measure the voltage between pressure control solenoid valve and chassis ground. <i>Connector &amp; terminal</i> <i>(R68) No. 1 (+) — Chassis ground (-):</i>	Is the voltage 10 V or more?	Repair the poor contact of pressure control solenoid valve connector.	Repair the harness and connector. NOTE: In this case, repair the following item: <ul style="list-style-type: none"> <li>• Open circuit in harness between main relay connector and pressure control solenoid valve connector</li> <li>• Poor contact of coupling connector</li> <li>• Poor contact of main relay connector</li> </ul>

## **CP:DTC P1410 SECONDARY AIR INJECTION SYSTEM SWITCHING VALVE STUCK OPEN**

### **DTC DETECTING CONDITION:**

- Immediately at fault recognition
- GENERAL DESCRIPTION <Ref. to GD(H4DOTC)-177, DTC P1410 SECONDARY AIR INJECTION SYSTEM SWITCHING VALVE STUCK OPEN, Diagnostic Trouble Code (DTC) Detecting Criteria.>

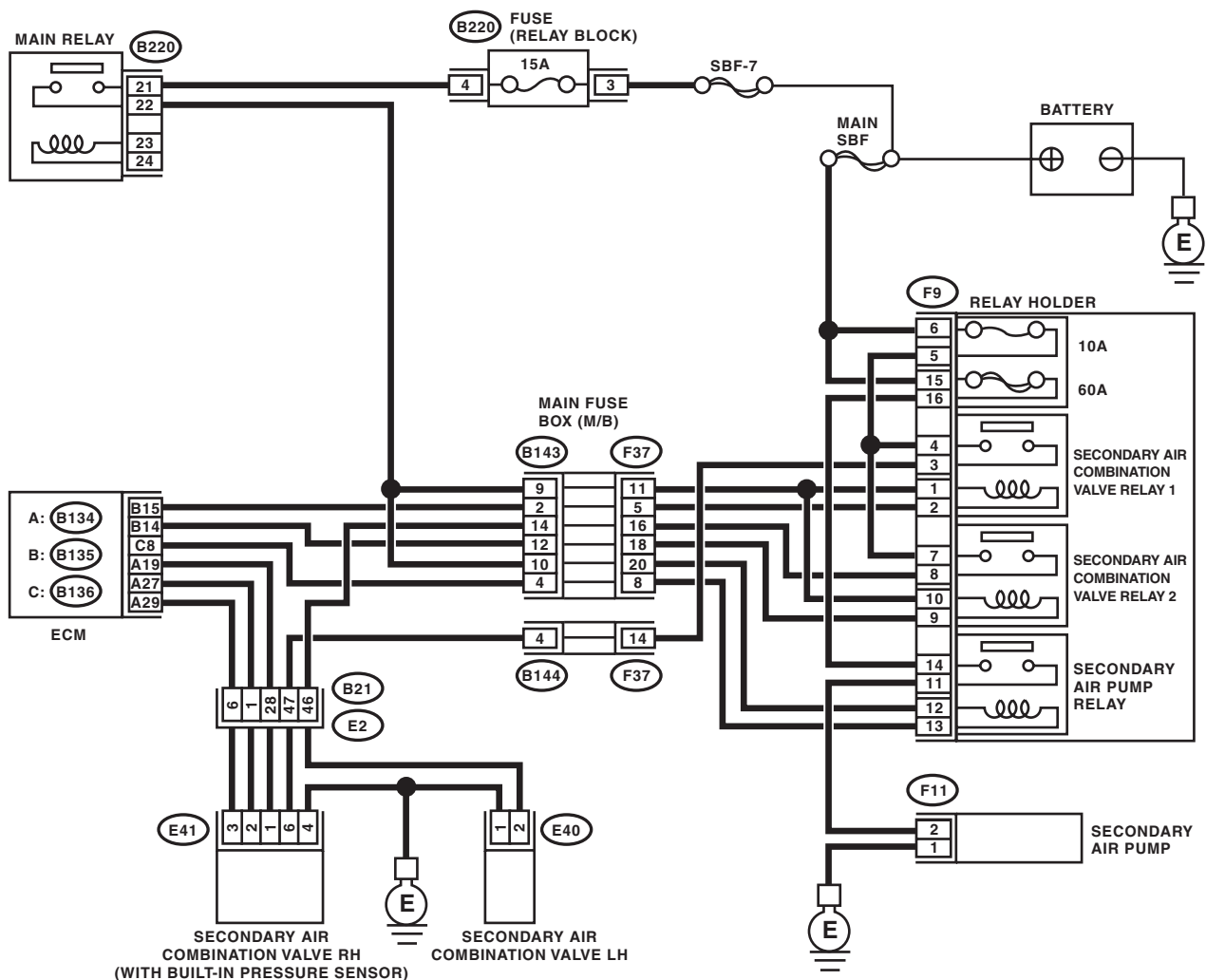
### **CAUTION:**

**After servicing or replacing faulty parts, perform Clear Memory Mode <Ref. to EN(H4DOTC)(diag)-54, OPERATION, Clear Memory Mode.>, and Inspection Mode <Ref. to EN(H4DOTC)(diag)-43, PROCEDURE, Inspection Mode.>.**

# Diagnostic Procedure with Diagnostic Trouble Code (DTC)

ENGINE (DIAGNOSTICS)

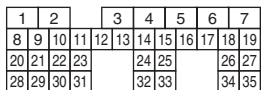
## WIRING DIAGRAM:



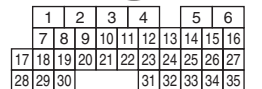
A: B134



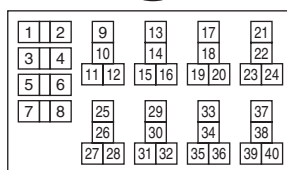
B: B135



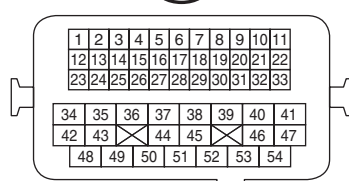
C: B136



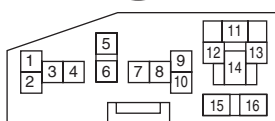
B220



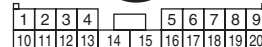
B21



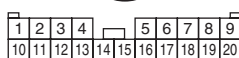
F9



F37



B143



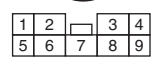
E40



E41



B144



F11



EN-06137

# Diagnostic Procedure with Diagnostic Trouble Code (DTC)

ENGINE (DIAGNOSTICS)

	Step	Check	Yes	No
1	<b>CHECK SECONDARY AIR COMBINATION VALVE.</b> 1) Remove the secondary air combination valve. <Ref. to EC(H4DOTC)-25, Secondary Air Combination Valve.> 2) Blow in air from the secondary air combination valve air inlet, and check whether there are leaks at the pipe connections.	Are there air leaks from the pipe connections?	Replace the secondary air combination valve on the side with the air leak. <Ref. to EC(H4DOTC)-25, Secondary Air Combination Valve.>	Even if DTC is detected, the circuit has returned to a normal condition at this time. Reproduce the failure, and then perform the diagnosis again.  NOTE: In this case, temporary poor contact of connector may be the cause.

## Diagnostic Procedure with Diagnostic Trouble Code (DTC)

ENGINE (DIAGNOSTICS)

---

### **CQ:DTC P1418 SECONDARY AIR INJECTION SYSTEM CONTROL “A” CIRCUIT SHORTED**

#### **DTC DETECTING CONDITION:**

- Immediately at fault recognition
- GENERAL DESCRIPTION <Ref. to GD(H4DOTC)-178, DTC P1418 SECONDARY AIR INJECTION SYSTEM CONTROL “A” CIRCUIT SHORTED, Diagnostic Trouble Code (DTC) Detecting Criteria.>

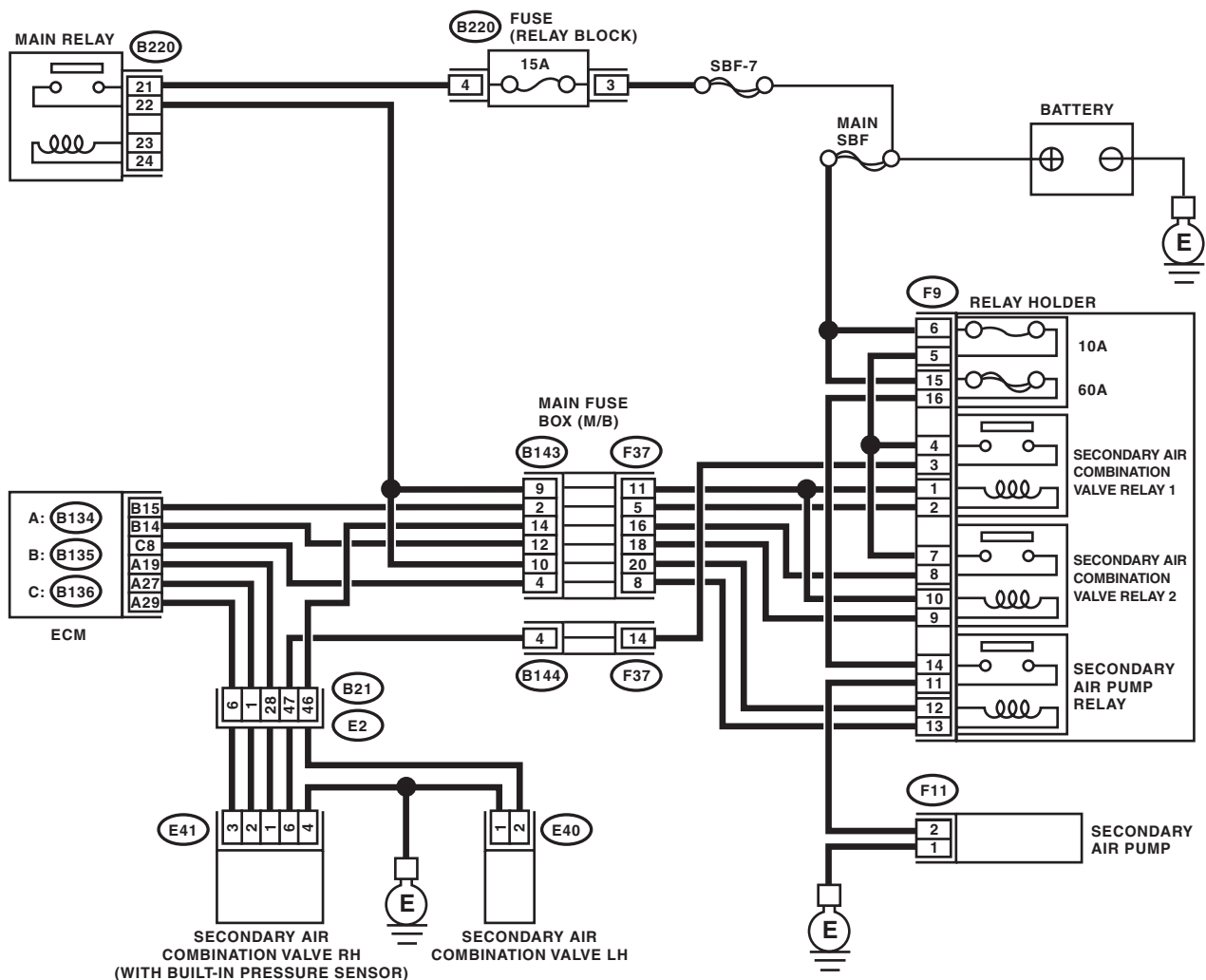
#### **CAUTION:**

**After servicing or replacing faulty parts, perform Clear Memory Mode <Ref. to EN(H4DOTC)(diag)-54, OPERATION, Clear Memory Mode.>, and Inspection Mode <Ref. to EN(H4DOTC)(diag)-43, PROCEDURE, Inspection Mode.>.**

# Diagnostic Procedure with Diagnostic Trouble Code (DTC)

ENGINE (DIAGNOSTICS)

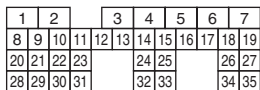
## WIRING DIAGRAM:



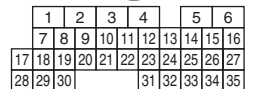
A: B134



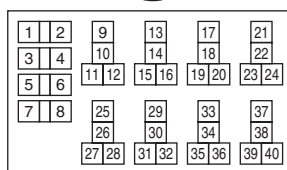
B: B135



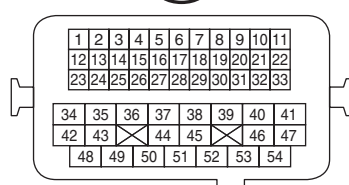
C: B136



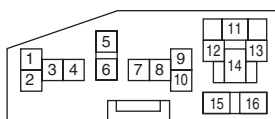
B220



B21



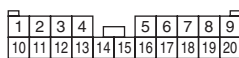
F9



F37



B143



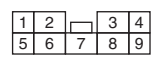
E40



E41



B144



EN-06137

# Diagnostic Procedure with Diagnostic Trouble Code (DTC)

ENGINE (DIAGNOSTICS)

	Step	Check	Yes	No
1	<b>CHECK HARNESS BETWEEN ECM AND SECONDARY AIR PUMP RELAY CONNECTOR.</b> 1) Turn the ignition switch to OFF. 2) Disconnect the connector from the ECM and secondary air pump relay. 3) Measure the voltage between ECM and chassis ground. <b>Connector &amp; terminal</b> <b>(B136) No. 8 (+) — Chassis ground (-):</b>	Is the voltage 10 V or more?	Repair the short circuit to power in the harness between ECM and secondary air pump relay connector.	Even if DTC is detected, the circuit has returned to a normal condition at this time. Reproduce the failure, and then perform the diagnosis again. <b>NOTE:</b> In this case, temporary poor contact of connector may be the cause.

# Diagnostic Procedure with Diagnostic Trouble Code (DTC)

ENGINE (DIAGNOSTICS)

## CR:DTC P1420 FUEL TANK PRESSURE CONTROL SOL. VALVE CIRCUIT HIGH

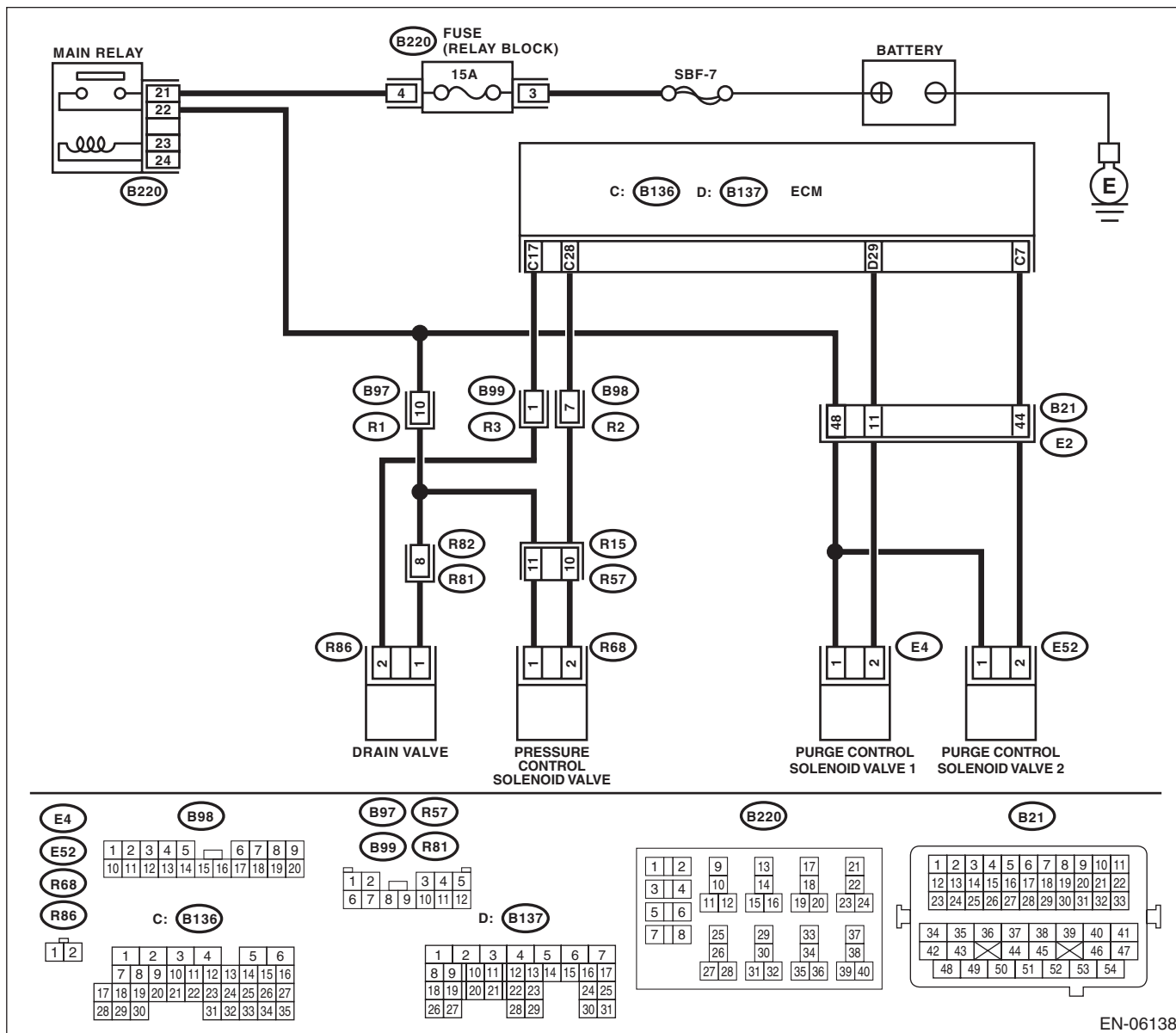
### DTC DETECTING CONDITION:

- Detected when two consecutive driving cycles with fault occur.
- GENERAL DESCRIPTION <Ref. to GD(H4DOTC)-179, DTC P1420 FUEL TANK PRESSURE CONTROL SOL. VALVE CIRCUIT HIGH, Diagnostic Trouble Code (DTC) Detecting Criteria.>

### CAUTION:

After servicing or replacing faulty parts, perform Clear Memory Mode <Ref. to EN(H4DOTC)(diag)-54, OPERATION, Clear Memory Mode.>, and Inspection Mode <Ref. to EN(H4DOTC)(diag)-43, PROCEDURE, Inspection Mode.>.

### WIRING DIAGRAM:



EN-06138



# Diagnostic Procedure with Diagnostic Trouble Code (DTC)

ENGINE (DIAGNOSTICS)

	Step	Check	Yes	No
1	<b>CHECK HARNESS BETWEEN ECM AND PRESSURE CONTROL SOLENOID VALVE CONNECTOR.</b> 1) Turn the ignition switch to OFF. 2) Disconnect the connector from the ECM and pressure control solenoid valve. 3) Turn the ignition switch to ON. 4) Measure the voltage between ECM and chassis ground. <b>Connector &amp; terminal</b> <b>(B136) No. 28 (+) — Chassis ground (-):</b>	Is the voltage 10 V or more?	Repair the short circuit to power in the harness between ECM and pressure control solenoid valve connector.	Go to step 2.
2	<b>CHECK PRESSURE CONTROL SOLENOID VALVE.</b> 1) Turn the ignition switch to OFF. 2) Measure the resistance between pressure control solenoid valve terminals. <b>Terminals</b> <b>No. 1 — No. 2:</b>	Is the resistance less than 1 $\Omega$ ?	Replace the pressure control solenoid valve. <Ref. to EC(H4DOTC)-19, Pressure Control Solenoid Valve.>	Repair the poor contact of ECM connector.

# Diagnostic Procedure with Diagnostic Trouble Code (DTC)

ENGINE (DIAGNOSTICS)

## CS:DTC P1443 VENT CONTROL SOLENOID VALVE FUNCTION PROBLEM

### DTC DETECTING CONDITION:

- Immediately at fault recognition
- GENERAL DESCRIPTION <Ref. to GD(H4DOTC)-181, DTC P1443 VENT CONTROL SOLENOID VALVE FUNCTION PROBLEM, Diagnostic Trouble Code (DTC) Detecting Criteria.>

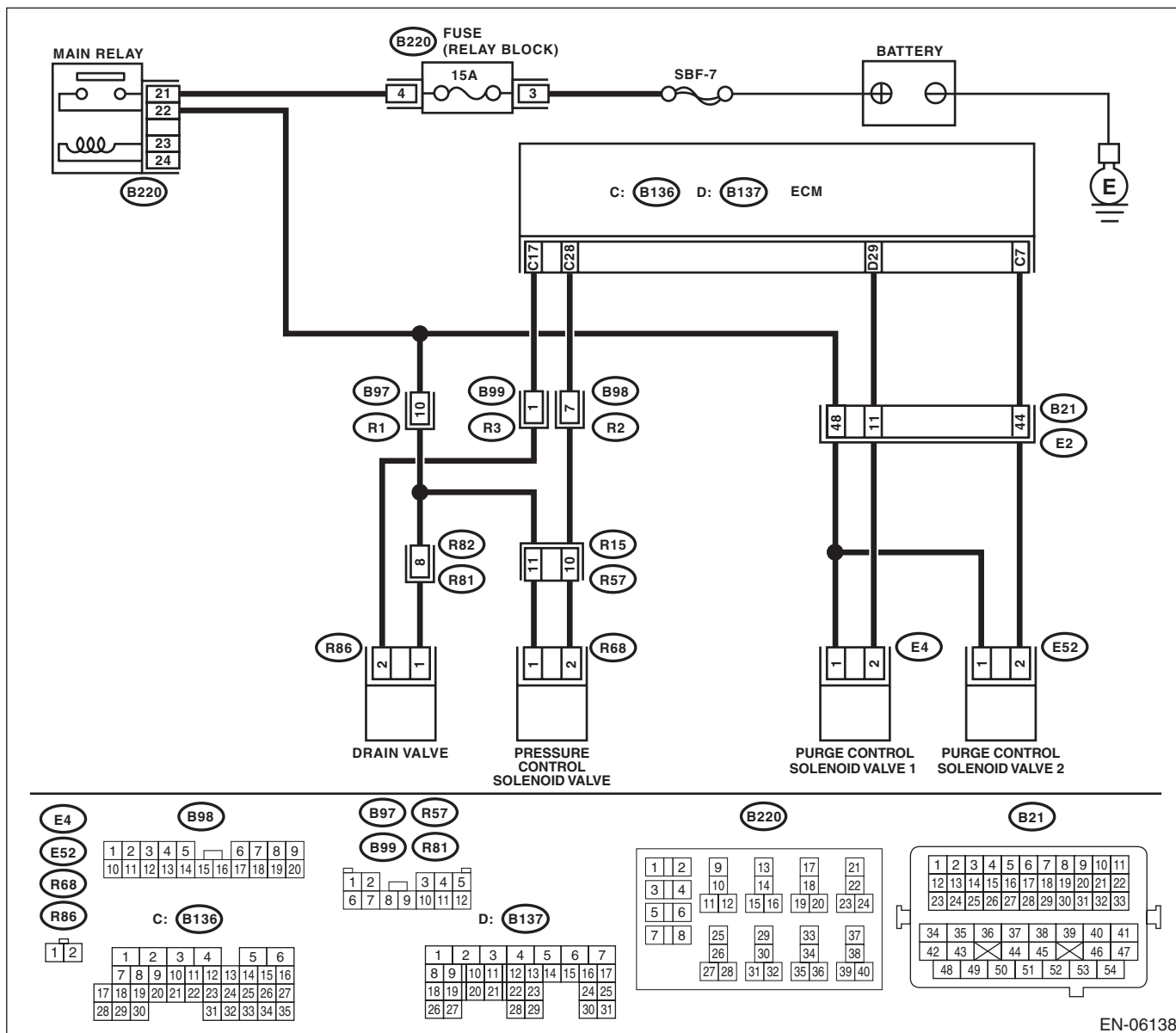
### TROUBLE SYMPTOM:

Improper fuel supply

### CAUTION:

After servicing or replacing faulty parts, perform Clear Memory Mode <Ref. to EN(H4DOTC)(diag)-54, OPERATION, Clear Memory Mode.>, and Inspection Mode <Ref. to EN(H4DOTC)(diag)-43, PROCEDURE, Inspection Mode.>.

### WIRING DIAGRAM:



EN-06138

# Diagnostic Procedure with Diagnostic Trouble Code (DTC)

## ENGINE (DIAGNOSTICS)

	Step	Check	Yes	No
1	<b>CHECK FOR ANY OTHER DTC ON DISPLAY.</b>	Is any other DTC displayed?	Check the appropriate DTC using the "List of Diagnostic Trouble Code (DTC)". <Ref. to EN(H4DOTC)(diag)-83, List of Diagnostic Trouble Code (DTC).>	Go to step 2.
2	<b>CHECK DRAIN HOSE.</b> Check the drain hose for clogging.	Is there clogging in the drain hose?	Replace the drain hose.	Go to step 3.
3	<b>CHECK DRAIN VALVE OPERATION.</b> 1) Turn the ignition switch to OFF. 2) Connect the delivery (test) mode connector at the lower portion of instrument panel (on the driver's side). 3) Turn the ignition switch to ON. 4) Operate the drain valve.  NOTE: Drain valve can be operated using the Subaru Select Monitor. For the procedures, refer to "Compulsory Valve Operation Check Mode". <Ref. to EN(H4DOTC)(diag)-55, Compulsory Valve Operation Check Mode.>	Does the drain valve operate?	Repair the poor contact of ECM connector.	Replace the drain valve. <Ref. to EC(H4DOTC)-22, Drain Valve.>

# Diagnostic Procedure with Diagnostic Trouble Code (DTC)

ENGINE (DIAGNOSTICS)

## CT:DTC P1491 POSITIVE CRANKCASE VENTILATION (BLOW-BY) FUNCTION PROBLEM

### DTC DETECTING CONDITION:

- Immediately at fault recognition
- GENERAL DESCRIPTION <Ref. to GD(H4DOTC)-183, DTC P1491 POSITIVE CRANKCASE VENTILATION (BLOW-BY) FUNCTION PROBLEM, Diagnostic Trouble Code (DTC) Detecting Criteria.>

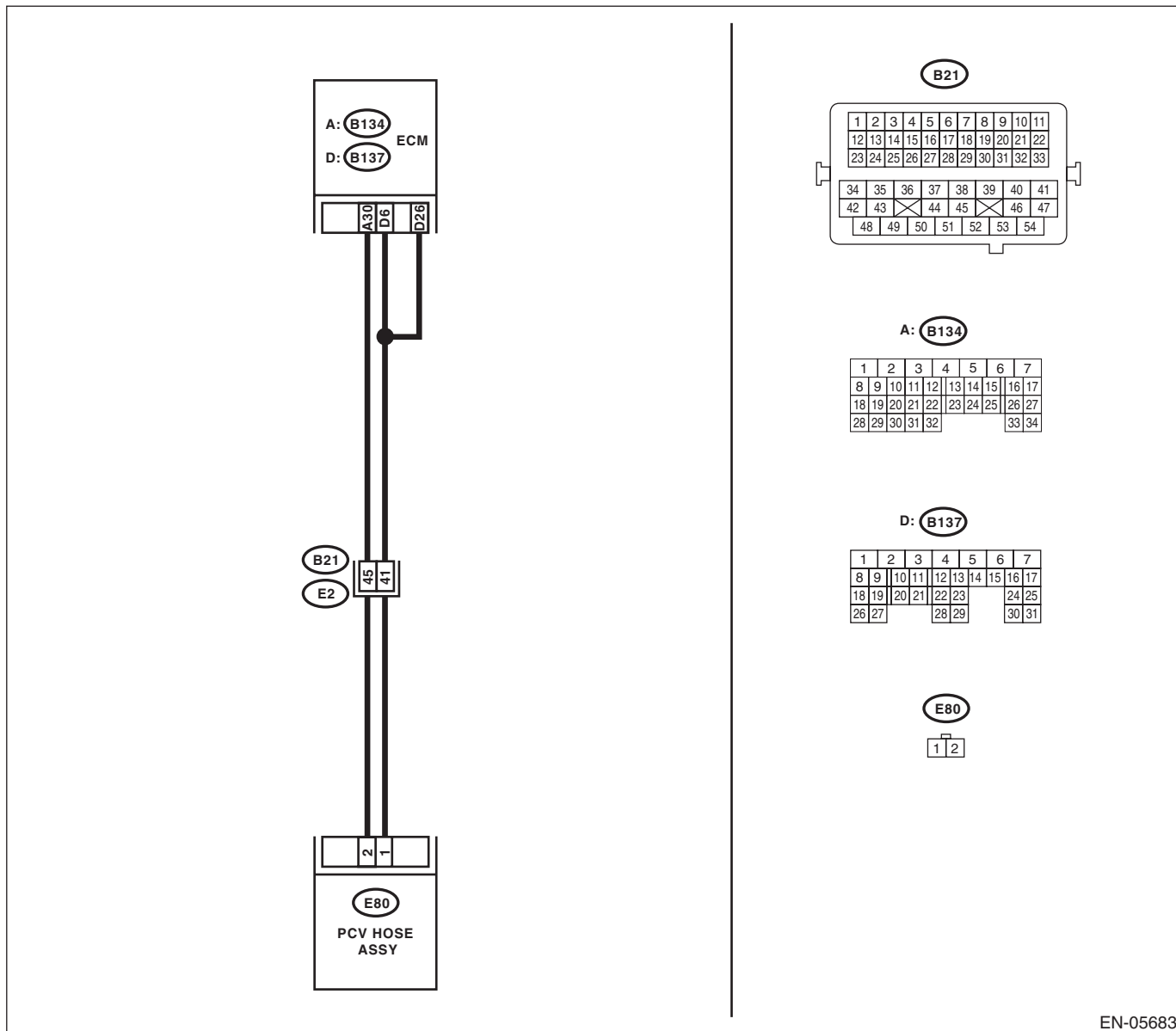
### TROUBLE SYMPTOM:

Improper idling

### CAUTION:

After servicing or replacing faulty parts, perform Clear Memory Mode <Ref. to EN(H4DOTC)(diag)-54, OPERATION, Clear Memory Mode.>, and Inspection Mode <Ref. to EN(H4DOTC)(diag)-43, PROCEDURE, Inspection Mode.>.

### WIRING DIAGRAM:



EN-05683

# Diagnostic Procedure with Diagnostic Trouble Code (DTC)

## ENGINE (DIAGNOSTICS)

Step	Check	Yes	No
<b>1 CHECK BLOW-BY HOSE.</b> Check the blow-by hose condition.	Is there any disconnection or crack in blow-by hose?	Repair or replace the blow-by hose.	Go to step 2.
<b>2 CHECK HARNESS BETWEEN ECM AND PCV HOSE ASSEMBLY CONNECTOR.</b> 1) Turn the ignition switch to OFF. 2) Disconnect the connectors from the ECM and PCV hose assembly. 3) Measure the resistance of harness between ECM and PCV hose assembly connector. <b>Connector &amp; terminal</b> <b>(B134) No. 30 — (E80) No. 2:</b>	Is the resistance less than 1 $\Omega$ ?	Go to step 3.	Repair the harness and connector.  NOTE: In this case, repair the following item: • Open circuit in harness between ECM and PCV hose assembly connector • Poor contact of coupling connector
<b>3 CHECK HARNESS BETWEEN ECM AND PCV HOSE ASSEMBLY CONNECTOR.</b> Measure the resistance between PCV hose assembly connector and chassis ground. <b>Connector &amp; terminal</b> <b>(B134) No. 30 — Chassis ground:</b>	Is the resistance 1 M $\Omega$ or more?	Go to step 4.	Repair the short circuit to ground in harness between ECM and PCV hose assembly connector.
<b>4 CHECK GROUND CIRCUIT OF PCV HOSE ASSEMBLY.</b> Measure the resistance of harness between PCV hose assembly connector and engine ground. <b>Connector &amp; terminal</b> <b>(E80) No. 1 — Engine ground:</b>	Is the resistance less than 5 $\Omega$ ?	Go to step 5.	Repair the open circuit in harness between PCV hose assembly connector and engine ground.
<b>5 CHECK PCV HOSE ASSEMBLY.</b> Measure the resistance between the PCV hose assembly terminals. <b>Terminals</b> <b>No. 1 — No. 2:</b>	Is the resistance less than 1 $\Omega$ ?	Repair the poor contact of ECM and PCV hose assembly connector.	Replace the PCV hose assembly. <Ref. to EC(H4DOTC)-23, PCV Hose Assembly.>

# Diagnostic Procedure with Diagnostic Trouble Code (DTC)

ENGINE (DIAGNOSTICS)

## CU:DTC P1560 BACK-UP VOLTAGE CIRCUIT MALFUNCTION

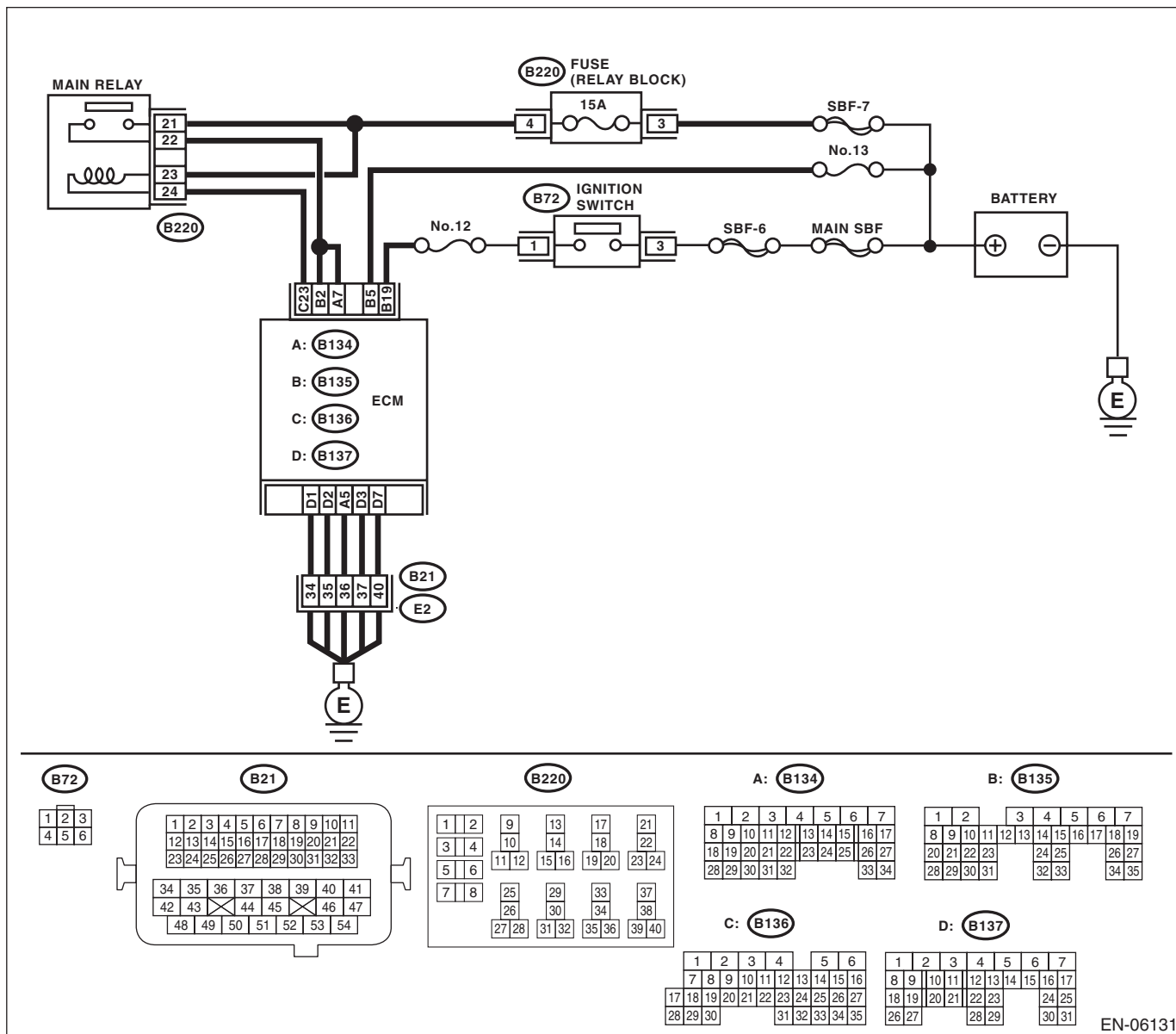
### DTC DETECTING CONDITION:

- Immediately at fault recognition
- GENERAL DESCRIPTION <Ref. to GD(H4DOTC)-185, DTC P1560 BACK-UP VOLTAGE CIRCUIT MALFUNCTION, Diagnostic Trouble Code (DTC) Detecting Criteria.>

### CAUTION:

After servicing or replacing faulty parts, perform Clear Memory Mode <Ref. to EN(H4DOTC)(diag)-54, OPERATION, Clear Memory Mode.>, and Inspection Mode <Ref. to EN(H4DOTC)(diag)-43, PROCEDURE, Inspection Mode.>.

### WIRING DIAGRAM:



# Diagnostic Procedure with Diagnostic Trouble Code (DTC)

## ENGINE (DIAGNOSTICS)

	Step	Check	Yes	No
1	<b>CHECK INPUT SIGNAL OF ECM.</b> 1) Turn the ignition switch to OFF. 2) Measure the voltage between ECM and chassis ground. <b>Connector &amp; terminal</b> <b>(B135) No. 5 (+) — Chassis ground (-):</b>	Is the voltage 10 V or more?	Repair the poor contact of ECM connector.	Go to step 2.
2	<b>CHECK HARNESS BETWEEN ECM AND MAIN FUSE BOX CONNECTOR.</b> 1) Disconnect the connectors from ECM. 2) Measure the resistance between ECM and chassis ground. <b>Connector &amp; terminal</b> <b>(B135) No. 5 — Chassis ground:</b>	Is the resistance 1 MΩ or more?	Go to step 3.	Repair the ground short circuit of harness between ECM and battery terminal.
3	<b>CHECK FUSE NO. 13.</b>	Is the fuse blown out?	Replace the fuse.	Repair the harness and connector. NOTE: In this case, repair the following item: <ul style="list-style-type: none"> <li>• Open circuit in harness between ECM and battery</li> <li>• Poor contact of ECM connector</li> <li>• Poor contact of battery terminal</li> </ul>

## CV:DTC P1602 CONTROL MODULE PROGRAMMING ERROR

### DTC DETECTING CONDITION:

- Detected when two consecutive driving cycles with fault occur.
- GENERAL DESCRIPTION <Ref. to GD(H4DOTC)-187, DTC P1602 CONTROL MODULE PROGRAMMING ERROR, Diagnostic Trouble Code (DTC) Detecting Criteria.>

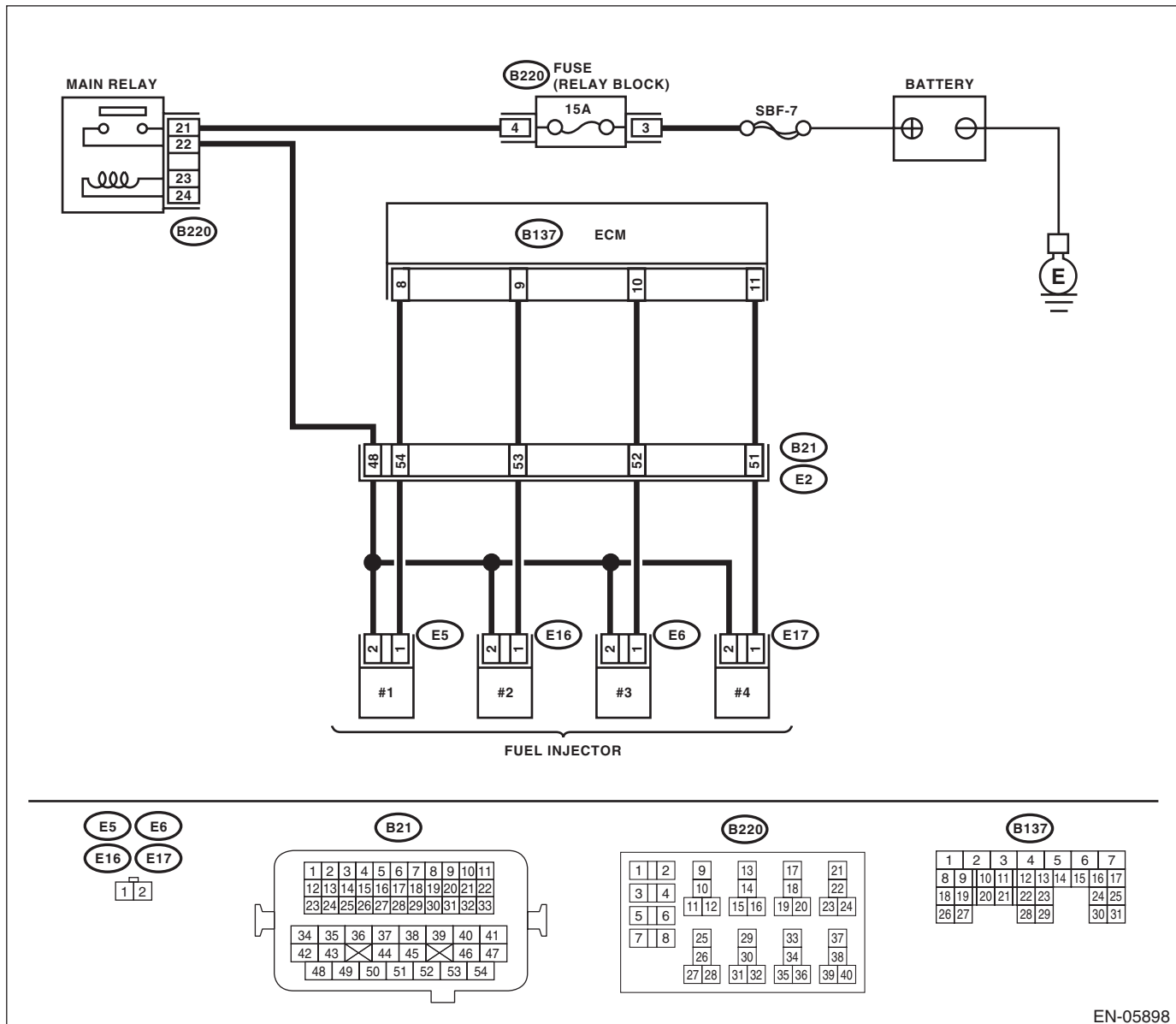
### TROUBLE SYMPTOM:

- Engine keeps running at higher speed than specified idle speed.
- Engine keeps running at a lower speed than the specified idle speed.
- Engine stalls.

### CAUTION:

After servicing or replacing faulty parts, perform Clear Memory Mode <Ref. to EN(H4DOTC)(diag)-54, OPERATION, Clear Memory Mode.>, and Inspection Mode <Ref. to EN(H4DOTC)(diag)-43, PROCEDURE, Inspection Mode.>.

### WIRING DIAGRAM:

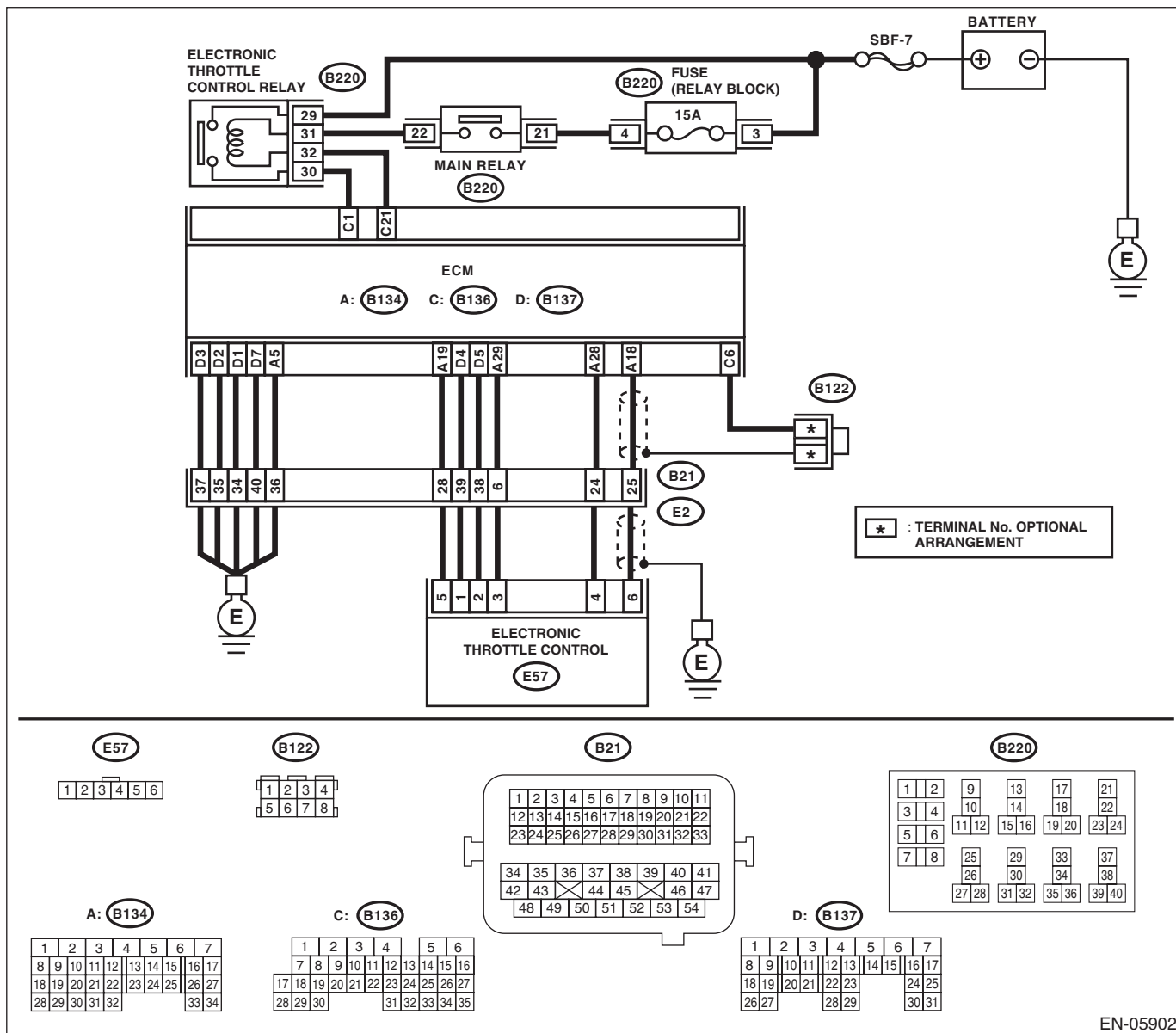


EN-05898



# Diagnostic Procedure with Diagnostic Trouble Code (DTC)

ENGINE (DIAGNOSTICS)



EN-05902

# Diagnostic Procedure with Diagnostic Trouble Code (DTC)

ENGINE (DIAGNOSTICS)

	Step	Check	Yes	No
1	<b>CHECK FOR ANY OTHER DTC ON DISPLAY.</b>	Is any other DTC displayed?	Check the appropriate DTC using the "List of Diagnostic Trouble Code (DTC)". <Ref. to EN(H4DOTC)(diag)-83, List of Diagnostic Trouble Code (DTC).>	Go to step 2.
2	<b>CHECK ENGINE OIL.</b>	Is there a proper amount of engine oil?	Go to step 3.	Replace engine oil. <Ref. to LU(H4SO)-9, REPLACEMENT, Engine Oil.>
3	<b>CHECK EXHAUST SYSTEM.</b>	Are there holes or loose bolts on exhaust system?	Repair the exhaust system.	Go to step 4.
4	<b>CHECK AIR INTAKE SYSTEM.</b>	Are there holes, loose bolts or disconnection of hose on air intake system?	Repair the air intake system.	Go to step 5.
5	<p><b>CHECK FUEL PRESSURE.</b></p> <p><b>WARNING:</b> Place "NO OPEN FLAMES" signs near the working area.</p> <p><b>CAUTION:</b> Be careful not to spill fuel.</p> <p>Measure the fuel pressure while disconnecting pressure regulator vacuum hose from intake manifold. &lt;Ref. to ME(H4DOTC)-25, INSPECTION, Fuel Pressure.&gt;</p> <p><b>CAUTION:</b> Release fuel pressure before removing the fuel pressure gauge.</p> <p>NOTE: If fuel pressure does not increase, squeeze the fuel return hose 2 to 3 times, then measure fuel pressure again.</p>	Is the measured value 284 — 314 kPa (2.9 — 3.2 kg/cm <sup>2</sup> , 41 — 46 psi)?	Go to step 6.	<p>Repair the following item.</p> <p>Fuel pressure is too high:</p> <ul style="list-style-type: none"> <li>• Clogged fuel return line or bent hose</li> </ul> <p>Fuel pressure is too low:</p> <ul style="list-style-type: none"> <li>• Improper fuel pump discharge</li> <li>• Clogged fuel supply line</li> </ul>
6	<p><b>CHECK FUEL PRESSURE.</b></p> <p>After connecting the pressure regulator vacuum hose, measure fuel pressure. &lt;Ref. to ME(H4DOTC)-25, INSPECTION, Fuel Pressure.&gt;</p> <p><b>CAUTION:</b> Release fuel pressure before removing the fuel pressure gauge.</p> <p>NOTE:</p> <ul style="list-style-type: none"> <li>• If fuel pressure does not increase, squeeze fuel return hose 2 to 3 times, then measure fuel pressure again.</li> <li>• If the measured value at this step is out of specification, check or replace pressure regulator and pressure regulator vacuum hose.</li> </ul>	Is the measured value 230 — 260 kPa (2.35 — 2.65 kg/cm <sup>2</sup> , 33 — 38 psi)?	Go to step 7.	<p>Repair the following item.</p> <p>Fuel pressure is too high:</p> <ul style="list-style-type: none"> <li>• Faulty pressure regulator</li> <li>• Clogged fuel return line or bent hose</li> </ul> <p>Fuel pressure is too low:</p> <ul style="list-style-type: none"> <li>• Faulty pressure regulator</li> <li>• Improper fuel pump discharge</li> <li>• Clogged fuel supply line</li> </ul>

# Diagnostic Procedure with Diagnostic Trouble Code (DTC)

## ENGINE (DIAGNOSTICS)

Step	Check	Yes	No
<p><b>7 CHECK ENGINE COOLANT TEMPERATURE SENSOR.</b></p> <p>1) Start the engine and warm up completely.</p> <p>2) Read the data of engine coolant temperature sensor signal using Subaru Select Monitor or general scan tool.</p> <p>NOTE:</p> <ul style="list-style-type: none"> <li>Subaru Select Monitor</li> </ul> <p>For detailed operation procedures, refer to “READ CURRENT DATA FOR ENGINE”. &lt;Ref. to EN(H4DOTC)(diag)-34, Subaru Select Monitor.&gt;</p> <ul style="list-style-type: none"> <li>General scan tool</li> </ul> <p>For detailed operation procedures, refer to the general scan tool operation manual.</p>	<p>Is the engine coolant temperature 75°C (167°F) or higher?</p>	<p>Go to step 8.</p>	<p>Replace the engine coolant temperature sensor. &lt;Ref. to FU(H4DOTC)-31, Engine Coolant Temperature Sensor.&gt;</p>
<p><b>8 CHECK MASS AIR FLOW AND INTAKE AIR TEMPERATURE SENSOR.</b></p> <p>1) Start the engine and warm up engine until coolant temperature is higher than 75°C (167°F).</p> <p>2) For AT models, set the select lever to “P” range or “N” range, and for MT models, place the shift lever in the neutral position.</p> <p>3) Turn the A/C switch to OFF.</p> <p>4) Turn all the accessory switches to OFF.</p> <p>5) Read the data of the mass air flow and intake air temperature sensor signal using Subaru Select Monitor or general scan tool.</p> <p>NOTE:</p> <ul style="list-style-type: none"> <li>Subaru Select Monitor</li> </ul> <p>For detailed operation procedures, refer to “READ CURRENT DATA FOR ENGINE”. &lt;Ref. to EN(H4DOTC)(diag)-34, Subaru Select Monitor.&gt;</p> <ul style="list-style-type: none"> <li>General scan tool</li> </ul> <p>For detailed operation procedures, refer to the general scan tool operation manual.</p>	<p>Is the measured value 2.0 — 5.0 g/s (0.26 — 0.66 lb/m)?</p>	<p>Go to step 9.</p>	<p>Replace the mass air flow and intake air temperature sensor. &lt;Ref. to FU(H4DOTC)-39, Mass Air Flow and Intake Air Temperature Sensor.&gt;</p>
<p><b>9 CHECK MASS AIR FLOW AND INTAKE AIR TEMPERATURE SENSOR.</b></p> <p>1) Start the engine and warm up engine until coolant temperature is higher than 75°C (167°F).</p> <p>2) For AT models, set the select lever to “P” range or “N” range, and for MT models, place the shift lever in the neutral position.</p> <p>3) Turn the A/C switch to OFF.</p> <p>4) Turn all the accessory switches to OFF.</p> <p>5) Open the front hood.</p> <p>6) Measure the ambient temperature.</p> <p>7) Read the data of the mass air flow and intake air temperature sensor signal using Subaru Select Monitor or general scan tool.</p> <p>NOTE:</p> <ul style="list-style-type: none"> <li>Subaru Select Monitor</li> </ul> <p>For detailed operation procedures, refer to “READ CURRENT DATA FOR ENGINE”. &lt;Ref. to EN(H4DOTC)(diag)-34, Subaru Select Monitor.&gt;</p> <ul style="list-style-type: none"> <li>General scan tool</li> </ul> <p>For detailed operation procedures, refer to the general scan tool operation manual.</p>	<p>Subtract ambient temperature from intake air temperature. Is the obtained value -10 — 50°C (-18 — 90°F)?</p>	<p>Go to step 10.</p>	<p>Check the mass air flow and intake air temperature sensor. &lt;Ref. to FU(H4DOTC)-39, Mass Air Flow and Intake Air Temperature Sensor.&gt;</p>

# Diagnostic Procedure with Diagnostic Trouble Code (DTC)

ENGINE (DIAGNOSTICS)

Step	Check	Yes	No
<b>10 CHECK OUTPUT SIGNAL OF ECM.</b> 1) Turn the ignition switch to ON. 2) Measure the voltage between ECM and chassis ground on faulty cylinders. <b>Connector &amp; terminal</b> <i>#1 (B137) No. 8 (+) — Chassis ground (-):</i> <i>#2 (B137) No. 9 (+) — Chassis ground (-):</i> <i>#3 (B137) No. 10 (+) — Chassis ground (-):</i> <i>#4 (B137) No. 11 (+) — Chassis ground (-):</i>	Is the voltage 10 V or more?	Go to step 15.	Go to step 11.
<b>11 CHECK HARNESS BETWEEN ECM AND FUEL INJECTOR CONNECTOR.</b> 1) Turn the ignition switch to OFF. 2) Disconnect the connector from fuel injector on faulty cylinders. 3) Measure the resistance between fuel injector connector and engine ground on faulty cylinders. <b>Connector &amp; terminal</b> <i>#1 (E5) No. 1 — Engine ground:</i> <i>#2 (E16) No. 1 — Engine ground:</i> <i>#3 (E6) No. 1 — Engine ground:</i> <i>#4 (E17) No. 1 — Engine ground:</i>	Is the resistance 1 M $\Omega$ or more?	Go to step 12.	Repair the short circuit to ground in harness between ECM and fuel injector connector.
<b>12 CHECK HARNESS BETWEEN ECM AND FUEL INJECTOR CONNECTOR.</b> Measure the resistance of harness between ECM and fuel injector connector on faulty cylinders. <b>Connector &amp; terminal</b> <i>#1 (B137) No. 8 — (E5) No. 1:</i> <i>#2 (B137) No. 9 — (E16) No. 1:</i> <i>#3 (B137) No. 10 — (E6) No. 1:</i> <i>#4 (B137) No. 11 — (E17) No. 1:</i>	Is the resistance less than 1 $\Omega$ ?	Go to step 13.	Repair the harness and connector. NOTE: In this case, repair the following item: <ul style="list-style-type: none"> <li>• Open circuit in harness between ECM and fuel injector connector</li> <li>• Poor contact of coupling connector</li> </ul>
<b>13 CHECK FUEL INJECTOR.</b> Measure the resistance between fuel injector terminals on faulty cylinder. <b>Terminals</b> <i>No. 1 — No. 2:</i>	Is the resistance 5 — 20 $\Omega$ ?	Go to step 14.	Replace the faulty fuel injector. <Ref. to FU(H4DOTC)-41, Fuel Injector.>
<b>14 CHECK POWER SUPPLY LINE.</b> 1) Turn the ignition switch to ON. 2) Measure the voltage between fuel injector and engine ground on faulty cylinders. <b>Connector &amp; terminal</b> <i>#1 (E5) No. 2 (+) — Engine ground (-):</i> <i>#2 (E16) No. 2 (+) — Engine ground (-):</i> <i>#3 (E6) No. 2 (+) — Engine ground (-):</i> <i>#4 (E17) No. 2 (+) — Engine ground (-):</i>	Is the voltage 10 V or more?	Repair the poor contact of all connectors in fuel injector circuit.	Repair the harness and connector. NOTE: In this case, repair the following item: <ul style="list-style-type: none"> <li>• Open circuit in harness between the main relay connector and fuel injector connector on faulty cylinders</li> <li>• Poor contact of coupling connector</li> <li>• Poor contact of main relay connector</li> </ul>

# Diagnostic Procedure with Diagnostic Trouble Code (DTC)

## ENGINE (DIAGNOSTICS)

Step	Check	Yes	No
<b>15 CHECK HARNESS BETWEEN ECM AND FUEL INJECTOR CONNECTOR.</b> 1) Turn the ignition switch to OFF. 2) Disconnect the connector from fuel injector on faulty cylinders. 3) Turn the ignition switch to ON. 4) Measure the voltage between ECM and chassis ground on faulty cylinders. <b>Connector &amp; terminal</b> <b>#1 (B137) No. 8 (+) — Chassis ground (-):</b> <b>#2 (B137) No. 9 (+) — Chassis ground (-):</b> <b>#3 (B137) No. 10 (+) — Chassis ground (-):</b> <b>#4 (B137) No. 11 (+) — Chassis ground (-):</b>	Is the voltage 10 V or more?	Repair the short circuit to power in harness between ECM and fuel injector connector.	Go to step 16.
<b>16 CHECK FUEL INJECTOR.</b> 1) Turn the ignition switch to OFF. 2) Measure the resistance between fuel injector terminals on faulty cylinder. <b>Terminals</b> <b>No. 1 — No. 2:</b>	Is the resistance less than 1 $\Omega$ ?	Replace the faulty fuel injector. <Ref. to FU(H4DOTC)-41, Fuel Injector.>	Go to step 17.
<b>17 CHECK INSTALLATION OF CAMSHAFT POSITION SENSOR/CRANKSHAFT POSITION SENSOR.</b>	Is the camshaft position sensor or crankshaft position sensor loosely installed?	Tighten the camshaft position sensor or crankshaft position sensor.	Go to step 18.
<b>18 CHECK CRANK SPROCKET.</b> Remove the timing belt cover. <Ref. to ME(H4DOTC)-49, REMOVAL, Timing Belt Cover.>	Is the crank sprocket rusted or does it have broken teeth?	Replace the crank sprocket. <Ref. to ME(H4DOTC)-60, Crank Sprocket.>	Go to step 19.
<b>19 CHECK INSTALLATION CONDITION OF TIMING BELT.</b> Turn the crankshaft using ST, and align the alignment mark on crank sprocket with alignment mark on cylinder block. ST 499987500                      CRANKSHAFT SOCKET	Is the timing belt dislocated from its proper position?	Repair the installation condition of timing belt. <Ref. to ME(H4DOTC)-50, Timing Belt.>	Go to step 20.
<b>20 CHECK ELECTRONIC THROTTLE CONTROL RELAY.</b> 1) Turn the ignition switch to OFF. 2) Remove the electronic throttle control relay. 3) Connect the battery to terminals No. 31 and No. 32 of electronic throttle control relay. 4) Measure the resistance between electronic throttle control relay terminals. <b>Terminals</b> <b>No. 29 — No. 30:</b>	Is the resistance less than 1 $\Omega$ ?	Go to step 21.	Replace the electronic throttle control relay. <Ref. to FU(H4DOTC)-57, Electronic Throttle Control Relay.>
<b>21 CHECK POWER SUPPLY OF ELECTRONIC THROTTLE CONTROL RELAY.</b> Measure the voltage between electronic throttle control relay connector and chassis ground. <b>Connector &amp; terminal</b> <b>(B220) No. 29 (+) — Chassis ground (-):</b>	Is the voltage 10 V or more?	Go to step 22.	Repair the open or ground short circuit of power supply circuit.
<b>22 CHECK HARNESS BETWEEN ECM AND ELECTRONIC THROTTLE CONTROL RELAY CONNECTOR.</b> 1) Disconnect the connectors from ECM. 2) Turn the ignition switch to ON. 3) Measure the voltage between electronic throttle control relay connector and chassis ground. <b>Connector &amp; terminal</b> <b>(B220) No. 32 (+) — Chassis ground (-):</b>	Is the voltage 10 V or more?	Repair the short circuit to power in the harness between ECM and electronic throttle control relay connector.	Go to step 23.

# Diagnostic Procedure with Diagnostic Trouble Code (DTC)

ENGINE (DIAGNOSTICS)

Step	Check	Yes	No
<p><b>23</b>     <b>CHECK HARNESS BETWEEN ECM AND ELECTRONIC THROTTLE CONTROL RELAY CONNECTOR.</b></p> <p>1) Turn the ignition switch to OFF. 2) Measure the resistance between electronic throttle control relay connector and chassis ground.</p> <p><b>Connector &amp; terminal</b> <b>(B220) No. 32 — Chassis ground:</b> <b>(B220) No. 30 — Chassis ground:</b></p>	Is the resistance 1 M $\Omega$ or more?	Go to step 24.	Repair the short circuit in harness to ground between ECM and electronic throttle control relay connector.
<p><b>24</b>     <b>CHECK HARNESS BETWEEN ECM AND ELECTRONIC THROTTLE CONTROL RELAY CONNECTOR.</b></p> <p>Measure the resistance between ECM and electronic throttle control relay connector.</p> <p><b>Connector &amp; terminal</b> <b>(B136) No. 21 — (B220) No. 32:</b> <b>(B136) No. 1 — (B220) No. 30:</b></p>	Is the resistance less than 1 $\Omega$ ?	Go to step 25.	Repair the open circuit in harness between ECM and electronic throttle control relay connector.
<p><b>25</b>     <b>CHECK HARNESS BETWEEN ECM AND ELECTRONIC THROTTLE CONTROL CONNECTOR.</b></p> <p>1) Turn the ignition switch to OFF. 2) Disconnect the connectors from ECM and electronic throttle control. 3) Measure the resistance between ECM and chassis ground.</p> <p><b>Connector &amp; terminal</b> <b>(B134) No. 19 — Chassis ground:</b> <b>(B134) No. 18 — Chassis ground:</b> <b>(B134) No. 18 — (B136) No. 6:</b> <b>(B134) No. 28 — Chassis ground:</b></p>	Is the resistance 1 M $\Omega$ or more?	Go to step 26.	Repair the short circuit to ground in harness between ECM and electronic throttle control connector.
<p><b>26</b>     <b>CHECK SHORT CIRCUIT INSIDE THE ECM.</b></p> <p>1) Connect the connector to ECM. 2) Measure the resistance between electronic throttle control connector and engine ground.</p> <p><b>Connector &amp; terminal</b> <b>(B57) No. 6 — Engine ground:</b> <b>(B57) No. 4 — Engine ground:</b></p>	Is the resistance 1 M $\Omega$ or more?	Go to step 27.	Repair the short circuit to ground in harness between ECM and electronic throttle control connector. Replace the ECM if defective. <Ref. to FU(H4DOTC)-52, Engine Control Module (ECM).>
<p><b>27</b>     <b>CHECK HARNESS BETWEEN ECM AND ELECTRONIC THROTTLE CONTROL CONNECTOR.</b></p> <p>1) Disconnect the connectors from ECM. 2) Measure the resistance of harness between ECM and electronic throttle control connector.</p> <p><b>Connector &amp; terminal</b> <b>(B134) No. 18 — (E57) No. 6:</b> <b>(B134) No. 28 — (E57) No. 4:</b> <b>(B134) No. 29 — (E57) No. 3:</b></p>	Is the resistance less than 1 $\Omega$ ?	Go to step 28.	Repair the harness and connector.  NOTE: In this case, repair the following item: • Open circuit in harness between ECM and electronic throttle control connector • Poor contact of coupling connector

# Diagnostic Procedure with Diagnostic Trouble Code (DTC)

## ENGINE (DIAGNOSTICS)

Step	Check	Yes	No
<b>28 CHECK HARNESS BETWEEN ECM AND ELECTRONIC THROTTLE CONTROL CONNECTOR.</b> 1) Connect the connector to ECM. 2) Measure the resistance between electronic throttle control connector and engine ground. <b>Connector &amp; terminal</b> <b>(E57) No. 3 — Engine ground:</b>	Is the resistance less than 5 Ω?	Go to step 29.	Repair the harness and connector. NOTE: In this case, repair the following item: • Open circuit of harness between ECM and engine ground • Poor contact of ECM connector • Poor contact of coupling connector
<b>29 CHECK HARNESS BETWEEN ECM AND ELECTRONIC THROTTLE CONTROL CONNECTOR.</b> 1) Turn the ignition switch to ON. 2) Measure the voltage between electronic throttle control connector and engine ground. <b>Connector &amp; terminal</b> <b>(E57) No. 6 (+) — Engine ground (-):</b> <b>(E57) No. 4 (+) — Engine ground (-):</b>	Is the voltage 4.85 V or more?	Repair the short circuit to power in harness between ECM and electronic throttle control connector.	Go to step 30.
<b>30 CHECK HARNESS BETWEEN ECM AND ELECTRONIC THROTTLE CONTROL CONNECTOR.</b> 1) Turn the ignition switch to OFF. 2) Disconnect the connectors from ECM. 3) Measure the resistance between ECM connectors. <b>Connector &amp; terminal</b> <b>(B134) No. 19 — (B134) No. 18:</b> <b>(B134) No. 19 — (B134) No. 28:</b>	Is the resistance 1 MΩ or more?	Go to step 31.	Repair the short circuit to power in harness between ECM and electronic throttle control connector.
<b>31 CHECK SENSOR OUTPUT.</b> 1) Connect all connectors. 2) Turn the ignition switch to ON. 3) Read the data of main throttle sensor signal using Subaru Select Monitor. NOTE: For detailed operation procedures, refer to "READ CURRENT DATA FOR ENGINE". <Ref. to EN(H4DOTC)(diag)-34, Subaru Select Monitor.>	Is the voltage 0.81 — 0.87 V?	Go to step 32.	Repair the poor contact of electronic throttle control connector. Replace the electronic throttle control if defective. <Ref. to FU(H4DOTC)-14, Throttle Body.>
<b>32 CHECK SENSOR OUTPUT.</b> Read the data of sub throttle sensor signal using Subaru Select Monitor. NOTE: Subaru Select Monitor For detailed operation procedures, refer to "READ CURRENT DATA FOR ENGINE". <Ref. to EN(H4DOTC)(diag)-34, Subaru Select Monitor.>	Is the voltage 1.64 — 1.70 V?	Go to step 33.	Repair the poor contact of electronic throttle control connector. Replace the electronic throttle control if defective. <Ref. to FU(H4DOTC)-14, Throttle Body.>

# Diagnostic Procedure with Diagnostic Trouble Code (DTC)

ENGINE (DIAGNOSTICS)

Step	Check	Yes	No
<p><b>33 CHECK HARNESS BETWEEN ECM AND ELECTRONIC THROTTLE CONTROL MOTOR.</b></p> <p>1) Turn the ignition switch to OFF. 2) Disconnect the connectors from ECM and electronic throttle control. 3) Measure the resistance between ECM and electronic throttle control connector.</p> <p><b>Connector &amp; terminal</b> <b>(B137) No. 5 — (E57) No. 2:</b> <b>(B137) No. 4 — (E57) No. 1:</b></p>	Is the resistance less than 1 $\Omega$ ?	Go to step 34.	Repair the harness and connector. <b>NOTE:</b> In this case, repair the following item: • Open circuit in harness between ECM and electronic throttle control connector • Poor contact of coupling connector
<p><b>34 CHECK HARNESS BETWEEN ECM AND ELECTRONIC THROTTLE CONTROL MOTOR.</b></p> <p>1) Connect the connector to ECM. 2) Turn the ignition switch to ON. 3) Measure the voltage between electronic throttle control connector and engine ground.</p> <p><b>Connector &amp; terminal</b> <b>(E57) No. 2 (+) — Engine ground (-):</b> <b>(E57) No. 1 (+) — Engine ground (-):</b></p>	Is the voltage 5 V or more?	Repair the short circuit to power in harness between ECM and electronic throttle control connector.	Go to step 35.
<p><b>35 CHECK HARNESS BETWEEN ECM AND ELECTRONIC THROTTLE CONTROL MOTOR.</b></p> <p>1) Turn the ignition switch to OFF. 2) Disconnect the connectors from ECM. 3) Measure the resistance between electronic throttle control connector and engine ground.</p> <p><b>Connector &amp; terminal</b> <b>(E57) No. 2 — Engine ground:</b> <b>(E57) No. 1 — Engine ground:</b></p>	Is the resistance 1 M $\Omega$ or more?	Go to step 36.	Repair the short circuit to ground in harness between ECM and electronic throttle control connector.
<p><b>36 CHECK ELECTRONIC THROTTLE CONTROL MOTOR HARNESS.</b></p> <p>Measure the resistance between electronic throttle control connectors.</p> <p><b>Connector &amp; terminal</b> <b>(E57) No. 2 — (E57) No. 1:</b></p>	Is the resistance 1 M $\Omega$ or more?	Go to step 37.	Repair the short circuit of harness between ECM and electronic throttle control connector.
<p><b>37 CHECK ELECTRONIC THROTTLE CONTROL GROUND CIRCUIT.</b></p> <p>Measure the resistance between ECM and chassis ground.</p> <p><b>Connector &amp; terminal</b> <b>(B134) No. 5 — Chassis ground:</b> <b>(B137) No. 1 — Chassis ground:</b> <b>(B137) No. 2 — Chassis ground:</b> <b>(B137) No. 3 — Chassis ground:</b> <b>(B137) No. 7 — Chassis ground:</b></p>	Is the resistance less than 5 $\Omega$ ?	Go to step 38.	Repair the harness and connector. <b>NOTE:</b> In this case, repair the following item: • Open circuit of harness between ECM and engine ground • Poor contact of coupling connector
<p><b>38 CHECK ELECTRONIC THROTTLE CONTROL.</b></p> <p>Measure the resistance between electronic throttle control terminals.</p> <p><b>Terminals</b> <b>No. 1 — No. 2:</b></p>	Is the resistance 50 $\Omega$ or less?	Go to step 39.	Replace the electronic throttle control. <Ref. to FU(H4DOTC)-14, Throttle Body.>
<p><b>39 CHECK ELECTRONIC THROTTLE CONTROL.</b></p> <p>Move the throttle valve to the fully open and fully closed positions with fingers. Check that the valve returns to the specified position when releasing fingers.</p>	Does the valve return to the specified position? Standard value: 3 mm (0.12 in) from fully closed position	Repair the poor contact of ECM connector.	Replace the electronic throttle control. <Ref. to FU(H4DOTC)-14, Throttle Body.>



## Diagnostic Procedure with Diagnostic Trouble Code (DTC)

ENGINE (DIAGNOSTICS)

### CW:DTC P2004 INTAKE MANIFOLD RUNNER CONTROL STUCK OPEN (BANK 1)

#### DTC DETECTING CONDITION:

- Immediately at fault recognition
- GENERAL DESCRIPTION <Ref. to GD(H4DOTC)-189, DTC P2004 INTAKE MANIFOLD RUNNER CONTROL STUCK OPEN (BANK 1), Diagnostic Trouble Code (DTC) Detecting Criteria.>

#### CAUTION:

**After servicing or replacing faulty parts, perform Clear Memory Mode <Ref. to EN(H4DOTC)(diag)-54, OPERATION, Clear Memory Mode.>, and Inspection Mode <Ref. to EN(H4DOTC)(diag)-43, PROCEDURE, Inspection Mode.>.**

Step	Check	Yes	No
1	<b>CHECK FOR ANY OTHER DTC ON DISPLAY.</b>	Is any other DTC displayed?	Check the appropriate DTC using the "List of Diagnostic Trouble Code (DTC)". <Ref. to EN(H4DOTC)(diag)-83, List of Diagnostic Trouble Code (DTC).>
2	<b>CHECK TUMBLE GENERATOR VALVE RH.</b> 1) Remove the tumble generator valve assembly RH. 2) Check the tumble generator valve body.	Is there any dirt or clogging with foreign objects in the tumble generator valve?	Clean the tumble generator valve.  Replace the tumble generator valve assembly RH. <Ref. to FU(H4DOTC)-44, Tumble Generator Valve Assembly.>

### CX:DTC P2005 INTAKE MANIFOLD RUNNER CONTROL STUCK OPEN (BANK 2)

#### DTC DETECTING CONDITION:

- Immediately at fault recognition
- GENERAL DESCRIPTION <Ref. to GD(H4DOTC)-190, DTC P2005 INTAKE MANIFOLD RUNNER CONTROL STUCK OPEN (BANK 2), Diagnostic Trouble Code (DTC) Detecting Criteria.>

#### CAUTION:

**After servicing or replacing faulty parts, perform Clear Memory Mode <Ref. to EN(H4DOTC)(diag)-54, OPERATION, Clear Memory Mode.>, and Inspection Mode <Ref. to EN(H4DOTC)(diag)-43, PROCEDURE, Inspection Mode.>.**

Step	Check	Yes	No
1	<b>CHECK FOR ANY OTHER DTC ON DISPLAY.</b>	Is any other DTC displayed?	Check the appropriate DTC using the "List of Diagnostic Trouble Code (DTC)". <Ref. to EN(H4DOTC)(diag)-83, List of Diagnostic Trouble Code (DTC).>
2	<b>CHECK TUMBLE GENERATOR VALVE LH.</b> 1) Remove the tumble generator valve assembly LH. 2) Check the tumble generator valve body.	Is there any dirt or clogging with foreign objects in the tumble generator valve?	Clean the tumble generator valve.  Replace the tumble generator valve assembly LH. <Ref. to FU(H4DOTC)-44, Tumble Generator Valve Assembly.>

# Diagnostic Procedure with Diagnostic Trouble Code (DTC)

ENGINE (DIAGNOSTICS)

## CY:DTC P2006 INTAKE MANIFOLD RUNNER CONTROL STUCK CLOSED (BANK 1)

### DTC DETECTING CONDITION:

- Immediately at fault recognition
- GENERAL DESCRIPTION <Ref. to GD(H4DOTC)-191, DTC P2006 INTAKE MANIFOLD RUNNER CONTROL STUCK CLOSED (BANK 1), Diagnostic Trouble Code (DTC) Detecting Criteria.>

### CAUTION:

After servicing or replacing faulty parts, perform Clear Memory Mode <Ref. to EN(H4DOTC)(diag)-54, OPERATION, Clear Memory Mode.>, and Inspection Mode <Ref. to EN(H4DOTC)(diag)-43, PROCEDURE, Inspection Mode.>.

Step	Check	Yes	No
1 <b>CHECK FOR ANY OTHER DTC ON DISPLAY.</b>	Is any other DTC displayed?	Check the appropriate DTC using the "List of Diagnostic Trouble Code (DTC)". <Ref. to EN(H4DOTC)(diag)-83, List of Diagnostic Trouble Code (DTC).>	Go to step 2.
2 <b>CHECK TUMBLE GENERATOR VALVE RH.</b> 1) Remove the tumble generator valve assembly RH. 2) Check the tumble generator valve body.	Is there any dirt or clogging with foreign objects in the tumble generator valve?	Clean the tumble generator valve.	Replace the tumble generator valve assembly RH. <Ref. to FU(H4DOTC)-44, Tumble Generator Valve Assembly.>

## CZ:DTC P2007 INTAKE MANIFOLD RUNNER CONTROL STUCK CLOSED (BANK 2)

### DTC DETECTING CONDITION:

- Immediately at fault recognition
- GENERAL DESCRIPTION <Ref. to GD(H4DOTC)-192, DTC P2007 INTAKE MANIFOLD RUNNER CONTROL STUCK CLOSED (BANK 2), Diagnostic Trouble Code (DTC) Detecting Criteria.>

### CAUTION:

After servicing or replacing faulty parts, perform Clear Memory Mode <Ref. to EN(H4DOTC)(diag)-54, OPERATION, Clear Memory Mode.>, and Inspection Mode <Ref. to EN(H4DOTC)(diag)-43, PROCEDURE, Inspection Mode.>.

Step	Check	Yes	No
1 <b>CHECK FOR ANY OTHER DTC ON DISPLAY.</b>	Is any other DTC displayed?	Check the appropriate DTC using the "List of Diagnostic Trouble Code (DTC)". <Ref. to EN(H4DOTC)(diag)-83, List of Diagnostic Trouble Code (DTC).>	Go to step 2.
2 <b>CHECK TUMBLE GENERATOR VALVE LH.</b> 1) Remove the tumble generator valve assembly LH. 2) Check the tumble generator valve body.	Is there any dirt or clogging with foreign objects in the tumble generator valve?	Clean the tumble generator valve.	Replace the tumble generator valve assembly LH. <Ref. to FU(H4DOTC)-44, Tumble Generator Valve Assembly.>

# Diagnostic Procedure with Diagnostic Trouble Code (DTC)

ENGINE (DIAGNOSTICS)

## DA:DTC P2008 INTAKE MANIFOLD RUNNER CONTROL CIRCUIT / OPEN (BANK 1)

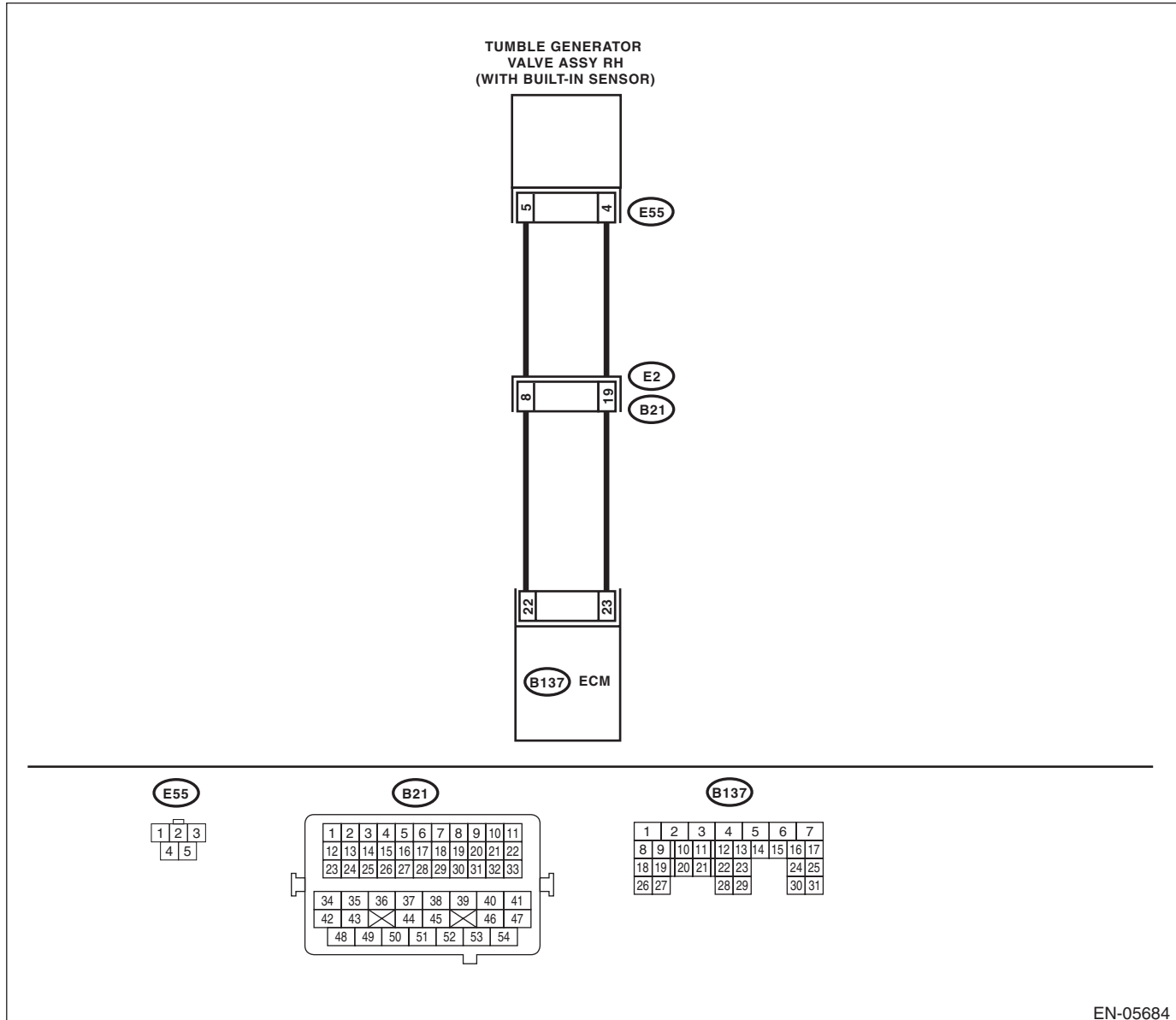
### DTC DETECTING CONDITION:

- Immediately at fault recognition
- GENERAL DESCRIPTION <Ref. to GD(H4DOTC)-193, DTC P2008 INTAKE MANIFOLD RUNNER CONTROL CIRCUIT / OPEN (BANK 1), Diagnostic Trouble Code (DTC) Detecting Criteria.>

### CAUTION:

After servicing or replacing faulty parts, perform Clear Memory Mode <Ref. to EN(H4DOTC)(diag)-54, OPERATION, Clear Memory Mode.>, and Inspection Mode <Ref. to EN(H4DOTC)(diag)-43, PROCEDURE, Inspection Mode.>.

### WIRING DIAGRAM:



# Diagnostic Procedure with Diagnostic Trouble Code (DTC)

ENGINE (DIAGNOSTICS)

	Step	Check	Yes	No
1	<p><b>CHECK HARNESS BETWEEN ECM AND TUMBLE GENERATOR VALVE ASSEMBLY RH CONNECTOR.</b></p> <p>1) Turn the ignition switch to OFF.                      2) Disconnect the connectors from the ECM and tumble generator valve assembly RH.                      3) Measure the resistance of harness between ECM and tumble generator valve assembly RH.</p> <p><b>Connector &amp; terminal</b>                      (B137) No. 22 — (E55) No. 5:                      (B137) No. 23 — (E55) No. 4:</p>	Is the resistance less than 1 Ω?	Go to step 2.	Repair the harness and connector.  NOTE: In this case, repair the following item: • Open circuit in harness between ECM and tumble generator valve assembly RH connector • Poor contact of coupling connector
2	<p><b>CHECK HARNESS BETWEEN ECM AND TUMBLE GENERATOR VALVE ASSEMBLY RH CONNECTOR.</b></p> <p>Measure the resistance between ECM and chassis ground.</p> <p><b>Connector &amp; terminal</b>                      (B137) No. 22 — Chassis ground:                      (B137) No. 23 — Chassis ground:</p>	Is the resistance 1 MΩ or more?	Go to step 3.	Repair the short circuit to ground in harness between ECM and tumble generator valve assembly RH connector.
3	<p><b>CHECK POOR CONTACT.</b></p> <p>Check for poor contact of tumble generator valve assembly RH connector.</p>	Is there poor contact of the tumble generator valve assembly RH connector?	Repair the poor contact of tumble generator valve assembly RH connector.	Replace the tumble generator valve assembly RH. <Ref. to FU(H4DOTC)-44, Tumble Generator Valve Assembly.>

# Diagnostic Procedure with Diagnostic Trouble Code (DTC)

ENGINE (DIAGNOSTICS)

## DB:DTC P2009 INTAKE MANIFOLD RUNNER CONTROL CIRCUIT LOW (BANK 1)

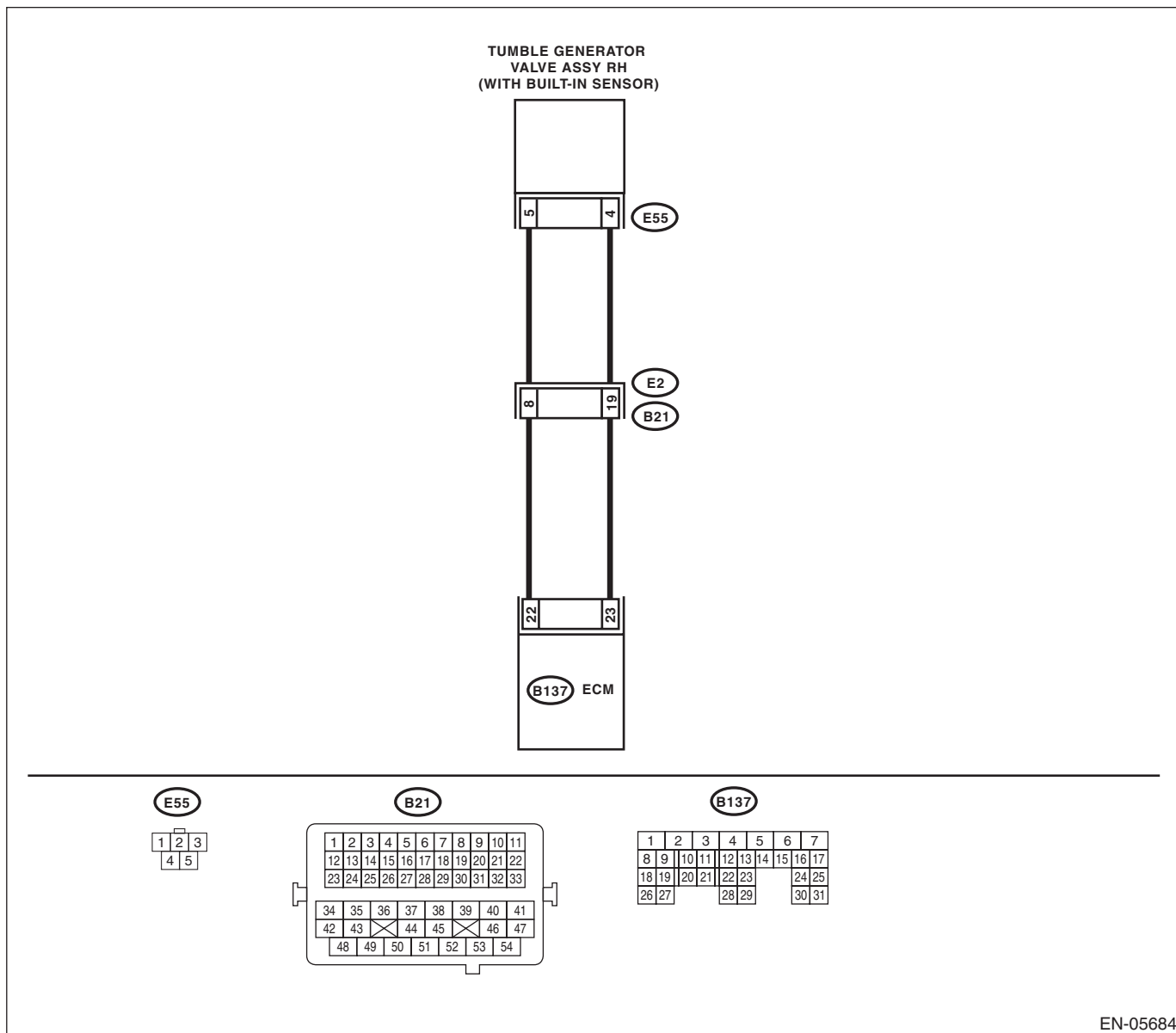
### DTC DETECTING CONDITION:

- Immediately at fault recognition
- GENERAL DESCRIPTION <Ref. to GD(H4DOTC)-194, DTC P2009 INTAKE MANIFOLD RUNNER CONTROL CIRCUIT LOW (BANK 1), Diagnostic Trouble Code (DTC) Detecting Criteria.>

### CAUTION:

After repair or replacement of faulty parts, perform Clear Memory Mode <Ref. to EN(H4DOTC)(diag)-54, OPERATION, Clear Memory Mode.> and Inspection Mode <Ref. to EN(H4DOTC)(diag)-43, PROCEDURE, Inspection Mode.>.

### WIRING DIAGRAM:



# Diagnostic Procedure with Diagnostic Trouble Code (DTC)

ENGINE (DIAGNOSTICS)

Step	Check	Yes	No
<p><b>1</b>    <b>CHECK HARNESS BETWEEN ECM AND TUMBLE GENERATOR VALVE ASSEMBLY RH CONNECTOR.</b></p> <p>1) Turn the ignition switch to OFF. 2) Disconnect the connectors from the ECM. 3) Measure the voltage between ECM and chassis ground.</p> <p><b>Connector &amp; terminal</b> <b>(B137) No. 22 (+) — Chassis ground (-):</b> <b>(B137) No. 23 (+) — Chassis ground (-):</b></p>	<p>Is the voltage 5 V or more?</p>	<p>Repair the short circuit to power in harness between ECM and tumble generator valve assembly RH connector.</p>	<p>Replace the tumble generator valve assembly RH. &lt;Ref. to FU(H4DOTC)-44, Tumble Generator Valve Assembly.&gt;</p>

# Diagnostic Procedure with Diagnostic Trouble Code (DTC)

ENGINE (DIAGNOSTICS)

## DC:DTC P2011 INTAKE MANIFOLD RUNNER CONTROL CIRCUIT / OPEN (BANK 2)

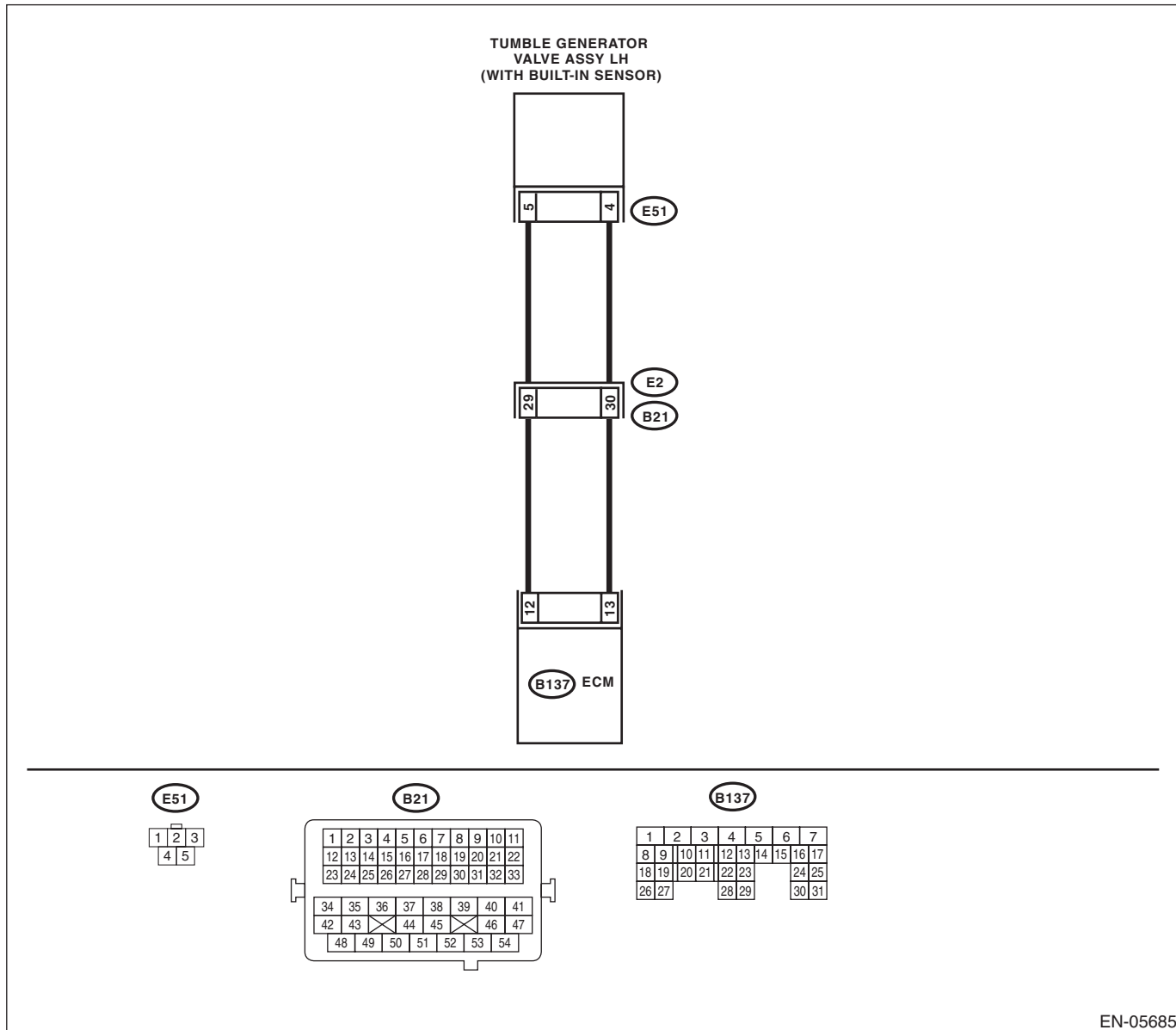
### DTC DETECTING CONDITION:

- Immediately at fault recognition
- GENERAL DESCRIPTION <Ref. to GD(H4DOTC)-195, DTC P2011 INTAKE MANIFOLD RUNNER CONTROL CIRCUIT / OPEN (BANK 2), Diagnostic Trouble Code (DTC) Detecting Criteria.>

### CAUTION:

After servicing or replacing faulty parts, perform Clear Memory Mode <Ref. to EN(H4DOTC)(diag)-54, OPERATION, Clear Memory Mode.>, and Inspection Mode <Ref. to EN(H4DOTC)(diag)-43, PROCEDURE, Inspection Mode.>.

### WIRING DIAGRAM:



# Diagnostic Procedure with Diagnostic Trouble Code (DTC)

ENGINE (DIAGNOSTICS)

	Step	Check	Yes	No
1	<p><b>CHECK HARNESS BETWEEN ECM AND TUMBLE GENERATOR VALVE ASSEMBLY LH CONNECTOR.</b></p> <p>1) Turn the ignition switch to OFF.                      2) Disconnect the connectors from ECM and tumble generator valve assembly LH.                      3) Measure the resistance of harness between ECM and tumble generator valve assembly LH.</p> <p><b>Connector &amp; terminal</b>                      (B137) No. 12 — (E51) No. 5:                      (B137) No. 13 — (E51) No. 4:</p>	Is the resistance less than 1 Ω?	Go to step 2.	Repair the harness and connector.  NOTE: In this case, repair the following item: • Open circuit in harness between ECM and tumble generator valve assembly LH connector • Poor contact of coupling connector
2	<p><b>CHECK HARNESS BETWEEN ECM AND TUMBLE GENERATOR VALVE ASSEMBLY LH CONNECTOR.</b></p> <p>Measure the resistance between ECM and chassis ground.</p> <p><b>Connector &amp; terminal</b>                      (B137) No. 12 — Chassis ground:                      (B137) No. 13 — Chassis ground:</p>	Is the resistance 1 MΩ or more?	Go to step 3.	Repair the short circuit to ground in harness between ECM and tumble generator valve assembly LH connector.
3	<p><b>CHECK POOR CONTACT.</b></p> <p>Check for poor contact of tumble generator valve assembly LH connector.</p>	Is there poor contact of the tumble generator valve assembly LH connector?	Repair the poor contact of tumble generator valve assembly LH connector.	Replace the tumble generator valve assembly LH. <Ref. to FU(H4DOTC)-44, Tumble Generator Valve Assembly.>



# Diagnostic Procedure with Diagnostic Trouble Code (DTC)

ENGINE (DIAGNOSTICS)

## DD:DTC P2012 INTAKE MANIFOLD RUNNER CONTROL CIRCUIT LOW (BANK 2)

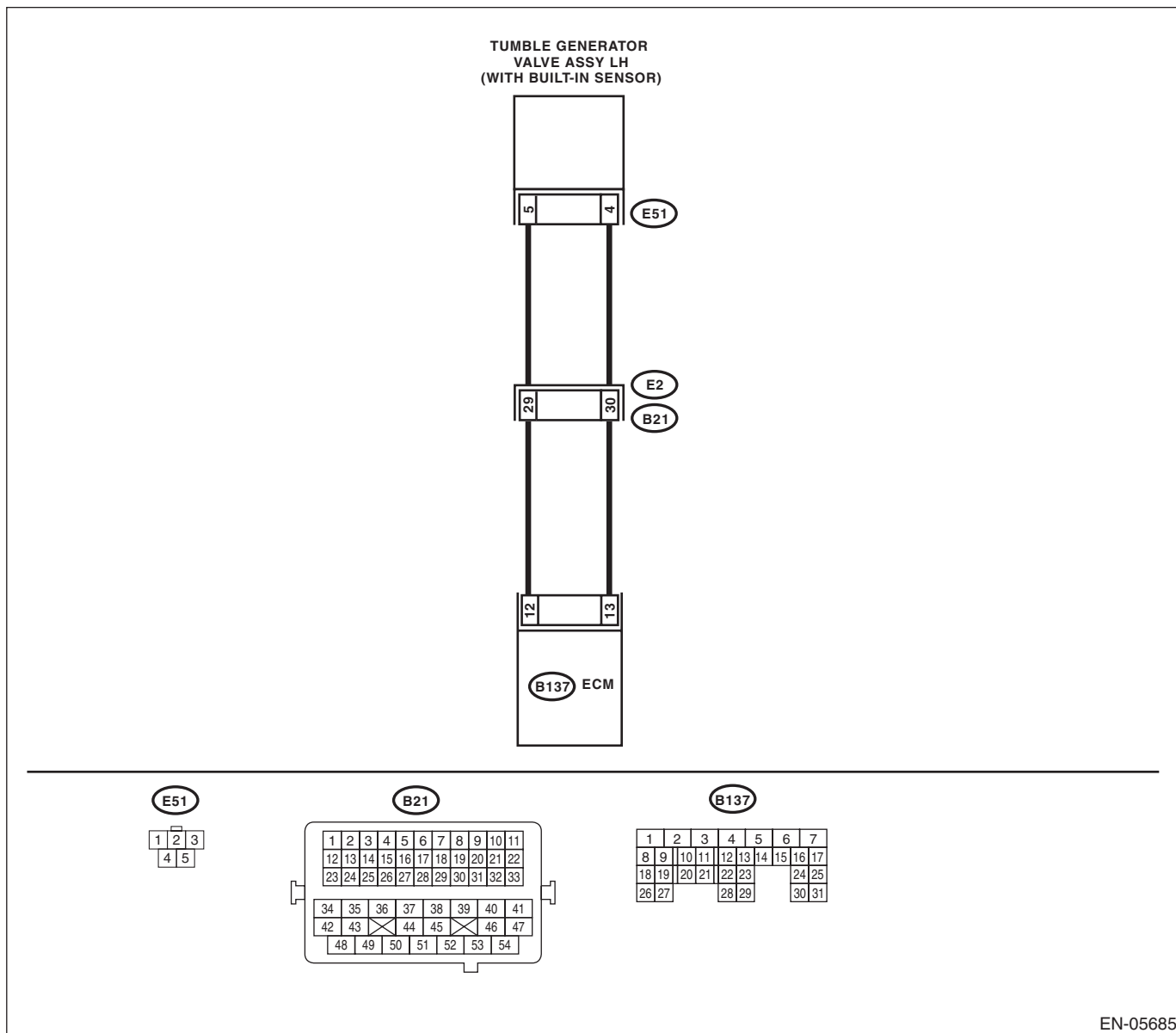
### DTC DETECTING CONDITION:

- Immediately at fault recognition
- GENERAL DESCRIPTION <Ref. to GD(H4DOTC)-196, DTC P2012 INTAKE MANIFOLD RUNNER CONTROL CIRCUIT LOW (BANK 2), Diagnostic Trouble Code (DTC) Detecting Criteria.>

### CAUTION:

After repair or replacement of faulty parts, perform Clear Memory Mode <Ref. to EN(H4DOTC)(diag)-54, OPERATION, Clear Memory Mode.> and Inspection Mode <Ref. to EN(H4DOTC)(diag)-43, PROCEDURE, Inspection Mode.>.

### WIRING DIAGRAM:



EN-05685

# Diagnostic Procedure with Diagnostic Trouble Code (DTC)

ENGINE (DIAGNOSTICS)

Step	Check	Yes	No
<p><b>1</b>    <b>CHECK HARNESS BETWEEN ECM AND TUMBLE GENERATOR VALVE ASSEMBLY LH CONNECTOR.</b></p> <p>1) Turn the ignition switch to OFF. 2) Disconnect the connectors from the ECM. 3) Measure the voltage between ECM and chassis ground.</p> <p><b>Connector &amp; terminal</b> <b>(B137) No. 12 (+) — Chassis ground (-):</b> <b>(B137) No. 13 (+) — Chassis ground (-):</b></p>	<p>Is the voltage 5 V or more?</p>	<p>Repair the short circuit to power in harness between ECM and tumble generator valve assembly LH connector.</p>	<p>Replace the tumble generator valve assembly LH. &lt;Ref. to FU(H4DOTC)-44, Tumble Generator Valve Assembly.&gt;</p>

# Diagnostic Procedure with Diagnostic Trouble Code (DTC)

ENGINE (DIAGNOSTICS)

## DE:DTC P2016 INTAKE MANIFOLD RUNNER POSITION SENSOR / SWITCH CIRCUIT LOW (BANK 1)

### DTC DETECTING CONDITION:

- Immediately at fault recognition
- GENERAL DESCRIPTION <Ref. to GD(H4DOTC)-197, DTC P2016 INTAKE MANIFOLD RUNNER POSITION SENSOR / SWITCH CIRCUIT LOW (BANK 1), Diagnostic Trouble Code (DTC) Detecting Criteria.>

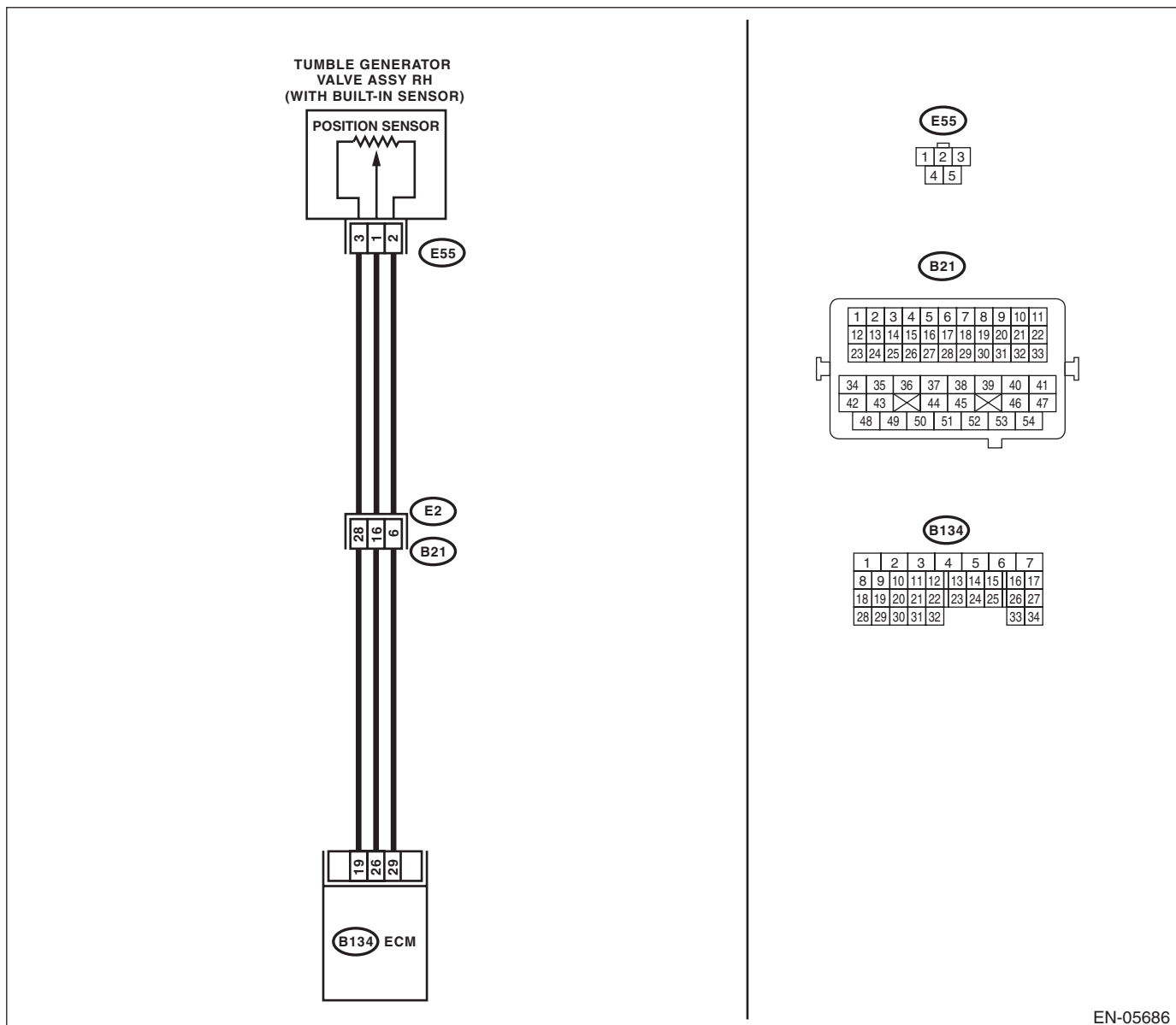
### TROUBLE SYMPTOM:

- Improper idling
- Engine stalls.
- Poor driving performance

### CAUTION:

After servicing or replacing faulty parts, perform Clear Memory Mode <Ref. to EN(H4DOTC)(diag)-54, OPERATION, Clear Memory Mode.>, and Inspection Mode <Ref. to EN(H4DOTC)(diag)-43, PROCEDURE, Inspection Mode.>.

### WIRING DIAGRAM:



EN-05686

# Diagnostic Procedure with Diagnostic Trouble Code (DTC)

ENGINE (DIAGNOSTICS)

Step	Check	Yes	No
<p><b>1</b></p> <p><b>CHECK CURRENT DATA.</b></p> <p>1) Start the engine.</p> <p>2) Read the data of tumble generator valve position sensor signal (RH) using Subaru Select Monitor or general scan tool.</p> <p>NOTE:</p> <ul style="list-style-type: none"> <li>Subaru Select Monitor</li> </ul> <p>For detailed operation procedures, refer to "READ CURRENT DATA FOR ENGINE". &lt;Ref. to EN(H4DOTC)(diag)-34, Subaru Select Monitor.&gt;</p> <ul style="list-style-type: none"> <li>General scan tool</li> </ul> <p>For detailed operation procedures, refer to the general scan tool operation manual.</p>	<p>Is the voltage less than 0.2 V?</p>	<p>Go to step 2.</p>	<p>Even if DTC is detected, the circuit has returned to a normal condition at this time. Reproduce the failure, and then perform the diagnosis again.</p> <p>NOTE:</p> <p>In this case, temporary poor contact of connector may be the cause.</p>
<p><b>2</b></p> <p><b>CHECK POWER SUPPLY OF TUMBLE GENERATOR VALVE ASSEMBLY RH.</b></p> <p>1) Turn the ignition switch to OFF.</p> <p>2) Disconnect the connector from tumble generator valve assembly RH.</p> <p>3) Turn the ignition switch to ON.</p> <p>4) Measure the voltage between tumble generator valve assembly RH connector and engine ground.</p> <p><b>Connector &amp; terminal</b> <b>(E55) No. 3 (+) — Engine ground (-):</b></p>	<p>Is the voltage 4.5 V or more?</p>	<p>Go to step 3.</p>	<p>Repair the harness and connector.</p> <p>NOTE:</p> <p>In this case, repair the following item:</p> <ul style="list-style-type: none"> <li>Open circuit in harness between ECM and tumble generator valve assembly RH connector</li> <li>Poor contact of ECM connector</li> <li>Poor contact of coupling connector</li> </ul>
<p><b>3</b></p> <p><b>CHECK HARNESS BETWEEN ECM AND TUMBLE GENERATOR VALVE ASSEMBLY RH CONNECTOR.</b></p> <p>1) Turn the ignition switch to OFF.</p> <p>2) Disconnect the connectors from ECM.</p> <p>3) Measure the resistance of harness between ECM and tumble generator valve assembly RH.</p> <p><b>Connector &amp; terminal</b> <b>(B134) No. 26 — (E55) No. 1:</b></p>	<p>Is the resistance less than 1 Ω?</p>	<p>Go to step 4.</p>	<p>Repair the harness and connector.</p> <p>NOTE:</p> <p>In this case, repair the following item:</p> <ul style="list-style-type: none"> <li>Open circuit in harness between ECM and tumble generator valve assembly RH connector</li> <li>Poor contact of coupling connector</li> </ul>
<p><b>4</b></p> <p><b>CHECK HARNESS BETWEEN ECM AND TUMBLE GENERATOR VALVE ASSEMBLY RH CONNECTOR.</b></p> <p>Measure the resistance between ECM and chassis ground.</p> <p><b>Connector &amp; terminal</b> <b>(B134) No. 26 — Chassis ground:</b></p>	<p>Is the resistance 1 MΩ or more?</p>	<p>Go to step 5.</p>	<p>Repair the short circuit to ground in harness between ECM and tumble generator valve assembly RH connector.</p>
<p><b>5</b></p> <p><b>CHECK POOR CONTACT.</b></p> <p>Check for poor contact of tumble generator valve assembly RH connector.</p>	<p>Is there poor contact of ECM or the tumble generator valve assembly RH connector?</p>	<p>Repair the poor contact of ECM or tumble generator valve assembly RH connector.</p>	<p>Replace the tumble generator valve assembly RH.</p> <p>&lt;Ref. to FU(H4DOTC)-44, Tumble Generator Valve Assembly.&gt;</p>

# Diagnostic Procedure with Diagnostic Trouble Code (DTC)

ENGINE (DIAGNOSTICS)

## DF:DTC P2017 INTAKE MANIFOLD RUNNER POSITION SENSOR / SWITCH CIRCUIT HIGH (BANK 1)

### DTC DETECTING CONDITION:

- Immediately at fault recognition
- GENERAL DESCRIPTION <Ref. to GD(H4DOTC)-198, DTC P2017 INTAKE MANIFOLD RUNNER POSITION SENSOR / SWITCH CIRCUIT HIGH (BANK 1), Diagnostic Trouble Code (DTC) Detecting Criteria.>

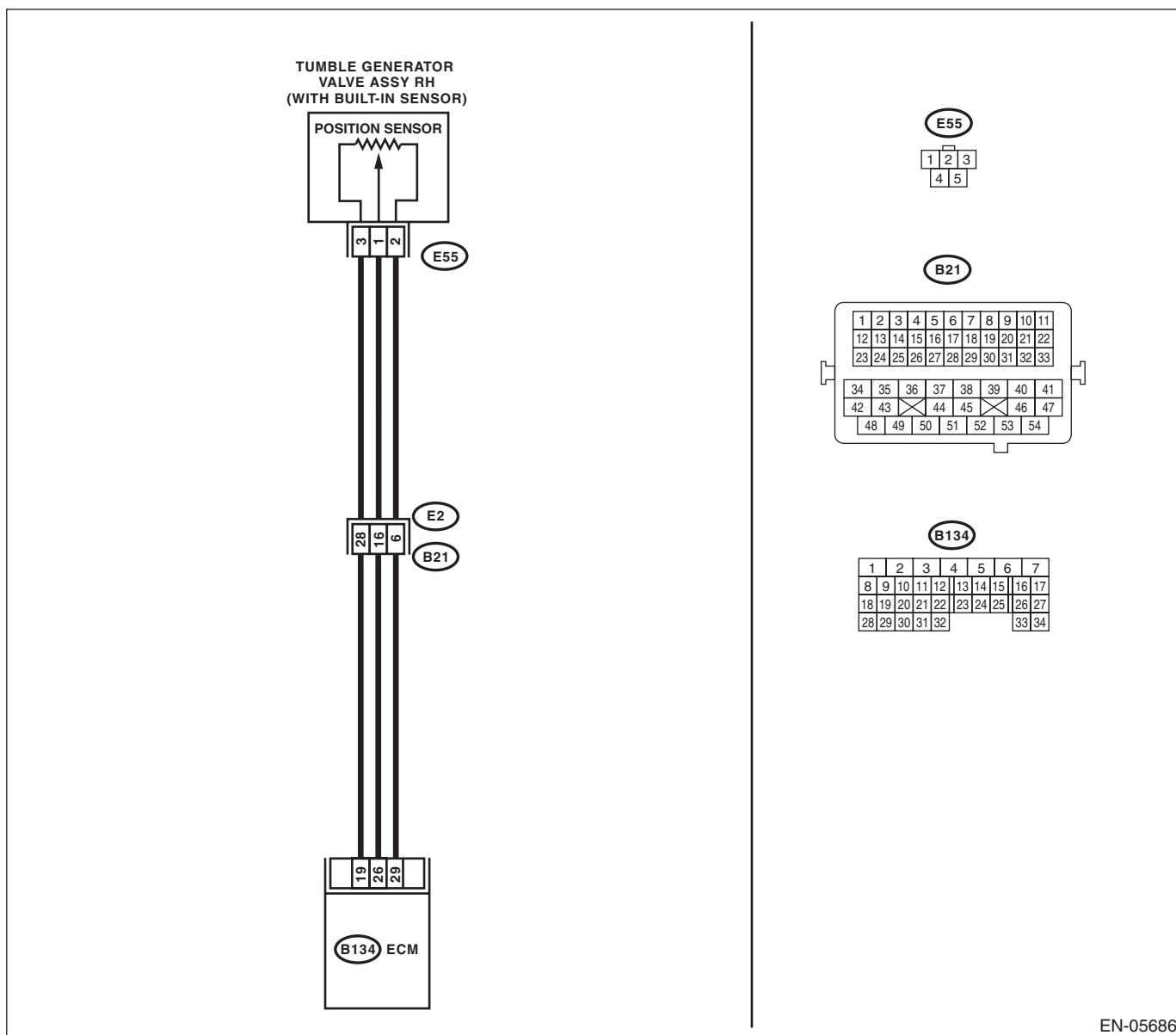
### TROUBLE SYMPTOM:

- Improper idling
- Engine stalls.
- Poor driving performance

### CAUTION:

After servicing or replacing faulty parts, perform Clear Memory Mode <Ref. to EN(H4DOTC)(diag)-54, OPERATION, Clear Memory Mode.>, and Inspection Mode <Ref. to EN(H4DOTC)(diag)-43, PROCEDURE, Inspection Mode.>.

### WIRING DIAGRAM:



EN-05686

# Diagnostic Procedure with Diagnostic Trouble Code (DTC)

ENGINE (DIAGNOSTICS)

	Step	Check	Yes	No
1	<p><b>CHECK CURRENT DATA.</b></p> <p>1) Start the engine.</p> <p>2) Read the data of tumble generator valve position sensor signal (RH) using Subaru Select Monitor or general scan tool.</p> <p>NOTE:</p> <ul style="list-style-type: none"> <li>Subaru Select Monitor</li> </ul> <p>For detailed operation procedures, refer to "READ CURRENT DATA FOR ENGINE". &lt;Ref. to EN(H4DOTC)(diag)-34, Subaru Select Monitor.&gt;</p> <ul style="list-style-type: none"> <li>General scan tool</li> </ul> <p>For detailed operation procedures, refer to the general scan tool operation manual.</p>	Is the voltage 5 V or more?	Go to step 2.	<p>Even if DTC is detected, the circuit has returned to a normal condition at this time. Reproduce the failure, and then perform the diagnosis again.</p> <p>NOTE:</p> <p>In this case, temporary poor contact of connector may be the cause.</p>
2	<p><b>CHECK HARNESS BETWEEN ECM AND TUMBLE GENERATOR VALVE ASSEMBLY RH CONNECTOR.</b></p> <p>1) Turn the ignition switch to OFF.</p> <p>2) Disconnect the connector from tumble generator valve assembly RH.</p> <p>3) Start the engine.</p> <p>4) Read the data of tumble generator valve position sensor signal (RH) using Subaru Select Monitor or general scan tool.</p> <p>NOTE:</p> <ul style="list-style-type: none"> <li>Subaru Select Monitor</li> </ul> <p>For detailed operation procedures, refer to "READ CURRENT DATA FOR ENGINE". &lt;Ref. to EN(H4DOTC)(diag)-34, Subaru Select Monitor.&gt;</p> <ul style="list-style-type: none"> <li>General scan tool</li> </ul> <p>For detailed operation procedures, refer to the general scan tool operation manual.</p>	Is the voltage 5 V or more?	Repair the short circuit to power in harness between ECM and tumble generator valve assembly RH connector.	Go to step 3.
3	<p><b>CHECK HARNESS BETWEEN ECM AND TUMBLE GENERATOR VALVE ASSEMBLY RH CONNECTOR.</b></p> <p>1) Turn the ignition switch to OFF.</p> <p>2) Measure the resistance of harness between tumble generator valve assembly RH connector and engine ground.</p> <p><b>Connector &amp; terminal</b> <b>(E55) No. 2 — Engine ground:</b></p>	Is the resistance less than 5 Ω?	Go to step 4.	<p>Repair the harness and connector.</p> <p>NOTE:</p> <p>In this case, repair the following item:</p> <ul style="list-style-type: none"> <li>Open circuit in harness between ECM and tumble generator valve assembly RH connector</li> <li>Poor contact of ECM connector</li> <li>Poor contact of coupling connector</li> </ul>
4	<p><b>CHECK POOR CONTACT.</b></p> <p>Check for poor contact of tumble generator valve assembly RH connector.</p>	Is there poor contact of the tumble generator valve assembly RH connector?	Repair the poor contact of tumble generator valve assembly RH connector.	<p>Replace the tumble generator valve assembly RH.</p> <p>&lt;Ref. to FU(H4DOTC)-44, Tumble Generator Valve Assembly.&gt;</p>

# Diagnostic Procedure with Diagnostic Trouble Code (DTC)

ENGINE (DIAGNOSTICS)

## DG:DTC P2021 INTAKE MANIFOLD RUNNER POSITION SENSOR / SWITCH CIRCUIT LOW (BANK 2)

### DTC DETECTING CONDITION:

- Immediately at fault recognition
- GENERAL DESCRIPTION <Ref. to GD(H4DOTC)-199, DTC P2021 INTAKE MANIFOLD RUNNER POSITION SENSOR / SWITCH CIRCUIT LOW (BANK 2), Diagnostic Trouble Code (DTC) Detecting Criteria.>

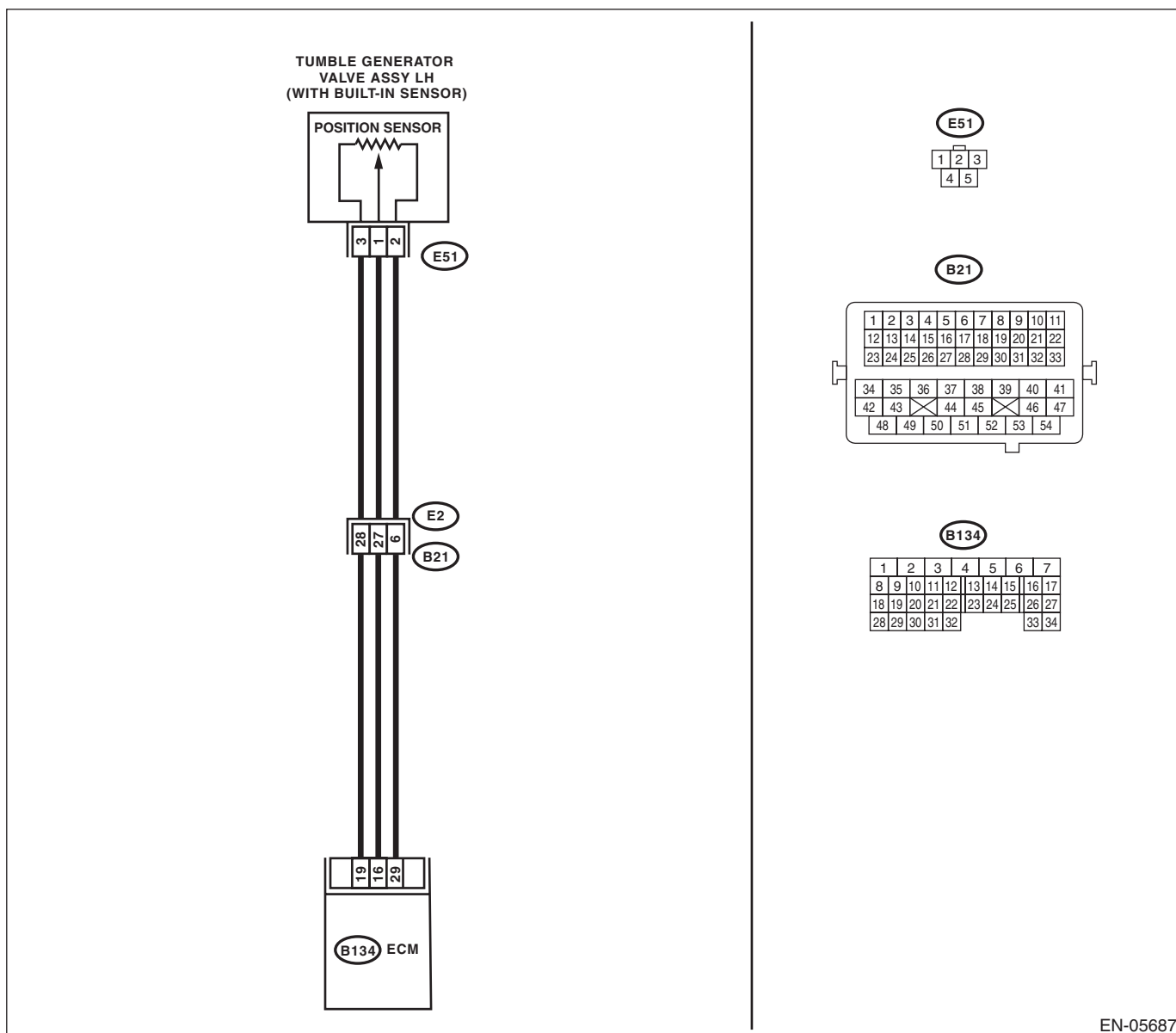
### TROUBLE SYMPTOM:

- Improper idling
- Engine stalls.
- Poor driving performance

### CAUTION:

After servicing or replacing faulty parts, perform Clear Memory Mode <Ref. to EN(H4DOTC)(diag)-54, OPERATION, Clear Memory Mode.>, and Inspection Mode <Ref. to EN(H4DOTC)(diag)-43, PROCEDURE, Inspection Mode.>.

### WIRING DIAGRAM:



EN-05687

# Diagnostic Procedure with Diagnostic Trouble Code (DTC)

ENGINE (DIAGNOSTICS)

Step	Check	Yes	No
<p><b>1</b></p> <p><b>CHECK CURRENT DATA.</b></p> <p>1) Start the engine.</p> <p>2) Read the data of tumble generator valve position sensor signal (LH) using Subaru Select Monitor or general scan tool.</p> <p>NOTE:</p> <ul style="list-style-type: none"> <li>• Subaru Select Monitor</li> </ul> <p>For detailed operation procedures, refer to "READ CURRENT DATA FOR ENGINE". &lt;Ref. to EN(H4DOTC)(diag)-34, Subaru Select Monitor.&gt;</p> <ul style="list-style-type: none"> <li>• General scan tool</li> </ul> <p>For detailed operation procedures, refer to the general scan tool operation manual.</p>	<p>Is the voltage less than 0.2 V?</p>	<p>Go to step 2.</p>	<p>Even if DTC is detected, the circuit has returned to a normal condition at this time. Reproduce the failure, and then perform the diagnosis again.</p> <p>NOTE:</p> <p>In this case, temporary poor contact of connector may be the cause.</p>
<p><b>2</b></p> <p><b>CHECK POWER SUPPLY OF TUMBLE GENERATOR VALVE ASSEMBLY LH.</b></p> <p>1) Turn the ignition switch to OFF.</p> <p>2) Disconnect the connector from tumble generator valve assembly LH.</p> <p>3) Turn the ignition switch to ON.</p> <p>4) Measure the voltage between tumble generator valve assembly LH connector and engine ground.</p> <p><b>Connector &amp; terminal</b> <b>(E51) No. 3 (+) — Engine ground (-):</b></p>	<p>Is the voltage 4.5 V or more?</p>	<p>Go to step 3.</p>	<p>Repair the harness and connector.</p> <p>NOTE:</p> <p>In this case, repair the following item:</p> <ul style="list-style-type: none"> <li>• Open circuit in harness between ECM and tumble generator valve assembly LH connector</li> <li>• Poor contact of ECM connector</li> <li>• Poor contact of coupling connector</li> </ul>
<p><b>3</b></p> <p><b>CHECK HARNESS BETWEEN ECM AND TUMBLE GENERATOR VALVE ASSEMBLY LH CONNECTOR.</b></p> <p>1) Turn the ignition switch to OFF.</p> <p>2) Disconnect the connectors from ECM.</p> <p>3) Measure the resistance of harness between ECM and tumble generator valve assembly LH.</p> <p><b>Connector &amp; terminal</b> <b>(B134) No. 16 — (E51) No. 1:</b></p>	<p>Is the resistance less than 1 Ω?</p>	<p>Go to step 4.</p>	<p>Repair the harness and connector.</p> <p>NOTE:</p> <p>In this case, repair the following item:</p> <ul style="list-style-type: none"> <li>• Open circuit in harness between ECM and tumble generator valve assembly LH connector</li> <li>• Poor contact of coupling connector</li> </ul>
<p><b>4</b></p> <p><b>CHECK HARNESS BETWEEN ECM AND TUMBLE GENERATOR VALVE ASSEMBLY LH CONNECTOR.</b></p> <p>Measure the resistance between ECM and chassis ground.</p> <p><b>Connector &amp; terminal</b> <b>(B134) No. 16 — Chassis ground:</b></p>	<p>Is the resistance 1 MΩ or more?</p>	<p>Go to step 5.</p>	<p>Repair the short circuit to ground in harness between ECM and tumble generator valve assembly LH connector.</p>
<p><b>5</b></p> <p><b>CHECK POOR CONTACT.</b></p> <p>Check for poor contact of tumble generator valve assembly LH connector.</p>	<p>Is there poor contact of ECM or the tumble generator valve assembly LH connector?</p>	<p>Repair the poor contact of ECM or tumble generator valve assembly LH connector.</p>	<p>Replace the tumble generator valve assembly LH.</p> <p>&lt;Ref. to FU(H4DOTC)-44, Tumble Generator Valve Assembly.&gt;</p>



# Diagnostic Procedure with Diagnostic Trouble Code (DTC)

ENGINE (DIAGNOSTICS)

## DH:DTC P2022 INTAKE MANIFOLD RUNNER POSITION SENSOR / SWITCH CIRCUIT HIGH (BANK 2)

### DTC DETECTING CONDITION:

- Immediately at fault recognition
- GENERAL DESCRIPTION <Ref. to GD(H4DOTC)-200, DTC P2022 INTAKE MANIFOLD RUNNER POSITION SENSOR / SWITCH CIRCUIT HIGH (BANK 2), Diagnostic Trouble Code (DTC) Detecting Criteria.>

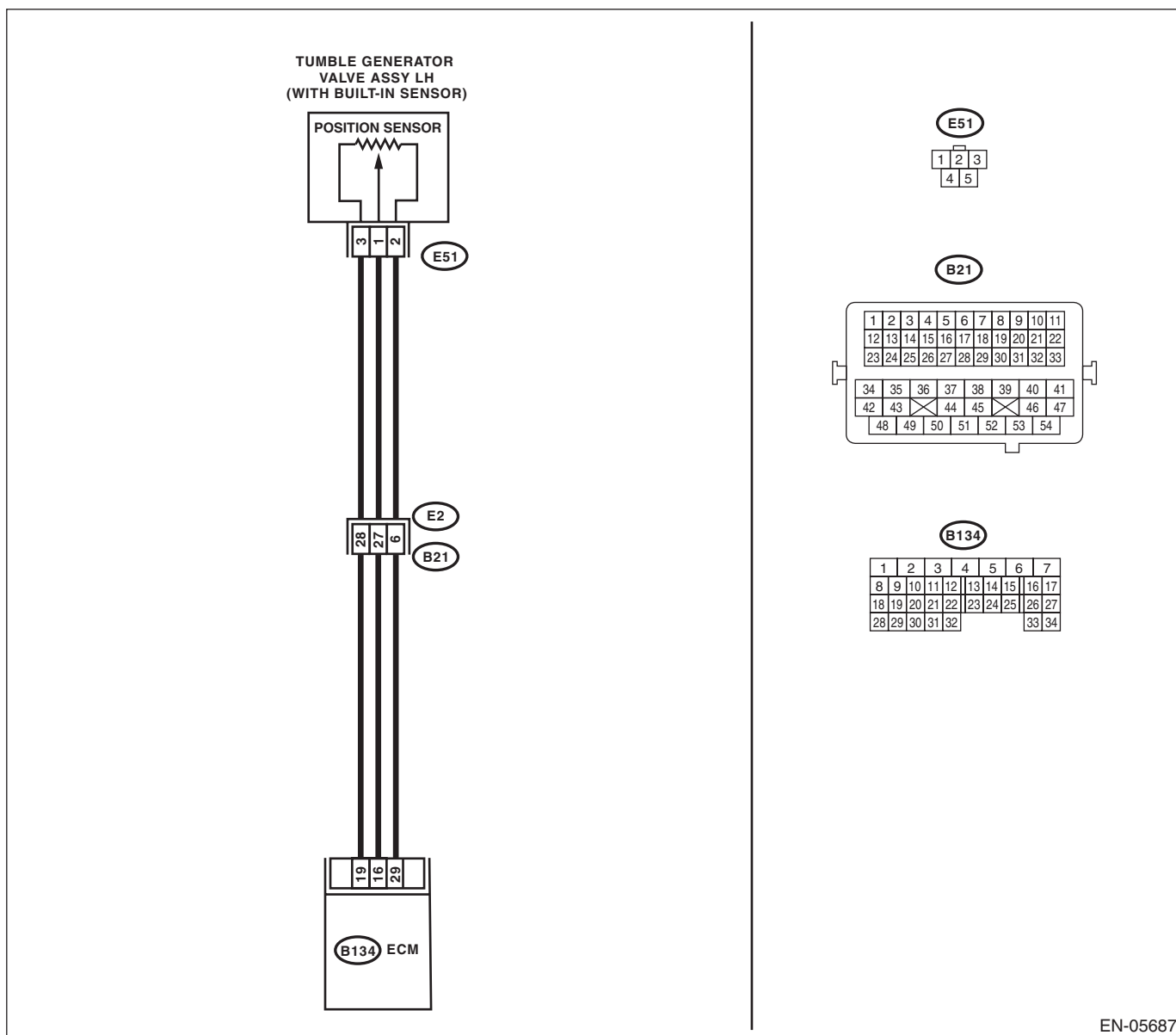
### TROUBLE SYMPTOM:

- Improper idling
- Engine stalls.
- Poor driving performance

### CAUTION:

After servicing or replacing faulty parts, perform Clear Memory Mode <Ref. to EN(H4DOTC)(diag)-54, OPERATION, Clear Memory Mode.>, and Inspection Mode <Ref. to EN(H4DOTC)(diag)-43, PROCEDURE, Inspection Mode.>.

### WIRING DIAGRAM:



EN-05687

# Diagnostic Procedure with Diagnostic Trouble Code (DTC)

ENGINE (DIAGNOSTICS)

Step	Check	Yes	No
<p><b>1</b></p> <p><b>CHECK CURRENT DATA.</b></p> <p>1) Start the engine.</p> <p>2) Read the data of tumble generator valve position sensor signal (LH) using Subaru Select Monitor or general scan tool.</p> <p>NOTE:</p> <ul style="list-style-type: none"> <li>Subaru Select Monitor</li> </ul> <p>For detailed operation procedures, refer to "READ CURRENT DATA FOR ENGINE". &lt;Ref. to EN(H4DOTC)(diag)-34, Subaru Select Monitor.&gt;</p> <ul style="list-style-type: none"> <li>General scan tool</li> </ul> <p>For detailed operation procedures, refer to the general scan tool operation manual.</p>	<p>Is the voltage 5 V or more?</p>	<p>Go to step 2.</p>	<p>Even if DTC is detected, the circuit has returned to a normal condition at this time. Reproduce the failure, and then perform the diagnosis again.</p> <p>NOTE:</p> <p>In this case, temporary poor contact of connector may be the cause.</p>
<p><b>2</b></p> <p><b>CHECK HARNESS BETWEEN ECM AND TUMBLE GENERATOR VALVE ASSEMBLY LH CONNECTOR.</b></p> <p>1) Turn the ignition switch to OFF.</p> <p>2) Disconnect the connector from tumble generator valve assembly LH.</p> <p>3) Start the engine.</p> <p>4) Read the data of tumble generator valve position sensor signal (LH) using Subaru Select Monitor or general scan tool.</p> <p>NOTE:</p> <ul style="list-style-type: none"> <li>Subaru Select Monitor</li> </ul> <p>For detailed operation procedures, refer to "READ CURRENT DATA FOR ENGINE". &lt;Ref. to EN(H4DOTC)(diag)-34, Subaru Select Monitor.&gt;</p> <ul style="list-style-type: none"> <li>General scan tool</li> </ul> <p>For detailed operation procedures, refer to the general scan tool operation manual.</p>	<p>Is the voltage 5 V or more?</p>	<p>Repair the short circuit to power in harness between ECM and tumble generator valve assembly LH connector.</p>	<p>Go to step 3.</p>
<p><b>3</b></p> <p><b>CHECK HARNESS BETWEEN ECM AND TUMBLE GENERATOR VALVE ASSEMBLY LH CONNECTOR.</b></p> <p>1) Turn the ignition switch to OFF.</p> <p>2) Measure the resistance of harness between tumble generator valve assembly LH connector and engine ground.</p> <p><b>Connector &amp; terminal</b> <b>(E51) No. 2 — Engine ground:</b></p>	<p>Is the resistance less than 5 Ω?</p>	<p>Go to step 4.</p>	<p>Repair the harness and connector.</p> <p>NOTE:</p> <p>In this case, repair the following item:</p> <ul style="list-style-type: none"> <li>Open circuit in harness between ECM and tumble generator valve assembly LH connector</li> <li>Poor contact of ECM connector</li> <li>Poor contact of coupling connector</li> </ul>
<p><b>4</b></p> <p><b>CHECK POOR CONTACT.</b></p> <p>Check for poor contact of tumble generator valve assembly LH connector.</p>	<p>Is there poor contact of the tumble generator valve assembly LH connector?</p>	<p>Repair the poor contact of tumble generator valve assembly LH connector.</p>	<p>Replace the tumble generator valve assembly LH.</p> <p>&lt;Ref. to FU(H4DOTC)-44, Tumble Generator Valve Assembly.&gt;</p>

# Diagnostic Procedure with Diagnostic Trouble Code (DTC)

ENGINE (DIAGNOSTICS)

## DI: DTC P2088 INTAKE CAMSHAFT POSITION ACTUATOR CONTROL CIRCUIT LOW (BANK 1)

### DTC DETECTING CONDITION:

- Immediately at fault recognition
- GENERAL DESCRIPTION <Ref. to GD(H4DOTC)-201, DTC P2088 INTAKE CAMSHAFT POSITION ACTUATOR CONTROL CIRCUIT LOW (BANK 1), Diagnostic Trouble Code (DTC) Detecting Criteria.>

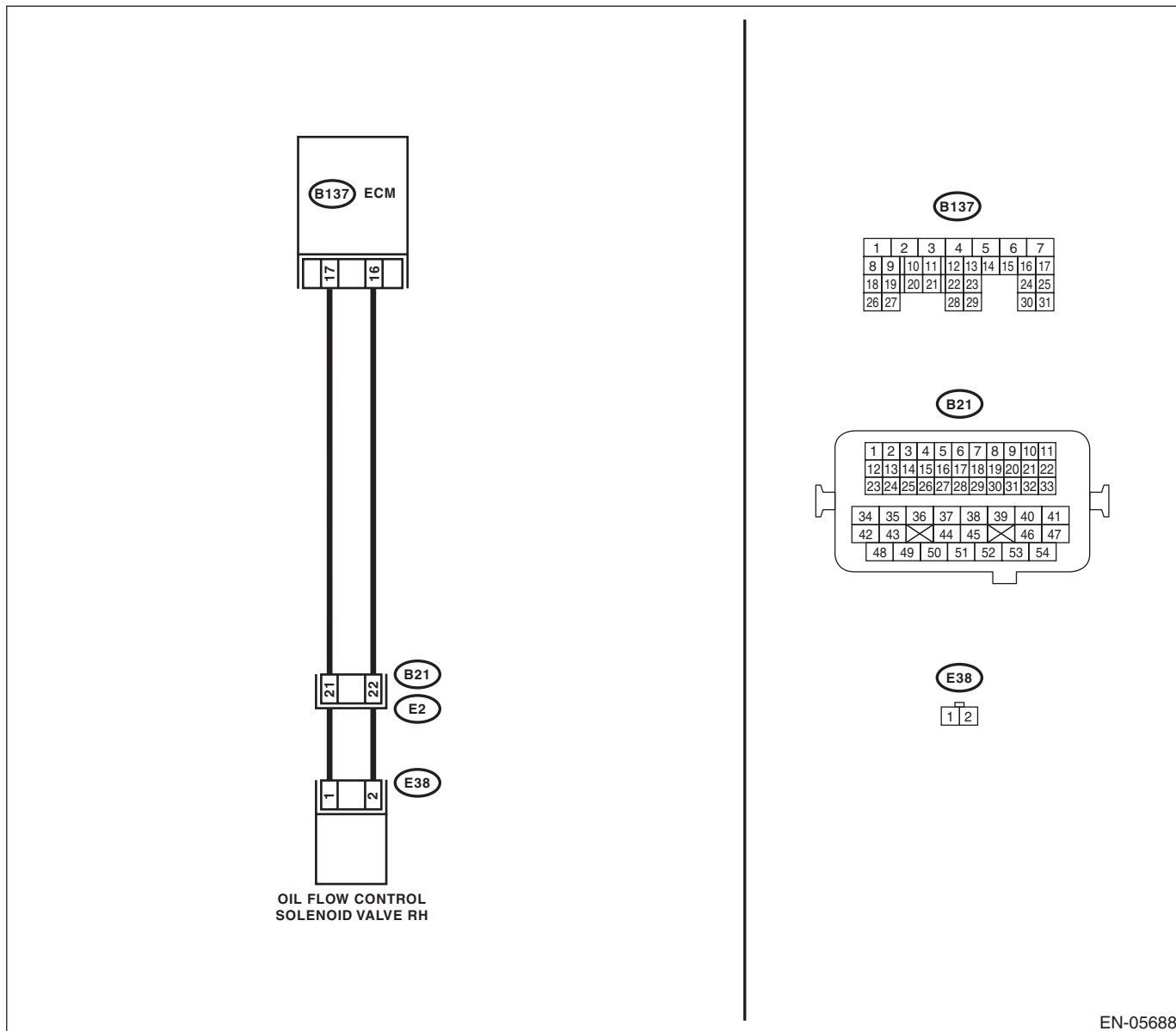
### TROUBLE SYMPTOM:

Improper idling

### CAUTION:

After servicing or replacing faulty parts, perform Clear Memory Mode <Ref. to EN(H4DOTC)(diag)-54, OPERATION, Clear Memory Mode.>, and Inspection Mode <Ref. to EN(H4DOTC)(diag)-43, PROCEDURE, Inspection Mode.>.

### WIRING DIAGRAM:



EN-05688

# Diagnostic Procedure with Diagnostic Trouble Code (DTC)

ENGINE (DIAGNOSTICS)

	Step	Check	Yes	No
1	<p><b>CHECK HARNESS BETWEEN ECM AND OIL FLOW CONTROL SOLENOID VALVE CONNECTOR.</b></p> <p>1) Turn the ignition switch to OFF. 2) Disconnect the connectors from ECM and oil flow control solenoid valve. 3) Measure the resistance of harness between ECM and oil flow control solenoid valve.</p> <p><b>Connector &amp; terminal</b> <b>(B137) No. 17 — (E38) No. 1:</b> <b>(B137) No. 16 — (E38) No. 2:</b></p>	Is the resistance less than 1 Ω?	Go to step 2.	<p>Repair the harness and connector.</p> <p>NOTE: In this case, repair the following item:</p> <ul style="list-style-type: none"> <li>• Open circuit of harness between ECM and oil flow control solenoid valve connector</li> <li>• Poor contact of coupling connector</li> </ul>
2	<p><b>CHECK HARNESS BETWEEN ECM AND OIL FLOW CONTROL SOLENOID VALVE CONNECTOR.</b></p> <p>Measure the resistance between ECM and chassis ground.</p> <p><b>Connector &amp; terminal</b> <b>(B137) No. 17 — Chassis ground:</b> <b>(B137) No. 16 — Chassis ground:</b></p>	Is the resistance 1 MΩ or more?	Go to step 3.	Repair the short circuit to ground in harness between ECM and oil flow control solenoid valve connector.
3	<p><b>CHECK OIL FLOW CONTROL SOLENOID VALVE.</b></p> <p>Measure the resistance between oil flow control solenoid valve terminals.</p> <p><b>Terminals</b> <b>No. 1 — No. 2:</b></p>	Is the resistance 6 — 12 Ω?	Repair the poor contact of ECM and oil flow control solenoid valve connector.	Replace the oil flow control solenoid valve. <Ref. to ME(H4DOTC)-61, Camshaft.>

# Diagnostic Procedure with Diagnostic Trouble Code (DTC)

ENGINE (DIAGNOSTICS)

## DJ:DTC P2089 INTAKE CAMSHAFT POSITION ACTUATOR CONTROL CIRCUIT HIGH (BANK 1)

### DTC DETECTING CONDITION:

- Immediately at fault recognition
- GENERAL DESCRIPTION <Ref. to GD(H4DOTC)-202, DTC P2089 INTAKE CAMSHAFT POSITION ACTUATOR CONTROL CIRCUIT HIGH (BANK 1), Diagnostic Trouble Code (DTC) Detecting Criteria.>

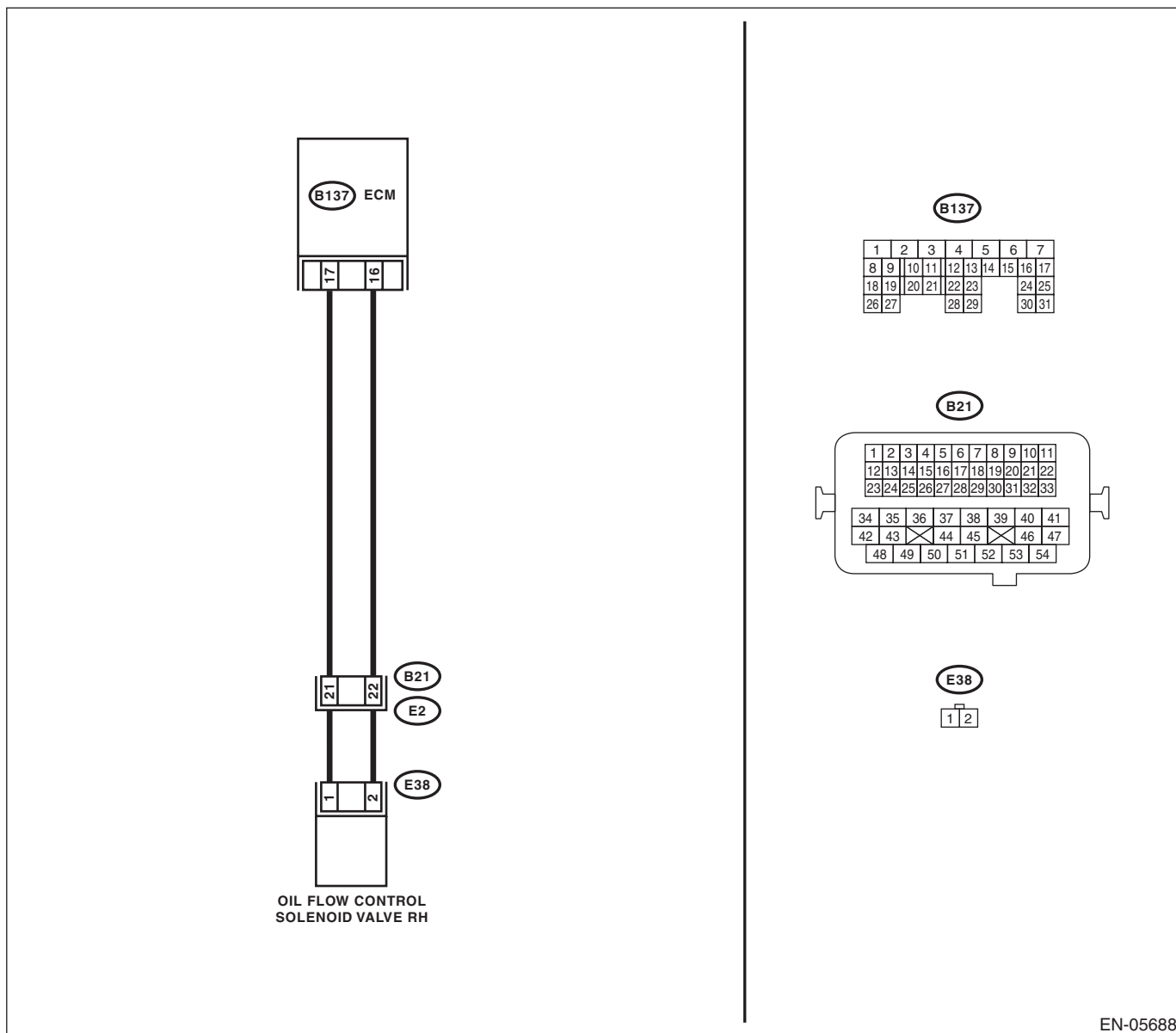
### TROUBLE SYMPTOM:

Improper idling

### CAUTION:

After servicing or replacing faulty parts, perform Clear Memory Mode <Ref. to EN(H4DOTC)(diag)-54, OPERATION, Clear Memory Mode.>, and Inspection Mode <Ref. to EN(H4DOTC)(diag)-43, PROCEDURE, Inspection Mode.>.

### WIRING DIAGRAM:



EN-05688

# Diagnostic Procedure with Diagnostic Trouble Code (DTC)

ENGINE (DIAGNOSTICS)

Step	Check	Yes	No
<p><b>1</b>      <b>CHECK HARNESS BETWEEN ECM AND OIL FLOW CONTROL SOLENOID VALVE CONNECTOR.</b></p> <p>1) Turn the ignition switch to OFF. 2) Disconnect the connectors from ECM and oil flow control solenoid valve. 3) Measure the voltage between ECM and chassis ground.</p> <p><b>Connector &amp; terminal</b> <b>(B137) No. 17 (+) — Chassis ground (-):</b> <b>(B137) No. 16 (+) — Chassis ground (-):</b></p>	<p>Is the voltage less than 1 V?</p>	<p>Go to step 2.</p>	<p>Repair the short circuit to power in harness between ECM and oil flow control solenoid valve connector.</p>
<p><b>2</b>      <b>CHECK HARNESS BETWEEN ECM AND OIL FLOW CONTROL SOLENOID VALVE CONNECTOR.</b></p> <p>Measure the resistance of harness between ECM and oil flow control solenoid valve connector.</p> <p><b>Connector &amp; terminal</b> <b>(B137) No. 17 — (E38) No. 1:</b> <b>(B137) No. 16 — (E38) No. 2:</b></p>	<p>Is the resistance less than 1 Ω?</p>	<p>Go to step 3.</p>	<p>Repair the harness and connector.</p> <p>NOTE: In this case, repair the following item:</p> <ul style="list-style-type: none"> <li>• Open circuit of harness between ECM and oil flow control solenoid valve connector</li> <li>• Poor contact of coupling connector</li> </ul>
<p><b>3</b>      <b>CHECK OIL FLOW CONTROL SOLENOID VALVE.</b></p> <p>Measure the resistance between oil flow control solenoid valve terminals.</p> <p><b>Terminals</b> <b>No. 1 — No. 2:</b></p>	<p>Is the resistance 6 — 12 Ω?</p>	<p>Repair the poor contact of ECM and oil flow control solenoid valve connector.</p>	<p>Replace the oil flow control solenoid valve. &lt;Ref. to ME(H4DOTC)-61, Camshaft.&gt;</p>

# Diagnostic Procedure with Diagnostic Trouble Code (DTC)

ENGINE (DIAGNOSTICS)

## DK:DTC P2092 INTAKE CAMSHAFT POSITION ACTUATOR CONTROL CIRCUIT LOW (BANK 2)

### DTC DETECTING CONDITION:

- Immediately at fault recognition
- GENERAL DESCRIPTION <Ref. to GD(H4DOTC)-202, DTC P2092 INTAKE CAMSHAFT POSITION ACTUATOR CONTROL CIRCUIT LOW (BANK 2), Diagnostic Trouble Code (DTC) Detecting Criteria.>

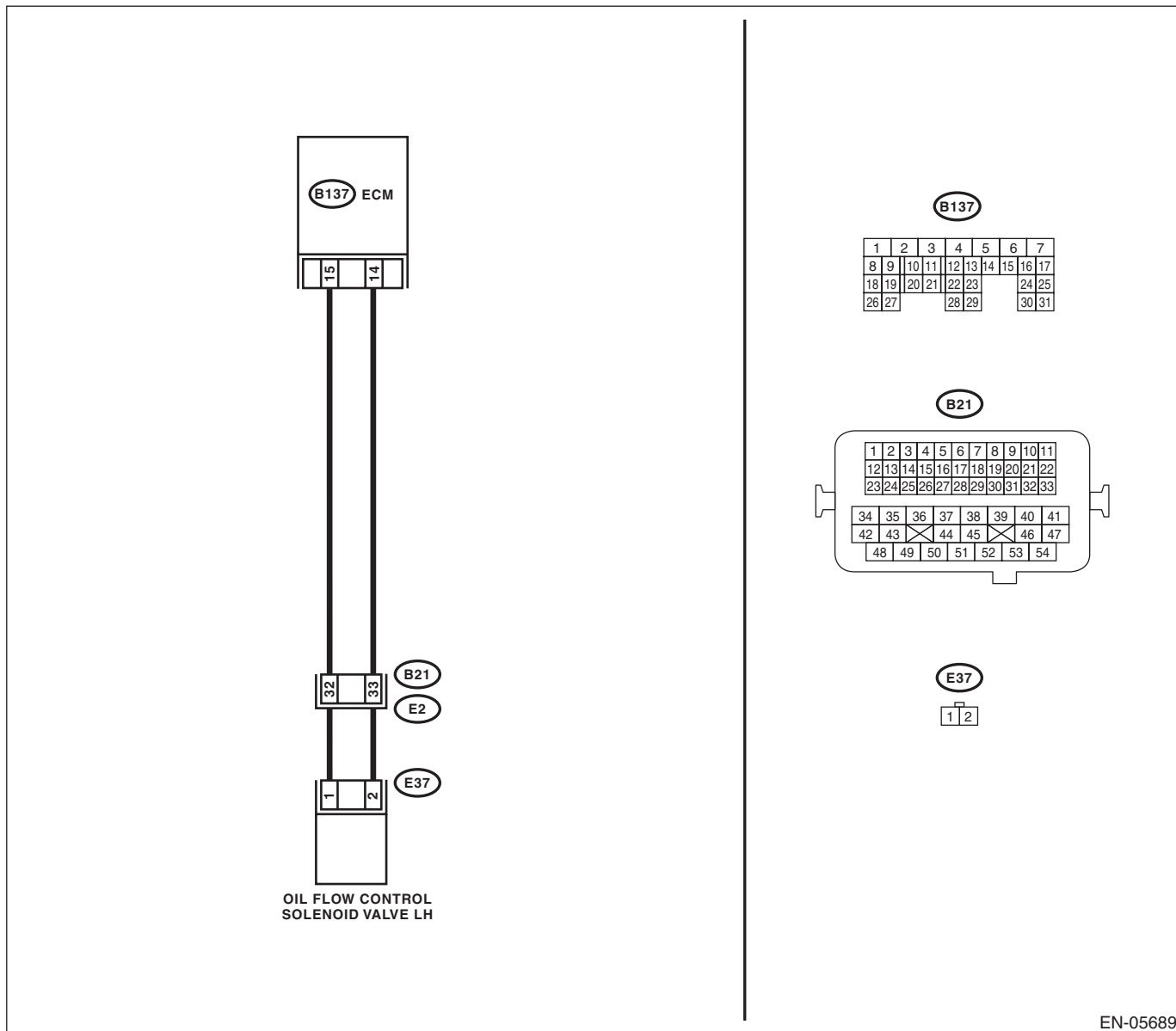
### TROUBLE SYMPTOM:

Improper idling

### CAUTION:

After servicing or replacing faulty parts, perform Clear Memory Mode <Ref. to EN(H4DOTC)(diag)-54, OPERATION, Clear Memory Mode.>, and Inspection Mode <Ref. to EN(H4DOTC)(diag)-43, PROCEDURE, Inspection Mode.>.

### WIRING DIAGRAM:



EN-05689

# Diagnostic Procedure with Diagnostic Trouble Code (DTC)

ENGINE (DIAGNOSTICS)

Step	Check	Yes	No
<p><b>1</b>    <b>CHECK HARNESS BETWEEN ECM AND OIL FLOW CONTROL SOLENOID VALVE CONNECTOR.</b></p> <p>1) Turn the ignition switch to OFF.                      2) Disconnect the connectors from ECM and oil flow control solenoid valve.                      3) Measure the resistance of harness between ECM and oil flow control solenoid valve.</p> <p><b>Connector &amp; terminal</b>                      (B137) No. 15 — (E37) No. 1:                      (B137) No. 14 — (E37) No. 2:</p>	<p>Is the resistance less than 1 Ω?</p>	<p>Go to step 2.</p>	<p>Repair the harness and connector.</p> <p>NOTE:                      In this case, repair the following item:</p> <ul style="list-style-type: none"> <li>• Open circuit of harness between ECM and oil flow control solenoid valve connector</li> <li>• Poor contact of coupling connector</li> </ul>
<p><b>2</b>    <b>CHECK HARNESS BETWEEN ECM AND OIL FLOW CONTROL SOLENOID VALVE CONNECTOR.</b></p> <p>Measure the resistance between ECM and chassis ground.</p> <p><b>Connector &amp; terminal</b>                      (B137) No. 15 — Chassis ground:                      (B137) No. 14 — Chassis ground:</p>	<p>Is the resistance 1 MΩ or more?</p>	<p>Go to step 3.</p>	<p>Repair the short circuit to ground in harness between ECM and oil flow control solenoid valve connector.</p>
<p><b>3</b>    <b>CHECK OIL FLOW CONTROL SOLENOID VALVE.</b></p> <p>Measure the resistance between oil flow control solenoid valve terminals.</p> <p><b>Terminals</b>                      No. 1 — No. 2:</p>	<p>Is the resistance 6 — 12 Ω?</p>	<p>Repair the poor contact of ECM and oil flow control solenoid valve connector.</p>	<p>Replace the oil flow control solenoid valve. &lt;Ref. to ME(H4DOTC)-61, Camshaft.&gt;</p>



# Diagnostic Procedure with Diagnostic Trouble Code (DTC)

ENGINE (DIAGNOSTICS)

## DL:DTC P2093 INTAKE CAMSHAFT POSITION ACTUATOR CONTROL CIRCUIT HIGH (BANK 2)

### DTC DETECTING CONDITION:

- Immediately at fault recognition
- GENERAL DESCRIPTION <Ref. to GD(H4DOTC)-202, DTC P2093 INTAKE CAMSHAFT POSITION ACTUATOR CONTROL CIRCUIT HIGH (BANK 2), Diagnostic Trouble Code (DTC) Detecting Criteria.>

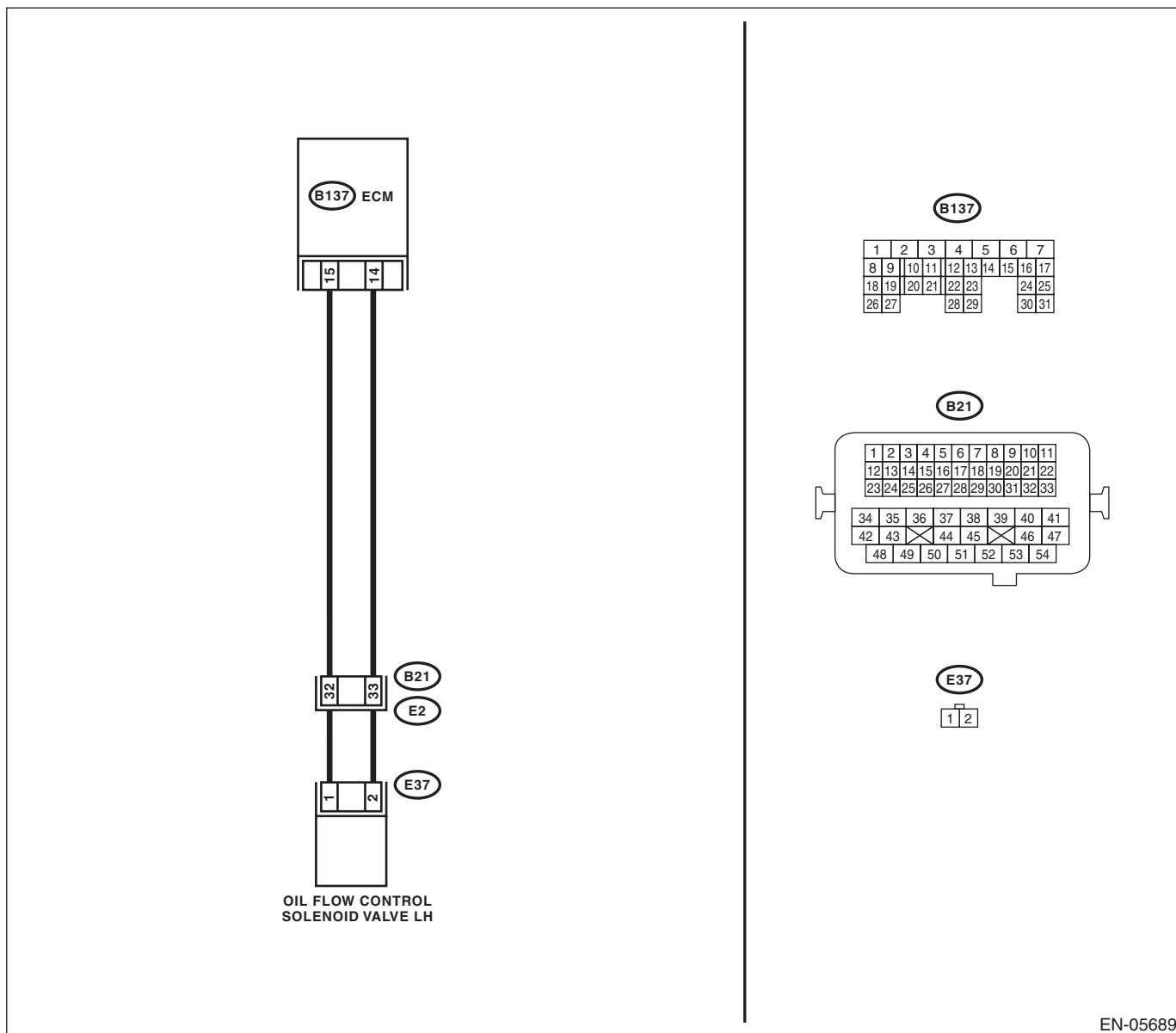
### TROUBLE SYMPTOM:

Improper idling

### CAUTION:

After servicing or replacing faulty parts, perform Clear Memory Mode <Ref. to EN(H4DOTC)(diag)-54, OPERATION, Clear Memory Mode.>, and Inspection Mode <Ref. to EN(H4DOTC)(diag)-43, PROCEDURE, Inspection Mode.>.

### WIRING DIAGRAM:



EN-05689

# Diagnostic Procedure with Diagnostic Trouble Code (DTC)

ENGINE (DIAGNOSTICS)

Step	Check	Yes	No
<b>1</b> <b>CHECK HARNESS BETWEEN ECM AND OIL FLOW CONTROL SOLENOID VALVE CONNECTOR.</b> 1) Turn the ignition switch to OFF. 2) Disconnect the connectors from ECM and oil flow control solenoid valve. 3) Measure the voltage between ECM and chassis ground. <b>Connector &amp; terminal</b> <b>(B137) No. 15 (+) — Chassis ground (-):</b> <b>(B137) No. 14 (+) — Chassis ground (-):</b>	Is the voltage less than 1 V?	Go to step 2.	Repair the short circuit to power in harness between ECM and oil flow control solenoid valve connector.
<b>2</b> <b>CHECK HARNESS BETWEEN ECM AND OIL FLOW CONTROL SOLENOID VALVE CONNECTOR.</b> Measure the resistance of harness between ECM and oil flow control solenoid valve connector. <b>Connector &amp; terminal</b> <b>(B137) No. 15 — (E37) No. 1:</b> <b>(B137) No. 14 — (E37) No. 2:</b>	Is the resistance less than 1 Ω?	Go to step 3.	Repair the harness and connector. NOTE: In this case, repair the following item: <ul style="list-style-type: none"> <li>• Open circuit of harness between ECM and oil flow control solenoid valve connector</li> <li>• Poor contact of coupling connector</li> </ul>
<b>3</b> <b>CHECK OIL FLOW CONTROL SOLENOID VALVE.</b> Measure the resistance between oil flow control solenoid valve terminals. <b>Terminals</b> <b>No. 1 — No. 2:</b>	Is the resistance 6 — 12 Ω?	Repair the poor contact of ECM and oil flow control solenoid valve connector.	Replace the oil flow control solenoid valve. <Ref. to ME(H4DOTC)-61, Camshaft.>

## DM:DTC P2096 POST CATALYST FUEL TRIM SYSTEM TOO LEAN (BANK 1)

Refer to DTC P2097 for diagnostic procedure. <Ref. to EN(H4DOTC)(diag)-312, DTC P2097 POST CATALYST FUEL TRIM SYSTEM TOO RICH (BANK 1), Diagnostic Procedure with Diagnostic Trouble Code (DTC).>

# Diagnostic Procedure with Diagnostic Trouble Code (DTC)

ENGINE (DIAGNOSTICS)

## DN:DTC P2097 POST CATALYST FUEL TRIM SYSTEM TOO RICH (BANK 1)

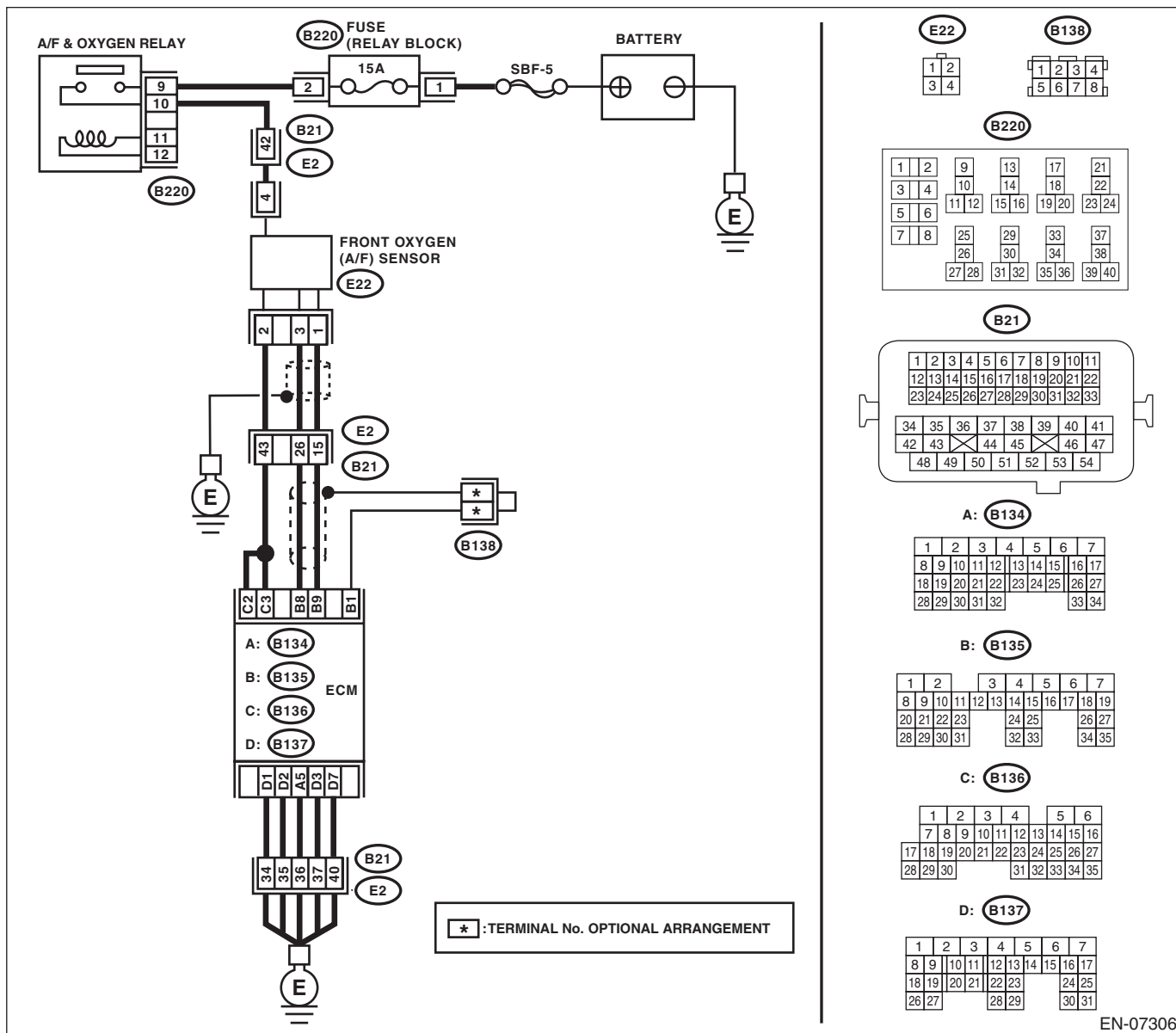
### DTC DETECTING CONDITION:

- Detected when two consecutive driving cycles with fault occur.
- GENERAL DESCRIPTION <Ref. to GD(H4DOTC)-205, DTC P2097 POST CATALYST FUEL TRIM SYSTEM TOO RICH (BANK 1), Diagnostic Trouble Code (DTC) Detecting Criteria.>

### CAUTION:

After servicing or replacing faulty parts, perform Clear Memory Mode <Ref. to EN(H4DOTC)(diag)-54, OPERATION, Clear Memory Mode.>, and Inspection Mode <Ref. to EN(H4DOTC)(diag)-43, PROCEDURE, Inspection Mode.>.

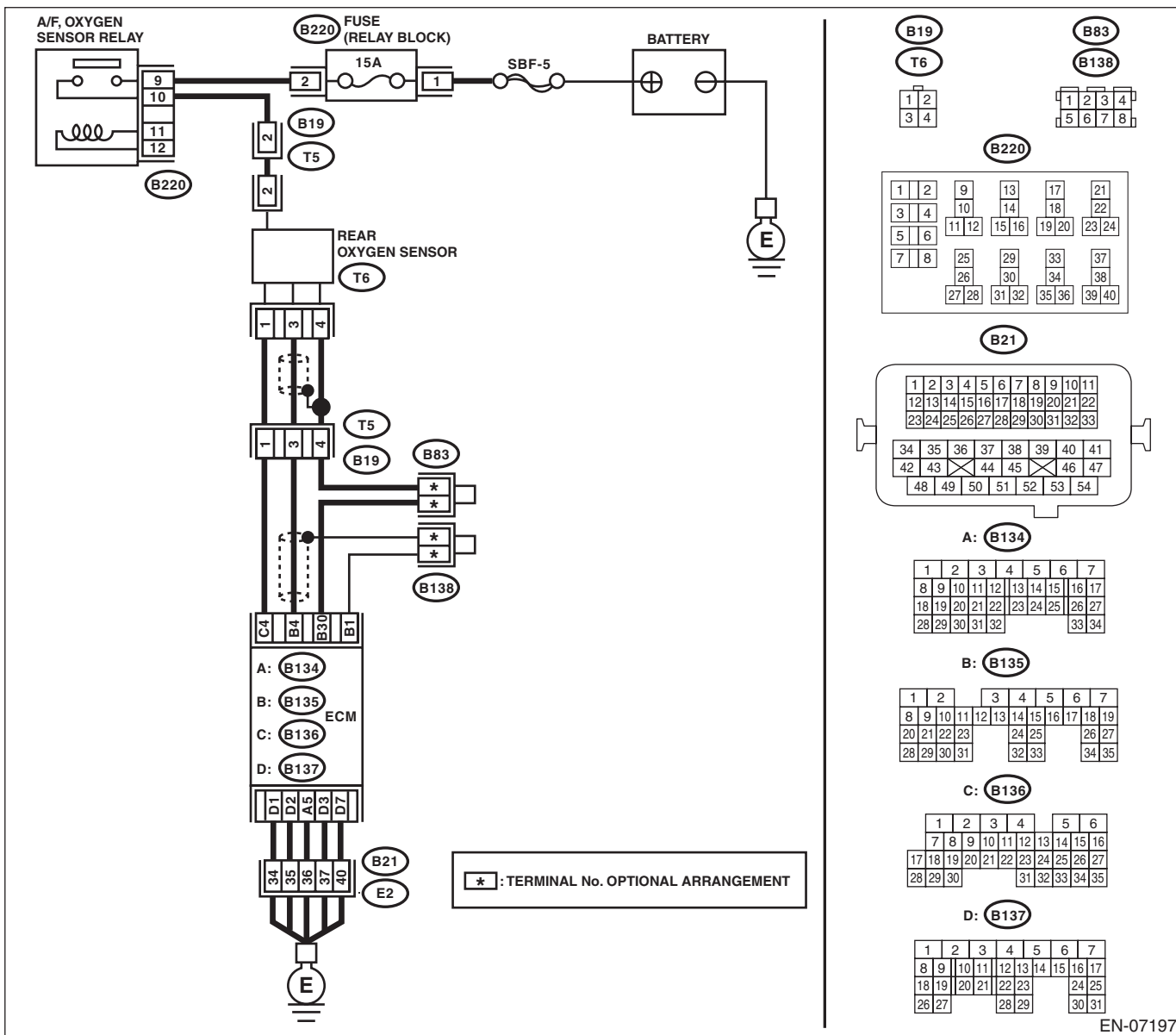
### WIRING DIAGRAM:



EN-07306

# Diagnostic Procedure with Diagnostic Trouble Code (DTC)

ENGINE (DIAGNOSTICS)



EN-07197

# Diagnostic Procedure with Diagnostic Trouble Code (DTC)

ENGINE (DIAGNOSTICS)

Step	Check	Yes	No	
1	<b>CHECK FOR ANY OTHER DTC ON DISPLAY.</b>	Is any other DTC displayed?	Check DTC using "List of Diagnostic Trouble Code (DTC)". <Ref. to EN(H4DOTC)(diag)-83, List of Diagnostic Trouble Code (DTC).>	Go to step 2.
2	<b>CHECK FRONT OXYGEN (A/F) SENSOR CONNECTOR AND COUPLING CONNECTOR.</b>	Has water entered the connector?	Completely remove any water inside.	Go to step 3.
3	<b>CHECK HARNESS BETWEEN ECM AND FRONT OXYGEN (A/F) SENSOR CONNECTOR.</b> 1) Turn the ignition switch to OFF. 2) Disconnect the connectors from ECM and front oxygen (A/F) sensor. 3) Measure the resistance of harness between ECM and front oxygen (A/F) sensor connector. <b>Connector &amp; terminal</b> <b>(B135) No. 9 — (E22) No. 1:</b> <b>(B135) No. 8 — (E22) No. 3:</b>	Is the resistance less than 1 Ω?	Go to step 4.	Repair the harness and connector. <b>NOTE:</b> In this case, repair the following item: • Open circuit in harness between ECM and front oxygen (A/F) sensor connector • Poor contact of coupling connector
4	<b>CHECK HARNESS BETWEEN ECM AND FRONT OXYGEN (A/F) SENSOR CONNECTOR.</b> Measure the resistance between ECM and chassis ground. <b>Connector &amp; terminal</b> <b>(B135) No. 9 — Chassis ground:</b> <b>(B135) No. 8 — Chassis ground:</b>	Is the resistance 1 MΩ or more?	Go to step 5.	Repair the ground short circuit of harness between ECM and front oxygen (A/F) sensor connector.
5	<b>CHECK OUTPUT SIGNAL FOR ECM.</b> 1) Connect the connector to ECM. 2) Turn the ignition switch to ON. 3) Measure the voltage between front oxygen (A/F) sensor connector and chassis ground. <b>Connector &amp; terminal</b> <b>(E22) No. 1 (+) — Chassis ground (-):</b>	Is the voltage 4.5 V or more?	Go to step 7.	Go to step 6.
6	<b>CHECK OUTPUT SIGNAL FOR ECM.</b> Measure the voltage between front oxygen (A/F) sensor connector and chassis ground. <b>Connector &amp; terminal</b> <b>(E22) No. 3 (+) — Chassis ground (-):</b>	Is the voltage 4.95 V or more?	Go to step 7.	Go to step 8.
7	<b>CHECK OUTPUT SIGNAL FOR ECM.</b> Measure the voltage between front oxygen (A/F) sensor connector and chassis ground. <b>Connector &amp; terminal</b> <b>(E22) No. 3 (+) — Chassis ground (-):</b> <b>(E22) No. 1 (+) — Chassis ground (-):</b>	Is the voltage 8 V or more?	Repair the short circuit to power in the harness between ECM and front oxygen (A/F) sensor connector. After repair, replace the ECM. <Ref. to FU(H4DOTC)-52, Engine Control Module (ECM).>	Repair the poor contact of ECM connector.
8	<b>CHECK EXHAUST SYSTEM.</b>	Are there holes or loose bolts on exhaust system?	Repair the exhaust system.	Go to step 9.

# Diagnostic Procedure with Diagnostic Trouble Code (DTC)

ENGINE (DIAGNOSTICS)

Step	Check	Yes	No
<b>9</b> <b>CHECK AIR INTAKE SYSTEM.</b>	Are there holes, loose bolts or disconnection of hose on air intake system?	Repair the air intake system.	Go to step 10.
<b>10</b> <b>CHECK FUEL PRESSURE.</b> <b>WARNING:</b> Place “NO OPEN FLAMES” signs near the working area. <b>CAUTION:</b> Be careful not to spill fuel. 1) Connect the front oxygen (A/F) sensor connector. 2) Measure the fuel pressure while disconnecting pressure regulator vacuum hose from intake manifold. <Ref. to ME(H4DOTC)-25, INSPECTION, Fuel Pressure.> <b>CAUTION:</b> Release fuel pressure before removing the fuel pressure gauge. NOTE: If fuel pressure does not increase, squeeze the fuel return hose 2 to 3 times, then measure fuel pressure again.	Is the measured value 284 — 314 kPa (2.9 — 3.2 kgf/cm <sup>2</sup> , 41 — 46 psi)?	Go to step 11.	Repair the following item. Fuel pressure is too high: • Clogged fuel return line or bent hose Fuel pressure is too low: • Improper fuel pump discharge • Clogged fuel supply line
<b>11</b> <b>CHECK FUEL PRESSURE.</b> After connecting the pressure regulator vacuum hose, measure fuel pressure. <Ref. to ME(H4DOTC)-25, INSPECTION, Fuel Pressure.> <b>CAUTION:</b> Release fuel pressure before removing the fuel pressure gauge. NOTE: • If fuel pressure does not increase, squeeze fuel return hose 2 to 3 times, then measure fuel pressure again. • If the measured value at this step is out of specification, check or replace pressure regulator and pressure regulator vacuum hose.	Is the measured value 230 — 260 kPa (2.35 — 2.65 kgf/cm <sup>2</sup> , 33 — 38 psi)?	Go to step 12.	Repair the following item. Fuel pressure is too high: • Faulty pressure regulator • Clogged fuel return line or bent hose Fuel pressure is too low: • Faulty pressure regulator • Improper fuel pump discharge • Clogged fuel supply line
<b>12</b> <b>CHECK ENGINE COOLANT TEMPERATURE SENSOR.</b> 1) Start the engine and warm up completely. 2) Read the data of engine coolant temperature sensor signal using Subaru Select Monitor or general scan tool. NOTE: • Subaru Select Monitor For detailed operation procedures, refer to “READ CURRENT DATA FOR ENGINE”. <Ref. to EN(H4DOTC)(diag)-34, Subaru Select Monitor.> • General scan tool For detailed operation procedures, refer to the general scan tool operation manual.	Is the engine coolant temperature 75°C (167°F) or higher?	Go to step 13.	Replace the engine coolant temperature sensor. <Ref. to FU(H4DOTC)-31, Engine Coolant Temperature Sensor.>

# Diagnostic Procedure with Diagnostic Trouble Code (DTC)

## ENGINE (DIAGNOSTICS)

Step	Check	Yes	No
<p><b>13</b>     <b>CHECK MASS AIR FLOW AND INTAKE AIR TEMPERATURE SENSOR.</b></p> <p>1) Start the engine and warm up engine until coolant temperature is higher than 75°C (167°F).</p> <p>2) For AT models, set the select lever to “P” range or “N” range, and for MT models, place the shift lever in the neutral position.</p> <p>3) Turn the A/C switch to OFF.</p> <p>4) Turn all the accessory switches to OFF.</p> <p>5) Read the data of the mass air flow and intake air temperature sensor signal using Subaru Select Monitor or general scan tool.</p> <p>NOTE:</p> <ul style="list-style-type: none"> <li>• Subaru Select Monitor</li> </ul> <p>For detailed operation procedures, refer to “READ CURRENT DATA FOR ENGINE”. &lt;Ref. to EN(H4DOTC)(diag)-34, Subaru Select Monitor.&gt;</p> <ul style="list-style-type: none"> <li>• General scan tool</li> </ul> <p>For detailed operation procedures, refer to the general scan tool operation manual.</p>	<p>Is the measured value 2.0 — 5.0 g/s (0.26 — 0.66 lb/s) ?</p>	<p>Go to step 14.</p>	<p>Replace the mass air flow and intake air temperature sensor. &lt;Ref. to FU(H4DOTC)-39, Mass Air Flow and Intake Air Temperature Sensor.&gt;</p>
<p><b>14</b>     <b>CHECK MASS AIR FLOW AND INTAKE AIR TEMPERATURE SENSOR.</b></p> <p>1) Start the engine and warm up engine until coolant temperature is higher than 75°C (167°F).</p> <p>2) For AT models, set the select lever to “P” range or “N” range, and for MT models, place the shift lever in the neutral position.</p> <p>3) Turn the A/C switch to OFF.</p> <p>4) Turn all the accessory switches to OFF.</p> <p>5) Open the front hood.</p> <p>6) Measure the ambient temperature.</p> <p>7) Read the data of the mass air flow and intake air temperature sensor signal using Subaru Select Monitor or general scan tool.</p> <p>NOTE:</p> <ul style="list-style-type: none"> <li>• Subaru Select Monitor</li> </ul> <p>For detailed operation procedures, refer to “READ CURRENT DATA FOR ENGINE”. &lt;Ref. to EN(H4DOTC)(diag)-34, Subaru Select Monitor.&gt;</p> <ul style="list-style-type: none"> <li>• General scan tool</li> </ul> <p>For detailed operation procedures, refer to the general scan tool operation manual.</p>	<p>Subtract ambient temperature from intake air temperature. Is the obtained value -10 — 50°C (-18 — 90°F)?</p>	<p>Go to step 15.</p>	<p>Check the mass air flow and intake air temperature sensor. &lt;Ref. to FU(H4DOTC)-39, Mass Air Flow and Intake Air Temperature Sensor.&gt;</p>

# Diagnostic Procedure with Diagnostic Trouble Code (DTC)

ENGINE (DIAGNOSTICS)

Step	Check	Yes	No
<p><b>15 CHECK REAR OXYGEN SENSOR DATA.</b>                      1) Warm up the engine until engine coolant temperature is higher than 75°C (167°F), and keep the engine speed at 3,000 rpm. (2 minutes maximum)                      2) Read the data of rear oxygen sensor signal using Subaru Select Monitor or general scan tool.                      NOTE:                      • Depress the clutch pedal. (MT model)                      • Subaru Select Monitor                      For detailed operation procedures, refer to "READ CURRENT DATA FOR ENGINE". &lt;Ref. to EN(H4DOTC)(diag)-34, Subaru Select Monitor.&gt;                      • General scan tool                      For detailed operation procedures, refer to the general scan tool operation manual.</p>	Is the voltage 490 mV or more?	Go to step 16.	Go to step 17.
<p><b>16 CHECK REAR OXYGEN SENSOR DATA.</b>                      1) Warm up the engine until engine coolant temperature is higher than 75°C (167°F), and rapidly reduce the engine speed from 3,000 rpm.                      2) Read the data of rear oxygen sensor signal using Subaru Select Monitor or general scan tool.                      NOTE:                      • Depress the clutch pedal. (MT model)                      • Subaru Select Monitor                      For detailed operation procedures, refer to "READ CURRENT DATA FOR ENGINE". &lt;Ref. to EN(H4DOTC)(diag)-34, Subaru Select Monitor.&gt;                      • General scan tool                      For detailed operation procedures, refer to the general scan tool operation manual.</p>	Is the voltage 250 mV or less?	Go to step 18.	Go to step 17.
<p><b>17 CHECK REAR OXYGEN SENSOR CONNECTOR AND COUPLING CONNECTOR.</b></p>	Has water entered the connector?	Completely remove any water inside.	Go to step 19.
<p><b>18 CHECK FRONT OXYGEN (A/F) SENSOR AND REAR OXYGEN SENSOR DATA.</b>                      1) Warm up the engine until engine coolant temperature is higher than 75°C (167°F), then keep the engine idling for 5 minutes or more.                      2) Read the data of rear oxygen sensor signal using Subaru Select Monitor or general scan tool.                      NOTE:                      • Subaru Select Monitor                      For detailed operation procedures, refer to "READ CURRENT DATA FOR ENGINE". &lt;Ref. to EN(H4DOTC)(diag)-34, Subaru Select Monitor.&gt;                      • General scan tool                      For detailed operation procedures, refer to the general scan tool operation manual.</p>	Is a voltage of 0.8 V or more maintained for 5 minutes or more?	Replace the front oxygen (A/F) sensor. <Ref. to FU(H4DOTC)-48, Front Oxygen (A/F) Sensor.>	Go to step 19.



# Diagnostic Procedure with Diagnostic Trouble Code (DTC)

## ENGINE (DIAGNOSTICS)

Step	Check	Yes	No
<b>19</b> <b>CHECK HARNESS BETWEEN ECM AND REAR OXYGEN SENSOR CONNECTOR.</b> 1) Turn the ignition switch to OFF. 2) Disconnect the connector from ECM and rear oxygen sensor. 3) Measure the resistance of harness between ECM and rear oxygen sensor connector. <i><b>Connector &amp; terminal</b></i> <i><b>(B135) No. 4 — (T6) No. 3:</b></i> <i><b>(B135) No. 30 — (T6) No. 4:</b></i>	Is the resistance less than 1 $\Omega$ ?	Go to step 20.	Repair the harness and connector. NOTE: In this case, repair the following item: • Open circuit in harness between ECM and rear oxygen sensor connector • Poor contact of coupling connector
<b>20</b> <b>CHECK HARNESS BETWEEN ECM AND REAR OXYGEN SENSOR CONNECTOR.</b> 1) Connect the connector to ECM. 2) Turn the ignition switch to ON. 3) Measure the voltage between rear oxygen sensor connector and chassis ground. <i><b>Connector &amp; terminal</b></i> <i><b>(T6) No. 3 (+) — Chassis ground (-):</b></i>	Is the voltage 0.2 — 0.5 V?	Replace the rear oxygen sensor. <Ref. to FU(H4DOTC)-50, Rear Oxygen Sensor.>	Repair the harness and connector. NOTE: In this case, repair the following item: • Open circuit in harness between ECM and rear oxygen sensor connector • Poor contact of ECM connector • Poor contact of coupling connector

# Diagnostic Procedure with Diagnostic Trouble Code (DTC)

ENGINE (DIAGNOSTICS)

## DO:DTC P2101 THROTTLE ACTUATOR CONTROL MOTOR CIRCUIT RANGE/ PERFORMANCE

### DTC DETECTING CONDITION:

- Immediately at fault recognition
- GENERAL DESCRIPTION <Ref. to GD(H4DOTC)-207, DTC P2101 THROTTLE ACTUATOR CONTROL MOTOR CIRCUIT RANGE/PERFORMANCE, Diagnostic Trouble Code (DTC) Detecting Criteria.>

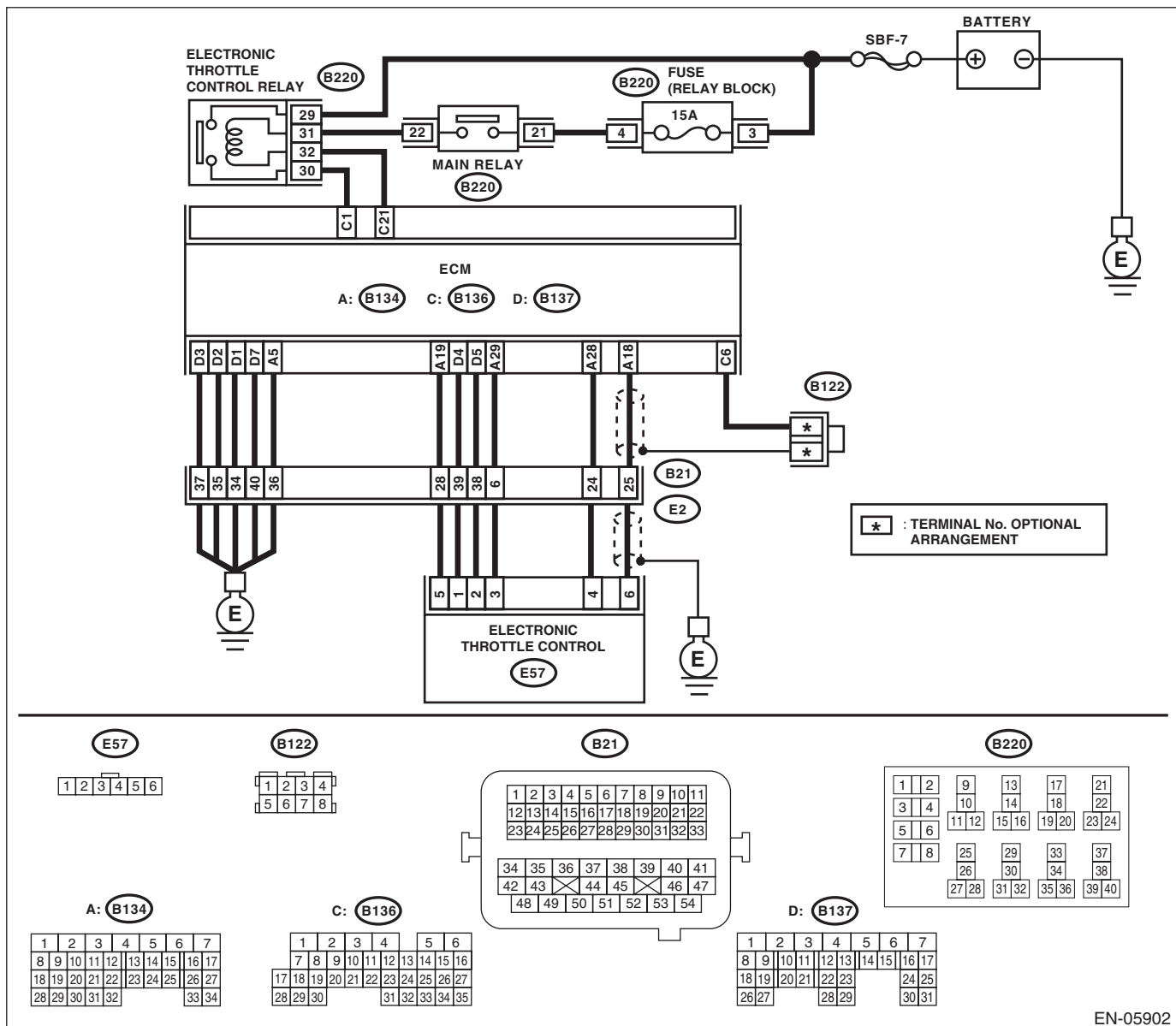
### TROUBLE SYMPTOM:

- Improper idling
- Poor driving performance
- Engine stalls.

### CAUTION:

After servicing or replacing faulty parts, perform Clear Memory Mode <Ref. to EN(H4DOTC)(diag)-54, OPERATION, Clear Memory Mode.>, and Inspection Mode <Ref. to EN(H4DOTC)(diag)-43, PROCEDURE, Inspection Mode.>.

### WIRING DIAGRAM:



EN-05902

# Diagnostic Procedure with Diagnostic Trouble Code (DTC)

## ENGINE (DIAGNOSTICS)

Step	Check	Yes	No
<p><b>1</b></p> <p><b>CHECK ELECTRONIC THROTTLE CONTROL RELAY.</b></p> <p>1) Turn the ignition switch to OFF. 2) Remove the electronic throttle control relay. 3) Connect the battery to terminals No. 31 and No. 32 of electronic throttle control relay. 4) Measure the resistance between electronic throttle control relay terminals.</p> <p><b>Terminals</b> <b>No. 29 — No. 30:</b></p>	Is the resistance less than 1 Ω?	Go to step 2.	Replace the electronic throttle control relay. <Ref. to FU(H4DOTC)-57, Electronic Throttle Control Relay.>
<p><b>2</b></p> <p><b>CHECK POWER SUPPLY OF ELECTRONIC THROTTLE CONTROL RELAY.</b></p> <p>Measure the voltage between electronic throttle control relay connector and chassis ground.</p> <p><b>Connector &amp; terminal</b> <b>(B220) No. 29 (+) — Chassis ground (-):</b></p>	Is the voltage 10 V or more?	Go to step 3.	Repair the open or ground short circuit of power supply circuit.
<p><b>3</b></p> <p><b>CHECK HARNESS BETWEEN ECM AND ELECTRONIC THROTTLE CONTROL RELAY CONNECTOR.</b></p> <p>1) Disconnect the connectors from ECM. 2) Turn the ignition switch to ON. 3) Measure the voltage between electronic throttle control relay connector and chassis ground.</p> <p><b>Connector &amp; terminal</b> <b>(B220) No. 32 (+) — Chassis ground (-):</b></p>	Is the voltage 10 V or more?	Repair the short circuit to power in the harness between ECM and electronic throttle control relay connector.	Go to step 4.
<p><b>4</b></p> <p><b>CHECK HARNESS BETWEEN ECM AND ELECTRONIC THROTTLE CONTROL RELAY CONNECTOR.</b></p> <p>1) Turn the ignition switch to OFF. 2) Measure the resistance between electronic throttle control relay connector and chassis ground.</p> <p><b>Connector &amp; terminal</b> <b>(B220) No. 32 — Chassis ground:</b> <b>(B220) No. 30 — Chassis ground:</b></p>	Is the resistance 1 MΩ or more?	Go to step 5.	Repair the short circuit in harness to ground between ECM and electronic throttle control relay connector.
<p><b>5</b></p> <p><b>CHECK HARNESS BETWEEN ECM AND ELECTRONIC THROTTLE CONTROL RELAY CONNECTOR.</b></p> <p>Measure the resistance between ECM and electronic throttle control relay connector.</p> <p><b>Connector &amp; terminal</b> <b>(B136) No. 21 — (B220) No. 32:</b> <b>(B136) No. 1 — (B220) No. 30:</b></p>	Is the resistance less than 1 Ω?	Go to step 6.	Repair the open circuit in harness between ECM and electronic throttle control relay connector.
<p><b>6</b></p> <p><b>CHECK HARNESS BETWEEN ECM AND ELECTRONIC THROTTLE CONTROL CONNECTOR.</b></p> <p>1) Turn the ignition switch to OFF. 2) Disconnect the connectors from electronic throttle control. 3) Measure the resistance between ECM and chassis ground.</p> <p><b>Connector &amp; terminal</b> <b>(B134) No. 19 — Chassis ground:</b> <b>(B134) No. 18 — Chassis ground:</b> <b>(B134) No. 18 — (B136) No. 6:</b> <b>(B134) No. 28 — Chassis ground:</b></p>	Is the resistance 1 MΩ or more?	Go to step 7.	Repair the short circuit to ground in harness between ECM and electronic throttle control connector.

# Diagnostic Procedure with Diagnostic Trouble Code (DTC)

ENGINE (DIAGNOSTICS)

Step	Check	Yes	No
<p><b>7</b></p> <p><b>CHECK SHORT CIRCUIT INSIDE THE ECM.</b>                      1) Connect the connector to ECM.                      2) Measure the resistance between electronic throttle control connector and engine ground.  <b>Connector &amp; terminal</b>  <i>(E57) No. 6 — Engine ground:</i>  <i>(E57) No. 4 — Engine ground:</i></p>	<p>Is the resistance 1 M<math>\Omega</math> or more?</p>	<p>Go to step 8.</p>	<p>Repair the short circuit to ground in harness between ECM and electronic throttle control connector. Replace the ECM if defective. &lt;Ref. to FU(H4DOTC)-52, Engine Control Module (ECM).&gt;</p>
<p><b>8</b></p> <p><b>CHECK HARNESS BETWEEN ECM AND ELECTRONIC THROTTLE CONTROL CONNECTOR.</b>                      1) Disconnect the connectors from ECM.                      2) Measure the resistance of harness between ECM and electronic throttle control connector.  <b>Connector &amp; terminal</b>  <i>(B134) No. 18 — (E57) No. 6:</i>  <i>(B134) No. 28 — (E57) No. 4:</i>  <i>(B134) No. 29 — (E57) No. 3:</i></p>	<p>Is the resistance less than 1 <math>\Omega</math>?</p>	<p>Go to step 9.</p>	<p>Repair the harness and connector.                      NOTE:                      In this case, repair the following item:</p> <ul style="list-style-type: none"> <li>• Open circuit in harness between ECM and electronic throttle control connector</li> <li>• Poor contact of coupling connector</li> </ul>
<p><b>9</b></p> <p><b>CHECK HARNESS BETWEEN ECM AND ELECTRONIC THROTTLE CONTROL CONNECTOR.</b>                      1) Connect the connector to ECM.                      2) Measure the resistance between electronic throttle control connector and engine ground.  <b>Connector &amp; terminal</b>  <i>(E57) No. 3 — Engine ground:</i></p>	<p>Is the resistance less than 5 <math>\Omega</math>?</p>	<p>Go to step 10.</p>	<p>Repair the harness and connector.                      NOTE:                      In this case, repair the following item:</p> <ul style="list-style-type: none"> <li>• Open circuit of harness between ECM and engine ground</li> <li>• Poor contact of ECM connector</li> <li>• Poor contact of coupling connector</li> </ul>
<p><b>10</b></p> <p><b>CHECK HARNESS BETWEEN ECM AND ELECTRONIC THROTTLE CONTROL CONNECTOR.</b>                      1) Turn the ignition switch to ON.                      2) Measure the voltage between electronic throttle control connector and engine ground.  <b>Connector &amp; terminal</b>  <i>(E57) No. 6 (+) — Engine ground (-):</i>  <i>(E57) No. 4 (+) — Engine ground (-):</i></p>	<p>Is the voltage 4.85 V or more?</p>	<p>Repair the short circuit to power in harness between ECM and electronic throttle control connector.</p>	<p>Go to step 11.</p>
<p><b>11</b></p> <p><b>CHECK HARNESS BETWEEN ECM AND ELECTRONIC THROTTLE CONTROL CONNECTOR.</b>                      1) Turn the ignition switch to OFF.                      2) Disconnect the connectors from ECM.                      3) Measure the resistance between ECM connectors.  <b>Connector &amp; terminal</b>  <i>(B134) No. 19 — (B134) No. 18:</i>  <i>(B134) No. 19 — (B134) No. 28:</i></p>	<p>Is the resistance 1 M<math>\Omega</math> or more?</p>	<p>Go to step 12.</p>	<p>Repair the short circuit to power in harness between ECM and electronic throttle control connector.</p>

# Diagnostic Procedure with Diagnostic Trouble Code (DTC)

## ENGINE (DIAGNOSTICS)

Step	Check	Yes	No
<b>12 CHECK SENSOR OUTPUT.</b> 1) Connect all connectors. 2) Turn the ignition switch to ON. 3) Read the data of main throttle sensor signal using Subaru Select Monitor. NOTE: For detailed operation procedures, refer to "READ CURRENT DATA FOR ENGINE". <Ref. to EN(H4DOTC)(diag)-34, Subaru Select Monitor.>	Is the voltage 0.81 — 0.87 V?	Go to step 13.	Repair the poor contact of electronic throttle control connector. Replace the electronic throttle control if defective. <Ref. to FU(H4DOTC)-14, Throttle Body.>
<b>13 CHECK SENSOR OUTPUT.</b> Read the data of sub throttle sensor signal using Subaru Select Monitor. NOTE: Subaru Select Monitor For detailed operation procedures, refer to "READ CURRENT DATA FOR ENGINE". <Ref. to EN(H4DOTC)(diag)-34, Subaru Select Monitor.>	Is the voltage 1.64 — 1.70 V?	Go to step 14.	Repair the poor contact of electronic throttle control connector. Replace the electronic throttle control if defective. <Ref. to FU(H4DOTC)-14, Throttle Body.>
<b>14 CHECK HARNESS BETWEEN ECM AND ELECTRONIC THROTTLE CONTROL MOTOR.</b> 1) Turn the ignition switch to OFF. 2) Disconnect the connectors from ECM and electronic throttle control. 3) Measure the resistance between ECM and electronic throttle control connector. <i>Connector &amp; terminal</i> <i>(B137) No. 5 — (E57) No. 2:</i> <i>(B137) No. 4 — (E57) No. 1:</i>	Is the resistance less than 1 Ω?	Go to step 15.	Repair the harness and connector. NOTE: In this case, repair the following item: <ul style="list-style-type: none"> <li>• Open circuit in harness between ECM and electronic throttle control connector</li> <li>• Poor contact of coupling connector</li> </ul>
<b>15 CHECK HARNESS BETWEEN ECM AND ELECTRONIC THROTTLE CONTROL MOTOR.</b> 1) Connect the connector to ECM. 2) Turn the ignition switch to ON. 3) Measure the voltage between electronic throttle control connector and engine ground. <i>Connector &amp; terminal</i> <i>(E57) No. 2 (+) — Engine ground (-):</i> <i>(E57) No. 1 (+) — Engine ground (-):</i>	Is the voltage 5 V or more?	Repair the short circuit to power in harness between ECM and electronic throttle control connector.	Go to step 16.
<b>16 CHECK HARNESS BETWEEN ECM AND ELECTRONIC THROTTLE CONTROL MOTOR.</b> 1) Turn the ignition switch to OFF. 2) Disconnect the connectors from ECM. 3) Measure the resistance between electronic throttle control connector and engine ground. <i>Connector &amp; terminal</i> <i>(E57) No. 2 — Engine ground:</i> <i>(E57) No. 1 — Engine ground:</i>	Is the resistance 1 MΩ or more?	Go to step 17.	Repair the short circuit to ground in harness between ECM and electronic throttle control connector.
<b>17 CHECK ELECTRONIC THROTTLE CONTROL MOTOR HARNESS.</b> Measure the resistance between electronic throttle control connectors. <i>Connector &amp; terminal</i> <i>(E57) No. 2 — (E57) No. 1:</i>	Is the resistance 1 MΩ or more?	Go to step 18.	Repair the short circuit of harness between ECM and electronic throttle control connector.

# Diagnostic Procedure with Diagnostic Trouble Code (DTC)

ENGINE (DIAGNOSTICS)

Step	Check	Yes	No
<b>18</b> <b>CHECK ELECTRONIC THROTTLE CONTROL GROUND CIRCUIT.</b> Measure the resistance between ECM and chassis ground. <b>Connector &amp; terminal</b> <i>(B134) No. 5 — Chassis ground:</i> <i>(B137) No. 1 — Chassis ground:</i> <i>(B137) No. 2 — Chassis ground:</i> <i>(B137) No. 3 — Chassis ground:</i> <i>(B137) No. 7 — Chassis ground:</i>	Is the resistance less than 5 $\Omega$ ?	Go to step 19.	Repair the harness and connector. NOTE: In this case, repair the following item: • Open circuit of harness between ECM and engine ground • Poor contact of coupling connector
<b>19</b> <b>CHECK ELECTRONIC THROTTLE CONTROL.</b> Measure the resistance between electronic throttle control terminals. <b>Terminals</b> <i>No. 2 — No. 1:</i>	Is the resistance 50 $\Omega$ or less?	Go to step 20.	Replace the electronic throttle control. <Ref. to FU(H4DOTC)-14, Throttle Body.>
<b>20</b> <b>CHECK ELECTRONIC THROTTLE CONTROL.</b> Move the throttle valve to the fully open and fully closed positions with fingers. Check that the valve returns to the specified position when releasing fingers.	Does the valve return to the specified position? Standard value: 3 mm (0.12 in) from fully closed position	Repair the poor contact of ECM connector.	Replace the electronic throttle control. <Ref. to FU(H4DOTC)-14, Throttle Body.>

# Diagnostic Procedure with Diagnostic Trouble Code (DTC)

ENGINE (DIAGNOSTICS)

## DP:DTC P2102 THROTTLE ACTUATOR CONTROL MOTOR CIRCUIT LOW

### DTC DETECTING CONDITION:

- Immediately at fault recognition
- GENERAL DESCRIPTION <Ref. to GD(H4DOTC)-208, DTC P2102 THROTTLE ACTUATOR CONTROL MOTOR CIRCUIT LOW, Diagnostic Trouble Code (DTC) Detecting Criteria.>

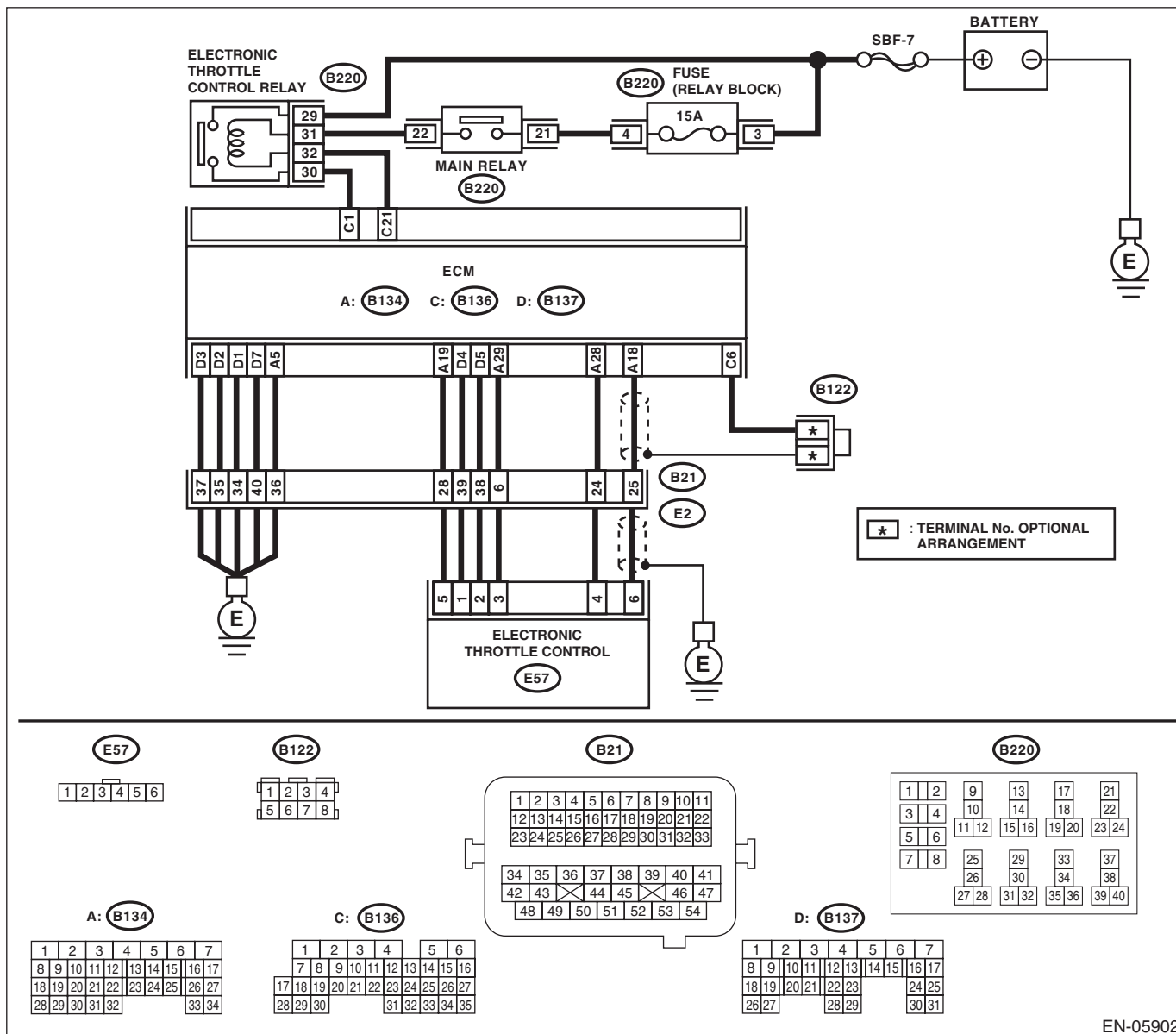
### TROUBLE SYMPTOM:

- Improper idling
- Poor driving performance
- Engine stalls.

### CAUTION:

After servicing or replacing faulty parts, perform Clear Memory Mode <Ref. to EN(H4DOTC)(diag)-54, OPERATION, Clear Memory Mode.>, and Inspection Mode <Ref. to EN(H4DOTC)(diag)-43, PROCEDURE, Inspection Mode.>.

### WIRING DIAGRAM:



EN-05902

# Diagnostic Procedure with Diagnostic Trouble Code (DTC)

ENGINE (DIAGNOSTICS)

Step	Check	Yes	No
<b>1</b> <b>CHECK ELECTRONIC THROTTLE CONTROL RELAY.</b> 1) Turn the ignition switch to OFF. 2) Remove the electronic throttle control relay. 3) Connect the battery to terminals No. 31 and No. 32 of electronic throttle control relay. 4) Measure the resistance between electronic throttle control relay terminals. <i>Terminals</i> <i>No. 29 — No. 30:</i>	Is the resistance less than 1 $\Omega$ ?	Go to step 2.	Replace the electronic throttle control relay. <Ref. to FU(H4DOTC)-57, Electronic Throttle Control Relay.>
<b>2</b> <b>CHECK POWER SUPPLY OF ELECTRONIC THROTTLE CONTROL RELAY.</b> Measure the voltage between electronic throttle control relay connector and chassis ground. <i>Connector &amp; terminal</i> <i>(B220) No. 29 (+) — Chassis ground (-):</i>	Is the voltage 10 V or more?	Go to step 3.	Repair the open or ground short circuit of power supply circuit.
<b>3</b> <b>CHECK HARNESS BETWEEN ECM AND ELECTRONIC THROTTLE CONTROL RELAY CONNECTOR.</b> 1) Disconnect the connectors from ECM. 2) Turn the ignition switch to ON. 3) Measure the voltage between electronic throttle control relay connector and chassis ground. <i>Connector &amp; terminal</i> <i>(B220) No. 32 (+) — Chassis ground (-):</i>	Is the voltage 10 V or more?	Repair the short circuit to power in the harness between ECM and electronic throttle control relay connector.	Go to step 4.
<b>4</b> <b>CHECK HARNESS BETWEEN ECM AND ELECTRONIC THROTTLE CONTROL RELAY CONNECTOR.</b> 1) Turn the ignition switch to OFF. 2) Measure the resistance between electronic throttle control relay connector and chassis ground. <i>Connector &amp; terminal</i> <i>(B220) No. 32 — Chassis ground:</i> <i>(B220) No. 30 — Chassis ground:</i>	Is the resistance 1 M $\Omega$ or more?	Go to step 5.	Repair the short circuit in harness to ground between ECM and electronic throttle control relay connector.
<b>5</b> <b>CHECK HARNESS BETWEEN ECM AND ELECTRONIC THROTTLE CONTROL RELAY CONNECTOR.</b> Measure the resistance between ECM and electronic throttle control relay connector. <i>Connector &amp; terminal</i> <i>(B136) No. 21 — (B220) No. 32:</i> <i>(B136) No. 1 — (B220) No. 30:</i>	Is the resistance less than 1 $\Omega$ ?	Repair the poor contact of ECM connector.	Repair the open circuit in harness between ECM and electronic throttle control relay connector.



# Diagnostic Procedure with Diagnostic Trouble Code (DTC)

ENGINE (DIAGNOSTICS)

## DQ:DTC P2103 THROTTLE ACTUATOR CONTROL MOTOR CIRCUIT HIGH

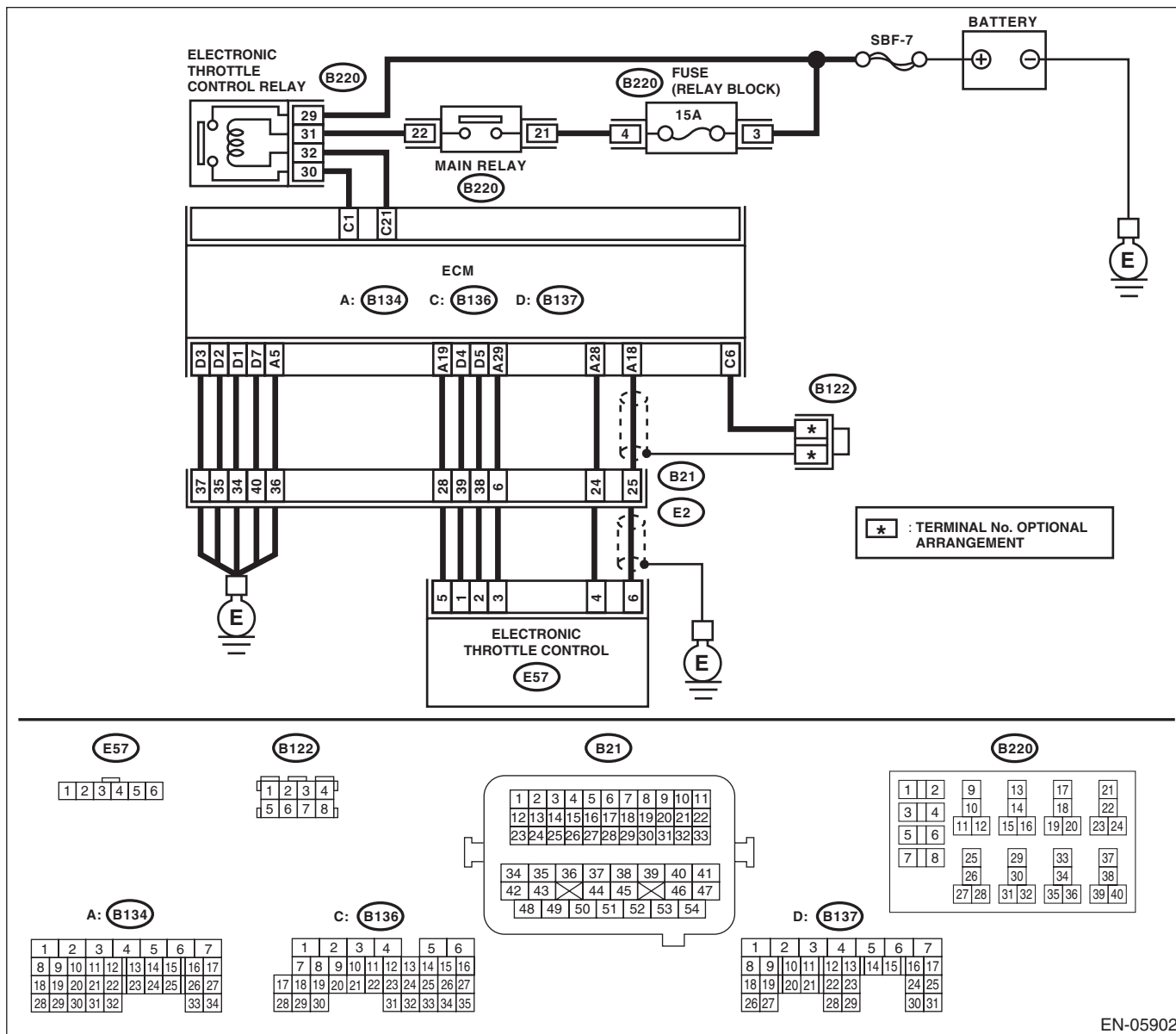
### DTC DETECTING CONDITION:

- Immediately at fault recognition
- GENERAL DESCRIPTION <Ref. to GD(H4DOTC)-209, DTC P2103 THROTTLE ACTUATOR CONTROL MOTOR CIRCUIT HIGH, Diagnostic Trouble Code (DTC) Detecting Criteria.>

### CAUTION:

After servicing or replacing faulty parts, perform Clear Memory Mode <Ref. to EN(H4DOTC)(diag)-54, OPERATION, Clear Memory Mode.>, and Inspection Mode <Ref. to EN(H4DOTC)(diag)-43, PROCEDURE, Inspection Mode.>.

### WIRING DIAGRAM:



# Diagnostic Procedure with Diagnostic Trouble Code (DTC)

ENGINE (DIAGNOSTICS)

Step	Check	Yes	No
<b>1</b> <b>CHECK ELECTRONIC THROTTLE CONTROL RELAY.</b> 1) Turn the ignition switch to OFF. 2) Remove the electronic throttle control relay. 3) Measure the resistance between electronic throttle control relay terminals. <b>Terminals</b> <b>No. 29 — No. 30:</b>	Is the resistance 1 MΩ or more?	Go to step 2.	Replace the electronic throttle control relay. <Ref. to FU(H4DOTC)-57, Electronic Throttle Control Relay.>
<b>2</b> <b>CHECK SHORT CIRCUIT OF ELECTRONIC THROTTLE CONTROL RELAY POWER SUPPLY.</b> 1) Turn the ignition switch to ON. 2) Measure the voltage between electronic throttle control relay connector and chassis ground. <b>Connector &amp; terminal</b> <b>(B220) No. 30 (+) — Chassis ground (-):</b>	Is the voltage 10 V or more?	Repair the short circuit to power in the harness between ECM and electronic throttle control relay connector.	Go to step 3.
<b>3</b> <b>CHECK HARNESS BETWEEN ECM AND ELECTRONIC THROTTLE CONTROL RELAY CONNECTOR.</b> 1) Turn the ignition switch to OFF. 2) Disconnect the connectors from ECM. 3) Measure the resistance between ECM and chassis ground. <b>Connector &amp; terminal</b> <b>(B136) No. 21 — Chassis ground:</b>	Is the resistance 1 MΩ or more?	Repair the poor contact of ECM connector.	Repair the short circuit in harness to ground between ECM and electronic throttle control relay connector.

## DR:DTC P2109 THROTTLE/PEDAL POSITION SENSOR “A” MINIMUM STOP PERFORMANCE

### NOTE:

For the diagnostic procedure, refer to DTC P2101. <Ref. to EN(H4DOTC)(diag)-319, DTC P2101 THROTTLE ACTUATOR CONTROL MOTOR CIRCUIT RANGE/PERFORMANCE, Diagnostic Procedure with Diagnostic Trouble Code (DTC).>

# Diagnostic Procedure with Diagnostic Trouble Code (DTC)

ENGINE (DIAGNOSTICS)

## DS:DTC P2122 THROTTLE/PEDAL POSITION SENSOR/SWITCH "D" CIRCUIT LOW INPUT

### DTC DETECTING CONDITION:

- Immediately at fault recognition
- GENERAL DESCRIPTION <Ref. to GD(H4DOTC)-211, DTC P2122 THROTTLE/PEDAL POSITION SENSOR/SWITCH "D" CIRCUIT LOW INPUT, Diagnostic Trouble Code (DTC) Detecting Criteria.>

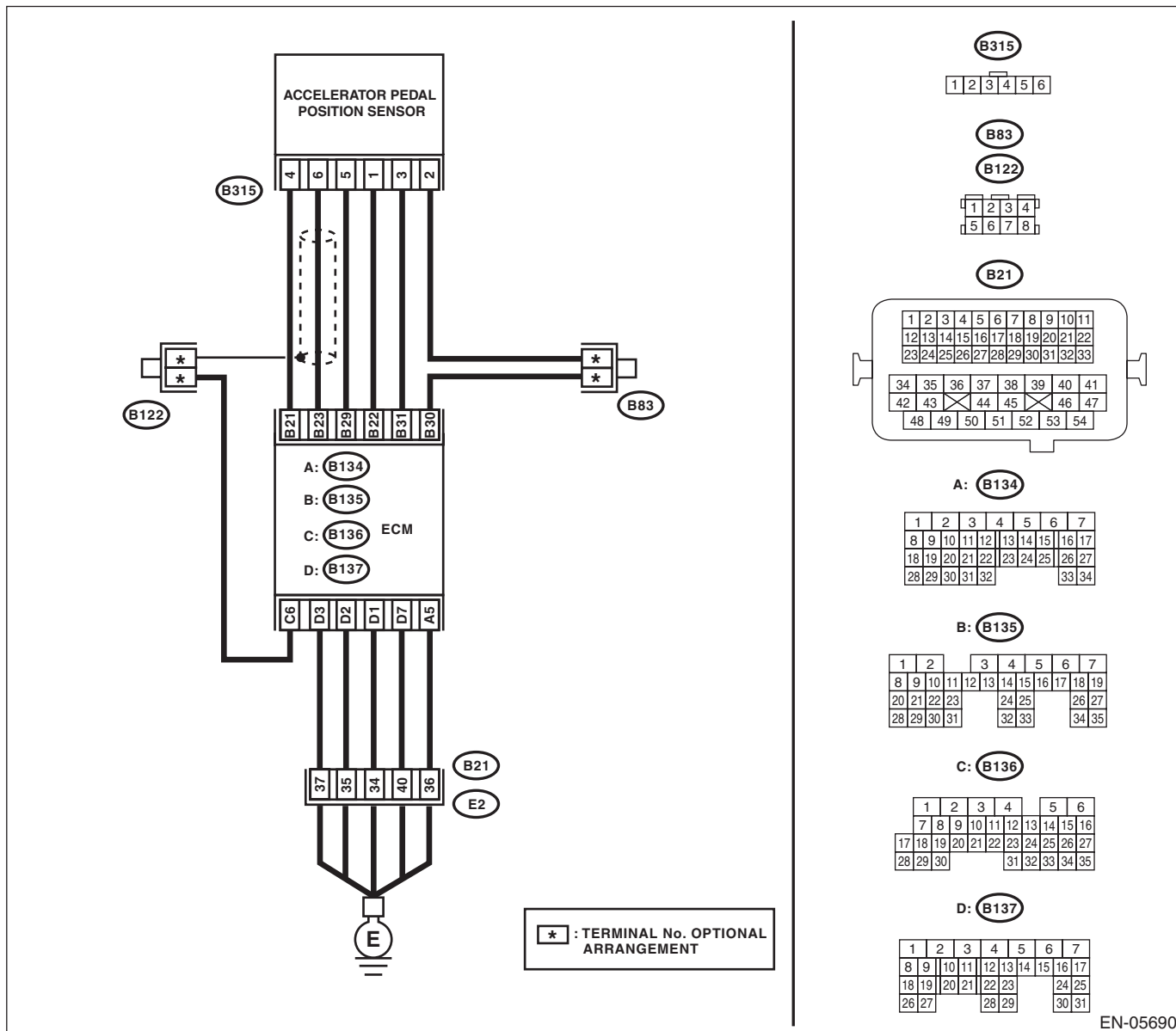
### TROUBLE SYMPTOM:

- Improper idling
- Poor driving performance

### CAUTION:

After servicing or replacing faulty parts, perform Clear Memory Mode <Ref. to EN(H4DOTC)(diag)-54, OPERATION, Clear Memory Mode.>, and Inspection Mode <Ref. to EN(H4DOTC)(diag)-43, PROCEDURE, Inspection Mode.>.

### WIRING DIAGRAM:



EN-05690

# Diagnostic Procedure with Diagnostic Trouble Code (DTC)

ENGINE (DIAGNOSTICS)

Step	Check	Yes	No
<p><b>1</b></p> <p><b>CHECK HARNESS BETWEEN ECM AND ACCELERATOR PEDAL POSITION SENSOR CONNECTOR.</b></p> <p>1) Turn the ignition switch to OFF.                      2) Disconnect the connectors from ECM and accelerator pedal position sensor.                      3) Measure the resistance between ECM and chassis ground.</p> <p><b>Connector &amp; terminal</b>  <b>(B135) No. 21 — Chassis ground:</b>  <b>(B135) No. 23 — Chassis ground:</b>  <b>(B135) No. 23 — (B136) No. 6:</b></p>	<p>Is the resistance 1 MΩ or more?</p>	<p>Go to step 2.</p>	<p>Repair the short circuit to ground in harness between ECM and accelerator pedal position sensor connector.</p>
<p><b>2</b></p> <p><b>CHECK SHORT CIRCUIT INSIDE THE ECM.</b></p> <p>1) Connect the connector to ECM.                      2) Measure the resistance between accelerator pedal position sensor connector and chassis ground.</p> <p><b>Connector &amp; terminal</b>  <b>(B315) No. 6 — Chassis ground:</b></p>	<p>Is the resistance 1 MΩ or more?</p>	<p>Replace the accelerator pedal. &lt;Ref. to SP(H4SO)-4, Accelerator Pedal.&gt;</p>	<p>Repair the short circuit to ground in harness between ECM and accelerator pedal position sensor connector. Replace the ECM if defective. &lt;Ref. to FU(H4DOTC)-52, Engine Control Module (ECM).&gt;</p>

# Diagnostic Procedure with Diagnostic Trouble Code (DTC)

ENGINE (DIAGNOSTICS)

## DT:DTC P2123 THROTTLE/PEDAL POSITION SENSOR/SWITCH "D" CIRCUIT HIGH INPUT

### DTC DETECTING CONDITION:

- Immediately at fault recognition
- GENERAL DESCRIPTION <Ref. to GD(H4DOTC)-213, DTC P2123 THROTTLE/PEDAL POSITION SENSOR/SWITCH "D" CIRCUIT HIGH INPUT, Diagnostic Trouble Code (DTC) Detecting Criteria.>

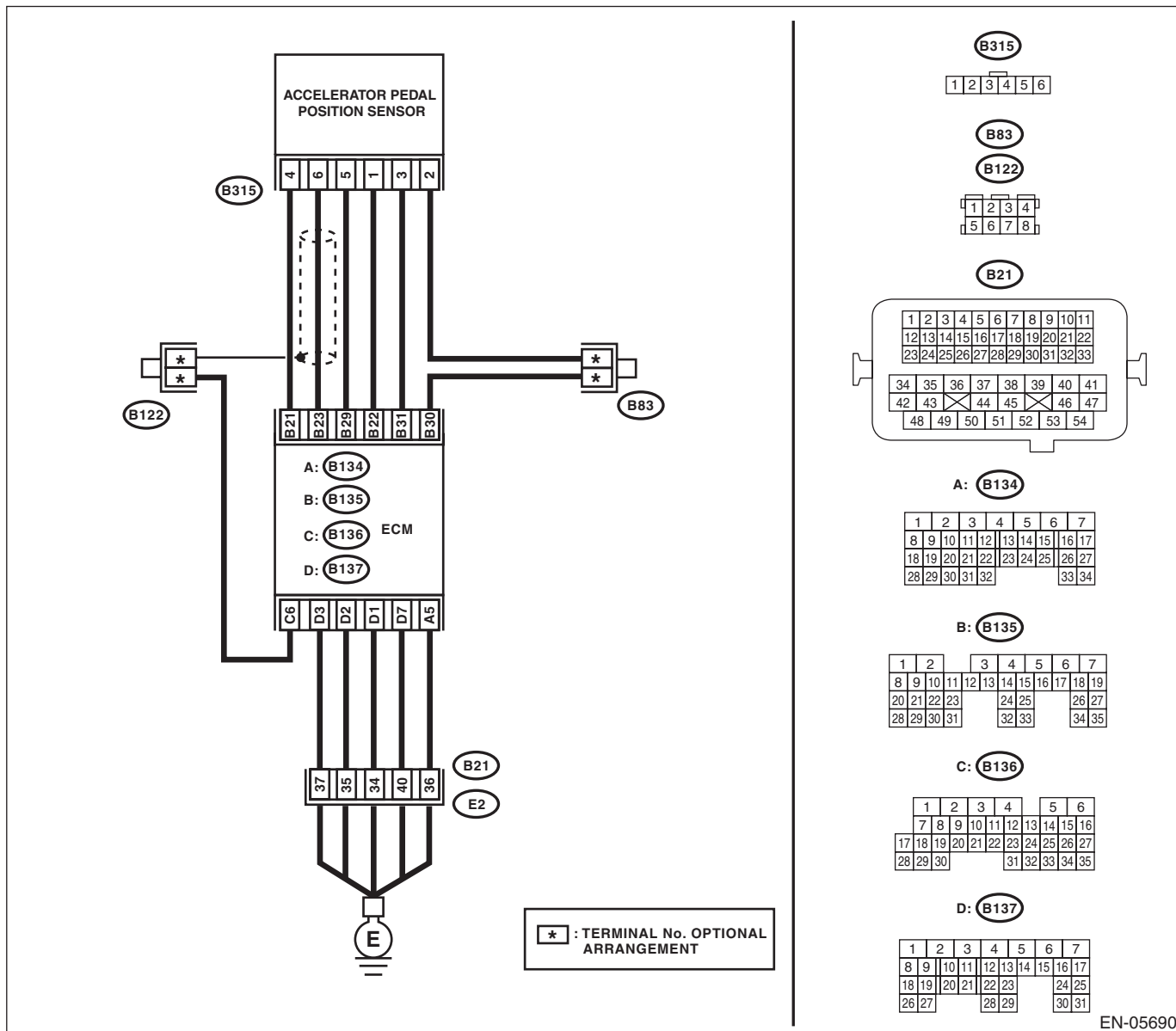
### TROUBLE SYMPTOM:

- Improper idling
- Poor driving performance

### CAUTION:

After servicing or replacing faulty parts, perform Clear Memory Mode <Ref. to EN(H4DOTC)(diag)-54, OPERATION, Clear Memory Mode.>, and Inspection Mode <Ref. to EN(H4DOTC)(diag)-43, PROCEDURE, Inspection Mode.>.

### WIRING DIAGRAM:



EN-05690

# Diagnostic Procedure with Diagnostic Trouble Code (DTC)

ENGINE (DIAGNOSTICS)

Step	Check	Yes	No
<p><b>1</b>    <b>CHECK HARNESS BETWEEN ECM AND ACCELERATOR PEDAL POSITION SENSOR CONNECTOR.</b></p> <p>1) Turn the ignition switch to OFF. 2) Disconnect the connectors from ECM and accelerator pedal position sensor. 3) Measure the resistance of harness between ECM and accelerator pedal position sensor connector.</p> <p><b>Connector &amp; terminal</b> <b>(B135) No. 23 — (B315) No. 6:</b> <b>(B135) No. 29 — (B315) No. 5:</b></p>	<p>Is the resistance less than 1 Ω?</p>	<p>Go to step 2.</p>	<p>Repair the open circuit in harness between ECM and accelerator pedal position sensor connector.</p>
<p><b>2</b>    <b>CHECK HARNESS BETWEEN ECM AND ACCELERATOR PEDAL POSITION SENSOR CONNECTOR.</b></p> <p>1) Connect the connector to ECM. 2) Measure the resistance between accelerator pedal position sensor connector and chassis ground.</p> <p><b>Connector &amp; terminal</b> <b>(B315) No. 5 — Chassis ground:</b></p>	<p>Is the resistance less than 5 Ω?</p>	<p>Go to step 3.</p>	<p>Repair the harness and connector.</p> <p><b>NOTE:</b> In this case, repair the following item:</p> <ul style="list-style-type: none"> <li>• Open circuit of harness between ECM and engine ground</li> <li>• Poor contact of ECM connector</li> <li>• Poor contact of coupling connector</li> </ul>
<p><b>3</b>    <b>CHECK HARNESS BETWEEN ECM AND ACCELERATOR PEDAL POSITION SENSOR CONNECTOR.</b></p> <p>1) Turn the ignition switch to ON. 2) Measure the voltage between accelerator pedal position sensor connector and chassis ground.</p> <p><b>Connector &amp; terminal</b> <b>(B315) No. 6 (+) — Chassis ground (-):</b></p>	<p>Is the voltage 4.85 V or more?</p>	<p>Repair the short circuit to power supply in the harness between the ECM and accelerator pedal position sensor connector.</p>	<p>Go to step 4.</p>
<p><b>4</b>    <b>CHECK HARNESS BETWEEN ECM AND ACCELERATOR PEDAL POSITION SENSOR CONNECTOR.</b></p> <p>1) Turn the ignition switch to OFF. 2) Disconnect the connectors from ECM. 3) Measure the resistance between ECM connectors.</p> <p><b>Connector &amp; terminal</b> <b>(B135) No. 21 — (B135) No. 23:</b></p>	<p>Is the resistance 1 MΩ or more?</p>	<p>Repair the poor contact of accelerator pedal position sensor connector. Replace the accelerator pedal if defective. &lt;Ref. to SP(H4SO)-4, Accelerator Pedal.&gt;</p>	<p>Repair the short circuit to power supply in the harness between the ECM and accelerator pedal position sensor connector.</p>

# Diagnostic Procedure with Diagnostic Trouble Code (DTC)

ENGINE (DIAGNOSTICS)

## DU:DTC P2127 THROTTLE/PEDAL POSITION SENSOR/SWITCH "E" CIRCUIT LOW INPUT

### DTC DETECTING CONDITION:

- Immediately at fault recognition
- GENERAL DESCRIPTION <Ref. to GD(H4DOTC)-215, DTC P2127 THROTTLE/PEDAL POSITION SENSOR/SWITCH "E" CIRCUIT LOW INPUT, Diagnostic Trouble Code (DTC) Detecting Criteria.>

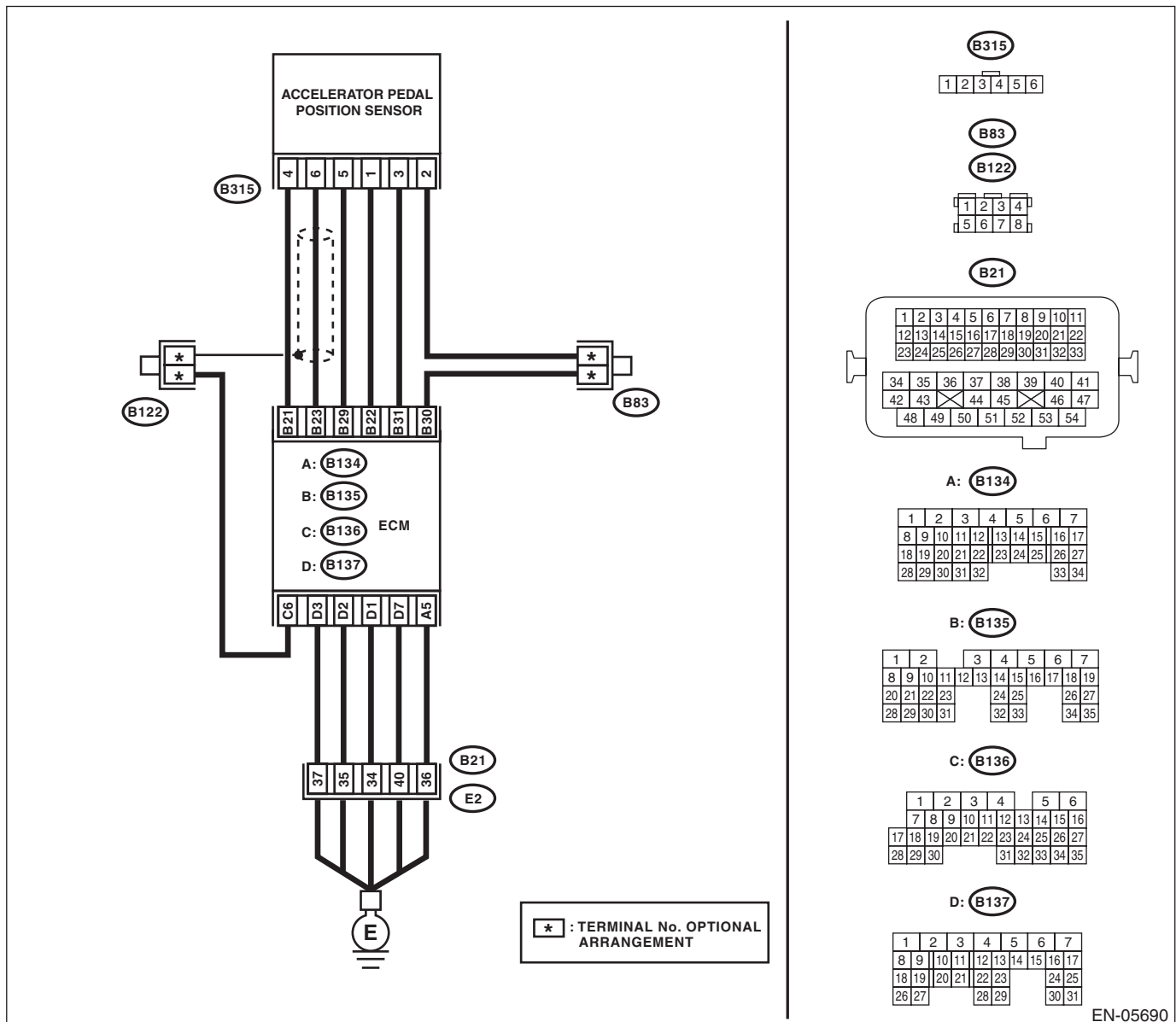
### TROUBLE SYMPTOM:

- Improper idling
- Poor driving performance

### CAUTION:

After servicing or replacing faulty parts, perform Clear Memory Mode <Ref. to EN(H4DOTC)(diag)-54, OPERATION, Clear Memory Mode.>, and Inspection Mode <Ref. to EN(H4DOTC)(diag)-43, PROCEDURE, Inspection Mode.>.

### WIRING DIAGRAM:



EN-05690

# Diagnostic Procedure with Diagnostic Trouble Code (DTC)

ENGINE (DIAGNOSTICS)

Step	Check	Yes	No
<p><b>1</b></p> <p><b>CHECK HARNESS BETWEEN ECM AND ACCELERATOR PEDAL POSITION SENSOR CONNECTOR.</b></p> <p>1) Turn the ignition switch to OFF.                      2) Disconnect the connectors from ECM and accelerator pedal position sensor.                      3) Measure the resistance between ECM and chassis ground.</p> <p><b>Connector &amp; terminal</b>  <b>(B135) No. 22 — Chassis ground:</b>  <b>(B135) No. 31 — Chassis ground:</b></p>	<p>Is the resistance 1 MΩ or more?</p>	<p>Go to step 2.</p>	<p>Repair the short circuit to ground in harness between ECM and accelerator pedal position sensor connector.</p>
<p><b>2</b></p> <p><b>CHECK SHORT CIRCUIT INSIDE THE ECM.</b></p> <p>1) Connect the connector to ECM.                      2) Measure the resistance between accelerator pedal position sensor connector and chassis ground.</p> <p><b>Connector &amp; terminal</b>  <b>(B315) No. 3 — Chassis ground:</b></p>	<p>Is the resistance 1 MΩ or more?</p>	<p>Replace the accelerator pedal. &lt;Ref. to SP(H4SO)-4, Accelerator Pedal.&gt;</p>	<p>Repair the short circuit to ground in harness between ECM and accelerator pedal position sensor connector. Replace the ECM if defective. &lt;Ref. to FU(H4DOTC)-52, Engine Control Module (ECM).&gt;</p>



# Diagnostic Procedure with Diagnostic Trouble Code (DTC)

ENGINE (DIAGNOSTICS)

## DV:DTC P2128 THROTTLE/PEDAL POSITION SENSOR/SWITCH "E" CIRCUIT HIGH INPUT

### DTC DETECTING CONDITION:

- Immediately at fault recognition
- GENERAL DESCRIPTION <Ref. to GD(H4DOTC)-217, DTC P2128 THROTTLE/PEDAL POSITION SENSOR/SWITCH "E" CIRCUIT HIGH INPUT, Diagnostic Trouble Code (DTC) Detecting Criteria.>

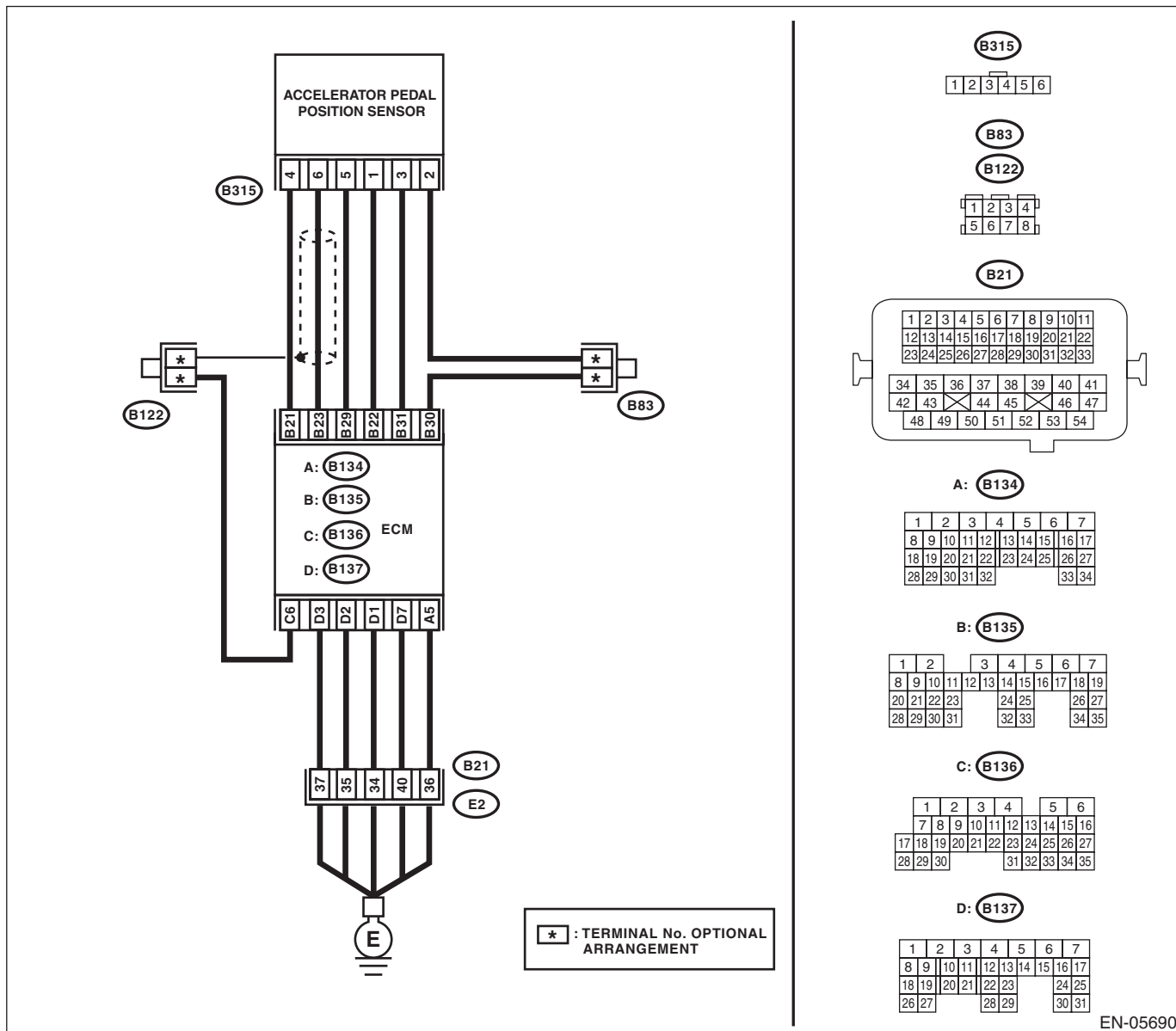
### TROUBLE SYMPTOM:

- Improper idling
- Poor driving performance

### CAUTION:

After servicing or replacing faulty parts, perform Clear Memory Mode <Ref. to EN(H4DOTC)(diag)-54, OPERATION, Clear Memory Mode.>, and Inspection Mode <Ref. to EN(H4DOTC)(diag)-43, PROCEDURE, Inspection Mode.>.

### WIRING DIAGRAM:



EN-05690

# Diagnostic Procedure with Diagnostic Trouble Code (DTC)

ENGINE (DIAGNOSTICS)

Step	Check	Yes	No
<p><b>1</b>    <b>CHECK HARNESS BETWEEN ECM AND ACCELERATOR PEDAL POSITION SENSOR CONNECTOR.</b></p> <p>1) Turn the ignition switch to OFF. 2) Disconnect the connectors from ECM and accelerator pedal position sensor. 3) Measure the resistance of harness between ECM and accelerator pedal position sensor connector.</p> <p><b>Connector &amp; terminal</b> <b>(B135) No. 31 — (B315) No. 3:</b> <b>(B135) No. 30 — (B315) No. 2:</b></p>	<p>Is the resistance less than 1 Ω?</p>	<p>Go to step 2.</p>	<p>Repair the open circuit in harness between ECM and accelerator pedal position sensor connector.</p>
<p><b>2</b>    <b>CHECK HARNESS BETWEEN ECM AND ACCELERATOR PEDAL POSITION SENSOR CONNECTOR.</b></p> <p>1) Connect the connector to ECM. 2) Measure the resistance between accelerator pedal position sensor connector and chassis ground.</p> <p><b>Connector &amp; terminal</b> <b>(B315) No. 2 — Chassis ground:</b></p>	<p>Is the resistance less than 1 Ω?</p>	<p>Go to step 3.</p>	<p>Repair the harness and connector.</p> <p><b>NOTE:</b> In this case, repair the following item:</p> <ul style="list-style-type: none"> <li>• Open circuit of harness between ECM and engine ground</li> <li>• Poor contact of ECM connector</li> <li>• Poor contact of coupling connector</li> </ul>
<p><b>3</b>    <b>CHECK HARNESS BETWEEN ECM AND ACCELERATOR PEDAL POSITION SENSOR CONNECTOR.</b></p> <p>1) Turn the ignition switch to ON. 2) Measure the voltage between accelerator pedal position sensor connector and chassis ground.</p> <p><b>Connector &amp; terminal</b> <b>(B315) No. 3 (+) — Chassis ground (-):</b></p>	<p>Is the voltage 4.85 V or more?</p>	<p>Repair the short circuit to power supply in the harness between the ECM and accelerator pedal position sensor connector.</p>	<p>Go to step 4.</p>
<p><b>4</b>    <b>CHECK HARNESS BETWEEN ECM AND ACCELERATOR PEDAL POSITION SENSOR CONNECTOR.</b></p> <p>1) Turn the ignition switch to OFF. 2) Disconnect the connectors from ECM. 3) Measure the resistance between ECM connectors.</p> <p><b>Connector &amp; terminal</b> <b>(B135) No. 22 — (B135) No. 31:</b></p>	<p>Is the resistance 1 MΩ or more?</p>	<p>Repair the poor contact of accelerator pedal position sensor connector. Replace the accelerator pedal if defective. &lt;Ref. to SP(H4SO)-4, Accelerator Pedal.&gt;</p>	<p>Repair the short circuit to power supply in the harness between the ECM and accelerator pedal position sensor connector.</p>

# Diagnostic Procedure with Diagnostic Trouble Code (DTC)

ENGINE (DIAGNOSTICS)

## DW:DTC P2135 THROTTLE/PEDAL POSITION SENSOR/SWITCH "A"/"B" VOLTAGE CORRELATION

### DTC DETECTING CONDITION:

- Immediately at fault recognition
- GENERAL DESCRIPTION <Ref. to GD(H4DOTC)-219, DTC P2135 THROTTLE/PEDAL POSITION SENSOR/SWITCH "A"/"B" VOLTAGE CORRELATION, Diagnostic Trouble Code (DTC) Detecting Criteria.>

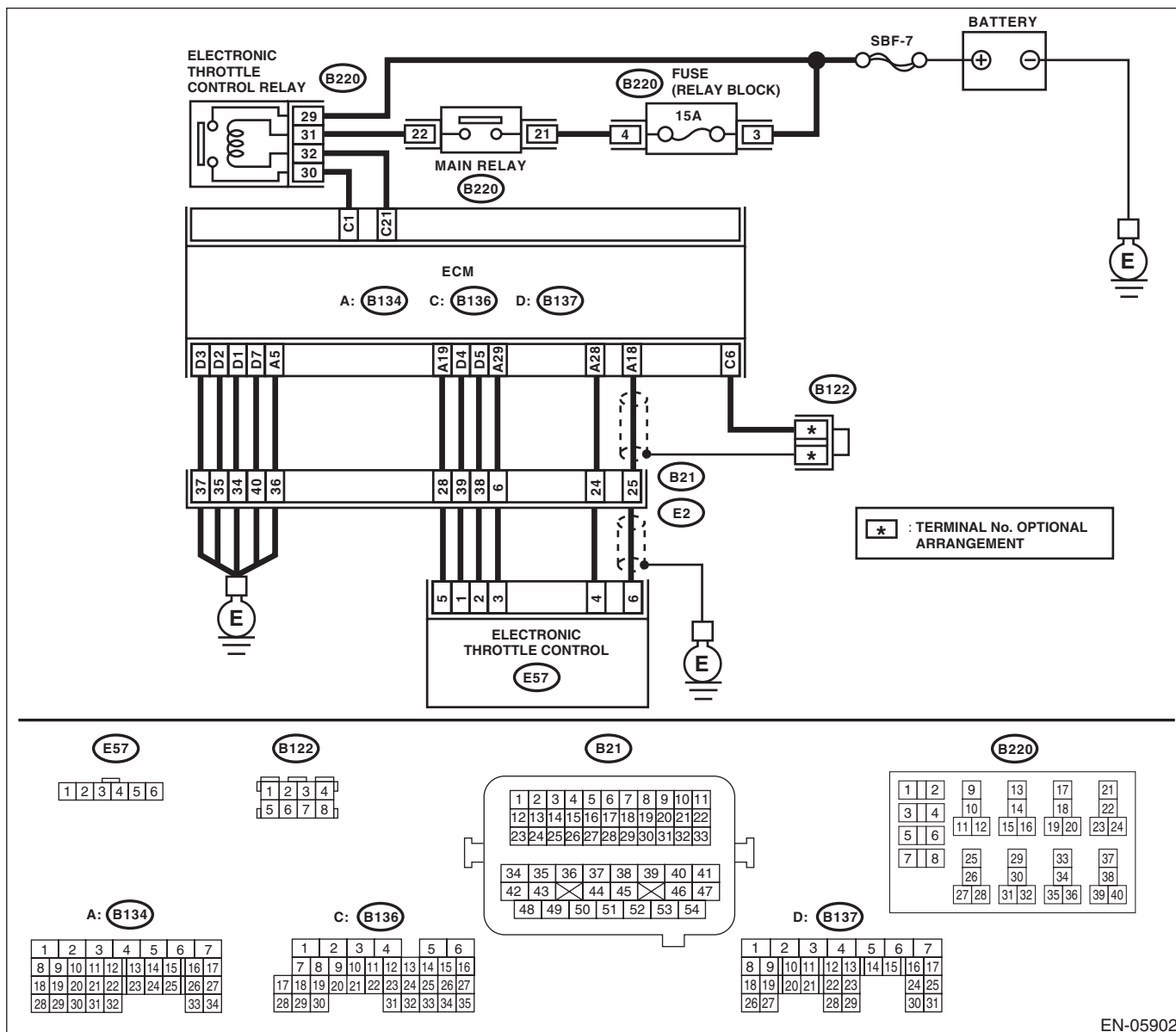
### TROUBLE SYMPTOM:

- Improper idling
- Poor driving performance

### CAUTION:

After servicing or replacing faulty parts, perform Clear Memory Mode <Ref. to EN(H4DOTC)(diag)-54, OPERATION, Clear Memory Mode.>, and Inspection Mode <Ref. to EN(H4DOTC)(diag)-43, PROCEDURE, Inspection Mode.>.

### WIRING DIAGRAM:



EN-05902

# Diagnostic Procedure with Diagnostic Trouble Code (DTC)

ENGINE (DIAGNOSTICS)

Step	Check	Yes	No
<p><b>1</b></p> <p><b>CHECK HARNESS BETWEEN ECM AND ELECTRONIC THROTTLE CONTROL CONNECTOR.</b></p> <p>1) Turn the ignition switch to OFF. 2) Disconnect the connectors from ECM and electronic throttle control. 3) Measure the resistance between ECM and chassis ground.</p> <p><b>Connector &amp; terminal</b> <b>(B134) No. 19 — Chassis ground:</b> <b>(B134) No. 18 — Chassis ground:</b> <b>(B134) No. 18 — (B136) No. 6:</b> <b>(B134) No. 28 — Chassis ground:</b></p>	<p>Is the resistance 1 MΩ or more?</p>	<p>Go to step 2.</p>	<p>Repair the short circuit to ground in harness between ECM and electronic throttle control connector.</p>
<p><b>2</b></p> <p><b>CHECK SHORT CIRCUIT INSIDE THE ECM.</b></p> <p>1) Connect the connector to ECM. 2) Measure the resistance between electronic throttle control connector and engine ground.</p> <p><b>Connector &amp; terminal</b> <b>(E57) No. 6 — Engine ground:</b> <b>(E57) No. 4 — Engine ground:</b></p>	<p>Is the resistance 1 MΩ or more?</p>	<p>Go to step 3.</p>	<p>Repair the short circuit to ground in harness between ECM and electronic throttle control connector. Replace the ECM if defective. &lt;Ref. to FU(H4DOTC)-52, Engine Control Module (ECM).&gt;</p>
<p><b>3</b></p> <p><b>CHECK HARNESS BETWEEN ECM AND ELECTRONIC THROTTLE CONTROL CONNECTOR.</b></p> <p>1) Disconnect the connectors from ECM. 2) Measure the resistance of harness between ECM and electronic throttle control connector.</p> <p><b>Connector &amp; terminal</b> <b>(B134) No. 18 — (E57) No. 6:</b> <b>(B134) No. 28 — (E57) No. 4:</b> <b>(B134) No. 29 — (E57) No. 3:</b></p>	<p>Is the resistance less than 1 Ω?</p>	<p>Go to step 4.</p>	<p>Repair the harness and connector. NOTE: In this case, repair the following item:</p> <ul style="list-style-type: none"> <li>• Open circuit in harness between ECM and electronic throttle control connector</li> <li>• Poor contact of coupling connector</li> </ul>
<p><b>4</b></p> <p><b>CHECK HARNESS BETWEEN ECM AND ELECTRONIC THROTTLE CONTROL CONNECTOR.</b></p> <p>1) Connect the connector to ECM. 2) Measure the resistance between electronic throttle control connector and engine ground.</p> <p><b>Connector &amp; terminal</b> <b>(E57) No. 3 — Engine ground:</b></p>	<p>Is the resistance less than 5 Ω?</p>	<p>Go to step 5.</p>	<p>Repair the harness and connector. NOTE: In this case, repair the following item:</p> <ul style="list-style-type: none"> <li>• Open circuit of harness between ECM and engine ground</li> <li>• Poor contact of ECM connector</li> <li>• Poor contact of coupling connector</li> </ul>
<p><b>5</b></p> <p><b>CHECK HARNESS BETWEEN ECM AND ELECTRONIC THROTTLE CONTROL CONNECTOR.</b></p> <p>1) Turn the ignition switch to ON. 2) Measure the voltage between electronic throttle control connector and engine ground.</p> <p><b>Connector &amp; terminal</b> <b>(E57) No. 6 (+) — Engine ground (-):</b> <b>(E57) No. 4 (+) — Engine ground (-):</b></p>	<p>Is the voltage 4.85 V or more?</p>	<p>Repair the short circuit to power in harness between ECM and electronic throttle control connector.</p>	<p>Go to step 6.</p>

## Diagnostic Procedure with Diagnostic Trouble Code (DTC)

ENGINE (DIAGNOSTICS)

	Step	Check	Yes	No
6	<p><b>CHECK HARNESS BETWEEN ECM AND ELECTRONIC THROTTLE CONTROL CONNECTOR.</b></p> <p>1) Turn the ignition switch to OFF. 2) Disconnect the connectors from ECM. 3) Measure the resistance between ECM connectors.</p> <p><b>Connector &amp; terminal</b> <b>(B134) No. 19 — (B134) No. 18:</b> <b>(B134) No. 19 — (B134) No. 28:</b></p>	Is the resistance 1 M $\Omega$ or more?	Repair the poor contact of electronic throttle control connector. Replace the electronic throttle control if defective. <Ref. to FU(H4DOTC)-14, Throttle Body.>	Repair the short circuit to power in harness between ECM and electronic throttle control connector.



# Diagnostic Procedure with Diagnostic Trouble Code (DTC)

ENGINE (DIAGNOSTICS)

Step	Check	Yes	No
<p><b>1</b></p> <p><b>CHECK ACCELERATOR PEDAL POSITION SENSOR OUTPUT.</b></p> <p>1) Turn the ignition switch to ON. 2) Measure the voltage between ECM and chassis ground.</p> <p><b>Connector &amp; terminal</b> <b>Main accelerator pedal position sensor signal</b> <b>(B135) No. 23 (+) — Chassis ground (-):</b> <b>Sub accelerator pedal position sensor signal</b> <b>(B135) No. 31 (+) — Chassis ground (-):</b></p>	<p>Is the difference in measured values for the main accelerator pedal position sensor signal and the sub accelerator pedal position sensor signal 0 V?</p>	<p>Go to step 3.</p>	<p>Go to step 2.</p>
<p><b>2</b></p> <p><b>CHECK ACCELERATOR PEDAL POSITION SENSOR OUTPUT.</b></p> <p>1) Measure the voltage between accelerator pedal position sensor connector and chassis ground.</p> <p><b>Connector &amp; terminal</b> <b>(B315) No. 6 (+) — Chassis ground (-):</b> <b>(B315) No. 3 (+) — Chassis ground (-):</b></p>	<p>Is the difference in measured values for the main accelerator pedal position sensor signal and the sub accelerator pedal position sensor signal 0 V?</p>	<p>Replace the accelerator pedal. &lt;Ref. to SP(H4SO)-4, Accelerator Pedal.&gt;</p>	<p>Repair the harness and connector.</p> <p><b>NOTE:</b> In this case, repair the following item:</p> <ul style="list-style-type: none"> <li>• Open circuit in harness between ECM and accelerator pedal position sensor connector</li> <li>• Short circuit to ground in harness between ECM and accelerator pedal position sensor connector</li> <li>• Poor contact of coupling connector</li> </ul>
<p><b>3</b></p> <p><b>CHECK HARNESS BETWEEN ECM AND ACCELERATOR PEDAL POSITION SENSOR CONNECTOR.</b></p> <p>Measure the resistance of harness between accelerator pedal position sensor connector and chassis ground.</p> <p><b>Connector &amp; terminal</b> <b>(B315) No. 5 — Chassis ground:</b> <b>(B315) No. 2 — Chassis ground:</b></p>	<p>Is the resistance less than 5 Ω?</p>	<p>Repair the poor contact of ECM connector.</p>	<p>Repair the harness and connector.</p> <p><b>NOTE:</b> In this case, repair the following item:</p> <ul style="list-style-type: none"> <li>• Open circuit in harness between ECM and accelerator pedal position sensor connector</li> <li>• Open circuit of harness between ECM and engine ground</li> <li>• Poor contact of ECM connector</li> <li>• Poor contact of coupling connector</li> </ul>

# Diagnostic Procedure with Diagnostic Trouble Code (DTC)

ENGINE (DIAGNOSTICS)

## DY:DTC P2419 EVAPORATIVE EMISSION SYSTEM SWITCHING VALVE CONTROL CIRCUIT LOW

### DTC DETECTING CONDITION:

- Detected when two consecutive driving cycles with fault occur.
- GENERAL DESCRIPTION <Ref. to GD(H4DOTC)-223, DTC P2419 EVAPORATIVE EMISSION SYSTEM SWITCHING VALVE CONTROL CIRCUIT LOW, Diagnostic Trouble Code (DTC) Detecting Criteria.>

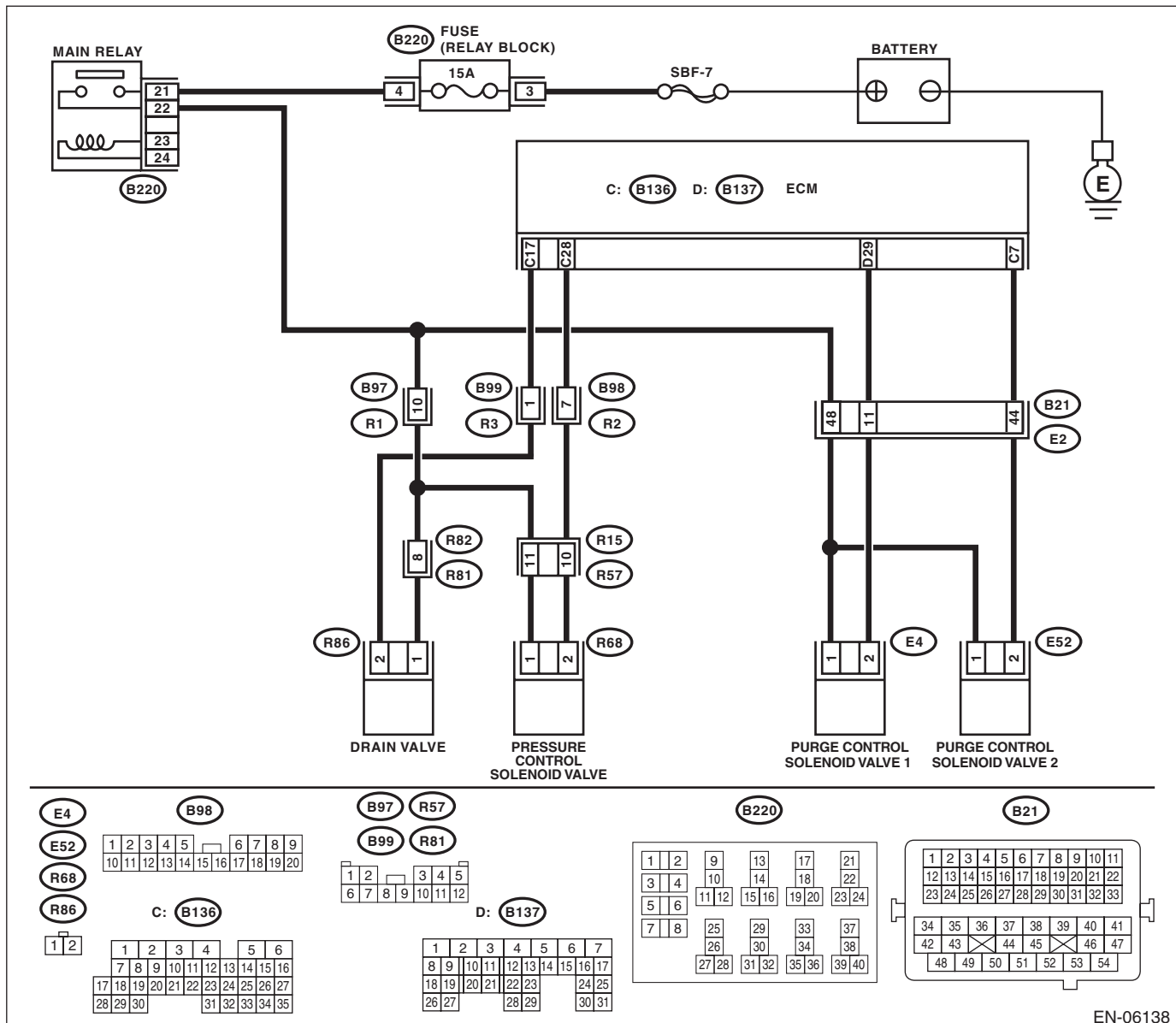
### TROUBLE SYMPTOM:

Improper idling

### CAUTION:

After servicing or replacing faulty parts, perform Clear Memory Mode <Ref. to EN(H4DOTC)(diag)-54, OPERATION, Clear Memory Mode.>, and Inspection Mode <Ref. to EN(H4DOTC)(diag)-43, PROCEDURE, Inspection Mode.>.

### WIRING DIAGRAM:



EN-06138



# Diagnostic Procedure with Diagnostic Trouble Code (DTC)

## ENGINE (DIAGNOSTICS)

	Step	Check	Yes	No
1	<p><b>CHECK OUTPUT SIGNAL OF ECM.</b></p> <p>1) Turn the ignition switch to ON. 2) Measure the voltage between ECM and chassis ground.</p> <p><b>Connector &amp; terminal</b> <b>(B136) No. 7 (+) — Chassis ground (-):</b></p>	Is the voltage 10 V or more?	Repair the poor contact of ECM connector.	Go to step 2.
2	<p><b>CHECK HARNESS BETWEEN ECM AND PURGE CONTROL SOLENOID VALVE 2 CONNECTOR.</b></p> <p>1) Turn the ignition switch to OFF. 2) Disconnect the connectors from ECM and purge control solenoid valve 2. 3) Measure the resistance between the purge control solenoid valve 2 connector and engine ground.</p> <p><b>Connector &amp; terminal</b> <b>(E52) No. 2 — Engine ground:</b></p>	Is the resistance 1 M $\Omega$ or more?	Go to step 3.	Repair the ground short circuit of harness between ECM and purge control solenoid valve 2 connector.
3	<p><b>CHECK HARNESS BETWEEN ECM AND PURGE CONTROL SOLENOID VALVE 2 CONNECTOR.</b></p> <p>Measure the resistance of harness between ECM and purge control solenoid valve 2.</p> <p><b>Connector &amp; terminal</b> <b>(B136) No. 7 — (E52) No. 2:</b></p>	Is the resistance less than 1 $\Omega$ ?	Go to step 4.	<p>Repair the harness and connector.</p> <p>NOTE: In this case, repair the following item:</p> <ul style="list-style-type: none"> <li>• Open circuit of harness between ECM and purge control solenoid valve 2 connector</li> <li>• Poor contact of coupling connector</li> </ul>
4	<p><b>CHECK PURGE CONTROL SOLENOID VALVE 2.</b></p> <p>1) Remove the purge control solenoid valve 2. 2) Measure the resistance between purge control solenoid valve 2 terminals.</p> <p><b>Terminals</b> <b>No. 1 — No. 2:</b></p>	Is the resistance 10 — 100 $\Omega$ ?	Go to step 5.	Replace the purge control solenoid valve 2. <Ref. to EC(H4DOTC)-11, Purge Control Solenoid Valve.>
5	<p><b>CHECK POWER SUPPLY TO PURGE CONTROL SOLENOID VALVE 2.</b></p> <p>1) Turn the ignition switch to ON. 2) Measure the voltage between purge control solenoid valve 2 and engine ground.</p> <p><b>Connector &amp; terminal</b> <b>(E52) No. 1 (+) — Engine ground (-):</b></p>	Is the voltage 10 V or more?	Repair the poor contact of the purge control solenoid valve 2 connector.	<p>Repair the harness and connector.</p> <p>NOTE: In this case, repair the following item:</p> <ul style="list-style-type: none"> <li>• Open circuit of harness between the main relay and purge control solenoid valve 2 connector</li> <li>• Poor contact of coupling connector</li> <li>• Poor contact of main relay connector</li> </ul>

# Diagnostic Procedure with Diagnostic Trouble Code (DTC)

ENGINE (DIAGNOSTICS)

## DZ:DTC P2420 EVAPORATIVE EMISSION SYSTEM SWITCHING VALVE CONTROL CIRCUIT HIGH

### DTC DETECTING CONDITION:

- Detected when two consecutive driving cycles with fault occur.
- GENERAL DESCRIPTION <Ref. to GD(H4DOTC)-224, DTC P2420 EVAPORATIVE EMISSION SYSTEM SWITCHING VALVE CONTROL CIRCUIT HIGH, Diagnostic Trouble Code (DTC) Detecting Criteria.>

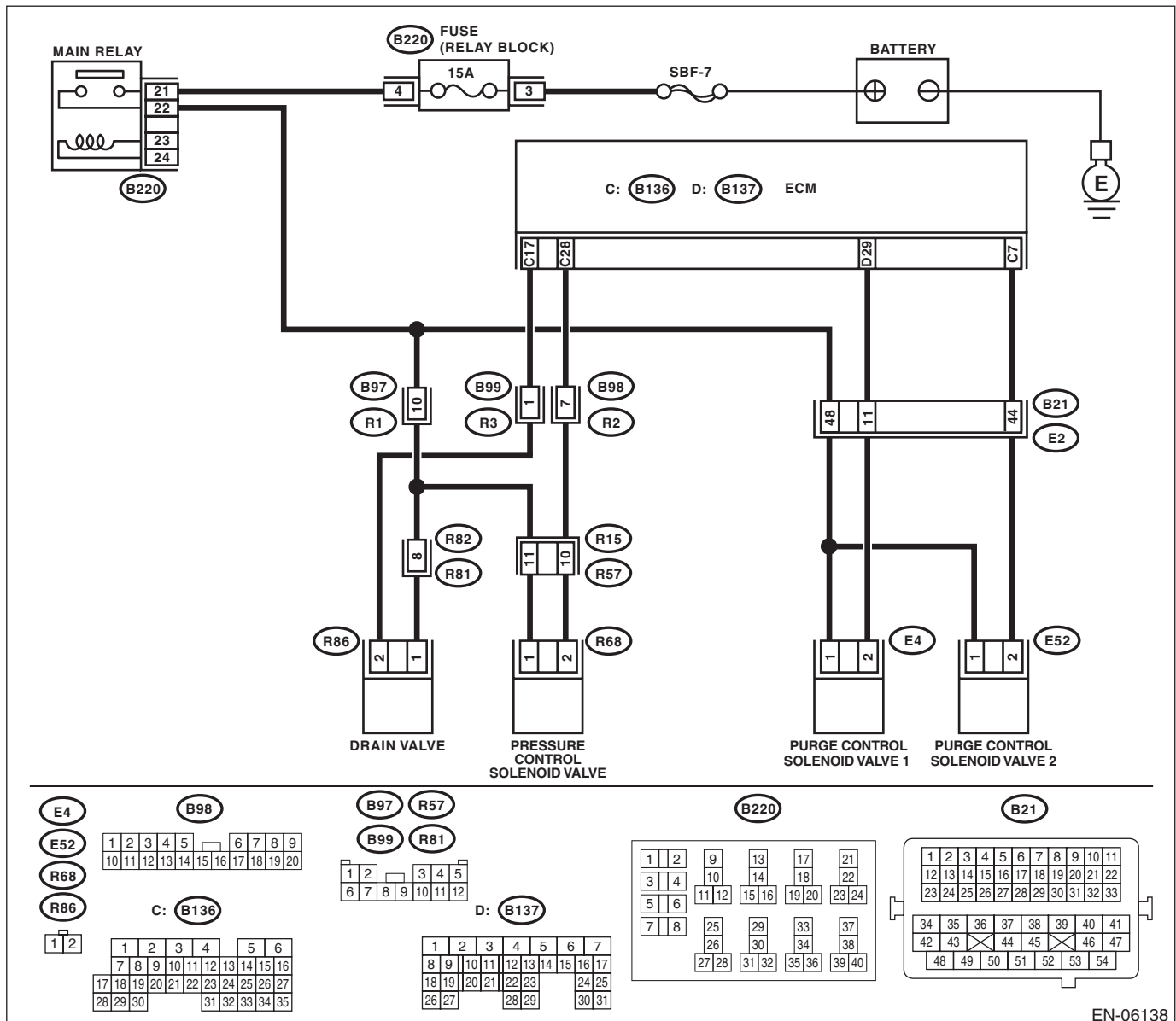
### TROUBLE SYMPTOM:

Improper idling

### CAUTION:

After servicing or replacing faulty parts, perform Clear Memory Mode <Ref. to EN(H4DOTC)(diag)-54, OPERATION, Clear Memory Mode.>, and Inspection Mode <Ref. to EN(H4DOTC)(diag)-43, PROCEDURE, Inspection Mode.>.

### WIRING DIAGRAM:



EN-06138

# Diagnostic Procedure with Diagnostic Trouble Code (DTC)

ENGINE (DIAGNOSTICS)

	Step	Check	Yes	No
1	<p><b>CHECK HARNESS BETWEEN ECM AND PURGE CONTROL SOLENOID VALVE 2 CONNECTOR.</b></p> <p>1) Turn the ignition switch to OFF.                      2) Disconnect the connectors from ECM and purge control solenoid valve 2.                      3) Turn the ignition switch to ON.                      4) Measure the voltage between ECM and chassis ground.</p> <p><b>Connector &amp; terminal</b>  <b>(B136) No. 7 (+) — Chassis ground (-):</b></p>	Is the voltage 10 V or more?	Repair the short to power in the harness between ECM and purge control solenoid valve 2 connector.	Go to step 2.
2	<p><b>CHECK PURGE CONTROL SOLENOID VALVE 2.</b></p> <p>1) Turn the ignition switch to OFF.                      2) Measure the resistance between purge control solenoid valve 2 terminals.</p> <p><b>Terminals</b>  <b>No. 1 — No. 2:</b></p>	Is the resistance less than 1 $\Omega$ ?	Replace the purge control solenoid valve 2. <Ref. to EC(H4DOTC)-11, Purge Control Solenoid Valve.>	Repair the poor contact of ECM connector.

## **EA:DTC P2431 SECONDARY AIR INJECTION SYSTEM AIR FLOW /PRESSURE SENSOR CIRCUIT RANGE/PERFORMANCE**

### **DTC DETECTING CONDITION:**

- Detected when two consecutive driving cycles with fault occur.
- GENERAL DESCRIPTION <Ref. to GD(H4DOTC)-225, DTC P2431 SECONDARY AIR INJECTION SYSTEM AIR FLOW /PRESSURE SENSOR CIRCUIT RANGE/PERFORMANCE, Diagnostic Trouble Code (DTC) Detecting Criteria.>

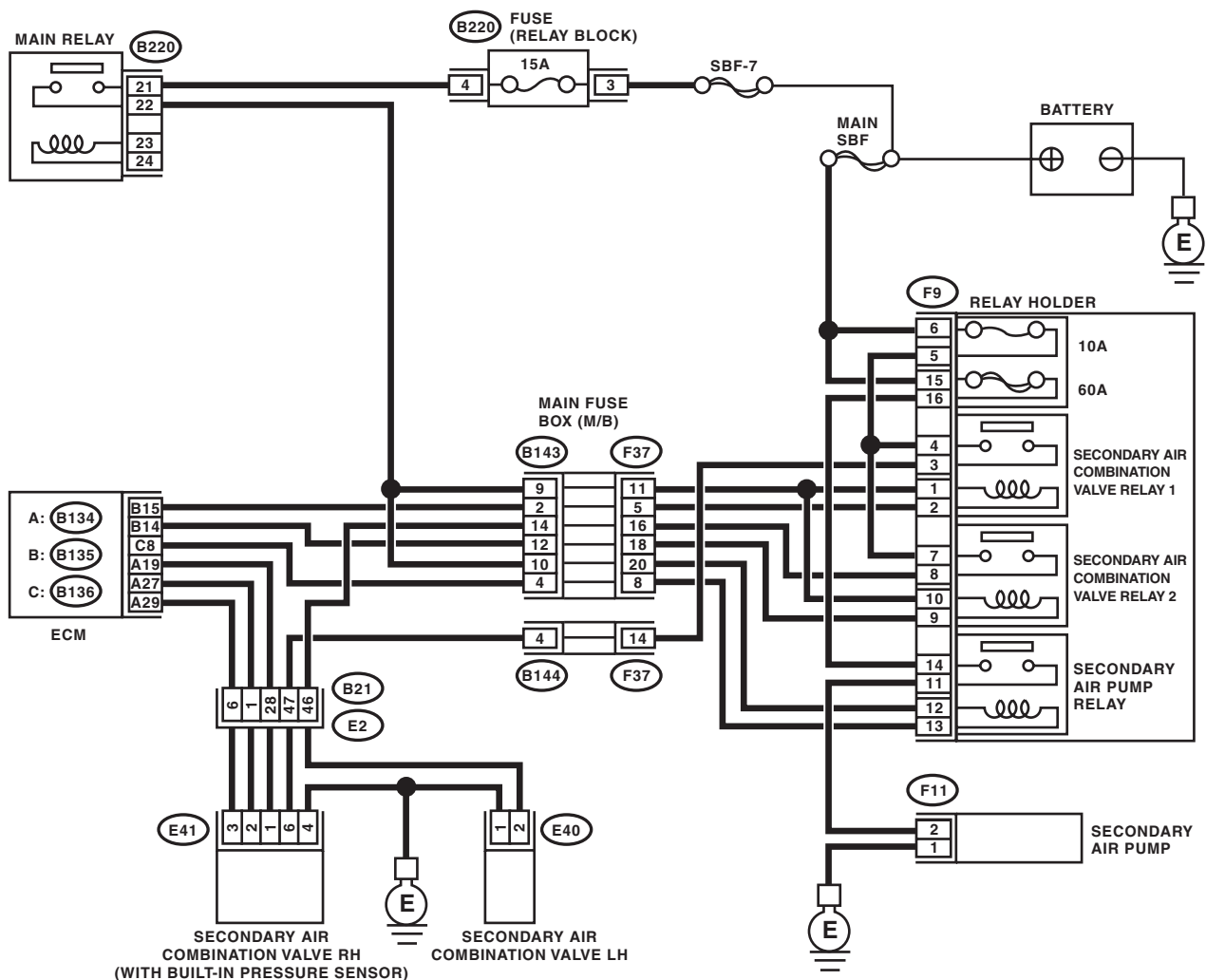
### **CAUTION:**

**After servicing or replacing faulty parts, perform Clear Memory Mode <Ref. to EN(H4DOTC)(diag)-54, OPERATION, Clear Memory Mode.>, and Inspection Mode <Ref. to EN(H4DOTC)(diag)-43, PROCEDURE, Inspection Mode.>.**

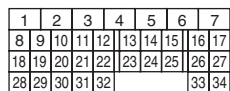
# Diagnostic Procedure with Diagnostic Trouble Code (DTC)

ENGINE (DIAGNOSTICS)

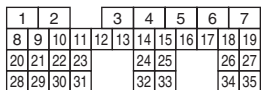
## WIRING DIAGRAM:



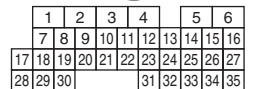
A: B134



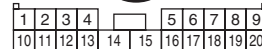
B: B135



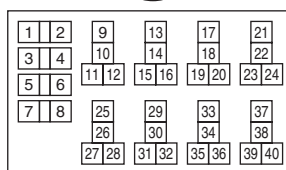
C: B136



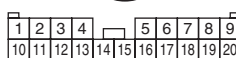
F37



B220



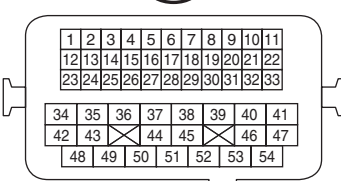
B143



E40



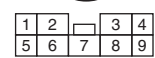
B21



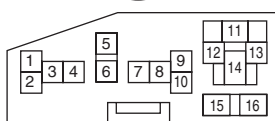
E41



B144



F9



EN-06137

# Diagnostic Procedure with Diagnostic Trouble Code (DTC)

ENGINE (DIAGNOSTICS)

	Step	Check	Yes	No
1	<b>CHECK FOR ANY OTHER DTC ON DISPLAY.</b>	Is any other DTC displayed?	Check the appropriate DTC using the "List of Diagnostic Trouble Code (DTC)". <Ref. to EN(H4DOTC)(diag)-83, List of Diagnostic Trouble Code (DTC).>	Go to step 2.
2	<b>CHECK CURRENT DATA.</b> 1) Turn the ignition switch to ON (engine OFF). 2) Using the Subaru Select Monitor, read secondary air piping pressure, intake pipe absolute pressure and atmospheric pressure, and compare with the actual atmospheric pressure. <b>NOTE:</b> For detailed operation procedures, refer to "READ CURRENT DATA FOR ENGINE". <Ref. to EN(H4DOTC)(diag)-34, Subaru Select Monitor.>	Is the actual difference with atmospheric pressure 200 mmHg (27 kPa, 8 inHg, 3.9 psig) or more?	Replace the secondary air combination valve RH. <Ref. to EC(H4DOTC)-25, Secondary Air Combination Valve.>	Even if DTC is detected, the circuit has returned to a normal condition at this time. Reproduce the failure, and then perform the diagnosis again. <b>NOTE:</b> In this case, temporary poor contact of connector may be the cause.

## Diagnostic Procedure with Diagnostic Trouble Code (DTC)

ENGINE (DIAGNOSTICS)

---

### **EB:DTC P2432 SECONDARY AIR INJECTION SYSTEM AIR FLOW /PRESSURE SENSOR CIRCUIT LOW**

#### **DTC DETECTING CONDITION:**

- Immediately at fault recognition
- GENERAL DESCRIPTION <Ref. to GD(H4DOTC)-226, DTC P2432 SECONDARY AIR INJECTION SYSTEM AIR FLOW /PRESSURE SENSOR CIRCUIT LOW, Diagnostic Trouble Code (DTC) Detecting Criteria.>

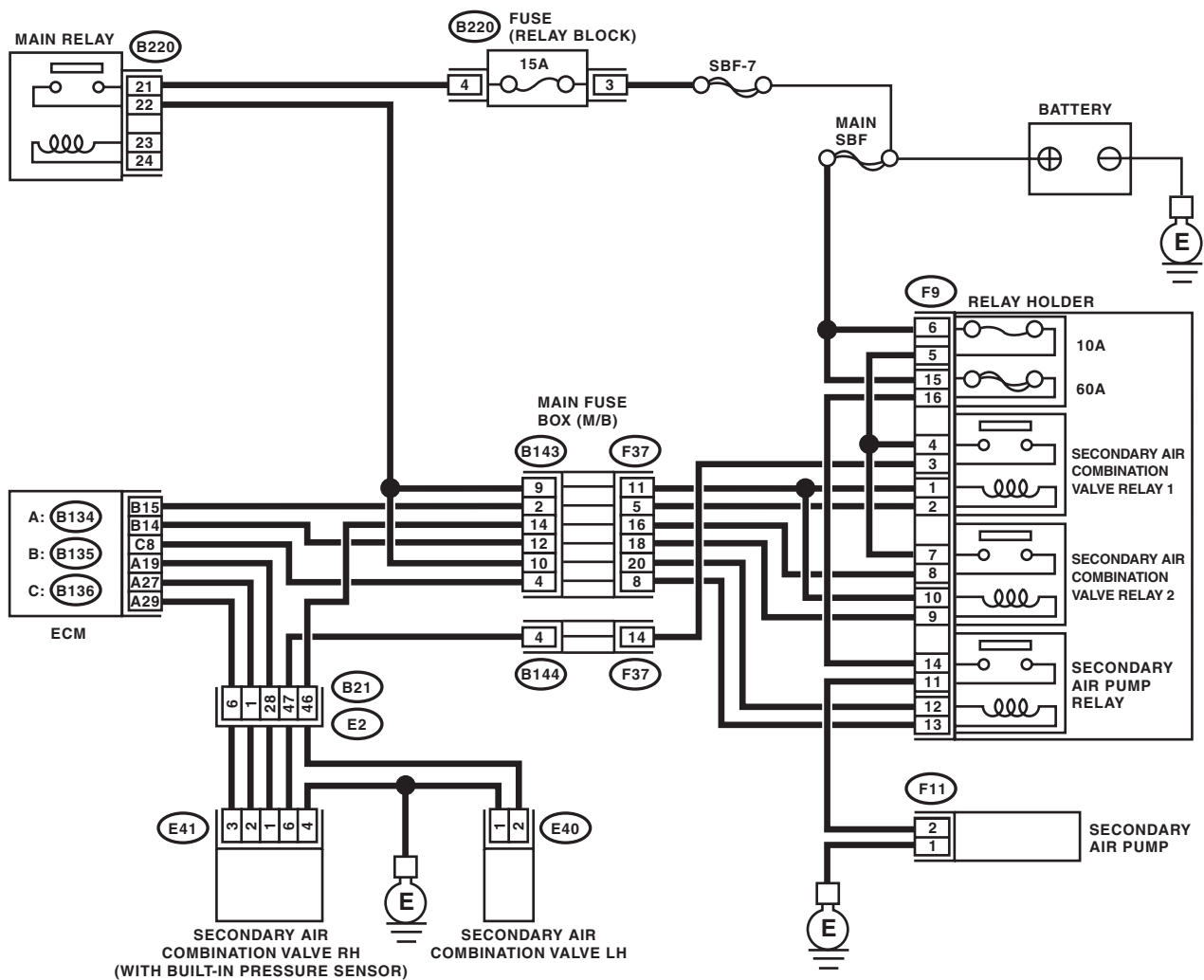
#### **CAUTION:**

**After servicing or replacing faulty parts, perform Clear Memory Mode <Ref. to EN(H4DOTC)(diag)-54, OPERATION, Clear Memory Mode.>, and Inspection Mode <Ref. to EN(H4DOTC)(diag)-43, PROCEDURE, Inspection Mode.>.**

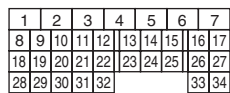
# Diagnostic Procedure with Diagnostic Trouble Code (DTC)

ENGINE (DIAGNOSTICS)

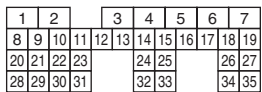
## WIRING DIAGRAM:



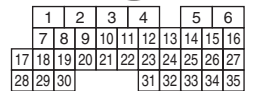
A: (B134)



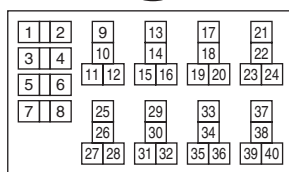
B: (B135)



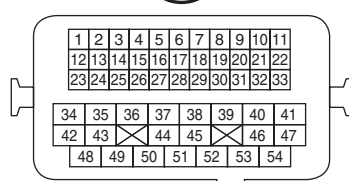
C: (B136)



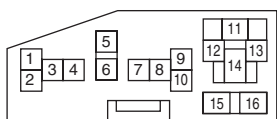
(B220)



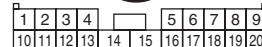
(B21)



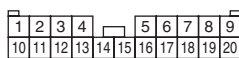
(F9)



(F37)



(B143)



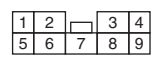
(E40)



(E41)



(B144)



(F11)



EN-06137



# Diagnostic Procedure with Diagnostic Trouble Code (DTC)

## ENGINE (DIAGNOSTICS)

Step	Check	Yes	No
<p><b>1</b></p> <p><b>CHECK CURRENT DATA.</b></p> <p>1) Turn the ignition switch to ON.</p> <p>2) Read the data of secondary air piping pressure signal using Subaru Select Monitor or general scan tool.</p> <p>NOTE:</p> <ul style="list-style-type: none"> <li>Subaru Select Monitor</li> </ul> <p>For detailed operation procedures, refer to "READ CURRENT DATA FOR ENGINE". &lt;Ref. to EN(H4DOTC)(diag)-34, Subaru Select Monitor.&gt;</p> <ul style="list-style-type: none"> <li>General scan tool</li> </ul> <p>For detailed operation procedures, refer to the general scan tool operation manual.</p>	<p>Is the measured value less than 53.3 kPa (400 mmHg, 15.8 inHg)?</p>	<p>Go to step 2.</p>	<p>Even if DTC is detected, the circuit has returned to a normal condition at this time. Reproduce the failure, and then perform the diagnosis again.</p> <p>NOTE:</p> <p>In this case, temporary poor contact of connector may be the cause.</p>
<p><b>2</b></p> <p><b>CHECK POWER SUPPLY OF SECONDARY AIR COMBINATION VALVE RH.</b></p> <p>1) Turn the ignition switch to OFF.</p> <p>2) Disconnect the connector from the secondary air combination valve RH.</p> <p>3) Turn the ignition switch to ON.</p> <p>4) Measure the voltage between the secondary air combination valve RH connector and chassis ground.</p> <p><b>Connector &amp; terminal</b> <b>(E41) No. 1 (+) — Chassis ground (-):</b></p>	<p>Is the voltage 4.5 V or more?</p>	<p>Go to step 3.</p>	<p>Repair the harness and connector.</p> <p>NOTE:</p> <p>In this case, repair the following item:</p> <ul style="list-style-type: none"> <li>Open circuit in harness between ECM and secondary air combination valve RH connector</li> <li>Poor contact of ECM connector</li> <li>Poor contact of coupling connector</li> </ul>
<p><b>3</b></p> <p><b>CHECK HARNESS BETWEEN ECM AND SECONDARY AIR COMBINATION VALVE RH CONNECTOR.</b></p> <p>1) Turn the ignition switch to OFF.</p> <p>2) Disconnect the connectors from ECM.</p> <p>3) Measure the resistance of the harness between the ECM and secondary air combination valve RH connector.</p> <p><b>Connector &amp; terminal</b> <b>(B134) No. 27 — (E41) No. 2:</b></p>	<p>Is the resistance less than 1 <math>\Omega</math>?</p>	<p>Go to step 4.</p>	<p>Repair the harness and connector.</p> <p>NOTE:</p> <p>In this case, repair the following item:</p> <ul style="list-style-type: none"> <li>Open circuit in harness between ECM and secondary air combination valve RH connector</li> <li>Poor contact of coupling connector</li> </ul>
<p><b>4</b></p> <p><b>CHECK HARNESS BETWEEN ECM AND SECONDARY AIR COMBINATION VALVE RH CONNECTOR.</b></p> <p>Measure the resistance between ECM and chassis ground.</p> <p><b>Connector &amp; terminal</b> <b>(B134) No. 27 — Chassis ground:</b></p>	<p>Is the resistance 1 M<math>\Omega</math> or more?</p>	<p>Go to step 5.</p>	<p>Repair the ground short circuit of harness between ECM and secondary air combination valve RH connector.</p>
<p><b>5</b></p> <p><b>CHECK POOR CONTACT.</b></p> <p>Check for poor contact of ECM and secondary air combination valve RH connector.</p>	<p>Is there poor contact of ECM or secondary air combination valve RH connector?</p>	<p>Repair the poor contact of ECM or secondary air combination valve RH connector.</p>	<p>Replace the secondary air combination valve RH.</p> <p>&lt;Ref. to EC(H4DOTC)-25, Secondary Air Combination Valve.&gt;</p>

## **EC:DTC P2433 SECONDARY AIR INJECTION SYSTEM AIR FLOW /PRESSURE SENSOR CIRCUIT HIGH**

### **DTC DETECTING CONDITION:**

- Immediately at fault recognition
- GENERAL DESCRIPTION <Ref. to GD(H4DOTC)-227, DTC P2433 SECONDARY AIR INJECTION SYSTEM AIR FLOW /PRESSURE SENSOR CIRCUIT HIGH, Diagnostic Trouble Code (DTC) Detecting Criteria.>

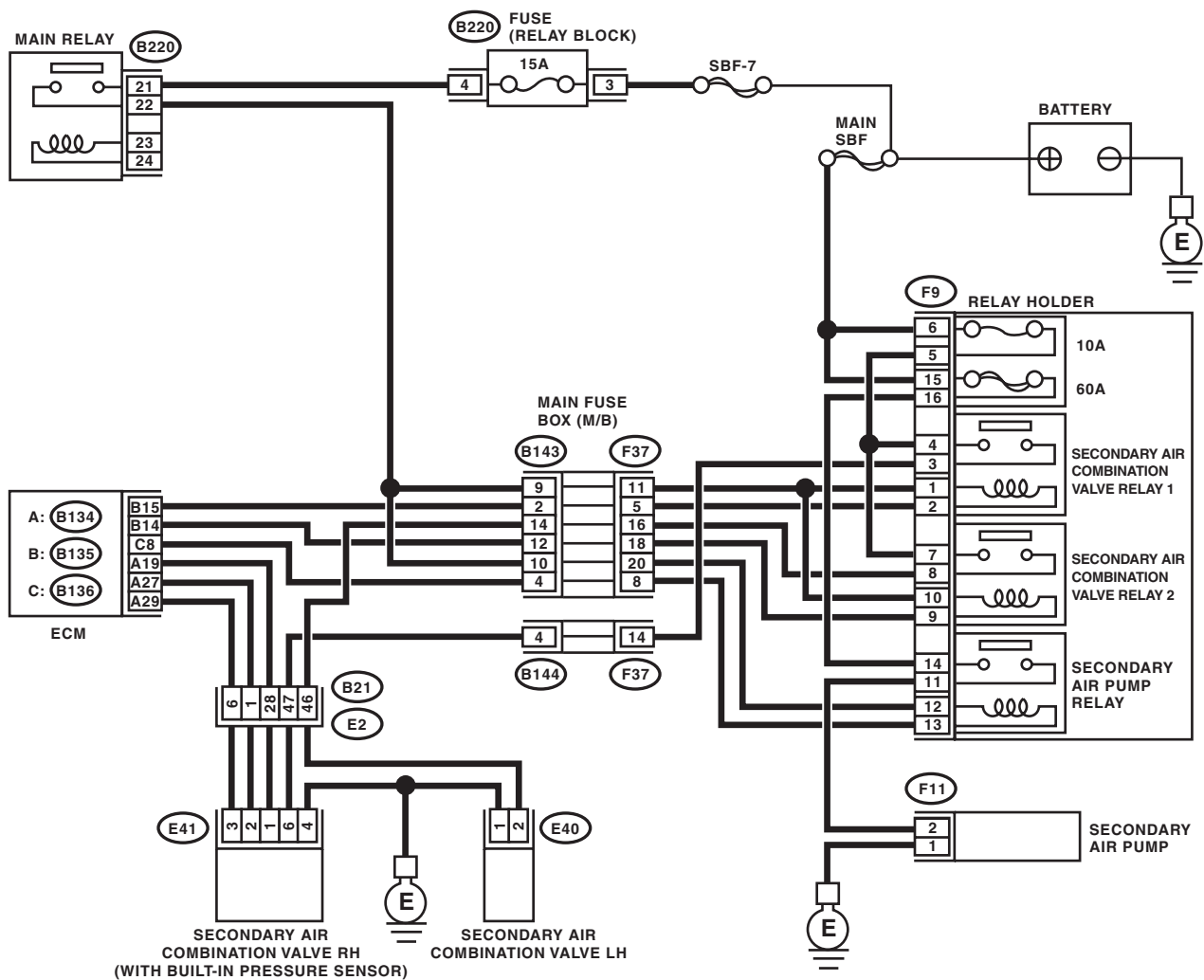
### **CAUTION:**

**After servicing or replacing faulty parts, perform Clear Memory Mode <Ref. to EN(H4DOTC)(diag)-54, OPERATION, Clear Memory Mode.>, and Inspection Mode <Ref. to EN(H4DOTC)(diag)-43, PROCEDURE, Inspection Mode.>.**

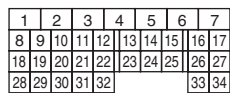
# Diagnostic Procedure with Diagnostic Trouble Code (DTC)

ENGINE (DIAGNOSTICS)

## WIRING DIAGRAM:



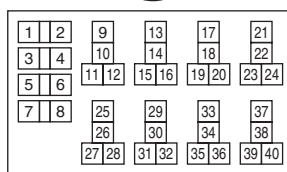
A: B134



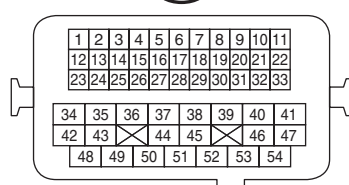
B: B135



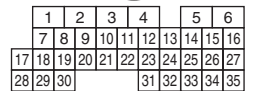
B220



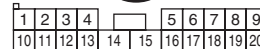
B21



C: B136



F37



B143



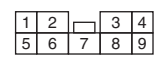
E40



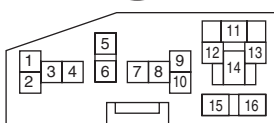
E41



B144



F9



EN-06137

# Diagnostic Procedure with Diagnostic Trouble Code (DTC)

ENGINE (DIAGNOSTICS)

	Step	Check	Yes	No
1	<p><b>CHECK CURRENT DATA.</b></p> <p>1) Turn the ignition switch to ON.</p> <p>2) Read the data of secondary air piping pressure signal using Subaru Select Monitor or general scan tool.</p> <p>NOTE:</p> <ul style="list-style-type: none"> <li>Subaru Select Monitor</li> </ul> <p>For detailed operation procedures, refer to "READ CURRENT DATA FOR ENGINE". &lt;Ref. to EN(H4DOTC)(diag)-34, Subaru Select Monitor.&gt;</p> <ul style="list-style-type: none"> <li>General scan tool</li> </ul> <p>For detailed operation procedures, refer to the general scan tool operation manual.</p>	<p>Is the measured value 133.3 kPa (1000 mmHg, 39.4 inHg) or more?</p>	<p>Go to step 2.</p>	<p>Even if DTC is detected, the circuit has returned to a normal condition at this time. Reproduce the failure, and then perform the diagnosis again.</p> <p>NOTE:</p> <p>In this case, temporary poor contact of connector may be the cause.</p>
2	<p><b>CHECK HARNESS BETWEEN ECM AND SECONDARY AIR COMBINATION VALVE RH CONNECTOR.</b></p> <p>1) Turn the ignition switch to OFF.</p> <p>2) Disconnect the connector from the secondary air combination valve RH.</p> <p>3) Turn the ignition switch to ON.</p> <p>4) Read the data of secondary air piping pressure signal using Subaru Select Monitor or general scan tool.</p> <p>NOTE:</p> <ul style="list-style-type: none"> <li>Subaru Select Monitor</li> </ul> <p>For detailed operation procedures, refer to "READ CURRENT DATA FOR ENGINE". &lt;Ref. to EN(H4DOTC)(diag)-34, Subaru Select Monitor.&gt;</p> <ul style="list-style-type: none"> <li>General scan tool</li> </ul> <p>For detailed operation procedures, refer to the general scan tool operation manual.</p>	<p>Is the measured value 133.3 kPa (1000 mmHg, 39.4 inHg) or more?</p>	<p>Repair the short circuit to power in the harness between ECM and secondary air combination valve RH connectors.</p>	<p>Go to step 3.</p>
3	<p><b>CHECK HARNESS BETWEEN ECM AND SECONDARY AIR COMBINATION VALVE RH CONNECTOR.</b></p> <p>1) Turn the ignition switch to OFF.</p> <p>2) Measure the resistance of the harness between the secondary air combination valve RH connector and engine ground.</p> <p><b>Connector &amp; terminal</b> <b>(E41) No. 3 — Engine ground:</b></p>	<p>Is the resistance less than 5 Ω?</p>	<p>Go to step 4.</p>	<p>Repair the harness and connector.</p> <p>NOTE:</p> <p>In this case, repair the following item:</p> <ul style="list-style-type: none"> <li>Open circuit in harness between ECM and secondary air combination valve RH connector</li> <li>Poor contact of ECM connector</li> <li>Poor contact of coupling connector</li> </ul>
4	<p><b>CHECK POOR CONTACT.</b></p> <p>Check for poor contact of secondary air combination valve RH connector.</p>	<p>Is there poor contact of secondary air combination valve RH connector?</p>	<p>Repair the poor contact of secondary air combination valve RH connector.</p>	<p>Replace the secondary air combination valve RH.</p> <p>&lt;Ref. to EC(H4DOTC)-25, Secondary Air Combination Valve.&gt;</p>

## Diagnostic Procedure with Diagnostic Trouble Code (DTC)

ENGINE (DIAGNOSTICS)

---

### **ED:DTC P2440 SECONDARY AIR INJECTION SYSTEM SWITCHING VALVE STUCK OPEN (BANK1)**

#### **DTC DETECTING CONDITION:**

- Detected when two consecutive driving cycles with fault occur.
- GENERAL DESCRIPTION <Ref. to GD(H4DOTC)-228, DTC P2440 SECONDARY AIR INJECTION SYSTEM SWITCHING VALVE STUCK OPEN (BANK1), Diagnostic Trouble Code (DTC) Detecting Criteria.>

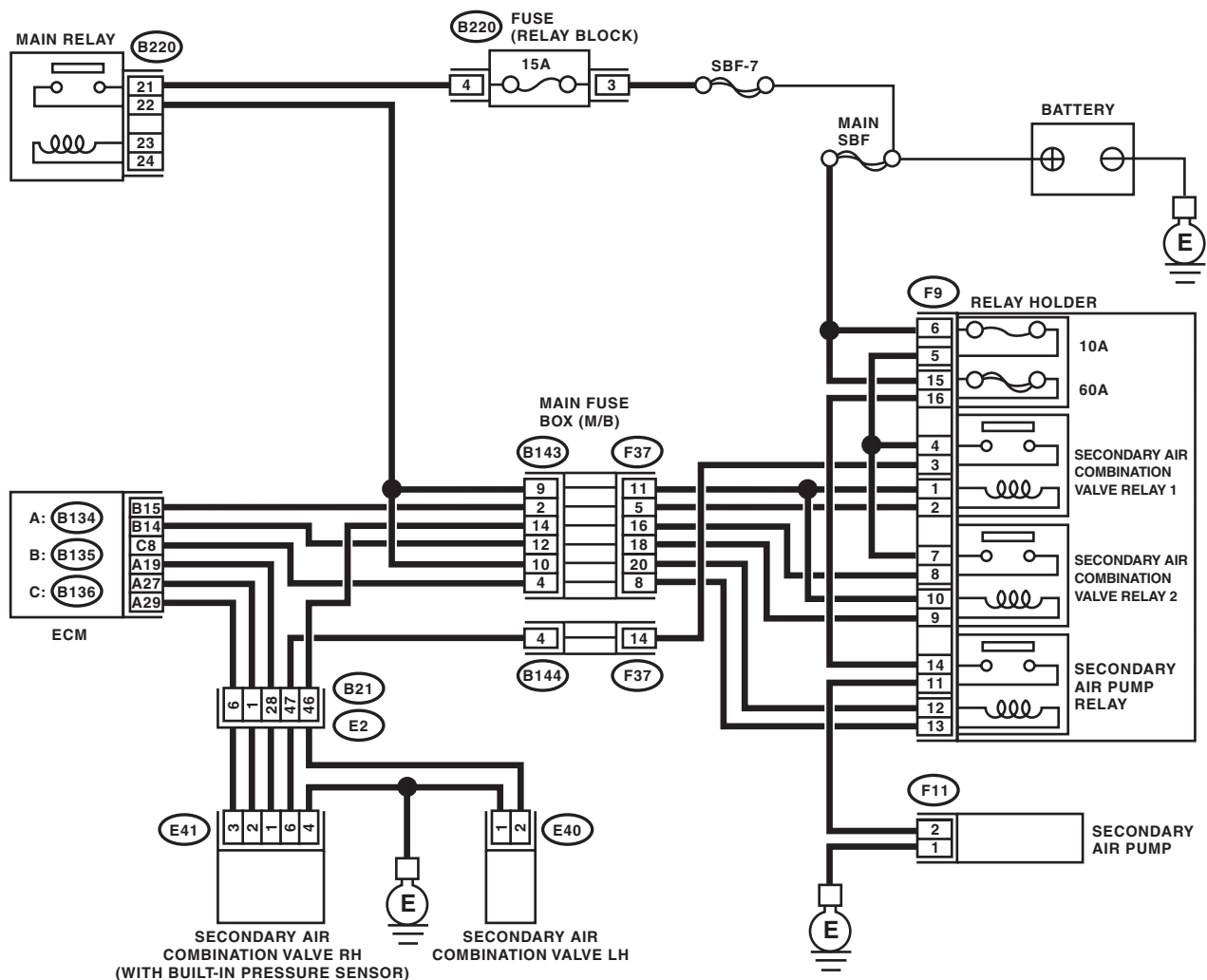
#### **CAUTION:**

**After servicing or replacing faulty parts, perform Clear Memory Mode <Ref. to EN(H4DOTC)(diag)-54, OPERATION, Clear Memory Mode.>, and Inspection Mode <Ref. to EN(H4DOTC)(diag)-43, PROCEDURE, Inspection Mode.>.**

# Diagnostic Procedure with Diagnostic Trouble Code (DTC)

ENGINE (DIAGNOSTICS)

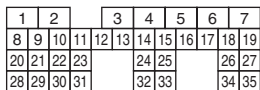
## WIRING DIAGRAM:



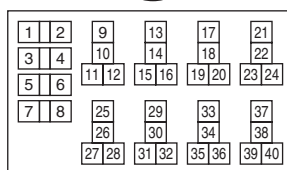
A: B134



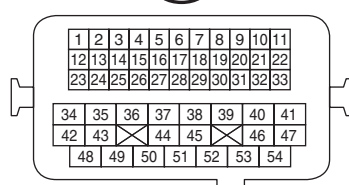
B: B135



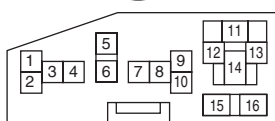
B220



B21



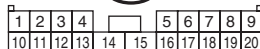
F9



C: B136



F37



B143



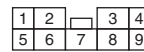
E40



E41



B144



EN-06137

# Diagnostic Procedure with Diagnostic Trouble Code (DTC)

## ENGINE (DIAGNOSTICS)

	Step	Check	Yes	No
1	<p><b>CHECK SECONDARY AIR COMBINATION VALVE FUSE.</b> Check if the secondary air combination valve fuse (10 A) is blown out.</p>	Is the fuse blown out?	Go to step 2.	Go to step 3.
2	<p><b>CHECK HARNESS BETWEEN FUSE BOX AND SECONDARY AIR COMBINATION VALVE RH CONNECTOR.</b> 1) Remove the secondary air combination valve fuse (10 A) from the fuse box. 2) Disconnect the connector from the secondary air combination valve RH. 3) Measure the resistance between the secondary air combination valve fuse and secondary air combination valve RH connector, and chassis ground. <b>Connector &amp; terminal</b> <b>(F9) No. 5 — Chassis ground:</b> <b>(E41) No. 6 — Chassis ground:</b></p>	Is the resistance 1 MΩ or more?	Replace the fuse with a new part, and connect the secondary air combination valve RH connector. Go to step 3.	Repair the short circuit to ground in harness between the fuse box and the secondary air combination valve RH connector.
3	<p><b>CHECK SECONDARY AIR COMBINATION VALVE RH OPERATION.</b> 1) Connect the delivery (test) mode connector. 2) Turn the ignition switch to ON. 3) Perform operation check for the secondary air combination valve RH using the Subaru Select Monitor. <b>NOTE:</b> Refer to “Compulsory Valve Operation Check Mode” for more operation procedures. &lt;Ref. to EN(H4DOTC)(diag)-55, Compulsory Valve Operation Check Mode.&gt;</p>	Does the secondary air combination valve RH repeatedly switch to ON and OFF?	Go to step 4.	Go to step 6.
4	<p><b>CHECK DUCT BETWEEN SECONDARY AIR PUMP AND SECONDARY AIR COMBINATION VALVE RH.</b> Check the duct between the secondary air pump and secondary air combination valve RH.</p>	Is there damage, clog or disconnection of the duct?	Replace, clean or connect the duct.	Go to step 5.
5	<p><b>CHECK PIPE BETWEEN SECONDARY AIR COMBINATION VALVE RH AND CYLINDER HEAD.</b> Check the pipe between the secondary air combination valve RH and cylinder head.</p>	Is there damage, clog or disconnection of the pipe?	Replace, clean or connect the pipe.	Even if DTC is detected, the circuit has returned to a normal condition at this time. Reproduce the failure, and then perform the diagnosis again. <b>NOTE:</b> In this case, temporary poor contact of connector may be the cause.
6	<p><b>CHECK POWER SUPPLY TO SECONDARY AIR COMBINATION VALVE RH.</b> 1) Disconnect the connector from the secondary air combination valve RH. 2) In the condition of step 3, measure the voltage between secondary air combination valve RH connector and chassis ground. <b>Connector &amp; terminal</b> <b>(E41) No. 6 (+) — Chassis ground (-):</b></p>	Does the voltage repeatedly change between 10 V and 0 V?	Replace the secondary air combination valve RH. <Ref. to EC(H4DOTC)-25, Secondary Air Combination Valve.>	Go to step 7.

# Diagnostic Procedure with Diagnostic Trouble Code (DTC)

ENGINE (DIAGNOSTICS)

Step	Check	Yes	No
<p><b>7 CHECK HARNESS BETWEEN SECONDARY AIR COMBINATION VALVE RH AND CHASSIS GROUND.</b> Measure the resistance between the secondary air combination valve RH connector and chassis ground. <b>Connector &amp; terminal</b> <b>(E41) No. 4 — Chassis ground:</b></p>	Is the resistance less than 5 $\Omega$ ?	Go to step 8.	Repair the open circuit in harness between secondary air combination valve RH connector and chassis ground.
<p><b>8 CHECK HARNESS BETWEEN SECONDARY AIR COMBINATION VALVE RELAY 1 AND SECONDARY AIR COMBINATION VALVE RH CONNECTOR.</b> 1) Turn the ignition switch to OFF. 2) Remove the secondary air combination valve relay 1 from the relay box. 3) Measure the resistance of the harness between secondary air combination valve relay 1 connector and secondary air combination valve RH connector. <b>Connector &amp; terminal</b> <b>(F9) No. 3 — (E41) No. 6:</b></p>	Is the resistance less than 1 $\Omega$ ?	Go to step 9.	Repair the open circuit in harness between secondary air combination valve relay 1 and secondary air combination valve RH connector.
<p><b>9 CHECK SECONDARY AIR COMBINATION VALVE RELAY 1.</b> 1) Connect the battery to terminals No. 1 and No. 2 of the secondary air combination valve relay 1. 2) Measure the resistance between the secondary air combination valve relay 1 terminals. <b>Terminals</b> <b>No. 3 — No. 4:</b></p>	Is the resistance less than 1 $\Omega$ ?	Go to step 10.	Replace the secondary air combination valve relay 1. <Ref. to EN(H4DOTC)(diag)-8, Electrical Component Location.>
<p><b>10 CHECK SECONDARY AIR COMBINATION VALVE RELAY 1.</b> Measure the resistance between the secondary air combination valve relay 1 terminals with the battery disconnected. <b>Terminals</b> <b>No. 3 — No. 4:</b></p>	Is the resistance 1 M $\Omega$ or more?	Go to step 11.	Replace the secondary air combination valve relay 1. <Ref. to EN(H4DOTC)(diag)-8, Electrical Component Location.>
<p><b>11 CHECK SECONDARY AIR COMBINATION VALVE RELAY 1 POWER SUPPLY.</b> 1) Turn the ignition switch to ON. 2) Measure the voltage between the secondary air combination valve relay 1 connector and chassis ground. <b>Connector &amp; terminal</b> <b>(F9) No. 4 (+) — Chassis ground (-):</b> <b>(F9) No. 1 (+) — Chassis ground (-):</b></p>	Is the voltage 10 V or more?	Go to step 12.	Repair the open or ground short circuit of power supply circuit.
<p><b>12 CHECK HARNESS BETWEEN ECM AND SECONDARY AIR COMBINATION VALVE RELAY 1 CONNECTOR.</b> 1) Turn the ignition switch to OFF. 2) Disconnect the connector of ECM. 3) Measure the resistance of harness between ECM and secondary air combination valve relay 1 connector. <b>Connector &amp; terminal</b> <b>(B135) No. 15 — (F9) No. 2:</b></p>	Is the resistance less than 1 $\Omega$ ?	Go to step 13.	Repair the open circuit of harness between ECM and secondary air combination valve relay 1 connector.



## Diagnostic Procedure with Diagnostic Trouble Code (DTC)

ENGINE (DIAGNOSTICS)

	Step	Check	Yes	No
13	<b>CHECK HARNESS BETWEEN ECM AND SECONDARY AIR COMBINATION VALVE RELAY 1 CONNECTOR.</b> Measure the resistance between the secondary air combination valve relay 1 connector and chassis ground. <b>Connector &amp; terminal</b> <b>(F9) No. 2 — Chassis ground:</b>	Is the resistance 1 M $\Omega$ or more?	Repair the poor contact of ECM connector.	Repair the short circuit to ground in harness between ECM and secondary air combination valve relay 1 connector.

### EE:DTC P2441 SECONDARY AIR INJECTION SYSTEM SWITCHING VALVE STUCK CLOSED (BANK1)

NOTE:

For the diagnostic procedure, refer to DTC P2440. <Ref. to EN(H4DOTC)(diag)-354, DTC P2440 SECONDARY AIR INJECTION SYSTEM SWITCHING VALVE STUCK OPEN (BANK1), Diagnostic Procedure with Diagnostic Trouble Code (DTC).>

## **EF:DTC P2442 SECONDARY AIR INJECTION SYSTEM SWITCHING VALVE STUCK OPEN (BANK2)**

### **DTC DETECTING CONDITION:**

- Detected when two consecutive driving cycles with fault occur.
- GENERAL DESCRIPTION <Ref. to GD(H4DOTC)-228, DTC P2442 SECONDARY AIR INJECTION SYSTEM SWITCHING VALVE STUCK OPEN (BANK2), Diagnostic Trouble Code (DTC) Detecting Criteria.>

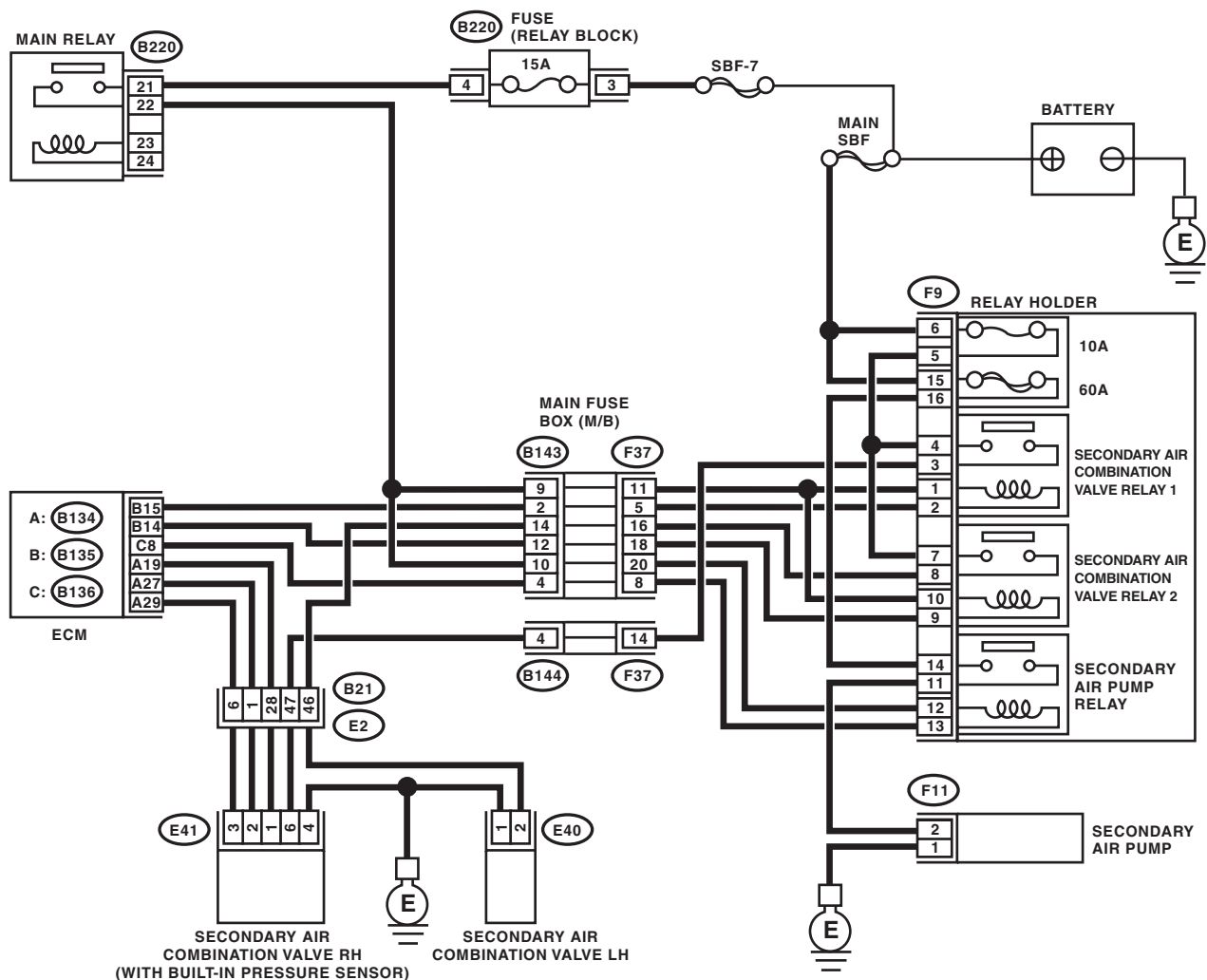
### **CAUTION:**

**After servicing or replacing faulty parts, perform Clear Memory Mode <Ref. to EN(H4DOTC)(diag)-54, OPERATION, Clear Memory Mode.>, and Inspection Mode <Ref. to EN(H4DOTC)(diag)-43, PROCEDURE, Inspection Mode.>.**

# Diagnostic Procedure with Diagnostic Trouble Code (DTC)

ENGINE (DIAGNOSTICS)

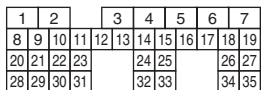
## WIRING DIAGRAM:



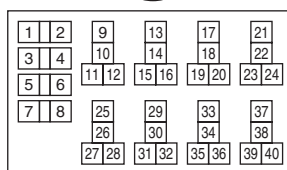
A: (B134)



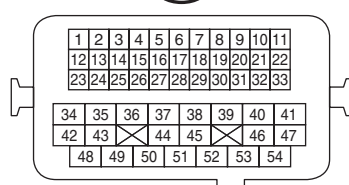
B: (B135)



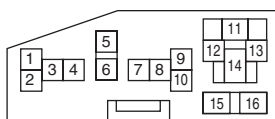
(B220)



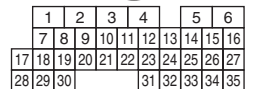
(B21)



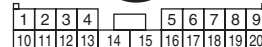
(F9)



C: (B136)



(F37)



(B143)



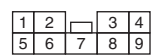
(E40)



(E41)



(B144)



EN-06137

# Diagnostic Procedure with Diagnostic Trouble Code (DTC)

ENGINE (DIAGNOSTICS)

	Step	Check	Yes	No
1	<b>CHECK SECONDARY AIR COMBINATION VALVE FUSE.</b> Check if the secondary air combination valve fuse (10 A) is blown out.	Is the fuse blown out?	Go to step 2.	Go to step 3.
2	<b>CHECK HARNESS BETWEEN FUSE BOX AND SECONDARY AIR COMBINATION VALVE LH CONNECTOR.</b> 1) Remove the secondary air combination valve fuse (10 A) from the fuse box. 2) Disconnect the connector from the secondary air combination valve LH. 3) Measure the resistance between the secondary air combination valve fuse and secondary air combination valve LH connector, and chassis ground. <b>Connector &amp; terminal</b> <b>(F9) No. 5 — Chassis ground:</b> <b>(E40) No. 2 — Chassis ground:</b>	Is the resistance 1 MΩ or more?	Replace the fuse with a new part, and connect the secondary air combination valve LH connector. Go to step 3.	Repair the ground short circuit of harness between the fuse box and the secondary air combination valve LH connector.
3	<b>CHECK SECONDARY AIR COMBINATION VALVE LH OPERATION.</b> 1) Connect the delivery (test) mode connector. 2) Turn the ignition switch to ON. 3) Perform operation check for the secondary air combination valve LH using the Subaru Select Monitor. NOTE: Refer to “Compulsory Valve Operation Check Mode” for more operation procedures. <Ref. to EN(H4DOTC)(diag)-55, Compulsory Valve Operation Check Mode.>	Does the secondary air combination valve LH repeatedly switch to ON and OFF?	Go to step 4.	Go to step 6.
4	<b>CHECK DUCT BETWEEN SECONDARY AIR PUMP AND SECONDARY AIR COMBINATION VALVE LH.</b> Check the duct between the secondary air pump and secondary air combination valve LH.	Is there damage, clog or disconnection of the duct?	Replace, clean or connect the duct.	Go to step 5.
5	<b>CHECK PIPE BETWEEN SECONDARY AIR COMBINATION VALVE LH AND CYLINDER HEAD.</b> Check the pipe between the secondary air combination valve LH and cylinder head.	Is there damage, clog or disconnection of the pipe?	Replace, clean or connect the pipe.	Even if DTC is detected, the circuit has returned to a normal condition at this time. Reproduce the failure, and then perform the diagnosis again. NOTE: In this case, temporary poor contact of connector may be the cause.
6	<b>CHECK POWER SUPPLY TO SECONDARY AIR COMBINATION VALVE LH.</b> 1) Disconnect the connector from the secondary air combination valve LH. 2) In the condition of step 3, measure the voltage between secondary air combination valve LH connector and chassis ground. <b>Connector &amp; terminal</b> <b>(E40) No. 2 (+) — Chassis ground (-):</b>	Does the voltage repeatedly change between 10 V and 0 V?	Replace the secondary air combination valve LH. <Ref. to EC(H4DOTC)-25, Secondary Air Combination Valve.>	Go to step 7.

# Diagnostic Procedure with Diagnostic Trouble Code (DTC)

## ENGINE (DIAGNOSTICS)

Step	Check	Yes	No
<b>7 CHECK HARNESS BETWEEN SECONDARY AIR COMBINATION VALVE LH AND CHASSIS GROUND.</b> Measure the resistance between the secondary air combination valve LH connector and chassis ground. <i>Connector &amp; terminal</i> <i>(E40) No. 1 — Chassis ground:</i>	Is the resistance less than 5 $\Omega$ ?	Go to step 8.	Repair the open circuit in harness between secondary air combination valve LH connector and chassis ground.
<b>8 CHECK HARNESS BETWEEN SECONDARY AIR COMBINATION VALVE RELAY 2 AND SECONDARY AIR COMBINATION VALVE LH CONNECTOR.</b> 1) Turn the ignition switch to OFF. 2) Remove the secondary air combination valve relay 2 from the relay box. 3) Measure the resistance of the harness between the secondary air combination valve relay 2 and secondary air combination valve LH connector. <i>Connector &amp; terminal</i> <i>(F9) No. 8 — (E40) No. 2:</i>	Is the resistance less than 1 $\Omega$ ?	Go to step 9.	Repair the open circuit in harness between secondary air combination valve relay 2 connector and secondary air combination valve LH connector.
<b>9 CHECK SECONDARY AIR COMBINATION VALVE RELAY 2.</b> 1) Connect the battery to terminals No. 2 and No. 2 of the secondary air combination valve relay 10. 2) Measure the resistance between the secondary air combination valve relay 2 terminals. <i>Terminals</i> <i>No. 7 — No. 8:</i>	Is the resistance less than 1 $\Omega$ ?	Go to step 10.	Replace the secondary air combination valve relay 2. <Ref. to EN(H4DOTC)(diag)-8, Electrical Component Location.>
<b>10 CHECK SECONDARY AIR COMBINATION VALVE RELAY 2.</b> Measure the resistance between the secondary air combination valve relay 2 terminals with the battery disconnected. <i>Terminals</i> <i>No. 7 — No. 8:</i>	Is the resistance 1 M $\Omega$ or more?	Go to step 11.	Replace the secondary air combination valve relay 2. <Ref. to EN(H4DOTC)(diag)-8, Electrical Component Location.>
<b>11 CHECK SECONDARY AIR COMBINATION VALVE RELAY 2 POWER SUPPLY.</b> 1) Turn the ignition switch to ON. 2) Measure the voltage between the secondary air combination valve relay 2 connector and chassis ground. <i>Connector &amp; terminal</i> <i>(F9) No. 7 (+) — Chassis ground (-):</i> <i>(F9) No. 10 (+) — Chassis ground (-):</i>	Is the voltage 10 V or more?	Go to step 12.	Repair the open or ground short circuit of power supply circuit.
<b>12 CHECK HARNESS BETWEEN ECM AND SECONDARY AIR COMBINATION VALVE RELAY 2 CONNECTOR.</b> 1) Turn the ignition switch to OFF. 2) Disconnect the connector of ECM. 3) Measure the resistance of harness between ECM and secondary air combination valve relay 2 connector. <i>Connector &amp; terminal</i> <i>(B135) No. 14 — (F9) No. 9:</i>	Is the resistance less than 1 $\Omega$ ?	Go to step 13.	Repair the open circuit of harness between ECM and secondary air combination valve relay 2 connector.

# Diagnostic Procedure with Diagnostic Trouble Code (DTC)

ENGINE (DIAGNOSTICS)

Step	Check	Yes	No
13	<b>CHECK HARNESS BETWEEN ECM AND SECONDARY AIR COMBINATION VALVE RELAY 2 CONNECTOR.</b> Measure the resistance between the secondary air combination valve relay 2 connector and chassis ground. <b>Connector &amp; terminal</b> <b>(F9) No. 9 — Chassis ground:</b>	Is the resistance 1 MΩ or more?	Repair the poor contact of ECM connector.  Repair the short circuit to ground in harness between ECM and secondary air combination valve relay 2 connector.

## EG:DTC P2443 SECONDARY AIR INJECTION SYSTEM SWITCHING VALVE STUCK CLOSED (BANK2)

### NOTE:

For the diagnostic procedure, refer to DTC P2442. <Ref. to EN(H4DOTC)(diag)-359, DTC P2442 SECONDARY AIR INJECTION SYSTEM SWITCHING VALVE STUCK OPEN (BANK2), Diagnostic Procedure with Diagnostic Trouble Code (DTC).>

## Diagnostic Procedure with Diagnostic Trouble Code (DTC)

ENGINE (DIAGNOSTICS)

---

### **EH:DTC P2444 SECONDARY AIR INJECTION SYSTEM PUMP STUCK ON**

#### **DTC DETECTING CONDITION:**

- Immediately at fault recognition
- GENERAL DESCRIPTION <Ref. to GD(H4DOTC)-229, DTC P2444 SECONDARY AIR INJECTION SYSTEM PUMP STUCK ON, Diagnostic Trouble Code (DTC) Detecting Criteria.>

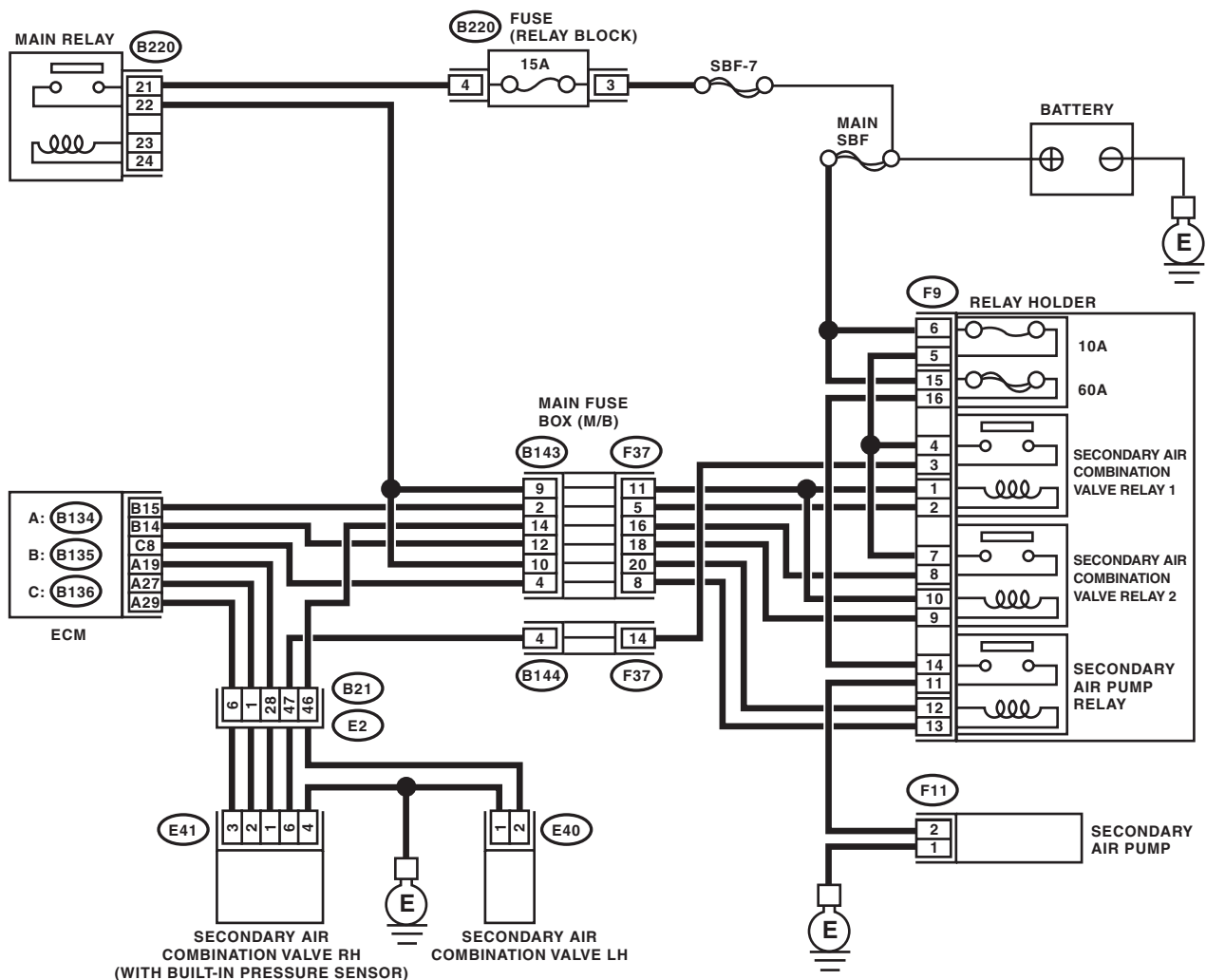
#### **CAUTION:**

**After servicing or replacing faulty parts, perform Clear Memory Mode <Ref. to EN(H4DOTC)(diag)-54, OPERATION, Clear Memory Mode.>, and Inspection Mode <Ref. to EN(H4DOTC)(diag)-43, PROCEDURE, Inspection Mode.>.**

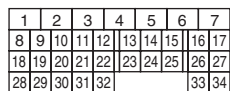
# Diagnostic Procedure with Diagnostic Trouble Code (DTC)

ENGINE (DIAGNOSTICS)

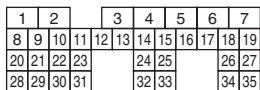
## WIRING DIAGRAM:



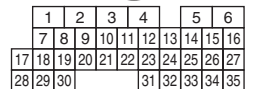
A: B134



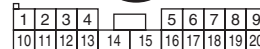
B: B135



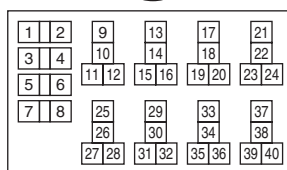
C: B136



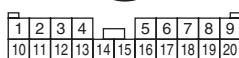
F37



B220



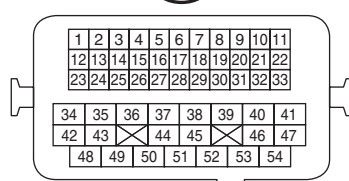
B143



E40



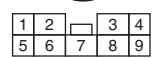
B21



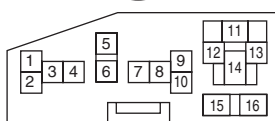
E41



B144



F9



EN-06137



# Diagnostic Procedure with Diagnostic Trouble Code (DTC)

## ENGINE (DIAGNOSTICS)

	Step	Check	Yes	No
1	<p><b>CHECK SECONDARY AIR PIPING PRESSURE.</b></p> <p>1) Turn the ignition switch to ON.</p> <p>2) Using the Subaru Select Monitor, read secondary air piping pressure data, and compare with the actual atmospheric pressure.</p> <p>NOTE: For detailed operation procedures, refer to "READ CURRENT DATA FOR ENGINE". &lt;Ref. to EN(H4DOTC)(diag)-34, Subaru Select Monitor.&gt;</p>	Is the actual difference with atmospheric pressure 50 mmHg (6.7 kPa, 2.0 inHg, 0.97 psig) or more?	Go to step 2.	Even if DTC is detected, the circuit has returned to a normal condition at this time. Reproduce the failure, and then perform the diagnosis again.  NOTE: In this case, temporary poor contact of connector may be the cause.
2	<p><b>CHECK SECONDARY AIR PUMP.</b></p> <p>1) Start the engine and warm up engine until coolant temperature is higher than 75°C (167°F).</p> <p>2) Check whether the secondary air pump is operating.</p>	Is the secondary air pump operating?	Go to step 3.	Replace the secondary air combination valve LH. <Ref. to EC(H4DOTC)-25, Secondary Air Combination Valve.>
3	<p><b>CHECK HARNESS BETWEEN ECM AND SECONDARY AIR PUMP RELAY CONNECTOR.</b></p> <p>1) Turn the ignition switch to OFF.</p> <p>2) Remove the secondary air pump relay from the relay box.</p> <p>3) Measure the resistance between the secondary air pump relay connector and engine ground terminals.</p> <p><b>Connector &amp; terminal</b> <b>(F9) No. 13 — Engine ground:</b></p>	Is the resistance 1 MΩ or more?	Go to step 4.	Repair the short circuit to ground in harness between ECM and secondary air pump relay connector.
4	<p><b>CHECK SECONDARY AIR PUMP RELAY.</b></p> <p>Measure the resistance between the secondary air pump relay terminals.</p> <p><b>Terminals</b> <b>No. 14 — No. 11:</b></p>	Is the resistance 1 MΩ or more?	Repair the short circuit to power in the harness between secondary air pump relay and secondary air pump connector.	Replace the secondary air pump relay. <Ref. to EN(H4DOTC)(diag)-8, Electrical Component Location.>

## 21. General Diagnostic Table

### A: INSPECTION

#### 1. ENGINE

**NOTE:**

Malfunction of parts other than those listed is also possible. <Ref. to ME(H4DOTC)-102, Engine Trouble in General.>

Symptom	Problem parts
1. Engine stalls during idling.	1) Electronic throttle control 2) Manifold absolute pressure sensor 3) Mass air flow and intake air temperature sensor 4) Ignition parts (*1) 5) Engine coolant temperature sensor (*2) 6) Crankshaft position sensor (*3) 7) Camshaft position sensor (*3) 8) Fuel injection parts (*4)
2. Rough idling	1) Electronic throttle control 2) Manifold absolute pressure sensor 3) Mass air flow and intake air temperature sensor 4) Engine coolant temperature sensor (*2) 5) Ignition parts (*1) 6) Air intake system (*5) 7) Fuel injection parts (*4) 8) Crankshaft position sensor (*3) 9) Camshaft position sensor (*3) 10) Oxygen sensor 11) Fuel pump and fuel pump relay
3. Engine does not return to idle.	1) Electronic throttle control 2) Engine coolant temperature sensor 3) Manifold absolute pressure sensor 4) Mass air flow sensor
4. Poor acceleration	1) Manifold absolute pressure sensor 2) Mass air flow and intake air temperature sensor 3) Electronic throttle control 4) Fuel injection parts (*4) 5) Fuel pump and fuel pump relay 6) Engine coolant temperature sensor (*2) 7) Crankshaft position sensor (*3) 8) Camshaft position sensor (*3) 9) A/C switch and A/C cut relay 10) Engine torque control signal circuit 11) Ignition parts (*1)
5. Engine stalls, hesitates, or sputters at acceleration.	1) Manifold absolute pressure sensor 2) Mass air flow and intake air temperature sensor 3) Engine coolant temperature sensor (*2) 4) Crankshaft position sensor (*3) 5) Camshaft position sensor (*3) 6) Purge control solenoid valve 7) Fuel injection parts (*4) 8) Fuel pump and fuel pump relay
6. Surging	1) Manifold absolute pressure sensor 2) Mass air flow and intake air temperature sensor 3) Engine coolant temperature sensor (*2) 4) Crankshaft position sensor (*3) 5) Camshaft position sensor (*3) 6) Fuel injection parts (*4) 7) Throttle position sensor 8) Fuel pump and fuel pump relay

# General Diagnostic Table

## ENGINE (DIAGNOSTICS)

Symptom	Problem parts
7. Spark knock	1) Manifold absolute pressure sensor 2) Mass air flow and intake air temperature sensor 3) Engine coolant temperature sensor 4) Knock sensor 5) Fuel injection parts (*4) 6) Fuel pump and fuel pump relay
8. After burning in exhaust system	1) Manifold absolute pressure sensor 2) Mass air flow and intake air temperature sensor 3) Engine coolant temperature sensor (*2) 4) Fuel injection parts (*4) 5) Fuel pump and fuel pump relay

\*1: Check ignition coil and spark plug.

\*2: Indicate the symptom occurring only in cold temperatures.

\*3: Ensure the secure installation.

\*4: Check fuel injector, fuel pressure regulator and fuel filter.

\*5: Inspect air leak in air intake system.

# List of Diagnostic Trouble Code (DTC)

## GENERAL DESCRIPTION

### 1. List of Diagnostic Trouble Code (DTC)

#### A: LIST

DTC	Item	Index
P0011	Intake Camshaft Position - Timing Over-Advanced or System Performance (Bank 1)	<Ref. to GD(H4DOTC)-10, DTC P0011 INTAKE CAMSHAFT POSITION - TIMING OVER-ADVANCED OR SYSTEM PERFORMANCE (BANK 1), Diagnostic Trouble Code (DTC) Detecting Criteria.>
P0016	Crankshaft Position - Camshaft Position Correlation (Bank1)	<Ref. to GD(H4DOTC)-12, DTC P0016 CRANKSHAFT POSITION - CAMSHAFT POSITION CORRELATION (BANK1), Diagnostic Trouble Code (DTC) Detecting Criteria.>
P0018	Crankshaft Position - Camshaft Position Correlation (Bank2)	<Ref. to GD(H4DOTC)-13, DTC P0018 CRANKSHAFT POSITION - CAMSHAFT POSITION CORRELATION (BANK2), Diagnostic Trouble Code (DTC) Detecting Criteria.>
P0021	Intake Camshaft Position - Timing Over-Advanced or System Performance (Bank 2)	<Ref. to GD(H4DOTC)-13, DTC P0021 INTAKE CAMSHAFT POSITION - TIMING OVER-ADVANCED OR SYSTEM PERFORMANCE (BANK 2), Diagnostic Trouble Code (DTC) Detecting Criteria.>
P0030	HO2S Heater Control Circuit (Bank 1 Sensor 1)	<Ref. to GD(H4DOTC)-14, DTC P0030 HO2S HEATER CONTROL CIRCUIT (BANK 1 SENSOR 1), Diagnostic Trouble Code (DTC) Detecting Criteria.>
P0031	HO2S Heater Control Circuit Low (Bank 1 Sensor 1)	<Ref. to GD(H4DOTC)-16, DTC P0031 HO2S HEATER CONTROL CIRCUIT LOW (BANK 1 SENSOR 1), Diagnostic Trouble Code (DTC) Detecting Criteria.>
P0032	HO2S Heater Control Circuit High (Bank 1 Sensor 1)	<Ref. to GD(H4DOTC)-18, DTC P0032 HO2S HEATER CONTROL CIRCUIT HIGH (BANK 1 SENSOR 1), Diagnostic Trouble Code (DTC) Detecting Criteria.>
P0037	HO2S Heater Control Circuit Low (Bank 1 Sensor 2)	<Ref. to GD(H4DOTC)-20, DTC P0037 HO2S HEATER CONTROL CIRCUIT LOW (BANK 1 SENSOR 2), Diagnostic Trouble Code (DTC) Detecting Criteria.>
P0038	HO2S Heater Control Circuit High (Bank 1 Sensor 2)	<Ref. to GD(H4DOTC)-22, DTC P0038 HO2S HEATER CONTROL CIRCUIT HIGH (BANK 1 SENSOR 2), Diagnostic Trouble Code (DTC) Detecting Criteria.>
P0068	MAP/MAF - Throttle Position Correlation	<Ref. to GD(H4DOTC)-24, DTC P0068 MAP/MAF - THROTTLE POSITION CORRELATION, Diagnostic Trouble Code (DTC) Detecting Criteria.>
P0101	Mass or Volume Air Flow Circuit Range/Performance	<Ref. to GD(H4DOTC)-26, DTC P0101 MASS OR VOLUME AIR FLOW CIRCUIT RANGE/PERFORMANCE, Diagnostic Trouble Code (DTC) Detecting Criteria.>
P0102	Mass or Volume Air Flow Circuit Low Input	<Ref. to GD(H4DOTC)-28, DTC P0102 MASS OR VOLUME AIR FLOW CIRCUIT LOW INPUT, Diagnostic Trouble Code (DTC) Detecting Criteria.>
P0103	Mass or Volume Air Flow Circuit High Input	<Ref. to GD(H4DOTC)-29, DTC P0103 MASS OR VOLUME AIR FLOW CIRCUIT HIGH INPUT, Diagnostic Trouble Code (DTC) Detecting Criteria.>
P0107	Manifold Absolute Pressure/Barometric Pressure Circuit Low Input	<Ref. to GD(H4DOTC)-30, DTC P0107 MANIFOLD ABSOLUTE PRESSURE/BAROMETRIC PRESSURE CIRCUIT LOW INPUT, Diagnostic Trouble Code (DTC) Detecting Criteria.>
P0108	Manifold Absolute Pressure/Barometric Pressure Circuit High Input	<Ref. to GD(H4DOTC)-31, DTC P0108 MANIFOLD ABSOLUTE PRESSURE/BAROMETRIC PRESSURE CIRCUIT HIGH INPUT, Diagnostic Trouble Code (DTC) Detecting Criteria.>
P0111	Intake Air Temperature Sensor 1 Circuit Range/Performance	<Ref. to GD(H4DOTC)-32, DTC P0111 INTAKE AIR TEMPERATURE SENSOR 1 CIRCUIT RANGE/PERFORMANCE, Diagnostic Trouble Code (DTC) Detecting Criteria.>
P0112	Intake Air Temperature Sensor 1 Circuit Low	<Ref. to GD(H4DOTC)-34, DTC P0112 INTAKE AIR TEMPERATURE SENSOR 1 CIRCUIT LOW, Diagnostic Trouble Code (DTC) Detecting Criteria.>
P0113	Intake Air Temperature Sensor 1 Circuit High	<Ref. to GD(H4DOTC)-35, DTC P0113 INTAKE AIR TEMPERATURE SENSOR 1 CIRCUIT HIGH, Diagnostic Trouble Code (DTC) Detecting Criteria.>
P0117	Engine Coolant Temperature Circuit Low	<Ref. to GD(H4DOTC)-36, DTC P0117 ENGINE COOLANT TEMPERATURE CIRCUIT LOW, Diagnostic Trouble Code (DTC) Detecting Criteria.>
P0118	Engine Coolant Temperature Circuit High	<Ref. to GD(H4DOTC)-37, DTC P0118 ENGINE COOLANT TEMPERATURE CIRCUIT HIGH, Diagnostic Trouble Code (DTC) Detecting Criteria.>

# List of Diagnostic Trouble Code (DTC)

GENERAL DESCRIPTION

DTC	Item	Index
P0122	Throttle/Pedal Position Sensor/ Switch "A" Circuit Low	<Ref. to GD(H4DOTC)-38, DTC P0122 THROTTLE/PEDAL POSITION SENSOR/SWITCH "A" CIRCUIT LOW, Diagnostic Trouble Code (DTC) Detecting Criteria.>
P0123	Throttle/Pedal Position Sensor/ Switch "A" Circuit High	<Ref. to GD(H4DOTC)-39, DTC P0123 THROTTLE/PEDAL POSITION SENSOR/SWITCH "A" CIRCUIT HIGH, Diagnostic Trouble Code (DTC) Detecting Criteria.>
P0125	Insufficient Coolant Temperature for Closed Loop Fuel Control	<Ref. to GD(H4DOTC)-40, DTC P0125 INSUFFICIENT COOLANT TEMPERATURE FOR CLOSED LOOP FUEL CONTROL, Diagnostic Trouble Code (DTC) Detecting Criteria.>
P0126	Insufficient Engine Coolant Temperature for Stable Operation	<Ref. to GD(H4DOTC)-42, DTC P0126 INSUFFICIENT ENGINE COOLANT TEMPERATURE FOR STABLE OPERATION, Diagnostic Trouble Code (DTC) Detecting Criteria.>
P0128	Coolant Thermostat (Engine Coolant Temperature Below Thermostat Regulating Temperature)	<Ref. to GD(H4DOTC)-44, DTC P0128 COOLANT THERMOSTAT (ENGINE COOLANT TEMPERATURE BELOW THERMOSTAT REGULATING TEMPERATURE), Diagnostic Trouble Code (DTC) Detecting Criteria.>
P0131	O2 Sensor Circuit Low Voltage (Bank 1 Sensor 1)	<Ref. to GD(H4DOTC)-46, DTC P0131 O2 SENSOR CIRCUIT LOW VOLTAGE (BANK 1 SENSOR 1), Diagnostic Trouble Code (DTC) Detecting Criteria.>
P0132	O2 Sensor Circuit High Voltage (Bank 1 Sensor 1)	<Ref. to GD(H4DOTC)-48, DTC P0132 O2 SENSOR CIRCUIT HIGH VOLTAGE (BANK 1 SENSOR 1), Diagnostic Trouble Code (DTC) Detecting Criteria.>
P0133	O2 Sensor Circuit Slow Response (Bank 1 Sensor 1)	<Ref. to GD(H4DOTC)-50, DTC P0133 O2 SENSOR CIRCUIT SLOW RESPONSE (BANK 1 SENSOR 1), Diagnostic Trouble Code (DTC) Detecting Criteria.>
P0134	O2 Sensor Circuit No Activity Detected (Bank 1 Sensor 1)	<Ref. to GD(H4DOTC)-53, DTC P0134 O2 SENSOR CIRCUIT NO ACTIVITY DETECTED (BANK 1 SENSOR 1), Diagnostic Trouble Code (DTC) Detecting Criteria.>
P0137	O2 Sensor Circuit Low Voltage (Bank 1 Sensor 2)	<Ref. to GD(H4DOTC)-55, DTC P0137 O2 SENSOR CIRCUIT LOW VOLTAGE (BANK 1 SENSOR 2), Diagnostic Trouble Code (DTC) Detecting Criteria.>
P0138	O2 Sensor Circuit High Voltage (Bank 1 Sensor 2)	<Ref. to GD(H4DOTC)-57, DTC P0138 O2 SENSOR CIRCUIT HIGH VOLTAGE (BANK 1 SENSOR 2), Diagnostic Trouble Code (DTC) Detecting Criteria.>
P0139	O2 Sensor Circuit Slow Response (Bank 1 Sensor 2)	<Ref. to GD(H4DOTC)-58, DTC P0139 O2 SENSOR CIRCUIT SLOW RESPONSE (BANK 1 SENSOR 2), Diagnostic Trouble Code (DTC) Detecting Criteria.>
P0140	O2 Sensor Circuit No Activity Detected (Bank 1 Sensor 2)	<Ref. to GD(H4DOTC)-64, DTC P0140 O2 SENSOR CIRCUIT NO ACTIVITY DETECTED (BANK1 SENSOR2), Diagnostic Trouble Code (DTC) Detecting Criteria.>
P0171	System Too Lean (Bank 1)	<Ref. to GD(H4DOTC)-66, DTC P0171 SYSTEM TOO LEAN (BANK 1), Diagnostic Trouble Code (DTC) Detecting Criteria.>
P0172	System Too Rich (Bank 1)	<Ref. to GD(H4DOTC)-67, DTC P0172 SYSTEM TOO RICH (BANK 1), Diagnostic Trouble Code (DTC) Detecting Criteria.>
P0181	Fuel Temperature Sensor "A" Circuit Range/Performance	<Ref. to GD(H4DOTC)-68, DTC P0181 FUEL TEMPERATURE SENSOR "A" CIRCUIT RANGE/PERFORMANCE, Diagnostic Trouble Code (DTC) Detecting Criteria.>
P0182	Fuel Temperature Sensor "A" Circuit Low Input	<Ref. to GD(H4DOTC)-71, DTC P0182 FUEL TEMPERATURE SENSOR "A" CIRCUIT LOW INPUT, Diagnostic Trouble Code (DTC) Detecting Criteria.>
P0183	Fuel Temperature Sensor "A" Circuit High Input	<Ref. to GD(H4DOTC)-72, DTC P0183 FUEL TEMPERATURE SENSOR "A" CIRCUIT HIGH INPUT, Diagnostic Trouble Code (DTC) Detecting Criteria.>
P0222	Throttle/Pedal Position Sensor/ Switch "B" Circuit Low	<Ref. to GD(H4DOTC)-73, DTC P0222 THROTTLE/PEDAL POSITION SENSOR/SWITCH "B" CIRCUIT LOW, Diagnostic Trouble Code (DTC) Detecting Criteria.>
P0223	Throttle/Pedal Position Sensor/ Switch "B" Circuit High	<Ref. to GD(H4DOTC)-74, DTC P0223 THROTTLE/PEDAL POSITION SENSOR/SWITCH "B" CIRCUIT HIGH, Diagnostic Trouble Code (DTC) Detecting Criteria.>

## List of Diagnostic Trouble Code (DTC)

### GENERAL DESCRIPTION

DTC	Item	Index
P0230	Fuel Pump Primary Circuit	<Ref. to GD(H4DOTC)-75, DTC P0230 FUEL PUMP PRIMARY CIRCUIT, Diagnostic Trouble Code (DTC) Detecting Criteria.>
P0244	Turbo/Super Charger Wastegate Solenoid "A" Range/Performance	<Ref. to GD(H4DOTC)-77, DTC P0244 TURBO/SUPER CHARGER WASTEGATE SOLENOID "A" RANGE/PERFORMANCE, Diagnostic Trouble Code (DTC) Detecting Criteria.>
P0245	Turbo/Super Charger Wastegate Solenoid "A" Low	<Ref. to GD(H4DOTC)-79, DTC P0245 TURBO/SUPER CHARGER WASTEGATE SOLENOID "A" LOW, Diagnostic Trouble Code (DTC) Detecting Criteria.>
P0246	Turbo/Super Charger Wastegate Solenoid "A" High	<Ref. to GD(H4DOTC)-80, DTC P0246 TURBO/SUPER CHARGER WASTEGATE SOLENOID "A" HIGH, Diagnostic Trouble Code (DTC) Detecting Criteria.>
P0301	Cylinder 1 Misfire Detected	<Ref. to GD(H4DOTC)-81, DTC P0301 CYLINDER 1 MISFIRE DETECTED, Diagnostic Trouble Code (DTC) Detecting Criteria.>
P0302	Cylinder 2 Misfire Detected	<Ref. to GD(H4DOTC)-87, DTC P0302 CYLINDER 2 MISFIRE DETECTED, Diagnostic Trouble Code (DTC) Detecting Criteria.>
P0303	Cylinder 3 Misfire Detected	<Ref. to GD(H4DOTC)-87, DTC P0303 CYLINDER 3 MISFIRE DETECTED, Diagnostic Trouble Code (DTC) Detecting Criteria.>
P0304	Cylinder 4 Misfire Detected	<Ref. to GD(H4DOTC)-87, DTC P0304 CYLINDER 4 MISFIRE DETECTED, Diagnostic Trouble Code (DTC) Detecting Criteria.>
P0327	Knock Sensor 1 Circuit Low (Bank 1 or Single Sensor)	<Ref. to GD(H4DOTC)-88, DTC P0327 KNOCK SENSOR 1 CIRCUIT LOW (BANK 1 OR SINGLE SENSOR), Diagnostic Trouble Code (DTC) Detecting Criteria.>
P0328	Knock Sensor 1 Circuit High (Bank 1 or Single Sensor)	<Ref. to GD(H4DOTC)-90, DTC P0328 KNOCK SENSOR 1 CIRCUIT HIGH (BANK 1 OR SINGLE SENSOR), Diagnostic Trouble Code (DTC) Detecting Criteria.>
P0335	Crankshaft Position Sensor "A" Circuit	<Ref. to GD(H4DOTC)-92, DTC P0335 CRANKSHAFT POSITION SENSOR "A" CIRCUIT, Diagnostic Trouble Code (DTC) Detecting Criteria.>
P0336	Crankshaft Position Sensor "A" Circuit Range/Performance	<Ref. to GD(H4DOTC)-94, DTC P0336 CRANKSHAFT POSITION SENSOR "A" CIRCUIT RANGE/PERFORMANCE, Diagnostic Trouble Code (DTC) Detecting Criteria.>
P0340	Camshaft Position Sensor "A" Circuit (Bank 1 or Single Sensor)	<Ref. to GD(H4DOTC)-96, DTC P0340 CAMSHAFT POSITION SENSOR "A" CIRCUIT (BANK 1 OR SINGLE SENSOR), Diagnostic Trouble Code (DTC) Detecting Criteria.>
P0345	Camshaft Position Sensor "A" Circuit (Bank 2)	<Ref. to GD(H4DOTC)-97, DTC P0345 CAMSHAFT POSITION SENSOR "A" CIRCUIT (BANK 2), Diagnostic Trouble Code (DTC) Detecting Criteria.>
P0410	Secondary Air Injection System	<Ref. to GD(H4DOTC)-98, DTC P0410 SECONDARY AIR INJECTION SYSTEM, Diagnostic Trouble Code (DTC) Detecting Criteria.>
P0411	Secondary Air Injection System Incorrect Flow Detected	<Ref. to GD(H4DOTC)-107, DTC P0411 SECONDARY AIR INJECTION SYSTEM INCORRECT FLOW DETECTED, Diagnostic Trouble Code (DTC) Detecting Criteria.>
P0413	Secondary Air Injection System Switching Valve "A" Circuit Open	<Ref. to GD(H4DOTC)-108, DTC P0413 SECONDARY AIR INJECTION SYSTEM SWITCHING VALVE "A" CIRCUIT OPEN, Diagnostic Trouble Code (DTC) Detecting Criteria.>
P0414	Secondary Air Injection System Switching Valve "A" Circuit Shorted	<Ref. to GD(H4DOTC)-109, DTC P0414 SECONDARY AIR INJECTION SYSTEM SWITCHING VALVE "A" CIRCUIT SHORTED, Diagnostic Trouble Code (DTC) Detecting Criteria.>
P0416	Secondary Air Injection System Switching Valve "B" Circuit Open	<Ref. to GD(H4DOTC)-109, DTC P0416 SECONDARY AIR INJECTION SYSTEM SWITCHING VALVE "B" CIRCUIT OPEN, Diagnostic Trouble Code (DTC) Detecting Criteria.>
P0417	Secondary Air Injection System Switching Valve "B" Circuit Shorted	<Ref. to GD(H4DOTC)-109, DTC P0417 SECONDARY AIR INJECTION SYSTEM SWITCHING VALVE "B" CIRCUIT SHORTED, Diagnostic Trouble Code (DTC) Detecting Criteria.>
P0418	Secondary Air Injection System Control "A" Circuit Open	<Ref. to GD(H4DOTC)-110, DTC P0418 SECONDARY AIR INJECTION SYSTEM CONTROL "A" CIRCUIT OPEN, Diagnostic Trouble Code (DTC) Detecting Criteria.>

# List of Diagnostic Trouble Code (DTC)

GENERAL DESCRIPTION

DTC	Item	Index
P0420	Catalyst System Efficiency below Threshold (Bank 1)	<Ref. to GD(H4DOTC)-111, DTC P0420 CATALYST SYSTEM EFFICIENCY BELOW THRESHOLD (BANK 1), Diagnostic Trouble Code (DTC) Detecting Criteria.>
P0441	Evaporative Emission System Incorrect Purge Flow	<Ref. to GD(H4DOTC)-113, DTC P0441 EVAPORATIVE EMISSION SYSTEM INCORRECT PURGE FLOW, Diagnostic Trouble Code (DTC) Detecting Criteria.>
P0442	Evaporative Emission Control System Leak Detected (Small Leak)	<Ref. to GD(H4DOTC)-114, DTC P0442 EVAPORATIVE EMISSION CONTROL SYSTEM LEAK DETECTED (SMALL LEAK), Diagnostic Trouble Code (DTC) Detecting Criteria.>
P0447	Evaporative Emission Control System Vent Control Circuit Open	<Ref. to GD(H4DOTC)-130, DTC P0447 EVAPORATIVE EMISSION CONTROL SYSTEM VENT CONTROL CIRCUIT OPEN, Diagnostic Trouble Code (DTC) Detecting Criteria.>
P0448	Evaporative Emission Control System Vent Control Circuit Shorted	<Ref. to GD(H4DOTC)-132, DTC P0448 EVAPORATIVE EMISSION CONTROL SYSTEM VENT CONTROL CIRCUIT SHORTED, Diagnostic Trouble Code (DTC) Detecting Criteria.>
P0451	Evaporative Emission Control System Pressure Sensor	<Ref. to GD(H4DOTC)-134, DTC P0451 EVAPORATIVE EMISSION CONTROL SYSTEM PRESSURE SENSOR, Diagnostic Trouble Code (DTC) Detecting Criteria.>
P0452	Evaporative Emission Control System Pressure Sensor Low Input	<Ref. to GD(H4DOTC)-136, DTC P0452 EVAPORATIVE EMISSION CONTROL SYSTEM PRESSURE SENSOR LOW INPUT, Diagnostic Trouble Code (DTC) Detecting Criteria.>
P0453	Evaporative Emission Control System Pressure Sensor High Input	<Ref. to GD(H4DOTC)-138, DTC P0453 EVAPORATIVE EMISSION CONTROL SYSTEM PRESSURE SENSOR HIGH INPUT, Diagnostic Trouble Code (DTC) Detecting Criteria.>
P0456	Evaporative Emission Control System Leak Detected (Very Small Leak)	<Ref. to GD(H4DOTC)-139, DTC P0456 EVAPORATIVE EMISSION CONTROL SYSTEM LEAK DETECTED (VERY SMALL LEAK), Diagnostic Trouble Code (DTC) Detecting Criteria.>
P0457	Evaporative Emission Control System Leak Detected (Fuel Cap Loose/Off)	<Ref. to GD(H4DOTC)-139, DTC P0457 EVAPORATIVE EMISSION CONTROL SYSTEM LEAK DETECTED (FUEL CAP LOOSE/OFF), Diagnostic Trouble Code (DTC) Detecting Criteria.>
P0458	Evaporative Emission System Purge Control Valve Circuit Low	<Ref. to GD(H4DOTC)-140, DTC P0458 EVAPORATIVE EMISSION SYSTEM PURGE CONTROL VALVE CIRCUIT LOW, Diagnostic Trouble Code (DTC) Detecting Criteria.>
P0459	Evaporative Emission System Purge Control Valve Circuit High	<Ref. to GD(H4DOTC)-142, DTC P0459 EVAPORATIVE EMISSION SYSTEM PURGE CONTROL VALVE CIRCUIT HIGH, Diagnostic Trouble Code (DTC) Detecting Criteria.>
P0461	Fuel Level Sensor "A" Circuit Range/Performance	<Ref. to GD(H4DOTC)-144, DTC P0461 FUEL LEVEL SENSOR "A" CIRCUIT RANGE/PERFORMANCE, Diagnostic Trouble Code (DTC) Detecting Criteria.>
P0462	Fuel Level Sensor "A" Circuit Low	<Ref. to GD(H4DOTC)-146, DTC P0462 FUEL LEVEL SENSOR "A" CIRCUIT LOW, Diagnostic Trouble Code (DTC) Detecting Criteria.>
P0463	Fuel Level Sensor "A" Circuit High	<Ref. to GD(H4DOTC)-148, DTC P0463 FUEL LEVEL SENSOR "A" CIRCUIT HIGH, Diagnostic Trouble Code (DTC) Detecting Criteria.>
P0464	Fuel Level Sensor Circuit Intermittent	<Ref. to GD(H4DOTC)-150, DTC P0464 FUEL LEVEL SENSOR CIRCUIT INTERMITTENT, Diagnostic Trouble Code (DTC) Detecting Criteria.>
P0500	Vehicle Speed Sensor "A"	<Ref. to GD(H4DOTC)-153, DTC P0500 VEHICLE SPEED SENSOR "A", Diagnostic Trouble Code (DTC) Detecting Criteria.>
P0512	Starter Request Circuit	<Ref. to GD(H4DOTC)-154, DTC P0512 STARTER REQUEST CIRCUIT, Diagnostic Trouble Code (DTC) Detecting Criteria.>
P0513	Incorrect Immobilizer Key	<Ref. to GD(H4DOTC)-155, DTC P0513 INCORRECT IMMOBILIZER KEY, Diagnostic Trouble Code (DTC) Detecting Criteria.>
P0600	Serial Communication Link	<Ref. to GD(H4DOTC)-156, DTC P0600 SERIAL COMMUNICATION LINK, Diagnostic Trouble Code (DTC) Detecting Criteria.>
P0604	Internal Control Module Random Access Memory (RAM) Error	<Ref. to GD(H4DOTC)-158, DTC P0604 INTERNAL CONTROL MODULE RANDOM ACCESS MEMORY (RAM) ERROR, Diagnostic Trouble Code (DTC) Detecting Criteria.>

## List of Diagnostic Trouble Code (DTC)

### GENERAL DESCRIPTION

DTC	Item	Index
P0605	Internal Control Module Read Only Memory (ROM) Error	<Ref. to GD(H4DOTC)-159, DTC P0605 INTERNAL CONTROL MODULE READ ONLY MEMORY (ROM) ERROR, Diagnostic Trouble Code (DTC) Detecting Criteria.>
P0607	Throttle Control System Circuit Range/Performance	<Ref. to GD(H4DOTC)-160, DTC P0607 THROTTLE CONTROL SYSTEM CIRCUIT RANGE/PERFORMANCE, Diagnostic Trouble Code (DTC) Detecting Criteria.>
P0638	Throttle Actuator Control Range/Performance (Bank 1)	<Ref. to GD(H4DOTC)-162, DTC P0638 THROTTLE ACTUATOR CONTROL RANGE/PERFORMANCE (BANK 1), Diagnostic Trouble Code (DTC) Detecting Criteria.>
P0700	Transmission Control System (MIL Request)	<Ref. to GD(H4DOTC)-164, DTC P0700 TRANSMISSION CONTROL SYSTEM (MIL REQUEST), Diagnostic Trouble Code (DTC) Detecting Criteria.>
P0851	Park/Neutral Switch Input Circuit Low (AT Model)	<Ref. to GD(H4DOTC)-165, DTC P0851 PARK/NEUTRAL SWITCH INPUT CIRCUIT LOW (AT MODEL), Diagnostic Trouble Code (DTC) Detecting Criteria.>
P0851	Neutral Switch Input Circuit Low (MT Model)	<Ref. to GD(H4DOTC)-166, DTC P0851 NEUTRAL SWITCH INPUT CIRCUIT LOW (MT MODEL), Diagnostic Trouble Code (DTC) Detecting Criteria.>
P0852	Park/Neutral Switch Input Circuit High (AT Model)	<Ref. to GD(H4DOTC)-167, DTC P0852 PARK/NEUTRAL SWITCH INPUT CIRCUIT HIGH (AT MODEL), Diagnostic Trouble Code (DTC) Detecting Criteria.>
P0852	Neutral Switch Input Circuit High (MT Model)	<Ref. to GD(H4DOTC)-168, DTC P0852 NEUTRAL SWITCH INPUT CIRCUIT HIGH (MT MODEL), Diagnostic Trouble Code (DTC) Detecting Criteria.>
P1152	O2 Sensor Circuit Range/Performance (Low) (Bank1 Sensor1)	<Ref. to GD(H4DOTC)-169, DTC P1152 O2 SENSOR CIRCUIT RANGE/PERFORMANCE (LOW) (BANK1 SENSOR1), Diagnostic Trouble Code (DTC) Detecting Criteria.>
P1153	O2 Sensor Circuit Range/Performance (High) (Bank1 Sensor1)	<Ref. to GD(H4DOTC)-171, DTC P1153 O2 SENSOR CIRCUIT RANGE/PERFORMANCE (HIGH) (BANK1 SENSOR1), Diagnostic Trouble Code (DTC) Detecting Criteria.>
P1160	Return Spring Failure	<Ref. to GD(H4DOTC)-173, DTC P1160 RETURN SPRING FAILURE, Diagnostic Trouble Code (DTC) Detecting Criteria.>
P1400	Fuel Tank Pressure Control Solenoid Valve Circuit Low	<Ref. to GD(H4DOTC)-175, DTC P1400 FUEL TANK PRESSURE CONTROL SOLENOID VALVE CIRCUIT LOW, Diagnostic Trouble Code (DTC) Detecting Criteria.>
P1410	Secondary Air Injection System Switching Valve Stuck Open	<Ref. to GD(H4DOTC)-177, DTC P1410 SECONDARY AIR INJECTION SYSTEM SWITCHING VALVE STUCK OPEN, Diagnostic Trouble Code (DTC) Detecting Criteria.>
P1418	Secondary Air Injection System Control "A" Circuit Shorted	<Ref. to GD(H4DOTC)-178, DTC P1418 SECONDARY AIR INJECTION SYSTEM CONTROL "A" CIRCUIT SHORTED, Diagnostic Trouble Code (DTC) Detecting Criteria.>
P1420	Fuel Tank Pressure Control Sol. Valve Circuit High	<Ref. to GD(H4DOTC)-179, DTC P1420 FUEL TANK PRESSURE CONTROL SOL. VALVE CIRCUIT HIGH, Diagnostic Trouble Code (DTC) Detecting Criteria.>
P1443	Vent Control Solenoid Valve Function Problem	<Ref. to GD(H4DOTC)-181, DTC P1443 VENT CONTROL SOLENOID VALVE FUNCTION PROBLEM, Diagnostic Trouble Code (DTC) Detecting Criteria.>
P1491	Positive Crankcase Ventilation (Blow-by) Function Problem	<Ref. to GD(H4DOTC)-183, DTC P1491 POSITIVE CRANKCASE VENTILATION (BLOW-BY) FUNCTION PROBLEM, Diagnostic Trouble Code (DTC) Detecting Criteria.>
P1560	Back-Up Voltage Circuit Malfunction	<Ref. to GD(H4DOTC)-185, DTC P1560 BACK-UP VOLTAGE CIRCUIT MALFUNCTION, Diagnostic Trouble Code (DTC) Detecting Criteria.>
P1570	Antenna	<Ref. to GD(H4DOTC)-186, DTC P1570 ANTENNA, Diagnostic Trouble Code (DTC) Detecting Criteria.>
P1571	Reference Code Incompatibility	<Ref. to GD(H4DOTC)-186, DTC P1571 REFERENCE CODE INCOMPATIBILITY, Diagnostic Trouble Code (DTC) Detecting Criteria.>



# List of Diagnostic Trouble Code (DTC)

## GENERAL DESCRIPTION

DTC	Item	Index
P1572	IMM Circuit Failure (Except Antenna Circuit)	<Ref. to GD(H4DOTC)-186, DTC P1572 IMM CIRCUIT FAILURE (EXCEPT ANTENNA CIRCUIT), Diagnostic Trouble Code (DTC) Detecting Criteria.>
P1574	Key Communication Failure	<Ref. to GD(H4DOTC)-186, DTC P1574 KEY COMMUNICATION FAILURE, Diagnostic Trouble Code (DTC) Detecting Criteria.>
P1576	EGI Control Module EEPROM	<Ref. to GD(H4DOTC)-186, DTC P1576 EGI CONTROL MODULE EEPROM, Diagnostic Trouble Code (DTC) Detecting Criteria.>
P1577	IMM Control Module EEPROM	<Ref. to GD(H4DOTC)-186, DTC P1577 IMM CONTROL MODULE EEPROM, Diagnostic Trouble Code (DTC) Detecting Criteria.>
P1578	Meter Failure	<Ref. to GD(H4DOTC)-186, DTC P1578 METER FAILURE, Diagnostic Trouble Code (DTC) Detecting Criteria.>
P1602	Control Module Programming Error	<Ref. to GD(H4DOTC)-187, DTC P1602 CONTROL MODULE PROGRAMMING ERROR, Diagnostic Trouble Code (DTC) Detecting Criteria.>
P2004	Intake Manifold Runner Control Stuck Open (Bank 1)	<Ref. to GD(H4DOTC)-189, DTC P2004 INTAKE MANIFOLD RUNNER CONTROL STUCK OPEN (BANK 1), Diagnostic Trouble Code (DTC) Detecting Criteria.>
P2005	Intake Manifold Runner Control Stuck Open (Bank 2)	<Ref. to GD(H4DOTC)-190, DTC P2005 INTAKE MANIFOLD RUNNER CONTROL STUCK OPEN (BANK 2), Diagnostic Trouble Code (DTC) Detecting Criteria.>
P2006	Intake Manifold Runner Control Stuck Closed (Bank 1)	<Ref. to GD(H4DOTC)-191, DTC P2006 INTAKE MANIFOLD RUNNER CONTROL STUCK CLOSED (BANK 1), Diagnostic Trouble Code (DTC) Detecting Criteria.>
P2007	Intake Manifold Runner Control Stuck Closed (Bank 2)	<Ref. to GD(H4DOTC)-192, DTC P2007 INTAKE MANIFOLD RUNNER CONTROL STUCK CLOSED (BANK 2), Diagnostic Trouble Code (DTC) Detecting Criteria.>
P2008	Intake Manifold Runner Control Circuit / Open (Bank 1)	<Ref. to GD(H4DOTC)-193, DTC P2008 INTAKE MANIFOLD RUNNER CONTROL CIRCUIT / OPEN (BANK 1), Diagnostic Trouble Code (DTC) Detecting Criteria.>
P2009	Intake Manifold Runner Control Circuit Low (Bank 1)	<Ref. to GD(H4DOTC)-194, DTC P2009 INTAKE MANIFOLD RUNNER CONTROL CIRCUIT LOW (BANK 1), Diagnostic Trouble Code (DTC) Detecting Criteria.>
P2011	Intake Manifold Runner Control Circuit / Open (Bank 2)	<Ref. to GD(H4DOTC)-195, DTC P2011 INTAKE MANIFOLD RUNNER CONTROL CIRCUIT / OPEN (BANK 2), Diagnostic Trouble Code (DTC) Detecting Criteria.>
P2012	Intake Manifold Runner Control Circuit Low (Bank 2)	<Ref. to GD(H4DOTC)-196, DTC P2012 INTAKE MANIFOLD RUNNER CONTROL CIRCUIT LOW (BANK 2), Diagnostic Trouble Code (DTC) Detecting Criteria.>
P2016	Intake Manifold Runner Position Sensor / Switch Circuit Low (Bank 1)	<Ref. to GD(H4DOTC)-197, DTC P2016 INTAKE MANIFOLD RUNNER POSITION SENSOR / SWITCH CIRCUIT LOW (BANK 1), Diagnostic Trouble Code (DTC) Detecting Criteria.>
P2017	Intake Manifold Runner Position Sensor / Switch Circuit High (Bank 1)	<Ref. to GD(H4DOTC)-198, DTC P2017 INTAKE MANIFOLD RUNNER POSITION SENSOR / SWITCH CIRCUIT HIGH (BANK 1), Diagnostic Trouble Code (DTC) Detecting Criteria.>
P2021	Intake Manifold Runner Position Sensor / Switch Circuit Low (Bank 2)	<Ref. to GD(H4DOTC)-199, DTC P2021 INTAKE MANIFOLD RUNNER POSITION SENSOR / SWITCH CIRCUIT LOW (BANK 2), Diagnostic Trouble Code (DTC) Detecting Criteria.>
P2022	Intake Manifold Runner Position Sensor / Switch Circuit High (Bank 2)	<Ref. to GD(H4DOTC)-200, DTC P2022 INTAKE MANIFOLD RUNNER POSITION SENSOR / SWITCH CIRCUIT HIGH (BANK 2), Diagnostic Trouble Code (DTC) Detecting Criteria.>
P2088	Intake Camshaft Position Actuator Control Circuit Low (Bank 1)	<Ref. to GD(H4DOTC)-201, DTC P2088 INTAKE CAMSHAFT POSITION ACTUATOR CONTROL CIRCUIT LOW (BANK 1), Diagnostic Trouble Code (DTC) Detecting Criteria.>
P2089	Intake Camshaft Position Actuator Control Circuit High (Bank 1)	<Ref. to GD(H4DOTC)-202, DTC P2089 INTAKE CAMSHAFT POSITION ACTUATOR CONTROL CIRCUIT HIGH (BANK 1), Diagnostic Trouble Code (DTC) Detecting Criteria.>

## List of Diagnostic Trouble Code (DTC)

### GENERAL DESCRIPTION

DTC	Item	Index
P2092	Intake Camshaft Position Actuator Control Circuit Low (Bank 2)	<Ref. to GD(H4DOTC)-202, DTC P2092 INTAKE CAMSHAFT POSITION ACTUATOR CONTROL CIRCUIT LOW (BANK 2), Diagnostic Trouble Code (DTC) Detecting Criteria.>
P2093	Intake Camshaft Position Actuator Control Circuit High (Bank 2)	<Ref. to GD(H4DOTC)-202, DTC P2093 INTAKE CAMSHAFT POSITION ACTUATOR CONTROL CIRCUIT HIGH (BANK 2), Diagnostic Trouble Code (DTC) Detecting Criteria.>
P2096	Post Catalyst Fuel Trim System Too Lean (Bank 1)	<Ref. to GD(H4DOTC)-203, DTC P2096 POST CATALYST FUEL TRIM SYSTEM TOO LEAN (BANK 1), Diagnostic Trouble Code (DTC) Detecting Criteria.>
P2097	Post Catalyst Fuel Trim System Too Rich (Bank 1)	<Ref. to GD(H4DOTC)-205, DTC P2097 POST CATALYST FUEL TRIM SYSTEM TOO RICH (BANK 1), Diagnostic Trouble Code (DTC) Detecting Criteria.>
P2101	Throttle Actuator Control Motor Circuit Range/Performance	<Ref. to GD(H4DOTC)-207, DTC P2101 THROTTLE ACTUATOR CONTROL MOTOR CIRCUIT RANGE/PERFORMANCE, Diagnostic Trouble Code (DTC) Detecting Criteria.>
P2102	Throttle Actuator Control Motor Circuit Low	<Ref. to GD(H4DOTC)-208, DTC P2102 THROTTLE ACTUATOR CONTROL MOTOR CIRCUIT LOW, Diagnostic Trouble Code (DTC) Detecting Criteria.>
P2103	Throttle Actuator Control Motor Circuit High	<Ref. to GD(H4DOTC)-209, DTC P2103 THROTTLE ACTUATOR CONTROL MOTOR CIRCUIT HIGH, Diagnostic Trouble Code (DTC) Detecting Criteria.>
P2109	Throttle/Pedal Position Sensor "A" Minimum Stop Performance	<Ref. to GD(H4DOTC)-210, DTC P2109 THROTTLE/PEDAL POSITION SENSOR "A" MINIMUM STOP PERFORMANCE, Diagnostic Trouble Code (DTC) Detecting Criteria.>
P2122	Throttle/Pedal Position Sensor/Switch "D" Circuit Low Input	<Ref. to GD(H4DOTC)-211, DTC P2122 THROTTLE/PEDAL POSITION SENSOR/SWITCH "D" CIRCUIT LOW INPUT, Diagnostic Trouble Code (DTC) Detecting Criteria.>
P2123	Throttle/Pedal Position Sensor/Switch "D" Circuit High Input	<Ref. to GD(H4DOTC)-213, DTC P2123 THROTTLE/PEDAL POSITION SENSOR/SWITCH "D" CIRCUIT HIGH INPUT, Diagnostic Trouble Code (DTC) Detecting Criteria.>
P2127	Throttle/Pedal Position Sensor/Switch "E" Circuit Low Input	<Ref. to GD(H4DOTC)-215, DTC P2127 THROTTLE/PEDAL POSITION SENSOR/SWITCH "E" CIRCUIT LOW INPUT, Diagnostic Trouble Code (DTC) Detecting Criteria.>
P2128	Throttle/Pedal Position Sensor/Switch "E" Circuit High Input	<Ref. to GD(H4DOTC)-217, DTC P2128 THROTTLE/PEDAL POSITION SENSOR/SWITCH "E" CIRCUIT HIGH INPUT, Diagnostic Trouble Code (DTC) Detecting Criteria.>
P2135	Throttle/Pedal Position Sensor/Switch "A"/"B" Voltage Correlation	<Ref. to GD(H4DOTC)-219, DTC P2135 THROTTLE/PEDAL POSITION SENSOR/SWITCH "A"/"B" VOLTAGE CORRELATION, Diagnostic Trouble Code (DTC) Detecting Criteria.>
P2138	Throttle/Pedal Position Sensor/Switch "D"/"E" Voltage Correlation	<Ref. to GD(H4DOTC)-221, DTC P2138 THROTTLE/PEDAL POSITION SENSOR/SWITCH "D"/"E" VOLTAGE CORRELATION, Diagnostic Trouble Code (DTC) Detecting Criteria.>
P2419	Evaporative Emission System Switching Valve Control Circuit Low	<Ref. to GD(H4DOTC)-223, DTC P2419 EVAPORATIVE EMISSION SYSTEM SWITCHING VALVE CONTROL CIRCUIT LOW, Diagnostic Trouble Code (DTC) Detecting Criteria.>
P2420	Evaporative Emission System Switching Valve Control Circuit High	<Ref. to GD(H4DOTC)-224, DTC P2420 EVAPORATIVE EMISSION SYSTEM SWITCHING VALVE CONTROL CIRCUIT HIGH, Diagnostic Trouble Code (DTC) Detecting Criteria.>
P2431	Secondary Air Injection System Air Flow /Pressure Sensor Circuit Range/Performance	<Ref. to GD(H4DOTC)-225, DTC P2431 SECONDARY AIR INJECTION SYSTEM AIR FLOW /PRESSURE SENSOR CIRCUIT RANGE/PERFORMANCE, Diagnostic Trouble Code (DTC) Detecting Criteria.>
P2432	Secondary Air Injection System Air Flow /Pressure Sensor Circuit Low	<Ref. to GD(H4DOTC)-226, DTC P2432 SECONDARY AIR INJECTION SYSTEM AIR FLOW /PRESSURE SENSOR CIRCUIT LOW, Diagnostic Trouble Code (DTC) Detecting Criteria.>
P2433	Secondary Air Injection System Air Flow /Pressure Sensor Circuit High	<Ref. to GD(H4DOTC)-227, DTC P2433 SECONDARY AIR INJECTION SYSTEM AIR FLOW /PRESSURE SENSOR CIRCUIT HIGH, Diagnostic Trouble Code (DTC) Detecting Criteria.>

# List of Diagnostic Trouble Code (DTC)

GENERAL DESCRIPTION

DTC	Item	Index
P2440	Secondary Air Injection System Switching Valve Stuck Open (Bank1)	<Ref. to GD(H4DOTC)-228, DTC P2440 SECONDARY AIR INJECTION SYSTEM SWITCHING VALVE STUCK OPEN (BANK1), Diagnostic Trouble Code (DTC) Detecting Criteria.>
P2441	Secondary Air Injection System Switching Valve Stuck Closed (Bank 1)	<Ref. to GD(H4DOTC)-228, DTC P2441 SECONDARY AIR INJECTION SYSTEM SWITCHING VALVE STUCK CLOSED (BANK1), Diagnostic Trouble Code (DTC) Detecting Criteria.>
P2442	Secondary Air Injection System Switching Valve Stuck Open (Bank2)	<Ref. to GD(H4DOTC)-228, DTC P2442 SECONDARY AIR INJECTION SYSTEM SWITCHING VALVE STUCK OPEN (BANK2), Diagnostic Trouble Code (DTC) Detecting Criteria.>
P2443	Secondary Air Injection System Switching Valve Stuck Closed (Bank 2)	<Ref. to GD(H4DOTC)-228, DTC P2443 SECONDARY AIR INJECTION SYSTEM SWITCHING VALVE STUCK CLOSED (BANK2), Diagnostic Trouble Code (DTC) Detecting Criteria.>
P2444	Secondary Air Injection System Pump Stuck On	<Ref. to GD(H4DOTC)-229, DTC P2444 SECONDARY AIR INJECTION SYSTEM PUMP STUCK ON, Diagnostic Trouble Code (DTC) Detecting Criteria.>

# Diagnostic Trouble Code (DTC) Detecting Criteria

## GENERAL DESCRIPTION

## 2. Diagnostic Trouble Code (DTC) Detecting Criteria

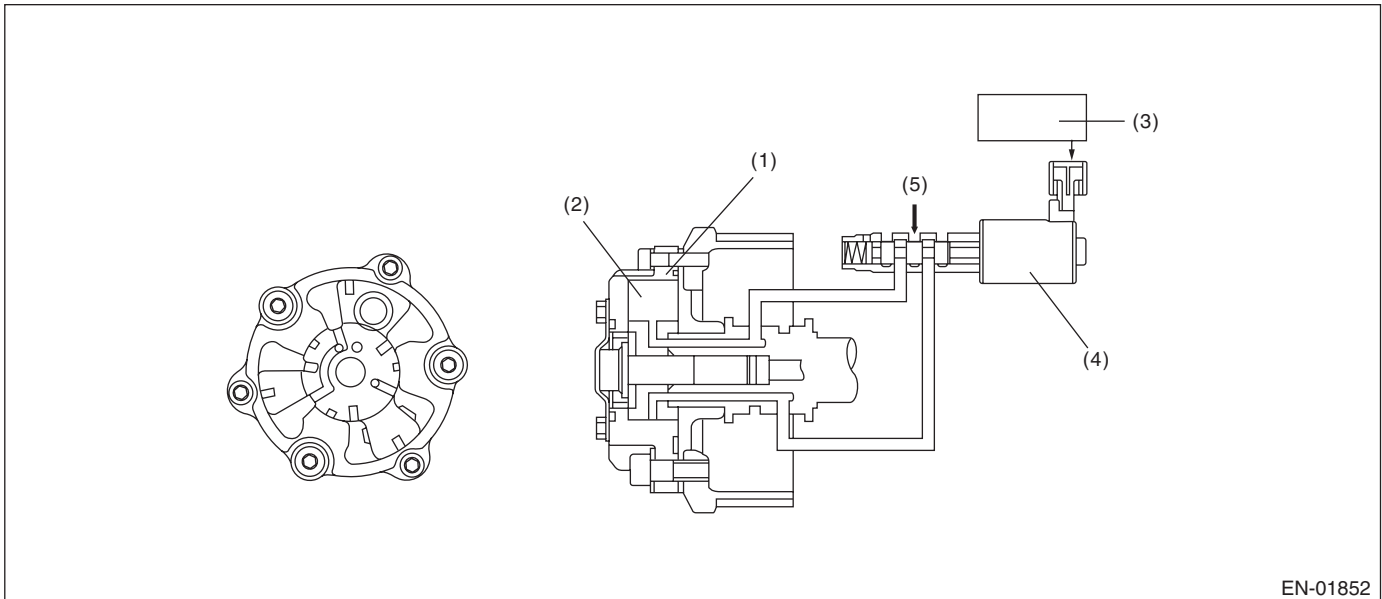
### A: DTC P0011 INTAKE CAMSHAFT POSITION - TIMING OVER-ADVANCED OR SYSTEM PERFORMANCE (BANK 1)

#### 1. OUTLINE OF DIAGNOSIS

Detect the AVCS system malfunction.

Judge NG when the amount of AVCS actual timing advance does not approach to the amount of AVCS target timing advance.

#### 2. COMPONENT DESCRIPTION



EN-01852

(1) AVCS timing controller

(3) Engine control module (ECM)

(5) Oil pressure

(2) Vane

(4) Oil flow control solenoid valve

#### 3. ENABLE CONDITIONS

Secondary Parameters	Enable Condition
Time of establishing all secondary parameter conditions	$\geq 3000$ ms
Battery voltage	$\geq 10.9$ V
Engine speed	$\geq 1300$ rpm
Engine coolant temperature	$\geq 60$ °C (140 °F)
AVCS control	Operation
Target timing advance change amount (per 64 ms)	$< 1.07$ °CA

#### 4. GENERAL DRIVING CYCLE

Perform the diagnosis continuously after warming up when the engine speed increases and AVCS operates.

# Diagnostic Trouble Code (DTC) Detecting Criteria

GENERAL DESCRIPTION

## 5. DIAGNOSTIC METHOD

- 1) When the conditions during which the differences of AVCS target timing advance amount and AVCS actual timing advance amount is large continues for certain amount of time.
- 2) When the differences of target timing advance amount and actual timing advance amount is calculated during AVCS control, and the difference per predetermined time is the specified value or larger.

### • Abnormality Judgement

Judge as NG when the following conditions are established within the predetermined time.

### Judgement Value

Malfunction Criteria	Threshold Value
$\Sigma(\text{Target position} - \text{Actual position})$	> 8000 °CA (AT model) (Bank 1) > 8000 °CA (AT model) (Bank 2) > 5300 °CA (MT model) (Bank 1) > 5300 °CA (MT model) (Bank 2)
or	
$\Sigma(\text{Target position} - \text{Actual position})$	< -8000 °CA (AT model) (Bank 1) < -8000 °CA (AT model) (Bank 2) < -5300 °CA (MT model) (Bank 1) < -5300 °CA (MT model) (Bank 2)

### Time Needed for Diagnosis:

- AT model: 30000 ms
- MT model: 20000 ms

**Malfunction Indicator Light Illumination:** Illuminates when malfunction occurs in 2 continuous driving cycles.

### • Normality Judgement

Judge as OK and clear the NG if the following conditions are established within the predetermined time.

### Judgement Value

Malfunction Criteria	Threshold Value
$\Sigma(\text{Target position} - \text{Actual position})$	$\leq 8000$ °CA (AT model) (Bank 1) $\leq 8000$ °CA (AT model) (Bank 2) $\leq 5300$ °CA (MT model) (Bank 1) $\leq 5300$ °CA (MT model) (Bank 2) and $\geq -8000$ °CA (AT model) (Bank 1) $\geq -8000$ °CA (AT model) (Bank 2) $\geq -5300$ °CA (MT model) (Bank 1) $\geq -5300$ °CA (MT model) (Bank 2)

### Time Needed for Diagnosis:

- AT model: 30000 ms
- MT model: 20000 ms

# Diagnostic Trouble Code (DTC) Detecting Criteria

## GENERAL DESCRIPTION

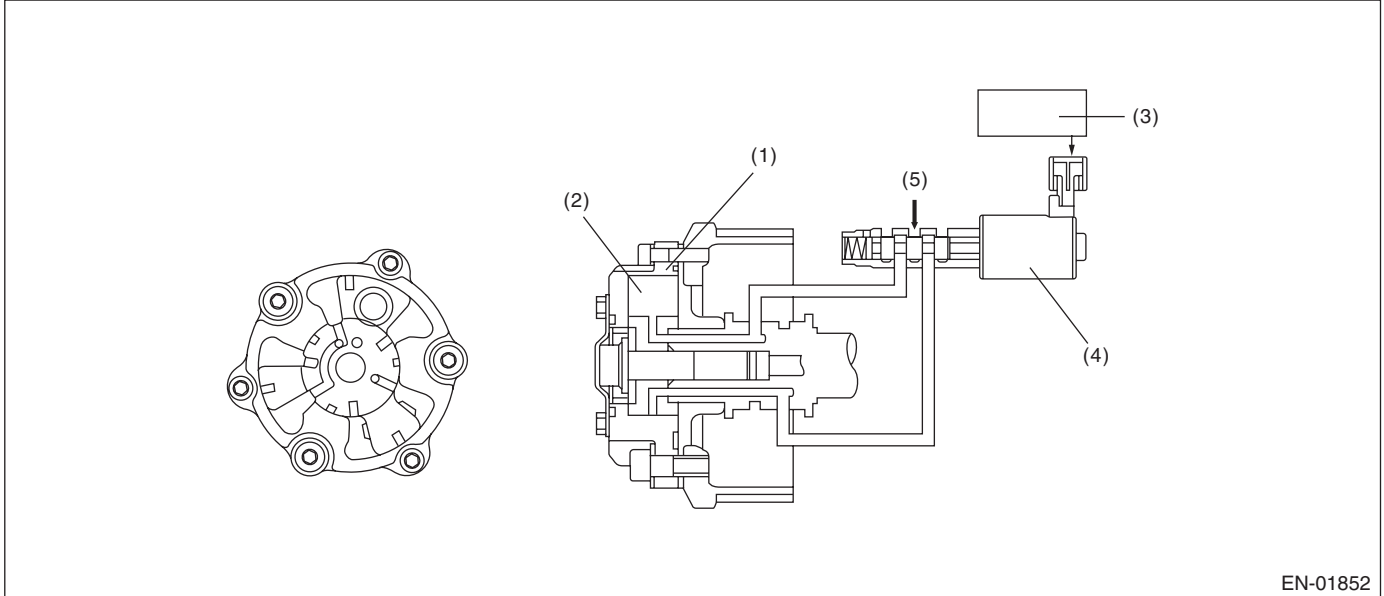
### B: DTC P0016 CRANKSHAFT POSITION - CAMSHAFT POSITION CORRELATION (BANK1)

#### 1. OUTLINE OF DIAGNOSIS

Detect the AVCS system malfunction.

Judge as NG when the timing advance is outside the normal range.

#### 2. COMPONENT DESCRIPTION



(1) AVCS timing controller

(3) Engine control module (ECM)

(5) Oil pressure

(2) Vane

(4) Oil flow control solenoid valve

#### 3. ENABLE CONDITIONS

Secondary Parameters	Enable Condition
Battery voltage	$\geq 10.9$ V
Engine speed	$\geq 500$ rpm
Engine coolant temperature	$\geq 60$ °C (140 °F)
AVCS control	Not in operation
Target timing advance	0°CA

#### 4. GENERAL DRIVING CYCLE

Perform the diagnosis continuously after starting engine and while AVCS is not operating.

# Diagnostic Trouble Code (DTC) Detecting Criteria

GENERAL DESCRIPTION

## 5. DIAGNOSTIC METHOD

Judge as NG when the cam sensor input position is not within the normal range.

### • Abnormality Judgement

If the duration of time while the following conditions are met is longer than the time indicated, judge as NG.

### Judgement Value

Malfunction Criteria	Threshold Value
Crank angle when the camshaft position sensor signal comes in	< BTDC 17 °CA (Bank 1) < BTDC 17 °CA (Bank 2) or > BTDC 55 °CA (Bank 1) > BTDC 55 °CA (Bank 2)

**Time Needed for Diagnosis:** 20000 ms

**Malfunction Indicator Light Illumination:** Illuminates when malfunction occurs in 2 continuous driving cycles.

### • Normality Judgement

Judge as OK and clear the NG if the continuous time while the following conditions are established is more than the predetermined time.

### Judgement Value

Malfunction Criteria	Threshold Value
Crank angle when the camshaft position sensor signal comes in	≥ BTDC 17 °CA (Bank 1) ≥ BTDC 17 °CA (Bank 2) and ≤ BTDC 55 °CA (Bank 1) ≤ BTDC 55 °CA (Bank 2)

**Time Needed for Diagnosis:** 1000 ms

## C: DTC P0018 CRANKSHAFT POSITION - CAMSHAFT POSITION CORRELATION (BANK2)

### 1. OUTLINE OF DIAGNOSIS

NOTE:

For the detection standard, refer to DTC P0016. <Ref. to GD(H4DOTC)-12, DTC P0016 CRANKSHAFT POSITION - CAMSHAFT POSITION CORRELATION (BANK1), Diagnostic Trouble Code (DTC) Detecting Criteria.>

## D: DTC P0021 INTAKE CAMSHAFT POSITION - TIMING OVER-ADVANCED OR SYSTEM PERFORMANCE (BANK 2)

### 1. OUTLINE OF DIAGNOSIS

NOTE:

For the detection standard, refer to DTC P0011. <Ref. to GD(H4DOTC)-10, DTC P0011 INTAKE CAMSHAFT POSITION - TIMING OVER-ADVANCED OR SYSTEM PERFORMANCE (BANK 1), Diagnostic Trouble Code (DTC) Detecting Criteria.>

# Diagnostic Trouble Code (DTC) Detecting Criteria

## GENERAL DESCRIPTION

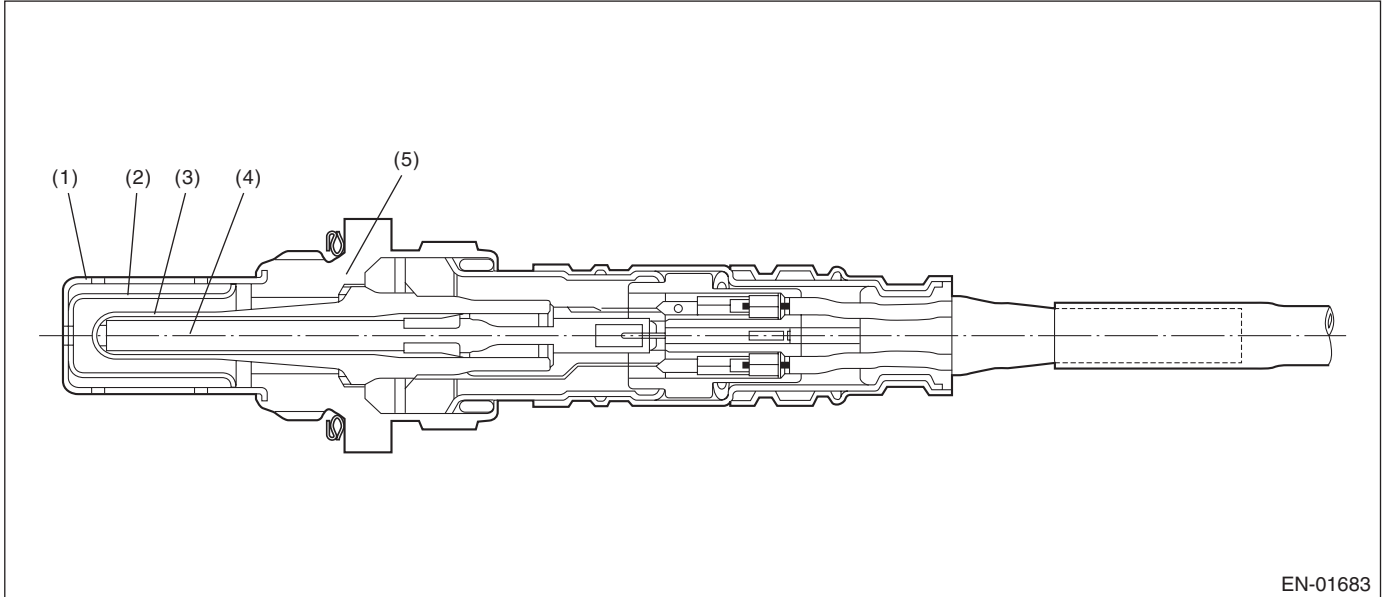
### E: DTC P0030 HO2S HEATER CONTROL CIRCUIT (BANK 1 SENSOR 1)

#### 1. OUTLINE OF DIAGNOSIS

Detect functional errors of the front oxygen (A/F) sensor heater.

Judge as NG when it is determined that the front oxygen (A/F) sensor impedance is large when looking at engine status such as deceleration fuel cut.

#### 2. COMPONENT DESCRIPTION



(1) Element cover (outer)

(2) Element cover (inner)

(3) Sensor element

(4) Ceramic heater

(5) Sensor housing

#### 3. ENABLE CONDITIONS

Secondary Parameters	Enable Condition
Condition established time	$\geq 42000$ ms
Battery voltage	$\geq 10.9$ V
Heater current	Permitted
Control duty $\geq 35$ %	Experienced
After fuel cut	$\geq 20000$ ms

#### 4. GENERAL DRIVING CYCLE

Perform the diagnosis continuously after 42000 ms seconds or more have passed since the engine started.



# Diagnostic Trouble Code (DTC) Detecting Criteria

GENERAL DESCRIPTION

## 5. DIAGNOSTIC METHOD

### • Abnormality Judgement

If the duration of time while the following conditions are met is longer than the time indicated, judge as NG.

#### Judgement Value

Malfunction Criteria	Threshold Value
Front oxygen (A/F) sensor impedance	> 50 $\Omega$

**Time Needed for Diagnosis:** 10000 ms

**Malfunction Indicator Light Illumination:** Illuminates when malfunction occurs in 2 continuous driving cycles.

### • Normality Judgement

Judge as OK and clear the NG if the continuous time while the following conditions are established is more than the predetermined time.

#### Judgement Value

Malfunction Criteria	Threshold Value
Front oxygen (A/F) sensor impedance	$\leq$ 50 $\Omega$

**Time Needed for Diagnosis:** 10000 ms

# Diagnostic Trouble Code (DTC) Detecting Criteria

## GENERAL DESCRIPTION

### F: DTC P0031 HO2S HEATER CONTROL CIRCUIT LOW (BANK 1 SENSOR 1)

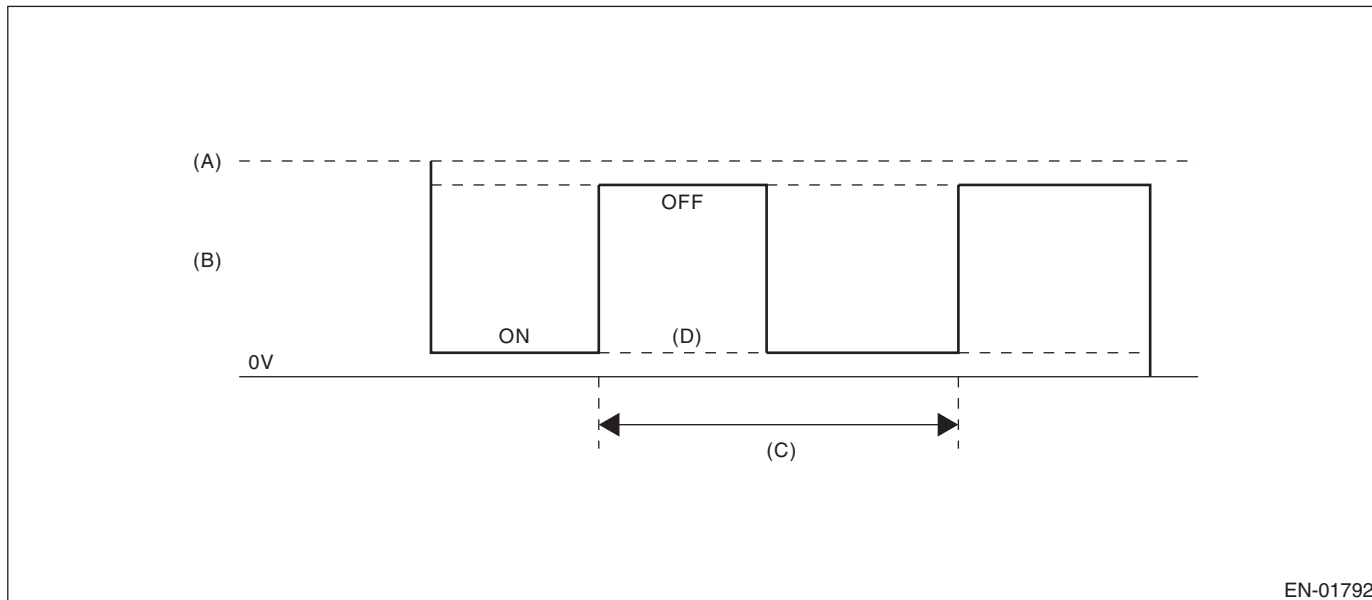
#### 1. OUTLINE OF DIAGNOSIS

Detect front oxygen (A/F) sensor heater open or short circuit.

The front oxygen (A/F) sensor heater performs duty control, and the output terminal voltage at ON is 0 V, and the output terminal voltage at OFF is the battery voltage.

Judge as NG when the terminal voltage remains Low.

#### 2. COMPONENT DESCRIPTION



(A) Battery voltage

(B) Front oxygen (A/F) sensor heater  
output voltage

(C) 128 milliseconds

(D) Low error

#### 3. ENABLE CONDITIONS

Secondary Parameters	Enable Condition
Battery voltage	$\geq 10.9$ V

#### 4. GENERAL DRIVING CYCLE

Always perform the diagnosis continuously.

# Diagnostic Trouble Code (DTC) Detecting Criteria

GENERAL DESCRIPTION

## 5. DIAGNOSTIC METHOD

### • Abnormality Judgement

If the duration of time while the following conditions are met is longer than the time indicated, judge as NG.

### Judgement Value

Malfunction Criteria	Threshold Value
Output voltage level	Low
Front oxygen (A/F) sensor heater control duty	< 87.5 %

**Time Needed for Diagnosis:** 4 ms × 250 time(s)

**Malfunction Indicator Light Illumination:** Illuminates as soon as a malfunction occurs.

### • Normality Judgement

Judge as OK and clear the NG if the continuous time while the following conditions are established is more than the predetermined time.

### Judgement Value

Malfunction Criteria	Threshold Value
Output voltage level	High

**Time Needed for Diagnosis:** Less than 1 second

# Diagnostic Trouble Code (DTC) Detecting Criteria

## GENERAL DESCRIPTION

### G: DTC P0032 HO2S HEATER CONTROL CIRCUIT HIGH (BANK 1 SENSOR 1)

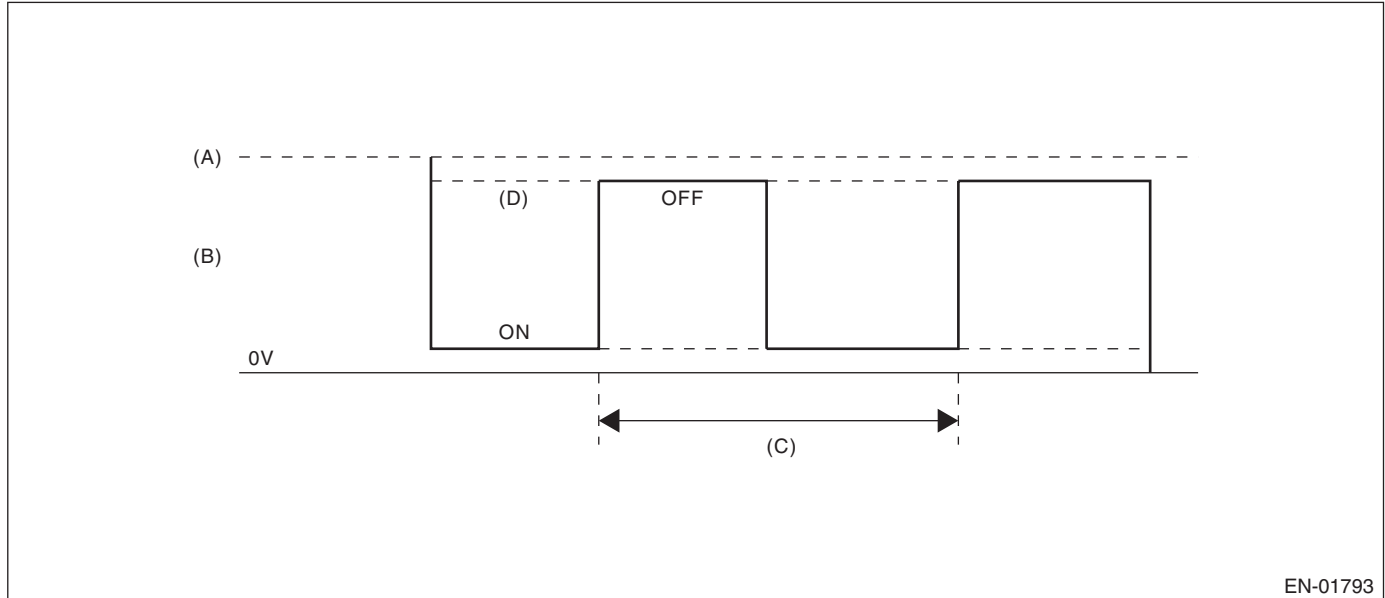
#### 1. OUTLINE OF DIAGNOSIS

Detect front oxygen (A/F) sensor heater open or short circuit.

The front oxygen (A/F) sensor heater performs duty control, and the output terminal voltage at ON is 0 V, and the output terminal voltage at OFF is the battery voltage.

Judge as NG when the terminal voltage remains High.

#### 2. COMPONENT DESCRIPTION



(A) Battery voltage

(B) Front oxygen (A/F) sensor heater  
output voltage

(C) 128 milliseconds

(D) High error

#### 3. ENABLE CONDITIONS

Secondary Parameters	Enable Condition
Battery voltage	$\geq 10.9 \text{ V}$

#### 4. GENERAL DRIVING CYCLE

Always perform the diagnosis continuously.

# Diagnostic Trouble Code (DTC) Detecting Criteria

GENERAL DESCRIPTION

## 5. DIAGNOSTIC METHOD

### • Abnormality Judgement

If the duration of time while the following conditions are met is longer than the time indicated, judge as NG.

### Judgement Value

Malfunction Criteria	Threshold Value
Output voltage level	High
Front oxygen (A/F) sensor heater control duty	$\geq 12.5 \%$

**Time Needed for Diagnosis:** 4 ms  $\times$  500 time(s)

**Malfunction Indicator Light Illumination:** Illuminates as soon as a malfunction occurs.

### • Normality Judgement

Judge as OK and clear the NG if the continuous time while the following conditions are established is more than the predetermined time.

### Judgement Value

Malfunction Criteria	Threshold Value
Output voltage level	Low

**Time Needed for Diagnosis:** Less than 1 second

# Diagnostic Trouble Code (DTC) Detecting Criteria

## GENERAL DESCRIPTION

### H: DTC P0037 HO2S HEATER CONTROL CIRCUIT LOW (BANK 1 SENSOR 2)

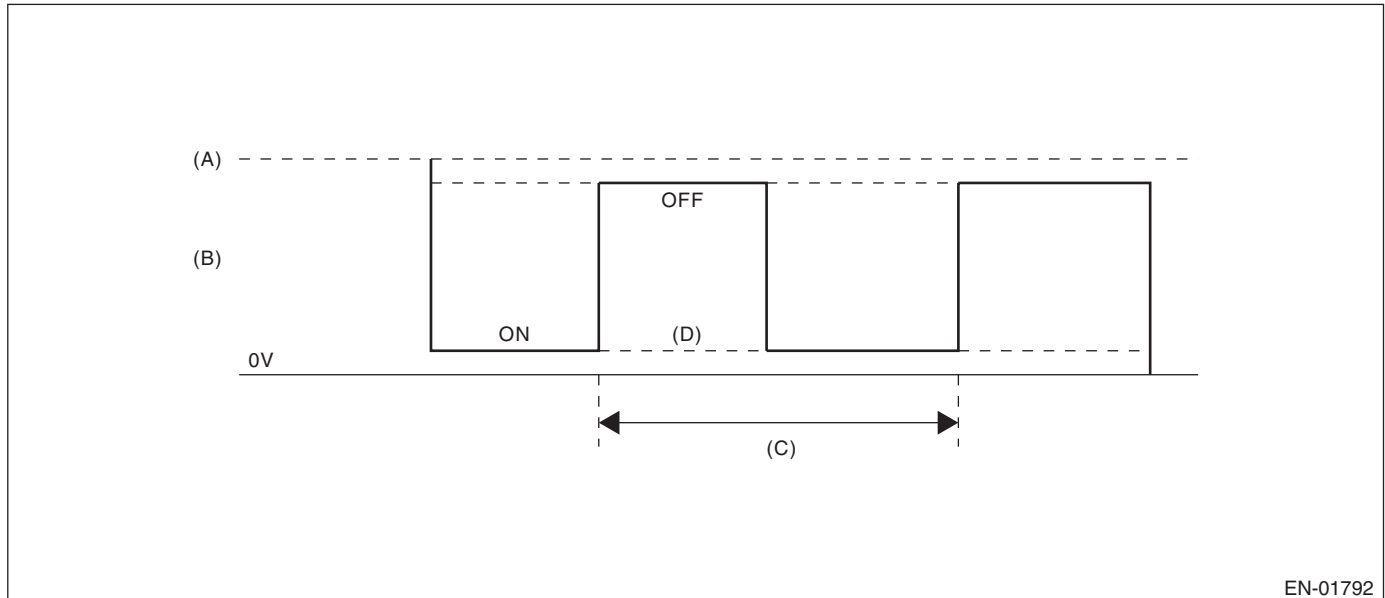
#### 1. OUTLINE OF DIAGNOSIS

Detect the rear oxygen sensor heater open or short circuit.

The rear oxygen sensor heater performs duty control, and the output terminal voltage at ON is 0 V, and the output terminal voltage at OFF is the battery voltage.

Judge as NG when the terminal voltage remains Low.

#### 2. COMPONENT DESCRIPTION



(A) Battery voltage

(B) Output voltage of the rear oxygen sensor heater

(C) 256 milliseconds (cycles)

(D) Low error

#### 3. ENABLE CONDITIONS

Secondary Parameters	Enable Condition
Battery voltage	$\geq 10.9$ V
Elapsed time after engine starting	$\geq 1$ second
Engine speed	$< 8000$ rpm

#### 4. GENERAL DRIVING CYCLE

After starting the engine, perform the diagnosis continuously when engine is low speed.

# Diagnostic Trouble Code (DTC) Detecting Criteria

GENERAL DESCRIPTION

## 5. DIAGNOSTIC METHOD

### • Abnormality Judgement

If the duration of time while the following conditions are met is longer than the time indicated, judge as NG.

### Judgement Value

Malfunction Criteria	Threshold Value
Output voltage level	Low
Rear oxygen sensor heater control duty	< 75 %

**Time Needed for Diagnosis:** 8 ms × 320 time(s)

**Malfunction Indicator Light Illumination:** Illuminates when malfunction occurs in 2 continuous driving cycles.

### • Normality Judgement

Judge as OK and clear the NG if the continuous time while the following conditions are established is more than the predetermined time.

### Judgement Value

Malfunction Criteria	Threshold Value
Output voltage level	High

**Time Needed for Diagnosis:** Less than 1 second

# Diagnostic Trouble Code (DTC) Detecting Criteria

## GENERAL DESCRIPTION

### I: DTC P0038 HO2S HEATER CONTROL CIRCUIT HIGH (BANK 1 SENSOR 2)

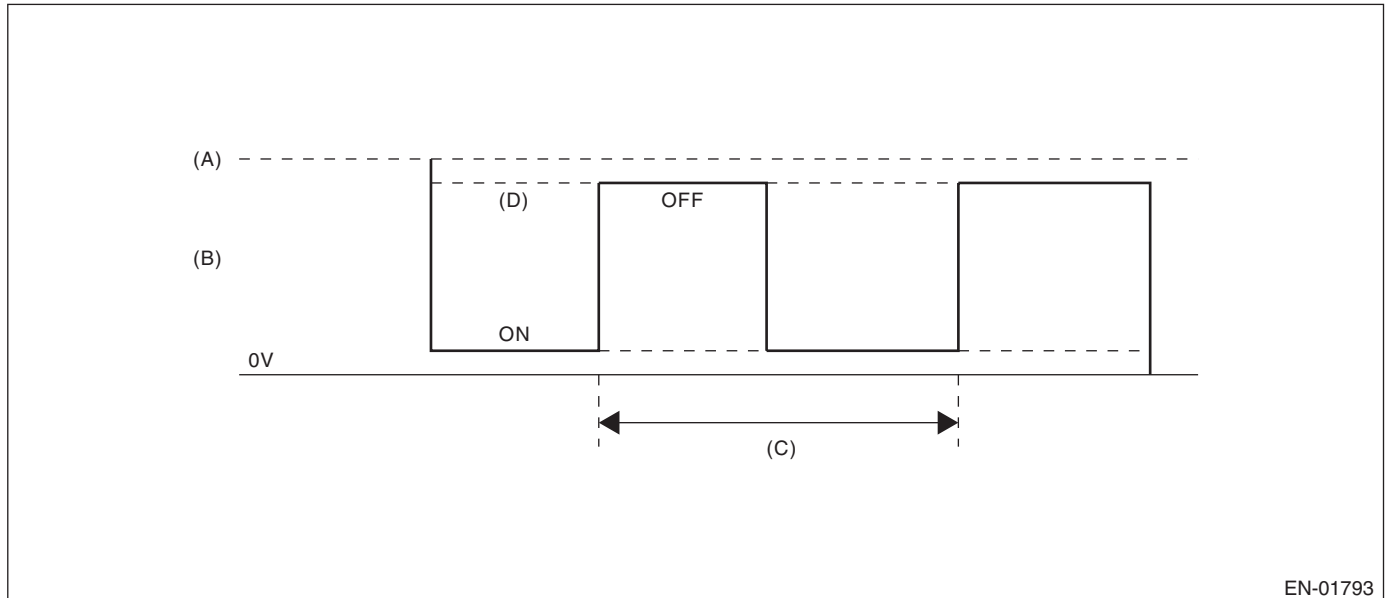
#### 1. OUTLINE OF DIAGNOSIS

Detect the rear oxygen sensor heater open or short circuit.

The rear oxygen sensor heater performs duty control, and the output terminal voltage at ON is 0 V, and the output terminal voltage at OFF is the battery voltage.

Judge as NG when the terminal voltage remains High.

#### 2. COMPONENT DESCRIPTION



(A) Battery voltage

(B) Output voltage of the rear oxygen sensor heater

(C) 256 milliseconds (cycles)

(D) High error

#### 3. ENABLE CONDITIONS

Secondary Parameters	Enable Condition
Battery voltage	$\geq 10.9 \text{ V}$
Elapsed time after engine starting	$\geq 1 \text{ second}$
Engine speed	$< 8000 \text{ rpm}$

#### 4. GENERAL DRIVING CYCLE

After starting the engine, perform the diagnosis continuously when engine is low speed.



# Diagnostic Trouble Code (DTC) Detecting Criteria

GENERAL DESCRIPTION

## 5. DIAGNOSTIC METHOD

### • Abnormality Judgement

If the duration of time while the following conditions are met is longer than the time indicated, judge as NG.

### Judgement Value

Malfunction Criteria	Threshold Value
Output voltage level	High
Rear oxygen sensor heater control duty	≥ 25 %

**Time Needed for Diagnosis:** 8 ms × 320 time(s)

**Malfunction Indicator Light Illumination:** Illuminates when malfunction occurs in 2 continuous driving cycles.

### • Normality Judgement

Judge as OK and clear the NG if the continuous time while the following conditions are established is more than the predetermined time.

### Judgement Value

Malfunction Criteria	Threshold Value
Output voltage level	Low

**Time Needed for Diagnosis:** Less than 1 second

# Diagnostic Trouble Code (DTC) Detecting Criteria

## GENERAL DESCRIPTION

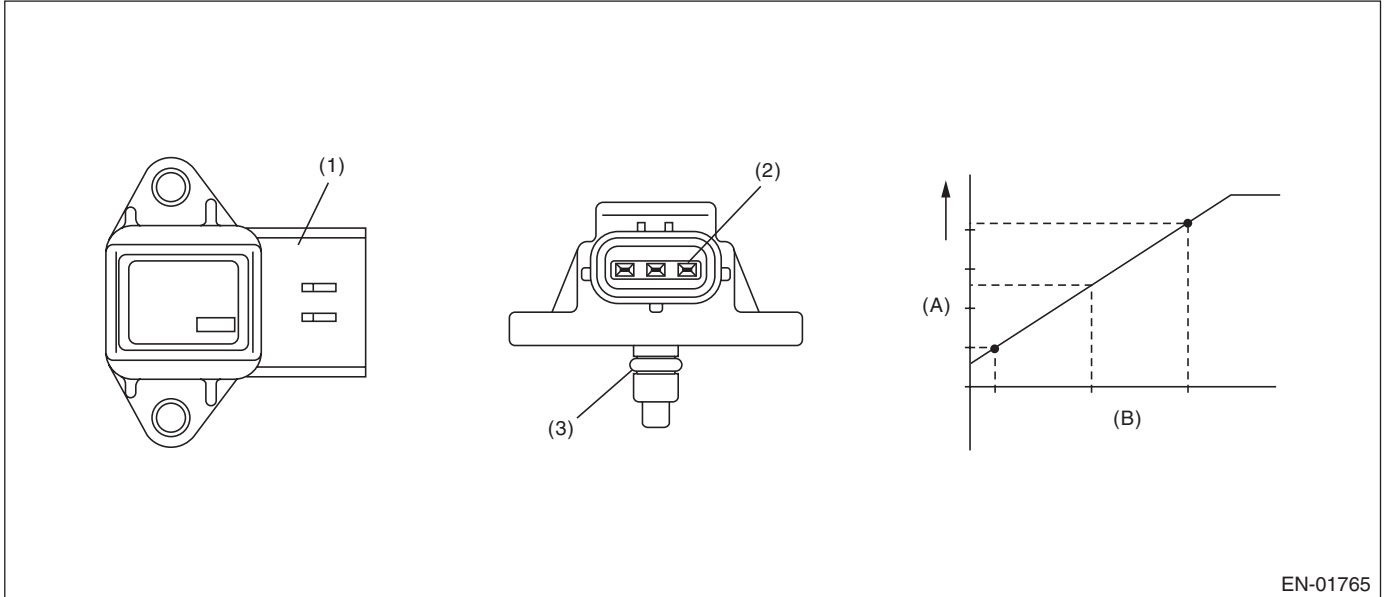
### J: DTC P0068 MAP/MAF - THROTTLE POSITION CORRELATION

#### 1. OUTLINE OF DIAGNOSIS

Detect problems in the intake manifold pressure sensor output properties.

Judge as NG when the intake air pressure AD value is Low whereas it seemed to be High from the viewpoint of engine condition, or when it is High whereas it seemed to be Low from the engine condition.

#### 2. COMPONENT DESCRIPTION



EN-01765

(A) Output voltage

(B) Absolute pressure

(1) Connector

(2) Terminals

(3) O-ring

#### 3. ENABLE CONDITIONS

Secondary Parameters	Enable Condition
Engine coolant temperature	$\geq 70\text{ }^{\circ}\text{C}$ (158 °F)

#### 4. GENERAL DRIVING CYCLE

Perform the diagnosis continuously after idling.

# Diagnostic Trouble Code (DTC) Detecting Criteria

GENERAL DESCRIPTION

## 5. DIAGNOSTIC METHOD

### • Abnormality Judgement

Judge as NG when Low side or High side becomes NG.

If the duration of time while the following conditions are met is longer than the time indicated, judge as NG.

### Judgement Value

Malfunction Criteria	Threshold Value
<b>Low</b>	
Engine speed	< 2500 rpm
Throttle position	$\geq 10^\circ$
Output voltage	< 1 V
Engine load	> 1.356 g/rev (0.05 oz/rev)
<b>High</b>	
Engine speed	600 rpm — 900 rpm
Throttle position	< 2.75 °
Output voltage	$\geq 2.36$ V
Engine load	< 0.4 g/rev (0.01 oz/rev)

### Time Needed for Diagnosis:

Low side: 3000 ms

High side: 3000 ms

**Malfunction Indicator Light Illumination:** Illuminates when malfunction occurs in 2 continuous driving cycles.

### • Normality Judgement

Judge as OK and clear the NG when both Low side and High side become OK.

If the duration of time while the following conditions are met is longer than the time indicated, judge as OK.

### Judgement Value

Malfunction Criteria	Threshold Value
<b>Low</b>	
Engine speed	< 2500 rpm
Throttle position	$\geq 10^\circ$
Output voltage	$\geq 1$ V
Engine load	> 1.356 g/rev (0.05 oz/rev)
<b>High</b>	
Engine speed	600 rpm — 900 rpm
Throttle position	< 2.75 °
Output voltage	< 2.36 V
Engine load	< 0.4 g/rev (0.01 oz/rev)

### Time Needed for Diagnosis:

Low side: Less than 1 second

High side: Less than 1 second

# Diagnostic Trouble Code (DTC) Detecting Criteria

## GENERAL DESCRIPTION

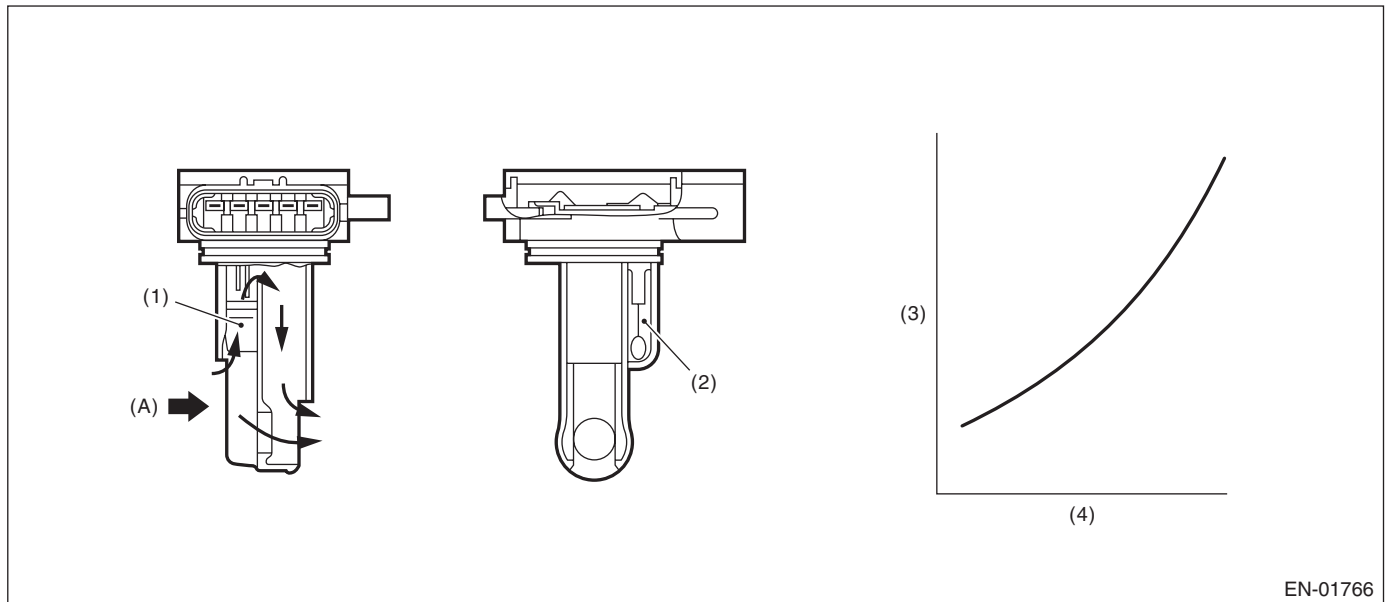
### K: DTC P0101 MASS OR VOLUME AIR FLOW CIRCUIT RANGE/PERFORMANCE

#### 1. OUTLINE OF DIAGNOSIS

Detect the malfunction of air flow sensor output properties.

Judge as a low side NG when the air flow voltage indicates a small value regardless of running in a state where the air flow voltage increases. Judge as a high side NG when the air flow voltage indicates a large value regardless of running in a state where the air flow voltage decreases. Judge air flow sensor property NG when the Low side or High side becomes NG.

#### 2. COMPONENT DESCRIPTION



(A) Air

(1) Air flow sensor

(2) Intake air temperature sensor

(3) Voltage (V)

(4) Amount of intake air (kg (lb)/s)

#### 3. ENABLE CONDITIONS

Secondary Parameters	Enable Condition
Engine coolant temperature	$\geq 70\text{ }^{\circ}\text{C}$ (158 °F)

#### 4. GENERAL DRIVING CYCLE

Perform the diagnosis continuously after idling.

# Diagnostic Trouble Code (DTC) Detecting Criteria

GENERAL DESCRIPTION

## 5. DIAGNOSTIC METHOD

### • Abnormality Judgement

Judge as NG when Low side or High side becomes NG.

If the duration of time while the following conditions are met is longer than the time indicated, judge as NG.

### Judgement Value

Malfunction Criteria	Threshold Value
<b>Low</b>	
Output voltage	< 1.5 V
Engine speed	≥ 2500 rpm
Throttle opening angle	≥ 15 °
Intake manifold pressure	≥ 53.3 kPa (400 mmHg, 15.7 inHg)
<b>High (1)</b>	
Output voltage	≥ 1.95 V
Engine speed	600 rpm — 900 rpm
Throttle opening angle	< 4.1 °
Intake manifold pressure	< 52.7 kPa (395 mmHg, 15.6 inHg)
<b>High (2)</b>	
Output voltage	≥ 1.70 V
Engine speed	600 rpm — 900 rpm
Throttle opening angle	< 4.1 °
Intake manifold pressure	< 52.7 kPa (395 mmHg, 15.6 inHg)
Fuel system diagnosis	Rich side malfunction

### Time Needed for Diagnosis:

Low: 3000 ms

High: 10000 ms

**Malfunction Indicator Light Illumination:** Illuminates when malfunction occurs in 2 continuous driving cycles.

### • Normality Judgement

Judge as OK and clear the NG when both Low side and High side become OK.

Judge as OK and clear the NG if the continuous time while the following conditions are established is more than the predetermined time.

### Judgement Value

Malfunction Criteria	Threshold Value
<b>Low</b>	
Output voltage	≥ 1.5 V
Engine speed	≥ 2500 rpm
Throttle opening angle	≥ 15 °
Intake manifold pressure	≥ 53.3 kPa (400 mmHg, 15.7 inHg)
<b>High</b>	
Output voltage	< 1.95 V
Engine speed	600 rpm — 900 rpm
Throttle opening angle	< 4.1 °
Intake manifold pressure	< 52.7 kPa (395 mmHg, 15.6 inHg)
Fuel system diagnosis	Rich side normal

### Time Needed for Diagnosis:

Low: Less than 1 second

High: Less than 1 second

# Diagnostic Trouble Code (DTC) Detecting Criteria

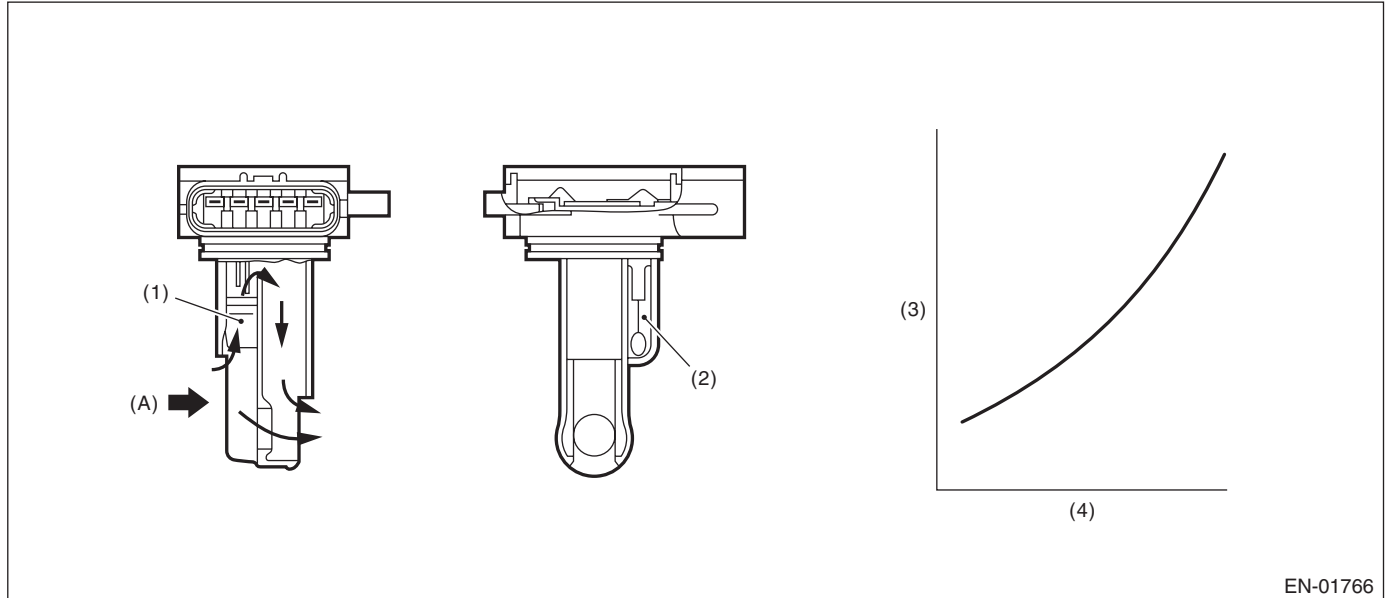
## GENERAL DESCRIPTION

### L: DTC P0102 MASS OR VOLUME AIR FLOW CIRCUIT LOW INPUT

#### 1. OUTLINE OF DIAGNOSIS

Detect open or short circuits of the air flow sensor.  
Judge as NG if out of specification.

#### 2. COMPONENT DESCRIPTION



(A) Air

(1) Air flow sensor

(3) Voltage (V)

(4) Amount of intake air (kg (lb)/s)

(2) Intake air temperature sensor

#### 3. ENABLE CONDITIONS

Secondary Parameters	Enable Condition
None	

#### 4. GENERAL DRIVING CYCLE

Always perform the diagnosis continuously.

#### 5. DIAGNOSTIC METHOD

##### • Abnormality Judgement

If the duration of time while the following conditions are met is longer than the time indicated, judge as NG.

##### Judgement Value

Malfunction Criteria	Threshold Value
Output voltage	$\leq 0.22$ V

**Time Needed for Diagnosis:** 500 ms

**Malfunction Indicator Light Illumination:** Illuminates as soon as a malfunction occurs.

##### • Normality Judgement

Judge as OK and clear the NG if the continuous time while the following conditions are established is more than the predetermined time.

##### Judgement Value

Malfunction Criteria	Threshold Value
Output voltage	$> 0.22$ V

**Time Needed for Diagnosis:** Less than 1 second

# Diagnostic Trouble Code (DTC) Detecting Criteria

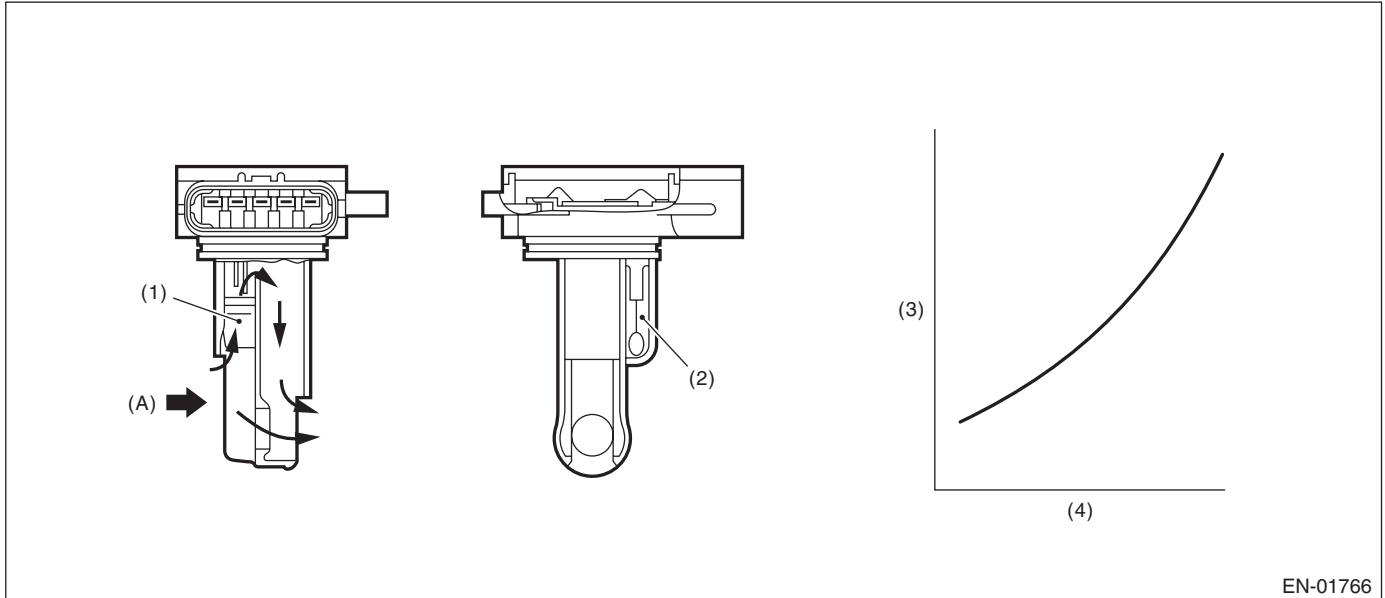
GENERAL DESCRIPTION

## M: DTC P0103 MASS OR VOLUME AIR FLOW CIRCUIT HIGH INPUT

### 1. OUTLINE OF DIAGNOSIS

Detect open or short circuits of the air flow sensor.  
Judge as NG if out of specification.

### 2. COMPONENT DESCRIPTION



EN-01766

(A) Air

(1) Air flow sensor

(3) Voltage (V)

(4) Amount of intake air (kg (lb)/s)

(2) Intake air temperature sensor

### 3. ENABLE CONDITIONS

Secondary Parameters	Enable Condition
None	

### 4. GENERAL DRIVING CYCLE

Always perform the diagnosis continuously.

### 5. DIAGNOSTIC METHOD

#### • Abnormality Judgement

If the duration of time while the following conditions are met is longer than the time indicated, judge as NG.

#### Judgement Value

Malfunction Criteria	Threshold Value
Output voltage	$\geq 4.98$ V

**Time Needed for Diagnosis:** 500 ms

**Malfunction Indicator Light Illumination:** Illuminates as soon as a malfunction occurs.

#### • Normality Judgement

Judge as OK and clear the NG if the continuous time while the following conditions are established is more than the predetermined time.

#### Judgement Value

Malfunction Criteria	Threshold Value
Output voltage	$< 4.98$ V

**Time Needed for Diagnosis:** Less than 1 second

# Diagnostic Trouble Code (DTC) Detecting Criteria

## GENERAL DESCRIPTION

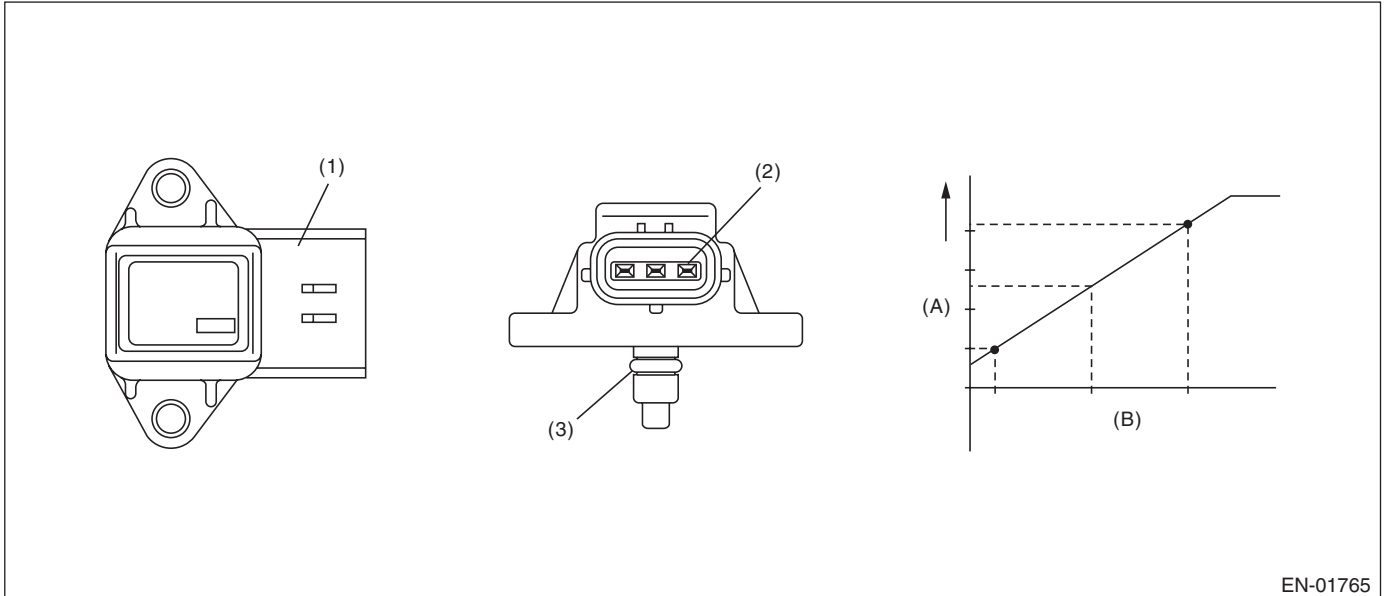
### N: DTC P0107 MANIFOLD ABSOLUTE PRESSURE/BAROMETRIC PRESSURE CIRCUIT LOW INPUT

#### 1. OUTLINE OF DIAGNOSIS

Detect the open or short circuit of intake manifold pressure sensor.

Judge as NG if out of specification.

#### 2. COMPONENT DESCRIPTION



EN-01765

(A) Output voltage

(B) Absolute pressure

(1) Connector

(2) Terminals

(3) O-ring

#### 3. ENABLE CONDITIONS

Secondary Parameters	Enable Condition
None	

#### 4. GENERAL DRIVING CYCLE

Always perform the diagnosis continuously.

#### 5. DIAGNOSTIC METHOD

##### • Abnormality Judgement

If the duration of time while the following conditions are met is longer than the time indicated, judge as NG.

##### Judgement Value

Malfunction Criteria	Threshold Value
Output voltage	$\leq 0.573$ V

**Time Needed for Diagnosis:** 500 ms

**Malfunction Indicator Light Illumination:** Illuminates as soon as a malfunction occurs.

##### • Normality Judgement

Judge as OK and clear the NG if the continuous time while the following conditions are established is more than the predetermined time.

##### Judgement Value

Malfunction Criteria	Threshold Value
Output voltage	$> 0.573$ V

**Time Needed for Diagnosis:** Less than 1 second



# Diagnostic Trouble Code (DTC) Detecting Criteria

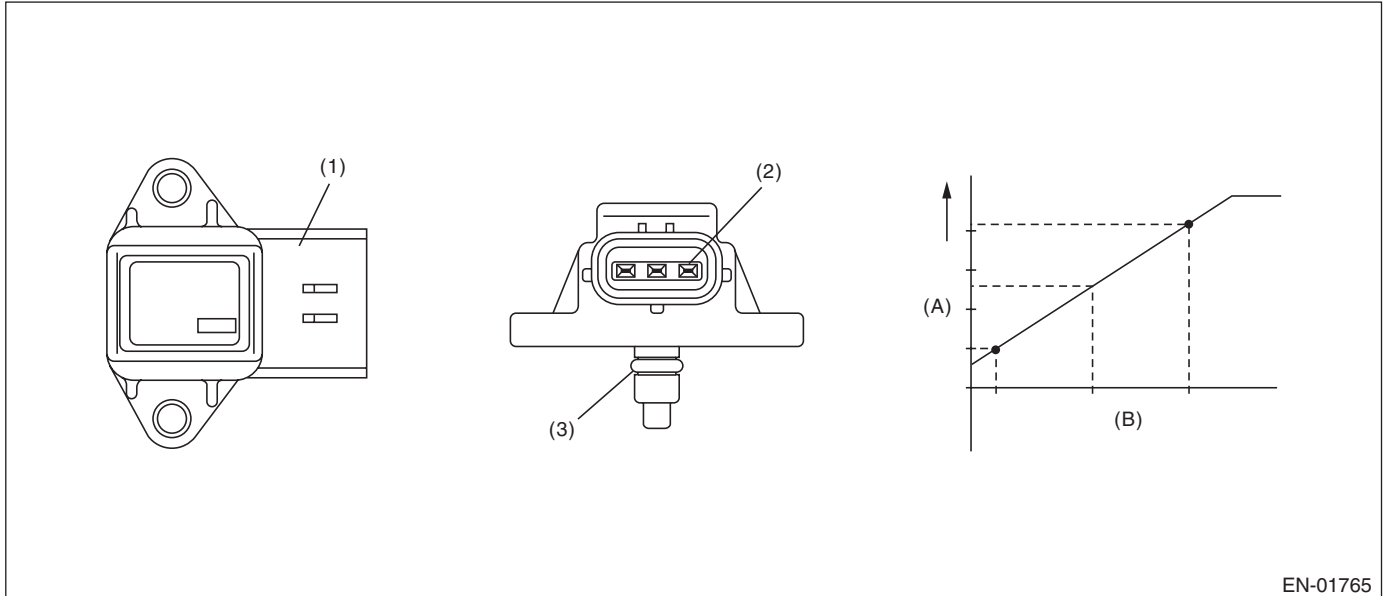
GENERAL DESCRIPTION

## O: DTC P0108 MANIFOLD ABSOLUTE PRESSURE/BAROMETRIC PRESSURE CIRCUIT HIGH INPUT

### 1. OUTLINE OF DIAGNOSIS

Detect the open or short circuit of intake manifold pressure sensor.  
Judge as NG if out of specification.

### 2. COMPONENT DESCRIPTION



EN-01765

(A) Output voltage

(B) Absolute pressure

(1) Connector

(2) Terminals

(3) O-ring

### 3. ENABLE CONDITIONS

Secondary Parameters	Enable Condition
None	

### 4. GENERAL DRIVING CYCLE

Always perform the diagnosis continuously.

### 5. DIAGNOSTIC METHOD

#### • Abnormality Judgement

If the duration of time while the following conditions are met is longer than the time indicated, judge as NG.

#### Judgement Value

Malfunction Criteria	Threshold Value
Output voltage	$\geq 4.596499186$ V

**Time Needed for Diagnosis:** 500 ms

**Malfunction Indicator Light Illumination:** Illuminates as soon as a malfunction occurs.

#### • Normality Judgement

Judge as OK and clear the NG if the continuous time while the following conditions are established is more than the predetermined time.

#### Judgement Value

Malfunction Criteria	Threshold Value
Output voltage	$< 4.596499186$ V

**Time Needed for Diagnosis:** Less than 1 second

# Diagnostic Trouble Code (DTC) Detecting Criteria

## GENERAL DESCRIPTION

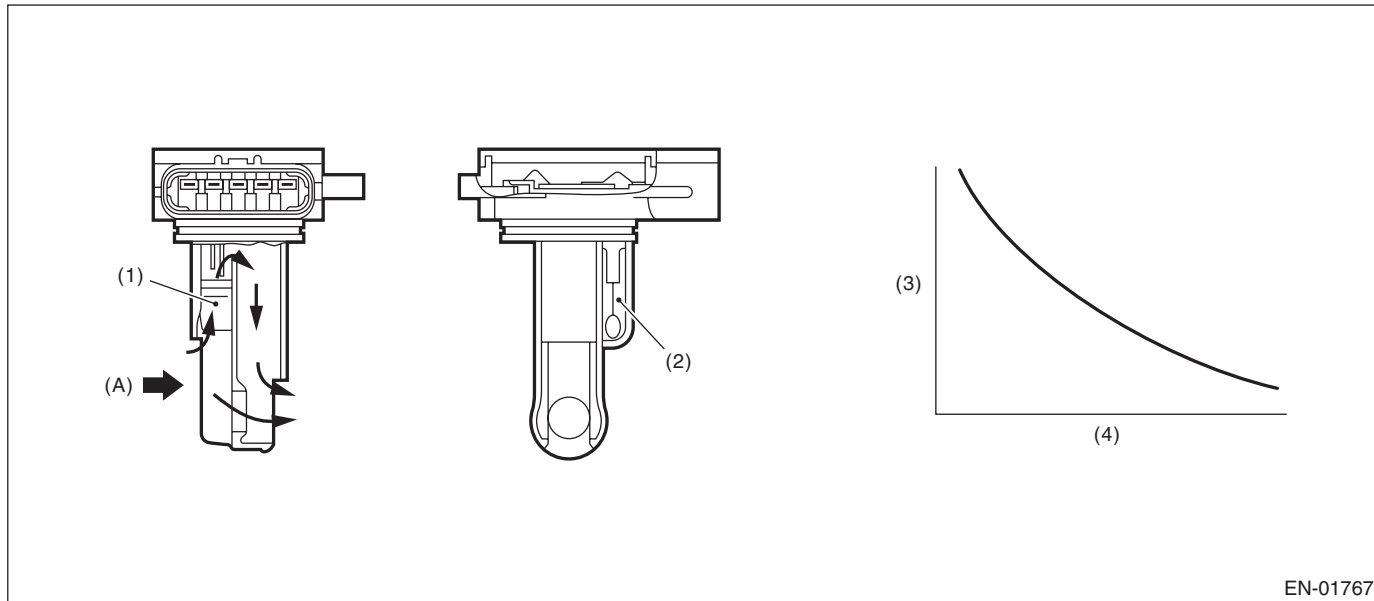
### P: DTC P0111 INTAKE AIR TEMPERATURE SENSOR 1 CIRCUIT RANGE/ PERFORMANCE

#### 1. OUTLINE OF DIAGNOSIS

Detect the malfunction of intake air temperature sensor output property.

Judge as NG when the intake air temperature is not varied whereas it seemed to be varied from the viewpoint of engine condition.

#### 2. COMPONENT DESCRIPTION



EN-01767

(A) Air

(1) Air flow sensor

(3) Resistance value ( $\Omega$ )

(4) Intake air temperature °C (°F)

(2) Intake air temperature sensor

#### 3. ENABLE CONDITIONS

Secondary Parameters	Enable Condition
Engine coolant temperature at engine starting	< 30 °C (86 °F)
Engine coolant temperature	$\geq$ 95 °C (203 °F)
Battery voltage	$\geq$ 10.9 V
Continuous time when the vehicle speed is less than 60 km/h (37.3 MPH)	$\geq$ 600 s

#### 4. GENERAL DRIVING CYCLE

Perform the diagnosis when the vehicle speed condition is met after warming up from a cold condition.

# Diagnostic Trouble Code (DTC) Detecting Criteria

GENERAL DESCRIPTION

## 5. DIAGNOSTIC METHOD

### • Abnormality Judgement

Judge as NG when the following conditions are established.

#### Judgement Value

Malfunction Criteria	Threshold Value
Output voltage difference between Max. and Min.	< 0.02 V (Equivalent to approximately 0.5°C (0.9°F) near 25°C)

**Time Needed for Diagnosis:** Less than 1 second

**Malfunction Indicator Light Illumination:** Illuminates when malfunction occurs in 2 continuous driving cycles.

### • Normality Judgement

Judge as OK and clear the NG if the following conditions are established.

#### Judgement Value

Malfunction Criteria	Threshold Value
Output voltage difference between Max. and Min.	$\geq 0.02$ V

**Time Needed for Diagnosis:** Less than 1 second

# Diagnostic Trouble Code (DTC) Detecting Criteria

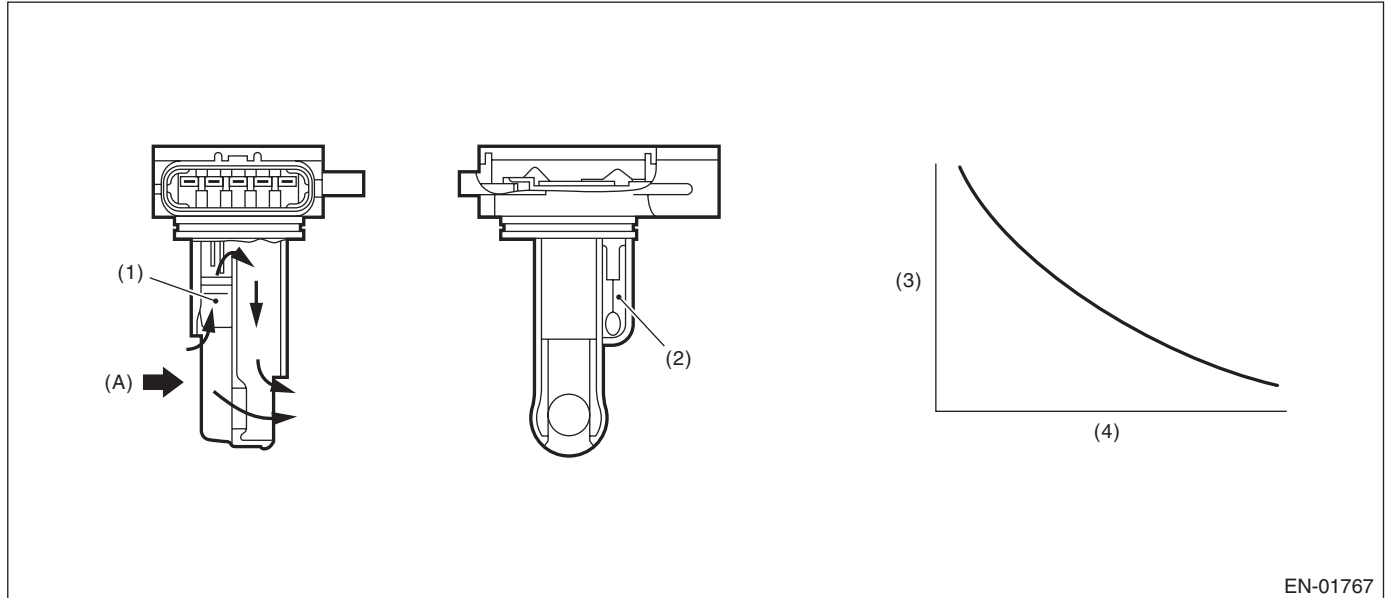
## GENERAL DESCRIPTION

### Q: DTC P0112 INTAKE AIR TEMPERATURE SENSOR 1 CIRCUIT LOW

#### 1. OUTLINE OF DIAGNOSIS

Detect open or short circuit of the intake air temperature sensor.  
Judge as NG if out of specification.

#### 2. COMPONENT DESCRIPTION



EN-01767

(A) Air

(1) Air flow sensor

(3) Resistance value ( $\Omega$ )

(4) Intake air temperature °C (°F)

(2) Intake air temperature sensor

#### 3. ENABLE CONDITIONS

Secondary Parameters	Enable Condition
None	

#### 4. GENERAL DRIVING CYCLE

Always perform the diagnosis continuously.

#### 5. DIAGNOSTIC METHOD

##### • Abnormality Judgement

If the duration of time while the following conditions are met is longer than the time indicated, judge as NG.

##### Judgement Value

Malfunction Criteria	Threshold Value
Output voltage	< 0.230975449 V

**Time Needed for Diagnosis:** 500 ms

**Malfunction Indicator Light Illumination:** Illuminates as soon as a malfunction occurs.

##### • Normality Judgement

Judge as OK and clear the NG if the continuous time while the following conditions are established is more than the predetermined time.

##### Judgement Value

Malfunction Criteria	Threshold Value
Output voltage	$\geq$ 0.230975449 V

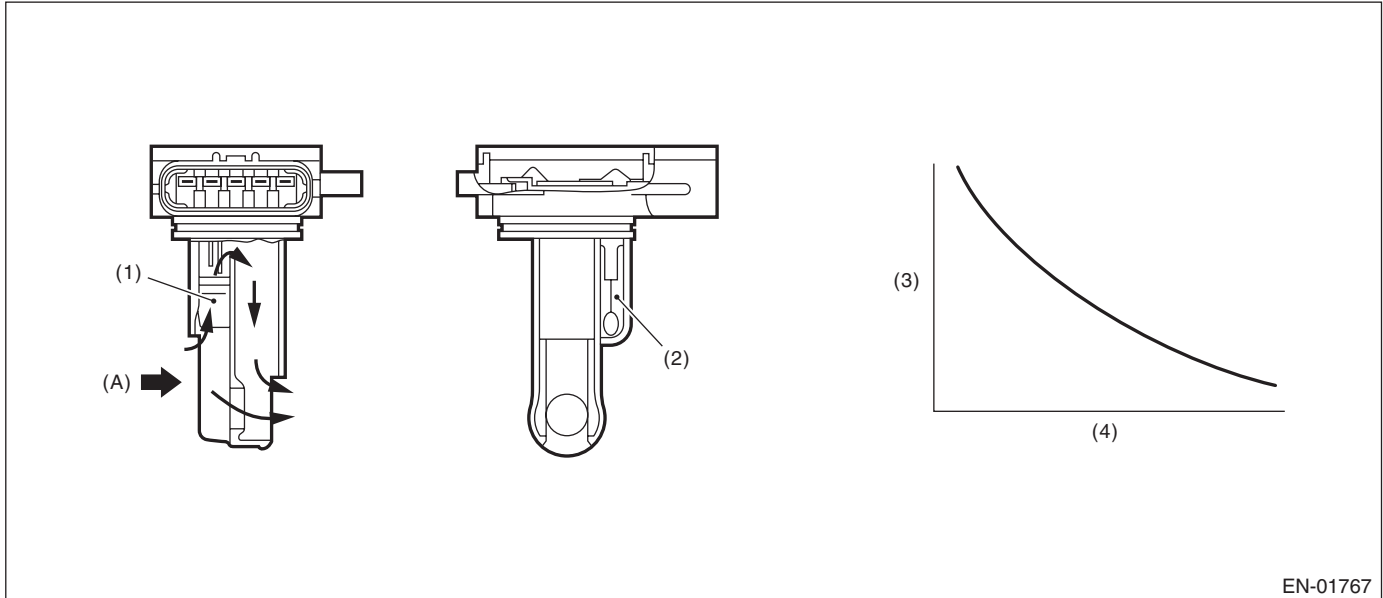
**Time Needed for Diagnosis:** Less than 1 second

## R: DTC P0113 INTAKE AIR TEMPERATURE SENSOR 1 CIRCUIT HIGH

### 1. OUTLINE OF DIAGNOSIS

Detect open or short circuit of the intake air temperature sensor.  
Judge as NG if out of specification.

### 2. COMPONENT DESCRIPTION



EN-01767

(A) Air

(1) Air flow sensor

(3) Resistance value ( $\Omega$ )

(4) Intake air temperature °C (°F)

(2) Intake air temperature sensor

### 3. ENABLE CONDITIONS

Secondary Parameters	Enable Condition
None	

### 4. GENERAL DRIVING CYCLE

Always perform the diagnosis continuously.

### 5. DIAGNOSTIC METHOD

#### • Abnormality Judgement

If the duration of time while the following conditions are met is longer than the time indicated, judge as NG.

#### Judgement Value

Malfunction Criteria	Threshold Value
Output voltage	$\geq 4.716$ V

**Time Needed for Diagnosis:** 500 ms

**Malfunction Indicator Light Illumination:** Illuminates as soon as a malfunction occurs.

#### • Normality Judgement

Judge as OK and clear the NG if the continuous time while the following conditions are established is more than the predetermined time.

#### Judgement Value

Malfunction Criteria	Threshold Value
Output voltage	$< 4.716$ V

**Time Needed for Diagnosis:** Less than 1 second

# Diagnostic Trouble Code (DTC) Detecting Criteria

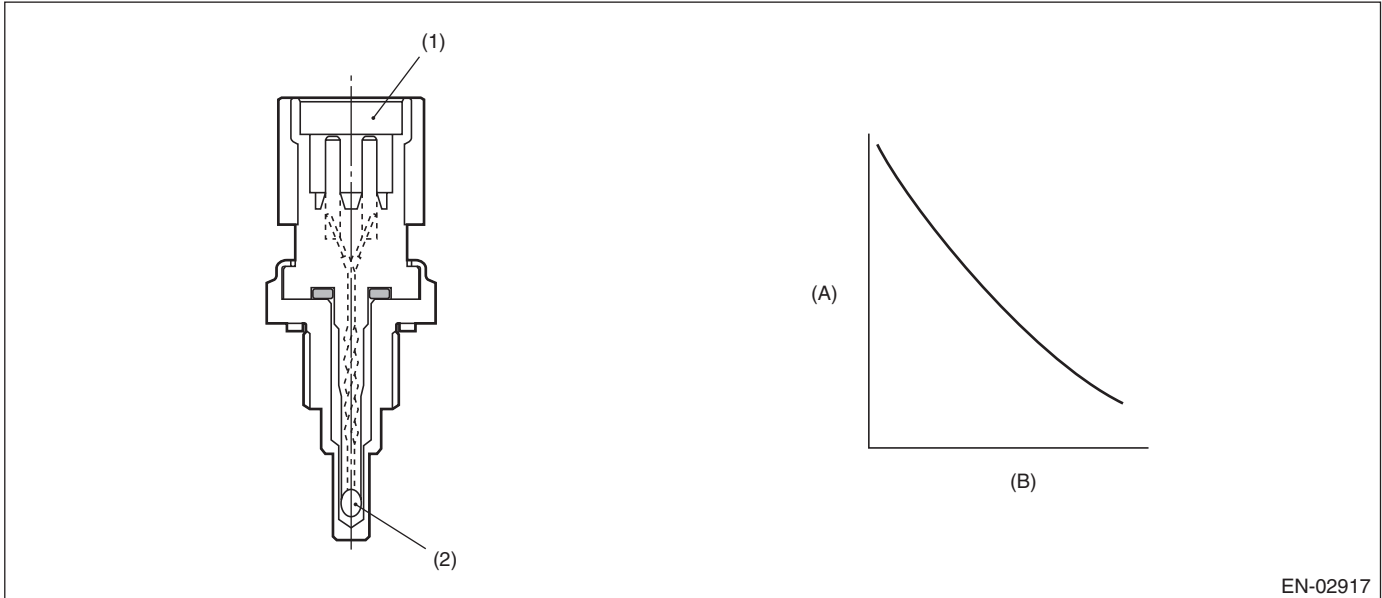
## GENERAL DESCRIPTION

### S: DTC P0117 ENGINE COOLANT TEMPERATURE CIRCUIT LOW

#### 1. OUTLINE OF DIAGNOSIS

Detect the open or short circuit of the engine coolant temperature sensor.  
Judge as NG if out of specification.

#### 2. COMPONENT DESCRIPTION



EN-02917

- (A) Resistance value (k $\Omega$ )                      (B) Temperature °C (°F)  
(1) Connector    (2) Thermistor element

#### 3. ENABLE CONDITIONS

Secondary Parameters	Enable Condition
None	

#### 4. GENERAL DRIVING CYCLE

Always perform the diagnosis continuously.

#### 5. DIAGNOSTIC METHOD

##### • Abnormality Judgement

If the duration of time while the following conditions are met is longer than the time indicated, judge as NG.

##### Judgement Value

Malfunction Criteria	Threshold Value
Output voltage	< 0.264738528 V

**Time Needed for Diagnosis:** 500 ms

**Malfunction Indicator Light Illumination:** Illuminates as soon as a malfunction occurs.

##### • Normality Judgement

Judge as OK and clear the NG if the continuous time while the following conditions are established is more than the predetermined time.

##### Judgement Value

Malfunction Criteria	Threshold Value
Output voltage	$\geq 0.264738528$ V

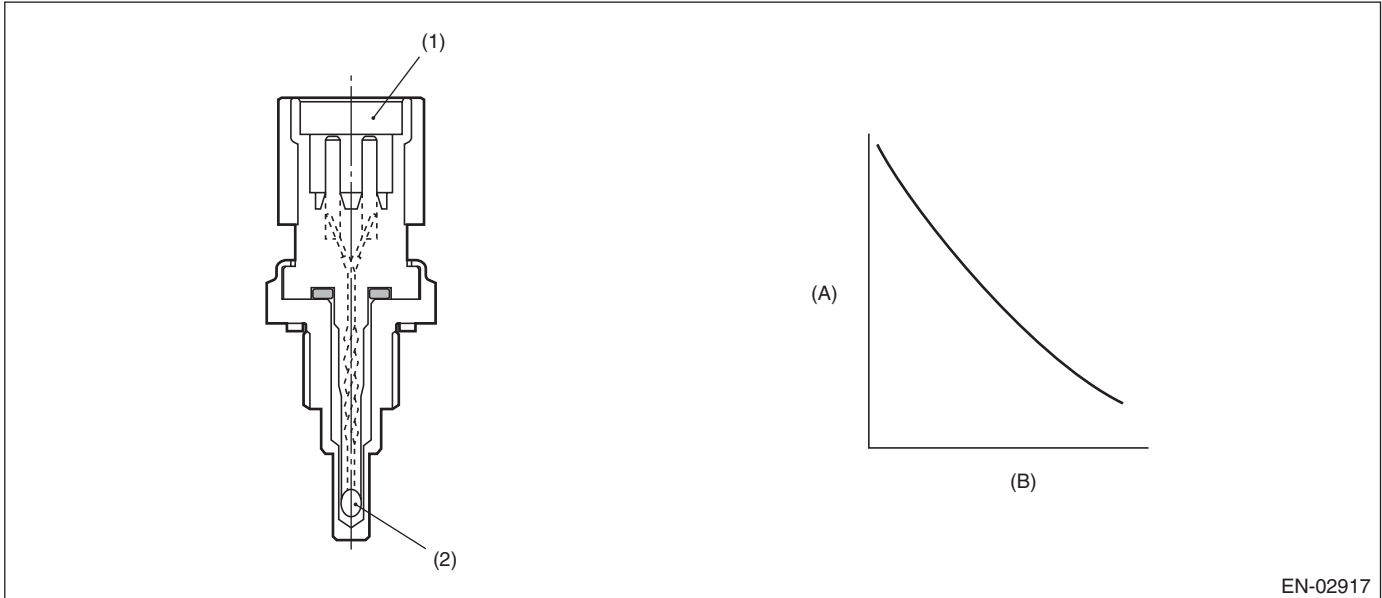
**Time Needed for Diagnosis:** Less than 1 second

## T: DTC P0118 ENGINE COOLANT TEMPERATURE CIRCUIT HIGH

### 1. OUTLINE OF DIAGNOSIS

Detect the open or short circuit of the engine coolant temperature sensor.  
Judge as NG if out of specification.

### 2. COMPONENT DESCRIPTION



EN-02917

- (A) Resistance value (kΩ)                      (B) Temperature °C (°F)
- (1) Connector                                      (2) Thermistor element

### 3. ENABLE CONDITIONS

Secondary Parameters	Enable Condition
None	

### 4. GENERAL DRIVING CYCLE

Always perform the diagnosis continuously.

### 5. DIAGNOSTIC METHOD

#### • Abnormality Judgement

If the duration of time while the following conditions are met is longer than the time indicated, judge as NG.

#### Judgement Value

Malfunction Criteria	Threshold Value
Output voltage	≥ 4.716 V

**Time Needed for Diagnosis:** 500 ms

**Malfunction Indicator Light Illumination:** Illuminates as soon as a malfunction occurs.

#### • Normality Judgement

Judge as OK and clear the NG if the continuous time while the following conditions are established is more than the predetermined time.

#### Judgement Value

Malfunction Criteria	Threshold Value
Output voltage	< 4.716 V

**Time Needed for Diagnosis:** Less than 1 second

# Diagnostic Trouble Code (DTC) Detecting Criteria

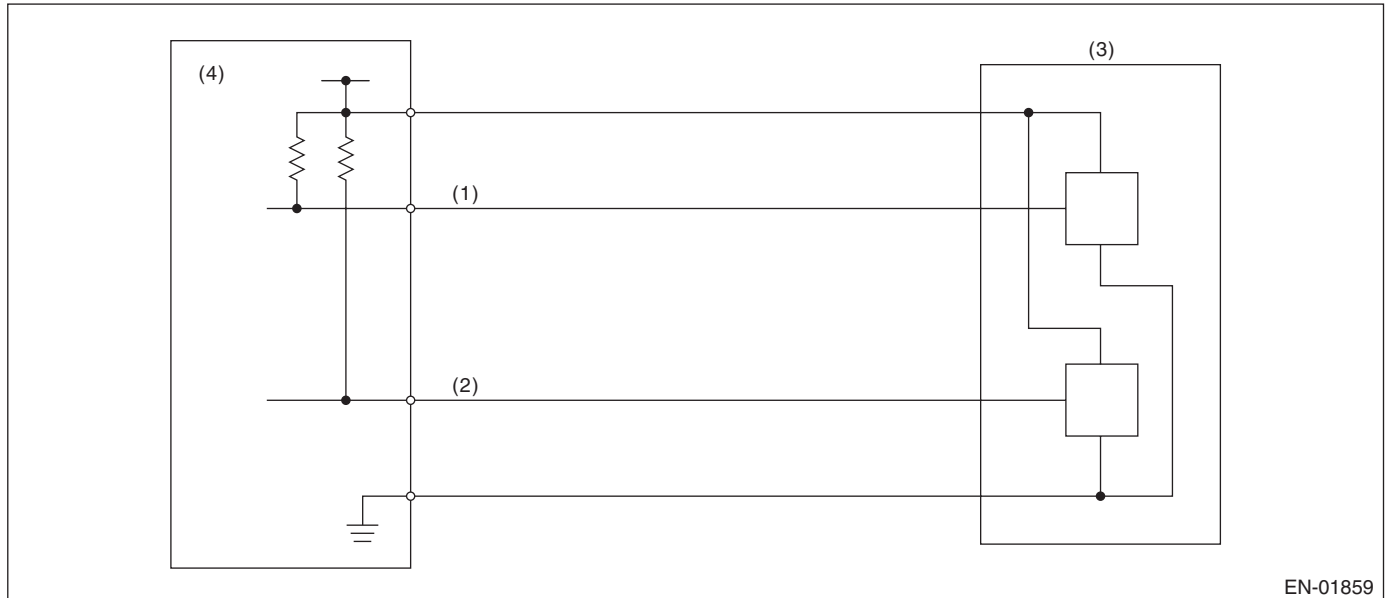
## GENERAL DESCRIPTION

### U: DTC P0122 THROTTLE/PEDAL POSITION SENSOR/SWITCH “A” CIRCUIT LOW

#### 1. OUTLINE OF DIAGNOSIS

Detect the open or short circuit of throttle position sensor 1.  
Judge as NG if out of specification.

#### 2. COMPONENT DESCRIPTION



EN-01859

- (1) Throttle position sensor 1 signal (3) Throttle position sensor  
(2) Throttle position sensor 2 signal (4) Engine control module (ECM)

#### 3. ENABLE CONDITIONS

Secondary Parameters	Enable Condition
Ignition switch	ON
Battery voltage	$\geq 6 \text{ V}$

#### 4. GENERAL DRIVING CYCLE

Always perform the diagnosis continuously.

#### 5. DIAGNOSTIC METHOD

##### • Abnormality Judgement

If the duration of time while the following conditions are met is longer than the time indicated, judge as NG.

##### Judgement Value

Malfunction Criteria	Threshold Value
Sensor 1 input voltage	$\leq 0.217 \text{ V}$

**Time Needed for Diagnosis:** 24 ms

**Malfunction Indicator Light Illumination:** Illuminates as soon as a malfunction occurs.

##### • Normality Judgement

Judge as OK and clear the NG if the continuous time while the following conditions are established is more than the predetermined time.

##### Judgement Value

Malfunction Criteria	Threshold Value
Sensor 1 input voltage	$> 0.217 \text{ V}$

**Time Needed for Diagnosis:** 24 ms

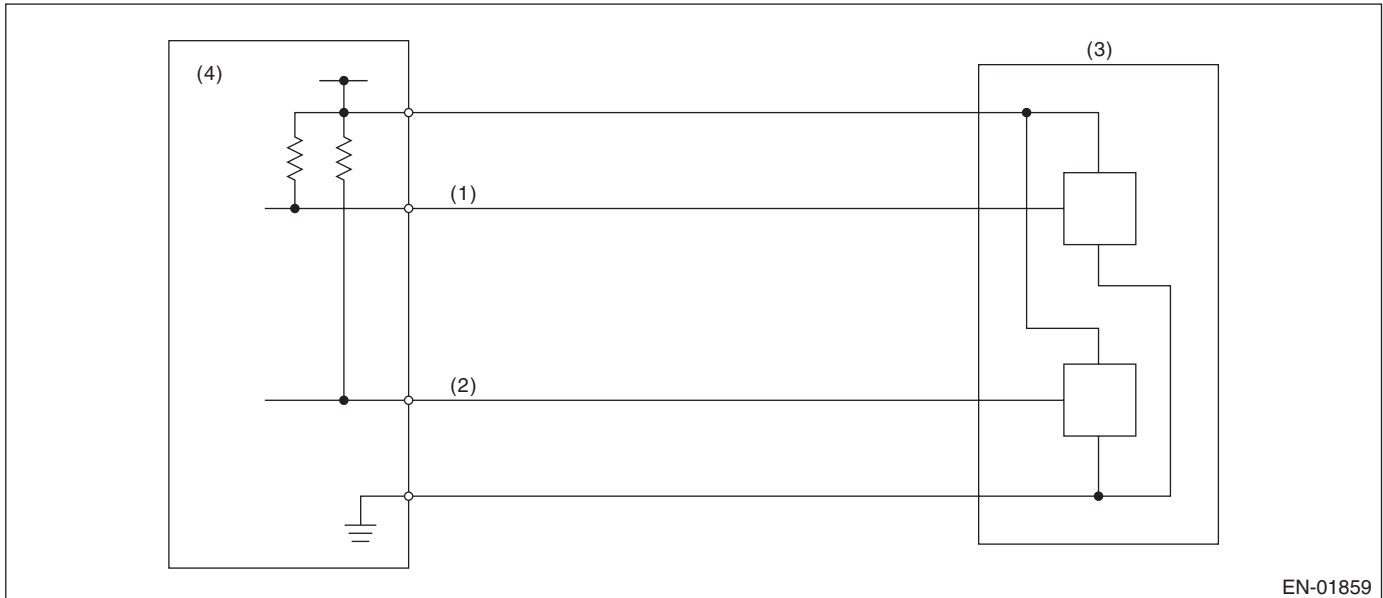


## V: DTC P0123 THROTTLE/PEDAL POSITION SENSOR/SWITCH “A” CIRCUIT HIGH

### 1. OUTLINE OF DIAGNOSIS

Detect the open or short circuit of throttle position sensor 1.  
Judge as NG if out of specification.

### 2. COMPONENT DESCRIPTION



- (1) Throttle position sensor 1 signal      (3) Throttle position sensor      (4) Engine control module (ECM)  
 (2) Throttle position sensor 2 signal

### 3. ENABLE CONDITIONS

Secondary Parameters	Enable Condition
Ignition switch	ON
Battery voltage	≥ 6 V

### 4. GENERAL DRIVING CYCLE

Always perform the diagnosis continuously.

### 5. DIAGNOSTIC METHOD

#### • Abnormality Judgement

If the duration of time while the following conditions are met is longer than the time indicated, judge as NG.

#### Judgement Value

Malfunction Criteria	Threshold Value
Sensor 1 input voltage	≥ 4.858 V

**Time Needed for Diagnosis:** 24 ms

**Malfunction Indicator Light Illumination:** Illuminates as soon as a malfunction occurs.

#### • Normality Judgement

Judge as OK and clear the NG if the continuous time while the following conditions are established is more than the predetermined time.

#### Judgement Value

Malfunction Criteria	Threshold Value
Sensor 1 input voltage	< 4.858 V

**Time Needed for Diagnosis:** 24 ms

# Diagnostic Trouble Code (DTC) Detecting Criteria

## GENERAL DESCRIPTION

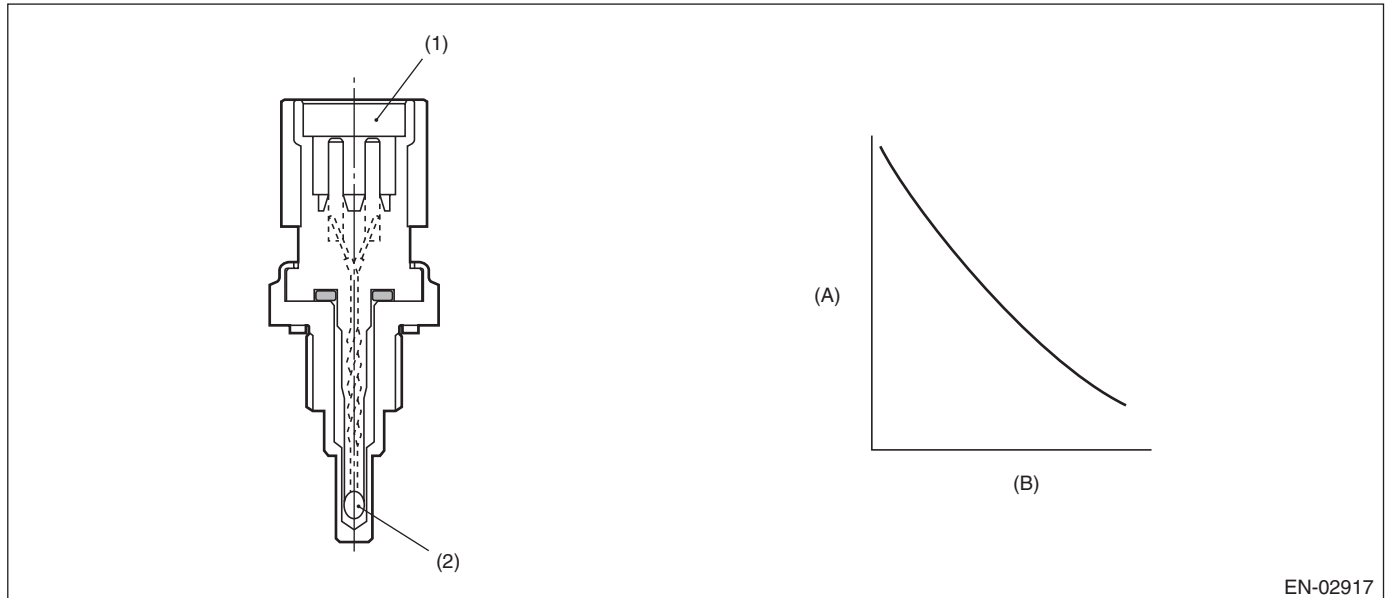
### W: DTC P0125 INSUFFICIENT COOLANT TEMPERATURE FOR CLOSED LOOP FUEL CONTROL

#### 1. OUTLINE OF DIAGNOSIS

Detect the malfunction of engine coolant temperature output property.

Judge as NG when the engine coolant temperature does not rise in driving conditions where it should.

#### 2. COMPONENT DESCRIPTION



EN-02917

(A) Resistance value (kΩ)

(B) Temperature °C (°F)

(1) Connector

(2) Thermistor element

#### 3. ENABLE CONDITIONS

Secondary Parameters	Enable Condition
Engine speed	≥ Value from Map
Battery voltage	≥ 10.9 V

#### Map

Engine coolant temperature °C (°F)	-40 (-40)	-30 (-22)	-20 (-4)	-10 (14)	0 (32)	10 (50)	20 (68)	30 (86)
Engine speed rpm	500	500	500	500	500	500	500	500

Engine coolant temperature °C (°F)	40 (104)	50 (122)	60 (140)	70 (158)	80 (176)	90 (194)	100 (212)	110 (230)
Engine speed rpm	500	500	500	500	500	500	500	500

#### 4. GENERAL DRIVING CYCLE

Perform the diagnosis only once after engine start.

# Diagnostic Trouble Code (DTC) Detecting Criteria

GENERAL DESCRIPTION

## 5. DIAGNOSTIC METHOD

### • Abnormality Judgement

Judge as NG if the criteria below are met.

### Judgement Value

Malfunction Criteria	Threshold Value
Engine coolant temperature	< 20 °C (68 °F)
Timer for diagnosis after engine start	≥ Judgement value of timer after engine start

Timer for diagnosis after engine start

a. Timer stop at fuel cut

b. During the driving conditions except a) above, timer counts up as follows.

64 milliseconds + TWCNT milliseconds (the time of at 64 milliseconds)

TWCNT is defined as follows,

TWCNT = 0 at idle switch ON,

TWCNT show on the following table at idle switch OFF.

		Vehicle speed km/h (MPH)							
		0 (0)	8 (5)	16 (9.9)	24 (14.9)	32 (19.9)	40 (24.9)	48 (29.8)	56 (34.8)
Temperature °C (°F)	-20 (-4)	0 ms	37.136 ms	74.272 ms	111.41 ms	126.66 ms	141.91 ms	163.59 ms	185.26 ms
	-10 (14)	0 ms	27.391 ms	54.782 ms	82.173 ms	99.65 ms	117.13 ms	135.96 ms	154.8 ms
	0 (32)	0 ms	17.646 ms	35.292 ms	52.938 ms	72.64 ms	92.341 ms	108.34 ms	124.33 ms
	10 (50)	0 ms	7.9012 ms	15.802 ms	23.704 ms	45.63 ms	67.556 ms	80.711 ms	93.867 ms
	20 (68)	0 ms	7.9012 ms	15.802 ms	23.704 ms	45.63 ms	67.556 ms	80.711 ms	93.867 ms

Judgement value of timer after engine starting

$$t = 451056 \text{ ms} - 25870 \text{ ms} \times T_i$$

$T_i$  : The lowest coolant temperature after engine start

**Time Needed for Diagnosis:** Less than 1 second

**Malfunction Indicator Light Illumination:** Illuminates when malfunction occurs in 2 continuous driving cycles.

### • Normality Judgement

Judge as OK and clear the NG when the malfunction criteria below are met.

### Judgement Value

Malfunction Criteria	Threshold Value
Engine coolant temperature	≥ 20 °C (68 °F)

**Time Needed for Diagnosis:** Less than 1 second

# Diagnostic Trouble Code (DTC) Detecting Criteria

## GENERAL DESCRIPTION

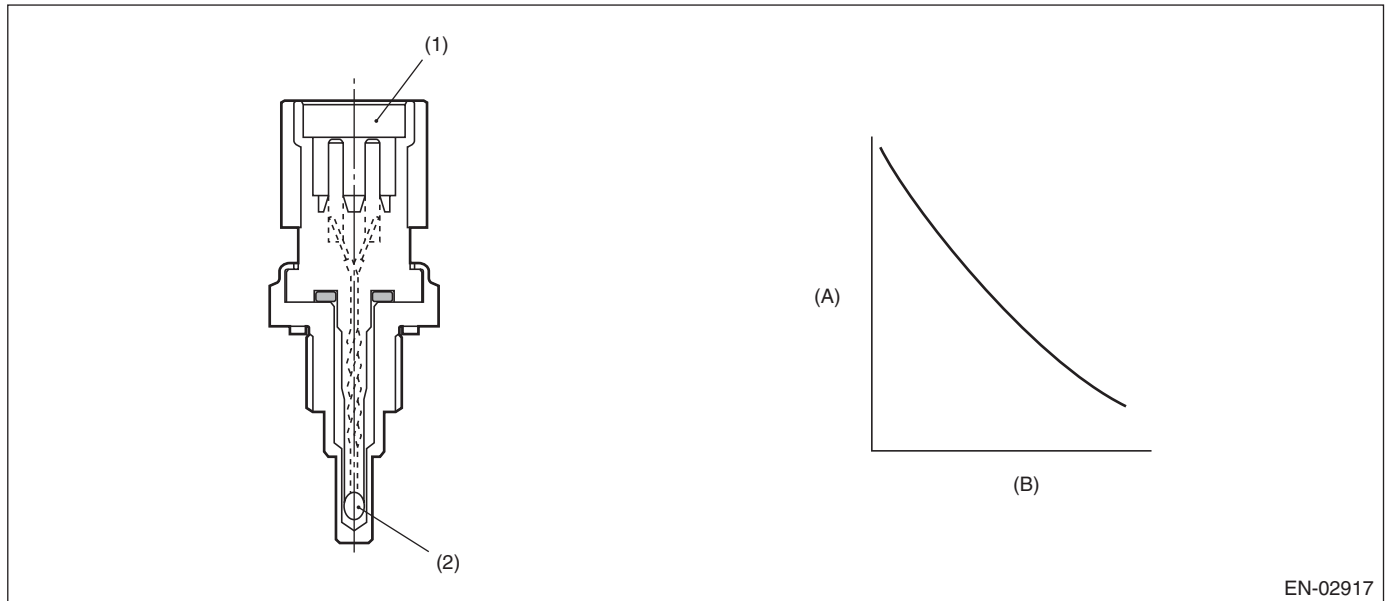
### X: DTC P0126 INSUFFICIENT ENGINE COOLANT TEMPERATURE FOR STABLE OPERATION

#### 1. OUTLINE OF DIAGNOSIS

Detect the malfunction of the engine coolant temperature sensor characteristics.

Memorize the engine coolant temperature and fuel temperature at the last engine stop, and use them to judge as NG when the engine coolant temperature does not decrease when it should.

#### 2. COMPONENT DESCRIPTION



EN-02917

(A) Resistance value (k $\Omega$ )

(B) Temperature °C (°F)

(1) Connector

(2) Thermistor element

#### 3. ENABLE CONDITION

Secondary Parameters	Enable Condition
Battery voltage	$\geq 10.9$ V
Refueling from the last engine stop till the current engine start	None
Fuel level	$\geq 15$ $\ell$ (3.96 US gal, 3.3 Imp gal)
Engine coolant temperature at the last engine stop	$\geq 70$ °C (158 °F)

#### 4. GENERAL DRIVING CYCLE

Perform the diagnosis only once after starting the engine.

# Diagnostic Trouble Code (DTC) Detecting Criteria

GENERAL DESCRIPTION

## 5. DIAGNOSTIC METHOD

### • Abnormality Judgement

If the duration of time while the following conditions are met is longer than the time indicated, judge as NG.

### Judgement Value

Malfunction Criteria	Threshold Value
Engine coolant temperature at the last engine stop — Minimum engine coolant temperature after the engine start	< 2.5 °C (36.5 °F)
Fuel temperature at the last engine stop — Fuel temperature	≥ 5 °C (41 °F)
Intake air temperature — Fuel temperature	< 2.5 °C (36.5 °F)
Fuel temperature	< 35 °C (95 °F)

**Time Needed for Diagnosis:** 2500 ms

**Malfunction Indicator Light Illumination:** Illuminates when malfunction occurs in 2 continuous driving cycles.

### • Normality Judgement

Judge as OK and clear the NG if the continuous time while the following conditions are established is more than the predetermined time.

### Judgement Value

Malfunction Criteria	Threshold Value
Engine coolant temperature at the last engine stop — Minimum engine coolant temperature after the engine start	≥ 2.5 °C (36.5 °F)

**Time Needed for Diagnosis:** Less than 1 second

# Diagnostic Trouble Code (DTC) Detecting Criteria

## GENERAL DESCRIPTION

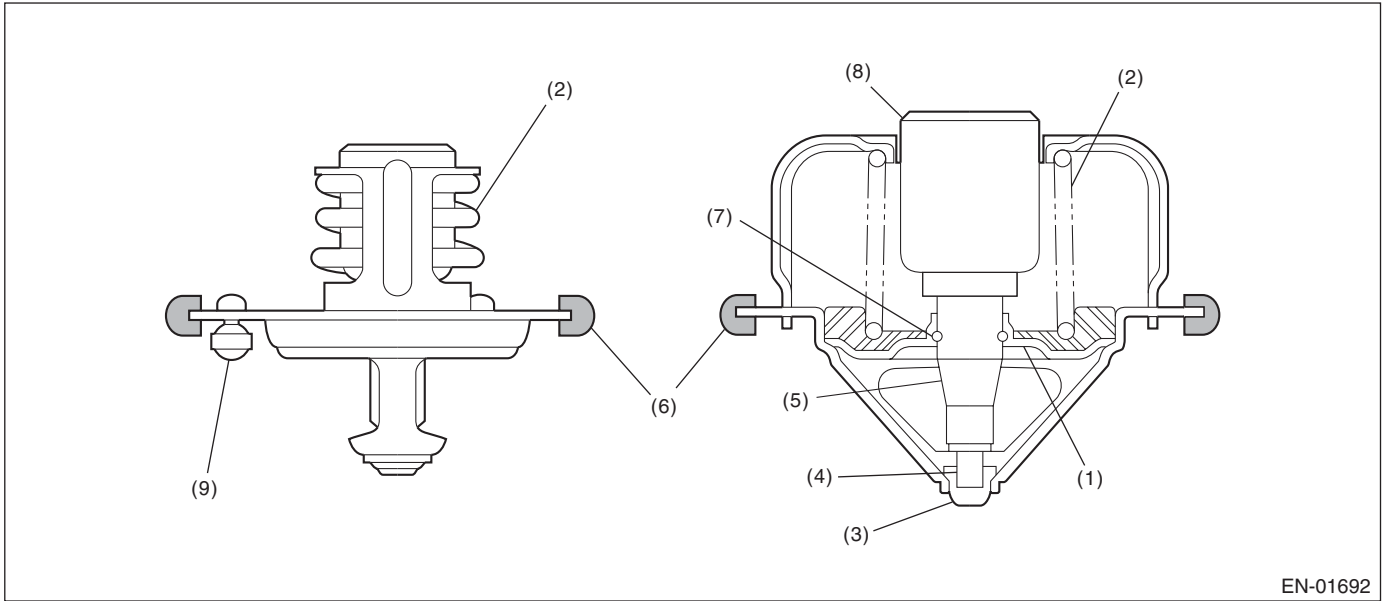
### Y: DTC P0128 COOLANT THERMOSTAT (ENGINE COOLANT TEMPERATURE BELOW THERMOSTAT REGULATING TEMPERATURE)

#### 1. OUTLINE OF DIAGNOSIS

Detect malfunctions of the thermostat function.

Judge as NG when the engine coolant temperature is lower than the estimated engine coolant temperature and the difference between them is large. Judge as OK when the engine coolant temperature becomes to 75°C (167°F), and the difference is small, before judging NG.

#### 2. COMPONENT DESCRIPTION



- (1) Valve
- (2) Spring
- (3) Stopper

- (4) Piston
- (5) Guide
- (6) Rubber seal

- (7) Stop ring
- (8) Wax element
- (9) Jiggle valve

#### 3. ENABLE CONDITIONS

Secondary Parameters	Enable Condition
None	

#### 4. GENERAL DRIVING CYCLE

Always perform the diagnosis continuously.

# Diagnostic Trouble Code (DTC) Detecting Criteria

GENERAL DESCRIPTION

## 5. DIAGNOSTIC METHOD

### • Abnormality Judgement

If the duration of time while the following conditions are met is longer than the time indicated, judge as NG.

#### Judgement Value

Malfunction Criteria	Threshold Value
Battery voltage	≥ 10.9 V
Estimate ambient temperature	≥ -7 °C (19.4 °F)
Thermostat malfunction diagnosis	Incomplete
Engine coolant temperature at engine starting	< 55 °C (131 °F)
Estimated coolant temperature	≥ 70 °C (158 °F)
Engine coolant temperature (Estimated – Measured) Engine coolant temperature	≤ 70 °C (158 °F) > 30 °C (86 °F) (except for WRX-SS model) > 25 °C (77 °F) (WRX-SS model)
Vehicle speed	≥ 30 km/h (18.6 MPH)

**Time Needed for Diagnosis:** 64 ms × 3 time(s) × 152 time(s)

**Malfunction Indicator Light Illumination:** Illuminates when malfunction occurs in 2 continuous driving cycles.

### • Normality Judgement

Judge as OK and clear the NG if the continuous time while the following conditions are established is more than the predetermined time.

#### Judgement Value

Malfunction Criteria	Threshold Value
Battery voltage	≥ 10.9 V
Estimate ambient temperature	≥ -7 °C (19.4 °F)
Thermostat malfunction diagnosis	Incomplete
Engine coolant temperature at engine starting	< 55 °C (131 °F)
Engine coolant temperature (Estimated – Measured) Engine coolant temperature	≥ 70 °C (158 °F) ≤ 30 °C (86 °F) (except for WRX-SS model) ≤ 25 °C (77 °F) (WRX-SS model)

**Time Needed for Diagnosis:** Less than 1 second

# Diagnostic Trouble Code (DTC) Detecting Criteria

## GENERAL DESCRIPTION

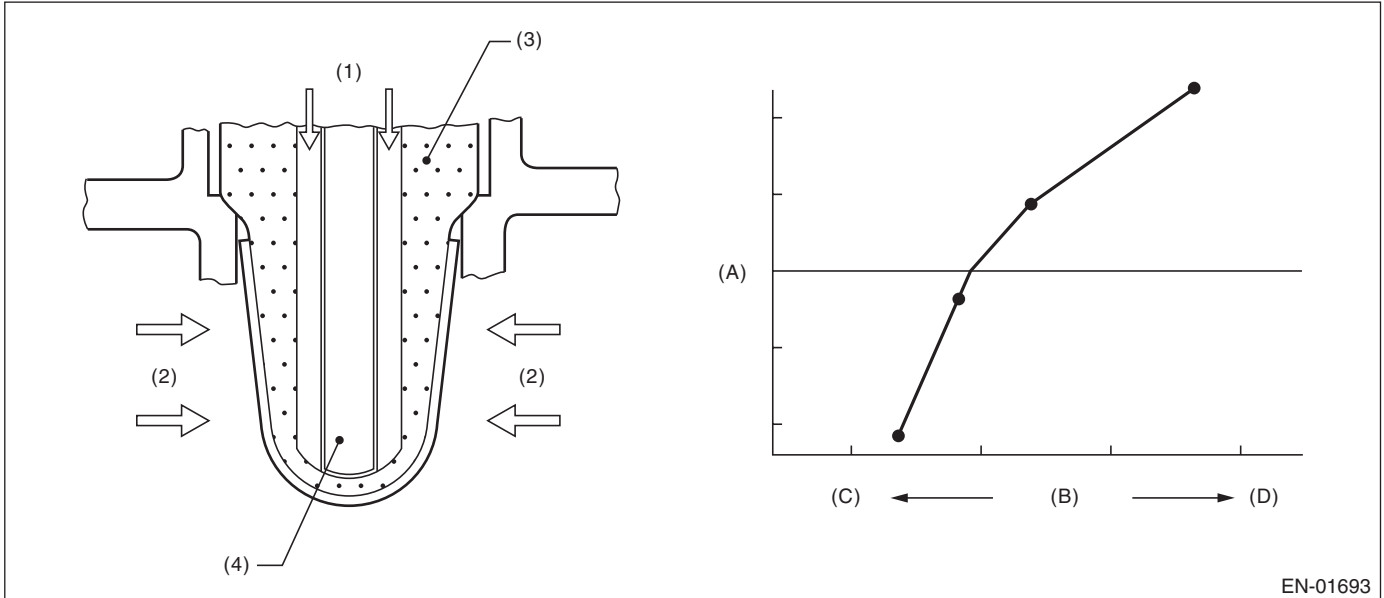
### Z: DTC P0131 O2 SENSOR CIRCUIT LOW VOLTAGE (BANK 1 SENSOR 1)

#### 1. OUTLINE OF DIAGNOSIS

Detect the open or short circuit of sensor.

Judge as NG, when the element voltage is out of the specified range.

#### 2. COMPONENT DESCRIPTION



EN-01693

(A) Electromotive force

(B) Air fuel ratio

(C) Lean

(D) Rich

(1) Atmosphere

(3) ZrO<sub>2</sub>

(4) Ceramic heater

(2) Exhaust gas

#### 3. ENABLE CONDITIONS

Secondary Parameters	Enable Condition
Battery voltage	≥ 10.9 V

#### 4. GENERAL DRIVING CYCLE

Always perform the diagnosis continuously.



# Diagnostic Trouble Code (DTC) Detecting Criteria

GENERAL DESCRIPTION

## 5. DIAGNOSTIC METHOD

### • Abnormality Judgement

If the duration of time while the following conditions are met is longer than the time indicated, judge as NG.

#### Judgement Value

Malfunction Criteria	Threshold Value
Input voltage (+) or Input voltage (-)	< 1.128 V
or  Input voltage (+) – Input voltage (-)	< 0.23 V
	< 0.644 V

#### Time Needed for Diagnosis:

Input voltage (+): 1000 ms

Input voltage (-): 1000 ms

|Input voltage (+) – Input voltage (-)|: 1000 ms

**Malfunction Indicator Light Illumination:** Illuminates as soon as a malfunction occurs.

### • Normality Judgement

Judge as OK and clear the NG if the continuous time while the following conditions are established is more than the predetermined time.

#### Judgement Value

Malfunction Criteria	Threshold Value
Input voltage (+)	$\geq 1.128$ V
Input voltage (-)	$\geq 0.23$ V
Input voltage (+) – Input voltage (-)	$\geq 0.644$ V

**Time Needed for Diagnosis:** Less than 1 second

# Diagnostic Trouble Code (DTC) Detecting Criteria

## GENERAL DESCRIPTION

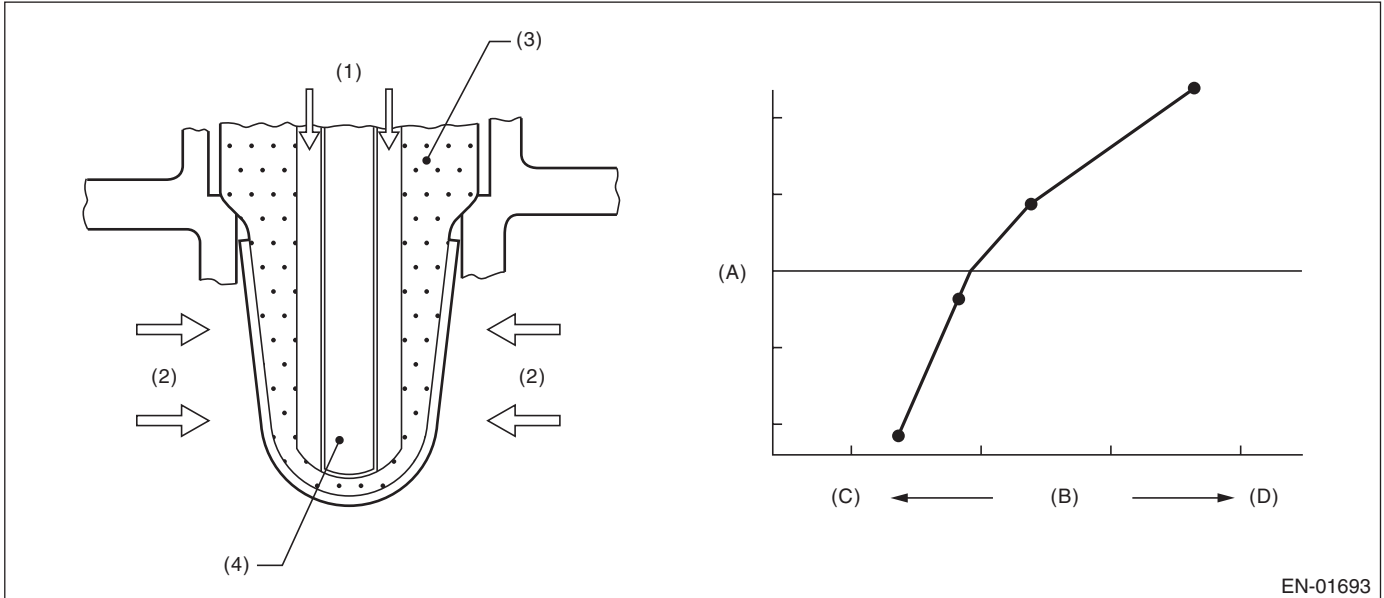
### AA:DTC P0132 O2 SENSOR CIRCUIT HIGH VOLTAGE (BANK 1 SENSOR 1)

#### 1. OUTLINE OF DIAGNOSIS

Detect the open or short circuit of sensor.

Judge as NG, when the element voltage is out of the specified range.

#### 2. COMPONENT DESCRIPTION



(A) Electromotive force

(B) Air fuel ratio

(C) Lean

(D) Rich

(1) Atmosphere

(3) ZrO<sub>2</sub>

(4) Ceramic heater

(2) Exhaust gas

#### 3. ENABLE CONDITIONS

Secondary Parameters	Enable Condition
Battery voltage	$\geq 10.9$ V

#### 4. GENERAL DRIVING CYCLE

Always perform the diagnosis continuously.

# Diagnostic Trouble Code (DTC) Detecting Criteria

GENERAL DESCRIPTION

## 5. DIAGNOSTIC METHOD

### • Abnormality Judgement

If the duration of time while the following conditions are met is longer than the time indicated, judge as NG.

### Judgement Value

Malfunction Criteria	Threshold Value
Input voltage (+) or Input voltage (-)	> 3.589 V  > 3.541 V

### Time Needed for Diagnosis:

Input voltage (+): 1000 ms

Input voltage (-): 1000 ms

**Malfunction Indicator Light Illumination:** Illuminates as soon as a malfunction occurs.

### • Normality Judgement

Judge as OK and clear the NG if the continuous time while the following conditions are established is more than the predetermined time.

### Judgement Value

Malfunction Criteria	Threshold Value
Input voltage (+)	$\leq 3.589$ V
Input voltage (-)	$\leq 3.541$ V

**Time Needed for Diagnosis:** Less than 1 second

# Diagnostic Trouble Code (DTC) Detecting Criteria

## GENERAL DESCRIPTION

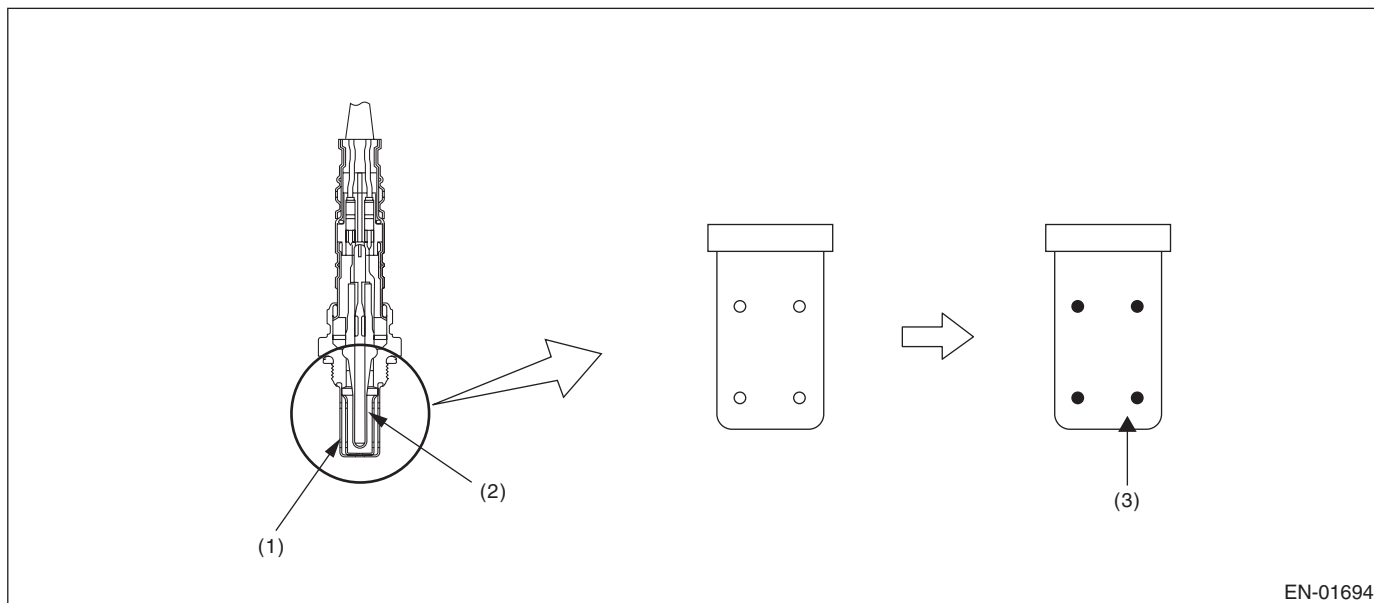
### AB:DTC P0133 O2 SENSOR CIRCUIT SLOW RESPONSE (BANK 1 SENSOR 1)

#### 1. OUTLINE OF DIAGNOSIS

Detect the slow response of front oxygen (A/F) sensor.

Front oxygen (A/F) sensor cover has some ventilation holes for exhaust gas. Clogged ventilation holes are diagnosed.

When the holes are clogged, the A/F output variation becomes slow comparing with the actual A/F variation because oxygen which reaches the zirconia layer is insufficient. Therefore, if the sensor cover holes are clogged, the rich to lean judgement in the ECM is delayed when the actual change from rich to lean occurs. Judge as NG when the actual movement in comparison to the ECM control amount is slow.



EN-01694

(1) Cover

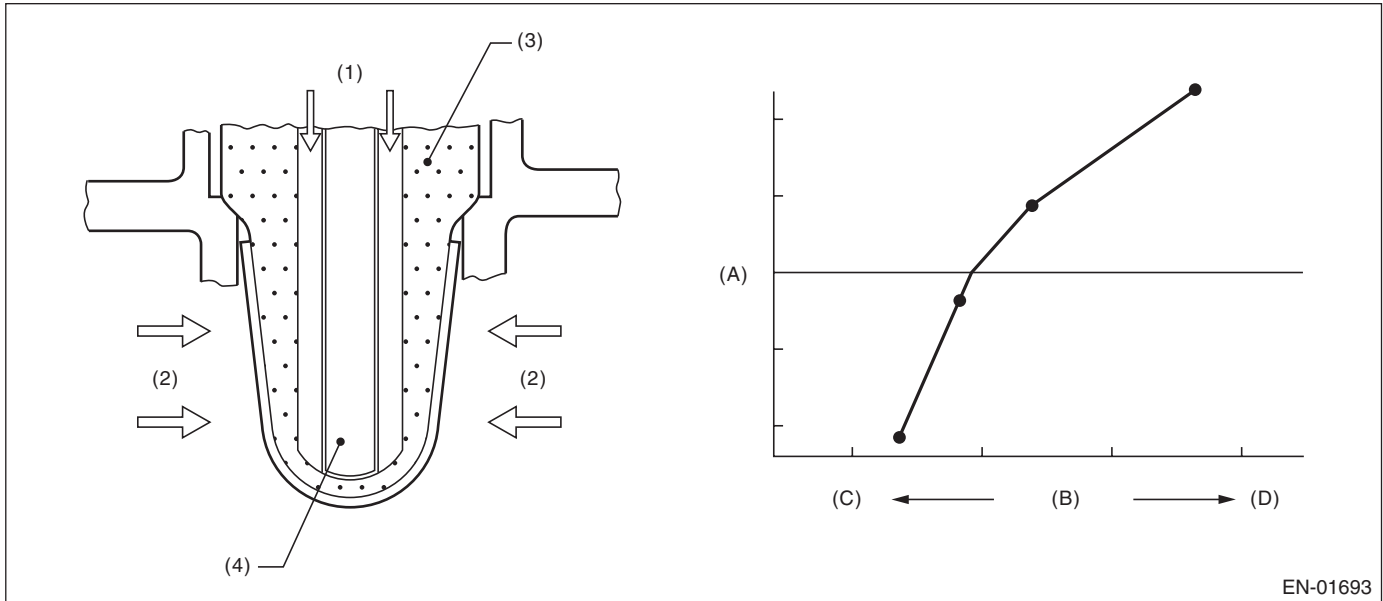
(2) Zirconia

(3) Clogging

# Diagnostic Trouble Code (DTC) Detecting Criteria

GENERAL DESCRIPTION

## 2. COMPONENT DESCRIPTION



EN-01693

(A) Electromotive force

(B) Air fuel ratio

(C) Lean

(D) Rich

(1) Atmosphere

(3) ZrO<sub>2</sub>

(4) Ceramic heater

(2) Exhaust gas

## 3. ENABLE CONDITIONS

Secondary Parameters	Enable Condition
Time needed for all secondary parameters to be in enable conditions	≥ 1024 ms
Battery voltage	≥ 10.9 V
Barometric pressure	> 75 kPa (563 mmHg, 22.2 inHg)
Closed loop control with main feedback	Operation
Front oxygen (A/F) sensor impedance	0 Ω — 50 Ω
Elapsed time after starting the engine	≥ 120000 ms
Engine coolant temperature	≥ 70 °C (158 °F)
Engine speed	1000 rpm — 3200 rpm
Vehicle speed	10 km/h — 120 km/h (6.2 MPH — 74.6 MPH)
Amount of intake air	10 g/s — 31 g/s (0.35 oz/s — 1.09 oz/s)
Engine load	< 0.02 g/rev (0 oz/rev)
Learning value of EVAP conc. during purge	< 0.2
Total time of operating canister purge	≥ 19.9 s

## 4. GENERAL DRIVING CYCLE

Perform diagnosis only once at a constant speed of 10 km/h — 120 km/h (6.2 MPH — 74.6 MPH) 120000 ms or more after starting the engine.

# Diagnostic Trouble Code (DTC) Detecting Criteria

## GENERAL DESCRIPTION

### 5. DIAGNOSTIC METHOD

Calculate  $faf$  difference every  $32\text{ms} \times 4$ , and the  $\lambda$  value difference. Calculate the diagnosis value after calculating 820 time(s).

#### • Abnormality Judgement

If the duration of time while the following conditions are met is longer than the time indicated, judge as NG.

#### Judgement Value

Malfunction Criteria	Threshold Value
$para_{fca} = td2_{faf}/td2_{lmd}$  where, $td2_{faf}(N) = td2_{faf}(n-1) +  d2_{faf}(n) $ $td2_{lmd}(N) = td2_{lmd}(n-1) +  d2_{lmd}(n) $ add up to $32\text{ms} \times 4 \times 820$ time(s). $d2_{faf}(n) = (faf(n) - faf(n-1)) - (faf(n-1) - faf(n-2))$ $d2_{lmd}(n) = (lmd(n) - lmd(n-1)) - (lmd(n-1) - lmd(n-2))$ $faf$ = main feedback compensation coefficient every 128 milliseconds $lmd$ = output lambda every 128 milliseconds	$> 0.22$ (AT model) $> 0.28$ (WRX-S model) $> 0.267$ (WRX-SS model)

**Time Needed for Diagnosis:**  $32\text{ms} \times 4 \times 820$  time(s)

**Malfunction Indicator Light Illumination:** Illuminates when malfunction occurs in 2 continuous driving cycles.

#### • Normality Judgement

Judge as OK and clear the NG if the continuous time while the following conditions are established is more than the predetermined time.

#### Judgement Value

Malfunction Criteria	Threshold Value
$para_{fca} = td2_{faf}/td2_{lmd}$  where, $td2_{faf}(N) = td2_{faf}(n-1) +  d2_{faf}(n) $ $td2_{lmd}(N) = td2_{lmd}(n-1) +  d2_{lmd}(n) $ add up to $32\text{ms} \times 4 \times 820$ time(s). $d2_{faf}(n) = (faf(n) - faf(n-1)) - (faf(n-1) - faf(n-2))$ $d2_{lmd}(n) = (lmd(n) - lmd(n-1)) - (lmd(n-1) - lmd(n-2))$ $faf$ = main feedback compensation coefficient every 128 milliseconds $lmd$ = output lambda every 128 milliseconds	$\leq 0.22$ (AT model) $\leq 0.28$ (WRX-S model) $\leq 0.267$ (WRX-SS model)

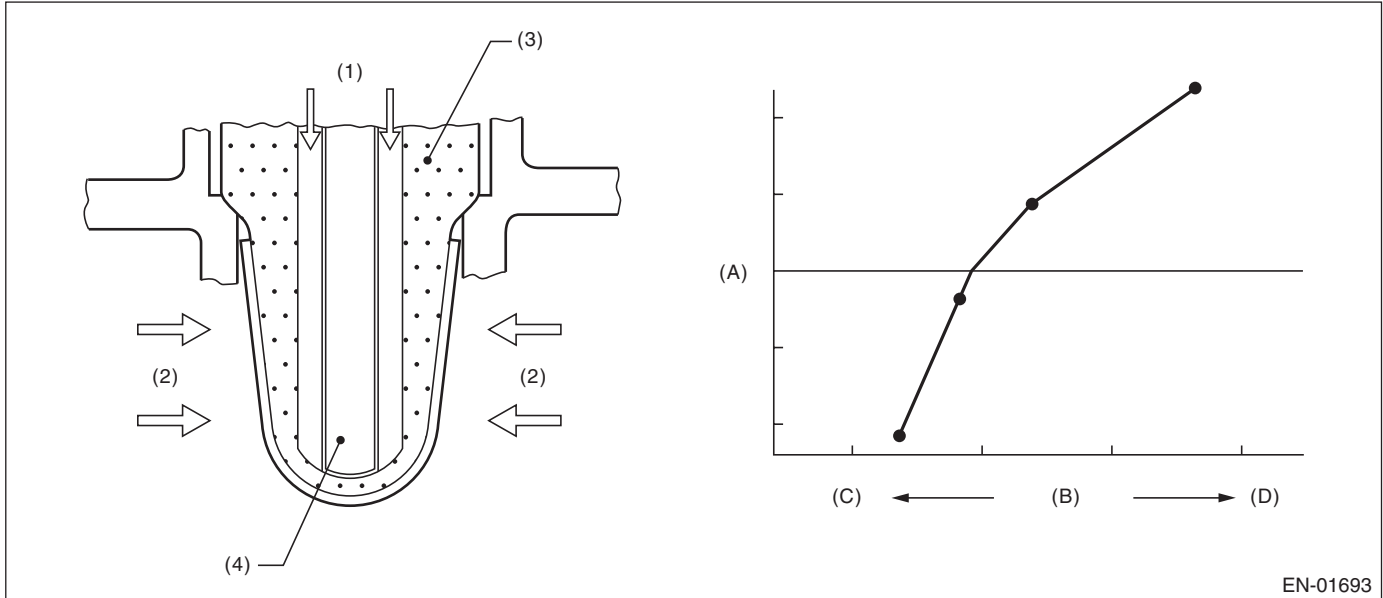
**Time Needed for Diagnosis:**  $32\text{ms} \times 4 \times 820$  time(s)

## AC:DTC P0134 O2 SENSOR CIRCUIT NO ACTIVITY DETECTED (BANK 1 SENSOR 1)

### 1. OUTLINE OF DIAGNOSIS

Detect open circuits of the sensor.  
Judge as NG when the impedance of the element is large.

### 2. COMPONENT DESCRIPTION



(A) Electromotive force  
(D) Rich

(B) Air fuel ratio

(C) Lean

(1) Atmosphere  
(2) Exhaust gas

(3)  $ZrO_2$

(4) Ceramic heater

### 3. ENABLE CONDITIONS

Secondary Parameters	Enable Condition
None	

### 4. GENERAL DRIVING CYCLE

Always perform the diagnosis continuously.

# Diagnostic Trouble Code (DTC) Detecting Criteria

## GENERAL DESCRIPTION

---

### 5. DIAGNOSTIC METHOD

#### • Abnormality Judgement

If the duration of time while the following conditions are met is longer than the time indicated, judge as NG.

#### Judgement Value

Malfunction Criteria	Threshold Value
Battery voltage	$\geq 10.9 \text{ V}$
Time of heater control duty at 70 % or more	$\geq 36000 \text{ ms}$
Front oxygen (A/F) sensor impedance.	$> 500 \Omega$

**Time Needed for Diagnosis:** 5000 ms

**Malfunction Indicator Light Illumination:** Illuminates as soon as a malfunction occurs.

#### • Normality Judgement

Judge as OK and clear the NG if the continuous time while the following conditions are established is more than the predetermined time.

#### Judgement Value

Malfunction Criteria	Threshold Value
Battery voltage	$\geq 10.9 \text{ V}$
Front oxygen (A/F) sensor impedance.	$\leq 500 \Omega$

**Time Needed for Diagnosis:** Less than 1 second



# Diagnostic Trouble Code (DTC) Detecting Criteria

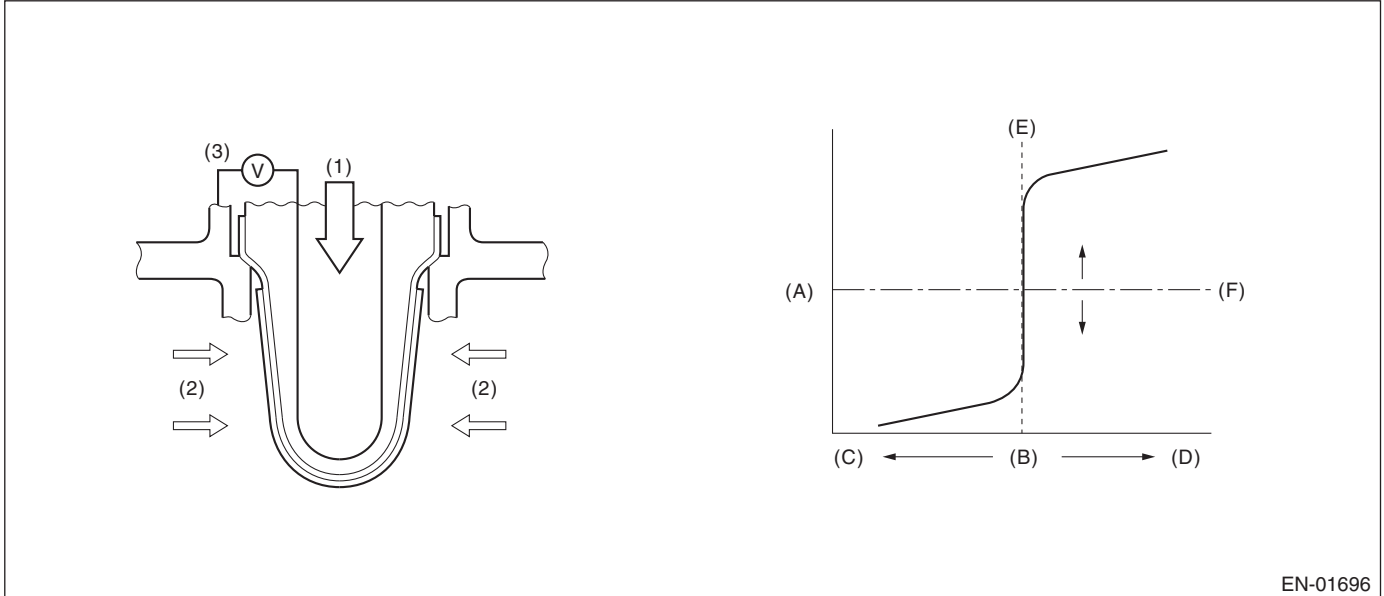
GENERAL DESCRIPTION

## AD:DTC P0137 O2 SENSOR CIRCUIT LOW VOLTAGE (BANK 1 SENSOR 2)

### 1. OUTLINE OF DIAGNOSIS

Detect continuity NG of the oxygen sensor. If the oxygen sensor voltage reading is not within the probable range considering the operating conditions, judge as NG.

### 2. COMPONENT DESCRIPTION



EN-01696

(A) Electromotive force

(B) Air fuel ratio

(C) Rich

(D) Lean

(E) Theoretical air fuel ratio

(F) Comparative voltage

(1) Atmosphere

(2) Exhaust gas

(3) Electromotive force

# Diagnostic Trouble Code (DTC) Detecting Criteria

## GENERAL DESCRIPTION

### 3. ENABLE CONDITION

#### Used for abnormality judgement

Secondary Parameters	Enable Condition
<b>High</b> Secondary air system Closed loop control at the oxygen sensor Misfire detection every 200 rotations Front oxygen (A/F) sensor compensation coefficient Battery voltage Engine coolant temperature	Not in operation In operation < 5 time(s) Not in limit value ≥ 10.9 V ≥ 70 °C (158 °F)
<b>Low (1)</b> Secondary air system Closed loop control at the oxygen sensor Misfire detection every 200 rotations Front oxygen (A/F) sensor compensation coefficient Battery voltage Engine coolant temperature Amount of intake air	Not in operation In operation < 5 time(s) Not in limit value ≥ 10.9 V ≥ 70 °C (158 °F) ≥ 10 g/s (0.35 oz/s)
<b>Low (2)</b> Secondary air system Closed loop control at the oxygen sensor Misfire detection every 200 rotations Front oxygen (A/F) sensor compensation coefficient Battery voltage Engine coolant temperature Amount of intake air Current continuation time of the rear oxygen sensor heater	Not in operation In operation < 5 time(s) Not in limit value ≥ 10.9 V ≥ 70 °C (158 °F) < 10 g/s (0.35 oz/s) ≥ 25000 ms
<b>Low (3)</b> Secondary air system Closed loop control at the oxygen sensor Misfire detection every 200 rotations Front oxygen (A/F) sensor compensation coefficient Battery voltage Engine coolant temperature Amount of intake air Current continuation time of the rear oxygen sensor heater Fuel cut	Not in operation In operation < 5 time(s) Not in limit value ≥ 10.9 V ≥ 70 °C (158 °F) < 10 g/s (0.35 oz/s) ≥ 25000 ms Experienced

#### Used for normality judgement

Secondary Parameters	Enable Condition
Secondary air system Closed loop control at the oxygen sensor Misfire detection every 200 rotations Front oxygen (A/F) sensor compensation coefficient Battery voltage Engine coolant temperature	Not in operation In operation < 5 time(s) Not in limit value ≥ 10.9 V ≥ 70 °C (158 °F)

### 4. GENERAL DRIVING CYCLE

After starting the engine, continuously perform the diagnosis with the same engine condition.

# Diagnostic Trouble Code (DTC) Detecting Criteria

GENERAL DESCRIPTION

## 5. DIAGNOSTIC METHOD

### • Abnormality Judgement

If the duration of time while the following conditions are met is longer than the time indicated, judge as NG.

### Judgement Value

Malfunction Criteria	Threshold Value	DTC
<b>High</b> Sensor output voltage	> 1.2 V	P0138
<b>Low</b> Sensor output voltage	< 0.03 V	P0137

### Time Needed for Diagnosis

High: 2500 ms  
Low (1): 20000 ms  
Low (2): 150000 ms  
Low (3): Value from Map

### Map

Fuel Cut Time (second)	0	2000	10000
Time needed for diagnosis (second)	150000	150000	150000

**Malfunction Indicator Light Illumination:** Illuminates when malfunction occurs in 2 continuous driving cycles.

### • Normality Judgement

Judge as OK and clear the NG if the continuous time while the following conditions are established is more than the predetermined time.

### Judgement Value

Malfunction Criteria	Threshold Value	DTC
<b>High</b> Sensor output voltage	$\leq 1.2$ V	P0138
<b>Low</b> Sensor output voltage	$\geq 0.03$ V	P0137

### Time Needed for Diagnosis

High: Less than 1 second  
Low (1): Less than 1 second  
Low (2): Less than 1 second  
Low (3): Less than 1 second

## AE:DTC P0138 O2 SENSOR CIRCUIT HIGH VOLTAGE (BANK 1 SENSOR 2)

### 1. OUTLINE OF DIAGNOSIS

NOTE:

For the detection standard, refer to DTC P0137. <Ref. to GD(H4DOTC)-55, DTC P0137 O2 SENSOR CIRCUIT LOW VOLTAGE (BANK 1 SENSOR 2), Diagnostic Trouble Code (DTC) Detecting Criteria.>

# Diagnostic Trouble Code (DTC) Detecting Criteria

## GENERAL DESCRIPTION

### AF:DTC P0139 O2 SENSOR CIRCUIT SLOW RESPONSE (BANK 1 SENSOR 2)

#### 1. OUTLINE OF DIAGNOSIS

Detect the slow response of the oxygen sensor.

Judge as NG if either of the rich to lean response diagnosis or lean to rich response diagnosis is NG, and Judge as OK if both are OK.

[Rich → lean diagnosis response]

1. Measure the response time for oxygen sensor output changes when the A/F ratio changes to rich to lean. If the measured response time is larger than the threshold value, it is NG. If it is smaller, it is OK.

2. Judge as NG when the oxygen sensor voltage is large (rich) when recovering from a deceleration fuel cut.

[Lean → rich diagnosis response]

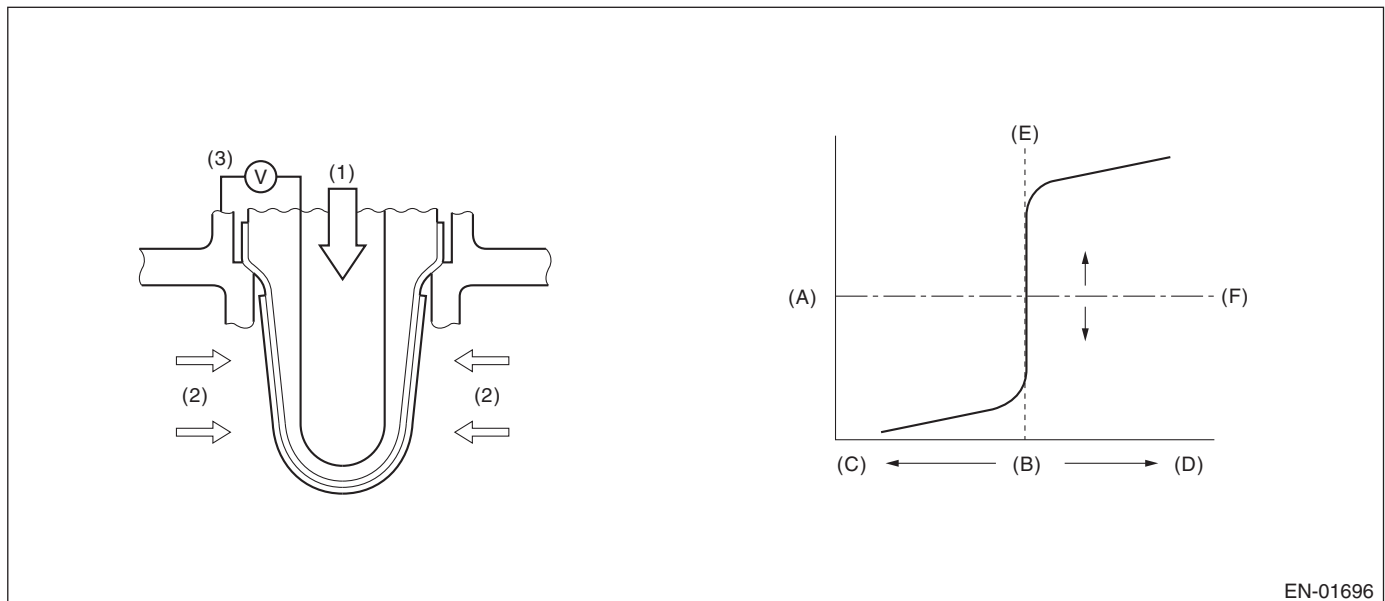
1. Measure the response time for oxygen sensor output changes when the A/F ratio changes to lean to rich. If the measured response time is larger than the threshold value, it is NG.

2. Judge as NG when the oxygen sensor voltage remains small when recovering from a deceleration fuel cut.

#### DIAGNOSTIC METHOD

Measure the response time of the output change of the oxygen sensor when the A/F ratio changes to rich to lean. And Judge as NG when the measured response time is larger than the threshold value.

#### 2. COMPONENT DESCRIPTION



EN-01696

(A) Electromotive force

(B) Air fuel ratio

(C) Rich

(D) Lean

(E) Theoretical air fuel ratio

(F) Comparative voltage

(1) Atmosphere

(2) Exhaust gas

(3) Electromotive force

# Diagnostic Trouble Code (DTC) Detecting Criteria

GENERAL DESCRIPTION

## 3. ENABLE CONDITIONS

Rich → lean diagnosis response

Secondary Parameters	Enable Condition
Battery voltage	≥ 10.9 V
A/F main feedback control condition	Completed
Deceleration fuel cut time is 5000 ms or more.	Experienced
After fuel cut	≥ 2000 ms
Current calculation time of the rear oxygen sensor heater	≥ 60000 ms
Current continuation time of the rear oxygen sensor heater	≥ 30000 ms
Estimated catalyst temperature	≥ 400 °C (752 °F)
Number of deceleration fuel cut	≥ 1 time(s)

## 4. GENERAL DRIVING CYCLE

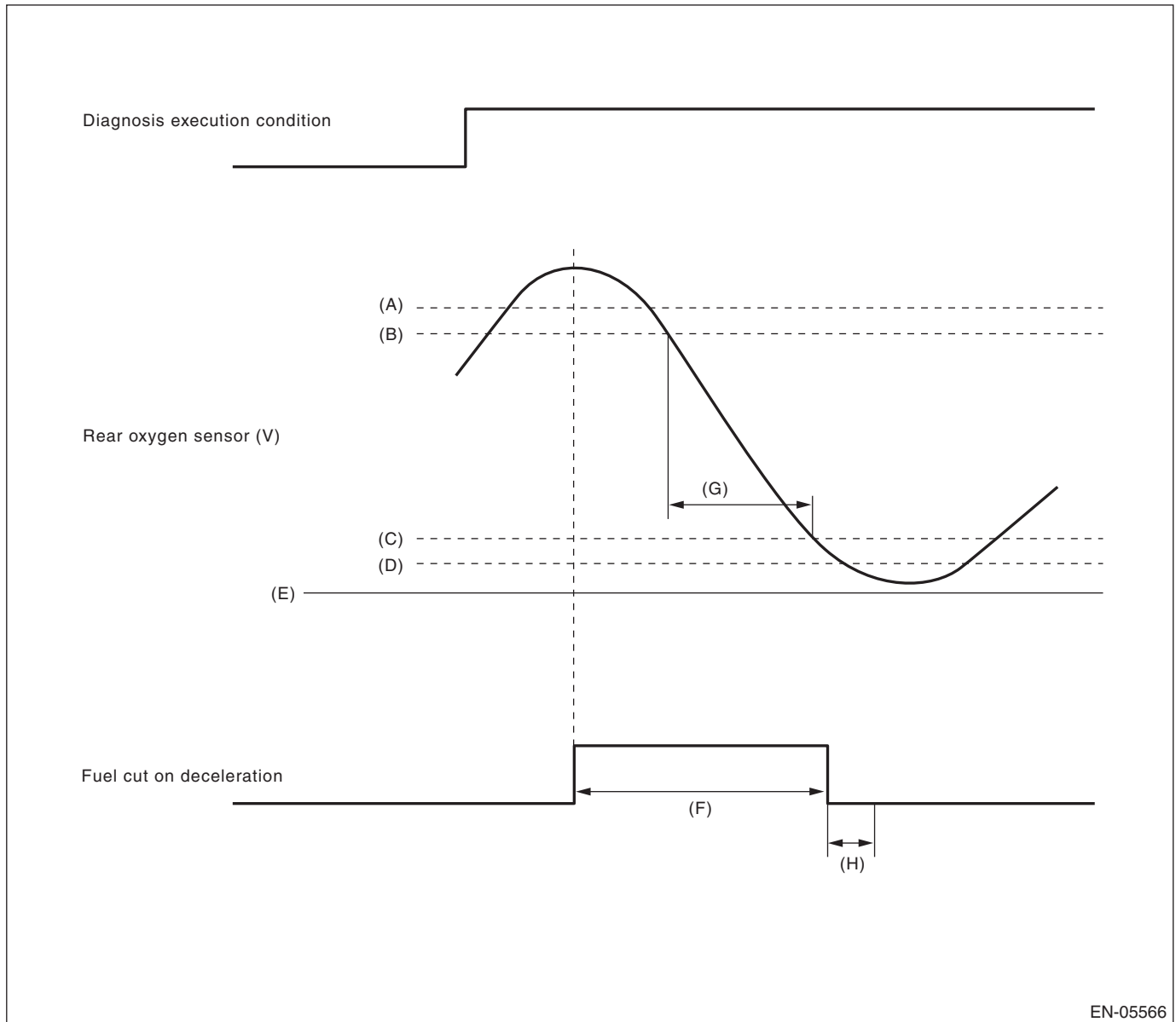
Perform the diagnosis only once when deceleration fuel cut occurs after rapid acceleration. (Pay attention to the oxygen sensor voltage for the timing of the deceleration.)

# Diagnostic Trouble Code (DTC) Detecting Criteria

## GENERAL DESCRIPTION

### 5. DIAGNOSTIC METHOD

When the oxygen sensor output voltage changes from 0.55 V (rich) to 0.15 V (lean), calculate the minimum response time for output change between 0.5 V and 0.2 V for the judgement criteria.



(A) 0.55 V

(D) 0.15 V

(G) Measure the response time.

(B) 0.5 V

(E) 0 V

(H) Execute the malfunction judgement in 2000 ms from the recovery of fuel cut on deceleration.

(C) 0.2 V

(F) More than 5000 ms

# Diagnostic Trouble Code (DTC) Detecting Criteria

GENERAL DESCRIPTION

## • Abnormality Judgement

1) Judge as NG when the judgement value is larger than the threshold value after deceleration fuel cut.  
Response time (diagnosis value) > threshold value → abnormal

NOTE:

Variation time of rear oxygen sensor output voltage is short during fuel cut in deceleration. NG judgement should be performed after deceleration fuel cut. Even without deceleration fuel cut, judge as OK if the value is below the threshold.

When the deceleration fuel cut time is 5000 ms or more, judge as NG if the following criteria are met 2000 ms after recovering from the deceleration fuel cut.

2) Judge as NG when the oxygen sensor voltage at recovery from a deceleration fuel cut, is large.

If the fuel cut time in a deceleration fuel cut is long (5000 ms or more), and even after recovering from a deceleration fuel cut, the oxygen sensor voltage is high (0.55 V or more), judge as NG.

## Judgement Value

Malfunction Criteria	Threshold Value
Shortest time change from rich (0.5 V O <sub>2</sub> output) to lean (0.2 V) when voltage reduces from 0.55 V to 0.15 V or Longest time over 0.55 V	> 837 ms  ≥ 2000 ms

**Time Needed for Diagnosis:** 1 time(s)

**Malfunction Indicator Light Illumination:** Illuminates when malfunction occurs in 2 continuous driving cycles.

## • Normality Judgement

1) Regardless of a deceleration fuel cut, if the response time (diagnosis value) when the oxygen sensor voltage has changed from rich to lean is shorter than the threshold value (judgement value), judge as a normal condition.

Response time (diagnosis value) ≤ threshold value → normal

2) Do not judge as a normal condition.

Judge as OK and clear the NG if the following conditions are established.

## Judgement Value

Malfunction Criteria	Threshold Value
Shortest time change from rich (0.5 V O <sub>2</sub> output) to lean (0.2 V) when voltage reduces from 0.55 V to 0.15 V	≤ 837 ms

**Time Needed for Diagnosis:** 1 time(s)

## 6. ENABLE CONDITIONS

Lean → rich response diagnosis

Secondary Parameters	Enable Condition
Battery voltage	≥ 10.9 V
A/F main feedback control condition	Completed
Deceleration fuel cut time is 6000 ms or more.	Experienced
After fuel cut	≥ 2000 ms
Current calculation time of the rear oxygen sensor heater	≥ 0 ms
Current continuation time of the rear oxygen sensor heater	≥ 0 ms
Estimated catalyst temperature	≥ 0 °C (32 °F)
Number of deceleration fuel cut	≥ 1 time(s)

# Diagnostic Trouble Code (DTC) Detecting Criteria

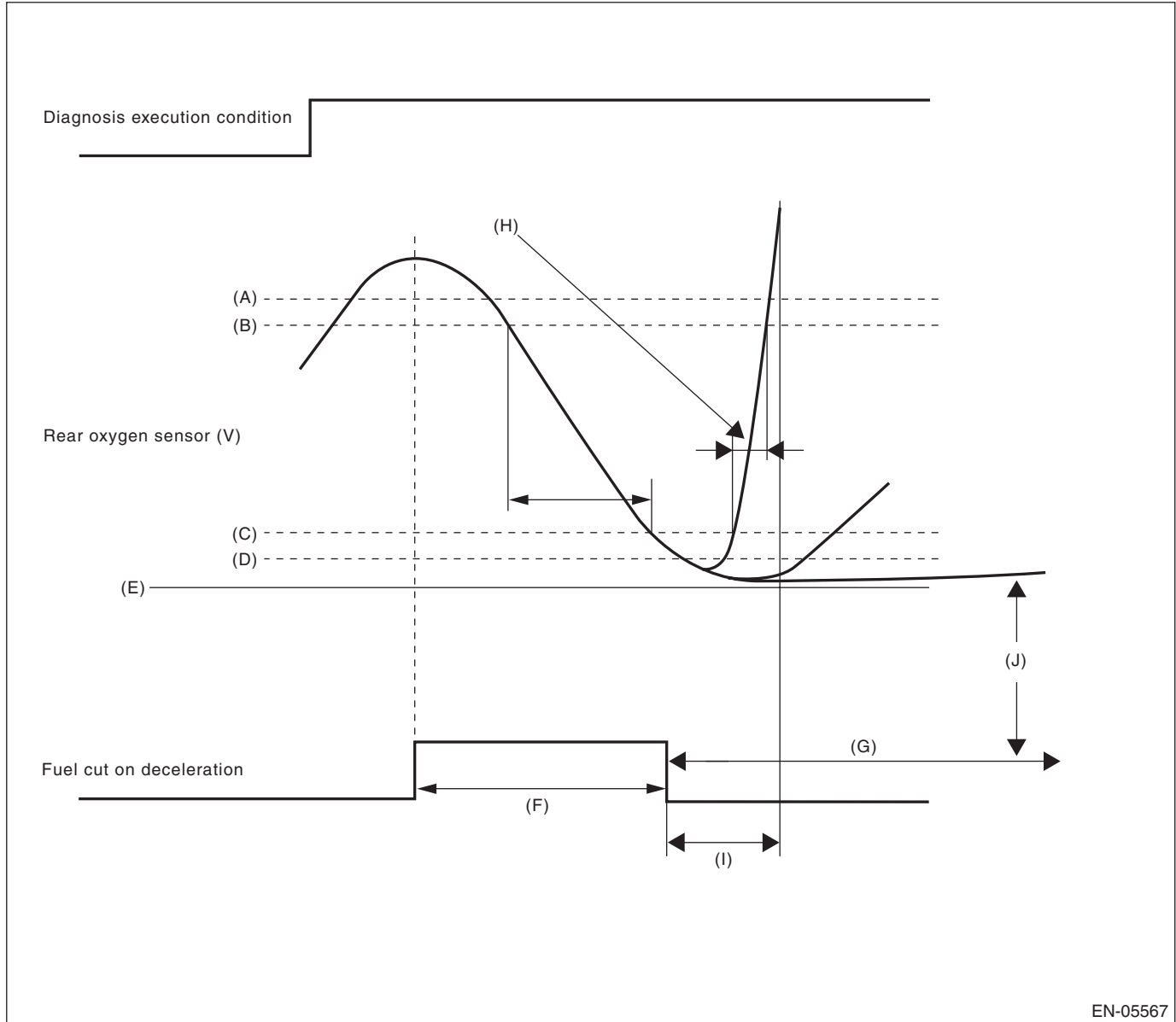
## GENERAL DESCRIPTION

### 7. GENERAL DRIVING CYCLE

Perform the diagnosis only once when deceleration fuel cut occurs after rapid acceleration. (Pay attention to the oxygen sensor voltage for the timing of the deceleration.)

### 8. DIAGNOSTIC METHOD

When the oxygen sensor output voltage changes from 0.25 V (lean) to 0.55 V (rich), calculate the minimum response time for output change between 0.3 V and 0.5 V for the judgement criteria.



EN-05567

- |   |   |   |
|---|---|---|
| (A) 0.55 V  | (B) 0.5 V   | (C) 0.3 V   |
| (D) 0.25 V  | (E) 0 V   | (F) More than 5 seconds   |
| (G) More than 120000 ms   | (H) Measure the response time (diagnostic value). | (I) Execute the malfunction judgement in 4000 ms from the recovery of fuel cut on deceleration. |
| (J) Judge NG when the voltage of rear oxygen sensor is 0.25 V or less for 120000 ms or more after recovery of fuel cut on deceleration. |   |   |



# Diagnostic Trouble Code (DTC) Detecting Criteria

GENERAL DESCRIPTION

## • Abnormality Judgement

- 1) Judge as NG when the judgement value is larger than the threshold value after deceleration fuel cut.  
Response time (diagnosis value) > threshold value → abnormal
- 2) If the oxygen sensor voltage is small after recovering from a deceleration fuel cut, and remains small, judge as NG.

### Judgement Value

Malfunction Criteria	Threshold Value
Shortest time change from lean (0.3 V O <sub>2</sub> output) to rich (0.5 V) when voltage changes from 0.25 V to 0.55 V or Longest time under 0.25 V	> 4000 ms  ≥ 120000 ms

**Time Needed for Diagnosis:** 1 time(s)

**Malfunction Indicator Light Illumination:** Illuminates when malfunction occurs in 2 continuous driving cycles.

## • Normality Judgement

- 1) Regardless of a deceleration fuel cut, if the response time (diagnosis value) when the oxygen sensor voltage has changed from rich to lean is shorter than the threshold value (judgement value), judge as a normal condition.

Response time (diagnosis value) ≤ threshold value → normal

- 2) Do not judge as a normal condition.

Judge as OK and clear the NG if the following conditions are established.

### Judgement Value

Malfunction Criteria	Threshold Value
Shortest time change from lean (0.3 V O <sub>2</sub> output) to rich (0.5 V) when voltage changes from 0.25 V to 0.55 V	≤ 4000 ms

**Time Needed for Diagnosis:** 1 time(s)

# Diagnostic Trouble Code (DTC) Detecting Criteria

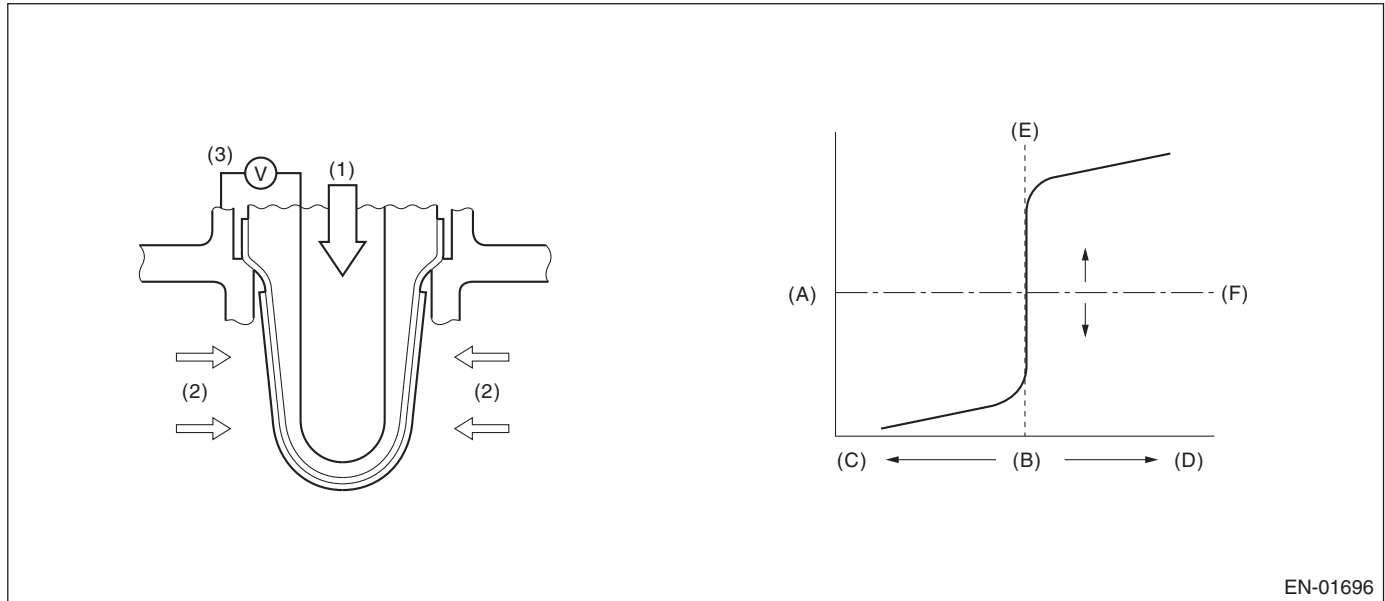
## GENERAL DESCRIPTION

### AG:DTC P0140 O2 SENSOR CIRCUIT NO ACTIVITY DETECTED (BANK1 SENSOR2)

#### 1. OUTLINE OF DIAGNOSIS

Detect the rear oxygen sensor open or short circuit. Judge as NG when the rear oxygen sensor voltage can be determined to be abnormal considering conditions such as intake air amount, engine coolant temperature, main feedback control and deceleration fuel cut.

#### 2. COMPONENT DESCRIPTION



EN-01696

- |                         |                                |                         |
|-------------------------|--------------------------------|-------------------------|
| (A) Electromotive force | (B) Air fuel ratio             | (C) Rich                |
| (D) Lean                | (E) Theoretical air fuel ratio | (F) Comparative voltage |
| (1) Atmosphere          | (2) Exhaust gas                | (3) Electromotive force |

#### 3. ENABLE CONDITION (USED ONLY FOR MALFUNCTION JUDGEMENT)

Secondary Parameters	Enable Condition
Closed loop control at the rear oxygen sensor	In operation
Target output voltage of rear oxygen sensor	$\geq 0.55 \text{ V} + 0.05 \text{ V}$
Amount of intake air	$\geq 10 \text{ g/s (0.35 oz/s)}$
Engine coolant temperature	$\geq 70 \text{ }^\circ\text{C (158 }^\circ\text{F)}$
Misfire detection every 200 rotations	$< 5 \text{ time(s)}$
Front oxygen (A/F) sensor compensation coefficient	Not in limit value
Battery voltage	$\geq 10.9 \text{ V}$
Deceleration fuel cut of 5000 ms or more.	Experienced

#### 4. GENERAL DRIVING CYCLE

Perform the diagnosis once after starting the engine.

# Diagnostic Trouble Code (DTC) Detecting Criteria

GENERAL DESCRIPTION

## 5. DIAGNOSTIC METHOD

### • Abnormality Judgement

If the duration of time while the following conditions are met is longer than the time indicated, judge as NG.

### Judgement Value

Malfunction Criteria	Threshold Value
Minimum output voltage	> 0.15 V
or	
Maximum output voltage	< 0.55 V

**Time Needed for Diagnosis:** 200000 ms

**Malfunction Indicator Light Illumination:** Illuminates when malfunction occurs in 2 continuous driving cycles.

### • Normality Judgement

Judge as OK and clear the NG if the following conditions are established.

### Judgement Value

Malfunction Criteria	Threshold Value
Diagnosis of the rear oxygen sensor voltage low side	Incomplete
Minimum output voltage	$\leq 0.15$ V
Maximum output voltage	$\geq 0.55$ V

**Time Needed for Diagnosis:** Less than 1 second

# Diagnostic Trouble Code (DTC) Detecting Criteria

## GENERAL DESCRIPTION

### AH:DTC P0171 SYSTEM TOO LEAN (BANK 1)

#### 1. OUTLINE OF DIAGNOSIS

Detect fuel system malfunction by the amount of main feedback control.

#### DIAGNOSTIC METHOD

Fuel system is diagnosed by comparing the target air fuel ratio calculated by ECM with the actual air fuel ratio measured by sensor.

#### 2. ENABLE CONDITIONS

Secondary Parameters	Enable Condition
A/F main learning system	In operation
Engine coolant temperature	$\geq 70\text{ }^{\circ}\text{C}$ (158 °F)
Engine load change	$< 0.02\text{ g/rev}$ (0 oz/rev)
Engine load	$\geq$ Value of Map 1

#### Map1

Engine speed (rpm)	Idling	800	1200	1600	2000	2400	2800	3200	3600	4000	4400
Measured value (g(oz)/rev)	na	0.228 (0.01)	0.22 (0.01)	0.22 (0.01)	0.22 (0.01)	0.228 (0.01)	0.23 (0.01)	0.234 (0.01)	0.242 (0.01)	0.25 (0.01)	0.25 (0.01)

#### 3. GENERAL DRIVING CYCLE

Perform the diagnosis continuously at idling or at a constant speed after warming up the engine.

#### 4. DIAGNOSTIC METHOD

##### • Abnormality Judgement

Compare the diagnosed value (fsobd) with the threshold value, and if a condition meeting the malfunction criteria below continues for 10 s  $\times$  5 time(s) or more, judge that there is a fault in the fuel system.

##### Judgement Value

Malfunction Criteria	Threshold Value
$\text{fsobd} = (\text{sglmd} - \text{tglm da}) + \text{faf} + \text{flaf}$ In this case: sglmd = measured lambda tglm da = target lambda faf = main feedback compensation coefficient every 64 milliseconds flaf = main feedback learning compensation coefficient	$\geq$ Value of Map 2

#### Map2

Amount of air (g (oz)/s)	0 (0)	2.34375 (0.08)	4.6875 (0.17)	7.03125 (0.25)	9.375 (0.33)	11.71875 (0.41)	14.0625 (0.5)
fsobdL1 (%)	1.4	1.4	1.368623	1.319185	1.26975	1.265	1.265

**Time Needed for Diagnosis:** 10 s  $\times$  5 time(s)

**Malfunction Indicator Light Illumination:** Illuminates when malfunction occurs in 2 continuous driving cycles.

##### • Normality Judgement

Judge as OK and clear the NG if the continuous time while the following conditions are established is more than the predetermined time.

##### Judgement Value

Malfunction Criteria	Threshold Value
$\text{fsobd} = (\text{sglmd} - \text{tglm da}) + \text{faf} + \text{flaf}$	$< 1.2$

**Time Needed for Diagnosis:** 10 s

# Diagnostic Trouble Code (DTC) Detecting Criteria

GENERAL DESCRIPTION

## AI: DTC P0172 SYSTEM TOO RICH (BANK 1)

### 1. OUTLINE OF DIAGNOSIS

Detect fuel system malfunction by the amount of main feedback control.

#### Diagnostic method

Fuel system is diagnosed by comparing the target air fuel ratio calculated by ECM with the actual air fuel ratio measured by sensor.

### 2. ENABLE CONDITIONS

Secondary Parameters	Enable Condition
A/F main learning system	In operation
Engine coolant temperature	$\geq 70\text{ }^{\circ}\text{C}$ (158 $^{\circ}\text{F}$ )
Engine load change	$\leq 0.02\text{ g/rev}$ (0 oz/rev)
Learning value of EVAP conc.	$< 0.1$
Cumulative time of canister purge after engine start	$\geq 20\text{ s}$
Continuous period after canister purge starting	$\geq 29884\text{ ms}$
Engine load	$\geq$ Value of Map 1

#### Map1

Engine speed (rpm)	Idling	800	1200	1600	2000	2400	2800	3200	3600	4000	4400
Measured value (g(oz)/rev)	na	0.228 (0.01)	0.22 (0.01)	0.22 (0.01)	0.22 (0.01)	0.228 (0.01)	0.23 (0.01)	0.234 (0.01)	0.242 (0.01)	0.25 (0.01)	0.25 (0.01)

### 3. GENERAL DRIVING CYCLE

Perform the diagnosis continuously at idling or at a constant speed after warming up the engine.

### 4. DIAGNOSTIC METHOD

#### • Abnormality Judgement

Compare the diagnosed value (fsobd) with the threshold value, and if a condition meeting the malfunction criteria below continues for 10 s  $\times$  5 time(s) or more, judge that there is a fault in the fuel system.

#### Judgement Value

Malfunction Criteria	Threshold Value
$\text{fsobd} = (\text{sglm}d - \text{tglm}d) + \text{faf} + \text{flaf}$ In this case: sglm d = measured lambda tglm d = target lambda faf = main feedback compensation coefficient every 64 milliseconds flaf = main feedback learning compensation coefficient	$<$ Value of Map 2

#### Map2

Amount of air (g (oz)/s)	0 (0)	2.34375 (0.08)	4.6875 (0.17)	7.03125 (0.25)	9.375 (0.33)	11.71875 (0.41)	14.0625 (0.5)
fsobdL1 (%)	0.6	0.6	0.63137	0.68082	0.71025	0.72525	0.73025

**Time Needed for Diagnosis:** 10 s  $\times$  5 time(s)

**Malfunction Indicator Light Illumination:** Illuminates when malfunction occurs in 2 continuous driving cycles.

#### • Normality Judgement

Judge as OK when the malfunction criteria below continues for 10 seconds.

#### Judgement Value

Malfunction Criteria	Threshold Value
$\text{fsobd} = (\text{sglm}d - \text{tglm}d) + \text{faf} + \text{flaf}$	$\geq 0.8$

**Time Needed for Diagnosis:** 10 s

# Diagnostic Trouble Code (DTC) Detecting Criteria

## GENERAL DESCRIPTION

### AJ:DTC P0181 FUEL TEMPERATURE SENSOR “A” CIRCUIT RANGE/ PERFORMANCE

#### 1. OUTLINE OF DIAGNOSIS

Detect faults in the fuel temperature sensor output properties.

Diagnosis is performed in two methods (drift diagnosis and stuck diagnosis). If either is NG, judge as NG. If both are OK, Judge as OK and clear the NG.

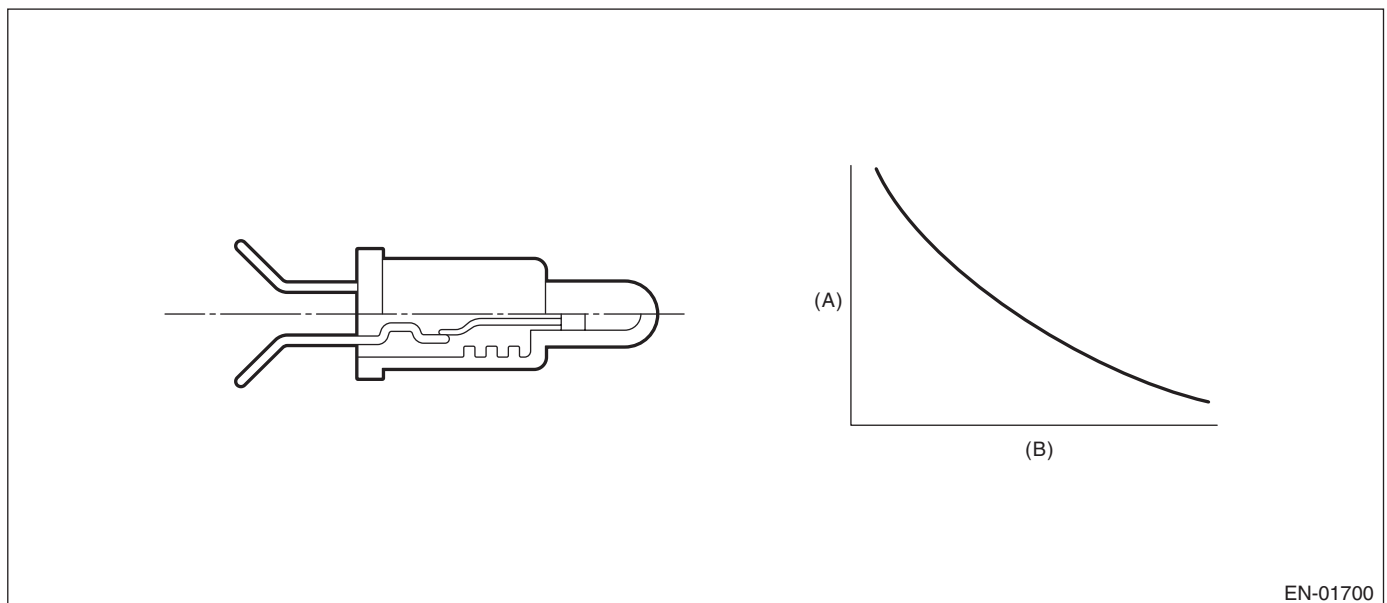
#### DRIFT DIAGNOSIS

Normally fuel temperature is lower than engine coolant temperature. When the fuel temperature becomes higher than the engine coolant temperature, the range is considered to be shifted, and judged as NG.

#### STUCK DIAGNOSIS

As the engine warms up (cumulative amount of intake air after starting is large), if the fuel temperature which should rise does not, determine as being stuck and NG.

#### 2. COMPONENT DESCRIPTION



(A) Resistance value ( $\Omega$ )

(B) Fuel temperature °C (°F)

#### 3. ENABLE CONDITIONS

##### DRIFT DIAGNOSIS

Secondary Parameters	Enable Conditions
None	

#### 4. GENERAL DRIVING CYCLE

Always perform the diagnosis continuously.

# Diagnostic Trouble Code (DTC) Detecting Criteria

GENERAL DESCRIPTION

## 5. DIAGNOSTIC METHOD

### • Abnormality Judgement

If the duration of time while the following conditions are met is longer than the time indicated, judge as NG.

### Judgement Value

Malfunction Criteria	Threshold Value
Fuel level	$\geq 9.6 \ell$ (2.54 US gal, 2.11 Imp gal)
Elapsed time after starting the engine	$\geq 20$ s
Engine coolant temperature – Engine coolant temperature at engine start	$> 10$ °C (50 °F)
Fuel temperature – Engine coolant temperature	$\geq 10$ °C (50 °F)
Battery voltage	$\geq 10.9$ V

**Time Needed for Diagnosis:** 120 s

**Malfunction Indicator Light Illumination:** Illuminates when malfunction occurs in 2 continuous driving cycles.

### • Normality Judgement

Judge as OK and clear the NG if the continuous time while the following conditions are established is more than the predetermined time.

### Judgement Value

Malfunction Criteria	Threshold Value
Fuel level	$\geq 9.6 \ell$ (2.54 US gal, 2.11 Imp gal)
Elapsed time after starting the engine	$\geq 20$ s
Engine coolant temperature – Engine coolant temperature at engine start	$> 10$ °C (50 °F)
Fuel temperature – Engine coolant temperature	$< 10$ °C (50 °F)
Battery voltage	$\geq 10.9$ V
Engine coolant temperature	$< 70$ °C (158 °F)

**Time Needed for Diagnosis:** Less than 1 second

## 6. ENABLE CONDITION

### STUCK DIAGNOSIS

Secondary Parameters	Enable Condition
Elapsed time after starting the engine	$\geq 20000$ ms
Battery voltage	$\geq 10.9$ V

## 7. GENERAL DRIVING CYCLE

Always perform diagnosis after 20 seconds have passed since the engine started.

# Diagnostic Trouble Code (DTC) Detecting Criteria

## GENERAL DESCRIPTION

---

### 8. DIAGNOSTIC METHOD

#### • Abnormality Judgement

Judge as NG when the following conditions are established.

#### Judgement Value

Malfunction Criteria	Threshold Value
Accumulated amount of intake air	$\geq 551043$ g (19435.29 oz)
Fuel temperature difference between Max. and Min.	$< 2$ °C (35.6 °F)

**Time Needed for Diagnosis:** Less than 1 second

**Malfunction Indicator Light Illumination:** Illuminates when malfunction occurs in 2 continuous driving cycles.

#### • Normality Judgement

Judge as OK and clear the NG if the following conditions are established.

#### Judgement Value

Malfunction Criteria	Threshold Value
Fuel temperature difference between Max. and Min.	$\geq 2$ °C (35.6 °F)

**Time Needed for Diagnosis:** Less than 1 second

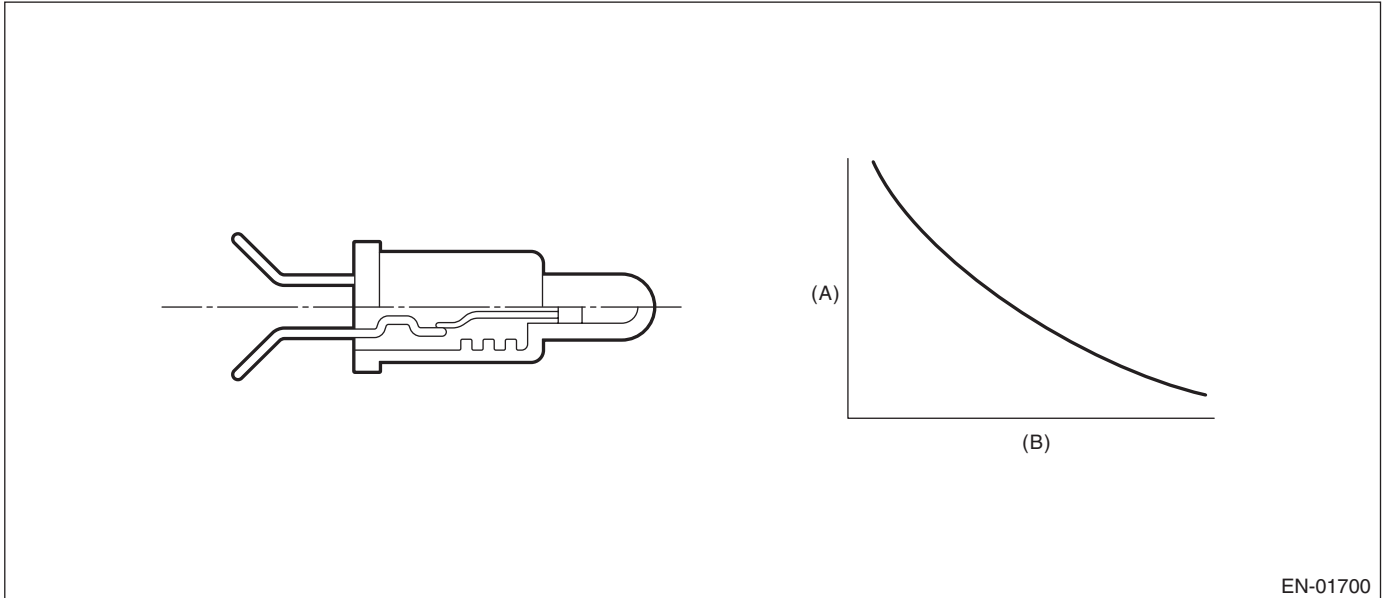


## AK:DTC P0182 FUEL TEMPERATURE SENSOR “A” CIRCUIT LOW INPUT

### 1. OUTLINE OF DIAGNOSIS

Detect the open or short circuit of fuel temperature sensor.  
Judge as NG if out of specification.

### 2. COMPONENT DESCRIPTION



EN-01700

(A) Resistance value (Ω)

(B) Fuel temperature °C (°F)

### 3. ENABLE CONDITIONS

Secondary Parameters	Enable Conditions
None	

### 4. GENERAL DRIVING CYCLE

Always perform the diagnosis continuously.

### 5. DIAGNOSTIC METHOD

#### • Abnormality Judgement

If the duration of time while the following conditions are met is longer than the time indicated, judge as NG.

#### Judgement Value

Malfunction Criteria	Threshold Value
Output voltage	< 0.343951474 V
Battery voltage	≥ 10.9 V

**Time Needed for Diagnosis:** 2500 ms

**Malfunction Indicator Light Illumination:** Illuminates as soon as a malfunction occurs.

#### • Normality Judgement

Judge as OK and clear the NG if the continuous time while the following conditions are established is more than the predetermined time.

#### Judgement Value

Malfunction Criteria	Threshold Value
Output voltage	≥ 0.343951474 V
Battery voltage	≥ 10.9 V

**Time Needed for Diagnosis:** Less than 1 second

# Diagnostic Trouble Code (DTC) Detecting Criteria

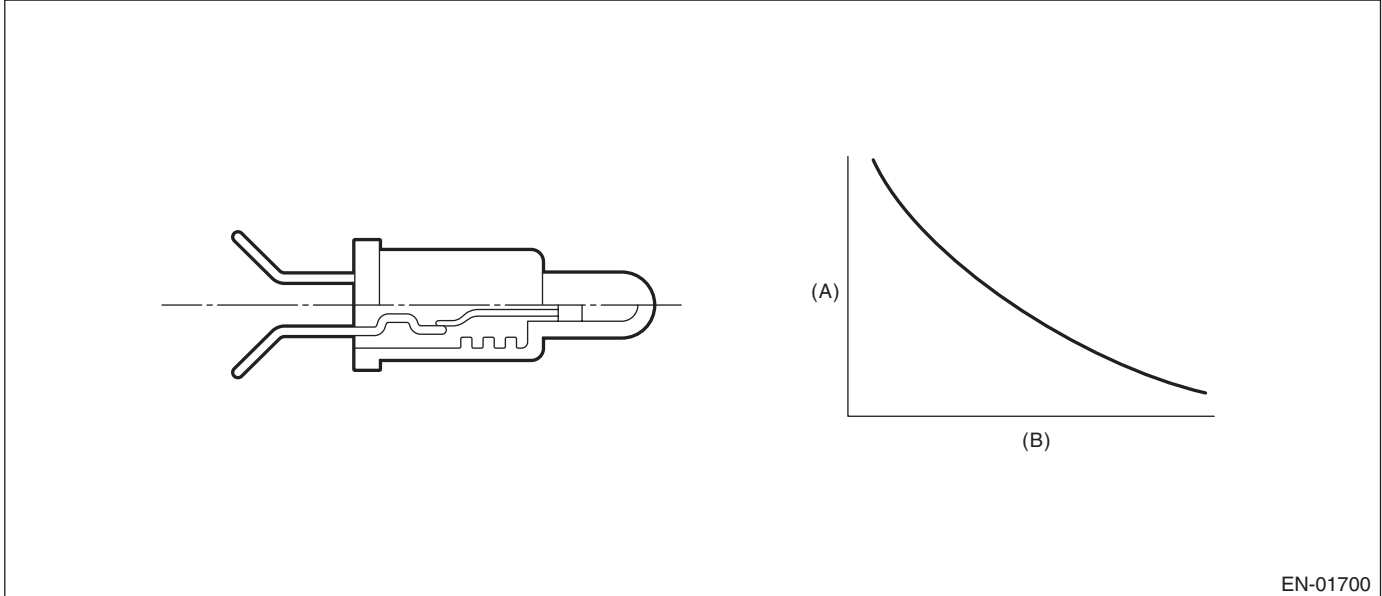
## GENERAL DESCRIPTION

### AL:DTC P0183 FUEL TEMPERATURE SENSOR “A” CIRCUIT HIGH INPUT

#### 1. OUTLINE OF DIAGNOSIS

Detect the open or short circuit of fuel temperature sensor.  
Judge as NG if out of specification.

#### 2. COMPONENT DESCRIPTION



(A) Resistance value ( $\Omega$ )

(B) Fuel temperature °C (°F)

#### 3. ENABLE CONDITIONS

Secondary Parameters	Enable Condition
None	

#### 4. GENERAL DRIVING CYCLE

Always perform the diagnosis continuously.

#### 5. DIAGNOSTIC METHOD

##### • Abnormality Judgement

If the duration of time while the following conditions are met is longer than the time indicated, judge as NG.

##### Judgement Value

Malfunction Criteria	Threshold Value
Output voltage	$\geq 4.716$ V
Battery voltage	$\geq 10.9$ V

**Time Needed for Diagnosis:** 2500 ms

**Malfunction Indicator Light Illumination:** Illuminates as soon as a malfunction occurs.

##### • Normality Judgement

Judge as OK and clear the NG if the continuous time while the following conditions are established is more than the predetermined time.

##### Judgement Value

Malfunction Criteria	Threshold Value
Output voltage	$< 4.716$ V
Battery voltage	$\geq 10.9$ V

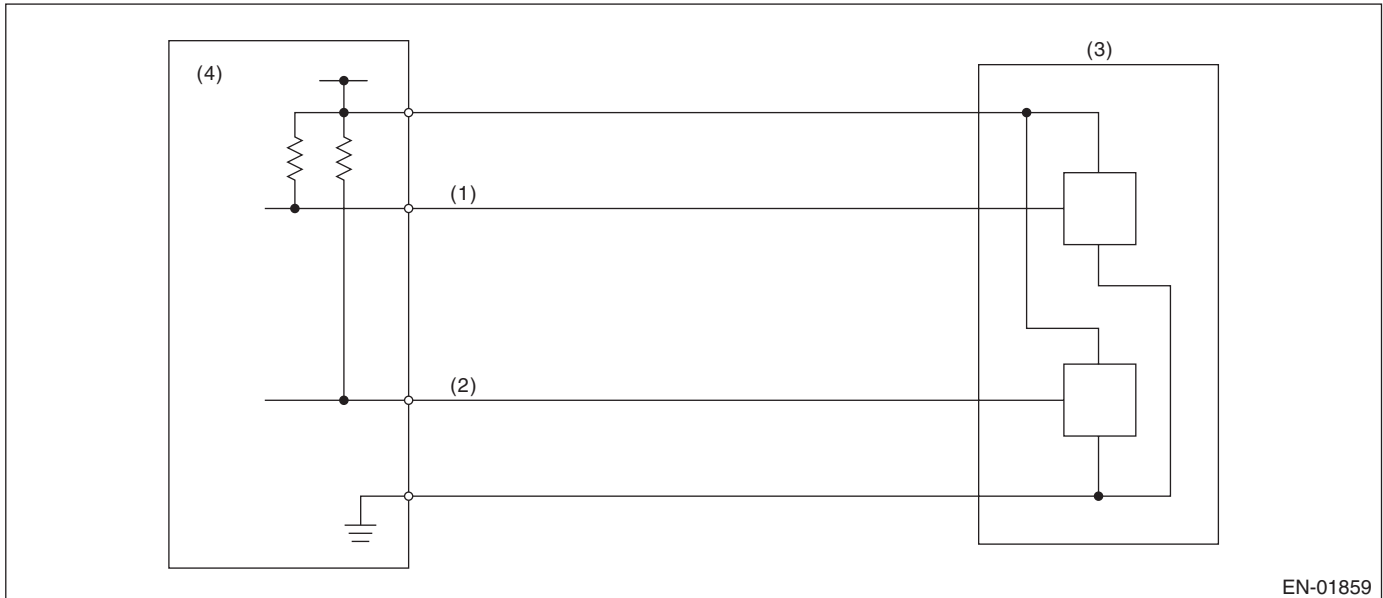
**Time Needed for Diagnosis:** Less than 1 second

## AM:DTC P0222 THROTTLE/PEDAL POSITION SENSOR/SWITCH “B” CIRCUIT LOW

### 1. OUTLINE OF DIAGNOSIS

Detect the open or short circuit of throttle position sensor 2.  
Judge as NG if out of specification.

### 2. COMPONENT DESCRIPTION



- (1) Throttle position sensor 1 signal      (3) Throttle position sensor      (4) Engine control module (ECM)  
 (2) Throttle position sensor 2 signal

### 3. ENABLE CONDITIONS

Secondary Parameters	Enable Condition
Ignition switch	ON
Battery voltage	$\geq 6 \text{ V}$

### 4. GENERAL DRIVING CYCLE

Always perform the diagnosis continuously.

### 5. DIAGNOSTIC METHOD

#### • Abnormality Judgement

If the duration of time while the following conditions are met is longer than the time indicated, judge as NG.

#### Judgement Value

Malfunction Criteria	Threshold Value
Sensor 2 input voltage	$\leq 0.926256 \text{ V}$

**Time Needed for Diagnosis:** 24 ms

**Malfunction Indicator Light Illumination:** Illuminates as soon as a malfunction occurs.

#### • Normality Judgement

Judge as OK and clear the NG if the continuous time while the following conditions are established is more than the predetermined time.

#### Judgement Value

Malfunction Criteria	Threshold Value
Sensor 2 input voltage	$> 0.926256 \text{ V}$

**Time Needed for Diagnosis:** 24 ms

# Diagnostic Trouble Code (DTC) Detecting Criteria

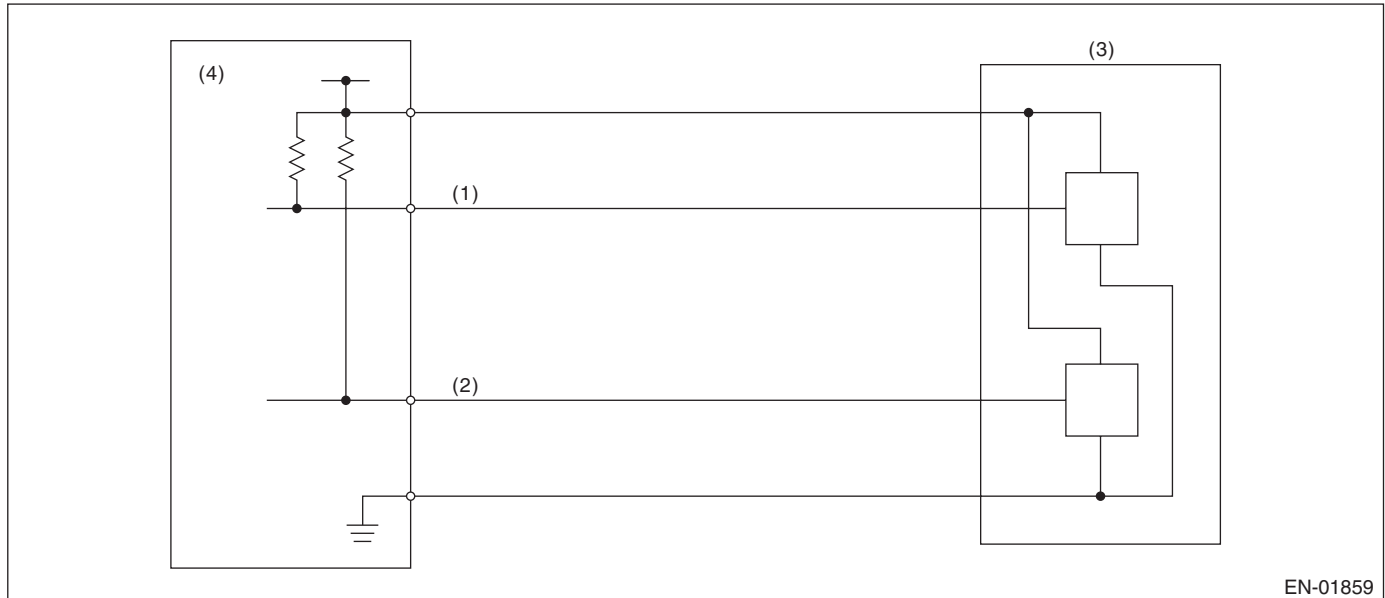
## GENERAL DESCRIPTION

### AN:DTC P0223 THROTTLE/PEDAL POSITION SENSOR/SWITCH “B” CIRCUIT HIGH

#### 1. OUTLINE OF DIAGNOSIS

Detect the open or short circuit of throttle position sensor 2.  
Judge as NG if out of specification.

#### 2. COMPONENT DESCRIPTION



- (1) Throttle position sensor 1 signal      (3) Throttle position sensor      (4) Engine control module (ECM)  
(2) Throttle position sensor 2 signal

#### 3. ENABLE CONDITIONS

Secondary Parameters	Enable Condition
Ignition switch	ON
Battery voltage	$\geq 6 \text{ V}$

#### 4. GENERAL DRIVING CYCLE

Always perform the diagnosis continuously.

#### 5. DIAGNOSTIC METHOD

##### • Abnormality Judgement

If the duration of time while the following conditions are met is longer than the time indicated, judge as NG.

##### Judgement Value

Malfunction Criteria	Threshold Value
Sensor 2 input voltage	$\geq 4.858 \text{ V}$

**Time Needed for Diagnosis:** 24 ms

**Malfunction Indicator Light Illumination:** Illuminates as soon as a malfunction occurs.

##### • Normality Judgement

Judge as OK and clear the NG if the continuous time while the following conditions are established is more than the predetermined time.

##### Judgement Value

Malfunction Criteria	Threshold Value
Sensor 2 input voltage	$< 4.858 \text{ V}$

**Time Needed for Diagnosis:** 24 ms

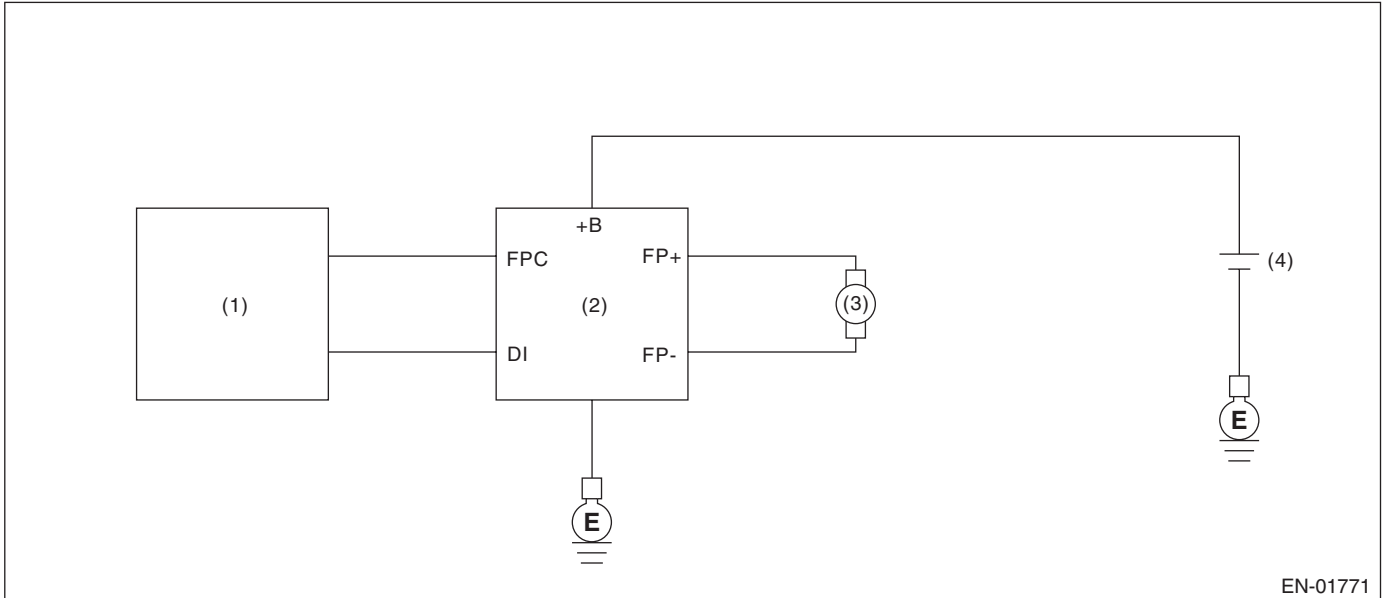
## AO:DTC P0230 FUEL PUMP PRIMARY CIRCUIT

### 1. OUTLINE OF DIAGNOSIS

Detect the malfunction of fuel pump control unit.

Judge as NG when the NG signal is sent through a diagnostic line coming from the fuel pump control unit. Fuel pump control unit detects the open or short circuit malfunction for each line, and then sends NG signals if one of them is found NG.

### 2. COMPONENT DESCRIPTION



(1) Engine control module (ECM)

(3) Fuel pump

(4) Battery

(2) Fuel pump control unit

### 3. ENABLE CONDITIONS

Secondary Parameters	Enable Conditions
None	

### 4. GENERAL DRIVING CYCLE

Always perform the diagnosis continuously.

# Diagnostic Trouble Code (DTC) Detecting Criteria

## GENERAL DESCRIPTION

---

### 5. DIAGNOSTIC METHOD

#### • Abnormality Judgement

If the duration of time while the following conditions are met is longer than the time indicated, judge as NG.

#### Judgement Value

Malfunction Criteria	Threshold Value
Battery voltage	$\geq 8$ V
Elapsed time after starting the engine	$\geq 180000$ ms
Fuel pump control	ON
Fuel pump control unit output diagnosis signal	Low
Fuel level	$\geq 10$ ℓ (2.64 US gal, 2.2 Imp gal)

**Time Needed for Diagnosis:** 2500 ms

**Malfunction Indicator Light Illumination:** Illuminates when malfunction occurs in 2 continuous driving cycles.

#### • Normality Judgement

Judge as OK and clear the NG if the continuous time while the following conditions are established is more than the predetermined time.

#### Judgement Value

Malfunction Criteria	Threshold Value
Battery voltage	$\geq 8$ V
Elapsed time after starting the engine	$\geq 180000$ ms
Fuel pump control	ON
Fuel pump control unit output diagnosis signal	High
Fuel level	$\geq 10$ ℓ (2.64 US gal, 2.2 Imp gal)

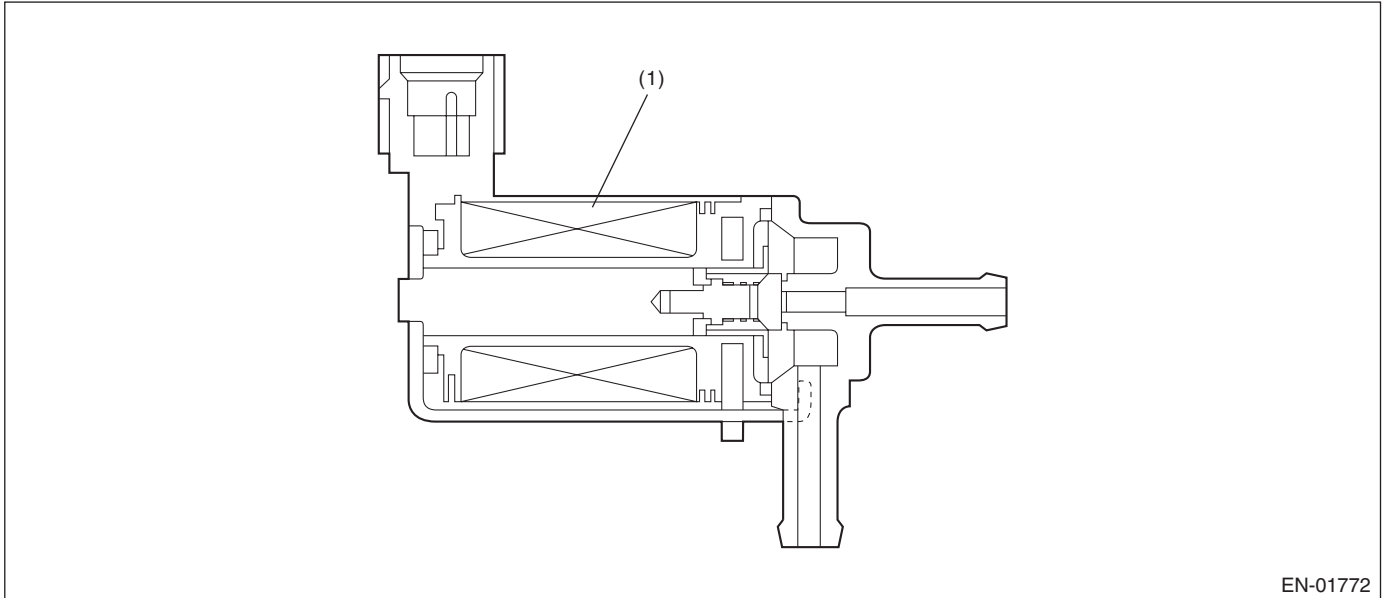
**Time Needed for Diagnosis:** Less than 1 second

## AP:DTC P0244 TURBO/SUPER CHARGER WASTEGATE SOLENOID "A" RANGE/PERFORMANCE

### 1. OUTLINE OF DIAGNOSIS

Detect the malfunction of wastegate control solenoid valve function.  
Judge as NG when becoming high wastegate pressure.

### 2. COMPONENT DESCRIPTION



(1) Coil

### 3. ENABLE CONDITIONS

Secondary Parameters	Enable Conditions
None	

### 4. GENERAL DRIVING CYCLE

Always perform the diagnosis continuously.

# Diagnostic Trouble Code (DTC) Detecting Criteria

## GENERAL DESCRIPTION

### 5. DIAGNOSTIC METHOD

#### • Abnormality Judgement

If the duration of time while the following conditions are met is longer than the time indicated, judge as NG.

#### Judgement Value

Malfunction Criteria	Threshold Value
Intake manifold pressure	≥ Value from Map

#### Map (except for WRX-SS model)

		Barometric pressure (kPa (mmHg, inHg))					
		58.7 (440, 17.3)	77.3 (580, 22.8)	89.3 (670, 26.4)	96 (720, 28.3)	98.6 (740, 29.1)	101.3 (760, 29.9)
Engine speed (rpm)	1000	113.4 (851, 33.5)	132.2 (992, 39.1)	144 (1080, 42.5)	144 (1080, 42.5)	144 (1080, 42.5)	144 (1080, 42.5)
	2000	159.8 (1199, 47.2)	188.6 (1415, 55.7)	206.6 (1550, 61)	206.6 (1550, 61)	206.6 (1550, 61)	206.6 (1550, 61)
	3000	159.8 (1199, 47.2)	188.6 (1415, 55.7)	206.6 (1550, 61)	206.6 (1550, 61)	206.6 (1550, 61)	206.6 (1550, 61)
	4000	159.8 (1199, 47.2)	188.6 (1415, 55.7)	206.6 (1550, 61)	206.6 (1550, 61)	206.6 (1550, 61)	206.6 (1550, 61)
	5000	133.4 (1001, 39.4)	160.1 (1201, 47.3)	179.7 (1348, 53.1)	186.9 (1402, 55.2)	204.6 (1535, 60.4)	204.6 (1535, 60.4)
	6000	123.4 (926, 36.5)	147.7 (1108, 43.6)	165.4 (1241, 48.9)	171.8 (1289, 50.7)	188 (1410, 55.5)	188 (1410, 55.5)

kPa (mmHg, inHg)

#### Map (WRX-SS model)

		Barometric pressure (kPa (mmHg, inHg))					
		58.7 (440, 17.3)	77.3 (580, 22.8)	89.3 (670, 26.4)	96 (720, 28.3)	98.6 (740, 29.1)	101.3 (760, 29.9)
Engine speed (rpm)	1000	109.5 (822, 32.3)	127.4 (956, 37.6)	138.6 (1040, 40.9)	138.6 (1040, 40.9)	138.6 (1040, 40.9)	138.6 (1040, 40.9)
	2000	139.1 (1044, 41.1)	163.4 (1226, 48.3)	178.6 (1340, 52.8)	178.6 (1340, 52.8)	178.6 (1340, 52.8)	178.6 (1340, 52.8)
	2400	169.7 (1273, 50.1)	200.6 (1505, 59.3)	219.9 (1650, 65)	219.9 (1650, 65)	219.9 (1650, 65)	219.9 (1650, 65)
	4000	169.7 (1273, 50.1)	200.6 (1505, 59.3)	219.9 (1650, 65)	219.9 (1650, 65)	219.9 (1650, 65)	219.9 (1650, 65)
	5000	144.1 (1081, 42.6)	173 (1298, 51.1)	193.9 (1454, 57.3)	200.7 (1506, 59.3)	217.9 (1635, 64.4)	217.9 (1635, 64.4)
	6000	138.6 (1040, 40.9)	166.6 (1250, 49.2)	187.2 (1404, 55.3)	194.6 (1460, 57.5)	213.3 (1600, 63)	213.3 (1600, 63)

kPa (mmHg, inHg)

**Time Needed for Diagnosis:** 2000 ms

**Malfunction Indicator Light Illumination:** Illuminates as soon as a malfunction occurs.

#### • Normality Judgement

Judge as OK and clear the NG if the continuous time while the following conditions are established is more than the predetermined time.

#### Judgement Value

Malfunction Criteria	Threshold Value
Intake manifold pressure	< Value from Map – 22.4 kPa (168 mmHg, 6.6 inHg)

**Time Needed for Diagnosis:** Less than 1 second

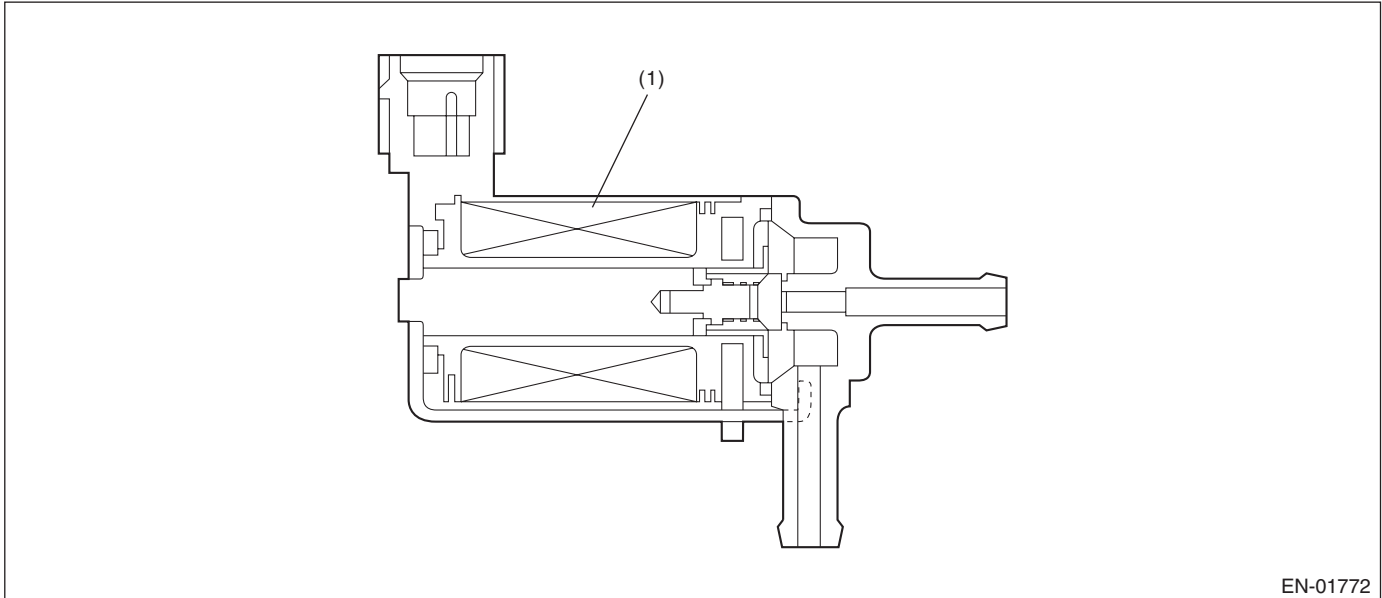


## AQ:DTC P0245 TURBO/SUPER CHARGER WASTEGATE SOLENOID “A” LOW

### 1. OUTLINE OF DIAGNOSIS

Detect open or short circuit of the wastegate control solenoid valve.  
 Judge as NG when the terminal output voltage remains Low during outputting the duty signal.

### 2. COMPONENT DESCRIPTION



EN-01772

(1) Coil

### 3. ENABLE CONDITION

Secondary Parameters	Enable Conditions
Battery voltage	≥ 10.9 V
Elapsed time after starting the engine	≥ 1 second

### 4. GENERAL DRIVING CYCLE

Perform the diagnosis continuously after starting the engine.

### 5. DIAGNOSTIC METHOD

#### Abnormality Judgement

If the duration of time while the following conditions are met is longer than the time indicated, judge as NG.

#### Judgement Value

Malfunction Criteria	Threshold Value
Terminal output voltage	Low
Duty ratio of wastegate control	< 75%

**Time Needed for Diagnosis:** 640 ms

**Malfunction Indicator Light Illumination:** Illuminates as soon as a malfunction occurs.

#### Normality Judgement

Judge as OK and clear the NG if the continuous time while the following conditions are established is more than the predetermined time.

#### Judgement Value

Malfunction Criteria	Threshold Value
Terminal output voltage	High

**Time Needed for Diagnosis:** Less than 1 second

# Diagnostic Trouble Code (DTC) Detecting Criteria

## GENERAL DESCRIPTION

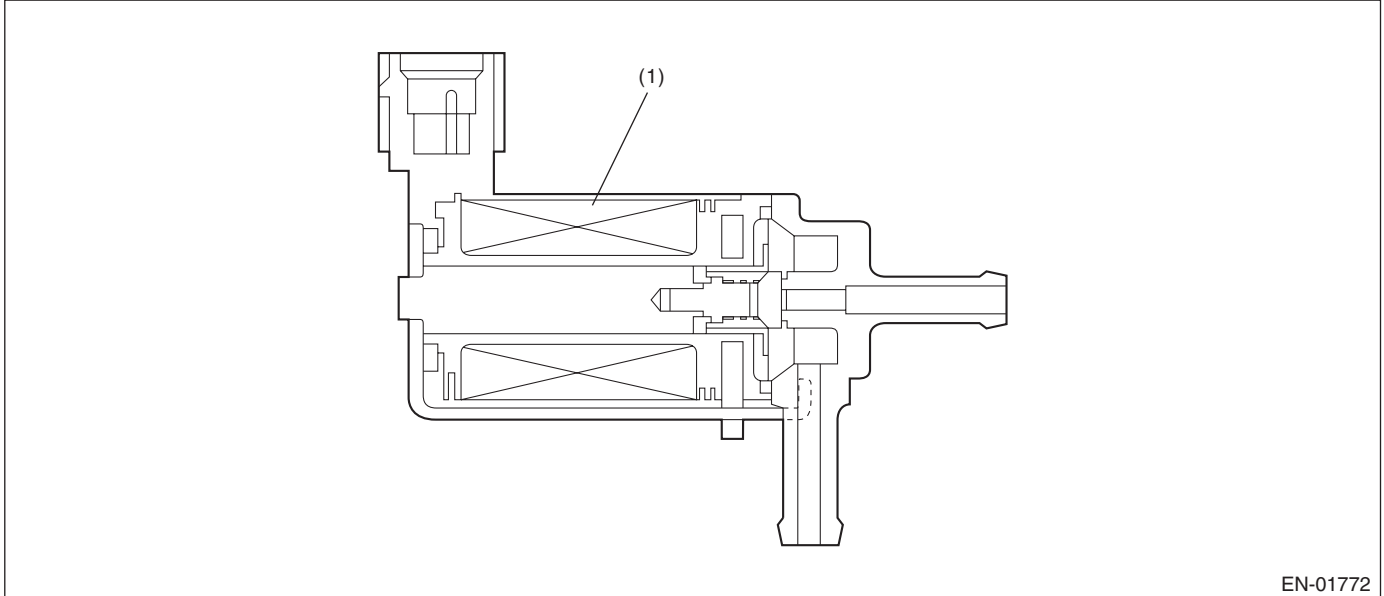
### AR:DTC P0246 TURBO/SUPER CHARGER WASTEGATE SOLENOID “A” HIGH

#### 1. OUTLINE OF DIAGNOSIS

Detect open or short circuit of the wastegate control solenoid valve.

Judge as NG when the terminal output voltage remains Low or High during outputting the duty signal.

#### 2. COMPONENT DESCRIPTION



(1) Coil

#### 3. ENABLE CONDITION

Secondary Parameters	Enable Conditions
Battery voltage	$\geq 10.9 \text{ V}$
Elapsed time after starting the engine	$\geq 1 \text{ second}$

#### 4. GENERAL DRIVING CYCLE

Perform the diagnosis continuously after starting the engine.

#### 5. DIAGNOSTIC METHOD

##### Abnormality Judgement

If the duration of time while the following conditions are met is longer than the time indicated, judge as NG.

##### Judgement Value

Malfunction Criteria	Threshold Value
Terminal output voltage	High
Duty ratio of wastegate control	$\geq 25\%$

**Time Needed for Diagnosis:** 640 ms

**Malfunction Indicator Light Illumination:** Illuminates as soon as a malfunction occurs.

##### Normality Judgement

Judge as OK and clear the NG if the continuous time while the following conditions are established is more than the predetermined time.

##### Judgement Value

Malfunction Criteria	Threshold Value
Terminal output voltage	Low

**Time Needed for Diagnosis:** Less than 1 second

# Diagnostic Trouble Code (DTC) Detecting Criteria

GENERAL DESCRIPTION

## AS:DTC P0301 CYLINDER 1 MISFIRE DETECTED

### 1. OUTLINE OF DIAGNOSIS

Detect the presence of misfire occurrence. (Revolution fluctuation method)

Monitoring Misfire which influences exhaust deterioration (1.5 times of FTP) and catalyst damage is made obligatory by the law. Misfire affecting these two has two patterns below. :

- Intermittent misfire (The same cylinder misfires in random, or different cylinders misfire in random.): FTP 1.5 times misfire
- Every time misfire (The same cylinder misfires every time.): FTP 1.5 times misfire, Catalyst damage misfire

The following detecting methods are adopted for these detection.

1) Intermittent misfire: FTP 1.5 times misfire

- 180° Interval Difference Method (MT: 1,800 rpm or less, AT: None)
- 360° Interval Difference Method (whole range)
- 720° Interval Difference Method (3,000 rpm or more)

2) Misfire every time: FTP 1.5 times misfire, Catalyst damage misfire

- 360° Interval Difference Method

### 2. ENABLE CONDITIONS

Secondary Parameters	Enable Conditions
All secondary parameters enable conditions	$\geq 1024$ ms
Intake manifold pressure change at 180°CA	< Value of Map 1
Throttle position change during 16 milliseconds	< 14 °
Fuel shut-off function	Not in operation
Fuel level	$\geq 9.6$ ℓ (2.54 US gal, 2.11 Imp gal)
Vehicle dynamic control or AT torque control	Not in operation
Evaporative system leak check	Not in operation
Engine speed	500 rpm — 6650 rpm
Intake manifold pressure	$\geq$ Value from Map 2
Battery voltage	$\geq 8$ V
Fuel parameter determination	Not extremely low volatility
Elapsed time after starting the engine	$\geq 0$ ms
Engine load change during 32 milliseconds	< 1000 rpm

# Diagnostic Trouble Code (DTC) Detecting Criteria

## GENERAL DESCRIPTION

### Map1

- AT model

rpm	700	1000	1500	2000	2500	3000	3500	4000	4500	5000	5500	6000	6500	6700
kPa (mmHg, inHg)	26.7 (200, 7.9)	26.7 (200, 7.9)	26.7 (200, 7.9)	26.7 (200, 7.9)	26.7 (200, 7.9)	26.7 (200, 7.9)	26.7 (200, 7.9)	26.7 (200, 7.9)	26.7 (200, 7.9)	26.7 (200, 7.9)	26.7 (200, 7.9)	26.7 (200, 7.9)	26.7 (200, 7.9)	26.7 (200, 7.9)

- WRX-S model

rpm	700	1000	1500	2000	2500	3000	3500	4000	4500	5000	5500	6000	6500	6700
kPa (mmHg, inHg)	13.3 (100, 3.9)	13.3 (100, 3.9)	13.3 (100, 3.9)	13.3 (100, 3.9)	13.3 (100, 3.9)	13.3 (100, 3.9)	13.3 (100, 3.9)	13.3 (100, 3.9)	13.3 (100, 3.9)	13.3 (100, 3.9)	13.3 (100, 3.9)	13.3 (100, 3.9)	13.3 (100, 3.9)	13.3 (100, 3.9)

- WRX-SS model

rpm	750	1000	1500	2000	2500	3000	3500	4000	4500	5000	5500	6000	6500	6700
kPa (mmHg, inHg)	13.3 (100, 3.9)	13.3 (100, 3.9)	13.3 (100, 3.9)	13.3 (100, 3.9)	13.3 (100, 3.9)	13.3 (100, 3.9)	13.3 (100, 3.9)	13.3 (100, 3.9)	13.3 (100, 3.9)	13.3 (100, 3.9)	13.3 (100, 3.9)	13.3 (100, 3.9)	13.3 (100, 3.9)	13.3 (100, 3.9)

### Map2

- AT model (Tumble generator valve open)

rpm	700	1000	1500	2000	2500	3000	3500	4000	4500	5000	5500	6000	6500	6700
kPa (mmHg, inHg)	29.3 (220, 8.7)	26.7 (200, 7.9)	26.7 (200, 7.9)	26.7 (200, 7.9)	27.3 (205, 8.1)	28 (210, 8.3)	29.5 (221.5, 8.7)	31.3 (235, 9.3)	32.7 (245.5, 9.7)	34.1 (256, 10.1)	38.2 (286.5, 11.3)	44 (330, 13)	49.5 (371.5, 14.6)	53.3 (400, 15.7)

- AT model (Tumble generator valve closed)

rpm	700	1000	1500	2000	2500	3000	3500	4000	4500	5000	5500	6000	6500	6700
kPa (mmHg, inHg)	29.3 (220, 8.7)	26.7 (200, 7.9)	26.7 (200, 7.9)	26.7 (200, 7.9)	27.3 (205, 8.1)	28 (210, 8.3)	29.5 (221.5, 8.7)	31.3 (235, 9.3)	32.7 (245.5, 9.7)	34.1 (256, 10.1)	38.2 (286.5, 11.3)	44 (330, 13)	49.5 (371.5, 14.6)	53.3 (400, 15.7)

- WRX-S model (Tumble generator valve open)

### Vehicle speed < 64 km/h (39.8 MPH)

rpm	700	1000	1500	2000	2500	3000	3500	4000	4500	5000	5500	6000	6500	6700
kPa (mmHg, inHg)	27.3 (205, 8.1)	23.3 (175, 6.9)	23.6 (177, 7)	23.3 (175, 6.9)	24 (180, 7.1)	24.4 (183, 7.2)	28.8 (216, 8.5)	30 (225, 8.9)	31.6 (237, 9.3)	32.5 (244, 9.6)	37.1 (278, 10.9)	41.9 (314, 12.4)	46.9 (352, 13.9)	51.1 (383, 15.1)

### Vehicle speed ≥ 68 km/h (42.3 MPH)

rpm	700	1000	1500	2000	2500	3000	3500	4000	4500	5000	5500	6000	6500	6700
kPa (mmHg, inHg)	25.1 (188, 7.4)	24.8 (186, 7.3)	25.6 (192, 7.6)	40 (300, 11.8)	40.8 (306, 12)	42.1 (316, 12.4)	44 (330, 13)	44.5 (334, 13.1)	47.3 (355, 14)	54.7 (410, 16.1)	54.7 (410, 16.1)	54.7 (410, 16.1)	54.7 (410, 16.1)	54.7 (410, 16.1)

# Diagnostic Trouble Code (DTC) Detecting Criteria

GENERAL DESCRIPTION

- WRX-S model (Tumble generator valve closed)

## Vehicle speed < 64 km/h (39.8 MPH)

rpm	700	1000	1500	2000	2500	3000	3500	4000	4500	5000	5500	6000	6500	6700
kPa (mmHg, inHg)	27.3 (205, 8.1)	23.3 (175, 6.9)	23.6 (177, 7)	23.3 (175, 6.9)	24 (180, 7.1)	24.4 (183, 7.2)	28.8 (216, 8.5)	30 (225, 8.9)	31.6 (237, 9.3)	32.5 (244, 9.6)	37.1 (278, 10.9)	41.9 (314, 12.4)	46.9 (352, 13.9)	51.1 (383, 15.1)

## Vehicle speed ≥ 68 km/h (42.3 MPH)

rpm	700	1000	1500	2000	2500	3000	3500	4000	4500	5000	5500	6000	6500	6700
kPa (mmHg, inHg)	25.1 (188, 7.4)	24.8 (186, 7.3)	25.6 (192, 7.6)	40 (300, 11.8)	40.8 (306, 12)	42.1 (316, 12.4)	44 (330, 13)	44.5 (334, 13.1)	47.3 (355, 14)	54.7 (410, 16.1)	54.7 (410, 16.1)	54.7 (410, 16.1)	54.7 (410, 16.1)	54.7 (410, 16.1)

- WRX-SS model (Tumble generator valve open)

## Vehicle speed < 64 km/h (39.8 MPH)

rpm	750	1000	1500	2000	2500	3000	3500	4000	4500	5000	5500	6000	6500	6700
kPa (mmHg, inHg)	27.3 (205, 8.1)	23.3 (175, 6.9)	23.6 (177, 7)	23.3 (175, 6.9)	24 (180, 7.1)	24.4 (183, 7.2)	28.8 (216, 8.5)	30 (225, 8.9)	31.6 (237, 9.3)	32.5 (244, 9.6)	37.1 (278, 10.9)	41.9 (314, 12.4)	46.9 (352, 13.9)	51.1 (383, 15.1)

## Vehicle speed ≥ 68 km/h (42.3 MPH)

rpm	750	1000	1500	2000	2500	3000	3500	4000	4500	5000	5500	6000	6500	6700
kPa (mmHg, inHg)	25.1 (188, 7.4)	24.8 (186, 7.3)	25.6 (192, 7.6)	40 (300, 11.8)	40.8 (306, 12)	42.1 (316, 12.4)	44 (330, 13)	44.5 (334, 13.1)	47.3 (355, 14)	54.7 (410, 16.1)	54.7 (410, 16.1)	54.7 (410, 16.1)	54.7 (410, 16.1)	54.7 (410, 16.1)

- WRX-SS model (Tumble generator valve closed)

## Vehicle speed < 64 km/h (39.8 MPH)

rpm	750	1000	1500	2000	2500	3000	3500	4000	4500	5000	5500	6000	6500	6700
kPa (mmHg, inHg)	27.3 (205, 8.1)	23.3 (175, 6.9)	23.6 (177, 7)	23.3 (175, 6.9)	24 (180, 7.1)	24.4 (183, 7.2)	28.8 (216, 8.5)	30 (225, 8.9)	31.6 (237, 9.3)	32.5 (244, 9.6)	37.1 (278, 10.9)	41.9 (314, 12.4)	46.9 (352, 13.9)	51.1 (383, 15.1)

## Vehicle speed ≥ 68 km/h (42.3 MPH)

rpm	750	1000	1500	2000	2500	3000	3500	4000	4500	5000	5500	6000	6500	6700
kPa (mmHg, inHg)	25.1 (188, 7.4)	24.8 (186, 7.3)	25.6 (192, 7.6)	40 (300, 11.8)	40.8 (306, 12)	42.1 (316, 12.4)	44 (330, 13)	44.5 (334, 13.1)	47.3 (355, 14)	54.7 (410, 16.1)	54.7 (410, 16.1)	54.7 (410, 16.1)	54.7 (410, 16.1)	54.7 (410, 16.1)

### 3. GENERAL DRIVING CYCLE

- If conditions are met, it is possible to detect the misfires from idling to high engine speed. However, in case any engine load or breakage occurs, perform with the engine at idle.
- Perform the diagnosis continuously.

# Diagnostic Trouble Code (DTC) Detecting Criteria

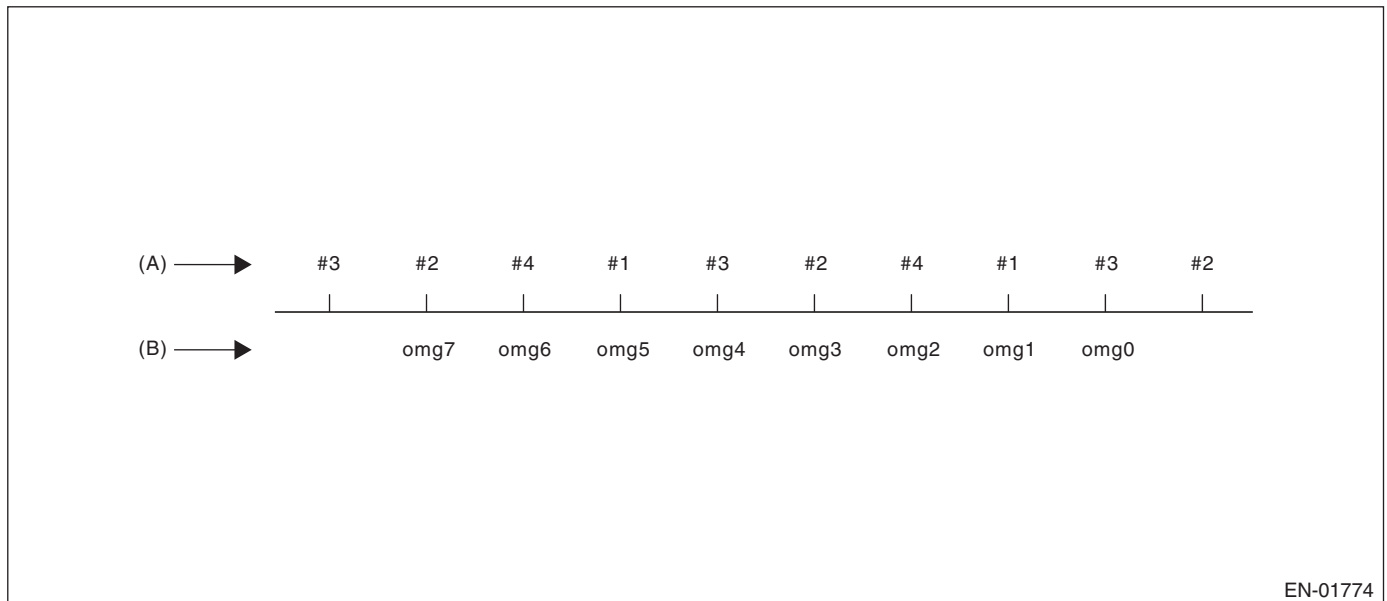
## GENERAL DESCRIPTION

### 4. DIAGNOSTIC METHOD

When a misfire occurs, the engine speed will decrease and the crankshaft position speed will change. Calculate the interval difference value (diagnostic value) from crankshaft position speed by the following formula, and judge whether a misfire is occurring or not comparing the calculated result with judgement value. Count the number of misfires, if the misfire ratio is higher during 1000 revs. or 200 revs., judge corresponding cylinders as NG.

Diagnostic value calculation (Calculate from angle speed) →	Misfire detection every single ignition (Compare diagnostic value with judgement value) →	NG judgement (Misfire occurrence judgement required by the law) (Compare number of misfire with judgement)
	<ul style="list-style-type: none"> <li>• 180° Interval Difference Method</li> <li>• 360° Interval Difference Method</li> <li>• 720° Interval Difference Method</li> </ul>	<ul style="list-style-type: none"> <li>• FTP 1.5 times misfire NG judgement</li> <li>• Catalyst damage misfire NG judgement</li> </ul>

As shown in the following figure, pick a cylinder as the standard and name it omg 0. And the former crankshaft position speed is named omg 1, the second former crankshaft position speed is named omg 2, the third is named omg 3, etc.



(A) Ignition order

(B) Crankshaft position speed

# Diagnostic Trouble Code (DTC) Detecting Criteria

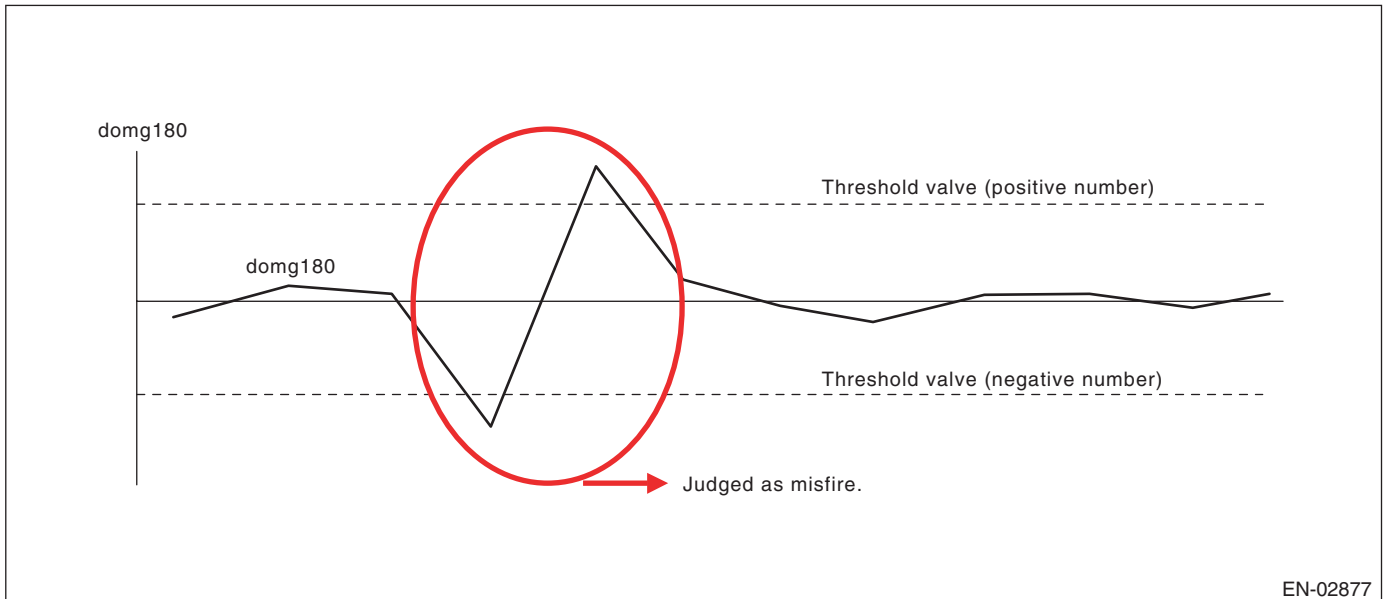
GENERAL DESCRIPTION

## 180° Interval Difference Method

Diagnostic value	$\text{domg } 180 = (\text{omg } 1 - \text{omg } 0) - (\text{omg } 5 - \text{omg } 1)/4$
------------------	--

Judge as a misfire in the following cases.

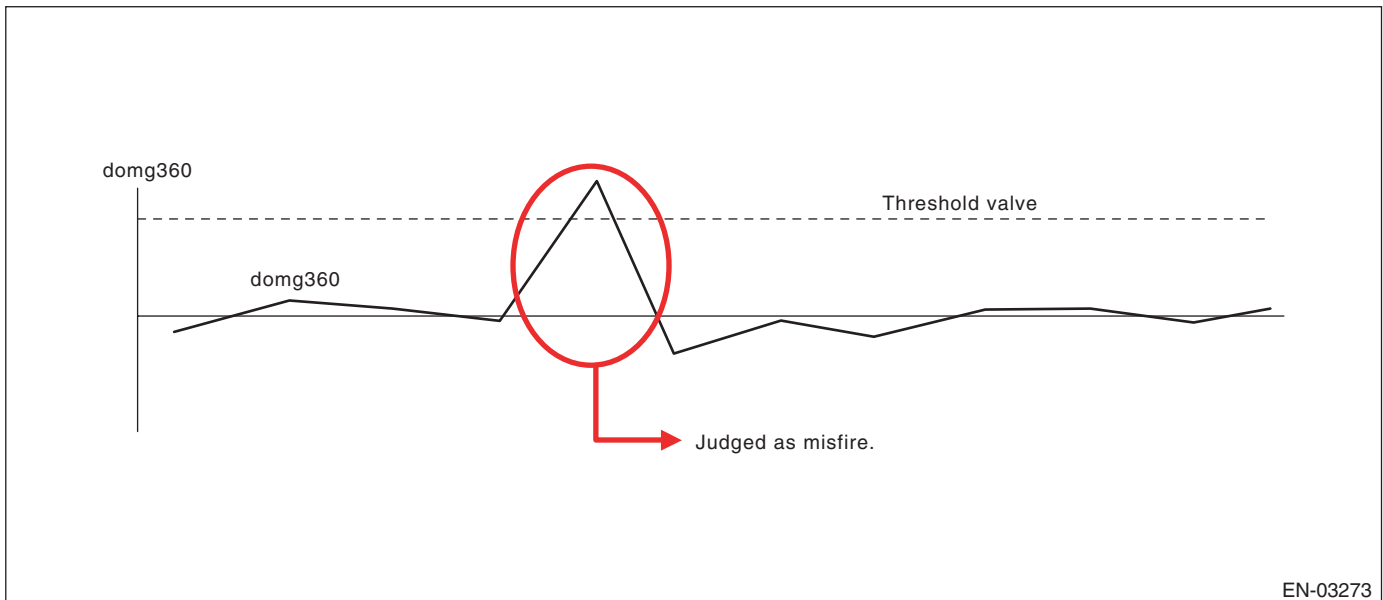
- $\text{domg } 180 > \text{judgement value of positive side}$
- $\text{domg } 180 \leq \text{judgement value of negative side}$   
(Judgement value before 180° CA)



## 360° Interval Difference Method

Diagnostic value	$\text{domg } 360 = (\text{omg } 1 - \text{omg } 0) - (\text{omg } 3 - \text{omg } 2)$
------------------	--

Misfire judgement	$\text{domg } 360 > \text{Judgement value} \rightarrow \text{Judge as misfire}$
-------------------	---

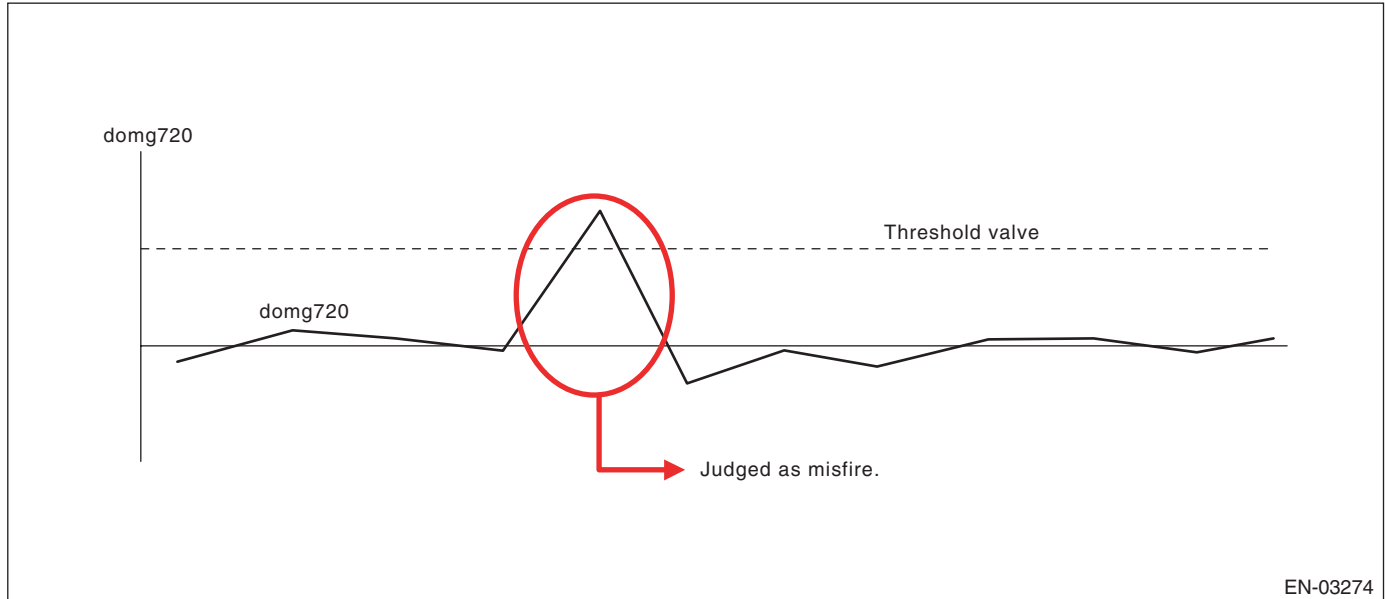


# Diagnostic Trouble Code (DTC) Detecting Criteria

## GENERAL DESCRIPTION

### 720° Interval Difference Method

Diagnostic value	$\text{domg 720} = (\text{omg 1} - \text{omg 0}) - (\text{omg 5} - \text{omg 4})$
Misfire judgement	$\text{domg 720} > \text{Judgement value} \rightarrow \text{Judge as misfire}$



EN-03274

- FTP 1.5 times misfire (Misfire occurrence level which influences exhaust gas)

- Abnormality Judgement

**Judgement Value (Judge that malfunction occurs when the misfire ratio is high in 1000 engine revs.)**

Malfunction Criteria	Threshold Value
FTP emission judgement value	$\geq 20 \times 100/2000\%$ in 1000 revs. (except for WRX-SS model) $\geq 18 \times 100/2000\%$ in 1000 revs. (WRX-SS model)

**Time Needed for Diagnosis:** 1000 engine revs.

**Malfunction Indicator Light Illumination:** Illuminates when malfunction occurs in 2 continuous driving cycles.

- Normality Judgement

**Judgement Value**

Malfunction Criteria	Threshold Value
FTP emission judgement value	$< 20 \times 100/2000\%$ in 1000 revs. (except for WRX-SS model) $< 18 \times 100/2000\%$ in 1000 revs. (WRX-SS model)

**Time Needed for Diagnosis:** 1000 engine revs.



# Diagnostic Trouble Code (DTC) Detecting Criteria

GENERAL DESCRIPTION

- Catalyst damage misfire (Misfire occurrence level damaging catalyst)
- Abnormality Judgement

## Judgement Value

Malfunction Criteria	Threshold Value
Catalyst damage misfire judgement value	≥ Value from Map 3

## Map 3

		Intake air (g(oz)/rev)									
		0.2 (0.01)	0.4 (0.01)	0.6 (0.02)	0.8 (0.03)	1 (0.04)	1.2 (0.04)	1.4 (0.05)	1.6 (0.06)	1.8 (0.06)	2 (0.07)
Engine speed (rpm)	700	148	128	116	106	100	90	90	90	90	90
	1000	148	128	114	104	92	85	85	85	85	85
	1500	140	118	102	90	85	85	85	72	72	72
	2000	128	90	90	73	58	43	40	36	32	20
	2500	116	87	57	45	39	36	34	32	30	20
	3000	108	87	58	39	36	36	32	30	28	20
	3500	98	74	43	27	23	22	20	20	20	20
	4000	69	61	40	27	22	20	20	20	20	20
	4500	60	55	34	25	20	20	20	20	20	20
	5000	55	55	34	23	20	20	20	20	20	20
	5500	54	54	33	22	20	20	20	20	20	20
	6000	52	52	32	21	20	20	20	20	20	20
	6500	50	50	30	20	20	20	20	20	20	20
6700	50	50	30	20	20	20	20	20	20	20	

**Time Needed for Diagnosis:** 200 engine revs.

**Malfunction Indicator Light Illumination:** Illuminates as soon as a malfunction occurs.

- Normality Judgement

## Judgement Value

Malfunction Criteria	Threshold Value
Catalyst damage misfire judgement value	< Value of Map 3

**Time Needed for Diagnosis:** 200 engine revs.

## AT:DTC P0302 CYLINDER 2 MISFIRE DETECTED

### 1. OUTLINE OF DIAGNOSIS

NOTE:

For the detection standard, refer to DTC P0301. <Ref. to GD(H4DOTC)-81, DTC P0301 CYLINDER 1 MISFIRE DETECTED, Diagnostic Trouble Code (DTC) Detecting Criteria.>

## AU:DTC P0303 CYLINDER 3 MISFIRE DETECTED

### 1. OUTLINE OF DIAGNOSIS

NOTE:

For the detection standard, refer to DTC P0301. <Ref. to GD(H4DOTC)-81, DTC P0301 CYLINDER 1 MISFIRE DETECTED, Diagnostic Trouble Code (DTC) Detecting Criteria.>

## AV:DTC P0304 CYLINDER 4 MISFIRE DETECTED

### 1. OUTLINE OF DIAGNOSIS

NOTE:

For the detection standard, refer to DTC P0301. <Ref. to GD(H4DOTC)-81, DTC P0301 CYLINDER 1 MISFIRE DETECTED, Diagnostic Trouble Code (DTC) Detecting Criteria.>

# Diagnostic Trouble Code (DTC) Detecting Criteria

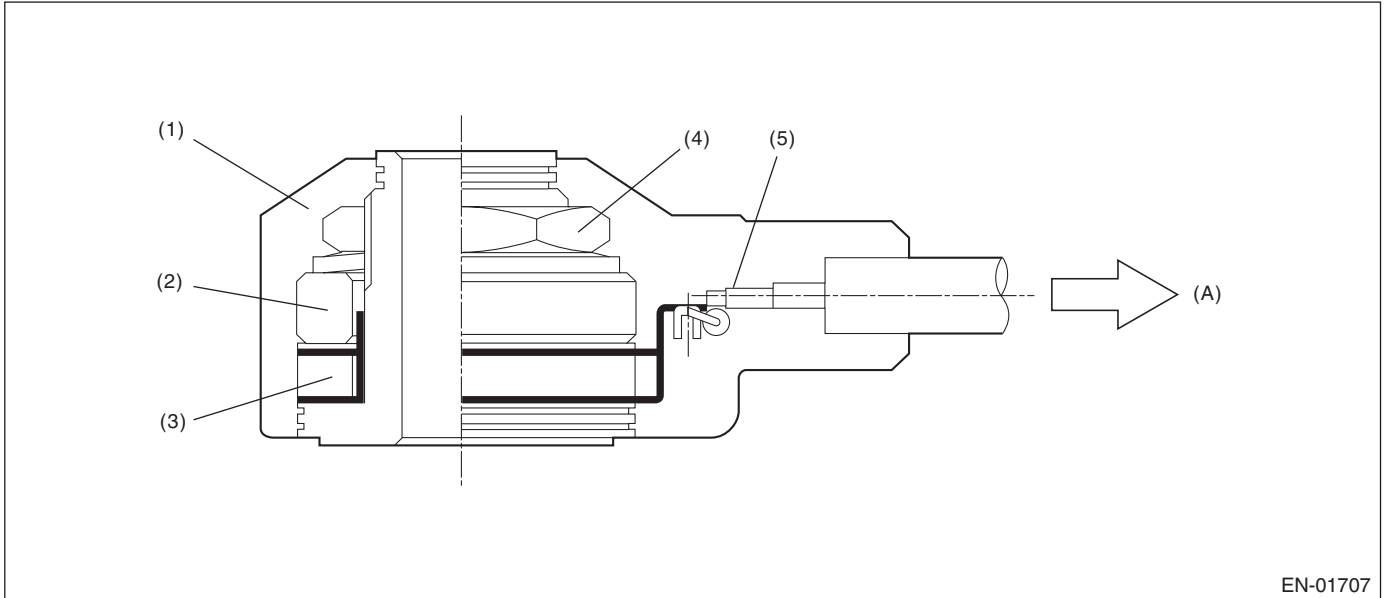
## GENERAL DESCRIPTION

### AW:DTC P0327 KNOCK SENSOR 1 CIRCUIT LOW (BANK 1 OR SINGLE SENSOR)

#### 1. OUTLINE OF DIAGNOSIS

Detect the open or short circuit of knock sensor.  
Judge as NG if out of specification.

#### 2. COMPONENT DESCRIPTION



EN-01707

(A) To knock sensor harness

(1) Case

(3) Piezoelectric element

(5) Resistance

(2) Weight

(4) Nut

#### 3. ENABLE CONDITIONS

Secondary Parameters	Enable Condition
None	

#### 4. GENERAL DRIVING CYCLE

Always perform the diagnosis continuously.

# Diagnostic Trouble Code (DTC) Detecting Criteria

GENERAL DESCRIPTION

## 5. DIAGNOSTIC METHOD

### • Abnormality Judgement

If the duration of time while the following conditions are met is longer than the time indicated, judge as NG.

#### Judgement Value

Malfunction Criteria	Threshold Value
Output voltage	< 0.243 V

**Time Needed for Diagnosis:** 1000 ms

**Malfunction Indicator Light Illumination:** Illuminates as soon as a malfunction occurs.

### • Normality Judgement

Judge as OK and clear the NG if the continuous time while the following conditions are established is more than the predetermined time.

#### Judgement Value

Malfunction Criteria	Threshold Value
Output voltage	$\geq 0.243$ V

**Time Needed for Diagnosis:** Less than 1 second

# Diagnostic Trouble Code (DTC) Detecting Criteria

## GENERAL DESCRIPTION

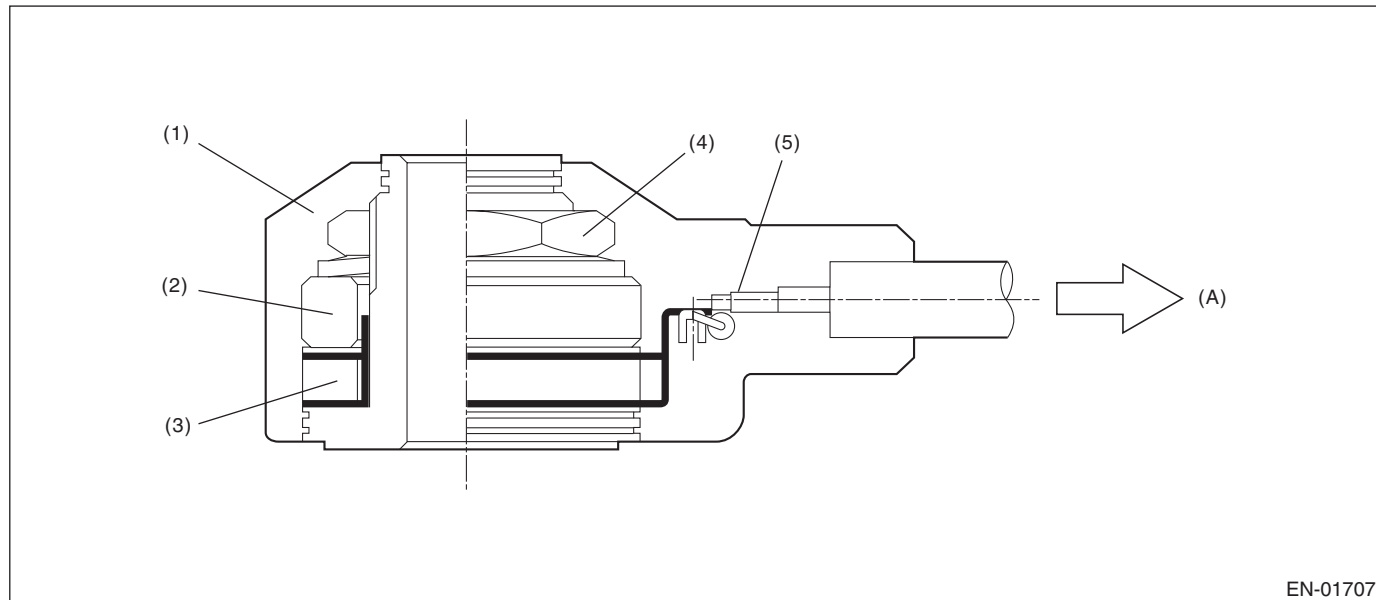
### AX:DTC P0328 KNOCK SENSOR 1 CIRCUIT HIGH (BANK 1 OR SINGLE SENSOR)

#### 1. OUTLINE OF DIAGNOSIS

Detect the open or short circuit of knock sensor.

Judge as NG if out of specification.

#### 2. COMPONENT DESCRIPTION



EN-01707

(A) To knock sensor harness

(1) Case

(3) Piezoelectric element

(5) Resistance

(2) Weight

(4) Nut

#### 3. ENABLE CONDITIONS

Secondary Parameters	Enable Condition
None	

#### 4. GENERAL DRIVING CYCLE

Always perform the diagnosis continuously.

# Diagnostic Trouble Code (DTC) Detecting Criteria

GENERAL DESCRIPTION

## 5. DIAGNOSTIC METHOD

### • Abnormality Judgement

If the duration of time while the following conditions are met is longer than the time indicated, judge as NG.

### Judgement Value

Malfunction Criteria	Threshold Value
Output voltage	$\geq 4.709$ V

**Time Needed for Diagnosis:** 1000 ms

**Malfunction Indicator Light Illumination:** Illuminates as soon as a malfunction occurs.

### • Normality Judgement

Judge as OK and clear the NG if the continuous time while the following conditions are established is more than the predetermined time.

### Judgement Value

Malfunction Criteria	Threshold Value
Output voltage	$< 4.709$ V

**Time Needed for Diagnosis:** Less than 1 second

# Diagnostic Trouble Code (DTC) Detecting Criteria

## GENERAL DESCRIPTION

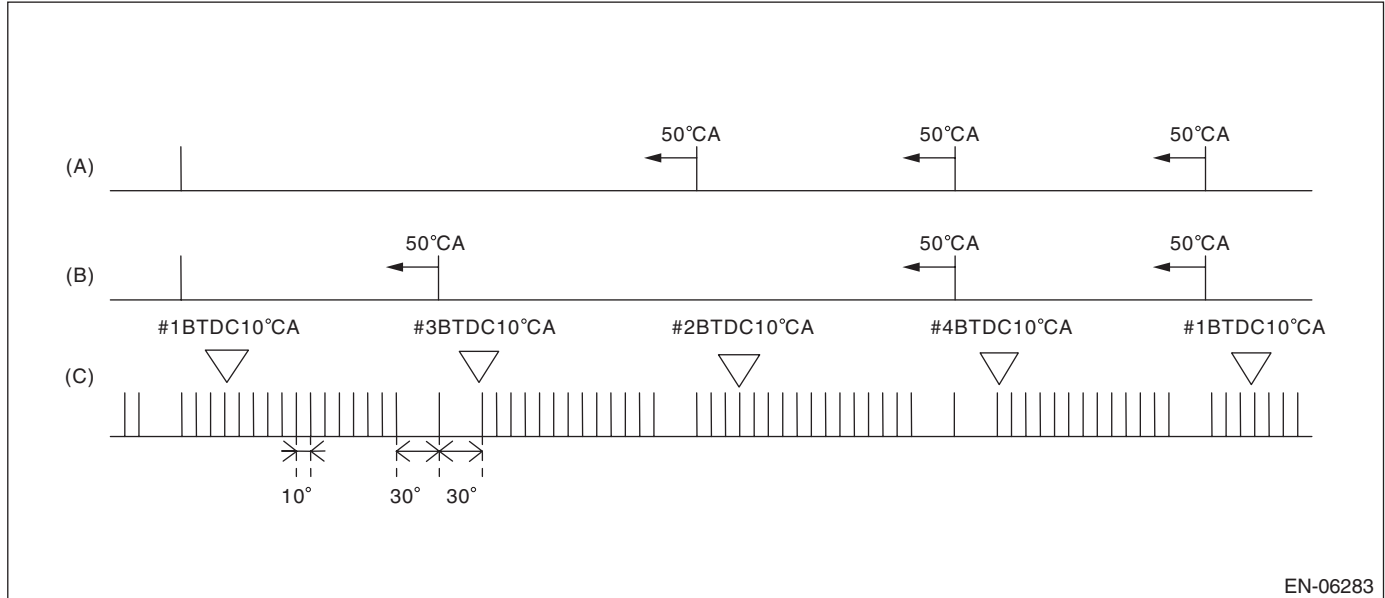
### AY:DTC P0335 CRANKSHAFT POSITION SENSOR "A" CIRCUIT

#### 1. OUTLINE OF DIAGNOSIS

Detect the open or short circuit of the crankshaft position sensor.

Judge as NG when the crank signal is not input even though the starter was rotated.

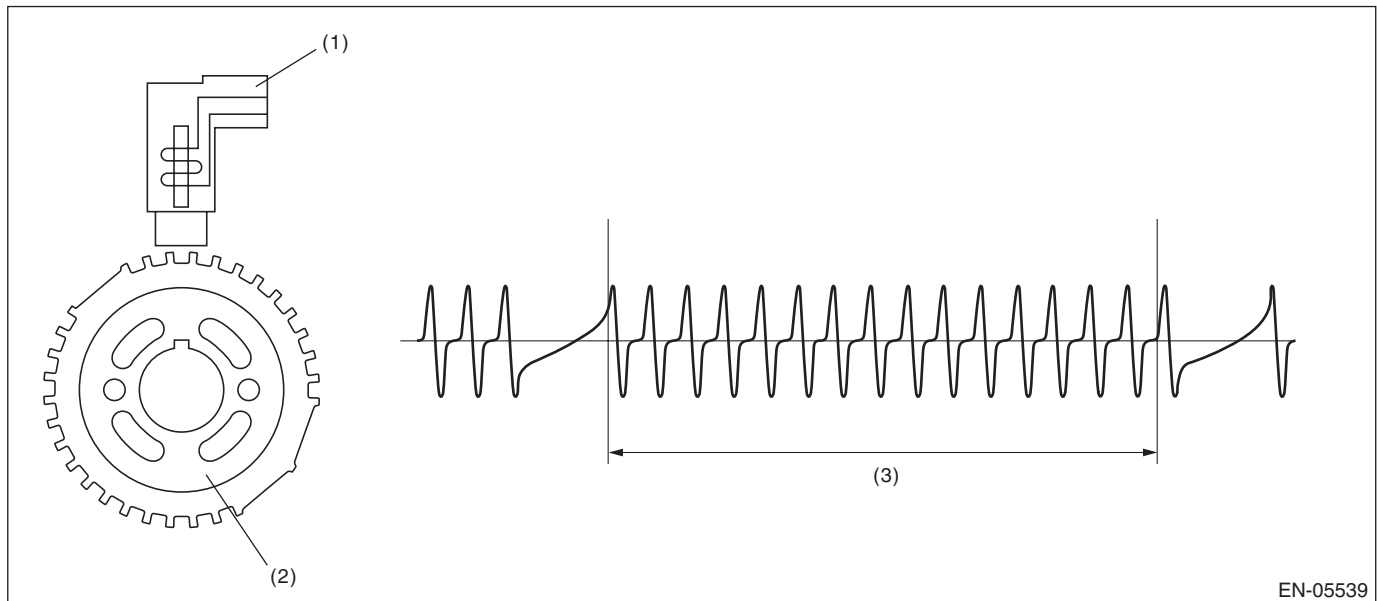
#### 2. COMPONENT DESCRIPTION



(A) Camshaft signal (RH)

(B) Camshaft signal (LH)

(C) Crankshaft signal



(1) Crankshaft position sensor

(2) Crank sprocket

(3) Crankshaft half-turn

#### 3. ENABLE CONDITIONS

Secondary Parameters	Enable Condition
None	

#### 4. GENERAL DRIVING CYCLE

Always perform the diagnosis continuously.

# Diagnostic Trouble Code (DTC) Detecting Criteria

GENERAL DESCRIPTION

## 5. DIAGNOSTIC METHOD

### • Abnormality Judgement

If the duration of time while the following conditions are met is longer than the time indicated, judge as NG.

### Judgement Value

Malfunction Criteria	Threshold Value
Starter switch	ON
Crankshaft position sensor signal	Not detected
Battery voltage	$\geq 8 \text{ V}$

**Time Needed for Diagnosis:** 3000 ms

**Malfunction Indicator Light Illumination:** Illuminates as soon as a malfunction occurs.

### • Normality Judgement

Judge as OK and clear the NG if the continuous time while the following conditions are established is more than the predetermined time.

### Judgement Value

Malfunction Criteria	Threshold Value
Crankshaft position sensor signal	Input exists
Battery voltage	$\geq 8 \text{ V}$

**Time Needed for Diagnosis:** Less than 1 second

# Diagnostic Trouble Code (DTC) Detecting Criteria

## GENERAL DESCRIPTION

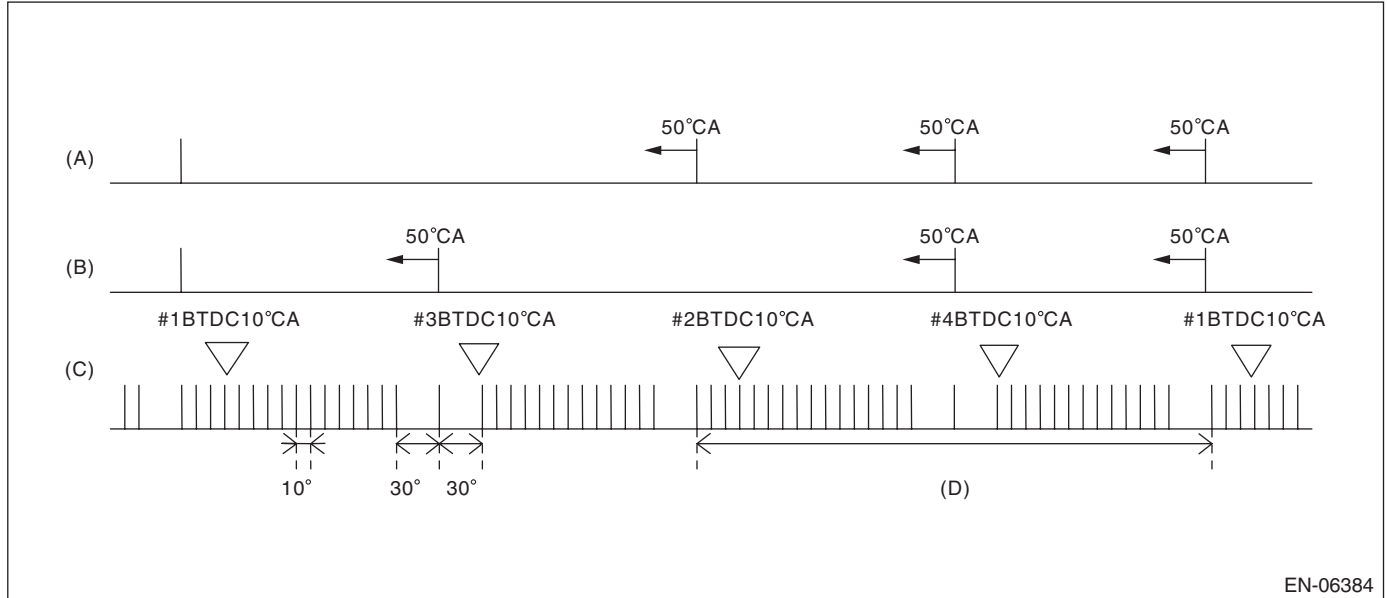
### AZ:DTC P0336 CRANKSHAFT POSITION SENSOR "A" CIRCUIT RANGE/ PERFORMANCE

#### 1. OUTLINE OF DIAGNOSIS

Detect for faults in crankshaft position sensor output properties.

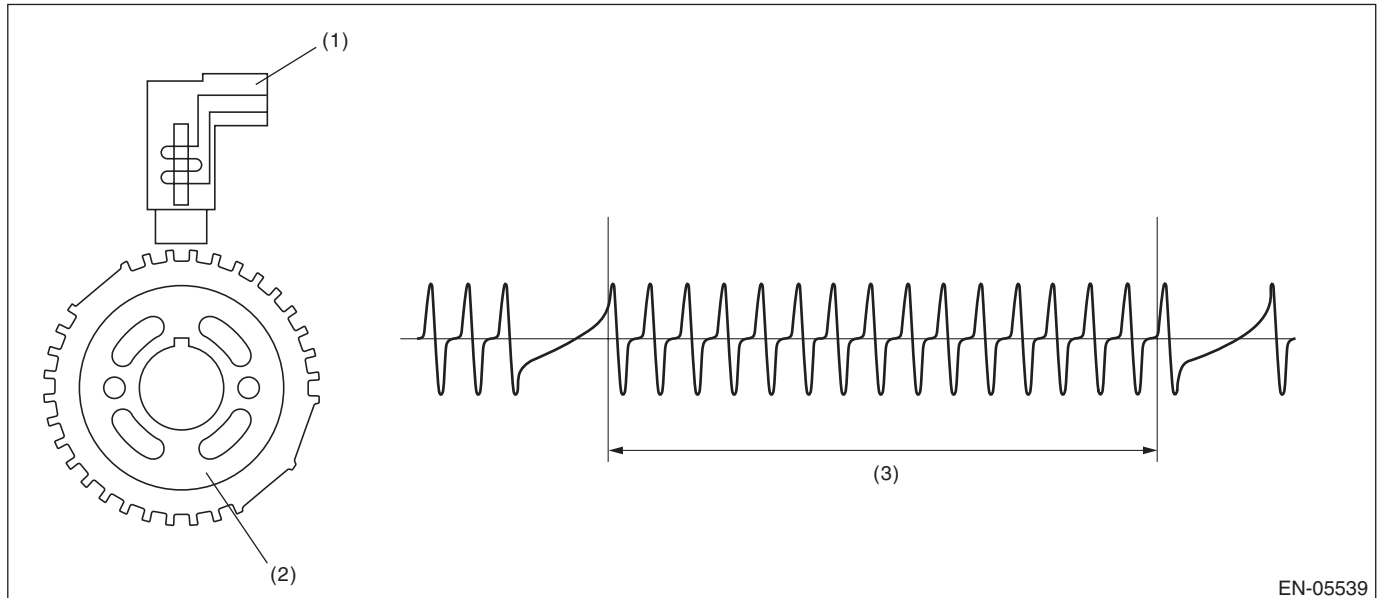
Judge as NG when there is a problem in the number of crankshaft signals for every revolution.

#### 2. COMPONENT DESCRIPTION



EN-06384

- (A) Camshaft signal (RH)
- (B) Camshaft signal (LH)
- (C) Crankshaft signal
- (D) Number of crankshaft signals = 30



EN-05539

- (1) Crankshaft position sensor
- (2) Crank sprocket
- (3) Crankshaft half-turn

#### 3. ENABLE CONDITIONS

Secondary Parameters	Enable Condition
Battery voltage	≥ 8 V
Engine speed	< 3000 rpm



# Diagnostic Trouble Code (DTC) Detecting Criteria

GENERAL DESCRIPTION

## 4. GENERAL DRIVING CYCLE

Perform the diagnosis continuously under 3000 rpm engine speed.

## 5. DIAGNOSTIC METHOD

### • Abnormality Judgement

Judge as NG when the following conditions are established.

### Judgement Value

Malfunction Criteria	Threshold Value
Cylinder number identification	Completed
Amount of crank sensor signal during 1 rev.	Not = 30

**Time Needed for Diagnosis:** 10 engine revs.

**Malfunction Indicator Light Illumination:** Illuminates when malfunction occurs in 2 continuous driving cycles.

### • Normality Judgement

Judge as OK and clear the NG if the continuous time while the following conditions are established is more than the predetermined time.

### Judgement Value

Malfunction Criteria	Threshold Value
Cylinder number identification	Completed
Amount of crank sensor signal during 1 rev.	= 30

**Time Needed for Diagnosis:** Less than 1 second

# Diagnostic Trouble Code (DTC) Detecting Criteria

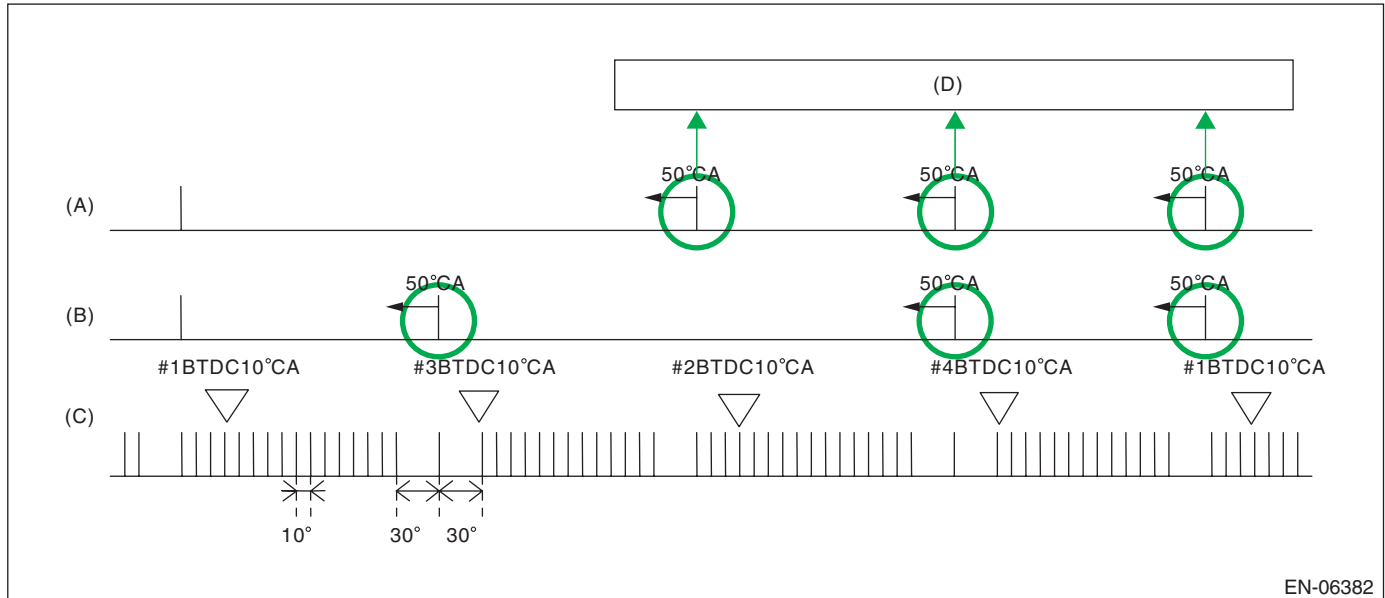
## GENERAL DESCRIPTION

### BA:DTC P0340 CAMSHAFT POSITION SENSOR "A" CIRCUIT (BANK 1 OR SINGLE SENSOR)

#### 1. OUTLINE OF DIAGNOSIS

Detect the open or short circuit of the camshaft position sensor.  
Judge as NG when the number of camshaft signals remains abnormal.

#### 2. COMPONENT DESCRIPTION



- (A) Camshaft signal (RH)
- (B) Camshaft signal (LH)
- (C) Crankshaft signal
- (D) Number of camshaft position signals = When normal, there will be 3 cam signals for every 2 engine revolutions.

#### 3. ENABLE CONDITIONS

Secondary Parameters	Enable Condition
Battery voltage	≥ 8 V

#### 4. GENERAL DRIVING CYCLE

Always perform the diagnosis continuously.

# Diagnostic Trouble Code (DTC) Detecting Criteria

GENERAL DESCRIPTION

## 5. DIAGNOSTIC METHOD

### • Abnormality Judgement 1

Judge as NG when the condition where the number of camshaft position sensor signals are less than 3 time(s) during 2 engine revs. continues.

#### Judgement Value

Malfunction Criteria	Threshold Value
Amount of camshaft sensor signal during 2 revs.	< 3 time(s)

**Time Needed for Diagnosis:** Two engine revolutions × 50 time(s)

**Malfunction Indicator Light Illumination:** Illuminates as soon as a malfunction occurs.

### • Normality Judgement 1

Judge as OK and clear the NG when the malfunction criteria below are met.

#### Judgement Value

Malfunction Criteria	Threshold Value
Camshaft position sensor signal	≥ 3 time(s)

**Time Needed for Diagnosis:** Two engine revolutions

### • Abnormality Judgement 2

If the duration of time while the following conditions are met is longer than the time indicated, judge as NG.

#### Judgement Value

Malfunction Criteria	Threshold Value
Starter	ON
Camshaft position sensor signal	No input

**Time Needed for Diagnosis:** 3000 ms

### • Normality Judgement 2

Judge as OK and clear the NG if the continuous time while the following conditions are established is more than the predetermined time.

#### Judgement Value

Malfunction Criteria	Threshold Value
Camshaft position sensor signal	Input exists

**Time Needed for Diagnosis:** Less than 1 second

## BB:DTC P0345 CAMSHAFT POSITION SENSOR “A” CIRCUIT (BANK 2)

### 1. OUTLINE OF DIAGNOSIS

NOTE:

For the detection standard, refer to DTC P0340. <Ref. to GD(H4DOTC)-96, DTC P0340 CAMSHAFT POSITION SENSOR “A” CIRCUIT (BANK 1 OR SINGLE SENSOR), Diagnostic Trouble Code (DTC) Detecting Criteria.>

# Diagnostic Trouble Code (DTC) Detecting Criteria

## GENERAL DESCRIPTION

### BC:DTC P0410 SECONDARY AIR INJECTION SYSTEM

#### 1. OUTLINE OF DIAGNOSIS

Detect NG judging from secondary air delivery pipe pressure, pulse of secondary air delivery pipe pressure and secondary air pipe airflow amount.

#### 2. ENABLE CONDITIONS

Secondary Parameters	Enable Condition
<b>Pump supply pressure check</b> Estimate ambient temperature Battery voltage Barometric pressure Engine Amount of intake air Secondary air pump Combination valve	$\geq 4.4$ °C $\geq 10.9$ V $\geq 75$ kPa (563 mmHg, 22.2 inHg) In operation $\geq 2$ g/s (0.07 oz/s) Operating Bank open (Except with both banks closed)
<b>Combination valve one side closed pulse diagnosis</b> Estimate ambient temperature Battery voltage Barometric pressure Engine Feasible area for diagnosis After fuel cut	$\geq 4.4$ °C $\geq 10.9$ V $\geq 75$ kPa (563 mmHg, 22.2 inHg) In operation Value of Map 10 $\geq 1$ $\geq 0$ ms
<b>Combination valve both closed pulse diagnosis</b> Estimate ambient temperature Battery voltage Barometric pressure Engine Engine load After fuel cut	$\geq 4.4$ °C $\geq 10.9$ V $\geq 75$ kPa (563 mmHg, 22.2 inHg) In operation $\geq 0.2$ g/rev (0.01 oz/rev) $\geq 1000$ ms
<b>Combination valve changeover pressure diagnosis</b> Estimate ambient temperature Battery voltage Barometric pressure Engine Amount of intake air Engine speed After fuel cut	$\geq 4.4$ °C $\geq 10.9$ V $\geq 75$ kPa (563 mmHg, 22.2 inHg) In operation $> 2$ g/s (0.07 oz/s) and $< 25$ g/s (0.88 oz/s) $< 4000$ rpm $\geq 1000$ ms
<b>Overflow diagnosis</b> Estimate ambient temperature Battery voltage Barometric pressure Engine	$\geq 4.4$ °C $\geq 10.9$ V $\geq 75$ kPa (563 mmHg, 22.2 inHg) In operation

#### 3. GENERAL DRIVING CYCLE

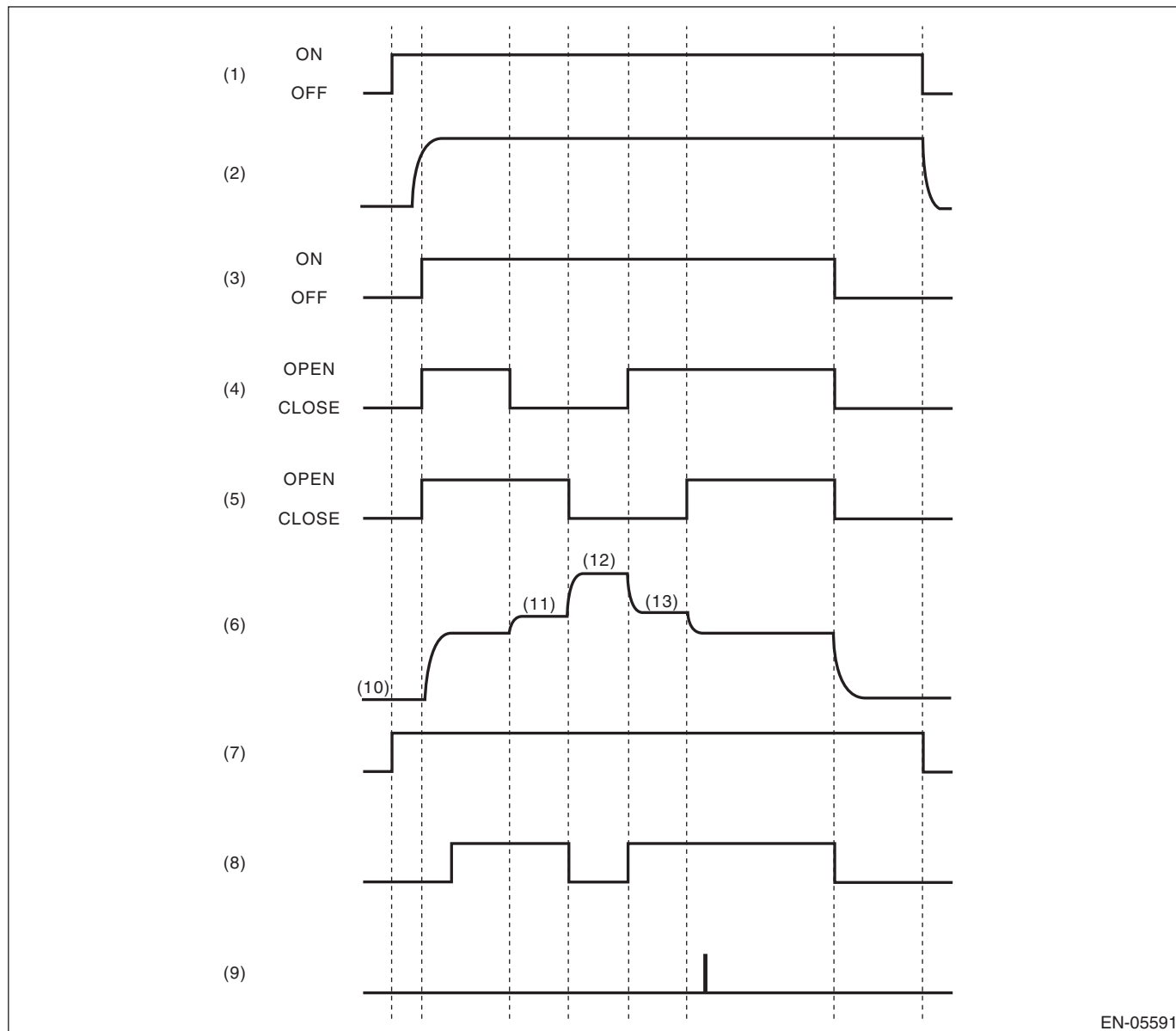
Perform diagnosis during secondary air pump operation

# Diagnostic Trouble Code (DTC) Detecting Criteria

GENERAL DESCRIPTION

## 4. DIAGNOSTIC METHOD

Measure secondary air delivery pipe pressure, pulse of secondary air delivery pipe pressure and secondary air pipe airflow amount.



EN-05591

- |  |   |  |
|--|---|--|
| (1) IG   | (7) Diagnosis enable condition  | (11) Right bank all closed pressure (P0R) measurement  |
| (2) Ne   | (8) Pump supply pressure check (judgement)                              | (12) Both banks all closed pressure (P0RL) measurement |
| (3) Secondary air pump operating status        | (9) Flow amount check (judgement)                                       | (13) Left bank all closed pressure (P0L) measurement   |
| (4) E-COMB valve (right hand) status           | (10) Barometric pressure (Pas) measurement before secondary air control |  |
| (5) E-COMB valve (left hand) status            |   |  |
| (6) Secondary air delivery pipe pressure (psi) |   |  |

# Diagnostic Trouble Code (DTC) Detecting Criteria

## GENERAL DESCRIPTION

---

### Pump supply pressure check

Perform the system function diagnosis with how much the pressure rises when the secondary air pump is turned from OFF to ON.

Judge as NG if delivery pipe pressure does not rise though it should when the secondary air pump turns OFF → ON.

- **Abnormality Judgement**

If the duration of time while the following conditions are met is longer than the time indicated, judge as NG.

### Judgement Value

Malfunction Criteria	Threshold Value	DTC
Secondary air supply pipe pressure (after barometric pressure compensation)	< 0.9 kPa (7 mmHg, 0.3 inHg)	P0410

**Time Needed for Diagnosis:** 2000 ms + 2800 ms

**Malfunction Indicator Light Illumination:** Illuminates when malfunction occurs in 2 continuous driving cycles.

- **Normality Judgement**

Judge as OK and clear the NG if the continuous time while the following conditions are established is more than the predetermined time.

### Judgement Value

Malfunction Criteria	Threshold Value	DTC
Secondary air supply pipe pressure (after barometric pressure compensation)	≥ 0.9 kPa (7 mmHg, 0.3 inHg)	P0410

**Time Needed for Diagnosis:** 2000 ms + 2800 ms

# Diagnostic Trouble Code (DTC) Detecting Criteria

GENERAL DESCRIPTION

## Combination valve one side closed pulse diagnosis

Perform close stuck diagnosis of the LH combination valve using delivery pipe pressure pulse when the RH combination valve is closed.

Calculate the voltage pulse of the pump delivery pipe pressure when the RH combination valve is closed and the LH combination valve is open. The calculation of delivery pipe pressure should be large when the LH combination valve is open. Judge that the LH combination valve is close stuck if the calculation is small.

- **Abnormality Judgement**

If the duration of time while the following conditions are met is longer than the time indicated, judge as NG.

### Judgement Value

Malfunction Criteria	Threshold Value	DTC
Pulse calculated value when the RH combination valve is closed	< Value of Map 1	P2443

**Time Needed for Diagnosis:** 4000 ms + 992 ms + 992 ms + 992 ms

**Malfunction Indicator Light Illumination:** Illuminates when malfunction occurs in 2 continuous driving cycles.

- **Normality Judgement**

Judge as OK and clear the NG if the continuous time while the following conditions are established is more than the predetermined time.

### Judgement Value

Malfunction Criteria	Threshold Value	DTC
Pulse calculated value when the RH combination valve is closed	≥ Value of Map 1	P2443

**Time Needed for Diagnosis:** 4000 ms + 992 ms + 992 ms + 992 ms

Perform close stuck diagnosis of the RH combination valve using delivery pipe pressure pulse when the LH combination valve is closed.

Calculate the voltage pulse of the pump delivery pipe pressure when the LH combination valve is closed and the RH combination valve is open. The calculation of delivery pipe pressure should be large when the RH combination valve is open. Judge that the RH combination valve is close stuck if the calculation is small.

- **Abnormality Judgement**

If the duration of time while the following conditions are met is longer than the time indicated, judge as NG.

### Judgement Value

Malfunction Criteria	Threshold Value	DTC
Pulse calculated value when the LH combination valve is closed	< Value of Map 2	P2441

**Time Needed for Diagnosis:** 4000 ms + 992 ms + 992 ms + 992 ms

**Malfunction Indicator Light Illumination:** Illuminates when malfunction occurs in 2 continuous driving cycles.

- **Normality Judgement**

Judge as OK and clear the NG if the continuous time while the following conditions are established is more than the predetermined time.

### Judgement Value

Malfunction Criteria	Threshold Value	DTC
Pulse calculated value when the LH combination valve is closed	≥ Value from Map 2	P2441

**Time Needed for Diagnosis:** 4000 ms + 992 ms + 992 ms + 992 ms

# Diagnostic Trouble Code (DTC) Detecting Criteria

## GENERAL DESCRIPTION

### Combination valve both closed pulse diagnosis

Perform open stuck diagnosis of both combination valves using delivery pipe pressure pulse when both combination valves are closed. Determine which side of valves is stuck open by comparing secondary air flow amount when RH combination valve is closed with that when LH combination valve is closed.

Calculate voltage pulse of the pump supply pipe pressure when both combination valves are closed. The calculation should be small because there is no pulse from supply pipe pressure with both combination valves closed. When the calculation is large, determine that either of the combination valves is stuck open.

Determine which side of valves is stuck open by comparing secondary air flow amount when the RH combination valve is closed with that when the LH combination valve is closed. Air flow amount is larger on the open stuck valve.

#### • Abnormality Judgement

If the duration of time while the following conditions are met is longer than the time indicated, judge as NG.

#### Judgement Value

Malfunction Criteria	Threshold Value	DTC
Pulse calculation value when both combination valves are closed Air flow amount when the right bank is closed (value from Map 4)	> Value of Map 3  ≥ Air flow amount when the left bank is closed (value from Map 5)	P2440
Pulse calculation value when both combination valves are closed Air flow amount when the left bank is closed (value from Map 5)	> Value of Map 3  > Air flow amount when the right bank is closed (value from Map 4)	P2442

**Time Needed for Diagnosis:** 4000 ms + 992 ms + 992 ms + 992 ms

**Malfunction Indicator Light Illumination:** Illuminates when malfunction occurs in 2 continuous driving cycles.

#### • Normality Judgement

Judge as OK and clear the NG if the continuous time while the following conditions are established is more than the predetermined time.

#### Judgement Value

Malfunction Criteria	Threshold Value	DTC
Pulse calculation value when both combination valves are closed	≤ Value of Map 3	P2440, P2442

**Time Needed for Diagnosis:** 4000 ms + 992 ms + 992 ms + 992 ms



# Diagnostic Trouble Code (DTC) Detecting Criteria

GENERAL DESCRIPTION

## Combination valve changeover pressure diagnosis

Perform the RH combination valve stuck closed diagnosis with the variation of delivery pipe pressure when the RH combination valve turns closed → open.

Delivery pipe pressure should vary when the RH combination valve turns closed → open. When the variation is small, determine that the RH combination valve is stuck closed.

- **Abnormality Judgement**

If the duration of time while the following conditions are met is longer than the time indicated, judge as NG.

### Judgement Value

Malfunction Criteria	Threshold Value	DTC
Pressure variation value when the RH combination valve is switched	< Value of Map 6	P2441

**Time Needed for Diagnosis:** 4000 ms + 992 ms + 992 ms + 992 ms

**Malfunction Indicator Light Illumination:** Illuminates when malfunction occurs in 2 continuous driving cycles.

- **Normality Judgement**

Judge as OK and clear the NG if the continuous time while the following conditions are established is more than the predetermined time.

### Judgement Value

Malfunction Criteria	Threshold Value	DTC
Pressure variation value when the RH combination valve is switched	≥ Value of Map 6	P2441

**Time Needed for Diagnosis:** 4000 ms + 992 ms + 992 ms + 992 ms

Perform the LH combination valve stuck closed diagnosis with the variation of delivery pipe pressure when the LH combination valve turns open → closed.

Delivery pipe pressure should vary when the LH combination valve turns open → closed. When the variation is small, determine that the LH combination valve is stuck closed.

- **Abnormality Judgement**

If the duration of time while the following conditions are met is longer than the time indicated, judge as NG.

### Judgement Value

Malfunction Criteria	Threshold Value	DTC
Pressure variation value when the LH combination valve is switched	< Value of Map 7	P2443

**Time Needed for Diagnosis:** 4000 ms + 992 ms + 992 ms + 992 ms

**Malfunction Indicator Light Illumination:** Illuminates when malfunction occurs in 2 continuous driving cycles.

- **Normality Judgement**

Judge as OK and clear the NG if the continuous time while the following conditions are established is more than the predetermined time.

### Judgement Value

Malfunction Criteria	Threshold Value	DTC
Pressure variation value when the LH combination valve is switched	≥ Value of Map 7	P2443

**Time Needed for Diagnosis:** 4000 ms + 992 ms + 992 ms + 992 ms

# Diagnostic Trouble Code (DTC) Detecting Criteria

## GENERAL DESCRIPTION

### Overflow diagnosis

Perform secondary air system flow abnormality diagnosis using both sides of combination valves secondary air amount when both are closed.

Judge as secondary air system flow abnormality either if there is excessive secondary air flow amount with the RH combination valve closed, or if there is excessive secondary air flow amount with the LH combination valve closed.

#### • Abnormality Judgement

If the duration of time while the following conditions are met is longer than the time indicated, judge as NG.

#### Judgement Value

Malfunction Criteria	Threshold Value	DTC
Air flow amount when the right bank is closed (value from Map 4) or Air flow amount when the left bank is closed (value from Map 5)	> Value of Map 8  > Value of Map 9	P0411
Voltage at P0RL measurement – Voltage at P0R measurement	≤ 4 V	
Voltage at P0RL measurement – Voltage at P0L measurement	≤ 4 V	

P0RL: Both banks all closed pressure

P0R: Right bank all closed pressure

P0L: Left bank all closed pressure

**Time Needed for Diagnosis:** 4000 ms + 992 ms + 992 ms + 992 ms

**Malfunction Indicator Light Illumination:** Illuminates when malfunction occurs in 2 continuous driving cycles.

#### • Normality Judgement

Judge as OK and clear the NG if the continuous time while the following conditions are established is more than the predetermined time.

#### Judgement Value

Malfunction Criteria	Threshold Value	DTC
Air flow amount when the right bank is closed (value from Map 4) or Air flow amount when the left bank is closed (value from Map 5)	≤ Value of Map 8  ≤ Value of Map 9	P0411
Voltage at P0RL measurement – Voltage at P0R measurement	≤ 4 V	
Voltage at P0RL measurement – Voltage at P0L measurement	≤ 4 V	

P0RL: Both banks all closed pressure

P0R: Right bank all closed pressure

P0L: Left bank all closed pressure

**Time Needed for Diagnosis:** 4000 ms + 992 ms + 992 ms + 992 ms

### Map1

Amount of intake air (g (oz)/s)	0 (0)	60 (2.12)
Engine speed (rpm)	0	0
0	0	0
10000	0	0
		(V)

# Diagnostic Trouble Code (DTC) Detecting Criteria

GENERAL DESCRIPTION

## Map2

Amount of intake air (g (oz)/s)	0 (0)	60 (2.12)
Engine speed (rpm)	0	0
0	0	0
10000	0	0
	(V)	

## Map 3

Intake air (g (oz)/rev)	0.1 (0)	0.25 (0.01)	0.3 (0.01)	1 (0.04)
Threshold value (V)	13	13	3.25	3.25

## Map4

Secondary air pressure in the pipe when both comb. valve is closing kPa (mmHg, inHg)	69.3 (520, 20.5)	74.6 (560, 22)	80 (600, 23.6)	85.3 (640, 25.2)	90.6 (680, 26.8)	96 (720, 28.3)	101.3 (760, 29.9)	106.6 (800, 31.5)	112 (840, 33.1)	117.3 (880, 34.6)	122.6 (920, 36.2)	128 (960, 37.8)	133.3 (1000, 39.4)	138.6 (1040, 40.9)	144 (1080, 42.5)	149.3 (1120, 44.1)
Secondary air pressure in the pipe when LH comb. valve is closing kPa (mmHg, inHg)	0	200	400	600	800	1000	1200	1400	1600	1800	2000	2200	2400	2400	2400	2400
69.3 (520, 20.5)	0	200	400	600	800	1000	1200	1400	1600	1800	2000	2200	2400	2400	2400	2400
74.6 (560, 22)	-200	0	200	400	600	800	1000	1200	1400	1600	1800	2000	2200	2400	2400	2400
80 (600, 23.6)	-400	-200	0	200	400	600	800	1000	1200	1400	1600	1800	2000	2200	2400	2400
85.3 (640, 25.2)	-600	-400	-200	0	200	400	600	800	1000	1200	1400	1600	1800	2000	2200	2400
90.6 (680, 26.8)	-800	-600	-400	-200	0	200	400	600	800	1000	1200	1400	1600	1800	2000	2200
96 (720, 28.3)	-1000	-800	-600	-400	-200	0	200	400	600	800	1000	1200	1400	1600	1800	2000
101.3 (760, 29.9)	-1200	-1000	-800	-600	-400	-200	0	200	400	600	800	1000	1200	1400	1600	1800
106.6 (800, 31.5)	-1400	-1200	-1000	-800	-600	-400	-200	0	200	400	600	800	1000	1200	1400	1600
112 (840, 33.1)	-1600	-1400	-1200	-1000	-800	-600	-400	-200	0	200	400	600	800	1000	1200	1400
117.3 (880, 34.6)	-1800	-1600	-1400	-1200	-1000	-800	-600	-400	-200	0	200	400	600	800	1000	1200
122.6 (920, 36.2)	-2000	-1800	-1600	-1400	-1200	-1000	-800	-600	-400	-200	0	200	400	600	800	1000
128 (960, 37.8)	-2200	-2000	-1800	-1600	-1400	-1200	-1000	-800	-600	-400	-200	0	200	400	600	800
133.3 (1000, 39.4)	-2400	-2200	-2000	-1800	-1600	-1400	-1200	-1000	-800	-600	-400	-200	0	200	400	600
138.6 (1040, 40.9)	-2400	-2400	-2200	-2000	-1800	-1600	-1400	-1200	-1000	-800	-600	-400	-200	0	200	400
144 (1080, 42.5)	-2400	-2400	-2400	-2200	-2000	-1800	-1600	-1400	-1200	-1000	-800	-600	-400	-200	0	200
149.3 (1120, 44.1)	-2400	-2400	-2400	-2400	-2200	-2000	-1800	-1600	-1400	-1200	-1000	-800	-600	-400	-200	0

(L/min)

# Diagnostic Trouble Code (DTC) Detecting Criteria

## GENERAL DESCRIPTION

### Map 5

Secondary air pressure in the pipe when both comb. valve is closing kPa (mmHg, inHg) Secondary air pressure in the pipe when RH comb. valve is closing kPa (mmHg, inHg)	69.3 (520, 20.5)	74.6 (560, 22)	80 (600, 23.6)	85.3 (640, 25.2)	90.6 (680, 26.8)	96 (720, 28.3)	101.3 (760, 29.9)	106.6 (800, 31.5)	112 (840, 33.1)	117.3 (880, 34.6)	122.6 (920, 36.2)	128 (960, 37.8)	133.3 (1000, 39.4)	138.6 (1040, 40.9)	144 (1080, 42.5)	149.3 (1120, 44.1)
69.3 (520, 20.5)	0	200	400	600	800	1000	1200	1400	1600	1800	2000	2200	2400	2400	2400	2400
74.6 (560, 22)	-200	0	200	400	600	800	1000	1200	1400	1600	1800	2000	2200	2400	2400	2400
80 (600, 23.6)	-400	-200	0	200	400	600	800	1000	1200	1400	1600	1800	2000	2200	2400	2400
85.3 (640, 25.2)	-600	-400	-200	0	200	400	600	800	1000	1200	1400	1600	1800	2000	2200	2400
90.6 (680, 26.8)	-800	-600	-400	-200	0	200	400	600	800	1000	1200	1400	1600	1800	2000	2200
96 (720, 28.3)	-1000	-800	-600	-400	-200	0	200	400	600	800	1000	1200	1400	1600	1800	2000
101.3 (760, 29.9)	-1200	-1000	-800	-600	-400	-200	0	200	400	600	800	1000	1200	1400	1600	1800
106.6 (800, 31.5)	-1400	-1200	-1000	-800	-600	-400	-200	0	200	400	600	800	1000	1200	1400	1600
112 (840, 33.1)	-1600	-1400	-1200	-1000	-800	-600	-400	-200	0	200	400	600	800	1000	1200	1400
117.3 (880, 34.6)	-1800	-1600	-1400	-1200	-1000	-800	-600	-400	-200	0	200	400	600	800	1000	1200
122.6 (920, 36.2)	-2000	-1800	-1600	-1400	-1200	-1000	-800	-600	-400	-200	0	200	400	600	800	1000
128 (960, 37.8)	-2200	-2000	-1800	-1600	-1400	-1200	-1000	-800	-600	-400	-200	0	200	400	600	800
133.3 (1000, 39.4)	-2400	-2200	-2000	-1800	-1600	-1400	-1200	-1000	-800	-600	-400	-200	0	200	400	600
138.6 (1040, 40.9)	-2400	-2400	-2200	-2000	-1800	-1600	-1400	-1200	-1000	-800	-600	-400	-200	0	200	400
144 (1080, 42.5)	-2400	-2400	-2400	-2200	-2000	-1800	-1600	-1400	-1200	-1000	-800	-600	-400	-200	0	200
149.3 (1120, 44.1)	-2400	-2400	-2400	-2400	-2200	-2000	-1800	-1600	-1400	-1200	-1000	-800	-600	-400	-200	0

(L/min)

### Map6

Amount of intake air when RH comb. valve switches (g (oz)/s) Battery voltage when RH comb. valve switches (V)	10 (0.35)	15 (0.53)	20 (0.71)	25 (0.88)	26 (0.92)
11	0.025	0.025	0.025	0.005	0
12	0.035	0.035	0.035	0.015	0
13	0.05	0.05	0.05	0.025	0
14	0.05	0.05	0.05	0.025	0

(V)

# Diagnostic Trouble Code (DTC) Detecting Criteria

GENERAL DESCRIPTION

## Map7

Amount of intake air when LH comb. valve switches (g (oz)/s)	10	15	20	25	26
Battery voltage when LH comb. valve switches (V)	(0.35)	(0.53)	(0.71)	(0.88)	(0.92)
11	0.025	0.025	0.025	0.005	0
12	0.035	0.035	0.035	0.015	0
13	0.05	0.05	0.05	0.025	0
14	0.05	0.05	0.05	0.025	0
					(V)

## Map 8

Amount of intake air when P0R is measuring (g (oz)/s)	2	25
Battery voltage when P0R measuring (V)	(0.07)	(0.88)
11.5	345	345
12.5	345	345
13.5	345	345
14.5	390	390
15.5	420	420
		(L/min)

## Map 9

Amount of intake air when P0L is measuring (g (oz)/s)	2	25
Battery voltage when P0L measuring (V)	(0.07)	(0.88)
11.5	345	345
12.5	345	345
13.5	345	345
14.5	390	390
15.5	420	420
		(L/min)

## Map 10

Amount of intake air (g (oz)/s)	0	60
Engine speed (rpm)	(0)	(2.12)
500	0	0
5000	0	0

## BD:DTC P0411 SECONDARY AIR INJECTION SYSTEM INCORRECT FLOW DETECTED

### 1. OUTLINE OF DIAGNOSIS

#### NOTE:

For the detection standard, refer to DTC P0410. <Ref. to GD(H4DOTC)-98, DTC P0410 SECONDARY AIR INJECTION SYSTEM, Diagnostic Trouble Code (DTC) Detecting Criteria.>

# Diagnostic Trouble Code (DTC) Detecting Criteria

## GENERAL DESCRIPTION

---

### BE:DTC P0413 SECONDARY AIR INJECTION SYSTEM SWITCHING VALVE "A" CIRCUIT OPEN

#### 1. OUTLINE OF DIAGNOSIS

Judge as NG when the ECM output level differs from the actual terminal level.

#### 2. ENABLE CONDITIONS

Secondary Parameters	Enable Condition
None	

#### 3. GENERAL DRIVING CYCLE

Always perform the diagnosis continuously.

#### 4. DIAGNOSTIC METHOD

##### • Abnormality Judgement

If the duration of time while the following conditions are met is longer than the time indicated, judge as NG.

##### Judgement Value

Malfunction Criteria	Threshold Value
Battery voltage	$\geq 10.9$ V
Ignition	ON
Terminal output voltage when ECM outputs OFF signal	LOW

**Time Needed for Diagnosis:** 2500 ms

**Malfunction Indicator Light Illumination:** Illuminates as soon as a malfunction occurs.

##### • Normality Judgement

Judge as OK and clear the NG if the continuous time while the following conditions are established is more than the predetermined time.

##### Judgement Value

Malfunction Criteria	Threshold Value
Battery voltage	$\geq 10.9$ V
Ignition	ON
Terminal output voltage when ECM outputs OFF signal	HIGH

**Time Needed for Diagnosis:** Less than 1 second

# Diagnostic Trouble Code (DTC) Detecting Criteria

GENERAL DESCRIPTION

## **BF:DTC P0414 SECONDARY AIR INJECTION SYSTEM SWITCHING VALVE “A” CIRCUIT SHORTED**

### 1. OUTLINE OF DIAGNOSIS

Judge as NG when the ECM output level differs from the actual terminal level.

### 2. ENABLE CONDITIONS

Secondary Parameters	Enable Condition
None	

### 3. GENERAL DRIVING CYCLE

Always perform the diagnosis continuously.

### 4. DIAGNOSTIC METHOD

#### • Abnormality Judgement

If the duration of time while the following conditions are met is longer than the time indicated, judge as NG.

#### Judgement Value

Malfunction Criteria	Threshold Value
Battery voltage	≥ 10.9 V
Ignition	ON
Terminal output voltage when ECM outputs ON signal	HIGH

**Time Needed for Diagnosis:** 2500 ms

**Malfunction Indicator Light Illumination:** Illuminates as soon as a malfunction occurs.

#### • Normality Judgement

Judge as OK and clear the NG if the continuous time while the following conditions are established is more than the predetermined time.

#### Judgement Value

Malfunction Criteria	Threshold Value
Battery voltage	≥ 10.9 V
Ignition	ON
Terminal output voltage when ECM outputs ON signal	LOW

**Time Needed for Diagnosis:** Less than 1 second

## **BG:DTC P0416 SECONDARY AIR INJECTION SYSTEM SWITCHING VALVE “B” CIRCUIT OPEN**

### 1. OUTLINE OF DIAGNOSIS

NOTE:

For the detection standard, refer to DTC P0413. <Ref. to GD(H4DOTC)-108, DTC P0413 SECONDARY AIR INJECTION SYSTEM SWITCHING VALVE “A” CIRCUIT OPEN, Diagnostic Trouble Code (DTC) Detecting Criteria.>

## **BH:DTC P0417 SECONDARY AIR INJECTION SYSTEM SWITCHING VALVE “B” CIRCUIT SHORTED**

### 1. OUTLINE OF DIAGNOSIS

NOTE:

For the detection standard, refer to DTC P0414. <Ref. to GD(H4DOTC)-109, DTC P0414 SECONDARY AIR INJECTION SYSTEM SWITCHING VALVE “A” CIRCUIT SHORTED, Diagnostic Trouble Code (DTC) Detecting Criteria.>

# Diagnostic Trouble Code (DTC) Detecting Criteria

## GENERAL DESCRIPTION

---

### BI: DTC P0418 SECONDARY AIR INJECTION SYSTEM CONTROL "A" CIRCUIT OPEN

#### 1. OUTLINE OF DIAGNOSIS

Judge as NG when the ECM output level differs from the actual terminal level.

#### 2. ENABLE CONDITIONS

Secondary Parameters	Enable Condition
None	

#### 3. GENERAL DRIVING CYCLE

Always perform the diagnosis continuously.

#### 4. DIAGNOSTIC METHOD

##### • Abnormality Judgement

If the duration of time while the following conditions are met is longer than the time indicated, judge as NG.

##### Judgement Value

Malfunction Criteria	Threshold Value
Battery voltage	$\geq 10.9$ V
Ignition	ON
Terminal output voltage when ECM outputs OFF signal	LOW

**Time Needed for Diagnosis:** 2500 ms

**Malfunction Indicator Light Illumination:** Illuminates as soon as a malfunction occurs.

##### • Normality Judgement

Judge as OK and clear the NG if the continuous time while the following conditions are established is more than the predetermined time.

##### Judgement Value

Malfunction Criteria	Threshold Value
Battery voltage	$\geq 10.9$ V
Ignition	ON
Terminal output voltage when ECM outputs OFF signal	HIGH

**Time Needed for Diagnosis:** Less than 1 second



# Diagnostic Trouble Code (DTC) Detecting Criteria

GENERAL DESCRIPTION

## BJ:DTC P0420 CATALYST SYSTEM EFFICIENCY BELOW THRESHOLD (BANK 1)

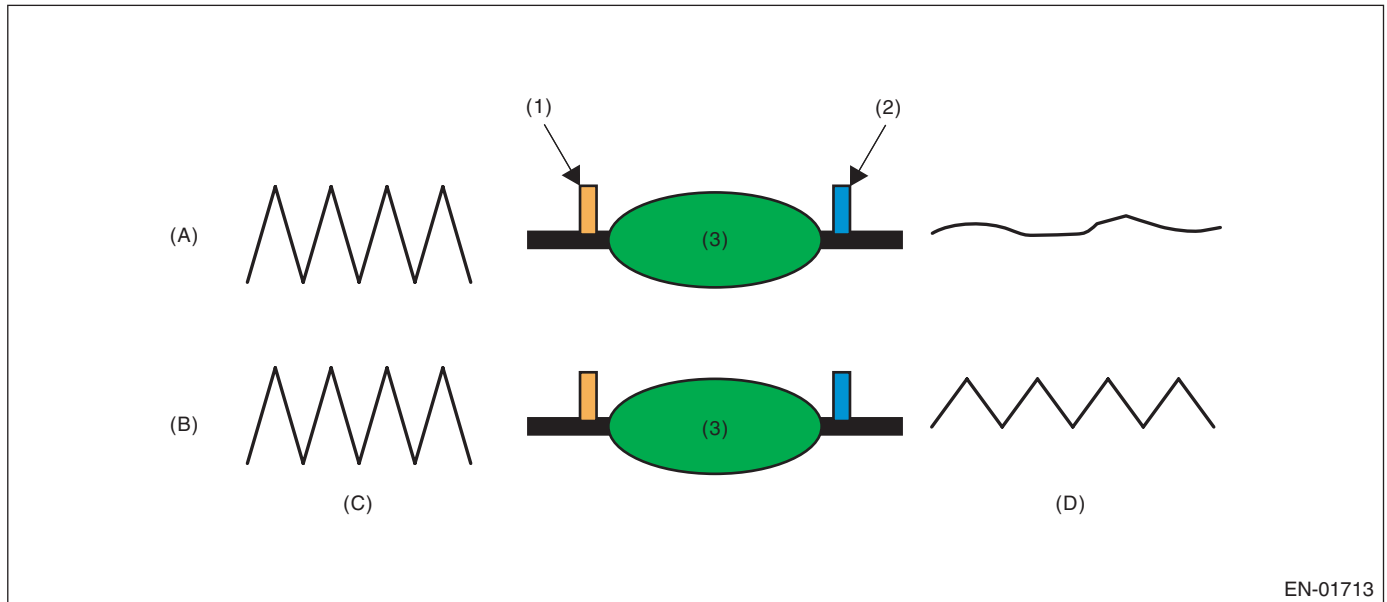
### 1. OUTLINE OF DIAGNOSIS

Detect the deterioration of the catalyst function.

Though the front oxygen sensor output would change slowly with a new catalyst, the sensor output with a deteriorated catalyst becomes high and the inversion time is shortened.

For this reason, the catalyst diagnosis is carried out by monitoring the front oxygen sensor output and comparing it with the front oxygen (A/F) sensor output.

### 2. COMPONENT DESCRIPTION



EN-01713

(A) Normal

(B) Deterioration

(C) Output waveform from the front oxygen (A/F) sensor

(D) Output waveform from the rear oxygen Sensor

(1) Front oxygen (A/F) sensor

(2) Front oxygen sensor

(3) Catalytic converter

# Diagnostic Trouble Code (DTC) Detecting Criteria

## GENERAL DESCRIPTION

### 3. ENABLE CONDITIONS

Secondary Parameters	Enable Conditions
Battery voltage	$\geq 10.9$ V
Atmospheric pressure	$\geq 75$ kPa (563 mmHg, 22.2 inHg)
Engine coolant temperature	$\geq 70$ °C (158 °F)
Estimated catalyst temperature	$\geq 460$ °C (860 °F)
Misfire detection every 200 rotations	$< 5$ time(s)
Learning value of evaporation gas density	$< 0.2$
Sub feedback	In operation
Evaporative system diagnosis	Not in operation
Time of difference ( $< 0.10$ ) between actual lambda and target lambda	$\geq 1000$ ms
Vehicle speed	$> 60$ km/h (37.3 MPH)
Amount of intake air	$\geq 10$ g/s (0.35 oz/s) and $< 50$ g/s (1.76 oz/s)
Engine load change every 0.5 engine revs.	$< 0.02$ g/rev (0 oz/rev)
Rear oxygen output change from 660 mV or less to 660 mV or more	Experienced after fuel cut
Elapsed time after starting the engine	$\geq 200$ s (except for WRX-SS model) $\geq 234$ s (WRX-SS model)
Purge execution calculated time	$\geq 5$ s

### 4. GENERAL DRIVING CYCLE

Perform the diagnosis only once at a constant 60 km/h (37.3 MPH) or higher.

### 5. DIAGNOSTIC METHOD

After establishing the execution conditions, calculate the front oxygen (A/F) sensor lambda deviation cumulative value per 32 milliseconds  $\times 4$  ( $\sum |(sglmd_n - sglmd_{n-1})|$ ) and rear oxygen sensor output voltage deviation cumulative value ( $\sum |(ro2sad_n - ro2sad_{n-1})|$ ), and when the front oxygen (A/F) sensor lambda deviation cumulative value ( $\sum |(sglmd_n - sglmd_{n-1})|$ ) becomes the predetermined value or more, calculate the diagnostic value.

#### • Abnormality Judgement

If the duration of time while the following conditions are met is within the time indicated, judge as NG.

#### Judgement Value

Malfunction Criteria	Threshold Value
$\sum  (ro2sad_n - ro2sad_{n-1})  / \sum  (sglmd_n - sglmd_{n-1}) $	$> 11$ (except for WRX-SS model) $> 8.2$ (WRX-SS model)

**Time Needed for Diagnosis:** 30 — 55 seconds

**Malfunction Indicator Light Illumination:** Illuminates when malfunction occurs in 2 continuous driving cycles.

#### • Normality Judgement

Judge as OK and clear the NG if the continuous time while the following conditions are established is within the predetermined time.

#### Judgement Value

Malfunction Criteria	Threshold Value
$\sum  (ro2sad_n - ro2sad_{n-1})  / \sum  (sglmd_n - sglmd_{n-1}) $	$\leq 11$ (except for WRX-SS model) $\leq 8.2$ (WRX-SS model)

**Time Needed for Diagnosis:** 30 — 55 seconds

# Diagnostic Trouble Code (DTC) Detecting Criteria

GENERAL DESCRIPTION

---

## **BK:DTC P0441 EVAPORATIVE EMISSION SYSTEM INCORRECT PURGE FLOW**

### **1. OUTLINE OF DIAGNOSIS**

#### **NOTE:**

For the detection standard, refer to DTC P0442. <Ref. to GD(H4DOTC)-114, DTC P0442 EVAPORATIVE EMISSION CONTROL SYSTEM LEAK DETECTED (SMALL LEAK), Diagnostic Trouble Code (DTC) Detecting Criteria.>

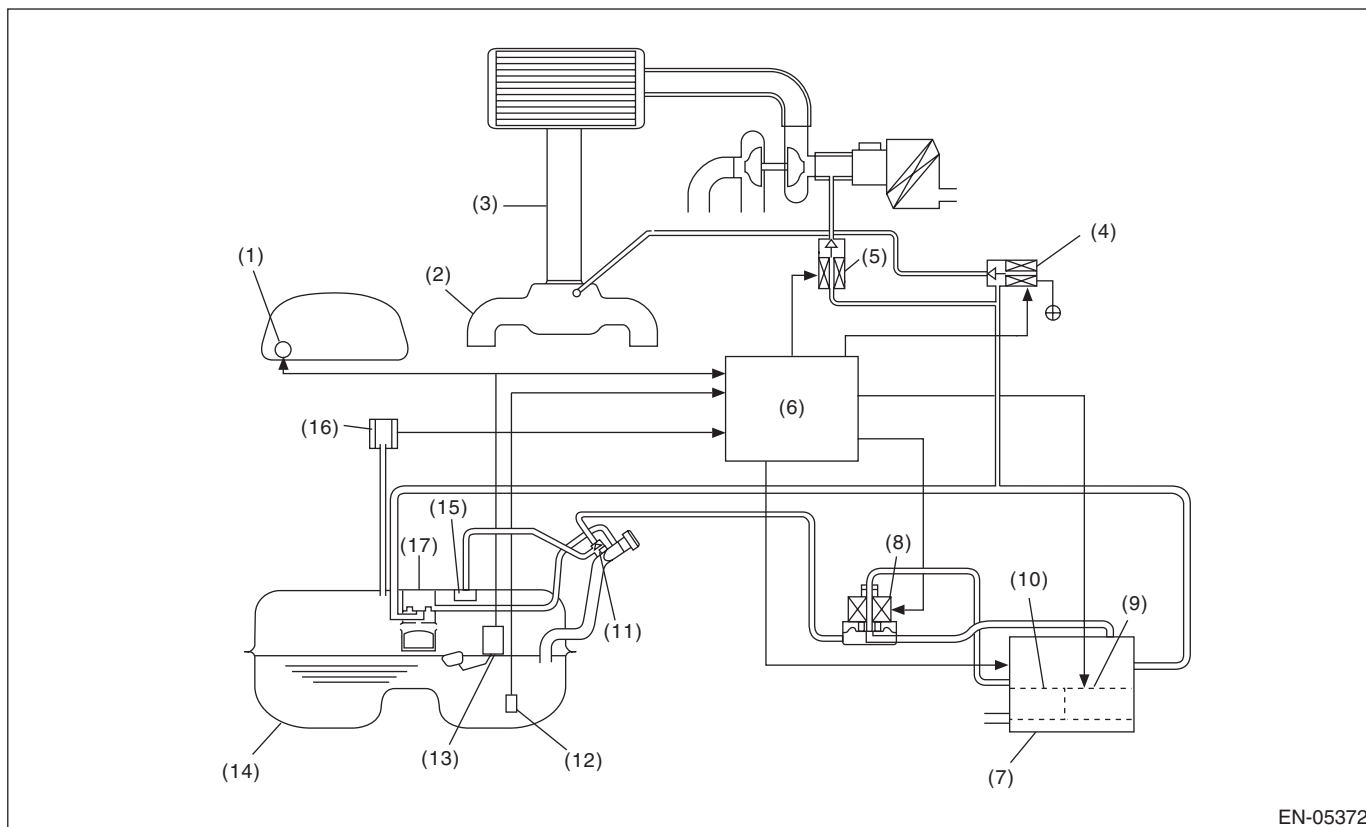
# Diagnostic Trouble Code (DTC) Detecting Criteria

## GENERAL DESCRIPTION

### BL:DTC P0442 EVAPORATIVE EMISSION CONTROL SYSTEM LEAK DETECTED (SMALL LEAK)

#### 1. OUTLINE OF DIAGNOSIS

Check if there is a leakage in fuel system or not, and perform the function diagnosis of valve.



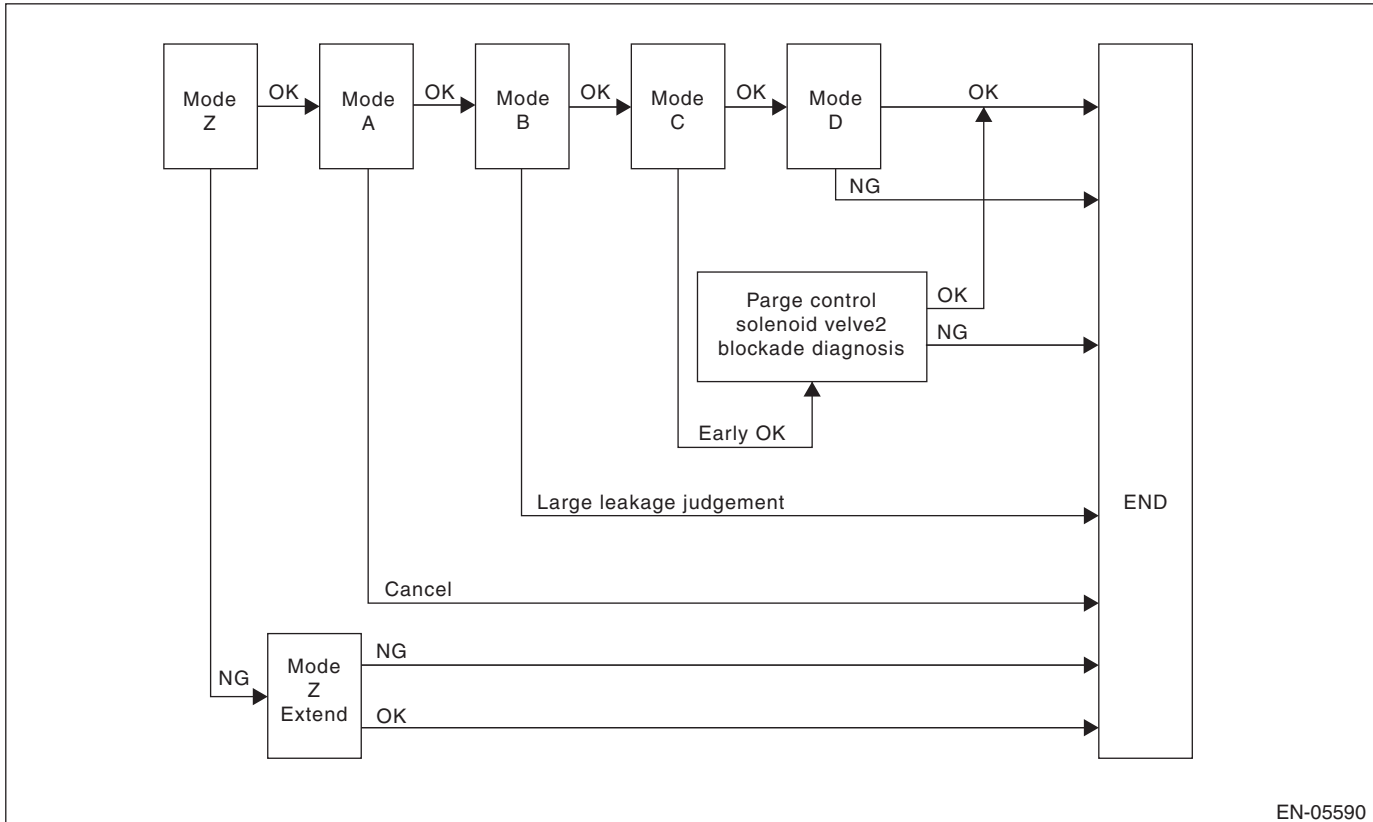
- |                                    |                                     |                                |
|------------------------------------|-------------------------------------|--------------------------------|
| (1) Fuel gauge                     | (7) Canister                        | (13) Fuel level sensor         |
| (2) Intake manifold                | (8) Pressure control solenoid valve | (14) Fuel tank                 |
| (3) Throttle body                  | (9) Drain valve                     | (15) Fuel cut valve            |
| (4) Purge control solenoid valve   | (10) Drain filter                   | (16) Fuel tank pressure sensor |
| (5) Purge control solenoid valve 2 | (11) Shut-off valve                 | (17) Vent valve                |
| (6) Engine control module (ECM)    | (12) Fuel temperature sensor        |                                |

In this system diagnosis, check for leakage and valve function is conducted by changing the fuel tank pressure and monitoring the pressure change using the fuel tank pressure sensor. When in 0.04 inch diagnosis, perform in the order of mode Z → mode A → mode B → mode C and mode D; When in 0.02 inch diagnosis, perform in the order of mode A → mode B → mode C → mode D and mode E.

# Diagnostic Trouble Code (DTC) Detecting Criteria

GENERAL DESCRIPTION

## 0.04-inch Diagnosis



EN-05590

Mode	Mode Description	Diagnosis Period
Mode Z (Purge control solenoid valve opening failure diagnosis)	Perform purge control solenoid valve opening failure diagnosis from the size of tank pressure variation from diagnosis start.	0 ms + 3000 ms — 0 ms + 3000 ms + 13000 ms
Mode A (Estimated evaporation amount)	Calculate the tank pressure change amount (P1).	10000 ms
Mode B (Sealed negative pressure, large leakage judgement)	Decrease the pressure in the tank to the target value by introducing the intake manifold pressure to the fuel tank. If the tank pressure cannot be reduced, it is diagnosed as large leak.	0 — 10000 ms + 25000 ms
Mode C (Pressure increase check, advanced OK judgement)	Wait until the tank pressure returns to the target (start level of P2 calculation). If the tank pressure does not become the value, make advanced OK judgement.	0 — 18600 ms
Mode D (Negative pressure variation measurement, evaporation leakage diagnosis)	Calculate the tank pressure variation (P2), and obtain the diagnostic value using P1 found in Mode A. Perform the evaporation diagnosis using the diagnostic value.	0 ms + 10000 ms

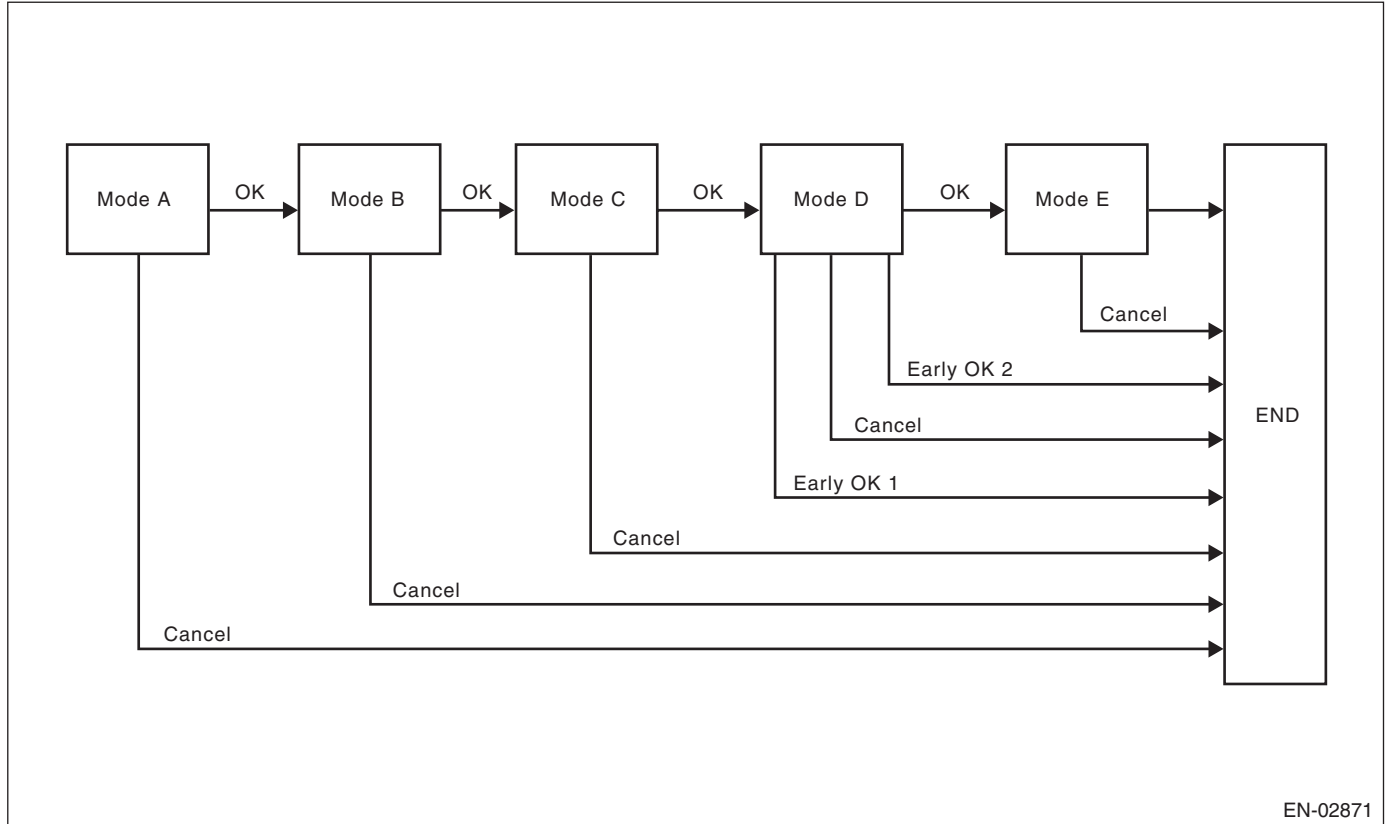
## Mode Table for Evaporative Emission Control System Diagnosis

Mode	Behavior of tank internal pressure under normal conditions	Diagnostic item	DTC
Mode Z	Roughly the same as barometric pressure (Same as 0 kPa (0 mmHg, 0 inHg))	Purge control solenoid valve is judged to be open.	P0457
Mode A	Pressure is in proportion to amount of evaporative emission.	—	None
Mode B	Negative pressure is formed due to intake manifold negative pressure	Large leak	P0457
Mode C	Reaches target pressure	—	None
Mode D	Pressure change is small.	EVAP system large leak determination [1.0 mm (0.04 in)]	P0442

# Diagnostic Trouble Code (DTC) Detecting Criteria

## GENERAL DESCRIPTION

### 0.02-inch Diagnosis



EN-02871

Mode	Mode Description	Diagnosis Period
Mode A (0 point compensation)	When the pressure in the tank is not near 0 mmHg, wait until it returns to 0 point (near 0 mmHg).	0 — Value of Map 1
Mode B (Negative pressure introduced)	Decrease the pressure in the tank to the target value by introducing the intake manifold pressure to the fuel tank.	0 — Value of Map 2
Mode C (Negative pressure maintained)	Wait until the tank pressure returns to the target (start level of P2 calculation).	0 — 22820 ms + 0 + Value from Map 2
Mode D (Negative pressure change calculated)	Calculate the time it takes for the tank pressure to change to the Mode E shifting pressure. If the tank pressure does not change to the Mode E shifting pressure, make advanced OK judgement.	0 — 0 ms + 200000 ms
Mode E (Evaporation generated amount calculation)	Calculate the amount of evaporation (P1).	0 — 0 ms + 200000 ms + Value from Map 3

#### Map1

Fuel level (ℓ, US gal, Imp gal)	0	10, 2.64, 2.2	20, 5.28, 4.4	30, 7.93, 6.6	40, 10.57, 8.8	50, 13.21, 11	60, 15.85, 13.2
Time Needed for Diagnosis (ms)	13800	13800	11400	9000	7000	5000	5000

#### Map2

Fuel level (ℓ, US gal, Imp gal)	0	10, 2.64, 2.2	20, 5.28, 4.4	30, 7.93, 6.6	40, 10.57, 8.8	50, 13.21, 11	60, 15.85, 13.2
Time Needed for Diagnosis (ms)	19520	19520	19850	20180	19975	19770	19770

#### Map 3

Fuel level (ℓ, US gal, Imp gal)	0	10, 2.64, 2.2	20, 5.28, 4.4	30, 7.93, 6.6	40, 10.57, 8.8	50, 13.21, 11	60, 15.85, 13.2
Time Needed for Diagnosis (ms)	80000	80000	70000	60000	60000	60000	60000

# Diagnostic Trouble Code (DTC) Detecting Criteria

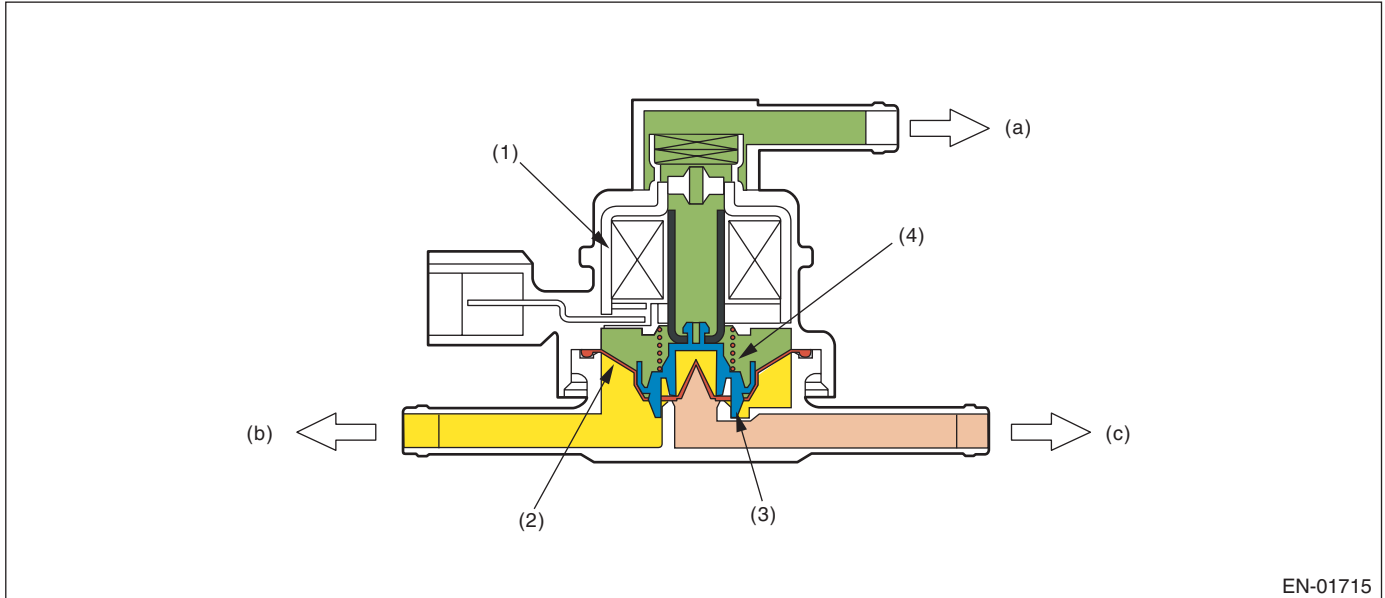
GENERAL DESCRIPTION

## 2. COMPONENT DESCRIPTION

### Pressure control solenoid valve

PCV controls the fuel tank pressure to be equal to the atmospheric air pressure. Normally, the solenoid is set to OFF. The valve opens and closes mechanically in accordance with the pressure difference between tank and atmospheric air, or tank and canister.

The valve is forcibly opened by setting the solenoid to ON at the time of diagnosis.



(a) Barometric pressure

(b) Fuel tank

(c) Canister

(1) Solenoid

(3) Valve

(4) Spring

(2) Diaphragm

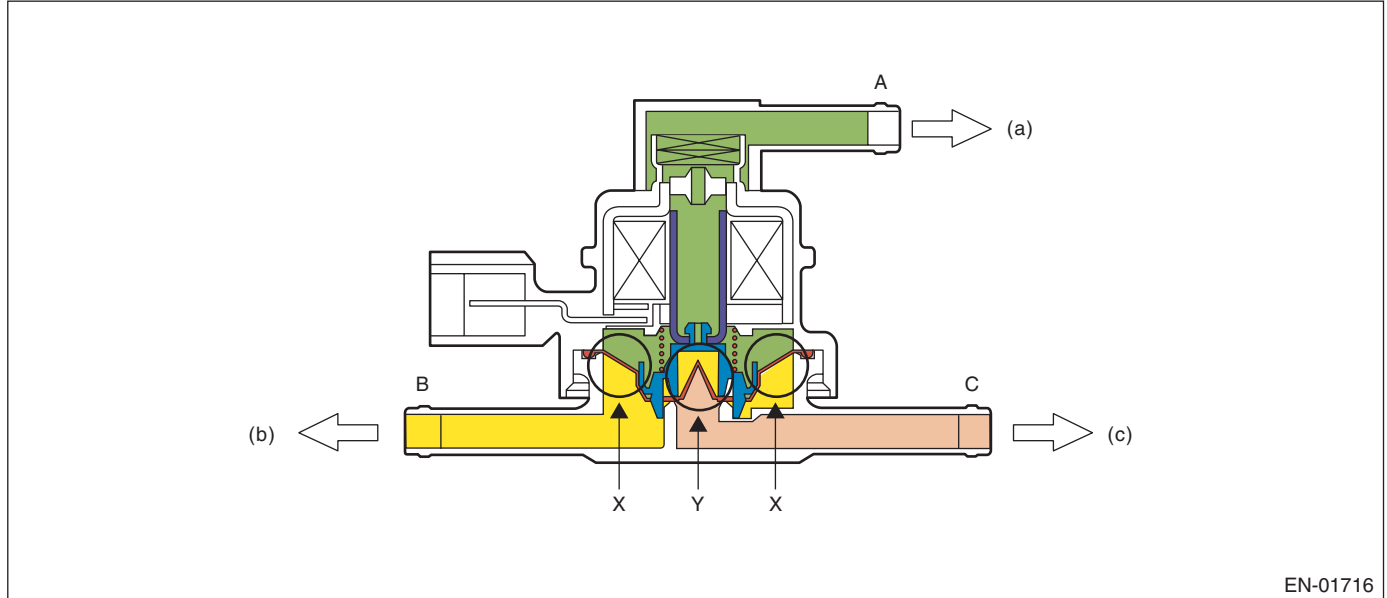
# Diagnostic Trouble Code (DTC) Detecting Criteria

## GENERAL DESCRIPTION

### Valve Operation and Air Flow

In the figure below, divided by the diaphragm, the part above X is charged with atmospheric air pressure, and the part below X is charged with tank pressure. Also, the part above Y is charged with tank pressure, and the part below Y is charged with canister pressure.

If the atmospheric air pressure port is A, tank pressure port is B, and canister pressure port is C, the air flows according to pressure difference from each port as shown in the table below.



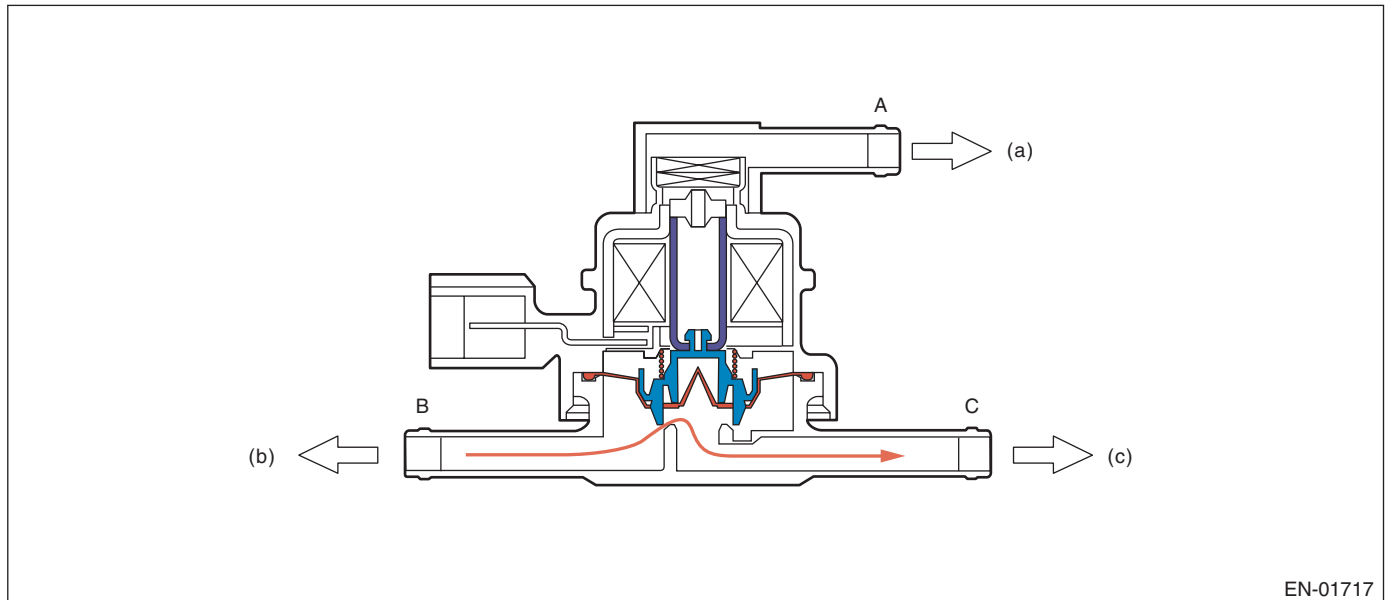
(a) Barometric pressure

(b) Fuel tank

(c) Canister

Condition of pressure	Flow
$A < B$ (solenoid OFF)	$B \rightarrow C$
$B < C$ (solenoid OFF)	$C \rightarrow B$
Solenoid ON	$B \leftrightarrow C$

### When $A < B$ (solenoid OFF)



(a) Barometric pressure

(b) Fuel tank

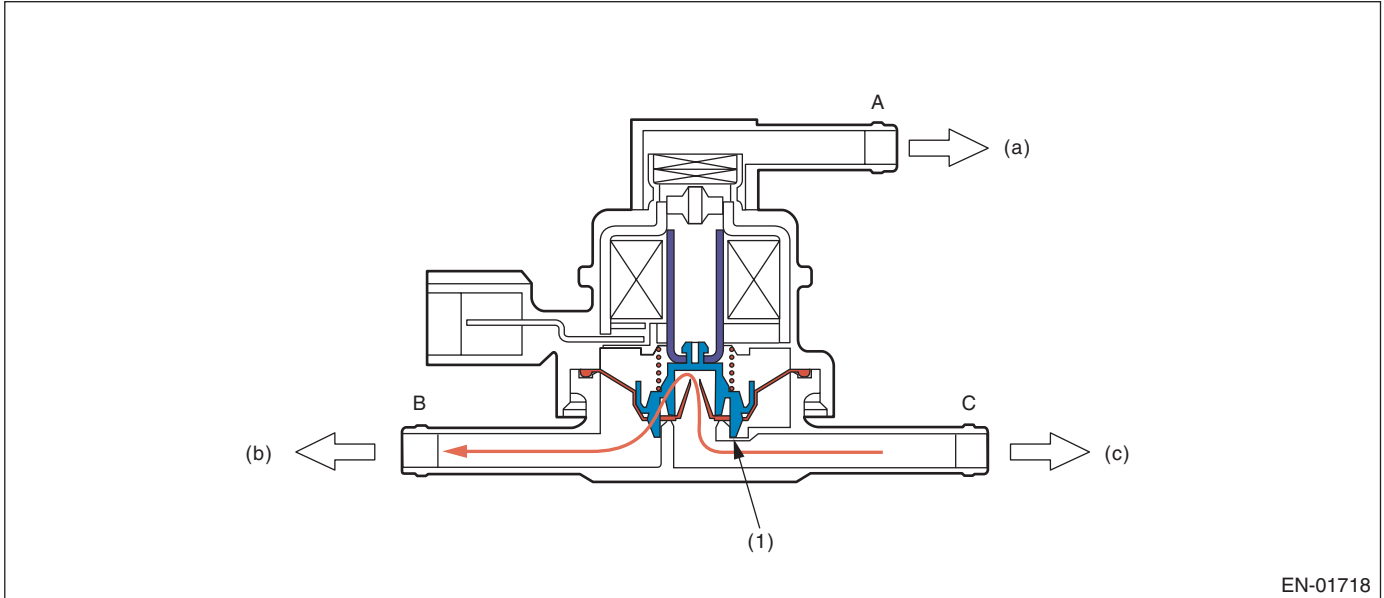
(c) Canister



# Diagnostic Trouble Code (DTC) Detecting Criteria

GENERAL DESCRIPTION

## When $B < C$ (solenoid OFF)



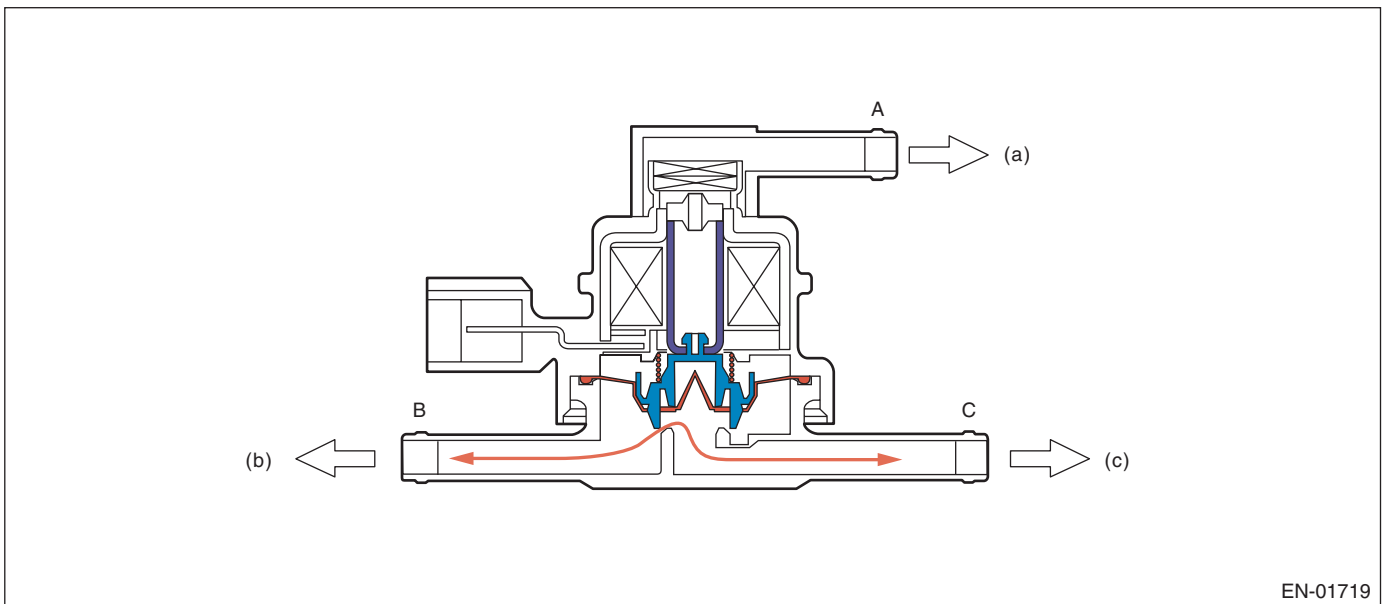
(a) Barometric pressure

(b) Fuel tank

(c) Canister

(1) Valve

## When Solenoid is ON



(a) Barometric pressure

(b) Fuel tank

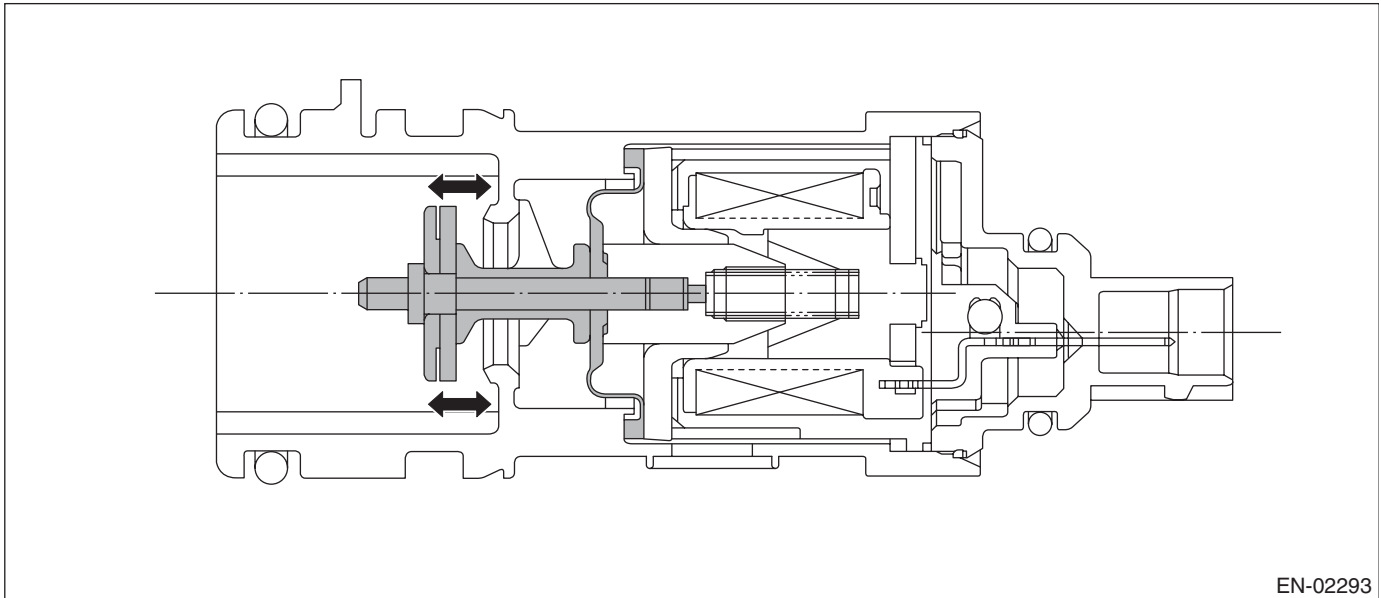
(c) Canister

# Diagnostic Trouble Code (DTC) Detecting Criteria

## GENERAL DESCRIPTION

### Drain valve

Drain valve controls the ambient air to be introduced to the canister.



EN-02293

## 3. ENABLE CONDITIONS

### 0.04-inch Diagnosis

Secondary Parameters	Enable Condition
Battery voltage	$\geq 10.9$ V
Barometric pressure	$\geq 75$ kPa (563 mmHg, 22.2 inHg)
Total time of canister purge operation	$\geq 120000$ ms
Elapsed time after starting the engine	$\geq 856$ s
Learning value of evaporation gas density	$< 0.08$
Engine speed	1050 rpm — 6500 rpm
Fuel tank pressure	$\geq -4$ kPa (-30 mmHg, -1.2 inHg)
Intake manifold relative vacuum (relative pressure)	$\geq -13.3$ kPa (-100 mmHg, -3.9 inHg)
Vehicle speed	$\geq 32$ km/h (19.9 MPH)
Fuel level	9.6 $\ell$ (2.54 US gal, 2.11 Imp gal) — 54.4 $\ell$ (14.37 US gal, 11.97 Imp gal)
Closed air/fuel ratio control	In operation
Fuel temperature	$-10$ °C (14 °F) — 45 °C (113 °F)
Intake air temperature	$\geq -10$ °C (14 °F)
Pressure change every one second	$< 1.7$ mmHg (Mode A) $< 1.7$ mmHg (Mode D)
Minimum pressure change value every one second – Maximum pressure change value every one second	$< 1.7$ mmHg (Mode A) $< 1.7$ mmHg (Mode D)
Change of fuel level per 128 milliseconds	$< 3$ $\ell$ (0.79 US gal, 0.66 Imp gal)
Air fuel ratio	0.76 — 1.25

# Diagnostic Trouble Code (DTC) Detecting Criteria

GENERAL DESCRIPTION

## 0.02-inch Diagnosis

Secondary Parameters	Enable Condition
<b>At starting a diagnosis</b>	
Evap. diagnosis	Incomplete
Battery voltage	≥ 10.9 V
Barometric pressure	≥ 75 kPa (563 mmHg, 22.2 inHg)
Time since last incomplete 0.02-inch leakage diagnosis	
When cancelling in mode A	> 120000 ms
When cancelling in other than mode A	> 600000 ms
Total time of canister purge operation	≥ 120000 ms
Elapsed time after starting the engine	≥ 120 s
Fuel temperature	-10 °C (14 °F) — 55 °C (131 °F)
Fuel level	9.6 ℓ (2.54 US gal, 2.11 Imp gal) — 54.4 ℓ (14.37 US gal, 11.97 Imp gal)
Intake manifold relative vacuum (relative pressure)	≥ - 13.3 kPa (- 100 mmHg, - 3.9 inHg)
Fuel tank pressure	-0.7 kPa (-5 mmHg, -0.2 inHg) — 1.4 kPa (10.7 mmHg, 0.4 inHg)
Vehicle speed	50 km/h (31.1 MPH) — 510 km/h (316.9 MPH) continues for 125000 ms
Closed air/fuel ratio control	In operation
Engine speed	1050 rpm — 6000 rpm
<b>During diagnosis</b>	
Change of fuel level	≤ Value of Map 4
Pressure change every one second	< 0.1 kPa (0.44 mmHg, 0 inHg)
Minimum pressure change value every one second – Maximum pressure change value every one second	< 0.1 kPa (0.51 mmHg, 0 inHg) (Mode D)
Pressure change in tank every second	≤ 0.1 kPa (0.75 mmHg, 0 inHg)
Barometric pressure change	-0.5 kPa (-3.6 mmHg, -0.1 inHg) — 0.3 kPa (2.4 mmHg, 0.1 inHg) (Mode D) -0.3 kPa (-2.4 mmHg, -0.1 inHg) — 0.3 kPa (2.4 mmHg, 0.1 inHg) (Mode E)

## Map4

Fuel level ( ℓ , US gal, Imp gal)	0	10, 2.64, 2.2	20, 5.28, 4.4	30, 7.93, 6.6	40, 10.57, 8.8	50, 13.21, 11	60, 15.85, 13.2
Change ( ℓ , US gal, Imp gal)	5, 1.32, 1.1	5, 1.32, 1.1	5, 1.32, 1.1	5, 1.32, 1.1	5, 1.32, 1.1	5, 1.32, 1.1	5, 1.32, 1.1

## 4. GENERAL DRIVING CYCLE

### 0.04-inch Diagnosis

- Perform the diagnosis only once in 856 seconds or more after starting the engine, at a constant speed of 32 km/h (20 MPH) or more.
- Pay attention to the fuel temperature and fuel level.

### 0.02-inch Diagnosis

- Perform the diagnosis 125 seconds or more at a constant engine speed of 50 km/h (31 MPH) or higher to judge as NG or OK.
- If judgement cannot be made, repeat the diagnosis.
- Pay attention to the fuel level.

# Diagnostic Trouble Code (DTC) Detecting Criteria

## GENERAL DESCRIPTION

### 5. DIAGNOSTIC METHOD

#### Purge control solenoid valve stuck open fault diagnosis

DTC

P0457 Evaporative Emission Control System Leak Detected (Fuel Cap Loose/Off)

#### Purpose of Mode Z

When performing the leakage diagnosis of EVAP system, the purge control solenoid valve must operate normally. Therefore, mode Z is used to diagnose the purge control solenoid valve stuck open condition. Note that if a purge control solenoid valve stuck open fault is detected, the EVAP system leakage diagnosis is cancelled.

#### Diagnostic method

Purge control solenoid valve functional diagnosis is performed by monitoring the tank pressure in mode Z.

#### • Abnormality Judgement

If OK judgement cannot be made, extend Mode Z, and Judge as NG when the following conditions are established after predetermined amount of time.

#### Judgement Value

Malfunction Criteria	Threshold Value	DTC
evptez – evptezha	> 0.9 kPa (6.5 mmHg, 0.3 inHg)	P0457
evptezini	≤ 1.4 kPa (10.7 mmHg, 0.4 inHg)	
Time of 2 $\varnothing$ (0.53 US gal, 0.44 Imp gal) or more fuel no sloshing	≥ 40000 ms	

**Time Needed for Diagnosis:** 0 ms + 3000 ms + 13000 ms

**Malfunction Indicator Light Illumination:** Illuminates when malfunction occurs in 2 continuous driving cycles.

When judgement for purge control solenoid valve stuck open NG is made, end the evaporative diagnosis. Cancel the evaporative diagnosis when the OK/NG judgement for purge control solenoid valve stuck open cannot be made in Mode Z.

#### • Normality Judgement

Judge as OK and change to Mode A when the following conditions are established after predetermined time has passed since Mode Z started.

#### Judgement Value

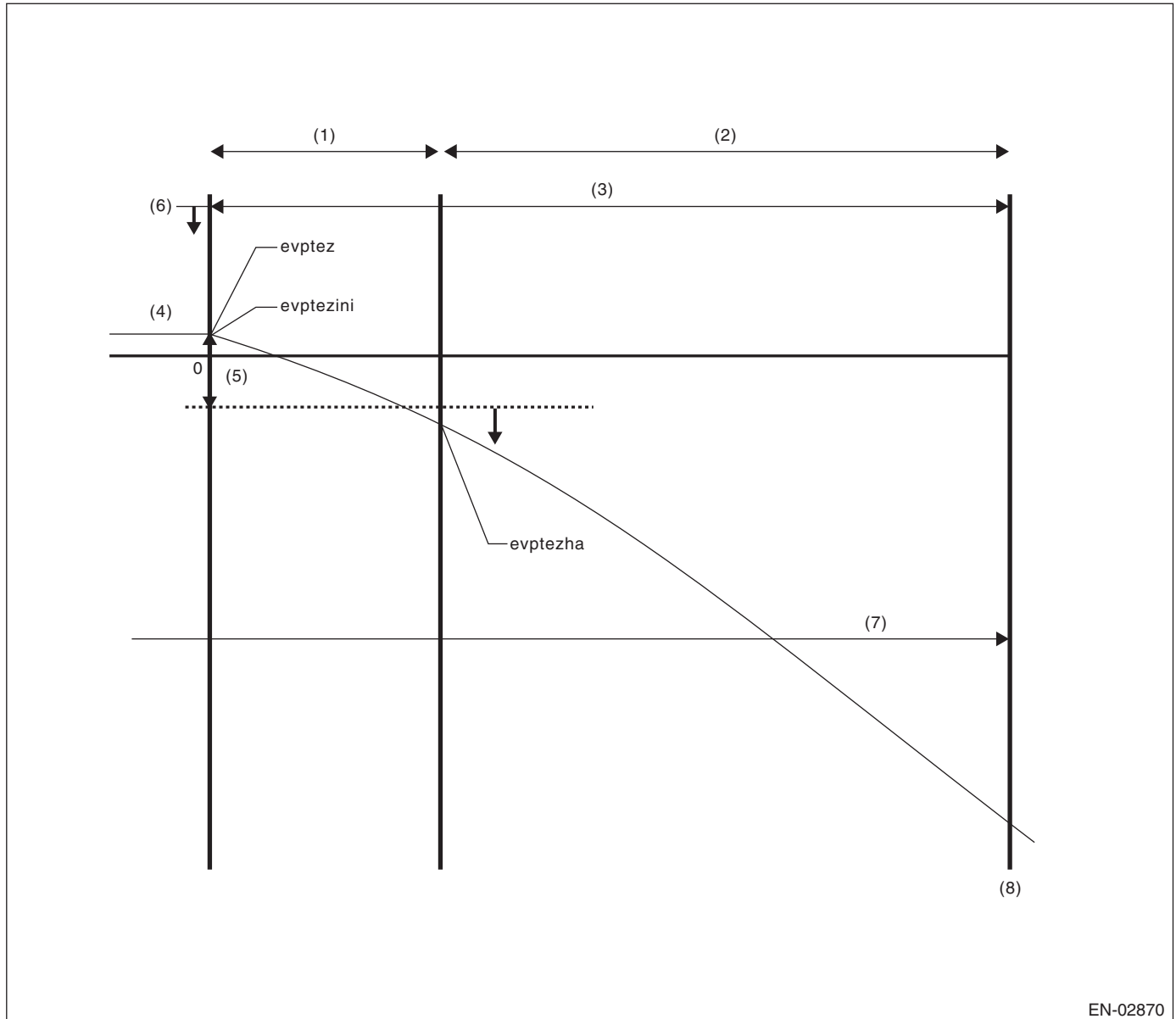
Malfunction Criteria	Threshold Value	DTC
evptez – evptezha	≤ 0.4 kPa (3 mmHg, 0.1 inHg)	P0457



# Diagnostic Trouble Code (DTC) Detecting Criteria

## GENERAL DESCRIPTION

### Purge control solenoid valve Open Fixation



EN-02870

- |                        |                                   |                               |
|------------------------|-----------------------------------|-------------------------------|
| (1) Mode Z             | (4) Fuel tank pressure            | (7) 40000 ms no fuel sloshing |
| (2) Extended mode Z    | (5) 0.9 kPa (6.5 mmHg, 0.3 inHg)  | (8) NG judgement              |
| (3) 3000 ms + 13000 ms | (6) 1.4 kPa (10.7 mmHg, 0.4 inHg) |                               |

- $evptezini \leq 1.4 \text{ kPa (10.7 mmHg, 0.4 inHg)}$
  - $evptez - evptezha > 0.9 \text{ kPa (6.5 mmHg, 0.3 inHg)}$
  - No fuel sloshing of over 2  $\varnothing$  (0.53 US gal, 0.44 Imp gal) lasts for more than 40000 ms.
- Judge as abnormal when all are established.

# Diagnostic Trouble Code (DTC) Detecting Criteria

GENERAL DESCRIPTION

## Leak Diagnosis

DTC

P0441 Evaporative emission system incorrect purge flow

P0442 Evaporative Emission Control System Leak Detected (Small Leak)

P0457 Evaporative Emission Control System Leak Detected (Fuel Cap Loose/Off)

- The diagnostic consists of creating a sealed vacuum in the fuel tank and then determining the presence of leakage from the speed at which the tank internal pressure returns to barometric pressure.
- The diagnosis is divided into the following five phases.

### Mode A: (Estimated evaporation gas amount)

Calculate the tank pressure change amount (P1) when using mode A. After calculating P1, switch to mode B.

### Mode B: (Negative pressure sealed)

Introduce negative pressure in the intake manifold to the tank.

Approx. 0 → -1.4 kPa (0 → -10.5 mmHg, 0 → -0.4 inHg)

When the pressure above (desired negative pressure) is reached, enters Mode C.

In this case, if the tank pressure does not reach the target negative pressure, judge that there is a large leakage in the system and terminate the evaporative emission control system diagnosis.

### Abnormality Judgement

Judge as NG (large leakage) when the following conditions are established.

### Judgement Value

Malfunction Criteria	Threshold Value	DTC
Time to reach target negative pressure or Mode B time (Min. pressure value in tank when in mode B) – (Tank pressure when mode B started)	≥ 10000 ms + 25000 ms  ≥ 10000 ms > -0.3 kPa (-2.5 mmHg, -0.1 inHg)	P0457

**Time Needed for Diagnosis:** 0 ms + 3000 ms + 10000 ms + 10000 ms + 25000 ms

### Mode C: (Check pressure rise)

Stop the introduction of negative pressure. (Wait until the tank pressure returns to the start level of P2 calculation.)

Change to Mode D when the tank pressure returns to the start level of P2 calculation.

Judge immediate OK and change to Mode E when it does not return in spite of spending the specified time.

Tank pressure when starting calculation of P2	Time for advanced OK judgement
-1.4 kPa (-10.5 mmHg, -0.4 inHg)	18600 ms

**Time Needed for Diagnosis:** 0 ms + 3000 ms + 10000 ms + 10000 ms + 25000 ms + 18600 ms

# Diagnostic Trouble Code (DTC) Detecting Criteria

## GENERAL DESCRIPTION

### Mode D: (Measure amount of negative pressure change)

Monitor the tank pressure change amount when using mode D. In this case, the tank pressure increases, (nears barometric pressure) because evaporation occurs. However, if any leakage exists, the pressure increases additionally in proportion to this leakage. The pressure variation of this tank is P2.

After calculating P2, perform a small leak diagnosis according to the items below.

### When Mode D is ended

Assign tank variations measured in Mode A and Mode D, P1 and P2, to the formula below, judge small leaks in the system. If the measured judgement value exceeds the threshold value, it is judged to be a malfunction.

### Abnormality Judgement

Judge as NG when the following conditions are established within the predetermined time. Judge as OK and clear the NG if the following conditions are not established within the predetermined time.

### Judgement Value

Malfunction Criteria	Threshold Value	DTC
$P2 - 1.5 - \times P1$ P2: Tank pressure that changes every 10000 ms in mode D P1: Tank pressure that changes every 10000 ms in mode A	> Value of Map 5	P0442

\*1.5 –: Evaporation amount compensation value when below negative pressure (Amount of evaporation occurrence increases as a vacuum condition increases.)

### Map 5 Malfunction criteria limit for evaporation diagnosis

Fuel temperature vs. Fuel level	25 °C (77 °F)	30 °C (86 °F)	35 °C (95 °F)	40 °C (104 °F)	45 °C (113 °F)
0 ℓ (0 US gal, 0 Imp gal)	0.3 kPa (2.1 mmHg, 0.1 inHg)	0.3 kPa (2.2 mmHg, 0.1 inHg)	0.3 kPa (2.3 mmHg, 0.1 inHg)	0.3 kPa (2.35 mmHg, 0.1 inHg)	0.3 kPa (2.4 mmHg, 0.1 inHg)
10 ℓ (2.64 US gal, 2.2 Imp gal)	0.3 kPa (2.1 mmHg, 0.1 inHg)	0.3 kPa (2.2 mmHg, 0.1 inHg)	0.3 kPa (2.3 mmHg, 0.1 inHg)	0.3 kPa (2.35 mmHg, 0.1 inHg)	0.3 kPa (2.4 mmHg, 0.1 inHg)
20 ℓ (5.28 US gal, 4.4 Imp gal)	0.3 kPa (2.3 mmHg, 0.1 inHg)	0.3 kPa (2.4 mmHg, 0.1 inHg)	0.3 kPa (2.5 mmHg, 0.1 inHg)	0.3 kPa (2.6 mmHg, 0.1 inHg)	0.4 kPa (2.7 mmHg, 0.1 inHg)
30 ℓ (7.93 US gal, 6.6 Imp gal)	0.4 kPa (2.9 mmHg, 0.1 inHg)	0.4 kPa (3.05 mmHg, 0.1 inHg)	0.4 kPa (3.15 mmHg, 0.1 inHg)	0.4 kPa (3.25 mmHg, 0.1 inHg)	0.4 kPa (3.35 mmHg, 0.1 inHg)
40 ℓ (10.57 US gal, 8.8 Imp gal)	0.4 kPa (2.9 mmHg, 0.1 inHg)	0.4 kPa (3.15 mmHg, 0.1 inHg)	0.4 kPa (3.3 mmHg, 0.1 inHg)	0.5 kPa (3.4 mmHg, 0.1 inHg)	0.5 kPa (3.5 mmHg, 0.1 inHg)
50 ℓ (13.21 US gal, 11 Imp gal)	0.4 kPa (3.2 mmHg, 0.1 inHg)	0.4 kPa (3.3 mmHg, 0.1 inHg)	0.5 kPa (3.5 mmHg, 0.1 inHg)	0.5 kPa (3.6 mmHg, 0.1 inHg)	0.5 kPa (3.7 mmHg, 0.1 inHg)
60 ℓ (15.85 US gal, 13.2 Imp gal)	0.4 kPa (3.2 mmHg, 0.1 inHg)	0.4 kPa (3.3 mmHg, 0.1 inHg)	0.5 kPa (3.5 mmHg, 0.1 inHg)	0.5 kPa (3.6 mmHg, 0.1 inHg)	0.5 kPa (3.7 mmHg, 0.1 inHg)

### Purge control solenoid valve 2 stuck close diagnosis

Perform purge control solenoid valve 2 stuck close diagnosis using the variation gap between the tank pressure at the end of mode C and after mode C.

Malfunction Criteria	Threshold Value	DTC
Elapsed time after completion of mode C advanced OK judgement	= 3500 ms	P0441
Tank pressure variation after completion of mode C advanced OK judgement	< 0.758 mmHg	

**Time Needed for Diagnosis:** 0 ms + 3000 ms + 10000 ms + 10000 ms + 25000 ms + 18600 ms + 10000 ms

**Malfunction Indicator Light Illumination:** Illuminates when malfunction occurs in 2 continuous driving cycles.



# Diagnostic Trouble Code (DTC) Detecting Criteria

GENERAL DESCRIPTION

## Leak Diagnosis

DTC

P0456 Evaporative Emission Control System Leak Detected (very small leak)

- The diagnostic consists of creating a sealed vacuum in the fuel tank and then determining the presence of leakage from the speed at which the tank internal pressure returns to barometric pressure.
- The diagnosis is divided into the following five phases.

### Mode A: (0 point compensation)

When the pressure in the tank is not near 0 mmHg, wait until it returns to 0 point (near 0 mmHg). Shift to mode B when returned to the 0 point. Cancel the diagnosis when 0 point does not return in the specified time.

### Mode B: (Negative pressure introduced)

Introduce negative pressure in the intake manifold to the tank.

Approx. 0 → -2 kPa (0 → -15 mmHg, 0 → -0.6 inHg)

When the pressure above (desired negative pressure) is reached, enters Mode C.

When the tank internal pressure does not reach the target negative pressure, the diagnosis is cancelled.

### Mode C: (Negative pressure maintained)

Stop the introduction of negative pressure. (Wait until the tank pressure returns to the start level of P2 calculation.)

Change to Mode D either when the tank pressure returns to the start level of P2 calculation, or when the pre-determined amount of time has passed.

### Mode D: (Calculate the amount of negative pressure change)

Monitor the tank pressure in mode D, calculate the pressure change in the tank (P2), and measure the time (evpdset) for the tank pressure to change to the Mode E shifting pressure. When the Mode E shifting pressure is reached, Mode E is entered. If it does not change to the Mode E shifting pressure after the pre-determined amount of time has passed, make advanced OK judgement or cancel the diagnosis according to the value of P2.

### Normality Judgement

Judge as OK when the following conditions are established.

### Judgement Value

Malfunction Criteria	Threshold Value
<b>Advanced OK judgement 1</b>	
Mode D time	≥ 0 ms + 10000 ms
Tank internal pressure	≤ Value of Map 6
<b>Advanced OK judgement 2</b>	
Mode D time	≥ 0 ms + 200000 ms
P2	≤ Value of Map 7

### Map6

Fuel level (ℓ, US gal, Imp gal)	0, 0, 0	10, 2.64, 2.2	20, 5.28, 4.4	30, 7.93, 6.6	40, 10.57, 8.8	50, 13.21, 11	60, 15.85, 13.2
Tank pressure (kPa, mmHg, inHg)	-1.9, -14.62, -0.6	-1.9, -14.62, -0.6	-1.9, -14.59, -0.6	-1.9, -14.56, -0.6	-1.9, -14.42, -0.6	-1.9, -14.28, -0.6	-1.9, -14.28, -0.6

### Map7

Fuel level (ℓ, US gal, Imp gal)	0, 0, 0	10, 2.64, 2.2	20, 5.28, 4.4	30, 7.93, 6.6	40, 10.57, 8.8	50, 13.21, 11	60, 15.85, 13.2
Tank pressure (kPa, mmHg, inHg)	0.9, 7, 0.3	0.9, 7, 0.3	0.9, 7.05, 0.3	0.9, 7.1, 0.3	1.1, 8.2, 0.3	1.3, 9.6, 0.4	1.3, 9.6, 0.4

# Diagnostic Trouble Code (DTC) Detecting Criteria

## GENERAL DESCRIPTION

### Mode E: (Evaporation occurrence amount calculation)

Calculate the change of tank pressure with the time evpdset to judge as NG/OK according to the value of P1. (ambiguous determination acceptable).

#### • Abnormality Judgement

Judge as NG when the following conditions are established.

#### Judgement Value

Malfunction Criteria	Threshold Value
P1	< Value of Map 8

#### Map 8 Malfunction criteria limit for evaporation diagnosis

Time (evpdset) vs. Fuel level	0 ms	30000 ms	50000 ms	100000 ms	160000 ms	200000 ms
0 ℓ (0 US gal, 0 Imp gal)	0 kPa (0 mmHg, 0 inHg)	0.1 kPa (0.5 mmHg, 0 inHg)	0.2 kPa (1.7 mmHg, 0.1 inHg)	0.4 kPa (2.7 mmHg, 0.1 inHg)	0.4 kPa (2.7 mmHg, 0.1 inHg)	0.4 kPa (2.7 mmHg, 0.1 inHg)
10 ℓ (2.64 US gal, 2.2 Imp gal)	0 kPa (0 mmHg, 0 inHg)	0.1 kPa (0.5 mmHg, 0 inHg)	0.2 kPa (1.7 mmHg, 0.1 inHg)	0.4 kPa (2.7 mmHg, 0.1 inHg)	0.4 kPa (2.7 mmHg, 0.1 inHg)	0.4 kPa (2.7 mmHg, 0.1 inHg)
20 ℓ (5.28 US gal, 4.4 Imp gal)	0 kPa (0 mmHg, 0 inHg)	0.1 kPa (0.5 mmHg, 0 inHg)	0.2 kPa (1.7 mmHg, 0.1 inHg)	0.4 kPa (2.7 mmHg, 0.1 inHg)	0.4 kPa (2.7 mmHg, 0.1 inHg)	0.4 kPa (2.7 mmHg, 0.1 inHg)
30 ℓ (7.93 US gal, 6.6 Imp gal)	0 kPa (0 mmHg, 0 inHg)	0.1 kPa (0.5 mmHg, 0 inHg)	0.2 kPa (1.7 mmHg, 0.1 inHg)	0.4 kPa (2.7 mmHg, 0.1 inHg)	0.4 kPa (2.7 mmHg, 0.1 inHg)	0.4 kPa (2.7 mmHg, 0.1 inHg)
40 ℓ (10.57 US gal, 8.8 Imp gal)	0 kPa (0 mmHg, 0 inHg)	0.1 kPa (0.5 mmHg, 0 inHg)	0.2 kPa (1.85 mmHg, 0.1 inHg)	0.3 kPa (2.5 mmHg, 0.1 inHg)	0.3 kPa (2.5 mmHg, 0.1 inHg)	0.3 kPa (2.5 mmHg, 0.1 inHg)
50 ℓ (13.21 US gal, 11 Imp gal)	0 kPa (0 mmHg, 0 inHg)	0.1 kPa (0.5 mmHg, 0 inHg)	0.3 kPa (2 mmHg, 0.1 inHg)	0.3 kPa (2.3 mmHg, 0.1 inHg)	0.3 kPa (2.3 mmHg, 0.1 inHg)	0 kPa (0 mmHg, 0 inHg)
60 ℓ (15.85 US gal, 13.2 Imp gal)	0 kPa (0 mmHg, 0 inHg)	0.1 kPa (0.5 mmHg, 0 inHg)	0.3 kPa (2 mmHg, 0.1 inHg)	0.3 kPa (2.3 mmHg, 0.1 inHg)	0.3 kPa (2.3 mmHg, 0.1 inHg)	0 kPa (0 mmHg, 0 inHg)

**Time Needed for Diagnosis:** Value of Map1+ Value of Map2 + 22820 ms + 0 + Value of Map2 + 0 ms + 200000 ms + Value of Map3 + 0 ms + 200000 ms

**Malfunction Indicator Light Illumination:** Illuminates when malfunction occurs in 2 continuous driving cycles.

# Diagnostic Trouble Code (DTC) Detecting Criteria

GENERAL DESCRIPTION

• **Normality Judgement**

Judge as OK when the following conditions are established.

**Judgement Value**

Malfunction Criteria	Threshold Value
P1	> Value of Map 9

**Map 9 Malfunction criteria limit for evaporation diagnosis**

Time (evpdset) vs. Fuel level	0 ms	30000 ms	50000 ms	100000 ms	160000 ms	200000 ms
0 ℓ (0 US gal, 0 Imp gal)	0.1 kPa (1 mmHg, 0 inHg)	0.5 kPa (3.5 mmHg, 0.1 inHg)	0.6 kPa (4.2 mmHg, 0.2 inHg)	0.6 kPa (4.2 mmHg, 0.2 inHg)	0.6 kPa (4.2 mmHg, 0.2 inHg)	0.6 kPa (4.2 mmHg, 0.2 inHg)
10 ℓ (2.64 US gal, 2.2 Imp gal)	0.1 kPa (1 mmHg, 0 inHg)	0.5 kPa (3.5 mmHg, 0.1 inHg)	0.6 kPa (4.2 mmHg, 0.2 inHg)	0.6 kPa (4.2 mmHg, 0.2 inHg)	0.6 kPa (4.2 mmHg, 0.2 inHg)	0.6 kPa (4.2 mmHg, 0.2 inHg)
20 ℓ (5.28 US gal, 4.4 Imp gal)	0.1 kPa (1 mmHg, 0 inHg)	0.4 kPa (3.25 mmHg, 0.1 inHg)	0.5 kPa (4.1 mmHg, 0.2 inHg)	0.5 kPa (4.1 mmHg, 0.2 inHg)	0.5 kPa (4.1 mmHg, 0.2 inHg)	0.5 kPa (4.1 mmHg, 0.2 inHg)
30 ℓ (7.93 US gal, 6.6 Imp gal)	0.1 kPa (1 mmHg, 0 inHg)	0.4 kPa (3 mmHg, 0.1 inHg)	0.5 kPa (3.9 mmHg, 0.2 inHg)	0.5 kPa (3.9 mmHg, 0.2 inHg)	0.5 kPa (3.9 mmHg, 0.2 inHg)	0.5 kPa (3.9 mmHg, 0.2 inHg)
40 ℓ (10.57 US gal, 8.8 Imp gal)	0.1 kPa (1 mmHg, 0 inHg)	0.3 kPa (2.25 mmHg, 0.1 inHg)	0.5 kPa (3.4 mmHg, 0.1 inHg)	0.5 kPa (3.4 mmHg, 0.1 inHg)	0.5 kPa (3.4 mmHg, 0.1 inHg)	0.5 kPa (3.4 mmHg, 0.1 inHg)
50 ℓ (13.21 US gal, 11 Imp gal)	0.1 kPa (1 mmHg, 0 inHg)	0.2 kPa (1.5 mmHg, 0.1 inHg)	0.4 kPa (2.9 mmHg, 0.1 inHg)	0.4 kPa (2.9 mmHg, 0.1 inHg)	0.4 kPa (2.9 mmHg, 0.1 inHg)	0.4 kPa (2.9 mmHg, 0.1 inHg)
60 ℓ (15.85 US gal, 13.2 Imp gal)	0.1 kPa (1 mmHg, 0 inHg)	0.2 kPa (1.5 mmHg, 0.1 inHg)	0.4 kPa (2.9 mmHg, 0.1 inHg)	0.4 kPa (2.9 mmHg, 0.1 inHg)	0.4 kPa (2.9 mmHg, 0.1 inHg)	0.4 kPa (2.9 mmHg, 0.1 inHg)

**Time Needed for Diagnosis:** Value of Map1+ Value of Map2 + 22820 ms + 0 + Value of Map2 + 0 ms + 200000 ms + Value of Map3 + 0 ms + 200000 ms

# Diagnostic Trouble Code (DTC) Detecting Criteria

## GENERAL DESCRIPTION

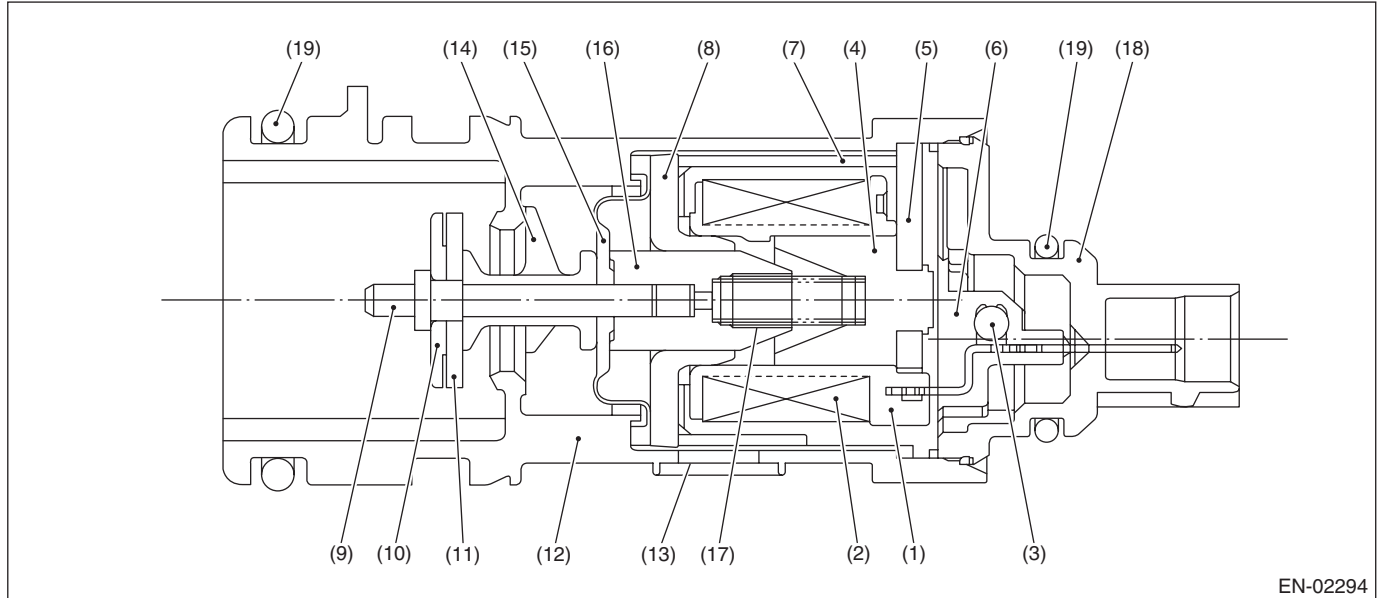
### BM:DTC P0447 EVAPORATIVE EMISSION CONTROL SYSTEM VENT CONTROL CIRCUIT OPEN

#### 1. OUTLINE OF DIAGNOSIS

Detect open or short circuit of the drain valve.

Judge as NG when the ECM output level differs from the actual terminal level.

#### 2. COMPONENT DESCRIPTION



- |                 |                    |                   |
|-----------------|--------------------|-------------------|
| (1) Bobbin      | (8) Magnetic plate | (14) Retainer     |
| (2) Coil        | (9) Shaft          | (15) Diaphragm    |
| (3) Diode       | (10) Plate         | (16) Movable core |
| (4) Stator core | (11) Valve         | (17) Spring       |
| (5) End plate   | (12) Housing       | (18) Cover        |
| (6) Body        | (13) Filter        | (19) O-ring       |
| (7) Yoke        |                    |                   |

#### 3. ENABLE CONDITIONS

Secondary Parameters	Enable Condition
None	

#### 4. GENERAL DRIVING CYCLE

Always perform the diagnosis continuously.

# Diagnostic Trouble Code (DTC) Detecting Criteria

GENERAL DESCRIPTION

## 5. DIAGNOSTIC METHOD

### • Abnormality Judgement

If the duration of time while the following conditions are met is longer than the time indicated, judge as NG.

#### Judgement Value

Malfunction Criteria	Threshold Value
Battery voltage	$\geq 10.9$ V
Elapsed time after starting the engine	$\geq 1$ second
Terminal output voltage when ECM outputs OFF signal	Low

**Time Needed for Diagnosis:** 2500 ms

**Malfunction Indicator Light Illumination:** Illuminates as soon as a malfunction occurs.

### • Normality Judgement

Judge as OK and clear the NG if the continuous time while the following conditions are established is more than the predetermined time.

#### Judgement Value

Malfunction Criteria	Threshold Value
Battery voltage	$\geq 10.9$ V
Elapsed time after starting the engine	$\geq 1$ second
Terminal output voltage when ECM outputs OFF signal	High

**Time Needed for Diagnosis:** Less than 1 second

# Diagnostic Trouble Code (DTC) Detecting Criteria

## GENERAL DESCRIPTION

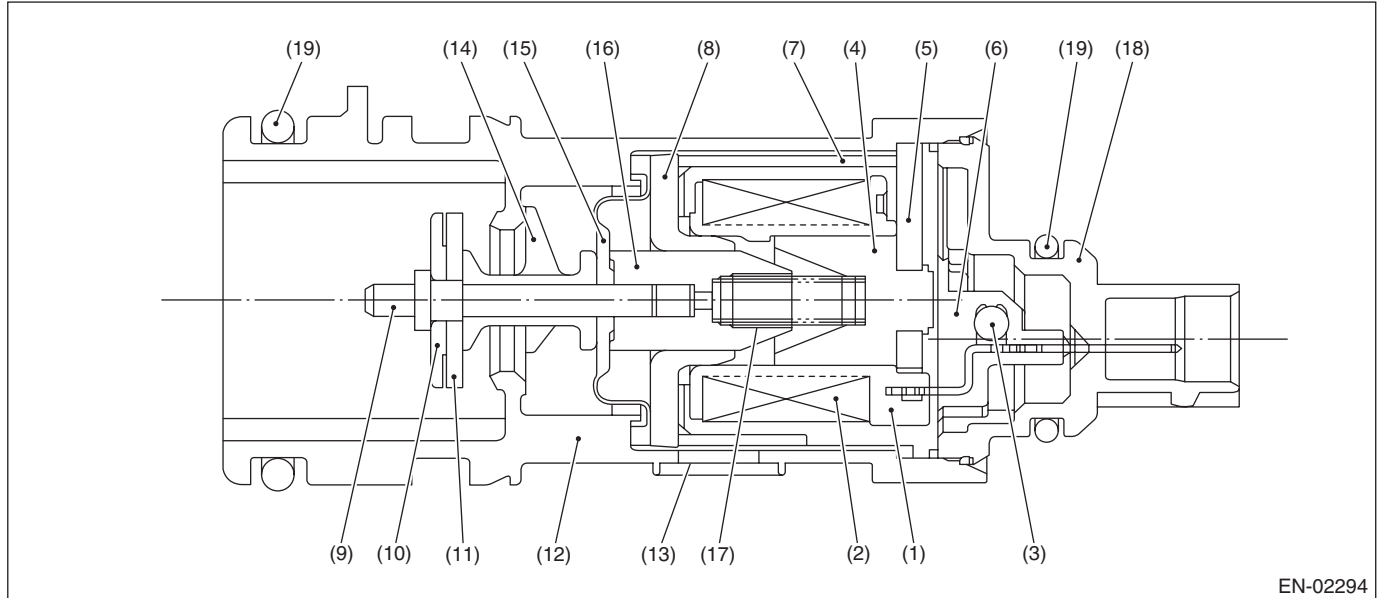
### BN:DTC P0448 EVAPORATIVE EMISSION CONTROL SYSTEM VENT CONTROL CIRCUIT SHORTED

#### 1. OUTLINE OF DIAGNOSIS

Detect open or short circuit of the drain valve.

Judge as NG when the ECM output level differs from the actual terminal level.

#### 2. COMPONENT DESCRIPTION



EN-02294

- |                 |                    |                   |
|-----------------|--------------------|-------------------|
| (1) Bobbin      | (8) Magnetic plate | (14) Retainer     |
| (2) Coil        | (9) Shaft          | (15) Diaphragm    |
| (3) Diode       | (10) Plate         | (16) Movable core |
| (4) Stator core | (11) Valve         | (17) Spring       |
| (5) End plate   | (12) Housing       | (18) Cover        |
| (6) Body        | (13) Filter        | (19) O-ring       |
| (7) Yoke        |                    |                   |

#### 3. ENABLE CONDITIONS

Secondary Parameters	Enable Condition
None	

#### 4. GENERAL DRIVING CYCLE

Always perform the diagnosis continuously.

# Diagnostic Trouble Code (DTC) Detecting Criteria

GENERAL DESCRIPTION

## 5. DIAGNOSTIC METHOD

### • Abnormality Judgement

If the duration of time while the following conditions are met is longer than the time indicated, judge as NG.

#### Judgement Value

Malfunction Criteria	Threshold Value
Battery voltage	$\geq 10.9$ V
Elapsed time after starting the engine	$\geq 1$ second
Terminal output voltage when ECM outputs ON signal	High

**Time Needed for Diagnosis:** 2500 ms

**Malfunction Indicator Light Illumination:** Illuminates as soon as a malfunction occurs.

### • Normality Judgement

Judge as OK and clear the NG if the continuous time while the following conditions are established is more than the predetermined time.

#### Judgement Value

Malfunction Criteria	Threshold Value
Battery voltage	$\geq 10.9$ V
Elapsed time after starting the engine	$\geq 1$ second
Terminal output voltage when ECM outputs ON signal	Low

**Time Needed for Diagnosis:** Less than 1 second

# Diagnostic Trouble Code (DTC) Detecting Criteria

## GENERAL DESCRIPTION

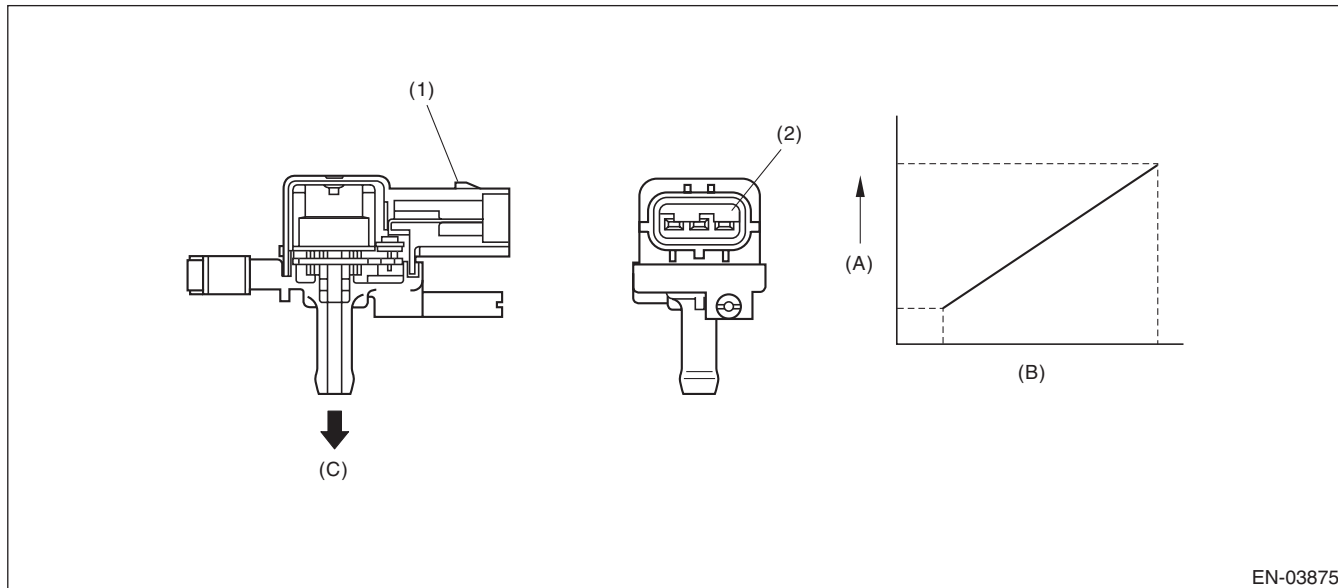
### BO:DTC P0451 EVAPORATIVE EMISSION CONTROL SYSTEM PRESSURE SENSOR

#### 1. OUTLINE OF DIAGNOSIS

Detect the tank pressure sensor output property abnormality.

Judge as NG when there is no pressure variation, which should exist in the tank, considering the engine status.

#### 2. COMPONENT DESCRIPTION



(A) Output voltage

(B) Input voltage

(C) To fuel tank

(1) Connector

(2) Terminals

#### 3. ENABLE CONDITIONS

Secondary Parameters	Enable Condition
Elapsed time after starting the engine	$\geq 60$ s
Fuel level	$\geq 9.6$ l (2.54 US gal, 2.11 Imp gal)
Fuel temperature	$< 35$ °C (95 °F)
Battery voltage	$\geq 10.9$ V
Barometric pressure	$\geq 75$ kPa (563 mmHg, 22.2 inHg)

#### 4. GENERAL DRIVING CYCLE

- Perform the diagnosis continuously after 60 s have passed since the engine started.
- Pay attention to the fuel level and temperature.



# Diagnostic Trouble Code (DTC) Detecting Criteria

GENERAL DESCRIPTION

## 5. DIAGNOSTIC METHOD

### • Abnormality Judgement

If the duration of time while the following conditions are met is longer than the time indicated, judge as NG.

### Judgement Value

Malfunction Criteria	Threshold Value
Number of times that the difference between the Max. fuel level every 60 s and Min. fuel level every 60 s is 2 ℓ (0.53 US gal, 0.44 Imp gal) or more (with enable condition established)	≥ 16 time(s)
Maximum – Minimum tank pressure (with enable condition completed)	< 0 kPa (0.375 mmHg, 0 inHg)
Maximum – Minimum fuel temperature (with enable condition completed)	≥ 7 °C (44.6 °F)

If the difference between the Max. fuel level every 60 s and Min. fuel level every 60 s is less than 2 ℓ (0.53 US gal, 0.44 Imp gal), extend 60 s and make judgement with the Max. and Min. values for the fuel level in 60 s × 2. If a difference does not appear, extend the time (60 s × 3, 60 s × 4, 60 s × 5) and continue the judgement. If the difference between the Max. fuel level every 60 s and Min. fuel level every 60 s is 2 ℓ (0.53 US gal, 0.44 Imp gal) or more, the diagnosis counter counts up.

**Time Needed for Diagnosis:** 60 s × 16 time(s) or more

**Malfunction Indicator Light Illumination:** Illuminates when malfunction occurs in 2 continuous driving cycles.

### • Normality Judgement

Judge as OK and clear the NG if the continuous time while the following conditions are established is more than the predetermined time.

### Judgement Value

Malfunction Criteria	Threshold Value
Maximum - Minimum tank pressure	≥ 0 kPa (0.375 mmHg, 0 inHg)

**Time Needed for Diagnosis:** Less than 1 second

# Diagnostic Trouble Code (DTC) Detecting Criteria

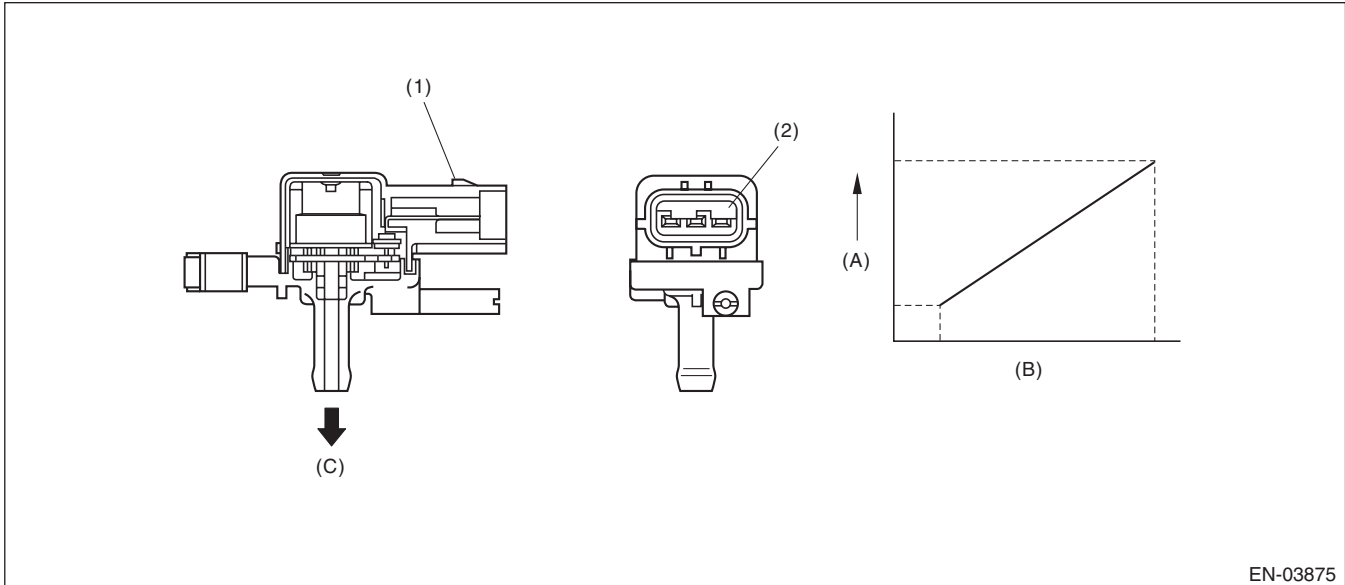
## GENERAL DESCRIPTION

### BP:DTC P0452 EVAPORATIVE EMISSION CONTROL SYSTEM PRESSURE SENSOR LOW INPUT

#### 1. OUTLINE OF DIAGNOSIS

Detect the open or short circuit of the fuel tank pressure sensor.  
Judge as NG if out of specification.

#### 2. COMPONENT DESCRIPTION



EN-03875

(A) Output voltage

(B) Input voltage

(C) To fuel tank

(1) Connector

(2) Terminals

#### 3. ENABLE CONDITIONS

Secondary Parameters	Enable Condition
None	

#### 4. GENERAL DRIVING CYCLE

Always perform the diagnosis continuously.

# Diagnostic Trouble Code (DTC) Detecting Criteria

GENERAL DESCRIPTION

## 5. DIAGNOSTIC METHOD

### • Abnormality Judgement

If the duration of time while the following conditions are met is longer than the time indicated, judge as NG.

### Judgement Value

Malfunction Criteria	Threshold Value
Fuel tank pressure	< -7.5 kPa (-55.9 mmHg, -2.2 inHg)
Battery voltage	≥ 10.9 V

**Time Needed for Diagnosis:** 15000 ms

**Malfunction Indicator Light Illumination:** Illuminates as soon as a malfunction occurs.

### • Normality Judgement

Judge as OK and clear the NG if the continuous time while the following conditions are established is more than the predetermined time.

### Judgement Value

Malfunction Criteria	Threshold Value
Fuel tank pressure	≥ -7.5 kPa (-55.9 mmHg, -2.2 inHg)
Battery voltage	≥ 10.9 V

**Time Needed for Diagnosis:** Less than 1 second

# Diagnostic Trouble Code (DTC) Detecting Criteria

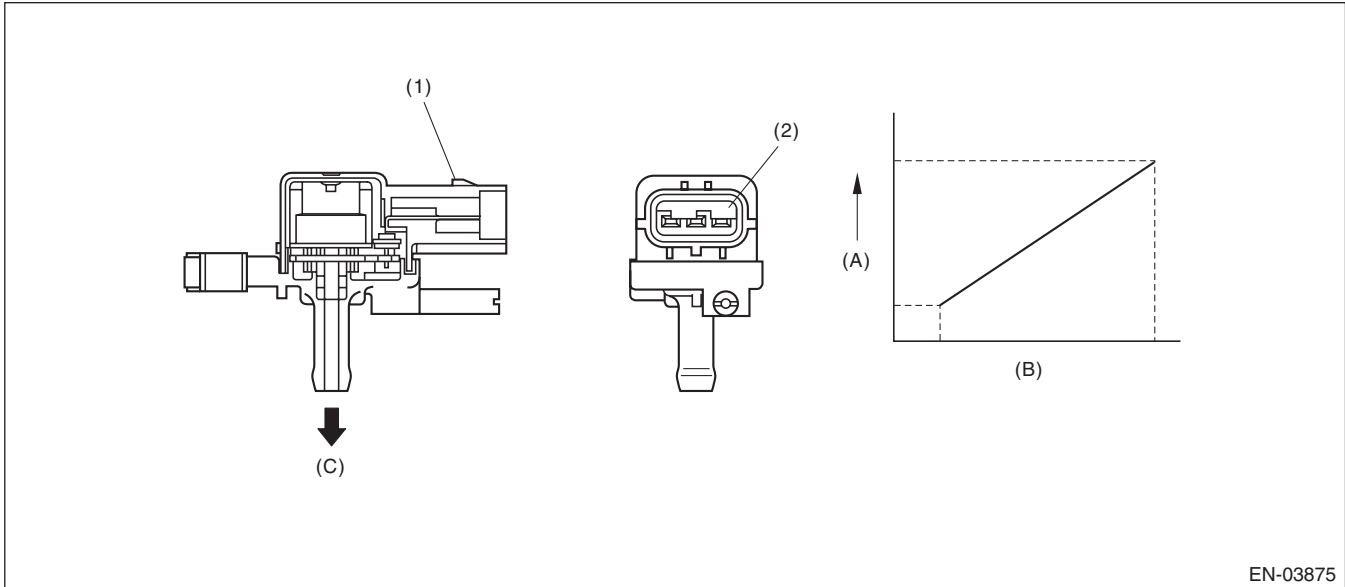
## GENERAL DESCRIPTION

### BQ:DTC P0453 EVAPORATIVE EMISSION CONTROL SYSTEM PRESSURE SENSOR HIGH INPUT

#### 1. OUTLINE OF DIAGNOSIS

Detect the open or short circuit of the fuel tank pressure sensor.  
Judge as NG if out of specification.

#### 2. COMPONENT DESCRIPTION



EN-03875

(A) Output voltage

(B) Input voltage

(C) To fuel tank

(1) Connector

(2) Terminals

#### 3. ENABLE CONDITIONS

Secondary Parameters	Enable Condition
Time needed for all secondary parameters to be in enable conditions	$\geq 5000$ ms
Vehicle speed	$\geq 2$ km/h (1.2 MPH)
All conditions of EVAP canister purge	Completed
Learning value of evaporation gas concentration (left and right)	$< 0.08$
Main feedback compensation coefficient (left and right)	$\geq 0.9$
Battery voltage	$\geq 10.9$ V

#### 4. GENERAL DRIVING CYCLE

Perform the diagnosis when purging enable conditions are met without idling.

# Diagnostic Trouble Code (DTC) Detecting Criteria

GENERAL DESCRIPTION

## 5. DIAGNOSTIC METHOD

### • Abnormality Judgement

If the duration of time while the following conditions are met is longer than the time indicated, judge as NG.

#### Judgement Value

Malfunction Criteria	Threshold Value
Fuel tank pressure	≥ 7.9 kPa (59.6 mmHg, 2.3 inHg)
Fuel temperature	< 35 °C (95 °F)
Barometric pressure	≥ 75 kPa (563 mmHg, 22.2 inHg)

**Time Needed for Diagnosis:** 15000 ms

**Malfunction Indicator Light Illumination:** Illuminates as soon as a malfunction occurs.

### • Normality Judgement

Judge as OK and clear the NG if the continuous time while the following conditions are established is more than the predetermined time.

#### Judgement Value

Malfunction Criteria	Threshold Value
Fuel tank pressure	< 7.9 kPa (59.6 mmHg, 2.3 inHg)

**Time Needed for Diagnosis:** Less than 1 second

## **BR:DTC P0456 EVAPORATIVE EMISSION CONTROL SYSTEM LEAK DETECTED (VERY SMALL LEAK)**

### 1. OUTLINE OF DIAGNOSIS

NOTE:

For the detection standard, refer to DTC P0442. <Ref. to GD(H4DOTC)-114, DTC P0442 EVAPORATIVE EMISSION CONTROL SYSTEM LEAK DETECTED (SMALL LEAK), Diagnostic Trouble Code (DTC) Detecting Criteria.>

## **BS:DTC P0457 EVAPORATIVE EMISSION CONTROL SYSTEM LEAK DETECTED (FUEL CAP LOOSE/OFF)**

### 1. OUTLINE OF DIAGNOSIS

NOTE:

For the detection standard, refer to DTC P0442. <Ref. to GD(H4DOTC)-114, DTC P0442 EVAPORATIVE EMISSION CONTROL SYSTEM LEAK DETECTED (SMALL LEAK), Diagnostic Trouble Code (DTC) Detecting Criteria.>

# Diagnostic Trouble Code (DTC) Detecting Criteria

## GENERAL DESCRIPTION

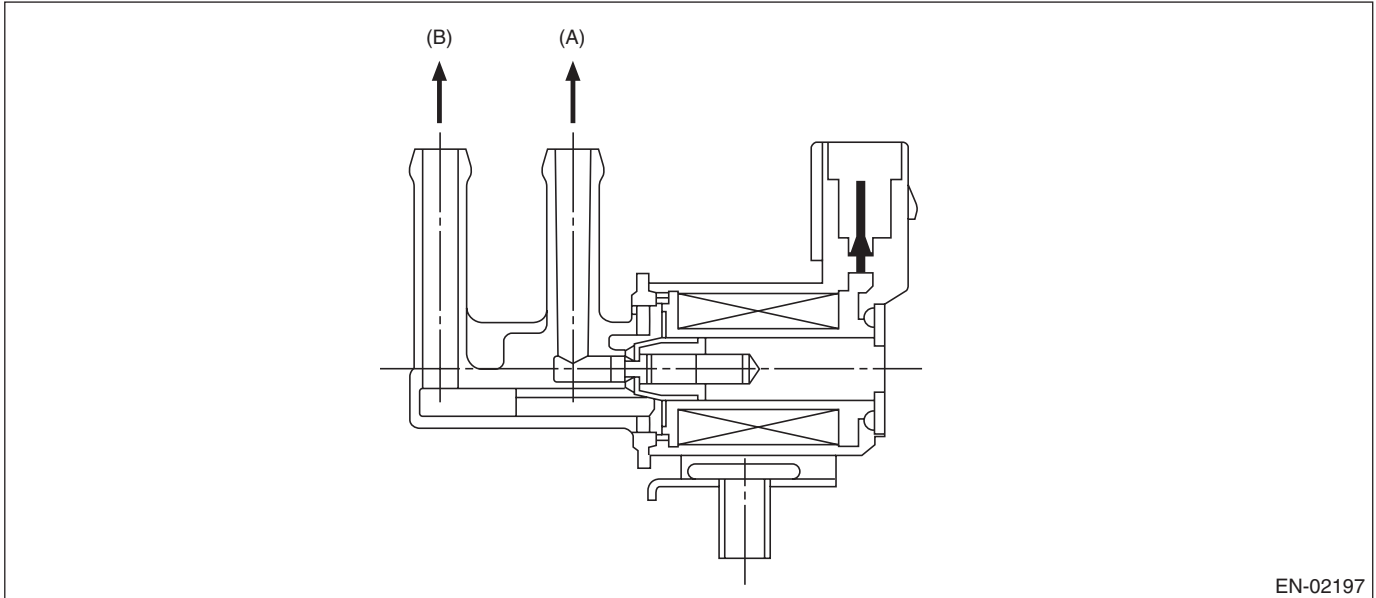
### BT:DTC P0458 EVAPORATIVE EMISSION SYSTEM PURGE CONTROL VALVE CIRCUIT LOW

#### 1. OUTLINE OF DIAGNOSIS

Detect open or short circuit of the purge control solenoid valve.

Judge as NG when the ECM output level differs from the actual terminal level.

#### 2. COMPONENT DESCRIPTION



(A) To canister

(B) To intake manifold

#### 3. ENABLE CONDITION

Secondary Parameters	Enable Conditions
Battery voltage	$\geq 10.9 \text{ V}$
Elapsed time after starting the engine	$\geq 1 \text{ second}$

#### 4. GENERAL DRIVING CYCLE

Always perform the diagnosis after starting the engine.

# Diagnostic Trouble Code (DTC) Detecting Criteria

GENERAL DESCRIPTION

## 5. DIAGNOSTIC METHOD

### • Abnormality Judgement

If the duration of time while the following conditions are met is longer than the time indicated, judge as NG.

### Judgement Value

Malfunction Criteria	Threshold Value
Duty ratio of "ON"	< 0.75
Terminal output voltage	Low

**Time Needed for Diagnosis:** 2500 ms

**Malfunction Indicator Light Illumination:** Illuminates when malfunction occurs in 2 continuous driving cycles.

### • Normality Judgement

Judge as OK and clear the NG if the continuous time while the following conditions are established is more than the predetermined time.

### Judgement Value

Malfunction Criteria	Threshold Value
Terminal output voltage	High

**Time Needed for Diagnosis:** Less than 1 second

# Diagnostic Trouble Code (DTC) Detecting Criteria

## GENERAL DESCRIPTION

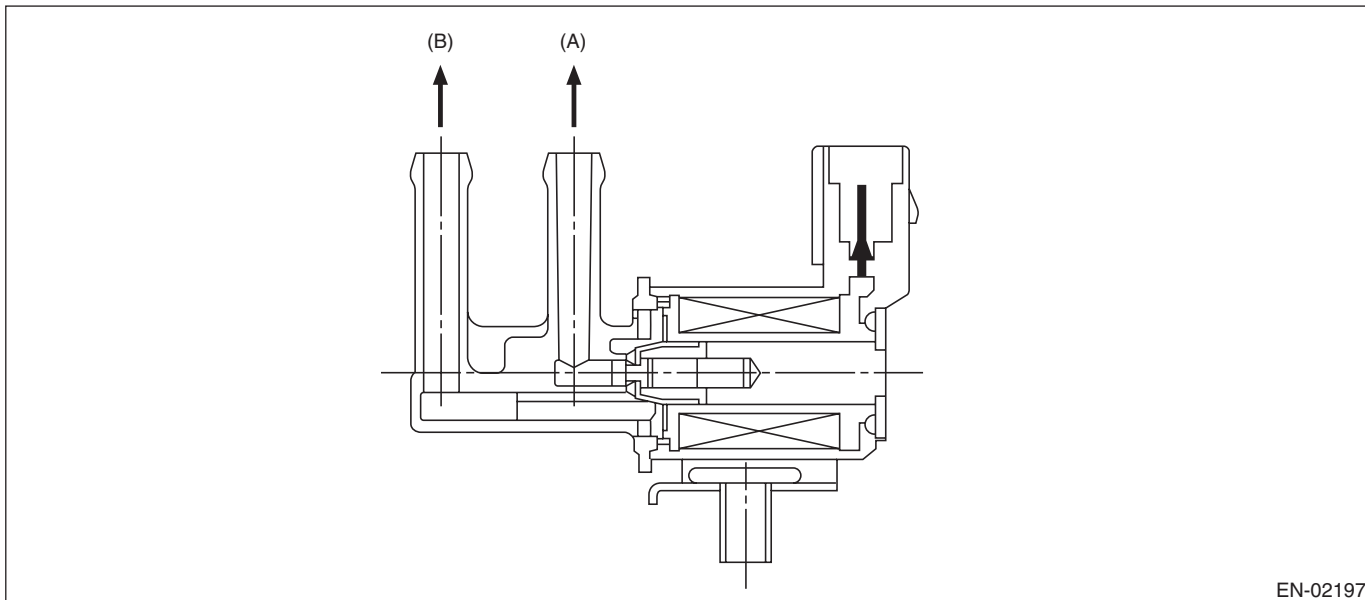
### BU:DTC P0459 EVAPORATIVE EMISSION SYSTEM PURGE CONTROL VALVE CIRCUIT HIGH

#### 1. OUTLINE OF DIAGNOSIS

Detect open or short circuit of the purge control solenoid valve.

Judge as NG when the ECM output level differs from the actual terminal level.

#### 2. COMPONENT DESCRIPTION



(A) To canister

(B) To intake manifold

#### 3. ENABLE CONDITION

Secondary Parameters	Enable Conditions
Battery voltage	$\geq 10.9 \text{ V}$
Elapsed time after starting the engine	$\geq 1 \text{ second}$

#### 4. GENERAL DRIVING CYCLE

Always perform the diagnosis after starting the engine.



# Diagnostic Trouble Code (DTC) Detecting Criteria

GENERAL DESCRIPTION

## 5. DIAGNOSTIC METHOD

### • Abnormality Judgement

If the duration of time while the following conditions are met is longer than the time indicated, judge as NG.

#### Judgement Value

Malfunction Criteria	Threshold Value
Duty ratio of "ON"	$\geq 0.25$
Terminal output voltage	High

**Time Needed for Diagnosis:** 2500 ms

**Malfunction Indicator Light Illumination:** Illuminates when malfunction occurs in 2 continuous driving cycles.

### • Normality Judgement

Judge as OK and clear the NG if the continuous time while the following conditions are established is more than the predetermined time.

#### Judgement Value

Malfunction Criteria	Threshold Value
Terminal output voltage	Low

**Time Needed for Diagnosis:** Less than 1 second

# Diagnostic Trouble Code (DTC) Detecting Criteria

## GENERAL DESCRIPTION

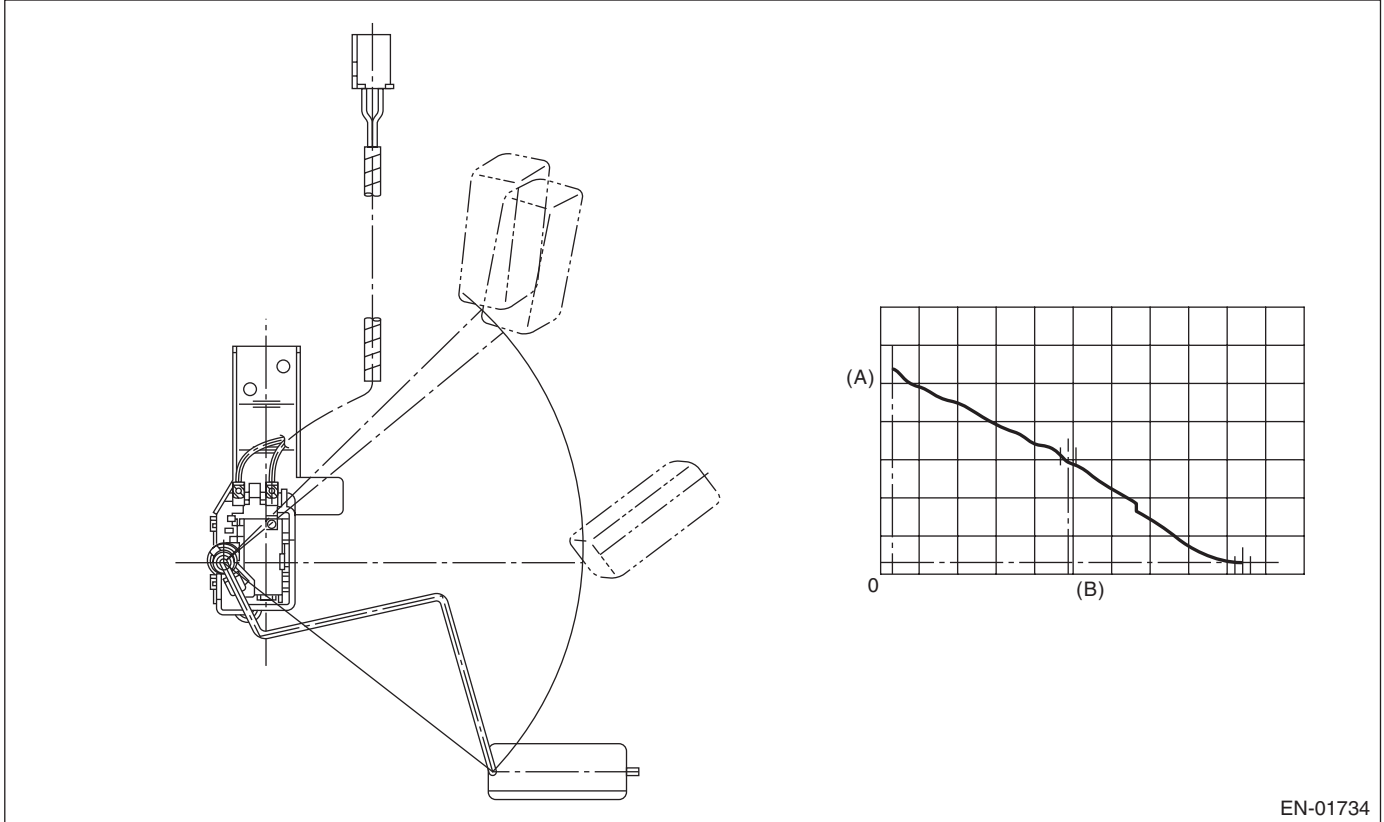
### BV:DTC P0461 FUEL LEVEL SENSOR "A" CIRCUIT RANGE/PERFORMANCE

#### 1. OUTLINE OF DIAGNOSIS

Detect malfunctions of the fuel level sensor output property.

If the fuel level does not vary in a particular driving condition / engine condition where it should, judge as NG.

#### 2. COMPONENT DESCRIPTION



EN-01734

(A) Fuel level

(B) Resistance

#### 3. ENABLE CONDITION

Secondary Parameters	Enable Conditions
None	

#### 4. GENERAL DRIVING CYCLE

Always perform the diagnosis continuously.

# Diagnostic Trouble Code (DTC) Detecting Criteria

GENERAL DESCRIPTION

## 5. DIAGNOSTIC METHOD

### • Abnormality Judgement

Judge as NG when the following conditions are established.

#### Judgement Value

Malfunction Criteria	Threshold Value
Accumulated amount of intake air	≥ 330957 g (11672.85 oz)
Max. – min. values of fuel level output	< 2.6 ℓ (0.69 US gal, 0.57 Imp gal)
Battery voltage	≥ 10.9 V
Engine speed	< 6500 rpm
Elapsed time after starting the engine	≥ 5000 ms

**Time Needed for Diagnosis:** Less than 1 second

**Malfunction Indicator Light Illumination:** Illuminates when malfunction occurs in 2 continuous driving cycles.

### • Normality Judgement

Judge as OK and clear the NG if the following conditions are established.

#### Judgement Value

Malfunction Criteria	Threshold Value
Accumulated amount of intake air	≥ 330957 g (11672.85 oz)
Max. – min. values of fuel level output	≥ 2.6 ℓ (0.69 US gal, 0.57 Imp gal)
Battery voltage	≥ 10.9 V
Engine speed	< 6500 rpm
Elapsed time after starting the engine	≥ 5000 ms

**Time Needed for Diagnosis:** Less than 1 second

# Diagnostic Trouble Code (DTC) Detecting Criteria

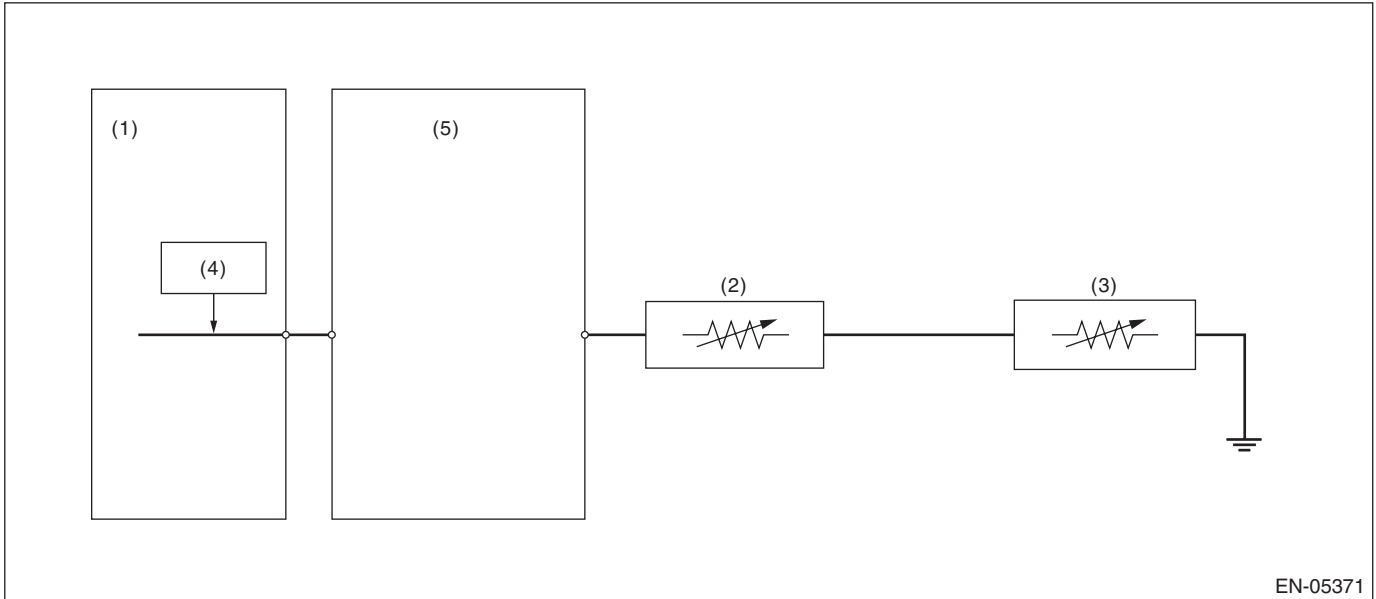
## GENERAL DESCRIPTION

### BW:DTC P0462 FUEL LEVEL SENSOR "A" CIRCUIT LOW

#### 1. OUTLINE OF DIAGNOSIS

Detect the open or short circuit of fuel level sensor. Judge as NG if out of specification.

#### 2. COMPONENT DESCRIPTION



(1) Engine control module (ECM)

(3) Fuel sub level sensor

(5) Body integrated unit

(2) Fuel level sensor

(4) Detecting circuit

#### 3. ENABLE CONDITION

Secondary Parameters	Enable Conditions
None	

#### 4. GENERAL DRIVING CYCLE

Always perform the diagnosis continuously.

# Diagnostic Trouble Code (DTC) Detecting Criteria

GENERAL DESCRIPTION

## 5. DIAGNOSTIC METHOD

### • Abnormality Judgement

If the duration of time while the following conditions are met is longer than the time indicated, judge as NG.

### Judgement Value

Malfunction Criteria	Threshold Value
Battery voltage	$\geq 10.9$ V
Elapsed time after starting the engine	$\geq 3000$ ms
Output voltage	$< 0.173$ V

**Time Needed for Diagnosis:** 2500 ms

**Malfunction Indicator Light Illumination:** Illuminates when malfunction occurs in 2 continuous driving cycles.

### • Normality Judgement

Judge as OK and clear the NG if the continuous time while the following conditions are established is more than the predetermined time.

### Judgement Value

Malfunction Criteria	Threshold Value
Battery voltage	$\geq 10.9$ V
Elapsed time after starting the engine	$\geq 3000$ ms
Output voltage	$\geq 0.173$ V

**Time Needed for Diagnosis:** Less than 1 second

# Diagnostic Trouble Code (DTC) Detecting Criteria

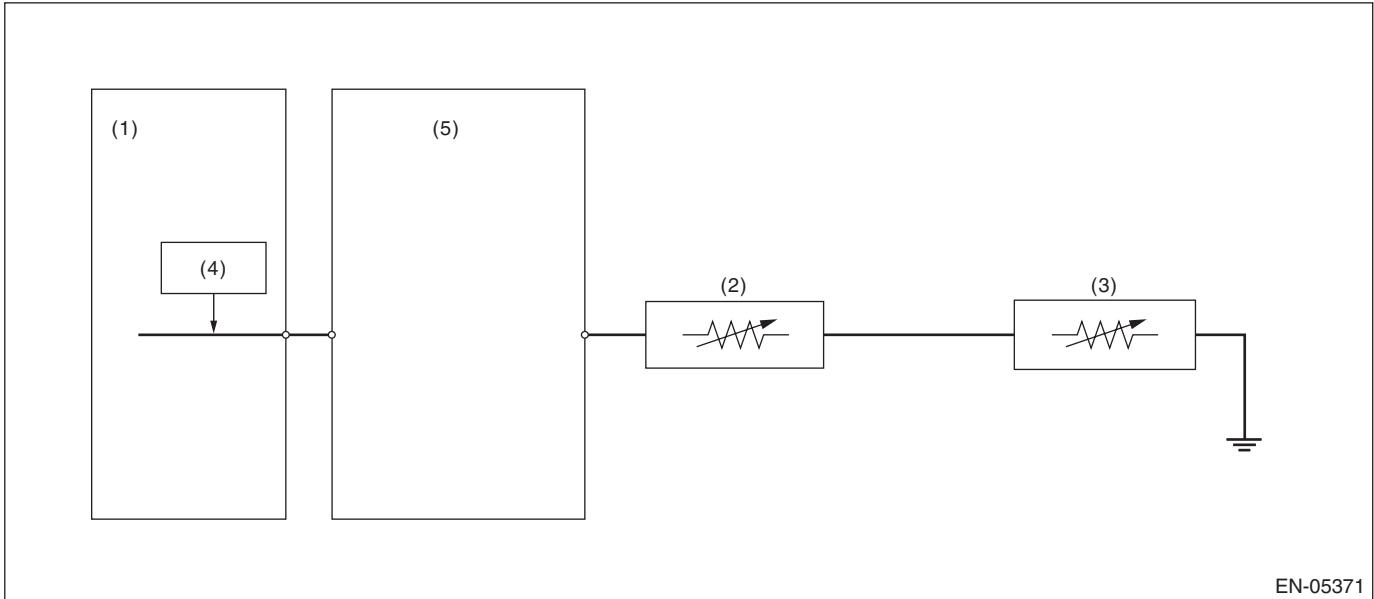
## GENERAL DESCRIPTION

### BX:DTC P0463 FUEL LEVEL SENSOR “A” CIRCUIT HIGH

#### 1. OUTLINE OF DIAGNOSIS

Detect the open or short circuit of fuel level sensor. Judge as NG if out of specification.

#### 2. COMPONENT DESCRIPTION



(1) Engine control module (ECM)

(3) Fuel sub level sensor

(5) Body integrated unit

(2) Fuel level sensor

(4) Detecting circuit

#### 3. ENABLE CONDITION

Secondary Parameters	Enable Conditions
None	

#### 4. GENERAL DRIVING CYCLE

Always perform the diagnosis continuously.

# Diagnostic Trouble Code (DTC) Detecting Criteria

GENERAL DESCRIPTION

## 5. DIAGNOSTIC METHOD

### • Abnormality Judgement

If the duration of time while the following conditions are met is longer than the time indicated, judge as NG.

#### Judgement Value

Malfunction Criteria	Threshold Value
Battery voltage	$\geq 10.9$ V
Elapsed time after starting the engine	$\geq 3000$ ms
Output voltage	$\geq 7.212$ V

**Time Needed for Diagnosis:** 1000 ms

**Malfunction Indicator Light Illumination:** Illuminates when malfunction occurs in 2 continuous driving cycles.

### • Normality Judgement

Judge as OK and clear the NG if the continuous time while the following conditions are established is more than the predetermined time.

#### Judgement Value

Malfunction Criteria	Threshold Value
Battery voltage	$\geq 10.9$ V
Elapsed time after starting the engine	$\geq 3000$ ms
Output voltage	$< 7.212$ V

**Time Needed for Diagnosis:** Less than 1 second

# Diagnostic Trouble Code (DTC) Detecting Criteria

## GENERAL DESCRIPTION

---

### BY:DTC P0464 FUEL LEVEL SENSOR CIRCUIT INTERMITTENT

#### 1. OUTLINE OF DIAGNOSIS

Detect the unstable output faults from the fuel level sensor caused by noise. Judge as NG when the max. value and cumulative value of output voltage variation of the fuel level sensor is larger than the threshold value.

#### 2. ENABLE CONDITION

Malfunction Criteria	Threshold Value
Engine speed	≥ 500 rpm
Elapsed time after starting the engine	≥ 1 second
Battery voltage	≥ 10.9 V
Idle switch	ON
Fuel level	≥ 9.6 ℓ (2.54 US gal, 2.11 Imp gal) and < 54.4 ℓ (14.37 US gal, 11.97 Imp gal)
Vehicle speed = 0 km/h (0 MPH)	≥ 10000 ms

#### 3. GENERAL DRIVING CYCLE

- Always perform the diagnosis continuously at idle speed.
- Pay attention to the fuel level.

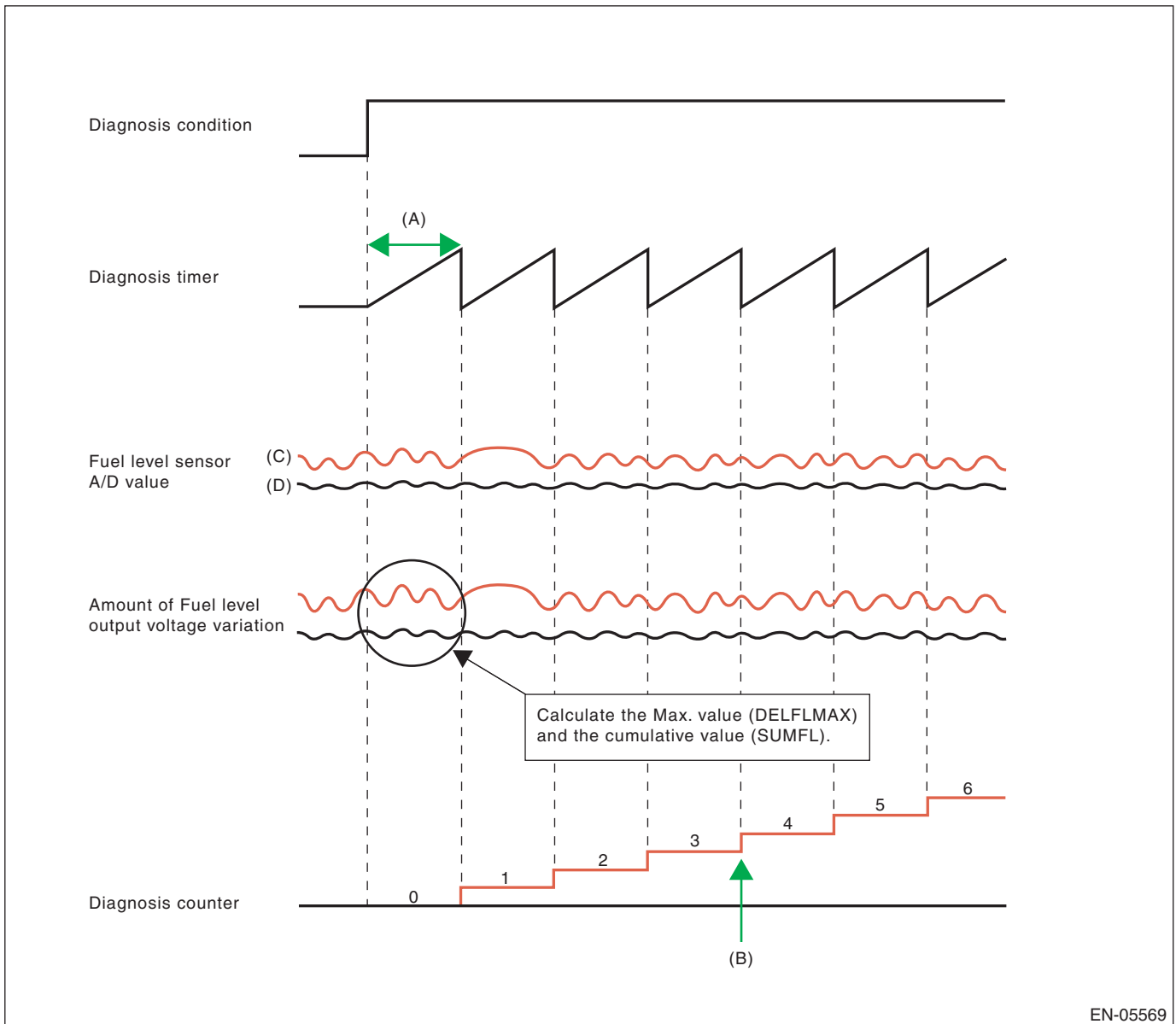


# Diagnostic Trouble Code (DTC) Detecting Criteria

GENERAL DESCRIPTION

## 4. DIAGNOSTIC METHOD

Calculate the Max. value (DELFLMAX) and cumulative value (SUMFL) of output voltage variation of fuel level sensor during 12.2 seconds. Judge it normal when both max. and cumulative values are not over the threshold value. Otherwise, when either of them is over the threshold value, the diagnosis counter counts up. Judge as NG if the counter indicated 4 time(s).



EN-05569

(A) 12288 ms

(B) NG at 4 time(s)

(C) Malfunction

(D) Normal

# Diagnostic Trouble Code (DTC) Detecting Criteria

## GENERAL DESCRIPTION

### • Abnormality Judgement

If the duration of time while the following conditions are met is longer than the time indicated, judge as NG.

#### Judgement Value

Malfunction Criteria	Threshold Value
Integrated times of the condition reaching follows, DELFLMAX or SUMFL At this time, DELFLMAX: Maximum difference of sensor output for 12288 ms SUMFL: Integrated value of the sensor output deviation for 12288 ms	$\geq 4$ time(s)  $\geq$ Value from Map  $\geq 25.92$ V

#### Map

Fuel level (ℓ, US gal, Imp gal)	0, 0, 0	10, 2.64, 2.2	20, 5.28, 4.4	30, 7.93, 6.6	40, 10.57, 8.8	50, 13.21, 11	60, 15.85, 13.2
Measured voltage (V)	0.27	0.27	0.426	0.582	0.738	0.894	0.894

The diagnosis counter does not count up when the following conditions are completed within 12288 ms.

Maximum value – minimum value of change of tank pressure during 12288 ms	$\geq 0$ kPa (0.375 mmHg, 0 inHg)
Maximum value – minimum value of battery voltage during 12288 ms	$\geq 0.969$ V

**Time Needed for Diagnosis:** 12288 ms × 4 time(s)

**Malfunction Indicator Light Illumination:** Illuminates when malfunction occurs in 2 continuous driving cycles.

### • Normality Judgement

Judge as OK and clear the NG if the continuous time while the following conditions are established is more than the predetermined time.

#### Judgement Value

Malfunction Criteria	Threshold Value
DELFLMAX SUMFL At this time, DELFLMAX: Maximum difference of sensor output for 12288 ms SUMFL: Integrated value of the sensor output deviation for 12288 ms	$<$ Value from Map  $< 25.92$ V

**Time Needed for Diagnosis:** 12288 ms

# Diagnostic Trouble Code (DTC) Detecting Criteria

GENERAL DESCRIPTION

## BZ:DTC P0500 VEHICLE SPEED SENSOR "A"

### 1. OUTLINE OF DIAGNOSIS

Judge as NG when outside of the judgement value.

Judge NG when the received data from ABSCM&H/U is abnormal vehicle speed, and the vehicle speed data is impossible.

### 2. COMPONENT DESCRIPTION

Vehicle speed signals are taken in to the ABS control module and hydraulic control unit, and normal/erroneous data of the ABS wheel speed sensor is received by CAN communication from the ABS control module and hydraulic control unit.

### 3. ENABLE CONDITION

Secondary Parameters	Enable Conditions
Battery voltage	≥ 10.9 V
Elapsed time after engine starting	≥ 2000 ms

### 4. GENERAL DRIVING CYCLE

Always perform diagnosis more than 2000 ms after starting the engine.

### 5. DIAGNOSTIC METHOD

#### • Abnormality Judgement

If the duration of time while the following conditions are met is longer than the time indicated, judge as NG.

#### Judgement Value

Malfunction Criteria	Threshold Value
Front ABS wheel speed sensor status	Malfunction
Either of the following is established	
Front left wheel speed	≥ 300 km/h (186.4 MPH)
Front right wheel speed	≥ 300 km/h (186.4 MPH)

**Time Needed for Diagnosis:** 512 ms

**Malfunction Indicator Light Illumination:** Illuminates as soon as a malfunction occurs.

#### • Normality Judgement

Judge as OK and clear the NG if the continuous time while the following conditions are established is more than the predetermined time.

#### Judgement Value

Malfunction Criteria	Threshold Value
Front left wheel speed	> 0 km/h (0 MPH) and < 300 km/h (186.4 MPH)
Front right wheel speed	> 0 km/h (0 MPH) and < 300 km/h (186.4 MPH)

**Time Needed for Diagnosis:** 512 ms

# Diagnostic Trouble Code (DTC) Detecting Criteria

## GENERAL DESCRIPTION

---

### CA:DTC P0512 STARTER REQUEST CIRCUIT

#### 1. OUTLINE OF DIAGNOSIS

Detect the open or short circuit of starter SW.

Judge as ON NG when the starter SW signal remains ON.

#### 2. ENABLE CONDITION

Secondary Parameters	Enable Conditions
None	

#### 3. GENERAL DRIVING CYCLE

Always perform the diagnosis continuously.

#### 4. DIAGNOSTIC METHOD

##### • Abnormality Judgement

If the duration of time while the following conditions are met is longer than the time indicated, judge as NG.

##### Judgement Value

Malfunction Criteria	Threshold Value
Engine condition	After engine starting
Starter OFF signal	Not detected
Battery voltage	$\geq 8\text{ V}$

**Time Needed for Diagnosis:** 180000 ms

**Malfunction Indicator Light Illumination:** Illuminates when malfunction occurs in 2 continuous driving cycles.

##### • Normality Judgement

Judge as OK and clear the NG if the continuous time while the following conditions are established is more than the predetermined time.

##### Judgement Value

Malfunction Criteria	Threshold Value
Starter OFF signal	Detected
Battery voltage	$\geq 8\text{ V}$

**Time Needed for Diagnosis:** Less than 1 second

# Diagnostic Trouble Code (DTC) Detecting Criteria

GENERAL DESCRIPTION

## CB:DTC P0513 INCORRECT IMMOBILIZER KEY

### 1. OUTLINE OF DIAGNOSIS

DTC	Item	Outline of diagnosis
P0513	Incorrect Immobilizer Key	Incorrect immobilizer key (Use of unregistered key in body integrated unit)
P1570	Antenna	Faulty antenna
P1571	Reference Code Incompatibility	Reference code incompatibility between body integrated unit and ECM
P1572	IMM Circuit Failure (Except Antenna Circuit)	Communication failure between body integrated unit and ECM
P1574	Key Communication Failure	Failure of body integrated unit to verify key (transponder) ID code or transponder failure
P1576	EGI Control Module EEPROM	ECM malfunctioning
P1577	IMM Control Module EEPROM	Body integrated unit malfunctioning
P1578	Meter Failure	Reference code incompatibility between body integrated unit and combination meter

### 2. ENABLE CONDITION

When starting the engine.

### 3. GENERAL DRIVING CYCLE

Perform the diagnosis only after starting the engine.

### 4. DIAGNOSTIC METHOD

Judge as NG when the conditions for the outline of the diagnosis of the top are established.

# Diagnostic Trouble Code (DTC) Detecting Criteria

## GENERAL DESCRIPTION

---

### CC:DTC P0600 SERIAL COMMUNICATION LINK

#### 1. OUTLINE OF DIAGNOSIS

Detect malfunction of CAN communication.

When CAN communications is not possible, and CAN communications with TCM is not possible, judge as NG if data from the TCM is not normal.

#### 2. COMPONENT DESCRIPTION

ECM and TCM are connected by high speed CAN.

##### *(Common Specifications)*

*CAN Protocol 2.0 B (Active)*

*Frame Format: 11 Bit ID Frame (Standard Frame)*

##### *(High speed CAN)*

*Conforms to ISO11898*

*Communication Speed: 500 kbps*

#### 3. ENABLE CONDITION

Secondary Parameters	Enable Conditions
None	

#### 4. GENERAL DRIVING CYCLE

Perform the diagnosis continuously after starting the engine.

#### 5. DIAGNOSTIC METHOD

##### • Abnormality Judgement

Judge as NG when the following conditions are established.

##### Judgement Value

Malfunction Criteria	Threshold Value
Battery voltage	> 10.9 V
Starter switch	OFF
Engine	run
bus off flag or error warning flag	set (error)
or	
ID received from control module connected to driving system CAN	None during 500 milliseconds
or	
Data updated from control module connected to driving system CAN	None during 500 milliseconds

**Time Needed for Diagnosis:** Less than 1 second

**Malfunction Indicator Light Illumination:** Illuminates as soon as a malfunction occurs.

# Diagnostic Trouble Code (DTC) Detecting Criteria

GENERAL DESCRIPTION

## • Normality Judgement

Judge as OK and clear the NG if the continuous time while the following conditions are established is more than the predetermined time.

## Judgement Value

Malfunction Criteria	Threshold Value
Battery voltage	> 10.9 V
Starter switch	OFF
Engine	run
bus off flag or error warning flag	clear (No error)
ID received from control module connected to driving system CAN	Yes
Data updated from control module connected to driving system CAN	Yes

**Time Needed for Diagnosis:** 1000 ms

**Malfunction Indicator Light Illumination:** Illuminates as soon as a malfunction occurs.

# Diagnostic Trouble Code (DTC) Detecting Criteria

## GENERAL DESCRIPTION

### CD:DTC P0604 INTERNAL CONTROL MODULE RANDOM ACCESS MEMORY (RAM) ERROR

#### 1. OUTLINE OF DIAGNOSIS

Detect the malfunction of microcomputer (RAM).

When there is a problem in the main CPU normal RAM, or the sub CPU normal RAM, judge as NG. Judge as OK when both are operating properly.

If it is possible to write data to the whole area of RAM in the initial routine, and is possible to read the same data, it is judged as OK, and if not, NG.

#### 2. ENABLE CONDITION

Secondary Parameters	Enable Conditions
None	

Diagnosis with the initial routine.

#### 3. GENERAL DRIVING CYCLE

Perform the diagnosis as soon as the ignition switch is turned to ON.

#### 4. DIAGNOSTIC METHOD

##### Abnormality Judgement

Judge as NG if the criteria below are met.

##### Judgement Value

Malfunction Criteria	Threshold Value
Main CPU normal RAM abnormal Write 5AA5A55A and then read. (Whole area of RAM)	5AA5A55A cannot be read.
Write A55A5AA5 and then read. (Whole area of RAM)	A55A5AA5 cannot be read.
Sub CPU normal RAM abnormal Write 5AA5 and then read. (Whole area of RAM)	5AA5 cannot be read.
Write A55A and then read. (Whole area of RAM)	A55A cannot be read.

**Time Needed for Diagnosis:** Undetermined

**Malfunction Indicator Light Illumination:** Illuminates as soon as a malfunction occurs.

##### Normality Judgement

Judge as OK and clear the NG when the malfunction criteria below are met.

##### Judgement Value

Malfunction Criteria	Threshold Value
Main CPU normal RAM abnormal Write 5AA5A55A and then read. (Whole area of RAM)	5AA5A55A can be read.
And write A55A5AA5 and then read. (Whole area of RAM)	A55A5AA5 can be read.
Sub CPU normal RAM abnormal Write 5AA5 and then read. (Whole area of RAM)	5AA5 can be read.
And write A55A and then read. (Whole area of RAM)	A55A can be read.



# Diagnostic Trouble Code (DTC) Detecting Criteria

GENERAL DESCRIPTION

## CE:DTC P0605 INTERNAL CONTROL MODULE READ ONLY MEMORY (ROM) ERROR

### 1. OUTLINE OF DIAGNOSIS

Judge as NG when SUM value of ROM is outside the standard value.

### 2. ENABLE CONDITION

Secondary Parameters	Enable Conditions
Ignition switch	ON

### 3. GENERAL DRIVING CYCLE

Always perform the diagnosis continuously.

### 4. DIAGNOSTIC METHOD

#### Abnormality Judgement

Judge as NG if the criteria below are met.

#### Judgement Value

Malfunction Criteria	Threshold Value
SUM value of ROM	Standard

**Time Needed for Diagnosis:** Undetermined

**Malfunction Indicator Light Illumination:** Illuminates as soon as a malfunction occurs.

# Diagnostic Trouble Code (DTC) Detecting Criteria

## GENERAL DESCRIPTION

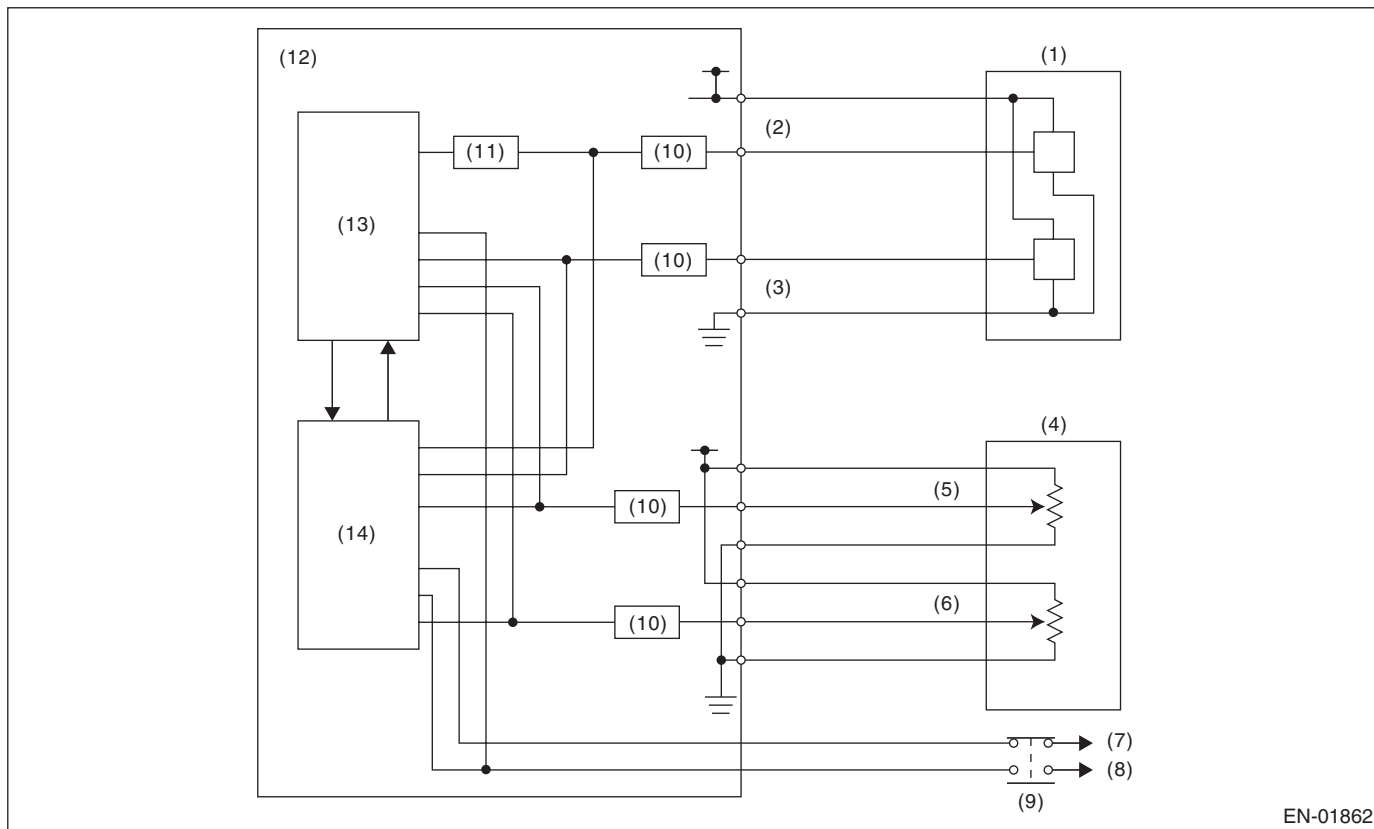
### CF:DTC P0607 THROTTLE CONTROL SYSTEM CIRCUIT RANGE/PERFORMANCE

#### 1. OUTLINE OF DIAGNOSIS

Judge as NG when any one of the followings is established.

- 1) When the read value of throttle position sensor 1 signal is mismatched between main CPU and sub CPU.
- 2) When the read value of accelerator pedal position sensor 1 signal is mismatched between main CPU and sub CPU.
- 3) When the sub CPU operates abnormally.
- 4) When the communication between main CPU  $\longleftrightarrow$  sub CPU is abnormal.
- 5) When the input amplifier circuit of throttle position sensor 1 is abnormal.
- 6) When the cruise control cannot be canceled correctly.
- 7) When the signal of brake SW1 and 2 is mismatched.

#### 2. COMPONENT DESCRIPTION



- |   |   |                                  |
|---|---|----------------------------------|
| (1) Throttle position sensor            | (6) Accelerator pedal position sensor 2 | (11) Amplifier circuit           |
| (2) Throttle position sensor 1          | (7) Battery                             | (12) Engine control module (ECM) |
| (3) Throttle position sensor 2          | (8) Stop light                          | (13) Sub CPU                     |
| (4) Accelerator pedal position sensor   | (9) Brake switch                        | (14) Main CPU                    |
| (5) Accelerator pedal position sensor 1 | (10) I/F circuit                        |                                  |

# Diagnostic Trouble Code (DTC) Detecting Criteria

GENERAL DESCRIPTION

## 3. ENABLE CONDITION

Secondary Parameters	Enable Conditions
(1) Ignition switch	ON
(2) Ignition switch	ON
(3) None	—
(4) None	—
(5) Throttle opening angle	
(6) Brake switch (only with cruise control)	ON
(7) None	—

## 4. GENERAL DRIVING CYCLE

- (1) — (4): Always perform the diagnosis continuously.  
(5): Always perform the diagnosis continuously when idling.  
(6): Perform the diagnosis when the brake pedal is depressed.  
(7): Always perform the diagnosis continuously.  
(8): Always perform the diagnosis continuously when the cruise control pedal is not operating.

## 5. DIAGNOSTIC METHOD

Judge as OK and clear the NG when the malfunction criteria below are met.

### Judgement Value

Malfunction Criteria	Threshold Value
(1) Difference of CPU reading value of the throttle position sensor signal	$\leq 0.0858$ V
(2) Difference of CPU read value of the accelerator pedal position sensor signal	$\leq 0.35$ V
(3) WD pulse from sub CPU	WD pulse occur
(4) Communication between CPU	Possible to communicate
(5)  Throttle position sensor 1 opening angle — (Throttle position sensor 1 opening angle after passing amplifier) 1/4	$< 3^\circ$
(6) Cruise control cancel signal at brake ON	Cruise control cancel signal ON
(7) Brake switch 1, 2 signal	SW 1 and 2 are matched

### Time Needed for Diagnosis:

1. 600 milliseconds
2. 830 milliseconds
3. 200 milliseconds
4. 200 milliseconds
5. 24 milliseconds
6. 250 milliseconds
7. 200 milliseconds

**Malfunction Indicator Light Illumination:** Illuminates as soon as a malfunction occurs.

# Diagnostic Trouble Code (DTC) Detecting Criteria

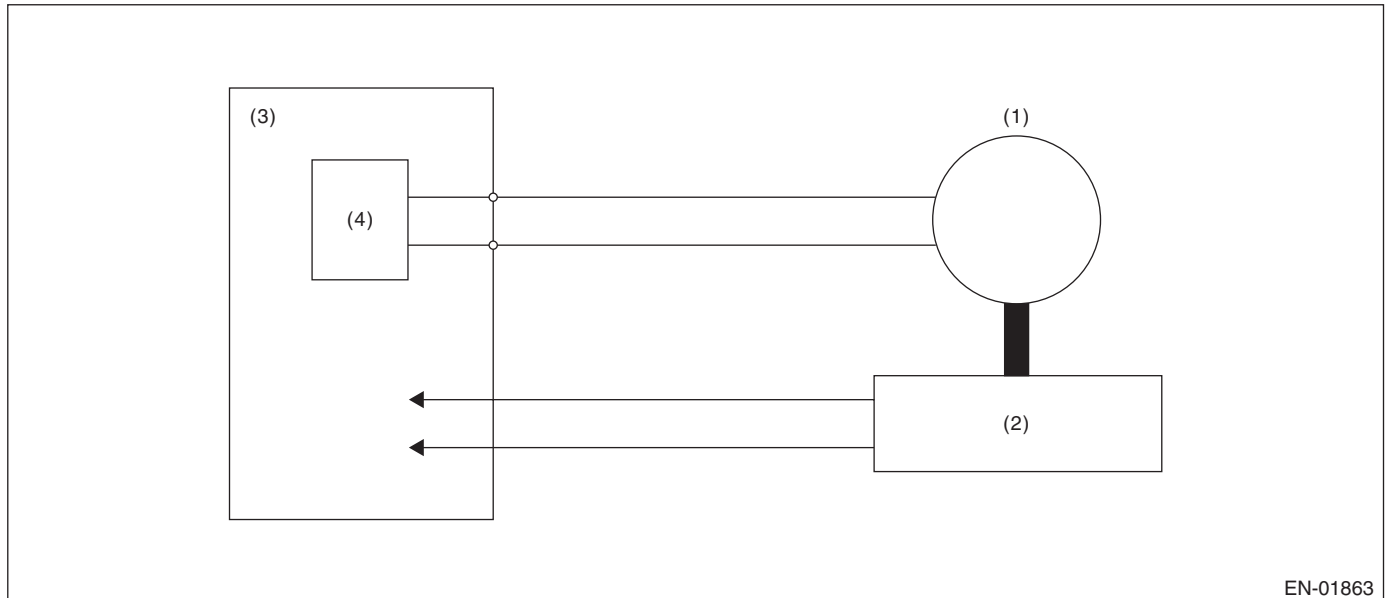
## GENERAL DESCRIPTION

### CG:DTC P0638 THROTTLE ACTUATOR CONTROL RANGE/PERFORMANCE (BANK 1)

#### 1. OUTLINE OF DIAGNOSIS

Judge as NG when the target opening angle and actual opening angle is mismatched or the current to motor is the specified duty or more for specified time continuously.

#### 2. COMPONENT DESCRIPTION



EN-01863

- (1) Motor  
(2) Throttle position sensor  
(3) Engine control module (ECM)  
(4) Drive circuit

#### 3. ENABLE CONDITIONS

Secondary Parameters	Enable Condition
Ignition switch	ON
Normal operation of electronic throttle control	ON

#### 4. GENERAL DRIVING CYCLE

Always perform the diagnosis continuously when the electronic throttle control is operating.

#### 5. DIAGNOSTIC METHOD

Judge as OK and clear the NG when the malfunction criteria below are met.

##### Judgement Value

Malfunction Criteria	Threshold Value
Difference between target opening angle and actual opening angle	3.5° or less
Output duty to drive circuit	95% or less

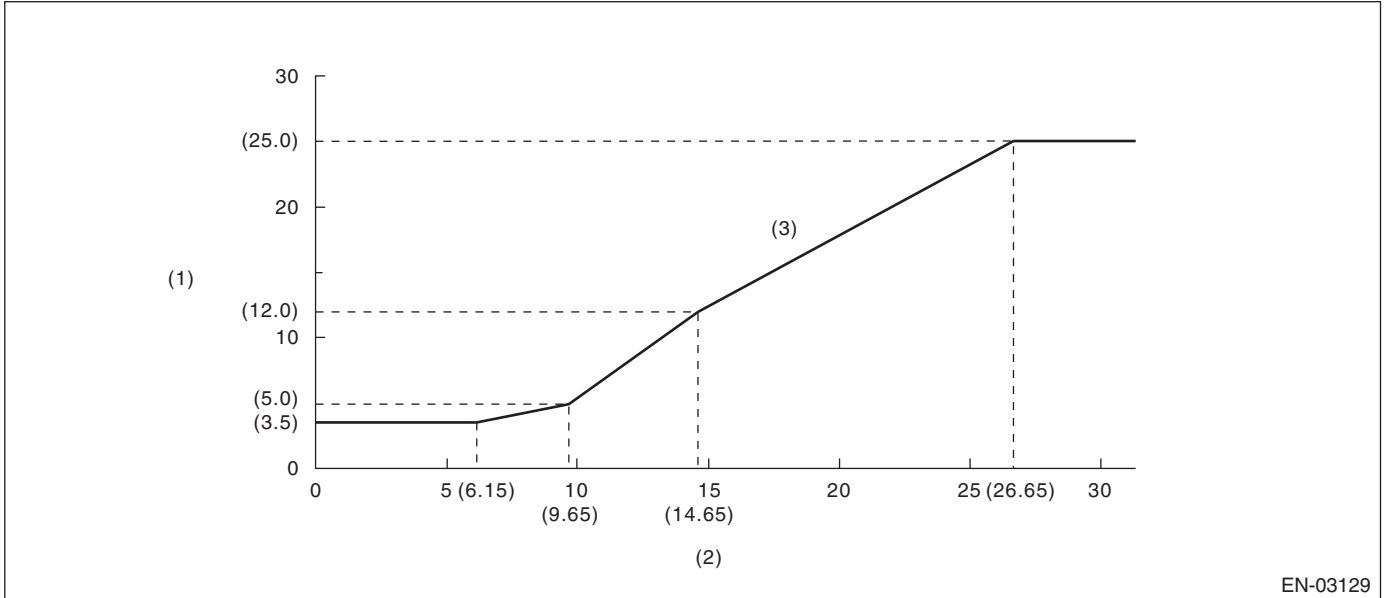
##### Time Needed for Diagnosis:

- Target opening angle and actual opening angle: 250 milliseconds (For NG) 2000 milliseconds (For OK)
- Output duty to drive circuit: 2000 milliseconds

# Diagnostic Trouble Code (DTC) Detecting Criteria

GENERAL DESCRIPTION

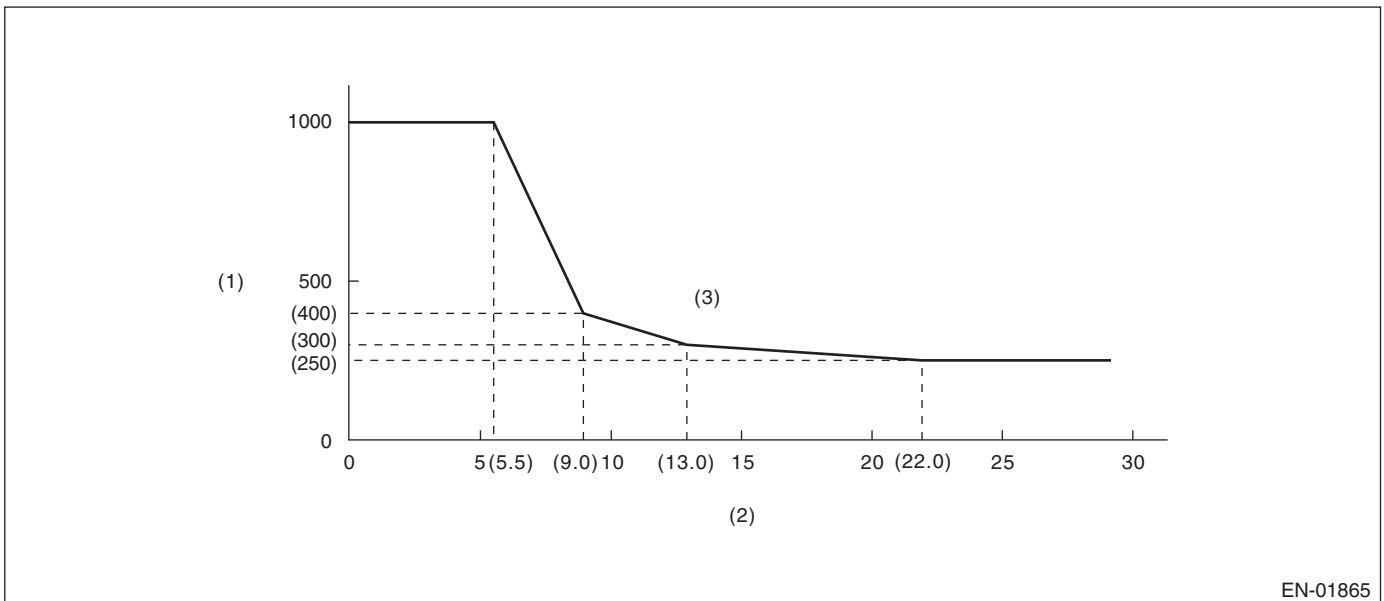
## Details of Judgement Value



EN-03129

- (1) Difference between target opening angle and actual opening angle (°)      (2) Target throttle opening angle (°)      (3) NG area

## Details of Judgement time (The actual opening angle ≤ target opening angle is always 1000 milliseconds)



EN-01865

- (1) Judgement time (milliseconds)      (2) Throttle position sensor 1 opening angle      (3) NG area

**Malfunction Indicator Light Illumination:** Illuminates as soon as a malfunction occurs.

# Diagnostic Trouble Code (DTC) Detecting Criteria

## GENERAL DESCRIPTION

---

### CH:DTC P0700 TRANSMISSION CONTROL SYSTEM (MIL REQUEST)

#### 1. OUTLINE OF DIAGNOSIS

Judge as NG when there is CAN communication with the TCM and there is a MIL lighting request.

#### 2. ENABLE CONDITION

Secondary Parameters	Enable Conditions
None	

#### 3. GENERAL DRIVING CYCLE

Always perform the diagnosis continuously.

#### 4. DIAGNOSTIC METHOD

##### • Abnormality Judgement

If the duration of time while the following conditions are met is longer than the time indicated, judge as NG.

##### Judgement Value

Malfunction Criteria	Threshold Value
Battery voltage	$\geq 10.9$ V
MIL lighting request from TCM	Yes

**Time Needed for Diagnosis:** 2500 ms

**Malfunction Indicator Light Illumination:** Illuminates as soon as a malfunction occurs.

##### • Normality Judgement

If the duration of time while the following conditions are met is longer than the time indicated, judge as NG.

##### Judgement Value

Malfunction Criteria	Threshold Value
Battery voltage	$\geq 10.9$ V
MIL lighting request from TCM	None

**Time Needed for Diagnosis:** Less than 1 second

# Diagnostic Trouble Code (DTC) Detecting Criteria

GENERAL DESCRIPTION

## CI: DTC P0851 PARK/NEUTRAL SWITCH INPUT CIRCUIT LOW (AT MODEL)

### 1. OUTLINE OF DIAGNOSIS

Detect the open or short circuit of neutral SW.

Judge as NG when the neutral terminal input in ECM differs from the received data from TCM.

### 2. ENABLE CONDITION

Secondary Parameters	Enable Conditions
Battery voltage	$\geq 10.9$ V
Starter relay	OFF

### 3. GENERAL DRIVING CYCLE

Perform the diagnosis continuously after two seconds have passed since the engine started.

### 4. DIAGNOSTIC METHOD

#### • Abnormality Judgement

If the duration of time while the following conditions are met is longer than the time indicated, judge as NG.

#### Judgement Value

Malfunction Criteria	Threshold Value
Neutral switch signal in ECM when "P"/ "N" range in TCM are "OFF" and when the other switches are "ON"	LOW (ON)

**Time Needed for Diagnosis:** 100 time(s)

**Malfunction Indicator Light Illumination:** Illuminates when malfunction occurs in 2 continuous driving cycles.

#### • Normality Judgement

Judge as OK and clear the NG if the continuous time while the following conditions are established is more than the predetermined time.

#### Judgement Value

Malfunction Criteria	Threshold Value
Neutral switch signal in ECM when "P"/ "N" range in TCM are "OFF" and when the other switches are "ON"	HIGH (OFF)

**Time Needed for Diagnosis:** Less than 1 second

# Diagnostic Trouble Code (DTC) Detecting Criteria

## GENERAL DESCRIPTION

### CJ:DTC P0851 NEUTRAL SWITCH INPUT CIRCUIT LOW (MT MODEL)

#### 1. OUTLINE OF DIAGNOSIS

Judge the open or short circuit of the neutral SW.

Judge as NG when there is no change in the neutral SW even if the driving shift was applied. (There is neutral SW ON/OFF inversion from the vehicle speed and engine speed.)

#### 2. ENABLE CONDITIONS

Secondary Parameters	Enable Condition
Battery voltage	$\geq 10.9$ V
Starter relay	OFF

#### 3. GENERAL DRIVING CYCLE

Perform the diagnosis continuously in 2 seconds after starting the engine.

#### 4. DIAGNOSTIC METHOD

##### • Abnormality Judgement

Judge NG when the malfunction criteria below are completed determined times or more after the neutral SW change.

##### Judgement Value

Malfunction Criteria	Threshold Value
Neutral switch signal (while changing from a to b below)	LOW (ON) continues.
Driving condition change	From a) to b)
a) Engine speed 600 rpm — 900 rpm & Vehicle speed = 0 km/h (0 MPH)	
b) Engine speed 1600 rpm — 2550 rpm & Vehicle speed $\geq 64$ km/h (39.8 MPH)	

**Time Needed for Diagnosis:** 3 time(s)

**Malfunction Indicator Light Illumination:** Illuminates when malfunction occurs in 2 continuous driving cycles.

##### • Normality Judgement

Judge as OK and clear NG when there is change in the neutral SW.

##### Judgement Value

Malfunction Criteria	Threshold Value
Neutral switch signal (while changing from a to b below)	Changes to HIGH (OFF).
Driving condition change	From a) to b)
a) Engine speed 600 rpm — 900 rpm & Vehicle speed = 0 km/h (0 MPH)	
b) Engine speed 1600 rpm — 2550 rpm & Vehicle speed $\geq 64$ km/h (39.8 MPH)	

**Time Needed for Diagnosis:** Less than 1 second



# Diagnostic Trouble Code (DTC) Detecting Criteria

GENERAL DESCRIPTION

## CK:DTC P0852 PARK/NEUTRAL SWITCH INPUT CIRCUIT HIGH (AT MODEL)

### 1. OUTLINE OF DIAGNOSIS

Judge the open or short circuit of the neutral SW.

Judge as NG when the ECM neutral terminal input differs from the reception data from TCM.

### 2. ENABLE CONDITIONS

Secondary Parameters	Enable Condition
Battery voltage	≥ 10.9 V
Starter relay	OFF

### 3. GENERAL DRIVING CYCLE

Perform the diagnosis continuously in 2 seconds after starting the engine.

### 4. DIAGNOSTIC METHOD

#### • Abnormality Judgement

If the duration of time while the following conditions are met is longer than the time indicated, judge as NG.

#### Judgement Value

Malfunction Criteria	Threshold Value
Neutral switch signal in ECM when "P"/ "N" range in TCM are "ON" and when the other switches are "OFF"	HIGH (OFF)

**Time Needed for Diagnosis:** 100 time(s)

**Malfunction Indicator Light Illumination:** Illuminates when malfunction occurs in 2 continuous driving cycles.

#### • Normality Judgement

Judge as OK and clear the NG if the continuous time while the following conditions are established is more than the predetermined time.

#### Judgement Value

Malfunction Criteria	Threshold Value
Neutral switch signal in ECM when "P"/ "N" range in TCM are "ON" and when the other switches are "OFF"	LOW (ON)

**Time Needed for Diagnosis:** Less than 1 second

# Diagnostic Trouble Code (DTC) Detecting Criteria

## GENERAL DESCRIPTION

### CL:DTC P0852 NEUTRAL SWITCH INPUT CIRCUIT HIGH (MT MODEL)

#### 1. OUTLINE OF DIAGNOSIS

Judge the open or short circuit of the neutral SW.

Judge as NG when there is no change in the neutral SW even if the driving shift was applied. (There is neutral SW ON/OFF inversion from the vehicle speed and engine speed.)

#### 2. ENABLE CONDITIONS

Secondary Parameters	Enable Condition
Battery voltage	≥ 10.9 V
Starter relay	OFF

#### 3. GENERAL DRIVING CYCLE

Perform the diagnosis continuously in 2 seconds after starting the engine.

#### 4. DIAGNOSTIC METHOD

##### • Abnormality Judgement

Judge NG when the malfunction criteria below are completed determined times or more after the neutral SW change.

##### Judgement Value

Malfunction Criteria	Threshold Value
Neutral switch signal (while changing from a to b below)	HIGH (OFF) continues.
Driving condition change	From a) to b)
a) Engine speed 600 rpm — 900 rpm & Vehicle speed = 0 km/h (0 MPH)	
b) Engine speed 1600 rpm — 2550 rpm & Vehicle speed ≥ 64 km/h (39.8 MPH)	

**Time Needed for Diagnosis:** 3 time(s)

**Malfunction Indicator Light Illumination:** Illuminates when malfunction occurs in 2 continuous driving cycles.

##### • Normality Judgement

Judge as OK and clear NG when there is change in the neutral SW.

##### Judgement Value

Malfunction Criteria	Threshold Value
Neutral switch signal (while changing from a to b below)	Changes to LOW (ON).
Driving condition change	From a) to b)
a) Engine speed 600 rpm — 900 rpm & Vehicle speed = 0 km/h (0 MPH)	
b) Engine speed 1600 rpm — 2550 rpm & Vehicle speed ≥ 64 km/h (39.8 MPH)	

**Time Needed for Diagnosis:** Less than 1 second

## CM:DTC P1152 O2 SENSOR CIRCUIT RANGE/PERFORMANCE (LOW) (BANK1 SENSOR1)

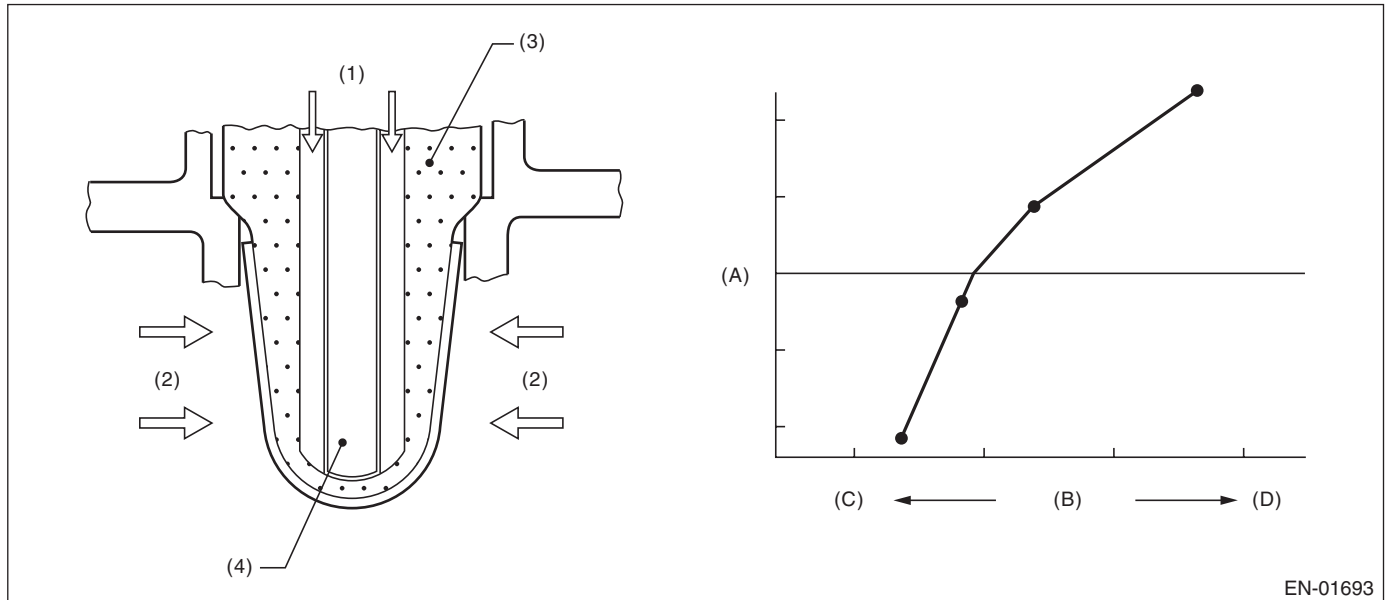
### 1. OUTLINE OF DIAGNOSIS

Detect that  $\lambda$  value remains low.

Judge as NG when lambda value is abnormal in accordance with  $\lambda$  value of front oxygen (A/F) sensor and running conditions such as vehicle speed, amount of intake air, engine coolant temperature, sub feedback control, etc.

$\lambda$  value = Actual air fuel ratio/Theoretical air fuel ratio  
 $\lambda > 1$ : Lean  
 $\lambda < 1$ : Rich

### 2. COMPONENT DESCRIPTION



(A) Electromotive force  
 (D) Rich

(B) Air fuel ratio

(C) Lean

(1) Atmosphere  
 (2) Exhaust gas

(3)  $ZrO_2$

(4) Ceramic heater

# Diagnostic Trouble Code (DTC) Detecting Criteria

## GENERAL DESCRIPTION

### 3. ENABLE CONDITIONS

Secondary Parameters	Enable Condition
Time needed for all secondary parameters to be in enable conditions	≥ 4096 ms
Battery voltage	≥ 10.9 V
Barometric pressure	≥ 75 kPa (563 mmHg, 22.2 inHg)
Rear oxygen sensor sub feedback	Execution
Rear oxygen sensor output voltage – Feedback target voltage or	–0.2 V — 0.1 V
Rear oxygen sensor sub feedback compensation coefficient or	On Min.
Rear oxygen sensor sub feedback compensation coefficient	On Max.
Elapsed time after starting the engine	≥ 60000 ms
Engine coolant temperature	≥ 70 °C (158 °F)
Vehicle speed	≥ 20 km/h (12.4 MPH)
Amount of intake air	≥ 6 g/s (0.21 oz/s)
Load change at 180°CA	< 0.02 g/rev (0 oz/rev)
Front oxygen (A/F) sensor impedance	0 Ω — 50 Ω
Learning value of evaporation gas density	< 0.2
Total time of operating canister purge	≥ 19.9 s
Targeted lambda value load compensation coefficient	–1 — 1

### 4. GENERAL DRIVING CYCLE

Perform diagnosis continuously at a constant speed of 20 km/h (12.4 MPH) or more after 60000 ms have passed since the engine started.

### 5. DIAGNOSTIC METHOD

#### • Abnormality Judgement

If the duration of time while the following conditions are met is longer than the time indicated, judge as NG.

#### Judgement Value

Malfunction Criteria	Threshold Value
λ value	< 0.85

**Time Needed for Diagnosis:** 10000 ms

**Malfunction Indicator Light Illumination:** Illuminates when malfunction occurs in 2 continuous driving cycles.

#### • Normality Judgement

Judge as OK and clear the NG if the continuous time while the following conditions are established is more than the predetermined time.

#### Judgement Value

Malfunction Criteria	Threshold Value
λ value	≥ 0.85

**Time Needed for Diagnosis:** Less than 1 second

## CN:DTC P1153 O2 SENSOR CIRCUIT RANGE/PERFORMANCE (HIGH) (BANK1 SENSOR1)

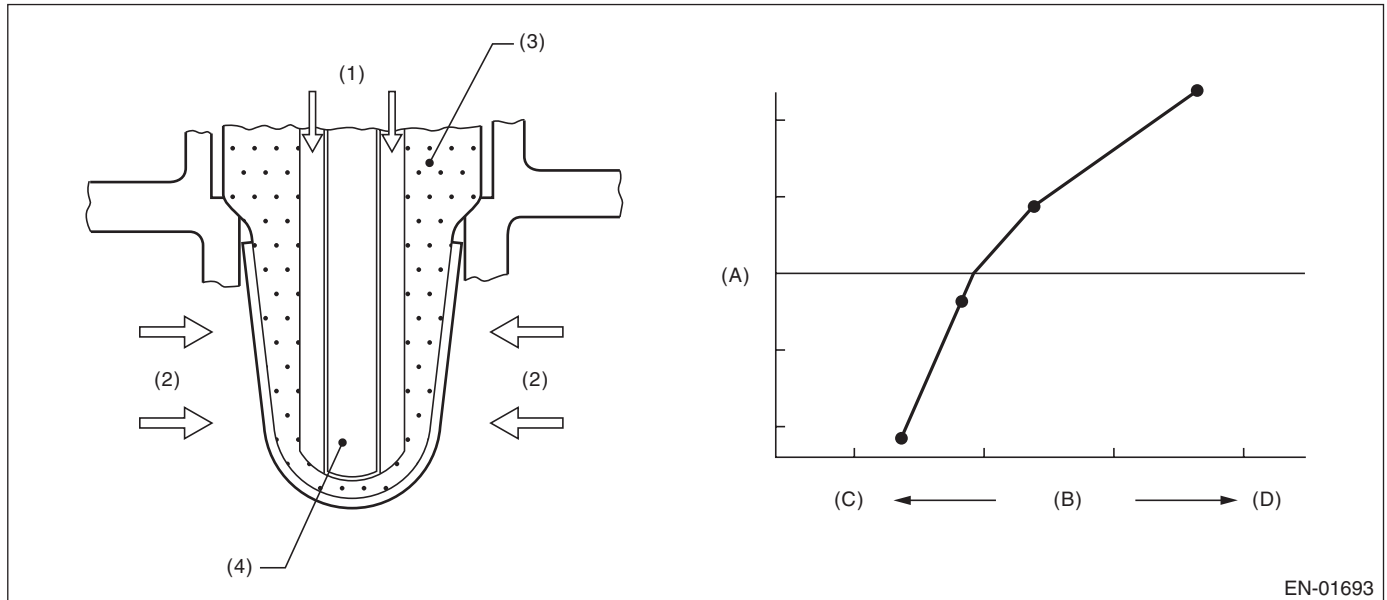
### 1. OUTLINE OF DIAGNOSIS

Detect that  $\lambda$  value remains high.

Judge as NG when lambda value is abnormal in accordance with  $\lambda$  value of front oxygen (A/F) sensor and running conditions such as vehicle speed, amount of intake air, engine coolant temperature, sub feedback control, etc.

$\lambda$  value = Actual air fuel ratio/Theoretical air fuel ratio  
 $\lambda > 1$ : Lean  
 $\lambda < 1$ : Rich

### 2. COMPONENT DESCRIPTION



(A) Electromotive force  
 (D) Rich

(B) Air fuel ratio

(C) Lean

(1) Atmosphere  
 (2) Exhaust gas

(3)  $ZrO_2$

(4) Ceramic heater

# Diagnostic Trouble Code (DTC) Detecting Criteria

## GENERAL DESCRIPTION

### 3. ENABLE CONDITIONS

Secondary Parameters	Enable Condition
Time needed for all secondary parameters to be in enable conditions	≥ 4096 ms
Battery voltage	≥ 10.9 V
Barometric pressure	≥ 75 kPa (563 mmHg, 22.2 inHg)
Rear oxygen sensor sub feedback	Execution
Rear oxygen sensor output voltage – Feedback target voltage or	–0.2 V — 0.1 V
Rear oxygen sensor sub feedback compensation coefficient or	On Min.
Rear oxygen sensor sub feedback compensation coefficient	On Max.
Elapsed time after starting the engine	≥ 60000 ms
Engine coolant temperature	≥ 70 °C (158 °F)
Vehicle speed	≥ 20 km/h (12.4 MPH)
Amount of intake air	≥ 6 g/s (0.21 oz/s)
Load change at 180°CA	< 0.02 g/rev (0 oz/rev)
Front oxygen (A/F) sensor impedance	0 Ω — 50 Ω
Learning value of evaporation gas density	< 0.2
Total time of operating canister purge	≥ 19.9 s
Targeted lambda value load compensation coefficient	–1 — 1

### 4. GENERAL DRIVING CYCLE

Perform diagnosis continuously at a constant speed of 20 km/h (12.4 MPH) or more after 60000 ms have passed since the engine started.

### 5. DIAGNOSTIC METHOD

#### • Abnormality Judgement

If the duration of time while the following conditions are met is longer than the time indicated, judge as NG.

#### Judgement Value

Malfunction Criteria	Threshold Value
λ value	> 1.15

**Time Needed for Diagnosis:** 10000 ms

**Malfunction Indicator Light Illumination:** Illuminates when malfunction occurs in 2 continuous driving cycles.

#### • Normality Judgement

Judge as OK and clear the NG if the continuous time while the following conditions are established is more than the predetermined time.

#### Judgement Value

Malfunction Criteria	Threshold Value
λ value	≤ 1.15

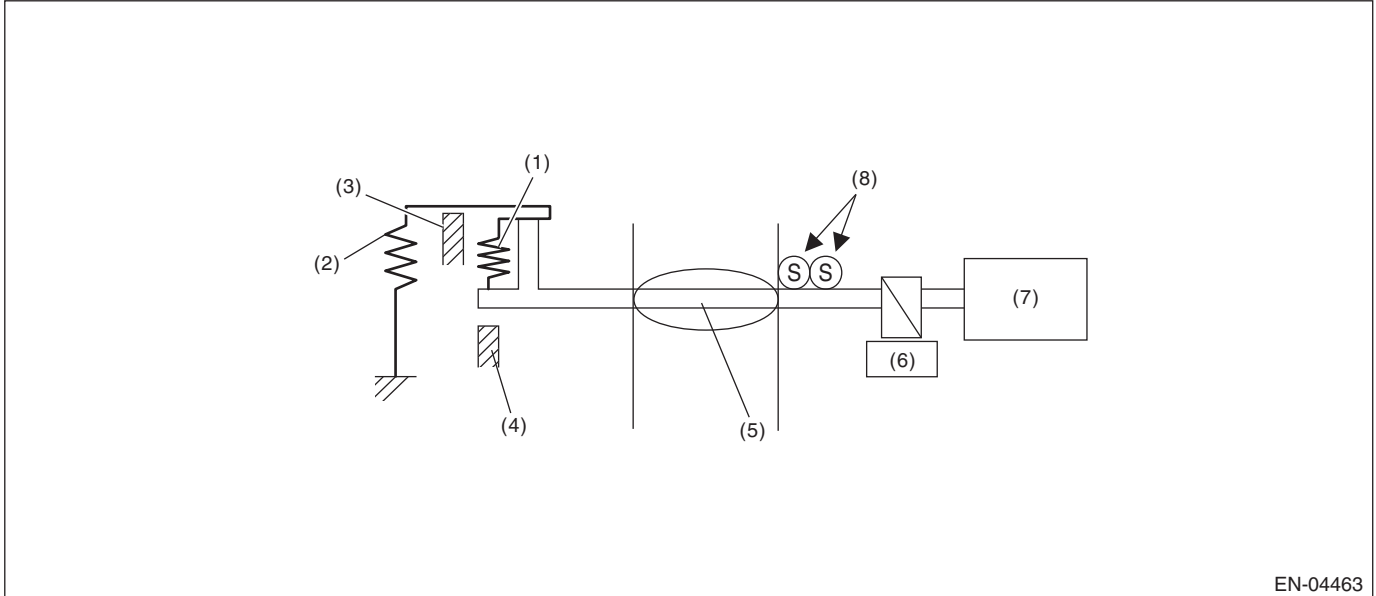
**Time Needed for Diagnosis:** Less than 1 second

## CO:DTC P1160 RETURN SPRING FAILURE

### 1. OUTLINE OF DIAGNOSIS

Judge as NG when the valve is opened more than the default opening angle, but does not move to the close direction with the motor power stopped.

### 2. COMPONENT DESCRIPTION



- |                          |                         |   |
|--------------------------|-------------------------|---|
| (1) Opener spring        | (4) Full closed stopper | (7) DC motor                              |
| (2) Return spring        | (5) Throttle valve      | (8) Main and sub throttle position sensor |
| (3) Intermediate stopper | (6) Gear                |   |

### 3. ENABLE CONDITIONS

Secondary Parameters	Enable Condition
Battery voltage	≥ 6 V
Throttle position sensor	Normal

### 4. GENERAL DRIVING CYCLE

- Ignition switch ON → OFF
- Ignition switch OFF → ON (Only after clearing memory)

# Diagnostic Trouble Code (DTC) Detecting Criteria

## GENERAL DESCRIPTION

---

### 5. DIAGNOSTIC METHOD

#### • Abnormality Judgement

Judge as NG when the following conditions are established.

#### Judgement Value

Malfunction Criteria	Threshold Value
Opening variation after continuity is set to OFF	$< 2^\circ$

**Time Needed for Diagnosis:** 24 ms

**Malfunction Indicator Light Illumination:** Illuminates as soon as a malfunction occurs.

#### • Normality Judgement

Judge as OK and clear the NG if the following conditions are established.

#### Judgement Value

Malfunction Criteria	Threshold Value
Opening variation after continuity is set to OFF	$\geq 2^\circ$

**Time Needed for Diagnosis:** 3400 ms

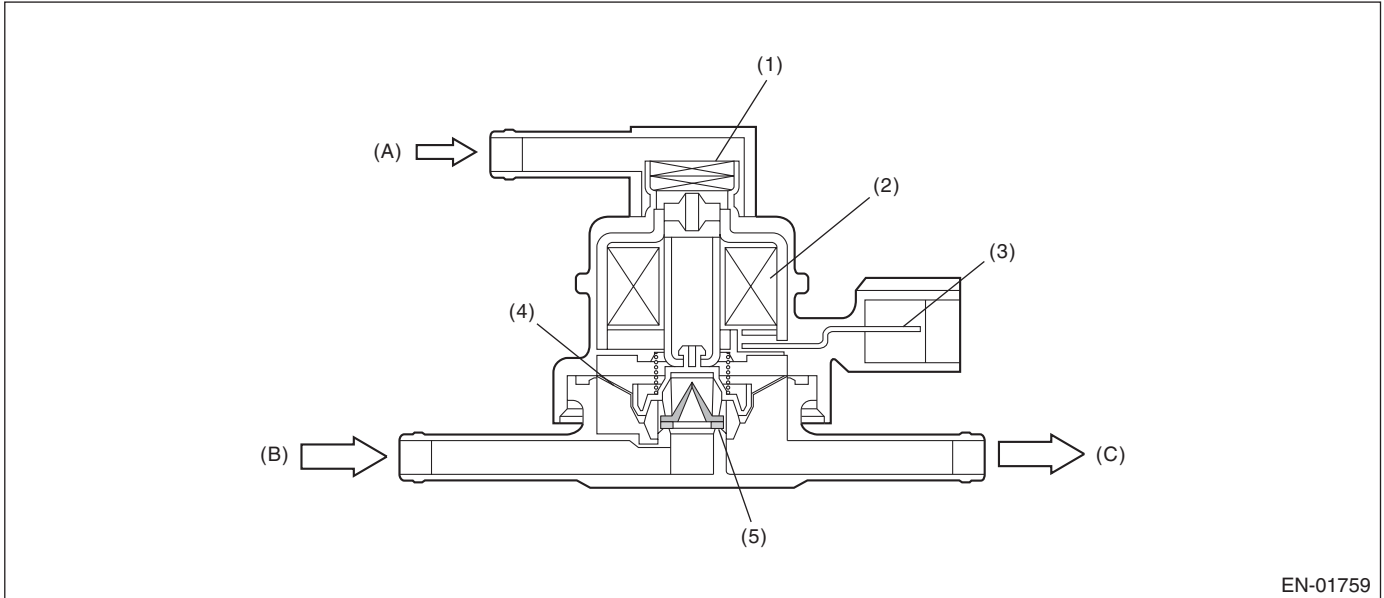


## CP:DTC P1400 FUEL TANK PRESSURE CONTROL SOLENOID VALVE CIRCUIT LOW

### 1. OUTLINE OF DIAGNOSIS

Detect the open/short circuit of pressure control solenoid valve.  
 Judge as NG when ECM output level is different from actual terminal level.

### 2. COMPONENT DESCRIPTION



- |                         |                        |                  |
|-------------------------|------------------------|------------------|
| (A) Barometric pressure | (B) Shut-off valve     | (C) To fuel tank |
| (1) Filter              | (3) Connector terminal | (5) Valve        |
| (2) Coil                | (4) Diaphragm          |                  |

### 3. ENABLE CONDITIONS

Secondary Parameters	Enable Conditions
None	

### 4. GENERAL DRIVING CYCLE

Always perform the diagnosis after starting the engine.

# Diagnostic Trouble Code (DTC) Detecting Criteria

## GENERAL DESCRIPTION

---

### 5. DIAGNOSTIC METHOD

#### • Abnormality Judgement

If the duration of time while the following conditions are met is longer than the time indicated, judge as NG.

#### Judgement Value

Malfunction Criteria	Threshold Value
Battery voltage	$\geq 10.9$ V
Elapsed time after starting the engine	$\geq 1$ second
Terminal output voltage when ECM outputs OFF signal	Low

**Time Needed for Diagnosis:** 2500 ms

**Malfunction Indicator Light Illumination:** Illuminates when malfunction occurs in 2 continuous driving cycles.

#### • Normality Judgement

Judge as OK and clear the NG if the continuous time while the following conditions are established is more than the predetermined time.

#### Judgement Value

Malfunction Criteria	Threshold Value
Battery voltage	$\geq 10.9$ V
Elapsed time after starting the engine	$\geq 1$ second
Terminal output voltage when ECM outputs OFF signal	High

**Time Needed for Diagnosis:** Less than 1 second

# Diagnostic Trouble Code (DTC) Detecting Criteria

GENERAL DESCRIPTION

## CQ:DTC P1410 SECONDARY AIR INJECTION SYSTEM SWITCHING VALVE STUCK OPEN

### 1. OUTLINE OF DIAGNOSIS

Always detect abnormality that both combination valve electromagnetic valve and the reed valve are open failure. Calculate the integrated value of Max./Min. value and output voltage deviation of the secondary air delivery pipe pressure sensor output voltage in a given time after engine start. Judge as NG if the integrated value and the difference between Max. and Min. values are large.

### 2. ENABLE CONDITIONS

Secondary Parameters	Enable Condition
Engine speed	≥ 500 rpm and < 10000 rpm
Elapsed time after starting the engine	≥ 9000 ms
After secondary air system stops	≥ 9000 ms
Amount of intake air	≥ 2 g/s (0.07 oz/s) and < 400 g/s (14.11 oz/s)
Battery voltage	≥ 10.9 V
Engine load	> 0 g/rev
After fuel cut	≥ 1000 ms

### 3. GENERAL DRIVING CYCLE

Perform continuous diagnosis when air flow amount is large during the secondary air pump stop after engine start.

### 4. DIAGNOSTIC METHOD

When both combination valve electromagnetic valve and the reed valve are open failure, the failure appears as pulses in the secondary air delivery pipe pressure sensor output. Detect abnormality by capturing these pulses using the following method.

#### • Abnormality Judgement

Calculate Max./Min. value of the secondary air delivery pipe pressure sensor output voltage and the sum of the output voltage deviation for the given time. Compare the difference between Max. and Min. values with threshold value and also compare the sum value with the threshold value. If both values exceed the threshold value, count up NG counter and then judge as NG if the counter reaches the given times.

#### Judgement Value

Malfunction Criteria	Threshold Value
Pipe inner pressure difference between Max. and Min.	> 0.05 V
Sum of the pipe inner pressure variation value every 4 milliseconds	> 5 V
Barometric pressure variation value	< 26.7 kPa (200 mmHg, 7.9 inHg)

**Time Needed for Diagnosis:** 2000 ms × 20 time(s)

**Malfunction Indicator Light Illumination:** Illuminates as soon as a malfunction occurs.

#### • Normality Judgement

Judge as OK and clear NG if neither exceeds the threshold value, or if either of the two exceeds the threshold value.

#### Judgement Value

Malfunction Criteria	Threshold Value
Pipe inner pressure difference between Max. and Min.	≤ 0.05 V
Sum of the pipe inner pressure variation value every 4 milliseconds	≤ 5 V

**Time Needed for Diagnosis:** 2000 ms

# Diagnostic Trouble Code (DTC) Detecting Criteria

## GENERAL DESCRIPTION

---

### CR:DTC P1418 SECONDARY AIR INJECTION SYSTEM CONTROL "A" CIRCUIT SHORTED

#### 1. OUTLINE OF DIAGNOSIS

Judge as NG when the ECM output level differs from the actual terminal level.

#### 2. ENABLE CONDITIONS

Secondary Parameters	Enable Condition
None	

#### 3. GENERAL DRIVING CYCLE

Always perform the diagnosis continuously.

#### 4. DIAGNOSTIC METHOD

##### • Abnormality Judgement

If the duration of time while the following conditions are met is longer than the time indicated, judge as NG.

##### Judgement Value

Malfunction Criteria	Threshold Value
Battery voltage	$\geq 10.9$ V
Ignition	ON
Terminal output voltage when ECM outputs ON signal	HIGH

**Time Needed for Diagnosis:** 2500 ms

**Malfunction Indicator Light Illumination:** Illuminates as soon as a malfunction occurs.

##### • Normality Judgement

Judge as OK and clear the NG if the continuous time while the following conditions are established is more than the predetermined time.

##### Judgement Value

Malfunction Criteria	Threshold Value
Battery voltage	$\geq 10.9$ V
Ignition	ON
Terminal output voltage when ECM outputs ON signal	LOW

**Time Needed for Diagnosis:** Less than 1 second

# Diagnostic Trouble Code (DTC) Detecting Criteria

GENERAL DESCRIPTION

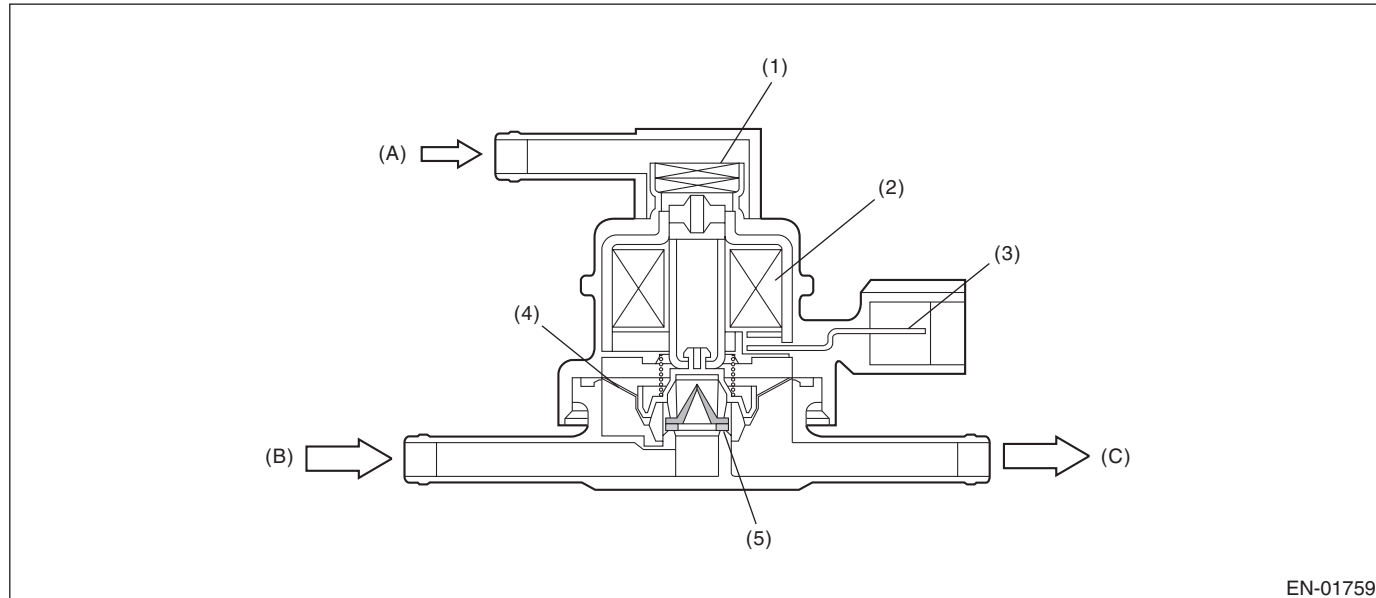
## CS:DTC P1420 FUEL TANK PRESSURE CONTROL SOL. VALVE CIRCUIT HIGH

### 1. OUTLINE OF DIAGNOSIS

Detect the open/short circuit of pressure control solenoid valve.

Judge as NG when ECM output level is different from actual terminal level.

### 2. COMPONENT DESCRIPTION



(A) Barometric pressure

(B) Shut-off valve

(C) To fuel tank

(1) Filter

(3) Connector terminal

(5) Valve

(2) Coil

(4) Diaphragm

### 3. ENABLE CONDITIONS

Secondary Parameters	Enable Conditions
None	

### 4. GENERAL DRIVING CYCLE

Always perform the diagnosis after starting the engine.

# Diagnostic Trouble Code (DTC) Detecting Criteria

## GENERAL DESCRIPTION

---

### 5. DIAGNOSTIC METHOD

#### • Abnormality Judgement

If the duration of time while the following conditions are met is longer than the time indicated, judge as NG.

#### Judgement Value

Malfunction Criteria	Threshold Value
Battery voltage	$\geq 10.9$ V
Elapsed time after starting the engine	$\geq 1$ second
Terminal output voltage when ECM outputs ON signal	High

**Time Needed for Diagnosis:** 2500 ms

**Malfunction Indicator Light Illumination:** Illuminates when malfunction occurs in 2 continuous driving cycles.

#### • Normality Judgement

Judge as OK and clear the NG if the continuous time while the following conditions are established is more than the predetermined time.

#### Judgement Value

Malfunction Criteria	Threshold Value
Battery voltage	$\geq 10.9$ V
Elapsed time after starting the engine	$\geq 1$ second
Terminal output voltage when ECM outputs ON signal	Low

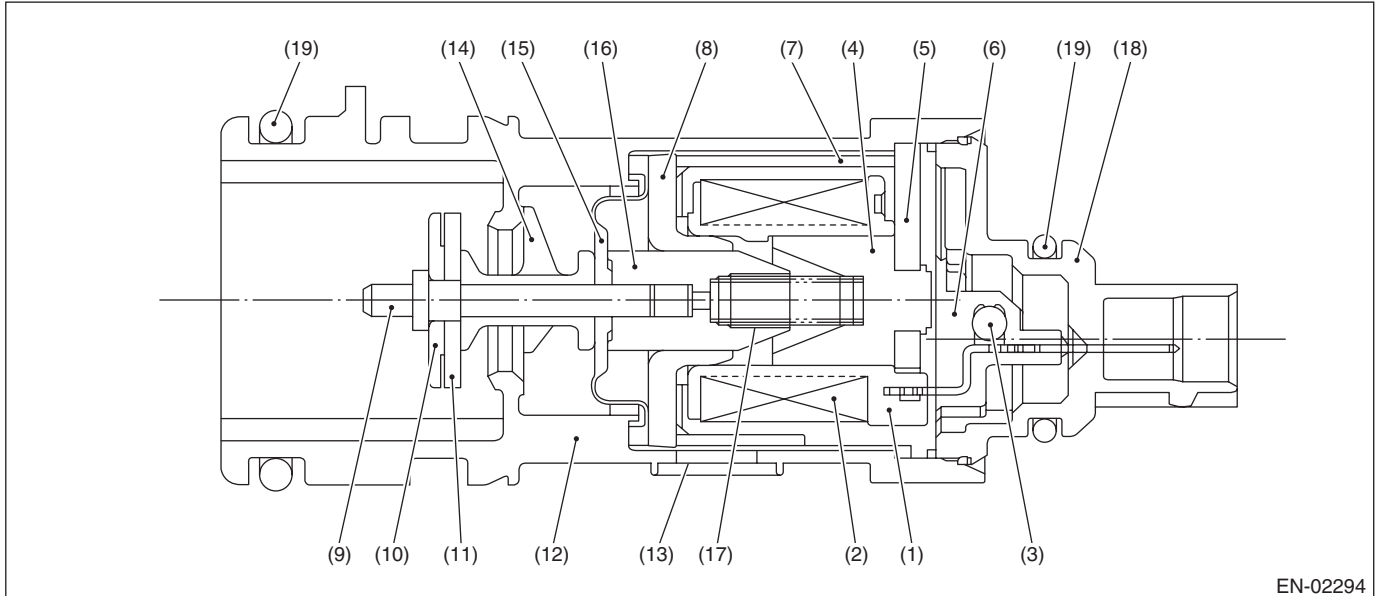
**Time Needed for Diagnosis:** Less than 1 second

## CT:DTC P1443 VENT CONTROL SOLENOID VALVE FUNCTION PROBLEM

### 1. OUTLINE OF DIAGNOSIS

Detect the abnormal function (stuck closed) of the drain valve.  
 Judge as NG when fuel tank pressure is low.

### 2. COMPONENT DESCRIPTION



- |                 |                    |                   |
|-----------------|--------------------|-------------------|
| (1) Bobbin      | (8) Magnetic plate | (14) Retainer     |
| (2) Coil        | (9) Shaft          | (15) Diaphragm    |
| (3) Diode       | (10) Plate         | (16) Movable core |
| (4) Stator core | (11) Valve         | (17) Spring       |
| (5) End plate   | (12) Housing       | (18) Cover        |
| (6) Body        | (13) Filter        | (19) O-ring       |
| (7) Yoke        |                    |                   |

### 3. ENABLE CONDITIONS

Secondary Parameters	Enable Condition
Drain valve	Open
Battery voltage	$\geq 10.9 \text{ V}$
Barometric pressure	$\geq 75 \text{ kPa}$ (563 mmHg, 22.2 inHg)
Tank pressure when starter is OFF → ON	$-0.7 \text{ kPa}$ ( $-5 \text{ mmHg}$ , $-0.2 \text{ inHg}$ ) and $1.4 \text{ kPa}$ (10.7 mmHg, 0.4 inHg)

### 4. GENERAL DRIVING CYCLE

Always perform the diagnosis continuously.

# Diagnostic Trouble Code (DTC) Detecting Criteria

## GENERAL DESCRIPTION

---

### 5. DIAGNOSTIC METHOD

#### • Abnormality Judgement

If the duration of time while the following conditions are met is longer than the time indicated, judge as NG.

#### Judgement Value

Malfunction Criteria	Threshold Value
Fuel tank pressure	$\leq -4$ kPa ( $-30$ mmHg, $-1.2$ inHg)

**Time Needed for Diagnosis:** 3000 ms

**Malfunction Indicator Light Illumination:** Illuminates as soon as a malfunction occurs.

#### • Normality Judgement

Judge as OK and clear the NG if the continuous time while the following conditions are established is more than the predetermined time.

#### Judgement Value

Malfunction Criteria	Threshold Value
Fuel tank pressure	$> -4$ kPa ( $-30$ mmHg, $-1.2$ inHg)
Cumulative time when all the malfunction criteria below are met.	$\geq 30000$ ms
Purge control solenoid valve duty	Not = 0
Fuel temperature	$-10$ °C (14 °F) — $55$ °C (131 °F)
Intake manifold relative pressure	$\geq -26.7$ kPa ( $-200$ mmHg, $-7.9$ inHg)

**Time Needed for Diagnosis:** Less than 1 second

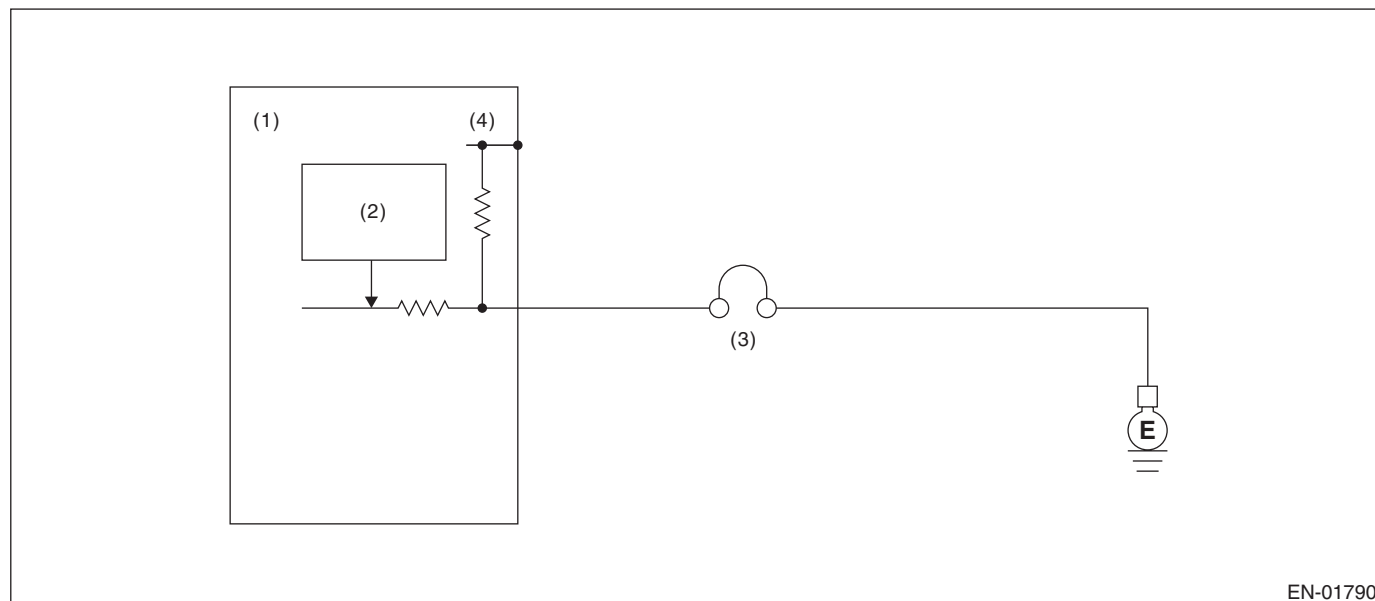


## CU:DTC P1491 POSITIVE CRANKCASE VENTILATION (BLOW-BY) FUNCTION PROBLEM

### 1. OUTLINE OF DIAGNOSIS

Detect the blow-by hose release abnormality.  
 Judge as NG when the diagnosis terminal voltage is high.

### 2. COMPONENT DESCRIPTION



- (1) Engine control module (ECM)      (3) PCV diagnosis connector      (4) 5 V  
 (2) Detecting circuit

### 3. ENABLE CONDITIONS

Secondary Parameters	Enable Conditions
None	

### 4. GENERAL DRIVING CYCLE

Always perform the diagnosis continuously.

# Diagnostic Trouble Code (DTC) Detecting Criteria

## GENERAL DESCRIPTION

---

### 5. DIAGNOSTIC METHOD

#### • Abnormality Judgement

If the duration of time while the following conditions are met is longer than the time indicated, judge as NG.

#### Judgement Value

Malfunction Criteria	Threshold Value
Battery voltage	$\geq 10.9$ V
Engine condition	After engine starting
Positive crankcase ventilation diagnosis voltage	High

**Time Needed for Diagnosis:** 2500 ms

**Malfunction Indicator Light Illumination:** Illuminates as soon as a malfunction occurs.

#### • Normality Judgement

Judge as OK and clear the NG if the continuous time while the following conditions are established is more than the predetermined time.

#### Judgement Value

Malfunction Criteria	Threshold Value
Battery voltage	$\geq 10.9$ V
Engine condition	After engine starting
Positive crankcase ventilation diagnosis voltage	Low

**Time Needed for Diagnosis:** Less than 1 second

# Diagnostic Trouble Code (DTC) Detecting Criteria

GENERAL DESCRIPTION

## CV:DTC P1560 BACK-UP VOLTAGE CIRCUIT MALFUNCTION

### 1. OUTLINE OF DIAGNOSIS

Detect the open/short circuit of back-up power supply circuit.  
Judge as NG when the backup power voltage is low.

### 2. ENABLE CONDITIONS

Secondary Parameters	Enable Condition
None	

### 3. GENERAL DRIVING CYCLE

Always perform the diagnosis continuously.

### 4. DIAGNOSTIC METHOD

#### • Abnormality Judgement

If the duration of time while the following conditions are met is longer than the time indicated, judge as NG.

#### Judgement Value

Malfunction Criteria	Threshold Value
Voltage of back-up power supply	Low
Battery voltage	$\geq 10.9$ V
Engine condition	After engine starting

**Time Needed for Diagnosis:** 2500 ms

**Malfunction Indicator Light Illumination:** Illuminates as soon as a malfunction occurs.

#### • Normality Judgement

Judge as OK and clear the NG if the continuous time while the following conditions are established is more than the predetermined time.

#### Judgement Value

Malfunction Criteria	Threshold Value
Voltage of back-up power supply	High
Battery voltage	$\geq 10.9$ V
Engine condition	After engine starting

**Time Needed for Diagnosis:** Less than 1 second

## Diagnostic Trouble Code (DTC) Detecting Criteria

### GENERAL DESCRIPTION

---

#### **CW:DTC P1570 ANTENNA**

##### **1. OUTLINE OF DIAGNOSIS**

###### NOTE:

For the detection standard, refer to DTC P0513. <Ref. to GD(H4DOTC)-155, DTC P0513 INCORRECT IM-MOBILIZER KEY, Diagnostic Trouble Code (DTC) Detecting Criteria.>

#### **CX:DTC P1571 REFERENCE CODE INCOMPATIBILITY**

##### **1. OUTLINE OF DIAGNOSIS**

###### NOTE:

For the detection standard, refer to DTC P0513. <Ref. to GD(H4DOTC)-155, DTC P0513 INCORRECT IM-MOBILIZER KEY, Diagnostic Trouble Code (DTC) Detecting Criteria.>

#### **CY:DTC P1572 IMM CIRCUIT FAILURE (EXCEPT ANTENNA CIRCUIT)**

##### **1. OUTLINE OF DIAGNOSIS**

###### NOTE:

For the detection standard, refer to DTC P0513. <Ref. to GD(H4DOTC)-155, DTC P0513 INCORRECT IM-MOBILIZER KEY, Diagnostic Trouble Code (DTC) Detecting Criteria.>

#### **CZ:DTC P1574 KEY COMMUNICATION FAILURE**

##### **1. OUTLINE OF DIAGNOSIS**

###### NOTE:

For the detection standard, refer to DTC P0513. <Ref. to GD(H4DOTC)-155, DTC P0513 INCORRECT IM-MOBILIZER KEY, Diagnostic Trouble Code (DTC) Detecting Criteria.>

#### **DA:DTC P1576 EGI CONTROL MODULE EEPROM**

##### **1. OUTLINE OF DIAGNOSIS**

###### NOTE:

For the detection standard, refer to DTC P0513. <Ref. to GD(H4DOTC)-155, DTC P0513 INCORRECT IM-MOBILIZER KEY, Diagnostic Trouble Code (DTC) Detecting Criteria.>

#### **DB:DTC P1577 IMM CONTROL MODULE EEPROM**

##### **1. OUTLINE OF DIAGNOSIS**

###### NOTE:

For the detection standard, refer to DTC P0513. <Ref. to GD(H4DOTC)-155, DTC P0513 INCORRECT IM-MOBILIZER KEY, Diagnostic Trouble Code (DTC) Detecting Criteria.>

#### **DC:DTC P1578 METER FAILURE**

##### **1. OUTLINE OF DIAGNOSIS**

###### NOTE:

For the detection standard, refer to DTC P0513. <Ref. to GD(H4DOTC)-155, DTC P0513 INCORRECT IM-MOBILIZER KEY, Diagnostic Trouble Code (DTC) Detecting Criteria.>

# Diagnostic Trouble Code (DTC) Detecting Criteria

GENERAL DESCRIPTION

## DD:DTC P1602 CONTROL MODULE PROGRAMMING ERROR

### 1. OUTLINE OF DIAGNOSIS

Detect malfunctions of the catalyst advanced idling retard angle control.

Judge as NG when ECM is not controlling the angle properly during catalyst advanced idling retard angle control.

Judge as NG if there is exhaust gas temperature diagnosis and idle speed diagnosis and if either of them is NG.

- Exhaust gas temperature diagnosis

Judge as NG when the estimated exhausted gas temperature in 14 seconds after the cold start is below the specified value.

- Idle speed diagnosis

Judge as NG when actual engine speed is not close to target engine speed after terminating the retard angle control.

### 2. ENABLE CONDITIONS

Secondary Parameters	Enable Conditions
Atmospheric pressure	≥ 75 kPa (563 mmHg, 22.2 inHg)
Battery voltage	≥ 10.9 V
Cold start diagnosis	Incomplete
Vehicle speed	< 3 km/h (1.9 MPH)
Misfire in 200 engine revs.	< 5
Time after starting	= 14 seconds

### 3. GENERAL DRIVING CYCLE

Perform the diagnosis at cold start.

### 4. DIAGNOSTIC METHOD

- Exhaust gas temperature diagnosis

#### Abnormality Judgement

Calculate the estimated exhaust gas temperature when the diagnostic enable condition is established. Judge as NG when the following conditions are established after engine starting within the predetermined time.

#### Judgement Value

Malfunction Criteria	Threshold Value
Estimated exhaust gas temperature	< Value from Map

#### Map

Coolant temperature after starting the engine	-40 °C (-40 °F)	-30 °C (-22 °F)	-20 °C (-4 °F)	-10 °C (14 °F)	0 °C (32 °F)	10 °C (50 °F)	20 °C (68 °F)	30 °C (86 °F)	40 °C (104 °F)	45 °C (113 °F)
Threshold value (AT model)	200 °C (392 °F)	200 °C (392 °F)	200 °C (392 °F)	200 °C (392 °F)	95 °C (203 °F)	95 °C (203 °F)	89 °C (192.2 °F)	83 °C (181.4 °F)	79 °C (174.2 °F)	79 °C (174.2 °F)
Threshold value (except for WRX-SS model)	200 °C (392 °F)	200 °C (392 °F)	200 °C (392 °F)	200 °C (392 °F)	92 °C (197.6 °F)	89 °C (192.2 °F)	86 °C (186.8 °F)	82 °C (179.6 °F)	78 °C (172.4 °F)	78 °C (172.4 °F)
Threshold value (WRX-S model)	200 °C (392 °F)	200 °C (392 °F)	200 °C (392 °F)	200 °C (392 °F)	80 °C (176 °F)	83 °C (181.4 °F)	81 °C (177.8 °F)	75 °C (167 °F)	74 °C (165.2 °F)	71 °C (159.8 °F)

**Time Needed for Diagnosis:** 14 seconds

**Malfunction Indicator Light Illumination:** Illuminates when malfunction occurs in 2 continuous driving cycles.

#### Normality Judgement

Judge as OK and clear the NG if the following conditions are established.

#### Judgement Value

Malfunction Criteria	Threshold Value
Estimated exhaust gas temperature	≥ Value from Map

**Time Needed for Diagnosis:** Less than 1 second

# Diagnostic Trouble Code (DTC) Detecting Criteria

## GENERAL DESCRIPTION

---

### • Idle speed diagnosis

#### Abnormality Judgement

Judge as NG when the following conditions are established after the predetermined time.

#### Judgement Value

Malfunction Criteria	Threshold Value
Continuous time of (Target engine speed – Actual engine speed > –100 rpm) (except for WRX-SS model)	≥ 6000 ms
Continuous time of (Target engine speed – Actual engine speed > –200 rpm) (WRX-SS model)	
Continuous time of (actual retard amount > 30 °CA)	≥ 0 ms

**Time Needed for Diagnosis:** 14 seconds

**Malfunction Indicator Light Illumination:** Illuminates when malfunction occurs in 2 continuous driving cycles.

#### Normality Judgement

Judge as OK and clear the NG if the following conditions are established.

#### Judgement Value

Malfunction Criteria	Threshold Value
Continuous time of (Target engine speed – Actual engine speed > –100 rpm) (except for WRX-SS model)	< 6000 ms
Continuous time of (Target engine speed – Actual engine speed > –200 rpm) (WRX-SS model)	
Continuous time of (actual retard amount > 30 °CA)	< 0 ms

**Time Needed for Diagnosis:** Less than 1 second

# Diagnostic Trouble Code (DTC) Detecting Criteria

GENERAL DESCRIPTION

## DE:DTC P2004 INTAKE MANIFOLD RUNNER CONTROL STUCK OPEN (BANK 1)

### 1. OUTLINE OF DIAGNOSIS

Detect the malfunction of tumble generator valve motor function.

Judge open fixing malfunction when the opening degree is large even after finishing the tumble generator valve closing driving.

### 2. ENABLE CONDITIONS

Secondary Parameters	Enable Condition
Battery voltage	$\geq 10.9 \text{ V}$
Engine coolant temperature	$\geq -30 \text{ }^\circ\text{C}$ ( $-22 \text{ }^\circ\text{F}$ )
Ambient air temperature	$\geq -30 \text{ }^\circ\text{C}$ ( $-22 \text{ }^\circ\text{F}$ )

### 3. GENERAL DRIVING CYCLE

Always perform the diagnosis continuously.

### 4. DIAGNOSTIC METHOD

#### • Abnormality Judgement

If the duration of time while the following conditions are met is longer than the time indicated, judge as NG.

#### Judgement Value

Malfunction Criteria	Threshold Value
Tumble generator valve opening	$\geq 64.3 \text{ }^\circ$
Tumble generator valve "close" signal output	$\geq 3200 \text{ ms}$

**Time Needed for Diagnosis:** 3000 ms

**Malfunction Indicator Light Illumination:** Illuminates as soon as a malfunction occurs.

#### • Normality Judgement

Judge as OK and clear the NG if the continuous time while the following conditions are established is more than the predetermined time.

#### Judgement Value

Malfunction Criteria	Threshold Value
Tumble generator valve opening	$< 64.3 \text{ }^\circ$
Tumble generator valve "close" signal output	$\geq 3200 \text{ ms}$

**Time Needed for Diagnosis:** Less than 1 second

# Diagnostic Trouble Code (DTC) Detecting Criteria

## GENERAL DESCRIPTION

---

### DF:DTC P2005 INTAKE MANIFOLD RUNNER CONTROL STUCK OPEN (BANK 2)

#### 1. OUTLINE OF DIAGNOSIS

Detect the malfunction of tumble generator valve motor function.

Judge open fixing malfunction when the opening degree is large even after finishing the tumble generator valve closing driving.

#### 2. ENABLE CONDITIONS

Secondary Parameters	Enable Condition
Battery voltage	$\geq 10.9 \text{ V}$
Engine coolant temperature	$\geq -30 \text{ }^{\circ}\text{C}$ ( $-22 \text{ }^{\circ}\text{F}$ )
Ambient air temperature	$\geq -30 \text{ }^{\circ}\text{C}$ ( $-22 \text{ }^{\circ}\text{F}$ )

#### 3. GENERAL DRIVING CYCLE

Always perform the diagnosis continuously.

#### 4. DIAGNOSTIC METHOD

##### • Abnormality Judgement

If the duration of time while the following conditions are met is longer than the time indicated, judge as NG.

##### Judgement Value

Malfunction Criteria	Threshold Value
Tumble generator valve opening	$\geq 64.3 \text{ }^{\circ}$
Tumble generator valve "close" signal output	$\geq 3200 \text{ ms}$

**Time Needed for Diagnosis:** 3000 ms

**Malfunction Indicator Light Illumination:** Illuminates as soon as a malfunction occurs.

##### • Normality Judgement

Judge as OK and clear the NG if the continuous time while the following conditions are established is more than the predetermined time.

##### Judgement Value

Malfunction Criteria	Threshold Value
Tumble generator valve opening	$< 64.3 \text{ }^{\circ}$
Tumble generator valve "close" signal output	$\geq 3200 \text{ ms}$

**Time Needed for Diagnosis:** Less than 1 second



# Diagnostic Trouble Code (DTC) Detecting Criteria

GENERAL DESCRIPTION

## DG:DTC P2006 INTAKE MANIFOLD RUNNER CONTROL STUCK CLOSED (BANK 1)

### 1. OUTLINE OF DIAGNOSIS

Detect the malfunction of tumble generator valve motor function.

Judge close fixing malfunction when the opening degree is small even after finishing the tumble generator valve open driving.

### 2. ENABLE CONDITIONS

Secondary Parameters	Enable Condition
Battery voltage	$\geq 10.9$ V
Engine coolant temperature	$\geq -30$ °C ( $-22$ °F)
Ambient air temperature	$\geq -30$ °C ( $-22$ °F)

### 3. GENERAL DRIVING CYCLE

Always perform the diagnosis continuously.

### 4. DIAGNOSTIC METHOD

#### • Abnormality Judgement

If the duration of time while the following conditions are met is longer than the time indicated, judge as NG.

#### Judgement Value

Malfunction Criteria	Threshold Value
Tumble generator valve opening	$< 64.3$ °
Tumble generator valve "open" signal output	$\geq 4600$ ms

**Time Needed for Diagnosis:** 3000 ms

**Malfunction Indicator Light Illumination:** Illuminates as soon as a malfunction occurs.

#### • Normality Judgement

Judge as OK and clear the NG if the continuous time while the following conditions are established is more than the predetermined time.

#### Judgement Value

Malfunction Criteria	Threshold Value
Tumble generator valve opening	$\geq 64.3$ °
Tumble generator valve "open" signal output	$\geq 4600$ ms

**Time Needed for Diagnosis:** Less than 1 second

# Diagnostic Trouble Code (DTC) Detecting Criteria

## GENERAL DESCRIPTION

---

### DH:DTC P2007 INTAKE MANIFOLD RUNNER CONTROL STUCK CLOSED (BANK 2)

#### 1. OUTLINE OF DIAGNOSIS

Detect the malfunction of tumble generator valve motor function.

Judge close fixing malfunction when the opening degree is small even after finishing the tumble generator valve open driving.

#### 2. ENABLE CONDITIONS

Secondary Parameters	Enable Condition
Battery voltage	$\geq 10.9 \text{ V}$
Engine coolant temperature	$\geq -30 \text{ }^{\circ}\text{C}$ ( $-22 \text{ }^{\circ}\text{F}$ )
Ambient air temperature	$\geq -30 \text{ }^{\circ}\text{C}$ ( $-22 \text{ }^{\circ}\text{F}$ )

#### 3. GENERAL DRIVING CYCLE

Always perform the diagnosis continuously.

#### 4. DIAGNOSTIC METHOD

##### • Abnormality Judgement

If the duration of time while the following conditions are met is longer than the time indicated, judge as NG.

##### Judgement Value

Malfunction Criteria	Threshold Value
Tumble generator valve opening	$< 64.3 \text{ }^{\circ}$
Tumble generator valve "open" signal output	$\geq 4600 \text{ ms}$

**Time Needed for Diagnosis:** 3000 ms

**Malfunction Indicator Light Illumination:** Illuminates as soon as a malfunction occurs.

##### • Normality Judgement

Judge as OK and clear the NG if the continuous time while the following conditions are established is more than the predetermined time.

##### Judgement Value

Malfunction Criteria	Threshold Value
Tumble generator valve opening	$\geq 64.3 \text{ }^{\circ}$
Tumble generator valve "open" signal output	$\geq 4600 \text{ ms}$

**Time Needed for Diagnosis:** Less than 1 second

# Diagnostic Trouble Code (DTC) Detecting Criteria

GENERAL DESCRIPTION

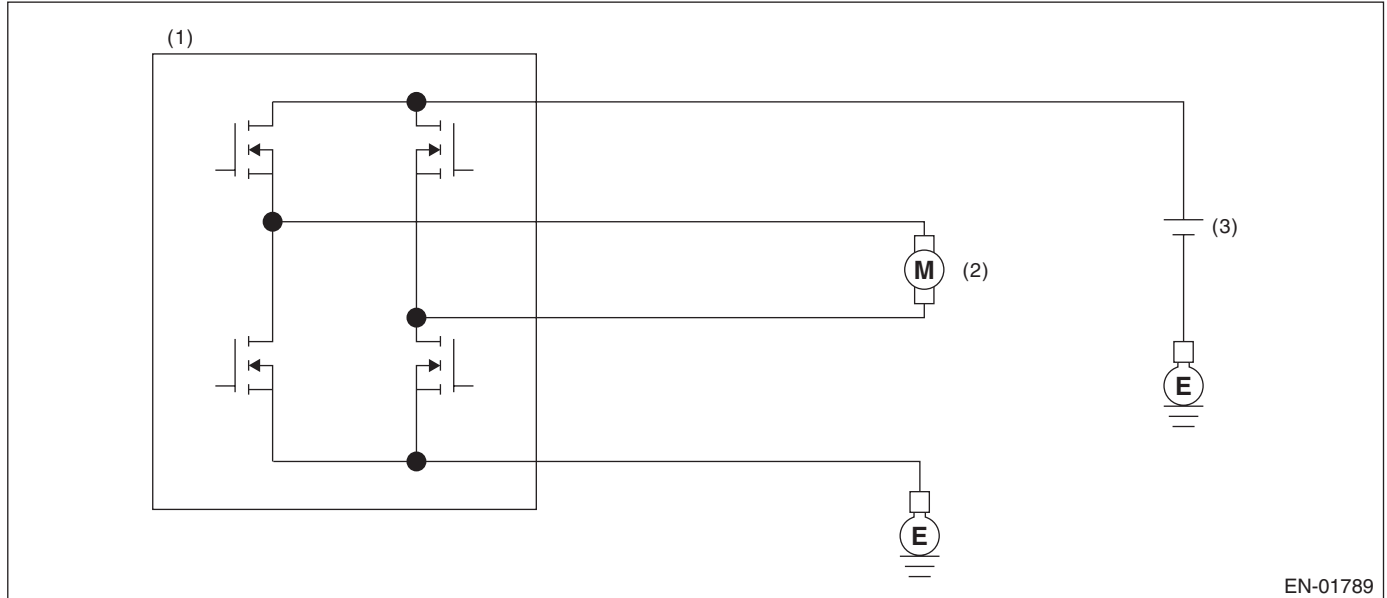
## DI: DTC P2008 INTAKE MANIFOLD RUNNER CONTROL CIRCUIT / OPEN (BANK 1)

### 1. OUTLINE OF DIAGNOSIS

Detect the open or short circuit of tumble generator valve motor.

Judge as NG when the open signal is sent from IC after tumble generator valve driving IC diagnosis.

### 2. COMPONENT DESCRIPTION



(1) Engine control module (ECM)

(2) Tumble generator valve

(3) Battery

### 3. ENABLE CONDITIONS

Secondary Parameters	Enable Condition
Battery voltage	$\geq 10.9$ V

### 4. GENERAL DRIVING CYCLE

Always perform the diagnosis continuously.

### 5. DIAGNOSTIC METHOD

#### • Abnormality Judgement

At the main IC, check the sent signal at each timing which occurs immediately after the tumble generator valve output is set to OFF → ON, and judge open NG when the open NG signal is sent 96 ms × 20 time(s) in a row.

#### Judgement Value

Malfunction Criteria	Threshold Value
Open NG signal input	Low

**Time Needed for Diagnosis:** 96 ms × 20 time(s)

**Malfunction Indicator Light Illumination:** Illuminates as soon as a malfunction occurs.

#### • Normality Judgement

Judge as OK and clear the NG when the OK signal is sent.

#### Judgement Value

Malfunction Criteria	Threshold Value
Open NG signal input	High

**Time Needed for Diagnosis:** Less than 1 second

# Diagnostic Trouble Code (DTC) Detecting Criteria

## GENERAL DESCRIPTION

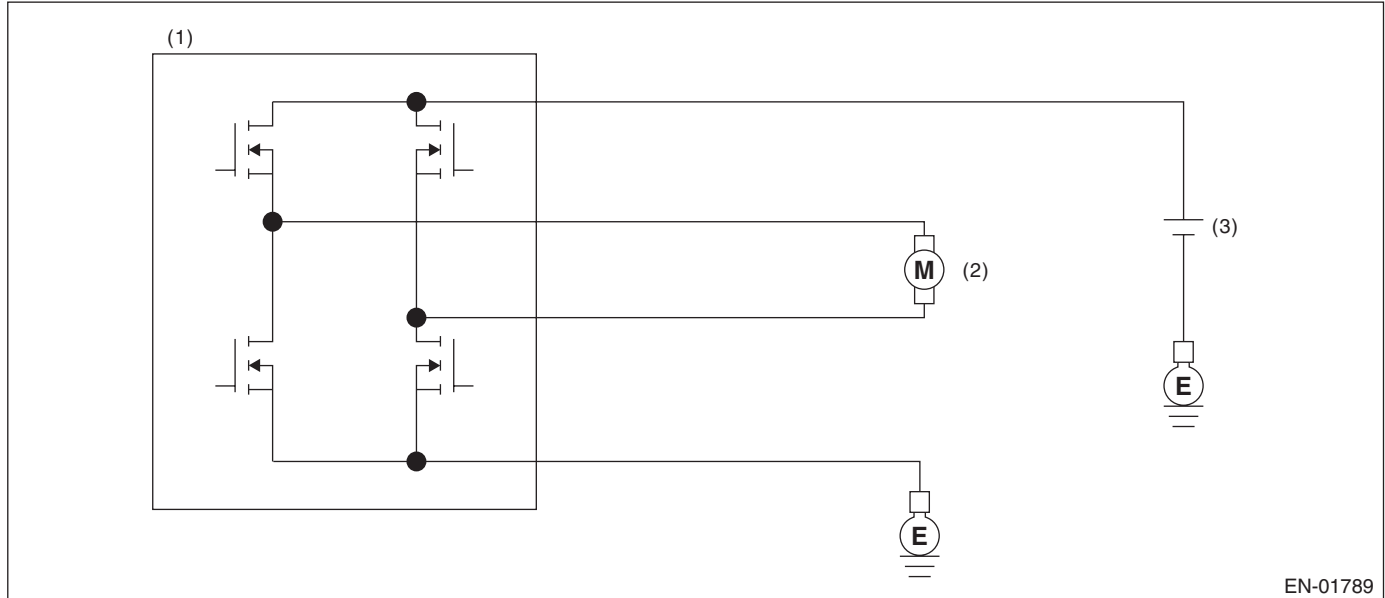
### DJ:DTC P2009 INTAKE MANIFOLD RUNNER CONTROL CIRCUIT LOW (BANK 1)

#### 1. OUTLINE OF DIAGNOSIS

Detect the open or short circuit of tumble generator valve motor.

Judge as NG when the overcurrent signal is sent from IC after tumble generator valve driving IC diagnosis.

#### 2. COMPONENT DESCRIPTION



EN-01789

(1) Engine control module (ECM)

(2) Tumble generator valve

(3) Battery

#### 3. ENABLE CONDITIONS

Secondary Parameters	Enable Condition
Battery voltage	$\geq 10.9$ V

#### 4. GENERAL DRIVING CYCLE

Always perform the diagnosis continuously.

#### 5. DIAGNOSTIC METHOD

##### • Abnormality Judgement

At the main IC, check the sent signal at each timing which occurs immediately after the tumble generator valve output is set to OFF → ON, and judge overcurrent NG when the overcurrent NG signal is sent 96 ms × 10 time(s) in a row.

##### Judgement Value

Malfunction Criteria	Threshold Value
Overcurrent NG signal input	Low

**Time Needed for Diagnosis:** 96 ms × 10 time(s)

**Malfunction Indicator Light Illumination:** Illuminates as soon as a malfunction occurs.

##### • Normality Judgement

Judge as OK and clear the NG when the OK signal is sent.

##### Judgement Value

Malfunction Criteria	Threshold Value
Overcurrent NG signal input	High

**Time Needed for Diagnosis:** Less than 1 second

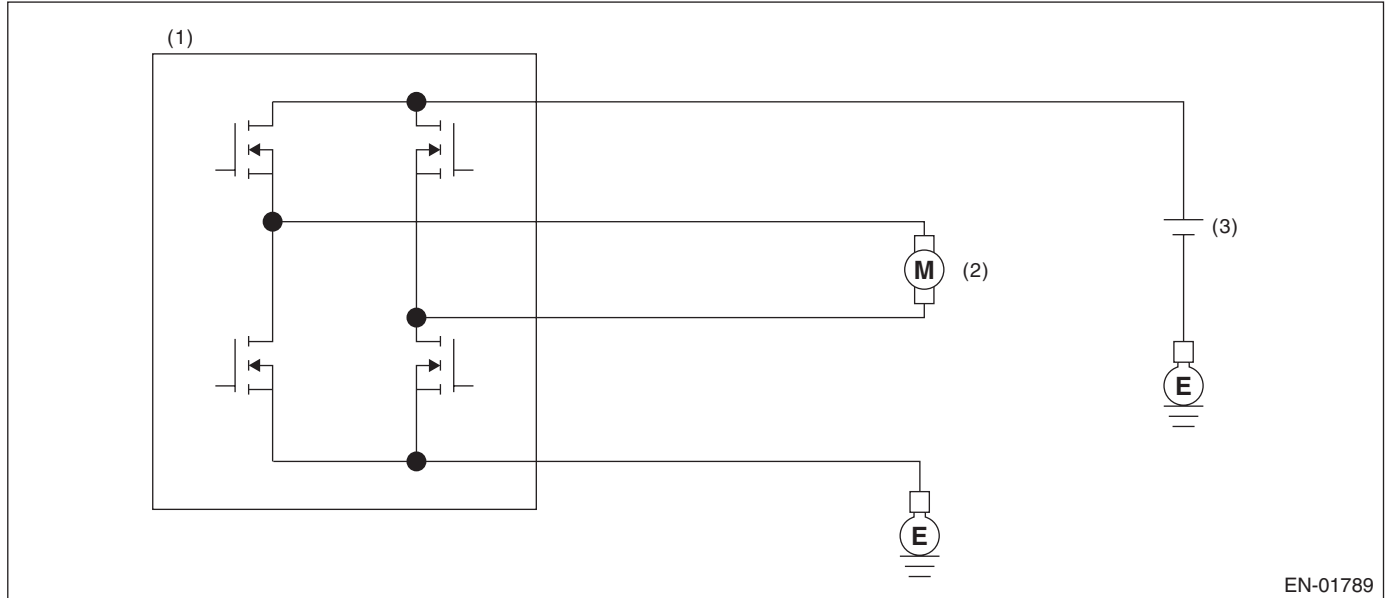
## DK:DTC P2011 INTAKE MANIFOLD RUNNER CONTROL CIRCUIT / OPEN (BANK 2)

### 1. OUTLINE OF DIAGNOSIS

Detect the open or short circuit of tumble generator valve motor.

Judge as NG when the open signal is sent from IC after tumble generator valve driving IC diagnosis.

### 2. COMPONENT DESCRIPTION



EN-01789

(1) Engine control module (ECM)      (2) Tumble generator valve      (3) Battery

### 3. ENABLE CONDITIONS

Secondary Parameters	Enable Condition
Battery voltage	≥ 10.9 V

### 4. GENERAL DRIVING CYCLE

Always perform the diagnosis continuously.

### 5. DIAGNOSTIC METHOD

#### • Abnormality Judgement

At the main IC, check the sent signal at each timing which occurs immediately after the tumble generator valve output is set to OFF → ON, and judge open NG when the open NG signal is sent 96 ms × 20 time(s) in a row.

#### Judgement Value

Malfunction Criteria	Threshold Value
Open NG signal input	Low

**Time Needed for Diagnosis:** 96 ms × 20 time(s)

**Malfunction Indicator Light Illumination:** Illuminates as soon as a malfunction occurs.

#### • Normality Judgement

Judge as OK and clear the NG when the OK signal is sent.

#### Judgement Value

Malfunction Criteria	Threshold Value
Open NG signal input	High

**Time Needed for Diagnosis:** Less than 1 second

# Diagnostic Trouble Code (DTC) Detecting Criteria

## GENERAL DESCRIPTION

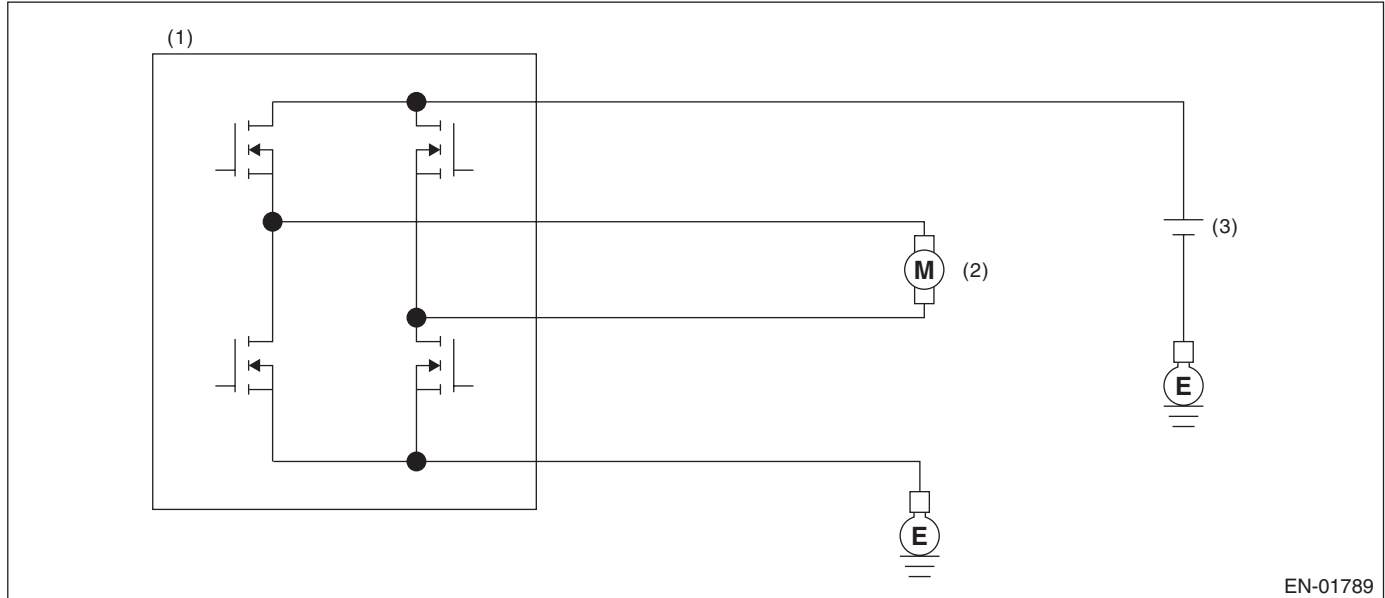
### DL:DTC P2012 INTAKE MANIFOLD RUNNER CONTROL CIRCUIT LOW (BANK 2)

#### 1. OUTLINE OF DIAGNOSIS

Detect the open or short circuit of tumble generator valve motor.

Judge as NG when the overcurrent signal is sent from IC after tumble generator valve driving IC diagnosis.

#### 2. COMPONENT DESCRIPTION



EN-01789

(1) Engine control module (ECM)

(2) Tumble generator valve

(3) Battery

#### 3. ENABLE CONDITIONS

Secondary Parameters	Enable Condition
Battery voltage	$\geq 10.9$ V

#### 4. GENERAL DRIVING CYCLE

Always perform the diagnosis continuously.

#### 5. DIAGNOSTIC METHOD

##### • Abnormality Judgement

At the main IC, check the sent signal at each timing which occurs immediately after the tumble generator valve output is set to OFF → ON, and judge overcurrent NG when the overcurrent NG signal is sent 96 ms × 10 time(s) in a row.

##### Judgement Value

Malfunction Criteria	Threshold Value
Overcurrent NG signal input	Low

**Time Needed for Diagnosis:** 96 ms × 10 time(s)

**Malfunction Indicator Light Illumination:** Illuminates as soon as a malfunction occurs.

##### • Normality Judgement

Judge as OK and clear the NG when the OK signal is sent.

##### Judgement Value

Malfunction Criteria	Threshold Value
Overcurrent NG signal input	High

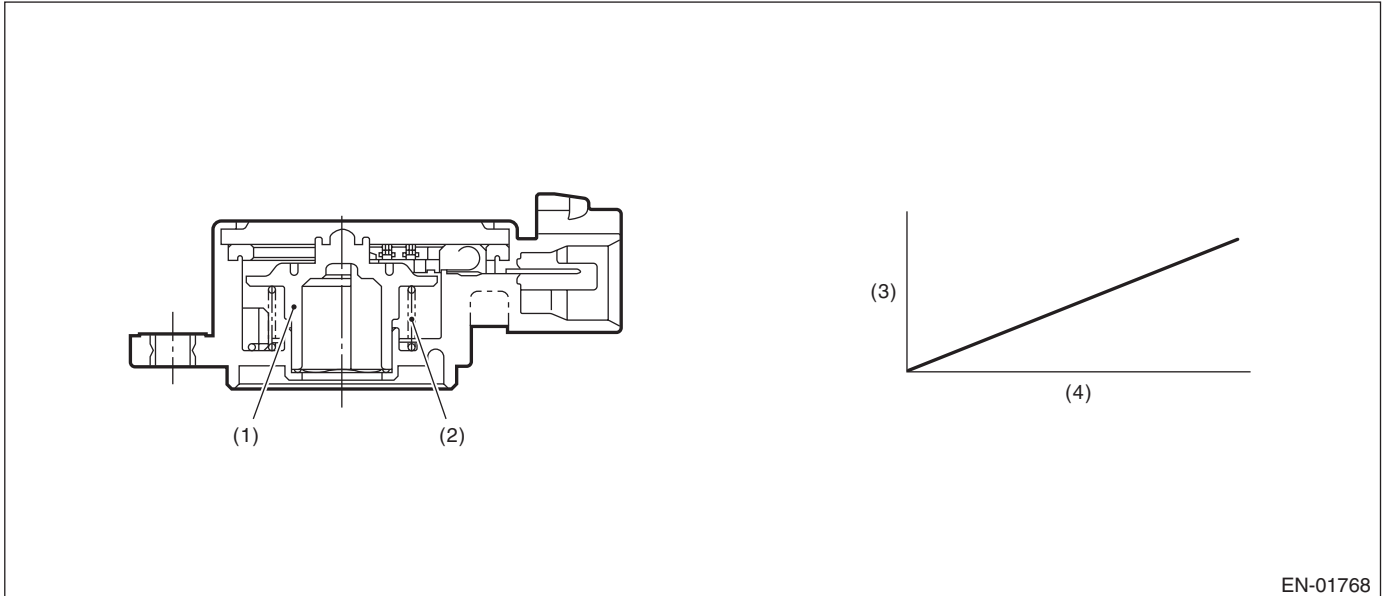
**Time Needed for Diagnosis:** Less than 1 second

## DM:DTC P2016 INTAKE MANIFOLD RUNNER POSITION SENSOR / SWITCH CIRCUIT LOW (BANK 1)

### 1. OUTLINE OF DIAGNOSIS

Detect open or short circuit of tumble generator valve position sensor.  
Judge as NG if out of specification.

### 2. COMPONENT DESCRIPTION



- |                   |                 |  |
|-------------------|-----------------|--|
| (1) Rotor         | (3) Voltage (V) | (4) Tumble generator valve opening (°) |
| (2) Return spring |                 |  |

### 3. ENABLE CONDITIONS

Secondary Parameters	Enable Condition
None	

### 4. GENERAL DRIVING CYCLE

Always perform the diagnosis continuously.

### 5. DIAGNOSTIC METHOD

#### • Abnormality Judgement

If the duration of time while the following conditions are met is longer than the time indicated, judge as NG.

#### Judgement Value

Malfunction Criteria	Threshold Value
Output voltage	< 0.217 V

**Time Needed for Diagnosis:** 500 ms

**Malfunction Indicator Light Illumination:** Illuminates as soon as a malfunction occurs.

#### • Normality Judgement

Judge as OK and clear the NG if the continuous time while the following conditions are established is more than the predetermined time.

#### Judgement Value

Malfunction Criteria	Threshold Value
Output voltage	≥ 0.217 V

**Time Needed for Diagnosis:** Less than 1 second

# Diagnostic Trouble Code (DTC) Detecting Criteria

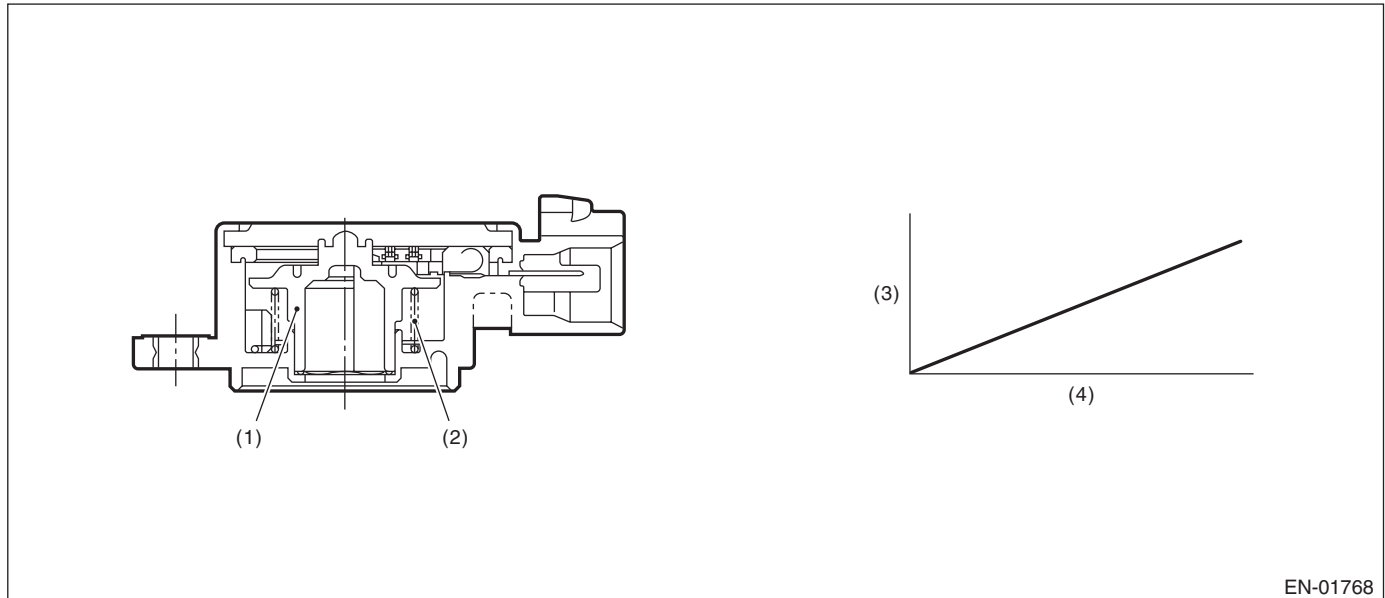
## GENERAL DESCRIPTION

### DN:DTC P2017 INTAKE MANIFOLD RUNNER POSITION SENSOR / SWITCH CIRCUIT HIGH (BANK 1)

#### 1. OUTLINE OF DIAGNOSIS

Detect open or short circuit of tumble generator valve position sensor.  
Judge as NG if out of specification.

#### 2. COMPONENT DESCRIPTION



(1) Rotor

(2) Return spring

(3) Voltage (V)

(4) Tumble generator valve opening (°)

#### 3. ENABLE CONDITIONS

Secondary Parameters	Enable Condition
None	

#### 4. GENERAL DRIVING CYCLE

Always perform the diagnosis continuously.

#### 5. DIAGNOSTIC METHOD

##### • Abnormality Judgement

If the duration of time while the following conditions are met is longer than the time indicated, judge as NG.

##### Judgement Value

Malfunction Criteria	Threshold Value
Output voltage	$\geq 4.783 \text{ V}$

**Time Needed for Diagnosis:** 500 ms

**Malfunction Indicator Light Illumination:** Illuminates as soon as a malfunction occurs.

##### • Normality Judgement

Judge as OK and clear the NG if the continuous time while the following conditions are established is more than the predetermined time.

##### Judgement Value

Malfunction Criteria	Threshold Value
Output voltage	$< 4.783 \text{ V}$

**Time Needed for Diagnosis:** Less than 1 second

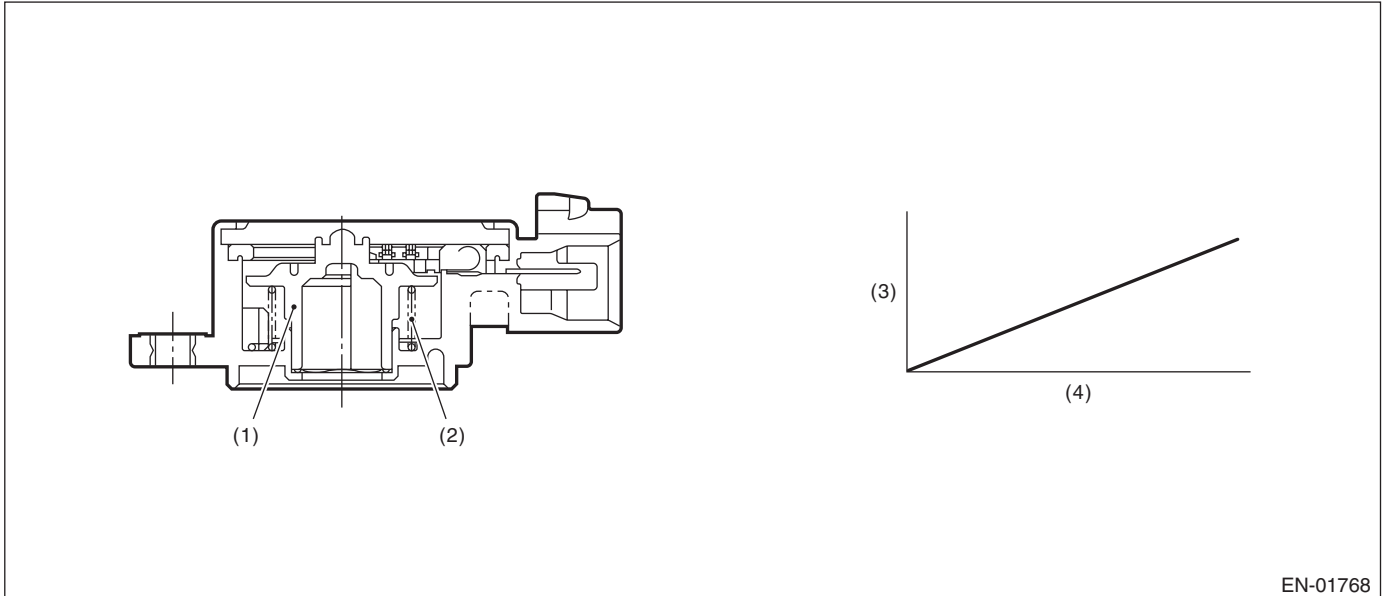


## DO:DTC P2021 INTAKE MANIFOLD RUNNER POSITION SENSOR / SWITCH CIRCUIT LOW (BANK 2)

### 1. OUTLINE OF DIAGNOSIS

Detect open or short circuit of tumble generator valve position sensor.  
Judge as NG if out of specification.

### 2. COMPONENT DESCRIPTION



- (1) Rotor
- (2) Return spring
- (3) Voltage (V)
- (4) Tumble generator valve opening (°)

### 3. ENABLE CONDITIONS

Secondary Parameters	Enable Condition
None	

### 4. GENERAL DRIVING CYCLE

Always perform the diagnosis continuously.

### 5. DIAGNOSTIC METHOD

#### • Abnormality Judgement

If the duration of time while the following conditions are met is longer than the time indicated, judge as NG.

#### Judgement Value

Malfunction Criteria	Threshold Value
Output voltage	$< 0.217 \text{ V}$

**Time Needed for Diagnosis:** 500 ms

**Malfunction Indicator Light Illumination:** Illuminates as soon as a malfunction occurs.

#### • Normality Judgement

Judge as OK and clear the NG if the continuous time while the following conditions are established is more than the predetermined time.

#### Judgement Value

Malfunction Criteria	Threshold Value
Output voltage	$\geq 0.217 \text{ V}$

**Time Needed for Diagnosis:** Less than 1 second

# Diagnostic Trouble Code (DTC) Detecting Criteria

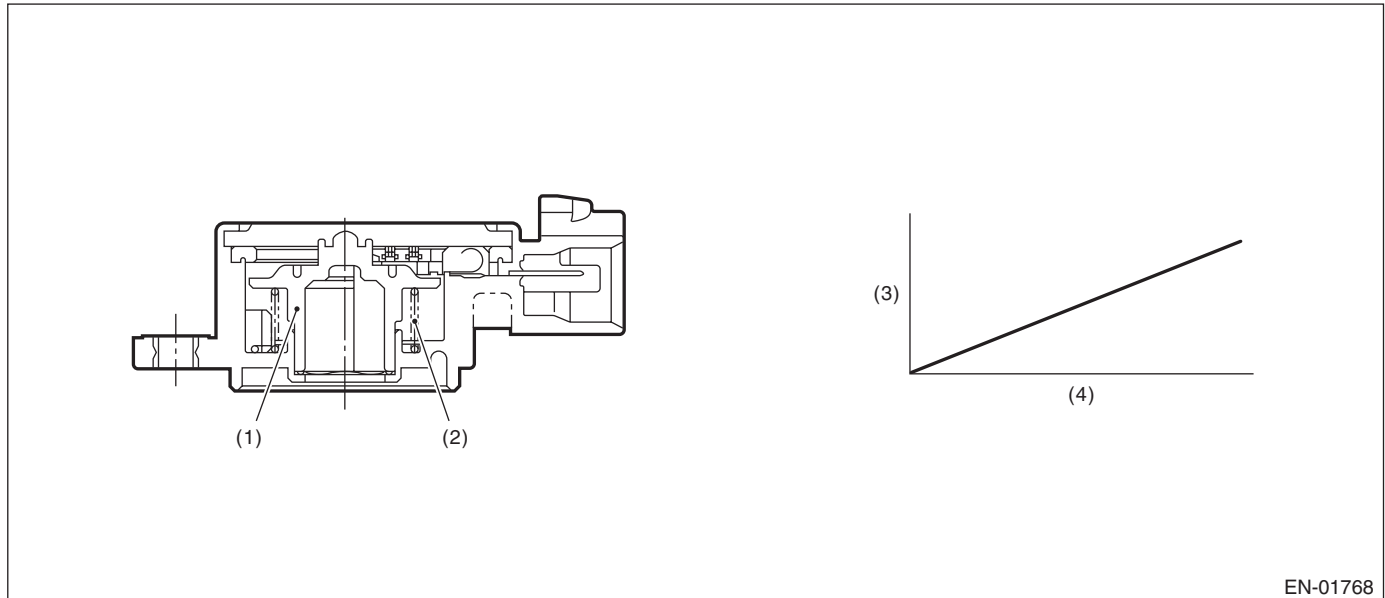
## GENERAL DESCRIPTION

### DP:DTC P2022 INTAKE MANIFOLD RUNNER POSITION SENSOR / SWITCH CIRCUIT HIGH (BANK 2)

#### 1. OUTLINE OF DIAGNOSIS

Detect open or short circuit of tumble generator valve position sensor.  
Judge as NG if out of specification.

#### 2. COMPONENT DESCRIPTION



(1) Rotor

(2) Return spring

(3) Voltage (V)

(4) Tumble generator valve opening (°)

#### 3. ENABLE CONDITIONS

Secondary Parameters	Enable Condition
None	

#### 4. GENERAL DRIVING CYCLE

Always perform the diagnosis continuously.

#### 5. DIAGNOSTIC METHOD

##### • Abnormality Judgement

If the duration of time while the following conditions are met is longer than the time indicated, judge as NG.

##### Judgement Value

Malfunction Criteria	Threshold Value
Output voltage	$\geq 4.783 \text{ V}$

**Time Needed for Diagnosis:** 500 ms

**Malfunction Indicator Light Illumination:** Illuminates as soon as a malfunction occurs.

##### • Normality Judgement

Judge as OK and clear the NG if the continuous time while the following conditions are established is more than the predetermined time.

##### Judgement Value

Malfunction Criteria	Threshold Value
Output voltage	$< 4.783 \text{ V}$

**Time Needed for Diagnosis:** Less than 1 second

# Diagnostic Trouble Code (DTC) Detecting Criteria

GENERAL DESCRIPTION

## DQ:DTC P2088 INTAKE CAMSHAFT POSITION ACTUATOR CONTROL CIRCUIT LOW (BANK 1)

### 1. OUTLINE OF DIAGNOSIS

Detect open or short circuit of the oil flow control solenoid valve.  
Judge as NG when the current is small even though the duty signal is large.

### 2. ENABLE CONDITIONS

Secondary Parameters	Enable Condition
None	

### 3. GENERAL DRIVING CYCLE

Always perform the diagnosis continuously.

### 4. DIAGNOSTIC METHOD

#### • Abnormality Judgement

If the duration of time while the following conditions are met is longer than the time indicated, judge as NG.

#### Judgement Value

Malfunction Criteria	Threshold Value
Battery voltage	$\geq 10.9 \text{ V}$
Oil flow control solenoid valve control duty	$\geq 99.61 \%$
Oil control solenoid valve control present current	$< 0.306 \text{ A}$

**Time Needed for Diagnosis:** 2000 ms

**Malfunction Indicator Light Illumination:** Illuminates as soon as a malfunction occurs.

#### • Normality Judgement

Judge as OK and clear the NG if the continuous time while the following conditions are established is more than the predetermined time.

#### Judgement Value

Malfunction Criteria	Threshold Value
Battery voltage	$\geq 10.9 \text{ V}$
Target current value of the oil flow control solenoid valve	$\geq 0.14 \text{ A}$
Target current value of the oil flow control solenoid valve – Oil flow control solenoid valve control current value	$< 0.08 \text{ A}$

**Time Needed for Diagnosis:** 2000 ms

# Diagnostic Trouble Code (DTC) Detecting Criteria

## GENERAL DESCRIPTION

### DR:DTC P2089 INTAKE CAMSHAFT POSITION ACTUATOR CONTROL CIRCUIT HIGH (BANK 1)

#### 1. OUTLINE OF DIAGNOSIS

Detect open or short circuit of oil flow control solenoid valve.

Judge as NG when the current is large even though the duty signal is small.

#### 2. ENABLE CONDITIONS

Secondary Parameters	Enable Condition
None	

#### 3. GENERAL DRIVING CYCLE

Always perform the diagnosis continuously.

#### 4. DIAGNOSTIC METHOD

##### • Abnormality Judgement

If the duration of time while the following conditions are met is longer than the time indicated, judge as NG.

##### Judgement Value

Malfunction Criteria	Threshold Value
Battery voltage	$\geq 10.9$ V
Oil flow control solenoid valve control duty	$< 0.39$ %
Oil control solenoid valve control present current	$\geq 0.306$ A

**Time Needed for Diagnosis:** 2000 ms

**Malfunction Indicator Light Illumination:** Illuminates as soon as a malfunction occurs.

##### • Normality Judgement

Judge as OK and clear the NG if the continuous time while the following conditions are established is more than the predetermined time.

##### Judgement Value

Malfunction Criteria	Threshold Value
Battery voltage	$\geq 10.9$ V
[Target current value of the oil flow control solenoid valve – Oil flow control solenoid valve control current value]	$< 0.08$ A

**Time Needed for Diagnosis:** 2000 ms

### DS:DTC P2092 INTAKE CAMSHAFT POSITION ACTUATOR CONTROL CIRCUIT LOW (BANK 2)

#### 1. OUTLINE OF DIAGNOSIS

NOTE:

For the detection standard, refer to DTC P2088. <Ref. to GD(H4DOTC)-201, DTC P2088 INTAKE CAMSHAFT POSITION ACTUATOR CONTROL CIRCUIT LOW (BANK 1), Diagnostic Trouble Code (DTC) Detecting Criteria.>

### DT:DTC P2093 INTAKE CAMSHAFT POSITION ACTUATOR CONTROL CIRCUIT HIGH (BANK 2)

#### 1. OUTLINE OF DIAGNOSIS

NOTE:

For the detection standard, refer to DTC P2089. <Ref. to GD(H4DOTC)-202, DTC P2089 INTAKE CAMSHAFT POSITION ACTUATOR CONTROL CIRCUIT HIGH (BANK 1), Diagnostic Trouble Code (DTC) Detecting Criteria.>

# Diagnostic Trouble Code (DTC) Detecting Criteria

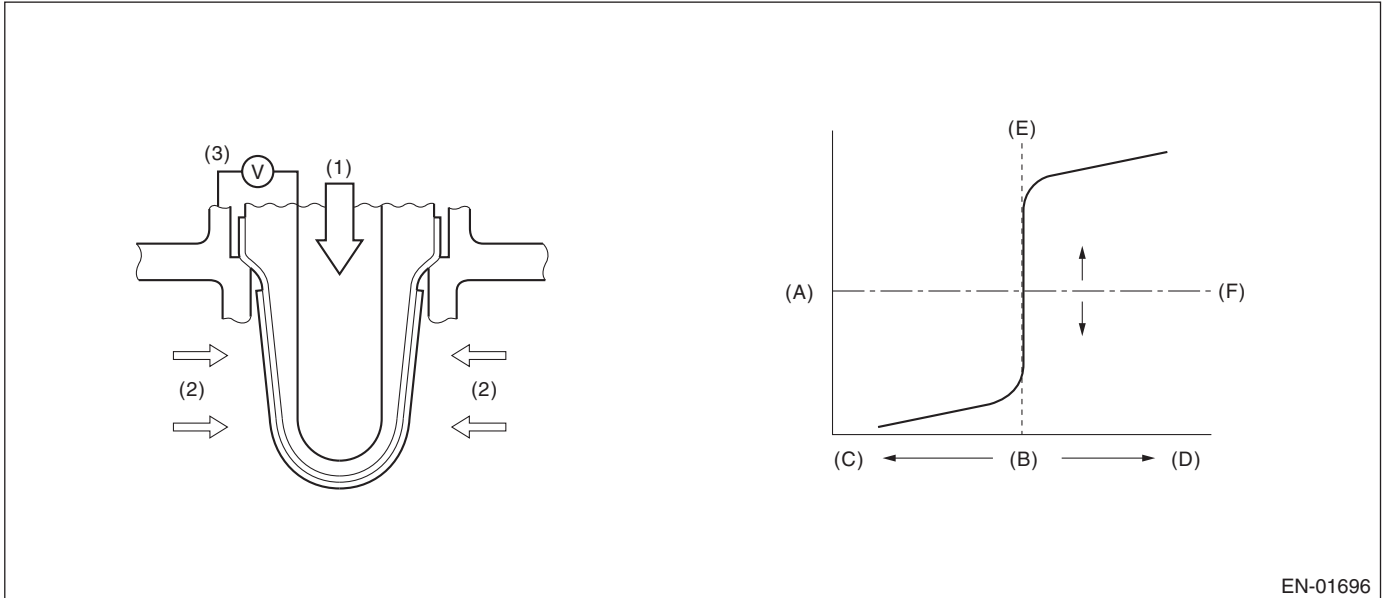
GENERAL DESCRIPTION

## DU:DTC P2096 POST CATALYST FUEL TRIM SYSTEM TOO LEAN (BANK 1)

### 1. OUTLINE OF DIAGNOSIS

Detect the malfunction of fuel system from the size of the sub feedback learning value.  
Control the sub feedback learning and judge as NG when the learning value is in the lean zone.

### 2. COMPONENT DESCRIPTION



EN-01696

- |                         |                                |                         |
|-------------------------|--------------------------------|-------------------------|
| (A) Electromotive force | (B) Air fuel ratio             | (C) Rich                |
| (D) Lean                | (E) Theoretical air fuel ratio | (F) Comparative voltage |
| (1) Atmosphere          | (2) Exhaust gas                | (3) Electromotive force |

### 3. ENABLE CONDITIONS

Secondary Parameters	Enable Condition
Conditions for carrying out the sub feedback learning	Completed
Continuous time when all conditions are established.	$\geq 1$ s

### 4. GENERAL DRIVING CYCLE

Perform the diagnosis continuously when the vehicle is idling or running at a constant speed of 80 km/h (50 MPH) or more.

# Diagnostic Trouble Code (DTC) Detecting Criteria

## GENERAL DESCRIPTION

---

### 5. DIAGNOSTIC METHOD

#### • Abnormality Judgement

If the duration of time while the following conditions are met is longer than the time indicated, judge as NG.

#### Judgement Value

Malfunction Criteria	Threshold Value
Sub feedback learning value	< -0.04 (AT model) < -0.04 (WRX-S model) < -0.024 (WRX-SS model)

**Time Needed for Diagnosis:** 5 s × 1 time(s)

**Malfunction Indicator Light Illumination:** Illuminates when malfunction occurs in 2 continuous driving cycles.

#### • Normality Judgement

Judge as OK and clear the NG if the continuous time while the following conditions are established is more than the predetermined time.

#### Judgement Value

Malfunction Criteria	Threshold Value
Sub feedback learning value	≥ -0.04 + 0.005 (AT model) ≥ -0.04 + 0 (WRX-S model) ≥ -0.024 + 0.004 (WRX-SS model)

**Time Needed for Diagnosis:** 5 s

# Diagnostic Trouble Code (DTC) Detecting Criteria

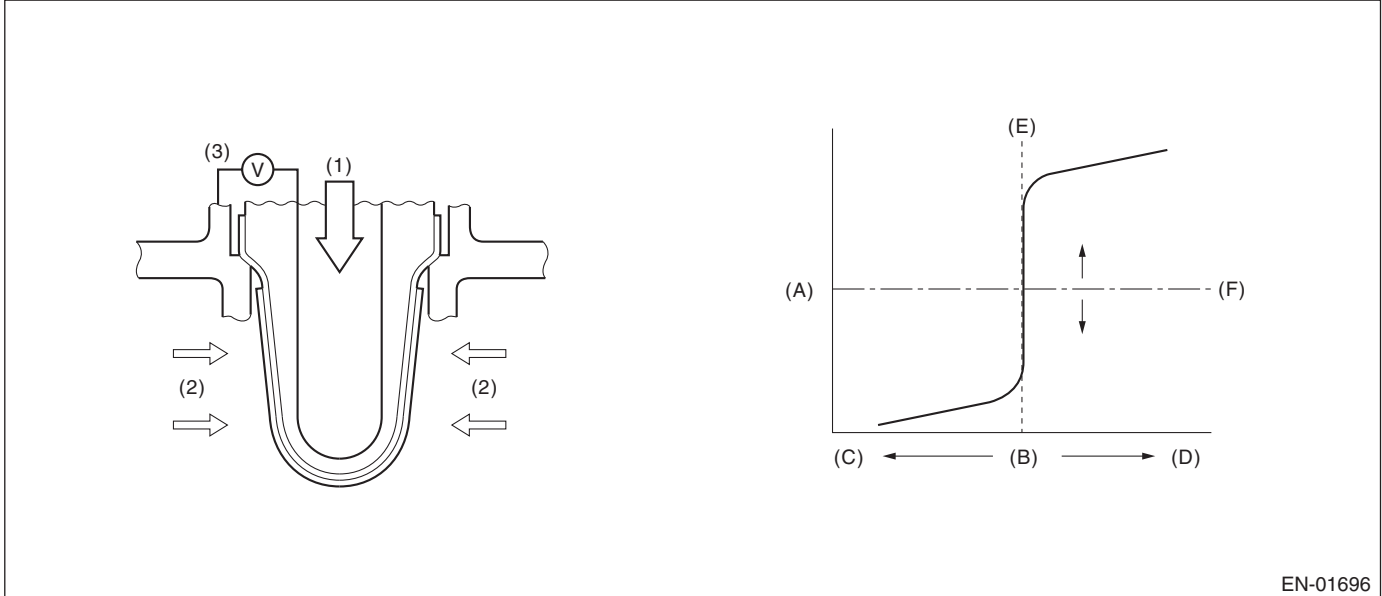
GENERAL DESCRIPTION

## DV:DTC P2097 POST CATALYST FUEL TRIM SYSTEM TOO RICH (BANK 1)

### 1. OUTLINE OF DIAGNOSIS

Detect the malfunction of fuel system from the size of the sub feedback learning value.  
Sub feedback learning is being performed. When the learning value goes to the rich side, judge as NG.

### 2. COMPONENT DESCRIPTION



EN-01696

- |                         |                                |                         |
|-------------------------|--------------------------------|-------------------------|
| (A) Electromotive force | (B) Air fuel ratio             | (C) Rich                |
| (D) Lean                | (E) Theoretical air fuel ratio | (F) Comparative voltage |
| (1) Atmosphere          | (2) Exhaust gas                | (3) Electromotive force |

### 3. ENABLE CONDITIONS

Secondary Parameters	Enable Condition
Conditions for carrying out the sub feedback learning	Completed
Continuous time when all conditions are established.	$\geq 1$ s

### 4. GENERAL DRIVING CYCLE

Perform the diagnosis continuously when the vehicle is idling or running at a constant speed of 80 km/h (50 MPH) or more.

# Diagnostic Trouble Code (DTC) Detecting Criteria

## GENERAL DESCRIPTION

---

### 5. DIAGNOSTIC METHOD

#### • Abnormality Judgement

If the duration of time while the following conditions are met is longer than the time indicated, judge as NG.

#### Judgement Value

Malfunction Criteria	Threshold Value
Sub feedback learning value	$\geq 0.04$ (AT model) $\geq 0.04$ (WRX-S model) $\geq 0.028$ (WRX-SS model)

**Time Needed for Diagnosis:** 5 s  $\times$  1 time(s)

**Malfunction Indicator Light Illumination:** Illuminates when malfunction occurs in 2 continuous driving cycles.

#### • Normality Judgement

Judge as OK and clear the NG if the continuous time while the following conditions are established is more than the predetermined time.

#### Judgement Value

Malfunction Criteria	Threshold Value
Sub feedback learning value	$< 0.04 + -0.005$ (AT model) $< 0.04 + 0$ (WRX-S model) $< 0.028 + -0.01$ (WRX-SS model)

**Time Needed for Diagnosis:** 5 s

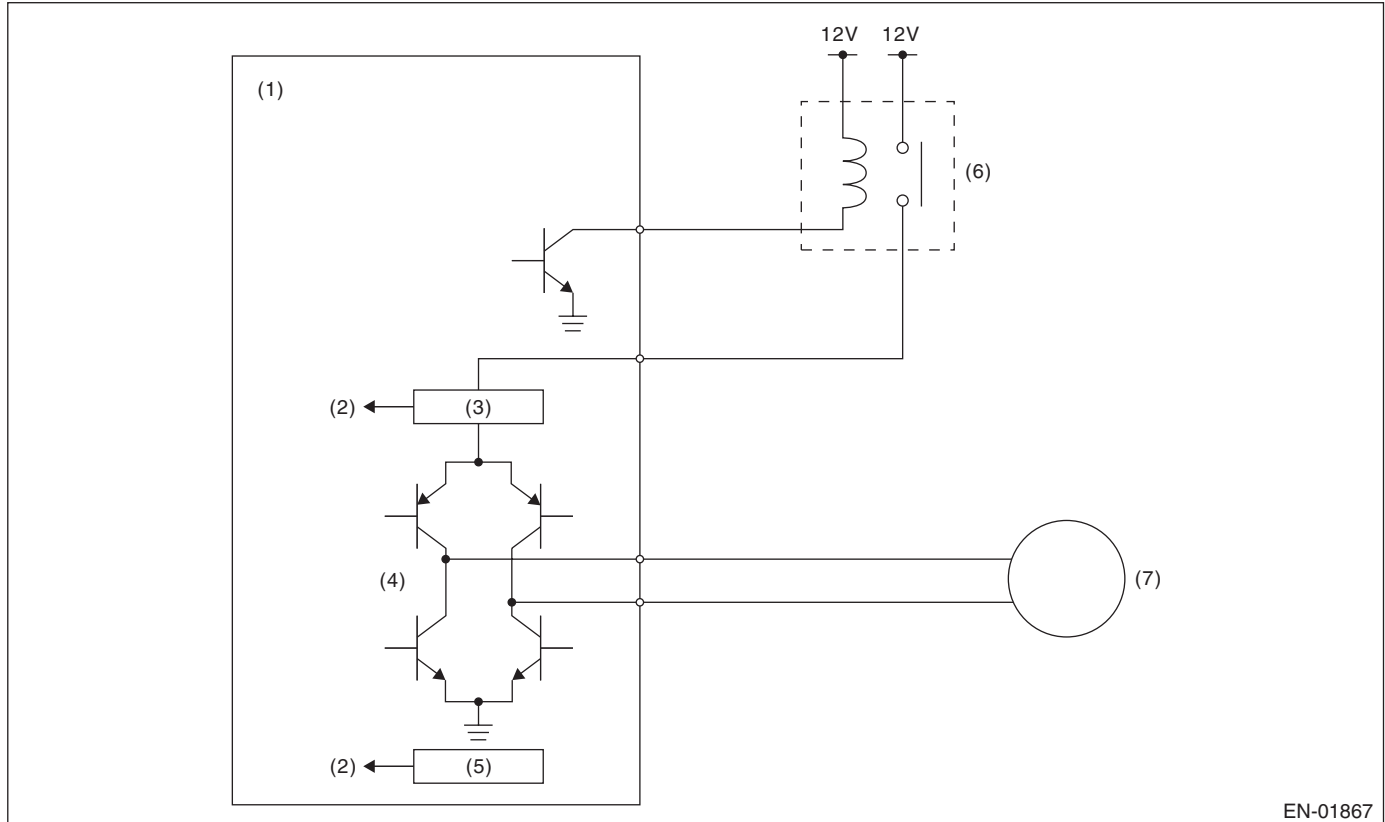


## DW:DTC P2101 THROTTLE ACTUATOR CONTROL MOTOR CIRCUIT RANGE/ PERFORMANCE

### 1. OUTLINE OF DIAGNOSIS

Judge as NG when the motor current becomes large or drive circuit is heated.

### 2. COMPONENT DESCRIPTION



EN-01867

- |                                   |                                   |                                       |
|-----------------------------------|-----------------------------------|---------------------------------------|
| (1) Engine control module (ECM)   | (4) Drive circuit                 | (6) Electronic throttle control relay |
| (2) Detecting circuit             | (5) Temperature detection circuit | (7) Motor                             |
| (3) Overcurrent detection circuit |                                   |                                       |

### 3. ENABLE CONDITIONS

Secondary Parameters	Enable Condition
Under control of electronic throttle control	ON

### 4. GENERAL DRIVING CYCLE

Always perform the diagnosis continuously.

### 5. DIAGNOSTIC METHOD

Judge as OK and clear the NG when the malfunction criteria below are met.

#### Judgement Value

Malfunction Criteria	Threshold Value
Motor current	$\leq 8 \text{ A}$
Drive circuit inner temperature	$\leq 175^\circ\text{C}$ (347°F)

#### Time Needed for Diagnosis:

- 500 milliseconds (For NG)
- 2000 milliseconds (For OK)

**Malfunction Indicator Light Illumination:** Illuminates as soon as a malfunction occurs.

# Diagnostic Trouble Code (DTC) Detecting Criteria

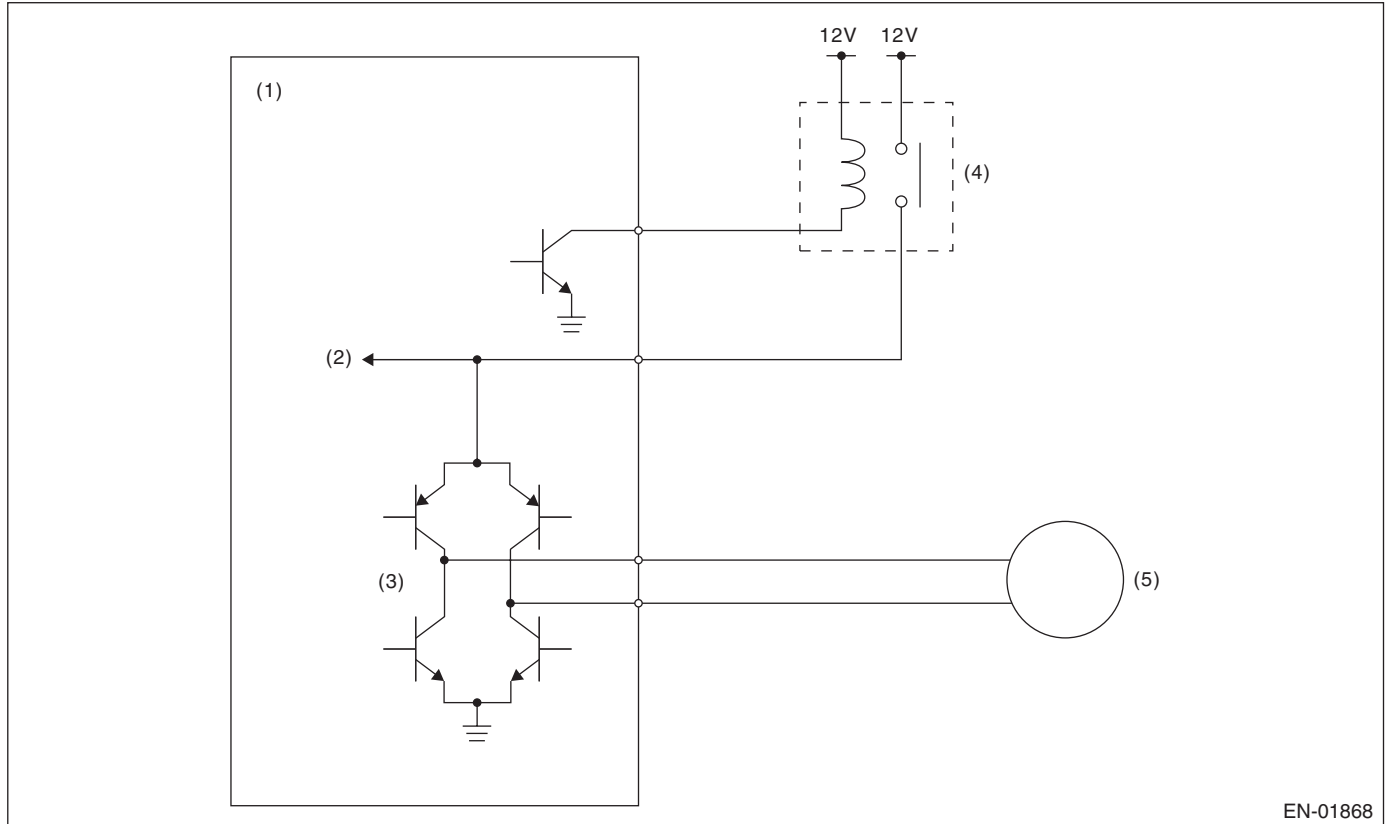
## GENERAL DESCRIPTION

### DX:DTC P2102 THROTTLE ACTUATOR CONTROL MOTOR CIRCUIT LOW

#### 1. OUTLINE OF DIAGNOSIS

Judge as NG when the electronic throttle control power is not supplied even when ECM sets the electronic throttle control relay to ON.

#### 2. COMPONENT DESCRIPTION



EN-01868

- (1) Engine control module (ECM)      (3) Drive circuit      (5) Motor  
 (2) Voltage detection circuit      (4) Electronic throttle control relay

#### 3. ENABLE CONDITION

Secondary Parameters	Enable Condition
Electronic throttle control relay output	ON

#### 4. GENERAL DRIVING CYCLE

Always perform the diagnosis continuously.

#### 5. DIAGNOSTIC METHOD

Judge as OK and clear the NG when the malfunction criteria below are met.

##### Judgement Value

Malfunction Criteria	Threshold Value
Motor power voltage	$\geq 5 \text{ V}$

##### Time Needed for Diagnosis:

- 400 milliseconds (For NG)
- 2000 milliseconds (For OK)

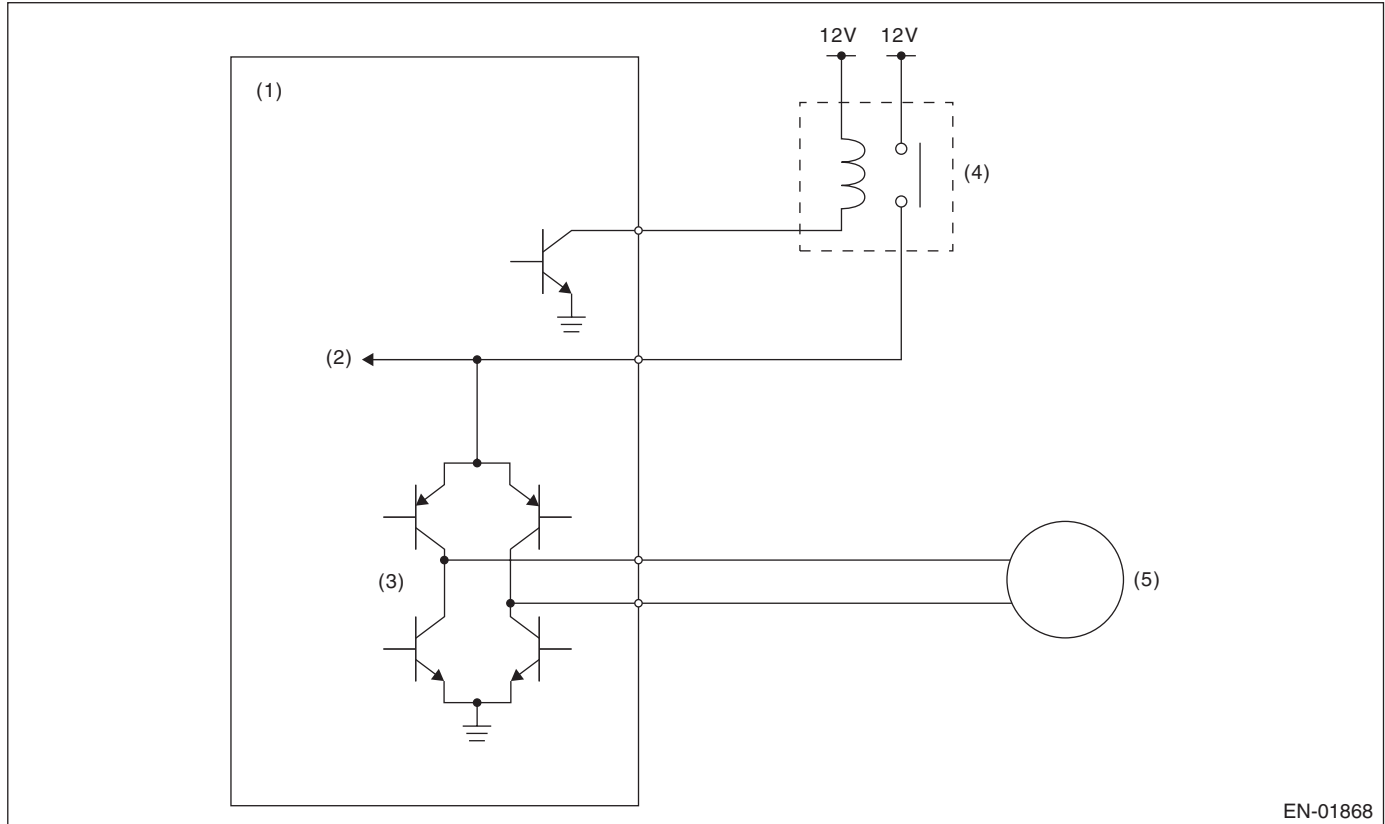
**Malfunction Indicator Light Illumination:** Illuminates as soon as a malfunction occurs.

## DY:DTC P2103 THROTTLE ACTUATOR CONTROL MOTOR CIRCUIT HIGH

### 1. OUTLINE OF DIAGNOSIS

Judge as NG when the electronic throttle control power is supplied even when ECM sets the electronic throttle control relay to OFF.

### 2. COMPONENT DESCRIPTION



EN-01868

- |                                 |                                       |           |
|---------------------------------|---------------------------------------|-----------|
| (1) Engine control module (ECM) | (3) Drive circuit                     | (5) Motor |
| (2) Voltage detection circuit   | (4) Electronic throttle control relay |           |

### 3. ENABLE CONDITION

Secondary Parameters	Enable Condition
Electronic throttle control relay output	OFF

### 4. GENERAL DRIVING CYCLE

- When ignition switch ON → OFF
- Ignition switch OFF → ON (Only after clearing memory)

### 5. DIAGNOSTIC METHOD

Judge as OK and clear the NG when the malfunction criteria below are met.

#### Judgement Value

Malfunction Criteria	Threshold Value
Motor power voltage	≤ 5 V

#### Time Needed for Diagnosis:

- 600 milliseconds (For NG)
- 400 milliseconds (For OK)

**Malfunction Indicator Light Illumination:** Illuminates as soon as a malfunction occurs.

# Diagnostic Trouble Code (DTC) Detecting Criteria

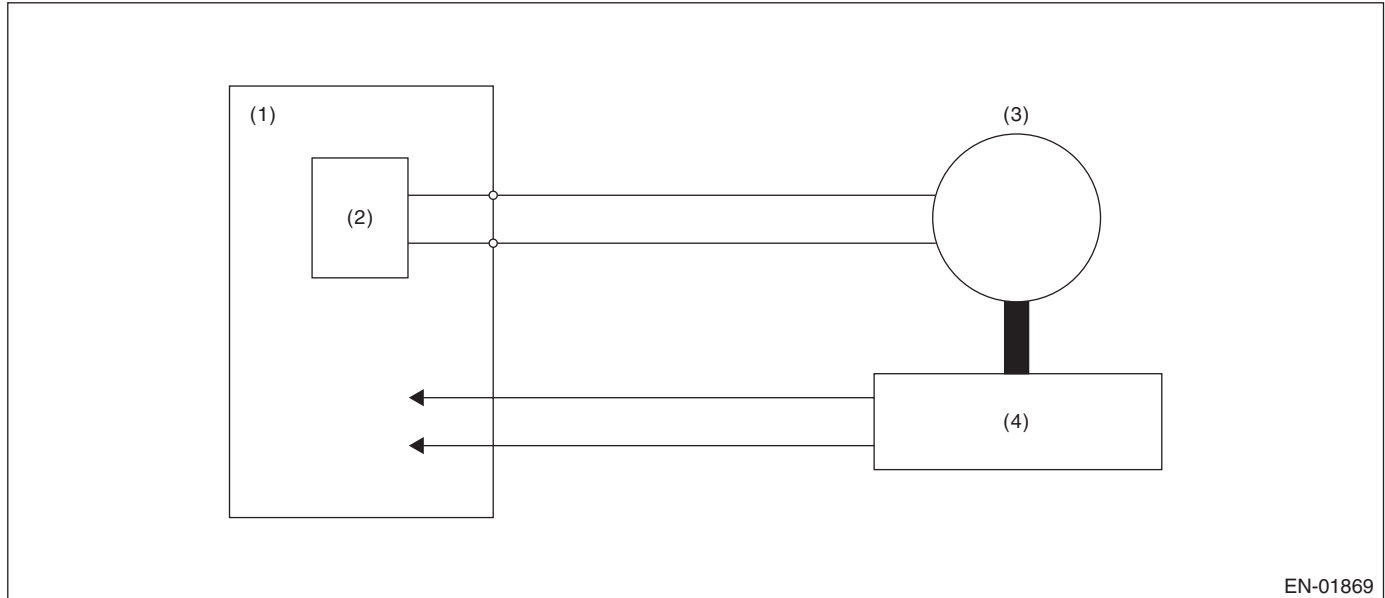
## GENERAL DESCRIPTION

### DZ:DTC P2109 THROTTLE/PEDAL POSITION SENSOR “A” MINIMUM STOP PERFORMANCE

#### 1. OUTLINE OF DIAGNOSIS

Judge as NG when full close point learning cannot be conducted or an abnormal value is detected.

#### 2. COMPONENT DESCRIPTION



EN-01869

(1) Engine control module (ECM)

(3) Motor

(4) Throttle position sensor

(2) Drive circuit

#### 3. ENABLE CONDITIONS

Secondary Parameters	Enable Condition
Ignition switch	ON → OFF
Ignition switch (only after clear memory)	OFF → ON

#### 4. GENERAL DRIVING CYCLE

Perform the diagnosis at full closed point learning.

#### 5. DIAGNOSTIC METHOD

Judge as OK and clear the NG when the malfunction criteria below are met.

##### Judgement Value

Malfunction Criteria	Threshold Value
Throttle sensor opening angle at full close point learning	10.127° or more, 19.872° or less
Throttle opening angle when the ignition switch is ON – Throttle minimum stop position	≥ 1.683°

**Time Needed for Diagnosis:** 8 — 80 milliseconds

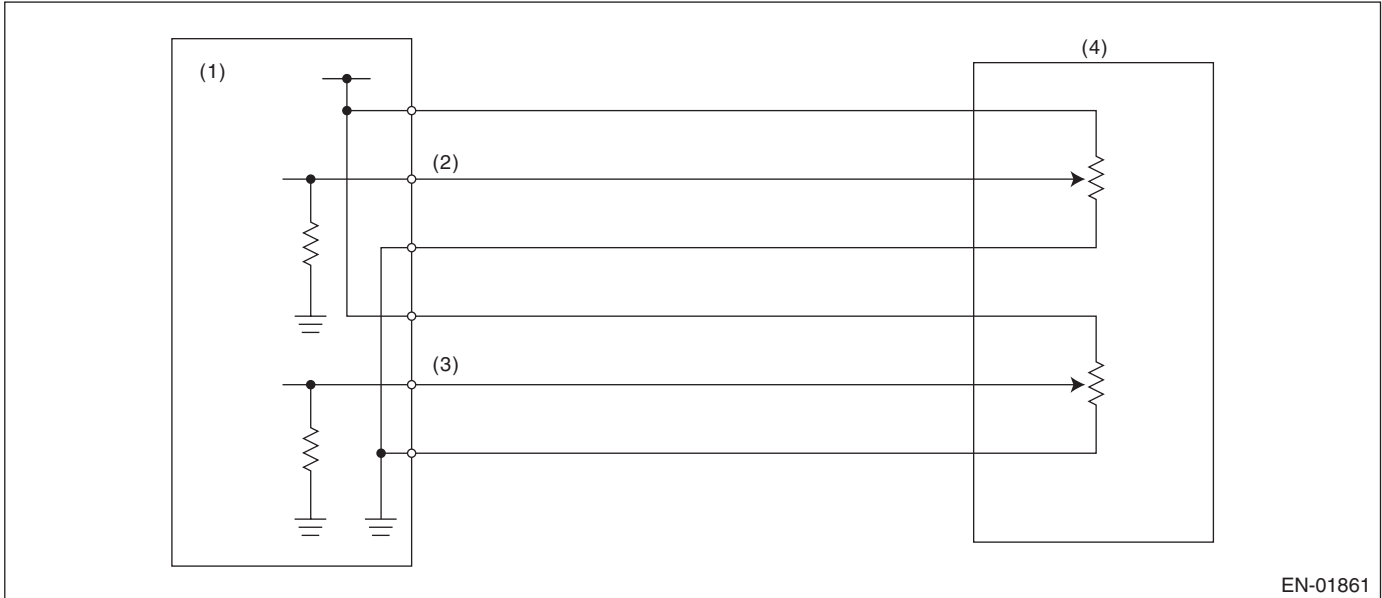
**Malfunction Indicator Light Illumination:** Illuminates as soon as a malfunction occurs.

## EA:DTC P2122 THROTTLE/PEDAL POSITION SENSOR/SWITCH “D” CIRCUIT LOW INPUT

### 1. OUTLINE OF DIAGNOSIS

Detect the open or short circuit of accelerator pedal position sensor 1.  
Judge as NG if out of specification.

### 2. COMPONENT DESCRIPTION



EN-01861

- |  |  |   |
|--|--|---|
| (1) Engine control module (ECM)                | (3) Accelerator pedal position sensor 2 signal | (4) Accelerator pedal position sensor 2 |
| (2) Accelerator pedal position sensor 1 signal |  |   |

### 3. ENABLE CONDITION

Secondary Parameters	Enable Conditions
Ignition switch	ON
Battery voltage	≥ 6 V

### 4. GENERAL DRIVING CYCLE

Always perform the diagnosis continuously.

# Diagnostic Trouble Code (DTC) Detecting Criteria

## GENERAL DESCRIPTION

---

### 5. DIAGNOSTIC METHOD

#### • Abnormality Judgement

If the duration of time while the following conditions are met is longer than the time indicated, judge as NG.

#### Judgement Value

Malfunction Criteria	Threshold Value
Sensor 1 input voltage	< 0.217 V

**Time Needed for Diagnosis:** 100 ms

**Malfunction Indicator Light Illumination:** Illuminates as soon as a malfunction occurs.

#### • Normality Judgement

Judge as OK and clear the NG if the continuous time while the following conditions are established is more than the predetermined time.

#### Judgement Value

Malfunction Criteria	Threshold Value
Sensor 1 input voltage	$\geq 0.217$ V

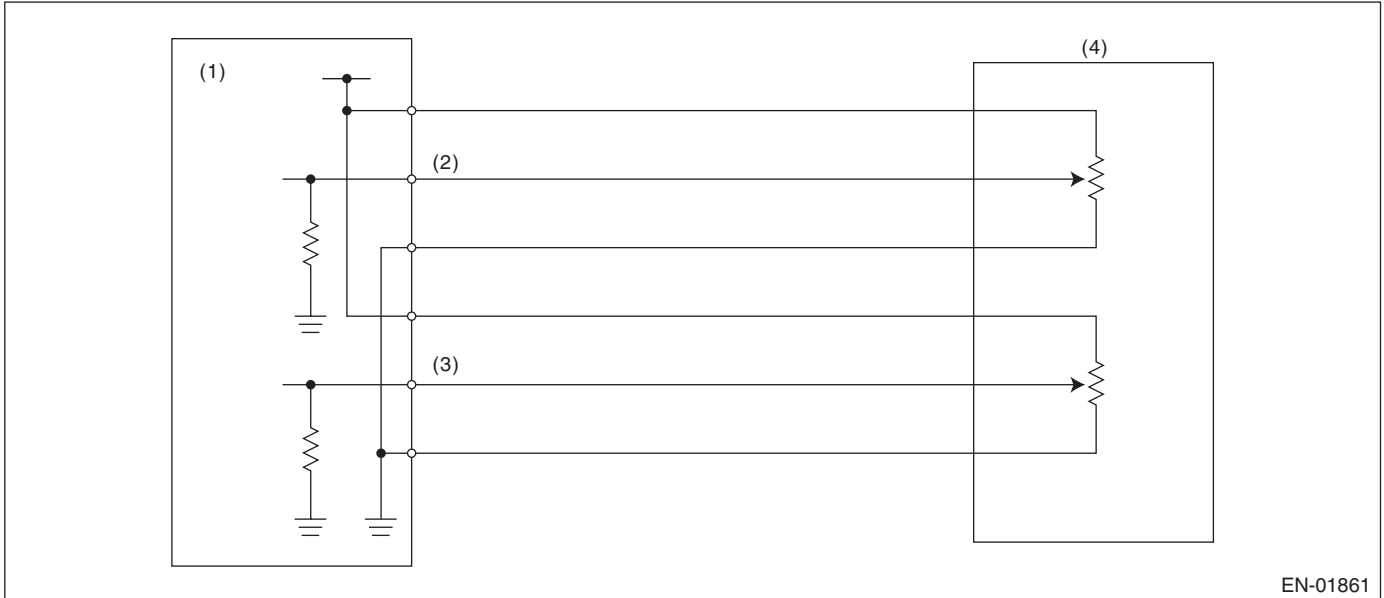
**Time Needed for Diagnosis:** 100 ms

## EB:DTC P2123 THROTTLE/PEDAL POSITION SENSOR/SWITCH “D” CIRCUIT HIGH INPUT

### 1. OUTLINE OF DIAGNOSIS

Detect the open or short circuit of accelerator pedal position sensor 1.  
 Judge as NG if out of specification.

### 2. COMPONENT DESCRIPTION



- |  |  |  |
|--|--|--|
| (1) Engine control module (ECM)                | (3) Accelerator pedal position sensor 2 signal | (4) Accelerator pedal position sensor 2 signal |
| (2) Accelerator pedal position sensor 1 signal |  |  |

### 3. ENABLE CONDITION

Secondary Parameters	Enable Conditions
Ignition switch	ON
Battery voltage	≥ 6 V

### 4. GENERAL DRIVING CYCLE

Always perform the diagnosis continuously.

# Diagnostic Trouble Code (DTC) Detecting Criteria

## GENERAL DESCRIPTION

---

### 5. DIAGNOSTIC METHOD

#### • Abnormality Judgement

If the duration of time while the following conditions are met is longer than the time indicated, judge as NG.

#### Judgement Value

Malfunction Criteria	Threshold Value
Sensor 1 input voltage	$\geq 4.783$ V

**Time Needed for Diagnosis:** 32 ms

**Malfunction Indicator Light Illumination:** Illuminates as soon as a malfunction occurs.

#### • Normality Judgement

Judge as OK and clear the NG if the continuous time while the following conditions are established is more than the predetermined time.

#### Judgement Value

Malfunction Criteria	Threshold Value
Sensor 1 input voltage	$< 4.783$ V

**Time Needed for Diagnosis:** 32 ms

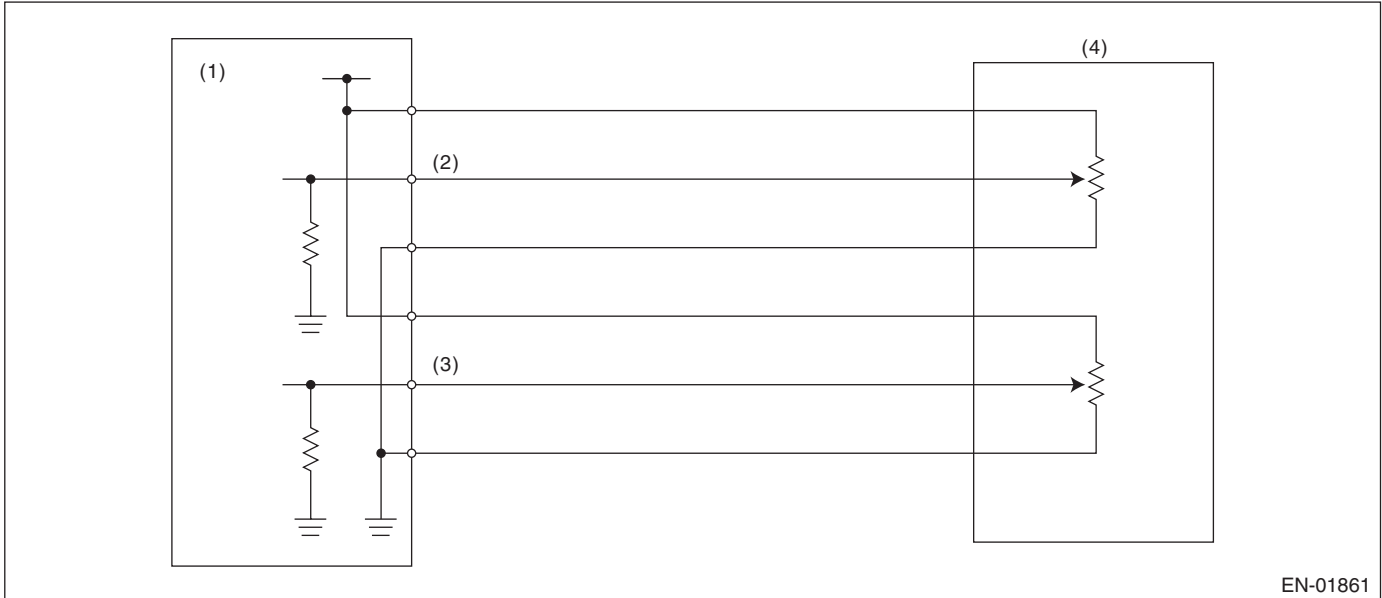


## EC:DTC P2127 THROTTLE/PEDAL POSITION SENSOR/SWITCH “E” CIRCUIT LOW INPUT

### 1. OUTLINE OF DIAGNOSIS

Detect the open or short circuit of accelerator pedal position sensor 2.  
Judge as NG if out of specification.

### 2. COMPONENT DESCRIPTION



EN-01861

- |  |  |                                       |
|--|--|---------------------------------------|
| (1) Engine control module (ECM)                | (3) Accelerator pedal position sensor 2 signal | (4) Accelerator pedal position sensor |
| (2) Accelerator pedal position sensor 1 signal |  |                                       |

### 3. ENABLE CONDITION

Secondary Parameters	Enable Conditions
Ignition switch	ON
Battery voltage	≥ 6 V

### 4. GENERAL DRIVING CYCLE

Always perform the diagnosis continuously.

# Diagnostic Trouble Code (DTC) Detecting Criteria

## GENERAL DESCRIPTION

---

### 5. DIAGNOSTIC METHOD

#### • Abnormality Judgement

If the duration of time while the following conditions are met is longer than the time indicated, judge as NG.

#### Judgement Value

Malfunction Criteria	Threshold Value
Sensor 2 input voltage	< 0.217 V

**Time Needed for Diagnosis:** 100 ms

**Malfunction Indicator Light Illumination:** Illuminates as soon as a malfunction occurs.

#### • Normality Judgement

Judge as OK and clear the NG if the continuous time while the following conditions are established is more than the predetermined time.

#### Judgement Value

Malfunction Criteria	Threshold Value
Sensor 2 input voltage	$\geq 0.217$ V

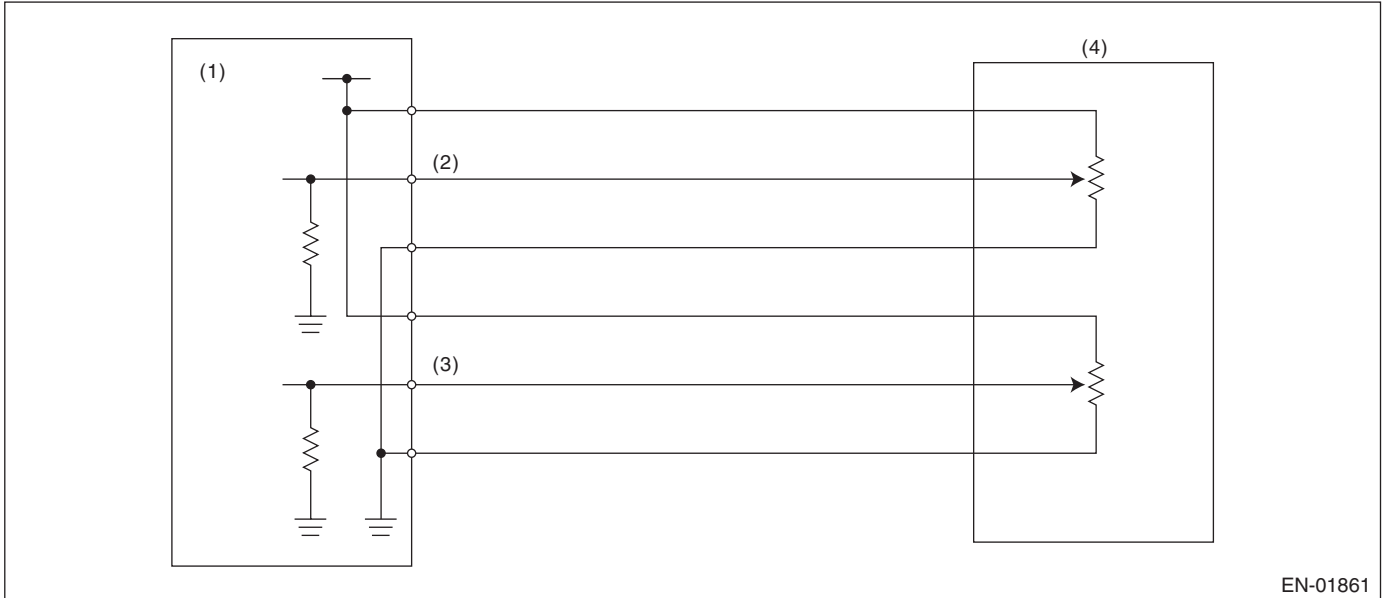
**Time Needed for Diagnosis:** 100 ms

## ED:DTC P2128 THROTTLE/PEDAL POSITION SENSOR/SWITCH “E” CIRCUIT HIGH INPUT

### 1. OUTLINE OF DIAGNOSIS

Detect the open or short circuit of accelerator pedal position sensor 2.  
 Judge as NG if out of specification.

### 2. COMPONENT DESCRIPTION



EN-01861

- |  |  |                                       |
|--|--|---------------------------------------|
| (1) Engine control module (ECM)                | (3) Accelerator pedal position sensor 2 signal | (4) Accelerator pedal position sensor |
| (2) Accelerator pedal position sensor 1 signal |  |                                       |

### 3. ENABLE CONDITION

Secondary Parameters	Enable Conditions
Ignition switch	ON
Battery voltage	≥ 6 V

### 4. GENERAL DRIVING CYCLE

Always perform the diagnosis continuously.

# Diagnostic Trouble Code (DTC) Detecting Criteria

## GENERAL DESCRIPTION

---

### 5. DIAGNOSTIC METHOD

#### • Abnormality Judgement

If the duration of time while the following conditions are met is longer than the time indicated, judge as NG.

#### Judgement Value

Malfunction Criteria	Threshold Value
Sensor 2 input voltage	$\geq 4.783$ V

**Time Needed for Diagnosis:** 100 ms

**Malfunction Indicator Light Illumination:** Illuminates as soon as a malfunction occurs.

#### • Normality Judgement

Judge as OK and clear the NG if the continuous time while the following conditions are established is more than the predetermined time.

#### Judgement Value

Malfunction Criteria	Threshold Value
Sensor 2 input voltage	$< 4.783$ V

**Time Needed for Diagnosis:** 100 ms



# Diagnostic Trouble Code (DTC) Detecting Criteria

## GENERAL DESCRIPTION

---

### 5. DIAGNOSTIC METHOD

#### • Abnormality Judgement

If the duration of time while the following conditions are met is longer than the time indicated, judge as NG.

#### Judgement Value

Malfunction Criteria	Threshold Value
Signal difference between two sensors	> Value from Map

#### Map

Throttle position sensor 1 opening angle (°) = d	$0^\circ \leq d < 2.125^\circ$	$2.125^\circ \leq d < 4.25^\circ$	$4.25^\circ \leq d < 9^\circ$	$9^\circ \leq d < 31.625^\circ$	$31.625^\circ \leq d$
Sensor output difference (°)	5.15 °	6.15 °	8.28 °	10.4 °	12.4 °

**Time Needed for Diagnosis:** 212 ms

**Malfunction Indicator Light Illumination:** Illuminates as soon as a malfunction occurs.

#### • Normality Judgement

Judge as OK and clear the NG if the continuous time while the following conditions are established is more than the predetermined time.

#### Judgement Value

Malfunction Criteria	Threshold Value
Signal difference between two sensors	$\leq$ Value from Map

**Time Needed for Diagnosis:** 24 ms

# Diagnostic Trouble Code (DTC) Detecting Criteria

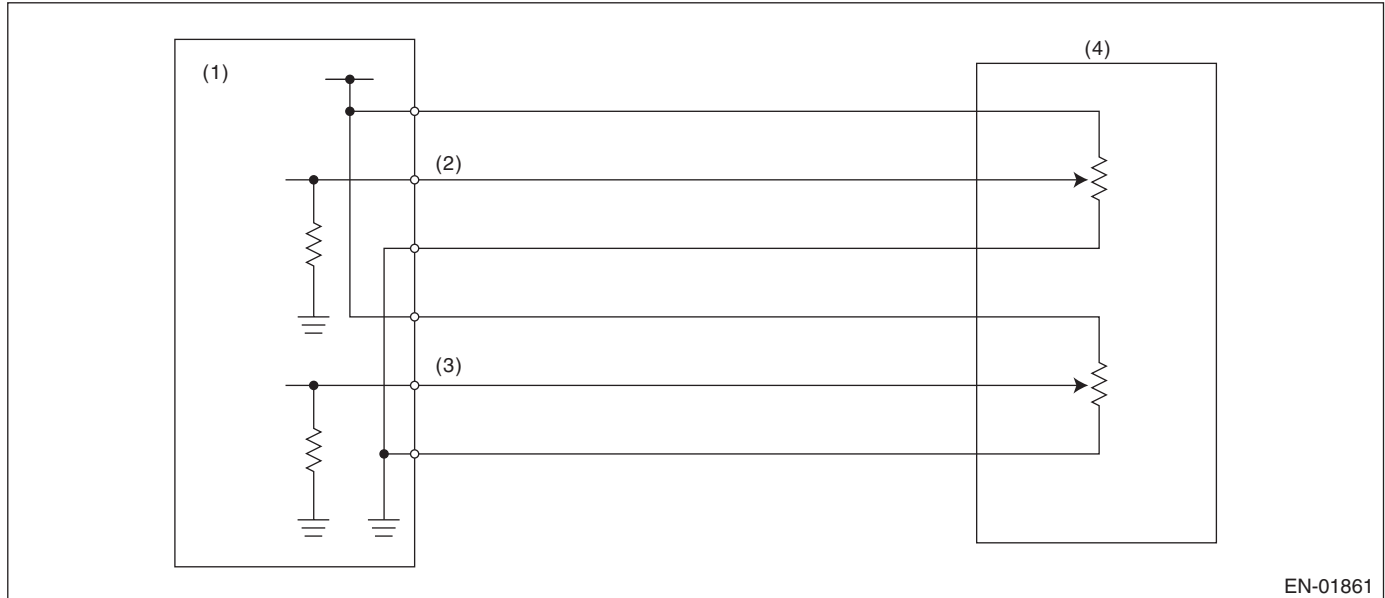
GENERAL DESCRIPTION

## EF:DTC P2138 THROTTLE/PEDAL POSITION SENSOR/SWITCH “D”/“E” VOLTAGE CORRELATION

### 1. OUTLINE OF DIAGNOSIS

Judge as NG when the signal level of throttle position sensor 1 is different from the throttle position sensor 2.

### 2. COMPONENT DESCRIPTION



EN-01861

- (1) Engine control module (ECM)      (3) Accelerator pedal position sensor 2 signal      (4) Accelerator pedal position sensor 2 signal  
(2) Accelerator pedal position sensor 1 signal

### 3. ENABLE CONDITION

Secondary Parameters	Enable Conditions
Ignition switch	ON
Battery voltage	$\geq 6\text{ V}$

### 4. GENERAL DRIVING CYCLE

Always perform the diagnosis continuously.

# Diagnostic Trouble Code (DTC) Detecting Criteria

## GENERAL DESCRIPTION

---

### 5. DIAGNOSTIC METHOD

#### • Abnormality Judgement

If the duration of time while the following conditions are met is longer than the time indicated, judge as NG.

#### Judgement Value

Malfunction Criteria	Threshold Value
Signal difference between two sensors	> Value from Map

#### Map

Throttle position sensor 1 opening angle (°) = d	$0^{\circ} \leq d < 0.6^{\circ}$	$0.6^{\circ} \leq d < 1.2^{\circ}$	$1.2^{\circ} \leq d < 2^{\circ}$	$2^{\circ} \leq d < 4^{\circ}$	$4^{\circ} \leq d$
Sensor output difference (°)	1.465°	1.597°	1.663°	2.455°	3.116°

**Time Needed for Diagnosis:** 116 ms

**Malfunction Indicator Light Illumination:** Illuminates as soon as a malfunction occurs.

#### • Normality Judgement

Judge as OK and clear the NG if the continuous time while the following conditions are established is more than the predetermined time.

#### Judgement Value

Malfunction Criteria	Threshold Value
Signal difference between two sensors	$\leq$ Value from Map

**Time Needed for Diagnosis:** 116 ms



# Diagnostic Trouble Code (DTC) Detecting Criteria

GENERAL DESCRIPTION

## EG:DTC P2419 EVAPORATIVE EMISSION SYSTEM SWITCHING VALVE CONTROL CIRCUIT LOW

### 1. OUTLINE OF DIAGNOSIS

Detect open or short circuit of the purge control solenoid valve 2.  
Judge as NG when the ECM output level differs from the actual terminal level.

### 2. ENABLE CONDITIONS

Secondary Parameters	Enable Condition
None	

### 3. GENERAL DRIVING CYCLE

Always perform the diagnosis continuously.

### 4. DIAGNOSTIC METHOD

#### • Abnormality Judgement

If the duration of time while the following conditions are met is longer than the time indicated, judge as NG.

#### Judgement Value

Malfunction Criteria	Threshold Value
Battery voltage	$\geq 10.9$ V
Elapsed time after starting the engine	$\geq 1$ second
Terminal output voltage when ECM outputs OFF signal	Low

**Time Needed for Diagnosis:** 2500 ms

**Malfunction Indicator Light Illumination:** Illuminates as soon as a malfunction occurs.

#### • Normality Judgement

Judge as OK and clear the NG if the continuous time while the following conditions are established is more than the predetermined time.

#### Judgement Value

Malfunction Criteria	Threshold Value
Battery voltage	$\geq 10.9$ V
Elapsed time after starting the engine	$\geq 1$ second
Terminal output voltage when ECM outputs OFF signal	High

**Time Needed for Diagnosis:** Less than 1 second

# Diagnostic Trouble Code (DTC) Detecting Criteria

## GENERAL DESCRIPTION

---

### **EH:DTC P2420 EVAPORATIVE EMISSION SYSTEM SWITCHING VALVE CONTROL CIRCUIT HIGH**

#### **1. OUTLINE OF DIAGNOSIS**

Detect open or short circuit of the purge control solenoid valve 2.

Judge as NG when the ECM output level differs from the actual terminal level.

#### **2. ENABLE CONDITIONS**

Secondary Parameters	Enable Condition
None	

#### **3. GENERAL DRIVING CYCLE**

Always perform the diagnosis continuously.

#### **4. DIAGNOSTIC METHOD**

##### **• Abnormality Judgement**

If the duration of time while the following conditions are met is longer than the time indicated, judge as NG.

##### **Judgement Value**

Malfunction Criteria	Threshold Value
Battery voltage	$\geq 10.9$ V
Elapsed time after starting the engine	$\geq 1$ second
Terminal output voltage when ECM outputs ON signal	High

**Time Needed for Diagnosis:** 2500 ms

**Malfunction Indicator Light Illumination:** Illuminates as soon as a malfunction occurs.

##### **• Normality Judgement**

Judge as OK and clear the NG if the continuous time while the following conditions are established is more than the predetermined time.

##### **Judgement Value**

Malfunction Criteria	Threshold Value
Battery voltage	$\geq 10.9$ V
Elapsed time after starting the engine	$\geq 1$ second
Terminal output voltage when ECM outputs ON signal	Low

**Time Needed for Diagnosis:** Less than 1 second

# Diagnostic Trouble Code (DTC) Detecting Criteria

GENERAL DESCRIPTION

## EI: DTC P2431 SECONDARY AIR INJECTION SYSTEM AIR FLOW /PRESSURE SENSOR CIRCUIT RANGE/PERFORMANCE

### 1. OUTLINE OF DIAGNOSIS

Detect the malfunction of secondary air pressure sensor output property.

Judge as NG when the secondary air pressure sensor output is largely different from the intake manifold pressure at engine start.

### 2. ENABLE CONDITIONS

Secondary Parameters	Enable Condition
Engine speed	< 300 rpm
Vehicle speed	< 1 km/h (0.6 MPH)
After secondary air system stops	≥ 2976 ms

### 3. GENERAL DRIVING CYCLE

Perform the diagnosis with ignition switch ON.

### 4. DIAGNOSTIC METHOD

#### • Abnormality Judgement

If the duration of time while the following conditions are met is longer than the time indicated, judge as NG.

#### Judgement Value

Malfunction Criteria	Threshold Value
Secondary air pipe pressure – Intake manifold pressure	≥ 26.7 kPa (200 mmHg, 7.9 inHg)
Intake manifold pressure at engine start – Intake manifold pressure	< 1.3 kPa (9.99 mmHg, 0.4 inHg)

**Time Needed for Diagnosis:** 328 ms

**Malfunction Indicator Light Illumination:** Illuminates when malfunction occurs in 2 continuous driving cycles.

#### • Normality Judgement

Judge as OK and clear the NG if the continuous time while the following conditions are established is more than the predetermined time.

#### Judgement Value

Malfunction Criteria	Threshold Value
Secondary air pipe pressure – Intake manifold pressure	< 26.7 kPa (200 mmHg, 7.9 inHg)

**Time Needed for Diagnosis:** 262 ms

# Diagnostic Trouble Code (DTC) Detecting Criteria

## GENERAL DESCRIPTION

---

### **EJ: DTC P2432 SECONDARY AIR INJECTION SYSTEM AIR FLOW /PRESSURE SENSOR CIRCUIT LOW**

#### **1. OUTLINE OF DIAGNOSIS**

Judge as NG if out of specification.

#### **2. ENABLE CONDITIONS**

Secondary Parameters	Enable Condition
None	

#### **3. GENERAL DRIVING CYCLE**

Always perform the diagnosis continuously.

#### **4. DIAGNOSTIC METHOD**

##### **• Abnormality Judgement**

If the duration of time while the following conditions are met is longer than the time indicated, judge as NG.

##### **Judgement Value**

Malfunction Criteria	Threshold Value
Ignition switch	ON
Output voltage	< 0.573 V

**Time Needed for Diagnosis:** 500 ms

**Malfunction Indicator Light Illumination:** Illuminates as soon as a malfunction occurs.

##### **• Normality Judgement**

Judge as OK and clear the NG if the continuous time while the following conditions are established is more than the predetermined time.

##### **Judgement Value**

Malfunction Criteria	Threshold Value
Ignition switch	ON
Output voltage	≥ 0.573 V

**Time Needed for Diagnosis:** Less than 1 second

# Diagnostic Trouble Code (DTC) Detecting Criteria

GENERAL DESCRIPTION

## EK:DTC P2433 SECONDARY AIR INJECTION SYSTEM AIR FLOW /PRESSURE SENSOR CIRCUIT HIGH

### 1. OUTLINE OF DIAGNOSIS

Judge as NG if out of specification.

### 2. ENABLE CONDITIONS

Secondary Parameters	Enable Condition
None	

### 3. GENERAL DRIVING CYCLE

Always perform the diagnosis continuously.

### 4. DIAGNOSTIC METHOD

#### • Abnormality Judgement

If the duration of time while the following conditions are met is longer than the time indicated, judge as NG.

#### Judgement Value

Malfunction Criteria	Threshold Value
Ignition switch	ON
Output voltage	> 4.916 V

**Time Needed for Diagnosis:** 500 ms

**Malfunction Indicator Light Illumination:** Illuminates as soon as a malfunction occurs.

#### • Normality Judgement

Judge as OK and clear the NG if the continuous time while the following conditions are established is more than the predetermined time.

#### Judgement Value

Malfunction Criteria	Threshold Value
Ignition switch	ON
Output voltage	≤ 4.916 V

**Time Needed for Diagnosis:** Less than 1 second

## Diagnostic Trouble Code (DTC) Detecting Criteria

### GENERAL DESCRIPTION

---

#### **EL:DTC P2440 SECONDARY AIR INJECTION SYSTEM SWITCHING VALVE STUCK OPEN (BANK1)**

##### **1. OUTLINE OF DIAGNOSIS**

###### **NOTE:**

For the detection standard, refer to DTC P0410. <Ref. to GD(H4DOTC)-98, DTC P0410 SECONDARY AIR INJECTION SYSTEM, Diagnostic Trouble Code (DTC) Detecting Criteria.>

#### **EM:DTC P2441 SECONDARY AIR INJECTION SYSTEM SWITCHING VALVE STUCK CLOSED (BANK1)**

##### **1. OUTLINE OF DIAGNOSIS**

###### **NOTE:**

For the detection standard, refer to DTC P0410. <Ref. to GD(H4DOTC)-98, DTC P0410 SECONDARY AIR INJECTION SYSTEM, Diagnostic Trouble Code (DTC) Detecting Criteria.>

#### **EN:DTC P2442 SECONDARY AIR INJECTION SYSTEM SWITCHING VALVE STUCK OPEN (BANK2)**

##### **1. OUTLINE OF DIAGNOSIS**

###### **NOTE:**

For the detection standard, refer to DTC P0410. <Ref. to GD(H4DOTC)-98, DTC P0410 SECONDARY AIR INJECTION SYSTEM, Diagnostic Trouble Code (DTC) Detecting Criteria.>

#### **EO:DTC P2443 SECONDARY AIR INJECTION SYSTEM SWITCHING VALVE STUCK CLOSED (BANK2)**

##### **1. OUTLINE OF DIAGNOSIS**

###### **NOTE:**

For the detection standard, refer to DTC P0410. <Ref. to GD(H4DOTC)-98, DTC P0410 SECONDARY AIR INJECTION SYSTEM, Diagnostic Trouble Code (DTC) Detecting Criteria.>

# Diagnostic Trouble Code (DTC) Detecting Criteria

GENERAL DESCRIPTION

## EP:DTC P2444 SECONDARY AIR INJECTION SYSTEM PUMP STUCK ON

### 1. OUTLINE OF DIAGNOSIS

Detect the secondary air pump malfunction (always ON).

After the secondary air pump turns to OFF, judge as NG if the secondary air pipe pressure is higher than that before the secondary air pump operation.

### 2. ENABLE CONDITIONS

Secondary Parameters	Enable Condition
Battery voltage	$\geq 7\text{ V}$
Engine	In operation

### 3. GENERAL DRIVING CYCLE

Always perform the diagnosis continuously.

### 4. DIAGNOSTIC METHOD

#### • Abnormality Judgement

If the duration of time while the following conditions are met is longer than the time indicated, judge as NG.

#### Judgement Value

Malfunction Criteria	Threshold Value
Time since secondary air control completion	$\geq 3000\text{ ms}$ and $\leq 8000\text{ ms}$
Secondary air pipe pressure – Secondary air pressure before operation	$> 6.7\text{ kPa}$ (50 mmHg, 2 inHg)

**Time Needed for Diagnosis:** 8000 ms

**Malfunction Indicator Light Illumination:** Illuminates as soon as a malfunction occurs.

#### • Normality Judgement

Judge as OK and clear the NG if the continuous time while the following conditions are established is more than the predetermined time.

#### Judgement Value

Malfunction Criteria	Threshold Value
Time since secondary air control completion	$\geq 3000\text{ ms}$ and $\leq 8000\text{ ms}$
Secondary air pipe pressure – Secondary air pressure before operation	$\leq 6.7\text{ kPa}$ (50 mmHg, 2 inHg)

**Time Needed for Diagnosis:** 8000 ms

# Diagnostic Trouble Code (DTC) Detecting Criteria

GENERAL DESCRIPTION

---



# General Description

CONTROL SYSTEMS

---

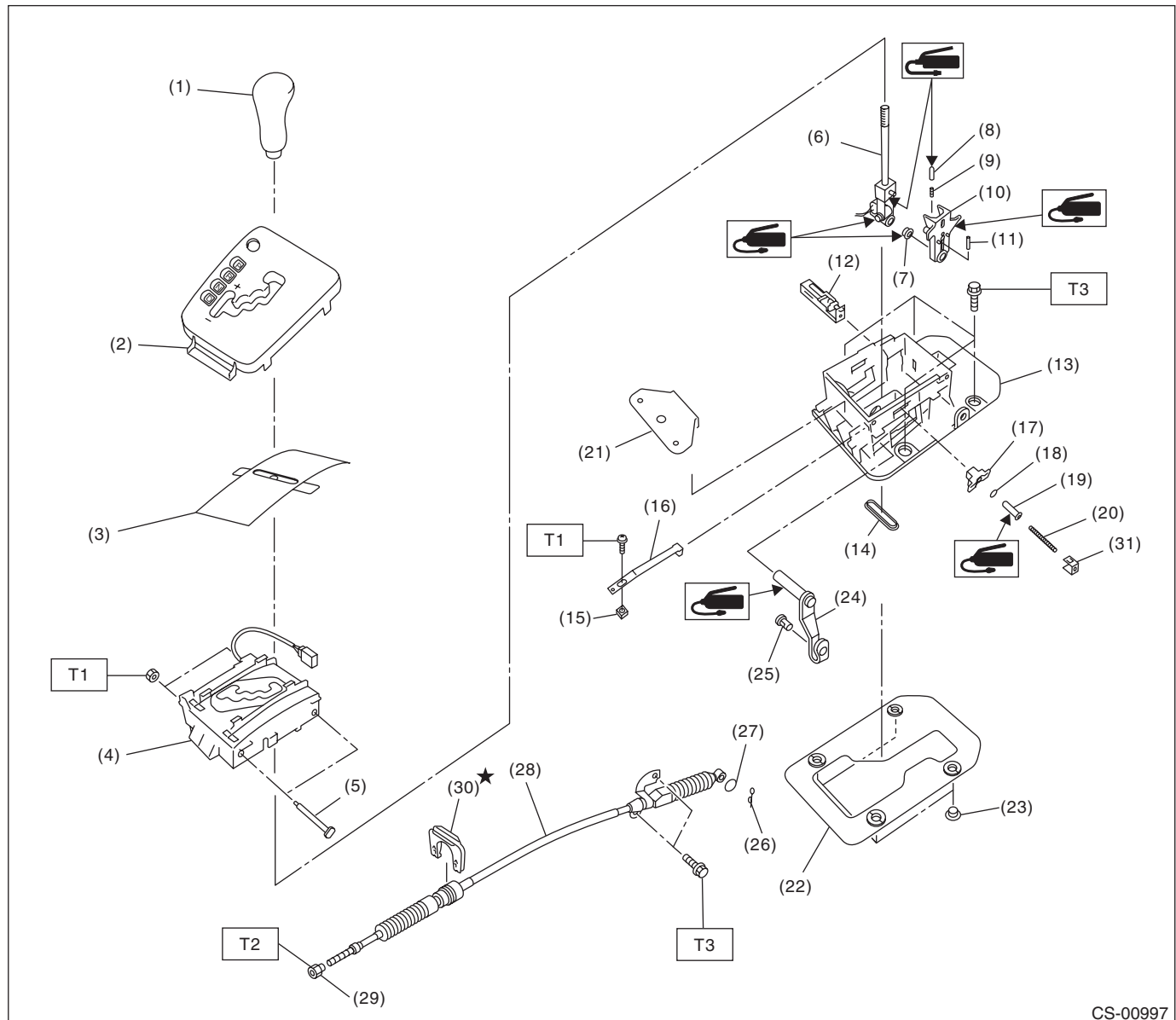
## 1. General Description

### A: SPECIFICATION

Item	Specifications
Swing torque of rod against lever N (kgf, lb)	3.7 (0.38, 0.83) or less

## B: COMPONENT

### 1. AT SELECT LEVER



CS-00997

- |                               |                         |                       |
|-------------------------------|-------------------------|-----------------------|
| (1) Grip ASSY                 | (14) Grommet            | (26) Snap pin         |
| (2) Indicator ASSY            | (15) Plate nut          | (27) Washer           |
| (3) Blind                     | (16) Detent spring      | (28) Select cable     |
| (4) Plate guide COMPL         | (17) Bushing            | (29) Nut A            |
| (5) Spacer bolt               | (18) Lock plate cushion | (30) Clamp            |
| (6) Selector lever COMPL      | (19) Select lever rod   | (31) Shift lock clamp |
| (7) Bushing                   | (20) Spring A           |                       |
| (8) Rod detent                | (21) Bracket            |                       |
| (9) Spring detent             | (22) Gasket             |                       |
| (10) Bracket arm detent       | (23) Spacer             |                       |
| (11) Spring pin               | (24) Arm ASSY           |                       |
| (12) Shift lock solenoid unit | (25) Connector pin      |                       |
| (13) Plate COMPL              |                         |                       |

**Tightening torque: N-m (kgf-m, ft-lb)**

**T1: 2.2 (0.2, 1.6)**

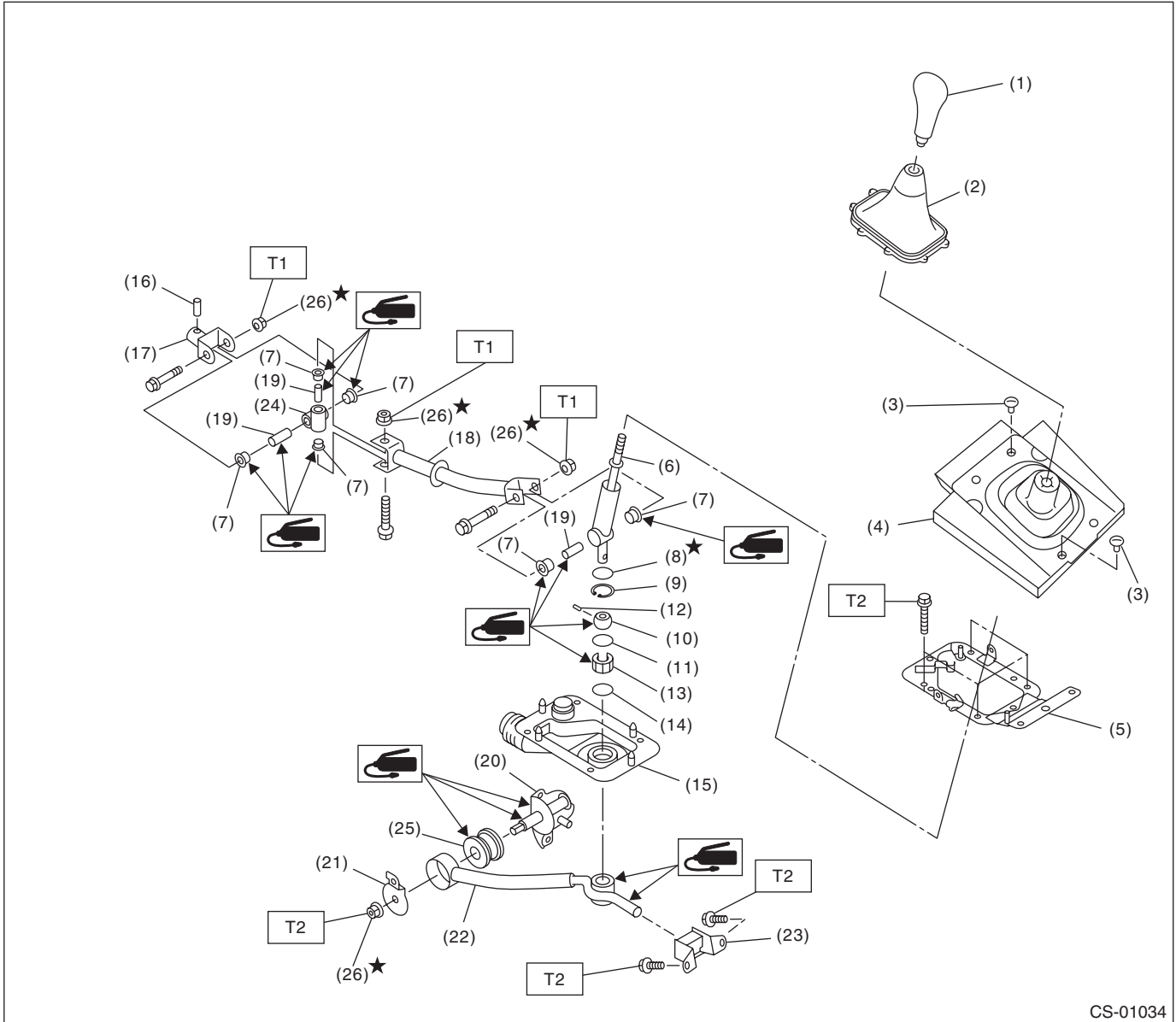
**T2: 7.5 (0.8, 5.5)**

**T3: 18 (1.8, 13.3)**

# General Description

## CONTROL SYSTEMS

### 2. 5MT GEAR SHIFT LEVER



CS-01034

- |                             |                 |                       |
|-----------------------------|-----------------|-----------------------|
| (1) Gear shift knob         | (11) O-ring     | (21) Washer           |
| (2) Console boot            | (12) Spring pin | (22) Stay             |
| (3) Clamp                   | (13) Bushing B  | (23) Cushion rubber   |
| (4) Boot and insulator ASSY | (14) O-ring     | (24) Boss             |
| (5) Plate ASSY              | (15) Boot       | (25) Bushing          |
| (6) Lever                   | (16) Spring pin | (26) Self-locking nut |
| (7) Bushing                 | (17) Joint      |                       |
| (8) Lock wire               | (18) Rod        |                       |
| (9) Snap ring               | (19) Spacer     |                       |
| (10) Bushing                | (20) Bracket    |                       |

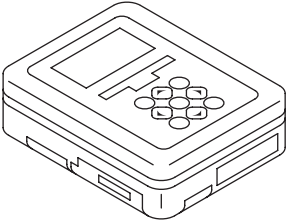
**Tightening torque: N·m (kgf·m, ft·lb)**

**T1: 12 (1.2, 8.9)**

**T2: 18 (1.8, 13.3)**

## C: PREPARATION TOOL

### 1. SPECIAL TOOL

ILLUSTRATION	TOOL NUMBER	DESCRIPTION	REMARKS
 <p style="text-align: center; margin-top: 10px;">ST1B022XU0</p>	1B022XU0	SUBARU SELECT MONITOR III KIT	Used for troubleshooting the electrical system.

### 2. GENERAL TOOL

TOOL NAME	REMARKS
Circuit tester	Used for measuring resistance and voltage.

## D: CAUTION

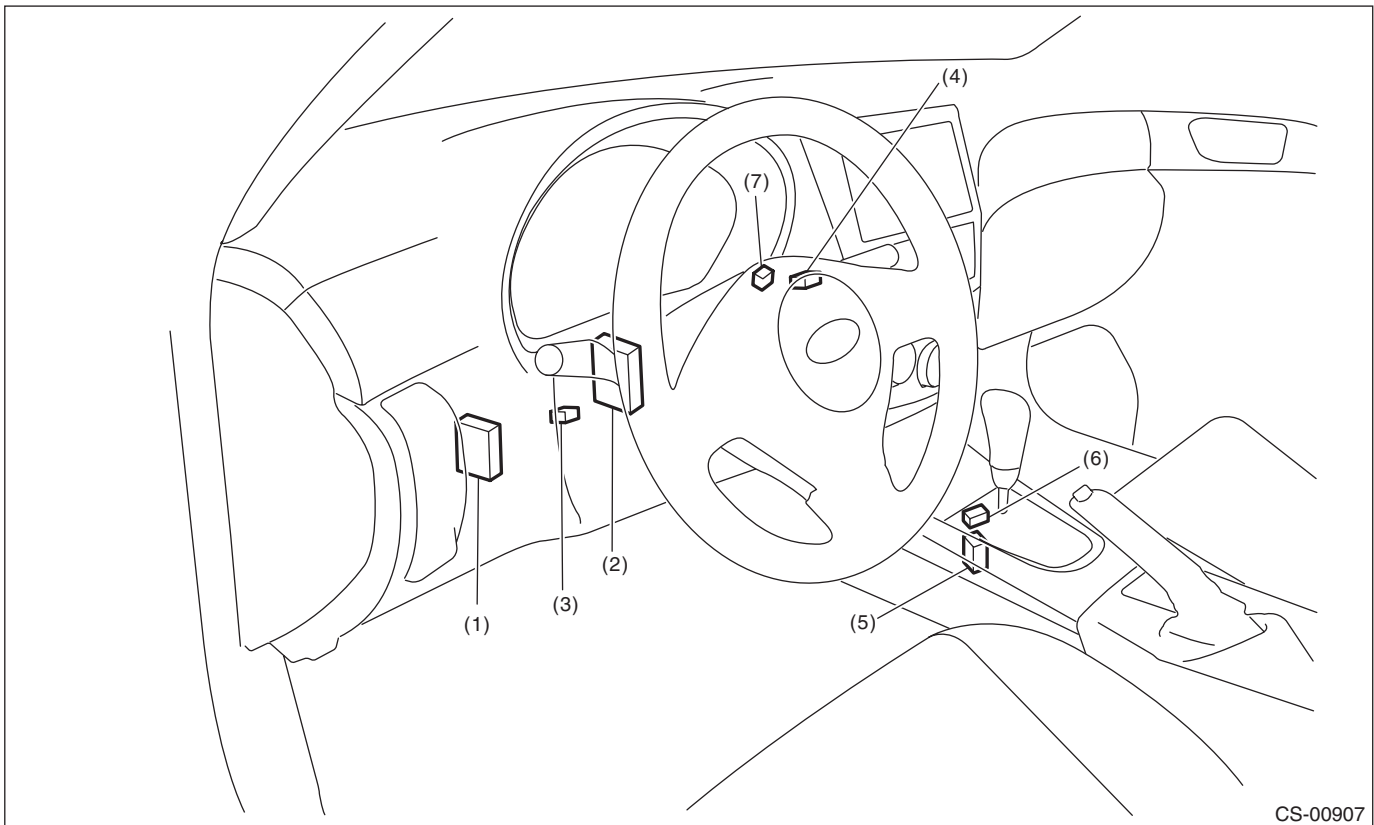
- Wear appropriate work clothing, including a cap, protective goggles and protective shoes when performing any work.
- Remove contamination including dirt and corrosion before removal, installation or disassembly.
- Keep the disassembled parts in order and protect them from dust and dirt.
- Before removal, installation or disassembly, be sure to clarify the failure. Avoid unnecessary removal, installation, disassembly and replacement.
- Use SUBARU genuine fluid, grease etc. or equivalent. Do not mix fluid, grease, etc. of different grades or manufacturers.
- Be sure to tighten fasteners including bolts and nuts to the specified torque.
- Place shop jacks or rigid racks at the specified points.
- Apply grease onto sliding or revolving surfaces before installation.
- Before installing O-rings or snap rings, apply sufficient amount of fluid to avoid damage and deformation.
- Before securing a part in a vise, place cushioning material such as wood blocks, aluminum plate or cloth between the part and the vise.
- Before disconnecting electrical connectors, be sure to disconnect the negative terminal from battery.

# AT Shift Lock Control System

CONTROL SYSTEMS

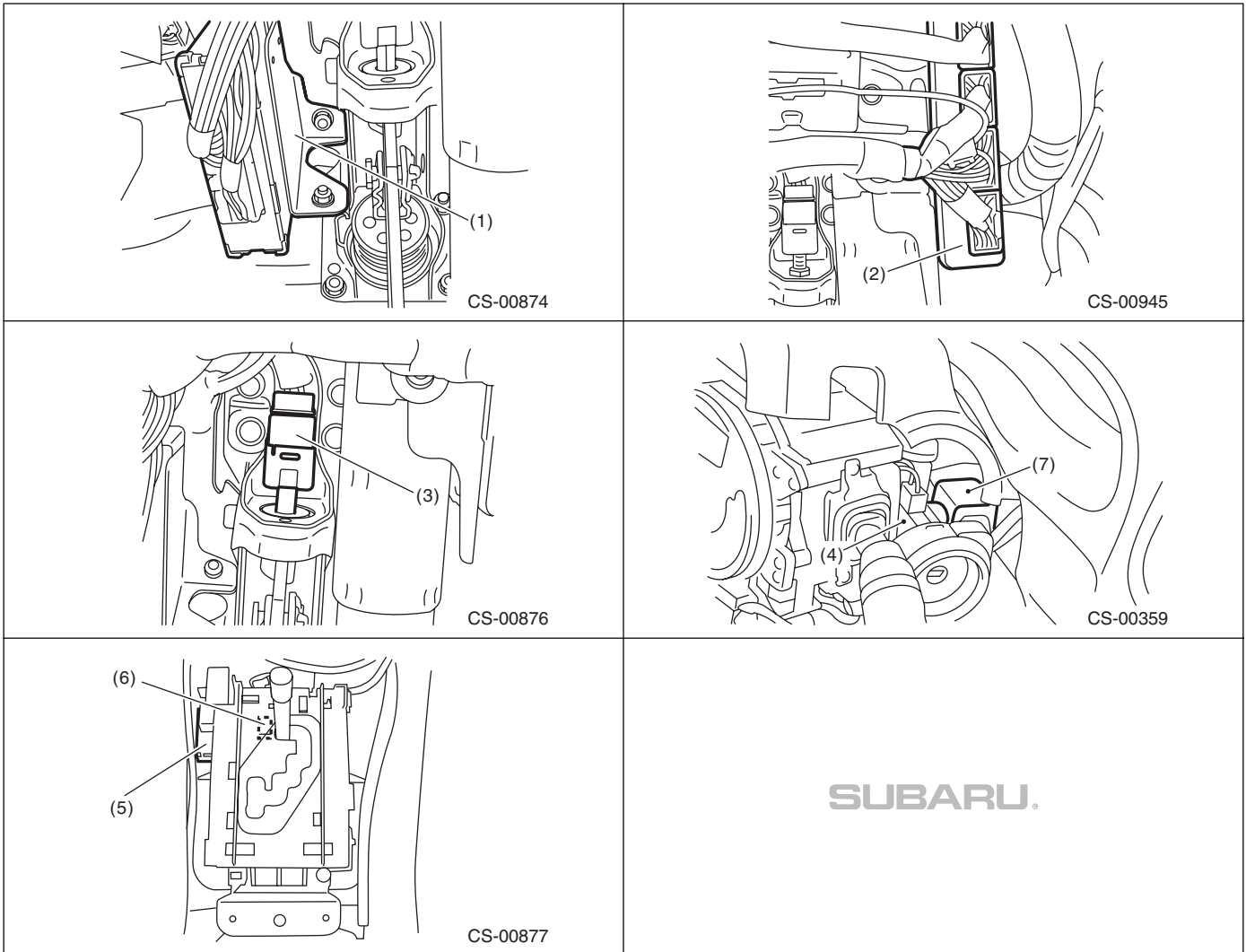
## 2. AT Shift Lock Control System

### A: LOCATION



CS-00907

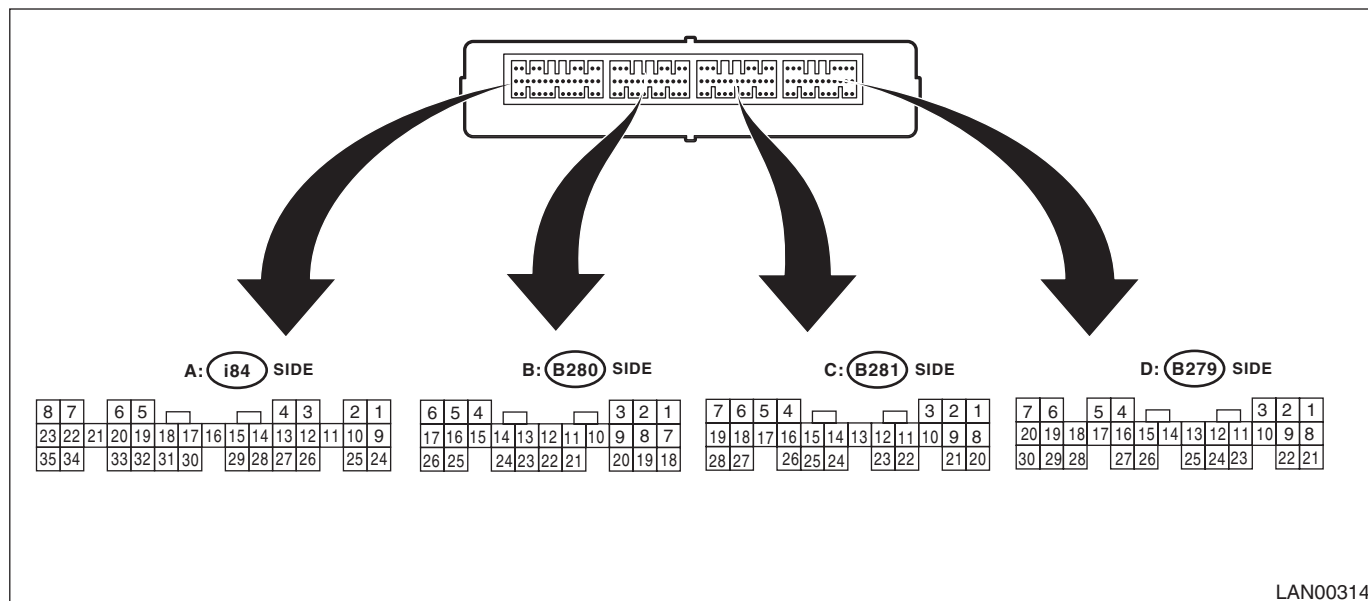
- |                          |  |                       |
|--------------------------|--|-----------------------|
| (1) TCM ("P" range)      | (4) Key cylinder<br>(with built-in key warning switch) | (6) "P" range switch  |
| (2) Body integrated unit | (5) Shift lock solenoid ASSY                           | (7) Key lock solenoid |
| (3) Stop light switch    |  |                       |



# AT Shift Lock Control System

## CONTROL SYSTEMS

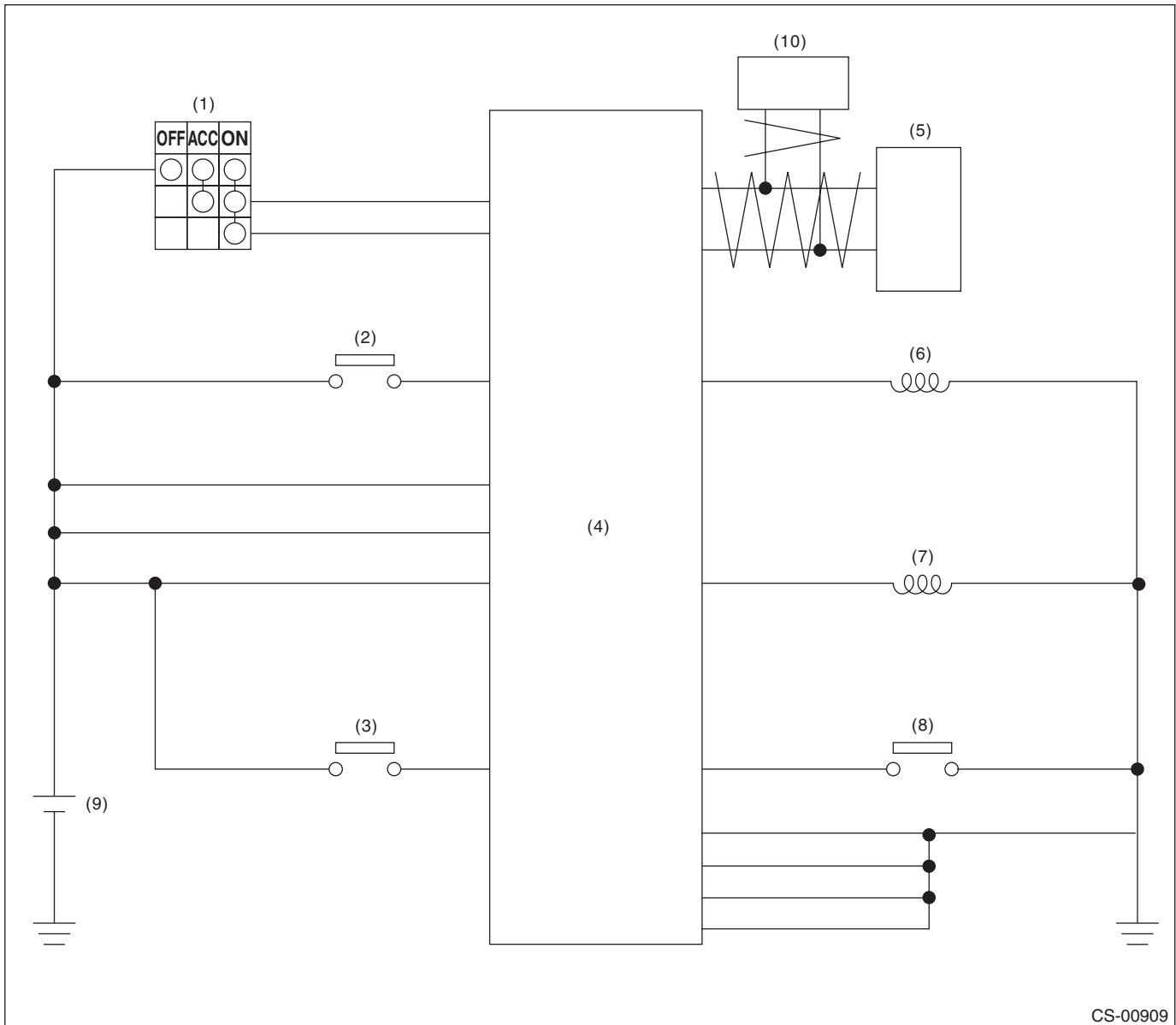
### B: ELECTRICAL SPECIFICATION



LAN00314

Item	Connector No.	Terminal No.	Input/Output signal
			Measured value and measuring conditions
Battery power supply	B279	22	9 — 16 V
	B280	6	
Ignition power supply	B280	1	10 — 15 V when ignition switch is at ON or START.
		7	10 — 15 V when ignition switch is at ACC.
TCM ("P" range)	B280	3	Pulse signal
		9	
Stop light switch	B280	2	9 — 16 V when stop light switch is ON. 0 V when stop light switch is OFF.
"P" range switch	B281	4	0 V when select lever is in "P" range. 9 — 16 V when select lever is in other positions than "P" range.
Shift lock solenoid signal	B279	12	8.5 — 16 V when shift lock is released. 0 V when shift lock is operating.
Key warning switch signal	B279	2	9 — 16 V when key is inserted. 0 V when key is removed.
Key lock solenoid signal	B279	11	7.5 — 16 V when ignition switch is turned ON, with select lever in "P" range and brake switch ON. 0 V at other conditions than above.
Ground	i84	28	—
	B280	17	
	B281	20	
	B279	27	

## C: WIRING DIAGRAM



- |                          |                                   |   |
|--------------------------|-----------------------------------|---|
| (1) Ignition switch      | (5) TCM (shift range information) | (9) Battery                                 |
| (2) Stop light switch    | (6) Key lock solenoid             | (10) VDC/ABS<br>(vehicle speed information) |
| (3) Key warning switch   | (7) Shift lock solenoid           |   |
| (4) Body integrated unit | (8) "P" range switch              |   |



# AT Shift Lock Control System

## CONTROL SYSTEMS

### D: INSPECTION

#### 1. SHIFT LOCK OPERATION

	Step	Check	Yes	No
1	<b>CHECK COMMUNICATION OF SUBARU SELECT MONITOR.</b> 1) Turn the ignition switch to ON. 2) Using the Subaru Select Monitor, check whether communication to all systems can be executed normally.	Is the system name displayed?	Go to step 2.	Perform the inspection following the diagnostic procedure in the LAN section. <Ref. to LAN(diag)-2, Basic Diagnostic Procedure.>
2	<b>CHECK SHIFT LOCK.</b> 1) Turn the ignition switch to ON. 2) Shift the select lever to "P" range.	While brake pedal is not depressed, is it possible to move the select lever from the "P" range to other ranges?	Perform the inspection of "SELECT LEVER CANNOT BE LOCKED OR RELEASED". <Ref. to CS-14, SELECT LEVER CANNOT BE LOCKED OR RELEASED, INSPECTION, AT Shift Lock Control System.>	Go to step 3.
3	<b>CHECK SHIFT LOCK.</b>	While brake pedal is depressed, is it possible to move the select lever from the "P" range to other ranges?	Go to step 4.	Perform the inspection of "SELECT LEVER CANNOT BE LOCKED OR RELEASED". <Ref. to CS-14, SELECT LEVER CANNOT BE LOCKED OR RELEASED, INSPECTION, AT Shift Lock Control System.>
4	<b>CHECK SHIFT LOCK.</b> Shift the select lever to "N" range.	Is it possible to move the select lever from the "N" range to the "P" range?	Go to step 5.	Perform the inspection of "SELECT LEVER CANNOT BE LOCKED OR RELEASED". <Ref. to CS-14, SELECT LEVER CANNOT BE LOCKED OR RELEASED, INSPECTION, AT Shift Lock Control System.>

# AT Shift Lock Control System

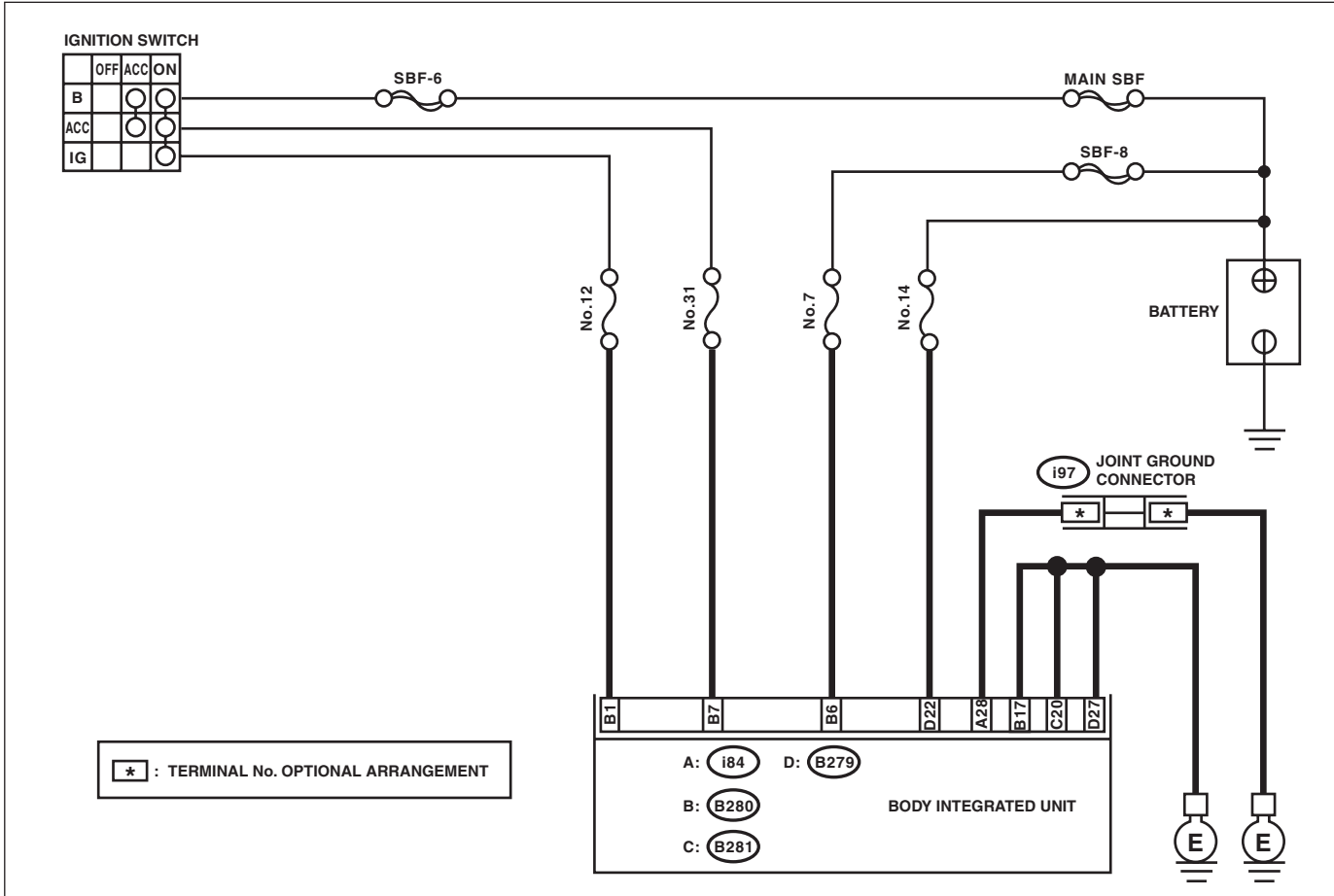
CONTROL SYSTEMS

Step	Check	Yes	No
<b>5</b> <b>CHECK SHIFT LOCK.</b> 1) Shift the select lever to "N" range. 2) Turn the ignition switch to OFF.	While brake pedal is depressed, is it possible to move the select lever from the "N" range to the "P" range?	Go to step 6.	Perform the inspection of "SELECT LEVER CANNOT BE LOCKED OR RELEASED". <Ref. to CS-14, SELECT LEVER CANNOT BE LOCKED OR RELEASED, INSPECTION, AT Shift Lock Control System.>
<b>6</b> <b>CHECK KEY INTERLOCK.</b> 1) Turn the ignition switch to OFF. 2) Shift the select lever to other than "P" range.	Can the ignition key be removed?	Perform the inspection of "KEY INTERLOCK CANNOT BE LOCKED OR RELEASED". <Ref. to CS-17, KEY INTERLOCK CANNOT BE LOCKED OR RELEASED, INSPECTION, AT Shift Lock Control System.>	Go to step 7.
<b>7</b> <b>CHECK KEY INTERLOCK.</b> Shift the select lever to "P" range.	Can the ignition key be removed?	AT shift lock system is normal.	Perform the inspection of "KEY INTERLOCK CANNOT BE LOCKED OR RELEASED". <Ref. to CS-17, KEY INTERLOCK CANNOT BE LOCKED OR RELEASED, INSPECTION, AT Shift Lock Control System.>

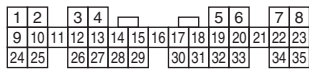
# AT Shift Lock Control System

## CONTROL SYSTEMS

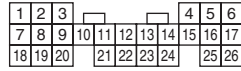
### 2. BODY INTEGRATED UNIT POWER SUPPLY AND GROUND CIRCUIT



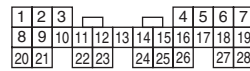
A: i84



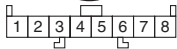
B: B280



C: B281



i97



D: B279



CS-01033

# AT Shift Lock Control System

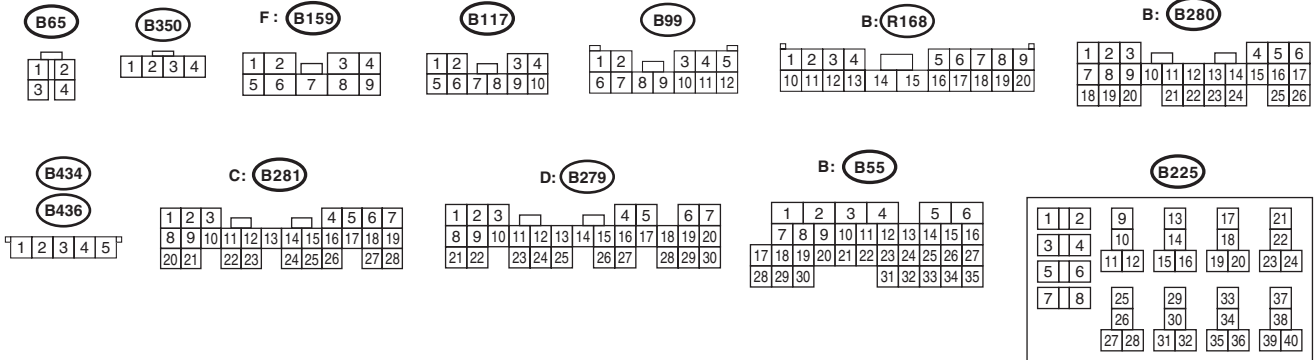
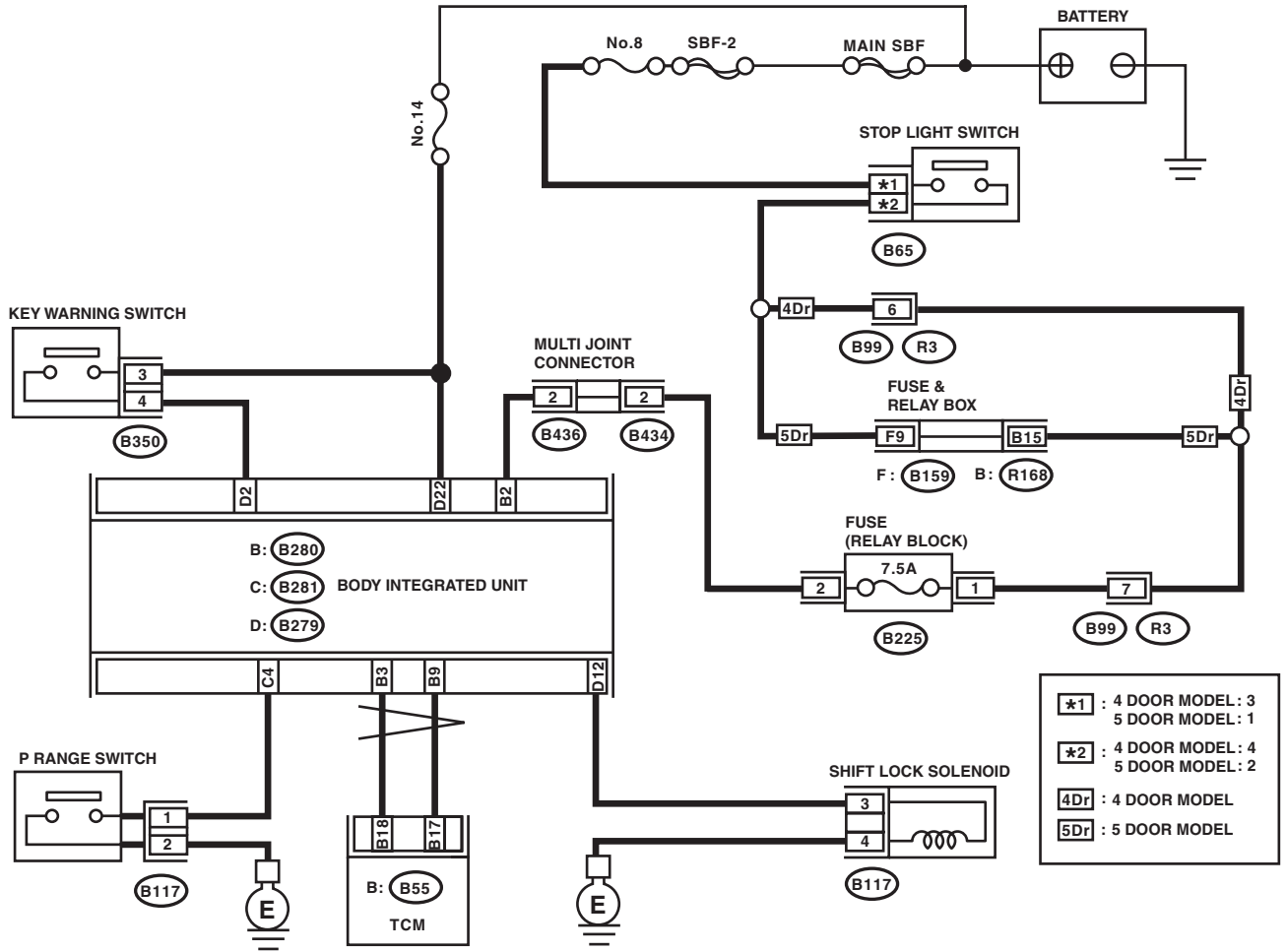
CONTROL SYSTEMS

Step	Check	Yes	No
<b>1</b> <b>CHECK DTC OF BODY INTEGRATED UNIT.</b> Check DTC of body integrated unit. <Ref. to LAN(diag)-15, OPERATION, Subaru Select Monitor.>	Is the DTC of power line displayed on body integrated unit?	Repair or replace it according to the DTC.	Go to step 2.
<b>2</b> <b>CHECK HARNESS CONNECTOR BETWEEN BODY INTEGRATED UNIT AND CHASSIS GROUND.</b> 1) Turn the ignition switch to ON. 2) Measure the voltage between body integrated unit and chassis ground. <i>Connector &amp; terminal</i> <i>(B280) No. 1 (+) — Chassis ground (-):</i> <i>(B280) No. 6 (+) — Chassis ground (-):</i> <i>(B280) No. 7 (+) — Chassis ground (-):</i> <i>(B279) No. 22 (+) — Chassis ground (-):</i>	Is the voltage 9 — 16 V?	Go to step 3.	Check harness for open circuit between the body integrated unit and the battery or a blown fuse.
<b>3</b> <b>CHECK HARNESS CONNECTOR BETWEEN BODY INTEGRATED UNIT AND CHASSIS GROUND.</b> 1) Turn the ignition switch to OFF. 2) Measure the harness resistance between the body integrated unit and chassis ground. <i>Connector &amp; terminal</i> <i>(i84) No. 28 — Chassis ground:</i> <i>(B279) No. 27 — Chassis ground:</i> <i>(B280) No. 17 — Chassis ground:</i> <i>(B281) No. 20 — Chassis ground:</i>	Is the resistance less than 1 Ω?	Go to step 4.	Repair the open circuit of harness between the body integrated unit and chassis ground.
<b>4</b> <b>CHECK POOR CONTACT.</b>	Is there poor contact of connector?	Repair the poor contact.	Check body integrated unit.

# AT Shift Lock Control System

## CONTROL SYSTEMS

### 3. SELECT LEVER CANNOT BE LOCKED OR RELEASED



CS-01026

# AT Shift Lock Control System

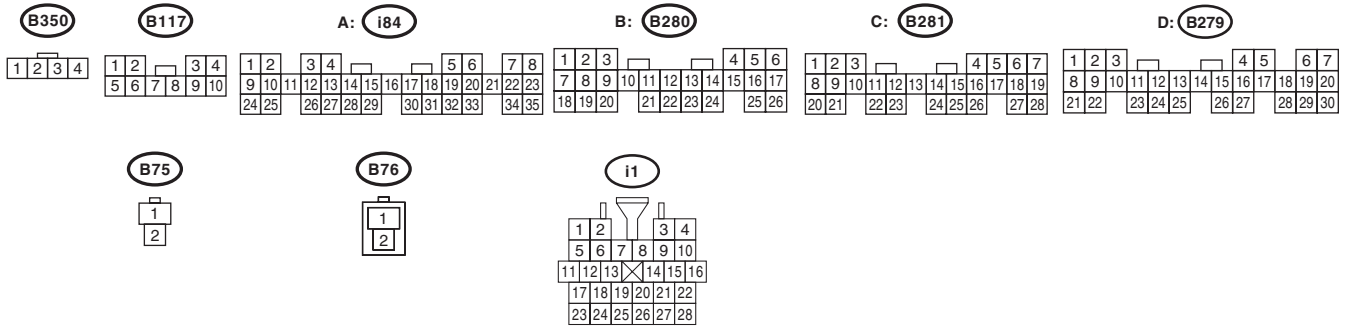
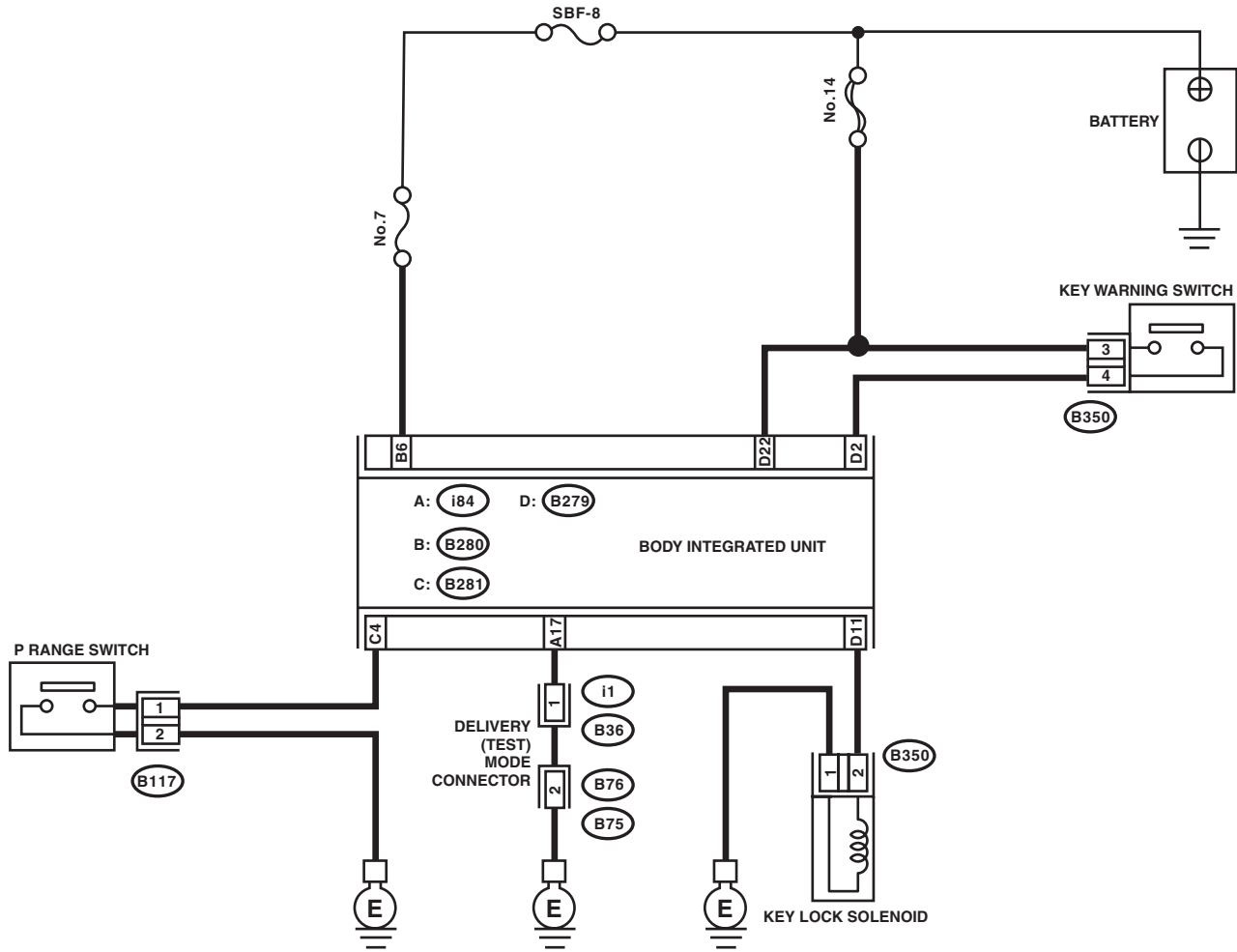
Step	Check	Yes	No
1	<b>CHECK BODY INTEGRATED UNIT POWER SUPPLY AND GROUND CIRCUIT.</b> <Ref. to CS-12, BODY INTEGRATED UNIT POWER SUPPLY AND GROUND CIRCUIT, INSPECTION, AT Shift Lock Control System.>	Is there an abnormal condition?	Follow the procedures to perform inspection and repair.
2	<b>CHECK CURRENT DATA.</b> 1) Connect the Subaru Select Monitor. 2) Shift the select lever to "P" range. 3) Turn the ignition switch to ON. 4) Display the current data display and display "P SW". <Ref. to LAN(diag)-15, OPERATION, Subaru Select Monitor.>	Is the display "ON" in the P range and "OFF" in ranges other than P?	Go to step 3.
3	<b>CHECK CURRENT DATA.</b> Display the current data display and display "Stop Light Switch". <Ref. to LAN(diag)-15, OPERATION, Subaru Select Monitor.>	Is "ON" displayed when the brake pedal is depressed and "OFF" displayed when the brake pedal is released?	Go to step 4.
4	<b>CHECK BODY INTEGRATED UNIT DTC.</b> Check the DTC of the body integrated unit when the brake pedal is pressed and when it is released. (Hold each condition for 5 seconds or more.)	Is there a DTC of a current malfunction?	Go to step 5.
5	<b>CHECK CURRENT DATA.</b> Select the current data display and display "Shift Lock Solenoid". <Ref. to LAN(diag)-15, OPERATION, Subaru Select Monitor.>	Is "ON" displayed when the brake pedal is depressed and "OFF" displayed when the brake pedal is released?	Go to step 6.
6	<b>CHECK CURRENT DATA.</b> Select the current data display and display "Shift Position". <Ref. to LAN(diag)-15, OPERATION, Subaru Select Monitor.>	Is the display "7" in the P range and other than "7" in ranges other than P?	Go to step 7.  Check the following items. <ul style="list-style-type: none"> <li>• Inhibitor switch</li> <li>• Harness between inhibitor switch and TCM</li> <li>• TCM input signal</li> <li>• TCM CAN communication</li> <li>• Body integrated unit CAN receive</li> </ul>
7	<b>CHECK CURRENT DATA.</b> 1) Select the current data display and display "Front Wheel Speed". <Ref. to LAN(diag)-15, OPERATION, Subaru Select Monitor.> 2) Start the engine. 3) Raise vehicle speed gradually up to approximately 20 km/h.	Is a figure equivalent to the speedometer being indicated?	Go to step 12.  Check the following items. <ul style="list-style-type: none"> <li>• Wheel speed sensor</li> <li>• VDC/ABS CAN communication</li> <li>• Body integrated unit CAN receive</li> </ul> Replace the wheel speed sensor, VDC/ABS, or body integrated unit, or both.

# AT Shift Lock Control System

## CONTROL SYSTEMS

Step	Check	Yes	No
<b>8</b> <b>CHECK HARNESS BETWEEN BODY INTEGRATED UNIT AND “P” RANGE SWITCH.</b> 1) Disconnect the connector from body integrated unit. 2) Disconnect the connector of “P” range switch. 3) Check for open circuit of harness, short circuit to battery or short circuit to ground between the body integrated unit and “P” range switch. <i><b>Connector &amp; terminal</b></i> <i><b>(B281) No. 4 — (B117) No. 1:</b></i>	Is the harness normal?	Go to step 9.	Repair or replace the harness between the body integrated unit and the “P” range switch.
<b>9</b> <b>CHECK HARNESS BETWEEN “P” RANGE SWITCH AND CHASSIS GROUND.</b> Measure the resistance of harness between “P” range switch and chassis ground. <i><b>Connector &amp; terminal</b></i> <i><b>(B117) No. 2 — Chassis ground:</b></i>	Is it less than 10 Ω?	Go to step 10.	Repair the harness between the “P” range switch and chassis ground.
<b>10</b> <b>CHECK P RANGE SWITCH.</b> Measure the resistance between “P” range switch connector terminals. <i><b>Terminals</b></i> <i><b>No. 2 — No. 1:</b></i>	Is it less than 10 Ω in the “P” range, and 1 MΩ or more in ranges other than “P”?	Replace the body integrated unit.	Replace the P range switch.
<b>11</b> <b>CHECK STOP LIGHT SWITCH INPUT SIGNAL.</b> 1) Disconnect the connector from body integrated unit. 2) Measure the voltage between the body integrated unit connector terminal and chassis ground. <i><b>Connector &amp; terminal</b></i> <i><b>(B280) No. 2 (+) — Chassis ground (-):</b></i>	Is the voltage 9 V or more when the brake pedal is depressed, and less than approximately 1.5 V when not pressed?	Replace the body integrated unit.	Check the stop light system.
<b>12</b> <b>CHECK SHIFT LOCK SOLENOID OPERATION.</b> Connect the battery to the shift lock solenoid unit connector terminal, and operate the solenoid. <i><b>Terminals</b></i> <i><b>No. 3 (+) — No. 4 (-):</b></i>	Does the shift lock solenoid operate normally?	Check the lock mechanism of the select lever body.	Replace the shift lock solenoid.

## 4. KEY INTERLOCK CANNOT BE LOCKED OR RELEASED



CS-01028



# AT Shift Lock Control System

## CONTROL SYSTEMS

Step	Check	Yes	No	
1	<b>CHECK DELIVERY (TEST) MODE CONNECTOR.</b> Check that the delivery (test) mode connector is disconnected.	Is the delivery (test) mode connector disconnected?	Go to step 2.	Disconnect the delivery (test) mode connector.
2	<b>CHECK BODY INTEGRATED UNIT POWER SUPPLY AND GROUND CIRCUIT.</b> <Ref. to CS-12, BODY INTEGRATED UNIT POWER SUPPLY AND GROUND CIRCUIT, INSPECTION, AT Shift Lock Control System.>	Is there an abnormal condition?	Follow the procedures to inspect and repair.	Go to step 3.
3	<b>CHECK CURRENT DATA.</b> 1) Connect the Subaru Select Monitor. 2) Shift the select lever to "P" range. 3) Turn the ignition switch to ON. 4) Display the current data display and display "P SW". <Ref. to LAN(diag)-15, OPERATION, Subaru Select Monitor.>	Is the display "ON" in the P range and "OFF" in ranges other than P?	Go to step 4.	Go to step 7.
4	<b>CHECK CURRENT DATA.</b> 1) Select the current data display and display the "Key-lock warning SW". <Ref. to LAN(diag)-15, OPERATION, Subaru Select Monitor.> 2) Turn the ignition switch to OFF.	Does the display change from "ON" to "OFF" when the key is inserted and removed?	Go to step 5.	Go to step 10.
5	<b>CHECK CURRENT DATA.</b> 1) Turn the ignition switch to ON. 2) Select the current data display and display "Key locking output". <Ref. to LAN(diag)-15, OPERATION, Subaru Select Monitor.>	Is the display "ON" in the P range and "OFF" in ranges other than P?	Go to step 12.	Go to step 6.
6	<b>CHECK DTC OF BODY INTEGRATED UNIT.</b> 1) Set the select lever to other than "P" range. 2) Check DTC of body integrated unit.	Is B1105 (key interlock circuit malfunction) a current malfunction?	Follow the DTC to perform inspection and repair.	Go to step 12.
7	<b>CHECK HARNESS BETWEEN BODY INTEGRATED UNIT AND "P" RANGE SWITCH.</b> 1) Disconnect the connector from body integrated unit. 2) Disconnect the connector of "P" range switch. 3) Check for open circuit of harness, short circuit to battery or short circuit to ground between the body integrated unit and "P" range switch. <b>Connector &amp; terminal</b> <b>(B281) No. 4 — (B117) No. 1:</b>	Is the harness normal?	Go to step 8.	Repair or replace the harness between the body integrated unit and the "P" range switch.
8	<b>CHECK HARNESS BETWEEN "P" RANGE SWITCH AND CHASSIS GROUND.</b> Measure the resistance of harness between "P" range switch and chassis ground. <b>Connector &amp; terminal</b> <b>(B117) No. 2 — Chassis ground:</b>	Is it less than 10 Ω?	Go to step 9.	Repair the harness between the "P" range switch and chassis ground.
9	<b>CHECK P RANGE SWITCH.</b> Measure the resistance between "P" range switch connector terminals. <b>Terminals</b> <b>No. 2 — No. 1:</b>	Is it less than 10 Ω in the "P" range, and 1 MΩ or more in ranges other than "P"?	Replace the body integrated unit.	Replace the P range switch.

# AT Shift Lock Control System

Step	Check	Yes	No
<p><b>10 CHECK HARNESS BETWEEN BATTERY AND KEY WARNING SWITCH AND BODY INTEGRATED UNIT.</b></p> <p>1) Disconnect the connector from body integrated unit.</p> <p>2) Measure the voltage between body integrated unit and chassis ground.</p> <p><b>Connector &amp; terminal</b> <b>(B279) No. 2 — Chassis ground:</b></p>	<p>Is the display 9 V or more when the key is inserted, and less than 1.5 V with the key removed?</p>	<p>Replace the body integrated unit.</p>	<p>Check the following items.</p> <ul style="list-style-type: none"> <li>• Key warning switch</li> <li>• Harness/fuse</li> <li>• Ignition circuit</li> </ul>
<p><b>11 CHECK DELIVERY (TEST) MODE CONNECTOR HARNESS.</b></p> <p>1) Disconnect the connector of body integrated unit.</p> <p>2) Measure the resistance between body integrated unit connector and the delivery (test) mode connector.</p> <p><b>Connector &amp; terminal</b> <b>(i84) No. 17 — (i1) No. 1:</b></p>	<p>Is it less than 10 Ω?</p>	<p>Go to step 12.</p>	<p>Repair or replace the harness between the body integrated unit and delivery (test) mode connector.</p>
<p><b>12 CHECK HARNESS BETWEEN BODY INTEGRATED UNIT AND KEY LOCK SOLENOID.</b></p> <p>1) Disconnect the connector from body integrated unit.</p> <p>2) Disconnect the connector of key lock solenoid.</p> <p>3) Check for open circuit of harness, short circuit to battery or short circuit to ground between the body integrated unit and key lock solenoid.</p> <p><b>Connector &amp; terminal</b> <b>(B279) No. 11 — (B350) No. 2:</b></p>	<p>Is the harness normal?</p>	<p>Go to step 13.</p>	<p>Repair or replace the harness between the body integrated unit and the key lock solenoid.</p>
<p><b>13 CHECK HARNESS BETWEEN KEY LOCK SOLENOID AND CHASSIS GROUND.</b></p> <p>Measure the resistance of harness between key lock solenoid and chassis ground.</p> <p><b>Connector &amp; terminal</b> <b>(B350) No. 1 — Chassis ground:</b></p>	<p>Is it less than 10 Ω?</p>	<p>Go to step 14.</p>	<p>Repair or replace the harness between the key lock solenoid and chassis ground.</p>
<p><b>14 CHECK KEY LOCK SOLENOID OPERATION.</b></p> <p>Connect the battery to the key lock solenoid connector terminal, and operate the solenoid.</p> <p><b>Terminals</b> <b>No. 2 (+) — No. 1 (-):</b></p>	<p>Does the key lock solenoid operate normally?</p>	<p>Go to step 15.</p>	<p>Replace the key lock solenoid.</p>
<p><b>15 CHECK OUTPUT OF BODY INTEGRATED UNIT.</b></p> <p>1) Connect all connectors.</p> <p>2) Insert the key.</p> <p>3) Measure the voltage between body integrated unit and chassis ground.</p> <p><b>Connector &amp; terminal</b> <b>(B279) No. 11 — Chassis ground:</b></p>	<p>Is it 5 V or more in ranges other than “P”, and less than 1.5 V in the “P” range?</p>	<p>Check the lock mechanism of the steering lock body.</p>	<p>Replace the body integrated unit.</p>

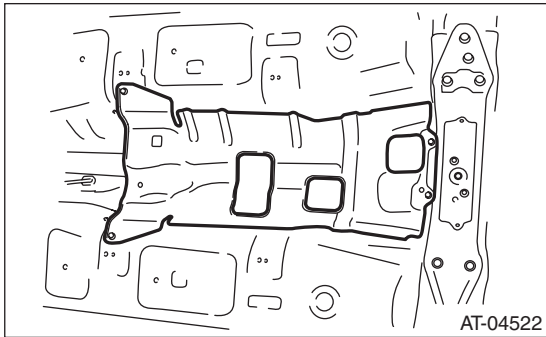
# Select Lever

## CONTROL SYSTEMS

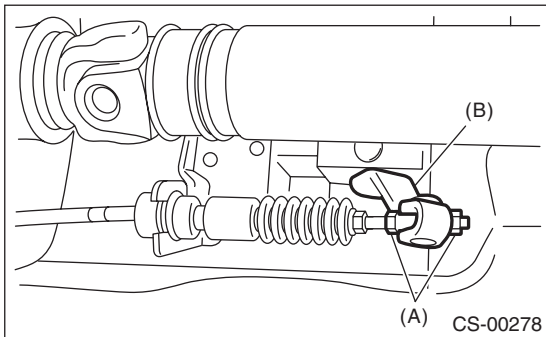
### 3. Select Lever

#### A: REMOVAL

- 1) Set the vehicle on a lift.
- 2) Shift the select lever to "N" range.
- 3) Disconnect the ground cable from battery.
- 4) Lift up the vehicle.
- 5) Remove the rear exhaust pipe and muffler.
  - Non-turbo model  
<Ref. to EX(H4SO)-10, REMOVAL, Rear Exhaust Pipe.> <Ref. to EX(H4SO)-12, REMOVAL, Muffler.>
  - Turbo model  
<Ref. to EX(H4DOTC)-13, REMOVAL, Rear Exhaust Pipe.> <Ref. to EX(H4DOTC)-15, REMOVAL, Muffler.>
- 6) Remove the heat shield cover.

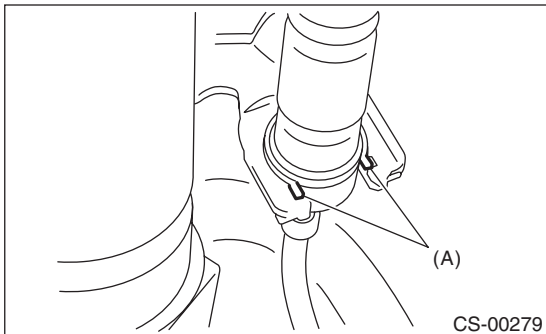


- 7) Remove the cable from arm assembly.



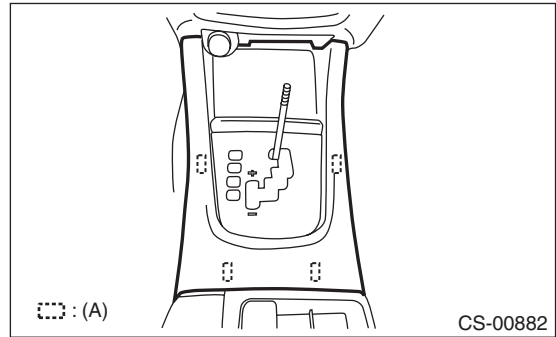
- (A) Adjusting nut  
(B) Arm ASSY

- 8) Raise the claw of clamp and remove the cable.



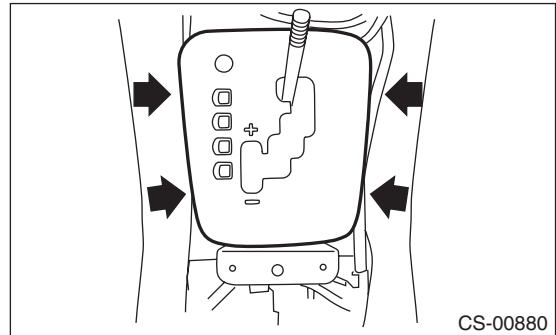
- (A) Claw

- 9) Lower the vehicle.
- 10) Remove the grip.
- 11) Remove the hand brake boot cover.
- 12) Remove the console front panel.

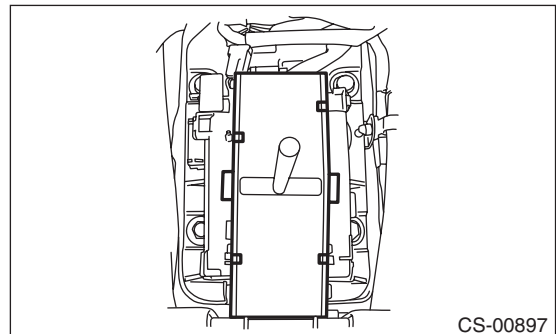


- (A) Hook

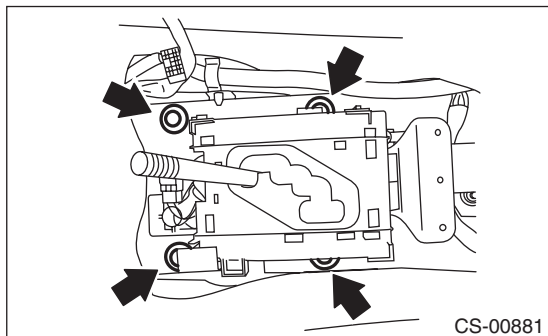
- 13) Remove the console cover and console box.  
<Ref. to EI-48, REMOVAL, Console Box.>
- 14) Remove the indicator assembly.



- 15) Remove the harness clips from the bracket.
- 16) Remove the blind.



17) Disconnect the connectors, and then remove the four bolts to take out the select lever assembly from vehicle body.

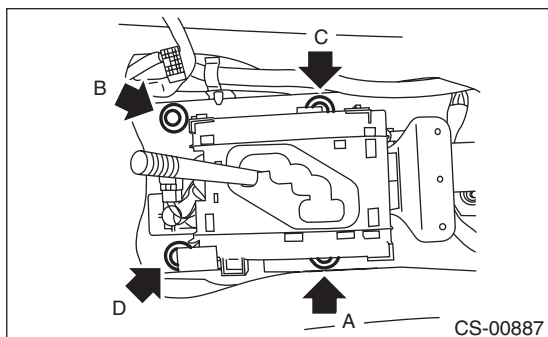


## B: INSTALLATION

- 1) Set the select lever to vehicle body.
- 2) Tighten the four bolts to install the select lever to vehicle body, and then connect the connector.
  - (1) Temporarily tighten the bolt A.
  - (2) Tighten the bolt B.
  - (3) Tighten the bolt A.
  - (4) Tighten the bolts C and D.

### Tightening torque:

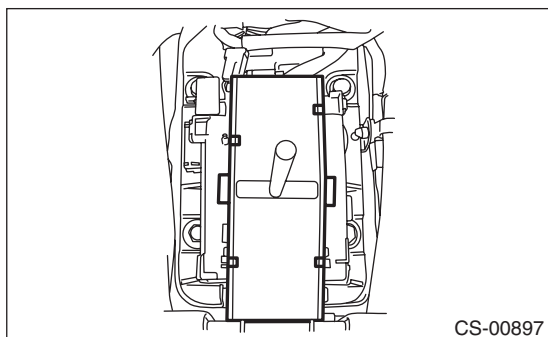
**18 N·m (1.8 kgf·m, 13.3 ft·lb)**



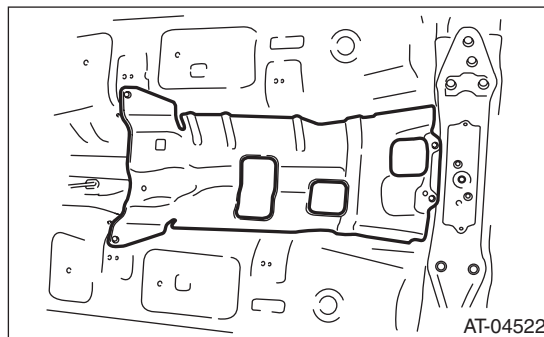
- 3) Install the harness clips to the bracket.
- 4) Install the console cover and console box. <Ref. to EI-48, INSTALLATION, Console Box.>
- 5) Shift the select lever to “N” range.
- 6) Install the blind.

### CAUTION:

**The blind should be installed so that it is securely caught by tabs of the plate guide COMPL.**



- 7) Install the indicator assembly.
- 8) Install the console front panel.
- 9) Install the hand brake boot cover.
- 10) Install the grip.
- 11) Lift up the vehicle.
- 12) Shift the range select lever to “N” range.
- 13) Secure the cable to the bracket. <Ref. to CS-26, INSTALLATION, Select Cable.>
- 14) Adjust the select cable position. <Ref. to CS-27, ADJUSTMENT, Select Cable.>
- 15) After the completion of adjustment, confirm that the select lever operates properly at all range positions.
- 16) Install the heat shield cover.



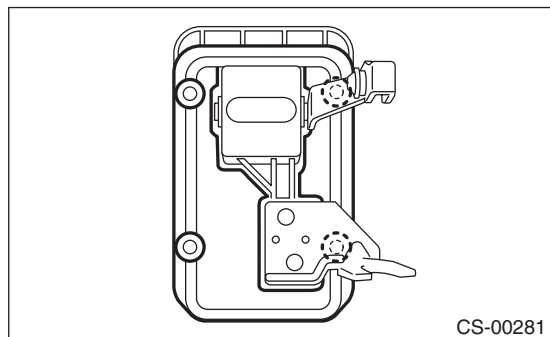
- 17) Install the rear exhaust pipe and muffler.
  - Non-turbo model  
<Ref. to EX(H4SO)-10, INSTALLATION, Rear Exhaust Pipe.> <Ref. to EX(H4SO)-12, INSTALLATION, Muffler.>
  - Turbo model  
<Ref. to EX(H4DOTC)-13, INSTALLATION, Rear Exhaust Pipe.> <Ref. to EX(H4DOTC)-15, INSTALLATION, Muffler.>
- 18) Inspect the following items. When a malfunction is found in the inspection, adjust the select cable and inhibitor switch. <Ref. to CS-27, ADJUSTMENT, Select Cable.> <Ref. to 4AT-48, ADJUSTMENT, Inhibitor Switch.>
  - (1) Engine starts when the select lever is in “P” and “N” range, but not in other ranges.
  - (2) Back-up light illuminates when the select lever is in the “R” range, but not in other ranges.
  - (3) Select lever and indicator positions are matched.

# Select Lever

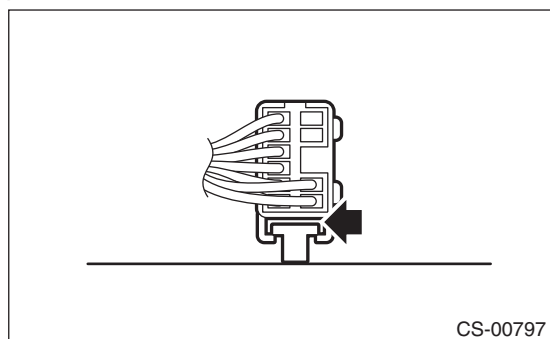
## CONTROL SYSTEMS

### C: DISASSEMBLY

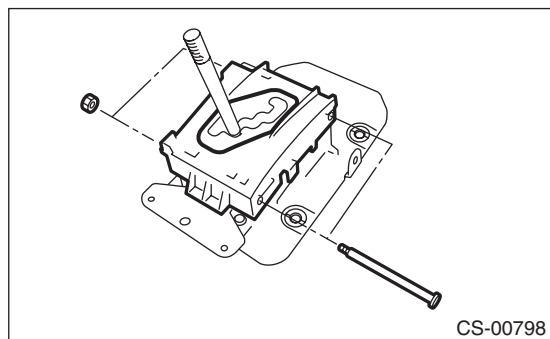
1) Remove the gasket and plate COMPL.



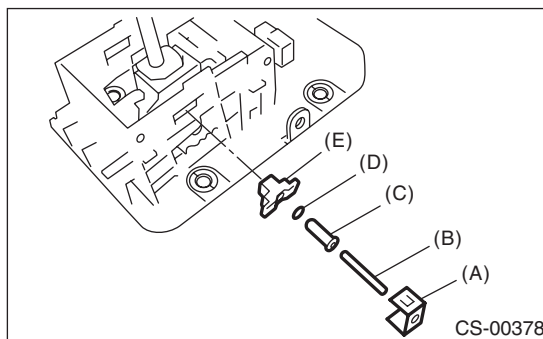
2) Insert a flat tip screwdriver with a thin tip under the connector and disconnect each connector from the plate COMPL.



3) Remove the spacer bolt and remove the plate guide COMPL.

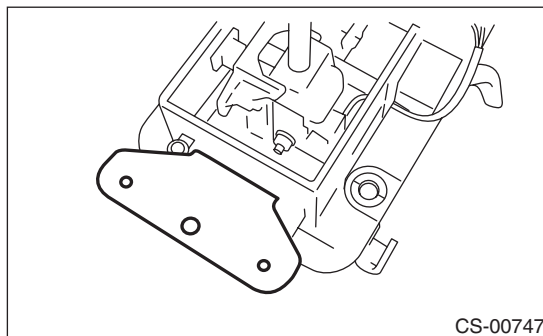


4) Remove the shift lock clamp, spring A, select lever rod, lock plate cushion, and bushing.

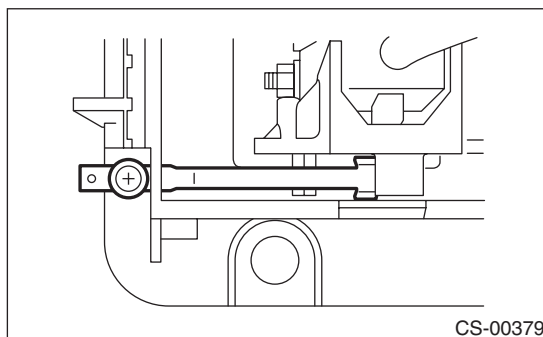


- (A) Shift lock clamp
- (B) Spring A
- (C) Select lever rod
- (D) Lock plate cushion
- (E) Bushing

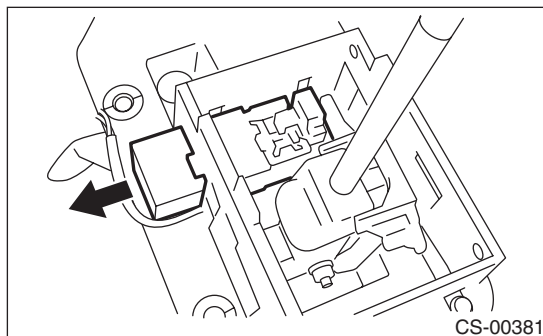
5) Remove the bracket.



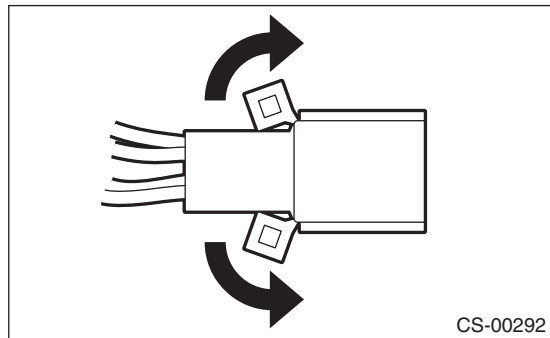
6) Remove the detent spring.



7) Remove the shift lock solenoid unit.

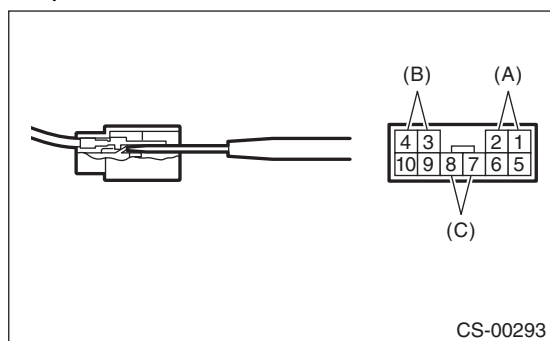


8) Raise the claw of connector.



CS-00292

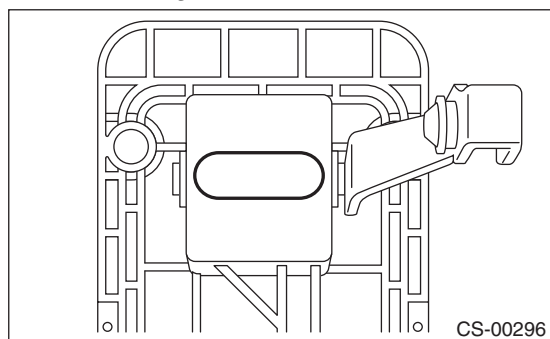
9) Disconnect the terminals of the SPORT mode switch, "P" range switch, and shift lock solenoid from the connector, using a flat tip screwdriver with a thin tip.



CS-00293

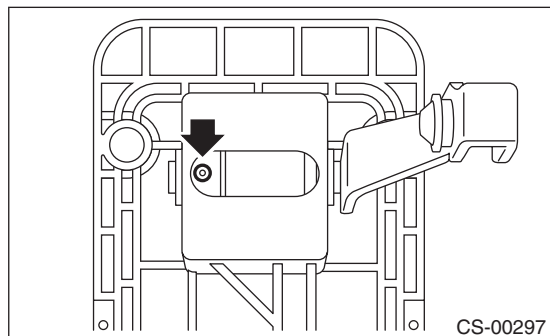
- (A) "P" range switch terminal
- (B) Shift lock solenoid terminal
- (C) SPORT mode switch terminal

10) Remove the grommet.



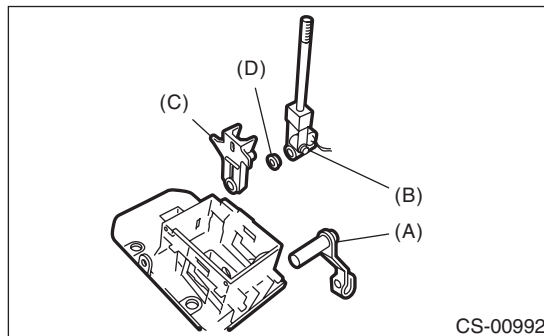
CS-00296

11) Pull out the spring pin.



CS-00297

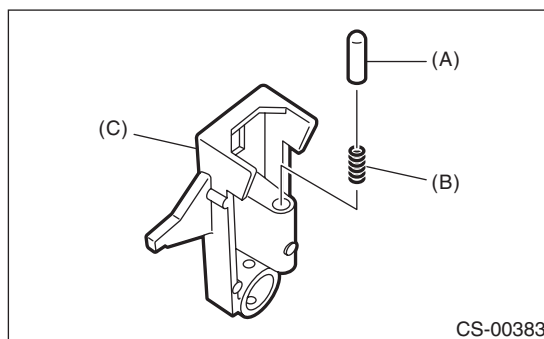
12) Pull out the arm assembly, remove select lever COMPL, and remove bracket arm detent and bushing.



CS-00992

- (A) Arm ASSY
- (B) Selector lever COMPL
- (C) Bracket arm detent
- (D) Bushing

13) Remove the rod detent and spring detent from the bracket arm detent.



CS-00383

- (A) Rod detent
- (B) Spring detent
- (C) Bracket arm detent

# Select Lever

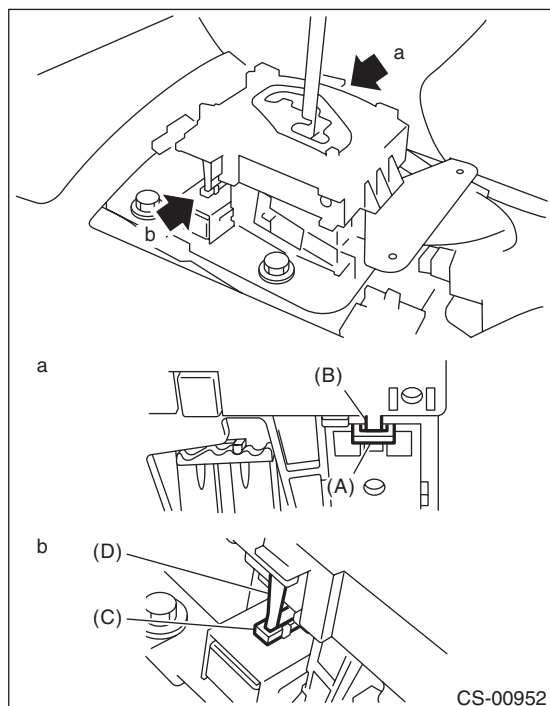
## CONTROL SYSTEMS

### D: ASSEMBLY

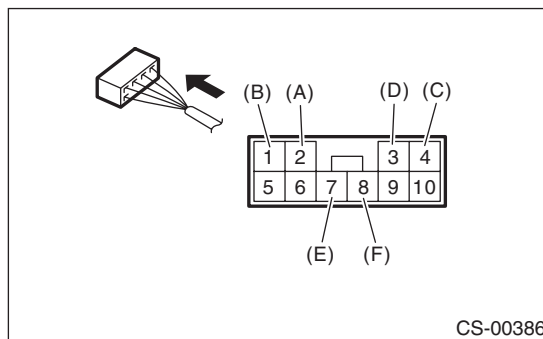
- 1) Clean all the parts before assembly.
- 2) Apply NIGTIGHT LYW No. 2 grease or equivalent to each part. <Ref. to CS-3, AT SELECT LEVER, COMPONENT, General Description.>
- 3) Assemble in the reverse order of disassembly.

#### NOTE:

- Set the select lever to “D” range (normal mode position) when installing the guide plate and be careful of the following.
  - Insert the protrusion (B) of the guide plate into the hole on shift lock solenoid unit (A).
  - Insert link (D) of the shift lock release into link (C) of the shift lock solenoid unit.



- Connect the switch and solenoid terminals to the connector.



- (A) “P” range switch (color code: white)
- (B) “P” range switch (color code: black)
- (C) Shift lock solenoid (color code: blue/red)
- (D) Shift lock solenoid (color code: black)
- (E) SPORT mode switch (color code: white)
- (F) SPORT mode switch (color code: black)

- 4) After completing installation, shift the select lever from “P” range to “D” range, then check whether the indicator and select lever matches, whether the pointer and position mark matches and whether the operating force occurs.

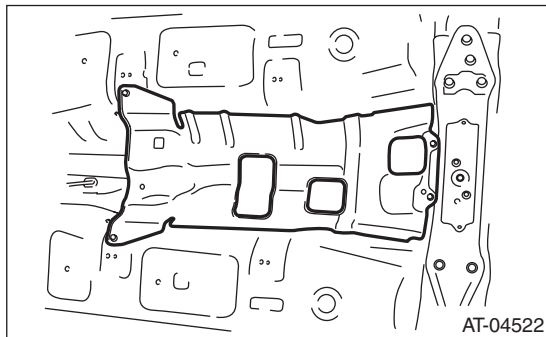
### E: INSPECTION

- 1) Inspect the removed parts by comparing with new parts for deformation, damage and wear. Repair or replace if defective.
- 2) Confirm the select lever operating condition before assembly. Normal if it operates smoothly.

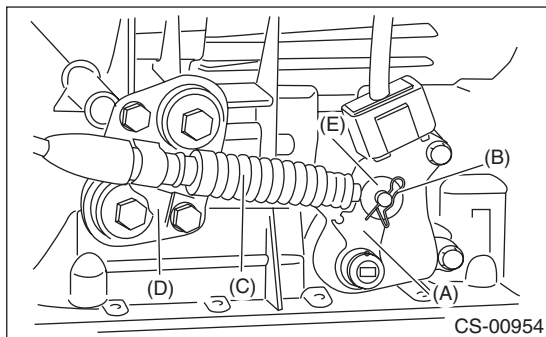
## 4. Select Cable

### A: REMOVAL

- 1) Set the vehicle on a lift.
- 2) Shift the select lever to "N" range.
- 3) Disconnect the ground cable from battery.
- 4) Lift up the vehicle.
- 5) Remove the front, center and rear exhaust pipes and the muffler. (Non-turbo model) <Ref. to EX(H4SO)-6, REMOVAL, Front Exhaust Pipe.> <Ref. to EX(H4SO)-9, REMOVAL, Center Exhaust Pipe.> <Ref. to EX(H4SO)-10, REMOVAL, Rear Exhaust Pipe.> <Ref. to EX(H4SO)-12, REMOVAL, Muffler.>
- 6) Remove the center and rear exhaust pipes and the muffler. (Turbo model) <Ref. to EX(H4DOTC)-8, REMOVAL, Center Exhaust Pipe.> <Ref. to EX(H4DOTC)-13, REMOVAL, Rear Exhaust Pipe.> <Ref. to EX(H4DOTC)-15, REMOVAL, Muffler.>
- 7) Remove the heat shield cover.

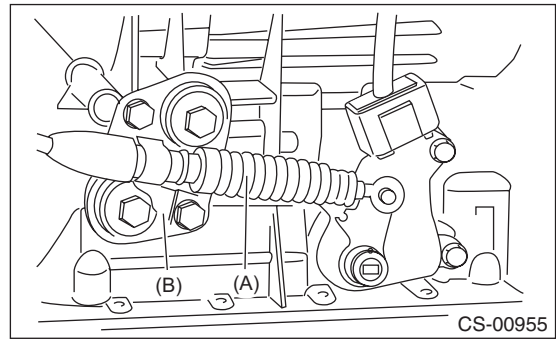


- 8) Remove the snap pin and washer from shifter arm.



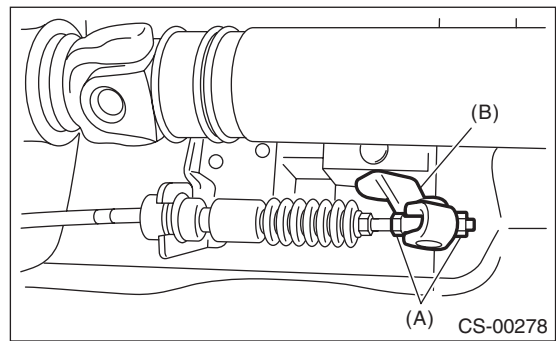
- (A) Shifter arm
- (B) Snap pin
- (C) Select cable
- (D) Bracket
- (E) Washer

- 9) Remove the plate assembly from the transmission case.



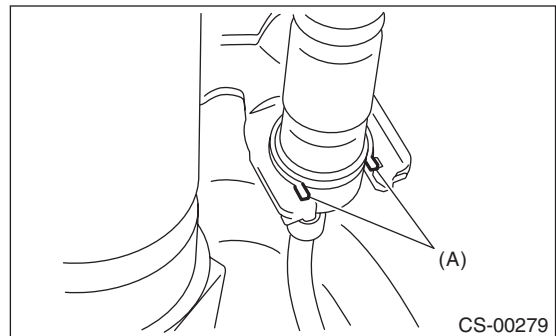
- (A) Select cable
- (B) Plate ASSY

- 10) Disconnect the cable from arm assembly.



- (A) Adjusting nut
- (B) Arm ASSY

- 11) Raise the claw of clamp to remove the cable from bracket.



- (A) Claw

- 12) Remove the select cable from plate assembly.



# Select Cable

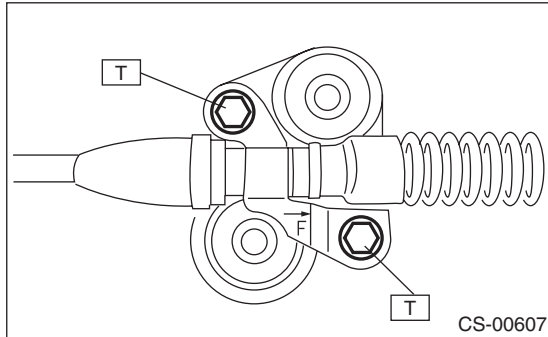
## CONTROL SYSTEMS

### B: INSTALLATION

1) Install the select cable to plate assembly.

**Tightening torque:**

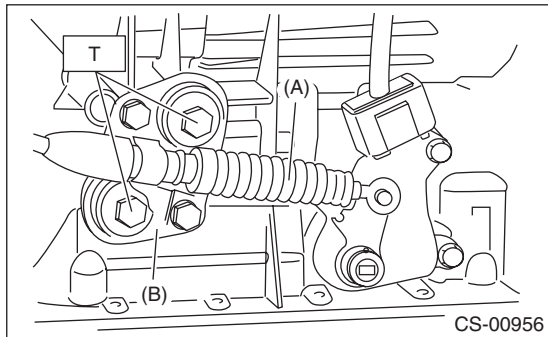
**18 N·m (1.8 kgf-m, 13.3 ft-lb)**



2) Install the select cable to the shifter arm.  
3) Install the plate assembly to transmission.

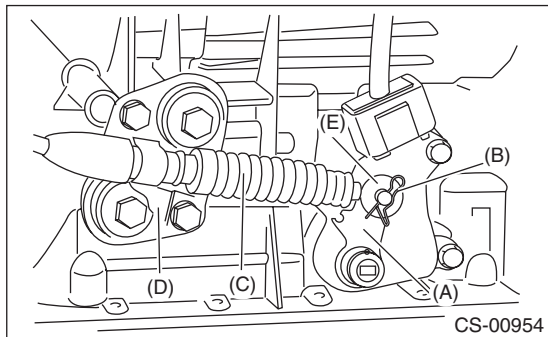
**Tightening torque:**

**T: 25 N·m (2.5 kgf-m, 18.4 ft-lb)**



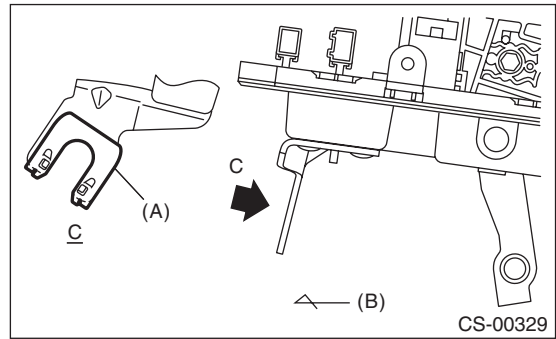
- (A) Select cable
- (B) Plate ASSY

4) Install the washer and snap pin to the shifter arm.



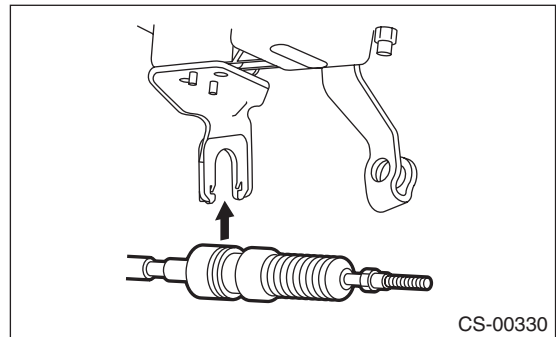
- (A) Shifter arm
- (B) Snap pin
- (C) Select cable
- (D) Bracket
- (E) Washer

5) Install new clamp paying attention to the installing direction.



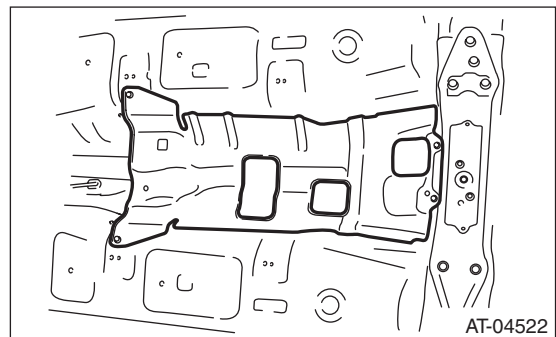
- (A) Clamp
- (B) Forward

6) Insert the tip of inner cable into connector hole of select lever, and fix the cable to bracket.



7) Shift the select lever to the "N" range, and then adjust the select cable position. <Ref. to CS-27, ADJUSTMENT, Select Cable.>

8) Install the heat shield cover.



9) Install the front, center and rear exhaust pipes, and the muffler. (Non-turbo model) <Ref. to EX(H4SO)-7, INSTALLATION, Front Exhaust Pipe.> <Ref. to EX(H4SO)-9, INSTALLATION, Center Exhaust Pipe.> <Ref. to EX(H4SO)-10, INSTALLATION, Rear Exhaust Pipe.> <Ref. to EX(H4SO)-12, INSTALLATION, Muffler.>

10) Install the center, rear exhaust pipes and the muffler. (Turbo model) <Ref. to EX(H4DOTC)-10, INSTALLATION, Center Exhaust Pipe.> <Ref. to EX(H4DOTC)-13, INSTALLATION, Rear Exhaust Pipe.> <Ref. to EX(H4DOTC)-15, INSTALLATION, Muffler.>

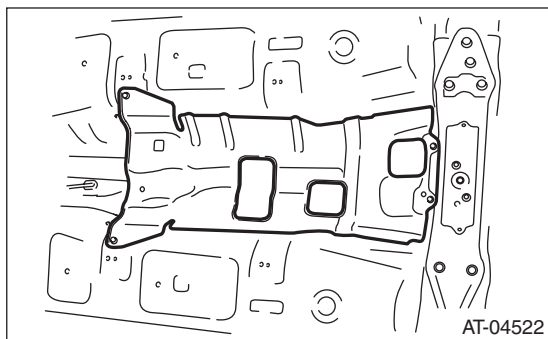
## C: INSPECTION

Check the removed cable and replace or adjust if damaged, rusty or malfunctioning.

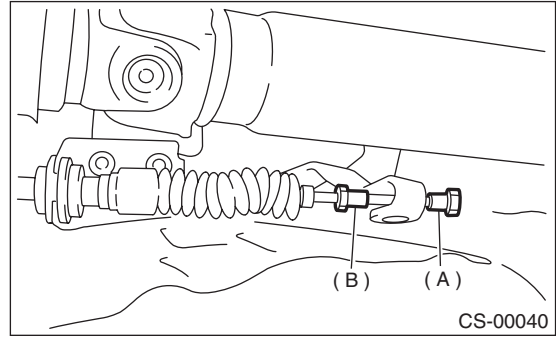
- 1) Check the cable for smooth operation.
- 2) Check the inner cable for damage and rust.
- 3) Check the outer cable for damage, bends and cracks.
- 4) Check the boot for damage, cracks, and deterioration.
- 5) Move the select lever from "P" to "D" range. Check the existence of feel to contact the detents in each range. If the detents cannot be felt or the position pointer is improperly aligned, adjust the cable.
- 6) Check if the starter motor rotates when the select lever is set to "P" range.
- 7) Check the back-up light illumination when the select lever is in "R" range.
- 8) Check the parking lock operation when the select lever is in "P" range.

## D: ADJUSTMENT

- 1) Set the vehicle on a lift.
- 2) Shift the select lever to "N" range.
- 3) Lift up the vehicle.
- 4) Remove the rear exhaust pipe and muffler.
  - Non-turbo model  
<Ref. to EX(H4SO)-10, REMOVAL, Rear Exhaust Pipe.> <Ref. to EX(H4SO)-12, REMOVAL, Muffler.>
  - Turbo model  
<Ref. to EX(H4DOTC)-13, REMOVAL, Rear Exhaust Pipe.> <Ref. to EX(H4DOTC)-15, REMOVAL, Muffler.>
- 5) Remove the heat shield cover.

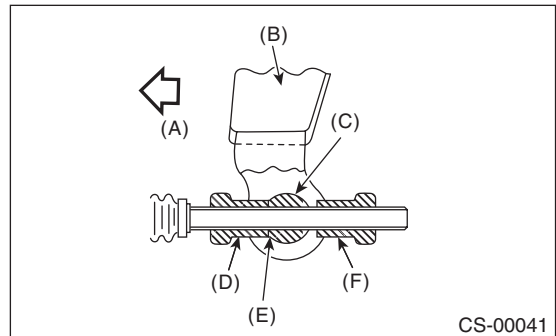


- 6) Loosen the adjusting nuts on both sides.



- (A) Adjusting nut A
- (B) Adjusting nut B

- 7) Turn adjusting nut B until it lightly touches the connector.

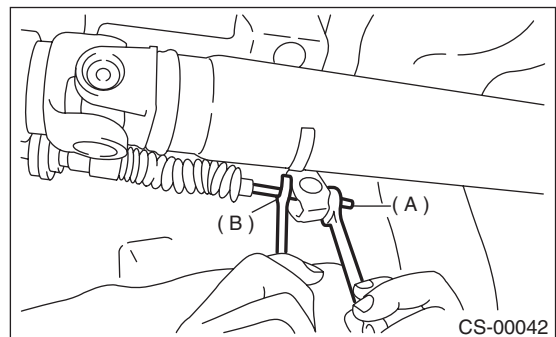


- (A) Forward side
- (B) Select lever
- (C) Connector
- (D) Adjusting nut B
- (E) Contact point
- (F) Adjusting nut A

- 8) Set a spanner wrench to adjusting nut B so that it does not rotate, and then tighten the adjusting nut A.

### Tightening torque:

**7.5 N·m (0.76 kgf·m, 5.5 ft·lb)**



- (A) Adjusting nut A
- (B) Adjusting nut B

- 9) After the completion of adjustment, confirm that the select lever operates normally at all ranges.
- 10) Install in the reverse order of removal.

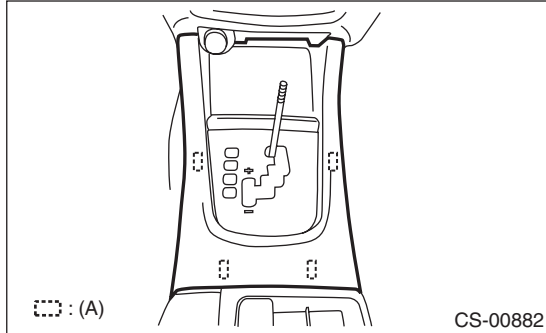
# AT Shift Lock Solenoid and "P" Range Switch

## CONTROL SYSTEMS

### 5. AT Shift Lock Solenoid and "P" Range Switch

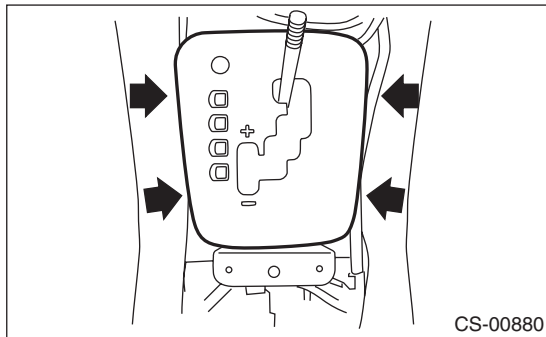
#### A: REMOVAL

- 1) Remove the grip.
- 2) Remove the hand brake boot cover.
- 3) Remove the console front panel.

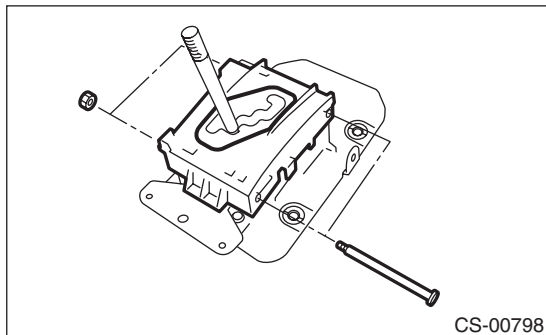


(A) Hook

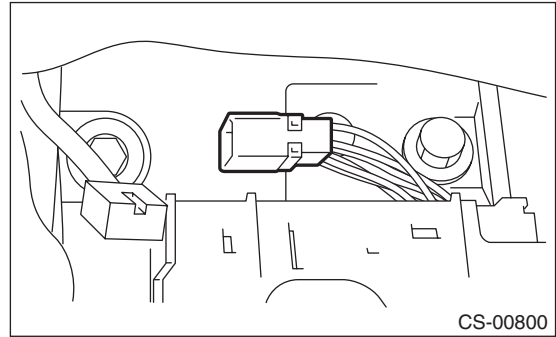
- 4) Remove the console cover and console box. <Ref. to EI-48, REMOVAL, Console Box.>
- 5) Remove the indicator assembly.



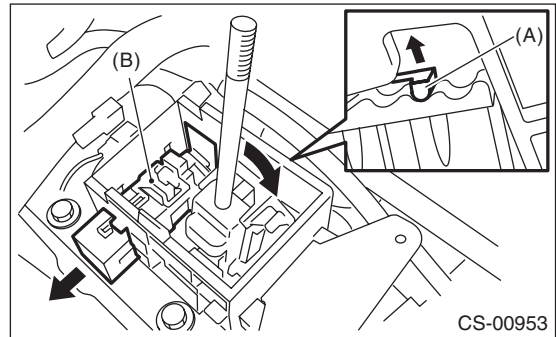
- 6) While pressing the shift lock release button, shift the select lever to the "N" range.
- 7) Remove the spacer bolt and remove the plate guide COMPL.



- 8) Using a flat tip screwdriver with a thin tip, remove the connector from the plate COMPL.

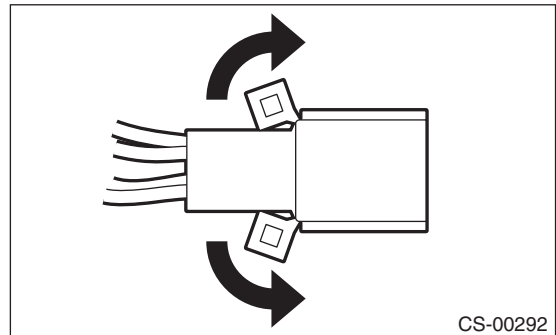


- 9) With detent spring lifted up, push the select lever backward and remove the shift lock solenoid unit.

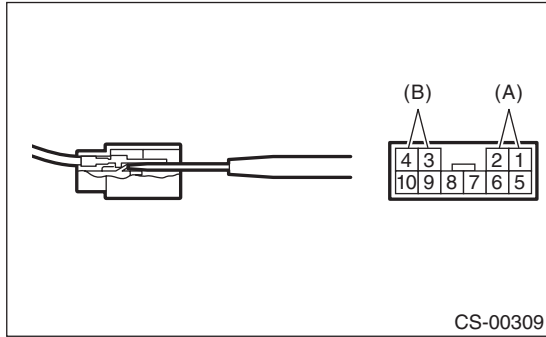


- (A) Detent spring  
(B) Shift lock solenoid unit

- 10) Raise the claw of connector.

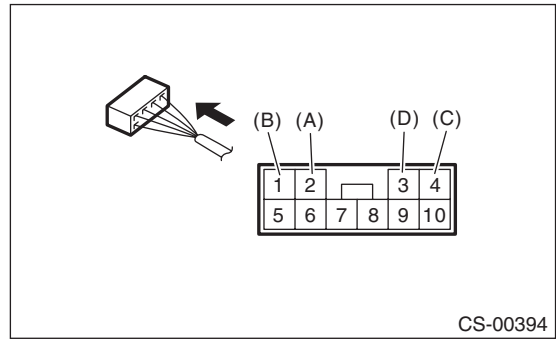


11) Using a flat tip screwdriver with a thin tip, disconnect the terminals of “P” range switch and shift lock solenoid unit from the connector.



- (A) “P” range switch terminal
- (B) Shift lock solenoid terminal

• Connect the switch and solenoid terminals to the connector.



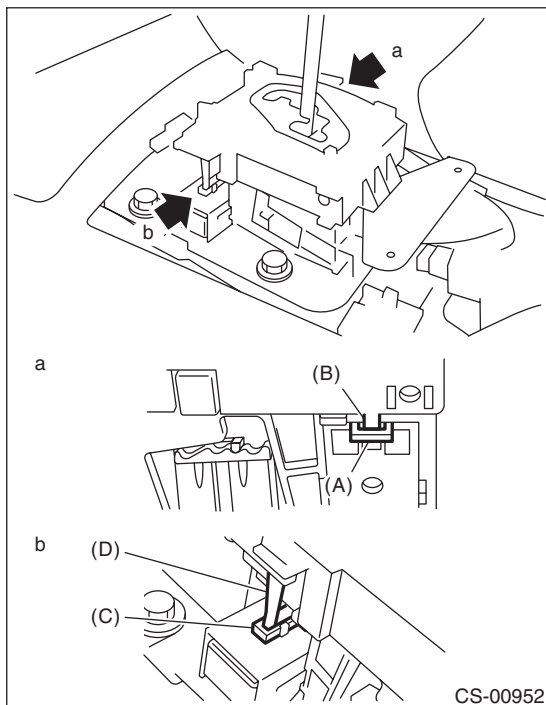
- (A) “P” range switch (color code: white)
- (B) “P” range switch (color code: black)
- (C) Shift lock solenoid (color code: blue/red)
- (D) Shift lock solenoid (color code: black)

## B: INSTALLATION

Install in the reverse order of removal.

### NOTE:

- Refer to “COMPONENT” for each tightening torque. <Ref. to CS-3, COMPONENT, General Description.>
- When installing the plate guide COMPL, set the select lever to the “D” range (normal mode position), and be careful for the following points.
  - Insert the protrusion (B) of the plate guide COMPL into the hole on shift lock solenoid unit (A).
  - Insert link (D) of the shift lock release into link (C) of the shift lock solenoid unit.



# AT Shift Lock Solenoid and “P” Range Switch

## CONTROL SYSTEMS

### C: INSPECTION

Step	Check	Yes	No
<b>1</b> <b>CHECK SHIFT LOCK SOLENOID.</b> Measure the resistance of shift lock solenoid connector terminals. <i>Terminals</i> <i>No. 4 — No. 3:</i>	Is the resistance 19.8 — 24.2 $\Omega$ ?	Go to step 2.	Replace the shift lock solenoid.
<b>2</b> <b>CHECK SHIFT LOCK SOLENOID.</b> Connect the battery to shift lock solenoid connector terminal, and then operate the solenoid. <i>Terminals</i> <i>No. 3 (+) — No. 4 (-):</i>	Does the shift lock solenoid operate normally?	Go to step 3.	Replace the shift lock solenoid.
<b>3</b> <b>CHECK P RANGE SWITCH.</b> 1) Shift the select lever to “P” range. 2) Measure the resistance between “P” range switch connector terminals. <i>Terminals</i> <i>No. 1 — No. 2:</i>	Is the resistance less than 1 $\Omega$ ?	Go to step 4.	Replace the P range switch.
<b>4</b> <b>CHECK P RANGE SWITCH.</b> 1) Set the select lever to other than “P” range. 2) Measure the resistance between “P” range switch connector terminals. <i>Terminals</i> <i>No. 1 — No. 2:</i>	Is the resistance 1 M $\Omega$ or more?	Normal	Replace the P range switch.

## 6. Body Integrated Unit

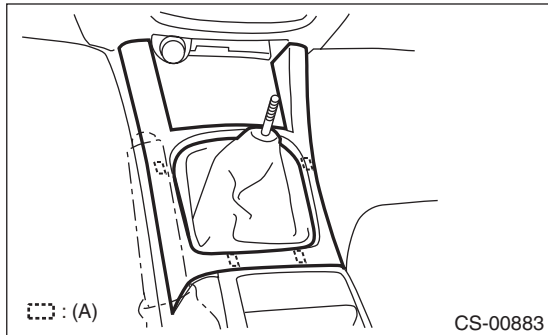
### A: NOTE

Refer to “Body Integrated Unit” for removal and installation procedure. <Ref. to SL-50, Body Integrated Unit.>

## 7. MT Gear Shift Lever

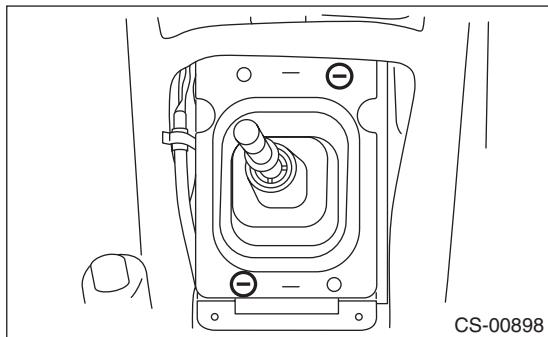
### A: REMOVAL

- 1) Set the vehicle on a lift.
- 2) Disconnect the ground cable from battery.
- 3) Remove the gear shift knob.
- 4) Remove the console front panel and console boot.

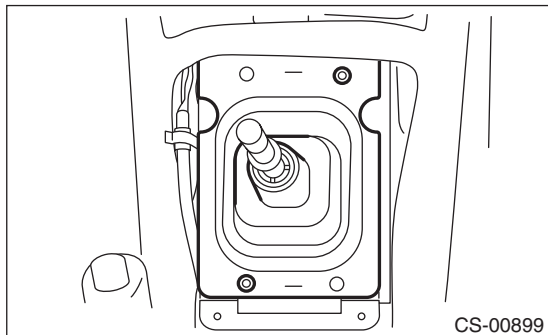


(A) Hook

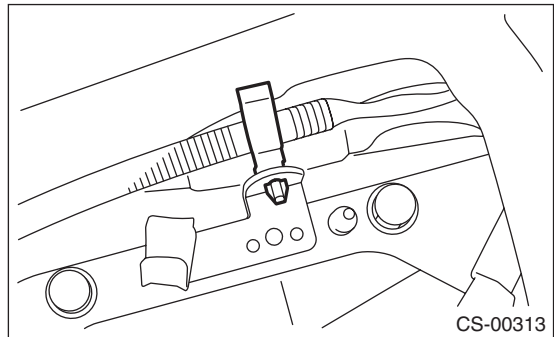
- 5) Remove the console cover and console box. <Ref. to EI-48, REMOVAL, Console Box.>
- 6) Remove the clamp.



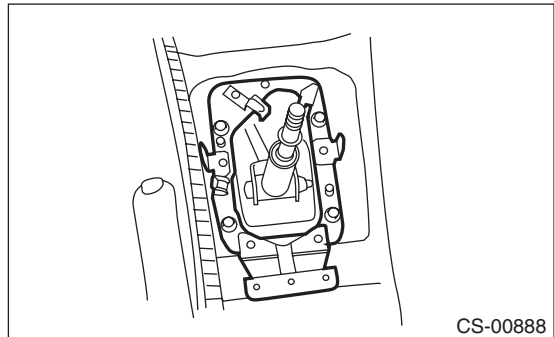
- 7) Remove the bushing and insulator assembly.



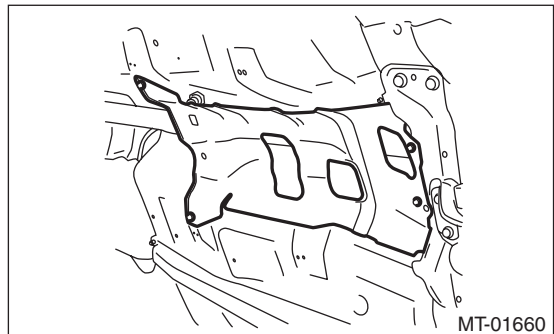
- 8) Remove the harness clamp from the plate assembly.



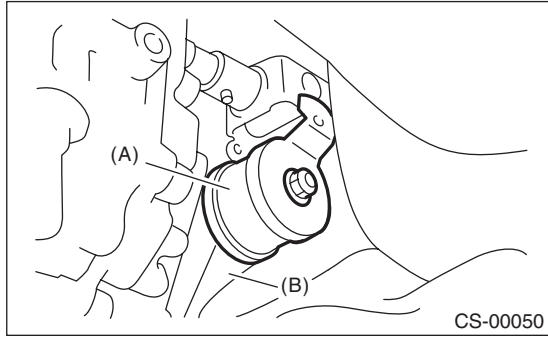
- 9) Remove the plate assembly from the vehicle body.



- 10) Lift up the vehicle.
- 11) Remove the rear exhaust pipe and muffler.
  - Non-turbo model <Ref. to EX(H4SO)-10, REMOVAL, Rear Exhaust Pipe.> <Ref. to EX(H4SO)-12, REMOVAL, Muffler.>
  - Turbo model <Ref. to EX(H4DOTC)-13, REMOVAL, Rear Exhaust Pipe.> <Ref. to EX(H4DOTC)-15, REMOVAL, Muffler.>
- 12) Remove the heat shield cover.

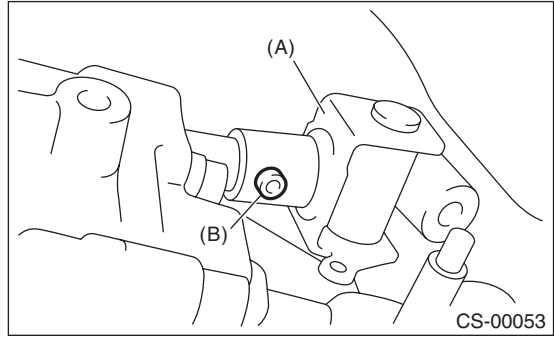


13) Remove the stay from transmission bracket.



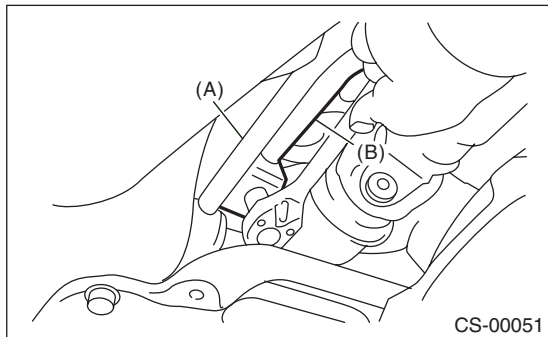
- (A) Stay
- (B) Transmission bracket

16) Extract the spring pin and remove the joint.



- (A) Joint
- (B) Spring pin

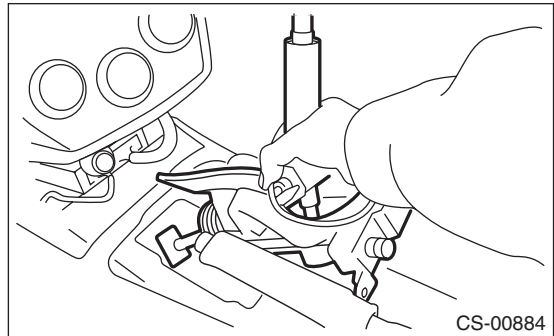
14) Remove the rod from joint.



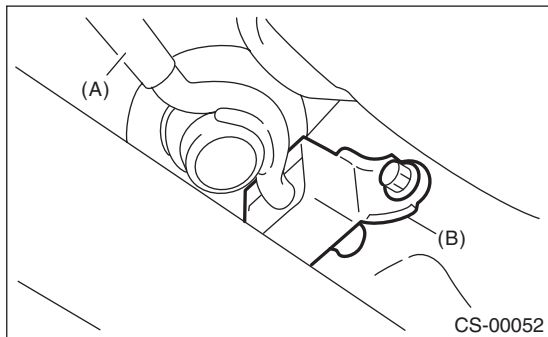
- (A) Stay
- (B) Rod

17) Lower the vehicle.

18) Remove the gear shift lever.



15) Remove the cushion rubber from the vehicle body.



- (A) Stay
- (B) Cushion rubber

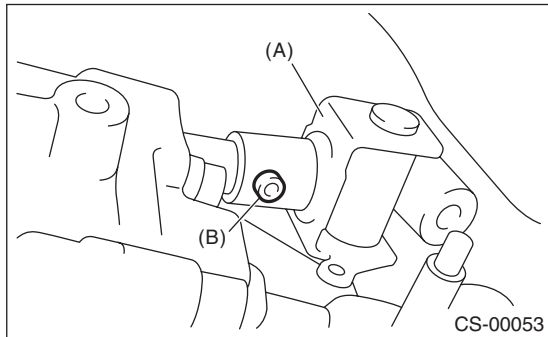


# MT Gear Shift Lever

## CONTROL SYSTEMS

### B: INSTALLATION

1) Install the joint to the transmission and secure with a spring pin.

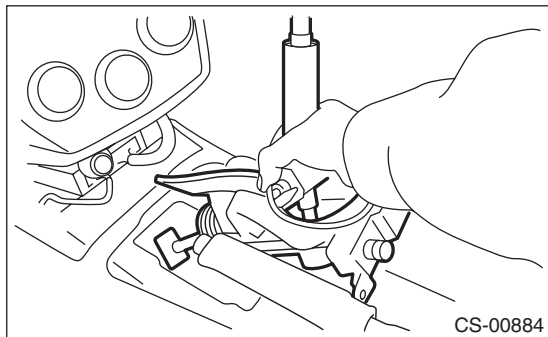


- (A) Joint
- (B) Spring pin

2) Insert the gear shift lever from the room side.

#### NOTE:

Insert the rod and the stay, and then temporarily set them onto the transmission mount.

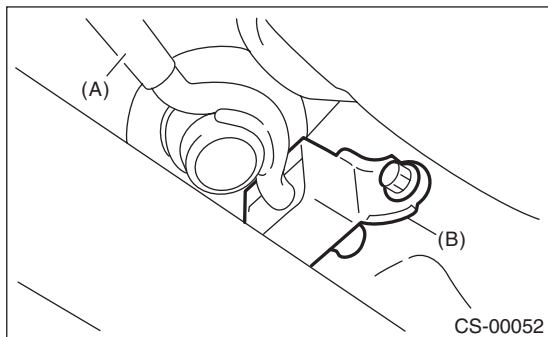


3) Lift up the vehicle.

4) Mount the cushion rubber on the vehicle body.

#### Tightening torque:

**18 N·m (1.8 kgf-m, 13.3 ft-lb)**

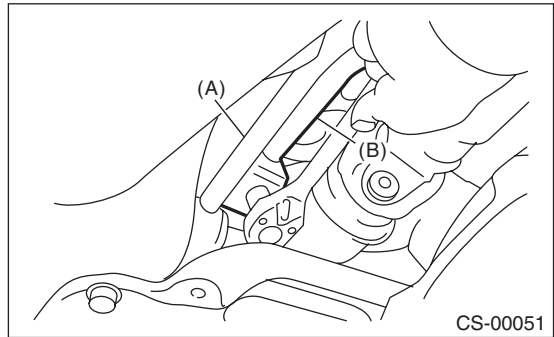


- (A) Stay
- (B) Cushion rubber

5) Using new self-locking nuts, connect the rod to the joint.

#### Tightening torque:

**12 N·m (1.2 kgf-m, 8.9 ft-lb)**

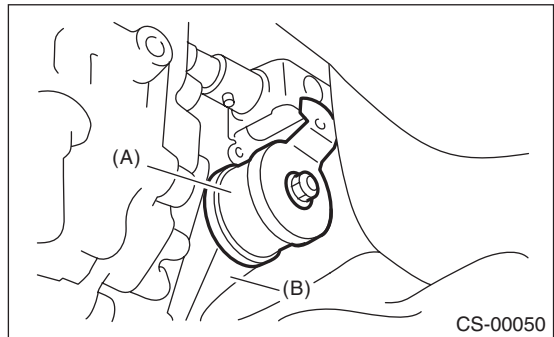


- (A) Stay
- (B) Rod

6) Using new self-locking nuts, connect the stay to the transmission bracket.

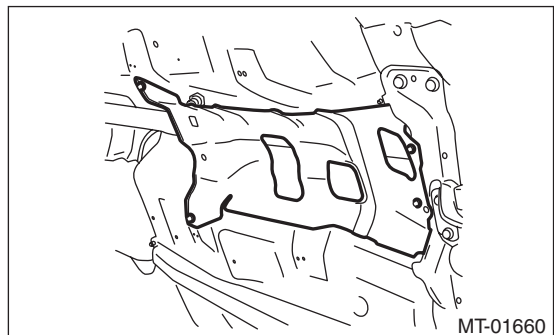
#### Tightening torque:

**18 N·m (1.8 kgf-m, 13.3 ft-lb)**



- (A) Stay
- (B) Transmission bracket

7) Install the heat shield cover.

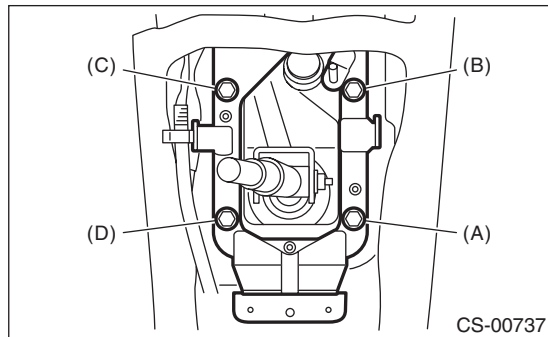


- 8) Install the rear exhaust pipe and muffler.
  - Non-turbo model  
<Ref. to EX(H4SO)-10, INSTALLATION, Rear Exhaust Pipe.> <Ref. to EX(H4SO)-12, INSTALLATION, Muffler.>
  - Turbo model  
<Ref. to EX(H4DOTC)-13, INSTALLATION, Rear Exhaust Pipe.> <Ref. to EX(H4DOTC)-15, INSTALLATION, Muffler.>
- 9) Install the plate assembly to the body.

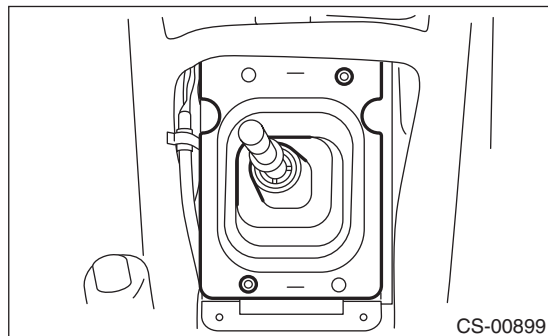
**Tightening torque:**

**18 N·m (1.8 kgf-m, 13.3 ft-lb)**

- (1) Set the plate assembly to the vehicle.
- (2) Temporarily tighten the bolt (A).
- (3) Tighten the bolt (B).
- (4) Tighten the bolt (A).
- (5) Tighten the bolts (C) and (D).



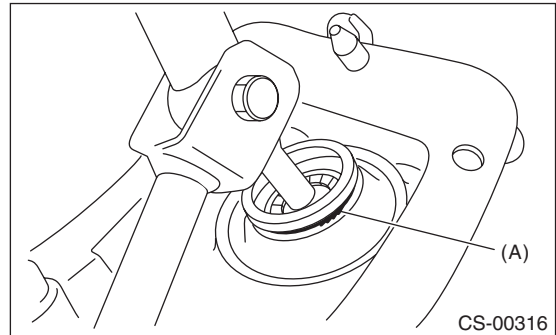
- 10) Install the harness clamp to the plate.
- 11) Install the boot and insulator assembly, and secure with a clamp.



- 12) Install the console cover and console box.  
<Ref. to EI-48, INSTALLATION, Console Box.>
- 13) Install the console front panel and console boot.
- 14) Install the gear shift knob.
- 15) Make sure the gears can be shifted accurately into each gear.

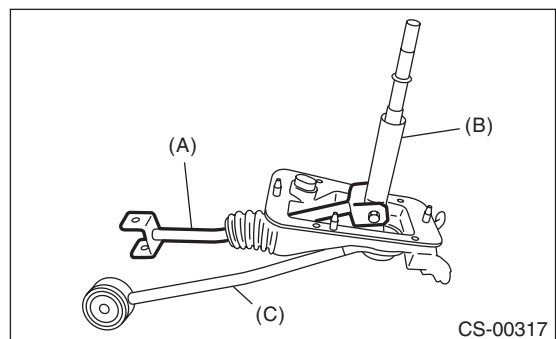
## C: DISASSEMBLY

- 1) Remove the lock wires.



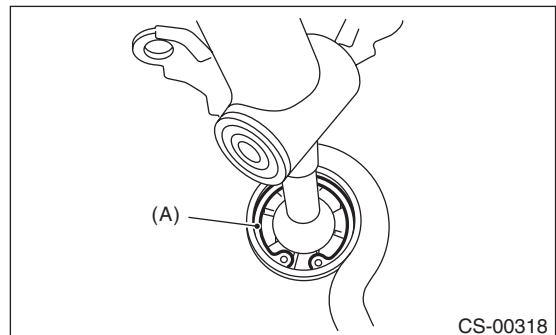
(A) Lock wire

- 2) Remove the rod from lever.



(A) Rod  
(B) Lever  
(C) Stay

- 3) Separate the rod and inner boot.
- 4) Remove the snap ring from the stay.

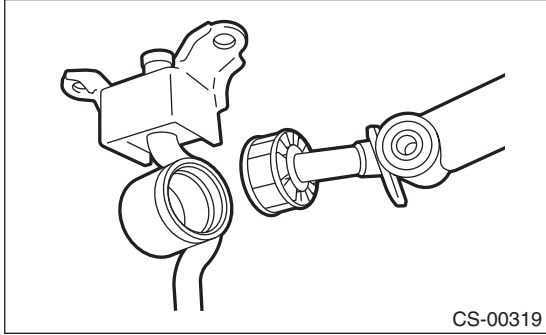


(A) Snap ring

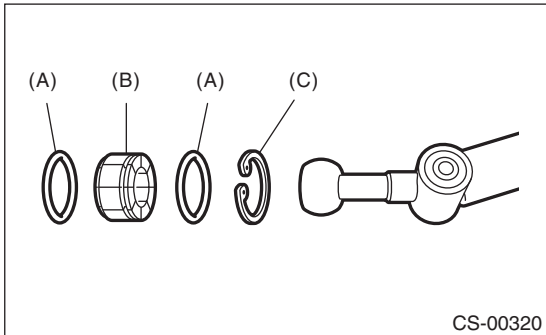
# MT Gear Shift Lever

## CONTROL SYSTEMS

5) Separate the gear shift lever and the stay.

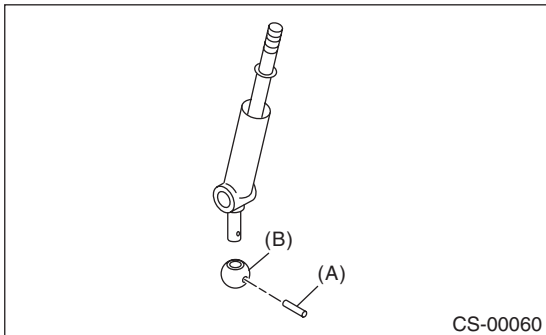


6) Remove the boot, bushing and snap ring from gear shift lever.



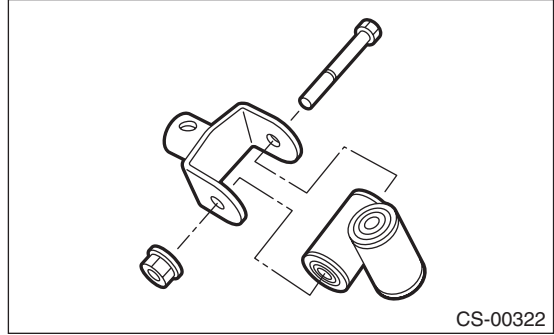
- (A) O-ring
- (B) Bushing
- (C) Snap ring

7) Remove the spring pin, and then remove the bushing and snap ring.

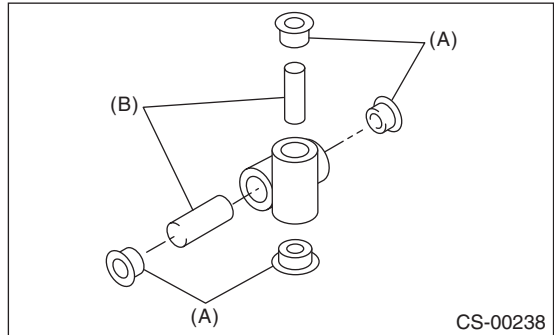


- (A) Spring pin
- (B) Bushing

8) Remove the boss from the joint.

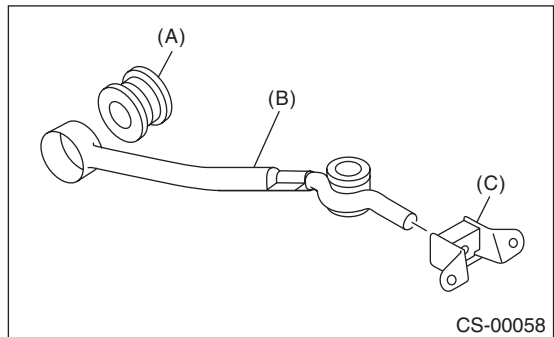


9) Remove the bushing and spacer from the boss.



- (A) Bushing
- (B) Spacer

10) Remove the bushing and cushion rubber from the stay.



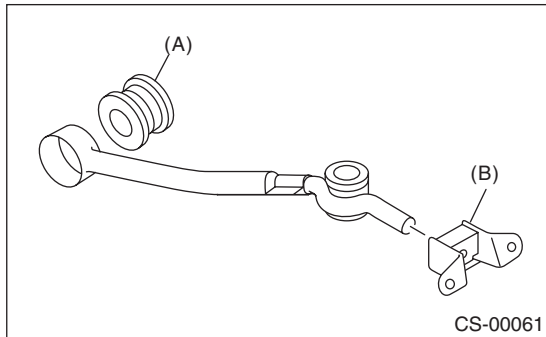
- (A) Bushing B
- (B) Stay
- (C) Cushion rubber

## D: ASSEMBLY

**NOTE:**

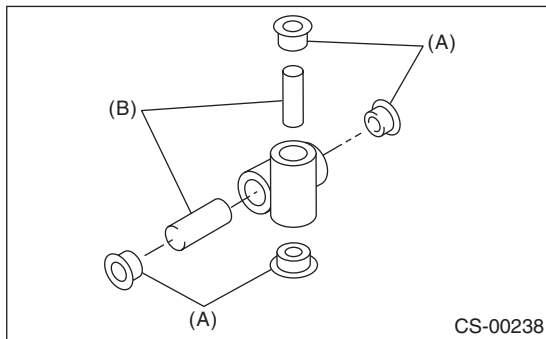
- Clean all the parts before assembly.
- Apply NIGTIGHT LYW No. 2 grease or equivalent to each part. <Ref. to CS-4, 5MT GEAR SHIFT LEVER, COMPONENT, General Description.>

1) Mount the bushing and cushion rubber to the stay.



- (A) Bushing
- (B) Cushion rubber

2) Install the bushing and spacer to boss.

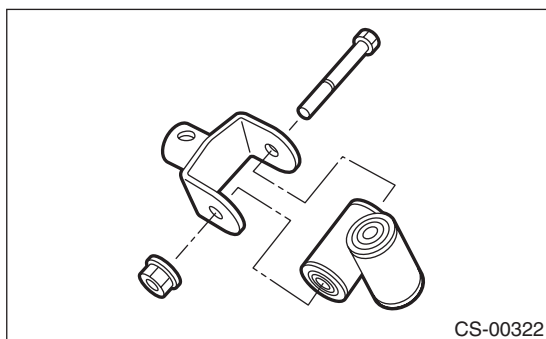


- (A) Bushing
- (B) Spacer

3) Using new self-locking nuts, install the boss to the joint.

**Tightening torque:**

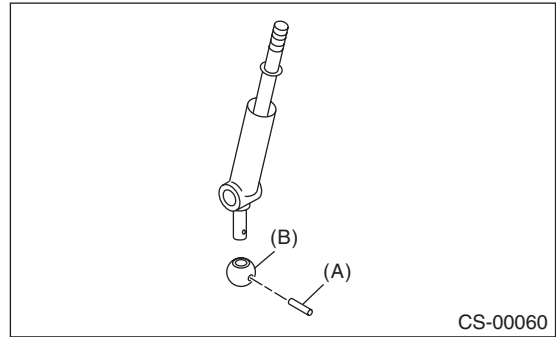
**12 N·m (1.2 kgf·m, 8.9 ft·lb)**



4) Install the snap ring to gear shift lever and install the bushing.

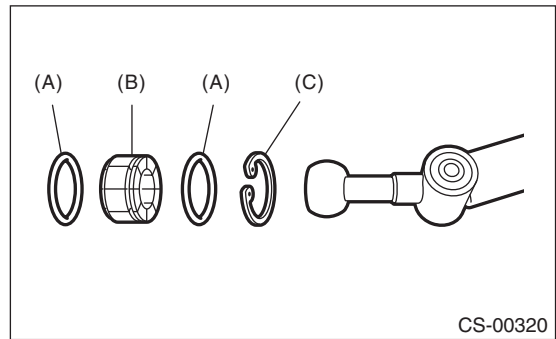
**NOTE:**

Apply grease to the bushing.



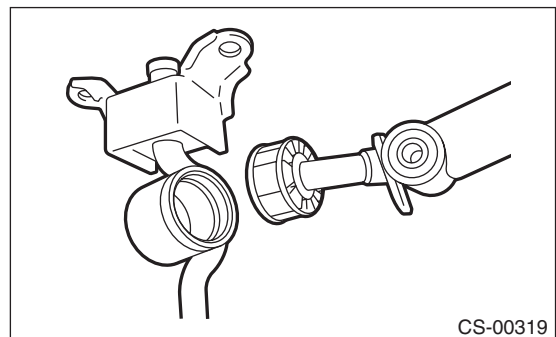
- (A) Spring pin
- (B) Bushing

5) Apply grease to the bushing and O-ring, and then install to gear shift lever.



- (A) O-ring
- (B) Bushing
- (C) Snap ring

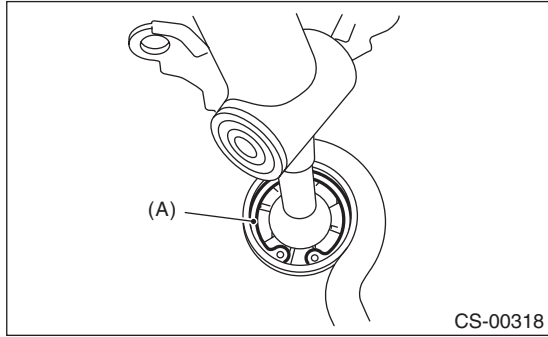
6) Apply sufficient grease into boss, and then install the gear shift lever to the stay.



# MT Gear Shift Lever

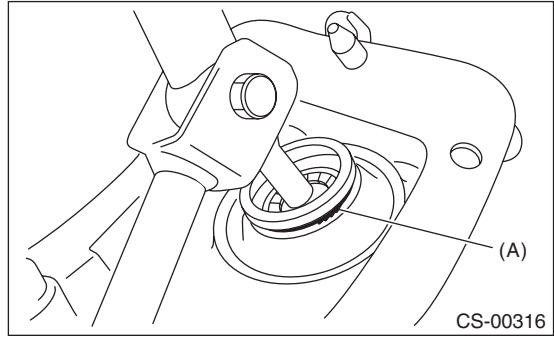
## CONTROL SYSTEMS

7) Install the washer and snap ring.



(A) Snap ring

10) Install a new lock wire.



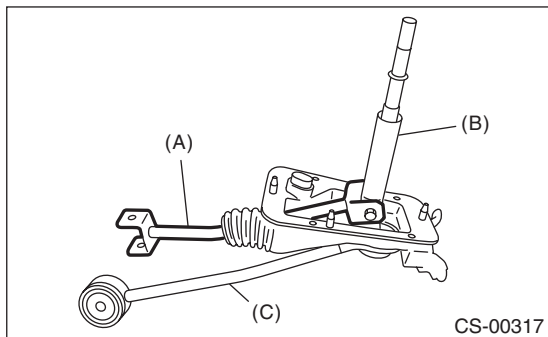
(A) Lock wire

8) Insert the gear shift lever and rod into boot hole.

9) Install the rod.

**Tightening torque:**

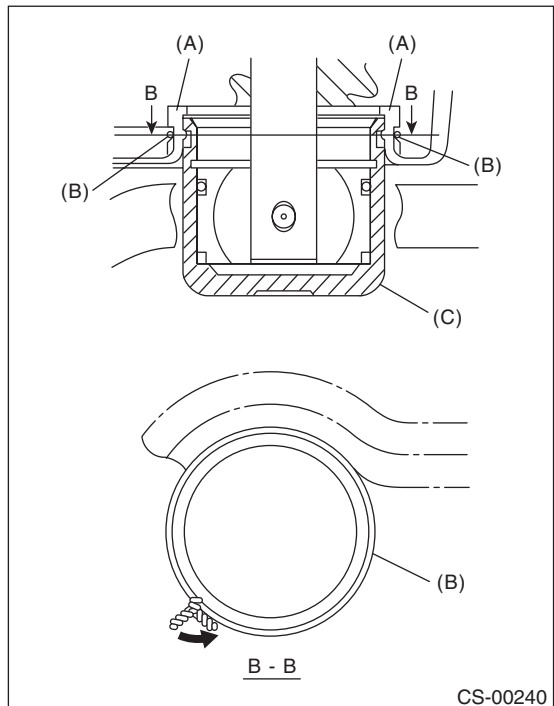
**12 N·m (1.2 kgf·m, 8.9 ft·lb)**



(A) Rod  
(B) Lever  
(C) Stay

**NOTE:**

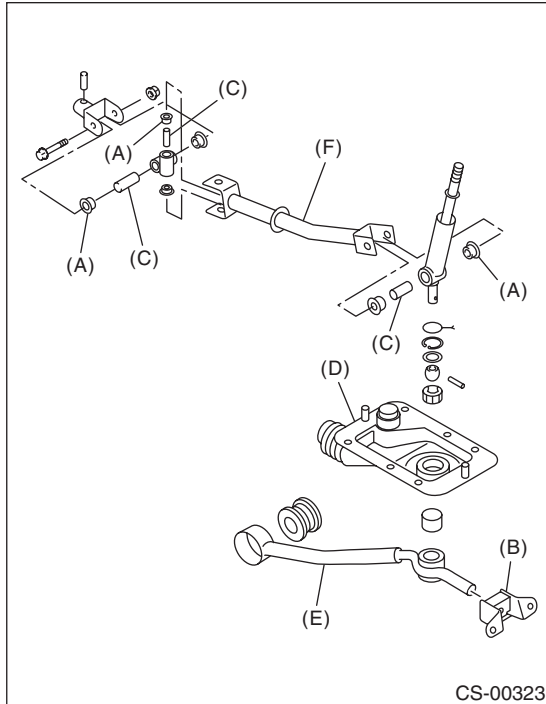
- Install the lock wire to the stay groove.
- Bend the extra wire to the same direction of lock wire winding.



(A) Inner boot  
(B) Lock wire  
(C) Stay

## E: INSPECTION

1) Check the parts (bushing, cushion rubber, spacer, boot, stay and rod, etc.) for deformation, damage and wear. If necessary, correct or replace faulty parts. Compare the removed parts with new parts to judge if there are damages or not.



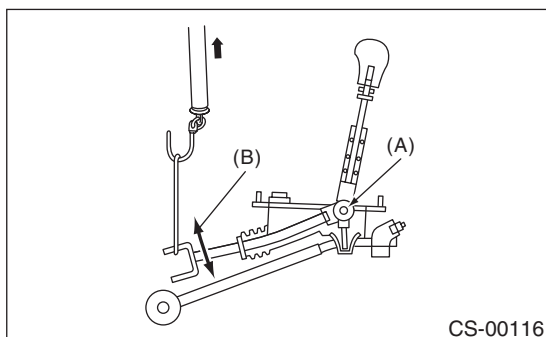
- (A) Bushing
- (B) Cushion rubber
- (C) Spacer
- (D) Boot
- (E) Stay
- (F) Rod

2) Check the swing torque of rod linked with the gear shift lever.

If the torque exceeds the specifications, replace the bushing or retighten nuts.

### **Swing torque:**

**3.7 N (0.38 kgf, 0.83 lbf) or less**



- (A) Pivot
- (B) Swing torque

# General Diagnostic Table

CONTROL SYSTEMS

---

## 8. General Diagnostic Table

### A: INSPECTION

Symptoms	Possible cause	Corrective action
Select lever	Starter does not run.	Adjust the select cable and inhibitor switch, or inspect the circuit.
	Back-up light does not illuminate.	Adjust the select cable and inhibitor switch, or inspect the circuit.
	AT shift lock system does not operate normally.	Adjust the select cable and inhibitor switch, or inspect the circuit.
	Manual mode can not be set.	Adjust the mode switch and select lever, or inspect the circuit.
	Up-shift is not engaged at manual mode.	Check the shift-up switch and circuit.
	Down-shift is not engaged at manual mode.	Check the shift-down switch and circuit.

# General Description

## AUTOMATIC TRANSMISSION

### 1. General Description

#### A: SPECIFICATION

##### 1. TORQUE CONVERTER

Model	Non-turbo	Turbo
Type	Symmetric, 3 element, single stage, 2 phase torque converter	
Stall torque ratio	2.05 — 2.35	
Nominal diameter mm (in)	246 (9.69)	
Stall speed (at sea level)	2,200 — 2,700 rpm	2,800 — 3,300 rpm
One-way clutch	Sprague type one-way clutch	

##### 2. OIL PUMP

Type	Parachoid constant-displacement pump	
Driving method	Driven by engine	
Number of teeth	Inner rotor	9
	Outer rotor	10

##### 3. TRANSMISSION CONTROL ELEMENT

Type	4-forward, 1-reverse, double-row planetary gears
Multi-plate clutch	3 sets
Multi-plate brake	2 sets
One-way clutch (sprague type)	1 set

##### 4. TRANSMISSION GEAR RATIO

1st	2.785
2nd	1.545
3rd	1.000
4th	0.694
Rev	2.272

##### 5. PLANETARY GEAR AND PLATE

Model	Non-turbo	Turbo
Number of front sun gear teeth	33	
Number of front pinion teeth	21	
Number of front internal gear teeth	75	
Number of rear sun gear teeth	42	
Number of rear pinion teeth	17	
Number of rear internal gear teeth	75	
Number of high clutch drive plates	4	5
Number of low clutch drive plates	5	7
Number of reverse clutch drive plates	2	
Number of drive plates for the 2-4 brake	3	4
Number of drive plates for low & reverse brake	5	7

##### 6. SELECTOR POSITION

P (Park)	Transmission is in neutral, output member is fixed, engine start is possible
R (Reverse)	Transmission is in reverse.
N (Neutral)	Transmission is in neutral and engine start is possible
D (Drive)	4-forward automatic gear change 1st ← → 2nd ← → 3rd ← → 4th
SPORT mode	4-forward automatic gear change 1st ← → 2nd ← → 3rd ← → 4th
Manual mode (+)	4-forward manual gear change (shift up) 1st → 2nd → 3rd → 4th
Manual mode (-)	4-forward manual gear change (shift down) 1st ← 2nd ← 3rd ← 4th
Control method	Wire cable type



## 7. HYDRAULIC CONTROL AND LUBRICATION

Type	Electronic hydraulic control [4 forward gear changes made by electronic signals of vehicle speed and accelerator (throttle) opening]	
Fluid	Recommended materials	SUBARU ATF HP
	Alternative	Idemitsu "ATF HP" <b>CAUTION:</b> <b>Be sure to use the recommended or equivalent ATF. Using material except recommended one or substitute would cause trouble.</b>
Fluid capacity	ℓ (US qt, Imp qt)	9.3 — 9.6 (9.8 — 10.1, 8.2 — 8.4)
Lubrication system	Forced feed lubrication with oil pump	
Oil	Automatic transmission fluid (see above)	

## 8. COOLING AND HARNESS

Cooling system	Liquid-cooler
Inhibitor switch	12 poles
Transmission harness	20 poles

## 9. TRANSFER

Model	Non-turbo	Turbo
Transfer type	Multi-plate transfer (MPT)	
Number of transfer clutch drives & driven plates	5	6
Control method	Electronic hydraulic type	
Lubricant	Same automatic transmission fluid as used in the automatic transmission	
Reduction gear ratio	1.000 (53/53)	

# General Description

AUTOMATIC TRANSMISSION

## 10.FINAL REDUCTION GEAR

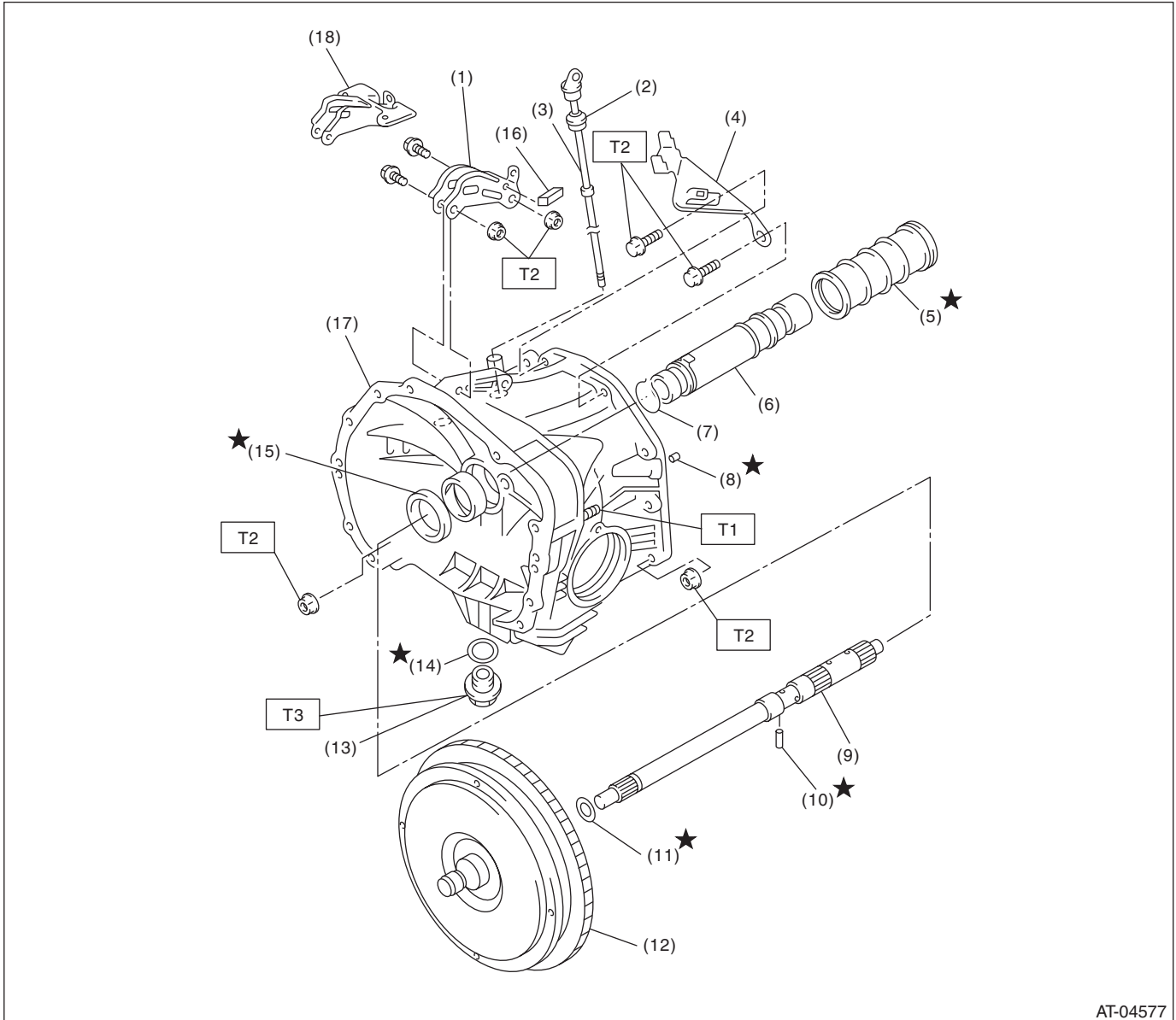
Model	Non-turbo	Turbo
Front final reduction gear ratio	4.111 (37/9)	3.900 (39/10)

## 11.RECOMMENDED GEAR OIL

Lubrication oil	<p style="text-align: center;">(1) (2) (3) GL-5 (4)</p> <p>(°C) -30 -26 -15 -5 0 15 25 30 (°F) -22 -15 5 23 32 59 77 86</p> <p style="text-align: center;">85W 80W 75W -90</p> <p style="text-align: right;">MT-00001</p>
	<p>(1) Item</p> <p>(2) Front differential gear oil</p> <p>(3) API standard</p> <p>(4) SAE viscosity No. and applicable temperature</p>
Front differential oil capacity ℓ (US qt, Imp qt)	1.1 — 1.3 (1.2 — 1.4, 1.0 — 1.1)

## B: COMPONENT

### 1. TORQUE CONVERTER AND CASE



- |  |   |
|--|---|
| (1) Pitching stopper bracket (turbo model) | (10) Spring pin                                 |
| (2) O-ring                                 | (11) O-ring                                     |
| (3) Differential oil level gauge           | (12) Torque converter clutch ASSY               |
| (4) Stay                                   | (13) Differential gear oil drain plug           |
| (5) Seal pipe                              | (14) Gasket                                     |
| (6) Oil pump shaft                         | (15) Oil seal                                   |
| (7) Clip                                   | (16) Clip (turbo model)                         |
| (8) Oil drain pipe                         | (17) Converter case                             |
| (9) Input shaft                            | (18) Pitching stopper bracket (non-turbo model) |

**Tightening torque:N-m (kgf-m, ft-lb)**

**T1: 18 (1.8, 13.3)**

**T2: 41 (4.2, 30.2)**

**T3: 44 (4.5, 32.5)**

**(Aluminum gasket, silver)**

**70 (7.1, 51.6)**

**(Copper gasket, brown)**

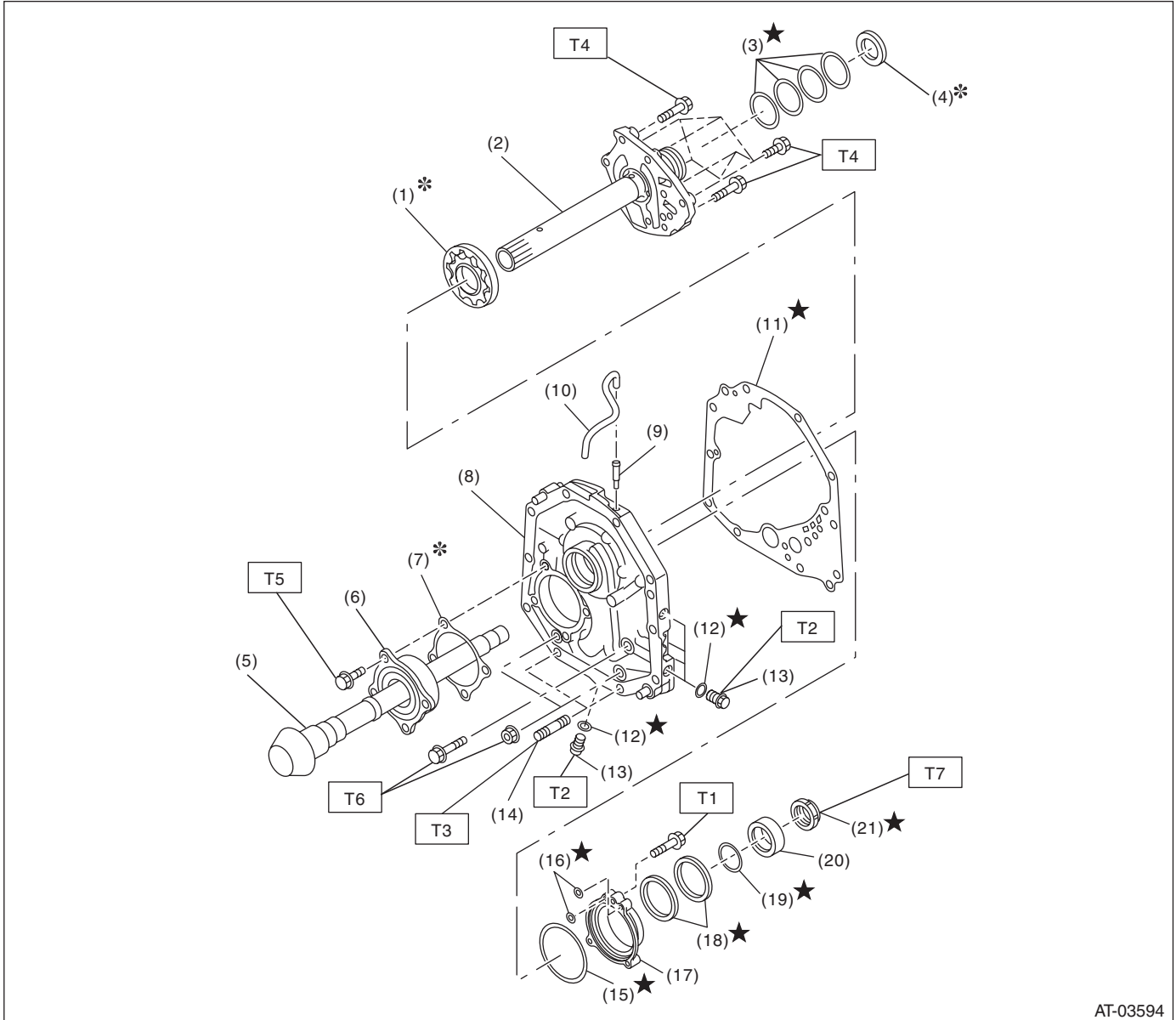
**70 (7.1, 51.6)**

**(Metal gasket, black)**

# General Description

## AUTOMATIC TRANSMISSION

### 2. OIL PUMP



AT-03594

- (1) Oil pump rotor
- (2) Oil pump cover
- (3) Seal ring
- (4) Thrust needle bearing
- (5) Drive pinion shaft
- (6) Roller bearing
- (7) Drive pinion shim
- (8) Oil pump housing
- (9) Nipple
- (10) Air breather hose

- (11) Gasket
- (12) O-ring
- (13) Test plug
- (14) Stud bolt
- (15) O-ring
- (16) O-ring
- (17) Oil seal retainer
- (18) Oil seal
- (19) O-ring
- (20) Drive pinion collar

- (21) Lock nut

**Tightening torque: N·m (kgf·m, ft·lb)**

**T1: 7 (0.7, 5.2)**

**T2: 13 (1.3, 9.6)**

**T3: 18 (1.8, 13.3)**

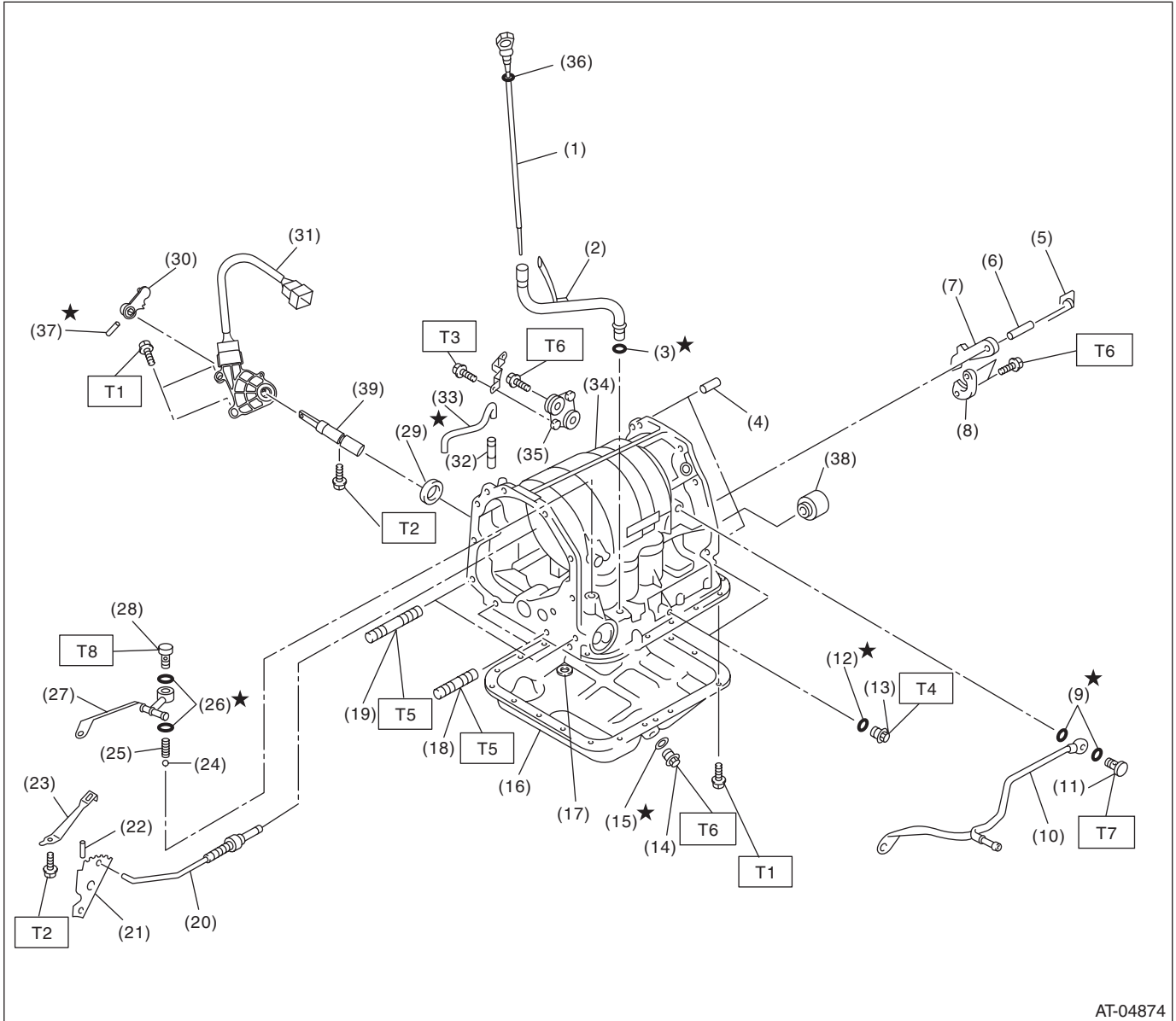
**T4: 25 (2.5, 18.4)**

**T5: 40 (4.1, 29.5)**

**T6: 42 (4.3, 31.0)**

**T7: 116 (11.8, 85.6)**

### 3. TRANSMISSION CASE AND CONTROL DEVICE



AT-04874

# General Description

## AUTOMATIC TRANSMISSION

---

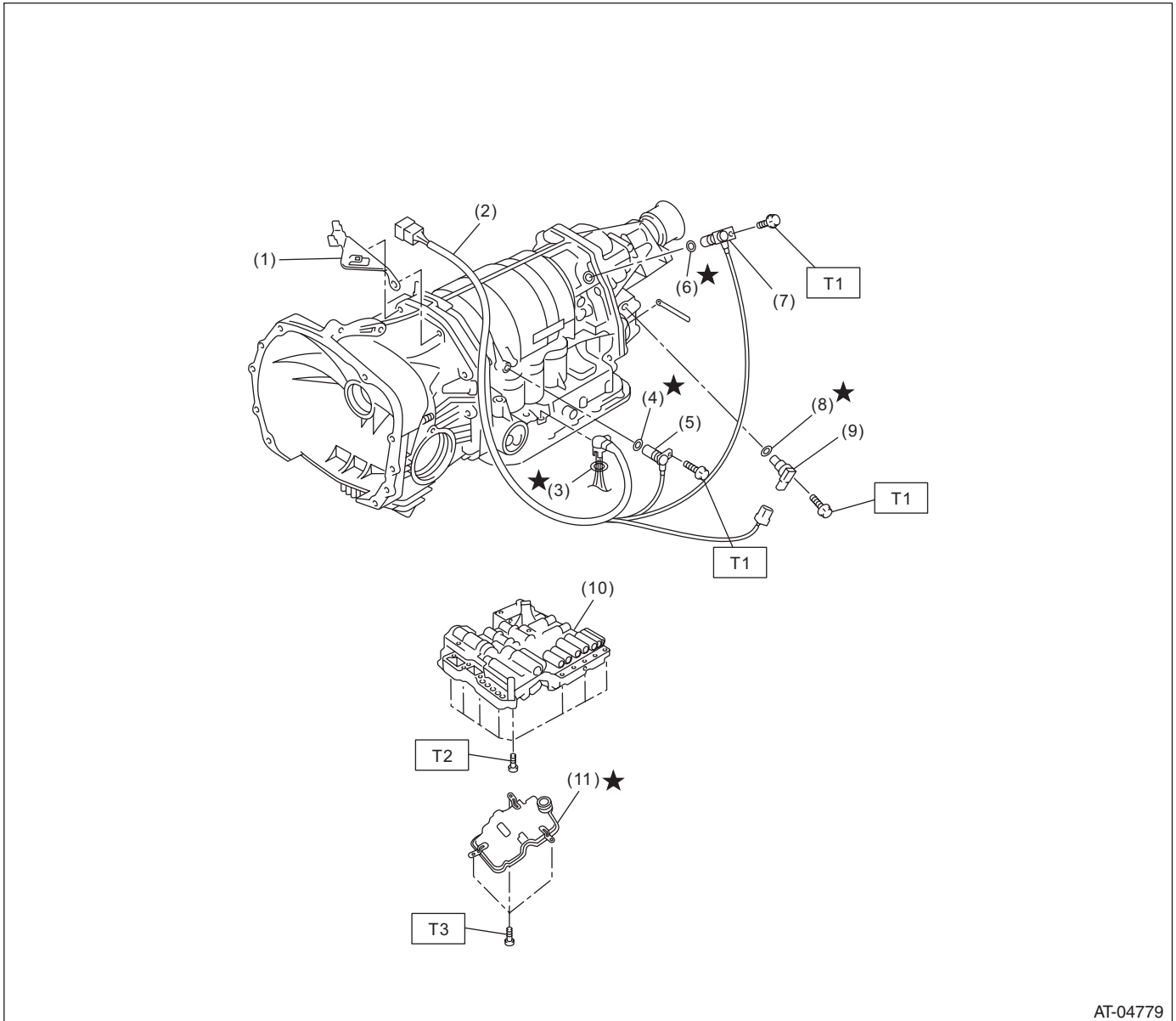
(1) ATF level gauge	(18) Stud bolt (short)	(35) Plate ASSY
(2) Oil charge pipe	(19) Stud bolt (long)	(36) O-ring
(3) O-ring	(20) Parking rod	(37) Spring pin
(4) Straight pin	(21) Manual plate	(38) Transfer clutch seal
(5) Return spring	(22) Spring pin	(39) Shifter arm shaft
(6) Shaft	(23) Detent spring	
(7) Parking pawl	(24) Ball	
(8) Parking support	(25) Spring	
(9) Gasket	(26) Gasket	
(10) ATF inlet pipe	(27) ATF outlet pipe	
(11) Union screw	(28) Union screw	
(12) O-ring	(29) Oil seal	
(13) Test plug	(30) Shifter arm	
(14) Drain plug (ATF)	(31) Inhibitor switch ASSY	
(15) Gasket	(32) Nipple	
(16) Oil pan	(33) Air breather hose	
(17) Magnet	(34) Transmission case	

---

**Tightening torque:N·m (kgf-m, ft-lb)****T1: 5 (0.5, 3.7)****T2: 6 (0.6, 4.4)****T3: 12 (1.2, 8.9)****T4: 13 (1.3, 9.6)****T5: 18 (1.8, 13.3)****T6: 25 (2.5, 18.4)****T7: 40 (4.1, 29.5)****T8: 45 (4.6, 33.2)**

---

## 4. CONTROL VALVE AND HARNESS ROUTING



AT-04779

- |   |                                |
|---|--------------------------------|
| (1) Stay                                  | (6) O-ring                     |
| (2) Transmission harness                  | (7) Front vehicle speed sensor |
| (3) O-ring                                | (8) O-ring                     |
| (4) O-ring                                | (9) Rear vehicle speed sensor  |
| (5) Torque converter turbine speed sensor | (10) Control valve body        |
|   | (11) Control valve strainer    |

**Tightening torque: N·m (kgf·m, ft·lb)**

**T1: 7 (0.7, 5.2)**

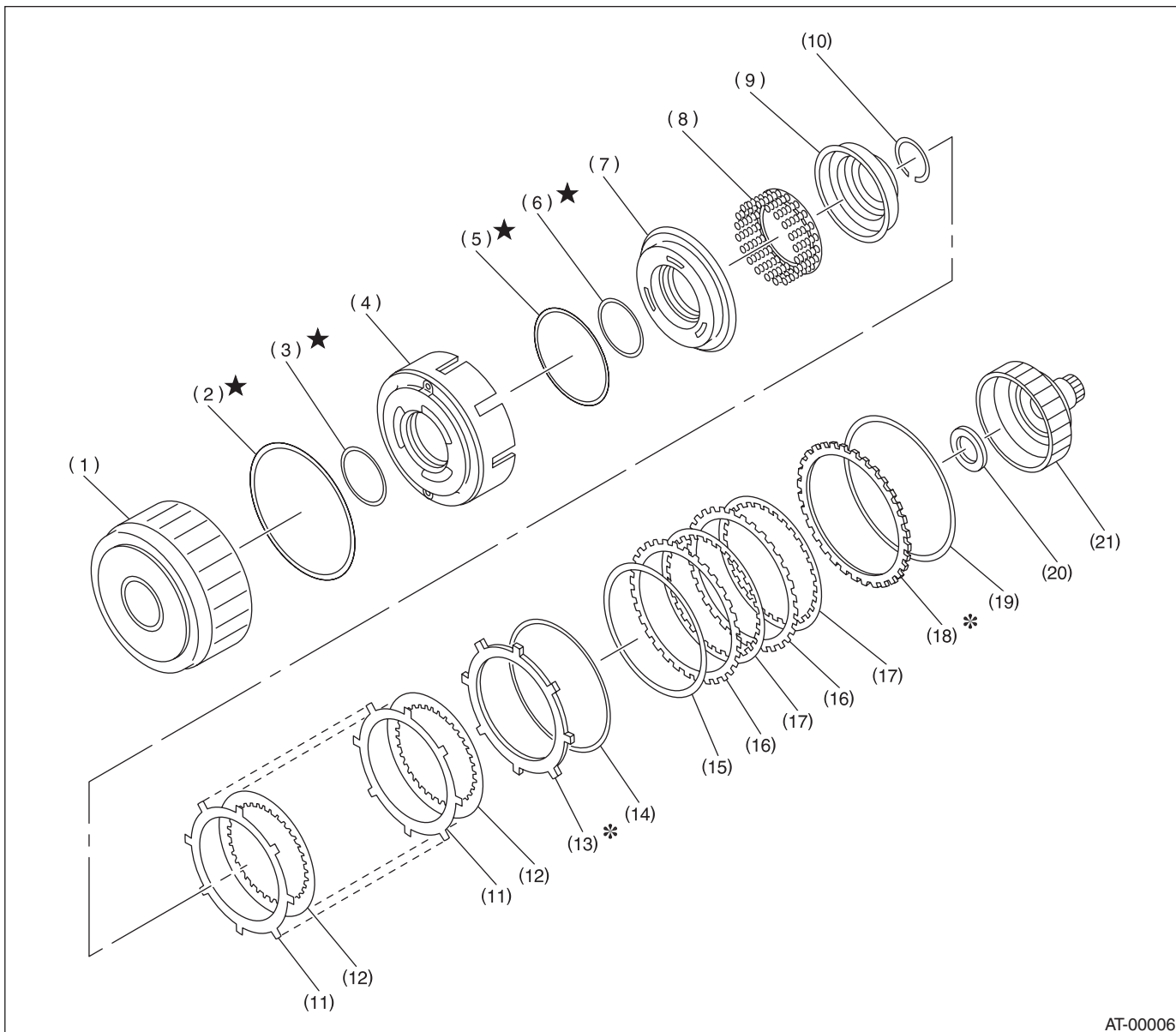
**T2: 8 (0.8, 5.9)**

**T3: 10 (1.0, 7.4)**

# General Description

## AUTOMATIC TRANSMISSION

### 5. HIGH CLUTCH AND REVERSE CLUTCH

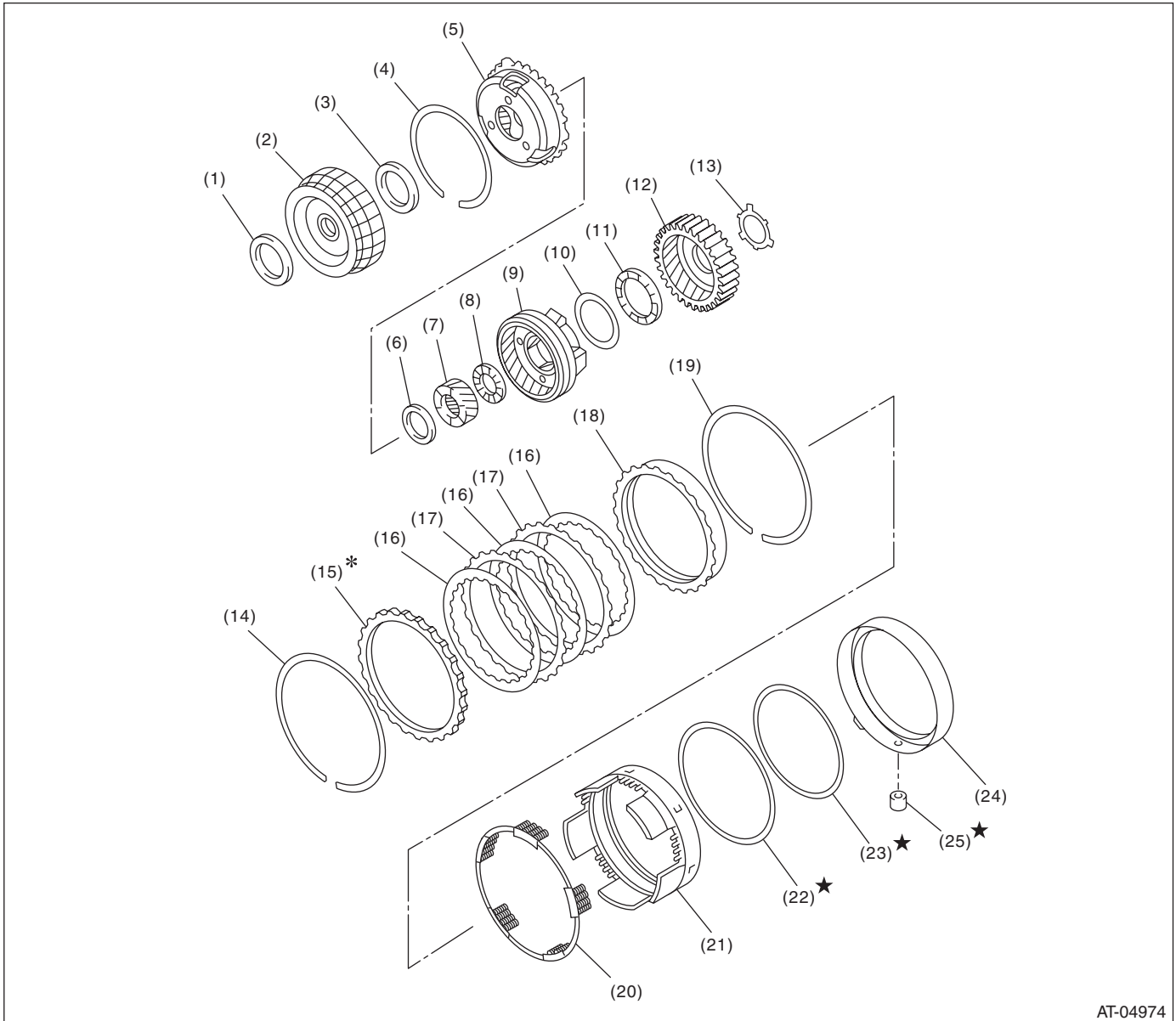


AT-00006

- |                           |                                    |                                       |
|---------------------------|------------------------------------|---------------------------------------|
| (1) High clutch drum      | (8) Spring retainer                | (15) Dish plate                       |
| (2) Lip seal              | (9) Clutch cover                   | (16) Driven plate (reverse clutch)    |
| (3) D-ring                | (10) Snap ring                     | (17) Drive plate (reverse clutch)     |
| (4) Reverse clutch piston | (11) Driven plate (high clutch)    | (18) Retaining plate (reverse clutch) |
| (5) D-ring                | (12) Drive plate (high clutch)     | (19) Snap ring                        |
| (6) D-ring                | (13) Retaining plate (high clutch) | (20) Thrust needle bearing            |
| (7) High clutch piston    | (14) Snap ring                     | (21) High clutch hub                  |



## 6. PLANETARY GEAR AND 2-4 BRAKE



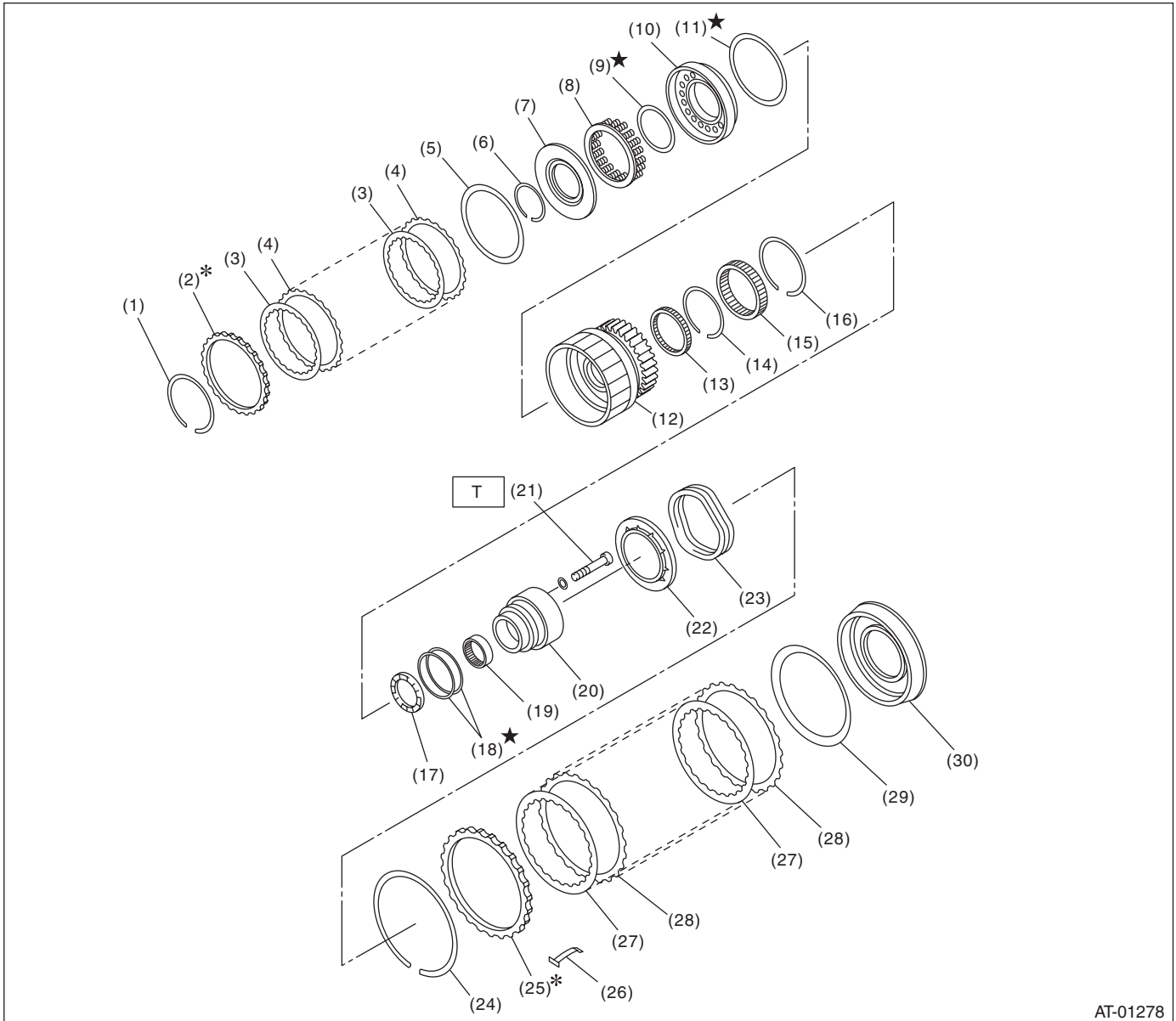
AT-04974

- |                             |                            |                                |
|-----------------------------|----------------------------|--------------------------------|
| (1) Thrust needle bearing   | (10) Washer                | (18) Pressure rear plate       |
| (2) Front sun gear          | (11) Thrust needle bearing | (19) Snap ring                 |
| (3) Thrust needle bearing   | (12) Rear internal gear    | (20) Spring retainer           |
| (4) Snap ring               | (13) Washer                | (21) 2-4 brake piston          |
| (5) Front planetary carrier | (14) Snap ring             | (22) D-ring                    |
| (6) Thrust needle bearing   | (15) Retaining plate       | (23) D-ring                    |
| (7) Rear sun gear           | (16) Drive plate           | (24) 2-4 brake piston retainer |
| (8) Thrust needle bearing   | (17) Driven plate          | (25) 2-4 brake seal            |
| (9) Rear planetary carrier  |                            |                                |

# General Description

## AUTOMATIC TRANSMISSION

### 7. LOW CLUTCH AND LOW & REVERSE BRAKE



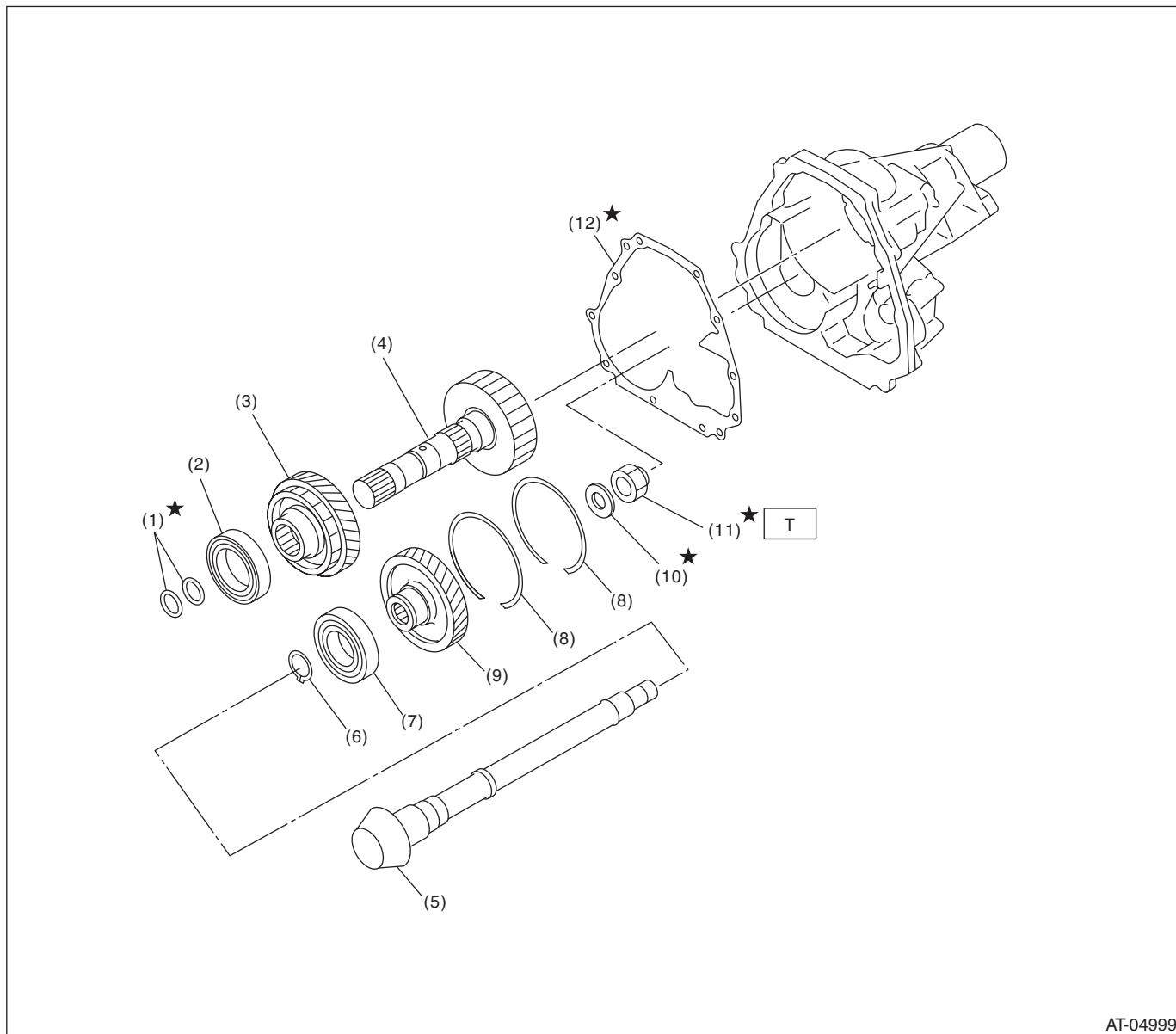
AT-01278

- |                        |                                |                                 |
|------------------------|--------------------------------|---------------------------------|
| (1) Snap ring          | (12) Low clutch drum           | (23) Return spring              |
| (2) Retaining plate    | (13) Needle bearing            | (24) Snap ring                  |
| (3) Drive plate        | (14) Snap ring                 | (25) Retaining plate            |
| (4) Driven plate       | (15) One-way clutch            | (26) Leaf spring                |
| (5) Dish plate         | (16) Snap ring                 | (27) Drive plate                |
| (6) Snap ring          | (17) Thrust needle bearing     | (28) Driven plate               |
| (7) Cover              | (18) Seal ring                 | (29) Dish plate                 |
| (8) Spring retainer    | (19) Needle bearing            | (30) Low & reverse brake piston |
| (9) D-ring             | (20) One-way clutch inner race |                                 |
| (10) Low clutch piston | (21) Socket bolt               |                                 |
| (11) D-ring            | (22) Spring retainer           |                                 |

**Tightening torque: N·m (kgf-m, ft-lb)**

**T: 25 (2.5, 18.4)**

## 8. REDUCTION GEAR



AT-04999

- |                           |                           |               |
|---------------------------|---------------------------|---------------|
| (1) Seal ring             | (6) Snap ring             | (11) Lock nut |
| (2) Ball bearing          | (7) Ball bearing          | (12) Gasket   |
| (3) Reduction drive gear  | (8) Snap ring             |               |
| (4) Reduction drive shaft | (9) Reduction driven gear |               |
| (5) Drive pinion shaft    | (10) Washer               |               |

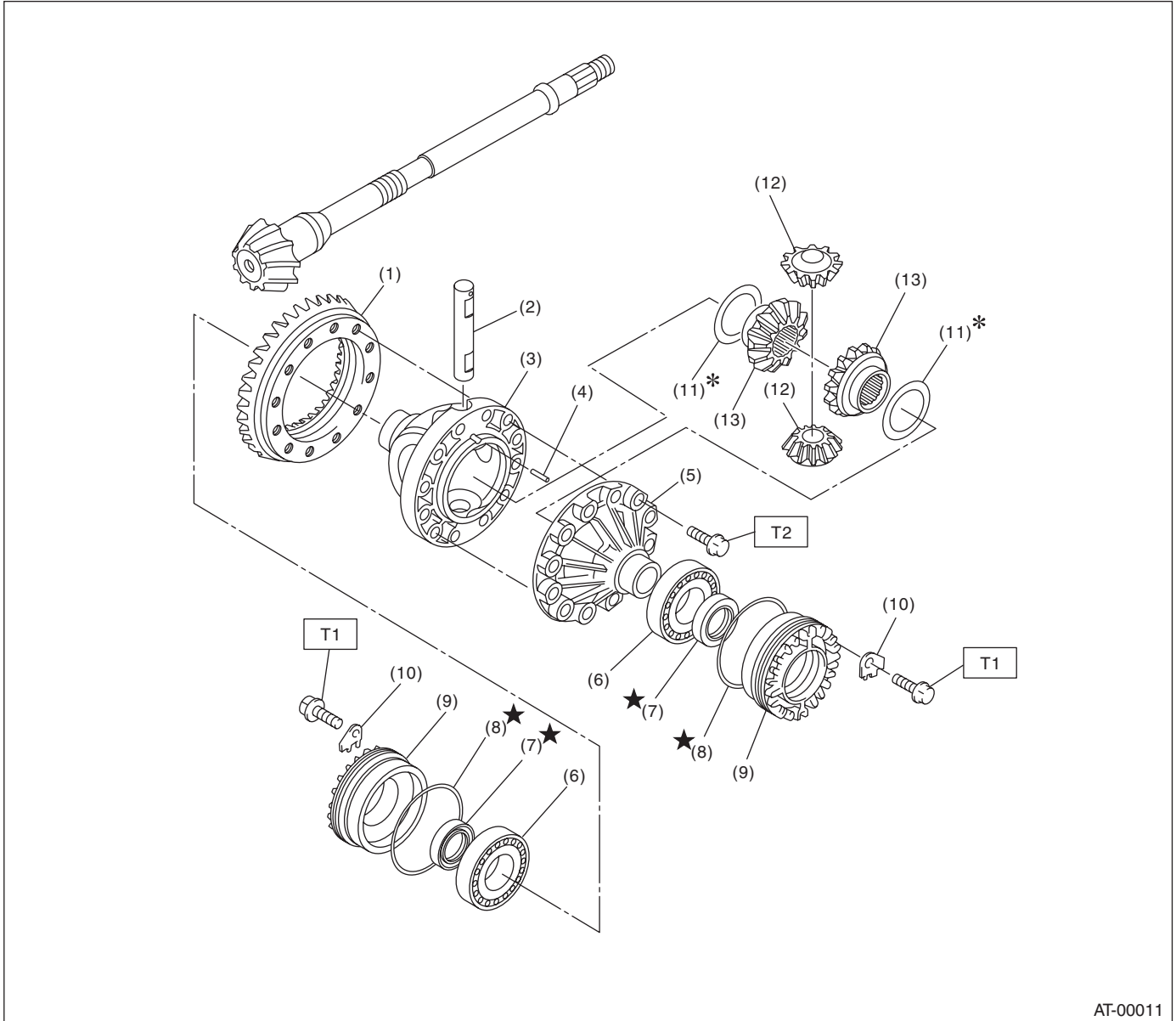
**Tightening torque: N·m (kgf·m, ft·lb)**

**T: 100 (10.2, 73.8)**

# General Description

## AUTOMATIC TRANSMISSION

### 9. DIFFERENTIAL GEAR



AT-00011

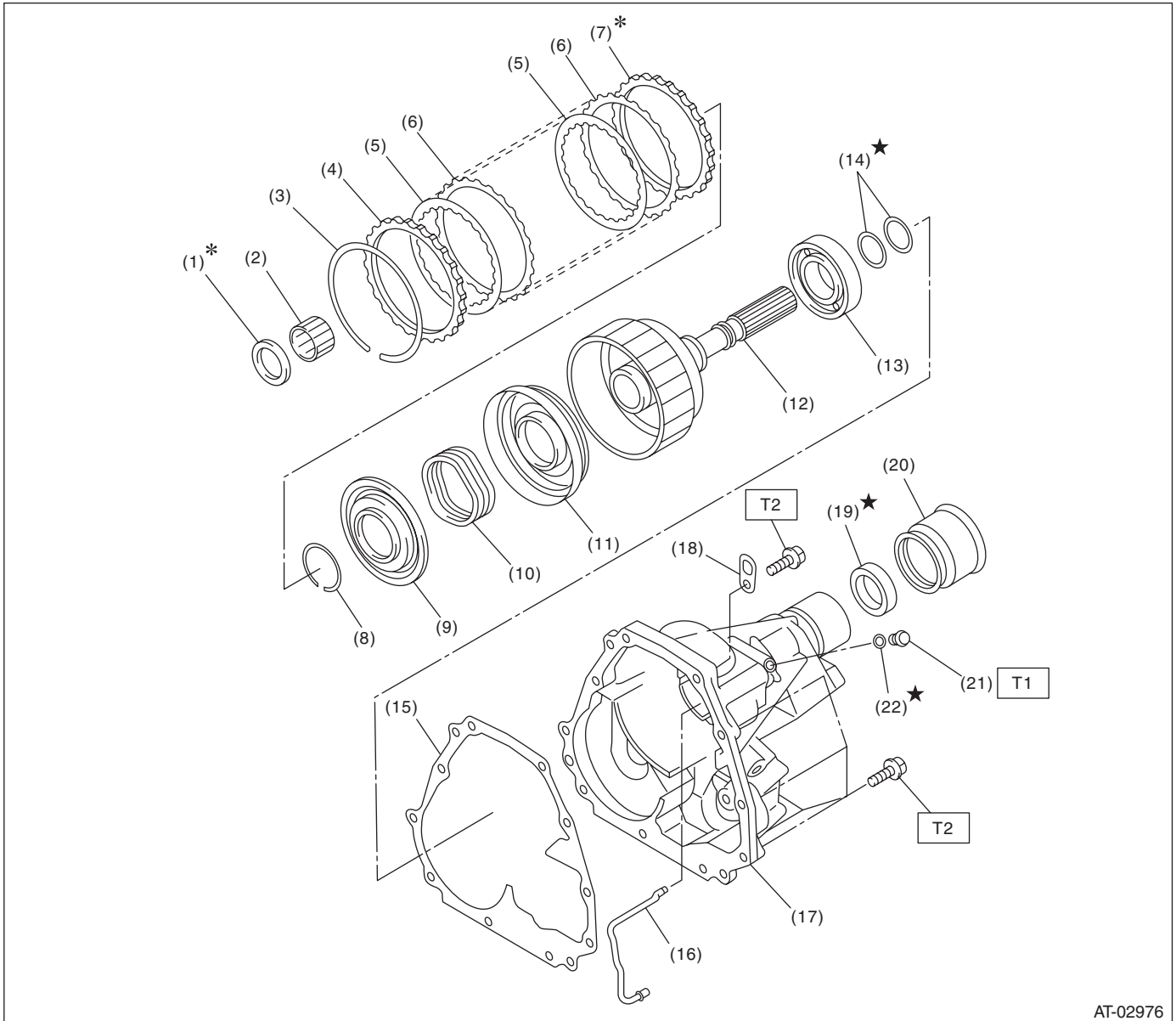
- |                            |                                |                              |
|----------------------------|--------------------------------|------------------------------|
| (1) Hypoid driven gear     | (7) Oil seal                   | (13) Differential bevel gear |
| (2) Pinion shaft           | (8) O-ring                     |                              |
| (3) Differential case (RH) | (9) Differential side retainer |                              |
| (4) Straight pin           | (10) Lock plate                |                              |
| (5) Differential case (LH) | (11) Washer                    |                              |
| (6) Taper roller bearing   | (12) Differential bevel pinion |                              |

**Tightening torque: N·m (kgf·m, ft·lb)**

**T1: 25 (2.5, 18.4)**

**T2: 62 (6.3, 45.7)**

## 10. TRANSFER AND EXTENSION CASE



AT-02976

- |                                 |                             |                 |
|---------------------------------|-----------------------------|-----------------|
| (1) Thrust needle bearing       | (10) Return spring          | (19) Oil seal   |
| (2) Needle bearing              | (11) Transfer clutch piston | (20) Dust cover |
| (3) Snap ring                   | (12) Rear drive shaft       | (21) Test plug  |
| (4) Driven plate (thick)        | (13) Ball bearing           | (22) O-ring     |
| (5) Drive plate                 | (14) Seal ring              |                 |
| (6) Driven plate (thin)         | (15) Gasket                 |                 |
| (7) Retaining plate             | (16) Transfer clutch pipe   |                 |
| (8) Snap ring                   | (17) Extension case         |                 |
| (9) Transfer clutch piston seal | (18) Transmission hanger    |                 |

**Tightening torque: N·m (kgf·m, ft·lb)**

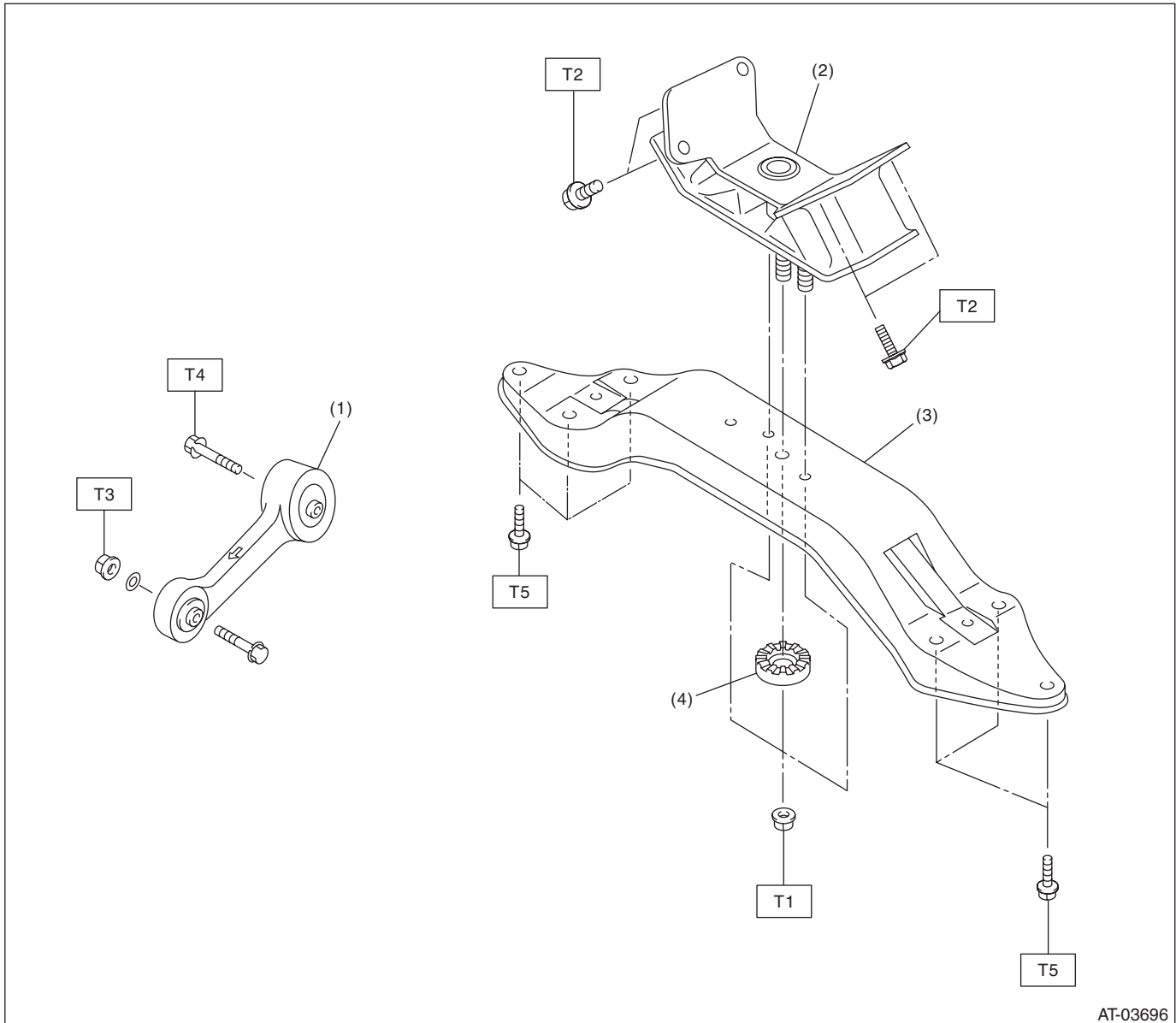
**T1: 13 (1.3, 9.6)**

**T2: 25 (2.5, 18.4)**

# General Description

AUTOMATIC TRANSMISSION

## 11. TRANSMISSION MOUNTING



- (1) Pitching stopper
- (2) Rear cushion rubber

- (3) Transmission rear crossmember
- (4) Stopper

**Tightening torque: N·m (kgf·m, ft·lb)**

**T1: 35 (3.6, 25.8)**

**T2: 40 (4.1, 29.5)**

**T3: 50 (5.1, 36.9)**

**T4: 58 (5.9, 42.8)**

**T5: 70 (7.1, 51.6)**

## **C: CAUTION**

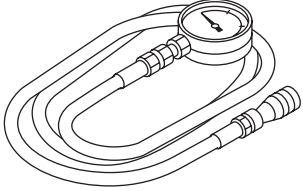
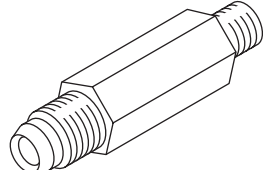
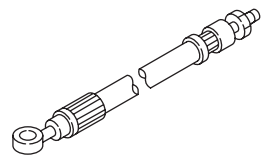
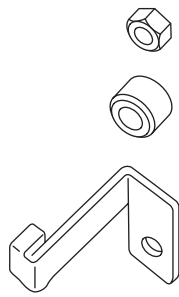
- Wear appropriate work clothing, including a cap, protective goggles and protective shoes when performing any work.
- Remove contamination including dirt and corrosion before removal, installation or disassembly.
- Keep the disassembled parts in order and protect them from dust and dirt.
- Do not place the oil pan with its inner side facing up until it is installed, to prevent intrusion of foreign matter into the valve body.
- Before removal, installation or disassembly, be sure to clarify the failure. Avoid unnecessary removal, installation, disassembly and replacement.
- When disassembling the case and other light alloy parts, use a plastic hammer to force it apart. Do not pry apart with screwdrivers or other tools.
- Vehicle components are extremely hot after driving. Be wary of receiving burns from heated parts.
- Use SUBARU genuine gear oil, SUBARU genuine ATF, and specified grease or equivalent. Do not mix gear oil, grease, etc. of different grades or manufacturers.
- Be sure to tighten bolts and nuts to the specified torque.
- Place lifts, shop jacks or rigid racks at specified locations.
- Apply gear oil or ATF onto sliding or revolution surfaces before installation in view of components usage.
- Replace deformed or damaged snap rings with new parts.
- Before installing O-rings or oil seals, apply sufficient amount of ATF fluid to avoid damage and deformation.
- Be careful not to incorrectly install or fail to install O-rings, snap rings and other such parts.
- Before securing a part on a vise, place cushioning material such as wood blocks, aluminum plate, or cloth between the part and the vise.
- Avoid damaging the mating surface of the case.
- Before applying liquid gasket, completely remove the old liquid gasket.
- When disassembling or assembling the AT, be sure to use nylon gloves and paper towels. Do not use cloth gloves or waste cloth.

# General Description

AUTOMATIC TRANSMISSION

## D: PREPARATION TOOL

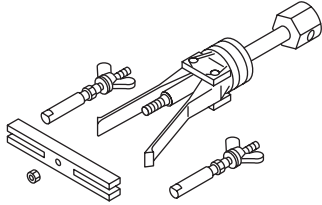
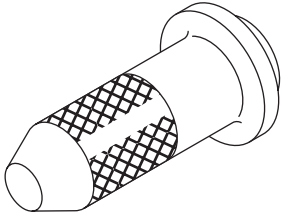
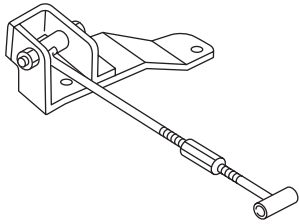
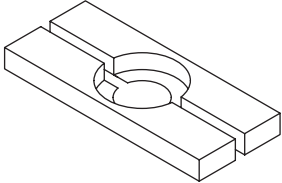
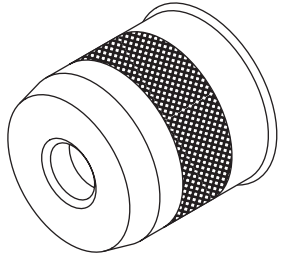
### 1. SPECIAL TOOL

ILLUSTRATION	TOOL NUMBER	DESCRIPTION	REMARKS
 <p style="text-align: center;">ST-498575400</p>	498575400	OIL PRESSURE GAUGE ASSY	Used for measuring oil pressure.
 <p style="text-align: center;">ST-498897200</p>	498897200	OIL PRESSURE GAUGE ADAPTER	Used at the oil pump housing when measuring reverse clutch pressure and line pressure.
 <p style="text-align: center;">ST-498897700</p>	498897700	OIL PRESSURE ADAPTER SET	Used for measuring transfer clutch pressure.
 <p style="text-align: center;">ST-498277200</p>	498277200	STOPPER SET	Used for removing and installing automatic transmission assembly to engine.



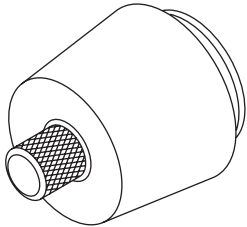
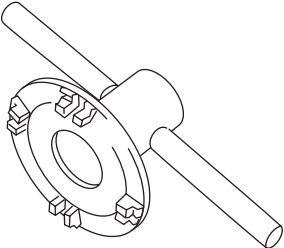
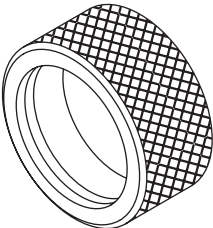
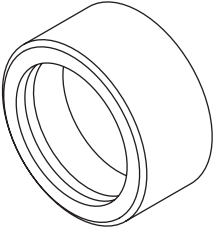
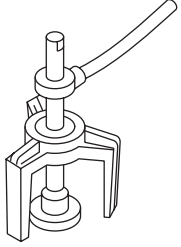
# General Description

AUTOMATIC TRANSMISSION

ILLUSTRATION	TOOL NUMBER	DESCRIPTION	REMARKS
 <p>ST-398527700</p>	398527700	PULLER ASSY	<ul style="list-style-type: none"> <li>• Used for removing the extension case roller bearing.</li> <li>• Used for removing the extension oil seal.</li> <li>• Used for removing the front differential side retainer bearing outer race.</li> <li>• Used for removing the front differential side retainer oil seal.</li> </ul>
 <p>ST-498057300</p>	498057300	INSTALLER	Used for installing the extension oil seal.
 <p>ST41099AC000</p>	41099AC000	ENGINE SUPPORT ASSY	Used for supporting the engine.
 <p>ST-498077000</p>	498077000	REMOVER	Used for removing the differential taper roller bearing.
 <p>ST-499247400</p>	499247400	INSTALLER	<ul style="list-style-type: none"> <li>• Used for installing the transfer outer snap ring.</li> <li>• Used together with GUIDE (499257300).</li> </ul>

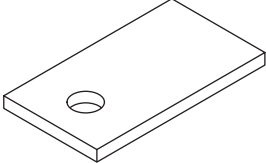
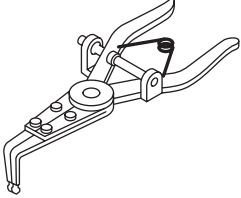
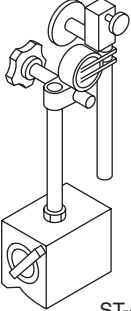
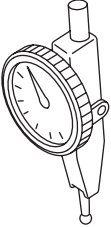
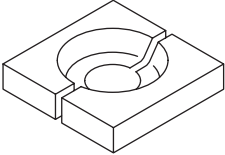
# General Description

## AUTOMATIC TRANSMISSION

ILLUSTRATION	TOOL NUMBER	DESCRIPTION	REMARKS
 <p style="text-align: center;">ST-499257300</p>	499257300	SNAP RING OUTER GUIDE	<ul style="list-style-type: none"> <li>• Used for installing the transfer outer snap ring.</li> <li>• Used together with INSTALLER (499247400).</li> </ul>
 <p style="text-align: center;">ST18630AA010</p>	18630AA010	WRENCH COMPL RETAINER	<ul style="list-style-type: none"> <li>• Used for removing and installing the differential side retainer.</li> <li>• WRENCH ASSEMBLY (499787000) can also be used.</li> </ul>
 <p style="text-align: center;">ST-398437700</p>	398437700	DRIFT	Used for installing the converter case oil seal.
 <p style="text-align: center;">ST-398487700</p>	398487700	INSTALLER	Used for installing the front differential taper roller bearing.
 <p style="text-align: center;">ST-398673600</p>	398673600	COMPRESSOR	Used for removing and installing the clutch spring.

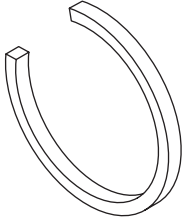
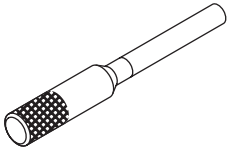
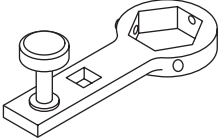
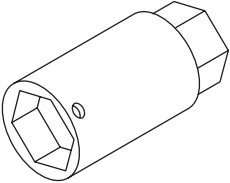
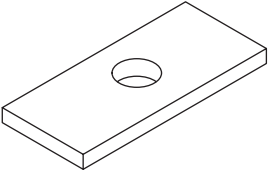
# General Description

AUTOMATIC TRANSMISSION

ILLUSTRATION	TOOL NUMBER	DESCRIPTION	REMARKS
 <p data-bbox="337 520 467 541">ST-498255400</p>	498255400	PLATE	Used for measuring the backlash of hypoid gear.
 <p data-bbox="337 873 467 894">ST-399893600</p>	399893600	PLIER	Used for removing and installing the clutch spring.
 <p data-bbox="337 1224 467 1245">ST-498247001</p>	498247001	MAGNET BASE	<ul style="list-style-type: none"> <li>• Used for measuring the gear backlash.</li> <li>• Used together with DIAL GAUGE (498247100).</li> </ul>
 <p data-bbox="337 1575 467 1596">ST-498247100</p>	498247100	DIAL GAUGE	<ul style="list-style-type: none"> <li>• Used for measuring the gear backlash.</li> <li>• Used together with MAGNET BASE (498247001).</li> </ul>
 <p data-bbox="337 1925 467 1946">ST-498517000</p>	498517000	REPLACER	Used for removing the front roller bearing.

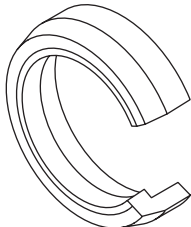
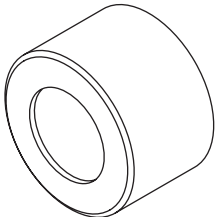
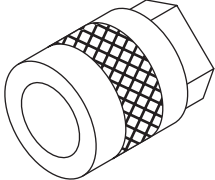
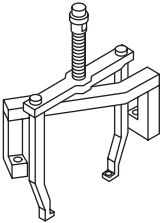
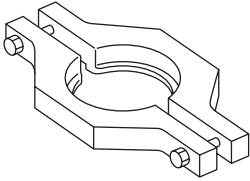
# General Description

## AUTOMATIC TRANSMISSION

ILLUSTRATION	TOOL NUMBER	DESCRIPTION	REMARKS
 <p style="text-align: center;">ST-398623600</p>	398623600	SEAT	Used for removing the spring of the transfer clutch piston.
 <p style="text-align: center;">ST-499267300</p>	499267300	STOPPER PIN	Used for installing the inhibitor switch.
 <p style="text-align: center;">ST-499787700</p>	499787700	WRENCH	Used for removing and installing the drive pinion lock nut.
 <p style="text-align: center;">ST-499787500</p>	499787500	ADAPTER	Used for removing and installing the drive pinion lock nut.
 <p style="text-align: center;">ST-398643600</p>	398643600	GAUGE	Used for measuring total end play, extension end play and drive pinion height.

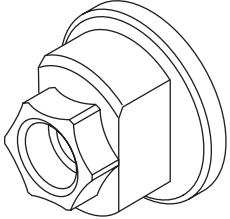
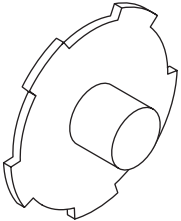
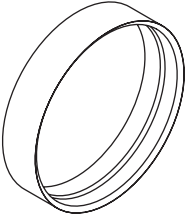
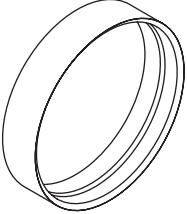
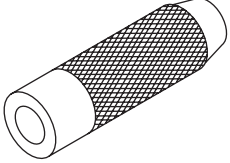
# General Description

AUTOMATIC TRANSMISSION

ILLUSTRATION	TOOL NUMBER	DESCRIPTION	REMARKS
 <p>ST-498627100</p>	498627100	SEAT	Used for holding the low clutch piston retainer spring when installing snap ring.
 <p>ST-499577000</p>	499577000	GAUGE	Used for measuring the mating surface of the transmission to the end face of the reduction gear.
 <p>ST-499737000</p>	499737000	PULLER	Used for removing the reduction driven gear assembly.
 <p>ST-499737100</p>	499737100	PULLER SET	Used for removing the reduction drive gear assembly.
 <p>ST-498077600</p>	498077600	REMOVER	Used for removing the ball bearing.

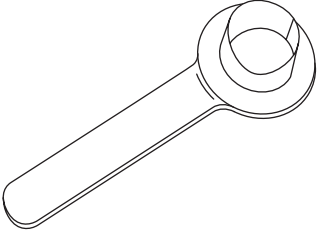
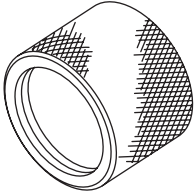
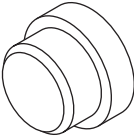
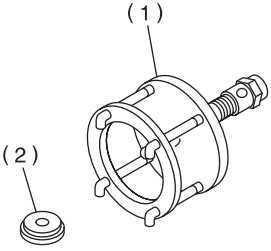
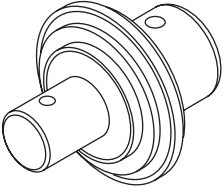
# General Description

## AUTOMATIC TRANSMISSION

ILLUSTRATION	TOOL NUMBER	DESCRIPTION	REMARKS
 <p style="text-align: center;">ST-498937110</p>	498937110	HOLDER	Used for removing and installing the drive pinion lock nut.
 <p style="text-align: center;">ST-498677100</p>	498677100	COMPRESSOR	Used for installing the 2-4 brake snap ring.
 <p style="text-align: center;">ST-498437000</p>	498437000	HIGH CLUTCH PISTON GUIDE	Used for installing the high clutch piston.
 <p style="text-align: center;">ST-498437100</p>	498437100	LOW CLUTCH PISTON GUIDE	Used for installing the low clutch piston.
 <p style="text-align: center;">ST-899580100</p>	899580100	INSTALLER	Used for press-fitting the ball bearing of the transfer clutch.

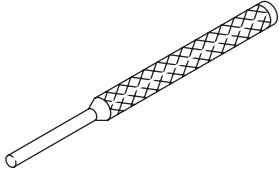
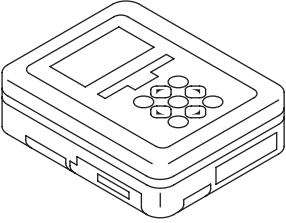
# General Description

AUTOMATIC TRANSMISSION

ILLUSTRATION	TOOL NUMBER	DESCRIPTION	REMARKS
 <p data-bbox="326 520 467 541">ST28399SA010</p>	28399SA010	OIL SEAL PROTECTOR	Used for installing the axle shaft.
 <p data-bbox="326 871 467 892">ST18675AA000</p>	18675AA000	DIFFERENTIAL SIDE OIL SEAL INSTALLER	Used for installing the differential side retainer oil seal.
 <p data-bbox="337 1222 464 1243">ST-398497701</p>	398497701	INSTALLER	Used for installing the needle bearing.
 <p data-bbox="337 1575 464 1596">ST-899524100</p>	899524100	PULLER SET	Use only the bolt. <ul style="list-style-type: none"> <li>• Used together with PULLER SET (499737100).</li> <li>• Used together with PULLER (499737000).               <ol style="list-style-type: none"> <li>1. Puller</li> <li>2. Cap</li> </ol> </li> </ul>
 <p data-bbox="337 1923 464 1944">ST-499247300</p>	499247300	INSTALLER	Used for installing the oil pump housing retainer oil seal.

# General Description

## AUTOMATIC TRANSMISSION

ILLUSTRATION	TOOL NUMBER	DESCRIPTION	REMARKS
 ST-398791600	398791600	REMOVER	Used for removing the shifter arm spring pin.
 ST1B022XU0	1B022XU0	SUBARU SELECT MONITOR III KIT	Used for troubleshooting the electrical system.

## 2. GENERAL TOOL

TOOL NAME	REMARKS
Depth gauge	Used for measuring the transmission end play.
Thickness gauge	Used for measuring clearance of the clutch, brake and oil pump.
Micrometer	Used for measuring thickness of the drive pinion.
Spring scale	Used for measuring the starting torque of the drive pinion.
Circuit tester	Used for measuring resistance and voltage.
TORX® T70	Used for removing and installing differential gear oil drain plug.
Push/pull gauge	Used for measuring the piston stroke of each clutch.



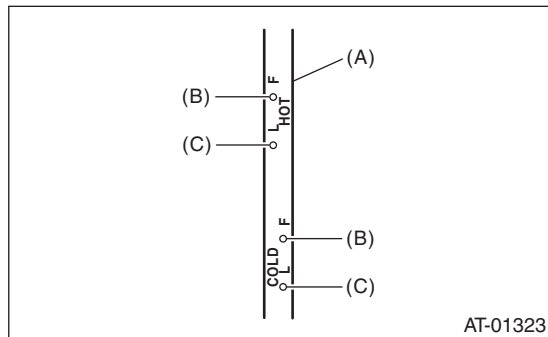
## 2. Automatic Transmission Fluid

### A: INSPECTION

#### NOTE:

The level of ATF varies with fluid temperature. Pay attention to the ATF temperature when checking ATF level.

- 1) Raise the ATF temperature by driving a distance of 5 to 10 km (3 to 6 miles). Otherwise, idle the engine to raise ATF temperature to 70 — 80°C (158 — 176°F) displayed on Subaru Select Monitor. <Ref. to 4AT(diag)-16, READ CURRENT DATA, OPERATION, Subaru Select Monitor.>
- 2) Park the vehicle on a level surface.
- 3) After selecting all positions (P, R, N, D), set the select lever in “P” range. Idle the engine for 1 or 2 minutes, and measure the ATF level.



- (A) ATF level gauge  
(B) Upper level  
(C) Lower level

- 4) Make sure that the ATF level is higher than the center point between upper and lower marks of the HOT side.

If the fluid level is below the lower mark, check the transmission for leaks. If there are leaks, it is necessary to repair or replace gaskets, oil seals, plugs or other parts.

- 5) If the ATF level is below the center point between upper and lower level marks, add the recommended ATF until the fluid level is above the center point between the upper and lower level marks.

#### CAUTION:

- Be careful not to exceed the upper level.
- When the transmission is cold, be careful not to add ATF to the upper level. Overfilling of ATF may cause oil splashing.

- 6) Check ATF level after raising ATF temperature to 70 — 80°C (158 — 176°F) by running the vehicle again or by idling the engine.

### B: REPLACEMENT

- 1) Lift up the vehicle.
- 2) Remove the drain plug (ATF) and completely drain the ATF.

#### CAUTION:

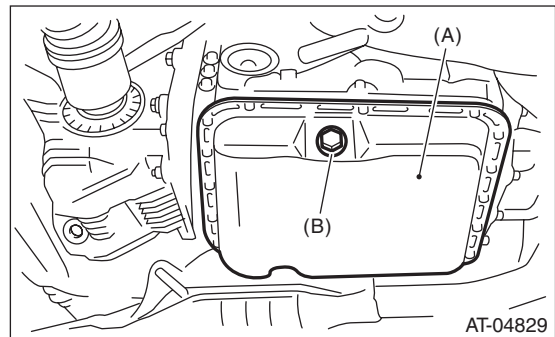
**Immediately after the vehicle has been running or after idling for a long time, the ATF will be hot. Be careful not to receive burns.**

- 3) Check the ATF condition. <Ref. to 4AT-28, CONDITION CHECK, Automatic Transmission Fluid.>

- 4) Perform replacement with a new gasket, and tighten the drain plug (ATF).

#### Tightening torque:

**25 N·m (2.5 kgf-m, 18.4 ft-lb)**



- (A) Oil pan  
(B) Drain plug (ATF)

- 5) Lower the vehicle.
- 6) Pour ATF from the oil charge pipe.

#### Recommended fluid:

<Ref. to 4AT-3, HYDRAULIC CONTROL AND LUBRICATION, SPECIFICATION, General Description.>

#### CAUTION:

**Be sure to use the recommended or equivalent ATF. Using material except recommended one or substitute would cause trouble.**

#### Capacity:

**Refill with the same amount of ATF that was drained from drain plug hole.**

#### Capacity when transmission is overhauled:

**9.3 — 9.6 ℓ (9.8 — 10.1 US qt, 8.2 — 8.4 Imp qt)**

- 7) Bleed the air of control valve. <Ref. to 4AT-61, PROCEDURE, Air Bleeding of Control Valve.>
- 8) Check the level and leaks of ATF. <Ref. to 4AT-27, INSPECTION, Automatic Transmission Fluid.>

# Automatic Transmission Fluid

## AUTOMATIC TRANSMISSION

---

### C: CONDITION CHECK

#### NOTE:

When replacing ATF, check the inside condition of transmission body by inspecting the drained ATF.

Fluid condition	Trouble and possible cause	Corrective action
Large amount of metallic pieces are found.	Excessive wear of the internal of the transmission body.	Replace ATF and check if AT operates correctly.
Thick and varnish-form fluid.	Burned clutch, etc.	Replace ATF and check the AT body or vehicle for faulty.
Clouded fluid or bubbles are found in fluid.	Water mixed in fluid.	Replace ATF and check the water entering point.

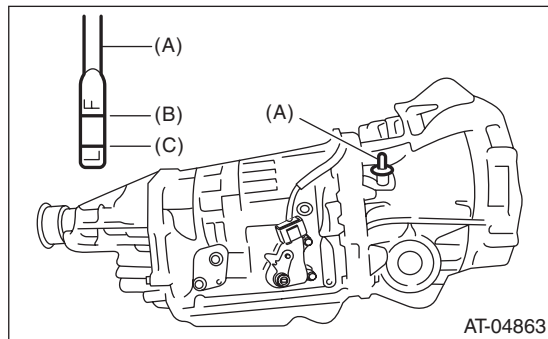
## 3. Differential Gear Oil

### A: INSPECTION

- 1) Park the vehicle on a level surface.
- 2) Remove the differential oil level gauge and wipe it clean.
- 3) Reinsert the level gauge all the way. Make sure the level gauge is inserted correctly and in the proper orientation.
- 4) Remove the oil level gauge again, and check the level of differential gear oil. If the differential gear oil level is below "L" line, add oil to bring the level up to "F" line.

#### NOTE:

To prevent overfilling the differential gear oil, do not fill oil above the "F" line.



- (A) Oil level gauge
- (B) Upper level
- (C) Lower level

### B: REPLACEMENT

- 1) Lift up the vehicle.
- 2) Remove the differential gear oil drain plug using TORX® bit T70, and drain the differential gear oil completely.

#### CAUTION:

- Immediately after driving the vehicle or after idling for a long time, the differential gear oil will be hot. Be careful not to receive burns.
- Be careful not to spill differential gear oil on the exhaust pipe to prevent it from emitting smoke or causing a fire. If differential gear oil is spilled on the exhaust pipe, wipe it off completely.

- 3) Replace the gasket with a new part and tighten the differential gear oil drain plug using the TORX® bit T70.

#### Tightening torque:

**Aluminum gasket (silver)**

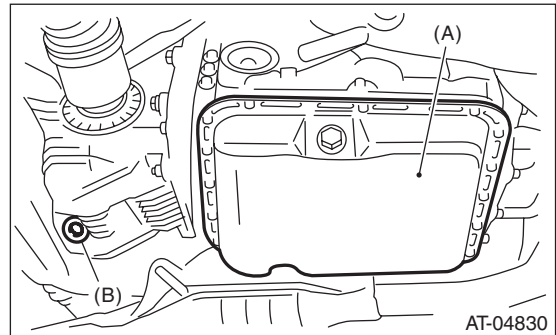
**44 N·m (4.5 kgf·m, 32.5 ft·lb)**

**Copper gasket (brown)**

**70 N·m (7.1 kgf·m, 51.6 ft·lb)**

**Metal gasket (black)**

**70 N·m (7.1 kgf·m, 51.6 ft·lb)**



- (A) Oil pan
- (B) Differential gear oil drain plug

- 4) Lower the vehicle.
- 5) Fill the differential with differential gear oil from the level gauge hole.

#### Recommended gear oil:

**<Ref. to 4AT-4, RECOMMENDED GEAR OIL, SPECIFICATION, General Description.>**

#### Gear oil capacity:

**1.1 — 1.3 ℓ (1.2 — 1.4 US qt, 1.0 — 1.1 Imp qt)**

- 6) Check the level of differential gear oil. <Ref. to 4AT-29, INSPECTION, Differential Gear Oil.>

### 4. Road Test

#### A: INSPECTION

##### 1. GENERAL PRECAUTION

Road tests should be conducted to properly diagnose the condition of automatic transmission.

##### NOTE:

When performing the test, do not exceed posted speed limit.

##### 2. D RANGE SHIFT FUNCTION

Check shifting between 1st ↔ 2nd ↔ 3rd ↔ 4th while driving on normal city streets.

##### 3. D RANGE SHIFT SHOCK

Check the shock level when shifting up during normal driving.

##### 4. KICK-DOWN FUNCTION

Check kick-down for each gear. Check the shock level during kick-down at the same time.

##### 5. ENGINE BRAKE OPERATION

- Check the 3rd gear engine brake when shifting down from 4th to 3rd range while driving in 4th gear of manual mode [50 — 60 km/h (31 — 37 MPH)].
- Check the 2nd gear engine brake when shifting down from 3rd to 2nd range while driving in 3rd gear of manual mode [40 — 50 km/h (25 — 31 MPH)].
- Check the 1st gear engine brake when shifting down from 2nd to 1st range while driving in 2nd gear of manual mode [20 — 30 km/h (12 — 19 MPH)].

##### 6. LOCK-UP FUNCTION

- When the accelerator is lightly depressed while driving on a flat road in “D” range, check that rpm does not change abruptly.
- Check slip lock-up with following procedure. Subaru Select Monitor is required for judgement. Before starting the check, make sure that no DTC is displayed using the Subaru Select Monitor. If there is a DTC, perform the corrective action according to the DTC. Recheck to see that the DTC has been cleared, then start the slip lock-up check.
  - 1) The check is to be performed on a flat and straight road or on a free roller.

##### NOTE:

- Slip lock-up will not operate when the vehicle is lifted up off of its wheels, since there is no surface resistance.
- When checking on the free roller, the driving resistance will be slightly inadequate. It will be easier to judge if the foot brake is lightly applied while performing the check.

2) Connect the Subaru Select Monitor.

3) Check the ATF temperature using the Subaru Select Monitor.

##### NOTE:

- Make sure that the ATF temperature is between 50 — 100°C (122 — 212°F).
  - If the temperature is low, warm up the ATF by running the vehicle.
- 4) Start the engine, so that lock-up duty can be read on the data display of the Subaru Select Monitor.
  - 5) Drive the vehicle at a constant speed of 35 — 40 km/h (22 — 25 MPH).
  - 6) Read the lock-up duty while vehicle is running.

##### **Specification**

**25 — 45%**

##### NOTE:

- The reading may be slightly lower on a free roller.
- Slip lock-up control is not operating if the lock-up duty is 5% or less, or when the lock-up duty goes down immediately after starting to rise. In these cases, improper ATF or deterioration of the ATF may be the cause. Check the amount of ATF or replace the fluid, then recheck.

##### 7. P RANGE OPERATION

Stop the vehicle on an uphill grade of 5% or more and shift to the “P” range. Check that the vehicle does not move when the parking brake is released.

##### 8. NOISE AND VIBRATION

Check for noise and vibration while driving and during shifting.

##### 9. TRANSFER CLUTCH

Check for tight corner braking phenomenon when the vehicle is moved forward with the steering fully turned.

##### 10.OIL LEAKAGE

After the driving test, inspect for oil leaks.

## 5. Stall Test

### A: INSPECTION

**NOTE:**

The stall test is extremely important in diagnosing the condition of an automatic transmission and engine. The test is necessary to measure the engine stall speeds in "R" and "2nd of manual mode".

Purposes of the stall test:

- Operational check of the automatic transmission clutch
  - Operational check of the torque converter clutch
  - Engine performance check
- 1) Check that the throttle valve fully opens.
  - 2) Check that the engine oil level is correct.
  - 3) Check that the coolant level is correct.
  - 4) Check that the ATF level is correct.
  - 5) Check that the differential gear oil level is correct.
  - 6) Increase the ATF temperature to 70 to 80°C (158 to 176°F) by idling the engine for approximately 30 minutes (with select lever set to "N" or "P").
  - 7) Place the wheel chocks at the front and rear of all wheels and apply the parking brake.
  - 8) Move the select lever to ensure it operates properly, then set to "2nd gear of manual mode".
  - 9) While stepping hard on the brake pedal, slowly depress the accelerator pedal to full throttle.
  - 10) When the engine speed is stabilized, quickly record the engine speed and release accelerator pedal.
  - 11) Shift the select lever to "N" range, and cool down the engine by idling it for one minute or more.
  - 12) If the stall speed in "2nd gear of manual mode" is higher than specifications, low clutch slipping and 2-4 brake slipping may occur. To identify this, conduct the same test as above in "R" range.

# Stall Test

## AUTOMATIC TRANSMISSION

13) Perform the stall tests with the select lever in “D” range.

**NOTE:**

- Do not continue the stall test for 5 seconds or more at a time (from closed throttle, fully open throttle to stall speed reading). Failure to follow this instruction will cause the engine oil and ATF to deteriorate and the clutch and brake to be adversely affected.
- Be sure to cool down the engine for at least one minute after each stall test with the select lever set in the “P” or “N” range and with the idle speed of 1,200 rpm or less.
- If the stall speed is higher than the specified range, attempt to finish the stall test in as short a time as possible, in order to prevent the automatic transmission from sustaining damage.

**Stall speed (at sea level):**

**Non-turbo model**

**2,200 — 2,700 rpm**

**Turbo model**

**2,800 — 3,300 rpm**

Stall speed (at sea level)	Range	Cause
Below specified value	2nd gear on manual mode, R	<ul style="list-style-type: none"> <li>• Throttle valve is not fully open</li> <li>• Engine malfunction</li> <li>• One-way clutch of the torque converter is slipping</li> </ul>
Over specified value	D	<ul style="list-style-type: none"> <li>• Line pressure too low</li> <li>• Low clutch slipping</li> <li>• One-way clutch malfunctioning</li> </ul>
	R	<ul style="list-style-type: none"> <li>• Line pressure too low</li> <li>• Reverse clutch slipping</li> <li>• Low &amp; reverse brake slipping</li> </ul>
	2nd gear of manual mode	<ul style="list-style-type: none"> <li>• Line pressure too low</li> <li>• Low clutch slipping</li> <li>• 2-4 brake slipping</li> </ul>

## 6. Time Lag Test

### A: INSPECTION

#### NOTE:

When the select lever is shifted while the engine is idling, there will be a certain time elapse or lag before shock is felt. This is used for checking the condition of the low clutch, reverse clutch, low & reverse brake and one-way clutch.

- Perform the test at normal operation fluid temperature of 70 — 80°C (158 — 176°F).
- Be sure to allow one minute or more interval between tests.
- Make three measurements and take the average value.

1) Fully apply the parking brake.

2) Start the engine.

Check the idle speed (A/C OFF).

3) Shift the select lever from “N” to “D” range.

Using a stop watch, measure the time which takes from shifting the lever until the shock is felt.

#### ***Time-lag***

***Measurement value: 1.2 seconds or less***

If “N” → “D” time lag is longer than specified:

- Line pressure too low
- Low clutch worn
- One-way clutch not operating properly
- D-ring worn

4) In the same manner, measure the time lag of “N” → “R”.

#### ***Time-lag***

***Measurement value: 1.5 seconds or less***

If “N” → “R” time lag is longer than specified:

- Line pressure too low
- Reverse clutch worn
- Low & reverse brake worn
- D-ring worn

# Line Pressure Test

## AUTOMATIC TRANSMISSION

### 7. Line Pressure Test

#### A: MEASUREMENT

##### NOTE:

If the clutch or brake shows a signs of slipping or shift feel is not correct, check the line pressure.

- Excessive shock during up-shift may be due to the line pressure being too high.
- Slippage or inability to operate the vehicle may, in most cases, be due to insufficient oil pressure for the operation of clutch, brake or control valve.

##### 1) Line pressure measurement (under no load):

(1) Before measuring line pressure, lift up the vehicle.

(2) Maintain the ATF temperature at approx. 70 — 80°C (158 — 176°F) during measurement. (ATF will reach the temperature above after idling the engine for approx. 30 minutes with the select lever in “N” or “P”.)

##### 2) Line pressure measurement (under heavy load)

(1) Before measuring line pressure, place wheel chocks at the front and rear of all wheels, then apply both the foot and parking brakes (same as for stall test conditions).

(2) Measure the line pressure when the select lever is in “R” or 2nd of manual mode with engine under stall conditions.

(3) Measure the line pressure within 5 seconds after shifting the select lever to each position. (If the line pressure needs to be measured again, allow the engine to idle and cool it down for more than 1 minute.)

(4) Maintain the ATF temperature at approx. 70 — 80°C (158 — 176°F) during measurement. (ATF will reach the temperature above after idling the engine for approx. 30 minutes with the select lever in “N” or “P”.)

##### 3) Remove the test plug and attach the ST instead.

ST 498897200 OIL PRESSURE GAUGE ADAPTER

##### 4) Connect the ST1 with ST2.

ST1 498897200 OIL PRESSURE GAUGE ADAPTER

ST2 498575400 OIL PRESSURE GAUGE ASSY

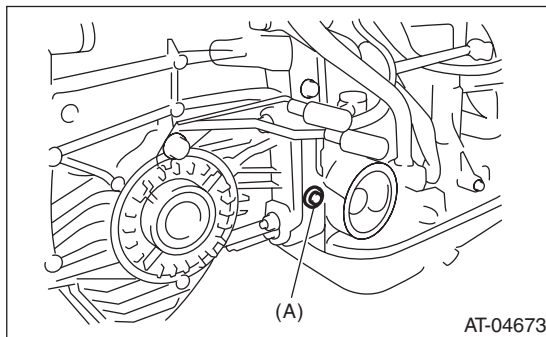
##### 5) Check for duty ratio changes by adjusting the acceleration pedal position using the Subaru Select Monitor.

Standard line pressure			
Range position	Line pressure duty ratio (%)	Throttle valve opening angle	Line pressure kPa (kg/cm <sup>2</sup> , psi)
Manual mode (2nd)	25 — 35	Full open	1,000 — 1,300 (10.2 — 13.3, 145 — 188)
R	15 — 25	Full open	1,500 — 1,850 (15.3 — 18.9, 217 — 268)
D	35 — 43	Full closed	500 — 800 (5.1 — 8.2, 72 — 116)

##### 6) Remove the ST and install the test plug.

##### **Tightening torque:**

**13 N·m (1.3 kgf·m, 9.6 ft·lb)**



(A) Test plug



## 8. Transfer Clutch Pressure Test

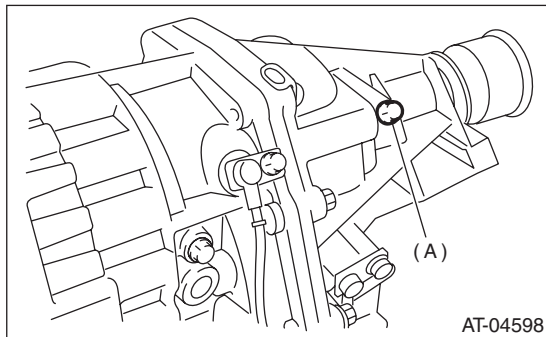
### A: INSPECTION

Check the transfer clutch pressure in accordance with the following chart in the same manner as line pressure. <Ref. to 4AT-34, Line Pressure Test.>

- ST 498897700 OIL PRESSURE ADAPTER SET
- ST 498575400 OIL PRESSURE GAUGE ASSY

**NOTE:**

- Before setting to FWD mode, install the spare fuse on the FWD mode switch.



(A) Test plug

- If no oil pressure is produced or if it does not change in AWD mode, there may be a problem in the transfer duty solenoid or control valve body.
- If oil pressure is produced in FWD mode, there is the same problem as the AWD mode.

Range position	ON duty ratio (%)	Acceleration opening angle (%)	Standard transfer clutch pressure kPa (kg/cm <sup>2</sup> , psi)	
			AWD mode	FWD mode
Manual mode (2nd)	95	Fully opened (100)	1,000 — 1,200 (10.2 — 12.2, 145 — 174)	—
	60	Adjust ON Duty ratio to 60%.	500 — 700 (5.1 — 7.1, 72 — 101)	—
	5	Fully closed (0)	—	0 (0, 0)
N or P	5	Fully closed (0)	0	—

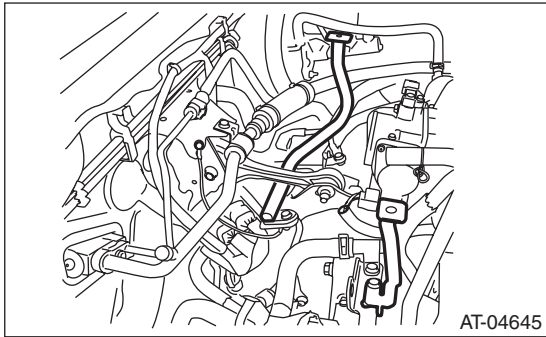
# Automatic Transmission Assembly

## AUTOMATIC TRANSMISSION

### 9. Automatic Transmission Assembly

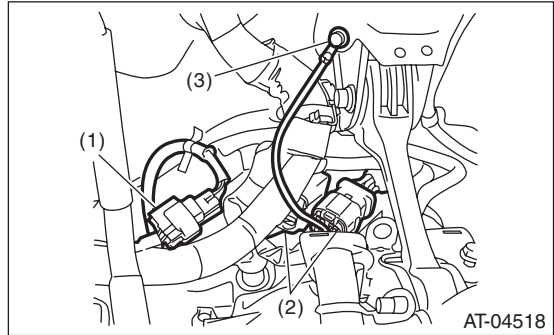
#### A: REMOVAL

- 1) Set the vehicle on a lift.
- 2) Open the front hood.
- 3) Disconnect the ground cable from battery.
- 4) Remove the air intake chamber and intake boot. (Non-turbo model) <Ref. to IN(H4SO)-7, REMOVAL, Air Intake Chamber.>
- 5) Remove the intercooler. (Turbo model) <Ref. to IN(H4DOTC)-13, REMOVAL, Intercooler.>
- 6) Remove the air intake chamber stay. (Non-turbo model)



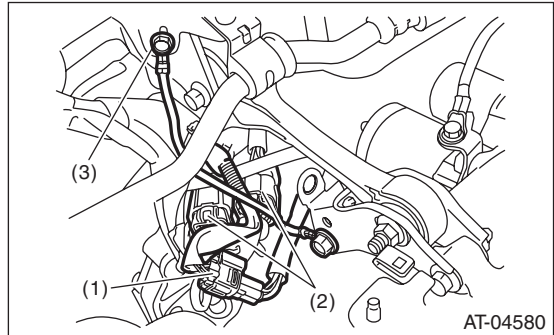
- 7) Disconnect the following connectors and terminals.

- Non-turbo model



- (1) Rear oxygen sensor connector
- (2) Transmission harness connectors
- (3) Transmission ground terminal

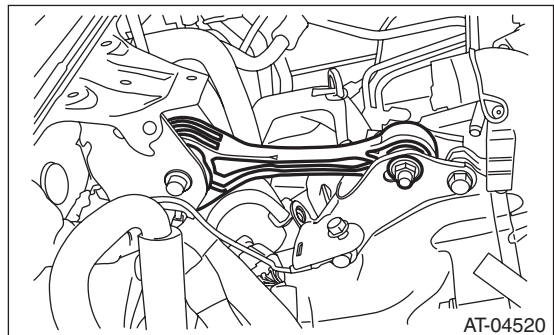
- Turbo model



- (1) Rear oxygen sensor connector
- (2) Transmission harness connectors
- (3) Transmission ground terminal

- 8) Remove the starter. <Ref. to SC(H4SO)-7, REMOVAL, Starter.>

- 9) Remove the pitching stopper.



- 10) Remove the throttle body. (Non-turbo model) <Ref. to FU(H4SO)-14, REMOVAL, Throttle Body.>

# Automatic Transmission Assembly

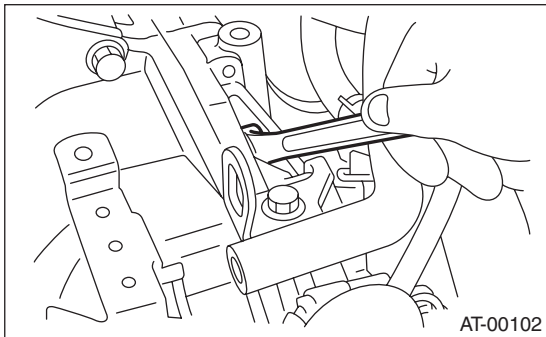
AUTOMATIC TRANSMISSION

11) Separate the torque converter clutch from the drive plate.

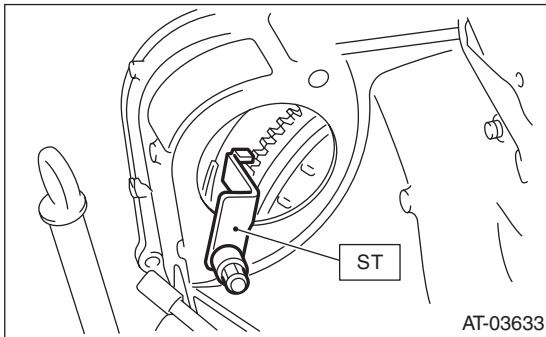
### CAUTION:

- Be careful not to damage the mounting bolts.
- Be careful not to drop bolts into the converter case.

- (1) Remove the V-belt covers.
- (2) Remove the service hole plug.
- (3) Remove the bolts which hold the torque converter clutch assembly to the drive plate.
- (4) Place the wrench on the crank pulley bolt, and remove all the bolts while rotating the crank pulley a little bit at a time.
- (5) Make sure the torque converter moves freely by rotating with finger through the starter installation hole.



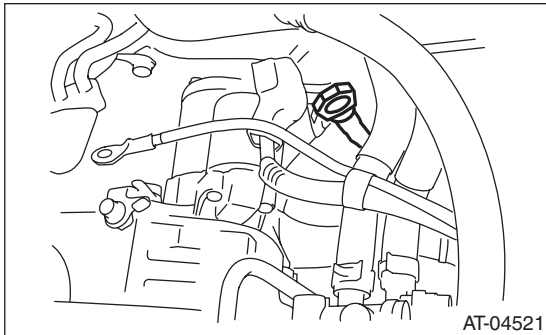
12) Attach the ST to the converter case.  
ST 498277200 STOPPER SET



13) Remove the ATF level gauge.

### NOTE:

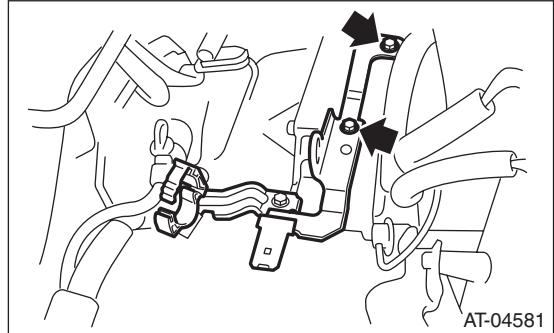
Plug the opening to prevent entry of foreign particles into the transmission fluid.



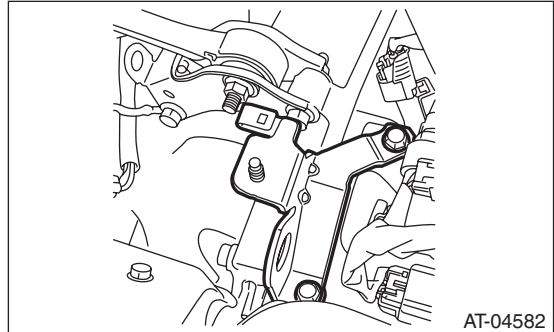
14) Remove the pitching stopper bracket.

15) Disconnect the engine harness, then remove the harness connector from the engine harness bracket. (Non-turbo model)

16) Remove the engine harness bracket. (Non-turbo model)

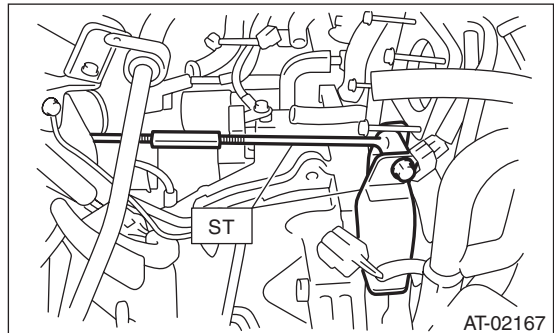


17) Remove the engine hanger. (Turbo model)



18) Set the ST.

ST 41099AC000 ENGINE SUPPORT ASSY



19) Lift up the vehicle.

20) Remove the under cover.

21) Remove the front, center and rear exhaust pipes and the muffler. (Non-turbo model)

<Ref. to EX(H4SO)-6, REMOVAL, Front Exhaust Pipe.> <Ref. to EX(H4SO)-9, REMOVAL, Center Exhaust Pipe.> <Ref. to EX(H4SO)-10, REMOVAL, Rear Exhaust Pipe.> <Ref. to EX(H4SO)-12, REMOVAL, Muffler.>

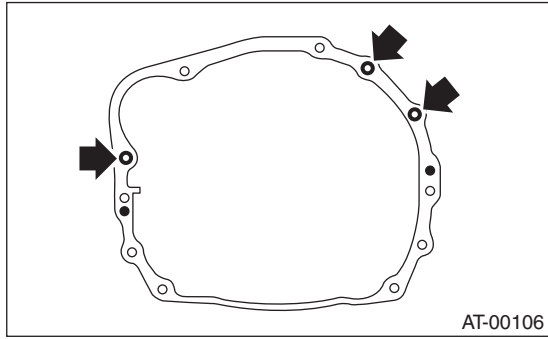
22) Remove the center and rear exhaust pipes and the muffler. (Turbo model)

<Ref. to EX(H4DOTC)-8, REMOVAL, Center Exhaust Pipe.> <Ref. to EX(H4DOTC)-13, REMOVAL, Rear Exhaust Pipe.> <Ref. to EX(H4DOTC)-15, REMOVAL, Muffler.>

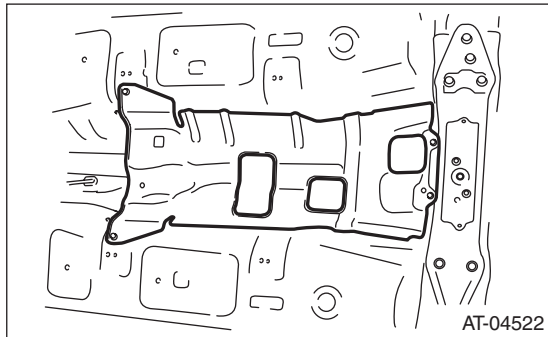
# Automatic Transmission Assembly

## AUTOMATIC TRANSMISSION

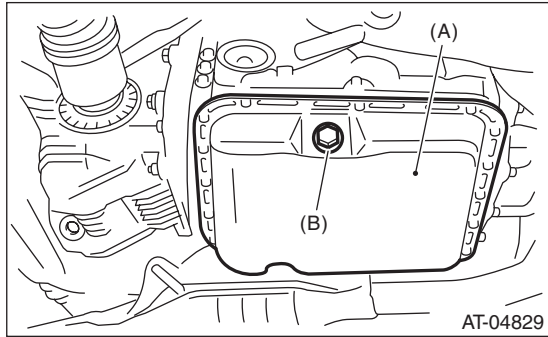
23) Remove the bolts which hold upper side of transmission to engine.



24) Remove the heat shield cover.

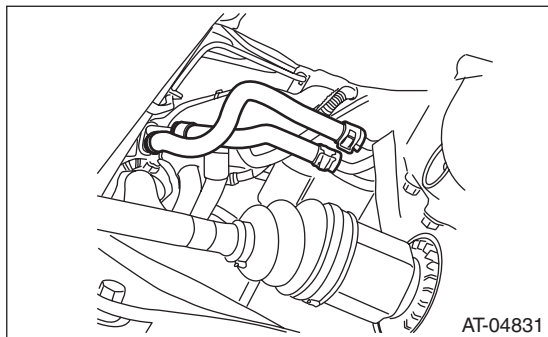


25) Remove the drain plug (ATF) to drain ATF.



- (A) Oil pan
- (B) Drain plug (ATF)

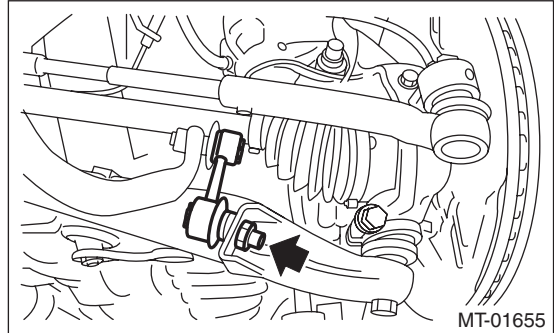
26) Disconnect the ATF cooler hoses from the pipes of the transmission side, and remove the oil charge pipe.



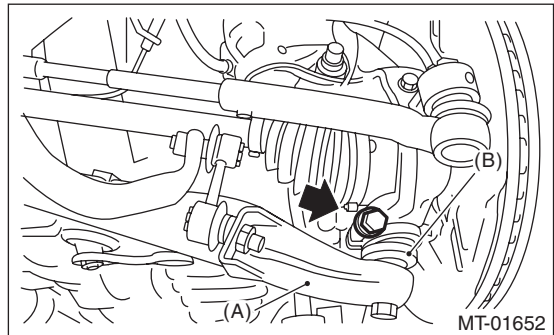
27) Remove the propeller shaft. <Ref. to DS-10, REMOVAL, Propeller Shaft.>

28) Remove the shift select cable from the inhibitor switch and the transmission. <Ref. to CS-25, REMOVAL, Select Cable.>

29) Disconnect the stabilizer link from the front arm.



30) Remove the bolts which secure the front arm ball joint to the front housing, and separate the front arm and housing.



- (A) Front arm
- (B) Ball joint

31) Pull out the front drive shaft from the transmission.

(1) Using a tire lever or a crow bar, etc., pull out until the front drive shaft transmission side joint slides move smoothly.

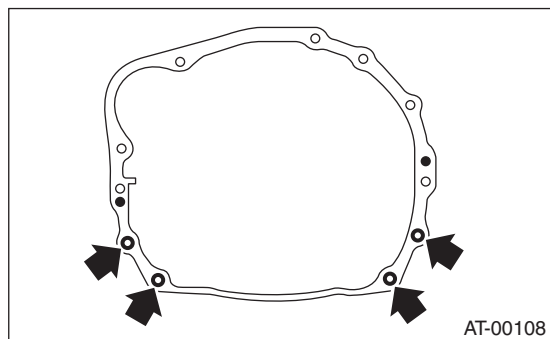
### NOTE:

Place cloth between the tire lever or bar and the transmission in order to avoid damaging the transmission side retainer.

(2) Hold the transmission side joint of the front drive shaft by hand and extract the housing from the transmission while pressing the housing outward, so as not to stretch the boot.

32) Remove the bolts which hold the clutch housing cover.

33) Remove the bolts and nuts which hold lower side of transmission to engine.

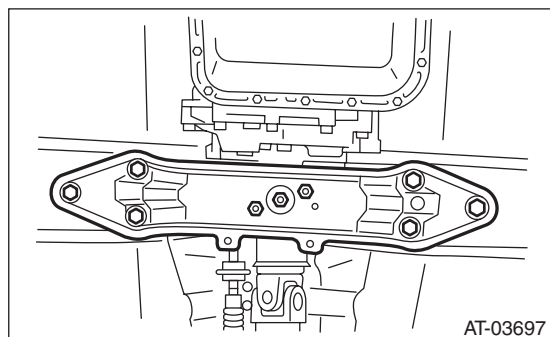


34) Place a transmission jack below the transmission.

**NOTE:**

Make sure that the support plates of transmission jack do not touch the oil pan.

35) Remove the transmission rear crossmember from the vehicle.

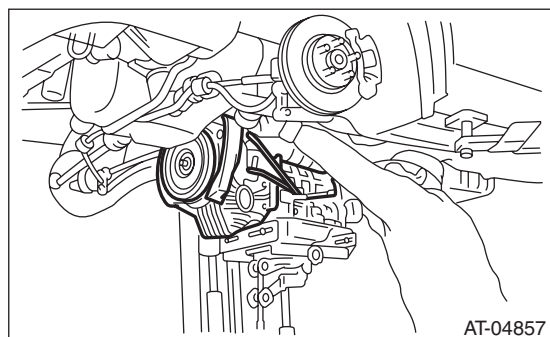


36) While lowering the transmission jack gradually, fully retract the engine support, and then tilt the engine rearward.

37) Remove the transmission.

**NOTE:**

Remove the transmission and torque converter as a single unit from engine.



38) Remove the rear cushion rubber from the transmission assembly.

# Automatic Transmission Assembly

## AUTOMATIC TRANSMISSION

### B: INSTALLATION

1) Replace the differential side oil seal with a new part. <Ref. to 4AT-47, Differential Side Retainer Oil Seal.>

#### NOTE:

When a new oil seal has been installed, replacement is not required.

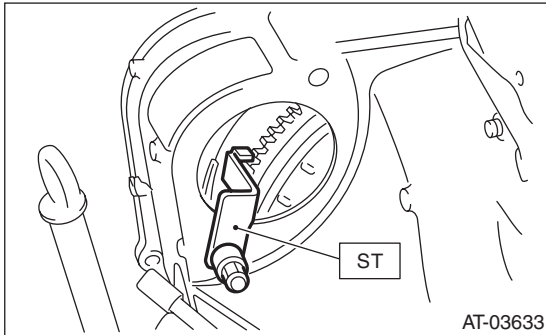
2) Install the rear cushion rubber to the transmission assembly.

#### Tightening torque:

**40 N·m (4.1 kgf·m, 29.5 ft·lb)**

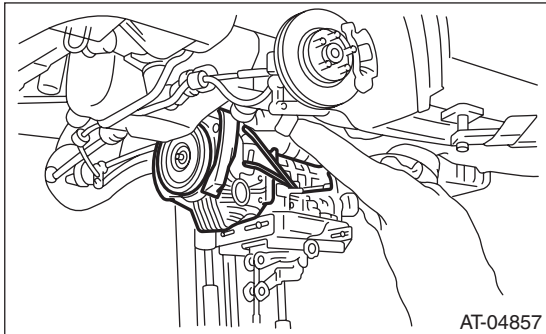
3) Attach the ST to the converter case.

ST 498277200 STOPPER SET



4) Install the transmission onto the engine.

(1) Lift up the transmission gradually using transmission jack.



(2) Insert the engine side stud bolt into the transmission bolt hole.

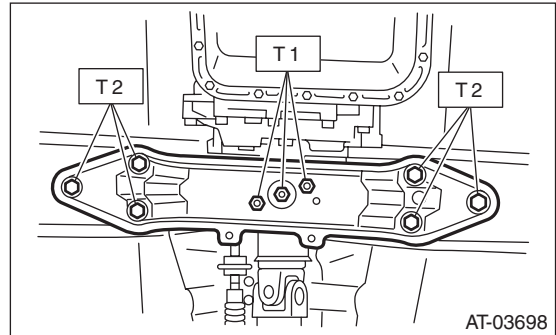
(3) While raising the transmission jack gradually, turn the screw of engine support, then tilt the engine forward and connect.

5) Install the transmission rear crossmember.

#### Tightening torque:

**T1: 35 N·m (3.6 kgf·m, 25.8 ft·lb)**

**T2: 70 N·m (7.1 kgf·m, 51.6 ft·lb)**

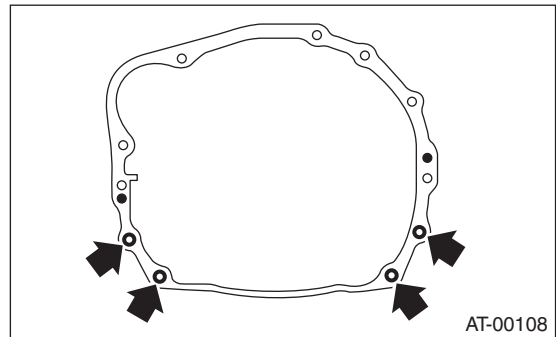


6) Remove the transmission jack.

7) Tighten the bolts and nuts which hold the lower side of transmission to the engine.

#### Tightening torque:

**50 N·m (5.1 kgf·m, 36.9 ft·lb)**



8) Install the clutch housing cover bolts.

9) Lower the vehicle.

10) Connect the engine and transmission.

(1) Remove the ST from converter case.

#### NOTE:

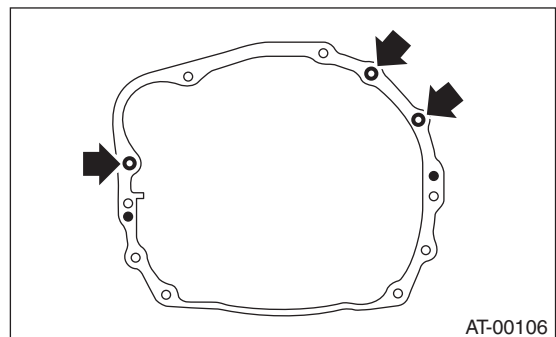
When removing the ST, be careful not to drop it into converter case.

(2) Install the starter. <Ref. to SC(H4SO)-7, INSTALLATION, Starter.>

(3) Tighten the bolts which hold the upper side of the transmission to the engine.

#### Tightening torque:

**50 N·m (5.1 kgf·m, 36.9 ft·lb)**





11) Install the torque converter clutch assembly to the drive plate.

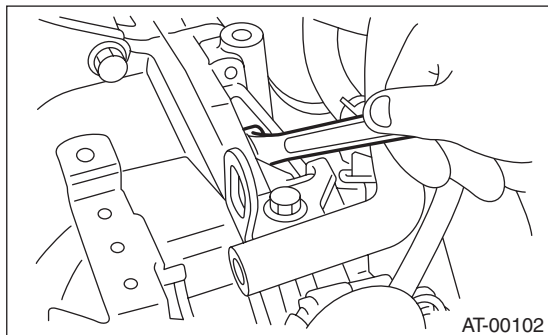
**CAUTION:**

- Be careful not to damage the mounting bolts.
- Be careful not to drop bolts into the converter case.

- (1) Tighten the bolts which hold the torque converter clutch to the drive plate.
- (2) Place the wrench on the crank pulley bolt, and remove all the bolts while rotating the crank pulley a little bit at a time.

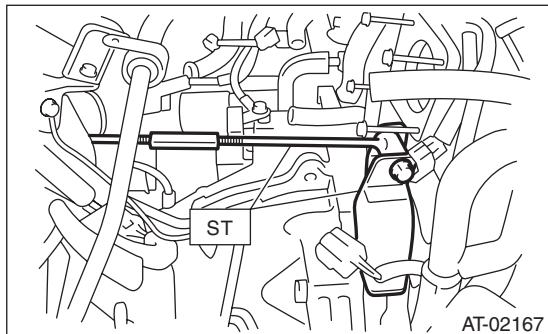
**Tightening torque:**

**25 N·m (2.5 kgf-m, 18.4 ft-lb)**



- (3) Fit the plug to service hole.
- (4) Install the V-belt cover.

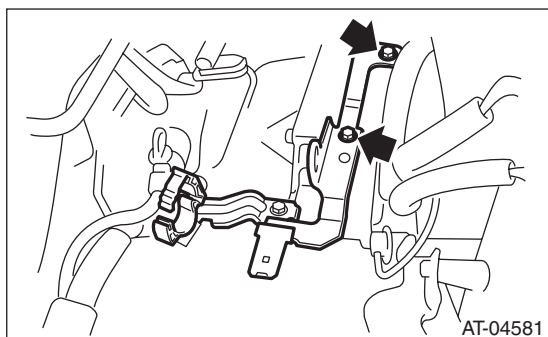
12) Remove the ST.



13) Install the engine harness bracket. (Non-turbo model)

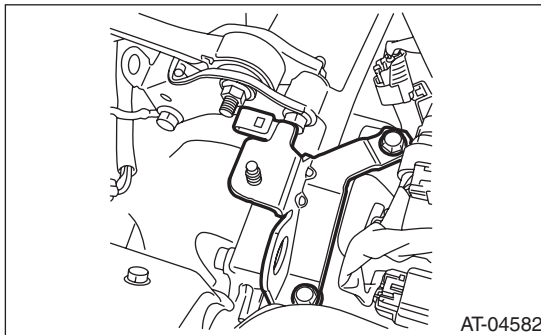
**Tightening torque:**

**T: 16 N·m (1.6 kgf-m, 11.8 ft-lb)**



14) Install the harness connector to engine harness bracket, then connect the harness. (Non-turbo model)

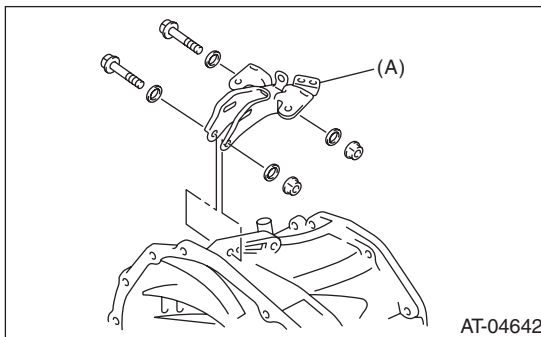
15) Install the engine hanger. (Turbo model)



16) Install the pitching stopper bracket.

**Tightening torque:**

**41 N·m (4.2 kgf-m, 30.2 ft-lb)**



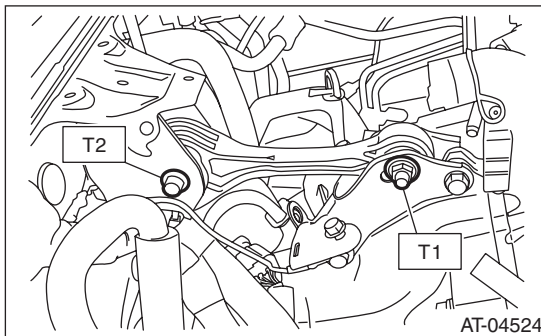
17) Install the throttle body. (Non-turbo model)  
<Ref. to FU(H4SO)-14, INSTALLATION, Throttle Body.>

18) Install the pitching stopper.

**Tightening torque:**

**T1: 50 N·m (5.1 kgf-m, 36.9 ft-lb)**

**T2: 58 N·m (5.9 kgf-m, 42.8 ft-lb)**



19) Lift up the vehicle.

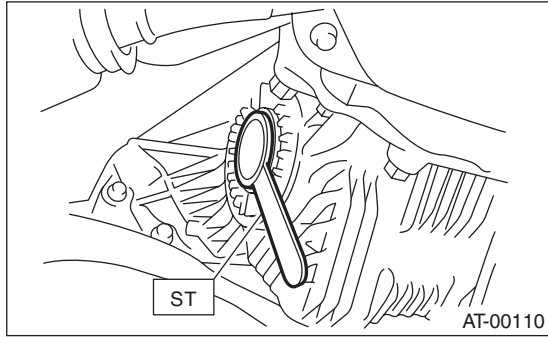
20) Replace the circlip of the front drive shaft with a new part.

21) Apply grease to the oil seal lip.

# Automatic Transmission Assembly

## AUTOMATIC TRANSMISSION

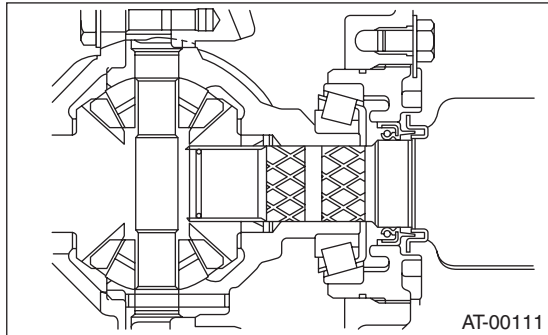
- 22) Attach the ST to side retainer.  
ST 28399SA010 OIL SEAL PROTECTOR



- 23) Align and insert the spline of the front drive shaft to the splines of the differential bevel gear, and remove the ST.

ST 28399SA010 OIL SEAL PROTECTOR

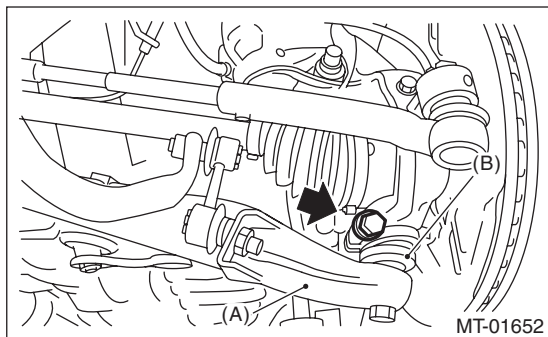
- 24) Insert the front drive shaft into the transmission securely by pressing the front housing from the outside.



- 25) Install the ball joint into the front housing.  
26) Tighten the attachment bolts.

### Tightening torque:

**50 N·m (5.1 kgf·m, 36.9 ft·lb)**

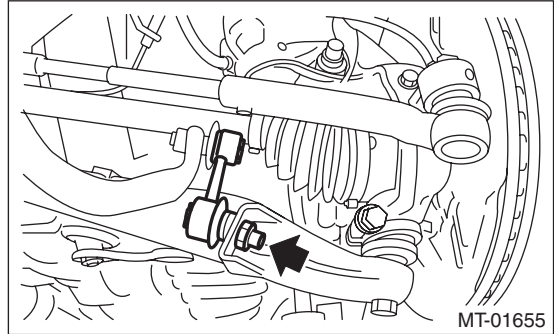


- (A) Front arm  
(B) Ball joint

- 27) Attach the stabilizer link to the front arm.

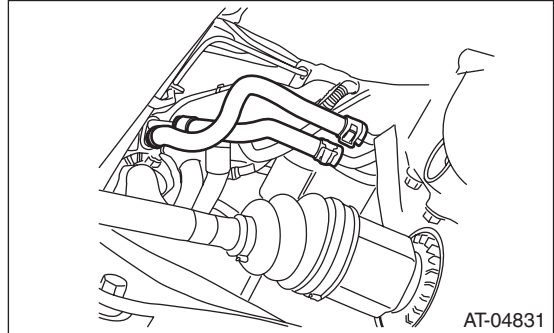
### Tightening torque:

**45 N·m (4.6 kgf·m, 33.2 ft·lb)**



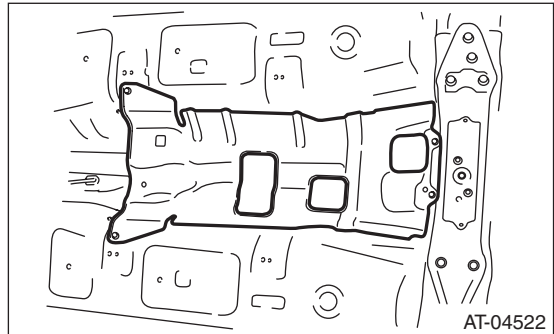
- 28) Install the shift select cable onto the select lever. <Ref. to CS-26, INSTALLATION, Select Cable.>

- 29) Install the oil charge pipe, and connect the ATF cooler hoses to the pipe.



- 30) Install the propeller shaft. <Ref. to DS-11, INSTALLATION, Propeller Shaft.>

- 31) Install the heat shield cover.



- 32) Install the rear exhaust pipe and muffler assembly.

- Non-turbo model

<Ref. to EX(H4SO)-10, INSTALLATION, Rear Exhaust Pipe.> <Ref. to EX(H4SO)-12, INSTALLATION, Muffler.>

- Turbo model

<Ref. to EX(H4DOTC)-13, INSTALLATION, Rear Exhaust Pipe.> <Ref. to EX(H4DOTC)-15, INSTALLATION, Muffler.>



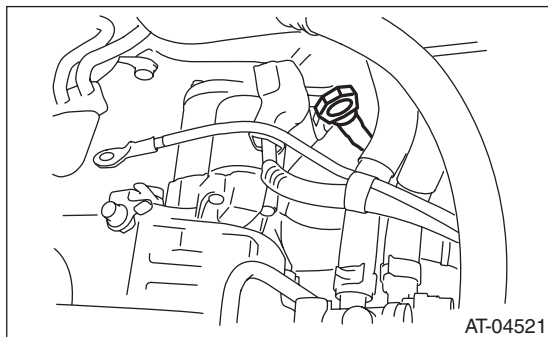
33) Install the front and center exhaust pipes. (Non-turbo model) <Ref. to EX(H4SO)-7, INSTALLATION, Front Exhaust Pipe.> <Ref. to EX(H4SO)-9, INSTALLATION, Center Exhaust Pipe.>

34) Install the center exhaust pipe. (Turbo model) <Ref. to EX(H4DOTC)-10, INSTALLATION, Center Exhaust Pipe.>

35) Install the under cover.

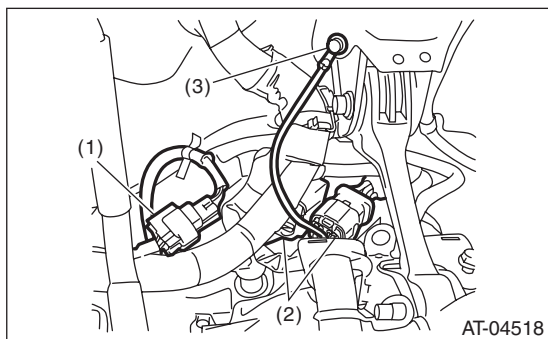
36) Lower the vehicle.

37) Install the ATF level gauge.



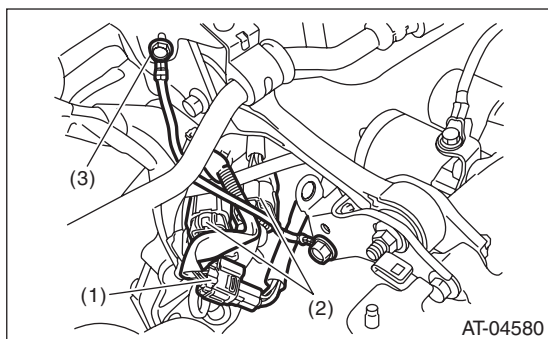
38) Connect the following connectors and terminals.

- Non-turbo model



- (1) Rear oxygen sensor connector
- (2) Transmission harness connectors
- (3) Transmission ground terminal

- Turbo model



- (1) Rear oxygen sensor connector
- (2) Transmission harness connectors
- (3) Transmission ground terminal

39) Install the air intake chamber stay. (Non-turbo model)

**Tightening torque:**

**16 N·m (1.6 kgf·m, 11.8 ft·lb)**

40) Install the air intake chamber and intake boot. (Non-turbo model) <Ref. to IN(H4SO)-7, INSTALLATION, Air Intake Chamber.>

41) Install the intercooler. (Turbo model) <Ref. to IN(H4DOTC)-13, INSTALLATION, Intercooler.>

42) Connect the ground cable to battery.

43) Fill transmission with ATF through the oil charge pipe until the fluid level is between the upper and lower level on the "COLD" side of the level gauge. <Ref. to 4AT-27, Automatic Transmission Fluid.>

44) Lower the vehicle from lift.

45) Check the differential gear oil level. <Ref. to 4AT-29, INSPECTION, Differential Gear Oil.>

46) Check the select lever operation. <Ref. to 4AT-48, INSPECTION, Inhibitor Switch.>

47) Bleed the air of control valve. (Turbo model) <Ref. to 4AT-61, PROCEDURE, Air Bleeding of Control Valve.>

48) Check the ATF level. <Ref. to 4AT-27, INSPECTION, Automatic Transmission Fluid.>

49) Perform learning control promotion. <Ref. to 4AT(diag)-17, FACILITATION OF LEARNING CONTROL, OPERATION, Subaru Select Monitor.>

50) Perform the road test. <Ref. to 4AT-30, Road Test.>

# Transmission Mounting System

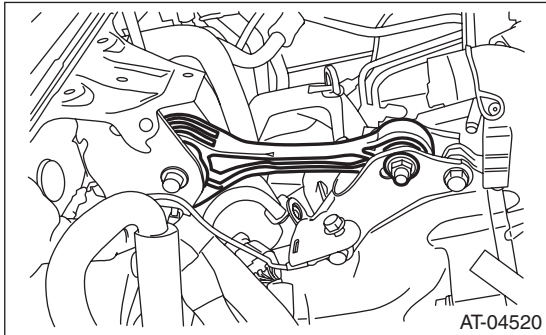
AUTOMATIC TRANSMISSION

## 10. Transmission Mounting System

### A: REMOVAL

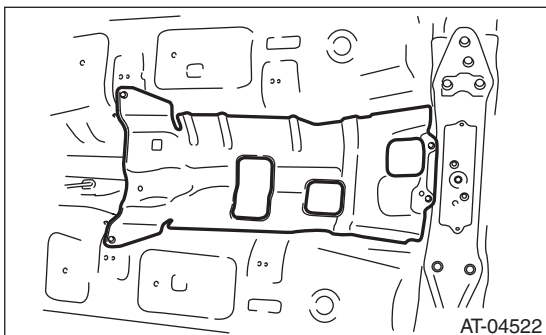
#### 1. PITCHING STOPPER

- 1) Disconnect the ground cable from battery.
- 2) Remove the air intake chamber and intake boot. (Non-turbo model) <Ref. to IN(H4SO)-7, REMOVAL, Air Intake Chamber.>
- 3) Remove the intercooler. (Turbo model) <Ref. to IN(H4DOTC)-13, REMOVAL, Intercooler.>
- 4) Remove the pitching stopper.



#### 2. TRANSMISSION REAR CROSSMEMBER AND REAR CUSHION RUBBER

- 1) Disconnect the ground cable from battery.
- 2) Lift up the vehicle.
- 3) Remove the front, center and rear exhaust pipes and the muffler. (Non-turbo model) <Ref. to EX(H4SO)-6, REMOVAL, Front Exhaust Pipe.> <Ref. to EX(H4SO)-9, REMOVAL, Center Exhaust Pipe.> <Ref. to EX(H4SO)-10, REMOVAL, Rear Exhaust Pipe.> <Ref. to EX(H4SO)-12, REMOVAL, Muffler.>
- 4) Remove the center and rear exhaust pipes and the muffler. (Turbo model) <Ref. to EX(H4DOTC)-8, REMOVAL, Center Exhaust Pipe.> <Ref. to EX(H4DOTC)-13, REMOVAL, Rear Exhaust Pipe.> <Ref. to EX(H4DOTC)-15, REMOVAL, Muffler.>
- 5) Remove the heat shield cover.

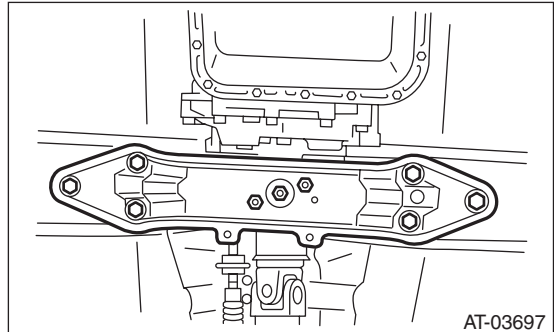


- 6) Set the transmission jack under transmission.

#### NOTE:

Make sure that the support plate of transmission jack does not touch the oil pan.

- 7) Remove the transmission rear crossmember.



- 8) Remove the rear cushion rubber.

### B: INSTALLATION

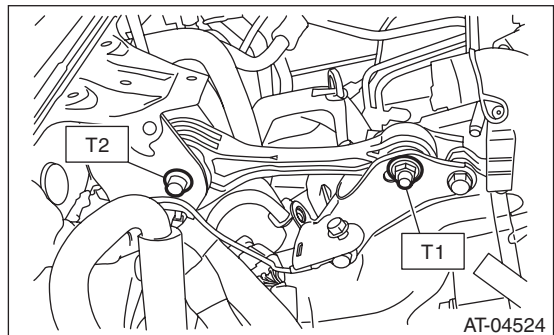
#### 1. PITCHING STOPPER

- 1) Install the pitching stopper.

#### Tightening torque:

**T1: 50 N·m (5.1 kgf-m, 36.9 ft-lb)**

**T2: 58 N·m (5.9 kgf-m, 42.8 ft-lb)**



- 2) Install the air intake chamber and intake boot. (Non-turbo model) <Ref. to IN(H4SO)-7, INSTALLATION, Air Intake Chamber.>

- 3) Install the intercooler. (Turbo model) <Ref. to IN(H4DOTC)-13, INSTALLATION, Intercooler.>

## 2. TRANSMISSION REAR CROSSMEMBER AND REAR CUSHION RUBBER

1) Install the rear cushion rubber.

**Tightening torque:**

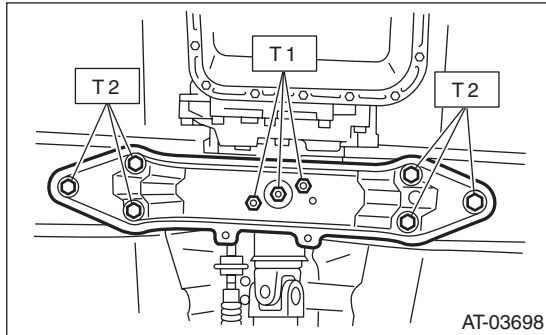
**40 N·m (4.1 kgf-m, 29.5 ft-lb)**

2) Install the transmission rear crossmember.

**Tightening torque:**

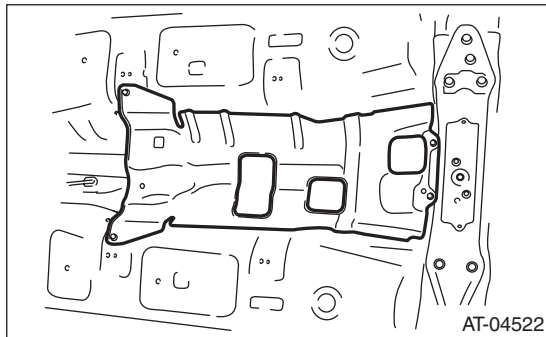
**T1: 35 N·m (3.6 kgf-m, 25.8 ft-lb)**

**T2: 70 N·m (7.1 kgf-m, 51.6 ft-lb)**



3) Remove the transmission jack.

4) Install the heat shield cover.



5) Install the front, center and rear exhaust pipes, and the muffler. (Non-turbo model)

<Ref. to EX(H4SO)-7, INSTALLATION, Front Exhaust Pipe.> <Ref. to EX(H4SO)-9, INSTALLATION, Center Exhaust Pipe.> <Ref. to EX(H4SO)-10, INSTALLATION, Rear Exhaust Pipe.> <Ref. to EX(H4SO)-12, INSTALLATION, Muffler.>

6) Install the center, rear exhaust pipes and the muffler. (Turbo model) <Ref. to EX(H4DOTC)-10, INSTALLATION, Center Exhaust Pipe.> <Ref. to EX(H4DOTC)-13, INSTALLATION, Rear Exhaust Pipe.> <Ref. to EX(H4DOTC)-15, INSTALLATION, Muffler.>

7) Lower the vehicle.

8) Connect the ground cable to battery.

## C: INSPECTION

If problems are found in the following inspection, repair or replace the part.

### 1. PITCHING STOPPER

Make sure that the pitching stopper is not bent or damaged. Check that there are no cracks, hardening or damage on rubber parts.

### 2. TRANSMISSION REAR CROSSMEMBER AND REAR CUSHION RUBBER

Make sure that the crossmember is not bent or damaged. Check that there are no cracks, hardening, or damage on cushion rubbers.

## 11. Extension Case Oil Seal

### A: INSPECTION

Inspect there is no ATF leakage from the joint of transmission and propeller shaft. If a leak is found, replace the oil seal and inspect the propeller shaft. <Ref. to 4AT-46, REPLACEMENT, Extension Case Oil Seal.>

### B: REPLACEMENT

- 1) Lift up the vehicle.
- 2) Clean the transmission exterior.
- 3) Remove the drain plug (ATF) to drain ATF.

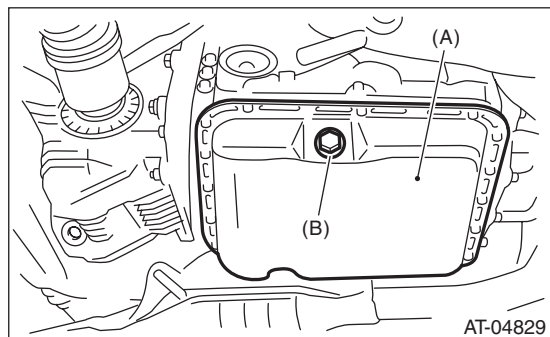
#### CAUTION:

**Directly after the vehicle has been running or the engine has been long idle running, the ATF is hot. Be careful not to burn yourself.**

- 4) Perform replacement with a new gasket, and tighten the drain plug (ATF).

#### Tightening torque:

**25 N·m (2.5 kgf·m, 18.4 ft·lb)**



- (A) Oil pan
- (B) Drain plug (ATF)

- 5) Remove the rear exhaust pipe and muffler.

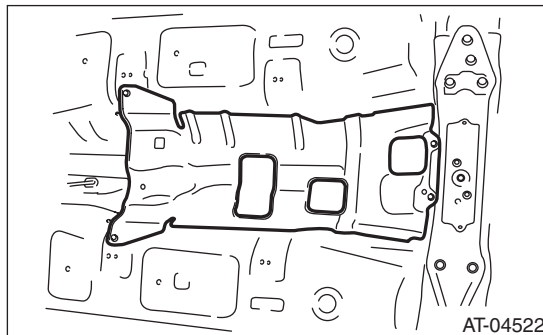
- Non-turbo model

<Ref. to EX(H4SO)-10, REMOVAL, Rear Exhaust Pipe.> <Ref. to EX(H4SO)-12, REMOVAL, Muffler.>

- Turbo model

<Ref. to EX(H4DOTC)-13, REMOVAL, Rear Exhaust Pipe.> <Ref. to EX(H4DOTC)-15, REMOVAL, Muffler.>

- 6) Remove the heat shield cover.



- 7) Remove the propeller shaft. <Ref. to DS-10, REMOVAL, Propeller Shaft.>

- 8) Using the ST, remove the oil seal.

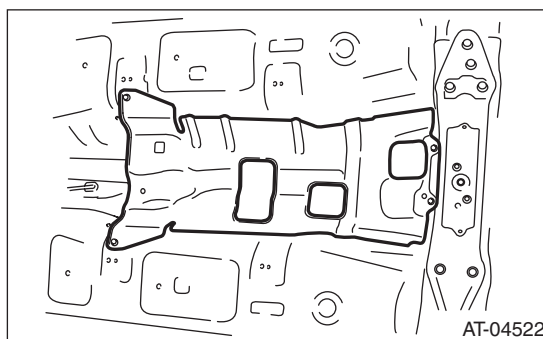
ST 398527700 PULLER ASSY

- 9) Using the ST, install the oil seal.

ST 498057300 INSTALLER

- 10) Install the propeller shaft. <Ref. to DS-11, INSTALLATION, Propeller Shaft.>

- 11) Install the heat shield cover.



- 12) Install the rear exhaust pipe and muffler.

- Non-turbo model

<Ref. to EX(H4SO)-10, INSTALLATION, Rear Exhaust Pipe.> <Ref. to EX(H4SO)-12, INSTALLATION, Muffler.>

- Turbo model

<Ref. to EX(H4DOTC)-13, INSTALLATION, Rear Exhaust Pipe.> <Ref. to EX(H4DOTC)-15, INSTALLATION, Muffler.>

- 13) Fill with ATF. <Ref. to 4AT-27, Automatic Transmission Fluid.>

- 14) Bleed the air of control valve.

<Ref. to 4AT-61, PROCEDURE, Air Bleeding of Control Valve.>

- 15) Check the level and leaks of the ATF. <Ref. to 4AT-27, INSPECTION, Automatic Transmission Fluid.>

## 12. Differential Side Retainer Oil Seal

### A: INSPECTION

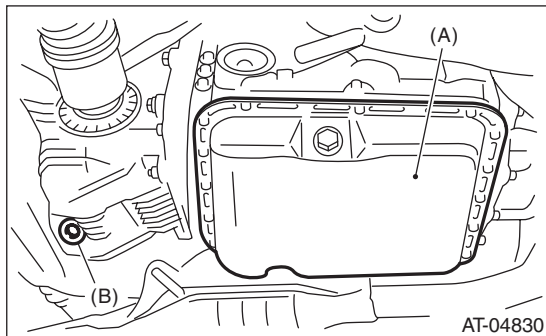
Check for leakage of gear oil from differential side retainer oil seal part. If there is an oil leak, replace the oil seal and inspect the drive shaft.

### B: REPLACEMENT

- 1) Lift up the vehicle.
- 2) Remove the front and center exhaust pipes.
  - Non-turbo model  
<Ref. to EX(H4SO)-6, REMOVAL, Front Exhaust Pipe.> <Ref. to EX(H4SO)-9, REMOVAL, Center Exhaust Pipe.>
  - Turbo model  
<Ref. to EX(H4DOTC)-8, REMOVAL, Center Exhaust Pipe.>
- 3) Remove the differential gear oil drain plug using TORX® bit T70, and then drain differential gear oil.

#### CAUTION:

- The differential gear oil will be extremely hot after driving. Be careful not to receive burns.
- Be careful not to spill the differential gear oil on exhaust pipe to prevent it from emitting smoke or causing fires. If differential gear oil is spilled on the exhaust pipe, wipe it off completely.



- (A) Oil pan  
(B) Differential gear oil drain plug

- 4) Perform replacement with a new gasket, and tighten the differential gear oil drain plug.

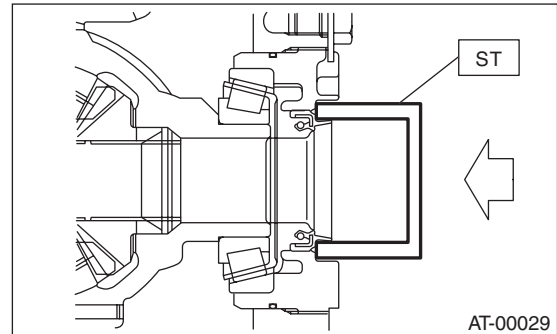
#### Tightening torque:

- Aluminum gasket (silver)**  
44 N·m (4.5 kgf·m, 32.5 ft·lb)
- Copper gasket (brown)**  
70 N·m (7.1 kgf·m, 51.6 ft·lb)
- Metal gasket (black)**  
70 N·m (7.1 kgf·m, 51.6 ft·lb)

- 5) Separate the front drive shaft from the transmission. <Ref. to DS-26, REMOVAL, Front Drive Shaft.>

- 6) Remove the differential side retainer oil seal using a screwdriver wrapped with vinyl tape etc.
- 7) Using the ST, install the differential side retainer oil seal by lightly tapping with a hammer.

ST 18675AA000 DIFFERENTIAL SIDE OIL SEAL INSTALLER



- 8) Apply gear oil to the oil seal lips.
- 9) Using the ST, install the front drive shaft. <Ref. to DS-26, INSTALLATION, Front Drive Shaft.>  
ST 28399SA010 OIL SEAL PROTECTOR
- 10) Install the front and center exhaust pipes.
  - Non-turbo model  
<Ref. to EX(H4SO)-7, INSTALLATION, Front Exhaust Pipe.> <Ref. to EX(H4SO)-9, INSTALLATION, Center Exhaust Pipe.>
  - Turbo model  
<Ref. to EX(H4DOTC)-10, INSTALLATION, Center Exhaust Pipe.>
- 11) Lower the vehicle.
- 12) Fill with differential gear oil through the oil level gauge hole. <Ref. to 4AT-29, Differential Gear Oil.>
- 13) Check the level of differential gear oil. <Ref. to 4AT-29, INSPECTION, Differential Gear Oil.>



# Inhibitor Switch

## AUTOMATIC TRANSMISSION

### 13. Inhibitor Switch

#### A: INSPECTION

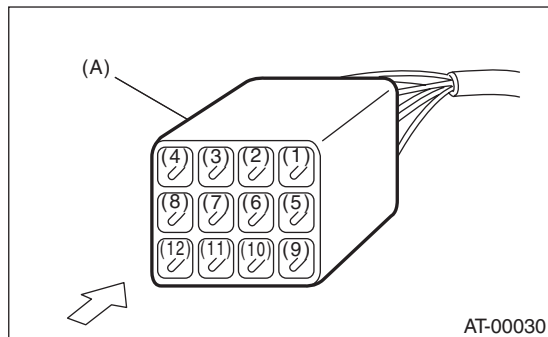
When the driving condition or starter motor operation is improper, first check the shift linkage for improper operation. If the shift linkage is functioning properly, check the inhibitor switch.

- 1) Disconnect the inhibitor switch connector.
- 2) Check continuity in inhibitor switch circuits with the select lever moved to each position.

#### NOTE:

- Also check that there is no continuity in the ignition circuit when the select lever is in the “R” and “D” ranges.
- If the inhibitor switch does not operate, check for poor contact of the connector on transmission side.

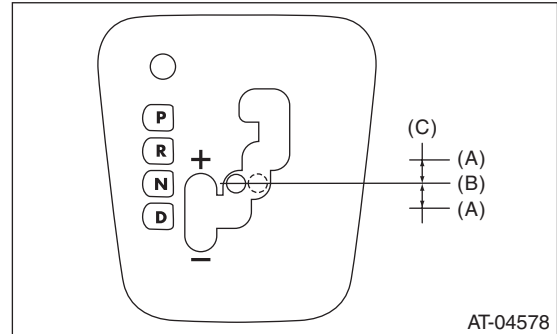
	Range	Pin No.
Signal sent to TCM	P	4 — 3
	R	4 — 2
	N	4 — 1
	D	4 — 8
Ignition circuit	P/N	12 — 11
Back-up light circuit	R	10 — 9



(A) Inhibitor switch connector

- 3) Check that there is continuity at equal points when the select lever is moved 1.5° in both directions from the “N” range.

If there is continuity in only one direction or in other points, adjust the inhibitor switch. <Ref. to 4AT-48, ADJUSTMENT, Inhibitor Switch.>

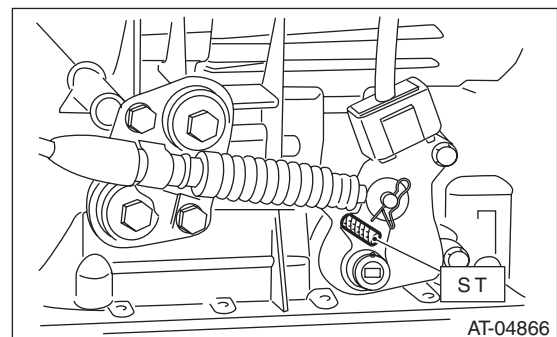


- (A) Continuity does not exist.  
 (B) Continuity exists.  
 (C) 1.5°

- 4) Repeat the above inspection in other gear ranges. If there are abnormalities, adjust the select cable. <Ref. to CS-27, ADJUSTMENT, Select Cable.>

#### B: ADJUSTMENT

- 1) Set the select lever to “N” range.
- 2) Loosen the two bolts holding the inhibitor switch.
- 3) Insert the ST as vertical as possible into the holes of the shifter arm and switch body.  
**ST 499267300 STOPPER PIN**



- 4) Tighten the two bolts holding the inhibitor switch.

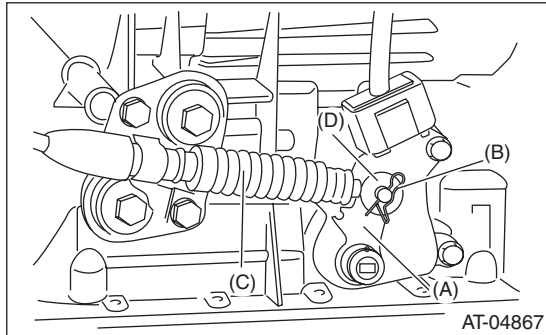
#### **Tightening torque:**

**5 N·m (0.5 kgf·m, 3.7 ft·lb)**

- 5) Repeat the inspection of the inhibitor switch. If the inhibitor switch is determined to be “faulty”, replace it.

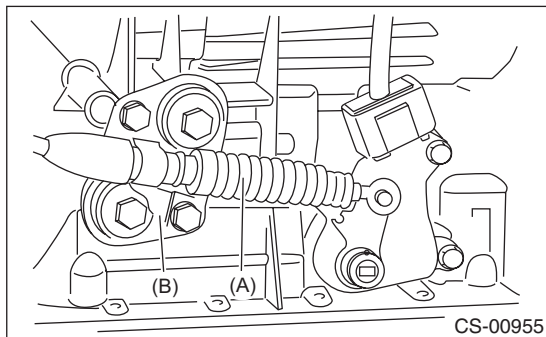
## C: REMOVAL

- 1) Set the vehicle on a lift.
- 2) Set the select lever to "N" range.
- 3) Lift up the vehicle.
- 4) Remove the front and center exhaust pipes. (Non-turbo model) <Ref. to EX(H4SO)-6, REMOVAL, Front Exhaust Pipe.> <Ref. to EX(H4SO)-9, REMOVAL, Center Exhaust Pipe.>
- 5) Remove the center exhaust pipe. (Turbo model) <Ref. to EX(H4DOTC)-8, REMOVAL, Center Exhaust Pipe.>
- 6) Remove the snap pin and washer from the shifter arm.



- (A) Shifter arm
- (B) Snap pin
- (C) Select cable
- (D) Washer

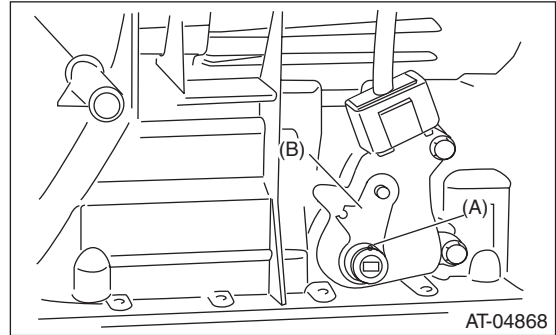
- 7) Remove the plate assembly from the transmission case.



- (A) Select cable
- (B) Plate ASSY

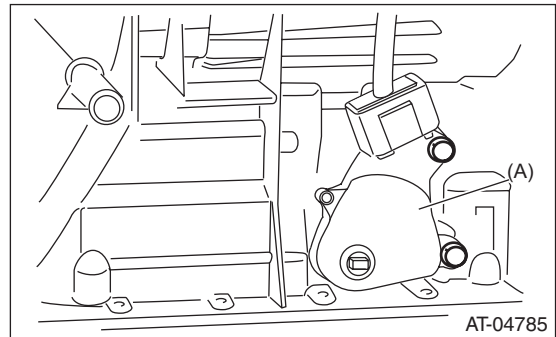
- 8) Using the ST, remove the spring pin and remove the shifter arm.

ST 398791600 REMOVER



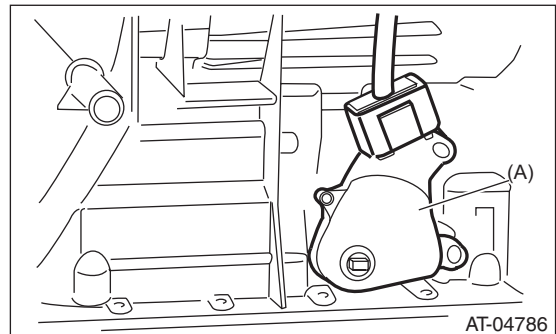
- (A) Spring pin
- (B) Shifter arm

- 9) Remove the two inhibitor switch securing bolts.



- (A) Inhibitor switch

- 10) Remove the inhibitor switch from the transmission.



- (A) Inhibitor switch

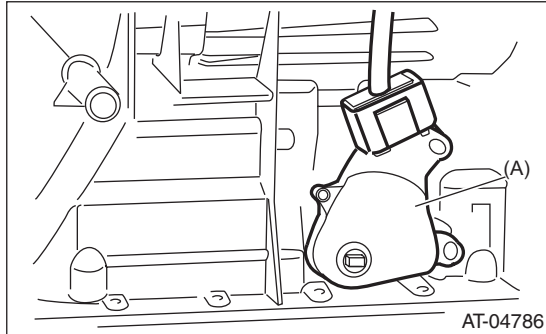
- 11) Disconnect the inhibitor switch harness connector from the inhibitor switch.

# Inhibitor Switch

## AUTOMATIC TRANSMISSION

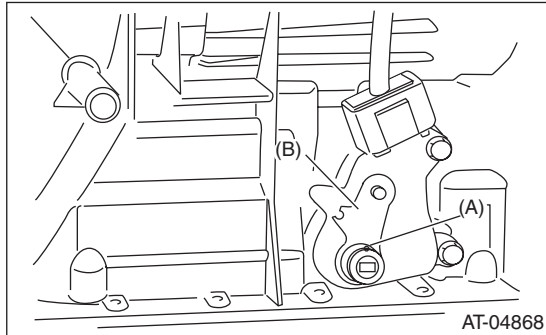
### D: INSTALLATION

- 1) Connect the inhibitor switch harness connector to the inhibitor switch.
- 2) Install the inhibitor switch to the transmission case.



(A) Inhibitor switch

- 3) Install the shifter arm and fix with a new spring pin.



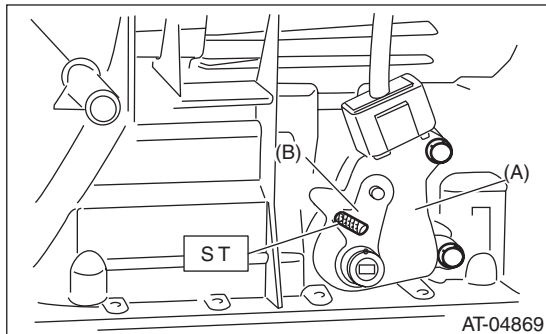
(A) Spring pin  
(B) Shifter arm

- 4) Move the shifter arm to the neutral position.
- 5) Using the ST, tighten the two bolts holding the inhibitor switch.

ST 499267300 STOPPER PIN

#### **Tightening torque:**

**5 N·m (0.5 kgf·m, 3.7 ft·lb)**



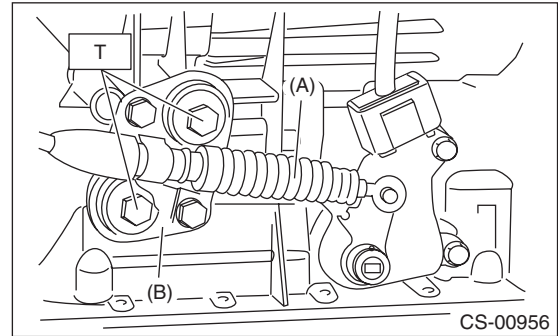
(A) Inhibitor switch  
(B) Shifter arm

- 6) Install the select cable to the shifter arm.

- 7) Install the plate assembly to the transmission.

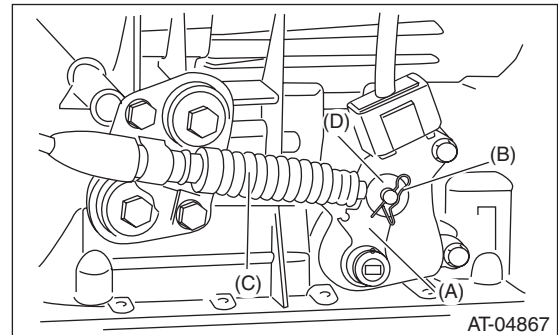
#### **Tightening torque:**

**T: 25 N·m (2.5 kgf·m, 18.4 ft·lb)**



(A) Select cable  
(B) Plate ASSY

- 8) Install the washer and snap pin to the shifter arm.



(A) Shifter arm  
(B) Snap pin  
(C) Select cable  
(D) Washer

- 9) Install the front and center exhaust pipes. (Non-turbo model) <Ref. to EX(H4SO)-7, INSTALLATION, Front Exhaust Pipe.> <Ref. to EX(H4SO)-9, INSTALLATION, Center Exhaust Pipe.>

- 10) Install the center exhaust pipe. (Turbo model) <Ref. to EX(H4DOTC)-10, INSTALLATION, Center Exhaust Pipe.>

- 11) Lower the vehicle.

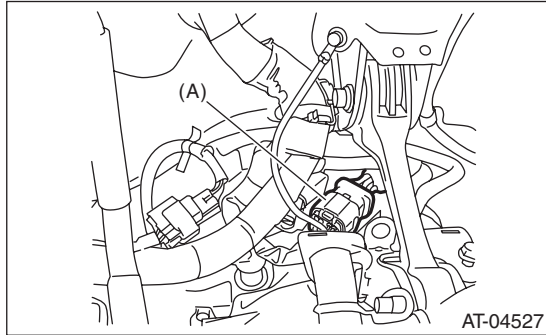
- 12) Inspect the inhibitor switch. <Ref. to 4AT-48, INSPECTION, Inhibitor Switch.>



## 14. Front Vehicle Speed Sensor

### A: REMOVAL

- 1) Set the vehicle on a lift.
- 2) Disconnect the ground cable from battery.
- 3) Remove the air intake chamber. (Non-turbo model) <Ref. to IN(H4SO)-7, REMOVAL, Air Intake Chamber.>
- 4) Remove the intercooler. (Turbo model) <Ref. to IN(H4DOTC)-13, REMOVAL, Intercooler.>
- 5) Disconnect the transmission harness connector.



(A) Transmission harness connectors

- 6) Remove the pitching stopper. <Ref. to 4AT-44, REMOVAL, Transmission Mounting System.>
- 7) Remove the transmission harness connector from stay.
- 8) Lift up the vehicle.
- 9) Clean the transmission exterior.
- 10) Remove the drain plug (ATF) to drain ATF.

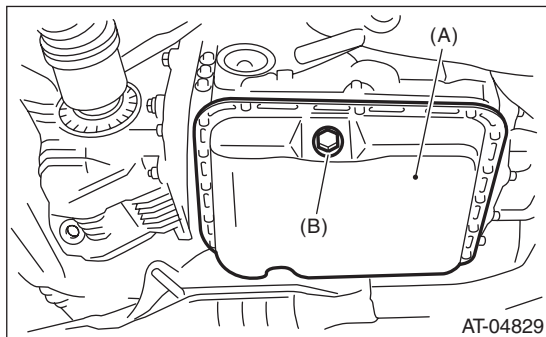
#### CAUTION:

**Directly after the vehicle has been running or the engine has been long idle running, the ATF is hot. Be careful not to burn yourself.**

- 11) Perform replacement with a new gasket, and tighten the drain plug (ATF).

#### Tightening torque:

**25 N·m (2.5 kgf·m, 18.4 ft·lb)**

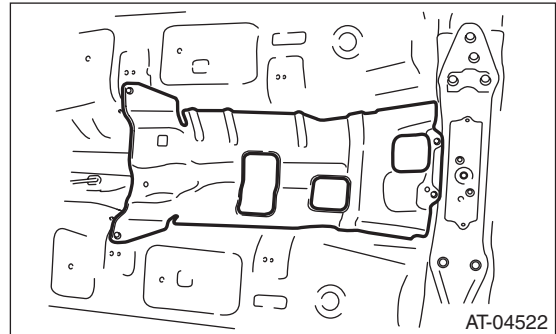


(A) Oil pan  
(B) Drain plug (ATF)

- 12) Remove the front, center and rear exhaust pipes and the muffler. (Non-turbo model) <Ref. to EX(H4SO)-6, REMOVAL, Front Exhaust Pipe.> <Ref. to EX(H4SO)-9, REMOVAL, Center Exhaust Pipe.> <Ref. to EX(H4SO)-10, REMOVAL, Rear Exhaust Pipe.> <Ref. to EX(H4SO)-12, REMOVAL, Muffler.>

- 13) Remove the center and rear exhaust pipes and the muffler. (Turbo model) <Ref. to EX(H4DOTC)-8, REMOVAL, Center Exhaust Pipe.> <Ref. to EX(H4DOTC)-13, REMOVAL, Rear Exhaust Pipe.> <Ref. to EX(H4DOTC)-15, REMOVAL, Muffler.>

- 14) Remove the heat shield cover.



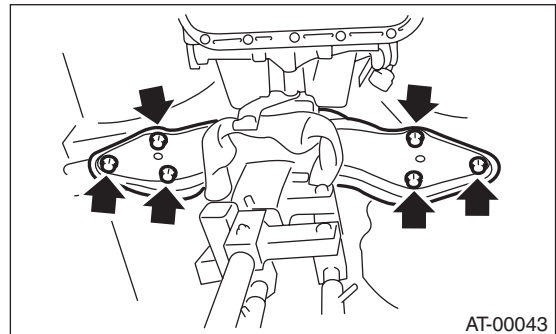
- 15) Remove the propeller shaft. <Ref. to DS-10, REMOVAL, Propeller Shaft.>

- 16) Place the transmission jack under the transmission.

#### NOTE:

Make sure that the support plate of transmission jack does not touch the cross.

- 17) Remove the transmission rear crossmember bolt.



- 18) Lower the transmission jack.

#### NOTE:

Do not separate the transmission jack and transmission.

- 19) Remove the ATF inlet and outlet pipes.

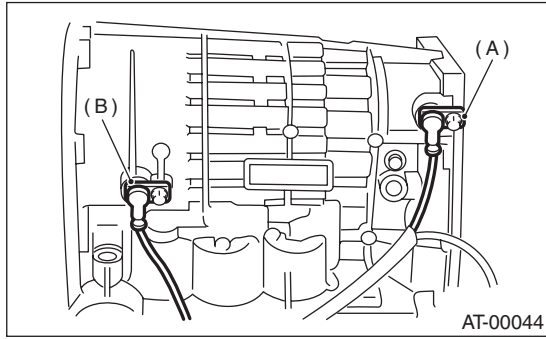
#### CAUTION:

**When removing the outlet pipe, be careful not to lose the ball and spring used together with the retaining screw.**

# Front Vehicle Speed Sensor

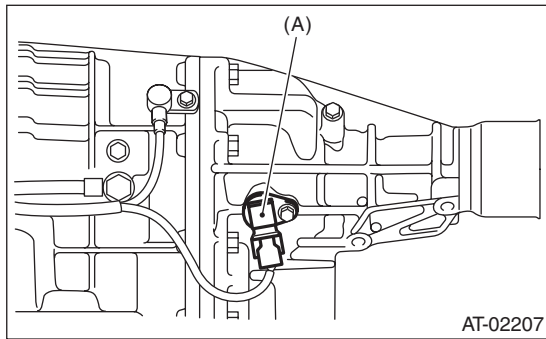
## AUTOMATIC TRANSMISSION

20) Remove the front vehicle speed sensor and torque converter turbine speed sensor.



- (A) Front vehicle speed sensor
- (B) Torque converter turbine speed sensor

21) Disconnect the connector from the rear vehicle speed sensor.



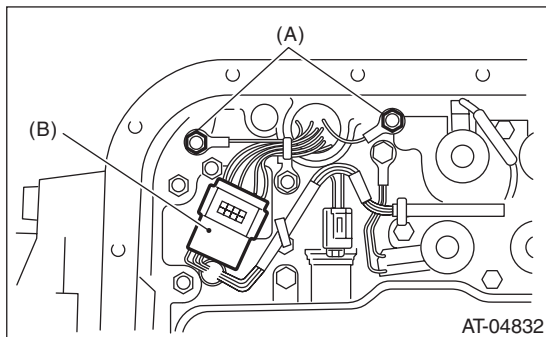
- (A) Rear vehicle speed sensor

22) Remove the oil pan.

### CAUTION:

**Be careful not to allow foreign matter such as dust or dirt to enter the oil pan.**

23) Disconnect the control valve connector and transmission ground terminal.

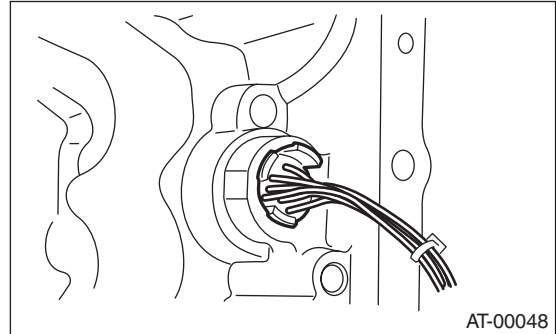


- (A) Transmission ground terminal
- (B) Control valve connector

24) Remove the transmission harness assembly.

## B: INSTALLATION

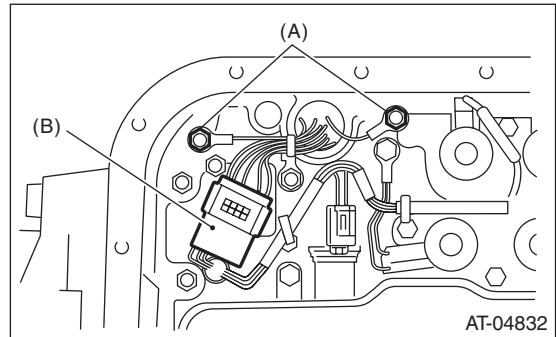
1) Pass the transmission harness assembly through the hole of the transmission case.



2) Connect the control valve connector and transmission ground.

### Tightening torque:

**8 N·m (0.8 kgf·m, 5.9 ft·lb)**

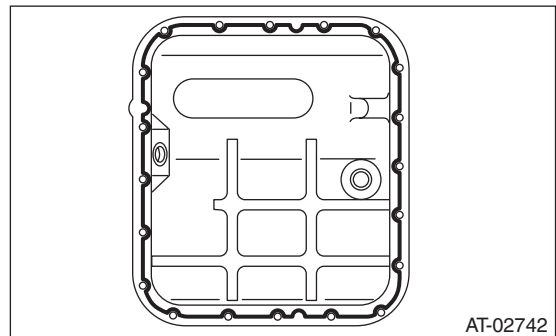


- (A) Transmission ground terminal
- (B) Control valve connector

3) Apply proper amount of liquid gasket to the entire oil pan mating surface.

### Liquid gasket:

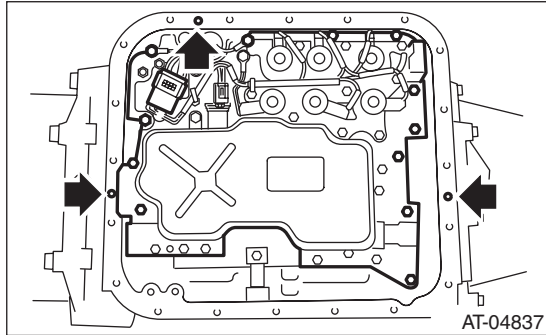
**THREE BOND 1217B (Part No. K0877YA020) or equivalent**



4) Fill the 3 locations of the transmission case excluding the bolt holes with an ample amount of liquid gasket.

**Liquid gasket:**

**THREE BOND 1217B (Part No. K0877YA020) or equivalent**



5) Install the oil pan by equally tightening the bolts.

**Tightening torque:**

**5 N·m (0.5 kgf-m, 3.7 ft-lb)**

6) Install the front vehicle speed sensor and torque converter turbine speed sensor.

**Tightening torque:**

**7 N·m (0.7 kgf-m, 5.2 ft-lb)**

7) Connect the connector to the rear vehicle speed sensor.

8) Install the ATF inlet and outlet pipes.

**NOTE:**

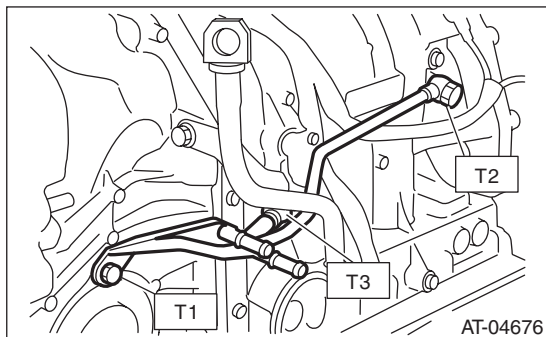
Use a new copper washer.

**Tightening torque:**

**T1: 25 N·m (2.5 kgf-m, 18.4 ft-lb)**

**T2: 40 N·m (4.1 kgf-m, 29.5 ft-lb)**

**T3: 45 N·m (4.6 kgf-m, 33.2 ft-lb)**



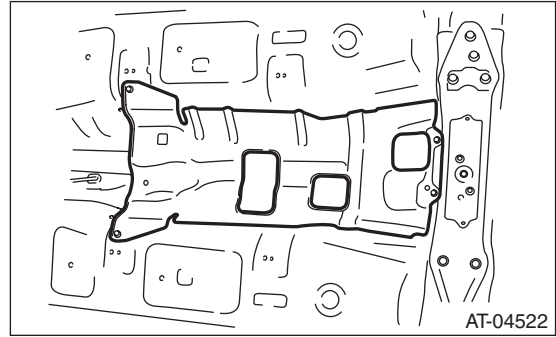
9) Install the transmission rear crossmember bolt.

**Tightening torque:**

**70 N·m (7.1 kgf-m, 51.6 ft-lb)**

10) Install the propeller shaft. <Ref. to DS-11, INSTALLATION, Propeller Shaft.>

11) Install the heat shield cover.



12) Install the front, center and rear exhaust pipes, and the muffler. (Non-turbo model)

<Ref. to EX(H4SO)-7, INSTALLATION, Front Exhaust Pipe.> <Ref. to EX(H4SO)-9, INSTALLATION, Center Exhaust Pipe.> <Ref. to EX(H4SO)-10, INSTALLATION, Rear Exhaust Pipe.> <Ref. to EX(H4SO)-12, INSTALLATION, Muffler.>

13) Install the center, rear exhaust pipes and the muffler. (Turbo model) <Ref. to EX(H4DOTC)-10, INSTALLATION, Center Exhaust Pipe.> <Ref. to EX(H4DOTC)-13, INSTALLATION, Rear Exhaust Pipe.> <Ref. to EX(H4DOTC)-15, INSTALLATION, Muffler.>

14) Lower the vehicle.

15) Install the transmission harness connector to the stay.

16) Install the pitching stopper. <Ref. to 4AT-44, INSTALLATION, Transmission Mounting System.>

17) Install the air intake chamber. (Non-turbo model) <Ref. to IN(H4SO)-7, INSTALLATION, Air Intake Chamber.>

18) Install the intercooler. (Turbo model) <Ref. to IN(H4DOTC)-13, INSTALLATION, Intercooler.>

19) Fill with the same amount of ATF as drained. <Ref. to 4AT-27, Automatic Transmission Fluid.>

20) Bleed the air of control valve.

<Ref. to 4AT-61, PROCEDURE, Air Bleeding of Control Valve.>

21) Inspect the level of ATF. <Ref. to 4AT-27, INSPECTION, Automatic Transmission Fluid.>

22) Perform learning control promotion. <Ref. to 4AT(diag)-17, FACILITATION OF LEARNING CONTROL, OPERATION, Subaru Select Monitor.>

# Rear Vehicle Speed Sensor

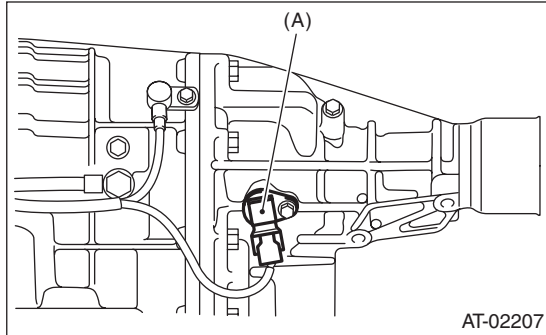
AUTOMATIC TRANSMISSION

---

## 15.Rear Vehicle Speed Sensor

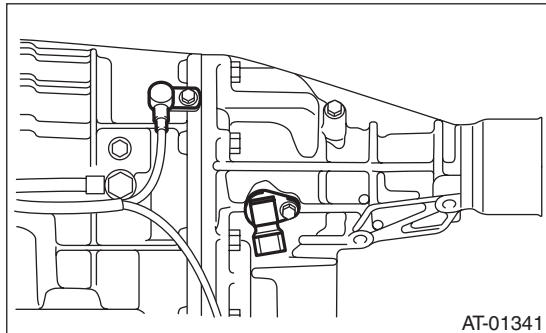
### A: REMOVAL

- 1) Set the vehicle on a lift.
- 2) Disconnect the ground cable from the battery.
- 3) Lift up the vehicle.
- 4) Disconnect the connector from the rear vehicle speed sensor.



(A) Rear vehicle speed sensor

- 5) Remove the rear vehicle speed sensor.



### B: INSTALLATION

Install in the reverse order of removal.

NOTE:

Replace O-ring with a new part.

**Tightening torque:**

**7 N·m (0.7 kgf·m, 5.2 ft·lb)**

## 16. Torque Converter Turbine Speed Sensor

### A: REMOVAL

When removing the torque converter turbine speed sensor, refer to "Front Vehicle Speed Sensor".  
<Ref. to 4AT-51, REMOVAL, Front Vehicle Speed Sensor.>

### B: INSTALLATION

When installing the torque converter turbine speed sensor, refer to "Front Vehicle Speed Sensor".  
<Ref. to 4AT-52, INSTALLATION, Front Vehicle Speed Sensor.>

# Control Valve Strainer

AUTOMATIC TRANSMISSION

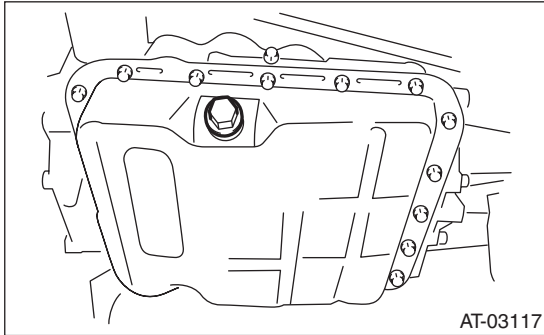
## 17. Control Valve Strainer

### A: REMOVAL

- 1) Set the vehicle on a lift.
- 2) Disconnect the ground cable from battery.
- 3) Lift up the vehicle.
- 4) Clean the transmission exterior.
- 5) Remove the drain plug (ATF) to drain ATF.

#### CAUTION:

Directly after the vehicle has been running or the engine has been long idle running, the ATF is hot. Be careful not to burn yourself.



- 6) Perform replacement with a new gasket, and tighten the drain plug (ATF).

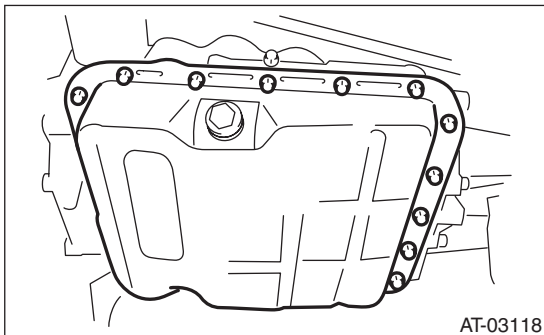
#### Tightening torque:

**25 N·m (2.5 kgf·m, 18.4 ft·lb)**

- 7) Remove the oil pan.

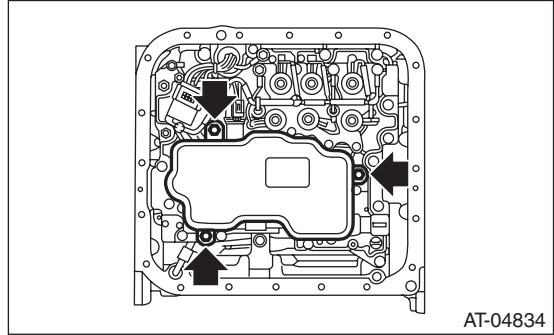
#### CAUTION:

Be careful not to allow foreign matter such as dust or dirt to enter the oil pan.



- 8) Remove the magnet.
- 9) Clean the magnet.
- 10) Completely remove the remaining liquid gasket on the transmission case and oil pan.

- 11) Remove the control valve strainer tightening bolt, and remove control valve strainer from the control valve body.



### B: INSTALLATION

- 1) Check the control valve body for dust and other foreign matter.
- 2) Attach a new control valve strainer to the control valve body.

- (1) Apply ATF to the entire perimeter of the O-ring on the control valve strainer.

#### CAUTION:

When applying ATF, avoid adhesion of dust and foreign matter on the O-ring.

- (2) Install the control valve strainer to the control valve body from the O-ring side.

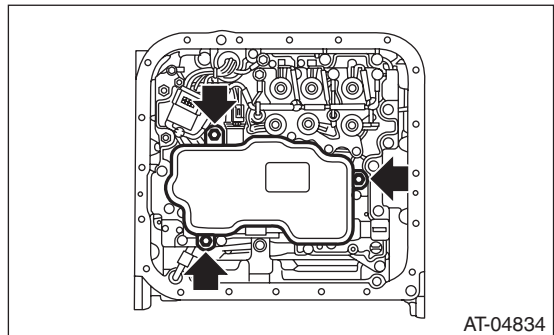
#### CAUTION:

If the control valve strainer is pushed in at an angle, the O-ring may be damaged. Be sure to push in the control valve strainer straight to install.

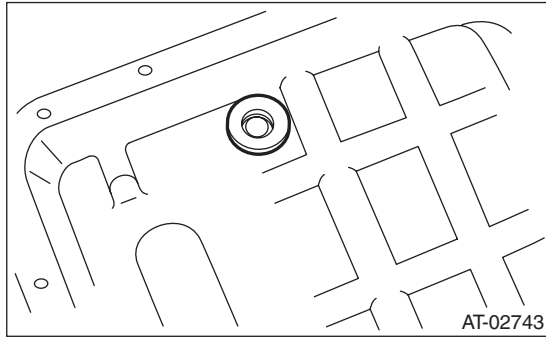
- (3) Tighten the three bolts.

#### Tightening torque:

**10 N·m (1.0 kgf·m, 7.4 ft·lb)**



- 3) Attach the magnet at the specified position of the oil pan.



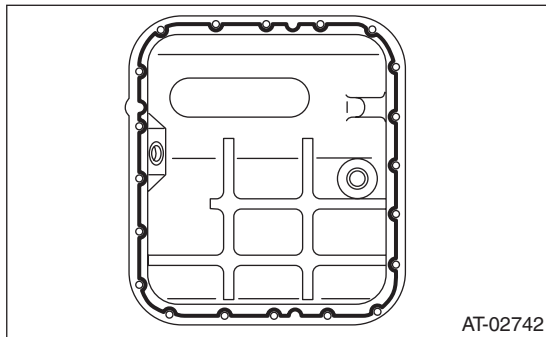
## C: INSPECTION

Check the control valve strainer for holes, damages or adhesion of dust and other foreign particles.

- 4) Apply proper amount of liquid gasket to the entire oil pan mating surface.

### Liquid gasket:

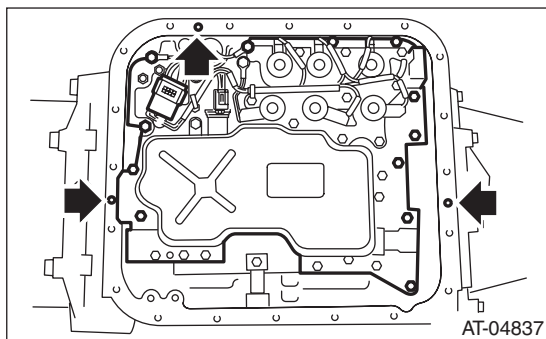
**THREE BOND 1217B (Part No. K0877YA020)  
or equivalent**



- 5) Fill the 3 holes aside from the bolt holes in the transmission case, with liquid gasket.

### Liquid gasket:

**THREE BOND 1217B (Part No. K0877YA020)  
or equivalent**



- 6) Install the oil pan by equally tightening the bolts.

### Tightening torque:

**5 N·m (0.5 kgf-m, 3.7 ft-lb)**

- 7) Fill ATF from the oil charge pipe. <Ref. to 4AT-27, Automatic Transmission Fluid.>  
8) Bleed the air of control valve. <Ref. to 4AT-61, PROCEDURE, Air Bleeding of Control Valve.>  
9) Check the ATF level. <Ref. to 4AT-27, INSPECTION, Automatic Transmission Fluid.>



# Control Valve Body

## AUTOMATIC TRANSMISSION

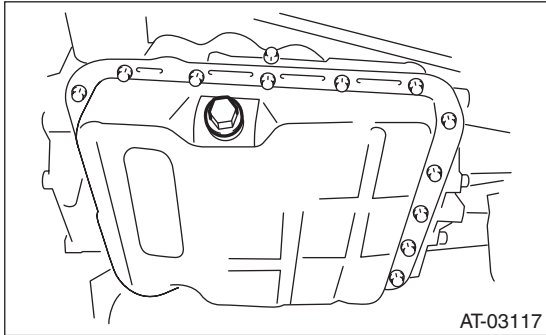
### 18. Control Valve Body

#### A: REMOVAL

- 1) Set the vehicle on a lift.
- 2) Disconnect the ground cable from battery.
- 3) Lift up the vehicle.
- 4) Clean the transmission exterior.
- 5) Remove the drain plug (ATF) to drain ATF.

#### CAUTION:

Directly after the vehicle has been running or the engine has been long idle running, the ATF is hot. Be careful not to burn yourself.



- 6) Perform replacement with a new gasket, and tighten the drain plug (ATF).

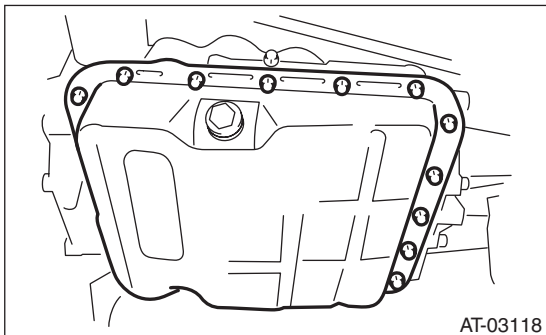
#### Tightening torque:

**25 N·m (2.5 kgf·m, 18.4 ft·lb)**

- 7) Remove the oil pan.

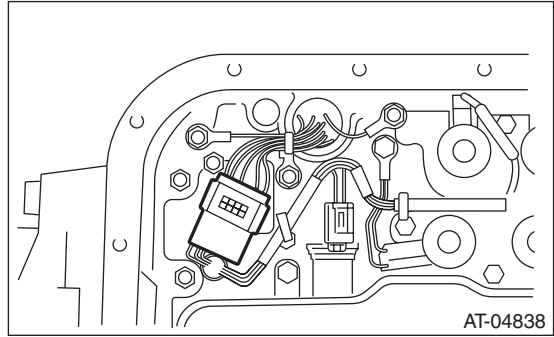
#### CAUTION:

Be careful not to allow foreign matter such as dust or dirt to enter the oil pan.

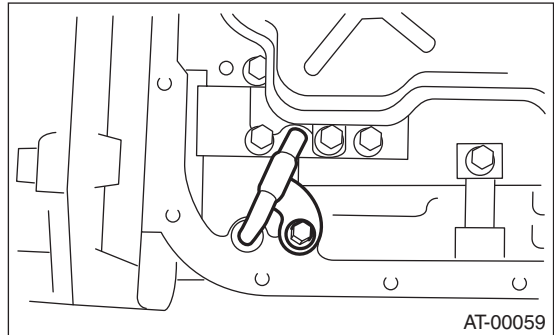


- 8) Remove the magnet.
- 9) Clean the magnet.
- 10) Completely remove the remaining liquid gasket on the transmission case and oil pan.

- 11) Disconnect the control valve connector.



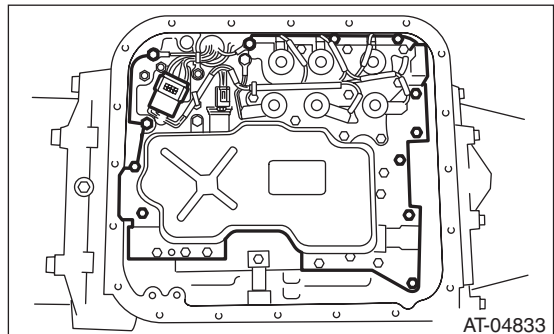
- 12) Remove the oil cooler pipe.



- 13) Remove the control valve body.

#### NOTE:

The control valve body is replaced as an assembly only, because it is a non-disassembly part.



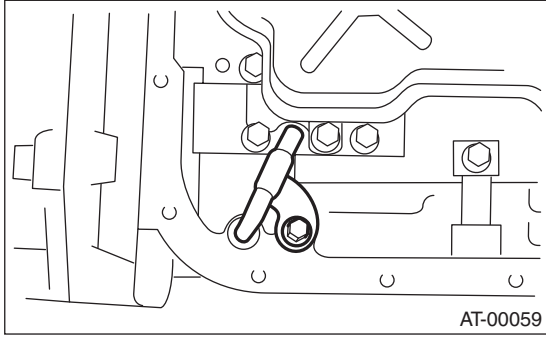


## B: INSTALLATION

- 1) Check the control valve body for dust and other foreign matter.
- 2) Temporarily attach the control valve body to the transmission.
- 3) Install the oil cooler pipe.

**Tightening torque:**

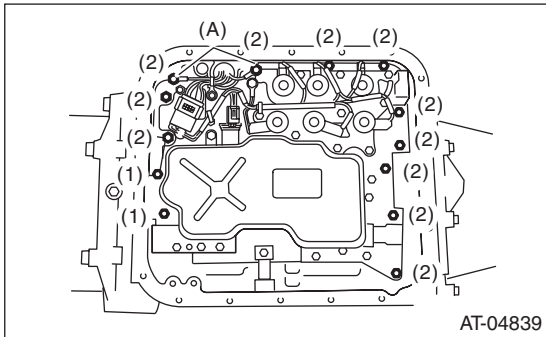
**8 N·m (0.8 kgf-m, 5.9 ft-lb)**



- 4) Tighten the bolts equally.

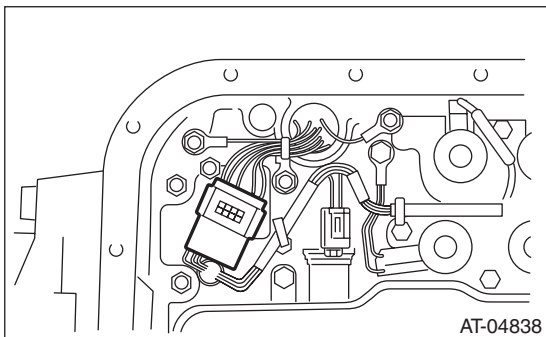
**Tightening torque:**

**8 N·m (0.8 kgf-m, 5.9 ft-lb)**

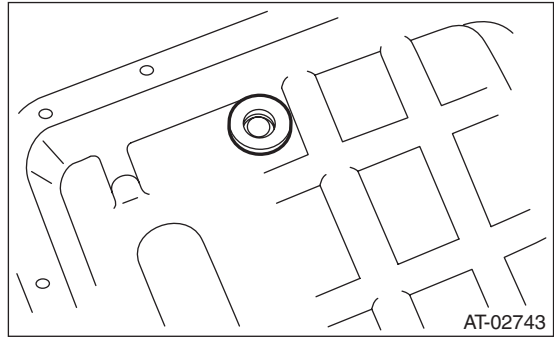


- (A) Transmission ground  
Bolt length mm (in)
- |     |           |
|-----|-----------|
| (1) | 35 (1.38) |
| (2) | 30 (1.18) |

- 5) Connect the control valve connector.



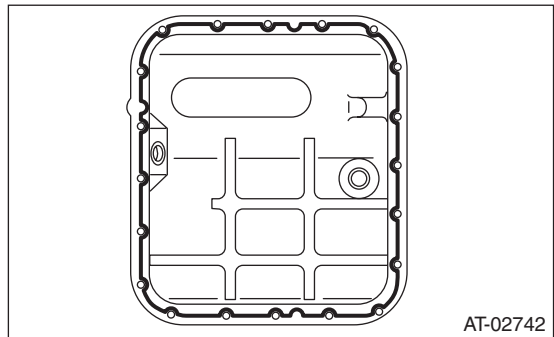
- 6) Attach the magnet at the specified position of the oil pan.



- 7) Apply proper amount of liquid gasket to the entire oil pan mating surface.

**Liquid gasket:**

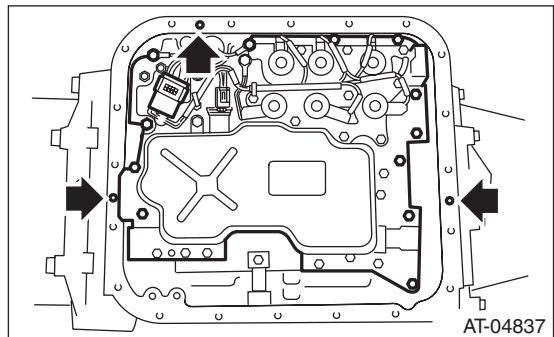
**THREE BOND 1217B (Part No. K0877YA020) or equivalent**



- 8) Fill the 3 holes aside from the bolt holes in the transmission case, with liquid gasket.

**Liquid gasket:**

**THREE BOND 1217B (Part No. K0877YA020) or equivalent**



- 9) Install the oil pan by equally tightening the bolts.

**Tightening torque:**

**5 N·m (0.5 kgf-m, 3.7 ft-lb)**

- 10) Fill ATF from the oil charge pipe. <Ref. to 4AT-27, Automatic Transmission Fluid.>
- 11) Bleed the air of control valve. <Ref. to 4AT-61, PROCEDURE, Air Bleeding of Control Valve.>
- 12) Check the ATF level. <Ref. to 4AT-27, INSPECTION, Automatic Transmission Fluid.>

## Control Valve Body

### AUTOMATIC TRANSMISSION

---

13) Perform learning control promotion. <Ref. to 4AT(diag)-17, FACILITATION OF LEARNING CONTROL, OPERATION, Subaru Select Monitor.>

#### **C: INSPECTION**

Check parts for holes, damages or adhesion of dust and other foreign particles.

## 19. Air Bleeding of Control Valve

### A: GENERAL DESCRIPTION

- When ATF is drained from the automatic transmission, make sure to bleed air from the control valve after filling with the specified amount of ATF.
- Follow the messages displayed on the Subaru Select Monitor when working.

### B: PROCEDURE

#### 1. PREPARATION FOR AIR BLEEDING

- 1) Cool down until the ATF temperature displayed on the Subaru Select Monitor is 60°C (140°F) or less.
- 2) Shift the select lever to “P” range.
- 3) Fully apply the parking brake.
- 4) Lift up the vehicle.

#### CAUTION:

**While working, be sure to keep the lower edge of the tires 30 cm or more above the ground as vehicle will vibrate.**

- 5) Connect the Subaru Select Monitor to data link connector.
- 6) Turn the ignition switch to ON.
- 7) Turn off all switches causing an electrical load, such as headlights, A/C, seat heater and rear defogger, etc.

#### 2. AIR BLEEDING

#### CAUTION:

**Do not turn the power of the Subaru Select Monitor OFF during work, and do not disconnect the data link connector.**

- 1) Select {Learning and inspection mode related to AT} in the «Transmission Diagnosis» display screen of the Subaru Select Monitor.
- 2) Select {AT air bleeding mode} in the «Learning and inspection mode related to AT» display screen of the Subaru Select Monitor.
- 3) Follow the messages displayed on the Subaru Select Monitor screen when working.

#### NOTE:

When “AT air bleeding in progress”, the “AT OIL TEMP” light in the combination meter will flash at 2 Hz, and air bleed will start. When the indicator light flashing at 2 Hz turns off, the following message will appear on the screen.

# Air Bleeding of Control Valve

## AUTOMATIC TRANSMISSION

---

4) Air bleed is complete when a message “AT air bleeding normally ended.” is displayed.

### NOTE:

- If a communication error occurs during air bleed, start the “AT air bleeding” over from the beginning.
- If the message «Execute AT learning again after fixing troubles of the vehicle» appears during air bleed, select [OK] and display the DTC list. After repairing the locations indicated by the DTC, start the “AT air bleeding” over from the beginning.
- If the message “AT air bleeding ended abnormally” is displayed, start the “AT air bleeding” over from the beginning.
- When communication error occurs during air bleeding, select lever does not shift occasionally. If select lever does not shift, turn the ignition switch to OFF before operating the select lever.

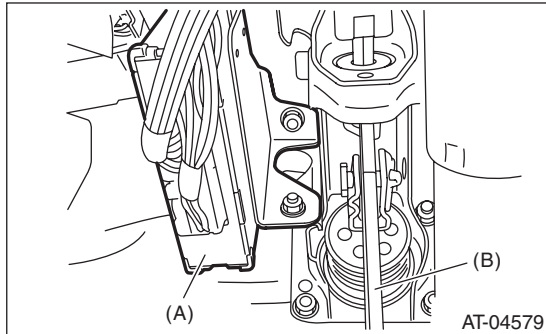
Message	Main reasons for abnormal termination
“AT air bleeding ended abnormally.”	<ul style="list-style-type: none"><li>• A failure was detected during AT air bleeding</li><li>• The accelerator pedal is depressed during AT air bleeding.</li><li>• An unspecified operation was performed during AT air bleeding</li><li>• Brake pedal is not depressed fully.</li><li>• Parking brake not applied strongly enough.</li><li>• Abnormal idle speed increase, etc.</li></ul>

- For details concerning the operation procedure, refer to “PC application help for Subaru Select Monitor”.

## 20. Transmission Control Module (TCM)

### A: REMOVAL

- 1) Disconnect the ground cable from the battery.
- 2) Remove the instrument panel lower cover and disconnect the connector.
- 3) Disconnect the connector from TCM.



- (A) Transmission control module (TCM)  
(B) Brake pedal

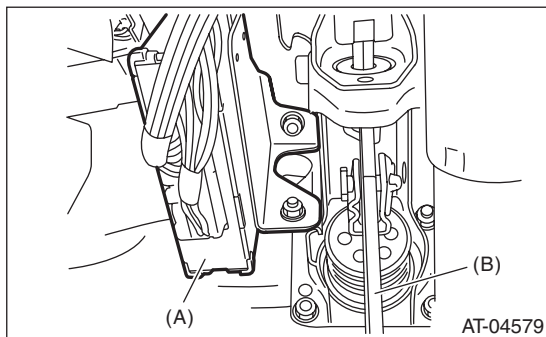
- 4) Remove the TCM.

### B: INSTALLATION

- 1) Install the TCM.

#### **Tightening torque:**

**7.5 N·m (0.8 kgf-m, 5.5 ft-lb)**



- (A) Transmission control module (TCM)  
(B) Brake pedal

- 2) Connect the connector to TCM.
- 3) Install in the reverse order of removal.
- 4) Perform learning control promotion. <Ref. to 4AT(diag)-17, FACILITATION OF LEARNING CONTROL, OPERATION, Subaru Select Monitor.>

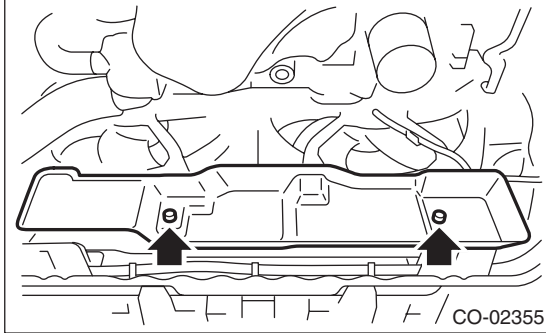
# ATF Cooler Pipe and Hose

AUTOMATIC TRANSMISSION

## 21. ATF Cooler Pipe and Hose

### A: REMOVAL

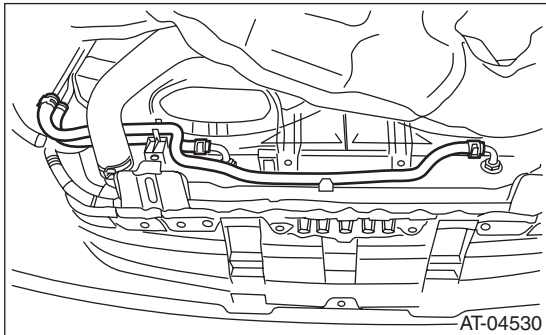
- 1) Set the vehicle on a lift.
- 2) Remove the battery.
- 3) Lift up the vehicle.
- 4) Remove the under cover.
- 5) Remove the heat shield cover.



- 6) Disconnect the ATF cooler hose from the radiator.

#### NOTE:

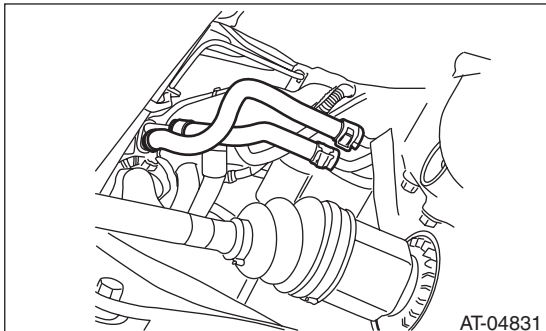
- Do not use a screwdriver or other pointed tools.
- If it is hard to remove the hose, wrap the hose with cloth to prevent from damaging it, and while turning with pliers, pull straight out by hand.



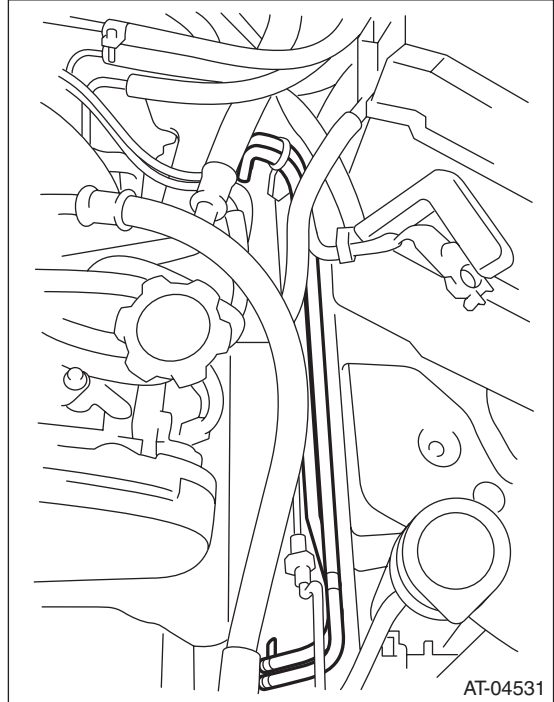
- 7) Disconnect the ATF cooler hoses from the pipes.

#### NOTE:

- Do not use a screwdriver or other pointed tools.
- If it is hard to remove the hose, wrap the hose with cloth to prevent from damaging it, and while turning with pliers, pull straight out by hand.



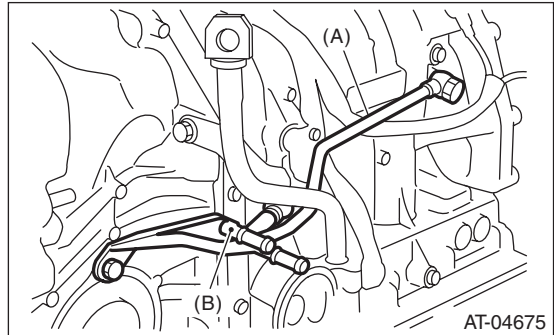
- 8) Disconnect the ATF cooler pipe from frame.



- 9) Remove the ATF inlet pipe and outlet pipe.

#### CAUTION:

**When disconnecting the outlet pipe, be careful not to lose the ball and spring used together with the retaining screw.**



- (A) ATF inlet pipe  
(B) ATF outlet pipe

## B: INSTALLATION

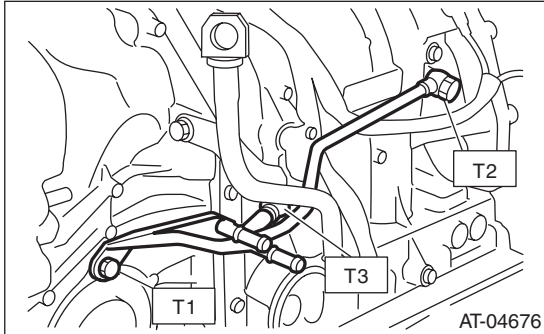
1) Install the ATF inlet pipe and outlet pipe along with new washers.

### Tightening torque:

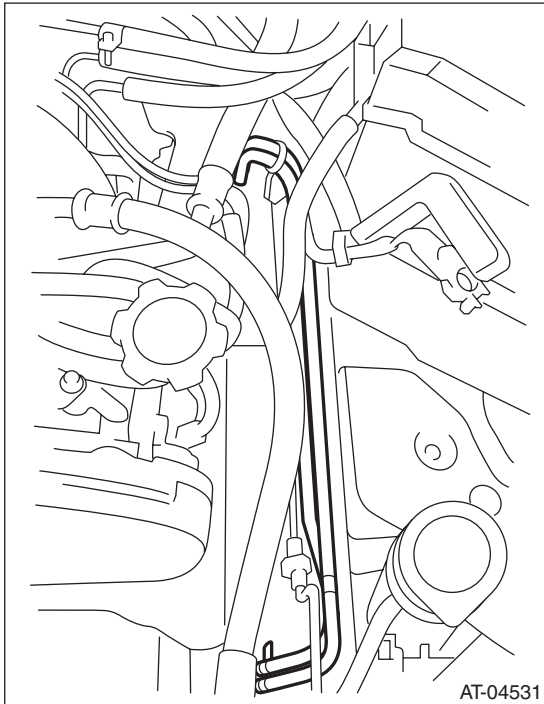
**T1: 25 N·m (2.5 kgf-m, 18.4 ft-lb)**

**T2: 40 N·m (4.1 kgf-m, 29.5 ft-lb)**

**T3: 45 N·m (4.6 kgf-m, 33.2 ft-lb)**



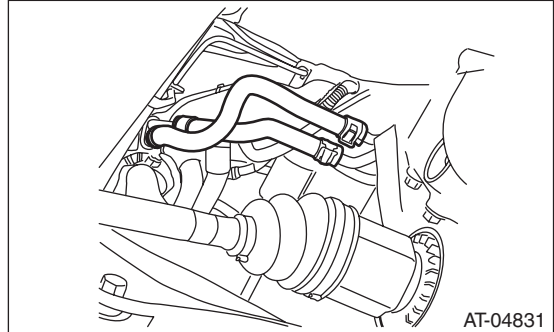
2) Install the ATF cooler pipe to frame.



3) Connect the ATF cooler hose to the pipe on the transmission side.

### NOTE:

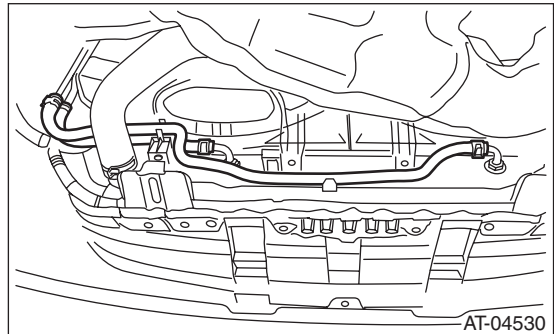
- Install so that the hose is not folded over, excessively bent or twisted.
- Insert the hose to the specified position.



4) Connect the ATF cooler hose to the pipe on the radiator side.

### NOTE:

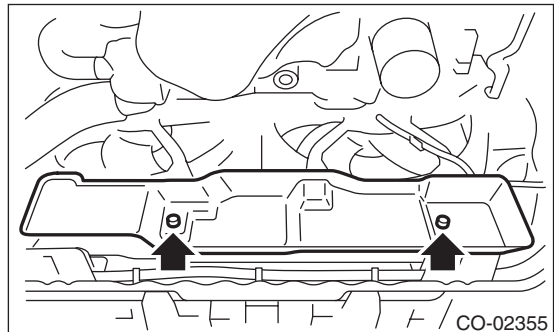
- Install so that the hose is not folded over, excessively bent or twisted.
- Insert the hose to the specified position.



5) Install the heat shield cover.

### Tightening torque:

**3 N·m (0.3 kgf-m, 2.2 ft-lb)**



6) Install the under cover.

7) Install the battery.

8) Fill ATF. <Ref. to 4AT-27, Automatic Transmission Fluid.>

### NOTE:

Make sure there are no ATF leaks in joints between the transmission, radiator, pipes, and hoses.

# ATF Cooler Pipe and Hose

AUTOMATIC TRANSMISSION

---

## **C: INSPECTION**

Repair or replace any faulty hoses, pipes, clamps, and washers found in the inspection below.

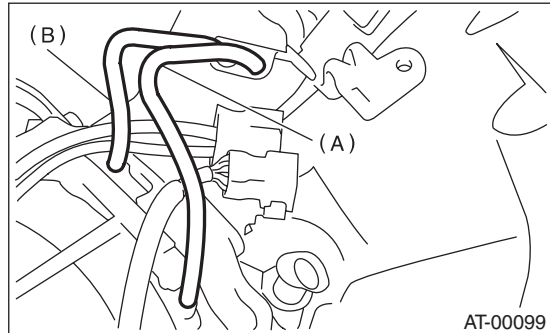
- 1) Check for ATF leaks in joints between the transmission, radiator, pipes, and hoses.
- 2) Check the clamp for deformation.
- 3) Lightly bend the hose and check for cracks in the surface or other damages.
- 4) Pinch the hose with your fingers and check for poor elasticity. Also check for poor elasticity in the parts where the clamp was installed by pressing with your fingernail.
- 5) Check for peeling, cracks, and deformation at the tip of the hose.



## 22. Air Breather Hose

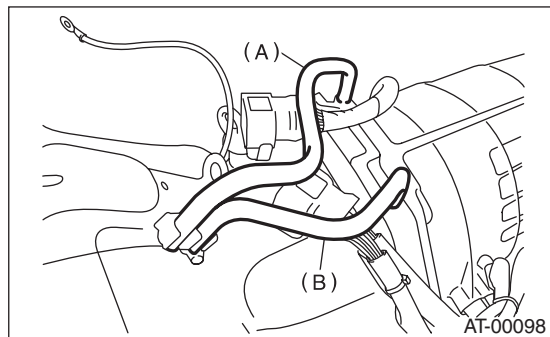
### A: REMOVAL

- 1) Remove the air intake chamber. (Non-turbo model) <Ref. to IN(H4SO)-7, REMOVAL, Air Intake Chamber.>
- 2) Remove the intercooler. (Turbo model) <Ref. to IN(H4DOTC)-13, REMOVAL, Intercooler.>
- 3) Disconnect the air breather hose.
  - Non-turbo model



- (A) Air breather hose (Transmission case)
- (B) Air breather hose (Oil pump housing)

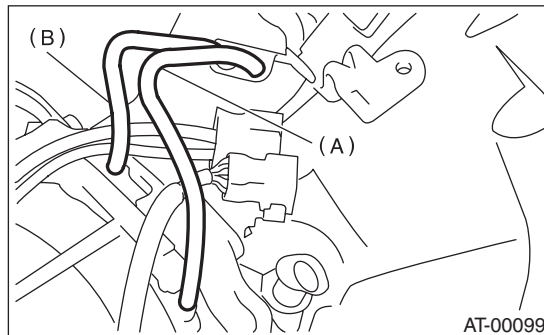
- Turbo model



- (A) Air breather hose (Transmission case)
- (B) Air breather hose (Oil pump housing)

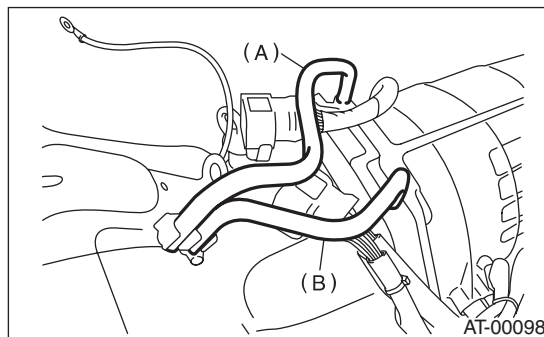
### B: INSTALLATION

- 1) Install the air breather hose.
  - Non-turbo model



- (A) Air breather hose (Transmission case)
- (B) Air breather hose (Oil pump housing)

- Turbo model



- (A) Air breather hose (Transmission case)
- (B) Air breather hose (Oil pump housing)

- 2) Install the air intake chamber. (Non-turbo model) <Ref. to IN(H4SO)-7, INSTALLATION, Air Intake Chamber.>
- 3) Install the intercooler. (Turbo model) <Ref. to IN(H4DOTC)-13, INSTALLATION, Intercooler.>

### C: INSPECTION

Make sure the hose is not cracked or clogged.

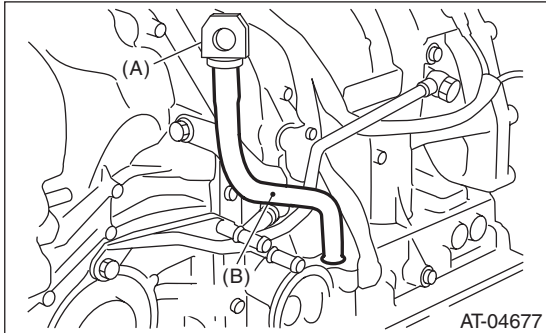
# Oil Charge Pipe

AUTOMATIC TRANSMISSION

## 23.Oil Charge Pipe

### A: REMOVAL

- 1) Remove the air intake chamber. (Non-turbo model) <Ref. to IN(H4SO)-7, REMOVAL, Air Intake Chamber.>
- 2) Remove the intercooler. (Turbo model) <Ref. to IN(H4DOTC)-13, REMOVAL, Intercooler.>
- 3) Remove the oil charge pipe, and then remove the O-ring from the flange side.



- (A) ATF level gauge
- (B) Oil charge pipe

### B: INSTALLATION

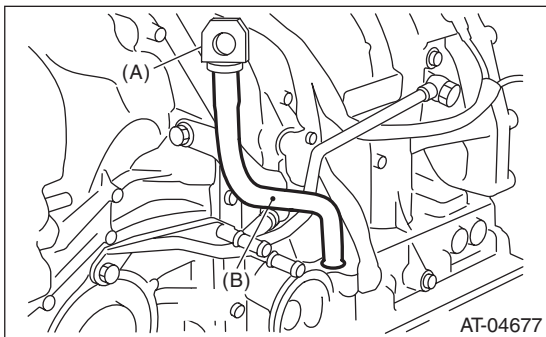
- 1) Apply ATF on a new O-ring and install together with the oil charge pipe.

NOTE:

Use a new bolt.

**Tightening torque:**

**38 N·m (3.9 kgf·m, 28.0 ft·lb)**



- (A) ATF level gauge
- (B) Oil charge pipe

- 2) Install the air intake chamber. (Non-turbo model) <Ref. to IN(H4SO)-7, INSTALLATION, Air Intake Chamber.>
- 3) Install the intercooler. (Turbo model) <Ref. to IN(H4DOTC)-13, INSTALLATION, Intercooler.>

### C: INSPECTION

Make sure the oil charge pipe is not deformed or damaged.

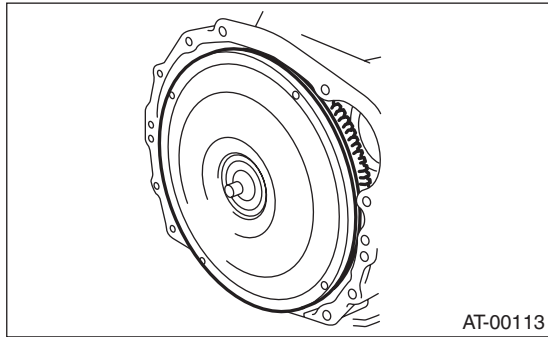
## 24. Torque Converter Clutch Assembly

### A: REMOVAL

- 1) Remove the transmission assembly from vehicle body. <Ref. to 4AT-36, REMOVAL, Automatic Transmission Assembly.>
- 2) Pull out the torque converter clutch assembly and oil pump shaft horizontally.

**NOTE:**

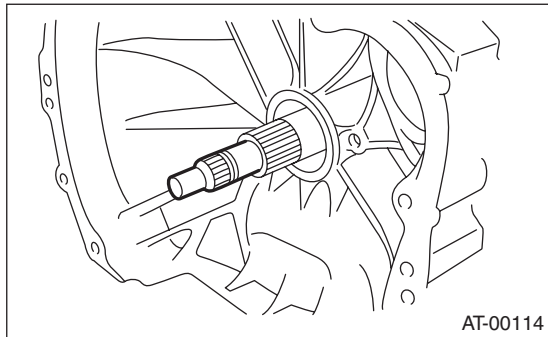
Be sure not to scratch the inside of bushing in oil pump shaft.



- 3) Remove the input shaft.

**NOTE:**

When the torque converter clutch assembly is removed, the input shaft will also come off.



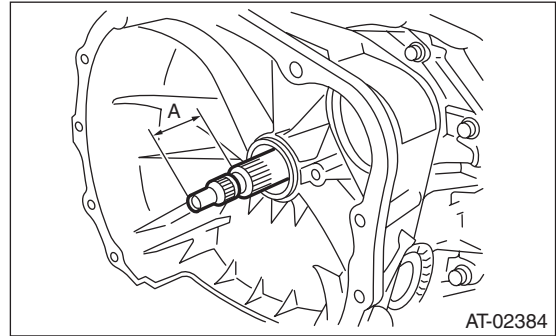
- 4) Remove the oil pump shaft from torque converter clutch assembly as necessary.

### B: INSTALLATION

- 1) When the oil pump shaft is removed, install the shaft to converter case.
- 2) Install the oil pump shaft to the torque converter clutch assembly, and make sure the clip is secured on the groove.
- 3) Apply ATF to the O-ring and insert onto the input shaft while rotating the shaft slowly by hand. Check the amount of protrusion.

**Normal protrusion A:**

**50 — 55 mm (1.97 — 2.17 in)**



A Measured value

- 4) While holding the torque converter clutch assembly by hand, carefully install it to the torque converter case. Take care not to damage the bushing. Do not allow the oil pump shaft bushing to touch the stator shaft section of the oil pump cover inappropriately.

# Torque Converter Clutch Assembly

## AUTOMATIC TRANSMISSION

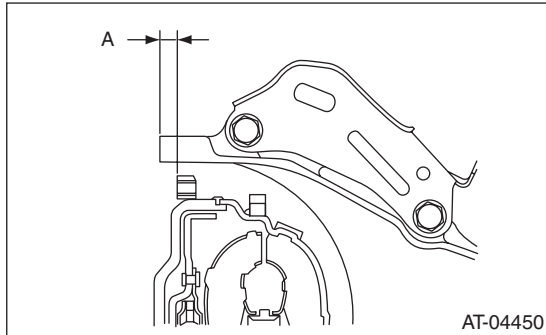
---

5) Slowly rotate the shaft by hand to engage the splines securely, then check that dimension A is within the specified range.

### **Dimension A:**

#### **Non-turbo model**

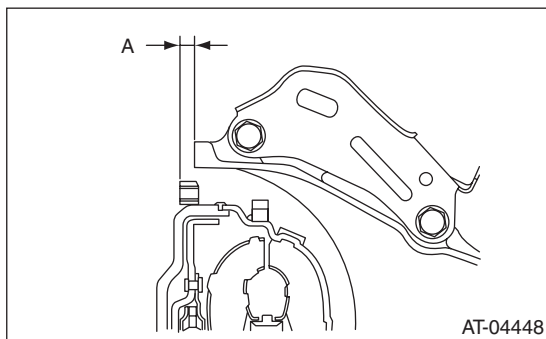
**1.1 — 1.3 mm (0.043 — 0.051 in)**



A Measured value

#### **Turbo model**

**2.7 — 2.9 mm (0.106 — 0.114 in)**



A Measured value

6) Install the transmission assembly to the vehicle.  
<Ref. to 4AT-40, INSTALLATION, Automatic Transmission Assembly.>

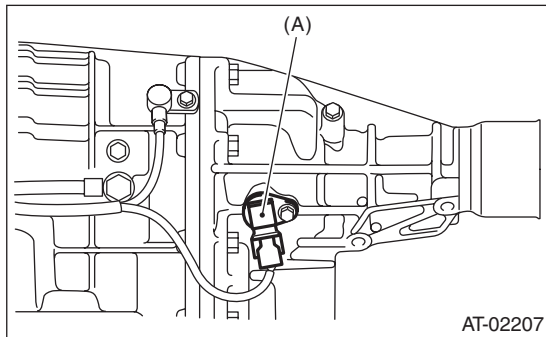
## **C: INSPECTION**

Make sure the ring gear and protrusion of the torque converter clutch assembly end are not deformed or damaged.

## 25.Extension Case

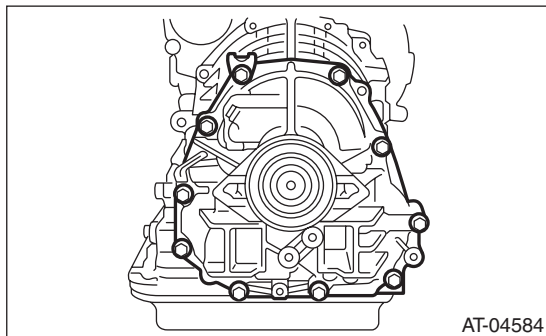
### A: REMOVAL

- 1) Remove the transmission assembly. <Ref. to 4AT-36, REMOVAL, Automatic Transmission Assembly.>
- 2) Remove the rear vehicle speed sensor.



(A) Rear vehicle speed sensor

- 3) Separate the transmission case and extension case section.



### B: INSTALLATION

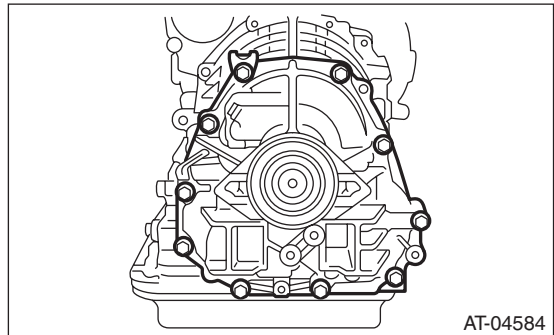
- 1) Apply vaseline to the contact surface, and attach the selected thrust needle bearing to the end surface of the reduction drive gear.

#### NOTE:

- Install the thrust needle bearing in the correct direction.
- 2) Install a new gasket.
  - 3) Install the extension case to transmission case.
  - 4) Tighten bolts to secure the extension case.

#### Tightening torque:

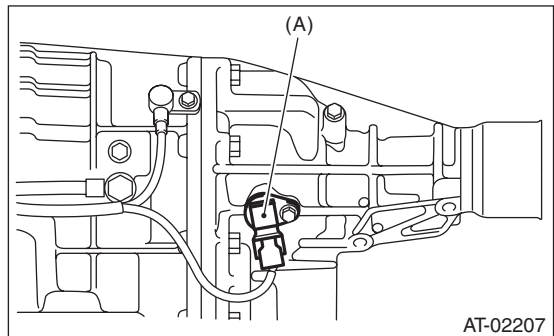
**25 N·m (2.5 kgf·m, 18.4 ft·lb)**



- 5) Install the rear vehicle speed sensor.

#### Tightening torque:

**7 N·m (0.7 kgf·m, 5.2 ft·lb)**



(A) Rear vehicle speed sensor

- 6) Install the transmission assembly. <Ref. to 4AT-40, INSTALLATION, Automatic Transmission Assembly.>

# Extension Case

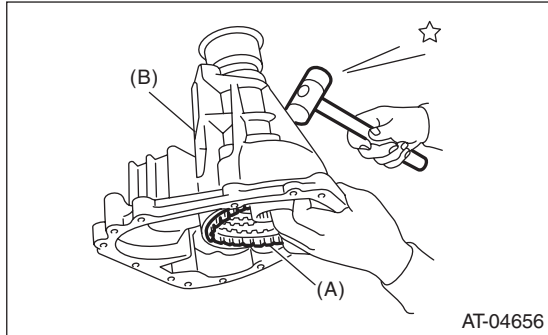
## AUTOMATIC TRANSMISSION

### C: DISASSEMBLY

1) Hit the extension case lightly with a plastic hammer, and take out the transfer clutch.

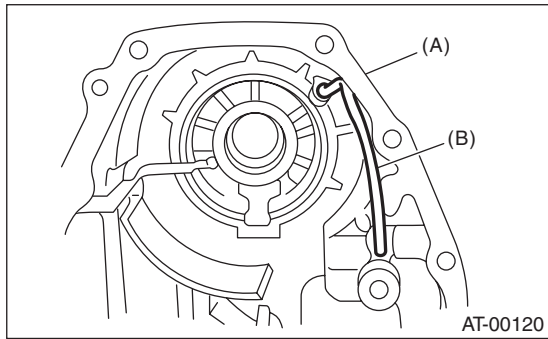
#### NOTE:

Be careful not to damage the oil seal of the extension case.



(A) Transfer clutch  
(B) Extension case

2) Remove the transfer clutch pipe while being careful not to deform the pipe.

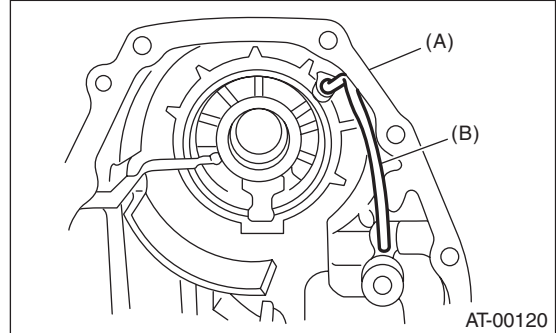


(A) Extension case  
(B) Transfer clutch pipe

3) Remove the dust cover from extension case.  
4) Remove the oil seal from the extension case.

### D: ASSEMBLY

1) Press-fit the new oil seal using ST and the press. ST 498057300 INSTALLER  
2) Press-fit the dust cover.  
3) Install the transfer clutch pipe to the extension case while being careful not to deform the pipe.

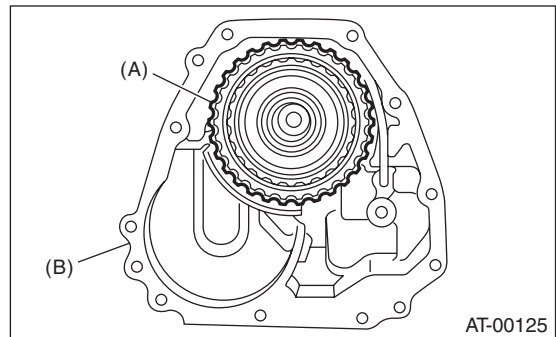


(A) Extension case  
(B) Transfer clutch pipe

4) Install the transfer clutch assembly to the case.

#### NOTE:

- Be careful not to damage the seal ring.
- Insert the transfer clutch assembly all the way to the bottom of the bearing shoulder.



(A) Transfer clutch ASSY  
(B) Extension case

### E: INSPECTION

- Blow with compressed air to make sure the transfer clutch pipe and extension case routes are not clogged or leaking.
- Inspect the extension end play, and adjust it to within the standard value. <Ref. to 4AT-77, ADJUSTMENT, Transfer Clutch.>

## 26. Transfer Clutch

### A: REMOVAL

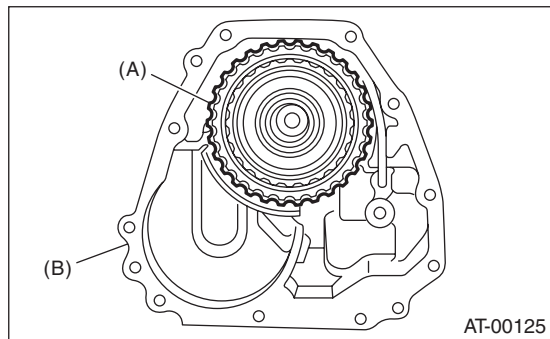
1) Remove the transmission assembly from vehicle body. <Ref. to 4AT-36, REMOVAL, Automatic Transmission Assembly.>

2) Remove the extension case, and then remove the transfer clutch. <Ref. to 4AT-71, REMOVAL, Extension Case.> <Ref. to 4AT-72, DISASSEMBLY, Extension Case.>

### B: INSTALLATION

1) Select the thrust needle bearing. <Ref. to 4AT-77, ADJUSTMENT, Transfer Clutch.>

2) Install the transfer clutch assembly to the case.

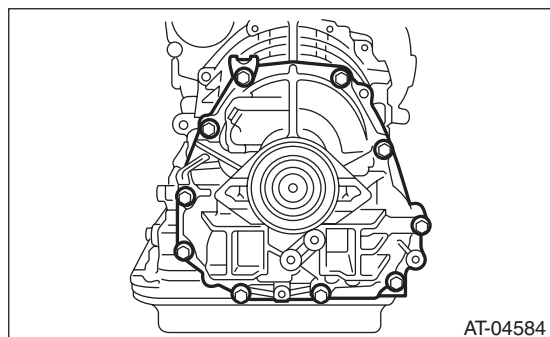


(A) Transfer clutch ASSY  
(B) Extension case

3) Tighten the bolts to secure the case.

#### **Tightening torque:**

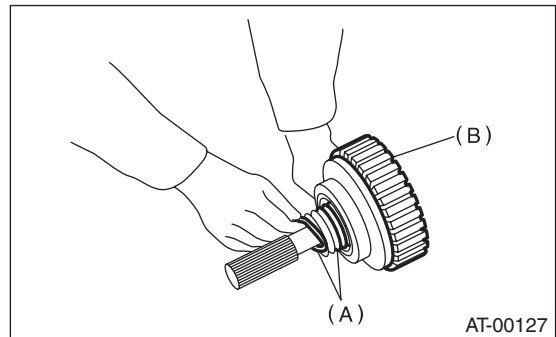
**25 N·m (2.5 kgf·m, 18.4 ft·lb)**



4) Install the transmission assembly to the vehicle. <Ref. to 4AT-40, INSTALLATION, Automatic Transmission Assembly.>

### C: DISASSEMBLY

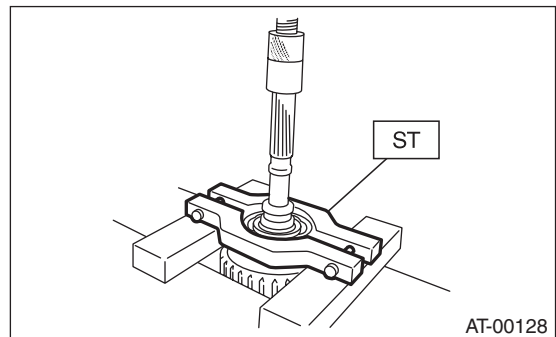
1) Remove the seal ring.



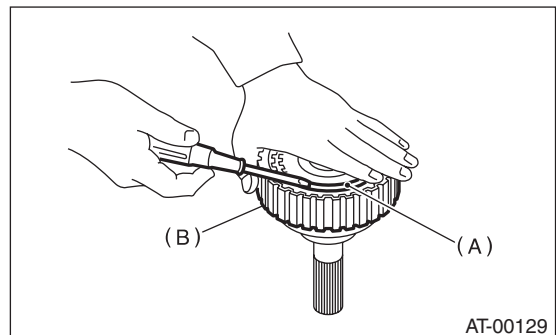
(A) Seal ring  
(B) Rear drive shaft

2) Remove the ball bearing using the ST and the press.

ST 498077600 REMOVER



3) Using a flat tip screwdriver, etc. remove the snap ring, and take out the retaining plate, drive plate and driven plate.



(A) Snap ring  
(B) Rear drive shaft

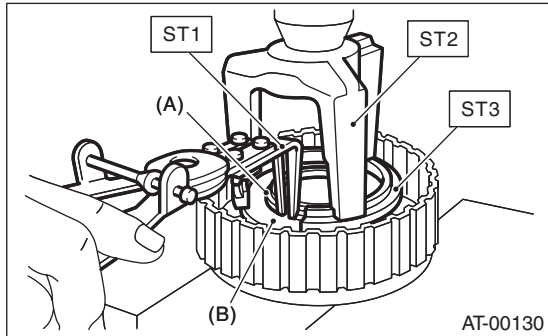


# Transfer Clutch

## AUTOMATIC TRANSMISSION

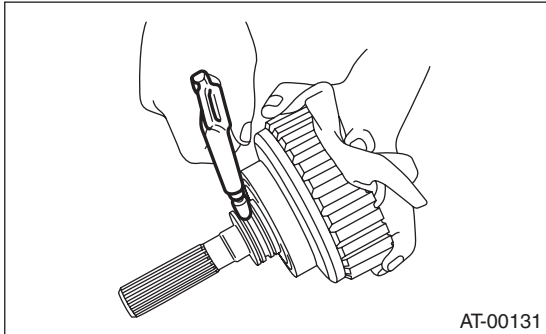
4) Using the ST1, ST2 and ST3, remove the snap ring, then take out the return spring and transfer clutch piston seal.

ST1 399893600 PLIER  
ST2 398673600 COMPRESSOR  
ST3 398623600 SEAT



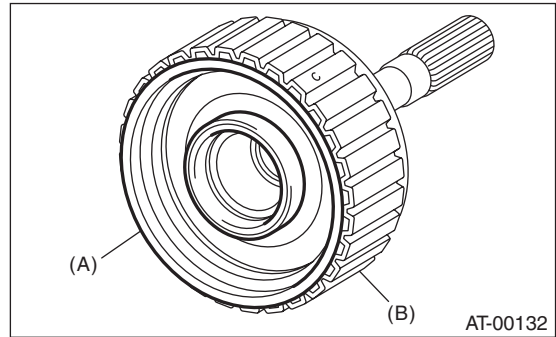
- (A) Snap ring
- (B) Transfer clutch piston seal

5) Apply compressed air to the rear drive shaft, to remove the transfer clutch piston.



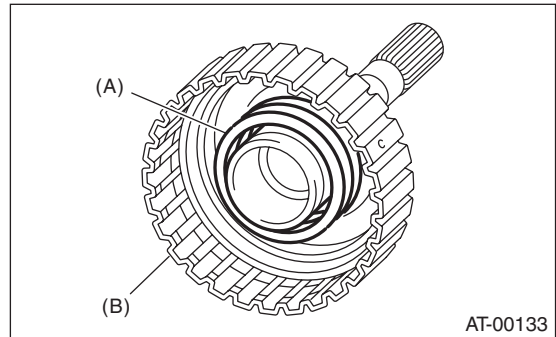
## D: ASSEMBLY

1) Install the transfer clutch piston.



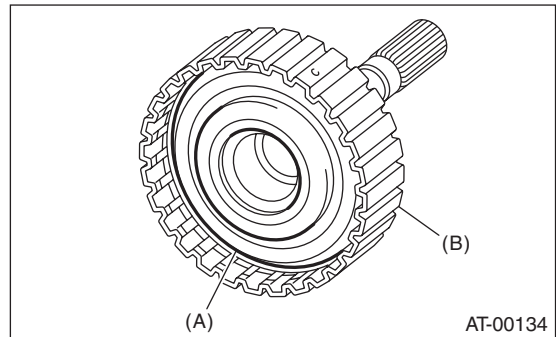
- (A) Transfer clutch piston
- (B) Rear drive shaft

2) Install the return spring to transfer clutch piston.



- (A) Return spring
- (B) Rear drive shaft

3) Apply ATF to the lip of transfer clutch piston seal, then install.



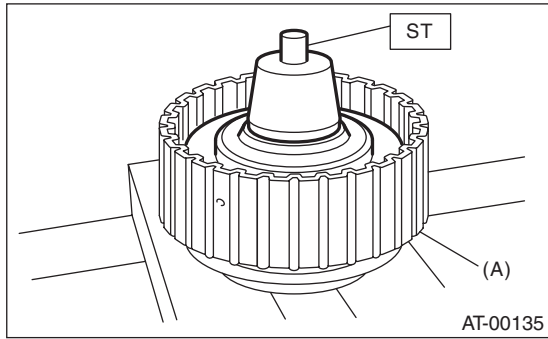
- (A) Transfer clutch piston seal
- (B) Rear drive shaft



# Transfer Clutch

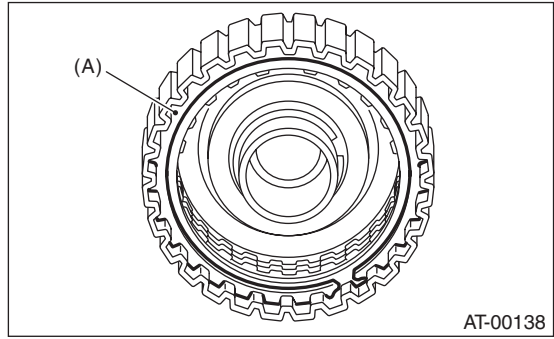
AUTOMATIC TRANSMISSION

- 4) Attach the ST to the rear drive shaft.  
ST 499257300 SNAP RING OUTER GUIDE



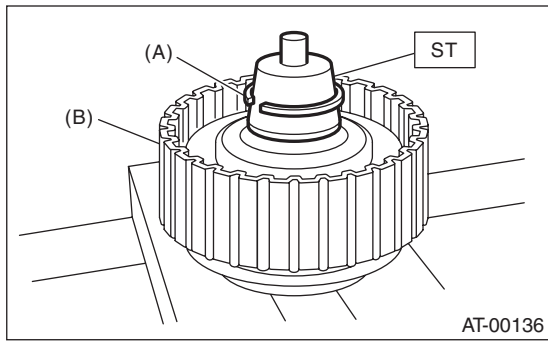
(A) Rear drive shaft

- 7) Install the driven plate, drive plate, retaining plate and snap ring.



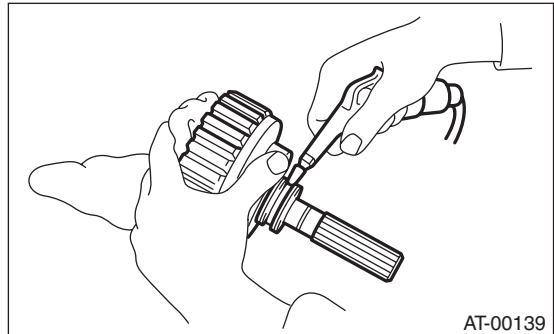
(A) Snap ring

- 5) Install the snap ring to the ST.  
ST 499257300 SNAP RING OUTER GUIDE



(A) Snap ring  
(B) Rear drive shaft

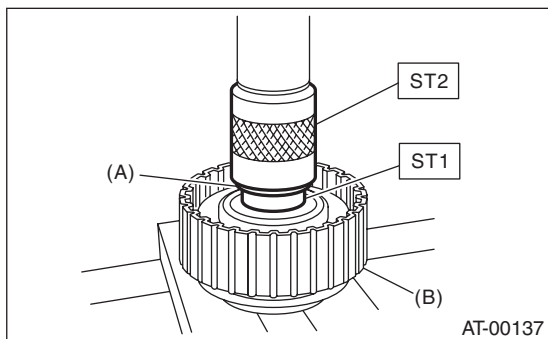
- 8) Apply compressed air to see if the assembled parts move smoothly.



- 9) Check the clearance between the snap ring and retaining plate. <Ref. to 4AT-76, INSPECTION, Transfer Clutch.>

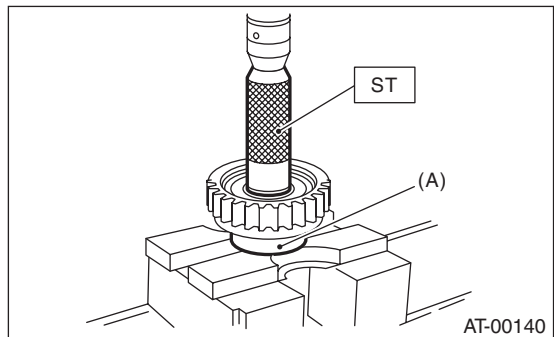
- 6) Install the snap ring to the rear drive shaft using ST1 and ST2.

- ST1 499257300 SNAP RING OUTER GUIDE  
ST2 499247400 INSTALLER



(A) Snap ring  
(B) Rear drive shaft

- 10) Press-fit new ball bearing using ST.  
ST 899580100 INSTALLER



(A) Ball bearing

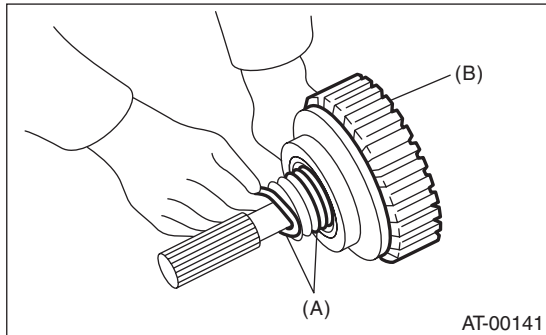
# Transfer Clutch

## AUTOMATIC TRANSMISSION

11) Apply Vaseline to a new seal ring and attach to the seal ring groove of the rear drive shaft.

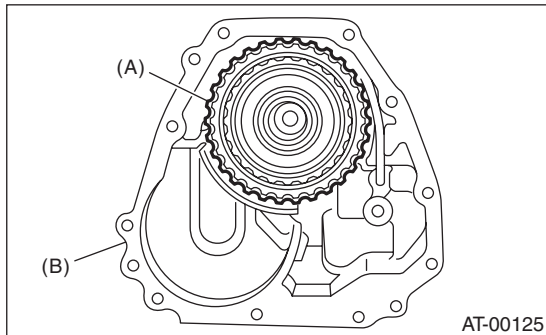
### NOTE:

While installing the seal ring, not to stretch the seal ring excessively.



(A) Seal ring  
(B) Rear drive shaft

12) Install the transfer clutch assembly while taking care not to damage the seal ring.



(A) Transfer clutch ASSY  
(B) Extension case

## E: INSPECTION

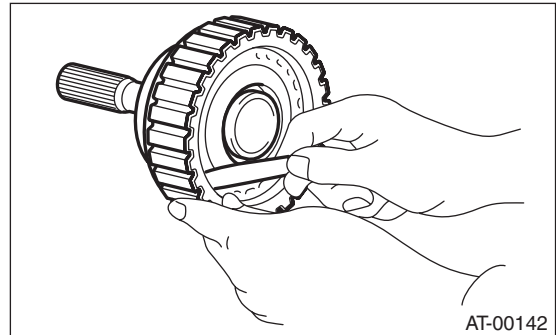
- Inspect the drive plate facing for wear and damage.
- Make sure the snap ring is not worn and the return spring has no permanent distortion, damage, or deformation.
- Inspect the D-ring for damage.
- Inspect the extension end play, and adjust it to within the standard value. <Ref. to 4AT-77, ADJUSTMENT, Transfer Clutch.>
  - 1) Check the clearance between the snap ring and retaining plate.
  - 2) Before measuring clearance, place same thickness shims on both sides to prevent the retaining plate from tilting.
  - 3) If the clearance exceeds the service limits, replace the plate set (drive plate and driven plate), and select and adjust a retaining plate to be within the initial standard value.

### Initial standard:

**0.7 — 1.1 mm (0.028 — 0.043 in)**

### Limit thickness:

**1.6 mm (0.063 in)**



Retaining plate	
Part No.	Thickness mm (in)
31593AA151	3.3 (0.130)
31593AA161	3.7 (0.146)
31593AA171	4.1 (0.161)
31593AA181	4.5 (0.177)

4) Check for tight corner braking phenomenon when the vehicle is moved forward with the steering fully turned. If tight corner braking occurs, perform the following procedures.

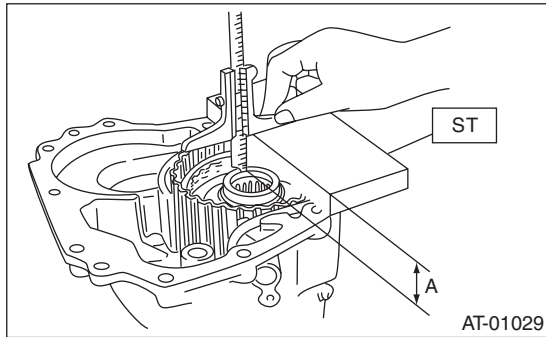
(1) With the steering wheel held at fully turned position, drive the vehicle in "D" range and with vehicle speed at approx. 5 km/h (3 MPH) in both clockwise and counterclockwise directions for approx. ten times each, while repeating acceleration and braking intermittently.

(2) If the tight corner braking phenomenon still persists, drive the vehicle again in a circle for several laps.

## F: ADJUSTMENT

1) Measure the distance “A” from the end of ST to the rear drive shaft using the ST.

ST 398643600 GAUGE

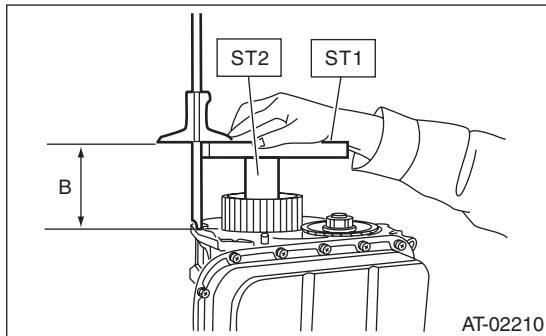


A Measured value

2) Measure distance “B” from the transmission case mating surface to the end of ST using ST1 and ST2.

ST1 398643600 GAUGE

ST2 499577000 GAUGE



B Measured value

3) Calculation formula:

$$T = A - B + 35.4 \text{ mm}$$

$$[T = A - B + 1.3937 \text{ in}]$$

T: Thrust needle bearing thickness

A: Distance from the end of the ST to end of rear drive shaft

B: Distance from the mating surface of the transmission case to the end of the ST

Thrust needle bearing	
Part number	Thickness mm (in)
806536020	3.8 (0.150)
806535030	4.0 (0.157)
806535040	4.2 (0.165)
806535050	4.4 (0.173)
806535060	4.6 (0.181)
806535070	4.8 (0.189)
806535090	5.0 (0.197)

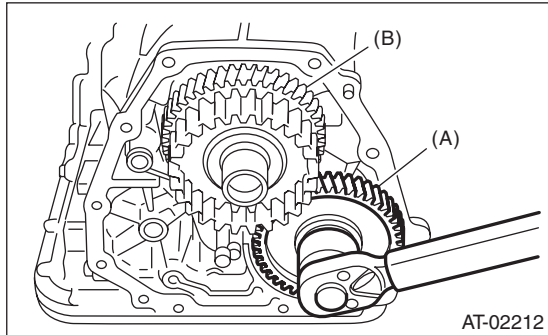
# Reduction Driven Gear

## AUTOMATIC TRANSMISSION

### 27.Reduction Driven Gear

#### A: REMOVAL

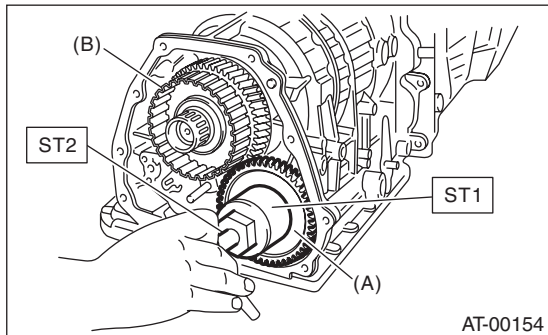
- 1) Remove the transmission assembly from vehicle body. <Ref. to 4AT-36, REMOVAL, Automatic Transmission Assembly.>
- 2) Remove the rear wheel speed sensor, and separate the extension case from transmission case. <Ref. to 4AT-71, REMOVAL, Extension Case.>
- 3) Set the range select lever to the "P" range.
- 4) Lift the crimped section, and then remove the lock nut.



- (A) Reduction driven gear
- (B) Reduction drive gear

- 5) Using the ST1 and ST2, extract the reduction driven gear.

ST1 499737000 PULLER  
ST2 899524100 PULLER SET



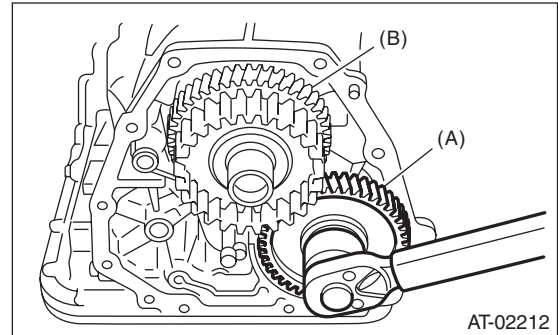
- (A) Reduction driven gear
- (B) Reduction drive gear

#### B: INSTALLATION

- 1) Set the range select lever to the "P" range.
- 2) Using a plastic hammer, install the reduction driven gear assembly and the new washer, and tighten the new drive pinion lock nut.

#### Tightening torque:

**100 N·m (10.2 kgf-m, 73.8 ft-lb)**

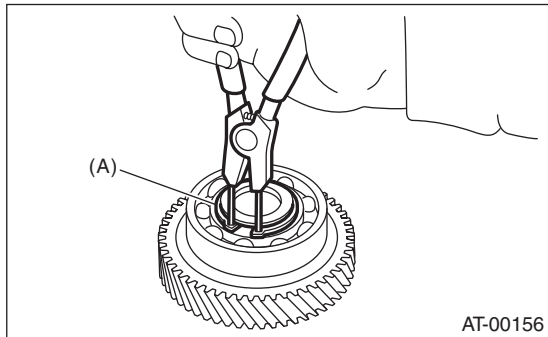


- (A) Reduction driven gear
- (B) Reduction drive gear

- 3) After tightening, stake the lock nut securely.
- 4) Join the transmission case and the extension case, and then install the rear vehicle speed sensor. <Ref. to 4AT-71, INSTALLATION, Extension Case.>
- 5) Install the transmission assembly to the vehicle. <Ref. to 4AT-40, INSTALLATION, Automatic Transmission Assembly.>

## C: DISASSEMBLY

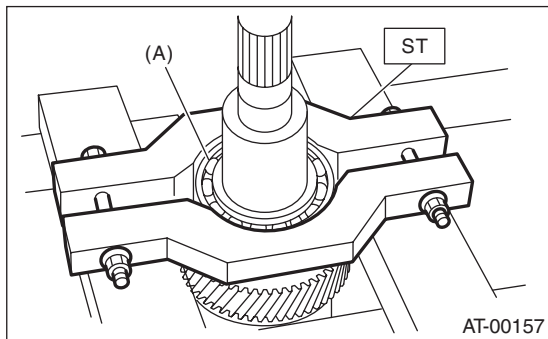
1) Remove the snap ring from reduction driven gear.



(A) Snap ring

2) Remove the ball bearing from reduction driven gear using ST.

ST 498077600 REMOVER



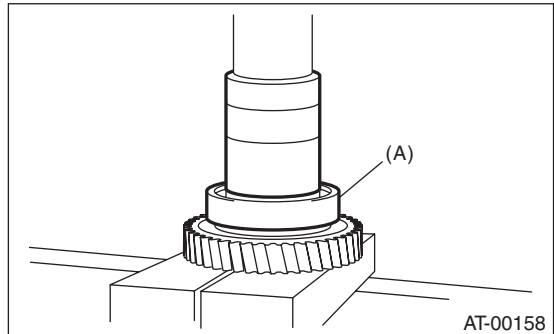
(A) Ball bearing

3) Remove the gear inner groove snap ring from the reduction driven gear.

## D: ASSEMBLY

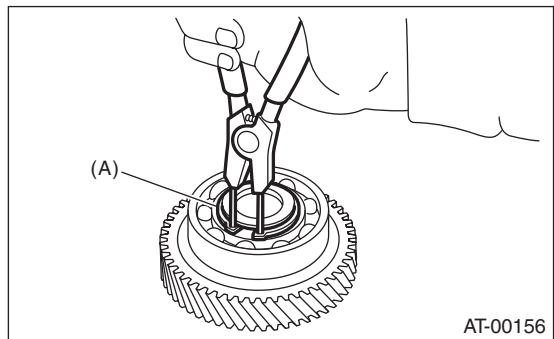
1) Install the snap ring to the gear inner groove on the reduction driven gear.

2) Install the new ball bearing to reduction driven gear using press.



(A) Ball bearing

3) Install the snap ring to reduction driven gear.



(A) Snap ring

## E: INSPECTION

Make sure the ball bearing and gear is not deformed or damaged.

# Reduction Drive Gear

AUTOMATIC TRANSMISSION

## 28.Reduction Drive Gear

### A: REMOVAL

1) Remove the transmission assembly from the vehicle. <Ref. to 4AT-36, REMOVAL, Automatic Transmission Assembly.>

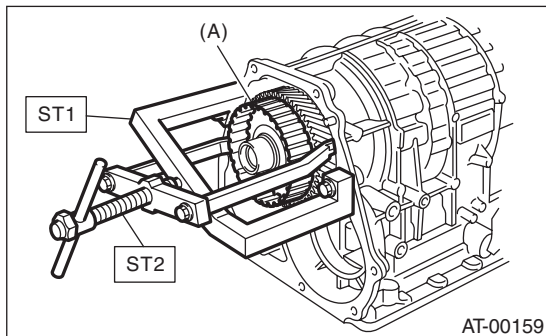
2) Remove the rear vehicle speed sensor, and separate the extension case from transmission case. <Ref. to 4AT-71, REMOVAL, Extension Case.>

3) Remove the reduction driven gear. <Ref. to 4AT-78, REMOVAL, Reduction Driven Gear.>

4) Using the ST, extract the reduction drive gear assembly.

ST1 499737100 PULLER SET

ST2 899524100 PULLER SET



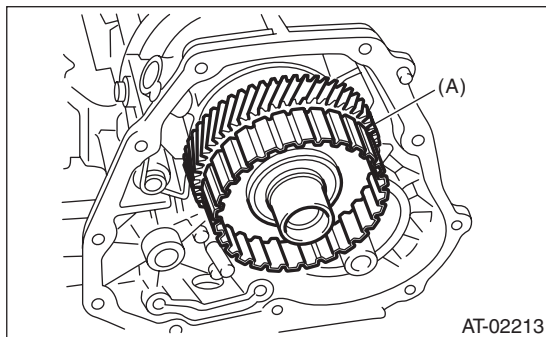
(A) Reduction drive gear ASSY

### B: INSTALLATION

1) Install the reduction drive gear assembly.

NOTE:

Press-fit it to the bottom of bearing shoulder completely.



(A) Reduction drive gear ASSY

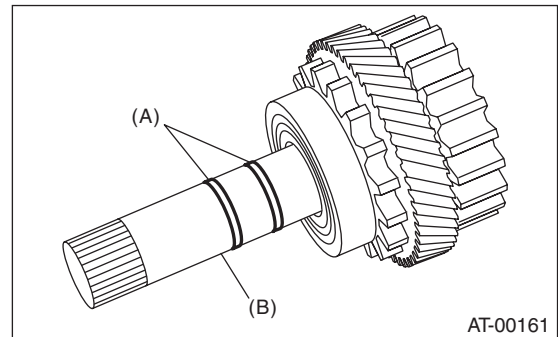
2) Install the reduction driven gear. <Ref. to 4AT-78, INSTALLATION, Reduction Driven Gear.>

3) Join the transmission case and the extension case, and then install the rear vehicle speed sensor. <Ref. to 4AT-71, INSTALLATION, Extension Case.>

4) Install the transmission assembly to the vehicle. <Ref. to 4AT-40, INSTALLATION, Automatic Transmission Assembly.>

### C: DISASSEMBLY

1) Take out the seal ring.

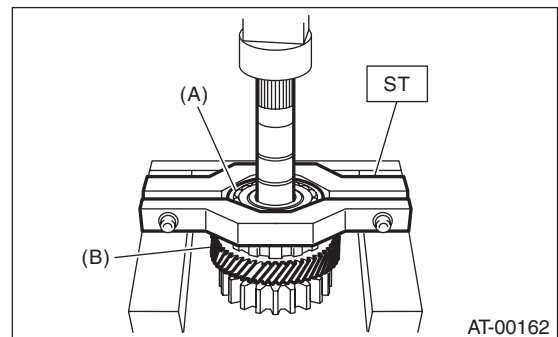


(A) Seal ring

(B) Reduction drive shaft

2) Remove the ball bearing using ST.

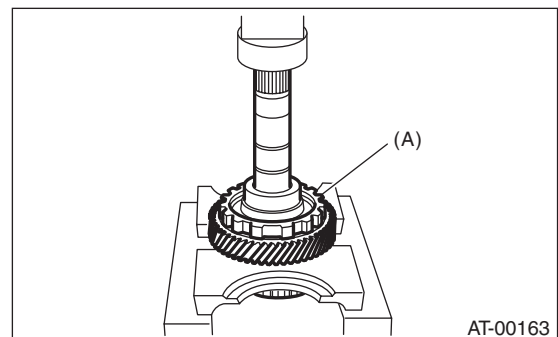
ST 498077600 REMOVER



(A) Ball bearing

(B) Reduction drive gear

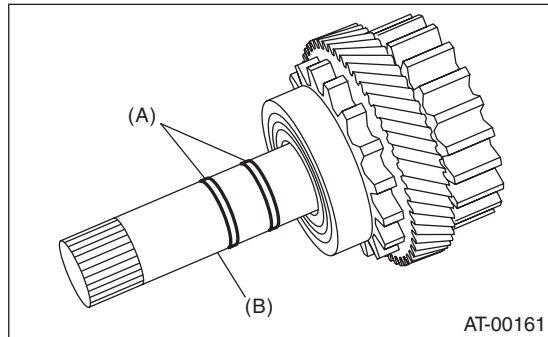
3) Apply vaseline to the outer surface of seal ring and shaft groove.



(A) Reduction drive gear

## D: ASSEMBLY

- 1) Press-fit the reduction drive gear to shaft.
- 2) Press-fit the new ball bearing into reduction drive gear.
- 3) Apply vaseline onto the seal ring outer surface and shaft grooves.
- 4) Apply ATF to new seal rings, then install.



- (A) Seal ring  
(B) Reduction drive shaft

## E: INSPECTION

- Rotate the bearing by hand, and check that it rotates smoothly.
- Check parts for holes, damage or adhesion of dust and other foreign particles.
- Inspect the extension end play, and adjust it to the standard value. <Ref. to 4AT-77, ADJUSTMENT, Transfer Clutch.>



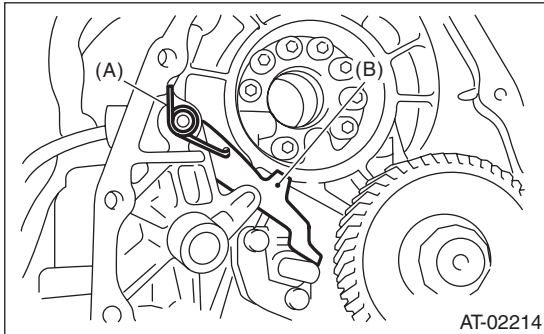
# Parking Pawl

## AUTOMATIC TRANSMISSION

### 29. Parking Pawl

#### A: REMOVAL

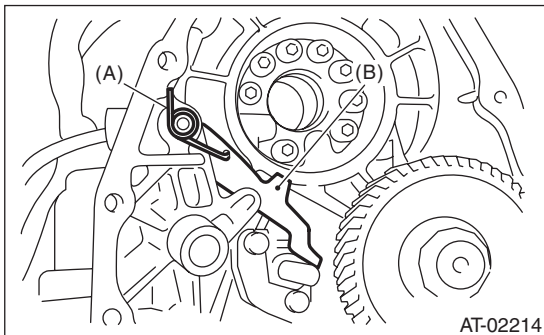
- 1) Remove the transmission assembly from vehicle body. <Ref. to 4AT-36, REMOVAL, Automatic Transmission Assembly.>
- 2) Remove the rear wheel speed sensor, and separate the extension case from transmission case. <Ref. to 4AT-71, REMOVAL, Extension Case.>
- 3) Remove the reduction drive gear. <Ref. to 4AT-80, REMOVAL, Reduction Drive Gear.>
- 4) Remove the parking pawl, return spring and shaft.



- (A) Return spring
- (B) Parking pawl

#### B: INSTALLATION

- 1) Install the parking pawl, return spring and shaft.



- (A) Return spring
- (B) Parking pawl

- 2) Install the reduction drive gear. <Ref. to 4AT-80, INSTALLATION, Reduction Drive Gear.>
- 3) Install the rear vehicle speed sensor and extension case. <Ref. to 4AT-71, INSTALLATION, Extension Case.>
- 4) Install the transmission assembly to the vehicle. <Ref. to 4AT-40, INSTALLATION, Automatic Transmission Assembly.>

#### C: INSPECTION

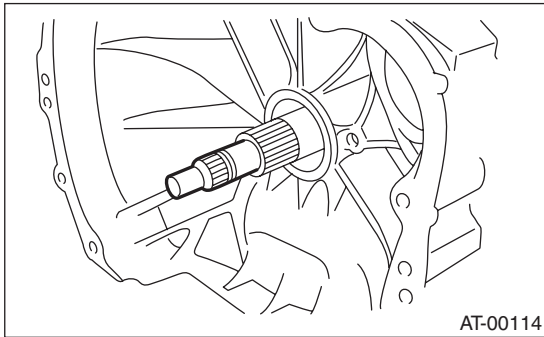
Check the tab of the parking pole on the reduction gear for wear or other damage.



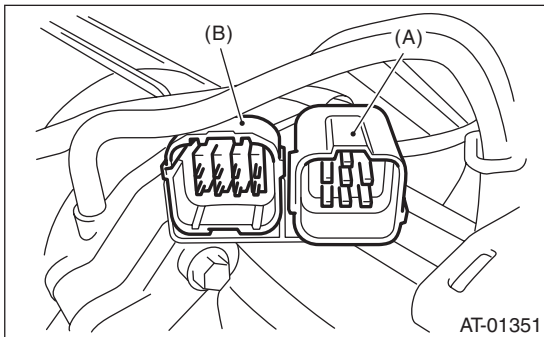
## 30. Converter Case

### A: REMOVAL

- 1) Remove the transmission assembly from the vehicle. <Ref. to 4AT-36, REMOVAL, Automatic Transmission Assembly.>
- 2) Pull out the torque converter clutch assembly. <Ref. to 4AT-69, REMOVAL, Torque Converter Clutch Assembly.>
- 3) Remove the input shaft.



- 4) Lift up the lever on the rear side of transmission harness connector, and then disconnect it from the stay.
- 5) Disconnect the inhibitor switch connector from the stay.



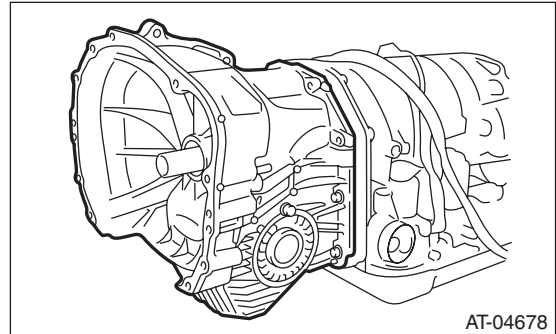
- (A) Transmission harness connectors
- (B) Inhibitor switch connector

- 6) Remove the air breather hose. <Ref. to 4AT-67, REMOVAL, Air Breather Hose.>
- 7) Remove the oil charge pipe. <Ref. to 4AT-68, REMOVAL, Oil Charge Pipe.>
- 8) Remove the ATF inlet and outlet pipes. <Ref. to 4AT-64, REMOVAL, ATF Cooler Pipe and Hose.>

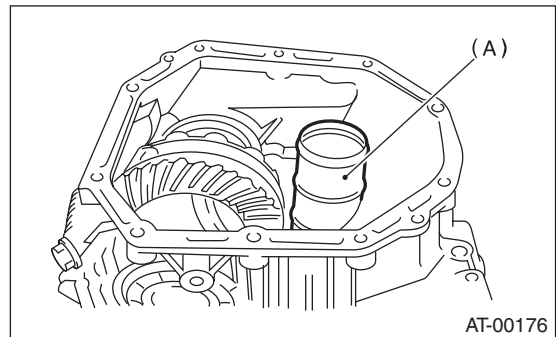
- 9) Remove the converter case alignment bolt, and then separate the transmission case and converter case by lightly tapping with a plastic hammer.

#### NOTE:

- Be careful not to damage the oil seal and bushing in the converter case with the oil pump cover.
- Be careful not to loosen the rubber seal.



- 10) Remove the seal pipe.



- (A) Seal pipe

- 11) Remove the front differential assembly. <Ref. to 4AT-98, REMOVAL, Front Differential Assembly.>
- 12) Remove the oil seal from converter case.

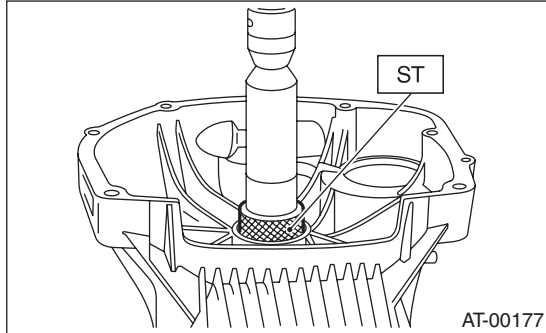
# Converter Case

## AUTOMATIC TRANSMISSION

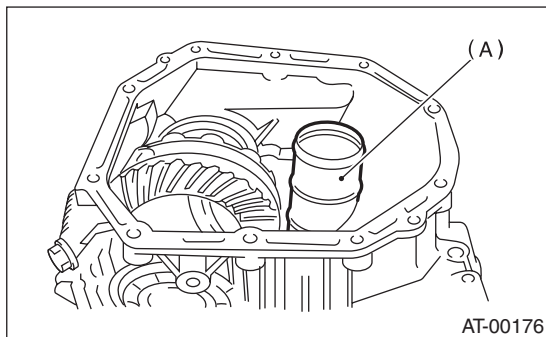
### B: INSTALLATION

- 1) Check the appearance of each component and clean them.
- 2) Press-fit the new oil seal to converter case using ST.

ST 398437700 DRIFT

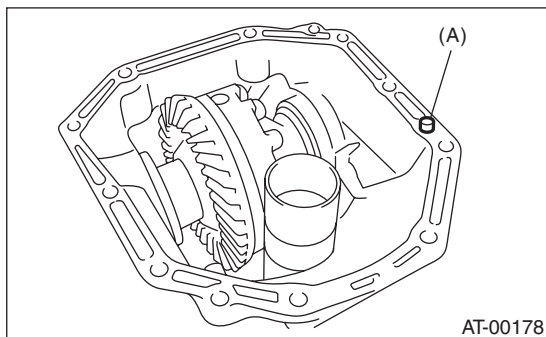


- 3) Install the front differential assembly to the case. <Ref. to 4AT-98, INSTALLATION, Front Differential Assembly.>
- 4) Install the right and left side retainers. <Ref. to 4AT-102, ADJUSTMENT, Front Differential Assembly.>
- 5) Install new seal pipe to converter case.



(A) Seal pipe

- 6) Install new rubber seal to converter case.

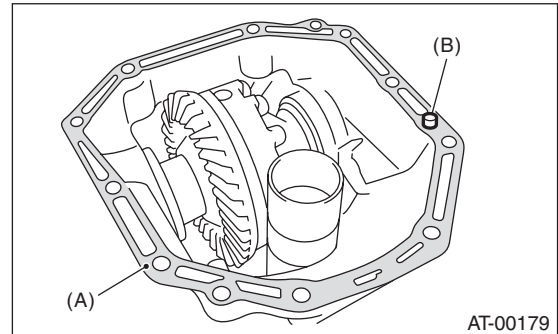


(A) Rubber seal

- 7) Apply proper amount of liquid gasket to the entire matching surface of converter case.

#### Liquid gasket:

**THREE BOND 1215 (Part No. 004403007) or equivalent**



(A) THREE BOND 1215

(B) Rubber seal

- 8) Install the converter case, being careful not to damage the bushing and oil seal.

#### NOTE:

Use new bolts for the oil charge pipe.

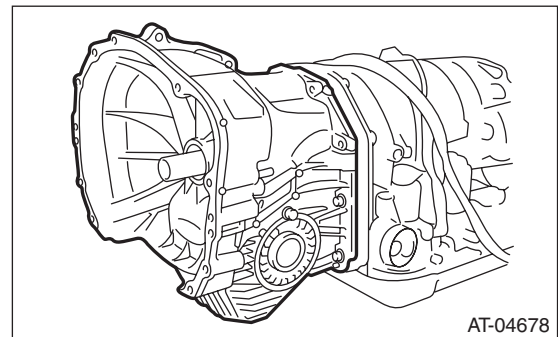
#### Tightening torque:

##### Oil charge pipe section

**38 N·m (3.9 kgf·m, 28.0 ft·lb)**

##### Excluding the oil charge pipe section

**41 N·m (4.2 kgf·m, 30.2 ft·lb)**

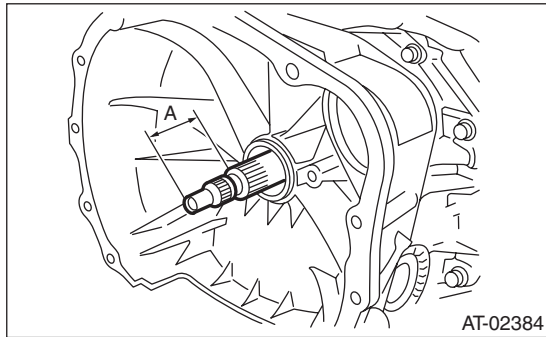


- 9) Insert the inhibitor switch connector and transmission harness connector onto the stay.
- 10) Install the air breather hose. <Ref. to 4AT-67, INSTALLATION, Air Breather Hose.>
- 11) Install the ATF cooler pipe. <Ref. to 4AT-65, INSTALLATION, ATF Cooler Pipe and Hose.>
- 12) Install the oil charge pipe with O-ring. <Ref. to 4AT-68, INSTALLATION, Oil Charge Pipe.>

13) Insert the input shaft while rotating it lightly by hand, and then check the amount of protrusion.

**Normal protrusion A:**

**50 — 55 mm (1.97 — 2.17 in)**



A Measured value

14) Install the torque converter clutch assembly.  
<Ref. to 4AT-69, INSTALLATION, Torque Converter Clutch Assembly.>

15) Install the transmission assembly to the vehicle. <Ref. to 4AT-40, INSTALLATION, Automatic Transmission Assembly.>

## C: INSPECTION

Measure the backlash, and then adjust it to be within standard values. <Ref. to 4AT-95, ADJUSTMENT, Drive Pinion Shaft Assembly.>

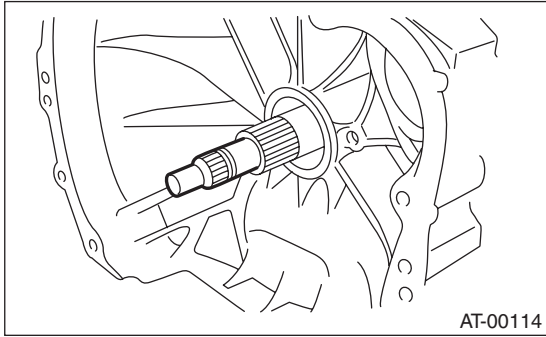
# Oil Pump Housing

AUTOMATIC TRANSMISSION

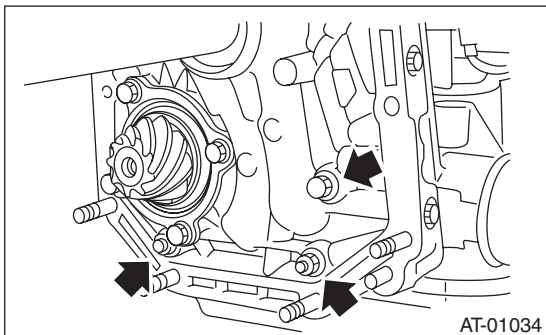
## 31. Oil Pump Housing

### A: REMOVAL

- 1) Remove the transmission assembly from the vehicle. <Ref. to 4AT-36, REMOVAL, Automatic Transmission Assembly.>
- 2) Pull out the torque converter clutch assembly. <Ref. to 4AT-69, REMOVAL, Torque Converter Clutch Assembly.>
- 3) Remove the input shaft.



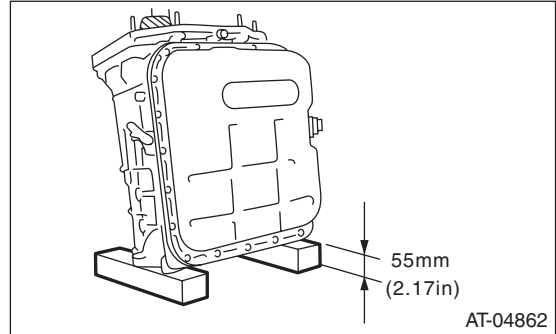
- 4) Lift up the lever on the rear side of transmission harness connector, and then remove it from the stay.
- 5) Remove the inhibitor switch connector from the stay.
- 6) Remove the oil charge pipe. <Ref. to 4AT-68, REMOVAL, Oil Charge Pipe.>
- 7) Remove the ATF inlet and outlet pipes. <Ref. to 4AT-64, REMOVAL, ATF Cooler Pipe and Hose.>
- 8) Separate the converter case and transmission case. <Ref. to 4AT-83, REMOVAL, Converter Case.>
- 9) Separate the transmission case and extension case section. <Ref. to 4AT-71, REMOVAL, Extension Case.>
- 10) Remove the reduction drive gear. <Ref. to 4AT-80, REMOVAL, Reduction Drive Gear.>
- 11) Remove the reduction driven gear. <Ref. to 4AT-78, REMOVAL, Reduction Driven Gear.>
- 12) Loosen the oil pump housing mounting bolts.



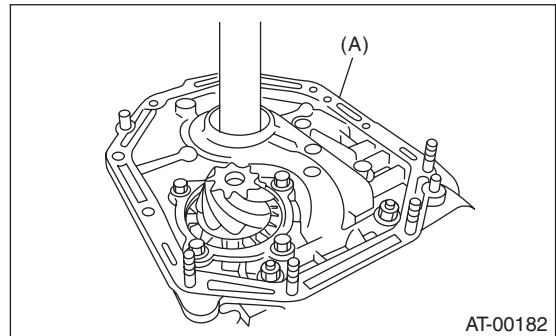
- 13) Place two wooden blocks on the workbench, and stand the transmission case with the rear end facing down.

#### NOTE:

- Be careful not to scratch the rear mating surface of the transmission case.
- Check the height of the wooden blocks to avoid damaging the parking rod and the drive pinion protruding from the mating surface.



- 14) Remove the oil pump housing and the adjusting thrust washer.



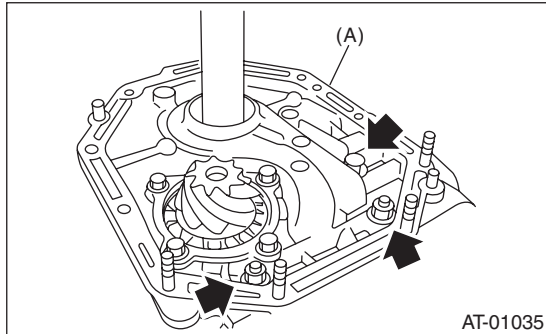
(A) Oil pump housing

## B: INSTALLATION

1) Secure the oil pump housing with two nuts and a bolt.

### Tightening torque:

**42 N·m (4.3 kgf·m, 31.0 ft·lb)**



(A) Oil pump housing

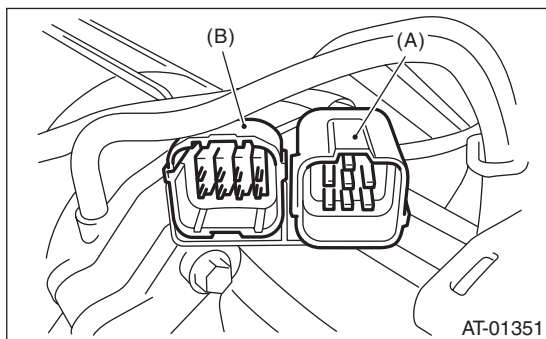
2) Install the converter case to the transmission case assembly. <Ref. to 4AT-84, INSTALLATION, Converter Case.>

3) Install the reduction driven gear. <Ref. to 4AT-78, INSTALLATION, Reduction Driven Gear.>

4) Install the reduction drive gear. <Ref. to 4AT-80, INSTALLATION, Reduction Drive Gear.>

5) Join the transmission case and the extension case, and then install the rear vehicle speed sensor. <Ref. to 4AT-71, INSTALLATION, Extension Case.>

6) Insert the inhibitor switch connector and transmission harness connector onto the stay.



(A) Transmission harness connectors

(B) Inhibitor switch connector

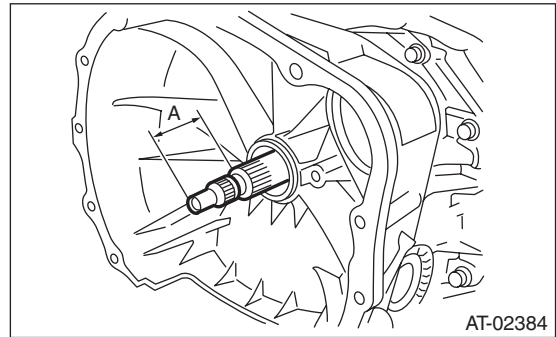
7) Install the ATF cooler pipe. <Ref. to 4AT-65, INSTALLATION, ATF Cooler Pipe and Hose.>

8) Install the oil charge pipe together with an O-ring. <Ref. to 4AT-68, INSTALLATION, Oil Charge Pipe.>

9) Insert the input shaft while rotating it lightly by hand, and then check the amount of protrusion.

### Normal protrusion A:

**50 — 55 mm (1.97 — 2.17 in)**



A Measured value

10) Install the torque converter clutch assembly. <Ref. to 4AT-69, INSTALLATION, Torque Converter Clutch Assembly.>

11) Install the transmission assembly to the vehicle. <Ref. to 4AT-40, INSTALLATION, Automatic Transmission Assembly.>

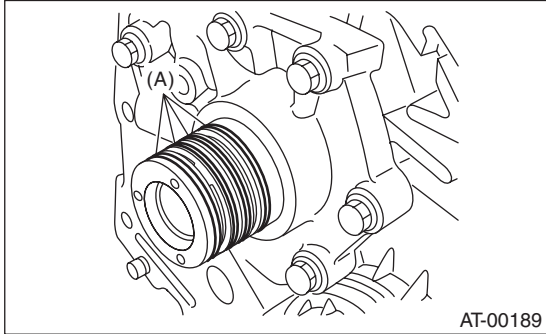
# Oil Pump Housing

AUTOMATIC TRANSMISSION

## C: DISASSEMBLY

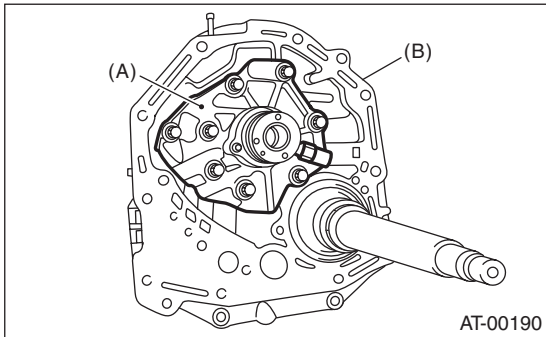
### 1. OIL PUMP COVER

1) Remove the four seal rings.



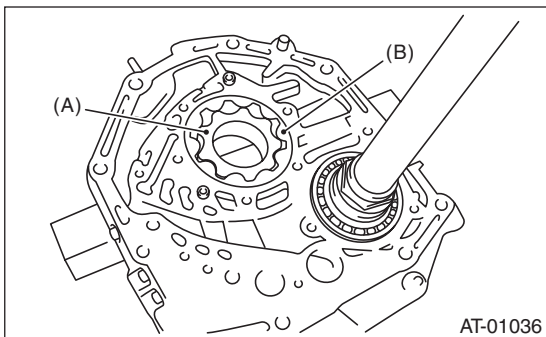
(A) Seal ring

2) Remove attachment bolts, then remove the oil pump cover by lightly tapping the end of the stator shaft.



(A) Oil pump cover  
(B) Oil pump housing

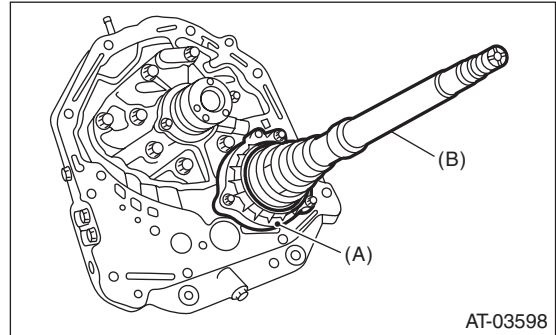
3) Remove the oil pump inner rotor and outer rotor.



(A) Inner rotor  
(B) Outer rotor

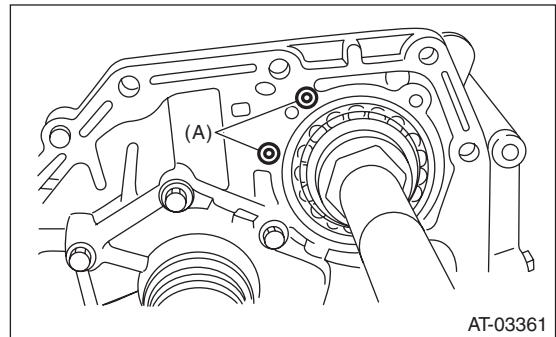
### 2. OIL SEAL RETAINER

1) Remove the oil seal retainer.



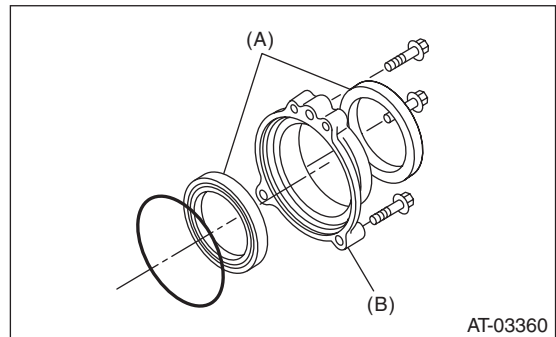
(A) Oil seal retainer  
(B) Drive pinion shaft

2) Remove the O-ring.



(A) O-ring

3) Remove the oil seal from the oil seal retainer.



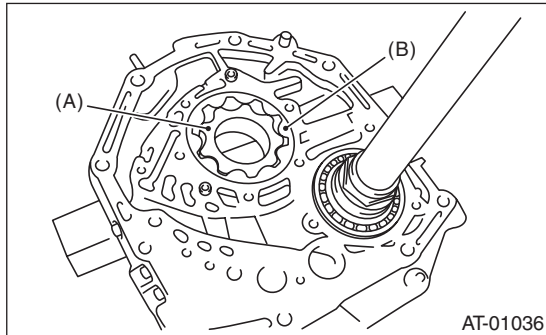
(A) Oil seal  
(B) Oil seal retainer



## D: ASSEMBLY

### 1. OIL PUMP COVER

1) Install the oil pump rotor assembly to oil pump housing.

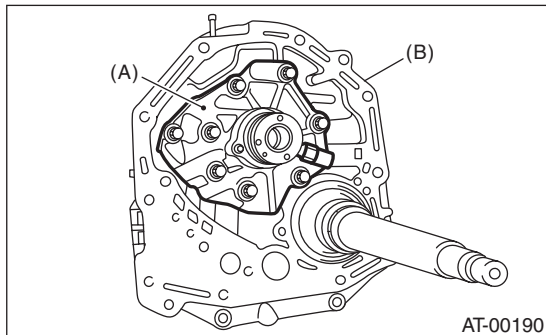


- (A) Inner rotor
- (B) Outer rotor

2) Align both pivots with the pivot holes of the cover, and then install the oil pump cover while being careful not to apply excessive force to the pivots.

#### **Tightening torque:**

**25 N·m (2.5 kgf-m, 18.4 ft-lb)**



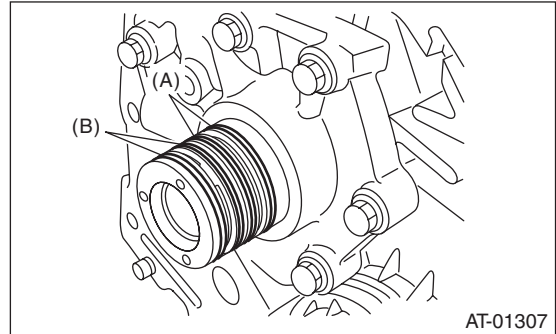
- (A) Oil pump cover
- (B) Oil pump housing

3) After assembling, turn the oil pump shaft to check for smooth rotation of rotor.

4) Apply vaseline to the oil seal retainer and new seal rings, and install them. After installing, adjust the tooth contact with the drive pinion backlash. <Ref. to 4AT-91, ADJUSTMENT, Oil Pump Housing.>

#### **NOTE:**

There are two types of seals. They are identified by color. Install at the proper positions by referring to the figure.

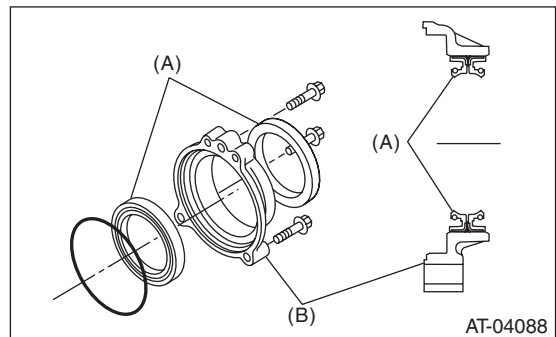


- (A) Seal ring (Black)
- (B) Seal ring (Brown)

### 2. OIL SEAL RETAINER

1) Apply ATF to two new oil seals and install them to the oil seal retainer in the proper direction using the ST.

ST 499247300 INSTALLER

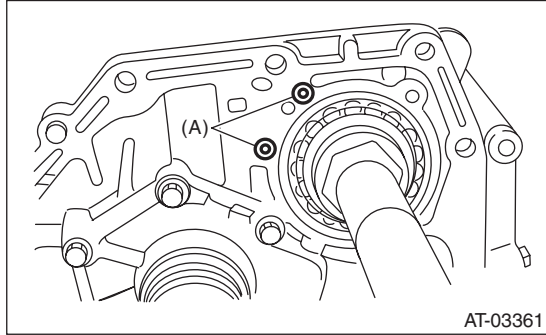


- (A) Oil seal
- (B) Oil seal retainer

# Oil Pump Housing

## AUTOMATIC TRANSMISSION

2) Apply ATF to a new O-ring and attach to the oil seal retainer. Install the seal to the oil pump housing bore.

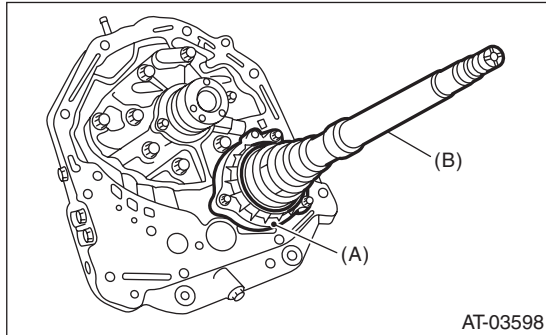


(A) O-ring

3) Install the oil seal being careful not to damage oil seal lip, and secure it using three bolts.

### Tightening torque:

**7 N·m (0.7 kgf·m, 5.2 ft·lb)**



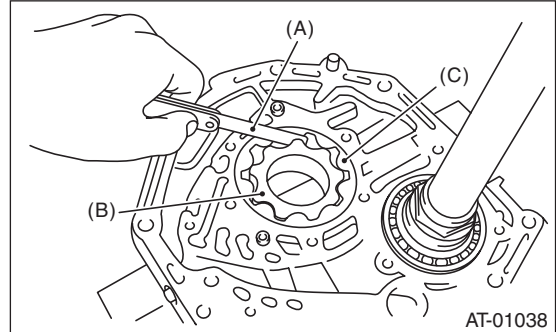
(A) Oil seal retainer  
(B) Drive pinion shaft

## E: INSPECTION

- 1) Check the seal ring and oil seal for breaks and damage.
- 2) Check other parts for dents or faults.
- 3) Oil pump rotor assembly selection
  - (1) Tip clearance  
Install the inner rotor and outer rotor to the oil pump. With rotor gears facing each other, measure the crest-to-crest clearance.

### Tip clearance:

**0.02 — 0.15 mm (0.0008 — 0.0059 in)**



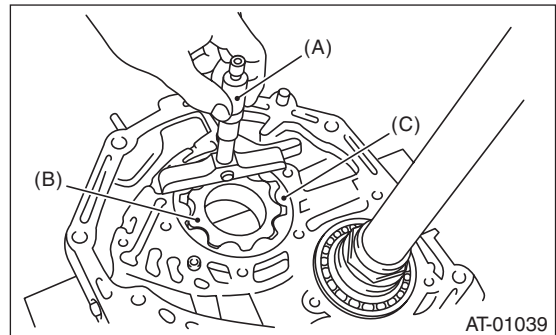
(A) Thickness gauge  
(B) Inner rotor  
(C) Outer rotor

### (2) Side clearance

Set a depth gauge to oil pump housing, then measure the oil pump housing-to-rotor clearance.

### Side clearance:

**0.02 — 0.04 mm (0.0008 — 0.0016 in)**



(A) Depth gauge  
(B) Inner rotor  
(C) Outer rotor



(3) If the depth and side clearance are out of specification, replace the oil pump rotor assembly.

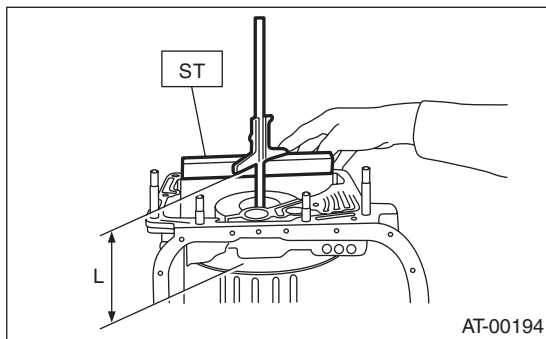
Oil pump rotor assembly	
Part No.	Thickness mm (in)
15008AA060	11.37 — 11.38 (0.4476 — 0.4480)
15008AA070	11.38 — 11.39 (0.4480 — 0.4484)
15008AA080	11.39 — 11.40 (0.4484 — 0.4488)

Check the total end play and adjust it to be within specifications. <Ref. to 4AT-91, ADJUSTMENT, Oil Pump Housing.>

## F: ADJUSTMENT

1) Using the ST, measure the length “L”, from the mating surface of the transmission to the recessed portion of the high clutch drum.

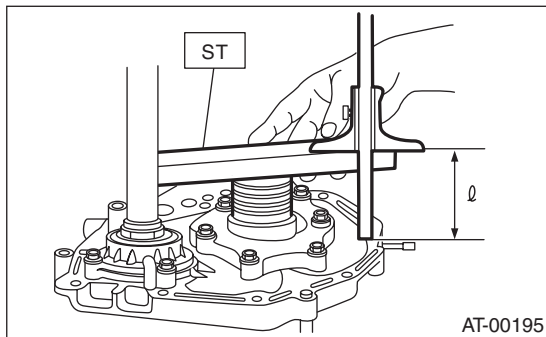
ST 398643600 GAUGE



L Measured value

2) Using the ST, measure the length “ℓ” from the oil pump housing mating surface to the top surface of the oil pump cover with the thrust needle bearing.

ST 398643600 GAUGE



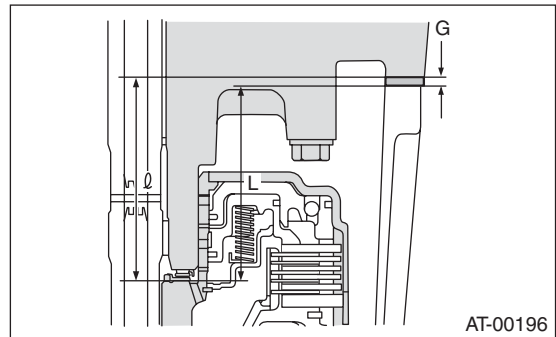
ℓ Measured value

3) Calculation of total end play

Select a suitable bearing race from the table below so that clearance C will be within 0.25 to 0.55 mm (0.0098 to 0.0217 in).

$$C = (L + G) - \ell$$

C	Clearance between concave section of high clutch and end of clutch drum support
L	Length from case mating surface to the concave portion of the high clutch
G	Gasket thickness [0.28 mm (0.0110 in)]
ℓ	Height from the oil pump housing mating surface to the upper surface of the oil pump cover with the thrust needle bearing.



Thrust needle bearing	
Part No.	Thickness mm (in)
806528050	4.1 (0.161)
806528060	4.3 (0.169)
806528070	4.5 (0.177)
806528080	4.7 (0.185)
806528090	4.9 (0.193)
806528100	5.1 (0.201)

4) After completing the total end play adjustment, insert the bearing race into the high clutch race. Apply vaseline, and install the thrust needle bearing to the oil pump cover.

5) After correctly installing the new gasket to the case mating surface, carefully install the oil pump housing assembly. Be careful to avoid hitting the drive pinion against the inside of case.

6) Install both parts with dowel pins aligned. Make sure there is no clearance at the mating surface.

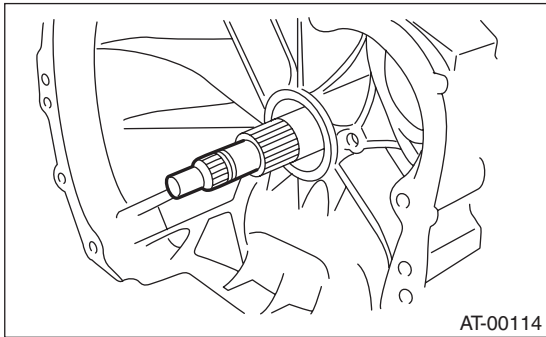
# Drive Pinion Shaft Assembly

AUTOMATIC TRANSMISSION

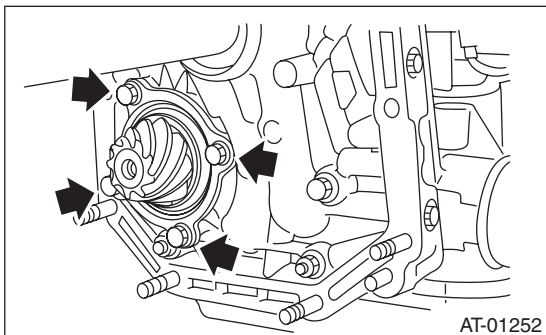
## 32. Drive Pinion Shaft Assembly

### A: REMOVAL

- 1) Remove the transmission assembly from vehicle body. <Ref. to 4AT-36, REMOVAL, Automatic Transmission Assembly.>
- 2) Pull out the torque converter clutch assembly. <Ref. to 4AT-69, REMOVAL, Torque Converter Clutch Assembly.>
- 3) Remove the input shaft.



- 4) Lift up the lever on the rear side of transmission harness connector, and then disconnect it from the stay.
- 5) Disconnect the inhibitor switch connector from the stay.
- 6) Disconnect the air breather hose. <Ref. to 4AT-67, REMOVAL, Air Breather Hose.>
- 7) Remove the oil charge pipe. <Ref. to 4AT-68, REMOVAL, Oil Charge Pipe.>
- 8) Remove the ATF inlet and outlet pipes. <Ref. to 4AT-64, REMOVAL, ATF Cooler Pipe and Hose.>
- 9) Separate the converter case and transmission case. <Ref. to 4AT-83, REMOVAL, Converter Case.>
- 10) Separate the transmission case and extension case section. <Ref. to 4AT-71, REMOVAL, Extension Case.>
- 11) Remove the reduction drive gear. <Ref. to 4AT-80, REMOVAL, Reduction Drive Gear.>
- 12) Remove the reduction driven gear. <Ref. to 4AT-78, REMOVAL, Reduction Driven Gear.>
- 13) Remove the drive pinion shaft mounting bolt and remove the drive shaft assembly from oil pump housing.



### B: INSTALLATION

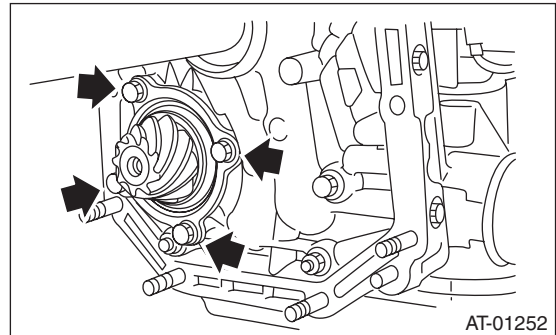
- 1) Assemble the drive pinion shaft assembly to the oil pump housing.

#### NOTE:

- Be careful not to bend the shim.
- Be careful not to press-fit the pinion into housing bore.

#### Tightening torque:

**40 N·m (4.1 kgf·m, 29.5 ft·lb)**



- 2) Join the converter case with the transmission case. <Ref. to 4AT-84, INSTALLATION, Converter Case.>
- 3) Install the reduction driven gear. <Ref. to 4AT-78, INSTALLATION, Reduction Driven Gear.>
- 4) Install the reduction drive gear. <Ref. to 4AT-80, INSTALLATION, Reduction Drive Gear.>
- 5) Join the transmission case and the extension case, and then install the rear vehicle speed sensor. <Ref. to 4AT-71, INSTALLATION, Extension Case.>
- 6) Insert the inhibitor switch connector and transmission harness connector onto the stay.
- 7) Install the air breather hose. <Ref. to 4AT-67, INSTALLATION, Air Breather Hose.>
- 8) Install the ATF inlet and outlet pipes. <Ref. to 4AT-65, INSTALLATION, ATF Cooler Pipe and Hose.>
- 9) Install the oil charge pipe with O-ring.

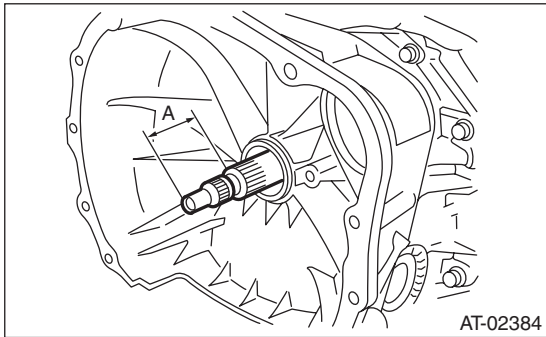
# Drive Pinion Shaft Assembly

AUTOMATIC TRANSMISSION

10) Insert the input shaft while rotating it lightly by hand, and then check the amount of protrusion.

**Normal protrusion A:**

**50 — 55 mm (1.97 — 2.17 in)**



A Measured value

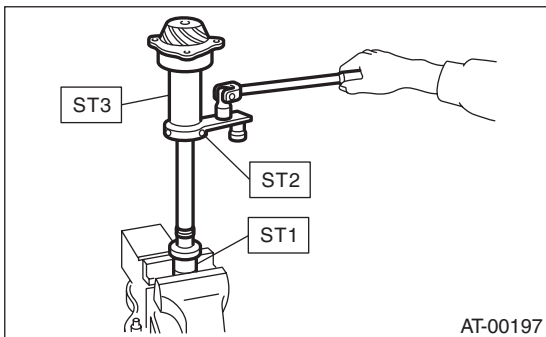
11) Install the torque converter clutch assembly. <Ref. to 4AT-69, INSTALLATION, Torque Converter Clutch Assembly.>

12) Install the transmission assembly to the vehicle. <Ref. to 4AT-40, INSTALLATION, Automatic Transmission Assembly.>

## C: DISASSEMBLY

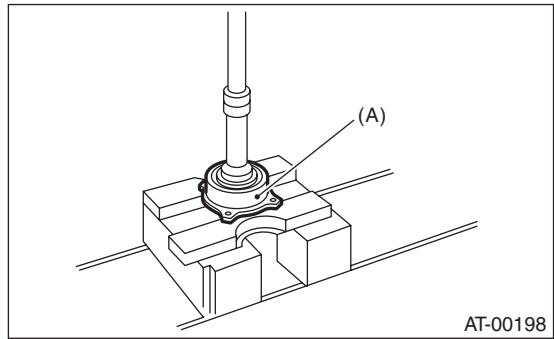
1) Flatten the lock nut tab, and then remove the lock nut while holding the rear spline part of the drive pinion shaft using ST1 and ST2. Pull out the drive pinion collar.

ST1 498937110 HOLDER  
ST2 499787700 WRENCH  
ST3 499787500 ADAPTER



2) Remove the O-ring.

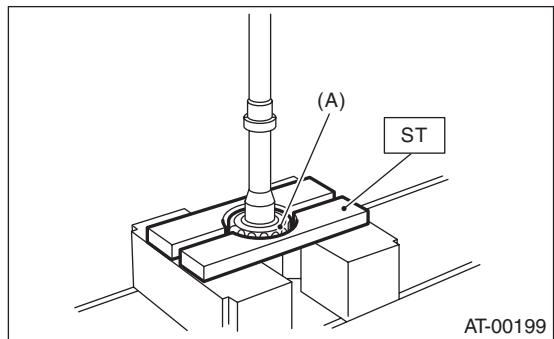
3) Separate the rear roller bearing and outer race from the drive pinion shaft using a press.



(A) Outer race

4) Separate the front roller bearing from the drive pinion shaft using a press and the ST.

ST 498517000 REPLACER



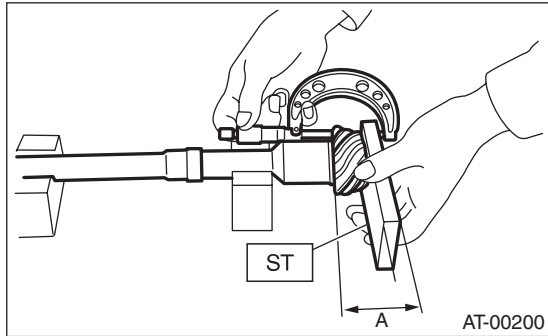
(A) Front roller bearing

# Drive Pinion Shaft Assembly

AUTOMATIC TRANSMISSION

## D: ASSEMBLY

- 1) Measure the dimension "A" of drive pinion shaft.  
ST 398643600 GAUGE

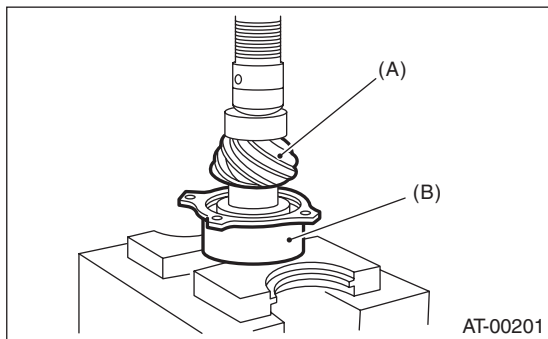


A Measured value

- 2) Using a press, press-fit the new roller bearing into the specified position.

### CAUTION:

Damage may result if too much force is applied to the roller bearing.



(A) Drive pinion shaft  
(B) Roller bearing

- 3) After applying ATF to a new O-ring and attaching it to the drive pinion shaft, attach the drive pinion collar to the drive pinion shaft.

- 4) Install the lock washer to drive pinion shaft in the proper direction.

- 5) Tighten a new lock nut using the ST. Calculate the lock washer and lock nut specifications using following formula.

$$T2 = L2 / (L1 + L2) \times T1$$

T1: 116 N·m (11.8 kgf·m, 85.6 ft·lb)

[Required torque setting]

T2: Tightening torque

L1: ST2 length 0.072 m (2.83 in)

L2: Torque wrench length

Example:

Torque wrench length m (in)	Tightening torque N·m (kgf·m, ft·lb)
0.4 (15.75)	98 (10.0, 72.3)
0.45 (17.72)	100 (10.2, 73.8)
0.5 (19.69)	101 (10.3, 74.5)
0.55 (21.65)	102 (10.4, 75.2)

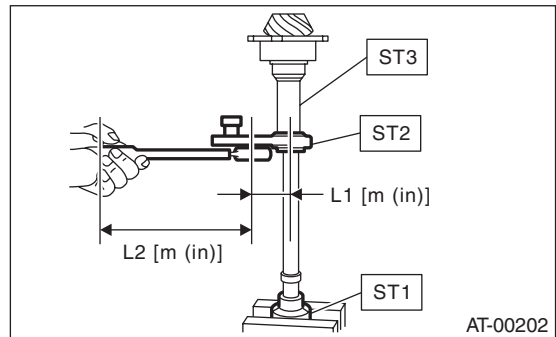
ST1 498937110 HOLDER

ST2 499787700 WRENCH

ST3 499787500 ADAPTER

### NOTE:

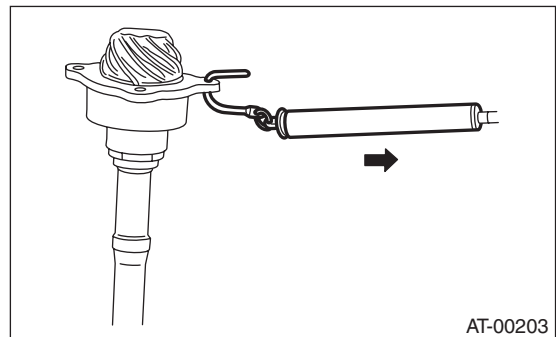
Attach ST2 to torque wrench as straight as possible.



- 6) Measure the starting torque of the bearing. Make sure the starting torque is within the specified range. If the torque is not within specified range, replace the roller bearing.

### Starting torque:

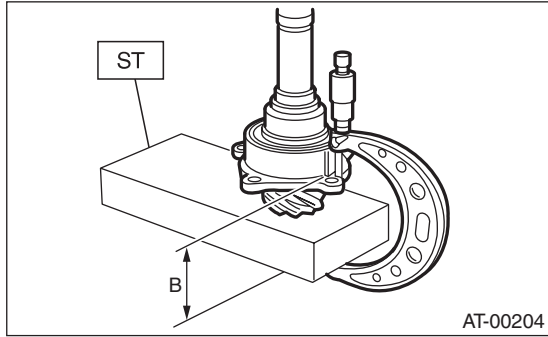
7.6 — 38.1 N (0.775 — 3.88 kgf, 1.7 — 8.6 lb)



- 7) Crimp the locknut in 2 locations.

8) Measure the dimension “B” of the drive pinion shaft.

ST 398643600 GAUGE



B Measured value

9) Calculate the thickness “t” mm (in) of the drive pinion shim.

$$t = 6.5 \pm 0.0625 \text{ (0.256} \pm 0.0025) - (B - A)$$

10) Select three or less shims from following table.

Drive pinion shim	
Part No.	Thickness mm (in)
31451AA050	0.150 (0.0059)
31451AA060	0.175 (0.0069)
31451AA070	0.200 (0.0079)
31451AA080	0.225 (0.0089)
31451AA090	0.250 (0.0098)
31451AA100	0.275 (0.0108)

## E: INSPECTION

- Make sure that all component parts are free of scratches, holes and other faults.
- Adjust the tooth alignment. <Ref. to 4AT-95, ADJUSTMENT, Drive Pinion Shaft Assembly.>

## F: ADJUSTMENT

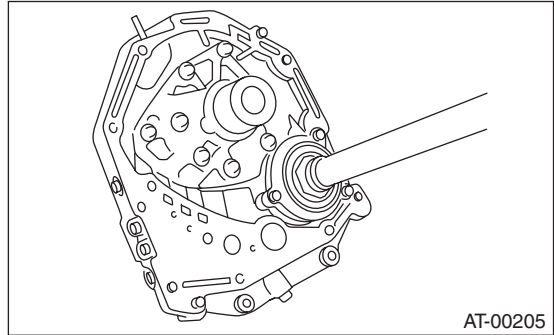
- 1) Remove the liquid gasket from the mating surface completely.
- 2) Install the oil pump housing assembly to the converter case, and secure them by tightening the four bolts evenly.

### NOTE:

Use an old gasket or aluminum washer to prevent damaging the mating surface of the housing.

### Tightening torque:

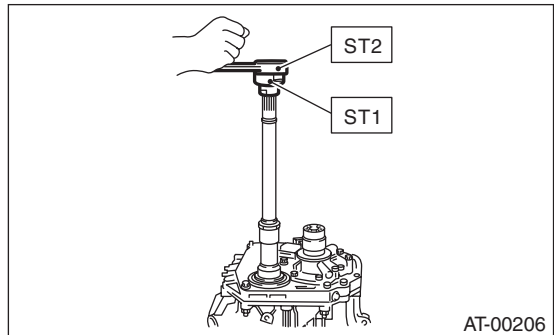
**41 N·m (4.2 kgf·m, 30.2 ft·lb)**



3) Rotate the drive pinion a few times using ST1 and ST2.

ST1 498937110 HOLDER

ST2 499787700 WRENCH



4) Adjust the drive pinion and hypoid driven gear backlash. <Ref. to 4AT-102, ADJUSTMENT, Front Differential Assembly.>

# Drive Pinion Shaft Assembly

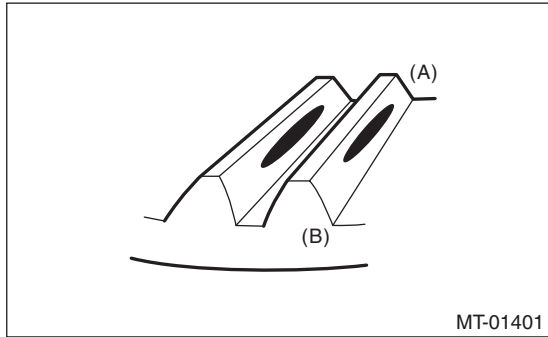
## AUTOMATIC TRANSMISSION

5) Apply lead-free red dye evenly on the surface of three to four teeth of the hypoid driven gear. Rotate the drive pinion back and forward several times. Remove the oil pump housing, and check the teeth contact pattern.

If the teeth contact is inappropriate, adjust the backlash or thickness of the shim. <Ref. to 4AT-102, ADJUSTMENT, Front Differential Assembly.>

- Correct tooth contact

**Check item: Tooth contact surface is slightly shifted toward the toe side under a no-load condition. (When driving, it moves towards the heel side.)**

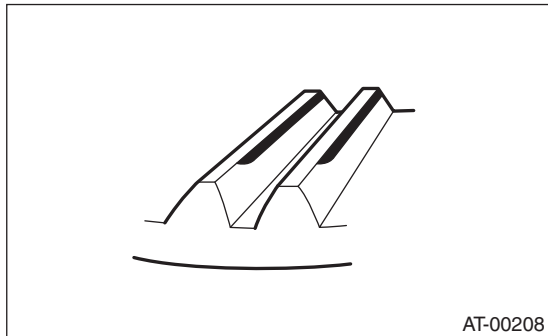


- (A) Toe side
- (B) Heel side

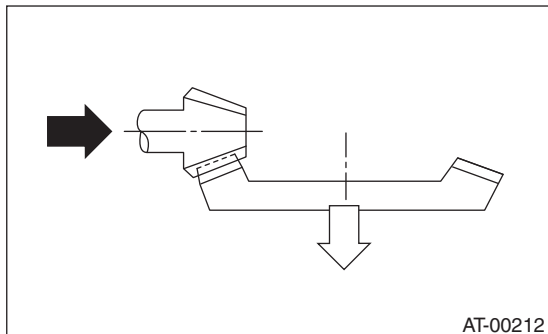
- Face contact

**Check item: Backlash is too large.**

Contact pattern



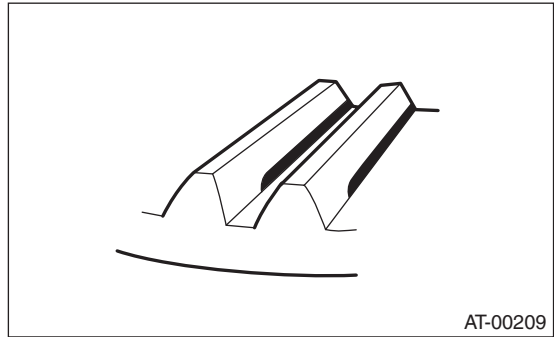
Corrective action: Increase thickness of drive pinion height adjusting washer in order to bring drive pinion close to hypoid driven gear.



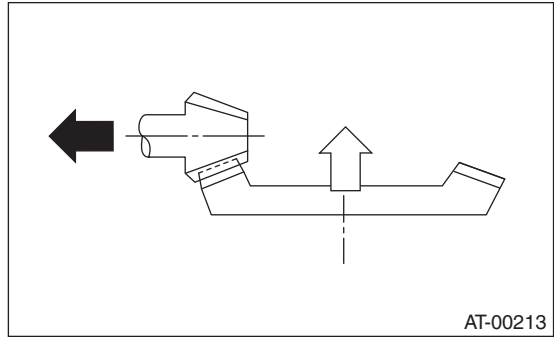
- Flank contact

**Check item: Backlash is too small.**

Contact pattern



Corrective action: Reduce the thickness of pinion height adjusting washer according to the procedure for bringing drive pinion away from hypoid driven gear.



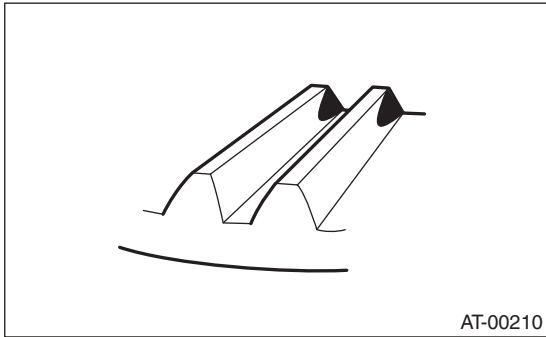
# Drive Pinion Shaft Assembly

AUTOMATIC TRANSMISSION

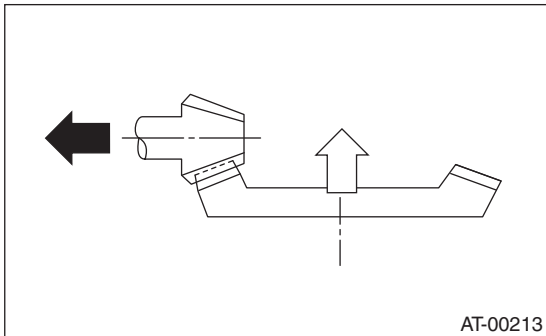
- Toe contact (inside contact)

**Check item: Teeth contact area is too small.**

Contact pattern



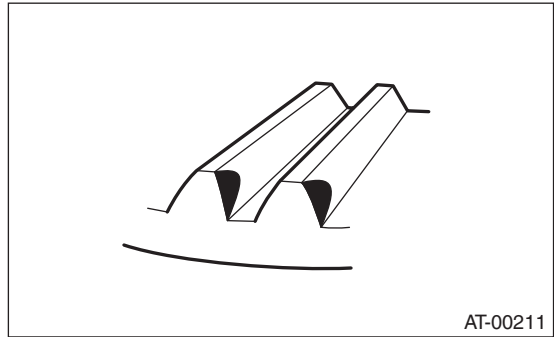
Corrective action: Reduce the thickness of pinion height adjusting washer according to the procedure for bringing drive pinion away from hypoid driven gear side.



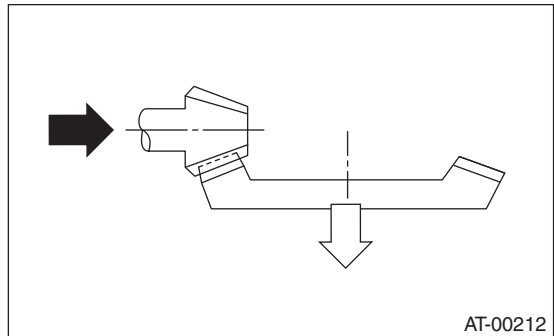
- Heel contact (outside end contact)

**Check item: Teeth contact area is too small.**

Contact pattern



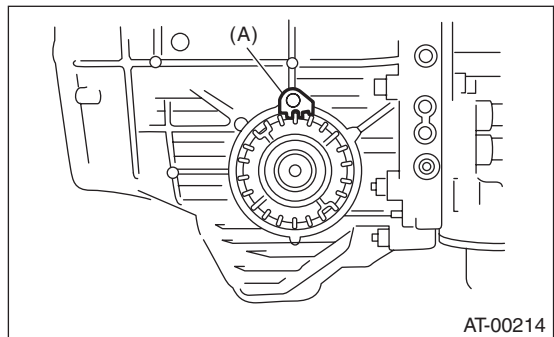
Corrective action: Increase the thickness of the pinion height adjusting washer according to the procedures for moving the drive pinion closer to the hypoid driven gear.



6) If tooth contact is correct, mark the differential side retainer position and loosen. After fitting a new O-ring and oil seal, screw in the differential side retainer to the marked position. Tighten the lock plate with specified torque.

**Tightening torque:**

**25 N·m (2.5 kgf·m, 18.4 ft·lb)**



(A) Lock plate



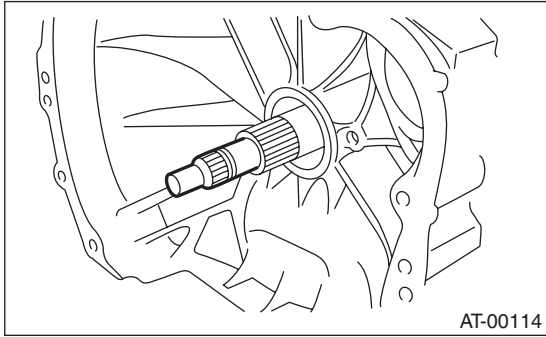
# Front Differential Assembly

AUTOMATIC TRANSMISSION

## 33. Front Differential Assembly

### A: REMOVAL

- 1) Remove the transmission assembly from the vehicle. <Ref. to 4AT-36, REMOVAL, Automatic Transmission Assembly.>
- 2) Pull out the torque converter clutch assembly. <Ref. to 4AT-69, REMOVAL, Torque Converter Clutch Assembly.>
- 3) Remove the input shaft.



- 4) Lift up the lever on the rear side of transmission harness connector, and then remove it from the stay.
  - 5) Remove the inhibitor switch connector from the stay.
  - 6) Remove the oil charge pipe. <Ref. to 4AT-68, REMOVAL, Oil Charge Pipe.>
  - 7) Remove the ATF inlet and outlet pipes. <Ref. to 4AT-64, REMOVAL, ATF Cooler Pipe and Hose.>
  - 8) Separate the converter case from the transmission case. <Ref. to 4AT-83, REMOVAL, Converter Case.>
  - 9) Remove the seal pipe.
  - 10) Remove the differential side retainers using ST.
- ST 18630AA010 WRENCH COMPL RETAINER

#### NOTE:

- ST WRENCH ASSEMBLY (499787000) can also be used.
- Hold the differential case assembly by hand to avoid damaging the retainer mounting hole of the converter case.

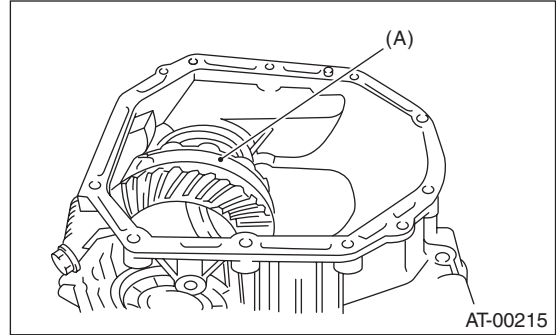
- 11) Remove the front differential assembly while being careful not to damage the attachment part of the retainer.

### B: INSTALLATION

- 1) Install the front differential assembly to the converter case.

#### NOTE:

Be careful not to damage the inside of the converter case (especially the mating surface of the differential side retainer).



(A) Front differential ASSY

- 2) Install the O-ring to left and right side differential retainers.
  - 3) Install the differential side retainers using ST.
- <Ref. to 4AT-102, ADJUSTMENT, Front Differential Assembly.>
- ST 18630AA010 WRENCH COMPL RETAINER

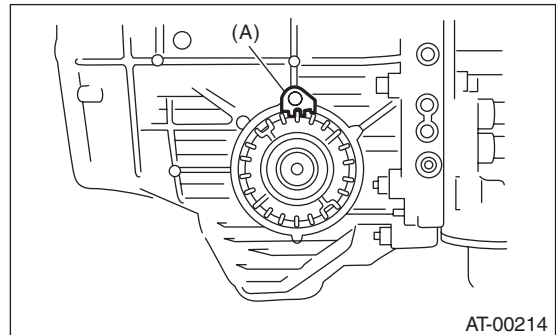
#### NOTE:

ST WRENCH ASSEMBLY (499787000) can also be used.

- 4) Adjust the backlash of the front differential. <Ref. to 4AT-102, ADJUSTMENT, Front Differential Assembly.>
- 5) Install the lock plate.

#### **Tightening torque:**

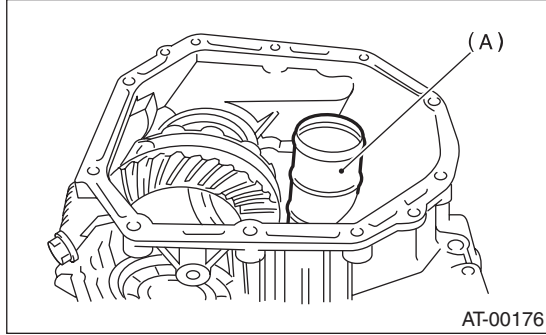
**25 N·m (2.5 kgf·m, 18.4 ft·lb)**



(A) Lock plate



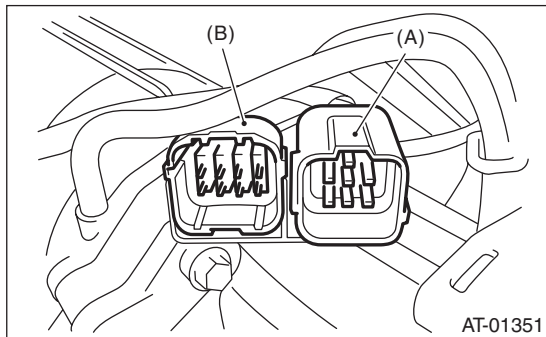
6) Install new seal pipe to converter case.



(A) Seal pipe

7) Install the converter case to the transmission case. <Ref. to 4AT-84, INSTALLATION, Converter Case.>

8) Insert the inhibitor switch connector and transmission harness connector onto the stay.



(A) Transmission harness connectors  
(B) Inhibitor switch connector

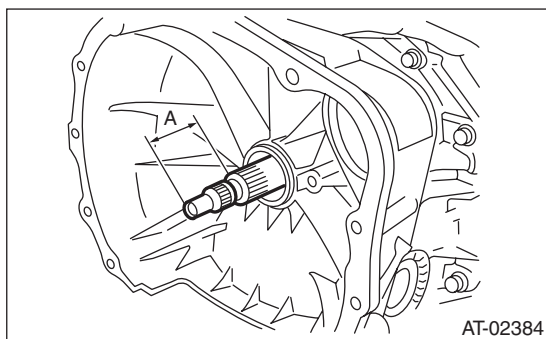
9) Install the ATF cooler pipe. <Ref. to 4AT-65, INSTALLATION, ATF Cooler Pipe and Hose.>

10) Install the oil charge pipe together with an O-ring. <Ref. to 4AT-68, INSTALLATION, Oil Charge Pipe.>

11) Insert the input shaft while rotating it lightly by hand, and then check the amount of protrusion.

**Normal protrusion A:**

**50 — 55 mm (1.97 — 2.17 in)**



A Measured value

12) Install the torque converter clutch assembly. <Ref. to 4AT-69, INSTALLATION, Torque Converter Clutch Assembly.>

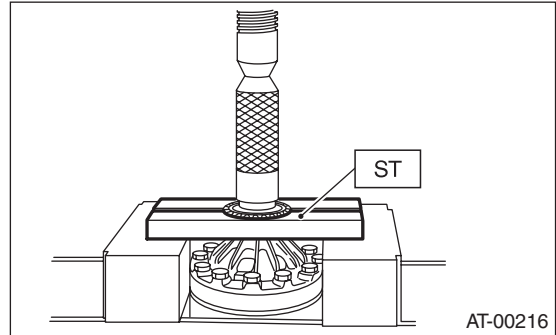
13) Install the transmission assembly to the vehicle. <Ref. to 4AT-40, INSTALLATION, Automatic Transmission Assembly.>

**C: DISASSEMBLY**

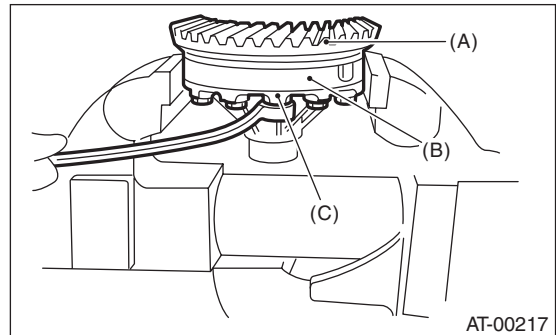
**1. DIFFERENTIAL CASE ASSEMBLY**

1) Remove the taper roller bearing using the ST and the press.

ST 498077000 REMOVER



2) Secure the case in a vise, remove the hypoid driven gear tightening bolts, and then separate the hypoid driven gear into differential case (RH) and differential case (LH).

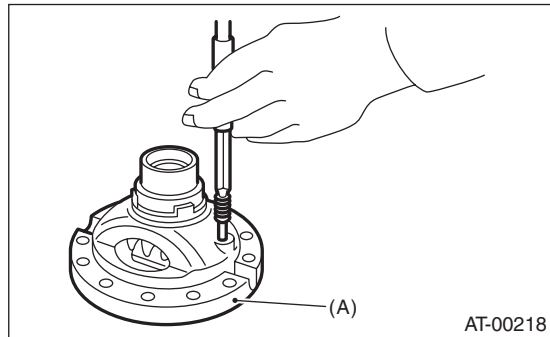


(A) Hypoid driven gear  
(B) Differential case (RH)  
(C) Differential case (LH)

# Front Differential Assembly

## AUTOMATIC TRANSMISSION

3) Pull out the straight pin and pinion shaft, then remove the differential bevel gear, washer and differential bevel pinion.



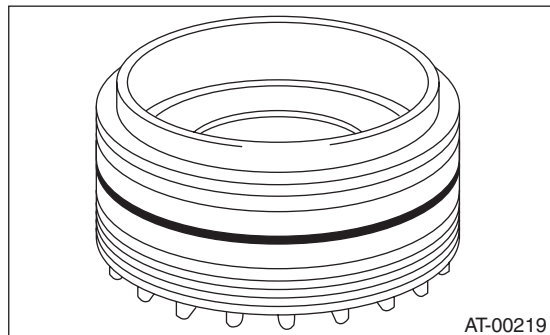
(A) Differential case (RH)

## 2. SIDE RETAINER

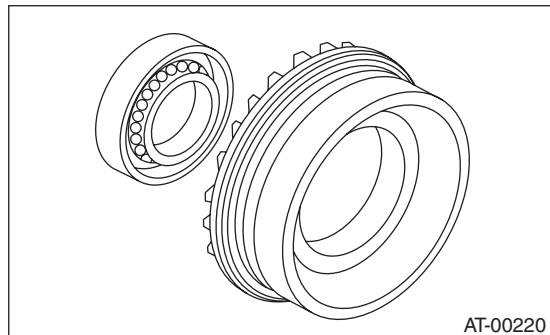
### NOTE:

After adjusting the drive pinion backlash and tooth contact, remove and install the oil seal and O-ring.

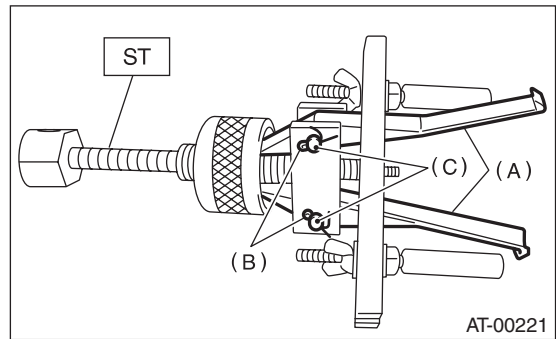
1) Remove the O-ring.



2) Remove the oil seal.



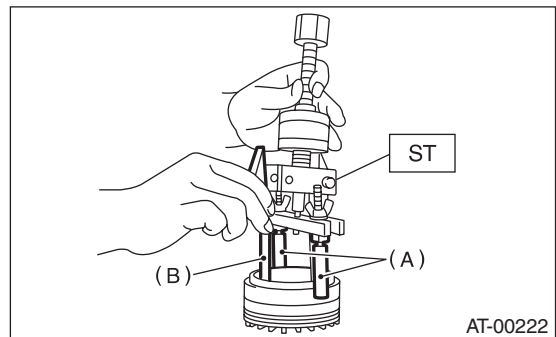
3) Remove the split pin, and then remove the claw.  
ST 398527700 PULLER ASSY



- (A) Claw
- (B) Split pin
- (C) Pin

4) Attach two claws to the outer race, and set the ST to the differential side retainer.

ST 398527700 PULLER ASSY



- (A) Shaft
- (B) Claw

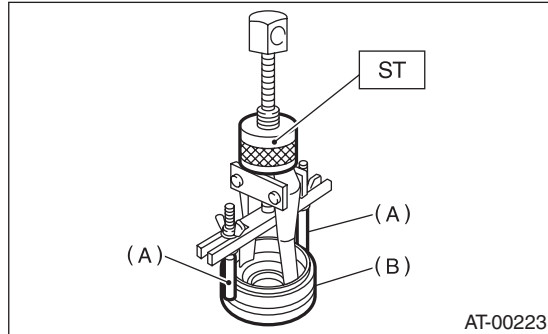
5) Restore the removed claws to original position, and install the pin and split pin.

6) Hold the shaft of ST to avoid detachment from the differential side retainer, and remove the bearing outer race.

ST 398527700 PULLER ASSY

**NOTE:**

Replace the bearing inner and outer races as a single unit.

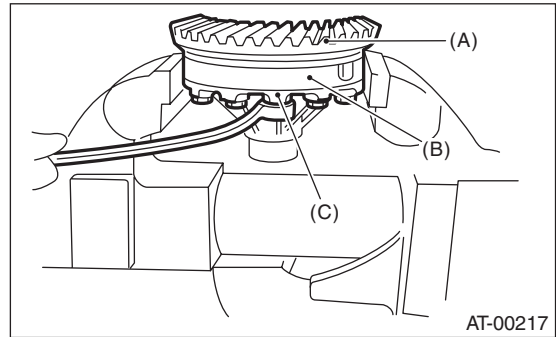


(A) Shaft  
(B) Side retainer

4) Install the hypoid driven gear and secure by tightening the bolt.

**Tightening torque:**

**62 N·m (6.3 kgf·m, 45.7 ft·lb)**

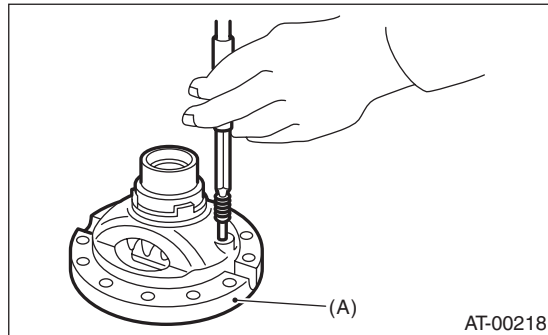


(A) Hypoid driven gear  
(B) Differential case (RH)  
(C) Differential case (LH)

## D: ASSEMBLY

### 1. DIFFERENTIAL CASE ASSEMBLY

- 1) Install the washer, differential bevel gear and differential bevel pinion in the differential case (RH). Insert the pinion shaft.
- 2) Attach the straight pin in the reverse direction.



(A) Differential case (RH)

3) Install the washer and differential bevel gear to differential case (LH). Put the case on the differential case (RH), and assemble two cases.

5) Measurement of backlash (Selection of washer)  
(1) Install the SUBARU genuine axle shaft to differential case.

Part No. 38415AA070 Axle shaft

- (2) Measure the gear backlash using ST1 and ST2, and then insert the ST2 through the access window of case.

ST1 498247001 MAGNET BASE

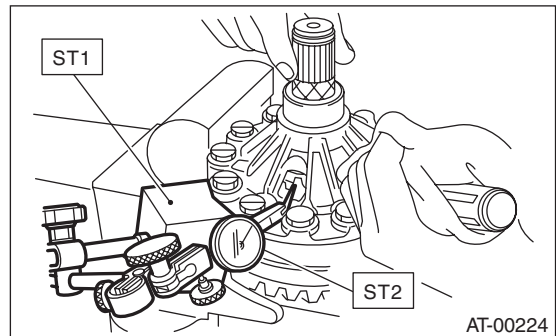
ST2 498247100 DIAL GAUGE

**NOTE:**

- Measure the backlash by applying a differential bevel pinion tooth between two differential bevel gear teeth.
- When measuring, fix the differential bevel pinion gear in place with a screwdriver covered with cloth, or a similar tool.

**Standard:**

**0.13 — 0.18 mm (0.0051 — 0.0071 in)**



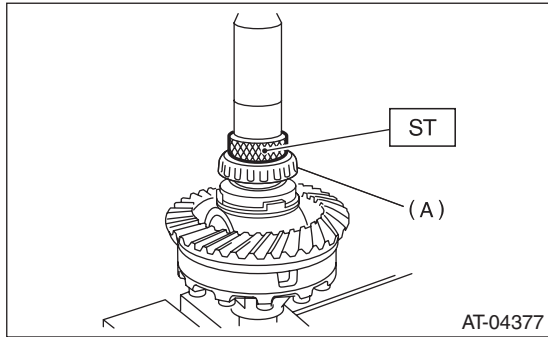
# Front Differential Assembly

## AUTOMATIC TRANSMISSION

(3) If the backlash is out of specification, select a washer from the table below.

Washer	
Part No.	Thickness mm (in)
803038021	0.95 (0.037)
803038022	1.00 (0.039)
803038023	1.05 (0.041)

6) Using the ST, install the taper roller bearing.  
ST 398487700 INSTALLER

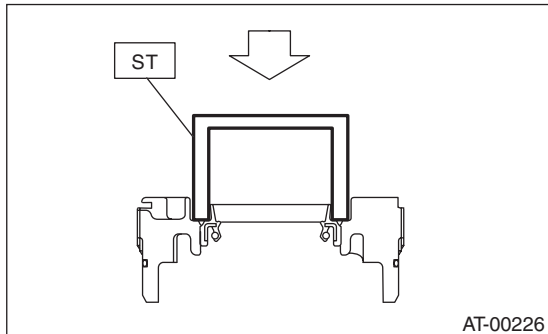


(A) Taper roller bearing

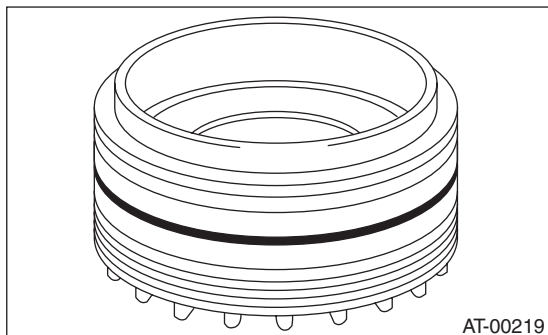
## 2. SIDE RETAINER

1) Install the bearing outer race to the differential side retainer.

2) Install a new oil seal using the ST and a hammer.  
ST 18675AA000 DIFFERENTIAL SIDE OIL SEAL INSTALLER



3) Apply differential gear oil to a new O-ring and install.



## E: INSPECTION

- Check each component for scratches, damage or other faults.
- Measure the backlash, and then adjust it to be within specification. <Ref. to 4AT-102, ADJUSTMENT, Front Differential Assembly.>

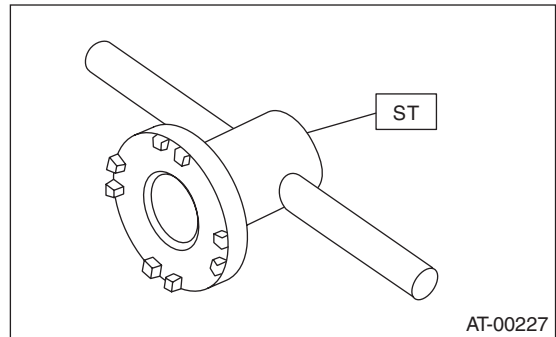
## F: ADJUSTMENT

1) Using the ST, screw-in the differential side retainer until resistance is felt.

ST 18630AA010 WRENCH COMPL RETAINER

NOTE:

- Screw-in the RH side slightly deeper than the LH side.
- ST WRENCH ASSEMBLY (499787000) can also be used.



2) Remove the oil pump housing.

3) Remove the liquid gasket from the mating surface completely.

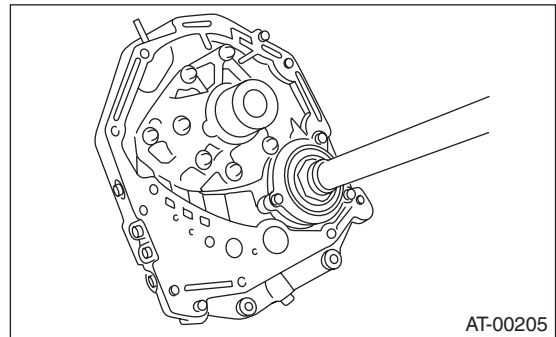
4) Install the oil pump housing assembly to the converter case, and secure them by tightening the four bolts evenly.

NOTE:

Use an old gasket or aluminum washer to prevent damaging the mating surface of the housing.

**Tightening torque:**

**41 N·m (4.2 kgf·m, 30.2 ft·lb)**



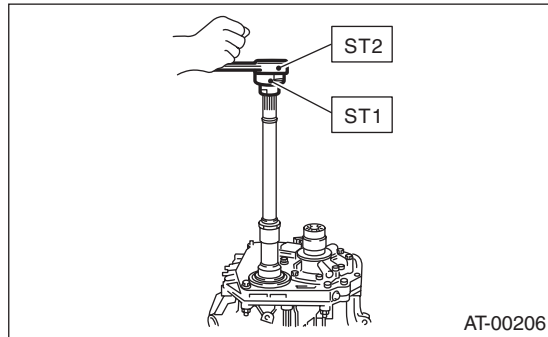
# Front Differential Assembly

AUTOMATIC TRANSMISSION

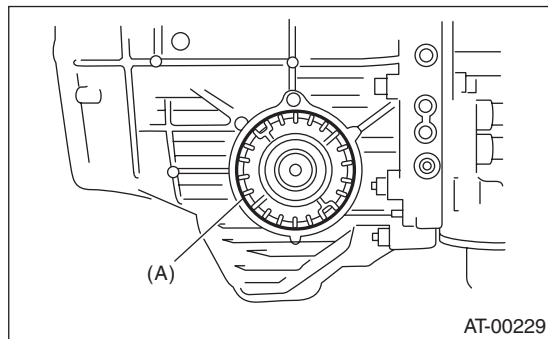
5) Rotate the drive pinion a few times using ST1 and ST2.

ST1 498937110 HOLDER

ST2 499787700 WRENCH

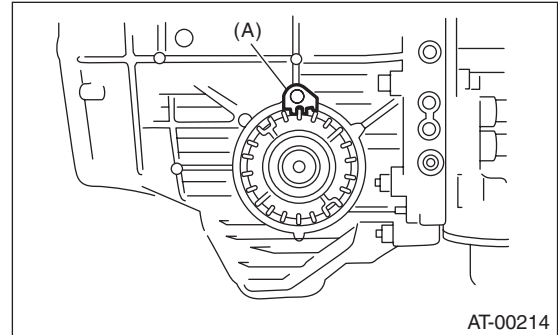


6) Tighten the LH differential side retainer by rotating the shaft until resistance is felt. Then loosen the RH side differential side retainer. Tighten the LH differential side retainer until the pinion shaft no longer turns, and continue to loosen the RH side. This is the “zero” state.



(A) Differential side retainer

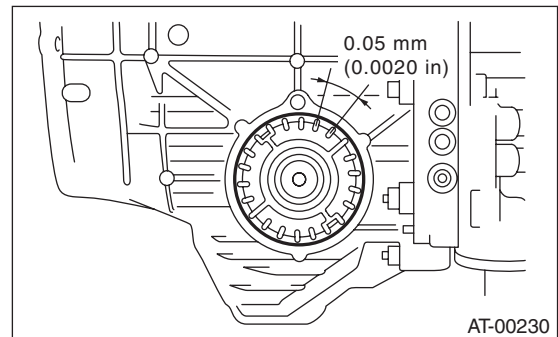
7) After reaching the “zero” state, loosen the LH differential side retainer by 3 notches and secure it with the lock plate. Then after returning the RH differential side retainer, retighten until it stops. Rotate the drive pinion 2 or 3 times. Tighten the RH differential side retainer further by 1-3/4 notches. This sets the preload. Finally, secure the differential side retainer with the lock plate.



(A) Lock plate

## NOTE:

Turning the differential side retainer by one notch changes the backlash approx. 0.05 mm (0.0020 in).



8) Install the Subaru genuine axle shafts to the right and left sides of the front differential. Install the axle shaft to both sides of the front differential section.

Part No. 38415AA000 Axle shaft

## Front Differential Assembly

### AUTOMATIC TRANSMISSION

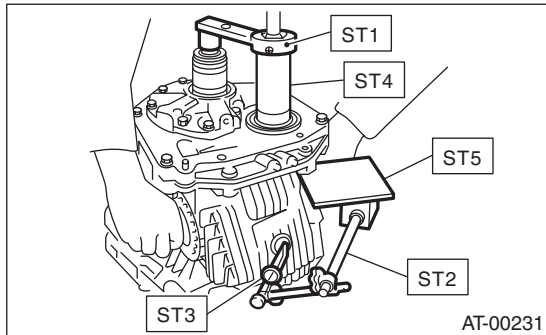
---

9) Turn the drive pinion several times using ST1, and check to see if the backlash is within the specification using ST2, ST3, ST4 and ST5.

ST1	499787700	WRENCH
ST2	498247001	MAGNET BASE
ST3	498247100	DIAL GAUGE
ST4	499787500	ADAPTER
ST5	498255400	PLATE

**Backlash:**

**0.13 — 0.18 mm (0.0051 — 0.0071 in)**

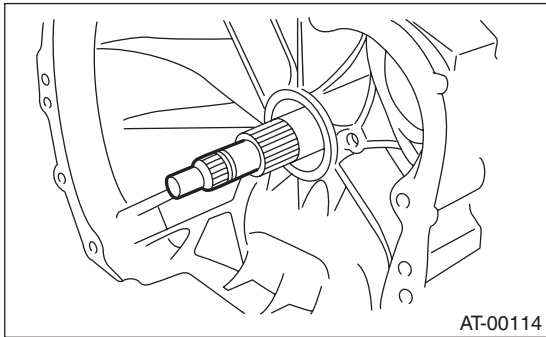


10) Adjust the teeth contact of the front differential and drive pinion shaft. <Ref. to 4AT-95, ADJUSTMENT, Drive Pinion Shaft Assembly.>

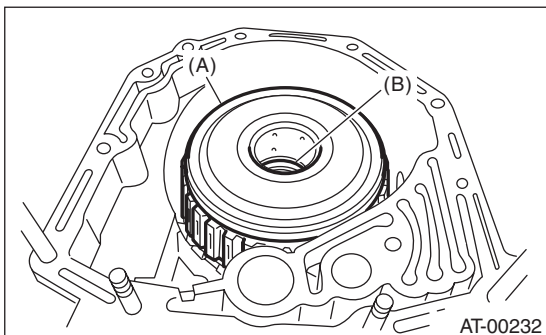
### 34.AT Main Case

#### A: REMOVAL

- 1) Remove the transmission assembly from the vehicle. <Ref. to 4AT-36, REMOVAL, Automatic Transmission Assembly.>
- 2) Pull out the torque converter clutch assembly. <Ref. to 4AT-69, REMOVAL, Torque Converter Clutch Assembly.>
- 3) Remove the input shaft.

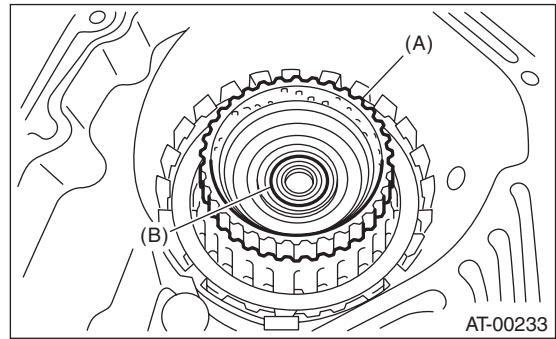


- 4) Lift up the lever on the rear side of transmission harness connector, and then disconnect it from the stay.
- 5) Disconnect the inhibitor switch connector from the stay.
- 6) Disconnect the air breather hose.
- 7) Remove the oil charge pipe. <Ref. to 4AT-68, REMOVAL, Oil Charge Pipe.>
- 8) Remove the ATF inlet and outlet pipes. <Ref. to 4AT-64, REMOVAL, ATF Cooler Pipe and Hose.>
- 9) Separate the converter case from the transmission case. <Ref. to 4AT-83, REMOVAL, Converter Case.>
- 10) Remove the oil pump housing. <Ref. to 4AT-86, REMOVAL, Oil Pump Housing.>
- 11) Take out the high clutch, thrust needle bearing and reverse clutch assembly.



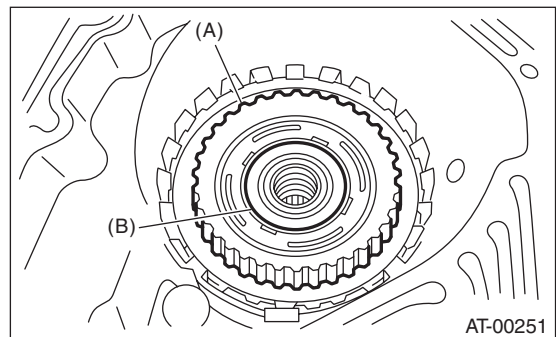
- (A) High clutch and reverse clutch ASSY
- (B) Thrust needle bearing

- 12) Take out the high clutch hub and thrust needle bearing.



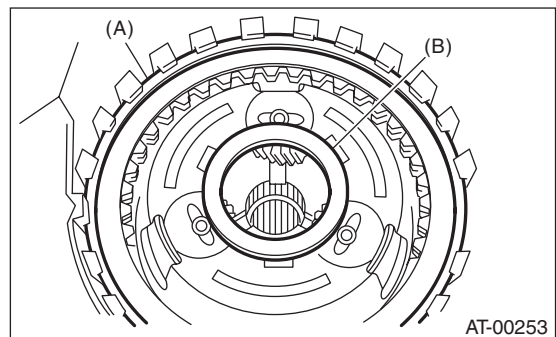
- (A) High clutch hub
- (B) Thrust needle bearing

- 13) Take out the front sun gear and thrust needle bearing.



- (A) Front sun gear
- (B) Thrust needle bearing

- 14) Remove the snap ring and thrust needle bearing.



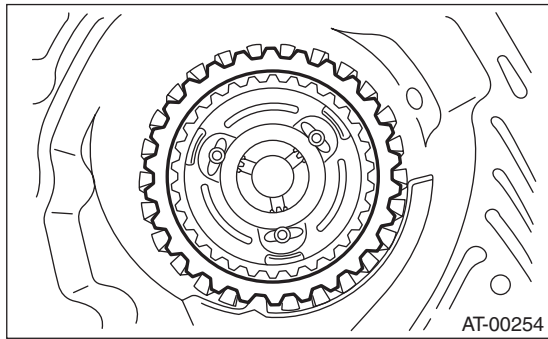
- (A) Snap ring
- (B) Thrust needle bearing



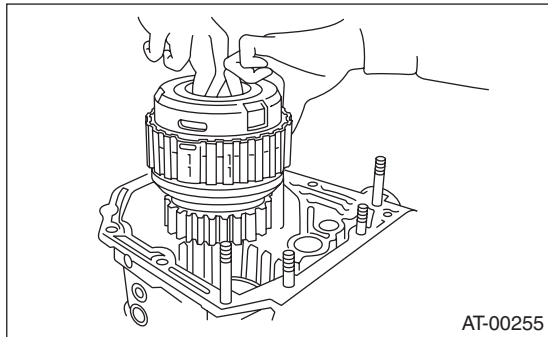
# AT Main Case

## AUTOMATIC TRANSMISSION

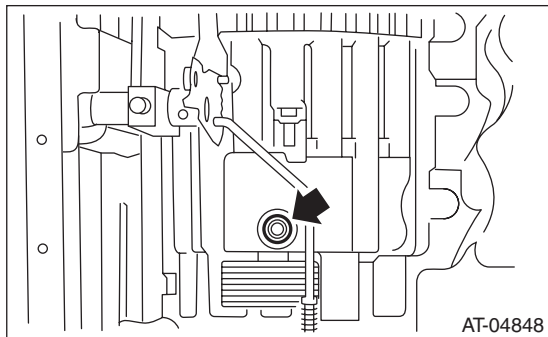
15) Take out the retaining plate, drive plate and driven plate of the 2-4 brake.



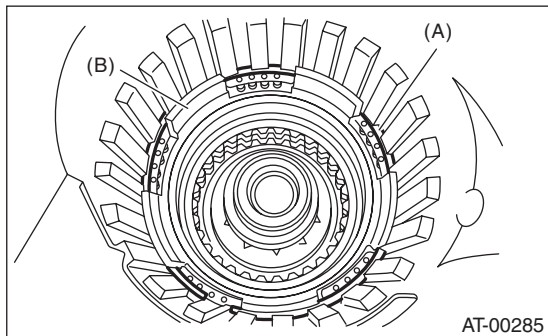
16) Take out the thrust needle bearing, planetary gear assembly and low clutch assembly.



17) Remove the 2-4 brake seal.

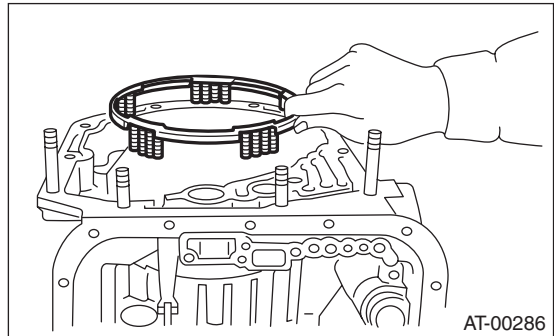


18) Remove the snap ring.

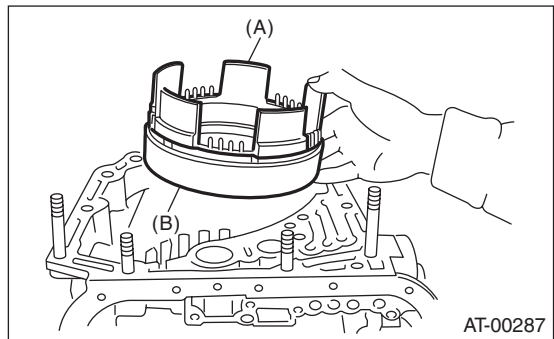


- (A) Snap ring
- (B) 2-4 brake piston

19) Take out the 2-4 brake spring retainer.

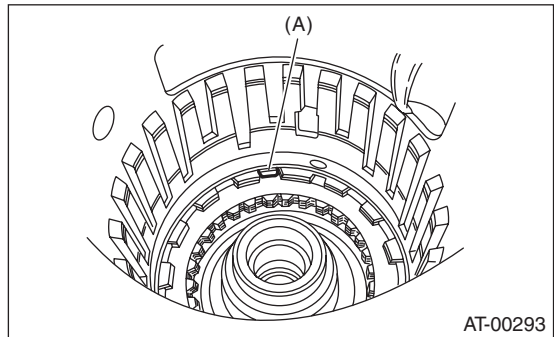


20) Remove the 2-4 brake piston and 2-4 brake piston retainer while taking care not to damage them.



- (A) 2-4 brake piston
- (B) 2-4 brake piston retainer

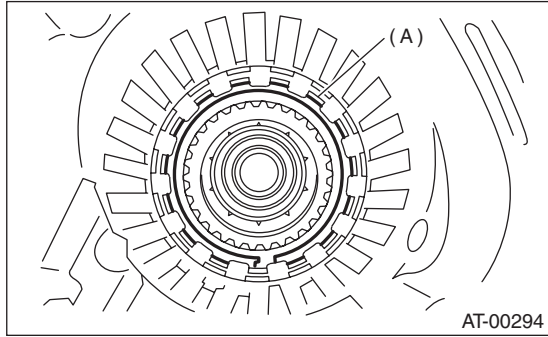
21) Pull out the leaf spring of the low & reverse brake while being careful not to bend it.



- (A) Leaf spring

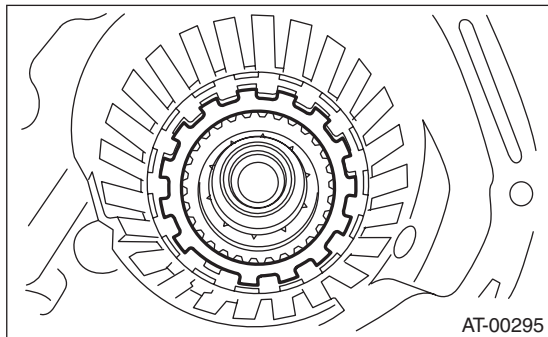


22) Remove the snap ring.

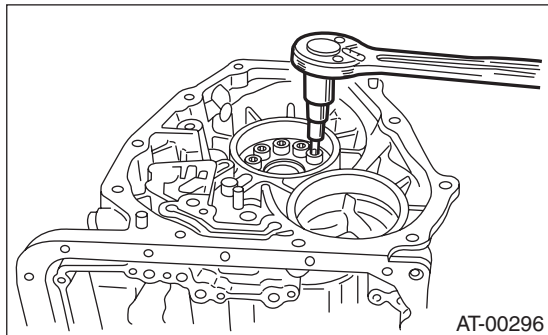


(A) Snap ring

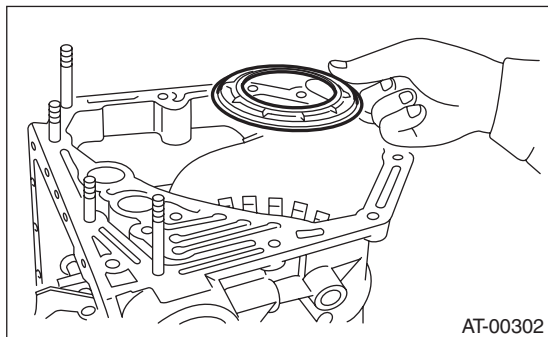
23) Take out the retaining plate, drive plate, driven plate and dish plate of the low & reverse brake.



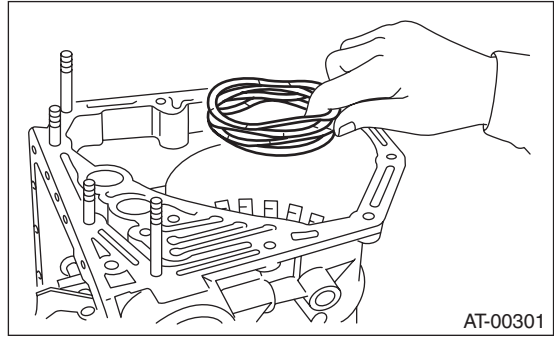
24) Turn the transmission case upside down, and then take out the socket bolts while holding the one-way clutch inner race by hand.



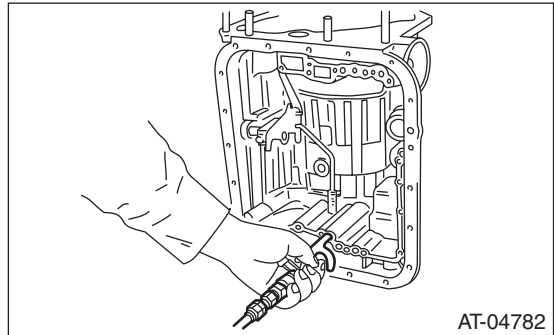
25) Remove the spring retainer.



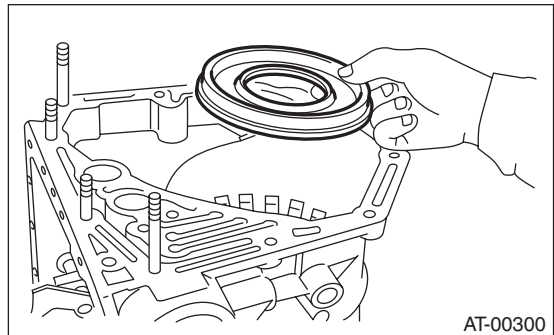
26) Take out the return spring.



27) Apply compressed air.



28) Take out the low & reverse brake piston.



# AT Main Case

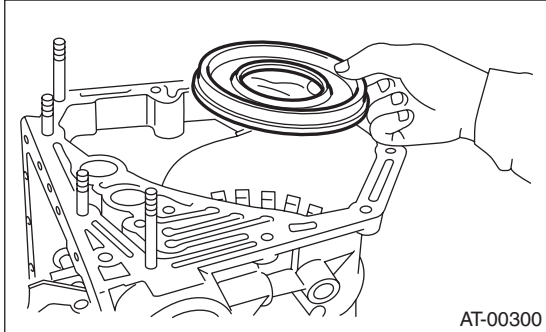
## AUTOMATIC TRANSMISSION

### B: INSTALLATION

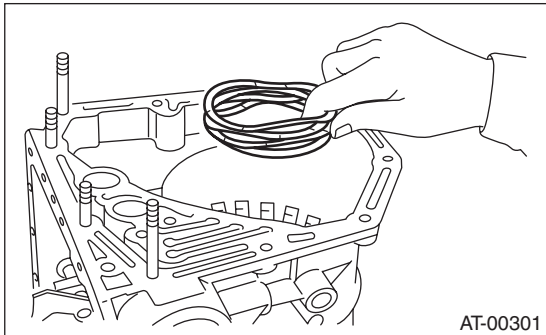
1) Apply ATF to the lip, and install the low & reverse brake piston.

**NOTE:**

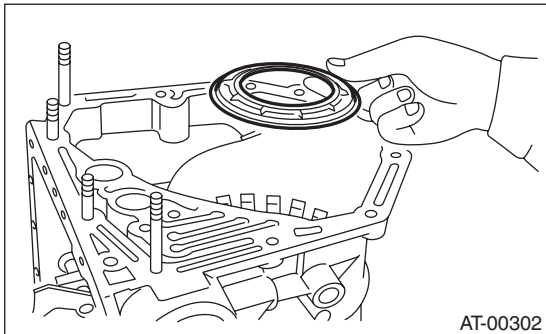
Take care not to damage the lip seal.



2) Install the return spring.



3) Install the spring retainer.

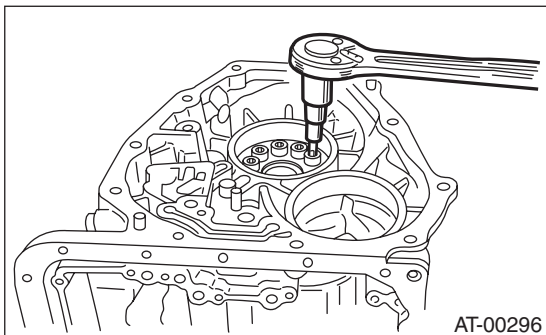


4) Install the one-way clutch inner race.

5) Tighten the socket head bolts evenly from the rear side of transmission case.

**Tightening torque:**

**25 N·m (2.5 kgf·m, 18.4 ft·lb)**



6) Place the front side of transmission body up.

7) Install the thrust needle bearing.

8) Place the dish plate, driven plate, drive plate and retaining plate neatly in this order on surface table.

9) Set the dial gauge to retaining plate, and read its scale.

**NOTE:**

The value, which is read in the gauge at this time, is zero point.

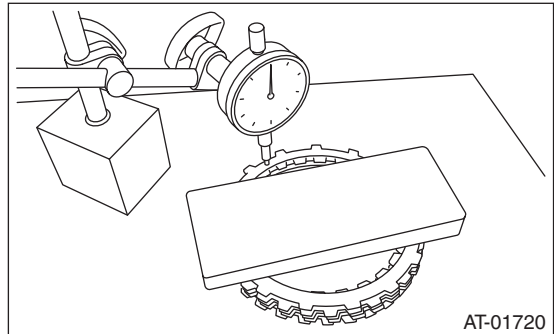
10) Scale and record the weight "Z" of the flat board that will be placed on the retaining plate.

**NOTE:**

- Use a stiff board which does not bend against load as a flat board to be put on retaining plate.

- Use a flat board weighing less than 8.5 kgf (18.7 lb).

11) Put the flat board on retaining plate.



12) Using the following formula, read the push/pull gauge, and calculate "N".

$$N = 83 \text{ N (8.5 kgf, 18.7 lb)} - Z$$

N: Value indicated on push/pull gauge

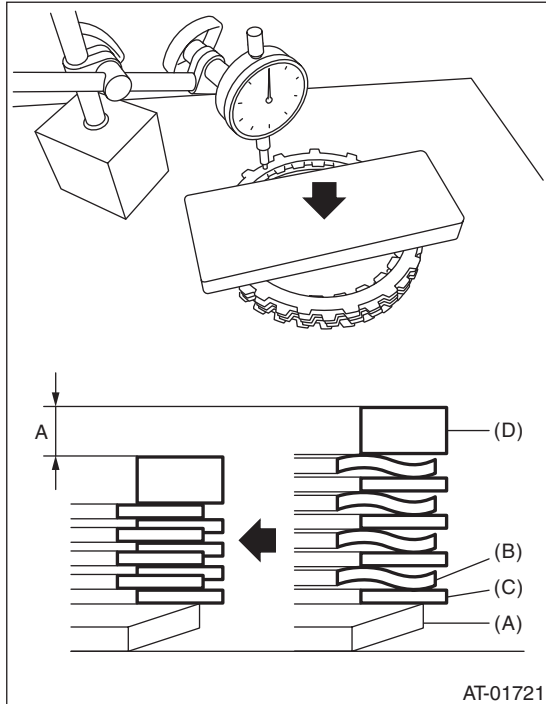
83 N (8.5 kgf, 18.7 lb) : Load applied to clutch plate

Z: Flat board weight

13) Press the center of retaining plate with a force of N using a push/pull gauge, and measure and record height "A". Measure at three or more locations spaced by equal distances and take the average value.

**NOTE:**

If measuring in three locations, measure every 120°. If measuring in four locations, measure every 90°.



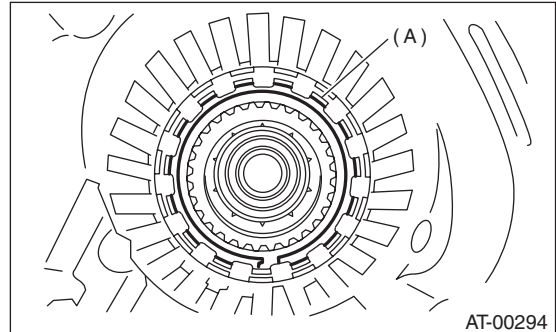
A Measured value

- (A) Dish plate
- (B) Drive plate
- (C) Driven plate
- (D) Retaining plate

14) Installation of the low & reverse brake: Install the dish plate, driven plate, drive plate and retaining plate, and then secure them with a snap ring.

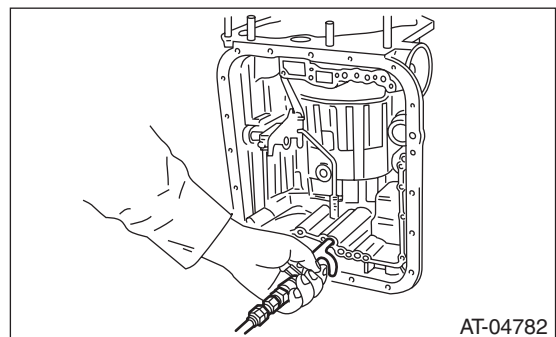
**NOTE:**

Pay attention to the orientation of the dish plate.



(A) Snap ring

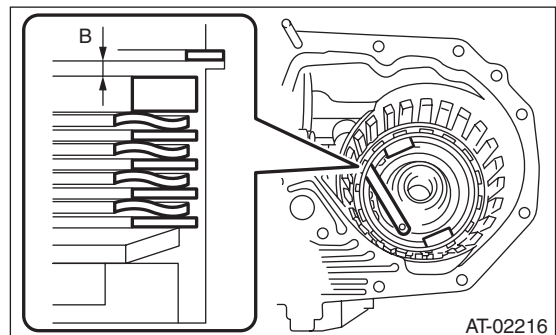
15) Apply compressed air intermittently to check for operation.



16) Place same thickness shims on both sides to prevent plate from tilting, then measure and record the clearance "B".

**NOTE:**

Do not push in the shim down with force to a point where the waves on the drive plate will be crushed.



B Measured value

# AT Main Case

## AUTOMATIC TRANSMISSION

### 17) Piston stroke calculation

Calculate from the recorded dimension A and B, and if the service limit is exceeded, replace the drive plate with a new part, and select a retaining plate to make an adjustment so that it is within standard.

$$T = A + B$$

T: Piston stroke

A: Amount of drive plate compression

B: Clearance between retaining plate and snap ring

#### Non-turbo model

**Initial standard:**

**2.15 — 2.65 mm (0.085 — 0.104 in)**

**Limit thickness:**

**2.95 mm (0.116 in)**

#### Turbo model

**Initial standard:**

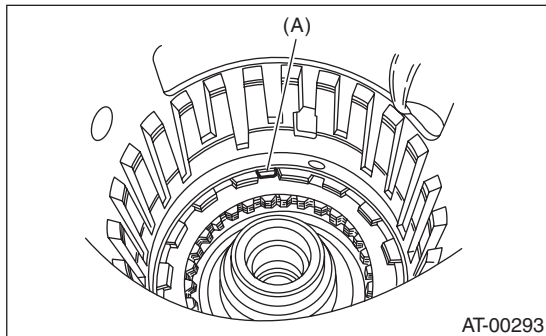
**2.70 — 3.20 mm (0.106 — 0.126 in)**

**Limit thickness:**

**3.90 mm (0.154 in)**

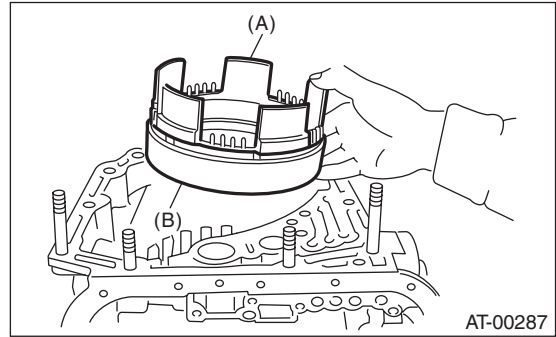
Retaining plate	
Part No.	Thickness mm (in)
31667AA420	3.8 (0.150)
31667AA320	4.1 (0.161)
31667AA330	4.4 (0.173)
31667AA340	4.7 (0.185)
31667AA350	5.0 (0.197)
31667AA360	5.3 (0.209)
31667AA370	5.6 (0.220)
31667AA380	5.9 (0.232)

18) Install the leaf spring of the low & reverse brake.



(A) Leaf spring

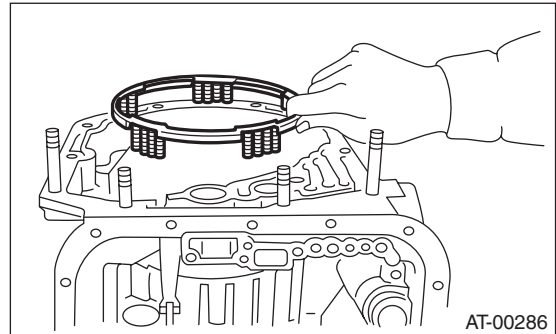
19) Install the 2-4 brake piston and 2-4 brake retainer by aligning the hole of the 2-4 brake retainer with the hole on the transmission case.



(A) 2-4 brake piston

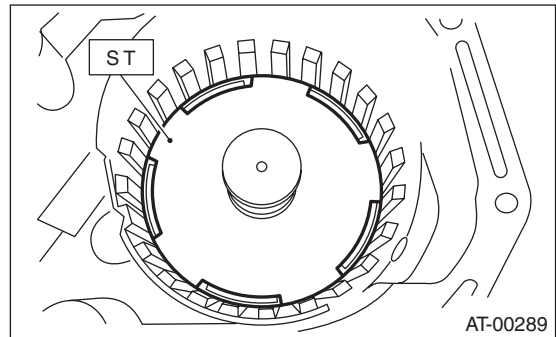
(B) 2-4 brake piston retainer

20) Install the 2-4 brake piston spring retainer to the transmission case.



21) Position the snap ring in the transmission. Using ST, press the snap ring into the specified location.

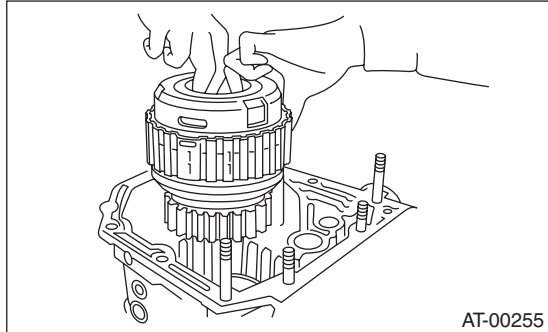
ST 498677100 COMPRESSOR



22) Install the planetary gear and low clutch assembly to the transmission case.

**NOTE:**

Install carefully while rotating the low clutch and planetary gear assembly slowly, being careful not to damage the seal ring.



23) Measure the amount of drive plate compression and record that value. (Non-turbo model)

(1) Place the dish plate, driven plate, drive plate and retaining plate neatly in this order on surface table.

(2) Set the dial gauge to the clutch, and read its scale.

**NOTE:**

The value, which is read in the gauge at this time, is zero point.

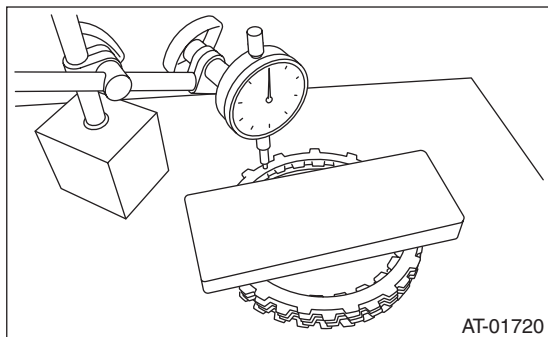
(3) Scale and record the weight "Z" of the flat board that will be placed on the retaining plate.

**NOTE:**

- Use a stiff board which does not bend against load as a flat board to be put on retaining plate.

- Use a flat board weighing less than 10.2 kg (22.5 lb).

(4) Put the flat board on retaining plate.



(5) Using the following formula, read the push/pull gauge, and calculate "N".

$$N = 100 \text{ N (10.2 kgf, 22.5 lb)} - Z$$

N: Value indicated on push/pull gauge

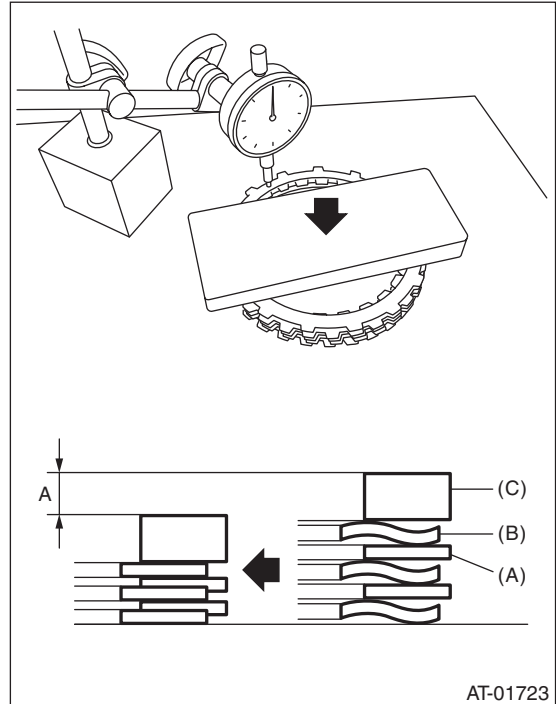
100 N (10.2 kgf, 22.5 lb) : Load applied to clutch plate

Z: Flat board weight

(6) Press the center of retaining plate with a force of N using a push/pull gauge, and measure and record height "A". Measure at three or more locations spaced by equal distances and take the average value.

**NOTE:**

If measuring in three locations, measure every 120°. If measuring in four locations, measure every 90°.



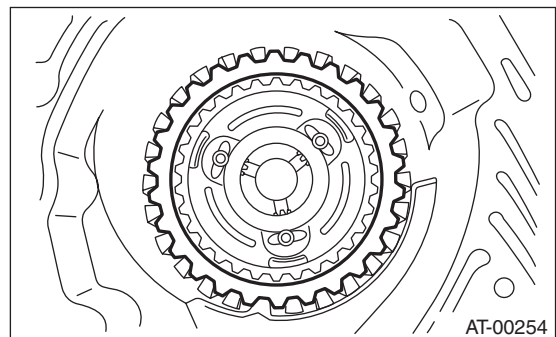
A Measured value

(A) Driven plate

(B) Drive plate

(C) Retaining plate

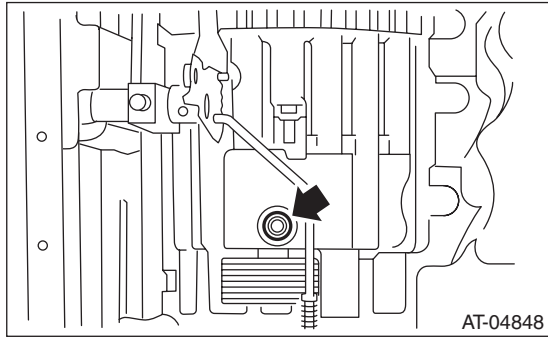
24) Install the pressure rear plate, 2-4 brake drive plate, driven plate, retaining plate and snap ring.



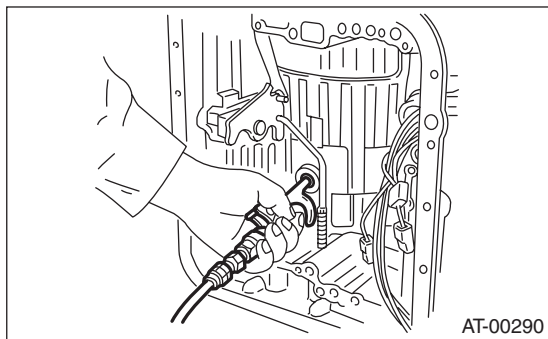
# AT Main Case

## AUTOMATIC TRANSMISSION

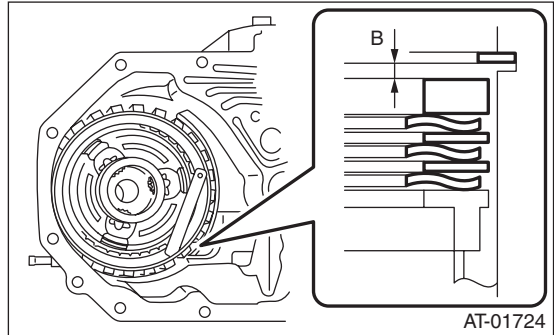
25) Install a new 2-4 brake seal to the transmission case.



26) After all 2-4 brake component parts have been installed, blow in air intermittently and confirm the operation of the brake.



27) Check the piston stroke. (Non-turbo model)  
 (1) Measure clearance "B" between the retaining plate and snap ring.  
 At this time, do not press down the retaining plate.



B Measured value

(2) Piston stroke calculation  
 Calculate with A and B dimensions recorded before. If the calculated value exceeds the service limits, replace the drive plate and select and adjust the retaining plate to be within standard values.

$$T = A + B$$

T: Piston stroke

A: Amount of drive plate compression

B: Clearance between retaining plate and snap ring

**Initial standard:**

**1.7 — 2.1 mm (0.067 — 0.083 in)**

**Limit thickness:**

**2.3 mm (0.091 in)**

Retaining plate	
Part No.	Thickness mm (in)
31567AA991	5.6 (0.220)
31567AB001	5.8 (0.228)
31567AB011	6.0 (0.236)
31567AB021	6.2 (0.244)
31567AB031	6.4 (0.252)
31567AB041	6.6 (0.260)



28) Check the clearance between the retaining plate and snap ring. (Turbo model)

**NOTE:**

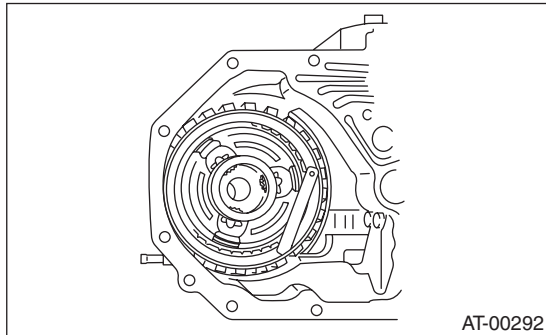
If the clearance exceeds the service limits, replace the driven plate and select and adjust the retaining plate to make the clearance fall within initial standard values.

**Initial standard:**

**0.8 — 1.2 mm (0.031 — 0.047 in)**

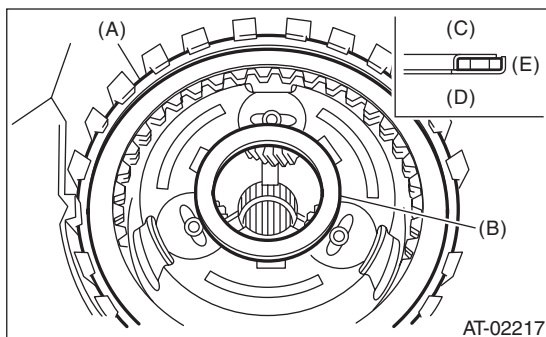
**Limit thickness:**

**1.5 mm (0.059 in)**



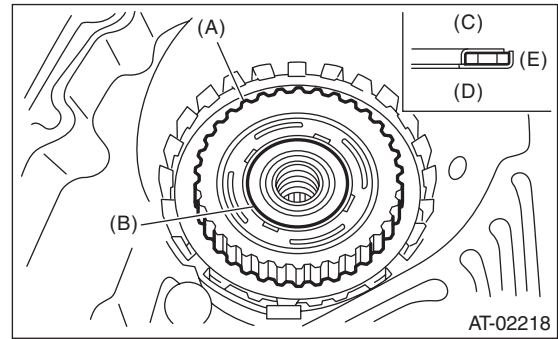
Retaining plate	
Part No.	Thickness mm (in)
31567AA991	5.6 (0.220)
31567AB001	5.8 (0.228)
31567AB011	6.0 (0.236)
31567AB021	6.2 (0.244)
31567AB031	6.4 (0.252)
31567AB041	6.6 (0.260)

29) Install the thrust needle bearing in the correct direction.



- (A) Snap ring
- (B) Thrust needle bearing
- (C) Upside
- (D) Downside
- (E) Outside

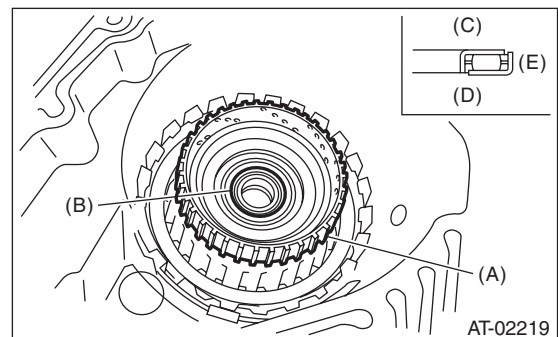
30) Install the front sun gear and the thrust needle bearing.



- (A) Front sun gear
- (B) Thrust needle bearing
- (C) Upside
- (D) Downside
- (E) Outside

31) Apply vaseline, and attach the thrust needle bearing to the high clutch hub, then engage the splines of the front planetary carrier correctly to install the high clutch hub.

32) Install the thrust needle bearing in the correct direction.

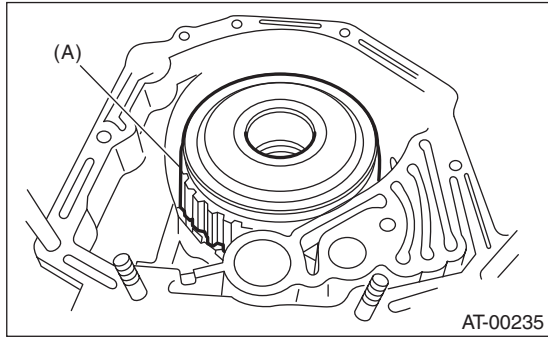


- (A) High clutch hub
- (B) Thrust needle bearing
- (C) Upside
- (D) Downside
- (E) Outside

# AT Main Case

## AUTOMATIC TRANSMISSION

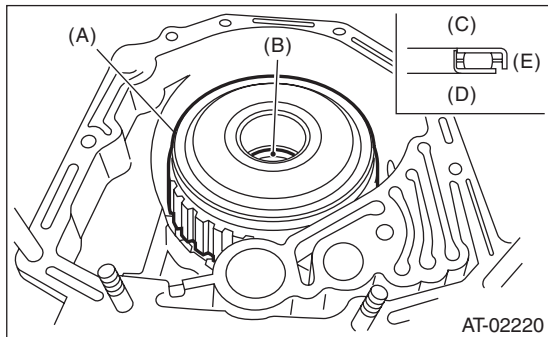
33) Install the high clutch assembly and reverse clutch assembly.



(A) High clutch ASSY and reverse clutch ASSY

34) Adjust the total end play. <Ref. to 4AT-91, ADJUSTMENT, Oil Pump Housing.>

35) Install the thrust needle bearing in the correct direction.

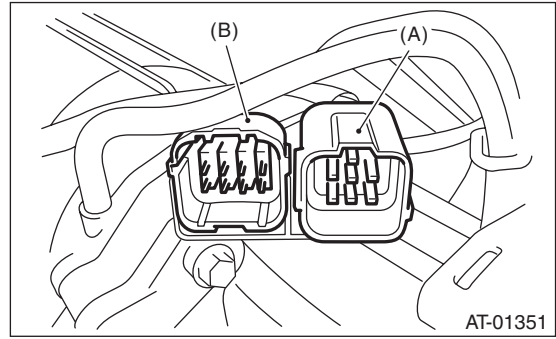


- (A) High clutch ASSY and reverse clutch ASSY
- (B) Thrust needle bearing
- (C) Upside
- (D) Downside
- (E) Outside

36) Install a new gasket along with the oil pump housing assembly. <Ref. to 4AT-87, INSTALLATION, Oil Pump Housing.>

37) Install the converter case to the transmission case assembly. <Ref. to 4AT-84, INSTALLATION, Converter Case.>

38) Insert the inhibitor switch connector and transmission harness connector onto the stay.



- (A) Transmission harness connectors
- (B) Inhibitor switch connector

39) Install the air breather hose. <Ref. to 4AT-67, INSTALLATION, Air Breather Hose.>

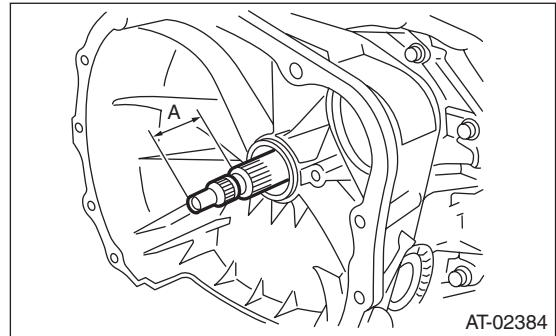
40) Install the ATF cooler pipe. <Ref. to 4AT-65, INSTALLATION, ATF Cooler Pipe and Hose.>

41) Install the oil charge pipe together with an O-ring. <Ref. to 4AT-68, INSTALLATION, Oil Charge Pipe.>

42) Insert the input shaft while rotating it lightly by hand, and then check the amount of protrusion.

### **Normal protrusion A:**

**50 — 55 mm (1.97 — 2.17 in)**



A Measured value

43) Install the torque converter clutch assembly. <Ref. to 4AT-69, INSTALLATION, Torque Converter Clutch Assembly.>

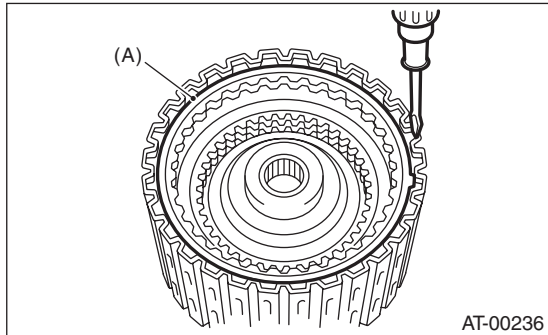
44) Install the transmission assembly to the vehicle. <Ref. to 4AT-40, INSTALLATION, Automatic Transmission Assembly.>



### C: DISASSEMBLY

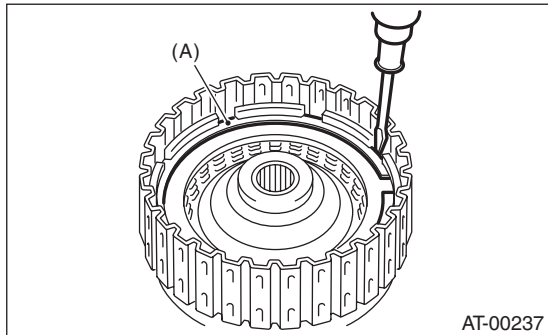
#### 1. HIGH CLUTCH AND REVERSE CLUTCH

1) Remove the snap ring, and then take out the retaining plate, drive plate and driven plate.



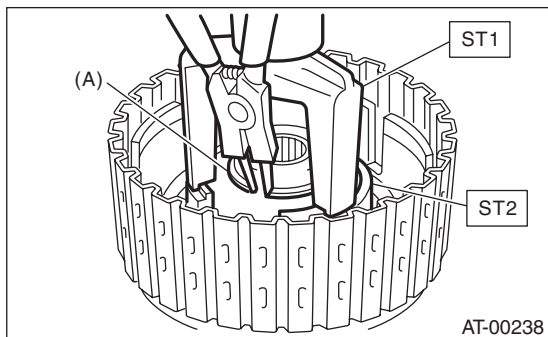
(A) Snap ring

2) Remove the snap ring, and then take out the retaining plate, drive plate and driven plate.



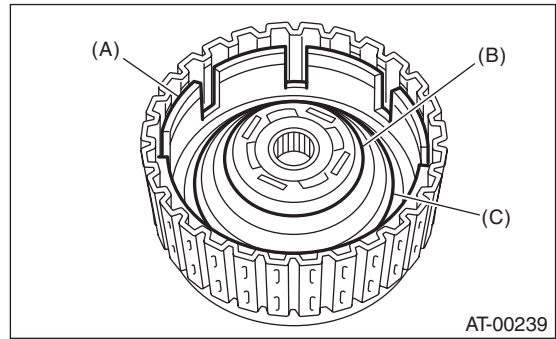
(A) Snap ring

3) Using the ST1 and ST2, remove the snap ring.  
ST1 398673600 COMPRESSOR  
ST2 498627100 SEAT



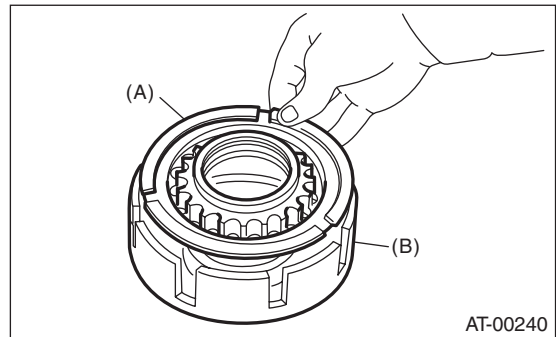
(A) Snap ring

4) Take out the clutch cover, spring retainer, high clutch piston and reverse clutch piston.



(A) Reverse clutch piston  
(B) Clutch cover  
(C) Return spring

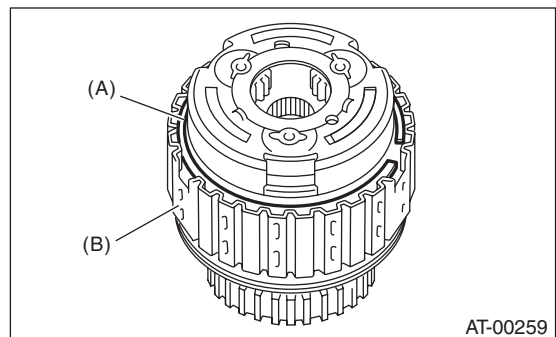
5) Remove the seal ring and lip seal from the high clutch piston and reverse clutch piston.



(A) High clutch piston  
(B) Reverse clutch piston

#### 2. PLANETARY GEAR AND LOW CLUTCH

1) Remove the snap ring from low clutch drum.

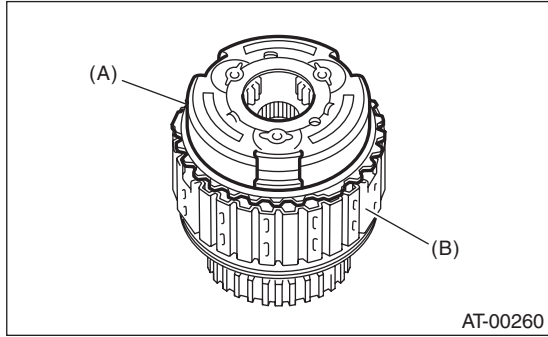


(A) Snap ring  
(B) Low clutch drum

# AT Main Case

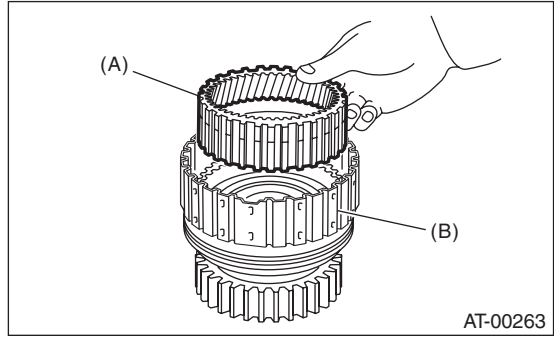
## AUTOMATIC TRANSMISSION

2) Take out the front planetary carrier.



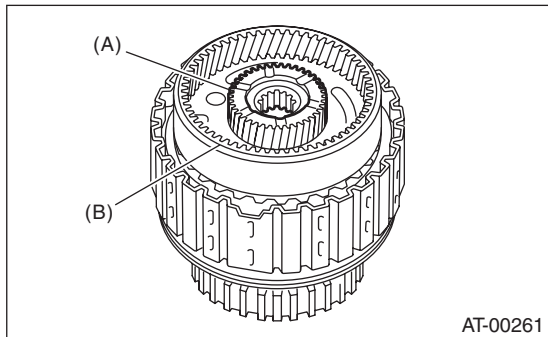
- (A) Front planetary carrier
- (B) Low clutch drum

5) Take out the rear internal gear.



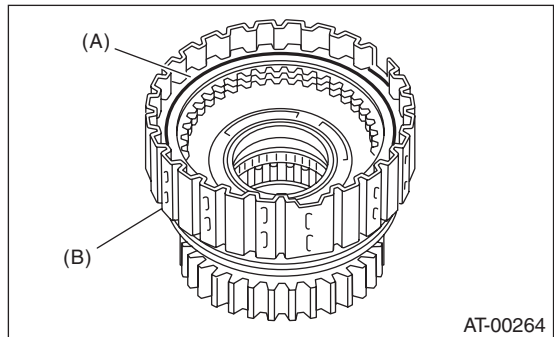
- (A) Rear internal gear
- (B) Low clutch drum

3) Take out the rear sun gear.



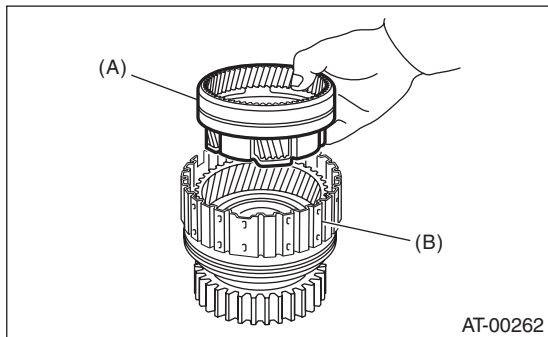
- (A) Rear sun gear
- (B) Rear planetary carrier

6) Remove the snap ring from low clutch drum.



- (A) Snap ring
- (B) Low clutch drum

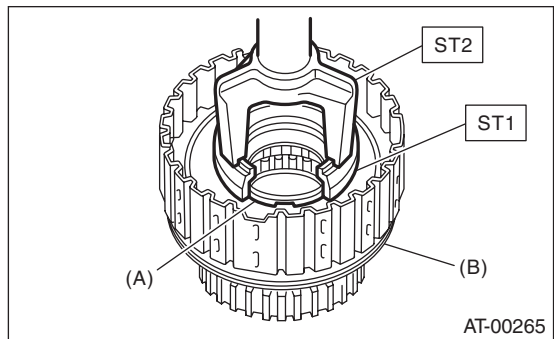
4) Take out the rear planetary carrier, washer and thrust needle bearing.



- (A) Rear planetary carrier
- (B) Low clutch drum

7) Compress the spring retainer of the low & reverse brake, and remove the snap ring from the low clutch drum using ST1 and ST2.

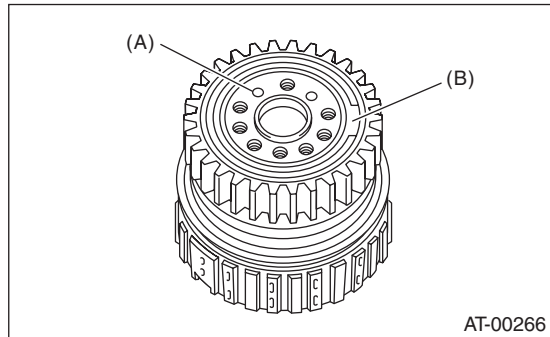
ST1 498627100 SEAT  
ST2 398673600 COMPRESSOR



- (A) Snap ring
- (B) Low clutch drum

8) Remove the one-way clutch. <Ref. to 4AT-105, REMOVAL, AT Main Case.>

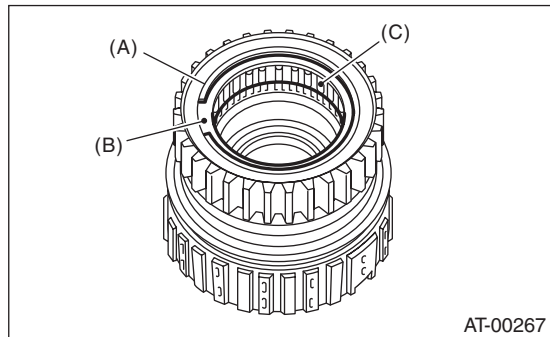
9) Install the one-way clutch inner race to the low clutch drum, and then apply compressed air to remove the low clutch piston.



- (A) Apply compressed air.
- (B) One-way clutch inner race

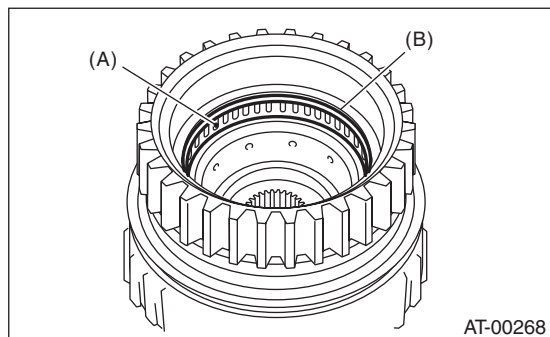
10) Remove the one-way clutch inner race.

11) Remove the one-way clutch after taking out the snap ring.



- (A) Snap ring
- (B) Plate
- (C) One-way clutch

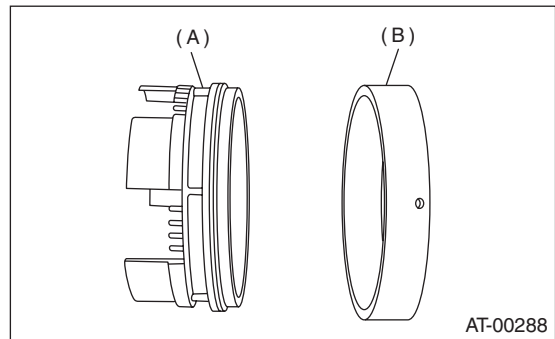
12) Remove the needle bearing after taking out the snap ring.



- (A) Needle bearing
- (B) Snap ring

### 3. 2-4 BRAKE

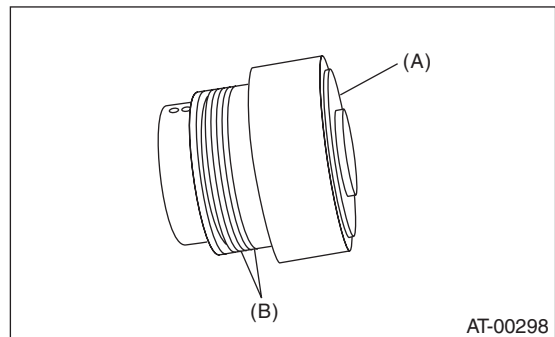
Separate the 2-4 brake piston and piston retainer.



- (A) 2-4 brake piston
- (B) 2-4 brake piston retainer

### 4. ONE-WAY CLUTCH INNER RACE

1) Remove the seal ring.



- (A) One-way clutch inner race
- (B) Seal ring

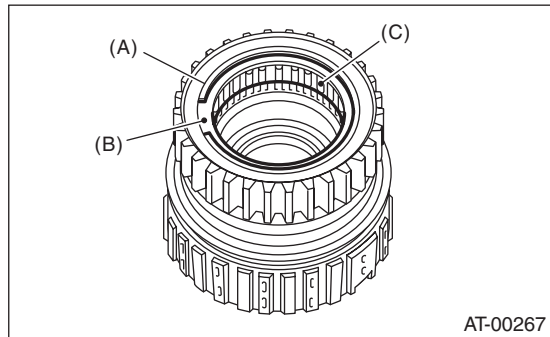
2) Remove the needle bearing using ST.  
ST 398527700 PULLER ASSY

# AT Main Case

## AUTOMATIC TRANSMISSION

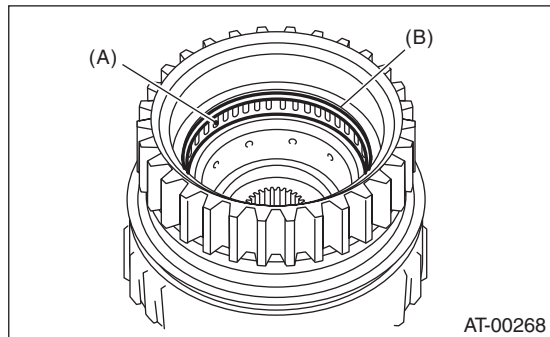
### 5. ONE-WAY CLUTCH OUTER RACE

1) Remove the one-way clutch after taking out the snap ring.



- (A) Snap ring
- (B) Plate
- (C) One-way clutch

2) Remove the needle bearing after taking out the snap ring.



- (A) Needle bearing
- (B) Snap ring

### D: ASSEMBLY

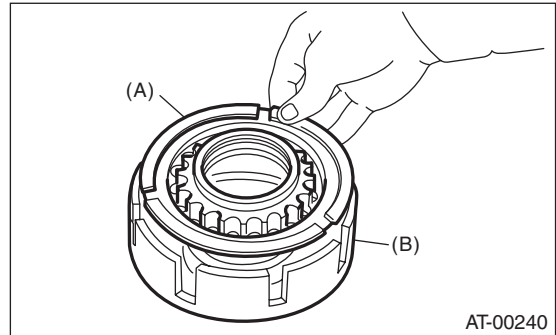
#### 1. HIGH CLUTCH AND REVERSE CLUTCH

1) Install a new seal ring and lip seal to the high clutch piston and reverse clutch piston.

2) Install the high clutch piston to the reverse clutch piston.

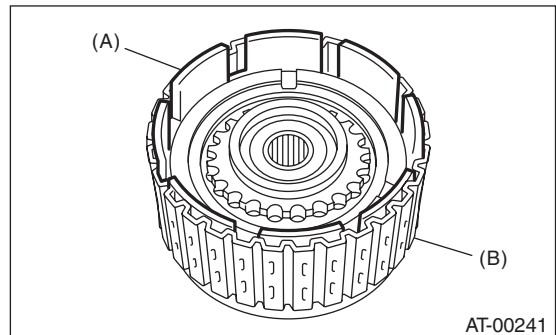
#### NOTE:

Be careful not to damage the seal ring and lip seal.



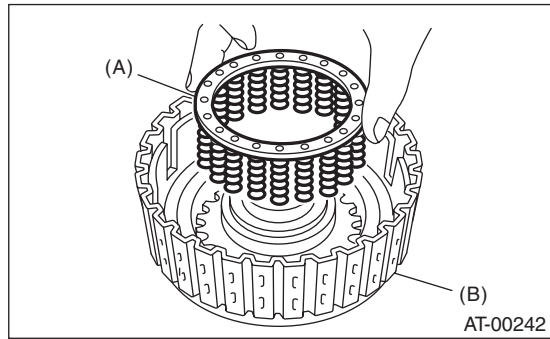
- (A) High clutch piston
- (B) Reverse clutch piston

3) Install the reverse clutch piston to the high clutch drum. Align the groove on reverse clutch piston with the groove on high clutch drum during installation.



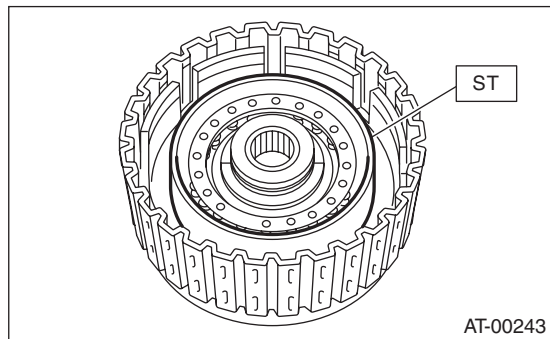
- (A) Reverse clutch piston
- (B) High clutch drum

4) Install the spring retainer to the high clutch piston.



- (A) Spring retainer  
(B) High clutch drum

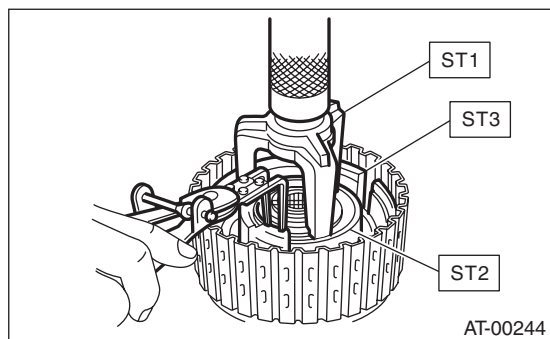
5) Attach the ST to the high clutch piston.  
ST 498437000 HIGH CLUTCH PISTON GUIDE



6) Install the cover to the high clutch piston while making sure not to bend the high clutch piston seal.

7) Install the snap ring by using ST1, ST2 and ST3.

ST1 398673600 COMPRESSOR  
ST2 498627100 SEAT  
ST3 498437000 HIGH CLUTCH PISTON GUIDE



8) Measure the amount of drive plate compression and record that value. (Non-turbo model)

(1) Place the dish plate, driven plate, drive plate and retaining plate neatly in this order on surface table.

(2) Set the dial gauge to the clutch, and read its scale.

NOTE:

The value, which is read in the gauge at this time, is zero point.

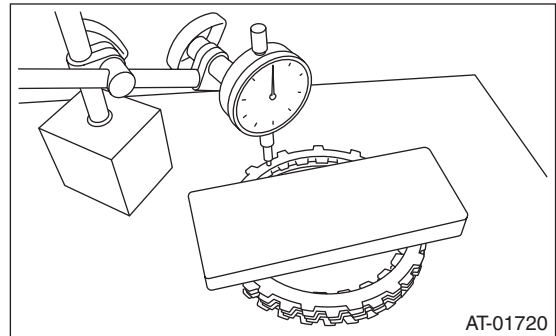
(3) Scale and record the weight "Z" of the flat board that will be placed on the retaining plate.

NOTE:

- Use a stiff board which does not bend against load as a flat board to be put on retaining plate.

- Use a flat board weighing less than 25.5 kg (56.2 lb).

(4) Put the flat board on retaining plate.



(5) Using the following formula, read the push/pull gauge, and calculate "N".

$$N = 250 \text{ N (25.5 kgf, 56.2 lb)} - Z$$

N: Value indicated on push/pull gauge

250 N (25.5 kgf, 56.2 lb) : Load applied to clutch plate

Z: Flat board weight

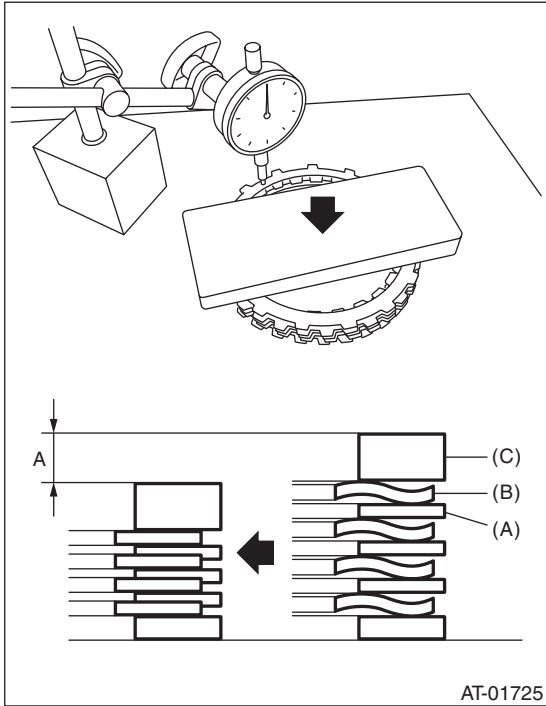
# AT Main Case

## AUTOMATIC TRANSMISSION

(6) Press the center of retaining plate with a force of N using a push/pull gauge, and measure and record height "A". Measure at three or more locations spaced by equal distances and take the average value.

### NOTE:

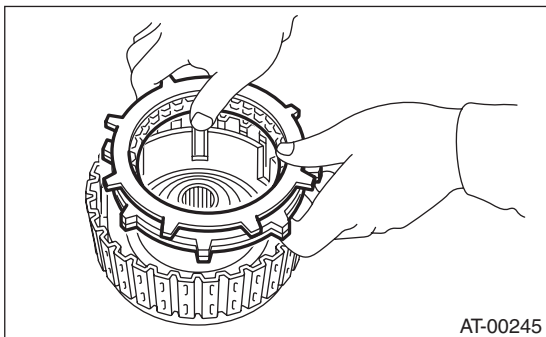
If measuring in three locations, measure every 120°. If measuring in four locations, measure every 90°.



A Measured value

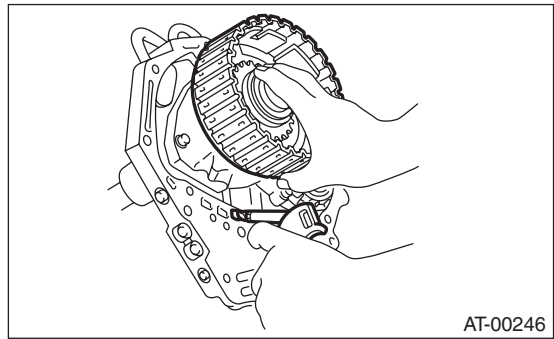
- (A) Driven plate
- (B) Drive plate
- (C) Retaining plate

9) Install the thickest driven plate to piston side, and then install the driven plate, drive plate, retaining plate to high clutch drum.

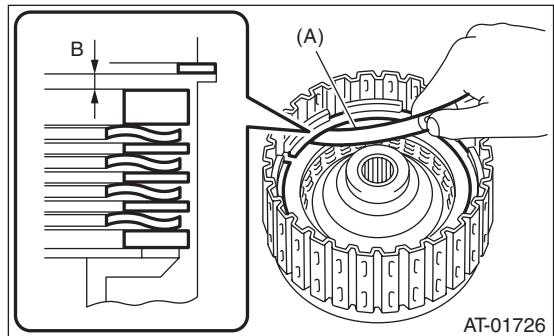


10) Install the snap ring to high clutch drum.

11) Apply compressed air intermittently to check for operation.



12) Check the piston stroke. (Non-turbo model)  
(1) Measure clearance "B" between the retaining plate and snap ring. (High clutch) At this time, do not press down the retaining plate.



B Measured value

(A) Thickness gauge



**(2) Piston stroke calculation**

Calculate with A and B dimensions recorded before. If the calculated value exceeds the service limits, replace the drive plate and select and adjust the retaining plate to be within initial standard values.

$$T = A + B$$

T: Piston stroke

A: Amount of drive plate compression

B: Clearance between retaining plate and snap ring

**Initial standard:**

**2.0 — 2.3 mm (0.079 — 0.091 in)**

**Limit thickness:**

**2.6 mm (0.102 in)**

Retaining plate	
Part No.	Thickness mm (in)
31567AA710	4.7 (0.185)
31567AA720	4.8 (0.189)
31567AA730	4.9 (0.193)
31567AA740	5.0 (0.197)
31567AA670	5.1 (0.201)
31567AA680	5.2 (0.205)
31567AA690	5.3 (0.209)
31567AA700	5.4 (0.213)

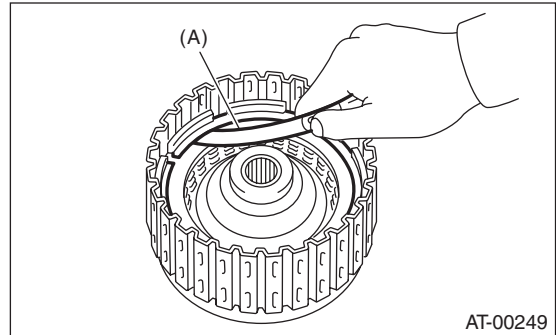
13) Measure the clearance between the high clutch retaining plate and snap ring. (Turbo model) At this time, do not press down the retaining plate.

**Initial standard:**

**0.8 — 1.1 mm (0.031 — 0.043 in)**

**Limit thickness:**

**1.5 mm (0.059 in)**



(A) Thickness gauge

If the clearance exceeds the service limits, replace the drive plate, then select and adjust the retaining plate so that the clearance is within default standard values.

High clutch retaining plate	
Part No.	Thickness mm (in)
31567AA710	4.7 (0.185)
31567AA720	4.8 (0.189)
31567AA730	4.9 (0.193)
31567AA740	5.0 (0.197)
31567AA670	5.1 (0.201)
31567AA680	5.2 (0.205)
31567AA690	5.3 (0.209)
31567AA700	5.4 (0.213)

**14) Selection of the reverse clutch retaining plate**

(1) Place the dish plate, driven plate, drive plate and retaining plate neatly in this order on surface table.

(2) Set the dial gauge to retaining plate, and read its scale.

**NOTE:**

The value, which is read in the gauge at this time, is zero point.

(3) Scale and record the weight “Z” of the flat board that will be placed on the retaining plate.

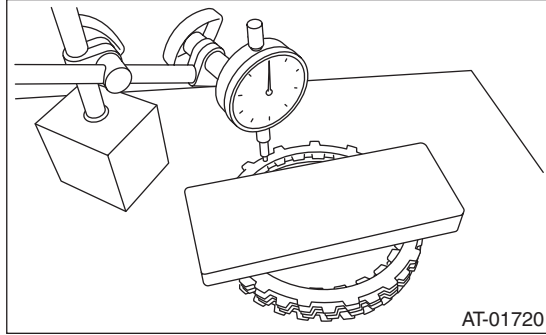
**NOTE:**

- Use a stiff board which does not bend against load as a flat board to be put on retaining plate.
- Use a flat board weighing less than 15.3 kg (33.7 lb).

# AT Main Case

## AUTOMATIC TRANSMISSION

(4) Put the flat board on retaining plate.



(5) Using the following formula, read the push/pull gauge, and calculate "N".

$$N = 150 N (15.3 \text{ kgf}, 33.7 \text{ lbf}) - Z$$

N: Value indicated on push/pull gauge

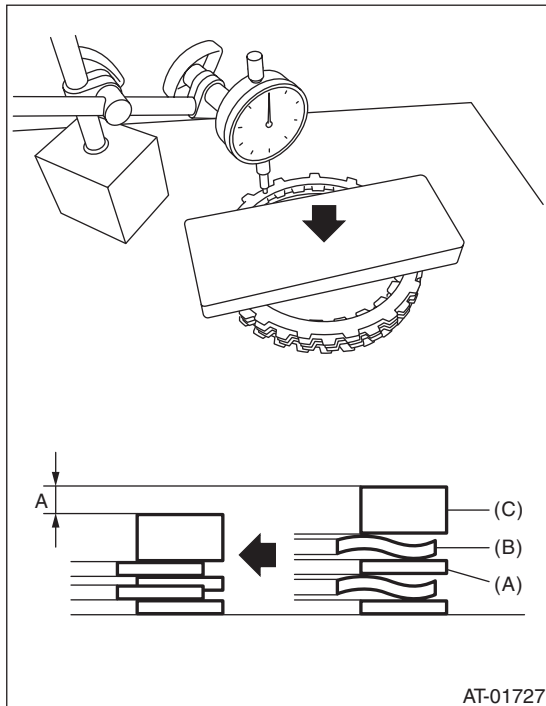
150 N (15.3 kgf, 33.7 lbf): Load applied to the clutch plate

Z: Flat board weight

(6) Press the center of retaining plate with a force of N using a push/pull gauge, and measure and record height "A". Measure at three or more locations spaced by equal distances and take the average value.

### NOTE:

If measuring in three locations, measure every 120°. If measuring in four locations, measure every 90°.



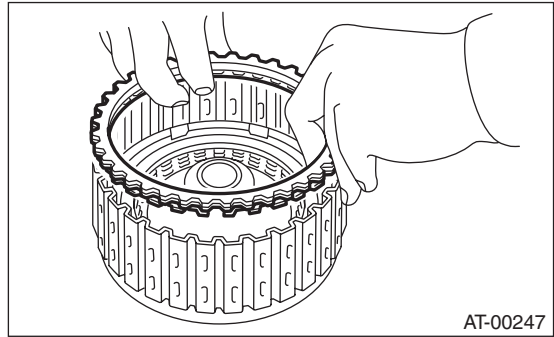
A Measured value

(A) Driven plate

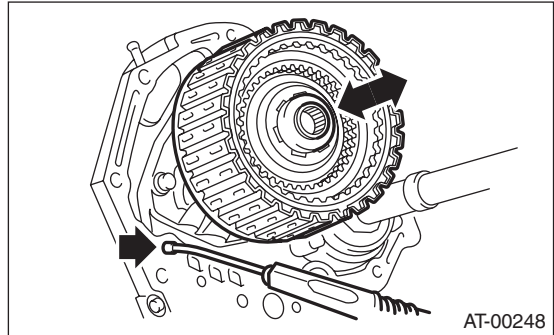
(B) Drive plate

(C) Retaining plate

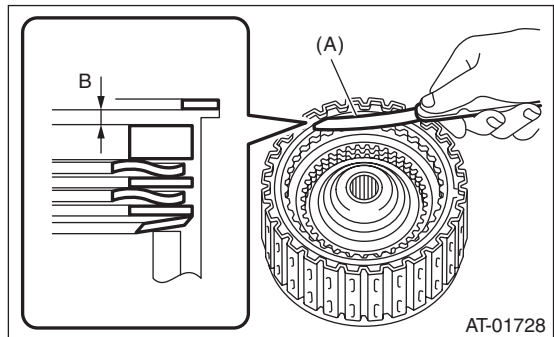
(7) Install the driven plate, drive plate, retaining plate and snap ring.



(8) Apply compressed air intermittently to check for operation.



(9) Measure and record the clearance "B" between the retaining plate and snap ring. (Reverse clutch) At this time, do not press down the retaining plate.



B Measured value

(A) Thickness gauge



### (10) Piston stroke calculation

Calculate with A and B dimensions recorded before. If the calculated value exceeds the service limits, replace the drive plate and select and adjust the retaining plate to be within initial standard values.

$$T = A + B$$

T: Piston stroke

A: Amount of drive plate compression

B: Clearance between retaining plate and snap ring

#### Initial standard:

**1.1 — 1.4 mm (0.043 — 0.055 in)**

#### Limit thickness:

**1.6 mm (0.063 in)**

Retaining plate	
Part No.	Thickness mm (in)
31567AA910	4.0 (0.157)
31567AA920	4.2 (0.165)
31567AA930	4.4 (0.173)
31567AA940	4.6 (0.181)
31567AA950	4.8 (0.189)
31567AA960	5.0 (0.197)
31567AA970	5.2 (0.205)
31567AA980	5.4 (0.213)

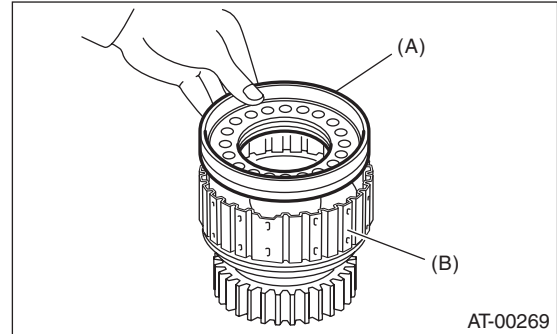
## 2. PLANETARY GEAR AND LOW CLUTCH

1) Apply ATF to a new D-ring, and install it to the low clutch piston.

2) Install the low clutch piston to low clutch drum.

#### NOTE:

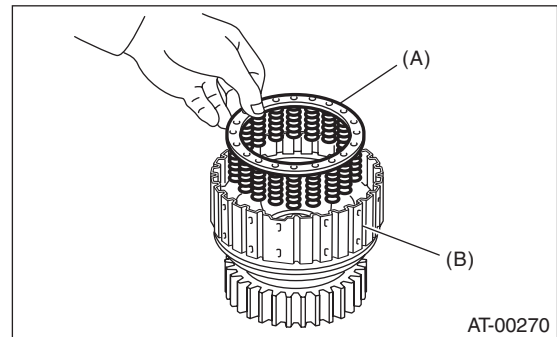
Be careful not to damage the D-ring.



(A) Low clutch piston

(B) Low clutch drum

3) Install the spring retainer to low clutch piston.

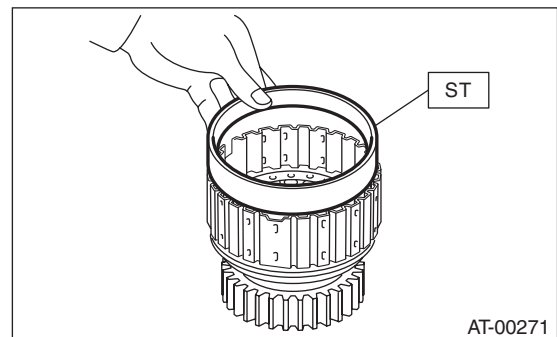


(A) Spring retainer

(B) Low clutch drum

4) Attach the ST to the low clutch drum.

ST 498437100 LOW CLUTCH PISTON GUIDE

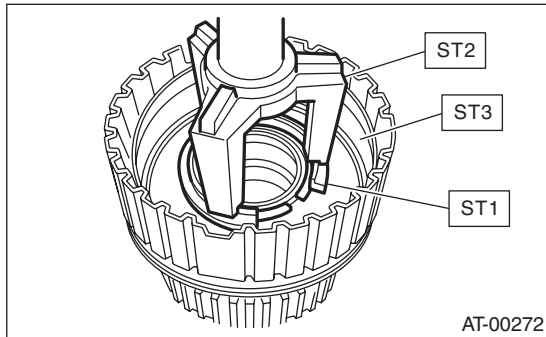


# AT Main Case

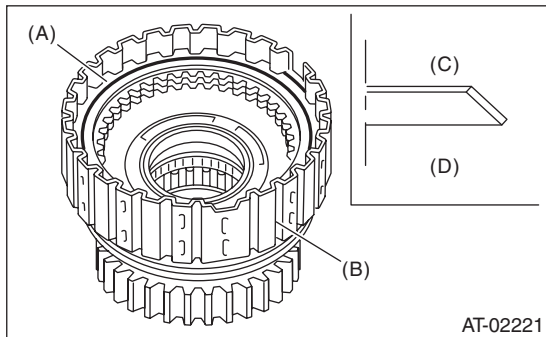
## AUTOMATIC TRANSMISSION

5) Using ST1, ST2 and ST3, set the cover on the piston and press against it, and attach the snap ring. At this time, be careful not to bend the cover seal.

ST1 498627100 SEAT  
 ST2 398673600 COMPRESSOR  
 ST3 498437100 LOW CLUTCH PISTON GUIDE



6) Install the dish plate, driven plate, drive plate and retaining plate, and then secure them with a snap ring.

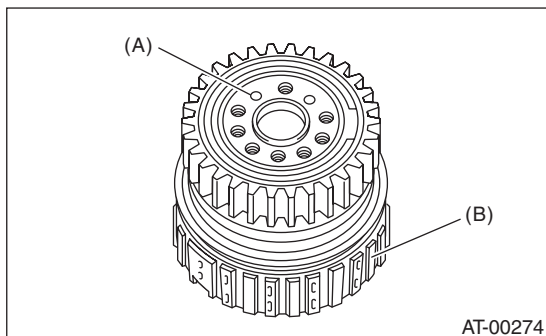


- (A) Snap ring
- (B) Low clutch drum
- (C) Dish plate
- (D) Low clutch piston side

7) Check the low clutch for operation.

(1) Remove the one-way clutch. <Ref. to 4AT-105, REMOVAL, AT Main Case.>

(2) Set the one-way clutch inner race, and apply compressed air for checking.



- (A) Apply compressed air.
- (B) Low clutch drum

8) Check the low clutch clearance.

(1) Place same thickness shims on both sides to prevent plate from tilting.

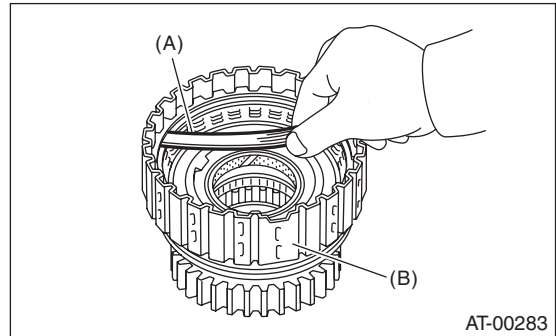
(2) Check the clearance between retaining plate and low clutch operation.

**Initial standard:**

**0.7 — 1.1 mm (0.028 — 0.043 in)**

**Limit thickness:**

**1.6 mm (0.063 in)**

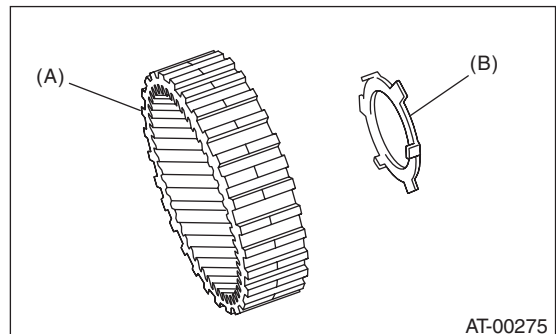


- (A) Thickness gauge
- (B) Low clutch drum

If the clearance exceeds the service limits, replace the drive plate, then select and adjust the retaining plate so that the clearance is within default standard values.

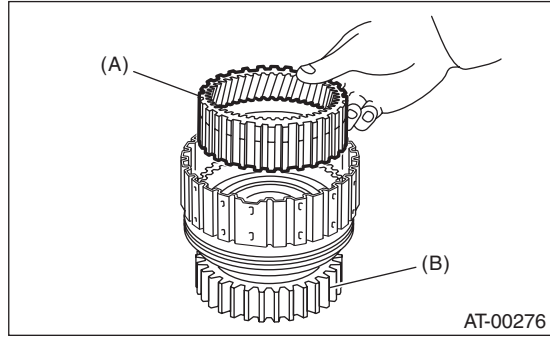
Retaining plate	
Part No.	Thickness mm (in)
31567AB050	3.8 (0.150)
31567AB060	4.0 (0.157)
31567AB070	4.2 (0.165)
31567AB080	4.4 (0.173)
31567AB090	4.6 (0.181)

9) Install the washer to the rear internal gear.



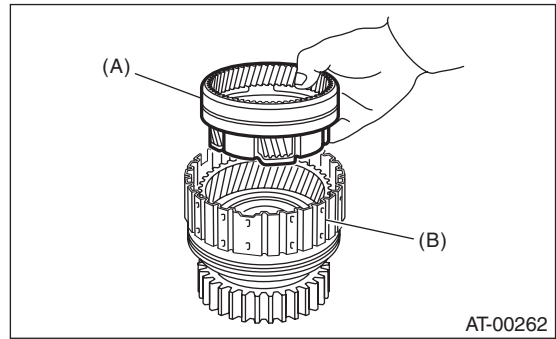
- (A) Rear internal gear
- (B) Washer

10) Install the rear internal gear.



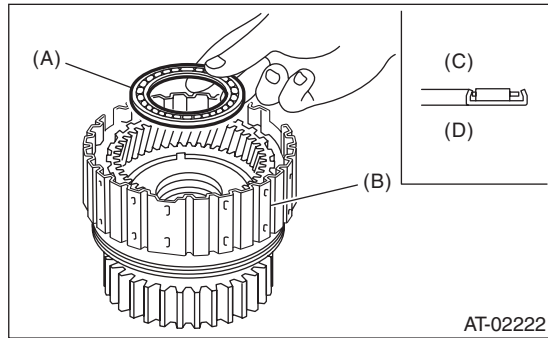
- (A) Rear internal gear
- (B) Low clutch drum

13) Install the rear planetary carrier to the low clutch drum.



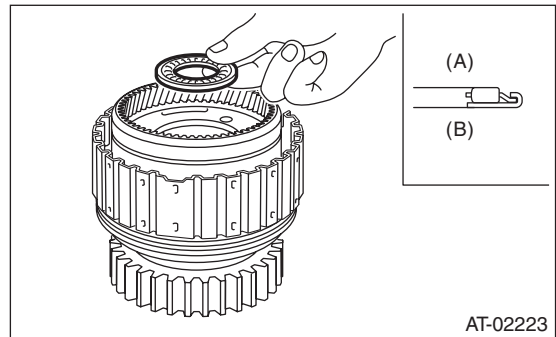
- (A) Rear planetary carrier
- (B) Low clutch drum

11) Install the thrust needle bearing in the correct direction.



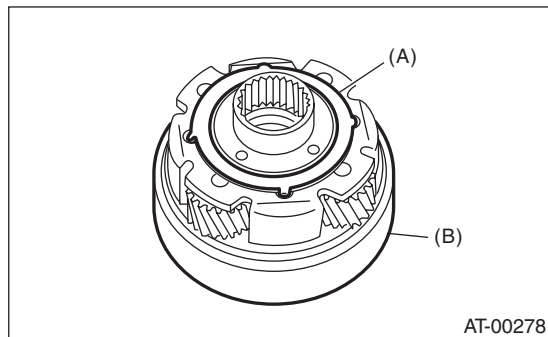
- (A) Thrust needle bearing
- (B) Low clutch drum
- (C) Rear planetary carrier side
- (D) Low clutch drum side

14) Install the thrust needle bearing in the correct direction.



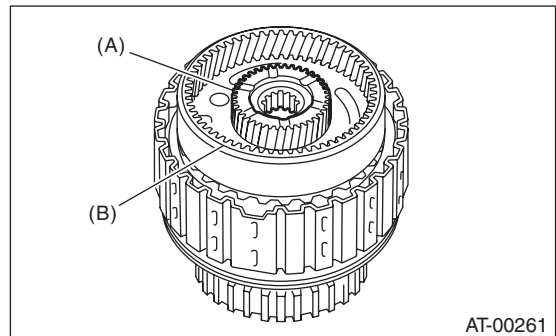
- (A) Rear sun gear side
- (B) Low clutch drum side

12) Install the washer by aligning the protrusion of the washer with the hole of the rear planetary carrier.



- (A) Washer
- (B) Rear planetary carrier

15) Install the rear sun gear in the correct direction.

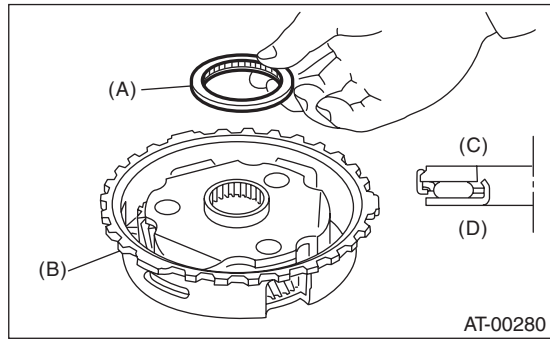


- (A) Rear sun gear
- (B) Rear planetary carrier

# AT Main Case

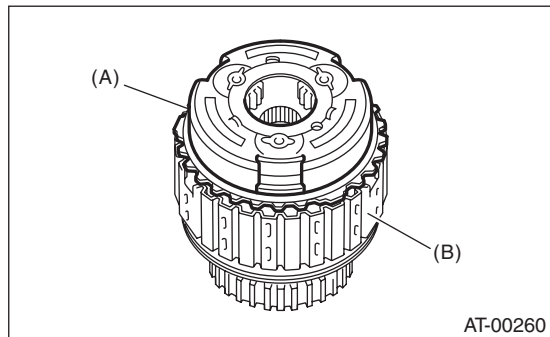
## AUTOMATIC TRANSMISSION

16) Install the thrust needle bearing in the correct direction.



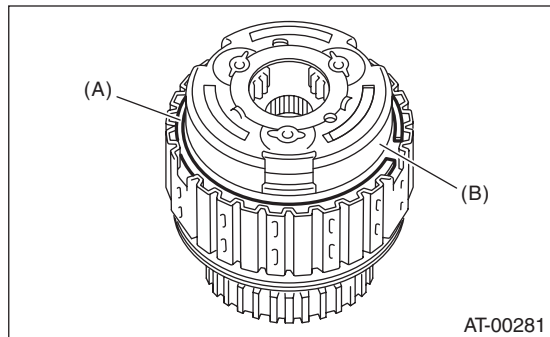
- (A) Thrust needle bearing
- (B) Front planetary carrier
- (C) Rear sun gear side
- (D) Front planetary carrier side

17) Install the front planetary carrier to the low clutch drum.



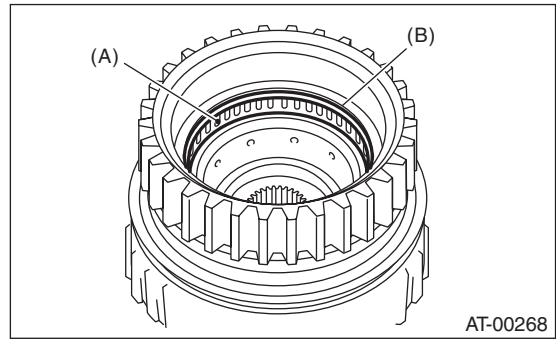
- (A) Front planetary carrier
- (B) Low clutch drum

18) Install the snap ring to the low clutch drum.



- (A) Snap ring
- (B) Front planetary carrier

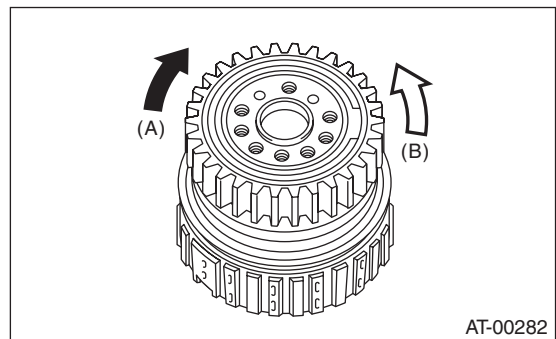
19) Install the needle bearing, and then secure with the snap ring.



- (A) Needle bearing
- (B) Snap ring

20) Install the one-way clutch and one-way clutch inner race, then secure with the snap ring.

21) Set the inner race. Make sure that the clutch locks in the clockwise direction and rotates freely in the counterclockwise direction.



- (A) Locked
- (B) Rotates freely

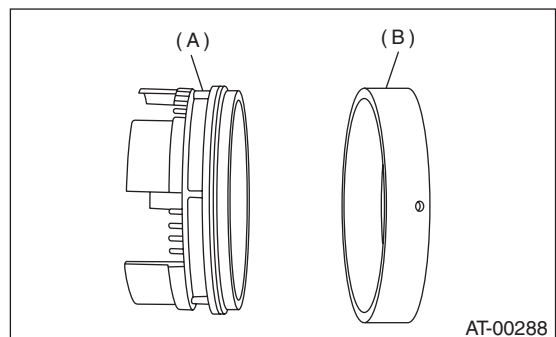
### 3. 2-4 BRAKE

1) Apply ATF to the new D-ring, then install to the 2-4 brake piston.

2) Install 2-4 brake piston to 2-4 brake piston retainer.

#### NOTE:

Be careful not to damage the D-ring.

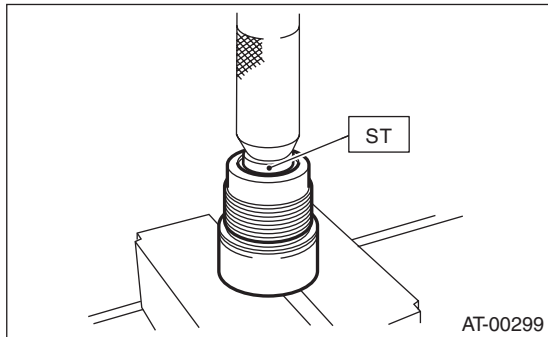


- (A) 2-4 brake piston
- (B) 2-4 brake piston retainer

### 4. ONE-WAY CLUTCH INNER RACE

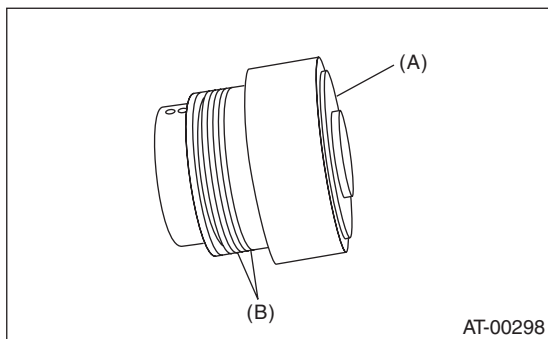
1) Install the needle bearing to inner race using ST and a press.

ST 398497701 INSTALLER



2) Apply vaseline to the groove of inner race and to the new seal ring.

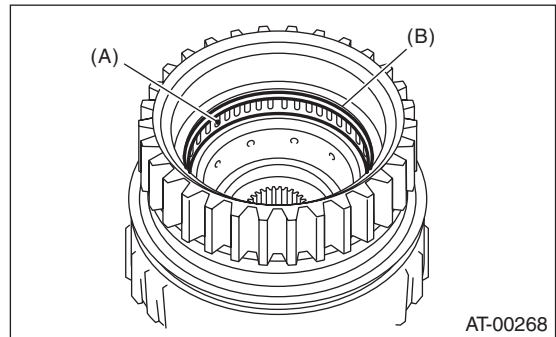
3) Install two seal rings to the one-way clutch inner race.



- (A) One-way clutch inner race
- (B) Seal ring

### 5. ONE-WAY CLUTCH OUTER RACE

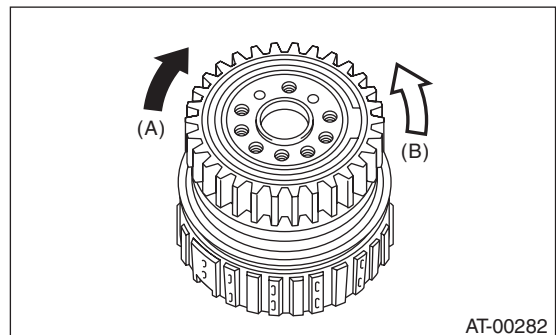
1) Install the needle bearing, and then secure with the snap ring.



- (A) Needle bearing
- (B) Snap ring

2) Install the one-way clutch and one-way clutch inner race, then secure with the snap ring.

3) Set the inner race. Make sure that the clutch locks in the clockwise direction and rotates freely in the counterclockwise direction.



- (A) Locked
- (B) Rotates freely

### **E: INSPECTION**

#### **1. HIGH CLUTCH AND REVERSE CLUTCH**

Check the following items.

- Drive plate facing for wear or damage
- Driven plate for discoloration (burned color)
- Snap ring wear and spring retainer deformation
- Wear and damage of the lip seal and D-ring
- Piston and piston check ball operation
- Adjust the total end play. <Ref. to 4AT-91, ADJUSTMENT, Oil Pump Housing.>

#### **2. PLANETARY GEAR AND LOW CLUTCH**

Check the following items.

- Drive plate facing for wear or damage
- Driven plate for discoloration (burned color)
- Snap ring wear and spring retainer deformation
- Wear and damage of the lip seal and D-ring
- Check the total end play and adjust it to be within specifications. <Ref. to 4AT-91, ADJUSTMENT, Oil Pump Housing.>

#### **3. 2-4 BRAKE**

Check the following items.

- Drive plate facing for wear or damage
- Driven plate for discoloration (burned color)
- Snap ring wear, leaf spring setting and breakage, and spring retainer deformation
- Wear and damage of the lip seal and D-ring
- Check the total end play and adjust it to be within specifications. <Ref. to 4AT-91, ADJUSTMENT, Oil Pump Housing.>

#### **4. ONE-WAY CLUTCH**

- Check that the snap ring is not damaged and the seal ring is not deformed.
- Measure the total end play and adjust it to be within specifications. <Ref. to 4AT-91, ADJUSTMENT, Oil Pump Housing.>

#### **5. LOW & REVERSE BRAKE**

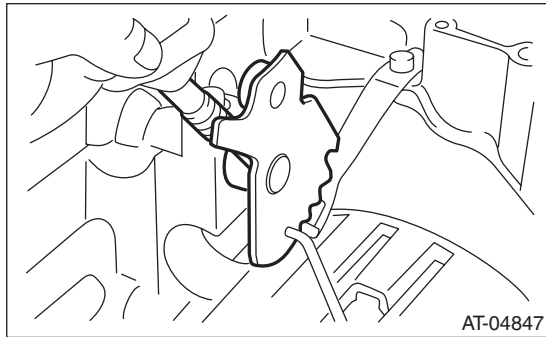
Check the following items.

- Drive plate facing for wear or damage
- Driven plate for discoloration (burned color)
- Snap ring wear, leaf spring setting and breakage, and spring retainer deformation
- Lip seal wear and damage

## 35. Transmission Control Device

### A: REMOVAL

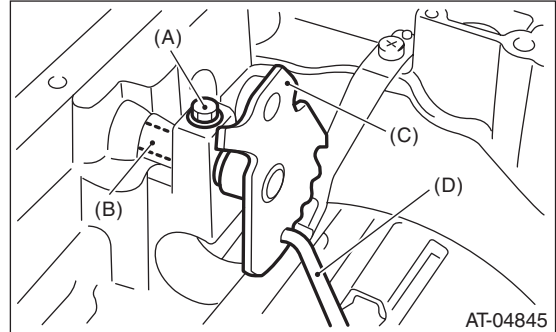
- 1) Remove the transmission assembly from the vehicle. <Ref. to 4AT-36, REMOVAL, Automatic Transmission Assembly.>
- 2) Pull out the torque converter clutch assembly. <Ref. to 4AT-69, REMOVAL, Torque Converter Clutch Assembly.>
- 3) Remove the input shaft.
- 4) Lift up the lever on the rear side of transmission harness connector, and then remove it from the stay.
- 5) Remove the inhibitor switch connector from the stay.
- 6) Disconnect the air breather hose. <Ref. to 4AT-67, REMOVAL, Air Breather Hose.>
- 7) Wrap vinyl tape around the nipple attached to the air breather hose.
- 8) Remove the pitching stopper bracket.
- 9) Remove the inhibitor switch. <Ref. to 4AT-49, REMOVAL, Inhibitor Switch.>
- 10) Remove the control valve body assembly. <Ref. to 4AT-58, REMOVAL, Control Valve Body.>
- 11) Pull out the manual plate spring pin.



- 12) Remove the bolts securing select lever, and then remove the select lever, manual plate and parking rod.

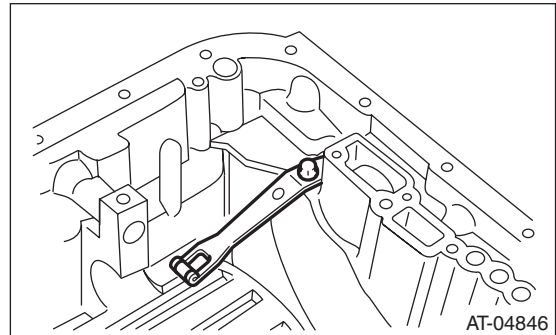
### NOTE:

Be careful not to damage the lips of press-fitted oil seal in the case.



- (A) Bolt
- (B) Range select lever
- (C) Manual plate
- (D) Parking rod

- 13) Remove the detent spring.

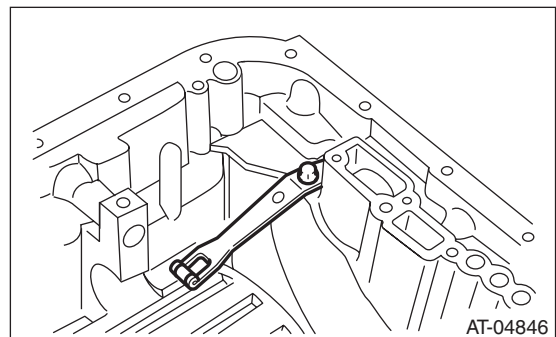


### B: INSTALLATION

- 1) Install the detent spring to the transmission case.

### Tightening torque:

**6 N·m (0.6 kgf-m, 4.4 ft-lb)**





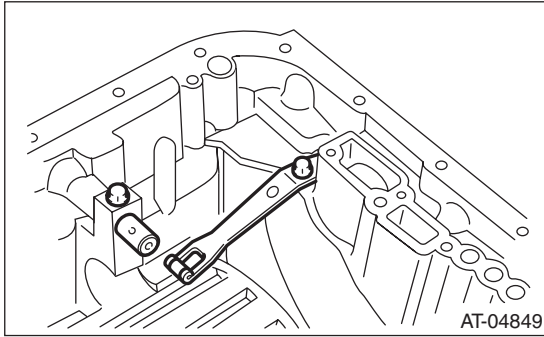
# Transmission Control Device

## AUTOMATIC TRANSMISSION

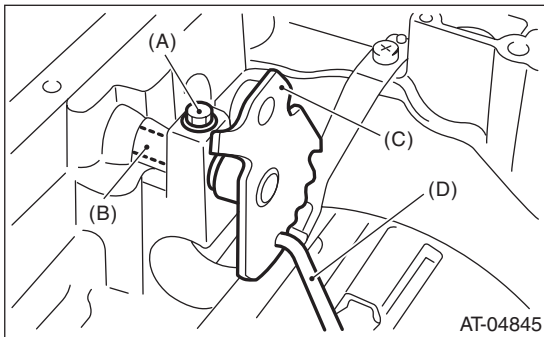
2) Insert the range select lever, and tighten the bolts.

### Tightening torque:

**6 N·m (0.6 kgf·m, 4.4 ft·lb)**



3) Insert the manual plate and parking rod.



- (A) Bolt
- (B) Range select lever
- (C) Manual plate
- (D) Parking rod

4) Insert a new spring pin into the manual plate.



5) Install the oil pan and the control valve assembly. <Ref. to 4AT-59, INSTALLATION, Control Valve Body.>

6) Turn over the transmission case to its original position.

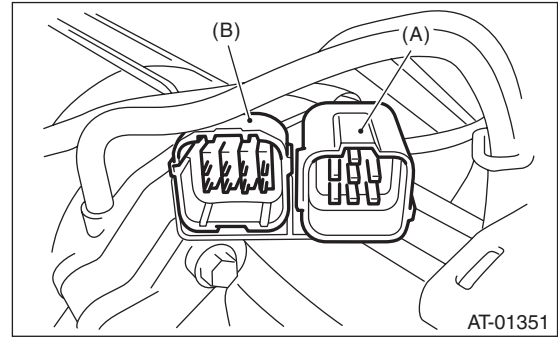
7) Install the pitching stopper bracket.

### Tightening torque:

**41 N·m (4.2 kgf·m, 30.2 ft·lb)**

8) Install and adjust the inhibitor switch. <Ref. to 4AT-48, Inhibitor Switch.>

9) Insert the inhibitor switch connector and transmission harness connector onto the stay.



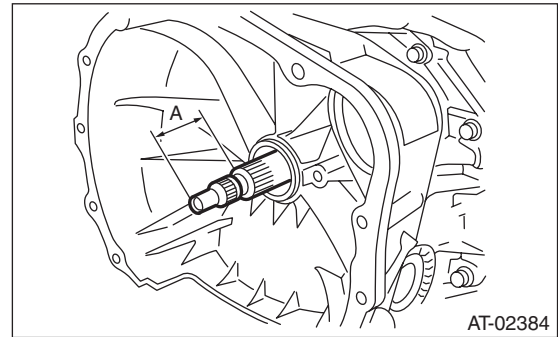
- (A) Transmission harness connectors
- (B) Inhibitor switch connector

10) Install the air breather hose. <Ref. to 4AT-67, INSTALLATION, Air Breather Hose.>

11) Insert the input shaft while rotating it lightly by hand, and then check the amount of protrusion.

### Normal protrusion A:

**50 — 55 mm (1.97 — 2.17 in)**



A Measured value

12) Install the torque converter clutch assembly. <Ref. to 4AT-69, INSTALLATION, Torque Converter Clutch Assembly.>

13) Install the transmission assembly to the vehicle. <Ref. to 4AT-40, INSTALLATION, Automatic Transmission Assembly.>

## C: INSPECTION

Make sure that the manual lever and detent spring are not worn or otherwise damaged.



# Basic Diagnostic Procedure

## AUTOMATIC TRANSMISSION (DIAGNOSTICS)

### 1. Basic Diagnostic Procedure

#### A: PROCEDURE

Step	Check	Yes	No
<b>1 CHECK PRE-INSPECTION.</b> 1) Ask the customer when and how the trouble occurred using the interview check list. <Ref. to 4AT(diag)-4, Check List for Interview.> 2) Check the following items which may be affecting the AT trouble. <ul style="list-style-type: none"> <li>• General inspection &lt;Ref. to 4AT(diag)-5, INSPECTION, General Description.&gt;</li> <li>• Disconnection of harness connector</li> <li>• Visual check for harness damage</li> <li>• Oil leakage</li> <li>• Stall speed test &lt;Ref. to 4AT-31, Stall Test.&gt;</li> <li>• Line pressure test &lt;Ref. to 4AT-34, Line Pressure Test.&gt;</li> <li>• Transfer clutch pressure test &lt;Ref. to 4AT-35, Transfer Clutch Pressure Test.&gt;</li> <li>• Time lag test &lt;Ref. to 4AT-33, Time Lag Test.&gt;</li> <li>• Road test &lt;Ref. to 4AT-30, Road Test.&gt;</li> <li>• Inhibitor switch &lt;Ref. to 4AT-48, Inhibitor Switch.&gt;</li> </ul>	Is the item that might influence the AT problem normal?	Go to step 3.	Repair or replace items which might affect the AT problem.
<b>2 CHECK ATF TEMPERATURE WARNING LIGHT.</b> Turn the ignition switch to ON and wait for at least 2 seconds.	Does the ATF temperature warning light illuminate?	Go to step 3.	Check the ATF temperature warning light.
<b>3 CHECK ATF TEMPERATURE WARNING LIGHT.</b> Start the engine and wait for 2 seconds or more.	Is the ATF temperature warning light blinking?	Go to step 4.	Go to step 5.
<b>4 CHECK DTC.</b> Read the DTC. NOTE: If the communication function of Subaru Select Monitor cannot be executed normally, check communication circuit. <Ref. to 4AT(diag)-25, COMMUNICATION FOR INITIALIZING IMPOSSIBLE, Diagnostic Procedure for Subaru Select Monitor Communication.>	Is DTC displayed on the Subaru Select Monitor?	Go to step 6. NOTE: Record all DTC.	Go to step 5.
<b>5 PERFORM GENERAL DIAGNOSTICS.</b> 1) Inspect using "Diagnostic Procedure without Diagnostic Trouble Code (DTC)". <Ref. to 4AT(diag)-76, Diagnostic Procedure without Diagnostic Trouble Code (DTC).> 2) Inspect using "Diagnostics with Phenomenon". <Ref. to 4AT(diag)-84, Diagnostics with Phenomenon.> 3) Perform the Inspection Mode. <Ref. to 4AT(diag)-20, Inspection Mode.> 4) Read the DTC.	Is DTC displayed on the Subaru Select Monitor?	Go to step 6.	Finish the diagnosis.

# Basic Diagnostic Procedure

## AUTOMATIC TRANSMISSION (DIAGNOSTICS)

	Step	Check	Yes	No
6	<p><b>PERFORM DIAGNOSIS.</b></p> <p>1) Inspect using "Diagnostic Procedure with Diagnostic Trouble Code (DTC)". &lt;Ref. to 4AT(diag)-31, Diagnostic Procedure with Diagnostic Trouble Code (DTC).&gt;</p> <p>NOTE: Refer to "List of Diagnostic Trouble Code (DTC)" for DTC. &lt;Ref. to 4AT(diag)-29, List of Diagnostic Trouble Code (DTC).&gt;</p> <p>2) Repair the trouble cause.</p> <p>3) Perform the Clear Memory Mode.</p> <p>4) Perform the Inspection Mode. &lt;Ref. to 4AT(diag)-20, Inspection Mode.&gt;</p> <p>5) Read the DTC.</p>	Is DTC displayed on the Subaru Select Monitor?	Inspect using "Diagnostic Procedure with Diagnostic Trouble Code (DTC)". <Ref. to 4AT(diag)-31, Diagnostic Procedure with Diagnostic Trouble Code (DTC).>	Finish the diagnosis.



# General Description

## AUTOMATIC TRANSMISSION (DIAGNOSTICS)

### 3. General Description

#### A: CAUTION

##### 1. SUPPLEMENTAL RESTRAINT SYSTEM “AIRBAG”

The airbag system wiring harness is routed near the TCM.

##### CAUTION:

- All the airbag system wiring harnesses and connectors are colored yellow. Do not use an electric test equipment to check these circuits.
- Be careful not to damage the airbag system wiring harness when performing diagnostics or servicing the TCM.

##### 2. MEASUREMENT

When measuring the voltage and resistance of the ECM, TCM or each sensor, use a tapered pin with a diameter of less than 0.64 mm (0.025 in) in order to avoid poor contact. Do not insert a pin of more than 0.65 mm (0.026 in) diameter.

#### B: INSPECTION

##### 1. BATTERY

Measure the battery voltage and specific gravity of the electrolyte.

**Standard voltage: 12 V or more**

**Specific gravity: 1.260 or more**

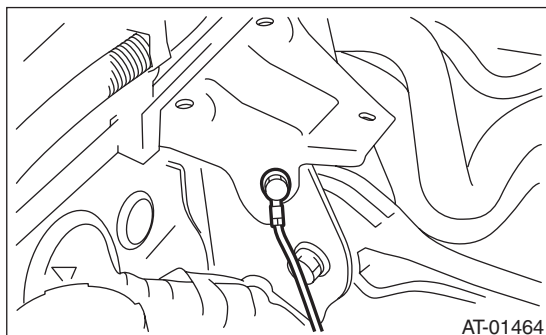
##### 2. TRANSMISSION GROUND

Make sure that the ground terminal bolt is tightened securely.

Chassis side

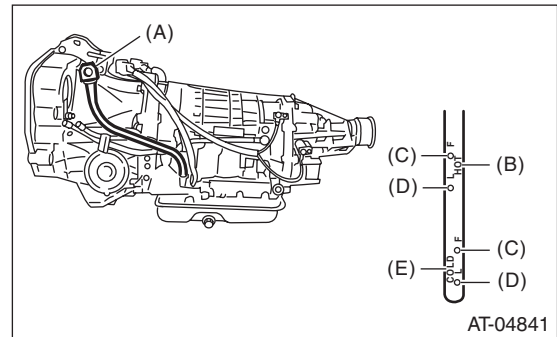
**Tightening torque:**

**13 N·m (1.3 kgf·m, 9.6 ft·lb)**



##### 3. ATF LEVEL

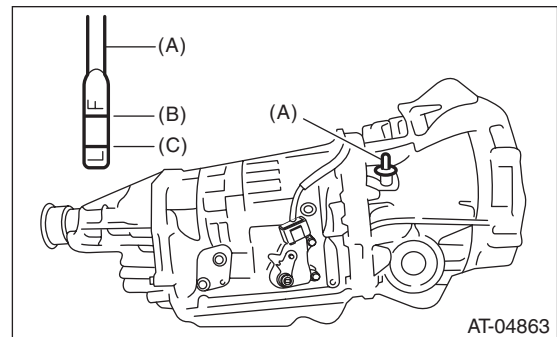
Make sure that ATF level is the specified amount. <Ref. to 4AT-27, INSPECTION, Automatic Transmission Fluid.>



- (A) Oil level gauge
- (B) Inspection position when “HOT”
- (C) Upper level
- (D) Lower level
- (E) Inspection position when “COLD”

##### 4. FRONT DIFFERENTIAL OIL LEVEL

Make sure the front differential oil level is the specified amount. <Ref. to 4AT-29, INSPECTION, Differential Gear Oil.>



- (A) Oil level gauge
- (B) Upper level
- (C) Lower level

##### 5. OPERATION OF SELECT LEVER

Make sure there is no noise, dragging or contact pattern in each select lever range.

##### WARNING:

**Stop the engine while checking operation of the select lever.**

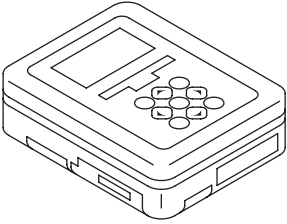
# General Description

AUTOMATIC TRANSMISSION (DIAGNOSTICS)

---

## C: PREPARATION TOOL

### 1. SPECIAL TOOL

ILLUSTRATION	TOOL NUMBER	DESCRIPTION	REMARKS
 ST1B022XU0	1B022XU0	SUBARU SELECT MONITOR III KIT	Used for troubleshooting the electrical system.

### 2. GENERAL TOOL

TOOL NAME	REMARKS
Circuit tester	Used for measuring resistance, voltage and current.
Oscilloscope	Used for measuring the sensor.

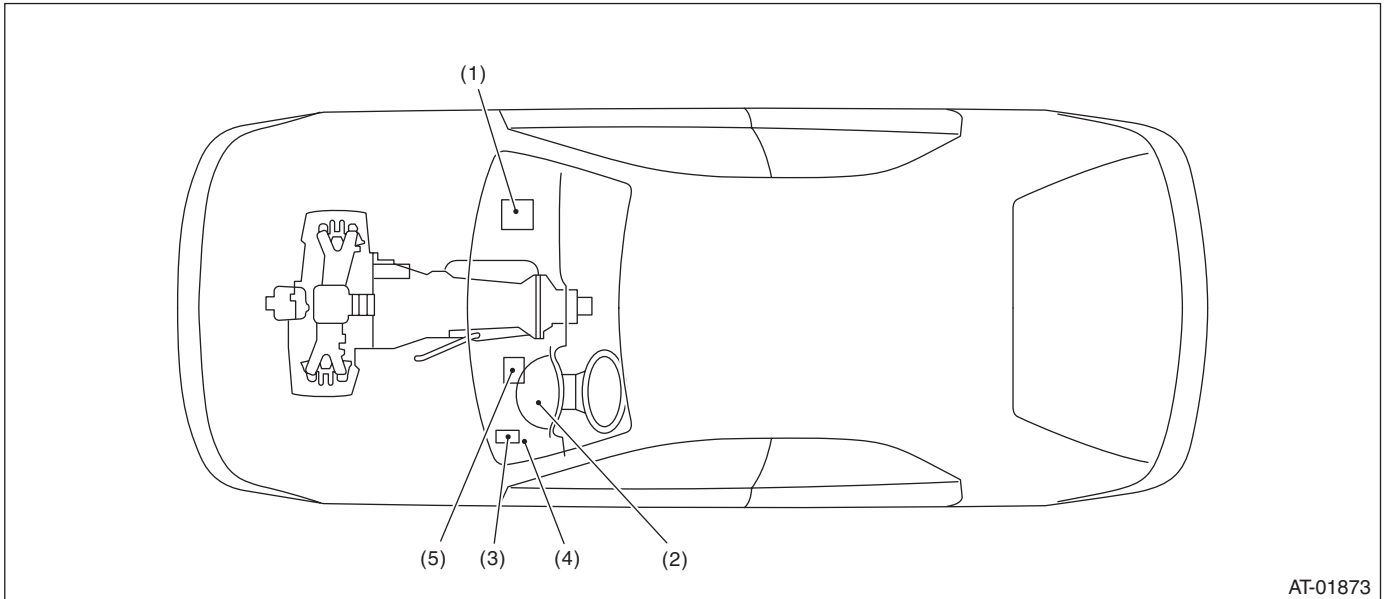
# Electrical Component Location

AUTOMATIC TRANSMISSION (DIAGNOSTICS)

## 4. Electrical Component Location

### A: LOCATION

#### 1. CONTROL MODULE



AT-01873

(1) Engine control module (ECM)

(3) Transmission control module  
(TCM)

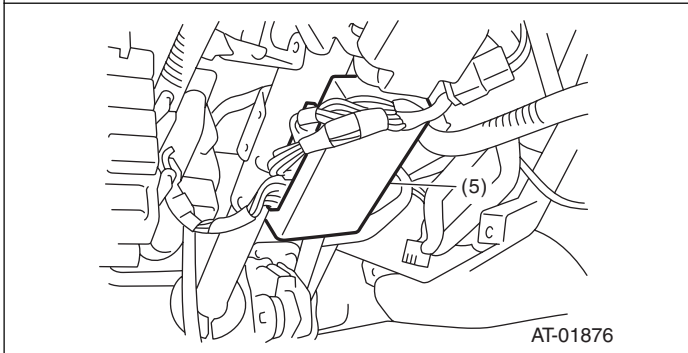
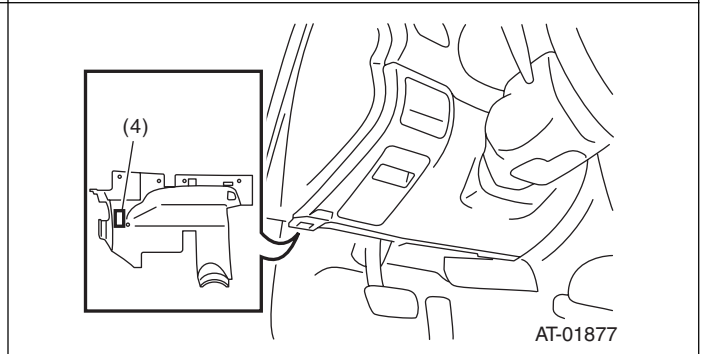
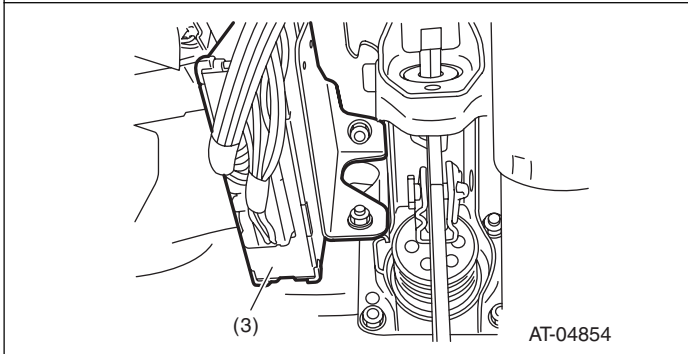
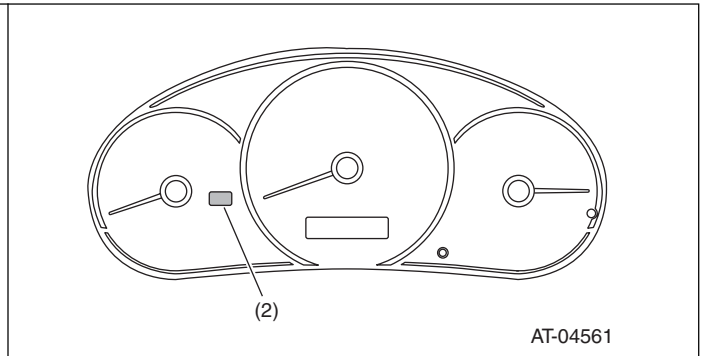
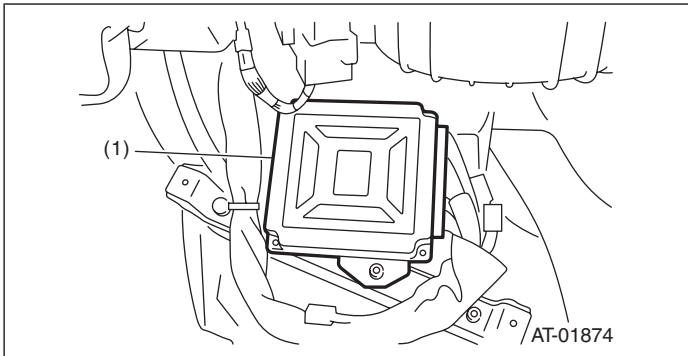
(4) Data link connector

(2) ATF temperature warning light (AT  
warning light)

(5) Body integrated unit

# Electrical Component Location

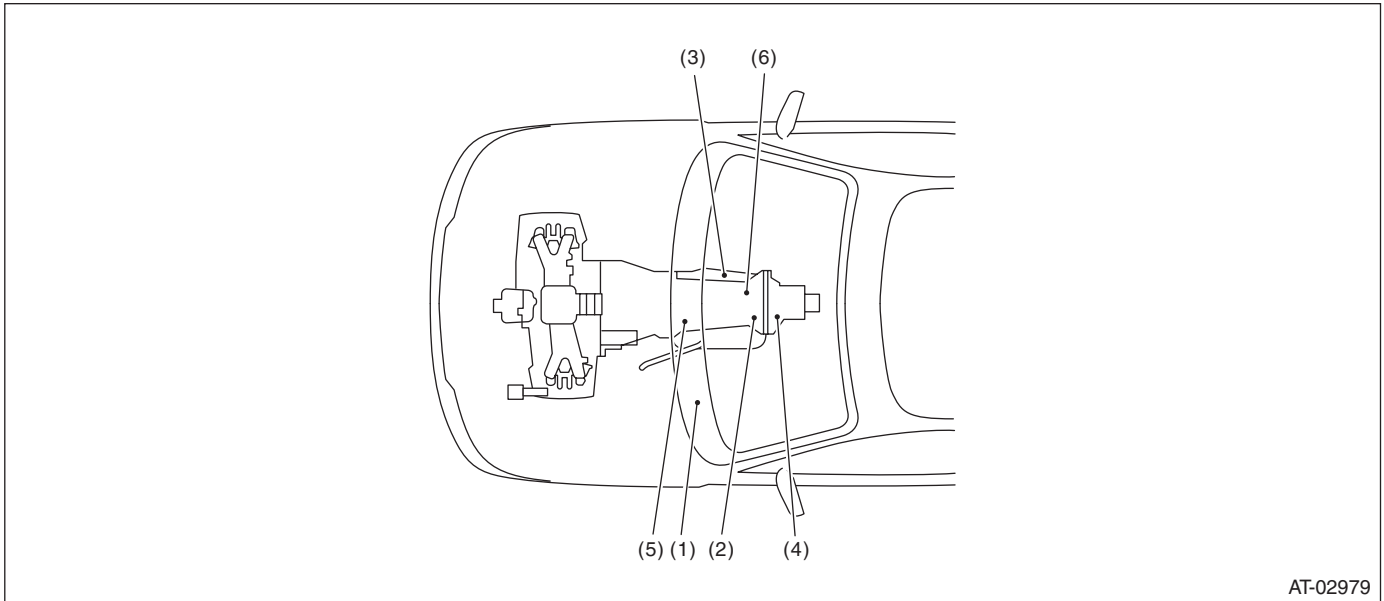
## AUTOMATIC TRANSMISSION (DIAGNOSTICS)



# Electrical Component Location

AUTOMATIC TRANSMISSION (DIAGNOSTICS)

## 2. SENSOR



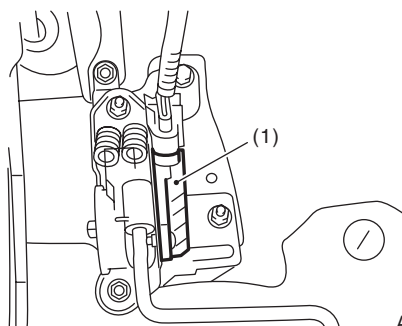
AT-02979

- |                                       |   |                            |
|---------------------------------------|---|----------------------------|
| (1) Accelerator pedal position sensor | (4) Rear vehicle speed sensor             | (6) ATF temperature sensor |
| (2) Front vehicle speed sensor        | (5) Torque converter turbine speed sensor |                            |
| (3) Inhibitor switch                  |   |                            |

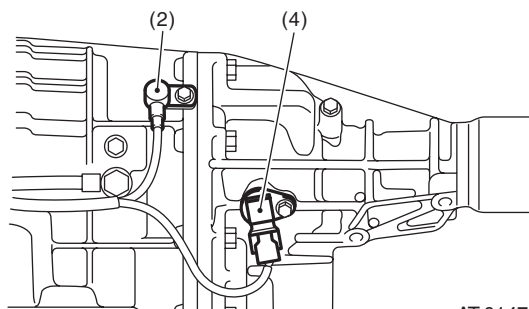


# Electrical Component Location

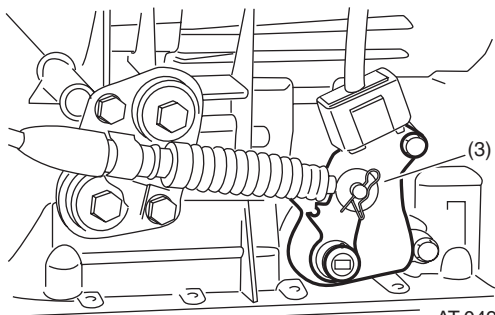
## AUTOMATIC TRANSMISSION (DIAGNOSTICS)



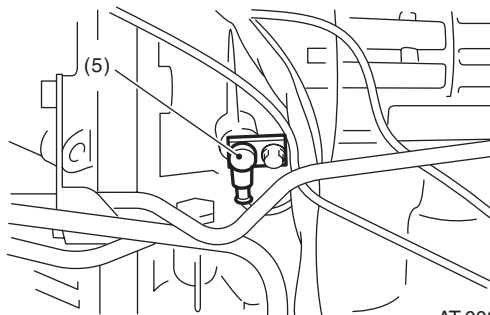
AT-00375



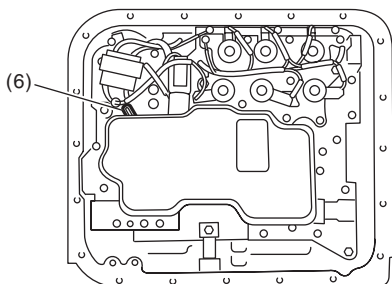
AT-01474



AT-04909



AT-00331



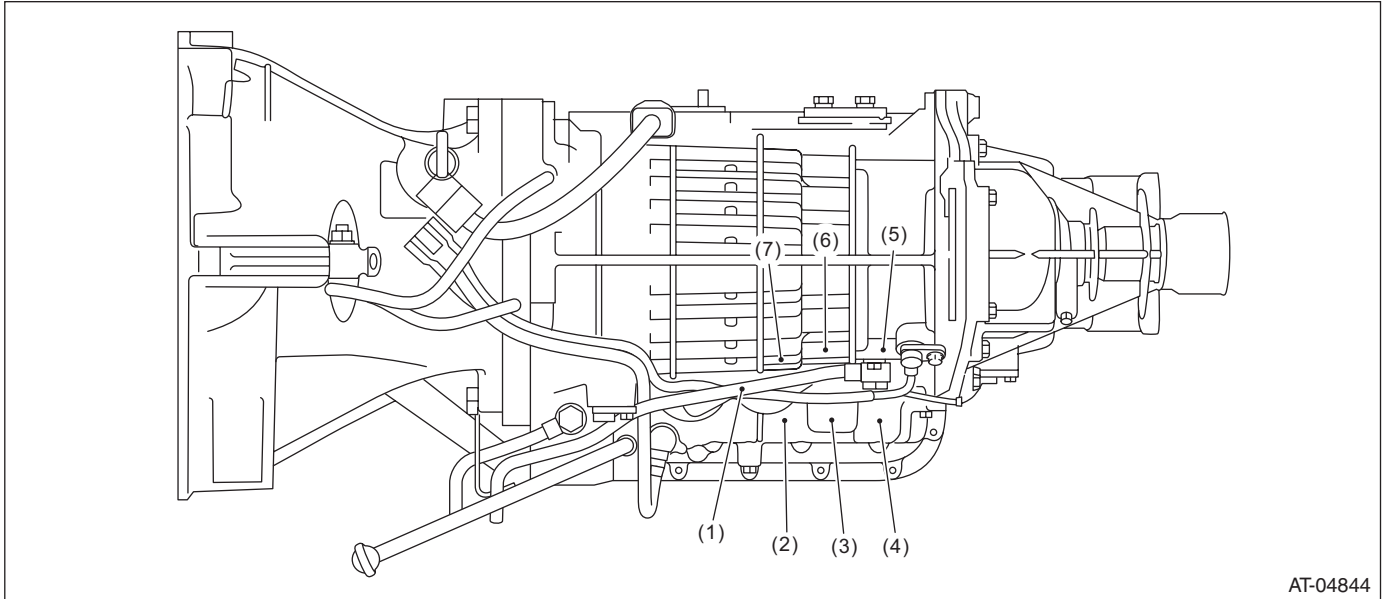
AT-04842

SUBARU.

# Electrical Component Location

AUTOMATIC TRANSMISSION (DIAGNOSTICS)

## 3. SOLENOID



AT-04844

- |                                   |                                 |                            |
|-----------------------------------|---------------------------------|----------------------------|
| (1) Line pressure linear solenoid | (4) Low & reverse duty solenoid | (6) Transfer duty solenoid |
| (2) High clutch duty solenoid     | (5) Low clutch duty solenoid    | (7) Lock-up duty solenoid  |
| (3) 2-4 brake duty solenoid       |                                 |                            |



AT-04843

**SUBARU.**



# Transmission Control Module (TCM) I/O Signal

AUTOMATIC TRANSMISSION (DIAGNOSTICS)

Check with ignition switch ON.					
Item	Measured terminal (Connector & Terminal No.)		Measuring condition	Voltage (V)	Resistance ( $\Omega$ )
	Positive terminal	Ground terminal			
ATF temperature sensor ground	(B55) No. 12	Chassis ground	—	0	Less than 1 (When inserting connector) $\infty$ (When disconnecting connector)
Rear vehicle speed sensor	(B55) No. 26	(B55) No. 15	20 km/h (12 MPH) Vehicle speed at least	2 or more (AC range)	—
Rear vehicle speed sensor ground	(B55) No. 15	Chassis ground	—	0	Less than 1 (When inserting connector) $\infty$ (When disconnecting connector)
Front vehicle speed sensor	(B55) No. 27	(B55) No. 16	—	—	450 — 650
Front vehicle speed sensor ground	(B55) No. 16	Chassis ground	—	—	—
Torque converter turbine speed sensor	(B55) No. 1	(B55) No. 2	Engine idling after warm up ("D" range)	0	450 — 650
			Engine idling after warm up ("N" range)	1 or more (AC range)	
Torque converter turbine speed sensor ground	(B55) No. 2	Chassis ground	—	—	—
Line pressure linear solenoid	(B55) No. 4	(B55) No. 3	Ignition switch ON, throttle fully closed in R range after warm up.	3.7 — 7.7	4.0 — 6.0
			Ignition switch ON, throttle fully open in R range after warm up.	1.1 — 5.1	
Line pressure linear solenoid ground	(B55) No. 3	Chassis ground	—	Less than 1	Less than 1
Lock-up duty solenoid	(B55) No. 6	Chassis ground	When lock up occurs.	10.5 or more	2.0 — 4.5
			When lock up is released.	Less than 1	
Transfer duty solenoid	(B55) No. 5	Chassis ground	With fuse installed to FWD switch	Less than 1	2.0 — 4.5
			With fuse removed from FWD switch (1st gear)	2.0 — 3.0	
2-4 brake duty solenoid	(B54) No. 4	Chassis ground	"P" or "N" range	5.0 or more	2.0 — 4.5
			2nd or 4th gear	Less than 1	
High clutch duty solenoid	(B54) No. 6	Chassis ground	3rd or 4th gear	Less than 1	2.0 — 4.5
			"P" or "N" range	5.0 or more	
Low clutch duty solenoid	(B54) No. 7	Chassis ground	1st or 2nd gear	Less than 1	2.0 — 4.5
			"P" or "N" range	5.0 or more	

# Transmission Control Module (TCM) I/O Signal

## AUTOMATIC TRANSMISSION (DIAGNOSTICS)

Check with ignition switch ON.					
Item	Measured terminal (Connector & Terminal No.)		Measuring condition	Voltage (V)	Resistance ( $\Omega$ )
	Positive terminal	Ground terminal			
Low & reverse duty solenoid	(B54) No. 5	Chassis ground	Driving at 1st gear on manual mode (15 km/h (9.3 MPH) or more)	5.0 or more	2.0 — 4.5
			Driving at 1st gear on manual mode (15 km/h (9.3 MPH) or more)	2.5 — 5.0	
Data link signal (Subaru Select Monitor)	(B54) No. 8	Chassis ground	—	—	—
CAN communication signal (+)	(B55) No. 18	Chassis ground	Ignition switch ON	Pulse signal	—
CAN communication signal (-)	(B55) No. 17	Chassis ground	Ignition switch ON	Pulse signal	—
FWD switch	(B54) No. 10	Chassis ground	Fuse removed	10.5 or more	—
			Fuse installed	1 or less	—
Power GND2	(B54) No. 20	Chassis ground	—	0	Less than 1
Power GND1	(B54) No. 21	Chassis ground	—	0	Less than 1
Control GND2	(B54) No. 22	Chassis ground	—	0	Less than 1
Control GND1	(B54) No. 23	Chassis ground	—	0	Less than 1
SPORT shift switch	(B54) No. 17	Chassis ground	Ignition switch ON SPORT shift mode switch is ON	Less than 1	—
			Ignition switch ON SPORT switch shift mode switch is OFF	8 or more	—
SPORT shift UP switch	(B54) No. 19	Chassis ground	Ignition switch ON SPORT shift up switch is ON	Less than 1	—
			Ignition switch ON SPORT switch shift mode switch is OFF	8 or more	—
SPORT shift DOWN switch	(B54) No. 18	Chassis ground	Ignition switch ON SPORT shift down switch is ON	Less than 1	—
			Ignition switch ON SPORT switch shift mode switch is OFF	8 or more	—

## 6. Subaru Select Monitor

### A: OPERATION

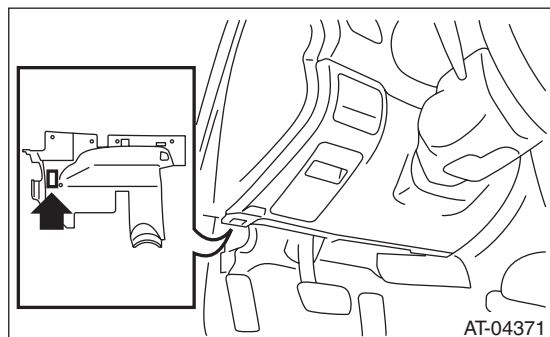
#### 1. READ DIAGNOSTIC TROUBLE CODE (DTC)

- 1) Prepare the Subaru Select Monitor kit.
- 2) Prepare PC with Subaru Select Monitor installed.
- 3) Connect the USB cable to SDI (Subaru Diagnosis Interface) and USB port on the personal computer (dedicated port for the Subaru Select Monitor).

#### NOTE:

The dedicated port for the Subaru Select Monitor means the USB port which was used to install the Subaru Select Monitor.

- 4) Connect the diagnosis cable to SDI.
- 5) Connect SDI to data link connector located in the lower portion of the instrument panel (on the driver's side).



#### CAUTION:

**Do not connect the scan tools other than the Subaru Select Monitor.**

- 6) Start the PC.
- 7) Turn the ignition switch to ON.
- 8) Run the "PC application for Subaru Select Monitor".
- 9) On «Main Menu» display, select {Each System Check}.
- 10) On «System Selection Menu» display, select {Transmission Control System}.
- 11) After transmission type information pops up, select [OK].
- 12) On «Transmission Diagnosis» display, select {Diagnostic Code(s) Display}.

- 13) On «Diagnostic Code(s) Display» display, select {Temporary Diagnostic Code(s)} or {Memorized Diagnostic Code(s)}.

#### NOTE:

- For details concerning the operation procedure, refer to "PC application help for Subaru Select Monitor".
- For details concerning DTC, refer to "List of Diagnostic Trouble Code (DTC)". <Ref. to 4AT(diag)-29, List of Diagnostic Trouble Code (DTC).>

# Subaru Select Monitor

## AUTOMATIC TRANSMISSION (DIAGNOSTICS)

### 2. READ CURRENT DATA

- 1) On «Main Menu» display, select {Each System Check}.
- 2) On «System Selection Menu» display, select {Transmission Control System}.
- 3) After transmission type information pops up, select [OK].
- 4) On «Transmission Diagnosis» display, select {Current Data Display & Save}.
- 5) On «Current Data Display & Save» display, select {Normal sampling}.
- 6) Using the scroll key, scroll the display screen up or down until the desired data is shown.

The list of support data is as shown below.

Item	Display	Unit of measure
Battery voltage	Battery Voltage	V
Rear vehicle speed sensor signal	Rear Wheel Speed	km/h or MPH
Front vehicle speed sensor signal	Front Wheel Speed	km/h or MPH
Engine speed signal	Engine Speed	rpm
Automatic transmission fluid temperature signal	ATF Temp.	°C or °F
Gear position	Gear Position	—
Line pressure control duty ratio	Line Pressure Duty Ratio	%
Lock up clutch control duty ratio	Lock Up Duty Ratio	%
Transfer clutch control duty ratio	Transfer Duty Ratio	%
Torque converter turbine speed signal	Turbine Revolution Speed	rpm
2-4 brake timing pressure control duty ratio	Brake Clutch Duty Ratio	%
Low clutch duty ratio	Low Clutch Duty	%
High clutch duty ratio	High Clutch Duty	%
Low & reverse brake duty ratio	L&R B Duty	%
Accelerator position	Accel. Opening Angle	%
FWD switch signal	FWD Switch	ON or OFF
Stop light switch signal	Stop lamp SW	ON or OFF
Anti lock brake system signal	ABS Signal	ON or OFF
Parking range signal	P Range	ON or OFF
Neutral range signal	N Range	ON or OFF
Reverse range signal	R Range Signal	ON or OFF
Drive range signal	D Range Signal	ON or OFF
AT diagnosis light output signal	Diagnosis Lamp	ON or OFF
Cruise control signal	Cruise Control Signal	ON or OFF
ATF temperature light	ATF Temperature Lamp	ON or OFF
Up shift signal	Up Switch	ON or OFF
Down shift signal	Down Switch	ON or OFF
Sport mode signal	Tiptronic Mode Switch	ON or OFF

#### NOTE:

For details concerning the operation procedure, refer to “PC application help for Subaru Select Monitor”.

### 3. CLEAR MEMORY MODE

- 1) Shift the select lever to “P” range.
- 2) On «Main Menu» display, select {Each System Check}.
- 3) On «System Selection Menu» display, select {Transmission Control System}.
- 4) After transmission type information pops up, select [OK].
- 5) On «Transmission Diagnosis» display, select {Clearing Memory}.
- 6) When “Done. Turn off the ignition switch.” pops up, select [OK].
- 7) Turn Subaru Select Monitor and ignition switch to OFF. To turn the ignition switch to ON again, wait for 10 seconds or more.

#### NOTE:

- If {Clear Memory 2} is selected and performed, DTC and learned control memory are cleared. If {Clear Memory 2} is performed, perform learning control promotion. <Ref. to 4AT(diag)-17, FACILITATION OF LEARNING CONTROL, OPERATION, Subaru Select Monitor.>
- For details concerning the operation procedure, refer to “PC application help for Subaru Select Monitor”.

### 4. FACILITATION OF LEARNING CONTROL

#### NOTE:

- Follow the messages displayed on the Subaru Select Monitor when working.
- When the following work is performed, perform learning work for the transmission.

Replacement of TCM/Replacement or disassembly of transmission assembly/Replacement of control valve body/Performing “Clear Memory 2”.

- 1) Warm up or cool down until the ATF temperature displayed on the Subaru Select Monitor is 60 — 80°C (140 — 176°F).
- 2) Shift the select lever to “P” range.
- 3) Fully apply the parking brake.
- 4) Lift up the vehicle.

#### CAUTION:

**While working, be sure to keep the lower edge of the tires 30 cm or more above the ground as vehicle will vibrate.**

- 5) Connect the Subaru Select Monitor to data link connector.
- 6) Turn the ignition switch to ON.
- 7) Turn off all switches causing an electrical load, such as headlights, A/C, seat heater and rear defogger, etc.
- 8) On vehicles equipped with an ECO switch, turn the ECO switch to ON. On vehicles equipped with an SPORT mode, turn the SPORT mode to OFF. On vehicles equipped with an POWER/HOLD switch, turn the POWER/HOLD switch to OFF. On vehicles equipped with SI-DRIVE, set to I mode.

#### NOTE:

Error message is not displayed even when an incorrect mode is set. While the operation is continued, “AT learning promoting” is displayed, but it cannot end normally. If the message does not change after 2 minutes have passed, retry “AT learning mode” from the beginning.

#### CAUTION:

**Do not turn the power of the Subaru Select Monitor OFF during work, and do not disconnect the data link connector.**

- 9) Select {AT related learning & inspecting mode} in the «Transmission Diagnosis» display screen of the Subaru Select Monitor.
- 10) Select {AT learning mode} in the «AT related learning & inspecting mode» screen of the Subaru Select Monitor.



# Subaru Select Monitor

## AUTOMATIC TRANSMISSION (DIAGNOSTICS)

---

11) Follow the messages displayed on the Subaru Select Monitor screen when working.

**NOTE:**

During AT learning in progress, SPORT indicator light in the combination meter starts flashing at 2 Hz and the learning operation starts. The following message is displayed on the screen when the SPORT indicator light turns off.

12) "AT learning normally ended." is displayed, simple AT learning is completed.

**NOTE:**

- If communication error occurs during learning, retry the "AT learning mode" from the beginning.
- If the message "Execute AT learning again after fixing troubles of the vehicle" is displayed during learning, select [OK] to display the List of Diagnostics Trouble Code. After repairing the locations indicated by the DTC, start the "AT learning mode" over from the beginning.
- If the message "AT learning ended abnormally" is displayed, start the "AT learning mode" over from the beginning.
- When communication error occurs during learning, select lever does not shift occasionally. If select lever does not shift, turn the ignition switch to OFF before operating the lever.

Message	Main reasons for abnormal termination
"AT learning ended abnormally"	<ul style="list-style-type: none"><li>• A malfunction was detected during AT learning.</li><li>• The accelerator pedal is depressed during AT learning.</li><li>• Operation which is not directed is performed during AT learning.</li><li>• Brake pedal is not depressed fully.</li><li>• Parking brake not applied strongly enough.</li><li>• Abnormal idle speed increase, etc.</li></ul>

- For details concerning the operation procedure, refer to "PC application help for Subaru Select Monitor".

### 7. Read Diagnostic Trouble Code (DTC)

#### A: OPERATION

Refer to “Subaru Select Monitor” for information on how to display a DTC. <Ref. to 4AT(diag)-15, OPERATION, Subaru Select Monitor.>

For details concerning DTCs, refer to “List of Diagnostic Trouble Code (DTC)”. <Ref. to 4AT(diag)-29, List of Diagnostic Trouble Code (DTC).>

### 8. Inspection Mode

#### A: PROCEDURE

**WARNING:**

**Observe the traffic law when driving on public roads.**

- 1) Shift the select lever to “D” range, and then drive the vehicle at 60 km/h (37 MPH) for at least 10 seconds.
- 2) Drive the vehicle with manual mode.

### 9. Clear Memory Mode

#### A: OPERATION

Refer to “Subaru Select Monitor” for information about how to clear a DTC.

<Ref. to 4AT(diag)-17, CLEAR MEMORY MODE, OPERATION, Subaru Select Monitor.>



# AT OIL TEMP Warning Light Display

AUTOMATIC TRANSMISSION (DIAGNOSTICS)

## B: INSPECTION

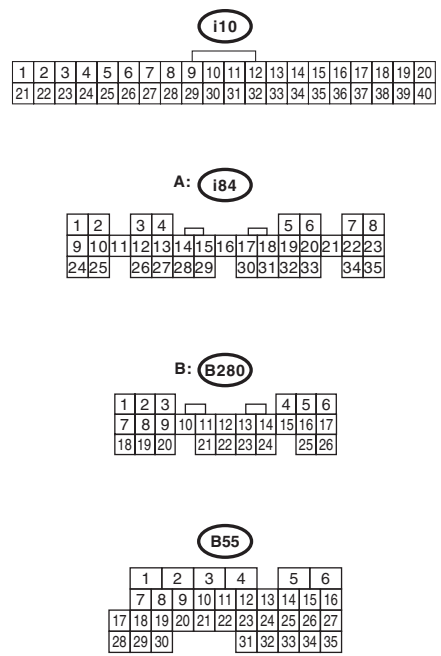
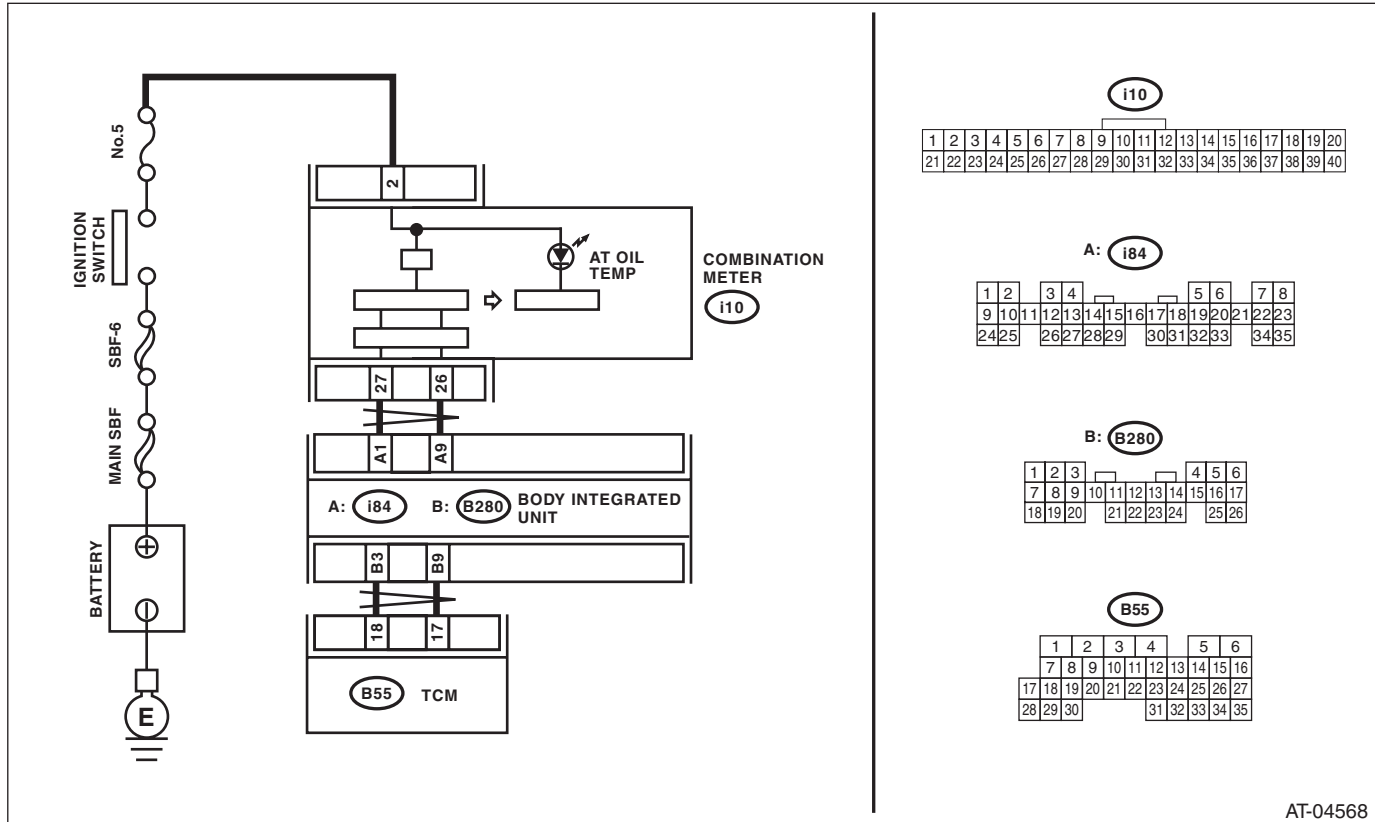
### DIAGNOSIS:

The ATF temperature warning light circuit is open or shorted.

### TROUBLE SYMPTOM:

When the ignition switch is turned to ON, the ATF temperature warning light does not illuminate.

### WIRING DIAGRAM:



AT-04568

# AT OIL TEMP Warning Light Display

## AUTOMATIC TRANSMISSION (DIAGNOSTICS)

Step	Check	Yes	No
<b>1 CHECK ATF TEMPERATURE WARNING LIGHT.</b> Turn the ignition switch to ON.	Does the ATF temperature warning light illuminate?	Go to step 2.	Perform the self-diagnosis of combination meter.
<b>2 CHECK ATF TEMPERATURE WARNING LIGHT.</b> After the ignition switch is ON, wait for at least 2 seconds.	Does the ATF temperature warning light illuminate?	Go to step 3.	Go to step 4.
<b>3 CHECK ATF TEMPERATURE WARNING LIGHT.</b> Start the engine.	Does the ATF temperature warning light go off?	Normal. Go back to "Basic Diagnostic Procedure". <Ref. to 4AT(diag)-2, Basic Diagnostic Procedure.>	Go to step 7.
<b>4 CHECK SUBARU SELECT MONITOR COMMUNICATION.</b> Connect the Subaru Select Monitor to data link connector.	Is the communication between Subaru Select Monitor and TCM normal?	Go to step 5.	Check the power supply ground circuit of TCM and Subaru Select Monitor communication. <Ref. to 4AT(diag)-25, Diagnostic Procedure for Subaru Select Monitor Communication.>
<b>5 CHECK TCM.</b> 1) Display the current data of TCM using Subaru Select Monitor. <Ref. to 4AT(diag)-15, OPERATION, Subaru Select Monitor.> 2) Read the data of "Diagnosis Light".	Is "ON" displayed?	Go to step 6.	Replace the TCM. <Ref. to 4AT-63, Transmission Control Module (TCM).>
<b>6 CHECK BODY INTEGRATED UNIT.</b> 1) Display the current data of body integrated unit using Subaru Select Monitor. <Ref. to LAN(diag)-15, OPERATION, Subaru Select Monitor.> 2) Read the data of "ATF temperature light".	Is "ON" displayed?	Replace the combination meter assembly. <Ref. to IDI-16, Combination Meter.>	Check DTC of body integrated unit. <Ref. to LAN(diag)-15, OPERATION, Subaru Select Monitor.>
<b>7 CHECK TCM.</b> 1) Display the current data of TCM using Subaru Select Monitor. 2) Read the data of "Diagnosis Light".	Is "ON" displayed?	Replace the TCM. <Ref. to 4AT-63, Transmission Control Module (TCM).>	Go to step 8.
<b>8 CHECK BODY INTEGRATED UNIT.</b> 1) Display the current data of body integrated unit using Subaru Select Monitor. 2) Read the data of "ATF temperature light".	Is "ON" displayed?	Check DTC of body integrated unit. Perform the diagnosis according to DTC. <Ref. to LAN(diag)-15, OPERATION, Subaru Select Monitor.>	Perform the self-diagnosis of combination meter. <Ref. to IDI-4, INSPECTION, Combination Meter System.>

# Diagnostic Procedure for Subaru Select Monitor Communication

AUTOMATIC TRANSMISSION (DIAGNOSTICS)

## 11. Diagnostic Procedure for Subaru Select Monitor Communication

### A: COMMUNICATION FOR INITIALIZING IMPOSSIBLE

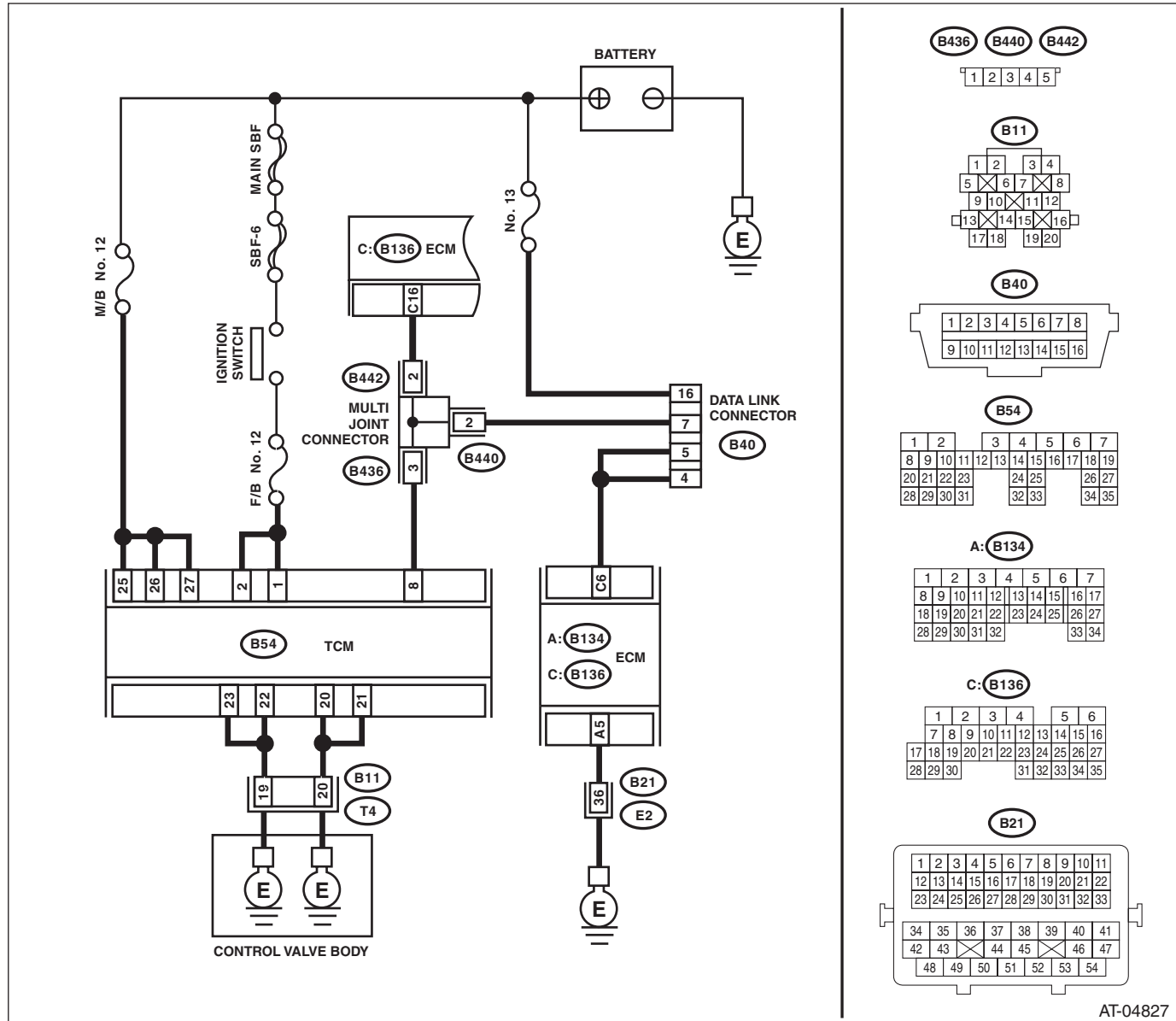
#### DIAGNOSIS:

Faulty harness connectors

#### TROUBLE SYMPTOM:

Subaru Select Monitor communication failure

#### WIRING DIAGRAM:



AT-04827



# Diagnostic Procedure for Subaru Select Monitor Communication

## AUTOMATIC TRANSMISSION (DIAGNOSTICS)

	Step	Check	Yes	No
1	<b>CHECK INSTALLATION OF TCM CONNECTOR.</b> Turn the ignition switch to OFF.	Is TCM connector connected to TCM?	Go to step 2.	Connect the TCM connector to TCM.
2	<b>CHECK SUBARU SELECT MONITOR POWER SUPPLY CIRCUIT.</b> Measure the voltage between data link connector and chassis ground. <b>Connector &amp; terminal</b> <b>(B40) No. 16 (+) — Chassis ground (-):</b>	Is the voltage 10 V or more?	Go to step 3.	Repair harness connector between the battery and data link connector, and poor contact of the connector.
3	<b>CHECK SUBARU SELECT MONITOR GROUND CIRCUIT.</b> 1) Disconnect the connectors from ECM. 2) Measure the resistance of harness between data link connector and ECM. <b>Connector &amp; terminal</b> <b>(B40) No. 4 — (B136) No. 6:</b> <b>(B40) No. 5 — (B136) No. 6:</b>	Is the resistance less than 1 $\Omega$ ?	Go to step 4.	Repair the open circuit of harness between data link connector and ECM.
4	<b>CHECK SUBARU SELECT MONITOR GROUND CIRCUIT.</b> Measure the resistance of harness between data link connector and chassis ground. <b>Connector &amp; terminal</b> <b>(B40) No. 16 — Chassis ground:</b>	Is the resistance 1 M $\Omega$ or more?	Go to step 5.	Repair the short circuit of harness between data link connector and ground terminals.
5	<b>CHECK ENGINE GROUND CIRCUIT.</b> Check the engine ground circuit.	Is the engine ground circuit normal?	Go to step 6.	Repair ground circuit of ECM.
6	<b>CHECK COMMUNICATION OF SUBARU SELECT MONITOR.</b> 1) Turn the ignition switch to ON. 2) Check communication with the transmission.	Is the name of system displayed on Subaru Select Monitor?	Go to step 11.	Go to step 7.
7	<b>CHECK COMMUNICATION OF SUBARU SELECT MONITOR.</b> 1) Turn the ignition switch to OFF. 2) Disconnect the connector from TCM. 3) Turn the ignition switch to ON. 4) Check communication with the engine system.	Is the name of system displayed on Subaru Select Monitor?	Go to step 9.	Go to step 8.
8	<b>CHECK OUTPUT SIGNAL OF TCM.</b> 1) Turn the ignition switch to OFF. 2) Connect the connector to TCM. 3) Disconnect the connectors from control modules connected to the data link connector (B40) No. 7, excluding TCM and ECM. <b>CAUTION:</b> <b>When disconnecting the connector from airbag control module, always follow the precautions on AB section. &lt;Ref. to AB-5, CAUTION, General Description.&gt;</b> 4) Turn the ignition switch to ON. 5) Check communication with the transmission system.	Is the name of system displayed on Subaru Select Monitor?	Check each control module.	Go to step 9.

# Diagnostic Procedure for Subaru Select Monitor Communication

AUTOMATIC TRANSMISSION (DIAGNOSTICS)

Step	Check	Yes	No
<b>9 CHECK HARNESS CONNECTOR BETWEEN EACH CONTROL MODULE AND DATA LINK CONNECTOR.</b> 1) Turn the ignition switch to OFF. 2) Disconnect the connectors of all control modules connected to the data link connector (B40) No. 7. 3) Measure the resistance between TCM connector and chassis ground. <b>Connector &amp; terminal</b> <b>(B40) No. 7 — Chassis ground:</b>	Is the resistance 1 M $\Omega$ or more?	Go to step 10.	Check harness and connector between each control module and data link connector.
<b>10 CHECK OUTPUT SIGNAL OF TCM.</b> 1) Turn the ignition switch to ON. 2) Measure the voltage between TCM and chassis ground. <b>Connector &amp; terminal</b> <b>(B40) No. 7 (+) — Chassis ground (-):</b>	Is the voltage 1 V or more?	Check harness and connector between each control module and data link connector.	Go to step 11.
<b>11 CHECK HARNESS CONNECTOR BETWEEN TCM AND DATA LINK CONNECTOR.</b> Measure the resistance between TCM connector and data link connector. <b>Connector &amp; terminal</b> <b>(B40) No. 7 — (B54) No. 8:</b>	Is the resistance less than 1 $\Omega$ ?	Go to step 12.	Check the harness and connector between TCM and data link connector.
<b>12 CHECK INSTALLATION OF TRANSMISSION HARNESS CONNECTOR.</b>	Is the transmission harness connector connected to bulk-head harness connector?	Go to step 13.	Connect the bulk-head harness connector to transmission harness connector.
<b>13 CHECK POOR CONTACT OF CONNECTORS.</b>	Is there poor contact of control module power supply and data link connector?	Repair the poor contact.	Go to step 14.
<b>14 CHECK TCM POWER SUPPLY.</b> 1) Disconnect the connector from TCM. 2) Turn the ignition switch to ON. 3) Measure the voltage between TCM connector and chassis ground. <b>Connector &amp; terminal</b> <b>(B54) No. 25 (+) — Chassis ground (-):</b> <b>(B54) No. 26 (+) — Chassis ground (-):</b> <b>(B54) No. 27 (+) — Chassis ground (-):</b>	Is the voltage 10 — 13 V?	Go to step 16.	Go to step 15.
<b>15 CHECK M/B FUSE (NO. 12).</b> 1) Turn the ignition switch to OFF. 2) Remove the fuse (No. 12).	Is the fuse (No. 12) blown out?	Replace the fuse. If the replaced fuse has blown out easily, repair short circuit of harness between fuse and TCM.	Repair the open circuit of harness between fuse and TCM, or fuse and battery, and poor contact of the connector.
<b>16 CHECK IGNITION POWER SUPPLY CIRCUIT.</b> 1) Turn the ignition switch to ON. 2) Measure the ignition power supply voltage between TCM connector and chassis ground. <b>Connector &amp; terminal</b> <b>(B54) No. 1 (+) — Chassis ground (-):</b> <b>(B54) No. 2 (+) — Chassis ground (-):</b>	Is the voltage 10 — 13 V?	Go to step 18.	Go to step 17.

# Diagnostic Procedure for Subaru Select Monitor Communication

## AUTOMATIC TRANSMISSION (DIAGNOSTICS)

Step	Check	Yes	No
<b>17 CHECK F/B FUSE (NO. 12).</b> Remove the fuse (No. 12).	Is the fuse (No. 12) blown out?	Replace the fuse. If the replaced fuse has blown out easily, repair short circuit of harness between fuse and TCM.	Repair the open circuit of harness between fuse and TCM, or fuse and battery, and poor contact of the connector.
<b>18 CHECK HARNESS CONNECTOR BETWEEN TCM AND TRANSMISSION.</b> 1) Turn the ignition switch to OFF. 2) Disconnect the connectors from TCM and transmission. 3) Measure the resistance of harness between TCM and transmission connector. <i>Connector &amp; terminal</i> (B54) No. 20 — (B11) No. 20: (B54) No. 21 — (B11) No. 20: (B54) No. 22 — (B11) No. 19: (B54) No. 23 — (B11) No. 19:	Is the resistance less than 1 Ω?	Go to step 19.	Repair the open circuit of harness between TCM and transmission harness connector, and poor contact of connector.
<b>19 CHECK HARNESS CONNECTOR BETWEEN TRANSMISSION AND TRANSMISSION GROUND.</b> Measure the resistance of the harness between transmission and transmission ground. <i>Connector &amp; terminal</i> (T4) No. 19 — Transmission ground: (T4) No. 20 — Transmission ground:	Is the resistance less than 1 Ω?	Go to step 20.	Repair the open circuit of the harness between transmission and transmission ground.
<b>20 CHECK POOR CONTACT OF CONNECTORS.</b>	Is there poor contact of TCM power supply, ground and data link connector?	Repair the connector.	Replace the TCM. <Ref. to 4AT-63, Transmission Control Module (TCM).>

# List of Diagnostic Trouble Code (DTC)

AUTOMATIC TRANSMISSION (DIAGNOSTICS)

## 12.List of Diagnostic Trouble Code (DTC)

### A: LIST

DTC	Item	Content of Diagnosis	Reference target
P0705	Transmission Range Sensor Circuit (PRNDL Input)	Inhibitor switch malfunction or short circuit	<Ref. to 4AT(diag)-31, DTC P0705 TRANSMISSION RANGE SENSOR CIRCUIT (PRNDL INPUT), Diagnostic Procedure with Diagnostic Trouble Code (DTC).>
P0712	Transmission Fluid Temperature Sensor Circuit Low Input	ATF temperature sensor is faulty or input signal circuit is open.	<Ref. to 4AT(diag)-38, DTC P0712 TRANSMISSION FLUID TEMPERATURE SENSOR CIRCUIT LOW INPUT, Diagnostic Procedure with Diagnostic Trouble Code (DTC).>
P0713	Transmission Fluid Temperature Sensor Circuit High Input	ATF temperature sensor is faulty or input signal circuit is shorted.	<Ref. to 4AT(diag)-40, DTC P0713 TRANSMISSION FLUID TEMPERATURE SENSOR CIRCUIT HIGH INPUT, Diagnostic Procedure with Diagnostic Trouble Code (DTC).>
P0715	Input/Turbine Speed Sensor Circuit	Torque converter turbine speed sensor malfunction, open or shorted input signal circuit	<Ref. to 4AT(diag)-42, DTC P0715 INPUT/TURBINE SPEED SENSOR CIRCUIT, Diagnostic Procedure with Diagnostic Trouble Code (DTC).>
P0719	Brake Switch Circuit Low	Brake switch malfunction, open input signal circuit	<Ref. to 4AT(diag)-44, DTC P0719 BRAKE SWITCH CIRCUIT LOW, Diagnostic Procedure with Diagnostic Trouble Code (DTC).>
P0720	Output Speed Sensor Circuit	Front vehicle speed sensor malfunction, open or shorted input signal circuit	<Ref. to 4AT(diag)-47, DTC P0720 OUTPUT SPEED SENSOR CIRCUIT, Diagnostic Procedure with Diagnostic Trouble Code (DTC).>
P0724	Brake Switch Circuit High	Brake switch malfunction, shorted input signal circuit	<Ref. to 4AT(diag)-49, DTC P0724 BRAKE SWITCH CIRCUIT HIGH, Diagnostic Procedure with Diagnostic Trouble Code (DTC).>
P0731	Gear 1 Incorrect Ratio	Vehicle sensor, torque converter turbine speed sensor or control valve malfunction	<Ref. to 4AT(diag)-51, DTC P0731 GEAR 1 INCORRECT RATIO, Diagnostic Procedure with Diagnostic Trouble Code (DTC).>
P0732	Gear 2 Incorrect Ratio	Vehicle sensor, torque converter turbine speed sensor or control valve malfunction	<Ref. to 4AT(diag)-51, DTC P0732 GEAR 2 INCORRECT RATIO, Diagnostic Procedure with Diagnostic Trouble Code (DTC).>
P0733	Gear 3 Incorrect Ratio	Vehicle sensor, torque converter turbine speed sensor or control valve malfunction	<Ref. to 4AT(diag)-51, DTC P0733 GEAR 3 INCORRECT RATIO, Diagnostic Procedure with Diagnostic Trouble Code (DTC).>
P0734	Gear 4 Incorrect Ratio	Vehicle sensor, torque converter turbine speed sensor or control valve malfunction	<Ref. to 4AT(diag)-51, DTC P0734 GEAR 4 INCORRECT RATIO, Diagnostic Procedure with Diagnostic Trouble Code (DTC).>
P0736	Reverse Incorrect Ratio	Vehicle sensor, torque converter turbine speed sensor or control valve malfunction	<Ref. to 4AT(diag)-51, DTC P0736 REVERSE INCORRECT RATIO, Diagnostic Procedure with Diagnostic Trouble Code (DTC).>
P0741	Torque Converter Clutch Circuit Performance or Stuck Off	Lock-up clutch is faulty or valve is stuck.	<Ref. to 4AT(diag)-52, DTC P0741 TORQUE CONVERTER CLUTCH CIRCUIT PERFORMANCE OR STUCK OFF, Diagnostic Procedure with Diagnostic Trouble Code (DTC).>
P0743	Torque Converter Clutch Circuit Electrical	Lock-up solenoid is faulty or output signal circuit is open or shorted.	<Ref. to 4AT(diag)-53, DTC P0743 TORQUE CONVERTER CLUTCH CIRCUIT ELECTRICAL, Diagnostic Procedure with Diagnostic Trouble Code (DTC).>
P0748	Pressure Control Solenoid "A" Electrical	Line pressure linear solenoid is faulty or output signal circuit is open or shorted.	<Ref. to 4AT(diag)-56, DTC P0748 PRESSURE CONTROL SOLENOID "A" ELECTRICAL, Diagnostic Procedure with Diagnostic Trouble Code (DTC).>
P0753	Shift Solenoid "A" Electrical	Low clutch duty solenoid is faulty or output signal circuit is open or shorted.	<Ref. to 4AT(diag)-58, DTC P0753 SHIFT SOLENOID "A" ELECTRICAL, Diagnostic Procedure with Diagnostic Trouble Code (DTC).>

## List of Diagnostic Trouble Code (DTC)

### AUTOMATIC TRANSMISSION (DIAGNOSTICS)

DTC	Item	Content of Diagnosis	Reference target
P0758	Shift Solenoid "B" Electrical	2-4 brake duty solenoid is faulty or output signal circuit is open or shorted.	<Ref. to 4AT(diag)-60, DTC P0758 SHIFT SOLENOID "B" ELECTRICAL, Diagnostic Procedure with Diagnostic Trouble Code (DTC).>
P0763	Shift Solenoid "C" Electrical	High clutch duty solenoid is faulty or output signal circuit is open or shorted.	<Ref. to 4AT(diag)-62, DTC P0763 SHIFT SOLENOID "C" ELECTRICAL, Diagnostic Procedure with Diagnostic Trouble Code (DTC).>
P0768	Shift Solenoid "D" Electrical	Low & reverse clutch duty solenoid is faulty or output signal circuit is open or shorted.	<Ref. to 4AT(diag)-65, DTC P0768 SHIFT SOLENOID "D" ELECTRICAL, Diagnostic Procedure with Diagnostic Trouble Code (DTC).>
P0801	Reverse Inhibit Control Circuit	Shift lock solenoid is faulty or output signal circuit is open or shorted.	<Ref. to 4AT(diag)-68, DTC P0801 REVERSE INHIBIT CONTROL CIRCUIT, Diagnostic Procedure with Diagnostic Trouble Code (DTC).>
P1706	AT Vehicle Speed Sensor Circuit Malfunction (Rear wheel)	Rear vehicle speed sensor is faulty or input signal circuit is open or shorted.	<Ref. to 4AT(diag)-70, DTC P1706 AT VEHICLE SPEED SENSOR CIRCUIT MALFUNCTION (REAR WHEEL), Diagnostic Procedure with Diagnostic Trouble Code (DTC).>
P1707	AT AWD Solenoid Valve Circuit Malfunction	Transfer duty solenoid is faulty or output signal circuit is open or shorted.	<Ref. to 4AT(diag)-72, DTC P1707 AT AWD SOLENOID VALVE CIRCUIT MALFUNCTION, Diagnostic Procedure with Diagnostic Trouble Code (DTC).>
P1718	CAN Communication Circuit	CAN communication circuit is open or shorted.	<Ref. to 4AT(diag)-73, DTC P1718 CAN COMMUNICATION CIRCUIT, Diagnostic Procedure with Diagnostic Trouble Code (DTC).>
P1817	SPORT Mode Switch Circuit	SPORT shift switch is faulty or input signal circuit is open or shorted.	<Ref. to 4AT(diag)-74, DTC P1817 SPORT MODE SWITCH CIRCUIT, Diagnostic Procedure with Diagnostic Trouble Code (DTC).>

### 13. Diagnostic Procedure with Diagnostic Trouble Code (DTC)

#### A: DTC P0705 TRANSMISSION RANGE SENSOR CIRCUIT (PRNDL INPUT)

##### DTC DETECTING CONDITION:

- Inhibitor switch is faulty.
- Multiple range signals are input at a time.
- No range signal is input.

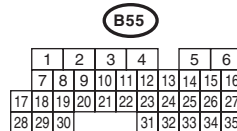
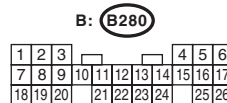
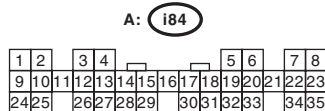
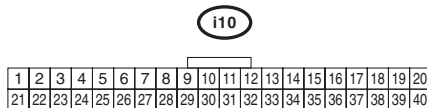
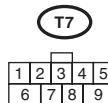
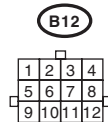
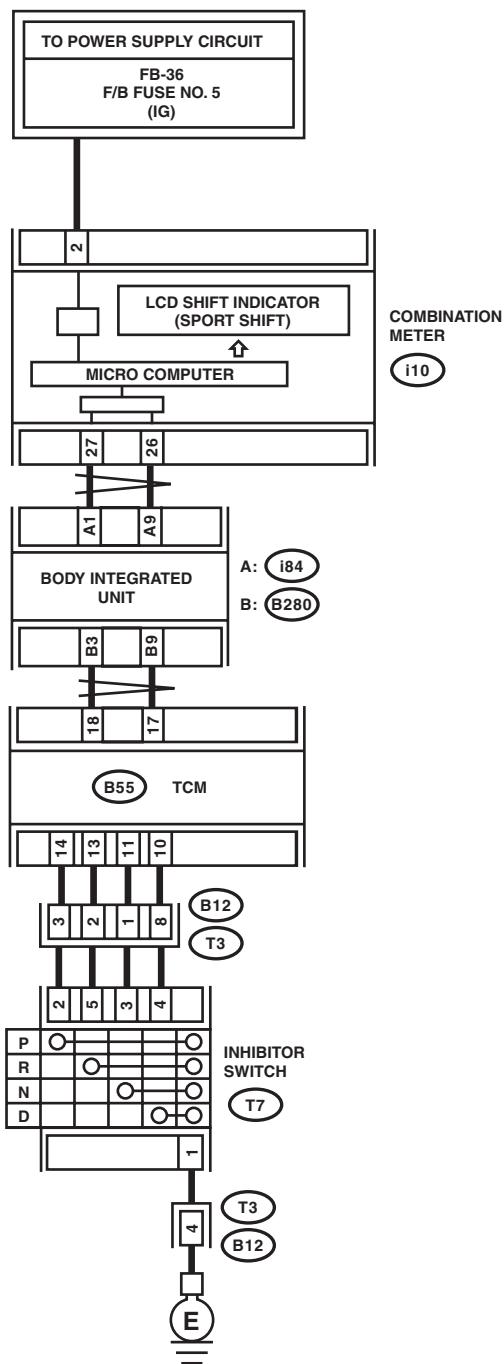
##### TROUBLE SYMPTOM:

The range position of the select lever and the select indicator light on the combination meter do not match.

# Diagnostic Procedure with Diagnostic Trouble Code (DTC)

## AUTOMATIC TRANSMISSION (DIAGNOSTICS)

### WIRING DIAGRAM:



AT-04752

# Diagnostic Procedure with Diagnostic Trouble Code (DTC)

AUTOMATIC TRANSMISSION (DIAGNOSTICS)

	Step	Check	Yes	No
1	<b>CHECK INDICATOR LIGHT.</b> 1) Turn the ignition switch to ON. 2) Shift the select lever to "P" range.	Does the combination meter "P" range indicator light illuminate?	Go to step 2.	Go to step 6.
2	<b>CHECK INDICATOR LIGHT.</b> Set the select lever to "R" range.	Does the combination meter "P" range indicator light illuminate?	Go to step 20.	Go to step 3.
3	<b>CHECK INDICATOR LIGHT.</b> Shift the select lever to "P" range.	Does the combination meter "R" range indicator light illuminate?	Go to step 27.	Go to step 4.
4	<b>CHECK INDICATOR LIGHT.</b>	Does the combination meter "N" range indicator light illuminate?	Go to step 34.	Go to step 5.
5	<b>CHECK INDICATOR LIGHT.</b>	Does the combination meter "D" range indicator light illuminate?	Go to step 41.	Go to step 7.
6	<b>CHECK P RANGE SWITCH.</b> Read the data of "P range" using Subaru Select Monitor.	Is "ON" displayed?	Go to step 17.	Go to step 13.
7	<b>CHECK INDICATOR LIGHT.</b> Set the select lever to "R" range.	Does the combination meter "R" range indicator light illuminate?	Go to step 9.	Go to step 8.
8	<b>CHECK "R" RANGE SWITCH.</b> Read the data of "R range" using Subaru Select Monitor.	Is "ON" displayed?	Go to step 24.	Go to step 21.
9	<b>CHECK INDICATOR LIGHT.</b> Set the select lever to "N" range.	Does the combination meter "N" range indicator light illuminate?	Go to step 11.	Go to step 10.
10	<b>CHECK "N" RANGE SWITCH.</b> Read the data of "N range" using Subaru Select Monitor.	Is "ON" displayed?	Go to step 31.	Go to step 28.
11	<b>CHECK INDICATOR LIGHT.</b> Set the select lever to the "D" range.	Does the combination meter "D" range indicator light illuminate?	Check the harnesses or connectors between TCM and transmission, and repair the defective part.	Go to step 12.
12	<b>CHECK "D" RANGE SWITCH.</b> Read the data of "D range" using Subaru Select Monitor.	Is "ON" displayed?	Go to step 38.	Go to step 35.
13	<b>CHECK HARNESS CONNECTOR BETWEEN INHIBITOR SWITCH AND CHASSIS GROUND.</b> 1) Turn the ignition switch to OFF. 2) Disconnect the connector from inhibitor switch. 3) Measure the resistance of harness between inhibitor switch and chassis ground. <b>Connector &amp; terminal</b> <b>(T7) No. 1 — Chassis ground:</b>	Is the resistance less than 1 $\Omega$ ?	Go to step 14.	Repair the open circuit of harness between inhibitor switch and chassis ground, and poor contact of the connector.
14	<b>CHECK HARNESS CONNECTOR BETWEEN TCM AND INHIBITOR SWITCH.</b> 1) Turn the ignition switch to OFF. 2) Disconnect the connector from TCM and inhibitor switch. 3) Measure the resistance of the harness between TCM and inhibitor switch connector. <b>Connector &amp; terminal</b> <b>(B55) No. 14 — (T7) No. 2:</b>	Is the resistance less than 1 $\Omega$ ?	Go to step 15.	Repair the open circuit of harness between TCM and inhibitor switch connector, and poor contact of the connector.



# Diagnostic Procedure with Diagnostic Trouble Code (DTC)

## AUTOMATIC TRANSMISSION (DIAGNOSTICS)

Step	Check	Yes	No
<b>15 CHECK INPUT SIGNAL FOR TCM.</b> 1) Turn the ignition switch to OFF. 2) Connect the connector to TCM and inhibitor switch. 3) Turn the ignition switch to ON. 4) Shift the select lever to "P" range. 5) Measure the voltage between TCM and chassis ground. <b>Connector &amp; terminal</b> <b>(B55) No. 14 (+) — Chassis ground (-):</b>	Is the voltage less than 1 V?	Go to step 16.	Go to step 42.
<b>16 CHECK INPUT SIGNAL FOR TCM.</b> 1) Set the select lever to other than "P" range. 2) Measure the voltage between TCM and chassis ground. <b>Connector &amp; terminal</b> <b>(B55) No. 14 (+) — Chassis ground (-):</b>	Is the voltage 8 V or more?	Go to step 42.	Replace the TCM. <Ref. to 4AT-63, Transmission Control Module (TCM).>
<b>17 CHECK BODY INTEGRATED UNIT.</b> Read the data of inhibitor switch using Subaru Select Monitor. <Ref. to LAN(diag)-15, OPERATION, Subaru Select Monitor.>	Is "7" displayed?	Go to step 18.	Check body integrated unit.
<b>18 CHECK BODY INTEGRATED UNIT.</b> Check DTC of body integrated unit.	Is DTC of CAN communication displayed?	Perform the diagnosis according to DTC.	Go to step 19.
<b>19 CHECK COMBINATION METER.</b> Check the "P" range indicator light. <Ref. to IDI-4, INSPECTION, Combination Meter System.>	Is the "P" range indicator light bulb OK?	Go to step 42.	Replace the combination meter assembly. <Ref. to IDI-16, Combination Meter.>
<b>20 CHECK HARNESS CONNECTOR BETWEEN TCM AND INHIBITOR SWITCH.</b> 1) Turn the ignition switch to OFF. 2) Disconnect the connectors from TCM, inhibitor switch and combination meter. 3) Measure the resistance of harness between TCM connector and chassis ground. <b>Connector &amp; terminal</b> <b>(B55) No. 14 — Chassis ground:</b>	Is the resistance 1 M $\Omega$ or more?	Go to step 43.	Repair ground short circuit in "P" range circuit.
<b>21 CHECK HARNESS CONNECTOR BETWEEN TCM AND INHIBITOR SWITCH.</b> 1) Turn the ignition switch to OFF. 2) Disconnect the connector from TCM and inhibitor switch. 3) Measure the resistance of the harness between TCM and inhibitor switch connector. <b>Connector &amp; terminal</b> <b>(B55) No. 13 — (T7) No. 5:</b>	Is the resistance less than 1 $\Omega$ ?	Go to step 22.	Repair the open circuit of harness between TCM and inhibitor switch connector, and poor contact of the connector.
<b>22 CHECK INPUT SIGNAL FOR TCM.</b> 1) Turn the ignition switch to OFF. 2) Connect the connector to TCM and inhibitor switch. 3) Turn the ignition switch to ON. 4) Set the select lever to "R" range. 5) Measure the voltage between TCM and chassis ground. <b>Connector &amp; terminal</b> <b>(B55) No. 13 (+) — Chassis ground (-):</b>	Is the voltage less than 1 V?	Go to step 23.	Go to step 42.

# Diagnostic Procedure with Diagnostic Trouble Code (DTC)

## AUTOMATIC TRANSMISSION (DIAGNOSTICS)

Step	Check	Yes	No
<b>23 CHECK INPUT SIGNAL FOR TCM.</b> 1) Shift the select lever to other than "R" range. 2) Measure the voltage between TCM and chassis ground. <b>Connector &amp; terminal</b> <b>(B55) No. 13 (+) — Chassis ground (-):</b>	Is the voltage 8 V or more?	Go to step <b>42</b> .	Replace the TCM. <Ref. to 4AT-63, Transmission Control Module (TCM).>
<b>24 CHECK BODY INTEGRATED UNIT.</b> Read the data of "Shift Position" using Subaru Select Monitor. <Ref. to LAN(diag)-15, OPERATION, Subaru Select Monitor.>	Is "6" displayed?	Go to step <b>25</b> .	Check body integrated unit.
<b>25 CHECK BODY INTEGRATED UNIT.</b> Check DTC of body integrated unit.	Is DTC of CAN communication displayed?	Perform the diagnosis according to DTC.	Go to step <b>26</b> .
<b>26 CHECK COMBINATION METER.</b> Check the "R" range indicator light. <Ref. to IDI-4, INSPECTION, Combination Meter System.>	Is the "R" range indicator light OK?	Go to step <b>42</b> .	Replace the combination meter assembly. <Ref. to IDI-16, Combination Meter.>
<b>27 CHECK HARNESS CONNECTOR BETWEEN TCM AND INHIBITOR SWITCH.</b> 1) Turn the ignition switch to OFF. 2) Disconnect the connector from TCM and inhibitor switch. 3) Measure the resistance of harness between TCM connector and chassis ground. <b>Connector &amp; terminal</b> <b>(B55) No. 13 — Chassis ground:</b>	Is the resistance 1 M $\Omega$ or more?	Go to step <b>42</b> .	Repair ground short circuit in "R" range circuit.
<b>28 CHECK HARNESS CONNECTOR BETWEEN TCM AND INHIBITOR SWITCH.</b> 1) Turn the ignition switch to OFF. 2) Disconnect the connector from TCM and inhibitor switch. 3) Measure the resistance of the harness between TCM and inhibitor switch connector. <b>Connector &amp; terminal</b> <b>(B55) No. 11 — (T7) No. 3:</b>	Is the resistance less than 1 $\Omega$ ?	Go to step <b>29</b> .	Repair the open circuit of harness between TCM and inhibitor switch connector, and poor contact of the connector.
<b>29 CHECK INPUT SIGNAL FOR TCM.</b> 1) Turn the ignition switch to OFF. 2) Connect the connector to TCM and inhibitor switch. 3) Turn the ignition switch to ON. 4) Set the select lever to "N" range. 5) Measure the voltage between TCM and chassis ground. <b>Connector &amp; terminal</b> <b>(B55) No. 11 (+) — Chassis ground (-):</b>	Is the voltage less than 1 V?	Go to step <b>30</b> .	Go to step <b>42</b> .
<b>30 CHECK INPUT SIGNAL FOR TCM.</b> 1) Shift the select lever to other than "N" range. 2) Measure the voltage between TCM and chassis ground. <b>Connector &amp; terminal</b> <b>(B55) No. 11 (+) — Chassis ground (-):</b>	Is the voltage 8 V or more?	Go to step <b>42</b> .	Replace the TCM. <Ref. to 4AT-63, Transmission Control Module (TCM).>
<b>31 CHECK BODY INTEGRATED UNIT.</b> Read the data of "Shift Position" using Subaru Select Monitor. <Ref. to LAN(diag)-15, OPERATION, Subaru Select Monitor.>	Is "5" displayed?	Go to step <b>32</b> .	Check body integrated unit.
<b>32 CHECK BODY INTEGRATED UNIT.</b> Check DTC of body integrated unit.	Is DTC of CAN communication displayed?	Perform the diagnosis according to DTC.	Go to step <b>33</b> .

# Diagnostic Procedure with Diagnostic Trouble Code (DTC)

## AUTOMATIC TRANSMISSION (DIAGNOSTICS)

Step	Check	Yes	No
<b>33 CHECK COMBINATION METER.</b> Check the "N" range indicator light. <Ref. to IDI-4, INSPECTION, Combination Meter System.>	Is the "N" range indicator light OK?	Go to step 42.	Replace the combination meter assembly. <Ref. to IDI-16, Combination Meter.>
<b>34 CHECK HARNESS CONNECTOR BETWEEN TCM AND INHIBITOR SWITCH.</b> 1) Turn the ignition switch to OFF. 2) Disconnect the connectors from TCM and inhibitor switch. 3) Measure the resistance of harness between TCM connector and chassis ground. <b>Connector &amp; terminal</b> <b>(B55) No. 11 — Chassis ground:</b>	Is the resistance 1 MΩ or more?	Go to step 42.	Repair the ground short circuit in "N" range circuit.
<b>35 CHECK HARNESS CONNECTOR BETWEEN TCM AND INHIBITOR SWITCH.</b> 1) Turn the ignition switch to OFF. 2) Disconnect the connector from TCM and inhibitor switch. 3) Measure the resistance of the harness between TCM and inhibitor switch connector. <b>Connector &amp; terminal</b> <b>(B55) No. 10 — (T7) No. 4:</b>	Is the resistance less than 1 Ω?	Go to step 36.	Repair the open circuit of harness between TCM and inhibitor switch connector, and poor contact of the connector.
<b>36 CHECK INPUT SIGNAL FOR TCM.</b> 1) Turn the ignition switch to OFF. 2) Connect the connector to TCM and inhibitor switch. 3) Turn the ignition switch to ON. 4) Set the select lever to the "D" range. 5) Measure the voltage between TCM and chassis ground. <b>Connector &amp; terminal</b> <b>(B55) No. 10 (+) — Chassis ground (-):</b>	Is the voltage less than 1 V?	Go to step 37.	Go to step 42.
<b>37 CHECK INPUT SIGNAL FOR TCM.</b> 1) Shift the select lever to other than "D" range. 2) Measure the voltage between TCM and chassis ground. <b>Connector &amp; terminal</b> <b>(B55) No. 10 (+) — Chassis ground (-):</b>	Is the voltage 8 V or more?	Go to step 42.	Replace the TCM. <Ref. to 4AT-63, Transmission Control Module (TCM).>
<b>38 CHECK BODY INTEGRATED UNIT.</b> Read the data of "Shift Position" using Subaru Select Monitor. <Ref. to LAN(diag)-15, OPERATION, Subaru Select Monitor.>	Is "4" displayed?	Go to step 39.	Check body integrated unit.
<b>39 CHECK BODY INTEGRATED UNIT.</b> Check DTC of body integrated unit.	Is DTC of CAN communication displayed?	Perform the diagnosis according to DTC.	Go to step 40.
<b>40 CHECK COMBINATION METER.</b> Check the "D" range indicator light. <Ref. to IDI-4, INSPECTION, Combination Meter System.>	Is the "D" range indicator light OK?	Go to step 42.	Replace the combination meter assembly. <Ref. to IDI-16, Combination Meter.>

# Diagnostic Procedure with Diagnostic Trouble Code (DTC)

AUTOMATIC TRANSMISSION (DIAGNOSTICS)

Step	Check	Yes	No
<b>41</b> <b>CHECK HARNESS CONNECTOR BETWEEN TCM AND INHIBITOR SWITCH.</b> 1) Turn the ignition switch to OFF. 2) Disconnect the connector from TCM and inhibitor switch. 3) Measure the resistance of harness between TCM connector and chassis ground. <b>Connector &amp; terminal</b> <b>(B55) No. 10 — Chassis ground:</b>	Is the resistance 1 M $\Omega$ or more?	Go to step <b>42</b> .	Repair ground short circuit in "D" range circuit.
<b>42</b> <b>CHECK POOR CONTACT.</b>	Is there poor contact of the inhibitor switch circuit?	Repair the poor contact.	Go to step <b>43</b> .
<b>43</b> <b>CHECK INHIBITOR SWITCH.</b>	Is the inhibitor switch in the normal position?	Replace the TCM. <Ref. to 4AT-63, Transmission Control Module (TCM).>	Adjust inhibitor switch and select cable. <Ref. to 4AT-48, Inhibitor Switch.> <Ref. to CS-25, Select Cable.>

# Diagnostic Procedure with Diagnostic Trouble Code (DTC)

## AUTOMATIC TRANSMISSION (DIAGNOSTICS)

### B: DTC P0712 TRANSMISSION FLUID TEMPERATURE SENSOR CIRCUIT LOW INPUT

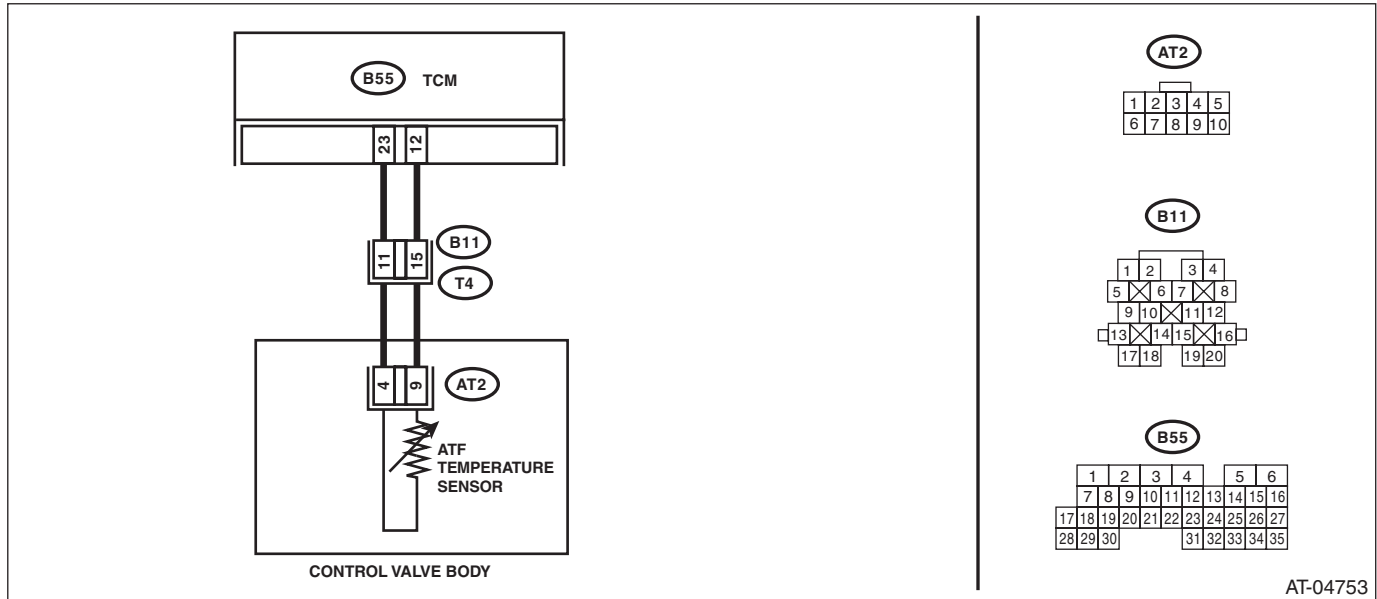
#### DTC DETECTING CONDITION:

Input signal circuit to ATF temperature sensor is open or shorted.

#### TROUBLE SYMPTOM:

Excessive shift shock

#### WIRING DIAGRAM:



AT-04753

# Diagnostic Procedure with Diagnostic Trouble Code (DTC)

AUTOMATIC TRANSMISSION (DIAGNOSTICS)

Step	Check	Yes	No
<p><b>1 CHECK HARNESS CONNECTOR BETWEEN TCM AND ATF TEMPERATURE SENSOR.</b>            1) Turn the ignition switch to OFF.            2) Disconnect the connector from transmission and TCM.            3) Measure the resistance of harness between TCM and transmission connector.  <b>Connector &amp; terminal</b>  <b>(B55) No. 12 — (B11) No. 15:</b>  <b>(B55) No. 23 — (B11) No. 11:</b></p>	<p>Is the resistance less than 1 Ω?</p>	<p>Go to step 2.</p>	<p>Repair the open circuit of harness between TCM and transmission connector.</p>
<p><b>2 CHECK ATF TEMPERATURE SENSOR.</b>            1) Turn the ignition switch to OFF.            2) Connect the connectors to transmission and TCM.            3) Start the engine.            4) Warm up the transmission until the ATF temperature exceeds 80°C (176°F).            5) Disconnect the connector from transmission.            6) Measure the resistance between transmission connector terminals.  <b>Connector &amp; terminal</b>  <b>(T4) No. 11 — No. 15:</b></p>	<p>Is the resistance 300 — 800 Ω?</p>	<p>Go to step 3.</p>	<p>Go to step 6.</p>
<p><b>3 CHECK ATF TEMPERATURE SENSOR.</b>            Measure the resistance between transmission connector terminals.  <b>Connector &amp; terminal</b>  <b>(T4) No. 11 — No. 15:</b></p>	<p>Does the resistance value increase while the ATF temperature decreases?</p>	<p>Go to step 4.</p>	<p>Go to step 6.</p>
<p><b>4 CHECK INPUT SIGNAL FOR TCM.</b>            1) Connect the connector to transmission.            2) Connect the Subaru Select Monitor to data link connector.            3) Turn the ignition switch to ON.            4) Read the data of “ATF temperature sensor” using Subaru Select Monitor.</p>	<p>Does the ATF temperature gradually decrease?</p>	<p>Check the connectors or harnesses between ATF temperature sensor and transmission, and repair the defective part.</p>	<p>Go to step 5.</p>
<p><b>5 CHECK HARNESS CONNECTOR BETWEEN TRANSMISSION AND ATF TEMPERATURE SENSOR.</b>            1) Turn the ignition switch to OFF.            2) Disconnect the connector from transmission.            3) Remove the transmission connector from bracket.            4) Lift up the vehicle.            5) Drain the automatic transmission fluid.  <b>CAUTION:</b>  <b>Do not drain ATF until it cools down.</b>            6) Remove the oil pan.            7) Disconnect the control valve connector.            8) Measure the resistance of harness between ATF temperature sensor and transmission connector.  <b>Connector &amp; terminal</b>  <b>(T4) No. 11 — (AT2) No. 4:</b>  <b>(T4) No. 15 — (AT2) No. 9:</b></p>	<p>Is the resistance less than 1 Ω?</p>	<p>Replace the control valve body.            &lt;Ref. to 4AT-58, Control Valve Body.&gt;</p>	<p>Repair the open circuit of harness between ATF temperature sensor and transmission connector.</p>
<p><b>6 CHECK POOR CONTACT.</b></p>	<p>Is there poor contact of ATF temperature sensor circuit?</p>	<p>Repair the poor contact.</p>	<p>Replace the TCM.            &lt;Ref. to 4AT-63, Transmission Control Module (TCM).&gt;</p>

# Diagnostic Procedure with Diagnostic Trouble Code (DTC)

## AUTOMATIC TRANSMISSION (DIAGNOSTICS)

### C: DTC P0713 TRANSMISSION FLUID TEMPERATURE SENSOR CIRCUIT HIGH INPUT

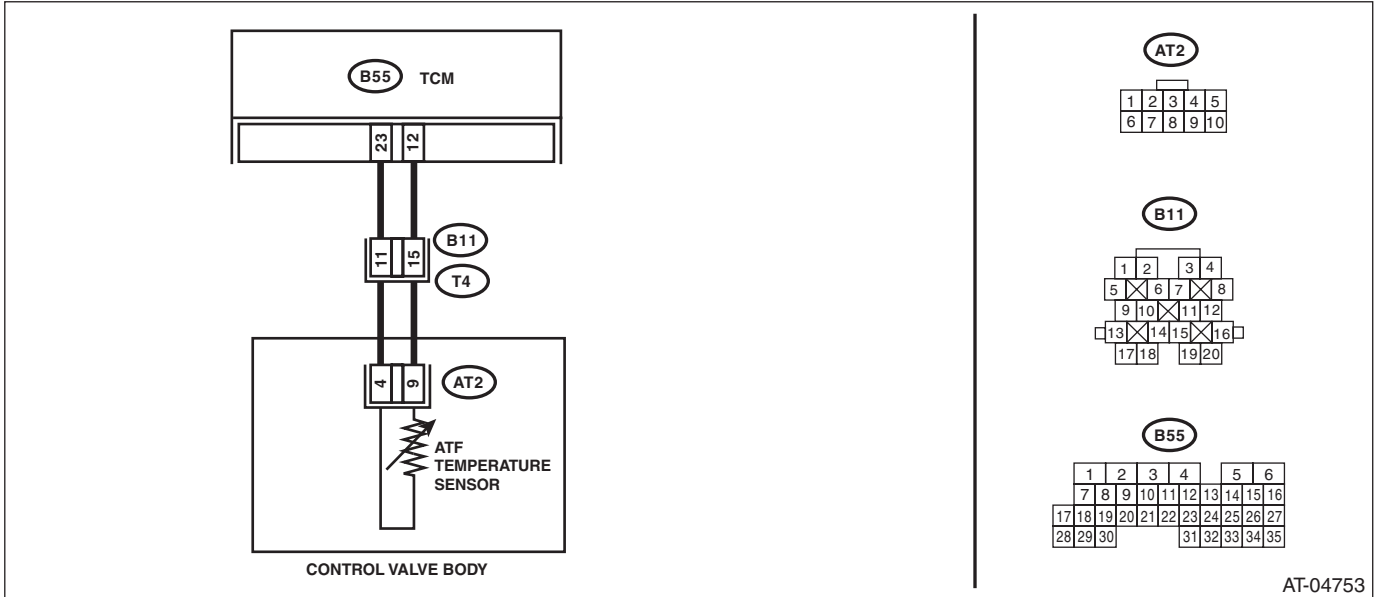
#### DTC DETECTING CONDITION:

Input signal circuit to ATF temperature sensor is shorted.

#### TROUBLE SYMPTOM:

Excessive shift shock

#### WIRING DIAGRAM:



AT-04753

# Diagnostic Procedure with Diagnostic Trouble Code (DTC)

AUTOMATIC TRANSMISSION (DIAGNOSTICS)

Step	Check	Yes	No
<b>1 CHECK HARNESS CONNECTOR BETWEEN TCM AND ATF TEMPERATURE SENSOR.</b> 1) Turn the ignition switch to OFF. 2) Disconnect the connector from TCM. 3) Measure the resistance between TCM connector terminals. <b>Connector &amp; terminal</b> <b>(B55) No. 23 — No. 12:</b>	Is the resistance 500 Ω or more?	Go to step 2.	Go to step 4.
<b>2 CHECK HARNESS CONNECTOR BETWEEN TCM AND ATF TEMPERATURE SENSOR.</b> Measure the resistance of harness between TCM connector and chassis ground. <b>Connector &amp; terminal</b> <b>(B55) No. 23 — Chassis ground:</b>	Is the resistance 1 MΩ or more?	Go to step 3.	Go to step 4.
<b>3 CHECK HARNESS.</b> Measure the resistance between TCM connector terminals while shaking the harness. <b>Connector &amp; terminal</b> <b>(B55) No. 23 — No. 12:</b>	Does the resistance change?	Go to step 4.	Replace the TCM. <Ref. to 4AT-63, Transmission Control Module (TCM).>
<b>4 CHECK HARNESS CONNECTOR BETWEEN TCM AND ATF TEMPERATURE SENSOR.</b> 1) Turn the ignition switch to OFF. 2) Disconnect the connector from transmission. 3) Measure the resistance of harness between TCM connector and chassis ground. <b>Connector &amp; terminal</b> <b>(B55) No. 12 — Chassis ground:</b> <b>(B55) No. 23 — Chassis ground:</b>	Is the resistance 1 MΩ or more?	Go to step 5.	Repair the short circuit of harness between TCM and transmission harness.
<b>5 CHECK ATF TEMPERATURE SENSOR.</b> Measure the resistance between transmission connector terminals. <b>Connector &amp; terminal</b> <b>(T4) No. 11 — No. 15:</b>	Is the resistance 500 Ω or more?	Check short circuits in harnesses or connectors, and repair the defective part.	Go to step 6.
<b>6 CHECK TRANSMISSION HARNESS.</b> 1) Lift up the vehicle. 2) Drain the automatic transmission fluid. <b>CAUTION:</b> <b>Do not drain ATF until it cools down.</b> 3) Remove the oil pan. 4) Disconnect the harness connector from control valve. 5) Measure the resistance between transmission connector and transmission ground. <b>Connector &amp; terminal</b> <b>(T4) No. 11 — Transmission ground:</b> <b>(T4) No. 15 — Transmission ground:</b>	Is the resistance 1 MΩ or more?	Go to step 7.	Replace the transmission harness.
<b>7 CHECK ATF TEMPERATURE SENSOR.</b> Measure the resistance between control valve connector terminals. <b>Connector &amp; terminal</b> <b>(AT2) No. 4 — No. 9:</b>	Is the resistance 500 Ω or more?	Check short circuits in harnesses or connectors, and repair the defective part.	Replace the control valve body. <Ref. to 4AT-58, Control Valve Body.>



# Diagnostic Procedure with Diagnostic Trouble Code (DTC)

AUTOMATIC TRANSMISSION (DIAGNOSTICS)

## D: DTC P0715 INPUT/TURBINE SPEED SENSOR CIRCUIT

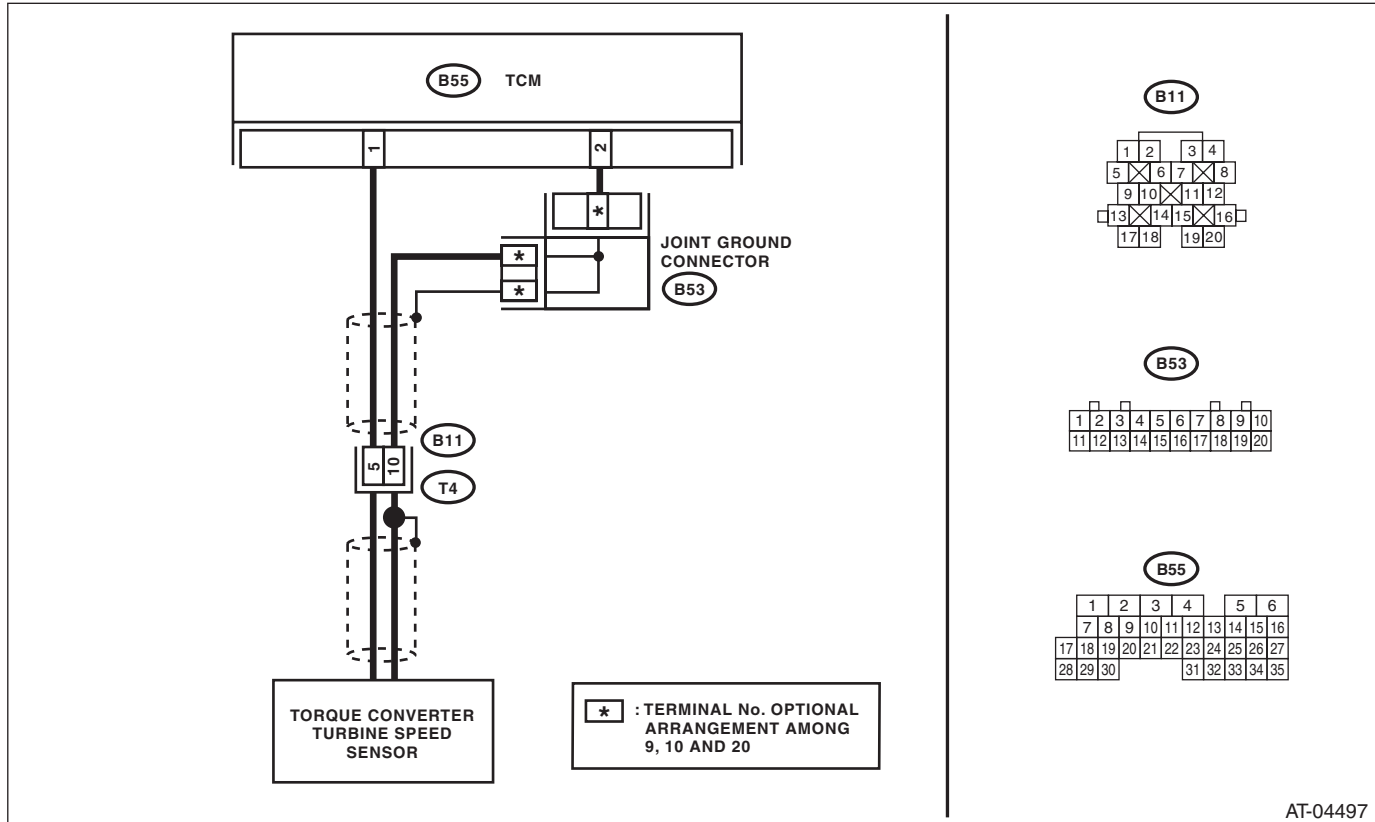
### DTC DETECTING CONDITION:

Input signal circuit of TCM is open or shorted.

### TROUBLE SYMPTOM:

Excessive shift shock

### WIRING DIAGRAM:



AT-04497

# Diagnostic Procedure with Diagnostic Trouble Code (DTC)

AUTOMATIC TRANSMISSION (DIAGNOSTICS)

Step	Check	Yes	No
<b>1</b> <b>CHECK TORQUE CONVERTER TURBINE SPEED SENSOR.</b> 1) Turn the ignition switch to OFF. 2) Disconnect the connector from transmission. 3) Measure the resistance between transmission connector receptacle's terminals. <b>Connector &amp; terminal</b> <b>(T4) No. 5 — No. 10:</b>	Is the resistance 450 — 650 Ω?	Go to step 2.	Replace the torque converter turbine speed sensor. <Ref. to 4AT-55, Torque Converter Turbine Speed Sensor.>
<b>2</b> <b>CHECK HARNESS CONNECTOR BETWEEN TCM AND TRANSMISSION.</b> 1) Disconnect the connector from TCM. 2) Measure the resistance of harness between TCM connector and transmission connector. <b>Connector &amp; terminal</b> <b>(B55) No. 1 — (B11) No. 5:</b> <b>(B55) No. 2 — (B11) No. 10:</b>	Is the resistance less than 1 Ω?	Go to step 3.	Repair the open circuit of harness between TCM and transmission connector, and poor contact of the connector.
<b>3</b> <b>CHECK HARNESS CONNECTOR BETWEEN TCM AND TRANSMISSION.</b> Measure the resistance of harness between TCM connector and chassis ground. <b>Connector &amp; terminal</b> <b>(B55) No. 1 — Chassis ground:</b> <b>(B55) No. 2 — Chassis ground:</b>	Is the resistance 1 MΩ or more?	Go to step 4.	Repair the short circuit of the harness between TCM and transmission connector, and poor contact of connector.
<b>4</b> <b>CHECK INPUT SIGNAL FOR TCM.</b> 1) Connect the connectors to TCM and transmission. 2) Connect the Subaru Select Monitor to data link connector. 3) Turn the ignition switch to ON. 4) Run the Subaru Select Monitor. 5) Start the engine. 6) Place the select lever in "P" range or "N" range. 7) Read the data of "Turbine Revolution Speed" using Subaru Select Monitor.	Are the "Turbine Revolution Speed" and "Engine Speed" almost the same?	Check the harnesses or connectors between TCM and transmission, and repair the defective part.	Go to step 5.
<b>5</b> <b>CHECK POOR CONTACT.</b>	Is there poor contact of torque converter turbine speed sensor circuit?	Repair the poor contact.	Replace the TCM. <Ref. to 4AT-63, Transmission Control Module (TCM).>

# Diagnostic Procedure with Diagnostic Trouble Code (DTC)

## AUTOMATIC TRANSMISSION (DIAGNOSTICS)

### E: DTC P0719 BRAKE SWITCH CIRCUIT LOW

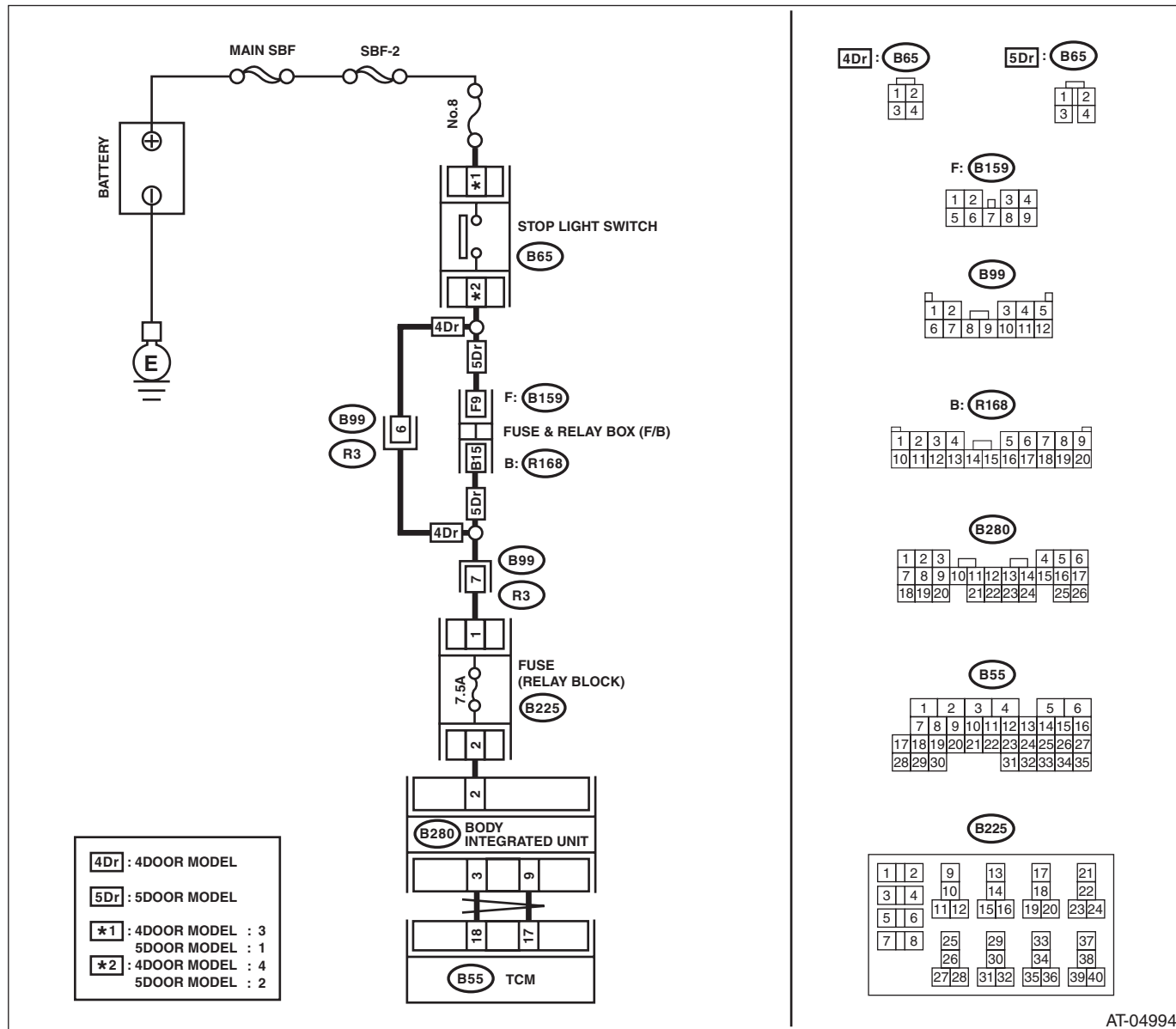
#### DTC DETECTING CONDITION:

Brake switch malfunction, open input signal circuit

#### TROUBLE SYMPTOM:

Gear is not shifted down when driving a down hill.

#### WIRING DIAGRAM:



# Diagnostic Procedure with Diagnostic Trouble Code (DTC)

AUTOMATIC TRANSMISSION (DIAGNOSTICS)

	Step	Check	Yes	No
1	<b>CHECK DTC.</b>	Is DTC of CAN communication displayed?	Perform the diagnosis according to DTC.	Go to step 2.
2	<b>CHECK FUSE (NO. 8).</b> 1) Turn the ignition switch to OFF. 2) Remove the fuse (No. 8).	Is the fuse (No. 8) blown out?	Replace the fuse (No. 8). If the new fuse (No. 8) has blown out easily, repair the short circuit of harness between fuse (No. 8) and stop light switch.	Go to step 3.
3	<b>CHECK FUSE (RELAY BLOCK) (7.5A).</b> Remove the fuse (relay block) (7.5 A).	Is the fuse (7.5A) blown out?	Replace the fuse (7.5A). If the replaced fuse (7.5A) blows out easily, repair the short circuit of harness between fuse (7.5A) and TCM.	Go to step 4.
4	<b>CHECK BODY INTEGRATED UNIT.</b> 1) Turn the ignition switch to OFF. 2) Connect the Subaru Select Monitor to data link connector. 3) Turn the ignition switch to ON. 4) Run the Subaru Select Monitor. 5) Depress the brake pedal. 6) Read the data of "Stop Light Switch" using Subaru Select Monitor. <Ref. to LAN(diag)-15, OPERATION, Subaru Select Monitor.>	Is "ON" displayed?	Go to step 5.	Go to step 6.
5	<b>CHECK TCM.</b> Read the data of "Stop Light Switch" using Subaru Select Monitor. <Ref. to 4AT(diag)-15, OPERATION, Subaru Select Monitor.>	Is "ON" displayed?	Check for poor contact in connectors or harnesses, and repair the defective part.	Replace the TCM. <Ref. to 4AT-63, Transmission Control Module (TCM).>
6	<b>CHECK BODY INTEGRATED UNIT INPUT SIGNAL.</b> 1) Disconnect the connector from body integrated unit. 2) Depress the brake pedal. 3) Measure the voltage of harness between the body integrated unit and chassis ground. <b>Connector &amp; terminal</b> <b>(B280) No. 2 (+) — Chassis ground (-):</b>	Is the voltage 10 V or more?	Go to step 9.	Go to step 7.
7	<b>CHECK HARNESS CONNECTOR BETWEEN BODY INTEGRATED UNIT AND STOP LIGHT SWITCH.</b> 1) Turn the ignition switch to OFF. 2) Disconnect the connector from stop light switch. 3) Measure the resistance of harness between body integrated unit and stop light switch. <b>Connector &amp; terminal</b> <b>4 DOOR MODEL</b> <b>(B280) No. 2 — (B65) No. 4:</b> <b>5 DOOR MODEL</b> <b>(B280) No. 2 — (B65) No. 2:</b>	Is the resistance less than 1 Ω?	Go to step 8.	Repair the open circuit of harness between body integrated unit and stop light switch.

## Diagnostic Procedure with Diagnostic Trouble Code (DTC)

### AUTOMATIC TRANSMISSION (DIAGNOSTICS)

	Step	Check	Yes	No
8	<b>CHECK HARNESS CONNECTOR BETWEEN BODY INTEGRATED UNIT AND STOP LIGHT SWITCH.</b> Measure the resistance of harness between body integrated unit and stop light switch. <b>Connector &amp; terminal</b> <b>(B280) No. 2 — Chassis ground:</b>	Is the resistance 1 M $\Omega$ or more?	Go to step 9.	Repair the short circuit of harness between body integrated unit and stop light switch.
9	<b>CHECK POOR CONTACT.</b>	Is there poor contact of input signal of brake switch?	Repair the poor contact.	Check body integrated unit.

# Diagnostic Procedure with Diagnostic Trouble Code (DTC)

AUTOMATIC TRANSMISSION (DIAGNOSTICS)

## F: DTC P0720 OUTPUT SPEED SENSOR CIRCUIT

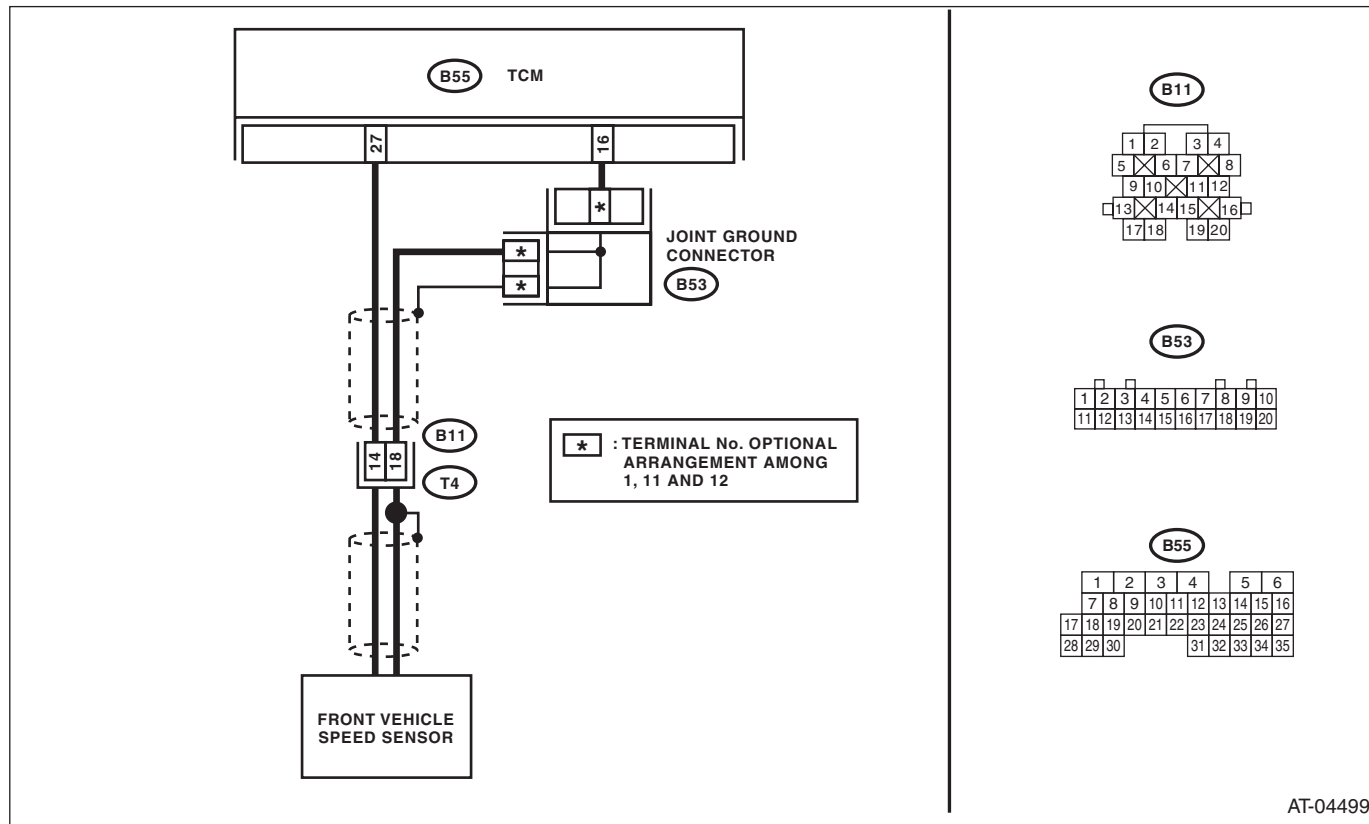
### DTC DETECTING CONDITION:

- The vehicle speed signal is abnormal.
- The harness connector between TCM and front vehicle speed sensor is shorted or open.

### TROUBLE SYMPTOM:

Driving performance is poor.

### WIRING DIAGRAM:



AT-04499

# Diagnostic Procedure with Diagnostic Trouble Code (DTC)

## AUTOMATIC TRANSMISSION (DIAGNOSTICS)

Step	Check	Yes	No
<b>1 CHECK HARNESS CONNECTOR BETWEEN TCM AND TRANSMISSION.</b> 1) Turn the ignition switch to OFF. 2) Disconnect the connectors from TCM and transmission. 3) Measure the resistance of harness between TCM connector and transmission connector. <b>Connector &amp; terminal</b> <b>(B55) No. 16 — (B11) No. 18:</b> <b>(B55) No. 27 — (B11) No. 14:</b>	Is the resistance less than 1 $\Omega$ ?	Go to step 2.	Repair the open circuit of harness between TCM and transmission connector, and poor contact of the connector.
<b>2 CHECK HARNESS CONNECTOR BETWEEN TCM AND TRANSMISSION.</b> Measure the resistance of harness between TCM connector and transmission connector. <b>Connector &amp; terminal</b> <b>(B55) No. 16 — Chassis ground:</b> <b>(B55) No. 27 — Chassis ground:</b>	Is the resistance 1 M $\Omega$ or more?	Go to step 3.	Repair the short circuit of harness between TCM and chassis ground, and poor contact of connector.
<b>3 CHECK FRONT VEHICLE SPEED SENSOR.</b> Measure the resistance between transmission connector receptacle's terminals. <b>Connector &amp; terminal</b> <b>(T4) No. 14 — No. 18:</b>	Is the resistance 450 — 650 $\Omega$ ?	Go to step 4.	Replace the front vehicle speed sensor. <Ref. to 4AT-51, Front Vehicle Speed Sensor.>
<b>4 CHECK INPUT SIGNAL FOR TCM.</b> 1) Connect all connectors. 2) Connect the Subaru Select Monitor to data link connector. 3) Lift up the vehicle. 4) Turn the ignition switch to ON. 5) Run the Subaru Select Monitor. 6) Start the engine. 7) Slowly increase the vehicle speed to 60 km/h (37 MPH). NOTE: The speed difference between front and rear wheels lights the ABS warning light or the VDC warning light, but this does not indicate a malfunction. If the warning light is illuminated, clear the memory of ABS or VDC after completing AT control diagnosis. <Ref. to ABS(diag)-21, Clear Memory Mode.> 8) Read the data of "Front Wheel Speed" using Subaru Select Monitor. (Compare the speedometer with Subaru Select Monitor indications.)	Does the speedometer indication increase as the Subaru Select Monitor front wheel speed data increases?	Check the harness of the front vehicle speed sensor circuit, and repair the defective part.	Go to step 5.
<b>5 CHECK POOR CONTACT.</b>	Is there poor contact of front vehicle speed sensor circuit?	Repair the poor contact.	Replace the TCM. <Ref. to 4AT-63, Transmission Control Module (TCM).>

# Diagnostic Procedure with Diagnostic Trouble Code (DTC)

AUTOMATIC TRANSMISSION (DIAGNOSTICS)

## G: DTC P0724 BRAKE SWITCH CIRCUIT HIGH

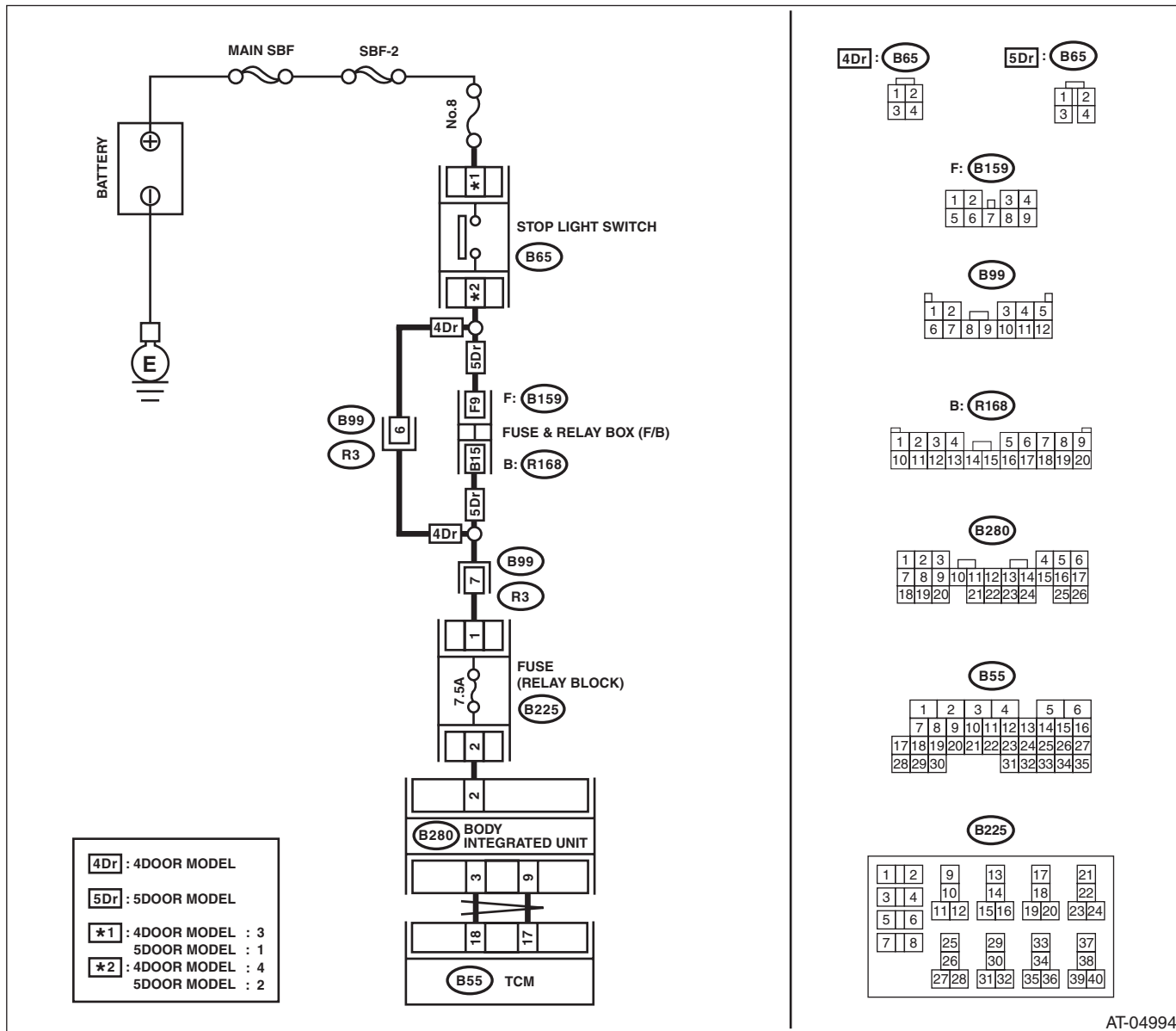
### DTC DETECTING CONDITION:

Brake switch malfunction, open input signal circuit

### TROUBLE SYMPTOM:

Gear is not shifted down when driving a down hill.

### WIRING DIAGRAM:





# Diagnostic Procedure with Diagnostic Trouble Code (DTC)

## AUTOMATIC TRANSMISSION (DIAGNOSTICS)

Step	Check	Yes	No
<b>1</b> <b>CHECK DTC.</b>	Is DTC of CAN communication displayed?	Perform the diagnosis according to DTC.	Go to step 2.
<b>2</b> <b>CHECK BODY INTEGRATED UNIT.</b> 1) Turn the ignition switch to "OFF". 2) Connect the Subaru Select Monitor to data link connector. 3) Turn the ignition switch to ON. 4) Run the Subaru Select Monitor. 5) Read the data of "Stop Light Switch" using Subaru Select Monitor. <Ref. to LAN(diag)-15, OPERATION, Subaru Select Monitor.>	Is "OFF" displayed?	Go to step 3.	Go to step 4.
<b>3</b> <b>CHECK TCM.</b> Read the data of "Stop Light Switch" using Subaru Select Monitor. <Ref. to 4AT(diag)-15, OPERATION, Subaru Select Monitor.>	Is "OFF" displayed?	Check for poor contact in connectors or harnesses, and repair the defective part.	Replace the TCM. <Ref. to 4AT-63, Transmission Control Module (TCM).>
<b>4</b> <b>CHECK BODY INTEGRATED UNIT INPUT SIGNAL.</b> 1) Disconnect the harness connector of body integrated unit. 2) Measure the voltage of harness between body integrated unit and stop light switch. <b>Connector &amp; terminal</b> <b>(B280) No. 2 (+) — Chassis ground (-):</b>	Is the voltage 10 V or more?	Go to step 5.	Go to step 7.
<b>5</b> <b>CHECK STOP LIGHT SWITCH.</b> 1) Turn the ignition switch to OFF. 2) Disconnect the connector from stop light switch. 3) Measure the resistance of harness between stop light switch connectors. <b>Connector &amp; terminal</b> <b>4 DOOR MODEL</b> <b>(B65) No. 3 — No. 4:</b> <b>5 DOOR MODEL</b> <b>(B65) No. 1 — No. 2:</b>	Is the resistance 1 MΩ or more?	Go to step 6.	Replace the stop light switch.
<b>6</b> <b>CHECK HARNESS CONNECTOR BETWEEN BODY INTEGRATED UNIT AND STOP LIGHT SWITCH.</b> 1) Turn the ignition switch to ON. 2) Measure the voltage of harness between the body integrated unit and chassis ground. <b>Connector &amp; terminal</b> <b>(B280) No. 2 (+) — Chassis ground (-):</b>	Is the voltage less than 1 V?	Go to step 7.	Repair the short circuit of harness between TCM and stop light switch.
<b>7</b> <b>CHECK POOR CONTACT.</b>	Is there poor contact of input signal of brake switch?	Repair the poor contact.	Check body integrated unit.

# Diagnostic Procedure with Diagnostic Trouble Code (DTC)

AUTOMATIC TRANSMISSION (DIAGNOSTICS)

## H: DTC P0731 GEAR 1 INCORRECT RATIO

NOTE:

Refer to DTC P0736 for diagnostic procedure. <Ref. to 4AT(diag)-51, DTC P0736 REVERSE INCORRECT RATIO, Diagnostic Procedure with Diagnostic Trouble Code (DTC).>

## I: DTC P0732 GEAR 2 INCORRECT RATIO

NOTE:

Refer to DTC P0736 for diagnostic procedure. <Ref. to 4AT(diag)-51, DTC P0736 REVERSE INCORRECT RATIO, Diagnostic Procedure with Diagnostic Trouble Code (DTC).>

## J: DTC P0733 GEAR 3 INCORRECT RATIO

NOTE:

Refer to DTC P0736 for diagnostic procedure. <Ref. to 4AT(diag)-51, DTC P0736 REVERSE INCORRECT RATIO, Diagnostic Procedure with Diagnostic Trouble Code (DTC).>

## K: DTC P0734 GEAR 4 INCORRECT RATIO

NOTE:

Refer to DTC P0736 for diagnostic procedure. <Ref. to 4AT(diag)-51, DTC P0736 REVERSE INCORRECT RATIO, Diagnostic Procedure with Diagnostic Trouble Code (DTC).>

## L: DTC P0736 REVERSE INCORRECT RATIO

### DTC DETECTING CONDITION:

Vehicle sensor, torque converter turbine speed sensor or control valve malfunction

### TROUBLE SYMPTOM:

- Shift point is too high or too low.
- Excessive shift shock
- Tight corner braking phenomenon occurs.
- Gear is not shifted to reverse.
- Gear position is held by fail safe function.

	Step	Check	Yes	No
1	<b>CHECK THROTTLE OPENING ANGLE SENSOR.</b> Read the diagnostic trouble code (DTC) of engine using Subaru Select Monitor. <Ref. to EN(H4DOTC)(diag)-83, List of Diagnostic Trouble Code (DTC).>	Are DTC P0122, P0123, P0222, P0223, P2109 and P2135 displayed?	Perform the diagnosis according to DTC.	Go to step 2.
2	<b>CHECK DTC.</b>	Is DTC P1718 displayed?	Perform the diagnosis according to DTC.	Go to step 3.
3	<b>CHECK AT VEHICLE SPEED SENSOR CIRCUIT.</b> Perform the diagnosis according to DTC P0720. <Ref. to 4AT(diag)-47, DTC P0720 OUTPUT SPEED SENSOR CIRCUIT, Diagnostic Procedure with Diagnostic Trouble Code (DTC).>	Is there any trouble?	Check the harness of the front vehicle speed sensor circuit, and repair the defective part.	Go to step 4.
4	<b>CHECK AT TURBINE REVOLUTION SPEED SENSOR CIRCUIT.</b> Perform the diagnosis according to DTC P0715. <Ref. to 4AT(diag)-42, DTC P0715 INPUT/TURBINE SPEED SENSOR CIRCUIT, Diagnostic Procedure with Diagnostic Trouble Code (DTC).>	Is there any trouble?	Check the torque converter turbine speed sensor circuit.	There are malfunctions in TCM, TCM connector poor contact, or transmission assembly mechanical malfunction.

# Diagnostic Procedure with Diagnostic Trouble Code (DTC)

AUTOMATIC TRANSMISSION (DIAGNOSTICS)

## M: DTC P0741 TORQUE CONVERTER CLUTCH CIRCUIT PERFORMANCE OR STUCK OFF

### DTC DETECTING CONDITION:

- Lock up clutch malfunction
- Sticky valve

### TROUBLE SYMPTOM:

No lock-up occurs.

	Step	Check	Yes	No
1	<b>CHECK ENGINE SPEED SIGNAL.</b> 1) Idle the engine. 2) Read the data of "Engine Speed" using Subaru Select Monitor.	Does the value of "Engine Speed" almost match the value of the tachometer located in the combination meter?	Go to step 2.	Check the engine speed signal circuit.
2	<b>CHECK AT TURBINE REVOLUTION SPEED SENSOR CIRCUIT.</b> Perform the diagnosis according to DTC P0715. <Ref. to 4AT(diag)-42, DTC P0715 INPUT/TURBINE SPEED SENSOR CIRCUIT, Diagnostic Procedure with Diagnostic Trouble Code (DTC).>	Is there any trouble?	Check the torque converter turbine speed sensor circuit.	Go to step 3.
3	<b>CHECK AT VEHICLE SPEED SENSOR CIRCUIT.</b> Perform the diagnosis according to DTC P0720. <Ref. to 4AT(diag)-47, DTC P0720 OUTPUT SPEED SENSOR CIRCUIT, Diagnostic Procedure with Diagnostic Trouble Code (DTC).>	Is there any trouble?	Check the harness of the front vehicle speed sensor circuit, and repair the defective part.	There are malfunctions in TCM, TCM connector poor contact, or transmission assembly mechanical malfunction.

# Diagnostic Procedure with Diagnostic Trouble Code (DTC)

AUTOMATIC TRANSMISSION (DIAGNOSTICS)

## N: DTC P0743 TORQUE CONVERTER CLUTCH CIRCUIT ELECTRICAL

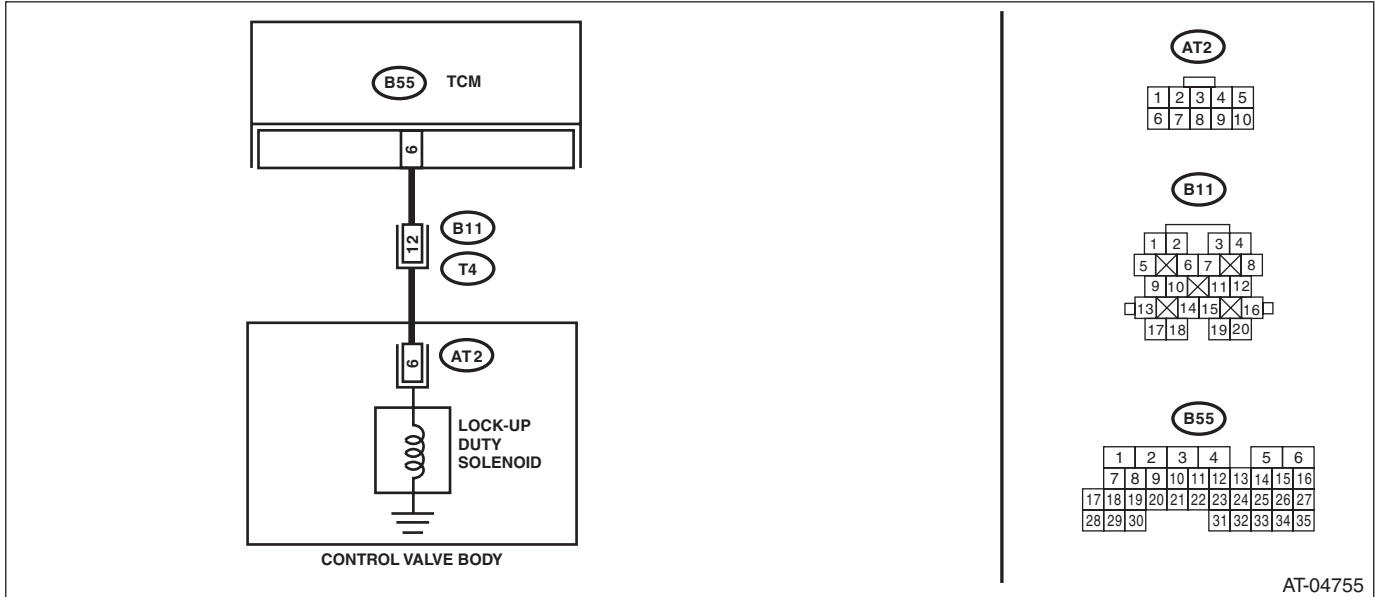
### DTC DETECTING CONDITION:

Output signal circuit of lock-up duty solenoid is open or shorted.

### TROUBLE SYMPTOM:

No lock-up occurs. (After engine is warmed up)

### WIRING DIAGRAM:



AT-04755

# Diagnostic Procedure with Diagnostic Trouble Code (DTC)

## AUTOMATIC TRANSMISSION (DIAGNOSTICS)

Step	Check	Yes	No
<b>1</b> <b>CHECK DTC.</b>	Are DTCs other than P0743 displayed?	Perform the diagnosis according to DTC.	Go to step 2.
<b>2</b> <b>CHECK HARNESS CONNECTOR BETWEEN TCM AND TRANSMISSION.</b> 1) Turn the ignition switch to OFF. 2) Disconnect the connectors from TCM and transmission. 3) Measure the resistance of harness between TCM connector and transmission connector. <b>Connector &amp; terminal</b> <b>(B55) No. 6 — (B11) No. 12:</b>	Is the resistance less than 1 Ω?	Go to step 3.	Repair the open circuit of harness between TCM and transmission connector.
<b>3</b> <b>CHECK HARNESS CONNECTOR BETWEEN TCM AND TRANSMISSION.</b> Measure the resistance of the harness connector between TCM connector and chassis ground. <b>Connector &amp; terminal</b> <b>(B55) No. 6 — Chassis ground:</b>	Is the resistance 1 MΩ or more?	Go to step 4.	Repair the short circuit of harness between TCM and transmission connector.
<b>4</b> <b>CHECK LOCK-UP DUTY SOLENOID.</b> Measure the resistance between transmission connector receptacle's terminals. <b>Connector &amp; terminal</b> <b>(T4) No. 12 — No. 20:</b>	Is the resistance 2.0 — 6.0 Ω?	Go to step 5.	Go to step 8.
<b>5</b> <b>CHECK OUTPUT SIGNAL OF TCM.</b> 1) Connect the connectors to TCM and transmission. 2) Lift up the vehicle. 3) Connect the Subaru Select Monitor to data link connector. 4) Start the engine. 5) Run the Subaru Select Monitor. NOTE: If the ambient temperature is below 0°C (32°F), drive the vehicle until the ATF reaches its operating temperature. 6) Read the data of "Lock Up Duty Ratio" using Subaru Select Monitor. 7) Shift the select lever to "D" range, and slowly increase vehicle speed to 60 km/h (37 MPH). NOTE: The speed difference between front and rear wheels lights the ABS warning light or the VDC warning light, but this does not indicate a malfunction. If the warning light is illuminated, clear the memory of ABS or VDC after completing AT control diagnosis. <Ref. to ABS(diag)-21, Clear Memory Mode.> <Ref. to VDC(diag)-24, Clear Memory Mode.>	Is the measured value 95%?	Go to step 6.	Go to step 7.

# Diagnostic Procedure with Diagnostic Trouble Code (DTC)

AUTOMATIC TRANSMISSION (DIAGNOSTICS)

Step	Check	Yes	No
<p><b>6 CHECK OUTPUT SIGNAL OF TCM.</b></p> <p>1) Return the engine speed to idle. 2) Set the select lever to “N” range. 3) Read the data of “Lock Up Duty Ratio” using Subaru Select Monitor.</p> <p><b>NOTE:</b> The speed difference between front and rear wheels lights the ABS warning light or the VDC warning light, but this does not indicate a malfunction. If the warning light is illuminated, clear the memory of ABS or VDC after completing AT control diagnosis. &lt;Ref. to ABS(diag)-21, Clear Memory Mode.&gt; &lt;Ref. to VDC(diag)-24, Clear Memory Mode.&gt;</p>	<p>Is the measured value 0%?</p>	<p>Check the harnesses or connectors between TCM and transmission, and repair the defective part.</p>	<p>Go to step 7.</p>
<p><b>7 CHECK POOR CONTACT.</b></p>	<p>Is there poor contact of lock-up duty solenoid circuit?</p>	<p>Repair the poor contact.</p>	<p>Replace the TCM. &lt;Ref. to 4AT-63, Transmission Control Module (TCM).&gt;</p>
<p><b>8 CHECK LOCK-UP DUTY SOLENOID (IN TRANSMISSION).</b></p> <p>1) Disconnect the transmission connector. 2) Drain the automatic transmission fluid.</p> <p><b>CAUTION:</b> <b>Do not drain ATF until it cools down.</b></p> <p>3) Remove the oil pan. 4) Disconnect the connector from the control valve body. 5) Measure the resistance between lock-up duty solenoid and transmission ground.</p> <p><b>Connector &amp; terminal</b> <b>(AT2) No. 6 — Transmission ground:</b></p>	<p>Is the resistance 2.0 — 6.0 Ω?</p>	<p>Go to step 9.</p>	<p>Replace the control valve body. &lt;Ref. to 4AT-58, Control Valve Body.&gt;</p>
<p><b>9 CHECK HARNESS CONNECTOR BETWEEN LOCK-UP DUTY SOLENOID AND TRANSMISSION.</b></p> <p>Measure the resistance of harness between lock-up duty solenoid and transmission connector.</p> <p><b>Connector &amp; terminal</b> <b>(T4) No. 12 — (AT2) No. 6:</b></p>	<p>Is the resistance less than 1 Ω?</p>	<p>Go to step 10.</p>	<p>Repair the open circuit of harness between TCM and transmission connector.</p>
<p><b>10 CHECK HARNESS CONNECTOR BETWEEN LOCK-UP DUTY SOLENOID AND TRANSMISSION.</b></p> <p>Measure the resistance of harness between transmission connector and transmission ground.</p> <p><b>Connector &amp; terminal</b> <b>(T4) No. 12 — Transmission ground:</b></p>	<p>Is the resistance 1 MΩ or more?</p>	<p>Check the harnesses or connectors between lock-up duty solenoid and transmission, and repair the defective part.</p>	<p>Repair the short circuit of harness between lock-up duty solenoid and transmission connector.</p>

# Diagnostic Procedure with Diagnostic Trouble Code (DTC)

AUTOMATIC TRANSMISSION (DIAGNOSTICS)

## O: DTC P0748 PRESSURE CONTROL SOLENOID "A" ELECTRICAL

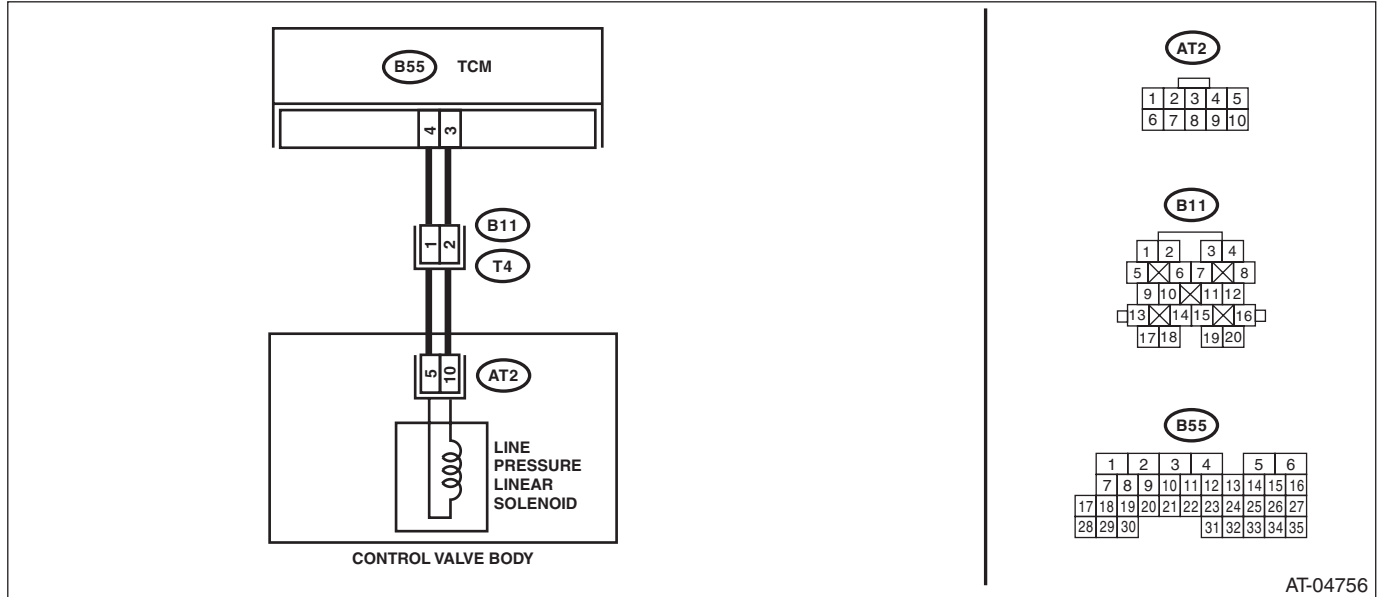
### DTC DETECTING CONDITION:

Output signal circuit of line pressure linear solenoid is open or shorted.

### TROUBLE SYMPTOM:

Excessive shift shock

### WIRING DIAGRAM:



# Diagnostic Procedure with Diagnostic Trouble Code (DTC)

AUTOMATIC TRANSMISSION (DIAGNOSTICS)

Step	Check	Yes	No
<b>1 CHECK HARNESS CONNECTOR BETWEEN TCM AND TRANSMISSION.</b> 1) Turn the ignition switch to OFF. 2) Disconnect the connector from transmission and TCM. 3) Measure the resistance of harness between TCM connector and transmission connector. <b>Connector &amp; terminal</b> <b>(B55) No. 3 — (B11) No. 2:</b> <b>(B55) No. 4 — (B11) No. 1:</b>	Is the resistance less than 1 Ω?	Go to step 2.	Repair the open circuit of harness between TCM and transmission connector.
<b>2 CHECK HARNESS CONNECTOR BETWEEN TCM AND CHASSIS GROUND.</b> Measure the resistance of harness between TCM connector and chassis ground. <b>Connector &amp; terminal</b> <b>(B55) No. 3 — Chassis ground:</b> <b>(B55) No. 4 — Chassis ground:</b>	Is the resistance 1 MΩ or more?	Go to step 3.	Repair the short circuit of harness between TCM and transmission connector.
<b>3 CHECK LINE PRESSURE LINEAR SOLENOID.</b> Measure the resistance between transmission connector receptacle's terminals. <b>Connector &amp; terminal</b> <b>(T4) No. 1 — No. 2:</b>	Is the resistance 4.0 — 8.0 Ω?	Replace the TCM. <Ref. to 4AT-63, Transmission Control Module (TCM).>	Go to step 4.
<b>4 CHECK LINE PRESSURE LINEAR SOLENOID (IN TRANSMISSION).</b> 1) Remove the transmission connector from bracket. 2) Drain the automatic transmission fluid. <b>CAUTION:</b> <b>Do not drain ATF until it cools down.</b> 3) Remove the oil pan. 4) Disconnect the connector from the control valve body. 5) Measure the resistance of line pressure linear solenoid connector terminals. <b>Connector &amp; terminal</b> <b>(AT2) No. 5 — No. 10:</b>	Is the resistance 4.0 — 8.0 Ω?	Go to step 5.	Replace the control valve body. <Ref. to 4AT-58, Control Valve Body.>
<b>5 CHECK HARNESS CONNECTOR BETWEEN TRANSMISSION AND LINE PRESSURE LINEAR SOLENOID.</b> Measure the resistance of harness between line pressure linear solenoid and transmission connector. <b>Connector &amp; terminal</b> <b>(T4) No. 2 — (AT2) No. 10:</b> <b>(T4) No. 1 — (AT2) No. 5:</b>	Is the resistance less than 1 Ω?	Go to step 6.	Repair the open circuit of harness between line pressure linear solenoid and transmission connector.
<b>6 CHECK HARNESS CONNECTOR BETWEEN TRANSMISSION AND LINE PRESSURE LINEAR SOLENOID.</b> Measure the resistance of harness between transmission connector and transmission ground. <b>Connector &amp; terminal</b> <b>(T4) No. 1 — Transmission ground:</b> <b>(T4) No. 2 — Transmission ground:</b>	Is the resistance 1 MΩ or more?	Check the harnesses or connectors between line pressure linear solenoid and transmission, and repair the defective part.	Repair the short circuit of harness between line pressure linear solenoid and transmission connector.



# Diagnostic Procedure with Diagnostic Trouble Code (DTC)

AUTOMATIC TRANSMISSION (DIAGNOSTICS)

## P: DTC P0753 SHIFT SOLENOID "A" ELECTRICAL

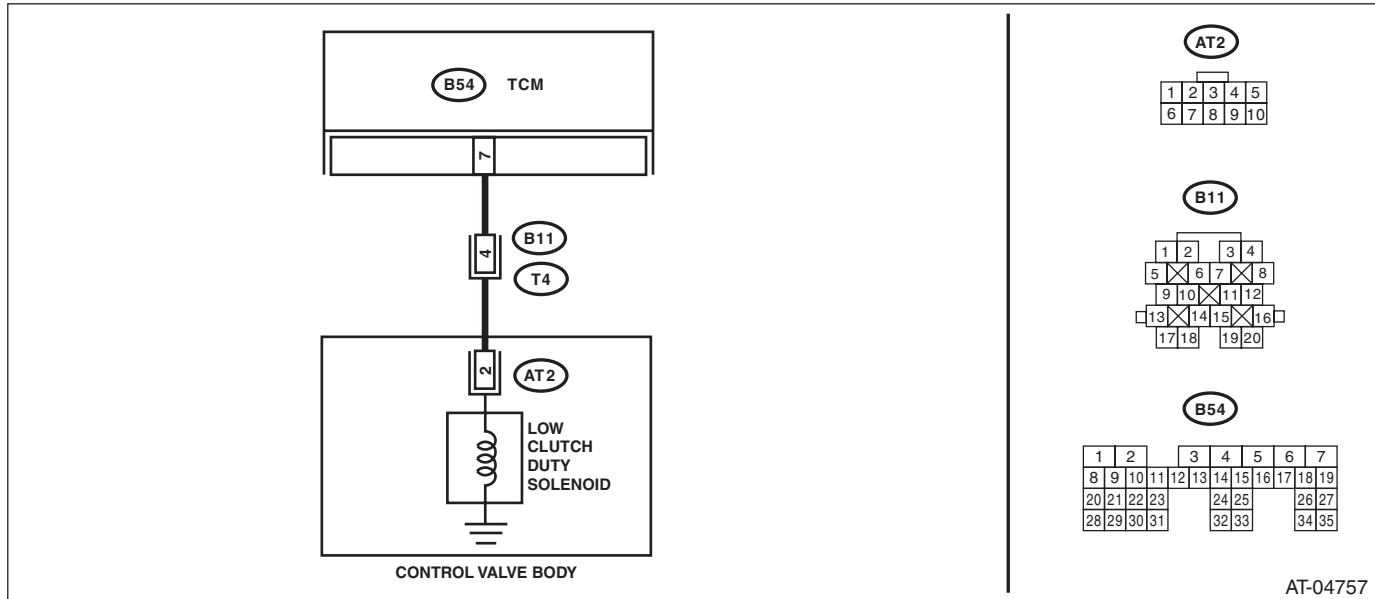
### DTC DETECTING CONDITION:

Output signal circuit of low clutch duty solenoid is open or shorted.

### TROUBLE SYMPTOM:

Excessive shift shock

### WIRING DIAGRAM:



Step	Check	Yes	No
<b>1</b> <b>CHECK HARNESS CONNECTOR BETWEEN TCM AND TRANSMISSION.</b> 1) Turn the ignition switch to OFF. 2) Disconnect the connectors from TCM and transmission. 3) Measure the resistance of harness between TCM and transmission connector. <b>Connector &amp; terminal</b> <b>(B54) No. 7 — (B11) No. 4:</b>	Is the resistance less than 1 Ω?	Go to step 2.	Repair the open circuit of harness between TCM and transmission connector.
<b>2</b> <b>CHECK HARNESS CONNECTOR BETWEEN TCM AND TRANSMISSION.</b> Measure the resistance of harness between TCM connector and transmission ground. <b>Connector &amp; terminal</b> <b>(B54) No. 7 — Chassis ground:</b>	Is the resistance 1 MΩ or more?	Go to step 3.	Repair the short circuit of harness between TCM and transmission connector.
<b>3</b> <b>CHECK LOW CLUTCH DUTY SOLENOID.</b> Measure the resistance between transmission connector terminals. <b>Connector &amp; terminal</b> <b>(T4) No. 4 — No. 20:</b>	Is the resistance 2.0 — 6.0 Ω?	Go to step 4.	Go to step 7.

# Diagnostic Procedure with Diagnostic Trouble Code (DTC)

## AUTOMATIC TRANSMISSION (DIAGNOSTICS)

Step	Check	Yes	No
<b>4 CHECK OUTPUT SIGNAL OF TCM.</b> 1) Connect the connectors to TCM and transmission. 2) Connect the Subaru Select Monitor to data link connector. 3) Start the engine. 4) Run the Subaru Select Monitor. 5) Warm up the transmission until the ATF temperature exceeds approximately 80°C (176°F). 6) Stop the engine. 7) Turn the ignition switch to ON. 8) Shift the select lever to "P" or "N" range, and depress the accelerator pedal. 9) Read the data of "Low Clutch Duty" using Subaru Select Monitor.	Is the measured value 100%?	Go to step 5.	Go to step 6.
<b>5 CHECK OUTPUT SIGNAL FROM TCM USING SUBARU SELECT MONITOR.</b> 1) Turn the ignition switch to ON. 2) Set the select lever to the "D" range. 3) Read the data of "Low Clutch Duty" using Subaru Select Monitor.	Is the measured value 0%?	Check the harnesses or connectors between TCM and transmission, and repair the defective part.	Go to step 6.
<b>6 CHECK POOR CONTACT.</b>	Is there poor contact of low clutch duty solenoid circuit?	Repair the poor contact.	Replace the TCM. <Ref. to 4AT-63, Transmission Control Module (TCM).>
<b>7 CHECK LOW CLUTCH DUTY SOLENOID (IN TRANSMISSION).</b> 1) Remove the transmission connector from bracket. 2) Drain the automatic transmission fluid. <b>CAUTION:</b> <b>Do not drain ATF until it cools down.</b> 3) Remove the oil pan. 4) Disconnect the connector from the control valve body. 5) Measure the resistance between low clutch duty solenoid connector and transmission ground. <b>Connector &amp; terminal</b> <b>(AT2) No. 2 — Transmission ground:</b>	Is the resistance 2.0 — 6.0 Ω?	Go to step 8.	Replace the control valve body. <Ref. to 4AT-58, Control Valve Body.>
<b>8 CHECK HARNESS CONNECTOR BETWEEN TRANSMISSION AND LOW CLUTCH DUTY SOLENOID.</b> Measure the resistance of harness between low clutch duty solenoid and transmission connector. <b>Connector &amp; terminal</b> <b>(T4) No. 4 — (AT2) No. 2:</b>	Is the resistance less than 1 Ω?	Go to step 9.	Repair the open circuit of harness between low clutch duty solenoid and transmission connector.
<b>9 CHECK HARNESS CONNECTOR BETWEEN TRANSMISSION AND LOW CLUTCH DUTY SOLENOID.</b> Measure the resistance of harness between transmission connector and transmission ground. <b>Connector &amp; terminal</b> <b>(T4) No. 4 — Transmission ground:</b>	Is the resistance 1 MΩ or more?	Check the harnesses or connectors between low clutch duty solenoid and transmission, and repair the defective part.	Repair the short circuit of harness between low clutch duty solenoid and transmission connector.

# Diagnostic Procedure with Diagnostic Trouble Code (DTC)

AUTOMATIC TRANSMISSION (DIAGNOSTICS)

## Q: DTC P0758 SHIFT SOLENOID "B" ELECTRICAL

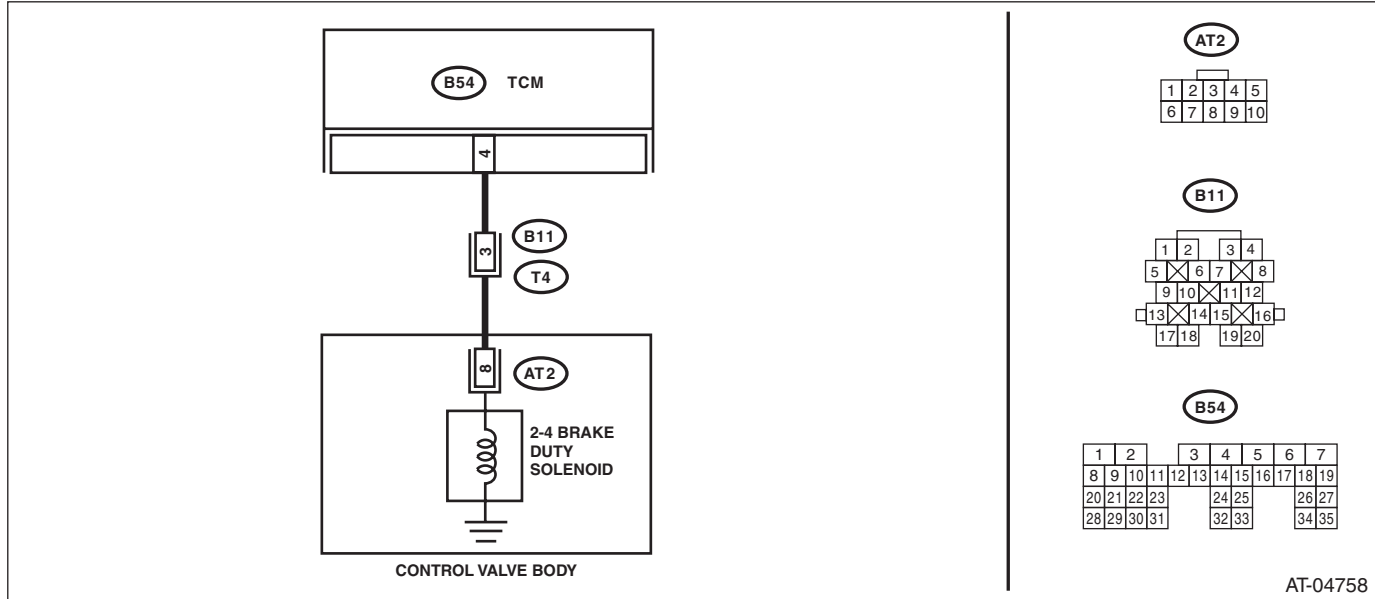
### DTC DETECTING CONDITION:

Output signal circuit of 2-4 brake duty solenoid is open or shorted.

### TROUBLE SYMPTOM:

Excessive shift shock

### WIRING DIAGRAM:



Step	Check	Yes	No
<b>1 CHECK HARNESS CONNECTOR BETWEEN TCM AND TRANSMISSION.</b> 1) Turn the ignition switch to OFF. 2) Disconnect the connectors from TCM and transmission. 3) Measure the resistance of harness between TCM connector and transmission connector. <b>Connector &amp; terminal</b> <b>(B54) No. 4 — (B11) No. 3:</b>	Is the resistance less than 1 Ω?	Go to step 2.	Repair the open circuit of harness between TCM and transmission connector.
<b>2 CHECK HARNESS CONNECTOR BETWEEN TCM AND CHASSIS GROUND.</b> Measure the resistance of harness between TCM connector and chassis ground. <b>Connector &amp; terminal</b> <b>(B54) No. 4 — Chassis ground:</b>	Is the resistance 1 MΩ or more?	Go to step 3.	Repair the short circuit of harness between TCM and transmission connector.
<b>3 CHECK 2-4 BRAKE DUTY SOLENOID.</b> Measure the resistance between transmission connector terminals. <b>Connector &amp; terminal</b> <b>(T4) No. 3 — No. 20:</b>	Is the resistance 2.0 — 6.0 Ω?	Go to step 4.	Go to step 7.

# Diagnostic Procedure with Diagnostic Trouble Code (DTC)

## AUTOMATIC TRANSMISSION (DIAGNOSTICS)

Step	Check	Yes	No
<b>4 CHECK OUTPUT SIGNAL OF TCM.</b> 1) Connect all connectors. 2) Connect the Subaru Select Monitor to data link connector. 3) Start the engine. 4) Run the Subaru Select Monitor. 5) Warm up the transmission until the ATF temperature exceeds approximately 80°C (176°F). 6) Stop the engine. 7) Turn the ignition switch to ON. 8) Shift the select lever to "N" range, and depress the accelerator pedal. 9) Read the data of "Brake Clutch Duty Ratio" using Subaru Select Monitor.	Is the measured value 100%?	Go to step 5.	Go to step 6.
<b>5 CHECK OUTPUT SIGNAL OF TCM.</b> 1) Shift the select lever to "D" range. (2nd gear in manual mode). 2) Read the data of "Brake Clutch Duty Ratio" using Subaru Select Monitor.	Is the measured value 0%?	Check the harnesses or connectors between TCM and transmission, and repair the defective part.	Go to step 6.
<b>6 CHECK POOR CONTACT.</b>	Is there poor contact of 2-4 brake duty solenoid circuit?	Repair the poor contact.	Replace the TCM. <Ref. to 4AT-63, Transmission Control Module (TCM).>
<b>7 CHECK 2-4 BRAKE DUTY SOLENOID (IN TRANSMISSION).</b> 1) Remove the transmission connector from bracket. 2) Drain the automatic transmission fluid. <b>CAUTION:</b> <b>Do not drain ATF until it cools down.</b> 3) Remove the oil pan. 4) Disconnect the connector from the 2-4 brake duty solenoid. 5) Measure the resistance of harness between 2-4 brake duty solenoid connector and transmission ground. <b>Connector &amp; terminal</b> <b>(AT2) No. 8 — Transmission ground:</b>	Is the resistance 2.0 — 6.0 Ω?	Go to step 8.	Replace the control valve body. <Ref. to 4AT-58, Control Valve Body.>
<b>8 CHECK HARNESS CONNECTOR BETWEEN 2-4 BRAKE DUTY SOLENOID AND TRANSMISSION.</b> Measure the resistance of harness between 2-4 brake duty solenoid and transmission connector. <b>Connector &amp; terminal</b> <b>(T4) No. 3 — (AT2) No. 8:</b>	Is the resistance less than 1 Ω?	Go to step 9.	Repair the open circuit of harness between 2-4 brake duty solenoid and transmission connector.
<b>9 CHECK HARNESS CONNECTOR BETWEEN 2-4 BRAKE DUTY SOLENOID AND TRANSMISSION.</b> Measure the resistance of harness between transmission connector and transmission ground. <b>Connector &amp; terminal</b> <b>(T4) No. 3 — Transmission ground:</b>	Is the resistance 1 MΩ or more?	Check the harnesses or connectors between 2-4 brake duty solenoid and transmission, and repair the defective part.	Repair the short circuit of harness between 2-4 brake duty solenoid and transmission connector.

# Diagnostic Procedure with Diagnostic Trouble Code (DTC)

AUTOMATIC TRANSMISSION (DIAGNOSTICS)

## R: DTC P0763 SHIFT SOLENOID "C" ELECTRICAL

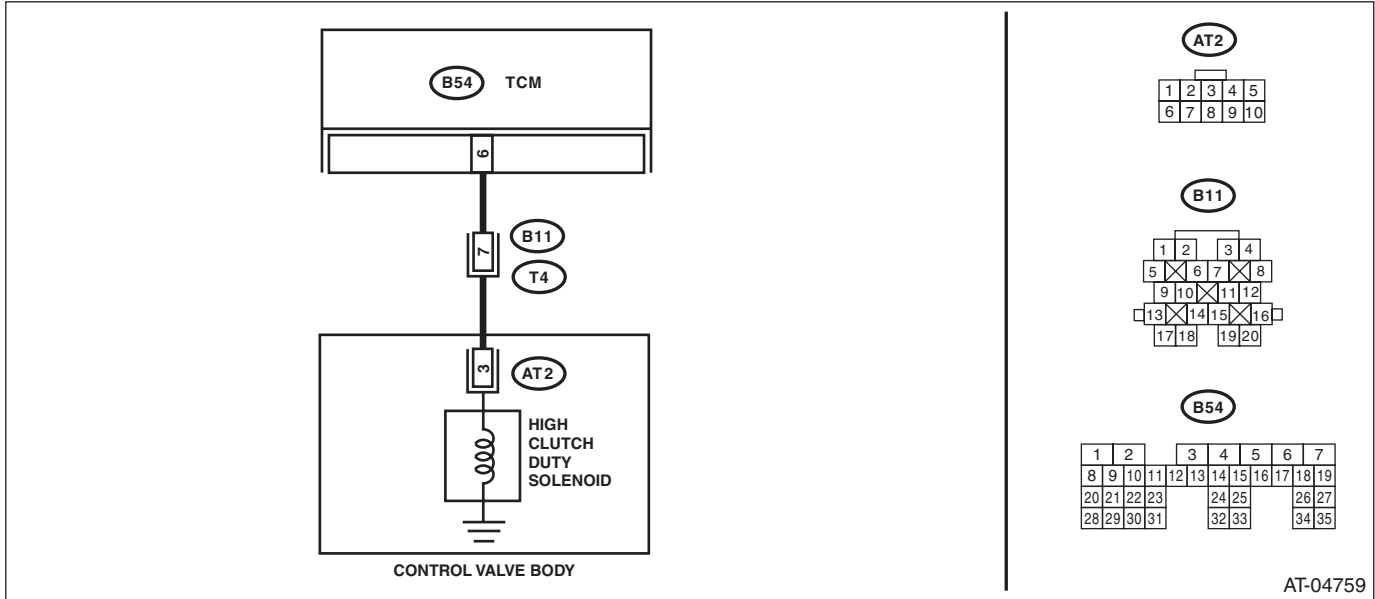
### DTC DETECTING CONDITION:

Output signal circuit of high clutch duty solenoid is open or shorted.

### TROUBLE SYMPTOM:

Excessive shift shock

### WIRING DIAGRAM:



# Diagnostic Procedure with Diagnostic Trouble Code (DTC)

AUTOMATIC TRANSMISSION (DIAGNOSTICS)

Step	Check	Yes	No
<p><b>1 CHECK HARNESS CONNECTOR BETWEEN TCM AND TRANSMISSION.</b></p> <p>1) Turn the ignition switch to OFF. 2) Disconnect the connectors from TCM and transmission. 3) Measure the resistance of harness between TCM connector and transmission connector.</p> <p><b>Connector &amp; terminal</b> <b>(B54) No. 6 — (B11) No. 7:</b></p>	Is the resistance less than 1 Ω?	Go to step 2.	Repair the open circuit of harness between TCM and transmission connector.
<p><b>2 CHECK HARNESS CONNECTOR BETWEEN TCM AND TRANSMISSION.</b></p> <p>Measure the resistance of the harness connector between TCM connector and chassis ground.</p> <p><b>Connector &amp; terminal</b> <b>(B54) No. 6 — Chassis ground:</b></p>	Is the resistance 1 MΩ or more?	Go to step 3.	Repair the short circuit of harness between TCM and transmission connector.
<p><b>3 CHECK HIGH CLUTCH DUTY SOLENOID.</b></p> <p>Measure the resistance between transmission connector receptacle's terminals.</p> <p><b>Connector &amp; terminal</b> <b>(T4) No. 7 — No. 20:</b></p>	Is the resistance 2.0 — 6.0 Ω?	Go to step 4.	Go to step 7.
<p><b>4 CHECK OUTPUT SIGNAL OF TCM.</b></p> <p>1) Connect the connectors to TCM and transmission. 2) Lift up the vehicle. 3) Connect the Subaru Select Monitor to data link connector. 4) Start the engine. 5) Run the Subaru Select Monitor. 6) Warm up the engine until the ATF temperature exceeds 80°C (176°F). 7) Shift the select lever to "D" range, and slowly increase vehicle speed to measure at 3rd or 4th.</p> <p>NOTE: The speed difference between front and rear wheels lights the ABS warning light or the VDC warning light, but this does not indicate a malfunction. If the warning light is illuminated, clear the memory of ABS or VDC after completing AT control diagnosis. &lt;Ref. to ABS(diag)-21, Clear Memory Mode.&gt; &lt;Ref. to VDC(diag)-24, Clear Memory Mode.&gt; 8) Read the data of "High Clutch Duty Ratio" using Subaru Select Monitor.</p>	Is the measured value 0%?	Go to step 5.	Go to step 6.
<p><b>5 CHECK OUTPUT SIGNAL OF TCM.</b></p> <p>1) Return the engine speed to idle. 2) Set the select lever to "N" range.</p> <p>NOTE: The speed difference between front and rear wheels lights the ABS warning light or the VDC warning light, but this does not indicate a malfunction. If the warning light is illuminated, clear the memory of ABS or VDC after completing AT control diagnosis. &lt;Ref. to ABS(diag)-21, Clear Memory Mode.&gt; &lt;Ref. to VDC(diag)-24, Clear Memory Mode.&gt;</p>	Is the measured value 100%?	Check the harnesses or connectors between TCM and transmission, and repair the defective part.	Go to step 6.

## Diagnostic Procedure with Diagnostic Trouble Code (DTC)

### AUTOMATIC TRANSMISSION (DIAGNOSTICS)

Step	Check	Yes	No
<b>6</b> <b>CHECK POOR CONTACT.</b>	Is there poor contact of high clutch duty solenoid circuit?	Repair the poor contact.	Replace the TCM. <Ref. to 4AT-63, Transmission Control Module (TCM).>
<b>7</b> <b>CHECK HIGH CLUTCH DUTY SOLENOID (IN TRANSMISSION).</b> 1) Remove the transmission connector from bracket. 2) Drain the automatic transmission fluid. <b>CAUTION:</b> <b>Do not drain ATF until it cools down.</b> 3) Remove the oil pan. 4) Disconnect the control valve body connector. 5) Measure the resistance between high clutch duty solenoid connector and transmission ground. <i>Connector &amp; terminal</i> <i>(AT2) No. 3 — Transmission ground:</i>	Is the resistance 2.0 — 6.0 Ω?	Go to step 8.	Replace the control valve body. <Ref. to 4AT-58, Control Valve Body.>
<b>8</b> <b>CHECK HARNESS CONNECTOR BETWEEN HIGH CLUTCH DUTY SOLENOID AND TRANSMISSION.</b> Measure the resistance of harness between high clutch duty solenoid and transmission connector. <i>Connector &amp; terminal</i> <i>(T4) No. 7 — (AT2) No. 3:</i>	Is the resistance less than 1 Ω?	Go to step 9.	Repair the open circuit of harness between TCM and transmission connector.
<b>9</b> <b>CHECK HARNESS CONNECTOR BETWEEN HIGH CLUTCH DUTY SOLENOID AND TRANSMISSION.</b> Measure the resistance of harness between transmission connector and transmission ground. <i>Connector &amp; terminal</i> <i>(T4) No. 7 — Transmission ground:</i>	Is the resistance 1 MΩ or more?	Check the harnesses or connectors between high clutch duty solenoid and transmission, and repair the defective part.	Repair the short circuit of harness between high clutch duty solenoid and transmission connector.

# Diagnostic Procedure with Diagnostic Trouble Code (DTC)

AUTOMATIC TRANSMISSION (DIAGNOSTICS)

## S: DTC P0768 SHIFT SOLENOID "D" ELECTRICAL

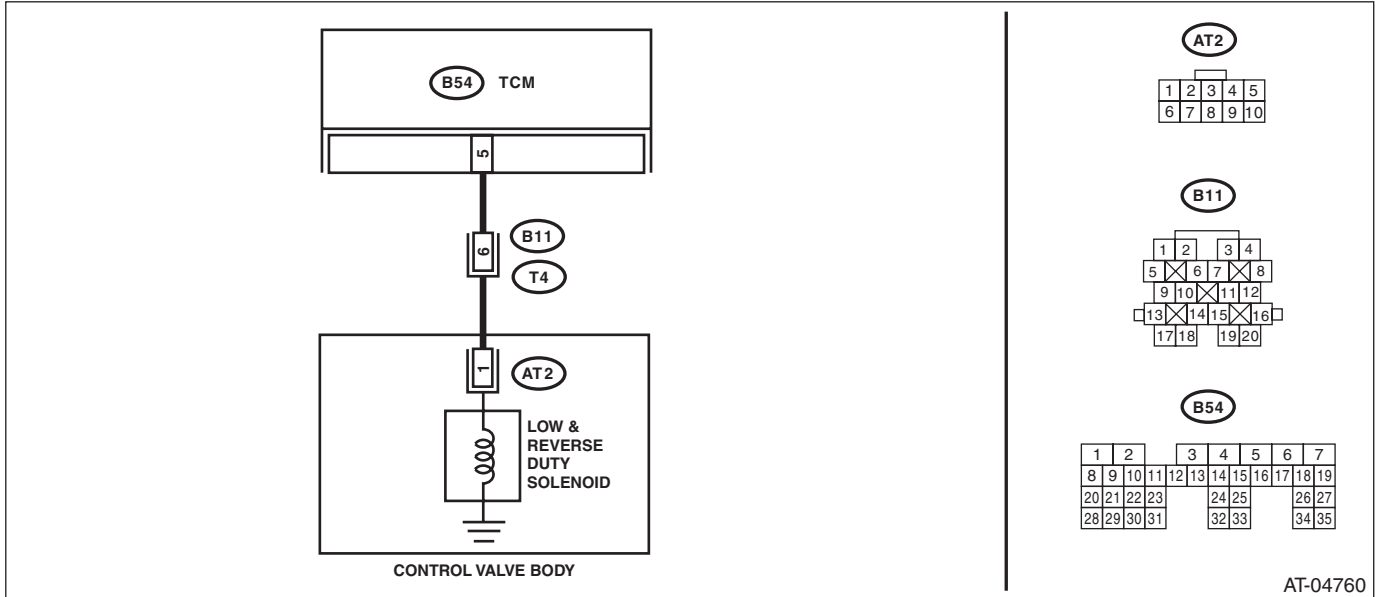
### DTC DETECTING CONDITION:

The output signal circuit of low & reverse duty solenoid is open or shorted.

### TROUBLE SYMPTOM:

Gear is not changed.

### WIRING DIAGRAM:





# Diagnostic Procedure with Diagnostic Trouble Code (DTC)

## AUTOMATIC TRANSMISSION (DIAGNOSTICS)

Step	Check	Yes	No
<b>1 CHECK HARNESS CONNECTOR BETWEEN TCM AND TRANSMISSION.</b> 1) Turn the ignition switch to OFF. 2) Disconnect the connector from transmission and TCM. 3) Measure the resistance of harness between TCM connector and transmission connector. <b>Connector &amp; terminal</b> <b>(B54) No. 5 — (B11) No. 6:</b>	Is the resistance less than 1 Ω?	Go to step 2.	Repair the open circuit of harness between TCM and transmission connector.
<b>2 CHECK HARNESS CONNECTOR BETWEEN TCM AND CHASSIS GROUND.</b> Measure the resistance of harness between TCM connector and chassis ground. <b>Connector &amp; terminal</b> <b>(B54) No. 5 — Chassis ground:</b>	Is the resistance 1 MΩ or more?	Go to step 3.	Repair the short circuit of harness between TCM and transmission connector.
<b>3 CHECK LOW &amp; REVERSE DUTY SOLENOID.</b> Measure the resistance between transmission connector terminals. <b>Connector &amp; terminal</b> <b>(T4) No. 6 — No. 20:</b>	Is the resistance 2.0 — 6.0 Ω?	Go to step 4.	Go to step 7.
<b>4 CHECK OUTPUT SIGNAL OF TCM.</b> 1) Connect all connectors. 2) Connect the Subaru Select Monitor to data link connector. 3) Start the engine. 4) Run the Subaru Select Monitor. 5) Warm up the transmission until the ATF temperature exceeds approximately 80°C (176°F). 6) Stop the engine. 7) Turn the ignition switch to ON. 8) Set the select lever to "N" range. 9) Read the data of "L&R B Duty" using Subaru Select Monitor.	Is the measured value 100%?	Go to step 5.	Go to step 6.
<b>5 CHECK OUTPUT SIGNAL OF TCM.</b> 1) Lift up the vehicle. 2) Shift the select lever to manual mode, and then hold it on 1st. Slowly increase the vehicle speed up to 15 km/h (9 MPH), and then return the accelerator pedal. NOTE: The speed difference between front and rear wheels lights the ABS warning light or the VDC warning light, but this does not indicate a malfunction. If the warning light is illuminated, clear the memory of ABS or VDC after completing AT control diagnosis. <Ref. to ABS(diag)-21, Clear Memory Mode.> <Ref. to VDC(diag)-24, Clear Memory Mode.> 3) Read the data of "L&R B Duty".	Is the measured value 55%?	Check the harnesses or connectors between TCM and transmission, and repair the defective part.	Go to step 6.
<b>6 CHECK POOR CONTACT.</b>	Is there poor contact of the low & reverse duty solenoid circuit?	Repair the poor contact.	Replace the TCM. <Ref. to 4AT-63, Transmission Control Module (TCM).>

# Diagnostic Procedure with Diagnostic Trouble Code (DTC)

AUTOMATIC TRANSMISSION (DIAGNOSTICS)

Step	Check	Yes	No
<p><b>7</b>      <b>CHECK LOW &amp; REVERSE BRAKE DUTY SOLENOID (IN TRANSMISSION).</b>                      1) Remove the transmission connector from bracket.                      2) Drain the automatic transmission fluid.  <b>CAUTION:</b>  <b>Do not drain ATF until it cools down.</b>                      3) Remove the oil pan.                      4) Disconnect the connector from the control valve body.                      5) Measure the resistance between low &amp; reverse duty solenoid connector and transmission ground.  <i>Connector &amp; terminal</i>  <i>(AT2) No. 1 — Transmission ground:</i></p>	<p>Is the resistance 2.0 — 6.0 Ω?</p>	<p>Go to step 8.</p>	<p>Replace the control valve body.                      &lt;Ref. to 4AT-58, Control Valve Body.&gt;</p>
<p><b>8</b>      <b>CHECK HARNESS CONNECTOR BETWEEN TRANSMISSION AND LOW &amp; REVERSE DUTY SOLENOID.</b>                      Measure the resistance of harness between low &amp; reverse duty solenoid and transmission connector.  <i>Connector &amp; terminal</i>  <i>(T4) No. 6 — (AT2) No. 1:</i></p>	<p>Is the resistance less than 1 Ω?</p>	<p>Go to step 9.</p>	<p>Repair open circuit of harness between low &amp; reverse duty solenoid and transmission connector.</p>
<p><b>9</b>      <b>CHECK HARNESS CONNECTOR BETWEEN TRANSMISSION AND LOW &amp; REVERSE DUTY SOLENOID.</b>                      Measure the resistance of harness between transmission connector and transmission ground.  <i>Connector &amp; terminal</i>  <i>(T4) No. 6 — Transmission ground:</i></p>	<p>Is the resistance 1 MΩ or more?</p>	<p>Check the harnesses or connectors between low &amp; reverse duty solenoid and transmission, and repair the defective part.</p>	<p>Repair the short circuit of the harness between the low &amp; reverse duty solenoid and the transmission connector.</p>

# Diagnostic Procedure with Diagnostic Trouble Code (DTC)

AUTOMATIC TRANSMISSION (DIAGNOSTICS)

## T: DTC P0801 REVERSE INHIBIT CONTROL CIRCUIT

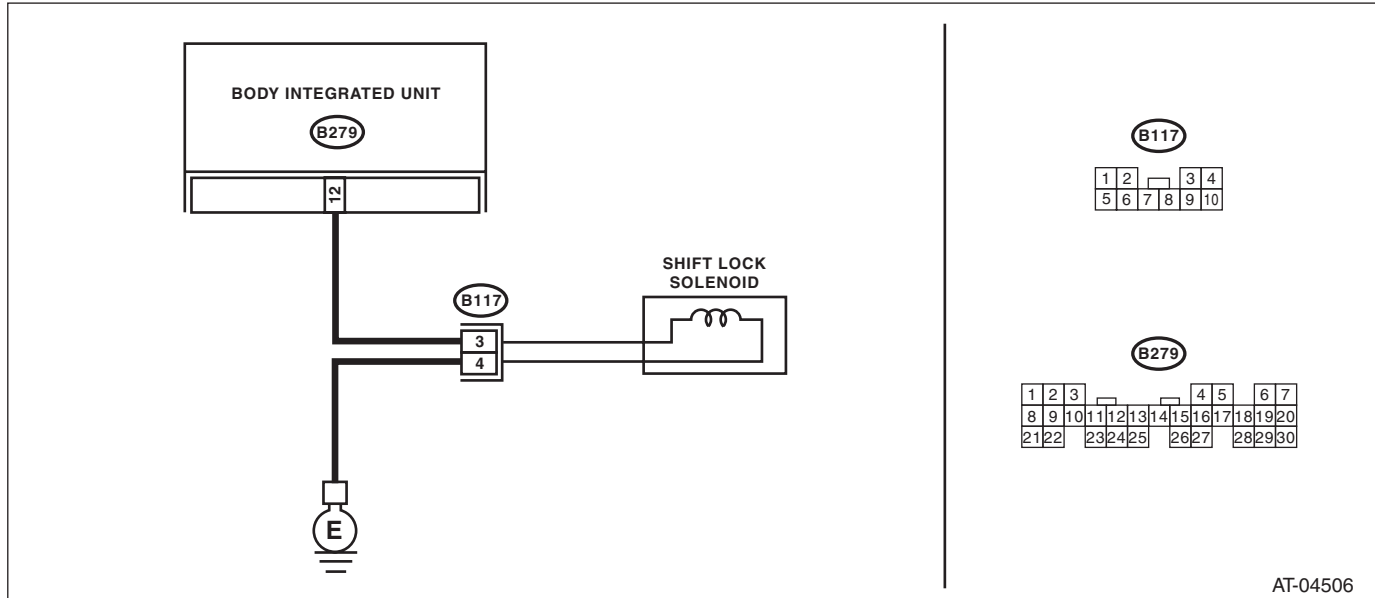
### DTC DETECTING CONDITION:

Shift lock solenoid malfunction, open or short reverse inhibitor control circuit

### TROUBLE SYMPTOM:

- Gear is shifted from “N” range to “R” range during driving at 20 km/h (12 MPH) or more.
- Gear cannot be shifted from “N” range to “R” range.

### WIRING DIAGRAM:



Step	Check	Yes	No
<b>1 CHECK SHIFT LOCK SOLENOID.</b> 1) Start the integrated unit by force, and check the operation of shift lock solenoid. <Ref. to LAN(diag)-15, READ DIAGNOSTIC TROUBLE CODE (DTC), OPERATION, Subaru Select Monitor.> 2) Operate the select lever without depressing the brake pedal.	Does the select lever shift?	Go to step 2.	Go to step 3.
<b>2 CHECK OUTPUT SIGNAL OF INTEGRATED UNIT.</b> 1) Display the following items using Subaru Select Monitor. <Ref. to LAN(diag)-33, Read Current Data.> <ul style="list-style-type: none"> <li>• Key warning SW</li> <li>• Shift position</li> <li>• P SW</li> <li>• Stop light switch</li> </ul> 2) Step on the brake and shift the select lever to “P” range.	Do the units of measure of items displayed change?	Go to step 3.	Check the circuits of the items whose values do not change.
<b>3 CHECK HARNESS CONNECTOR BETWEEN BODY INTEGRATED UNIT AND SHIFT LOCK SOLENOID.</b> Measure the harness resistance between the body integrated unit and chassis ground. <b>Connector &amp; terminal</b> <b>(B279) No. 12 — Chassis ground:</b>	Is the resistance 1 MΩ or more?	Go to step 4.	Repair the short circuit of harness between body integrated unit and shift lock solenoid connector.

# Diagnostic Procedure with Diagnostic Trouble Code (DTC)

AUTOMATIC TRANSMISSION (DIAGNOSTICS)

Step	Check	Yes	No
<b>4 CHECK HARNESS BETWEEN SHIFT LOCK SOLENOID AND CHASSIS GROUND TERMINAL.</b> Measure the resistance of harness between shift lock solenoid and chassis ground. <i><b>Connector &amp; terminal</b></i> <i><b>(B117) No. 4 — Chassis ground:</b></i>	Is the resistance less than 1 $\Omega$ ?	Go to step 5.	Repair the open circuit of harness between chassis ground and shift lock solenoid connector.
<b>5 CHECK SHIFT LOCK SOLENOID.</b> Measure the resistance of shift lock solenoid terminals. <i><b>Connector &amp; terminal</b></i> <i><b>(B117) No. 3 — No. 4:</b></i>	Is the resistance 7.0 — 21.0 $\Omega$ ?	Go to step 6.	Replace the shift lock solenoid.
<b>6 CHECK OUTPUT SIGNAL OF BODY INTEGRATED UNIT.</b> 1) Connect all connectors. 2) Turn the ignition switch to ON. 3) Set the select lever to the "D" range. 4) Measure the voltage between body integrated unit and chassis ground. <i><b>Connector &amp; terminal</b></i> <i><b>(B279) No. 12 (+) — Chassis ground (-):</b></i>	Is the voltage 10.5 V or more?	Go to step 7.	Go to step 8.
<b>7 CHECK OUTPUT SIGNAL OF BODY INTEGRATED UNIT.</b> 1) Lift up the vehicle. 2) Start the engine. 3) Shift the select lever to "D" range and slowly increase vehicle speed to over 20 km/h (12 MPH). NOTE: The speed difference between front and rear wheels lights the ABS warning light or the VDC warning light, but this does not indicate a malfunction. If the warning light is illuminated, clear the memory of ABS or VDC after completing AT control diagnosis. <Ref. to ABS(diag)-21, Clear Memory Mode.> <Ref. to VDC(diag)-24, Clear Memory Mode.> 4) Measure the voltage between body integrated unit and chassis ground. <i><b>Connector &amp; terminal</b></i> <i><b>(B279) No. 12 (+) — Chassis ground (-):</b></i>	Is the voltage less than 1 V?	Check the harnesses or connectors in reverse inhibitor control circuit, and repair the defective part.	Go to step 8.
<b>8 CHECK POOR CONTACT.</b>	Is there poor contact of the reverse inhibitor control circuit?	Repair the poor contact.	Replace the body integrated unit. <Ref. to SL-50, Body Integrated Unit.>

# Diagnostic Procedure with Diagnostic Trouble Code (DTC)

AUTOMATIC TRANSMISSION (DIAGNOSTICS)

## U: DTC P1706 AT VEHICLE SPEED SENSOR CIRCUIT MALFUNCTION (REAR WHEEL)

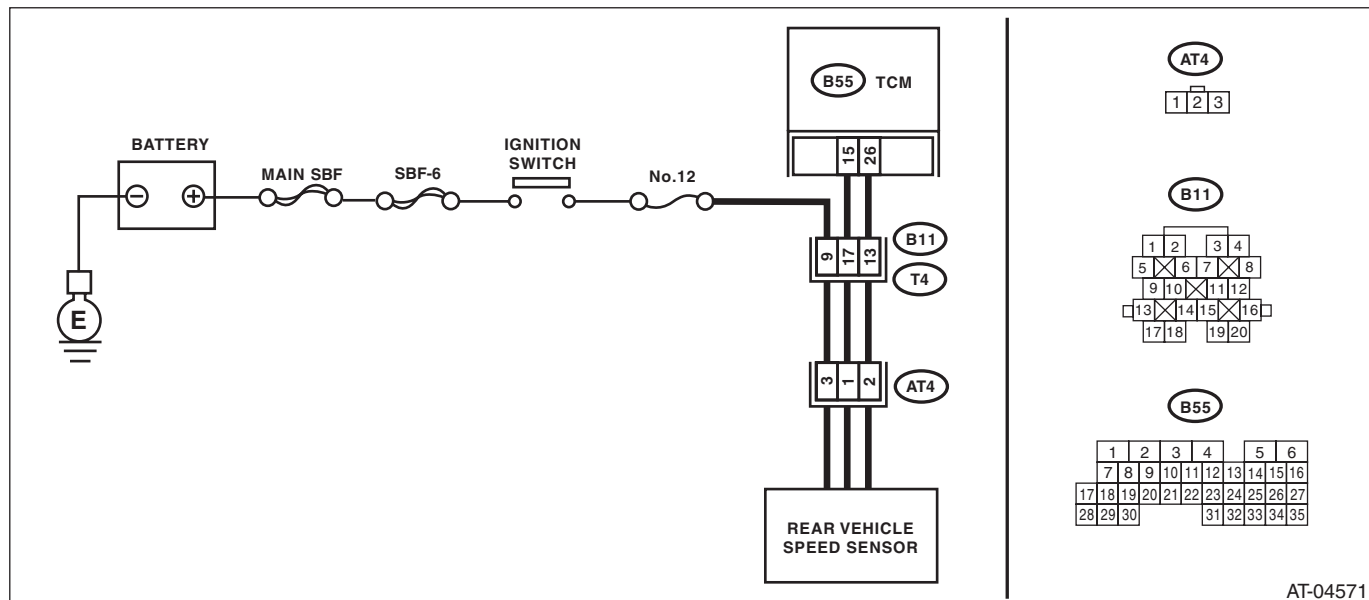
### DTC DETECTING CONDITION:

Input signal circuit of TCM is open or shorted.

### TROUBLE SYMPTOM:

No lock up or tight corner braking phenomenon is occurred.

### WIRING DIAGRAM:



AT-04571

# Diagnostic Procedure with Diagnostic Trouble Code (DTC)

AUTOMATIC TRANSMISSION (DIAGNOSTICS)

Step	Check	Yes	No
<b>1</b> <b>CHECK IGNITION POWER SUPPLY CIRCUIT.</b> 1) Turn the ignition switch to OFF. 2) Disconnect the connector from rear vehicle speed sensor. 3) Turn the ignition switch to ON. 4) Measure the ignition power supply voltage between rear vehicle speed sensor connector and transmission ground. <b>Connector &amp; terminal</b> <b>(AT4) No. 3 (+) — Transmission ground (-):</b>	Is the voltage 10 V or more?	Go to step 2.	Check harness between rear vehicle speed sensor and battery for open circuit, short or poor contact. Repair the harness if required.
<b>2</b> <b>CHECK HARNESS CONNECTOR BETWEEN TCM AND TRANSMISSION.</b> 1) Turn the ignition switch to OFF. 2) Measure the resistance of harness between TCM connector and rear vehicle speed sensor connector. <b>Connector &amp; terminal</b> <b>(B55) No. 15 — (AT4) No. 1:</b> <b>(B55) No. 26 — (AT4) No. 2:</b>	Is the resistance less than 1 Ω?	Go to step 3.	Repair the open circuit or poor contact of the connector in harness between TCM and rear vehicle speed sensor connector.
<b>3</b> <b>CHECK HARNESS CONNECTOR BETWEEN TCM AND TRANSMISSION.</b> Measure the resistance of harness between TCM connector and chassis ground. <b>Connector &amp; terminal</b> <b>(B55) No. 15 — Chassis ground:</b> <b>(B55) No. 26 — Chassis ground:</b>	Is the resistance 1 MΩ or more?	Go to step 4.	Repair the short circuit of harness between TCM and rear vehicle speed sensor connector.
<b>4</b> <b>CHECK INPUT SIGNAL FOR TCM.</b> 1) Connect the connectors to TCM and transmission. 2) Lift up the vehicle. 3) Start the engine. 4) Slowly increase the vehicle speed to 20 km/h (12 MPH). NOTE: The speed difference between front and rear wheels lights the ABS warning light or the VDC warning light, but this does not indicate a malfunction. If the warning light is illuminated, clear the memory of ABS or VDC after completing AT control diagnosis. <Ref. to ABS(diag)-21, Clear Memory Mode.> <Ref. to VDC(diag)-24, Clear Memory Mode.> 5) Measure the AC voltage between TCM connector terminals. <b>Connector &amp; terminal</b> <b>(B55) No. 26 (+) — No. 15 (-):</b>	Is the voltage approx. 2 V or more?	Go to step 5.	Replace the rear vehicle speed sensor.
<b>5</b> <b>CHECK POOR CONTACT.</b>	Is there poor contact of rear vehicle speed sensor circuit?	Repair the poor contact.	Replace the TCM. <Ref. to 4AT-63, Transmission Control Module (TCM).>

# Diagnostic Procedure with Diagnostic Trouble Code (DTC)

## AUTOMATIC TRANSMISSION (DIAGNOSTICS)

### V: DTC P1707 AT AWD SOLENOID VALVE CIRCUIT MALFUNCTION

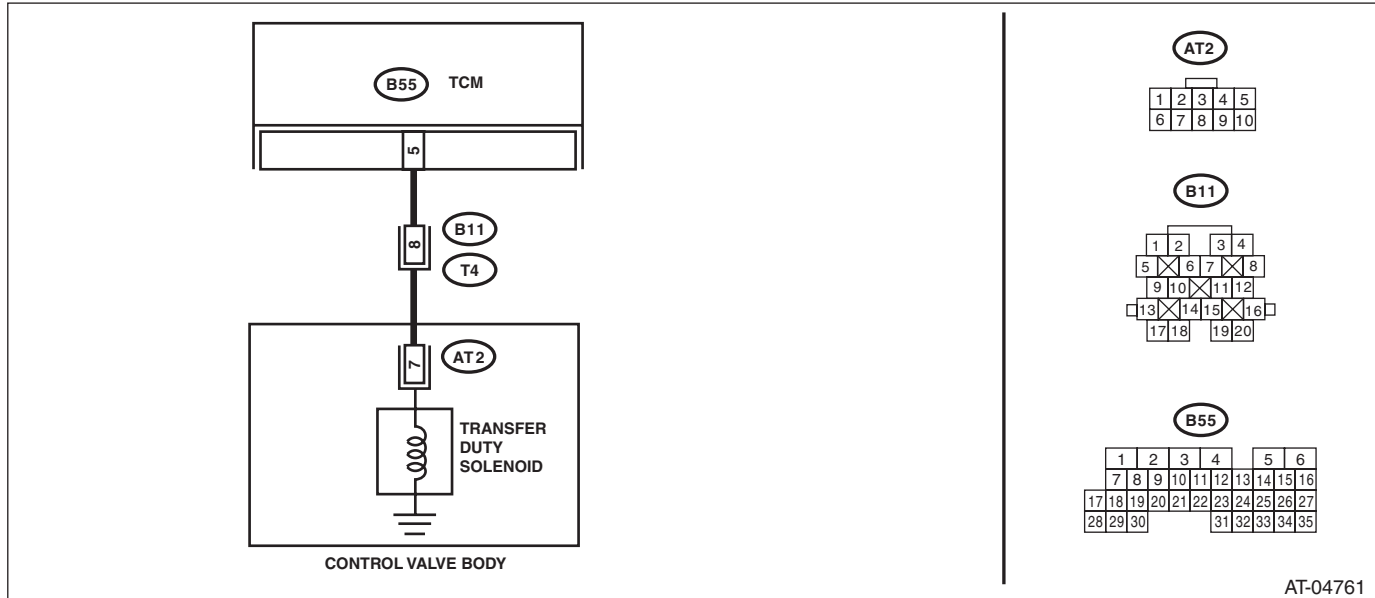
#### DTC DETECTING CONDITION:

Output signal circuit of transfer duty solenoid is open or shorted.

#### TROUBLE SYMPTOM:

- Tight corner braking phenomenon occurs.
- Front wheel slips on the slippery road.

#### WIRING DIAGRAM:



Step	Check	Yes	No
<b>1 CHECK HARNESS CONNECTOR BETWEEN TCM AND TRANSMISSION.</b> 1) Turn the ignition switch to OFF. 2) Disconnect the connectors from TCM and transmission. 3) Measure the resistance of harness between TCM connector and transmission connector. <b>Connector &amp; terminal</b> <b>(B55) No. 5 — (B11) No. 8:</b>	Is the resistance less than 1 Ω?	Go to step 2.	Repair the open circuit of harness between TCM and transmission connector.
<b>2 CHECK HARNESS CONNECTOR BETWEEN TCM AND TRANSMISSION.</b> Measure the resistance of harness connector between TCM and chassis ground. <b>Connector &amp; terminal</b> <b>(B55) No. 5 — Chassis ground:</b>	Is the resistance 1 MΩ or more?	Go to step 3.	Repair the short circuit of harness between TCM and transmission connector.
<b>3 CHECK TRANSFER DUTY SOLENOID.</b> Measure the resistance between transmission connector and transmission terminals. <b>Connector &amp; terminal</b> <b>(T4) No. 8 — No. 20:</b>	Is the resistance 2.0 — 6.0 Ω?	Go to step 4.	Go to step 7.

# Diagnostic Procedure with Diagnostic Trouble Code (DTC)

AUTOMATIC TRANSMISSION (DIAGNOSTICS)

Step	Check	Yes	No
<b>4 CHECK OUTPUT SIGNAL OF TCM.</b> 1) Connect the connectors to TCM and transmission. 2) Connect the Subaru Select Monitor to data link connector. 3) Turn the ignition switch to ON. 4) Run the Subaru Select Monitor. 5) Shift the select lever to the "N" range, and fully close the throttle pedal. (Vehicle speed is 0 km/h (0 MPH)) 6) Read the data of "AWD Duty Ratio" using Subaru Select Monitor.	Is the value approx. 5%?	Go to step 5.	Go to step 6.
<b>5 CHECK OUTPUT SIGNAL OF TCM.</b> 1) Set the select lever to the "D" range. 2) Read the data of "AWD Duty Ratio" using Subaru Select Monitor.	Is the measured value approx. 18 — 35%?	Check the harnesses or connectors between TCM and transmission, and repair the defective part.	Go to step 6.
<b>6 CHECK POOR CONTACT.</b>	Is there poor contact of transfer duty solenoid circuit?	Repair the poor contact.	Replace the TCM. <Ref. to 4AT-63, Transmission Control Module (TCM).>
<b>7 CHECK TRANSFER DUTY SOLENOID (IN TRANSMISSION).</b> 1) Lift up the vehicle. 2) Drain the automatic transmission fluid. <b>CAUTION:</b> <b>Do not drain ATF until it cools down.</b> 3) Remove the extension case. 4) Disconnect the connector from the transfer solenoid. 5) Measure the resistance between transfer duty solenoid connector and transmission ground. <b>Connector &amp; terminal</b> <b>(AT2) No. 7 — Transmission ground:</b>	Is the resistance 2.0 — 6.0 $\Omega$ ?	Go to step 8.	Replace the control valve body. <Ref. to 4AT-58, Control Valve Body.>
<b>8 CHECK HARNESS CONNECTOR BETWEEN TRANSFER DUTY SOLENOID AND TRANSMISSION.</b> Measure the resistance of harness between transfer duty solenoid and transmission connector. <b>Connector &amp; terminal</b> <b>(T4) No. 8 — (AT2) No. 7:</b>	Is the resistance less than 1 $\Omega$ ?	Go to step 9.	Repair the open circuit of harness between transfer duty solenoid and transmission connector.
<b>9 CHECK HARNESS CONNECTOR BETWEEN TRANSFER DUTY SOLENOID AND TRANSMISSION.</b> Measure the resistance of harness between transmission connector and transmission ground. <b>Connector &amp; terminal</b> <b>(T4) No. 8 — Transmission ground:</b>	Is the resistance 1 M $\Omega$ or more?	Check the connectors and harnesses between transfer duty solenoid and transmission for poor contact, and repair the defective part.	Repair short circuit of the harness between the transfer duty solenoid and transmission connector.

## W: DTC P1718 CAN COMMUNICATION CIRCUIT

NOTE:

Refer to "Body Integrated Unit" for diagnosis of P1718. <Ref. to LAN(diag)-2, Basic Diagnostic Procedure.>



# Diagnostic Procedure with Diagnostic Trouble Code (DTC)

AUTOMATIC TRANSMISSION (DIAGNOSTICS)

## X: DTC P1817 SPORT MODE SWITCH CIRCUIT

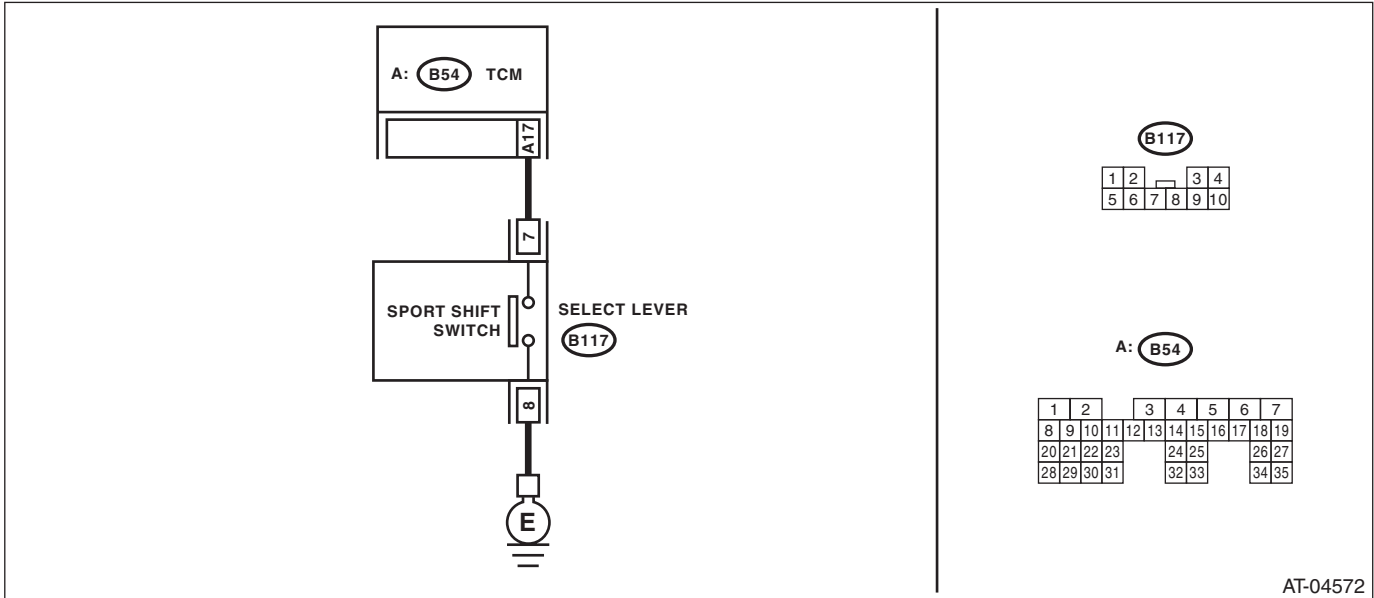
### DTC DETECTING CONDITION:

Input signal circuit of SPORT/manual mode switch is shorted.

### TROUBLE SYMPTOM:

- Manual mode can not be set.
- The SPORT indicator light does not illuminate.
- No SPORT mode occurs.

### WIRING DIAGRAM:



AT-04572

# Diagnostic Procedure with Diagnostic Trouble Code (DTC)

AUTOMATIC TRANSMISSION (DIAGNOSTICS)

Step	Check	Yes	No
<b>1</b> <b>CHECK SPORT SHIFT SWITCH GROUND CIRCUIT.</b> 1) Turn the ignition switch to OFF. 2) Disconnect the connector from the SPORT shift switch. 3) Measure the resistance of harness between SPORT shift switch connector and chassis ground. <i>Connector &amp; terminal</i> <i>(B117) No. 8 — Chassis ground:</i>	Is the resistance less than 1 Ω?	Go to step 2.	Repair the open circuit of harness between the SPORT shift switch and chassis ground.
<b>2</b> <b>CHECK SPORT SHIFT SWITCH.</b> Measure the resistance between SPORT shift switch terminals. <i>Connector &amp; terminal</i> <i>(B117) No. 7 — No. 8:</i>	Is the resistance 1 MΩ or more?	Go to step 3.	Replace the select lever assembly. <Ref. to CS-20, Select Lever.>
<b>3</b> <b>CHECK SPORT SHIFT SWITCH.</b> 1) Move the select lever to sport shift mode. 2) Measure the resistance between SPORT shift switch terminals. <i>Connector &amp; terminal</i> <i>(B117) No. 7 — No. 8:</i>	Is the resistance less than 1 Ω?	Go to step 4.	Replace the select lever assembly. <Ref. to CS-20, Select Lever.>
<b>4</b> <b>CHECK HARNESS CONNECTOR BETWEEN TCM AND SPORT SHIFT SWITCH.</b> 1) Disconnect the connector from TCM. 2) Measure the resistance of harness between TCM connector and SPORT shift switch connector. <i>Connector &amp; terminal</i> <i>(B117) No. 7 — (B54) No. 17:</i>	Is the resistance less than 1 Ω?	Go to step 5.	Repair the open circuit of harness between SPORT shift switch connector and TCM connector.
<b>5</b> <b>CHECK HARNESS CONNECTOR BETWEEN TCM AND SPORT SHIFT SWITCH.</b> 1) Disconnect the connector from TCM. 2) Measure the resistance of harness between SPORT shift switch connector and chassis ground. <i>Connector &amp; terminal</i> <i>(B117) No. 7 — Chassis ground:</i>	Is the resistance 1 MΩ or more?	Go to step 6.	Repair the short circuit of harness between SPORT shift switch connector and TCM connector.
<b>6</b> <b>CHECK INPUT SIGNAL FOR TCM.</b> 1) Connect the connector to TCM and SPORT shift switch. 2) Turn the ignition switch to ON. 3) Return the select lever to the normal mode. 4) Measure the voltage of signal to TCM. <i>Connector &amp; terminal</i> <i>(B54) No. 17 (+) — Chassis ground (-):</i>	Is the voltage 10 V or more?	Go to step 7.	Replace the TCM. <Ref. to 4AT-63, Transmission Control Module (TCM).>
<b>7</b> <b>CHECK POOR CONTACT.</b>	Is there poor contact of the SPORT shift switch circuit?	Repair the poor contact.	Replace the TCM. <Ref. to 4AT-63, Transmission Control Module (TCM).>

# Diagnostic Procedure without Diagnostic Trouble Code (DTC)

## AUTOMATIC TRANSMISSION (DIAGNOSTICS)

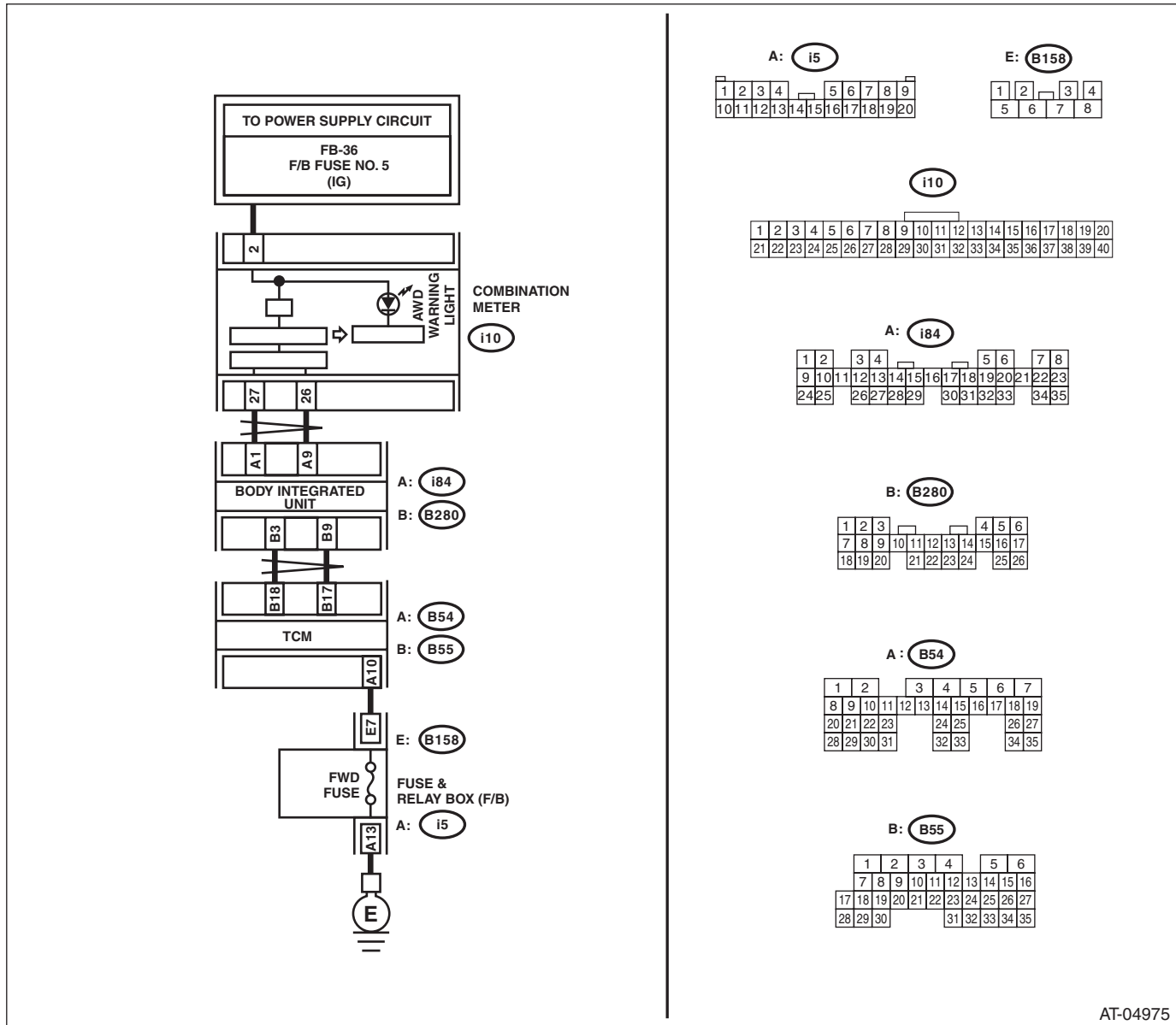
### 14. Diagnostic Procedure without Diagnostic Trouble Code (DTC)

#### A: CHECK FWD SWITCH

##### DIAGNOSIS:

- LED does not illuminate even with the fuse installed on FWD fuse holder.
- FWD signal circuit is open or shorted.

##### WIRING DIAGRAM:



AT-04975

Step	Check	Yes	No	
1	<b>CHECK INDICATOR.</b> Turn the ignition switch to ON.	Is the AWD warning light illuminated?	Go to step 2.	Perform the self-diagnosis of combination meter.
2	<b>CHECK INDICATOR.</b> Turn the ignition switch to ON and wait for at least 2 seconds.	Is the AWD warning light illuminated?	Go to step 3.	Go to step 6.
3	<b>CHECK INDICATOR.</b> Start the engine and wait for 2 seconds or more.	Does the AWD warning light go off?	Go to step 4.	Go to step 11.
4	<b>CHECK SPARE FUSE.</b>	Is the spare fuse OK?	Go to step 5.	Replace the fuse.

# Diagnostic Procedure without Diagnostic Trouble Code (DTC)

## AUTOMATIC TRANSMISSION (DIAGNOSTICS)

Step	Check	Yes	No
<b>5 CHECK INDICATOR.</b> 1) Turn the ignition switch to OFF. 2) Install a fuse to the FWD fuse holder. 3) Start the engine and wait for 2 seconds or more.	Is the AWD warning light illuminated?	Normal. Finish the diagnosis.	Go to step 6.
<b>6 CHECK BODY INTEGRATED UNIT.</b>	Is DTC of CAN communication displayed?	Perform the diagnosis according to DTC.	Go to step 7.
<b>7 CHECK TCM.</b> 1) Turn the ignition switch to OFF. 2) Install a fuse to the FWD fuse holder. 3) Connect the Subaru Select Monitor to data link connector. 4) Turn the ignition switch to ON. 5) Read the data of "FWD Switch" using Subaru Select Monitor.	Is "ON" displayed?	Perform the self-diagnosis of combination meter.	Go to step 8.
<b>8 CHECK HARNESS CONNECTOR BETWEEN TCM AND FUSE BOX.</b> 1) Turn the ignition switch to OFF. 2) Disconnect the connectors from TCM and fuse box. 3) Measure the resistance of the harness between TCM and fuse box. <b>Connector &amp; terminal</b> <b>(B54) No. 10 — (B158) No. 7:</b>	Is the resistance less than 1 Ω?	Go to step 9.	Repair the open circuit of harness between TCM and fuse box.
<b>9 CHECK HARNESS CONNECTOR BETWEEN FUSE BOX AND CHASSIS GROUND.</b> Measure the resistance of the harness between fuse box and chassis ground. <b>Connector &amp; terminal</b> <b>(i5) No. 13 — Chassis ground:</b>	Is the resistance less than 1 Ω?	Go to step 10.	Repair the open circuit of harness between fuse box and chassis ground.
<b>10 CHECK POOR CONTACT.</b> Check poor contact of FWD switch circuit.	Is there poor contact of FWD switch circuit?	Repair the poor contact.	Replace the TCM. <Ref. to 4AT-63, Transmission Control Module (TCM).>
<b>11 CHECK TCM.</b> 1) Turn the ignition switch to OFF. 2) Connect the Subaru Select Monitor to data link connector. 3) Start the engine. 4) Read the data of "Engine Speed" using Subaru Select Monitor.	Is the measured value 400 rpm or more?	Go to step 12.	Inspect the ECM.
<b>12 CHECK TCM.</b> Read the data of "FWD Switch" using Subaru Select Monitor.	Is "OFF" displayed?	Perform the self-diagnosis of combination meter.	Go to step 13.
<b>13 CHECK HARNESS CONNECTOR BETWEEN TCM AND FUSE BOX.</b> 1) Turn the ignition switch to OFF. 2) Disconnect the connectors from TCM and fuse box. 3) Measure the resistance of harness connector between TCM and chassis ground. <b>Connector &amp; terminal</b> <b>(B54) No. 10 — Chassis ground:</b>	Is the resistance 1 MΩ or more?	Replace the TCM. <Ref. to 4AT-63, Transmission Control Module (TCM).>	Repair the short circuit of harness between TCM and fuse box.

# Diagnostic Procedure without Diagnostic Trouble Code (DTC)

## AUTOMATIC TRANSMISSION (DIAGNOSTICS)

### B: CHECK SPORT SHIFT SWITCH

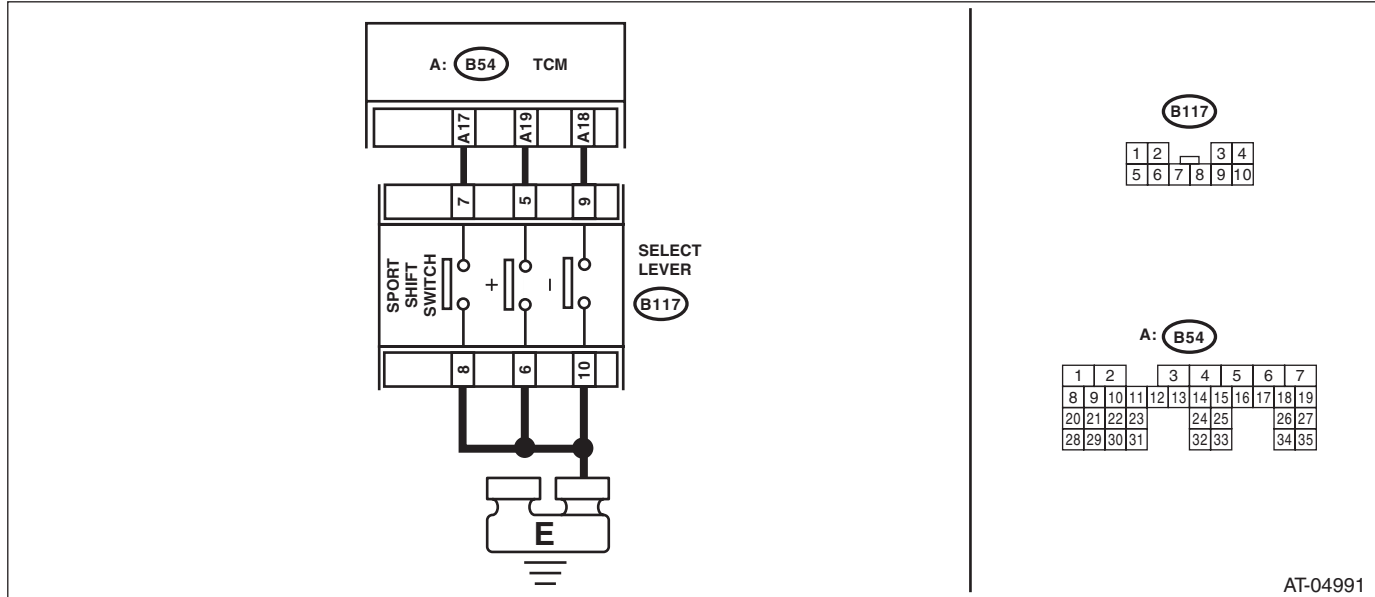
#### DIAGNOSIS:

Input signal circuit of SPORT shift switch is open or shorted.

#### TROUBLE SYMPTOM:

Does not shift on manual mode.

#### WIRING DIAGRAM:



Step	Check	Yes	No
<b>1 CHECK SPORT SHIFT INDICATOR.</b> 1) Turn the ignition switch to ON. 2) Shift the select lever to SPORT mode. 3) Set the select lever to + side. 4) Read the SPORT shift indicator display in combination meter.	Is the gear position displayed?	Go to step 2.	Go to step 3.
<b>2 CHECK SPORT SHIFT INDICATOR.</b> Read the SPORT shift indicator display in combination meter.	Is "2" displayed?	Go to step 17.	Go to step 9.
<b>3 CHECK BODY INTEGRATED UNIT.</b>	Is DTC of CAN communication displayed?	Perform the diagnosis according to DTC.	Go to step 4.
<b>4 CHECK TCM.</b> Read the "Tiptronic Mode Switch" data using the Subaru Select Monitor.	Is "ON" displayed?	Go to step 9.	Go to step 5.
<b>5 CHECK HARNESS CONNECTOR BETWEEN TCM AND SPORT SHIFT SWITCH.</b> 1) Turn the ignition switch to OFF. 2) Disconnect the connectors from TCM and SPORT shift switch. 3) Measure the resistance of harness between TCM and SPORT shift switch. <i>Connector &amp; terminal</i> <i>(B54) No. 17 — (B117) No. 7:</i>	Is the resistance less than 1 Ω?	Go to step 6.	Repair the open circuit of harness between TCM and SPORT shift switch.
<b>6 CHECK SPORT SHIFT SWITCH.</b> Measure the resistance between SPORT shift switch terminals. <i>Connector &amp; terminal</i> <i>(B117) No. 7 — No. 8:</i>	Is the resistance less than 1 Ω?	Go to step 7.	Replace the guide plate assembly.

# Diagnostic Procedure without Diagnostic Trouble Code (DTC)

AUTOMATIC TRANSMISSION (DIAGNOSTICS)

Step	Check	Yes	No
<b>7 CHECK HARNESS CONNECTOR BETWEEN SPORT SHIFT SWITCH AND CHASSIS GROUND.</b> Measure the resistance of harness between SPORT shift switch and chassis ground. <i>Connector &amp; terminal</i> <i>(B117) No. 8 — Chassis ground:</i>	Is the resistance less than 1 $\Omega$ ?	Go to step 8.	Repair the open circuit of harness between the SPORT shift switch and chassis ground.
<b>8 CHECK POOR CONTACT.</b> Check poor contact of SPORT shift switch circuit.	Is there poor contact of the SPORT shift switch circuit?	Repair the poor contact.	Replace the TCM.
<b>9 CHECK TCM.</b> 1) Shift and hold the select lever to + side. 2) Read the "Up Switch" data using Subaru Select Monitor.	Is "ON" displayed?	Go to step 14.	Go to step 10.
<b>10 CHECK HARNESS CONNECTOR BETWEEN TCM AND + SWITCH.</b> 1) Turn the ignition switch to OFF. 2) Disconnect the connector from TCM and + switch. 3) Measure the resistance of harness between TCM and + switch. <i>Connector &amp; terminal</i> <i>(B54) No. 19 — (B117) No. 5:</i>	Is the resistance less than 1 $\Omega$ ?	Go to step 11.	Repair the open circuit of harness between TCM and + switch.
<b>11 CHECK + SWITCH.</b> 1) Shift and hold the select lever to + side. 2) Measure the resistance between + switch terminals. <i>Connector &amp; terminal</i> <i>(B117) No. 5 — No. 6:</i>	Is the resistance less than 1 $\Omega$ ?	Go to step 12.	Replace the guide plate assembly.
<b>12 CHECK HARNESS CONNECTOR BETWEEN + SWITCH AND CHASSIS GROUND.</b> Measure the resistance of harness between + switch and chassis ground. <i>Connector &amp; terminal</i> <i>(B117) No. 6 — Chassis ground:</i>	Is the resistance less than 1 $\Omega$ ?	Go to step 13.	Repair the open circuit of harness between + switch and chassis ground.
<b>13 CHECK POOR CONTACT.</b> Check poor contact of + switch circuit.	Is there poor contact of + switch circuit?	Repair the poor contact.	Replace the TCM.
<b>14 CHECK TCM.</b> 1) Set the select lever to the center position. (Tilt the select lever to SPORT mode, and release the hold.) 2) Read the "Up Switch" data using Subaru Select Monitor.	Is "OFF" displayed?	Perform the self-diagnosis of combination meter.	Go to step 15.
<b>15 CHECK HARNESS CONNECTOR BETWEEN TCM AND + SWITCH.</b> 1) Turn the ignition switch to OFF. 2) Disconnect the connector from TCM and + switch. 3) Measure the resistance of harness between TCM and + switch. <i>Connector &amp; terminal</i> <i>(B54) No. 19 — Chassis ground:</i>	Is the resistance 1 M $\Omega$ or more?	Go to step 16.	Repair the short circuit of harness between TCM and + switch.
<b>16 CHECK + SWITCH.</b> Measure the resistance between + switch terminals. <i>Connector &amp; terminal</i> <i>(B117) No. 5 — No. 6:</i>	Is the resistance 1 M $\Omega$ or more?	Replace the TCM.	Replace the guide plate assembly.

# Diagnostic Procedure without Diagnostic Trouble Code (DTC)

## AUTOMATIC TRANSMISSION (DIAGNOSTICS)

Step	Check	Yes	No
<b>17 CHECK SPORT SHIFT INDICATOR.</b> 1) Set the select lever to – side. 2) Read the SPORT shift indicator display in combination meter.	Is “1” displayed?	Normal. Finish the diagnosis.	Go to step 18.
<b>18 CHECK TCM.</b> 1) Shift and hold the select lever to – side. 2) Read the “Down Switch” data using Subaru Select Monitor.	Is “ON” displayed?	Go to step 23.	Go to step 19.
<b>19 CHECK HARNESS CONNECTOR BETWEEN TCM AND – SWITCH.</b> 1) Turn the ignition switch to OFF. 2) Disconnect the connector from TCM and – switch. 3) Measure the resistance of harness between TCM and – switch. <b>Connector &amp; terminal</b> <b>(B54) No. 18 — (B117) No. 9:</b>	Is the resistance less than 1 $\Omega$ ?	Go to step 20.	Repair the open circuit of harness between TCM and – switch.
<b>20 CHECK – SWITCH.</b> 1) Shift and hold the select lever to – side. 2) Measure the resistance between – switch terminals. <b>Connector &amp; terminal</b> <b>(B117) No. 9 — No. 10:</b>	Is the resistance less than 1 $\Omega$ ?	Go to step 21.	Replace the guide plate assembly.
<b>21 CHECK HARNESS CONNECTOR BETWEEN – SWITCH AND CHASSIS GROUND.</b> Measure the resistance of harness between – switch and chassis ground. <b>Connector &amp; terminal</b> <b>(B117) No. 10 — Chassis ground:</b>	Is the resistance less than 1 $\Omega$ ?	Go to step 22.	Repair the open circuit of harness between – switch and chassis ground.
<b>22 CHECK POOR CONTACT.</b> Check poor contact of – switch circuit.	Is there poor contact of – switch circuit?	Repair the poor contact.	Replace the TCM.
<b>23 CHECK TCM.</b> 1) Set the select lever to the center position. (Tilt the select lever to SPORT mode, and release the hold.) 2) Read the “Down Switch” data using Subaru Select Monitor.	Is “OFF” displayed?	Perform the self-diagnosis of combination meter.	Go to step 24.
<b>24 CHECK HARNESS CONNECTOR BETWEEN TCM AND – SWITCH.</b> 1) Turn the ignition switch to OFF. 2) Disconnect the connector from TCM and – switch. 3) Measure the resistance of harness between TCM and – switch. <b>Connector &amp; terminal</b> <b>(B54) No. 18 — Chassis ground:</b>	Is the resistance 1 M $\Omega$ or more?	Go to step 25.	Repair the short circuit of harness between TCM and – switch.
<b>25 CHECK – SWITCH.</b> Measure the resistance between – switch terminals. <b>Connector &amp; terminal</b> <b>(B117) No. 9 — No. 10:</b>	Is the resistance 1 M $\Omega$ or more?	Replace the TCM.	Replace the guide plate assembly.

# Diagnostic Procedure without Diagnostic Trouble Code (DTC)

AUTOMATIC TRANSMISSION (DIAGNOSTICS)

## C: CHECK SPORT SHIFT INDICATOR

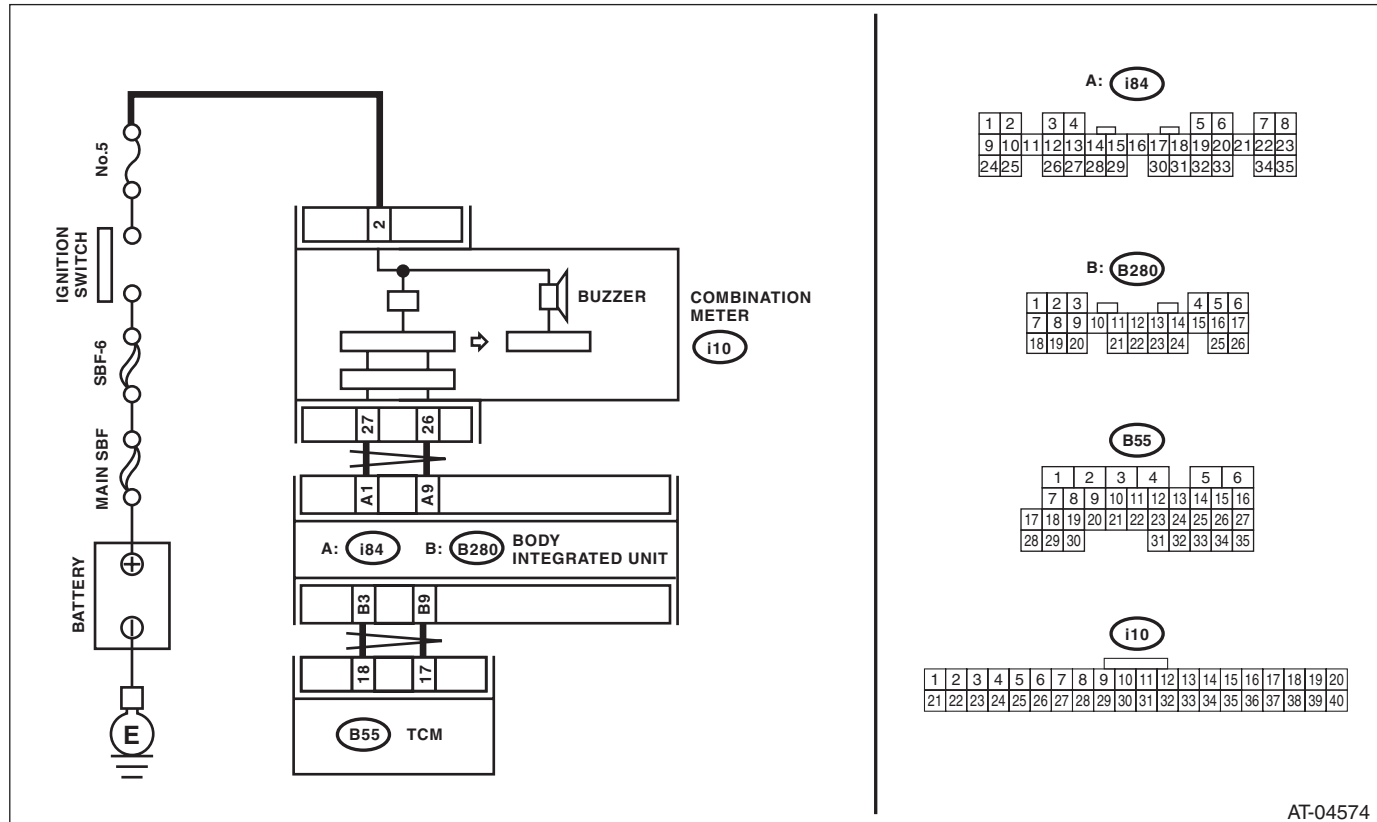
### DIAGNOSIS:

Output signal circuit of SPORT shift indicator is open or shorted.

### TROUBLE SYMPTOM:

- SPORT shift indicator does not display or remains displayed.
- SPORT shift indicator display does not change.

### WIRING DIAGRAM:



AT-04574



# Diagnostic Procedure without Diagnostic Trouble Code (DTC)

## AUTOMATIC TRANSMISSION (DIAGNOSTICS)

	Step	Check	Yes	No
1	<b>CHECK BODY INTEGRATED UNIT.</b> Check DTC of body integrated unit.	Is DTC of CAN communication displayed?	Perform the diagnosis according to DTC.	Go to step 2.
2	<b>CHECK TCM.</b> 1) Turn the ignition switch to OFF. 2) Connect the Subaru Select Monitor to data link connector. 3) Turn the ignition switch to ON. 4) Run the Subaru Select Monitor. 5) Shift the select lever to SPORT mode. 6) Shift up the select lever. 7) Read the "Gear Position" data of TCM using Subaru Select Monitor.	Is "2" displayed?	Go to step 3.	Replace the TCM. <Ref. to 4AT-63, Transmission Control Module (TCM).>
3	<b>CHECK TCM.</b> 1) Shift down the selector lever. 2) Read the "Gear Position" data of TCM using Subaru Select Monitor.	Is "1" displayed?	Go to step 4.	Replace the TCM. <Ref. to 4AT-63, Transmission Control Module (TCM).>
4	<b>CHECK BODY INTEGRATED UNIT.</b> Read the data of "SPORT Shift gear position" using Subaru Select Monitor.	Is "2" displayed?	Go to step 5.	Check body integrated unit.
5	<b>CHECK COMBINATION METER.</b> <Ref. to IDI-4, INSPECTION, Combination Meter System.>	Is the SPORT shift indicator OK?	Check the buzzer. <Ref. to 4AT(diag)-83, CHECK BUZZER, Diagnostic Procedure without Diagnostic Trouble Code (DTC).>	Replace the combination meter assembly. <Ref. to IDI-16, Combination Meter.>

# Diagnostic Procedure without Diagnostic Trouble Code (DTC)

AUTOMATIC TRANSMISSION (DIAGNOSTICS)

## D: CHECK BUZZER

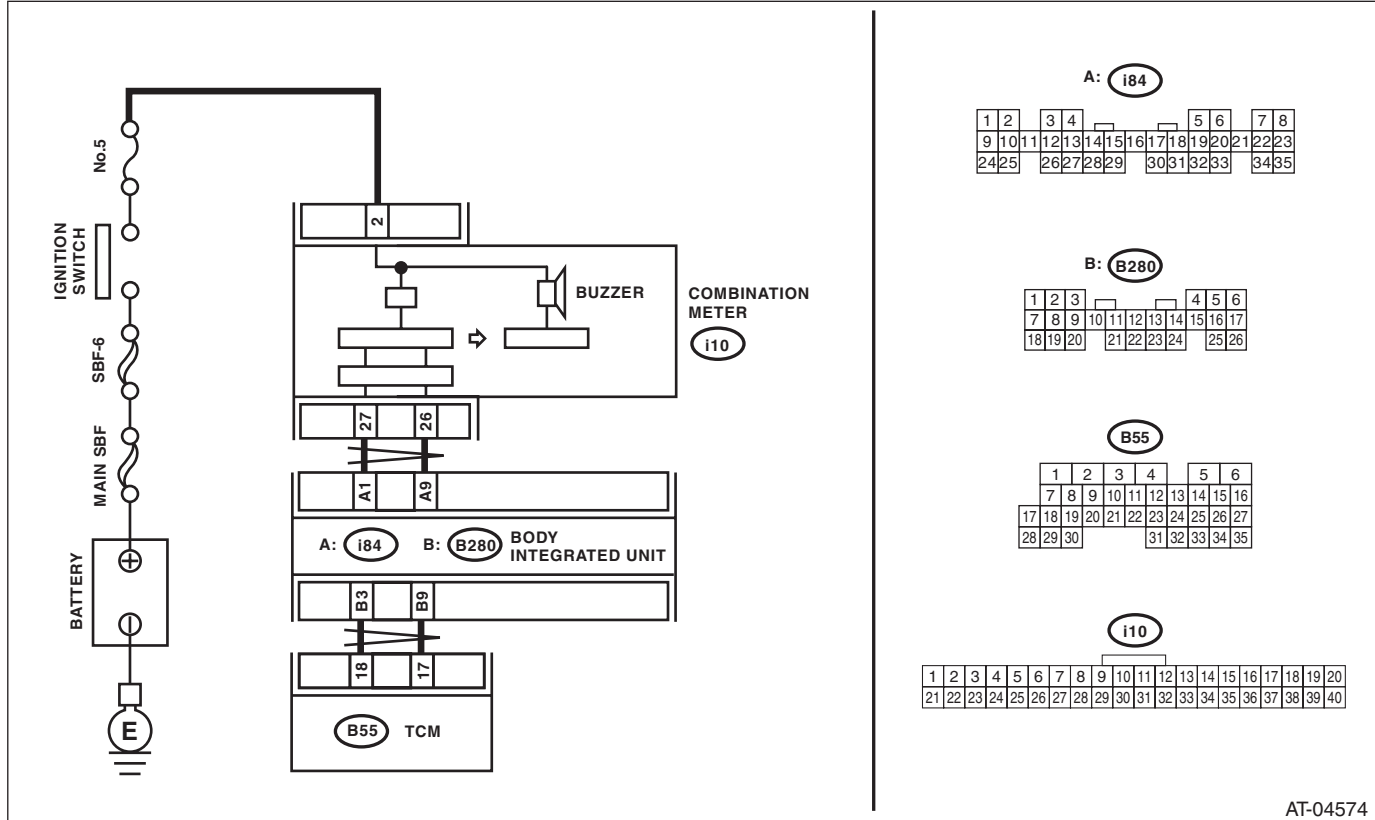
### DIAGNOSIS:

Output signal circuit of buzzer is open or shorted.

### TROUBLE SYMPTOM:

Buzzer remains beeping.

### WIRING DIAGRAM:



AT-04574

Step	Check	Yes	No
<b>1 CHECK BODY INTEGRATED UNIT.</b> 1) Turn the ignition switch to OFF. 2) Connect the Subaru Select Monitor to data link connector. 3) Turn the ignition switch to ON. 4) Run the Subaru Select Monitor. 5) Read the data of "SPORT Shift (buzzer)" of body integrated unit using Subaru Select Monitor.	Is "ON" displayed?	Replace the TCM. <Ref. to 4AT-63, Transmission Control Module (TCM).>	Go to step 2.
<b>2 CHECK COMBINATION METER.</b> <Ref. to IDI-4, INSPECTION, Combination Meter System.>	Is the buzzer OK?	Refer to "Diagnostics with Phenomenon". <Ref. to 4AT(diag)-84, Diagnostics with Phenomenon.>	Replace the combination meter assembly. <Ref. to IDI-16, Combination Meter.>

## Diagnostics with Phenomenon

### AUTOMATIC TRANSMISSION (DIAGNOSTICS)

## 15. Diagnostics with Phenomenon

### A: INSPECTION

Symptom	Problem parts
Starter does not operate when select lever is in "P" or "N" range. Starter operates when select lever is in "R" or "D" range.	<ul style="list-style-type: none"> <li>• Inhibitor switch</li> <li>• Select cable</li> <li>• AT select lever</li> <li>• Starter motor and harness</li> </ul>
Abnormal noise when select lever is in "P" or "N".	<ul style="list-style-type: none"> <li>• Strainer</li> <li>• Transfer duty solenoid</li> <li>• Oil pump</li> <li>• Drive plate</li> <li>• ATF level too high or too low</li> </ul>
Hissing noise occurs during standing start.	<ul style="list-style-type: none"> <li>• Strainer</li> <li>• ATF level too high or too low</li> </ul>
Noise occurs while driving in "D1".	<ul style="list-style-type: none"> <li>• Final gear</li> <li>• Planetary gear</li> <li>• Reduction gear</li> <li>• Differential gear oil level too high or too low</li> </ul>
Noise occurs while driving in "D2".	<ul style="list-style-type: none"> <li>• Final gear</li> <li>• Low &amp; reverse brake</li> <li>• Reduction gear</li> <li>• Differential gear oil level too high or too low</li> </ul>
Noise occurs while driving in "D3".	<ul style="list-style-type: none"> <li>• Final gear</li> <li>• Low &amp; reverse brake</li> <li>• Planetary gear</li> <li>• Reduction gear</li> <li>• Differential gear oil level too high or too low</li> </ul>
Noise occurs while driving in "D4".	<ul style="list-style-type: none"> <li>• Final gear</li> <li>• Low &amp; reverse brake</li> <li>• Planetary gear</li> <li>• Reduction gear</li> <li>• Differential gear oil level too high or too low</li> </ul>
Vehicle moves when select lever is in "N" range.	<ul style="list-style-type: none"> <li>• Select cable</li> <li>• Inhibitor switch</li> <li>• TCM</li> <li>• Low clutch</li> </ul>
Shock occurs when select lever is shifted from "N" to "D" range.	<ul style="list-style-type: none"> <li>• Accelerator pedal position sensor</li> <li>• ATF temperature sensor</li> <li>• Line pressure linear solenoid</li> <li>• Low clutch duty solenoid</li> <li>• Low clutch</li> <li>• TCM</li> <li>• Harness</li> <li>• Control valve</li> <li>• ATF deterioration</li> </ul>
Excessive time lag occurs when select lever is shifted from "N" to "D" range.	<ul style="list-style-type: none"> <li>• Control valve</li> <li>• Low clutch</li> <li>• Line pressure linear solenoid</li> <li>• Seal ring</li> <li>• Front gasket of transmission case</li> </ul>
Shock occurs when select lever is shifted from "N" to "R" range.	<ul style="list-style-type: none"> <li>• Accelerator pedal position sensor</li> <li>• ATF temperature sensor</li> <li>• Line pressure linear solenoid</li> <li>• TCM</li> <li>• Harness</li> <li>• Control valve</li> <li>• ATF deterioration</li> </ul>
Excessive time lag occurs when select lever is shifted from "N" to "R" range.	<ul style="list-style-type: none"> <li>• Control valve</li> <li>• Low &amp; reverse clutch</li> <li>• Reverse clutch</li> <li>• Line pressure linear solenoid</li> <li>• Seal ring</li> <li>• Front gasket of transmission case</li> </ul>

# Diagnostics with Phenomenon

## AUTOMATIC TRANSMISSION (DIAGNOSTICS)

Symptom	Problem parts
Vehicle does not start in any shift range. (Engine stalls)	<ul style="list-style-type: none"> <li>• Parking brake mechanism</li> <li>• Planetary gear</li> </ul>
Vehicle does not start in any shift range. (Engine operates)	<ul style="list-style-type: none"> <li>• Strainer</li> <li>• Line pressure linear solenoid</li> <li>• Control valve</li> <li>• Drive pinion</li> <li>• Hypoid gear</li> <li>• Axle shaft</li> <li>• Differential gear</li> <li>• Oil pump</li> <li>• Input shaft</li> <li>• Output shaft</li> <li>• Planetary gear</li> <li>• Drive plate</li> <li>• ATF level is too low</li> <li>• Front gasket of transmission case</li> </ul>
Vehicle does not start in "R" range only. (Engine operates)	<ul style="list-style-type: none"> <li>• Select cable</li> <li>• AT select lever</li> <li>• Line pressure linear solenoid</li> <li>• Control valve</li> <li>• Low &amp; reverse clutch</li> <li>• Reverse clutch</li> </ul>
Vehicle does not start in "R" range only. (Engine stalls)	<ul style="list-style-type: none"> <li>• Low clutch</li> <li>• 2-4 brake</li> <li>• Planetary gear</li> <li>• Parking brake mechanism</li> </ul>
Vehicle does not start in "D" range. (Engine operates)	<ul style="list-style-type: none"> <li>• Low clutch</li> <li>• One-way clutch</li> </ul>
Vehicle does not start in "D" range. (Engine stalls)	Reverse clutch
Vehicle does not start in "R" range only. (Engine operates)	Control valve
Acceleration during standing start is poor. (High rpm stall)	<ul style="list-style-type: none"> <li>• Control valve</li> <li>• Low clutch</li> <li>• Reverse clutch</li> <li>• ATF level is too low</li> <li>• ATF deterioration</li> <li>• Front gasket of transmission case</li> <li>• Differential gear oil level too high or too low</li> </ul>
Acceleration during standing start is poor. (Low rpm stall)	<ul style="list-style-type: none"> <li>• Oil pump</li> <li>• Torque converter one-way clutch</li> <li>• Engine performance</li> </ul>
Acceleration is poor when select lever is in "D" range. (Normal rpm stall)	<ul style="list-style-type: none"> <li>• TCM</li> <li>• Control valve</li> <li>• High clutch</li> <li>• 2-4 brake</li> <li>• Planetary gear</li> </ul>
Acceleration is poor when select lever is in "R" range. (Normal rpm stall)	<ul style="list-style-type: none"> <li>• Control valve</li> <li>• High clutch</li> <li>• 2-4 brake</li> <li>• Planetary gear</li> </ul>
No shift occurs from 1st to 2nd gear.	<ul style="list-style-type: none"> <li>• TCM</li> <li>• Rear vehicle speed sensor</li> <li>• Front vehicle speed sensor</li> <li>• Accelerator pedal position sensor</li> <li>• Control valve</li> <li>• 2-4 brake</li> </ul>
No shift occurs from 2nd to 3rd gear.	<ul style="list-style-type: none"> <li>• TCM</li> <li>• Control valve</li> <li>• High clutch</li> </ul>

## Diagnostics with Phenomenon

### AUTOMATIC TRANSMISSION (DIAGNOSTICS)

Symptom	Problem parts
No shift occurs from 3rd to 4th gear.	<ul style="list-style-type: none"> <li>• TCM</li> <li>• ATF temperature sensor</li> <li>• Control valve</li> <li>• 2-4 brake</li> </ul>
Engine brake is not effected when select lever is shifted from 4th gear to 3rd gear.	<ul style="list-style-type: none"> <li>• Inhibitor switch</li> <li>• TCM</li> <li>• Accelerator pedal position sensor</li> <li>• Control valve</li> </ul>
Engine brake is not effected when select lever is shifted from 3rd gear to 2nd gear.	Control valve
Engine brake is not effected when select lever is shifted from 2nd gear to 1st gear.	<ul style="list-style-type: none"> <li>• Control valve</li> <li>• Low &amp; reverse brake</li> </ul>
Shift characteristics are erroneous.	<ul style="list-style-type: none"> <li>• Inhibitor switch</li> <li>• TCM</li> <li>• Front vehicle speed sensor</li> <li>• Rear vehicle speed sensor</li> <li>• Accelerator pedal position sensor</li> <li>• Control valve</li> <li>• Ground</li> </ul>
No lock-up occurs.	<ul style="list-style-type: none"> <li>• TCM</li> <li>• Accelerator pedal position sensor</li> <li>• ATF temperature sensor</li> <li>• Control valve</li> <li>• Lock-up facing</li> <li>• Engine speed signal</li> </ul>
Parking brake does not function.	<ul style="list-style-type: none"> <li>• Select cable</li> </ul>
Shift lever cannot be moved or is hard to move from "P" range.	<ul style="list-style-type: none"> <li>• AT select lever</li> <li>• Parking mechanism</li> </ul>
ATF spurts out.	ATF level too high
Differential oil spurts out.	Differential gear oil level too high
Differential oil level changes excessively.	<ul style="list-style-type: none"> <li>• Seal pipe</li> <li>• Double oil seal</li> </ul>
Odor is produced from ATF supply pipe.	<ul style="list-style-type: none"> <li>• High clutch</li> <li>• 2-4 brake</li> <li>• Low &amp; reverse clutch</li> <li>• Reverse clutch</li> <li>• Lock-up facing</li> <li>• ATF deterioration</li> </ul>
Shock occurs when shifting from 1st to 2nd gear.	<ul style="list-style-type: none"> <li>• TCM</li> <li>• Torque converter turbine speed sensor</li> <li>• Accelerator pedal position sensor</li> <li>• 2-4 brake duty solenoid</li> <li>• ATF temperature sensor</li> <li>• Line pressure linear solenoid</li> <li>• Control valve</li> <li>• 2-4 brake</li> <li>• ATF deterioration</li> <li>• Engine performance</li> <li>• Low &amp; reverse duty solenoid</li> </ul>
Slippage occurs when shifting from 1st to 2nd gear.	<ul style="list-style-type: none"> <li>• TCM</li> <li>• Acceleration pedal position sensor</li> <li>• 2-4 brake duty solenoid</li> <li>• ATF temperature sensor</li> <li>• Line pressure linear solenoid</li> <li>• Control valve</li> <li>• 2-4 brake</li> </ul>

# Diagnostics with Phenomenon

## AUTOMATIC TRANSMISSION (DIAGNOSTICS)

Symptom	Problem parts
Shock occurs when shifting from 2nd to 3rd gear.	<ul style="list-style-type: none"> <li>• TCM</li> <li>• Torque converter turbine speed sensor</li> <li>• Accelerator pedal position sensor</li> <li>• 2-4 brake duty solenoid</li> <li>• ATF temperature sensor</li> <li>• Line pressure linear solenoid</li> <li>• Low &amp; reverse duty solenoid</li> <li>• Control valve</li> <li>• High clutch</li> <li>• 2-4 brake</li> <li>• ATF deterioration</li> <li>• Engine performance</li> <li>• High clutch duty solenoid</li> </ul>
Slippage occurs when shifting from 2nd to 3rd gear.	<ul style="list-style-type: none"> <li>• TCM</li> <li>• Accelerator pedal position sensor</li> <li>• 2-4 brake duty solenoid</li> <li>• ATF temperature sensor</li> <li>• Line pressure linear solenoid</li> <li>• Control valve</li> <li>• High clutch</li> <li>• 2-4 brake</li> <li>• Low &amp; reverse duty solenoid</li> </ul>
Shock occurs when shifting from 3rd to 4th gear.	<ul style="list-style-type: none"> <li>• TCM</li> <li>• Torque converter turbine speed sensor</li> <li>• Accelerator pedal position sensor</li> <li>• 2-4 brake duty solenoid</li> <li>• ATF temperature sensor</li> <li>• Line pressure linear solenoid</li> <li>• Control valve</li> <li>• Low clutch duty solenoid</li> <li>• 2-4 brake</li> <li>• ATF deterioration</li> <li>• Engine performance</li> </ul>
Slippage occurs when shifting from 3rd to 4th gear.	<ul style="list-style-type: none"> <li>• TCM</li> <li>• Acceleration pedal position sensor</li> <li>• 2-4 brake duty solenoid</li> <li>• ATF temperature sensor</li> <li>• Line pressure linear solenoid</li> <li>• Control valve</li> <li>• 2-4 brake</li> </ul>
Shock occurs when shifting from 3rd to 2nd gear.	<ul style="list-style-type: none"> <li>• TCM</li> <li>• Torque converter turbine speed sensor</li> <li>• Accelerator pedal position sensor</li> <li>• ATF temperature sensor</li> <li>• Line pressure linear solenoid</li> <li>• Control valve</li> <li>• 2-4 brake duty solenoid</li> <li>• 2-4 brake</li> <li>• ATF deterioration</li> <li>• High clutch duty solenoid</li> </ul>
Shock occurs when shifting from 2nd to 1st gear.	<ul style="list-style-type: none"> <li>• TCM</li> <li>• Torque converter turbine speed sensor</li> <li>• Accelerator pedal position sensor</li> <li>• ATF temperature sensor</li> <li>• Line pressure linear solenoid</li> <li>• Control valve</li> <li>• Low &amp; reverse clutch</li> <li>• ATF deterioration</li> <li>• 2-4 brake duty solenoid</li> <li>• Low &amp; reverse brake duty solenoid</li> </ul>

## Diagnostics with Phenomenon

### AUTOMATIC TRANSMISSION (DIAGNOSTICS)

Symptom	Problem parts
Shock occurs when accelerator pedal is released from medium speed.	<ul style="list-style-type: none"> <li>• TCM</li> <li>• Accelerator pedal position sensor</li> <li>• ATF temperature sensor</li> <li>• Line pressure linear solenoid</li> <li>• Control valve</li> <li>• Lock-up damper</li> <li>• Engine performance</li> </ul>
Vibration occurs during straight-forward operation.	<ul style="list-style-type: none"> <li>• TCM</li> <li>• Lock-up duty solenoid</li> <li>• Lock-up facing</li> <li>• Lock-up damper</li> </ul>
Vibration occurs during turns. (Tight corner braking phenomenon)	<ul style="list-style-type: none"> <li>• TCM</li> <li>• Front vehicle speed sensor</li> <li>• Rear vehicle speed sensor</li> <li>• Accelerator pedal position sensor</li> <li>• ATF temperature sensor</li> <li>• Transfer clutch</li> <li>• Transfer valve</li> <li>• Transfer duty solenoid</li> <li>• ATF deterioration</li> <li>• Harness</li> </ul>
Front wheel slippage occurs during standing starts.	<ul style="list-style-type: none"> <li>• TCM</li> <li>• Front vehicle speed sensor</li> <li>• Accelerator pedal position sensor</li> <li>• ATF temperature sensor</li> <li>• Control valve</li> <li>• Transfer clutch</li> <li>• Transfer valve</li> <li>• Transfer pipe</li> <li>• Transfer duty solenoid</li> </ul>
It is not set in FWD mode.	<ul style="list-style-type: none"> <li>• TCM</li> <li>• Transfer clutch</li> <li>• Transfer valve</li> <li>• Transfer duty solenoid</li> <li>• Fuse</li> </ul>
Select lever is hard to move.	<ul style="list-style-type: none"> <li>• Select cable</li> <li>• AT select lever</li> <li>• Detent spring</li> <li>• Manual plate</li> </ul>
Select lever is excessively hard to move. (Unreasonable resistance)	<ul style="list-style-type: none"> <li>• Detent spring</li> <li>• Manual plate</li> </ul>
Select lever slips out of selected shift position during acceleration or while driving on rough terrain.	<ul style="list-style-type: none"> <li>• Select cable</li> <li>• AT select lever</li> <li>• Detent spring</li> <li>• Manual plate</li> </ul>
Manual mode can not be set.	<ul style="list-style-type: none"> <li>• SPORT/manual mode switch</li> <li>• TCM</li> <li>• Body integrated unit</li> </ul>
Gear does not change though the select lever is operated in manual mode.	<ul style="list-style-type: none"> <li>• Up shift switch</li> <li>• Down shift switch</li> <li>• TCM</li> <li>• Body integrated unit</li> </ul>
AWD warning light remains blinking or illuminated.	<ul style="list-style-type: none"> <li>• Tire size</li> <li>• Tire pressure</li> <li>• TCM</li> <li>• FWD fuse holder</li> <li>• Harness</li> </ul>

# General Description

## MANUAL TRANSMISSION AND DIFFERENTIAL

### 1. General Description

#### A: SPECIFICATION

##### 1. MANUAL TRANSMISSION AND DIFFERENTIAL

Model		Non-turbo model	Turbo model
Type		5-forward speeds and 1-reverse (all stage with synchromesh)	
Transmission gear ratio	1st	3.454	3.166
	2nd	2.062	1.882
	3rd	1.448	1.296
	4th	1.088	0.972
	5th	0.780	0.738
	Reverse	3.333	
Front reduction gear	Final	Type of gear	Hypoid
		Gear ratio	3.900
Rear reduction gear	Transfer	Type of gear	Helical
		Gear ratio	1.000
	Final	Type of gear	Hypoid
		Gear ratio	3.900
Front differential	Type and number of gear	Straight bevel gear (bevel pinion: 2, bevel gear: 2)	
Center differential	Type and number of gear	Straight bevel gear (bevel pinion: 2, bevel gear: 2 and viscous coupling)	
Transmission gear oil		GL-5	
Transmission gear oil capacity		3.5 ℓ (3.7 US qt, 3.1 Imp qt)	

##### 2. TRANSMISSION GEAR OIL

**Recommended oil:**

***GL-5 (75W-90) or equivalent***

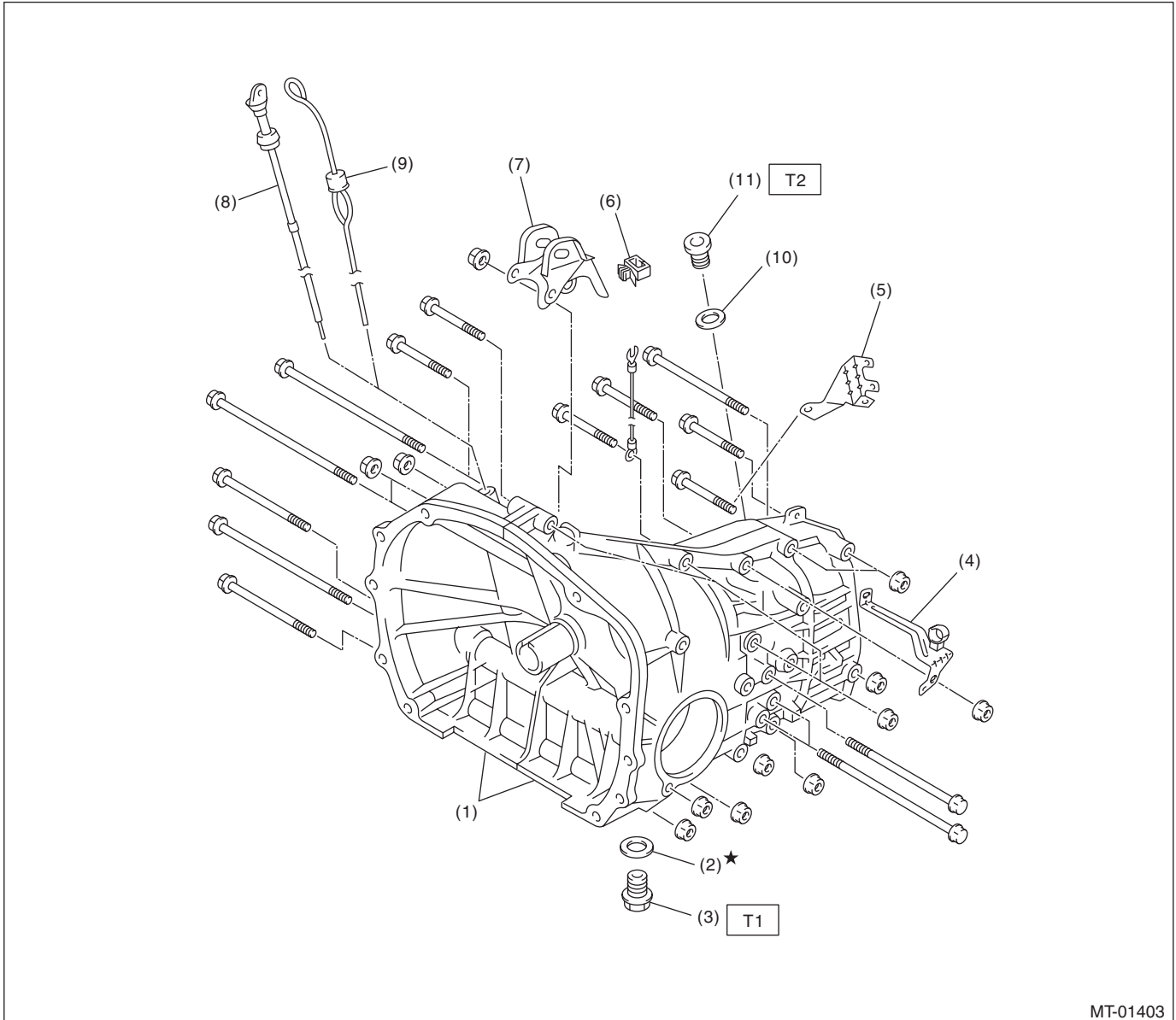


# General Description

MANUAL TRANSMISSION AND DIFFERENTIAL

## B: COMPONENT

### 1. TRANSMISSION CASE



MT-01403

- |                                       |                                       |
|---------------------------------------|---------------------------------------|
| (1) Transmission case ASSY            | (6) Clamp                             |
| (2) Gasket                            | (7) Pitching stopper bracket          |
| (3) Drain plug                        | (8) Oil level gauge (non-turbo model) |
| (4) Harness bracket (non-turbo model) | (9) Oil level gauge (turbo model)     |
| (5) Harness bracket (turbo model)     | (10) Gasket                           |
|                                       | (11) Plug                             |

**Tightening torque: N·m (kgf·m, ft·lb)**

**T1: 44 (4.5, 32.5)**  
**(Aluminum gasket, silver)**

**70 (7.1, 51.6)**  
**(Copper gasket, brown)**

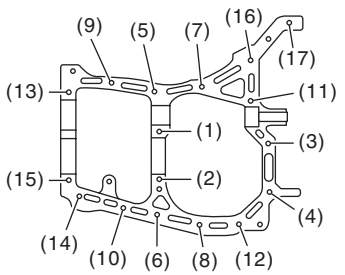
**70 (7.1, 51.6)**  
**(Metal gasket, black)**

**T2: 60 (6.1, 44.3)**

# General Description

## MANUAL TRANSMISSION AND DIFFERENTIAL

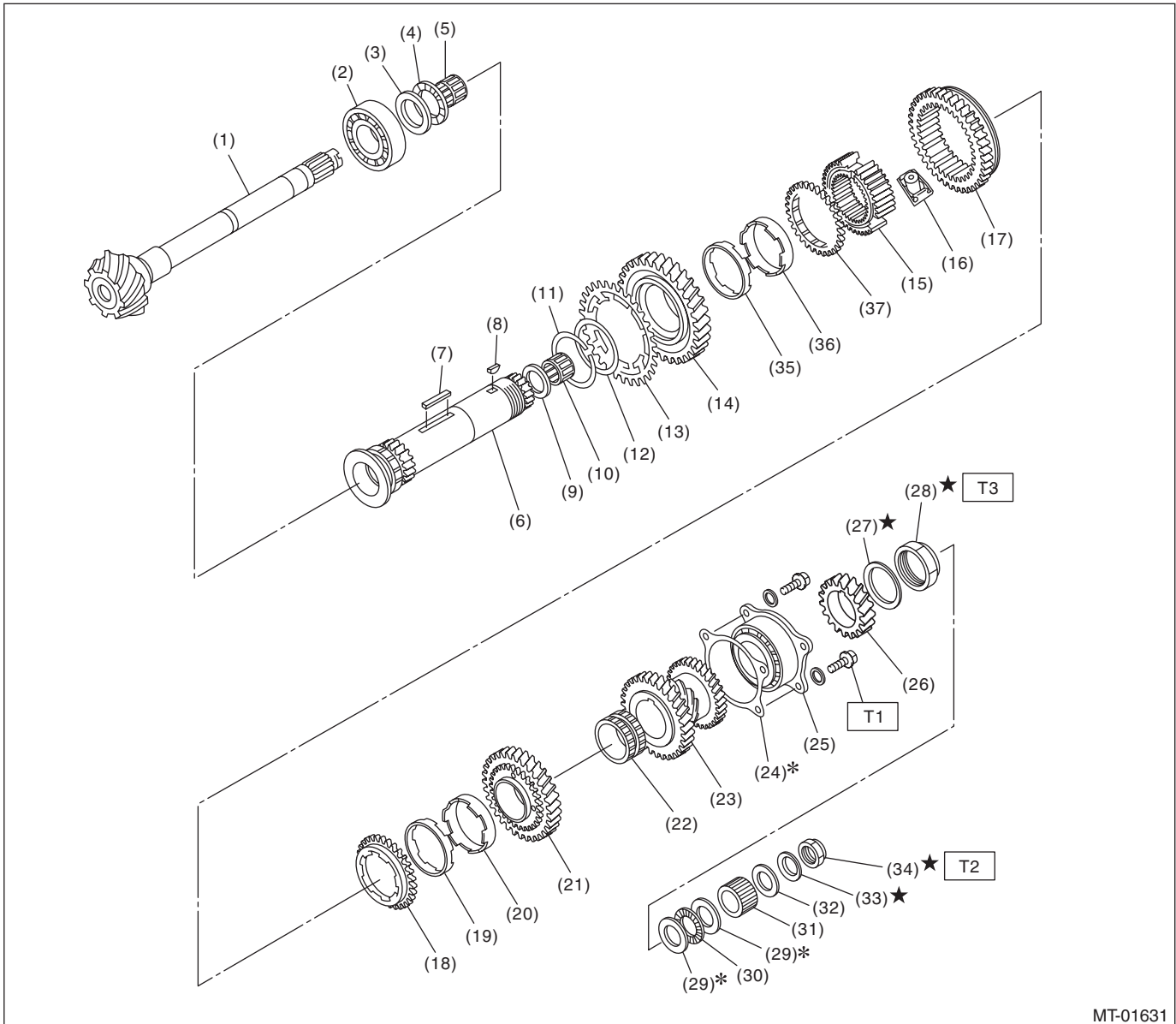
### Transmission case tightening torque

 <p>MT-00003</p>	Bolt No.	Bolt size mm	Tightening torque: N·m (kgf·m, ft·lb)
	(5) — (15)	8	25 (2.5, 18.4)
	(1) — (4) (16), (17)	10	39 (4.0, 28.8)

# General Description

## MANUAL TRANSMISSION AND DIFFERENTIAL

### 2. DRIVE PINION ASSEMBLY



MT-01631

(1) Drive pinion shaft	(15) 1st-2nd synchronizer hub	(29) Adjusting washer
(2) Roller bearing	(16) Ball detent	(30) Thrust bearing
(3) Washer	(17) Reverse driven gear	(31) Differential bevel gear sleeve
(4) Thrust bearing	(18) Outer baulk ring	(32) Washer
(5) Needle bearing	(19) Synchro cone	(33) Lock washer
(6) Driven shaft	(20) Inner baulk ring	(34) Lock nut
(7) Key	(21) 2nd driven gear	(35) Inner baulk ring
(8) Woodruff key	(22) 2nd driven gear bushing	(36) Synchro cone
(9) Drive pinion collar	(23) 3rd-4th driven gear	(37) Outer baulk ring
(10) Needle bearing	(24) Driven pinion shim	
(11) Snap ring (outer) (non-turbo model)	(25) Roller bearing	
(12) Washer (non-turbo model)	(26) 5th driven gear	
(13) Sub gear (non-turbo model)	(27) Lock washer	
(14) 1st driven gear	(28) Lock nut	

**Tightening torque: N·m (kgf·m, ft·lb)**

**T1: 30 (3.1, 22.1)**

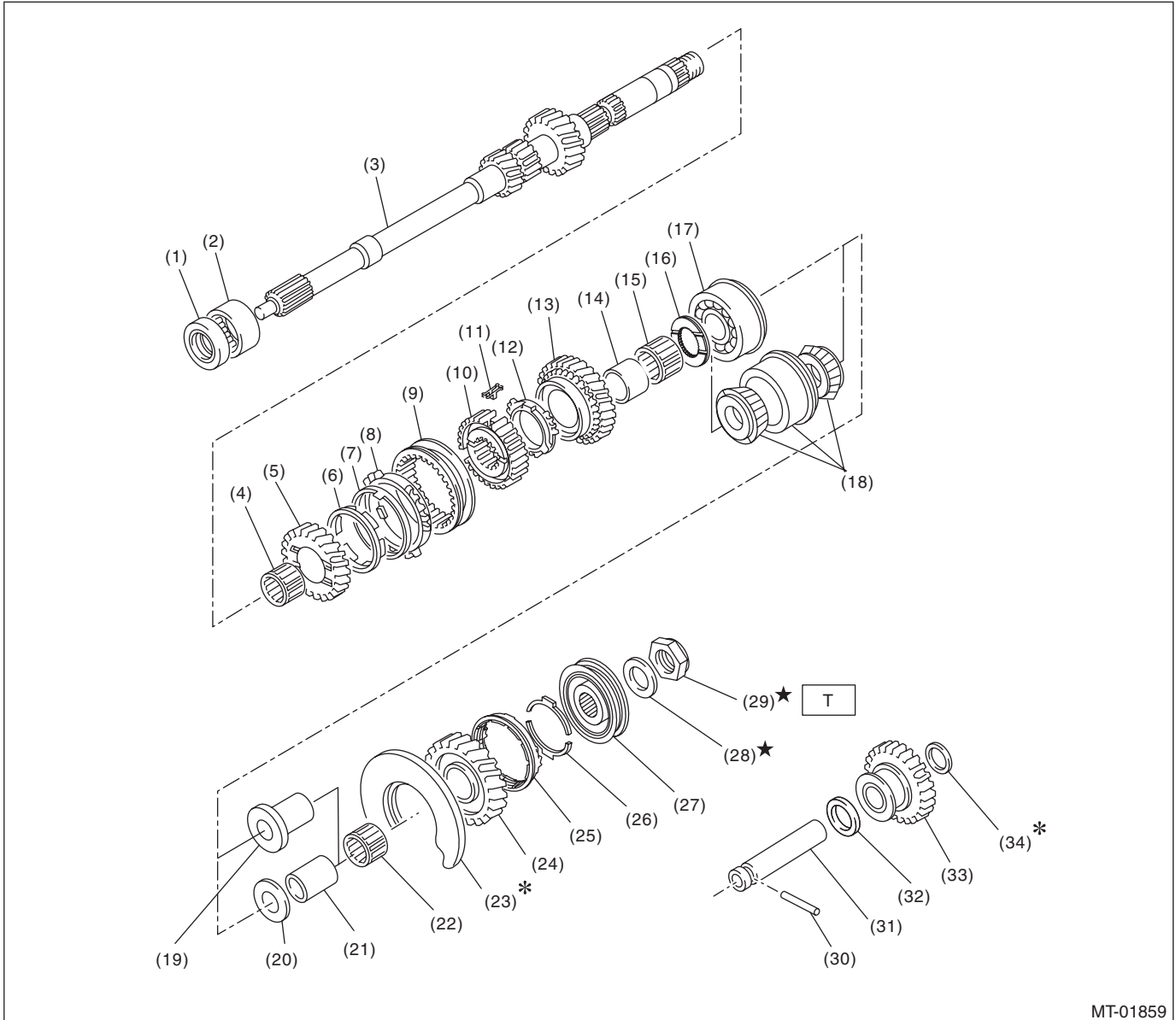
**T2: 120 (12.2, 88.5)**

**T3: 260 (26.5, 191.8)**

# General Description

## MANUAL TRANSMISSION AND DIFFERENTIAL

### 3. MAIN SHAFT FOR SINGLE-RANGE



MT-01859

- |                                  |  |                               |
|----------------------------------|--|-------------------------------|
| (1) Oil seal                     | (15) Needle bearing                            | (25) 5th baulk ring           |
| (2) Needle bearing               | (16) 4th gear thrust washer                    | (26) Baulk lever              |
| (3) Transmission main shaft      | (17) Ball bearing (non-turbo model)            | (27) 5th hub & sleeve No. 2   |
| (4) Needle bearing               | (18) Taper roller bearing (turbo model)        | (28) Lock washer              |
| (5) 3rd drive gear               | (19) 5th needle bearing race (turbo model)     | (29) Lock nut                 |
| (6) Inner baulk ring             | (20) 5th gear thrust washer (non-turbo model)  | (30) Straight pin             |
| (7) 3rd synchro cone             | (21) 5th needle bearing race (non-turbo model) | (31) Reverse idler gear shaft |
| (8) Outer baulk ring             | (22) Needle bearing                            | (32) Washer                   |
| (9) 3rd-4th coupling sleeve      | (23) Main shaft rear plate                     | (33) Reverse idler gear       |
| (10) 3rd-4th synchronizer hub    | (24) 5th drive gear                            | (34) Washer                   |
| (11) 3rd-4th shifting insert key |  |                               |
| (12) 4th baulk ring              |  |                               |
| (13) 4th drive gear              |  |                               |
| (14) 4th needle bearing race     |  |                               |

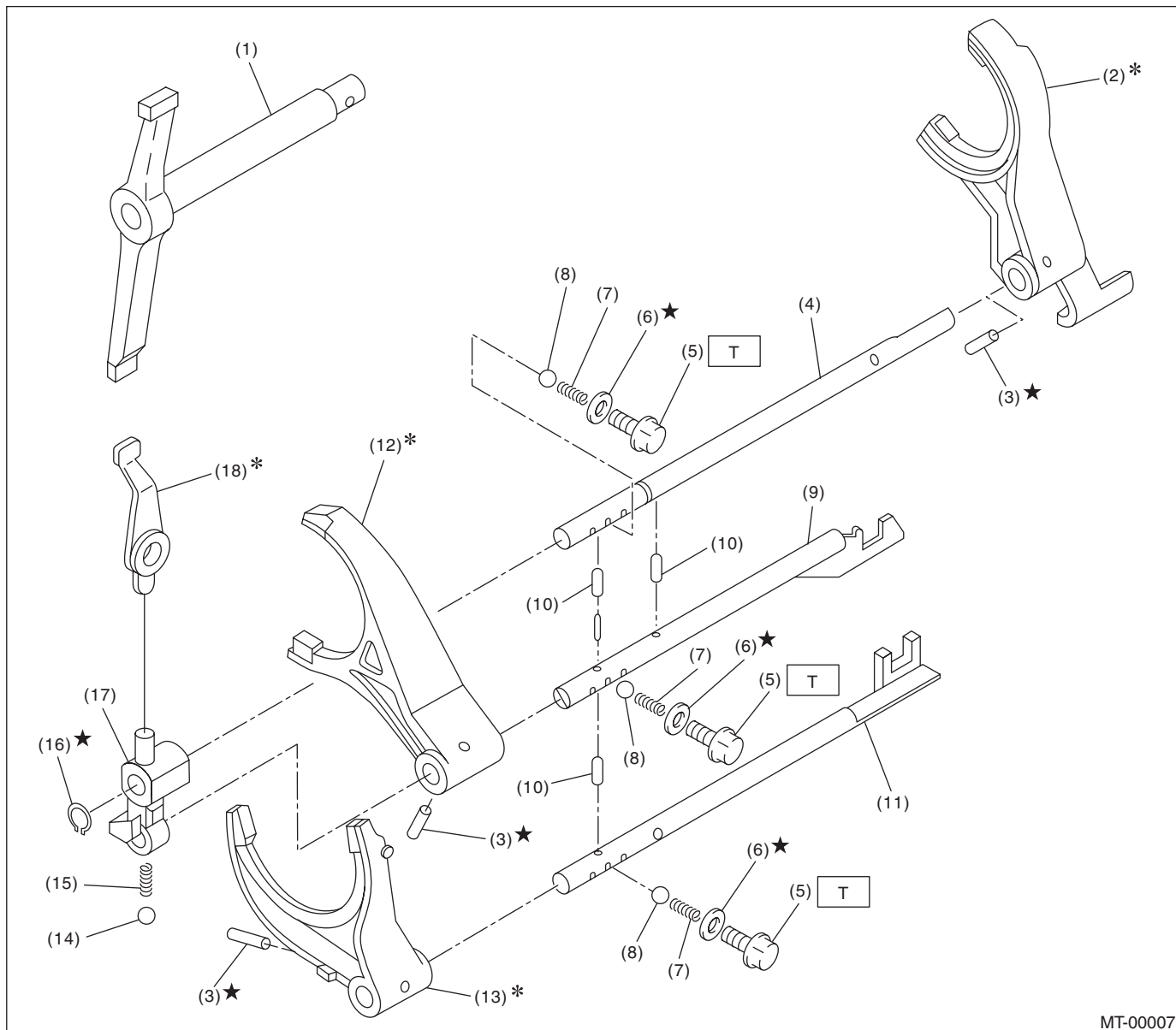
**Tightening torque: N·m (kgf·m, ft·lb)**

**T: 120 (12.2, 88.5)**

# General Description

## MANUAL TRANSMISSION AND DIFFERENTIAL

### 4. SHIFTER FORK AND SHIFTER ROD



MT-00007

- |                          |                           |                            |
|--------------------------|---------------------------|----------------------------|
| (1) Shifter arm          | (8) Ball                  | (15) Spring                |
| (2) 5th shifter fork     | (9) 3rd-4th fork rod      | (16) Snap ring (Outer)     |
| (3) Straight pin         | (10) Interlock plunger    | (17) Reverse fork rod arm  |
| (4) Reverse fork rod     | (11) 1st-2nd fork rod     | (18) Reverse shifter lever |
| (5) Checking ball plug   | (12) 3rd-4th shifter fork |                            |
| (6) Gasket               | (13) 1st-2nd shifter fork |                            |
| (7) Checking ball spring | (14) Ball                 |                            |

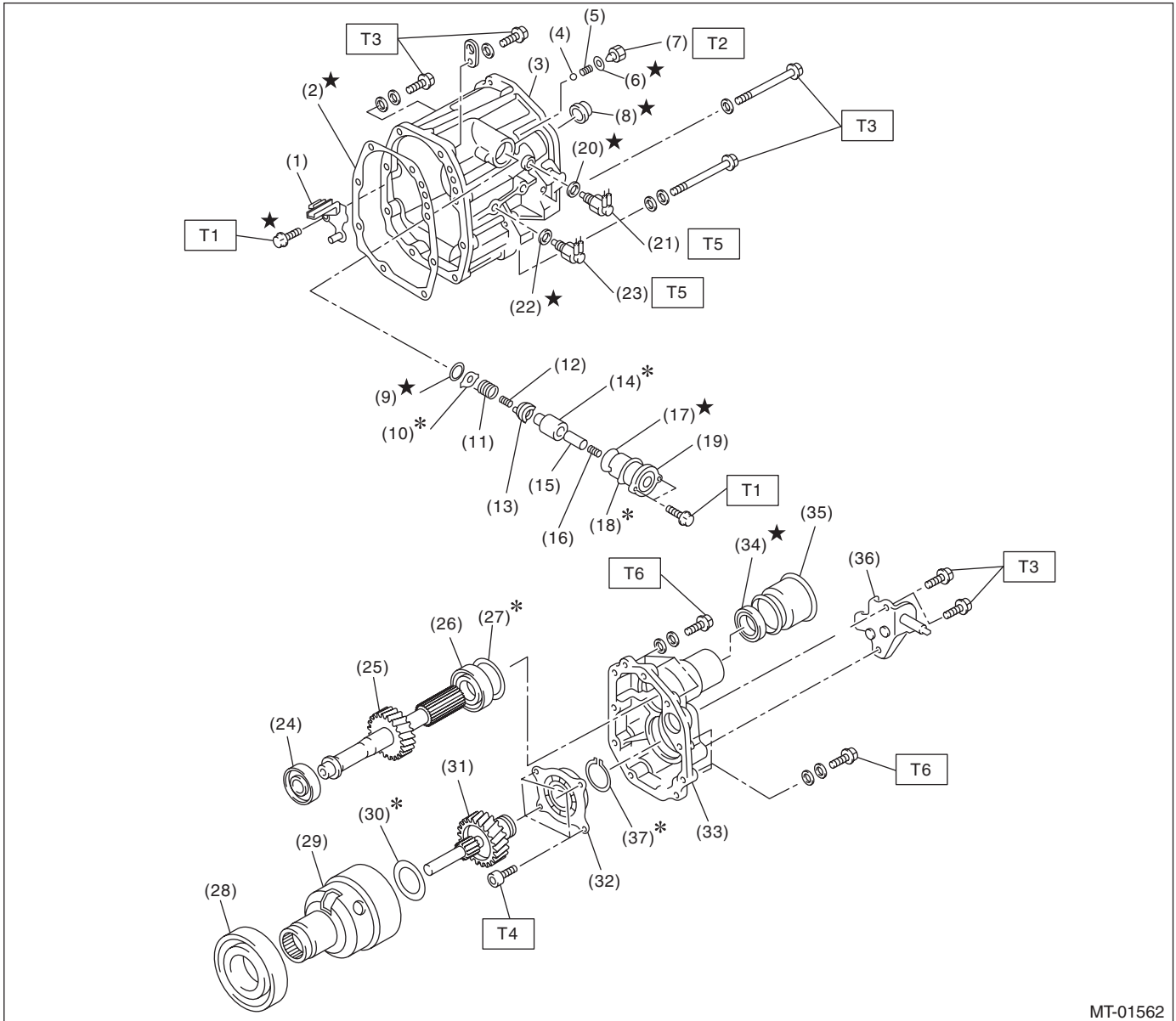
**Tightening torque: N·m (kgf·m, ft·lb)**

**T: 20 (2.0, 14.8)**

# General Description

## MANUAL TRANSMISSION AND DIFFERENTIAL

### 5. TRANSFER CASE AND EXTENSION



MT-01562

- |                            |                              |                          |
|----------------------------|------------------------------|--------------------------|
| (1) Oil guide              | (16) Return spring           | (31) Transfer drive gear |
| (2) Gasket                 | (17) O-ring                  | (32) Ball bearing        |
| (3) Transfer case          | (18) Adjusting select shim   | (33) Extension case      |
| (4) Ball                   | (19) Reverse check sleeve    | (34) Oil seal            |
| (5) Reverse accent spring  | (20) Gasket                  | (35) Dust cover          |
| (6) Gasket                 | (21) Neutral position switch | (36) Shift bracket       |
| (7) Plug                   | (22) Gasket                  | (37) Snap ring           |
| (8) Oil seal               | (23) Back-up light switch    |                          |
| (9) Snap ring (inner)      | (24) Roller bearing          |                          |
| (10) Reverse check plate   | (25) Transfer driven gear    |                          |
| (11) Reverse check spring  | (26) Roller bearing          |                          |
| (12) Reverse return spring | (27) Adjusting washer        |                          |
| (13) Reverse check cam     | (28) Ball bearing            |                          |
| (14) Reverse accent shaft  | (29) Center differential     |                          |
| (15) Return spring cap     | (30) Adjusting washer        |                          |

#### Tightening torque: N·m (kgf·m, ft·lb)

**T1: 6.4 (0.7, 4.7)**

**T2: 9.75 (1.0, 7.2)**

**T3: 24.5 (2.5, 18.1)**

**T4: 26 (2.7, 19.2)**

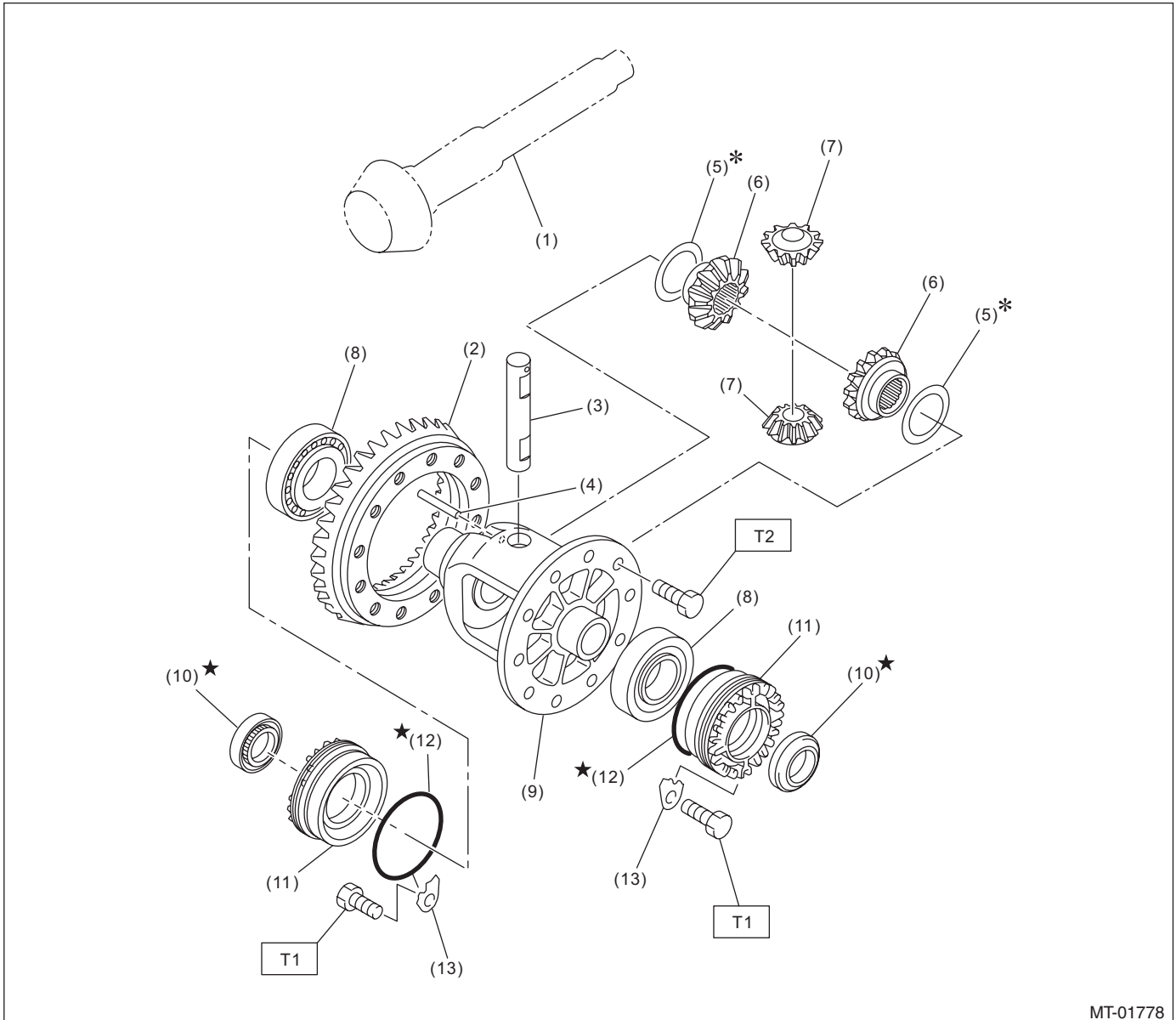
**T5: 32.3 (3.3, 23.8)**

**T6: 40 (4.1, 29.5)**

# General Description

## MANUAL TRANSMISSION AND DIFFERENTIAL

### 6. FRONT DIFFERENTIAL



MT-01778

- |                             |                                 |                          |
|-----------------------------|---------------------------------|--------------------------|
| (1) Drive pinion shaft      | (7) Differential bevel pinion   | (13) Retainer lock plate |
| (2) Hypoid driven gear      | (8) Roller bearing              |                          |
| (3) Pinion shaft            | (9) Differential case           |                          |
| (4) Straight pin            | (10) Oil seal                   |                          |
| (5) Washer                  | (11) Differential side retainer |                          |
| (6) Differential bevel gear | (12) O-ring                     |                          |

**Tightening torque: N·m (kgf·m, ft·lb)**

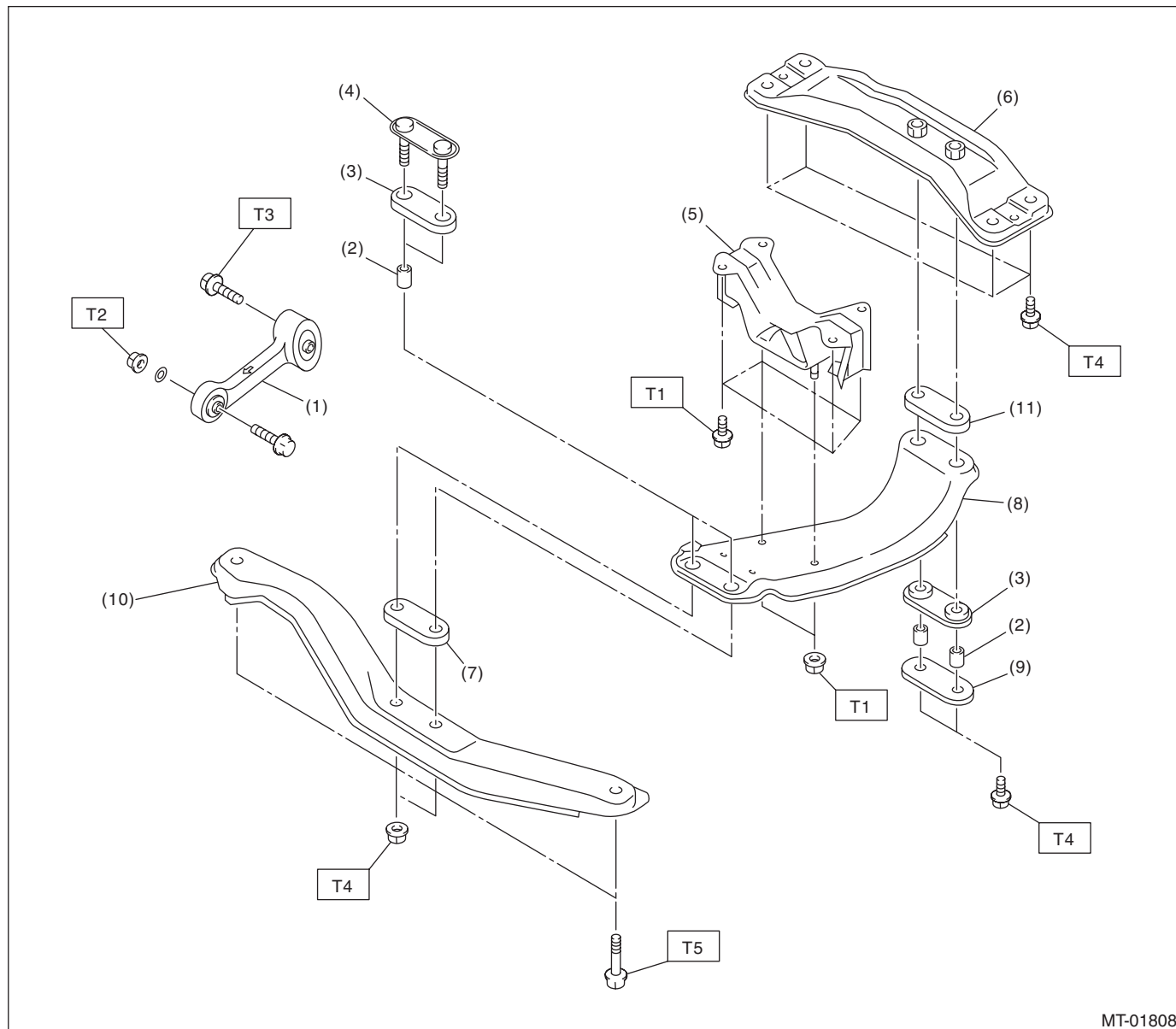
**T1: 25 (2.5, 18.4)**

**T2: 62 (6.3, 45.7)**

# General Description

## MANUAL TRANSMISSION AND DIFFERENTIAL

### 7. TRANSMISSION MOUNTING



- |                                 |                          |
|---------------------------------|--------------------------|
| (1) Pitching stopper            | (7) Upper cushion rubber |
| (2) Spacer                      | (8) Center crossmember   |
| (3) Lower cushion rubber        | (9) Rear plate           |
| (4) Front plate                 | (10) Front crossmember   |
| (5) Transmission cushion rubber | (11) Rear cushion rubber |
| (6) Rear crossmember            |                          |

**Tightening torque: N·m (kgf·m, ft·lb)**

**T1: 35 (3.6, 25.8)**

**T2: 50 (5.1, 36.9)**

**T3: 58 (5.9, 42.8)**

**T4: 70 (7.1, 51.6)**

**T5: 140 (14.3, 103.3)**



### **C: CAUTION**

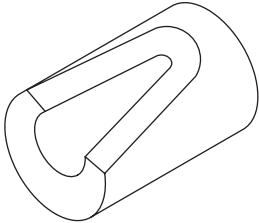
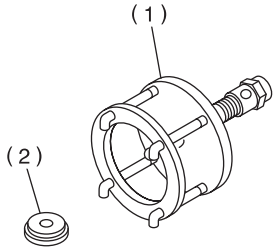
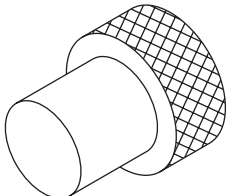
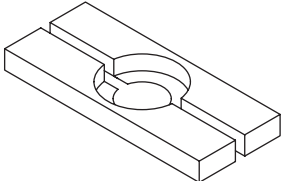
- Wear appropriate work clothing, including a cap, protective goggles and protective shoes when performing any work.
- Remove contamination including dirt and corrosion before removal, installation or disassembly.
- Keep the disassembled parts in order and protect them from dust and dirt.
- Before removal, installation or disassembly, be sure to clarify the failure. Avoid unnecessary removal, installation, disassembly and replacement.
- When disassembling the case and other light alloy parts, use a plastic hammer to force it apart. Do not pry apart with screwdrivers or other tools.
- Vehicle components are extremely hot after driving. Be wary of receiving burns from heated parts.
- Use SUBARU genuine gear oil, grease or equivalent. Do not mix gear oil, grease, etc. of different grades or manufacturers.
- Be sure to tighten fasteners including bolts and nuts to the specified torque.
- Place shop jacks or rigid racks at the specified points.
- Apply gear oil onto sliding or revolving surfaces before installation.
- Replace deformed or damaged snap rings with new parts.
- Before installing O-rings or oil seals, apply sufficient amount of gear oil to avoid damage and deformation.
- Be careful not to incorrectly install or fail to install O-rings, snap rings and other such parts.
- Before securing a part on a vise, place cushioning material such as wood blocks, aluminum plate, or cloth between the part and the vise.
- Avoid damaging the mating surface of the case.
- Before applying liquid gasket, completely remove the old liquid gasket.

# General Description

## MANUAL TRANSMISSION AND DIFFERENTIAL

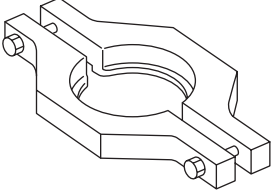
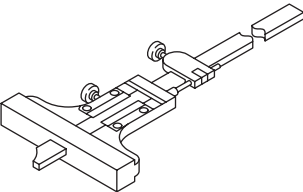
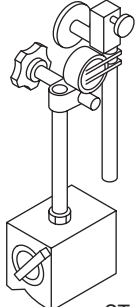
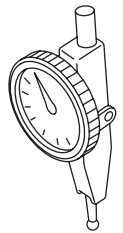
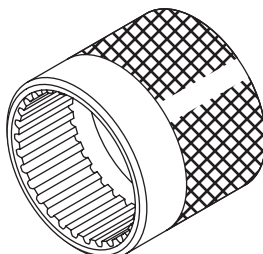
### D: PREPARATION TOOL

#### 1. SPECIAL TOOL

ILLUSTRATION	TOOL NUMBER	DESCRIPTION	REMARKS
 <p style="text-align: center;">ST-399411700</p>	399411700	ACCENT BALL INSTALLER	Used for installing reverse shifter rail arm.
 <p style="text-align: center;">ST-899524100</p>	899524100	PULLER SET	Used for removing and installing the roller bearing (differential). (1) Puller (2) Cap
 <p style="text-align: center;">ST-399780104</p>	399780104	WEIGHT	Used for measuring preload on the roller bearing.
 <p style="text-align: center;">ST-498077000</p>	498077000	REMOVER	Used for removing the roller bearing of the drive pinion shaft.

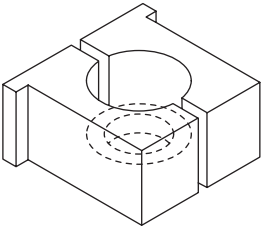
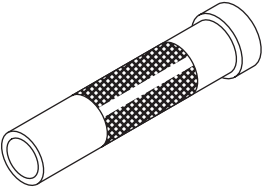
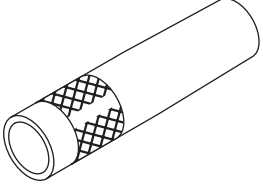
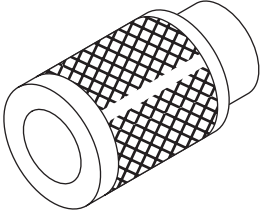
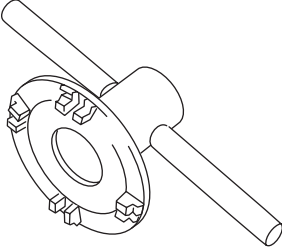
# General Description

## MANUAL TRANSMISSION AND DIFFERENTIAL

ILLUSTRATION	TOOL NUMBER	DESCRIPTION	REMARKS
 <p>ST-498077300</p>	498077300	CENTER DIFFERENTIAL BEARING REMOVER	Used for removing the center differential cover ball bearing.
 <p>ST-498147001</p>	498147001	DEPTH GAUGE	Used for adjusting the main shaft play.
 <p>ST-498247001</p>	498247001	MAGNET BASE	<ul style="list-style-type: none"> <li>• Used for measuring backlash between the side gear and pinion, and the hypoid gear.</li> <li>• Used together with DIAL GAUGE (498247100).</li> </ul>
 <p>ST-498247100</p>	498247100	DIAL GAUGE	<ul style="list-style-type: none"> <li>• Used for measuring backlash between the side gear and pinion, and the hypoid gear.</li> <li>• Used together with MAGNET BASE (498247001).</li> </ul>
 <p>ST-498427100</p>	498427100	STOPPER	Used for securing the drive pinion shaft assembly and the driven gear assembly when removing the drive pinion shaft assembly lock nut.

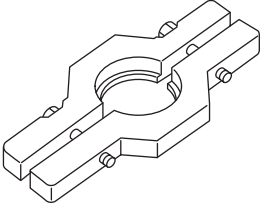
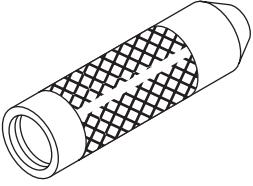
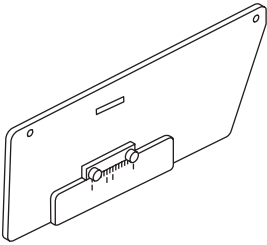
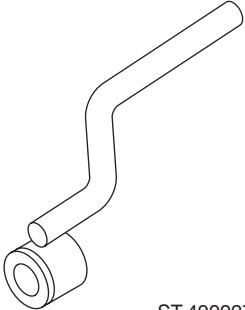
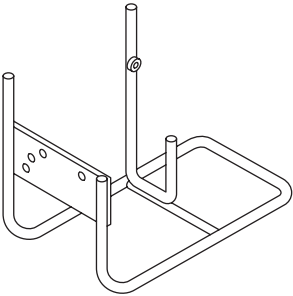
# General Description

## MANUAL TRANSMISSION AND DIFFERENTIAL

ILLUSTRATION	TOOL NUMBER	DESCRIPTION	REMARKS
 <p style="text-align: center;">ST-498937000</p>	498937000	TRANSMISSION HOLDER	Used for removing and installing the lock nut of the transmission main shaft.
 <p style="text-align: center;">ST-499277100</p>	499277100	BUSHING 1-2 INSTALLER	<ul style="list-style-type: none"> <li>• Used for installing the 1st driven gear thrust plate and the 1st-2nd driven gear bushing.</li> <li>• Used for installing the roller bearing outer race to the differential case.</li> </ul>
 <p style="text-align: center;">ST-499277200</p>	499277200	INSTALLER	Used for press-fitting the 2nd driven gear, roller bearings and the 5th driven gear onto the driven shaft.
 <p style="text-align: center;">ST-499757002</p>	499757002	INSTALLER	<ul style="list-style-type: none"> <li>• Used for installing the snap ring (OUT 25), and ball bearing (25 × 26 × 17).</li> <li>• Used for installing the bearing cone of the transfer driven gear (extension core side).</li> </ul>
 <p style="text-align: center;">ST18630AA010</p>	18630AA010	WRENCH COMPL RETAINER	<ul style="list-style-type: none"> <li>• Used for removing and installing the differential side retainer.</li> <li>• WRENCH ASSEMBLY (499787000) can also be used.</li> </ul>

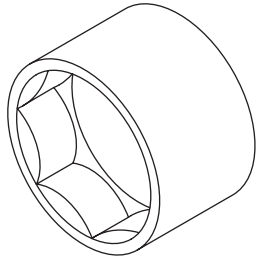
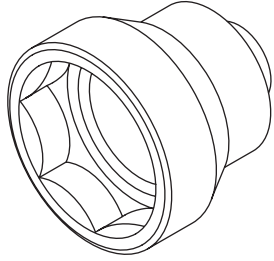
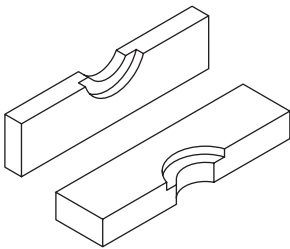
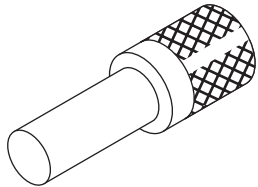
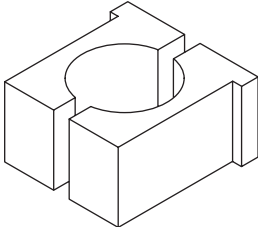
# General Description

## MANUAL TRANSMISSION AND DIFFERENTIAL

ILLUSTRATION	TOOL NUMBER	DESCRIPTION	REMARKS
 <p data-bbox="337 520 467 541">ST-499857000</p>	499857000	5TH DRIVEN GEAR REMOVER	Used for removing the 5th driven gear.
 <p data-bbox="337 873 467 894">ST-499877000</p>	499877000	RACE 4-5 INSTALLER	<ul style="list-style-type: none"> <li>• Used for installing the 4th needle bearing race and ball bearing onto the transmission main shaft.</li> <li>• Used together with REMOVER (899714110).</li> </ul>
 <p data-bbox="337 1226 467 1247">ST-499917500</p>	499917500	DRIVE PINION GAUGE ASSY	Used for adjusting the drive pinion shim.
 <p data-bbox="337 1579 467 1600">ST-499927100</p>	499927100	HANDLE	Used for fitting the transmission main shaft.
 <p data-bbox="337 1923 467 1944">ST-499937100</p>	499937100	TRANSMISSION STAND SET	Used for disassembling and assembling the transmission.

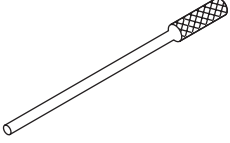
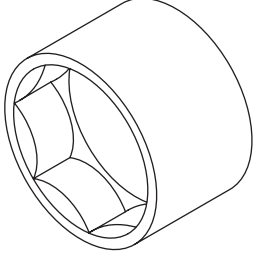
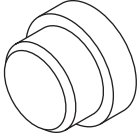
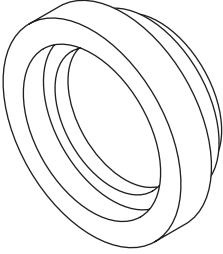
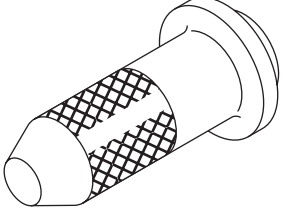
# General Description

## MANUAL TRANSMISSION AND DIFFERENTIAL

ILLUSTRATION	TOOL NUMBER	DESCRIPTION	REMARKS
 <p style="text-align: center;">ST-499987003</p>	499987003	SOCKET WRENCH (35)	Used for removing and installing the driven pinion lock nut and main shaft lock nut.
 <p style="text-align: center;">ST-499987300</p>	499987300	SOCKET WRENCH (50)	Used for removing and installing the driven gear assembly lock nut.
 <p style="text-align: center;">ST-899714110</p>	899714110	REMOVER	Used for fixing the transmission main shaft, drive pinion and rear drive shaft.
 <p style="text-align: center;">ST-899864100</p>	899864100	REMOVER	Used for removing transmission main shaft and drive pinion parts.
 <p style="text-align: center;">ST-899884100</p>	899884100	HOLDER	Used for tightening the lock nut on the sleeve.

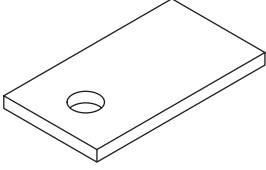
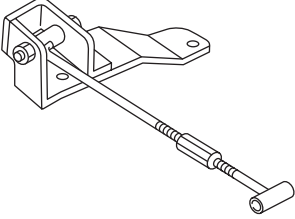
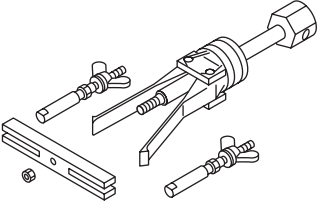
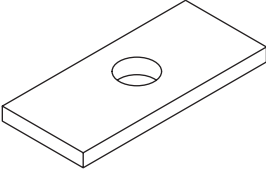
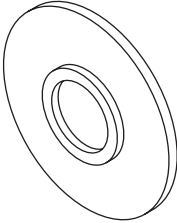
# General Description

## MANUAL TRANSMISSION AND DIFFERENTIAL

ILLUSTRATION	TOOL NUMBER	DESCRIPTION	REMARKS
 <p>ST-899904100</p>	899904100	STRAIGHT PIN REMOVER	Used for removing and installing the straight pin.
 <p>ST-899988608</p>	899988608	SOCKET WRENCH (27)	Used for removing and installing the drive pinion lock nut.
 <p>ST-398497701</p>	398497701	ADAPTER	<ul style="list-style-type: none"> <li>• Used for installing roller bearing onto the differential case.</li> <li>• Used together with INSTALLER (499277100).</li> </ul>
 <p>ST-499587000</p>	499587000	INSTALLER	Used for installing the driven gears to the driven shaft.
 <p>ST-498057300</p>	498057300	INSTALLER	Used for installing the extension oil seal.

# General Description

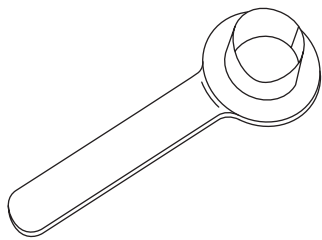
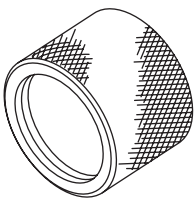
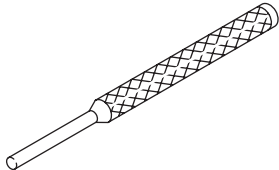
## MANUAL TRANSMISSION AND DIFFERENTIAL

ILLUSTRATION	TOOL NUMBER	DESCRIPTION	REMARKS
 <p style="text-align: center;">ST-498255400</p>	498255400	PLATE	Used for measuring backlash.
 <p style="text-align: center;">ST41099AC000</p>	41099AC000	ENGINE SUPPORT ASSY	Used for supporting the engine.
 <p style="text-align: center;">ST-398527700</p>	398527700	PULLER ASSY	Used for removing the extension case roller bearing.
 <p style="text-align: center;">ST-398643600</p>	398643600	GAUGE	Used for measuring total end play, extension end play and drive pinion height.
 <p style="text-align: center;">ST-398177700</p>	398177700	INSTALLER	<ul style="list-style-type: none"> <li>• Used for installing the bearing cone of transfer driven gear (transfer case side).</li> <li>• Used for installing the ball bearing of the transfer drive gear.</li> </ul>



# General Description

## MANUAL TRANSMISSION AND DIFFERENTIAL

ILLUSTRATION	TOOL NUMBER	DESCRIPTION	REMARKS
 ST28399SA010	28399SA010	OIL SEAL PROTECTOR	Used for protecting the oil seal from damage when inserting the front drive shaft.
 ST18675AA000	18675AA000	DIFFERENTIAL SIDE OIL SEAL INSTALLER	Used for installing the differential side retainer oil seal.
 ST-398791700	398791700	STRAIGHT PIN REMOVER 2	Used for installing and removing the straight pin.

## 2. GENERAL TOOL

TOOL NAME	REMARKS
Circuit tester	Used for measuring resistance, voltage and current.
TORX® bit T70	Used for installing and removing the differential gear oil drain plug.

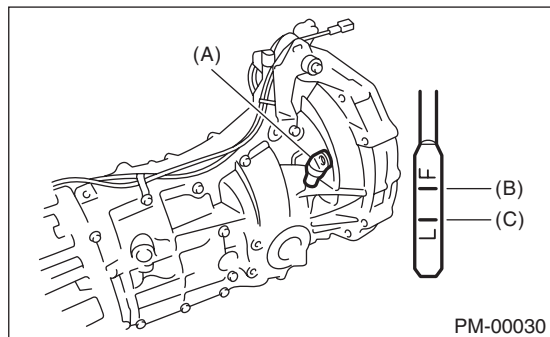
# Transmission Gear Oil

## MANUAL TRANSMISSION AND DIFFERENTIAL

### 2. Transmission Gear Oil

#### A: INSPECTION

- 1) Park the vehicle on a level surface.
- 2) Turn the ignition switch to OFF, and wait until the engine cools.
- 3) Remove the oil level gauge and wipe it clean.
- 4) Reinsert the oil level gauge all the way. Be sure that the oil level gauge is correctly inserted in the proper direction.
- 5) Pull out the oil level gauge again, and check the oil level. If it is at the lower level or less, add oil through the oil level gauge hole to bring the level up to the upper level.



- (A) Oil level gauge
- (B) Upper level
- (C) Lower level

#### B: REPLACEMENT

- 1) Pull out the oil level gauge.
- 2) Lift up the vehicle.
- 3) Using the TORX® bit T70, remove the drain plug, and drain the transmission gear oil completely.

#### CAUTION:

- Immediately after the engine has been running, the transmission gear oil will be hot. Be careful not to burn yourself.
  - Be careful not to spill the transmission gear oil on the exhaust pipe, to prevent emission of smoke or causing a fire. If gear oil is spilled, wipe it off completely.
- 4) Using the TORX® bit T70, tighten the transmission gear oil drain plug.

#### NOTE:

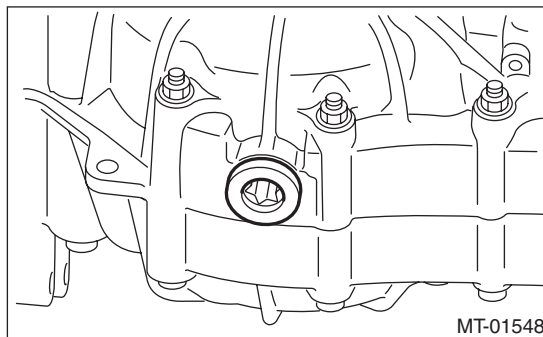
- Tighten the drain plug of the transmission gear oil after draining the transmission gear oil.
- Use a new gasket.

#### Tightening torque:

**44 N·m (4.5 kgf·m, 32.5 ft·lb) (Aluminum gasket, silver)**

**70 N·m (7.1 kgf·m, 51.6 ft·lb) (Copper gasket, brown)**

**70 N·m (7.1 kgf·m, 51.6 ft·lb) (Metal gasket, black)**



- 5) Lower the vehicle.
- 6) Pour gear oil through the oil level gauge hole.

#### Recommended gear oil:

**GL-5 (75W-90) or equivalent**

#### Gear oil capacity:

**3.5 ℓ (3.7 US qt, 3.1 Imp qt)**

- 7) Measure the transmission gear oil amount, and check that it is within the specification.

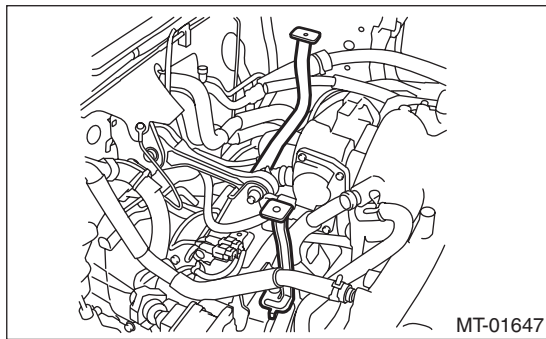
#### CAUTION:

When inserting the oil level gauge into transmission, align the protrusion on the top part of the oil level gauge with the notch in the oil level gauge hole.

### 3. Manual Transmission Assembly

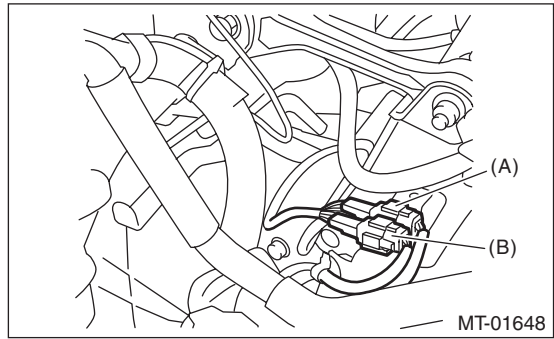
#### A: REMOVAL

- 1) Set the vehicle on a lift.
- 2) Open the front hood.
- 3) Disconnect the ground cable from battery.
- 4) Drain transmission gear oil completely. <Ref. to 5MT-20, REPLACEMENT, Transmission Gear Oil.>
- 5) Remove the air intake chamber and intake boot. (Non-turbo model) <Ref. to IN(H4SO)-7, REMOVAL, Air Intake Chamber.>
- 6) Remove the air intake chamber stay. (Non-turbo model)



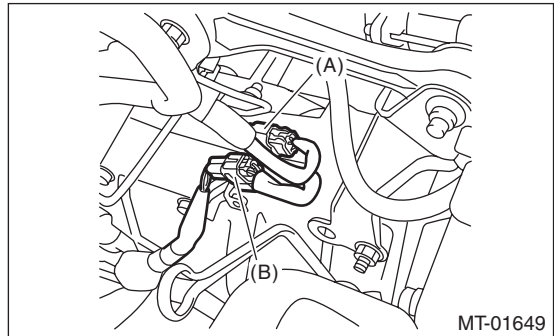
- 7) Remove the intercooler. (Turbo model) <Ref. to IN(H4DOTC)-13, REMOVAL, Intercooler.>

- 8) Disconnect the connectors listed below.
  - Non-turbo model



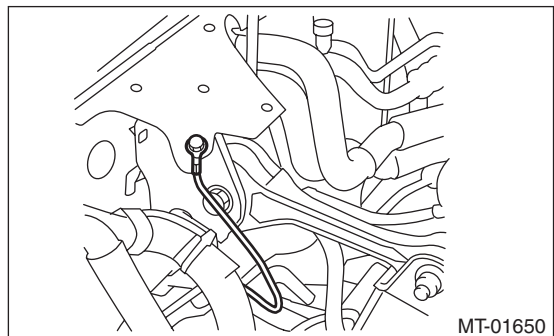
- (A) Neutral position switch connector (Brown)
- (B) Back-up light switch connector (Gray)

- Turbo model



- (A) Neutral position switch and back-up light switch connector
- (B) Rear oxygen sensor connector

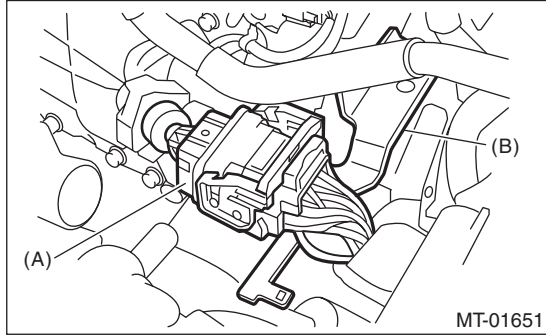
- 9) Disconnect the ground cable.



# Manual Transmission Assembly

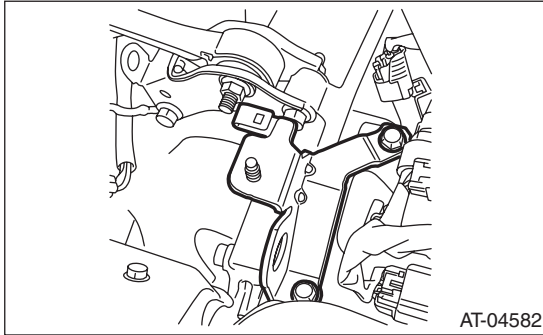
## MANUAL TRANSMISSION AND DIFFERENTIAL

10) Disconnect the engine harness connectors, and then remove the engine hanger rear. (Non-turbo model)



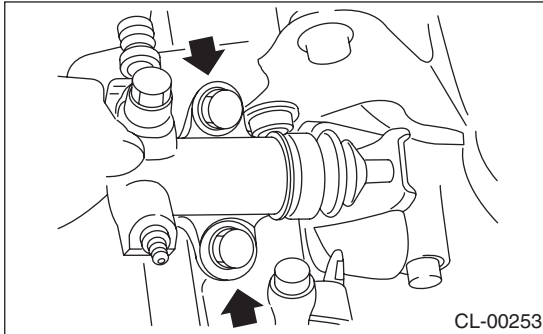
- (A) Engine harness connectors
- (B) Engine hanger rear

11) Remove the engine hanger. (Turbo model)



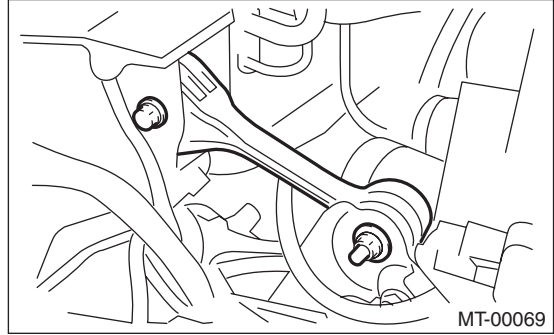
12) Remove the starter. <Ref. to SC(H4SO)-7, REMOVAL, Starter.>

13) Remove the operating cylinder from the transmission, and suspend on a wire.



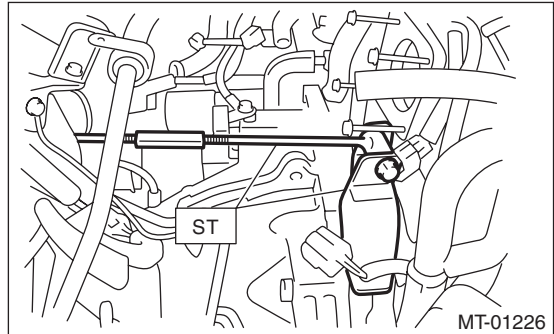
14) Remove the throttle body. (Non-turbo model) <Ref. to FU(H4SO)-14, REMOVAL, Throttle Body.>

15) Remove the pitching stopper.



16) Set the ST.

ST 41099AC000 ENGINE SUPPORT ASSY



17) Lift up the vehicle.

18) Remove the front and center exhaust pipes. (Non-turbo model) <Ref. to EX(H4SO)-6, REMOVAL, Front Exhaust Pipe.> <Ref. to EX(H4SO)-9, REMOVAL, Center Exhaust Pipe.>

19) Remove the center exhaust pipe. (Turbo model) <Ref. to EX(H4DOTC)-8, REMOVAL, Center Exhaust Pipe.>

20) Remove the rear exhaust pipe and muffler.

- Non-turbo model

<Ref. to EX(H4SO)-10, REMOVAL, Rear Exhaust Pipe.> <Ref. to EX(H4SO)-12, REMOVAL, Muffler.>

- Turbo model

<Ref. to EX(H4DOTC)-13, REMOVAL, Rear Exhaust Pipe.> <Ref. to EX(H4DOTC)-15, REMOVAL, Muffler.>

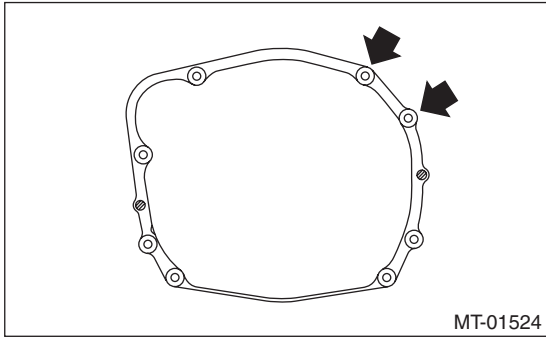
### CAUTION:

**When removing the exhaust pipes, be careful each exhaust pipe does not drop out.**

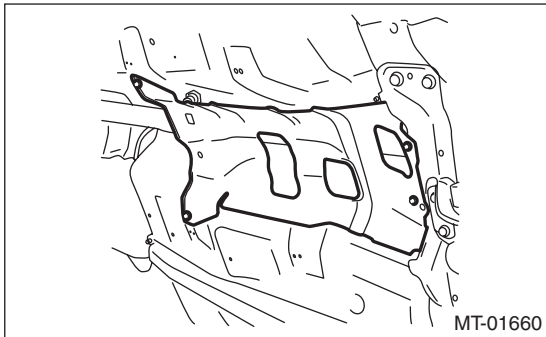
# Manual Transmission Assembly

## MANUAL TRANSMISSION AND DIFFERENTIAL

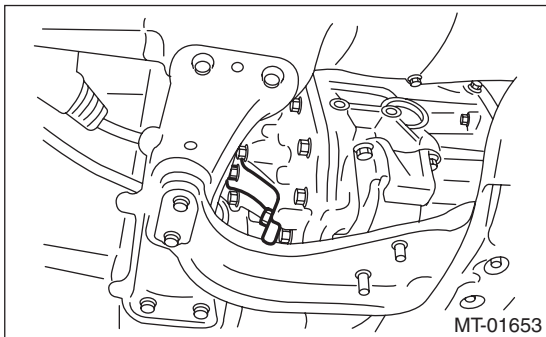
21) Remove the bolts which hold upper side of transmission to engine.



22) Remove the heat shield cover.



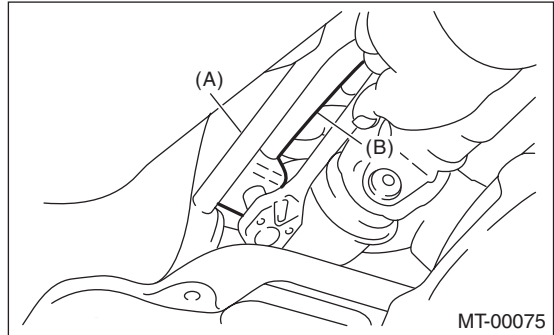
23) Remove the hanger bracket from the right side of transmission.



24) Remove the propeller shaft. <Ref. to DS-10, REMOVAL, Propeller Shaft.>

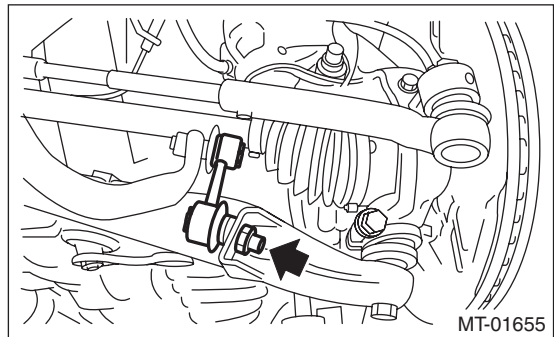
25) Remove the gear shift rod and the stay from the transmission.

- (1) Disconnect the stay from the transmission.
- (2) Disconnect the gear shift rod from the transmission.

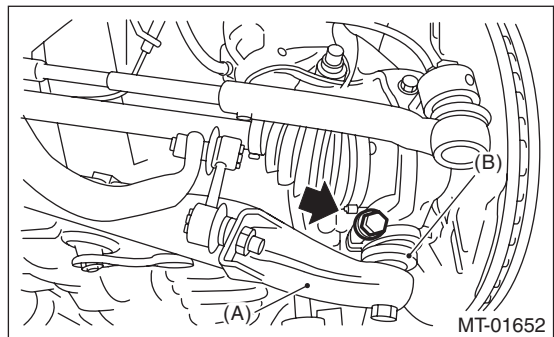


- (A) Stay  
(B) Gear shift rod

26) Disconnect the stabilizer link from the front arm.



27) Remove the bolt securing the ball joint of the front arm to the housing, then separate the front arms and the housing.

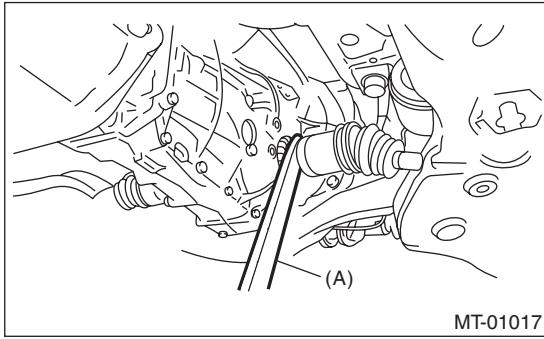


- (A) Front arm  
(B) Ball joint

# Manual Transmission Assembly

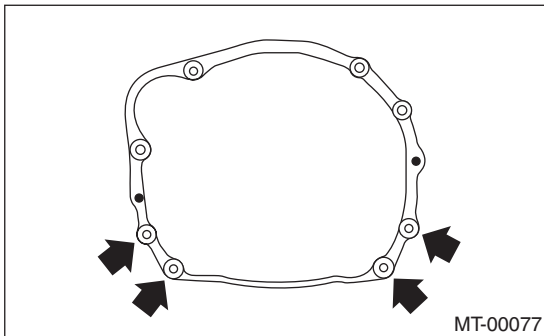
## MANUAL TRANSMISSION AND DIFFERENTIAL

28) Using a crowbar, remove the left and right front drive shaft from the transmission.



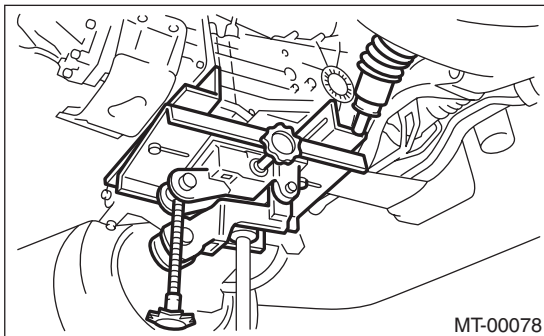
(A) Crowbar

29) Remove the bolts and nuts which hold lower side of transmission to engine.

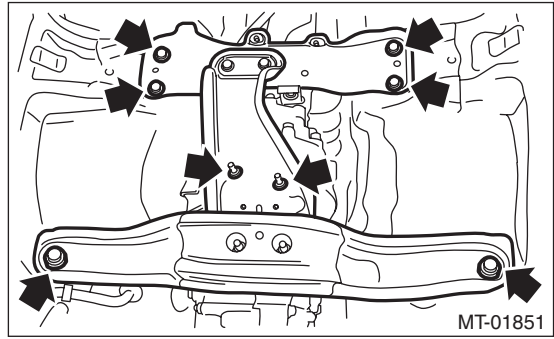


30) Place the transmission jack under the transmission.

**CAUTION:**  
Always support the transmission case with a transmission jack.



31) Remove the front crossmember and rear crossmember from the vehicle.



32) While lowering the transmission jack, tighten the turnbuckle of the ST, and incline the engine unit rearward.

33) Remove the transmission.

**NOTE:**

Move the transmission jack towards the rear until the main shaft is withdrawn from the clutch disc.

34) Separate the transmission assembly from the transmission cushion rubber.



# Manual Transmission Assembly

MANUAL TRANSMISSION AND DIFFERENTIAL

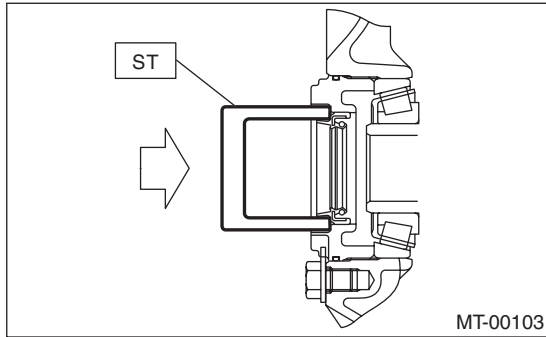
## B: INSTALLATION

1) Replace the differential side retainer oil seal.  
<Ref. to 5MT-32, REPLACEMENT, Differential Side Retainer Oil Seal.>

ST 18675AA000 DIFFERENTIAL SIDE OIL SEAL INSTALLER

### NOTE:

Be sure to replace the differential side retainer oil seal after the removing the front drive shaft.



2) Install the transmission cushion rubber to the transmission, and tighten the bolt (A).

3) Install the transmission cushion rubber to the center crossmember, and tighten the nut (B).

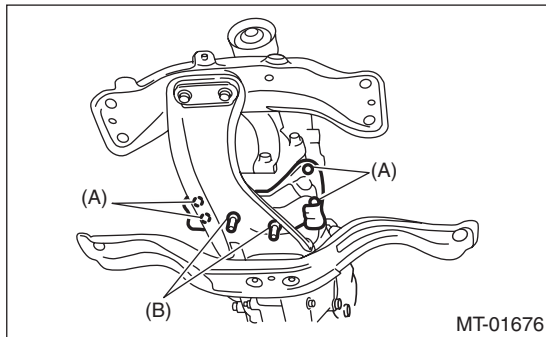
### Tightening torque:

#### Bolt (A)

**35 N·m (3.6 kgf·m, 25.8 ft-lb)**

#### Nut (B)

**35 N·m (3.6 kgf·m, 25.8 ft-lb)**



4) Install the transmission onto the engine.

(1) Lift up the transmission gradually using a transmission jack.

(2) Engage at the spline section.

### NOTE:

Be careful not to hit the main shaft against the clutch cover.

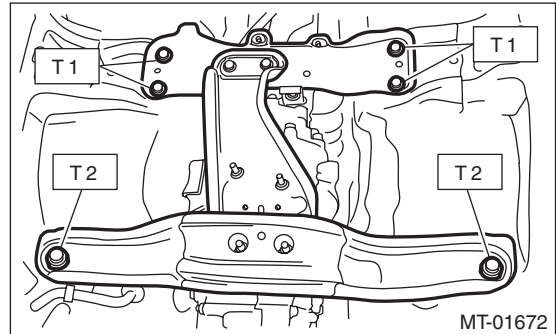
5) While raising the transmission jack, loosen the turnbuckle of the ST, and set the engine unit to the original position.

6) Install the front crossmember and rear crossmember.

### Tightening torque:

**T1: 70 N·m (7.1 kgf·m, 51.6 ft-lb)**

**T2: 140 N·m (14.3 kgf·m, 103.3 ft-lb)**

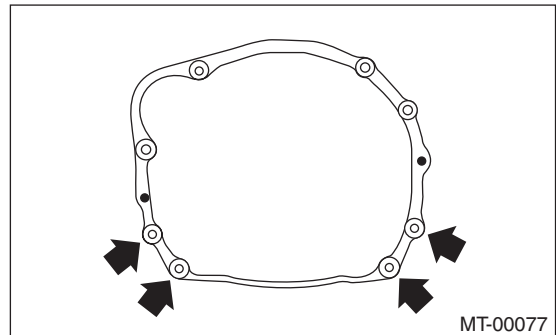


7) Take out the transmission jack.

8) Tighten the bolts and nuts which hold the lower side of transmission to the engine.

### Tightening torque:

**50 N·m (5.1 kgf·m, 36.9 ft-lb)**



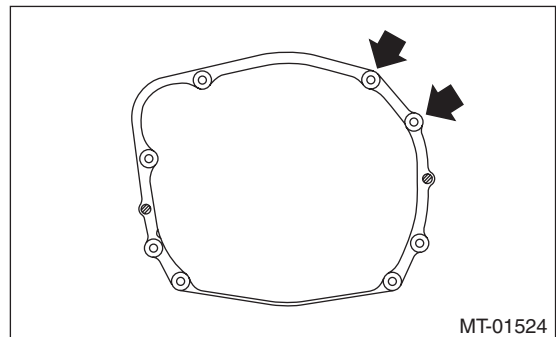
9) Connect the transmission to the engine.

(1) Install the starter. <Ref. to SC(H4SO)-7, INSTALLATION, Starter.>

(2) Tighten the bolts which hold the upper side of the transmission to the engine.

### Tightening torque:

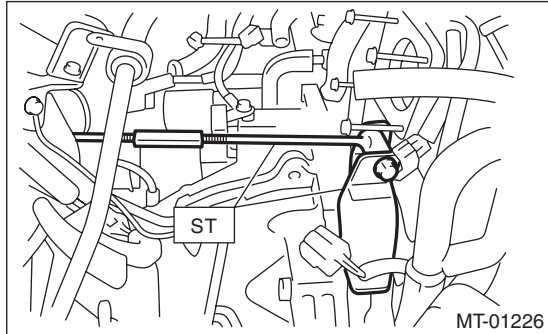
**50 N·m (5.1 kgf·m, 36.9 ft-lb)**



# Manual Transmission Assembly

## MANUAL TRANSMISSION AND DIFFERENTIAL

10) Remove the ST.

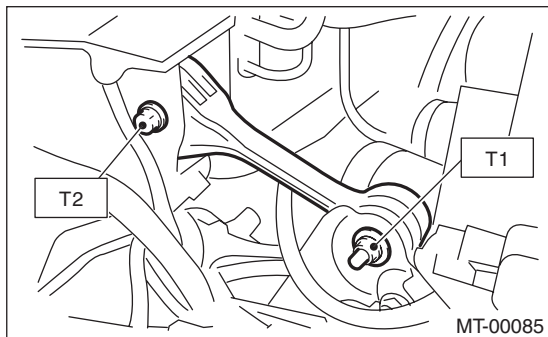


11) Install the pitching stopper.

**Tightening torque:**

**T1: 50 N·m (5.1 kgf·m, 36.9 ft·lb)**

**T2: 58 N·m (5.9 kgf·m, 42.8 ft·lb)**

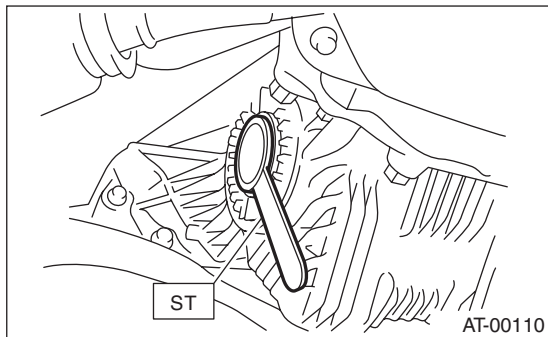


12) Install the throttle body. (Non-turbo model)  
<Ref. to FU(H4SO)-14, INSTALLATION, Throttle Body.>

13) Lift up the vehicle.

14) Install the front drive shaft into the transmission.

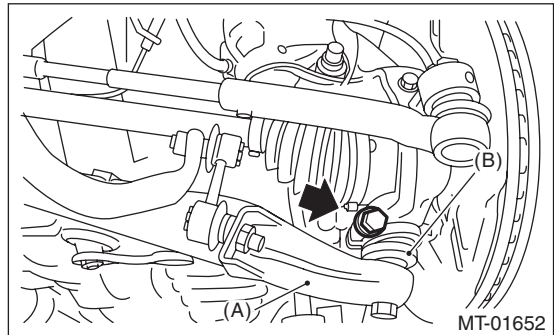
ST 28399SA010 OIL SEAL PROTECTOR



15) Insert the front arm ball joint into the housing lower part, and tighten the mounting bolt.

**Tightening torque:**

**50 N·m (5.1 kgf·m, 36.9 ft·lb)**



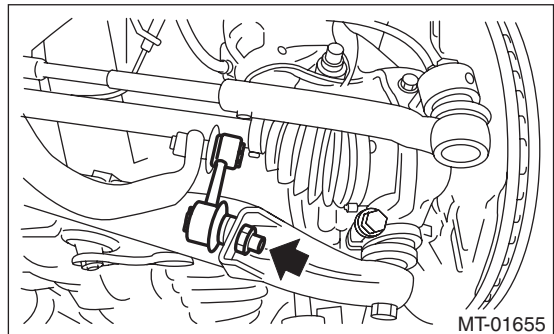
(A) Front arm

(B) Ball joint

16) Attach the stabilizer link to the front arm.

**Tightening torque:**

**30 N·m (3.1 kgf·m, 22.1 ft·lb)**





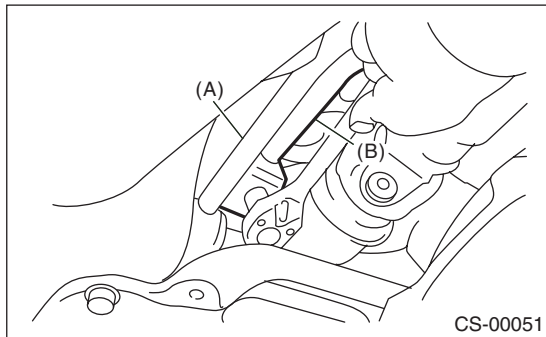
# Manual Transmission Assembly

## MANUAL TRANSMISSION AND DIFFERENTIAL

- 17) Attach the gear shift rod and stay.  
(1) Attach the gear shift rod to the transmission.

**Tightening torque:**

**12 N·m (1.2 kgf-m, 8.9 ft-lb)**

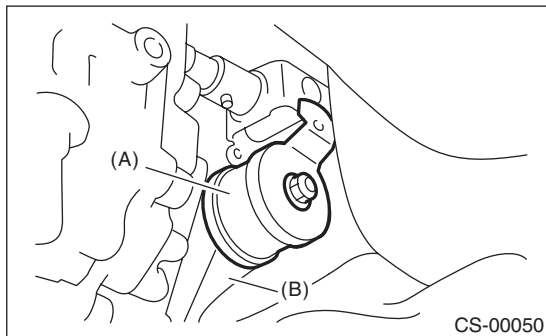


- (A) Stay  
(B) Gear shift rod

- (2) Install the stay to the transmission bracket.

**Tightening torque:**

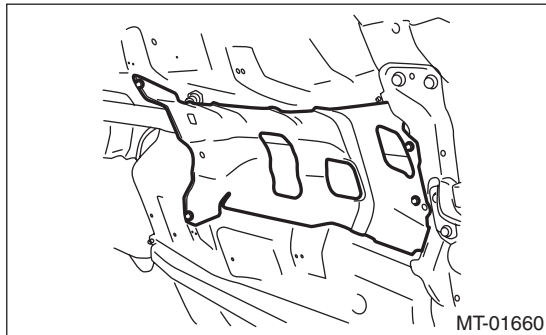
**18 N·m (1.8 kgf-m, 13.3 ft-lb)**



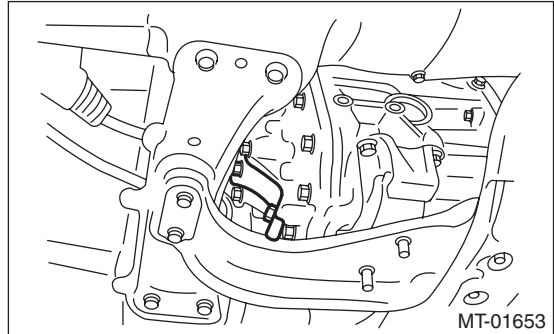
- (A) Stay  
(B) Transmission bracket

- 18) Install the propeller shaft. <Ref. to DS-11, INSTALLATION, Propeller Shaft.>

- 19) Install the heat shield cover.



- 20) Install the hanger bracket to the transmission.



- 21) Install the rear exhaust pipe and muffler.

- Non-turbo model

<Ref. to EX(H4SO)-10, INSTALLATION, Rear Exhaust Pipe.> <Ref. to EX(H4SO)-12, INSTALLATION, Muffler.>

- Turbo model

<Ref. to EX(H4DOTC)-13, INSTALLATION, Rear Exhaust Pipe.> <Ref. to EX(H4DOTC)-15, INSTALLATION, Muffler.>

- 22) Install the front and center exhaust pipes. (Non-turbo model) <Ref. to EX(H4SO)-7, INSTALLATION, Front Exhaust Pipe.> <Ref. to EX(H4SO)-9, INSTALLATION, Center Exhaust Pipe.>

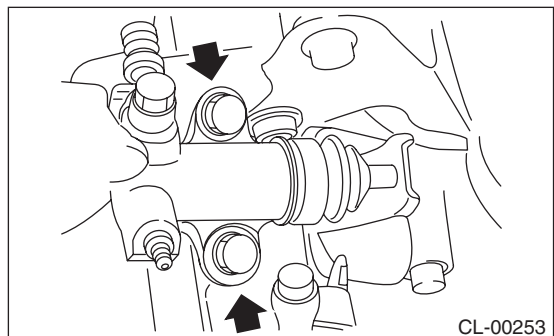
- 23) Install the center exhaust pipe. (Turbo model) <Ref. to EX(H4DOTC)-10, INSTALLATION, Center Exhaust Pipe.>

- 24) Install the under cover. <Ref. to EI-26, INSTALLATION, Front Under Cover.>

- 25) Install the operating cylinder.

**Tightening torque:**

**37 N·m (3.8 kgf-m, 27.3 ft-lb)**



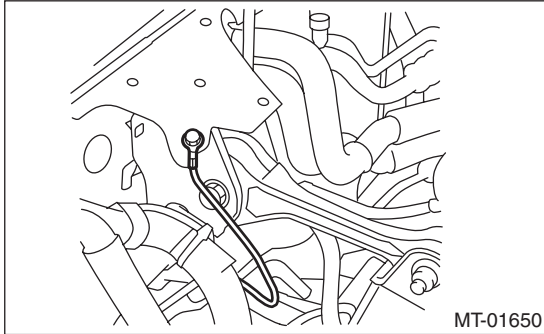
# Manual Transmission Assembly

## MANUAL TRANSMISSION AND DIFFERENTIAL

26) Install the ground cable.

**Tightening torque:**

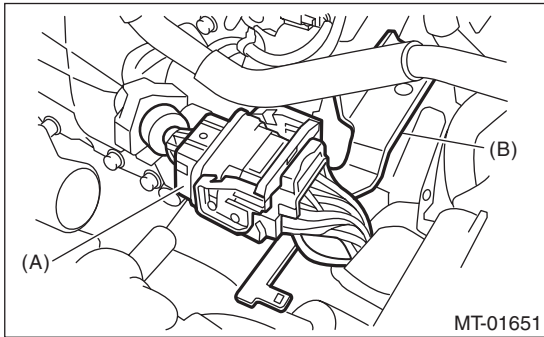
**13 N·m (1.3 kgf-m, 9.6 ft-lb)**



27) Install the engine hanger rear, and then connect the engine harness connector. (Non-turbo model)

**Tightening torque:**

**16 N·m (1.6 kgf-m, 11.8 ft-lb)**

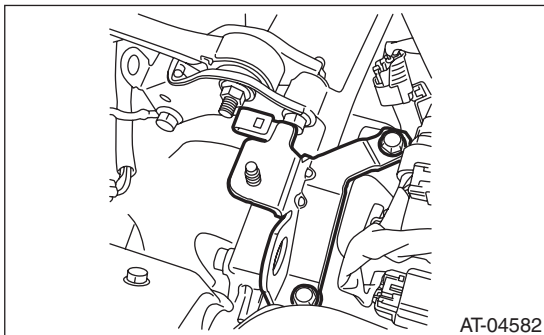


- (A) Engine harness connectors
- (B) Engine connector

28) Install the engine hanger. (Turbo model)

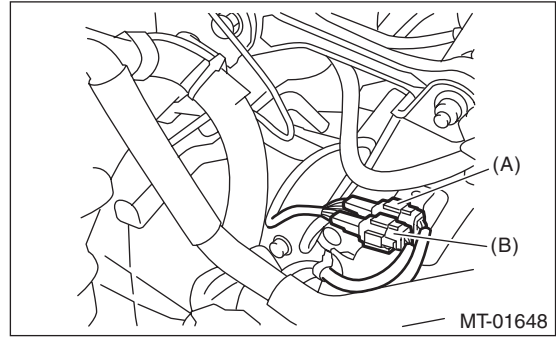
**Tightening torque:**

**16 N·m (1.6 kgf-m, 11.8 ft-lb)**



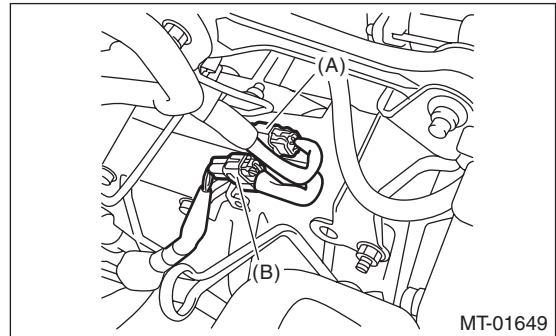
29) Connect the following connectors.

- Non-turbo model



- (A) Neutral position switch connector (Brown)
- (B) Back-up light switch connector (Gray)

- Turbo model



- (A) Neutral position switch and back-up light switch connector
- (B) Rear oxygen sensor connector

30) Install the air intake chamber stay. (Non-turbo model)

**Tightening torque:**

**16 N·m (1.6 kgf-m, 11.8 ft-lb)**

31) Install the air intake chamber and intake boot. (Non-turbo model)

<Ref. to IN(H4SO)-7, INSTALLATION, Air Intake Chamber.>

32) Install the intercooler. (Turbo model) <Ref. to IN(H4DOTC)-13, INSTALLATION, Intercooler.>

33) Connect the ground cable to battery.

34) Remove the lift arm from vehicle.

# Transmission Mounting System

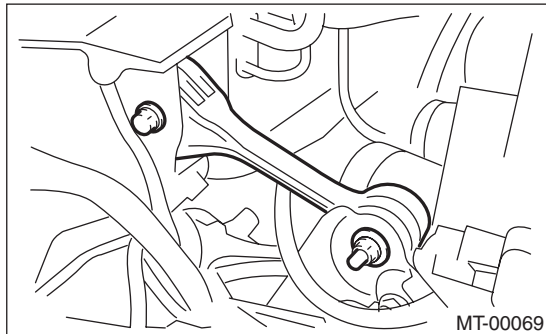
MANUAL TRANSMISSION AND DIFFERENTIAL

## 4. Transmission Mounting System

### A: REMOVAL

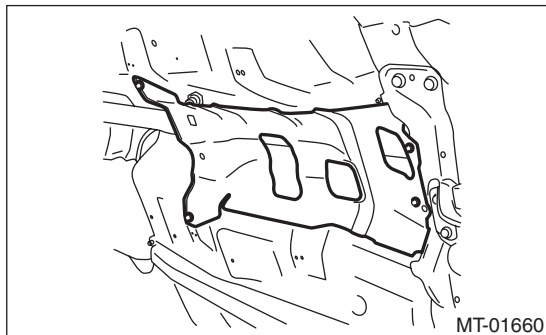
#### 1. PITCHING STOPPER

- 1) Disconnect the ground cable from battery.
- 2) Remove the air intake chamber and intake boot. (Non-turbo model) <Ref. to IN(H4SO)-7, REMOVAL, Air Intake Chamber.>
- 3) Remove the intercooler. (Turbo model) <Ref. to IN(H4DOTC)-13, REMOVAL, Intercooler.>
- 4) Remove the pitching stopper.



#### 2. CROSSMEMBER AND CUSHION RUBBER

- 1) Disconnect the ground cable from battery.
- 2) Lift up the vehicle.
- 3) Remove the front and center exhaust pipes. (Non-turbo model) <Ref. to EX(H4SO)-6, REMOVAL, Front Exhaust Pipe.> <Ref. to EX(H4SO)-9, REMOVAL, Center Exhaust Pipe.>
- 4) Remove the center exhaust pipe. (Turbo model) <Ref. to EX(H4DOTC)-8, REMOVAL, Center Exhaust Pipe.>
- 5) Remove the rear exhaust pipe and muffler.
  - Non-turbo model <Ref. to EX(H4SO)-10, REMOVAL, Rear Exhaust Pipe.> <Ref. to EX(H4SO)-12, REMOVAL, Muffler.>
  - Turbo model <Ref. to EX(H4DOTC)-13, REMOVAL, Rear Exhaust Pipe.> <Ref. to EX(H4DOTC)-15, REMOVAL, Muffler.>
- 6) Remove the heat shield cover.

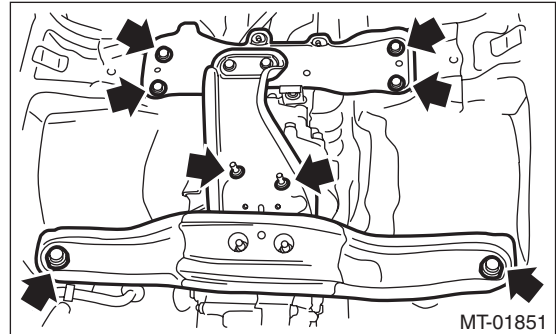


- 7) Set the transmission jack under the transmission body.

### CAUTION:

Always support the transmission case with a transmission jack.

- 8) Remove the front crossmember and the rear crossmember.



- 9) Remove the transmission cushion rubber.

### B: INSTALLATION

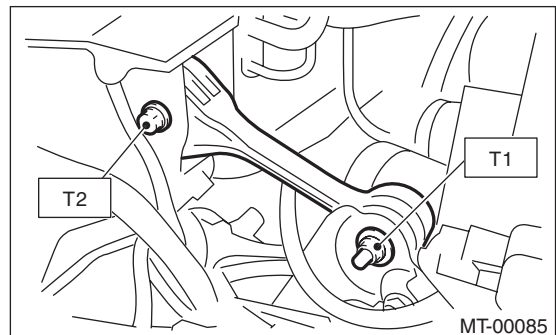
#### 1. PITCHING STOPPER

- 1) Install the pitching stopper.

#### Tightening torque:

**T1: 50 N·m (5.1 kgf-m, 36.9 ft-lb)**

**T2: 58 N·m (5.9 kgf-m, 42.8 ft-lb)**



- 2) Install the air intake chamber and intake boot. (Non-turbo model) <Ref. to IN(H4SO)-7, INSTALLATION, Air Intake Chamber.>
- 3) Install the intercooler. (Turbo model) <Ref. to IN(H4DOTC)-13, INSTALLATION, Intercooler.>
- 4) Connect the battery ground cable to the battery.

# Transmission Mounting System

## MANUAL TRANSMISSION AND DIFFERENTIAL

### 2. CROSSMEMBER AND CUSHION RUBBER

- 1) Install the transmission cushion rubber to the transmission, and tighten the bolt (A).
- 2) Install the transmission cushion rubber to the center crossmember, and tighten the nut (B).

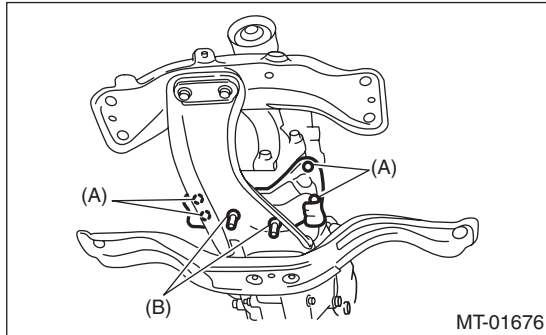
#### Tightening torque:

##### Bolt (A)

**35 N·m (3.6 kgf-m, 25.8 ft-lb)**

##### Nut (B)

**35 N·m (3.6 kgf-m, 25.8 ft-lb)**

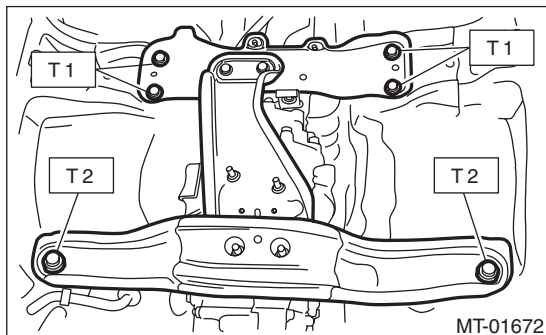


- 3) Install the front crossmember and rear crossmember.

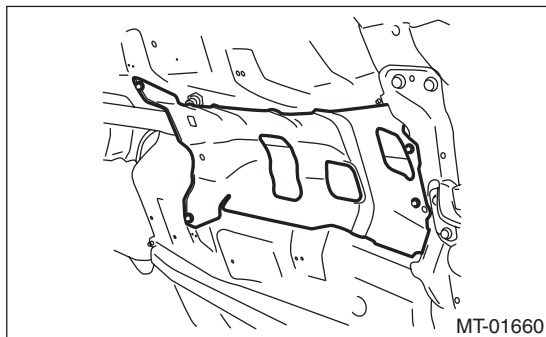
#### Tightening torque:

**T1: 70 N·m (7.1 kgf-m, 51.6 ft-lb)**

**T2: 140 N·m (14.3 kgf-m, 103.3 ft-lb)**



- 4) Remove the transmission jack.
- 5) Install the heat shield cover.



- 6) Install the front and center exhaust pipes. (Non-turbo model) <Ref. to EX(H4SO)-7, INSTALLATION, Front Exhaust Pipe.> <Ref. to EX(H4SO)-9, INSTALLATION, Center Exhaust Pipe.>

- 7) Install the center exhaust pipe. (Turbo model) <Ref. to EX(H4DOTC)-10, INSTALLATION, Center Exhaust Pipe.>

- 8) Install the rear exhaust pipe and muffler.

- Non-turbo model

<Ref. to EX(H4SO)-10, INSTALLATION, Rear Exhaust Pipe.> <Ref. to EX(H4SO)-12, INSTALLATION, Muffler.>

- Turbo model

<Ref. to EX(H4DOTC)-13, INSTALLATION, Rear Exhaust Pipe.> <Ref. to EX(H4DOTC)-15, INSTALLATION, Muffler.>

- 9) Lower the vehicle.

- 10) Connect the ground cable to battery.

### C: INSPECTION

Perform the following inspection procedures and repair or replace faulty parts.

#### 1. PITCHING STOPPER

Check the pitching stopper for bends or damage. Check that the rubber is not stiff, cracked or otherwise damaged.

#### 2. CROSSMEMBER AND CUSHION RUBBER

Check crossmember for bends or damage. Check that the cushion rubber is not stiff, cracked, or otherwise damaged.

### 5. Oil Seal

#### A: INSPECTION

Check for leakage of transmission gear oil from the oil seal. If there is oil leakage, replace the oil seal with the new part and check the propeller shaft.

#### B: REPLACEMENT

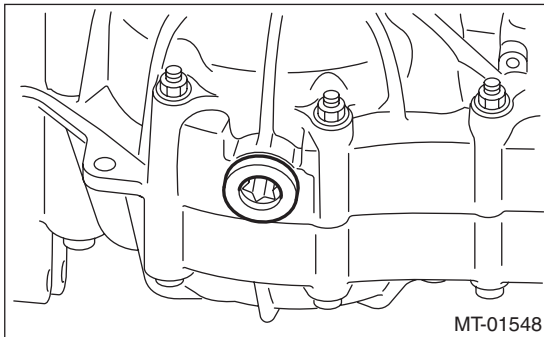
- 1) Clean the transmission exterior.
- 2) Using the TORX® bit T70, remove the drain plug, and drain the transmission gear oil completely.
- 3) Using the TORX® bit T70, tighten the transmission gear oil drain plug.

**NOTE:**

Use a new gasket.

**Tightening torque:**

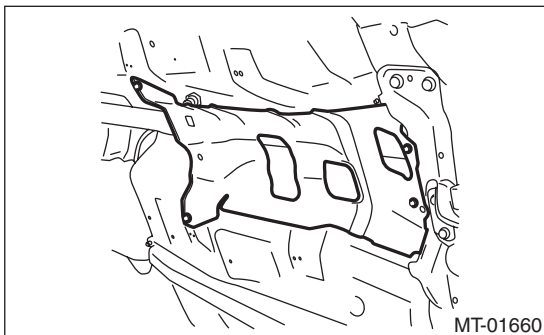
- 44 N·m (4.5 kgf·m, 32.5 ft·lb)**  
**(Aluminum gasket, silver)**
- 70 N·m (7.1 kgf·m, 51.6 ft·lb)**  
**(Copper gasket, brown)**
- 70 N·m (7.1 kgf·m, 51.6 ft·lb)**  
**(Metal gasket, black)**



- 4) Remove the rear exhaust pipe and muffler.

- Non-turbo model  
<Ref. to EX(H4SO)-10, REMOVAL, Rear Exhaust Pipe.> <Ref. to EX(H4SO)-12, REMOVAL, Muffler.>
- Turbo model  
<Ref. to EX(H4DOTC)-13, REMOVAL, Rear Exhaust Pipe.> <Ref. to EX(H4DOTC)-15, REMOVAL, Muffler.>

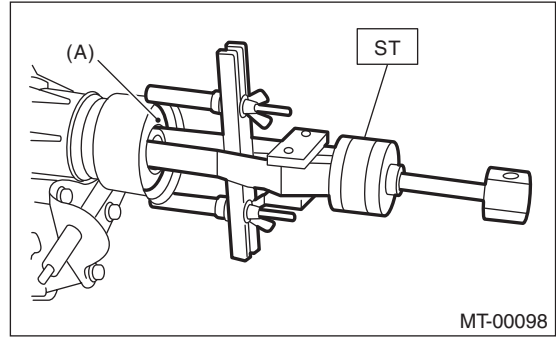
- 5) Remove the heat shield cover.



- 6) Remove the propeller shaft. <Ref. to DS-10, REMOVAL, Propeller Shaft.>

- 7) Using the ST, remove the oil seal.

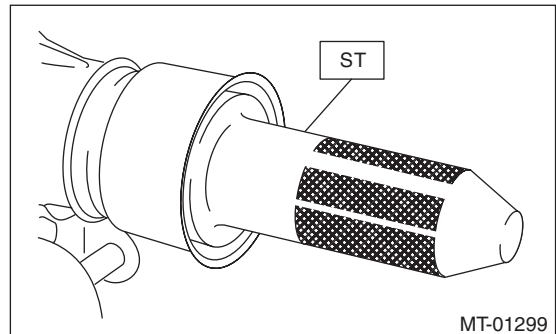
ST 398527700 PULLER ASSY



(A) Oil seal

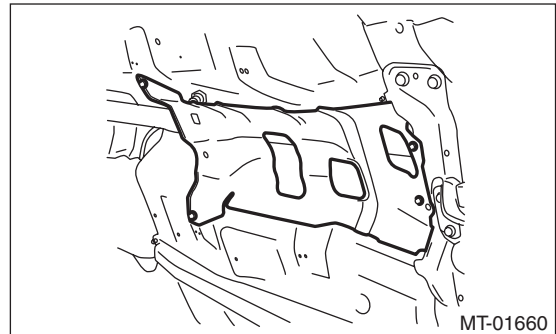
- 8) Using the ST, install the oil seal.

ST 498057300 INSTALLER



- 9) Install the propeller shaft. <Ref. to DS-11, INSTALLATION, Propeller Shaft.>

- 10) Install the heat shield cover.



- 11) Install the rear exhaust pipe and muffler.

- Non-turbo model  
<Ref. to EX(H4SO)-10, INSTALLATION, Rear Exhaust Pipe.> <Ref. to EX(H4SO)-12, INSTALLATION, Muffler.>
- Turbo model  
<Ref. to EX(H4DOTC)-13, INSTALLATION, Rear Exhaust Pipe.> <Ref. to EX(H4DOTC)-15, INSTALLATION, Muffler.>

- 12) Pour in transmission gear oil and check the oil level. <Ref. to 5MT-20, Transmission Gear Oil.>



# Differential Side Retainer Oil Seal

## MANUAL TRANSMISSION AND DIFFERENTIAL

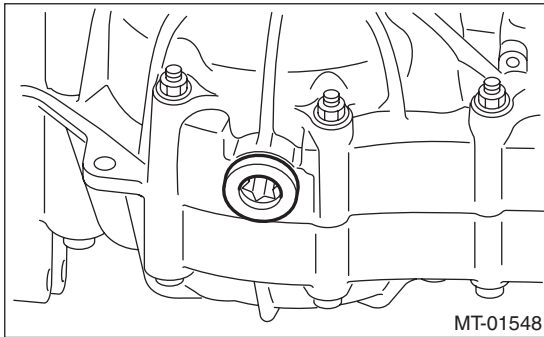
### 6. Differential Side Retainer Oil Seal

#### A: INSPECTION

Check for leakage of gear oil from differential side retainer oil seal part. If there is oil leakage, replace the oil seal with the new part and check the drive shaft.

#### B: REPLACEMENT

- 1) Lift up the vehicle.
- 2) Remove the transmission gear oil drain plug using TORX® bit T70, and drain the transmission gear oil completely.



- 3) Replace the gasket with a new part and tighten the transmission gear oil drain plug using the TORX® bit T70.

#### Tightening torque:

**44 N·m (4.5 kgf·m, 32.5 ft·lb)**

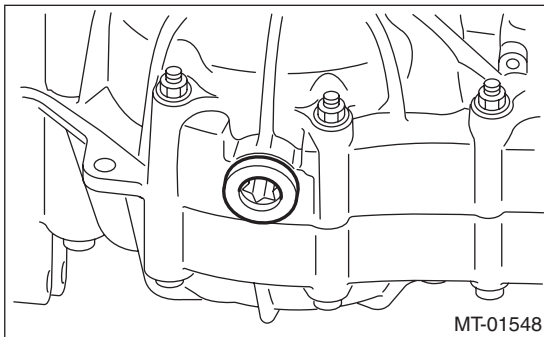
**(Aluminum gasket, silver)**

**70 N·m (7.1 kgf·m, 51.6 ft·lb)**

**(Copper gasket, brown)**

**70 N·m (7.1 kgf·m, 51.6 ft·lb)**

**(Metal gasket, black)**



- 4) Remove the front and center exhaust pipes. (Non-turbo model) <Ref. to EX(H4SO)-6, REMOVAL, Front Exhaust Pipe.> <Ref. to EX(H4SO)-9, REMOVAL, Center Exhaust Pipe.>
- 5) Remove the center exhaust pipe. (Turbo model) <Ref. to EX(H4DOTC)-8, REMOVAL, Center Exhaust Pipe.>
- 6) Separate the front drive shaft from the transmission. <Ref. to DS-26, REMOVAL, Front Drive Shaft.>

- 7) Remove the differential side retainer oil seal.

#### NOTE:

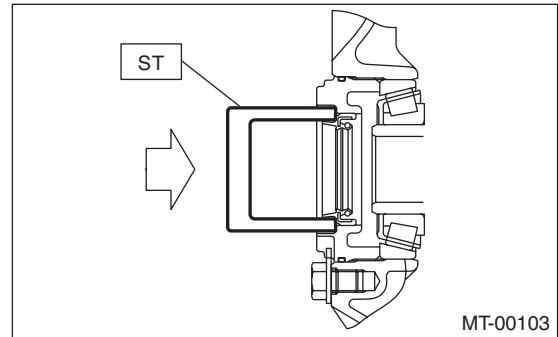
- Be sure to replace the differential side retainer oil seal whenever the front drive shaft is removed from the transmission.
- Use the ST 398527700 PULLER ASSY to remove the oil seal. If removing the oil seal with a flat tip screwdriver, be careful not to scratch the differential side retainer.

- 8) Using the ST, install the differential side retainer oil seal by lightly tapping with a plastic hammer.

ST 18675AA000 DIFFERENTIAL SIDE OIL SEAL INSTALLER

#### CAUTION:

**Apply transmission gear oil to the oil seal lips, and install the oil seal while being careful not to deform the lip.**



- 9) Install the front drive shaft. <Ref. to DS-26, INSTALLATION, Front Drive Shaft.>

ST 28399SA010 OIL SEAL PROTECTOR

- 10) Install the front and center exhaust pipes. (Non-turbo model) <Ref. to EX(H4SO)-7, INSTALLATION, Front Exhaust Pipe.> <Ref. to EX(H4SO)-9, INSTALLATION, Center Exhaust Pipe.>

- 11) Install the center exhaust pipe. <Ref. to EX(H4DOTC)-10, INSTALLATION, Center Exhaust Pipe.>

- 12) Lower the vehicle.

- 13) Add the transmission gear oil through the oil level gauge hole. <Ref. to 5MT-20, REPLACEMENT, Transmission Gear Oil.>

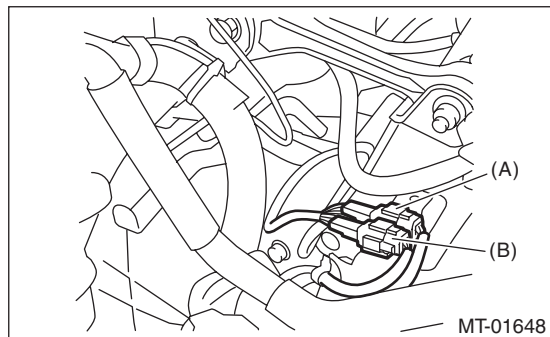
## 7. Switches and Harness

### A: REMOVAL

#### 1. BACK-UP LIGHT SWITCH & NEUTRAL POSITION SWITCH

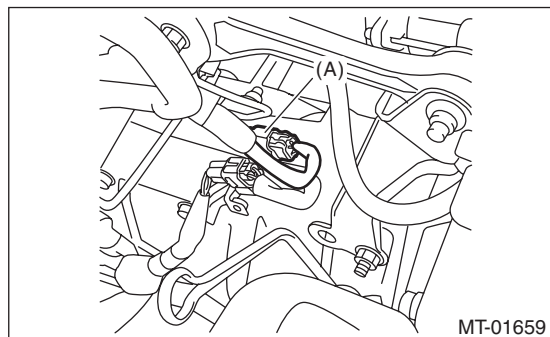
- 1) Disconnect the ground cable from battery.
- 2) Remove the air intake chamber and intake boot. (Non-turbo model) <Ref. to IN(H4SO)-7, REMOVAL, Air Intake Chamber.>
- 3) Remove the intercooler. (Turbo model) <Ref. to IN(H4DOTC)-13, REMOVAL, Intercooler.>
- 4) Disconnect the connector back-up light switch & neutral position switch.

- Non-turbo model



- (A) Neutral position switch connector (Brown)
- (B) Back-up light switch connector (Gray)

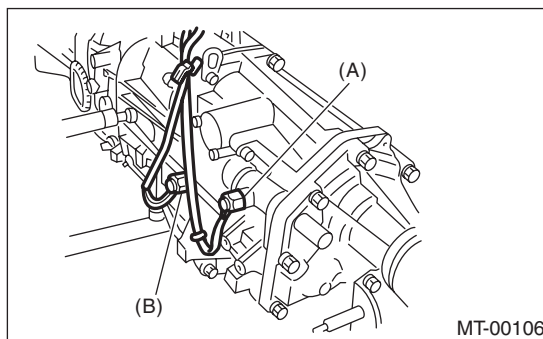
- Turbo model



- (A) Neutral position and back-up light switch connector

- 5) Lift up the vehicle.

- 6) Remove the back-up light switch & neutral position switch with the harness.



- (A) Neutral position switch
- (B) Back-up light switch

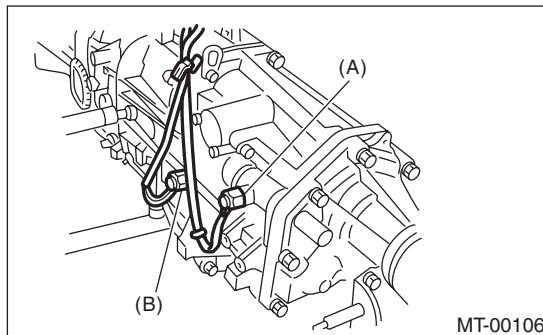
### B: INSTALLATION

#### 1. BACK-UP LIGHT SWITCH & NEUTRAL POSITION SWITCH

- 1) Install the back-up light switch & neutral position switch with the harness.

#### **Tightening torque:**

**32.3 N·m (3.3 kgf·m, 23.8 ft·lb)**



- (A) Neutral position switch
- (B) Back-up light switch

- 2) Connect the connectors of back-up light switch & neutral position switch.
- 3) Install the air intake chamber and intake boot. (Non-turbo model) <Ref. to IN(H4SO)-7, INSTALLATION, Air Intake Chamber.>
- 4) Install the intercooler. (Turbo model) <Ref. to IN(H4DOTC)-13, INSTALLATION, Intercooler.>
- 5) Connect the battery ground cable to the battery.

# Switches and Harness

## MANUAL TRANSMISSION AND DIFFERENTIAL

### C: INSPECTION

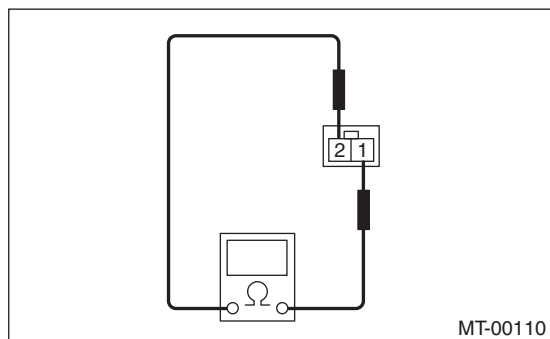
#### 1. BACK-UP LIGHT SWITCH

Check the back-up light switch. <Ref. to LI-8, INSPECTION, Back-up Light System.>

#### 2. NEUTRAL POSITION SWITCH

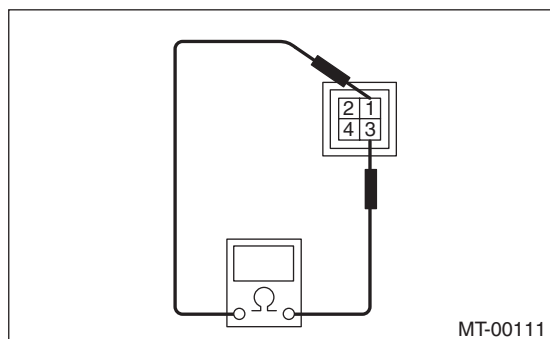
- 1) Turn the ignition switch to OFF.
- 2) Disconnect the connector of neutral position switch.
- 3) Measure the resistance between neutral position switch terminals.

- Non-turbo model



Gear shift position	Terminal No.	Specified resistance
Neutral position	1 and 2	Less than 1 Ω
Other positions		1 MΩ or more

- Turbo model



Gear shift position	Terminal No.	Specified resistance
Neutral position	1 and 3	Less than 1 Ω
Other positions		1 MΩ or more

- 4) Replace faulty parts.



## 8. Preparation for Overhaul

### A: PROCEDURE

- 1) Clean oil, grease, dirt and dust from the transmission.
- 2) Using the TORX<sup>®</sup> bit T70, remove the transmission gear oil drain plug, and drain the transmission gear oil completely.
- 3) Using the TORX<sup>®</sup> bit T70, tighten the transmission gear oil drain plug.

#### NOTE:

Use a new gasket.

#### Tightening torque:

**44 N·m (4.5 kgf·m, 32.5 ft·lb)**

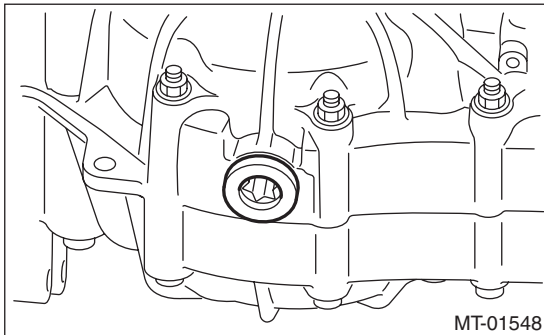
**(Aluminum gasket, silver)**

**70 N·m (7.1 kgf·m, 51.6 ft·lb)**

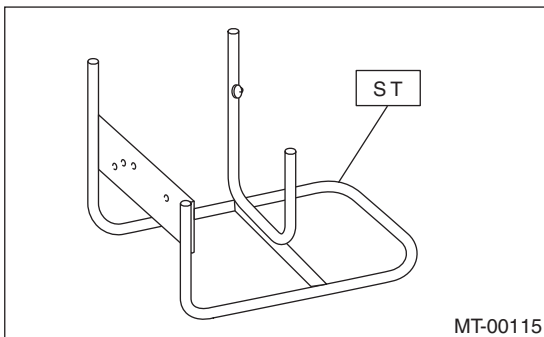
**(Copper gasket, brown)**

**70 N·m (7.1 kgf·m, 51.6 ft·lb)**

**(Metal gasket, black)**



- 4) Attach the transmission to the ST.  
ST 499937100 TRANSMISSION STAND



- 5) Apply oil to rotating parts before assembly.
- 6) All disassembled parts, if to be reused, should be reinstalled in the original positions and directions.
- 7) Gaskets, lock washers and lock nuts must be replaced with new ones.
- 8) Apply liquid gasket to the specified areas to prevent leakage.

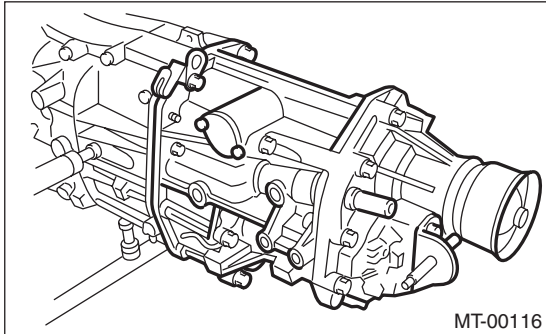
# Transfer Case and Extension Case Assembly

## MANUAL TRANSMISSION AND DIFFERENTIAL

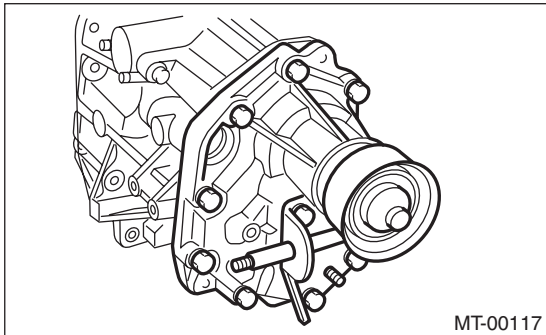
### 9. Transfer Case and Extension Case Assembly

#### A: REMOVAL

- 1) Remove the manual transmission assembly from the vehicle. <Ref. to 5MT-21, REMOVAL, Manual Transmission Assembly.>
- 2) Remove the back-up light switch & neutral position switch. <Ref. to 5MT-33, REMOVAL, Switches and Harness.>
- 3) Remove the transfer case together with the extension case assembly.

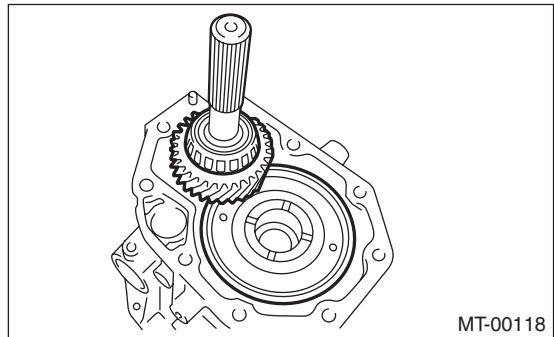


- 4) Remove the shifter arm.
- 5) Remove the extension case assembly.

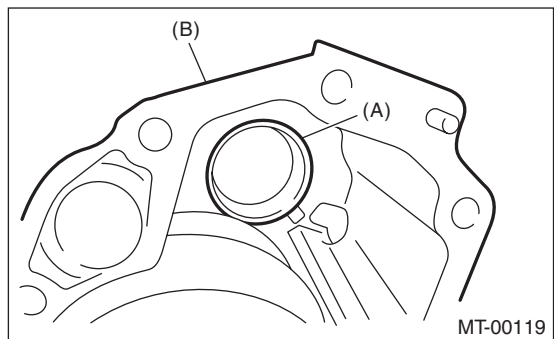


#### B: INSTALLATION

- 1) Install the center differential and transfer driven gear into the transfer case.

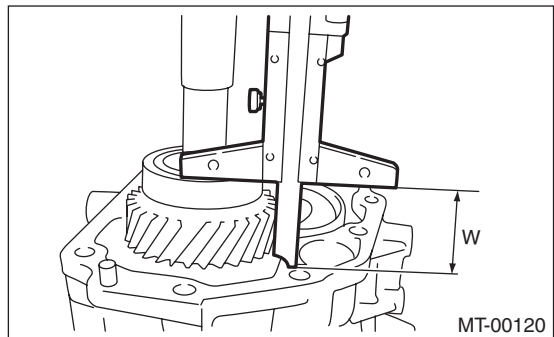


- 2) Remove the bearing outer race from the extension case.



- (A) Bearing outer race  
(B) Extension case

- 3) While pressing the bearing outer race horizontally, rotate the driven shaft for ten turns.
- 4) Measure the height "W" between transfer case and taper roller bearing on the transfer driven gear.



W Measured value

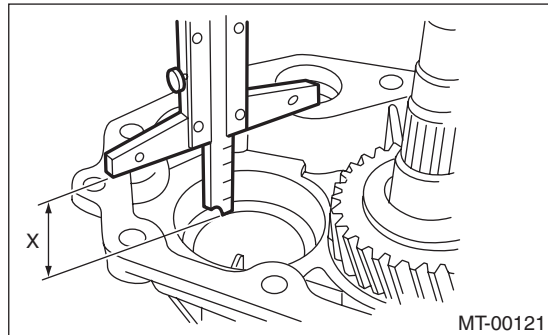
# Transfer Case and Extension Case Assembly

MANUAL TRANSMISSION AND DIFFERENTIAL

5) Measure depth “X” on bearing insertion part of the extension case.

NOTE:

Measure with bearing outer race and thrust washer removed.



X Measured value

6) Calculate the thrust washer thickness “t” using the following calculation.

$$t = X - W + (0.15 - 0.20 \text{ mm } (0.006 - 0.008 \text{ in}))$$

7) Select the washer with the nearest value in the following table.

**Preload (standard protrusion) of the taper roller bearing:**

**0.15 — 0.20 mm (0.006 — 0.008 in)**

NOTE:

Be sure that it is always within the preload.

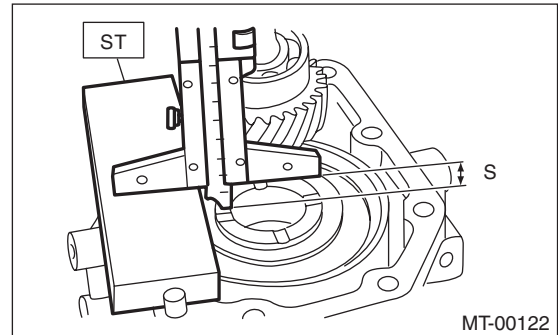
Thrust washer (50 × 61 × t)	
Part No.	Thickness mm (in)
803050060	0.50 (0.0197)
803050061	0.55 (0.0217)
803050062	0.60 (0.0236)
803050063	0.65 (0.0256)
803050064	0.70 (0.0276)
803050065	0.75 (0.0295)
803050066	0.80 (0.0315)
803050067	0.85 (0.0335)
803050068	0.90 (0.0354)
803050069	0.95 (0.0374)
803050070	1.00 (0.0394)
803050071	1.05 (0.0413)
803050072	1.10 (0.0433)
803050073	1.15 (0.0453)
803050074	1.20 (0.0472)
803050075	1.25 (0.0492)
803050076	1.30 (0.0512)
803050077	1.35 (0.0531)
803050078	1.40 (0.0551)
803050079	1.45 (0.0571)

8) Fit the thrust washers on the transfer drive shaft.

9) Install the bearing outer race into the extension case.

10) Measure the depth “S” between transfer case and center differential.

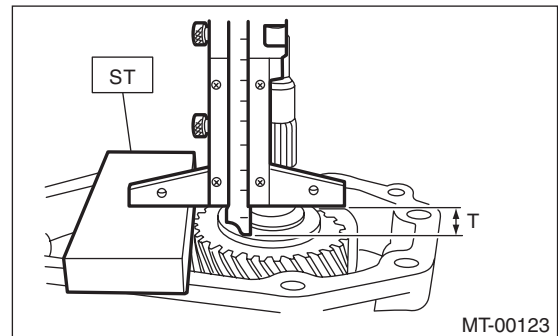
ST 398643600 GAUGE



S Measured value

11) Measure the height “T” between the extension case and transfer drive gear.

ST 398643600 GAUGE



T Measured value

NOTE:

Thickness of ST: 15 mm (0.59 in)

12) Calculate the thrust washer thickness “U” using the following calculation.

$$U = S + T - 30 \text{ mm } (1.18 \text{ in}) \text{ [Thickness of ST]}$$

# Transfer Case and Extension Case Assembly

## MANUAL TRANSMISSION AND DIFFERENTIAL

13) Select a suitable washer in the following table.

**Standard clearance:**

**0.15 — 0.35 mm (0.0059 — 0.0138 in)**

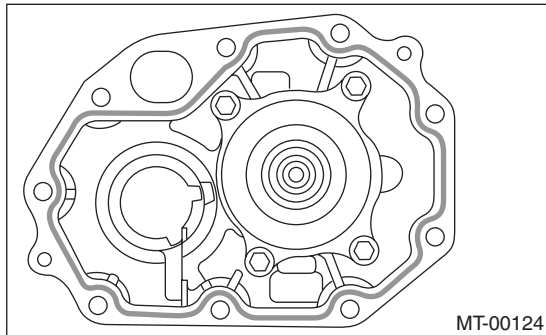
Thrust washer	
Part No.	Thickness mm (in)
803036050	0.9 (0.035)
803036054	1.0 (0.039)
803036051	1.1 (0.043)
803036055	1.2 (0.047)
803036052	1.3 (0.051)
803036056	1.4 (0.055)
803036053	1.5 (0.059)
803036057	1.6 (0.063)
803036058	1.7 (0.067)
803036080	1.8 (0.071)
803036081	1.9 (0.075)

14) Fit the thrust washer onto the center differential.

15) Apply a proper amount of liquid gasket to the transfer case mating surface.

**Liquid gasket:**

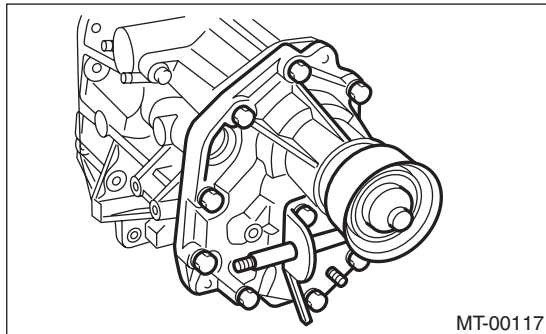
**THREE BOND 1215 (Part No. 004403007) or equivalent**



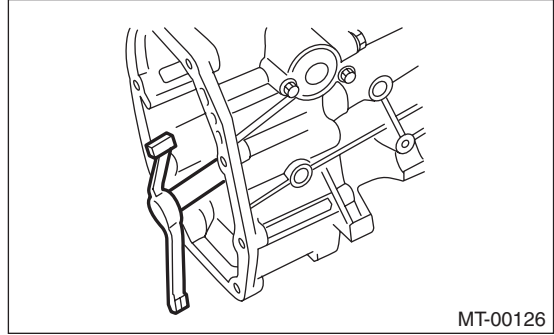
16) Install the extension assembly into the transfer case.

**Tightening torque:**

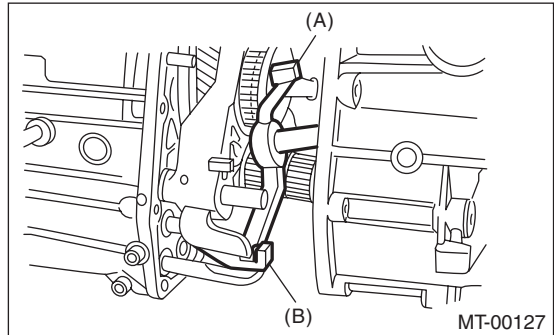
**40 N·m (4.1 kgf-m, 29.5 ft-lb)**



17) Attach the shifter arm to transfer case.



18) Hang the shifter arm on 3rd-4th fork rod.



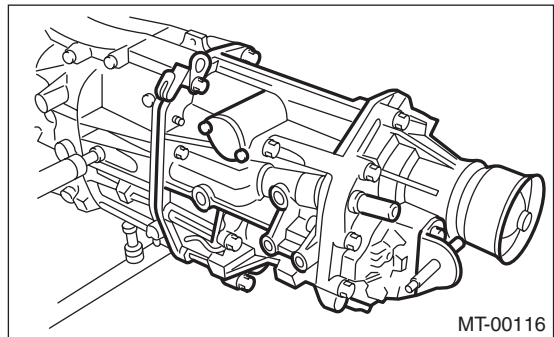
(A) Shifter arm

(B) 3rd-4th fork rod

19) Install the extension case assembly along with the transfer case to the transmission case.

**Tightening torque:**

**24.5 N·m (2.5 kgf-m, 18.1 ft-lb)**



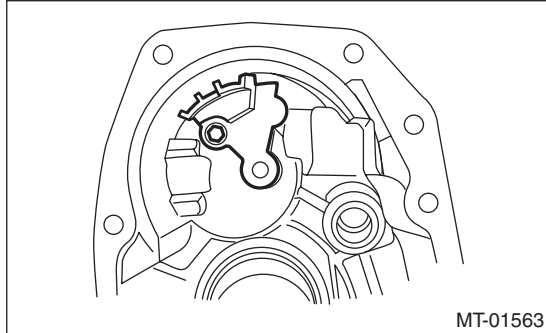
# Transfer Case and Extension Case Assembly

MANUAL TRANSMISSION AND DIFFERENTIAL

## C: DISASSEMBLY

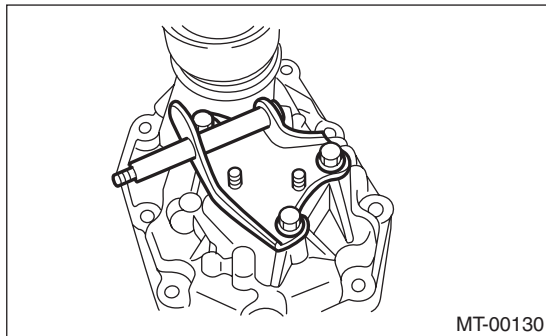
### 1. TRANSFER CASE

- 1) Remove the reverse check sleeve assembly. <Ref. to 5MT-45, REMOVAL, Reverse Check Sleeve.>
- 2) Remove the oil guide.



### 2. EXTENSION CASE

- 1) Remove the transfer drive gear assembly. <Ref. to 5MT-40, REMOVAL, Transfer Drive Gear.>
- 2) Remove the shift bracket.



- 3) Remove the oil seal from the extension case. <Ref. to 5MT-31, Oil Seal.>

## D: ASSEMBLY

### 1. EXTENSION CASE

- 1) Using the ST, install the oil seal to the extension case. <Ref. to 5MT-31, Oil Seal.>

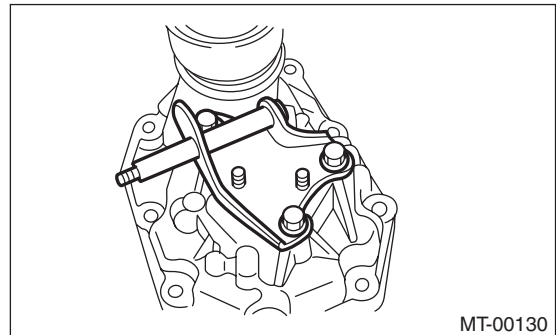
#### NOTE:

Use a new oil seal.

- 2) Install the shift bracket to extension case.

#### Tightening torque:

**24.5 N·m (2.5 kgf-m, 18.1 ft-lb)**



- 3) Install the transfer drive gear to the extension case. <Ref. to 5MT-40, INSTALLATION, Transfer Drive Gear.>

### 2. TRANSFER CASE

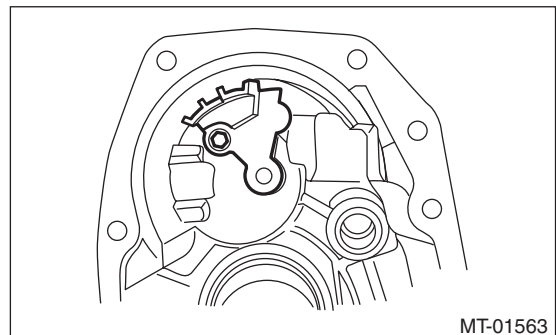
- 1) Install the oil guide to the transfer case.

#### Tightening torque:

**6.4 N·m (0.7 kgf-m, 4.7 ft-lb)**

#### NOTE:

Use a new installing bolt.



- 2) Install the reverse check sleeve assembly to the transfer case. <Ref. to 5MT-45, INSTALLATION, Reverse Check Sleeve.>

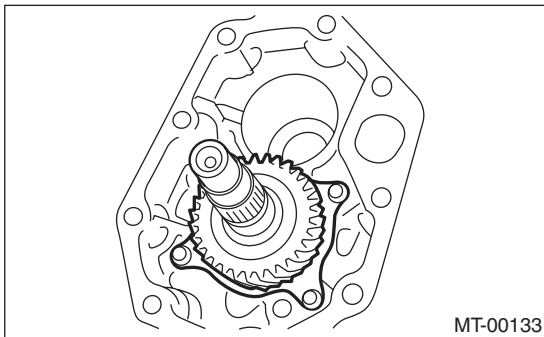
# Transfer Drive Gear

## MANUAL TRANSMISSION AND DIFFERENTIAL

### 10. Transfer Drive Gear

#### A: REMOVAL

- 1) Remove the manual transmission assembly from the vehicle. <Ref. to 5MT-21, REMOVAL, Manual Transmission Assembly.>
- 2) Remove the back-up light switch & neutral position switch. <Ref. to 5MT-33, REMOVAL, Switches and Harness.>
- 3) Remove the transfer case together with the extension case assembly. <Ref. to 5MT-36, REMOVAL, Transfer Case and Extension Case Assembly.>
- 4) Remove the extension case assembly.
- 5) Remove the transfer driven gear.
- 6) Remove the transfer drive gear.

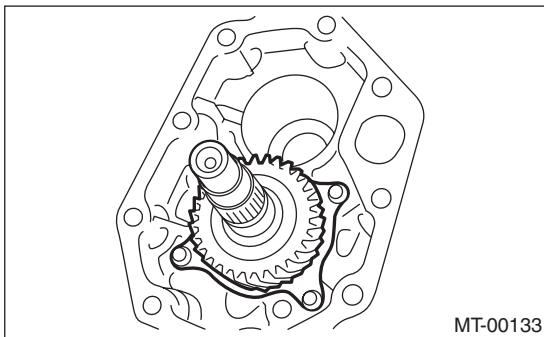


#### B: INSTALLATION

- 1) Install the transfer drive gear.

##### Tightening torque:

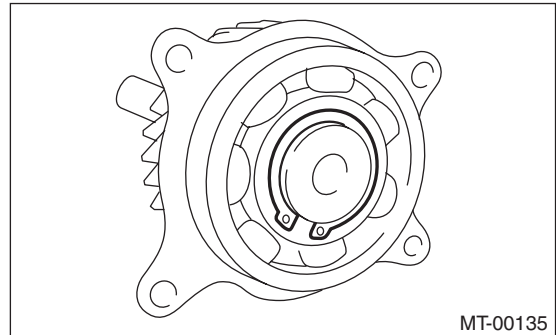
**26 N·m (2.7 kgf-m, 19.2 ft-lb)**



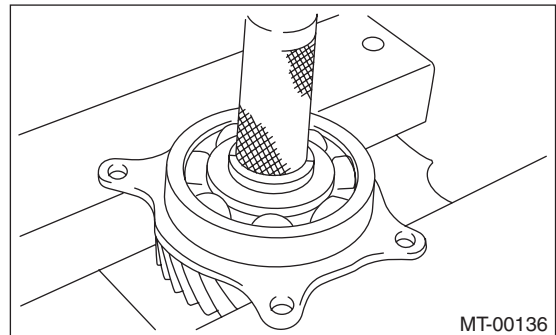
- 2) Install the transfer driven gear.
- 3) Install the extension case assembly.
- 4) Install the transfer case and the extension case assembly. <Ref. to 5MT-36, INSTALLATION, Transfer Case and Extension Case Assembly.>
- 5) Install the back-up light switch and the neutral position switch. <Ref. to 5MT-33, INSTALLATION, Switches and Harness.>
- 6) Install the manual transmission assembly to the vehicle. <Ref. to 5MT-25, INSTALLATION, Manual Transmission Assembly.>

#### C: DISASSEMBLY

- 1) Remove the snap ring.



- 2) Remove the ball bearing.



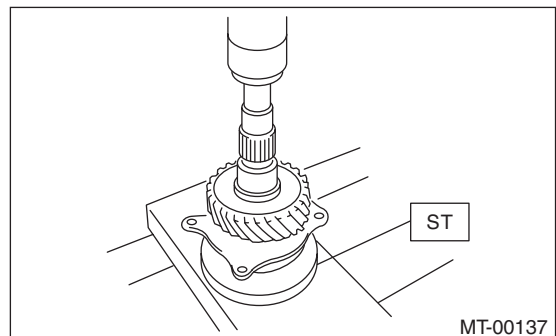
#### D: ASSEMBLY

- 1) Set the ST against the inner race of the bearing, and install the drive shaft.

ST 398177700 INSTALLER

##### CAUTION:

**Do not apply a load in excess of 10 kN (1 ton, 1.1 US ton, 1.0 Imp ton).**



- 2) Install the snap ring on the transfer drive shaft.
- 3) Inspect the clearance between the snap ring and the ball bearing. <Ref. to 5MT-41, INSPECTION, Transfer Drive Gear.>

## E: INSPECTION

### 1) Bearing

Replace the bearings in the following cases.

- In case of broken or rusty bearings
- In case of worn or damaged bearings
- When the bearings fail to turn smoothly or emit noise in rotation after gear oil lubrication.

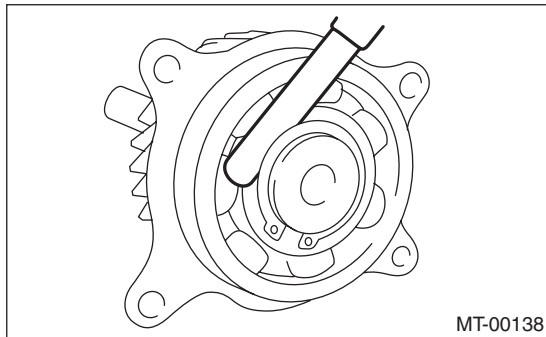
### 2) Drive gear

If the drive gear tooth surface and shaft are excessively broken or damaged, replace the drive gear.

3) Measure the clearance between snap ring and inner race of ball bearing with a thickness gauge.

### Clearance:

**0.01 — 0.15 mm (0.0004 — 0.0059 in)**



If the measurement is not within specification, select a suitable snap ring and replace it.

Snap ring (Outer-30)	
Part number	Thickness mm (in)
805030041	1.53 (0.0602)
805030042	1.65 (0.0650)
805030043	1.77 (0.0697)



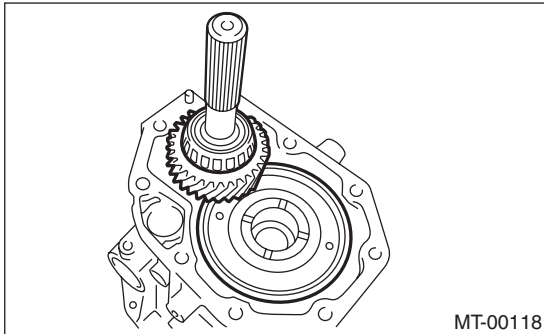
# Transfer Driven Gear

## MANUAL TRANSMISSION AND DIFFERENTIAL

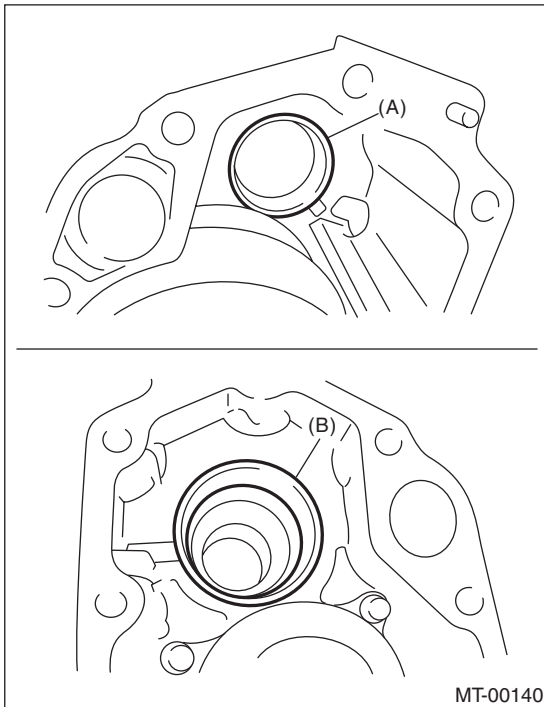
### 11. Transfer Driven Gear

#### A: REMOVAL

- 1) Remove the manual transmission assembly from the vehicle. <Ref. to 5MT-21, REMOVAL, Manual Transmission Assembly.>
- 2) Remove the back-up light switch & neutral position switch. <Ref. to 5MT-33, REMOVAL, Switches and Harness.>
- 3) Remove the transfer case together with the extension case assembly. <Ref. to 5MT-36, REMOVAL, Transfer Case and Extension Case Assembly.>
- 4) Remove the extension case assembly.
- 5) Remove the transfer driven gear.



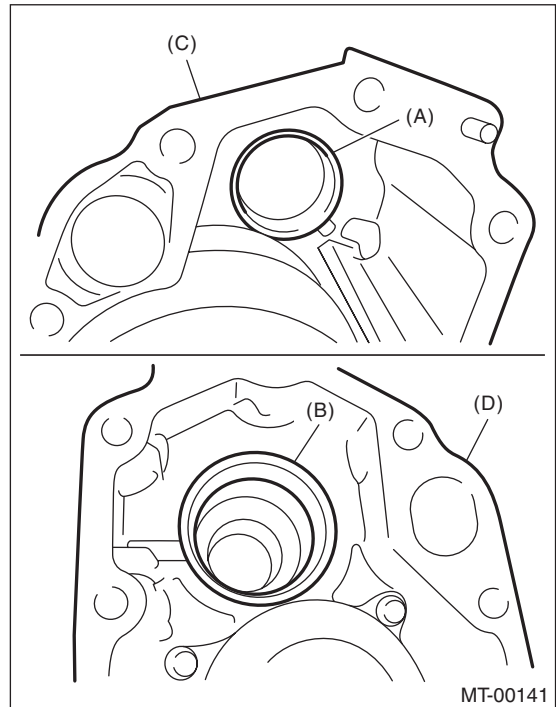
- 6) Remove bearing outer races from the extension case and transfer case.



- (A) Bearing outer race (Transfer case side)  
(B) Bearing outer race (Extension case side)

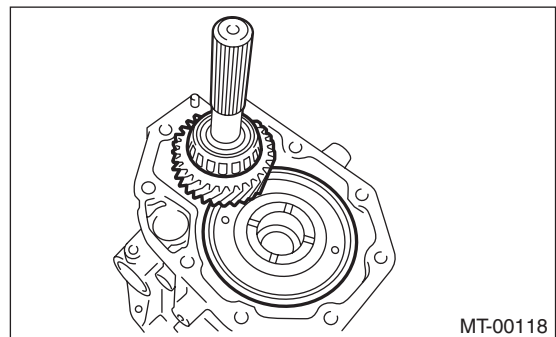
#### B: INSTALLATION

- 1) Install the bearing outer races to extension case and transfer case.



- (A) Bearing outer race  
(B) Bearing outer race  
(C) Transfer case  
(D) Extension case

- 2) Install the transfer driven gear.



- 3) Install the transfer case and the extension case assembly. <Ref. to 5MT-36, INSTALLATION, Transfer Case and Extension Case Assembly.>
- 4) Install the back-up light switch and the neutral position switch. <Ref. to 5MT-33, INSTALLATION, Switches and Harness.>
- 5) Install the manual transmission assembly to the vehicle. <Ref. to 5MT-25, INSTALLATION, Manual Transmission Assembly.>



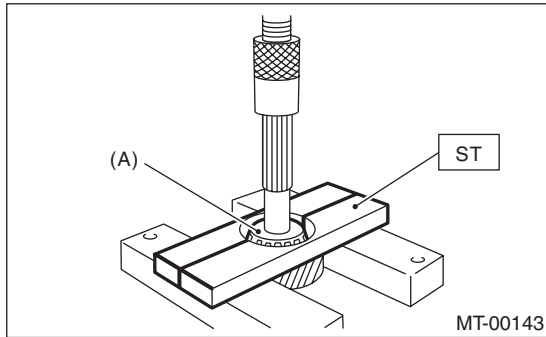
# Transfer Driven Gear

MANUAL TRANSMISSION AND DIFFERENTIAL

## C: DISASSEMBLY

1) Using the ST, remove the roller bearing (extension case side).

ST 498077000 REMOVER

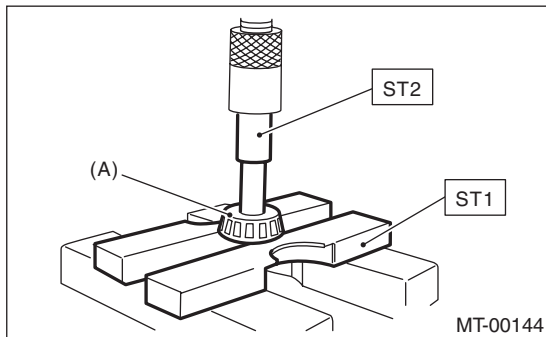


(A) Roller bearing

2) Using ST1 and ST2, remove the roller bearing (transfer case side).

ST1 498077000 REMOVER

ST2 899864100 REMOVER



(A) Roller bearing

## D: ASSEMBLY

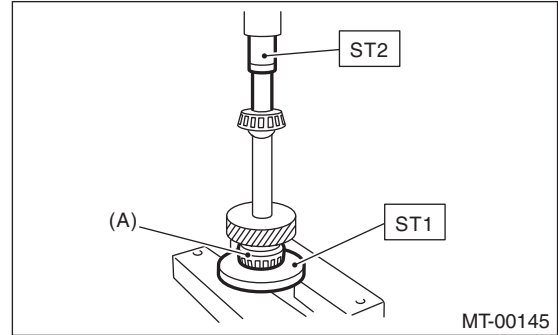
1) Using the ST, install the roller bearing (extension case side).

ST1 398177700 INSTALLER

ST2 899864100 REMOVER

### CAUTION:

Do not apply a load in excess of 10 kN (1 ton, 1.1 US ton, 1.0 Imp ton).



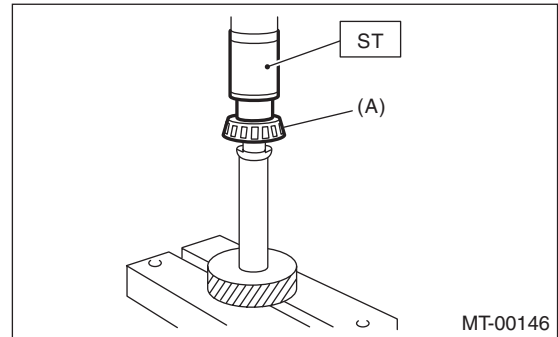
(A) Roller bearing

2) Using ST, install the roller bearing (transfer case side).

ST 499757002 INSTALLER

### CAUTION:

Do not apply a load in excess of 10 kN (1 ton, 1.1 US ton, 1.0 Imp ton).



(A) Roller bearing

## E: INSPECTION

1) Bearing

Replace the bearings in the following cases.

- In case of broken or rusty bearings
- In case of worn or damaged bearings
- When the bearings fail to turn smoothly or emit noise in rotation after gear oil lubrication.

2) Driven gear

If the driven gear tooth surface and shaft are excessively broken or damaged, replace the driven gear.

# Center Differential

## 12.Center Differential

### A: REMOVAL

- 1) Remove the manual transmission assembly from the vehicle. <Ref. to 5MT-21, REMOVAL, Manual Transmission Assembly.>
- 2) Remove the back-up light switch & neutral position switch. <Ref. to 5MT-33, REMOVAL, Switches and Harness.>
- 3) Remove the transfer case together with the extension case assembly. <Ref. to 5MT-36, REMOVAL, Transfer Case and Extension Case Assembly.>
- 4) Remove the extension case assembly. <Ref. to 5MT-36, REMOVAL, Transfer Case and Extension Case Assembly.>
- 5) Remove the transfer driven gear. <Ref. to 5MT-42, REMOVAL, Transfer Driven Gear.>
- 6) Remove the center differential.

### B: INSTALLATION

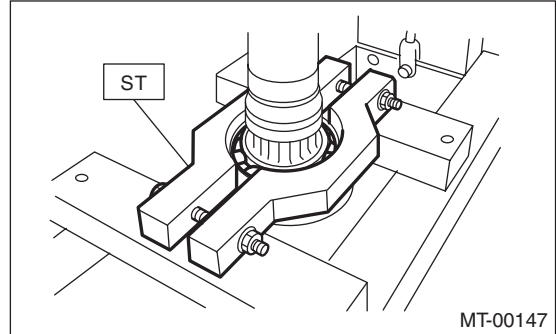
- 1) Install the center differential into transfer case.
- 2) Install the transfer driven gear. <Ref. to 5MT-42, INSTALLATION, Transfer Driven Gear.>
- 3) Install the extension case assembly. <Ref. to 5MT-36, INSTALLATION, Transfer Case and Extension Case Assembly.>
- 4) Install the transfer case together with the extension case assembly. <Ref. to 5MT-36, INSTALLATION, Transfer Case and Extension Case Assembly.>
- 5) Install the back-up light switch and the neutral position switch. <Ref. to 5MT-33, INSTALLATION, Switches and Harness.>
- 6) Install the manual transmission assembly to the vehicle. <Ref. to 5MT-25, INSTALLATION, Manual Transmission Assembly.>

### C: DISASSEMBLY

#### NOTE:

- Center differential is a non-disassembled part which should not be disassembled.
- Remove the ball bearing using ST.
- Do not reuse the ball bearing.

ST 498077300 CENTER DIFFERENTIAL BEARING REMOVER

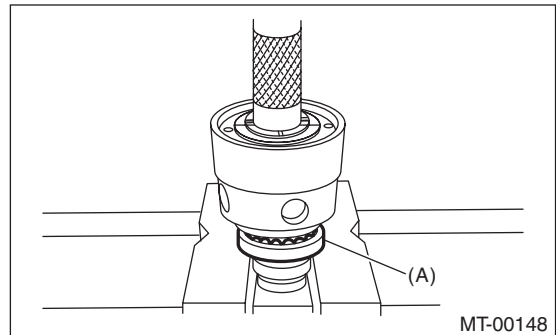


### D: ASSEMBLY

Install the ball bearing into the center differential assembly.

#### CAUTION:

**Do not apply a load in excess of 10 kN (1 ton, 1.1 US ton, 1.0 Imp ton).**



(A) Ball bearing

### E: INSPECTION

#### 1) Bearing

Replace the bearings in the following cases.

- In case of broken or rusty bearings
- In case of worn or damaged bearings
- When the bearings fail to turn smoothly or emit noise in rotation after gear oil lubrication.
- When bearing has other defects.

#### 2) Center differential

Replace the center differential case assembly if worn or damaged.

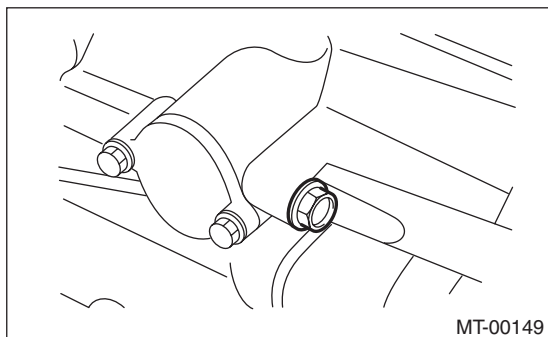
# Reverse Check Sleeve

MANUAL TRANSMISSION AND DIFFERENTIAL

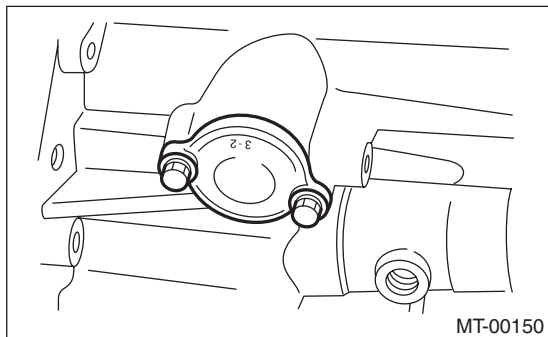
## 13. Reverse Check Sleeve

### A: REMOVAL

- 1) Remove the manual transmission assembly from the vehicle. <Ref. to 5MT-21, REMOVAL, Manual Transmission Assembly.>
- 2) Remove the transfer case together with the extension case assembly. <Ref. to 5MT-36, REMOVAL, Transfer Case and Extension Case Assembly.>
- 3) Remove the shifter arm.
- 4) Remove the plug, gasket, reverse accent spring, and reverse check ball.



- 5) Remove the reverse check sleeve.

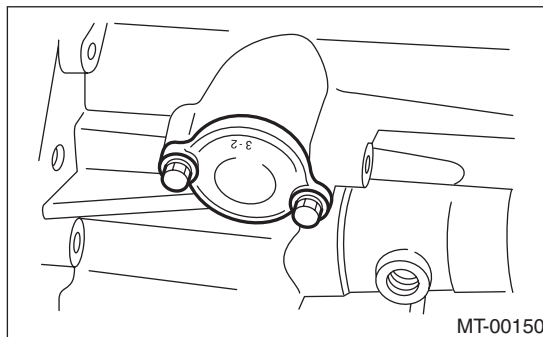


### B: INSTALLATION

- 1) Install the reverse check sleeve.

#### **Tightening torque:**

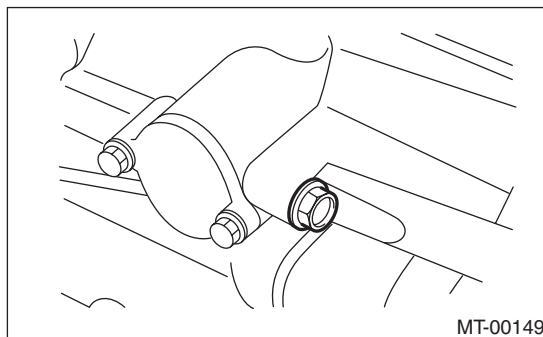
**6.4 N·m (0.7 kgf-m, 4.7 ft-lb)**



- 2) Install the reverse check ball, reverse accent spring, gasket, and plug to the transfer case.

#### **Tightening torque:**

**9.75 N·m (1.0 kgf-m, 7.2 ft-lb)**



- 3) Attach the shifter arm to the transfer case assembly.
- 4) Install the transfer case together with the extension case assembly. <Ref. to 5MT-36, INSTALLATION, Transfer Case and Extension Case Assembly.>
- 5) Install the manual transmission assembly to the vehicle. <Ref. to 5MT-25, INSTALLATION, Manual Transmission Assembly.>

# Reverse Check Sleeve

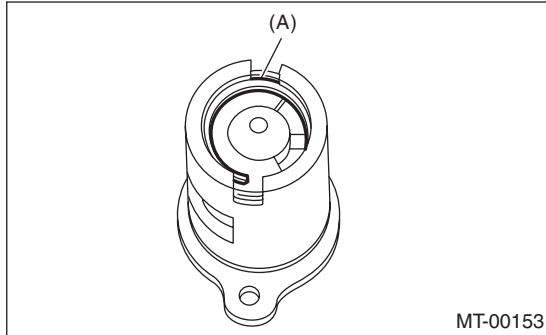
## MANUAL TRANSMISSION AND DIFFERENTIAL

### C: DISASSEMBLY

1) Cover the reverse check sleeve with a rag, and remove the snap ring using a screwdriver.

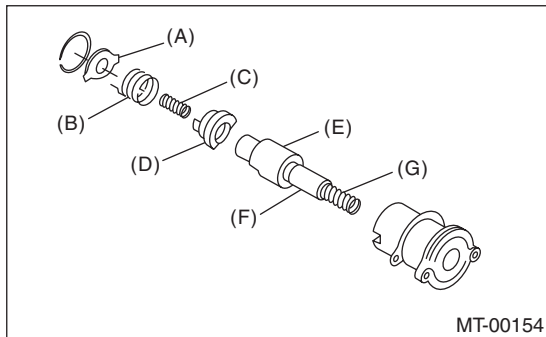
#### NOTE:

Replace the snap ring with a new part if it is deformed or spring force is weakened.



(A) Snap ring

2) Remove the reverse check plate, reverse check spring, reverse check cam, return spring (5th-Rev), reverse accent shaft, return spring cap and return spring (1st-2nd).



- (A) Reverse check plate
- (B) Reverse check spring
- (C) Return spring (5th-Rev)
- (D) Reverse check cam
- (E) Reverse accent shaft
- (F) Return spring cap
- (G) Return spring (1st-2nd)

3) Remove the O-ring.

#### NOTE:

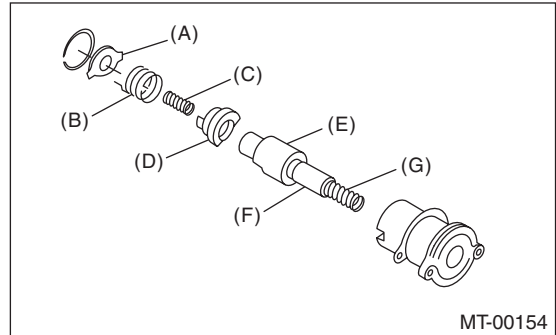
- Visually check the O-ring. Replace if faulty.
- Be careful not to damage the adjusting shim between reverse check sleeve assembly and the case.

### D: ASSEMBLY

1) Install the return spring (1st-2nd), return spring cap, reverse accent shaft, reverse check cam, return spring (5th-Rev) and reverse check spring to the reverse check sleeve.

#### NOTE:

Be sure to position the bent section of reverse check spring to fit in the groove of the check cam.



- (A) Reverse check plate
- (B) Reverse check spring
- (C) Return spring (5th-Rev)
- (D) Reverse check cam
- (E) Reverse accent shaft
- (F) Return spring cap
- (G) Return spring (1st-2nd)

2) Hook the curved section of the reverse check spring over the reverse check plate.

3) Rotate the cam so that the protrusion of the reverse check cam comes to the opening of the plate.

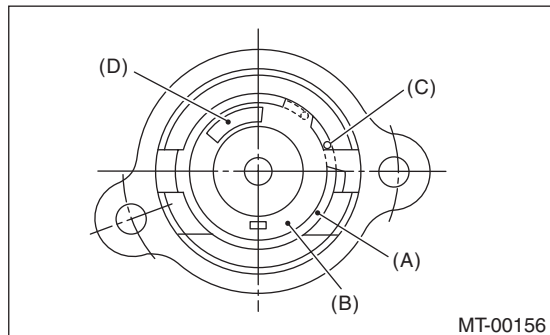
4) With cam held in that position, install the reverse check plate onto the reverse check sleeve and hold in place with the snap ring.

5) Position the new O-ring in the groove of sleeve.

# Reverse Check Sleeve

## E: INSPECTION

- Make sure the cutout of the reverse accent shaft is aligned with the opening in the reverse check sleeve.
  - Turn the cam by hand to check for smooth rotation.
  - Move the cam and shaft all the way toward the plate, and make sure it releases.
- If the cam does not return properly, replace the reverse check spring. If the shaft does not return, check for scratches on the inner surface of sleeve. If the sleeve is in good order, replace the spring.



- (A) Snap ring
- (B) Reverse check plate
- (C) Reverse check spring
- (D) Reverse check cam

- Select a suitable reverse accent shaft and reverse check plate. <Ref. to 5MT-47, ADJUSTMENT, Reverse Check Sleeve.>

## F: ADJUSTMENT

### 1. NEUTRAL POSITION ADJUSTMENT

- 1) Shift the gear into 3rd gear position.
- 2) Because of the return spring, until the arm contacts the stopper the shifter arm will feel lighter moving towards 1st/2nd gear and heavier towards the reverse gear.
- 3) Make adjustment so that the heavy stroke (reverse side) is a little heavier than the lighter stroke (1st/2nd side).
- 4) To adjust, remove the bolts holding the reverse check sleeve assembly to the case, and move the sleeve assembly outward, then place an adjustment shim between the sleeve assembly and the case to adjust the clearance.

#### CAUTION:

**Be careful not to damage the O-ring when placing shims.**

#### NOTE:

- When the shim is removed, the neutral position will move closer to reverse; when the shim is added, the neutral position will move closer to 1st gear.
- If it is not possible to adjust the clearance with only shims, replace the reverse accent shaft and re-adjust.

Adjusting shim	
Part number	Thickness mm (in)
32190AA000	0.15 (0.0059)
32190AA010	0.30 (0.0118)

Reverse accent shaft		
Part number	Mark	Remarks
32188AA130	S	Neutral position is closer to 1st gear.
32188AA140	T	Standard
32188AA150	U	Neutral position is closer to reverse gear.

# Reverse Check Sleeve

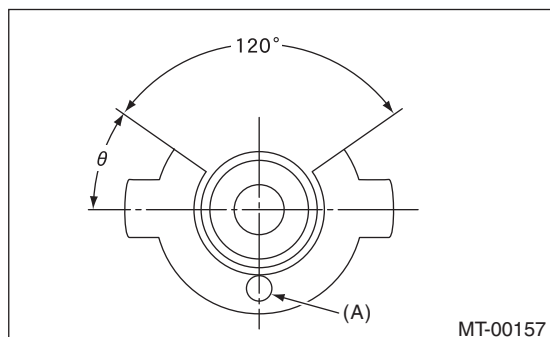
## MANUAL TRANSMISSION AND DIFFERENTIAL

### 2. REVERSE CHECK PLATE ADJUSTMENT

1) Shift the shifter arm to “5th” and then to reverse to see if the reverse check mechanism operates properly.

2) Also check to see if the arm returns to neutral when released from the reverse position. If the arm does not return properly, replace the reverse check plate.

Reverse check plate			
Part number	(A): No.	Angle $\theta$	Remarks
32189AA001	0	28°	Arm stops closer to 5th gear.
32189AA011	1	31°	Arm stops closer to 5th gear.
32189AA021	2	34°	Arm stops in the center.
32189AA031	3	37°	Arm stops closer to reverse gear.
32189AA041	4	40°	Arm stops closer to reverse gear.



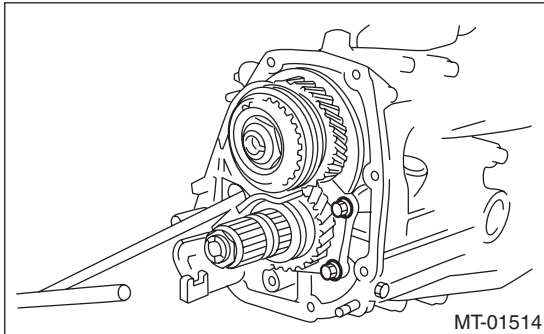
# Transmission Case

MANUAL TRANSMISSION AND DIFFERENTIAL

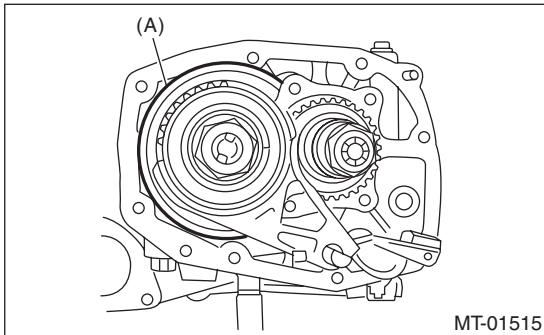
## 14. Transmission Case

### A: REMOVAL

- 1) Remove the manual transmission assembly from the vehicle. <Ref. to 5MT-21, REMOVAL, Manual Transmission Assembly.>
- 2) Remove the clutch release lever. <Ref. to CL-14, REMOVAL, Release Bearing and Lever.>
- 3) Remove the transfer case together with the extension case assembly. <Ref. to 5MT-36, REMOVAL, Transfer Case and Extension Case Assembly.>
- 4) Remove the bearing mounting bolt.

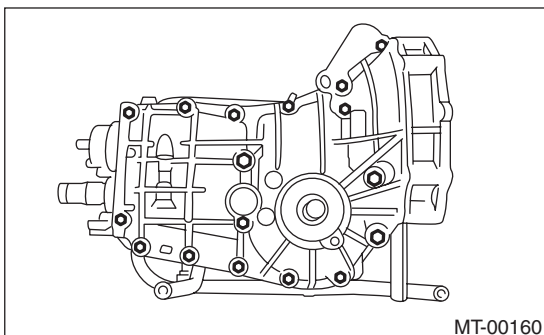


- 5) Remove the main shaft rear plate.



(A) Main shaft rear plate

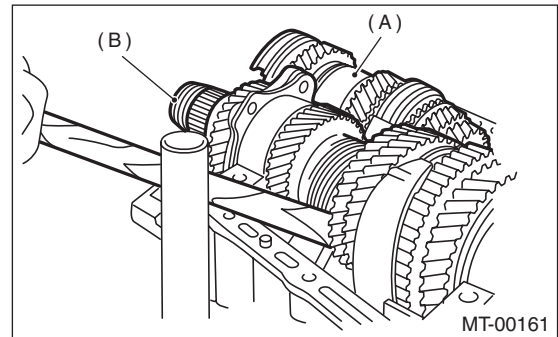
- 6) Remove the coupling bolts and nuts, and separate the transmission case into the right and left case.



- 7) Remove the drive pinion shaft assembly from the left side of the transmission case.

#### NOTE:

Use a hammer handle, etc. to remove if too tight.

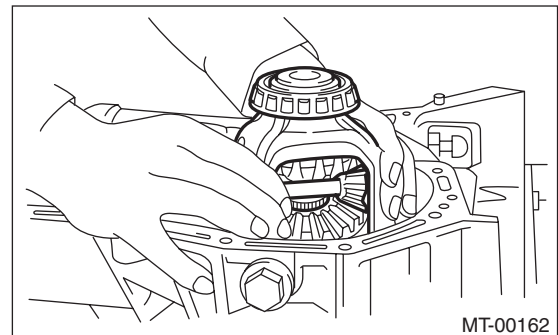


(A) Main shaft ASSY for single-range  
(B) Drive pinion shaft ASSY

- 8) Remove the main shaft assembly for single-range.
- 9) Remove the front differential assembly.

#### NOTE:

- Do not confuse the right and left roller bearing outer races.
- Be careful not to damage the oil seal of retainer.





# Transmission Case

## MANUAL TRANSMISSION AND DIFFERENTIAL

### B: INSTALLATION

- 1) Wipe off grease, oil and dust on the mating surfaces of transmission cases with cleaning solvent.
- 2) Install the front differential assembly.
- 3) Install the main shaft assembly for single-range. Install the transmission case knock pin into the knock pin hole of needle bearing.
- 4) Install the drive pinion shaft assembly. Install the transmission case knock pin into the roller bearing knock pin hole.
- 5) Apply liquid gasket, then join the right side and left side of the case together.

#### Liquid gasket:

**THREE BOND 1215 (Part No. 004403007) or equivalent**

- 6) With brackets and clips as shown in the figure, tighten the seventeen bolts.

#### NOTE:

- Insert the bolts from the bottom and tighten the nuts at the top.
- Match the cases together so that the drive pinion shim and input shaft holder shims are not caught between the cases.

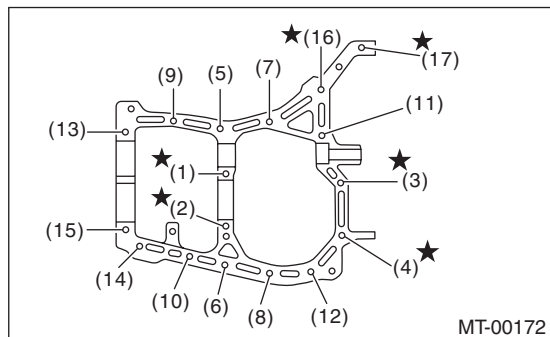
#### Tightening torque:

**8 mm bolt**

**25 N·m (2.5 kgf·m, 18.4 ft·lb)**

★ **10 mm bolt**

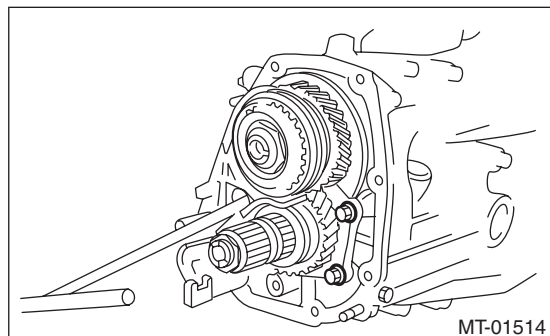
**39 N·m (4.0 kgf·m, 28.8 ft·lb)**



- 7) Tighten the ball bearing mounting bolts.

#### Tightening torque:

**30 N·m (3.1 kgf·m, 22.1 ft·lb)**

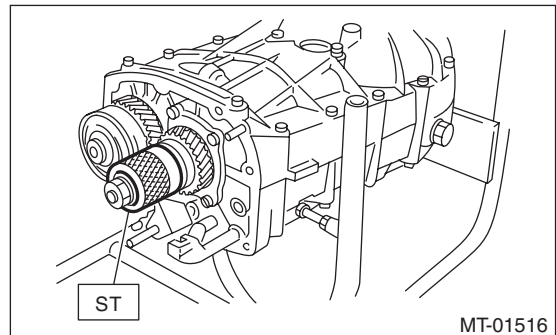


- 8) Perform backlash adjustment of the hypoid gear and preload measurement of the roller bearing.

#### NOTE:

Attach the ST on drive pinion assembly.

ST 498427100 STOPPER



- 9) Place the transmission with the left side of case facing downward, and put ST1 on bearing cup.

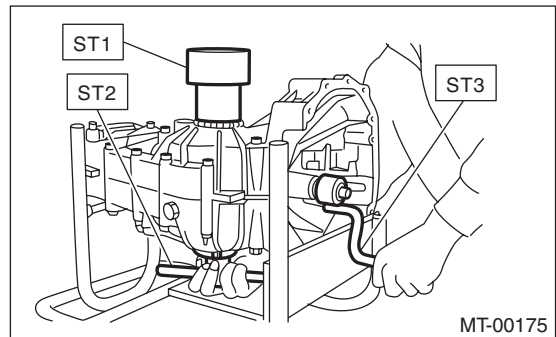
- 10) Screw the retainer assembly from the bottom into left case using ST2. Fit the ST3 on transmission main shaft. Shift the gear into 4th or 5th, and turn the shaft several times. Screw in the retainer while rotating the ST3 until a slight resistance is felt on ST2.

This is the contact point of the hypoid gear and the drive pinion shaft. Repeat the above sequence several times to ensure the contact point.

ST1 399780104 WEIGHT

ST2 18630AA010 WRENCH COMPL  
RETAINER

ST3 499927100 HANDLE





# Transmission Case

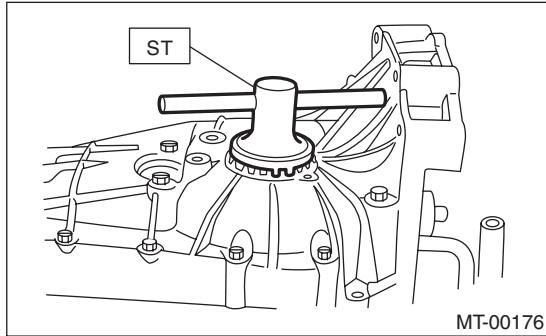
## MANUAL TRANSMISSION AND DIFFERENTIAL

11) Remove the weight, and screw in the retainer without the O-ring on the upper side, and stop at the point where a slight resistance is felt.

### NOTE:

In this condition, the backlash between hypoid gear and drive pinion shaft is zero.

ST 18630AA010 WRENCH COMPL RETAINER



12) Loosen the retainer on the lower side by 3 notches, and turn the retainer on the upper side by the same amount in order to apply backlash.

13) Rotate the retainer of the upper side additionally by 1 notch in order to apply preload on taper roller bearing.

14) Temporarily attach both the upper and lower lock plates, and put marks both the retainer and lock plate for later readjustment.

### NOTE:

If it is hard to install the lock plates, reverse the sides and install them.

15) Turn the transmission main shaft several times while tapping around the retainer lightly with plastic hammer.

16) Inspect and adjust backlash and tooth contact of the hypoid gear. <Ref. to 5MT-70, INSPECTION, Front Differential Assembly.>

17) After checking the tooth contact of the hypoid gears, remove the lock plate. Then loosen the retainer until the O-ring groove appears. Fit the O-ring into the groove and tighten the retainer into the position before it was loosened.

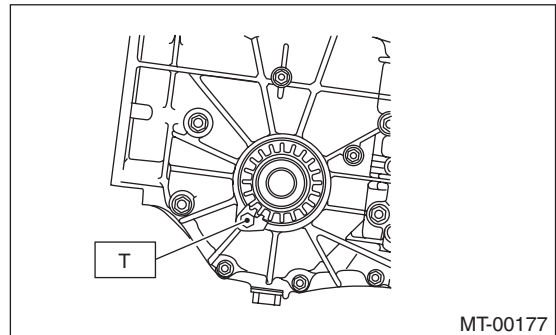
Install the lock plate.

### NOTE:

- When loosening the retainer, record the number of the turns made.
- Perform this operation for both upper and lower retainers.

### Tightening torque:

**T: 25 N·m (2.5 kgf-m, 18.4 ft-lb)**



18) Select a main shaft rear plate. <Ref. to 5MT-56, ADJUSTMENT, Main Shaft Assembly for Single-Range.>

19) Install the clutch release lever and bearing. <Ref. to CL-14, INSTALLATION, Release Bearing and Lever.>

20) Install the transfer case together with the extension case assembly. <Ref. to 5MT-36, INSTALLATION, Transfer Case and Extension Case Assembly.>

21) Install the manual transmission assembly to the vehicle. <Ref. to 5MT-25, INSTALLATION, Manual Transmission Assembly.>

## C: INSPECTION

Check the transmission case for cracks, damage, or oil leaks.

# Main Shaft Assembly for Single-Range

MANUAL TRANSMISSION AND DIFFERENTIAL

## 15. Main Shaft Assembly for Single-Range

### A: REMOVAL

- 1) Remove the manual transmission assembly from the vehicle. <Ref. to 5MT-21, REMOVAL, Manual Transmission Assembly.>
- 2) Remove the transfer case together with the extension case assembly. <Ref. to 5MT-36, REMOVAL, Transfer Case and Extension Case Assembly.>
- 3) Remove the transmission case. <Ref. to 5MT-49, REMOVAL, Transmission Case.>
- 4) Remove the drive pinion shaft assembly. <Ref. to 5MT-57, REMOVAL, Drive Pinion Shaft Assembly.>
- 5) Remove the main shaft assembly for single-range.

### B: INSTALLATION

- 1) Install the needle bearing and oil seal to the front of the transmission single-range main shaft assembly.

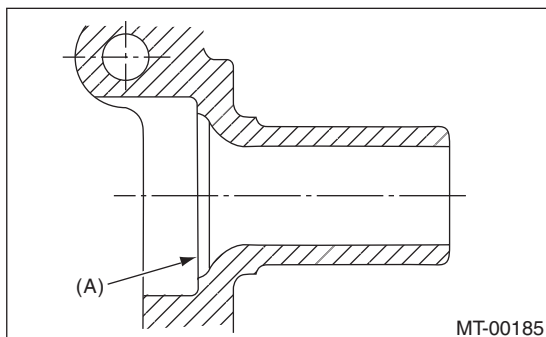
#### NOTE:

- Wrap the clutch splined section with vinyl tape to prevent damage to the oil seal.
- Apply KOPR-KOTE (or equivalent) to the sealing lip of the oil seal.
- Use a new oil seal.

- 2) Install the transmission case knock pin into the knock pin hole of the needle bearing outer race.

#### NOTE:

Align the end face of the seal with surface (A) when installing the oil seal.



- 3) Install the drive pinion shaft assembly. <Ref. to 5MT-57, INSTALLATION, Drive Pinion Shaft Assembly.>
- 4) Install the transmission case. <Ref. to 5MT-50, INSTALLATION, Transmission Case.>
- 5) Install the transfer case together with the extension case assembly. <Ref. to 5MT-36, INSTALLATION, Transfer Case and Extension Case Assembly.>

- 6) Install the manual transmission assembly to the vehicle. <Ref. to 5MT-25, INSTALLATION, Manual Transmission Assembly.>

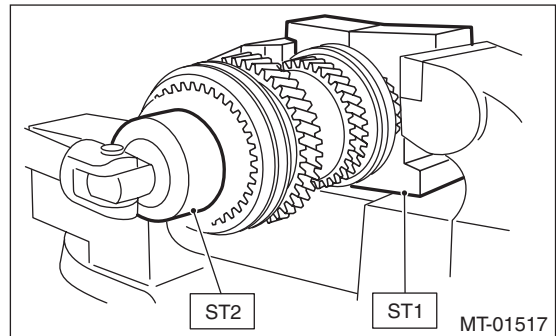
### C: DISASSEMBLY

- 1) Put vinyl tape around main shaft spline to protect the oil seal from damage. Then pull out the oil seal and needle bearing by hand.
- 2) Remove the lock nut from transmission main shaft assembly for single-range.

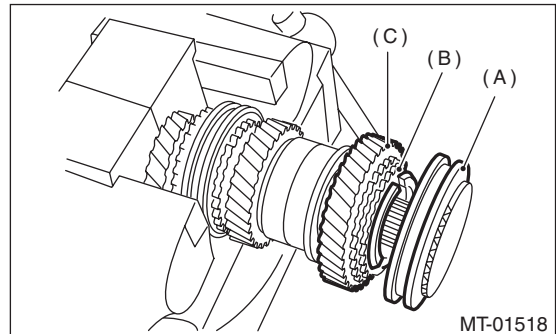
#### NOTE:

Flatten the lock nut tab before removing the lock nut.

- |     |           |                     |
|-----|-----------|---------------------|
| ST1 | 498937000 | TRANSMISSION HOLDER |
| ST2 | 499987003 | SOCKET WRENCH (35)  |



- 3) Remove the 5th hub & sleeve No. 2, baulk lever, baulk ring, and 5th drive gear & needle bearing.



- (A) 5th hub & sleeve No. 2
- (B) Baulk ring
- (C) 5th drive gear

# Main Shaft Assembly for Single-Range

MANUAL TRANSMISSION AND DIFFERENTIAL

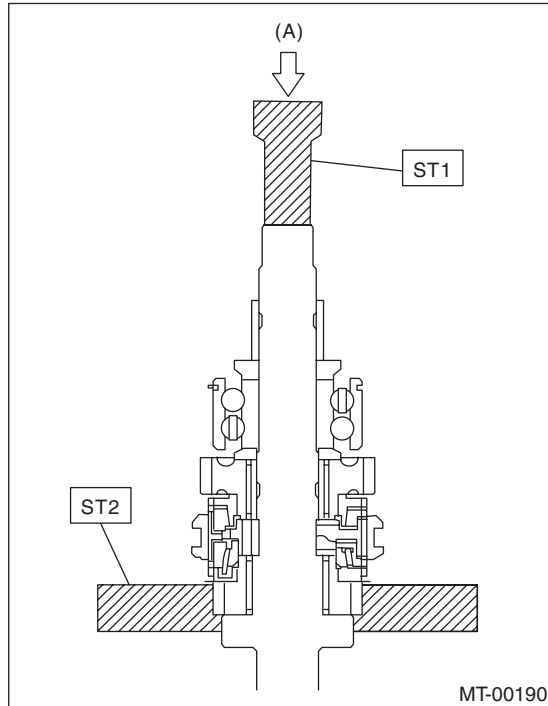
4) Using ST1 and ST2, remove the rest of the parts.

### NOTE:

- When replacing the sleeve and hub, replace them as a set.
- Do not disassemble the sleeve and hub; the aligning position is pre-matched.
- If it is necessary to disassemble, mark the engaging points on the splines beforehand.

ST1 899864100 REMOVER

ST2 899714110 REMOVER



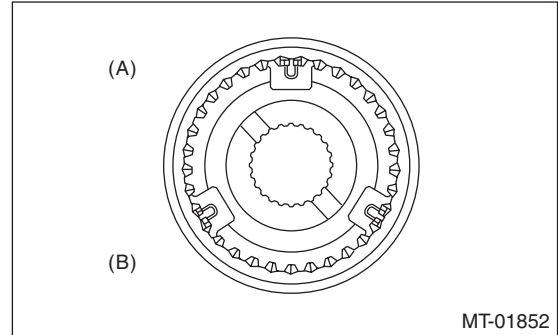
(A) Press

## D: ASSEMBLY

1) When the sleeve and hub assemblies have been disassembled, reassemble by aligning the alignment marks.

### NOTE:

Position the open ends of the spring 120° apart.



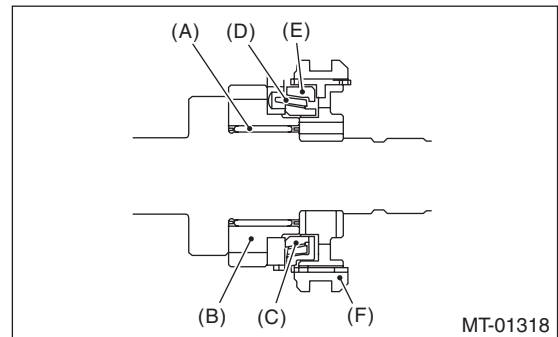
(A) 3rd-4th sleeve & hub ASSY

(B) 3rd gear side

2) Install the 3rd drive gear, outer baulk ring, synchro cone, inner baulk ring, sleeve and hub assembly for the 3rd needle bearing, on the transmission main shaft.

### NOTE:

Align the groove in baulk ring with the shifting insert.



(A) 3rd needle bearing

(B) 3rd drive gear

(C) Inner baulk ring

(D) Synchro cone

(E) Outer baulk ring

(F) Sleeve & hub ASSY

# Main Shaft Assembly for Single-Range

## MANUAL TRANSMISSION AND DIFFERENTIAL

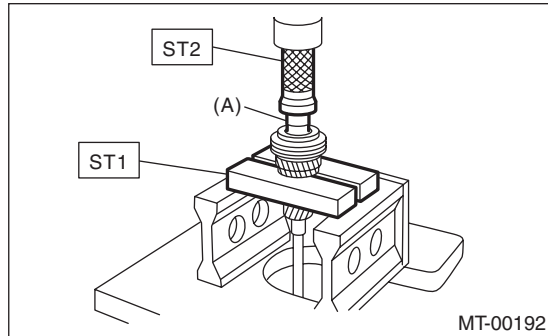
3) Install the 4th needle bearing race onto transmission main shaft using ST1, ST2 and press.

**CAUTION:**

**Do not apply a load in excess of 10 kN (1 ton, 1.1 US ton, 1.0 Imp ton).**

ST1 899714110 REMOVER

ST2 499877000 RACE 4-5 INSTALLER

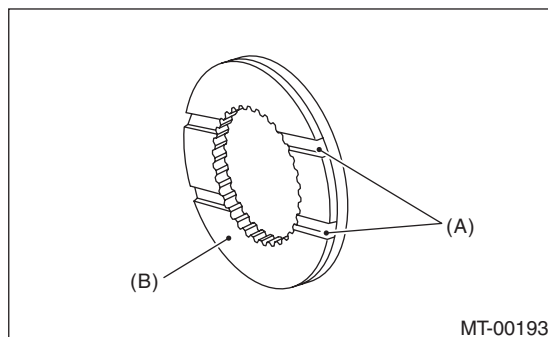


(A) 4th needle bearing race

4) Install the baulk ring, needle bearing, 4th drive gear and 4th gear thrust washer to the transmission main shaft.

**NOTE:**

Align the baulk ring and hub & sleeve assembly with the key groove.



(A) Groove

(B) Face this surface to the 4th gear side.

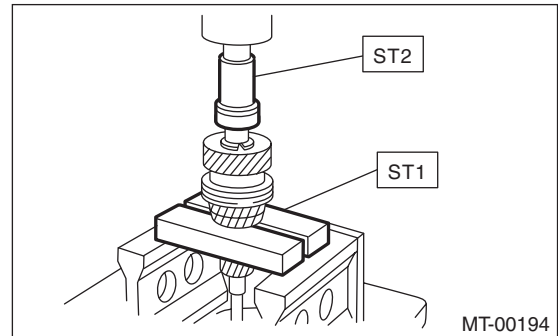
5) Using ST1, ST2 and a press, press-fit the ball bearing (non-turbo model) or double-row tapered roller bearing (turbo model) into the rear section of transmission main shaft.

**CAUTION:**

**Do not apply a load in excess of 10 kN (1 ton, 1.1 US ton, 1.0 Imp ton).**

ST1 899714110 REMOVER

ST2 499877000 RACE 4-5 INSTALLER



6) Using the ST1 and ST2, install the 5th gear thrust washer (non-turbo model) and 5th needle bearing race onto the rear section of transmission main shaft.

**CAUTION:**

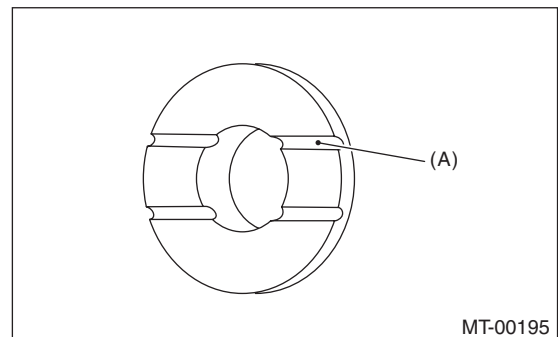
**Do not apply a load in excess of 10 kN (1 ton, 1.1 US ton, 1.0 Imp ton).**

**NOTE:**

Make sure the thrust washer is facing the correct direction.

ST1 899714110 REMOVER

ST2 499877000 RACE 4-5 INSTALLER



(A) Face this surface to the 5th gear side.

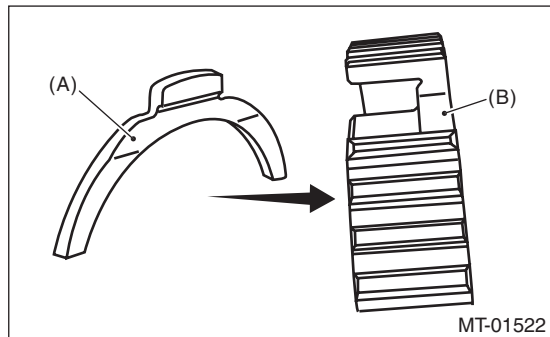
# Main Shaft Assembly for Single-Range

MANUAL TRANSMISSION AND DIFFERENTIAL

7) Install rest of the parts to the rear section of the transmission main shaft.

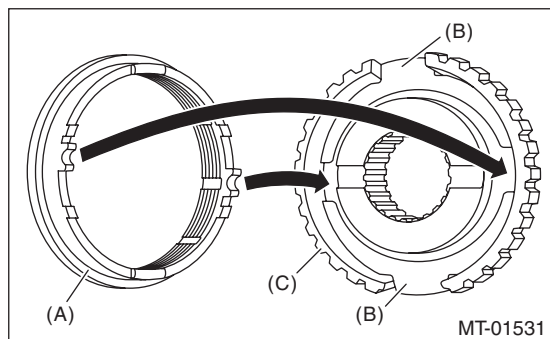
### CAUTION:

- Install the baulk lever so that the concave side faces toward the 5th hub.

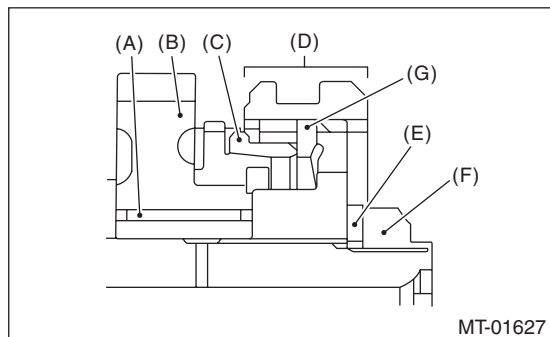


- (A) Baulk lever
- (B) 5th hub

- Align the protruded section of baulk ring between the baulk levers.



- (A) Baulk ring
- (B) Baulk lever
- (C) 5th hub



- (A) Needle bearing
- (B) 5th drive gear
- (C) Baulk ring
- (D) 5th hub & sleeve No. 2
- (E) Lock washer
- (F) Lock nut
- (G) Baulk lever

8) Tighten the lock nuts to the specified torque using ST1 and ST2.

9) Crimp lock nuts in two locations after tightening.  
ST1 499987003 SOCKET WRENCH (35)  
ST2 498937000 TRANSMISSION HOLDER

### Tightening torque:

120 N·m (12.2 kgf·m, 88.5 ft·lb)

### E: INSPECTION

Disassembled parts should be washed with cleaning solvent first, then inspected carefully.

#### 1) Bearing

Replace the bearings in the following cases.

- When the bearing balls, outer races and inner races are broken or rusty.
- When the bearing is worn.
- When the bearings fail to turn smoothly or emit noise in rotation after gear oil lubrication.
- When bearing has other defects.

#### 2) Bushing (each gear)

Replace the bushing in following cases.

- When the sliding surface is damaged or abnormally worn.
- When the inner wall is abnormally worn.

#### 3) Gear

Replace gears in the following cases.

- Replace the gear with new part if its tooth surfaces are broken, damaged or excessively worn.
- Correct or replace if the cone that contacts the baulk ring is rough or damaged.
- Correct or replace if the inner surface or end face is damaged.

# Main Shaft Assembly for Single-Range

## MANUAL TRANSMISSION AND DIFFERENTIAL

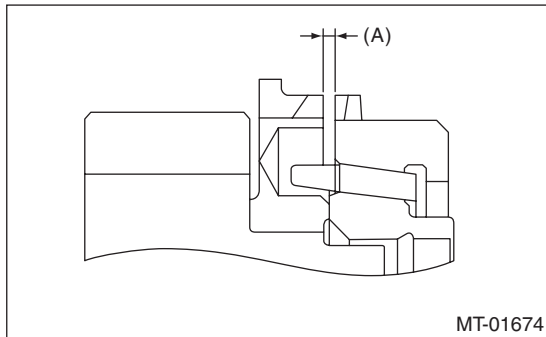
### 4) Baulk ring

Replace the baulk ring in the following cases.

- When the inner surface and end face are damaged.
- When the ring inner surface is abnormally or partially worn down.
- When the contact surface of the synchronizer ring insert section is cracked or abnormally worn.
- If the gap between the end faces of the ring and the gear splined part is excessively small, check the clearance (A) while pressing the ring against the cone.

#### Clearance (A):

**0.5 mm (0.020 in) or more**



(A) Measured value

### 5) Shifting insert key

Replace the insert key if deformed, excessively worn or defective in any way.

### 6) Oil seal

Replace the oil seal if the lip is deformed, hardened, worn or defective in any way.

### 7) O-ring

Replace the O-ring if the sealing face is deformed, hardened, damaged, worn or defective in any way.

### 8) Gearshift mechanism

Repair or replace the gearshift mechanism if excessively worn, bent or defective in any way.

## F: ADJUSTMENT

Selection of main shaft rear plate:

Using the ST, measure the protrusion amount (A) of ball bearing from transmission main case surface, and select a suitable plate in the following table.

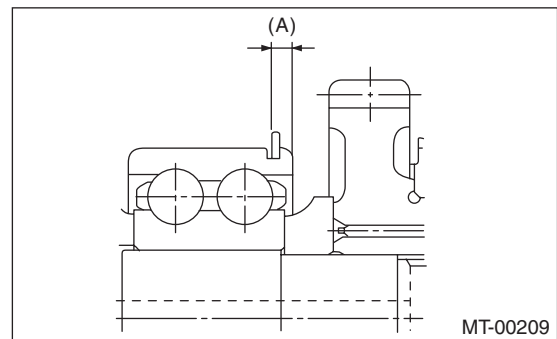
#### NOTE:

Before measuring, tap the end of main shaft with a plastic hammer lightly in order to make the clearance zero between the main case surface and moving flange of bearing.

ST 498147001 DEPTH GAUGE

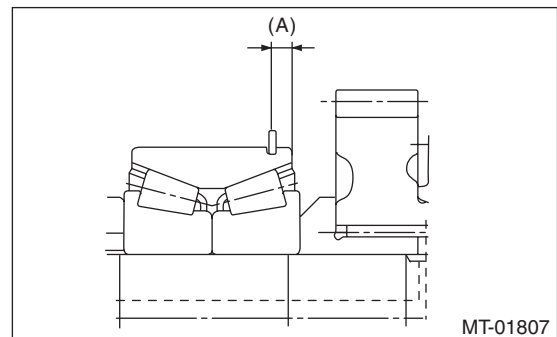
Dimension (A) mm (in)	Part No.	Mark
4.00 — 4.13 (0.1575 — 0.1626)	32294AA041	1
3.87 — 4.00 (0.1524 — 0.1575)	32294AA051	2

#### • Non-turbo model



(A) Measured value

#### • Turbo model



(A) Measured value

# Drive Pinion Shaft Assembly

MANUAL TRANSMISSION AND DIFFERENTIAL

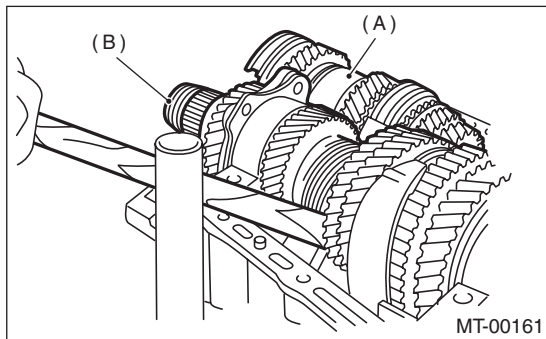
## 16. Drive Pinion Shaft Assembly

### A: REMOVAL

- 1) Remove the manual transmission assembly from the vehicle. <Ref. to 5MT-21, REMOVAL, Manual Transmission Assembly.>
- 2) Remove the transfer case together with the extension case assembly. <Ref. to 5MT-36, REMOVAL, Transfer Case and Extension Case Assembly.>
- 3) Remove the transmission case. <Ref. to 5MT-49, REMOVAL, Transmission Case.>
- 4) Remove the drive pinion shaft assembly.

#### NOTE:

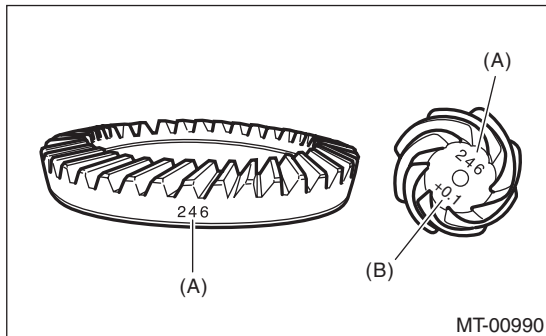
Use a hammer handle, etc. to remove if too tight.



- (A) Main Shaft ASSY for Single-Range  
(B) Drive pinion shaft ASSY

### B: INSTALLATION

- 1) Remove the front differential assembly.
- 2) Alignment marks/numbers on hypoid gear set: The number (A) on top of the drive pinion, and the number on the hypoid driven gear are set numbers for the two gears. Use a pair having the same numbers. The figure (B) below shows a number for shim adjustment. If no number is shown, the value is zero.



- (A) Set number  
(B) Number for shim adjustment

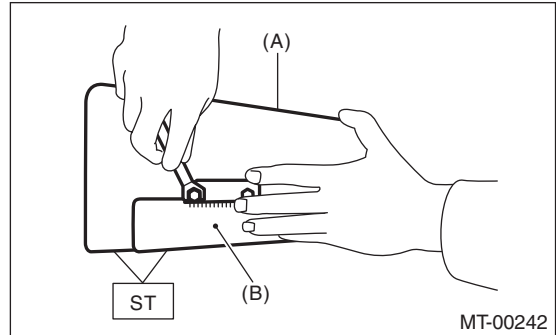
- 3) Place the drive pinion shaft assembly on transmission main case RH without shim and tighten the bearing mounting bolts.

- 4) Perform inspection and adjustment of ST.

#### NOTE:

- Loosen the two bolts and adjust so that the scale indicates 0.5 correctly when the plate end and the scale end are on the same level.
- Tighten the two bolts.

ST 499917500 DRIVE PINION GAUGE ASSY



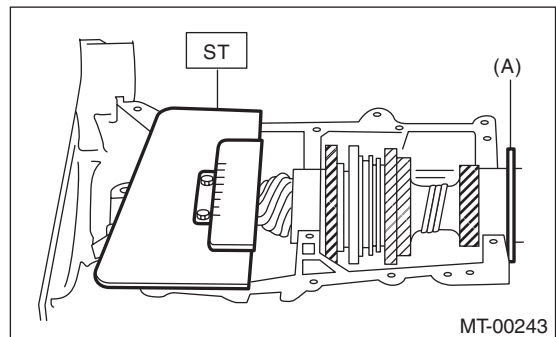
- (A) Plate  
(B) Scale

- 5) Position the ST by inserting the knock pin of ST into the knock hole of transmission case.

ST 499917500 DRIVE PINION GAUGE ASSY

- 6) Slide the drive pinion gauge scale with finger tip and read the value at the point where it matches with the end face of drive pinion.

ST 499917500 DRIVE PINION GAUGE ASSY



- (A) Adjust the clearance to zero without shim.

- 7) The thickness of shim shall be determined by adding the value indicated on drive pinion to the value indicated on the ST. (Add if the number on drive pinion is prefixed by +, and subtract if the number is prefixed by -.)

ST 499917500 DRIVE PINION GAUGE ASSY



# Drive Pinion Shaft Assembly

## MANUAL TRANSMISSION AND DIFFERENTIAL

8) Select one to three shims in the following table for the value determined as described above, and take the shim(s) which thickness is closest to the said value.

Drive pinion shim	
Part number	Thickness mm (in)
32295AA031	0.150 (0.0059)
32295AA041	0.175 (0.0069)
32295AA051	0.200 (0.0079)
32295AA061	0.225 (0.0089)
32295AA071	0.250 (0.0098)
32295AA081	0.275 (0.0108)
32295AA091	0.300 (0.0118)
32295AA101	0.500 (0.0197)

9) Install the front differential assembly. <Ref. to 5MT-66, INSTALLATION, Front Differential Assembly.>

10) Set the transmission main shaft assembly for single range and drive pinion shaft assembly in the install location. (When doing so, there will be no clearance between the two when moved all the way to the front). Inspect a suitable 1st-2nd, 3rd-4th and 5th shifter fork so that the coupling sleeve and reverse driven gear are positioned in the center of the synchronizing mechanism. <Ref. to 5MT-63, INSPECTION, Drive Pinion Shaft Assembly.>

11) Install the transmission case. <Ref. to 5MT-50, INSTALLATION, Transmission Case.>

12) Install the transfer case together with the extension case assembly. <Ref. to 5MT-36, INSTALLATION, Transfer Case and Extension Case Assembly.>

13) Install the manual transmission assembly to the vehicle. <Ref. to 5MT-25, INSTALLATION, Manual Transmission Assembly.>

## C: DISASSEMBLY

### NOTE:

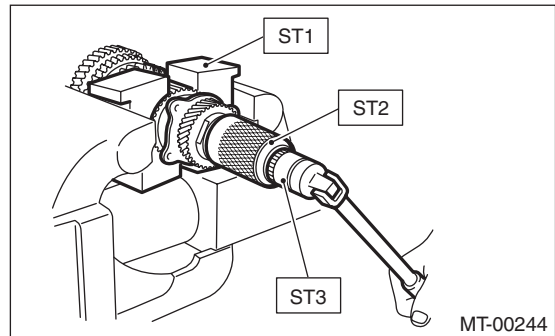
Attach a cloth to the end of driven shaft (on the frictional side of the thrust needle bearing) to prevent damage during disassembly or reassembly.

1) Flatten the tab of the lock nut. Remove the lock nut with ST1, ST2 and ST3.

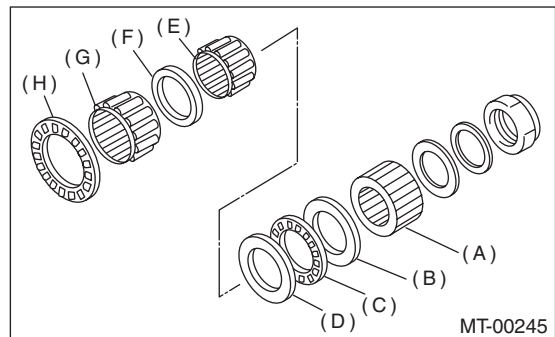
ST1 899884100 HOLDER

ST2 498427100 STOPPER

ST3 899988608 SOCKET WRENCH (27)



2) Draw out the drive pinion shaft from driven shaft. Remove the differential bevel gear sleeve, adjusting washer No. 1, adjusting washer No. 2, thrust bearing, needle bearing and drive pinion collar.



- (A) Differential bevel gear sleeve
- (B) Adjusting washer No. 1 (25 × 37.5 × t)
- (C) Thrust bearing (25 × 37.5 × 3)
- (D) Adjusting washer No. 2 (25 × 37.5 × t)
- (E) Needle bearing (25 × 30 × 20)
- (F) Drive pinion collar
- (G) Needle bearing (30 × 37 × 23)
- (H) Thrust bearing (33 × 50 × 3)



# Drive Pinion Shaft Assembly

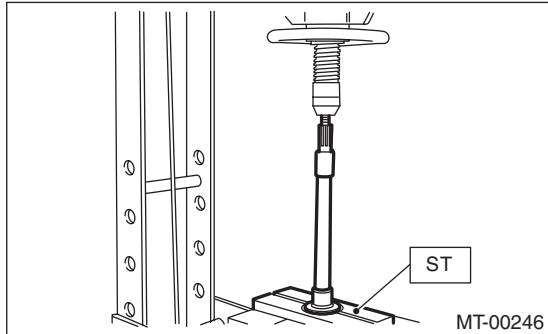
MANUAL TRANSMISSION AND DIFFERENTIAL

3) Remove the roller bearing and washer using ST and a press.

NOTE:

Do not reuse the roller bearing.

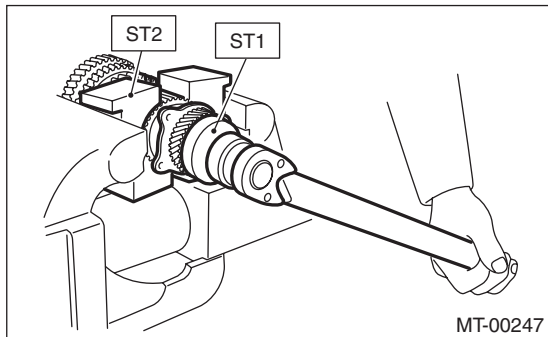
ST 498077000 REMOVER



4) Flatten the tab of the lock nut. Remove the lock nut using ST1 and ST2.

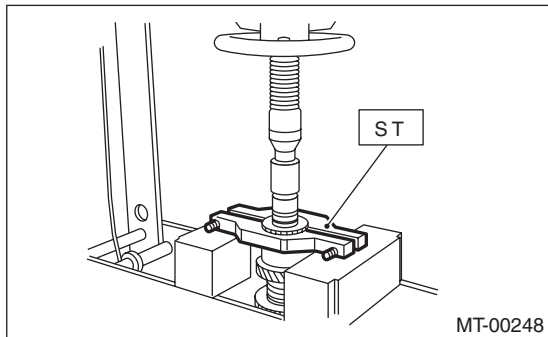
ST1 499987300 SOCKET WRENCH (50)

ST2 899884100 HOLDER



5) Remove the 5th driven gear using ST.

ST 499857000 5TH DRIVEN GEAR REMOVER

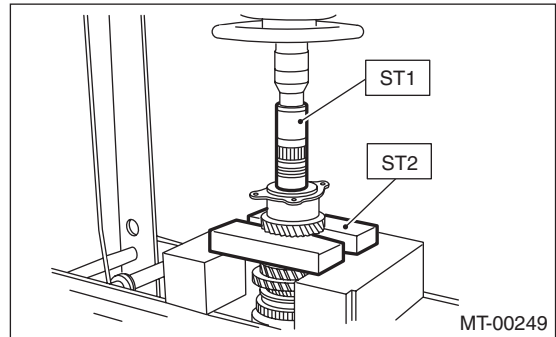


6) Remove the woodruff key.

7) Remove the roller bearing and 3rd-4th driven gear using ST1 and ST2.

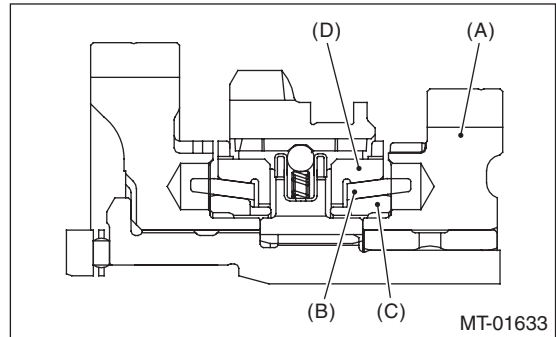
ST1 499757002 INSTALLER

ST2 899714110 REMOVER



8) Remove the key.

9) Remove the 2nd driven gear, inner baulk ring, synchro cone and outer baulk ring.



(A) 2nd driven gear

(B) Synchro cone

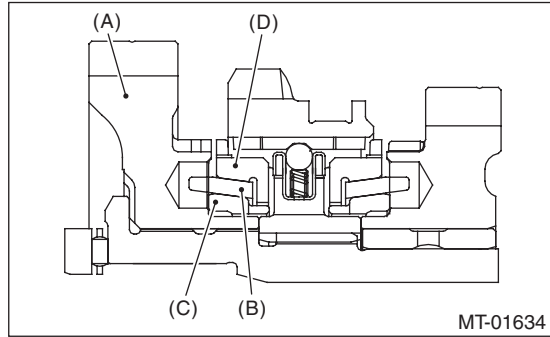
(C) Inner baulk ring

(D) Outer baulk ring

# Drive Pinion Shaft Assembly

## MANUAL TRANSMISSION AND DIFFERENTIAL

10) Remove the 1st driven gear, inner baulk ring, synchro cone, outer baulk ring, 2nd gear bushing, gear and hub using ST1 and ST2.

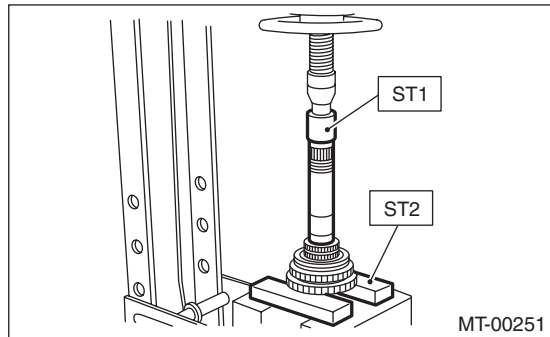


- (A) 1st driven gear
- (B) Synchro cone
- (C) Inner baulk ring
- (D) Outer baulk ring

### NOTE:

If necessary, use a new gear and hub assembly as a set, when replacing the gear or hub. Because these must engage at the specified point, avoid disassembly as much as possible. If it must be disassembled, mark the engaging point on the spline beforehand.

ST1 499757002 INSTALLER  
ST2 899714110 REMOVER



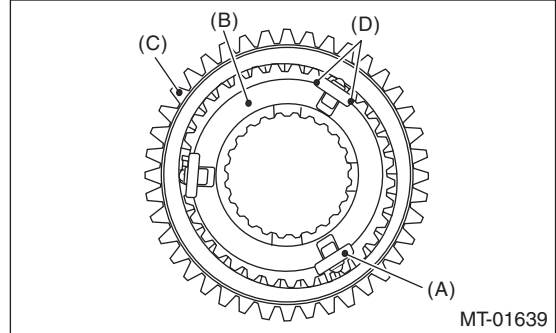
11) Remove the sub gear, washer and snap ring (outer) of the 1st driven gear. (Non-turbo model)

## D: ASSEMBLY

1) Install the sleeve and the gear and hub assembly by matching the alignment marks.

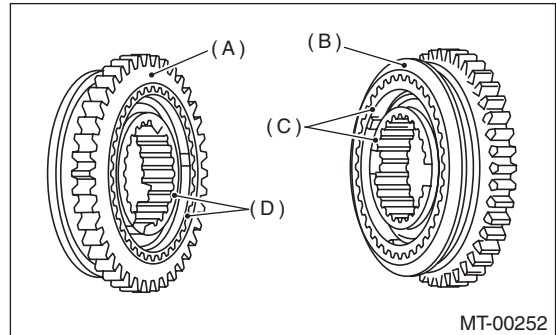
### NOTE:

- Make sure that there is no large clearance at both sides of ball detent after assembly.



- (A) Ball detent
- (B) 1st-2nd synchronizer hub
- (C) Reverse driven gear
- (D) There is no large clearance at this part.

- Use the new gear & hub assembly, if replacing the gear or hub.



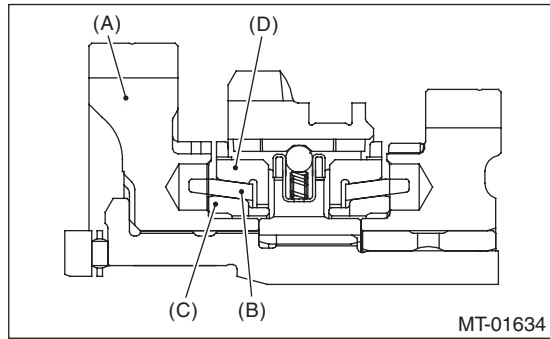
- (A) 1st gear side
- (B) 2nd gear side
- (C) Flush surface
- (D) Stepped surface

2) Install the washer, snap ring (outer) and sub gear onto the 1st driven gear. (Non-turbo model)

# Drive Pinion Shaft Assembly

MANUAL TRANSMISSION AND DIFFERENTIAL

3) Install the 1st driven gear, inner baulk ring, synchro cone, outer baulk ring, and gear & hub assembly onto driven shaft.



- (A) 1st driven gear
- (B) Synchro cone
- (C) Inner baulk ring
- (D) Outer baulk ring

**NOTE:**

- Take care to install the gear and hub assembly in proper direction.
- Align the baulk ring and gear & hub assembly with the key groove.

4) Install the 2nd driven gear bushing onto driven shaft using ST1, ST2 and a press.

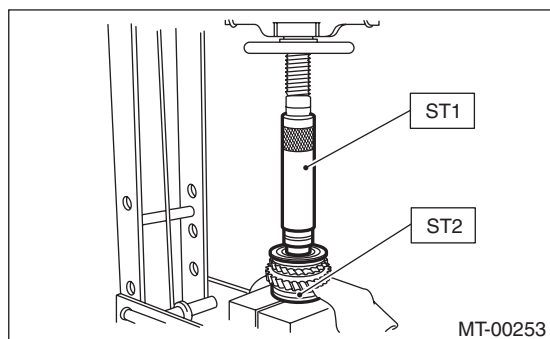
**CAUTION:**

**Do not apply a load in excess of 10 kN (1 ton, 1.1 US ton, 1.0 Imp ton).**

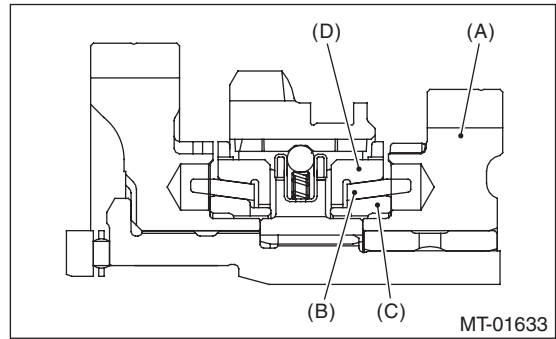
**NOTE:**

- Attach a cloth to the end of the driven shaft to prevent damage.
- When press fitting, align the oil holes of the shaft and bushing

ST1 499277200 INSTALLER  
ST2 499587000 INSTALLER



5) Install the 2nd driven gear, inner baulk ring, synchro cone and outer baulk ring, and insert them onto driven shaft.



- (A) 2nd driven gear
- (B) Synchro cone
- (C) Inner baulk ring
- (D) Outer baulk ring

6) After installing key on driven shaft, install the 3rd-4th driven gear using an ST and a press.

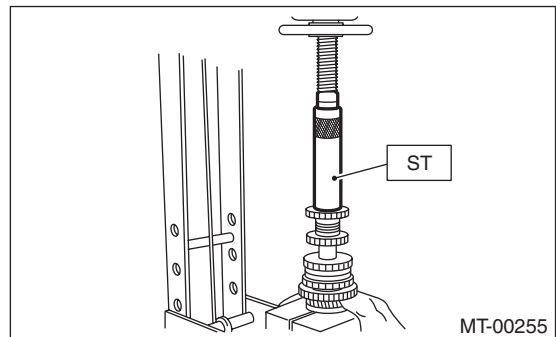
**CAUTION:**

**Do not apply a load in excess of 10 kN (1 ton, 1.1 US ton, 1.0 Imp ton).**

**NOTE:**

Align the groove in baulk ring with the insert.

ST 499277200 INSTALLER

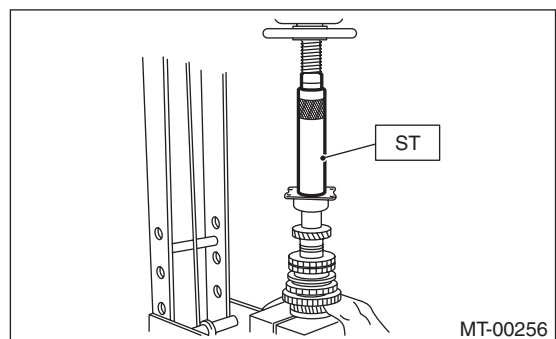


7) Install a set of roller bearings onto the driven shaft using ST and a press.

**CAUTION:**

**Do not apply a load in excess of 10 kN (1 ton, 1.1 US ton, 1.0 Imp ton).**

ST 499277200 INSTALLER



# Drive Pinion Shaft Assembly

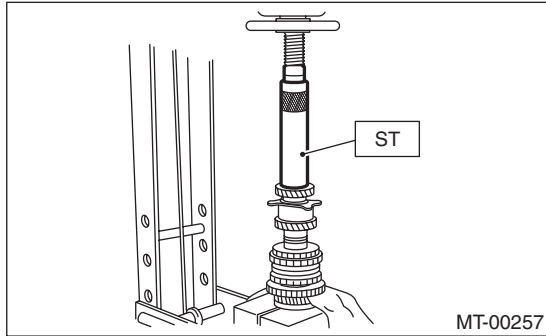
## MANUAL TRANSMISSION AND DIFFERENTIAL

8) Position the woodruff key in groove of the rear of driven shaft. Install the 5th driven gear onto driven shaft using ST and a press.

**CAUTION:**

**Do not apply a load in excess of 10 kN (1 ton, 1.1 US ton, 1.0 Imp ton).**

ST 499277200 INSTALLER



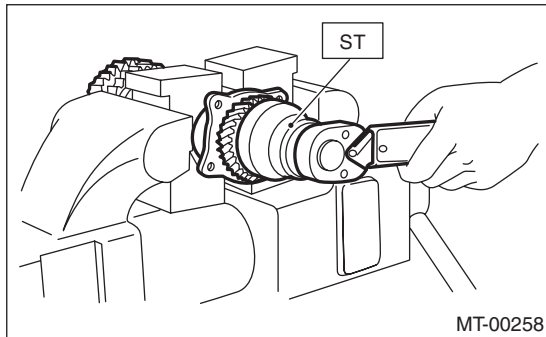
9) Install the lock washer. Tighten the lock nuts to the specified torque using ST1 and ST2.

ST1 499987300 SOCKET WRENCH (50)

ST2 899884100 HOLDER

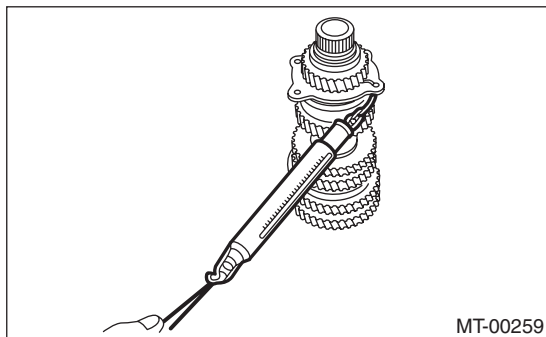
**Tightening torque:**

**260 N·m (26.5 kgf·m, 191.8 ft·lb)**



**NOTE:**

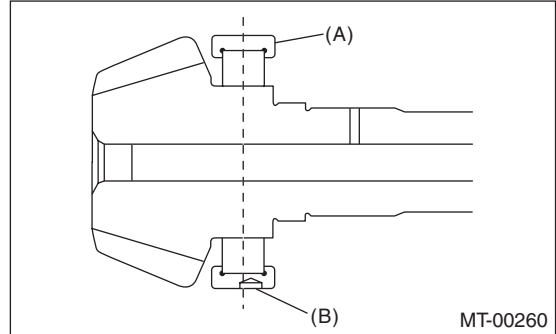
- Crimp the locknut in 2 locations.
- Using a spring scale, check that starting torque of the roller bearing is 0.1 to 1.5 N (0.01 to 0.15 kgf, 0.02 to 0.34 lbf).



10) Install the roller bearing onto the drive pinion shaft.

**NOTE:**

When installing the roller bearing, note its directions (front and rear) because the knock pin hole of outer race is offset.



(A) Roller bearing

(B) Knock pin hole

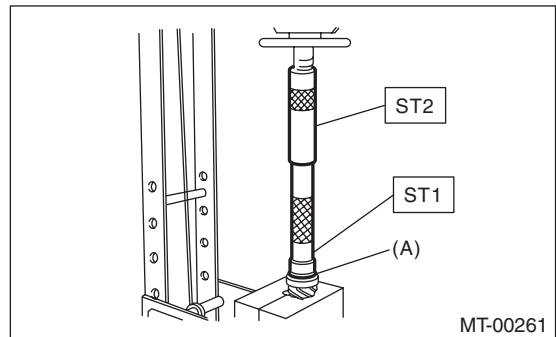
11) Install the washer using ST1, ST2 and a press.

**CAUTION:**

**Do not apply a load in excess of 10 kN (1 ton, 1.1 US ton, 1.0 Imp ton).**

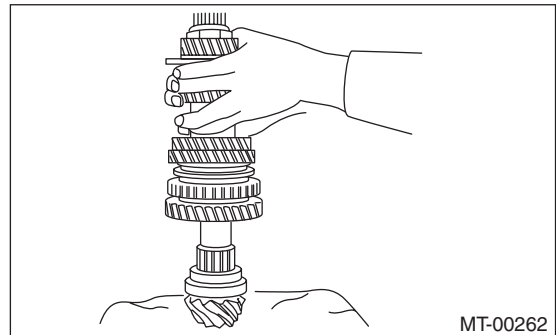
ST1 499277100 BUSHING 1-2 INSTALLER

ST2 499277200 INSTALLER



(A) Washer

12) Install the thrust bearing and needle bearing. Install the driven shaft assembly.



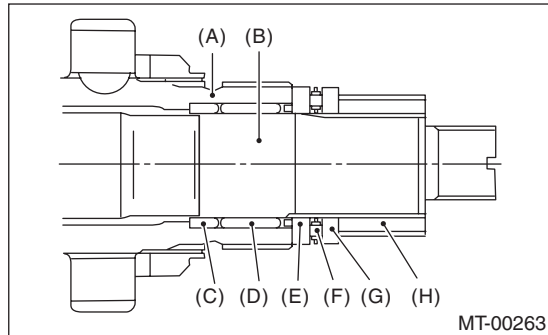
# Drive Pinion Shaft Assembly

MANUAL TRANSMISSION AND DIFFERENTIAL

13) Install the drive pinion collar, needle bearing, adjusting washer No. 2, thrust bearing, adjusting washer No. 1 and differential bevel gear sleeve in this order.

## NOTE:

Be careful to install the spacer in the proper direction.



- (A) Driven shaft
- (B) Drive shaft
- (C) Drive pinion collar
- (D) Needle bearing (25 × 30 × 20)
- (E) Adjusting washer No. 2 (25 × 36 × t)
- (F) Thrust bearing (25 × 37.5 × 3)
- (G) Adjusting washer No. 1 (25 × 36 × t)
- (H) Differential bevel gear sleeve

14) Adjust the thrust bearing preload. <Ref. to 5MT-64, THRUST BEARING PRELOAD, ADJUSTMENT, Drive Pinion Shaft Assembly.>

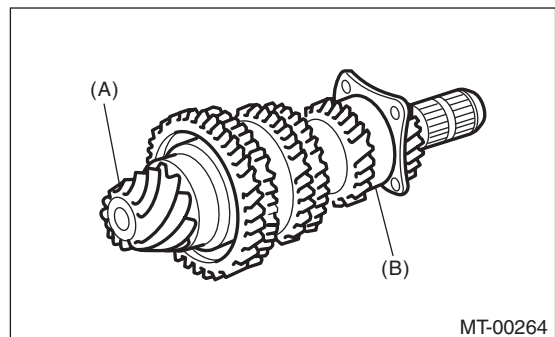
## E: INSPECTION

Disassembled parts should be washed with cleaning solvent first, then inspected carefully.

### 1) Bearing

Replace the bearings in the following cases.

- When the bearing balls, outer races and inner races are broken or rusty.
- When the bearing is worn.
- When the bearings fail to turn smoothly or emit noise in rotation after gear oil lubrication.
- The ball bearing on the rear side of the drive pinion shaft should be checked for smooth rotation before the drive pinion shaft assembly is disassembled. In this case, because a preload is working on the bearing, its rotation feels like it is slightly dragging unlike other bearings.



- (A) Drive pinion shaft
- (B) Ball bearing

- When bearing has other defects.

### 2) Bushing (each gear)

Replace the bushing in following cases.

- When the sliding surface is damaged or abnormally worn.
- When the inner wall is abnormally worn.

### 3) Gear

Replace gears in the following cases.

- Replace the gear with new part if its tooth surfaces are broken, damaged or excessively worn.
- Correct or replace if the cone that contacts the baulk ring is rough or damaged.
- Correct or replace if the inner surface or end face is damaged.

# Drive Pinion Shaft Assembly

## MANUAL TRANSMISSION AND DIFFERENTIAL

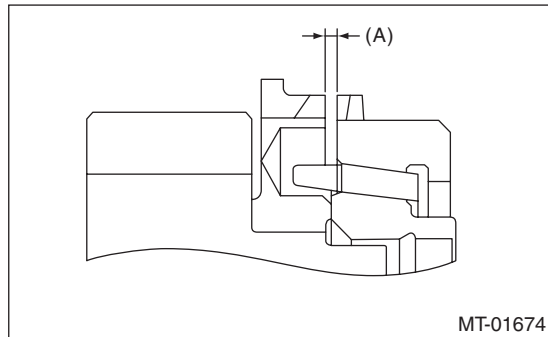
### 4) Baulk ring

Replace the baulk ring in the following cases.

- When the inner surface and end face are damaged.
- When the baulk ring inner surface is abnormally or partially worn down.
- When the contact surface of synchronizer ring insert is cracked or abnormally worn.
- If the gap between the end faces of the baulk ring and the gear splined part is excessively small, check the clearance (A) while pressing the ring against the cone.

#### Clearance (A):

**0.5 mm (0.020 in) or more**



(A) Measured value

### 5) Ball detent

Replace the ball detent if deformed, excessively worn or defective in any way.

### 6) Oil seal

Replace the oil seal if the lip is deformed, hardened, worn or defective in any way.

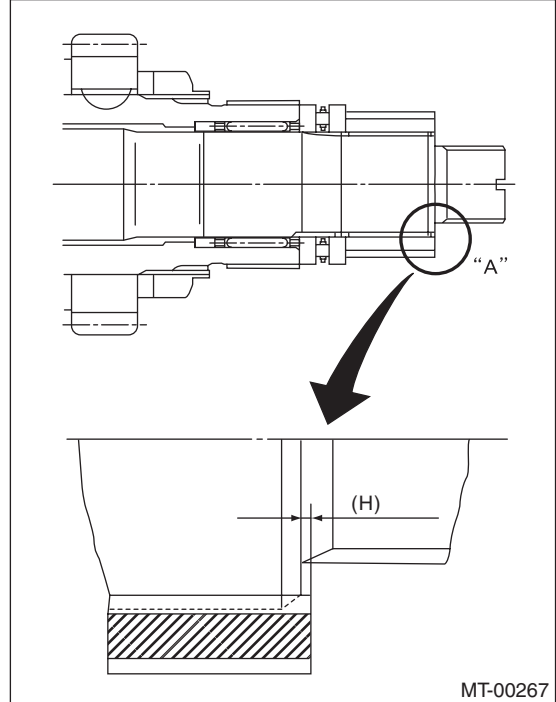
### 7) O-ring

Replace the O-ring if the sealing face is deformed, hardened, damaged, worn or defective in any way.

## F: ADJUSTMENT

### 1. THRUST BEARING PRELOAD

1) Select a suitable adjusting washer No. 1 to so that dimension (H) will be zero in a visual check. Position the washer (18.3 × 30 × 4) and lock washer (18 × 30 × 2) and attach the lock nut. (18 × 13.5)

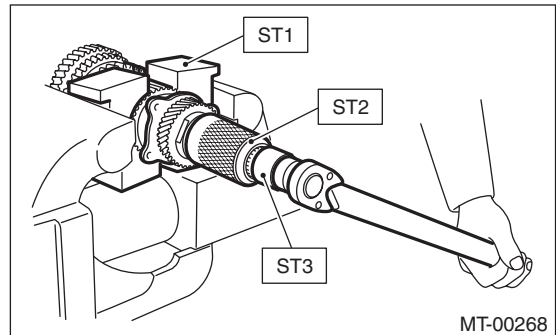


2) Using the ST1, ST2 and ST3, tighten the new lock nut to the specified torque.

- |     |           |                    |
|-----|-----------|--------------------|
| ST1 | 899884100 | HOLDER             |
| ST2 | 498427100 | STOPPER            |
| ST3 | 899988608 | SOCKET WRENCH (27) |

#### Tightening torque:

**120 N·m (12.2 kgf·m, 88.5 ft·lb)**



# Drive Pinion Shaft Assembly

MANUAL TRANSMISSION AND DIFFERENTIAL

3) After removing the ST2, measure the starting torque using torque driver.

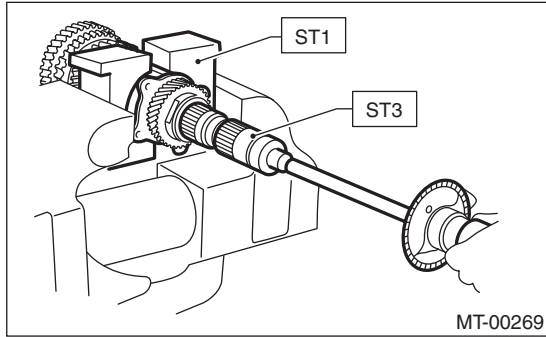
ST1 899884100 HOLDER

ST3 899988608 SOCKET WRENCH (27)

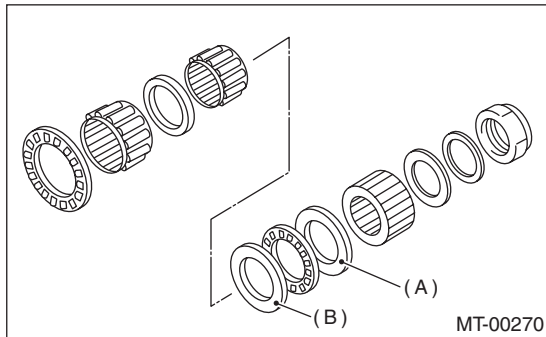
**Starting torque:**

**0.3 — 0.8 N·m**

**(0.03 — 0.08 kgf-m, 0.22 — 0.59 ft-lb)**



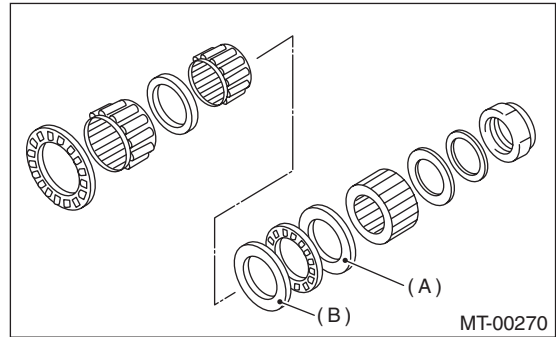
4) If the starting torque is not within the specified limit, select new adjusting washer No. 1 and re-check starting torque.



(A) Adjusting washer No. 1

(B) Adjusting washer No. 2

5) If the specified starting torque cannot be obtained by the selection of adjusting washer No. 1, select adjusting washer No. 2 from the list below. Repeat steps 1) through 4) to adjust starting torque.



(A) Adjusting washer No. 1

(B) Adjusting washer No. 2

Starting torque	Dimension H	Adjusting washer No. 2
Low	Small	Select thicker one.
High	Large	Select thinner one.

Adjusting washer No. 2	
Part No.	Thickness mm (in)
803025059	3.850 (0.1516)
803025054	4.000 (0.1575)
803025058	4.150 (0.1634)

6) Recheck that the starting torque is within the specified range, then crimp the lock nut at four positions.

Adjusting washer No. 1	
Part No.	Thickness mm (in)
803025051	3.925 (0.1545)
803025052	3.950 (0.1555)
803025053	3.975 (0.1565)
803025054	4.000 (0.1575)
803025055	4.025 (0.1585)
803025056	4.050 (0.1594)
803025057	4.075 (0.1604)



# Front Differential Assembly

## MANUAL TRANSMISSION AND DIFFERENTIAL

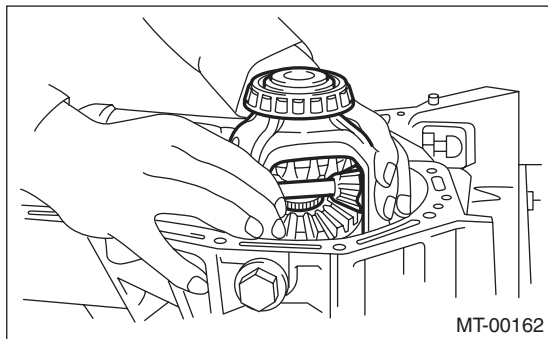
### 17. Front Differential Assembly

#### A: REMOVAL

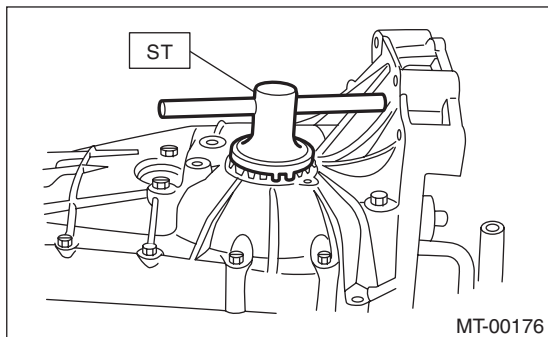
- 1) Remove the manual transmission assembly from the vehicle. <Ref. to 5MT-21, REMOVAL, Manual Transmission Assembly.>
- 2) Remove the transfer case together with the extension case assembly. <Ref. to 5MT-36, REMOVAL, Transfer Case and Extension Case Assembly.>
- 3) Remove the transmission case. <Ref. to 5MT-49, REMOVAL, Transmission Case.>
- 4) Remove the drive pinion shaft assembly. <Ref. to 5MT-57, REMOVAL, Drive Pinion Shaft Assembly.>
- 5) Remove the main shaft assembly for single-range. <Ref. to 5MT-52, REMOVAL, Main Shaft Assembly for Single-Range.>
- 6) Remove the front differential assembly.

#### NOTE:

- Do not confuse the right and left roller bearing outer races.
- Be careful not to damage the oil seal of retainer.



- 7) Remove the differential side retainers using ST. ST 18630AA010 WRENCH COMPL RETAINER



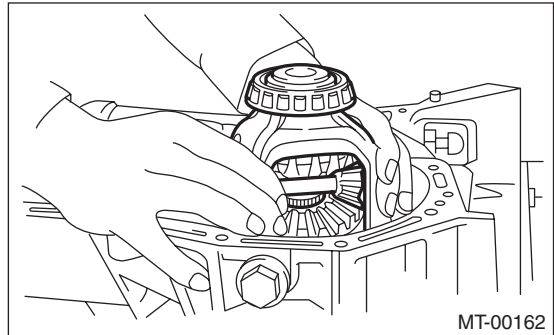
- 8) Remove the bearing outer race from the transmission case. ST 398527700 PULLER ASSY

#### B: INSTALLATION

- 1) Install the differential side retainers using ST. ST 18630AA010 WRENCH COMPL RETAINER
- 2) Install the bearing outer race to the transmission case.
- 3) Install the front differential assembly.

#### NOTE:

Be careful not to fold the sealing lip of oil seal.



- 4) Install the main shaft assembly for single-range. <Ref. to 5MT-52, INSTALLATION, Main Shaft Assembly for Single-Range.>
- 5) Install the drive pinion shaft assembly. <Ref. to 5MT-57, INSTALLATION, Drive Pinion Shaft Assembly.>
- 6) Install the transmission case. <Ref. to 5MT-50, INSTALLATION, Transmission Case.>
- 7) Install the transfer case together with the extension case assembly. <Ref. to 5MT-36, INSTALLATION, Transfer Case and Extension Case Assembly.>
- 8) Install the manual transmission assembly to the vehicle. <Ref. to 5MT-25, INSTALLATION, Manual Transmission Assembly.>



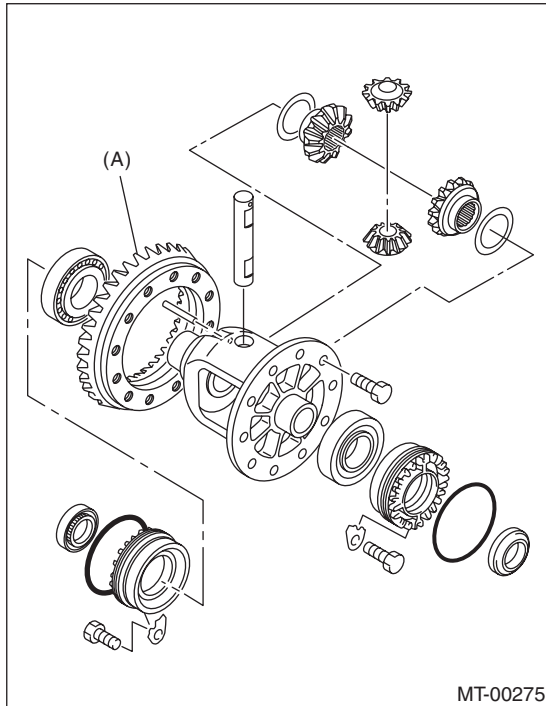
# Front Differential Assembly

MANUAL TRANSMISSION AND DIFFERENTIAL

## C: DISASSEMBLY

### 1. DIFFERENTIAL CASE ASSEMBLY

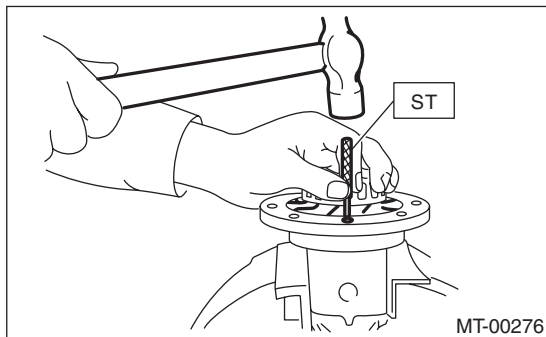
1) Remove the twelve bolts and remove hypoid driven gear.



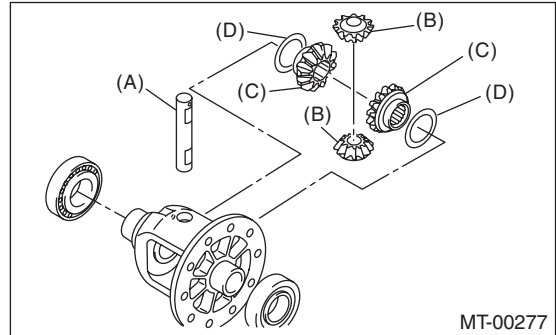
(A) Hypoid driven gear

2) Drive out the straight pin from differential assembly toward hypoid driven gear side.

ST 899904100 STRAIGHT PIN REMOVER



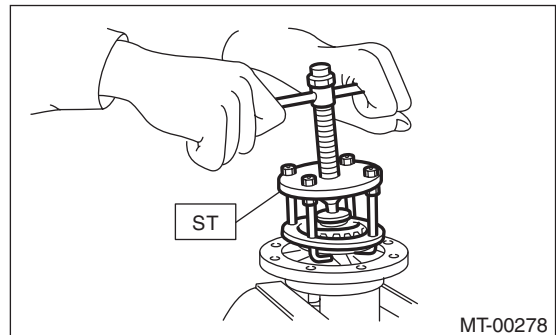
3) Pull out the pinion shaft, and remove the differential bevel pinion, differential bevel gear and washer.



- (A) Pinion shaft
- (B) Differential bevel pinion
- (C) Differential bevel gear
- (D) Washer

4) Using the ST, remove the roller bearing.

ST 899524100 PULLER SET

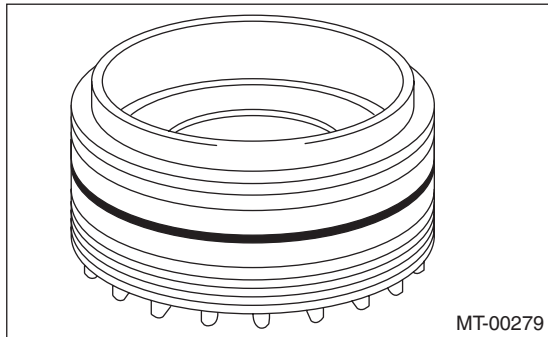


# Front Differential Assembly

## MANUAL TRANSMISSION AND DIFFERENTIAL

### 2. SIDE RETAINER

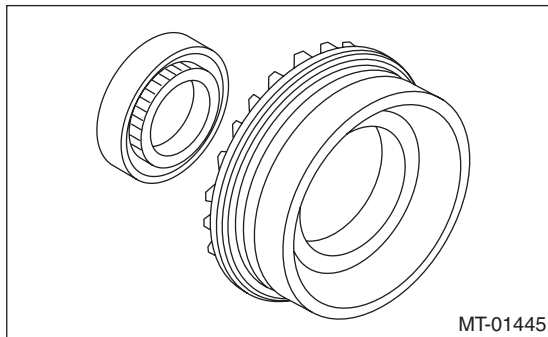
1) Remove the O-ring.



2) Remove the oil seal.

#### NOTE:

- Remove using the flat tip screwdriver.
- Do not reuse the oil seal. Replace the oil seal with a new part.



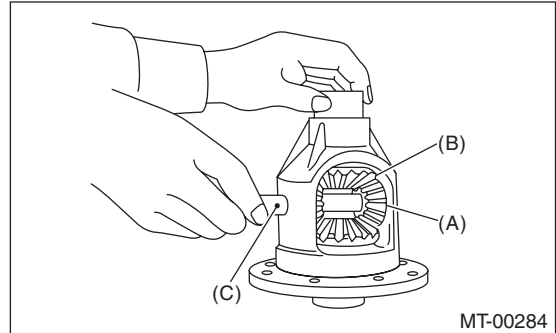
### D: ASSEMBLY

#### 1. DIFFERENTIAL CASE ASSEMBLY

1) Install the differential bevel gear and differential bevel pinion together with washer, and insert the pinion shaft.

#### NOTE:

Face the chamfered side of washer toward gear.



- (A) Differential bevel pinion
- (B) Differential bevel gear
- (C) Pinion shaft

2) Measure the backlash between differential bevel gear and differential pinion. If backlash is not within specified value, install a suitable washer to adjust. <Ref. to 5MT-70, BEVEL PINION GEAR BACKLASH, INSPECTION, Front Differential Assembly.>

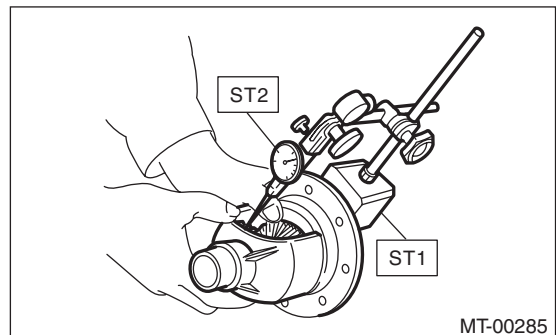
#### NOTE:

Be sure the pinion gear teeth contacts adjacent gear teeth during measurement.

- ST1 498247001 MAGNET BASE
- ST2 498247100 DIAL GAUGE

#### Standard backlash

**0.13 — 0.18 mm (0.0051 — 0.0071 in)**



# Front Differential Assembly

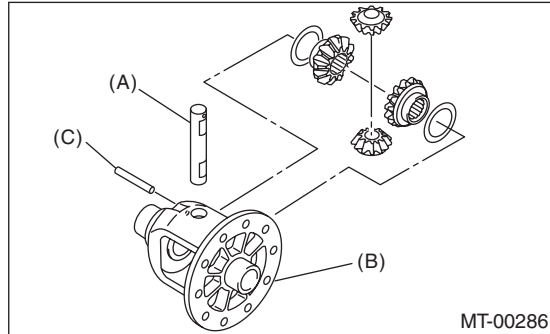
MANUAL TRANSMISSION AND DIFFERENTIAL

3) Align the pinion shaft and differential case with each hole, and drive the straight pin into the holes from the hypoid driven gear using the ST.

NOTE:

Lock the straight pin after installing.

ST 899904100 STRAIGHT PIN REMOVER



- (A) Pinion shaft
- (B) Differential case
- (C) Straight pin

4) Install the roller bearing to differential case.

**CAUTION:**

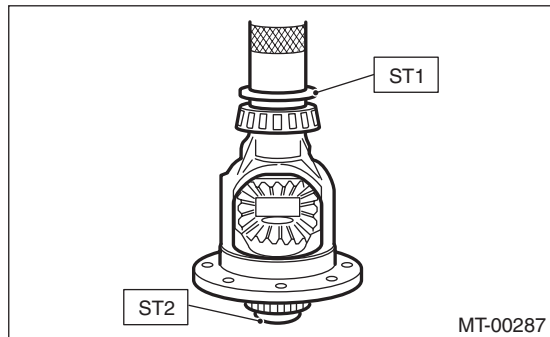
Do not apply a load in excess of 10 kN (1 ton, 1.1 US ton, 1.0 Imp ton).

NOTE:

Be careful because the roller bearing outer races are used as a set.

ST1 499277100 BUSHING 1-2 INSTALLER

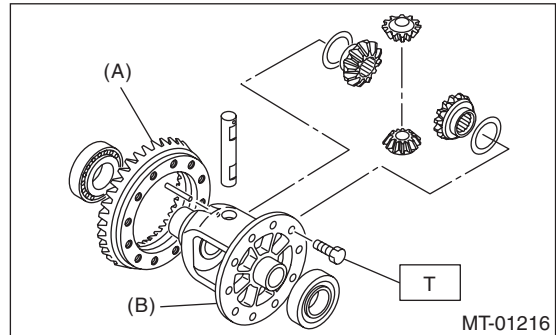
ST2 398497701 ADAPTER



5) Install the hypoid driven gear to the differential case using twelve bolts.

**Tightening torque:**

**T: 62 N·m (6.3 kgf-m, 45.7 ft-lb)**

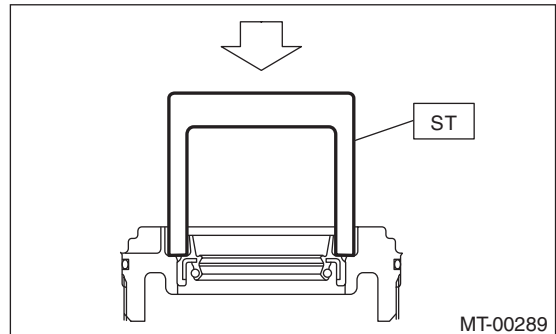


- (A) Hypoid driven gear
- (B) Differential case

## 2. SIDE RETAINER

1) Install a new oil seal.

ST 18675AA000 DIFFERENTIAL SIDE OIL SEAL INSTALLER



**CAUTION:**

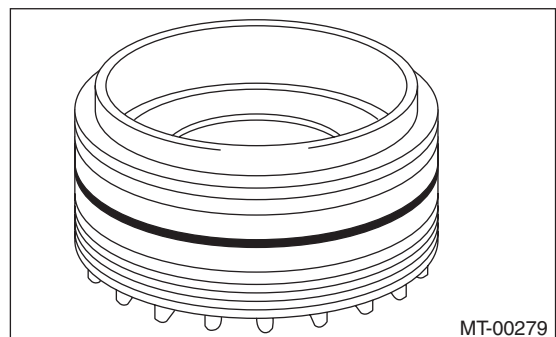
• When press-fitting the oil seal to the side retainer, tap with a plastic hammer etc. to press in.

• Never use a press.

2) Install a new O-ring.

NOTE:

Do not stretch or damage the O-ring.



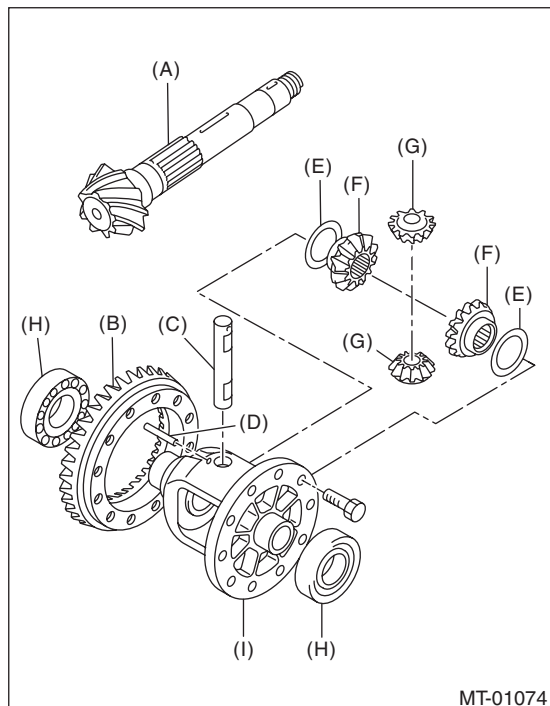
# Front Differential Assembly

## MANUAL TRANSMISSION AND DIFFERENTIAL

### E: INSPECTION

Repair or replace the differential gear in the following cases:

- When the hypoid drive gear and drive pinion shaft tooth surfaces are damaged, excessively worn, or seized.
- When the roller bearing on the drive pinion shaft has a worn or damaged roller path.
- When there is damage, wear or seizure of the differential bevel pinion, differential bevel gear, washer, pinion shaft or straight pin.
- When the differential case sliding surfaces are worn or damaged.



- (A) Drive pinion shaft
- (B) Hypoid driven gear
- (C) Pinion shaft
- (D) Straight pin
- (E) Washer
- (F) Differential bevel gear
- (G) Differential bevel pinion
- (H) Roller bearing
- (I) Differential case

### 1. BEVEL PINION GEAR BACKLASH

Measure the backlash between differential bevel gear and differential bevel pinion. If backlash is not within specified value, install a suitable washer to adjust. <Ref. to 5MT-71, ADJUSTMENT, Front Differential Assembly.>

#### NOTE:

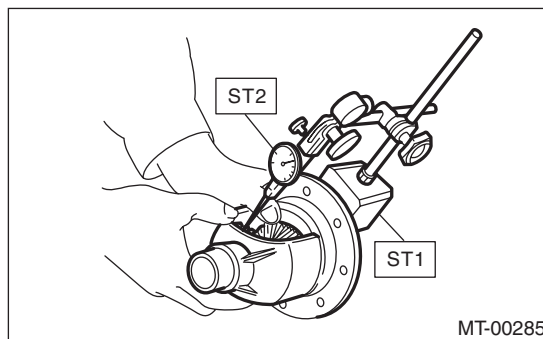
Be sure the pinion gear teeth contacts adjacent gear teeth during measurement.

ST1 498247001 MAGNET BASE

ST2 498247100 DIAL GAUGE

#### Standard backlash

**0.13 — 0.18 mm (0.0051 — 0.0071 in)**



### 2. HYPOID GEAR BACKLASH

1) Set the ST1, ST2 and ST3. Insert the needle through transmission oil drain plug hole so that the needle comes in contact with the tooth surface on the right corner, and check the backlash.

ST1 498247001 MAGNET BASE

ST2 498247100 DIAL GAUGE

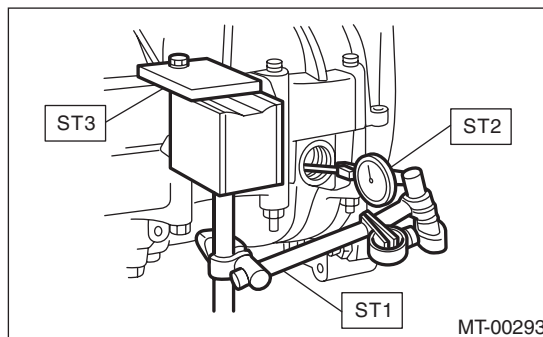
ST3 498255400 PLATE

2) Install SUBARU genuine axle shafts to both sides, rotate in the inversion direction so that the gauge contacts the tooth surface, and read the dial gauge

Part No. 38415AA100 AXLE SHAFT

#### Backlash

**0.13 — 0.18 mm (0.0051 — 0.0071 in)**



#### NOTE:

If the backlash is outside the specified range, adjust it by turning the side retainer in the right side case.

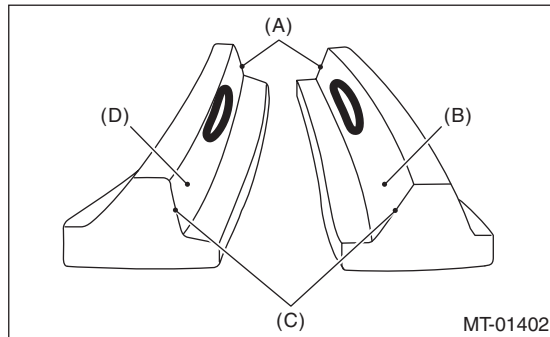
# Front Differential Assembly

MANUAL TRANSMISSION AND DIFFERENTIAL

## 3. TOOTH CONTACT OF HYPOID GEAR

Check tooth contact of hypoid gear as follows: Apply a thin uniform coat of red lead on both teeth surfaces on 3 or 4 teeth of the hypoid gear. Move the hypoid gear back and forth by turning the transmission main shaft until a definite contact pattern is developed on the hypoid gear, and judge whether face contact is correct. When the contact pattern is not correct, adjust. <Ref. to 5MT-71, ADJUSTMENT, Front Differential Assembly.>

- Tooth contact is correct.



- (A) Toe
- (B) Coast side
- (C) Heel
- (D) Drive side

## F: ADJUSTMENT

### 1. BEVEL PINION GEAR BACKLASH

1) Disassemble the front differential assembly. <Ref. to 5MT-67, DISASSEMBLY, Front Differential Assembly.>

2) Select a different washer from the table and install.

Washer	
Part number	Thickness mm (in)
803038021	0.925 — 0.950 (0.0364 — 0.0374)
803038022	0.975 — 1.000 (0.0384 — 0.0394)
803038023	1.025 — 1.050 (0.0404 — 0.0413)

3) Adjust until the standard value is obtained.

**Backlash:**

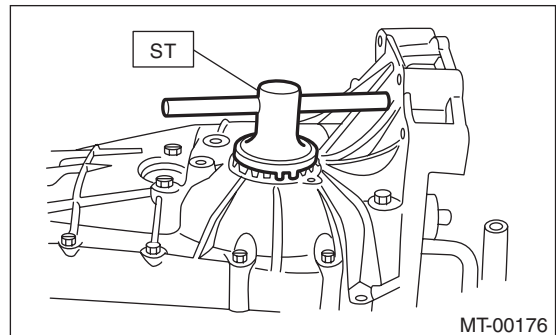
**Standard**

**0.13 — 0.18 mm (0.0051 — 0.0071 in)**

### 2. HYPOID GEAR BACKLASH

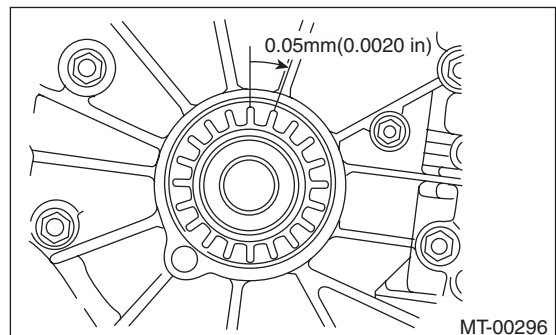
Adjust the backlash by turning the side retainer in the RH side case.

ST 18630AA010 WRENCH COMPL RETAINER



**NOTE:**

Each time side retainer rotates one tooth, backlash changes by 0.05 mm (0.020 in).



# Front Differential Assembly

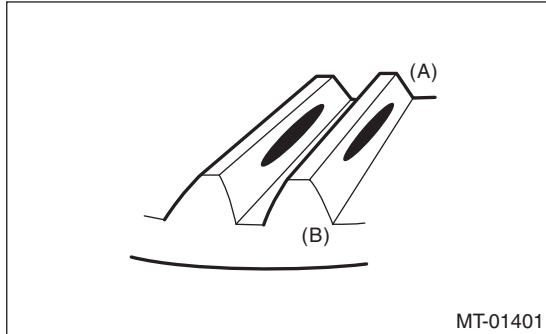
## MANUAL TRANSMISSION AND DIFFERENTIAL

### 3. TOOTH CONTACT OF HYPOID GEAR

- 1) Adjust until correct teeth contact is obtained.
- 2) Check tooth contact, and perform the adjustment as follows.

- Tooth contact

**Check item: Tooth contact surface is slightly shifted toward the toe side under a no-load condition. (When driving, it moves towards the heel side.)**

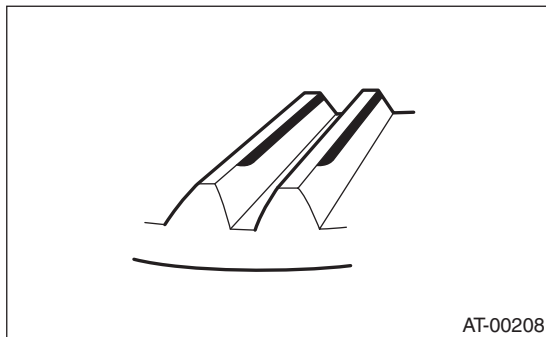


- (A) Toe side
- (B) Heel side

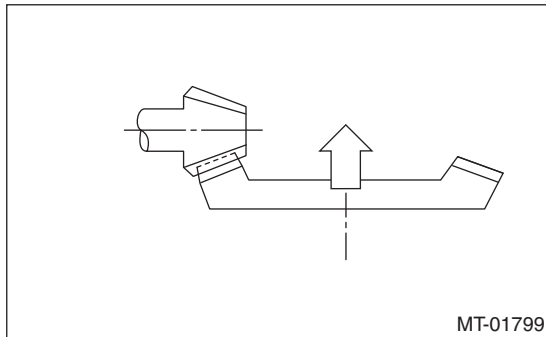
- Face contact

**Check item: Backlash is too large.**

Contact pattern



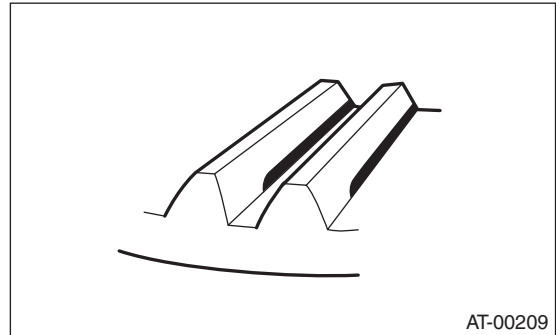
Corrective action: Tighten the side retainer to move the driven gear closer to the drive pinion shaft.



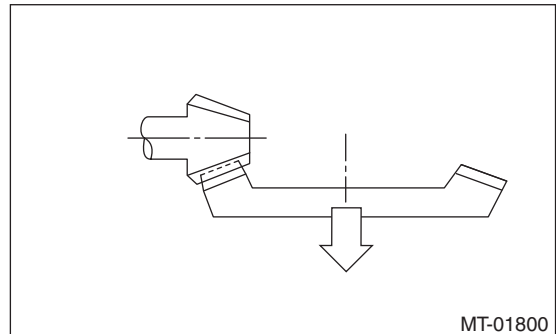
- Flank contact

**Check item: Backlash is too small.**

Contact pattern



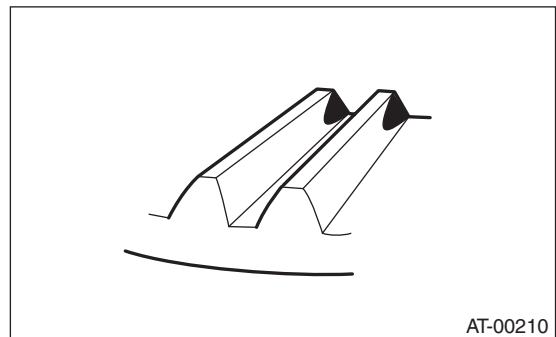
Corrective action: Loosen the side retainer to move the driven gear away from the drive pinion shaft.



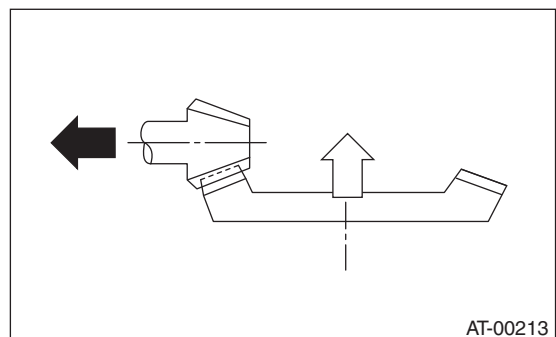
- Toe contact (inside contact)

**Check item: Teeth contact area is too small.**

Contact pattern



Corrective action: Increase the thickness of drive pinion shim and tighten the side retainer to move the driven gear closer to the drive pinion shaft according to the procedure for bringing drive pinion shaft away from driven gear.

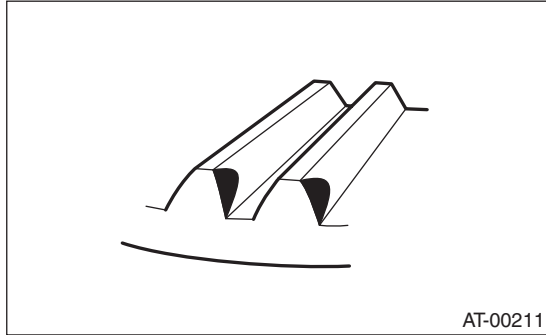


# Front Differential Assembly

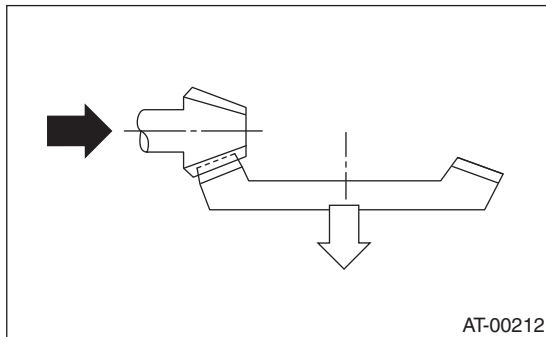
- Heel contact (outside end contact)

**Check item: Teeth contact area is too small.**

Contact pattern



Corrective action: Reduce the thickness of drive pinion shim and loosen the side retainer to move the driven gear away from the drive pinion according to the procedure for moving drive pinion shaft closer to the driven gear.





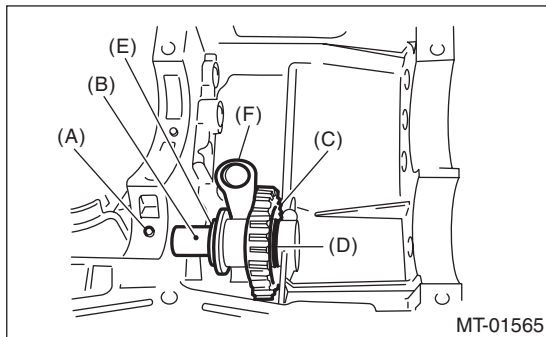
# Reverse Idler Gear

## MANUAL TRANSMISSION AND DIFFERENTIAL

### 18. Reverse Idler Gear

#### A: REMOVAL

- 1) Remove the manual transmission assembly from the vehicle. <Ref. to 5MT-21, REMOVAL, Manual Transmission Assembly.>
- 2) Remove the back-up light switch and the neutral position switch. <Ref. to 5MT-33, REMOVAL, Switches and Harness.>
- 3) Remove the transfer case together with the extension case assembly. <Ref. to 5MT-36, REMOVAL, Transfer Case and Extension Case Assembly.>
- 4) Remove the transmission case. <Ref. to 5MT-49, REMOVAL, Transmission Case.>
- 5) Remove the drive pinion shaft assembly. <Ref. to 5MT-57, REMOVAL, Drive Pinion Shaft Assembly.>
- 6) Remove the main shaft assembly for single-range. <Ref. to 5MT-52, REMOVAL, Main Shaft Assembly for Single-Range.>
- 7) Remove the front differential assembly. <Ref. to 5MT-66, REMOVAL, Front Differential Assembly.>
- 8) Remove the shifter forks and rods. <Ref. to 5MT-76, REMOVAL, Shifter Fork and Rod.>
- 9) Pull out the straight pin, and remove the reverse idler gear shaft, washer, reverse idler gear and washer.



- (A) Straight pin
- (B) Reverse idler gear shaft
- (C) Reverse idler gear
- (D) Washer
- (E) Washer
- (F) Reverse shifter lever

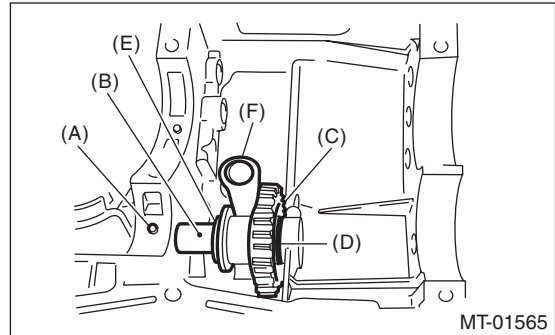
- 10) Remove the reverse shifter lever.

#### B: INSTALLATION

- 1) Install the reverse shifter lever, washer, reverse idler gear, washer and reverse idler gear shaft, and secure them with the straight pin.

#### NOTE:

Be sure to install the reverse idler gear shaft from rear side.



- (A) Straight pin
- (B) Reverse idler gear shaft
- (C) Reverse idler gear
- (D) Washer
- (E) Washer
- (F) Reverse shifter lever

- 2) Check and adjust clearance between the reverse idler gear and the timing case wall surface. <Ref. to 5MT-74, INSTALLATION, Reverse Idler Gear.> <Ref. to 5MT-75, ADJUSTMENT, Reverse Idler Gear.>
- 3) Install the shifter forks and rods. <Ref. to 5MT-77, INSTALLATION, Shifter Fork and Rod.>
- 4) Install the front differential assembly. <Ref. to 5MT-66, INSTALLATION, Front Differential Assembly.>
- 5) Install the main shaft assembly for single-range. <Ref. to 5MT-52, INSTALLATION, Main Shaft Assembly for Single-Range.>
- 6) Install the drive pinion shaft assembly. <Ref. to 5MT-57, INSTALLATION, Drive Pinion Shaft Assembly.>
- 7) Install the transmission case. <Ref. to 5MT-50, INSTALLATION, Transmission Case.>
- 8) Install the transfer case together with the extension case assembly. <Ref. to 5MT-36, INSTALLATION, Transfer Case and Extension Case Assembly.>
- 9) Install the back-up light switch and the neutral position switch. <Ref. to 5MT-33, INSTALLATION, Switches and Harness.>
- 10) Install the manual transmission assembly to the vehicle. <Ref. to 5MT-25, INSTALLATION, Manual Transmission Assembly.>



# Reverse Idler Gear

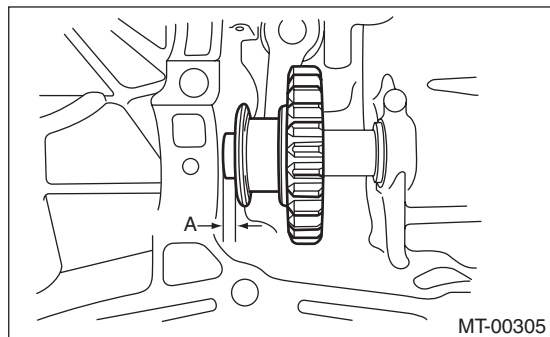
MANUAL TRANSMISSION AND DIFFERENTIAL

## C: INSPECTION

1) Move the reverse shifter rod toward the reverse side. Check the clearance between the reverse idler gear and the timing case wall surface. If out of specification, select the appropriate reverse shifter lever and adjust.

### Clearance A:

**6.0 — 7.5 mm (0.236 — 0.295 in)**



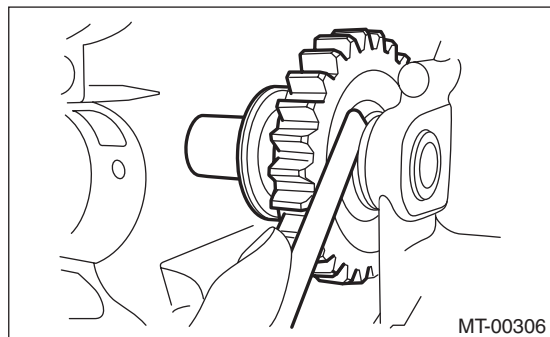
A Measured value

2) After installing a suitable reverse shifter lever, shift into neutral. Check the clearance between the reverse idler gear and the transmission case wall surfaces.

If out of specification, select the appropriate washer and adjust.

### Clearance:

**0 — 0.5 mm (0 — 0.020 in)**



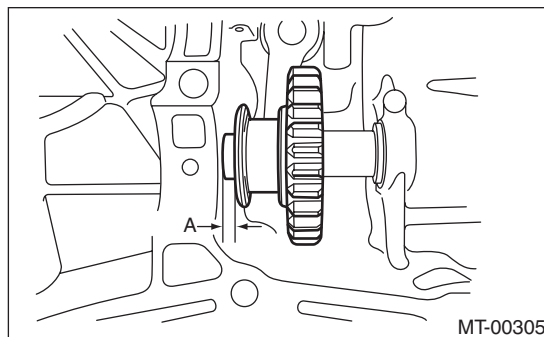
3) Check the reverse idler gear and shaft for damage. Replace if it is damaged.

## D: ADJUSTMENT

1) Select the appropriate reverse shifter lever from the table below, and adjust until the clearance between the reverse idler gear and transmission case wall is within specification.

### Clearance A:

**6.0 — 7.5 mm (0.236 — 0.295 in)**



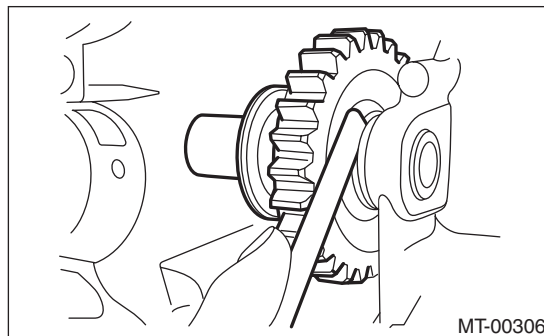
A Measured value

Reverse shifter lever		
Part No.	Mark	Content
32820AA070	7	Far from case wall
32820AA080	8	Standard
32820AA090	9	Closer to case wall

2) Select the appropriate washer from the table below, and adjust until the clearance between the reverse idler gear and transmission case wall is within specification.

### Clearance:

**0 — 0.5 mm (0 — 0.020 in)**



Washer	
Part No.	Thickness mm (in)
803020151	0.4 (0.016)
803020152	1.1 (0.043)
803020153	1.5 (0.059)
803020154	1.9 (0.075)
803020155	2.3 (0.091)

# Shifter Fork and Rod

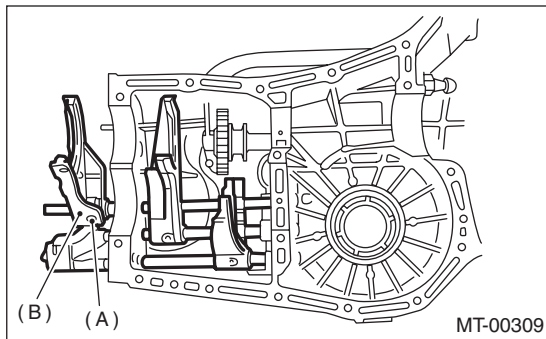
## MANUAL TRANSMISSION AND DIFFERENTIAL

### 19. Shifter Fork and Rod

#### A: REMOVAL

- 1) Remove the manual transmission assembly from the vehicle. <Ref. to 5MT-21, REMOVAL, Manual Transmission Assembly.>
- 2) Remove the back-up light switch and the neutral position switch. <Ref. to 5MT-33, REMOVAL, Switches and Harness.>
- 3) Remove the transfer case together with the extension case assembly. <Ref. to 5MT-36, REMOVAL, Transfer Case and Extension Case Assembly.>
- 4) Remove the transmission case. <Ref. to 5MT-49, REMOVAL, Transmission Case.>
- 5) Remove the drive pinion shaft assembly. <Ref. to 5MT-57, REMOVAL, Drive Pinion Shaft Assembly.>
- 6) Remove the main shaft assembly for single-range. <Ref. to 5MT-52, REMOVAL, Main Shaft Assembly for Single-Range.>
- 7) Remove the front differential assembly. <Ref. to 5MT-66, REMOVAL, Front Differential Assembly.>
- 8) Drive out the straight pin by tapping with the ST, and pull out the 5th shifter fork.

ST 398791700 STRAIGHT PIN REMOVER 2



- (A) Straight pin
- (B) 5th shifter fork

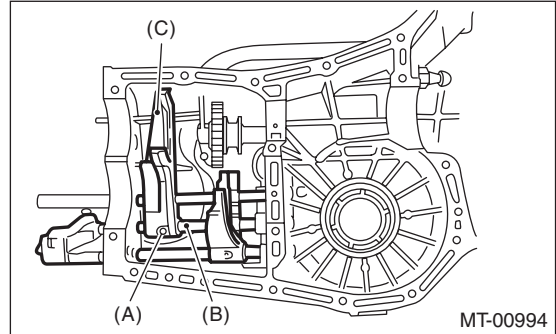
- 9) Remove the plugs, springs and check balls.

- 10) Drive out the straight pin by tapping with the ST, and pull out the 3rd – 4th fork rod and shifter fork.

#### NOTE:

When removing the rod, keep other rods in neutral. Also, when pulling out the straight pin, remove it toward the inside of case so that it does not hit against the case.

ST 398791700 STRAIGHT PIN REMOVER 2



- (A) Straight pin
- (B) 3rd-4th fork rod
- (C) Shifter fork

- 11) Drive out the straight pin by tapping with the ST, and pull out the 1st – 2nd fork rod and shifter fork.

ST 398791700 STRAIGHT PIN REMOVER 2

- 12) Remove the snap ring (outer), and pull out the reverse fork rod from the reverse fork rod arm. Then take out the ball, spring and interlock plunger from the rod.

And then remove the rod.

#### NOTE:

When pulling out the reverse fork rod arm, be careful not to let the ball pop out of arm.

- 13) Remove the reverse shifter lever.

# Shifter Fork and Rod

MANUAL TRANSMISSION AND DIFFERENTIAL

## B: INSTALLATION

1) Install the reverse arm fork spring, ball and interlock plunger to the reverse fork rod arm. Insert the reverse fork rod into the hole of the reverse fork rod arm, and hold it with snap ring (outer) using ST.

### NOTE:

Apply grease to plunger to prevent it from falling.

ST 399411700 ACCENT BALL INSTALLER

2) Position the ball, spring and new gasket in the reverse fork rod hole on the left side of transmission case, and tighten the checking ball plug.

3) Install the 1st-2nd fork rod into 1st-2nd shifter fork through the hole on the rear of transmission case.

4) Align the holes in the rod and the fork, and drive the new straight pin into these holes using the ST.

### NOTE:

- Set other rods to neutral.
- Make sure the interlock plunger is on the 3rd-4th fork rod side.

ST 398791700 STRAIGHT PIN REMOVER 2

5) Attach the interlock plunger on 3rd-4th fork rod.

### NOTE:

Apply grease to plunger to prevent it from falling.

6) Attach the 3rd – 4th fork rod into 3rd – 4th shifter fork through the hole on the rear of transmission case.

7) Align the holes in the rod and the fork, and drive the new straight pin into these holes.

### NOTE:

- Set the reverse fork rod to neutral.
- Make sure the interlock plunger (before installation) is on the reverse fork rod side.

ST 398791700 STRAIGHT PIN REMOVER 2

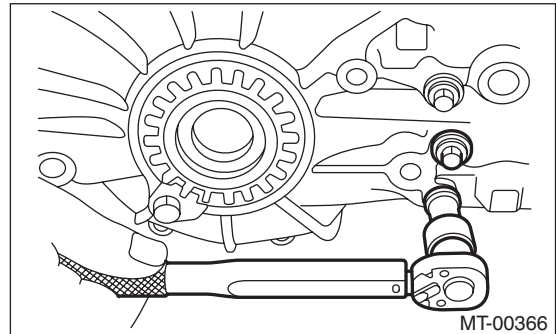
8) Install the 5th shifter fork onto the rear of reverse fork rod. Align the holes in the two parts and drive new straight pin into the specified place.

ST 398791700 STRAIGHT PIN REMOVER 2

9) Position the balls, check ball springs and new gaskets into holes of the 3rd – 4th fork rods and 1st – 2nd fork rods, and install the plugs.

### Tightening torque:

**20 N·m (2.0 kgf·m, 14.8 ft·lb)**



10) Install the front differential assembly. <Ref. to 5MT-66, INSTALLATION, Front Differential Assembly.>

11) Install the main shaft assembly for single-range. <Ref. to 5MT-52, INSTALLATION, Main Shaft Assembly for Single-Range.>

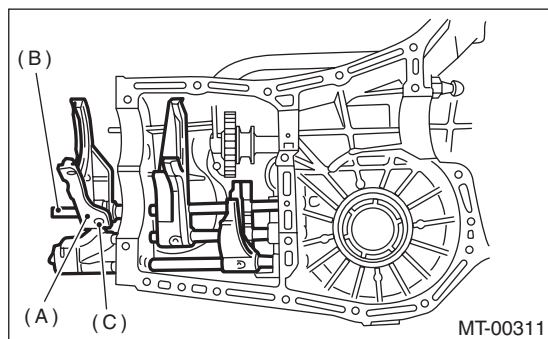
12) Install the drive pinion shaft assembly. <Ref. to 5MT-57, INSTALLATION, Drive Pinion Shaft Assembly.>

13) Install the transmission case. <Ref. to 5MT-50, INSTALLATION, Transmission Case.>

14) Install the transfer case together with the extension case assembly. <Ref. to 5MT-36, INSTALLATION, Transfer Case and Extension Case Assembly.>

15) Install the back-up light switch and the neutral position switch. <Ref. to 5MT-33, INSTALLATION, Switches and Harness.>

16) Install the manual transmission assembly to the vehicle. <Ref. to 5MT-25, INSTALLATION, Manual Transmission Assembly.>



- (A) 5th shifter fork
- (B) Reverse fork rod
- (C) Straight pin

# Shifter Fork and Rod

## MANUAL TRANSMISSION AND DIFFERENTIAL

### C: INSPECTION

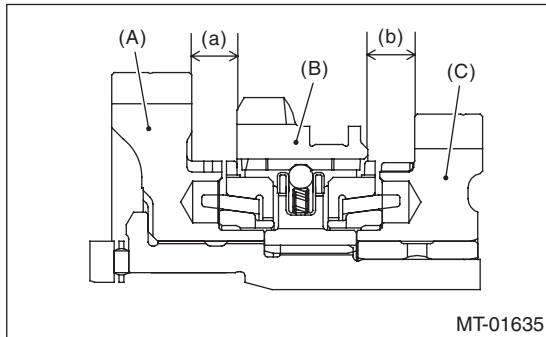
1) Check the fork and rod for damage. Replace if it is damaged.

2) Gearshift mechanism

Repair or replace the gearshift mechanism if excessively worn, bent or defective in any way.

3) Inspect the clearance between 1st, 2nd driven gear and reverse driven gear. If any clearance is not within specifications, replace the shifter fork as required.

**Clearance (a) and (b):**  
**9.5 mm (0.374 in)**



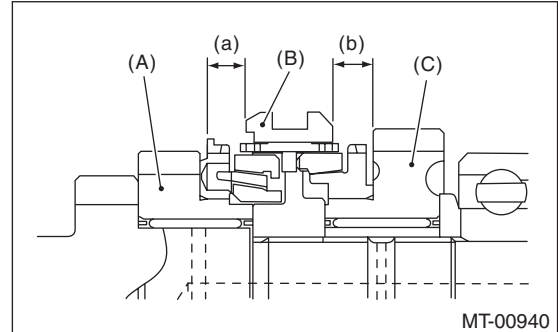
(a), (b) Measured value

- (A) 1st driven gear
- (B) Reverse driven gear
- (C) 2nd driven gear

1st-2nd shifter fork		
Part No.	Mark	Content
32804AA060	1	Approaches 1st gear by 0.2 mm (0.008 in).
32804AA070	No mark	Standard
32804AA080	3	Approaches 2nd gear by 0.2 mm (0.008 in)

4) Inspect the clearance between the 3rd, 4th drive gear and the coupling sleeve. If any clearance is not within specifications, replace the shifter fork as required.

**Clearance (a) and (b):**  
**9.3 mm (0.366 in)**



(a), (b) Measured value

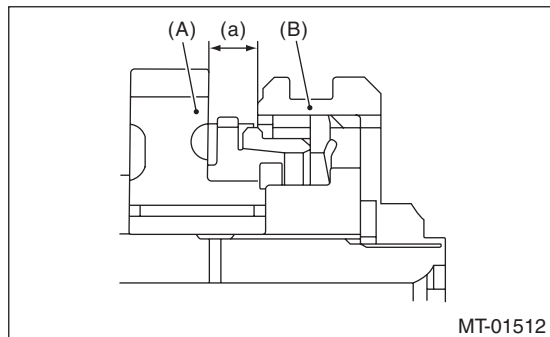
- (A) 3rd drive gear
- (B) Coupling sleeve
- (C) 4th drive gear

3rd-4th shifter fork		
Part No.	Mark	Content
32810AA061	1	Approaches 4th gear by 0.2 mm (0.008 in).
32810AA071	No mark	Standard
32810AA101	3	Approaches 3rd gear by 0.2 mm (0.008 in)

# Shifter Fork and Rod

5) Inspect the clearance between 5th drive gear and coupling sleeve. If any clearance is not within specifications, replace the shifter fork as required.

**Clearance (a):**  
**9.3 mm (0.366 in)**



(a) Measured value

(A) 5th drive gear

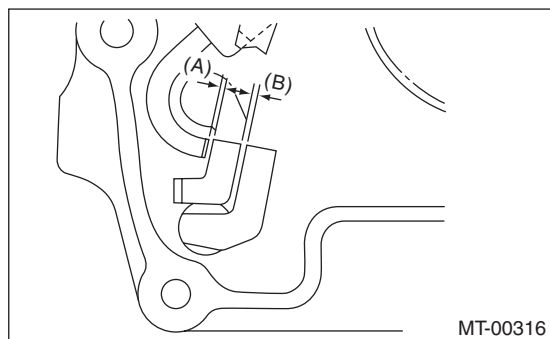
(B) Coupling sleeve

5th shifter fork		
Part No.	Mark	Content
32812AA201	7	Approaches 5th gear by 0.2 mm (0.008 in).
32812AA211	No mark	Standard
32812AA221	9	Moves away from 5th gear by 0.2 mm (0.008 in).

6) Inspect the rod end clearances (A) and (B). If any clearance is not within specifications, replace the rod or fork as required.

**Clearance (A):**  
**3rd-4th — 5th**  
**0.5 — 1.3 mm (0.020 — 0.051 in)**

**Clearance (B):**  
**1st-2nd — 3rd-4th**  
**0.4 — 1.4 mm (0.016 — 0.055 in)**



(A), (B) Measured value

# General Diagnostic Table

MANUAL TRANSMISSION AND DIFFERENTIAL

## 20. General Diagnostic Table

### A: INSPECTION

#### 1. MANUAL TRANSMISSION

Symptom	Possible cause	Corrective action
1. Gears are difficult to intermesh. NOTE: The cause for difficulty in shifting gears can be classified into two kinds: One is a defective gear shift system and the other is defective transmission. However, if the operation is heavy and engagement of the gears is difficult, a defective clutch disengagement may also be responsible. Check whether the clutch is correctly functioning, before checking the gear shift system and transmission.	(a) Worn, damaged or burred chamfer at internal spline of the sleeve and reverse driven gear	Replace.
	(b) Worn, damaged or burred chamfer of gear spline	Replace.
	(c) Worn or scratched bushings	Replace.
	(d) Incorrect contact or wear between synchronizer ring and gear cone	Correct or replace.
2. Gear slip-out • Gear slips out when coasting on rough road. • Gear slips out during acceleration.	(a) Defective pitching stopper adjustment	Adjust.
	(b) Loose engine mounting bolts	Tighten or replace.
	(c) Worn fork shifter, broken shifter fork rail spring	Replace.
	(d) Worn or damaged ball bearing	Replace.
	(e) Excessive clearance between splines of synchronizer hub and synchronizer sleeve	Replace.
	(f) Worn tooth step of synchronizer hub (caused by slip-out of 3rd gear)	Replace.
	(g) Worn 1st driven gear and driven shaft	Replace.
	(h) Worn 2nd driven gear and bushing	Replace.
	(i) Worn 3rd drive gear and needle bearing	Replace.
	(j) Worn 4th drive gear and needle bearing	Replace.
	(k) Worn reverse idler gear and bushing	Replace.
3. Noise emitted from transmission NOTE: If a noise is heard when the vehicle is parked with its engine idling and if a noise ceases when the clutch is disengaged, it may be considered that the noise is coming from the transmission.	(a) Insufficient or improper lubrication	Lubricate with specified oil or replace.
	(b) Worn or damaged gears and bearings NOTE: If the trouble is only wear of the gear teeth surfaces, only a high whirring noise will occur at high speeds, but if any part is broken, rhythmical clicking sounds will be heard even at low speeds.	Replace.

# General Diagnostic Table

MANUAL TRANSMISSION AND DIFFERENTIAL

## 2. DIFFERENTIAL

Symptoms	Possible cause	Corrective action
<p>1. Broken differential (case, gear, bearing, etc.)</p> <p>NOTE: Noise will occur, and eventually the differential will not be able to operate due to broken pieces obstructing the gear revolution.</p>	(a) Insufficient or improper oil	Disassemble the differential and replace broken components. At the same time check other components for any trouble, and replace if necessary.
	(b) Use of vehicle under severe conditions such as excessive load and improper use of the clutch	Readjust the preload and backlash of the bearing, and the contact surface of gear.
	(c) Improper adjustment of taper roller bearing	Adjust.
	(d) Improper adjustment of the drive pinion and the hypoid driven gear	Adjust.
	(e) Excessive backlash of a vehicle under severe operating conditions due to worn differential side gear, washer or differential pinion.	Add recommended oil to the specified level. Do not use vehicle under severe operating conditions.
	(f) Loose hypoid driven gear tightening bolts	Tighten.
<p>2. Differential and hypoid gear noises</p> <p>Troubles of the differential and hypoid gear always appear as noise problems. Therefore noise is the first indication of trouble. However, noises from the engine, muffler, tire, exhaust gas, bearing, body, etc. are easily mistaken for the differential noise. Pay special attention to the hypoid gear noise because it is easily confused with other gear noises. There are the following four kinds of noises.</p> <ul style="list-style-type: none"> <li>• Gear noise when driving: If noise increases as the vehicle speed increases, it may be due to insufficient gear oil, incorrect gear engagement, damaged gears, etc.</li> <li>• Gear noise when coasting: Damaged gears due to misadjusted bearings and incorrect shim adjustment.</li> <li>• Bearing noise when driving or coasting: Cracked, broken or damaged bearings</li> <li>• Noise mainly when turning: Noise from differential side gear, differential pinion or differential pinion shaft, etc.</li> </ul>	(a) Insufficient oil	Lubricate.
	(b) Improper adjustment of hypoid driven gear and drive pinion	Check the tooth contact.
	(c) Worn teeth of hypoid driven gear and drive pinion	Replace as a set. Readjust the bearing preload.
	(d) Loose roller bearing	Readjust the backlash of the hypoid driven gear to drive pinion, and check the tooth contact.
	(e) Distorted hypoid driven gear or differential case	Replace.
	(f) Worn washer and differential pinion shaft	Replace.

# General Diagnostic Table

MANUAL TRANSMISSION AND DIFFERENTIAL

---



# General Description

## CLUTCH SYSTEM

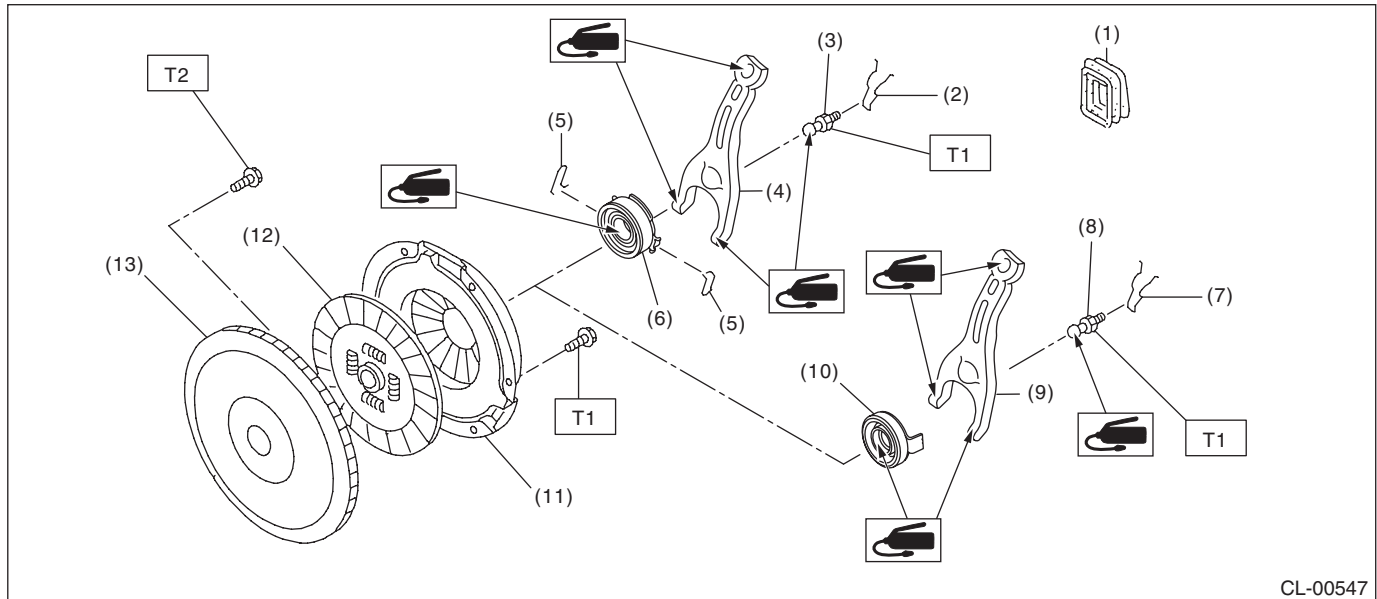
### 1. General Description

#### A: SPECIFICATION

Model		2.5 L Non-turbo	2.5 L Turbo	
Transmission type		5MT		
Clutch cover	Type	Push type		
	Diaphragm set load N (kgf, lbf)	5,688 (580, 1,279)	7,450 (760, 1,675)	
Clutch disc	Facing material		Woven (Non-asbestos)	
	O.D. × I.D. × thickness mm (in)	Clutch cover side	225 × 150 × 3.5 (8.86 × 5.9 × 0.138)	
		Flywheel side		230 × 155 × 3.5 (9.06 × 6.10 × 0.138)
	Splines outer diameter mm (in)		25.2 (0.992), (Number of teeth: 24)	
	Depth of rivet head mm (in)	Clutch cover side	1.65 — 2.25 (0.065 — 0.089)	
		Flywheel side	1.35 — 1.95 (0.053 — 0.077)	
Limit of sinking		0.3 (0.012)		
Deflection limit mm (in)		0.7 (0.028) at R = 110 (4.33)		
Clutch release lever ratio		1.6		
Release bearing		Grease-packed self-aligning		
Clutch pedal	Full stroke mm (in)	130 — 135 (5.12 — 5.31)	135 — 140 (5.31 — 5.51)	
	Free play mm (in)	4 — 11 (0.16 — 0.43)		
Flywheel	Type	Flexible		

#### B: COMPONENT

##### 1. CLUTCH ASSEMBLY



CL-00547

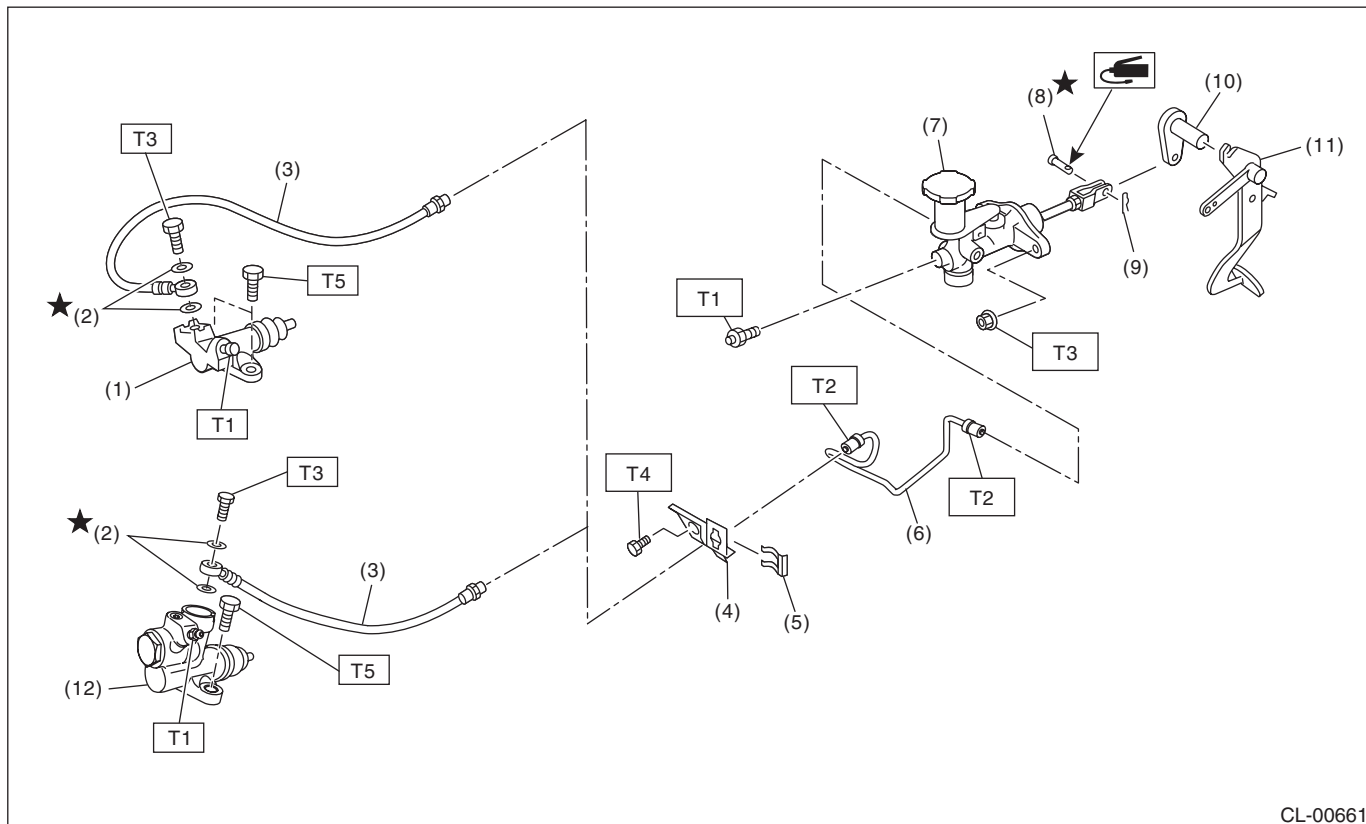
- |                                       |                                    |
|---------------------------------------|------------------------------------|
| (1) Dust cover                        | (7) Lever spring (turbo model)     |
| (2) Lever spring (non-turbo model)    | (8) Pivot (turbo model)            |
| (3) Pivot (non-turbo model)           | (9) Release lever (turbo model)    |
| (4) Release lever (non-turbo model)   | (10) Release bearing (turbo model) |
| (5) Clip (non-turbo model)            | (11) Clutch cover                  |
| (6) Release bearing (non-turbo model) | (12) Clutch disc                   |
| (13) Flywheel                         |                                    |

**Tightening torque: N·m (kgf·m, ft·lb)**

**T1: 16 (1.6, 11.8)**

**T2: 72 (7.3, 53.1)**

### 2. CLUTCH PIPE AND HOSE



CL-00661

- |  |                                       |
|--|---------------------------------------|
| (1) Operating cylinder (non-turbo model) | (7) Master cylinder ASSY              |
| (2) Washer                               | (8) Clevis pin                        |
| (3) Clutch hose                          | (9) Snap pin                          |
| (4) Bracket                              | (10) Lever                            |
| (5) Clip                                 | (11) Pedal                            |
| (6) Clutch pipe                          | (12) Operating cylinder (turbo model) |

**Tightening torque:N-m (kgf-m, ft-lb)**

**T1: 7.8 (0.8, 5.8)**

**T2: 15 (1.5, 11.1)**

**T3: 18 (1.8, 13.3)**

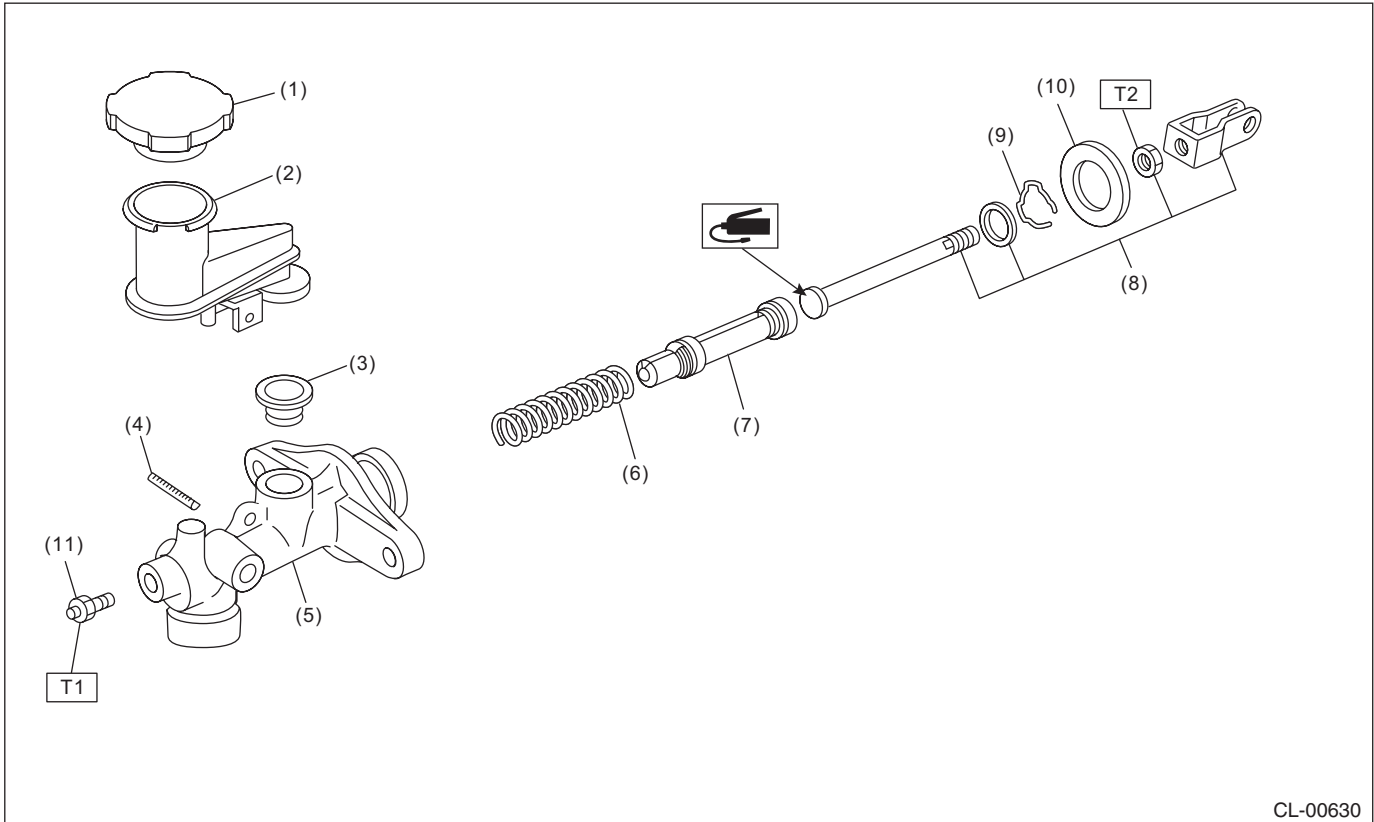
**T4: 25 (2.5, 18.4)**

**T5: 37 (3.8, 27.3)**

# General Description

## CLUTCH SYSTEM

### 3. MASTER CYLINDER



- (1) Reservoir cap
- (2) Reservoir tank
- (3) Oil seal
- (4) Straight pin
- (5) Master cylinder

- (6) Return spring
- (7) Piston
- (8) Push rod ASSY
- (9) Piston stop ring
- (10) Seat

- (11) Bleeder screw

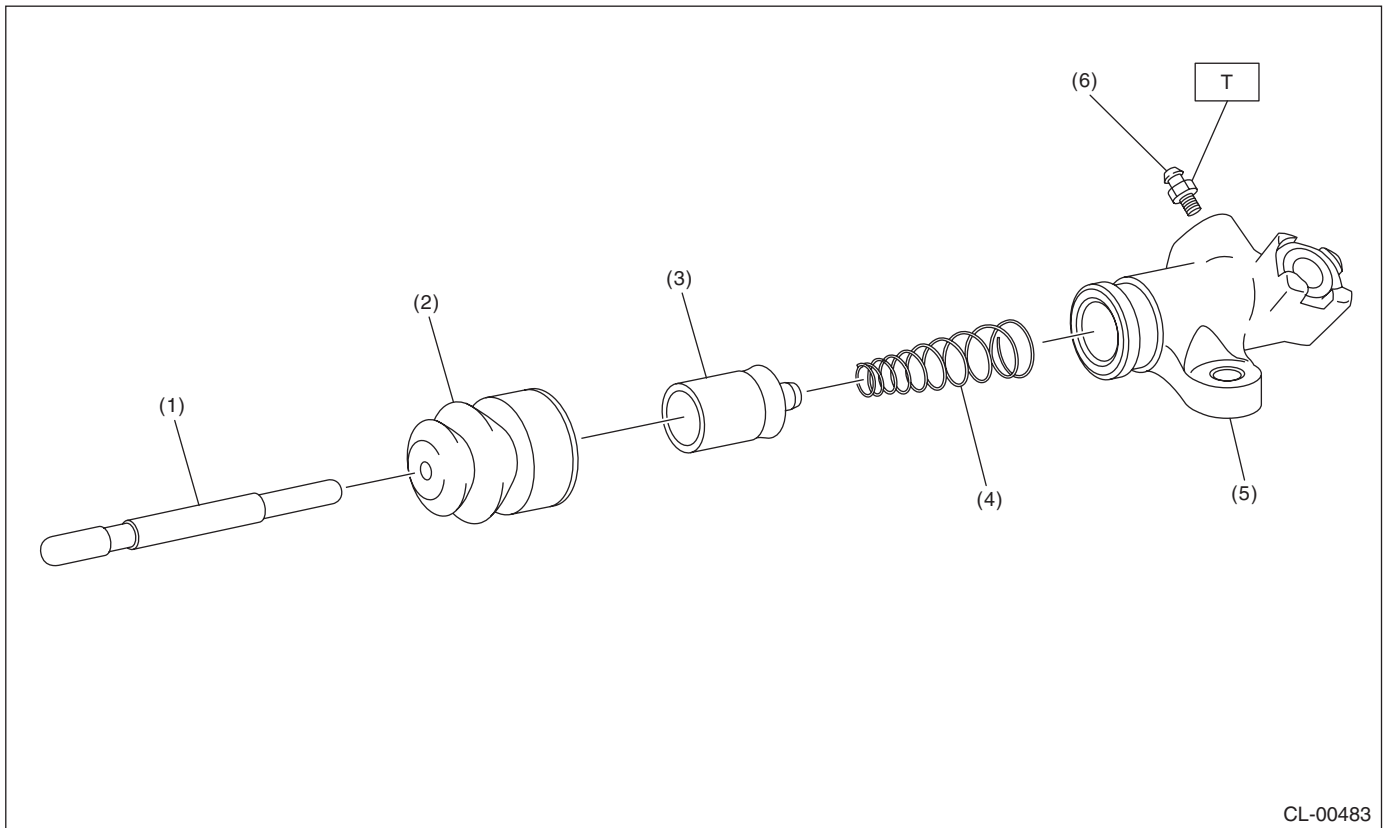
**Tightening torque: N·m (kgf·m, ft·lb)**

**T1: 7.8 (0.8, 5.8)**

**T2: 10 (1.0, 7.4)**

## 4. OPERATING CYLINDER

### Non-turbo model



CL-00483

- |              |                        |
|--------------|------------------------|
| (1) Push rod | (4) Piston spring      |
| (2) Boot     | (5) Operating cylinder |
| (3) Piston   | (6) Bleeder screw      |

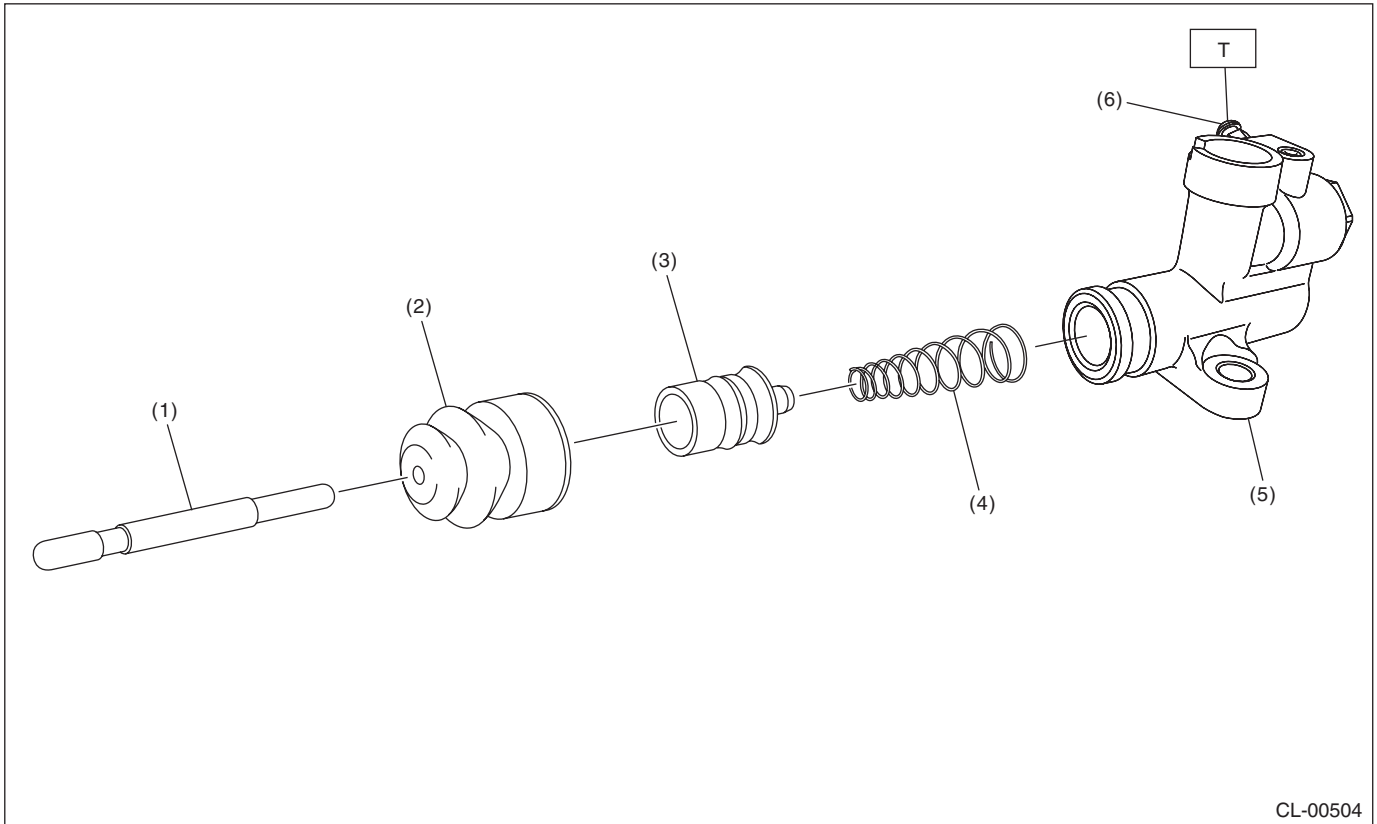
***Tightening torque: N·m (kgf·m, ft·lb)***

***T: 7.8 (0.8, 5.8)***

# General Description

## CLUTCH SYSTEM

### Turbo model

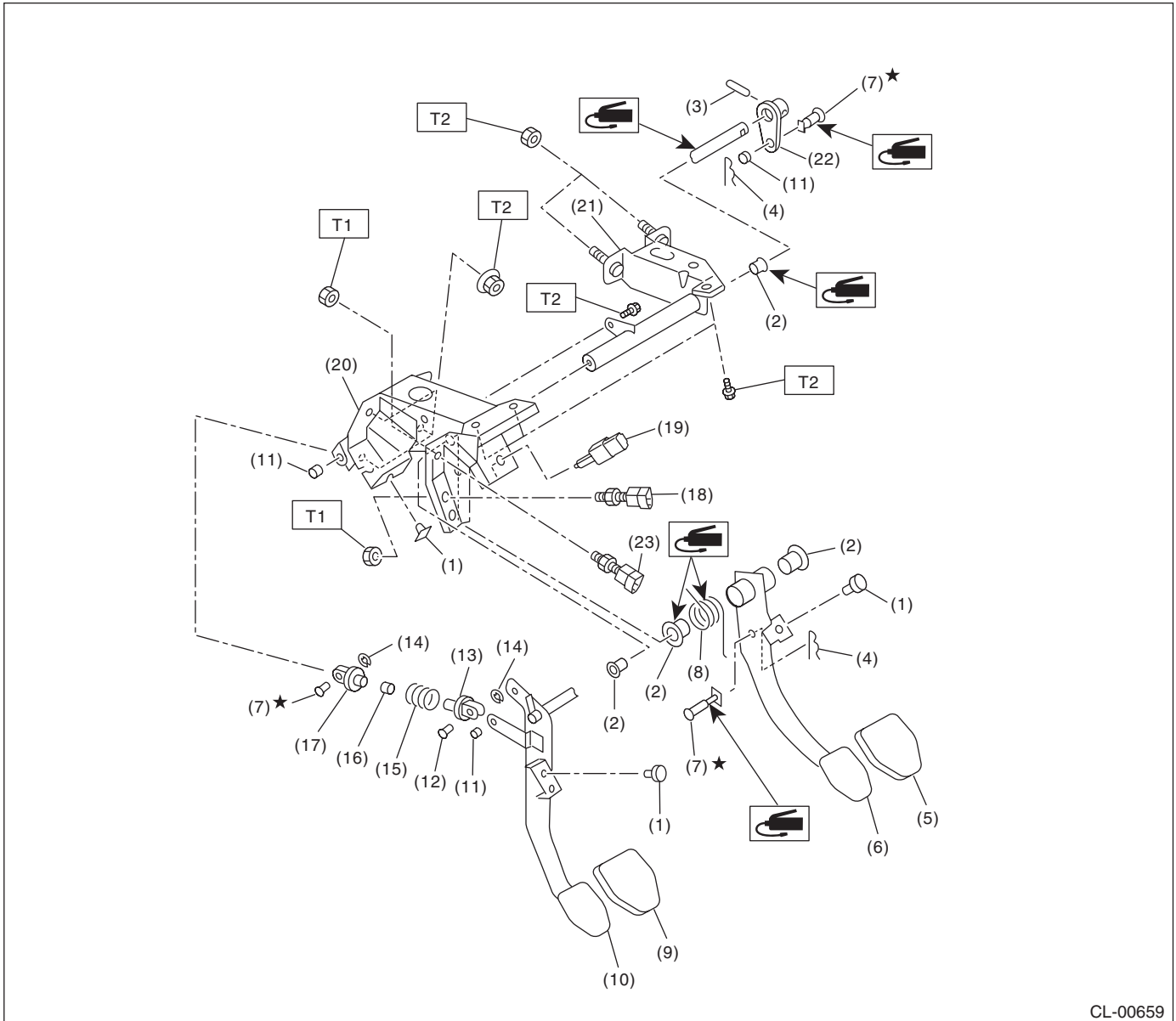


CL-00504

- |              |                        |
|--------------|------------------------|
| (1) Push rod | (4) Piston spring      |
| (2) Boot     | (5) Operating cylinder |
| (3) Piston   | (6) Bleeder screw      |

**Tightening torque: N·m (kgf·m, ft·lb)**  
**T: 7.8 (0.8, 5.8)**

### 5. CLUTCH PEDAL



CL-00659

- |                        |                                     |                                     |
|------------------------|-------------------------------------|-------------------------------------|
| (1) Stopper            | (10) Clutch pedal                   | (19) Stop light switch              |
| (2) Bushing            | (11) Bushing C                      | (20) Pedal bracket                  |
| (3) Spring pin         | (12) Clutch clevis pin              | (21) Clutch master cylinder bracket |
| (4) Snap pin           | (13) Assist rod A                   | (22) Lever                          |
| (5) Brake pedal pad    | (14) Clip                           | (23) Clutch switch (clutch start)   |
| (6) Brake pedal        | (15) Assist spring                  |                                     |
| (7) Clevis pin         | (16) Assist bushing                 |                                     |
| (8) Brake pedal spring | (17) Assist rod B                   |                                     |
| (9) Clutch pedal pad   | (18) Clutch switch (cruise control) |                                     |

**Tightening torque: N·m (kgf·m, ft·lb)**

**T1: 8 (0.8, 5.9)**

**T2: 18 (1.8, 13.3)**

## General Description

### CLUTCH SYSTEM

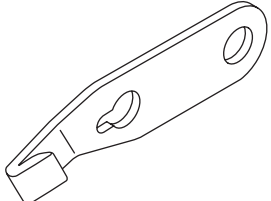
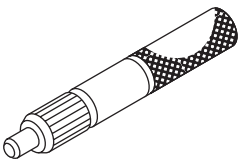
---

#### **C: CAUTION**

- Wear appropriate work clothing, including a cap, protective goggles and protective shoes when performing any work.
- Remove contamination including dirt and corrosion before removal, installation or disassembly.
- Keep the disassembled parts in order and protect them from dust and dirt.
- Before removal, installation or disassembly, be sure to clarify the failure. Avoid unnecessary removal, installation, disassembly and replacement.
- Vehicle components are extremely hot after driving. Be wary of receiving burns from heated parts.
- Use SUBARU genuine fluid, grease etc. or equivalent. Do not mix fluid, grease, etc. of different grades or manufacturers.
- Be sure to tighten fasteners including bolts and nuts to the specified torque.
- Place shop jacks or rigid racks at the specified points.
- Apply grease onto sliding or revolving surfaces before installation.
- Before installing O-rings or snap rings, apply sufficient amount of fluid to avoid damage and deformation.
- Before securing a part in a vise, place cushioning material such as wood blocks, aluminum plate or cloth between the part and the vise.
- Keep fluids away from the vehicle body. If any fluid contacts the vehicle body, immediately flush the area with water.

## D: PREPARATION TOOL

### 1. SPECIAL TOOL

ILLUSTRATION	TOOL NUMBER	DESCRIPTION	REMARKS
 ST-498497100	498497100	CRANKSHAFT STOPPER	Used for stopping rotation of the flywheel when loosening/tightening bolts, etc.
 ST-499747100	499747100	CLUTCH DISC GUIDE	Used when installing the clutch disc to the flywheel.

### 2. GENERAL TOOL

TOOL NAME	REMARKS
Circuit tester	Used for measuring resistance, voltage and ampere.
Dial gauge	Used for measuring clutch disc run-out.
Depth gauge	Used for measuring clutch disc wear.



# Clutch Disc and Cover

## CLUTCH SYSTEM

### 2. Clutch Disc and Cover

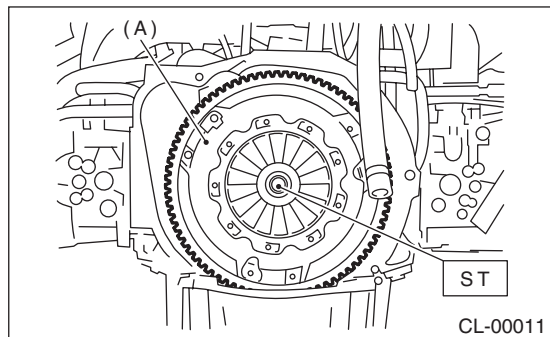
#### A: REMOVAL

1) Remove the transmission assembly from vehicle body.

<Ref. to 5MT-21, REMOVAL, Manual Transmission Assembly.>

2) Attach the ST on the flywheel.

ST 499747100 CLUTCH DISC GUIDE



(A) Clutch cover

3) Remove the clutch cover and clutch disc.

#### NOTE:

- Take care not to allow oil to touch the clutch disc face.
- Do not disassemble the clutch cover or clutch disc.

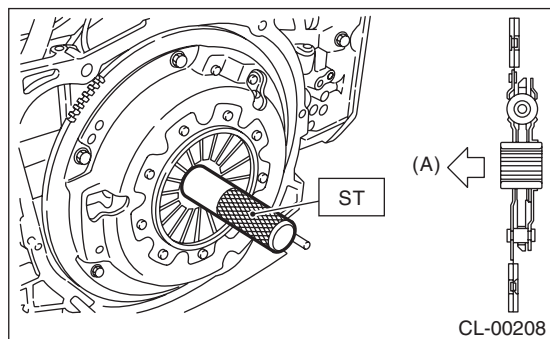
#### B: INSTALLATION

1) Insert the ST into the clutch disc and attach to the flywheel by inserting the ST end into pilot bearing.

#### NOTE:

When installing the clutch disc, be careful to attach in the correct direction.

ST 499747100 CLUTCH DISC GUIDE



(A) Flywheel side

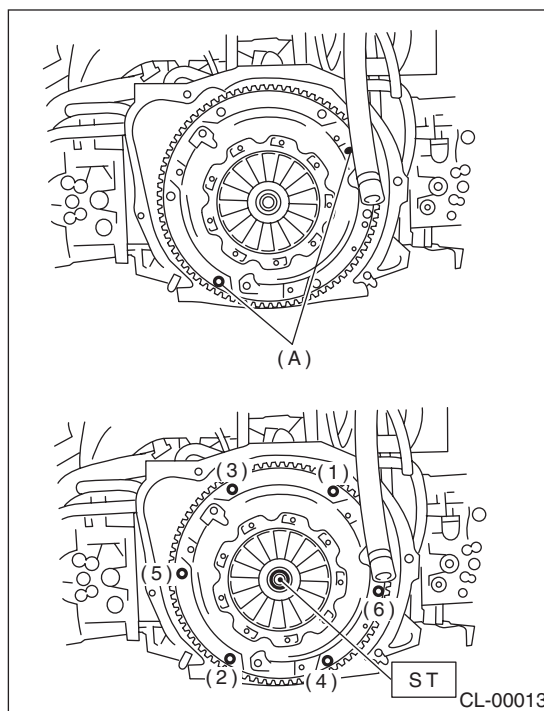
2) Install the clutch cover to the flywheel and tighten the bolts to the specified torque.

#### NOTE:

- When installing the clutch cover to the flywheel, position the clutch cover so that the distance between unbalance marks (● paint marks) is at least 120°. (The unbalance mark ● indicates the direction of residual unbalance.)
- Note the front and rear of the clutch disc when installing.
- Temporarily tighten the bolts by hand. Each bolt should be tightened to the specified torque in a crisscross order.

#### Tightening torque:

16 N·m (1.6 kgf·m, 11.8 ft·lb)



(A) Unbalance mark (paint)

3) Remove the ST.

ST 499747100 CLUTCH DISC GUIDE

4) Install the transmission assembly. <Ref. to 5MT-25, INSTALLATION, Manual Transmission Assembly.>

## C: INSPECTION

### 1. CLUTCH DISC

#### 1) Facing wear

Measure the depth from the facing surface to the rivet head. Replace if the face is worn locally or worn down to less than the specified value.

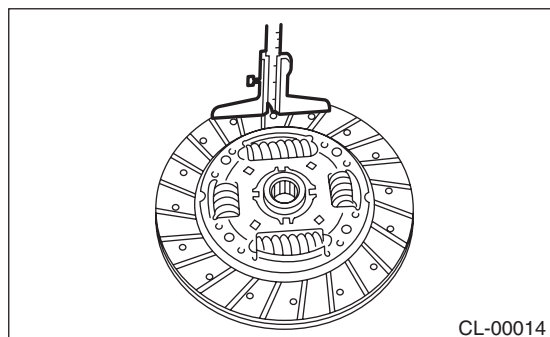
**Depth to rivet head:**

**Limit of sinking**

**0.3 mm (0.012 in)**

NOTE:

Do not wash the clutch disc with any type of cleaning fluid.

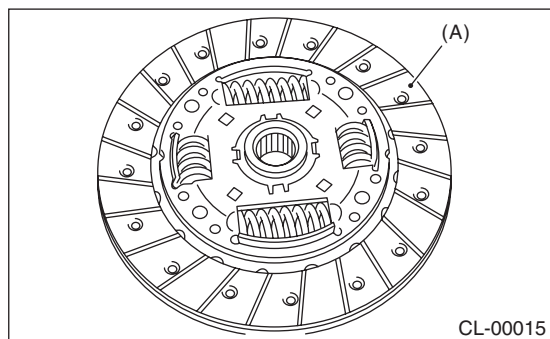


#### 2) Hardened facing

Replace the clutch disc.

#### 3) Oil soakage on facing

Replace the clutch disc and inspect the transmission front oil seal, transmission case mating surface, engine rear oil seal and other locations for oil leakage.



(A) Clutch facing

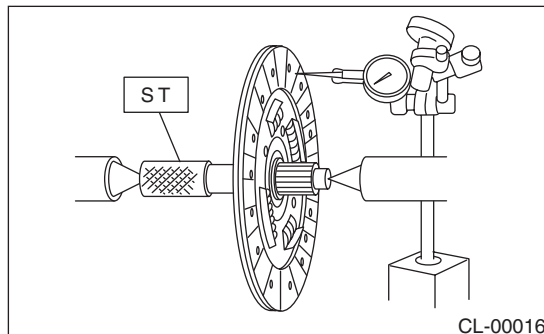
#### 4) Deflection on facing

If deflection exceeds the specified value at the outer circumference of the facing, replace the clutch disc.

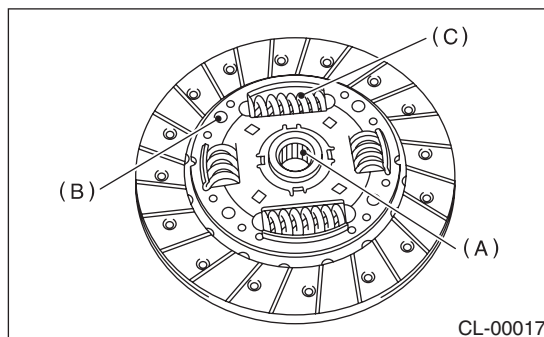
ST 499747100 CLUTCH DISC GUIDE

**Limit for deflection:**

**0.7 mm (0.028 in) at R = 110 mm (4.33 in)**



5) If there is spline wear, loose rivets, failed damper springs, etc., replace the clutch disc.



(A) Spline

(B) Rivet

(C) Damper spring

# Clutch Disc and Cover

## CLUTCH SYSTEM

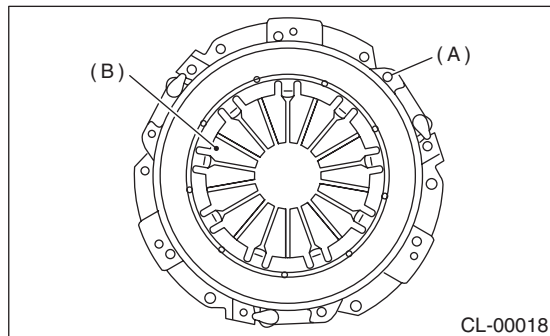
---

### 2. CLUTCH COVER

#### NOTE:

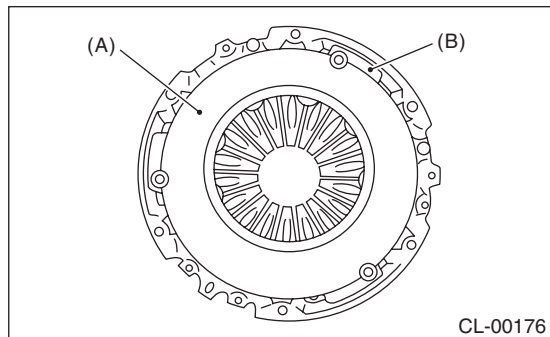
Visually check the following items without disassembling, and replace or repair if defective.

- 1) Loose thrust rivet
- 2) Damaged or worn bearing contact area at the center of diaphragm spring



- (A) Thrust rivet  
(B) Diaphragm spring

- 3) Damaged or worn disc contact surface of the pressure plate
- 4) Loose strap plate installation area
- 5) Worn diaphragm sliding area

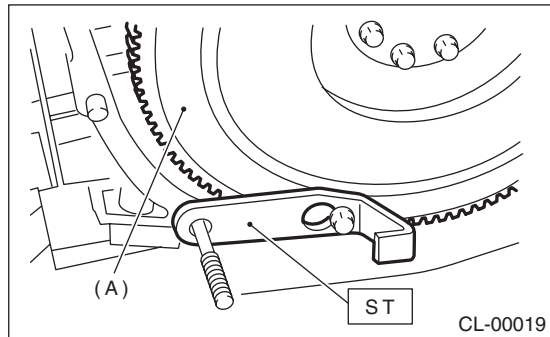


- (A) Pressure plate  
(B) Strap plate

## 3. Flywheel

### A: REMOVAL

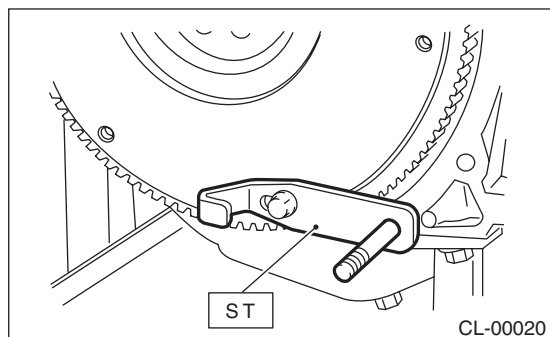
- 1) Remove the transmission assembly. <Ref. to 5MT-21, REMOVAL, Manual Transmission Assembly.>
- 2) Remove the clutch cover and clutch disc. <Ref. to CL-10, REMOVAL, Clutch Disc and Cover.>
- 3) Using the ST, remove the flywheel.  
ST 498497100 CRANKSHAFT STOPPER



(A) Flywheel

### B: INSTALLATION

- 1) Install the flywheel and ST.  
ST 498497100 CRANKSHAFT STOPPER



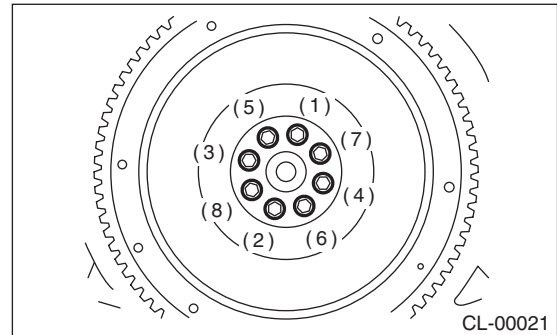
- 2) Tighten the flywheel mounting bolts to the specified torque.

#### NOTE:

Tighten the flywheel attachment bolts gradually. Each bolt should be tightened to the specified torque in crisscross order.

#### Tightening torque:

**72 N·m (7.3 kgf-m, 53.1 ft-lb)**



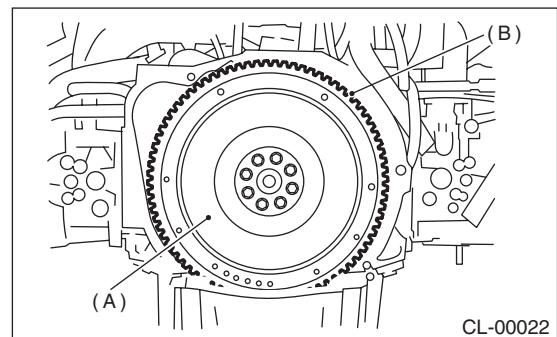
- 3) Install the clutch disc and cover. <Ref. to CL-10, INSTALLATION, Clutch Disc and Cover.>
- 4) Install the transmission assembly. <Ref. to 5MT-25, INSTALLATION, Manual Transmission Assembly.>

### C: INSPECTION

#### CAUTION:

**Because this bearing is grease-sealed and is a non-lubrication type, do not wash with gasoline or solvents.**

- 1) If there is damage or defectiveness in the facing sliding surface or ring gear, replace the flywheel.



(A) Flywheel  
(B) Ring gear

- 2) Smoothness of rotation  
Rotate the ball bearing while applying pressure in the thrust direction.
- 3) If noise or excessive play is noted, replace the flywheel.

# Release Bearing and Lever

## CLUTCH SYSTEM

### 4. Release Bearing and Lever

#### A: REMOVAL

1) Remove the transmission assembly from vehicle body.

<Ref. to 5MT-21, REMOVAL, Manual Transmission Assembly.>

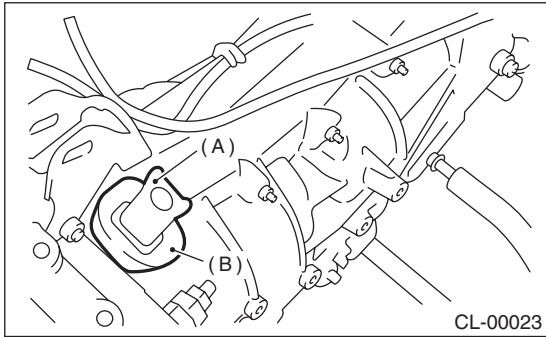
2) Remove the two clips from the release lever and remove the release bearing. (Non-turbo model)

#### CAUTION:

**Be careful not to deform the clips.**

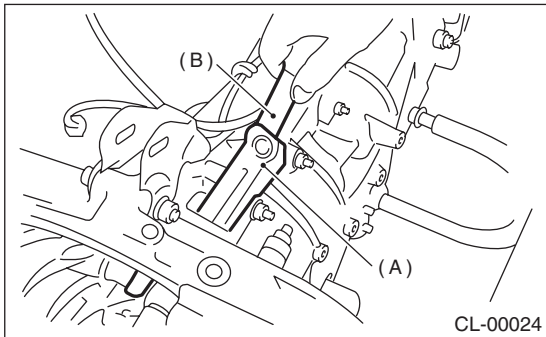
3) Remove the release bearing from the release lever. (Turbo model)

4) Remove the dust cover.



(A) Release lever  
(B) Dust cover

5) Remove the lever spring from the pivot with a screwdriver by accessing it through the clutch housing release lever hole. Then remove the release lever.



(A) Release lever  
(B) Screwdriver

#### B: INSTALLATION

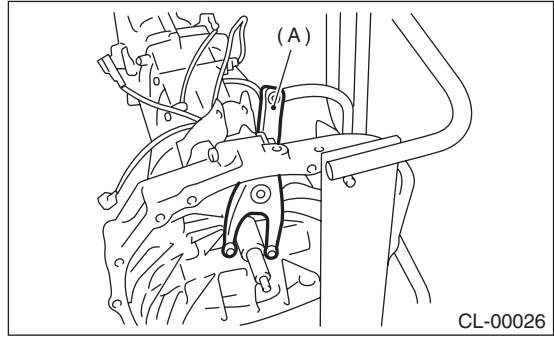
#### NOTE:

Apply the specified grease to lubricate to the following points before installation.

- Contact surface of lever and pivot
- Contact surface of lever and bearing
- Transmission main shaft spline (Use grease containing molybdenum disulfide.)

1) Apply grease (KOPR-KOTE: Part No. 003603001) to the contact point of the release lever and operating cylinder.

2) While pushing the release lever to the pivot and twisting it to both sides, fit the lever spring onto the raised portion of the pivot. (Non-turbo model)



(A) Release lever

#### NOTE:

Observing from the main case hole, check that the lever spring is installed securely.

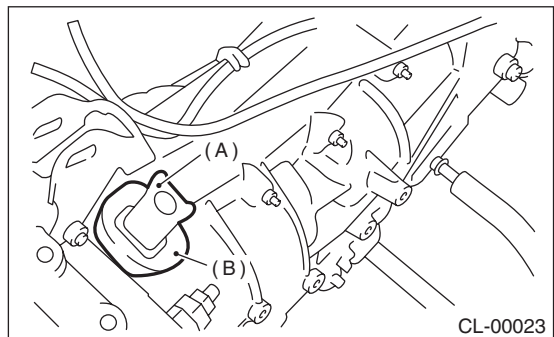
3) Hook the release bearing to the release lever, and fit the lever spring onto the raised portion of the pivot, while pushing the release lever to the pivot and twisting it to both sides. (Turbo model)

#### NOTE:

Observing from the main case hole, check that the lever spring is installed securely.

4) Install the release bearing and fasten it with two clips. (Non-turbo model)

5) Install the dust cover.



(A) Release lever  
(B) Dust cover

6) Check the bearing for smooth movement by operating the release lever.

7) Install the transmission assembly. <Ref. to 5MT-25, INSTALLATION, Manual Transmission Assembly.>

## C: INSPECTION

### 1. RELEASE BEARING

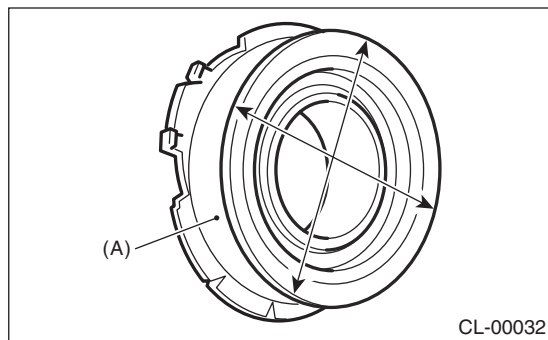
#### CAUTION:

**Since this bearing is grease-sealed and is a non-lubrication type, do not wash with gasoline or any other solvent when servicing the clutch.**

1) Check the bearing for smooth movement by applying force to the bearing in the radial direction.

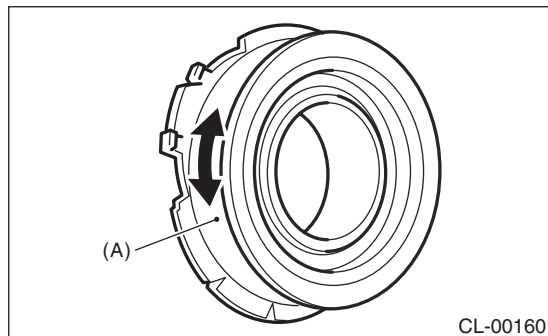
**Radial direction stroke:**

**1.6 mm (0.063 in)**



(A) Bearing case

2) While applying force to the bearing in the rotational direction, check the bearing for smooth rotation.

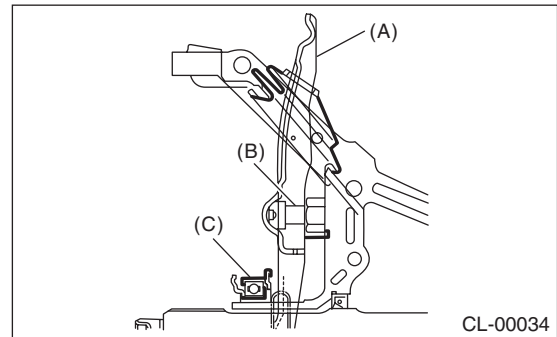


(A) Bearing case

3) Check for wear and damage at the bearing case surface in contact with the lever.

### 2. RELEASE LEVER

Check the pivot portion of the lever and the contact area with the release bearing case for wear.



- (A) Release lever
- (B) Pivot
- (C) Release bearing

## 5. Operating Cylinder

### A: REMOVAL

**NOTE:**

The illustration below is suitable for every model. Perform the same procedures for the other models.

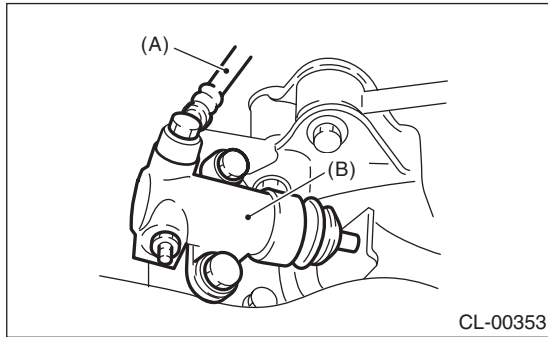
1) Remove the air intake chamber. (Non-turbo model) <Ref. to IN(H4SO)-7, REMOVAL, Air Intake Chamber.>

2) Remove the intercooler. (Turbo model) <Ref. to IN(H4DOTC)-13, REMOVAL, Intercooler.>

3) Disconnect the clutch hose from the operating cylinder.

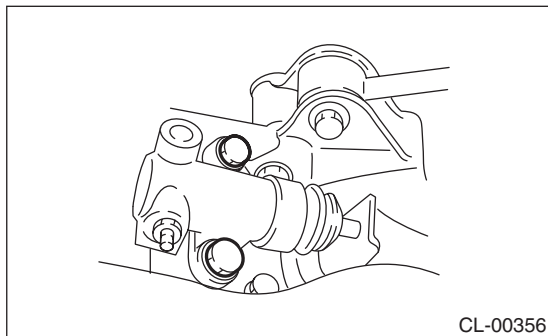
**CAUTION:**

- Cover the hose joint to prevent the clutch fluid from flowing out.
- Do not loosen or remove the cap bolt. (Turbo model)



- (A) Clutch hose
- (B) Operating cylinder

4) Remove the operating cylinder from the transmission.



### B: INSTALLATION

**NOTE:**

The illustration below is suitable for every model. Perform the same procedures for the other models.

1) Install in the reverse order of removal.

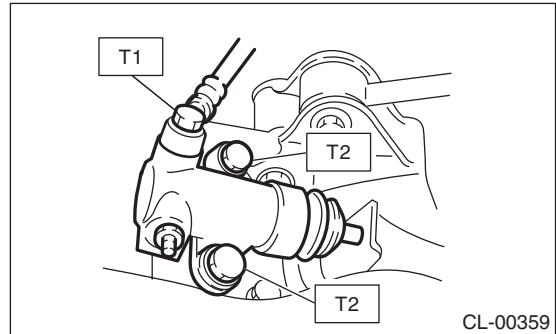
**NOTE:**

Before installing the operating cylinder, apply grease (KOPR-KOTE: Part No. 003603001) to the contact point of the release lever and operating cylinder.

**Tightening torque:**

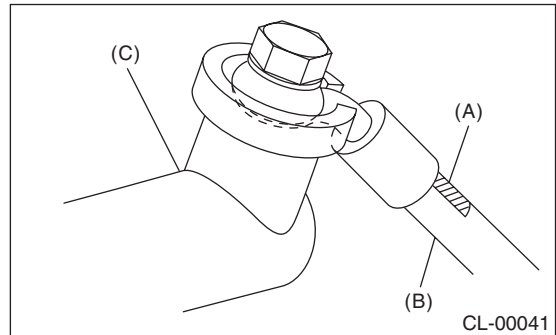
**T1: 18 N·m (1.8 kgf-m, 13.3 ft-lb)**

**T2: 37 N·m (3.8 kgf-m, 27.3 ft-lb)**



**NOTE:**

- Be sure to install the clutch hose with the mark side facing upward.
- Be careful not to twist the clutch hose during installation.



- (A) Mark
- (B) Clutch hose
- (C) Operating cylinder

2) After bleeding air from the operating cylinder, ensure that the clutch operates properly. <Ref. to CL-22, Clutch Fluid Air Bleeding.>

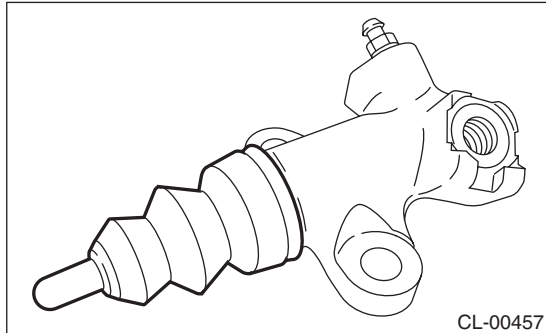


## C: DISASSEMBLY

**NOTE:**

The illustration below is suitable for every model. Perform the same procedures for the other models.

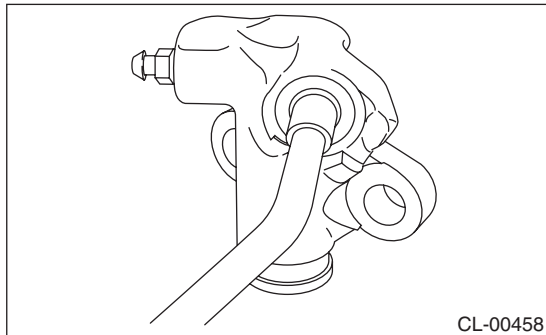
- 1) Remove the boots and push rod assembly.



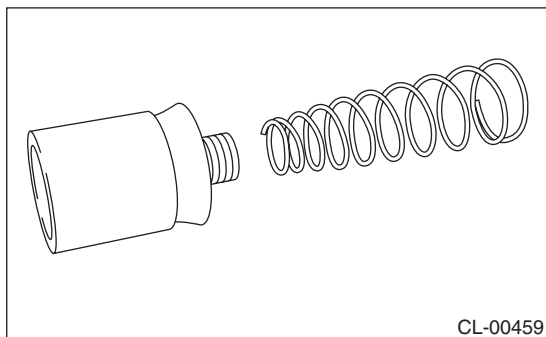
- 2) Apply compressed air through clutch hose attaching port.

**NOTE:**

Face the piston port down and place a piece of wood underneath to prevent the piston from popping out.



- 3) Separate the piston and piston spring.



## D: ASSEMBLY

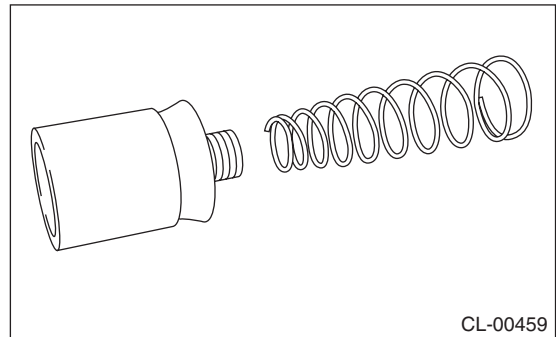
**NOTE:**

- The illustration below is suitable for every model. Perform the same procedures for the other models.
- During assembly, apply hydraulic oil to all parts.

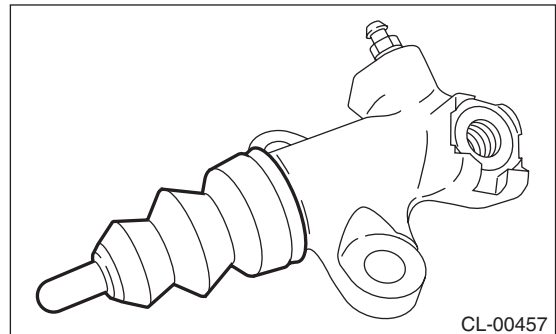
**Recommended clutch fluid:**

***New FMVSS No. 116 DOT3 or DOT4 brake fluid***

- 1) Install the piston spring onto the piston.



- 2) Insert piston into the operating cylinder.
- 3) Install push rod to the boot.
- 4) Install boot and push rod to the operating cylinder.



## E: INSPECTION

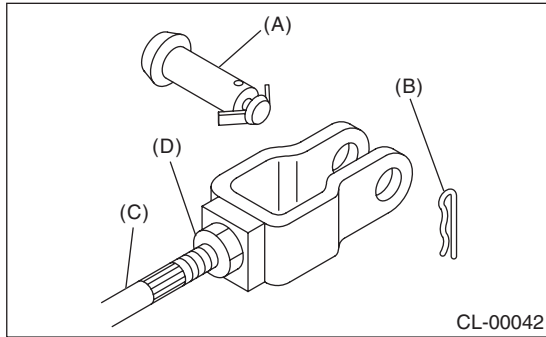
- 1) Check the operating cylinder for damage. If operating cylinder is damaged, replace it.
- 2) Check the operating cylinder for fluid leakage or damage on the boot. If any leakage or damage is found, replace the operating cylinder.



### 6. Master Cylinder

#### A: REMOVAL

- 1) Thoroughly drain the brake fluid from the reservoir tank.
- 2) Remove the snap pin and clevis pin, and then separate the push rod of the master cylinder from clutch pedal.

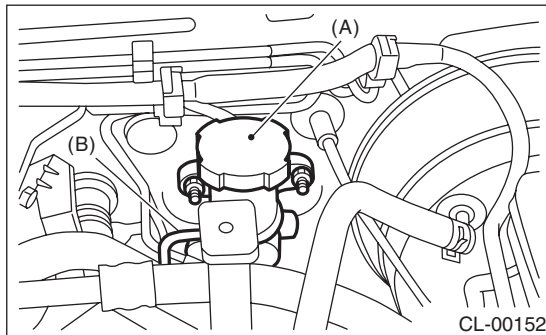


- (A) Clevis pin
- (B) Snap pin
- (C) Push rod
- (D) Lock nut

- 3) Remove the air intake chamber. (Non-turbo model) <Ref. to IN(H4SO)-7, REMOVAL, Air Intake Chamber.>
- 4) Remove the intercooler. (Turbo model) <Ref. to IN(H4DOTC)-13, REMOVAL, Intercooler.>
- 5) Remove the clutch pipe from the master cylinder.
- 6) Remove the master cylinder and reservoir tank as a unit.

#### CAUTION:

**Be careful not to spill the brake fluid. Brake fluid spilled on the vehicle body will harm the paint surface; wash it off with water and wipe clean quickly if spilled.**



- (A) Master cylinder
- (B) Clutch pipe

#### B: INSTALLATION

- 1) Install the master cylinder to the vehicle body, and connect the clutch pipe to the master cylinder.

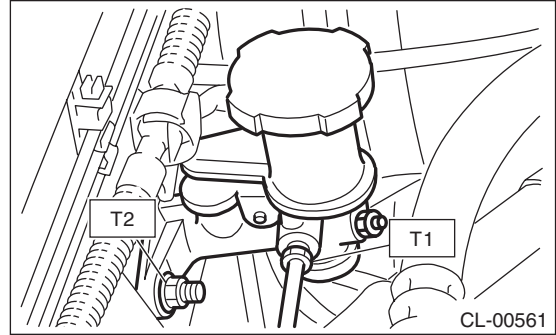
#### NOTE:

Check that the pipe is routed properly.

#### Tightening torque:

**T1: 15 N·m (1.5 kgf-m, 11.1 ft-lb)**

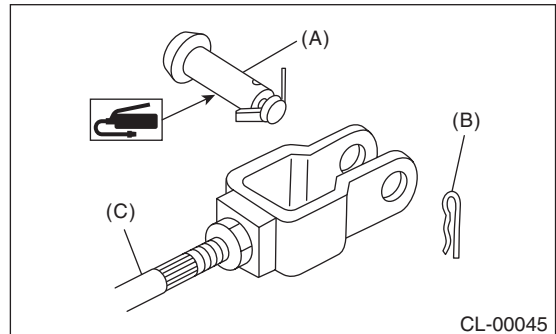
**T2: 18 N·m (1.8 kgf-m, 13.3 ft-lb)**



- 2) Connect the push rod of the master cylinder to the clutch pedal, and install the clevis pin and snap pin.

#### NOTE:

Apply grease to the clevis pin.

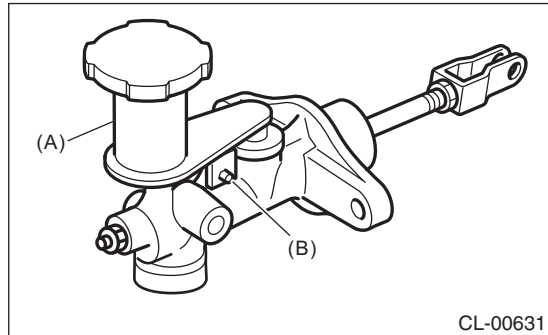


- (A) Clevis pin
- (B) Snap pin
- (C) Push rod

- 3) After bleeding air from the clutch system, ensure that the clutch operates properly. <Ref. to CL-22, Clutch Fluid Air Bleeding.>
- 4) Install the air intake chamber. (Non-turbo model) <Ref. to IN(H4SO)-7, INSTALLATION, Air Intake Chamber.>
- 5) Install the intercooler. (Turbo model) <Ref. to IN(H4DOTC)-13, INSTALLATION, Intercooler.>

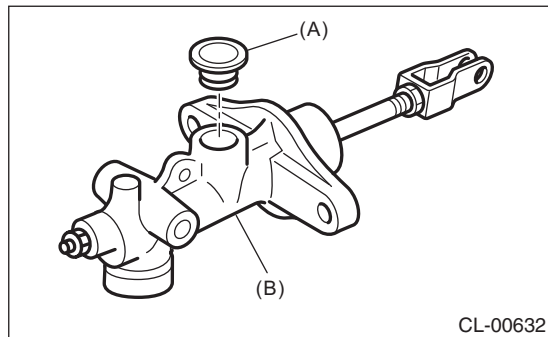
## C: DISASSEMBLY

1) Remove the straight pin and reservoir tank.



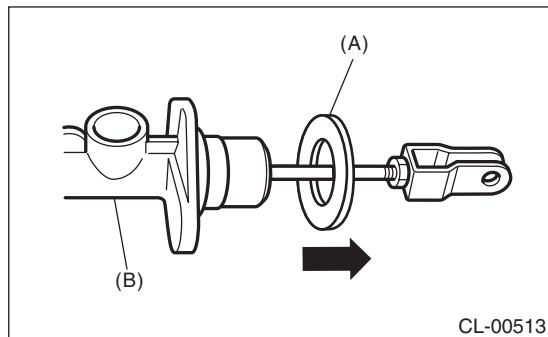
- (A) Reservoir tank
- (B) Straight pin

2) Remove the oil seal.



- (A) Oil seal
- (B) Master cylinder

3) Move the seat towards the rear.



- (A) Seat
- (B) Master cylinder

4) Remove the piston stop ring.

### CAUTION:

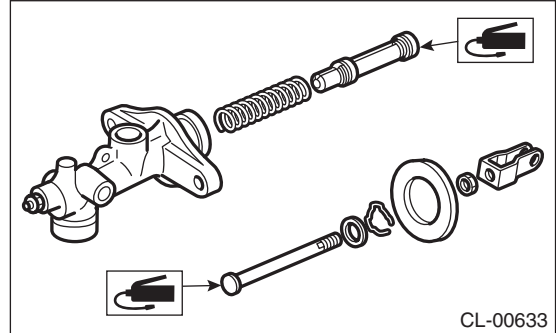
**When removing the piston stop ring, be careful to prevent the rod, washer, piston and return spring from popping out.**

## D: ASSEMBLY

1) Apply a coat of grease to the contact surfaces of the push rod and piston before installation.

### Grease:

**SILICONE GREASE G-40M (Part No. 004404003)**



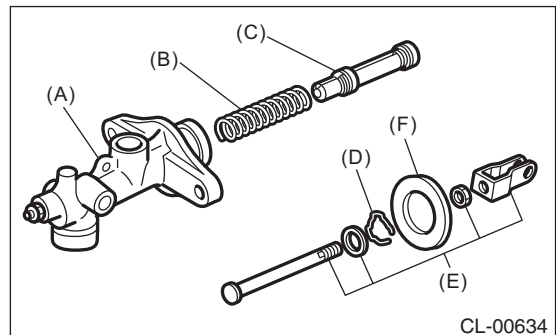
2) Assemble in the reverse order of disassembly.

### Tightening torque:

**10 N·m (1.0 kgf-m, 7.4 ft-lb)**

## E: INSPECTION

If any damage, deformation, wear, swelling, rust or other faults are found on the cylinder, piston, push rod, reservoir tank, return spring, bleeder screw, seat or hose, replace the faulty part.



- (A) Master cylinder body
- (B) Return spring
- (C) Piston
- (D) Piston stop ring
- (E) Push rod ASSY
- (F) Seat

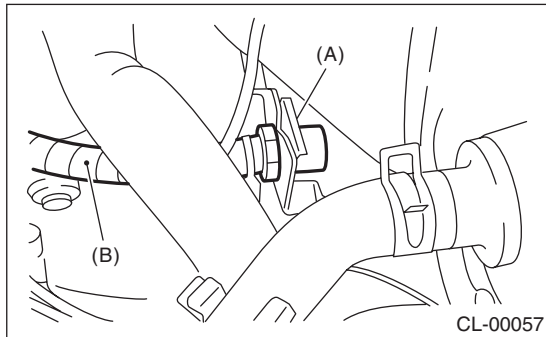
# Clutch Pipe and Hose

## CLUTCH SYSTEM

### 7. Clutch Pipe and Hose

#### A: REMOVAL

- 1) Remove the air intake chamber. (Non-turbo model) <Ref. to IN(H4SO)-7, REMOVAL, Air Intake Chamber.>
- 2) Remove the intercooler. (Turbo model) <Ref. to IN(H4DOTC)-13, REMOVAL, Intercooler.>
- 3) Drain the clutch fluid. <Ref. to CL-21, Clutch Fluid.>
- 4) Disconnect the clutch pipe from the clutch hose and master cylinder.
- 5) Pull out the clamp, then disconnect the clutch hose from the bracket.



- (A) Clamp  
(B) Clutch hose

- 6) Remove the hose from operating cylinder.
- 7) Remove the bracket.

#### B: INSTALLATION

Install in the reverse order of removal.

##### NOTE:

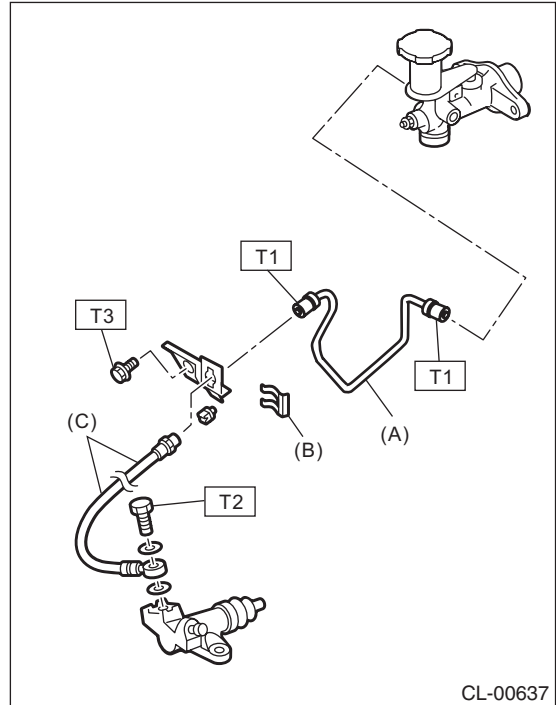
- The illustration below is suitable for every model. Perform the same procedures for the other models.
- Bleed air from the clutch fluid. <Ref. to CL-22, Clutch Fluid Air Bleeding.>

##### Tightening torque:

**T1: 15 N·m (1.5 kgf-m, 11.1 ft-lb)**

**T2: 18 N·m (1.8 kgf-m, 13.3 ft-lb)**

**T3: 25 N·m (2.5 kgf-m, 18.4 ft-lb)**



- (A) Clutch pipe  
(B) Clip  
(C) Clutch hose

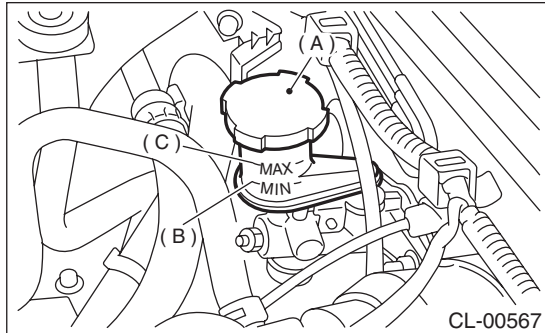
#### C: INSPECTION

Check pipes and hoses for cracks, breakage or damage. Check joints for fluid leakage. If any cracks, breakage, damage or leakage is found, repair or replace the defective pipe or hose.

## 8. Clutch Fluid

### A: INSPECTION

- 1) Park the vehicle on a level surface.
- 2) Inspect the fluid level using the scale on the outside of the reservoir tank. If the level is below "MIN", add fluid to bring it up to "MAX", and also inspect for leakage.



- (A) Reservoir tank
- (B) MIN. level
- (C) MAX. level

### B: REPLACEMENT

#### CAUTION:

- Use new FMVSS No. 116 DOT3 or DOT4 brake fluid.
- Cover the bleeder with cloth to prevent brake fluid from being splashed on surrounding parts when loosening the bleeder.
- Avoid mixing brake fluid of different brands to prevent fluid performance from degrading.
- Be careful not to allow dirt or dust to enter the reservoir tank.

#### NOTE:

- During bleeding operation, keep the clutch reservoir tank filled with brake fluid to prevent entry of air.
  - Clutch pedal must be operated very slowly.
  - Bleed air from the oil line with help of a co-worker.
  - The amount of brake fluid required is approximately 70 mℓ (2.4 US fl oz, 2.5 Imp fl oz) for total clutch system.
- 1) Remove the air intake chamber. (Non-turbo model) <Ref. to IN(H4SO)-7, REMOVAL, Air Intake Chamber.>
  - 2) Remove the intercooler. (Turbo model) <Ref. to IN(H4DOTC)-13, REMOVAL, Intercooler.>
  - 3) Drain the brake fluid from the reservoir tank.
  - 4) Refill the reservoir tank with recommended brake fluid.

#### **Recommended brake fluid:**

***New FMVSS No. 116 DOT3 or DOT4 brake fluid***

- 5) If necessary, bleed air from the clutch fluid. <Ref. to CL-22, Clutch Fluid Air Bleeding.>

# Clutch Fluid Air Bleeding

## CLUTCH SYSTEM

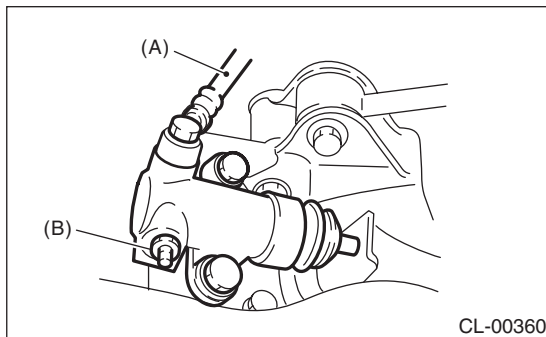
### 9. Clutch Fluid Air Bleeding

#### A: PROCEDURE

##### NOTE:

- The illustration below is suitable for every model. Perform the same procedures for the other models.
- Bleed air from the oil line with help of a co-worker.

- 1) Remove the air intake chamber. (Non-turbo model) <Ref. to IN(H4SO)-7, REMOVAL, Air Intake Chamber.>
- 2) Remove the intercooler. (Turbo model) <Ref. to IN(H4DOTC)-13, REMOVAL, Intercooler.>
- 3) Fit one end of a vinyl tube into the air bleeder of the operating cylinder, and put the other end into a brake fluid container.

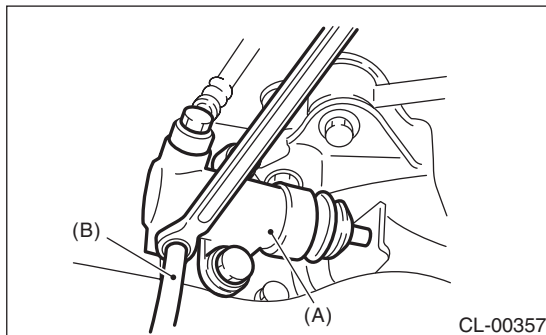


- (A) Clutch hose  
(B) Air bleeder

- 4) Slowly depress the clutch pedal and keep it depressed. Then open the air bleeder to discharge air together with the fluid. Release the air bleeder for 1 or 2 seconds. Next, with the bleeder closed, slowly release the clutch pedal.

##### CAUTION:

**Cover the bleeder with cloth to prevent brake fluid from being splashed on surrounding parts when loosening the bleeder.**



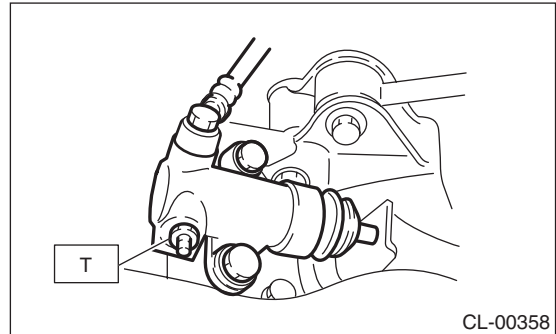
- (A) Operating cylinder  
(B) Vinyl tube

- 5) Repeat procedure 4), until there are no more air bubbles in the vinyl tube.

- 6) Tighten the air bleeder.

##### Tightening torque:

**T: 7.8 N·m (0.8 kgf·m, 5.8 ft·lb)**

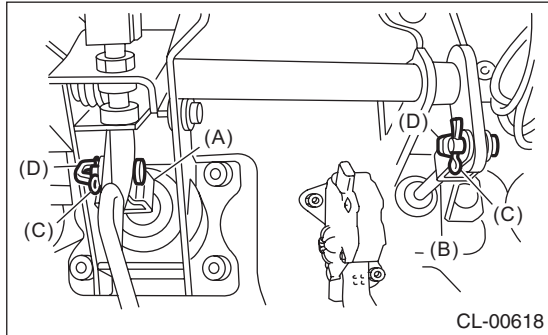


- 7) After stepping on the clutch pedal, make sure that there are no leaks evident in the entire clutch system.
- 8) After bleeding the air from clutch system, ensure that the clutch operates properly.
- 9) Install the air intake chamber. (Non-turbo model) <Ref. to IN(H4SO)-7, INSTALLATION, Air Intake Chamber.>
- 10) Install the intercooler. (Turbo model) <Ref. to IN(H4DOTC)-13, INSTALLATION, Intercooler.>

## 10. Clutch Pedal

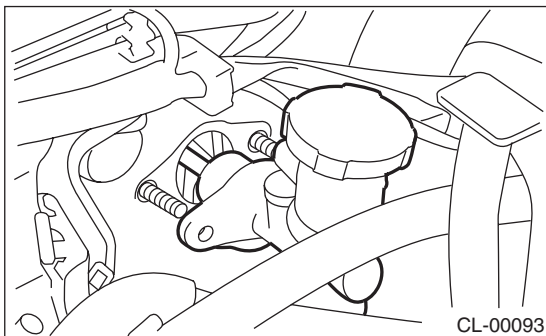
### A: REMOVAL

- 1) Disconnect the ground cable from battery.
- 2) Remove the steering column. <Ref. to PS-15, REMOVAL, Tilt Steering Column.>
- 3) Disconnect the connector from the stop light switch and clutch switch.
- 4) Remove the snap pins from clevis pins which secure the lever to the push rod and operating rod.
- 5) Pull out the clevis pins which secures the lever to the push rod and operating rod.



- (A) Operating rod
- (B) Push rod
- (C) Snap pin
- (D) Clevis pin

- 6) Remove the air intake chamber. (Non-turbo model) <Ref. to IN(H4SO)-7, REMOVAL, Air Intake Chamber.>
- 7) Remove the intercooler. (Turbo model) <Ref. to IN(H4DOTC)-13, REMOVAL, Intercooler.>
- 8) Remove the nut which secures the clutch master cylinder.



- 9) Remove the bolts and nuts which secure the brake pedal and clutch pedal, and remove the pedal assembly.

### B: INSTALLATION

- 1) Install in the reverse order of removal.

#### Tightening torque:

**18 N·m (1.8 kgf-m, 13.3 ft-lb)**

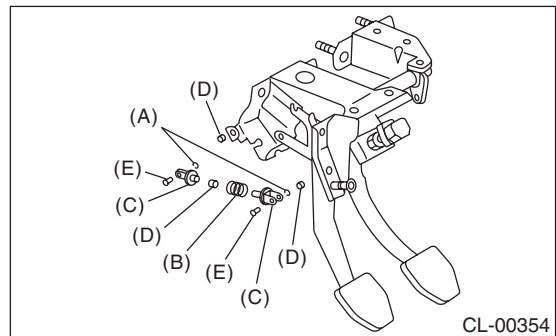
#### CAUTION:

**Always use a new clevis pin.**

- 2) Adjust the clutch pedal after installation. <Ref. to CL-24, ADJUSTMENT, Clutch Pedal.>
- 3) Adjust the clutch switch (clutch start). <Ref. to CL-28, ADJUSTMENT, Clutch Switch.>

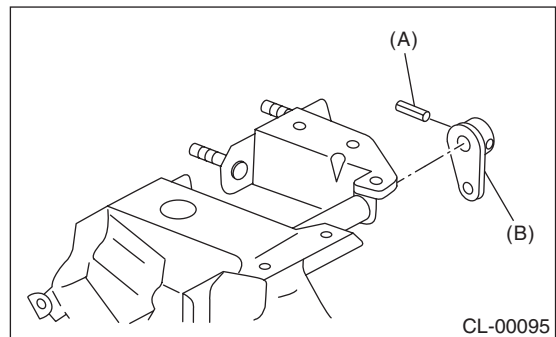
### C: DISASSEMBLY

- 1) Remove the clutch switches.
- 2) Remove the clip, assist spring, rod and bushing.



- (A) Clip
- (B) Assist spring
- (C) Assist rod
- (D) Bushing
- (E) Clevis pin

- 3) Remove the spring pin and lever.

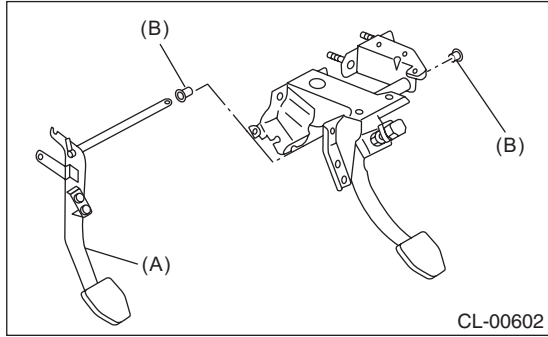


- (A) Pin
- (B) Lever

# Clutch Pedal

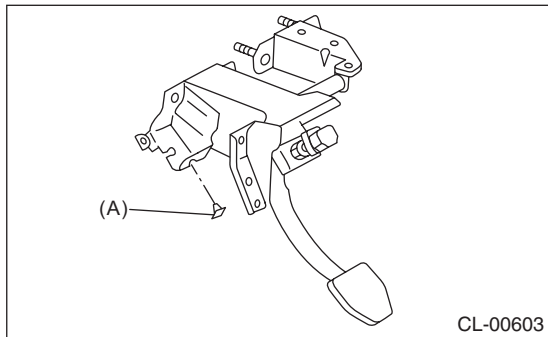
## CLUTCH SYSTEM

- 4) Remove the clutch pedal and bushings.



- (A) Clutch pedal  
(B) Bushing

- 5) Remove the stopper from the clutch pedal.



- (A) Stopper

- 6) Remove the clutch pedal pad. (Non-turbo model)

## D: ASSEMBLY

- 1) Temporarily assemble the clutch switch, etc. to pedal bracket.
- 2) Clean the clutch pedal and brake pedal bushing holes, apply grease, and install the bushings.
- 3) Align the holes of the pedal bracket, clutch pedal and brake pedal, and install the brake pedal return spring, assist rod, spring and bushing.

### NOTE:

Clean the inside of the bushings and apply grease before installing the spacer.

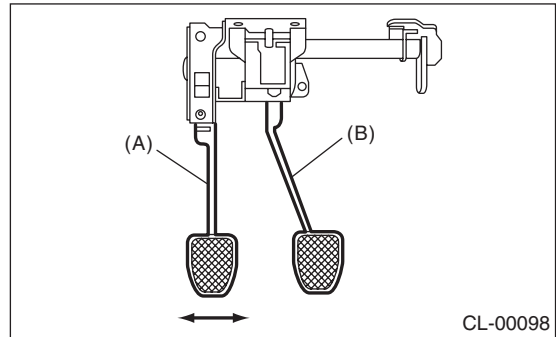
## E: INSPECTION

Move the clutch pedal pads in the lateral direction with a force of approximately 10 N (1 kgf, 2 lbf) to check that the clutch pedal deflection is within the service limit. If it exceeds the service limit, replace with new bushings.

### Deflection of the clutch pedal:

#### Service limit

**4.0 mm (0.157 in) or less**



- (A) Clutch pedal  
(B) Brake pedal

## F: ADJUSTMENT

- 1) Turn the lock nut until the full stroke of clutch pedal becomes within the specification.

### CAUTION:

**When adjusting the full stroke of clutch pedal, do not turn the clutch switch.**

### NOTE:

If the lock nut cannot adjust the full stroke of clutch pedal to the specified value, adjust it by turning the master cylinder push rod.

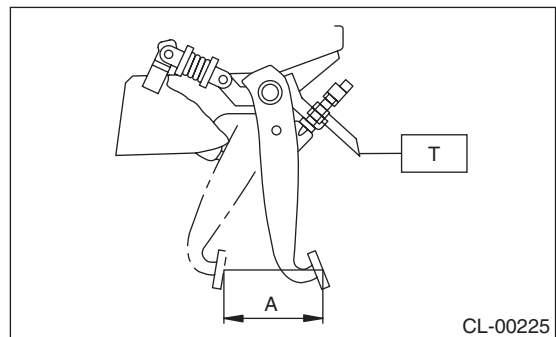
### Clutch pedal full stroke A:

**130 — 135 mm (5.12 — 5.31 in) (non-turbo model)**

**135 — 140 mm (5.31 — 5.51 in) (turbo model)**

### Tightening torque (Clutch switch lock nut):

**T: 8 N·m (0.8 kgf-m, 5.9 ft-lb)**



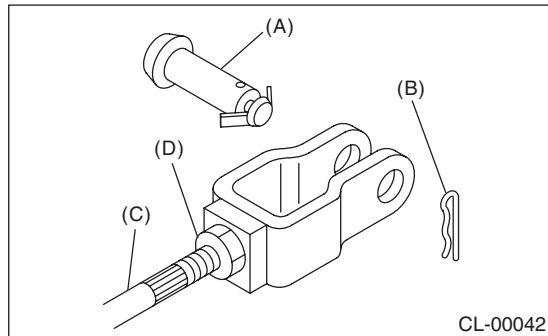


2) If the full stroke is not within the specified value, loosen the clutch switch lock nut to adjust.

**Tightening torque:**

**8 N·m (0.8 kgf-m, 5.9 ft-lb)**

3) Loosen the push rod lock nuts.

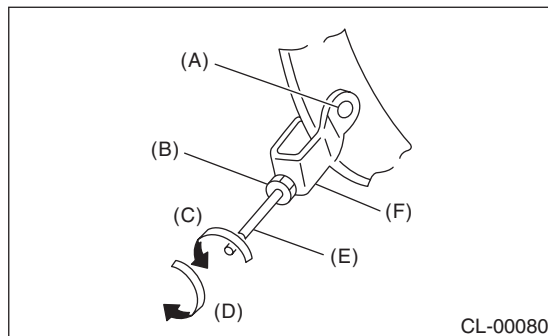


- (A) Clevis pin
- (B) Snap pin
- (C) Push rod
- (D) Push rod lock nut

4) Rotate the push rod to adjust.

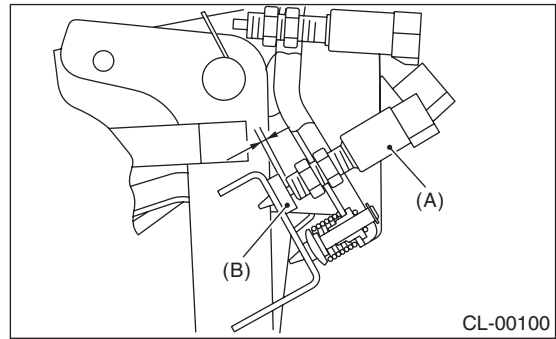
(1) Make sure that the clutch pedal contacts the clutch switch side when the pedal is released.

(2) Make sure that the clutch pedal contacts the clutch pedal bracket stopper when the clutch pedal is at the maximum stroke position.



- (A) Clevis hole
- (B) Push rod lock nut
- (C) In the shorter direction
- (D) In the longer direction
- (E) Push rod
- (F) Clevis

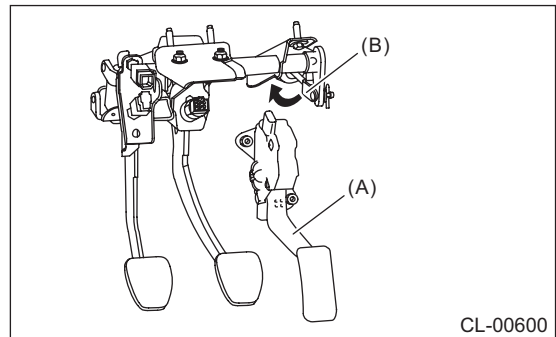
5) Turn the push rod to shorten until a clearance is gained on the clutch switch side.



- (A) Clutch switch
- (B) Stopper

6) Turn the push rod to lengthen until clutch pedal contacts the clutch switch.

7) Turn further in the direction that will shorten the push rod (arrow direction shown in figure) by 270°.



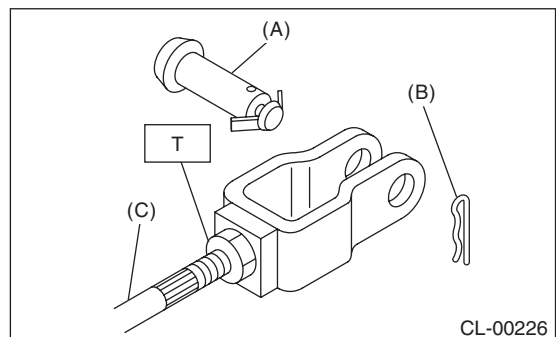
- (A) Accelerator pedal
- (B) Clevis

8) Check that the clevis pin moves smoothly by moving it in the left and right directions.

9) Tighten the push rod lock nut.

**Tightening torque (Push rod lock nut):**

**T: 10 N·m (1.0 kgf-m, 7.4 ft-lb)**



- (A) Clevis pin
- (B) Snap pin
- (C) Push rod



# Clutch Pedal

## CLUTCH SYSTEM

10) Depress and release the clutch pedal two or three times to ensure that the clutch pedal and release lever operate smoothly. If the clutch pedal and release lever do not operate smoothly, bleed air from the clutch hydraulic system. <Ref. to CL-22, Clutch Fluid Air Bleeding.>

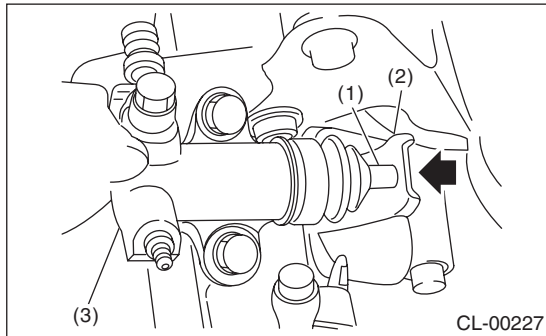
11) Measure the clutch pedal full stroke length again to ensure that it is within specifications. If it is not within specifications, repeat adjustment procedures again from the beginning.

### Clutch pedal full stroke:

**130 — 135 mm (5.12 — 5.31 in) (non-turbo model)**

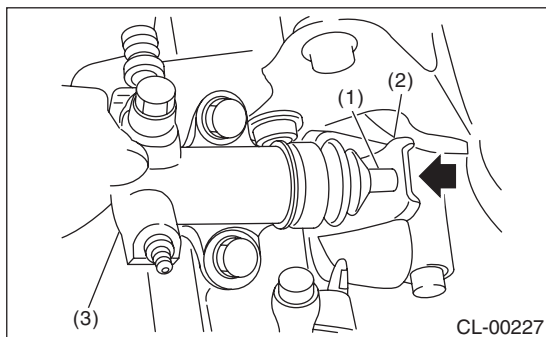
**135 — 140 mm (5.31 — 5.51 in) (turbo model)**

12) Push the release lever until the operating cylinder push rod retracts. Make sure that the clutch fluid level in the reservoir tank increases. If the clutch fluid level increases, the hydraulic clutch is properly adjusted. If the fluid level does not increase or the push rod does not retract, replace the master cylinder with a new part. <Ref. to CL-18, Master Cylinder.>



- (1) Push rod
- (2) Release lever
- (3) Operating cylinder

13) Push the release lever until the operating cylinder push rod retracts. Check that the clutch fluid level in the reservoir tank increases.



- (1) Push rod
- (2) Release lever
- (3) Operating cylinder

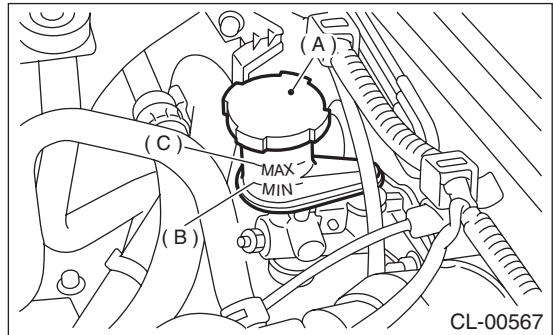
14) If the clutch fluid level increases, hydraulic clutch play is correct.

15) If the clutch fluid level does not increase or push rod does not retract, readjust the clutch pedal.

16) Check the fluid level using the scale on the outside of the reservoir tank. If the level is below "MIN", fill fluid up to "MAX" level.

### Recommended clutch fluid:

**New FMVSS No. 116 DOT3 or DOT4 brake fluid**



- (A) Reservoir tank
- (B) MIN. level
- (C) MAX. level

## 11. Clutch Switch

### A: REMOVAL

- 1) Disconnect the ground cable from battery.
- 2) Remove the instrument panel lower cover.
- 3) Disconnect the connector of clutch switch.
- 4) Remove the clutch switches.

### B: INSTALLATION

#### 1. CLUTCH SWITCH (CRUISE CONTROL)

- 1) Move the clevis pin of push rod to left and right, retain it at the position where it moves smoothly, and measure the clutch pedal stroke.

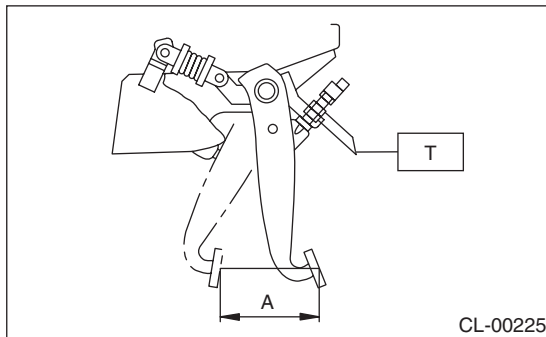
##### Clutch pedal full stroke A:

130 — 135 mm (5.12 — 5.31 in) (Non-turbo model)

135 — 140 mm (5.31 — 5.51 in) (Turbo model)

##### Tightening torque:

**T: 8 N·m (0.8 kgf-m, 5.9 ft-lb)**



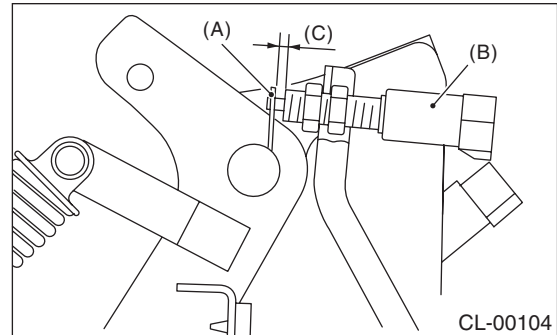
- 2) If the clutch pedal stroke is out of specification, adjust the stroke. <Ref. to CL-24, ADJUSTMENT, Clutch Pedal.>
- 3) Connect the clutch switch connector.

#### 2. CLUTCH SWITCH (CLUTCH START)

- 1) Fully depress the clutch and hold it.
- 2) Install the clutch pedal plate and clutch switch so that the gap between them is 3 — 3.5 mm (0.12 — 0.14 in), and then tighten the lock nut.

##### Tightening torque:

**8 N·m (0.8 kgf-m, 5.9 ft-lb)**



- (A) Plate
- (B) Clutch switch
- (C) 3 × 3.5 mm (0.12 × 0.14 in)

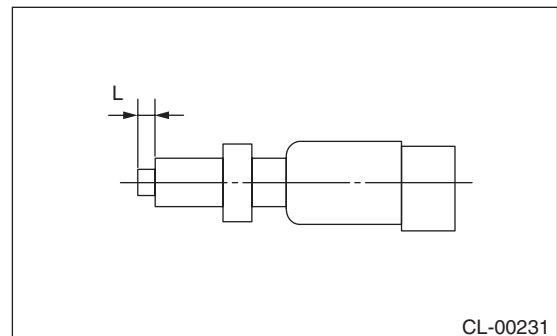
- 3) Connect the clutch switch connector.
- 4) Make sure that engine does not start with clutch pedal not depressed.
- 5) Make sure that engine starts with clutch pedal fully depressed.

### C: INSPECTION

- 1) If the clutch switch (cruise control) does not operate properly (or if it does not stop at the specified position), replace it with a new part.

##### Specified position L:

**2+1.5 mm (0.079+0.059 in)**



# Clutch Switch

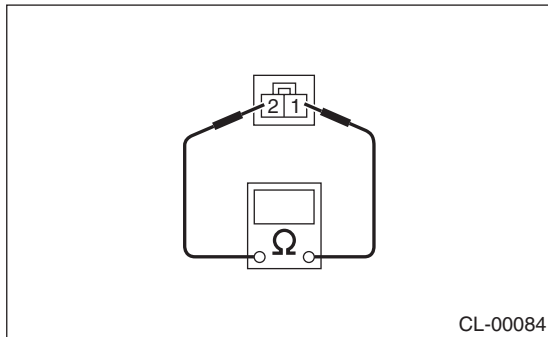
## CLUTCH SYSTEM

2) Check the clutch switch for continuity. If the resistance is not at the standard value, replace the switch.

- (1) Disconnect the clutch switch connector.
- (2) Measure the resistance between terminal 1 and 2 of the switch.

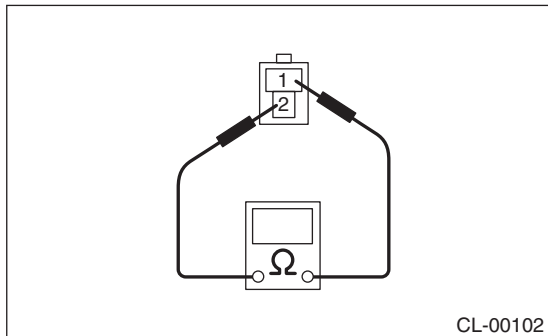
- Clutch switch (cruise control)

Condition	Terminal No.	Specified resistance
When clutch pedal is depressed	No. 1 — No. 2	1 M $\Omega$ or more
When the clutch pedal is not depressed	No. 1 — No. 2	Less than 1 $\Omega$



- Clutch switch (clutch start)

Condition	Terminal No.	Specified resistance
When clutch pedal is depressed	No. 1 — No. 2	Less than 1 $\Omega$
When the clutch pedal is not depressed	No. 1 — No. 2	1 M $\Omega$ or more

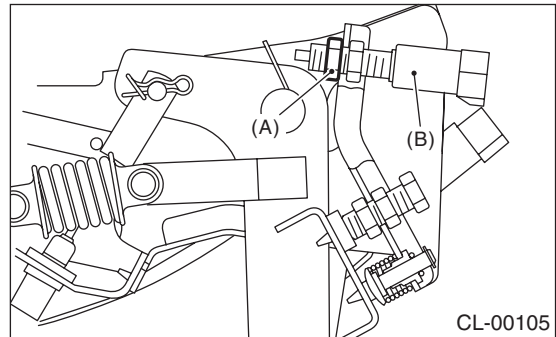


3) Make sure that engine does not start with clutch pedal not depressed. If the engine starts, adjust the clutch switch and check the clutch start circuit.

4) Make sure that engine starts with clutch pedal fully depressed. If the engine does not start, adjust the clutch switch and check the clutch start circuit.

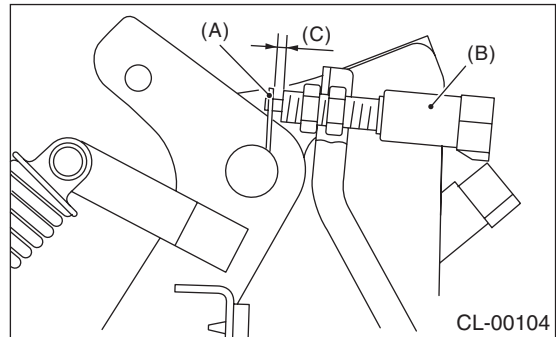
## D: ADJUSTMENT

1) Loosen the lock nut of clutch switch (clutch start).



- (A) Lock nut
- (B) Clutch switch (clutch start)

2) Fully depress the clutch pedal and hold it.  
3) Adjust the gap of the clutch pedal plate and the clutch switch to be 3 — 3.5 mm (0.12 — 0.14 in).



- (A) Plate
- (B) Clutch switch (clutch start)
- (C) 3 — 3.5 mm (0.12 — 0.14 in)

4) Tighten the lock nut.

**Tightening torque:**  
**8 N·m (0.8 kgf·m, 5.9 ft·lb)**

## 12. General Diagnostic Table

### A: INSPECTION

#### 1. CLUTCH

Symptom	Possible cause	Corrective action
<p>1. Clutch slippage. It is hard to perceive clutch slippage in the early stage, but pay attention to the following symptoms.</p> <ul style="list-style-type: none"> <li>• Engine speeds up when shifting.</li> <li>• High-speed driving is not possible; especially rapid acceleration is not possible and vehicle speed does not increase in proportion to the increase in engine speed.</li> <li>• Power drops particularly when ascending a slope, and there is a burning smell of the clutch plate.</li> <li>• Method of testing: Park the vehicle and fully apply the parking brake. Disengage the clutch and shift the transmission gear into the 1st. Gradually increase the engine speed while gradually allowing the clutch to engage. The clutch function is satisfactory if the engine stalls. However, the clutch is slipping if the vehicle does not move forward and the engine does not stall.</li> </ul>	(a) Oil on the clutch face	Replace.
	(b) Worn clutch face	Replace.
	(c) Deteriorated diaphragm spring	Replace.
	(d) Warped pressure plate or flywheel	Repair or replace.
	(e) Defective release bearing holder	Repair or replace.
<p>2. Clutch drags. As a symptom of this trouble, a harsh scratching noise occurs and control becomes difficult when shifting gears. The symptom becomes more apparent when shifting into the 1st gear. However, because most trouble of this sort is due to a defective synchronization mechanism, perform the following tests.</p> <ul style="list-style-type: none"> <li>• Method of testing:&lt;Ref. to CL-30, DIAGNOSTIC DIAGRAM OF CLUTCH DRAG, INSPECTION, General Diagnostic Table.&gt;</li> </ul> <p>The problem is caused by insufficient disengagement of the clutch if an abnormal noise occurs during this test.</p>	(a) Worn or rusty clutch disc hub spline	Replace the clutch disc.
	(b) Excessive deflection of clutch disc face	Repair or replace.
	(c) Crankshaft pilot needle bearing sticking	Replace.
	(d) Cracked clutch disc face	Replace.
	(e) Stuck clutch disc (smeared by oil or water)	Replace.
<p>3. Clutch chatters. Clutch chattering is an unpleasant vibration to the whole vehicle when the vehicle is just started with clutch partially engaged.</p>	(a) Adhesion of oil on the clutch face	Replace the clutch disc.
	(b) Weak or broken damper spring	Replace the clutch disc.
	(c) Poor contact of the disc surface or excessively worn disc	Replace the faulty clutch disc.
	(d) Warped pressure plate or flywheel	Repair or replace.
	(e) Loose disc rivets	Replace the clutch disc.
	(f) Loose engine mounting	Retighten or replace mounting.
	(g) Improper adjustment of the pitching stopper	Adjust.

# General Diagnostic Table

## CLUTCH SYSTEM

Symptom	Possible cause	Corrective action
4. Noisy clutch Noise occurs when the clutch is disengaged, engaged, or partially engaged.	(a) Broken, worn or insufficiently lubricated release bearing	Replace the release bearing.
	(b) Insufficient lubrication of the pilot bearing	Replace the pilot bearing.
	(c) Loose clutch disc hub	Replace the clutch disc.
	(d) Loose damper spring retainer	Replace the clutch disc.
	(e) Deteriorated or broken damper spring	Replace the clutch disc.
5. Clutch grabs suddenly. When starting the vehicle with the clutch partially engaged, the clutch engages suddenly and the vehicle jumps instead of making a smooth start.	(a) Grease or oil on facing	Replace the clutch disc.
	(b) Deteriorated cushioning spring	Replace the clutch disc.
	(c) Worn or rusted spline of clutch disc or main shaft	Take off rust, apply grease or replace clutch disc or main shaft.
	(d) Deteriorated or broken damper spring	Replace the clutch disc.
	(e) Loose engine mounting	Retighten or replace mounting.
	(f) Deteriorated diaphragm spring	Replace.

## 2. CLUTCH PEDAL

Symptom	Corrective action
Insufficient pedal play	Adjust the free play of the pedal.
Insufficient clutch pedal free play	Adjust the free play of the pedal.
Excessively worn and damaged pedal shaft and/or bushing	Replace the bushing or shaft with a new part.

## 3. DIAGNOSTIC DIAGRAM OF CLUTCH DRAG

Step	Check	Yes	No
<b>1</b> <b>CHECK GEAR NOISE.</b> 1) Start the engine. 2) Disengage the clutch and shift quickly from neutral to reverse in idling condition.	Is there any abnormal noise from the transmission gear?	Go to step 2.	Clutch is normal.
<b>2</b> <b>CHECK GEAR NOISE.</b> Disengage the clutch at idle and shift from neutral to reverse within 0.5 — 1.0 seconds.	Is there any abnormal noise from the transmission gear?	Go to step 3.	Defective transmission or excessive clutch drag torque. Inspect pilot bearing, clutch disc, transmission and clutch disc hub spline.
<b>3</b> <b>CHECK GEAR NOISE.</b> 1) Disengage the clutch at idle and shift from neutral to reverse within 0.5 — 1.0 seconds. 2) With the clutch disengaged, shift from neutral to reverse, reverse to neutral several times.	Is there any abnormal noise from the transmission gear?	Inadequate clutch disengage. Inspect the clutch disc, clutch cover, clutch release, and clutch pedal free play.	Clutch and fly-wheel seizure. Inspect the clutch disc and the spline of the clutch disc hub.

# General Description

## FRONT SUSPENSION

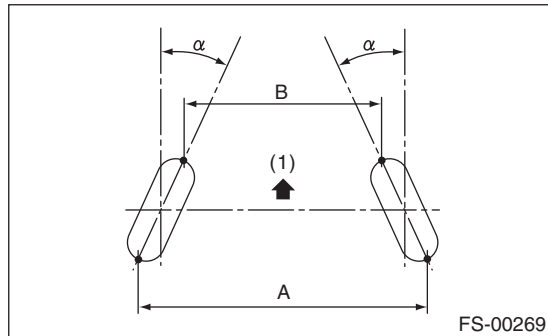
### 1. General Description

#### A: SPECIFICATION

Model		OUTBACK	Non-turbo	Turbo (except for WRX-SS)	Turbo (WRX-SS)	
Front	Wheel arch height (Tolerance: +12 mm -24 mm (+0.47 in -0.94 in )) mm (in)	392 (15.4)	387 (15.2)			
	Camber (Tolerance: $\pm 0^{\circ}45'$ Differences between RH and LH: 45' or less)	-0°05'	-0°10'			
	Caster (Referential Value)	5°50'	5°55'			
	Steering angle (Tolerance: $\pm 1.5^{\circ}$ )	Inner wheel	37.9°	37.8°		37.2°
		Outer wheel	33.5°	33.4°		32.9°
	Toe-in mm (in)	0±3 (0±0.12) Toe angle (sum of both wheels): 0°±0°15'				
	Kingpin angle (Referential Value)	13°30'	13°35'			
Rear	Wheel arch height (Tolerance: +12 mm -24 mm (+0.47 in -0.94 in )) mm (in)	380 (15)		375 (14.8)		
	Camber (Tolerance: $\pm 0^{\circ}45'$ Differences between RH and LH: 45' or less)	-1°05'		-1°15'		
	Toe-in mm (in)	0±3 (0±0.12) Toe angle (sum of both wheels): 0°±0°15'				
	Thrust angle (Tolerance: $\pm 0^{\circ}30'$ )	0°				

#### NOTE:

- Front and rear toe-in and front camber can be adjusted. Adjust if the toe-in or camber tolerance exceeds specifications.
- Other items indicated in the specifications is not equipped with adjustment mechanisms. If other items exceed specifications, check the suspension parts and connections for deformation. If defective, replace with new parts.

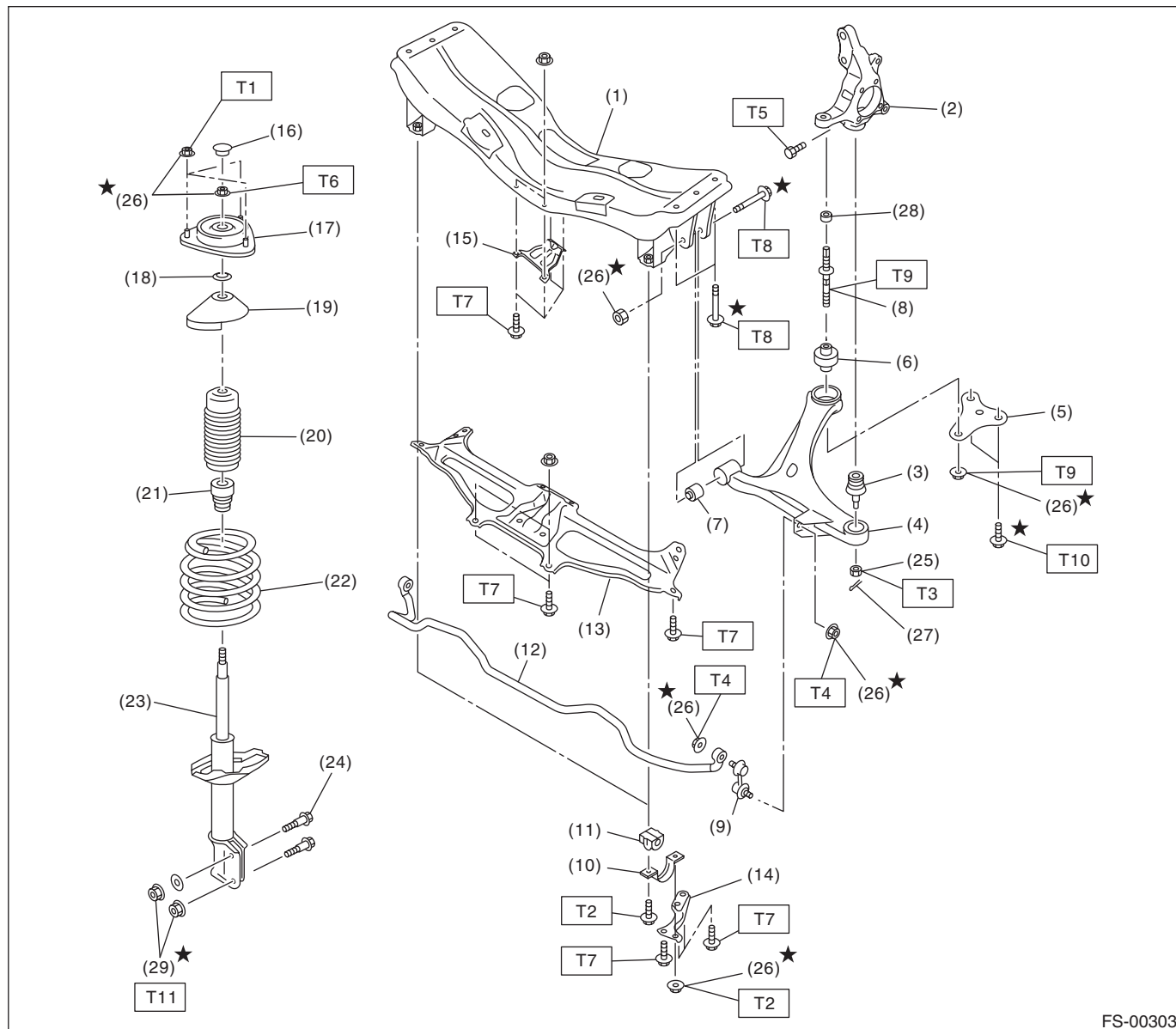


(1) Front

A - B = Positive: Toe-in, Negative: Toe-out

$\alpha$  = Individual toe angles

### B: COMPONENT



FS-00303

# General Description

## FRONT SUSPENSION

---

(1) Front crossmember	(15) Jack-up plate	(29) Flange nut
(2) Housing	(16) Dust seal	
(3) Ball joint	(17) Strut mount	<b><i>Tightening torque:N-m (kgf-m, ft-lb)</i></b>
(4) Front arm	(18) Spacer	<b><i>T1: 20 (2.0, 14.8)</i></b>
(5) Support plate	(19) Upper spring seat	<b><i>T2: 25 (2.5, 18.4)</i></b>
(6) Rear bushing	(20) Dust cover	<b><i>T3: 39 (4.0, 28.8)</i></b>
(7) Front bushing	(21) Helper	<b><i>T4: 45 (4.6, 33.2)</i></b>
(8) Stud bolt	(22) Coil spring	<b><i>T5: 50 (5.1, 36.9)</i></b>
(9) Stabilizer link	(23) Strut	<b><i>T6: 55 (5.6, 40.6)</i></b>
(10) Bracket	(24) Adjusting bolt	<b><i>T7: 60 (6.1, 44.3)</i></b>
(11) Bushing	(25) Castle nut	<b><i>T8: 95 (9.7, 70.1)</i></b>
(12) Stabilizer	(26) Self-locking nut	<b><i>T9: 110 (11.2, 81.1)</i></b>
(13) Crossmember support plate (Large type)	(27) Cotter pin	<b><i>T10: 150 (15.3, 110.6)</i></b>
(14) Crossmember support plate (Small type)	(28) Stopper	<b><i>T11: 155 (15.8, 114.3)</i></b>

---

## C: CAUTION

- Wear appropriate work clothing, including a cap, protective goggles and protective shoes when performing any work.
- Before removal, installation or disassembly, be sure to clarify the failure. Avoid unnecessary removal, installation, disassembly and replacement.
- Use SUBARU genuine grease etc. or equivalent. Do not mix grease etc. of different grades or manufacturers.
- Before securing a part on a vise, place cushioning material such as wood blocks, aluminum plate, or cloth between the part and the vise.
- Be sure to tighten fasteners including bolts and nuts to the specified torque.
- Place shop jacks or rigid racks at the specified points.

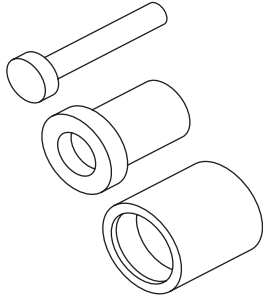
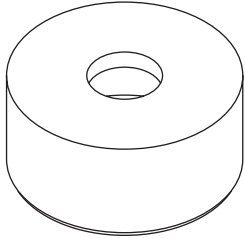
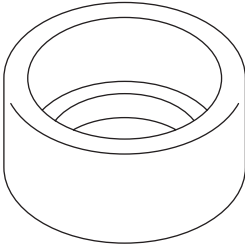
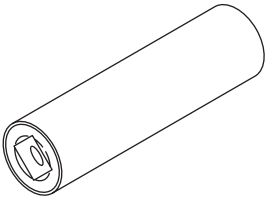


# General Description

FRONT SUSPENSION

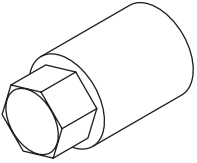
## D: PREPARATION TOOL

### 1. SPECIAL TOOL

ILLUSTRATION	TOOL NUMBER	DESCRIPTION	REMARKS
 <p>ST-927680000</p>	927680000	INSTALLER & REMOVER SET	Used for replacing front arm front bushing.
 <p>ST20299AG000</p>	20299AG000	REMOVER	<ul style="list-style-type: none"> <li>Used for replacing front arm rear bushing.</li> <li>Used together with BASE (20999AG010).</li> </ul>
 <p>ST20299AG010</p>	20299AG010	BASE	<ul style="list-style-type: none"> <li>Used for replacing front arm rear bushing.</li> <li>Used together with REMOVER (20999AG000).</li> </ul>
 <p>ST20299AG020</p>	20299AG020	STUD BOLT SOCKET	Used for removing and installing the stud bolt for front arm installing portion.

# General Description

## FRONT SUSPENSION

ILLUSTRATION	TOOL NUMBER	DESCRIPTION	REMARKS
 ST20399AG000	20399AG000	STRUT MOUNT SOCKET	Used for disassembling and assembling strut mount.

## 2. GENERAL TOOL

TOOL NAME	REMARKS
Alignment gauge	Used for measuring wheel alignment.
Alignment gauge adapter	Used for measuring wheel alignment.
Turning radius gauge	Used for measuring wheel alignment.
Toe-in gauge	Used for toe-in measurement.
Dial gauge	Used for damper strut measurement.
Coil spring compressor	Used for strut assembly/disassembly.
Side slip tester	Used for measuring side slip.

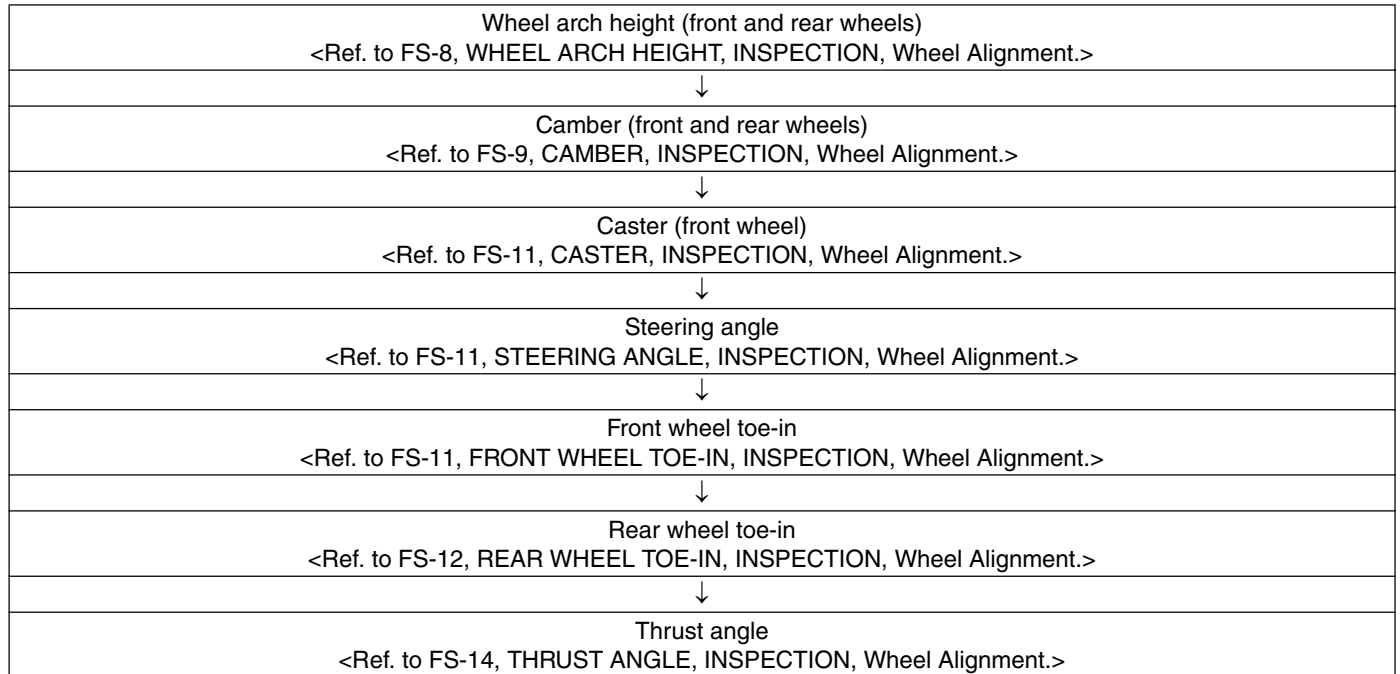
## 2. Wheel Alignment

### A: INSPECTION

Check the following items before performing the wheel alignment measurement.

- Tire inflation pressure
- Uneven wear of RH and LH tires, or difference of sizes
- Tire runout
- Excessive play and wear of ball joint
- Excessive play and wear of tie-rod end
- Excessive play of wheel bearing
- Right and left wheel base imbalance
- Deformation and excessive play of steering link
- Deformation and excessive play of suspension parts

Check, adjust and measure the wheel alignment in accordance with the procedures indicated in the figure.

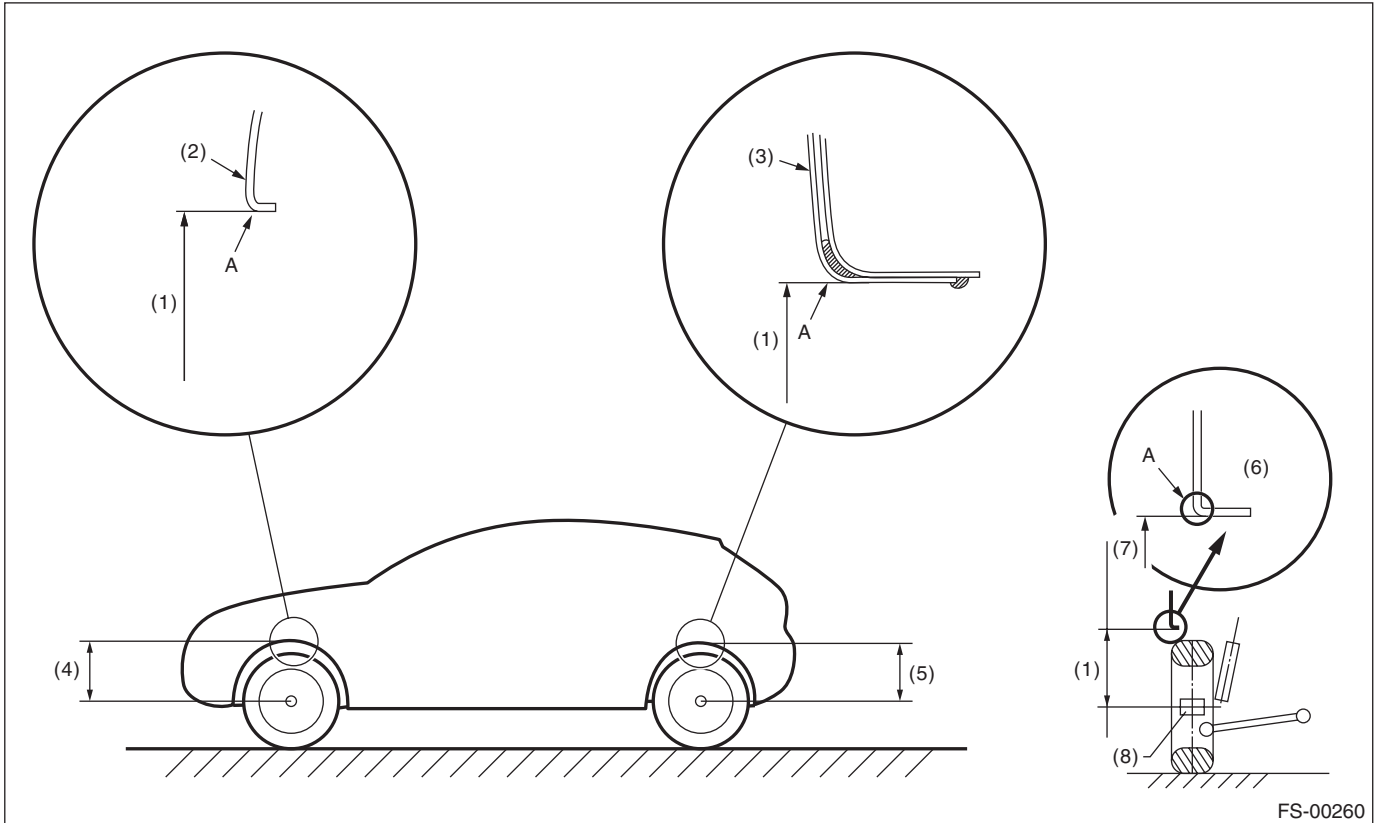


# Wheel Alignment

## FRONT SUSPENSION

### 1. WHEEL ARCH HEIGHT

- 1) Park the vehicle on a level surface.
- 2) Empty the vehicle so that it is at “curb weight”. (Empty the luggage compartment, load the spare tire, jack and service tools, and fill up the fuel tank.)
- 3) Set the steering wheel in a straight-ahead position, and stabilize the suspension by moving the vehicle in a straight line for 5 m (16 ft) or more.
- 4) Suspend a thread from the wheel arch (point “A” in the figure below) and affix at a position directly above the center of wheel.
- 5) Measure the distance between the point “A” and the center of wheel.



FS-00260

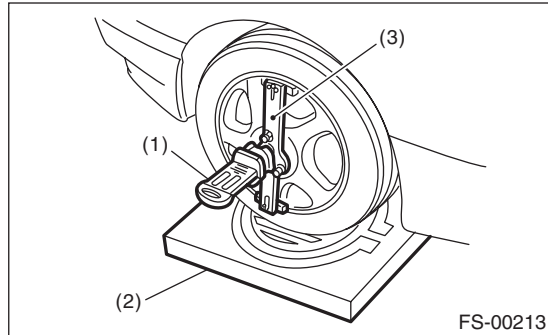
- |                       |                             |                          |
|-----------------------|-----------------------------|--------------------------|
| (1) Wheel arch height | (4) Front wheel arch height | (7) Point of measurement |
| (2) Front fender      | (5) Rear wheel arch height  | (8) End of spindle       |
| (3) Rear quarter      | (6) Flange bend line        |                          |

Wheel arch height specification mm (in) (Tolerance: +12 mm -24 mm (+0.47 in -0.94 in))			
Model	OUTBACK	Non-turbo	Turbo
Front	392 (15.4)	387 (15.2)	
Rear	380 (15)		375 (14.8)

## 2. CAMBER

### • Inspection

- 1) Place the front wheel on the turning radius gauge. Make sure the ground contact surfaces of the front and rear wheels are at the same height.
- 2) Set the adapter into the center of wheel, and then set the wheel alignment gauge.



- (1) Alignment gauge
- (2) Turning radius gauge
- (3) Adapter

- 3) Measure the camber angle in accordance with the operation manual for wheel alignment gauge.

Model	Camber (Difference between RH and LH 45' or less)
Except for OUTBACK	$-0^{\circ}10' \pm 0^{\circ}45'$
OUTBACK	$-0^{\circ}05' \pm 0^{\circ}45'$

### • Front camber adjustment

- 1) When adjusting the camber, adjust it to the following value.

Model	Camber (Difference between RH and LH 45' or less)
Except for OUTBACK	$-0^{\circ}10' \pm 0^{\circ}30'$
OUTBACK	$-0^{\circ}05' \pm 0^{\circ}30'$

- 2) Loosen the two flange nuts located at the front lower section of the strut.

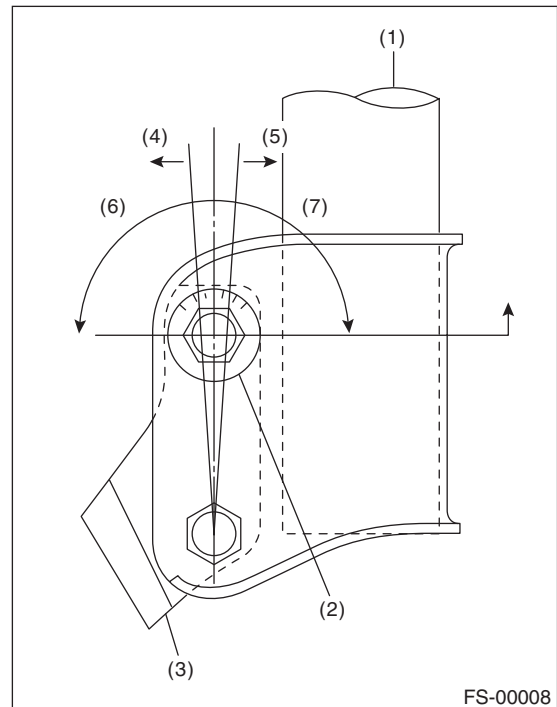
#### NOTE:

When the adjusting bolt needs to be loosened or tightened, hold its head with a wrench and turn the flange nut.

- 3) Turn the camber adjusting bolt so that the camber is set at specification.

#### NOTE:

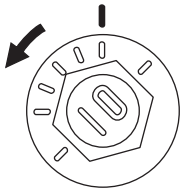
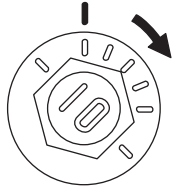
Moving the adjusting bolt by one scale changes the camber by approximately  $0^{\circ}15'$ .

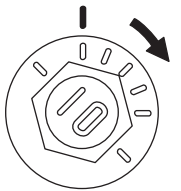
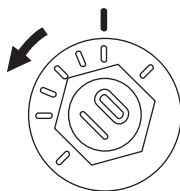


- (1) Strut
- (2) Adjusting bolt
- (3) Housing
- (4) Outer
- (5) Inner
- (6) Camber is increased.
- (7) Camber is decreased.

# Wheel Alignment

## FRONT SUSPENSION

To increase camber.	
Rotate the left side counterclockwise.	Rotate the right side clockwise.
 <p>FS-00009</p>	 <p>FS-00010</p>

To decrease camber.	
Rotate the left side clockwise.	Rotate the right side counterclockwise.
 <p>FS-00010</p>	 <p>FS-00009</p>

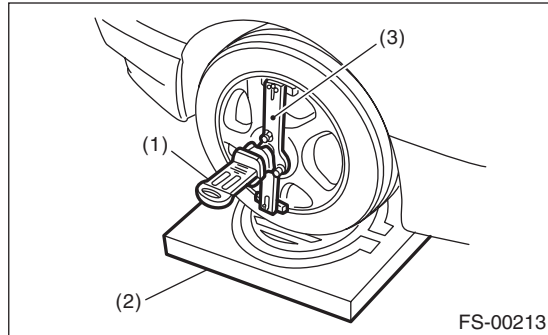
4) Tighten two new flange nuts.

**Tightening torque:**  
**155 N·m (15.8 kgf·m, 114.3 ft·lb)**

## 3. CASTER

### • Inspection

- 1) Place the front wheel on the turning radius gauge. Make sure the ground contact surfaces of the front and rear wheels are at the same height.
- 2) Set the adapter into the center of wheel, and then set the wheel alignment gauge.



- (1) Alignment gauge
- (2) Turning radius gauge
- (3) Adapter

- 3) Measure the caster angle in accordance with the operation manual for wheel alignment gauge.

Model	Caster
Except for OUTBACK	5°55'
OUTBACK	5°50'

## 4. STEERING ANGLE

### • Inspection

- 1) Place the vehicle on turning radius gauge.
- 2) While depressing the brake pedal, turn the steering wheel fully to the left and right. With the steering wheel held at each fully turned position, measure both the inner and outer wheel steering angles.

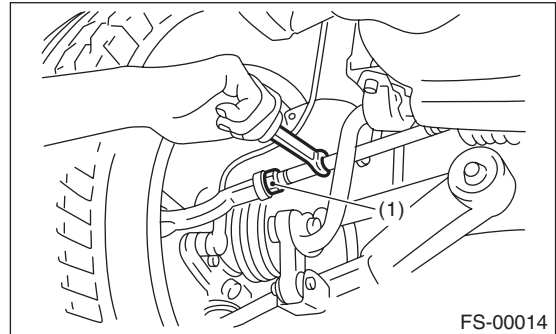
Model	Inner wheel	Outer wheel
OUTBACK	37.9°±1.5°	33.5°±1.5°
WRX-SS	37.2°±1.5°	32.9°±1.5°
Other than above	37.8°±1.5°	33.4°±1.5°

### • Adjustment

- 1) Turn the tie-rod to adjust the steering angle of both inner and outer wheels.
- 2) Check the toe-in.

### NOTE:

Correct the boot if it is twisted.



- (1) Lock nut

## 5. FRONT WHEEL TOE-IN

### • Inspection

#### Toe-in:

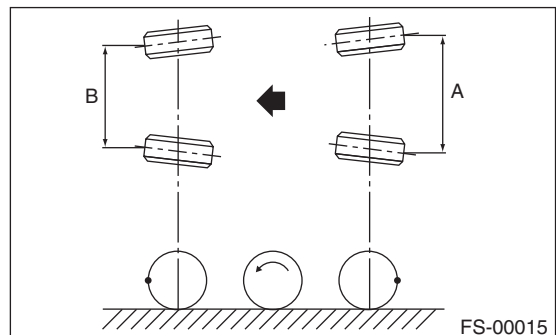
**0±3 mm (0±0.12 in)**

- 1) Set the toe-in gauge in the position at wheel axis center height behind the right and left front tires.
- 2) Place a mark at the center of both left and right tires, and measure distance "A" between the marks.
- 3) Move the vehicle forward to rotate the tires 180°.

### NOTE:

- Be sure to rotate the tires in the forward direction.
- 4) Measure the distance "B" between the left and right marks. Find toe-in using the following calculation:

$$A - B = \text{Toe-in}$$



# Wheel Alignment

## FRONT SUSPENSION

### • Adjustment

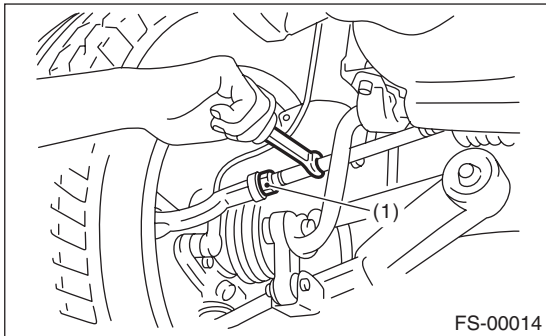
When adjusting the toe-in, adjust it to the following value.

#### **Toe-in:**

**$0 \pm 2$  mm ( $0 \pm 0.08$  in)**

- 1) Check that the left and right wheel steering angles are within specification.
- 2) Loosen the left and right side steering tie-rod lock nuts.
- 3) Turn the left and right tie-rods by equal amounts until the toe-in is at the specification.

Both the left and right tie-rods are right-hand threaded. To increase toe-in, turn both tie-rods clockwise by equal amount (viewing from the inside of vehicle).



(1) Lock nut

- 4) Tighten the tie-rod lock nut.

#### **Tightening torque:**

**$85$  N·m ( $8.7$  kgf·m,  $62.7$  ft·lb)**

#### **NOTE:**

Check and correct the tie-rod boot if twisted.

## 6. REAR WHEEL TOE-IN

### • Inspection

#### **Toe-in:**

**$0 \pm 3$  mm ( $0 \pm 0.12$  in)**

Refer to FRONT WHEEL TOE-IN for rear toe-in inspection procedures.

<Ref. to FS-11, FRONT WHEEL TOE-IN, INSPECTION, Wheel Alignment.>

### • ADJUSTMENT

When adjusting, adjust it to the following value.

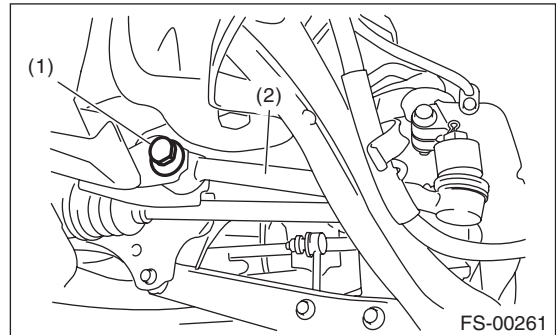
#### **Toe-in:**

**$0 \pm 2$  mm ( $0 \pm 0.08$  in)**

- 1) Loosen the self-locking nut on the inner side of front lateral link.

#### **NOTE:**

When loosening or tightening the adjusting bolt, hold the bolt head and turn the self-locking nut.



(1) Adjusting bolt  
(2) Lateral link

- 2) Turn the adjusting bolt until toe-in is within the specification.

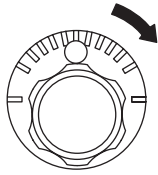
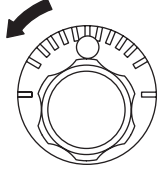
#### **NOTE:**

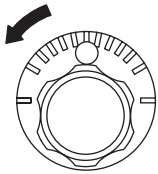
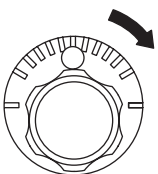
When the left and right wheels are adjusted for toe-in at the same time, the movement of one scale graduation changes toe-in by approx. 1.3 mm (0.05 in).



# Wheel Alignment

FRONT SUSPENSION

To increase toe-in.	
Rotate the left side clockwise.	Rotate the right side counterclockwise.
	
FS-00018	FS-00019

To decrease toe-in.	
Rotate the left side counterclockwise.	Rotate the right side clockwise.
	
FS-00019	FS-00018

3) Attach and tighten a new self-locking nut.

**Tightening torque:**

**100 N·m (10.2 kgf-m, 73.8 ft-lb)**

# Wheel Alignment

## FRONT SUSPENSION

### 7. THRUST ANGLE

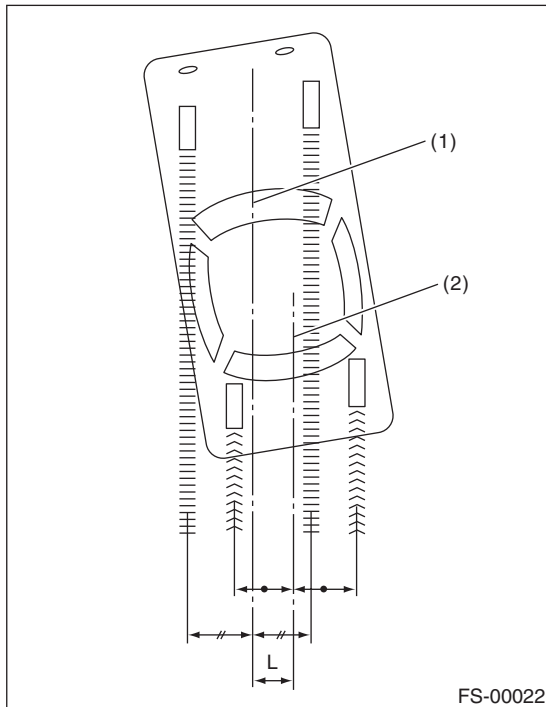
#### • Inspection

- 1) Park the vehicle on a level surface.
- 2) Move the vehicle 3 to 4 meters (10 to 13 feet) straight forward.
- 3) Draw the center of loci for both the front and rear axles.
- 4) Measure distance "L" between the center lines of the axle loci.

#### Thrust angle

$0^{\circ} \pm 30'$

**Less than 30' when "L" is 23 mm (0.9 in) or less**



- (1) Center line of loci (front axle)
- (2) Center line of loci (rear axle)

#### • Adjustment

When adjusting, adjust it to the following value.

#### Thrust angle

$0^{\circ} \pm 20'$

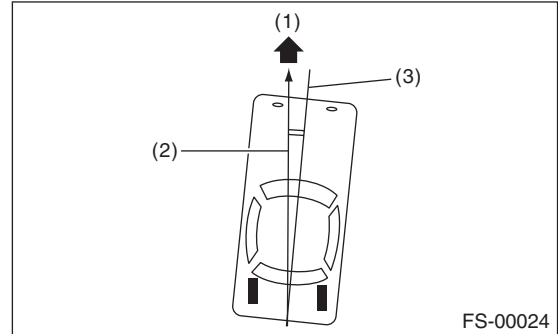
**Less than 20' when "L" is 15 mm (0.6 in) or less**

- 1) Make thrust angle adjustments by turning the toe-in adjusting bolts of the rear suspension equally in the same direction.
- 2) When one rear wheel is adjusted in a toe-in direction, adjust the other rear wheel equally in toe-out direction, in order to make the thrust angle adjustment.

- 3) When the left and right adjusting bolts are turned by one graduation, the thrust angle will change approx. 15' ("L" is approx. 11 mm (0.43 in)).

#### NOTE:

Thrust angle is a mean value of left and right wheel toe angles in relation to the vehicle body center line. Vehicle is driven straight in the thrust angle direction while slanting in the oblique direction depending on the degree of the mean thrust angle.



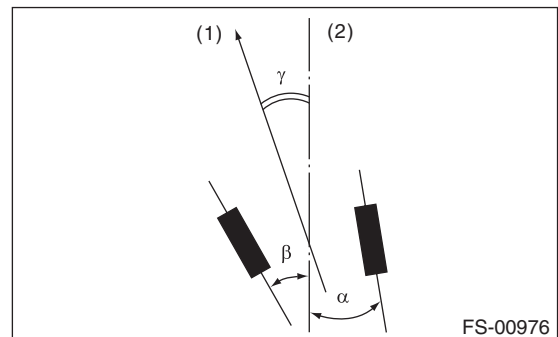
- (1) Front
- (2) Thrust angle
- (3) Body center line

#### Thrust angle: $\gamma = (\alpha - \beta)/2$

$\alpha$ : Rear RH wheel toe-in angle

$\beta$ : Rear LH wheel toe-in angle

Substitute only the positive toe-in values from each wheel into  $\alpha$  and  $\beta$  in the calculation.



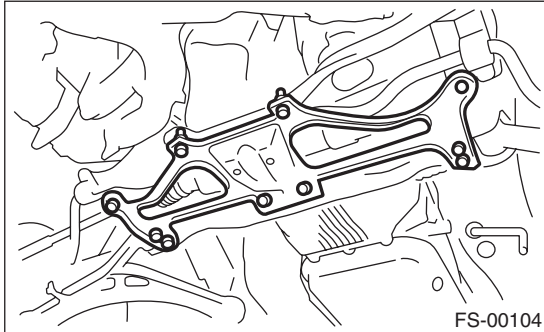
- (1) Front
- (2) Body center line

## 3. Front Crossmember Support Plate

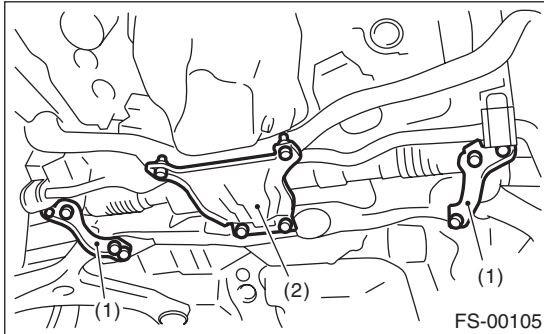
### A: REMOVAL

- 1) Lift up the vehicle.
- 2) Remove the front under cover. <Ref. to EI-26, REMOVAL, Front Under Cover.>
- 3) Remove the bolt and remove front crossmember support plate.

- Large type (Turbo type)



- Small type



- (1) Crossmember support plate
- (2) Jack-up plate

### B: INSTALLATION

Install in the reverse order of removal.

#### NOTE:

Tighten the small type crossmember support plate together with stabilizer bracket.

After installing the stabilizer bracket to the crossmember, tighten the crossmember support plate together.

#### **Tightening torque:**

**Crossmember support plate:**

**60 N·m (6.1 kgf·m, 44.3 ft·lb)**

**Crossmember support plate (Tightened together with the stabilizer bracket):**

**25 N·m (2.5 kgf·m, 18.4 ft·lb)**

**Jack-up plate:**

**60 N·m (6.1 kgf·m, 44.3 ft·lb)**

# Front Stabilizer

## FRONT SUSPENSION

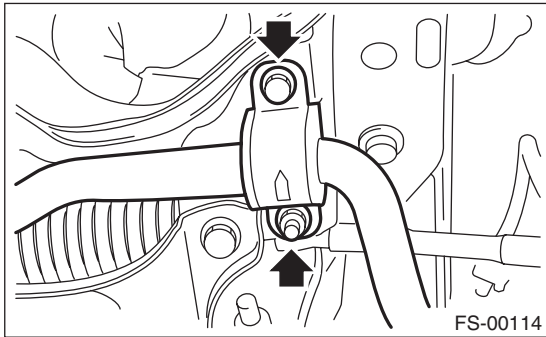
### 4. Front Stabilizer

#### A: REMOVAL

- 1) Lift up the vehicle, and then remove the front wheels.
- 2) Remove the front under cover. <Ref. to EI-26, REMOVAL, Front Under Cover.>
- 3) Remove the front crossmember support plate. <Ref. to FS-15, REMOVAL, Front Crossmember Support Plate.>
- 4) Remove the stabilizer link.



- 5) Remove the stabilizer bracket.

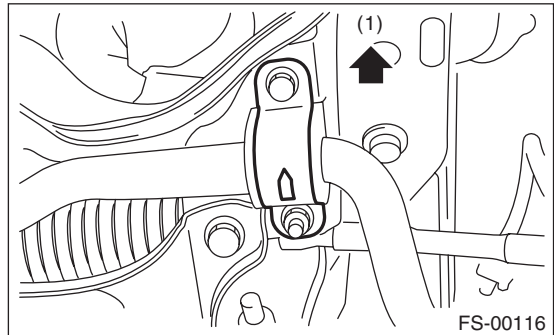


#### B: INSTALLATION

Install in the reverse order of removal.

##### CAUTION:

- Be sure to use a new self-locking nut.
- Ensure the stabilizer bushing and stabilizer have the same identification colors.
- Install the stabilizer bushing (front crossmember side) while aligning it with the paint mark on stabilizer.
- The stabilizer bracket has a set orientation. Install it with the arrow mark facing the upper side of the vehicle.



(1) Front side of vehicle

##### Tightening torque:

###### Stabilizer link:

45 N·m (4.6 kgf·m, 33.2 ft·lb)

###### Stabilizer bracket:

25 N·m (2.5 kgf·m, 18.4 ft·lb)

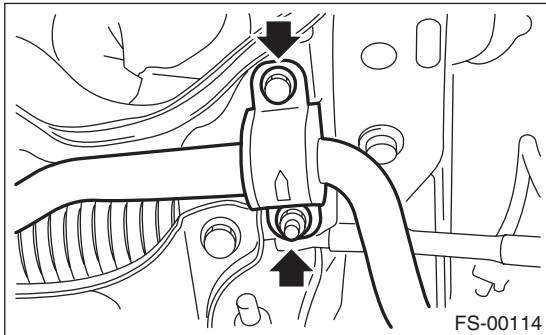
#### C: INSPECTION

- 1) Check the bushing for abnormal cracks, fatigue or damages.
- 2) Check the stabilizer link for damage.

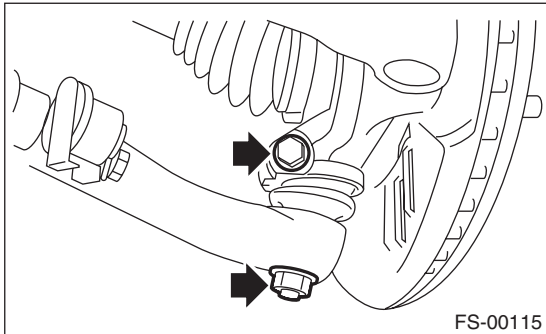
## 5. Front Ball Joint

### A: REMOVAL

- 1) Lift up the vehicle, and remove the front wheels.
- 2) Remove the both sides of stabilizer bracket.



- 3) Pull out the pin from ball stud, remove the castle nut, and extract the ball stud from front arm.
- 4) Remove the bolt installing ball joint to housing.



- 5) Extract the ball joint from housing.

### B: INSTALLATION

- 1) Insert the ball joint into housing.

**Tightening torque (Bolt):**  
**50 N·m (5.1 kgf-m, 36.9 ft-lb)**

#### CAUTION:

**Do not apply grease to the tapered portion of ball stud.**

- 2) Install the ball joint into front arm.

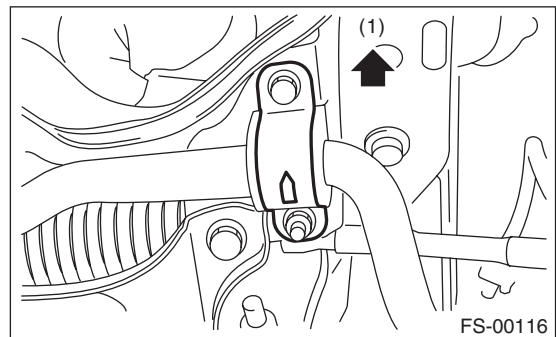
**Tightening torque (Castle nut):**  
**39 N·m (4.0 kgf-m, 28.8 ft-lb)**

3) Retighten the castle nut further up to 60° until the hole in the ball stud is aligned with a slot in castle nut. Then, insert a new cotter pin and bend it around the castle nut.

- 4) Install the stabilizer bracket.

#### NOTE:

The stabilizer bracket has a set orientation. Install it with the arrow mark facing the upper side of the vehicle.



(1) Front side

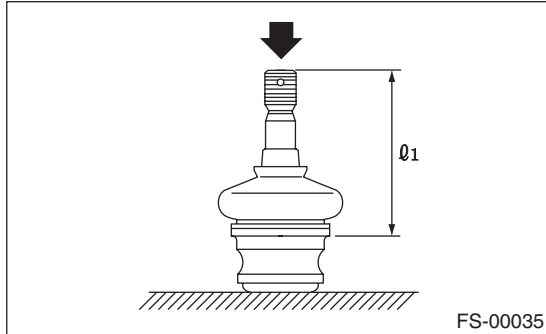
**Tightening torque:**  
**25 N·m (2.5 kgf-m, 18.4 ft-lb)**

- 5) Install the front wheels.

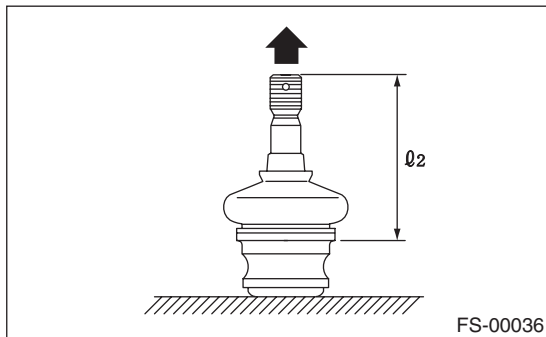
### C: INSPECTION

1) Measure the play of the ball joint using the following procedures. Replace with a new part if the play exceeds specification.

(1) With 686 N (70 kgf, 154 lbf) loaded in direction shown in the figure, measure the length  $Q_1$ .



(2) With 686 N (70 kgf, 154 lbf) loaded in direction shown in the figure, measure the length  $Q_2$ .



(3) Determine free play using the following formula.

$$S = Q_2 - Q_1$$

(4) Replace with a new part if the play exceeds specification.

#### **Front ball joint**

##### **Specification for replacement S:**

**Less than 0.3 mm (0.012 in)**

2) If the play is within specification, visually check the dust cover.

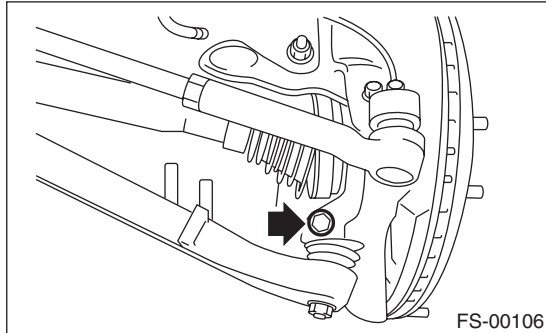
3) Remove the ball joint and cover, and check for wear, damage or cracks. If any damage is found, replace the corresponding part.

4) If the dust cover is damaged, replace with a new ball joint.

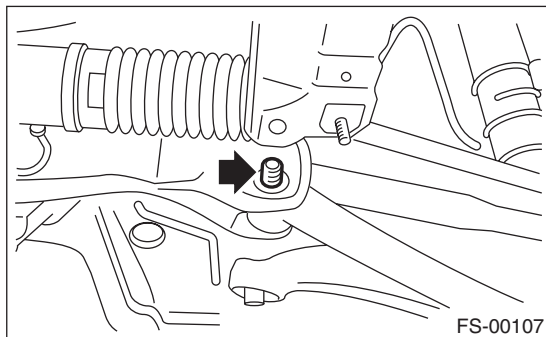
## 6. Front Arm

### A: REMOVAL

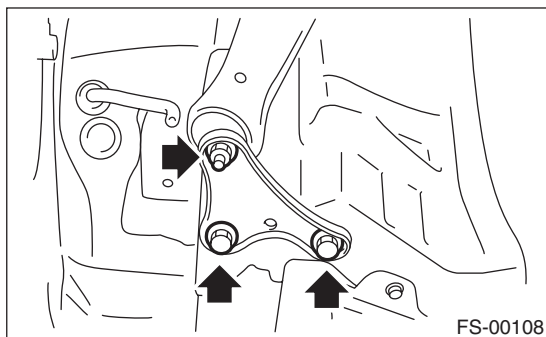
- 1) Lift up the vehicle, and then remove the front wheels.
- 2) Remove the front crossmember support plate. <Ref. to FS-15, REMOVAL, Front Crossmember Support Plate.>
- 3) Remove the front stabilizer. <Ref. to FS-16, REMOVAL, Front Stabilizer.>
- 4) Remove the ball joint of front arm.



- 5) Remove the nut securing the front arm to crossmember. (Do not remove the bolt.)



- 6) Remove the front arm support plate.

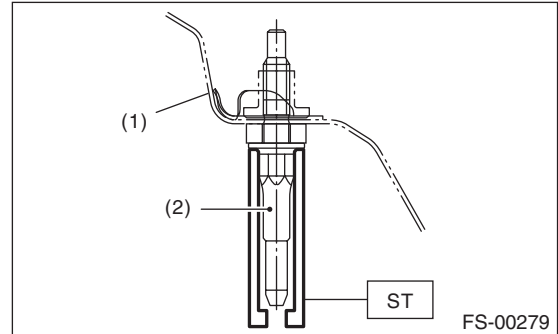


- 7) Remove the bolt securing front arm to crossmember and pull the front arm out of the crossmember.

- 8) To remove the stud bolt, use the ST.  
ST 20299AG020 STUD BOLT SOCKET

### CAUTION:

**Do not remove the stud bolt unnecessarily. Always replace the parts with new parts when removed.**



- (1) Vehicle body
- (2) Stud bolt

### B: INSTALLATION

- 1) Using the ST, install the stud bolt.  
ST 20299AG020 STUD BOLT SOCKET

#### Tightening torque:

**110 N·m (11.2 kgf-m, 81.1 ft-lb)**

- 2) Using new bolts and self-locking nuts, temporarily tighten the front arm to crossmember.
- 3) Secure the front arm to body, and then install the support plate with new bolts and self-locking nuts.

#### Tightening torque:

**Support plate to Front arm:**

**110 N·m (11.2 kgf-m, 81.1 ft-lb)**

**Support plate to Body:**

**150 N·m (15.3 kgf-m, 110.6 ft-lb)**

- 4) Install the ball joint into housing.

#### Tightening torque:

**50 N·m (5.1 kgf-m, 36.9 ft-lb)**

- 5) Install the stabilizer. <Ref. to FS-16, INSTALLATION, Front Stabilizer.>
- 6) Install the front wheels.
- 7) Lower the vehicle from lift, and tighten the bolt which secures the front arm to crossmember with wheels in full contact with the ground and the vehicle at curb weight.

#### Tightening torque:

**95 N·m (9.7 kgf-m, 70.1 ft-lb)**

- 8) Inspect the wheel alignment and adjust if necessary.

# Front Arm

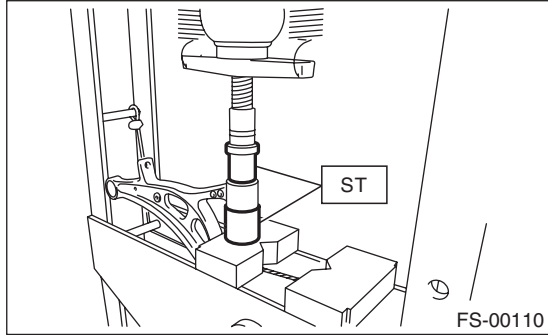
## FRONT SUSPENSION

### C: DISASSEMBLY

#### 1. FRONT BUSHING

Using the ST and a press, remove the front bushing.

ST 927680000 INSTALLER & REMOVER SET

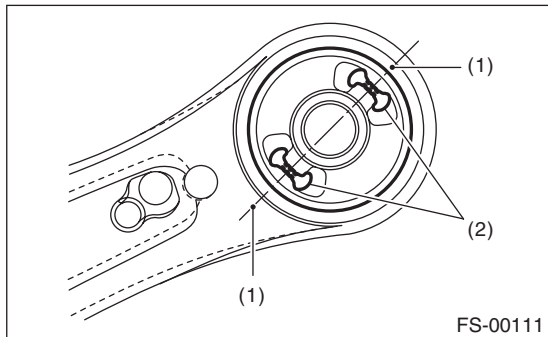


#### 2. REAR BUSHING

1) Put an alignment mark on the front arm based on the center of rear bushing recess portion.

#### CAUTION:

**Always put an alignment mark for aligning the position on bushing installation.**

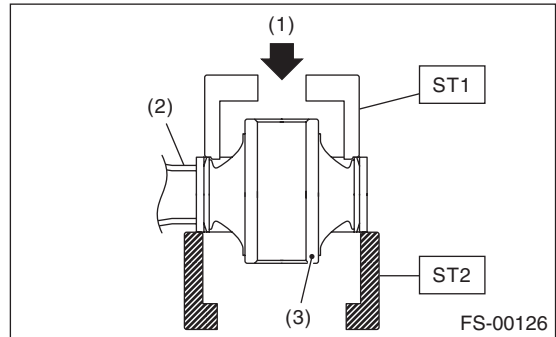


- (1) Put an alignment mark.
- (2) Recess section

2) Using the ST and a press, remove the rear bushing.

ST1 20299AG000 REMOVER

ST2 20299AG010 BASE



- (1) Press
- (2) Front arm
- (3) Rear bushing

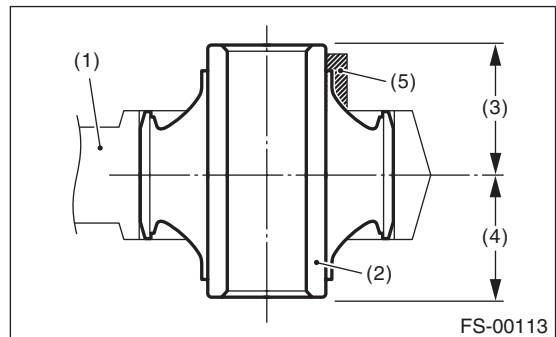
### D: ASSEMBLY

#### 1. FRONT BUSHING

Assemble in the reverse order of disassembly.

#### 2. REAR BUSHING

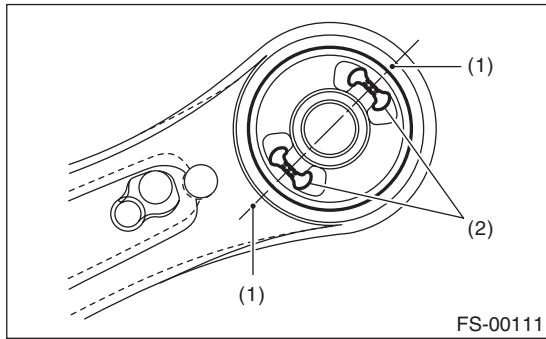
1) Install the rear bushing with its longer inner cylinder facing upward and the shorter facing downward and protruding part rearward as shown in the figure.



- (1) Front arm
- (2) Bushing inner cylinder
- (3) Longer
- (4) Shorter
- (5) Protrusion portion



2) Align the center of rear bushing recess portion with the aligning mark on the front arm.

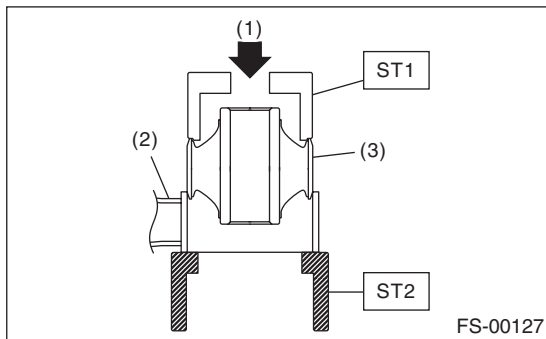


- (1) Alignment mark
- (2) Recess section

3) Using the ST and a press, install the rear bushing.

ST1 20299AG000 REMOVER

ST2 20299AG010 BASE



- (1) Press
- (2) Front arm
- (3) Rear bushing

## E: INSPECTION

- 1) Check the front arm for damage or cracks, and correct or replace if defective.
- 2) Check the bushing for abnormal fatigue or damage.

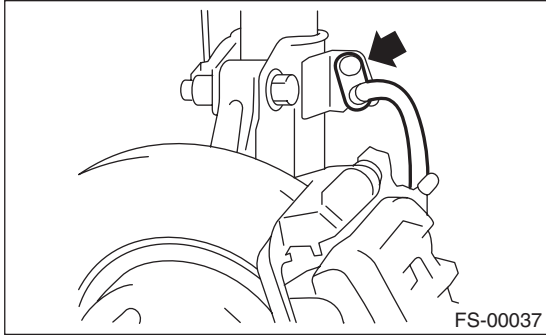
# Front Strut

## FRONT SUSPENSION

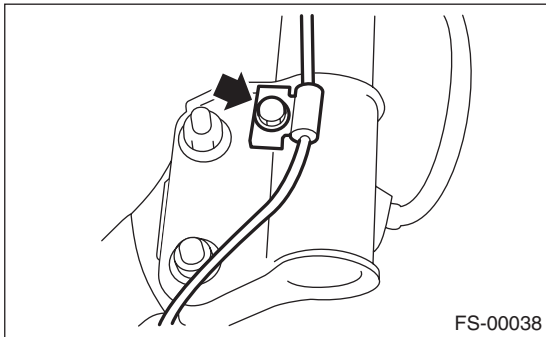
### 7. Front Strut

#### A: REMOVAL

- 1) Lift up the vehicle, and then remove the front wheels.
- 2) Place an alignment mark on the camber adjusting bolt and strut.
- 3) Remove the brake hose bracket.



- 4) Remove the bolt securing the ABS wheel speed sensor harness.

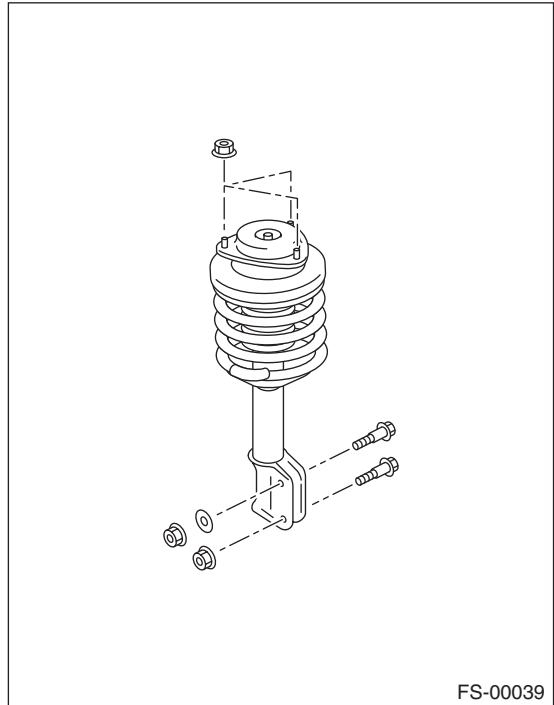


- 5) Remove the two bolts securing the housing to the strut.

#### NOTE:

While holding the head of the adjusting bolt, loosen the flange nut.

- 6) Remove the three nuts securing strut mount to body.



#### B: INSTALLATION

- 1) Install the strut mount at the upper side of strut to body, and tighten it with new self-locking nuts.

#### **Tightening torque:**

**20 N·m (2.0 kgf-m, 14.8 ft-lb)**

- 2) Align alignment marks on the camber adjusting bolt and strut.

Using new flange nuts, install the strut to the housing.

#### NOTE:

While holding the head of adjusting bolt, tighten the flange nut.

#### **Tightening torque:**

**155 N·m (15.8 kgf-m, 114.3 ft-lb)**

- 3) Secure the ABS wheel speed sensor harness to the strut.

#### **Tightening torque:**

**33 N·m (3.4 kgf-m, 24.3 ft-lb)**

- 4) Install the brake hose bracket.

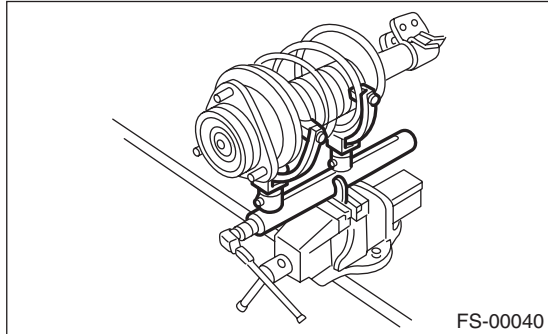
#### **Tightening torque:**

**33 N·m (3.4 kgf-m, 24.3 ft-lb)**

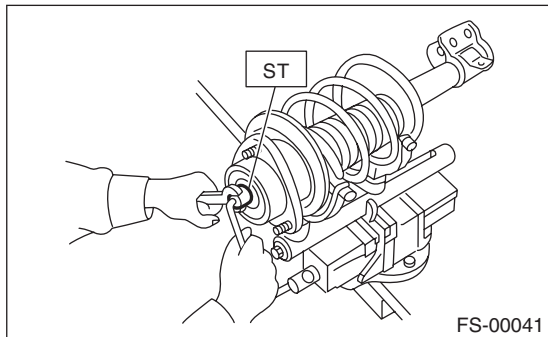
- 5) Install the front wheels.
- 6) Inspect the wheel alignment and adjust if necessary.

## C: DISASSEMBLY

1) Using a coil spring compressor, compress the coil spring.



2) Using the ST, remove the self-locking nut.  
ST 20399AG000 STRUT MOUNT SOCKET



3) Remove the strut mount and upper spring seat from strut.

4) Gradually decrease the compression force of compressor, and remove the coil spring.

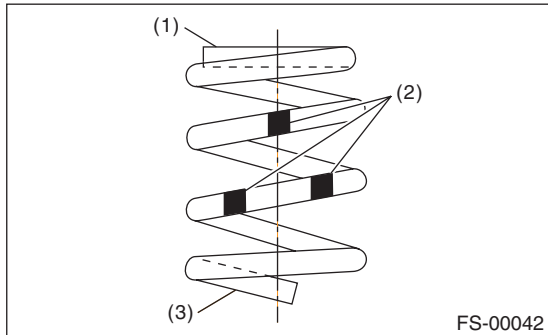
5) Remove the dust cover and helper spring.

## D: ASSEMBLY

1) Using a coil spring compressor, compress the coil spring.

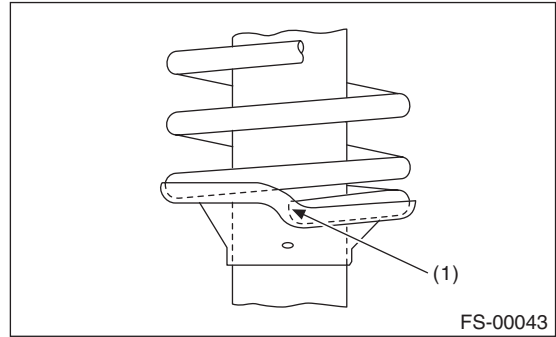
NOTE:

Make sure that the vertical install direction of the coil spring is as shown in the figure.



- (1) Diameter is small (Upper part)
- (2) Identification paint
- (3) Diameter is large (Bottom part)

2) Set the coil spring correctly so that its end face seats well in the spring seat as shown in the figure.



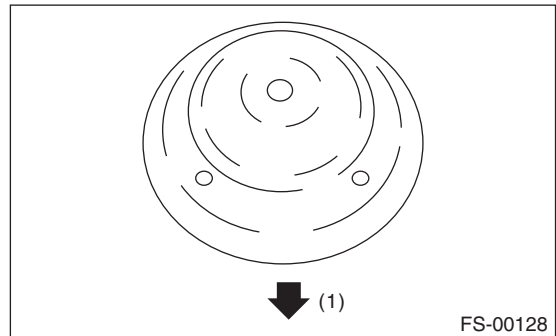
(1) Coil spring end face

3) Install the helper and dust cover to the piston rod.

4) Pull the piston rod fully upward, and install the spring seat.

NOTE:

Position the upper spring seat as shown in the figure.



(1) Outside of body

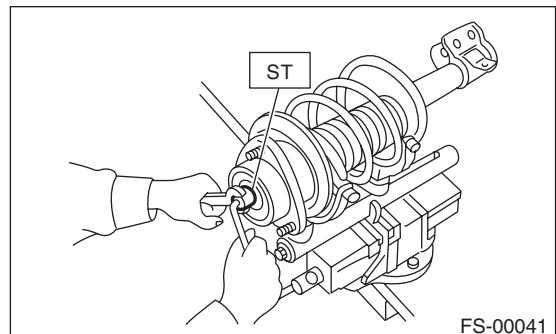
5) Install the strut mount to piston rod, and temporarily attach and tighten a new self locking nut.

6) Using a hexagon wrench to prevent strut rod from turning, tighten the new self-locking nut with ST.

ST 20399AG000 STRUT MOUNT SOCKET

**Tightening torque:**

**55 N·m (5.6 kgf·m, 40.6 ft·lb)**



7) Loosen the coil spring compressor carefully.

# Front Strut

## FRONT SUSPENSION

### E: INSPECTION

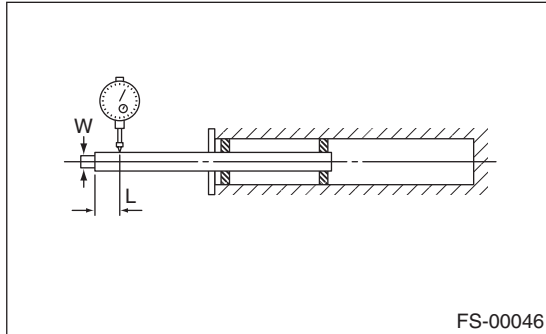
Check the removed part for wear, damage and cracks, and then repair or replace it if defective.

#### 1. STRUT

- 1) Check for oil leaks.
- 2) Move the piston rod up and down to check that it operates smoothly without any hitch.
- 3) Piston rod play

- Measure the play as follows:

Fix the outer shell in place and fully extend the rod. Set a dial gauge at the end of rod L [10 mm (0.39 in)], and then read the dial gauge indication  $P_1$  while applying a force of W [20 N (2 kgf, 4 lbf)] to the threaded portion. Apply a force of “W” from the opposite direction of “W”, and then read the dial gauge indication  $P_2$ .



**Play limit ( $P_1 + P_2$ ):**

**0.8 mm (0.031 in)**

If the play exceeds limit, replace the strut.

#### 2. STRUT MOUNT

Check the rubber part for deformation, cracks or deterioration, and then replace it with a new part if defective.

#### 3. DUST COVER

If major cracks or damage are found, replace it with a new part.

#### 4. COIL SPRING

If a permanent strain is found, replaced it with a new part.

#### 5. HELPER

If major cracks or damage are found, replace it with a new part.

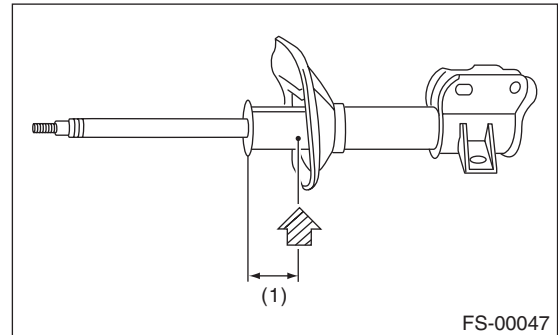
### F: DISPOSAL

#### CAUTION:

- Before handling struts, be sure to wear goggles to protect eyes from gas, oil and cutting powder.
- Do not disassemble the strut damper or throw into flames.
- When discarding gas filled struts, drill holes in them to purge the gas.

1) Place the strut on a level surface with the piston rod fully expanded.

2) Using a 2 — 3 mm (0.08 — 0.12 in) dia. drill, make holes in areas shown in the figure.

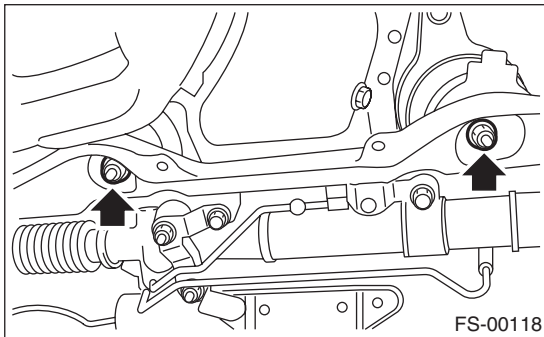


(1) 40 mm (1.57 in)

## 8. Front Crossmember

### A: REMOVAL

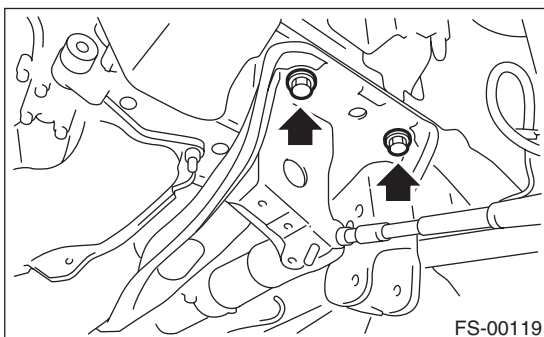
- 1) Lift up the vehicle, and then remove the front wheels.
- 2) Remove the front exhaust pipe.
- 3) Remove the front crossmember support plate. <Ref. to FS-15, REMOVAL, Front Crossmember Support Plate.>
- 4) Remove the front stabilizer. <Ref. to FS-16, REMOVAL, Front Stabilizer.>
- 5) Disconnect the tie-rod end from housing.
- 6) Remove the front arm. <Ref. to FS-19, REMOVAL, Front Arm.>
- 7) Remove the nuts attaching the engine mount cushion rubber to crossmember.



- 8) Remove the steering universal joint.
- 9) Disconnect the power steering hose from steering gearbox.
- 10) Lift the engine approx. 10 mm (0.39 in) using a chain block.
- 11) Support the crossmember with a jack, remove the bolts securing crossmember to body, and then gradually lower the crossmember with steering gearbox as a unit.

### CAUTION:

**When removing the crossmember downward, be careful that the tie-rod end does not interfere with drive shaft boot.**



### B: INSTALLATION

- 1) Install in the reverse order of removal.

### CAUTION:

- Use a new bolt and self-locking nut. For parts which are not reusable, refer to COMPONENT. <Ref. to FS-3, COMPONENT, General Description.>
- Always tighten the bushing in the state where the vehicle is at curb weight and the wheels are in full contact with the ground.

### Tightening torque:

#### Crossmember to Body:

95 N·m (9.7 kgf-m, 70.1 ft-lb)

#### Engine mounting to Crossmember:

85 N·m (8.7 kgf-m, 62.7 ft-lb)

#### Front arm to Crossmember:

95 N·m (9.7 kgf-m, 70.1 ft-lb)

#### Front arm to Support plate:

110 N·m (11.2 kgf-m, 81.1 ft-lb)

#### Support plate body:

150 N·m (15.3 kgf-m, 110.6 ft-lb)

#### Tie-rod end to Housing:

27 N·m (2.8 kgf-m, 19.9 ft-lb)

After tightening to the specified torque, tighten the castle nut further but within 60° until the hole in the ball stud is aligned with a slot in castle nut

### Tightening torque:

#### Universal joint:

24 N·m (2.4 kgf-m, 17.7 ft-lb)

#### Stabilizer bracket:

25 N·m (2.5 kgf-m, 18.4 ft-lb)

#### Stabilizer link:

45 N·m (4.6 kgf-m, 33.2 ft-lb)

#### Power steering hose to Steering gearbox:

15 N·m (1.5 kgf-m, 11.1 ft-lb)

- 2) Purge air from the power steering system.
- 3) Inspect the wheel alignment and adjust if necessary.

### C: INSPECTION

Check the crossmember for damage or cracks, and correct or replace if defective.

# General Diagnostic Table

## FRONT SUSPENSION

### 9. General Diagnostic Table

#### A: INSPECTION

##### 1. IMPROPER VEHICLE POSTURE OR IMPROPER WHEEL ARCH HEIGHT

Possible cause	Corrective action
(1) Permanent distortion or damage of the coil spring	Replace.
(2) Rough operation of strut or shock absorber	Replace.
(3) Improper installation of strut or shock absorber	Replace with appropriate parts.
(4) Installation of the wrong coil spring	Replace with appropriate parts.

##### 2. POOR RIDE COMFORT

- 1) Large rebound shock
- 2) Rocking of the vehicle continues too long after running over bump and hump.
- 3) Excessive shock in bumping

Possible cause	Corrective action
(1) Damaged coil spring	Replace.
(2) Overinflation of tires	Adjust.
(3) Improper wheel arch height	Adjust or replace the coil springs with new parts.
(4) Fault in operation of strut or shock absorber	Replace.
(5) Damage or deformation of strut mount or shock absorber mount	Replace.
(6) Unsuitable length (maximum or minimum) of strut or shock absorber	Replace with appropriate parts.
(7) Abnormal deformation or loss of bushing	Replace.
(8) Deformation or damage of helper in strut assembly or shock absorber	Replace.
(9) Oil leakage from the strut or shock absorber	Replace.

##### 3. NOISE

Possible cause	Corrective action
(1) Wear or damage of strut or shock absorber component parts	Replace.
(2) Loosening of the suspension link installing bolt	Tighten to the specified torque.
(3) Abnormal deformation or loss of bushing	Replace.
(4) Unsuitable length (maximum or minimum) of strut or shock absorber	Replace with appropriate parts.
(5) Damaged coil spring	Replace.
(6) Wear or damage of the ball joint	Replace.
(7) Deformation of the stabilizer clamp	Replace.

# General Description

## REAR SUSPENSION

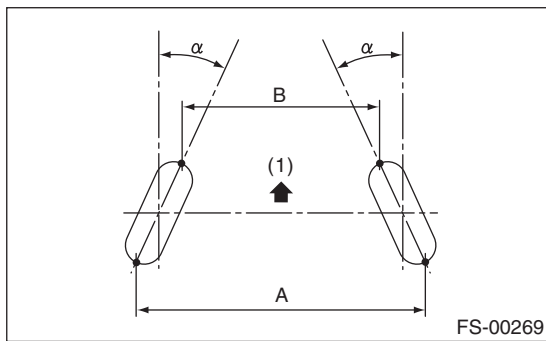
### 1. General Description

#### A: SPECIFICATION

Refer to "FS" section for rear suspension specifications. <Ref. to FS-2, SPECIFICATION, General Description.>

#### NOTE:

- Front and rear toe-in and front camber can be adjusted. Adjust if the toe-in or camber tolerance exceeds specifications.
- Other items indicated in the specifications table cannot be adjusted. If other items exceed specifications, check the suspension parts and connections for deformation. If defective, replace with new parts.

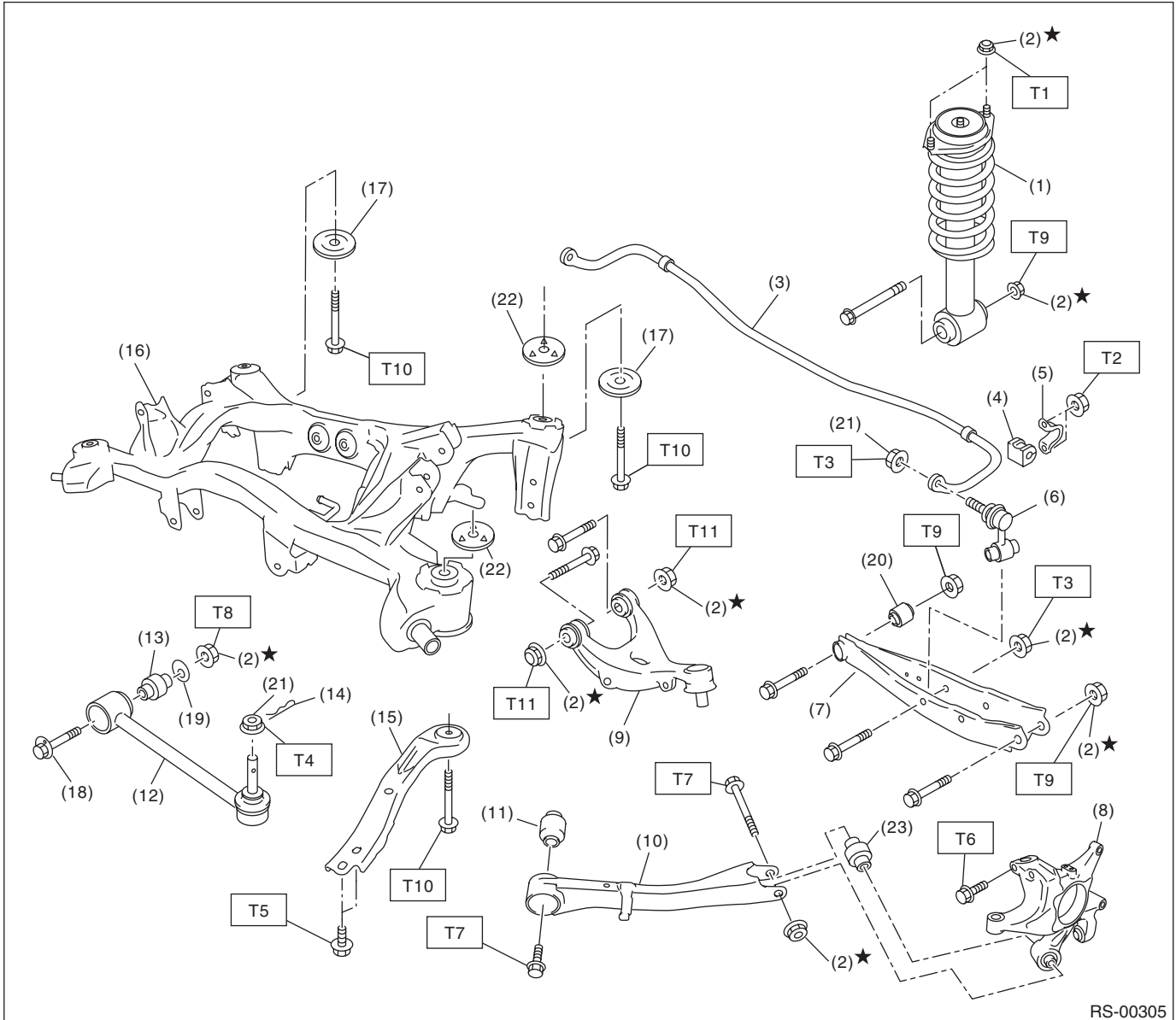


(1) Front

A – B = Positive: Toe-in, Negative: Toe-out  
 $\alpha$  = Individual toe angles

### B: COMPONENT

#### 1. REAR SUSPENSION



- |                                 |   |
|---------------------------------|---|
| (1) Shock absorber              | (14) Snap pin                             |
| (2) Self-locking nut            | (15) Front sub frame support plate        |
| (3) Rear stabilizer             | (16) Rear sub frame                       |
| (4) Stabilizer bushing          | (17) Rear sub frame stopper plate (lower) |
| (5) Stabilizer clamp            | (18) Adjusting bolt                       |
| (6) Stabilizer link             | (19) Adjusting washer                     |
| (7) Rear lateral link           | (20) Rear lateral link bushing            |
| (8) Rear housing                | (21) Flange nut                           |
| (9) Upper arm                   | (22) Rear sub frame stopper plate (upper) |
| (10) Trailing link              | (23) Rear housing bushing                 |
| (11) Trailing link bushing      |   |
| (12) Front lateral link         |   |
| (13) Front lateral link bushing |   |

**Tightening torque: N·m (kgf·m, ft·lb)**

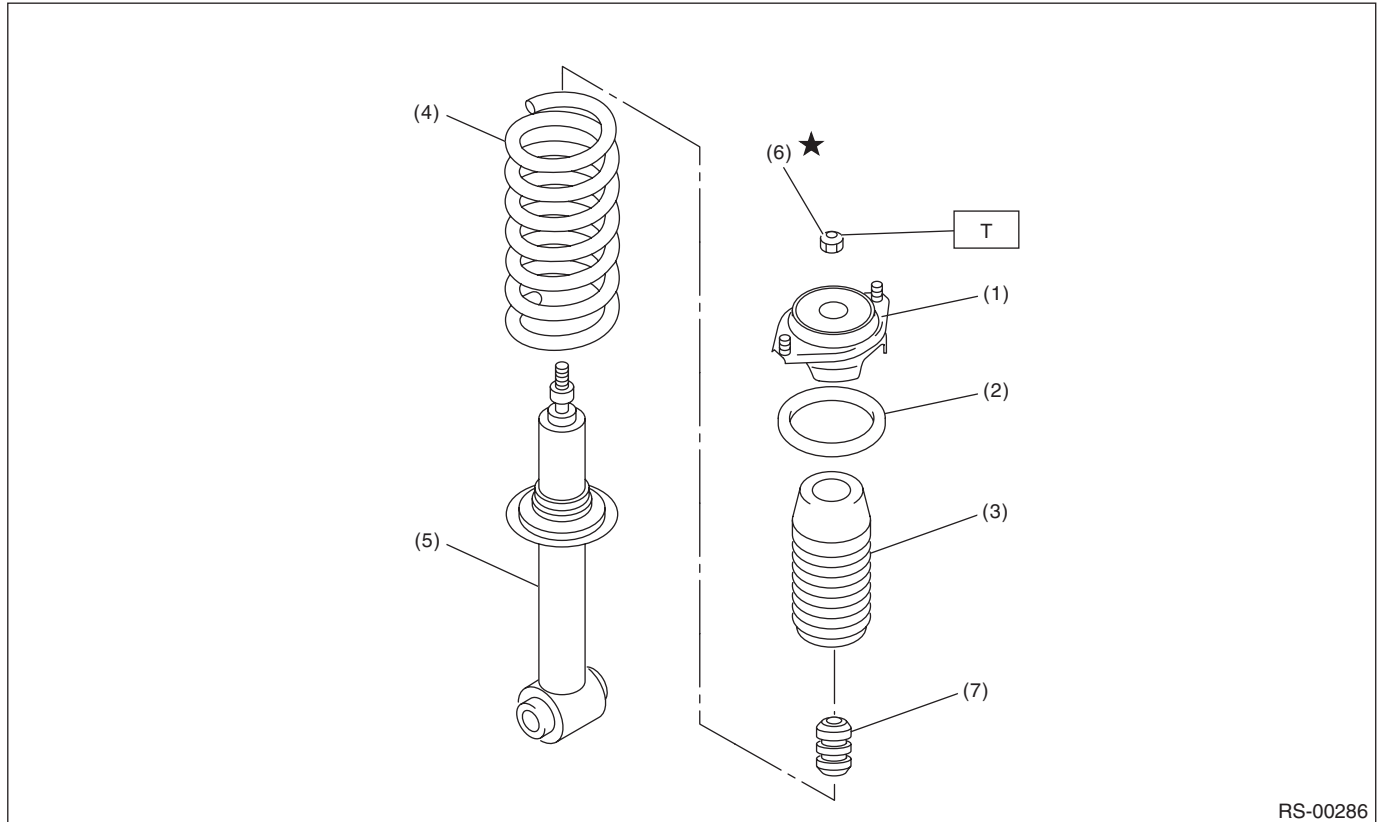
- |             |                          |
|-------------|--------------------------|
| <b>T1:</b>  | <b>30 (3.1, 22.1)</b>    |
| <b>T2:</b>  | <b>40 (4.1, 29.5)</b>    |
| <b>T3:</b>  | <b>45 (4.6, 33.2)</b>    |
| <b>T4:</b>  | <b>60 (6.1, 44.3)</b>    |
| <b>T5:</b>  | <b>70 (7.1, 51.6)</b>    |
| <b>T6:</b>  | <b>80 (8.2, 59)</b>      |
| <b>T7:</b>  | <b>90 (9.2, 66.4)</b>    |
| <b>T8:</b>  | <b>100 (10.2, 73.8)</b>  |
| <b>T9:</b>  | <b>120 (12.2, 88.5)</b>  |
| <b>T10:</b> | <b>145 (14.8, 106.9)</b> |
| <b>T11:</b> | <b>150 (15.3, 110.6)</b> |



# General Description

## REAR SUSPENSION

### 2. SHOCK ABSORBER



- |                        |                      |
|------------------------|----------------------|
| (1) Mount              | (5) Shock absorber   |
| (2) Upper rubber sheet | (6) Self-locking nut |
| (3) Dust cover         | (7) Helper           |
| (4) Coil spring        |                      |

**Tightening torque: N·m (kgf·m, ft·lb)**  
**T: 25 (2.5, 18.4)**

### C: CAUTION

Please clearly understand and adhere to the following general precautions. They must be strictly followed to avoid minor or serious injury to the person doing the work or people in the area.

#### 1. CAUTIONS

- Wear appropriate work clothing, including a cap, protective goggles and protective shoes when performing any work.
- Before disposing of shock absorbers, be sure to bleed the gas out completely. Also, do not expose to flames or fire.
- Before removal, installation or disassembly, be sure to clarify the failure. Avoid unnecessary removal, installation, disassembly and replacement.
- Use SUBARU genuine grease etc. or equivalent. Do not mix grease etc. of different grades or manufacturers.
- Before securing a part on a vise, place cushioning material such as wood blocks, aluminum plate, or cloth between the part and the vise.
- Be sure to tighten fasteners including bolts and nuts to the specified torque.
- Place shop jacks or rigid racks at the specified points.

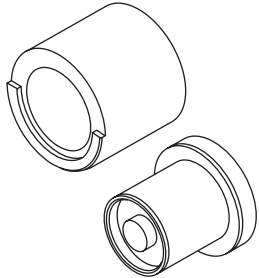
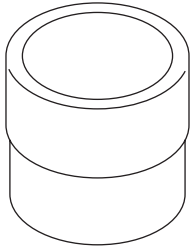
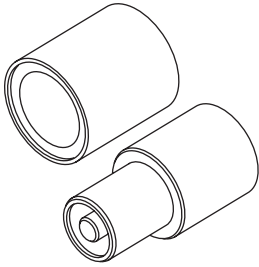
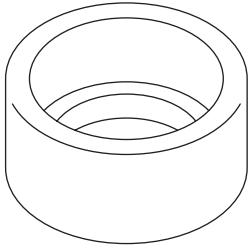
#### 2. OIL

When handling oil, carefully observe the following to prevent unexpected accidents.

- Prepare container and waste cloths when performing work which oil could possibly spill. If oil spills, wipe it off immediately to prevent from penetrating into floor or flowing outside, for environmental protection.
- Follow all government regulations concerning disposal of refuse when disposing.

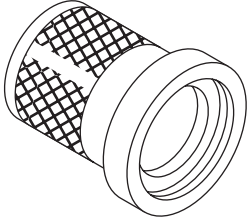
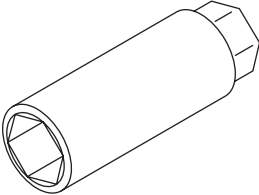
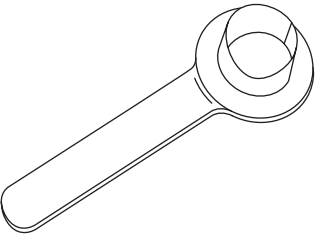
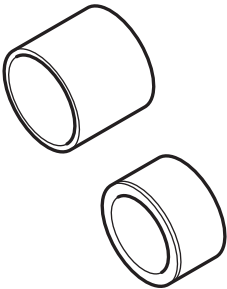
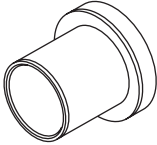
## D: PREPARATION TOOL

### 1. SPECIAL TOOL

ILLUSTRATION	TOOL NUMBER	DESCRIPTION	REMARKS
 <p style="text-align: center;">ST20099AE000</p>	20099AE000	INSTALLER & REMOVER	Used for replacing the front lateral link bushing.
 <p style="text-align: center;">ST-499755602</p>	499755602	PRESS	Used for replacing the rear trailing link bushing.
 <p style="text-align: center;">ST20099AE010</p>	20099AE010	INSTALLER & REMOVER	Used for replacing the rear lateral link bushing.
 <p style="text-align: center;">ST20299AG010</p>	20299AG010	BASE	Used for replacing the rear trailing link bushing.

# General Description

## REAR SUSPENSION

ILLUSTRATION	TOOL NUMBER	DESCRIPTION	REMARKS
 <p style="text-align: center;">ST-899874100</p>	899874100	INSTALLER	Used for replacing the rear trailing link bushing.
 <p style="text-align: center;">ST20399FG000</p>	20399FG000	STRUT MOUNT SOCKET	<ul style="list-style-type: none"> <li>• Used for removing and installing shock mount.</li> <li>• Used for checking torque of shock mount center nut.</li> </ul>
 <p style="text-align: center;">ST28099PA090</p>	28099PA090	OIL SEAL PROTECTOR	<ul style="list-style-type: none"> <li>• Used for installing the rear drive shaft to the rear differential.</li> <li>• For oil seal protection</li> </ul>
 <p style="text-align: center;">ST20099PA010</p>	20099PA010	INSTALLER & REMOVER	<ul style="list-style-type: none"> <li>• Used for replacing the bushing of the rear housing.</li> <li>• Used together with BUSHING REMOVER (20099FG000).</li> </ul>
 <p style="text-align: center;">ST20099FG000</p>	20099FG000	BUSHING REMOVER	<ul style="list-style-type: none"> <li>• Used for replacing the bushing of the rear housing.</li> <li>• Used together with INSTALLER &amp; REMOVER (20099PA010).</li> </ul>

# General Description

REAR SUSPENSION

## 2. GENERAL TOOL

TOOL NAME	REMARKS
Alignment tester	Used for measuring wheel alignment.
Toe-in gauge	Used for toe-in measurement.
Jack	Used for removing and installing suspension.
Bearing puller	Used for removing bushings.
Coil spring compressor	Used for disassembling and assembling shock absorber.

# Wheel Alignment

REAR SUSPENSION

---

## 2. Wheel Alignment

### A: INSPECTION

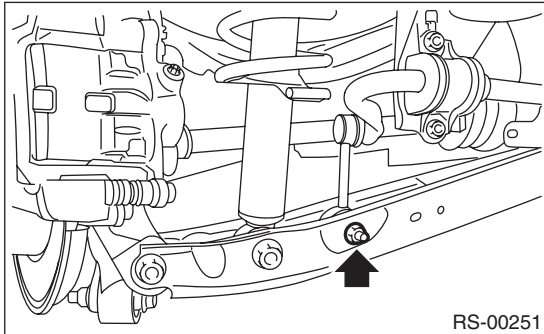
NOTE:

Measure and adjust the front and rear wheel alignment at a time. Refer to "FS" section for measurement and adjustment of wheel alignment. <Ref. to FS-7, INSPECTION, Wheel Alignment.>

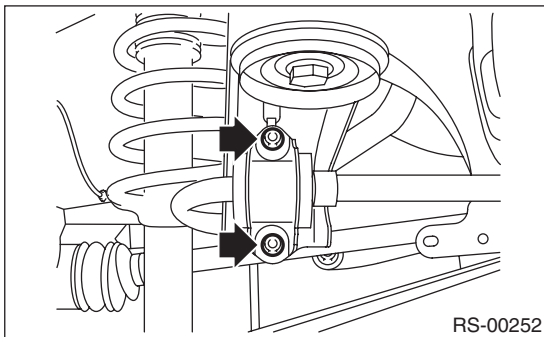
### 3. Rear Stabilizer

#### A: REMOVAL

- 1) Lift up the vehicle, and then remove the rear wheels.
- 2) Remove the stabilizer link.



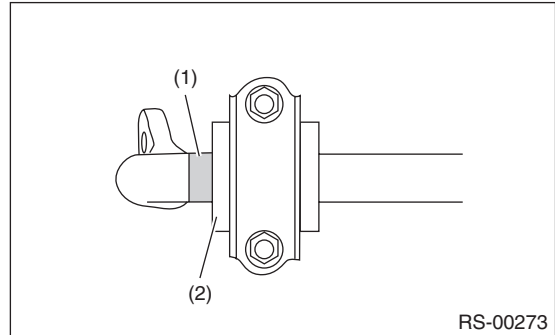
- 3) Remove the stabilizer clamp.



#### B: INSTALLATION

##### CAUTION:

- Be sure to use a new flange nut and self-locking nut.
- Always tighten the bushing in the state where the vehicle is at curb weight and the wheels are in full contact with the ground.
- Align the paint mark end of stabilizer to the end of bushing when installing.



- (1) Identification paint
- (2) Bushing

Install in the reverse order of removal.

##### Tightening torque:

###### Stabilizer link

**45 N·m (4.6 kgf-m, 33.2 ft-lb)**

###### Stabilizer clamp

**40 N·m (4.1 kgf-m, 29.5 ft-lb)**

#### C: INSPECTION

- 1) Check the bushing for abnormal cracks, fatigue or damage.
- 2) Check the stabilizer link for damage.

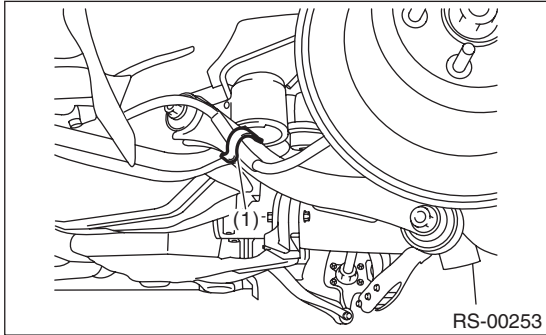
# Rear Trailing Link

## REAR SUSPENSION

### 4. Rear Trailing Link

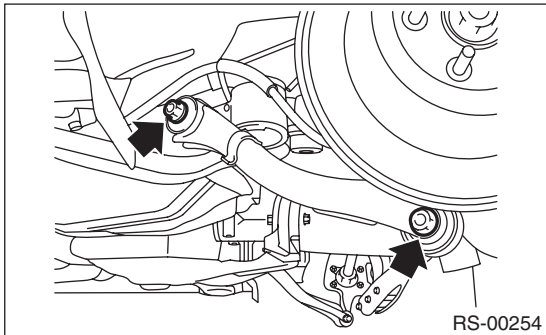
#### A: REMOVAL

- 1) Lift up the vehicle, and then remove the rear wheels.
- 2) Remove the bracket, and remove the parking brake cable from the guide.



(1) Guide

- 3) Remove the trailing link.



#### B: INSTALLATION

##### CAUTION:

- Be sure to use a new self-locking nut.
- Always tighten the bushing in the state where the vehicle is at curb weight and the wheels are in full contact with the ground.

Install in the reverse order of removal.

##### Tightening torque:

**90 N·m (9.2 kgf·m, 66.4 ft·lb)**

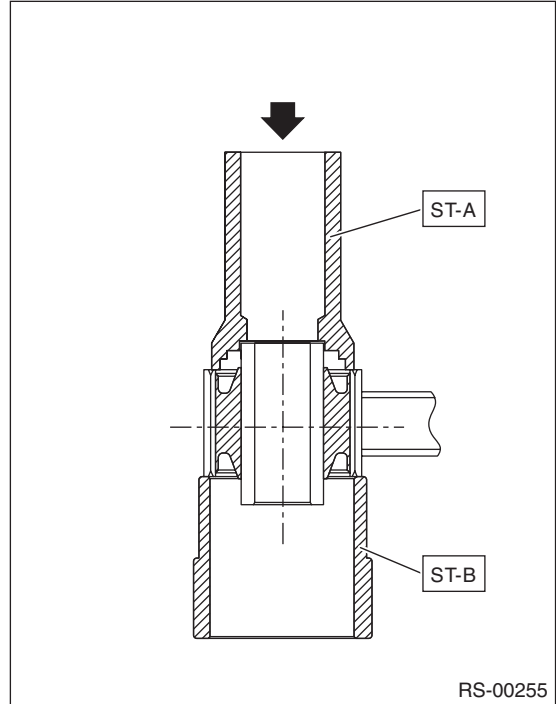
#### C: DISASSEMBLY

##### 1. REAR TRAILING LINK BUSHING

Using the ST A and ST B, press the bushing out.

ST A 8998741000 INSTALLER

ST B 499755602 PRESS

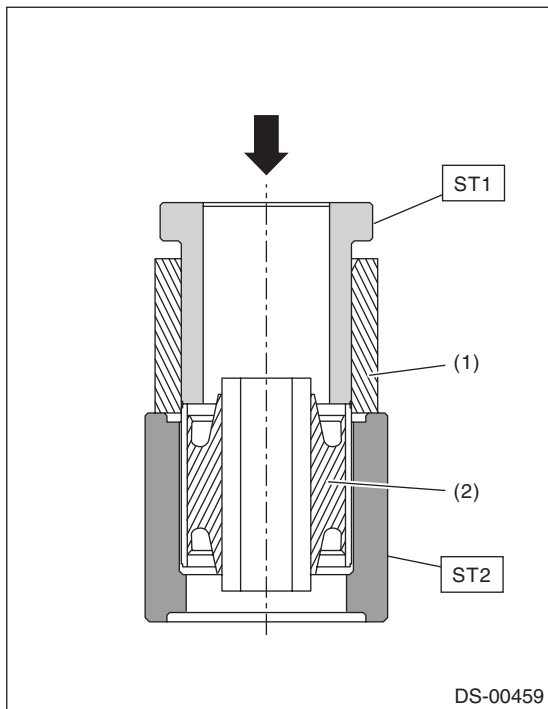
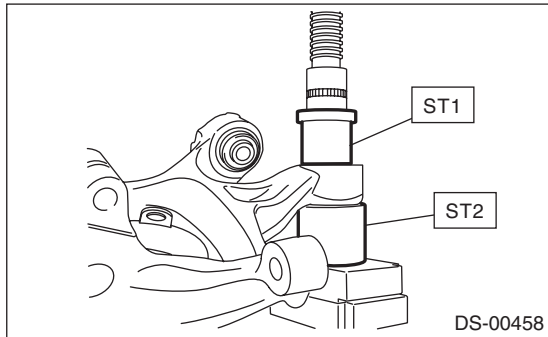


##### 2. REAR HOUSING BUSHING

- 1) Remove the rear housing. <Ref. to DS-19, REMOVAL, Rear Axle.>

2) Using the ST and a hydraulic press, push out the bushing.

- ST1 200099FG000 BUSHING REMOVER
- ST2 20099PA010 INSTALLER & REMOVER (BASE)



- (1) Rear housing
- (2) Bushing

## D: ASSEMBLY

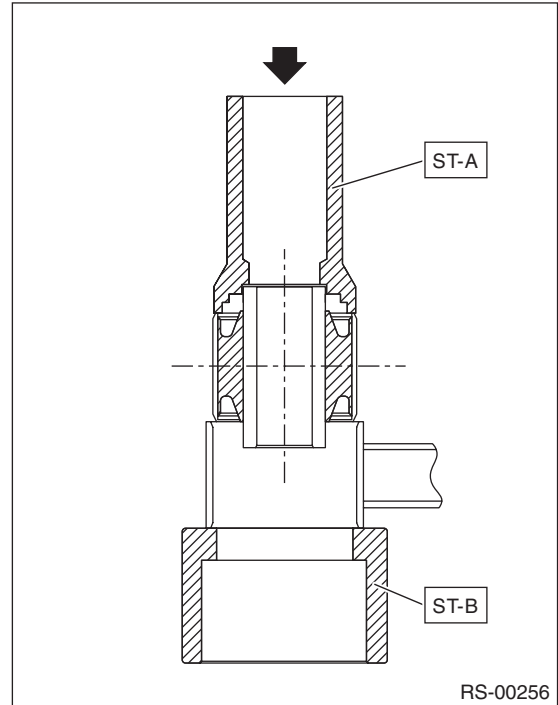
### 1. REAR TRAILING LINK BUSHING

Using the ST A and ST B, press-fit the bushing.

- ST A 8998741000 INSTALLER
- ST B 20299AG010 BASE

#### CAUTION:

**Make sure to press the bushing straight in.**





# Rear Trailing Link

## REAR SUSPENSION

### 2. REAR HOUSING BUSHING

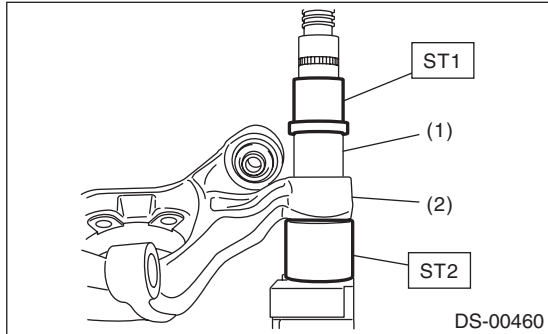
Press-fit the bushing using ST and the hydraulic press.

ST1 20099FG000 BUSHING REMOVER

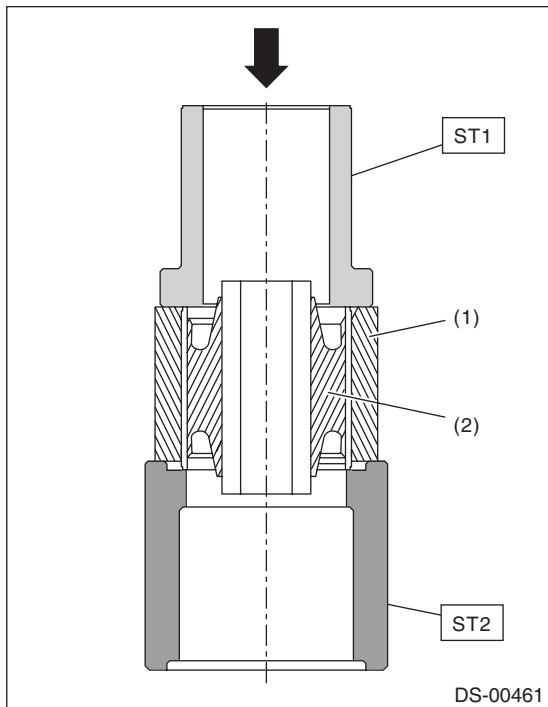
ST2 20099PA010 INSTALLER & REMOVER  
(BASE)

#### CAUTION:

Make sure to press the bushing straight in.



- (1) Bushing
- (2) Rear housing



- (1) Rear housing
- (2) Bushing

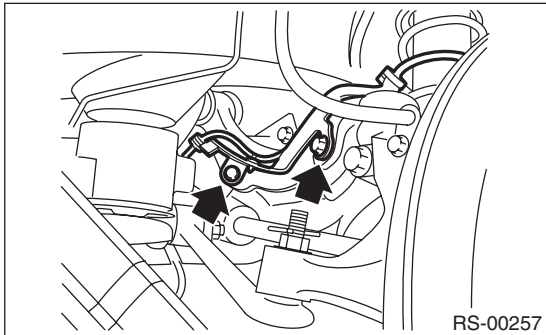
### E: INSPECTION

Visually check the trailing link for damage and deformation.

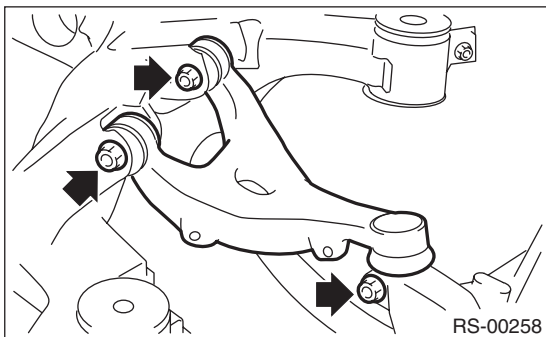
## 5. Upper Arm

### A: REMOVAL

- 1) Remove the rear sub frame. <Ref. to RS-17, REMOVAL, Rear Sub Frame.>
- 2) Remove the rear ABS wheel speed sensor bracket.



- 3) Remove the bolts, then remove the upper arm.



### B: INSTALLATION

#### CAUTION:

- Be sure to use a new self-locking nut.
- Always tighten the bushing when the arm is positioned in the state where the vehicle is at curb weight and the wheels are in full contact with the ground.

- 1) Install in the reverse order of removal.
- 2) Inspect the wheel alignment and adjust if necessary.

#### Tightening torque:

**Upper arm — Rear sub frame**  
 150 N·m (15.3 kgf·m, 110.6 ft·lb)

**Upper arm — Rear housing**  
 80 N·m (8.2 kgf·m, 59 ft·lb)

**Rear ABS wheel speed sensor bracket**  
 7.5 N·m (0.76 kgf·m, 5.5 ft·lb)

### C: INSPECTION

- 1) Visually check the upper arm for damage and deformation.
- 2) Visually check the bushing for abnormal cracks, fatigue or damage.

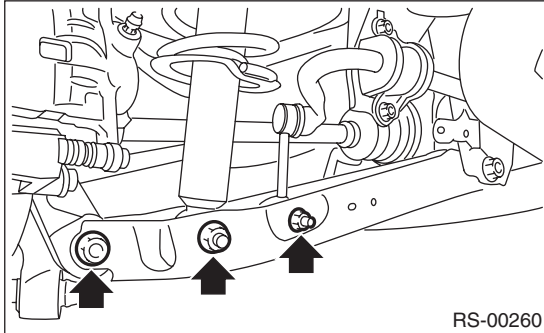
# Rear Shock Absorber

## REAR SUSPENSION

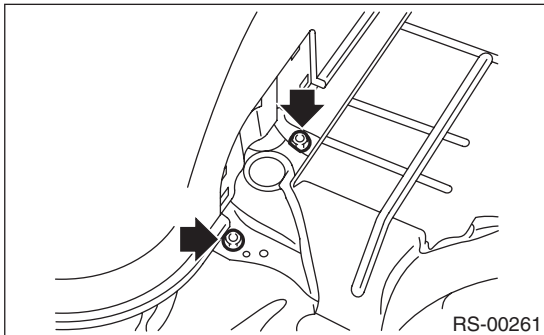
### 6. Rear Shock Absorber

#### A: REMOVAL

- 1) Remove the luggage floor mat. (5 door model)
- 2) Remove the trunk room mat. (4 door model)
- 3) Remove the strut cap of the quarter trim.
- 4) Lift up the vehicle, and then remove the rear wheels.
- 5) Remove the nut and disconnect the rear stabilizer link.
- 6) Remove the shock absorber lower bolt.
- 7) Disconnect the rear lateral link.



- 8) Remove the shock absorber mount nut.



- 9) Remove the shock absorber.

#### B: INSTALLATION

##### CAUTION:

- Be sure to use a new self-locking nut.
- Always tighten the bushing in the state where the vehicle is at curb weight and the wheels are in full contact with the ground.

- 1) Install in the reverse order of removal.

##### Tightening torque:

Refer to "COMPONENT" of "General Description" for the tightening torque. <Ref. to RS-3, COMPONENT, General Description.>

- 2) Check the wheel alignment and adjust it if necessary.

#### C: DISASSEMBLY

Refer to "Front Strut" for disassembly procedure. <Ref. to FS-23, DISASSEMBLY, Front Strut.>

#### D: ASSEMBLY

Refer to "Front Strut" for installation procedures. <Ref. to FS-23, ASSEMBLY, Front Strut.>

#### E: INSPECTION

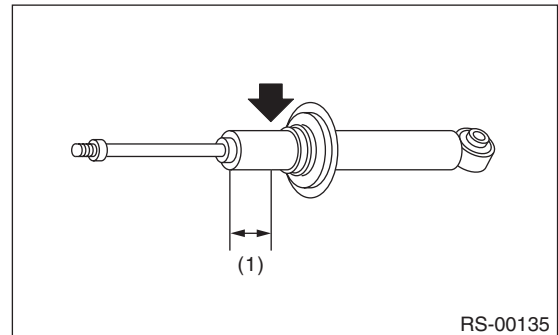
Refer to "Front Strut" for inspection procedures. <Ref. to FS-24, INSPECTION, Front Strut.>

#### F: DISPOSAL

##### CAUTION:

- Before handling the shock absorber, be sure to wear goggles to protect eyes from gas, oil and cutting powder.
- Do not disassemble the shock absorber or place it into a fire.
- Drill a hole into shock absorbers in case of discarding shock absorbers filled with gas.

- 1) Place the shock absorber on a level surface with the piston rod fully expanded.
- 2) Make a hole into the specified position 30 mm (1.18 in) deep using a drill with 2 — 3 mm (0.08 — 0.12 in) diameter.

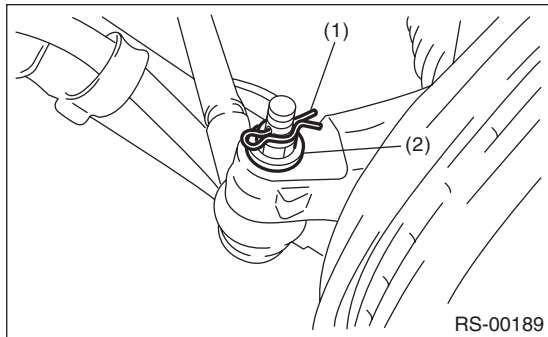


(1) 40 mm (1.57 in)

## 7. Front Lateral Link

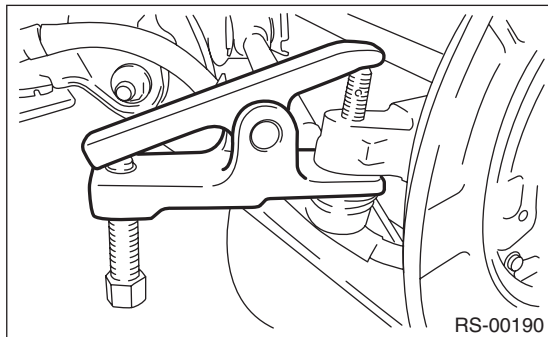
### A: REMOVAL

- 1) Lift up the vehicle, and then remove the rear wheels.
- 2) Remove the rear trailing link. <Ref. to RS-10, REMOVAL, Rear Trailing Link.>
- 3) Remove the snap pin and nut.



- (1) Snap pin
- (2) Nut

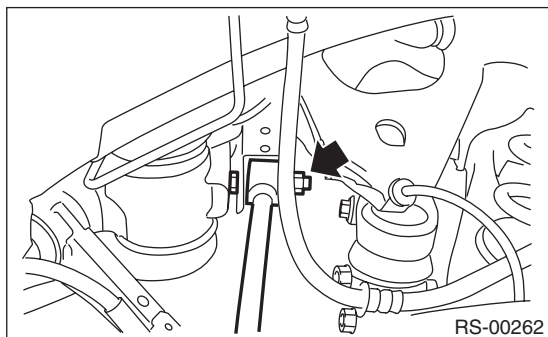
- 4) Using a puller, remove the ball joint.



- 5) Scribe an alignment mark on the front lateral link adjusting bolt and rear sub frame.
- 6) Remove the adjusting bolt, and remove the front lateral link.

### CAUTION:

When removing the adjusting bolt, make sure to fix the bolt head in place when loosening the nut.



### B: INSTALLATION

#### CAUTION:

- Be sure to use a new self-locking nut.
- Always tighten the bushing in the state where the vehicle is at curb weight and the wheels are in full contact with the ground.

- 1) Install in the reverse order of removal.

#### Tightening torque:

*Front lateral link — Sub frame*  
**100 N·m (10.2 kgf-m, 73.8 ft-lb)**

*Front lateral link — Rear axle housing*  
**60 N·m (6.1 kgf-m, 44.3 ft-lb)**

- 2) Inspect the wheel alignment and adjust if necessary.

### C: INSPECTION

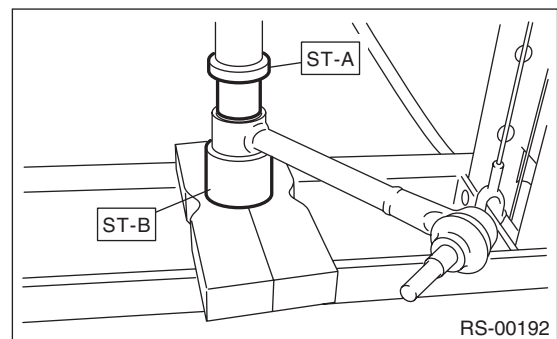
Visually check the front lateral link for damage and deformation.

### D: DISASSEMBLY

Using the ST A and ST B, press the bushing out.

ST A 20099AE000 INSTALLER & REMOVER

ST B 20099AE000 INSTALLER & REMOVER



### E: ASSEMBLY

Using the ST A and ST B, press-fit the bushing.

ST A 20099AE000 INSTALLER & REMOVER

ST B 20099AE000 INSTALLER & REMOVER

#### CAUTION:

Make sure to press the bushing straight in.

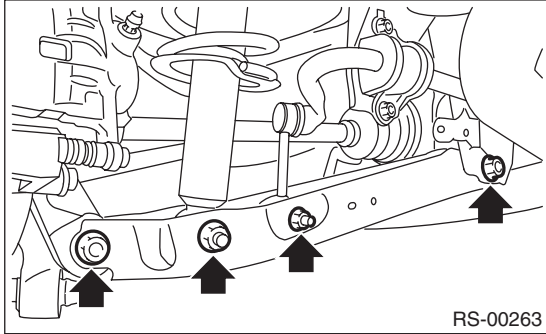
# Rear Lateral Link

## REAR SUSPENSION

### 8. Rear Lateral Link

#### A: REMOVAL

- 1) Lift up the vehicle, and then remove the rear wheels.
- 2) Remove the nut and disconnect the stabilizer link.
- 3) Remove the shock absorber lower bolt.
- 4) Remove the bolt, and remove rear lateral link.



#### B: INSTALLATION

##### CAUTION:

- Be sure to use a new self-locking nut.
- Always tighten the bushing in the state where the vehicle is at curb weight and the wheels are in full contact with the ground.

- 1) Install in the reverse order of removal.

##### Tightening torque:

###### Rear lateral link

120 N·m (12.2 kgf·m, 88.5 ft·lb)

###### Shock absorber

120 N·m (12.2 kgf·m, 88.5 ft·lb)

###### Stabilizer link

45 N·m (4.6 kgf·m, 33.2 ft·lb)

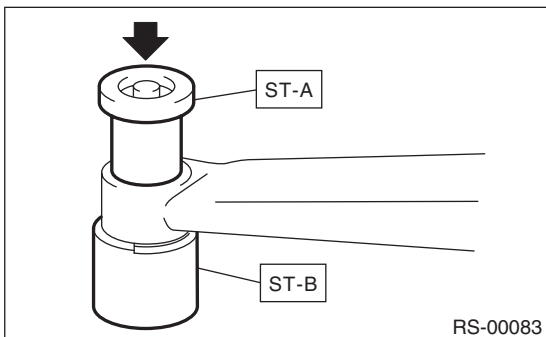
- 2) Inspect the wheel alignment and adjust if necessary.

#### C: DISASSEMBLY

Using the ST A and ST B, press the bushing out.

ST A 20099AE010 INSTALLER & REMOVER

ST B 20099AE010 INSTALLER & REMOVER

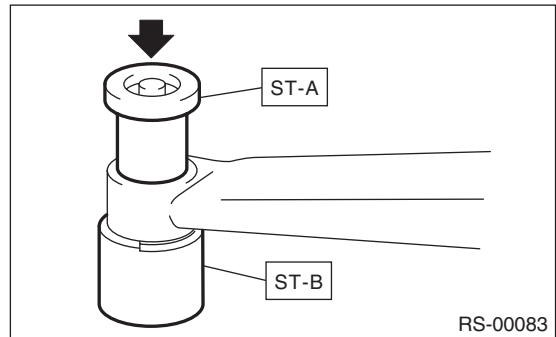


#### D: ASSEMBLY

Using the ST A and ST B, press-fit the bushing.

ST A 20099AE010 INSTALLER & REMOVER

ST B 20099AE010 INSTALLER & REMOVER



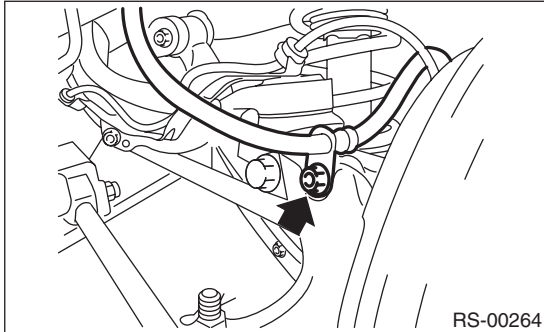
#### E: INSPECTION

Visually check the rear lateral link for damage and deformation.

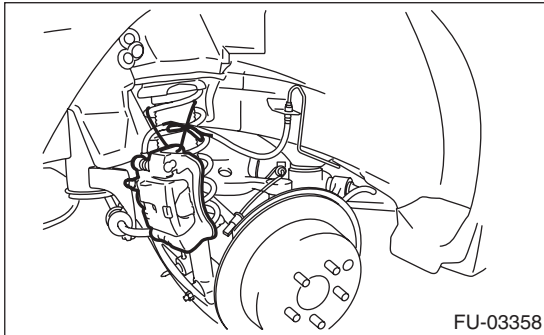
## 9. Rear Sub Frame

### A: REMOVAL

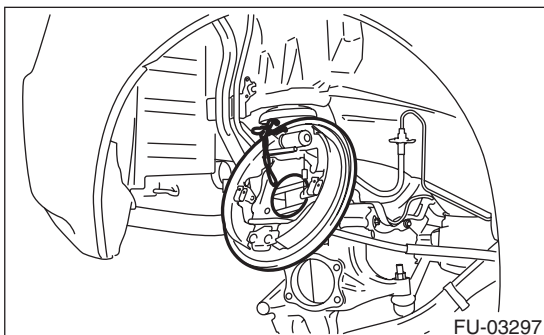
- 1) Separate the front exhaust pipe and rear exhaust pipe.
- 2) Remove the rear exhaust pipe and muffler.
- 3) Remove the propeller shaft.  
<Ref. to DS-10, REMOVAL, Propeller Shaft.>
- 4) Remove the brake hose bracket.



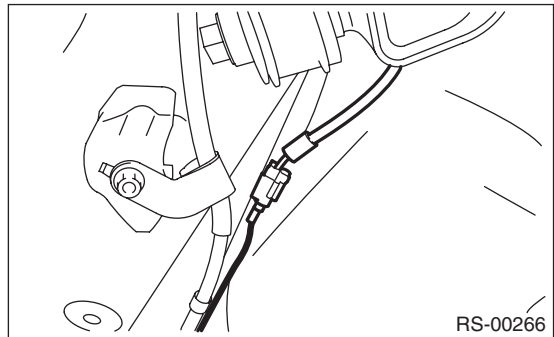
- 5) Remove the rear disc brake caliper, and suspend it from the shock absorber. (Disc brake model)



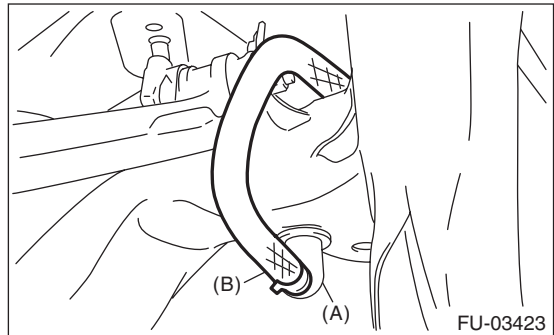
- 6) Remove the rear parking brake cable from the parking brake assembly. <Ref. to PB-6, REMOVAL, Parking Brake Assembly (Rear Disc Brake).>
- 7) Remove the rear hub unit bearing, and suspend the rear brake from the shock absorber. (Drum brake model) <Ref. to DS-23, REMOVAL, Rear Hub Unit Bearing.>



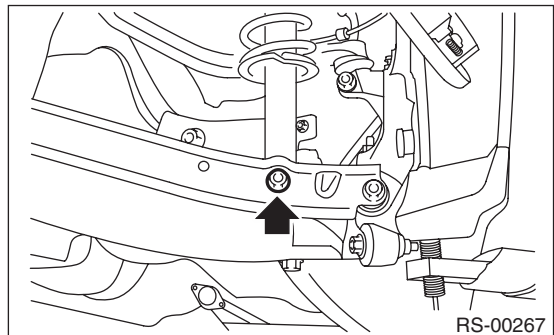
- 8) Disconnect the ABS wheel speed sensor connector.



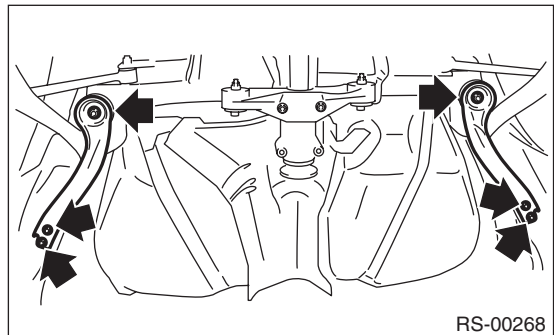
- 9) Disconnect drain hose (B) from canister drain connector (A).



- 10) Remove the shock absorber lower bolt.



- 11) Support the sub frame using a jack.
- 12) Remove the support plate.

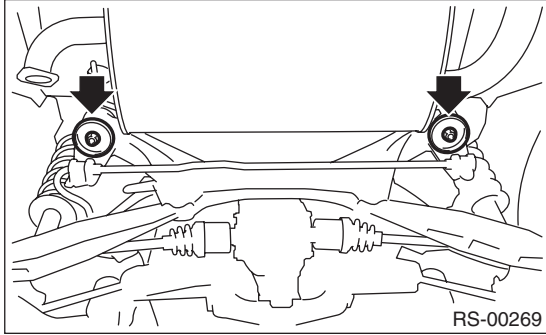


# Rear Sub Frame

## REAR SUSPENSION

---

13) Remove the rear sub frame.



## B: INSTALLATION

### CAUTION:

- Be sure to use a new self-locking nut.
- Always tighten the bushing in the state where the vehicle is at curb weight and the wheels are in full contact with the ground.

1) Install in the reverse order of removal.

### *Tightening torque:*

*Refer to "COMPONENT" of "General Description" for the tightening torque. <Ref. to RS-3, COMPONENT, General Description.>*

2) Inspect the wheel alignment and adjust if necessary.

## C: INSPECTION

Check the removed parts for wear, damage and crack, and repair or replace them if faulty.

## 10. General Diagnostic Table

### A: INSPECTION

#### 1. IMPROPER VEHICLE POSTURE OR IMPROPER WHEEL ARCH HEIGHT

Possible cause	Corrective action
(1) Permanent distortion or damaged coil spring	Replace.
(2) Rough operation of strut or shock absorber	Replace.
(3) Improper installation of strut or shock absorber	Replace with proper parts.
(4) Installation of the wrong coil spring	Replace with proper parts.

#### 2. POOR RIDE COMFORT

- 1) Large rebound shock
- 2) Rocking of the vehicle continues too long after running over bump and hump.
- 3) Excessive shock in bumping

Possible cause	Corrective action
(1) Damaged coil spring	Replace.
(2) Overinflation of tires	Adjust.
(3) Improper wheel arch height	Adjust or replace the coil springs with new parts.
(4) Fault in operation of strut or shock absorber	Replace.
(5) Damage or deformation of strut mount or shock absorber mount	Replace.
(6) Unsuitable length (maximum or minimum) of strut or shock absorber	Replace with appropriate parts.
(7) Deformation or loss of bushing	Replace.
(8) Deformation or damage of helper in strut assembly or shock absorber	Replace.
(9) Oil leakage from the strut or shock absorber	Replace.

#### 3. NOISE

Possible cause	Corrective action
(1) Wear or damage of strut or shock absorber component parts	Replace.
(2) Loosening of the suspension link installing bolt	Tighten to the specified torque.
(3) Deformation or loss of bushing	Replace.
(4) Unsuitable length (maximum or minimum) of strut or shock absorber	Replace with appropriate parts.
(5) Damaged coil spring	Replace.
(6) Wear or damage of the ball joint	Replace.
(7) Deformation of the stabilizer clamp	Replace.



# General Diagnostic Table

REAR SUSPENSION

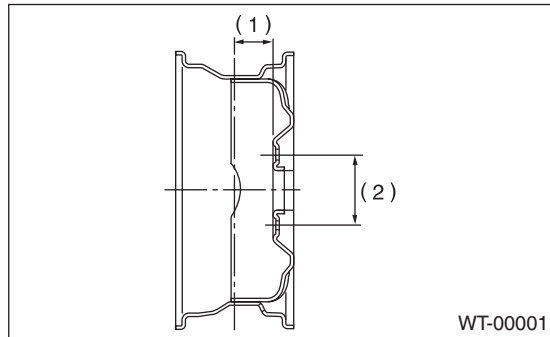
---

# General Description

## WHEEL AND TIRE SYSTEM

### 1. General Description

#### A: SPECIFICATION



- (1) Offset  
(2) P.C.D.

Model	Tire size	Wheel size	Offset mm (in)	P.C.D. mm (in)	Tire inflation pressure kPa (kgf/cm <sup>2</sup> , psi)	
					Front wheel	Rear wheel
2.5 i, 2.5 i-S	P205/55R16 89V	16 × 6 <sup>1</sup> / <sub>2</sub> JJ	55 (2.17)	100 (3.94)	230 (2.3, 33)	220 (2.2, 32)
2.5 GT, 2.5 GT-S, WRX-S, OUTBACK	P205/50R17 88V	17 × 7JJ				
WRX-SS	225/45 R17 91W	17 × 7JJ				
"T-type" Tire	T125/70 D17 98M	17 × 4T	30 (1.18)		—	420 (4.2, 60)

#### NOTE:

"T-type" tire for temporary use is equipped as a spare tire.

#### 1. SERVICE DATA

Part	Axial runout	Radial runout
Steel wheel	1.5 mm (0.059 in)	
Aluminum wheel	1.0 mm (0.039 in)	

# General Description

## WHEEL AND TIRE SYSTEM

### 2. ADJUSTING PARTS

Wheel balancing	Standard:	Service limit
Dynamic unbalance	5 g (0.18 oz) or less	

Balance weight part number (Knock-on type weight for steel wheels)	Weight
28101TC000	5 g (0.18 oz)
28101SA060	10 g (0.35 oz)
28101SA070	15 g (0.53 oz)
28101SA080	20 g (0.71 oz)
28101SA090	25 g (0.88 oz)
28101SA160	30 g (1.06 oz)
28101SA170	35 g (1.23 oz)
28101SA180	40 g (1.41 oz)
28101SA190	45 g (1.59 oz)
28101SA200	50 g (1.76 oz)
28101SA210	55 g (1.94 oz)
28101SA220	60 g (2.12 oz)

Balance weight part number (Knock-on type weight for aluminum wheel)	Weight
28101SA000	5 g (0.18 oz)
28101SA010	10 g (0.35 oz)
28101SA020	15 g (0.53 oz)
28101SA030	20 g (0.71 oz)
28101SA040	25 g (0.88 oz)
28101SA100	30 g (1.06 oz)
28101SA110	35 g (1.23 oz)
28101SA120	40 g (1.41 oz)
28101SA130	45 g (1.59 oz)
28101SA140	50 g (1.76 oz)
—	55 g (1.94 oz)
28101SA150	60 g (2.12 oz)

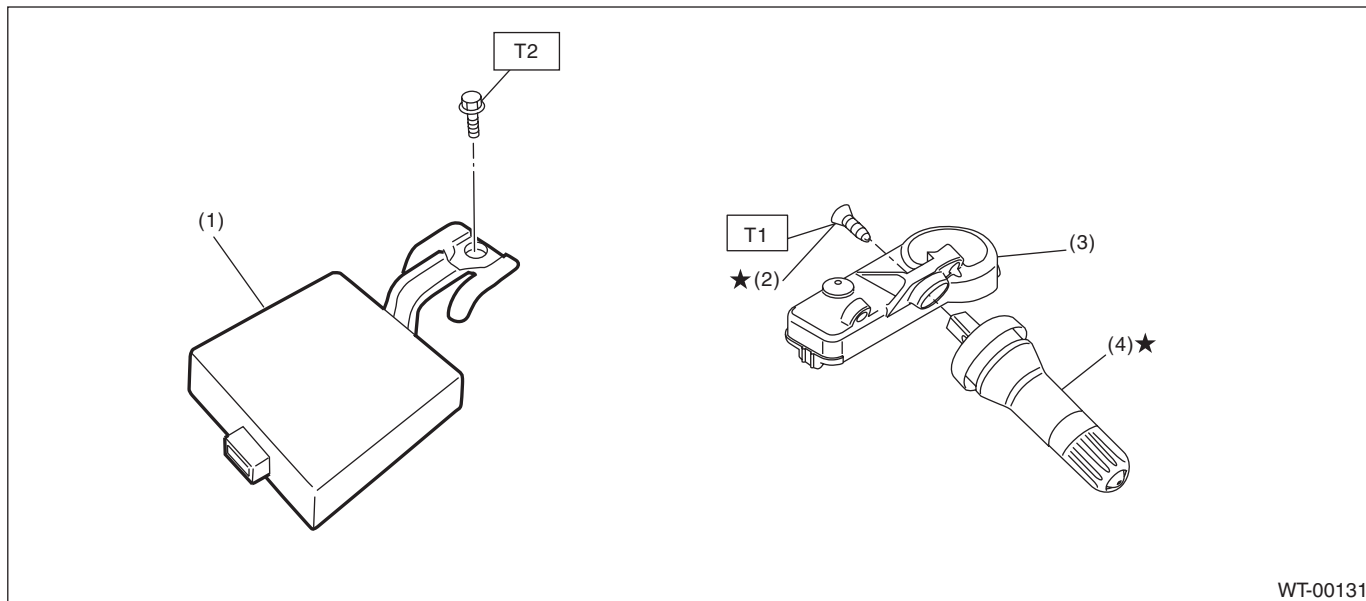
Balance weight part number (Adhesive type weight for aluminum wheel)	Weight
28101AG002	5 g (0.18 oz)
28101AG012	7.5 g (0.26 oz)
28101AG022	10 g (0.35 oz)
28101AG032	12.5 g (0.44 oz)
28101AG042	15 g (0.53 oz)
28101AG052	17.5 g (0.62 oz)
28101AG062	20 g (0.71 oz)
28101AG072	22.5 g (0.79 oz)
28101AG082	25 g (0.88 oz)
28101AG092	27.5 g (0.97 oz)
28101AG102	30 g (1.06 oz)
28101AG112	32.5 g (1.15 oz)

Balance weight part number (Adhesive type weight for aluminum wheel)	Weight
28101AG122	35 g (1.23 oz)
28101AG132	37.5 g (1.32 oz)
28101AG142	40 g (1.41 oz)
28101AG152	42.5 g (1.50 oz)
28101AG162	45 g (1.59 oz)
28101AG172	47.5 g (1.68 oz)
28101AG182	50 g (1.76 oz)
28101AG192	52.5 g (1.85 oz)
28101AG202	55 g (1.94 oz)
28101AG212	57.5 g (2.03 oz)
28101AG222	60 g (2.12 oz)
28101AG232	62.5 g (2.20 oz)
28101AG242	65 g (2.29 oz)
28101AG252	67.5 g (2.38 oz)
28101AG262	70 g (2.47 oz)
28101AG272	72.5 g (2.56 oz)
28101AG282	75 g (2.65 oz)
28101AG292	77.5 g (2.73 oz)
28101AG302	80 g (2.82 oz)
28101AG312	82.5 g (2.91 oz)
28101AG322	85 g (3.00 oz)
28101AG332	87.5 g (3.09 oz)
28101AG342	90 g (3.17 oz)
28101AG352	92.5 g (3.26 oz)
28101AG362	95 g (3.35 oz)
28101AG372	97.5 g (3.44 oz)
28101AG382	100 g (3.53 oz)
28101SA300	102.5 g (3.62 oz)
28101SA310	105 g (3.70 oz)
28101SA320	107.5 g (3.79 oz)
28101SA330	110 g (3.88 oz)
28101SA340	112.5 g (3.97 oz)
28101SA350	115 g (4.06 oz)
28101SA360	117.5 g (4.14 oz)
28101SA370	120 g (4.23 oz)

# General Description

## WHEEL AND TIRE SYSTEM

### B: COMPONENT



WT-00131

- (1) Tire pressure monitoring control module  
(2) Screw  
(3) Transmitter (Snap in type)  
(4) Valve

**Tightening torque:N-m (kgf-m, ft-lb)**

**T1: 1.4 (0.14, 1)**

**T2: 7.5 (0.76, 5.5)**

### C: PREPARATION TOOL

#### 1. GENERAL TOOL

TOOL NAME	REMARKS
Air pressure gauge	Used for measuring tire air pressure.
Dial gauge	Used for measuring wheel runout.
Wheel balancer	Used for adjusting wheel balance.

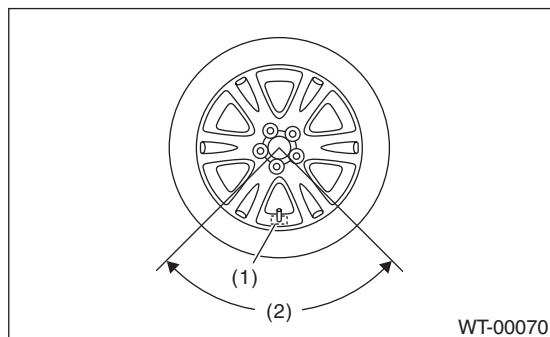
## 2. Tire

### A: INSPECTION

- 1) Take stones, glass, nails etc. out of the tread groove.
- 2) Replace tires in the following cases.

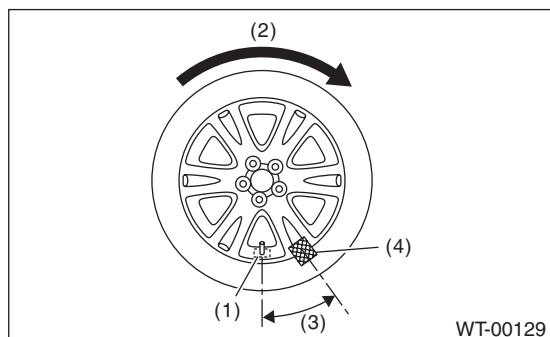
#### CAUTION:

- When replacing a tire, make sure to use only tires of the same size, construction and load range as originally installed.
- When the direction of tire rotation is specified, be careful not to install the tire to the wheel in the wrong direction.
- Use a tire changer when removing the tire from the wheel.
- On models equipped with tire pressure monitoring systems, do not use the bead breaker in a 90° area centered on the transmitter to prevent damaging the transmitter.



- (1) Transmitter
- (2) 90°(use of a bead breaker is prohibited in this area.)

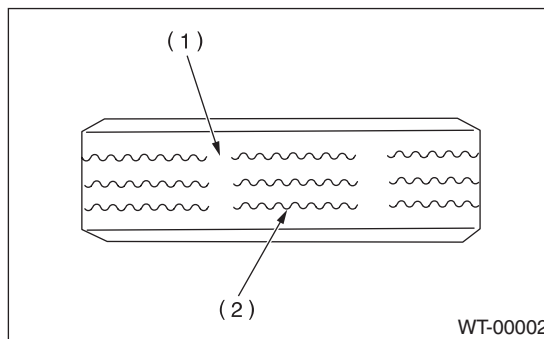
- To prevent damaging the transmitter, set the tire changer boom in the position as shown in the figure.



- (1) Transmitter
- (2) Direction of turn table rotation
- (3) 30°
- (4) Tire changer boom

- (1) If large cracks on side wall, damage or cracks on the tread is found.

- (2) When the “tread wear indicator” appears as a solid band across the tread.



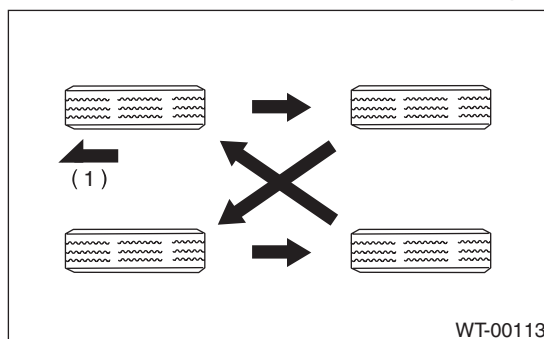
- (1) Tread wear indicator
- (2) Tire tread

- 3) When a crack on tire valve is found, replace the tire valve.

### 1. TIRE ROTATION

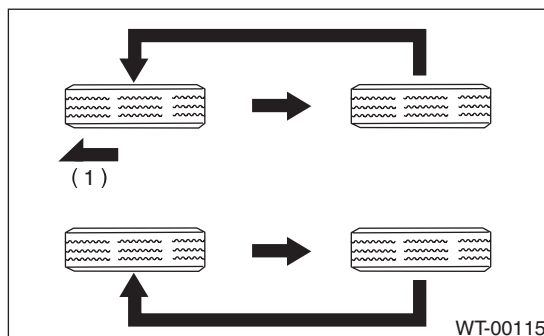
Rotate tires periodically (12,500 km/7,500 miles) as shown in the figure, in order to prevent them from uneven wear and to prolong their life.

- When the direction of tire rotation is not specified



- (1) Front

- With instruction for the direction of tire rotation



- (1) Front

# Tire

## WHEEL AND TIRE SYSTEM

---

### NOTE:

Vehicles equipped with tire pressure monitoring systems will require re-registration of transmitter ID. <Ref. to TPM(diag)-10, REGISTER TRANSMITTER ID, OPERATION, Subaru Select Monitor.>

## 3. Aluminum Wheel

### A: REMOVAL

- 1) Apply the parking brake, and position select lever or shift lever to "P" range (AT model) or "1st gear" (MT model).
- 2) Set the shop jacks or a lift to the specified points, and support the vehicle with its wheels slightly contacting the floor.
- 3) Loosen the wheel nuts.
- 4) Raise the vehicle until its wheels are off the ground using the jack or a lift.
- 5) Remove the wheel nuts and wheels.

#### NOTE:

- When removing the wheels, be careful not to damage the hub bolts.
- Place the wheels with their outer sides facing upward to prevent wheels from being damaged.

### B: INSTALLATION

- 1) Remove dirt from the mating surface of the wheel and brake rotor.
- 2) Attach the wheel to the hub by aligning the wheel bolt holes with the hub bolts.
- 3) Temporarily attach the wheel nuts to the hub bolts. (Use SUBARU genuine wheel nuts for aluminum wheels.)
- 4) Tighten the nuts by hand, making sure the wheel hub hole is aligned correctly to the guide portion of hub.
- 5) Tighten the wheel nuts in a diagonal selection to the specified torque. Use a wheel nut wrench.

#### **Wheel nut tightening torque:**

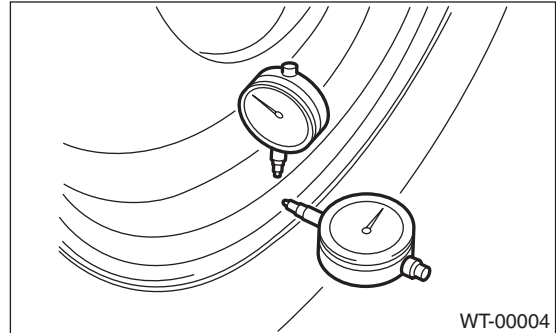
**100 N·m (10.2 kgf·m, 73.8 ft·lb)**

#### CAUTION:

- **Tighten the wheel nuts in two or three steps by gradually increasing the torque on opposing nuts, until they reach the specified torque.**
  - **Do not push the wrench by foot. Always use both hands when tightening the nuts.**
  - **Make sure the bolt, nut and the nut seating surface of the wheel are free from oil.**
- 6) If a wheel is removed for replacement or for repair of a puncture, retighten the wheel nuts to the specified torque after driving 1,000 km (600 miles).

### C: INSPECTION

- 1) Deformation or damage to the rim may cause air leakage. Check the rim flange for deformation, cracks or damage, and repair or replace as necessary.
- 2) Jack-up the vehicle until wheels clear the floor.
- 3) Slowly rotate the wheel to check rim "runout" using a dial gauge.



Axial runout limit	Radial runout limit
1.0 mm (0.039 in)	

- 4) If the rim runout exceeds specifications, replace the wheel.

### D: CAUTION

Aluminum wheels are easily scratched. To maintain their appearance and safety, be careful of the following:

- 1) Be careful not to damage the aluminum wheels during removal, installation, wheel balancing, etc. After removing aluminum wheels, place them on a rubber mat etc.
- 2) When washing the aluminum wheel, use neutral synthetic detergent and water. Avoid using cleansers containing abrasives, hard brushes or an automatic car washer.

### 4. Steel Wheel

#### A: REMOVAL

Refer to “Aluminum Wheel” for removal procedure of steel wheels. <Ref. to WT-7, REMOVAL, Aluminum Wheel.>

#### B: INSTALLATION

Refer to “Aluminum Wheel” for installation procedure of steel wheels. <Ref. to WT-7, INSTALLATION, Aluminum Wheel.>

#### C: INSPECTION

Refer to “Aluminum Wheel” for inspection procedure of steel wheels. <Ref. to WT-7, INSPECTION, Aluminum Wheel.>

#### *Rim runout*

Axial runout limit	Radial runout limit
1.5 mm (0.059 in)	



## 5. Wheel Balancing

### A: ADJUSTMENT

**NOTE:**

Change the setting of wheel balancer to adhesive type weight if adhesive type weight is adopted.

1) Remove the balance weights.

**CAUTION:**

- Be careful not to damage the wheel.
- Completely remove the double-sided tape of the adhesive weight from the wheel.

2) Using the wheel balancer, measure wheel balance.

3) Select a weight close to the value measured by wheel balancer.

**CAUTION:**

**Use SUBARU genuine balance weights.**

Balance weight part number (Knock-on type weight for steel wheels)	Weight
28101TC000	5 g (0.18 oz)
28101SA060	10 g (0.35 oz)
28101SA070	15 g (0.53 oz)
28101SA080	20 g (0.71 oz)
28101SA090	25 g (0.88 oz)
28101SA160	30 g (1.06 oz)
28101SA170	35 g (1.23 oz)
28101SA180	40 g (1.41 oz)
28101SA190	45 g (1.59 oz)
28101SA200	50 g (1.76 oz)
28101SA210	55 g (1.94 oz)
28101SA220	60 g (2.12 oz)

Balance weight part number (Knock-on type weight for aluminum wheel)	Weight
28101SA000	5 g (0.18 oz)
28101SA010	10 g (0.35 oz)
28101SA020	15 g (0.53 oz)
28101SA030	20 g (0.71 oz)
28101SA040	25 g (0.88 oz)
28101SA100	30 g (1.06 oz)
28101SA110	35 g (1.23 oz)
28101SA120	40 g (1.41 oz)
28101SA130	45 g (1.59 oz)
28101SA140	50 g (1.76 oz)
—	55 g (1.94 oz)
28101SA150	60 g (2.12 oz)

Balance weight part number (Adhesive type weight for aluminum wheel)	Weight
28101AG002	5 g (0.18 oz)
28101AG012	7.5 g (0.26 oz)
28101AG022	10 g (0.35 oz)
28101AG032	12.5 g (0.44 oz)
28101AG042	15 g (0.53 oz)
28101AG052	17.5 g (0.62 oz)
28101AG062	20 g (0.71 oz)
28101AG072	22.5 g (0.79 oz)
28101AG082	25 g (0.88 oz)
28101AG092	27.5 g (0.97 oz)
28101AG102	30 g (1.06 oz)
28101AG112	32.5 g (1.15 oz)
28101AG122	35 g (1.23 oz)
28101AG132	37.5 g (1.32 oz)
28101AG142	40 g (1.41 oz)
28101AG152	42.5 g (1.50 oz)
28101AG162	45 g (1.59 oz)
28101AG172	47.5 g (1.68 oz)
28101AG182	50 g (1.76 oz)
28101AG192	52.5 g (1.85 oz)
28101AG202	55 g (1.94 oz)
28101AG212	57.5 g (2.03 oz)
28101AG222	60 g (2.12 oz)
28101AG232	62.5 g (2.20 oz)
28101AG242	65 g (2.29 oz)
28101AG252	67.5 g (2.38 oz)
28101AG262	70 g (2.47 oz)
28101AG272	72.5 g (2.56 oz)
28101AG282	75 g (2.65 oz)
28101AG292	77.5 g (2.73 oz)
28101AG302	80 g (2.82 oz)
28101AG312	82.5 g (2.91 oz)
28101AG322	85 g (3.00 oz)
28101AG332	87.5 g (3.09 oz)
28101AG342	90 g (3.17 oz)
28101AG352	92.5 g (3.26 oz)
28101AG362	95 g (3.35 oz)
28101AG372	97.5 g (3.44 oz)
28101AG382	100 g (3.53 oz)
28101SA300	102.5 g (3.62 oz)
28101SA310	105 g (3.70 oz)
28101SA320	107.5 g (3.79 oz)
28101SA330	110 g (3.88 oz)
28101SA340	112.5 g (3.97 oz)
28101SA350	115 g (4.06 oz)
28101SA360	117.5 g (4.14 oz)
28101SA370	120 g (4.23 oz)

# Wheel Balancing

## WHEEL AND TIRE SYSTEM

---

4) Install the selected weight to the point designated by the wheel balancer.

### CAUTION:

- Decrease the wheel surface where the adhesive type weight will be applied.
- Press the adhesive type weight by 25 N (2.5 kgf, 5.6 lbf) or more per 5 g (0.18 oz) for 2 seconds or more and attain full adhesion.
- Total application of the adhesive type weight should be 120 g (4.23 oz) or less.

5) Using the wheel balancer, measure the wheel balance again. Check that wheel balance is correctly adjusted.

## B: INSPECTION

1) When a tire is replaced or worn, proper wheel balance may be lost. Check the tire dynamic balance and repair if necessary.

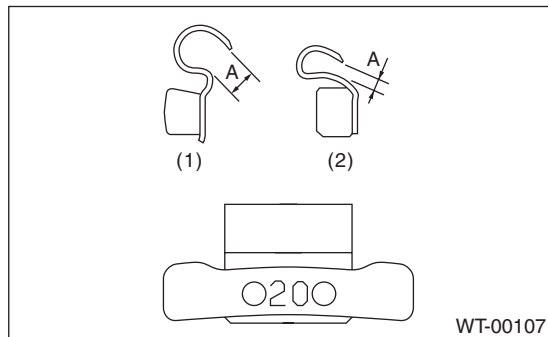
2) When checking the dynamic balance, use the wheel balancer. Insert the balance weights into the top and the rear side of rim.

3) With some types of balancer, wheels may be damaged. When adjusting the wheel balance, use a proper balancer.

4) Use Subaru genuine balance weights.

### NOTE:

- Balance weights are not available in 55 g (1.94 oz) size for aluminum wheels.
- Balance weights can be used for any 15 to 18-inch wheels.



- (1) Knock-on type weight for aluminum wheel  
(2) Knock-on type weight for steel wheel

### Service limit A:

**Knock-on type weight for steel wheel:**

**2.0 mm (0.079 in)**

**Knock-on type weight for aluminum wheel:**

**5.0 mm (0.197 in)**

## 6. “T-type” Tire

### A: NOTE

“T-type” tire for temporary use is prepared as a spare tire.

### CAUTION:

- Do not use tire chains for “T-type Tire”. Because tire size is small, tire chains can not be installed and will damage the vehicle and tires.
- Do not drive at a speed greater than 80 km/h (50 MPH).
- Drive the vehicle as slowly as possible and avoid bumps on the road.

### B: REPLACEMENT

Refer to “Removal/Installation of Aluminum Wheel” for removal and installation procedures of the “T-type” tire. <Ref. to WT-7, Aluminum Wheel.>

### CAUTION:

**The “T-type” tire is only for temporary use. Replace with a conventional tire as soon as possible.**

### C: INSPECTION

- 1) Check the tire air pressure.

#### **Specifications:**

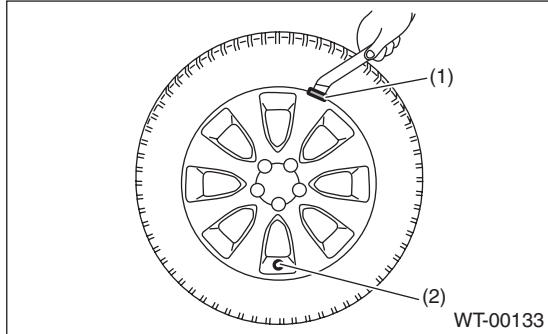
***420 kPa (4.2 kgf/cm<sup>2</sup>, 60 psi)***

- 2) Take stones, glass, nails etc. out of the tread groove.
- 3) Check the tires for deformation, cracks, partial wear, or wear.

### 7. Full Wheel Cap

#### A: REMOVAL

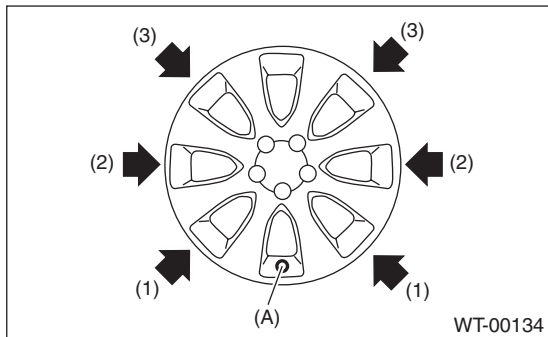
Insert a remover into the notch located diagonally to the valve hole, and remove the cap by prying the remover to the tire side.



- (1) Cutout portion
- (2) Valve hole

#### B: INSTALLATION

- 1) Align the valve with the valve hole in the hubcap.
- 2) Install the hubcap by tapping it in the order from (1) to (3) described in the figure.



- (A) Valve hole

#### C: INSPECTION

Check the hubcap for damage.

## 8. Tire Pressure Monitoring System

### A: REMOVAL

#### 1. TRANSMITTER (SNAP IN TYPE)

- 1) Remove the wheels from the vehicle. <Ref. to WT-7, REMOVAL, Aluminum Wheel.>
- 2) Remove the tires from wheels.

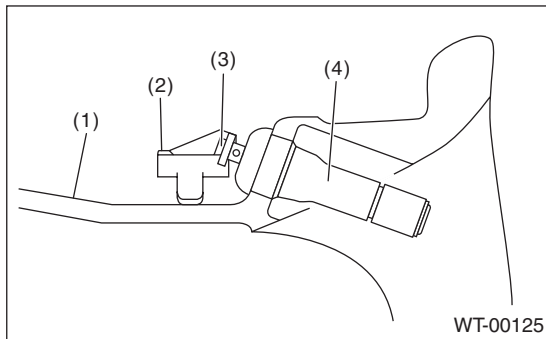
**CAUTION:**

Use a tire changer when removing the tire from the wheel.

- 3) Loosen the screw to remove the transmitter from the valve stem.

**NOTE:**

Replace the valve and screw with a new part when reusing transmitter.

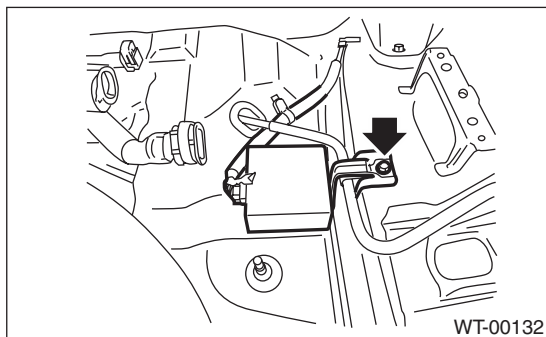


- (1) Wheel
- (2) Transmitter
- (3) Screw
- (4) Valve

- 4) Remove the valve from the wheel.

#### 2. TIRE PRESSURE MONITORING CONTROL MODULE

- 1) Remove the canister. <Ref. to EC(H4SO)-5, REMOVAL, Canister.>
- 2) Remove the connector to remove tire pressure monitoring control module.



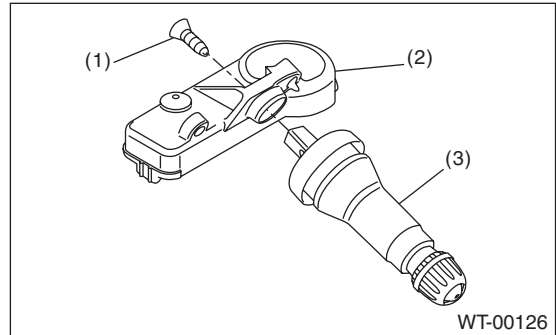
### B: INSTALLATION

#### 1. TRANSMITTER (SNAP IN TYPE)

**CAUTION:**

Use the new transmitter assembly or replace the new valve and screw, when installing.

- 1) Replace the valve and screw with a new part when reusing transmitter.



- (1) Screw
- (2) Transmitter
- (3) Valve

**Tightening torque:**

**1.4 N·m (0.14 kgf·m, 1 ft·lb)**

- 2) Install the transmitter to the wheel by aligning it with valve hole.

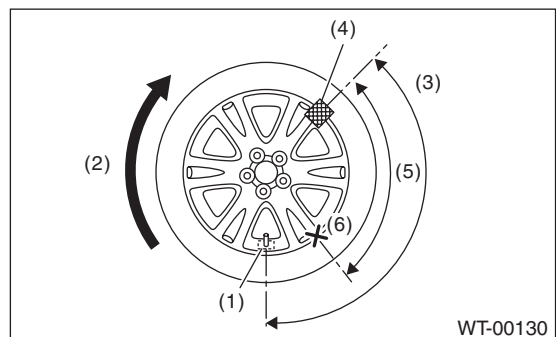
**NOTE:**

When using the jig that pulls the valve cap by hooking its neck part, use another short-type cap.

- 3) Install the tires to wheels.

**CAUTION:**

- Use a tire changer when installing tire to wheel.
- To prevent damaging the transmitter, set the tire changer boom in the position as shown in the figure.



- (1) Transmitter
- (2) Direction of turn table rotation
- (3) 135°
- (4) Tire changer boom
- (5) 90°
- (6) Starting point for fitting the bead to the rim

# Tire Pressure Monitoring System

## WHEEL AND TIRE SYSTEM

---

4) Install the wheels to vehicle. <Ref. to WT-7, INSTALLATION, Aluminum Wheel.>

5) Register the transmitter ID to the tire pressure monitoring control module. <Ref. to TPM(diag)-10, REGISTER TRANSMITTER ID, OPERATION, Subaru Select Monitor.>

## 2. TIRE PRESSURE MONITORING CONTROL MODULE

Install in the reverse order of removal.

### *Tightening torque:*

*7.5 N·m (0.76 kgf-m, 5.5 ft-lb)*

## C: ADJUSTMENT

Re-register the transmitter ID when transmitter has been replaced. <Ref. to TPM(diag)-10, REGISTER TRANSMITTER ID, OPERATION, Subaru Select Monitor.>

## 9. General Diagnostic Table

### A: INSPECTION

Symptoms	Possible cause	Corrective action
Wheel is out of balance.	Improperly inflated tire.	Adjust the tire pressure.
	Uneven wear	Check the tire referring to Abnormal tire wear in this table, carry out the procedure and replace the tire.
	Front wheel alignment	Check the front wheel alignment. <Ref. to FS-7, INSPECTION, Wheel Alignment.>
	Rear wheel alignment	Check the rear wheel alignment. <Ref. to RS-8, INSPECTION, Wheel Alignment.>
	Front strut	Check the front strut. <Ref. to FS-24, INSPECTION, Front Strut.>
	Rear shock absorber	Check the rear shock absorber. <Ref. to RS-14, INSPECTION, Rear Shock Absorber.>
	Front axle	Check the front axle. <Ref. to DS-16, INSPECTION, Front Axle.>
	Front hub unit bearing	Check the front hub unit bearing. <Ref. to DS-18, INSPECTION, Front Hub Unit Bearing.>
	Rear hub unit bearing	Check the rear hub unit bearing. <Ref. to DS-25, INSPECTION, Rear Hub Unit Bearing.>
Vehicle is abnormally out of balance.	Improperly inflated tire.	Adjust the tire pressure.
	Uneven wear	Check the tire referring to Abnormal tire wear in this table, carry out the procedure and replace the tire.
	Front stabilizer	Inspect the front stabilizer. <Ref. to FS-16, INSPECTION, Front Stabilizer.>
	Front wheel alignment	Check the front wheel alignment. <Ref. to FS-7, INSPECTION, Wheel Alignment.>
	Rear wheel alignment	Check the rear wheel alignment. <Ref. to RS-8, INSPECTION, Wheel Alignment.>
Abnormal wheel vibration	Improperly inflated tire.	Adjust the tire pressure.
	Uneven wear	Check the tire referring to Abnormal tire wear in this table, carry out the procedure and replace the tire.
	Improper wheel balancing	Check the wheel balance. <Ref. to WT-9, ADJUSTMENT, Wheel Balancing.>
	Front axle	Check the front axle. <Ref. to DS-16, INSPECTION, Front Axle.>
	Front hub unit bearing	Check the front hub unit bearing. <Ref. to DS-18, INSPECTION, Front Hub Unit Bearing.>
	Rear hub unit bearing	Check the rear hub unit bearing. <Ref. to DS-25, INSPECTION, Rear Hub Unit Bearing.>

# General Diagnostic Table

## WHEEL AND TIRE SYSTEM

Symptoms	Possible cause	Corrective action
Abnormal tire wear	Improperly inflated tire.	Adjust the tire pressure.
	Improper wheel balancing	Check the wheel balance. <Ref. to WT-9, ADJUSTMENT, Wheel Balancing.>
	Front wheel alignment	Check the front wheel alignment. <Ref. to FS-7, INSPECTION, Wheel Alignment.>
	Rear wheel alignment	Check the rear wheel alignment. <Ref. to RS-8, INSPECTION, Wheel Alignment.>



# Basic Diagnostic Procedure

## TIRE PRESSURE MONITORING SYSTEM (DIAGNOSTICS)

### 1. Basic Diagnostic Procedure

#### A: PROCEDURE

**CAUTION:**

Remove foreign matter (dust, water, oil etc.) from the tire pressure monitoring control module connector when removing or installing.

**NOTE:**

To check harness for open or short circuits, shake the suspected trouble spot or connector.

Step	Check	Yes	No
<b>1 CHECK PRE-INSPECTION.</b> 1) Check with the user regarding when the warning light lit or started blinking. 2) Before performing diagnostics, check all components which may adversely affect the tire pressure monitor system. <Ref. to TPM(diag)-3, INSPECTION, General Description.>	Is the component that might affect the tire pressure monitor system normal?	Go to step 2.	Repair or replace each component.
<b>2 CHECK DIAGNOSTIC TROUBLE CODE (DTC).</b> 1) Turn the ignition switch to OFF. 2) Connect the Subaru Select Monitor to data link connector. 3) Turn the ignition switch to ON and run the Subaru Select Monitor. NOTE: If the communication function of the Subaru Select Monitor cannot be executed normally, check the communication circuit. <Ref. to TPM(diag)-11, COMMUNICATION FOR INITIALIZING IMPOSSIBLE, INSPECTION, Subaru Select Monitor.> 4) Read the DTC. <Ref. to TPM(diag)-16, OPERATION, Read Diagnostic Trouble Code (DTC).>	Is DTC displayed?	Go to step 4.	Go to step 3.
<b>3 PERFORM GENERAL DIAGNOSTICS.</b> 1) Perform the inspection by referring to "General Diagnostic Table". <Ref. to TPM(diag)-38, General Diagnostic Table.> 2) Perform the Clear Memory Mode. <Ref. to TPM(diag)-9, CLEAR MEMORY, OPERATION, Subaru Select Monitor.> 3) Perform the Inspection Mode. <Ref. to TPM(diag)-17, Inspection Mode.> 4) Read the DTC. <Ref. to TPM(diag)-8, READ DIAGNOSTIC TROUBLE CODE (DTC), OPERATION, Subaru Select Monitor.> Check the DTC is not displayed.	Does the tire pressure warning light illuminates for about 2 seconds and then goes off after turning on the ignition switch, and then go out?	Finish the diagnosis.	Check by referring to "Diagnostic Procedure for TPM". <Ref. to TPM(diag)-14, WITHOUT DTC, INSPECTION, Subaru Select Monitor.>
<b>4 PERFORM DIAGNOSIS.</b> 1) Refer to "List of Diagnostic Trouble Code (DTC)". 2) Correct the cause of trouble. 3) Perform the Clear Memory Mode. <Ref. to TPM(diag)-9, CLEAR MEMORY, OPERATION, Subaru Select Monitor.> 4) Perform the drive test. Drive the vehicle at 40 km/h (25 MPH) or faster for at least 10 minutes. 5) Read the DTC. <Ref. to TPM(diag)-8, READ DIAGNOSTIC TROUBLE CODE (DTC), OPERATION, Subaru Select Monitor.>	Is DTC displayed?	Repeat steps 1 to 4 until DTC is not shown.	Finish the diagnosis.

# General Description

## TIRE PRESSURE MONITORING SYSTEM (DIAGNOSTICS)

### 2. General Description

#### A: CAUTION

##### 1. SUPPLEMENTAL RESTRAINT SYSTEM “AIRBAG”

Airbag system wiring harness is routed near the TPM control module.

##### CAUTION:

- All airbag system wiring harnesses are yellow. Do not use the electrical test equipment on these circuits.
- Be careful not to damage the airbag system wiring harness when servicing the tire pressure monitoring control module.

##### 2. TIRE PRESSURE MONITORING CONTROL MODULE

- If the transmitter is replaced, ID registration for the transmitter is required. <Ref. to TPM(diag)-10, REGISTER TRANSMITTER ID, OPERATION, Subaru Select Monitor.>
- When adjusting tire pressure indoors in winter, there is a big temperature difference between the indoor facilities and outside. Once the car is outside where the temperature is lower, the air pressure in the tires will drop, causing the tire pressure warning light to illuminate, even if the pressure in the tires was adjusted to standard values indoors. To avoid this, it is necessary to adjust the tire pressure to the high side in consideration of the difference in temperature between inside and outside according to the following table.

P205/50R17 and P205/55R16

Temperature °C (°F)	Indoor temperature	15.5 (60)		
	Ambient temperature	-1 (30)	-12 (10)	-23 (-10)
Air pressure kPa (psi)	Front	250 (36)	265 (38)	280 (40)
	Rear	240 (35)	255 (37)	270 (39)

#### B: INSPECTION

Before performing diagnosis, check the following item which might affect the quality of the tire pressure monitoring system.

##### 1. TIRE

- Inspect that the tire pressure is within the specification while the tire is cool. (Refer to Tire Caution Label.)
- Check the tires for damage or the insertion of foreign matters.

##### 2. BATTERY

Check that amount of battery fluid, gravity and voltage are within the specifications.

**Standard voltage: 12 V or more**

**Specific gravity: 1.260 or more**

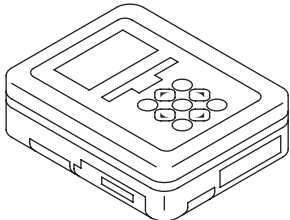
## General Description

### TIRE PRESSURE MONITORING SYSTEM (DIAGNOSTICS)

---

## C: PREPARATION TOOL

### 1. SPECIAL TOOL

ILLUSTRATION	TOOL NUMBER	DESCRIPTION	REMARKS
 ST1B022XU0	1B022XU0	SUBARU SELECT MONITOR III KIT	Used for troubleshooting the electrical system.

### 2. GENERAL TOOL

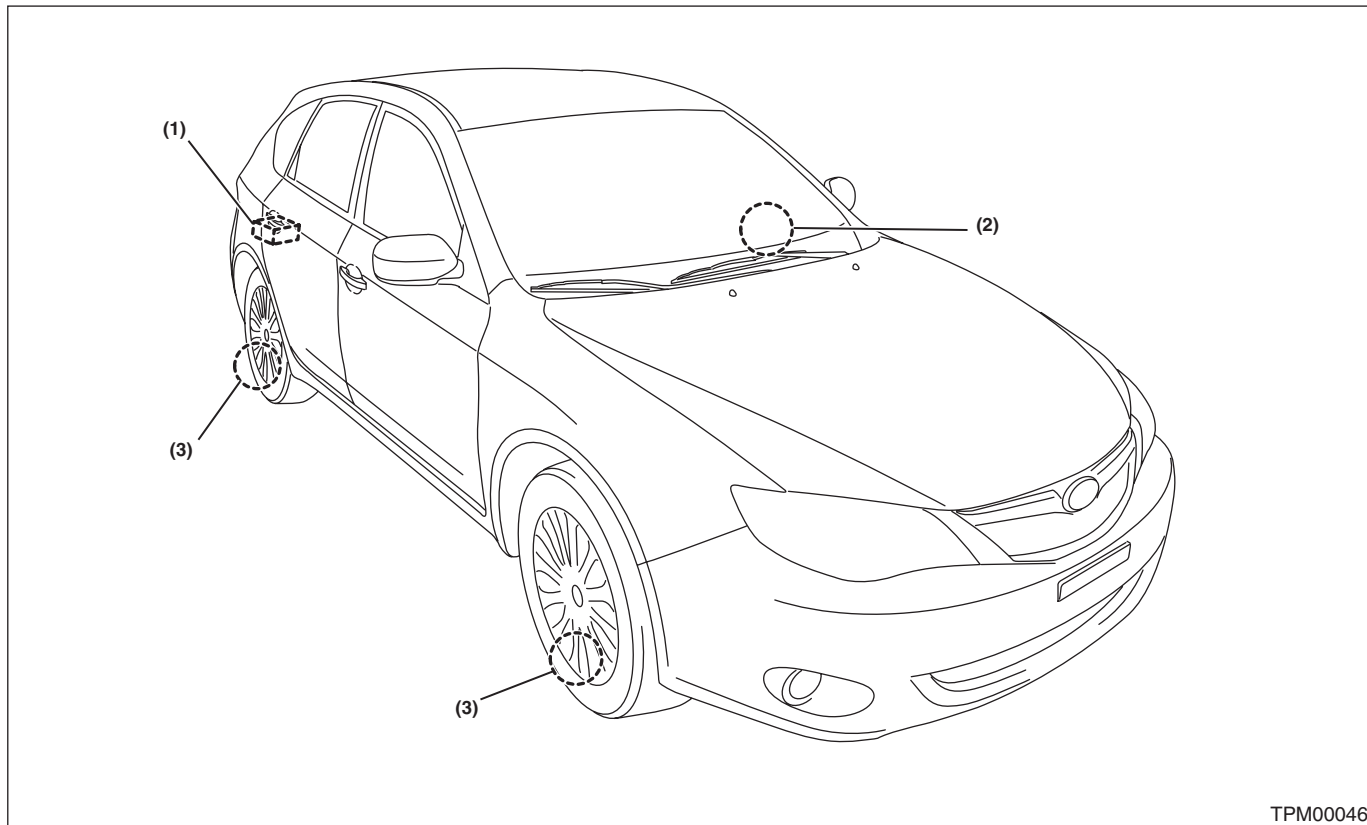
TOOL NAME	REMARKS
Circuit tester	Used for measuring resistance, voltage and current.
Transmitter registration tool	Used to register the transmitter ID. Manufacturer: Kent-Moore Item number: J45295

# Electrical Component Location

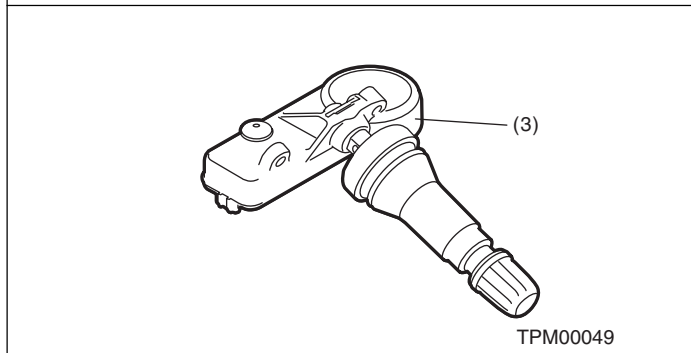
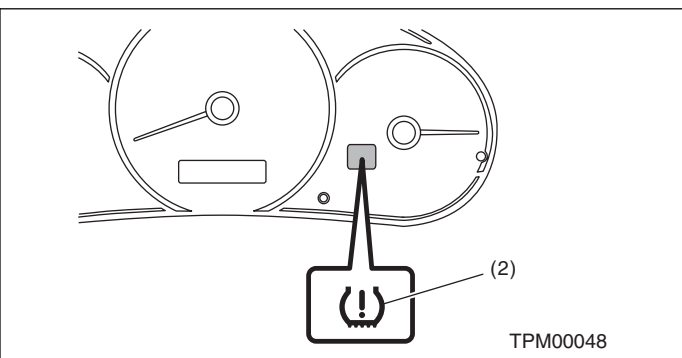
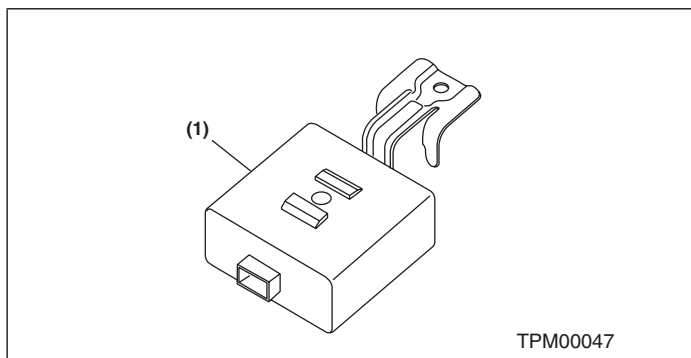
## TIRE PRESSURE MONITORING SYSTEM (DIAGNOSTICS)

### 3. Electrical Component Location

#### A: LOCATION



- (1) Tire pressure monitoring control module      (2) Tire pressure warning light      (3) Snap-in type transmitter



SUBARU.

## Control Module I/O Signal

TIRE PRESSURE MONITORING SYSTEM (DIAGNOSTICS)

---

### 4. Control Module I/O Signal

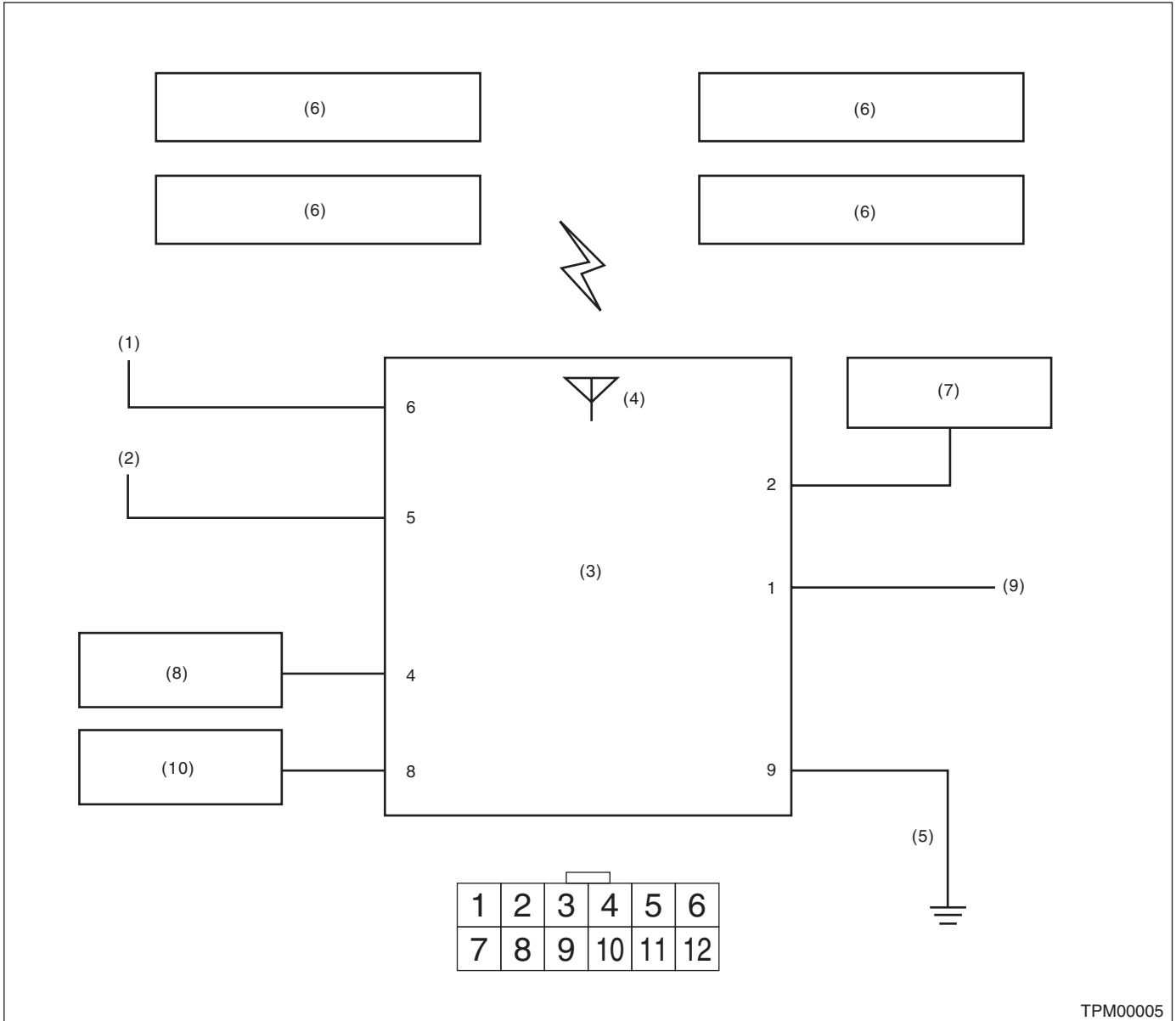
#### A: ELECTRICAL SPECIFICATION

Terminal No.	Measured value	Measuring condition	Remarks
1	Select monitor communication	Serial communication	—
2	Tire pressure warning light output	Illuminate when malfunction occurs, or tire pressure decreases	System failure: blinks 25 times → illuminates Tire pressure decreases: turns on
4	Speed sensor signal	While driving (Pulse signal)	Change according to vehicle speed
5	Ignition power supply	IG switch ON (Battery voltage)	—
6	Battery power supply	Battery voltage	Always
8	Body integrated unit (Hazard output signal).	—	When hazard turns on.
9	GND	0 V (Always)	Always

# Control Module I/O Signal

TIRE PRESSURE MONITORING SYSTEM (DIAGNOSTICS)

## B: WIRING DIAGRAM



TPM00005

- |   |                       |                           |
|---|-----------------------|---------------------------|
| (1) Battery power supply                    | (4) Antenna           | (8) Vehicle speed signal  |
| (2) Ignition power supply                   | (5) GND               | (9) Subaru Select Monitor |
| (3) Tire pressure monitoring control module | (6) Transmitter       | (10) Body integrated unit |
|   | (7) Combination meter |                           |

# Subaru Select Monitor

## TIRE PRESSURE MONITORING SYSTEM (DIAGNOSTICS)

### 5. Subaru Select Monitor

#### A: OPERATION

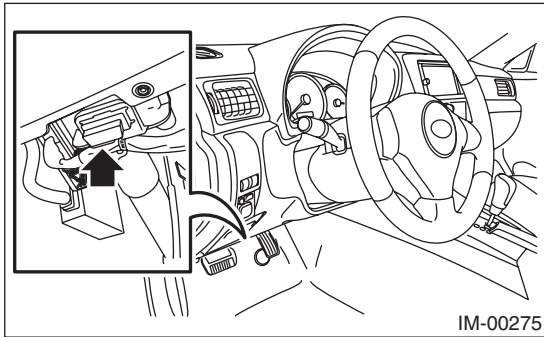
##### 1. READ DIAGNOSTIC TROUBLE CODE (DTC)

1) Prepare the Subaru Select Monitor kit. <Ref. to TPM(diag)-4, SPECIAL TOOL, PREPARATION TOOL, General Description.>

2) Connect the diagnosis cable to Subaru Select Monitor.

3) Connect the Subaru Select Monitor to data link connector.

(1) Data link connector is located in the lower portion of instrument panel (on the driver's side).



(2) Connect the diagnosis cable to data link connector.

#### CAUTION:

**Do not connect the scan tools other than the Subaru Select Monitor.**

4) Turn the ignition switch to ON (engine OFF) and run the Subaru Select Monitor.

5) On «Main Menu» display, select {Each System Check}.

6) On «System Selection Menu» display, select {Tire pressure monitor}.

7) On «Tire pressure monitor diagnosis» display, select {Diagnostic Code(s) Display}.

#### NOTE:

- For details concerning the operation procedure, refer to “PC application help for Subaru Select Monitor”.

- For details concerning DTCs, refer to List of Diagnostic Trouble Code (DTC). <Ref. to TPM(diag)-26, List of Diagnostic Trouble Code (DTC).>

- All DTCs detected will be displayed.

- If a particular DTC is not properly stored in memory (due to a voltage drop of the tire air pressure monitor control module power supply, etc.) when a problem occurs, a DTC suffixed with a question mark will appear on the Subaru Select Monitor display. This shows it may be an unreliable reading.

8) If communication is not possible between the tire pressure monitoring control module and the Subaru Select Monitor, check the communication circuit. <Ref. to TPM(diag)-11, COMMUNICATION FOR INITIALIZING IMPOSSIBLE, INSPECTION, Subaru Select Monitor.>

9) When DTC is not displayed, check the indicator circuit and communication circuit. <Ref. to TPM(diag)-14, WITHOUT DTC, INSPECTION, Subaru Select Monitor.>

# Subaru Select Monitor

## TIRE PRESSURE MONITORING SYSTEM (DIAGNOSTICS)

### 2. DATA DISPLAY

- 1) On «Main Menu» display, select {Each System Check}.
  - 2) On «System Selection Menu» display, select {Tire pressure monitor}.
  - 3) After the {Tire pressure monitor} is displayed, select [OK].
  - 4) On «Tire pressure monitor diagnosis» display, select {Data Display}, and then necessary data will be displayed.
- A list of the support data is shown in the following table.

#### 1. Data monitor (Analog)

Display	Contents to be monitored	Unit of measure
Tire 1 FN code	LEARN, LOW BAT, OFF, WAKE, RE ME, NORMAL	LEARN: Transmitted transmitter ID using the transmitter registration tool LOW BAT: Transmitter battery voltage running low OFF: Transmitter function stops (no data transmission) RE ME: Tire air changes $\pm 8.4$ kPa WAKE: When data transmission is started from a stopped state. NORMAL: Conditions other than above
Tire 2 FN code		
Tire 3 FN code		
Tire 4 FN code		
Tire 1 air pressure	Value converted to tire pressure from data delivered from transmitter is displayed. (The figure may differ from the actual measured values.)	kPa, psig, mmHg, inHg
Tire 2 air pressure		kPa, psig, mmHg, inHg
Tire 3 air pressure		kPa, psig, mmHg, inHg
Tire 4 air pressure		kPa, psig, mmHg, inHg
Vehicle Speed	Vehicle speed signal which is input in control module.	km/h, MPH
Pressure warning	Threshold where tire pressure warning light illuminates	kPa, psig, mmHg, inHg
Return pressure	Threshold where tire pressure warning light goes out	kPa, psig, mmHg, inHg

### 3. CLEAR MEMORY

- 1) On «Main Menu» display, select {Each System Check}.
- 2) On «System Selection Menu» display, select {Tire pressure monitor}.
- 3) After the {Tire pressure monitor} is displayed, select [OK].
- 4) On «Tire pressure monitor diagnosis» display, select {Clearing Memory}.
- 5) When “Done” and “Turn off the ignition switch.” are shown on the display screen, turn the Subaru Select Monitor and the ignition switch to OFF.

#### NOTE:

For details concerning the operation procedure, refer to “PC application help for Subaru Select Monitor”.



# Subaru Select Monitor

## TIRE PRESSURE MONITORING SYSTEM (DIAGNOSTICS)

### 4. REGISTER TRANSMITTER ID

Perform the procedures below to register the transmitter.

- Transmitter replaced.
- Replaced the tire pressure monitoring control module.

#### NOTE:

- If registration of the transmitter ID is not possible after 2 attempts, replace the tire pressure monitoring control module. <Ref. to WT-13, TIRE PRESSURE MONITORING CONTROL MODULE, REMOVAL, Tire Pressure Monitoring System.> <Ref. to WT-14, TIRE PRESSURE MONITORING CONTROL MODULE, INSTALLATION, Tire Pressure Monitoring System.>

- During the registration, turn the ignition switch to OFF and end the Subaru Select Monitor. Or if the registration is not performed for 5 minutes or more, the registration mode is cancelled.

- When rotating tires, there is no affect on the performance or functions of the tire pressure monitoring control module even if the transmitter (ID) is not registered, however, the tire position displayed on the Subaru Select Monitor will be incorrect.

1) Adjust all tire pressures to the specifications.

2) Connect Subaru Select Monitor and select the {Each System Check} on the «Main Menu».

3) On «System Selection Menu» display, select {Tire pressure monitor}.

4) After the {Tire pressure monitor} is displayed, select [OK].

5) On «Tire pressure monitor diagnosis» display, select {Transmitter ID regist confirm}.

6) {ID registration mode When execute Registered ID is deleted. Continue?} is displayed, select [OK].

7) Touch the transmitter registration tool to the side wall area near the air valve on the front left tire, and press the switch. The transmitter ID is sent to the tire pressure monitoring control module. (At that time, the tire pressure warning light blinks to confirm that the registration has started.)

#### NOTE:

- The registration order of transmitter ID is not specified.

- The transmitter registration tool is used by touching the side wall area near the transmitter.

- When registration of each tire is completed, the hazard light will blink and {ID registration completed} is displayed on the Select Monitor screen.

- If registration procedure stop in the halfway (turning ignition switch to OFF, wrong registration order, etc), proceed from step 5).

8) When ID registration is completed, the tire pressure warning light remains lit for approximately 2 seconds, to end the registration. Switch to the screen displaying the transmitter ID on the Subaru Select Monitor display. <Ref. to TPM(diag)-10, DISPLAY TRANSMITTER (ID), OPERATION, Subaru Select Monitor.>

9) Check the transmitter ID that was registered, then perform a driving test. <Ref. to TPM(diag)-17, PROCEDURE, Inspection Mode.>

### 5. DISPLAY TRANSMITTER (ID)

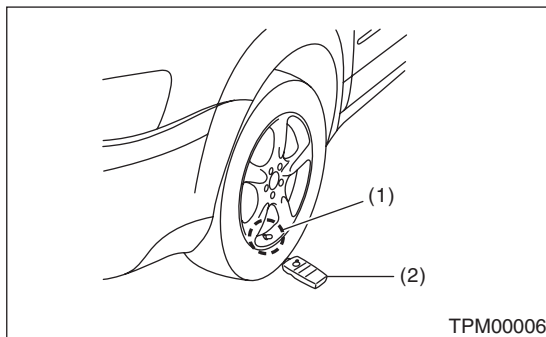
1) On «Main Menu» display, select {Each System Check}.

2) On «System Selection Menu» display, select {Tire pressure monitor}.

3) After the {Tire pressure monitor} is displayed, select [OK].

4) On «Tire pressure monitor diagnosis» display, select {Transmitter ID regist confirm}.

5) Select the {Transmitter ID data monitor} and then select [OK] to display the transmitter ID.



(1) Air valve (transmitter)

(2) Transmitter registration tool

# Subaru Select Monitor

## TIRE PRESSURE MONITORING SYSTEM (DIAGNOSTICS)

### B: INSPECTION

#### 1. COMMUNICATION FOR INITIALIZING IMPOSSIBLE

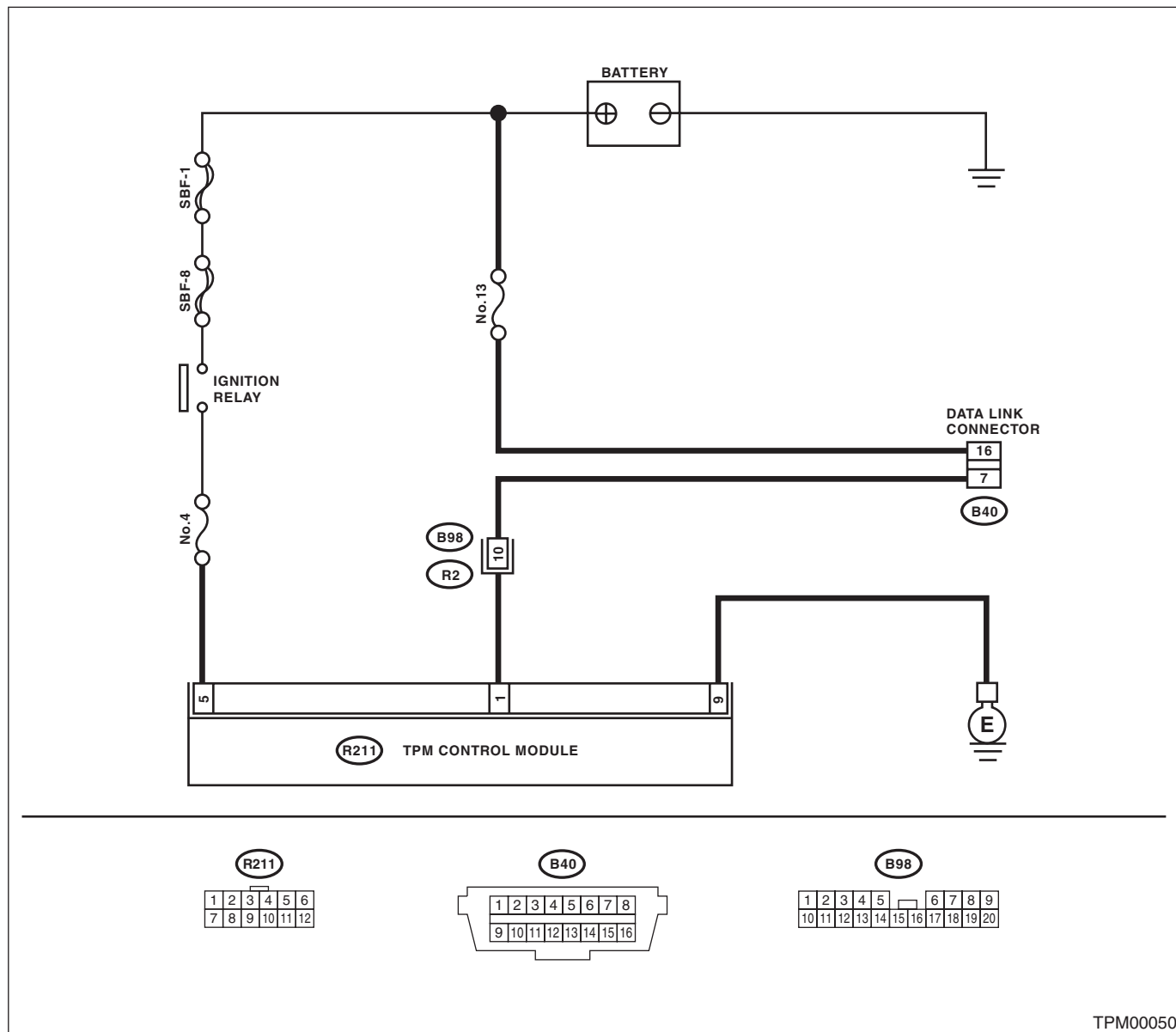
##### DETECTING CONDITION:

Faulty harness connectors

##### TROUBLE SYMPTOM:

Communication is impossible between the tire pressure monitoring control module and the Subaru Select Monitor.

##### WIRING DIAGRAM:



# Subaru Select Monitor

## TIRE PRESSURE MONITORING SYSTEM (DIAGNOSTICS)

	Step	Check	Yes	No
1	<b>CHECK IGNITION SWITCH.</b>	Is the ignition switch ON?	Go to step 2.	Turn the ignition switch to ON, and select TPM mode using Subaru Select Monitor.
2	<b>CHECK BATTERY.</b>	Is the voltage 11 V or more?	Go to step 3.	Charge or replace the battery.
3	<b>CHECK BATTERY TERMINAL.</b>	Is there poor contact at battery terminal?	Repair or tighten the battery terminal.	Go to step 4.
4	<b>CHECK SUBARU SELECT MONITOR COMMUNICATION.</b> 1) Turn the ignition switch to ON. 2) Using the Subaru Select Monitor, check whether communication to other systems can be executed normally.	Is the system name displayed on Subaru Select Monitor?	Go to step 8.	Go to step 5.
5	<b>CHECK SUBARU SELECT MONITOR COMMUNICATION.</b> 1) Turn the ignition switch to OFF. 2) Disconnect the tire pressure monitoring control module connector. 3) Turn the ignition switch to ON. 4) Check whether communication to other systems can be executed normally.	Is the system name displayed on Subaru Select Monitor?	Replace the tire pressure monitoring control module. <Ref. to WT-13, TIRE PRESSURE MONITORING CONTROL MODULE, REMOVAL, Tire Pressure Monitoring System.>	Go to step 6.
6	<b>CHECK HARNESS CONNECTOR BETWEEN EACH CONTROL MODULE AND DATA LINK CONNECTOR.</b> 1) Turn the ignition switch to OFF. 2) Disconnect the tire pressure monitoring control module. 3) Measure the resistance between data link connector and chassis ground. <b>Connector &amp; terminal</b> <b>(B40) No. 7 — Chassis ground:</b>	Is the resistance 1 M $\Omega$ or more?	Go to step 7.	Repair the harness and connector between each control module and data link connector.
7	<b>CHECK TIRE PRESSURE MONITORING CONTROL MODULE OUTPUT SIGNAL.</b> 1) Turn the ignition switch to ON. 2) Measure the voltage between tire pressure monitoring control module and chassis ground. <b>Connector &amp; terminal</b> <b>(B40) No. 7 (+) — Chassis ground (-):</b>	Is the voltage less than 1 V?	Go to step 8.	Repair the harness and connector between each control module and data link connector.
8	<b>CHECK HARNESS CONNECTOR BETWEEN TIRE PRESSURE MONITORING CONTROL MODULE AND DATA LINK CONNECTOR.</b> Measure the resistance between tire pressure monitoring control module and data link connector. <b>Connector &amp; terminal</b> <b>(R211) No. 1 — (B40) No. 7:</b>	Is the resistance less than 0.5 $\Omega$ ?	Go to step 9.	Repair the harness and connector between tire pressure monitoring control module and data link connector.
9	<b>CHECK TIRE PRESSURE MONITORING CONTROL MODULE CONNECTOR.</b> Turn the ignition switch to OFF.	Is the tire pressure monitoring control module connector inserted in the tire pressure monitoring control module until it locks?	Go to step 10.	Insert the tire pressure monitoring control module connector into the tire pressure monitoring control module.

# Subaru Select Monitor

## TIRE PRESSURE MONITORING SYSTEM (DIAGNOSTICS)

Step	Check	Yes	No
<b>10 CHECK POWER SUPPLY CIRCUIT.</b> 1) Turn the ignition switch to ON. (engine OFF) 2) Measure the ignition power voltage between tire pressure monitoring control module connector and chassis ground. <b>Connector &amp; terminal</b> <b>(R211) No. 5 (+) — Chassis ground (-):</b>	Is the voltage 10 — 15 V?	Go to step 11.	Repair open circuit of the harness between the tire pressure monitoring control module and battery.
<b>11 CHECK HARNESS CONNECTOR BETWEEN TIRE PRESSURE MONITORING CONTROL MODULE AND CHASSIS GROUND.</b> 1) Turn the ignition switch to OFF. 2) Disconnect the connector from the tire pressure monitoring control module. 3) Measure the resistance of harness between tire pressure monitoring control module and chassis ground. <b>Connector &amp; terminal</b> <b>(R211) No. 9 — Chassis ground:</b>	Is the resistance less than 0.5 $\Omega$ ?	Go to step 12.	Repair open circuit of the harness of the tire pressure monitoring control module.
<b>12 CHECK POOR CONTACT OF CONNECTOR.</b>	Is there poor contact of tire pressure monitoring control module power supply, ground circuit and data link connector?	Repair the connector.	Replace the tire pressure monitoring control module. <Ref. to WT-13, TIRE PRESSURE MONITORING CONTROL MODULE, REMOVAL, Tire Pressure Monitoring System.>

# Subaru Select Monitor

## TIRE PRESSURE MONITORING SYSTEM (DIAGNOSTICS)

### 2. WITHOUT DTC

#### DETECTING CONDITION:

- Defective combination meter
- Defective harness

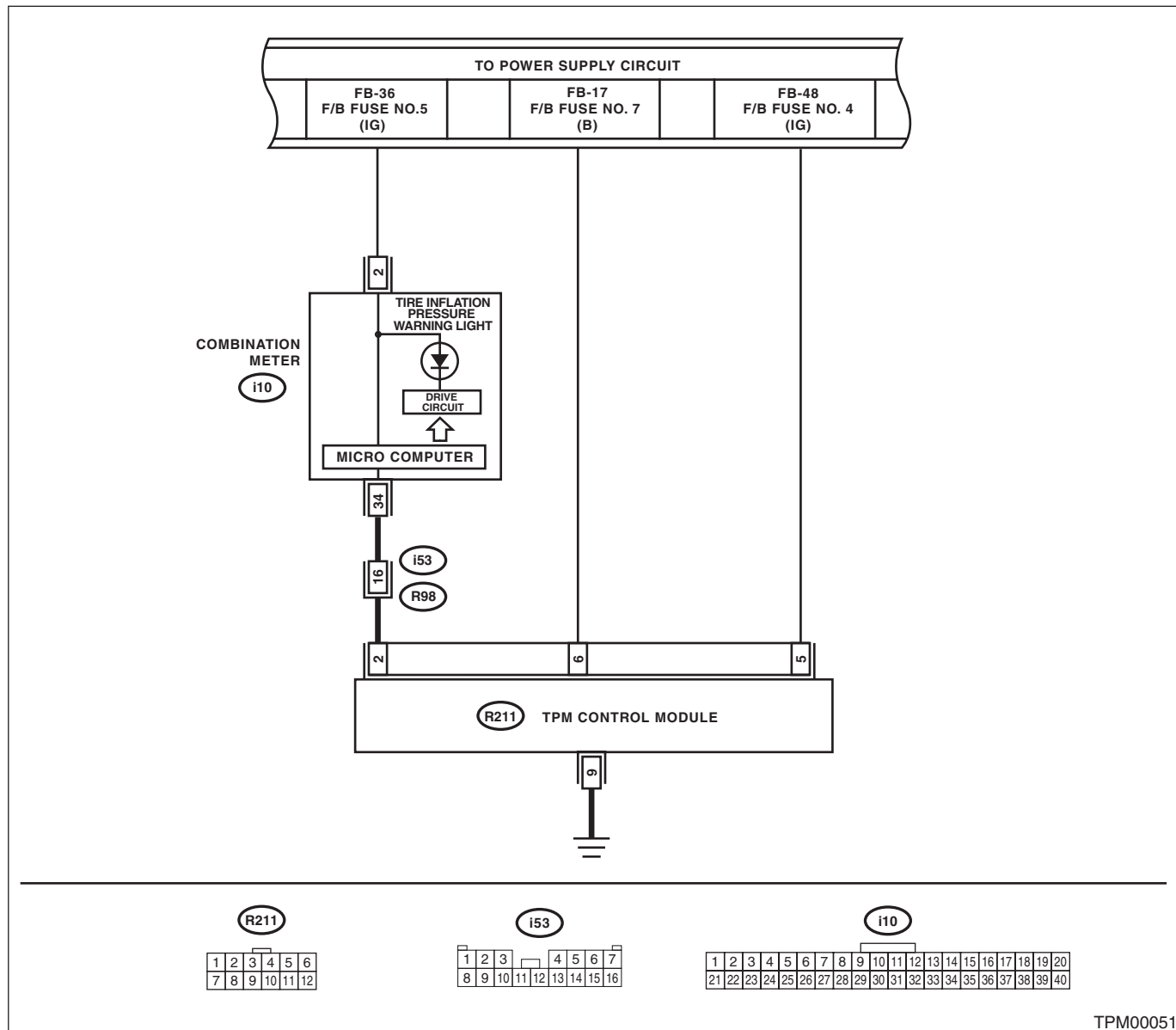
#### TROUBLE SYMPTOM:

- Tire pressure warning light does not go off.
- “No diagnostic Code Present” will be displayed on the Subaru Select Monitor.

#### NOTE:

When the tire pressure warning light is OFF and “No diagnostic Code Present” is displayed on Subaru Select Monitor, the system is operating properly.

#### WIRING DIAGRAM:



TPM00051

# Subaru Select Monitor

## TIRE PRESSURE MONITORING SYSTEM (DIAGNOSTICS)

Step	Check	Yes	No
<b>1 CHECK SUBARU SELECT MONITOR DATA.</b> 1) Select {Current Data Display & Save} in the Subaru Select Monitor. 2) Read the data of the "Tire pressure warning light".	Is "ON" indicated?	Replace the tire pressure monitoring control module. <Ref. to WT-13, TIRE PRESSURE MONITORING CONTROL MODULE, REMOVAL, Tire Pressure Monitoring System.>	Go to step 2.
<b>2 CHECK WIRING HARNESS.</b> Measure the resistance between tire pressure monitoring control module and combination meter connector. <b>Connector &amp; terminal</b> <b>(i10) No. 34 — (R211) No. 2:</b>	Is the resistance less than 0.5 Ω?	Go to step 3.	Repair the harness and connector between tire pressure monitoring control module and combination meter.
<b>3 CHECK POOR CONTACT OF CONNECTOR.</b>	Is there poor contact of the tire pressure monitoring control module connector and combination meter connector?	Repair the connector.	Check the combination meter. <Ref. to IDI-4, INSPECTION, Combination Meter System.>

## Read Diagnostic Trouble Code (DTC)

TIRE PRESSURE MONITORING SYSTEM (DIAGNOSTICS)

---

### 6. Read Diagnostic Trouble Code (DTC)

#### A: OPERATION

For details concerning DTC reading procedure, refer to "Subaru Select Monitor". <Ref. to TPM(diag)-8, Subaru Select Monitor.>

### 7. Inspection Mode

#### A: PROCEDURE

Reproduce the malfunction occurrence condition as much as possible. Drive the vehicle at 40 km/h (25 MPH) or faster for at least ten minutes.



## Clear Memory Mode

TIRE PRESSURE MONITORING SYSTEM (DIAGNOSTICS)

---

### 8. Clear Memory Mode

#### A: OPERATION

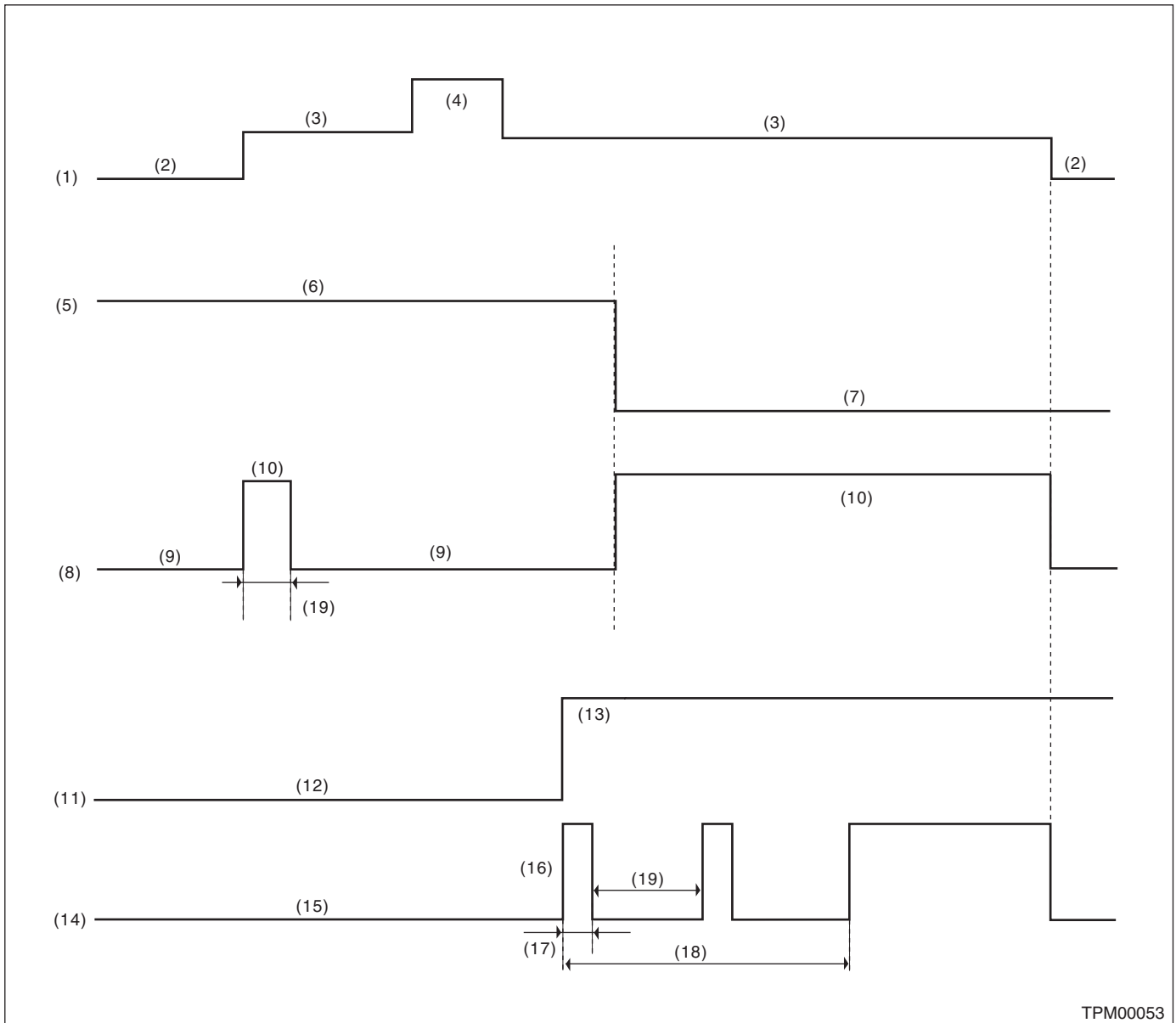
For details concerning DTC clear operation, refer to "Subaru Select Monitor". <Ref. to TPM(diag)-8, Subaru Select Monitor.>

# Tire Pressure Warning Light / Trouble Indicator Light Illumination Pattern

TIRE PRESSURE MONITORING SYSTEM (DIAGNOSTICS)

## 9. Tire Pressure Warning Light / Trouble Indicator Light Illumination Pattern

### A: INSPECTION



TPM00053

- |   |                                 |                                  |
|---|---------------------------------|----------------------------------|
| (1) Ignition switch                                     | (8) Tire pressure warning light | (14) Tire pressure warning light |
| (2) OFF   | (9) Light OFF                   | (15) Light OFF                   |
| (3) ON  | (10) Light ON                   | (16) Blink                       |
| (4) Start   | (11) System status              | (17) 1 second                    |
| (5) Tire pressure                                       | (12) Normal                     | (18) Blinks 25 times             |
| (6) Meet the specification                              | (13) Malfunction                | (19) 2 seconds                   |
| (7) 186 kPa (1.86 kgf/cm <sup>2</sup> , 27 psi) or less |                                 |                                  |

## Tire Pressure Warning Light / Trouble Indicator Light Illumination Pattern

### TIRE PRESSURE MONITORING SYSTEM (DIAGNOSTICS)

---

1) When the tire pressure warning light does not illuminate in accordance with this illumination pattern, there must be an electrical malfunction.

2) If the tire pressure warning light does not go off, check the tire pressure monitoring control module/warning light circuit and the combination meter circuit. <Ref. to TPM(diag)-22, TIRE PRESSURE WARNING LIGHT DOES NOT COME OFF, Tire Pressure Warning Light / Trouble Indicator Light Illumination Pattern.>

#### NOTE:

If the problem is fixed while driving at approximately 40 km/h (25 MPH) after the tire pressure warning light blinks/lights, the warning light goes out and the tire pressure monitor system operates normally. (If there is a decrease in tire pressure, or a malfunction of the system, the malfunction history is displayed.)

# Tire Pressure Warning Light / Trouble Indicator Light Illumination Pattern

TIRE PRESSURE MONITORING SYSTEM (DIAGNOSTICS)

## B: TIRE PRESSURE WARNING LIGHT DOES NOT COME ON

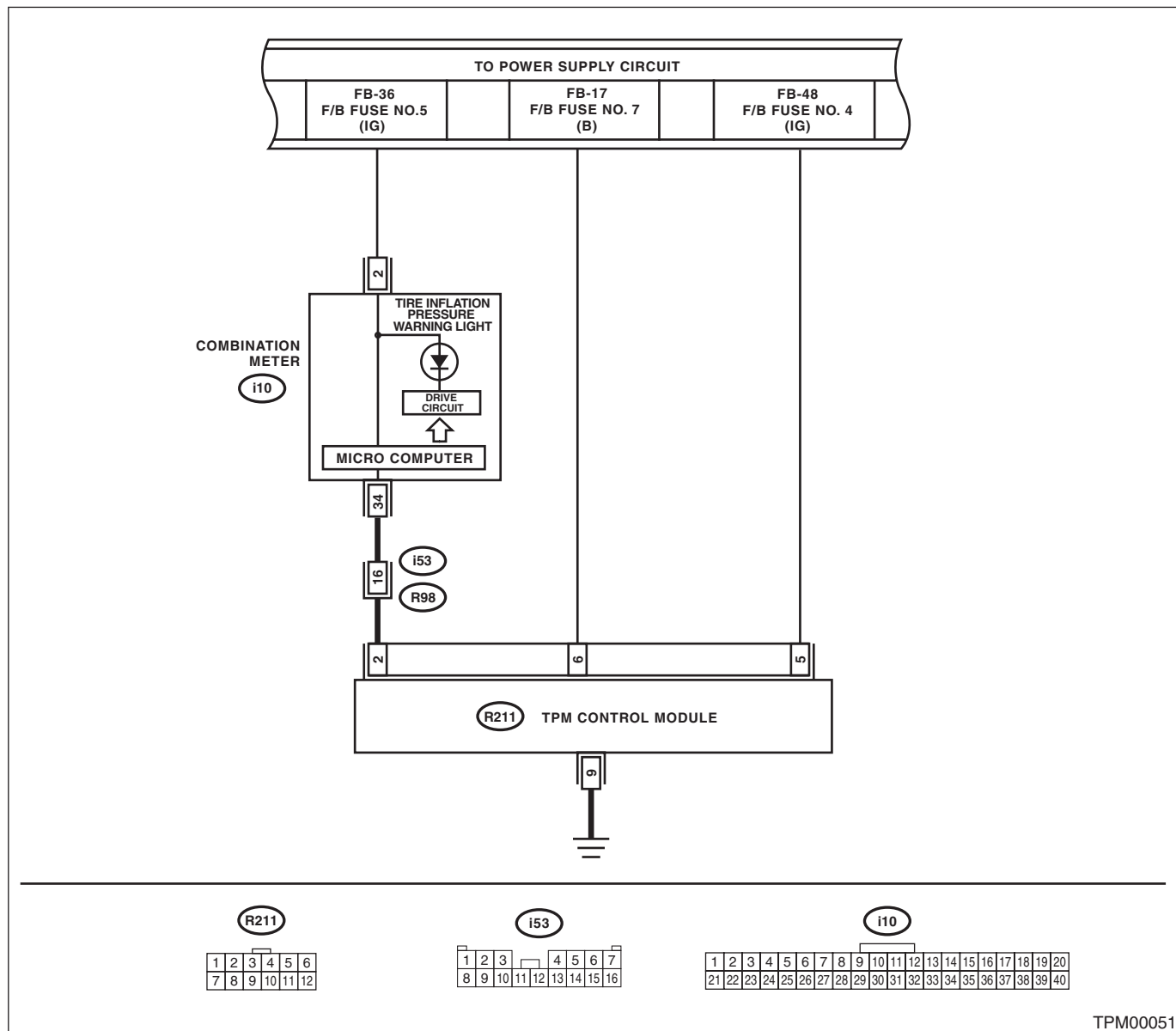
### DETECTING CONDITION:

Defective combination meter

### TROUBLE SYMPTOM:

When the ignition switch is turned to ON (engine OFF), the tire pressure warning light does not come on (for approximately 2 seconds).

### WIRING DIAGRAM:



Step	Check	Yes	No	
1	<p><b>CHECK DIAGNOSTIC TROUBLE CODE (DTC).</b> Connect the Subaru Select Monitor, and read the Diagnostic Trouble Code. &lt;Ref. to TPM(diag)-8, READ DIAGNOSTIC TROUBLE CODE (DTC), OPERATION, Subaru Select Monitor.&gt;</p>	Is diagnostics code (DTC) displayed?	Perform the diagnosis according to the DTC. <Ref. to TPM(diag)-26, List of Diagnostic Trouble Code (DTC).>	Replace the combination meter. <Ref. to IDI-16, REMOVAL, Combination Meter.>

# Tire Pressure Warning Light / Trouble Indicator Light Illumination Pattern

TIRE PRESSURE MONITORING SYSTEM (DIAGNOSTICS)

## C: TIRE PRESSURE WARNING LIGHT DOES NOT COME OFF

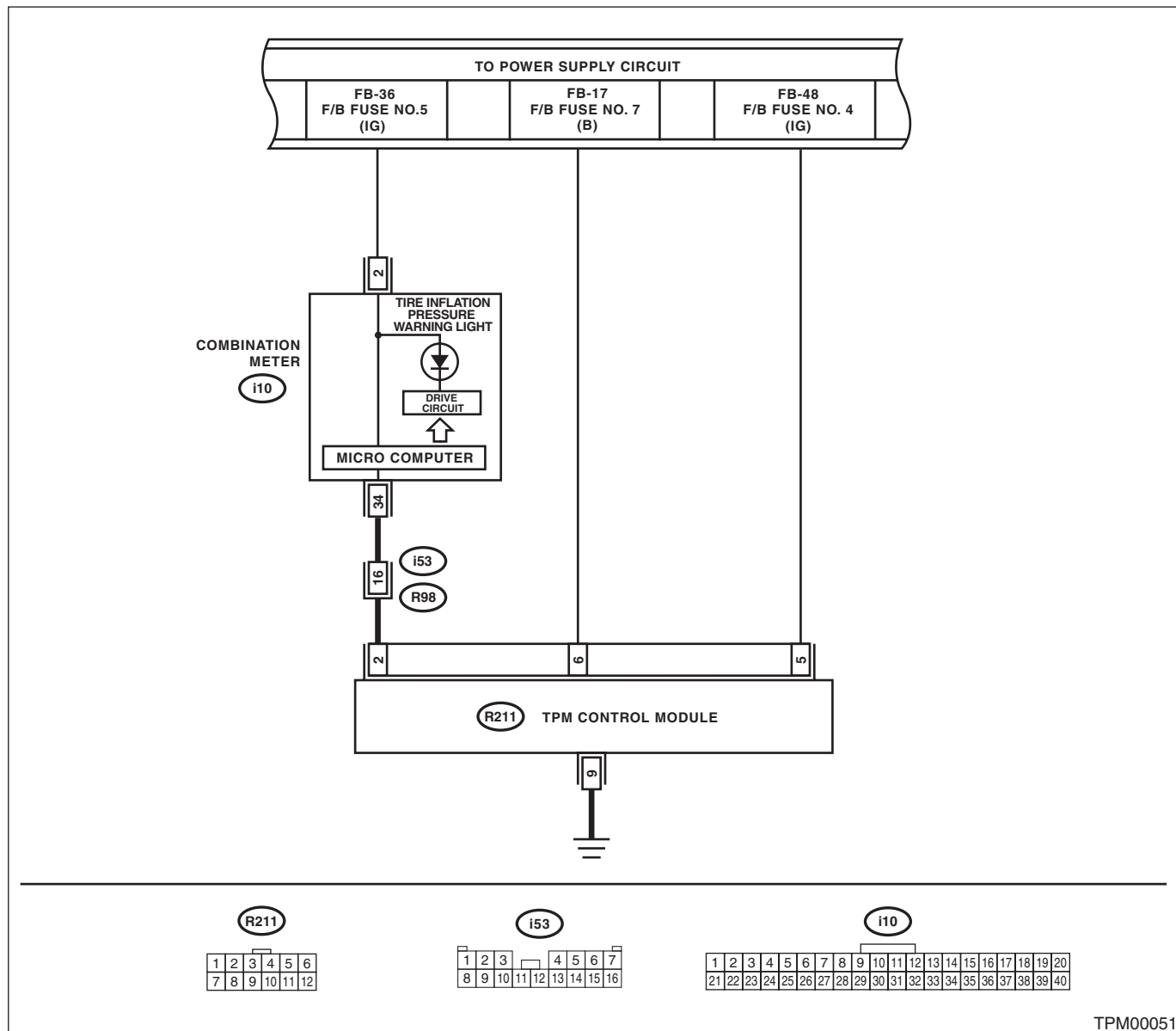
### DETECTING CONDITION:

- Defective combination meter
- Tires pressure drop
- Transmitter ID not registered

### TROUBLE SYMPTOM:

Tire pressure warning light remains illuminating after engine starts.

### WIRING DIAGRAM:



TPM00051

# Tire Pressure Warning Light / Trouble Indicator Light Illumination Pattern

## TIRE PRESSURE MONITORING SYSTEM (DIAGNOSTICS)

	Step	Check	Yes	No
1	<b>CHECK DTC.</b> Connect the Subaru Select Monitor, and read the Diagnostic Trouble Code. <Ref. to TPM(diag)-8, READ DIAGNOSTIC TROUBLE CODE (DTC), OPERATION, Subaru Select Monitor.>	Is a DTC displayed?	Perform the diagnosis according to the DTC. <Ref. to TPM(diag)-26, List of Diagnostic Trouble Code (DTC).>	Go to step 2.
2	<b>CHECK TRANSMITTER (ID).</b> Display the transmitter ID of the tire pressure monitor system.	Is the transmitter ID registered?	Go to step 3.	Register the transmitter ID. <Ref. to TPM(diag)-10, REGISTER TRANSMITTER ID, OPERATION, Subaru Select Monitor.>
3	<b>CHECK TRANSMITTER DATA OUTPUT.</b> 1) Select data display of the tire pressure monitoring. 2) Start the engine and check the tire pressure warning light output.	Is the warning light output ON?	Replace the tire pressure monitoring control module. <Ref. to WT-13, TIRE PRESSURE MONITORING CONTROL MODULE, REMOVAL, Tire Pressure Monitoring System.>	Replace the combination meter. <Ref. to IDI-16, REMOVAL, Combination Meter.>

# Tire Pressure Warning Light / Trouble Indicator Light Illumination Pattern

## TIRE PRESSURE MONITORING SYSTEM (DIAGNOSTICS)

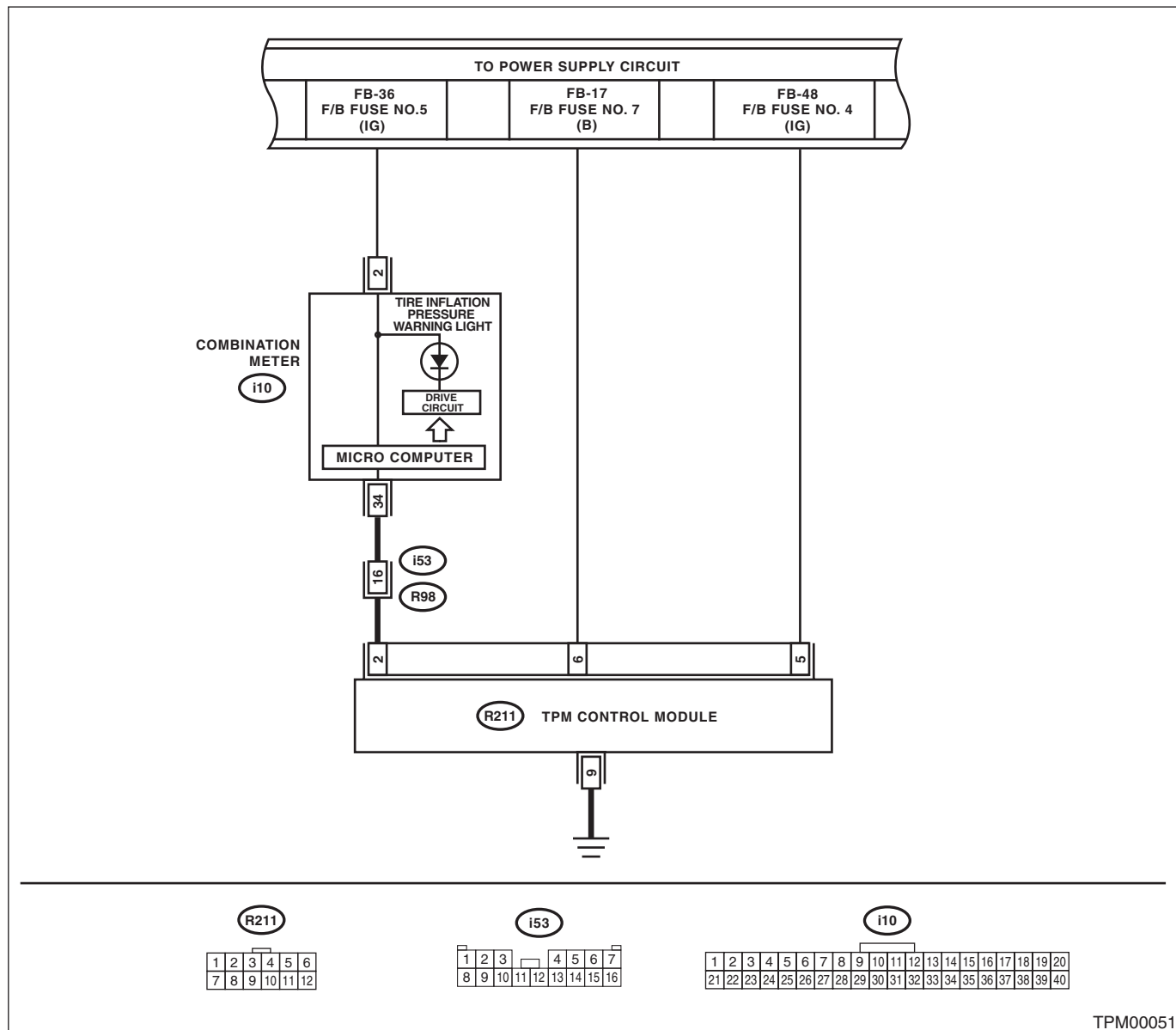
### D: TIRE PRESSURE WARNING LIGHT IS 25 TIMES BLINKING AND TURN ON DETECTING CONDITION:

- Tire pressure monitoring control module is faulty.
- Defective harness
- Transmitter is faulty.

### TROUBLE SYMPTOM:

Every time the engine starts, tire pressure warning light blinks 25 times and then illuminates.

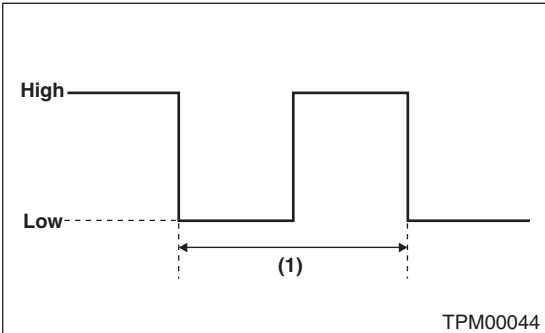
### WIRING DIAGRAM:



TPM00051

# Tire Pressure Warning Light / Trouble Indicator Light Illumination Pattern

## TIRE PRESSURE MONITORING SYSTEM (DIAGNOSTICS)

	Step	Check	Yes	No
1	<b>CHECK DTC.</b> Connect the Subaru Select Monitor, and read the Diagnostic Trouble Code. <Ref. to TPM(diag)-8, READ DIAGNOSTIC TROUBLE CODE (DTC), OPERATION, Subaru Select Monitor.>	Is diagnostics code (DTC) displayed?	Perform the diagnosis according to the DTC. <Ref. to TPM(diag)-26, List of Diagnostic Trouble Code (DTC).>	Go to step 2.
2	<b>CHECK HARNESS.</b> 1) Connect the Subaru Select Monitor to the terminal No. 2 of the tire pressure monitoring control module connector (R211). <b>Connector &amp; terminal</b> <b>(R211) No. 2 (+) — Chassis ground (-):</b> 2) Turn the ignition switch to ON, and select "Oscilloscope" from the Main Menu of Subaru Select Monitor. 3) Check the voltage displayed.	Is the voltage 10 V or more?	Go to step 3.	Go to step 4.
3	<b>CHECK HARNESS.</b> 1) Check the output waveform displayed in the oscilloscope of Subaru Select Monitor. 	Is the pattern the same output waveform as shown in the figure? (1) 400±20 ms Duty 50 % High: Battery voltage Low: 1.5 V or less	Check the combination meter. <Ref. to IDI-4, INSPECTION, Combination Meter System.>	Replace the tire pressure monitoring control module. <Ref. to WT-13, REMOVAL, Tire Pressure Monitoring System.>
4	<b>CHECK HARNESS.</b> 1) Disconnect the tire pressure monitoring control module connector. 2) Connect the Subaru Select Monitor to the terminal No. 2 of the tire pressure monitoring control module connector (R211). <b>Connector &amp; terminal</b> <b>(R211) No. 2 (+) — Chassis ground (-):</b> 3) Turn the ignition switch to ON, and select "Oscilloscope" from the Main Menu of Subaru Select Monitor. 4) Check the voltage displayed.	Is the voltage 10 V or more?	Replace the tire pressure monitoring control module. <Ref. to WT-13, REMOVAL, Tire Pressure Monitoring System.>	The harness between the combination meter connector and the tire pressure monitoring control module connector is shorted or open. Repair or replace the harness.



## List of Diagnostic Trouble Code (DTC)

TIRE PRESSURE MONITORING SYSTEM (DIAGNOSTICS)

### 10. List of Diagnostic Trouble Code (DTC)

#### A: LIST

DTC	Item	Contents of diagnosis	Remarks
11	Tire 1 Air Pressure Decrease	Tire pressure of tire 1 is reduced.	<Ref. to TPM(diag)-28, DTC 11 TIRE 1 AIR PRESSURE DECREASE, Diagnostic Procedure with Diagnostic Trouble Code (DTC).>
12	Tire 2 Air Pressure Decrease	Tire pressure of tire 2 is reduced.	<Ref. to TPM(diag)-28, DTC 12 TIRE 2 AIR PRESSURE DECREASE, Diagnostic Procedure with Diagnostic Trouble Code (DTC).>
13	Tire 3 Air Pressure Decrease	Tire pressure of tire 3 is reduced.	<Ref. to TPM(diag)-28, DTC 13 TIRE 3 AIR PRESSURE DECREASE, Diagnostic Procedure with Diagnostic Trouble Code (DTC).>
14	Tire 4 Air Pressure Decrease	Tire pressure of tire 4 is reduced.	<Ref. to TPM(diag)-29, DTC 14 TIRE 4 AIR PRESSURE DECREASE, Diagnostic Procedure with Diagnostic Trouble Code (DTC).>
21	Transmitter 1 No Data	Data cannot be received from transmitter 1.	<Ref. to TPM(diag)-29, DTC 21 TRANSMITTER 1 NO DATA, Diagnostic Procedure with Diagnostic Trouble Code (DTC).>
22	Transmitter 2 No Data	Data cannot be received from transmitter 2.	<Ref. to TPM(diag)-29, DTC 22 TRANSMITTER 2 NO DATA, Diagnostic Procedure with Diagnostic Trouble Code (DTC).>
23	Transmitter 3 No Data	Data cannot be received from transmitter 3.	<Ref. to TPM(diag)-29, DTC 23 TRANSMITTER 3 NO DATA, Diagnostic Procedure with Diagnostic Trouble Code (DTC).>
24	Transmitter 4 No Data	Data cannot be received from transmitter 4.	<Ref. to TPM(diag)-30, DTC 24 TRANSMITTER 4 NO DATA, Diagnostic Procedure with Diagnostic Trouble Code (DTC).>
31	Transmitter 1 Pressure Data Abnormal	Transmitter 1 data contents are abnormal.	<Ref. to TPM(diag)-31, DTC 31 TRANSMITTER 1 PRESSURE DATA ABNORMAL, Diagnostic Procedure with Diagnostic Trouble Code (DTC).>
32	Transmitter 2 Pressure Data Abnormal	Transmitter 2 data contents are abnormal.	<Ref. to TPM(diag)-31, DTC 32 TRANSMITTER 2 PRESSURE DATA ABNORMAL, Diagnostic Procedure with Diagnostic Trouble Code (DTC).>
33	Transmitter 3 Pressure Data Abnormal	Transmitter 3 data contents are abnormal.	<Ref. to TPM(diag)-31, DTC 33 TRANSMITTER 3 PRESSURE DATA ABNORMAL, Diagnostic Procedure with Diagnostic Trouble Code (DTC).>
34	Transmitter 4 Pressure Data Abnormal	Transmitter 4 data contents are abnormal.	<Ref. to TPM(diag)-32, DTC 34 TRANSMITTER 4 PRESSURE DATA ABNORMAL, Diagnostic Procedure with Diagnostic Trouble Code (DTC).>
41	Transmitter 1 Function Code Abnormal	Function code has error.	<Ref. to TPM(diag)-33, DTC 41 TRANSMITTER 1 FUNCTION CODE ABNORMAL, Diagnostic Procedure with Diagnostic Trouble Code (DTC).>

# List of Diagnostic Trouble Code (DTC)

## TIRE PRESSURE MONITORING SYSTEM (DIAGNOSTICS)

DTC	Item	Contents of diagnosis	Remarks
42	Transmitter 2 Function Code Abnormal	Function code has error.	<Ref. to TPM(diag)-33, DTC 42 TRANSMITTER 2 FUNCTION CODE ABNORMAL, Diagnostic Procedure with Diagnostic Trouble Code (DTC).>
43	Transmitter 3 Function Code Abnormal	Function code has error.	<Ref. to TPM(diag)-33, DTC 43 TRANSMITTER 3 FUNCTION CODE ABNORMAL, Diagnostic Procedure with Diagnostic Trouble Code (DTC).>
44	Transmitter 4 Function Code Abnormal	Function code has error.	<Ref. to TPM(diag)-34, DTC 44 TRANSMITTER 4 FUNCTION CODE ABNORMAL, Diagnostic Procedure with Diagnostic Trouble Code (DTC).>
51	Transmitter 1 Battery Voltage Decrease	Transmitter battery voltage is low.	<Ref. to TPM(diag)-35, DTC 51 TRANSMITTER 1 BATTERY VOLTAGE DECREASE, Diagnostic Procedure with Diagnostic Trouble Code (DTC).>
52	Transmitter 2 Battery Voltage Decrease	Transmitter battery voltage is low.	<Ref. to TPM(diag)-35, DTC 52 TRANSMITTER 2 BATTERY VOLTAGE DECREASE, Diagnostic Procedure with Diagnostic Trouble Code (DTC).>
53	Transmitter 3 Battery Voltage Decrease	Transmitter battery voltage is low.	<Ref. to TPM(diag)-35, DTC 53 TRANSMITTER 3 BATTERY VOLTAGE DECREASE, Diagnostic Procedure with Diagnostic Trouble Code (DTC).>
54	Transmitter 4 Battery Voltage Decrease	Transmitter battery voltage is low.	<Ref. to TPM(diag)-35, DTC 54 TRANSMITTER 4 BATTERY VOLTAGE DECREASE, Diagnostic Procedure with Diagnostic Trouble Code (DTC).>
61	Vehicle Speed is Abnormal	Vehicle speed signal is not input to the control module when the vehicle speed is 6 km/h (3.7 MPH) or more.	<Ref. to TPM(diag)-36, DTC 61 VEHICLE SPEED IS ABNORMAL, Diagnostic Procedure with Diagnostic Trouble Code (DTC).>

## Diagnostic Procedure with Diagnostic Trouble Code (DTC)

TIRE PRESSURE MONITORING SYSTEM (DIAGNOSTICS)

---

### 11. Diagnostic Procedure with Diagnostic Trouble Code (DTC)

#### **A: DTC 11 TIRE 1 AIR PRESSURE DECREASE**

NOTE:

Refer to DTC 14 for diagnostic procedure. <Ref. to TPM(diag)-29, DTC 14 TIRE 4 AIR PRESSURE DECREASE, Diagnostic Procedure with Diagnostic Trouble Code (DTC).>

#### **B: DTC 12 TIRE 2 AIR PRESSURE DECREASE**

NOTE:

Refer to DTC 14 for diagnostic procedure. <Ref. to TPM(diag)-29, DTC 14 TIRE 4 AIR PRESSURE DECREASE, Diagnostic Procedure with Diagnostic Trouble Code (DTC).>

#### **C: DTC 13 TIRE 3 AIR PRESSURE DECREASE**

NOTE:

Refer to DTC 14 for diagnostic procedure. <Ref. to TPM(diag)-29, DTC 14 TIRE 4 AIR PRESSURE DECREASE, Diagnostic Procedure with Diagnostic Trouble Code (DTC).>

# Diagnostic Procedure with Diagnostic Trouble Code (DTC)

TIRE PRESSURE MONITORING SYSTEM (DIAGNOSTICS)

## D: DTC 14 TIRE 4 AIR PRESSURE DECREASE

### DTC DETECTING CONDITION:

Inflation pressure of tires dropped under specifications (186 kPa (1.86 kg/cm<sup>2</sup>, 27 psi) or less).

### TROUBLE SYMPTOM:

Tire pressure warning light illuminates.

	Step	Check	Yes	No
1	<b>CHECK TIRES.</b> Lift up the vehicle and check for damage in the tires.	Are there cracks or damage?	Replace the tire. <Ref. to WT-5, Tire.>	Go to step 2.
2	<b>CHECK TIRES.</b> Check the tire air pressure.	Is the tire pressure in the specifications?	Go to step 3.	Adjust the air pressure.
3	<b>CHECK TRANSMITTER.</b> Drive the vehicle at 40 km/h (25 MPH) or faster and compare the data from the transmitter on the four wheels.	Is there a transmitter with different data?	Replace the transmitter (tire pressure sensor). <Ref. to WT-13, Tire Pressure Monitoring System.>	Go to step 4.
4	<b>PERFORM DRIVING TEST.</b> 1) Perform the Clear Memory Mode. <Ref. to TPM(diag)-9, CLEAR MEMORY, OPERATION, Subaru Select Monitor.> 2) Perform a driving test. <Ref. to TPM(diag)-17, PROCEDURE, Inspection Mode.> 3) Read the DTC. <Ref. to TPM(diag)-8, READ DIAGNOSTIC TROUBLE CODE (DTC), OPERATION, Subaru Select Monitor.>	Is DTC displayed?	Inspect using "Diagnostic Procedure with Diagnostic Trouble Code (DTC)". <Ref. to TPM(diag)-28, Diagnostic Procedure with Diagnostic Trouble Code (DTC).>	Finish the diagnosis.

### CAUTION:

When driving vehicle to perform driving test, there should be always 2 persons (driver and checker) to check.

## E: DTC 21 TRANSMITTER 1 NO DATA

### NOTE:

Refer to DTC 24 for diagnostic procedure. <Ref. to TPM(diag)-30, DTC 24 TRANSMITTER 4 NO DATA, Diagnostic Procedure with Diagnostic Trouble Code (DTC).>

## F: DTC 22 TRANSMITTER 2 NO DATA

### NOTE:

Refer to DTC 24 for diagnostic procedure. <Ref. to TPM(diag)-30, DTC 24 TRANSMITTER 4 NO DATA, Diagnostic Procedure with Diagnostic Trouble Code (DTC).>

## G: DTC 23 TRANSMITTER 3 NO DATA

### NOTE:

Refer to DTC 24 for diagnostic procedure. <Ref. to TPM(diag)-30, DTC 24 TRANSMITTER 4 NO DATA, Diagnostic Procedure with Diagnostic Trouble Code (DTC).>

# Diagnostic Procedure with Diagnostic Trouble Code (DTC)

## TIRE PRESSURE MONITORING SYSTEM (DIAGNOSTICS)

### H: DTC 24 TRANSMITTER 4 NO DATA

#### DTC DETECTING CONDITION:

Data from each transmitter is not received for 8 minutes.

#### TROUBLE SYMPTOM:

Tire pressure warning light blinks 25 times and then illuminates.

	Step	Check	Yes	No
1	<b>START FL TRANSMITTER.</b> 1) Connect the Subaru Select Monitor and then turn the ignition switch to ON. 2) Select "Transmit ID data monitor". <Ref. to TPM(diag)-10, DISPLAY TRANSMITTER (ID), OPERATION, Subaru Select Monitor.> 3) Use the transmitter registration tool and transmit the ID from the FL transmitter to check "Latest reception ID".	Is "Latest reception ID" updated?	Go to step 2.	Replace front left transmitter.
2	<b>CHECK FL TRANSMITTER ID.</b> Check the ID displayed in the updated ID display and the tire 1 registered ID.	Are the two IDs same?	Go to step 3.	Record the received ID update as the FL transmitter. Go to step 3.
3	<b>START FR TRANSMITTER.</b> Use the transmitter registration tool and transmit the ID from the FR transmitter to check "Latest reception ID".	Is "Latest reception ID" updated?	Go to step 4.	Replace the front right transmitter.
4	<b>CHECK FR TRANSMITTER ID.</b> Check the ID displayed in the updated ID display and the tire 2 registered ID.	Are the two IDs same?	Go to step 5.	Record the received ID update as the FR transmitter. Go to step 5.
5	<b>START RR TRANSMITTER.</b> Use the transmitter registration tool and transmit the ID from the RR transmitter to check "Latest reception ID".	Is "Latest reception ID" updated?	Go to step 6.	Replace the RR transmitter.
6	<b>CHECK RR TRANSMITTER ID.</b> Check the ID displayed in the updated ID display and the tire 3 registered ID.	Are the two IDs same?	Go to step 7.	Record the received ID update as the RR transmitter. Go to step 7.
7	<b>START RL TRANSMITTER.</b> Use the transmitter registration tool and transmit the ID from the RL transmitter to check "Latest reception ID".	Is "Latest reception ID" updated?	Go to step 8.	Replace the RL transmitter.
8	<b>CHECK RL TRANSMITTER ID.</b> Check the ID displayed in the updated ID display and the tire 4 registered ID.	Are the two IDs same?	Go to step 9.	Record the received ID update as the RL transmitter. Go to step 9.
9	<b>CHECK MALFUNCTION TRANSMITTER.</b>	Is ID recorded by this procedure?	Go to step 10.	Go to step 1.
10	<b>CHECK MALFUNCTION TRANSMITTER.</b> Check the registered ID of the transmitter indicated by DTC.	Is there checked ID in the record?	Replace the transmitter of the recorded position.	Replace the transmitter showing the latest ID that is not included in the registered IDs.

#### CAUTION:

When driving vehicle to perform driving test, there should be always 2 persons (driver and checker) to check.

# Diagnostic Procedure with Diagnostic Trouble Code (DTC)

TIRE PRESSURE MONITORING SYSTEM (DIAGNOSTICS)

---

## **I: DTC 31 TRANSMITTER 1 PRESSURE DATA ABNORMAL**

### NOTE:

Refer to DTC 34 for diagnostic procedure. <Ref. to TPM(diag)-32, DTC 34 TRANSMITTER 4 PRESSURE DATA ABNORMAL, Diagnostic Procedure with Diagnostic Trouble Code (DTC).>

## **J: DTC 32 TRANSMITTER 2 PRESSURE DATA ABNORMAL**

### NOTE:

Refer to DTC 34 for diagnostic procedure. <Ref. to TPM(diag)-32, DTC 34 TRANSMITTER 4 PRESSURE DATA ABNORMAL, Diagnostic Procedure with Diagnostic Trouble Code (DTC).>

## **K: DTC 33 TRANSMITTER 3 PRESSURE DATA ABNORMAL**

### NOTE:

Refer to DTC 34 for diagnostic procedure. <Ref. to TPM(diag)-32, DTC 34 TRANSMITTER 4 PRESSURE DATA ABNORMAL, Diagnostic Procedure with Diagnostic Trouble Code (DTC).>

# Diagnostic Procedure with Diagnostic Trouble Code (DTC)

## TIRE PRESSURE MONITORING SYSTEM (DIAGNOSTICS)

### L: DTC 34 TRANSMITTER 4 PRESSURE DATA ABNORMAL

#### DTC DETECTING CONDITION:

- When comparing the data from each transmitter to the previous data, the change is large.
- The pressure exceeds what the transmitter can measure. (Excessive pressure)

#### TROUBLE SYMPTOM:

Tire pressure warning light blinks 25 times and then illuminates.

	Step	Check	Yes	No
1	<b>START FL TRANSMITTER.</b> 1) Connect the Subaru Select Monitor and then turn the ignition switch to ON. 2) Select "Transmit ID data monitor". <Ref. to TPM(diag)-10, DISPLAY TRANSMITTER (ID), OPERATION, Subaru Select Monitor.> 3) Use the transmitter registration tool and transmit the ID from the FL transmitter to check "Latest reception ID".	Is "Latest reception ID" updated?	Go to step 2.	Replace front left transmitter.
2	<b>CHECK FL TRANSMITTER ID.</b> Check the ID displayed in the updated ID display and the tire 1 registered ID.	Are the two IDs same?	Go to step 3.	Record the received ID update as the FL transmitter. Go to step 3.
3	<b>START FR TRANSMITTER.</b> Use the transmitter registration tool and transmit the ID from the FR transmitter to check "Latest reception ID".	Is "Latest reception ID" updated?	Go to step 4.	Replace the front right transmitter.
4	<b>CHECK FR TRANSMITTER ID.</b> Check the ID displayed in the updated ID display and the tire 2 registered ID.	Are the two IDs same?	Go to step 5.	Record the received ID update as the FR transmitter. Go to step 5.
5	<b>START RR TRANSMITTER.</b> Use the transmitter registration tool and transmit the ID from the RR transmitter to check "Latest reception ID".	Is "Latest reception ID" updated?	Go to step 6.	Replace the RR transmitter.
6	<b>CHECK RR TRANSMITTER ID.</b> Check the ID displayed in the updated ID display and the tire 3 registered ID.	Are the two IDs same?	Go to step 7.	Record the received ID update as the RR transmitter. Go to step 7.
7	<b>START RL TRANSMITTER.</b> Use the transmitter registration tool and transmit the ID from the RL transmitter to check "Latest reception ID".	Is "Latest reception ID" updated?	Go to step 8.	Replace the RL transmitter.
8	<b>CHECK RL TRANSMITTER ID.</b> Check the ID displayed in the updated ID display and the tire 4 registered ID.	Are the two IDs same?	Go to step 9.	Record the received ID update as the RL transmitter. Go to step 9.
9	<b>CHECK MALFUNCTION TRANSMITTER.</b>	Is ID recorded by this procedure?	Go to step 10.	Go to step 1.
10	<b>CHECK MALFUNCTION TRANSMITTER.</b> Check the registered ID of the transmitter indicated by DTC.	Is there checked ID in the record?	Replace the transmitter of the recorded position.	Replace the transmitter showing the latest ID that is not included in the registered IDs.

# Diagnostic Procedure with Diagnostic Trouble Code (DTC)

TIRE PRESSURE MONITORING SYSTEM (DIAGNOSTICS)

---

## **M: DTC 41 TRANSMITTER 1 FUNCTION CODE ABNORMAL**

### NOTE:

Refer to DTC 44 for diagnostic procedure. <Ref. to TPM(diag)-34, DTC 44 TRANSMITTER 4 FUNCTION CODE ABNORMAL, Diagnostic Procedure with Diagnostic Trouble Code (DTC).>

## **N: DTC 42 TRANSMITTER 2 FUNCTION CODE ABNORMAL**

### NOTE:

Refer to DTC 44 for diagnostic procedure. <Ref. to TPM(diag)-34, DTC 44 TRANSMITTER 4 FUNCTION CODE ABNORMAL, Diagnostic Procedure with Diagnostic Trouble Code (DTC).>

## **O: DTC 43 TRANSMITTER 3 FUNCTION CODE ABNORMAL**

### NOTE:

Refer to DTC 44 for diagnostic procedure. <Ref. to TPM(diag)-34, DTC 44 TRANSMITTER 4 FUNCTION CODE ABNORMAL, Diagnostic Procedure with Diagnostic Trouble Code (DTC).>



# Diagnostic Procedure with Diagnostic Trouble Code (DTC)

## TIRE PRESSURE MONITORING SYSTEM (DIAGNOSTICS)

### P: DTC 44 TRANSMITTER 4 FUNCTION CODE ABNORMAL

#### DTC DETECTING CONDITION:

Unexpected function codes received from each transmitter.

#### TROUBLE SYMPTOM:

Tire pressure warning light blinks 25 times and then illuminates.

	Step	Check	Yes	No
1	<b>START FL TRANSMITTER.</b> 1) Connect the Subaru Select Monitor and then turn the ignition switch to ON. 2) Select "Transmit ID data monitor". <Ref. to TPM(diag)-10, DISPLAY TRANSMITTER (ID), OPERATION, Subaru Select Monitor.> 3) Use the transmitter registration tool and transmit the ID from the FL transmitter to check "Latest reception ID".	Is "Latest reception ID" updated?	Go to step 2.	Replace front left transmitter.
2	<b>CHECK FL TRANSMITTER ID.</b> Check the ID displayed in the updated ID display and the tire 1 registered ID.	Are the two IDs same?	Go to step 3.	Record the received ID update as the FL transmitter. Go to step 3.
3	<b>START FR TRANSMITTER.</b> Use the transmitter registration tool and transmit the ID from the FR transmitter to check "Latest reception ID".	Is "Latest reception ID" updated?	Go to step 4.	Replace the front right transmitter.
4	<b>CHECK FR TRANSMITTER ID.</b> Check the ID displayed in the updated ID display and the tire 2 registered ID.	Are the two IDs same?	Go to step 5.	Record the received ID update as the FR transmitter. Go to step 5.
5	<b>START RR TRANSMITTER.</b> Use the transmitter registration tool and transmit the ID from the RR transmitter to check "Latest reception ID".	Is "Latest reception ID" updated?	Go to step 6.	Replace the RR transmitter.
6	<b>CHECK RR TRANSMITTER ID.</b> Check the ID displayed in the updated ID display and the tire 3 registered ID.	Are the two IDs same?	Go to step 7.	Record the received ID update as the RR transmitter. Go to step 7.
7	<b>START RL TRANSMITTER.</b> Use the transmitter registration tool and transmit the ID from the RL transmitter to check "Latest reception ID".	Is "Latest reception ID" updated?	Go to step 8.	Replace the RL transmitter.
8	<b>CHECK RL TRANSMITTER ID.</b> Check the ID displayed in the updated ID display and the tire 4 registered ID.	Are the two IDs same?	Go to step 9.	Record the received ID update as the RL transmitter. Go to step 9.
9	<b>CHECK MALFUNCTION TRANSMITTER.</b>	Is ID recorded by this procedure?	Go to step 10.	Check again. Go to step 1.
10	<b>CHECK MALFUNCTION TRANSMITTER.</b> Check the registered ID of the transmitter indicated by DTC.	Is there checked ID in the record?	Replace the transmitter of the recorded position.	Replace the transmitter showing the latest ID that is not included in the registered IDs.

# Diagnostic Procedure with Diagnostic Trouble Code (DTC)

TIRE PRESSURE MONITORING SYSTEM (DIAGNOSTICS)

## Q: DTC 51 TRANSMITTER 1 BATTERY VOLTAGE DECREASE

NOTE:

Refer to DTC 54 for diagnostic procedure. <Ref. to TPM(diag)-35, DTC 54 TRANSMITTER 4 BATTERY VOLTAGE DECREASE, Diagnostic Procedure with Diagnostic Trouble Code (DTC).>

## R: DTC 52 TRANSMITTER 2 BATTERY VOLTAGE DECREASE

NOTE:

Refer to DTC 54 for diagnostic procedure. <Ref. to TPM(diag)-35, DTC 54 TRANSMITTER 4 BATTERY VOLTAGE DECREASE, Diagnostic Procedure with Diagnostic Trouble Code (DTC).>

## S: DTC 53 TRANSMITTER 3 BATTERY VOLTAGE DECREASE

NOTE:

Refer to DTC 54 for diagnostic procedure. <Ref. to TPM(diag)-35, DTC 54 TRANSMITTER 4 BATTERY VOLTAGE DECREASE, Diagnostic Procedure with Diagnostic Trouble Code (DTC).>

## T: DTC 54 TRANSMITTER 4 BATTERY VOLTAGE DECREASE

### DTC DETECTING CONDITION:

Low battery signals received 20 times from each transmitter.

### TROUBLE SYMPTOM:

Tire pressure warning light blinks 25 times and then illuminates.

	Step	Check	Yes	No
1	<b>CHECK TRANSMITTER.</b> 1) Replace all transmitters and register their IDs. <Ref. to TPM(diag)-10, REGISTER TRANSMITTER ID, OPERATION, Subaru Select Monitor.> 2) Perform the Clear Memory Mode, and perform driving test.	Is the fault eliminated?	Internal battery of the transmitter had worn out.	Replace the tire pressure monitoring control module. <Ref. to WT-13, TIRE PRESSURE MONITORING CONTROL MODULE, REMOVAL, Tire Pressure Monitoring System.>

# Diagnostic Procedure with Diagnostic Trouble Code (DTC)

## TIRE PRESSURE MONITORING SYSTEM (DIAGNOSTICS)

### U: DTC 61 VEHICLE SPEED IS ABNORMAL

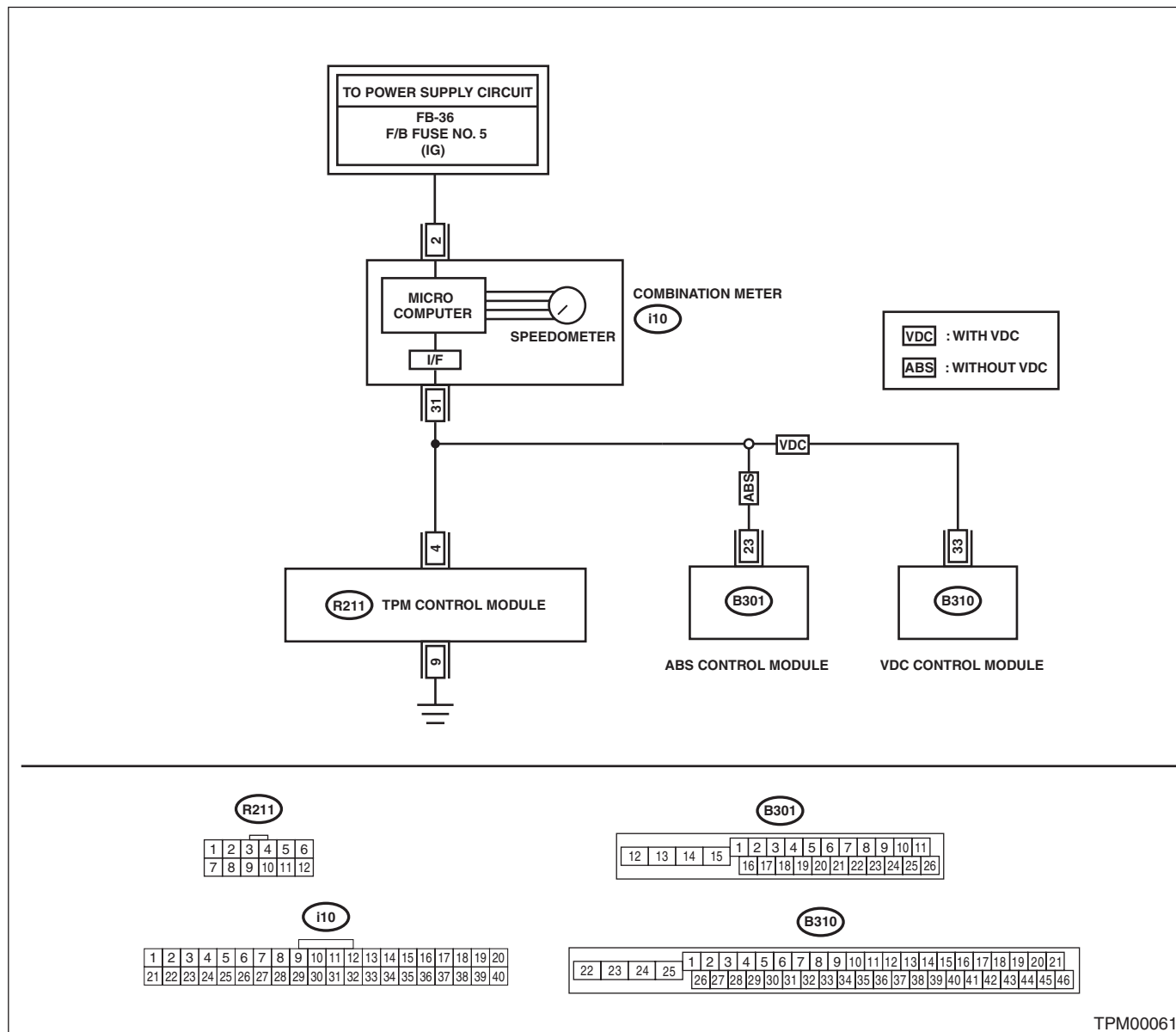
#### DTC DETECTING CONDITION:

Vehicle speed function codes were received from the transmitter, but the vehicle speed signal was not input to the module.

#### TROUBLE SYMPTOM:

Tire pressure warning light blinks 25 times and then illuminates.

#### WIRING DIAGRAM:



TPM00061

# Diagnostic Procedure with Diagnostic Trouble Code (DTC)

## TIRE PRESSURE MONITORING SYSTEM (DIAGNOSTICS)

	<b>Step</b>	<b>Check</b>	<b>Yes</b>	<b>No</b>
<b>1</b>	<b>CHECK TIRE PRESSURE MONITORING CONTROL MODULE.</b> 1) Connect an oscilloscope to the terminal No. 4 of the tire pressure monitoring control module connector (R211). 2) Drive the vehicle at 40 km/h (25 MPH) and check the vehicle speed signal at that time.	Is the vehicle speed being input?	Replace the tire pressure monitoring control module. <Ref. to WT-13, TIRE PRESSURE MONITORING CONTROL MODULE, REMOVAL, Tire Pressure Monitoring System.>	Go to step 2.
<b>2</b>	<b>CHECK HARNESS.</b> 1) Disconnect the combination meter connector (i10). 2) Connect the tire pressure monitoring control module connector (R211) and combination meter connector (i10) and measure the resistance.	Is the resistance less than 0.5 $\Omega$ ?	Replace the combination meter. <Ref. to IDI-16, REMOVAL, Combination Meter.>	Repair or replace the open circuit of the harness.

# General Diagnostic Table

TIRE PRESSURE MONITORING SYSTEM (DIAGNOSTICS)

---

## 12. General Diagnostic Table

### A: INSPECTION

Symptoms		Problem parts
Tire pressure warning light illuminates.	Tire pressure is reduced.	<ul style="list-style-type: none"><li>• Improper tire pressure adjustment.</li><li>• Punctured tire</li></ul>
Tire pressure warning light blinks 25 times and then illuminates.	Tire pressure monitoring system has malfunction.	<ul style="list-style-type: none"><li>• Air pressure sensor malfunction</li><li>• Air pressure sensor is out of battery.</li><li>• Tire pressure monitoring control module is faulty.</li><li>• Defective vehicle harness</li><li>• Defective combination meter</li></ul>
Tire pressure is dropping but the warning light does not illuminate.	Tire pressure warning light does not illuminate.	<ul style="list-style-type: none"><li>• Air pressure sensor is faulty.</li><li>• Tire pressure monitoring control module is faulty.</li><li>• Defective combination meter</li></ul>

# General Description

## DIFFERENTIALS

### 1. General Description

#### A: SPECIFICATION

##### 1. REAR DIFFERENTIAL

When replacing a rear differential assembly, select the correct one according to the following table.

NOTE:

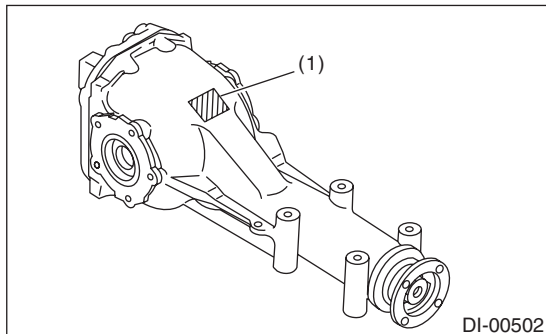
Using a different rear differential assembly will cause the drive train and tires to drag or emit abnormal noise.

Model	2.5 L Non-turbo	
	4AT	5MT
Rear differential type	T-type	
Identification	T2	T1
Type of gear	Hypoid gear	
Gear ratio (Number of gear teeth)	4.111 (37/9)	3.900 (39/10)
Oil capacity	0.8 ℓ (0.8 US qt, 0.7 Imp qt)	
Rear differential gear oil	GL-5	

Model	2.5 L Turbo	
	4AT	5MT
Rear differential type	T-type	
Identification	B2	
Type of gear	Hypoid gear	
Gear ratio (Number of gear teeth)	3.900 (39/10)	
Oil capacity	0.8 ℓ (0.8 US qt, 0.7 Imp qt)	
Rear differential gear oil	GL-5	

##### 2. IDENTIFICATION

Identification positions are shown in the following figures. For details concerning identification, refer to the "ID" section.



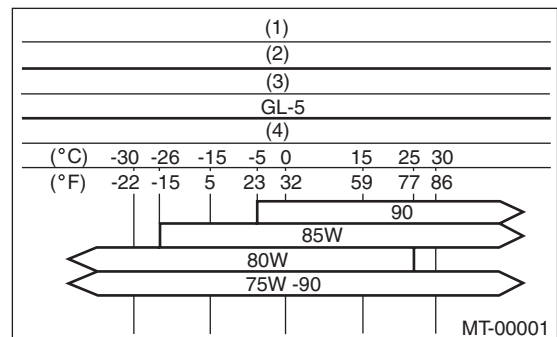
(1) Identification

##### 3. REAR DIFFERENTIAL GEAR OIL

**Recommended gear oil:**  
**GL-5 (75W-90)**

**CAUTION:**

**Each oil manufacturer has its base oil and additives. Thus, do not mix two or more brands.**



- (1) Item
- (2) Rear differential gear oil
- (3) API classification
- (4) SAE viscosity No. and applicable temperature

# General Description

DIFFERENTIALS

## 4. SERVICE DATA

Drive pinion bearing preload (For new bearing)	Measure with spring measurement (Measured from the companion flange bolt)	N (kgf, lbf)	17.7 — 38.8 (1.8 — 4.0, 4.0 — 8.7)
	Measure with torque wrench	N·m(kgf-m, ft-lb)	0.67 — 1.47 (0.07 — 0.15, 0.49 — 1.08)
Side gear backlash		mm (in)	0.10 — 0.20 (0.004 — 0.008)
Side bearing standard width		mm (in)	20.00 (0.7874)
Hypoid driven gear to drive pinion backlash		mm (in)	0.10 — 0.20 (0.004 — 0.008)
Hypoid driven gear runout on its back surface		mm (in)	0.05 (0.002)

## 5. ADJUSTING PARTS

	Part No.	Length mm (in)
Preload adjusting spacer	383695201	56.2 (2.213)
	383695202	56.4 (2.220)
	383695203	56.6 (2.228)
	383695204	56.8 (2.236)
	383695205	57.0 (2.244)
	383695206	57.2 (2.252)

	Part No.	Thickness mm (in)
Preload adjusting washer	383705200	2.59 (0.1020)
	383715200	2.57 (0.1012)
	383725200	2.55 (0.1004)
	383735200	2.53 (0.0996)
	383745200	2.51 (0.0988)
	383755200	2.49 (0.0980)
	383765200	2.47 (0.0972)
	383775200	2.45 (0.0965)
	383785200	2.43 (0.0957)
	383795200	2.41 (0.0949)
	383805200	2.39 (0.0941)
	383815200	2.37 (0.0933)
	383825200	2.35 (0.0925)
	383835200	2.33 (0.0917)
	383845200	2.31 (0.0909)

## General Description

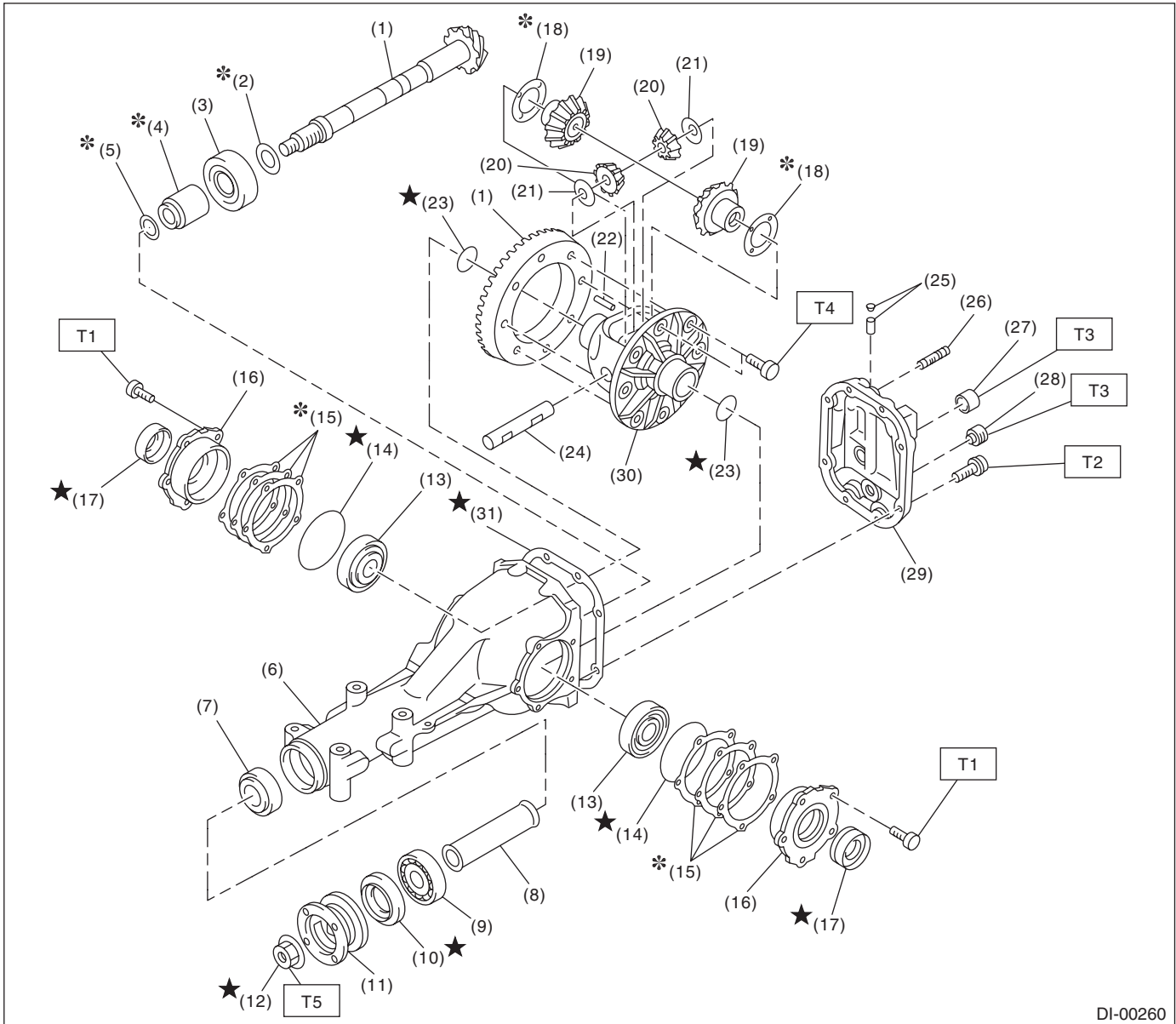
### DIFFERENTIALS

Pinion height adjusting washer	383495200	3.09 (0.1217)
	383505200	3.12 (0.1228)
	383515200	3.15 (0.1240)
	383525200	3.18 (0.1252)
	383535200	3.21 (0.1264)
	383545200	3.24 (0.1276)
	383555200	3.27 (0.1287)
	383565200	3.30 (0.1299)
	383575200	3.33 (0.1311)
	383585200	3.36 (0.1323)
	383595200	3.39 (0.1335)
	383605200	3.42 (0.1346)
	383615200	3.45 (0.1358)
	383625200	3.48 (0.1370)
	383635200	3.51 (0.1382)
	383645200	3.54 (0.1394)
	383655200	3.57 (0.1406)
	383665200	3.60 (0.1417)
	383675200	3.63 (0.1429)
	383685200	3.66 (0.1441)
Side gear thrust washer	383445201	0.75 — 0.80 (0.0295 — 0.0315)
	383445202	0.80 — 0.85 (0.0315 — 0.0335)
	383445203	0.85 — 0.90 (0.0335 — 0.0354)
Side bearing retainer shim	383475201	0.20 (0.0079)
	383475202	0.25 (0.0098)
	383475203	0.30 (0.0118)
	383475204	0.40 (0.0157)
	383475205	0.50 (0.0197)



## B: COMPONENT

### 1. REAR DIFFERENTIAL (T-TYPE)



DI-00260

- |   |                              |                        |
|---|------------------------------|------------------------|
| (1) Hypoid driven gear and drive pinion set | (13) Side bearing            | (26) Stud bolt         |
| (2) Pinion height adjusting washer          | (14) O-ring                  | (27) Oil filler plug   |
| (3) Rear bearing                            | (15) Side retainer shim      | (28) Oil drain plug    |
| (4) Bearing preload adjusting spacer        | (16) Side retainer           | (29) Rear cover        |
| (5) Bearing preload adjusting washer        | (17) Side oil seal           | (30) Differential case |
| (6) Differential carrier                    | (18) Side gear thrust washer | (31) Gasket            |
| (7) Front bearing                           | (19) Side gear               |                        |
| (8) Spacer                                  | (20) Pinion mate gear        |                        |
| (9) Pilot bearing                           | (21) Pinion mate gear washer |                        |
| (10) Front oil seal                         | (22) Pinion shaft lock pin   |                        |
| (11) Companion flange                       | (23) Snap ring               |                        |
| (12) Self-locking nut                       | (24) Pinion mate shaft       |                        |
|   | (25) Air breather cap        |                        |

**Tightening torque: N-m (kgf-m, ft-lb)**

**T1: 10.5 (1.1, 7.7)**

**T2: 29.5 (3.0, 21.8)**

**T3: 49 (5.0, 36.2)**

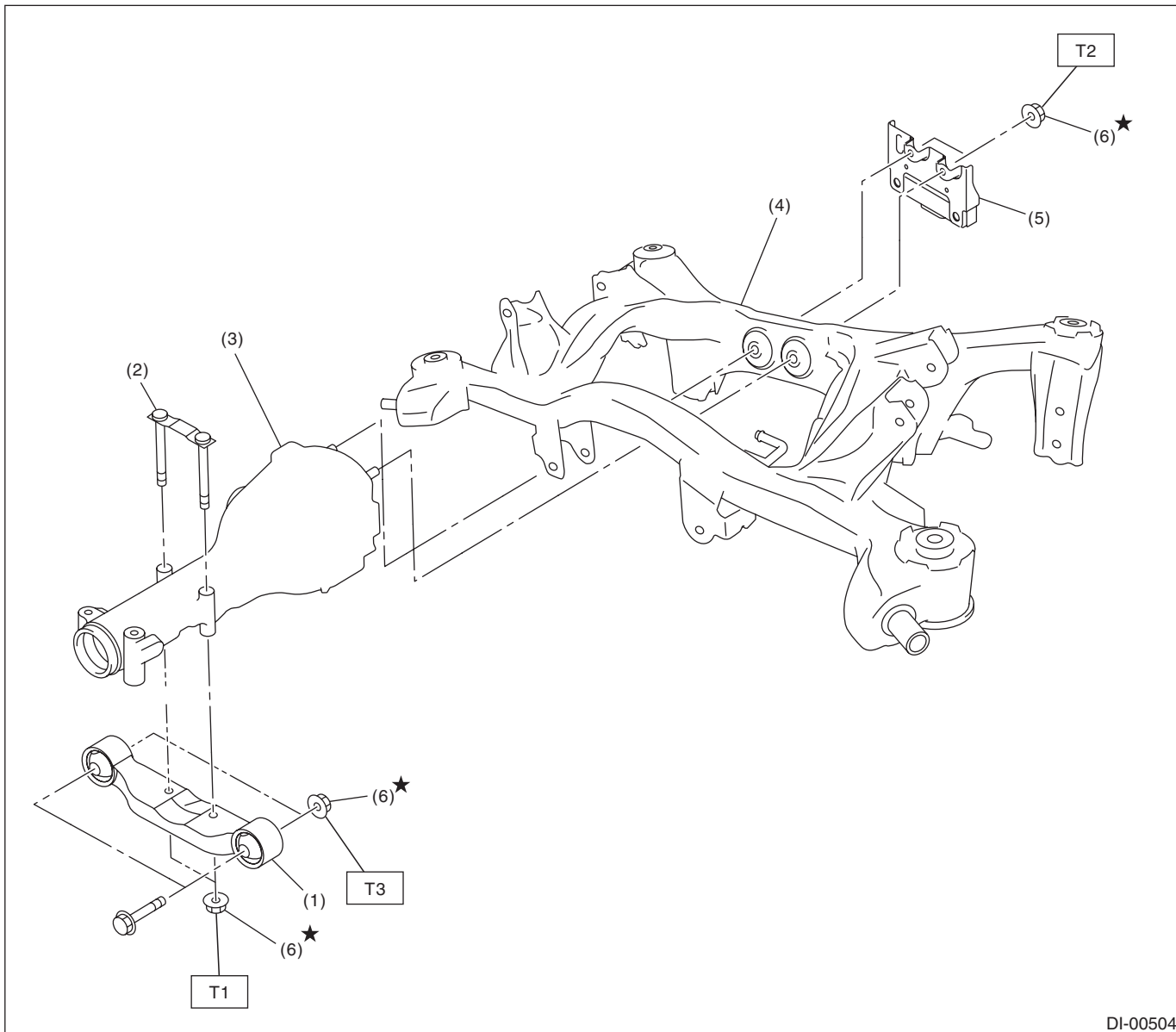
**T4: 103 (10.5, 76.0)**

**T5: 181.5 (18.5, 134.0)**

# General Description

## DIFFERENTIALS

### 2. REAR DIFFERENTIAL MOUNTING SYSTEM



- (1) Rear differential front member
- (2) Rear differential member plate
- (3) Rear differential ASSY
- (4) Sub frame

- (5) Dynamic damper ASSY  
(5 door AT model)
- (6) Self-locking nut

**Tightening torque: N·m (kgf·m, ft·lb)**

**T1: 50 (5.1, 36.9)**

**T2: 70 (7.1, 51.6)**

**T3: 110 (11.2, 81.1)**

### **C: CAUTION**

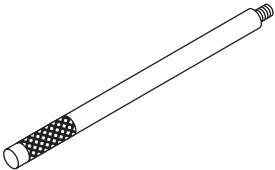
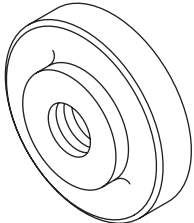
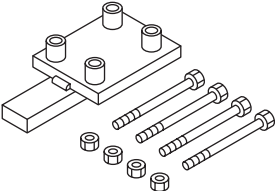
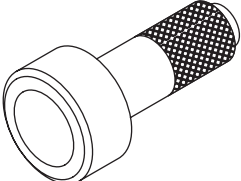
- Wear appropriate work clothing, including a cap, protective goggles and protective shoes when performing any work.
- Remove contamination including dirt and corrosion before removal, installation or disassembly.
- Keep the disassembled parts in order and protect them from dust and dirt.
- Before removal, installation or disassembly, be sure to clarify the failure. Avoid unnecessary removal, installation, disassembly and replacement.
- Vehicle components are extremely hot after driving. Be wary of receiving burns from heated parts.
- Use SUBARU genuine gear oil, grease. Do not mix gear oil, grease, etc. of different grades or manufacturers.
- Be sure to tighten fasteners including bolts and nuts to the specified torque.
- Place shop jacks or rigid racks at the specified points.
- Apply gear oil onto sliding or revolving surfaces before installation.
- Before installing the O-ring or snap ring, apply a sufficient amount of gear oil to avoid damage and deformation.
- Before securing a part on a vise, place cushioning material such as wood blocks, aluminum plate, or cloth between the part and the vise.
- Avoid damaging the mating surface of the case.

# General Description

## DIFFERENTIALS

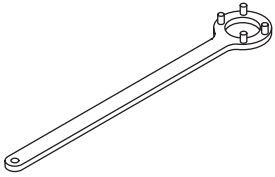
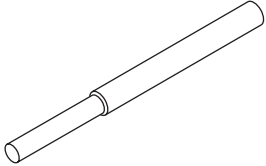
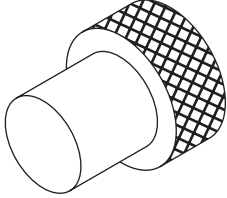
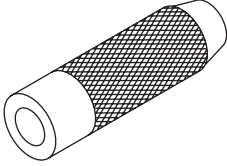
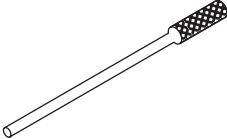
### D: PREPARATION TOOL

#### 1. SPECIAL TOOL

ILLUSTRATION	TOOL NUMBER	DESCRIPTION	REMARKS
 ST-398477701	398477701	HANDLE	Used for installing the front and rear bearing cones.
 ST-398477702	398477702	DRIFT	Used for press-fitting the bearing race (front) of the differential carrier.
 ST-398217700	398217700	ATTACHMENT SET	Stand for rear differential carrier disassembly and assembly.
 ST-498447120	498447120	INSTALLER	Used for installing the front oil seal.

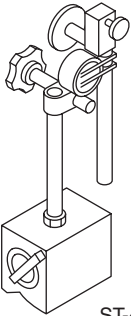
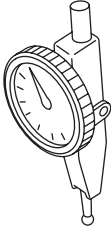
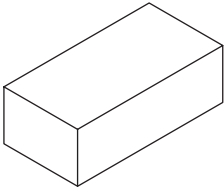
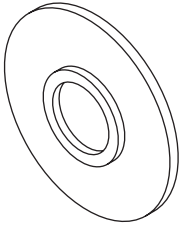
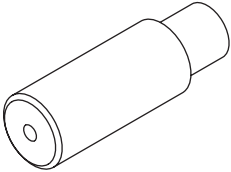
# General Description

DIFFERENTIALS

ILLUSTRATION	TOOL NUMBER	DESCRIPTION	REMARKS
 <p data-bbox="337 520 467 543">ST-498427200</p>	498427200	FLANGE WRENCH	Used for preventing rotation of companion flange when loosening and tightening self-lock nut.
 <p data-bbox="337 873 467 896">ST-398467700</p>	398467700	DRIFT	Used for removing pinion, pilot bearing and front bearing cone.
 <p data-bbox="337 1226 467 1249">ST-399780104</p>	399780104	WEIGHT	Used for installing the front bearing cone and the pilot bearing companion flange.
 <p data-bbox="337 1579 467 1602">ST-899580100</p>	899580100	INSTALLER	Used for press-fitting the front bearing cone and pilot bearing.
 <p data-bbox="337 1923 467 1946">ST-899904100</p>	899904100	STRAIGHT PIN REMOVER	Used for driving out differential pinion shaft lock pin.

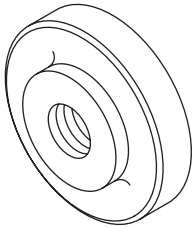
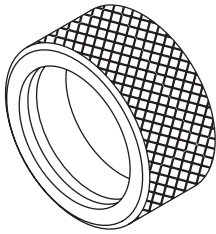
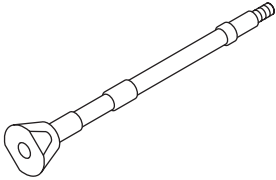
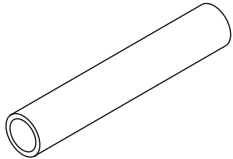
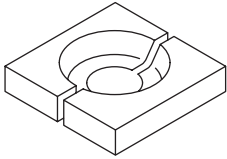
# General Description

## DIFFERENTIALS

ILLUSTRATION	TOOL NUMBER	DESCRIPTION	REMARKS
 <p style="text-align: center;">ST-498247001</p>	498247001	MAGNET BASE	<ul style="list-style-type: none"> <li>• Used for measuring backlash between side gear and pinion, and hypoid gear.</li> <li>• Used together with the DIAL GAUGE (498247100).</li> </ul>
 <p style="text-align: center;">ST-498247100</p>	498247100	DIAL GAUGE	<ul style="list-style-type: none"> <li>• Used for measuring backlash between side gear and pinion, and hypoid gear.</li> <li>• Used together with the MAGNET BASE (498247001).</li> </ul>
 <p style="text-align: center;">ST-398507704</p>	398507704	BLOCK	Used for adjusting pinion height and preload.
 <p style="text-align: center;">ST-398177700</p>	398177700	INSTALLER	Used for installing the rear bearing cone.
 <p style="text-align: center;">ST-398457700</p>	398457700	ATTACHMENT	Used for removing the side bearing retainer.

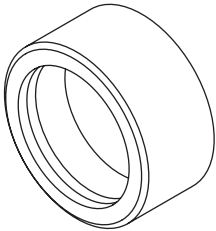
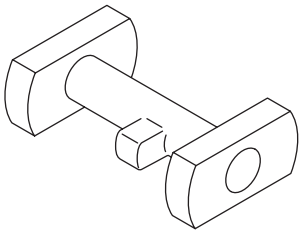
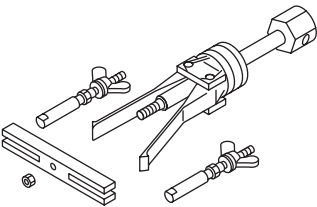
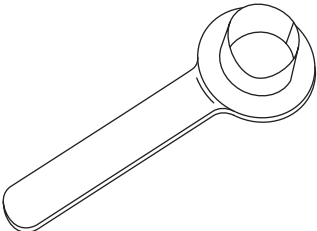
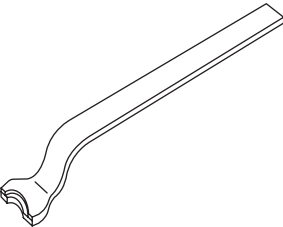
# General Description

DIFFERENTIALS

ILLUSTRATION	TOOL NUMBER	DESCRIPTION	REMARKS
 <p>ST-398477703</p>	398477703	DRIFT 2	Used for press-fitting bearing race (rear) of differential carrier.
 <p>ST-398437700</p>	398437700	DRIFT	Used for installing the side oil seal.
 <p>ST-398507702</p>	398507702	DUMMY SHAFT	Used for adjusting pinion height and preload.
 <p>ST-398507703</p>	398507703	DUMMY COLLAR	Used for adjusting pinion height and preload.
 <p>ST-398517700</p>	398517700	REPLACER	Used for removing rear bearing cone.

# General Description

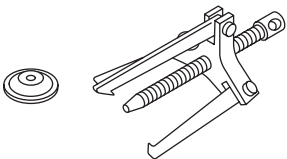
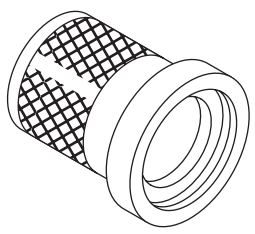
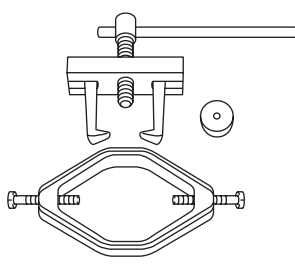
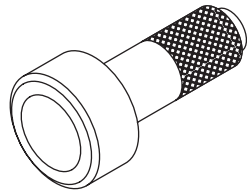
## DIFFERENTIALS

ILLUSTRATION	TOOL NUMBER	DESCRIPTION	REMARKS
 <p style="text-align: center;">ST-398487700</p>	398487700	DRIFT	Used for press-fitting side bearing cone.
 <p style="text-align: center;">ST-398507701</p>	398507701	DIFFERENTIAL CARRIER GAUGE	Used for adjusting pinion height.
 <p style="text-align: center;">ST-398527700</p>	398527700	PULLER ASSY	<ul style="list-style-type: none"> <li>• Used for removing front oil seal.</li> <li>• Used for removing side bearing cup.</li> </ul>
 <p style="text-align: center;">ST28099PA090</p>	28099PA090	OIL SEAL PROTECTOR	<ul style="list-style-type: none"> <li>• Used for installing the rear drive shaft to the rear differential.</li> <li>• For oil seal protection</li> </ul>
 <p style="text-align: center;">ST28099PA100</p>	28099PA100	DRIVE SHAFT REMOVER	Used for removing the rear drive shaft from rear differential.



# General Description

DIFFERENTIALS

ILLUSTRATION	TOOL NUMBER	DESCRIPTION	REMARKS
 <p style="text-align: center;">ST-399703600</p>	399703600	PULLER ASSY	Used for removing companion flange.
 <p style="text-align: center;">ST-899874100</p>	899874100	INSTALLER	Used for installing the companion flange.
 <p style="text-align: center;">ST18759AA000</p>	18759AA000	PULLER ASSY	Used for removing the differential side bearing cone.
 <p style="text-align: center;">ST-398417700</p>	398417700	DRIFT	Used for installing side bearing race.

## 2. GENERAL TOOL

TOOL NAME	REMARKS
Transmission jack	Used for assembly/disassembly of the rear differential.
Puller	Used for removing the side bearing retainer.
Thickness gauge	Used for measuring clearance.

# Differential Gear Oil

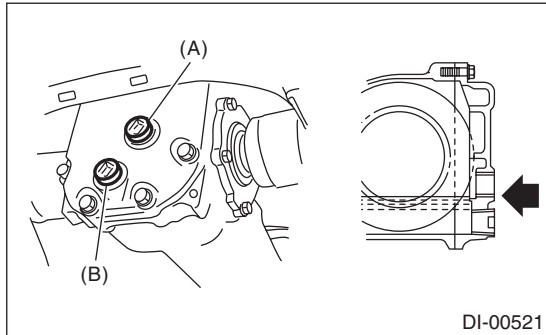
## DIFFERENTIALS

### 2. Differential Gear Oil

#### A: INSPECTION

1) Remove the filler plug, and then check the gear oil. Replace the gear oil if it is contaminated or deteriorated. <Ref. to DI-14, REPLACEMENT, Differential Gear Oil.>

2) Check that the gear oil level is within  $-5$  mm ( $-0.2$  in) from the bottom of the filler plug hole. If the level is low, make sure that there is no oil leakage and refill up to the bottom of filler plug.

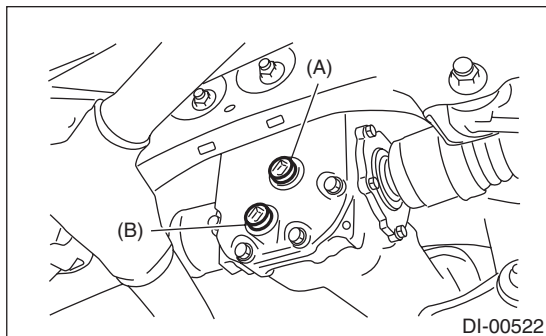


- (A) Filler plug
- (B) Oil drain plug

#### B: REPLACEMENT

1) Lift up the vehicle.  
2) Remove the oil drain plug and filler plug, and drain the gear oil.

**CAUTION:**  
Gear oil is extremely hot just after driving. Be wary of receiving burns.



- (A) Filler plug
- (B) Oil drain plug

3) Tighten the oil drain plug.

NOTE:

Apply liquid gasket to the drain plug.

**Liquid gasket:**

**THREE BOND 1105 (Part No. 004403010) or equivalent**

**Tightening torque:**

**49 N·m (5.0 kgf·m, 36.1 ft·lb)**

4) Fill the differential carrier with gear oil to the bottom of filler plug.

NOTE:

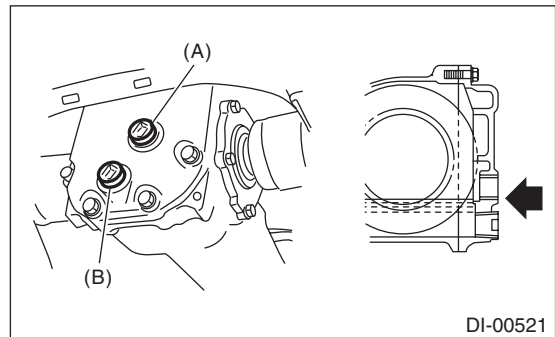
Carefully refill oil while watching the level. Excessive or insufficient oil must be avoided.

**Recommended gear oil:**

**<Ref. to DI-2, SPECIFICATION, General Description.>**

**Oil capacity:**

**0.8 ℓ (0.8 US qt, 0.7 Imp qt)**



- (A) Filler plug
- (B) Oil drain plug

5) Install the filler plug.

NOTE:

Apply liquid gasket to the filler plug.

**Liquid gasket:**

**THREE BOND 1105 (Part No. 004403010) or equivalent**

**Tightening torque:**

**49 N·m (5.0 kgf·m, 36.1 ft·lb)**

## **3. Front Differential Assembly**

### **A: NOTE**

#### **1. AT MODEL**

For front differential of automatic transmissions, refer to the "4AT" section. <Ref. to 4AT-98, Front Differential Assembly.>

#### **2. MT MODEL**

For front differential of the manual transmission, refer to "5MT" section. <Ref. to 5MT-66, Front Differential Assembly.>

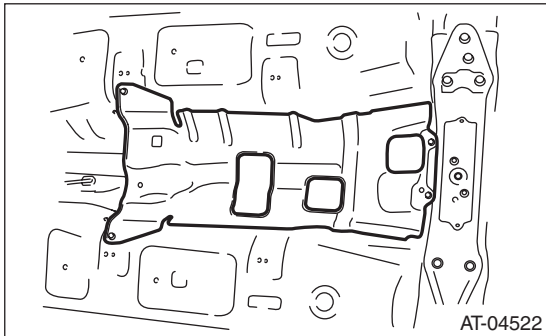
# Rear Differential

## DIFFERENTIALS

### 4. Rear Differential

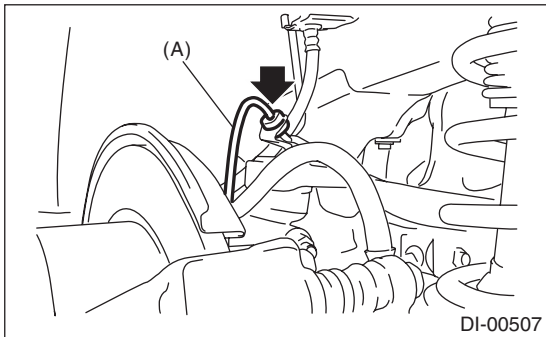
#### A: REMOVAL

- 1) Set the vehicle on a lift.
- 2) Disconnect the ground cable from battery.
- 3) Shift the select lever or gear shift lever to neutral.
- 4) Release the parking brake.
- 5) Loosen the wheel nuts.
- 6) Lift up the vehicle.
- 7) Remove the wheels.
- 8) Drain the differential gear oil. <Ref. to DI-14, REPLACEMENT, Differential Gear Oil.>
- 9) Remove the rear exhaust pipe and muffler.
  - Non-turbo model  
<Ref. to EX(H4SO)-10, REMOVAL, Rear Exhaust Pipe.> <Ref. to EX(H4SO)-12, REMOVAL, Muffler.>
  - Turbo model  
<Ref. to EX(H4DOTC)-14, REMOVAL, Rear Exhaust Pipe.> <Ref. to EX(H4DOTC)-16, REMOVAL, Muffler.>
- 10) Remove the heat shield cover.



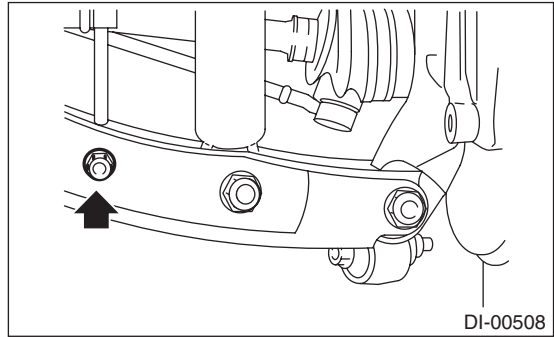
- 11) Remove the propeller shaft. <Ref. to DS-10, REMOVAL, Propeller Shaft.>
- 12) Remove the DOJ of rear drive shaft from rear differential.

- (1) Remove the ABS wheel speed sensor cable from the clamp.

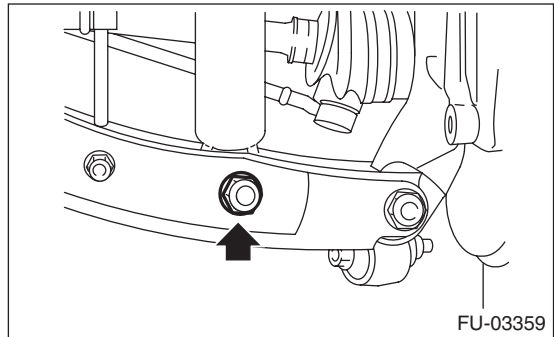


(A) ABS wheel speed sensor cable

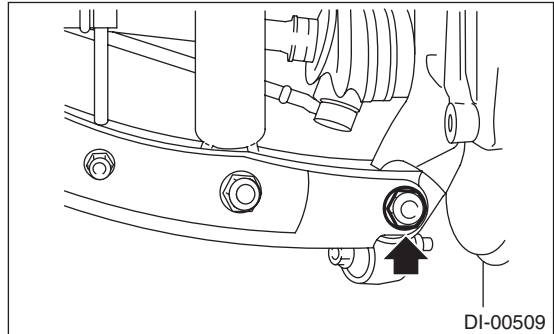
- (2) Remove the bolts which secure the rear stabilizer link to the rear lateral link.



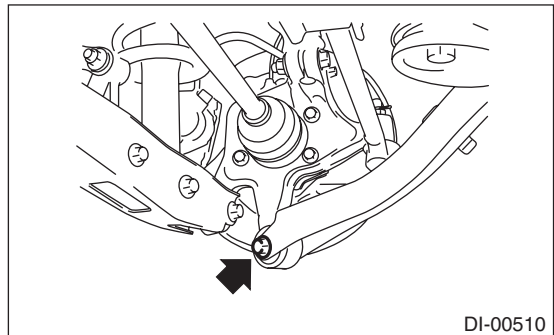
- (3) Remove the bolts which secure the shock absorber to the rear lateral link.



- (4) Remove the bolts which secure the rear lateral link to the housing.



- (5) Remove the bolts which secure the trailing link to the housing.

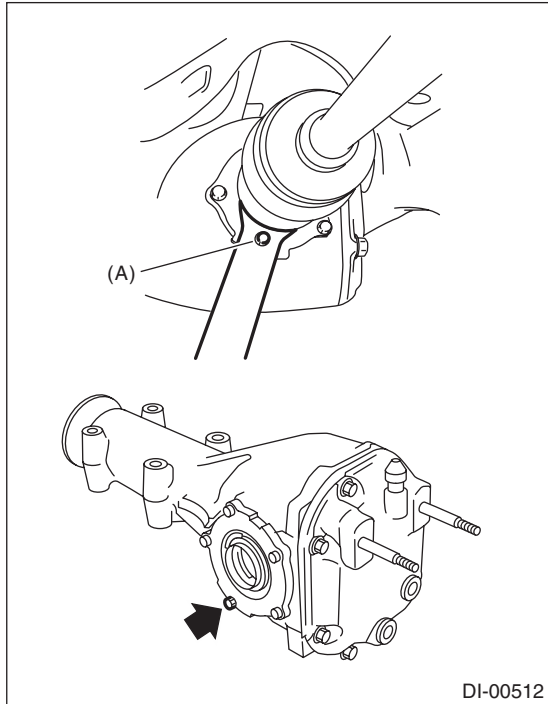


(6) Remove the DOJ from the rear differential by using ST.

**NOTE:**

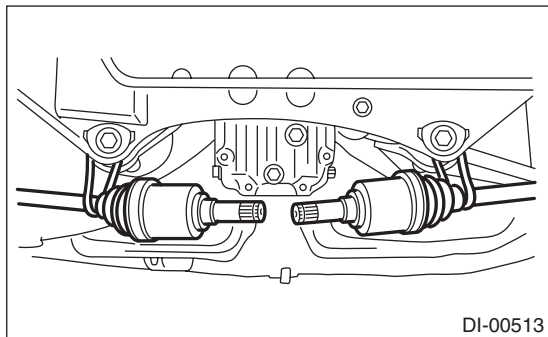
When removing the DOJ from the rear differential, fit the ST to the bolts as shown in the figure so as not to damage the side retainer.

ST 28099PA100 DRIVE SHAFT REMOVER

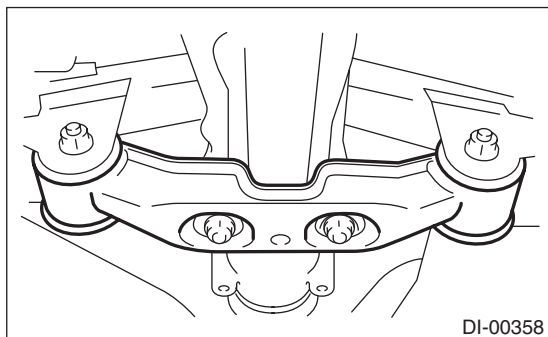


(A) Bolt

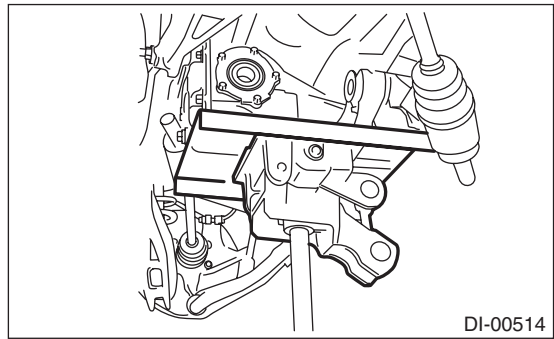
13) Suspend the rear drive shaft to the rear cross-member using wire.



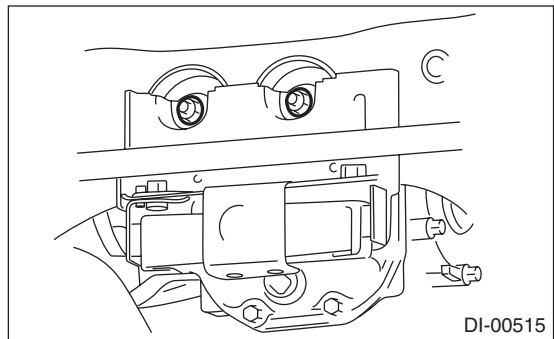
14) Remove the rear differential front member.



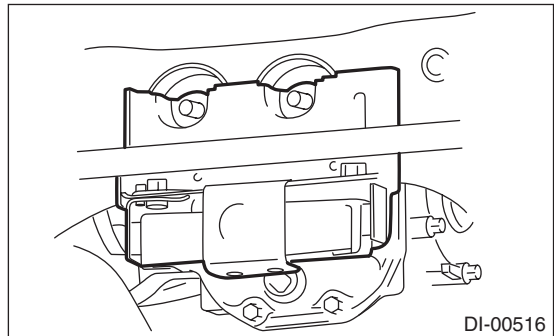
15) Support the rear differential with the transmission jack.



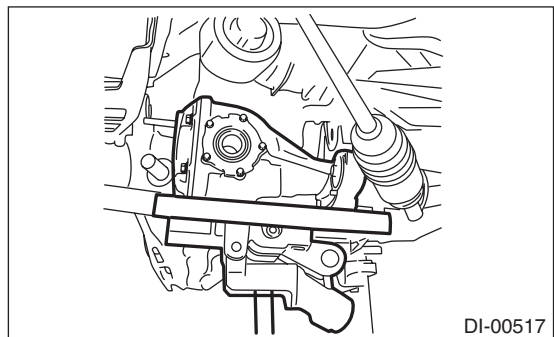
16) Remove the self-lock nuts which hold the rear differential to the rear crossmember.



17) Remove the dynamic damper assembly. (5 door AT model)



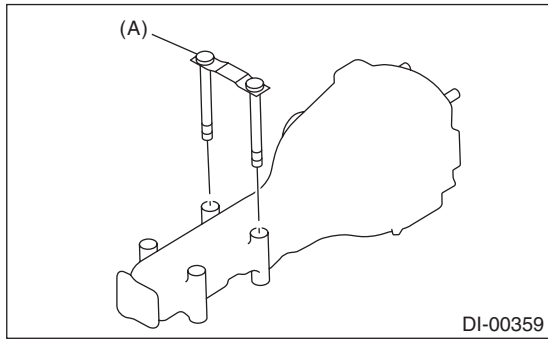
18) While slowly lowering the transmission jack, move the rear differential forward, and remove the rear differential from the vehicle.



# Rear Differential

## DIFFERENTIALS

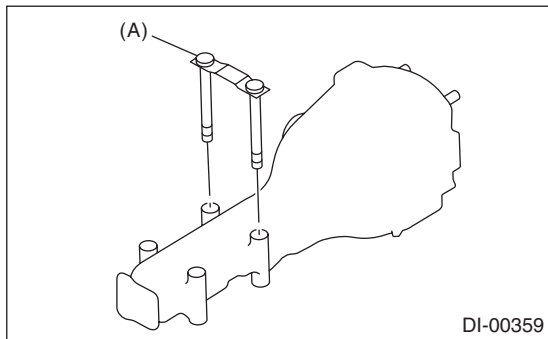
19) Remove the rear differential member plate from the rear differential.



(A) Rear differential member plate

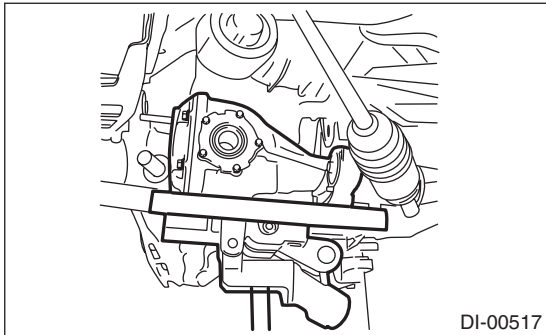
## B: INSTALLATION

1) Attach the rear differential member plate to the rear differential.

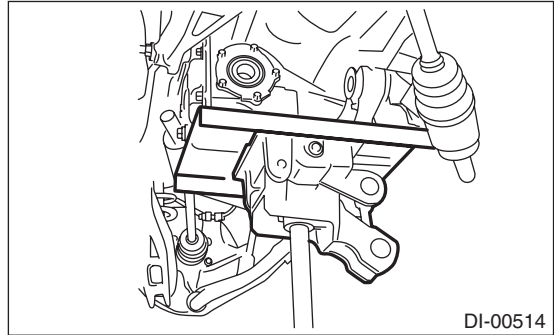


(A) Rear differential member plate

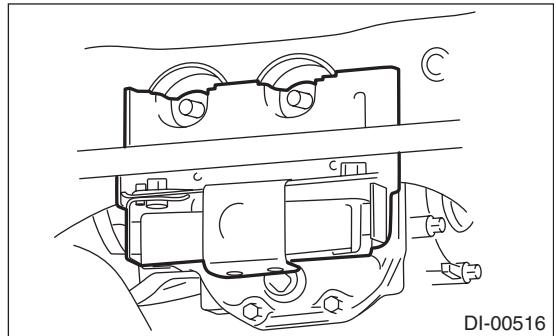
2) Set the rear differential to transmission jack.  
3) Adjust the transmission jack and properly insert the rear differential stud bolt into rear crossmember bushing.



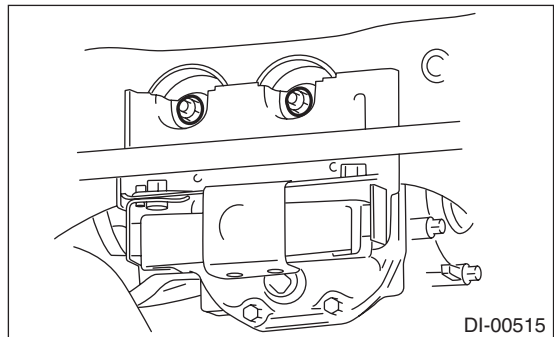
4) After inserting the rear differential stud bolt into the rear crossmember bushing, lift up the transmission jack and align the rear differential to its attachment position.



5) Install the dynamic damper assembly. (5 door AT model)



6) Tighten a new self-locking nut temporarily to rear crossmember.

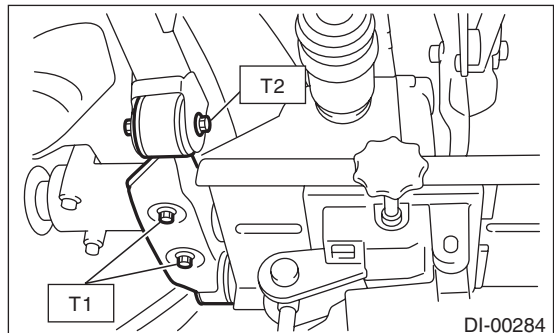


7) Install the rear differential front member with a new self-locking nut.

**Tightening torque:**

**T1: 50 N·m (5.1 kgf-m, 36.9 ft-lb)**

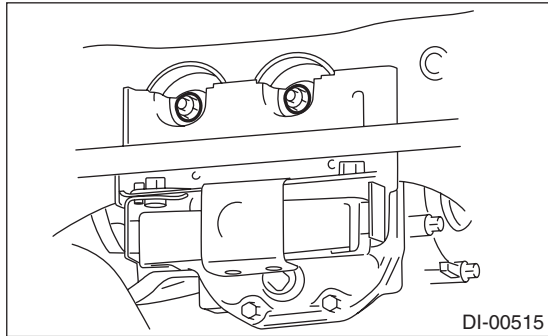
**T2: 110 N·m (11.2 kgf-m, 81.1 ft-lb)**



8) Tighten the self-locking nut.

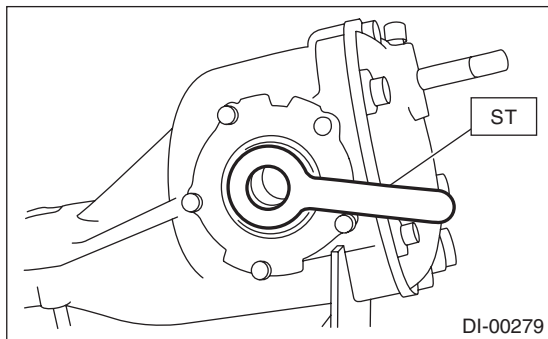
**Tightening torque:**

**70 N·m (7.1 kgf·m, 51.6 ft·lb)**

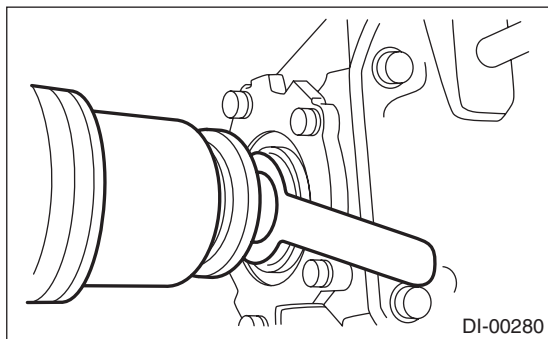


9) Attach the ST to rear differential.

ST 28099PA090 OIL SEAL PROTECTOR

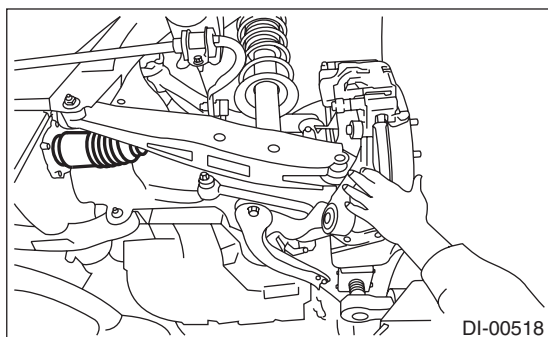


10) Insert the spline shaft until the spline portion comes inside the side oil seal.



11) Remove ST from rear differential.

12) Push the housing to fully insert the DOJ into the rear differential.



13) Lower the transmission jack.

14) Installing procedure hereafter is in the reverse order of removal.

15) After installing, fill the differential carrier with gear oil up to the bottom of the filler plug hole. <Ref. to DI-14, Differential Gear Oil.>

16) Inspect the wheel alignment and adjust if necessary.

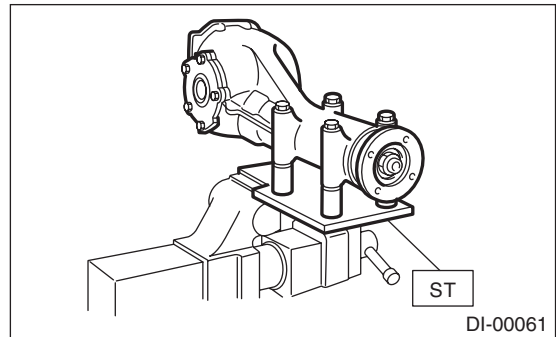
**C: DISASSEMBLY**

To detect the real cause of trouble, inspect the following items before disassembling.

- Tooth contact and backlash between hypoid driven gear and drive pinion
- Hypoid driven gear runout on its back surface
- Total preload of drive pinion

1) Set the ST on vise and install the differential assembly to ST.

ST 398217700 ATTACHMENT

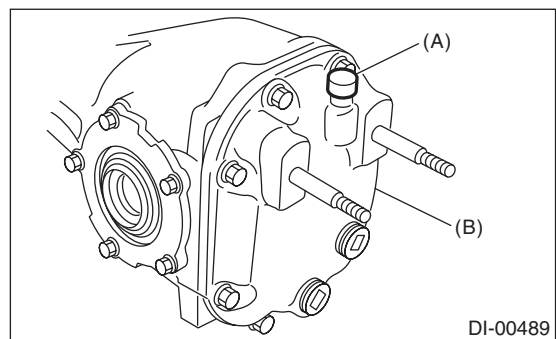


2) Remove the oil drain plug and filler plug, and drain the gear oil.

3) Remove the air breather cap.

**NOTE:**

- Do not attempt to replace the air breather cap unless necessary.
- Whenever the air breather cap is removed, replace it with a new part.



(A) Air breather cap

(B) Rear cover

4) Remove the bolts, and then remove the rear cover.



# Rear Differential

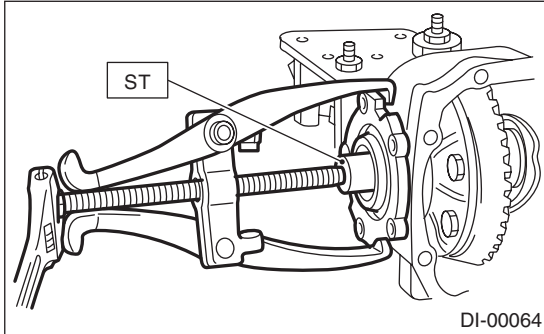
## DIFFERENTIALS

5) Keep the side retainers separate to make it possible to identify RH and LH sides. Remove the side retainer attachment bolts, set the ST to differential case, and extract the side retainers RH and LH with a puller.

### NOTE:

Side retainer shim of each side should be kept together with its mating retainer.

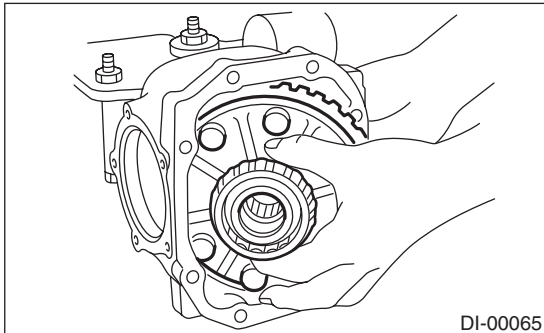
ST 398457700 ATTACHMENT



6) Pull out the differential case assembly from the differential carrier.

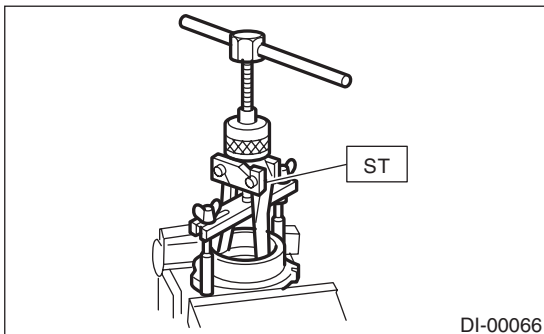
### NOTE:

Be careful not to hit the teeth against the case.



7) When replacing the side bearing, remove the bearing cup from the side retainer using ST.

ST 398527700 PULLER ASSY

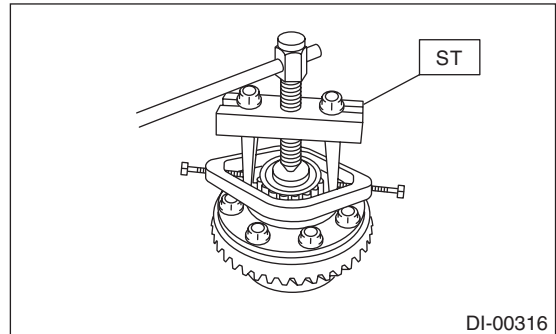


8) Remove the bearing cone with ST.

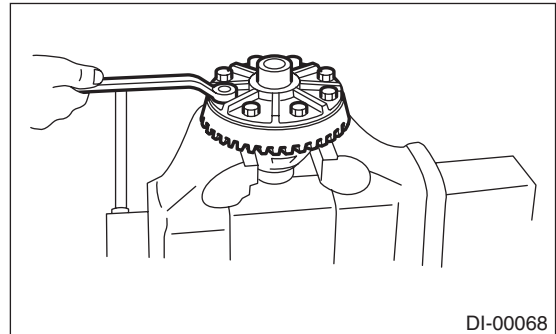
### NOTE:

- Do not attempt to disassemble the parts unless necessary.
- Set the puller so that its claws catch the edge of the bearing cone.
- Never mix up the RH and LH bearing races and cones.

ST 18759AA000 PULLER ASSY



9) Remove the hypoid driven gear by loosening hypoid driven gear bolts.

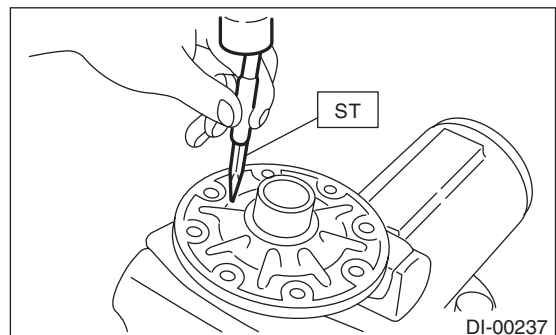


10) Drive out the pinion shaft lock pin from the hypoid driven gear side.

### NOTE:

The lock pin is staked at the pin hole end on the differential carrier. Do not drive it out forcibly before removing the stake.

ST 899904100 STRAIGHT PIN REMOVER

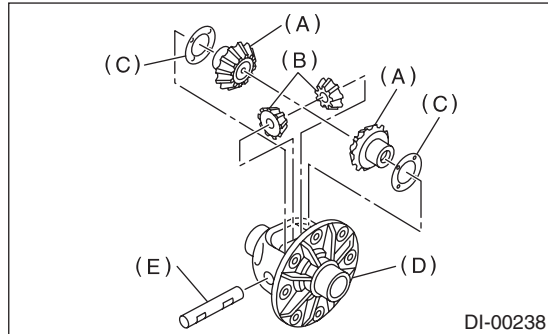




11) Draw out the pinion mate shaft and remove pinion mate gears, side gears and thrust washers.

**NOTE:**

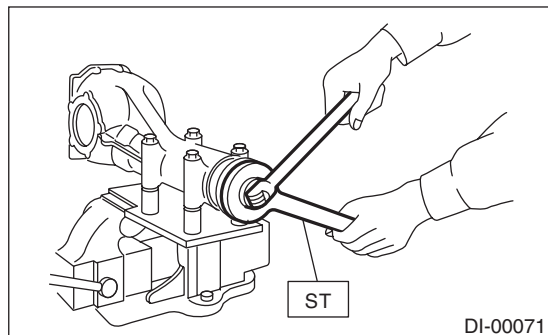
The gears should be marked or kept separated right and left, and front and rear as well as thrust washers.



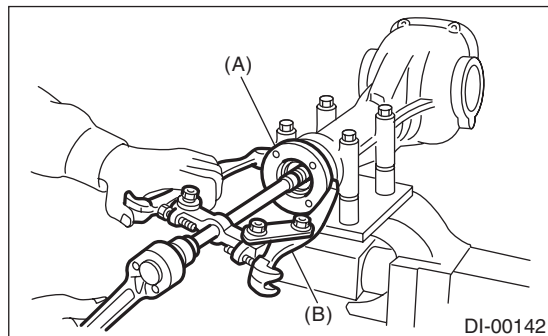
- (A) Side gear
- (B) Pinion mate gear
- (C) Thrust washer
- (D) Differential case
- (E) Pinion mate shaft

12) Remove the self-locking nut while holding the companion flange with ST.

ST 498427200 FLANGE WRENCH



13) Extract the companion flange with a puller.



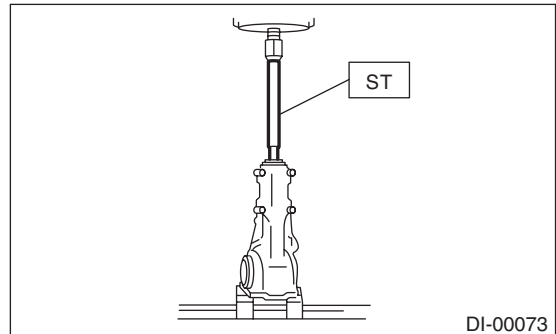
- (A) Companion flange
- (B) PULLER

14) Press the end of drive pinion shaft and extract it together with rear bearing cone, pinion height adjusting washer and washer.

**NOTE:**

Hold the drive pinion so as not to drop it.

ST 398467700 DRIFT

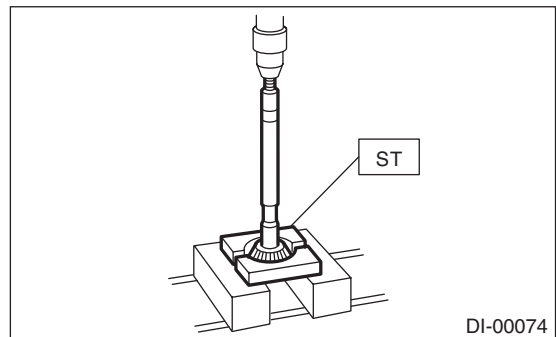


15) Remove the rear bearing cone from drive pinion by supporting the cone with ST.

**NOTE:**

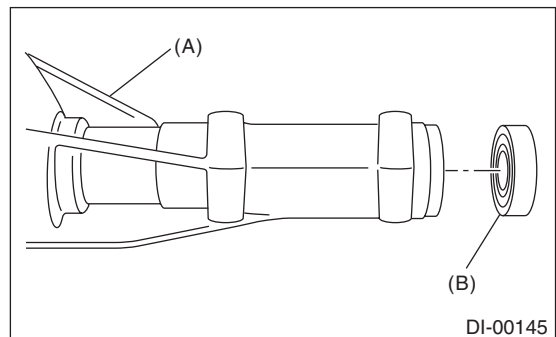
Place the replacer so that its center-recessed side faces the pinion gear.

ST 398517700 REPLACER



16) Remove the front oil seal from differential carrier using ST.

ST 398527700 PULLER ASSY



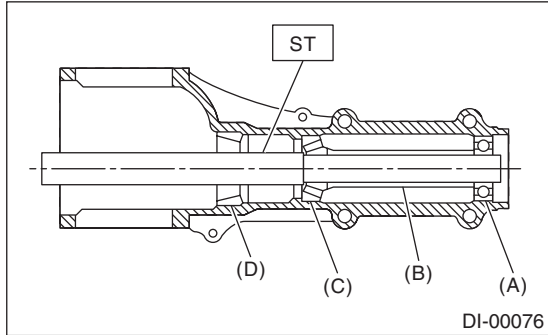
- (A) Differential carrier
- (B) Front oil seal

# Rear Differential

## DIFFERENTIALS

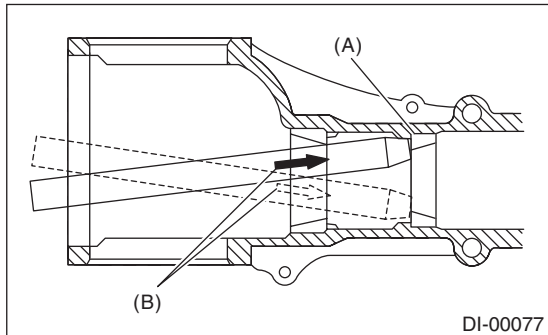
17) Remove the pilot bearing together with the front bearing cone and spacer using the ST.

ST 398467700 DRIFT



- (A) Pilot bearing
- (B) Spacer
- (C) Front bearing
- (D) Rear bearing cup

18) When replacing the bearings, use a brass bar to tap out the front bearing cup and rear bearing cup (in this order).

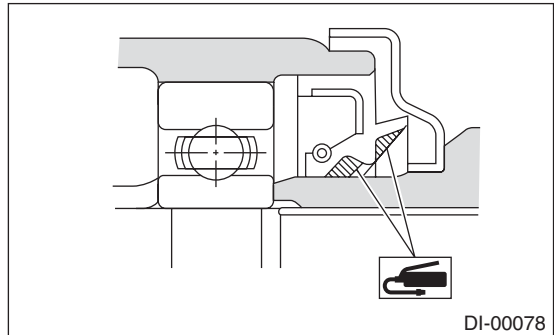


- (A) 2 cutout portions along diagonal lines
- (B) Tap alternately with brass bar.

## D: ASSEMBLY

### NOTE:

- Assemble in the reverse order of disassembly.
- Check and adjust each part during assembly.
- Keep the shims and washers in order, so that they are not improperly installed.
- Thoroughly clean the surfaces on which the shims, washers and bearings are to be installed.
- Apply gear oil when installing the bearings and thrust washers.
- Be careful not to mix up the RH and LH bearing races.
- Use a new O-ring and gasket.
- Replace the oil seal with a new part at every disassembly.
- Be careful not to mix up the oil seal RH and LH.
- Apply differential gear oil to the lips when installing the oil seal.



1) Adjusting preload for front and rear bearings

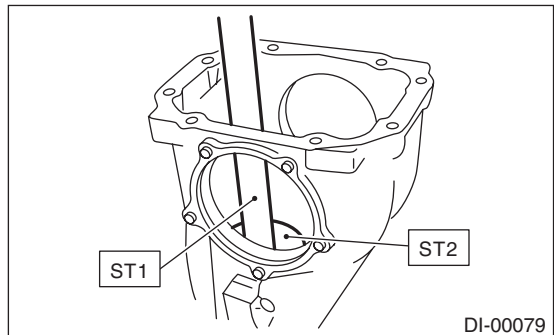
### NOTE:

Adjust the bearing preload between front and rear bearings with spacer and washer. Pinion height adjusting washer is not affected by this adjustment. The adjustment must not be carried out with oil seal inserted.

(1) Install the rear bearing race into the differential carrier using ST1 and ST2.

ST1 398477701 HANDLE

ST2 398477703 DRIFT 2



(2) Install the front bearing race to the differential carrier using ST1 and ST2.

ST1 398477701 HANDLE

ST2 398477702 DRIFT

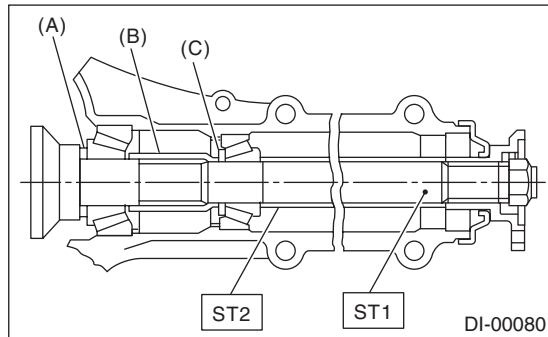
(3) Insert the ST1 into carrier with the pinion height adjusting washer and rear bearing cone fitted onto it.

**NOTE:**

- If tooth contact (drive pinion, hypoid driven gear) is normal in the inspection before disassembling, verify that the washer is not deformed, and then re-use the used washer.
- Use new rear bearing cone.

(4) Install the preload adjusting spacer and washer, front bearing cone, ST2, companion flange, washer and self-locking nut.

ST1 398507702 DUMMY SHAFT  
 ST2 398507703 DUMMY COLLAR



- (A) Pinion height adjusting washer
- (B) Preload adjusting spacer
- (C) Preload adjusting washer

(5) Turn the ST1 by hand to smooth the bearing, and tighten the self-locking nut while measuring the initial load or initial torque with a spring scale or torque wrench. Select the preload adjusting washer and spacer so that the specified preload is obtained when nut is tightened to the specified torque.

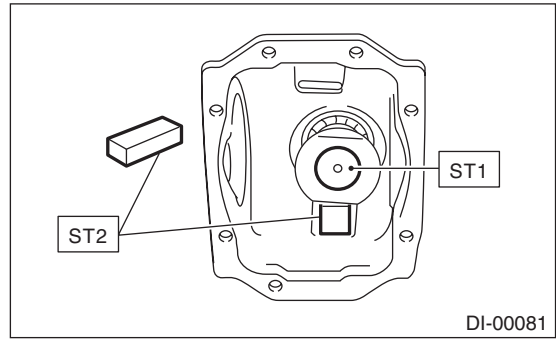
**NOTE:**

- Use a new self-locking nut.
- Measure the preload in direction of tangent to the flange.
- Be careful not to give excessive preload.
- When tightening the self-locking nut, lock ST1 with ST2 as shown in the figure.

ST1 398507702 DUMMY SHAFT  
 ST2 398507704 BLOCK

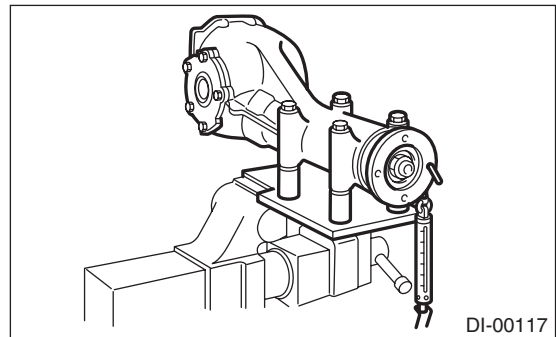
**Tightening torque:**

**181.5 N·m (18.5 kgf·m, 133.9 ft·lb)**



**Initial load:**

**17.7 — 38.8 N (1.8 — 4.0 kgf, 4.0 — 8.7 lb)**



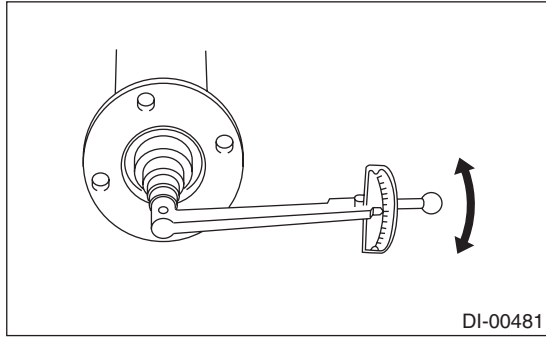
# Rear Differential

## DIFFERENTIALS

### Initial torque:

0.67 — 1.47 N·m

(0.07 — 0.15 kgf·m, 0.49 — 1.08 ft·lb)



Preload adjusting washer	
Part No.	Thickness mm (in)
383705200	2.59 (0.1020)
383715200	2.57 (0.1012)
383725200	2.55 (0.1004)
383735200	2.53 (0.0996)
383745200	2.51 (0.0988)
383755200	2.49 (0.0980)
383765200	2.47 (0.0972)
383775200	2.45 (0.0965)
383785200	2.43 (0.0957)
383795200	2.41 (0.0949)
383805200	2.39 (0.0941)
383815200	2.37 (0.0933)
383825200	2.35 (0.0925)
383835200	2.33 (0.0917)
383845200	2.31 (0.0909)

Preload adjusting spacer	
Part No.	Length mm (in)
383695201	56.2 (2.213)
383695202	56.4 (2.220)
383695203	56.6 (2.228)
383695204	56.8 (2.236)
383695205	57.0 (2.244)
383695206	57.2 (2.252)

### 2) Adjusting drive pinion height:

Adjust the drive pinion height with washer installed between the rear bearing cone and the back of pinion gear.

(1) Attach the ST2.

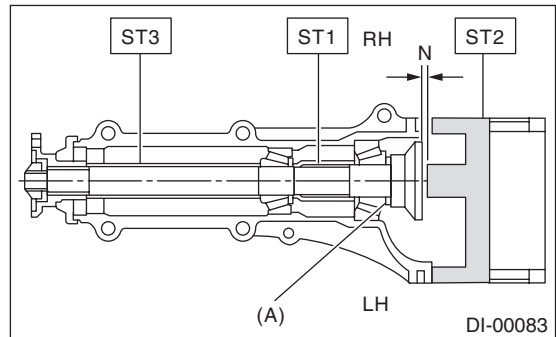
#### NOTE:

At this time, install a provisionally selected or previously used pinion height adjusting washer. Measure and record the thickness.

ST1 398507702 DUMMY SHAFT

ST2 398507701 DIFFERENTIAL CARRIER GAUGE

ST3 398507703 DUMMY COLLAR



N Measured value

(A) Pinion height adjusting washer

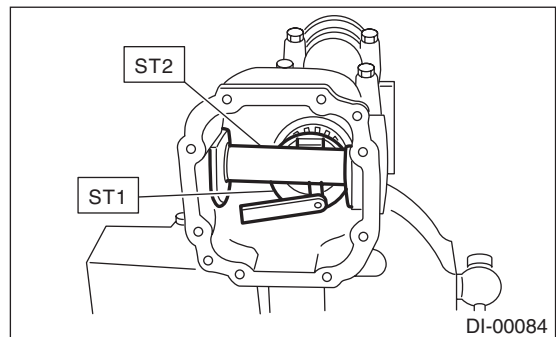
(2) Measure the clearance "N" between the end of ST2 and the end surface of ST1 by using a thickness gauge.

#### NOTE:

Make sure there is no clearance between the case and ST2.

ST1 398507702 DUMMY SHAFT

ST2 398507701 DIFFERENTIAL CARRIER GAUGE



(3) Obtain the thickness of pinion height adjusting washer to be inserted from the following formula, and replace the temporarily installed washer with this one.

$$T = T_o + N - (H \times 0.01) - 0.20 \text{ mm (0.0079 in)}$$

**NOTE:**

Use copies of this page.

T	Thickness of pinion height adjusting washer mm (in)
T <sub>o</sub>	Thickness of washer temporarily inserted mm (in)
N	Clearance of thickness gauge mm (in)
H	Figure marked on drive pinion head
Memo:	

(Example of calculation)

$$T_o = 2.20 \text{ mm (0.0866 in)} + 1.20 \text{ mm (0.0472 in)} = 3.40 \text{ mm (0.1339 in)}$$

$$N = 0.23 \text{ mm (0.0091 in)}$$

$$H = + 1$$

$$T = 3.40 \text{ mm (0.1339 in)} + 0.23 \text{ mm (0.0091 in)} - 0.01 \text{ mm (0.0004 in)} - 0.20 \text{ mm (0.0079 in)} = 3.42 \text{ mm (0.1346 in)}$$

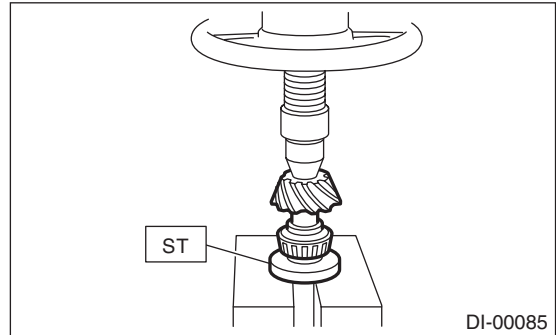
Result: Thickness = 3.42 mm (0.1346 in)

Therefore use washer 383605200.

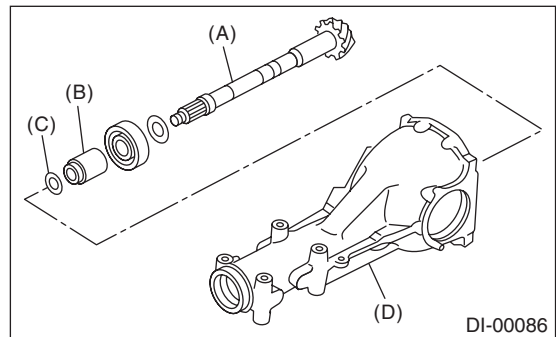
Pinion height adjusting washer	
Part No.	Thickness mm (in)
383495200	3.09 (0.1217)
383505200	3.12 (0.1228)
383515200	3.15 (0.1240)
383525200	3.18 (0.1252)
383535200	3.21 (0.1264)
383545200	3.24 (0.1276)
383555200	3.27 (0.1287)
383565200	3.30 (0.1299)
383575200	3.33 (0.1311)
383585200	3.36 (0.1323)
383595200	3.39 (0.1335)
383605200	3.42 (0.1346)
383615200	3.45 (0.1358)
383625200	3.48 (0.1370)
383635200	3.51 (0.1382)
383645200	3.54 (0.1394)
383655200	3.57 (0.1406)
383665200	3.60 (0.1417)
383675200	3.63 (0.1429)
383685200	3.66 (0.1441)

3) Install the selected pinion height adjusting washer on drive pinion, and press the rear bearing cone into position with ST.

ST 398177700 INSTALLER



4) Insert the drive pinion into the differential carrier, and install the preselected bearing preload adjusting spacer and washer.



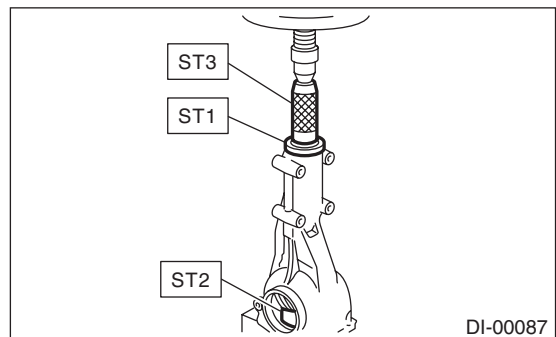
- (A) Drive pinion
- (B) Bearing preload adjusting spacer
- (C) Bearing preload adjusting washer
- (D) Differential carrier

5) Press-fit the front bearing cone into case with ST1, ST2 and ST3.

ST1 398507703 DUMMY COLLAR

ST2 399780104 WEIGHT

ST3 899580100 INSTALLER

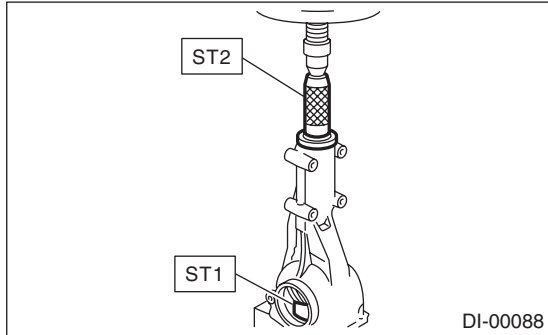


# Rear Differential

## DIFFERENTIALS

6) Insert the spacer, then press-fit the pilot bearing with ST1 and ST2.

ST1 399780104 WEIGHT  
ST2 899580100 INSTALLER

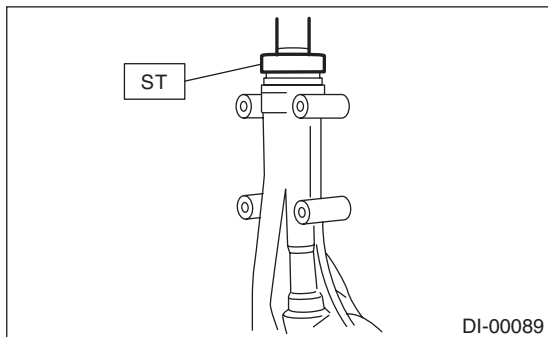


7) Fit a new oil seal with ST.

NOTE:

- Press-fit until the oil seal end comes 1 mm (0.04 in) inward from end of carrier.
- Apply differential gear oil to the oil seal lips.

ST 498447120 INSTALLER

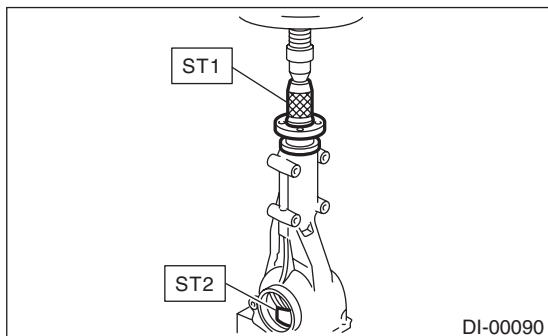


8) Press-fit the companion flange with ST1 and ST2.

NOTE:

Be careful not to damage the bearing.

ST1 899874100 INSTALLER  
ST2 399780104 WEIGHT



9) Apply seal material on the drive pinion shaft thread and new self-locking nut seat.

**Seal material:**

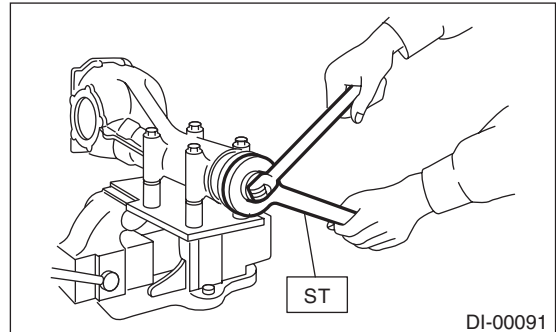
**THREE BOND 1324 (Part No. 004403042) or equivalent**

10) Attach new self-locking nuts, and tighten with the ST.

ST 498427200 FLANGE WRENCH

**Tightening torque:**

**181.5 N·m (18.5 kgf·m, 133.9 ft·lb)**

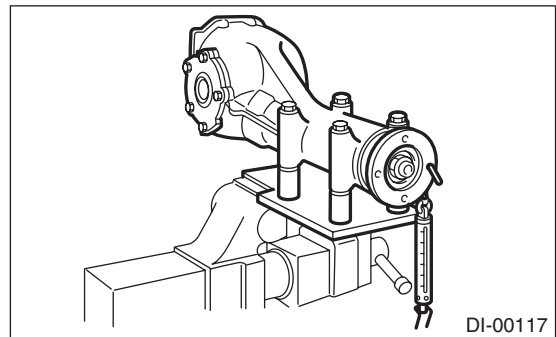


11) Check the initial torque and initial load.

**Initial load:**

**17.7 — 38.8 N·m**

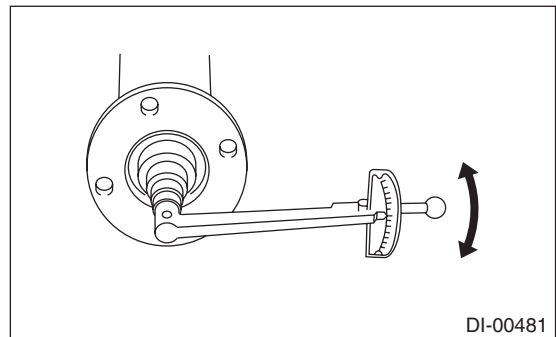
**(1.8 — 4.0 kgf·m, 4.0 — 8.7 ft·lb)**



**Initial torque:**

**0.67 — 1.47 N·m**

**(0.07 — 0.15 kgf·m, 0.49 — 1.08 ft·lb)**

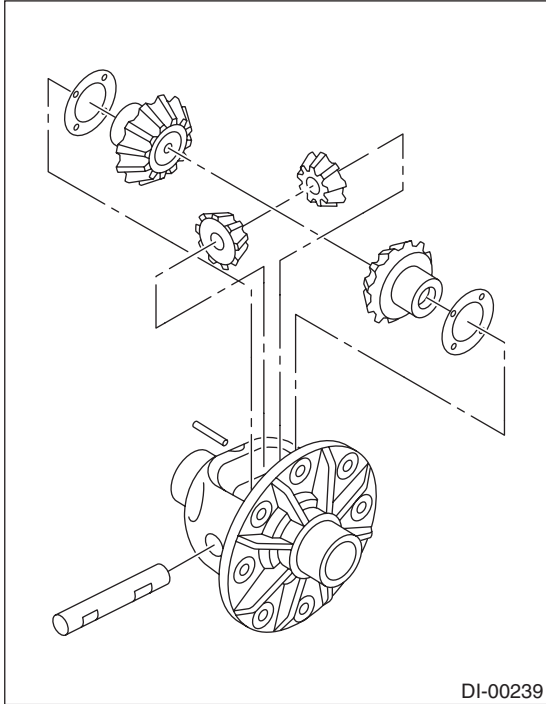


## 12) Assembling differential case

Install the side gears and pinion mate gears, with their thrust washers and pinion mate shaft, into the differential case.

### NOTE:

- Apply gear oil on both sides of the washer and on the side gear shaft before installing.
- Insert the pinion mate shaft into the differential case by aligning the lock pin holes.

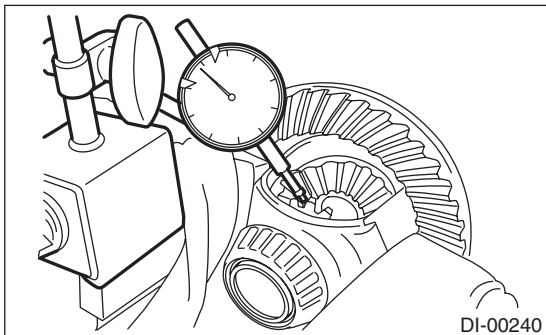


DI-00239

(1) Measure the side gear backlash.

### Side gear backlash:

**0.10 — 0.20 mm (0.004 — 0.008 in)**



DI-00240

(2) Adjust the backlash as specified by selecting side gear thrust washer.

Side gear thrust washer	
Part No.	Thickness mm (in)
383445201	0.75 — 0.80 (0.0295 — 0.0315)
383445202	0.80 — 0.85 (0.0315 — 0.0335)
383445203	0.85 — 0.90 (0.0335 — 0.0354)

(3) Check the condition of rotation after applying oil to the gear tooth surfaces and thrust washer surfaces.

(4) After inserting the pinion shaft lock pin into differential case, stake the both sides of the hole to prevent pin from falling off.

13) Install the driven gear to the differential case.

### NOTE:

- Before installing bolts, apply seal material to bolt threads.

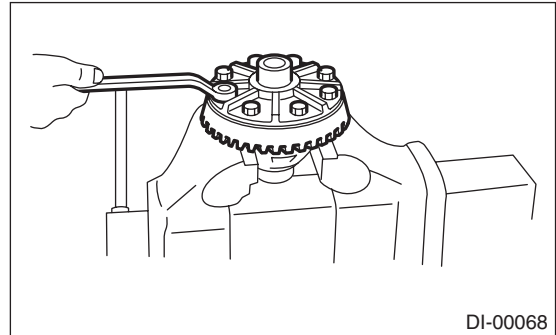
### Seal material:

**THREE BOND 1324 (Part No. 004403042) or equivalent**

- Make sure there is no clearance between the differential case and driven gear.
- Tighten opposing bolts in order.

### Tightening torque:

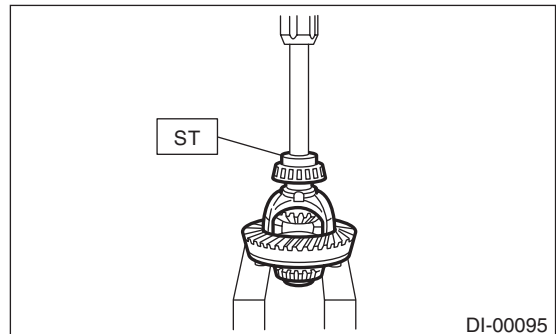
**103 N·m (10.5 kgf·m, 76.0 ft·lb)**



DI-00068

14) Press the side bearing into differential case using ST.

ST 398487700 DRIFT



DI-00095

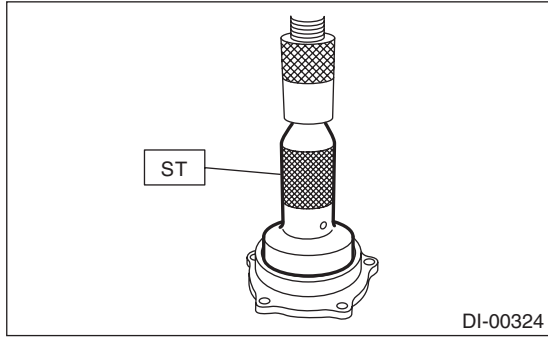


# Rear Differential

## DIFFERENTIALS

15) Press the side bearing outer race into the side retainer using the ST.

ST 398417700 DRIFT



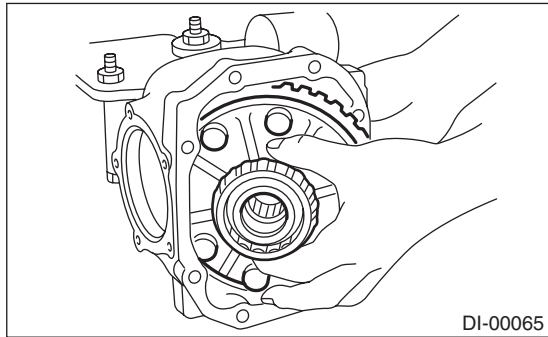
16) Side retainer shim adjustment

(1) The driven gear backlash and side bearing preload can be adjusted by the side retainer shim thickness.

(2) Install the differential case assembly into differential carrier in the reverse order of disassembly.

**NOTE:**

Be careful not to hit the teeth against the case.



(3) Install the side retainer shims and O-ring to retainers RH and LH on which they were installed.

**NOTE:**

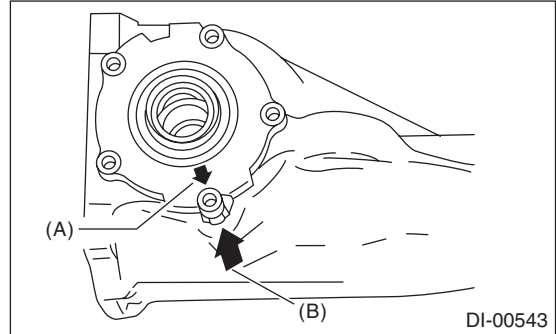
- Replace the O-ring with a new part.
- Replace broken or corroded side retainer shims with a new part of the same thickness.

Side retainer shim	
Part No.	Thickness mm (in)
383475201	0.20 (0.0079)
383475202	0.25 (0.0098)
383475203	0.30 (0.0118)
383475204	0.40 (0.0157)
383475205	0.50 (0.0197)

(4) Align the arrow mark on the differential carrier with that on the side retainer during installation.

**NOTE:**

Be careful that side bearing outer race is not damaged by the bearing roller.

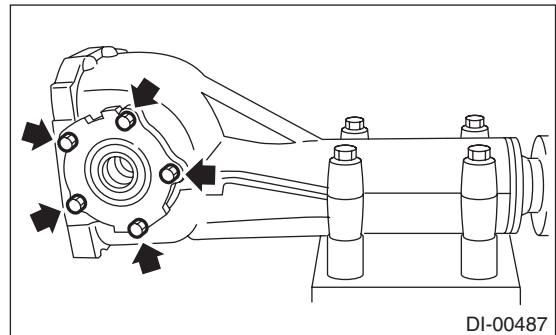


- (A) Arrow mark (on the side retainer)
- (B) Arrow mark (on the differential carrier)

(5) Tighten the side retainer bolts.

**Tightening torque:**

**10.5 N·m (1.1 kgf·m, 7.7 ft·lb)**



(6) Measure the hypoid driven gear to drive pinion backlash. Set the magnet base on differential carrier. Align the contact point of dial gauge with tooth face of hypoid driven gear, and move hypoid driven gear while holding drive pinion still. Read the value indicated on dial gauge. If the backlash is outside the standard range, adjust the side retainer shim by the following method.

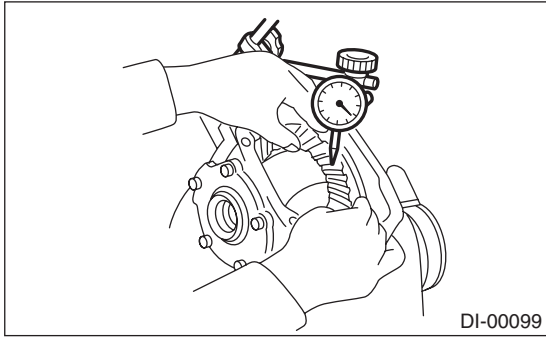
•**When backlash is less than 0.1 mm (0.004 in):** Reduce the thickness of shim on the back side of the hypoid driven gear and increase the thickness of shims on the teeth side of the hypoid driven gear.

•**When backlash exceeds 0.2 mm (0.008 in):** Increase the thickness of shim on the back side of the hypoid driven gear and reduce the thickness of shims on the teeth side of the hypoid driven gear.



**Backlash:**

**0.10 — 0.20 mm (0.004 — 0.008 in)**



(7) At the same time, measure the total preload of the drive pinion. Compared with the resistance when differential case is not installed, if the total preload is not within specification, adjust the thickness of side retainer shims, increasing/reducing both shims by an even amount at a time.

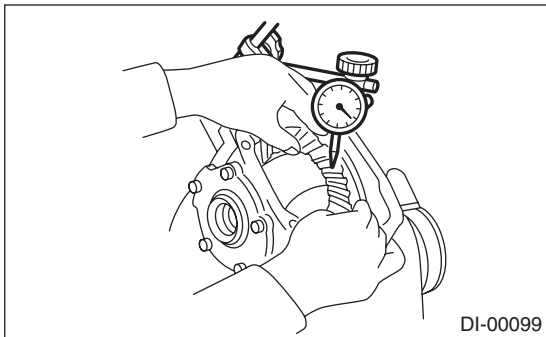
**Total preload:**

**20.7 — 54.4 N (2.1 — 5.5 kgf, 4.7 — 12.2 lbf)**

17) Recheck the hypoid driven gear to drive pinion backlash.

**Backlash:**

**0.10 — 0.20 mm (0.004 — 0.008 in)**

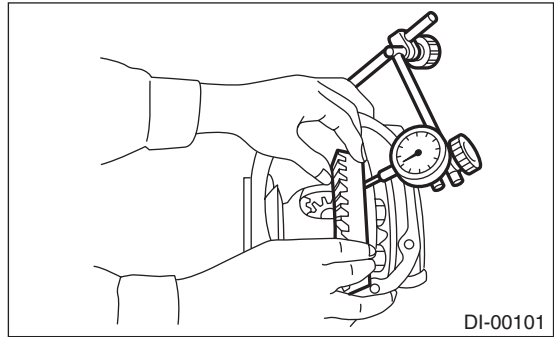


18) Check the runout on the back side of the hypoid driven gear, and make sure that the pinion and hypoid driven gears rotate smoothly.

If the runout on the back side of the hypoid driven gear exceeds the specification, check for any foreign material between the hypoid driven gear and differential case, and for any deformation of the case or gear.

**Hypoid driven gear back surface runout:**

**0.05 mm (0.002 in)**



19) Checking and adjusting the tooth contact of hypoid driven gear

(1) Apply lead-free red dye evenly on the both sides of three to four teeth of the hypoid driven gear. Check the contact pattern after rotating the hypoid driven gear several revolutions back and forth until a definite contact pattern appears on the hypoid driven gear.

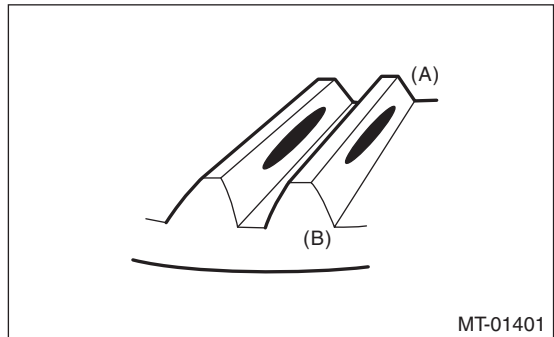
(2) When the contact pattern is not correct, re-adjust.

**NOTE:**

Be sure to wipe off the lead-free red dye completely after the adjustment is completed.

- Correct tooth contact

**Check item: Tooth contact pattern is slightly shifted toward toe side under no-load rotation. (When driving, it moves towards the heel side.)**



- (A) Toe side
- (B) Heel side

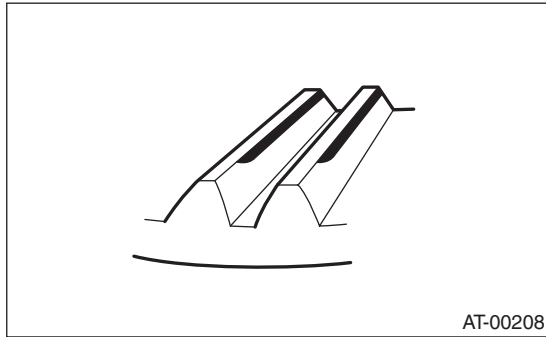
# Rear Differential

## DIFFERENTIALS

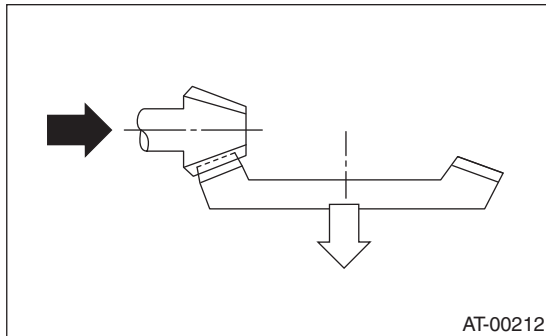
- Face contact

**Check item: Backlash is too large.**

Contact pattern



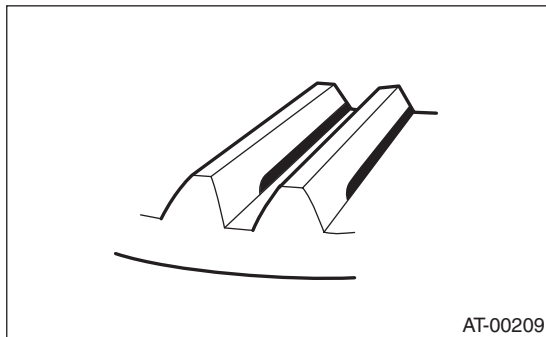
Corrective action: Increase thickness of drive pinion height adjusting washer in order to bring drive pinion close to hypoid driven gear.



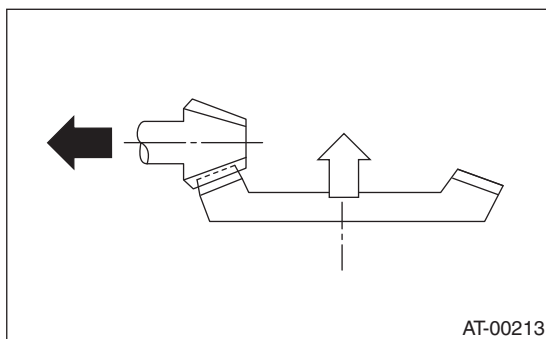
- Flank contact

**Check item: Backlash is too small.**

Contact pattern



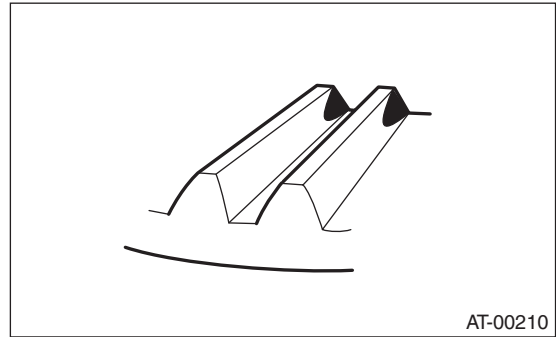
Corrective action: Reduce the thickness of pinion height adjusting washer according to the procedure for bringing drive pinion away from hypoid driven gear.



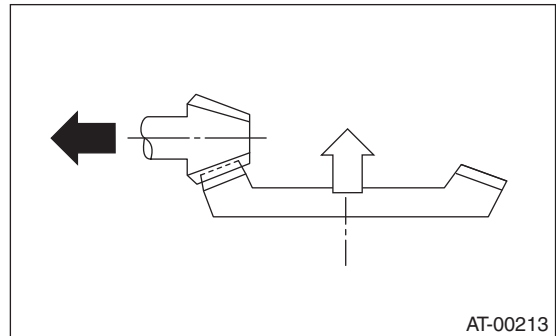
- Toe contact (inside contact)

**Check item: Teeth contact area is too small.**

Contact pattern



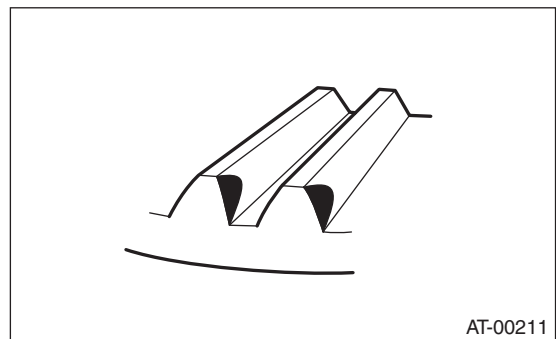
Corrective action: Reduce the thickness of pinion height adjusting washer according to the procedure for bringing drive pinion away from hypoid driven gear.



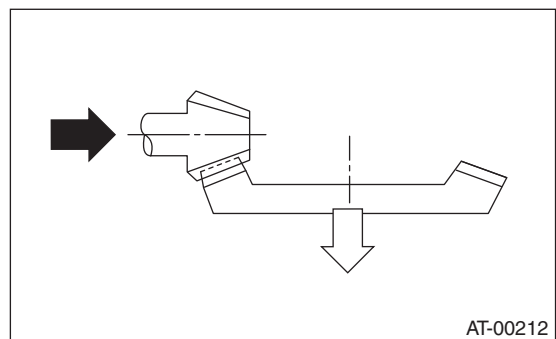
- Heel contact (outside end contact)

**Check item: Teeth contact area is too small.**

Contact pattern



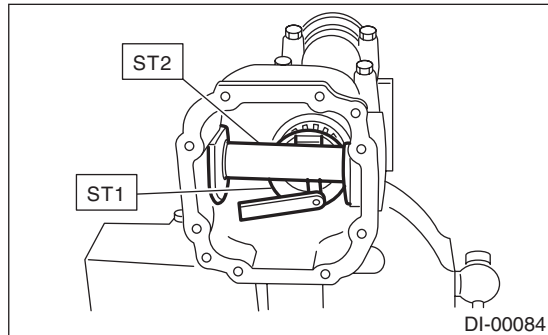
Corrective action: Increase thickness of drive pinion height adjusting washer in order to bring the drive pinion closer to the hypoid driven gear.



20) If proper tooth contact is not obtained, once again adjust the drive pinion height by changing the RH and LH side retainer shims and the hypoid gear backlash.

(1) Drive pinion height

ST1 398507702 DUMMY SHAFT  
 ST2 398507701 DIFFERENTIAL CARRIER GAUGE



$$T = T_o + N - (H \times 0.01) - 0.20 \text{ mm (0.008 in)}$$

Place:

T = Thickness of pinion height adjusting washer  
 mm (in)

T<sub>o</sub> = Thickness of washer temporarily inserted  
 mm (in)

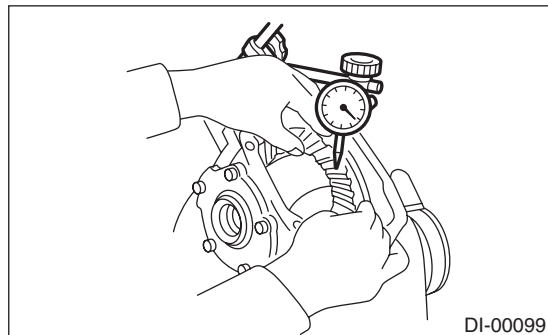
N = Clearance of thickness gauge mm (in)

H = Figure marked on drive pinion head

(2) Hypoid gear backlash

**Backlash:**

**0.10 — 0.20 mm (0.004 — 0.008 in)**

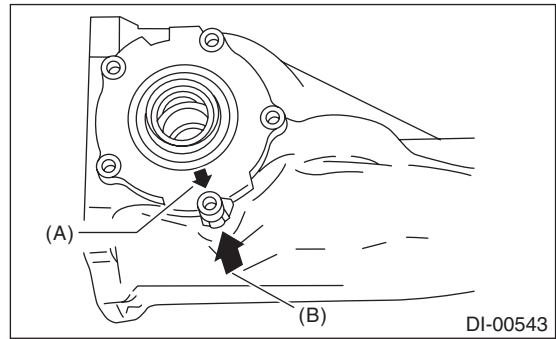


21) Remove the RH and LH side retainers.

22) Install new O-rings to the side retainers on both sides.

23) Install the oil seal to the side retainer of both sides. <Ref. to DI-37, REPLACEMENT, Rear Differential Side Oil Seal.>

24) Align the arrow mark on the differential carrier with that on the side retainer during installation.



(A) Arrow mark (on the side retainer)

(B) Arrow mark (on the differential carrier)

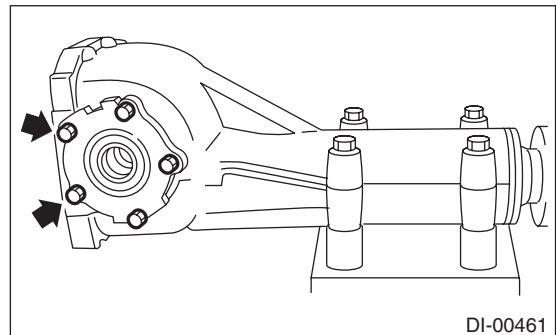
25) Apply liquid gasket to the bolt with arrow marks and install the side retainer.

**Liquid gasket:**

**THREE BOND 1110B (Part No. K0879Y0020) or equivalent**

**Tightening torque:**

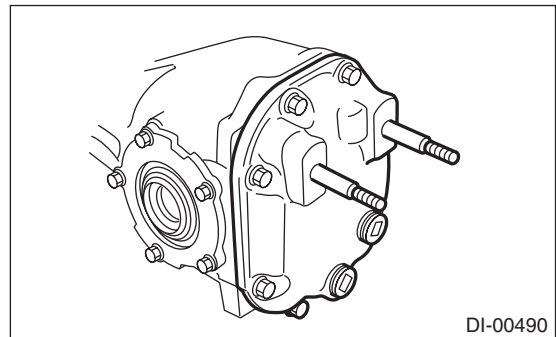
**10.5 N·m (1.1 kgf-m, 7.7 ft-lb)**



26) Install the new gasket and rear cover, and tighten the bolts to the specified torque.

**Tightening torque:**

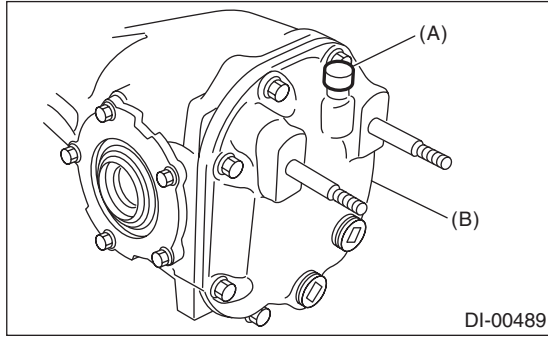
**29.5 N·m (3.0 kgf-m, 21.8 ft-lb)**



# Rear Differential

## DIFFERENTIALS

27) Install the air breather cap.



- (A) Air breather cap
- (B) Rear cover

28) Install the oil drain plug and filler plug.

### **Tightening torque:**

**49 N·m (5.0 kgf·m, 36.1 ft·lb)**

## **E: INSPECTION**

Wash all the disassembled parts clean, and examine them for wear, damage and other defects. Repair or replace the defective parts as necessary.

1) Hypoid driven gear and drive pinion

- If there is evidently an abnormal tooth contact, find out the cause and adjust until the teeth contact correctly. Replace the gear if there is an excessive worn or an incapable adjustment.

- If crack, cutout or seizure is found, replace the parts as a set. Slight damage of some teeth can be corrected by oil stone or the like.

2) Side gear and pinion mate gear

- Replace if cracks, scoring or other defects are evident on the tooth surface.

- Replace if thrust washer contact surface is worn or seized. Slight damages of the surface can be corrected by oil stones or equivalent.

3) Bearing

Replace if seizure, peeling, wear, rust, dragging during rotation, abnormal noise or other defect is evident.

4) Thrust washer of the side gear and pinion mate gear:

Replace if seized, flawed, abnormally worn or having other defects.

5) Oil seal

Replace if deformed or damaged, and at every disassembling.

6) Differential carrier

Replace if the bearing bores are worn or damaged.

7) Differential case

Replace if its sliding surfaces are abnormally worn, burned, or cracked.

8) Companion flange

Replace if the oil seal lip contact surface shows cracking.

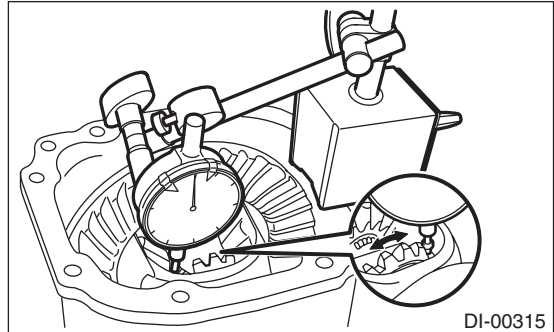
## **1. SIDE GEAR BACKLASH**

Using a dial gauge, check the backlash of side gear.

### **Side gear backlash:**

**0.10 — 0.20 mm (0.004 — 0.008 in)**

If the side gear backlash is not within the specification, select the side gear thrust washer and adjust the side gear backlash as specified.



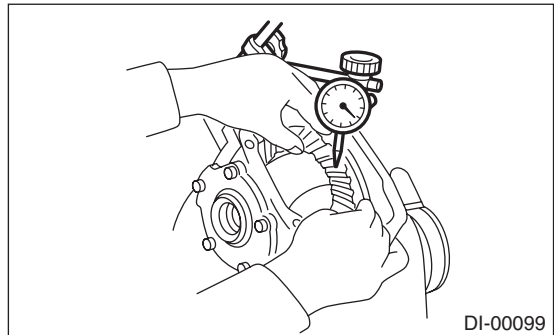
## **2. HYPOID DRIVEN GEAR BACKLASH**

Using a dial gauge, check the backlash of hypoid driven gear.

### **Hypoid driven gear backlash:**

**0.10 — 0.20 mm (0.004 — 0.008 in)**

If the hypoid driven gear backlash is not within the specification, adjust the side bearing preload or repair if necessary.



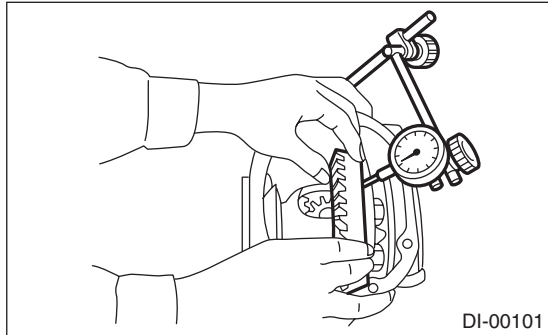
### 3. HYPOID DRIVEN GEAR RUNOUT ON ITS BACK SURFACE

Using a dial gauge, check the hypoid driven gear back surface runout.

**Hypoid driven gear back surface runout:**

**0.05 mm (0.002 in)**

If the hypoid driven gear runout exceeds 0.05 mm (0.002 in), replace the hypoid driven gear.



### 4. TOOTH CONTACT BETWEEN HYPOID DRIVEN GEAR AND DRIVE PINION

Inspect the tooth contact between the hypoid driven gear and drive pinion. <Ref. to DI-22, ASSEMBLY, Rear Differential.>

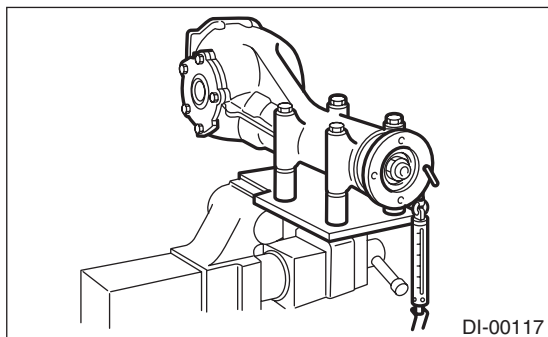
### 5. TOTAL PRELOAD

Using a spring scale, check the total preload.

**Total preload:**

**20.7 — 54.4 N (2.1 — 5.5 kgf, 4.7 — 12.2 lbf)**

If the total preload is not within the specification, adjust the side retainer shim.



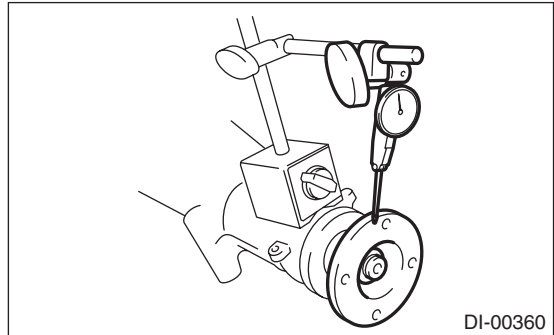
### 6. COMPANION FLANGE

1) If rust or dirt is attached to the companion flange, remove them.

2) Set a dial gauge at a companion flange surface (mating surface of propeller shaft and companion flange), and then measure the companion flange runout.

**Limit of runout:**

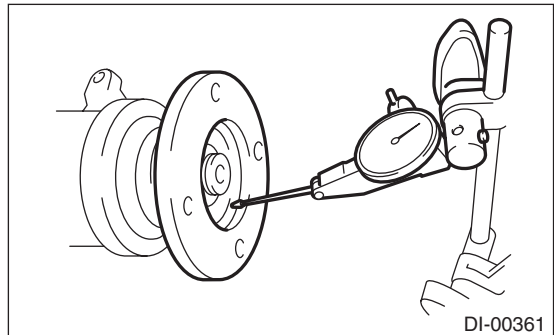
**0.08 mm (0.003 in)**



3) Set the gauge inside of the companion flange, and measure the runout.

**Limit of runout:**

**0.08 mm (0.003 in)**



4) If either runout exceeds the limit, move the phase of companion flange and drive pinion 90° each, and find the point where the runout is within the limit.

5) If the runout exceeds the limit after changing the phase, replace the companion flange and recheck the runout.

6) If the runout exceeds the limit after replacing the companion flange, the drive pinion may be assembled incorrectly or bearing is faulty.

### **F: ADJUSTMENT**

#### **1. SIDE GEAR BACKLASH**

Adjust the side gear backlash. <Ref. to DI-22, ASSEMBLY, Rear Differential.>

#### **2. HYPOID DRIVEN GEAR BACKLASH**

Adjust hypoid driven gear backlash. <Ref. to DI-22, ASSEMBLY, Rear Differential.>

#### **3. TOOTH CONTACT BETWEEN HYPOID DRIVEN GEAR AND DRIVE PINION**

Adjust the tooth contact between hypoid driven gear and drive pinion gear. <Ref. to DI-22, ASSEMBLY, Rear Differential.>

#### **4. TOTAL PRELOAD**

Adjust the side retainer shim. <Ref. to DI-22, ASSEMBLY, Rear Differential.>

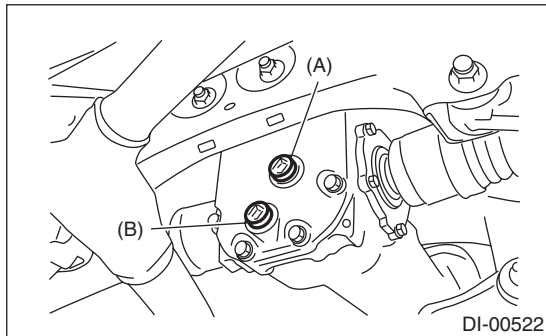
## 5. Rear Differential Front Oil Seal

### A: INSPECTION

Check that there is no leakage from front oil seal portion. If there is any leakage replace the oil seal and inspect the propeller shaft.

### B: REPLACEMENT

- 1) Disconnect the ground cable from battery.
- 2) Shift the select lever or gear shift lever to neutral.
- 3) Release the parking brake.
- 4) Lift up the vehicle.
- 5) Remove the oil drain plug, and drain gear oil.



- (A) Filler plug  
(B) Oil drain plug

- 6) Install the oil drain plug.

#### NOTE:

Apply liquid gasket to the drain plug.

#### Liquid gasket:

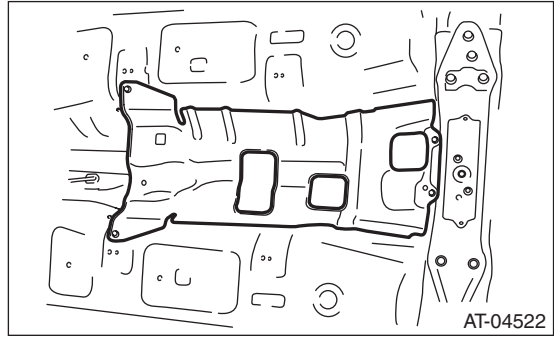
**THREE BOND 1105 (Part No. 004403010) or equivalent**

#### Tightening torque:

**49 N·m (5.0 kgf·m, 36.1 ft·lb)**

- 7) Remove the rear exhaust pipe and muffler.
  - Non-turbo model  
<Ref. to EX(H4SO)-10, REMOVAL, Rear Exhaust Pipe.> <Ref. to EX(H4SO)-12, REMOVAL, Muffler.>
  - Turbo model  
<Ref. to EX(H4DOTC)-14, REMOVAL, Rear Exhaust Pipe.> <Ref. to EX(H4DOTC)-16, REMOVAL, Muffler.>

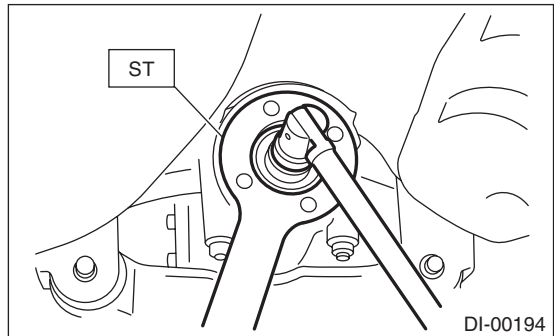
- 8) Remove the heat shield cover.



- 9) Remove the propeller shaft. <Ref. to DS-10, REMOVAL, Propeller Shaft.>

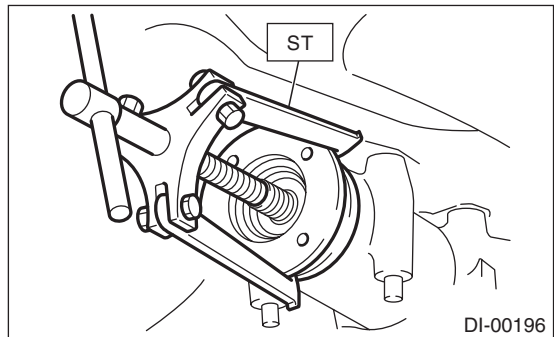
- 10) Remove the self-locking nut while holding the companion flange with ST.

ST 498427200 FLANGE WRENCH



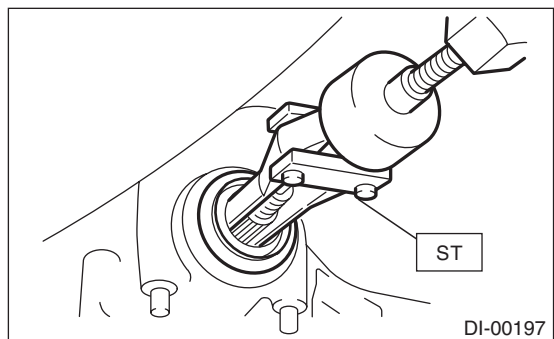
- 11) Extract the companion flange using ST.

ST 399703600 PULLER ASSY



- 12) Remove the oil seal using ST or screwdriver.

ST 398527700 PULLER ASSY

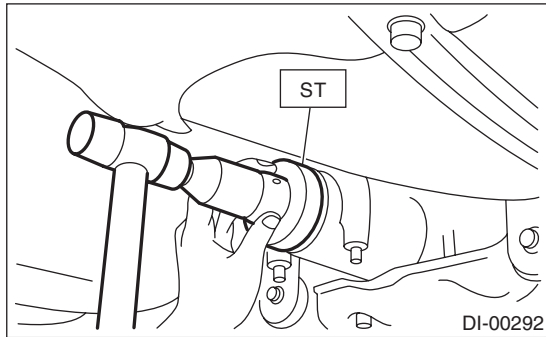


## Rear Differential Front Oil Seal

### DIFFERENTIALS

---

- 13) Install a new oil seal using ST.  
ST 498447120 INSTALLER



- 14) Install the companion flange.

#### NOTE:

Use a plastic hammer to install companion flange.

- 15) Tighten the self-locking nut to the specified torque so that the rotating resistance of the companion flange is the same value as that before replacing the oil seal.

ST 498427200 FLANGE WRENCH

#### NOTE:

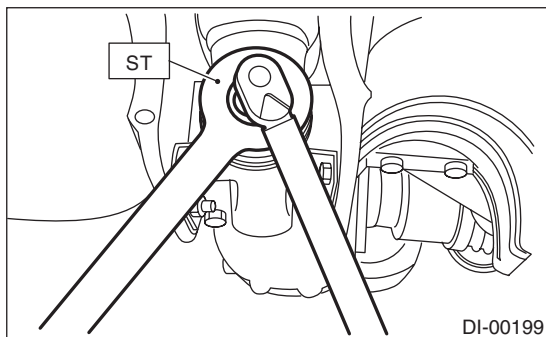
- Use a new self-locking nut.
- Before installing the self-locking nut, apply seal material to self-locking nut threads.

#### **Seal material:**

**THREE BOND 1324 (Part No. 004403042) or equivalent**

#### **Tightening torque:**

**181.5 N·m (18.5 kgf·m, 133.9 ft·lb)**



- 16) Hereafter, reassemble in the reverse order of disassembly.

- 17) After installing, fill the differential carrier with gear oil up to the bottom of the filler plug hole. <Ref. to DI-14, Differential Gear Oil.>



## 6. Rear Differential Side Oil Seal

### A: INSPECTION

Check that there is no oil leakage from the side oil seal. If there is any leakage, replace the oil seal.

### B: REPLACEMENT

1) Remove the rear differential. <Ref. to DI-16, REMOVAL, Rear Differential.>

2) Remove the rear differential side oil seal using ST.

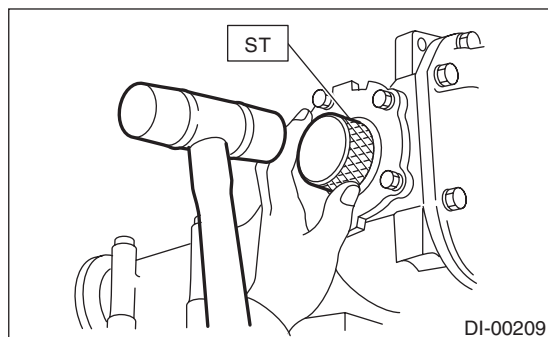
ST 398527700 PULLER ASSY

3) Using the ST, install the oil seal to the side retainer.

#### NOTE:

Apply differential gear oil to the oil seal lips.

ST 398437700 DRIFT

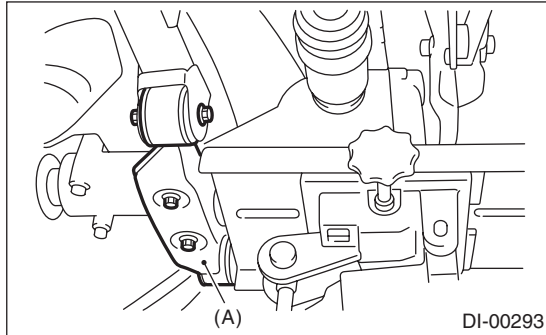


4) Install the rear differential. <Ref. to DI-18, INSTALLATION, Rear Differential.>

### 7. Rear Differential Front Member

#### A: REMOVAL

- 1) Disconnect the ground cable from the battery.
- 2) Lift up the vehicle.
- 3) Support the rear differential using transmission jack, and then remove the rear differential front member.



(A) Rear differential front member

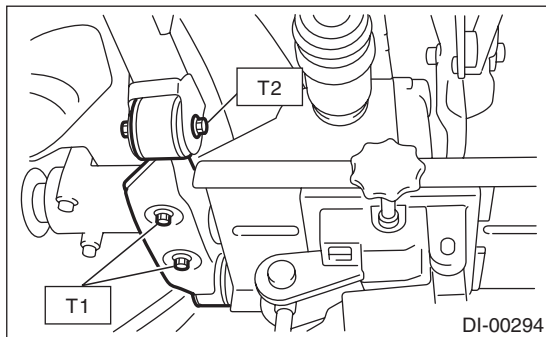
#### B: INSTALLATION

Using new self-locking nuts, install the rear differential front member.

##### *Tightening torque:*

**T1: 50 N·m (5.1 kgf-m, 36.9 ft-lb)**

**T2: 110 N·m (11.2 kgf-m, 81.1 ft-lb)**



#### C: INSPECTION

- 1) Check the rear differential front member for damage, bend and corrosion.  
If damage, bend or corrosion is excessive, replace the rear differential front member.
- 2) Check the bushings of rear differential member for cracking, hardening and damage.  
If cracking, hardening or damage is excessive, replace rear differential front member.

## 8. General Diagnostic Table

### A: INSPECTION

Symptom or trouble	Possible cause	Remedy
<b>1. Oil leakage</b>	(1) Worn, scratched, or incorrectly seated front or side oil seal. Scored, battered or excessively worn sliding surface of companion flange.	Repair or replace.
	(2) Clogged or damaged air breather cap.	Clean, repair or replace.
	(3) Loose bolts on side retainer, or incorrectly fitted O-ring.	Tighten the bolts to specified torque. Replace the O-ring.
	(4) Loose rear cover attachment bolts or damaged gasket.	Tighten the bolts to specified torque. Replace gasket and apply liquid gasket.
	(5) Loose oil filler or drain plug.	Retighten and apply liquid gasket.
	(6) Wear, damage or incorrect fitting of drive shaft, side retainer or oil seal.	Repair or replace.
<b>2. Seizure</b> NOTE: Seized or damaged parts should be replaced, and also other parts should be thoroughly checked for any defect and should be repaired or replaced as required.	(1) Insufficient backlash for hypoid gear.	Readjust or replace.
	(2) Excessive preload for side, rear or front bearing.	Readjust or replace.
	(3) Insufficient or improper oil used.	Add the recommended oil to the specified level.
<b>3. Damage</b> NOTE: Damaged parts should be replaced, and also other parts should be thoroughly checked for any defect and should be repaired or replaced as required.	(1) Improper backlash for hypoid gear.	Replace.
	(2) Insufficient or excessive preload for side, rear or front bearing.	Readjust or replace.
	(3) Excessive backlash for differential gear.	Replace gear or thrust washer.
	(4) Loose bolts and nuts such as hypoid driven gear bolt.	Retighten.
	(5) Damage due to overloading.	Replace.
<b>4. Noises when starting or shifting gears</b> NOTE: Noises may be caused by differential assembly, universal joint, wheel bearing, etc. Find out what is actually making noise before disassembling.	(1) Improper tooth contact of hypoid gear.	Readjust. (Drive pinion shim adjustment, backlash adjustment)
	(2) Excessive backlash for hypoid gear.	Replace the gear or the pinion height adjusting washer.
	(3) Insufficient preload for front or rear bearing.	Readjust.
	(4) Loose drive pinion nut.	Tighten to the specified torque.
	(5) Loose bolts and nuts such as side retainer attachment bolt.	Tighten to the specified torque.
	(6) Excessive backlash for differential gear.	Replace gear or thrust washer.
<b>5. Noises when cornering</b>	(1) Damaged differential gear.	Replace.
	(2) Excessive wear or damage of thrust washer.	Replace.
	(3) Broken pinion mate shaft.	Replace.
	(4) Seized or damaged side bearing.	Replace.

# General Diagnostic Table

## DIFFERENTIALS

Symptom or trouble	Possible cause	Remedy
<b>6. Gear noise</b> NOTE: Since noises from engine, muffler, transmission, propeller shaft, wheel bearings, tires, and body are sometimes mistaken for noises from differential assembly, be careful in checking them. Inspection methods to locate noises include coasting, accelerating, cruising, and lifting-up all four wheels. Perform these inspections according to the condition of trouble. When listening to noises, shift the gear into four-wheel drive and fourth speed position, trying to pick up only differential noise.	(1) Improper tooth contact of hypoid gear.	Readjust or replace hypoid gear set.
	(2) Improper backlash of the hypoid gear.	Readjust.
	(3) Scored or chipped teeth of hypoid gear.	Replace hypoid gear set.
	(4) Seized hypoid gear.	Replace hypoid gear set.
	(5) Improper preload for front or rear bearings.	Readjust.
	(6) Seized, cut-away or chipped front or rear bearing.	Replace.
	(7) Seized, cut-away or chipped side bearing.	Replace.
	(8) Vibrating differential gear.	Replace.

## 1. General Description

### A: NOTE

For general description, refer to “4AT” or “5MT” section.

4AT model:

<Ref. to 4AT-2, General Description.>

5MT model:

<Ref. to 5MT-2, General Description.>

## 2. Transfer Case and Extension Case Assembly

### A: NOTE

For removal, installation and inspection, refer to the "5MT" section. <Ref. to 5MT-36, Transfer Case and Extension Case Assembly.>

## **3. Transfer Clutch**

### **A: NOTE**

For removal, installation and inspection, refer to the "4AT" section. <Ref. to 4AT-73, Transfer Clutch.>

## 4. Extension Case

### A: NOTE

For removal, installation and inspection, refer to the "4AT" section. <Ref. to 4AT-71, Extension Case.>



## 5. Oil Seal

### A: NOTE

For removal, installation and inspection, refer to the “4AT” or “5MT” section.

4AT model:

<Ref. to 4AT-46, Extension Case Oil Seal.> <Ref. to 4AT-47, Differential Side Retainer Oil Seal.>

5MT model:

<Ref. to 5MT-31, Oil Seal.> <Ref. to 5MT-32, Differential Side Retainer Oil Seal.>

## 6. Transfer Drive Gear

### A: NOTE

For removal, installation and inspection, refer to the "5MT" section. <Ref. to 5MT-40, Transfer Drive Gear.>

## 7. Transfer Driven Gear

### A: NOTE

For removal, installation and inspection, refer to the "5MT" section. <Ref. to 5MT-42, Transfer Driven Gear.>

## 8. Reduction Drive Gear

### A: NOTE

For removal, installation and inspection, refer to the "4AT" section. <Ref. to 4AT-80, Reduction Drive Gear.>

### 9. Reduction Driven Gear

#### A: NOTE

For removal, installation and inspection, refer to the "4AT" section. <Ref. to 4AT-78, Reduction Driven Gear.>

## 10.Center Differential

### A: NOTE

For removal, installation and inspection, refer to the "5MT" section. <Ref. to 5MT-44, Center Differential.>

# Transfer Clutch Pressure Test

TRANSFER CASE

---

## 11. Transfer Clutch Pressure Test

### A: NOTE

For inspection, refer to the "4AT" section. <Ref. to 4AT-35, Transfer Clutch Pressure Test.>

# General Description

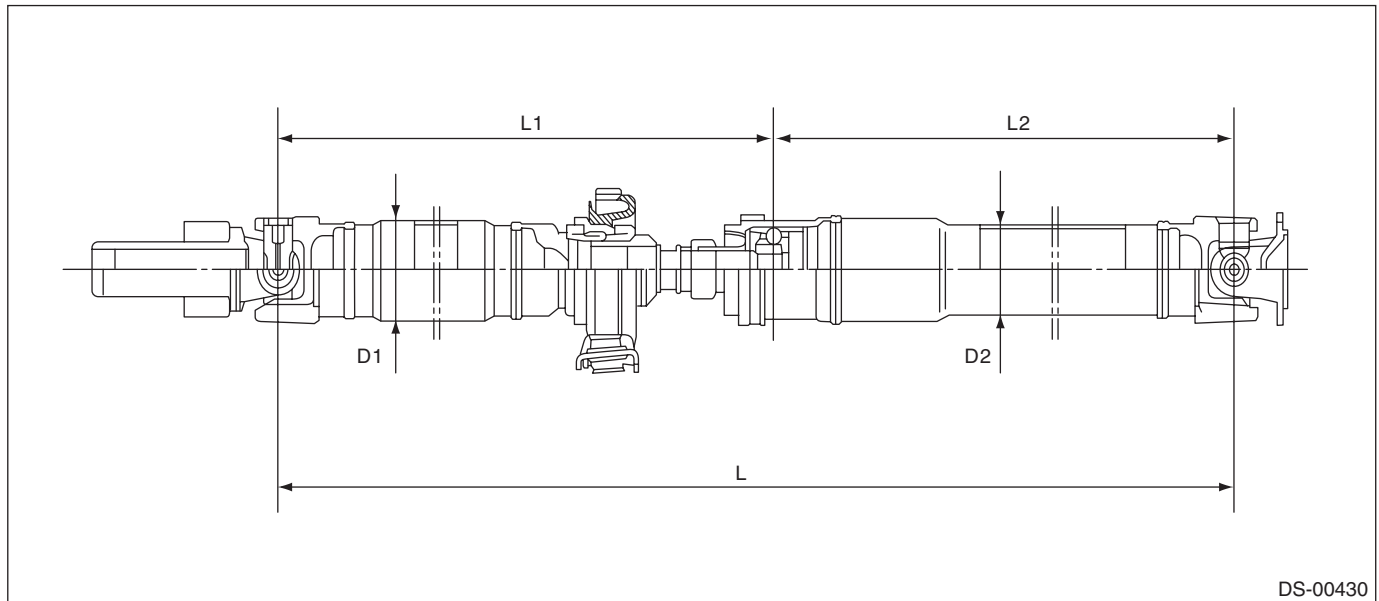
## DRIVE SHAFT SYSTEM

### 1. General Description

#### A: SPECIFICATION

##### 1. PROPELLER SHAFT

Model	All models		
Propeller shaft type	EDJ		
Front propeller shaft Joint-to-joint length: $L_1$	mm (in)	AT	735.5 (28.96)
		MT	675.5 (26.59)
Rear propeller shaft Joint-to-Joint length: $L_2$	mm (in)	698 (27.48)	
Outer diameter of tube:	mm (in)	$D_1$	63.5 (2.500)
		$D_2$	57.5 (2.264)

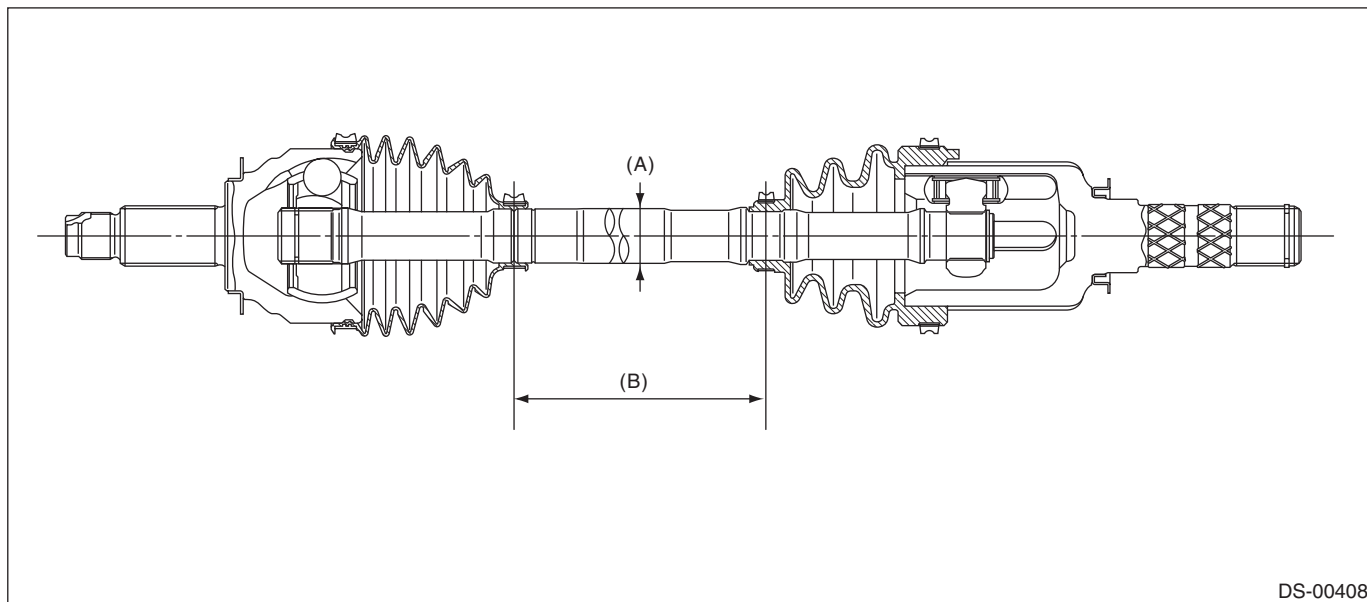


DS-00430



## 2. FRONT DRIVE SHAFT ASSEMBLY

Model	Type of drive shaft	Axle diameter $\phi$ D mm (in)	Axle length L mm (in)
All models	AC + AAR	26 (1.02)	335.2 (13.20)

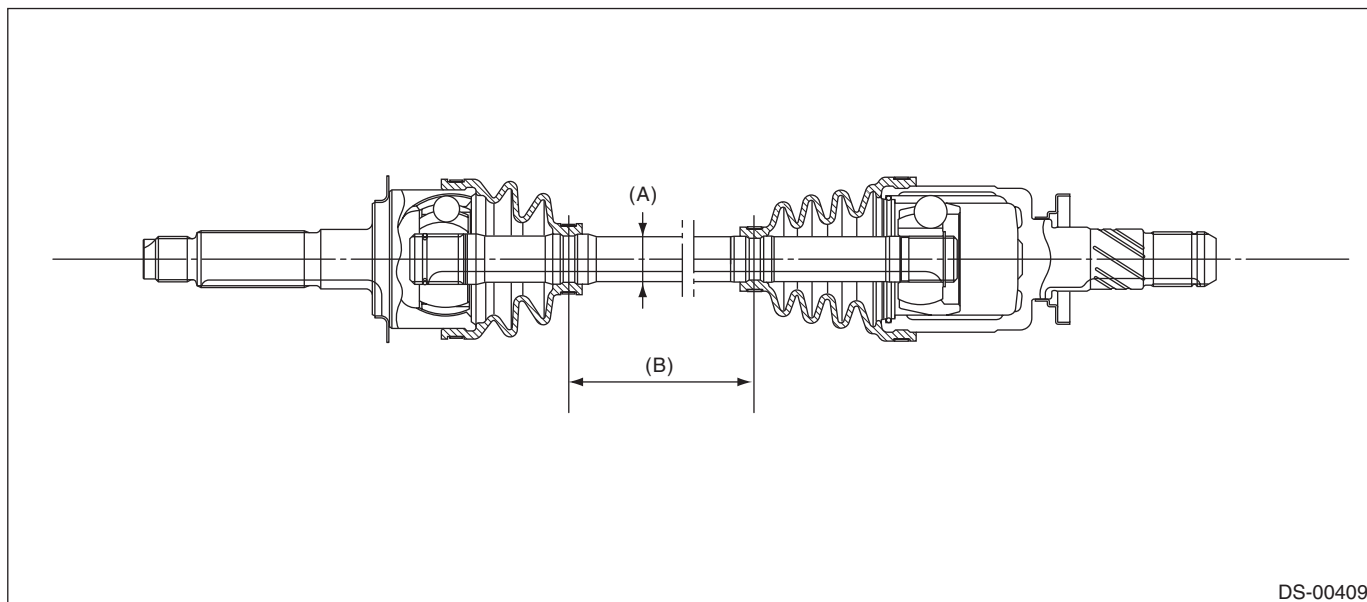


(A) Axle diameter

(B) Axle length

## 3. REAR DRIVE SHAFT ASSEMBLY

Model	Type of drive shaft	Axle diameter $\phi$ D mm (in)	Axle length L mm (in)
All models	EBJ + DOJ	22 (0.87)	368.3 (14.50)



(A) Axle diameter

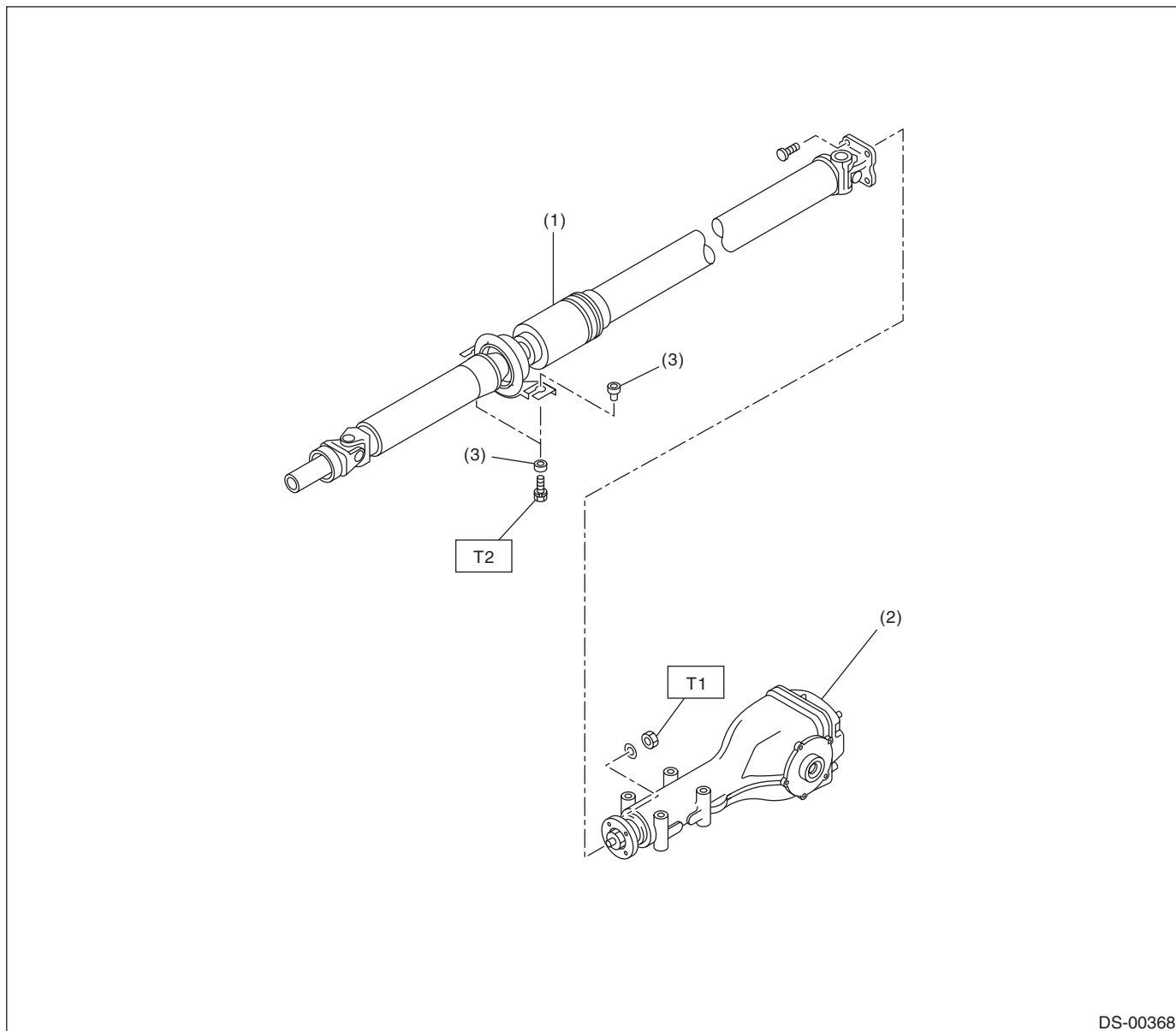
(B) Axle length

# General Description

## DRIVE SHAFT SYSTEM

### B: COMPONENT

#### 1. PROPELLER SHAFT



DS-00368

- (1) Propeller shaft
- (2) Rear differential

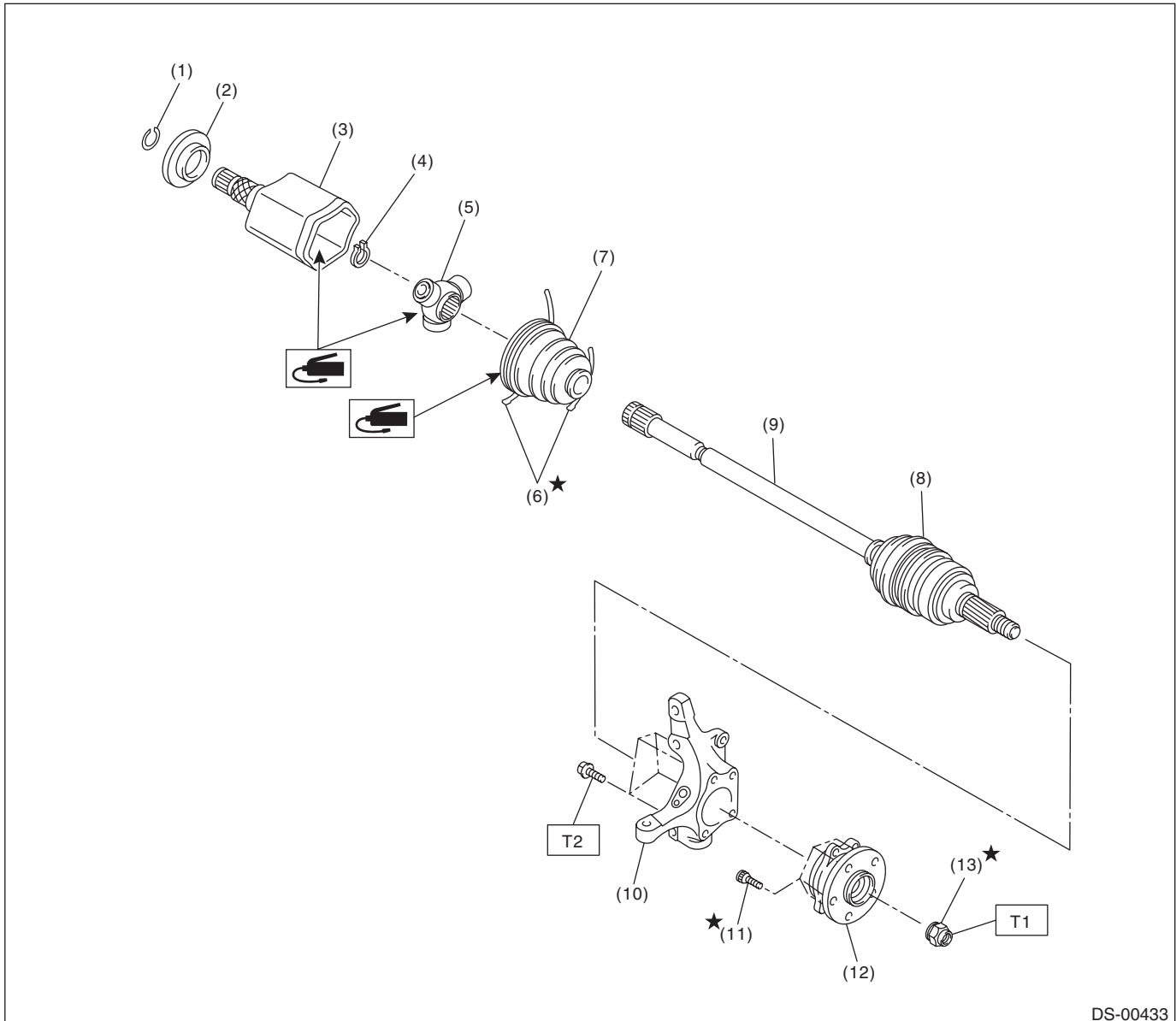
- (3) Bushing

**Tightening torque: N·m (kgf·m, ft·lb)**

**T1: 31 (3.2, 22.9)**

**T2: 52 (5.3, 38.4)**

## 2. FRONT AXLE



DS-00433

- (1) Circlip
- (2) Baffle plate
- (3) Outer race (AAR)
- (4) Snap ring
- (5) Trunnion
- (6) Boot band

- (7) Boot (AAR)
- (8) Boot (AC)
- (9) AC shaft ASSY
- (10) Housing
- (11) Hub bolt
- (12) Front hub unit bearing

- (13) Axle nut

**Tightening torque: N·m (kgf·m, ft·lb)**

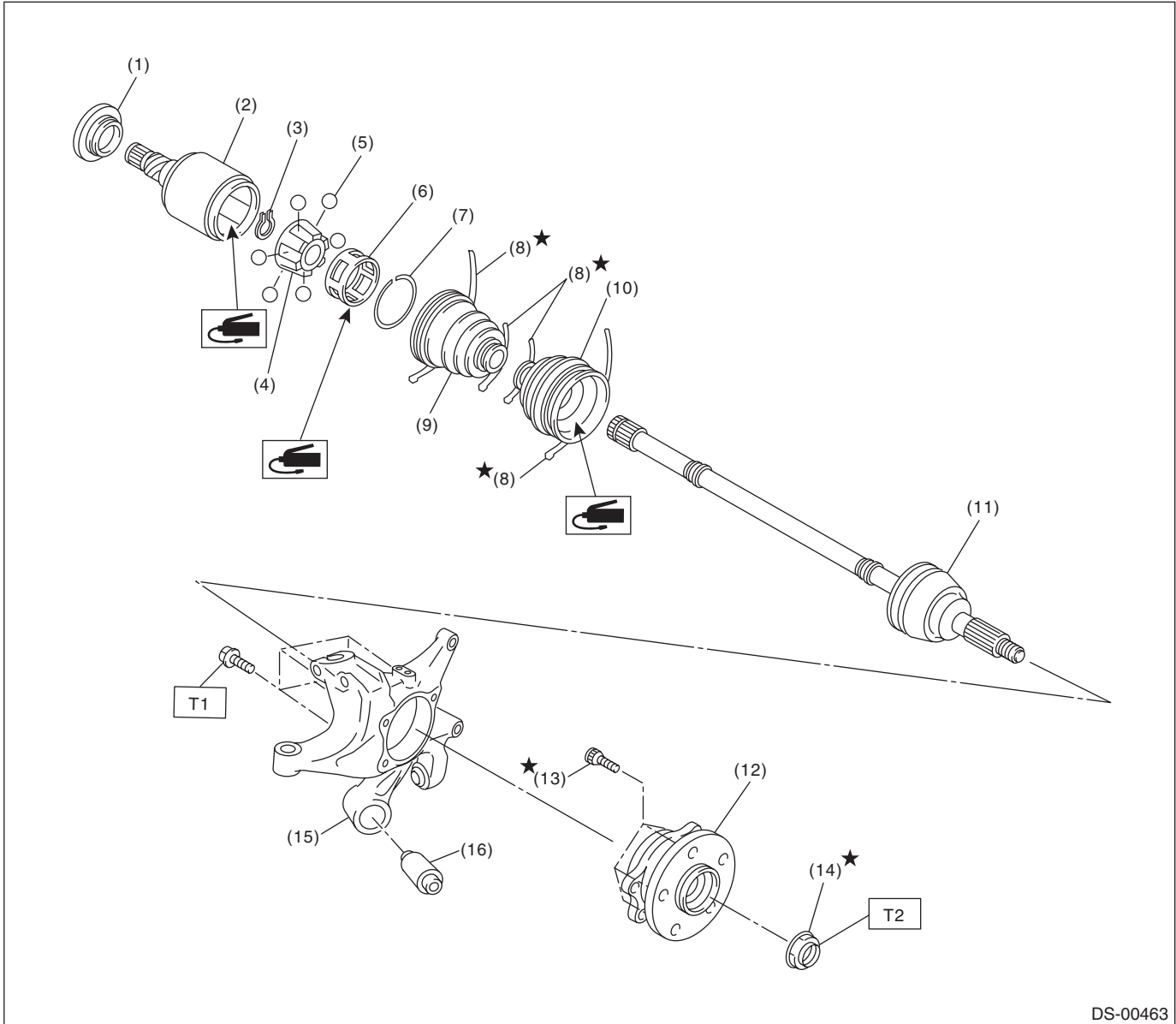
**T1: 220 (22.4, 162.3)**

**T2: 65 (6.6, 47.9)**

# General Description

## DRIVE SHAFT SYSTEM

### 3. REAR AXLE



DS-00463

- |                      |                            |                        |
|----------------------|----------------------------|------------------------|
| (1) Baffle plate     | (8) Boot band              | (15) Rear axle housing |
| (2) Outer race (DOJ) | (9) Boot (DOJ)             | (16) Bushing           |
| (3) Snap ring        | (10) Boot (BJ)             |                        |
| (4) Inner race       | (11) EBJ shaft ASSY        |                        |
| (5) Ball             | (12) Rear hub unit bearing |                        |
| (6) Cage             | (13) Hub bolt              |                        |
| (7) Snap ring        | (14) Axle nut              |                        |

**Tightening torque: N·m (kgf·m, ft·lb)**

**T1: 65 (6.6, 47.9)**

**T2: 190 (19.4, 140.1)**

### **C: CAUTION**

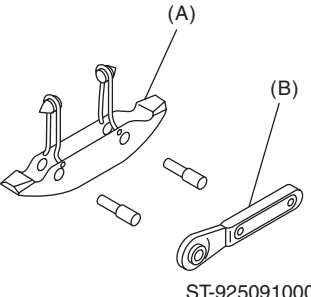
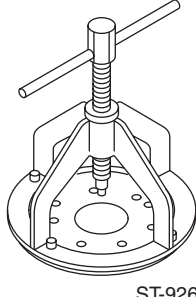
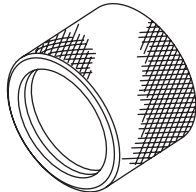
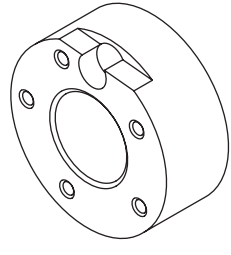
- Wear appropriate work clothing, including a cap, protective goggles and protective shoes when performing any work.
- Remove contamination including dirt and corrosion before removal, installation or disassembly.
- Keep the disassembled parts in order and protect them from dust and dirt.
- Before removal, installation or disassembly, be sure to clarify the failure. Avoid unnecessary removal, installation, disassembly and replacement.
- Vehicle components are extremely hot after driving. Be wary of receiving burns from heated parts.
- Use SUBARU genuine grease etc. or equivalent. Do not mix grease etc. of different grades or manufacturers.
- Be sure to tighten fasteners including bolts and nuts to the specified torque.
- Place shop jacks or rigid racks at the specified points.
- Apply grease onto sliding or revolving surfaces before installation.
- Before installing snap rings, apply sufficient amount of grease to avoid damage and deformation.
- Before securing a part on a vise, place cushioning materials such as wood blocks, aluminum plates, or waste cloth between the part and the vise.

# General Description

## DRIVE SHAFT SYSTEM

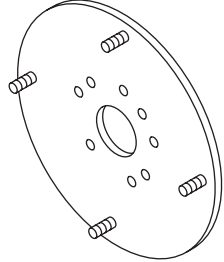
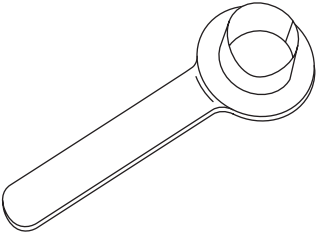
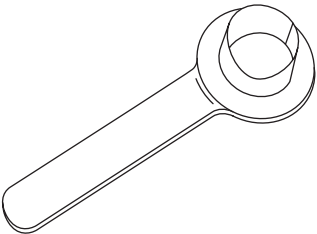
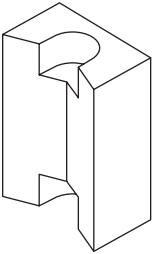
### D: PREPARATION TOOL

#### 1. SPECIAL TOOL

ILLUSTRATION	TOOL NUMBER	DESCRIPTION	REMARKS
 <p>ST-925091000</p>	925091000	BAND TIGHTENING TOOL	Used for tightening the boot band. (A) Jig for the band (B) Ratchet wrench
 <p>ST-926470000</p>	926470000	AXLE SHAFT PULLER	<ul style="list-style-type: none"> <li>Used for removing the axle shaft.</li> <li>Used together with AXLE SHAFT PULLER PLATE (28099PA110).</li> </ul>
 <p>ST18675AA000</p>	18675AA000	DIFFERENTIAL SIDE OIL SEAL INSTALLER	Used for installing the differential side retainer oil seal.
 <p>ST-927080000</p>	927080000	HUB STAND	Used for assembling hub bolt in hub.

# General Description

DRIVE SHAFT SYSTEM

ILLUSTRATION	TOOL NUMBER	DESCRIPTION	REMARKS
 <p style="text-align: center;">ST28099PA110</p>	28099PA110	AXLE SHAFT PULLER PLATE	Exchange with the plate of the AXLE SHAFT PULLER (926470000) to use.
 <p style="text-align: center;">ST28099PA090</p>	28099PA090	OIL SEAL PROTECTOR	<ul style="list-style-type: none"> <li>• Used for installing the rear drive shaft to the rear differential.</li> <li>• For protecting the oil seal.</li> </ul>
 <p style="text-align: center;">ST28399SA010</p>	28399SA010	OIL SEAL PROTECTOR	<ul style="list-style-type: none"> <li>• Used for installing front drive shaft into front differential.</li> <li>• For protecting the oil seal.</li> </ul>
 <p style="text-align: center;">ST28399AG000</p>	28399AG000	HUB STAND	Used for extracting hub bolt.

## 2. GENERAL TOOL

TOOL NAME	REMARKS
Puller	Used for removing the ball joint from knuckle arm.
Dial gauge	Used for inspecting the propeller shaft run-out.
Extension cap	Used for preventing leakage of gear oil or ATF.
Bar	Used for extracting drive shaft.

# Propeller Shaft

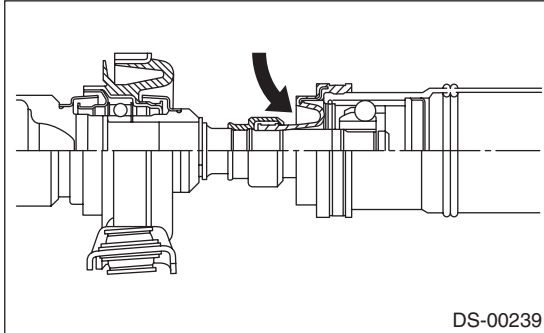
## DRIVE SHAFT SYSTEM

### 2. Propeller Shaft

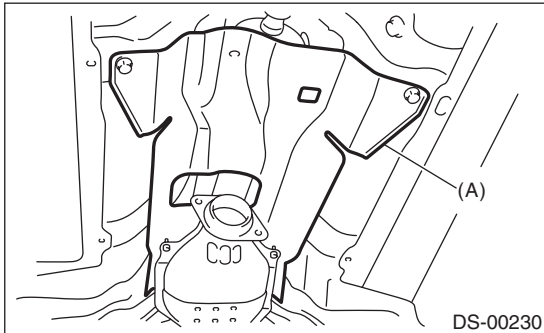
#### A: REMOVAL

##### NOTE:

- Before removing propeller shaft, wrap metal parts with a cloth or rubber material.
- In case of a EDJ type, wrap the metal parts at the rubber boot of center EDJ with a cloth or rubber material before removing propeller shaft, as shown in the figure. The rubber boot may be damaged due to interference with adjacent metal parts while bending the EDJ during removal.

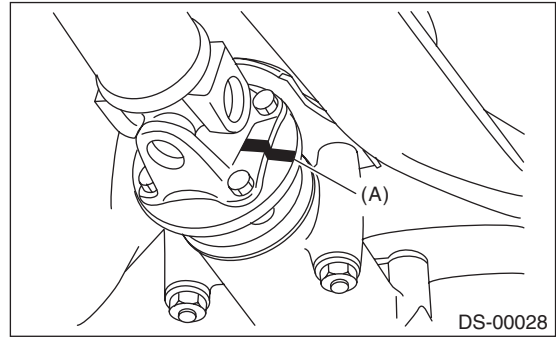


- 1) Disconnect the ground cable from the battery.
- 2) Shift the select lever or gear shift lever to neutral.
- 3) Release the parking brake.
- 4) Lift up the vehicle.
- 5) Remove the center exhaust pipe.
- 6) Remove the rear exhaust pipe and muffler.
- 7) Remove the heat shield cover.



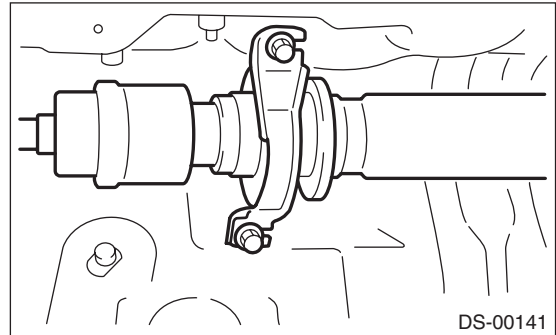
(A) Heat shield cover

- 8) Make alignment marks on the flange yoke and rear differential before removal.



(A) Alignment mark

- 9) Remove the three bolts holding the propeller shaft to the rear differential.
- 10) Remove the remaining bolt.
- 11) Remove the two bolts which hold center bearing to vehicle body.



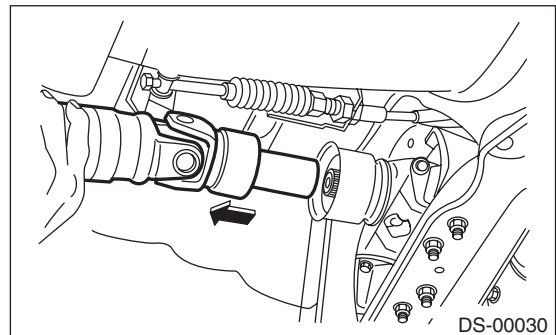
- 12) Remove the propeller shaft from transmission.

##### CAUTION:

- Be careful not to damage oil seals and contact surface of the sleeve yoke.
- Cover the center exhaust pipe with a cloth to keep off any ATF or oil spilled from transmission when removing propeller shaft.

##### NOTE:

Use a container to catch ATF or oil flowing from propeller shaft.

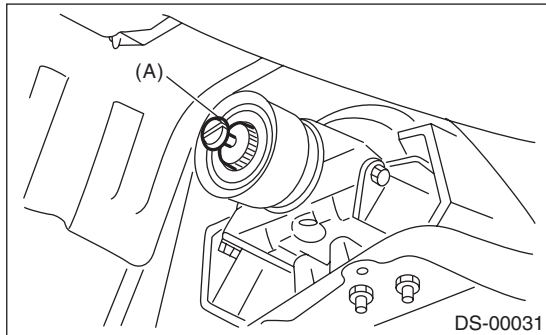




13) Install an extension cap to the transmission.

**NOTE:**

If extension cap is not available, place vinyl bag over opening and fasten with string to prevent gear oil or ATF from leaking.



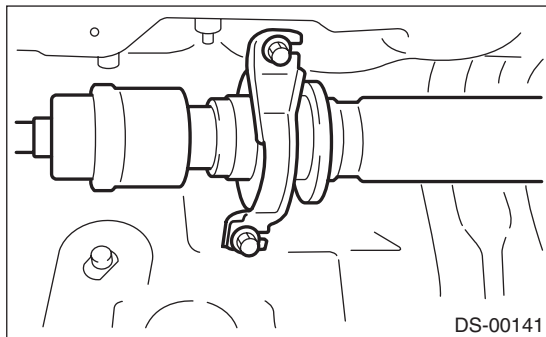
(A) Extension cap

**B: INSTALLATION**

1) Insert the sleeve yoke into the transmission and attach center bearing to body.

**Tightening torque:**

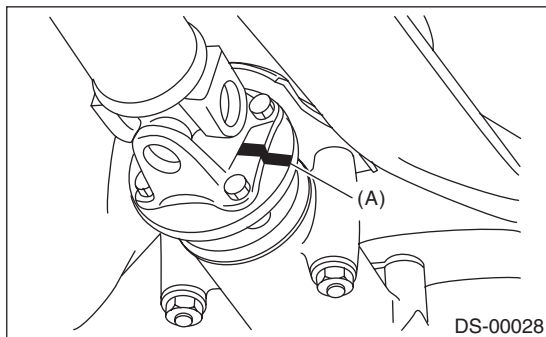
**52 N-m (5.3 kgf-m, 38.4 ft-lb)**



2) Align the alignment marks and connect the flange yoke and rear differential.

**Tightening torque:**

**31 N-m (3.2 kgf-m, 22.9 ft-lb)**



(A) Alignment mark

- 3) Install the heat shield cover.
- 4) Install the center exhaust pipe.
- 5) Install the rear exhaust pipe and muffler.

6) Lower the vehicle.

7) Connect the ground cable to battery.

**C: INSPECTION**

**NOTE:**

Do not disassemble propeller shaft. Check the following and replace if necessary.

- Dents or cracks on the tube surface
- Splines for deformation or abnormal wear
- Unsmooth joint operation or abnormal noise
- Center bearing for free play, noise or non-smooth operation.
- Oil seals for abnormal wear or damage
- Damaged center bearing

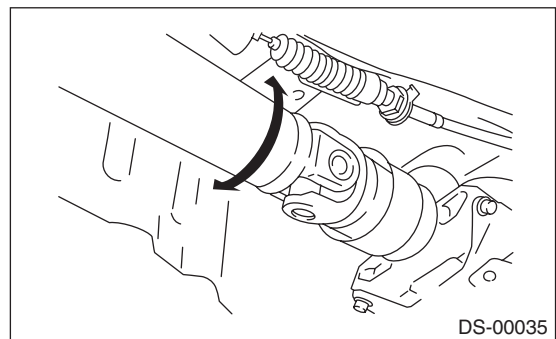
Check the following points with propeller shaft installed in vehicle.

**1. JOINTS AND CONNECTIONS**

- 1) Remove the center exhaust pipe.
- 2) Remove the heat shield cover.
- 3) Check for any looseness of the yoke flange mounting bolts which connect to the rear differential and center bearing bracket mounting bolts.

**2. SPLINES AND BEARING**

- 1) Remove the center exhaust pipe.
- 2) Remove the rear exhaust pipe and muffler.
- 3) Remove the heat shield cover.
- 4) Turn the propeller shaft by hand to see if abnormal free play exists at splines. Also move yokes to see if abnormal free play exists at spiders and bearings.



# Propeller Shaft

## DRIVE SHAFT SYSTEM

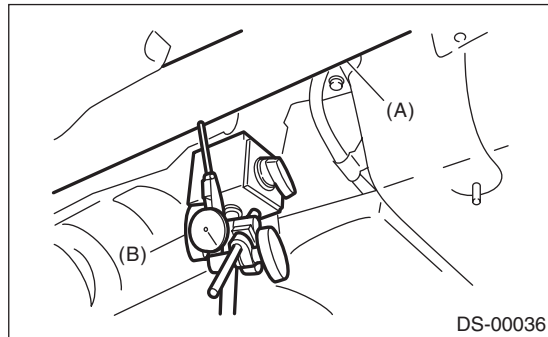
---

### 3. RUNOUT OF PROPELLER SHAFT

- 1) Remove the center exhaust pipe.
- 2) Remove the rear exhaust pipe and muffler.
- 3) Remove the heat shield cover.
- 4) Set the dial gauge with its indicator stem at the center of the propeller shaft tube.
- 5) Turn the propeller shaft slowly by hands to check for runout of the propeller shaft.

**Runout:**

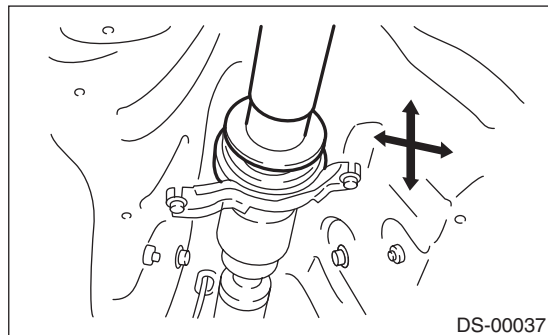
**Limit: 0.6 mm (0.024 in)**



- (A) Propeller shaft  
(B) Dial gauge

### 4. CENTER BEARING FREE PLAY

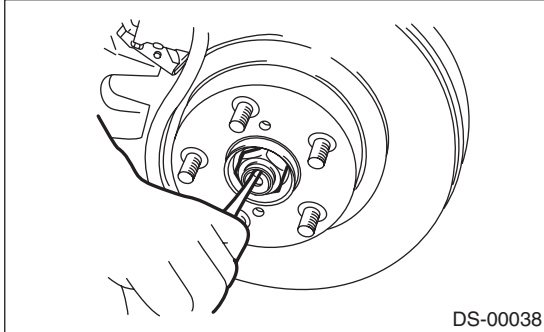
- 1) Remove the front and center exhaust pipes.
- 2) Remove the rear exhaust pipe and muffler.
- 3) Remove the heat shield cover.
- 4) Move the propeller shaft near the center bearing up, down, left, right by hand, to check for any abnormal free play of the bearings.



## 3. Front Axle

### A: REMOVAL

- 1) Disconnect the ground cable from the battery.
- 2) Lift up the vehicle, and remove the front wheels.
- 3) Lift the crimped section of axle nut.

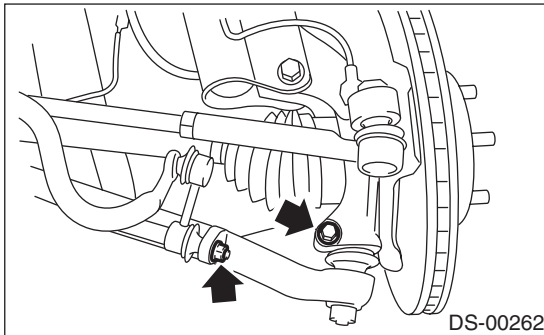


- 4) Remove the axle nut using a socket wrench while depressing the brake pedal.

#### CAUTION:

Remove the wheel before loosening the axle nut. Failure to follow this rule may damage the wheel bearings.

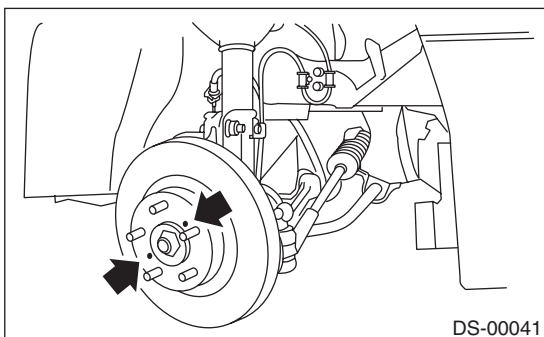
- 5) Remove the stabilizer link.



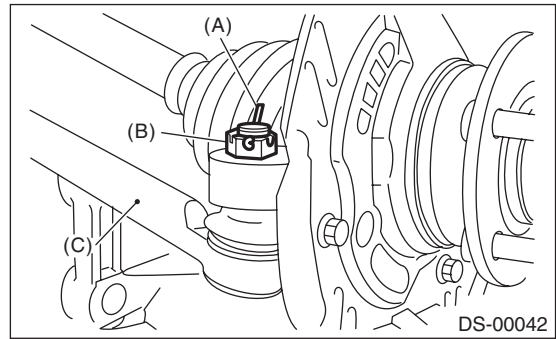
- 6) Remove the disc brake caliper from the housing, and suspend it from strut using a wire.
- 7) Remove the disc rotor from the hub.

#### NOTE:

If it is difficult to remove the disc rotor from the hub, drive the 8 mm bolt into the threaded end of rotor, and then remove the rotor.

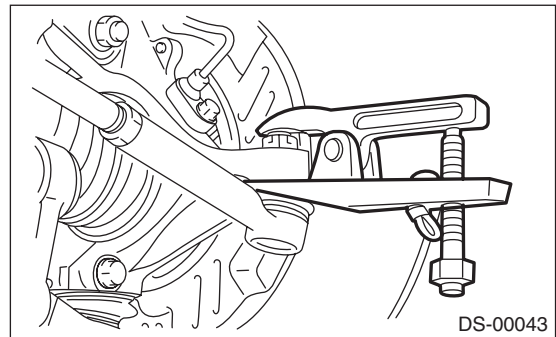


- 8) Remove the cotter pin and castle nut securing the tie-rod end to the housing knuckle arm.

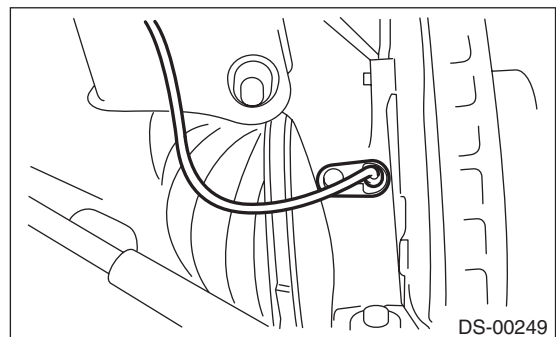


- (A) Cotter pin
- (B) Castle nut
- (C) Tie-rod

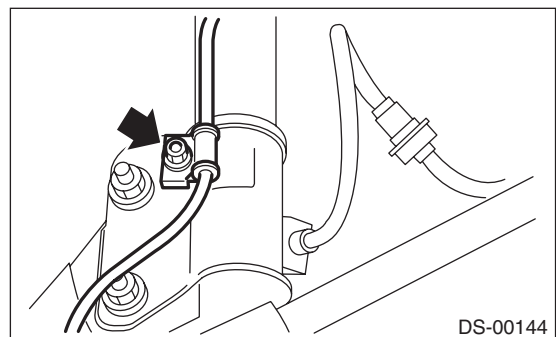
- 9) Using a puller, remove the tie-rod ball joint from knuckle arm.



- 10) Remove the ABS wheel speed sensor assembly and harness.



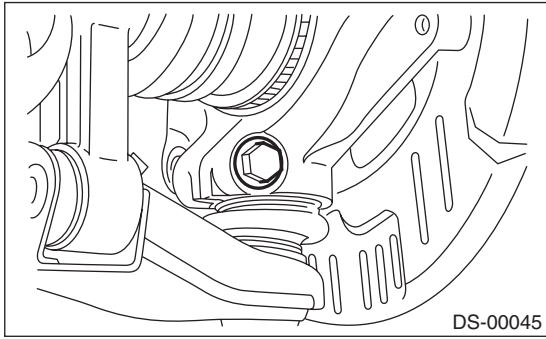
- 11) Remove the bolts which secure the sensor harness to the strut.



# Front Axle

## DRIVE SHAFT SYSTEM

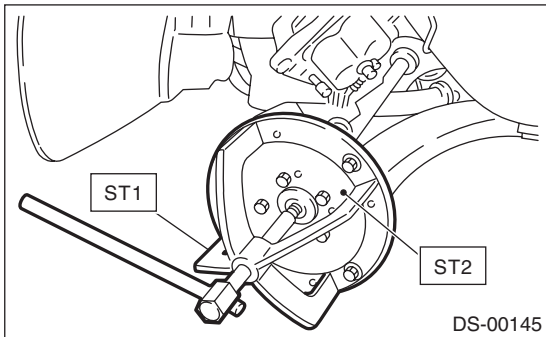
- 12) Remove the front arm ball joint from the housing.



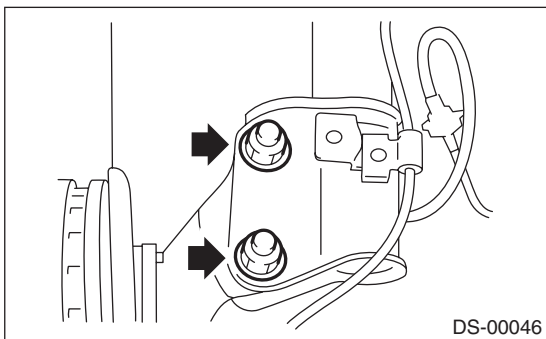
- 13) Remove the front drive shaft from the transmission.

- 14) Remove the front drive shaft assembly from the hub. If it is hard to remove, use the ST.

ST1 926470000 AXLE SHAFT PULLER  
ST2 28099PA110 AXLE SHAFT PULLER PLATE



- 15) After scribing an alignment mark on camber adjusting bolt head, remove the bolts which connect the housing and strut, and disconnect the housing from strut.



## B: INSTALLATION

- 1) Align the alignment mark on the camber adjusting bolt head, and tighten the housing and strut using a new flange nut.

### Tightening torque:

**155 N·m (15.8 kgf-m, 114.3 ft-lb)**

- 2) Install the front drive shaft. <Ref. to DS-26, INSTALLATION, Front Drive Shaft.>

- 3) Install the front arm ball joint to the housing.

### Tightening torque:

**50 N·m (5.1 kgf-m, 36.9 ft-lb)**

- 4) Install the ABS sensor harness to the strut.

- 5) Install the ABS wheel speed sensor on the housing.

### Tightening torque:

**7.5 N·m (0.76 kgf-m, 5.5 ft-lb)**

- 6) Install the disc rotor to hub.

- 7) Install the disc brake caliper on the housing.

### Tightening torque:

**80 N·m (8.2 kgf-m, 59 ft-lb)**

- 8) Install the stabilizer link.

- 9) Connect the tie-rod end ball joint to the knuckle arm with a castle nut.

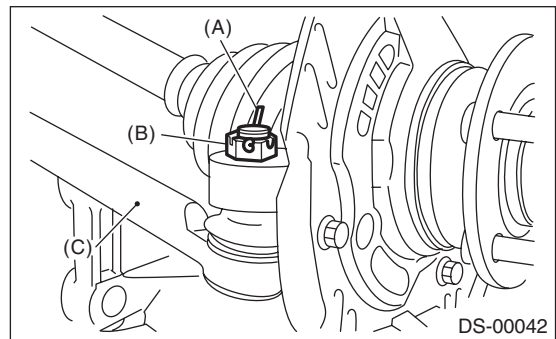
### Tightening torque:

**27 N·m (2.8 kgf-m, 19.9 ft-lb)**

### CAUTION:

**When connecting the tie-rod, do not hit the cap at bottom of tie-rod end with a hammer.**

- 10) Tighten the castle nut to specified torque and tighten further within 60° until the pin hole is aligned with the slot in the nut. Bend the cotter pin to lock.



- (A) Cotter pin  
(B) Castle nut  
(C) Tie-rod

11) While depressing the brake pedal, tighten a new axle nut to the specified torque and lock it securely.

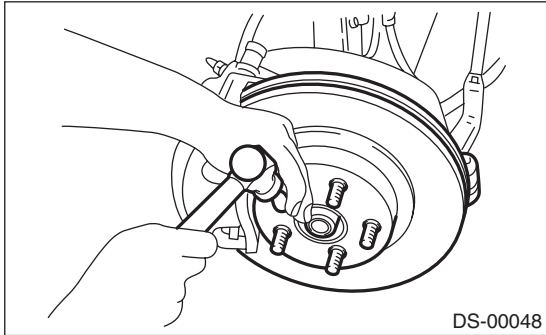
**Tightening torque:**

**220 N·m (22.4 kgf·m, 162.3 ft-lb)**

**CAUTION:**

- Do not install wheel and let it touch the ground before tightening the axle nut. Failure to follow this rule may damage the axle bearing.
- Do not overtighten the nuts as this may damage the axle bearing.

12) After tightening the axle nut, lock it securely.



13) Install the wheel.

**Tightening torque:**

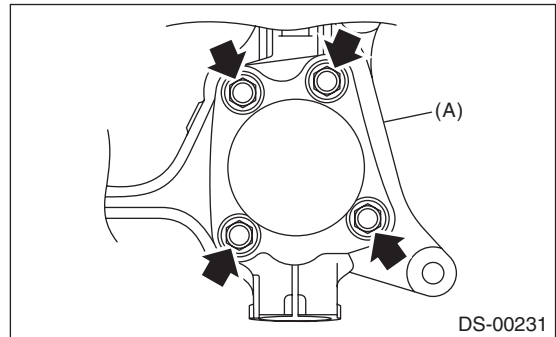
**100 N·m (10.2 kgf·m, 73.8 ft-lb)**

14) Connect the ground cable to battery.

15) Inspect the wheel alignment and adjust if necessary.

## C: DISASSEMBLY

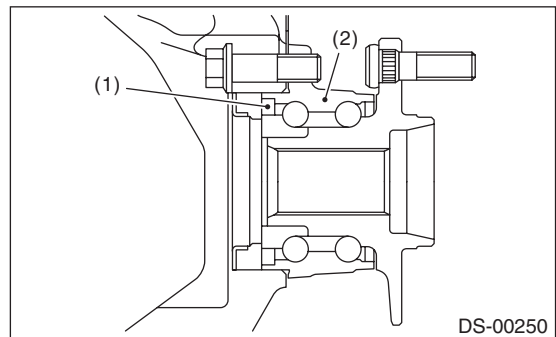
1) Remove the four bolts from the housing, and remove the front hub unit bearing and disc cover.



(A) Housing

**CAUTION:**

- Do not get closer the tool which charged magnetism to magnetic encoder.
- Be careful not to damage the magnetic encoder.



(1) Magnetic encoder

(2) Front hub unit bearing

2) Disassemble the front hub unit bearing. <Ref. to DS-18, DISASSEMBLY, Front Hub Unit Bearing.>

# Front Axle

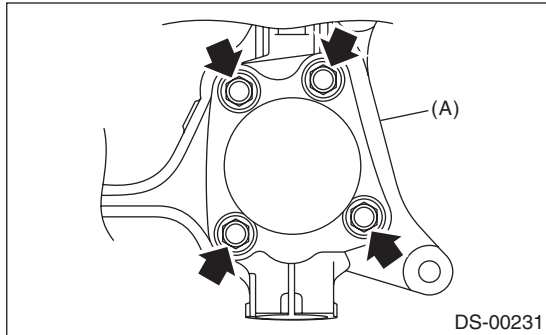
## DRIVE SHAFT SYSTEM

### D: ASSEMBLY

- 1) Assemble the front hub unit bearing. <Ref. to DS-18, ASSEMBLY, Front Hub Unit Bearing.>
- 2) Place the disc cover between housing and front hub unit, and tighten the four bolts.

#### Tightening torque:

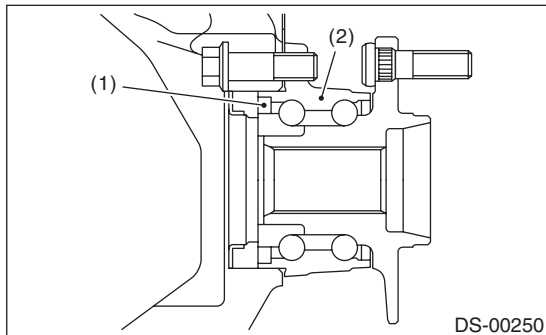
**65 N·m (6.6 kgf·m, 47.9 ft·lb)**



(A) Housing

### CAUTION:

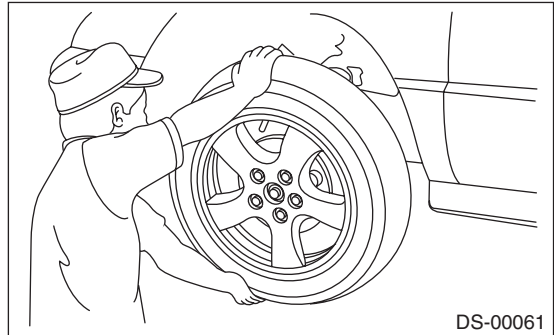
- Do not get closer the tool which charged magnetism to magnetic encoder.
- Be careful not to damage the magnetic encoder.



- (1) Magnetic encoder
- (2) Front hub unit bearing

### E: INSPECTION

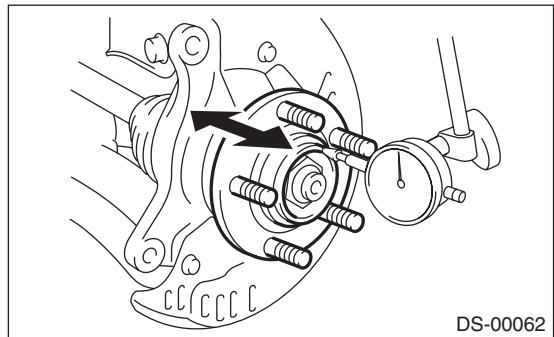
- 1) Moving the front tire up and down by hand, check there is no play in bearing, and check the wheel rotates smoothly.



- 2) Inspect the lean of axis direction using a dial gauge. Replace the bearing if the load range exceeds the limitation.

#### Service limit:

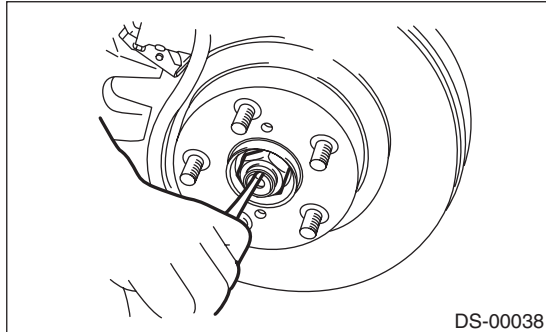
**Maximum: 0.05 mm (0.0020 in)**



## 4. Front Hub Unit Bearing

### A: REMOVAL

- 1) Disconnect the ground cable from the battery.
- 2) Lift up the vehicle, and remove the front wheels.
- 3) Lift the crimped section of axle nut.



- 4) Remove the axle nut using a socket wrench while depressing the brake pedal.

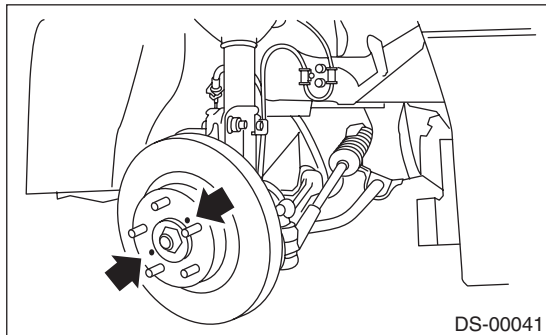
#### CAUTION:

**Remove the wheel before loosening the axle nut. Failure to follow this rule may damage the wheel bearings.**

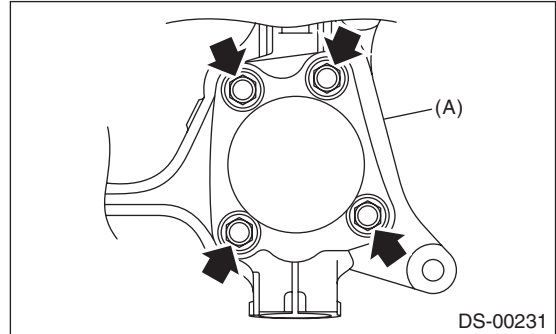
- 5) Remove the disc brake caliper from the housing, and suspend it from strut using a wire.
- 6) Remove the disc rotor from the hub.

#### NOTE:

If it is difficult to remove the disc rotor from the hub, drive the 8 mm bolt into the threaded end of rotor, and then remove the rotor.



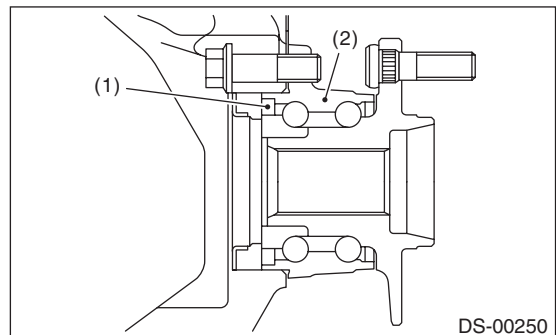
- 7) Remove the four bolts from the housing.



(A) Housing

#### CAUTION:

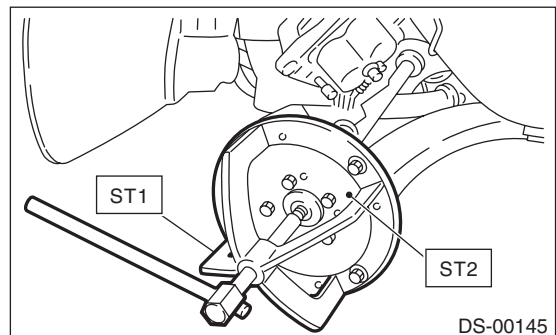
- Do not get closer the tool which charged magnetism to magnetic encoder.
- Be careful not to damage the magnetic encoder.



- (1) Magnetic encoder
- (2) Front hub unit bearing

- 8) Remove the front hub unit bearing. If it is hard to remove, use the ST.

ST1 926470000 AXLE SHAFT PULLER  
ST2 28099PA110 AXLE SHAFT PULLER PLATE





# Front Hub Unit Bearing

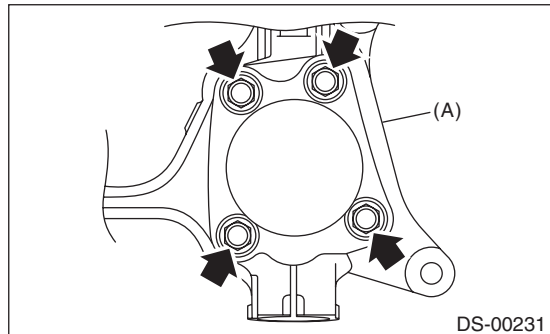
## DRIVE SHAFT SYSTEM

### B: INSTALLATION

1) Place the disc cover between housing and front hub unit, and tighten the four bolts.

#### Tightening torque:

**65 N·m (6.6 kgf·m, 47.9 ft·lb)**



(A) Housing

2) Install the front drive shaft. <Ref. to DS-26, INSTALLATION, Front Drive Shaft.>

3) Tighten the axle nut temporarily.

4) Install the disc rotor to hub.

5) Install the disc brake caliper on the housing.

#### Tightening torque:

**80 N·m (8.2 kgf·m, 59 ft·lb)**

6) While depressing the brake pedal, tighten a new axle nut to the specified torque and lock it securely.

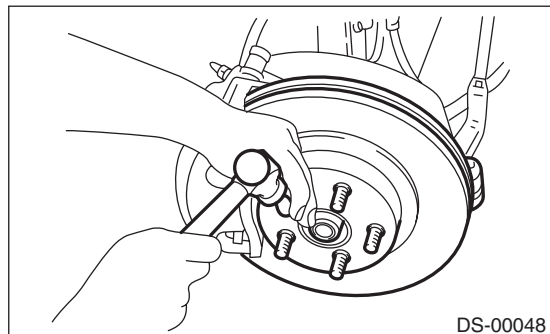
#### Tightening torque:

**220 N·m (22.4 kgf·m, 162.3 ft·lb)**

#### CAUTION:

- Do not install wheel and let it touch the ground before tightening the axle nut. Failure to follow this rule may damage the axle bearing.
- Do not overtighten the nuts as this may damage the axle bearing.

7) After tightening the axle nut, lock it securely.



8) Install the wheel.

#### Tightening torque:

**100 N·m (10.2 kgf·m, 73.8 ft·lb)**

### C: DISASSEMBLY

Using the ST and a hydraulic press, push out the hub bolts.

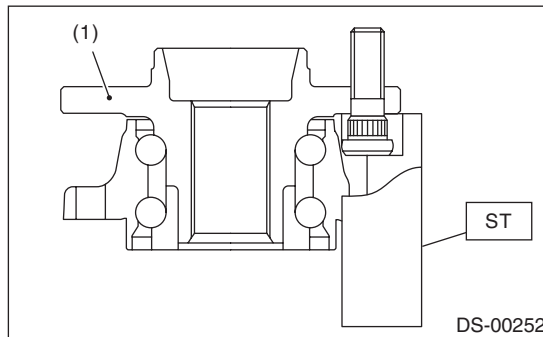
ST 28399AG000 HUB STAND

#### CAUTION:

- Be careful not to hammer the hub bolts. This may deform the hub.
- Do not reuse the hub bolt.

#### NOTE:

Since the hub unit bearing can not be disassembled, only hub bolts can be removed.

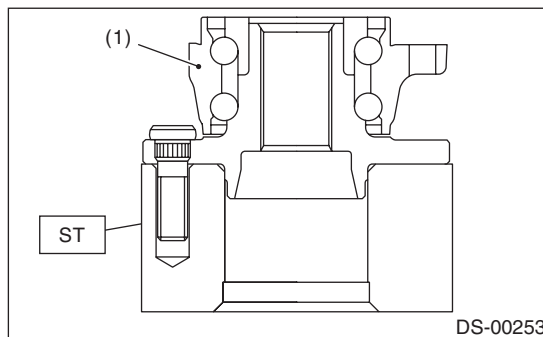


(1) Front hub unit bearing

### D: ASSEMBLY

1) Attach the hub to the ST securely.

ST 927080000 HUB STAND



(1) Front hub unit bearing

2) Using a press, press the new hub bolts until their seating surfaces contact the hub.

#### NOTE:

Use the 12 mm (0.47 in) dia. holes in the HUB STAND to prevent bolts from tilting.

### E: INSPECTION

Refer to "Front Axle" for inspection procedures. <Ref. to DS-16, INSPECTION, Front Axle.>

#### CAUTION:

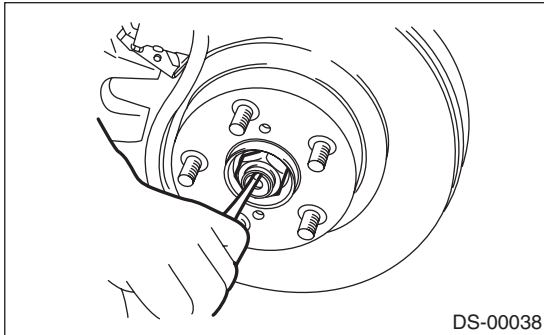
If there is any fault in the bearing, replace hub unit bearing.



## 5. Rear Axle

### A: REMOVAL

- 1) Disconnect the ground cable from the battery.
- 2) Lift up the vehicle, and then remove the rear wheels.
- 3) Lift the crimped section of axle nut.



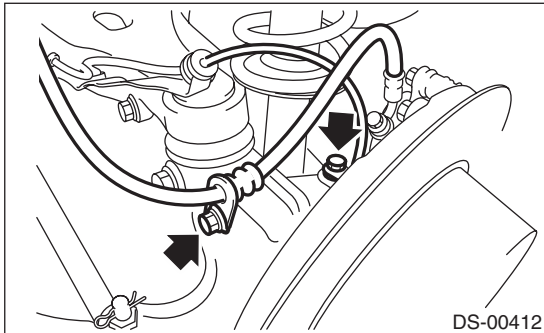
- 4) Remove the axle nut using a socket wrench while depressing the brake pedal.

**CAUTION:**

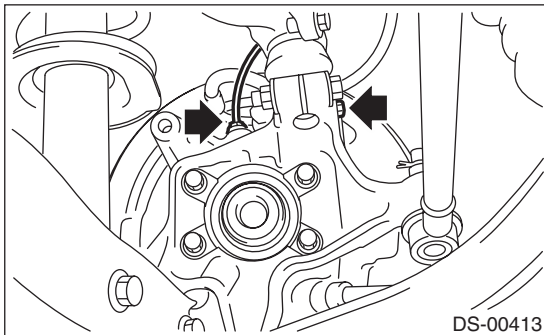
Remove the wheel before loosening the axle nut. Failure to follow this rule may damage the wheel bearings.

- 5) Remove the brake hose bracket and the rear ABS wheel speed sensor.

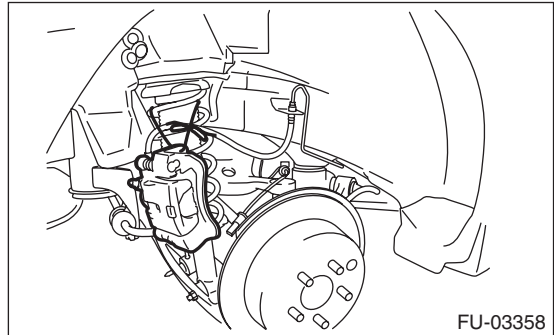
- Disc brake model



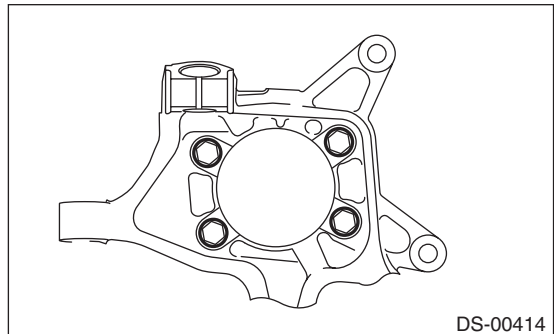
- Drum brake model



- 6) Remove the disc brake caliper from the rear housing, and suspend it from the vehicle using a string. (Disc brake model)



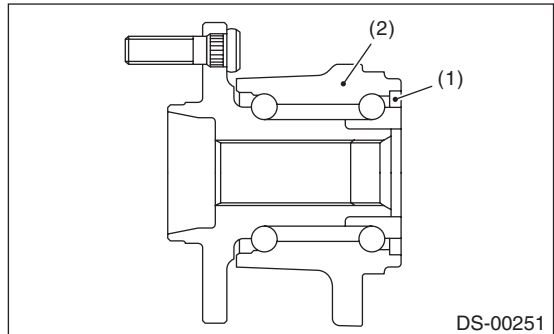
- 7) Remove the rear disc rotor. (Disc brake model)
- 8) Remove the brake drum. (Drum brake model)
- 9) Remove the four bolts from the rear housing.



- 10) Remove the rear hub unit bearing.

**CAUTION:**

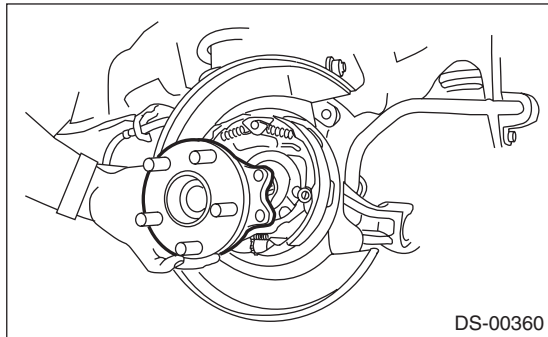
- Be careful not to damage the magnetic encoder.
- Do not get closer the tool which charged magnetism to magnetic encoder.



- (1) Magnetic encoder
- (2) Rear hub unit bearing

# Rear Axle

## DRIVE SHAFT SYSTEM

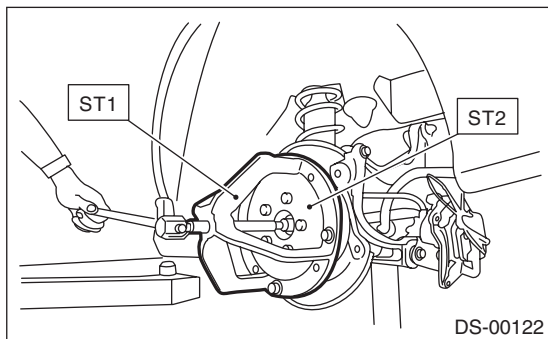


### NOTE:

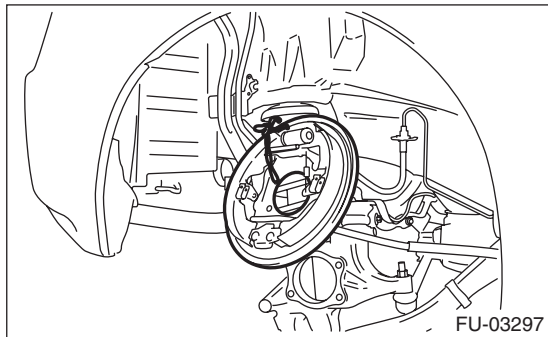
If it is hard to remove, use the ST.

ST1 926470000 AXLE SHAFT PULLER

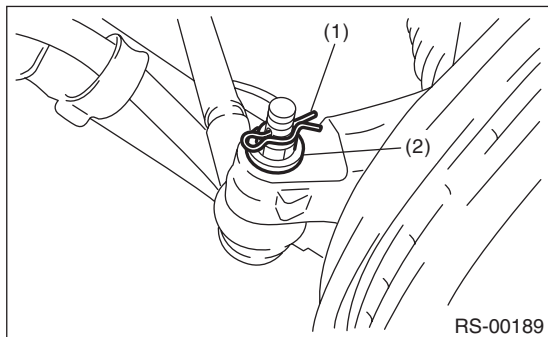
ST2 28099PA110 AXLE SHAFT PULLER  
PLATE



11) Suspend the rear brake from the shock absorber. (Drum brake model)



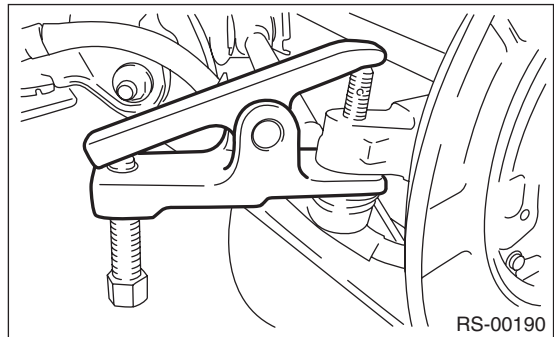
12) Remove the snap pin and nut from the front lateral link.



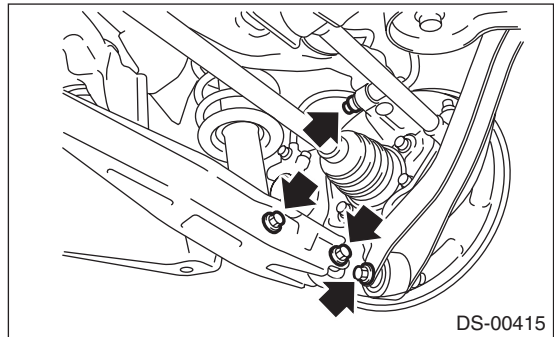
(1) Snap pin

(2) Nut

13) Using a puller, separate the rear housing and ball joint.



14) Separate the upper arm, trailing link, and rear lateral link from the rear housing.



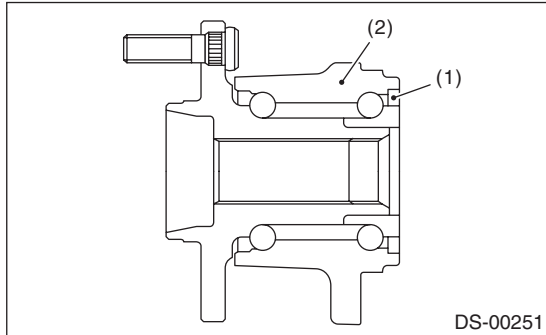
15) Remove the rear axle.

**B: INSTALLATION**

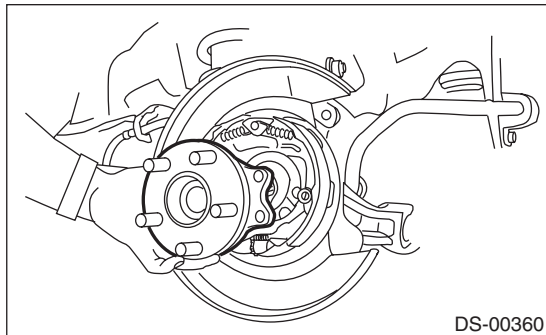
- 1) Temporarily tighten the rear housing to the upper arm.
- 2) Aligning with the mounting hole of the rear brake back plate, temporarily tighten the rear hub unit bearing to the rear housing.

**CAUTION:**

- Be careful not to damage the magnetic encoder.
- Do not get closer the tool which charged magnetism to magnetic encoder.



- (1) Magnetic encoder
- (2) Rear hub unit bearing



- 3) Attach the rear drive shaft to the rear hub unit bearing.
- 4) Tighten the new axle nut temporarily.

**CAUTION:****Use new axle nuts.**

- 5) Attach the links to the rear housing and tighten them to the specified torque.

**Tightening torque:****Upper arm**

**80 N·m (8.2 kgf·m, 59 ft·lb)**

**Front lateral link**

**60 N·m (6.1 kgf·m, 44.3 ft·lb)**

**Rear lateral link**

**120 N·m (12.2 kgf·m, 88.5 ft·lb)**

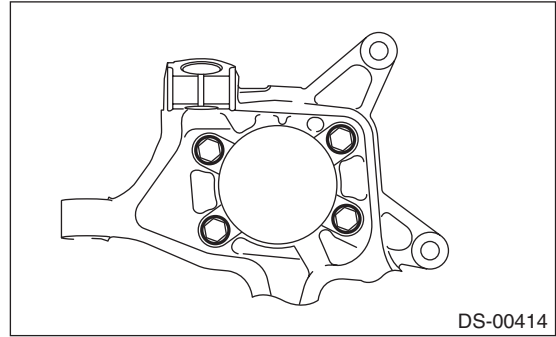
**Trailing link**

**90 N·m (9.2 kgf·m, 66.4 ft·lb)**

- 6) Tighten the four bolts of the rear housing.

**Tightening torque:**

**65 N·m (6.6 kgf·m, 47.9 ft·lb)**



- 7) Install the rear disc rotor. (Disc brake model)
- 8) Install the brake drum. (Drum brake model)
- 9) Install the rear disc brake caliper on the rear housing. (Disc brake model)

**Tightening torque:**

**66 N·m (6.7 kgf·m, 48.7 ft·lb)**

- 10) Install the brake hose bracket and rear ABS wheel speed sensor.

**Tightening torque:****Brake hose bracket**

**33 N·m (3.4 kgf·m, 24.3 ft·lb)**

**Rear ABS wheel speed sensor**

**7.5 N·m (0.76 kgf·m, 5.5 ft·lb)**

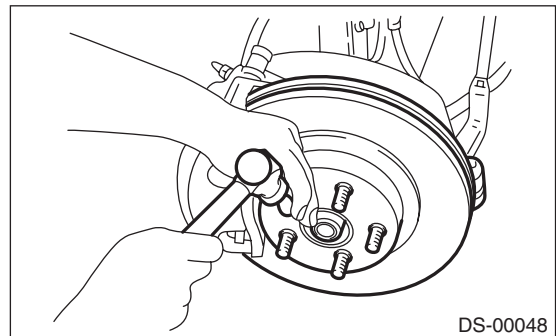
- 11) While pressing the brake pedal, tighten the new axle nuts to the specified torque.

**Tightening torque:**

**190 N·m (19.4 kgf·m, 140.1 ft·lb)**

**CAUTION:**

- Do not install wheel and let it touch the ground before tightening the axle nut. Failure to follow this rule may damage the axle bearing.
  - Do not overtighten the nuts as this may damage the axle bearing.
- 12) After tightening the axle nut, lock it securely.



- 13) Install the rear wheels.

**Tightening torque:**

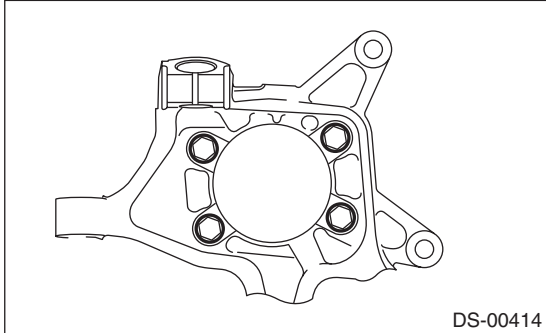
**100 N·m (10.2 kgf·m, 73.8 ft·lb)**

- 14) Connect the ground cable to battery.
- 15) Inspect the wheel alignment and adjust if necessary.

### C: DISASSEMBLY

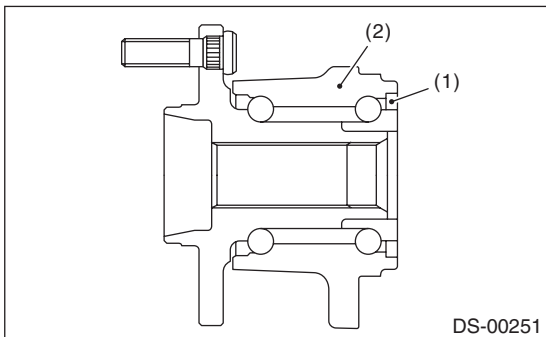
#### 1. REAR HUB UNIT BEARING

1) Remove the four bolts from the rear housing, and remove the rear hub unit bearing and back plate.



#### CAUTION:

- Be careful not to damage the magnetic encoder.
- Do not get closer the tool which charged magnetism to magnetic encoder.



- (1) Magnetic encoder  
(2) Rear hub unit bearing

2) Disassemble the rear hub unit bearing. <Ref. to DS-24, DISASSEMBLY, Rear Hub Unit Bearing.>

#### 2. BUSHING

For the removal procedure of bushing, refer to "Rear Trailing Link" in "REAR SUSPENSION". <Ref. to RS-10, REAR HOUSING BUSHING, DISASSEMBLY, Rear Trailing Link.>

### D: ASSEMBLY

#### 1. REAR HUB UNIT BEARING

Assemble in the reverse order of disassembly.

#### Tightening torque:

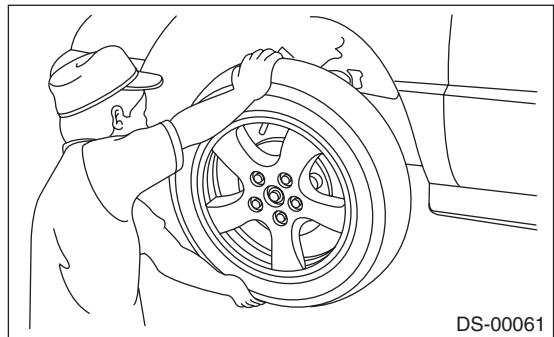
**Rear hub unit bearing**  
**65 N·m (6.6 kgf-m, 47.9 ft-lb)**

#### 2. BUSHING

For the installation procedure of bushing, refer to "Rear Trailing Link" in "REAR SUSPENSION". <Ref. to RS-12, REAR HOUSING BUSHING, ASSEMBLY, Rear Trailing Link.>

### E: INSPECTION

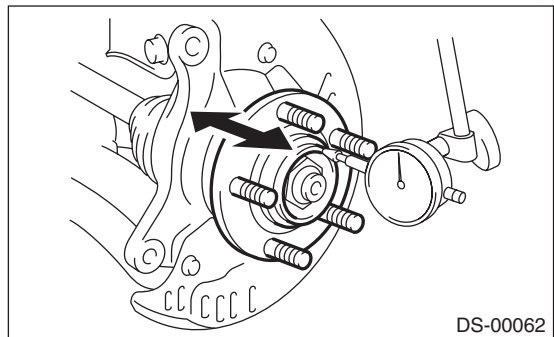
1) Moving the rear tire up and down by hand, check that there is no backlash in bearing, and check that the wheel rotates smoothly.



2) Inspect the lean of axis direction using a dial gauge. Replace the hub unit bearing if the play range exceeds the limitation.

#### Service limit:

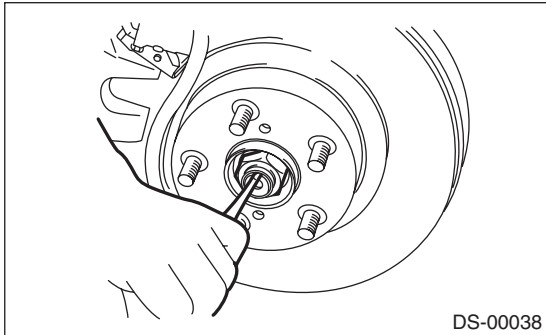
**Maximum: 0.05 mm (0.0020 in)**



## 6. Rear Hub Unit Bearing

### A: REMOVAL

- 1) Disconnect the ground cable from the battery.
- 2) Lift up the vehicle, and then remove the rear wheels.
- 3) Lift the crimped section of axle nut.

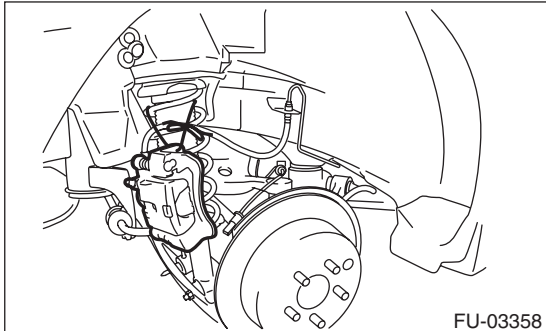


- 4) Remove the axle nut using a socket wrench while depressing the brake pedal.

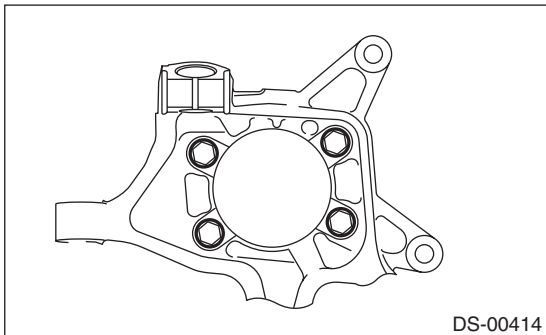
#### CAUTION:

**Remove the wheel before loosening the axle nut. Failure to follow this rule may damage the wheel bearings.**

- 5) Remove the disc brake caliper from the rear housing, and suspend it from the vehicle using a string. (Disc brake model)



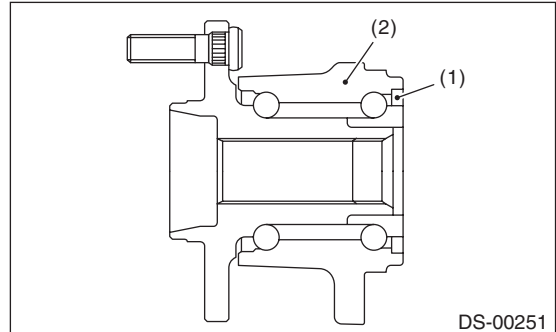
- 6) Remove the rear disc rotor. (Disc brake model)
- 7) Remove the brake drum. (Drum brake model)
- 8) Remove the four bolts from the rear housing.



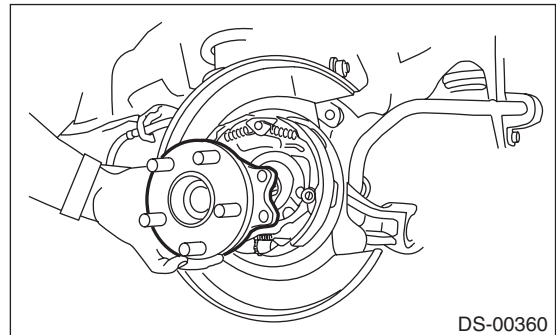
- 9) Remove the rear hub unit bearing.

#### CAUTION:

- Be careful not to damage the magnetic encoder.
- Do not get closer the tool which charged magnetism to magnetic encoder.



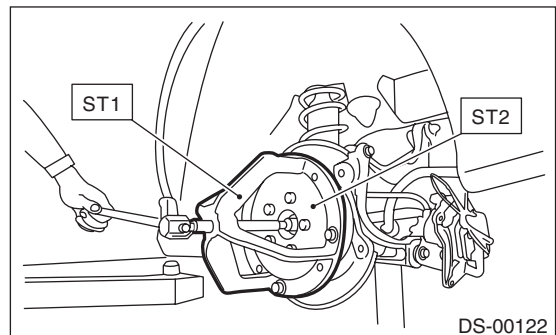
- (1) Magnetic encoder
- (2) Rear hub unit bearing



#### NOTE:

If it is hard to remove, use the ST.

- ST1 926470000 AXLE SHAFT PULLER  
 ST2 28099PA110 AXLE SHAFT PULLER PLATE



# Rear Hub Unit Bearing

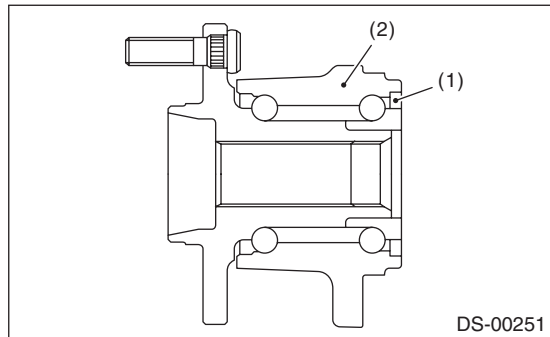
## DRIVE SHAFT SYSTEM

### B: INSTALLATION

1) Aligning with the mounting hole of the rear brake back plate, temporarily tighten the rear hub unit bearing to the rear housing.

#### CAUTION:

- Be careful not to damage the magnetic encoder.
- Do not get closer the tool which charged magnetism to magnetic encoder.

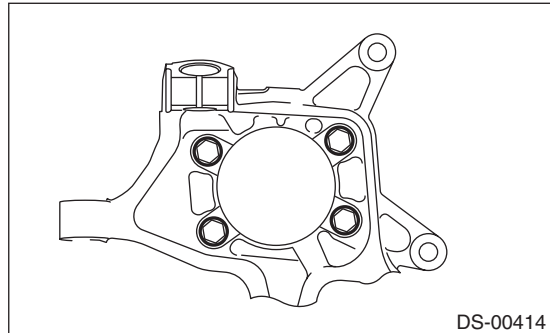


- (1) Magnetic encoder  
(2) Rear hub unit bearing

2) Tighten the four bolts of the rear housing.

#### Tightening torque:

**65 N·m (6.6 kgf-m, 47.9 ft-lb)**



3) Tighten the new axle nut temporarily.

#### CAUTION:

**Use new axle nuts.**

- 4) Install the rear disc rotor. (Disc brake model)  
5) Install the rear brake drum. (Drum brake model)  
6) Install the disc brake caliper on the rear housing. (Disc brake model)

#### Tightening torque:

**66 N·m (6.7 kgf-m, 48.7 ft-lb)**

7) While pressing the brake pedal, tighten the new axle nuts to the specified torque.

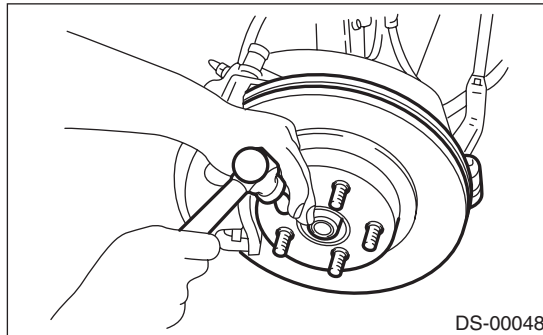
#### Tightening torque:

**190 N·m (19.4 kgf-m, 140.1 ft-lb)**

#### CAUTION:

- Do not install wheel and let it touch the ground before tightening the axle nut. Failure to follow this rule may damage the axle bearing.
- Do not overtighten the nuts as this may damage the axle bearing.

8) After tightening the axle nut, lock it securely.



9) Install the rear wheels.

#### Tightening torque:

**100 N·m (10.2 kgf-m, 73.8 ft-lb)**

### C: DISASSEMBLY

Using the ST and a hydraulic press, push out the hub bolts.

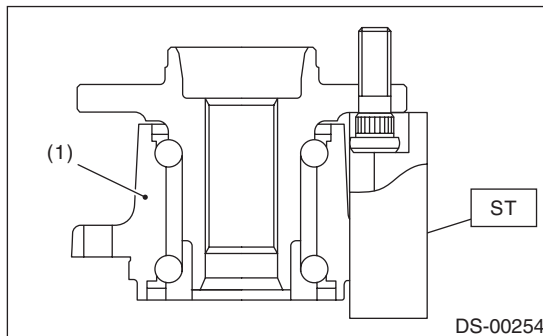
ST 28399AG000 HUB STAND

#### CAUTION:

- Be careful not to hammer the hub bolts. This may deform the hub.
- Do not reuse the hub bolt.

#### NOTE:

Since the hub unit bearing can not be disassembled, only hub bolts can be removed.

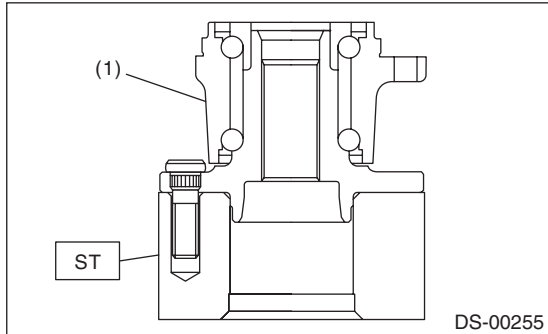


- (1) Rear hub unit bearing



## D: ASSEMBLY

- 1) Attach the hub to the ST securely.  
ST 927080000 HUB STAND



(1) Rear hub unit bearing

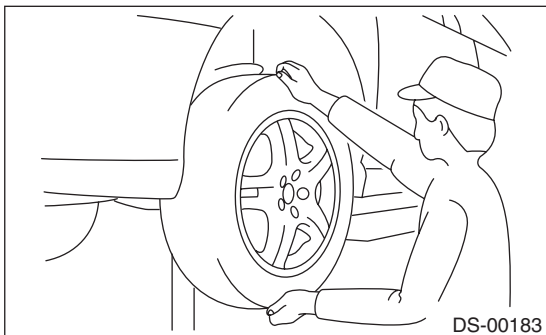
- 2) Using a press, press the new hub bolts until their seating surfaces contact the hub.

### NOTE:

Use the 12 mm (0.47 in) dia. holes in the HUB STAND to prevent bolts from tilting.

## E: INSPECTION

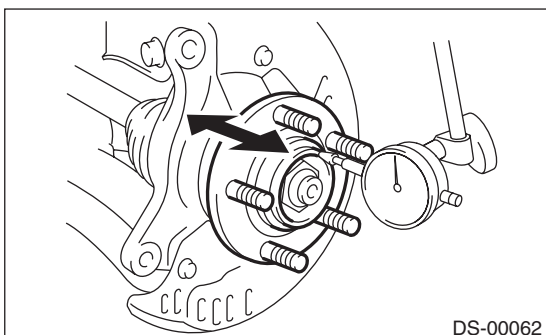
- 1) Moving the rear tire up and down by hand, check there is no backlash in bearing, and check the wheel rotates smoothly.



- 2) Inspect the lean of axis direction using a dial gauge. Replace the hub bearing if the play exceeds the limit value.

### Service limit:

**Maximum: 0.05 mm (0.0020 in)**



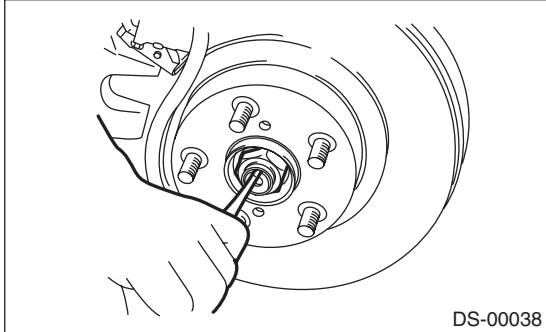
# Front Drive Shaft

## DRIVE SHAFT SYSTEM

### 7. Front Drive Shaft

#### A: REMOVAL

- 1) Disconnect the ground cable from the battery.
- 2) Lift up the vehicle, and remove the front wheels.
- 3) Lift the crimped section of axle nut.

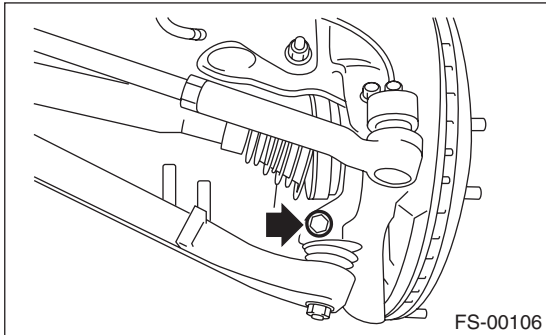


- 4) Remove the axle nut using a socket wrench while depressing the brake pedal.

#### CAUTION:

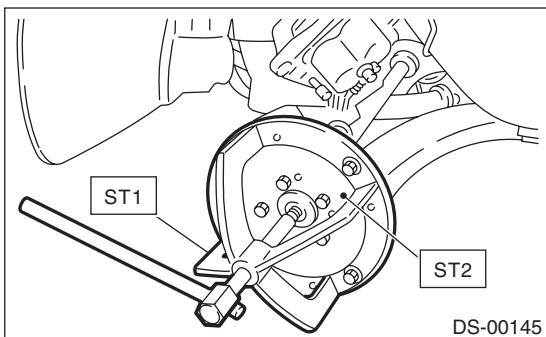
**Remove the wheel before loosening the axle nut. Failure to follow this rule may damage the wheel bearings.**

- 5) Drain the transmission gear oil. (MT model)
- 6) Drain the differential gear oil. (AT model)
- 7) Remove the stabilizer link from front arm.
- 8) Disconnect the front arm ball joint from the housing.



- 9) Remove the front drive shaft assembly. If it is hard to remove, use ST1 and ST2.

ST1 926470000 AXLE SHAFT PULLER  
ST2 28099PA110 AXLE SHAFT PULLER PLATE



- 10) Using a bar, remove the front drive shaft from transmission.

#### CAUTION:

**Be careful not to allow the bar to damage holder area.**

#### B: INSTALLATION

- 1) Replace the differential side retainer oil seal with a new part.

#### NOTE:

After pulling out the drive shaft, be sure to replace with a new oil seal.

**4AT model <Ref. to 4AT-47, REPLACEMENT, Differential Side Retainer Oil Seal.>**

**5MT model <Ref. to 5MT-32, REPLACEMENT, Differential Side Retainer Oil Seal.>**

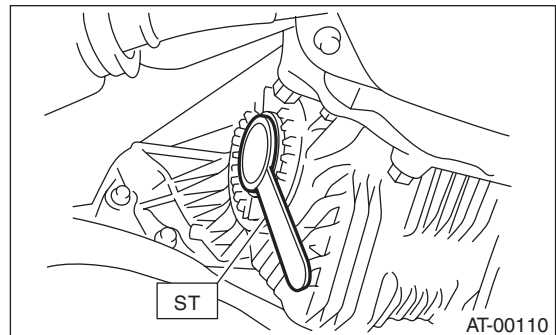
- 2) Insert the AC into hub splines.
- 3) Draw the drive shaft into specified position.

#### CAUTION:

**Do not hammer drive shaft when installing it.**

- 4) Tighten the axle nut temporarily.
- 5) Using the ST, install the front drive shaft to transmission.

ST 28399SA010 OIL SEAL PROTECTOR



- 6) Connect the front arm ball joint to the housing.

#### Tightening torque:

**50 N·m (5.1 kgf-m, 36.9 ft-lb)**

- 7) Install the stabilizer link.

#### CAUTION:

**Be sure to use a new self-locking nut.**

#### Tightening torque:

**45 N·m (4.6 kgf-m, 33.2 ft-lb)**



8) While pressing the brake pedal, tighten the new axle nuts to the specified torque.

**Tightening torque:**

**220 N·m (22.4 kgf·m, 162.3 ft·lb)**

**CAUTION:**

- Do not install wheel and let it touch the ground before tightening the axle nut. Failure to follow this rule may damage the axle bearing.
- Do not overtighten the nuts as this may damage the axle bearing.

- 9) After tightening axle nut, lock it securely.
- 10) Fill the transmission gear oil. (MT model)
- 11) Fill the differential gear oil. (AT model)
- 12) Install the front wheels.

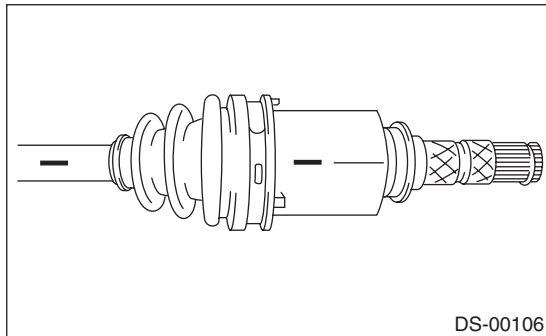
**Tightening torque:**

**100 N·m (10.2 kgf·m, 73.8 ft·lb)**

- 13) Connect the ground cable to battery.
- 14) Inspect the wheel alignment and adjust if necessary.

## C: DISASSEMBLY

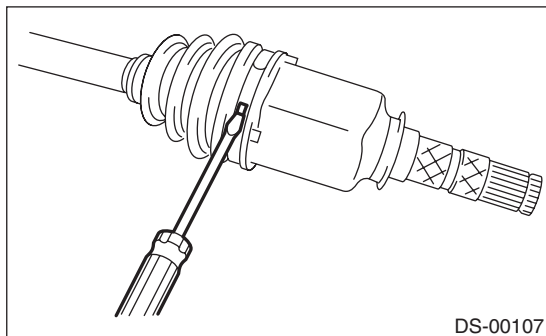
1) Place alignment marks on the shaft and outer race.



2) Remove the AAR boot band and boot.

**CAUTION:**

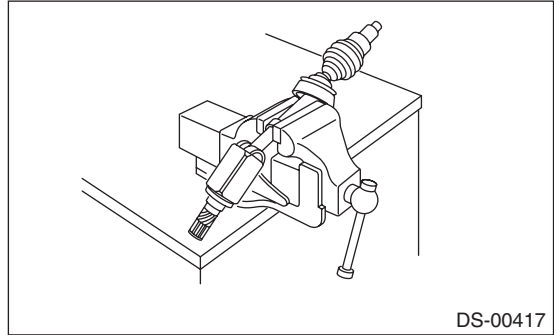
**Be careful not to damage the boot.**



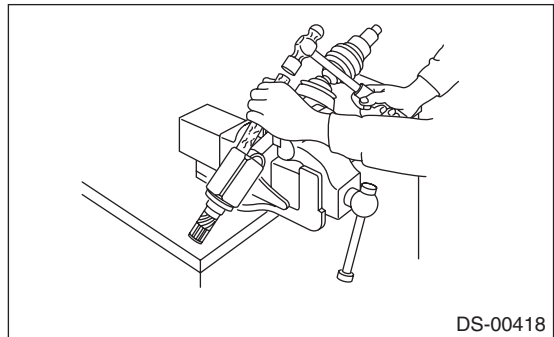
3) Place the drive shaft between wooden blocks and fix it on a vise.

**CAUTION:**

**Do not fix the drive shaft on a vise directly.**

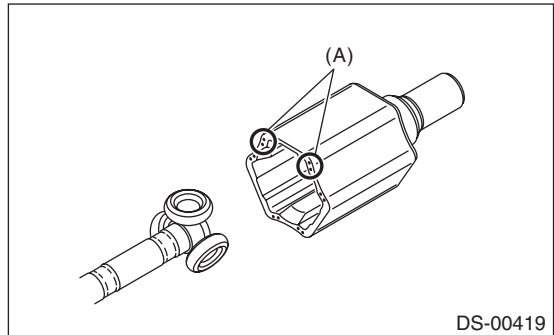


4) Tap the staking area of the outer race alternately with a plastic or wooden bar, and remove one roller at a time.



**CAUTION:**

- Tap the staking area (A) of the outer race.
- Do not use a metal bar as the outer race may deform.
- Be careful not to damage the roller parts.



5) Remove the outer race from shaft assembly.

**CAUTION:**

**Make sure to have your associate held the outer race when removing the third roller to prevent the outer race from falling.**

6) Wipe off grease.

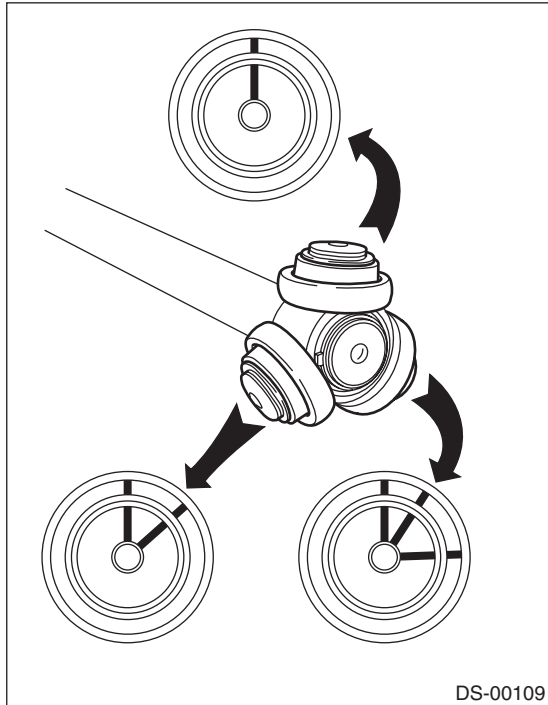
**CAUTION:**

**The grease is a special type of grease. Do not mix with other grease.**

# Front Drive Shaft

## DRIVE SHAFT SYSTEM

7) Place alignment marks on the roller kit and trunnion.

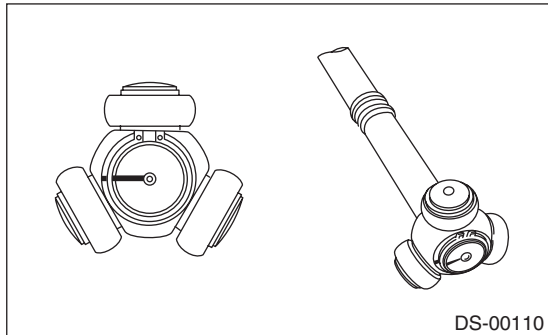


8) Remove the roller kit from trunnion.

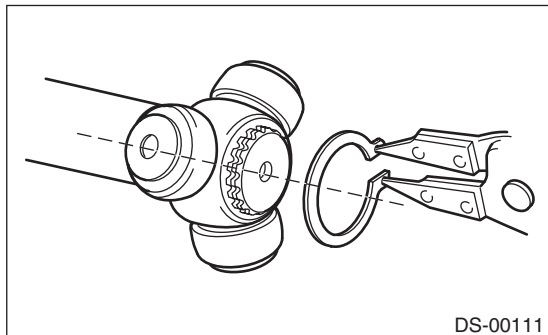
### CAUTION:

**Be careful with the roller kit position.**

9) Place alignment marks on the trunnion and shaft.



10) Remove the snap ring and trunnion.



### CAUTION:

**Be sure to wrap shaft splines with vinyl tape to protect the boot from scratches.**

11) Remove the AAR boot.

### NOTE:

The AC is a non-disassembly part, so the drive shaft disassembly stops here.

## D: ASSEMBLY

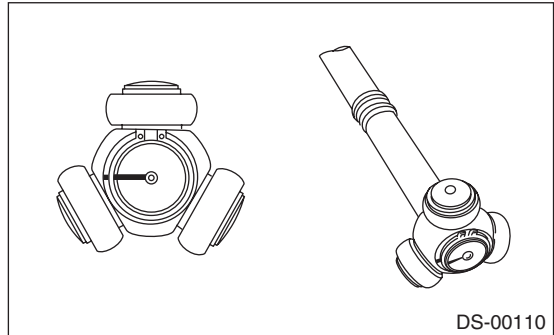
### NOTE:

Use specified grease.

### AAR side:

#### ONE LUBER C

- 1) Pass the AAR boot through the shaft.
- 2) Align alignment marks and install the trunnion on the shaft. Install the snap ring into the shaft groove securely.



3) Fill 50 to 60 g (1.76 to 2.12 oz) of specified grease into the interior of AAR outer race.

4) Apply a thin coat of specified grease to the roller and trunnion.

5) Place the drive shaft between wooden blocks and fix it on a vise.

### CAUTION:

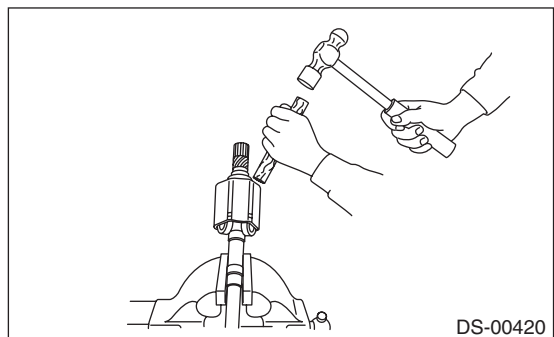
**Do not fix the drive shaft on a vise directly.**

6) Align the alignment marks on the shaft and outer race.

7) Tap the insertion upper part of the outer race alternately using a plastic or wood bar shown in the figure, and then insert the roller one by one.

### CAUTION:

- Do not use a metal bar as the outer race may deform.
- Do not tap on the end of outer race (shaft part).
- Be careful not to deform the baffle plate.



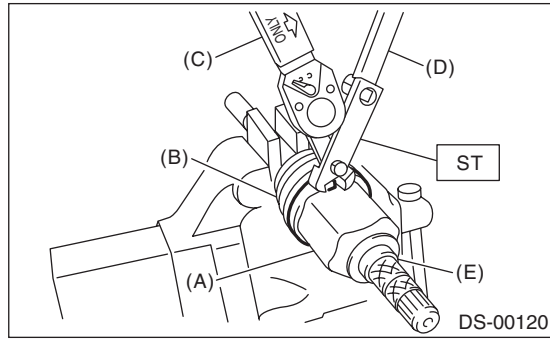
8) Apply an even coat of the specified grease 30 to 40 g (1.06 to 1.41 oz) to the entire inner surface of boot.

9) Install the AAR boot taking care not to twist it.

10) Install the new large boot band and small boot band at the required positions.

11) Tighten the boot bands using ST, torque wrench and socket flex handle.

ST 28099AC000 BOOT BAND PLIER



- (A) Large boot band
- (B) Boot
- (C) Torque wrench
- (D) Socket flex handle
- (E) AAR

### **Clearance at the crimped section of the boot band:**

#### **Large boot band**

**1 mm (0.04 in) or less**

#### **Small boot band**

**1 mm (0.04 in) or less**

12) Extend and retract the AAR repeatedly to provide an equal coating of grease.

## **E: INSPECTION**

Check the removed parts for damage, wear, corrosion etc. If faulty, repair or replace.

- AAR and AC

Check for seizure, corrosion, damage, wear and excessive play.

- Shaft

Check for excessive bending, twisting, damage and wear.

- Boot

Check for wear, warping, breakage and scratches.

- Grease

Check for discoloration and fluidity.

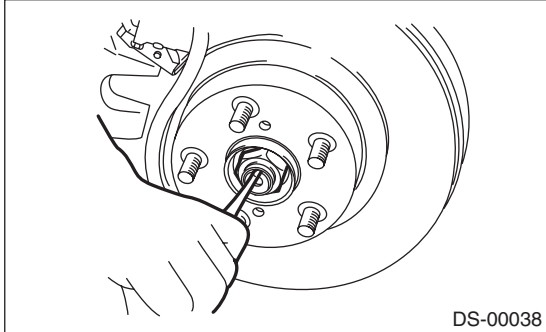
# Rear Drive Shaft

## DRIVE SHAFT SYSTEM

### 8. Rear Drive Shaft

#### A: REMOVAL

- 1) Disconnect the ground cable from battery.
- 2) Lift up the vehicle, and remove the rear wheels.
- 3) Lift the crimped section of axle nut.



- 4) Remove the axle nut using a socket wrench while depressing the brake pedal.

#### CAUTION:

**Remove the wheel before loosening the axle nut. Failure to follow this rule may damage the wheel bearings.**

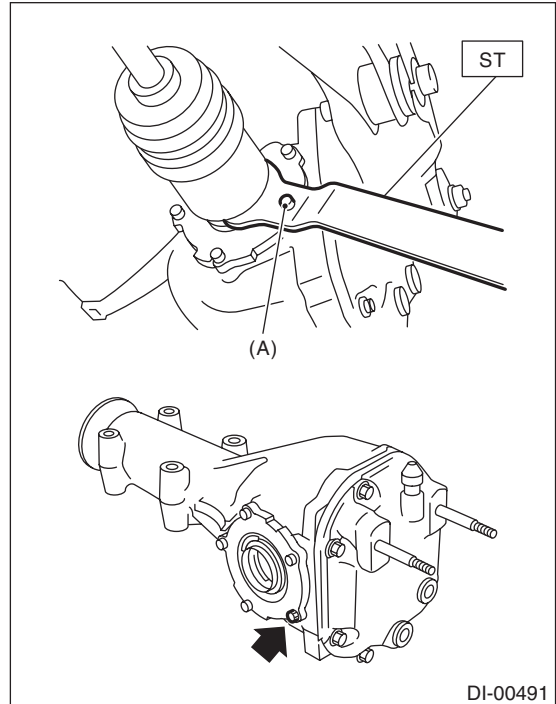
- 5) Drain the differential gear oil.
- 6) Remove the rear trailing link. <Ref. to RS-10, REMOVAL, Rear Trailing Link.>
- 7) Remove the rear lateral link. <Ref. to RS-16, REMOVAL, Rear Lateral Link.>

- 8) Remove the rear drive shaft from the rear differential by using the ST.

ST 28099PA100 DRIVE SHAFT REMOVER

#### NOTE:

Fit the ST to the bolts as shown in the figure to prevent damage of the side bearing retainer.

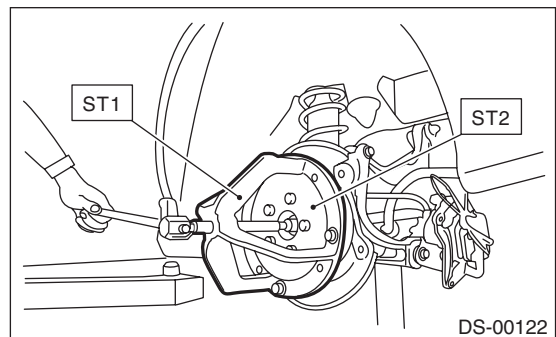


(A) Bolt

- 9) Remove the rear drive shaft from the rear axle. If it is hard to remove, use ST1 and ST2.

ST1 926470000 AXLE SHAFT PULLER

ST2 28099PA110 AXLE SHAFT PULLER PLATE



## B: INSTALLATION

1) Replace the rear differential side oil seal. <Ref. to DI-37, REPLACEMENT, Rear Differential Side Oil Seal.>

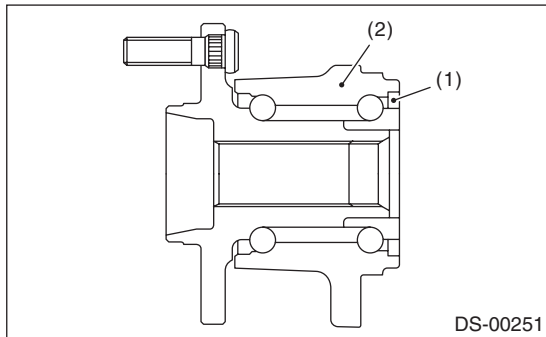
**NOTE:**

After pulling out the drive shaft, be sure to replace with a new oil seal.

2) Insert the EBJ into rear hub splines.

**CAUTION:**

- Be careful not to damage the magnetic encoder.
- Do not get closer the tool which charged magnetism to magnetic encoder.



- (1) Magnetic encoder
- (2) Rear hub unit bearing

3) Draw the rear drive shaft into specified position.

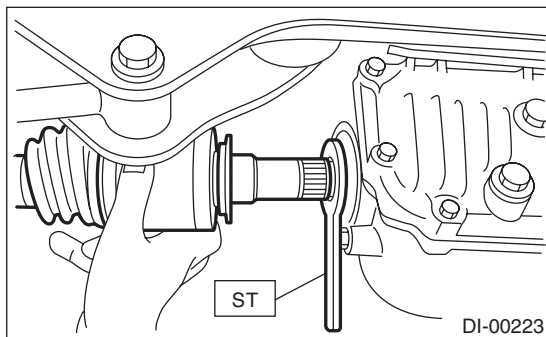
**CAUTION:**

**Do not hammer drive shaft when installing it.**

4) Tighten the axle nut temporarily.

5) Using the ST, install the rear drive shaft to the rear differential.

ST 28099PA090 OIL SEAL PROTECTOR



6) Attach the links to the rear housing and tighten them to the specified torque.

**Tightening torque:**

**Stabilizer link**

45 N·m (4.6 kgf-m, 33.2 ft-lb)

**Shock absorber**

120 N·m (12.2 kgf-m, 88.5 ft-lb)

**Rear lateral link**

120 N·m (12.2 kgf-m, 88.5 ft-lb)

**Trailing link**

90 N·m (9.2 kgf-m, 66.4 ft-lb)

7) While pressing the brake pedal, tighten the new axle nuts to the specified torque.

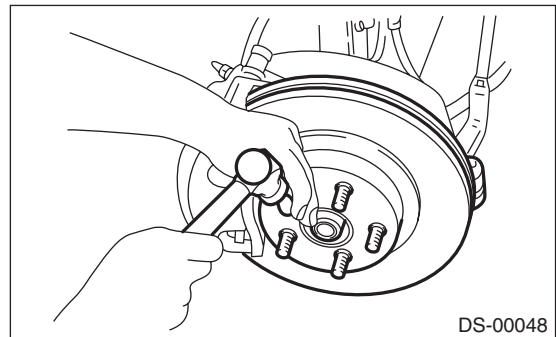
**Tightening torque:**

190 N·m (19.4 kgf-m, 140.1 ft-lb)

**CAUTION:**

- Do not install wheel and let it touch the ground before tightening the axle nut. Failure to follow this rule may damage the axle bearing.
- Do not overtighten the nuts as this may damage the axle bearing.

8) Lock the axle nut securely.



9) Fill the differential gear oil.

10) Install the rear wheels.

**Tightening torque:**

100 N·m (10.2 kgf-m, 73.8 ft-lb)

11) Connect the ground cable to battery.

12) Inspect the wheel alignment and adjust if necessary.

# Rear Drive Shaft

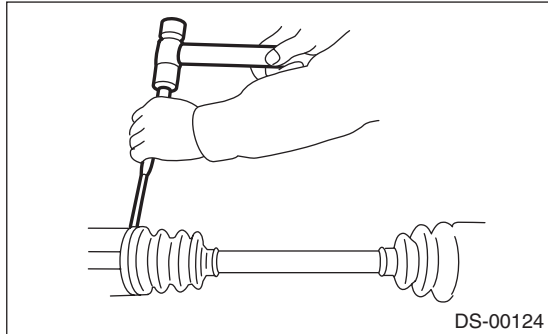
## DRIVE SHAFT SYSTEM

### C: DISASSEMBLY

1) Using a flat tip screwdriver or pillar, loosen the boot band on the large end of DOJ boot.

**CAUTION:**

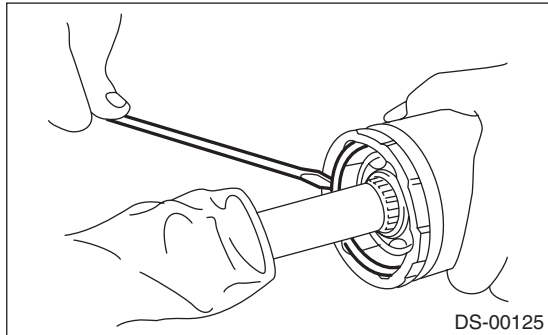
**Be careful not to damage the boot.**



2) Remove the boot band on the small end of DOJ boot in the same manner.

3) Remove the larger end of DOJ boot from DOJ outer race.

4) Remove the round snap ring at the neck of DOJ outer race with a flat tip screwdriver.



5) Take out the DOJ outer race from the shaft assembly.

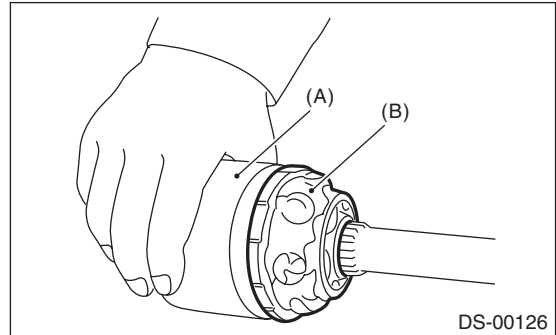
6) Wipe off the grease and take out the ball bearings.

**CAUTION:**

**The grease is a special grease (grease for constant velocity joints). Do not mix with other greases.**

**NOTE:**

Disassemble exercising care not to lose balls (6 pcs).



(A) Outer race

(B) Grease

7) To remove the cage from inner race, turn the cage by a half pitch to the track groove of inner race and shift the cage.

8) Using pliers, remove the snap ring fixing the inner race to the shaft.

9) Take out the DOJ inner race.

10) Take off the DOJ cage from shaft and remove the DOJ boot.

**CAUTION:**

**Wrap shaft splines with vinyl tape to protect the boot from scratches.**

11) Remove the EBJ boot using the same procedures as for the DOJ boot.

**NOTE:**

The EBJ is a non-disassembly part, so the drive shaft disassembly stops here.

## D: ASSEMBLY

### CAUTION:

Wrap shaft splines with vinyl tape to protect the boot from scratches.

### NOTE:

Use specified grease.

#### EBJ side:

**NKG106**

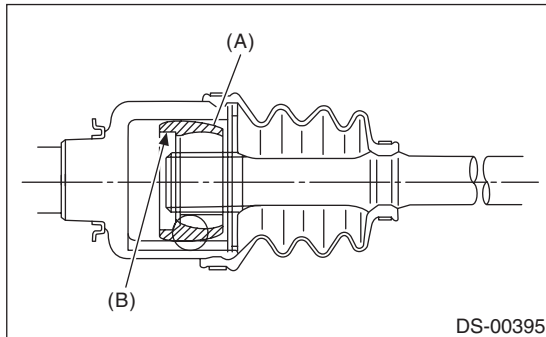
#### DOJ side:

**NKG205**

- 1) Install the EBJ boot to the specified position, and fill it with 50 to 60 g (1.76 to 2.12 oz) of specified grease.
- 2) Place the DOJ boot at the center of shaft.
- 3) Insert the DOJ cage onto shaft.

### NOTE:

Insert the cage with the cutout portion facing the shaft end, since the cage has an orientation.

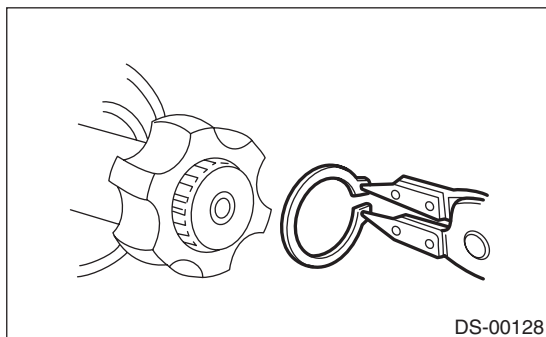


- (A) Cage
- (B) Cutout portion

- 4) Install the DOJ inner race on shaft and fix the snap ring in place with pliers.

### NOTE:

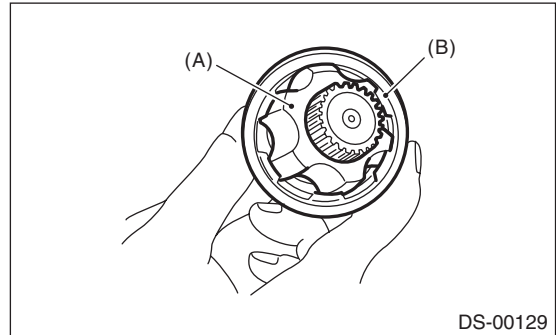
Confirm that the snap ring is completely fitted in the shaft groove.



- 5) Install the cage to inner race fixed upon shaft.

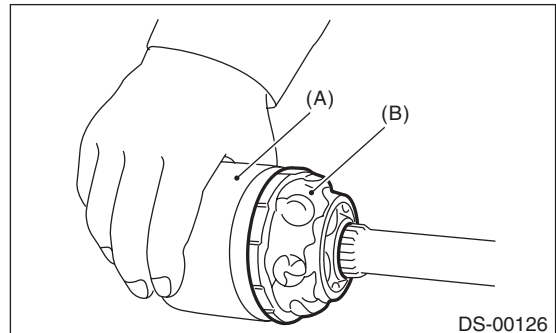
### NOTE:

Fit the cage with the protruding section aligned with the track on the inner race, and turn by a half pitch.



- (A) Inner race
- (B) Cage

- 6) Fill 80 to 90 g (2.82 to 3.17 oz) of specified grease into the inner side of the DOJ outer race.
- 7) Apply a thin coat of specified grease to the cage pocket and six ball bearings.
- 8) Insert the six ball bearings into the cage pocket.
- 9) Align the outer race track and ball positions, and place the shaft, inner race, cage and ball bearings in the original positions, and then fix outer race in place.



- (A) Outer race
- (B) Grease



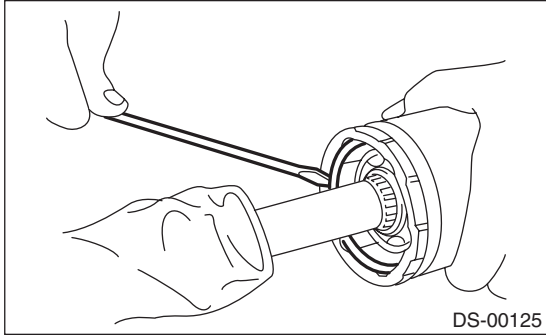
# Rear Drive Shaft

## DRIVE SHAFT SYSTEM

10) Install the snap ring in the groove on the DOJ outer race.

**NOTE:**

- Assure that the balls, cage and inner race are completely fitted in the outer race of DOJ.
- Use care not to place the matched position of snap ring in the ball groove of outer race.
- Pull the shaft lightly and assure that the circlip is completely fitted in the groove.



11) Apply an even coat of the specified grease [20 to 30 g (0.71 to 1.06 oz)] to the entire inner surface of boot. Also apply grease to the shaft.

12) Install the DOJ boot taking care not to twist it.

**NOTE:**

- The inside of the large end of DOJ boot and the boot groove shall be cleaned so as to be free from grease and other substances.
- When installing the DOJ boot, position the outer race of DOJ at center of the stroke.

13) Put a new band through the clip and wind twice in the band groove of the boot.

14) Pinch the end of band with pliers. Hold the clip and tighten securely.

**NOTE:**

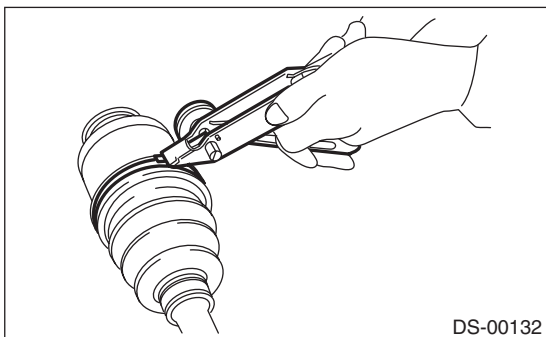
When tightening boot, use care so that the air within the boot is appropriate.

15) Tighten the band using the ST.

ST 925091000 BAND TIGHTENING TOOL

**NOTE:**

Tighten the band until it cannot be moved by hand.

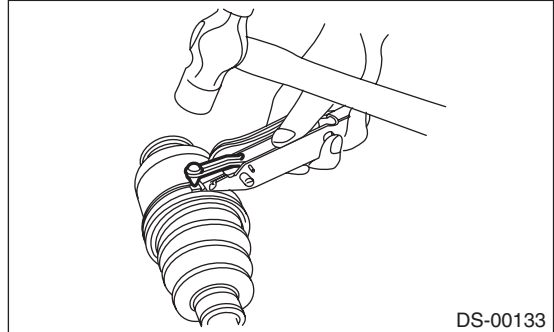


16) Tap the clip with the punch provided at the end of the ST.

ST 925091000 BAND TIGHTENING TOOL

**NOTE:**

Tap to an extent that the boot underneath is not damaged.



17) Cut off the band with an allowance of about 10 mm (0.39 in) left from the clip and bend this allowance over the clip.

**NOTE:**

Be careful so that the end of the band is in close contact with clip.

18) Install the EBJ boot using the same procedures as for the DOJ boot.

19) Extend and retract the DOJ repeatedly to provide an equal coating of grease.

## E: INSPECTION

Check the removed parts for damage, wear, corrosion etc. Repair or replace if defective.

- DOJ (Double Offset Joint)

Check for seizure, corrosion, damage, wear and excessive play.

- EBJ (high-efficiency compact ball fixed joint)

Check for seizure, corrosion, damage, wear and excessive play.

- Shaft

Check for excessive bending, twisting, damage and wear.

- Boot

Check for wear, warping, breakage and scratches.

- Grease

Check for discoloration and fluidity.



## 9. General Diagnostic Table

### A: INSPECTION

**NOTE:**

Vibration while cruising may be caused by an unbalanced tire, improper tire inflation pressure, improper wheel alignment, etc.

Symptoms	Possible cause	Corrective action
<b>Noise or vibration from propeller shaft</b>	Center bearing	Check the center bearing. <Ref. to DS-12, CENTER BEARING FREE PLAY, INSPECTION, Propeller Shaft.>
	Runout of propeller shaft	Check for deflection of the propeller shaft. <Ref. to DS-12, RUNOUT OF PROPELLER SHAFT, INSPECTION, Propeller Shaft.>
	Loose or gap at connections	Check the joints and connectors. <Ref. to DS-11, JOINTS AND CONNECTIONS, INSPECTION, Propeller Shaft.> Check the spline and bearing. <Ref. to DS-11, SPLINES AND BEARING, INSPECTION, Propeller Shaft.>
<b>Abnormal wheel vibration</b>	Wheel is out of balance.	Check the wheel balance. <Ref. to WT-9, ADJUSTMENT, Wheel Balancing.>
	Front wheel alignment	Check the front wheel alignment. <Ref. to FS-7, INSPECTION, Wheel Alignment.>
	Rear wheel alignment	Check the rear wheel alignment. <Ref. to RS-8, INSPECTION, Wheel Alignment.>
	Front strut	Check the front strut. <Ref. to FS-24, INSPECTION, Front Strut.>
	Rear shock absorber	Check the rear shock absorber. <Ref. to RS-14, INSPECTION, Rear Shock Absorber.>
	Front drive shaft	Check the front drive shaft. <Ref. to DS-29, INSPECTION, Front Drive Shaft.>
	Rear drive shaft	Check the rear drive shaft. <Ref. to DS-34, INSPECTION, Rear Drive Shaft.>
	Front hub unit bearing	Check the front hub unit bearing. <Ref. to DS-18, INSPECTION, Front Hub Unit Bearing.>
	Rear hub unit bearing	Check the rear hub unit bearing. <Ref. to DS-25, INSPECTION, Rear Hub Unit Bearing.>
<b>Noise from the underbody</b>	Wheel is out of balance.	Check the wheel balance. <Ref. to WT-9, ADJUSTMENT, Wheel Balancing.>
	Front wheel alignment	Check the front wheel alignment. <Ref. to FS-7, INSPECTION, Wheel Alignment.>
	Rear wheel alignment	Check the rear wheel alignment. <Ref. to RS-8, INSPECTION, Wheel Alignment.>
	Front strut	Check the front strut. <Ref. to FS-24, INSPECTION, Front Strut.>
	Rear shock absorber	Check the rear shock absorber. <Ref. to RS-14, INSPECTION, Rear Shock Absorber.>

# General Diagnostic Table

DRIVE SHAFT SYSTEM

---

# General Description

ABS

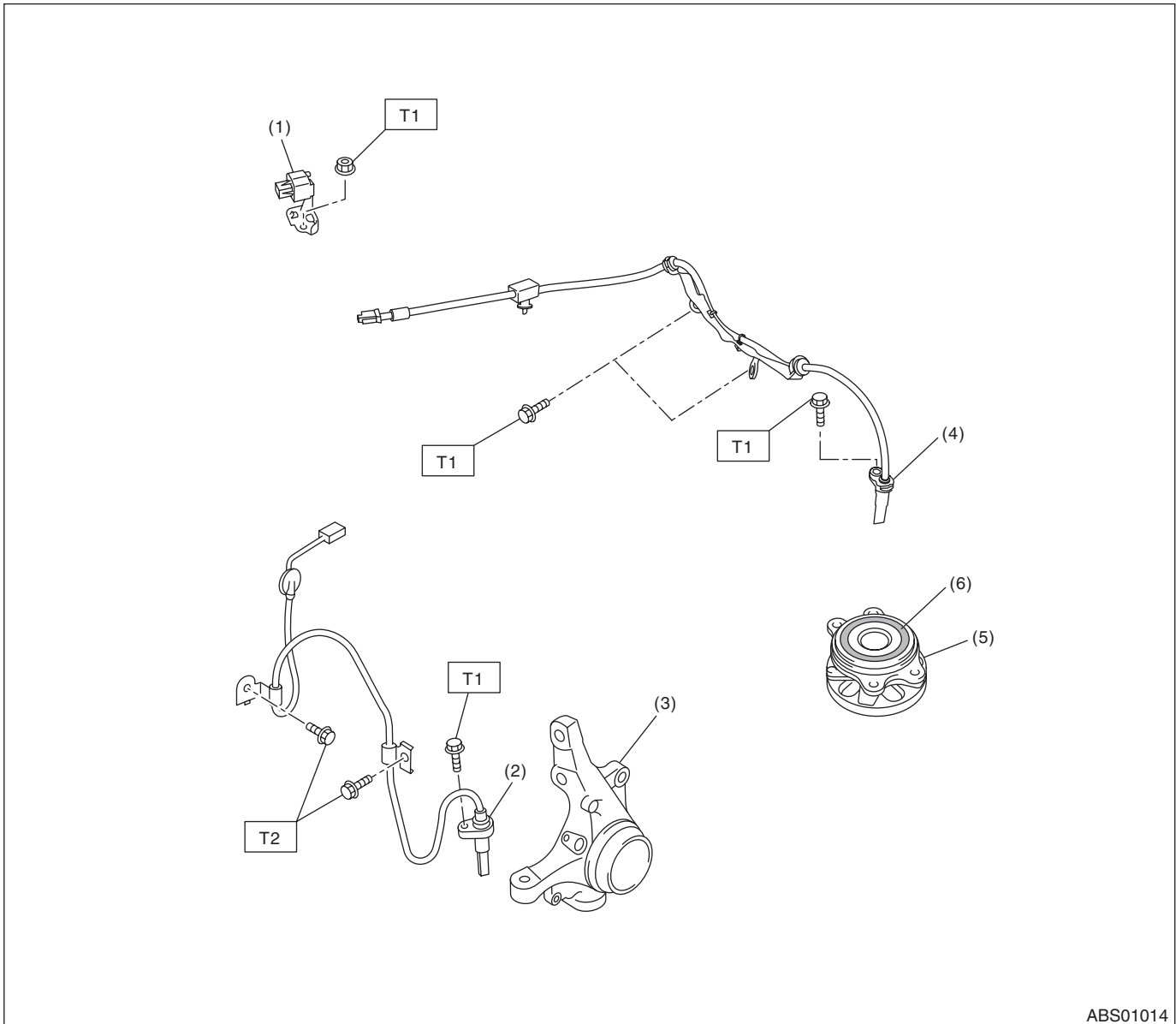
## 1. General Description

### A: SPECIFICATION

Item			Specification or identification	
ABS wheel speed sensor	ABS wheel speed sensor gap (for reference)	Front	0.77 — 1.43 mm (0.030 — 0.056 in)	
		Rear	0.64 — 1.56 mm (0.025 — 0.061 in)	
	Identifications of harness (marks, color)	Front	RH	K1 (White)
			LH	K2 (Yellow)
		Rear	RH	P5 (White)
			LH	P6 (Yellow)
G sensor	G sensor voltage	2.3±0.2 V		
ABSCM&H/U identification	AT	R2		
	MT	R3		

## B: COMPONENT

### 1. ABS WHEEL SPEED SENSOR & G SENSOR



- (1) G sensor
- (2) Front ABS wheel speed sensor LH
- (3) Front housing

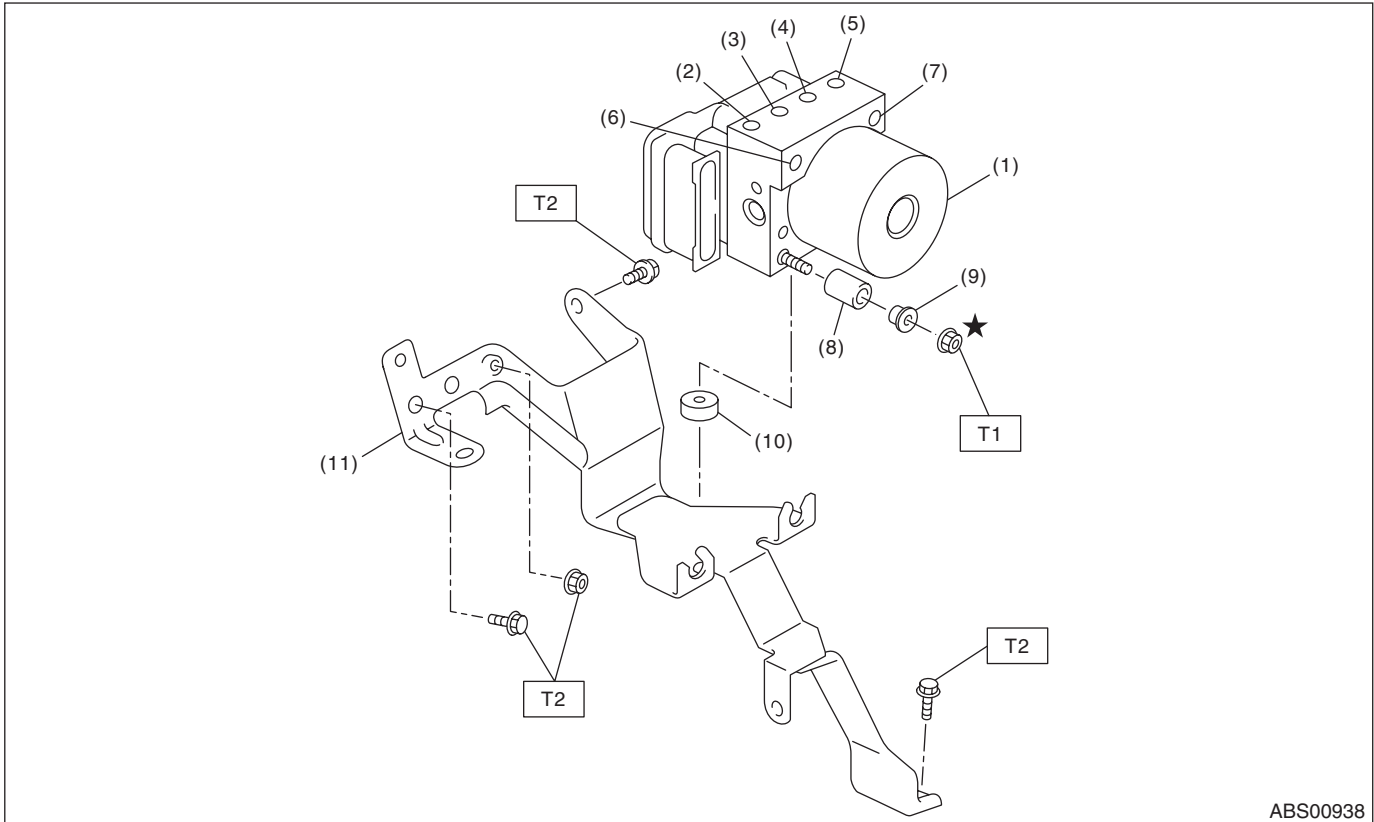
- (4) Rear ABS wheel speed sensor LH
- (5) Hub unit bearing
- (6) Magnetic encoder

**Tightening torque: N·m (kgf·m, ft·lb)**  
**T1: 7.5 (0.76, 5.5)**  
**T2: 33 (3.4, 24.3)**

# General Description

ABS

## 2. ABS CONTROL MODULE AND HYDRAULIC CONTROL UNIT (ABSCM&H/U)



- |   |                     |              |
|---|---------------------|--------------|
| (1) ABS control module and hydraulic control unit (ABSCM&H/U) | (6) Primary inlet   | (11) Bracket |
| (2) Front outlet RH   | (7) Secondary inlet |              |
| (3) Rear outlet LH  | (8) Damper          |              |
| (4) Rear outlet RH  | (9) Spacer          |              |
| (5) Front outlet LH   | (10) Damper         |              |

---

**Tightening torque: N·m (kgf·m, ft·lb)**  
**T1: 7.5 (0.76, 5.5)**  
**T2: 33 (3.4, 24.3)**

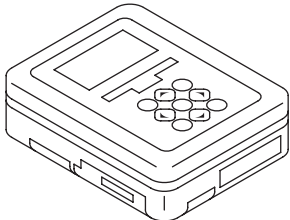
---

### C: CAUTION

- Wear appropriate work clothing, including a cap, protective goggles and protective shoes when performing any work.
- Before disconnecting connectors of sensors or units, be sure to disconnect the battery ground cable from the battery.
- Before removal, installation or disassembly, be sure to clarify the failure. Avoid unnecessary removal, installation, disassembly and replacement.
- Vehicle components are extremely hot after driving. Be wary of receiving burns from heated parts.
- Be sure to tighten fasteners including bolts and nuts to the specified torque.
- Place shop jacks or rigid racks at the specified points.

## D: PREPARATION TOOL

### 1. SPECIAL TOOL

ILLUSTRATION	TOOL NUMBER	DESCRIPTION	REMARKS
 <p style="text-align: center; margin-top: 10px;">ST1B022XU0</p>	1B022XU0	SUBARU SELECT MONITOR III KIT	Used for troubleshooting the electrical system.

### 2. GENERAL TOOL

TOOL NAME	REMARKS
Circuit tester	Used for measuring resistance, voltage and current.
Pressure gauge	Used for measuring oil pressure.
Oscilloscope	Used for measuring the sensor.
TORX® bit E5	Used for replacing the ABS control module.

# ABS Control Module and Hydraulic Control Unit (ABSCM&H/U)

ABS

## 2. ABS Control Module and Hydraulic Control Unit (ABSCM&H/U)

### A: REMOVAL

- 1) Disconnect the ground cable from the battery.
- 2) Use compressed air to remove water and dust around the ABSCM&H/U.

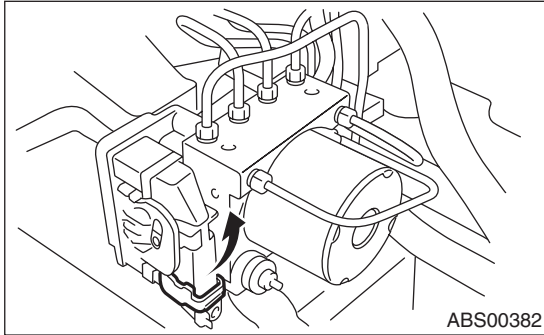
#### NOTE:

If the terminals become dirty, it may cause improper contact.

- 3) Lift the lock lever and disconnect the ABSCM&H/U connector.

#### CAUTION:

Do not pull on the harness when disconnecting the connector.



- 4) Remove the harness clip.
- 5) Disconnect the brake pipes from the ABSCM&H/U.
- 6) Wrap the brake pipe with a vinyl bag so as not to spill the brake fluid on the vehicle body.

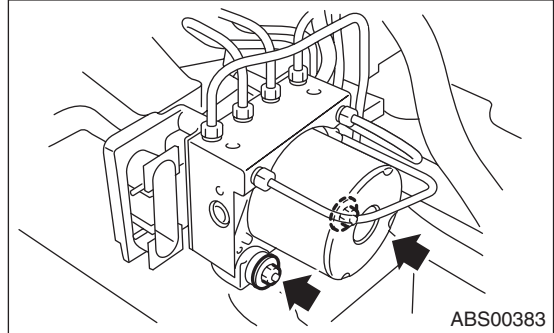
#### CAUTION:

If brake fluid is spilled on the vehicle body, wash it off immediately with water and wipe clean.

- 7) Loosen the nuts and remove the ABSCM&H/U.

#### CAUTION:

- Do not drop or bump the ABSCM&H/U.
- Do not turn the ABSCM&H/U upside down or place it sideways for storage.
- Be careful not to let foreign matter enter into ABSCM&H/U.
- Be careful that no water enters the connectors.



- 8) Remove the ABSCM&H/U bracket.

### B: INSTALLATION

- 1) Install the ABSCM&H/U bracket.

#### Tightening torque:

**33 N·m (3.4 kgf·m, 24.3 ft·lb)**

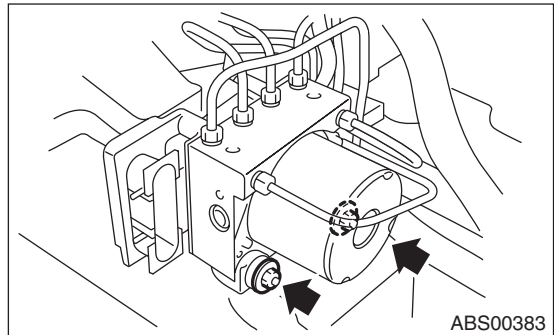
- 2) Install the ABSCM&H/U using new nuts (Part No. 023506000) by aligning the damper groove of the ABSCM&H/U to the bracket side claw.

#### NOTE:

Check the identification marks of the ABSCM&H/U.

#### Tightening torque:

**7.5 N·m (0.76 kgf·m, 5.5 ft·lb)**



- 3) Connect the brake pipes to their correct ABSCM&H/U positions.

#### Tightening torque:

**15 N·m (1.5 kgf·m, 11.1 ft·lb)**

- 4) Using a harness clip, secure the ABSCM&H/U harness to the bracket.

5) Connect the connector to ABSCM&H/U.

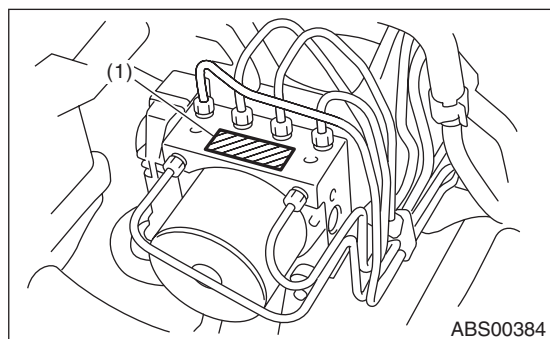
**NOTE:**

- Be sure to remove all foreign matter from inside the connector before connecting.
  - Make sure the ABSCM&H/U connector is securely locked.
- 6) Bleed air from the brake system.

**C: INSPECTION**

- 1) Check the condition of connection and settlement of connector.
- 2) Check the mark used for ABSCM&H/U identification.

Refer to "SPECIFICATION" for the identification mark. <Ref. to ABS-2, SPECIFICATION, General Description.>



(1) Identification mark

**1. CHECKING THE HYDRAULIC UNIT ABS OPERATION BY PRESSURE GAUGE**

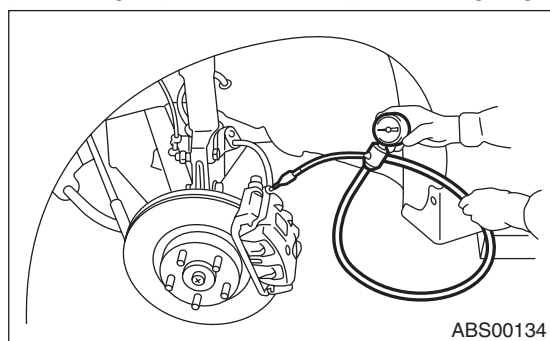
- 1) Lift up the vehicle, and remove the wheels.
- 2) Remove the air bleeder screws from FL and FR caliper bodies.
- 3) Connect two pressure gauges to FL and FR caliper bodies.

**CAUTION:**

- Use a pressure gauge used exclusively for brake fluid measurement.
- Do not use the pressure gauge used for the measurement of transmission oil. Doing so will cause the piston seal to expand and deform.

**NOTE:**

Wrap sealing tape around the pressure gauge.



ABS00134

4) Bleed air from the pressure gauges and the FL and FR caliper bodies.

5) Perform ABS sequence control.

<Ref. to ABS-10, ABS Sequence Control.>

6) When the hydraulic unit begins to work, first the FL side performs decompression, hold and compression, and then the FR side performs decompression, hold and compression.

7) Read values indicated on the pressure gauge and check if the fluctuation of the values between decompression and compression meets the standard values. Depress the brake pedal and check that the kick-back is normal, and tightness is normal.

	Front wheel	Rear wheel
Initial value	3,500 kPa (36 kgf/cm <sup>2</sup> , 511 psi)	3,500 kPa (36 kgf/cm <sup>2</sup> , 511 psi)
When depressurized	500 kPa (5 kgf/cm <sup>2</sup> , 73 psi) or less	500 kPa (5 kgf/cm <sup>2</sup> , 73 psi) or less
When pressurized	3,500 kPa (36 kgf/cm <sup>2</sup> , 511 psi) or more	3,500 kPa (36 kgf/cm <sup>2</sup> , 511 psi) or more

8) Disconnect the pressure gauges from FL and FR caliper bodies.

9) Install the air bleeder screws of FL and FR caliper bodies.

10) Remove the air bleeder screws from RL and RR caliper bodies.

11) Connect two pressure gauges to RL and RR caliper bodies.

12) Bleed air from the brake system.

13) Bleed air from RL and RR caliper bodies, and pressure gauge.

14) Perform ABS sequence control.

<Ref. to ABS-10, ABS Sequence Control.>

15) When the hydraulic unit begins to work, first the RR side performs decompression, hold and compression, and then the RL side performs decompression, hold and compression.

16) Read values indicated on the pressure gauge and check if the fluctuation of the values between decompression and compression meets specification. Depress the brake pedal and check that the kick-back is normal, and tightness is normal.

17) Disconnect the pressure gauge from the RL and RR caliper bodies.

18) Install the air bleeder screws of RL and RR caliper bodies.

19) Bleed air from the brake system.

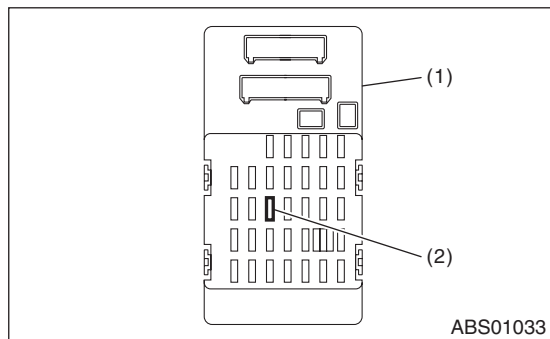


# ABS Control Module and Hydraulic Control Unit (ABSCM&H/U)

ABS

## 2. CHECKING THE HYDRAULIC UNIT ABS OPERATION WITH THE BRAKE TESTER

1) For AT model, install the spare fuse to the FWD connector located in the fuse & relay box.



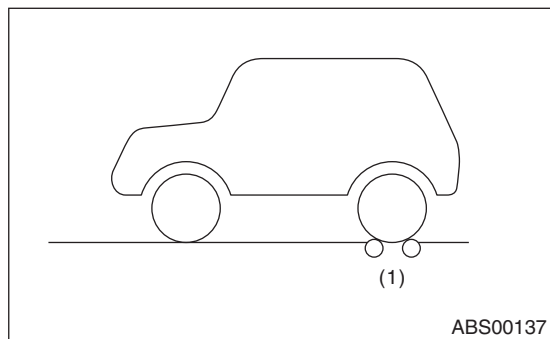
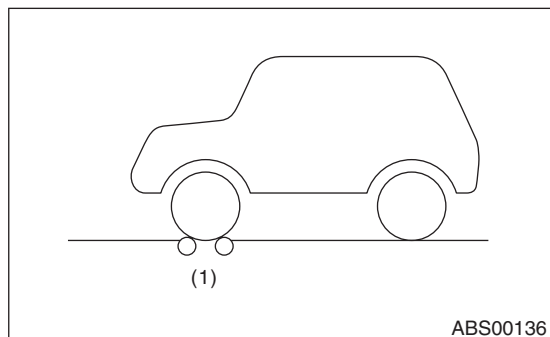
- (1) Fuse & Relay Box
- (2) FWD connector (No. 15)

2) Since the MT model cannot cut off the AWD circuit, set the wheels other than the measured one on free rollers.

3) Prepare for ABS sequence control.

<Ref. to ABS-10, ABS Sequence Control.>

4) Set the front wheels or rear wheels on the brake tester and set the gear to "neutral".



- (1) Brake tester

5) Operate the brake tester.

6) Perform ABS sequence control.

<Ref. to ABS-10, ABS Sequence Control.>

7) When the hydraulic unit begins to work, check the following work sequence.

(1) The FL wheel performs decompression, hold and compression in sequence, and subsequently the FR wheel repeats the cycle.

(2) The RR wheel performs decompression, hold and compression in sequence, and subsequently the RL wheel repeats the cycle.

8) Read values indicated on the brake tester and check if the fluctuation of the values between decompression and compression meets specification.

	Front wheel	Rear wheel
Initial value	1,000 N (102 kgf, 225 lbf)	1,000 N (102 kgf, 225 lbf)
When depressurized	500 N (51 kgf, 112 lbf) or less	500 N (51 kgf, 112 lbf) or less
When pressurized	1,000 N (102 kgf, 225 lbf) or more	1,000 N (102 kgf, 225 lbf) or more

9) After the inspection, depress the brake pedal and check that it is not abnormally hard, and tightness is normal.

## D: REPLACEMENT

### CAUTION:

- Because the seal of the ABSCM cannot be replaced, do not pull or peel it by lifting it up.
- Because the screw of the H/U will become slightly worn in every replacement procedure, 5 times is the maximum number of times for replacement. If a problem is found such as not being able to torque the screw to specifications even before 5 replacement operations are performed, replace the H/U body.
- When installing the ABSCM, always use new screws.
- When the sealing surface of the ABSCM or H/U is dirty or damaged and it cannot be removed or repaired, replace with a new part.

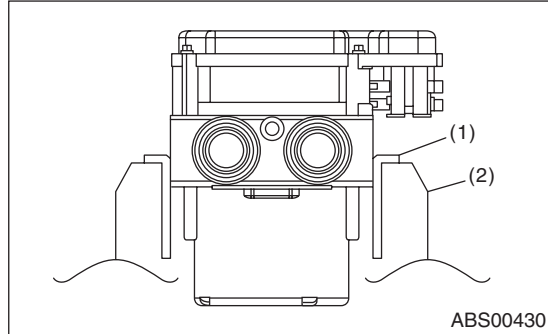
1) Remove the ABSCM&H/U. <Ref. to ABS-6, REMOVAL, ABS Control Module and Hydraulic Control Unit (ABSCM&H/U).>

2) To prevent entry of foreign objects and brake fluid leakage, plug the oil pressure port of the ABSCM&H/U using a screw plug, etc.

3) Set the pump motor section of the removed ABSCM&H/U face down on a vise.

**NOTE:**

Before securing a part in a vise, place cushioning material such as wood blocks, aluminum plate or cloth between the part and the vise.

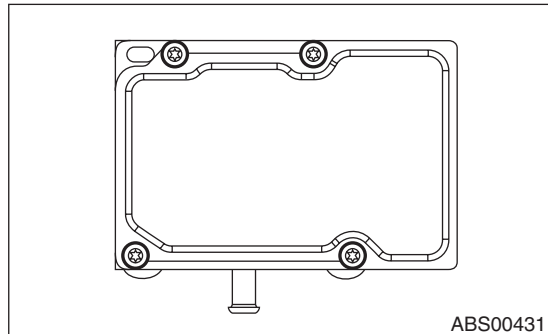


- (1) Aluminum plate, etc.
- (2) Vise

4) Using TORX® bit E5, remove the four screws of ABSCM.

**NOTE:**

These screws cannot be reused.



5) Slowly pull out the ABSCM upward from the H/U.

**NOTE:**

To prevent damaging of coil section, remove the ABSCM straight up from H/U without twisting.

6) Make sure there is no dirt or damage on the sealing surface of the H/U.

**CAUTION:**

- Do not clean the ABSCM&H/U by applying compressed air.
- Even if damage is found on the H/U seal, do not attempt repair by filing or with a metal scraper. To remove the seal residue, always use a plastic scraper. Do not use chemical such as paint thinner, etc., to clean.

7) Position the coil of the new ABSCM to align with the H/U valve.

8) To prevent deformation of the ABSCM housing cover, hold the corner of ABSCM and install it to the H/U without tilting.

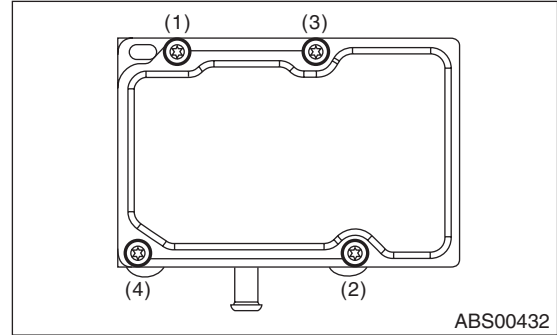
9) Using a TORX® bit E5, attach/tighten new screws in the order of (1) through (4).

**CAUTION:**

Always use new screws.

**Tightening torque:**

**1.5 N·m (0.15 kgf·m, 1.1 ft·lb)**



10) Check that there is no foreign matter in mating surface between the ABSCM & H/U.

11) Using a TORX® bit E5, tighten the screws in the order of (1) through (4) again.

**Tightening torque:**

**3 N·m (0.3 kgf·m, 2.2 ft·lb)**

12) Check that there is no gap in the mating surface between ABSCM&H/U.

13) Install the ABSCM&H/U to the vehicle.

## 3. ABS Sequence Control

### A: OPERATION

- 1) While the ABS sequence control is being performed, the operation of the hydraulic unit can be checked using the brake tester or pressure gauge after the hydraulic unit solenoid valve operation.
- 2) ABS sequence control can be started by the Subaru Select Monitor.

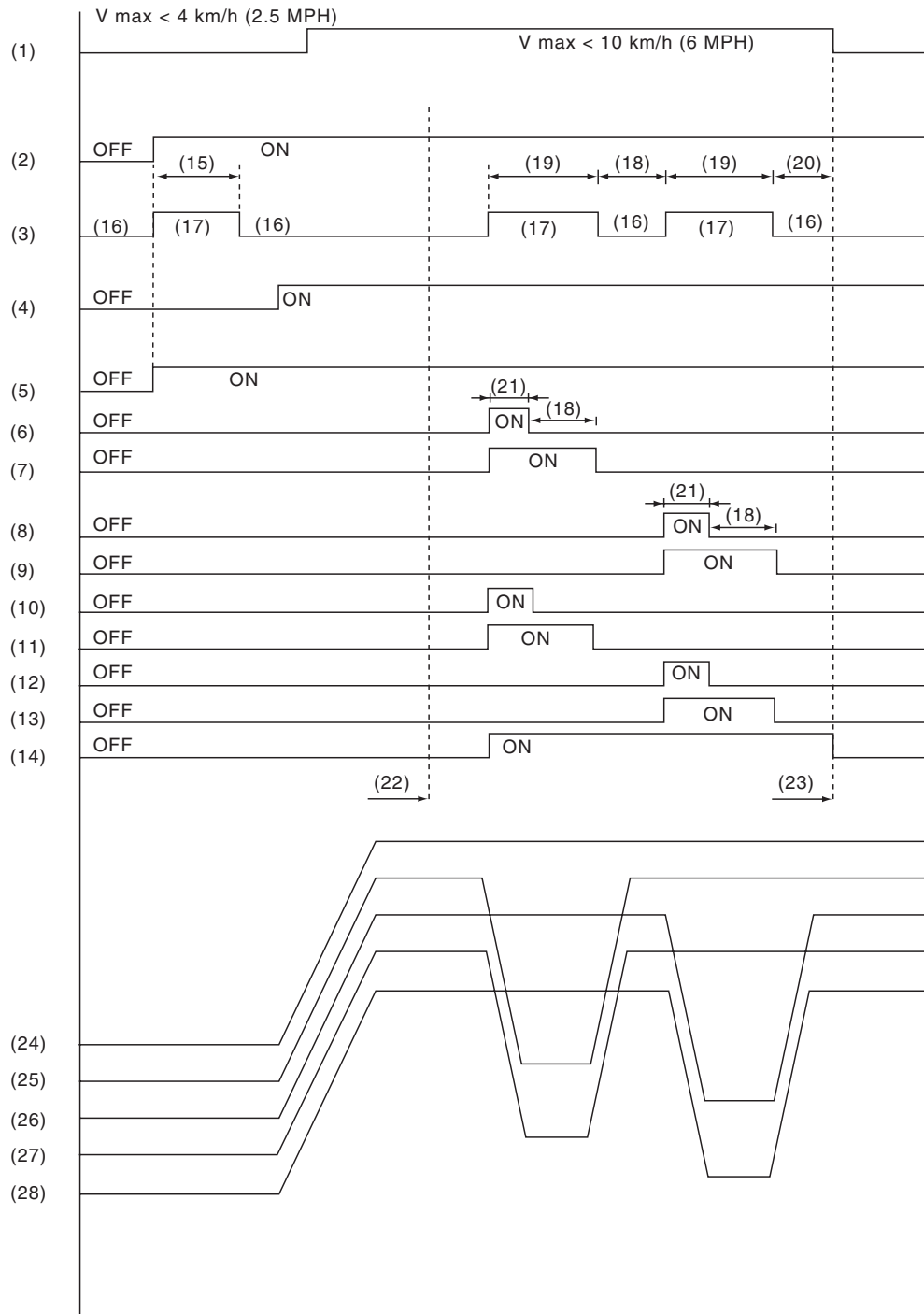
#### 1. ABS SEQUENCE CONTROL WITH SUBARU SELECT MONITOR

##### NOTE:

In the event of any trouble, the ABS sequence control will not operate.

- 1) Connect the Subaru Select Monitor to data link connector under the driver's side instrument panel lower cover.
- 2) Turn the ignition switch to ON.
- 3) Run the "PC application for Subaru Select Monitor".
- 4) Set the Subaru Select Monitor to "Brake Control" mode.
- 5) When the "Function check sequence" is selected, the "ABS sequence control" will start.
- 6) Execute the following operations when the message "Press the brake pedal so that the brake pedal force is between 100 and 150 kgf" is displayed.
  - (1) When using a brake tester, press the brake pedal pad with a force of 1,000 N (102 kgf, 225 lbf).
  - (2) When using a pressure gauge, press the brake pedal so that the pressure gauge indicates 3,500 kPa (36 kgf/cm<sup>2</sup>, 511 psi).
- 7) The brake system being operated is displayed on the Subaru Select Monitor.

## 2. CONDITIONS FOR ABS SEQUENCE CONTROL



ABS00943

# ABS Sequence Control

## ABS

---

- |                             |                             |                                 |
|-----------------------------|-----------------------------|---------------------------------|
| (1) All wheel speed         | (11) RR compression valve   | (20) 0.6 seconds                |
| (2) Ignition key            | (12) RL decompression valve | (21) 0.4 seconds                |
| (3) ABS warning light       | (13) RL compression valve   | (22) Point A                    |
| (4) Stop light switch       | (14) Pump motor             | (23) Reset                      |
| (5) Valve relay             | (15) 1.5 seconds            | (24) Master cylinder pressure   |
| (6) FL decompression valve  | (16) Light OFF              | (25) FL wheel cylinder pressure |
| (7) FL compression valve    | (17) Light ON               | (26) FR wheel cylinder pressure |
| (8) FR decompression valve  | (18) 1.0 second             | (27) RR wheel cylinder pressure |
| (9) FR compression valve    | (19) 1.4 seconds            | (28) RL wheel cylinder pressure |
| (10) RR decompression valve |                             |                                 |

### NOTE:

The control operation starts at point A.

## **B: SPECIFICATION**

### **1. CONDITIONS FOR COMPLETION OF ABS SEQUENCE CONTROL**

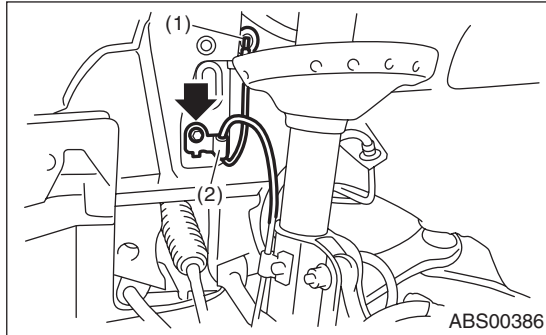
When the following conditions develop, the ABS sequence control stops and ABS operation is returned to the normal control mode.

- 1) When the speed of at least one wheel reaches 10 km/h (6 MPH).
- 2) When the brake pedal is released during ABS sequence control and the stop light switch becomes OFF.
- 3) After completion of ABS sequence control.
- 4) When a malfunction is detected.

## 4. Front ABS Wheel Speed Sensor

### A: REMOVAL

- 1) Disconnect the ground cable from battery.
- 2) Disconnect the ABS wheel speed sensor connector located next to the front strut mounting house in the engine compartment.
- 3) Remove the sensor harness bracket.

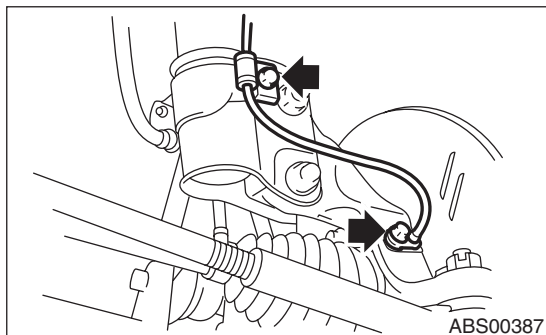


- (1) To the front ABS wheel speed sensor connector
- (2) Sensor harness bracket

- 4) Remove the bolts which secure the sensor harness to the front strut.
- 5) Remove the front ABS wheel speed sensor from housing.

#### CAUTION:

- Be careful not to damage the sensor.
- Do not apply excessive force to the sensor harness.



### B: INSTALLATION

Install in the reverse order of removal.

#### Tightening torque:

**Sensor:**

**7.5 N·m (0.76 kgf-m, 5.5 ft-lb)**

**Bracket:**

**33 N·m (3.4 kgf-m, 24.3 ft-lb)**

#### CAUTION:

**Be careful not to damage the sensor.**

#### NOTE:

- Check the identification (mark) on the harness to make sure there is no warpage. (RH: K1 (White), LH: K2 (Yellow))
- Check if the harness is not pulled and does not come in contact with the suspension or body during steering wheel effort.

### C: INSPECTION

#### 1. CHECK WITH SUBARU SELECT MONITOR

- 1) Connect the Subaru Select Monitor to the data link connector.
- 2) Select {Current Data Display & Save}. Check if the speed indicated on the display changes in the same manner as the speedometer reading during acceleration/deceleration when the steering wheel is in the straight-ahead position.
- 3) If the speed indicated on the display does not change, check the ABS wheel speed sensor. <Ref. to ABS-14, ABS WHEEL SPEED SENSOR, INSPECTION, Front ABS Wheel Speed Sensor.>

# Front ABS Wheel Speed Sensor

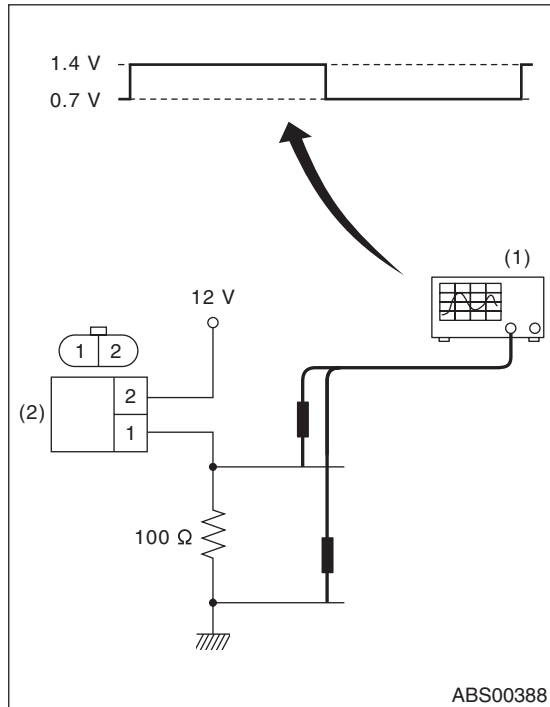
ABS

## 2. ABS WHEEL SPEED SENSOR

- 1) Check the tip of the ABS wheel speed sensor for foreign particles or damage. If necessary, clean the tip or replace the ABS wheel speed sensor.
- 2) Connect a 12 V power supply to No. 2 terminal of sensor connector as shown in the figure, then attach resistance to the No. 1 terminal. Rotate the wheel at about 2.75 km/h (2 MPH), and measure the voltage using an oscilloscope.

**Standard value of output voltage:**

**0.7 — 1.4 V**



- (1) Oscilloscope  
(2) ABS wheel speed sensor

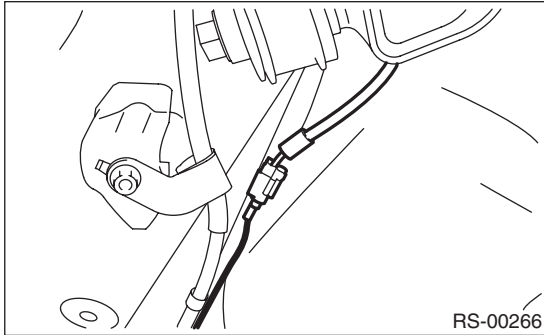
### NOTE:

Check the ABS wheel speed sensor cable for discontinuity. If necessary, replace with a new part.

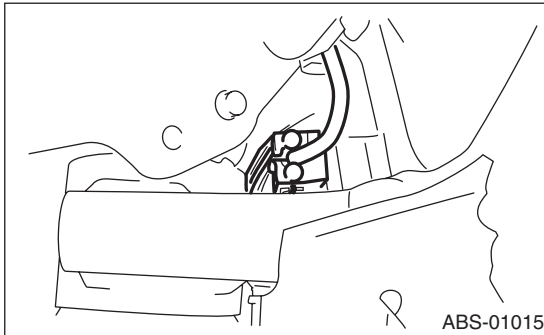
## 5. Rear ABS Wheel Speed Sensor

### A: REMOVAL

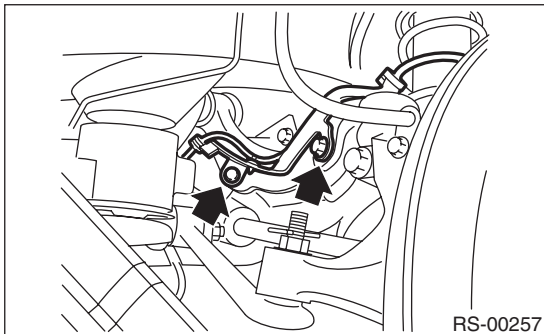
- 1) Disconnect the ground cable from the battery.
- 2) Disconnect the connector from the rear ABS wheel speed sensor.



- 3) Remove the sensor harness clamp of the rear sub frame.



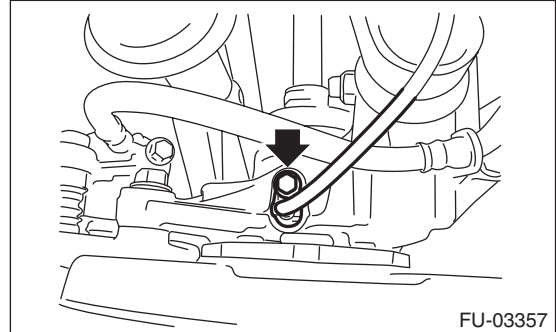
- 4) Remove the sensor harness bracket from the upper arm.



- 5) Remove the rear ABS wheel speed sensor from the rear axle.

### CAUTION:

- Be careful not to damage the sensor.
- Do not apply excessive force to the sensor harness.



### B: INSTALLATION

Install in the reverse order of removal.

### CAUTION:

Be careful not to damage the sensor.

### Tightening torque:

#### Sensor:

7.5 N·m (0.76 kgf·m, 5.5 ft·lb)

#### Bracket:

7.5 N·m (0.76 kgf·m, 5.5 ft·lb)

### NOTE:

Check the identification (mark) on the harness to make sure there is no warpage. (RH: P5 (White), LH: P6 (Yellow))

### C: INSPECTION

#### 1. ABS WHEEL SPEED SENSOR

<Ref. to ABS-14, ABS WHEEL SPEED SENSOR, INSPECTION, Front ABS Wheel Speed Sensor.>



## 6. Front Magnetic Encoder

### A: REMOVAL

Refer to “Front Hub Bearing” for removal, because the front magnetic encoder is integrated with front hub bearing.

<Ref. to DS-17, REMOVAL, Front Hub Unit Bearing.>

### B: INSTALLATION

Refer to “Front Hub Bearing” for installation, because the front magnetic encoder is integrated with front hub bearing.

<Ref. to DS-18, INSTALLATION, Front Hub Unit Bearing.>

### C: INSPECTION

Visually check the magnetic encoder for any damage. If necessary, replace with a new hub unit bearing.

#### NOTE:

Because the magnetic encoder is integrated with hub unit bearing assembly, replace the hub unit bearing with a new part if there is any defect found on the magnetic encoder.

## 7. Rear Magnetic Encoder

### A: REMOVAL

Refer to “Rear Hub Unit Bearing” for removal, because the rear magnetic encoder is integrated with rear hub unit bearing.

<Ref. to DS-23, REMOVAL, Rear Hub Unit Bearing.>

### B: INSTALLATION

Refer to “Rear Hub Unit Bearing” for installation, because the rear magnetic encoder is integrated with rear hub unit bearing.

<Ref. to DS-24, INSTALLATION, Rear Hub Unit Bearing.>

### C: INSPECTION

Visually check the magnetic encoder parts for any damage. If necessary, replace with a new hub unit bearing.

#### NOTE:

Because the magnetic encoder is integrated with hub unit bearing assembly, replace the hub unit bearing with a new part if there is any defect found on the magnetic encoder.

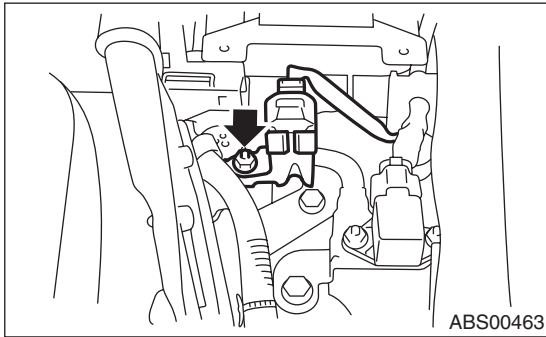
## 8. G Sensor

### A: REMOVAL

- 1) Disconnect the ground cable from the battery.
- 2) Remove the console box.  
<Ref. to EI-48, REMOVAL, Console Box.>
- 3) Disconnect the connector from G sensor.
- 4) Remove the G sensor from the body.

**CAUTION:**

- Do not drop or bump the G sensor.
- The G sensor integrated with the bracket. Do not disassemble.



### B: INSTALLATION

Install in the reverse order of removal.

**CAUTION:**

Do not drop or bump the G sensor.

**Tightening torque:**

Refer to “COMPONENT” for tightening torque. <Ref. to ABS-3, ABS WHEEL SPEED SENSOR & G SENSOR, COMPONENT, General Description.>

### C: INSPECTION

Step	Check	Yes	No
<b>1 CHECK G SENSOR.</b> 1) Turn the ignition switch to OFF. 2) Connect the Subaru Select Monitor to data link connector. 3) Set the Subaru Select Monitor to the {Brake Control System} mode. 4) Set the display in the {Current Data Display & Save} mode. 5) Read the G sensor output value.	Is the value $-1.2 \text{ — } 1.2 \text{ m/s}^2$ when the vehicle is in horizontal position?	Go to step 2.	Repair the harness connector between the G sensor and ABSCM&H/U. Or replace G sensor.
<b>2 CHECK G SENSOR.</b> 1) Remove the console box. 2) Remove the G sensor from vehicle. (Do not disconnect the connector.) 3) Read the Subaru Select Monitor display.	Is the value $8.1 \text{ — } 11.2 \text{ m/s}^2$ when G sensor is inclined forward to $90^\circ$ ?	Go to step 3.	Repair the harness connector between the G sensor and ABSCM&H/U. Or replace G sensor.
<b>3 CHECK G SENSOR.</b> Read the Subaru Select Monitor display.	Is the value $-8.1 \text{ — } -11.2 \text{ m/s}^2$ when G sensor is inclined backward $90^\circ$ ?	G sensor is normal.	Repair the harness connector between the G sensor and ABSCM&H/U. Or replace G sensor.

# Basic Diagnostic Procedure

ABS (DIAGNOSTICS)

## 1. Basic Diagnostic Procedure

### A: PROCEDURE

#### CAUTION:

Remove foreign matter (dust, water, oil etc.) from the ABSCM&H/U connector during removal and installation.

#### NOTE:

- To check harness for open or short circuits, shake the suspected trouble spot or connector.
- Refer to "Check List for Interview". <Ref. to ABS(diag)-3, Check List for Interview.>

	Step	Check	Yes	No
1	<b>CHECK PRE-INSPECTION.</b> 1) Ask the customer when and how the trouble occurred using the interview check list. <Ref. to ABS(diag)-3, Check List for Interview.> 2) Before performing diagnostics, check the components which might affect ABS problems. <Ref. to ABS(diag)-7, INSPECTION, General Description.>	Are components which might affect the ABS problem operating correctly?	Go to step 2.	Repair or replace each component.
2	<b>CHECK DTC.</b> 1) Turn the ignition switch to OFF. 2) Connect the Subaru Select Monitor to data link connector. 3) Turn the ignition switch to ON and run the Subaru Select Monitor. <b>NOTE:</b> If the communication function of the Subaru Select Monitor cannot be executed properly, check the communication circuit. <Ref. to ABS(diag)-16, COMMUNICATION FOR INITIALIZING IMPOSSIBLE, INSPECTION, Subaru Select Monitor.> 4) Read the DTC using Subaru Select Monitor. <Ref. to ABS(diag)-19, OPERATION, Read Diagnostic Trouble Code (DTC).>	Is DTC displayed on the Subaru Select Monitor?	Record the DTCs and Information in Trouble State. Go to step 4.	Go to step 3.
3	<b>PERFORM GENERAL DIAGNOSTICS.</b> 1) Perform the inspection by referring to "General Diagnostic Table". <Ref. to ABS(diag)-60, General Diagnostic Table.> 2) Perform the Clear Memory Mode. <Ref. to ABS(diag)-21, Clear Memory Mode.> 3) Perform the Inspection Mode. <Ref. to ABS(diag)-20, Inspection Mode.> 4) Read the DTC. <Ref. to ABS(diag)-13, HOW TO USE SUBARU SELECT MONITOR, OPERATION, Subaru Select Monitor.> Check the DTC is not displayed.	Does the ABS warning light go off after turning the ignition switch to ON?	Finish the diagnosis.	Check the combination meter circuit. <Ref. to ABS(diag)-23, ABS WARNING LIGHT DOES NOT GO OFF, ABS Warning Light / Brake Warning Light Illumination Pattern.>
4	<b>PERFORM DIAGNOSIS.</b> 1) Refer to "List of Diagnostic Trouble Code (DTC)". <Ref. to ABS(diag)-26, LIST, List of Diagnostic Trouble Code (DTC).> 2) Correct the cause of trouble. 3) Perform the Clear Memory Mode. <Ref. to ABS(diag)-21, Clear Memory Mode.> 4) Perform the Inspection Mode. <Ref. to ABS(diag)-20, Inspection Mode.> 5) Read the DTC. <Ref. to ABS(diag)-13, HOW TO USE SUBARU SELECT MONITOR, OPERATION, Subaru Select Monitor.>	Is DTC displayed?	Repeat step 1 to 4 until DTC does not appear.	Finish the diagnosis.

## 2. Check List for Interview

### A: CHECK

Check the following items regarding condition of the vehicle.

#### 1. STATE OF ABS WARNING LIGHT

ABS warning light illuminates.	<input type="checkbox"/> Always <input type="checkbox"/> Sometimes <input type="checkbox"/> Only once <input type="checkbox"/> Does not come on When and for how long does it illuminate?		
Ignition key position	<input type="checkbox"/> LOCK <input type="checkbox"/> ACC <input type="checkbox"/> ON (before starting engine) <input type="checkbox"/> START <input type="checkbox"/> ON (after starting engine, engine is running) <input type="checkbox"/> ON (after starting engine, engine is at a standstill)		
Timing	<input type="checkbox"/> Immediately after turning the ignition ON. <input type="checkbox"/> Immediately after turning the ignition to START.		
	<input type="checkbox"/> While accelerating	—	km/h
		—	MPH
	<input type="checkbox"/> While driving at a constant speed	km/h	MPH
	<input type="checkbox"/> While decelerating	—	km/h
		—	MPH
	<input type="checkbox"/> When turning to the right	Steering angle:	deg
		Steering time:	Sec.
	<input type="checkbox"/> When turning to the left	Steering angle:	deg
		Steering time:	Sec.
	<input type="checkbox"/> When other electrical parts are operating		
	<ul style="list-style-type: none"> <li>• Parts name:</li> <li>• Operating condition:</li> </ul>		

## Check List for Interview

ABS (DIAGNOSTICS)

### 2. STATE OF BRAKE WARNING LIGHT

Brake warning light illuminates.	<input type="checkbox"/> Always <input type="checkbox"/> Sometimes <input type="checkbox"/> Only once <input type="checkbox"/> Does not come on <input type="checkbox"/> When pulling the parking brake lever. <input type="checkbox"/> When releasing the parking brake lever. When and for how long does it illuminate?		
Ignition key position	<input type="checkbox"/> LOCK <input type="checkbox"/> ACC <input type="checkbox"/> ON (before starting engine) <input type="checkbox"/> START <input type="checkbox"/> ON (after starting engine, engine is running) <input type="checkbox"/> ON (after starting engine, engine is at a standstill)		
Timing	<input type="checkbox"/> Immediately after turning the ignition ON. <input type="checkbox"/> Immediately after turning the ignition to START.		
	<input type="checkbox"/> While accelerating	—	km/h
		—	MPH
	<input type="checkbox"/> While driving at a constant speed	km/h	MPH
	<input type="checkbox"/> While decelerating	—	km/h
		—	MPH
	<input type="checkbox"/> When turning to the right	Steering angle:	deg
		Steering time:	Sec.
	<input type="checkbox"/> When turning to the left	Steering angle:	deg
		Steering time:	Sec.
	<input type="checkbox"/> When other electrical parts are operating		
	<ul style="list-style-type: none"> <li>• Parts name:</li> <li>• Operating condition:</li> </ul>		

# Check List for Interview

ABS (DIAGNOSTICS)

## 3. SYMPTOMS

ABS operating condition	<input type="checkbox"/> Does not operate.		
	<input type="checkbox"/> Operates only when applying the brakes suddenly.	Vehicle speed:	km/h
	MPH		
	Procedures for stepping on the brake pedal:		
	a) Operating time:		Sec.
	b) Operating noise: <input type="checkbox"/> Occurs. / <input type="checkbox"/> Does not occur.		
What kind of noise?		<input type="checkbox"/> Knocking <input type="checkbox"/> Gong gong <input type="checkbox"/> Thump <input type="checkbox"/> Buzz <input type="checkbox"/> Gong gong buzz <input type="checkbox"/> Others:	
c) Reaction force of brake pedal			
		<input type="checkbox"/> Sticks <input type="checkbox"/> Weak pedal resistance <input type="checkbox"/> Strong pedal resistance <input type="checkbox"/> Others:	
Condition of vehicle	a) Directional stability cannot be obtained or the steering does not respond when applying brakes: <input type="checkbox"/> Yes / <input type="checkbox"/> No		
	When:	<input type="checkbox"/> When turning to the right <input type="checkbox"/> When turning to the left <input type="checkbox"/> When spinning out <input type="checkbox"/> Others:	
	b) Directional stability cannot be obtained or the steering does not respond when accelerating: <input type="checkbox"/> Yes / <input type="checkbox"/> No		
	When:	<input type="checkbox"/> When turning to the right <input type="checkbox"/> When turning to the left <input type="checkbox"/> When spinning out <input type="checkbox"/> Others:	
	c) Poor brake performance: <input type="checkbox"/> Yes / <input type="checkbox"/> No		
	What kind:	<input type="checkbox"/> Braking distance is long. <input type="checkbox"/> Brakes lock or drag. <input type="checkbox"/> Pedal stroke is long. <input type="checkbox"/> Pedal sticks. <input type="checkbox"/> Others:	
	d) Poor acceleration: <input type="checkbox"/> Yes / <input type="checkbox"/> No		
	What kind:	<input type="checkbox"/> Fails to accelerate. <input type="checkbox"/> Engine stalls. <input type="checkbox"/> Others:	
	e) Occurrence of vibration: <input type="checkbox"/> Yes / <input type="checkbox"/> No		
	<ul style="list-style-type: none"> <li>• Where</li> <li>• What kind:</li> </ul>		
	f) Occurrence of noise: <input type="checkbox"/> Yes / <input type="checkbox"/> No		
	<ul style="list-style-type: none"> <li>• Where</li> <li>• What kind:</li> </ul>		
g) Other troubles occurred: <input type="checkbox"/> Yes / <input type="checkbox"/> No			
What kind:			

## Check List for Interview

ABS (DIAGNOSTICS)

### 4. CONDITIONS UNDER WHICH TROUBLE OCCURS

Environment	a) Weather	<input type="checkbox"/> Fine <input type="checkbox"/> Cloudy <input type="checkbox"/> Rainy <input type="checkbox"/> Snowy <input type="checkbox"/> Others:	
	b) Ambient temperature	°C (°F)	
	c) Road	<input type="checkbox"/> Inner city <input type="checkbox"/> Suburbs <input type="checkbox"/> Highway <input type="checkbox"/> Local street <input type="checkbox"/> Uphill <input type="checkbox"/> Downhill <input type="checkbox"/> Paved road <input type="checkbox"/> Gravel road <input type="checkbox"/> Muddy road <input type="checkbox"/> Sandy place <input type="checkbox"/> Others:	
	d) Road surface	<input type="checkbox"/> Dry <input type="checkbox"/> Wet <input type="checkbox"/> Covered with fresh snow <input type="checkbox"/> Covered with hardened snow <input type="checkbox"/> Frozen slope <input type="checkbox"/> Others:	
Condition	a) Brakes	Deceleration: _____ G <input type="checkbox"/> Intermittent / <input type="checkbox"/> Temporary	
	b) Accelerator	Acceleration: _____ G <input type="checkbox"/> Intermittent / <input type="checkbox"/> Temporary	
	c) Vehicle speed	km/h	MPH
		<input type="checkbox"/> Advancing <input type="checkbox"/> While accelerating <input type="checkbox"/> While decelerating <input type="checkbox"/> At low speed <input type="checkbox"/> When turning <input type="checkbox"/> Others:	
	d) Tire inflation pressure	Front RH tire:	kPa
		Front LH tire:	kPa
		Rear RH tire:	kPa
		Rear LH tire:	kPa
	e) Degree of wear	Front RH tire:	
		Front LH tire:	
		Rear RH tire:	
		Rear LH tire:	
	f) Genuine parts are used.:	<input type="checkbox"/> Yes / <input type="checkbox"/> No	
	g) Tire chain is attached.:	<input type="checkbox"/> Yes / <input type="checkbox"/> No	
	h) T-type tire is used.:	<input type="checkbox"/> Yes / <input type="checkbox"/> No	
i) Condition of suspension alignment:			
j) Loaded state:			
k) Repair parts are used.:	<input type="checkbox"/> Yes / <input type="checkbox"/> No		
Contents:			
l) Others:			



## 3. General Description

### A: CAUTION

#### 1. SUPPLEMENTAL RESTRAINT SYSTEM “AIRBAG”

Airbag system wiring harness is routed near the ABS wheel speed sensor and ABSCM&H/U.

#### CAUTION:

- Do not use electrical test equipment on wiring harness and connector circuits of the airbag system.
- Be careful not to damage the airbag system wiring harness when servicing the ABS wheel speed sensor and ABSCM&H/U.

### B: INSPECTION

Before performing diagnosis, check the following item which might affect ABS problems.

#### 1. BATTERY

Measure the battery voltage and check electrolyte.

#### Standard voltage:

**12 V or more**

#### Specific gravity:

**1.260 or more**

#### 2. GROUND

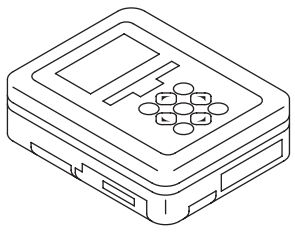
Check the tightening torque of ground (GB-5) bolt of ABS.

#### Tightening torque:

**13 N·m (1.3 kgf·m, 9.6 ft·lb)**

### C: PREPARATION TOOL

#### 1. SPECIAL TOOL

ILLUSTRATION	TOOL NUMBER	DESCRIPTION	REMARKS
 ST1B022XU0	1B022XU0	SUBARU SELECT MONITOR III KIT	Used for troubleshooting the electrical system.

#### 2. GENERAL TOOL

TOOL NAME	REMARKS
Circuit tester	Used for measuring resistance, voltage and current.
Oscilloscope	Used for measuring the sensor.

#### 3. BRAKE FLUID

- 1) Check the brake fluid level.
- 2) Check the brake fluid for leaks.

#### 4. HYDRAULIC UNIT

Check the hydraulic unit.

- When using the brake tester <Ref. to ABS-8, CHECKING THE HYDRAULIC UNIT ABS OPERATION WITH THE BRAKE TESTER, INSPECTION, ABS Control Module and Hydraulic Control Unit (ABSCM&H/U).>
- When not using the brake tester <Ref. to ABS-7, CHECKING THE HYDRAULIC UNIT ABS OPERATION BY PRESSURE GAUGE, INSPECTION, ABS Control Module and Hydraulic Control Unit (ABSCM&H/U).>

#### 5. BRAKE DRAG

Check for brake drag.

#### 6. BRAKE PAD AND ROTOR

Check the brake pad and rotor.

- Front <Ref. to BR-14, INSPECTION, Front Brake Pad.> <Ref. to BR-15, INSPECTION, Front Disc Rotor.>
- Rear <Ref. to BR-20, INSPECTION, Rear Brake Pad.> <Ref. to BR-21, INSPECTION, Rear Disc Rotor.>

#### 7. TIRE

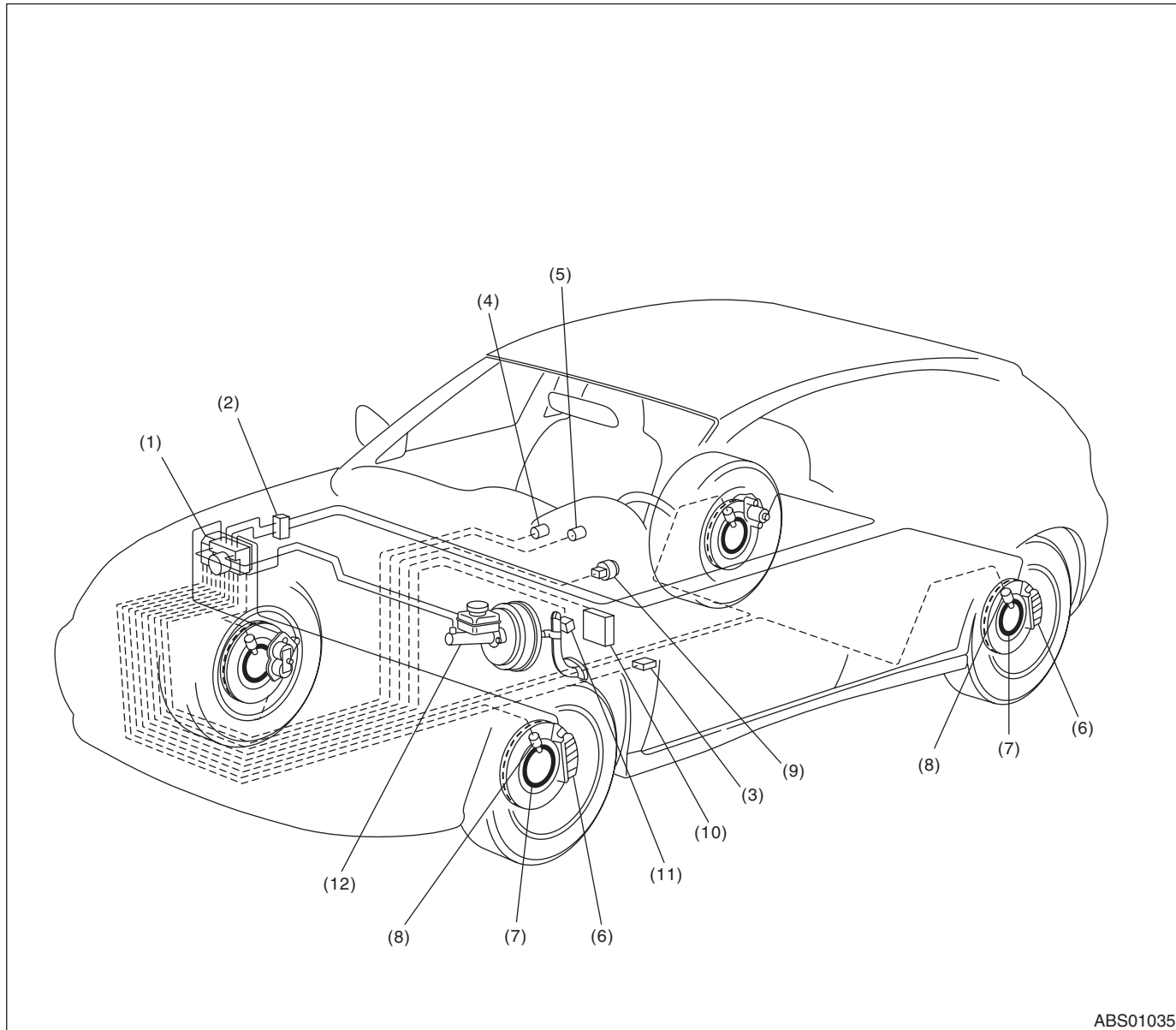
Check the tire specifications, tire wear and air pressure. <Ref. to WT-2, SPECIFICATION, General Description.>

# Electrical Component Location

ABS (DIAGNOSTICS)

## 4. Electrical Component Location

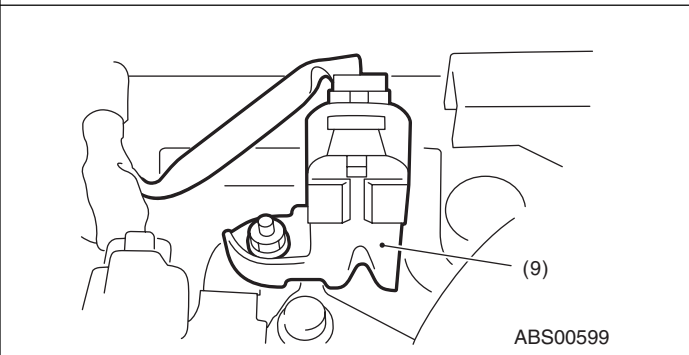
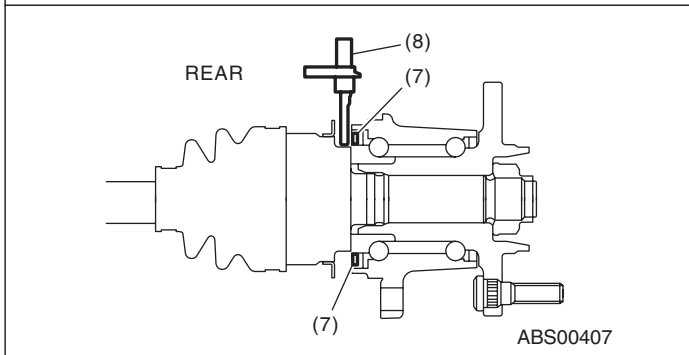
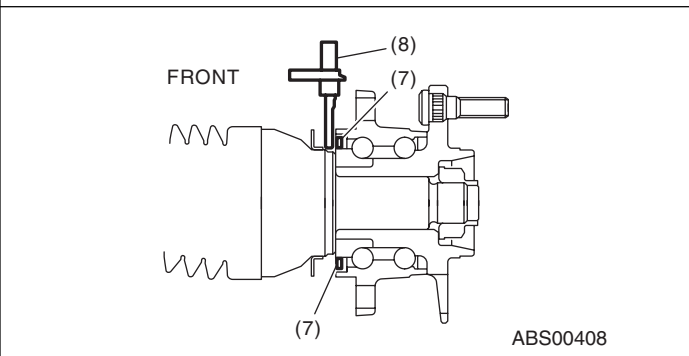
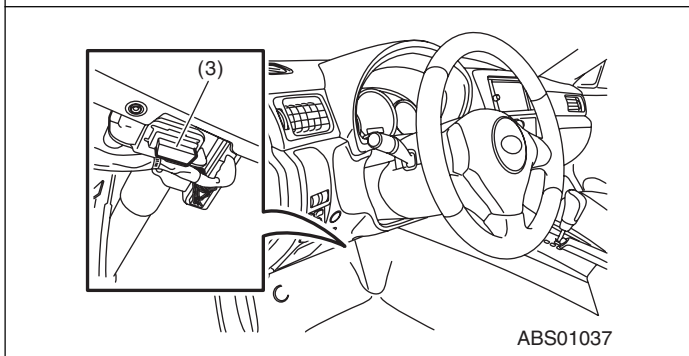
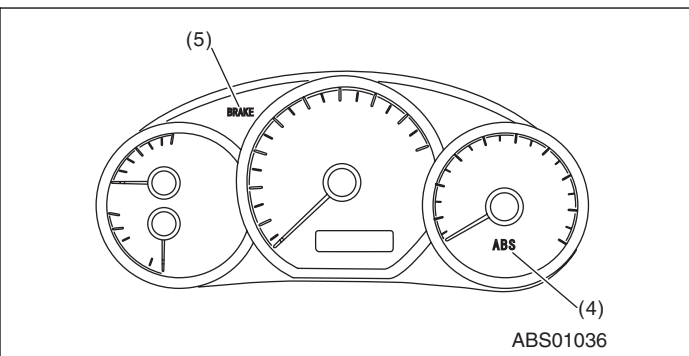
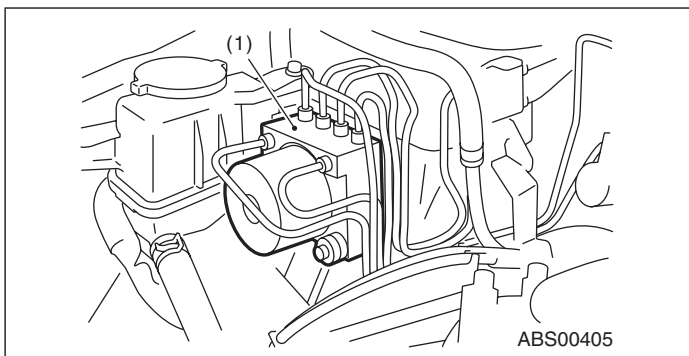
### A: LOCATION



- |   |                                 |   |
|---|---------------------------------|---|
| (1) ABS control module and hydraulic control unit (ABSCM&H/U) | (4) ABS warning light           | (9) G sensor                                      |
| (2) Two-way connector   | (5) Brake and EBD warning light | (10) Transmission control module (TCM) (AT model) |
| (3) Data link connector (For Subaru Select Monitor)           | (6) Caliper body                | (11) Stop light switch                            |
|   | (7) Magnetic encoder seal       | (12) Master cylinder                              |
|   | (8) ABS wheel speed sensor      |   |

# Electrical Component Location

ABS (DIAGNOSTICS)

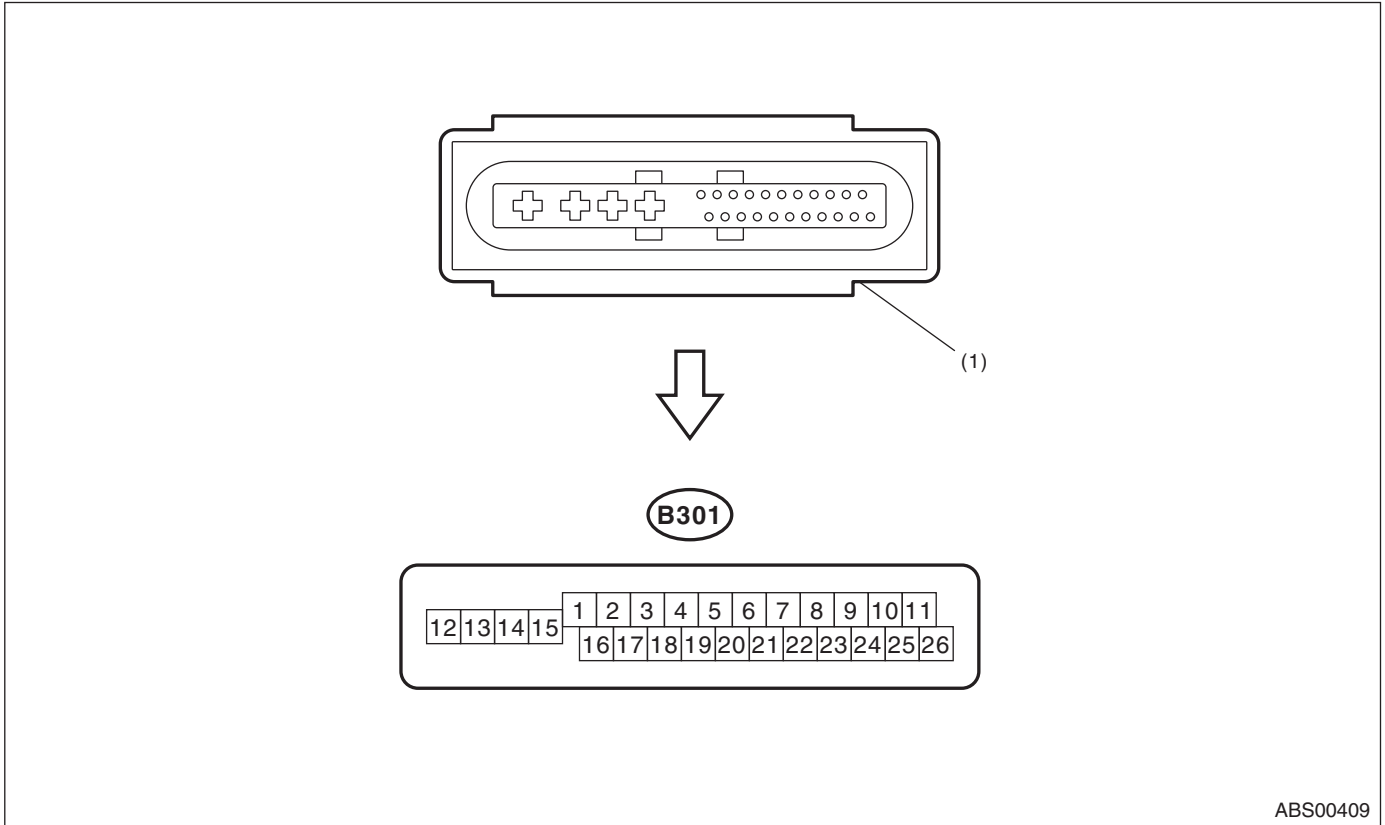


# Control Module I/O Signal

ABS (DIAGNOSTICS)

## 5. Control Module I/O Signal

### A: ELECTRICAL SPECIFICATION



(1) ABS control module and hydraulic control unit (ABSCM&H/U) connector

**NOTE:**

- Terminal numbers in ABSCM&H/U connector are shown in the figure.
- ABS warning light illuminates when the connector is removed from ABSCM&H/U.

# Control Module I/O Signal

ABS (DIAGNOSTICS)

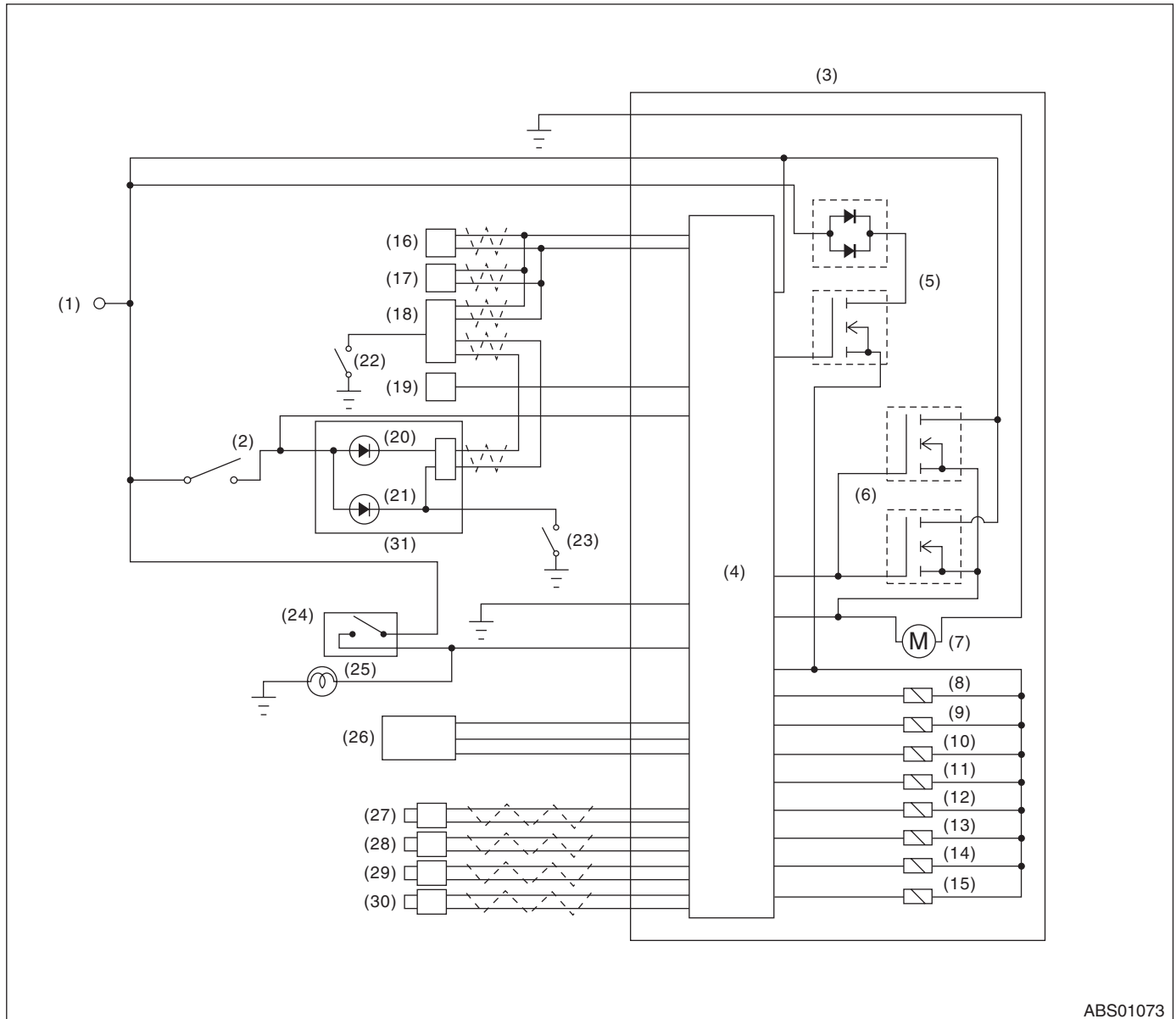
Description			Terminal No. (+) — (-)	Input/Output signal
				Measured value and measuring conditions
ABS wheel speed sensor (Wheel speed sensor)	Front LH wheel	Power supply	16 — 15	4.5 — 16.5 V
		Signal	1	5.9 — 16.8 mA: Rectangle waveform
	Front RH wheel	Power supply	5 — 15	4.5 — 16.5 V
		Signal	6	5.9 — 16.8 mA: Rectangle waveform
	Rear LH wheel	Power supply	2 — 15	4.5 — 16.5 V
		Signal	17	5.9 — 16.8 mA: Rectangle waveform
	Rear RH wheel	Power supply	3 — 15	4.5 — 16.5 V
		Signal	4	5.9 — 16.8 mA: Rectangle waveform
CAN communication line (+)			26	2.5 — 1.5 V pulse signal
CAN communication line (-)			11	3.5 — 2.5 V pulse signal
Valve relay power supply *1			14 — 15	10 — 15 V
Motor relay power supply *1			13 — 15	10 — 15 V
G sensor	Power supply		24 — 10	4.75 — 5.25 V
	Ground		10	—
	Output		21 — 10	2.1 — 2.5 V when the vehicle is on level surface
Stop light switch *1			20 — 15	1.5 V or less when the stop light is OFF; otherwise, 10 — 15 V when the stop light is ON.
Subaru Select Monitor			7 — 15	1.5 V or less when no data is received. 0 ↔ 12 V pulse (in communication)
Power supply *1			18 — 15	10 — 15 V when the ignition switch is ON.
Grounding line			15	—
Vehicle speed output signal			23 — 15	0 ↔ 5 V pulse

\*1: Measure the I/O signal voltage after removing the connector from the ABSCM&H/U terminal.

# Control Module I/O Signal

ABS (DIAGNOSTICS)

## B: WIRING DIAGRAM



ABS01073

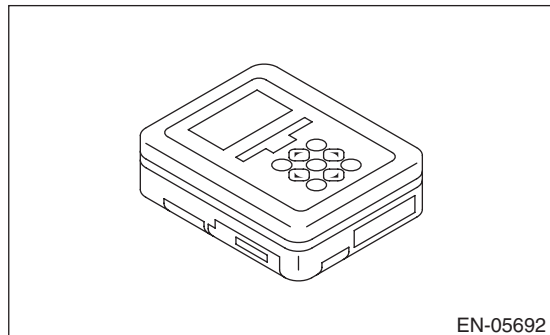
- |   |  |                                      |
|---|--|--------------------------------------|
| (1) Battery   | (12) Rear inlet solenoid valve LH      | (23) Brake fluid level switch        |
| (2) Ignition switch   | (13) Rear outlet solenoid valve LH     | (24) Stop light switch               |
| (3) ABS control module and hydraulic control unit (ABSCM&H/U) | (14) Rear inlet solenoid valve RH      | (25) Stop light                      |
| (4) ABS control module  | (15) Rear outlet solenoid valve RH     | (26) G sensor                        |
| (5) Valve relay   | (16) Transmission control module (TCM) | (27) Front ABS wheel speed sensor LH |
| (6) Motor relay   | (17) Engine control module (ECM)       | (28) Front ABS wheel speed sensor RH |
| (7) Motor   | (18) Body integrated unit              | (29) Rear ABS wheel speed sensor LH  |
| (8) Front inlet solenoid valve LH                             | (19) Data link connector               | (30) Rear ABS wheel speed sensor RH  |
| (9) Front outlet solenoid valve LH                            | (20) ABS warning light                 | (31) Combination meter               |
| (10) Front inlet solenoid valve RH                            | (21) Brake warning light               |                                      |
| (11) Front outlet solenoid valve RH                           | (22) Parking brake switch              |                                      |

## 6. Subaru Select Monitor

### A: OPERATION

#### 1. HOW TO USE SUBARU SELECT MONITOR

1) Prepare the Subaru Select Monitor kit. <Ref. to ABS(diag)-7, SPECIAL TOOL, PREPARATION TOOL, General Description.>



2) Prepare PC with Subaru Select Monitor installed.

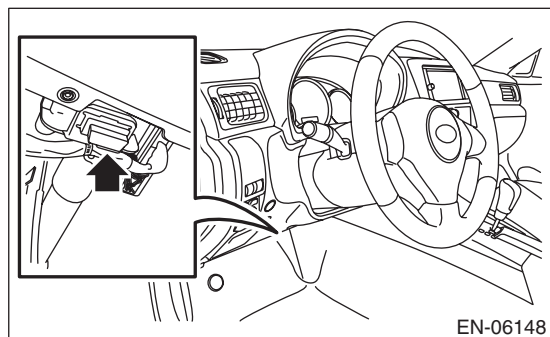
3) Connect the USB cable to SDI (Subaru Diagnosis Interface) and USB port on the personal computer (dedicated port for the Subaru Select Monitor).

#### NOTE:

The dedicated port for the Subaru Select Monitor means the USB port which was used to install the Subaru Select Monitor.

4) Connect the diagnosis cable to SDI.

5) Connect SDI to data link connector located in the lower portion of the instrument panel (on the driver's side).



#### CAUTION:

**Do not connect the scan tools other than the Subaru Select Monitor.**

6) Start the PC.

7) Turn the ignition switch to ON (engine OFF) and run the "PC application for Subaru Select Monitor".

#### NOTE:

For detailed operation procedures, refer to "PC application help for Subaru Select Monitor".

8) If communication is not possible between the ABS and the Subaru Select Monitor, check the communication circuit. <Ref. to ABS(diag)-16, COMMUNICATION FOR INITIALIZING IMPOSSIBLE, INSPECTION, Subaru Select Monitor.>

# Subaru Select Monitor

## ABS (DIAGNOSTICS)

### 2. READ CURRENT DATA

- 1) On «Main Menu» display, select {Each System Check}.
  - 2) On «System Selection Menu» display, select {Brake Control System}.
  - 3) Click the [OK] button after the {ABS} is displayed.
  - 4) On «Brake Control Diagnosis» display, select {Current Data Display & Save}.
  - 5) On «Data Display Menu» display, select the data display method.
  - 6) Using the scroll key, scroll the display screen up or down until necessary data is shown.
- A list of the support data is shown in the following table.

Display	Contents to be monitored	Unit of measure
FR Wheel Speed	Wheel speed detected by front ABS wheel speed sensor RH is displayed.	km/h or MPH
FL Wheel Speed	Wheel speed detected by front ABS wheel speed sensor LH is displayed.	km/h or MPH
RR Wheel Speed	Wheel speed detected by rear ABS wheel speed sensor RH is displayed.	km/h or MPH
RL Wheel Speed	Wheel speed detected by rear ABS wheel speed sensor LH is displayed.	km/h or MPH
BLS Signal	Brake ON/OFF is displayed.	ON or OFF
G-Sensor Output Voltage	Vehicle acceleration detected by analog G sensor is displayed.	m/s (m/s <sup>2</sup> )
Valve Relay Signal	Valve relay operation signal is displayed.	ON or OFF
ABS Warning Light	ON operation of the ABS warning light is displayed.	ON or OFF
EBD Warning Light	ON operation of the EBD warning light is displayed.	ON or OFF
M. Relay monitor Voltage	Motor relay monitor voltage is displayed.	V
IG power supply voltage	Voltage supplied to VDCCM&H/U is displayed.	V
ABS Control Flag	ABS control condition is displayed.	ON or OFF
ABS OK B Signal	ABS system normal/abnormal is displayed.	OK or NG

#### NOTE:

For detailed operation procedures, refer to “PC application help for Subaru Select Monitor”.

### 3. ABS SEQUENCE CONTROL

Display	Contents to be monitored	Index No.
ABS Sequence Control Mode	Operate the valve and pump motor continuously to perform the ABS sequence control.	<Ref. to ABS-10, ABS Sequence Control.>



#### 4. FREEZE FRAME DATA

NOTE:

- Data stored at the time of trouble occurrence is shown on display.
- Each time a trouble occurs, the latest information is stored in the freeze frame data in memory.
- Up to 3 freeze frame data will be stored.
- If freeze frame data is not stored in memory properly (due to a drop in ABS control module power supply etc.), a DTC suffixed with a question mark “?” is displayed on Subaru Select Monitor display screen. This shows it may be an unreliable reading.

Display	Contents to be monitored
FR Wheel Speed	Wheel speed detected by front ABS wheel speed sensor RH is displayed in km/h or MPH.
FL Wheel Speed	Wheel speed detected by front ABS wheel speed sensor LH is displayed in km/h or MPH.
RR Wheel Speed	Wheel speed detected by rear ABS wheel speed sensor RH is displayed in km/h or MPH.
RL Wheel Speed	Wheel speed detected by rear ABS wheel speed sensor LH is displayed in km/h or MPH.
IG power supply voltage	Voltage (V) supplied to ABSCM &H/U is displayed.
G-Sensor Output Voltage	Vehicle acceleration detected by analog G sensor is displayed.
M. Relay monitor Voltage	Motor relay condition is displayed.
BLS Signal	Brake ON/OFF is displayed.
Vehicle Speed	Vehicle speed calculated by ABS control module is displayed.
ABS Control Flag	ABS control condition is displayed.
Power Supply Failure	Whether abnormal voltage occurred or not is displayed during malfunction.

# Subaru Select Monitor

ABS (DIAGNOSTICS)

## B: INSPECTION

### 1. COMMUNICATION FOR INITIALIZING IMPOSSIBLE

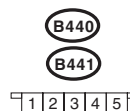
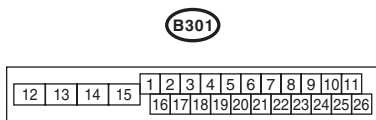
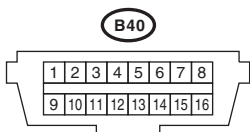
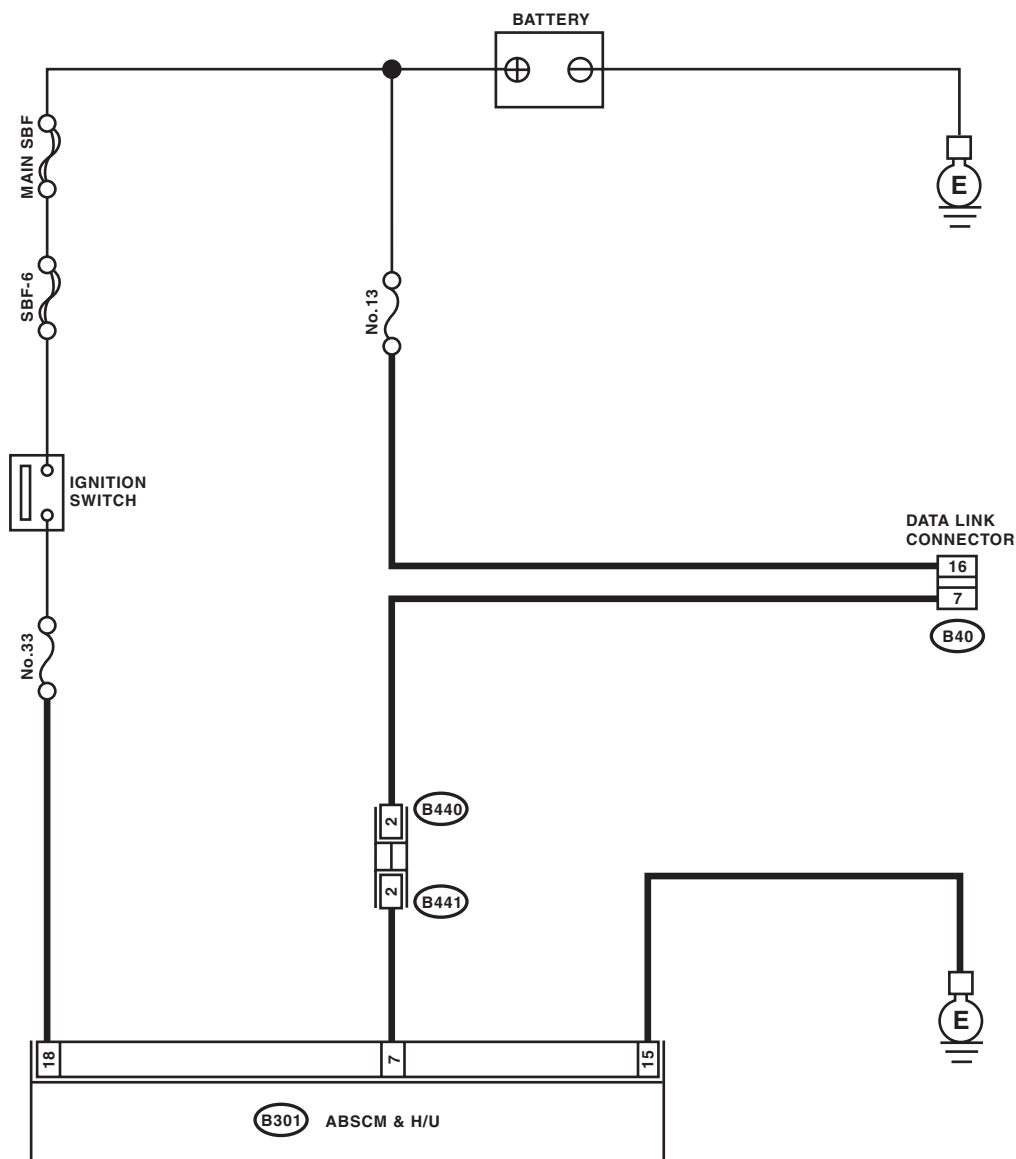
#### DETECTING CONDITION:

Faulty harness connectors

#### TROUBLE SYMPTOM:

Communication is impossible between ABS and Subaru Select Monitor.

#### WIRING DIAGRAM:



ABS01039

# Subaru Select Monitor

ABS (DIAGNOSTICS)

Step	Check	Yes	No	
1	<b>CHECK IGNITION SWITCH.</b>	Is the ignition switch ON?	Go to step 2.	Turn the ignition switch to ON, and select ABS mode using Subaru Select Monitor.
2	<b>CHECK BATTERY.</b> 1) Turn the ignition switch to OFF. 2) Measure the battery voltage.	Is the voltage 11 V or more?	Go to step 3.	Charge or replace the battery.
3	<b>CHECK BATTERY TERMINAL.</b>	Is there poor contact at the battery terminal?	Repair or tighten the battery terminal.	Go to step 4.
4	<b>CHECK SUBARU SELECT MONITOR COMMUNICATION.</b> 1) Turn the ignition switch to ON. 2) Using the Subaru Select Monitor, check whether communication to other systems can be executed normally.	Is the system name displayed on Subaru Select Monitor?	Go to step 8.	Go to step 5.
5	<b>CHECK SUBARU SELECT MONITOR COMMUNICATION.</b> 1) Turn the ignition switch to OFF. 2) Disconnect the ABSCM&H/U connectors. 3) Turn the ignition switch to ON. 4) Check whether communication to other systems can be executed normally.	Is the system name displayed on Subaru Select Monitor?	Replace the ABSCM&H/U. <Ref. to ABS-6, ABS Control Module and Hydraulic Control Unit (ABSCM&H/U).>	Go to step 6.
6	<b>CHECK HARNESS CONNECTOR BETWEEN EACH CONTROL MODULE AND DATA LINK CONNECTOR.</b> 1) Turn the ignition switch to OFF. 2) Disconnect the ABSCM&H/U, ECM and TCM. 3) Measure the resistance between data link connector and chassis ground. <b>Connector &amp; terminal</b> <b>(B40) No. 7 — Chassis ground:</b>	Is the resistance 1 M $\Omega$ or more?	Go to step 7.	Repair the harness and connector between each control module and data link connector.
7	<b>CHECK ABSCM&amp;H/U OUTPUT SIGNAL.</b> 1) Turn the ignition switch to ON. 2) Measure the voltage between data link connector and chassis ground. <b>Connector &amp; terminal</b> <b>(B40) No. 7 (+) — Chassis ground (-):</b>	Is the voltage less than 1 V?	Go to step 8.	Repair the harness and connector between each control module and data link connector.
8	<b>CHECK HARNESS CONNECTOR BETWEEN ABSCM&amp;H/U AND DATA LINK CONNECTOR.</b> Measure the resistance between ABSCM&H/U connector and data link connector. <b>Connector &amp; terminal</b> <b>(B301) No. 7 — (B40) No. 7:</b>	Is the resistance less than 0.5 $\Omega$ ?	Go to step 9.	Repair harness and connector between ABSCM&H/U and data link connector.
9	<b>CHECK INSTALLATION OF ABSCM&amp;H/U CONNECTOR.</b> Turn the ignition switch to OFF.	Is the ABSCM&H/U connector inserted into ABSCM&H/U until the clamp locks onto it?	Go to step 10.	Insert ABSCM&H/U connector into ABSCM&H/U.
10	<b>CHECK POWER SUPPLY CIRCUIT.</b> 1) Turn the ignition switch to ON. (engine OFF) 2) Measure the ignition power supply voltage between ABSCM&H/U connector and chassis ground. <b>Connector &amp; terminal</b> <b>(B301) No. 18 (+) — Chassis ground (-):</b>	Is the voltage 10 — 15 V?	Go to step 11.	Repair open circuit of harness between ABSCM&H/U and battery.

# Subaru Select Monitor

## ABS (DIAGNOSTICS)

Step	Check	Yes	No
<b>11 CHECK HARNESS CONNECTOR BETWEEN ABSCM&amp;H/U AND CHASSIS GROUND.</b> 1) Turn the ignition switch to OFF. 2) Disconnect the ABSCM&H/U connectors. 3) Measure the resistance of the harness between ABSCM&H/U connector and chassis ground. <b>Connector &amp; terminal (B301) No. 15 — Chassis ground:</b>	Is the resistance less than 0.5 Ω?	Go to step 12.	Repair the open circuit and poor contact of the harness between ABSCM&H/U and connector.
<b>12 CHECK POOR CONTACT OF CONNECTOR.</b>	Is there poor contact of the control module power supply, ground circuit and data link connector?	Repair the connector.	Replace the ABSCM only. <Ref. to ABS-8, REPLACEMENT, ABS Control Module and Hydraulic Control Unit (ABSCM&H/U).>

## 7. Read Diagnostic Trouble Code (DTC)

### A: OPERATION

- 1) On «Main Menu» display, select {Each System Check}.
- 2) On «System Selection Menu» display, select {Brake Control System}.
- 3) Click the [OK] button after the {ABS} is displayed.
- 4) On «Brake Control Diagnosis» display, select {Diagnostic Code(s) Display}.
- 5) Record the DTC and data.

#### NOTE:

- For detailed operation procedures, refer to “PC application help for Subaru Select Monitor”.
- For details concerning DTCs, refer to “List of Diagnostic Trouble Code (DTC)”. <Ref. to ABS(diag)-26, List of Diagnostic Trouble Code (DTC).>
- Up to 3 DTCs are displayed in the order of detection.
- If a particular DTC is not stored in memory properly at the occurrence of problem (due to a drop in ABSCM&H/U power supply etc.), the DTC suffixed with a question mark “?” is displayed on Subaru Select Monitor display screen. This shows it may be an unreliable reading.
- If “No diagnostic Code Present” is displayed, check combination meter or harness. <Ref. to ABS(diag)-23, ABS WARNING LIGHT DOES NOT GO OFF, ABS Warning Light / Brake Warning Light Illumination Pattern.>
- When the ABS warning light is OFF and “No diagnostic Code Present” is displayed, the system is operating properly.

Display	Contents to be monitored
Current	The current DTC is displayed on Subaru Select Monitor display screen.
Old	The latest DTC from the history of previous problems is displayed on Subaru Select Monitor display screen.
Older	The second latest DTC from the history of previous problems is displayed on the Subaru Select Monitor display screen.
Before 3	The third latest DTC from the history of previous problems is displayed on Subaru Select Monitor display screen.

### **8. Inspection Mode**

#### **A: PROCEDURE**

Reproduce the malfunction occurrence condition as much as possible.

Drive the vehicle at a speed of 40 km/h (25 MPH) or more for at least one minute.

## 9. Clear Memory Mode

### A: OPERATION

- 1) On «Main Menu» display, select {Each System Check}.
- 2) On «System Selection Menu» display, select {Brake Control System}.
- 3) Click the [OK] button after the {ABS} is displayed.
- 4) On «Brake Control Diagnosis» display, select {Clearing Memory}.
- 5) When the “Clear Memory?” is shown on the screen, click the [YES] button.
- 6) When “Done” and “Turn off the ignition switch.” are shown on the display screen, turn the ignition switch to OFF.

#### NOTE:

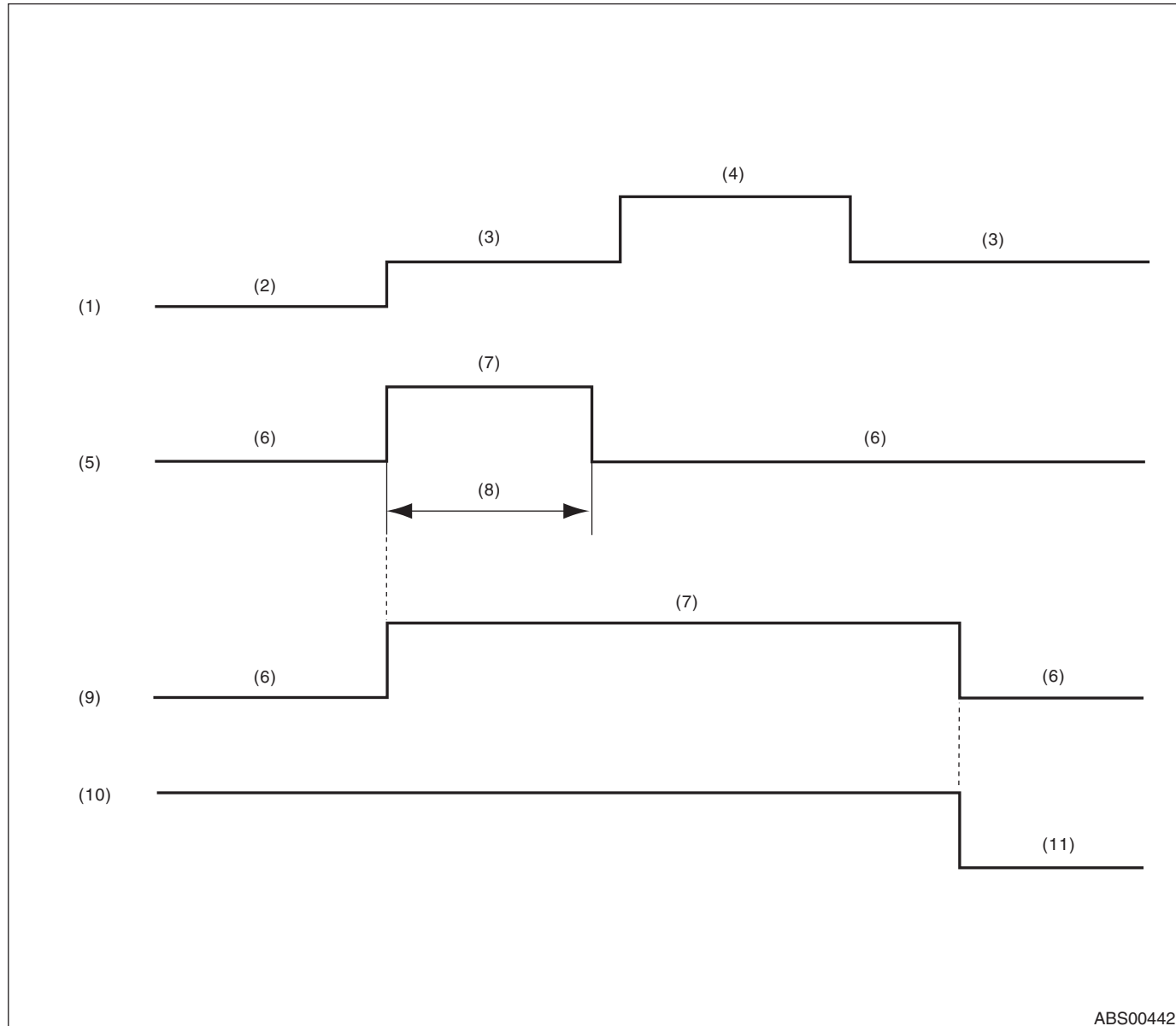
For detailed operation procedures, refer to “PC application help for Subaru Select Monitor”.

# ABS Warning Light / Brake Warning Light Illumination Pattern

ABS (DIAGNOSTICS)

## 10.ABS Warning Light / Brake Warning Light Illumination Pattern

### A: INSPECTION



(1) Ignition switch  
(2) OFF  
(3) ON  
(4) Engine start

(5) ABS warning light  
(6) Light OFF  
(7) Light ON  
(8) 1.5 sec.

(9) Brake warning light  
(EBD warning light)  
(10) Parking brake  
(11) Released

1) When the ABS warning light and brake warning light do not illuminate in accordance with this illumination pattern, it can be thought that there is an electrical problem.

2) When the ABS warning light remains constantly OFF, check the combination meter circuit. <Ref. to ABS(diag)-23, ABS WARNING LIGHT DOES NOT COME ON, ABS Warning Light / Brake Warning Light Illumination Pattern.>

3) When ABS warning light does not go off, check the combination meter circuit. <Ref. to ABS(diag)-23, ABS WARNING LIGHT DOES NOT GO OFF, ABS Warning Light / Brake Warning Light Illumination Pattern.>

4) When the brake warning light does not go off, check the brake warning circuit and the combination meter circuit. <Ref. to ABS(diag)-24, BRAKE WARNING LIGHT DOES NOT GO OFF, ABS Warning Light / Brake Warning Light Illumination Pattern.>



# ABS Warning Light / Brake Warning Light Illumination Pattern

ABS (DIAGNOSTICS)

## NOTE:

Even though the ABS warning light does not go off after approximately 1.5 seconds from ABS warning light illumination, the ABS function operates normally when the warning light goes off while driving at approximately 12 km/h (7 MPH). However, the ABS system does not work while the ABS warning light is illuminated.

## B: ABS WARNING LIGHT DOES NOT COME ON

### DETECTING CONDITION:

- Defective combination meter
- Defective CAN communication

### TROUBLE SYMPTOM:

When the ignition switch is turned to ON (engine OFF), ABS warning light does not illuminate.

	Step	Check	Yes	No
1	<b>CHECK ILLUMINATION OF OTHER LIGHTS.</b> Turn the ignition switch to ON. (engine OFF)	Do other warning lights illuminate?	Go to step 2.	Check the combination meter.
2	<b>READ DTC.</b> Read the DTC. <Ref. to ABS(diag)-19, Read Diagnostic Trouble Code (DTC).>	Is DTC displayed?	Perform the diagnosis according to DTC.	Go to step 3.
3	<b>CHECK LAN SYSTEM.</b> Perform the diagnosis for LAN system. <Ref. to LAN(diag)-31, OPERATION, Read Diagnostic Trouble Code (DTC).>	Is there any fault in LAN system?	Perform the diagnosis according to DTC for LAN system.	Go to step 4.
4	<b>CHECK COMBINATION METER.</b> Check the combination meter. <Ref. to IDI-4, INSPECTION, Combination Meter System.>	Is combination meter OK?	Replace the ABSCM only. <Ref. to ABS-8, REPLACEMENT, ABS Control Module and Hydraulic Control Unit (ABSCM&H/U).>	Replace the combination meter.

## C: ABS WARNING LIGHT DOES NOT GO OFF

### DETECTING CONDITION:

- Defective combination meter
- Defective CAN communication

### TROUBLE SYMPTOM:

When starting the engine, the ABS warning light is kept on.

	Step	Check	Yes	No
1	<b>READ DTC.</b> Read the DTC. <Ref. to ABS(diag)-19, Read Diagnostic Trouble Code (DTC).>	Is DTC displayed?	Perform the diagnosis according to DTC.	Go to step 2.
2	<b>CHECK LAN SYSTEM.</b> Perform the diagnosis for LAN system. <Ref. to LAN(diag)-31, OPERATION, Read Diagnostic Trouble Code (DTC).>	Is there any fault in LAN system?	Perform the diagnosis according to DTC for LAN system.	Go to step 3.
3	<b>CHECK COMBINATION METER.</b> Check the combination meter. <Ref. to IDI-4, INSPECTION, Combination Meter System.>	Is combination meter OK?	Replace the ABSCM only. <Ref. to ABS-8, REPLACEMENT, ABS Control Module and Hydraulic Control Unit (ABSCM&H/U).>	Replace the combination meter.

# ABS Warning Light / Brake Warning Light Illumination Pattern

ABS (DIAGNOSTICS)

## D: BRAKE WARNING LIGHT DOES NOT GO OFF

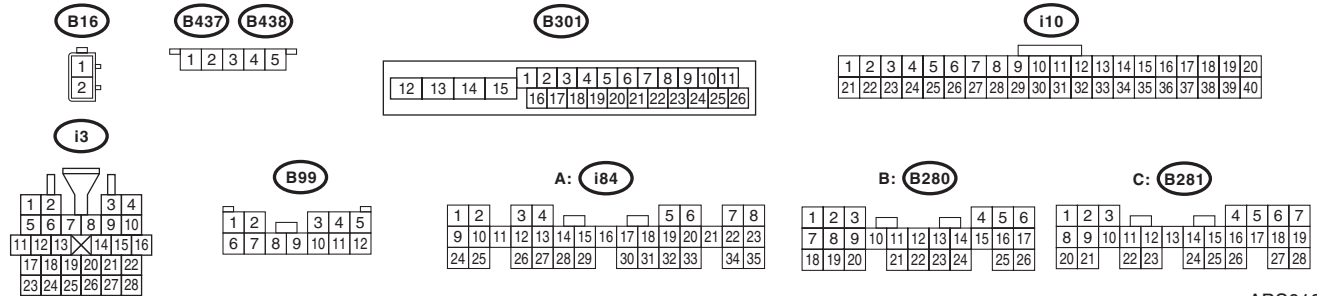
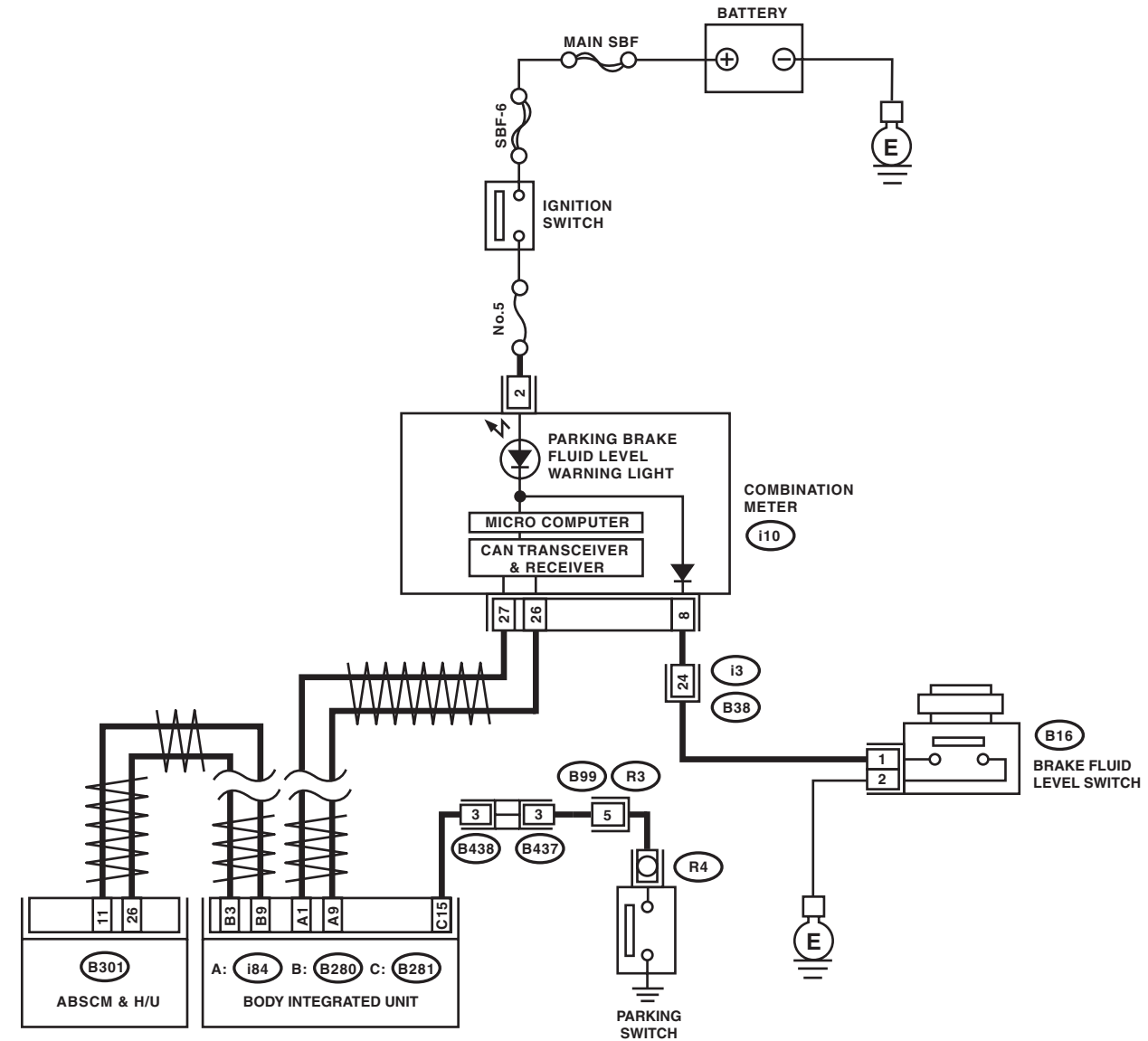
### DETECTING CONDITION:

- Brake warning light circuit is shorted.
- Defective sensor/connector
- Defective CAN communication

### TROUBLE SYMPTOM:

After starting the engine, the brake warning light remains lit though the parking lever is released.

### WIRING DIAGRAM:



ABS01040

# ABS Warning Light / Brake Warning Light Illumination Pattern

ABS (DIAGNOSTICS)

Step	Check	Yes	No
<b>1 CHECK INSTALLATION OF ABSCM&amp;H/U CONNECTOR.</b> 1) Turn the ignition switch to OFF. 2) Check that the ABSCM&H/U connector is inserted to ABSCM&H/U until the clamp locks onto it.	Is the connector firmly inserted?	Go to step 2.	Insert the ABSCM&H/U connector until the clamp locks completely.
<b>2 READ DTC.</b> Read the DTC. <Ref. to ABS(diag)-19, Read Diagnostic Trouble Code (DTC).>	Is DTC displayed?	Perform the diagnosis according to DTC.	Go to step 3.
<b>3 CHECK BRAKE FLUID AMOUNT.</b> Check the amount of brake fluid in the reservoir tank of the master cylinder.	Is the amount of brake fluid between the lines of "MAX" and "MIN"?	Go to step 4.	Replenish brake fluid to the specified value.
<b>4 CHECK BRAKE FLUID LEVEL SWITCH.</b> 1) Disconnect the level switch connector (B16) from master cylinder. 2) Measure the resistance of master cylinder terminals.  <i>Terminals</i> <i>No. 1 — No. 2:</i>	Is the resistance 1 MΩ or more?	Go to step 5.	Replace the master cylinder.
<b>5 CHECK GROUND SHORT OF HARNESS.</b> 1) Disconnect the connector (i10) from combination meter. 2) Measure the resistance between combination meter connector and chassis ground.  <i>Connector &amp; terminal</i> <i>(i10) No. 8 — Chassis ground:</i>	Is the resistance 1 MΩ or more?	Go to step 6.	Repair the harness between combination meter and brake fluid level switch.
<b>6 CHECK PARKING BRAKE SWITCH.</b> 1) Disconnect the connector (R4) from parking brake switch. 2) Release the parking brake. 3) Measure the resistance between parking brake switch terminal and chassis ground.	Is the resistance 1 MΩ or more?	Go to step 7.	Replace the parking brake switch.
<b>7 CHECK GROUND SHORT OF HARNESS.</b> 1) Disconnect the connector (B281) from body integrated unit. 2) Measure the resistance between body integrated unit connector and chassis ground.  <i>Connector &amp; terminal</i> <i>(B281) No. 15 — Chassis ground:</i>	Is the resistance 1 MΩ or more?	Go to step 8.	Repair the harness between body integrated unit and parking brake switch.
<b>8 CHECK POOR CONTACT OF CONNECTOR.</b> Check for poor contact of all connectors.	Is there poor contact?	Repair the connector.	Go to step 9.
<b>9 CHECK LAN SYSTEM.</b> Perform the diagnosis for LAN system. <Ref. to LAN(diag)-31, OPERATION, Read Diagnostic Trouble Code (DTC).>	Is there any fault in LAN system?	Perform the diagnosis according to DTC for LAN system.	Go to step 10.
<b>10 CHECK COMBINATION METER.</b> Check the combination meter. <Ref. to IDI-4, INSPECTION, Combination Meter System.>	Is combination meter OK?	Replace the ABSCM only. <Ref. to ABS-8, REPLACEMENT, ABS Control Module and Hydraulic Control Unit (ABSCM&H/U).>	Replace the combination meter.

## List of Diagnostic Trouble Code (DTC)

ABS (DIAGNOSTICS)

### 11. List of Diagnostic Trouble Code (DTC)

#### A: LIST

DTC	Content of diagnosis		Display	Reference target
C0101	ABS wheel speed sensor malfunction (Broken wire, short)	Rear ABS wheel speed sensor RH	Rear Right ABS Sensor Circuit Open or Shorted Battery	<Ref. to ABS(diag)-29, DTC C0101 ABS WHEEL SPEED SENSOR MALFUNCTION RR SENSOR (BROKEN WIRE, INPUT VOLTAGE TOO HIGH), Diagnostic Procedure with Diagnostic Trouble Code (DTC).>
C0102		Rear ABS wheel speed sensor LH	Rear Left ABS Sensor Circuit Open or Shorted Battery	<Ref. to ABS(diag)-29, DTC C0102 ABS WHEEL SPEED SENSOR MALFUNCTION RL SENSOR (BROKEN WIRE, INPUT VOLTAGE TOO HIGH), Diagnostic Procedure with Diagnostic Trouble Code (DTC).>
C0103		Front ABS wheel speed sensor RH	Front Right ABS Sensor Circuit Open or Shorted Battery	<Ref. to ABS(diag)-29, DTC C0103 ABS WHEEL SPEED SENSOR MALFUNCTION FR SENSOR (BROKEN WIRE, INPUT VOLTAGE TOO HIGH), Diagnostic Procedure with Diagnostic Trouble Code (DTC).>
C0104		Front ABS wheel speed sensor LH	Front Left ABS Sensor Circuit Open or Shorted Battery	<Ref. to ABS(diag)-30, DTC C0104 ABS WHEEL SPEED SENSOR MALFUNCTION FL SENSOR (BROKEN WIRE, INPUT VOLTAGE TOO HIGH), Diagnostic Procedure with Diagnostic Trouble Code (DTC).>
C0105	ABS wheel speed sensor malfunction (ABS wheel speed sensor abnormal signal)	Abnormal signal of rear ABS wheel speed sensor RH	Rear Right ABS Sensor Signal	<Ref. to ABS(diag)-32, DTC C0105 REAR ABS WHEEL SPEED SENSOR RH MALFUNCTION (ABS WHEEL SPEED SENSOR ABNORMAL SIGNAL), Diagnostic Procedure with Diagnostic Trouble Code (DTC).>
C0106		Abnormal signal of rear ABS wheel speed sensor LH	Rear Left ABS Sensor Signal	<Ref. to ABS(diag)-32, DTC C0106 REAR ABS WHEEL SPEED SENSOR LH MALFUNCTION (ABS WHEEL SPEED SENSOR ABNORMAL SIGNAL), Diagnostic Procedure with Diagnostic Trouble Code (DTC).>
C0107		Abnormal signal of front ABS wheel speed sensor RH	Front Right ABS Sensor Signal	<Ref. to ABS(diag)-32, DTC C0107 FRONT ABS WHEEL SPEED SENSOR RH MALFUNCTION (ABS WHEEL SPEED SENSOR ABNORMAL SIGNAL), Diagnostic Procedure with Diagnostic Trouble Code (DTC).>
C0108		Abnormal signal of front ABS wheel speed sensor LH	Front Left ABS Sensor Signal	<Ref. to ABS(diag)-33, DTC C0108 FRONT ABS WHEEL SPEED SENSOR LH MALFUNCTION (ABS WHEEL SPEED SENSOR ABNORMAL SIGNAL), Diagnostic Procedure with Diagnostic Trouble Code (DTC).>
C0109	Power voltage malfunction		Power Supply Voltage Failure	<Ref. to ABS(diag)-45, DTC C0109 POWER VOLTAGE MALFUNCTION, Diagnostic Procedure with Diagnostic Trouble Code (DTC).>
C0110	ABS control module malfunction		Electrical Control Module	<Ref. to ABS(diag)-43, DTC C0110 ABS CONTROL MODULE MALFUNCTION, Diagnostic Procedure with Diagnostic Trouble Code (DTC).>

# List of Diagnostic Trouble Code (DTC)

ABS (DIAGNOSTICS)

DTC	Content of diagnosis		Display	Reference target
C0111	Motor/motor relay on failure		Motor and Motor Relay	<Ref. to ABS(diag)-50, DTC C0111 MOTOR/MOTOR RELAY MALFUNCTION, Diagnostic Procedure with Diagnostic Trouble Code (DTC).>
C0114	Defective valve relay		Valve Relay	<Ref. to ABS(diag)-48, DTC C0114 VALVE RELAY MALFUNCTION, Diagnostic Procedure with Diagnostic Trouble Code (DTC).>
C0115	ABS wheel speed sensor malfunction (ABS wheel speed sensor abnormal signal)	Abnormal ABS wheel speed sensor on any one of four sensors	Any One of Four ABS Sensors Signal	<Ref. to ABS(diag)-36, DTC C0115 ABS WHEEL SPEED SENSOR SIGNAL MALFUNCTION IN ONE OF FOUR WHEELS, Diagnostic Procedure with Diagnostic Trouble Code (DTC).>
C0116	Stop light switch circuit malfunction		Brake Light Switch	<Ref. to ABS(diag)-52, DTC C0116 FAULTY STOP LIGHT SWITCH, Diagnostic Procedure with Diagnostic Trouble Code (DTC).>
C0118	Faulty G sensor output voltage		G Sensor Failure	<Ref. to ABS(diag)-54, DTC C0118 G SENSOR OUTPUT VOLTAGE MALFUNCTION, Diagnostic Procedure with Diagnostic Trouble Code (DTC).>
C0119	Abnormal G sensor output signal		G Sensor Signal	<Ref. to ABS(diag)-57, DTC C0119 G SENSOR OUTPUT SIGNAL MALFUNCTION, Diagnostic Procedure with Diagnostic Trouble Code (DTC).>
C0120	Inlet valve malfunction in hydraulic unit	Front inlet valve LH	FL Hold Valve malfunction	<Ref. to ABS(diag)-38, DTC C0120 FRONT INLET SOLENOID VALVE LH MALFUNCTION IN ABS CONTROL MODULE AND HYDRAULIC CONTROL UNIT (ABSCM&H/U), Diagnostic Procedure with Diagnostic Trouble Code (DTC).>
C0121	Outlet valve malfunction in hydraulic unit	Front outlet valve LH	FL Pressure Reducing Valve malfunction	<Ref. to ABS(diag)-40, DTC C0121 FRONT OUTLET SOLENOID VALVE LH MALFUNCTION IN ABS CONTROL MODULE AND HYDRAULIC CONTROL UNIT (ABSCM&H/U), Diagnostic Procedure with Diagnostic Trouble Code (DTC).>
C0122	Inlet valve malfunction in hydraulic unit	Front inlet valve RH	FR Hold Valve malfunction	<Ref. to ABS(diag)-38, DTC C0122 FRONT INLET SOLENOID VALVE RH MALFUNCTION IN ABS CONTROL MODULE AND HYDRAULIC CONTROL UNIT (ABSCM&H/U), Diagnostic Procedure with Diagnostic Trouble Code (DTC).>
C0123	Outlet valve malfunction in hydraulic unit	Front outlet valve RH	FR Pressure Reducing Valve malfunction	<Ref. to ABS(diag)-40, DTC C0123 FRONT OUTLET SOLENOID VALVE RH MALFUNCTION IN ABS CONTROL MODULE AND HYDRAULIC CONTROL UNIT (ABSCM&H/U), Diagnostic Procedure with Diagnostic Trouble Code (DTC).>
C0124	Inlet valve malfunction in hydraulic unit	Rear inlet valve LH	RL Hold Valve malfunction	<Ref. to ABS(diag)-38, DTC C0124 REAR INLET SOLENOID VALVE LH MALFUNCTION IN ABS CONTROL MODULE AND HYDRAULIC CONTROL UNIT (ABSCM&H/U), Diagnostic Procedure with Diagnostic Trouble Code (DTC).>

## List of Diagnostic Trouble Code (DTC)

### ABS (DIAGNOSTICS)

DTC	Content of diagnosis		Display	Reference target
C0125	Outlet valve malfunction in hydraulic unit	Rear outlet valve LH	RL Pressure Reducing Valve malfunction	<Ref. to ABS(diag)-40, DTC C0125 REAR OUTLET SOLENOID VALVE LH MALFUNCTION IN ABS CONTROL MODULE AND HYDRAULIC CONTROL UNIT (ABSCM&H/U), Diagnostic Procedure with Diagnostic Trouble Code (DTC).>
C0126	Inlet valve malfunction in hydraulic unit	Rear inlet valve RH	RR Hold Valve malfunction	<Ref. to ABS(diag)-39, DTC C0126 REAR INLET SOLENOID VALVE RH MALFUNCTION IN ABS CONTROL MODULE AND HYDRAULIC CONTROL UNIT (ABSCM&H/U), Diagnostic Procedure with Diagnostic Trouble Code (DTC).>
C0127	Outlet valve malfunction in hydraulic unit	Rear outlet valve RH	RR Pressure Reducing Valve malfunction	<Ref. to ABS(diag)-41, DTC C0127 REAR OUTLET SOLENOID VALVE RH MALFUNCTION IN ABS CONTROL MODULE AND HYDRAULIC CONTROL UNIT (ABSCM&H/U), Diagnostic Procedure with Diagnostic Trouble Code (DTC).>
C0140	Defective CAN communication		Improper CAN Communication	<Ref. to ABS(diag)-47, DTC C0140 CAN COMMUNICATION MALFUNCTION, Diagnostic Procedure with Diagnostic Trouble Code (DTC).>

### 12. Diagnostic Procedure with Diagnostic Trouble Code (DTC)

#### **A: DTC C0101 ABS WHEEL SPEED SENSOR MALFUNCTION RR SENSOR (BROKEN WIRE, INPUT VOLTAGE TOO HIGH)**

**NOTE:**

Refer to DTC C0104 for diagnostic procedure. <Ref. to ABS(diag)-30, DTC C0104 ABS WHEEL SPEED SENSOR MALFUNCTION FL SENSOR (BROKEN WIRE, INPUT VOLTAGE TOO HIGH), Diagnostic Procedure with Diagnostic Trouble Code (DTC).>

#### **B: DTC C0102 ABS WHEEL SPEED SENSOR MALFUNCTION RL SENSOR (BROKEN WIRE, INPUT VOLTAGE TOO HIGH)**

**NOTE:**

Refer to DTC C0104 for diagnostic procedure. <Ref. to ABS(diag)-30, DTC C0104 ABS WHEEL SPEED SENSOR MALFUNCTION FL SENSOR (BROKEN WIRE, INPUT VOLTAGE TOO HIGH), Diagnostic Procedure with Diagnostic Trouble Code (DTC).>

#### **C: DTC C0103 ABS WHEEL SPEED SENSOR MALFUNCTION FR SENSOR (BROKEN WIRE, INPUT VOLTAGE TOO HIGH)**

**NOTE:**

Refer to DTC C0104 for diagnostic procedure. <Ref. to ABS(diag)-30, DTC C0104 ABS WHEEL SPEED SENSOR MALFUNCTION FL SENSOR (BROKEN WIRE, INPUT VOLTAGE TOO HIGH), Diagnostic Procedure with Diagnostic Trouble Code (DTC).>

# Diagnostic Procedure with Diagnostic Trouble Code (DTC)

ABS (DIAGNOSTICS)

## D: DTC C0104 ABS WHEEL SPEED SENSOR MALFUNCTION FL SENSOR (BROKEN WIRE, INPUT VOLTAGE TOO HIGH)

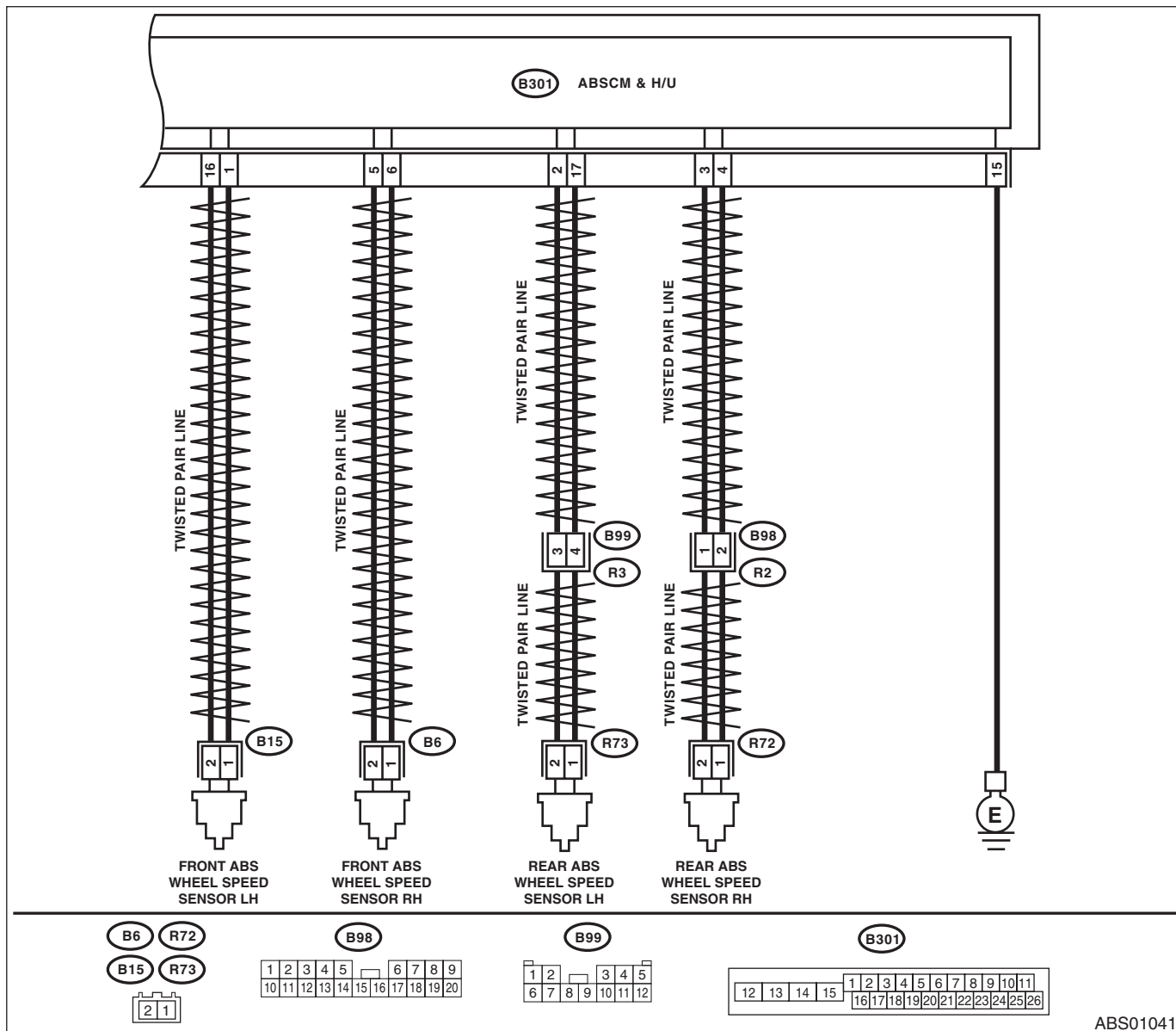
### DTC DETECTING CONDITION:

- Defective ABS wheel speed sensor (broken wire, input voltage too high)
- Faulty harness connectors

### TROUBLE SYMPTOM:

ABS does not operate.

### WIRING DIAGRAM:



ABS01041



# Diagnostic Procedure with Diagnostic Trouble Code (DTC)

ABS (DIAGNOSTICS)

Step	Check	Yes	No
<b>1</b> <b>CHECK POOR CONTACT OF CONNECTOR.</b> Check if there is poor contact between ABSCM&H/U and ABS wheel speed sensor.	Is there poor contact?	Repair the connector.	Go to step 2.
<b>2</b> <b>CHECK HARNESS CONNECTOR BETWEEN ABSCM&amp;H/U AND ABS WHEEL SPEED SENSOR.</b> 1) Disconnect the connector (B301) from ABSCM&H/U. 2) Disconnect the connector from the ABS wheel speed sensor. 3) Measure the resistance between ABSCM&H/U connector and ABS wheel speed sensor connector. <i><b>Connector &amp; terminal</b></i> <i><b>DTC C0101</b></i> <i>(B301) No. 3 — (R72) No. 2:</i> <i>(B301) No. 4 — (R72) No. 1:</i> <i><b>DTC C0102</b></i> <i>(B301) No. 2 — (R73) No. 2:</i> <i>(B301) No. 17 — (R73) No. 1:</i> <i><b>DTC C0103</b></i> <i>(B301) No. 5 — (B6) No. 2:</i> <i>(B301) No. 6 — (B6) No. 1:</i> <i><b>DTC C0104</b></i> <i>(B301) No. 16 — (B15) No. 2:</i> <i>(B301) No. 1 — (B15) No. 1:</i>	Is the resistance less than 0.5 Ω?	Go to step 3.	Repair the harness connector between ABSCM&H/U and ABS wheel speed sensor.
<b>3</b> <b>CHECK GROUND SHORT OF HARNESS.</b> Measure the resistance between the ABSCM&H/U connector and chassis ground. <i><b>Connector &amp; terminal</b></i> <i><b>DTC C0101</b></i> <i>(B301) No. 4 — Chassis ground:</i> <i><b>DTC C0102</b></i> <i>(B301) No. 17 — Chassis ground:</i> <i><b>DTC C0103</b></i> <i>(B301) No. 6 — Chassis ground:</i> <i><b>DTC C0104</b></i> <i>(B301) No. 1 — Chassis ground:</i>	Is the resistance 1 MΩ or more?	Go to step 4.	Repair the harness connector between ABSCM&H/U and ABS wheel speed sensor.
<b>4</b> <b>CHECK ABS WHEEL SPEED SENSOR POWER SUPPLY CIRCUIT.</b> 1) Connect ABSCM&H/U connector. 2) Turn the ignition switch to ON. 3) Measure the voltage between ABS wheel speed sensor connector and chassis ground. <i><b>Connector &amp; terminal</b></i> <i><b>DTC C0101</b></i> <i>(R72) No. 2 (+) — Chassis ground (-):</i> <i><b>DTC C0102</b></i> <i>(R73) No. 2 (+) — Chassis ground (-):</i> <i><b>DTC C0103</b></i> <i>(B6) No. 2 (+) — Chassis ground (-):</i> <i><b>DTC C0104</b></i> <i>(B15) No. 2 (+) — Chassis ground (-):</i>	Is the voltage 5 — 16 V?	Go to step 6.	Go to step 5.

## Diagnostic Procedure with Diagnostic Trouble Code (DTC)

### ABS (DIAGNOSTICS)

Step	Check	Yes	No
<b>5 CHECK THE ABSCM&amp;H/U POWER SUPPLY CIRCUIT.</b> 1) Turn the ignition switch to OFF. 2) Disconnect the ABSCM&H/U connectors. 3) Turn the ignition switch to ON. 4) Measure the voltage between ABSCM&H/U connector and chassis ground. <b>Connector &amp; terminal</b> <b>(B301) No. 18 (+) — (B301) No. 15 (-):</b>	Is the voltage 10 — 15 V?	Go to step 6.	Check the generator, battery and ABSCM&H/U power supply circuit.
<b>6 CHECK ABS WHEEL SPEED SENSOR SIGNAL.</b> 1) Install the ABS wheel speed sensor. 2) Prepare an oscilloscope. 3) Check the ABS wheel speed sensor. <Ref. to ABS-14, ABS WHEEL SPEED SENSOR, INSPECTION, Front ABS Wheel Speed Sensor.>	Is the pattern the same waveform as shown in the figure?	Go to step 7.	Replace the ABS wheel speed sensor.
<b>7 CHECK ABSCM&amp;H/U.</b> 1) Connect all connectors. 2) Clear the memory. <Ref. to ABS(diag)-21, Clear Memory Mode.> 3) Perform the Inspection Mode. <Ref. to ABS(diag)-20, Inspection Mode.> 4) Read the DTC.	Is the same DTC displayed?	Replace the ABSCM only. <Ref. to ABS-8, REPLACEMENT, ABS Control Module and Hydraulic Control Unit (ABSCM&H/U).>	Go to step 8.
<b>8 CHECK FOR ANY OTHER DTC ON DISPLAY.</b>	Is any other DTC displayed?	Check DTC using “List of Diagnostic Trouble Code (DTC)”. <Ref. to ABS(diag)-26, List of Diagnostic Trouble Code (DTC).>	It results from a temporary noise interference.

### **E: DTC C0105 REAR ABS WHEEL SPEED SENSOR RH MALFUNCTION (ABS WHEEL SPEED SENSOR ABNORMAL SIGNAL)**

**NOTE:**

Refer to DTC C0108 for diagnostic procedure. <Ref. to ABS(diag)-33, DTC C0108 FRONT ABS WHEEL SPEED SENSOR LH MALFUNCTION (ABS WHEEL SPEED SENSOR ABNORMAL SIGNAL), Diagnostic Procedure with Diagnostic Trouble Code (DTC).>

### **F: DTC C0106 REAR ABS WHEEL SPEED SENSOR LH MALFUNCTION (ABS WHEEL SPEED SENSOR ABNORMAL SIGNAL)**

**NOTE:**

Refer to DTC C0108 for diagnostic procedure. <Ref. to ABS(diag)-33, DTC C0108 FRONT ABS WHEEL SPEED SENSOR LH MALFUNCTION (ABS WHEEL SPEED SENSOR ABNORMAL SIGNAL), Diagnostic Procedure with Diagnostic Trouble Code (DTC).>

### **G: DTC C0107 FRONT ABS WHEEL SPEED SENSOR RH MALFUNCTION (ABS WHEEL SPEED SENSOR ABNORMAL SIGNAL)**

**NOTE:**

Refer to DTC C0108 for diagnostic procedure. <Ref. to ABS(diag)-33, DTC C0108 FRONT ABS WHEEL SPEED SENSOR LH MALFUNCTION (ABS WHEEL SPEED SENSOR ABNORMAL SIGNAL), Diagnostic Procedure with Diagnostic Trouble Code (DTC).>

## H: DTC C0108 FRONT ABS WHEEL SPEED SENSOR LH MALFUNCTION (ABS WHEEL SPEED SENSOR ABNORMAL SIGNAL)

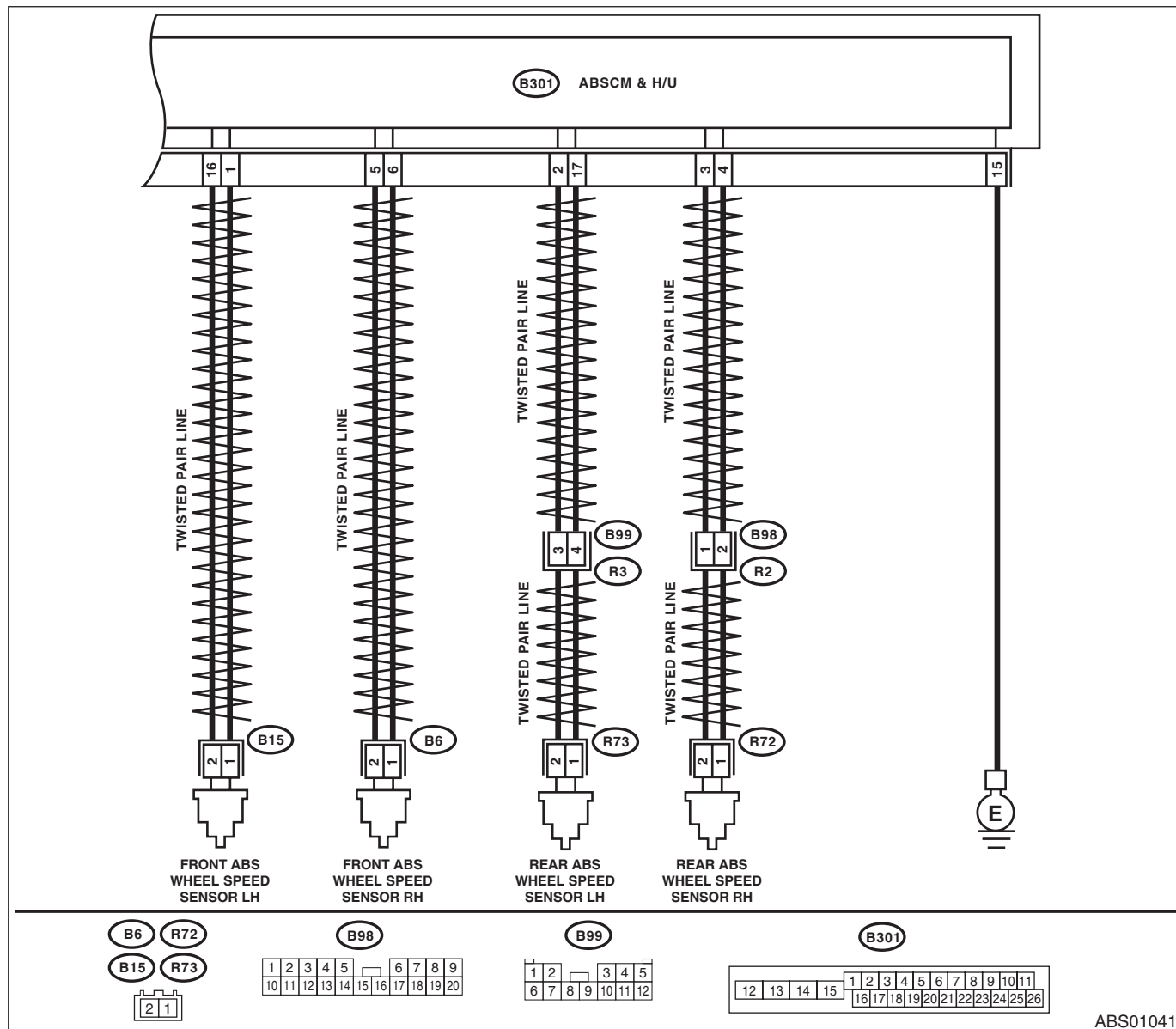
**DTC DETECTING CONDITION:**

- Defective ABS wheel speed sensor signal (noise, abnormal signal, etc.)
- Faulty harness connectors

**TROUBLE SYMPTOM:**

ABS does not operate.

**WIRING DIAGRAM:**



ABS01041

# Diagnostic Procedure with Diagnostic Trouble Code (DTC)

## ABS (DIAGNOSTICS)

Step	Check	Yes	No	
1	<b>CHECK OUTPUT OF ABS WHEEL SPEED SENSOR USING SUBARU SELECT MONITOR.</b> 1) Select {Current Data Display & Save} in Subaru Select Monitor. 2) Read the defective ABS wheel speed sensor output.	Does the speed indicated on the display change in response to the speedometer reading during acceleration/deceleration when the steering wheel is in the straight-ahead position?	Go to step 2.	Go to step 7.
2	<b>CHECK POOR CONTACT OF CONNECTOR.</b> Turn the ignition switch to OFF.	Is there poor contact of connectors between ABSCM&H/U and ABS wheel speed sensor?	Repair the connector.	Go to step 3.
3	<b>CHECK CAUSE OF SIGNAL NOISE.</b> Make sure the radio wave devices and electronic components are installed correctly.	Are the radio wave devices and electronic components installed correctly?	Go to step 4.	Install the radio wave devices and electronic components properly.
4	<b>CHECK CAUSE OF SIGNAL NOISE.</b> Check if the noise sources (such as an antenna) are installed near the sensor harness.	Are noise sources installed?	Install the noise sources apart from sensor harness.	Go to step 5.
5	<b>CHECK ABSCM&amp;H/U.</b> 1) Connect all connectors. 2) Clear the memory. <Ref. to ABS(diag)-21, Clear Memory Mode.> 3) Perform the Inspection Mode. <Ref. to ABS(diag)-20, Inspection Mode.> 4) Read the DTC.	Is the same DTC displayed?	Replace the ABSCM only. <Ref. to ABS-8, REPLACEMENT, ABS Control Module and Hydraulic Control Unit (ABSCM&H/U).>	Go to step 6.
6	<b>CHECK FOR ANY OTHER DTC ON DISPLAY.</b>	Is any other DTC displayed?	Check DTC using "List of Diagnostic Trouble Code (DTC)". <Ref. to ABS(diag)-26, List of Diagnostic Trouble Code (DTC).>	It results from a temporary noise interference.
7	<b>CHECK INSTALLATION OF ABS WHEEL SPEED SENSOR.</b>	Is the ABS wheel speed sensor installation bolt tightened 7.5 N·m (0.76 kgf·m, 5.5 ft·lb)?	Go to step 8.	Tighten the ABS wheel speed sensor installation bolts.
8	<b>CHECK ABS WHEEL SPEED SENSOR SIGNAL.</b> 1) Install the ABS wheel speed sensor. 2) Prepare an oscilloscope. 3) Check the ABS wheel speed sensor. <Ref. to ABS-14, ABS WHEEL SPEED SENSOR, INSPECTION, Front ABS Wheel Speed Sensor.>	Does the oscilloscope indicate the waveform pattern like shown in the figure when the tire is slowly turned? Does the oscilloscope indication repeat the waveform pattern like shown in the figure when the tire is slowly turned in equal speed for one rotation or more?	Go to step 10.	Go to step 9.
9	<b>CHECK ABS WHEEL SPEED SENSOR OR MAGNETIC ENCODER.</b>	Are there foreign matter, breakage or damage at the tip of ABS wheel speed sensor or magnetic encoder?	Remove dirt thoroughly. Also replace the ABS wheel speed sensor or magnetic encoder as a unit with hub unit bearing if it is broken or damaged.	Go to step 10.
10	<b>CHECK CAUSE OF SIGNAL NOISE.</b> Make sure the radio wave devices and electronic components are installed correctly.	Are the radio wave devices and electronic components installed correctly?	Go to step 11.	Install the radio wave devices and electronic components properly.

# Diagnostic Procedure with Diagnostic Trouble Code (DTC)

ABS (DIAGNOSTICS)

Step	Check	Yes	No
<b>11 CHECK CAUSE OF SIGNAL NOISE.</b> Check if the noise sources (such as an antenna) are installed near the sensor harness.	Is the noise sources installed?	Go to step 12.	Install the noise sources apart from sensor harness.
<b>12 CHECK ABSCM&amp;H/U.</b> 1) Connect all connectors. 2) Clear the memory. <Ref. to ABS(diag)-21, Clear Memory Mode.> 3) Perform the Inspection Mode. <Ref. to ABS(diag)-20, Inspection Mode.> 4) Read the DTC.	Is the same DTC displayed?	Replace the ABSCM only. <Ref. to ABS-8, REPLACEMENT, ABS Control Module and Hydraulic Control Unit (ABSCM&H/U).>	Go to step 13.
<b>13 CHECK FOR ANY OTHER DTC ON DISPLAY.</b>	Is any other DTC displayed?	Check DTC using "List of Diagnostic Trouble Code (DTC)". <Ref. to ABS(diag)-26, List of Diagnostic Trouble Code (DTC).>	It results from a temporary noise interference. NOTE: Though the ABS warning light remains on at this time, this is normal. Drive the vehicle at 12 km/h (7 MPH) or more in order to turn ABS warning light off. Be sure to drive the vehicle and check that the warning light goes off.

# Diagnostic Procedure with Diagnostic Trouble Code (DTC)

ABS (DIAGNOSTICS)

## I: DTC C0115 ABS WHEEL SPEED SENSOR SIGNAL MALFUNCTION IN ONE OF FOUR WHEELS

### DTC DETECTING CONDITION:

- Defective ABS wheel speed sensor signal (noise, abnormal signal, etc.)
- Defective magnetic encoder
- When a wheel is turned freely for a long time

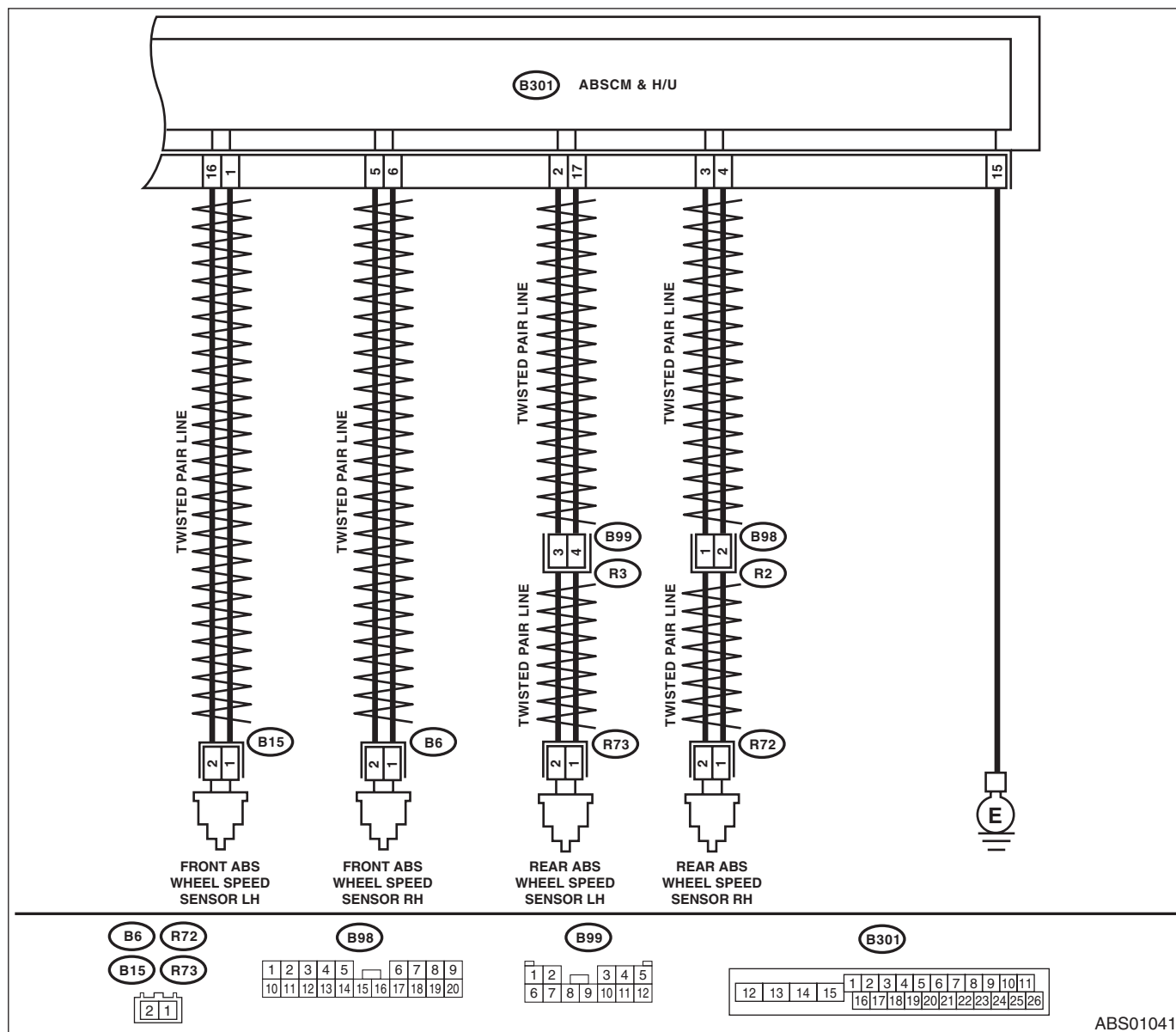
### TROUBLE SYMPTOM:

- ABS does not operate.
- EBD does not operate.

### NOTE:

Brake warning light comes on as well as the ABS warning light.

### WIRING DIAGRAM:



ABS01041

# Diagnostic Procedure with Diagnostic Trouble Code (DTC)

ABS (DIAGNOSTICS)

Step	Check	Yes	No
<b>1</b> <b>WHETHER A WHEEL TURNED FREELY OR NOT.</b> Check if the wheels have been turned freely for one minute or more, such as when the vehicle is jacked-up, under full-lock cornering or when the wheels are not in contact with road surface.	Did the wheels turn freely?	ABS is normal. Clear the memory. NOTE: This diagnostic trouble code may sometimes occur if the wheels turn freely for a long time, for example when the vehicle is towed or jacked-up, or when steering wheel is continuously turned all the way.	Go to step 2.
<b>2</b> <b>CHECK TIRE SPECIFICATIONS.</b> Turn the ignition switch to OFF.	Are the tire specifications correct?	Go to step 3.	Replace the tire.
<b>3</b> <b>CHECK WEAR OF TIRE.</b>	Is the tire worn excessively?	Replace the tire.	Go to step 4.
<b>4</b> <b>CHECK TIRE INFLATION PRESSURE.</b>	Is the tire pressure correct?	Go to step 5.	Adjust the tire pressure.
<b>5</b> <b>CHECK INSTALLATION OF ABS WHEEL SPEED SENSOR.</b>	Are the ABS wheel speed sensor installation bolts tightened 7.5 N·m (0.76 kgf-m, 5.5 ft-lb)? (For four wheels)	Go to step 6.	Tighten the ABS wheel speed sensor installation bolts.
<b>6</b> <b>CHECK ABS WHEEL SPEED SENSOR SIGNAL.</b> 1) Install the ABS wheel speed sensor. 2) Prepare an oscilloscope. 3) Check the ABS wheel speed sensor. <Ref. to ABS-14, ABS WHEEL SPEED SENSOR, INSPECTION, Front ABS Wheel Speed Sensor.>	Does the oscilloscope indicate the waveform pattern like shown in the figure when the tire is slowly turned? Does the oscilloscope indication repeat the waveform pattern like shown in the figure when the tire is slowly turned in equal speed for one rotation or more?	Go to step 8.	Go to step 7.
<b>7</b> <b>CHECK ABS WHEEL SPEED SENSOR OR MAGNETIC ENCODER.</b>	Are there foreign matter, breakage or damage at the tip of ABS wheel speed sensor or magnetic encoder?	Remove dirt thoroughly. Also replace the ABS wheel speed sensor or magnetic encoder as a unit with hub unit bearing if it is broken or damaged.	Go to step 8.
<b>8</b> <b>CHECK ABSCM&amp;H/U.</b> 1) Connect all connectors. 2) Clear the memory. <Ref. to ABS(diag)-21, Clear Memory Mode.> 3) Perform the Inspection Mode. <Ref. to ABS(diag)-20, Inspection Mode.> 4) Read the DTC.	Is the same DTC displayed?	Replace the ABSCM only. <Ref. to ABS-8, REPLACEMENT, ABS Control Module and Hydraulic Control Unit (ABSCM&H/U).>	Go to step 9.

## Diagnostic Procedure with Diagnostic Trouble Code (DTC)

### ABS (DIAGNOSTICS)

	Step	Check	Yes	No
9	<b>CHECK FOR ANY OTHER DTC ON DISPLAY.</b>	Is any other DTC displayed?	Check DTC using "List of Diagnostic Trouble Code (DTC)". <Ref. to ABS(diag)-26, List of Diagnostic Trouble Code (DTC).>	It results from a temporary noise interference. NOTE: Though the ABS warning light remains on at this time, this is normal. Drive the vehicle at 12 km/h (7 MPH) or more in order to turn ABS warning light off. Be sure to drive the vehicle and check that the warning light goes off.

### **J: DTC C0120 FRONT INLET SOLENOID VALVE LH MALFUNCTION IN ABS CONTROL MODULE AND HYDRAULIC CONTROL UNIT (ABSCM&H/U)**

NOTE:

Refer to DTC C0126 for diagnostic procedure. <Ref. to ABS(diag)-39, DTC C0126 REAR INLET SOLENOID VALVE RH MALFUNCTION IN ABS CONTROL MODULE AND HYDRAULIC CONTROL UNIT (ABSCM&H/U), Diagnostic Procedure with Diagnostic Trouble Code (DTC).>

### **K: DTC C0122 FRONT INLET SOLENOID VALVE RH MALFUNCTION IN ABS CONTROL MODULE AND HYDRAULIC CONTROL UNIT (ABSCM&H/U)**

NOTE:

Refer to DTC C0126 for diagnostic procedure. <Ref. to ABS(diag)-39, DTC C0126 REAR INLET SOLENOID VALVE RH MALFUNCTION IN ABS CONTROL MODULE AND HYDRAULIC CONTROL UNIT (ABSCM&H/U), Diagnostic Procedure with Diagnostic Trouble Code (DTC).>

### **L: DTC C0124 REAR INLET SOLENOID VALVE LH MALFUNCTION IN ABS CONTROL MODULE AND HYDRAULIC CONTROL UNIT (ABSCM&H/U)**

NOTE:

Refer to DTC C0126 for diagnostic procedure. <Ref. to ABS(diag)-39, DTC C0126 REAR INLET SOLENOID VALVE RH MALFUNCTION IN ABS CONTROL MODULE AND HYDRAULIC CONTROL UNIT (ABSCM&H/U), Diagnostic Procedure with Diagnostic Trouble Code (DTC).>



## M: DTC C0126 REAR INLET SOLENOID VALVE RH MALFUNCTION IN ABS CONTROL MODULE AND HYDRAULIC CONTROL UNIT (ABSCM&H/U)

**DTC DETECTING CONDITION:**

- Faulty harness connectors
- Defective inlet solenoid valve in ABSCM&H/U

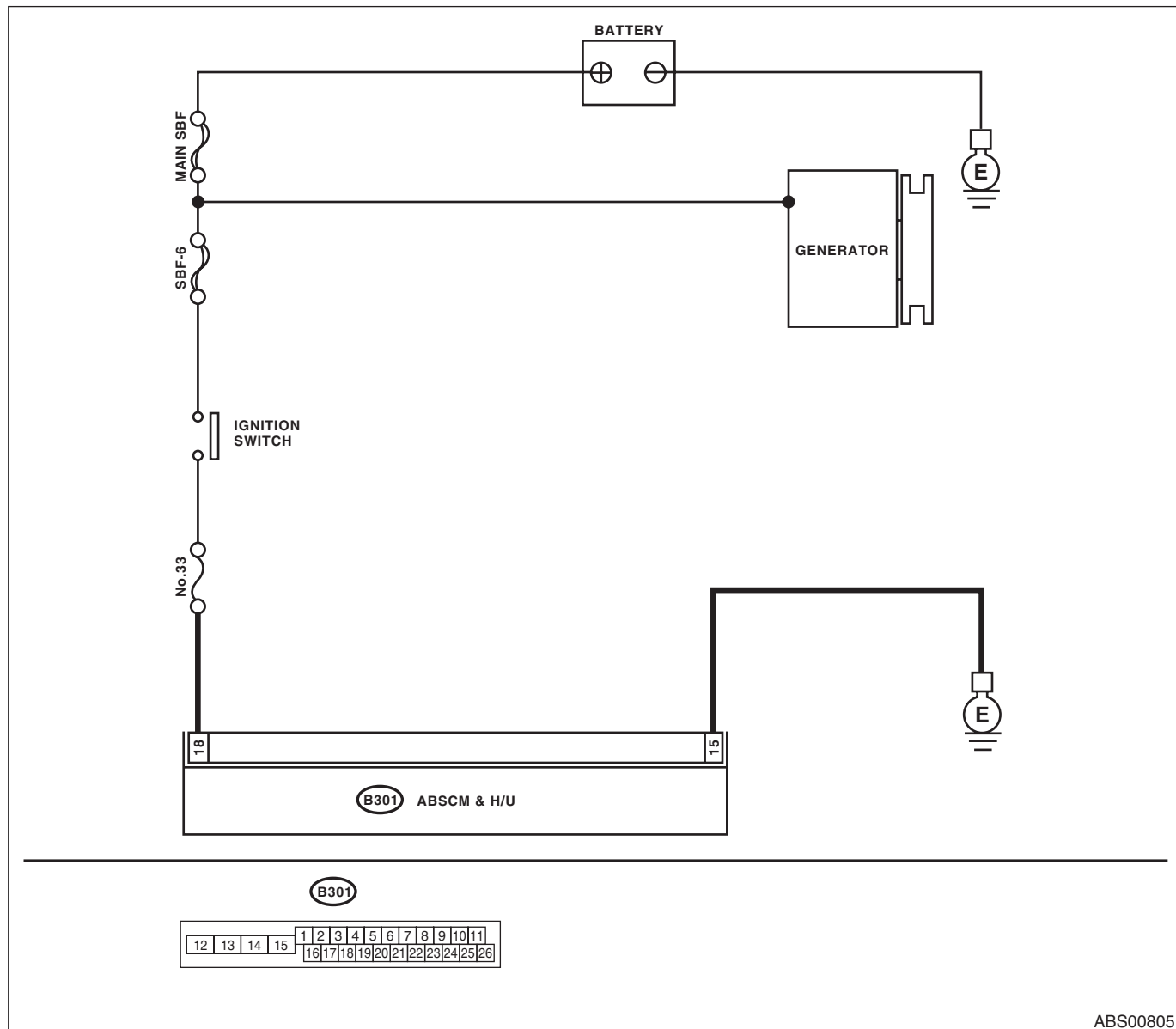
**TROUBLE SYMPTOM:**

- ABS does not operate.
- EBD does not operate.

**NOTE:**

Brake warning light comes on as well as the ABS warning light.

**WIRING DIAGRAM:**



ABS00805

## Diagnostic Procedure with Diagnostic Trouble Code (DTC)

ABS (DIAGNOSTICS)

Step	Check	Yes	No
<b>1 CHECK INPUT VOLTAGE OF ABSCM&amp;H/U.</b> 1) Turn the ignition switch to OFF. 2) Disconnect the ABSCM&H/U connectors. 3) Run the engine at idle. 4) Measure the voltage between ABSCM&H/U connector and chassis ground. <i>Connector &amp; terminal (B301) No. 18 (+) — Chassis ground (-):</i>	Is the voltage 10 — 15 V?	Go to step 2.	Repair the ABSCM&H/U power circuit.
<b>2 CHECK THE ABSCM&amp;H/U GROUND CIRCUIT.</b> 1) Turn the ignition switch to OFF. 2) Measure the resistance between the ABSCM&H/U connector and chassis ground. <i>Connector &amp; terminal (B301) No. 15 — Chassis ground:</i>	Is the resistance less than 0.5 Ω?	Go to step 3.	Repair the ABSCM&H/U ground harness.
<b>3 CHECK POOR CONTACT OF CONNECTOR.</b>	Is there poor contact of connector between generator, battery and ABSCM&H/U?	Repair the connector.	Go to step 4.
<b>4 CHECK ABSCM&amp;H/U.</b> 1) Connect all connectors. 2) Clear the memory. <Ref. to ABS(diag)-21, Clear Memory Mode.> 3) Perform the Inspection Mode. <Ref. to ABS(diag)-20, Inspection Mode.> 4) Read the DTC.	Is the same DTC displayed?	Replace the ABSCM&H/U. <Ref. to ABS-6, ABS Control Module and Hydraulic Control Unit (ABSCM&H/U).>	Go to step 5.
<b>5 CHECK FOR ANY OTHER DTC ON DISPLAY.</b>	Is any other DTC displayed?	Check DTC using “List of Diagnostic Trouble Code (DTC)”. <Ref. to ABS(diag)-26, List of Diagnostic Trouble Code (DTC).>	Temporary poor contact occurs.

### **N: DTC C0121 FRONT OUTLET SOLENOID VALVE LH MALFUNCTION IN ABS CONTROL MODULE AND HYDRAULIC CONTROL UNIT (ABSCM&H/U)**

NOTE:

Refer to DTC C0127 for diagnostic procedure. <Ref. to ABS(diag)-41, DTC C0127 REAR OUTLET SOLENOID VALVE RH MALFUNCTION IN ABS CONTROL MODULE AND HYDRAULIC CONTROL UNIT (ABSCM&H/U), Diagnostic Procedure with Diagnostic Trouble Code (DTC).>

### **O: DTC C0123 FRONT OUTLET SOLENOID VALVE RH MALFUNCTION IN ABS CONTROL MODULE AND HYDRAULIC CONTROL UNIT (ABSCM&H/U)**

NOTE:

Refer to DTC C0127 for diagnostic procedure. <Ref. to ABS(diag)-41, DTC C0127 REAR OUTLET SOLENOID VALVE RH MALFUNCTION IN ABS CONTROL MODULE AND HYDRAULIC CONTROL UNIT (ABSCM&H/U), Diagnostic Procedure with Diagnostic Trouble Code (DTC).>

### **P: DTC C0125 REAR OUTLET SOLENOID VALVE LH MALFUNCTION IN ABS CONTROL MODULE AND HYDRAULIC CONTROL UNIT (ABSCM&H/U)**

NOTE:

Refer to DTC C0127 for diagnostic procedure. <Ref. to ABS(diag)-41, DTC C0127 REAR OUTLET SOLENOID VALVE RH MALFUNCTION IN ABS CONTROL MODULE AND HYDRAULIC CONTROL UNIT (ABSCM&H/U), Diagnostic Procedure with Diagnostic Trouble Code (DTC).>

# Diagnostic Procedure with Diagnostic Trouble Code (DTC)

ABS (DIAGNOSTICS)

## Q: DTC C0127 REAR OUTLET SOLENOID VALVE RH MALFUNCTION IN ABS CONTROL MODULE AND HYDRAULIC CONTROL UNIT (ABSCM&H/U)

### DTC DETECTING CONDITION:

- Faulty harness connectors
- Defective outlet solenoid valve in ABSCM&H/U

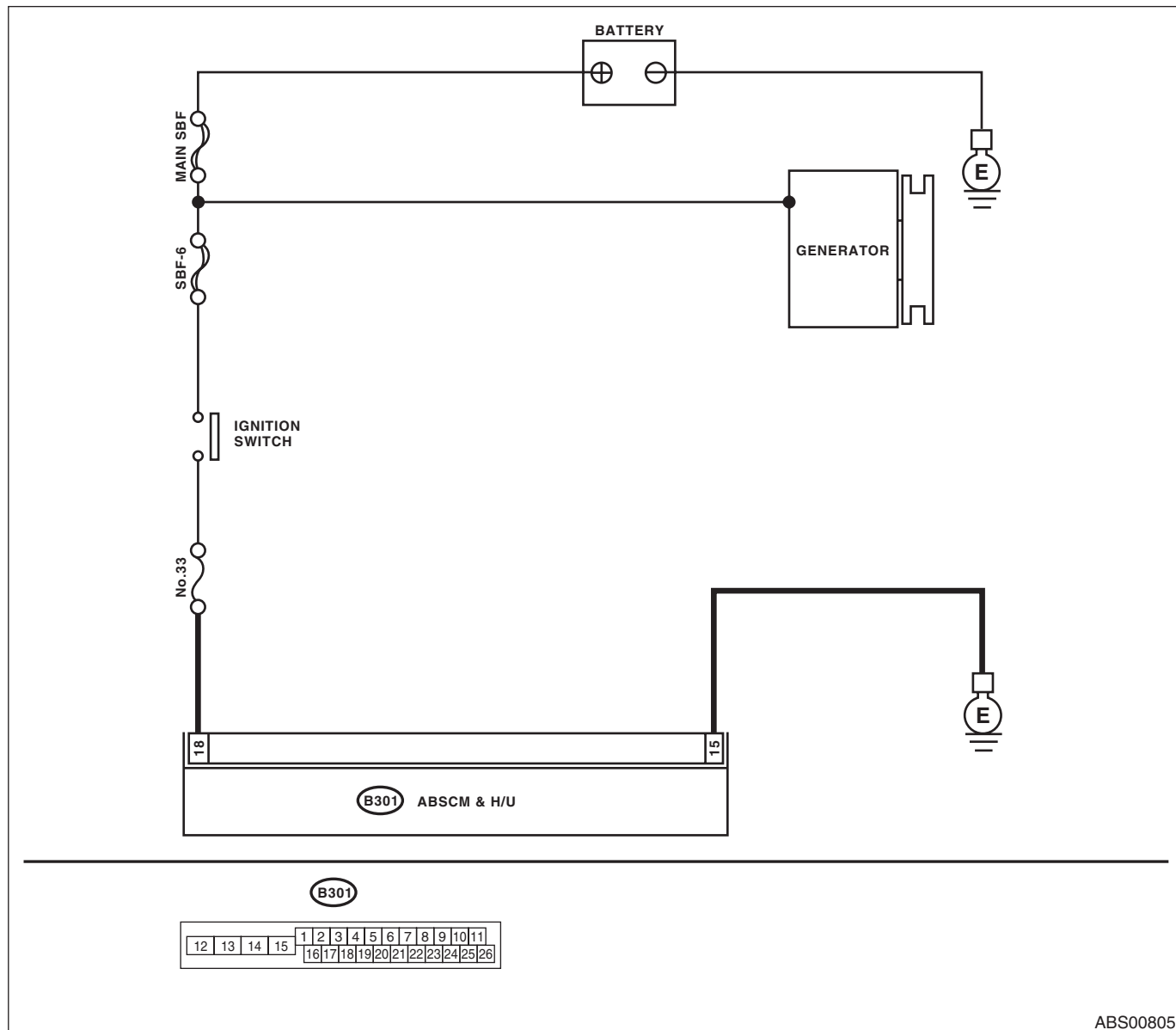
### TROUBLE SYMPTOM:

- ABS does not operate.
- EBD does not operate.

### NOTE:

Brake warning light comes on as well as the ABS warning light.

### WIRING DIAGRAM:



## Diagnostic Procedure with Diagnostic Trouble Code (DTC)

### ABS (DIAGNOSTICS)

Step	Check	Yes	No
<b>1 CHECK INPUT VOLTAGE OF ABSCM&amp;H/U.</b> 1) Turn the ignition switch to OFF. 2) Disconnect the ABSCM&H/U connectors. 3) Run the engine at idle. 4) Measure the voltage between ABSCM&H/U connector and chassis ground. <b>Connector &amp; terminal</b> <b>(B301) No. 18 (+) — Chassis ground (-):</b>	Is the voltage 10 — 15 V?	Go to step 2.	Repair the ABSCM&H/U power circuit.
<b>2 CHECK THE ABSCM&amp;H/U GROUND CIRCUIT.</b> 1) Turn the ignition switch to OFF. 2) Measure the resistance between the ABSCM&H/U connector and chassis ground. <b>Connector &amp; terminal</b> <b>(B301) No. 15 — Chassis ground:</b>	Is the resistance less than 0.5 Ω?	Go to step 3.	Repair the ABSCM&H/U ground harness.
<b>3 CHECK POOR CONTACT OF CONNECTOR.</b>	Is there poor contact of connector between generator, battery and ABSCM&H/U?	Repair the connector.	Go to step 4.
<b>4 CHECK ABSCM&amp;H/U.</b> 1) Connect all connectors. 2) Clear the memory. <Ref. to ABS(diag)-21, Clear Memory Mode.> 3) Perform the Inspection Mode. <Ref. to ABS(diag)-20, Inspection Mode.> 4) Read the DTC.	Is the same DTC displayed?	Replace the ABSCM&H/U. <Ref. to ABS-6, ABS Control Module and Hydraulic Control Unit (ABSCM&H/U).>	Go to step 5.
<b>5 CHECK FOR ANY OTHER DTC ON DISPLAY.</b>	Is any other DTC displayed?	Check DTC using “List of Diagnostic Trouble Code (DTC)”. <Ref. to ABS(diag)-26, List of Diagnostic Trouble Code (DTC).>	Temporary poor contact occurs.

## R: DTC C0110 ABS CONTROL MODULE MALFUNCTION

### DTC DETECTING CONDITION:

Defective ABSCM&H/U

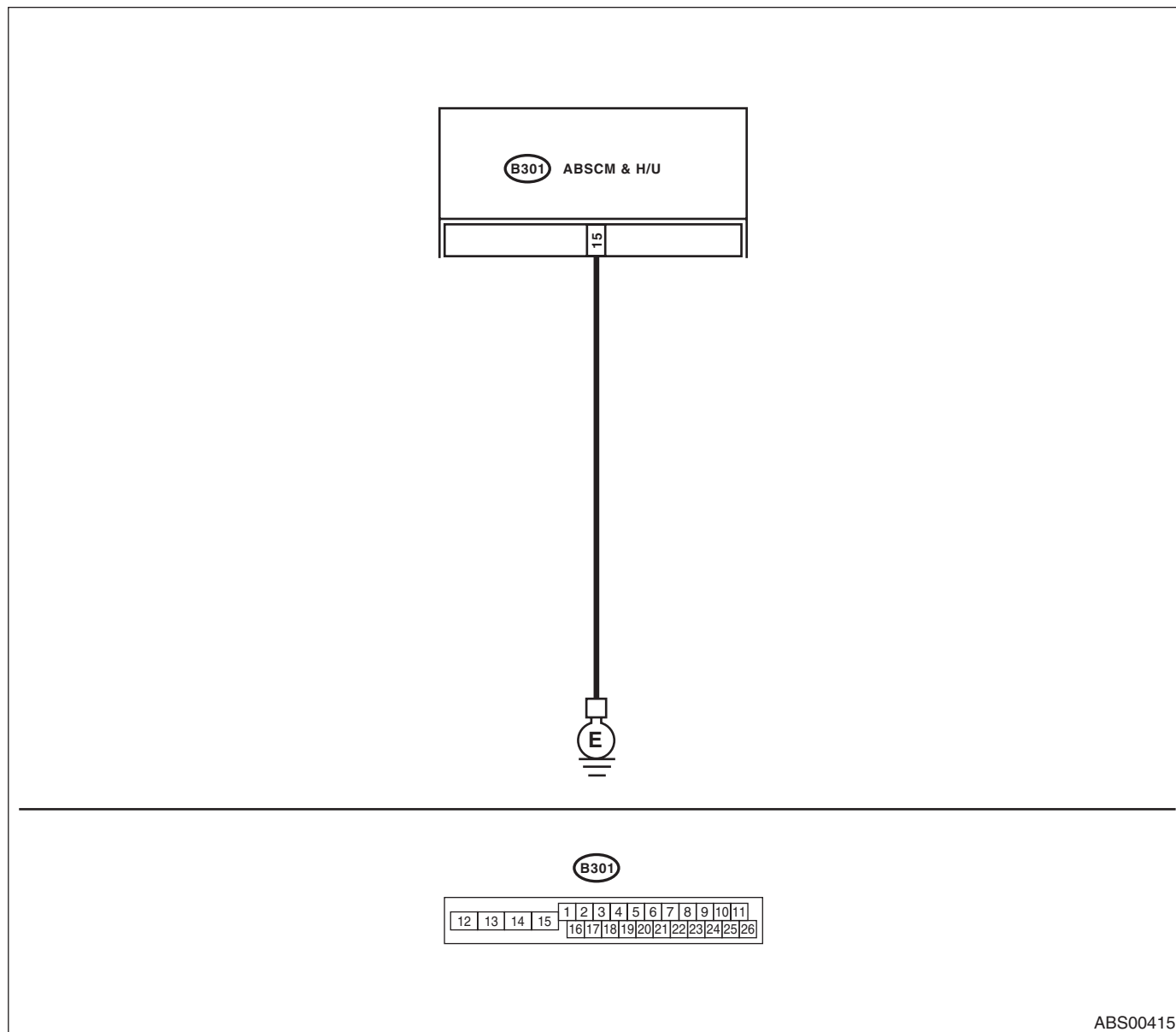
### TROUBLE SYMPTOM:

- ABS does not operate.
- EBD does not operate.

### NOTE:

Brake warning light comes on as well as the ABS warning light.

### WIRING DIAGRAM:



ABS00415

## Diagnostic Procedure with Diagnostic Trouble Code (DTC)

### ABS (DIAGNOSTICS)

Step	Check	Yes	No
<b>1 CHECK THE ABSCM&amp;H/U GROUND CIRCUIT.</b> 1) Turn the ignition switch to OFF. 2) Disconnect the ABSCM&H/U connectors. 3) Measure the resistance between the ABSCM&H/U and chassis ground. <b>Connector &amp; terminal</b> <b>(B301) No. 15 — Chassis ground:</b>	Is the resistance less than 0.5 Ω?	Go to step 2.	Repair the ABSCM&H/U ground harness.
<b>2 CHECK POOR CONTACT OF CONNECTOR.</b>	Is there poor contact of the connector between the battery, ignition switch and ABSCM&H/U?	Repair the connector.	Go to step 3.
<b>3 CHECK CAUSE OF SIGNAL NOISE.</b>	Are the radio wave devices and electronic components installed correctly?	Go to step 4.	Install the radio wave devices and electronic components properly.
<b>4 CHECK CAUSE OF SIGNAL NOISE.</b>	Is there a noise source (such as an antenna) installed near the sensor harness?	Install the noise source apart from the sensor harness.	Go to step 5.
<b>5 CHECK ABSCM&amp;H/U.</b> 1) Connect all connectors. 2) Clear the memory. <Ref. to ABS(diag)-21, Clear Memory Mode.> 3) Perform the Inspection Mode. <Ref. to ABS(diag)-20, Inspection Mode.> 4) Read the DTC.	Is the same DTC displayed?	Replace the ABSCM only. <Ref. to ABS-8, REPLACEMENT, ABS Control Module and Hydraulic Control Unit (ABSCM&H/U).>	Go to step 6.
<b>6 CHECK FOR ANY OTHER DTC ON DISPLAY.</b>	Is any other DTC displayed?	Check DTC using "List of Diagnostic Trouble Code (DTC)". <Ref. to ABS(diag)-26, List of Diagnostic Trouble Code (DTC).>	Temporary poor contact occurs.

## S: DTC C0109 POWER VOLTAGE MALFUNCTION

### DTC DETECTING CONDITION:

Power supply voltage of the ABSCM&H/U is too low or too high.

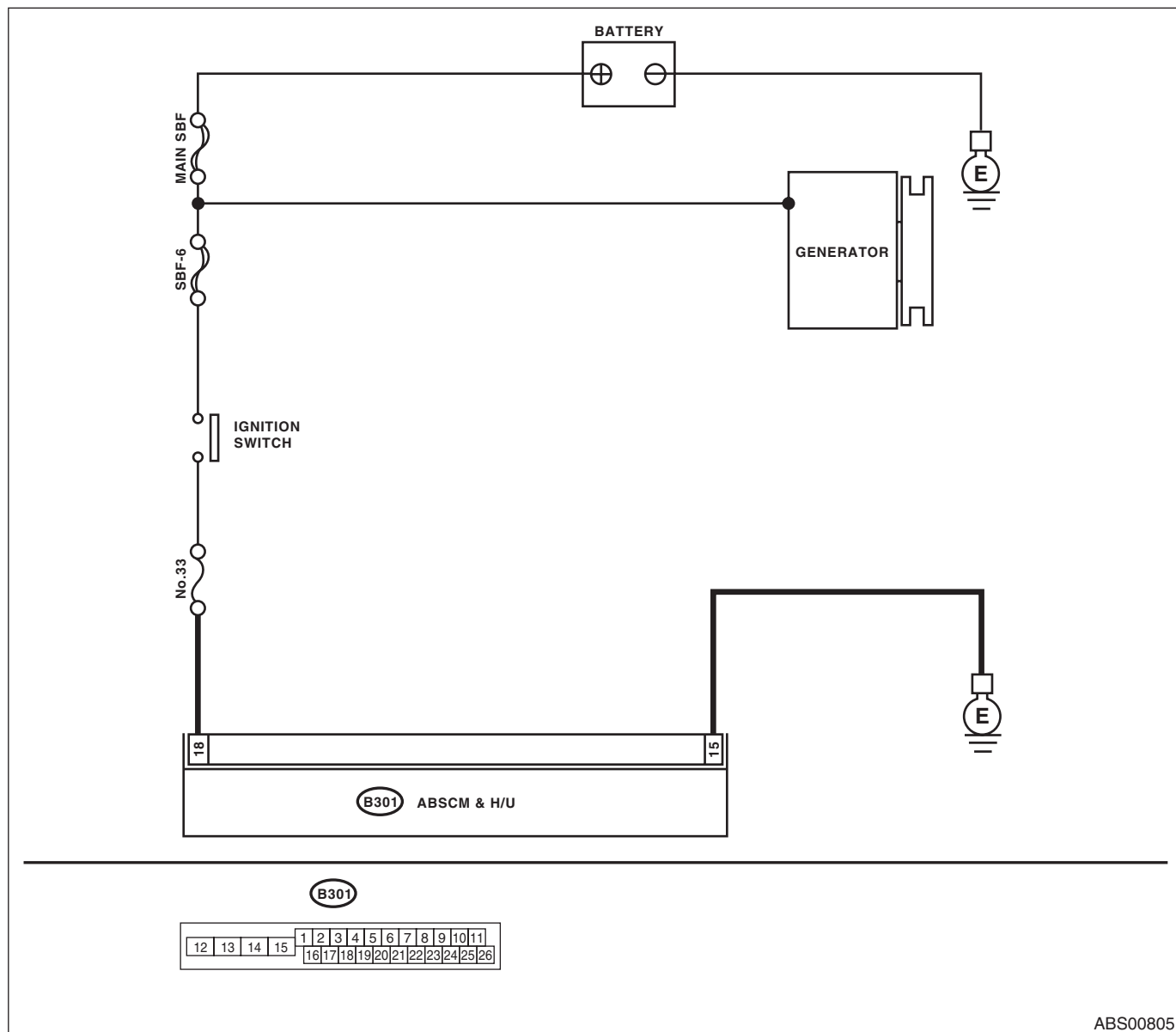
### TROUBLE SYMPTOM:

- ABS does not operate.
- EBD may not operate.

### NOTE:

If EBD does not operate, the brake warning light illuminates in addition to ABS warning light. Both warning lights go off if voltage returns.

### WIRING DIAGRAM:



ABS00805

## Diagnostic Procedure with Diagnostic Trouble Code (DTC)

### ABS (DIAGNOSTICS)

Step	Check	Yes	No
<b>1 CHECK GENERATOR.</b> 1) Start the engine. 2) Run the engine at idle after warming up. 3) Measure the voltage between generator terminal B and chassis ground. <b>Terminals</b> <b>Generator B terminal (+) — Chassis ground (-):</b>	Is the voltage 10 — 15 V?	Go to step 2.	Repair the generator.
<b>2 CHECK BATTERY TERMINAL.</b> Turn the ignition switch to OFF.	Are the positive and negative battery terminals tightened securely?	Go to step 3.	Tighten the terminal.
<b>3 CHECK INPUT VOLTAGE OF ABSCM&amp;H/U.</b> 1) Disconnect the ABSCM&H/U connectors. 2) Run the engine at idle. 3) Operate devices such as headlights, air conditioner, defogger, etc. which produce an electrical load. 4) Measure the voltage between ABSCM&H/U connector and chassis ground. <b>Connector &amp; terminal</b> <b>(B301) No. 18 (+) — Chassis ground (-):</b>	Is the voltage 10 — 15 V?	Go to step 4.	Repair the ABSCM&H/U power circuit.
<b>4 CHECK THE ABSCM&amp;H/U GROUND CIRCUIT.</b> 1) Turn the ignition switch to OFF. 2) Measure the resistance between the ABSCM&H/U connector and chassis ground. <b>Connector &amp; terminal</b> <b>(B301) No. 15 — Chassis ground:</b>	Is the resistance less than 0.5 $\Omega$ ?	Go to step 5.	Repair the ABSCM&H/U ground harness.
<b>5 CHECK POOR CONTACT OF CONNECTOR.</b>	Is there poor contact of connector between generator, battery and ABSCM&H/U?	Repair the connector.	Go to step 6.
<b>6 CHECK ABSCM&amp;H/U.</b> 1) Connect all connectors. 2) Clear the memory. <Ref. to ABS(diag)-21, Clear Memory Mode.> 3) Perform the Inspection Mode. <Ref. to ABS(diag)-20, Inspection Mode.> 4) Read the DTC.	Is the same DTC displayed?	Replace the ABSCM only. <Ref. to ABS-8, REPLACEMENT, ABS Control Module and Hydraulic Control Unit (ABSCM&H/U).>	Go to step 7.
<b>7 CHECK FOR ANY OTHER DTC ON DISPLAY.</b>	Is any other DTC displayed?	Check DTC using "List of Diagnostic Trouble Code (DTC)". <Ref. to ABS(diag)-26, List of Diagnostic Trouble Code (DTC).>	Temporary poor contact occurs.



# Diagnostic Procedure with Diagnostic Trouble Code (DTC)

ABS (DIAGNOSTICS)

## T: DTC C0140 CAN COMMUNICATION MALFUNCTION

### DTC DETECTING CONDITION:

Defective CAN communication

### TROUBLE SYMPTOM:

Possibly the vehicle speed cannot output on CAN.

	Step	Check	Yes	No
1	<b>CHECK LAN SYSTEM.</b> Perform the diagnosis for LAN system. <Ref. to LAN(diag)-31, OPERATION, Read Diagnostic Trouble Code (DTC).>	Is there any fault in LAN system?	Repair it according to DTC of LAN system.	Replace the ABSCM only. <Ref. to ABS-8, REPLACEMENT, ABS Control Module and Hydraulic Control Unit (ABSCM&H/U).>

# Diagnostic Procedure with Diagnostic Trouble Code (DTC)

ABS (DIAGNOSTICS)

## U: DTC C0114 VALVE RELAY MALFUNCTION

### DTC DETECTING CONDITION:

Defective valve relay

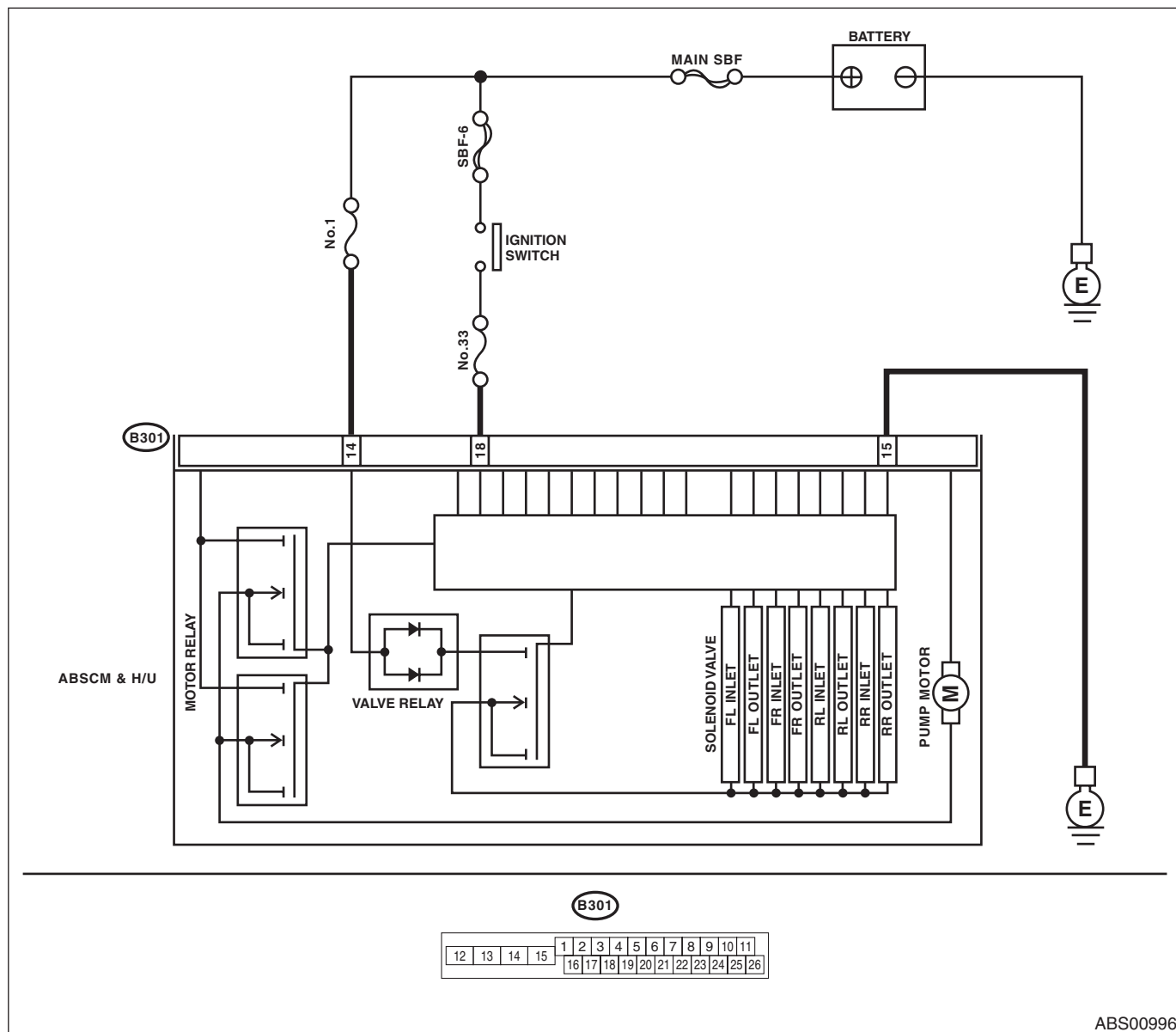
### TROUBLE SYMPTOM:

- ABS does not operate.
- EBD does not operate depending on the trouble contents.

### NOTE:

Brake warning light comes on as well as ABS warning light when EBD does not operate.

### WIRING DIAGRAM:



ABS00996

# Diagnostic Procedure with Diagnostic Trouble Code (DTC)

ABS (DIAGNOSTICS)

Step	Check	Yes	No
<b>1 CHECK INPUT VOLTAGE OF ABSCM&amp;H/U.</b> 1) Turn the ignition switch to OFF. 2) Disconnect the ABSCM&H/U connectors. 3) Run the engine at idle. 4) Measure the voltage between ABSCM&H/U connector and chassis ground. <b>Connector &amp; terminal</b> <b>(B301) No. 18 (+) — Chassis ground (-):</b> <b>(B301) No. 14 (+) — Chassis ground (-):</b>	Is the voltage 10 — 15 V?	Go to step 2.	Repair the harness connector between battery and ABSCM&H/U.
<b>2 CHECK THE ABSCM&amp;H/U GROUND CIRCUIT.</b> 1) Turn the ignition switch to OFF. 2) Measure the resistance between the ABSCM&H/U connector and chassis ground. <b>Connector &amp; terminal</b> <b>(B301) No. 15 — Chassis ground:</b>	Is the resistance less than 0.5 Ω?	Go to step 3.	Repair the ABSCM&H/U ground harness.
<b>3 CHECK VALVE RELAY IN ABSCM&amp;H/U.</b> Measure the resistance between the ABSCM&H/U terminals. <b>Terminals</b> <b>No. 14 — No. 15:</b>	Is the resistance 1 MΩ or more?	Go to step 4.	Replace the ABSCM only. <Ref. to ABS-8, REPLACEMENT, ABS Control Module and Hydraulic Control Unit (ABSCM&H/U).>
<b>4 CHECK POOR CONTACT OF CONNECTOR.</b>	Is there poor contact of connector between generator, battery and ABSCM&H/U?	Repair the connector.	Go to step 5.
<b>5 CHECK ABSCM&amp;H/U.</b> 1) Connect all connectors. 2) Clear the memory. <Ref. to ABS(diag)-21, Clear Memory Mode.> 3) Perform the Inspection Mode. <Ref. to ABS(diag)-20, Inspection Mode.> 4) Read the DTC.	Is the same DTC displayed?	Replace the ABSCM only. <Ref. to ABS-8, REPLACEMENT, ABS Control Module and Hydraulic Control Unit (ABSCM&H/U).>	Go to step 6.
<b>6 CHECK FOR ANY OTHER DTC ON DISPLAY.</b>	Is any other DTC displayed?	Check DTC using "List of Diagnostic Trouble Code (DTC)". <Ref. to ABS(diag)-26, List of Diagnostic Trouble Code (DTC).>	Temporary poor contact occurs.

# Diagnostic Procedure with Diagnostic Trouble Code (DTC)

ABS (DIAGNOSTICS)

## V: DTC C0111 MOTOR/MOTOR RELAY MALFUNCTION

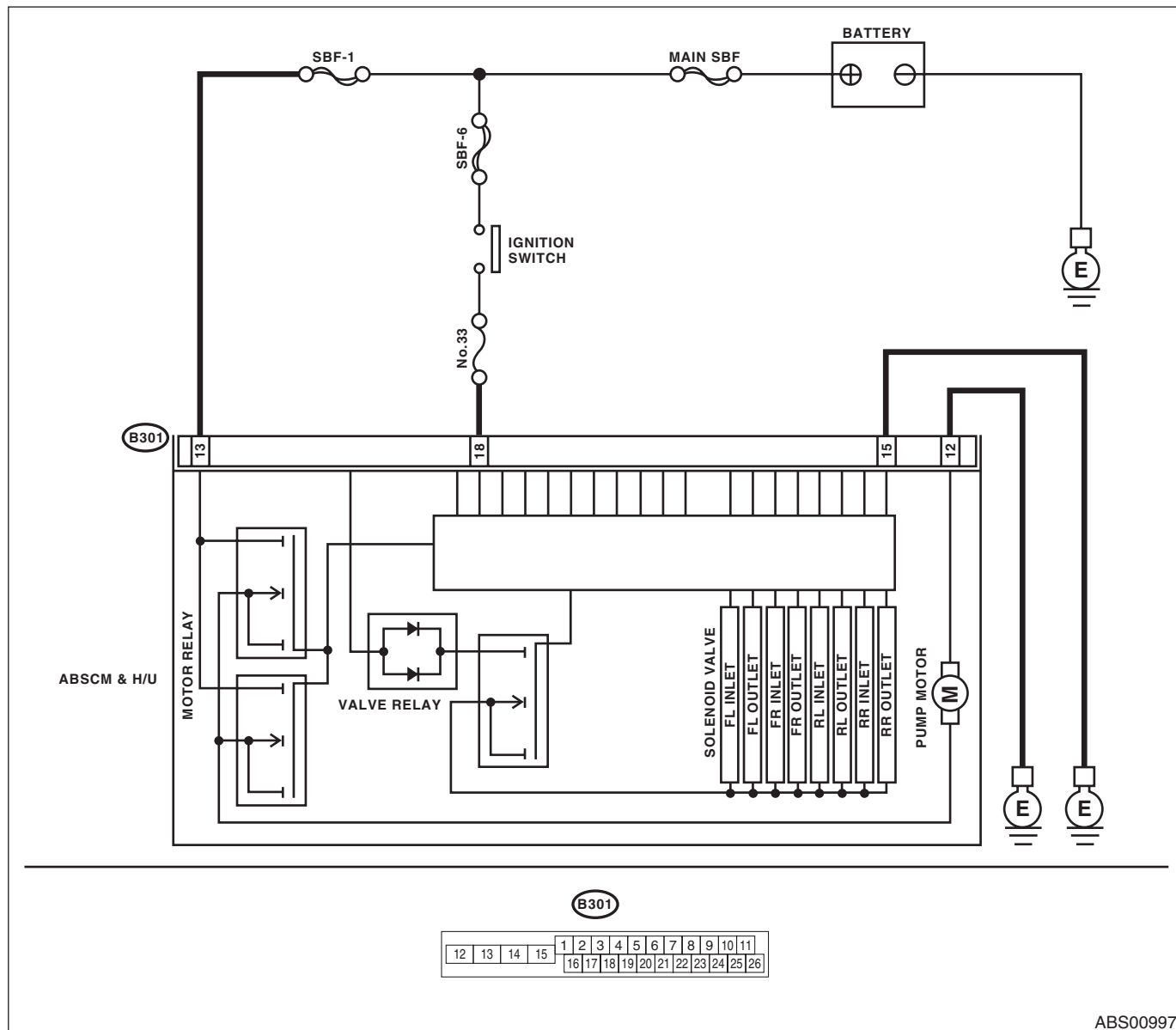
### DTC DETECTING CONDITION:

- Defective motor
- Defective motor relay
- Faulty harness connectors

### TROUBLE SYMPTOM:

ABS does not operate.

### WIRING DIAGRAM:



ABS00997

# Diagnostic Procedure with Diagnostic Trouble Code (DTC)

ABS (DIAGNOSTICS)

Step	Check	Yes	No
<b>1 CHECK INPUT VOLTAGE OF ABSCM&amp;H/U.</b> 1) Turn the ignition switch to OFF. 2) Disconnect the ABSCM&H/U connectors. 3) Turn the ignition switch to ON. 4) Measure the voltage between ABSCM&H/U connector and chassis ground. <i><b>Connector &amp; terminal</b></i> <i><b>(B301) No. 13 (+) — Chassis ground (-):</b></i>	Is the voltage 10 — 15 V?	Go to step 2.	Repair the harness connector between battery and ABSCM&H/U.
<b>2 CHECK INSTALLATION OF MOTOR GROUND.</b>	Is the motor ground terminal installation bolt tightened to 33 N·m (3.3 kgf-m, 24.3 ft-lb)?	Go to step 3.	Tighten the motor ground terminal installation bolt.
<b>3 CHECK GROUND CIRCUIT OF MOTOR.</b> 1) Turn the ignition switch to OFF. 2) Measure the resistance between the ABSCM&H/U connector and chassis ground. <i><b>Connector &amp; terminal</b></i> <i><b>(B301) No. 12 — Chassis ground:</b></i>	Is the resistance less than 0.5 Ω?	Go to step 4.	Repair the ABSCM&H/U ground harness.
<b>4 CHECK INPUT VOLTAGE OF ABSCM&amp;H/U.</b> 1) Run the engine at idle. 2) Measure the voltage between ABSCM&H/U connector and chassis ground. <i><b>Connector &amp; terminal</b></i> <i><b>(B301) No. 18 (+) — Chassis ground (-):</b></i>	Is the voltage 10 — 15 V?	Go to step 5.	Repair the harness connector between battery, ignition switch and ABSCM&H/U.
<b>5 CHECK THE ABSCM&amp;H/U GROUND CIRCUIT.</b> 1) Turn the ignition switch to OFF. 2) Measure the resistance between the ABSCM&H/U connector and chassis ground. <i><b>Connector &amp; terminal</b></i> <i><b>(B301) No. 15 — Chassis ground:</b></i>	Is the resistance less than 0.5 Ω?	Go to step 6.	Repair the ABSCM&H/U ground harness.
<b>6 CHECK POOR CONTACT OF CONNECTOR.</b> Turn the ignition switch to OFF.	Is there poor contact of connector between generator, battery and ABSCM&H/U?	Repair the connector.	Go to step 7.
<b>7 CHECK ABSCM&amp;H/U.</b> 1) Connect all connectors. 2) Clear the memory. <Ref. to ABS(diag)-21, Clear Memory Mode.> 3) Perform the Inspection Mode. <Ref. to ABS(diag)-20, Inspection Mode.> 4) Read the DTC.	Is the same DTC displayed?	Replace the ABSCM&H/U. <Ref. to ABS-6, ABS Control Module and Hydraulic Control Unit (ABSCM&H/U).>	Go to step 8.
<b>8 CHECK FOR ANY OTHER DTC ON DISPLAY.</b>	Is any other DTC displayed?	Check DTC using "List of Diagnostic Trouble Code (DTC)". <Ref. to ABS(diag)-26, List of Diagnostic Trouble Code (DTC).>	Temporary poor contact occurs. NOTE: Though the ABS warning light remains on at this time, this is normal. Drive the vehicle at 12 km/h (7 MPH) or more in order to turn ABS warning light off. Be sure to drive the vehicle and check that the warning light goes off.

# Diagnostic Procedure with Diagnostic Trouble Code (DTC)

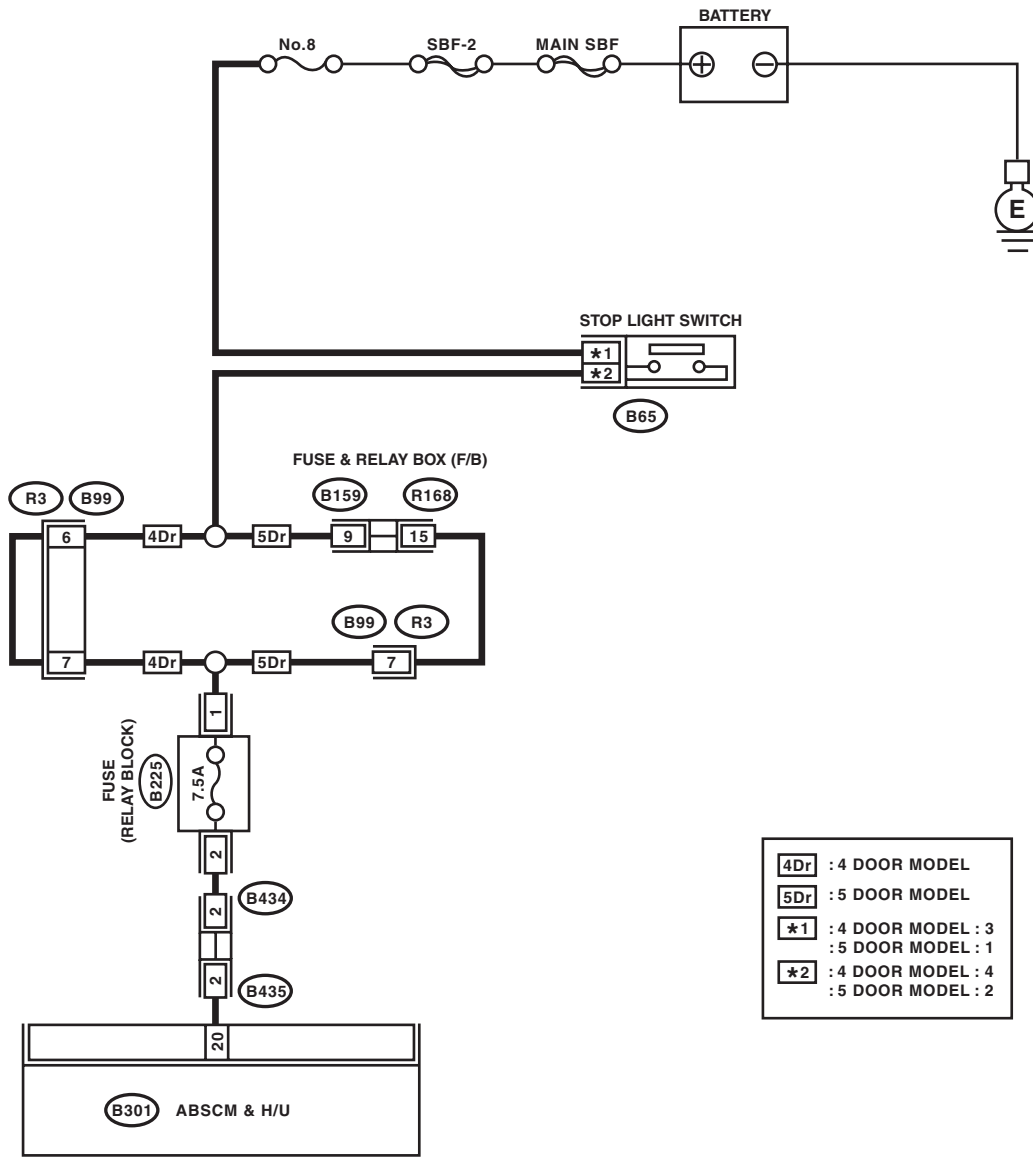
ABS (DIAGNOSTICS)

## W: DTC C0116 FAULTY STOP LIGHT SWITCH

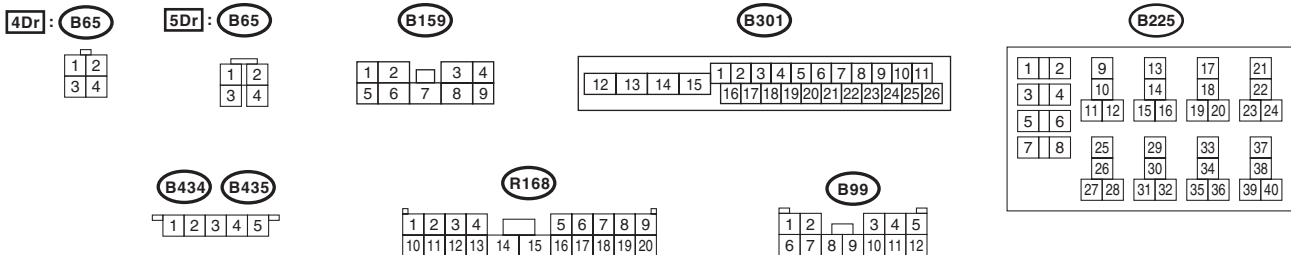
### DTC DETECTING CONDITION:

Defective stop light switch

### WIRING DIAGRAM:



- 4Dr** : 4 DOOR MODEL
- 5Dr** : 5 DOOR MODEL
- \*1** : 4 DOOR MODEL : 3  
: 5 DOOR MODEL : 1
- \*2** : 4 DOOR MODEL : 4  
: 5 DOOR MODEL : 2



ABS01101

# Diagnostic Procedure with Diagnostic Trouble Code (DTC)

ABS (DIAGNOSTICS)

	Step	Check	Yes	No
1	<b>CHECK OUTPUT OF STOP LIGHT SWITCH USING SUBARU SELECT MONITOR.</b> 1) Select {Current Data Display & Save} in Subaru Select Monitor. 2) Release the brake pedal. 3) Read the stop light switch signal in Subaru Select Monitor.	Is "OFF" displayed on the screen?	Go to step 2.	Go to step 3.
2	<b>CHECK OUTPUT OF STOP LIGHT SWITCH USING SUBARU SELECT MONITOR.</b> 1) Depress the brake pedal. 2) Read the stop light switch output in Subaru Select Monitor.	Is "ON" displayed on the screen?	Go to step 6.	Go to step 3.
3	<b>CHECK IF STOP LIGHTS ILLUMINATE.</b> Depress the brake pedal.	Does the stop light illuminate?	Go to step 4.	Repair the stop light circuit.
4	<b>CHECK FUSE.</b> Check the fuse (B225) in the relay block.	Is the fuse OK?	Go to step 5.	Replace the fuse.
5	<b>CHECK OPEN CIRCUIT IN HARNESS.</b> 1) Turn the ignition switch to OFF. 2) Disconnect the ABSCM&H/U connectors. 3) Depress the brake pedal. 4) Measure the voltage between ABSCM&H/U connector and chassis ground.  <i>Connector &amp; terminal (B301) No. 20 (+) — Chassis ground (-):</i>	Is the voltage 10 — 15 V?	Go to step 6.	Repair the harness between stop light switch and ABSCM&H/U connector.
6	<b>CHECK POOR CONTACT OF CONNECTOR.</b>	Is there poor contact of the connector between stop light switch and ABSCM&H/U?	Repair the connector.	Go to step 7.
7	<b>CHECK ABSCM&amp;H/U.</b> 1) Connect all connectors. 2) Clear the memory. <Ref. to ABS(diag)-21, Clear Memory Mode.> 3) Perform the Inspection Mode. <Ref. to ABS(diag)-20, Inspection Mode.> 4) Read the DTC.	Is the same DTC displayed?	Replace the ABSCM only. <Ref. to ABS-8, REPLACEMENT, ABS Control Module and Hydraulic Control Unit (ABSCM&H/U).>	Go to step 8.
8	<b>CHECK FOR ANY OTHER DTC ON DISPLAY.</b>	Is any other DTC displayed?	Check DTC using "List of Diagnostic Trouble Code (DTC)". <Ref. to ABS(diag)-26, List of Diagnostic Trouble Code (DTC).>	Temporary poor contact occurs.

# Diagnostic Procedure with Diagnostic Trouble Code (DTC)

ABS (DIAGNOSTICS)

## X: DTC C0118 G SENSOR OUTPUT VOLTAGE MALFUNCTION

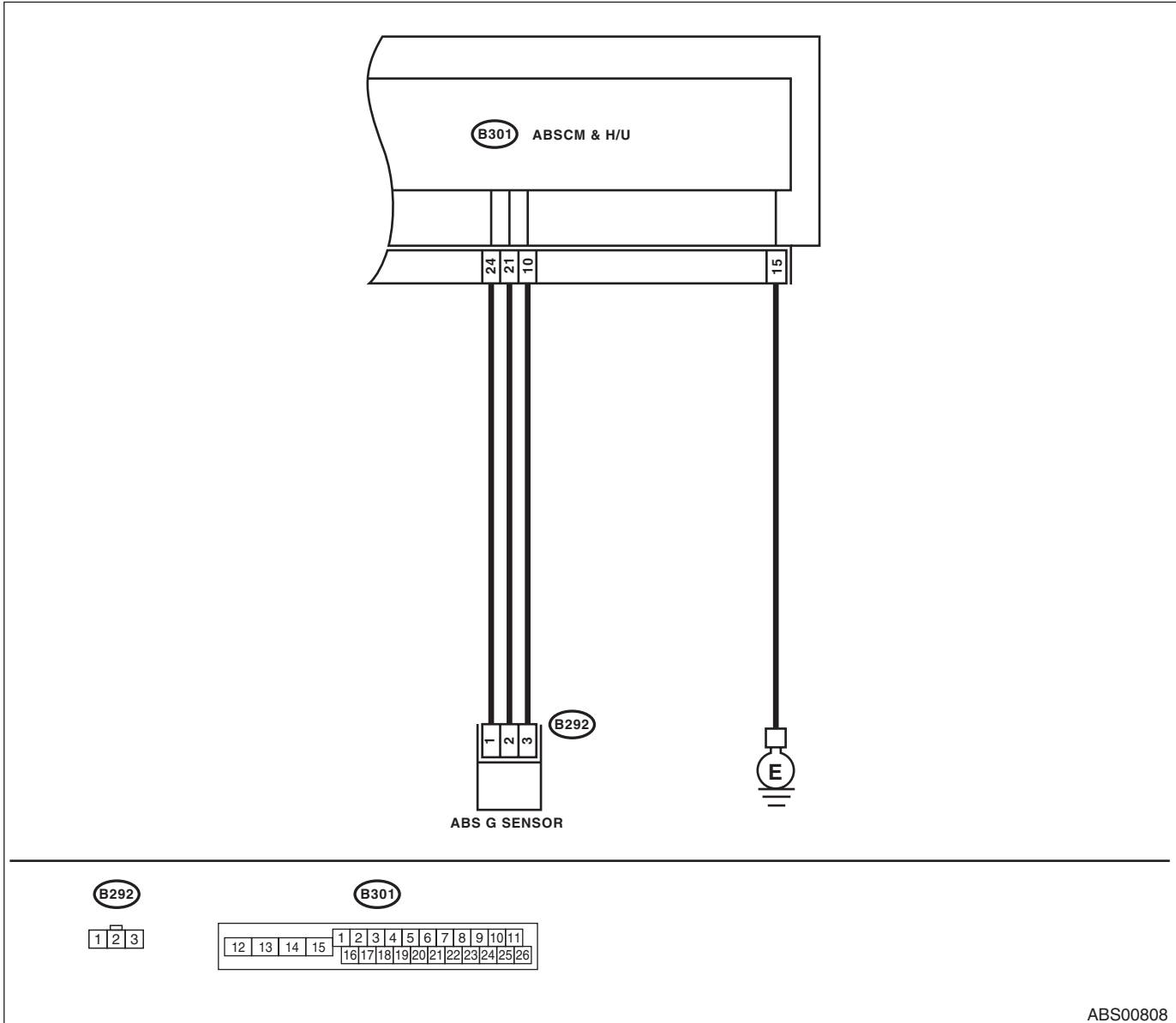
### DTC DETECTING CONDITION:

Defective G sensor

### TROUBLE SYMPTOM:

ABS does not operate.

### WIRING DIAGRAM:



ABS00808



# Diagnostic Procedure with Diagnostic Trouble Code (DTC)

ABS (DIAGNOSTICS)

Step	Check	Yes	No
<b>1 CHECK OUTPUT OF G SENSOR USING SUBARU SELECT MONITOR.</b> 1) Select {Current Data Display & Save} in Subaru Select Monitor. 2) Read the G sensor output on Subaru Select Monitor.	Is the reading indicated on display -1.2 — 1.2 m/s when the G sensor is horizontal?	Go to step 2.	Go to step 5.
<b>2 CHECK POOR CONTACT OF CONNECTOR.</b>	Is there poor contact of connectors between ABSCM&H/U and G sensor?	Repair the connector.	Go to step 3.
<b>3 CHECK ABSCM&amp;H/U.</b> 1) Connect all connectors. 2) Clear the memory. <Ref. to ABS(diag)-21, Clear Memory Mode.> 3) Perform the Inspection Mode. <Ref. to ABS(diag)-20, Inspection Mode.> 4) Read the DTC.	Is the same DTC displayed?	Replace the ABSCM only. <Ref. to ABS-8, REPLACEMENT, ABS Control Module and Hydraulic Control Unit (ABSCM&H/U).>	Go to step 4.
<b>4 CHECK FOR ANY OTHER DTC ON DISPLAY.</b>	Is any other DTC displayed?	Check DTC using "List of Diagnostic Trouble Code (DTC)". <Ref. to ABS(diag)-26, List of Diagnostic Trouble Code (DTC).>	Temporary poor contact occurs.
<b>5 CHECK INPUT VOLTAGE OF G SENSOR.</b> 1) Turn the ignition switch to OFF. 2) Remove the console box. 3) Remove the G sensor from vehicle. (Do not disconnect the connector.) 4) Turn the ignition switch to ON. 5) Measure the voltage between G sensor connector terminals.  <b>Connector &amp; terminal</b> <b>(B292) No. 1 (+) — No. 3 (-):</b>	Is the voltage 4.75 — 5.25 V?	Go to step 6.	Repair the harness connector between the G sensor and ABSCM&H/U.
<b>6 CHECK OPEN CIRCUIT IN G SENSOR OUTPUT HARNESS AND GROUND HARNESS.</b> 1) Turn the ignition switch to OFF. 2) Disconnect the ABSCM&H/U connectors. 3) Measure the resistance between ABSCM&H/U connector terminals.  <b>Connector &amp; terminal</b> <b>(B301) No. 21 — No. 10:</b>	Is the resistance between 3.6 and 3.8 k $\Omega$ ?	Go to step 7.	Repair the harness connector between the G sensor and ABSCM&H/U.
<b>7 CHECK GROUND SHORT IN G SENSOR OUTPUT HARNESS.</b> 1) Disconnect the connector from G sensor. 2) Measure the resistance between the ABSCM&H/U connector and chassis ground.  <b>Connector &amp; terminal</b> <b>(B301) No. 21 — Chassis ground:</b>	Is the resistance 1 M $\Omega$ or more?	Go to step 8.	Repair the harness between the G sensor and ABSCM&H/U.
<b>8 CHECK G SENSOR.</b> 1) Connect the connector to G sensor. 2) Connect the connector to ABSCM&H/U. 3) Turn the ignition switch to ON. 4) Measure the voltage between G sensor connector terminals.  <b>Connector &amp; terminal</b> <b>(B292) No. 2 (+) — No. 3 (-):</b>	Is the voltage 2.1 — 2.5 V when G sensor is in horizontal position?	Go to step 9.	Replace G sensor. <Ref. to ABS-18, G Sensor.>

## Diagnostic Procedure with Diagnostic Trouble Code (DTC)

### ABS (DIAGNOSTICS)

Step	Check	Yes	No
<b>9</b> <b>CHECK G SENSOR.</b> Measure the voltage between G sensor connector terminals. <i><b>Connector &amp; terminal</b></i> <i><b>(B292) No. 2 (+) — No. 3 (-):</b></i>	Is the voltage 3.6 — 4.1 V when the G sensor is inclined forward to 90°?	Go to step 10.	Replace G sensor. <Ref. to ABS-18, G Sensor.>
<b>10</b> <b>CHECK G SENSOR.</b> Measure the voltage between G sensor connector terminals. <i><b>Connector &amp; terminal</b></i> <i><b>(B292) No. 2 (+) — No. 3 (-):</b></i>	Is the voltage 0.5 — 1.0 V when G sensor is inclined back 90°?	Go to step 11.	Replace G sensor. <Ref. to ABS-18, G Sensor.>
<b>11</b> <b>CHECK POOR CONTACT OF CONNECTOR.</b> Turn the ignition switch to OFF.	Is there poor contact of connectors between ABSCM&H/U and G sensor?	Repair the connector.	Go to step 12.
<b>12</b> <b>CHECK ABSCM&amp;H/U.</b> 1) Connect all connectors. 2) Clear the memory. <Ref. to ABS(diag)-21, Clear Memory Mode.> 3) Perform the Inspection Mode. <Ref. to ABS(diag)-20, Inspection Mode.> 4) Read the DTC.	Is the same DTC displayed?	Replace the ABSCM only. <Ref. to ABS-8, REPLACEMENT, ABS Control Module and Hydraulic Control Unit (ABSCM&H/U).>	Go to step 13.
<b>13</b> <b>CHECK FOR ANY OTHER DTC ON DISPLAY.</b>	Is any other DTC displayed?	Check DTC using “List of Diagnostic Trouble Code (DTC)”. <Ref. to ABS(diag)-26, List of Diagnostic Trouble Code (DTC).>	Temporary poor contact occurs.

**Y: DTC C0119 G SENSOR OUTPUT SIGNAL MALFUNCTION**

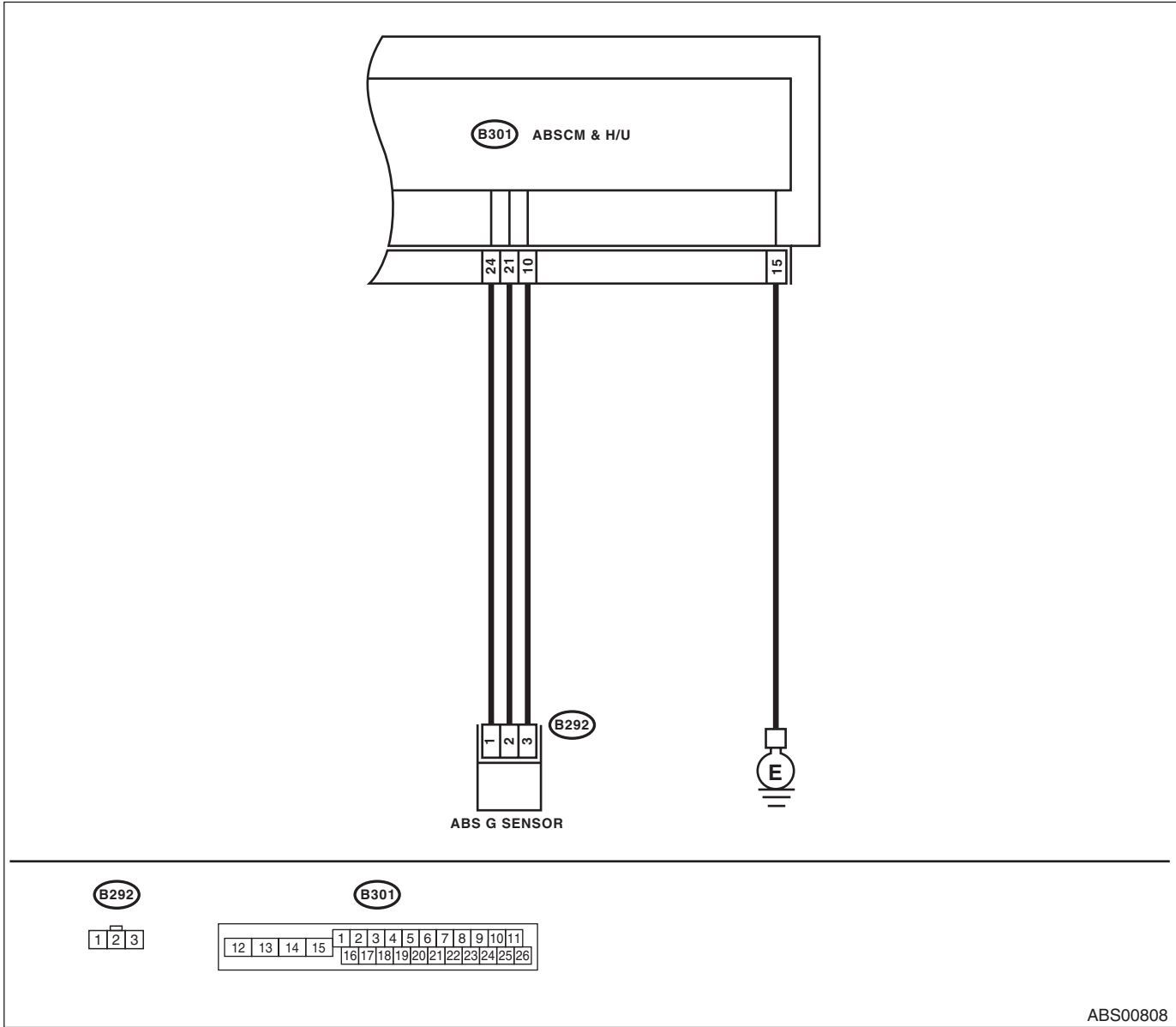
**DTC DETECTING CONDITION:**

Defective G sensor

**TROUBLE SYMPTOM:**

ABS does not operate.

**WIRING DIAGRAM:**



ABS00808

# Diagnostic Procedure with Diagnostic Trouble Code (DTC)

## ABS (DIAGNOSTICS)

Step	Check	Yes	No
<b>1</b>	<b>WHETHER A WHEEL TURNED FREELY OR NOT.</b>	ABS is normal. Clear the memory.	Go to step 2.
<b>2</b>	<b>CHECK OUTPUT OF G SENSOR USING SUBARU SELECT MONITOR.</b> 1) Select {Current Data Display & Save} in Subaru Select Monitor. 2) Read the Subaru Select Monitor display.	Go to step 3.	Go to step 8.
<b>3</b>	<b>CHECK OUTPUT OF G SENSOR USING SUBARU SELECT MONITOR.</b> 1) Turn the ignition switch to OFF. 2) Remove the console box. 3) Remove the G sensor from vehicle. (Do not disconnect the connector.) 4) Turn the ignition switch to ON. 5) Select {Current Data Display & Save} in Subaru Select Monitor. 6) Read the Subaru Select Monitor display.	Go to step 4.	Replace G sensor. <Ref. to ABS-18, G Sensor.>
<b>4</b>	<b>CHECK OUTPUT OF G SENSOR USING SUBARU SELECT MONITOR.</b> Read the Subaru Select Monitor display.	Go to step 5.	Replace G sensor. <Ref. to ABS-18, G Sensor.>
<b>5</b>	<b>CHECK POOR CONTACT OF CONNECTOR.</b> Turn the ignition switch to OFF.	Repair the connector.	Go to step 6.
<b>6</b>	<b>CHECK ABSCM&amp;H/U.</b> 1) Connect all connectors. 2) Clear the memory. <Ref. to ABS(diag)-21, Clear Memory Mode.> 3) Perform the Inspection Mode. <Ref. to ABS(diag)-20, Inspection Mode.> 4) Read the DTC.	Is there poor contact of connectors between ABSCM&H/U and G sensor?	Replace the ABSCM only. <Ref. to ABS-8, REPLACEMENT, ABS Control Module and Hydraulic Control Unit (ABSCM&H/U).>
<b>7</b>	<b>CHECK FOR ANY OTHER DTC ON DISPLAY.</b>	Is the same DTC displayed?	Check DTC using "List of Diagnostic Trouble Code (DTC)". <Ref. to ABS(diag)-26, List of Diagnostic Trouble Code (DTC).>
<b>8</b>	<b>CHECK OPEN CIRCUIT IN G SENSOR OUTPUT HARNESS AND GROUND HARNESS.</b> 1) Turn the ignition switch to OFF. 2) Disconnect the ABSCM&H/U connectors. 3) Measure the resistance between ABSCM&H/U connector terminals. <b>Connector &amp; terminal</b> <b>(B301) No. 21 — No. 10:</b>	Is any other DTC displayed?	Temporary poor contact occurs.
<b>9</b>	<b>CHECK GROUND SHORT OF HARNESS.</b> Measure the resistance between the ABSCM&H/U connector and chassis ground. <b>Connector &amp; terminal</b> <b>(B301) No. 21 — Chassis ground:</b>	Is the resistance between 3.6 and 3.8 kΩ?	Go to step 9.
<b>9</b>		Is the resistance 1 MΩ or more?	Go to step 10.
			Repair the harness connector between the G sensor and ABSCM&H/U.
			Repair the harness connector between the G sensor and ABSCM&H/U.

# Diagnostic Procedure with Diagnostic Trouble Code (DTC)

ABS (DIAGNOSTICS)

Step	Check	Yes	No
<b>10 CHECK G SENSOR.</b> 1) Remove the console box. 2) Remove the G sensor from vehicle. 3) Connect the connector to G sensor. 4) Connect the connector to ABSCM&H/U. 5) Turn the ignition switch to ON. 6) Measure the voltage between G sensor connector terminals. <b>Connector &amp; terminal</b> <b>(B292) No. 2 (+) — No. 3 (-):</b>	Is the voltage 2.1 — 2.5 V when G sensor is in horizontal position?	Go to step 11.	Replace G sensor. <Ref. to ABS-18, G Sensor.>
<b>11 CHECK G SENSOR.</b> Measure the voltage between G sensor connector terminals. <b>Connector &amp; terminal</b> <b>(B292) No. 2 (+) — No. 3 (-):</b>	Is the voltage 3.6 — 4.1 V when the G sensor is inclined forward to 90°?	Go to step 12.	Replace G sensor. <Ref. to ABS-18, G Sensor.>
<b>12 CHECK G SENSOR.</b> Measure the voltage between G sensor connector terminals. <b>Connector &amp; terminal</b> <b>(B292) No. 2 (+) — No. 3 (-):</b>	Is the voltage 0.5 — 1.0 V when G sensor is inclined back 90°?	Go to step 13.	Replace G sensor. <Ref. to ABS-18, G Sensor.>
<b>13 CHECK ABSCM&amp;H/U.</b> 1) Turn the ignition switch to OFF. 2) Connect all connectors. 3) Clear the memory. <Ref. to ABS(diag)-21, Clear Memory Mode.> 4) Perform the Inspection Mode. <Ref. to ABS(diag)-20, Inspection Mode.> 5) Read the DTC.	Is the same DTC displayed?	Replace the ABSCM only. <Ref. to ABS-8, REPLACEMENT, ABS Control Module and Hydraulic Control Unit (ABSCM&H/U).>	Go to step 14.
<b>14 CHECK FOR ANY OTHER DTC ON DISPLAY.</b>	Is any other DTC displayed?	Check DTC using “List of Diagnostic Trouble Code (DTC)”. <Ref. to ABS(diag)-26, List of Diagnostic Trouble Code (DTC).>	Temporary poor contact occurs.

# General Diagnostic Table

ABS (DIAGNOSTICS)

## 13. General Diagnostic Table

### A: INSPECTION

Symptom		Problem parts
Vehicle instability during braking	Vehicle is pulled to either right or left side.	<ul style="list-style-type: none"> <li>• ABSCM&amp;H/U (solenoid valve)</li> <li>• ABS wheel speed sensor</li> <li>• Brake (caliper, piston and pad)</li> <li>• Wheel alignment</li> <li>• Tire specifications, tire wear and air pressures</li> <li>• Incorrect wiring or piping connections</li> <li>• Road surface (uneven, camber)</li> </ul>
	Vehicle spin	<ul style="list-style-type: none"> <li>• ABSCM&amp;H/U (solenoid valve)</li> <li>• ABS wheel speed sensor</li> <li>• Brake (pad)</li> <li>• Tire specifications, tire wear and air pressures</li> <li>• Incorrect wiring or piping connections</li> </ul>
Poor brake performance	Long braking/stopping distance	<ul style="list-style-type: none"> <li>• ABSCM&amp;H/U (solenoid valve)</li> <li>• Brake (pad)</li> <li>• Air in brake line</li> <li>• Tire specifications, tire wear and air pressures</li> <li>• Incorrect wiring or piping connections</li> </ul>
	Wheel lock	<ul style="list-style-type: none"> <li>• ABSCM&amp;H/U (solenoid valve, motor)</li> <li>• ABS wheel speed sensor</li> <li>• Incorrect wiring or piping connections</li> </ul>
	Brake drag	<ul style="list-style-type: none"> <li>• ABSCM&amp;H/U (solenoid valve)</li> <li>• ABS wheel speed sensor</li> <li>• Master cylinder</li> <li>• Brake (caliper and piston)</li> <li>• Parking brake</li> <li>• Axle and wheels</li> <li>• Brake pedal play</li> </ul>
	Long brake pedal stroke	<ul style="list-style-type: none"> <li>• Air in brake line</li> <li>• Brake pedal play</li> </ul>
	Vehicle vertical pitching	<ul style="list-style-type: none"> <li>• Suspension play or fatigue (reduced damping)</li> <li>• Incorrect wiring or piping connections</li> <li>• Road surface (uneven)</li> </ul>
	Unstable or uneven braking	<ul style="list-style-type: none"> <li>• ABSCM&amp;H/U (solenoid valve)</li> <li>• ABS wheel speed sensor</li> <li>• Brake (caliper, piston and pad)</li> <li>• Tire specifications, tire wear and air pressures</li> <li>• Incorrect wiring or piping connections</li> <li>• Road surface (uneven)</li> </ul>
	Excessive pedal vibration	<ul style="list-style-type: none"> <li>• Incorrect wiring or piping connections</li> <li>• Road surface (uneven)</li> </ul>
Vibration and/or noise (while driving on slippery roads)	Noise from the ABSCM&H/U	<ul style="list-style-type: none"> <li>• ABSCM&amp;H/U (mount bushing)</li> <li>• ABS wheel speed sensor</li> <li>• Brake line</li> </ul>
	Noise from front of vehicle	<ul style="list-style-type: none"> <li>• ABSCM&amp;H/U (mount bushing)</li> <li>• ABS wheel speed sensor</li> <li>• Master cylinder</li> <li>• Brake (caliper, piston, pad and rotor)</li> <li>• Brake line</li> <li>• Brake booster and check valve</li> <li>• Suspension play or fatigue (reduced damping)</li> </ul>
	Noise from rear of vehicle	<ul style="list-style-type: none"> <li>• ABS wheel speed sensor</li> <li>• Brake (caliper, piston, pad and rotor)</li> <li>• Parking brake</li> <li>• Brake line</li> <li>• Suspension play or fatigue (reduced damping)</li> </ul>

# General Description

VEHICLE DYNAMICS CONTROL (VDC)

---

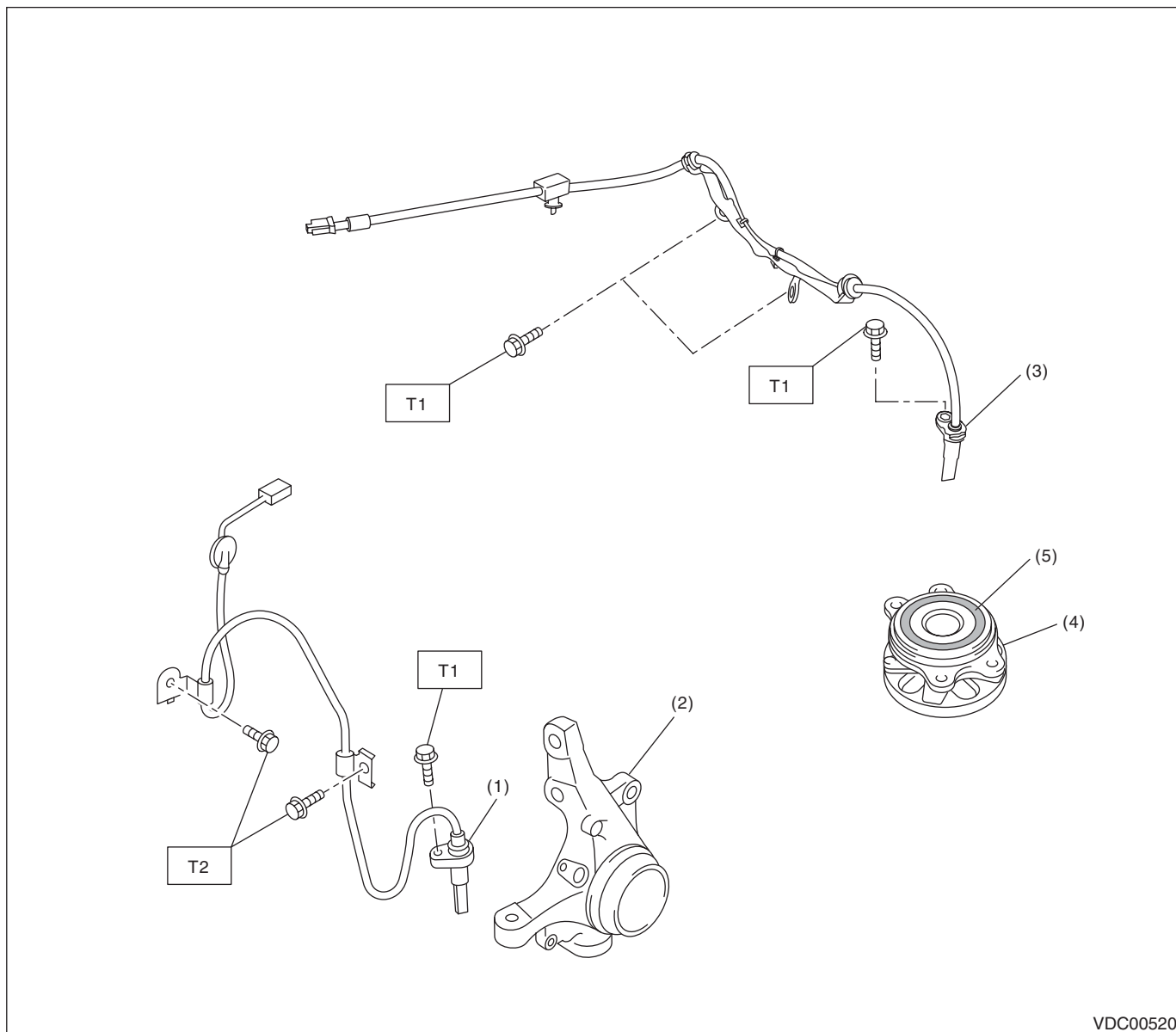
## 1. General Description

### A: SPECIFICATION

Item			Specification or identification	
ABS wheel speed sensor	ABS wheel speed sensor gap (for reference)	Front	0.77 — 1.43 mm (0.030 — 0.056 in)	
		Rear	0.64 — 1.56 mm (0.025 — 0.061 in)	
	Identifications of harness (marks, color)	Front	RH	K1 (White)
			LH	K2 (Yellow)
		Rear	RH	P5 (White)
			LH	P6 (Yellow)
VDCCM&H/U Identification	AT		S1	
	MT (except for WRX-SS)		S2	
	MT (WRX-SS)		S5	

## B: COMPONENT

### 1. ABS WHEEL SPEED SENSOR



- |                                  |                      |
|----------------------------------|----------------------|
| (1) Front ABS wheel speed sensor | (4) Hub unit bearing |
| (2) Front housing                | (5) Magnetic encoder |
| (3) Rear ABS wheel speed sensor  |                      |

**Tightening torque: N·m (kgf·m, ft·lb)**

**T1: 7.5 (0.76, 5.5)**

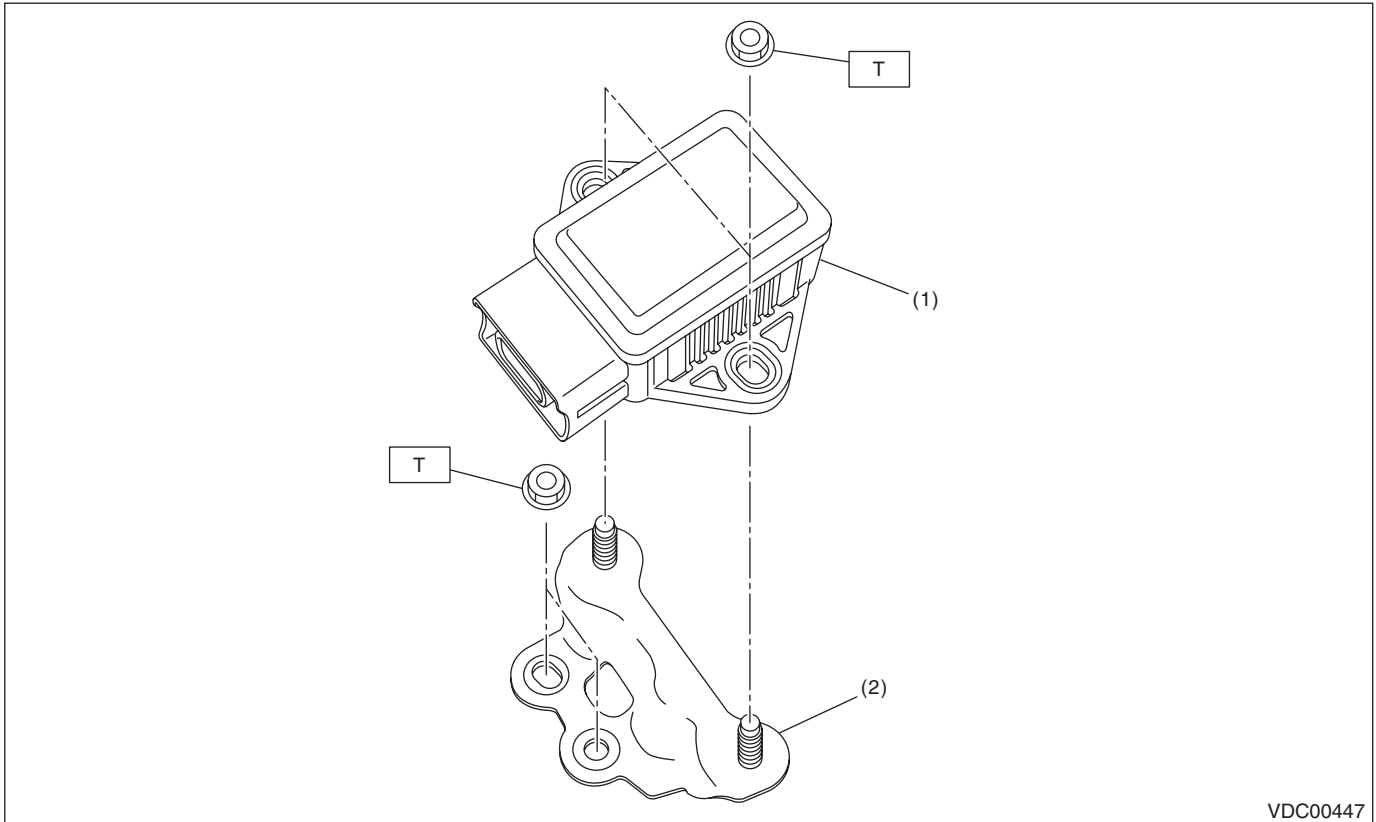
**T2: 33 (3.4, 24.3)**



# General Description

VEHICLE DYNAMICS CONTROL (VDC)

## 2. YAW RATE & G SENSOR



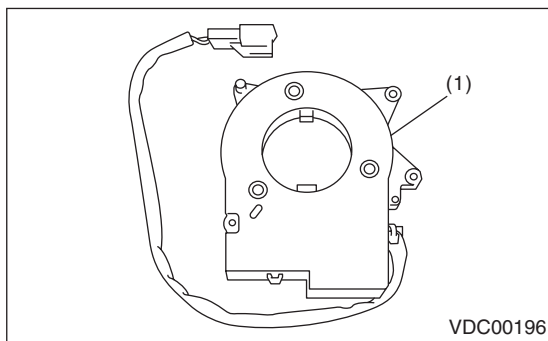
(1) Yaw rate & G sensor

(2) Bracket

**Tightening torque: N·m (kgf·m, ft·lb)**

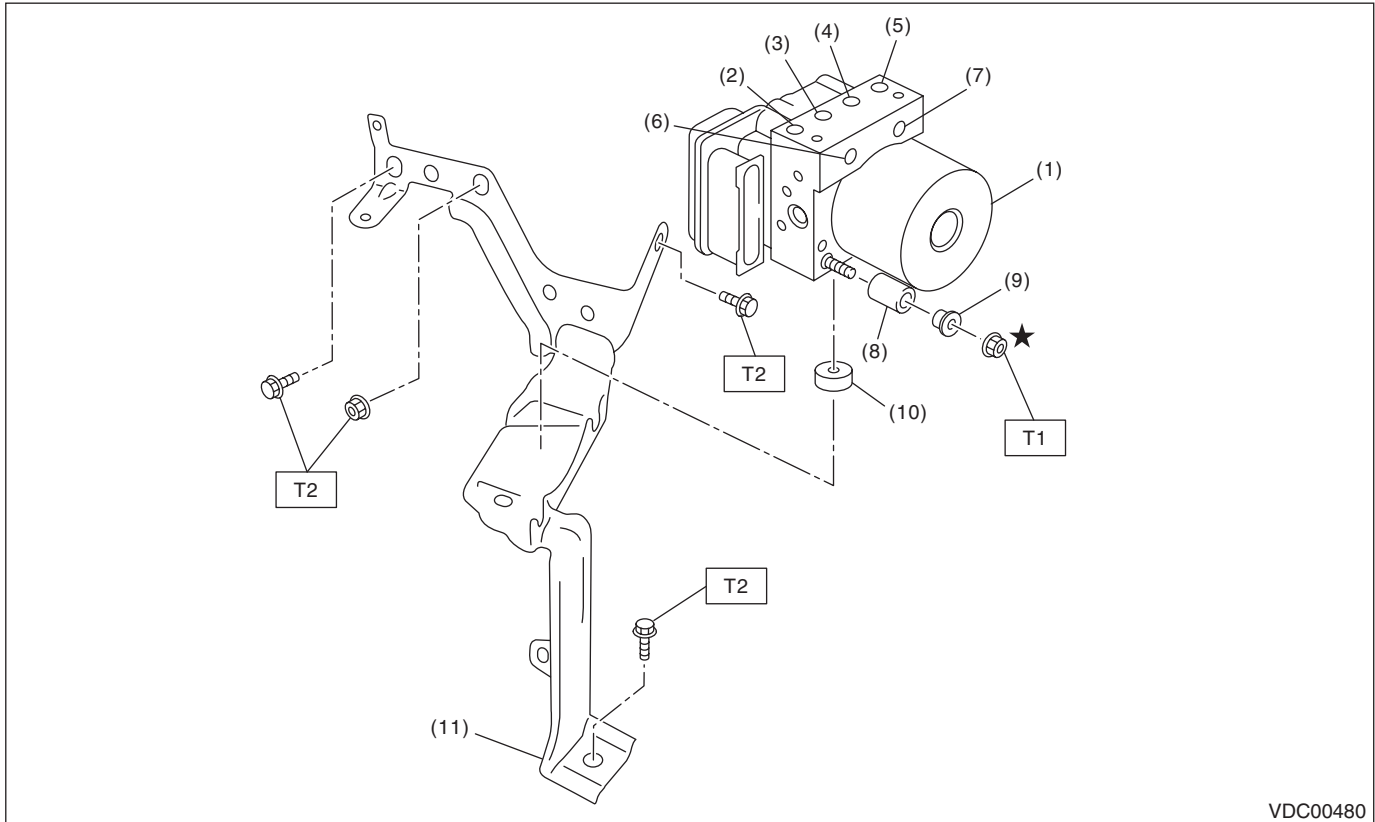
**T: 7.5 (0.76, 5.5)**

## 3. STEERING ANGLE SENSOR



(1) Steering angle sensor

## 4. VDC CONTROL MODULE & HYDRAULIC CONTROL UNIT (VDCCM&H/U)



VDC00480

- |   |                     |              |
|---|---------------------|--------------|
| (1) VDC control module & hydraulic control unit (VDCCM&H/U) | (6) Primary inlet   | (11) Bracket |
| (2) Front RH outlet   | (7) Secondary inlet |              |
| (3) Rear LH outlet  | (8) Damper          |              |
| (4) Rear RH outlet  | (9) Spacer          |              |
| (5) Front LH outlet   | (10) Damper         |              |

---

**Tightening torque: N·m (kgf·m, ft·lb)**

**T1: 7.5 (0.76, 5.5)**

**T2: 33 (3.4, 24.3)**

---

### C: CAUTION

- Wear appropriate work clothing, including a cap, protective goggles and protective shoes when performing any work.
- Remove contamination including dirt and corrosion before removal, installation or disassembly.
- Keep the disassembled parts in order and protect them from dust and dirt.
- Before disconnecting connectors of sensors or units, be sure to disconnect the ground cable from the battery.
- Before removal, installation or disassembly, be sure to clarify the failure. Avoid unnecessary removal, installation, disassembly and replacement.
- Vehicle components are extremely hot after driving. Be wary of receiving burns from heated parts.
- Be sure to tighten fasteners including bolts and nuts to the specified torque.
- Place shop jacks or rigid racks at the specified points.

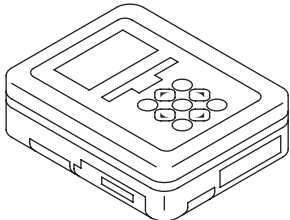
# General Description

VEHICLE DYNAMICS CONTROL (VDC)

---

## D: PREPARATION TOOL

### 1. SPECIAL TOOL

ILLUSTRATION	TOOL NUMBER	DESCRIPTION	REMARKS
 ST1B022XU0	1B022XU0	SUBARU SELECT MONITOR III KIT	Used for troubleshooting the electrical system.

### 2. GENERAL TOOL

TOOL NAME	REMARKS
Circuit tester	Used for measuring resistance, voltage and current.
Pressure gauge	Used for measuring oil pressure.
Oscilloscope	Used for measuring the sensor.
TORX® bit E5	Used for replacing VDC control module.

## 2. VDC Control Module and Hydraulic Control Unit (VDCCM&H/U)

### A: REMOVAL

- 1) Disconnect the ground cable from the battery.
- 2) Use compressed air to remove moisture and dust around the VDCCM&H/U.

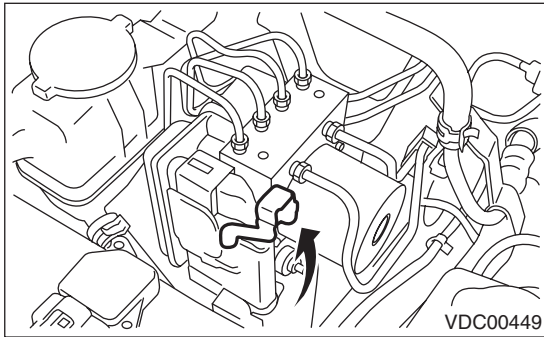
#### NOTE:

If the terminals become dirty, it may cause improper contact.

- 3) Lift the lock lever and Disconnect the VDCCM&H/U connector.

#### CAUTION:

**Do not pull on the harness when disconnecting the connector.**

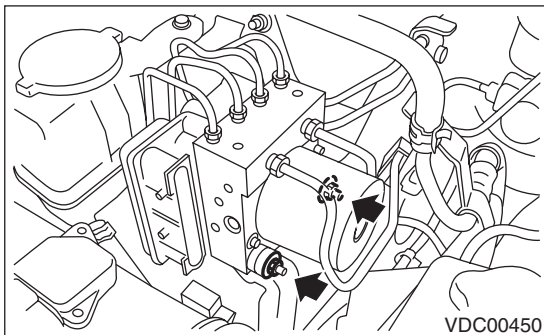


- 4) Disconnect the brake pipes from the VDCCM&H/U.
- 5) Wrap the brake pipe with a vinyl bag so as not to spill the brake fluid on the vehicle body.

#### CAUTION:

**If brake fluid is spilled on the vehicle body, wash it off immediately with water and wipe clean.**

- 6) Remove the nuts and remove the VDCCM&H/U.



#### CAUTION:

- Do not drop or bump the VDCCM&H/U.
- Do not turn the VDCCM&H/U upside down or place it sideways during storage.
- Be careful not to let foreign matter enter the VDCCM&H/U.
- Be careful that no water enters the connectors.

- 7) Remove the VDCCM&H/U bracket.

### B: INSTALLATION

- 1) Install the VDCCM&H/U bracket.

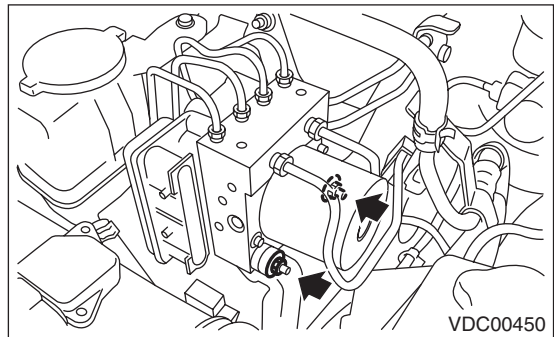
#### Tightening torque:

**33 N·m (3.3 kgf-m, 24.3 ft-lb)**

- 2) Install the VDCCM&H/U with a new nut (Part No. 023506000) by aligning the damper groove of the VDCCM&H/U to the bracket side claw.

#### Tightening torque:

**7.5 N·m (0.76 kgf-m, 5.5 ft-lb)**

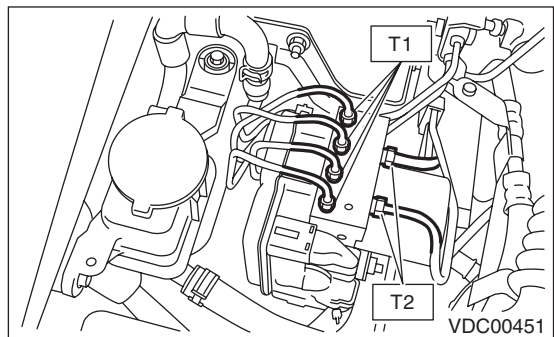


- 3) Connect the brake pipes to their correct VDCCM&H/U positions.

#### Tightening torque:

**T1: 15 N·m (1.5 kgf-m, 11.1 ft-lb)**

**T2: 19 N·m (1.9 kgf-m, 14 ft-lb)**



- 4) Connect the VDCCM&H/U connector.

#### NOTE:

- Be sure to remove all foreign matter from inside the connector before connecting.
- Make sure the VDCCM&H/U connector is securely locked.
- 5) Bleed air from the brake system.

# VDC Control Module and Hydraulic Control Unit (VDCCM&H/U)

## VEHICLE DYNAMICS CONTROL (VDC)

6) Check the parameter to confirm that the applied models and grades of the relevant vehicle are included. <Ref. to VDC(diag)-18, PARAMETER CHECK, OPERATION, Subaru Select Monitor.>

7) If the applied model and grade of the target vehicle are not included on the {Confirm on parameter} display screen, perform parameter selection and registration. <Ref. to VDC(diag)-18, PARAMETER SELECTION, OPERATION, Subaru Select Monitor.>

### NOTE:

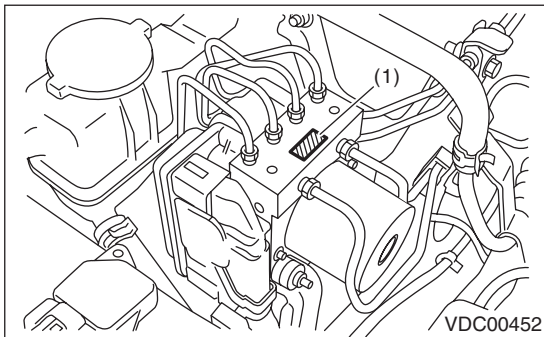
- When the VDCCM&H/U is replaced with a new part, be sure to perform the selection•registration operation.
- For the selection and registration of parameter, the Subaru Select Monitor is required.
- When the registration has not been performed, the DTC code “Parameter selection error” is detected together with the ABS/EBD/VDC warning light illumination.

## C: INSPECTION

1) Check the condition of connection and settlement of connector.

2) Check the mark used for VDCCM&H/U identification.

Refer to “SPECIFICATION” for the identification mark. <Ref. to VDC-2, SPECIFICATION, General Description.>



(1) Identification mark

## 1. CHECKING THE HYDRAULIC UNIT ABS OPERATION BY PRESSURE GAUGE

<Ref. to ABS-7, CHECKING THE HYDRAULIC UNIT ABS OPERATION BY PRESSURE GAUGE, INSPECTION, ABS Control Module and Hydraulic Control Unit (ABSCM&H/U).>

## 2. CHECKING THE HYDRAULIC UNIT ABS OPERATION WITH THE BRAKE TESTER

<Ref. to ABS-8, CHECKING THE HYDRAULIC UNIT ABS OPERATION WITH THE BRAKE TESTER, INSPECTION, ABS Control Module and Hydraulic Control Unit (ABSCM&H/U).>

## 3. CHECKING THE HYDRAULIC UNIT VDC OPERATION USING A PRESSURE GAUGE

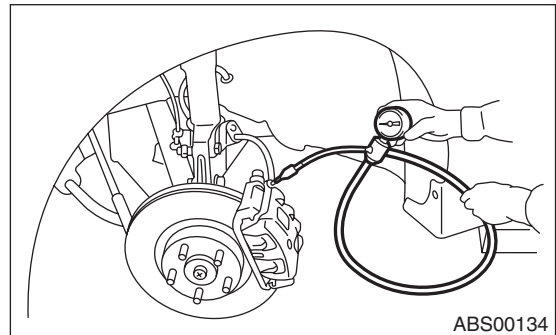
- 1) Lift up the vehicle, and remove the wheels.
- 2) Remove the air bleeder screws from FL and FR caliper bodies.
- 3) Connect two pressure gauges to FL and FR caliper bodies.

### CAUTION:

- Use a pressure gauge used exclusively for brake fluid measurement.
- Do not use a pressure gauge used for the measuring transmission oil pressure, as the piston seal may expand and deform.

### NOTE:

Wrap sealing tape around the pressure gauge.



4) Bleed air from the pressure gauge.

5) Perform VDC sequence control.

<Ref. to VDC-13, VDC Sequence Control.>

6) When the hydraulic unit begins to work, first the FL side performs compression, hold, and decompression, and then the FR side performs compression, hold, and decompression.

7) Read values indicated on the pressure gauge and check if the fluctuation of the values between decompression and compression meets specification. Depress the brake pedal and check that it is not abnormally hard, and tightness is normal.

	Front wheel	Rear wheel
When pressurized	3,000 kPa (31 kg/cm <sup>2</sup> , 441 psi) or more	3,000 kPa (31 kg/cm <sup>2</sup> , 441 psi) or more
When depressurized	500 kPa (5 kg/cm <sup>2</sup> , 73 psi) or less	500 kPa (5 kg/cm <sup>2</sup> , 73 psi) or less

8) Disconnect the pressure gauges from FL and FR caliper bodies.

9) Install the air bleeder screws of FL and FR caliper bodies.

10) Remove the air bleeder screws from RL and RR caliper bodies.

11) Connect two pressure gauges to RL and RR caliper bodies.

12) Bleed air from RL and RR caliper bodies, and pressure gauge.

13) Perform VDC sequence control.

<Ref. to VDC-13, VDC Sequence Control.>

14) When the hydraulic unit begins to work, first the RR side performs compression, hold, and decompression, and then the RL side performs compression, hold, and decompression.

15) Read the values indicated on the pressure gauges and check if it is within specification. Depress the brake pedal and check that it is not abnormally hard, and tightness is normal.

16) Disconnect the pressure gauge from the RL and RR caliper bodies.

17) Install the air bleeder screws of RL and RR caliper bodies.

18) Bleed air from the brake line.

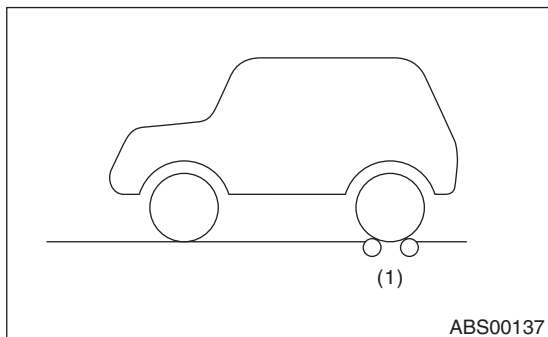
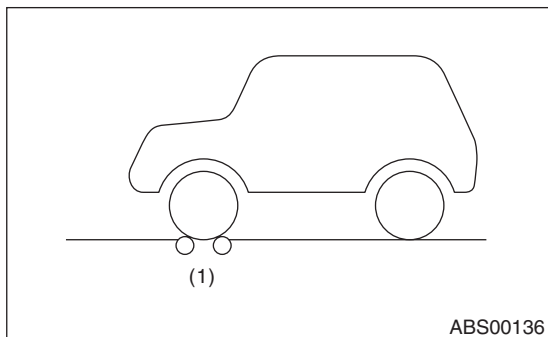
## 4. CHECK HYDRAULIC UNIT VDC OPERATION WITH BRAKE TESTER

1) Set wheels other than the one to measure on free rollers.

2) Prepare to operate the VDC sequence control.

<Ref. to VDC-13, VDC Sequence Control.>

3) Set the front wheels or rear wheels on the brake tester and set the select lever position to the "N" range.



(1) Brake tester

4) Operate the brake tester.

5) Perform VDC sequence control.

<Ref. to VDC-13, VDC Sequence Control.>

6) When the hydraulic unit begins to work, check the following work sequence.

(1) The FL wheel performs compression, hold and decompression in sequence, and subsequently the FR wheel repeats the cycle.

(2) The RR wheel performs compression, hold and decompression in sequence, and subsequently the RL wheel repeats the cycle.

7) Read values indicated on the brake tester and check if the fluctuation of the values between decompression and compression meets specification.

	Front wheel	Rear wheel
When pressurized	2,000 N (204 kgf, 450 lbf) or more	2,000 N (204 kgf, 450 lbf) or more
When depressurized	500 N (51 kgf, 112 lbf) or less	500 N (51 kgf, 112 lbf) or less

8) After the inspection, depress the brake pedal and check that it is not abnormally hard, and tightness is normal.

## D: REPLACEMENT

### CAUTION:

- Because the pressure sensor built into the H/U is easily damaged by static electricity, start the operation after performing static electricity measures.

- Be careful not to touch the sensors in the H/U to prevent damage.

- Because the seal of the VDCCM cannot be replaced, do not pull or peel it by lifting it up.

- Because the screw of the H/U will become slightly worn in every replacement procedure, 5 times is the maximum number of times for replacement. If a problem is found such as not being able to torque the screw to specifications even before 5 replacement operations are performed, replace the H/U body.

- When installing the VDCCM, always use new screws.

- When the sealing surface of the VDCCM or H/U is dirty or damaged and it cannot be cleaned or repaired, replace with a new part.

1) Remove the VDCCM&H/U. <Ref. to VDC-7, REMOVAL, VDC Control Module and Hydraulic Control Unit (VDCCM&H/U).>

2) To prevent entry of foreign objects and brake fluid leakage, plug the oil pressure port of the VDCCM&H/U using a screw plug, etc.



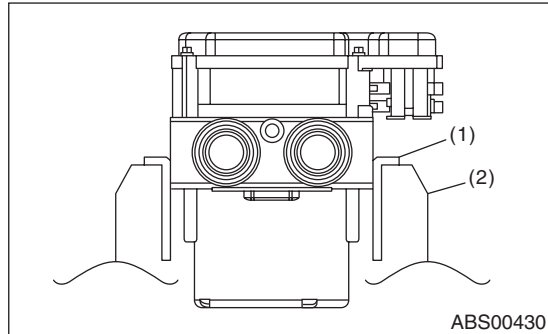
# VDC Control Module and Hydraulic Control Unit (VDCCM&H/U)

## VEHICLE DYNAMICS CONTROL (VDC)

3) Set the pump motor section of the removed VDCCM&H/U face down on a vise.

### NOTE:

Before securing a part in a vise, place cushioning material such as wood blocks, aluminum plate or cloth between the part and the vise.

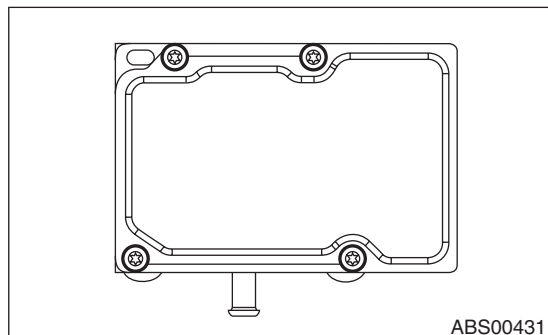


- (1) Aluminum plate, etc.
- (2) Vise

4) Using TORX® bit E5, remove the four screws of VDCCM.

### NOTE:

These screws cannot be reused.



5) Slowly pull out the VDCCM upward from the H/U.

### NOTE:

To prevent damaging of coil section, remove the VDCCM straight up from H/U without twisting.

6) Make sure there is no dirt or damage on the sealing surface of the H/U.

### CAUTION:

- Do not clean the VDCCM&H/U by applying compressed air.
- Even if damage is found on the H/U seal, do not attempt repair by filing or with a metal scraper. To remove the seal residue, always use a plastic scraper. Do not use chemical such as paint thinner, etc., to clean.

7) Position the coil of the new VDCCM to align with the H/U valve.

8) To prevent deformation of the VDCCM housing cover, hold the corner of VDCCM and install it to the H/U without tilting.

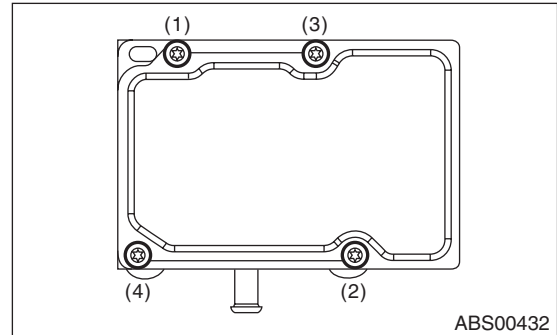
9) Using a TORX® bit E5, attach/tighten new screws in the order of (1) through (4).

### CAUTION:

Always use new screws.

### Tightening torque:

**1.5 N·m (0.15 kgf·m, 1.1 ft·lb)**



10) Check that there is no foreign matter in mating surface between the VDCCM&H/U.

11) Using a TORX® bit E5, tighten the screws in the order of (1) through (4) again.

### Tightening torque:

**3 N·m (0.3 kgf·m, 2.2 ft·lb)**

12) Check that there is no gap in the mating surface between VDCCM&H/U.

13) Install the VDCCM&H/U to the vehicle.

14) Bleed air from the brake system.

15) Perform the selection•registration operation of parameter. <Ref. to VDC(diag)-18, PARAMETER SELECTION, OPERATION, Subaru Select Monitor.>

### NOTE:

- After replacing the VDCCM, be sure to perform the selection•registration operation of parameter.
- For the selection and registration of parameter, the Subaru Select Monitor is required.
- When no data is registered, ABS/EBD/VDC warning light illuminates and the DTC “Parameter selection failure” is detected.

16) Check the parameter to confirm that the applied models and grades of the relevant vehicle are included. <Ref. to VDC(diag)-18, PARAMETER CHECK, OPERATION, Subaru Select Monitor.>

17) If the applied models and grades of the relevant vehicle are not included, perform the selection•registration operation of parameter with the {Confirm Parameter} screen again. <Ref. to VDC(diag)-18, PARAMETER SELECTION, OPERATION, Subaru Select Monitor.>

18) Execute Clear Memory after parameter selection and registration operations because the DTC for “Parameter selection failure” is memorized.

## E: ADJUSTMENT

When the following replacement, removal and installation are performed, be sure to perform the centering of the steering angle sensor and zero point setting of yaw rate & G sensor.

- VDCCM&H/U
- Steering angle sensor
- Yaw rate & G sensor
- Steering wheel parts (Including airbag)
- Suspension parts
- Wheel alignment adjustment

1) Park the vehicle straight on a level surface. (Engine operation in the "P" or "N" range)

2) Check that steering wheel is positioned at the center. (When the center position is not correct, adjust the wheel alignment.)

3) Set the Subaru Select Monitor to the vehicle, and select the {Set up mode for Neutral of Steering Angle Sensor & Lateral G Sensor 0 point} in the «Function Check Sequence» screen. (Follow the steps on the display.)

4) On «Brake Control System» display, select {Current Data Display & Save}, and check that the steering angle sensor shows "0 deg".

5) When the "0 deg" is not displayed, repeat the above steps and check that the "0 deg" is displayed.

6) Drive the vehicle for 10 minutes, and check that the ABS and VDC warning light is not illuminated.

7) Check that there is no unnecessary VDC operation or steering control loss. If there is a malfunction, repeat the steps above.



# ABS Sequence Control

VEHICLE DYNAMICS CONTROL (VDC)

---

## 3. ABS Sequence Control

### A: OPERATION

<Ref. to ABS-10, OPERATION, ABS Sequence Control.>

#### 1. ABS SEQUENCE CONTROL WITH SUBARU SELECT MONITOR

<Ref. to ABS-10, ABS SEQUENCE CONTROL WITH SUBARU SELECT MONITOR, OPERATION, ABS Sequence Control.>

#### 2. CONDITIONS FOR ABS SEQUENCE CONTROL

<Ref. to ABS-11, CONDITIONS FOR ABS SEQUENCE CONTROL, OPERATION, ABS Sequence Control.>

### B: SPECIFICATION

#### 1. CONDITIONS FOR COMPLETION OF ABS SEQUENCE CONTROL

<Ref. to ABS-12, CONDITIONS FOR COMPLETION OF ABS SEQUENCE CONTROL, SPECIFICATION, ABS Sequence Control.>

## 4. VDC Sequence Control

### A: OPERATION

- 1) While the VDC sequence control is performed, the operation of the hydraulic unit can be checked using the brake tester or pressure gauge after the hydraulic unit solenoid valve is operated.
- 2) VDC sequence control can be started by Subaru Select Monitor.

### 1. VDC SEQUENCE CONTROL WITH SUBARU SELECT MONITOR

#### NOTE:

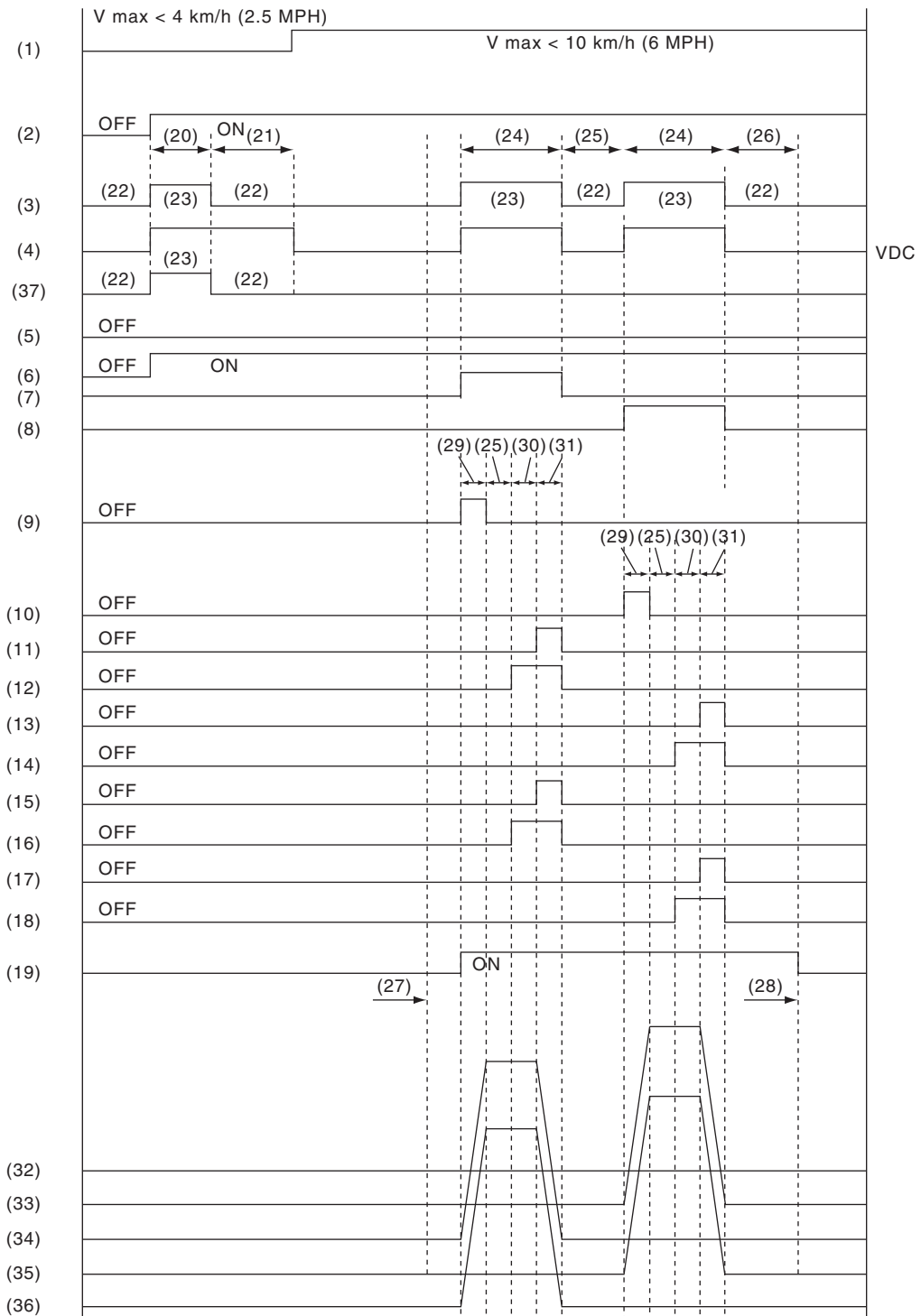
In the event of any trouble, sequence control will not operate.

- 1) Connect the Subaru Select Monitor to data link connector under the driver's side instrument panel lower cover.
- 2) Turn the ignition switch to ON.
- 3) Run the "PC application help for Subaru Select Monitor".
- 4) Set the Subaru Select Monitor to "Brake Control" mode.
- 5) When the "VDC Inspection Mode" is selected from the "Function check sequence" menu, the "VDC sequence control" will start.
- 6) Operation points will be displayed on Subaru Select Monitor.

# VDC Sequence Control

VEHICLE DYNAMICS CONTROL (VDC)

## 2. CONDITIONS FOR VDC SEQUENCE CONTROL



VDC00607

# VDC Sequence Control

VEHICLE DYNAMICS CONTROL (VDC)

---

(1) All wheel speed	(14) FR compression valve	(26) 1.6 seconds
(2) Ignition key	(15) RR decompression valve	(27) Point A
(3) ABS warning light	(16) RR compression valve	(28) Reset
(4) VDC warning light	(17) RL decompression valve	(29) 0.8 seconds
(5) Stop light switch	(18) RL compression valve	(30) 1.2 seconds
(6) Valve relay	(19) Pump motor	(31) 0.4 seconds
(7) VDC switching valve 1 FL	(20) 1.5 seconds	(32) Master cylinder pressure
(8) VDC switching valve 1 FR	(21) Approx. 3 seconds	(33) FR wheel cylinder pressure
(9) VDC switching valve 2 FL	(22) Light OFF	(34) FL wheel cylinder pressure
(10) VDC switching valve 2 FR	(23) Light ON	(35) RL wheel cylinder pressure
(11) FL decompression valve	(24) 3.4 seconds	(36) RR wheel cylinder pressure
(12) FL compression valve	(25) 1 seconds	(37) Hill start assist warning light
(13) FR decompression valve		

## NOTE:

The control operation starts at point A.

## **B: SPECIFICATION**

### **1. CONDITIONS FOR COMPLETION OF VDC SEQUENCE CONTROL**

When the following conditions develop, the VDC sequence control stops and VDC operation is returned to the normal control mode.

- 1) When the speed of at least one wheel reaches 10 km/h (6 MPH).
- 2) When the brake pedal is pressed during sequence control and the stop light switch is set to ON.
- 3) After completion of VDC sequence control.
- 4) When a malfunction is detected.

# Yaw Rate and G Sensor

VEHICLE DYNAMICS CONTROL (VDC)

---

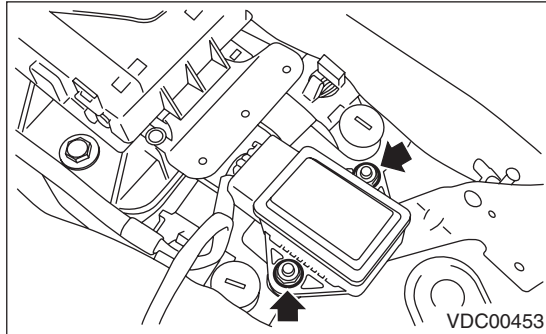
## 5. Yaw Rate and G Sensor

### A: REMOVAL

- 1) Disconnect the ground cable from battery.
- 2) Remove the console box.  
<Ref. to EI-48, Console Box.>
- 3) Disconnect the connector from yaw rate & G sensor.
- 4) Remove the yaw rate & G sensor.

### CAUTION:

**Do not drop or hit the yaw rate & G sensor.**



### B: INSTALLATION

Install in the reverse order of removal.

#### ***Tightening torque:***

***7.5 N·m (0.76 kgf-m, 5.5 ft-lb)***

### CAUTION:

After completion of installation, set the following two positions.

- Positioning to the center of steering angle sensor

• Positioning the yaw rate & G sensors to zero  
The above procedure is required VDCCM&H/U to identify the vehicle position afterward. For the setting procedures of the 2 steps above, refer to “VDC Control Module and Hydraulic Control Unit (VDCCM&H/U)”. <Ref. to VDC-11, ADJUSTMENT, VDC Control Module and Hydraulic Control Unit (VDCCM&H/U).>

# Yaw Rate and G Sensor

VEHICLE DYNAMICS CONTROL (VDC)

## C: INSPECTION

### 1. YAW RATE & G SENSOR SIGNAL

	Step	Check	Yes	No
1	<b>CHECK YAW RATE &amp; G SENSOR.</b> 1) Turn the ignition switch to OFF. 2) Connect the Subaru Select Monitor connector to the data link connector. 3) Turn the ignition switch to ON. 4) Set the Subaru Select Monitor connector to the {Brake Control System} mode. 5) Select {Current Data Display & Save}. 6) Read the output of yaw rate & G sensor.	Are the indicated values when the vehicle is placed horizontally, Lateral G sensor: $-1.5 \text{ — } 1.5 \text{ m/s}^2$ , Yaw rate sensor: $-4 \text{ — } 4 \text{ deg/s}$ ?	Go to step 2.	Repair the harness connector between yaw rate & G sensor and VDCCM&H/U. Or replace yaw rate & G sensor.
2	<b>CHECK VEHICLE.</b>	Is the vehicle AT model?	Go to step 5.	Go to step 3.
3	<b>CHECK G SENSOR.</b> 1) Remove the console box. 2) Remove the yaw rate & G sensor from vehicle without disconnecting the connector. 3) Read the display of Subaru Select Monitor. NOTE: When the yaw rate & G sensor is moved with its power supply on, DTC of yaw rate & G sensor may be recorded.	Is the value $6.8 \text{ — } 12.8 \text{ m/s}^2$ when the yaw rate & G sensor is inclined $90^\circ$ to the forward?	Go to step 4.	Repair the harness connector between yaw rate & G sensor and VDCCM&H/U. Or replace yaw rate & G sensor.
4	<b>CHECK G SENSOR.</b> Read the display of Subaru Select Monitor. NOTE: When the yaw rate & G sensor is moved with its power supply on, DTC of yaw rate & G sensor may be recorded.	Is the value $-6.8 \text{ — } -12.8 \text{ m/s}^2$ when the yaw rate & G sensor is inclined $90^\circ$ to the rearward?	Go to step 5.	Repair the harness connector between yaw rate & G sensor and VDCCM&H/U. Or replace yaw rate & G sensor.
5	<b>CHECK G SENSOR.</b> 1) Remove the console box. (AT model only) 2) Remove the yaw rate & G sensor from vehicle without disconnecting the connector. (AT model only) 3) Read the display of Subaru Select Monitor. NOTE: When the yaw rate & G sensor is moved with its power supply on, DTC of yaw rate & G sensor may be recorded.	Is the value $6.8 \text{ — } 12.8 \text{ m/s}^2$ when the yaw rate & G sensor is inclined $90^\circ$ to the right?	Go to step 6.	Repair the harness connector between yaw rate & G sensor and VDCCM&H/U. Or replace yaw rate & G sensor.
6	<b>CHECK G SENSOR.</b> Read the display of Subaru Select Monitor. NOTE: When the yaw rate & G sensor is moved with its power supply on, DTC of yaw rate & G sensor may be recorded.	Is the value $-6.8 \text{ — } -12.8 \text{ m/s}^2$ when the yaw rate & G sensor is inclined $90^\circ$ to the left?	Yaw rate & G sensors are normal.	Repair the harness connector between yaw rate & G sensor and VDCCM&H/U. Or replace yaw rate & G sensor.

# Steering Angle Sensor

VEHICLE DYNAMICS CONTROL (VDC)

## 6. Steering Angle Sensor

### A: REPLACEMENT

#### CAUTION:

- Do not perform the removal except when the replacement.
- If the sensor needs replacement, replace along with the combination switch assembly once every three times for the protection of the threaded portion.

1) Set the steering wheel in a straight-ahead position.

2) Disconnect the ground cable from battery.

3) Remove the airbag module.

<Ref. to AB-15, REMOVAL, Driver's Airbag Module.>

#### WARNING:

Always refer to "Airbag System" when performing the airbag module repair service.

<Ref. to AB-5, CAUTION, General Description.>

4) Remove the steering wheel.

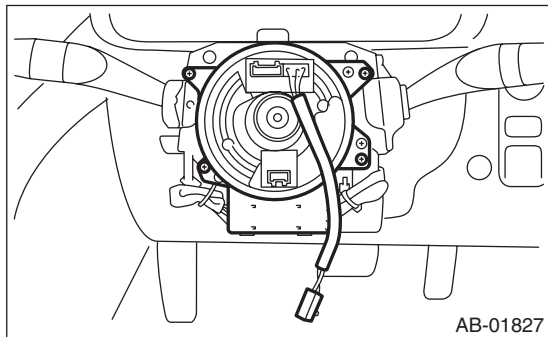
<Ref. to PS-12, REMOVAL, Steering Wheel.>

5) Remove the screws and remove the steering column lower cover.

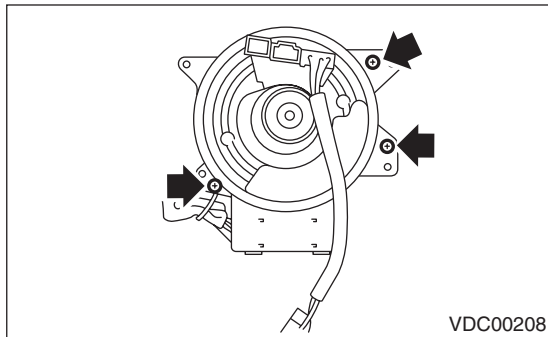
6) Remove the two screws securing the steering column upper cover.

7) Disconnect the connector of roll connector and steering angle sensor.

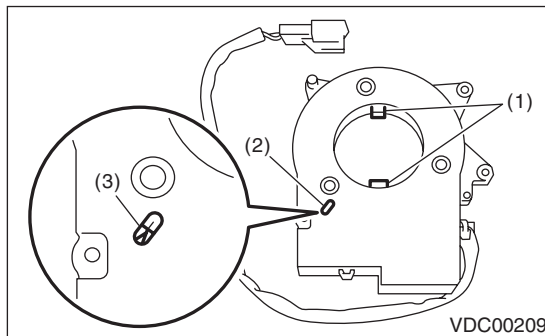
8) Remove the screws which secure the roll connector to steering column.



9) Remove the vinyl tape binding the harness, and remove the steering angle sensor from roll connector.



10) Turn the protrusion portion of new steering angle sensor to match the alignment mark of inspection hole.



(1) Protrusion portion

(2) Inspection hole

(3) Alignment mark

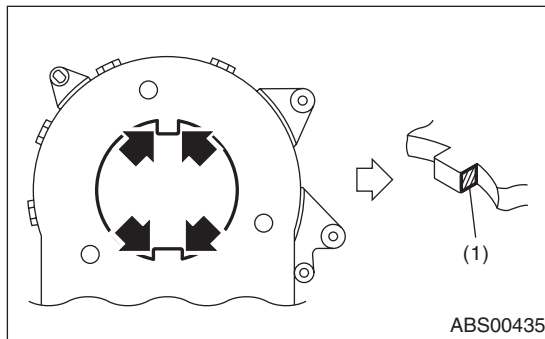
#### CAUTION:

Be careful not to allow foreign matter to enter into inspection hole.

11) Align the center of roll connector.

<Ref. to AB-26, INSTALLATION, Roll Connector.>

12) Apply the grease provided with the new part on the 4 locations of the protrusion on the steering angle sensor.

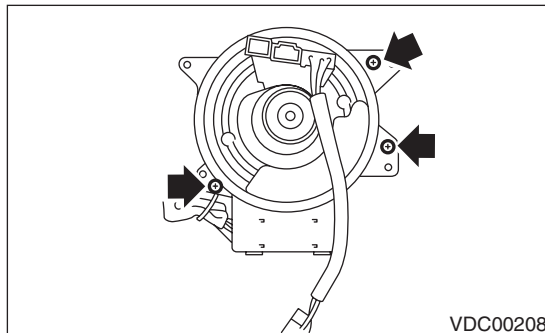


(1) Grease application location

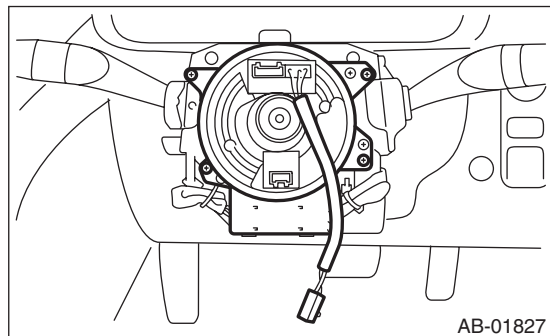
13) Align the position of the protrusion and install roll connector to steering angle sensor.

#### Tightening torque:

**0.5 N·m (0.05 kgf·m, 0.36 ft·lb)**



14) Install the roll connector to combination switch and bind the harness with vinyl tape as originally bound.



15) Install the steering wheel.  
<Ref. to PS-12, INSTALLATION, Steering Wheel.>

**Tightening torque:**

**39 N·m (4.0 kgf-m, 28.8 ft-lb)**

16) Install the airbag module to the steering wheel.  
<Ref. to AB-15, INSTALLATION, Driver's Airbag Module.>

**WARNING:**

Always refer to "Airbag System" before performing the service operation.

<Ref. to AB-5, CAUTION, General Description.>

17) Connect the ground cable to battery.

**CAUTION:**

After completion of installation, adjust the following two positions.

- Positioning to the center of steering angle sensor

- Positioning the yaw rate & G sensors to zero

The above procedure is required for the VDC-CM to identify vehicle position afterward. For the setting procedures of the 2 steps above, refer to "VDC Control Module and Hydraulic Control Unit (VDCCM&H/U)". <Ref. to VDC-11, ADJUSTMENT, VDC Control Module and Hydraulic Control Unit (VDCCM&H/U).>



## Front ABS Wheel Speed Sensor

VEHICLE DYNAMICS CONTROL (VDC)

---

### 7. Front ABS Wheel Speed Sensor

#### A: NOTE

Vehicles equipped with VDC have the same ABS wheel speed sensor as installed on vehicles equipped with ABS. Refer to "Front ABS Wheel Speed Sensor" for removal, installation and inspection procedures.

<Ref. to ABS-13, Front ABS Wheel Speed Sensor.>

## 8. Rear ABS Wheel Speed Sensor

### A: NOTE

Vehicles equipped with VDC have the same ABS wheel speed sensor as installed on vehicles equipped with ABS. Refer to "Rear ABS Wheel Speed Sensor" for removal, installation and inspection procedures.

<Ref. to ABS-15, Rear ABS Wheel Speed Sensor.>

# Front Magnetic Encoder

VEHICLE DYNAMICS CONTROL (VDC)

---

## 9. Front Magnetic Encoder

### A: NOTE

Vehicles equipped with VDC have the same magnetic encoder as installed on vehicles equipped with ABS. Refer to "Front Magnetic Encoder" for removal, installation and inspection procedures.

<Ref. to ABS-16, Front Magnetic Encoder.>

## 10.Rear Magnetic Encoder

### A: NOTE

Vehicles equipped with VDC have the same magnetic encoder as installed on vehicles equipped with ABS. Refer to “Rear Magnetic Encoder” for removal, installation and inspection procedures.

<Ref. to ABS-17, Rear Magnetic Encoder.>

# VDC OFF Switch

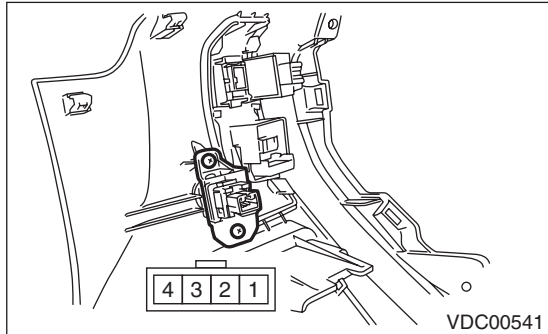
VEHICLE DYNAMICS CONTROL (VDC)

---

## 11.VDC OFF Switch

### A: REMOVAL

- 1) Remove the instrument panel lower cover.
- 2) Remove the screws, and then remove the VDC OFF switch.



### B: INSTALLATION

Install in the reverse order of removal.

### C: INSPECTION

Measure the resistance between the VDC OFF switch terminals.

Switch position	Terminal No.	Standard
OFF	2 — 3	1 M $\Omega$ or more
ON	2 — 3	Less than 1 $\Omega$

If it is not within the standard, replace the VDC OFF switch.

# Basic Diagnostic Procedure

VEHICLE DYNAMICS CONTROL (VDC) (DIAGNOSTICS)

## 1. Basic Diagnostic Procedure

### A: PROCEDURE

#### CAUTION:

Remove foreign matter (dust, water, oil etc.) from the VDCCM&H/U connector during removal and installation.

#### NOTE:

- To check the harness for open or short circuits, shake problem spot or connector.
- Refer to "Check List for Interview". <Ref. to VDC(diag)-4, Check List for Interview.>

	Step	Check	Yes	No
1	<p><b>CHECK PRE-INSPECTION.</b></p> <p>1) Ask the customer when and how the trouble occurred using the interview check list. &lt;Ref. to VDC(diag)-4, Check List for Interview.&gt;</p> <p>2) Before performing diagnostics, check the component which might affect VDC problems. &lt;Ref. to VDC(diag)-8, INSPECTION, General Description.&gt;</p>	Is the component that might influence the VDC problem normal?	Go to step 2.	Repair or replace each component.
2	<p><b>CHECK INDICATION OF DTC.</b></p> <p>1) Turn the ignition switch to OFF.</p> <p>2) Connect the Subaru Select Monitor to data link connector.</p> <p>3) Turn the ignition switch to ON and run the Subaru Select Monitor.</p> <p>4) Read the DTC using the Subaru Select Monitor. &lt;Ref. to VDC(diag)-22, OPERATION, Read Diagnostic Trouble Code (DTC).&gt;</p> <p>NOTE: If the communication function of the Subaru Select Monitor cannot be executed properly, check the communication circuit. &lt;Ref. to VDC(diag)-19, COMMUNICATION FOR INITIALIZING IMPOSSIBLE, INSPECTION, Subaru Select Monitor.&gt;</p> <p>5) Record all DTCs and freeze frame data.</p>	Is DTC displayed on the Subaru Select Monitor?	Go to step 4.	Go to step 3.
3	<p><b>PERFORM GENERAL DIAGNOSTICS.</b></p> <p>1) Perform the inspection by referring to "General Diagnostic Table". &lt;Ref. to VDC(diag)-103, INSPECTION, General Diagnostic Table.&gt;</p> <p>2) Perform the Clear Memory Mode. &lt;Ref. to VDC(diag)-24, OPERATION, Clear Memory Mode.&gt;</p> <p>3) Perform the Inspection Mode. &lt;Ref. to VDC(diag)-23, PROCEDURE, Inspection Mode.&gt;</p> <p>4) Read the DTC. &lt;Ref. to VDC(diag)-22, OPERATION, Read Diagnostic Trouble Code (DTC).&gt;</p> <p>5) Check the DTC is not displayed.</p>	Do the VDC warning light and ABS warning light go off after starting the engine?	Finish the diagnosis.	Check the combination meter circuit. <Ref. to VDC(diag)-29, ABS WARNING LIGHT DOES NOT GO OFF, Warning Light Illumination Pattern.> <Ref. to VDC(diag)-30, VDC WARNING LIGHT AND VDC OFF INDICATOR LIGHT DO NOT GO OFF, Warning Light Illumination Pattern.>

# Basic Diagnostic Procedure

## VEHICLE DYNAMICS CONTROL (VDC) (DIAGNOSTICS)

	Step	Check	Yes	No
4	<p><b>PERFORM DIAGNOSIS.</b></p> <p>1) Refer to "List of Diagnostic Trouble Code (DTC)".</p> <p>NOTE: For the DTC list, refer to "List of Diagnostic Trouble Code (DTC)". &lt;Ref. to VDC(diag)-33, LIST, List of Diagnostic Trouble Code (DTC).&gt;</p> <p>2) Correct the cause of trouble.</p> <p>3) Perform the Clear Memory Mode. &lt;Ref. to VDC(diag)-24, OPERATION, Clear Memory Mode.&gt;</p> <p>4) Perform the Inspection Mode. &lt;Ref. to VDC(diag)-23, PROCEDURE, Inspection Mode.&gt;</p> <p>5) Read the DTC. &lt;Ref. to VDC(diag)-22, OPERATION, Read Diagnostic Trouble Code (DTC).&gt;</p>	Is DTC displayed?	Repeat step 4 until DTC is not shown.	Finish the diagnosis.

# Check List for Interview

VEHICLE DYNAMICS CONTROL (VDC) (DIAGNOSTICS)

---

## 2. Check List for Interview

### A: CHECK

Check the following item about the vehicle's state.

#### 1. STATE OF ABS WARNING LIGHT

ABS warning light illuminates.	<input type="checkbox"/> Always <input type="checkbox"/> Sometimes <input type="checkbox"/> Only once <input type="checkbox"/> Does not come on • When/How long does it illuminate?		
Ignition key position	<input type="checkbox"/> LOCK <input type="checkbox"/> ACC <input type="checkbox"/> ON (before starting engine) <input type="checkbox"/> START <input type="checkbox"/> ON (after starting engine, engine is running) <input type="checkbox"/> ON (after starting engine, engine is at a standstill)		
Timing	<input type="checkbox"/> Immediately after turning the ignition switch to ON <input type="checkbox"/> Immediately after turning the ignition switch to START		
	<input type="checkbox"/> While accelerating	—	km/h
		—	MPH
	<input type="checkbox"/> While driving at a constant speed	km/h	MPH
	<input type="checkbox"/> While decelerating	—	km/h
		—	MPH
	<input type="checkbox"/> When turning to the right	Steering angle:	deg
		Steering time:	Sec.
	<input type="checkbox"/> When turning to the left	Steering angle:	deg
		Steering time:	Sec.
	<input type="checkbox"/> When other electrical parts are operating		
	• Part name: • Operating condition:		



# Check List for Interview

VEHICLE DYNAMICS CONTROL (VDC) (DIAGNOSTICS)

## 2. STATE OF VDC WARNING LIGHT AND VDC OFF INDICATOR LIGHT

VDC warning light and VDC OFF indicator light illuminate.	<input type="checkbox"/> Always <input type="checkbox"/> Sometimes <input type="checkbox"/> Only once <input type="checkbox"/> Does not come on • When/How long does it illuminate?		
Ignition key position	<input type="checkbox"/> LOCK <input type="checkbox"/> ACC <input type="checkbox"/> ON (before starting engine) <input type="checkbox"/> START <input type="checkbox"/> ON (after starting engine, engine is running) <input type="checkbox"/> ON (after starting engine, engine is at a standstill)		
Timing	<input type="checkbox"/> Immediately after turning the ignition switch to ON <input type="checkbox"/> Immediately after turning the ignition switch to START		
	<input type="checkbox"/> While accelerating	—	km/h
		—	MPH
	<input type="checkbox"/> While driving at a constant speed	km/h	MPH
	<input type="checkbox"/> While decelerating	—	km/h
		—	MPH
	<input type="checkbox"/> When turning to the right	Steering angle:	deg
		Steering time:	Sec.
	<input type="checkbox"/> When turning to the left	Steering angle:	deg
		Steering time:	Sec.
<input type="checkbox"/> When other electrical parts are operating • Part name: • Operating condition:			

## 3. STATE OF VDC INDICATOR LIGHT

VDC operation indicator light illuminate.	<input type="checkbox"/> Always <input type="checkbox"/> Sometimes <input type="checkbox"/> Only once <input type="checkbox"/> Does not come on • When/How long does it illuminate?		
Ignition key position	<input type="checkbox"/> LOCK <input type="checkbox"/> ACC <input type="checkbox"/> ON (before starting engine) <input type="checkbox"/> START <input type="checkbox"/> ON (after starting engine, engine is running) <input type="checkbox"/> ON (after starting engine, engine is at a standstill)		
Timing	<input type="checkbox"/> Immediately after turning the ignition switch to ON <input type="checkbox"/> Immediately after turning the ignition switch to START		
	<input type="checkbox"/> While accelerating	—	km/h
		—	MPH
	<input type="checkbox"/> While driving at a constant speed	km/h	MPH
	<input type="checkbox"/> While decelerating	—	km/h
		—	MPH
	<input type="checkbox"/> When turning to the right	Steering angle:	deg
		Steering time:	Sec.
	<input type="checkbox"/> When turning to the left	Steering angle:	deg
		Steering time:	Sec.
<input type="checkbox"/> When other electrical parts are operating • Part name: • Operating condition:			

## Check List for Interview

VEHICLE DYNAMICS CONTROL (VDC) (DIAGNOSTICS)

### 4. CONDITIONS UNDER WHICH TROUBLE OCCURS

Environment	a) Weather	<input type="checkbox"/> Fine <input type="checkbox"/> Cloudy <input type="checkbox"/> Rainy <input type="checkbox"/> Snowy <input type="checkbox"/> Others:
	b) Ambient temperature	°C ( °F)
	c) Road	<input type="checkbox"/> Inner city <input type="checkbox"/> Suburbs <input type="checkbox"/> Highway <input type="checkbox"/> Local street <input type="checkbox"/> Uphill <input type="checkbox"/> Downhill <input type="checkbox"/> Paved road <input type="checkbox"/> Gravel road <input type="checkbox"/> Muddy road <input type="checkbox"/> Sandy place <input type="checkbox"/> Straight road <input type="checkbox"/> Sharp curve <input type="checkbox"/> Gentle curve <input type="checkbox"/> S-curve <input type="checkbox"/> Road with a slope on both sides <input type="checkbox"/> Others:
	d) Road surface	<input type="checkbox"/> Dry <input type="checkbox"/> Wet <input type="checkbox"/> Covered with fresh snow <input type="checkbox"/> Covered with hardened snow <input type="checkbox"/> Frozen slope <input type="checkbox"/> Others:

# Check List for Interview

## VEHICLE DYNAMICS CONTROL (VDC) (DIAGNOSTICS)

Condition	a) Brakes	Deceleration: <span style="float: right;">G</span>
		<input type="checkbox"/> Continuous / <input type="checkbox"/> Intermittent
	b) Accelerator	Acceleration: <span style="float: right;">G</span>
		<input type="checkbox"/> Continuous / <input type="checkbox"/> Intermittent
	c) Vehicle speed	km/h <span style="float: right;">MPH</span>
		<input type="checkbox"/> Advancing <input type="checkbox"/> While accelerating <input type="checkbox"/> While decelerating <input type="checkbox"/> At low speed <input type="checkbox"/> When turning <input type="checkbox"/> Others:
	d) Tire inflation pressure	Front RH tire: <span style="float: right;">kPa</span>
		Front LH tire: <span style="float: right;">kPa</span>
		Rear RH tire: <span style="float: right;">kPa</span>
		Rear LH tire: <span style="float: right;">kPa</span>
	e) Degree of wear	Front RH tire:
		Front LH tire:
		Rear RH tire:
		Rear LH tire:
	f) Steering wheel	<input type="checkbox"/> Sharp turning
		<input type="checkbox"/> Gentle turning
		<input type="checkbox"/> Straight forward motion
		<input type="checkbox"/> Gentle return
		<input type="checkbox"/> Sharp return
	g) Tire/Wheel size	<input type="checkbox"/> Specified size
		<input type="checkbox"/> Except specification (      )
	h) Tire variation	<input type="checkbox"/> Summer tire
		<input type="checkbox"/> Studless tire (Brand:      )
	i) Tire chain is attached: <input type="checkbox"/> Yes / <input type="checkbox"/> No	
	j) T-type tire is used: <input type="checkbox"/> Yes / <input type="checkbox"/> No	
	k) Condition of suspension alignment:	
	l) Loading state:	
	m) Repair parts are used: <input type="checkbox"/> Yes / <input type="checkbox"/> No	
	• Contents:	
	n) Others:	

# General Description

VEHICLE DYNAMICS CONTROL (VDC) (DIAGNOSTICS)

## 3. General Description

### A: CAUTION

#### 1. SUPPLEMENTAL RESTRAINT SYSTEM “AIRBAG”

Airbag system wiring harness is routed near the ABS wheel speed sensor and VDCCM&H/U.

#### CAUTION:

- Do not use electrical test equipment on wiring harness and connector circuits of the airbag system.
- Be careful not to damage the airbag system wiring harness when servicing the ABS wheel speed sensor and VDCCM&H/U.

### B: INSPECTION

Before performing diagnosis, check the following items which might affect VDC problems.

#### 1. BATTERY

Measure the battery voltage and check electrolyte.

#### Standard voltage:

12 V or more

#### Specific gravity:

1.260 or more

#### 2. GROUND

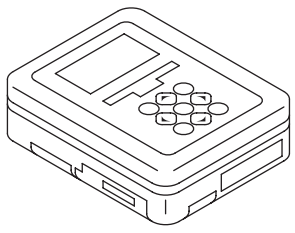
Check the tightening torque of ground (GB-5) bolt of VDC.

#### Tightening torque:

13 N·m (1.3 kgf·m, 9.6 ft·lb)

### C: PREPARATION TOOL

#### 1. SPECIAL TOOL

ILLUSTRATION	TOOL NUMBER	DESCRIPTION	REMARKS
 <p>ST1B022XU0</p>	1B022XU0	SUBARU SELECT MONITOR III KIT	Used for troubleshooting the electrical system.

#### 2. GENERAL TOOL

TOOL NAME	REMARKS
Circuit tester	Used for measuring resistance, voltage and current.
Oscilloscope	Used for measuring the sensor.

#### 3. BRAKE FLUID

- 1) Check the brake fluid level.
- 2) Check the brake fluid for leaks.

#### 4. HYDRAULIC UNIT

Check the hydraulic unit.

- When using the brake tester <Ref. to VDC-8, CHECKING THE HYDRAULIC UNIT ABS OPERATION WITH THE BRAKE TESTER, INSPECTION, VDC Control Module and Hydraulic Control Unit (VDCCM&H/U).>
- When not using the brake tester <Ref. to VDC-8, CHECKING THE HYDRAULIC UNIT ABS OPERATION BY PRESSURE GAUGE, INSPECTION, VDC Control Module and Hydraulic Control Unit (VDCCM&H/U).>

#### 5. BRAKE DRAG

Check for brake drag.

#### 6. BRAKE PAD AND ROTOR

Check the brake pad and rotor.

- Front <Ref. to BR-14, INSPECTION, Front Brake Pad.> <Ref. to BR-15, INSPECTION, Front Disc Rotor.>
- Rear <Ref. to BR-20, INSPECTION, Rear Brake Pad.> <Ref. to BR-21, INSPECTION, Rear Disc Rotor.>

#### 7. TIRE

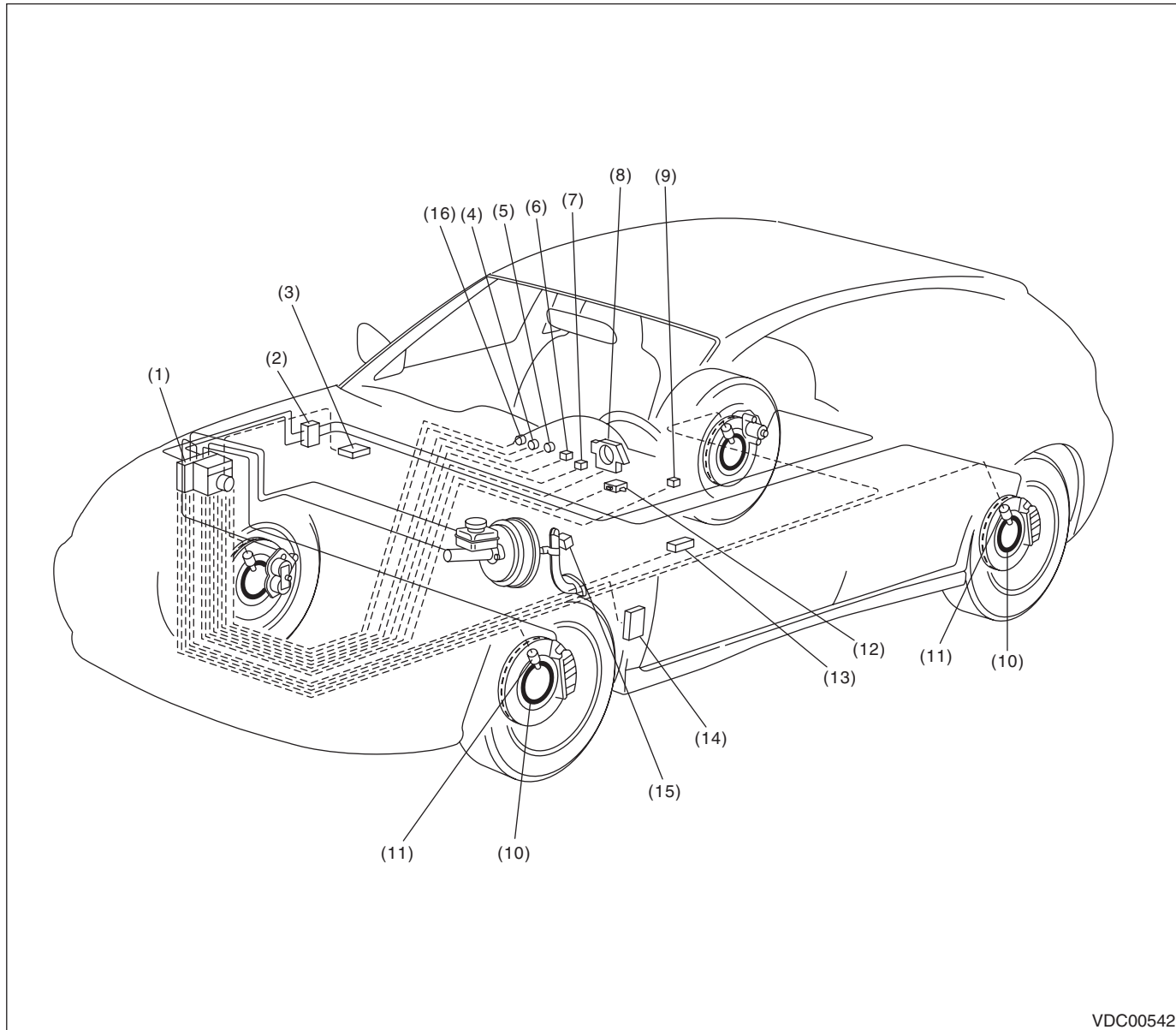
Check the tire specifications, tire wear and air pressure. <Ref. to WT-2, SPECIFICATION, General Description.>

# Electrical Component Location

VEHICLE DYNAMICS CONTROL (VDC) (DIAGNOSTICS)

## 4. Electrical Component Location

### A: LOCATION

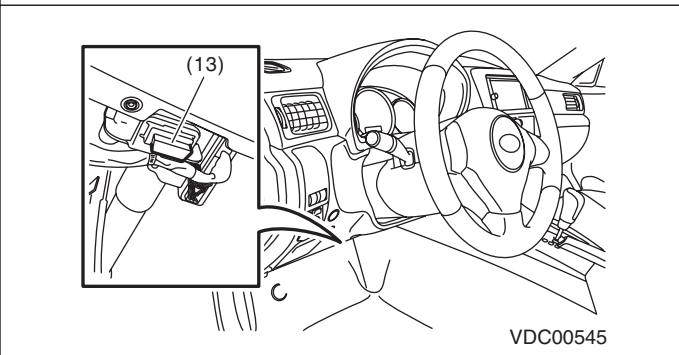
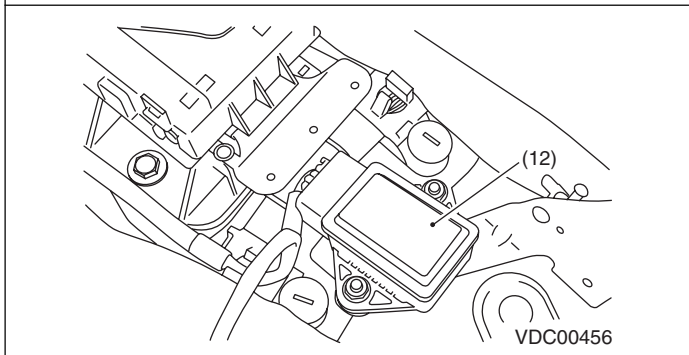
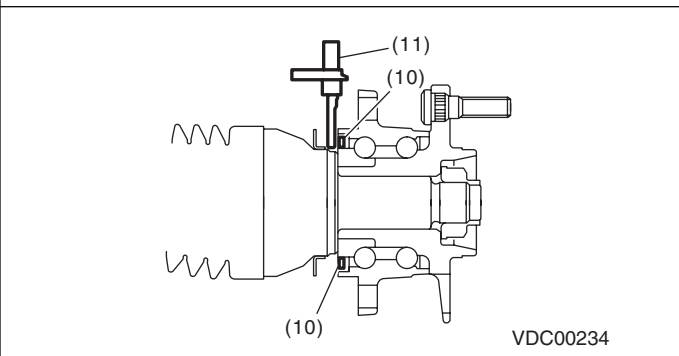
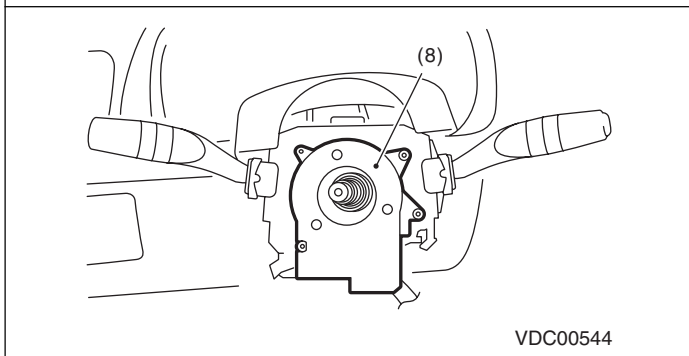
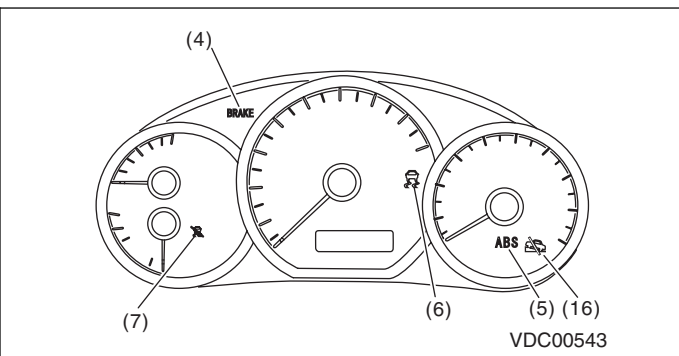
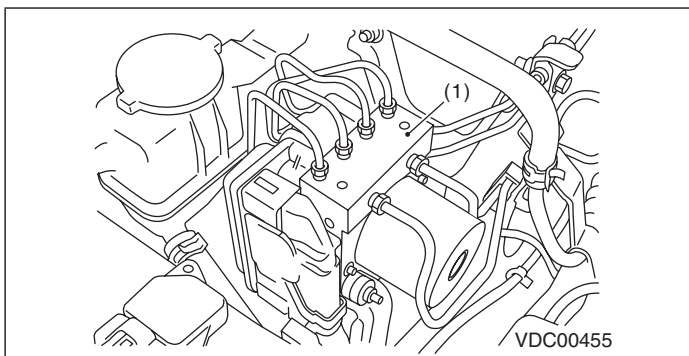


VDC00542

- |   |   |  |
|---|---|--|
| (1) VDC control module and hydraulic control unit (VDCCM&H/U) | (5) ABS warning light                             | (11) ABS wheel speed sensor                          |
| (2) Connector   | (6) VDC indicator light                           | (12) Yaw rate & G sensor                             |
| (3) Transmission control module (TCM)                         | (7) VDC warning light and VDC OFF indicator light | (13) Data link connector                             |
| (4) Brake warning light (EBD warning light)                   | (8) Steering angle sensor                         | (14) Engine control module (ECM)                     |
|   | (9) VDC OFF switch                                | (15) Stop light switch                               |
|   | (10) Magnetic encoder                             | (16) Hill start assist warning light (MT model only) |

# Electrical Component Location

## VEHICLE DYNAMICS CONTROL (VDC) (DIAGNOSTICS)

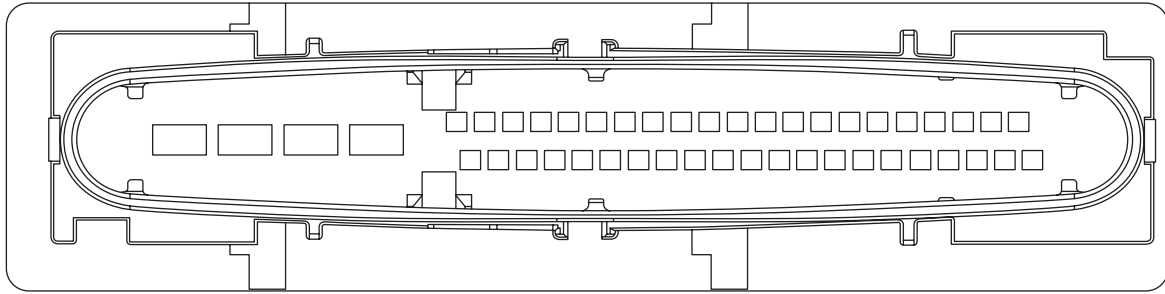


# Control Module I/O Signal

VEHICLE DYNAMICS CONTROL (VDC) (DIAGNOSTICS)

## 5. Control Module I/O Signal

### A: ELECTRICAL SPECIFICATION



**B310**

22	23	24	25	1	2	3	4	5	6	7	8	9	10	11	12	13	14	15	16	17	18	19	20	21
				26	27	28	29	30	31	32	33	34	35	36	37	38	39	40	41	42	43	44	45	46

VDC00457

**NOTE:**

- Terminal numbers in VDCCM&H/U connector are shown in the figure.
- When the connector is removed from the VDCCM&H/U, the brake warning light (EBD warning light), ABS warning light, VDC warning light, VDC OFF indicator light, and the hill start assist warning light illuminate.

## Control Module I/O Signal

### VEHICLE DYNAMICS CONTROL (VDC) (DIAGNOSTICS)

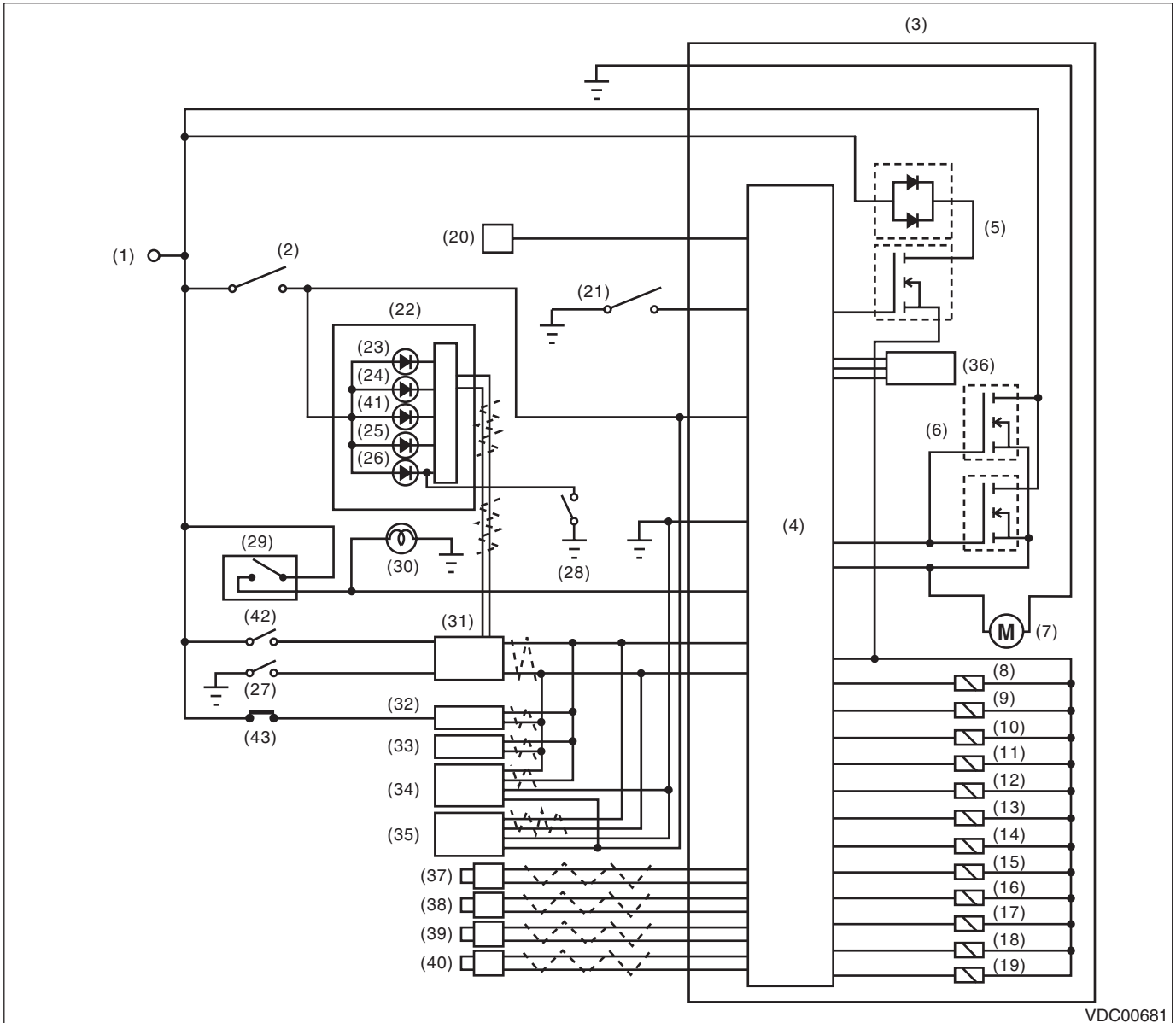
Content		Terminal No. (+) — (-)	Input/Output signal	
			Measured value and measuring conditions	
Power supply		28 — 25	10 — 15 V when the ignition switch is ON.	
ABS wheel speed sensor	Front LH wheel	Power supply	26 — 25	4.5 — 16.5 V
		Signal	1	5.9 — 16.8 mA: Rectangle waveform
	Front RH wheel	Power supply	5 — 25	4.5 — 16.5 V
		Signal	6	5.9 — 16.8 mA: Rectangle waveform
	Rear LH wheel	Power supply	2 — 25	4.5 — 16.5 V
		Signal	27	5.9 — 16.8 mA: Rectangle waveform
	Rear RH wheel	Power supply	3 — 25	4.5 — 16.5 V
		Signal	4	5.9 — 16.8 mA: Rectangle waveform
CAN communication line (+)		35	2.5 — 1.5 V pulse signal	
CAN communication line (-)		10	3.5 — 2.5 V pulse signal	
Valve relay power supply		24 — 25	10 — 15 V when the ignition switch is ON.	
Motor relay power supply		23 — 22	10 — 15 V when the ignition switch is ON.	
Stop light switch		30 — 25	1.5 V or less when the stop light is OFF; otherwise, 10 — 15 V when the stop light is ON.	
Subaru Select Monitor		7 — 25	0 ↔ 12 V pulse (in communication)	
Vehicle speed output signal		33	0 ↔ 5 V pulse	
Ground		25	—	



# Control Module I/O Signal

VEHICLE DYNAMICS CONTROL (VDC) (DIAGNOSTICS)

## B: WIRING DIAGRAM



VDC00681

## Control Module I/O Signal

### VEHICLE DYNAMICS CONTROL (VDC) (DIAGNOSTICS)

---

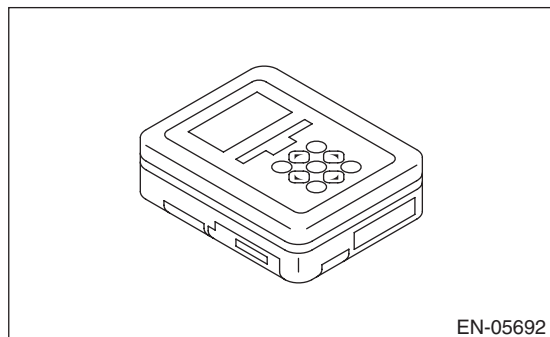
(1) Battery	(17) Primary suction solenoid valve	(32) Engine control module (ECM)
(2) Ignition switch	(18) Secondary cut solenoid valve	(33) Transmission control module (TCM)
(3) VDC control module and hydraulic control unit (VDCCM&H/U)	(19) Secondary suction solenoid valve	(34) Steering angle sensor
(4) VDC control module	(20) Data link connector	(35) Yaw rate & G sensor
(5) Valve relay	(21) VDC OFF switch	(36) Pressure sensor
(6) Motor relay	(22) Combination meter	(37) Front ABS wheel speed sensor LH
(7) Motor	(23) VDC indicator light	(38) Front ABS wheel speed sensor RH
(8) Front inlet solenoid valve LH	(24) VDC warning light and VDC OFF indicator light	(39) Rear ABS wheel speed sensor LH
(9) Front outlet solenoid valve LH	(25) ABS warning light	(40) Rear ABS wheel speed sensor RH
(10) Front inlet solenoid valve RH	(26) Brake warning light (EBD warning light)	(41) Hill start assist warning light (MT model only)
(11) Front outlet solenoid valve RH	(27) Parking brake switch	(42) Back-up light switch (MT model only)
(12) Rear inlet solenoid valve LH	(28) Brake fluid level switch	(43) Clutch switch (MT model only)
(13) Rear outlet solenoid valve LH	(29) Stop light switch	
(14) Rear inlet solenoid valve RH	(30) Stop light	
(15) Rear outlet solenoid valve RH	(31) Body integrated unit	

## 6. Subaru Select Monitor

### A: OPERATION

#### 1. HOW TO USE SUBARU SELECT MONITOR

1) Prepare the Subaru Select Monitor kit. <Ref. to VDC(diag)-8, SPECIAL TOOL, PREPARATION TOOL, General Description.>



2) Prepare PC with Subaru Select Monitor installed.

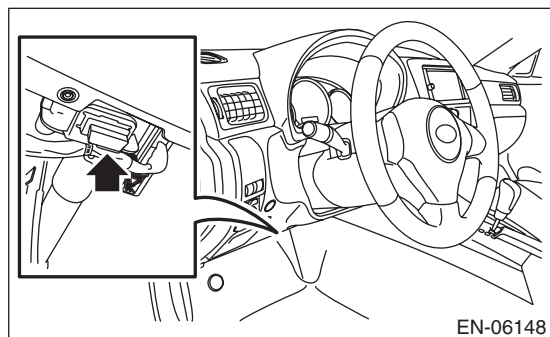
3) Connect the USB cable to SDI (Subaru Diagnosis Interface) and USB port on the personal computer (dedicated port for the Subaru Select Monitor).

#### NOTE:

The dedicated port for the Subaru Select Monitor means the USB port which was used to install the Subaru Select Monitor.

4) Connect the diagnosis cable to SDI.

5) Connect SDI to data link connector located in the lower portion of the instrument panel (on the driver's side).



#### CAUTION:

**Do not connect the scan tools other than the Subaru Select Monitor.**

6) Start the PC.

7) Turn the ignition switch to ON (engine OFF) and run the "PC application for Subaru Select Monitor".

#### NOTE:

For detailed operation procedures, refer to "PC application help for Subaru Select Monitor".

8) If VDC and Subaru Select Monitor cannot communicate, check the communication circuit. <Ref. to VDC(diag)-19, COMMUNICATION FOR INITIALIZING IMPOSSIBLE, INSPECTION, Subaru Select Monitor.>

# Subaru Select Monitor

## VEHICLE DYNAMICS CONTROL (VDC) (DIAGNOSTICS)

### 2. READ CURRENT DATA

- 1) On «Main Menu» display, select {Each System Check}.
  - 2) On «System Selection Menu» display, select {Brake Control System}.
  - 3) Click the [OK] button after {VDC} is displayed.
  - 4) On «Brake Control Diagnosis» display, select {Current Data Display & Save}.
  - 5) On «Data Display Menu» display, select the data display method.
  - 6) Using the scroll key, scroll the display screen up or down until necessary data is shown.
- A list of the support data is shown in the following table.

Display	Contents to be monitored	Unit of measure
FR Wheel Speed	Wheel speed detected by front ABS wheel speed sensor RH is displayed.	km/h or MPH
FL Wheel Speed	Wheel speed detected by front ABS wheel speed sensor LH is displayed.	km/h or MPH
RR Wheel Speed	Wheel speed detected by rear ABS wheel speed sensor RH is displayed.	km/h or MPH
RL Wheel Speed	Wheel speed detected by rear ABS wheel speed sensor LH is displayed.	km/h or MPH
Steering Angle Sensor Op	Steering angle detected by steering angle sensor is displayed.	deg
Yaw Rate Sensor Output	Vehicle angular speed detected by yaw rate sensor is displayed.	deg/s
Pressure Sensor Output	Brake fluid pressure detected by pressure sensor is displayed.	bar
Lateral G sensor Output	Vehicle lateral acceleration detected by lateral G sensor is displayed.	m/s (m/s <sup>2</sup> )
IG power supply voltage	Voltage supplied to VDCCM&H/U is displayed.	V
E/G Control Stop Flag	Engine control command signal is displayed.	1 or 0
ABS Control Flag	ABS operation condition is displayed.	ON or OFF
EBD Control Flag	EBD operation condition is displayed.	ON or OFF
TCS Control Flag	TCS operation condition is displayed.	ON or OFF
VDC Control Flag	VDC operation condition is displayed.	ON or OFF
OFF Lamp	ON/OFF condition of VDC OFF indicator light is displayed.	ON or OFF
EBD Warning Light	ON operation of the EBD warning light is displayed.	ON or OFF
ABS Warning Light	ON operation of the ABS warning light is displayed.	ON or OFF
VDC Warning Light	ON operation of the VDC warning light is displayed.	ON or OFF
Valve Relay Signal	Valve relay operation signal is displayed.	ON or OFF
Motor Relay Signal	Motor relay operation signal is displayed.	ON or OFF
M. Relay monitor Voltage	Voltage applied to the motor relay is displayed.	V
OFF SW Signal	Operation condition of VDC OFF switch is displayed.	ON or OFF
Brake Switch	Brake ON/OFF is displayed.	ON or OFF
Longitudinal G sensor output	Vehicle longitudinal acceleration detected by longitudinal G sensor is displayed. (For MT vehicle only. For AT vehicle: At -0.1 m/s <sup>2</sup> constantly)	m/s <sup>2</sup>
Clutch Switch	Clutch ON/OFF is displayed. (For MT vehicle only. For AT vehicle: OFF fixed)	ON or OFF
Reverse Signal	Reverse gear ON/OFF is displayed. (For MT vehicle only. For AT vehicle: OFF fixed)	ON or OFF

#### NOTE:

For details concerning the operation procedure, refer to “PC application help for Subaru Select Monitor”.

### 3. FUNCTION CHECK

Display	Contents of display	Index No.
ABS Sequence Control Mode	Operate the valve and pump motor continuously to perform the ABS sequence control.	<Ref. to ABS-10, ABS Sequence Control.>
VDC Check Mode	Operate the valve and pump motor continuously to perform the VDC sequence control.	<Ref. to VDC-13, VDC Sequence Control.>
Set mode Str. A.Sen.N&Lat.GSen.0p	Set the steering angle sensor neutral position and the lateral G sensor “0” point.	<Ref. to VDC-18, Steering Angle Sensor.>

# Subaru Select Monitor

## VEHICLE DYNAMICS CONTROL (VDC) (DIAGNOSTICS)

### 4. FREEZE FRAME DATA

**NOTE:**

- Data stored at the time of trouble occurrence is shown on display.
- Each time a trouble occurs, the latest information is stored in the freeze frame data in memory.
- If a freeze frame data is not properly stored in memory (due to a drop in VDCCM power supply, etc.), a DTC suffixed with a question mark “?” appears on the Subaru Select Monitor display. This shows it may be an unreliable reading.

Display	Contents to be monitored
Steering Angle Sensor Op	Steering angle detected by steering angle sensor is displayed.
Yaw Rate Sensor Output	Vehicle angular speed detected by yaw rate sensor is displayed.
Lateral G sensor Output	Vehicle lateral acceleration detected by lateral G sensor is displayed.
Pressure Sensor Output	Brake fluid pressure detected by pressure sensor is displayed.
Vehicle Speed	Vehicle speed calculated by VDC control module is displayed.
FR Wheel Speed	Wheel speed detected by front ABS wheel speed sensor RH is displayed in km/h or MPH.
FL Wheel Speed	Wheel speed detected by front ABS wheel speed sensor LH is displayed in km/h or MPH.
RR Wheel Speed	Wheel speed detected by rear ABS wheel speed sensor RH is displayed in km/h or MPH.
RL Wheel Speed	Wheel speed detected by rear ABS wheel speed sensor LH is displayed in km/h or MPH.
Accel. Opening Angle	Acceleration opening is displayed.
Engine Speed	Engine speed on malfunction occurrence is displayed.
Gear Position	Gear position on malfunction occurrence is displayed.
IG power supply voltage	Voltage (V) supplied to VDC control module is displayed.
Steering angle flag	Whether the absolute angle of the steering angle sensor was determined is displayed.
E/G Control Stop Flag	Engine control command signal is displayed.
VDC Control Flag	VDC control condition is displayed.
EBD Control Flag	EBD control condition is displayed.
TCS Control Flag	TCS control condition is displayed.
ABS Control Flag	ABS control condition is displayed.

Display	Contents to be monitored
OFF Switch Detection	ON/OFF condition of the VDC operated by the driver is displayed.
Brake Switch	Brake ON/OFF is displayed.
Longitudinal G sensor output	Vehicle longitudinal acceleration detected by longitudinal G sensor is displayed. (For MT vehicle only. For AT vehicle: At $-0.1 \text{ m/s}^2$ constantly)
Clutch Switch	Clutch ON/OFF is displayed. (For MT vehicle only. For AT vehicle: OFF fixed)
Reverse Signal	Reverse gear ON/OFF is displayed. (For MT vehicle only. For AT vehicle: OFF fixed)

# Subaru Select Monitor

VEHICLE DYNAMICS CONTROL (VDC) (DIAGNOSTICS)

---

## 5. PARAMETER SELECTION

### CAUTION:

- **Subaru Select Monitor is required for parameter selection.**
- **This function can be used for the replacement part of VDCCM&H/U and VDCCM.**

### NOTE:

- When the VDCCM is replaced with a replacement part, be sure to perform the parameter selection/registration to the VDCCM using this function.
- To confirm the applied model, refer to the “model number plate” attached on the vehicle. <Ref. to ID-2, IDENTIFICATION, Identification.>
- When the applied model is entered wrong, re-entry is possible.
- When the registration has not been performed, the DTC code “Parameter selection error” is detected together with the ABS/EBD/VDC warning light illumination.

- 1) Connect the Subaru Select Monitor.
- 2) On «Main Menu» display, select {Each System Check}.
- 3) On «System Selection Menu» display, select {Brake Control System}.
- 4) Click the [OK] button after {VDC} is displayed.
- 5) On «Brake Control Diagnosis» display, select {Selection of Parameter}.
- 6) Check the applied model indicated in the “Model number plate”. <Ref. to ID-2, IDENTIFICATION, Identification.>
- 7) Enter the applied model of 7-digit alphanumeric characters and press the [Enter] key.
- 8) When the confirmation screen indicating the vehicle information appears, check that the correct applied model and grade are displayed and click the [OK] button.

### NOTE:

When the displayed applied model and grade are different from those of the vehicle, perform registration operations again after clicking the [OK] button.

- 9) Execute Clear Memory after parameter selection and registration operations because the DTC for “Parameter selection error” is memorized.

## 6. PARAMETER CHECK

### NOTE:

The parameter data registered in the VDCCM is shown on the display.

- 1) Connect the Subaru Select Monitor.
- 2) On «Main Menu» display, select {Each System Check}.
- 3) On «System Selection Menu» display, select {Brake Control System}.
- 4) Click the [OK] button after {VDC} is displayed.
- 5) On «Brake Control Diagnosis» display, select {Confirm on parameter}.
- 6) On the {Confirm on parameter} display screen, check that the applied model and grade of the target vehicle are included, and click the [OK] button.
- 7) If the applied model and grade of the target vehicle are not included on the {Confirm on parameter} display screen, perform parameter selection and registration. <Ref. to VDC(diag)-18, PARAMETER SELECTION, OPERATION, Subaru Select Monitor.>

# Subaru Select Monitor

VEHICLE DYNAMICS CONTROL (VDC) (DIAGNOSTICS)

## B: INSPECTION

### 1. COMMUNICATION FOR INITIALIZING IMPOSSIBLE

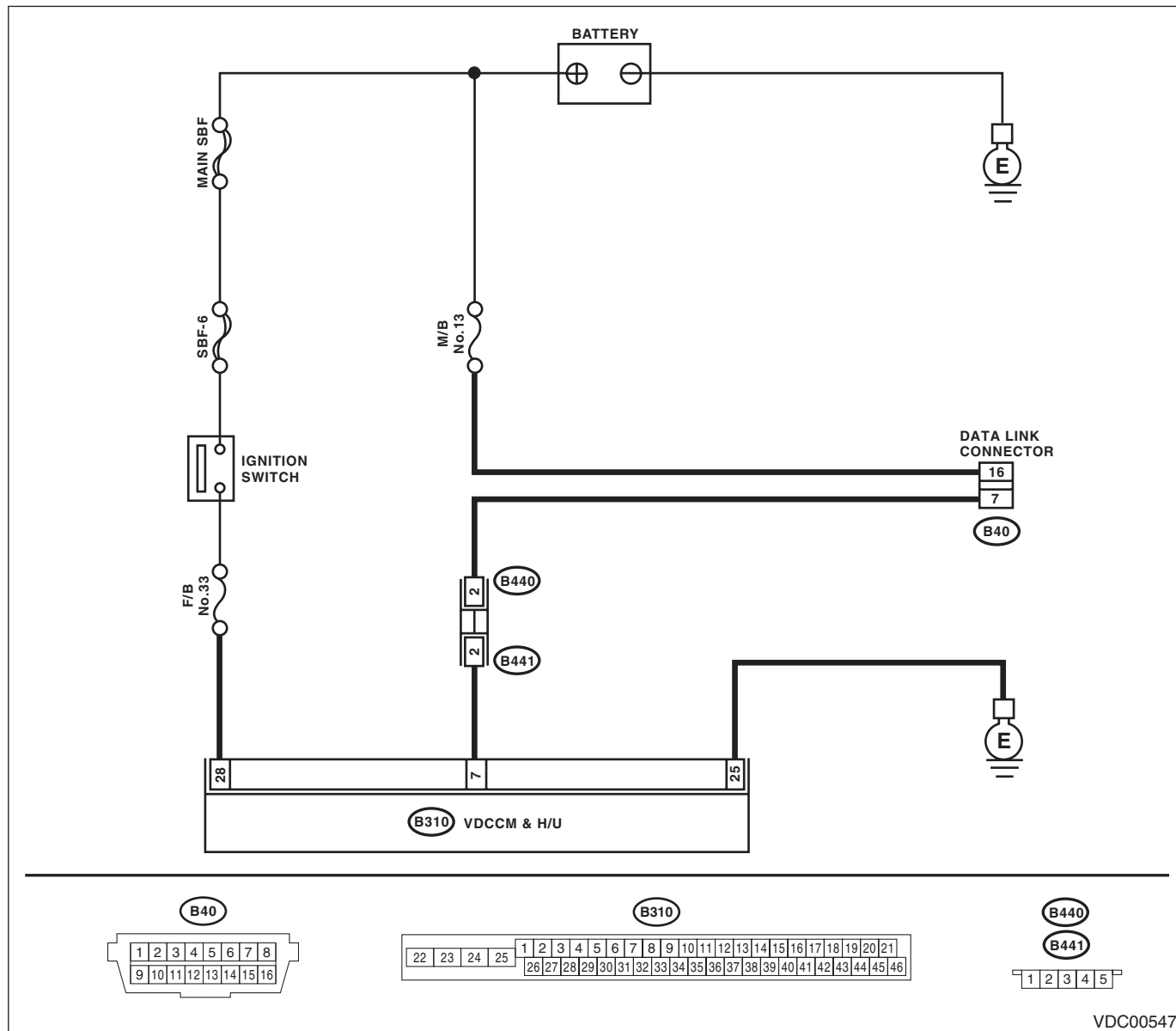
#### DETECTING CONDITION:

Faulty harness connectors

#### TROUBLE SYMPTOM:

Communication is impossible between VDC and Subaru Select Monitor.

#### WIRING DIAGRAM:



VDC00547

# Subaru Select Monitor

## VEHICLE DYNAMICS CONTROL (VDC) (DIAGNOSTICS)

Step	Check	Yes	No	
1	<b>CHECK IGNITION SWITCH.</b>	Is the ignition switch ON?	Go to step 2.	Turn the ignition switch to ON, and select VDC mode using Subaru Select Monitor.
2	<b>CHECK BATTERY.</b> 1) Turn the ignition switch to OFF. 2) Measure the battery voltage.	Is the voltage 11 V or more?	Go to step 3.	Charge or replace the battery.
3	<b>CHECK BATTERY TERMINAL.</b>	Is there poor contact at the battery terminal?	Repair or tighten the battery terminal.	Go to step 4.
4	<b>CHECK SUBARU SELECT MONITOR COMMUNICATION.</b> 1) Turn the ignition switch to ON. 2) Using the Subaru Select Monitor, check whether communication to other systems can be executed normally.	Is the system name displayed on Subaru Select Monitor?	Go to step 8.	Go to step 5.
5	<b>CHECK SUBARU SELECT MONITOR COMMUNICATION.</b> 1) Turn the ignition switch to OFF. 2) Disconnect the VDCCM&H/U connector. 3) Turn the ignition switch to ON. 4) Check whether communication to other systems can be executed normally.	Is the system name displayed on Subaru Select Monitor?	Replace the VDCCM only. <Ref. to VDC-9, REPLACEMENT, VDC Control Module and Hydraulic Control Unit (VDCCM&H/U).>	Go to step 6.
6	<b>CHECK HARNESS CONNECTOR BETWEEN EACH CONTROL MODULE AND DATA LINK CONNECTOR.</b> 1) Turn the ignition switch to OFF. 2) Disconnect the VDCCM&H/U, ECM and TCM. 3) Measure the resistance between data link connector and chassis ground. <b>Connector &amp; terminal</b> <b>(B40) No. 7 — Chassis ground:</b>	Is the resistance 1 MΩ or more?	Go to step 7.	Repair the harness and connector between each control module and data link connector.
7	<b>CHECK HARNESS CONNECTOR BETWEEN VDCCM&amp;H/U AND DATA LINK CONNECTOR.</b> 1) Turn the ignition switch to ON. 2) Measure the voltage between data link connector and chassis ground. <b>Connector &amp; terminal</b> <b>(B40) No. 7 (+) — Chassis ground (-):</b>	Is the voltage less than 1 V?	Go to step 8.	Repair the harness and connector between each control module and data link connector.
8	<b>CHECK HARNESS CONNECTOR BETWEEN VDCCM&amp;H/U AND DATA LINK CONNECTOR.</b> Measure the resistance between VDCCM&H/U connector and data link connector. <b>Connector &amp; terminal</b> <b>(B310) No. 7 — (B40) No. 7:</b>	Is the resistance less than 0.5 Ω?	Go to step 9.	Repair harness and connector between VDCCM&H/U and data link connector.
9	<b>CHECK INSTALLATION OF VDCCM&amp;H/U CONNECTOR.</b> Turn the ignition switch to OFF.	Is the VDCCM&H/U connector inserted into VDCCM&H/U until the clamp locks onto it?	Go to step 10.	Insert VDCCM&H/U connector into VDCCM&H/U.



# Subaru Select Monitor

## VEHICLE DYNAMICS CONTROL (VDC) (DIAGNOSTICS)

Step	Check	Yes	No
<b>10 CHECK POWER SUPPLY CIRCUIT.</b> 1) Turn the ignition switch to ON. (engine OFF) 2) Measure the ignition power supply voltage between VDCCM&H/U connector and chassis ground. <b>Connector &amp; terminal</b> <b>(B310) No. 28 (+) — Chassis ground (-):</b>	Is the voltage 10 — 15 V?	Go to step 11.	Repair open circuit in harness between VDCCM&H/U and battery.
<b>11 CHECK HARNESS CONNECTOR BETWEEN VDCCM&amp;H/U AND CHASSIS GROUND.</b> 1) Turn the ignition switch to OFF. 2) Disconnect the connector from the VDCCM&H/U. 3) Measure the resistance of harness between VDCCM&H/U connector and chassis ground. <b>Connector &amp; terminal</b> <b>(B310) No. 25 — Chassis ground:</b>	Is the resistance less than 0.5 $\Omega$ ?	Go to step 12.	Repair the open circuit of VDCCM&H/U ground harness and poor contact of connector.
<b>12 CHECK POOR CONTACT OF CONNECTOR.</b>	Is there poor contact of control module power supply, ground circuit and data link connector?	Repair the connector.	Replace the VDCCM only. <Ref. to VDC-9, REPLACEMENT, VDC Control Module and Hydraulic Control Unit (VDCCM&H/U).>

# Read Diagnostic Trouble Code (DTC)

VEHICLE DYNAMICS CONTROL (VDC) (DIAGNOSTICS)

---

## 7. Read Diagnostic Trouble Code (DTC)

### A: OPERATION

- 1) On «Main Menu» display, select {Each System Check}.
- 2) On «System Selection Menu» display, select {Brake Control System}.
- 3) Click the [OK] button after {VDC} is displayed.
- 4) On «Brake Control Diagnosis» display, select {Diagnostic Code(s) Display}.
- 5) Record the DTC and data.

#### NOTE:

- For detailed operation procedures, refer to “PC application help for Subaru Select Monitor”.
- For details concerning DTCs, refer to “List of Diagnostic Trouble Code (DTC)”. <Ref. to VDC(diag)-33, List of Diagnostic Trouble Code (DTC).>
- Up to 3 DTCs are displayed in the order of detection.
- If a particular DTC is not stored in memory properly at the occurrence of problem (due to a drop in VDCCM&H/U power supply etc.), the DTC suffixed with a question mark “?” is displayed on Subaru Select Monitor display screen. This shows it may be an unreliable reading.

Display	Contents to be monitored
Current	The current DTC is displayed on Subaru Select Monitor display screen.
Old	The latest DTC from the history of previous problems is displayed on Subaru Select Monitor display screen.
Older	The second latest DTC from the history of previous problems is displayed on the Subaru Select Monitor display screen.
Before 3	The third latest DTC from the history of previous problems is displayed on Subaru Select Monitor display screen.

### **8. Inspection Mode**

#### **A: PROCEDURE**

Reproduce the malfunction occurrence condition as much as possible.

Drive the vehicle at least ten minutes.

#### **NOTE:**

Make sure the vehicle is not dragged to one side under usual driving condition.

## Clear Memory Mode

VEHICLE DYNAMICS CONTROL (VDC) (DIAGNOSTICS)

---

### 9. Clear Memory Mode

#### A: OPERATION

- 1) On «Main Menu» display, select {Each System Check}.
- 2) On «System Selection Menu» display, select {Brake Control System}.
- 3) Click the [OK] button after {VDC} is displayed.
- 4) On «Brake Control Diagnosis» display, select {Clearing Memory}.
- 5) When the “Clear Memory?” is shown on the screen, click the [YES] button.
- 6) When “Done” and “Turn off the ignition switch.” are shown on the display screen, turn the ignition switch to OFF.

#### NOTE:

For detailed operation procedures, refer to “PC application help for Subaru Select Monitor”.



## Warning Light Illumination Pattern

### VEHICLE DYNAMICS CONTROL (VDC) (DIAGNOSTICS)

---

1) When warning lights or indicator lights do not illuminate in accordance with this illumination pattern, there must be an electrical malfunction.

2) When warning lights or indicator lights remain constantly OFF, check the combination meter circuit or CAN communication circuit. <Ref. to VDC(diag)-27, VDC WARNING LIGHT, VDC OFF INDICATOR LIGHT AND VDC INDICATOR LIGHT DO NOT COME ON, Warning Light Illumination Pattern.> <Ref. to VDC(diag)-28, ABS WARNING LIGHT DOES NOT COME ON, Warning Light Illumination Pattern.> <Ref. to VDC(diag)-28, HILL START ASSIST WARNING LIGHT DOES NOT COME ON, Warning Light Illumination Pattern.>

3) When ABS warning light and hill start assist warning light do not go off, check the combination meter circuit. <Ref. to VDC(diag)-29, ABS WARNING LIGHT DOES NOT GO OFF, Warning Light Illumination Pattern.>

4) When the VDC indicator light, VDC warning light and VDC OFF indicator light do not go off, check the combination meter circuit or CAN communication circuit. <Ref. to VDC(diag)-29, VDC INDICATOR LIGHT DOES NOT GO OFF, Warning Light Illumination Pattern.> <Ref. to VDC(diag)-30, VDC WARNING LIGHT AND VDC OFF INDICATOR LIGHT DO NOT GO OFF, Warning Light Illumination Pattern.>

#### NOTE:

- Even though the ABS warning light does not go off after 2 seconds from ABS warning light illumination, the ABS system operates normally when the warning light goes off while driving at approximately 12 km/h (7 MPH). However, the ABS system does not work while the ABS warning light is illuminated.
- It may take several minutes before VDC warning light and VDC OFF indicator light goes off if the vehicle is parked under low temperature for a specified time. This is not defective because it is resulted from low engine coolant temperature.
- With the vehicle jack-up/lift-up or set on free rollers, when the wheels lock or spin after starting the engine, ABS warning light, VDC warning light and VDC OFF indicator light may illuminate because VDCCM&H/U detects the abnormal conditions from ABS wheel speed sensors. In this case, this is not a malfunction. Perform the Clear Memory Mode.

## Warning Light Illumination Pattern

VEHICLE DYNAMICS CONTROL (VDC) (DIAGNOSTICS)

### **B: VDC WARNING LIGHT, VDC OFF INDICATOR LIGHT AND VDC INDICATOR LIGHT DO NOT COME ON**

**DETECTING CONDITION:**

- Defective combination meter
- Defective CAN communication

**TROUBLE SYMPTOM:**

When the ignition switch is turned to ON (engine OFF), VDC indicator light, VDC warning light and VDC OFF indicator light do not illuminate.

**NOTE:**

When pressing the VDC OFF switch for 10 seconds or more, the VDC OFF indicator light goes off and cannot operate any more. When turning the ignition switch from OFF to ON, the OFF operation enabled status is restored.

Step	Check	Yes	No
<b>1</b> <b>CHECK OTHER INDICATOR LIGHT.</b> Turn the ignition switch to ON.	Does other indicator light illuminate soon after "ON".	Go to step 2.	Perform the self-diagnosis of combination meter.
<b>2</b> <b>CHECK VDCCM.</b> When the engine does not start, display the current data of VDCCM using Subaru Select Monitor.	Is "VDC Warning Light" output set to ON?	Go to step 3.	Replace the VDCCM only. <Ref. to VDC-9, REPLACEMENT, VDC Control Module and Hydraulic Control Unit (VDCCM&H/U).>
<b>3</b> <b>CHECK LAN SYSTEM.</b> Perform the diagnosis for LAN system. <Ref. to LAN(diag)-31, OPERATION, Read Diagnostic Trouble Code (DTC).>	Is there any fault in LAN system?	Perform the diagnosis according to DTC for LAN system.	Go to step 4.
<b>4</b> <b>CHECK COMBINATION METER.</b> Check the combination meter. <Ref. to IDI-4, INSPECTION, Combination Meter System.>	Is combination meter OK?	Replace the VDCCM only. <Ref. to VDC-9, REPLACEMENT, VDC Control Module and Hydraulic Control Unit (VDCCM&H/U).>	Replace the combination meter.

## Warning Light Illumination Pattern

VEHICLE DYNAMICS CONTROL (VDC) (DIAGNOSTICS)

### C: ABS WARNING LIGHT DOES NOT COME ON

**DETECTING CONDITION:**

- Defective combination meter
- Defective CAN communication

**TROUBLE SYMPTOM:**

When the ignition switch is turned to ON (engine OFF), ABS warning light and hill start assist warning light do not come on.

Step	Check	Yes	No
<b>1</b> <b>CHECK OTHER LIGHTS TURN ON.</b> Turn the ignition switch to ON. (engine OFF)	Do other warning lights illuminate?	Go to step 2.	Check the combination meter.
<b>2</b> <b>READ DTC.</b> Read the DTC. <Ref. to VDC(diag)-22, Read Diagnostic Trouble Code (DTC).>	Is DTC displayed?	Perform the diagnosis according to DTC. <Ref. to VDC(diag)-33, List of Diagnostic Trouble Code (DTC).>	Go to step 3.
<b>3</b> <b>CHECK LAN SYSTEM.</b> Perform the diagnosis for LAN system. <Ref. to LAN(diag)-31, OPERATION, Read Diagnostic Trouble Code (DTC).>	Is there any fault in LAN system?	Perform the diagnosis according to DTC for LAN system.	Go to step 4.
<b>4</b> <b>CHECK COMBINATION METER.</b> Check the combination meter. <Ref. to IDI-4, INSPECTION, Combination Meter System.>	Is combination meter OK?	Replace the VDCCM only. <Ref. to VDC-9, REPLACEMENT, VDC Control Module and Hydraulic Control Unit (VDCCM&H/U).>	Replace the combination meter.

### D: HILL START ASSIST WARNING LIGHT DOES NOT COME ON

For the diagnostic procedures, refer to “ABS WARNING LIGHT DOES NOT COME ON”. <Ref. to VDC(diag)-28, ABS WARNING LIGHT DOES NOT COME ON, Warning Light Illumination Pattern.>



## Warning Light Illumination Pattern

VEHICLE DYNAMICS CONTROL (VDC) (DIAGNOSTICS)

### E: ABS WARNING LIGHT DOES NOT GO OFF

#### DETECTING CONDITION:

- Defective combination meter
- Defective CAN communication

#### TROUBLE SYMPTOM:

When starting the engine, the ABS warning light and hill start assist warning light are kept ON.

Step	Check	Yes	No	
1	<b>READ DTC.</b> Read the DTC. <Ref. to VDC(diag)-22, Read Diagnostic Trouble Code (DTC).>	Is DTC displayed?	Perform the diagnosis according to DTC. <Ref. to VDC(diag)-33, List of Diagnostic Trouble Code (DTC).>	Go to step 2.
2	<b>CHECK LAN SYSTEM.</b> Perform the diagnosis for LAN system. <Ref. to LAN(diag)-31, OPERATION, Read Diagnostic Trouble Code (DTC).>	Is there any fault in LAN system?	Perform the diagnosis according to DTC for LAN system.	Go to step 3.
3	<b>CHECK COMBINATION METER.</b> Check the combination meter. <Ref. to IDI-4, INSPECTION, Combination Meter System.>	Is combination meter OK?	Replace the VDCCM only. <Ref. to VDC-9, REPLACEMENT, VDC Control Module and Hydraulic Control Unit (VDCCM&H/U).>	Replace the combination meter.

### F: HILL START ASSIST WARNING LIGHT DOES NOT GO OFF

For the diagnostic procedures, refer to “ABS WARNING LIGHT DOES NOT GO OFF”. <Ref. to VDC(diag)-29, ABS WARNING LIGHT DOES NOT GO OFF, Warning Light Illumination Pattern.>

### G: VDC INDICATOR LIGHT DOES NOT GO OFF

#### DETECTING CONDITION:

- Defective combination meter
- Defective CAN communication

#### TROUBLE SYMPTOM:

When starting the engine, VDC indicator light is kept ON.

Step	Check	Yes	No	
1	<b>READ DTC.</b> Read the DTC. <Ref. to VDC(diag)-22, Read Diagnostic Trouble Code (DTC).>	Is DTC displayed?	Perform the diagnosis according to DTC. <Ref. to VDC(diag)-33, List of Diagnostic Trouble Code (DTC).>	Go to step 2.
2	<b>CHECK LAN SYSTEM.</b> Perform the diagnosis for LAN system. <Ref. to LAN(diag)-31, OPERATION, Read Diagnostic Trouble Code (DTC).>	Is there any fault in LAN system?	Perform the diagnosis according to DTC for LAN system.	Go to step 3.
3	<b>CHECK COMBINATION METER.</b> Check the combination meter. <Ref. to IDI-4, INSPECTION, Combination Meter System.>	Is combination meter OK?	Replace the VDCCM only. <Ref. to VDC-9, REPLACEMENT, VDC Control Module and Hydraulic Control Unit (VDCCM&H/U).>	Replace the combination meter.

## Warning Light Illumination Pattern

VEHICLE DYNAMICS CONTROL (VDC) (DIAGNOSTICS)

### H: VDC WARNING LIGHT AND VDC OFF INDICATOR LIGHT DO NOT GO OFF

#### DETECTING CONDITION:

- Defective combination meter
- Defective CAN communication
- Defective engine
- VDC OFF switch is shorted.

#### TROUBLE SYMPTOM:

When starting the engine, VDC OFF indicator light is kept ON.

#### NOTE:

When pressing the VDC OFF switch for 10 seconds or more, the VDC OFF indicator light goes off and cannot operate any more. When turning the ignition switch from OFF to ON, the OFF operation enabled status is restored.

Step	Check	Yes	No
<b>1 READ DTC.</b> Read the DTC. <Ref. to VDC(diag)-22, Read Diagnostic Trouble Code (DTC).>	Is DTC displayed?	Perform the diagnosis according to DTC. <Ref. to VDC(diag)-33, List of Diagnostic Trouble Code (DTC).>	Go to step 2.
<b>2 CHECK ENGINE.</b>	Does the malfunction indicator light illuminate?	Repair the engine.	Go to step 3.
<b>3 CHECK ENGINE COOLANT TEMPERATURE.</b> Warm up the engine and check if VDC warning light and VDC OFF indicator light illumination condition changes.	When the engine coolant temperature is too low, VDC warning light and VDC OFF indicator light illuminate. Do the lights go off when the engine is warmed up?	Normal	Go to step 4.
<b>4 CHECK VDC OFF SWITCH.</b> Remove and check VDC OFF switch. <Ref. to VDC-24, VDC OFF Switch.>	Is the VDC OFF switch normal?	Go to step 5.	Replace the VDC OFF switch.
<b>5 CHECK LAN SYSTEM.</b> Perform the diagnosis for LAN system. <Ref. to LAN(diag)-31, OPERATION, Read Diagnostic Trouble Code (DTC).>	Is there any fault in LAN system?	Perform the diagnosis according to DTC for LAN system.	Go to step 6.
<b>6 CHECK COMBINATION METER.</b> Check the combination meter. <Ref. to IDI-4, INSPECTION, Combination Meter System.>	Is combination meter OK?	Replace the VDCCM only. <Ref. to VDC-9, REPLACEMENT, VDC Control Module and Hydraulic Control Unit (VDCCM&H/U).>	Replace the combination meter.

# Warning Light Illumination Pattern

VEHICLE DYNAMICS CONTROL (VDC) (DIAGNOSTICS)

## I: BRAKE WARNING LIGHT DOES NOT GO OFF

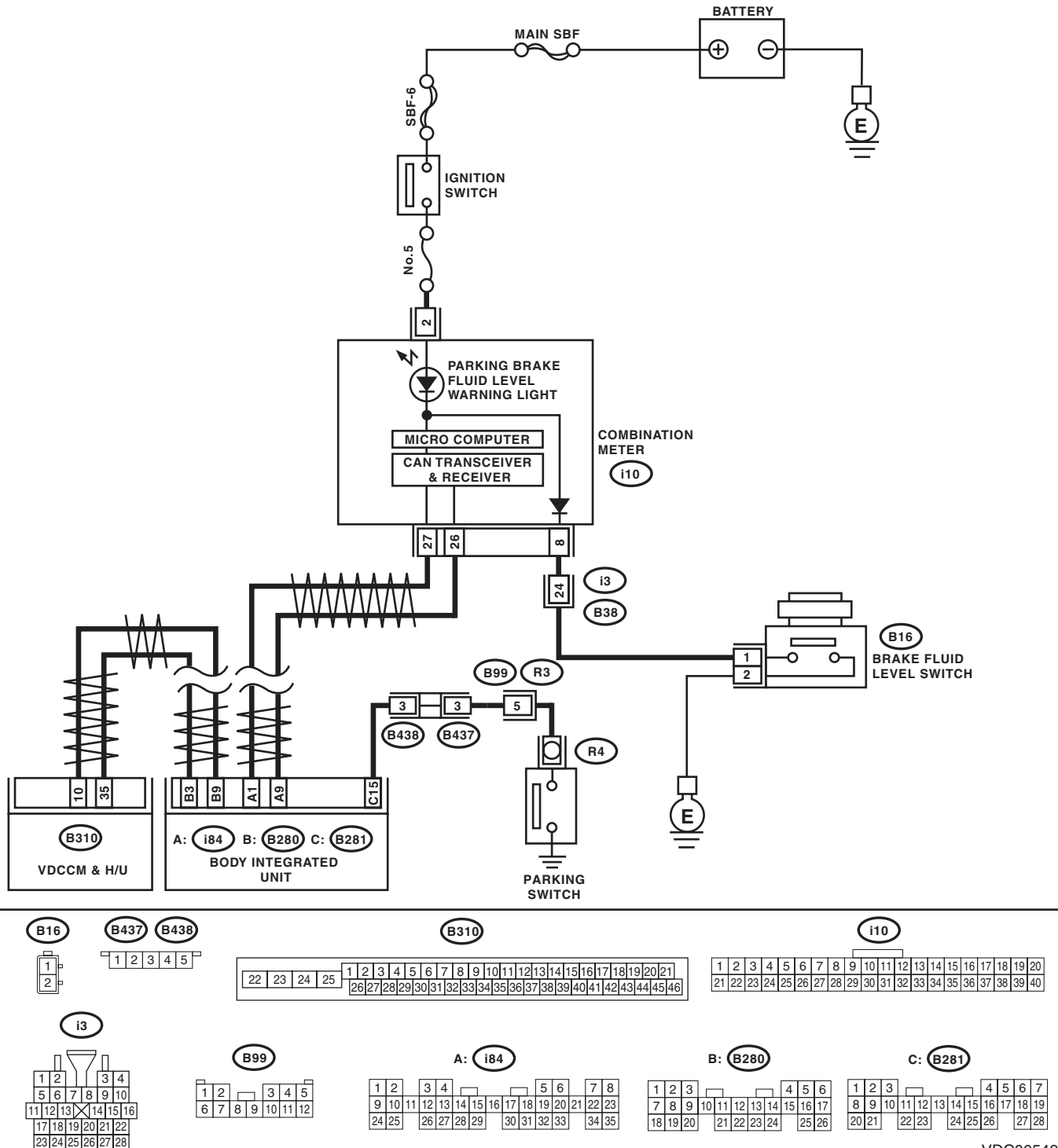
### DETECTING CONDITION:

- Brake warning light circuit is shorted.
- Defective sensor/connector
- Defective CAN communication

### TROUBLE SYMPTOM:

After starting the engine, the brake warning light remains lit though the parking lever is released.

### WIRING DIAGRAM:



VDC00548

# Warning Light Illumination Pattern

## VEHICLE DYNAMICS CONTROL (VDC) (DIAGNOSTICS)

Step	Check	Yes	No
<b>1 CHECK INSTALLATION OF VDCCM&amp;H/U CONNECTOR.</b> 1) Turn the ignition switch to OFF. 2) Check that the VDCCM&H/U connector is inserted until it is locked by clamp.	Is the connector firmly inserted?	Go to step 2.	Insert the VDCCM&H/U connector until it is locked by clamp.
<b>2 READ DTC.</b> Read the DTC. <Ref. to VDC(diag)-22, Read Diagnostic Trouble Code (DTC).>	Is DTC displayed?	Perform the diagnosis according to DTC. <Ref. to VDC(diag)-33, List of Diagnostic Trouble Code (DTC).>	Go to step 3.
<b>3 CHECK BRAKE FLUID AMOUNT.</b> Check the amount of brake fluid in the reservoir tank of master cylinder.	Is the amount of brake fluid between the lines of "MAX" and "MIN"?	Go to step 4.	Replenish brake fluid to the specified value.
<b>4 CHECK BRAKE FLUID LEVEL SWITCH.</b> 1) Turn the ignition switch to OFF. 2) Disconnect the level switch connector (B16) from master cylinder. 3) Measure the resistance of master cylinder terminals.  <i>Terminals</i> <i>No. 1 — No. 2:</i>	Is the resistance 1 MΩ or more?	Go to step 5.	Replace the master cylinder.
<b>5 CHECK GROUND SHORT OF HARNESS.</b> 1) Disconnect the connector (i10) from combination meter. 2) Measure the resistance between combination meter connector and chassis ground.  <i>Connector &amp; terminal</i> <i>(i10) No. 8 — Chassis ground:</i>	Is the resistance 1 MΩ or more?	Go to step 6.	Repair the harness between combination meter and brake fluid level switch.
<b>6 CHECK PARKING BRAKE SWITCH.</b> 1) Disconnect the connector (R4) from parking brake switch. 2) Release the parking brake. 3) Measure the resistance between parking brake switch terminal and chassis ground.	Is the resistance 1 MΩ or more?	Go to step 7.	Replace the parking brake switch.
<b>7 CHECK GROUND SHORT OF HARNESS.</b> 1) Disconnect the connector (B281) from body integrated unit. 2) Measure the resistance between body integrated unit connector and chassis ground.  <i>Connector &amp; terminal</i> <i>(B281) No. 15 — Chassis ground:</i>	Is the resistance 1 MΩ or more?	Go to step 8.	Repair the harness between body integrated unit and parking brake switch.
<b>8 CHECK POOR CONTACT OF CONNECTOR.</b> Check for poor contact of all connectors.	Is there poor contact?	Repair the connector.	Go to step 9.
<b>9 CHECK LAN SYSTEM.</b> Perform the diagnosis for LAN system. <Ref. to LAN(diag)-31, OPERATION, Read Diagnostic Trouble Code (DTC).>	Is there any fault in LAN system?	Perform the diagnosis according to DTC for LAN system.	Go to step 10.
<b>10 CHECK COMBINATION METER.</b> Check the combination meter. <Ref. to IDI-4, INSPECTION, Combination Meter System.>	Is combination meter OK?	Replace the VDCCM only. <Ref. to VDC-9, REPLACEMENT, VDC Control Module and Hydraulic Control Unit (VDCCM&H/U).>	Replace the combination meter.

# List of Diagnostic Trouble Code (DTC)

VEHICLE DYNAMICS CONTROL (VDC) (DIAGNOSTICS)

## 11. List of Diagnostic Trouble Code (DTC)

### A: LIST

DTC	Detailed code	Display	Content of diagnosis	Reference target
C0021	07B1H 07B2H 07C0H	Front Right ABS Sensor Circuit Open or Shorted Battery	Open/high input of front ABS wheel speed sensor RH	<Ref. to VDC(diag)-39, DTC C0021 FRONT RIGHT ABS SENSOR CIRCUIT OPEN OR SHORT, Diagnostic Procedure with Diagnostic Trouble Code (DTC).>
C0022	0720H 072FH 0736H 0737H 0738H 073AH 073CH	Front Right ABS Sensor Signal	Front ABS wheel speed sensor RH signal mal- function	<Ref. to VDC(diag)-42, DTC C0022 FRONT RIGHT ABS SENSOR SIGNAL, Diagnostic Pro- cedure with Diagnostic Trouble Code (DTC).>
C0023	06B1H 06B2H 06C0H	Front Left ABS Sensor Circuit Open or Shorted Battery	Open/high input of front ABS wheel speed sensor LH	<Ref. to VDC(diag)-39, DTC C0023 FRONT LEFT ABS SENSOR CIRCUIT OPEN OR SHORT, Diagnostic Procedure with Diagnostic Trouble Code (DTC).>
C0024	0620H 062FH 0636H 0637H 0638H 063AH 063CH	Front Left ABS Sensor Signal	Front ABS wheel speed sensor LH signal mal- function	<Ref. to VDC(diag)-42, DTC C0024 FRONT LEFT ABS SENSOR SIGNAL, Diagnostic Procedure with Diagnostic Trouble Code (DTC).>
C0025	09B1H 09B2H 09C0H	Rear Right ABS Sensor Circuit Open or Shorted Battery	Open/high input of rear ABS wheel speed sensor RH	<Ref. to VDC(diag)-39, DTC C0025 REAR RIGHT ABS SENSOR CIRCUIT OPEN OR SHORT, Diagnostic Procedure with Diagnostic Trouble Code (DTC).>
C0026	0920H 092FH 0936H 0937H 0938H 093AH 093CH	Rear Right ABS Sensor Signal	Rear ABS wheel speed sensor RH signal mal- function	<Ref. to VDC(diag)-42, DTC C0026 REAR RIGHT ABS SENSOR SIGNAL, Diagnostic Procedure with Diagnostic Trouble Code (DTC).>
C0027	08B1H 08B2H 08C0H	Rear Left ABS Sensor Circuit Open or Shorted Battery	Open/high input of rear ABS wheel speed sensor LH	<Ref. to VDC(diag)-40, DTC C0027 REAR LEFT ABS SENSOR CIRCUIT OPEN OR SHORT, Diagnostic Procedure with Diagnostic Trouble Code (DTC).>
C0028	0820H 082FH 0836H 0837H 0838H 083AH 083CH	Rear Left ABS Sensor Signal	Rear ABS wheel speed sensor LH signal mal- function	<Ref. to VDC(diag)-43, DTC C0028 REAR LEFT ABS SENSOR SIGNAL, Diagnostic Procedure with Diagnostic Trouble Code (DTC).>
C0029	0A10H 0A41H 0A4BH 0A4DH 0A52H 0A56H 0A60H	Any One of Four ABS Sensors Signal	ABS wheel speed sensor signal malfunction in one of four wheels	<Ref. to VDC(diag)-46, DTC C0029 ANY OF WHEEL SENSORS SIGNAL, Diagnostic Proce- dure with Diagnostic Trouble Code (DTC).>

## List of Diagnostic Trouble Code (DTC)

### VEHICLE DYNAMICS CONTROL (VDC) (DIAGNOSTICS)

DTC	Detailed code	Display	Content of diagnosis	Reference target
C0031	0DB8H 0DC0H 0DC1H 0DD0H	FR Hold Valve malfunction	Front inlet solenoid valve RH malfunction in VDCCM&H/U	<Ref. to VDC(diag)-48, DTC C0031 FR HOLD VALVE MALFUNCTION, Diagnostic Procedure with Diagnostic Trouble Code (DTC).>
C0032	0EB8H 0EC0H 0EC1H 0ED0H	FR Pressure Reducing Valve malfunction	Front outlet solenoid valve RH malfunction in VDCCM&H/U	<Ref. to VDC(diag)-48, DTC C0032 FR PRESSURE REDUCING VALVE MALFUNCTION, Diagnostic Procedure with Diagnostic Trouble Code (DTC).>
C0033	0BB8H 0BC0H 0BC1H 0BD0H	FL Hold Valve malfunction	Front inlet solenoid valve LH malfunction in VDCCM&H/U	<Ref. to VDC(diag)-48, DTC C0033 FL HOLD VALVE MALFUNCTION, Diagnostic Procedure with Diagnostic Trouble Code (DTC).>
C0034	0CB8H 0CC0H 0CC1H 0CD0H	FL Pressure Reducing Valve malfunction	Front outlet solenoid valve LH malfunction in VDCCM&H/U	<Ref. to VDC(diag)-48, DTC C0034 FL PRESSURE REDUCING VALVE MALFUNCTION, Diagnostic Procedure with Diagnostic Trouble Code (DTC).>
C0035	11B8H 11C0H 11C1H 11D0H	RR Hold Valve malfunction	Rear inlet solenoid valve RH malfunction in VDCCM&H/U	<Ref. to VDC(diag)-48, DTC C0035 RR HOLD VALVE MALFUNCTION, Diagnostic Procedure with Diagnostic Trouble Code (DTC).>
C0036	12B8H 12C0H 12C1H 12D0H	RR Pressure Reducing Valve malfunction	Rear outlet solenoid valve RH malfunction in VDCCM&H/U	<Ref. to VDC(diag)-48, DTC C0036 RR PRESSURE REDUCING VALVE MALFUNCTION, Diagnostic Procedure with Diagnostic Trouble Code (DTC).>
C0037	0FB8H 0FC0H 0FC1H 0FD0H	RL Hold Valve malfunction	Rear inlet solenoid valve LH malfunction in VDCCM&H/U	<Ref. to VDC(diag)-49, DTC C0037 RL HOLD VALVE MALFUNCTION, Diagnostic Procedure with Diagnostic Trouble Code (DTC).>
C0038	10B8H 10C0H 10C1H 10D0H	RL Pressure Reducing Valve malfunction	Rear outlet solenoid valve LH malfunction in VDCCM&H/U	<Ref. to VDC(diag)-49, DTC C0038 RL PRESSURE REDUCING VALVE MALFUNCTION, Diagnostic Procedure with Diagnostic Trouble Code (DTC).>
C0039	0FB5H 11B5H	Any One of Four Solenoid Valves	Solenoid valve malfunction in one of four wheels	<Ref. to VDC(diag)-49, DTC C0039 ANY ONE OF FOUR SOLENOID VALVES, Diagnostic Procedure with Diagnostic Trouble Code (DTC).>
C0041	—	Electrical Control Module	VDC control module malfunction	<Ref. to VDC(diag)-52, DTC C0041 ECM, Diagnostic Procedure with Diagnostic Trouble Code (DTC).>
	1630H 1645H 16C0H	Parameter selection error	VDC control module parameter selection failure	<Ref. to VDC(diag)-54, DTC C0041 PARAMETER SELECTION ERROR, Diagnostic Procedure with Diagnostic Trouble Code (DTC).>
C0042	0316H 031CH 0322H 0324H	Power Supply Voltage Failure	Power voltage malfunction	<Ref. to VDC(diag)-55, DTC C0042 POWER SUPPLY VOLTAGE FAILURE, Diagnostic Procedure with Diagnostic Trouble Code (DTC).>
C0044	2921H	TCM Communication Circuit	CAN communication failure of transmission control module	<Ref. to VDC(diag)-57, DTC C0044 TCM COMMUNICATION CIRCUIT, Diagnostic Procedure with Diagnostic Trouble Code (DTC).>
C0045	2922H 2932H	Incorrect VDC Control Module specifications	Different VDC control module specification	<Ref. to VDC(diag)-58, DTC C0045 INCORRECT VDC CONTROL MODULE SPECIFICATIONS, Diagnostic Procedure with Diagnostic Trouble Code (DTC).>
	2923H	TCM malfunction	AT control module malfunction	<Ref. to VDC(diag)-59, DTC C0045 TCM MALFUNCTION, Diagnostic Procedure with Diagnostic Trouble Code (DTC).>

# List of Diagnostic Trouble Code (DTC)

## VEHICLE DYNAMICS CONTROL (VDC) (DIAGNOSTICS)

DTC	Detailed code	Display	Content of diagnosis	Reference target
C0047	1504H	Improper CAN Commu- nication	Improper CAN commu- nication	<Ref. to VDC(diag)-60, DTC C0047 CAN COM- MUNICATION, Diagnostic Procedure with Diag- nostic Trouble Code (DTC).>
	1505H			
	1506H			
	1507H			
	1508H			
	150EH			
	1512H			
	1514H			
	1518H			
	1519H			
	151AH			
	151DH			
	151EH			
	151FH			
1520H				
1531H				
1540H				
15C0H				
C0051	021FH	Valve Relay	Valve Relay	<Ref. to VDC(diag)-62, DTC C0051 VALVE RELAY, Diagnostic Procedure with Diagnostic Trouble Code (DTC).>
	0220H			
	0221H			
	0280H			
	0281H			
	02B0H			
02B1H				
02C0H				
C0052	0562H	Motor and Motor Relay OFF Failure	Motor/motor relay OFF malfunction	<Ref. to VDC(diag)-64, DTC C0052 MOTOR AND MOTOR RELAY OFF FAILURE, Diagnostic Pro- cedure with Diagnostic Trouble Code (DTC).>
	0574H			
	0580H			
C0052	05A0H	Motor and Motor Relay ON Failure	Motor/motor relay ON malfunction	<Ref. to VDC(diag)-66, DTC C0052 MOTOR AND MOTOR RELAY ON FAILURE, Diagnostic Proce- dure with Diagnostic Trouble Code (DTC).>
	0560H	Motor malfunction	Motor	<Ref. to VDC(diag)-67, DTC C0052 MOTOR MALFUNCTION, Diagnostic Procedure with Diag- nostic Trouble Code (DTC).>
C0054	04B0H	BLS Circuit Open	BLS open circuit	<Ref. to VDC(diag)-68, DTC C0054 BLS CIR- CUIT OPEN, Diagnostic Procedure with Diagnos- tic Trouble Code (DTC).>
	043CH	BLS ON malfunction	BLS ON malfunction	<Ref. to VDC(diag)-70, DTC C0054 BLS ON MALFUNCTION, Diagnostic Procedure with Diag- nostic Trouble Code (DTC).>
	04C1H	BLS OFF Malfunction	BLS OFF Malfunction	<Ref. to VDC(diag)-72, DTC C0054 BLS OFF MALFUNCTION, Diagnostic Procedure with Diag- nostic Trouble Code (DTC).>
C0056	1760H 1770H 1780H	Longitudinal G Sensor Signal	Abnormal longitudinal G sensor output signal	<Ref. to VDC(diag)-74, DTC C0056 G SENSOR SIGNAL, Diagnostic Procedure with Diagnostic Trouble Code (DTC).>
C0057	2931H	ECM Communication Circuit	CAN communication failure of engine control module	<Ref. to VDC(diag)-76, DTC C0057 ECM COM- MUNICATION CIRCUIT, Diagnostic Procedure with Diagnostic Trouble Code (DTC).>
	2930H	ECM Control System	Coordinate control pro- hibition of engine con- trol module	<Ref. to VDC(diag)-77, DTC C0057 ECM CON- TROL SYSTEM, Diagnostic Procedure with Diag- nostic Trouble Code (DTC).>
C0061	19B8H 19C0H 19C1H 19D0H	Normal Opening Valve 1 malfunction	Secondary cut valve malfunction in VDCCM&H/U	<Ref. to VDC(diag)-49, DTC C0061 NORMAL OPENING VALVE 1 MALFUNCTION, Diagnostic Procedure with Diagnostic Trouble Code (DTC).>

## List of Diagnostic Trouble Code (DTC)

### VEHICLE DYNAMICS CONTROL (VDC) (DIAGNOSTICS)

DTC	Detailed code	Display	Content of diagnosis	Reference target
C0062	1AB8H 1AC0H 1AC1H 1AD0H	Normal Opening Valve 2 malfunction	Primary cut valve malfunction in VDCCM&H/U	<Ref. to VDC(diag)-49, DTC C0062 NORMAL OPENING VALVE 2 MALFUNCTION, Diagnostic Procedure with Diagnostic Trouble Code (DTC).>
C0063	1BB8H 1BC0H 1BC1H 1BD0H	Normal Closing Valve 1 malfunction	Secondary suction valve malfunction in VDCCM&H/U	<Ref. to VDC(diag)-49, DTC C0063 NORMAL CLOSING VALVE 1 MALFUNCTION, Diagnostic Procedure with Diagnostic Trouble Code (DTC).>
C0064	1CB8H 1CC0H 1CC1H 1CD0H	Normal Closing Valve 2 malfunction	Primary suction valve malfunction in VDCCM&H/U	<Ref. to VDC(diag)-50, DTC C0064 NORMAL CLOSING VALVE 2 MALFUNCTION, Diagnostic Procedure with Diagnostic Trouble Code (DTC).>
C0071	2130H	Steering Angle Sensor Offset is too big	Excessive steering angle sensor output offset	<Ref. to VDC(diag)-78, DTC C0071 STEERING ANGLE SENSOR OFFSET IS TOO BIG, Diagnostic Procedure with Diagnostic Trouble Code (DTC).>
	2134H	Change range of Steering Angle Sensor is too big	Excessive variation amount of steering angle sensor output	<Ref. to VDC(diag)-80, DTC C0071 CHANGE RANGE OF STEERING ANGLE SENSOR IS TOO BIG, Diagnostic Procedure with Diagnostic Trouble Code (DTC).>
	212EH 2132H 2136H 2138H 213CH 2150H 2151H 2152H 2153H 2154H 2155H 2156H 2157H 2158H 2159H 215AH	Steering Angle Sensor Op	Steering angle sensor output	<Ref. to VDC(diag)-82, DTC C0071 STEER ANGLE SENSOR OP, Diagnostic Procedure with Diagnostic Trouble Code (DTC).>
	2104H	Steering angle sensor malfunction	Steering angle sensor power supply malfunction	<Ref. to VDC(diag)-84, DTC C0071 STEERING ANGLE SENSOR MALFUNCTION, Diagnostic Procedure with Diagnostic Trouble Code (DTC).>



# List of Diagnostic Trouble Code (DTC)

## VEHICLE DYNAMICS CONTROL (VDC) (DIAGNOSTICS)

DTC	Detailed code	Display	Content of diagnosis	Reference target
C0072	1E1AH 1E1EH 1E22H 1E26H 1E28H 1E2CH 1E34H 1E38H 1E3AH 1E3FH	Yaw Rate Sensor Output	Yaw rate sensor output	<Ref. to VDC(diag)-86, DTC C0072 ABNORMAL YAW RATE SENSOR OUTPUT, Diagnostic Procedure with Diagnostic Trouble Code (DTC).>
	1EB6H	Voltage inputted to Yaw Rate Sensor exceeds specification	Yaw rate sensor power supply/output	<Ref. to VDC(diag)-88, DTC C0072 VOLTAGE INPUTTED TO YAW RATE SENSOR EXCEEDS SPECIFICATION, Diagnostic Procedure with Diagnostic Trouble Code (DTC).>
	1E30H	Change range of Yaw Rate Sensor Signal is too big	Excessive variation amount of yaw rate sensor output	<Ref. to VDC(diag)-90, DTC C0072 CHANGE RANGE OF YAW RATE SENSOR SIGNAL IS TOO BIG, Diagnostic Procedure with Diagnostic Trouble Code (DTC).>
	1EB7H 1EBFH 1EB5H 1EBCH 1EBDH 1EBEH 1EC0H 1EC2H 1EC3H 1EC4H 1EC6H 1ECEH 1ECFH 1ED0H 1ED3H 1ED4H 1ED5H	Yaw Rate Sensor Communication	Yaw rate sensor communication	<Ref. to VDC(diag)-92, DTC C0072 YAW RATE SENSOR COMMUNICATION, Diagnostic Procedure with Diagnostic Trouble Code (DTC).>
	1EB9H 1ED6H	Sensor Type Abnormal	Different yaw rate sensor specification	<Ref. to VDC(diag)-94, DTC C0072 SENSOR TYPE ABNORMAL, Diagnostic Procedure with Diagnostic Trouble Code (DTC).>
C0073	1D46H 1D47H	Lateral G Sensor offset is too big	Excessive amount of lateral G sensor output offset	<Ref. to VDC(diag)-94, DTC C0073 LATERAL G SENSOR OFFSET IS TOO BIG, Diagnostic Procedure with Diagnostic Trouble Code (DTC).>
	1D44H 1D45H	Lateral G sensor Output	Lateral G sensor output	<Ref. to VDC(diag)-94, DTC C0073 ABNORMAL LATERAL G SENSOR OUTPUT, Diagnostic Procedure with Diagnostic Trouble Code (DTC).>
	1D49H	Excessive Lateral G Sensor signal	Excessive lateral G sensor output	<Ref. to VDC(diag)-95, DTC C0073 EXCESSIVE LATERAL G SENSOR SIGNAL, Diagnostic Procedure with Diagnostic Trouble Code (DTC).>
C0074	1F4EH 1F4FH 1FB1H 1FC0H	Pressure Sensor	Pressure sensor	<Ref. to VDC(diag)-97, DTC C0074 PRESSURE SENSOR, Diagnostic Procedure with Diagnostic Trouble Code (DTC).>
C0075	2510H 2520H	Reverse Signal	Abnormal reverse signal	<Ref. to VDC(diag)-98, DTC C0075 REVERSE SIGNAL, Diagnostic Procedure with Diagnostic Trouble Code (DTC).>
C0076	2610H 2620H	Clutch Signal	Abnormal clutch signal	<Ref. to VDC(diag)-100, DTC C0076 CLUTCH SIGNAL, Diagnostic Procedure with Diagnostic Trouble Code (DTC).>

## List of Diagnostic Trouble Code (DTC)

### VEHICLE DYNAMICS CONTROL (VDC) (DIAGNOSTICS)

---

DTC	Detailed code	Display	Content of diagnosis	Reference target
C0081	2201H 2202H	System Failure	System malfunction	<Ref. to VDC(diag)-102, DTC C0081 SYSTEM FAILURE, Diagnostic Procedure with Diagnostic Trouble Code (DTC).>

## Diagnostic Procedure with Diagnostic Trouble Code (DTC)

VEHICLE DYNAMICS CONTROL (VDC) (DIAGNOSTICS)

---

### 12. Diagnostic Procedure with Diagnostic Trouble Code (DTC)

#### **A: DTC C0021 FRONT RIGHT ABS SENSOR CIRCUIT OPEN OR SHORT**

**NOTE:**

For the diagnostic procedure, refer to DTC C0027 “RL WHEEL SPEED SENSOR CIRCUIT OPEN/HIGH INPUT”. <Ref. to VDC(diag)-40, DTC C0027 REAR LEFT ABS SENSOR CIRCUIT OPEN OR SHORT, Diagnostic Procedure with Diagnostic Trouble Code (DTC).>

#### **B: DTC C0023 FRONT LEFT ABS SENSOR CIRCUIT OPEN OR SHORT**

**NOTE:**

For the diagnostic procedure, refer to DTC C0027 “RL WHEEL SPEED SENSOR CIRCUIT OPEN/HIGH INPUT”. <Ref. to VDC(diag)-40, DTC C0027 REAR LEFT ABS SENSOR CIRCUIT OPEN OR SHORT, Diagnostic Procedure with Diagnostic Trouble Code (DTC).>

#### **C: DTC C0025 REAR RIGHT ABS SENSOR CIRCUIT OPEN OR SHORT**

**NOTE:**

For the diagnostic procedure, refer to DTC C0027 “RL WHEEL SPEED SENSOR CIRCUIT OPEN/HIGH INPUT”. <Ref. to VDC(diag)-40, DTC C0027 REAR LEFT ABS SENSOR CIRCUIT OPEN OR SHORT, Diagnostic Procedure with Diagnostic Trouble Code (DTC).>

# Diagnostic Procedure with Diagnostic Trouble Code (DTC)

VEHICLE DYNAMICS CONTROL (VDC) (DIAGNOSTICS)

## D: DTC C0027 REAR LEFT ABS SENSOR CIRCUIT OPEN OR SHORT

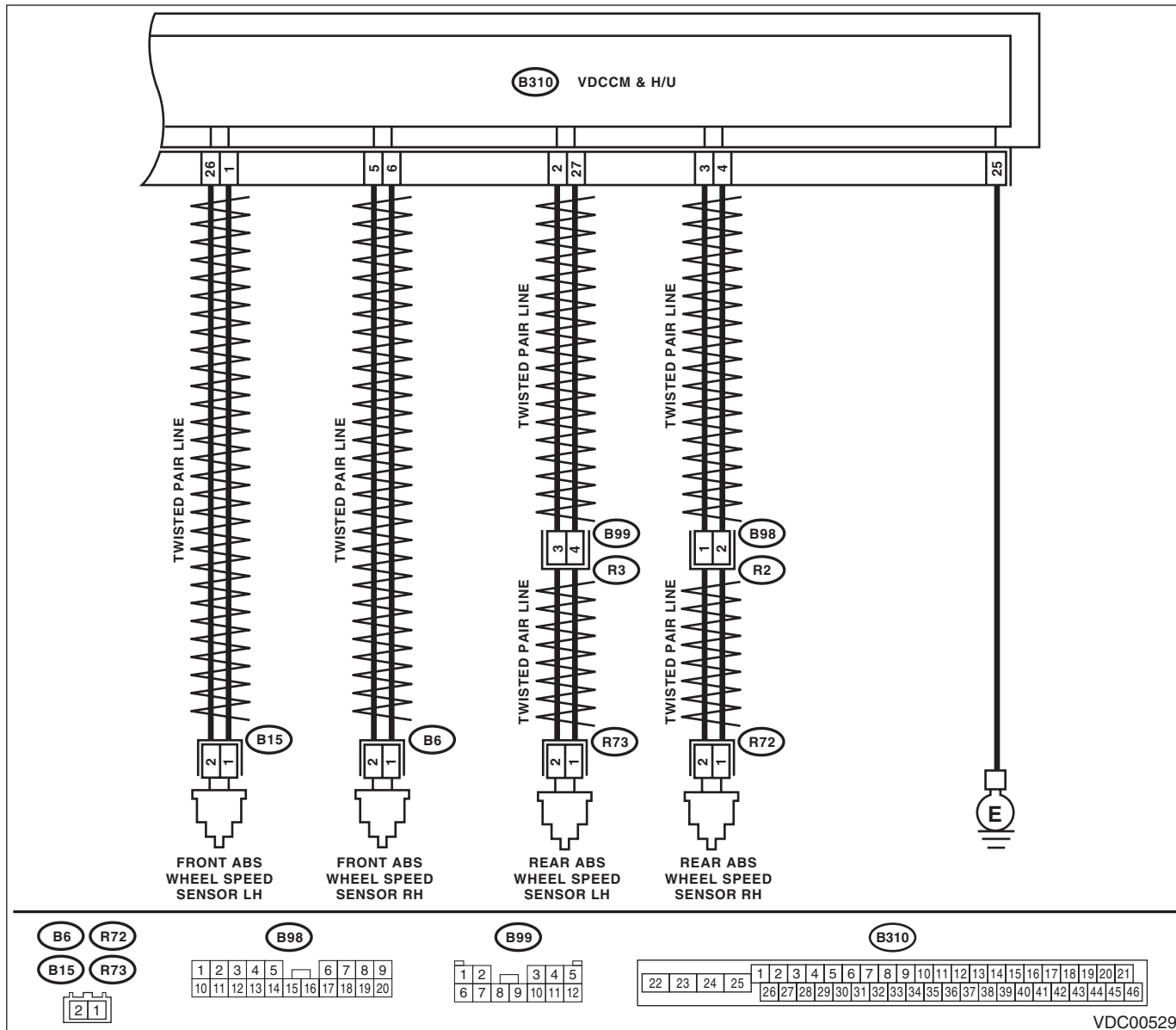
### DTC DETECTING CONDITION:

- Defective ABS wheel speed sensor (broken wire, input voltage too high)
- Faulty harness connectors

### TROUBLE SYMPTOM:

- ABS does not operate.
- VDC does not operate.

### WIRING DIAGRAM:



VDC00529

# Diagnostic Procedure with Diagnostic Trouble Code (DTC)

VEHICLE DYNAMICS CONTROL (VDC) (DIAGNOSTICS)

Step	Check	Yes	No
<b>1</b> <b>CHECK POOR CONTACT OF CONNECTOR.</b> Check if there is poor contact between VDCCM&H/U and ABS wheel speed sensor.	Is there poor contact?	Repair the connector.	Go to step 2.
<b>2</b> <b>CHECK HARNESS CONNECTOR BETWEEN VDCCM&amp;H/U AND ABS WHEEL SPEED SENSOR.</b> 1) Disconnect the connector (B310) from the VDCCM&H/U. 2) Disconnect the connector from the ABS wheel speed sensor. 3) Measure the resistance between VDCCM&H/U connector and ABS wheel speed sensor connector. <b>Connector &amp; terminal</b> <b>DTC C0021</b> (B310) No. 6 — (B6) No. 1: (B310) No. 5 — (B6) No. 2: <b>DTC C0023</b> (B310) No. 1 — (B15) No. 1: (B310) No. 26 — (B15) No. 2: <b>DTC C0025</b> (B310) No. 4 — (R72) No. 1: (B310) No. 3 — (R72) No. 2: <b>DTC C0027</b> (B310) No. 27 — (R73) No. 1: (B310) No. 2 — (R73) No. 2:	Is the resistance less than 0.5 Ω?	Go to step 3.	Repair the harness connector between VDCCM&H/U and ABS wheel speed sensor.
<b>3</b> <b>CHECK GROUND SHORT OF HARNESS.</b> Measure the resistance between VDCCM&H/U connector and chassis ground. <b>Connector &amp; terminal</b> <b>DTC C0021</b> (B310) No. 6 — Chassis ground: <b>DTC C0023</b> (B310) No. 1 — Chassis ground: <b>DTC C0025</b> (B310) No. 4 — Chassis ground: <b>DTC C0027</b> (B310) No. 27 — Chassis ground:	Is the resistance 1 MΩ or more?	Go to step 4.	Repair the harness connector between VDCCM&H/U and ABS wheel speed sensor.
<b>4</b> <b>CHECK ABS WHEEL SPEED SENSOR POWER SUPPLY CIRCUIT.</b> 1) Connect the VDCCM&H/U connector. 2) Turn the ignition switch to ON. 3) Measure the voltage between ABS wheel speed sensor connector and chassis ground. <b>Connector &amp; terminal</b> <b>DTC C0021</b> (B6) No. 2 (+) — Chassis ground (-): <b>DTC C0023</b> (B15) No. 2 (+) — Chassis ground (-): <b>DTC C0025</b> (R72) No. 2 (+) — Chassis ground (-): <b>DTC C0027</b> (R73) No. 2 (+) — Chassis ground (-):	Is the voltage 5 — 16 V?	Go to step 6.	Go to step 5.

# Diagnostic Procedure with Diagnostic Trouble Code (DTC)

## VEHICLE DYNAMICS CONTROL (VDC) (DIAGNOSTICS)

Step	Check	Yes	No
<b>5 CHECK VDCCM&amp;H/U POWER SUPPLY CIRCUIT.</b> 1) Turn the ignition switch to OFF. 2) Disconnect the VDCCM&H/U connector. 3) Turn the ignition switch to ON. 4) Measure the voltage between VDCCM&H/U connector terminals. <b>Connector &amp; terminal</b> <b>(B310) No. 28 (+) — (B310) No. 25 (-):</b>	Is the voltage 10 — 15 V?	Go to step 6.	Check the generator, battery and VDCCM&H/U power supply circuit.
<b>6 CHECK ABS WHEEL SPEED SENSOR SIGNAL.</b> 1) Install the ABS wheel speed sensor. 2) Prepare an oscilloscope. 3) Check the ABS wheel speed sensor. <Ref. to ABS-14, ABS WHEEL SPEED SENSOR, INSPECTION, Front ABS Wheel Speed Sensor.>	Is the pattern the same waveform as shown in the figure?	Go to step 7.	Replace the ABS wheel speed sensor.
<b>7 CHECK VDCCM&amp;H/U.</b> 1) Connect all connectors. 2) Clear the memory. <Ref. to VDC(diag)-24, Clear Memory Mode.> 3) Perform the Inspection Mode. <Ref. to VDC(diag)-23, Inspection Mode.> 4) Read the DTC.	Is the same DTC displayed?	Replace the VDCCM only. <Ref. to VDC-9, REPLACEMENT, VDC Control Module and Hydraulic Control Unit (VDCCM&H/U).>	Go to step 8.
<b>8 CHECK OTHER DTC DETECTION.</b>	Is any other DTC displayed?	Perform the diagnosis according to DTC. <Ref. to VDC(diag)-33, List of Diagnostic Trouble Code (DTC).>	It results from a temporary noise interference.

### E: DTC C0022 FRONT RIGHT ABS SENSOR SIGNAL

**NOTE:**

For the diagnostic procedure, refer to DTC C0028 “RL WHEEL SPEED SENSOR SIGNAL”. <Ref. to VDC(diag)-43, DTC C0028 REAR LEFT ABS SENSOR SIGNAL, Diagnostic Procedure with Diagnostic Trouble Code (DTC).>

### F: DTC C0024 FRONT LEFT ABS SENSOR SIGNAL

**NOTE:**

For the diagnostic procedure, refer to DTC C0028 “RL WHEEL SPEED SENSOR SIGNAL”. <Ref. to VDC(diag)-43, DTC C0028 REAR LEFT ABS SENSOR SIGNAL, Diagnostic Procedure with Diagnostic Trouble Code (DTC).>

### G: DTC C0026 REAR RIGHT ABS SENSOR SIGNAL

**NOTE:**

For the diagnostic procedure, refer to DTC C0028 “RL WHEEL SPEED SENSOR SIGNAL”. <Ref. to VDC(diag)-43, DTC C0028 REAR LEFT ABS SENSOR SIGNAL, Diagnostic Procedure with Diagnostic Trouble Code (DTC).>

# Diagnostic Procedure with Diagnostic Trouble Code (DTC)

VEHICLE DYNAMICS CONTROL (VDC) (DIAGNOSTICS)

## H: DTC C0028 REAR LEFT ABS SENSOR SIGNAL

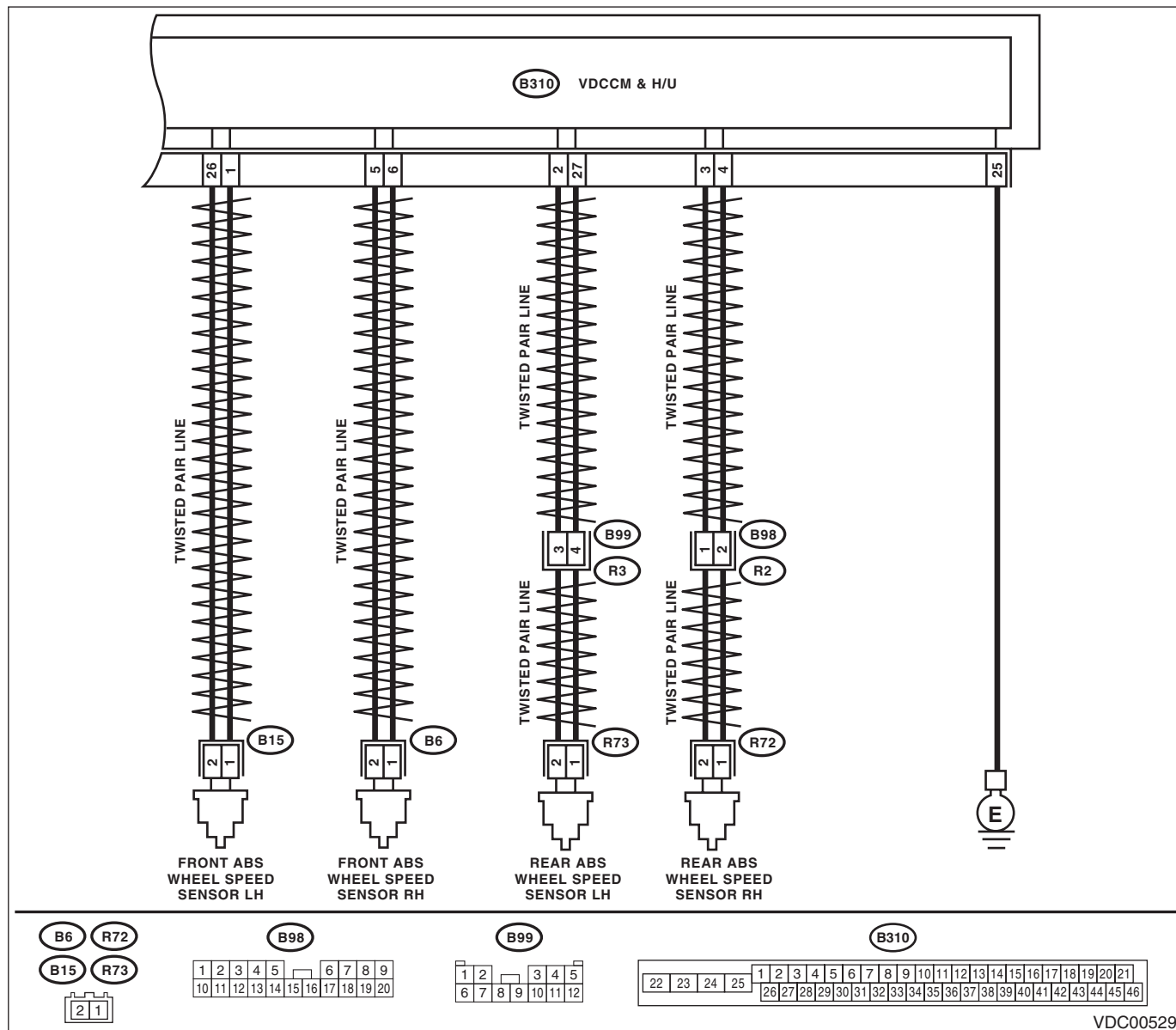
### DTC DETECTING CONDITION:

- Defective ABS wheel speed sensor signal (noise, irregular signal, etc.)
- Faulty harness connectors

### TROUBLE SYMPTOM:

- ABS does not operate.
- VDC does not operate.

### WIRING DIAGRAM:



VDC00529

# Diagnostic Procedure with Diagnostic Trouble Code (DTC)

## VEHICLE DYNAMICS CONTROL (VDC) (DIAGNOSTICS)

Step	Check	Yes	No	
<b>1</b>	<b>CHECK OUTPUT OF ABS WHEEL SPEED SENSOR USING SUBARU SELECT MONITOR.</b> 1) Select {Current Data Display & Save} in Subaru Select Monitor. 2) Read the defective ABS wheel speed sensor output.	Does the speed indicated on the display change in response to the speedometer reading during acceleration/deceleration when the steering wheel is in the straight-ahead position?	Go to step 2.	Go to step 7.
<b>2</b>	<b>CHECK POOR CONTACT OF CONNECTOR.</b> Turn the ignition switch to OFF.	Is there poor contact of connectors between VDCCM&H/U and ABS wheel speed sensor?	Repair the connector.	Go to step 3.
<b>3</b>	<b>CHECK CAUSE OF SIGNAL NOISE.</b> Make sure the radio wave devices and electronic components are installed correctly.	Are the radio wave devices and electronic components installed correctly?	Go to step 4.	Install the radio wave devices and electronic components properly.
<b>4</b>	<b>CHECK CAUSE OF SIGNAL NOISE.</b> Check if the noise sources (such as an antenna) are installed near the sensor harness.	Are noise sources installed?	Install the noise sources apart from sensor harness.	Go to step 5.
<b>5</b>	<b>CHECK VDCCM&amp;H/U.</b> 1) Connect all connectors. 2) Clear the memory. <Ref. to VDC(diag)-24, Clear Memory Mode.> 3) Perform the Inspection Mode. <Ref. to VDC(diag)-23, Inspection Mode.> 4) Read the DTC.	Is the same DTC displayed?	Replace the VDCCM only. <Ref. to VDC-9, REPLACEMENT, VDC Control Module and Hydraulic Control Unit (VDCCM&H/U).>	Go to step 6.
<b>6</b>	<b>CHECK OTHER DTC DETECTION.</b>	Is any other DTC displayed?	Perform the diagnosis according to DTC. <Ref. to VDC(diag)-33, List of Diagnostic Trouble Code (DTC).>	It results from a temporary noise interference.
<b>7</b>	<b>CHECK INSTALLATION OF ABS WHEEL SPEED SENSOR.</b>	Is the ABS wheel speed sensor installation bolt tightened 7.5 N·m (0.76 kgf-m, 5.5 ft-lb)?	Go to step 8.	Tighten the ABS wheel speed sensor installation bolts.
<b>8</b>	<b>CHECK ABS WHEEL SPEED SENSOR SIGNAL.</b> 1) Install the ABS wheel speed sensor. 2) Prepare an oscilloscope. 3) Check the ABS wheel speed sensor. <Ref. to ABS-14, ABS WHEEL SPEED SENSOR, INSPECTION, Front ABS Wheel Speed Sensor.>	Does the oscilloscope indicate the waveform pattern like shown in the figure when the tire is slowly turned? Does the oscilloscope indication repeat the waveform pattern like shown in the figure when the tire is slowly turned in equal speed for one rotation or more?	Go to step 10.	Go to step 9.
<b>9</b>	<b>CHECK ABS WHEEL SPEED SENSOR OR MAGNETIC ENCODER.</b>	Are there foreign matter, breakage or damage at the tip of ABS wheel speed sensor or magnetic encoder?	Remove dirt thoroughly. Also replace the ABS wheel speed sensor or magnetic encoder as a unit with hub unit bearing if it is broken or damaged.	Go to step 10.
<b>10</b>	<b>CHECK CAUSE OF SIGNAL NOISE.</b> Make sure the radio wave devices and electronic components are installed correctly.	Are the radio wave devices and electronic components installed correctly?	Go to step 11.	Install the radio wave devices and electronic components properly.



# Diagnostic Procedure with Diagnostic Trouble Code (DTC)

## VEHICLE DYNAMICS CONTROL (VDC) (DIAGNOSTICS)

Step	Check	Yes	No
<b>11 CHECK CAUSE OF SIGNAL NOISE.</b> Check if the noise sources (such as an antenna) are installed near the sensor harness.	Is the noise sources installed?	Go to step <b>12</b> .	Install the noise sources apart from sensor harness.
<b>12 CHECK VDCCM&amp;H/U.</b> 1) Connect all connectors. 2) Clear the memory. <Ref. to VDC(diag)-24, Clear Memory Mode.> 3) Perform the Inspection Mode. <Ref. to VDC(diag)-23, Inspection Mode.> 4) Read the DTC.	Is the same DTC displayed?	Replace the VDCCM only. <Ref. to VDC-9, REPLACEMENT, VDC Control Module and Hydraulic Control Unit (VDCCM&H/U).>	Go to step <b>13</b> .
<b>13 CHECK OTHER DTC DETECTION.</b>	Is any other DTC displayed?	Perform the diagnosis according to DTC. <Ref. to VDC(diag)-33, List of Diagnostic Trouble Code (DTC).>	It results from a temporary noise interference. <b>NOTE:</b> Though the ABS warning light remains on at this time, this is normal. Drive the vehicle at 12 km/h (7 MPH) or more in order to turn ABS warning light off. Be sure to drive the vehicle and check that the warning light goes off.

# Diagnostic Procedure with Diagnostic Trouble Code (DTC)

VEHICLE DYNAMICS CONTROL (VDC) (DIAGNOSTICS)

## I: DTC C0029 ANY OF WHEEL SENSORS SIGNAL

### DTC DETECTING CONDITION:

- Defective ABS wheel speed sensor signal (noise, irregular signal, etc.)
- Defective magnetic encoder
- When a wheel is turned freely for a long time

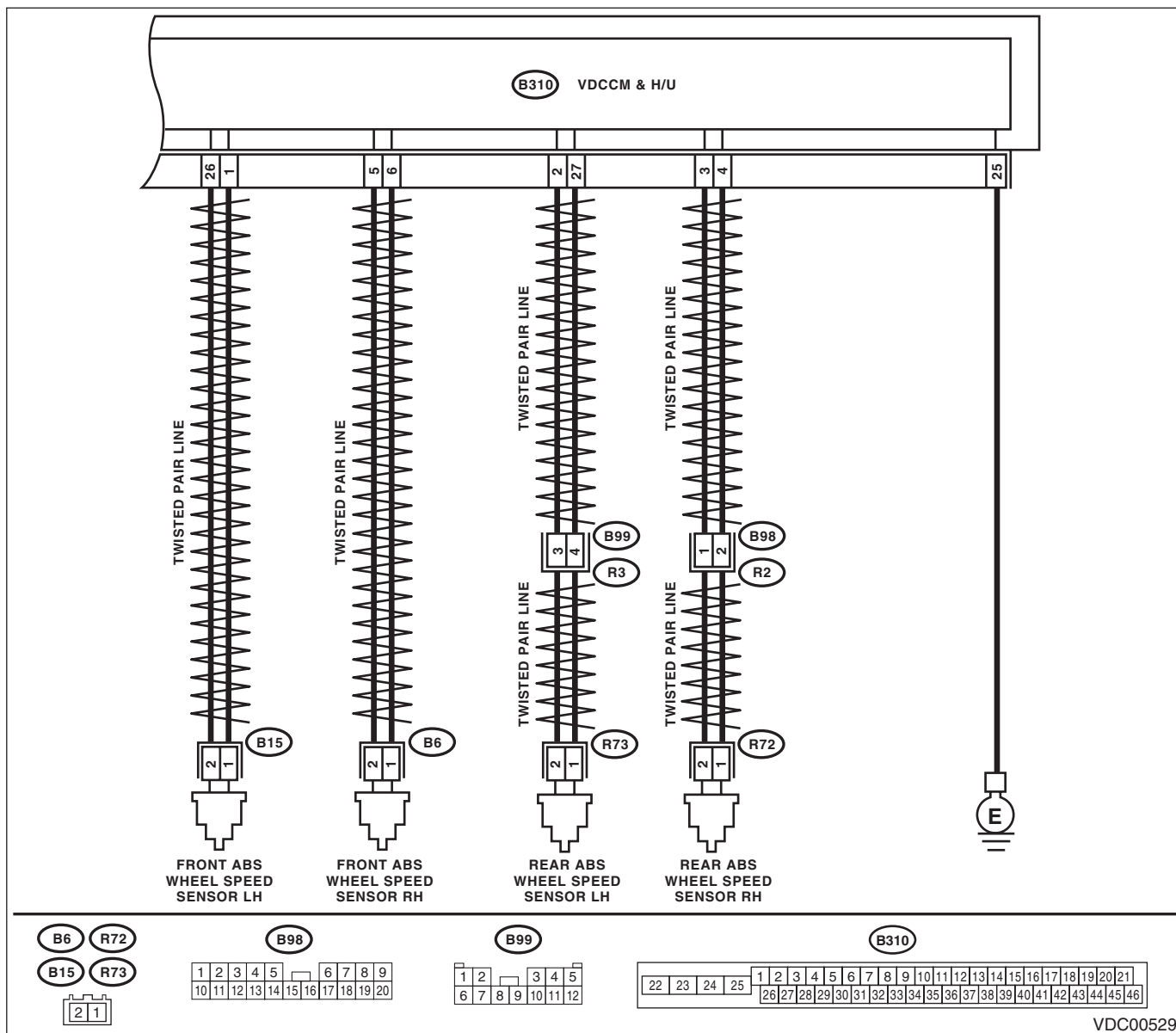
### TROUBLE SYMPTOM:

- ABS does not operate.
- VDC does not operate.
- EBD may not operate.

### NOTE:

Brake warning light comes on as well as ABS warning light when EBD does not operate.

### WIRING DIAGRAM:



VDC00529

# Diagnostic Procedure with Diagnostic Trouble Code (DTC)

## VEHICLE DYNAMICS CONTROL (VDC) (DIAGNOSTICS)

	Step	Check	Yes	No
1	<b>WHETHER A WHEEL TURNED FREELY OR NOT.</b> Check if the wheels have been turned freely for one minute or more, such as when the vehicle is jacked-up, under full-lock cornering or when the wheels are not in contact with road surface.	Did the wheels turn freely?	VDC is normal. Clear the memory. NOTE: This diagnostic trouble code may sometimes occur if the wheels turn freely for a long time, for example when the vehicle is towed or jacked-up, or when steering wheel is continuously turned all the way.	Go to step 2.
2	<b>CHECK TIRE SPECIFICATIONS.</b> Turn the ignition switch to OFF.	Are the tire specifications correct?	Go to step 3.	Replace the tire.
3	<b>CHECK WEAR OF TIRE.</b>	Is the tire worn excessively?	Replace the tire.	Go to step 4.
4	<b>CHECK TIRE INFLATION PRESSURE.</b>	Is the tire pressure correct?	Go to step 5.	Adjust the tire pressure.
5	<b>CHECK INSTALLATION OF ABS WHEEL SPEED SENSOR.</b>	Are the ABS wheel speed sensor installation bolts tightened 7.5 N-m (0.76 kgf-m, 5.5 ft-lb)? (For four wheels)	Go to step 6.	Tighten the ABS wheel speed sensor installation bolts.
6	<b>CHECK ABS WHEEL SPEED SENSOR SIGNAL.</b> 1) Install the ABS wheel speed sensor. 2) Prepare an oscilloscope. 3) Check the ABS wheel speed sensor. <Ref. to ABS-14, ABS WHEEL SPEED SENSOR, INSPECTION, Front ABS Wheel Speed Sensor.>	Does the oscilloscope indicate the waveform pattern like shown in the figure when the tire is slowly turned? Does the oscilloscope indication repeat the waveform pattern like shown in the figure when the tire is slowly turned in equal speed for one rotation or more?	Go to step 8.	Go to step 7.
7	<b>CHECK ABS WHEEL SPEED SENSOR OR MAGNETIC ENCODER.</b>	Are there foreign matter, breakage or damage at the tip of ABS wheel speed sensor or magnetic encoder?	Remove dirt thoroughly. Also replace the ABS wheel speed sensor or magnetic encoder as a unit with hub unit bearing if it is broken or damaged.	Go to step 8.
8	<b>CHECK VDCCM&amp;H/U.</b> 1) Connect all connectors. 2) Clear the memory. <Ref. to VDC(diag)-24, Clear Memory Mode.> 3) Perform the Inspection Mode. <Ref. to VDC(diag)-23, Inspection Mode.> 4) Read the DTC.	Is the same DTC displayed?	Replace the VDCCM only. <Ref. to VDC-9, REPLACEMENT, VDC Control Module and Hydraulic Control Unit (VDCCM&H/U).>	Go to step 9.

# Diagnostic Procedure with Diagnostic Trouble Code (DTC)

## VEHICLE DYNAMICS CONTROL (VDC) (DIAGNOSTICS)

	Step	Check	Yes	No
9	<b>CHECK OTHER DTC DETECTION.</b>	Is any other DTC displayed?	Perform the diagnosis according to DTC. <Ref. to VDC(diag)-33, List of Diagnostic Trouble Code (DTC).>	It results from a temporary noise interference. NOTE: Though the ABS warning light remains on at this time, this is normal. Drive the vehicle at 12 km/h (7 MPH) or more in order to turn ABS warning light off. Be sure to drive the vehicle and check that the warning light goes off.

### **J: DTC C0031 FR HOLD VALVE MALFUNCTION**

**NOTE:**

For the diagnostic procedure, refer to DTC C0064 "NORMAL CLOSING VALVE 2 MALFUNCTION". <Ref. to VDC(diag)-50, DTC C0064 NORMAL CLOSING VALVE 2 MALFUNCTION, Diagnostic Procedure with Diagnostic Trouble Code (DTC).>

### **K: DTC C0032 FR PRESSURE REDUCING VALVE MALFUNCTION**

**NOTE:**

For the diagnostic procedure, refer to DTC C0064 "NORMAL CLOSING VALVE 2 MALFUNCTION". <Ref. to VDC(diag)-50, DTC C0064 NORMAL CLOSING VALVE 2 MALFUNCTION, Diagnostic Procedure with Diagnostic Trouble Code (DTC).>

### **L: DTC C0033 FL HOLD VALVE MALFUNCTION**

**NOTE:**

For the diagnostic procedure, refer to DTC C0064 "NORMAL CLOSING VALVE 2 MALFUNCTION". <Ref. to VDC(diag)-50, DTC C0064 NORMAL CLOSING VALVE 2 MALFUNCTION, Diagnostic Procedure with Diagnostic Trouble Code (DTC).>

### **M: DTC C0034 FL PRESSURE REDUCING VALVE MALFUNCTION**

**NOTE:**

For the diagnostic procedure, refer to DTC C0064 "NORMAL CLOSING VALVE 2 MALFUNCTION". <Ref. to VDC(diag)-50, DTC C0064 NORMAL CLOSING VALVE 2 MALFUNCTION, Diagnostic Procedure with Diagnostic Trouble Code (DTC).>

### **N: DTC C0035 RR HOLD VALVE MALFUNCTION**

**NOTE:**

For the diagnostic procedure, refer to DTC C0064 "NORMAL CLOSING VALVE 2 MALFUNCTION". <Ref. to VDC(diag)-50, DTC C0064 NORMAL CLOSING VALVE 2 MALFUNCTION, Diagnostic Procedure with Diagnostic Trouble Code (DTC).>

### **O: DTC C0036 RR PRESSURE REDUCING VALVE MALFUNCTION**

**NOTE:**

For the diagnostic procedure, refer to DTC C0064 "NORMAL CLOSING VALVE 2 MALFUNCTION". <Ref. to VDC(diag)-50, DTC C0064 NORMAL CLOSING VALVE 2 MALFUNCTION, Diagnostic Procedure with Diagnostic Trouble Code (DTC).>

# Diagnostic Procedure with Diagnostic Trouble Code (DTC)

VEHICLE DYNAMICS CONTROL (VDC) (DIAGNOSTICS)

---

## **P: DTC C0037 RL HOLD VALVE MALFUNCTION**

### NOTE:

For the diagnostic procedure, refer to DTC C0064 "NORMAL CLOSING VALVE 2 MALFUNCTION". <Ref. to VDC(diag)-50, DTC C0064 NORMAL CLOSING VALVE 2 MALFUNCTION, Diagnostic Procedure with Diagnostic Trouble Code (DTC).>

## **Q: DTC C0038 RL PRESSURE REDUCING VALVE MALFUNCTION**

### NOTE:

For the diagnostic procedure, refer to DTC C0064 "NORMAL CLOSING VALVE 2 MALFUNCTION". <Ref. to VDC(diag)-50, DTC C0064 NORMAL CLOSING VALVE 2 MALFUNCTION, Diagnostic Procedure with Diagnostic Trouble Code (DTC).>

## **R: DTC C0039 ANY ONE OF FOUR SOLENOID VALVES**

### NOTE:

For the diagnostic procedure, refer to DTC C0064 "NORMAL CLOSING VALVE 2 MALFUNCTION". <Ref. to VDC(diag)-50, DTC C0064 NORMAL CLOSING VALVE 2 MALFUNCTION, Diagnostic Procedure with Diagnostic Trouble Code (DTC).>

## **S: DTC C0061 NORMAL OPENING VALVE 1 MALFUNCTION**

### NOTE:

For the diagnostic procedure, refer to DTC C0064 "NORMAL CLOSING VALVE 2 MALFUNCTION". <Ref. to VDC(diag)-50, DTC C0064 NORMAL CLOSING VALVE 2 MALFUNCTION, Diagnostic Procedure with Diagnostic Trouble Code (DTC).>

## **T: DTC C0062 NORMAL OPENING VALVE 2 MALFUNCTION**

### NOTE:

For the diagnostic procedure, refer to DTC C0064 "NORMAL CLOSING VALVE 2 MALFUNCTION". <Ref. to VDC(diag)-50, DTC C0064 NORMAL CLOSING VALVE 2 MALFUNCTION, Diagnostic Procedure with Diagnostic Trouble Code (DTC).>

## **U: DTC C0063 NORMAL CLOSING VALVE 1 MALFUNCTION**

### NOTE:

For the diagnostic procedure, refer to DTC C0064 "NORMAL CLOSING VALVE 2 MALFUNCTION". <Ref. to VDC(diag)-50, DTC C0064 NORMAL CLOSING VALVE 2 MALFUNCTION, Diagnostic Procedure with Diagnostic Trouble Code (DTC).>

# Diagnostic Procedure with Diagnostic Trouble Code (DTC)

VEHICLE DYNAMICS CONTROL (VDC) (DIAGNOSTICS)

## V: DTC C0064 NORMAL CLOSING VALVE 2 MALFUNCTION

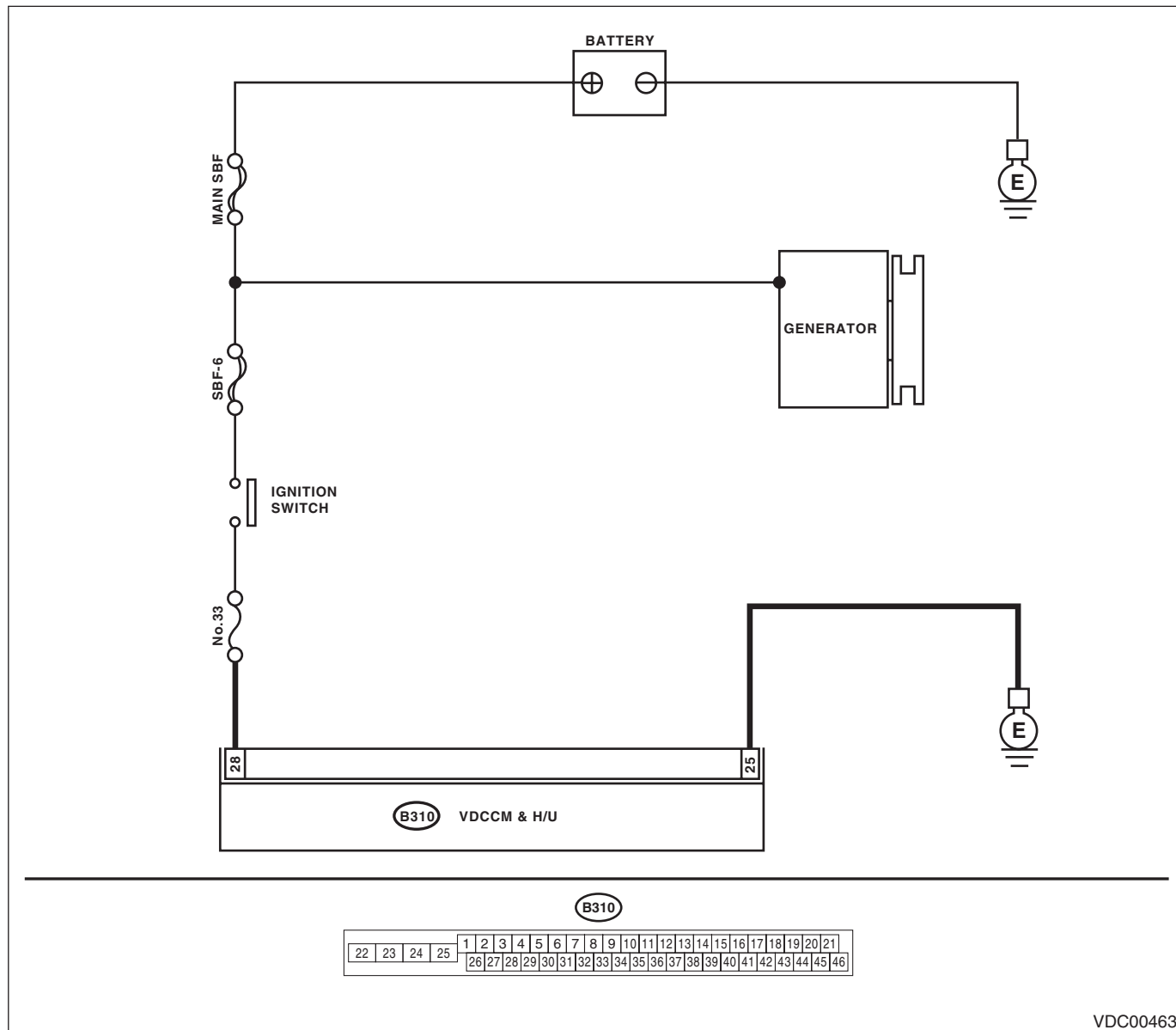
### DTC DETECTING CONDITION:

- Faulty harness connectors
- Defective VDCH/U solenoid valve

### TROUBLE SYMPTOM:

- ABS does not operate.
- EBD does not operate.
- VDC does not operate.

### WIRING DIAGRAM:



VDC00463

# Diagnostic Procedure with Diagnostic Trouble Code (DTC)

VEHICLE DYNAMICS CONTROL (VDC) (DIAGNOSTICS)

Step	Check	Yes	No
<b>1 CHECK VDCCM&amp;H/U INPUT VOLTAGE.</b> 1) Turn the ignition switch to OFF. 2) Disconnect the connector from the VDCCM&H/U. 3) Run the engine at idle. 4) Measure the voltage between VDCCM&H/U connector and chassis ground. <b>Connector &amp; terminal</b> <b>(B310) No. 28 (+) — Chassis ground (-):</b>	Is the voltage 10 — 15 V?	Go to step 2.	Repair the power supply circuit.
<b>2 CHECK VDCCM&amp;H/U GROUND CIRCUIT.</b> 1) Turn the ignition switch to OFF. 2) Measure the resistance between VDCCM&H/U connector and chassis ground. <b>Connector &amp; terminal</b> <b>(B310) No. 25 — Chassis ground:</b>	Is the resistance less than 0.5 Ω?	Go to step 3.	Repair the VDCCM&H/U ground harness.
<b>3 CHECK POOR CONTACT OF CONNECTORS.</b>	Is there poor contact of connector between generator, battery and VDCCM&H/U?	Repair the connector.	Go to step 4.
<b>4 CHECK VDCCM&amp;H/U.</b> 1) Connect all connectors. 2) Clear the memory. <Ref. to VDC(diag)-24, Clear Memory Mode.> 3) Perform the Inspection Mode. <Ref. to VDC(diag)-23, Inspection Mode.> 4) Read the DTC.	Is the same DTC displayed?	Replace the VDCCM&H/U. <Ref. to VDC-7, VDC Control Module and Hydraulic Control Unit (VDCCM&H/U).>	Go to step 5.
<b>5 CHECK OTHER DTC DETECTION.</b>	Is any other DTC displayed?	Perform the diagnosis according to DTC. <Ref. to VDC(diag)-33, List of Diagnostic Trouble Code (DTC).>	Temporary poor contact occurs.

# Diagnostic Procedure with Diagnostic Trouble Code (DTC)

VEHICLE DYNAMICS CONTROL (VDC) (DIAGNOSTICS)

## W: DTC C0041 ECM

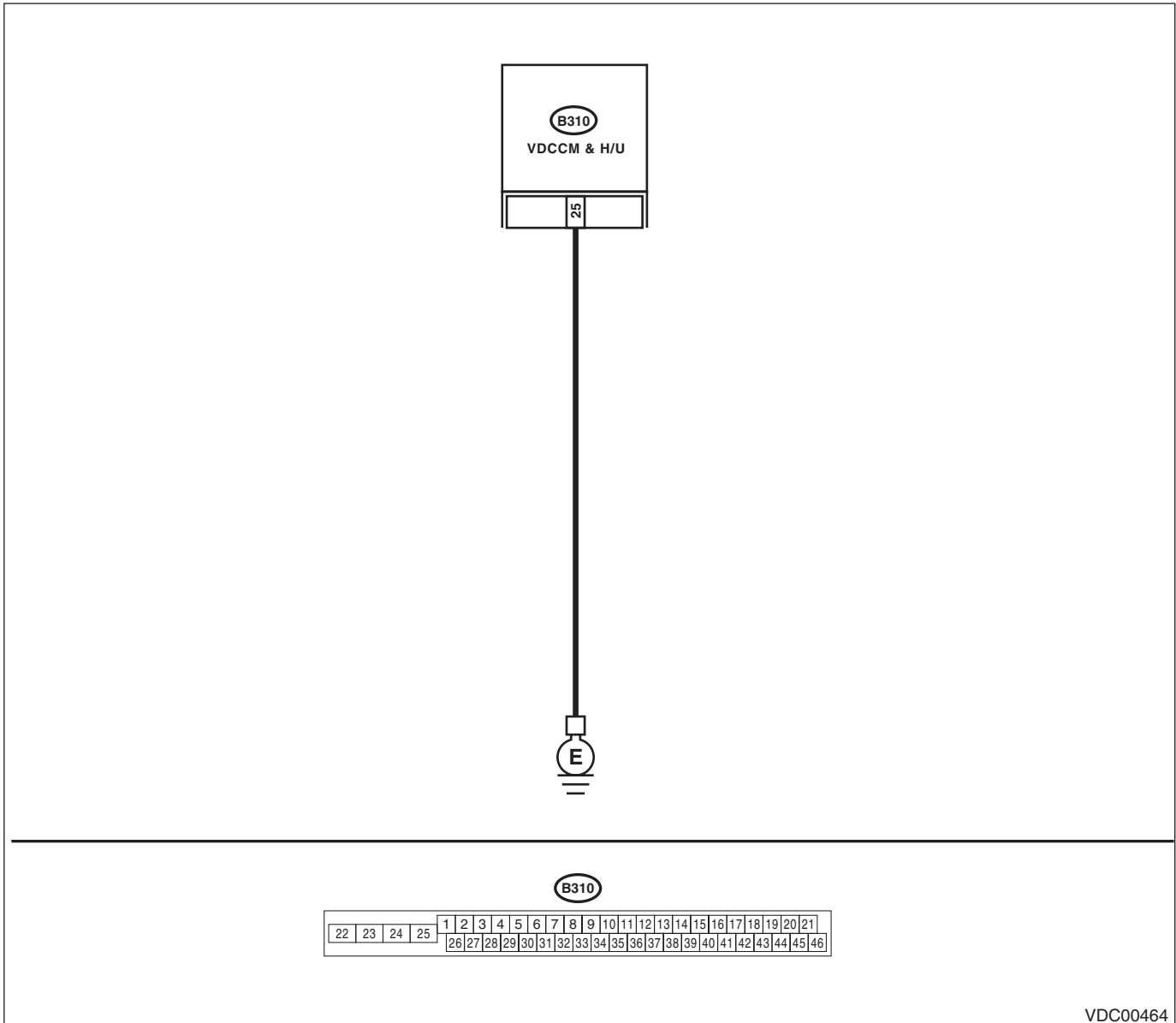
### DTC DETECTING CONDITION:

Defective VDCCM&H/U

### TROUBLE SYMPTOM:

- ABS does not operate.
- EBD does not operate.
- VDC does not operate.

### WIRING DIAGRAM:



VDC00464



# Diagnostic Procedure with Diagnostic Trouble Code (DTC)

VEHICLE DYNAMICS CONTROL (VDC) (DIAGNOSTICS)

	Step	Check	Yes	No
1	<b>CHECK VDCCM&amp;H/U GROUND CIRCUIT.</b> 1) Turn the ignition switch to OFF. 2) Disconnect the connector from the VDCCM&H/U. 3) Measure the resistance between VDCCM&H/U and chassis ground. <b>Connector &amp; terminal</b> <b>(B310) No. 25 — Chassis ground:</b>	Is the resistance less than 0.5 Ω?	Go to step 2.	Repair the VDCCM&H/U ground harness.
2	<b>CHECK POOR CONTACT OF CONNECTORS.</b>	Is there poor contact of the connector between the battery, ignition switch and VDCCM&H/U?	Repair the connector.	Go to step 3.
3	<b>CHECK CAUSE OF SIGNAL NOISE.</b>	Are the radio wave devices and electronic components installed correctly?	Go to step 4.	Install the radio wave devices and electronic components properly.
4	<b>CHECK CAUSE OF SIGNAL NOISE.</b>	Is there a noise source (such as an antenna) installed near the sensor harness?	Install the noise source apart from the sensor harness.	Go to step 5.
5	<b>CHECK VDCCM&amp;H/U.</b> 1) Connect all connectors. 2) Clear the memory. <Ref. to VDC(diag)-24, Clear Memory Mode.> 3) Perform the Inspection Mode. <Ref. to VDC(diag)-23, Inspection Mode.> 4) Read the DTC.	Is the same DTC displayed?	Replace the VDCCM only. <Ref. to VDC-9, REPLACEMENT, VDC Control Module and Hydraulic Control Unit (VDCCM&H/U).>	Go to step 6.
6	<b>CHECK OTHER DTC DETECTION.</b>	Is any other DTC displayed?	Perform the diagnosis according to DTC. <Ref. to VDC(diag)-33, List of Diagnostic Trouble Code (DTC).>	Temporary poor contact occurs.

# Diagnostic Procedure with Diagnostic Trouble Code (DTC)

VEHICLE DYNAMICS CONTROL (VDC) (DIAGNOSTICS)

## X: DTC C0041 PARAMETER SELECTION ERROR

### DTC DETECTING CONDITION:

VDCCM parameter selection error

### TROUBLE SYMPTOM:

- ABS does not operate.
- EBD does not operate.
- VDC does not operate.

### NOTE:

When the VDCCM or VDCCM&H/U is replaced, this DTC may be stored.

Step	Check	Yes	No
<b>1</b>	<b>CHECK VDCCM&amp;H/U REPLACEMENT HISTORY.</b>	Go to step 2.	Go to step 3.
<b>2</b>	<b>CHECK VDCCM IDENTIFICATION SYMBOL.</b> Check the identification symbol of the seal attached on the side of the VDCCM. AT: S1 MT: S5 (WRX-SS) S2 (except for WRX-SS)	Go to step 4.	Replace the VDCCM only. <Ref. to VDC-9, REPLACEMENT, VDC Control Module and Hydraulic Control Unit (VDCCM&H/U).>
<b>3</b>	<b>CHECK VDCCM&amp;H/U IDENTIFICATION SYMBOL.</b> Check the identification symbol stamped on the upper part of the H/U. AT: S1 MT: S5 (WRX-SS) S2 (except for WRX-SS)	Go to step 4.	Replace the VDCCM&H/U. <Ref. to VDC-7, VDC Control Module and Hydraulic Control Unit (VDCCM&H/U).>
<b>4</b>	<b>CHECK PARAMETER SELECTED IN VDC-CM.</b> <Ref. to VDC(diag)-18, PARAMETER CHECK, OPERATION, Subaru Select Monitor.>	Replace the VDCCM only. <Ref. to VDC-9, REPLACEMENT, VDC Control Module and Hydraulic Control Unit (VDCCM&H/U).>	Select and register the correct parameter. <Ref. to VDC(diag)-18, PARAMETER SELECTION, OPERATION, Subaru Select Monitor.>

# Diagnostic Procedure with Diagnostic Trouble Code (DTC)

VEHICLE DYNAMICS CONTROL (VDC) (DIAGNOSTICS)

## Y: DTC C0042 POWER SUPPLY VOLTAGE FAILURE

### DTC DETECTING CONDITION:

Improper VDCCM&H/U power supply voltage

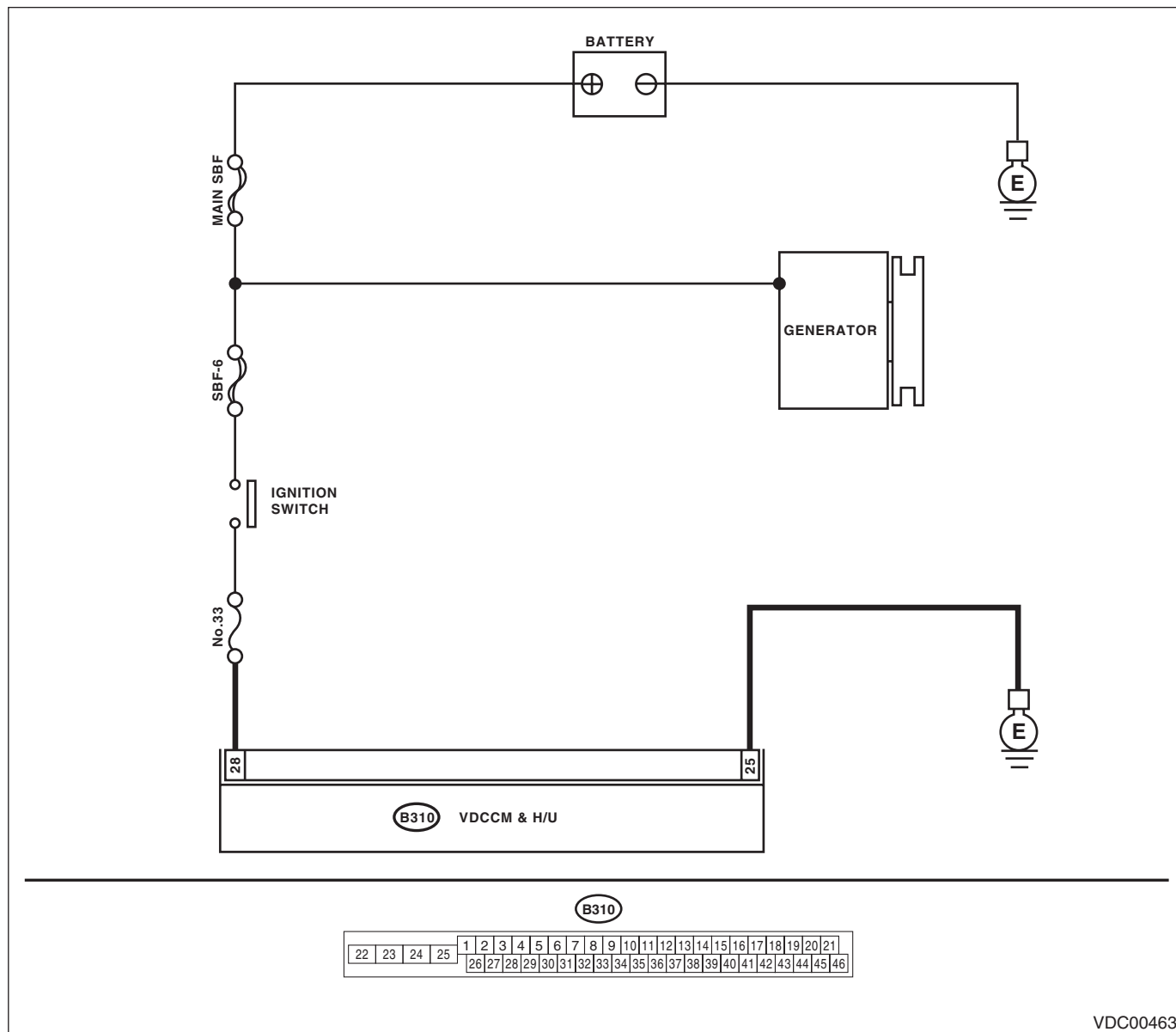
### TROUBLE SYMPTOM:

- ABS does not operate.
- EBD may not operate.
- VDC does not operate.

### NOTE:

Warning lights go off if voltage returns.

### WIRING DIAGRAM:



VDC00463

# Diagnostic Procedure with Diagnostic Trouble Code (DTC)

## VEHICLE DYNAMICS CONTROL (VDC) (DIAGNOSTICS)

Step	Check	Yes	No
<b>1 CHECK GENERATOR.</b> 1) Start the engine. 2) Run the engine at idle after warming up. 3) Measure the voltage between generator terminal B and chassis ground. <b>Terminals</b> <b>Generator B terminal (+) — Chassis ground (-):</b>	Is the voltage 10 — 15 V?	Go to step 2.	Repair the generator.
<b>2 CHECK BATTERY TERMINAL.</b> Turn the ignition switch to OFF.	Are the positive and negative battery terminals clamped tightly?	Go to step 3.	Tighten the terminal.
<b>3 CHECK VDCCM&amp;H/U INPUT VOLTAGE.</b> 1) Disconnect the connector from the VDCCM&H/U. 2) Run the engine at idle. 3) Operate devices such as headlights, air conditioner, defogger, etc. which produce an electrical load. 4) Measure the voltage between VDCCM&H/U connector and chassis ground. <b>Connector &amp; terminal</b> <b>(B310) No. 28 (+) — Chassis ground (-):</b>	Is the voltage 10 — 15 V?	Go to step 4.	Repair the power supply circuit.
<b>4 CHECK VDCCM&amp;H/U GROUND CIRCUIT.</b> 1) Turn the ignition switch to OFF. 2) Measure the resistance between VDCCM&H/U connector and chassis ground. <b>Connector &amp; terminal</b> <b>(B310) No. 25 — Chassis ground:</b>	Is the resistance less than 0.5 Ω?	Go to step 5.	Repair the VDCCM&H/U ground harness.
<b>5 CHECK POOR CONTACT OF CONNECTORS.</b>	Is there poor contact of connector between generator, battery and VDCCM&H/U?	Repair the connector.	Go to step 6.
<b>6 CHECK VDCCM&amp;H/U.</b> 1) Connect all connectors. 2) Clear the memory. <Ref. to VDC(diag)-24, Clear Memory Mode.> 3) Perform the Inspection Mode. <Ref. to VDC(diag)-23, Inspection Mode.> 4) Read the DTC.	Is the same DTC displayed?	Replace the VDCCM only. <Ref. to VDC-9, REPLACEMENT, VDC Control Module and Hydraulic Control Unit (VDCCM&H/U).>	Go to step 7.
<b>7 CHECK OTHER DTC DETECTION.</b>	Is any other DTC displayed?	Perform the diagnosis according to DTC. <Ref. to VDC(diag)-33, List of Diagnostic Trouble Code (DTC).>	Temporary poor contact occurs.

# Diagnostic Procedure with Diagnostic Trouble Code (DTC)

VEHICLE DYNAMICS CONTROL (VDC) (DIAGNOSTICS)

## Z: DTC C0044 TCM COMMUNICATION CIRCUIT

### DTC DETECTING CONDITION:

No CAN signal from TCM.

### TROUBLE SYMPTOM:

- ABS does not operate.
- VDC does not operate.

Step	Check	Yes	No	
1	<b>CHECK LAN SYSTEM.</b> Perform the diagnosis for LAN system. <Ref. to LAN(diag)-31, OPERATION, Read Diagnostic Trouble Code (DTC).>	Is there any fault in LAN system?	Perform the diagnosis according to DTC for LAN system.	Go to step 2.
2	<b>CHECK POOR CONTACT OF CONNECTORS.</b>	Is there poor contact of TCM connector?	Repair the connector.	Go to step 3.
3	<b>CHECK TCM.</b>	Is the TCM normal?	Go to step 4.	Replace the TCM. <Ref. to 4AT-63, Transmission Control Module (TCM).>
4	<b>CHECK VDCCM&amp;H/U.</b> 1) Connect all connectors. 2) Clear the memory. <Ref. to VDC(diag)-24, Clear Memory Mode.> 3) Perform the Inspection Mode. <Ref. to VDC(diag)-23, Inspection Mode.> 4) Read the DTC.	Is the same DTC displayed?	Replace the VDCCM only. <Ref. to VDC-9, REPLACEMENT, VDC Control Module and Hydraulic Control Unit (VDCCM&H/U).>	Go to step 5.
5	<b>CHECK OTHER DTC DETECTION.</b>	Is any other DTC displayed?	Perform the diagnosis according to DTC. <Ref. to VDC(diag)-33, List of Diagnostic Trouble Code (DTC).>	It results from a temporary noise interference.

# Diagnostic Procedure with Diagnostic Trouble Code (DTC)

VEHICLE DYNAMICS CONTROL (VDC) (DIAGNOSTICS)

## AA:DTC C0045 INCORRECT VDC CONTROL MODULE SPECIFICATIONS

### DTC DETECTING CONDITION:

Different control module specification

### TROUBLE SYMPTOM:

- ABS does not operate.
- VDC does not operate.

### NOTE:

When the parameter of the VDCCM is improper, this DTC may be stored.

Step	Check	Yes	No
<b>1</b>	<b>CHECK VDCCM REPLACEMENT HISTORY.</b> Is there history of VDCCM replacement by itself?	Go to step 2.	Go to step 3.
<b>2</b>	<b>CHECK VDCCM IDENTIFICATION SYMBOL.</b> Check the identification symbol of the seal attached on the side of the VDCCM. AT: S1 MT: S5 (WRX-SS) S2 (except for WRX-SS)	Go to step 4.	Replace the VDCCM only. <Ref. to VDC-9, REPLACEMENT, VDC Control Module and Hydraulic Control Unit (VDCCM&H/U).>
<b>3</b>	<b>CHECK VDCCM&amp;H/U IDENTIFICATION SYMBOL.</b> Check the identification symbol stamped on the upper part of the H/U. AT: S1 MT: S5 (WRX-SS) S2 (except for WRX-SS)	Go to step 4.	Replace the VDCCM&H/U. <Ref. to VDC-7, VDC Control Module and Hydraulic Control Unit (VDCCM&H/U).>
<b>4</b>	<b>CHECK PARAMETER SELECTED IN VDC-CM.</b> <Ref. to VDC(diag)-18, PARAMETER CHECK, OPERATION, Subaru Select Monitor.>	Go to step 5.	Select and register the correct parameter. <Ref. to VDC(diag)-18, PARAMETER SELECTION, OPERATION, Subaru Select Monitor.>
<b>5</b>	<b>CHECK TCM SPECIFICATION.</b> Check the TCM specification.	Go to step 6.	Replace the TCM. <Ref. to 4AT-63, Transmission Control Module (TCM).>
<b>6</b>	<b>CHECK AT SYSTEM.</b> 1) Start the engine. 2) Check the DTC in AT system.	Repair the AT system.	Go to step 7.
<b>7</b>	<b>CHECK ECM SPECIFICATION.</b> Check the ECM specification.	Go to step 8.	Replace the ECM. <Ref. to FU(H4SO)-44, Engine Control Module (ECM).> <Ref. to FU(H4DOTC)-52, Engine Control Module (ECM).>

# Diagnostic Procedure with Diagnostic Trouble Code (DTC)

VEHICLE DYNAMICS CONTROL (VDC) (DIAGNOSTICS)

	Step	Check	Yes	No
8	<b>CHECK VDCCM&amp;H/U.</b> 1) Connect all connectors. 2) Clear the memory. <Ref. to VDC(diag)-24, Clear Memory Mode.> 3) Perform the Inspection Mode. <Ref. to VDC(diag)-23, Inspection Mode.> 4) Read the DTC.	Is the same DTC displayed?	Replace the VDCCM only. <Ref. to VDC-9, REPLACEMENT, VDC Control Module and Hydraulic Control Unit (VDCCM&H/U).>	Go to step 9.
9	<b>CHECK OTHER DTC DETECTION.</b>	Is any other DTC displayed?	Perform the diagnosis according to DTC. <Ref. to VDC(diag)-33, List of Diagnostic Trouble Code (DTC).>	It results from a temporary noise interference.

## AB:DTC C0045 TCM MALFUNCTION

### DTC DETECTING CONDITION:

Defective TCM

### TROUBLE SYMPTOM:

- ABS does not operate.
- VDC does not operate.

	Step	Check	Yes	No
1	<b>CHECK AT SYSTEM.</b> 1) Start the engine. 2) Check the DTC in AT system.	Is DTC of AT system displayed?	Repair the AT system.	Go to step 2.
2	<b>CHECK VDCCM&amp;H/U.</b> 1) Connect all connectors. 2) Clear the memory. <Ref. to VDC(diag)-24, Clear Memory Mode.> 3) Perform the Inspection Mode. <Ref. to VDC(diag)-23, Inspection Mode.> 4) Read the DTC.	Is the same DTC displayed?	Replace the VDCCM only. <Ref. to VDC-9, REPLACEMENT, VDC Control Module and Hydraulic Control Unit (VDCCM&H/U).>	Go to step 3.
3	<b>CHECK OTHER DTC DETECTION.</b>	Is any other DTC displayed?	Perform the diagnosis according to DTC. <Ref. to VDC(diag)-33, List of Diagnostic Trouble Code (DTC).>	It results from a temporary noise interference.

# Diagnostic Procedure with Diagnostic Trouble Code (DTC)

VEHICLE DYNAMICS CONTROL (VDC) (DIAGNOSTICS)

## AC:DTC C0047 CAN COMMUNICATION

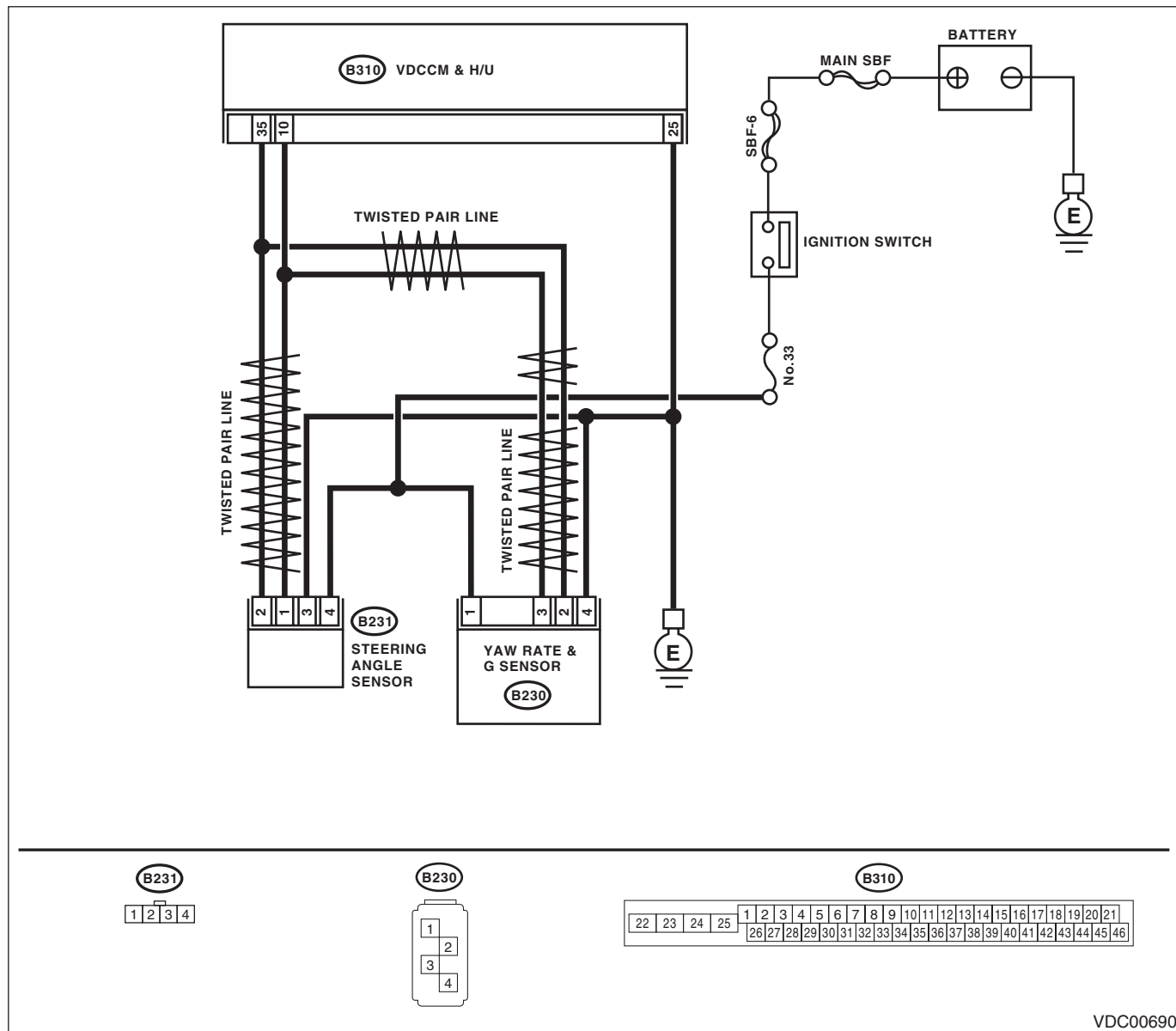
### DTC DETECTING CONDITION:

CAN communication line circuit is open or shorted.

### TROUBLE SYMPTOM:

- ABS does not operate.
- VDC does not operate.

### WIRING DIAGRAM:



VDC00690



# Diagnostic Procedure with Diagnostic Trouble Code (DTC)

VEHICLE DYNAMICS CONTROL (VDC) (DIAGNOSTICS)

Step	Check	Yes	No
<b>1 CHECK LAN SYSTEM.</b> Perform the diagnosis for LAN system. <Ref. to LAN(diag)-31, OPERATION, Read Diagnostic Trouble Code (DTC).>	Is there any fault in LAN system?	Perform the diagnosis according to DTC for LAN system.	Go to step 2.
<b>2 CHECK POOR CONTACT OF CONNECTORS.</b>	Is there poor contact of VDCCM&H/U connector?	Repair the connector.	Go to step 3.
<b>3 CHECK STEERING ANGLE SENSOR OUTPUT.</b> Connect the Subaru Select Monitor, and check the steering angle sensor output.	Does the output signal change?	Go to step 4.	Check output of the steering angle sensor. <Ref. to VDC(diag)-82, DTC C0071 STEER ANGLE SENSOR OP, Diagnostic Procedure with Diagnostic Trouble Code (DTC).>
<b>4 CHECK OUTPUT OF YAW RATE &amp; G SENSOR.</b> Connect the Subaru Select Monitor and check output of the yaw rate & G sensor.	Does the output signal change?	Go to step 5.	Check output of the yaw rate & G sensor. <Ref. to VDC(diag)-92, DTC C0072 YAW RATE SENSOR COMMUNICATION, Diagnostic Procedure with Diagnostic Trouble Code (DTC).>
<b>5 CHECK VDCCM&amp;H/U.</b> 1) Connect all connectors. 2) Clear the memory. <Ref. to VDC(diag)-24, Clear Memory Mode.> 3) Perform the Inspection Mode. <Ref. to VDC(diag)-23, Inspection Mode.> 4) Read the DTC.	Is the same DTC displayed?	Replace the VDCCM only. <Ref. to VDC-9, REPLACEMENT, VDC Control Module and Hydraulic Control Unit (VDCCM&H/U).>	Temporary poor contact occurs.

# Diagnostic Procedure with Diagnostic Trouble Code (DTC)

VEHICLE DYNAMICS CONTROL (VDC) (DIAGNOSTICS)

## AD:DTC C0051 VALVE RELAY

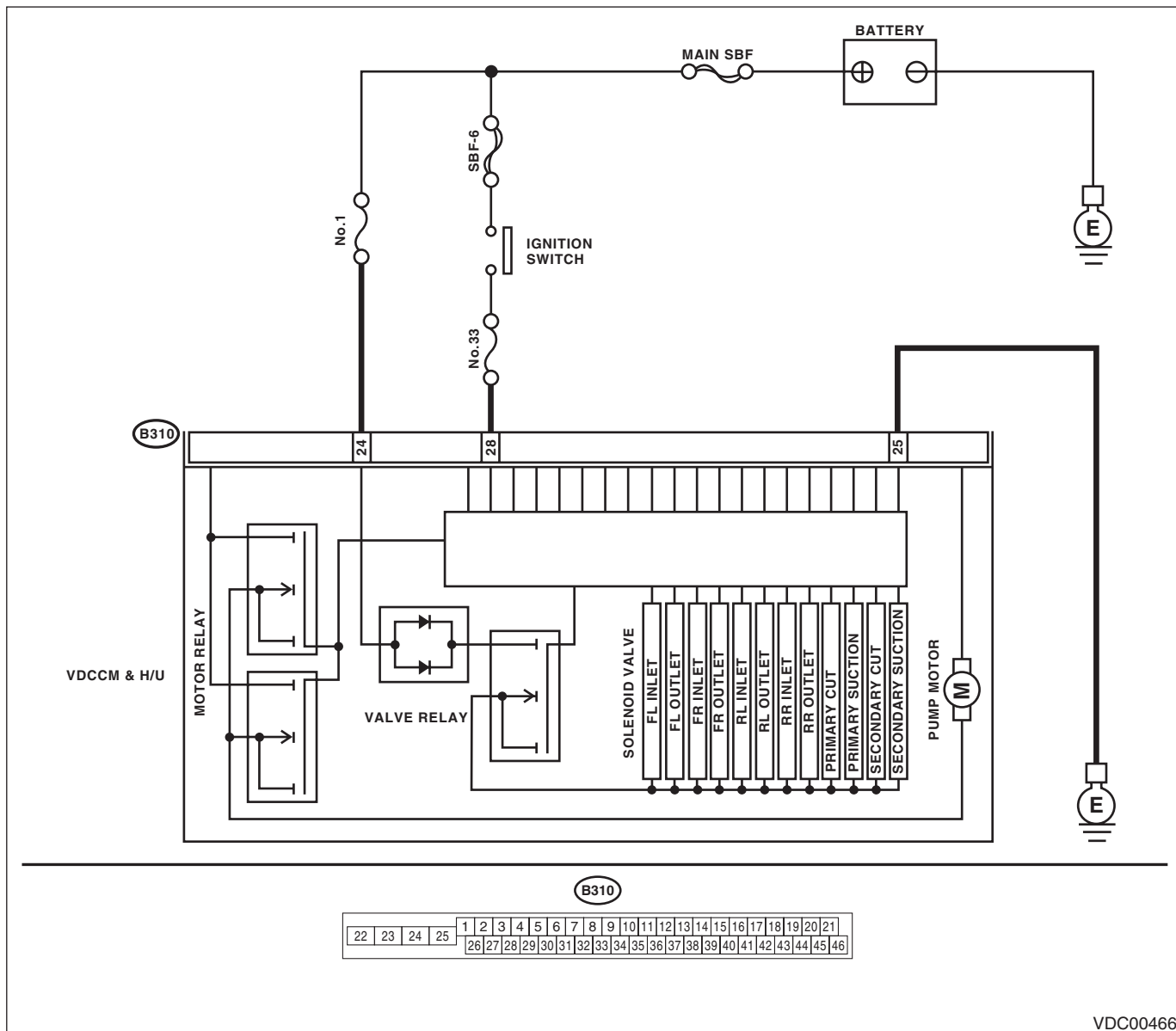
### DTC DETECTING CONDITION:

Defective valve relay

### TROUBLE SYMPTOM:

- ABS does not operate.
- EBD does not operate.
- VDC does not operate.

### WIRING DIAGRAM:



VDC00466

# Diagnostic Procedure with Diagnostic Trouble Code (DTC)

VEHICLE DYNAMICS CONTROL (VDC) (DIAGNOSTICS)

Step	Check	Yes	No
<b>1 CHECK VDCCM&amp;H/U INPUT VOLTAGE.</b> 1) Turn the ignition switch to OFF. 2) Disconnect the connector from the VDCCM&H/U. 3) Run the engine at idle. 4) Measure the voltage between VDCCM&H/U connector and chassis ground. <b>Connector &amp; terminal</b> <b>(B310) No. 28 (+) — Chassis ground (-):</b> <b>(B310) No. 24 (+) — Chassis ground (-):</b>	Is the voltage 10 — 15 V?	Go to step 2.	Repair the power supply circuit.
<b>2 CHECK VDCCM&amp;H/U INPUT VOLTAGE.</b> Calculate the voltage difference measured in step 1. A: (B310) No. 28 (+) — Chassis ground (-): B: (B310) No. 24 (+) — Chassis ground (-):	Is the voltage difference between A and B 2 V or more?	Repair the power supply circuit.	Go to step 3.
<b>3 CHECK VDCCM&amp;H/U GROUND CIRCUIT.</b> 1) Turn the ignition switch to OFF. 2) Measure the resistance between VDCCM&H/U connector and chassis ground. <b>Connector &amp; terminal</b> <b>(B310) No. 25 — Chassis ground:</b>	Is the resistance less than 0.5 $\Omega$ ?	Go to step 4.	Repair the VDCCM&H/U ground harness.
<b>4 CHECK VDCCM&amp;H/U VALVE RELAY.</b> Measure the resistance between VDCCM&H/U connector terminals. <b>Connector &amp; terminal</b> <b>(B310) No. 24 — (B310) No. 25:</b>	Is the resistance 1 M $\Omega$ or more?	Go to step 5.	Replace the VDCCM&H/U. <Ref. to VDC-7, VDC Control Module and Hydraulic Control Unit (VDCCM&H/U).>
<b>5 CHECK POOR CONTACT OF CONNECTORS.</b>	Is there poor contact of connector between generator, battery and VDCCM&H/U?	Repair the connector.	Go to step 6.
<b>6 CHECK VDCCM&amp;H/U.</b> 1) Connect all connectors. 2) Clear the memory. <Ref. to VDC(diag)-24, Clear Memory Mode.> 3) Perform the Inspection Mode. <Ref. to VDC(diag)-23, Inspection Mode.> 4) Read the DTC.	Is the same DTC displayed?	Replace the VDCCM only. <Ref. to VDC-9, REPLACEMENT, VDC Control Module and Hydraulic Control Unit (VDCCM&H/U).>	Go to step 7.
<b>7 CHECK OTHER DTC DETECTION.</b>	Is any other DTC displayed?	Perform the diagnosis according to DTC. <Ref. to VDC(diag)-33, List of Diagnostic Trouble Code (DTC).>	Temporary poor contact occurs.

# Diagnostic Procedure with Diagnostic Trouble Code (DTC)

VEHICLE DYNAMICS CONTROL (VDC) (DIAGNOSTICS)

## AE:DTC C0052 MOTOR AND MOTOR RELAY OFF FAILURE

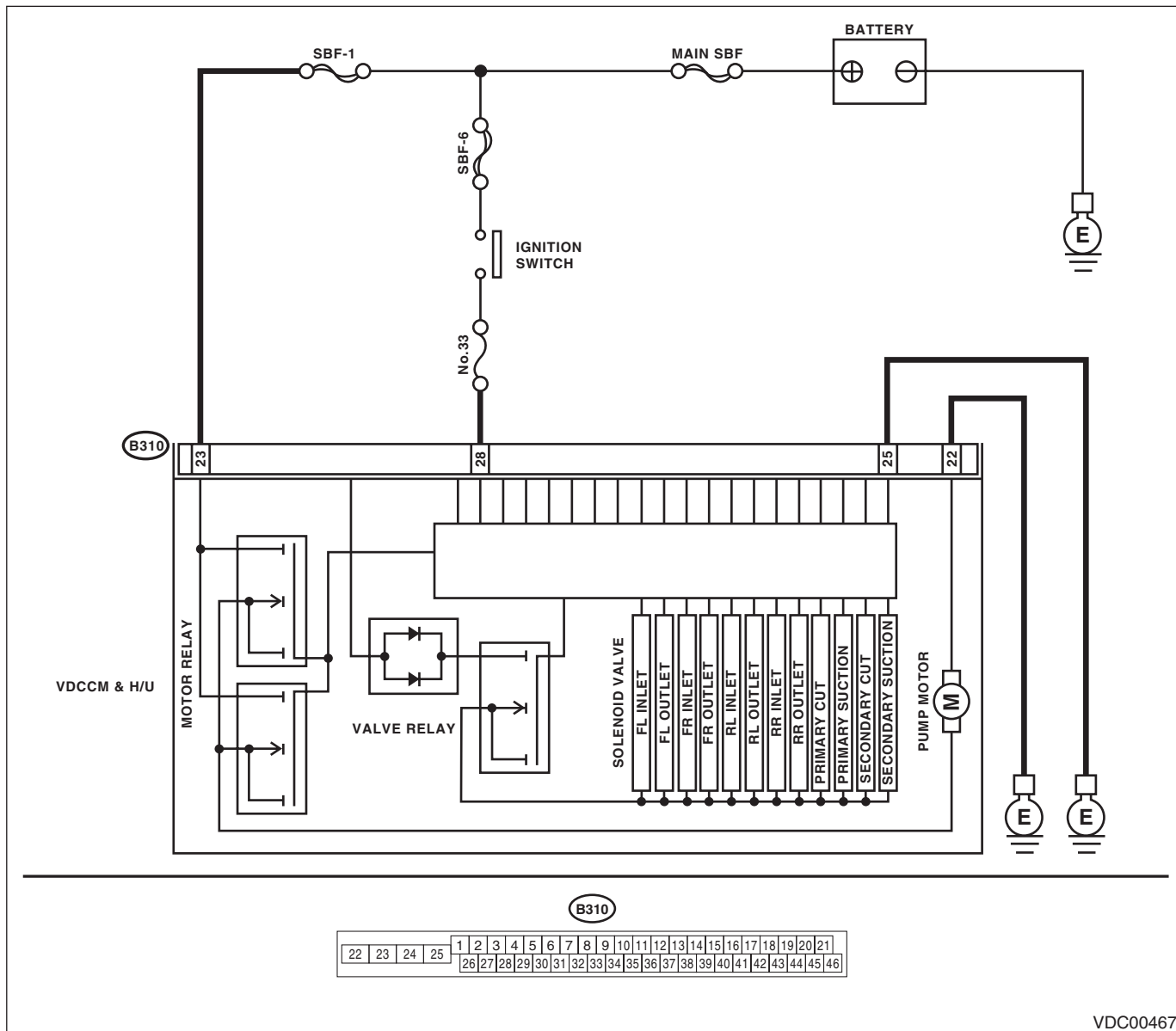
### DTC DETECTING CONDITION:

- Defective motor and motor relay
- Faulty harness connectors

### TROUBLE SYMPTOM:

- ABS does not operate.
- VDC does not operate.
- EBD may not operate.

### WIRING DIAGRAM:



VDC00467

# Diagnostic Procedure with Diagnostic Trouble Code (DTC)

VEHICLE DYNAMICS CONTROL (VDC) (DIAGNOSTICS)

	Step	Check	Yes	No
1	<b>CHECK VDCCM&amp;H/U INPUT VOLTAGE.</b> 1) Turn the ignition switch to OFF. 2) Disconnect the connector from the VDCCM&H/U. 3) Turn the ignition switch to ON. 4) Measure the voltage between VDCCM&H/U connector and chassis ground. <b>Connector &amp; terminal</b> <b>(B310) No. 23 (+) — Chassis ground (-):</b> <b>(B310) No. 28 (+) — Chassis ground (-):</b>	Is the voltage 10 — 15 V?	Go to step 2.	Repair the VDCCM&H/U power supply circuit.
2	<b>CHECK INSTALLATION OF MOTOR GROUND.</b>	Is the motor ground terminal installation bolt tightened 33 N·m (3.4 kgf-m, 24.3 ft-lb)?	Go to step 3.	Tighten the motor ground terminal attachment bolts.
3	<b>CHECK VDCCM&amp;H/U GROUND CIRCUIT.</b> 1) Turn the ignition switch to OFF. 2) Measure the resistance between VDCCM&H/U connector and chassis ground. <b>Connector &amp; terminal</b> <b>(B310) No. 25 — Chassis ground:</b> <b>(B310) No. 22 — Chassis ground:</b>	Is the resistance less than 0.5 Ω?	Go to step 4.	Repair the VDCCM&H/U ground harness.
4	<b>CHECK VDCCM&amp;H/U MOTOR RELAY.</b> Measure the resistance between VDCCM&H/U connector terminals. <b>Terminals</b> <b>No. 23 — No. 22:</b>	Is the resistance 1 MΩ or more?	Go to step 5.	Replace the VDCCM&H/U. <Ref. to VDC-7, VDC Control Module and Hydraulic Control Unit (VDCCM&H/U).>
5	<b>CHECK POOR CONTACT OF CONNECTORS.</b> Turn the ignition switch to OFF.	Is there poor contact of connector between generator, battery and VDCCM&H/U?	Repair the connector.	Go to step 6.
6	<b>CHECK VDCCM&amp;H/U.</b> 1) Connect all connectors. 2) Clear the memory. <Ref. to VDC(diag)-24, Clear Memory Mode.> 3) Perform the Inspection Mode. <Ref. to VDC(diag)-23, Inspection Mode.> 4) Read the DTC.	Is the same DTC displayed?	Replace the VDCCM&H/U. <Ref. to VDC-7, VDC Control Module and Hydraulic Control Unit (VDCCM&H/U).>	Go to step 7.
7	<b>CHECK OTHER DTC DETECTION.</b>	Is any other DTC displayed?	Perform the diagnosis according to DTC. <Ref. to VDC(diag)-33, List of Diagnostic Trouble Code (DTC).>	Temporary poor contact occurs. NOTE: Though the ABS warning light remains on at this time, this is normal. Drive the vehicle at 12 km/h (7 MPH) or more in order to turn ABS warning light off. Be sure to drive the vehicle and check that the warning light goes off.

# Diagnostic Procedure with Diagnostic Trouble Code (DTC)

VEHICLE DYNAMICS CONTROL (VDC) (DIAGNOSTICS)

## AF:DTC C0052 MOTOR AND MOTOR RELAY ON FAILURE

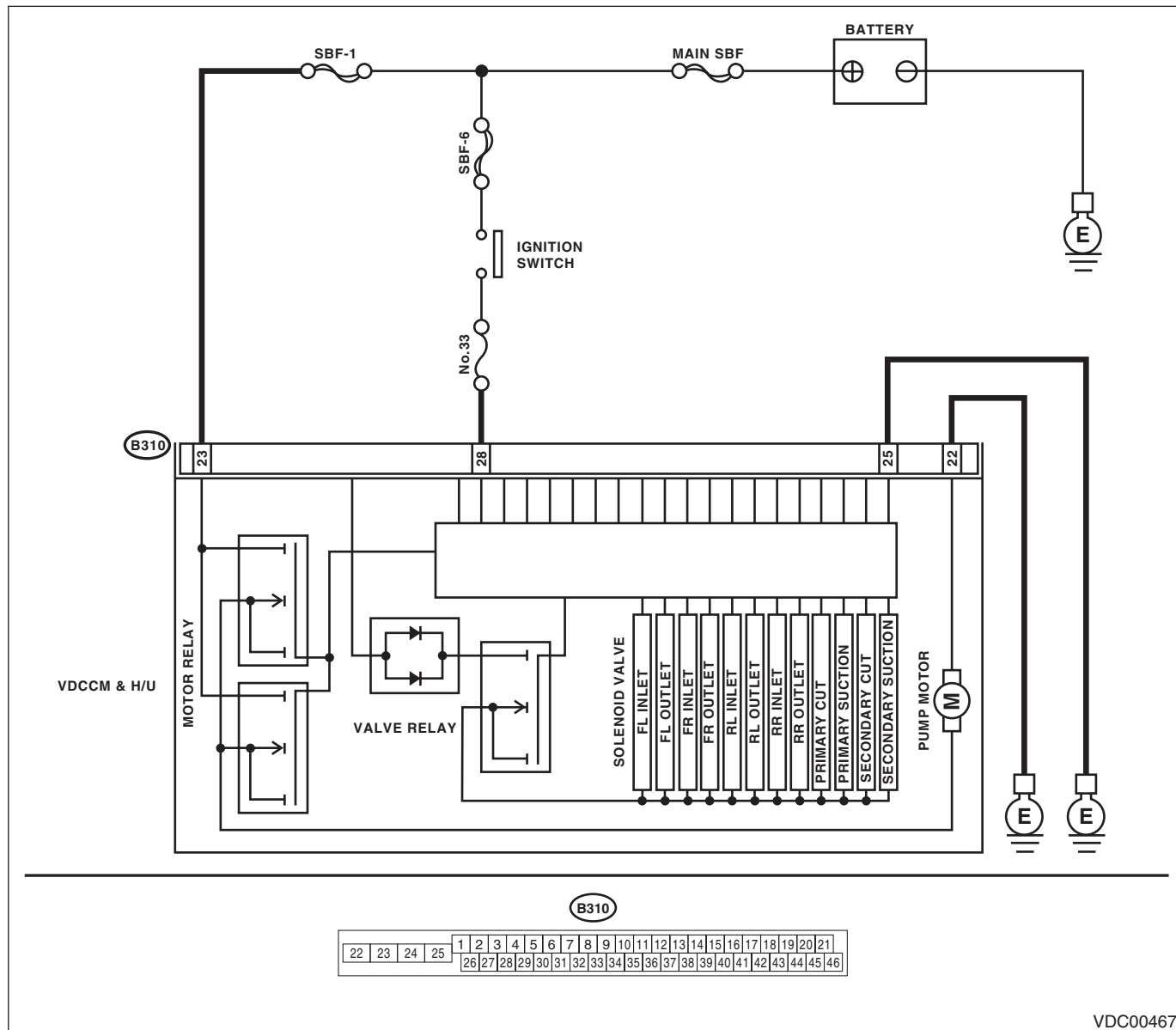
### DTC DETECTING CONDITION:

- Defective motor relay
- Faulty harness connectors

### TROUBLE SYMPTOM:

- ABS does not operate.
- VDC does not operate.
- EBD may not operate.

### WIRING DIAGRAM:



VDC00467

# Diagnostic Procedure with Diagnostic Trouble Code (DTC)

VEHICLE DYNAMICS CONTROL (VDC) (DIAGNOSTICS)

	Step	Check	Yes	No
1	<b>CHECK VDCCM&amp;H/U MOTOR RELAY.</b> 1) Turn the ignition switch to OFF. 2) Disconnect the connector from the VDCCM&H/U. 3) Measure the resistance between VDCCM&H/U connector terminals. <b>Terminals</b> <b>No. 23 — No. 22:</b>	Is the resistance 1 MΩ or more?	Go to step 2.	Replace the VDCCM&H/U. <Ref. to VDC-7, VDC Control Module and Hydraulic Control Unit (VDCCM&H/U).>
2	<b>CHECK VDCCM&amp;H/U.</b> 1) Connect all connectors. 2) Clear the memory. <Ref. to VDC(diag)-24, Clear Memory Mode.> 3) Perform the Inspection Mode. <Ref. to VDC(diag)-23, Inspection Mode.> 4) Read the DTC.	Is the same DTC displayed?	Replace the VDCCM only. <Ref. to VDC-9, REPLACEMENT, VDC Control Module and Hydraulic Control Unit (VDCCM&H/U).>	Go to step 3.
3	<b>CHECK OTHER DTC DETECTION.</b>	Is any other DTC displayed?	Perform the diagnosis according to DTC. <Ref. to VDC(diag)-33, List of Diagnostic Trouble Code (DTC).>	Temporary poor contact occurs. NOTE: Though the ABS warning light remains on at this time, this is normal. Drive the vehicle at 12 km/h (7 MPH) or more in order to turn ABS warning light off. Be sure to drive the vehicle and check that the warning light goes off.

## AG:DTC C0052 MOTOR MALFUNCTION

### DTC DETECTING CONDITION:

- Defective motor
- Defective motor relay
- Defective harness connector

### TROUBLE SYMPTOM:

- ABS does not operate.
- VDC does not operate.
- EBD may not operate.

### NOTE:

For the diagnostic procedure, refer to DTC C0052 "MOTOR/MOTOR RELAY OFF FAILURE". <Ref. to VDC(diag)-64, DTC C0052 MOTOR AND MOTOR RELAY OFF FAILURE, Diagnostic Procedure with Diagnostic Trouble Code (DTC).>

# Diagnostic Procedure with Diagnostic Trouble Code (DTC)

VEHICLE DYNAMICS CONTROL (VDC) (DIAGNOSTICS)

## AH:DTC C0054 BLS CIRCUIT OPEN

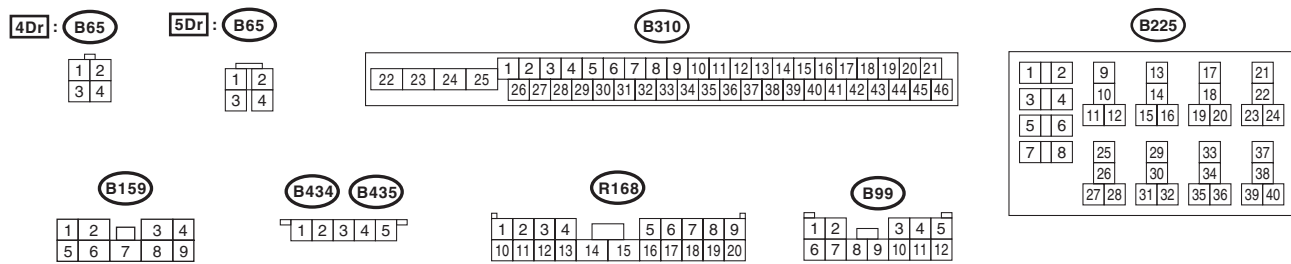
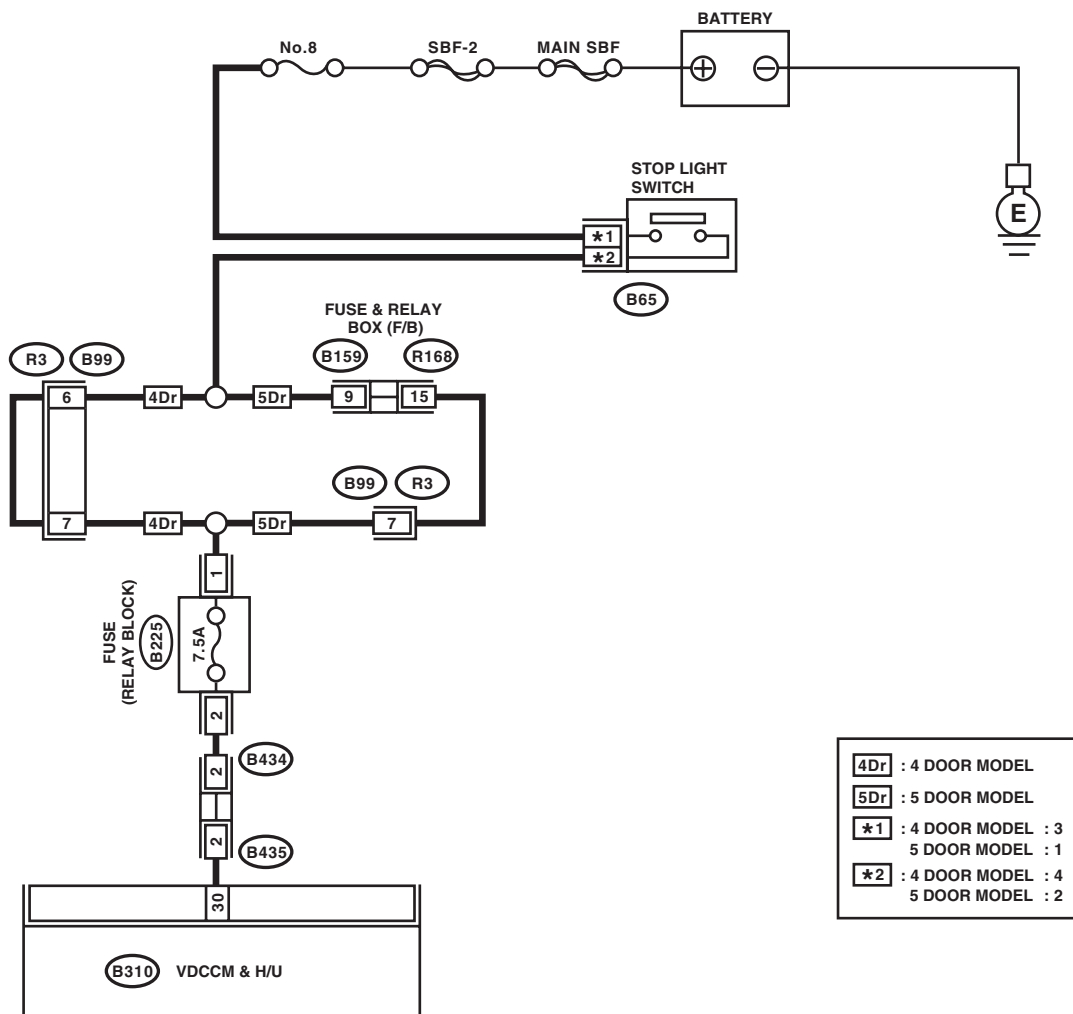
### DTC DETECTING CONDITION:

Defective stop light switch

### TROUBLE SYMPTOM:

- ABS does not operate.
- VDC does not operate.

### WIRING DIAGRAM:



VDC00719



# Diagnostic Procedure with Diagnostic Trouble Code (DTC)

VEHICLE DYNAMICS CONTROL (VDC) (DIAGNOSTICS)

	Step	Check	Yes	No
1	<b>CHECK OUTPUT OF STOP LIGHT SWITCH WITH SUBARU SELECT MONITOR.</b> 1) Select {Current Data Display & Save} in Subaru Select Monitor. 2) Release the brake pedal. 3) Read the stop light switch output in Subaru Select Monitor.	Is OFF displayed on the display screen?	Go to step 2.	Go to step 3.
2	<b>CHECK OUTPUT OF STOP LIGHT SWITCH WITH SUBARU SELECT MONITOR.</b> 1) Depress the brake pedal. 2) Read the stop light switch output in Subaru Select Monitor.	Is ON displayed on the display screen?	Go to step 6.	Go to step 3.
3	<b>CHECK IF STOP LIGHTS ILLUMINATE.</b> Depress the brake pedal.	Does the stop light illuminate?	Go to step 4.	Repair the stop light circuit.
4	<b>CHECK FUSE.</b> Check the fuse (B225) in the relay block.	Is the fuse OK?	Go to step 5.	Replace the fuse.
5	<b>CHECK OPEN CIRCUIT OF HARNESS.</b> 1) Turn the ignition switch to OFF. 2) Disconnect the connector from the VDCCM&H/U. 3) Depress the brake pedal. 4) Measure the voltage between VDCCM&H/U connector and chassis ground. <i>Connector &amp; terminal (B310) No. 30 (+) — Chassis ground (-):</i>	Is the voltage 10 — 15 V?	Go to step 6.	Repair the harness between stop light switch and VDCCM&H/U connector.
6	<b>CHECK POOR CONTACT OF CONNECTORS.</b>	Is there poor contact of connector between stop light switch and VDCCM&H/U?	Repair the connector.	Go to step 7.
7	<b>CHECK VDCCM&amp;H/U.</b> 1) Connect all connectors. 2) Clear the memory. <Ref. to VDC(diag)-24, Clear Memory Mode.> 3) Perform the Inspection Mode. <Ref. to VDC(diag)-23, Inspection Mode.> 4) Read the DTC.	Is the same DTC displayed?	Replace the VDCCM only. <Ref. to VDC-9, REPLACEMENT, VDC Control Module and Hydraulic Control Unit (VDCCM&H/U).>	Go to step 8.
8	<b>CHECK OTHER DTC DETECTION.</b>	Is any other DTC displayed?	Perform the diagnosis according to DTC. <Ref. to VDC(diag)-33, List of Diagnostic Trouble Code (DTC).>	Temporary poor contact occurs.

# Diagnostic Procedure with Diagnostic Trouble Code (DTC)

VEHICLE DYNAMICS CONTROL (VDC) (DIAGNOSTICS)

## AI: DTC C0054 BLS ON MALFUNCTION

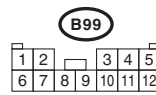
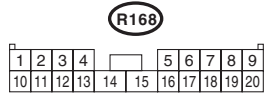
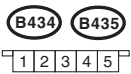
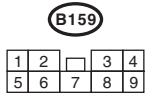
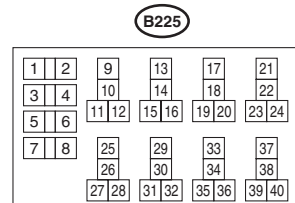
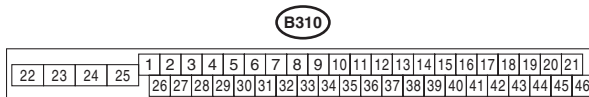
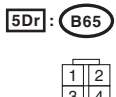
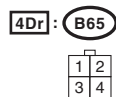
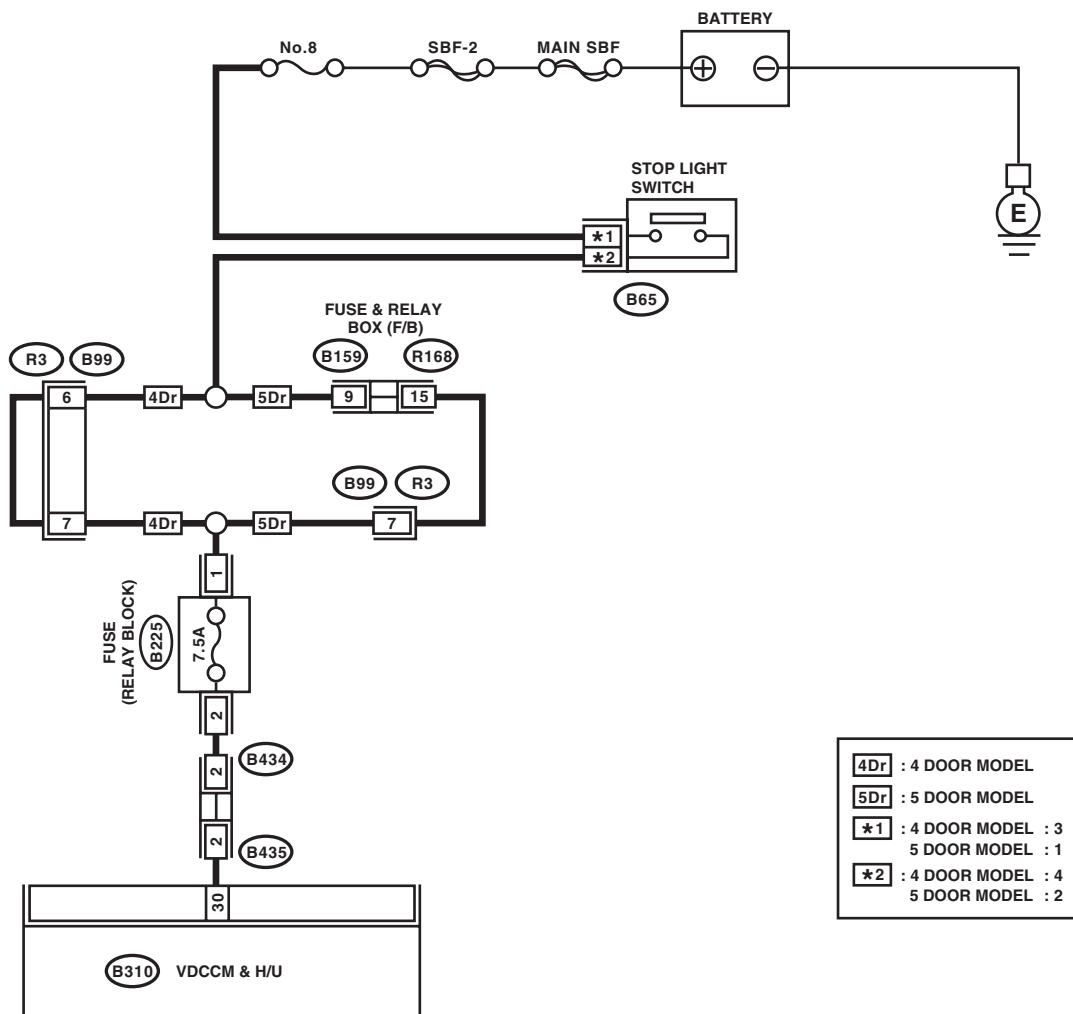
### DTC DETECTING CONDITION:

Defective stop light switch

### TROUBLE SYMPTOM:

- ABS does not operate.
- VDC does not operate.

### WIRING DIAGRAM:



VDC00719

# Diagnostic Procedure with Diagnostic Trouble Code (DTC)

VEHICLE DYNAMICS CONTROL (VDC) (DIAGNOSTICS)

	Step	Check	Yes	No
1	<b>CHECK STOP LIGHT SWITCH.</b> 1) Turn the ignition switch to OFF. 2) Disconnect the stop light switch connector. 3) Measure the resistance of stop light switch terminals.	Is the resistance 1 MΩ or more when switch is OFF (when pedal is not depressed)?	Go to step 2.	Replace the stop light switch.
2	<b>INTERVIEWING CUSTOMERS.</b> Make sure that the operation was performed in which accelerator pedal and brake pedal were depressed simultaneously (with depressing brake pedal with left foot).	Were the acceleration pedal and brake pedal depressed simultaneously?	System is normal. (DTC may be recorded while brake is applied during driving.)	Go to step 3.
3	<b>CHECK VDCCM&amp;H/U.</b> 1) Connect all connectors. 2) Clear the memory. <Ref. to VDC(diag)-24, Clear Memory Mode.> 3) Perform the Inspection Mode. <Ref. to VDC(diag)-23, Inspection Mode.> 4) Read the DTC.	Is the same DTC displayed?	Replace the VDCCM only. <Ref. to VDC-9, REPLACEMENT, VDC Control Module and Hydraulic Control Unit (VDCCM&H/U).>	Go to step 4.
4	<b>CHECK OTHER DTC DETECTION.</b>	Is any other DTC displayed?	Perform the diagnosis according to DTC. <Ref. to VDC(diag)-33, List of Diagnostic Trouble Code (DTC).>	Temporary poor contact occurs.

# Diagnostic Procedure with Diagnostic Trouble Code (DTC)

VEHICLE DYNAMICS CONTROL (VDC) (DIAGNOSTICS)

## AJ:DTC C0054 BLS OFF MALFUNCTION

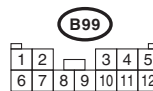
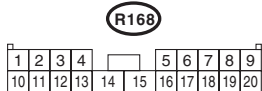
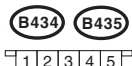
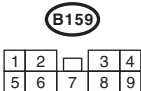
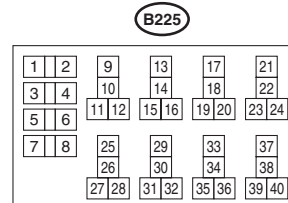
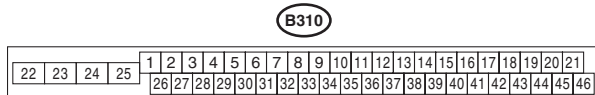
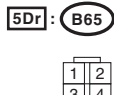
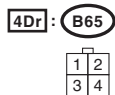
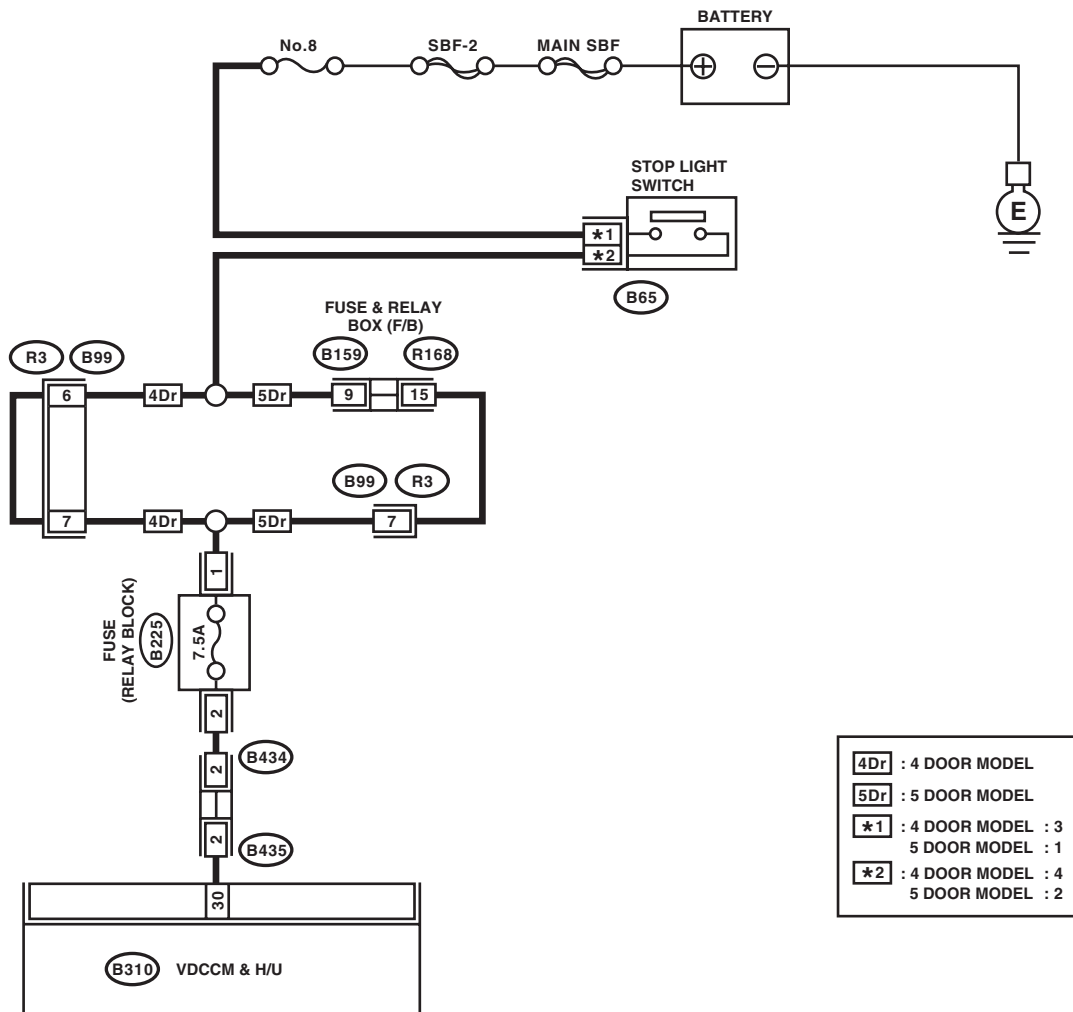
### DTC DETECTING CONDITION:

Defective stop light switch

### TROUBLE SYMPTOM:

- ABS does not operate.
- VDC does not operate.

### WIRING DIAGRAM:



VDC00719

# Diagnostic Procedure with Diagnostic Trouble Code (DTC)

VEHICLE DYNAMICS CONTROL (VDC) (DIAGNOSTICS)

	Step	Check	Yes	No
1	<b>CHECK STOP LIGHT SWITCH.</b> 1) Turn the ignition switch to OFF. 2) Disconnect the stop light switch connector. 3) Measure the resistance of stop light switch terminals.	Is the resistance 0.5 Ω or less when the switch is ON (when pedal is depressed)?	Go to step 2.	Replace the stop light switch.
2	<b>CHECK STOP LIGHT POWER SUPPLY.</b> Measure the voltage between stop light switch terminal and chassis ground. <b>Connector &amp; terminal</b> <b>4 DOOR MODEL</b> (B65) No. 3 (+) — Chassis ground (-): <b>5 DOOR MODEL</b> (B65) No. 1 (+) — Chassis ground (-):	Is the voltage 10 — 15 V?	Go to step 3.	Repair the stop light power supply circuit.
3	<b>CHECK STOP LIGHT SWITCH HARNESS.</b> 1) Disconnect the connector from the VDCCM&H/U. 2) Measure the resistance between VDCCM&H/U and stop light switch. <b>Connector &amp; terminal</b> <b>4 DOOR MODEL</b> (B65) No. 4 — (B310) No. 30: <b>5 DOOR MODEL</b> (B65) No. 2 — (B310) No. 30:	Is the resistance less than 0.5 Ω?	Go to step 4.	Repair the stop light switch circuit.
4	<b>CHECK POOR CONTACT OF CONNECTORS.</b>	Is there poor contact of connector between stop light switch and VDCCM&H/U?	Repair the connector.	Go to step 5.
5	<b>CHECK VDCCM&amp;H/U.</b> 1) Connect all connectors. 2) Clear the memory. <Ref. to VDC(diag)-24, Clear Memory Mode.> 3) Perform the Inspection Mode. <Ref. to VDC(diag)-23, Inspection Mode.> 4) Read the DTC.	Is the same DTC displayed?	Replace the VDCCM only. <Ref. to VDC-9, REPLACEMENT, VDC Control Module and Hydraulic Control Unit (VDCCM&H/U).>	Go to step 6.
6	<b>CHECK OTHER DTC DETECTION.</b>	Is any other DTC displayed?	Perform the diagnosis according to DTC. <Ref. to VDC(diag)-33, List of Diagnostic Trouble Code (DTC).>	Temporary poor contact occurs.

# Diagnostic Procedure with Diagnostic Trouble Code (DTC)

VEHICLE DYNAMICS CONTROL (VDC) (DIAGNOSTICS)

## AK:DTC C0056 G SENSOR SIGNAL

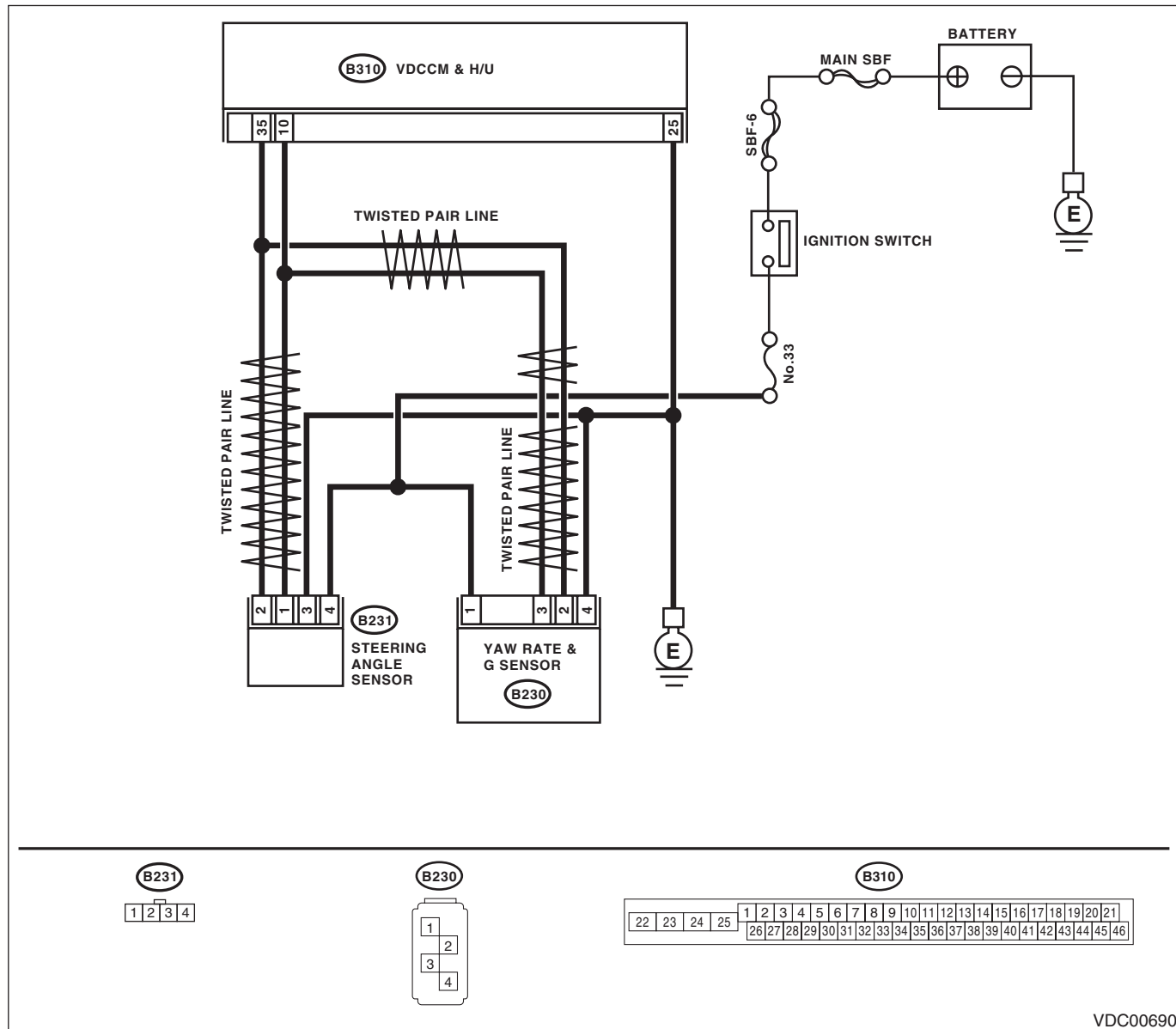
### DTC DETECTING CONDITION:

Defective longitudinal G sensor output signal

### TROUBLE SYMPTOM:

Hill start assist does not operate.

### WIRING DIAGRAM:



VDC00690

# Diagnostic Procedure with Diagnostic Trouble Code (DTC)

VEHICLE DYNAMICS CONTROL (VDC) (DIAGNOSTICS)

	Step	Check	Yes	No
1	<b>WHETHER A WHEEL TURNED FREELY OR NOT.</b> Check if the wheels have been turned freely for one minute or more, such as when the vehicle is jacked-up, under full-lock cornering or when the wheels are not in contact with road surface.	Did the wheels turn freely?	VDC is normal. Clear the memory.	Go to step 2.
2	<b>CHECK OUTPUT OF LONGITUDINAL G SENSOR USING SUBARU SELECT MONITOR.</b> 1) Park the vehicle on a level surface. 2) Select {Current Data Display & Save} in Subaru Select Monitor. 3) Read the indication of longitudinal G sensor output.	Is the indicated reading on the monitor display $-1.2$ — $1.2$ m/s <sup>2</sup> ?	Go to step 3.	Replace the yaw rate & G sensor. <Ref. to VDC-16, Yaw Rate and G Sensor.>
3	<b>CHECK OUTPUT OF LONGITUDINAL G SENSOR USING SUBARU SELECT MONITOR.</b> 1) Turn the ignition switch to OFF. 2) Remove the yaw rate & G sensors from vehicle. 3) Turn the ignition switch to ON, and select the {Current Data Display & Save} in Subaru Select Monitor. 4) Read the indication of longitudinal G sensor output.	When the yaw rate & G sensor is inclined 90° to the front, is the indicated value $6.8$ — $12.8$ m/s <sup>2</sup> ?	Go to step 4.	Replace the yaw rate & G sensor. <Ref. to VDC-16, Yaw Rate and G Sensor.>
4	<b>CHECK OUTPUT OF LONGITUDINAL G SENSOR USING SUBARU SELECT MONITOR.</b> Read the indication of longitudinal G sensor output.	When the yaw rate & G sensor is inclined 90° to the rear, is the indicated value $-6.8$ — $-12.8$ m/s <sup>2</sup> ?	Go to step 5.	Replace the yaw rate & G sensor. <Ref. to VDC-16, Yaw Rate and G Sensor.>
5	<b>CHECK POOR CONTACT OF CONNECTOR.</b> Turn the ignition switch to OFF.	Is there poor contact of connector between VDCCM&H/U and yaw rate & G sensor?	Repair the connector.	Go to step 6.
6	<b>CHECK VDCCM&amp;H/U.</b> 1) Connect all connectors. 2) Clear the memory. <Ref. to VDC(diag)-24, Clear Memory Mode.> 3) Perform the Inspection Mode. <Ref. to VDC(diag)-23, Inspection Mode.> 4) Read the DTC.	Is the same DTC displayed?	Replace the VDCCM only. <Ref. to VDC-9, REPLACEMENT, VDC Control Module and Hydraulic Control Unit (VDCCM&H/U).>	Go to step 7.
7	<b>CHECK OTHER DTC DETECTION.</b>	Is any other DTC displayed?	Perform the diagnosis according to DTC. <Ref. to VDC(diag)-33, List of Diagnostic Trouble Code (DTC).>	Temporary poor contact occurs.

# Diagnostic Procedure with Diagnostic Trouble Code (DTC)

VEHICLE DYNAMICS CONTROL (VDC) (DIAGNOSTICS)

## AL:DTC C0057 ECM COMMUNICATION CIRCUIT

### DTC DETECTING CONDITION:

No CAN signal from ECM.

### TROUBLE SYMPTOM:

- ABS does not operate.
- VDC does not operate.

	Step	Check	Yes	No
1	<b>CHECK LAN SYSTEM.</b> Perform the diagnosis for LAN system. <Ref. to LAN(diag)-31, OPERATION, Read Diagnostic Trouble Code (DTC).>	Is there any fault in LAN system?	Perform the diagnosis according to DTC for LAN system.	Go to step 2.
2	<b>CHECK POOR CONTACT OF CONNECTORS.</b>	Is there poor contact of ECM connector?	Repair the connector.	Go to step 3.
3	<b>CHECK ECM.</b>	Is ECM normal?	Go to step 4.	Replace the ECM.
4	<b>CHECK VDCCM&amp;H/U.</b> 1) Connect all connectors. 2) Clear the memory. <Ref. to VDC(diag)-24, Clear Memory Mode.> 3) Perform the Inspection Mode. <Ref. to VDC(diag)-23, Inspection Mode.> 4) Read the DTC.	Is the same DTC displayed?	Replace the VDCCM only. <Ref. to VDC-9, REPLACEMENT, VDC Control Module and Hydraulic Control Unit (VDCCM&H/U).>	Go to step 5.
5	<b>CHECK OTHER DTC DETECTION.</b>	Is any other DTC displayed?	Perform the diagnosis according to DTC. <Ref. to VDC(diag)-33, List of Diagnostic Trouble Code (DTC).>	It results from a temporary noise interference.



# Diagnostic Procedure with Diagnostic Trouble Code (DTC)

VEHICLE DYNAMICS CONTROL (VDC) (DIAGNOSTICS)

## AM:DTC C0057 ECM CONTROL SYSTEM

### DTC DETECTING CONDITION:

Cooperation control prohibition of ECM

### TROUBLE SYMPTOM:

- ABS does not operate.
- VDC does not operate.

### NOTE:

Warning lights go off if the cooperation control of ECM returns.

	Step	Check	Yes	No
1	<b>CHECK WARNING LIGHT.</b> Check whether the VDC warning light illuminates after driving for 1 minute or more at a speed of 10 km/h or more.	Does the VDC warning light illuminate?	Go to step 2.	VDC is normal. Perform the Clear Memory Mode. NOTE: DTC may be re-recorded If cranking is performed during driving.
2	<b>CHECK POOR CONTACT OF CONNECTORS.</b>	Is there poor contact of ECM connector?	Repair the connector.	Go to step 3.
3	<b>CHECK ECM.</b>	Is ECM normal?	Go to step 4.	Replace the ECM.
4	<b>CHECK VDCCM&amp;H/U.</b> 1) Connect all connectors. 2) Clear the memory. <Ref. to VDC(diag)-24, Clear Memory Mode.> 3) Perform the Inspection Mode. <Ref. to VDC(diag)-23, Inspection Mode.> 4) Read the DTC.	Is the same DTC displayed?	Replace the VDCCM only. <Ref. to VDC-9, REPLACEMENT, VDC Control Module and Hydraulic Control Unit (VDCCM&H/U).>	Go to step 5.
5	<b>CHECK OTHER DTC DETECTION.</b>	Is any other DTC displayed?	Perform the diagnosis according to DTC. <Ref. to VDC(diag)-33, List of Diagnostic Trouble Code (DTC).>	It results from a temporary noise interference.

# Diagnostic Procedure with Diagnostic Trouble Code (DTC)

VEHICLE DYNAMICS CONTROL (VDC) (DIAGNOSTICS)

## AN:DTC C0071 STEERING ANGLE SENSOR OFFSET IS TOO BIG

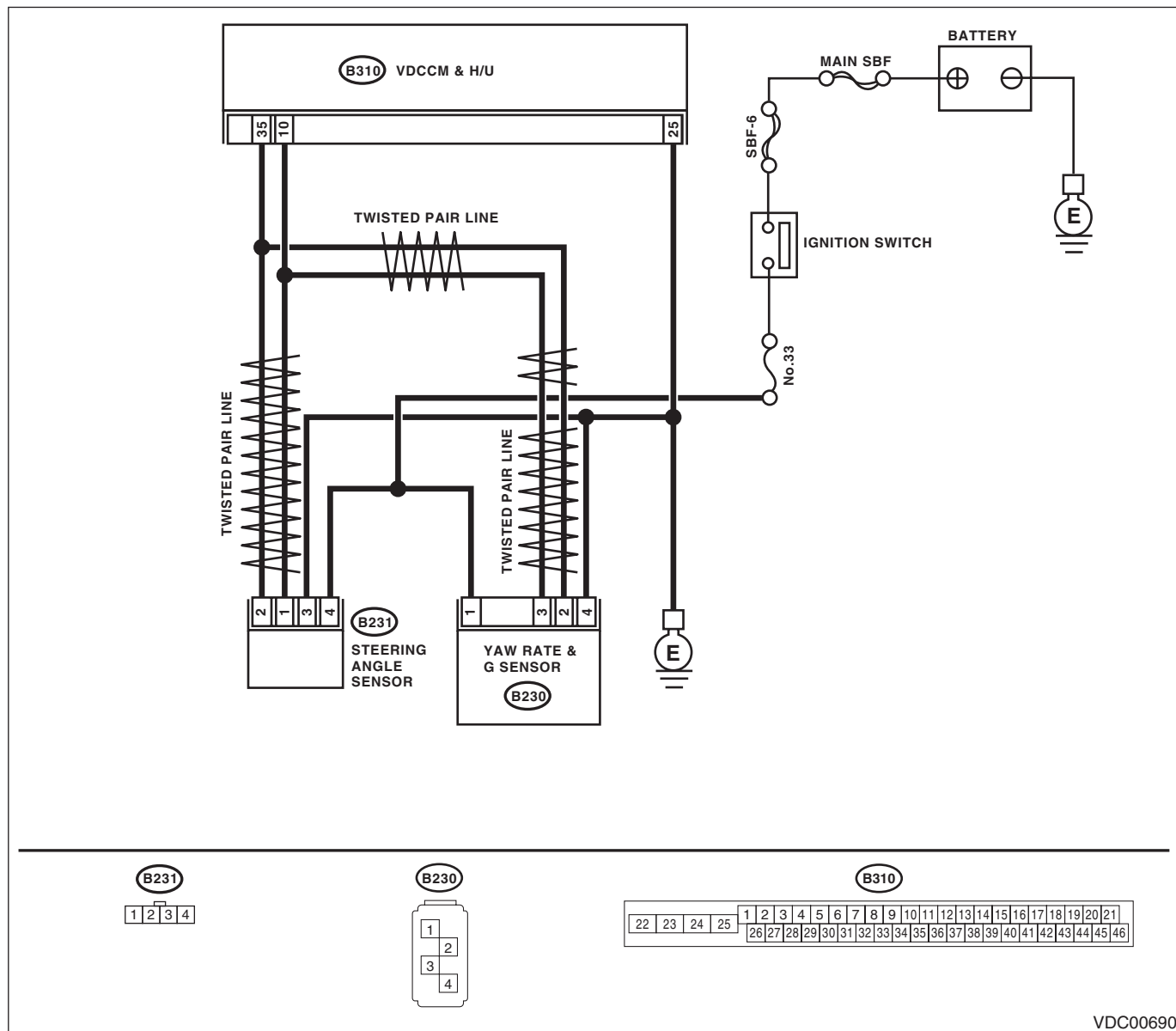
### DTC DETECTING CONDITION:

Defective steering angle sensor

### TROUBLE SYMPTOM:

VDC does not operate.

### WIRING DIAGRAM:



VDC00690

# Diagnostic Procedure with Diagnostic Trouble Code (DTC)

VEHICLE DYNAMICS CONTROL (VDC) (DIAGNOSTICS)

Step	Check	Yes	No
<b>1</b> <b>CHECK STEERING WHEEL.</b> 1) Drive the vehicle on a flat road. 2) Park the vehicle straight. 3) Check the steering wheel for deviation from center.	Is the deviation from the center of steering wheel less than 5°?	Go to step 2.	Perform the centering adjustment of steering wheel.
<b>2</b> <b>CHECK VDCCM&amp;H/U.</b> 1) Turn the ignition switch to OFF. 2) Connect all connectors. 3) Clear the memory. <Ref. to VDC(diag)-24, Clear Memory Mode.> 4) Perform the Inspection Mode. <Ref. to VDC(diag)-23, Inspection Mode.> 5) Perform the Inspection Mode. 6) Read the DTC.	Is the same DTC displayed?	Replace the VDCCM only. <Ref. to VDC-9, REPLACEMENT, VDC Control Module and Hydraulic Control Unit (VDCCM&H/U).>	Go to step 3.
<b>3</b> <b>CHECK OTHER DTC DETECTION.</b>	Is any other DTC displayed?	Perform the diagnosis according to DTC. <Ref. to VDC(diag)-33, List of Diagnostic Trouble Code (DTC).>	Temporary poor contact occurs.

# Diagnostic Procedure with Diagnostic Trouble Code (DTC)

VEHICLE DYNAMICS CONTROL (VDC) (DIAGNOSTICS)

## AO:DTC C0071 CHANGE RANGE OF STEERING ANGLE SENSOR IS TOO BIG

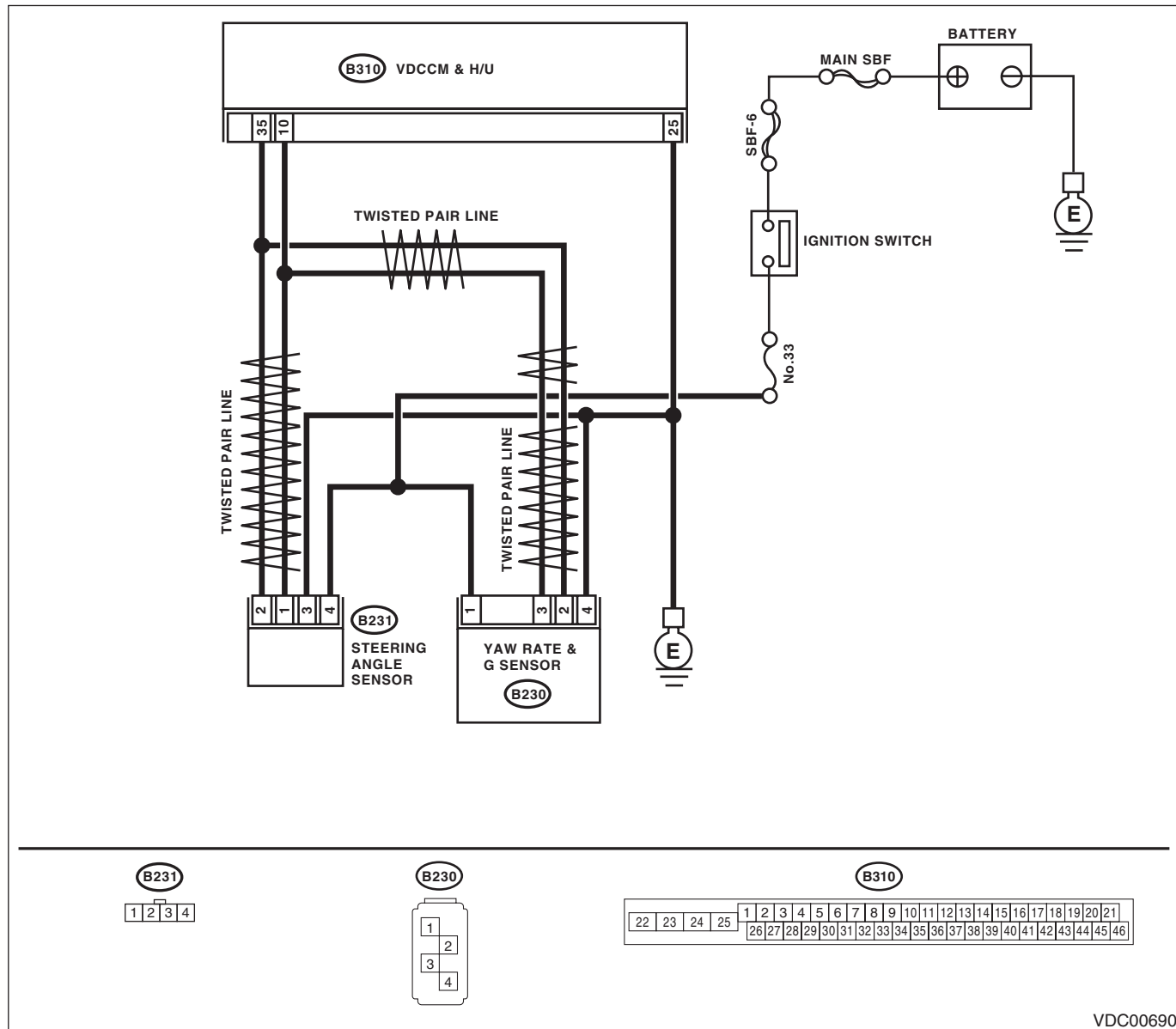
### DTC DETECTING CONDITION:

Defective steering angle sensor

### TROUBLE SYMPTOM:

VDC does not operate.

### WIRING DIAGRAM:



VDC00690

# Diagnostic Procedure with Diagnostic Trouble Code (DTC)

VEHICLE DYNAMICS CONTROL (VDC) (DIAGNOSTICS)

	<b>Step</b>	<b>Check</b>	<b>Yes</b>	<b>No</b>
<b>1</b>	<b>CHECK VDCCM&amp;H/U.</b> 1) Turn the ignition switch to OFF. 2) Connect all connectors. 3) Clear the memory. <Ref. to VDC(diag)-24, Clear Memory Mode.> 4) Perform the Inspection Mode. <Ref. to VDC(diag)-23, Inspection Mode.> 5) Read the DTC.	Is the same DTC displayed?	Replace the VDCCM only. <Ref. to VDC-9, REPLACEMENT, VDC Control Module and Hydraulic Control Unit (VDCCM&H/U).>	Go to step 2.
<b>2</b>	<b>CHECK OTHER DTC DETECTION.</b>	Is any other DTC displayed?	Perform the diagnosis according to DTC. <Ref. to VDC(diag)-33, List of Diagnostic Trouble Code (DTC).>	Temporary poor contact occurs.

# Diagnostic Procedure with Diagnostic Trouble Code (DTC)

VEHICLE DYNAMICS CONTROL (VDC) (DIAGNOSTICS)

## AP:DTC C0071 STEER ANGLE SENSOR OP

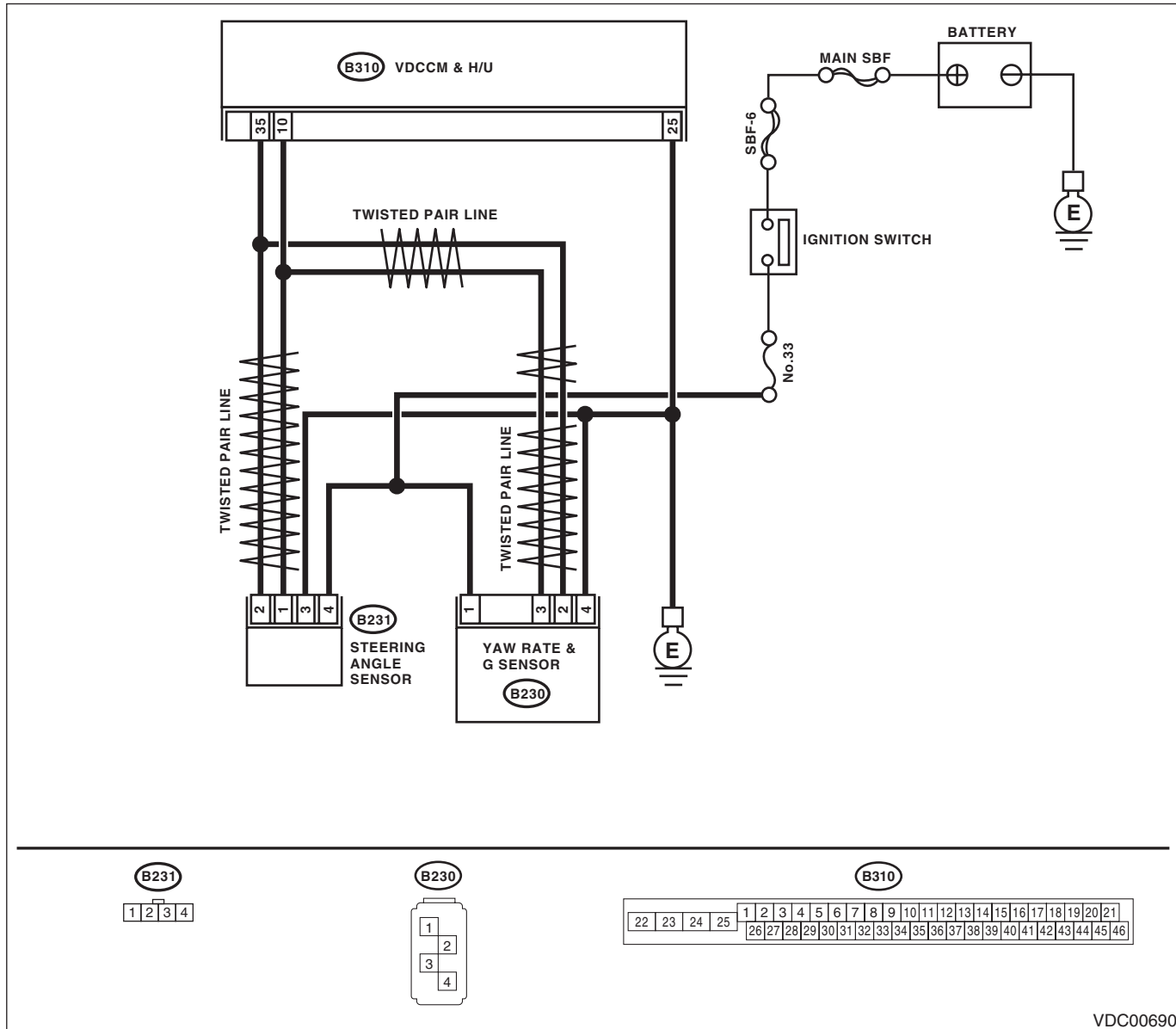
### DTC DETECTING CONDITION:

Signal does not come from steering angle sensor.

### TROUBLE SYMPTOM:

VDC does not operate.

### WIRING DIAGRAM:



Step	Check	Yes	No
<b>1 CHECK POWER SUPPLY FOR STEERING ANGLE SENSOR.</b> 1) Turn the ignition switch to OFF. 2) Disconnect the connector from steering angle sensor. 3) Turn the ignition switch to ON. 4) Measure the voltage between the steering angle sensor and chassis ground. <b>Connector &amp; terminal</b> <b>(B231) No. 4 (+) — Chassis ground (-):</b>	Is the voltage 10 — 15 V?	Go to step 2.	Repair the steering angle sensor power supply circuit.

# Diagnostic Procedure with Diagnostic Trouble Code (DTC)

## VEHICLE DYNAMICS CONTROL (VDC) (DIAGNOSTICS)

Step	Check	Yes	No
<b>2 CHECK GROUND CIRCUIT OF STEERING ANGLE SENSOR.</b> Measure the resistance between steering angle sensor and chassis ground. <i>Connector &amp; terminal</i> <i>(B231) No. 3 — Chassis ground:</i>	Is the resistance less than 0.5 Ω?	Go to step 3.	Repair ground circuit in the steering angle sensor.
<b>3 CHECK STEERING ANGLE SENSOR HARNESS.</b> 1) Disconnect the connector from the VDCCM&H/U. 2) Measure the resistance between VDCCM&H/U and steering angle sensor. <i>Connector &amp; terminal</i> <i>(B231) No. 1 — (B310) No. 10:</i> <i>(B231) No. 2 — (B310) No. 35:</i>	Is the resistance less than 0.5 Ω?	Go to step 4.	Repair the harness between the steering angle sensor and VDCCM&H/U.
<b>4 CHECK GROUND SHORT CIRCUIT OF STEERING ANGLE SENSOR HARNESS.</b> Measure the resistance between steering angle sensor and chassis ground. <i>Connector &amp; terminal</i> <i>(B231) No. 1 — Chassis ground:</i> <i>(B231) No. 2 — Chassis ground:</i>	Is the resistance 1 MΩ or more?	Go to step 5.	Repair the harness between the steering angle sensor and VDCCM&H/U.
<b>5 CHECK STEERING ANGLE SENSOR.</b> 1) Turn the ignition switch to OFF. 2) Connect all connectors. 3) Clear the memory. <Ref. to VDC(diag)-24, Clear Memory Mode.> 4) Perform the Inspection Mode. <Ref. to VDC(diag)-23, Inspection Mode.> 5) Read the DTC.	Is the same DTC displayed?	Go to step 6.	Go to step 7.
<b>6 CHECK VDCCM&amp;H/U.</b> 1) Turn the ignition switch to OFF. 2) Replace the steering angle sensor. <Ref. to VDC-18, Steering Angle Sensor.> 3) Clear the memory. <Ref. to VDC(diag)-24, Clear Memory Mode.> 4) Perform the Inspection Mode. <Ref. to VDC(diag)-23, Inspection Mode.> 5) Read the DTC.	Is the same DTC displayed?	Replace the VDCCM only. <Ref. to VDC-9, REPLACEMENT, VDC Control Module and Hydraulic Control Unit (VDCCM&H/U).>	Go to step 8.
<b>7 CHECK OTHER DTC DETECTION.</b>	Is any other DTC displayed?	Perform the diagnosis according to DTC. <Ref. to VDC(diag)-33, List of Diagnostic Trouble Code (DTC).>	Temporary poor contact occurs.
<b>8 CHECK OTHER DTC DETECTION.</b>	Is any other DTC displayed?	Perform the diagnosis according to DTC. <Ref. to VDC(diag)-33, List of Diagnostic Trouble Code (DTC).>	Original steering angle sensor malfunction

# Diagnostic Procedure with Diagnostic Trouble Code (DTC)

VEHICLE DYNAMICS CONTROL (VDC) (DIAGNOSTICS)

## AQ:DTC C0071 STEERING ANGLE SENSOR MALFUNCTION

### DTC DETECTING CONDITION:

Defective steering angle sensor

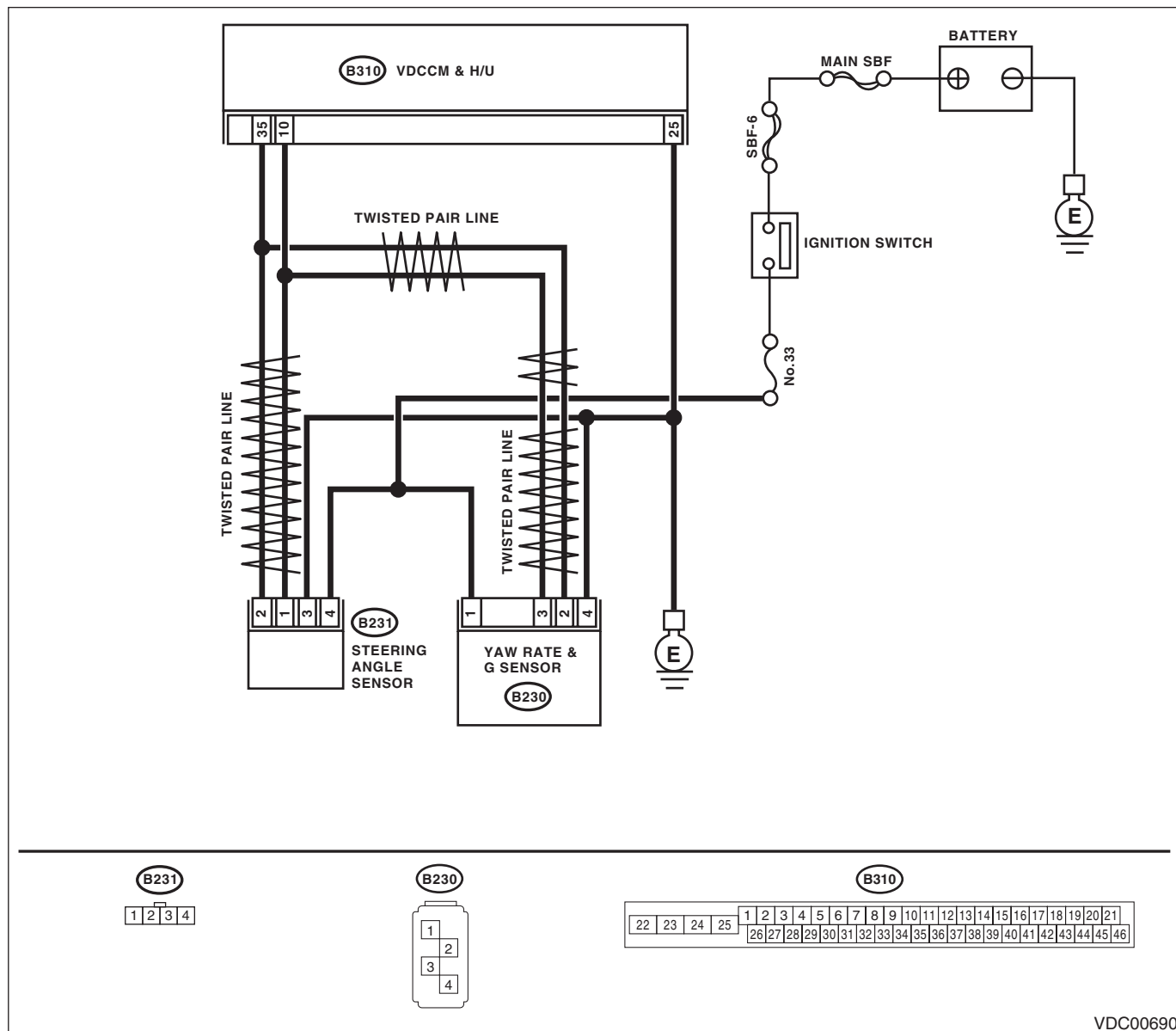
### TROUBLE SYMPTOM:

- ABS does not operate.
- VDC does not operate.

### NOTE:

- Warning light does not illuminate though problem is detected.
- The ABS and VDC operate normally if voltage returns.

### WIRING DIAGRAM:



VDC00690



# Diagnostic Procedure with Diagnostic Trouble Code (DTC)

VEHICLE DYNAMICS CONTROL (VDC) (DIAGNOSTICS)

	Step	Check	Yes	No
1	<p><b>CHECK POWER SUPPLY FOR STEERING ANGLE SENSOR.</b></p> <p>1) Turn the ignition switch to OFF. 2) Disconnect the connector from steering angle sensor. 3) Turn the ignition switch to ON. 4) Measure the voltage between the steering angle sensor and chassis ground.</p> <p><b>Connector &amp; terminal</b> <b>(B231) No. 4 (+) — Chassis ground (-):</b></p>	Is the voltage 10 — 15 V?	Go to step 2.	Repair the steering angle sensor power supply circuit.
2	<p><b>CHECK GROUND CIRCUIT OF STEERING ANGLE SENSOR.</b></p> <p>Measure the resistance between steering angle sensor and chassis ground.</p> <p><b>Connector &amp; terminal</b> <b>(B231) No. 3 — Chassis ground:</b></p>	Is the resistance less than 0.5 Ω?	Go to step 3.	Repair ground circuit in the steering angle sensor.
3	<p><b>CHECK STEERING ANGLE SENSOR.</b></p> <p>1) Turn the ignition switch to OFF. 2) Connect all connectors. 3) Clear the memory. &lt;Ref. to VDC(diag)-24, Clear Memory Mode.&gt; 4) Perform the Inspection Mode. &lt;Ref. to VDC(diag)-23, Inspection Mode.&gt; 5) Read the DTC.</p>	Is the same DTC displayed?	Go to step 4.	Go to step 5.
4	<p><b>CHECK VDCCM&amp;H/U.</b></p> <p>1) Turn the ignition switch to OFF. 2) Replace the steering angle sensor. &lt;Ref. to VDC-18, Steering Angle Sensor.&gt; 3) Clear the memory. &lt;Ref. to VDC(diag)-24, Clear Memory Mode.&gt; 4) Perform the Inspection Mode. &lt;Ref. to VDC(diag)-23, Inspection Mode.&gt; 5) Read the DTC.</p>	Is the same DTC displayed?	Replace the VDCCM only. <Ref. to VDC-9, REPLACEMENT, VDC Control Module and Hydraulic Control Unit (VDCCM&H/U).>	Go to step 6.
5	<p><b>CHECK OTHER DTC DETECTION.</b></p>	Is any other DTC displayed?	Perform the diagnosis according to DTC. <Ref. to VDC(diag)-33, List of Diagnostic Trouble Code (DTC).>	Temporary poor contact occurs.
6	<p><b>CHECK OTHER DTC DETECTION.</b></p>	Is any other DTC displayed?	Perform the diagnosis according to DTC. <Ref. to VDC(diag)-33, List of Diagnostic Trouble Code (DTC).>	Original steering angle sensor malfunction

# Diagnostic Procedure with Diagnostic Trouble Code (DTC)

VEHICLE DYNAMICS CONTROL (VDC) (DIAGNOSTICS)

## AR:DTC C0072 ABNORMAL YAW RATE SENSOR OUTPUT

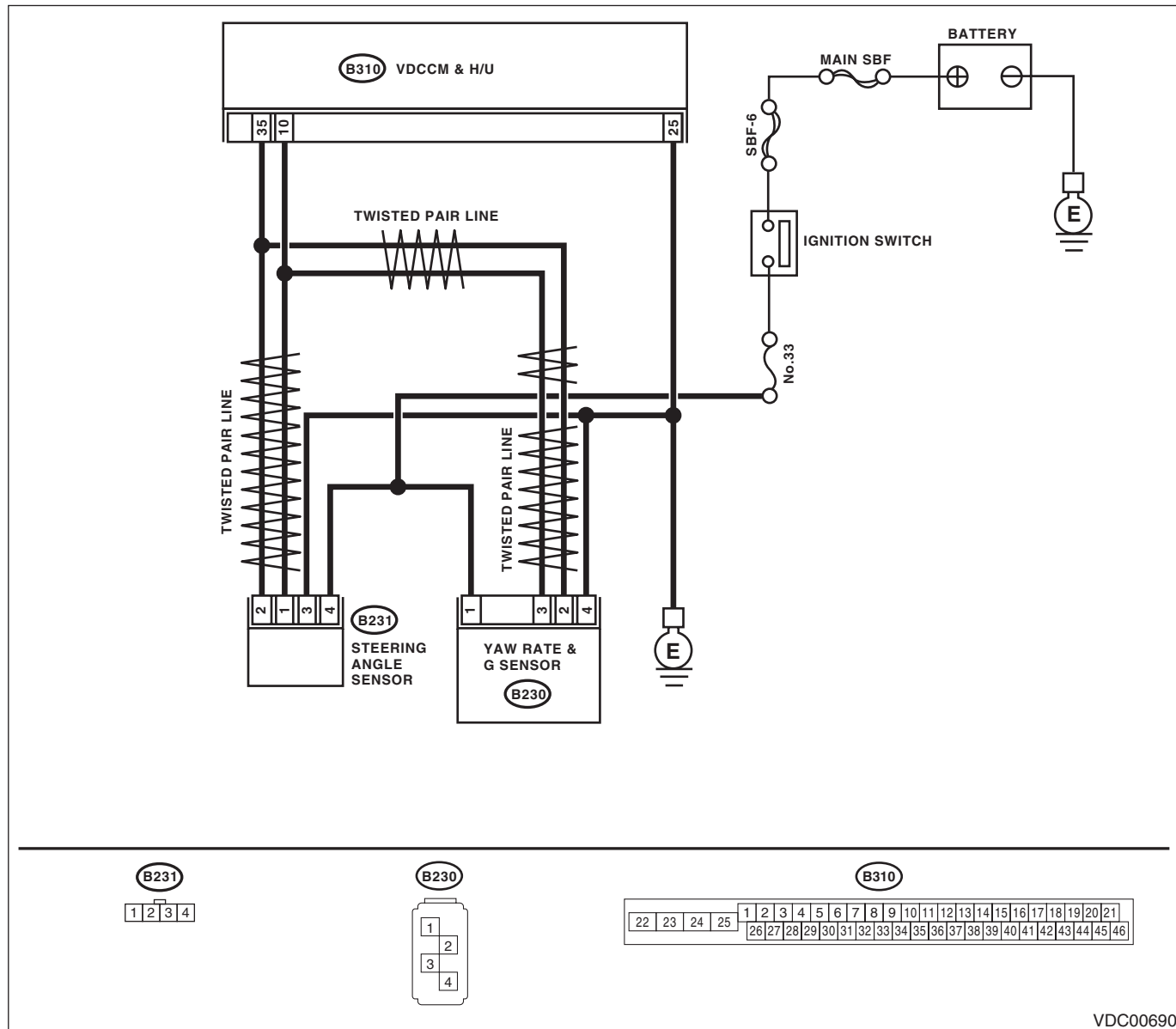
### DTC DETECTING CONDITION:

Defective yaw rate sensor

### TROUBLE SYMPTOM:

VDC does not operate.

### WIRING DIAGRAM:



VDC00690

# Diagnostic Procedure with Diagnostic Trouble Code (DTC)

## VEHICLE DYNAMICS CONTROL (VDC) (DIAGNOSTICS)

	Step	Check	Yes	No
1	<b>CHECK DRIVING PLACE.</b> Check if the vehicle ran the road with banks or sandy surface (which does not mean a dirt road).	Did the vehicle run the road with banks or sandy surface (which does not mean a dirt road)?	VDCCM&H/U may record DTC when the vehicle ran the road with banks or sandy surface (which does not mean a dirt road).	Go to step 2.
2	<b>CHECK YAW RATE &amp; G SENSOR INSTALLATION.</b>	Is the yaw rate & G sensor installation bolt tightened to 7.5 N·m (0.76 kgf-m, 5.5 ft-lb)?	Go to step 3.	Tighten the yaw rate & G sensor installation bolt.
3	<b>CHECK OUTPUT OF YAW RATE &amp; G SENSOR WITH SUBARU SELECT MONITOR.</b> 1) Drive the vehicle on a flat road. 2) Park the vehicle straight. 3) Select {Current Data Display & Save} in Subaru Select Monitor. 4) Read the yaw rate output displayed on display.	Is the reading indicated on monitor display -4 — 4 deg/s?	Go to step 4.	Replace the yaw rate & G sensor. <Ref. to VDC-16, Yaw Rate and G Sensor.>
4	<b>CHECK OUTPUT OF STEERING ANGLE SENSOR WITH SUBARU SELECT MONITOR.</b> 1) Drive the vehicle on a flat road. 2) Park the vehicle straight. 3) Select {Current Data Display & Save} in Subaru Select Monitor. 4) Read the steering angle sensor output displayed on display.	Is the reading indicated on monitor display -5 — 5°?	Go to step 5.	Perform the centering adjustment of steering wheel.
5	<b>CHECK YAW RATE &amp; G SENSOR.</b> 1) Turn the ignition switch to OFF. 2) Connect all connectors. 3) Clear the memory. <Ref. to VDC(diag)-24, Clear Memory Mode.> 4) Perform the Inspection Mode. <Ref. to VDC(diag)-23, Inspection Mode.> 5) Read the DTC.	Is the same DTC displayed?	Go to step 6.	Go to step 7.
6	<b>CHECK VDCCM&amp;H/U.</b> 1) Turn the ignition switch to OFF. 2) Replace the yaw rate & G sensor. <Ref. to VDC-16, Yaw Rate and G Sensor.> 3) Clear the memory. <Ref. to VDC(diag)-24, Clear Memory Mode.> 4) Perform the Inspection Mode. <Ref. to VDC(diag)-23, Inspection Mode.> 5) Read the DTC.	Is the same DTC displayed?	Replace the VDCCM only. <Ref. to VDC-9, REPLACEMENT, VDC Control Module and Hydraulic Control Unit (VDCCM&H/U).>	Go to step 8.
7	<b>CHECK OTHER DTC DETECTION.</b>	Is any other DTC displayed?	Perform the diagnosis according to DTC. <Ref. to VDC(diag)-33, List of Diagnostic Trouble Code (DTC).>	Temporary poor contact occurs.
8	<b>CHECK OTHER DTC DETECTION.</b>	Is any other DTC displayed?	Perform the diagnosis according to DTC. <Ref. to VDC(diag)-33, List of Diagnostic Trouble Code (DTC).>	Malfunction is found in original yaw rate & G sensor.

# Diagnostic Procedure with Diagnostic Trouble Code (DTC)

VEHICLE DYNAMICS CONTROL (VDC) (DIAGNOSTICS)

## AS:DTC C0072 VOLTAGE INPUTTED TO YAW RATE SENSOR EXCEEDS SPECIFICATION

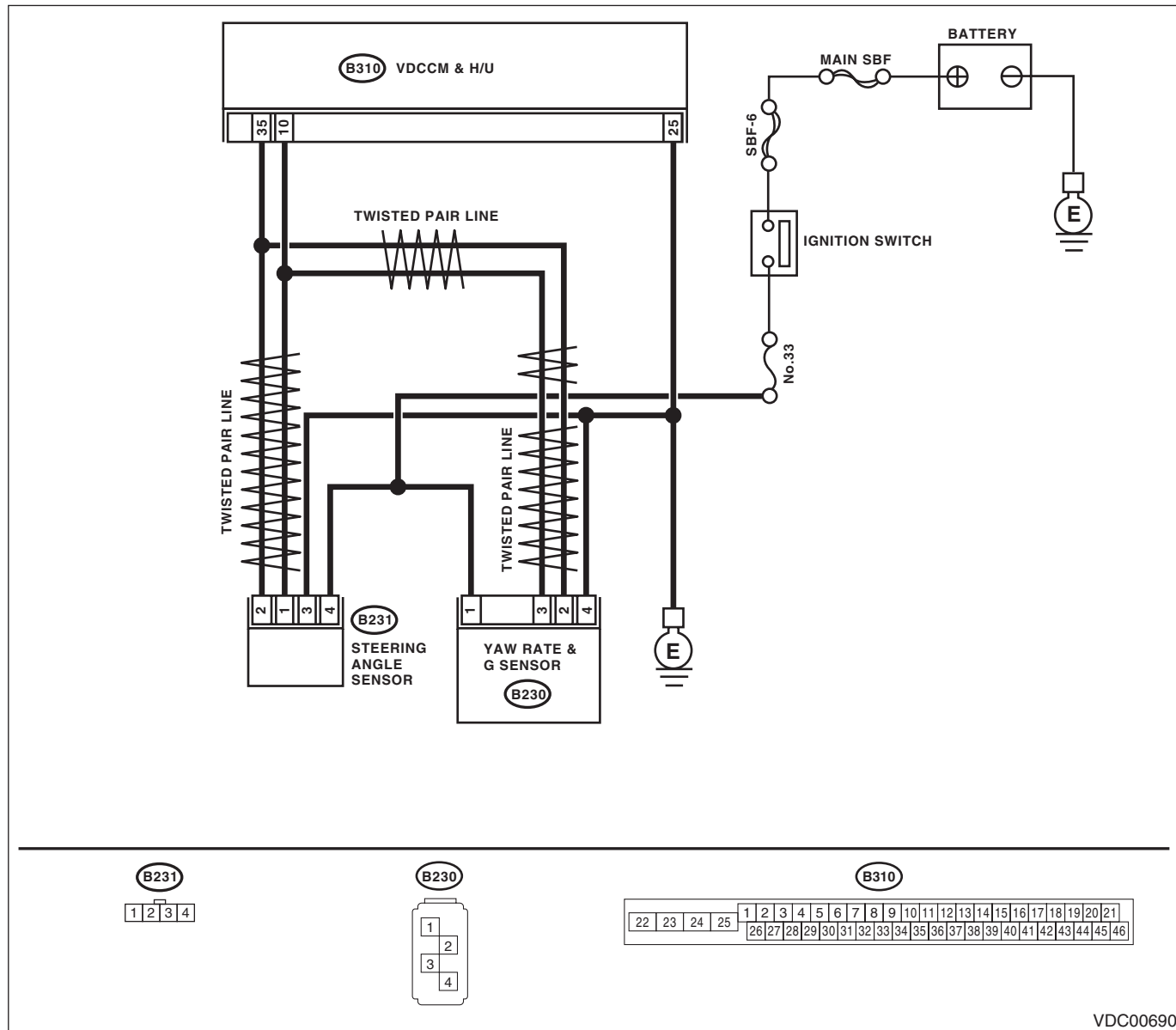
### DTC DETECTING CONDITION:

Defective yaw rate sensor

### TROUBLE SYMPTOM:

VDC does not operate.

### WIRING DIAGRAM:



VDC00690

# Diagnostic Procedure with Diagnostic Trouble Code (DTC)

VEHICLE DYNAMICS CONTROL (VDC) (DIAGNOSTICS)

	Step	Check	Yes	No
1	<b>CHECK POWER SUPPLY OF YAW RATE &amp; G SENSOR.</b> 1) Turn the ignition switch to OFF. 2) Disconnect the connector from yaw rate & G sensor. 3) Turn the ignition switch to ON. 4) Measure the voltage between yaw rate & G sensor and chassis ground. <b>Connector &amp; terminal</b> <b>(B230) No. 1 (+) — Chassis ground (-):</b>	Is the voltage 10 — 15 V?	Go to step 2.	Repair the yaw rate & G sensor power supply circuit.
2	<b>CHECK YAW RATE &amp; G SENSOR GROUND CIRCUIT.</b> Measure the resistance between yaw rate & G sensor and chassis ground. <b>Connector &amp; terminal</b> <b>(B230) No. 4 — Chassis ground:</b>	Is the resistance less than 0.5 Ω?	Go to step 3.	Repair the yaw rate & G sensor ground circuit.
3	<b>CHECK YAW RATE &amp; G SENSOR.</b> 1) Turn the ignition switch to OFF. 2) Connect all connectors. 3) Clear the memory. <Ref. to VDC(diag)-24, Clear Memory Mode.> 4) Perform the Inspection Mode. <Ref. to VDC(diag)-23, Inspection Mode.> 5) Read the DTC.	Is the same DTC displayed?	Replace the yaw rate & G sensor. <Ref. to VDC-16, Yaw Rate and G Sensor.>	Go to step 4.
4	<b>CHECK OTHER DTC DETECTION.</b>	Is any other DTC displayed?	Perform the diagnosis according to DTC. <Ref. to VDC(diag)-33, List of Diagnostic Trouble Code (DTC).>	Temporary poor contact occurs.

# Diagnostic Procedure with Diagnostic Trouble Code (DTC)

VEHICLE DYNAMICS CONTROL (VDC) (DIAGNOSTICS)

## AT:DTC C0072 CHANGE RANGE OF YAW RATE SENSOR SIGNAL IS TOO BIG

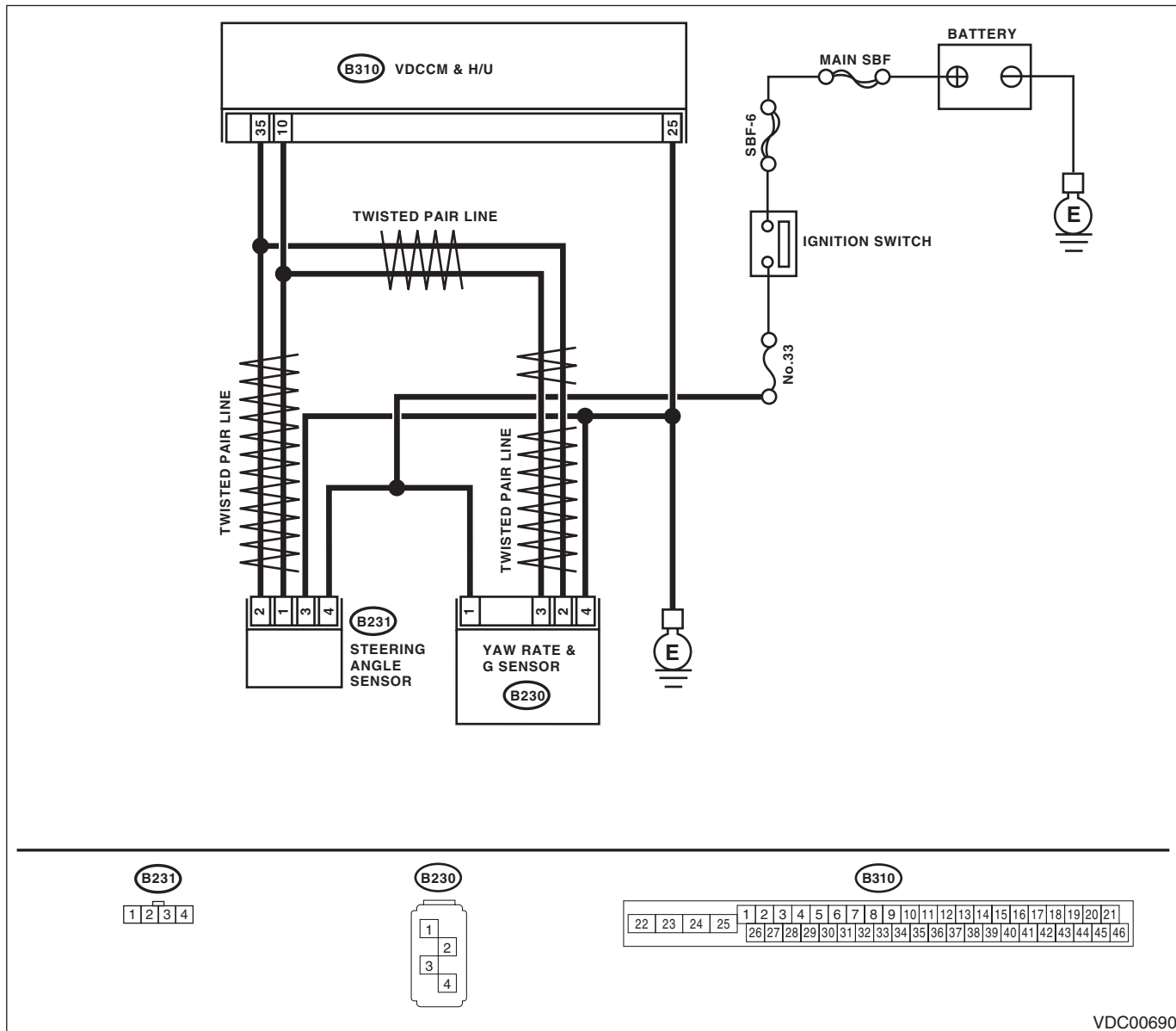
### DTC DETECTING CONDITION:

Defective yaw rate sensor

### TROUBLE SYMPTOM:

VDC does not operate.

### WIRING DIAGRAM:



VDC00690

Step	Check	Yes	No
1	<b>CHECK DRIVING PLACE.</b> Check if the vehicle ran the road with banks or sandy surface (which does not mean a dirt road).	VDCCM&H/U may record DTC when the vehicle ran the road with banks or sandy surface (which does not mean a dirt road).	Go to step 2.
2	<b>CHECK YAW RATE &amp; G SENSOR INSTALLATION.</b>	Go to step 3.	Tighten the yaw rate & G sensor installation bolt.

# Diagnostic Procedure with Diagnostic Trouble Code (DTC)

VEHICLE DYNAMICS CONTROL (VDC) (DIAGNOSTICS)

Step	Check	Yes	No
<b>3 CHECK POWER SUPPLY OF YAW RATE &amp; G SENSOR.</b> 1) Turn the ignition switch to OFF. 2) Disconnect the connector from yaw rate & G sensor. 3) Turn the ignition switch to ON. 4) Measure the voltage between yaw rate & G sensor and chassis ground. <b>Connector &amp; terminal</b> <b>(B230) No. 1 (+) — Chassis ground (-):</b>	Is the voltage 10 — 15 V?	Go to step 4.	Repair the yaw rate & G sensor power supply circuit.
<b>4 CHECK YAW RATE &amp; G SENSOR GROUND CIRCUIT.</b> Measure the resistance between yaw rate & G sensor and chassis ground. <b>Connector &amp; terminal</b> <b>(B230) No. 4 — Chassis ground:</b>	Is the resistance less than 0.5 Ω?	Go to step 5.	Repair the yaw rate & G sensor ground circuit.
<b>5 CHECK OUTPUT OF YAW RATE &amp; G SENSOR WITH SUBARU SELECT MONITOR.</b> 1) Drive the vehicle on a flat road. 2) Park the vehicle straight. 3) Select {Current Data Display & Save} in Subaru Select Monitor. 4) Read the yaw rate output displayed on display.	Is the reading indicated on monitor display -4 — 4 deg/s?	Go to step 6.	Replace the yaw rate & G sensor. <Ref. to VDC-16, Yaw Rate and G Sensor.>
<b>6 CHECK YAW RATE &amp; G SENSOR.</b> 1) Turn the ignition switch to OFF. 2) Connect all connectors. 3) Clear the memory. <Ref. to VDC(diag)-24, Clear Memory Mode.> 4) Perform the Inspection Mode. <Ref. to VDC(diag)-23, Inspection Mode.> 5) Read the DTC.	Is the same DTC displayed?	Go to step 7.	Go to step 8.
<b>7 CHECK VDCCM&amp;H/U.</b> 1) Turn the ignition switch to OFF. 2) Replace the yaw rate & G sensor. <Ref. to VDC-16, Yaw Rate and G Sensor.> 3) Clear the memory. <Ref. to VDC(diag)-24, Clear Memory Mode.> 4) Perform the Inspection Mode. <Ref. to VDC(diag)-23, Inspection Mode.> 5) Read the DTC.	Is the same DTC displayed?	Replace the VDCCM only. <Ref. to VDC-9, REPLACEMENT, VDC Control Module and Hydraulic Control Unit (VDCCM&H/U).>	Go to step 9.
<b>8 CHECK OTHER DTC DETECTION.</b>	Is any other DTC displayed?	Perform the diagnosis according to DTC. <Ref. to VDC(diag)-33, List of Diagnostic Trouble Code (DTC).>	Temporary poor contact occurs.
<b>9 CHECK OTHER DTC DETECTION.</b>	Is any other DTC displayed?	Perform the diagnosis according to DTC. <Ref. to VDC(diag)-33, List of Diagnostic Trouble Code (DTC).>	Malfunction is found in original yaw rate & G sensor.

# Diagnostic Procedure with Diagnostic Trouble Code (DTC)

VEHICLE DYNAMICS CONTROL (VDC) (DIAGNOSTICS)

## AU:DTC C0072 YAW RATE SENSOR COMMUNICATION

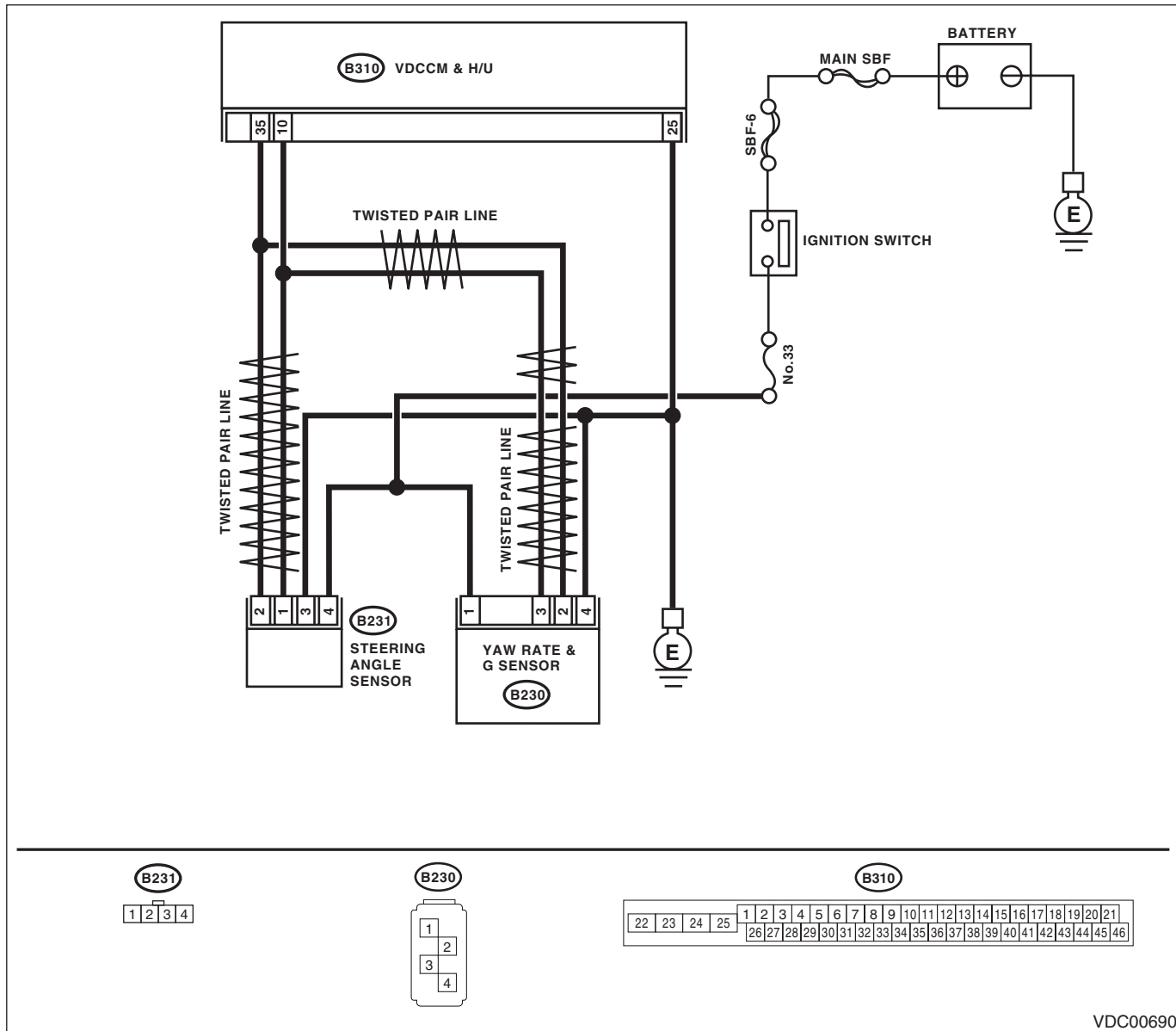
### DTC DETECTING CONDITION:

Communication failure between yaw rate sensor and VDCCM

### TROUBLE SYMPTOM:

- ABS does not operate.
- VDC does not operate.

### WIRING DIAGRAM:



VDC00690

Step	Check	Yes	No
<b>1 CHECK POWER SUPPLY FOR YAW RATE &amp; G SENSOR.</b> 1) Turn the ignition switch to OFF. 2) Disconnect the connector from yaw rate & G sensor. 3) Turn the ignition switch to ON. 4) Measure the voltage between yaw rate & G sensor and chassis ground. <b>Connector &amp; terminal</b> <b>(B230) No. 1 (+) — Chassis ground (-):</b>	Is the voltage 10 — 15 V?	Go to step 2.	Repair the yaw rate & G sensor power supply circuit.



# Diagnostic Procedure with Diagnostic Trouble Code (DTC)

VEHICLE DYNAMICS CONTROL (VDC) (DIAGNOSTICS)

Step	Check	Yes	No
<b>2 CHECK YAW RATE &amp; G SENSOR GROUND CIRCUIT.</b> Measure the resistance between yaw rate & G sensor and chassis ground. <i>Connector &amp; terminal</i> <i>(B230) No. 4 — Chassis ground:</i>	Is the resistance less than 0.5 Ω?	Go to step 3.	Repair the yaw rate & G sensor ground circuit.
<b>3 CHECK YAW RATE &amp; G SENSOR HARNESS.</b> 1) Disconnect the connector from the VDCCM&H/U. 2) Measure the resistance between VDCCM&H/U and yaw rate & G sensor. <i>Connector &amp; terminal</i> <i>(B230) No. 3 — (B310) No. 10:</i> <i>(B230) No. 2 — (B310) No. 35:</i>	Is the resistance less than 0.5 Ω?	Go to step 4.	Repair the harness between yaw rate & G sensor and VDCCM&H/U.
<b>4 CHECK GROUND SHORT CIRCUIT IN YAW RATE &amp; G SENSOR HARNESS.</b> Measure the resistance between yaw rate & G sensor and chassis ground. <i>Connector &amp; terminal</i> <i>(B230) No. 2 — Chassis ground:</i> <i>(B230) No. 3 — Chassis ground:</i>	Is the resistance 1 MΩ or more?	Go to step 5.	Repair the harness between yaw rate & G sensor and VDCCM&H/U.
<b>5 CHECK YAW RATE &amp; G SENSOR.</b> 1) Turn the ignition switch to OFF. 2) Connect all connectors. 3) Clear the memory. <Ref. to VDC(diag)-24, Clear Memory Mode.> 4) Perform the Inspection Mode. <Ref. to VDC(diag)-23, Inspection Mode.> 5) Read the DTC.	Is the same DTC displayed?	Go to step 6.	Go to step 7.
<b>6 CHECK YAW RATE &amp; G SENSOR.</b> 1) Turn the ignition switch to OFF. 2) Replace the yaw rate & G sensor. <Ref. to VDC-16, Yaw Rate and G Sensor.> 3) Clear the memory. <Ref. to VDC(diag)-24, Clear Memory Mode.> 4) Perform the Inspection Mode. <Ref. to VDC(diag)-23, Inspection Mode.> 5) Read the DTC.	Is the same DTC displayed?	Replace the VDCCM only. <Ref. to VDC-9, REPLACEMENT, VDC Control Module and Hydraulic Control Unit (VDCCM&H/U).>	Go to step 8.
<b>7 CHECK OTHER DTC DETECTION.</b>	Is any other DTC displayed?	Perform the diagnosis according to DTC. <Ref. to VDC(diag)-33, List of Diagnostic Trouble Code (DTC).>	Temporary poor contact occurs.
<b>8 CHECK OTHER DTC DETECTION.</b>	Is any other DTC displayed?	Perform the diagnosis according to DTC. <Ref. to VDC(diag)-33, List of Diagnostic Trouble Code (DTC).>	Malfunction is found in original yaw rate & G sensor.

# Diagnostic Procedure with Diagnostic Trouble Code (DTC)

VEHICLE DYNAMICS CONTROL (VDC) (DIAGNOSTICS)

## AV:DTC C0072 SENSOR TYPE ABNORMAL

### DTC DETECTING CONDITION:

Different yaw rate sensor specification

### TROUBLE SYMPTOM:

- VDC does not operate.
- Hill start assist does not operate.

	Step	Check	Yes	No
1	<b>CHECK YAW RATE &amp; G SENSOR IDENTIFICATION MARK.</b> Check the identification mark on the sticker applied on the top of the yaw rate & G sensor. MT: R AT: S	Is the identification symbol correct?	Go to step 2.	Replace the yaw rate & G sensor with a genuine part. <Ref. to VDC-16, Yaw Rate and G Sensor.>
2	<b>CHECK VDCCM&amp;H/U IDENTIFICATION SYMBOL.</b> Check the identification mark stamped on the upper side of the H/U. AT: S1 MT: S5 (WRX-SS) S2 (except for WRX-SS)	Is the identification symbol correct?	Replace the VDCCM only. <Ref. to VDC-9, REPLACEMENT, VDC Control Module and Hydraulic Control Unit (VDCCM&H/U).>	Replace the VDCCM&H/U. <Ref. to VDC-7, VDC Control Module and Hydraulic Control Unit (VDCCM&H/U).>

## AW:DTC C0073 LATERAL G SENSOR OFFSET IS TOO BIG

### NOTE:

For the diagnostic procedure, refer to DTC C0073 "EXCESSIVE LATERAL G SENSOR SIGNAL". <Ref. to VDC(diag)-95, DTC C0073 EXCESSIVE LATERAL G SENSOR SIGNAL, Diagnostic Procedure with Diagnostic Trouble Code (DTC).>

## AX:DTC C0073 ABNORMAL LATERAL G SENSOR OUTPUT

### NOTE:

For the diagnostic procedure, refer to DTC C0073 "EXCESSIVE LATERAL G SENSOR SIGNAL". <Ref. to VDC(diag)-95, DTC C0073 EXCESSIVE LATERAL G SENSOR SIGNAL, Diagnostic Procedure with Diagnostic Trouble Code (DTC).>

# Diagnostic Procedure with Diagnostic Trouble Code (DTC)

VEHICLE DYNAMICS CONTROL (VDC) (DIAGNOSTICS)

## AY:DTC C0073 EXCESSIVE LATERAL G SENSOR SIGNAL

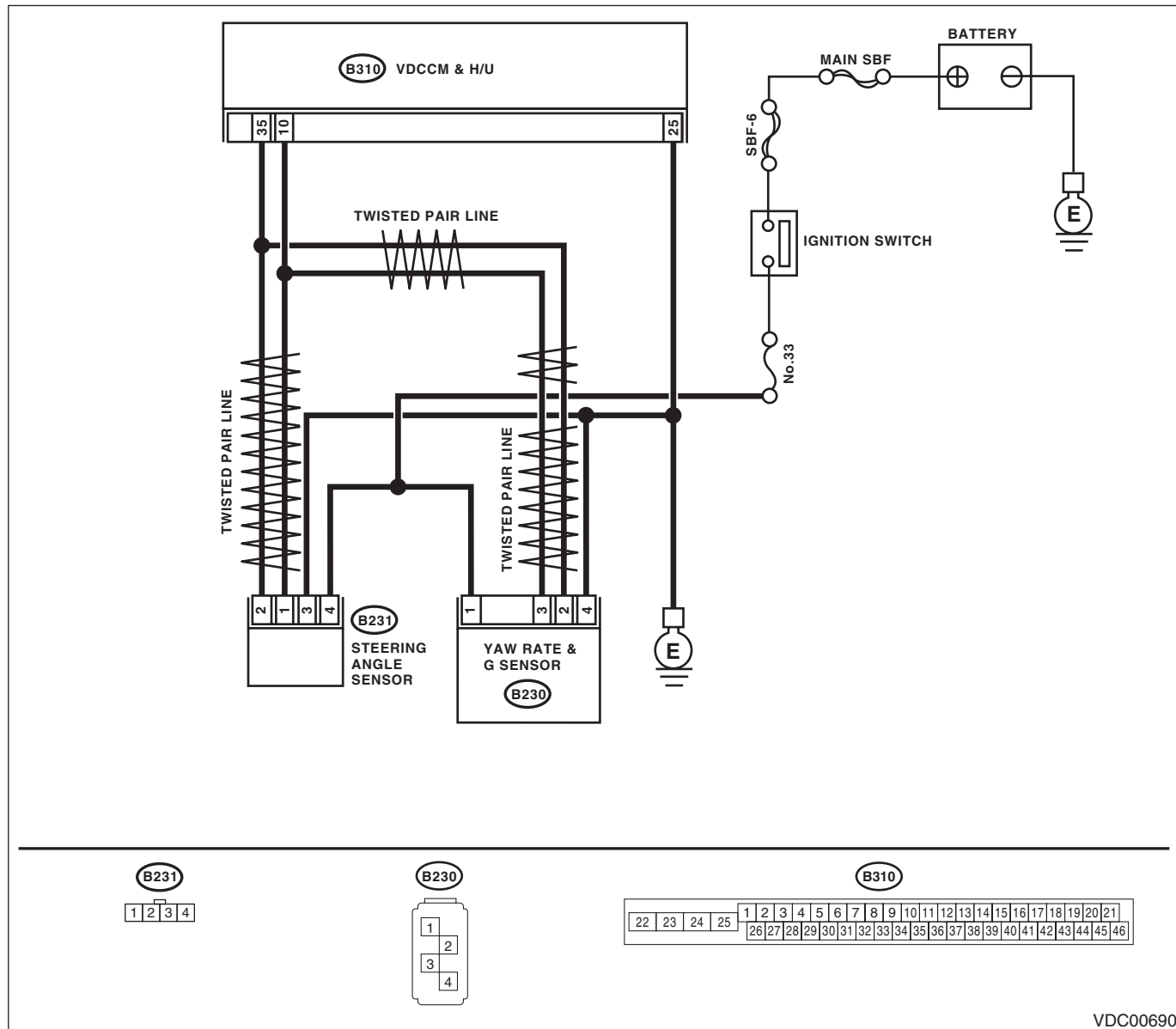
### DTC DETECTING CONDITION:

Defective lateral G sensor

### TROUBLE SYMPTOM:

VDC does not operate.

### WIRING DIAGRAM:



VDC00690

# Diagnostic Procedure with Diagnostic Trouble Code (DTC)

## VEHICLE DYNAMICS CONTROL (VDC) (DIAGNOSTICS)

	Step	Check	Yes	No
1	<b>CHECK YAW RATE &amp; G SENSOR INSTALLATION.</b>	Is the yaw rate & G sensor installation bolt tightened to 7.5 N·m (0.76 kgf-m, 5.5 ft-lb)?	Go to step 2.	Tighten the yaw rate & G sensor installation bolt.
2	<b>CHECK LATERAL G SENSOR OUTPUT.</b> 1) Park the vehicle on a level surface. 2) Select {Current Data Display & Save} in Subaru Select Monitor. 3) Read the lateral G sensor output displayed on screen.	Is the indicated reading on the monitor display $-1.5$ — $1.5$ m/s <sup>2</sup> ?	Go to step 3.	Replace the yaw rate & G sensor. <Ref. to VDC-16, Yaw Rate and G Sensor.>
3	<b>CHECK LATERAL G SENSOR OUTPUT.</b> 1) Turn the ignition switch to OFF. 2) Remove the yaw rate & G sensors from vehicle. 3) Turn the ignition switch to ON, and select the {Current Data Display & Save} in Subaru Select Monitor. 4) Read the lateral G sensor output displayed on screen.	When the yaw rate & G sensor is inclined 90° to the right, is the indicated value $6.8$ — $12.8$ m/s <sup>2</sup> ?	Go to step 4.	Replace the yaw rate & G sensor. <Ref. to VDC-16, Yaw Rate and G Sensor.>
4	<b>CHECK LATERAL G SENSOR.</b> Read the lateral G sensor output displayed on screen.	When the yaw rate & G sensor is inclined 90° to the left, is the indicated value $-6.8$ — $-12.8$ m/s <sup>2</sup> ?	Go to step 5.	Replace the yaw rate & G sensor. <Ref. to VDC-16, Yaw Rate and G Sensor.>
5	<b>CHECK POOR CONTACT OF CONNECTORS.</b> Turn the ignition switch to OFF.	Is there poor contact of connector between VDCCM&H/U and yaw rate & G sensor?	Repair the connector.	Go to step 6.
6	<b>CHECK VDCCM&amp;H/U.</b> 1) Connect all connectors. 2) Clear the memory. <Ref. to VDC(diag)-24, Clear Memory Mode.> 3) Perform the Inspection Mode. <Ref. to VDC(diag)-23, Inspection Mode.> 4) Read the DTC.	Is the same DTC displayed?	Replace the VDCCM only. <Ref. to VDC-9, REPLACEMENT, VDC Control Module and Hydraulic Control Unit (VDCCM&H/U).>	Go to step 7.
7	<b>CHECK OTHER DTC DETECTION.</b>	Is any other DTC displayed?	Perform the diagnosis according to DTC. <Ref. to VDC(diag)-33, List of Diagnostic Trouble Code (DTC).>	Temporary poor contact occurs.

# Diagnostic Procedure with Diagnostic Trouble Code (DTC)

VEHICLE DYNAMICS CONTROL (VDC) (DIAGNOSTICS)

## AZ:DTC C0074 PRESSURE SENSOR

### DTC DETECTING CONDITION:

Defective pressure sensor

### TROUBLE SYMPTOM:

- ABS does not operate.
- VDC does not operate.

Step	Check	Yes	No	
1	<b>CHECK STOP LIGHT SWITCH CIRCUIT.</b> Check stop light switch open circuit.	Is the stop light switch circuit OK?	Go to step 2.	Repair the stop light switch circuit. NOTE: If there is malfunction in the stop light circuit, DTC may be recorded in the memory.
2	<b>CHECK OUTPUT OF PRESSURE SENSOR WITH SUBARU SELECT MONITOR.</b> 1) Select {Current Data Display & Save} in Subaru Select Monitor. 2) Read the pressure sensor output displayed on display.	When the brake pedal is released, is the displayed value -40 — 40 bar?	Go to step 3.	Replace the VDCCM&H/U. <Ref. to VDC-7, VDC Control Module and Hydraulic Control Unit (VDCCM&H/U).>
3	<b>CHECK OUTPUT OF PRESSURE SENSOR WITH SUBARU SELECT MONITOR.</b> 1) Select {Current Data Display & Save} in Subaru Select Monitor. 2) Read the pressure sensor output displayed on display.	When the brake pedal is operated, does the pressure sensor output value displayed on the screen change in accordance with the brake pedal?	Go to step 4.	Replace the VDCCM&H/U. <Ref. to VDC-7, VDC Control Module and Hydraulic Control Unit (VDCCM&H/U).>
4	<b>CHECK PRESSURE SENSOR.</b> 1) Clear the memory. <Ref. to VDC(diag)-24, Clear Memory Mode.> 2) Perform the Inspection Mode. <Ref. to VDC(diag)-23, Inspection Mode.> 3) Read the DTC.	Is the same DTC displayed?	Replace the VDCCM&H/U. <Ref. to VDC-7, VDC Control Module and Hydraulic Control Unit (VDCCM&H/U).>	Go to step 5.
5	<b>CHECK OTHER DTC DETECTION.</b>	Is any other DTC displayed?	Perform the diagnosis according to DTC. <Ref. to VDC(diag)-33, List of Diagnostic Trouble Code (DTC).>	It results from a temporary noise interference.

# Diagnostic Procedure with Diagnostic Trouble Code (DTC)

VEHICLE DYNAMICS CONTROL (VDC) (DIAGNOSTICS)

## BA:DTC C0075 REVERSE SIGNAL

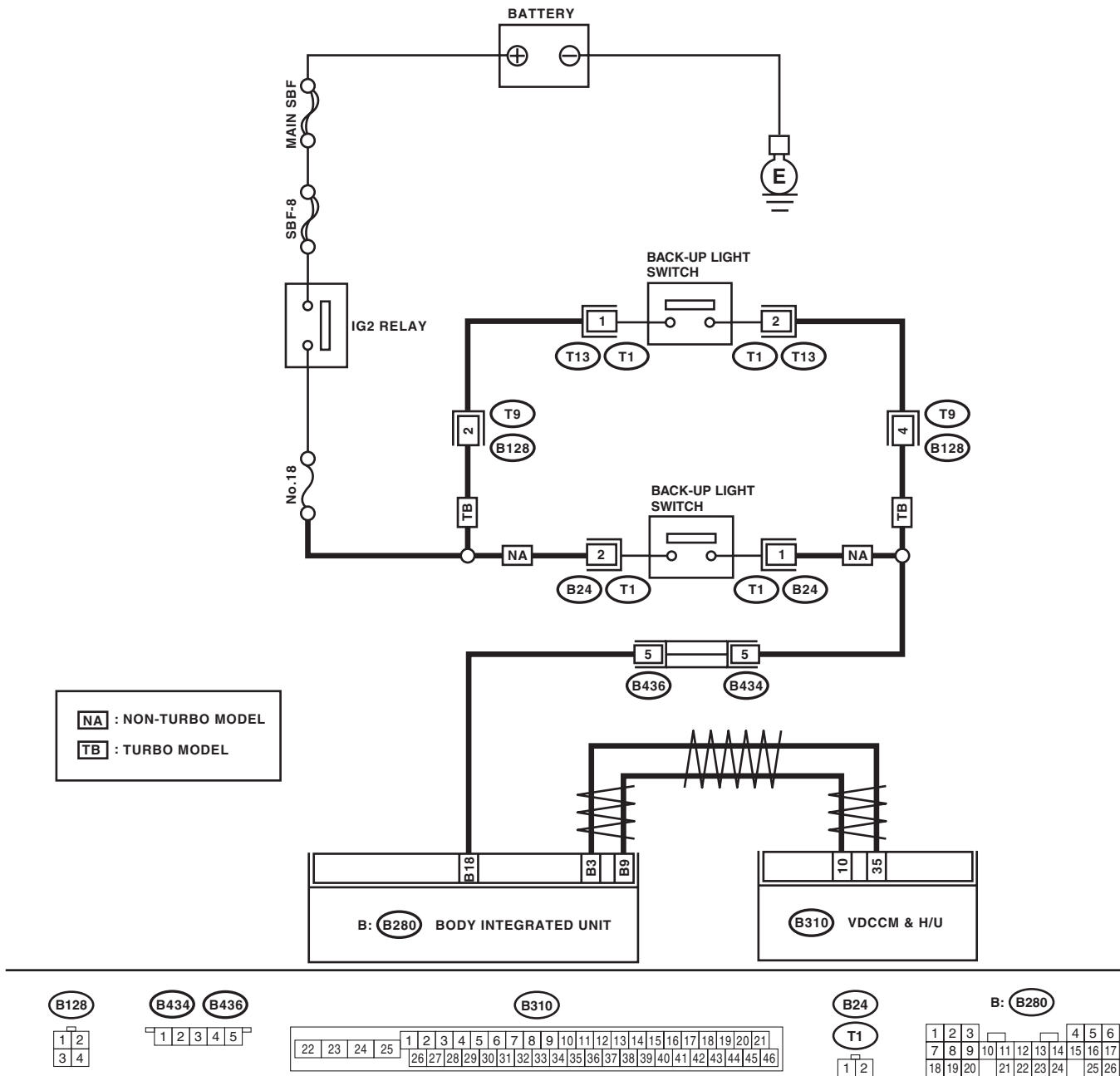
### DTC DETECTING CONDITION:

Abnormal reverse signal

### TROUBLE SYMPTOM:

Hill start assist does not operate.

### WIRING DIAGRAM:



VDC00691

# Diagnostic Procedure with Diagnostic Trouble Code (DTC)

VEHICLE DYNAMICS CONTROL (VDC) (DIAGNOSTICS)

	Step	Check	Yes	No
1	<b>CHECK LAN SYSTEM.</b> Perform the diagnosis for LAN system. <Ref. to LAN(diag)-31, OPERATION, Read Diagnostic Trouble Code (DTC).>	Is there any fault in LAN system?	Perform the diagnosis according to DTC for LAN system.	Go to step 2.
2	<b>CHECK REVERSE SIGNAL USING SUBARU SELECT MONITOR.</b> 1) Select {Current Data Display & Save} in Subaru Select Monitor. 2) Read the indication of reverse signal.	Is OFF displayed when the shift lever is placed in any position other than reverse, and is ON displayed in reverse position?	Go to step 5.	Go to step 3.
3	<b>CHECK BACK-UP LIGHT ILLUMINATION.</b> 1) Turn the ignition switch to ON. 2) Place the shift lever in reverse position.	Does the back-up light illuminate?	Go to step 4.	Repair the back-up light circuit.
4	<b>CHECK HARNESS BETWEEN BODY INTEGRATED UNIT AND BACK-UP LIGHT SWITCH.</b> 1) Turn the ignition switch to OFF. 2) Disconnect the connectors from body integrated unit and back-up light switch. 3) Measure the resistance of harness between body integrated unit and back-up light switch connector.  <b>Connector &amp; terminal</b> <b>Non-turbo model</b> <b>(B280) No. 18 — (B24) No. 1:</b> <b>Turbo model</b> <b>(B280) No. 18 — (T13) No. 2:</b>	Is the resistance less than 0.5 Ω?	Replace the back-up light switch. <Ref. to 5MT-33, Switches and Harness.>	Repair the harness between body integrated unit and back-up light switch connector.
5	<b>CHECK VDCCM&amp;H/U.</b> 1) Connect all connectors. 2) Clear the memory. <Ref. to VDC(diag)-24, Clear Memory Mode.> 3) Perform the Inspection Mode. <Ref. to VDC(diag)-23, Inspection Mode.> 4) Read the DTC.	Is the same DTC displayed?	Replace the VDCCM only. <Ref. to VDC-9, REPLACEMENT, VDC Control Module and Hydraulic Control Unit (VDCCM&H/U).>	Go to step 6.
6	<b>CHECK OTHER DTC DETECTION.</b>	Is any other DTC displayed?	Perform the diagnosis according to DTC. <Ref. to VDC(diag)-33, List of Diagnostic Trouble Code (DTC).>	Temporary poor contact occurs.

# Diagnostic Procedure with Diagnostic Trouble Code (DTC)

VEHICLE DYNAMICS CONTROL (VDC) (DIAGNOSTICS)

## BB:DTC C0076 CLUTCH SIGNAL

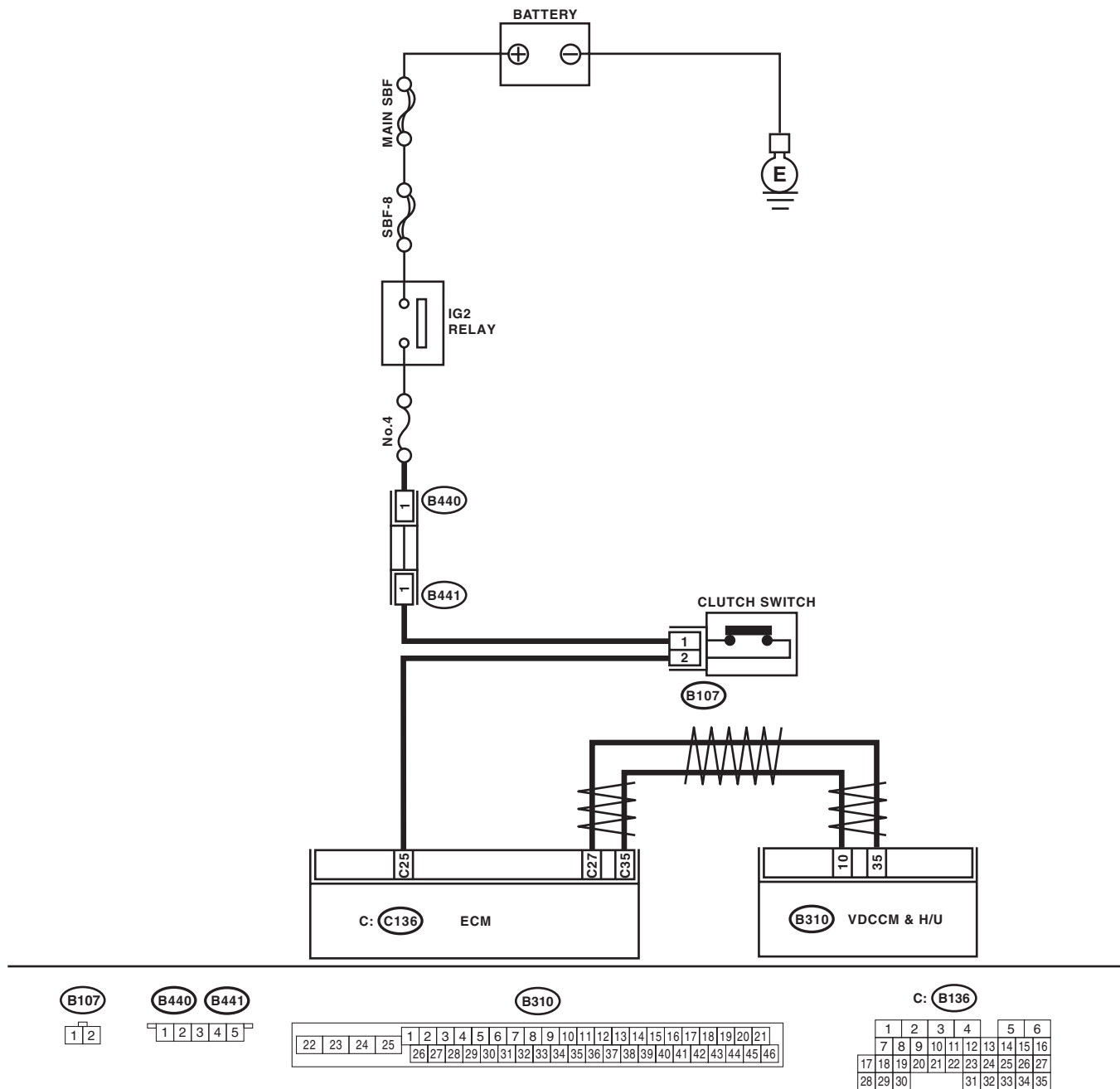
### DTC DETECTING CONDITION:

Abnormal clutch signal

### TROUBLE SYMPTOM:

Hill start assist does not operate.

### WIRING DIAGRAM:



VDC00561



# Diagnostic Procedure with Diagnostic Trouble Code (DTC)

VEHICLE DYNAMICS CONTROL (VDC) (DIAGNOSTICS)

Step	Check	Yes	No
<b>1 CHECK LAN SYSTEM.</b> Perform the diagnosis for LAN system. <Ref. to LAN(diag)-31, OPERATION, Read Diagnostic Trouble Code (DTC).>	Is there any fault in LAN system?	Perform the diagnosis according to DTC for LAN system.	Go to step 2.
<b>2 CHECK CLUTCH SIGNAL USING SUBARU SELECT MONITOR.</b> 1) Select {Current Data Display & Save} in Subaru Select Monitor. 2) Read the indication of clutch switch signal.	Is OFF displayed when the clutch pedal is not depressed, and is ON displayed when depressed?	Go to step 5.	Go to step 3.
<b>3 CHECK CLUTCH SIGNAL OF ECM USING SUBARU SELECT MONITOR.</b> 1) Select {Current Data Display & Save} on Subaru Select Monitor. 2) Read the indication of clutch switch signal.	Is OFF displayed when the clutch pedal is not depressed, and is ON displayed when depressed?	Go to step 5.	Go to step 4.
<b>4 CHECK HARNESS BETWEEN ECM AND CLUTCH SWITCH.</b> 1) Turn the ignition switch to OFF. 2) Disconnect the connectors from ECM and clutch switch. 3) Measure the resistance of harness between ECM and clutch switch connector. <i>Connector &amp; terminal (B136) No. 25 — (B107) No. 2:</i>	Is the resistance less than 0.5 Ω?	Repair the power supply circuit of clutch switch. Or replace the clutch switch. <Ref. to CL-26, Clutch Switch.>	Repair the harness between ECM and clutch switch connector.
<b>5 CHECK VDCCM&amp;H/U.</b> 1) Connect all connectors. 2) Clear the memory. <Ref. to VDC(diag)-24, Clear Memory Mode.> 3) Perform the Inspection Mode. <Ref. to VDC(diag)-23, Inspection Mode.> 4) Read the DTC.	Is the same DTC displayed?	Replace the VDCCM only. <Ref. to VDC-9, REPLACEMENT, VDC Control Module and Hydraulic Control Unit (VDCCM&H/U).>	Go to step 6.
<b>6 CHECK OTHER DTC DETECTION.</b>	Is any other DTC displayed?	Perform the diagnosis according to DTC. <Ref. to VDC(diag)-33, List of Diagnostic Trouble Code (DTC).>	Temporary poor contact occurs.

# Diagnostic Procedure with Diagnostic Trouble Code (DTC)

VEHICLE DYNAMICS CONTROL (VDC) (DIAGNOSTICS)

---

## BC:DTC C0081 SYSTEM FAILURE

### DTC DETECTING CONDITION:

VDC long time sequential control

### TROUBLE SYMPTOM:

- ABS does not operate.
- VDC does not operate.

Step	Check	Yes	No
<b>1</b> <b>CHECK POOR CONTACT OF CONNECTOR.</b>	Is there poor contact of the VDCCM&H/U and yaw rate & G sensor connector?	Repair the connector.	Go to step 2.
<b>2</b> <b>CHECK VDCCM&amp;H/U.</b> 1) Replace the yaw rate & G sensor. <Ref. to VDC-16, Yaw Rate and G Sensor.> 2) Connect all connectors. 3) Clear the memory. <Ref. to VDC(diag)-24, Clear Memory Mode.> 4) Perform the Inspection Mode. <Ref. to VDC(diag)-23, Inspection Mode.> 5) Read the DTC.	Is the same DTC displayed?	Replace the VDCCM&H/U. <Ref. to VDC-7, VDC Control Module and Hydraulic Control Unit (VDCCM&H/U).>	Malfunction is found in original yaw rate & G sensor.

# General Diagnostic Table

VEHICLE DYNAMICS CONTROL (VDC) (DIAGNOSTICS)

## 13. General Diagnostic Table

### A: INSPECTION

Symptom		Main probable cause	Other probable cause
Poor brake performance	Long braking/stopping distance	<ul style="list-style-type: none"> <li>• VDCCM&amp;H/U</li> <li>• Brake pad</li> <li>• Aeration to brake line</li> <li>• Tire specifications, tire wear and air pressures</li> <li>• Incorrect wiring or piping connections</li> </ul>	<ul style="list-style-type: none"> <li>• Defective ABS wheel speed sensor or sensor gap</li> <li>• Defective steering angle sensor or improper neutral position</li> <li>• Defective yaw rate &amp; G sensor or improper installation</li> <li>• Master cylinder</li> <li>• Brake caliper</li> <li>• Disc rotor</li> <li>• Brake pipe</li> <li>• Brake booster</li> </ul>
	Wheel lock	<ul style="list-style-type: none"> <li>• VDCCM&amp;H/U</li> <li>• Defective ABS wheel speed sensor or sensor gap</li> <li>• Incorrect wiring or piping connections</li> </ul>	<ul style="list-style-type: none"> <li>• Defective steering angle sensor or improper neutral position</li> <li>• Defective yaw rate &amp; G sensor or improper installation</li> <li>• Brake caliper</li> <li>• Brake pipe</li> </ul>
	Brake drag	<ul style="list-style-type: none"> <li>• VDCCM&amp;H/U</li> <li>• Defective ABS wheel speed sensor or sensor gap</li> <li>• Master cylinder</li> <li>• Brake caliper</li> <li>• Parking brake</li> <li>• Axle and wheels</li> <li>• Brake pedal play</li> </ul>	<ul style="list-style-type: none"> <li>• Defective steering angle sensor or improper neutral position</li> <li>• Defective yaw rate &amp; G sensor or improper installation</li> <li>• Brake pad</li> <li>• Brake pipe</li> </ul>
	Long brake pedal stroke	<ul style="list-style-type: none"> <li>• Aeration to brake line</li> <li>• Brake pedal play</li> </ul>	<ul style="list-style-type: none"> <li>• VDCCM&amp;H/U</li> <li>• Master cylinder</li> <li>• Brake caliper</li> <li>• Brake pad</li> <li>• Brake pipe</li> <li>• Brake booster</li> </ul>
	Vehicle vertical pitching	<ul style="list-style-type: none"> <li>• VDCCM&amp;H/U</li> <li>• Road surface (uneven)</li> <li>• Suspension play or fatigue (reduced damping)</li> <li>• Incorrect wiring or piping connections</li> </ul>	<ul style="list-style-type: none"> <li>• Defective ABS wheel speed sensor or sensor gap</li> <li>• Defective steering angle sensor or improper neutral position</li> <li>• Defective yaw rate &amp; G sensor or improper installation</li> </ul>
Poor brake performance	Unstable or uneven braking	<ul style="list-style-type: none"> <li>• VDCCM&amp;H/U</li> <li>• Defective ABS wheel speed sensor or sensor gap</li> <li>• Brake caliper</li> <li>• Brake pad</li> <li>• Road surface (uneven)</li> <li>• Tire specifications, tire wear and air pressures</li> <li>• Incorrect wiring or piping connections</li> </ul>	<ul style="list-style-type: none"> <li>• Defective ABS wheel speed sensor or sensor gap</li> <li>• Defective steering angle sensor or improper neutral position</li> <li>• Defective yaw rate &amp; G sensor or improper installation</li> <li>• Master cylinder</li> <li>• Disc rotor</li> <li>• Brake pipe</li> <li>• Axle and wheels</li> <li>• Road with crowns or banks</li> <li>• Suspension play or fatigue (reduced damping)</li> </ul>

## General Diagnostic Table

### VEHICLE DYNAMICS CONTROL (VDC) (DIAGNOSTICS)

Symptom		Main probable cause	Other probable cause
Vibration or noise • When braking suddenly • When accelerating suddenly • While driving on a slippery road	Excessive brake pedal vibration	<ul style="list-style-type: none"> <li>• Road surface (uneven)</li> <li>• Incorrect wiring or piping connections</li> </ul>	<ul style="list-style-type: none"> <li>• VDCCM&amp;H/U</li> <li>• Brake booster</li> <li>• Suspension play or fatigue (reduced damping)</li> </ul>
	Noise from VDCH/U	<ul style="list-style-type: none"> <li>• VDCCM&amp;H/U (mount bushing)</li> <li>• Defective ABS wheel speed sensor or sensor gap</li> <li>• Brake pipe</li> </ul>	<ul style="list-style-type: none"> <li>• VDCCM&amp;H/U</li> <li>• Defective steering angle sensor or improper neutral position</li> <li>• Defective yaw rate &amp; G sensor or improper installation</li> </ul>
	Noise from the front side of vehicle	<ul style="list-style-type: none"> <li>• VDCCM&amp;H/U (mount bushing)</li> <li>• Defective ABS wheel speed sensor or sensor gap</li> <li>• Master cylinder</li> <li>• Brake caliper</li> <li>• Brake pad</li> <li>• Disc rotor</li> <li>• Brake pipe</li> <li>• Brake booster</li> <li>• Suspension play or fatigue (reduced damping)</li> </ul>	<ul style="list-style-type: none"> <li>• Axle and wheels</li> <li>• Tire specifications, tire wear and air pressures</li> </ul>
	Noise from the rear side of vehicle	<ul style="list-style-type: none"> <li>• Defective ABS wheel speed sensor or sensor gap</li> <li>• Brake caliper</li> <li>• Brake pad</li> <li>• Disc rotor</li> <li>• Parking brake</li> <li>• Brake pipe</li> <li>• Suspension play or fatigue (reduced damping)</li> </ul>	<ul style="list-style-type: none"> <li>• Axle and wheels</li> <li>• Tire specifications, tire wear and air pressures</li> </ul>
Engine does not accelerate or goes into a stall when accelerating suddenly or driving on a slippery surface.		<ul style="list-style-type: none"> <li>• VDCCM&amp;H/U</li> <li>• Defective ABS wheel speed sensor or sensor gap</li> <li>• Master cylinder</li> <li>• Brake caliper</li> <li>• Parking brake</li> <li>• Incorrect wiring or piping</li> </ul>	<ul style="list-style-type: none"> <li>• Defective steering angle sensor or improper neutral position</li> <li>• Defective yaw rate &amp; G sensor or improper installation</li> <li>• Brake pad</li> <li>• Brake pipe</li> </ul>

# General Diagnostic Table

## VEHICLE DYNAMICS CONTROL (VDC) (DIAGNOSTICS)

Symptom		Main probable cause	Other probable cause
Poor change-direction-operation stability of TCS	Deviation to right or left direction	<ul style="list-style-type: none"> <li>• VDCCM&amp;H/U</li> <li>• Defective ABS wheel speed sensor or sensor gap</li> <li>• Defective steering angle sensor or improper neutral position</li> <li>• Defective yaw rate &amp; G sensor or improper installation</li> <li>• Brake caliper</li> <li>• Brake pad</li> <li>• Wheel alignment</li> <li>• Road surface (uneven)</li> <li>• Road with crowns or banks</li> <li>• Tire specifications, tire wear and air pressures</li> <li>• Incorrect wiring or piping connections</li> </ul>	<ul style="list-style-type: none"> <li>• Disc rotor</li> <li>• Brake pipe</li> <li>• Axle and wheels</li> <li>• Suspension play or fatigue (reduced damping)</li> </ul>
	Vehicle spin	<ul style="list-style-type: none"> <li>• VDCCM&amp;H/U</li> <li>• Defective ABS wheel speed sensor or sensor gap</li> <li>• Defective steering angle sensor or improper neutral position</li> <li>• Defective yaw rate &amp; G sensor or improper installation</li> <li>• Brake pad</li> <li>• Tire specifications, tire wear and air pressures</li> <li>• Incorrect wiring or piping connections</li> </ul>	<ul style="list-style-type: none"> <li>• Brake caliper</li> <li>• Brake pipe</li> </ul>
Steering wheel drag while driving		<ul style="list-style-type: none"> <li>• VDCCM&amp;H/U</li> <li>• Defective ABS wheel speed sensor or sensor gap</li> <li>• Defective steering angle sensor or improper neutral position</li> <li>• Defective yaw rate &amp; G sensor or improper installation</li> <li>• Incorrect wiring or piping connections</li> <li>• Power steering system</li> </ul>	<ul style="list-style-type: none"> <li>• Brake caliper</li> <li>• Brake pad</li> <li>• Disc rotor</li> <li>• Wheel alignment</li> <li>• Road surface (uneven)</li> <li>• Road with crowns or banks</li> <li>• Suspension play or fatigue (reduced damping)</li> <li>• Tire specifications, tire wear and air pressures</li> </ul>
VDC operates while driving normally.		<ul style="list-style-type: none"> <li>• VDCCM&amp;H/U</li> <li>• Defective ABS wheel speed sensor or sensor gap</li> <li>• Defective steering angle sensor or improper neutral position</li> <li>• Defective yaw rate &amp; G sensor or improper installation</li> <li>• Wheel alignment</li> <li>• Road surface (uneven)</li> <li>• Road with crowns or banks</li> <li>• Suspension play or fatigue (reduced damping)</li> <li>• Tire specifications, tire wear and air pressures</li> <li>• Incorrect wiring or piping connections</li> <li>• Power steering system</li> </ul>	

# General Diagnostic Table

## VEHICLE DYNAMICS CONTROL (VDC) (DIAGNOSTICS)

Symptom	Main probable cause	Other probable cause
VDC OFF indicator light does not illuminate when the VDC OFF switch is depressed. NOTE: When pressing VDC OFF switch for 10 seconds or more, VDC OFF indicator light goes off and cannot operate any more. When turning the ignition switch from OFF to ON, the previous status is restored.	<ul style="list-style-type: none"><li>• Harness</li><li>• Combination meter</li><li>• VDC OFF switch</li></ul>	

# General Description

BRAKE

## 1. General Description

### A: SPECIFICATION

Model		2.5 i	OUTBACK	WRX
Front disc brake	Size	15-inch type		16-inch type
	Type	Disc (Floating type, ventilated)		
	Effective disc diameter	mm (in)	228 (8.98)	244 (9.61)
	Disc thickness × Diameter	mm (in)	24 × 277 (0.94 × 10.91)	24 × 294 (0.94 × 11.57)
	Effective cylinder diameter	mm (in)	42.8 (1.685) × 2	
	Pad dimensions (Length × Width × Thickness)	mm (in)	117.8 × 50.5 × 11.0 (4.638 × 1.988 × 0.433)	
	Clearance adjustment		Automatic adjustment	
Rear disc brake	Size	—	15-inch type	
	Type	—	Disc (Floating type, solid)	
	Effective disc diameter	mm (in)	—	250 (9.84)
	Disc thickness × Diameter	mm (in)	—	10 × 286 (0.39 × 11.26)
	Effective cylinder diameter	mm (in)	—	38.1 (1.500)
	Pad dimensions (Length × Width × Thickness)	mm (in)	—	92.0 × 33.0 × 9.0 (3.622 × 1.299 × 0.354)
	Clearance adjustment		—	Automatic adjustment
Rear drum brake	Type	Drum (Leading/Trailing type)	—	—
	Effective drum inner diameter	mm (in)	254 (10)	—
	Effective cylinder diameter	mm (in)	19 (0.75)	—
	Lining dimensions (Length × Width × Thickness)	mm (in)	243.8 × 40.0 × 4.5 (9.6 × 1.575 × 0.177)	—
	Clearance adjustment		Automatic adjustment	—
Master cylinder	Type	Tandem		
	Effective diameter	mm (in)	23.8 (15/16)	
	Reservoir type	Sealed type		
	Brake fluid reservoir capacity	cm <sup>3</sup> (cu in)	205 (12.51)	
Brake booster	Type	Vacuum suspended		
	Effective diameter	mm (in)	208 + 229 (8.19 + 9.02)	
Brake line		Dual circuit system		
Brake fluid	<b>CAUTION:</b> <ul style="list-style-type: none"> <li>• Avoid mixing brake fluid of different brands to prevent fluid performance from degrading.</li> <li>• When filling with brake fluid, be careful not to allow any dust to enter the reservoir.</li> <li>• Use new SUBARU genuine brake fluid when replacing or refilling the fluid.</li> </ul>		FMVSS No. 116, DOT3, or DOT4	

# General Description

BRAKE

**NOTE:**

Refer to “PB” section for parking brake specifications. <Ref. to PB-2, SPECIFICATION, General Description.>

Item		Specification	Limit
Front brake	Pad thickness mm (in)	11 (0.43)	1.5 (0.059)
	Disc thickness mm (in)	24 (0.94)	22 (0.87)
	Disc runout mm (in)	—	0.05 (0.0020)
Rear brake (disc type)	Pad thickness mm (in)	9.0 (0.354)	1.5 (0.059)
	Disc thickness mm (in)	10 (0.39)	8.5 (0.335)
	Disc runout mm (in)	—	0.05 (0.0020)
Rear brake (drum type)	Inside diameter mm (in)	254 (10)	256 (10.08)
	Lining thickness mm (in)	4.5 (0.177)	1.5 (0.059)
Rear brake (disc type)	Inside diameter mm (in)	190 (7.48)	191 (7.52)
	Lining thickness mm (in)	2.8 (0.11)	1.5 (0.059)
Parking brake	Lever stroke	7 — 8 notches/200 N (20 kgf, 45 lbf)	

		Brake pedal force N (kgf, lbf)	Fluid pressure kPa (kgf/cm <sup>2</sup> , psi)
			All models
Brake booster	Brake fluid pressure with engine stopped	147 (15, 33)	545 (6, 79)
		294 (30, 66)	1,564 (16, 227)
	Brake fluid pressure with engine running and vacuum pressure at 66.7 kPa (500 mmHg, 19.69 inHg)	147 (15, 33)	6,003 (61, 871)
		294 (30, 66)	11,273 (115, 1,635)

Brake pedal	Free play mm (in)	0.5 — 2 (0.020 — 0.079) [When pulling the brake pedal upward with a force of less than 10 N (1 kgf, 2 lbf).]
-------------	-------------------	---

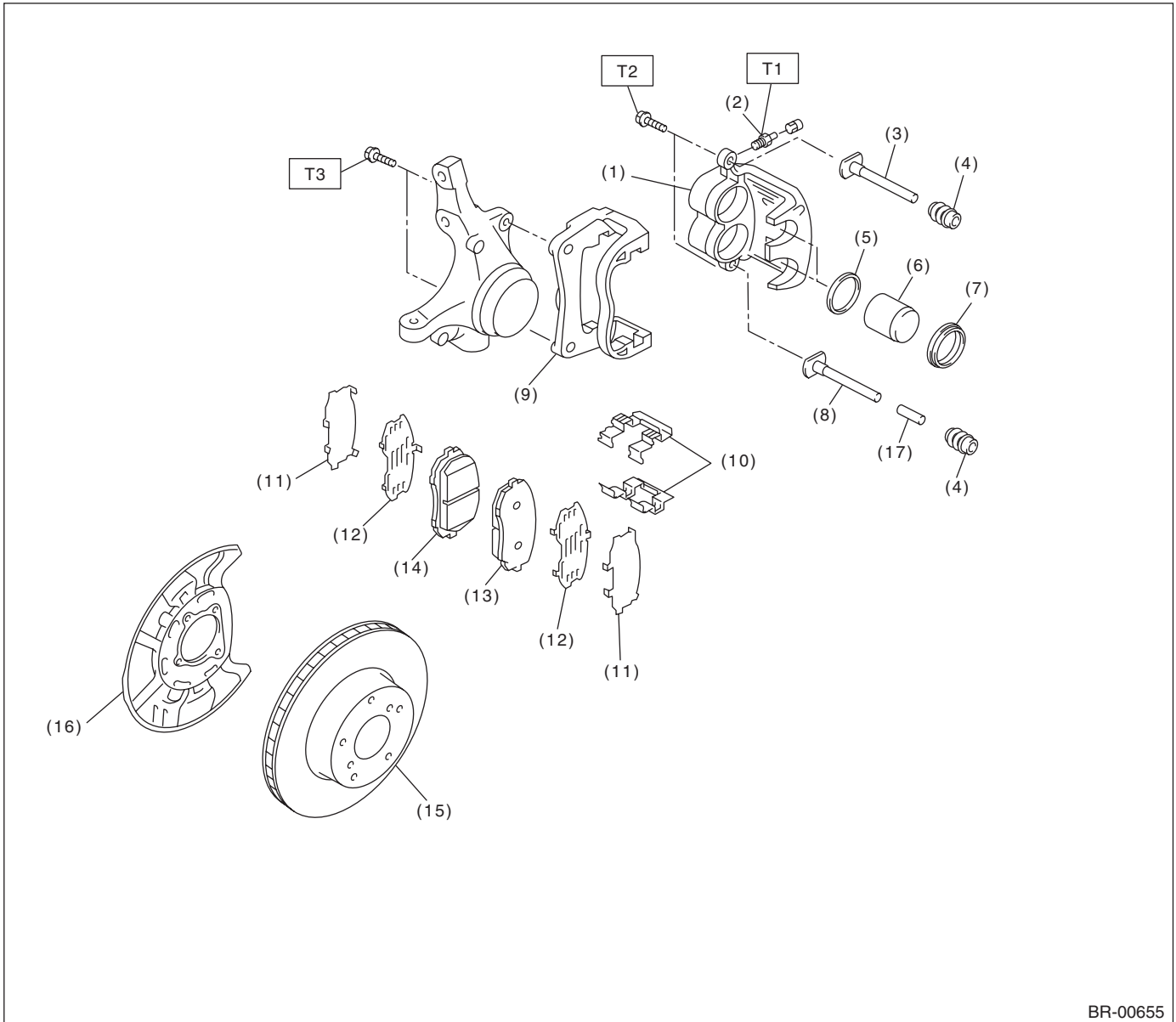


# General Description

BRAKE

## B: COMPONENT

### 1. FRONT DISC BRAKE



BR-00655

- (1) Caliper body
- (2) Air bleeder screw
- (3) Guide pin
- (4) Pin boot
- (5) Piston seal
- (6) Piston
- (7) Piston boot
- (8) Lock pin

- (9) Support
- (10) Pad clip
- (11) Outer shim
- (12) Inner shim
- (13) Pad (Outside)
- (14) Pad (Inside)
- (15) Disc rotor

- (16) Disc cover
- (17) Bushing

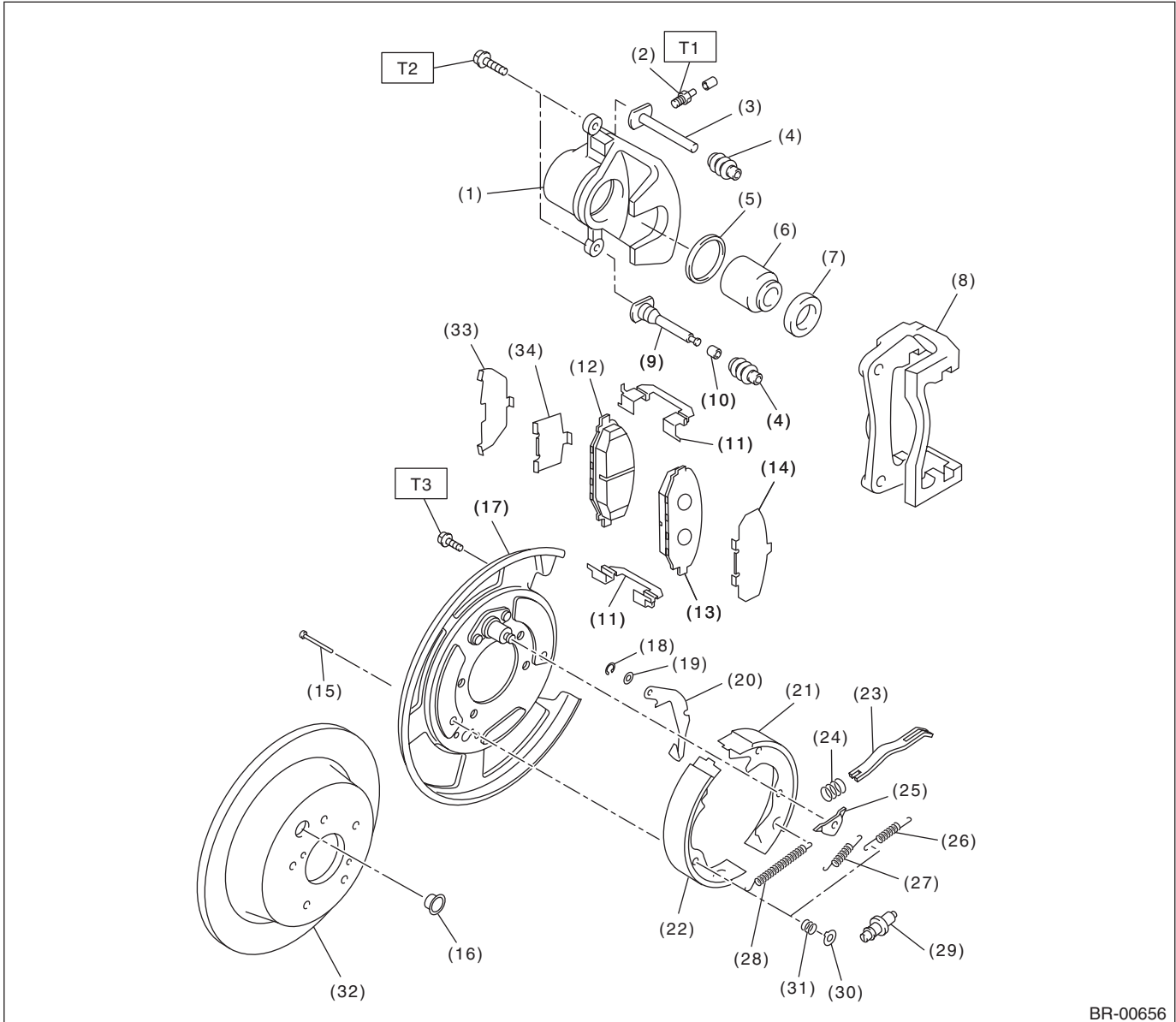
**Tightening torque: N-m (kgf-m, ft-lb)**

**T1: 8 (0.8, 5.9)**

**T2: 27 (2.8, 19.9)**

**T3: 80 (8.2, 59)**

## 2. REAR DISC BRAKE



BR-00656

- |                       |  |  |
|-----------------------|--|--|
| (1) Caliper body      | (15) Shoe hold-down pin                    | (27) Primary shoe return spring (blue) |
| (2) Air bleeder screw | (16) Adjusting hole cover                  | (28) Adjusting spring                  |
| (3) Guide pin (black) | (17) Back plate                            | (29) Adjuster                          |
| (4) Pin boot          | (18) Retainer                              | (30) Shoe hold-down cup                |
| (5) Piston seal       | (19) Wave washer                           | (31) Shoe hold-down spring             |
| (6) Piston            | (20) Lever                                 | (32) Disc rotor                        |
| (7) Piston boot       | (21) Parking brake shoe (Secondary)        | (33) Outer shim (SUS)                  |
| (8) Support           | (22) Parking brake shoe (Primary)          | (34) Inner shim                        |
| (9) Lock pin (silver) | (23) Strut                                 |  |
| (10) Bushing          | (24) Strut spring                          |  |
| (11) Pad clip         | (25) Shoe guide plate                      |  |
| (12) Inner pad        | (26) Secondary shoe return spring (yellow) |  |
| (13) Outer pad        |  |  |
| (14) Outer shim       |  |  |

**Tightening torque: N·m (kgf·m, ft·lb)**

**T1: 8 (0.8, 5.9)**

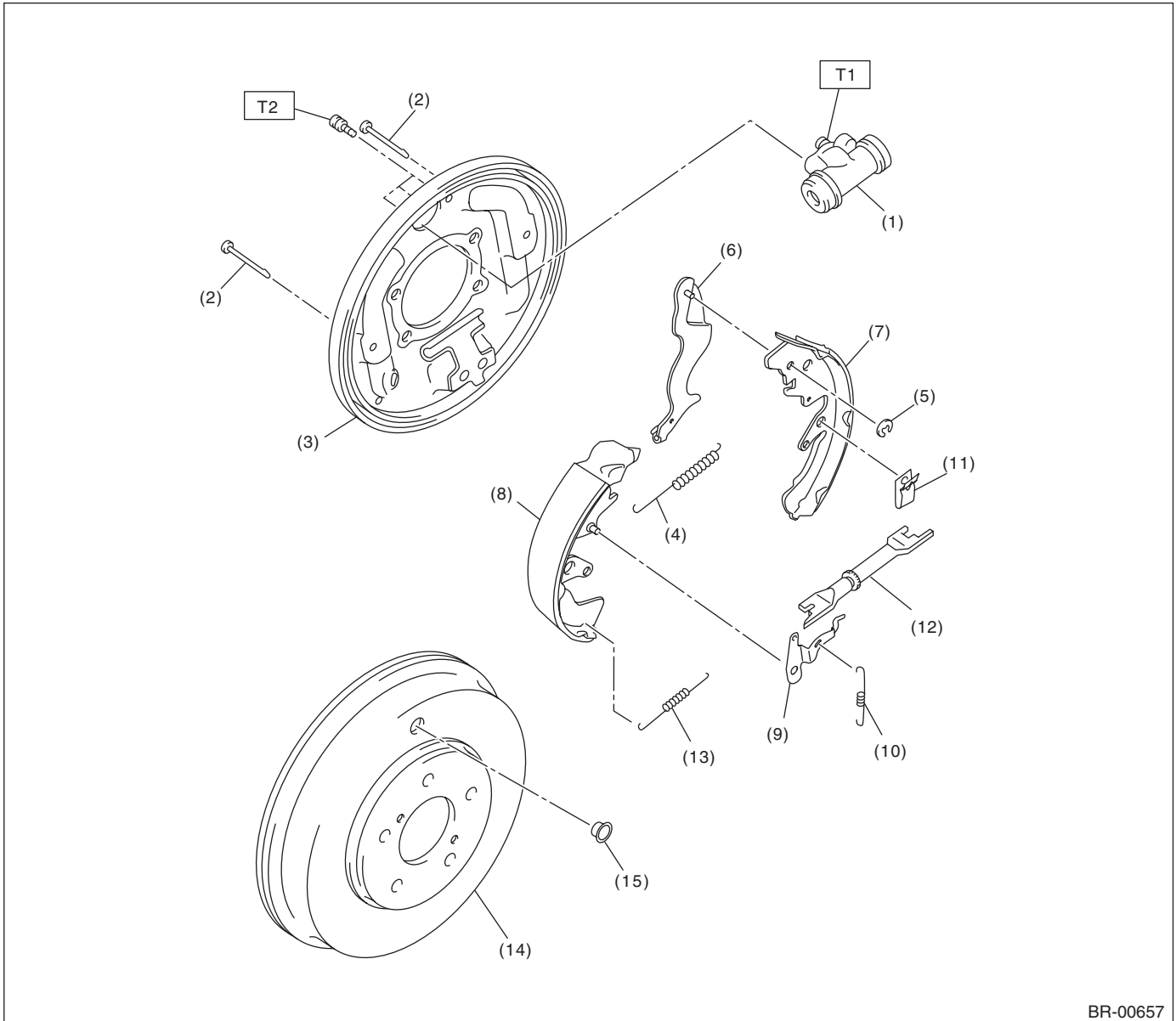
**T2: 27 (2.8, 19.9)**

**T3: 66 (6.7, 48.7)**

# General Description

## BRAKE

### 3. REAR DRUM BRAKE



BR-00657

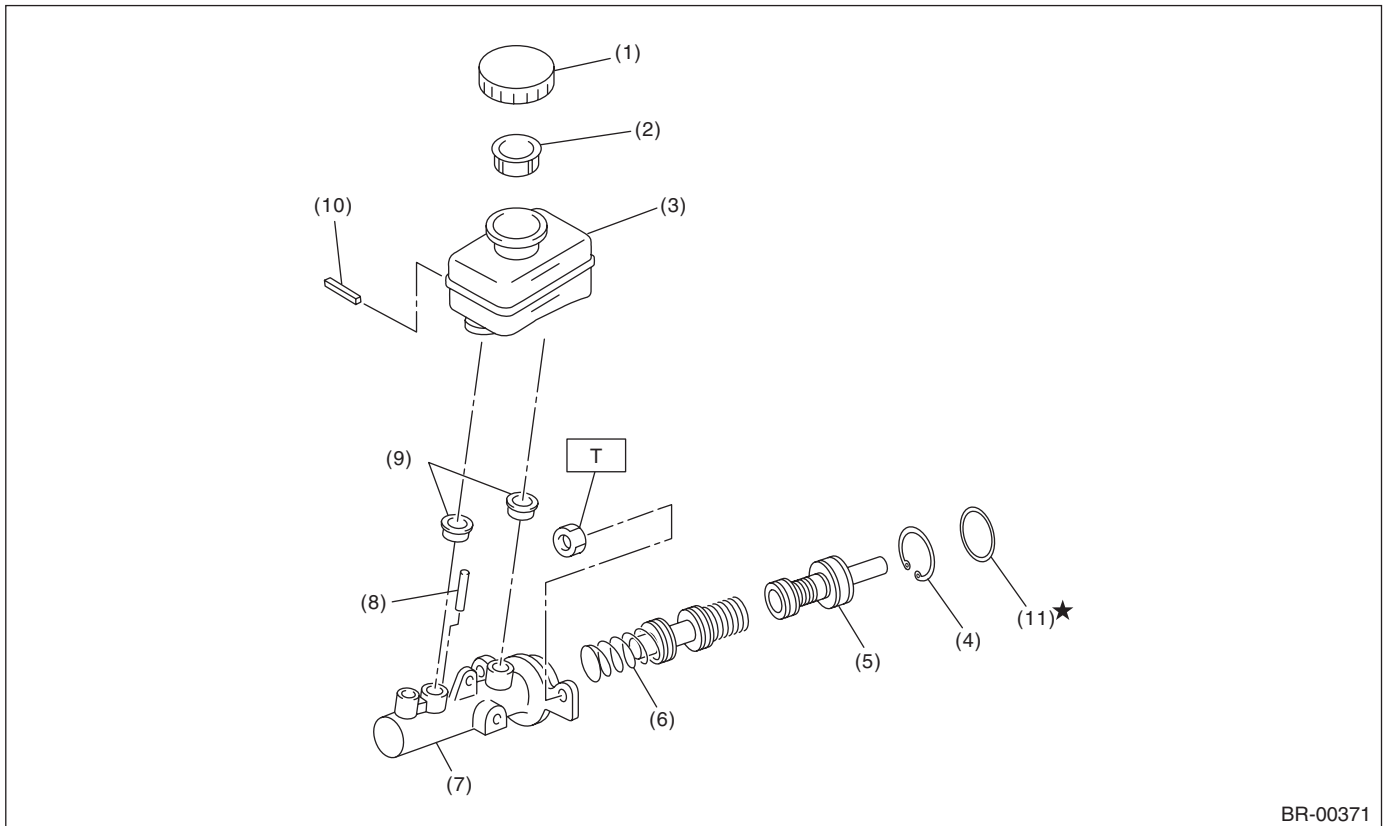
- |                              |                               |                           |
|------------------------------|-------------------------------|---------------------------|
| (1) Wheel cylinder ASSY      | (8) Brake shoe (Leading)      | (15) Adjusting hole cover |
| (2) Pin                      | (9) Adjusting lever           |                           |
| (3) Back plate               | (10) Adjusting spring         |                           |
| (4) Upper shoe return spring | (11) Shoe hold-down spring    |                           |
| (5) Retainer                 | (12) Adjuster                 |                           |
| (6) Parking brake lever      | (13) Lower shoe return spring |                           |
| (7) Brake shoe (Trailing)    | (14) drum                     |                           |

**Tightening torque: N·m (kgf·m, ft·lb)**

**T1: 8 (0.8, 5.9)**

**T2: 9 (0.9, 6.6)**

## 4. MASTER CYLINDER



BR-00371

- |                    |                      |             |
|--------------------|----------------------|-------------|
| (1) Cap            | (6) Secondary piston | (11) O-ring |
| (2) Filter         | (7) Cylinder body    |             |
| (3) Reservoir tank | (8) Cylinder pin     |             |
| (4) C-ring         | (9) Seal             |             |
| (5) Primary piston | (10) Pin             |             |

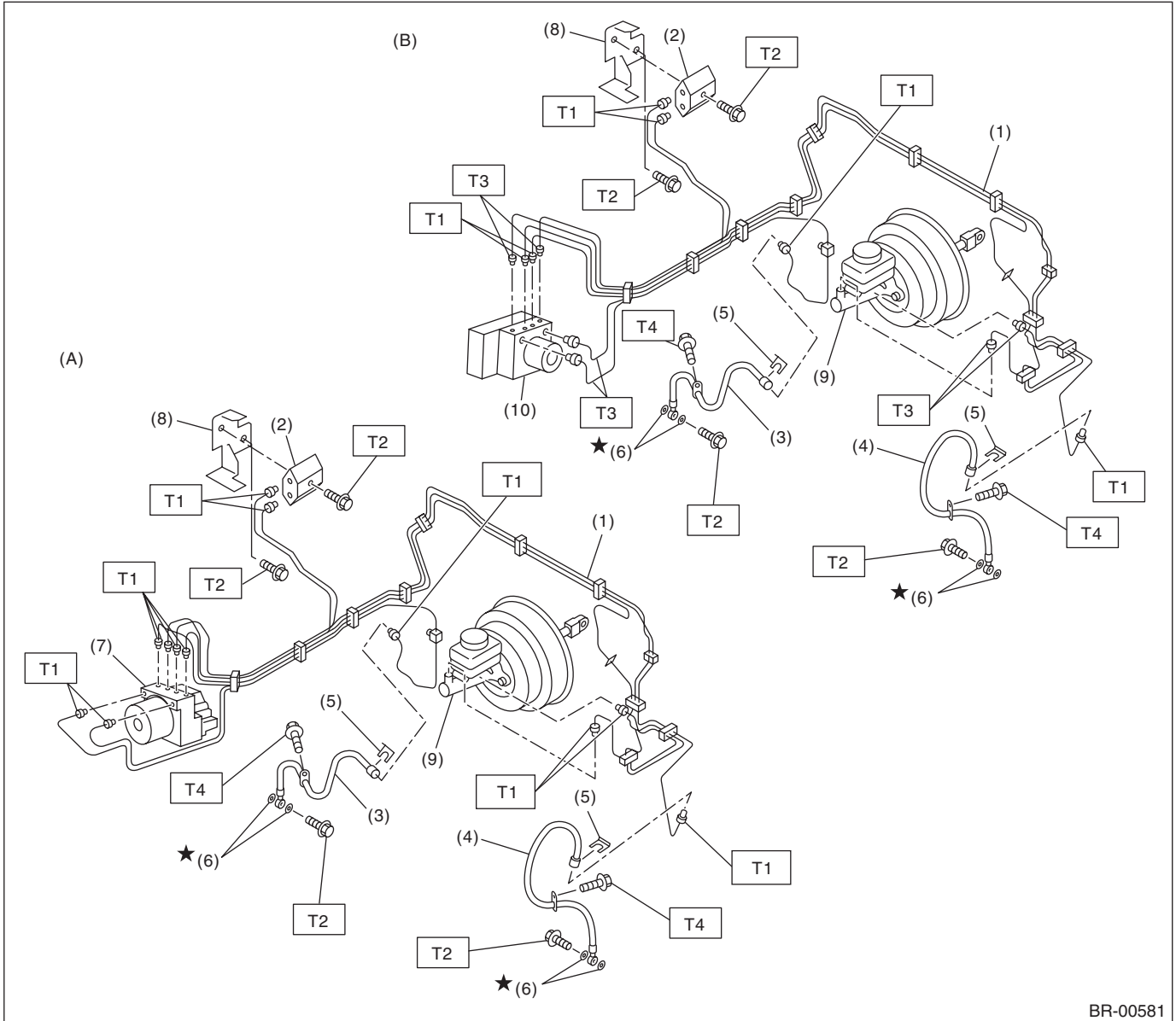
**Tightening torque: N·m (kgf·m, ft·lb)**

**T: 13 (1.3, 9.6)**

# General Description

## BRAKE

### 5. FRONT BRAKE PIPES AND HOSES



BR-00581

(A) Model without vehicle dynamics control (VDC)

(B) Model with vehicle dynamics control (VDC)

- (1) Front brake pipe ASSY
- (2) Two-way connector
- (3) Front brake hose RH
- (4) Front brake hose LH
- (5) Clamp
- (6) Gasket

- (7) ABS control module and hydraulic control unit (ABSCM&H/U)
- (8) Bracket
- (9) Master cylinder
- (10) VDC control module and hydraulic control unit (VDCCM&H/U)

**Tightening torque: N-m (kgf-m, ft-lb)**

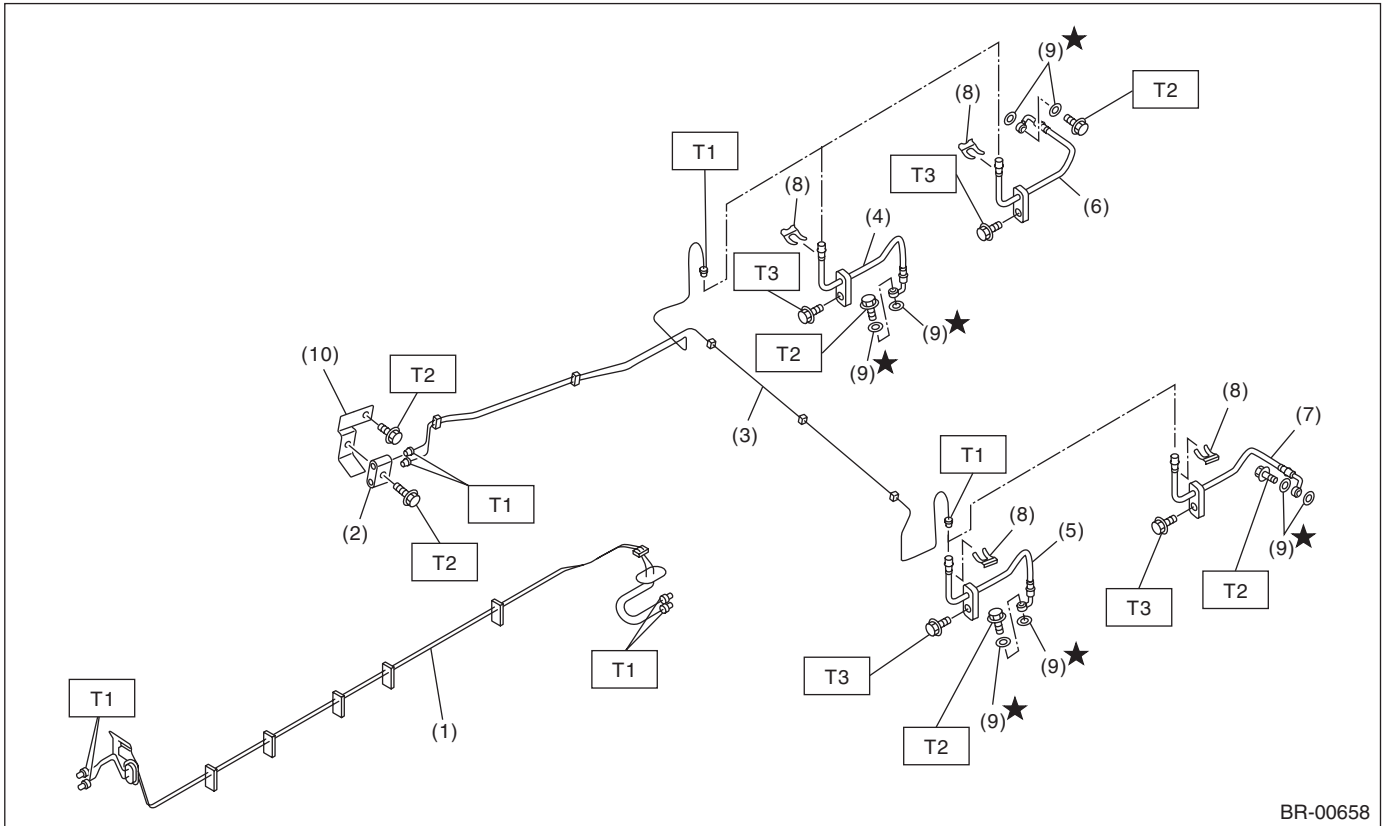
**T1: 15 (1.5, 11.1)**

**T2: 18 (1.8, 13.3)**

**T3: 19 (1.9, 14)**

**T4: 33 (3.4, 24.3)**

## 6. CENTER AND REAR BRAKE PIPES AND HOSES



BR-00658

- |  |  |
|--|--|
| (1) Center brake pipe ASSY                   | (6) Rear brake hose RH<br>(Drum brake model) |
| (2) Two-way connector                        | (7) Rear brake hose LH<br>(Drum brake model) |
| (3) Rear brake pipe ASSY                     | (8) Clamp                                    |
| (4) Rear brake hose RH<br>(Disc brake model) | (9) Gasket                                   |
| (5) Rear brake hose LH<br>(Disc brake model) |  |

- (10) Bracket

---

**Tightening torque: N·m (kgf·m, ft·lb)**

**T1: 15 (1.5, 11.1)**

**T2: 18 (1.8, 13.3)**

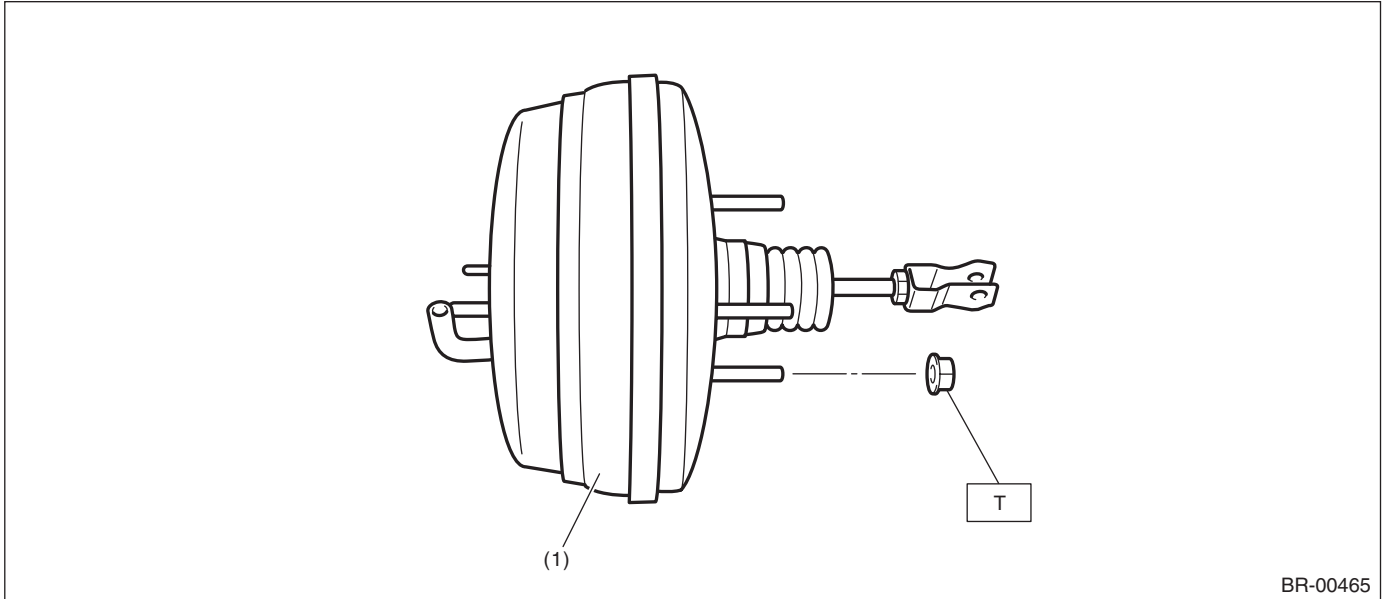
**T3: 33 (3.4, 24.3)**

---

# General Description

BRAKE

## 7. BRAKE BOOSTER



BR-00465

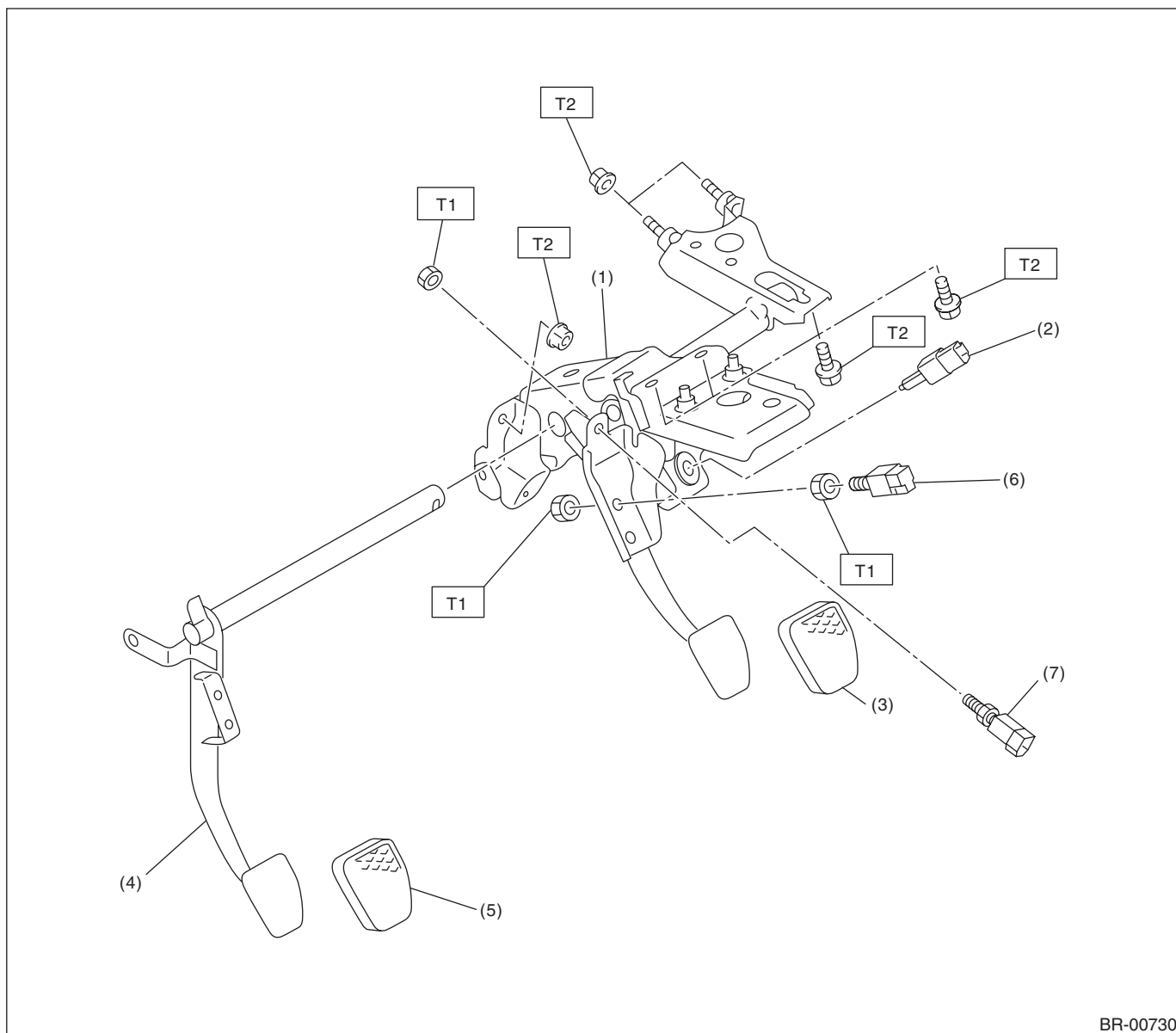
(1) Brake booster

**Tightening torque: N-m (kgf-m, ft-lb)**

**T: 18 (1.8, 13.3)**

## 8. BRAKE PEDAL

- MT model



BR-00730

- (1) Brake pedal ASSY
- (2) Stop light switch
- (3) Brake pedal pad
- (4) Clutch pedal

- (5) Clutch pedal pad
- (6) Clutch switch (cruise control)
- (7) Clutch switch (clutch start)

**Tightening torque: N·m (kgf·m, ft·lb)**

**T1: 8 (0.8, 5.8)**

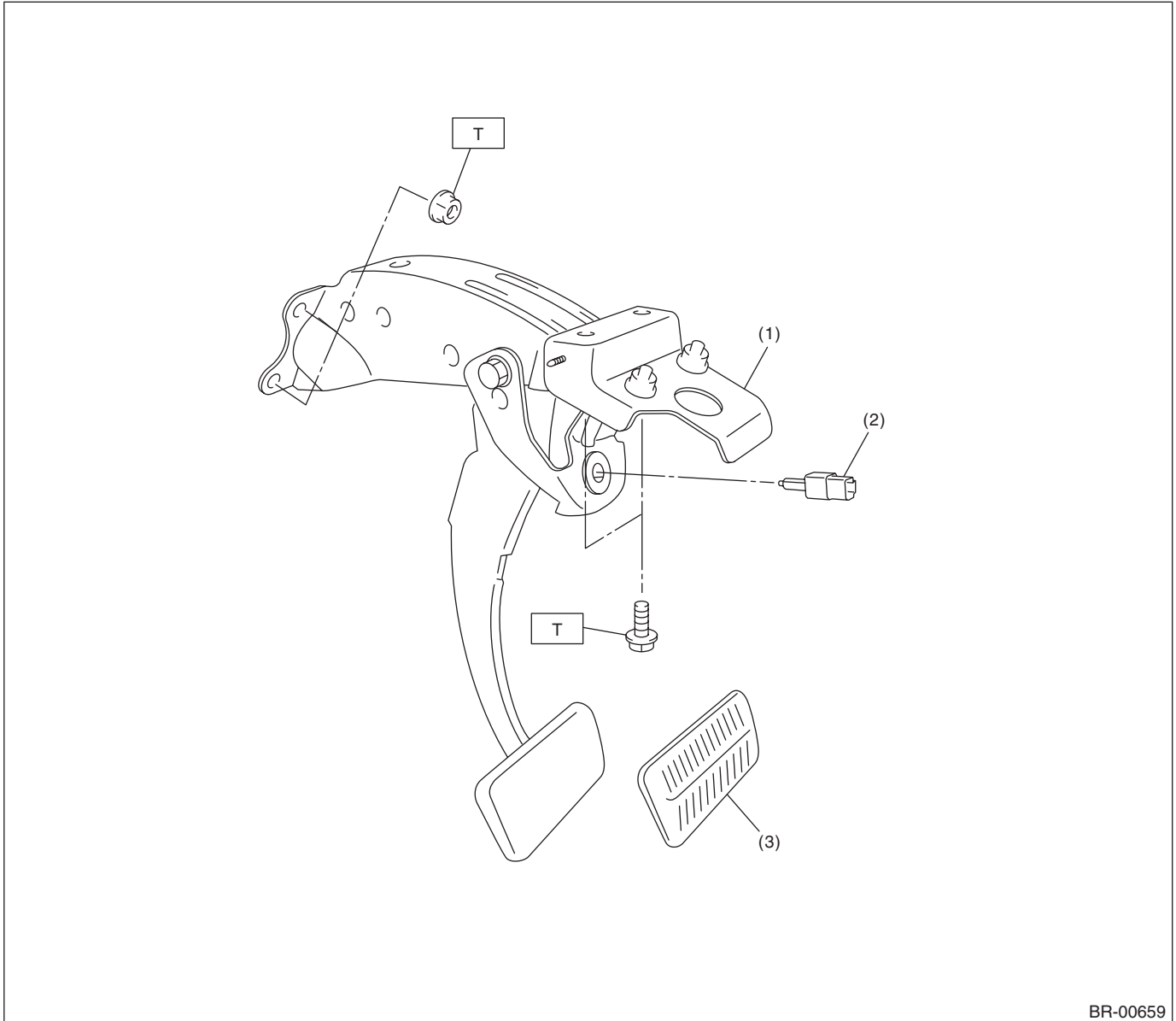
**T2: 18 (1.8, 13.3)**



# General Description

## BRAKE

- AT model



BR-00659

- (1) Brake pedal ASSY  
(2) Stop light switch

- (3) Brake pedal pad

**Tightening torque:N·m (kgf·m, ft·lb)**

**T: 18 (1.8, 13.3)**

## C: CAUTION

- Wear appropriate work clothing, including a cap, protective goggles and protective shoes when performing any work.
- Before removal, installation or disassembly, be sure to clarify the failure. Avoid unnecessary removal, installation, disassembly and replacement.
- Use SUBARU genuine grease etc. or equivalent. Do not mix grease etc. of different grades or manufacturers.
- Before securing a part in a vise, place cushioning material such as wood blocks, aluminum plate or cloth between the part and the vise.
- Be sure to tighten fasteners including bolts and nuts to the specified torque.
- Place shop jacks or rigid racks at the specified points.

## D: PREPARATION TOOL

### 1. GENERAL TOOL

TOOL NAME	REMARKS
Snap ring pliers	Used for removing and installing snap rings.

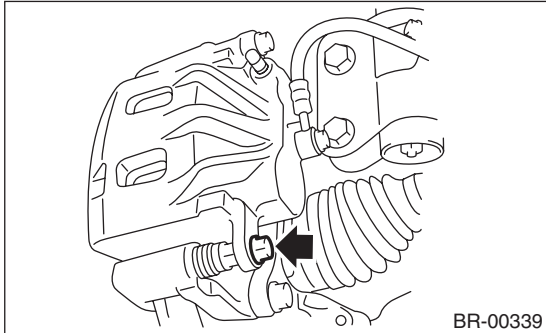
# Front Brake Pad

## BRAKE

### 2. Front Brake Pad

#### A: REMOVAL

- 1) Lift up the vehicle, and remove the front wheels.
- 2) Remove the caliper bolt.

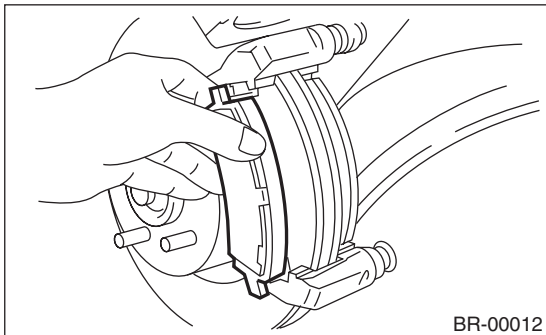


- 3) Raise the caliper body and support it.

#### NOTE:

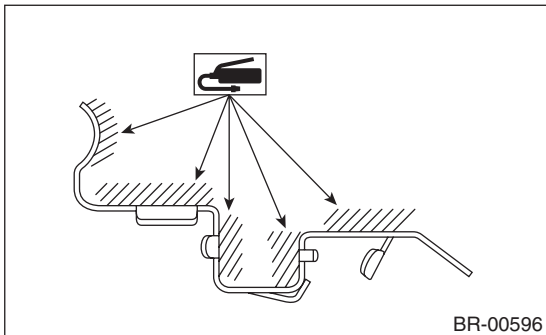
Do not disconnect the brake hose from the caliper body.

- 4) Remove the pad.

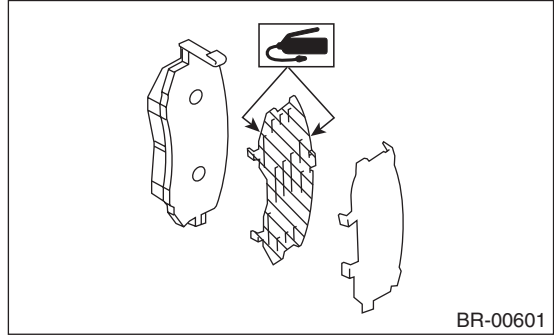


#### B: INSTALLATION

- 1) Apply a thin coat of Molykote M7439 (Part No. K0770YA000) or grease contained in the pad kit to the pad clip.



- 2) Apply a thin coat of Molykote AS880N (Part No. K0777YA010) or grease contained in the pad kit to both surfaces of the pad inner shim.



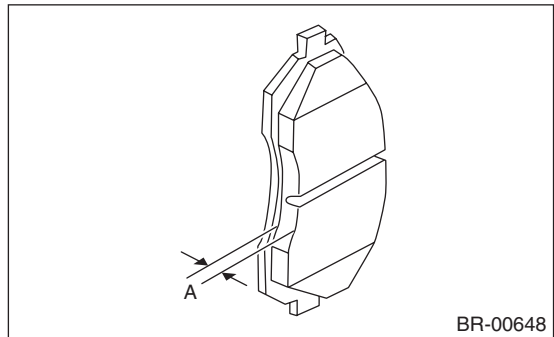
- 3) Install the pad to support.
- 4) Install the caliper body to the support.

#### Tightening torque:

**27 N·m (2.8 kgf-m, 19.9 ft-lb)**

#### C: INSPECTION

Check the pad thickness A.



Pad thickness	Specification	11 (0.43)
mm (in)	Wear limit	1.5 (0.059)

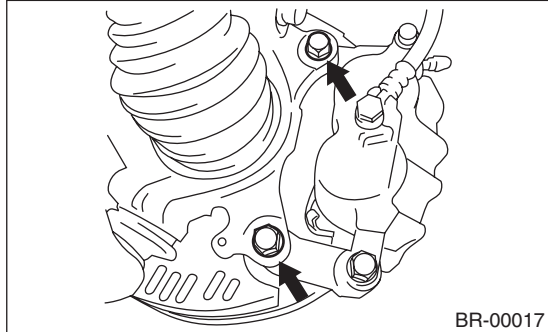
#### NOTE:

- Always replace the pads of both wheels and both sides as a set.
- Replace pad clips if they are twisted or worn.
- A wear indicator is installed on the inner disc brake pad. If the pad is worn to the limit, the end of wear indicator contacts disc rotor, and a squeaking sound is heard as the wheel rotates. If the sound is heard, replace the pad.
- Replace the pad if there is oil or grease on it.

## 3. Front Disc Rotor

### A: REMOVAL

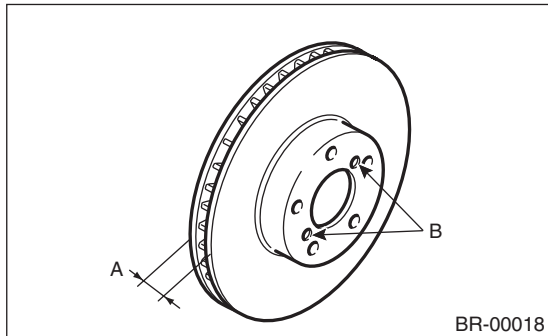
- 1) Lift up the vehicle, and remove the front wheels.
- 2) Remove the caliper body and the support from housing, and suspend it from the strut using a wire.



- 3) Remove the disc rotor.

**NOTE:**

If it is difficult to remove the disc rotor from the hub, drive an 8 mm bolt into the threaded section (B) of the rotor, then remove the rotor.



- 4) Remove mud and foreign matter from the caliper body assembly and the support.

### B: INSTALLATION

- 1) Install the disc rotor.
- 2) Install the caliper body and the support to housing.

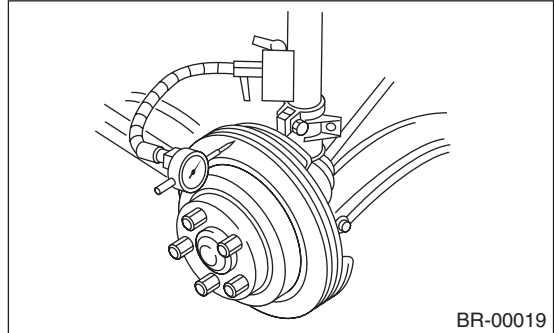
**Tightening torque:**

**80 N·m (8.2 kgf·m, 59 ft·lb)**

- 3) Install the front wheels.

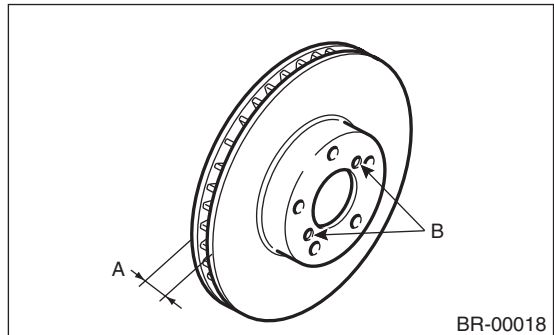
### C: INSPECTION

- 1) Check the front wheel bearing play and axle hub runout before the inspection of disc rotor runout limit. <Ref. to DS-16, INSPECTION, Front Axle.>
- 2) Secure the disc rotor by tightening the five wheel nuts.
- 3) Set a dial gauge 10 mm (0.39 in) inward from the disc rotor outer circumference. Rotate the disc rotor to check runout. If the disc rotor runout exceeds the limit, resurface the disc rotor. After grinding, check the thickness of the disc rotor according to the procedure in step 4).



**Disc rotor runout limit:  
0.05 mm (0.0020 in)**

- 4) Set a micrometer 10 mm (0.39 in) inward from the disc rotor outer perimeter, and then measure the disc rotor thickness. If the thickness of the disc rotor exceeds the service limit, replace with a new disc rotor.



		Specification	Limit	Disc rotor diameter
Disc rotor thickness A mm (in)	15"	24 (0.94)	22 (0.87)	277 (10.91)
	16"	24 (0.94)	22 (0.87)	294 (11.57)

# Front Disc Brake Assembly

BRAKE

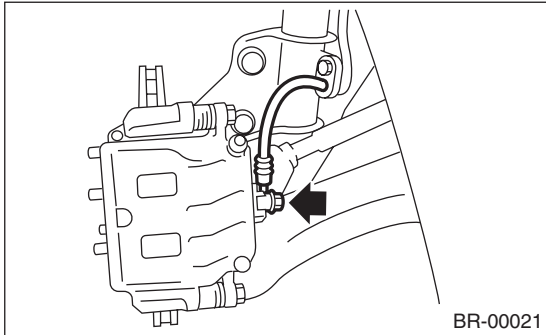
## 4. Front Disc Brake Assembly

### A: REMOVAL

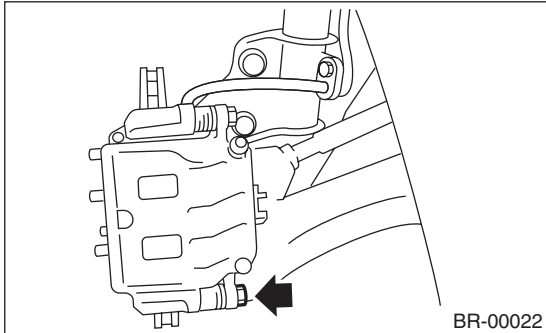
#### CAUTION:

Do not allow brake fluid to come in contact with vehicle body. If it does, wash off with water and wipe away completely.

- 1) Lift up the vehicle, and remove the front wheels.
- 2) Remove the union bolt, and disconnect the brake hose from the caliper body assembly.



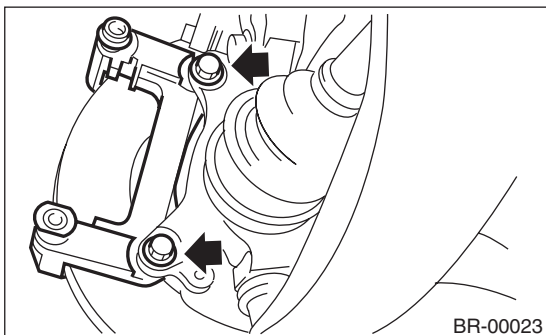
- 3) Remove the bolts which secure the caliper body.



- 4) Raise the caliper body, and then move it toward vehicle center to separate it from the support.
- 5) Remove the support from housing.

#### NOTE:

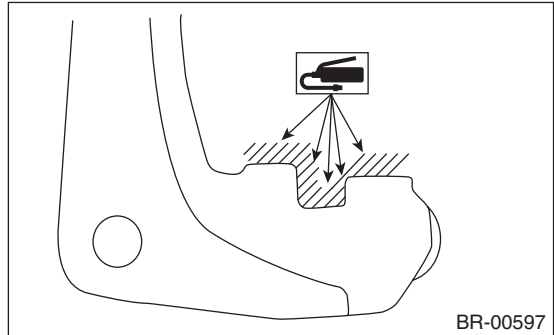
Remove the support only when replacing the rotor or support. It is not necessary to remove it when servicing the caliper body assembly.



- 6) Remove mud and foreign matter from the caliper body assembly and the support.

### B: INSTALLATION

- 1) Apply a thin coat of Molykote M7439 (Part No. K0770YA000) or grease contained in the pad kit to the support.

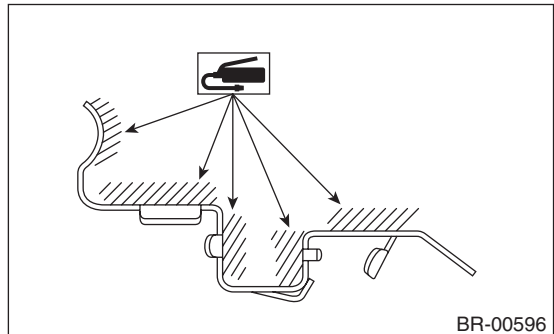


- 2) Install the support to the housing.

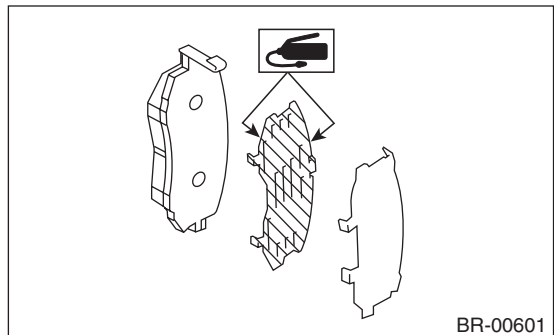
#### Tightening torque:

**80 N·m (8.2 kgf·m, 59 ft·lb)**

- 3) Apply a thin coat of Molykote M7439 (Part No. K0770YA000) or grease contained in the pad kit to the pad clip.



- 4) Apply a thin coat of Molykote AS880N (Part No. K0777YA010) or grease contained in the pad kit to both surfaces of the pad inner shim.



- 5) Install the pad to support.
- 6) Install the caliper body to the support.

#### Tightening torque:

**27 N·m (2.8 kgf·m, 19.9 ft·lb)**

- 7) Connect the brake hose using a new brake hose gasket.

#### Tightening torque:

**18 N·m (1.8 kgf·m, 13.3 ft·lb)**

- 8) Bleed air from the brake system.

## C: DISASSEMBLY

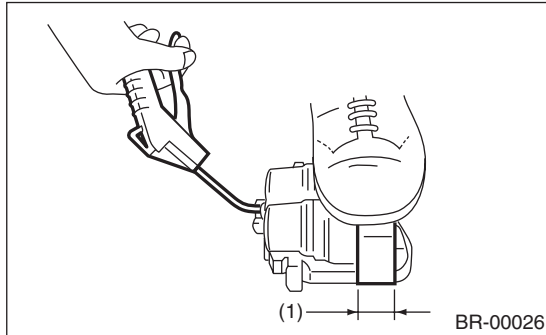
1) Remove mud and foreign matter from the caliper body assembly and the support.

### CAUTION:

**Be careful not to allow foreign matter to enter the brake hose connector.**

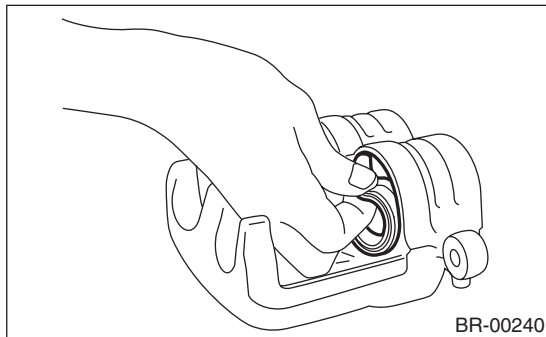
2) Place a wooden block in the caliper body as shown in the figure to prevent the piston from jumping out and being damaged.

3) Gradually apply compressed air via the brake hose installation hole to push the piston out.



(1) Place a wooden block of 30 mm (1.18 in) width.

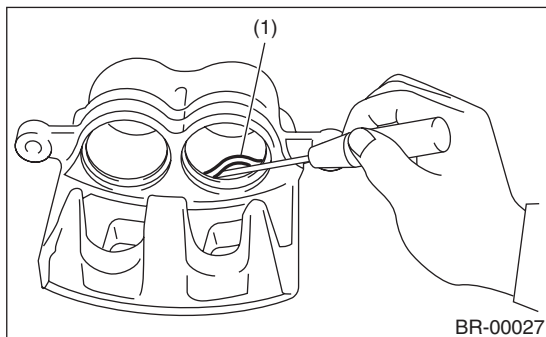
4) Remove the piston boot.



5) Remove the piston seal from caliper body cylinder.

### CAUTION:

**Do not damage the cylinder and piston seal groove.**



(1) Piston seal

6) Remove the guide pin and boot from caliper body.

## D: ASSEMBLY

1) Clean the inside of the caliper body using brake fluid.

2) Apply a coat of brake fluid to piston seal and install piston seal in the groove on caliper body.

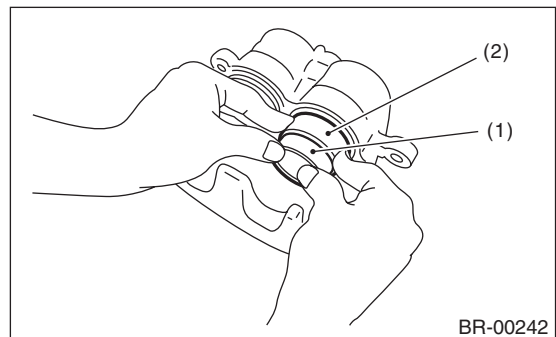
3) Apply a coat of brake fluid to the inner surface of cylinder and the entire outer surface of the piston.

4) Apply NIGLUBE RX-2 (Part No. 000041000) or grease contained in the piston seal kit to the boot, and install it to the groove at the end of the cylinder.

5) Insert the piston into cylinder.

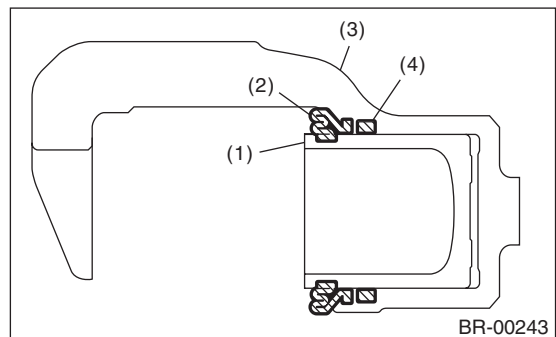
### CAUTION:

**Do not force the piston into cylinder.**



(1) Piston  
(2) Piston boot

6) Position the boot in the grooves on cylinder and piston.



(1) Piston  
(2) Piston boot  
(3) Caliper body  
(4) Piston seal

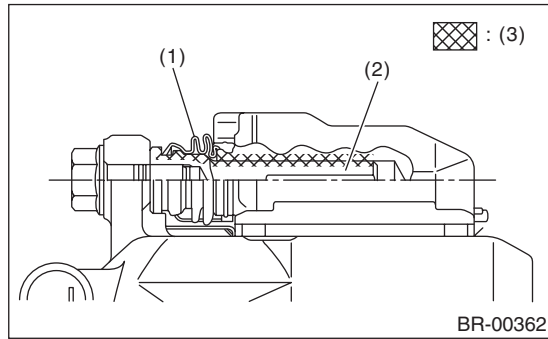
7) Apply NIGLUBE RX-2 (Part No. 000041000) or grease contained in the piston seal kit to the lock pin, guide pin outer surface, cylinder inner surface, and boot grooves.

# Front Disc Brake Assembly

## BRAKE

---

8) Insert the lock pin and guide pin boot into the support.



- (1) Pin boot
- (2) Lock pin or guide pin
- (3) Grease applied area

### **CAUTION:**

**Insert the lock pin and guide pin into position, and make sure that they slide and seat properly.**

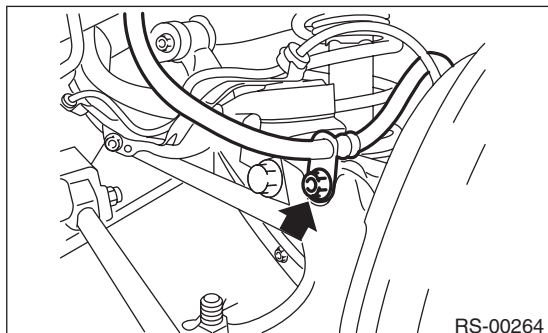
### **E: INSPECTION**

- 1) Repair or replace the faulty parts.
- 2) Check the caliper body and piston for uneven wear, damage or rust.
- 3) Check the rubber parts for damage or deterioration.

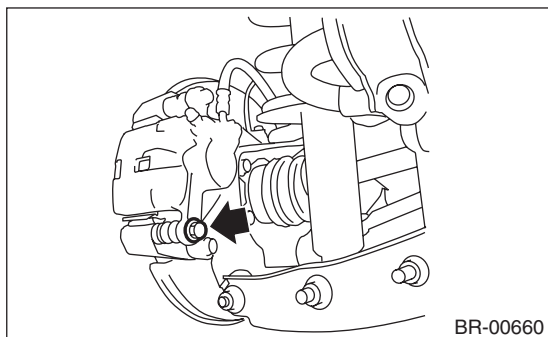
## 5. Rear Brake Pad

### A: REMOVAL

- 1) Lift up the vehicle, and then remove the rear wheels.
- 2) Remove the brake hose bracket.



- 3) Remove the caliper bolt.

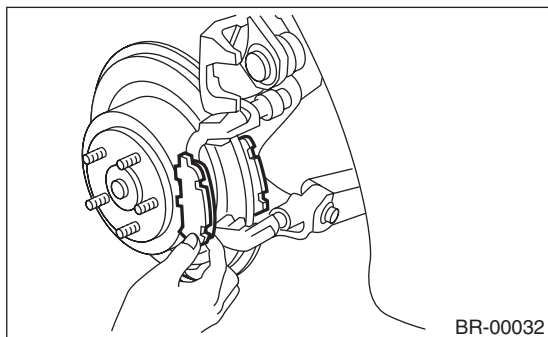


- 4) Raise the caliper body and support it.

**NOTE:**

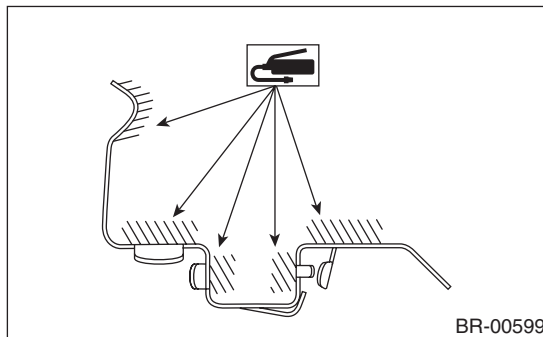
Do not disconnect the brake hose from the caliper body.

- 5) Remove the pad.

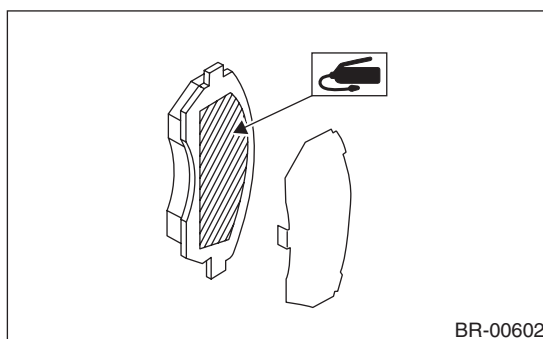


### B: INSTALLATION

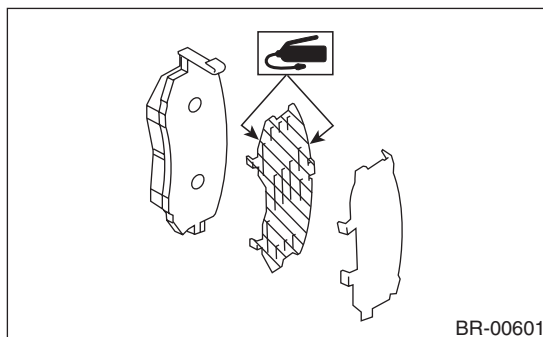
- 1) Apply a thin coat of Molykote M7439 (Part No. K0770YA000) or grease contained in the pad kit to the pad clip.



- 2) Apply a thin coat of Molykote AS880N (Part No. K0777YA010) or the grease contained in the pad kit to the contact surface between the pad and shim.



- 3) Apply a thin coat of Molykote AS880N (Part No. K0777YA010) or grease contained in the pad kit to both surfaces of the pad inner shim.



- 4) Install the pad to support.
- 5) Install the caliper body to the support.

**Tightening torque:**  
**27 N·m (2.8 kgf-m, 19.9 ft-lb)**

- 6) Install the brake hose bracket.

**Tightening torque:**  
**33 N·m (3.4 kgf-m, 24.3 ft-lb)**



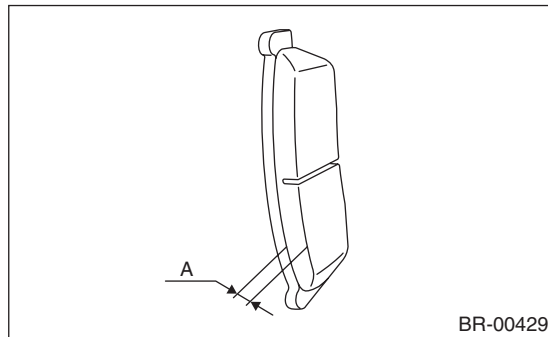
# Rear Brake Pad

BRAKE

---

## C: INSPECTION

Check the pad thickness A.



Pad thickness	Standard	9.0 (0.35)
mm (in)	Wear limit	1.5 (0.059)

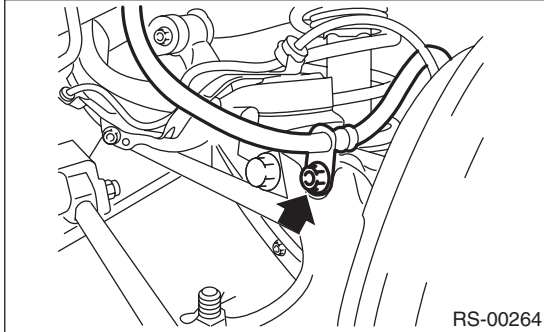
### NOTE:

- Always replace the pads of both sides as a set on both wheels.
- Replace pad clips if they are twisted or worn.
- A wear indicator is installed on the inner disc brake pad. If the pad is worn to the limit, the end of wear indicator contacts disc rotor, and a squeaking sound is heard as the wheel rotates. If the sound is heard, replace the pad.
- Replace the pad if there is oil or grease on it.

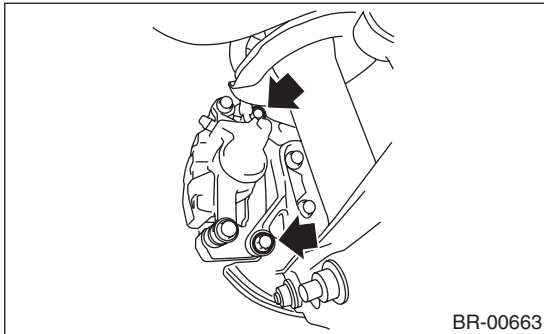
## 6. Rear Disc Rotor

### A: REMOVAL

- 1) Lift up the vehicle, and remove the rear wheels.
- 2) Release the parking brake.
- 3) Remove the brake hose bracket.



- 4) Remove the two mounting bolts, and remove the disc brake assembly.

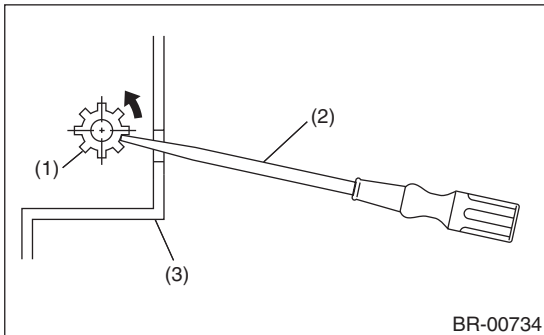


- 5) Suspend the disc brake assembly so that the hose is not stretched.
- 6) Remove the disc rotor.

#### NOTE:

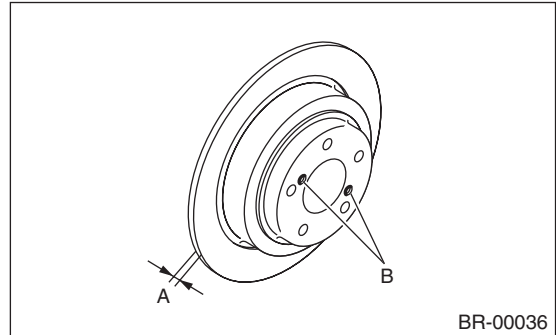
If it is difficult to remove the disc rotor, perform the following two methods in order.

- (1) Turn the adjuster using a flat tip screwdriver until the brake shoe is far enough away to allow removal of the disc rotor.



- (1) Adjuster
- (2) Flat tip screwdriver
- (3) Disc rotor

- (2) If it is difficult to remove the disc rotor from the hub, drive an 8 mm bolt into the threads B of the rotor, then remove the rotor.

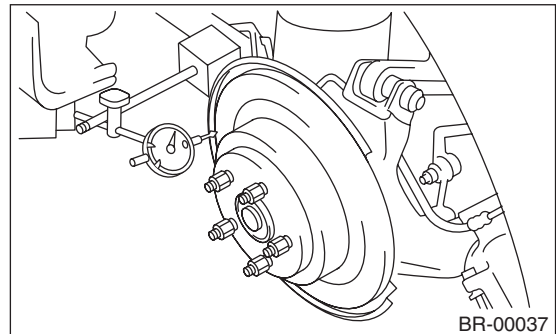


### B: INSTALLATION

- 1) Install in the reverse order of removal.
- 2) Adjust the parking brake. <Ref. to PB-8, ADJUSTMENT, Parking Brake Assembly (Rear Disc Brake).>

### C: INSPECTION

- 1) Check the rear wheel bearing play and axle hub runout before inspecting the disc rotor runout. <Ref. to DS-25, INSPECTION, Rear Hub Unit Bearing.>
- 2) Secure the disc rotor by tightening the five wheel nuts.
- 3) Set a dial gauge 10 mm (0.39 in) inward from the disc rotor outer circumference. Rotate the disc rotor to check runout. If the disc rotor runout exceeds the limit, resurface the disc rotor. After grinding, check the thickness of the disc rotor according to the procedure in step 4).

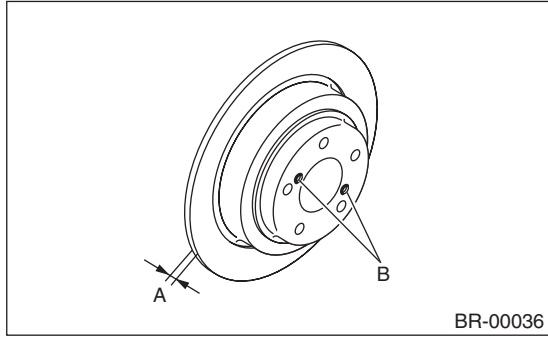


**Disc rotor runout limit:  
0.05 mm (0.0020 in)**

# Rear Disc Rotor

## BRAKE

4) Set a micrometer 10 mm (0.39 in) inward from the disc rotor outer perimeter, and then measure the disc rotor thickness. If the thickness of the disc rotor exceeds the service limit, replace with a new disc rotor.



	Specification	Limit	Disc diameter
Disc rotor thickness A mm (in)	10 (0.39)	8.5 (0.335)	286 (11.26)

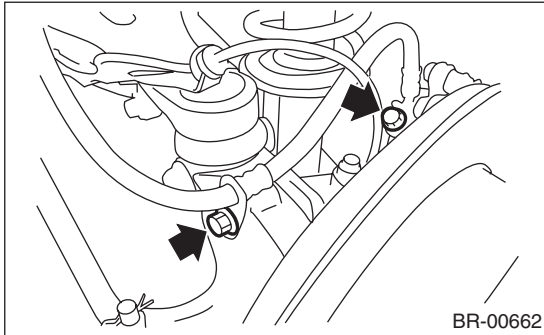
## 7. Rear Disc Brake Assembly

### A: REMOVAL

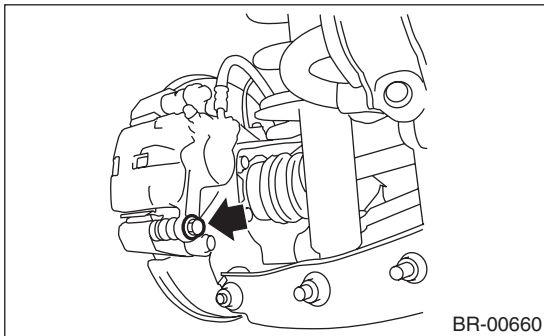
**CAUTION:**

Do not allow brake fluid to come in contact with vehicle body. If it does, wash off with water and wipe away completely.

- 1) Lift up the vehicle, and then remove the rear wheels.
- 2) Disconnect the brake hose.



- 3) Remove the caliper mounting bolts.



- 4) Raise the caliper body, and then move it toward vehicle center to separate it from the support.
- 5) Remove the support from housing.

**NOTE:**

Remove the support only when replacing the rotor or support. It is not necessary to remove it when servicing the caliper body assembly.

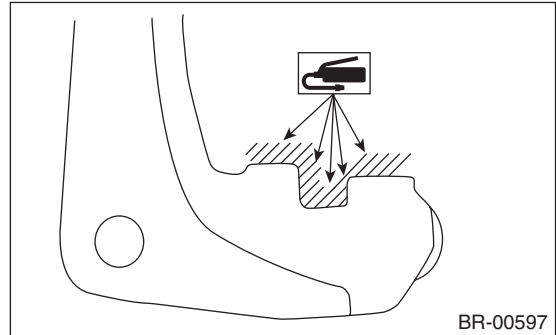
- 6) Remove mud and foreign matter from the caliper body assembly and the support.

**CAUTION:**

Be careful not to allow foreign matter to enter the brake hose connector.

### B: INSTALLATION

- 1) Apply a thin coat of Molykote M7439 (Part No. K0770YA000) or grease contained in the pad kit to the support.

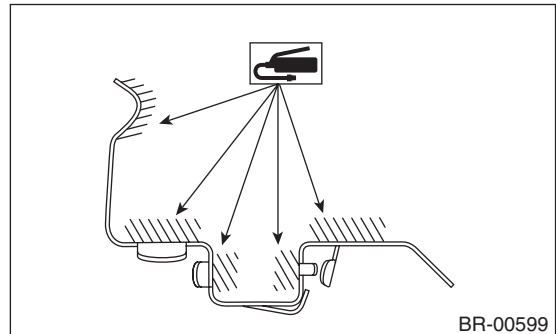


- 2) Install the support to the housing.

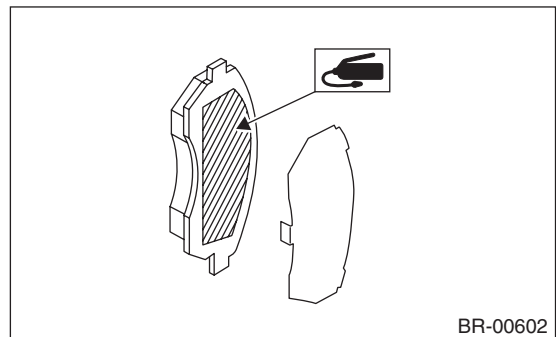
**Tightening torque:**

**66 N·m (6.7 kgf·m, 48.7 ft·lb)**

- 3) Apply a thin coat of Molykote M7439 (Part No. K0770YA000) or grease contained in the pad kit to the pad clip.



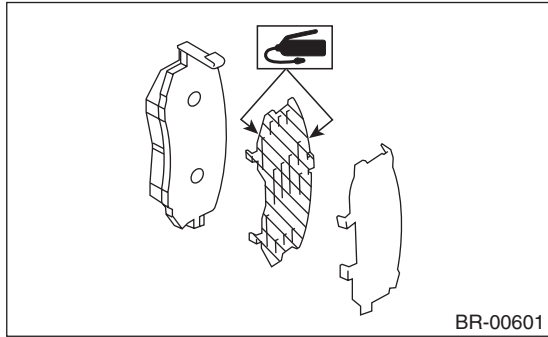
- 4) Apply a thin coat of Molykote AS880N (Part No. K0777YA010) or the grease contained in the pad kit to the contact surface between the pad and shim.



# Rear Disc Brake Assembly

## BRAKE

5) Apply a thin coat of Molykote AS880N (Part No. K0777YA010) or grease contained in the pad kit to both surfaces of the pad inner shim.



- 6) Install the pad to support.
- 7) Install the caliper body to the support.

### **Tightening torque:**

**27 N·m (2.8 kgf·m, 19.9 ft·lb)**

8) Connect the brake hose using a new brake hose gasket.

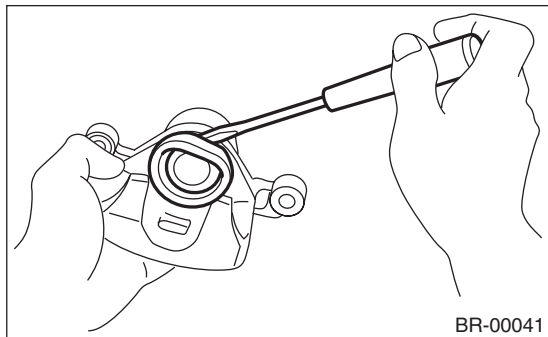
### **Tightening torque:**

**18 N·m (1.8 kgf·m, 13.3 ft·lb)**

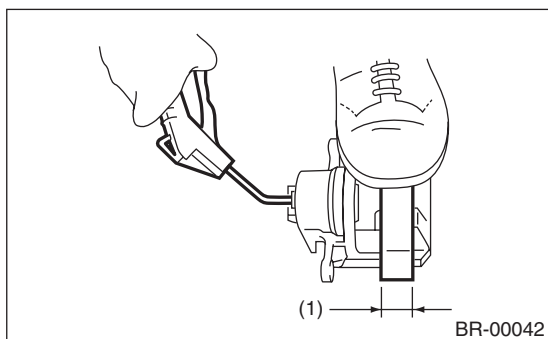
9) Bleed air from the brake system.

## C: DISASSEMBLY

1) Remove the piston boot.



- 2) Place a wooden block in the caliper body as shown in the figure to prevent the piston from jumping out and being damaged.
- 3) Gradually apply compressed air via the brake hose installation hole to push the piston out.

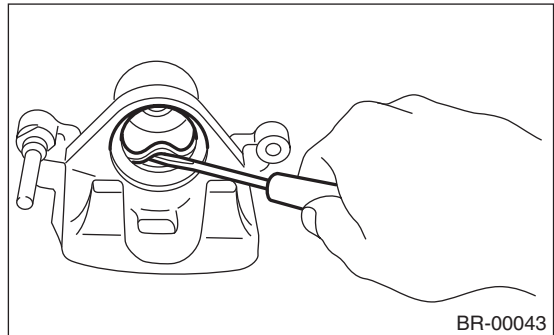


(1) Place a wooden block of 30 mm (1.18 in) width.

4) Remove the piston seal from caliper body cylinder.

### **CAUTION:**

**Do not damage the cylinder and piston seal groove.**



5) Remove the pin boot.

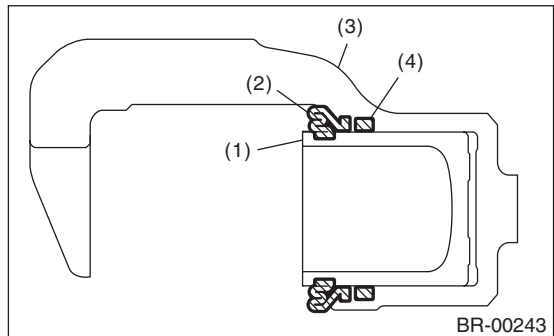
## D: ASSEMBLY

- 1) Clean the inside of the caliper body using brake fluid.
- 2) Apply a coat of brake fluid to piston seal and install piston seal in the groove on caliper body.
- 3) Apply a coat of brake fluid to the inner surface of cylinder and the entire outer surface of the piston.
- 4) Apply NIGLUBE RX-2 (Part No. 000041000) or grease contained in the piston kit to the boot, and install it to the groove at the end of the cylinder.
- 5) Insert the piston into cylinder.

### **CAUTION:**

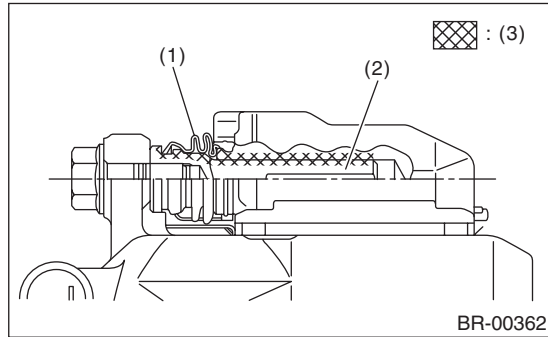
**Do not force the piston into cylinder.**

6) Position the boot in the grooves on piston and cylinder.



- (1) Piston
- (2) Piston boot
- (3) Caliper body
- (4) Piston seal

7) Apply NIGLUBE RX-2 (Part No. 000041000) or grease contained in the piston kit to cylinder inner surface, pin, bushing outer surface, and boot grooves.



- (1) Pin boot
- (2) Lock pin or guide pin
- (3) Grease applied area

8) Insert the pin boot into the support.  
9) Install the pin boot to the support, and then insert the pin into the specified position.

**CAUTION:**

**Insert pin into position, and make sure that it slides and seats properly.**

**E: INSPECTION**

- 1) Repair or replace the faulty parts.
- 2) Check the caliper body and piston for uneven wear, damage or rust.
- 3) Check the rubber parts for damage or deterioration.

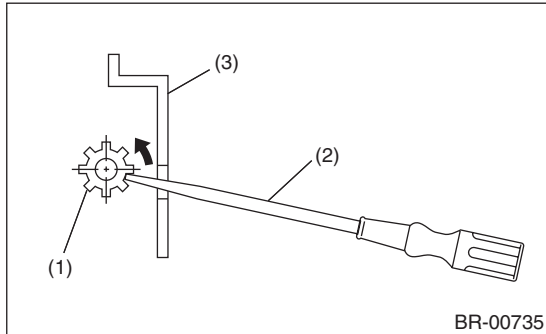
## 8. Rear Drum Brake Drum

### A: REMOVAL

- 1) Lift up the vehicle, and remove the rear wheels.
- 2) Release the parking brake.
- 3) Remove the brake drum from brake assembly.

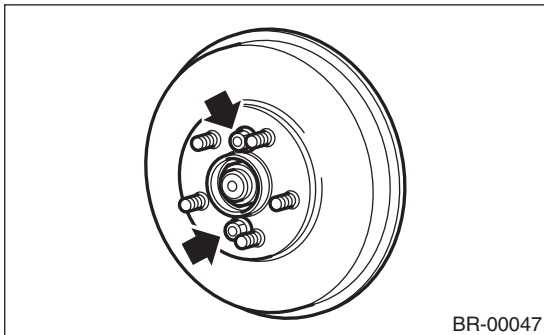
#### NOTE:

- If it is difficult to remove the brake drum, remove the adjusting hole cover, then turn the adjuster assembly claws using a flat tip screwdriver until the brake shoe separates from the drum.



- (1) Adjuster
- (2) Flat tip screwdriver
- (3) Brake drum

- If the brake drum is difficult to remove, drive it out by installing an 8-mm bolt into bolt hole in brake drum.



### B: INSTALLATION

Install in the reverse order of removal.

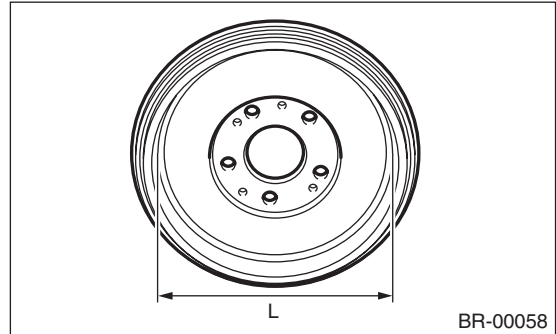
### C: INSPECTION

- 1) If the inside surface of the brake drum has scratches, perform inspection. And, if it is unevenly worn, has narrow streaks on the surface, or the outside surface of brake drum is damaged, correct or replace it.
- 2) Measure the drum inner diameter. If it exceeds service limits, replace with a new drum.

#### **Drum inner diameter L:**

**Standard value 254 mm (10 in)**

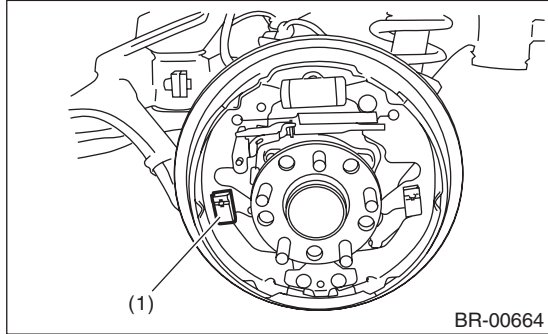
**Service limit 256 mm (10.08 in)**



## 9. Rear Drum Brake Shoe

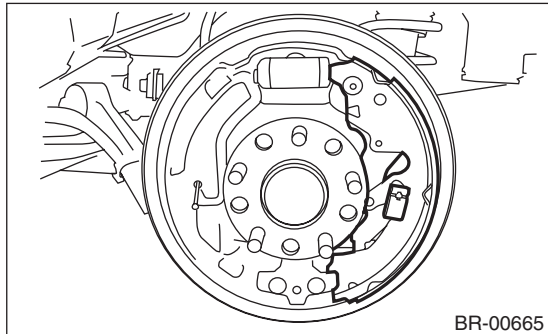
### A: REMOVAL

- 1) Remove the rear drum brake drum. <Ref. to BR-26, REMOVAL, Rear Drum Brake Drum.>
- 2) Remove the shoe hold-down spring.

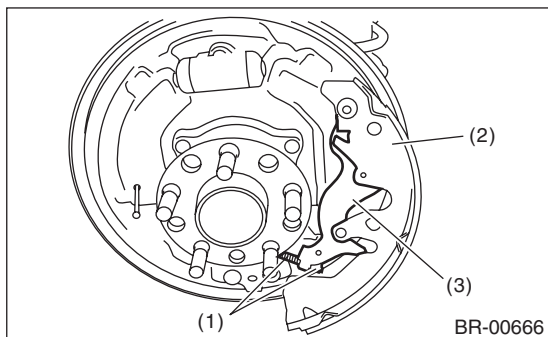


(1) Shoe hold-down spring

- 3) Remove upper shoe return spring, lower shoe return spring and adjuster, then remove the leading shoe.
- 4) Remove the shoe hold-down spring and trailing shoe.



- 5) Disconnect the parking brake cable from the parking brake lever.



- (1) Parking brake cable
- (2) Trailing shoe
- (3) Parking brake lever

### B: INSTALLATION

#### CAUTION:

**Be sure the lining surface is free from brake fluid and grease.**

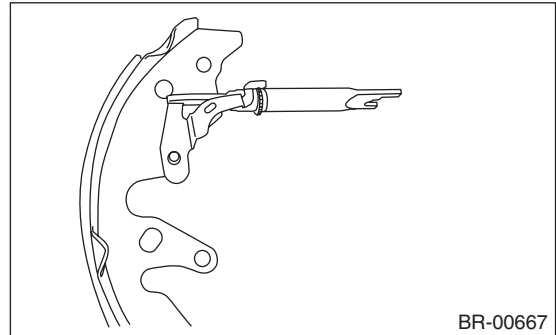
- 1) Apply brake grease to the following locations.

#### Brake grease:

##### **Molykote M7439 (Part No. K0770YA000)**

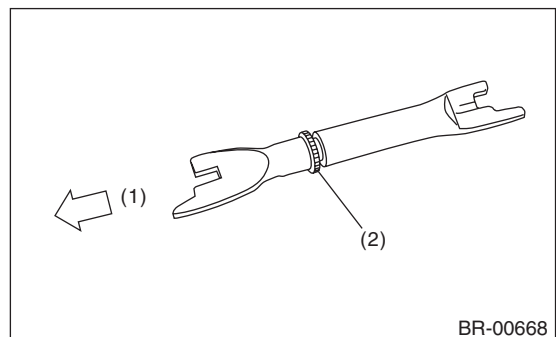
- Six contact surfaces of the brake shoe rim and back plate
- Contact surface of the brake shoe and the wheel cylinder
- Contact surface of the brake shoe and the adjuster
- Contact surface of lever and brake shoe

- 2) Connect the parking brake cable to the parking brake lever.
- 3) Check that the parking brake cable is not coming off from the cable guide.
- 4) Install the trailing shoe and hold it down with the shoe hold-down spring.
- 5) Install the adjuster and adjusting lever to the leading shoe.



#### NOTE:

Install the adjuster with the adjusting wheel facing toward the front side of vehicle.



- (1) Front side of vehicle
- (2) Adjusting wheel

- 6) Install the leading shoe and hold it down with the shoe hold-down spring.
- 7) Install the adjusting spring and return spring.
- 8) Install the rear brake drum. <Ref. to BR-26, INSTALLATION, Rear Drum Brake Drum.>



## Rear Drum Brake Shoe

BRAKE

---

### **C: INSPECTION**

Measure the lining thickness. If it exceeds the service limit, replace the brake shoe with a new part.

#### ***Lining thickness***

***Standard value 4.5 mm (0.177 in)***

***Limit: 1.5 mm (0.059 in)***

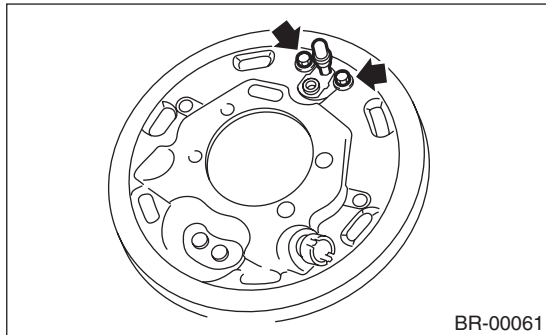
## 10. Rear Drum Brake Assembly

### A: REMOVAL

#### CAUTION:

- Do not allow brake fluid to come in contact with vehicle body. If it does, wash off with water immediately and wipe away completely.
- If there is any fault in the wheel cylinder, replace the wheel cylinder ASSY as a unit or repair it with the repair kit.

- 1) Lift up the vehicle, and remove the rear wheels.
- 2) Release the parking brake.
- 3) Remove the brake drum from brake assembly. <Ref. to BR-26, REMOVAL, Rear Drum Brake Drum.>
- 4) Remove the brake shoe. <Ref. to BR-27, REMOVAL, Rear Drum Brake Shoe.>
- 5) Disconnect the brake hose. <Ref. to BR-39, REAR BRAKE HOSE, REMOVAL, Brake Hose.>
- 6) Remove the rear hub unit bearing. <Ref. to DS-23, REMOVAL, Rear Hub Unit Bearing.>
- 7) Remove the rear drum brake assembly.
- 8) Remove the bolts, and then detach the wheel cylinder assembly.

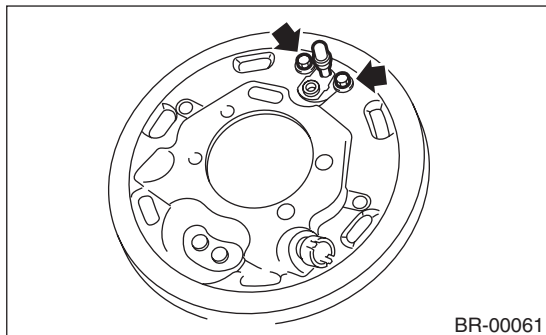


### B: INSTALLATION

- 1) Clean the back plate and wheel cylinder assembly.
- 2) Attach the wheel cylinder assembly onto the back plate, and tighten the bolts.

#### Tightening torque:

**9 N·m (0.9 kgf·m, 6.6 ft·lb)**



- 3) Install the rear hub unit bearing. <Ref. to DS-24, INSTALLATION, Rear Hub Unit Bearing.>

- 4) Install the brake hose. <Ref. to BR-40, REAR BRAKE HOSE, INSTALLATION, Brake Hose.>

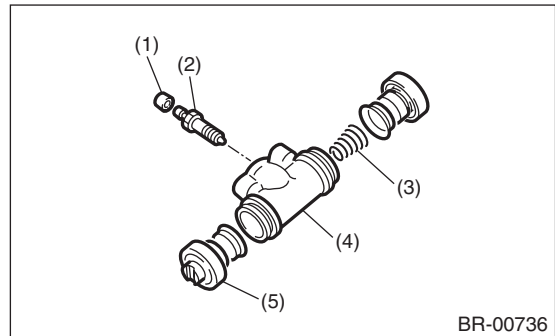
#### CAUTION:

**When connecting brake hoses, do not twist.**

- 5) Install the brake shoe. <Ref. to BR-27, INSTALLATION, Rear Drum Brake Shoe.>
- 6) Install the brake drum. <Ref. to BR-26, INSTALLATION, Rear Drum Brake Drum.>
- 7) After installing the rear drum brake assembly, bleed air from the brake line. <Ref. to BR-37, Air Bleeding.>

### C: REPLACEMENT

- 1) Remove the piston & cup and the spring from the wheel cylinder.



- (1) Bleeder cap
- (2) Bleeder screw
- (3) Spring
- (4) Cylinder
- (5) Piston & cup

- 2) Remove the air bleeder screw and the cap.
- 3) Clean the inside of wheel cylinder with brake fluid. Check the inside of the cylinder for damage, deformation and wear. Replace the wheel cylinder with ASSY if defective.
- 4) Apply brake fluid to the inner surface of wheel cylinder and the cup.
- 5) Make sure that the inner surface of the wheel cylinder and the piston & cup are free of foreign matter. Install the piston & cup to the wheel cylinder, while taking care not to scratch inner surface of the wheel cylinder.

### D: INSPECTION

If the deformation or wear of back plate, shoe, etc. are severe, replace them.

## 11. Master Cylinder

### A: REMOVAL

**CAUTION:**

Do not allow brake fluid to come in contact with vehicle body. If it does, wash off with water and wipe away completely.

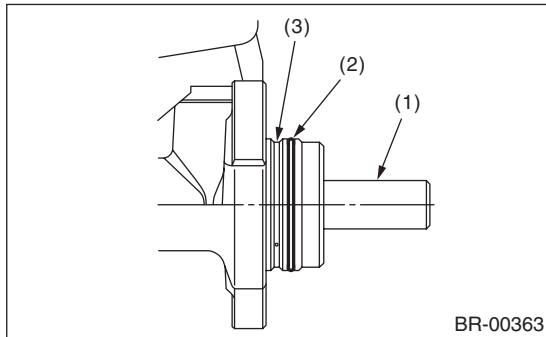
- 1) Drain brake fluid from the reservoir tank completely.
- 2) Disconnect the harness connector of the fluid level gauge.
- 3) Remove the brake pipe from the master cylinder.
- 4) Remove the master cylinder mounting nuts, and carefully remove the master cylinder from the brake booster.

### B: INSTALLATION

- 1) Replace the O-ring for the master cylinder with a new part.

**CAUTION:**

Be careful not to install the O-ring in the wrong location.



- (1) Primary piston
- (2) O-ring
- (3) Do not install the O-ring on this groove.

- 2) Install in the reverse order of removal.

**Tightening torque:**

**Master cylinder mounting nut**

**13 N·m (1.3 kgf-m, 9.6 ft-lb)**

**Piping flare nut**

**15 N·m (1.5 kgf-m, 11.1 ft-lb)**

**CAUTION:**

Be sure to use recommended brake fluid.

- 3) Bleed air from brake system. <Ref. to BR-37, PROCEDURE, Air Bleeding.>

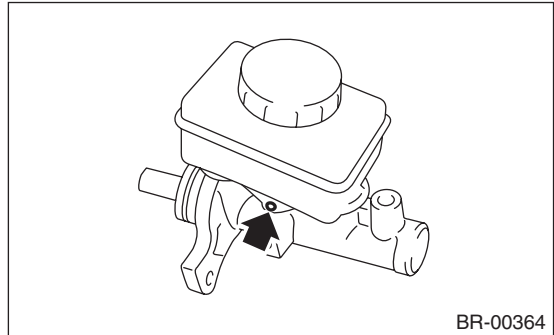
### C: REPLACEMENT

- 1) Remove mud and dirt from the surface of brake master cylinder.
- 2) Secure the master cylinder in a vise.

**NOTE:**

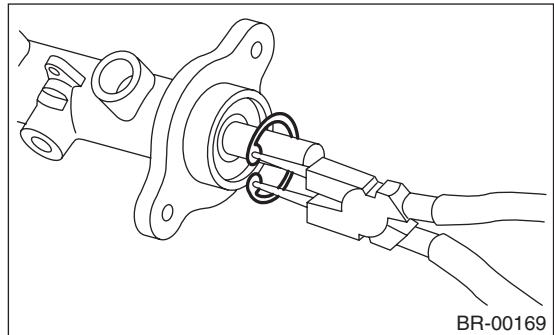
To avoid damaging the master cylinder, place between aluminum plates or other material when holding with a vise.

- 3) Remove the pin which secures the master cylinder and reservoir tank, then remove the reservoir tank and seal.



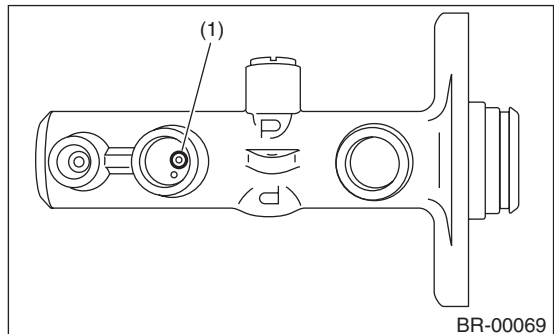
BR-00364

- 4) While pushing in the primary piston, remove the C-ring using pliers.



BR-00169

- 5) While pushing in the primary piston, remove the cylinder pin from the port on the reservoir tank attachment location using a magnet pick-up tool.



BR-00069

- (1) Cylinder pin

- 6) Extract the primary piston assembly and secondary piston assembly straight out while taking care not to scratch the inner surface of the cylinder.

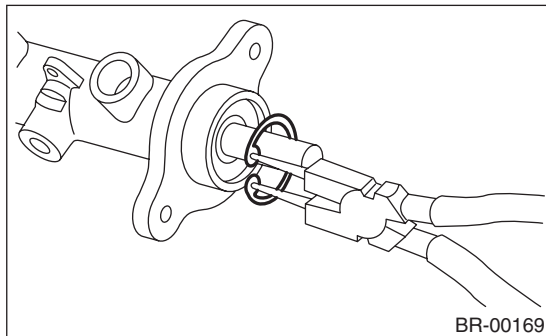
7) Clean the inside of master cylinder with brake fluid. Check the inside of the cylinder for damage, deformation and wear. Replace the master cylinder as an assembly if faulty.

8) Apply brake fluid to the inner surface of master cylinder and piston assembly.

9) Make sure that the inner surface of master cylinder and the piston assembly are free of foreign matter. Install the primary piston assembly and the secondary piston assembly to master cylinder, while taking care not to scratch the master cylinder inner surface.

10) While pushing-in the primary piston, install the cylinder pin.

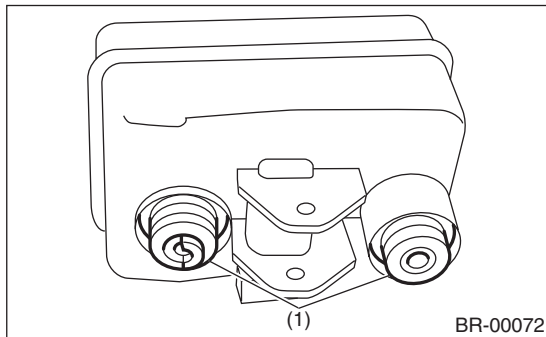
11) While pushing-in the primary piston, install the C-ring to the groove using pliers.



**CAUTION:**

**Make sure the C-ring is installed to the groove securely.**

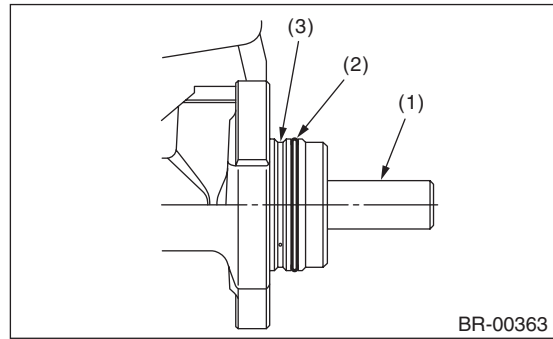
12) Install the seal to reservoir tank.



(1) Seal

13) Install the reservoir tank to the master cylinder, and secure with pin.

14) Replace the O-ring for the master cylinder with a new part.



(1) Primary piston

(2) O-ring

(3) Do not install the O-ring on this groove.

**D: INSPECTION**

Inspect for brake fluid leakage from the master cylinder.

**NOTE:**

After replacing the piston kit, if a brake fluid leakage is found even though there is no damage or scratches on the inside of the cylinder, the master cylinder inner wall may be worn. In this case, replace the master cylinder as an assembly.

## 12.Brake Booster

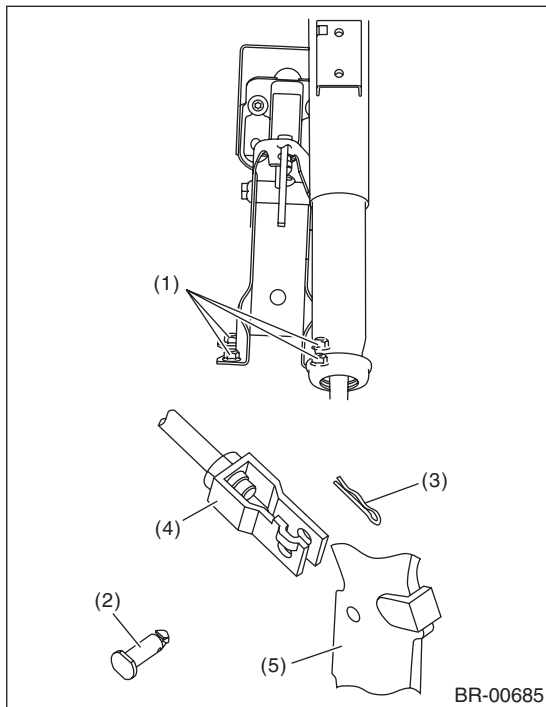
### A: REMOVAL

1) Remove or disconnect the following parts in the engine compartment.

- (1) Disconnect the connector of brake fluid level gauge.
- (2) Remove the brake pipe from the master cylinder.
- (3) Remove the master cylinder installation nut.
- (4) Disconnect the vacuum hose from brake booster.

2) Remove the following parts from the pedal bracket.

- (1) Snap pin and clevis pin
- (2) Four brake booster installation nuts



- (1) Nut
- (2) Clevis pin
- (3) Snap pin
- (4) Operating rod
- (5) Brake pedal

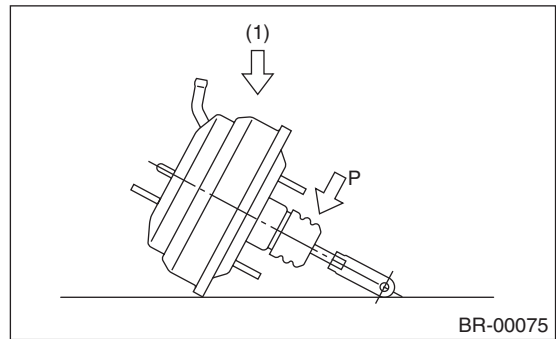
3) Remove the brake booster while avoiding the brake pipe.

#### NOTE:

- Make sure that the booster shell and vacuum pipe are not subject to strong impacts.
- Be careful not to drop the brake booster. If the booster is dropped, replace it.
- Use special care when handling the operating rod. If excessive force is applied to the operating rod, the angle may change by  $\pm 3^\circ$ , and it may result in damage to power piston cylinder.
- Be careful when placing the brake booster on floor.
- Do not change the push rod length.

#### CAUTION:

- **Do not disassemble the brake booster.**
- **If external force is applied from above when brake booster is placed in this position, the resin portion as indicated by "P" may become damaged.**



- (1) Force

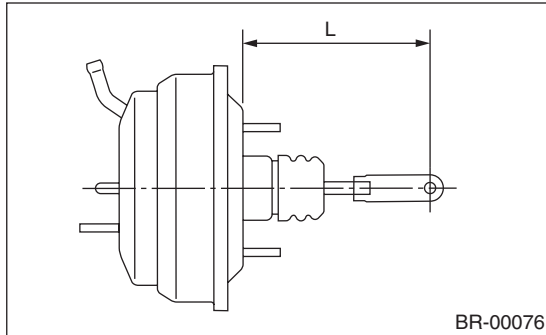
## B: INSTALLATION

1) Check and adjust the operating rod of the brake booster.

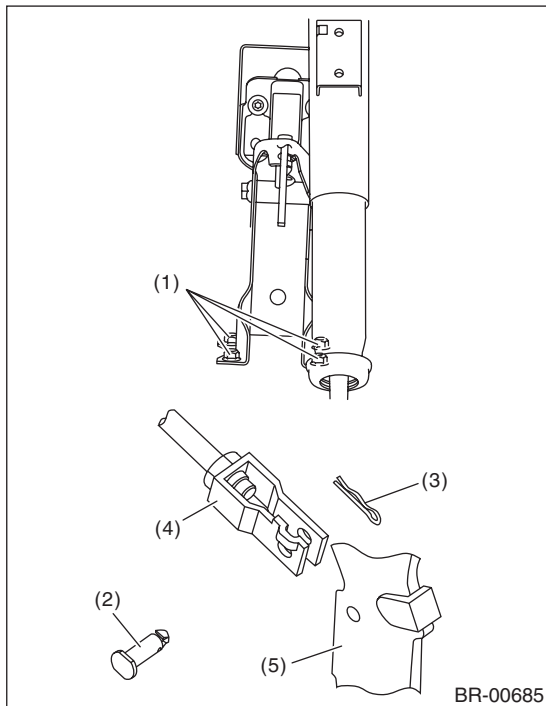
### Specification L:

**136.3 mm (5.37 in)**

If it is out of specification, adjust it with the brake booster operating rod.



- 2) Mount the brake booster in position.
- 3) Install clevis pin and snap pin which secure the operating rod to the brake pedal.



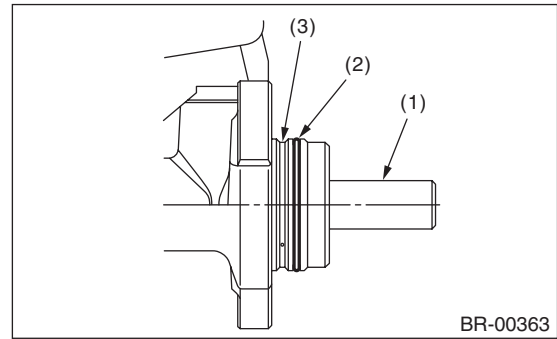
- (1) Nut
- (2) Clevis pin
- (3) Snap pin
- (4) Operating rod
- (5) Brake pedal

### NOTE:

Apply a thin coat of KOPR-KOTE (Part No. 003603001) to the clevis pin.

4) Connect the vacuum hose to the brake booster.

5) After replacing the O-ring, install the master cylinder to brake booster.



- (1) Primary piston
- (2) O-ring
- (3) Do not install the O-ring on this groove.

- 6) Connect the brake pipes to the master cylinder.
- 7) Connect the connector of the brake fluid level gauge.
- 8) Apply grease to the operating rod connecting pin to prevent it from wear.
- 9) Bleed air from brake system.

### Tightening torque (air bleeder screw):

**8 N·m (0.8 kgf-m, 5.9 ft-lb)**

10) Perform a road test to make sure the brakes do not drag.

## C: INSPECTION

### NOTE:

If the vehicle is equipped with a brake assist mechanism, the following may result when the brake pedal is depressed. They are normal conditions that occur when the mechanism is performing properly.

- Brake feel is soft when brake pedal is depressed hard or quicker than usual.
- A light crack is heard when brake pedal is depressed hard or quicker than usual.

### 1. OPERATION CHECK (WITHOUT GAUGES)

#### CAUTION:

**When checking operation, be sure to apply the parking brake securely.**

#### • CHECK WITHOUT GAUGES

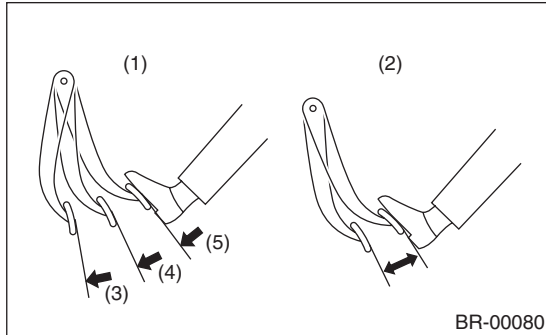
This method can not determine exactly what part is defective. But it is possible to identify the outline of the defect by performing the check according to the following procedures.

# Brake Booster

## BRAKE

### • AIR TIGHTNESS CHECK

Start the engine, and idle it for 1 to 2 minutes, then turn it OFF. Depress the brake pedal several times applying the normal pedal force. The pedal stroke should be the longest at the 1st depression, and it should become shorter at each successive depression. If no change occurs in the pedal height when pressed, the brake booster is faulty.



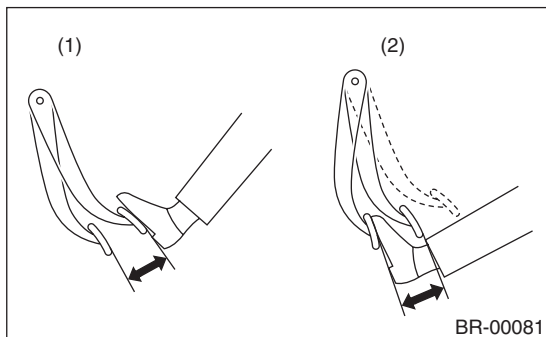
- (1) Normal operation
- (2) Not OK
- (3) 1st
- (4) 2nd
- (5) 3rd

### NOTE:

- In case of defective operation, inspect the condition of the check valve and vacuum hose as well.
- Replace them if faulty, and perform the test again.
- If no improvement is observed, check precisely with gauges.

### • OPERATION CHECK

1) While the engine is OFF, depress the brake pedal several times applying the same pedal force, to check for a change in pedal height.



- (1) When engine is stopped
- (2) When engine is started

2) With the brake pedal depressed, start the engine.

3) As the engine starts, the brake pedal should move slowly toward the floor. If the pedal height does not change, the brake booster is faulty.

### NOTE:

If faulty, check precisely with gauges.

### • LOADED AIR TIGHTNESS CHECK

Depress the brake pedal while the engine is running, and turn the engine to OFF while the pedal is depressed. Keep the pedal depressed for 30 seconds. If the pedal height does not change, the function of brake booster is normal. If the pedal height increases, it is faulty.

### NOTE:

If faulty, check precisely with gauges.

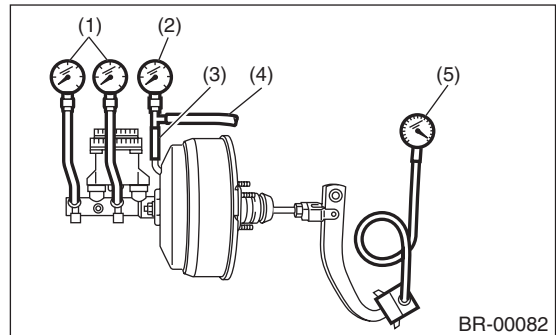
## 2. OPERATION CHECK (WITH GAUGE)

### CAUTION:

When checking operation, be sure to apply the parking brake securely.

### • CHECK WITH GAUGE

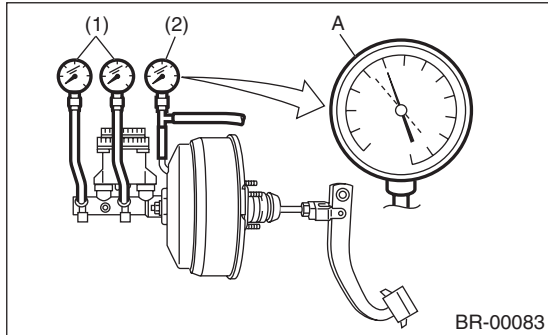
Connect the gauge as shown in the figure. After bleeding air from the pressure gauge, perform each check.



- (1) Pressure gauge
- (2) Vacuum gauge
- (3) Adapter hose
- (4) Vacuum hose
- (5) Pedal force gauge

## • AIR TIGHTNESS CHECK

1) Start the engine and keep it running until vacuum pressure indicates point A of the vacuum gauge = 66.7 kPa (500 mmHg, 19.69 inHg). Do not depress the brake pedal at this time.



- (1) Pressure gauge
- (2) Vacuum gauge

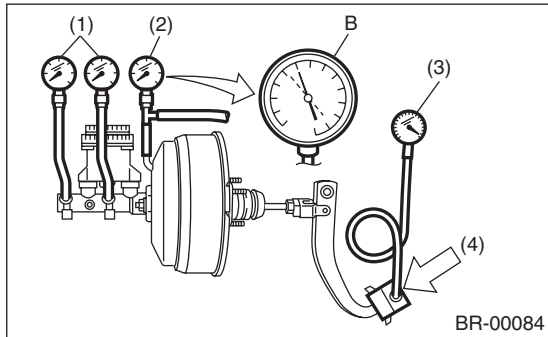
2) Stop the engine and check the gauge. If the vacuum pressure drop within 15 seconds after stopping the engine is 3.3 kPa (25 mmHg, 0.98 inHg) or less, the function of brake booster is normal.

If faulty, the cause may be one of the following.

- Check valve malfunction
- Leak from vacuum hose
- Leak from shell joint section or stud bolt welded section
- Damaged diaphragm
- Leak from valve body seal and bearing section
- Leak from plate and seal assembly section
- Leak from poppet valve assembly section

## • LOADED AIR TIGHTNESS CHECK

1) Start the engine and depress the brake pedal with a pedal force of 196 N (20 kgf, 44 lbf). Keep the engine running and keep the pedal pressed until a vacuum of point B = 66.7 kPa (500 mmHg, 19.69 inHg) is indicated on the vacuum gauge.



- (1) Pressure gauge
- (2) Vacuum gauge
- (3) Pedal force gauge
- (4) Depressed

2) Stop the engine and check the vacuum gauge. If the vacuum pressure drop within 15 seconds after stopping the engine is 3.3 kPa (25 mmHg, 0.98 inHg) or less, the function of brake booster is normal.

If defective, refer to "AIR TIGHTNESS CHECK".

<Ref. to BR-33, INSPECTION, Brake Booster.>

3) If the brake booster is faulty, replace it with a new part.

## • LACK OF BOOST ACTION CHECK

Turn the engine OFF, and set the value of the vacuum gauge to "0". Then, check the fluid pressure when the brake pedal is depressed. The pressure must be greater than the specification listed.

Brake pedal operation force	147 (15, 33)	294 (30, 66)
N (kgf, lbf)		
Fluid pressure	545	1,564
kPa (kgf/cm <sup>2</sup> , psi)	(6, 79)	(16, 227)

## • BOOSTING ACTION CHECK

Set the vacuum gauge reading to 66.7 kPa (500 mmHg, 19.69 inHg) with the engine running. Then, check the fluid pressure when the brake pedal is depressed. The pressure must be greater than the specification listed.

Brake pedal operation force	147 (15, 33)	294 (30, 66)
N (kgf, lbf)		
Fluid pressure	6,003	11,273
kPa (kgf/cm <sup>2</sup> , psi)	(61, 871)	(115, 1,635)



## 13.Brake Fluid

### A: INSPECTION

1) Check that the brake fluid level is between “MIN” and “MAX”. If out of the specified range, refill or drain fluid. If the fluid level is close to “MIN”, check the brake pad for wear and refill the fluid.

2) Check the fluid for discoloration. If the fluid color has changed excessively, drain the fluid and refill with new fluid.

### B: REPLACEMENT

#### CAUTION:

- Do not let brake fluid come into contact with the painted surface of the vehicle body. Wash away with water immediately and wipe off if it is spilled by accident.
- Avoid mixing brake fluid of different brands to prevent fluid performance from degrading.
- Be careful not to allow dirt or dust to enter the reservoir tank.

#### NOTE:

- During the operation, keep the reservoir tank filled with brake fluid to eliminate entry of air.
  - Operate the brake pedal slowly.
  - For convenience and safety, two people should work together.
  - The required amount of brake fluid is approximately 500 ml (16.9 US fl oz, 17.6 Imp fl oz) for the entire brake system.
- 1) Lift up the vehicle and set rigid racks at the specified locations, or keep the vehicle lifted.
  - 2) Remove both the front and rear wheels.
  - 3) Drain brake fluid from the reservoir tank.
  - 4) Refill the reservoir tank with the recommended brake fluid.

#### **Recommended brake fluid:**

**Refer to “General Description”. <Ref. to BR-2, SPECIFICATION, General Description.>**

Perform the same procedure as for bleeding the brake line, until new brake fluid comes out from vinyl tube. <Ref. to BR-37, PROCEDURE, Air Bleeding.>

## 14. Air Bleeding

### A: PROCEDURE

#### CAUTION:

- Do not let brake fluid come into contact with the painted surface of the vehicle body. Wash away with water immediately and wipe off if it is spilled by accident.
- Avoid mixing brake fluid of different brands to prevent fluid performance from degrading.
- Be careful not to allow dirt or dust to enter the reservoir tank.

### 1. MASTER CYLINDER

#### NOTE:

- When the master cylinder is disassembled or the reservoir tank is empty, bleed the master cylinder.
- If bleeding of the master cylinder is not necessary, omit the following procedures, and perform bleeding of the brake line. <Ref. to BR-37, BRAKE LINE, PROCEDURE, Air Bleeding.>

1) Fill the reservoir tank of the master cylinder with brake fluid.

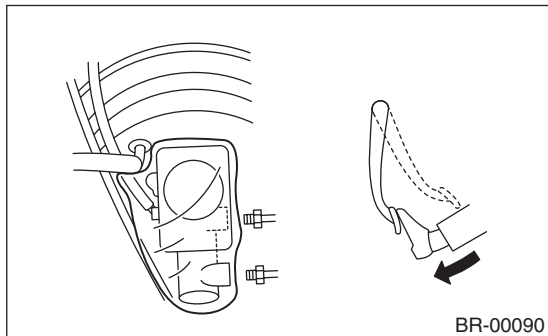
#### NOTE:

While bleeding air, keep the reservoir tank filled with brake fluid to prevent entry of air.

2) Disconnect the brake line at primary and secondary sides.

3) Wrap the master cylinder with a plastic bag.

4) Depress the brake pedal slowly and hold it.

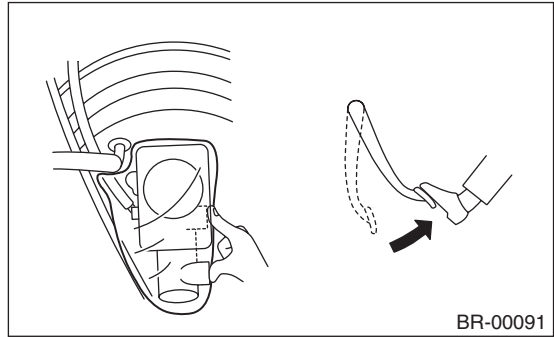


#### NOTE:

On the model with brake assist mechanism, the following phenomena occur when the brake pedal is depressed. However, those are not malfunction but the phenomena that occur when the brake assist mechanism functions properly.

- Brake feel is soft when brake pedal is depressed hard or quicker than usual.
- A light crack is heard when brake pedal is depressed hard or quicker than usual.

5) Plug the outlet plug with your finger, and then release the brake pedal.



6) Repeat the step 4) and 5) several times.

7) Remove the plastic bag.

8) Install the brake pipe to the master cylinder.

#### Tightening torque:

##### Model with ABS

**15 N·m (1.5 kgf-m, 11.1 ft-lb)**

##### Model with VDC

**19 N·m (1.9 kgf-m, 14 ft-lb)**

9) Bleed air from the brake line. <Ref. to BR-37, BRAKE LINE, PROCEDURE, Air Bleeding.>

### 2. BRAKE LINE

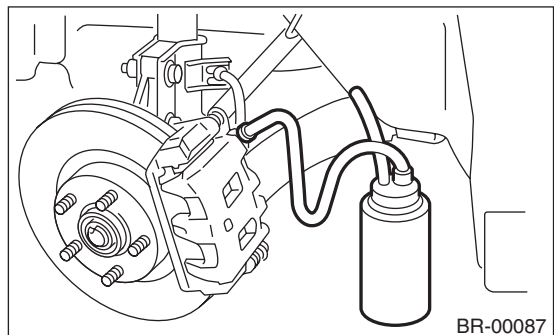
1) When the master cylinder is disassembled or the reservoir tank is empty, bleed the master cylinder before bleeding the brake line. <Ref. to BR-37, MASTER CYLINDER, PROCEDURE, Air Bleeding.>

2) Fill the reservoir tank of the master cylinder with brake fluid.

#### NOTE:

While bleeding air, keep the reservoir tank filled with brake fluid to prevent entry of air.

3) Attach one end of the vinyl tube to the air bleeder and the other end to the brake fluid container.



4) Depress the brake pedal several times, and hold it.

5) Loosen the air bleeder screw to drain brake fluid. Tighten the air bleeder quickly, and release the brake pedal.

6) Repeat the steps 4) to 5) until there are no more air bubbles in the vinyl tube.

# Air Bleeding

## BRAKE

7) Repeat the steps from 2) to 6) above to bleed air from each wheel.

### NOTE:

Perform air bleed starting in the order from the farthest wheel cylinder from the master cylinder.

8) Securely tighten the air bleeder screws.

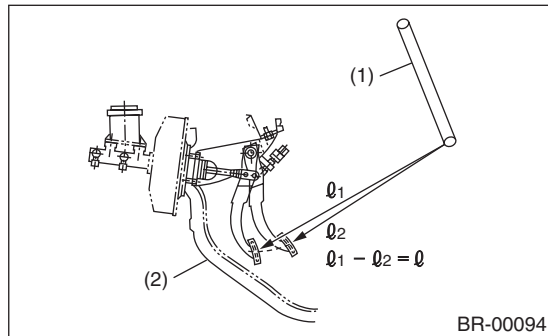
### **Tightening torque:**

**8 N·m (0.8 kgf·m, 5.9 ft·lb)**

9) Check that there are no brake fluid leaks in the entire system.

10) Check the pedal stroke.

Run the engine at idle after warming up the engine, and depress the brake pedal with a force of 500 N (51 kgf, 112 lbf). Measure the distance between the brake pedal and steering wheel. Release the pedal, and measure the distance between pedal and steering wheel again.



- (1) Steering wheel
- (2) Toe board

### **Specification of pedal stroke:**

**When depressing the pedal with a force of 500 N (51 kgf, 112 lbf).**

**95 mm (3.74 in) or less**

11) If the distance is more than specification, there is a possibility of air being caught in the brake line. Bleed the brake line of all air until the pedal stroke meets the specification.

12) Operate the hydraulic control unit in the sequence control mode. <Ref. to ABS-10, ABS Sequence Control.>

13) Check the pedal stroke again.

14) If the distance is more than specification, there is a possibility of air being caught in the hydraulic unit. Repeat above steps 2) to 9) until the pedal stroke meets the specification.

15) Fill the reservoir tank with brake fluid up to the "MAX" level.

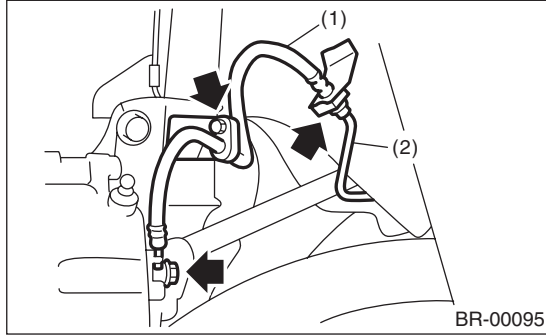
16) Test run the vehicle and ensure that the brakes operate normally.

## 15.Brake Hose

### A: REMOVAL

#### 1. FRONT BRAKE HOSE

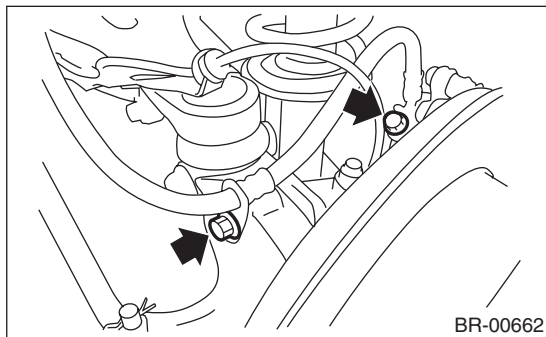
- 1) Separate the brake pipe from brake hose using a flare nut wrench.
- 2) Remove the clamp, the strut mount bolts, and union bolt.



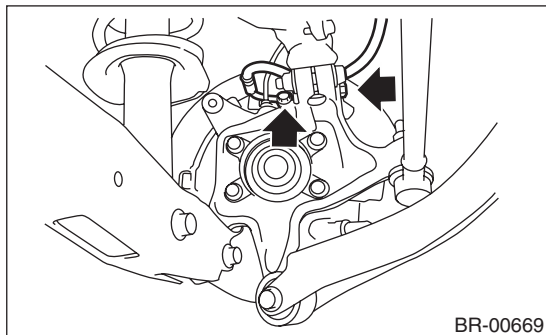
- (1) Brake hose
- (2) Brake pipe

#### 2. REAR BRAKE HOSE

- 1) Remove union bolt and brake hose bracket bolt.
  - Disc brake model

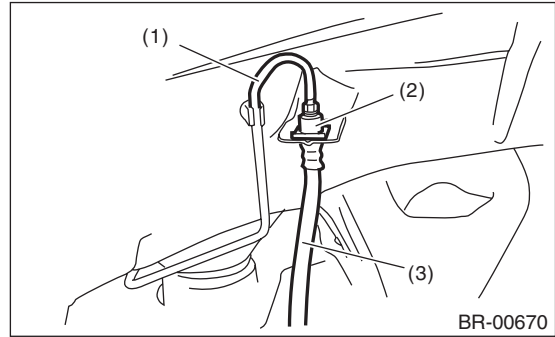


- Drum brake model



- 2) Separate the brake pipe from brake hose using a flare nut wrench.

- 3) Remove the clamp, and then remove the brake hose.



- (1) Brake pipe
- (2) Brake hose clamp
- (3) Brake hose

### B: INSTALLATION

#### 1. FRONT BRAKE HOSE

- 1) Secure the brake hose to strut mount.

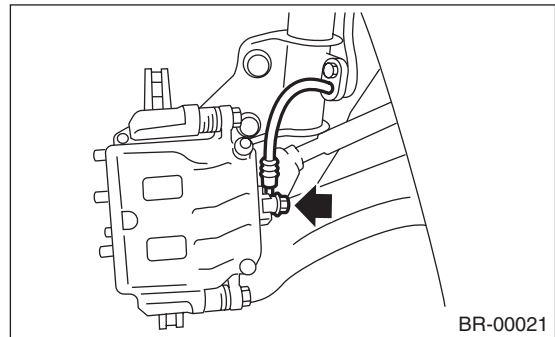
##### **Tightening torque:**

**33 N·m (3.4 kgf-m, 24.3 ft-lb)**

- 2) Install the brake hose to the caliper using a new gasket.

##### **Tightening torque (union bolt):**

**18 N·m (1.8 kgf-m, 13.3 ft-lb)**



- 3) Position the disc in straight position and route the brake hose through the hole in the bracket on the wheel apron side.

##### **CAUTION:**

**Do not twist the brake hose.**

- 4) Temporarily tighten the flare nut which connects brake pipe and hose.
- 5) Secure the brake hose to wheel apron bracket with clamp.
- 6) Tighten the flare nut to the specified torque.

##### **Tightening torque (brake pipe flare nut):**

**15 N·m (1.5 kgf-m, 11.1 ft-lb)**

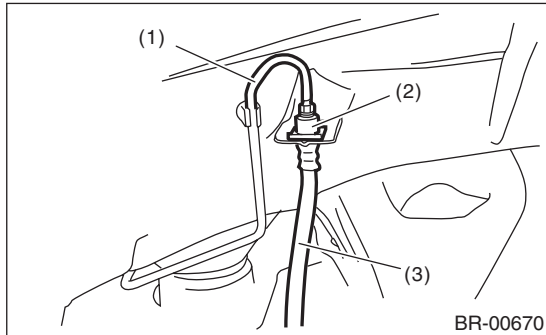
- 7) Bleed air from brake system.

# Brake Hose

## BRAKE

### 2. REAR BRAKE HOSE

- 1) Route the brake hose through the hole of bracket, and lightly tighten the flare nut to connect brake pipe.
- 2) Insert the clamp to secure brake hose.



- (1) Brake pipe
- (2) Brake hose clamp
- (3) Brake hose

- 3) Install the brake hose bracket.

#### **Tightening torque:**

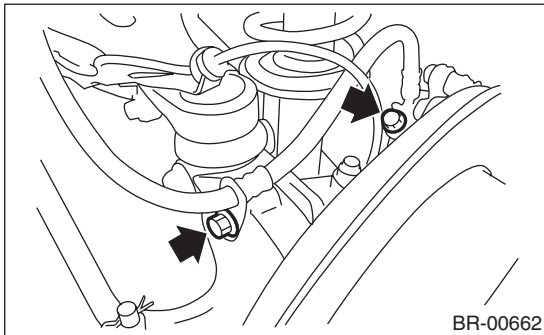
**33 N·m (3.4 kgf-m, 24.3 ft-lb)**

- 4) Install the brake hose to rear brake caliper using a new gasket.

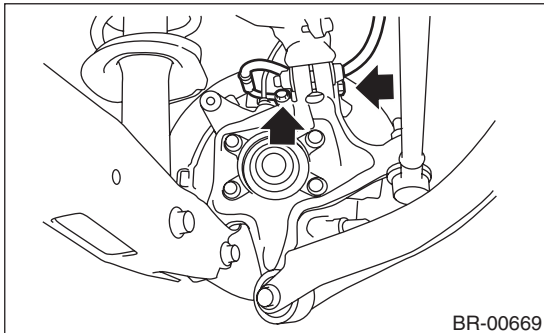
#### **Tightening torque (union bolt):**

**18 N·m (1.8 kgf-m, 13.3 ft-lb)**

- Disc brake



- Drum brake



- 5) Tighten the flare nut to the specified torque.

#### **Tightening torque (brake pipe flare nut):**

**15 N·m (1.5 kgf-m, 11.1 ft-lb)**

- 6) Bleed air from the brake system.

### C: INSPECTION

Make sure there are no cracks, breakage or damage on hoses. Check the joint for fluid leakage. If any cracks, breakage, damage or fluid leakage is found, repair or replace the hose.

## 16.Brake Pipe

### A: REMOVAL

**NOTE:**

The airbag system wiring harness is routed near the center brake pipe.

**CAUTION:**

- Airbag system wiring harness and connectors are colored yellow. Do not use the electrical test equipment on these circuits.
- Be careful not to damage the airbag system wiring harness when servicing the center brake pipe.
- When removing the brake pipe, do not bend.

### B: INSTALLATION

**NOTE:**

The airbag system wiring harness is routed near the center brake pipe.

**CAUTION:**

- Airbag system wiring harness and connectors are colored yellow. Do not use the electrical test equipment on these circuits.
- Be careful not to damage the airbag system wiring harness when servicing the center brake pipe.
- When installing the brake pipe, do not bend.
- After installing the brake pipe and hose, perform air bleed.
- After installing the brake hoses, make sure that they do not contact the tires or suspension assembly, etc.

**Brake pipe tightening torque:**

*Refer to "COMPONENT" of "General Description". <Ref. to BR-8, FRONT BRAKE PIPES AND HOSES, COMPONENT, General Description.> <Ref. to BR-9, CENTER AND REAR BRAKE PIPES AND HOSES, COMPONENT, General Description.>*

### C: INSPECTION

Make sure there are no cracks, breakage or damage on hoses. Check the joint for fluid leakage. If any cracks, breakage, damage or fluid leakage is found, repair or replace the pipes.

**NOTE:**

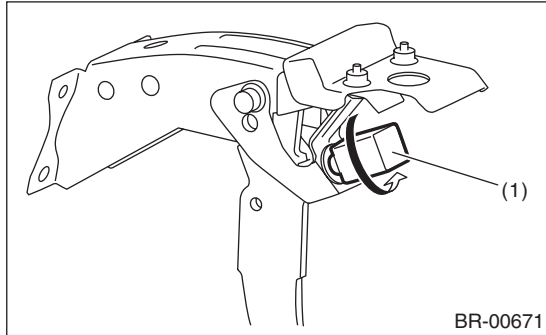
Use a mirror when inspecting back sides and other locations which are hard to see.

## 17.Brake Pedal

### A: REMOVAL

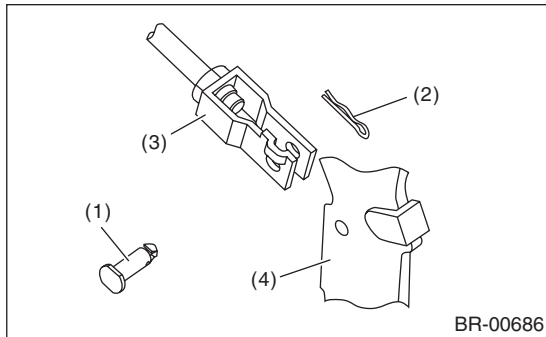
#### 1. MT MODEL

- 1) Remove the steering column. <Ref. to PS-15, REMOVAL, Tilt Steering Column.>
- 2) Disconnect the connector from clutch switch.
- 3) Disconnect the connector from stop light switch.
- 4) Turn the stop light switch counterclockwise and remove the switch.



(1) Stop light switch

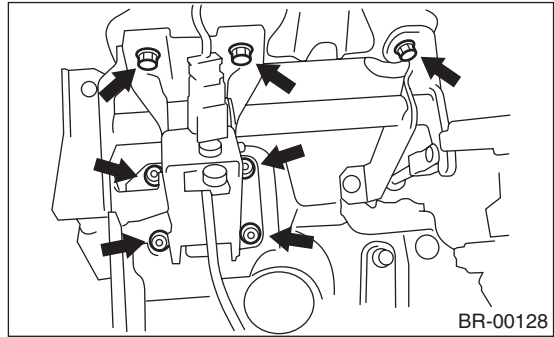
- 5) Remove the clevis pin which secures the pedal and operating rod.



- (1) Clevis pin
- (2) Snap pin
- (3) Operating rod
- (4) Pedal

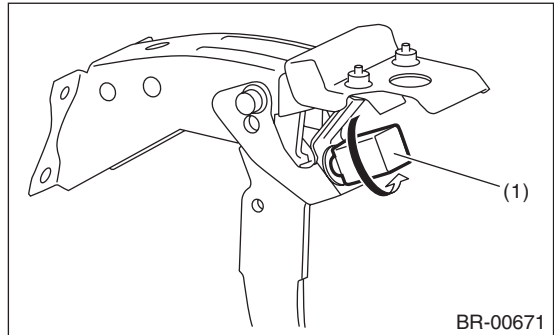
- 6) Remove the nut which secures the clutch master cylinder.

- 7) Remove the bolt and nut which secures the pedal bracket.



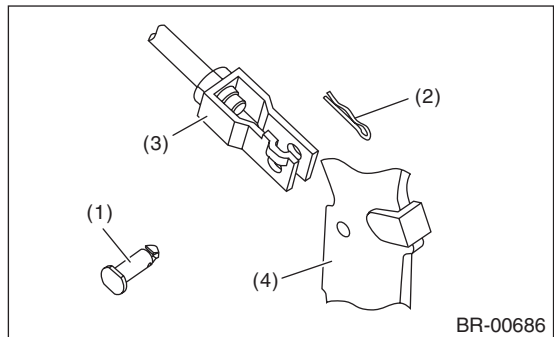
#### 2. AT MODEL

- 1) Remove the steering column. <Ref. to PS-15, REMOVAL, Tilt Steering Column.>
- 2) Disconnect the connector from stop light switch.
- 3) Turn the stop light switch counterclockwise and remove the switch.



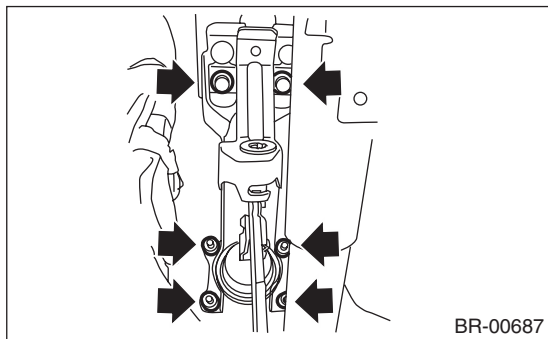
(1) Stop light switch

- 4) Remove the clevis pin which secures the brake pedal and operating rod.

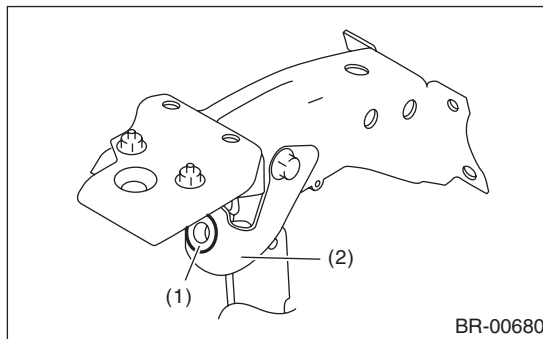


- (1) Clevis pin
- (2) Snap pin
- (3) Operating rod
- (4) Brake pedal

5) Remove the bolt and nut which secures the brake pedal bracket.



3) Make sure that the switch clip (gray) is securely installed to the brake pedal bracket.



## B: INSTALLATION

### CAUTION:

- Perform the following steps for the stop light switch.
- Do not install the stop light switch before step 2). Installing the stop light switch before step 2) may result in the switch falling off, remaining illuminated constantly, or an illumination fault.

1) Install the bolt and nut which secure the brake pedal bracket.

### Tightening torque:

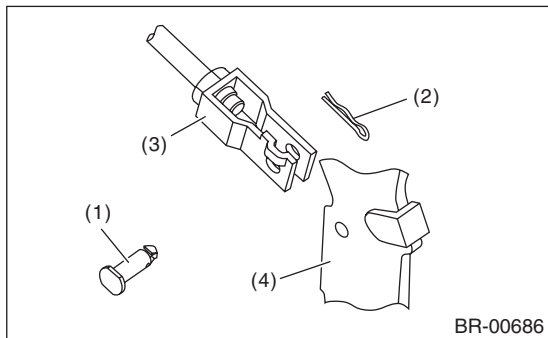
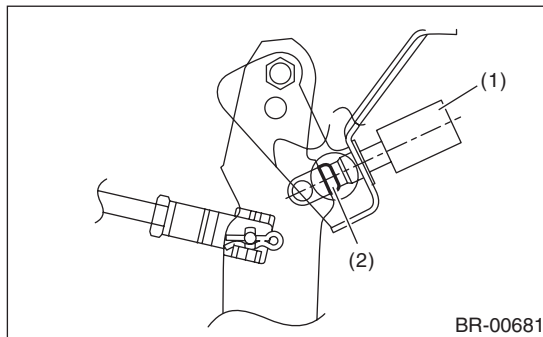
**18 N·m (1.8 kgf·m, 13.3 ft·lb)**

2) Install clevis pin and snap pin which secure the operating rod to the brake pedal.

### NOTE:

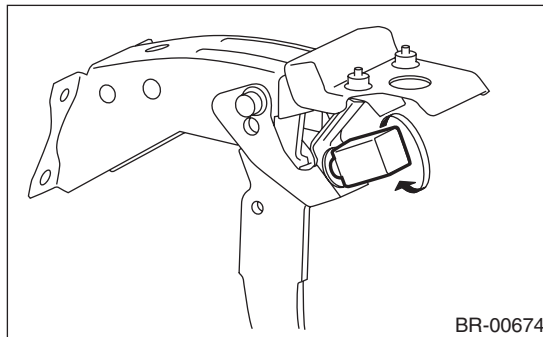
- Replace with a new clevis pin.
- Apply a thin coat of KOPR-KOTE (Part No. 003603001) to the clevis pin.

4) While pulling up the brake pedal, insert the stop light switch until it reaches the stopper (brown) at the brake pedal side. Turn the stop light switch clockwise and install the switch.



- (1) Clevis pin
- (2) Snap pin
- (3) Operating rod
- (4) Brake pedal

- (1) Stop light switch
- (2) Stopper



- 5) Connect the stop light switch connector.
- 6) Check that the brake light operate properly.
- 7) Check the brake pedal after installation. <Ref. to BR-44, INSPECTION, Brake Pedal.>



# Brake Pedal

## BRAKE

### C: INSPECTION

1) Move the brake pedal pads in a horizontal direction with a force of approx. 10 N (1 kgf, 2 lbf), and check that the pedal deflection is in the range of specifications.

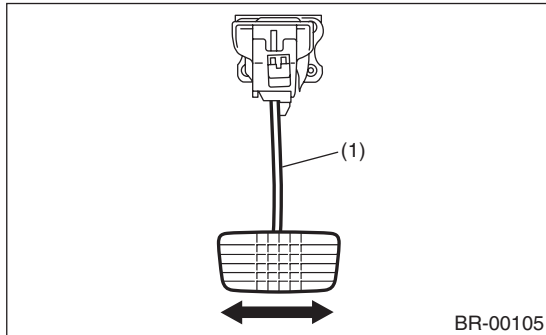
#### CAUTION:

If excessive deflection is noted, replace with a new bushing.

#### Deflection of brake pedal:

##### Limit

**5.0 mm (0.197 in) or less**



(1) Brake pedal

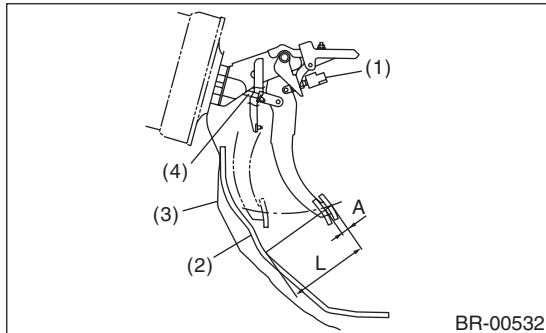
2) Check the position of the pedal pad.

#### Pedal height L:

**150 — 160 mm (5.91 — 6.29 in)**

#### Brake pedal free play A:

**0.5 — 2 mm (0.020 — 0.079 in) [When pulling the brake pedal upward with a force of less than 10 N (1 kgf, 2 lbf).]**



- (1) Stop light switch
- (2) Mat
- (3) Toe board
- (4) Brake booster operating rod

3) If out of specification, perform the procedures below to adjust.

4) Remove the stop light switch. <Ref. to BR-45, REMOVAL, Stop Light Switch.>

5) Loosen the lock nut of the brake booster operating rod, and rotate the rod to adjust the pedal height L to be within the standard value.

6) Tighten the lock nut.

#### Tightening torque:

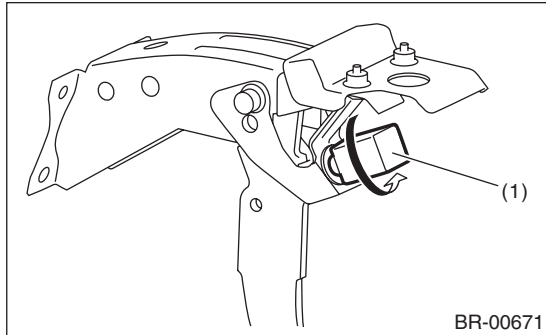
**22 N·m (2.2 kgf·m, 16.2 ft·lb)**

7) Install the stop light switch. <Ref. to BR-45, INSTALLATION, Stop Light Switch.>

## 18. Stop Light Switch

### A: REMOVAL

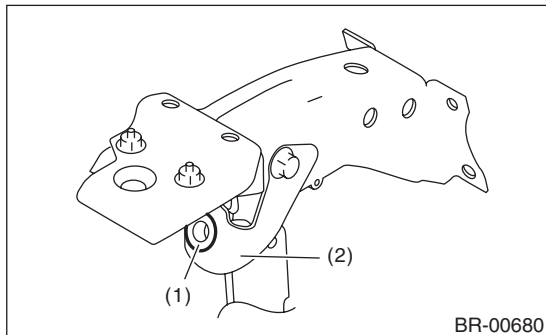
- 1) Disconnect the battery ground cable from the battery.
- 2) Disconnect the stop light switch connector.
- 3) Turn the stop light switch counterclockwise and remove the switch.



(1) Stop light switch

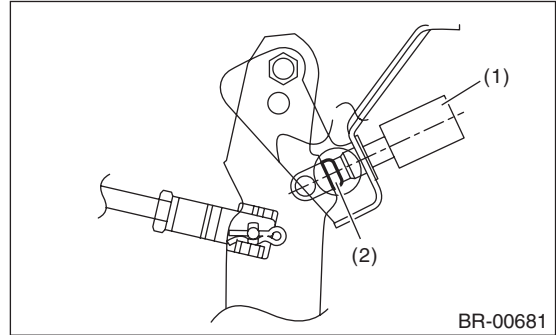
### B: INSTALLATION

- 1) Make sure that the switch clip (gray) is securely installed to the brake pedal bracket.

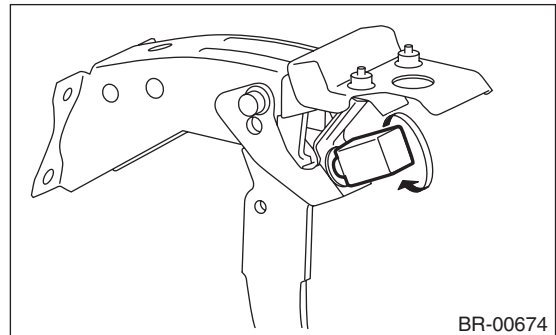


(1) Switch clip  
(2) Brake pedal bracket

- 2) While pulling up the brake pedal, insert the stop light switch to the stopper (brown) at the brake pedal side until it stops. Turn the stop light switch clockwise and install the switch.



(1) Stop light switch  
(2) Stopper



- 3) Pull up the brake pedal and make sure that play is 0.5 — 2 mm (0.020 — 0.079 in).
- 4) Connect the stop light switch connector.
- 5) Check that the brake light operate properly.

#### NOTE:

It is not necessary to check or adjust the clearance to the stop light switch because it is automatically adjusted at installation.

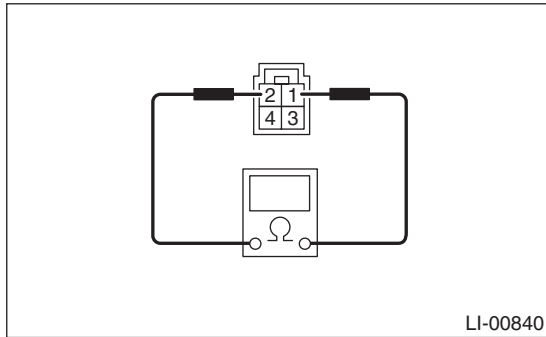
# Stop Light Switch

BRAKE

## C: INSPECTION

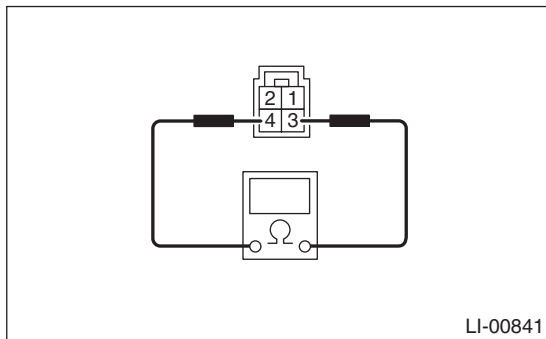
1) Measure the resistance between stop light switch terminals.

- 5 door model



Switch	Pedal	Terminal No.	Standard
Stop light	Released	1 and 2	1 M $\Omega$ or more
	Depressed		Less than 1 $\Omega$

- 4 door model



Switch	Pedal	Terminal No.	Standard
Stop light	Released	3 and 4	1 M $\Omega$ or more
	Depressed		Less than 1 $\Omega$

2) If the stop light switch does not operate properly, replace with a new part.

## 19. General Diagnostic Table

### A: INSPECTION

	Trouble and possible cause	Corrective action
<b>1. Insufficient braking</b>	(1) Fluid leakage from the hydraulic mechanism	Correct or replace. (cup, piston seal, piston boot, master cylinder piston kit, pipe or hose)
	(2) Entry of air into the hydraulic mechanism	Bleed air.
	(3) Wear, deteriorated surface material, water or fluid on lining	Replace, grind or clean.
	(4) Improper operation of master cylinder, disc caliper, brake booster or check valve	Correct or replace.
<b>2. Unstable or uneven braking</b>	(1) Fluid on lining or rotor	Correct the cause of fluid leakage, and clean or replace.
	(2) Rotor defective	Repair or replace the rotor.
	(3) Improper lining contact, deteriorated surface, deteriorated or worn lining material	Repair by grinding, or replace.
	(4) Deformed back plate	Correct or replace.
	(5) Overinflation of tires	Adjust the air pressure.
	(6) Defective wheel alignment	Adjust alignment.
	(7) Loose back plate or support installation bolt	Tighten to the specified torque.
	(8) Faulty wheel bearing	Replace.
	(9) Defective hydraulic system	Replace the cylinder, brake pipe or hose.
	(10) Unstable performance of the parking brake	Check, adjust or replace the rear brake and cable system.
<b>3. Excessive pedal stroke</b>	(1) Entry of air into the hydraulic mechanism	Bleed air.
	(2) Excessive play in the master cylinder push rod	Adjust.
	(3) Fluid leakage from the hydraulic mechanism	Correct or replace. (cup, piston seal, piston boot, master cylinder piston kit, pipe or hose)
	(4) Improper lining contact or worn lining	Correct or replace.
<b>4. Brake dragging or improper brake return</b>	(1) Insufficient pedal play	Adjust play.
	(2) Improper master cylinder return	Clean or replace the cylinder.
	(3) Clogged hydraulic system	Replace.
	(4) Improper return or adjustment of parking brake	Repair or adjust.
	(5) Weakened spring tension or breakage of shoe return spring	Replace the spring.
	(6) Improper disc caliper operation	Correct or replace.
	(7) Faulty wheel bearing	Replace.
<b>5. Brake noise (1) (creaking sound)</b>	(1) Hardened or deteriorated brake pad	Replace the pad.
	(2) Worn brake pad	Replace the pad.
	(3) Loose back plate or support installation bolt	Tighten to the specified torque.
	(4) Loose wheel bearing	Tighten to the specified torque.
	(5) Dirty rotor	Clean the rotor, or clean and replace brake assembly.
<b>6. Brake noise (2) (hissing sound)</b>	(1) Worn brake pad	Replace the pad.
	(2) Improperly installed pad	Correct or replace the pad.
	(3) Loose or bent rotor	Retighten or replace.
<b>7. Brake noise (3) (click sound)</b>	Excessively worn pad or support	Replace the pad or the support.

# General Diagnostic Table

BRAKE

---

# General Description

## PARKING BRAKE

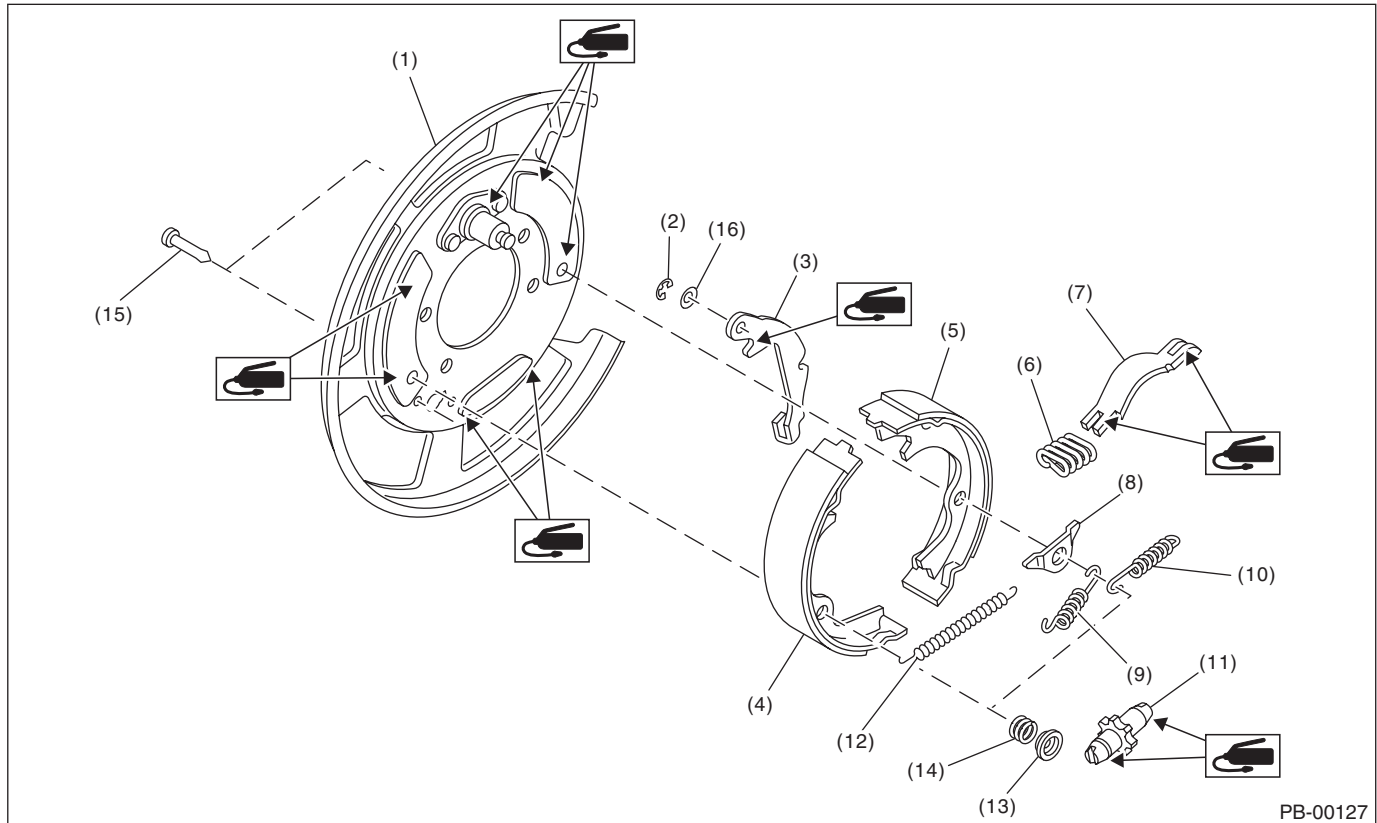
### 1. General Description

#### A: SPECIFICATION

Model		Rear Drum Brake	Rear disc brake
Type		Rear brake mechanical	Mechanical, drum in disc rear brakes
Effective drum diameter	mm (in)	254 (10)	190 (7.48)
Lining dimensions (Length x Width x Thickness)	mm (in)	243.8 x 40.0 x 4.5 (9.6 x 1.575 x 0.177)	165.8 x 30.0 x 2.8 (6.53 x 1.181 x 0.11)
Clearance adjustment		Automatic adjusting	Manual adjustment
Lever stroke	Notches/N (kgf, lbf)	7 — 8/200 (20.4, 45)	

#### B: COMPONENT

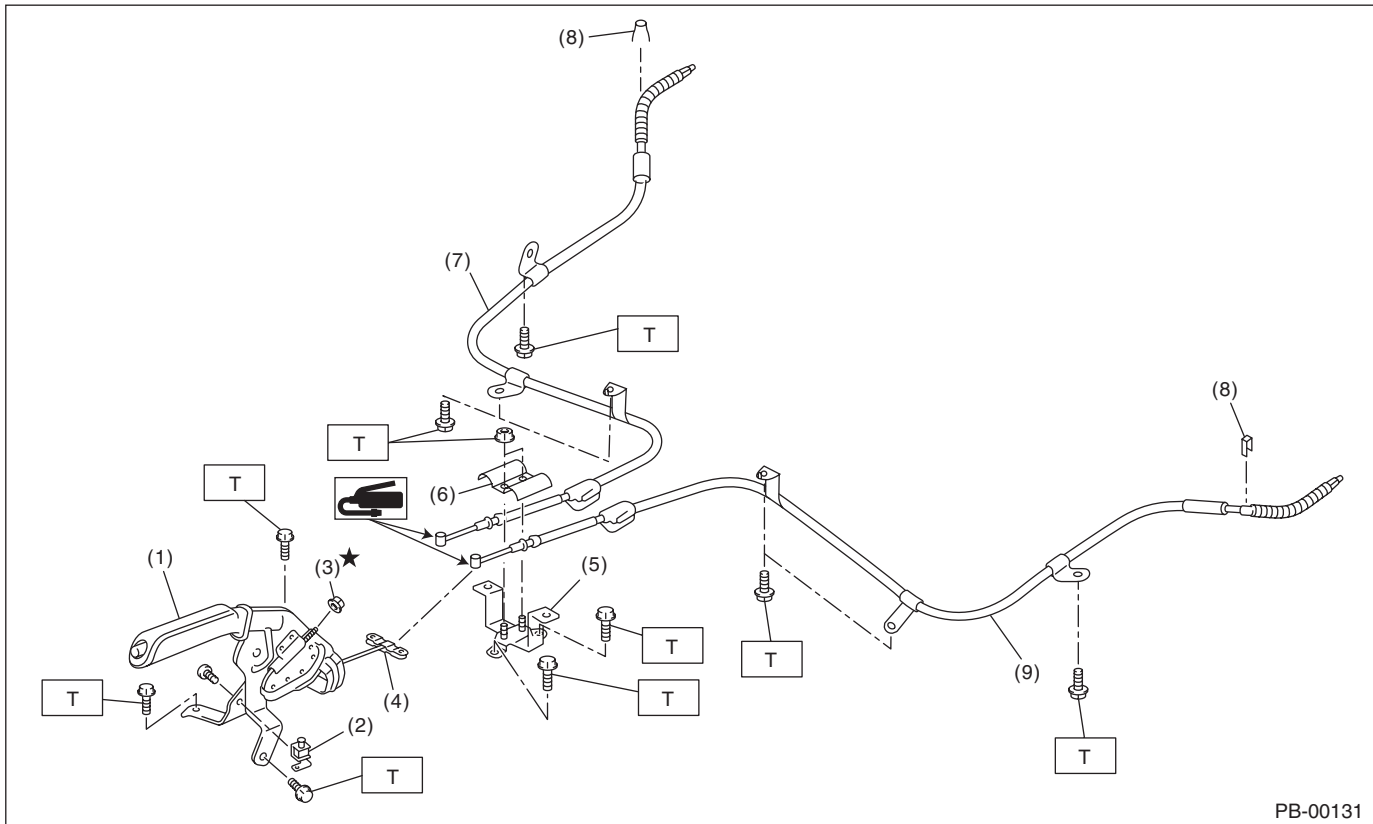
##### 1. PARKING BRAKE (REAR DISC BRAKE)



PB-00127

- |                                    |                                       |                            |
|------------------------------------|---------------------------------------|----------------------------|
| (1) Back plate                     | (7) Strut                             | (12) Adjusting spring      |
| (2) Retainer                       | (8) Shoe guide plate                  | (13) Shoe hold-down cup    |
| (3) Lever                          | (9) Primary return spring (blue)      | (14) Shoe hold-down spring |
| (4) Parking brake shoe (Primary)   | (10) Secondary return spring (yellow) | (15) Shoe hold-down pin    |
| (5) Parking brake shoe (Secondary) | (11) Adjuster                         | (16) Wave washer           |
| (6) Strut spring                   |                                       |                            |

## 2. PARKING BRAKE LEVER & CABLE



- |                                      |                            |                            |
|--------------------------------------|----------------------------|----------------------------|
| (1) Parking brake lever              | (5) Bracket                | (9) Parking brake cable LH |
| (2) Parking brake switch             | (6) Clamp                  |                            |
| (3) Adjusting nut (self-locking nut) | (7) Parking brake cable RH |                            |
| (4) Equalizer                        | (8) Clamp                  |                            |

**Tightening torque: N·m (kgf·m, ft·lb)**  
**T: 18 (1.8, 13.3)**

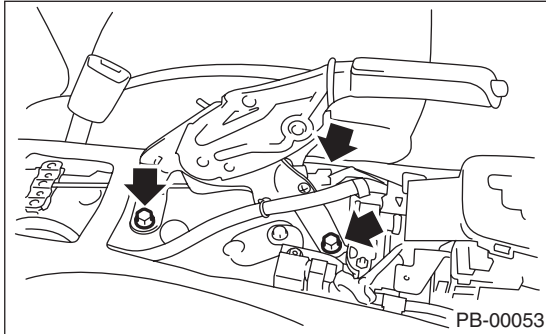
### C: CAUTION

- Wear appropriate work clothing, including a cap, protective goggles and protective shoes when performing any work.
- Before removal, installation or disassembly, be sure to clarify the failure. Avoid unnecessary removal, installation, disassembly and replacement.
- Vehicle components are extremely hot after driving. Be wary of receiving burns from heated parts.
- Use SUBARU genuine grease etc. or equivalent. Do not mix grease etc. of different grades or manufacturers.
- Be sure to tighten fasteners including bolts and nuts to the specified torque.
- Place shop jacks or rigid racks at the specified points.
- Make sure grease does not come into contact with the parking shoes.

## 2. Parking Brake Lever

### A: REMOVAL

- 1) Set the wheel stoppers to tires.
- 2) Remove the console box.
- 3) Disconnect the parking brake switch connector.
- 4) Remove the parking cable adjusting nut (self-locking nut).
- 5) Remove the parking brake lever.



### B: INSTALLATION

- 1) Install in the reverse order of removal.

#### **Tightening torque:**

##### **Parking brake lever**

**18 N·m (1.8 kgf-m, 13.3 ft-lb)**

- 2) Install a new adjusting nut (self-locking nut).
- 3) Be sure to adjust the lever stroke. <Ref. to PB-4, ADJUSTMENT, Parking Brake Lever.>

### C: INSPECTION

- 1) Operate the parking brake lever 3 to 4 times and fully return the lever.
- 2) While slowly pulling the parking brake lever upward, count the notches.

#### **Lever stroke:**

**7 to 8 notches when pulled with a force of 200 N (20.4 kgf, 45 lbf)**

If it is not within the specified value, adjust the parking brake. <Ref. to PB-8, ADJUSTMENT, Parking Brake Assembly (Rear Disc Brake).>

### D: ADJUSTMENT

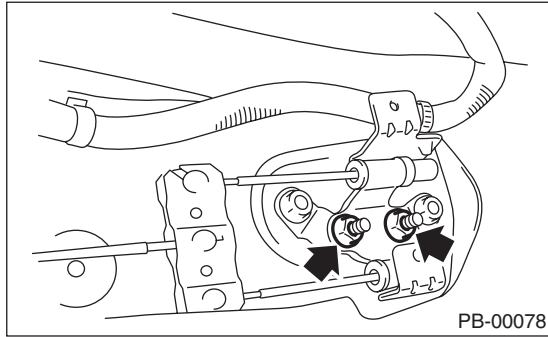
Adjust the parking lever stroke. <Ref. to PB-8, LEVER STROKE, ADJUSTMENT, Parking Brake Assembly (Rear Disc Brake).>



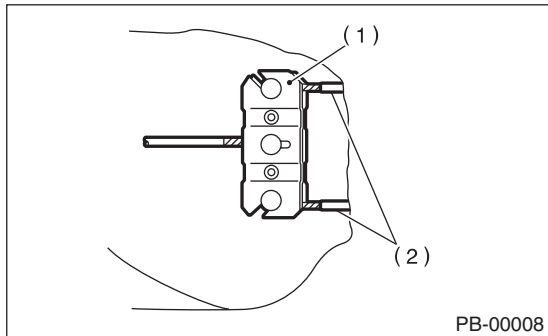
## 3. Parking Brake Cable

### A: REMOVAL

- 1) Remove the rear seat cushion.
- 2) Remove the console box.
- 3) Remove the parking cable adjusting nut (self-locking nut).
- 4) Remove the parking brake lever. <Ref. to PB-4, REMOVAL, Parking Brake Lever.>
- 5) Roll up the floor mat and remove the clamps.



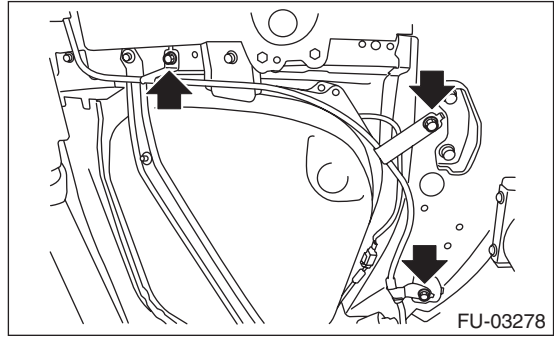
- 6) Remove the inner cable end from equalizer.



- (1) Equalizer
- (2) Inner cable end

- 7) Lift up the vehicle, and then remove the rear wheels.
- 8) Remove the parking brake cable from rear brake. <Ref. to PB-6, REMOVAL, Parking Brake Assembly (Rear Disc Brake).> <Ref. to BR-27, REMOVAL, Rear Drum Brake Shoe.>
- 9) Remove the clamp from the rear brake.
- 10) Remove the cable clamp from the rear arm bracket.

- 11) Remove the cable clamp from rear floor.



- 12) Remove the grommet from the rear floor, and remove the cable assembly.

### B: INSTALLATION

- 1) Install in the reverse order of removal.

#### NOTE:

- Be sure to pass the cable through the tunnel in the cable guide.
- 2) Be sure to adjust the lever stroke. <Ref. to PB-4, ADJUSTMENT, Parking Brake Lever.>

### C: INSPECTION

Check and replace the removed cable if damaged, rusty or faulty.

- 1) Check the cable for smooth operation.
- 2) Check the inner cable for damage and rust.
- 3) Check the outer cable for damage, bends and cracks.
- 4) Check the boot for damage, cracks, and corrosion.

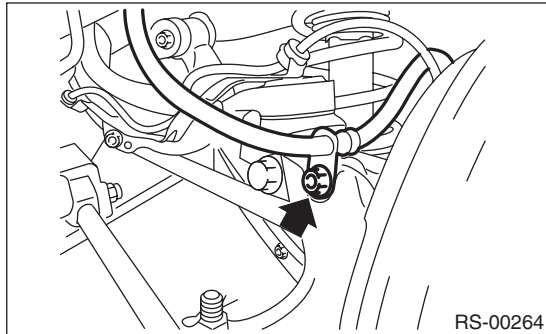
# Parking Brake Assembly (Rear Disc Brake)

## PARKING BRAKE

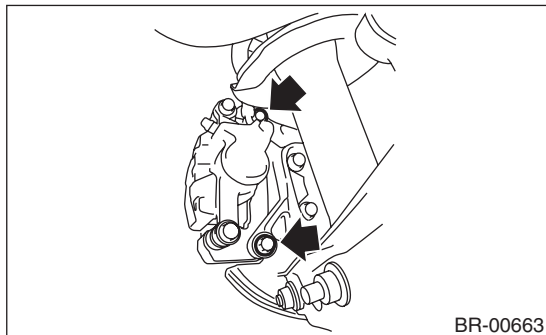
### 4. Parking Brake Assembly (Rear Disc Brake)

#### A: REMOVAL

- 1) Release the parking brake.
- 2) Lift up the vehicle, and then remove the rear wheels.
- 3) Remove the brake hose bracket.



- 4) Remove the two mounting bolts and remove the rear disc brake caliper.

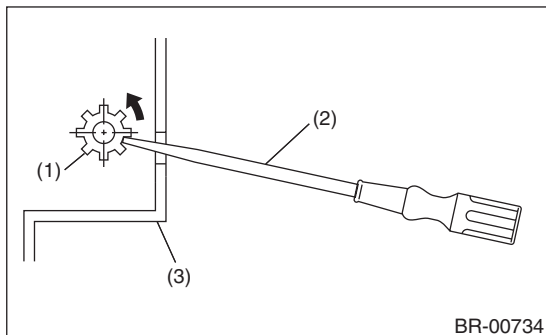


- 5) Suspend the rear disc brake caliper so that the brake hose is not stretched.
- 6) Remove the rear disc brake rotor.

#### NOTE:

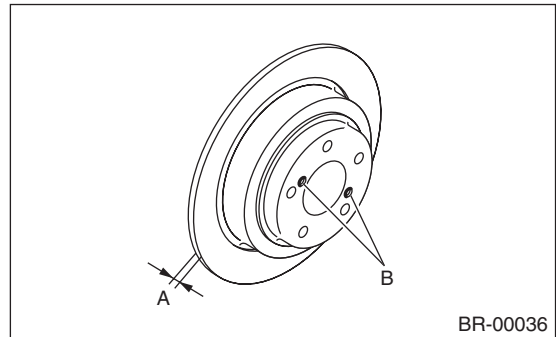
If the disc rotor is difficult to remove, try the following two methods in order.

- (1) Turn the adjusting screw using a flat tip screwdriver until the brake shoe moves adequately away from the disc rotor.

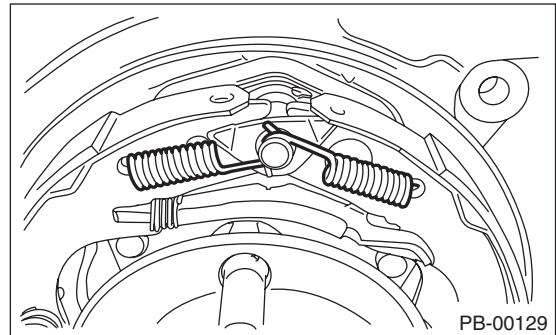


- (1) Adjuster
- (2) Flat tip screwdriver
- (3) Disc rotor

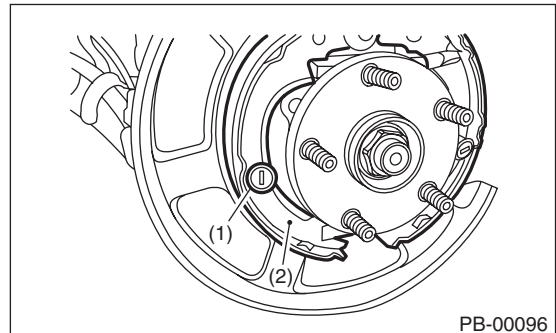
- (2) If disc rotor is seized on the hub, drive the disc rotor out by pushing two 8 mm bolts in holes B on the rotor.



- 7) Remove the shoe return spring.



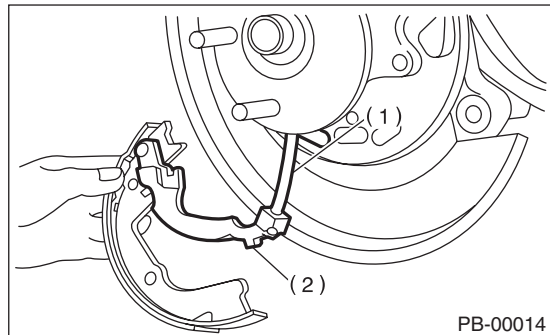
- 8) Remove the brake shoe cup and brake shoe spring, and remove the primary brake shoe.



- (1) Brake shoe cup
- (2) Primary brake shoe

- 9) Remove the strut and strut spring.
- 10) Remove the adjuster.
- 11) Remove brake shoe cup and brake shoe spring, and remove the secondary brake shoe.

12) Remove the parking brake cable from lever.



- (1) Parking brake cable
- (2) Lever

13) Remove a retainer from the secondary side brake shoe. Remove the lever from the brake shoe.

## B: INSTALLATION

### CAUTION:

**Be sure the lining surface is free from brake fluid and grease.**

1) Apply brake grease to the following locations.

#### Brake grease:

##### Brake Grease (Part No. 003602002)

- Six contact surfaces of the brake shoe rim and back plate gasket
- Contact surface of the brake shoe and the anchor pin
- Contact surface of the parking brake lever and strut
- Contact surface of the brake shoe and adjuster
- Contact surface of the brake shoe and strut
- Contact surface of the lever and brake shoe

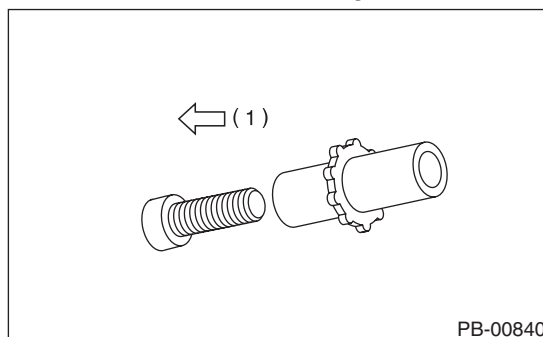
2) Install the wave washer and lever to the secondary side brake shoe pin, and lock the retainer securely.

3) Install the parking brake cable to the lever.

4) Install the adjuster and adjusting spring to the brake shoe.

### NOTE:

Install the adjuster with screw section in the arrowed direction shown in the figure below.



- (1) Left wheel: front side of vehicle, right wheel: rear side of vehicle

5) Check that the parking brake cable does not fall from the cable guide.

6) Install the brake shoes to the back plate with shoe hold pins, brake shoe springs, and brake shoe cups.

7) Install the strut and strut spring to the brake shoes.

### NOTE:

Install the strut springs on front side of the vehicle.

8) Install the return springs; first the primary side (blue) then the secondary side (yellow).

9) Adjust the parking brake. <Ref. to PB-8, ADJUSTMENT, Parking Brake Assembly (Rear Disc Brake).>

10) If new brake shoes are replaced, drive the vehicle to break-in the parking brake lining.

(1) Drive the vehicle at about 35 km/h (22 MPH).

(2) With the parking brake lever button pushed in, pull the parking brake lever gently.

(3) Drive the vehicle for about 200 m (0.12 mile) in this condition.

(4) Wait 5 to 10 minutes for the parking brake to cool down. Repeat steps (1) through (3) again.

(5) After breaking-in, re-adjust the parking brakes.

# Parking Brake Assembly (Rear Disc Brake)

## PARKING BRAKE

### C: INSPECTION

1) Measure the brake disc rotor inside diameter. If the disc is scored or worn, replace the brake disc rotor.

#### **Disc rotor inside diameter:**

##### **Standard:**

**190 mm (7.48 in)**

##### **Service limit:**

**191 mm (7.52 in)**

2) Measure the lining thickness. If it exceeds the limit, replace the brake shoes.

#### **Lining thickness:**

##### **Standard:**

**2.8 mm (0.11 in)**

##### **Service limit:**

**1.5 mm (0.059 in)**

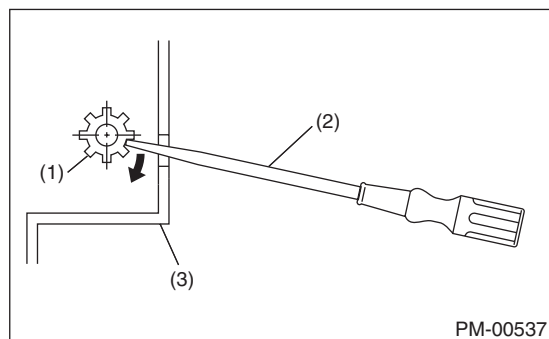
#### **NOTE:**

Replace the right and left brake shoe as a set.

### D: ADJUSTMENT

#### 1. SHOE CLEARANCE

- 1) Return the parking brake lever fully.
- 2) Loosen the adjusting nut, and make the cable free.
- 3) Remove the adjusting hole cover from the disc rotor.
- 4) Using a flat tip screwdriver, turn the adjusting screw in the direction of the arrow as shown in the figure until the brake shoe is in close contact with the disc rotor.



- (1) Adjusting screw
- (2) Flat tip screwdriver
- (3) Disc rotor

5) Loosen the adjusting screw by 5 notches to opposite direction of arrow.

#### **CAUTION:**

- Check there is no brake drag.
  - If the amount that the adjusting screw is turned back is little, securely loosen it by 5 notches to avoid dragging.
- 6) Install the adjusting hole cover to the disc rotor.

7) Adjust the parking lever stroke. <Ref. to PB-8, LEVER STROKE, ADJUSTMENT, Parking Brake Assembly (Rear Disc Brake).>

#### 2. LEVER STROKE

1) Adjust the shoe clearance before adjusting lever stroke. <Ref. to PB-8, SHOE CLEARANCE, ADJUSTMENT, Parking Brake Assembly (Rear Disc Brake).>

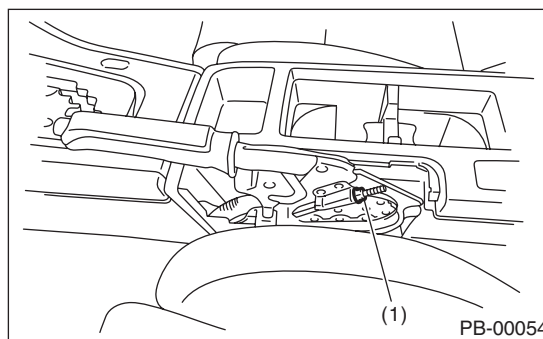
2) Remove the parking lever cover.

3) Pull the parking brake lever hard 3 to 5 times.

4) Turn the adjusting nut until the lever stroke is at the specified value.

#### **Lever stroke:**

**7 to 8 notches when pulled with a force of 200 N (20.4 kgf, 45 lbf)**



(1) Adjusting nut (Self-locking nut)

- 5) Check there is no brake drag.
- 6) Install the parking lever cover.

## 5. General Diagnostic Table

### A: INSPECTION

Symptom	Possible cause	Corrective action
Brake drag	Parking brake lever not adjusted correctly.	Adjust.
	Parking brake cable does not move.	Correct or replace.
	Parking brake shoe clearance is maladjusted.	Adjust.
	Return spring is faulty.	Replace.
Noise from brake	Return spring is faulty.	Replace.
	Shoe hold-down spring faulty.	Replace.

# General Diagnostic Table

PARKING BRAKE

---

# General Description

## POWER ASSISTED SYSTEM (POWER STEERING)

### 1. General Description

#### A: SPECIFICATION

Model		Non-turbo model	WRX, WRX-S	WRX-SS
Whole system	Minimum turning radius	m (ft)		5.3 (17.4)
	Steering angle	Inner wheel	OUTBACK: 37.9°±1.5° Except for OUTBACK: 37.8°±1.5°	
		Outer wheel	OUTBACK: 33.5°±1.5° Except for OUTBACK: 33.4°±1.5°	
	Steering wheel diameter	mm (in)		375 (14.76)
	Whole gear ratio (Turn, from lock to lock. Gearbox)	2.8		
Gearbox	Type	Rack and Pinion, Integral		
	Backlash	0 (Automatic adjusting)		
	Valve (Power steering system)	Rotary valve		
Pump (Power steering system)	Type	Vane pump		
	Oil tank	Installed on body		
	Specific output	cm <sup>3</sup> (cu in)/rev.	7.2 (0.439)	8.5 (0.519)
	Relief pressure	kPa (kgf/cm <sup>2</sup> , psi)	7,350 — 8,050 (75 — 82, 1,066 — 1,167)	8,100 — 8,800 (83 — 90, 1,174 — 1,276)
	Hydraulic fluid control	Engine speed sensitive		
	Hydraulic fluid	ℓ (US qt, Imp qt)	1,000 rpm: 6.5 (6.9, 5.7) 3,000 rpm: 5 (5.3, 4.4)	1,000 rpm: 6.3 (6.7, 5.5) 3,000 rpm: 5.9 (6.2, 5.2)
	RPM range	rpm	680 — 9,800	680 — 9,600
	Direction of rotation	Clockwise		
Hydraulic oil (Power steering system)	Capacity ℓ (US qt, Imp qt)	Oil tank	0.2 (0.2, 0.2)	
		Whole system	0.7 (0.7, 0.6)	

Steering wheel	Free play	mm (in)	17 (0.67)	
Steering shaft	Clearance between the steering wheel and column cover	mm (in)	2 — 4 (0.08 — 0.16)	
Steering gearbox (Power steering system)	Rack shaft play in the radial direction	Right-turn steering	mm (in)	0.12 (0.005) or less
		Left-turn steering	mm (in)	0.3 (0.012) or less
	Input shaft play	In radial direction	mm (in)	0.26 (0.01) or less
		In axial direction	mm (in)	Without play
	Rotation resistance	N (kgf, lbf)	Maximum allowable value: 11.3 (1.15, 2.54) or less Difference between right and left sliding resistance: 24%	
Oil pump (Power steering system)	Pulley shaft	Radial play	mm (in)	0.4 (0.016) or less
		Axial play	mm (in)	0.9 (0.035) or less
	Pulley	Ditch deflection	mm (in)	1.0 (0.039) or less
		Rotation resistance	N (kgf, lbf)	9.22 (0.94, 2.07) or less
	Regular pressure (Unloaded)	kPa (kgf/cm <sup>2</sup> , psi)	981 (10, 142) or less	
Steering wheel effort (Power steering system)	At standstill with engine idling on paved road	N (kgf, lbf)	29.4 (3.0, 6.6) or less	
	At standstill with engine stalled on paved road	N (kgf, lbf)	294.2 (30, 66.2) or less	

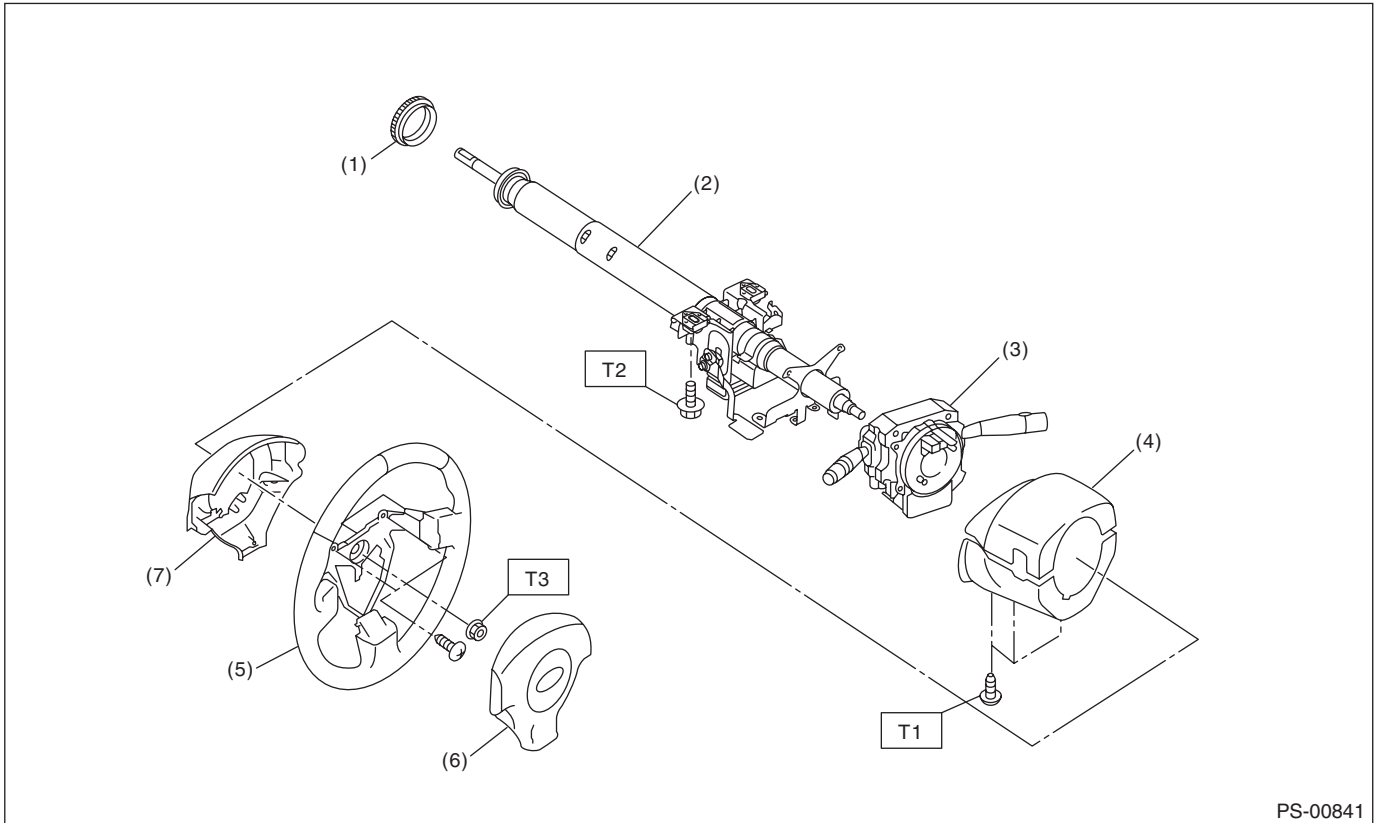
Recommended power steering fluid
SUBARU ATF or DEXRON III

# General Description

POWER ASSISTED SYSTEM (POWER STEERING)

## B: COMPONENT

### 1. STEERING WHEEL AND COLUMN



- |                             |                                |
|-----------------------------|--------------------------------|
| (1) Bushing                 | (5) Steering wheel             |
| (2) Steering shaft          | (6) Airbag module              |
| (3) Steering roll connector | (7) Steering wheel lower cover |
| (4) Column cover            |                                |

**Tightening torque: N·m (kgf-m, ft-lb)**

**T1: 1.2 (0.12, 0.9)**

**T2: 25 (2.5, 18.4)**

**T3: 39 (4.0, 28.8)**

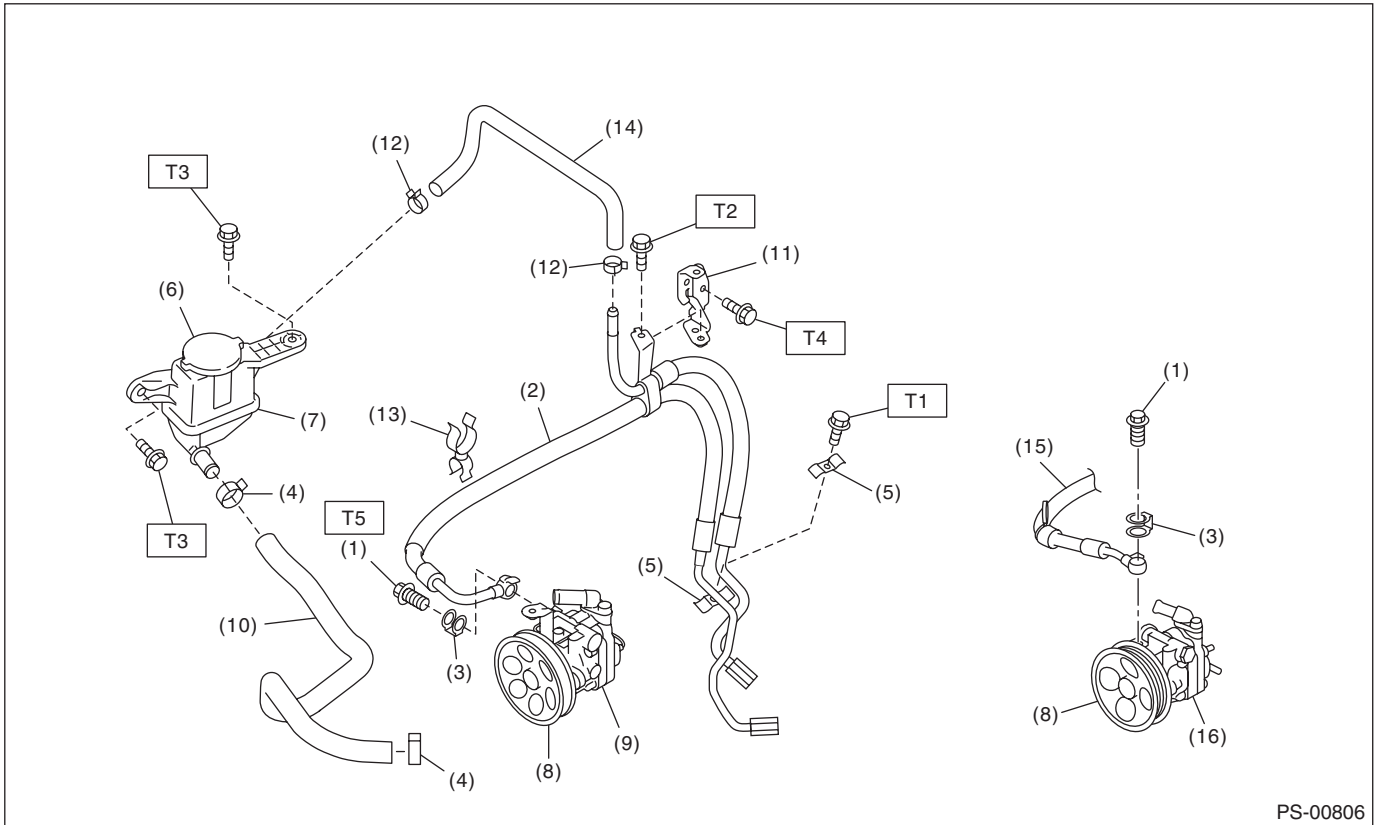


# General Description

## POWER ASSISTED SYSTEM (POWER STEERING)

### 2. POWER ASSISTED SYSTEM

- Hose and tank



PS-00806

- |                        |                                 |
|------------------------|---------------------------------|
| (1) Eye bolt           | (9) Oil pump (turbo model)      |
| (2) Hose (turbo model) | (10) Suction hose               |
| (3) Eye bolt gasket    | (11) Hose bracket               |
| (4) Clip               | (12) Clip                       |
| (5) Clamp E            | (13) Clip                       |
| (6) Cap                | (14) Return hose                |
| (7) Reservoir tank     | (15) Hose (non-turbo model)     |
| (8) Pulley             | (16) Oil pump (non-turbo model) |

#### **Tightening torque: N·m (kgf·m, ft·lb)**

**T1: 7.5 (0.76, 5.5)**

**T2: 10 (1.0, 7.4)**

**T3: 13 (1.3, 9.6)**

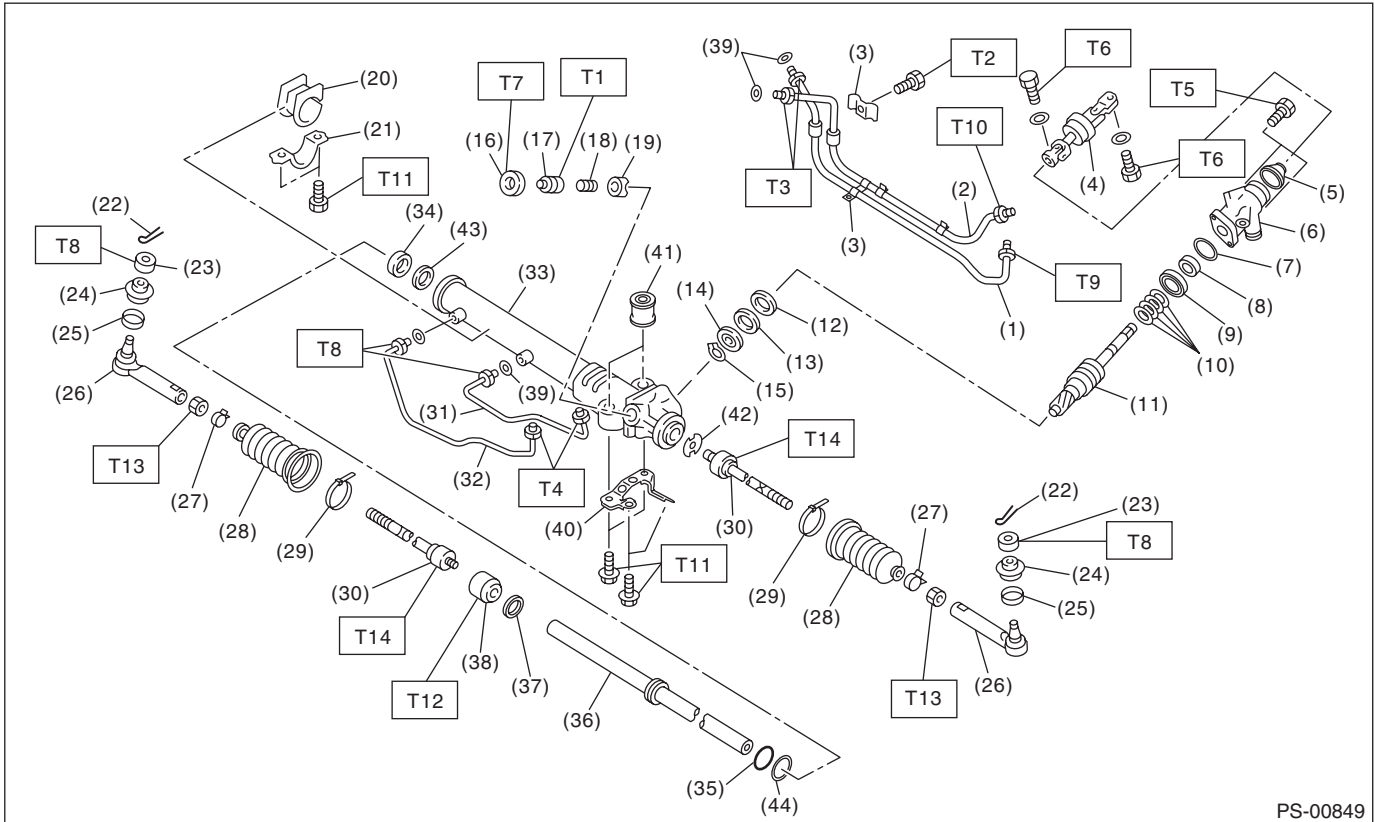
**T4: 18 (1.8, 13.3)**

**T5: 40 (4.1, 29.5)**

# General Description

## POWER ASSISTED SYSTEM (POWER STEERING)

### • Gearbox



PS-00849

(1) Feed pipe	(21) Clamp	(41) Bushing
(2) Return pipe	(22) Cotter pin	(42) Lock washer
(3) Clamp plate	(23) Castle nut	(43) Back-up washer
(4) Universal joint	(24) Dust cover	(44) O-ring
(5) Dust seal	(25) Clip	
(6) Valve housing	(26) Tie-rod end	
(7) O-ring	(27) Clip	
(8) Oil seal	(28) Boot	
(9) Bushing	(29) Band	
(10) Seal ring	(30) Tie-rod	
(11) Pinion & valve ASSY	(31) Pipe B	
(12) Oil seal	(32) Pipe A	
(13) Back-up washer	(33) Steering body	
(14) Ball bearing	(34) Oil seal	
(15) Snap ring	(35) Piston ring	
(16) Lock nut	(36) Rack	
(17) Adjusting screw	(37) Oil seal	
(18) Spring	(38) Holder	
(19) Sleeve	(39) O-ring	
(20) Adapter	(40) Bracket	

#### **Tightening torque: N·m (kgf·m, ft·lb)**

**T1: 3.9 (0.4, 2.9)**

**T2: 10 (1.0, 7.4)**

**T3: 15 (1.5, 11.1)**

**T4: 17 (1.7, 12.5)**

**T5: 20 (2.0, 14.8)**

**T6: 24 (2.4, 17.7)**

**T7: 25 (2.5, 18.4)**

**T8: 27 (2.8, 19.9)**

**T9: 37 (3.8, 27.3)**

**T10: 29 (3.0, 21.4)**

**T11: 60 (6.1, 44.3)**

**T12: 70 (7.1, 51.6)**

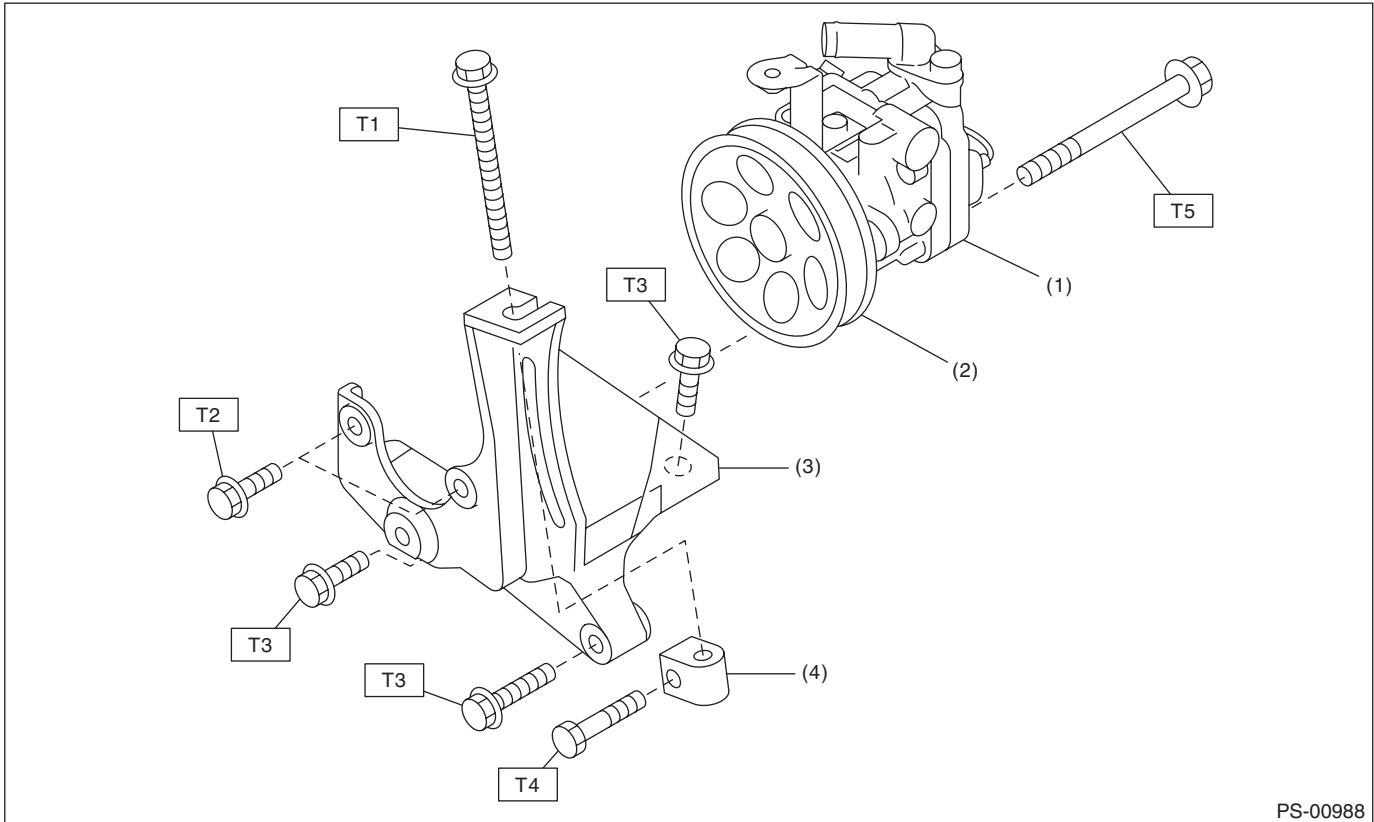
**T13: 85 (8.7, 62.7)**

**T14: 90 (9.2, 66.4)**

# General Description

## POWER ASSISTED SYSTEM (POWER STEERING)

### 3. OIL PUMP



- (1) Oil pump
- (2) Pulley
- (3) Bracket
- (4) Belt tension nut

**Tightening torque: N-m (kgf-m, ft-lb)**

**T1: 8 (0.8, 5.9)**

**T2: 16 (1.6, 11.8)**

**T3: 22 (2.2, 16.2)**

**T4: 25 (2.5, 18.4)**

**T5: 36 (3.7, 26.6) (non-turbo model)**

**48 (4.9, 35.4) (turbo model)**

### C: CAUTION

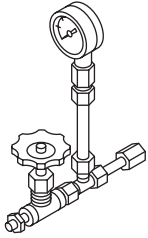
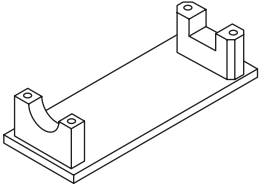
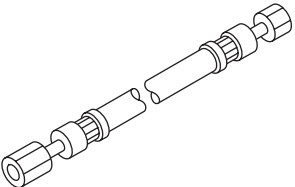
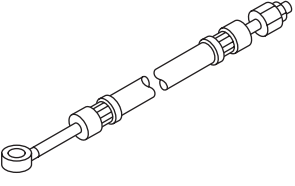
- Wear appropriate work clothing, including a cap, protective goggles and protective shoes when performing any work.
- Before removal, installation or disassembly, be sure to clarify the failure. Avoid unnecessary removal, installation, disassembly and replacement.
- Vehicle components are extremely hot after driving. Be wary of receiving burns from heated parts.
- Use SUBARU genuine power steering fluid, grease etc. or the equivalent. Do not mix fluid, grease etc. of different grades or manufacturers.
- Be sure to tighten fasteners including bolts and nuts to the specified torque.
- Place shop jacks or rigid racks at the specified points.
- Before securing a part on a vise, place cushioning material such as wooden blocks, aluminum plate or cloth between the part and the vise.

# General Description

POWER ASSISTED SYSTEM (POWER STEERING)

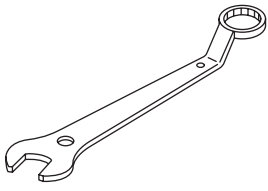
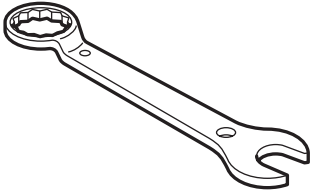
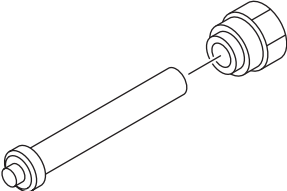
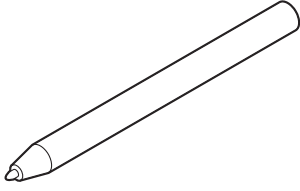
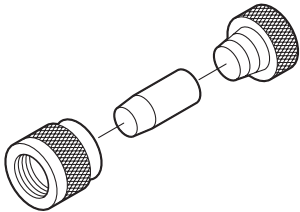
## D: PREPARATION TOOL

### 1. SPECIAL TOOL

ILLUSTRATION	TOOL NUMBER	DESCRIPTION	REMARKS
 ST-925711000	925711000	PRESSURE GAUGE	Used for measuring oil pressure.
 ST-926200000	926200000	STAND	<ul style="list-style-type: none"><li>• Used when inspecting characteristic of gear-box assembly and disassembling it.</li><li>• Used together with BOSS D (34199AG000).</li></ul>
 ST34099AC010	34099AC010	ADAPTER HOSE A	Used together with PRESSURE GAUGE (925711000).
 ST34099AC020	34099AC020	ADAPTER HOSE B	Used together with PRESSURE GAUGE (925711000).

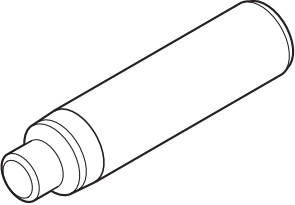
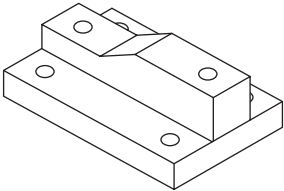
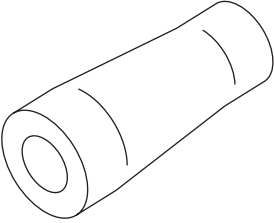
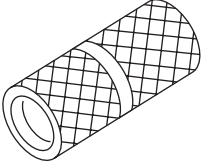
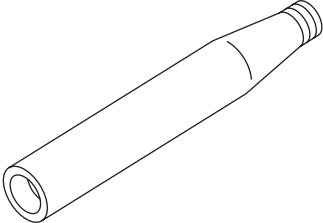
## General Description

### POWER ASSISTED SYSTEM (POWER STEERING)

ILLUSTRATION	TOOL NUMBER	DESCRIPTION	REMARKS
 <p style="text-align: center;">ST-926230000</p>	926230000	SPANNER	For the lock nut when adjusting backlash of gearbox.
 <p style="text-align: center;">ST34099PA100</p>	34099PA100	SPANNER	Used when measuring the rotating resistance of gearbox assembly.
 <p style="text-align: center;">ST-926420000</p>	926420000	PLUG	When fluid leaks from pinion side of gearbox assembly, remove pipe B from valve housing, attach this tool and check fluid leaking points.
 <p style="text-align: center;">ST34099FA060</p>	34099FA060	PUNCH HOLDER	Used for crimping.
 <p style="text-align: center;">ST34199FE040</p>	34199FE040	INSTALLER A, B, C	<ul style="list-style-type: none"> <li>• Used for installing the oil seal to the rack assembly.</li> <li>• INSTALLER A: 34199FE070</li> <li>• INSTALLER B: 34199FE080</li> <li>• INSTALLER C: 34199FE090</li> </ul>

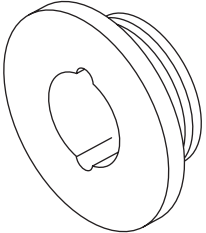
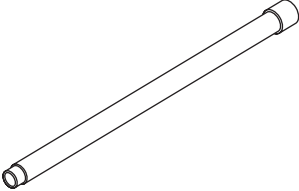
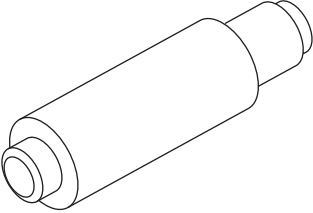
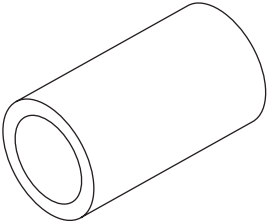
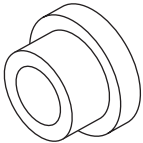
# General Description

## POWER ASSISTED SYSTEM (POWER STEERING)

ILLUSTRATION	TOOL NUMBER	DESCRIPTION	REMARKS
 <p>ST34199FE000</p>	34199FE000	INSTALLER & REMOVER	Used for removing and installing the rack oil seal (outer and inner).
 <p>ST34199AG000</p>	34199AG000	BOSS D	<ul style="list-style-type: none"> <li>• Used when inspecting characteristic of gear-box assembly and disassembling it.</li> <li>• Used together with STAND (926200000).</li> </ul>
 <p>ST34199AG040</p>	34199AG040	GUIDE	Used for installing seal ring of rack.
 <p>ST34199AG070</p>	34199AG070	FORMER	Used for forming seal ring of pinion.
 <p>ST34199AG020</p>	34199AG020	GUIDE	Used for installing seal ring of pinion.

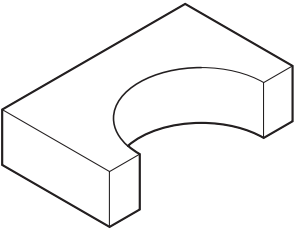
## General Description

### POWER ASSISTED SYSTEM (POWER STEERING)

ILLUSTRATION	TOOL NUMBER	DESCRIPTION	REMARKS
 <p style="text-align: center;">ST34199AG060</p>	34199AG060	GUIDE G (26)	<ul style="list-style-type: none"> <li>• Used for forming seal ring of rack.</li> <li>• Used together with FORMER PISTON (34199AG080).</li> </ul>
 <p style="text-align: center;">ST34099PA010</p>	34099PA010	OIL SEAL REMOVER	Used for removing oil seal.
 <p style="text-align: center;">ST34199AG090</p>	34199AG090	INSTALLER & REMOVER	<ul style="list-style-type: none"> <li>• Used for installing oil seal of valve housing.</li> <li>• Used together with SEAL INSTALLER (34099FA130).</li> <li>• Used for installing ball bearing of valve housing.</li> <li>• Used for removing oil seal and ball bearing from valve housing.</li> </ul>
 <p style="text-align: center;">ST34199AG080</p>	34199AG080	FORMER PISTON	<ul style="list-style-type: none"> <li>• Used for forming seal ring of rack.</li> <li>• Used together with GUIDE G (26) (34199AG060).</li> </ul>
 <p style="text-align: center;">ST34199AG010</p>	34199AG010	INSTALLER	Used for pressing-fit oil seal of gearbox cylinder.

# General Description

POWER ASSISTED SYSTEM (POWER STEERING)

ILLUSTRATION	TOOL NUMBER	DESCRIPTION	REMARKS
 <p data-bbox="326 520 467 539">ST34199FE020</p>	34199FE020	BASE	Used for crimping.



# Steering Wheel

## POWER ASSISTED SYSTEM (POWER STEERING)

### 2. Steering Wheel

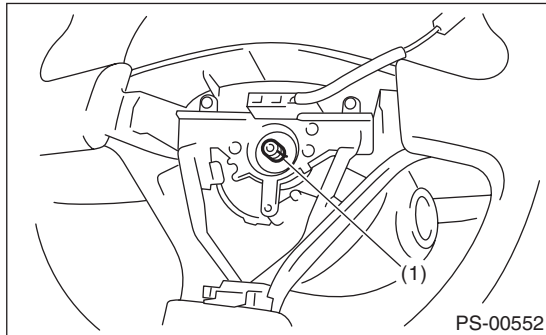
#### A: REMOVAL

- 1) Disconnect the ground cable from battery.
- 2) Set the tire to the straight-ahead position.
- 3) Remove the airbag module. <Ref. to AB-15, REMOVAL, Driver's Airbag Module.>

#### WARNING:

Always refer to "Airbag System" before performing service on the airbag modules. <Ref. to AB-5, CAUTION, General Description.>

- 4) Place alignment marks on the steering wheel and steering shaft.



(1) Alignment mark

- 5) Remove the steering wheel nut, and then draw out the steering wheel from shaft using steering puller.

#### B: INSTALLATION

#### WARNING:

Always refer to "Airbag System" before performing service on the airbag modules. <Ref. to AB-5, CAUTION, General Description.>

- 1) Align the center position of the roll connector. <Ref. to AB-26, ADJUSTMENT, Roll Connector.>
- 2) Install in the reverse order of removal.

#### NOTE:

Align the alignment marks on the steering wheel and steering shaft.

#### Tightening torque:

**39 N·m (4.0 kgf·m, 28.8 ft·lb)**

#### Column cover-to-steering wheel clearance:

**2 — 4 mm (0.08 — 0.16 in)**

#### CAUTION:

Insert the roll connector guide pin into the guide hole on the lower end of the steering wheel surface. Avoid damaging the pin.

#### C: INSPECTION

- 1) Check the steering wheel for deformation. If the deformation is excessive, replace the steering wheel.
- 2) Check the splines on the steering wheel for damage. If the damage is excessive, replace the steering wheel.

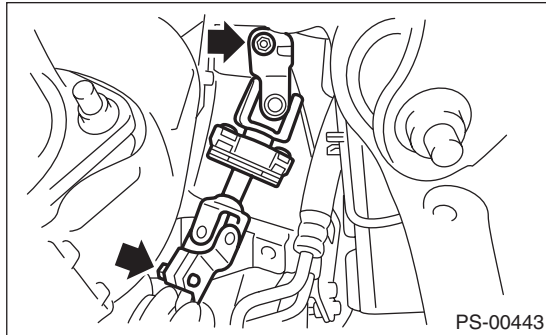
# Universal Joint

POWER ASSISTED SYSTEM (POWER STEERING)

## 3. Universal Joint

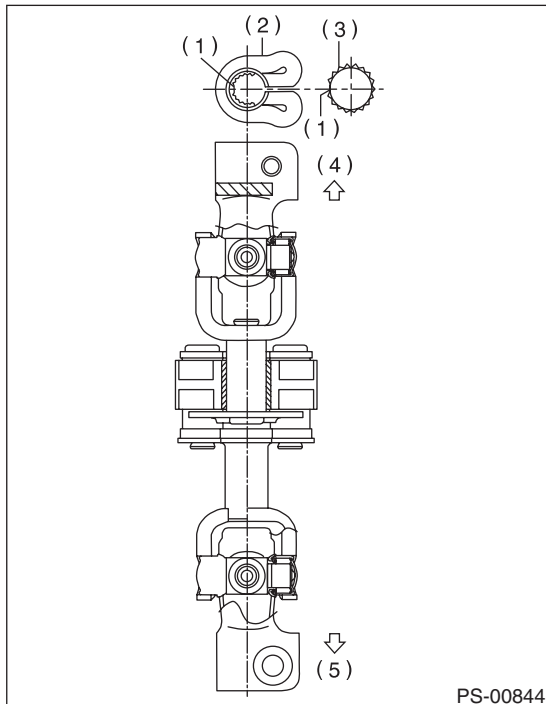
### A: REMOVAL

- 1) Remove the steering wheel. <Ref. to PS-12, REMOVAL, Steering Wheel.>
- 2) Place alignment marks on universal joint.
- 3) Remove the universal joint bolt and remove the universal joint.



### B: INSTALLATION

- 1) Align the cutout portion at serrated section of the column shaft and yoke, then install the universal joint into column shaft.



- (1) Cutout portion
- (2) Yoke
- (3) Column shaft
- (4) Column shaft side
- (5) Gearbox side

- 2) Install the universal joint to the serrations of gearbox assembly by matching alignment marks.

- 3) Tighten the bolts.

#### Tightening torque:

**24 N·m (2.4 kgf-m, 17.7 ft-lb)**

#### CAUTION:

**Excessively large tightening torque of universal joint bolts may lead to heavy steering wheel operation.**

#### Clearance between coupling of universal joint and turbo cover:

**15 mm (0.59 in) or more**

- 4) Align the center position of the roll connector. <Ref. to AB-26, ADJUSTMENT, Roll Connector.>
- 5) Install the steering wheel. <Ref. to PS-12, INSTALLATION, Steering Wheel.>

# Universal Joint

## POWER ASSISTED SYSTEM (POWER STEERING)

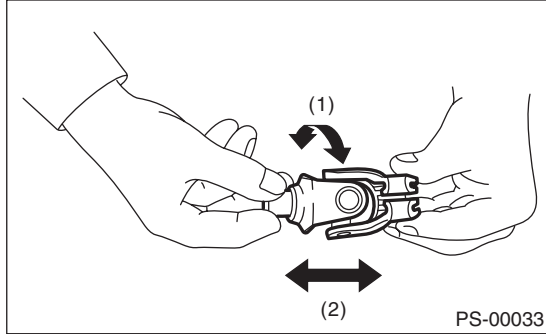
### C: INSPECTION

1) Check for wear, damage or any other faults. Replace as necessary

#### Service limit:

**Universal joint play: 0 mm (0 in)**

**Maximum swing torque: 0.3 N (0.03 kgf, 0.07 lbf)**

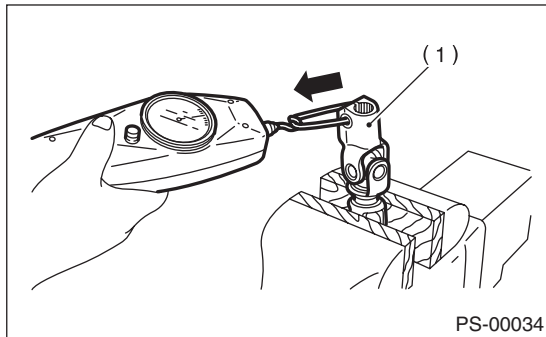


- (1) Swing torque
- (2) Play

2) Measure the swing torque of universal joint.

#### Service limit:

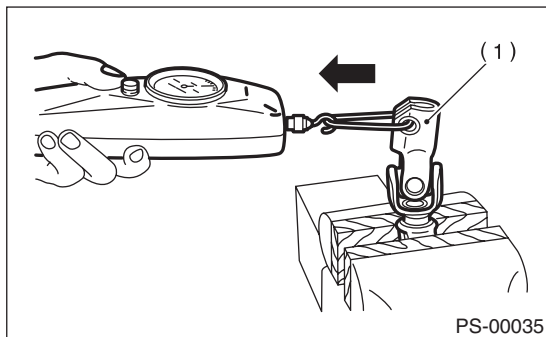
**Maximum load: 3.8 N (0.39 kgf, 0.86 lbf) or less**



- (1) Yoke (Gearbox side)

#### Service limit:

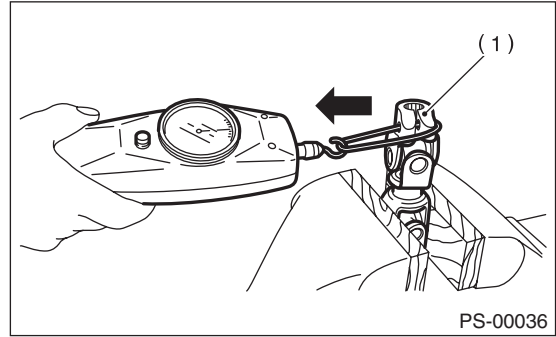
**Maximum load: 3.8 N (0.39 kgf, 0.86 lbf) or less**



- (1) Yoke (Gearbox side)

#### Service limit:

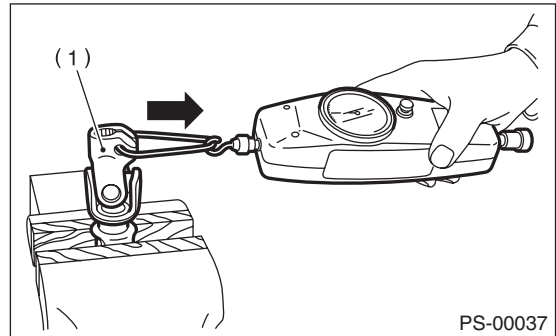
**Maximum load: 7.3 N (0.74 kgf, 1.64 lbf) or less**



- (1) Yoke (Steering column side)

#### Service limit:

**Maximum load: 7.3 N (0.74 kgf, 1.64 lbf) or less**



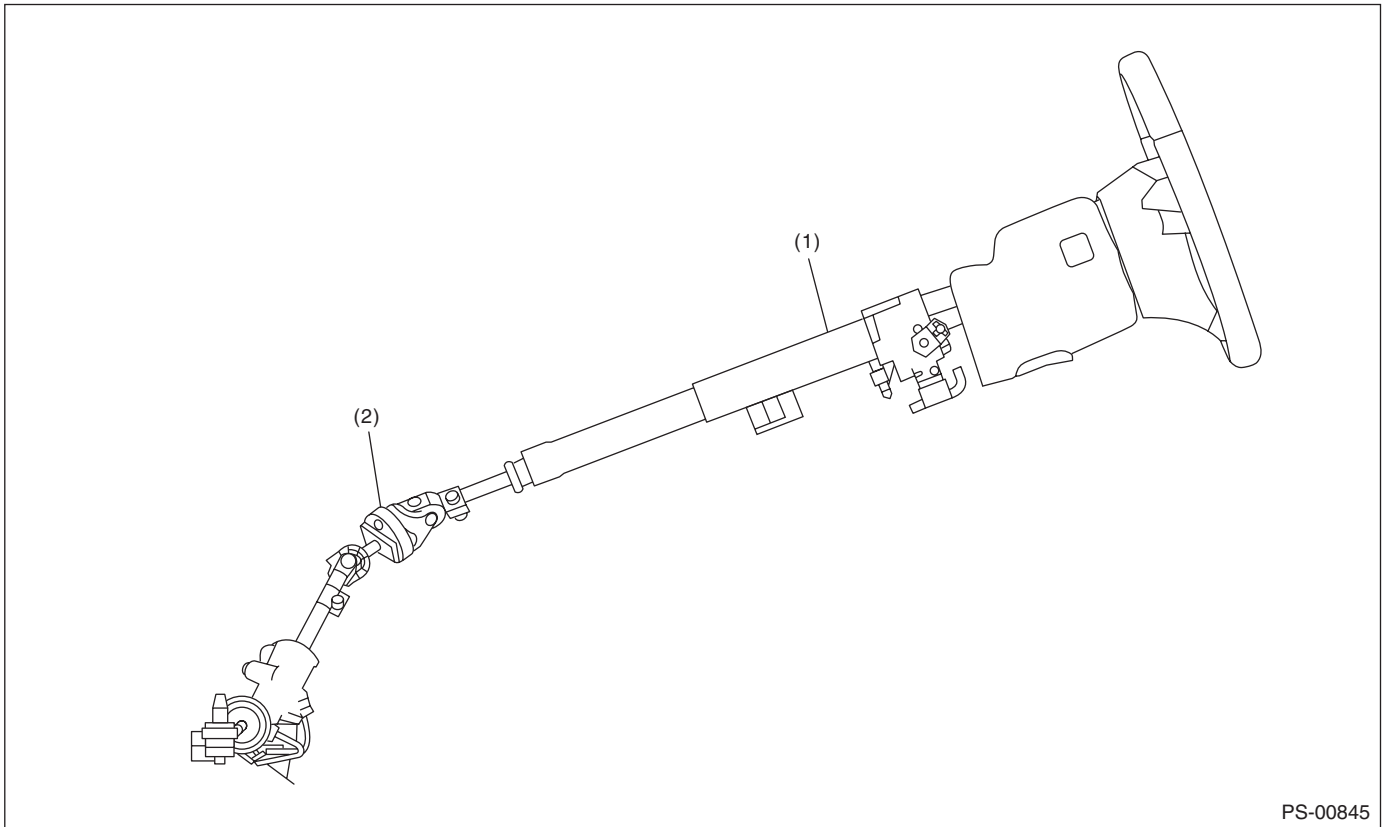
- (1) Yoke (Steering column side)

# Tilt Steering Column

POWER ASSISTED SYSTEM (POWER STEERING)

## 4. Tilt Steering Column

### A: REMOVAL



PS-00845

(1) Tilt steering column

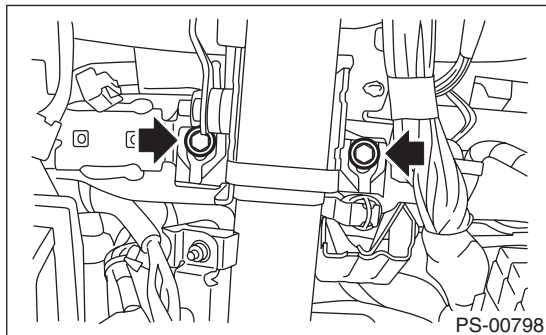
(2) Universal joint

- 1) Remove the steering wheel. <Ref. to PS-12, REMOVAL, Steering Wheel.>
- 2) Remove the universal joint. <Ref. to PS-13, REMOVAL, Universal Joint.>
- 3) Remove the instrument panel lower cover under.
- 4) Remove the instrument panel lower cover upper.
- 5) Remove all connectors from the steering column.
- 6) Remove the two bolts under instrument panel securing the steering column.

7) Pull out the steering shaft assembly from the hole on toe board.

#### CAUTION:

- Be sure to remove the universal joint before removing steering shaft assembly installing bolts when removing steering shaft assembly or when lowering it for servicing other parts.
- Do not loosen the tilt lever when the steering column is not secured to the vehicle.



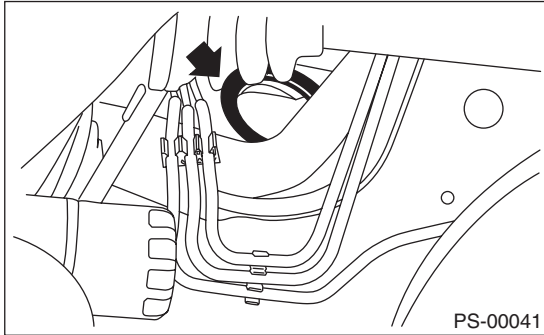
PS-00798

# Tilt Steering Column

POWER ASSISTED SYSTEM (POWER STEERING)

## B: INSTALLATION

1) Install the grommet to the toe board.



2) Insert the end of the steering shaft into the toe board grommet.

3) With the tilt lever secured, tighten the steering shaft mounting bolts under instrument panel.

### **Tightening torque:**

**25 N·m (2.5 kgf·m, 18.4 ft·lb)**

4) Connect all the connectors under the instrument panel.

5) Connect the airbag system connector at the harness spool.

### **NOTE:**

Make sure to apply double lock.

6) Install the instrument panel lower cover with tilt lever held in the lowered position.

7) Install the universal joint. <Ref. to PS-13, INSTALLATION, Universal Joint.>

8) Align the center position of the roll connector. <Ref. to AB-26, ADJUSTMENT, Roll Connector.>

9) Install the steering wheel. <Ref. to PS-12, INSTALLATION, Steering Wheel.>

### **CAUTION:**

**Insert the roll connector guide pin into the guide hole on lower end of steering wheel surface to prevent damage.**

## C: DISASSEMBLY

Remove the two screws securing the upper steering column covers, and the two screws securing the combination switch, and then remove related parts.

## D: ASSEMBLY

Insert the combination switch to the upper column shaft, and install the upper column cover. Then route the ignition key harness and combination switch harness between the column cover mounting bosses.

### **Tightening torque:**

**1.2 N·m (0.12 kgf·m, 0.9 ft·lb)**

### **CAUTION:**

**Do not overtorque the screw.**

## E: INSPECTION

### 1. BASIC INSPECTION

Measure the overall length of steering column. If not within specification, replace it.

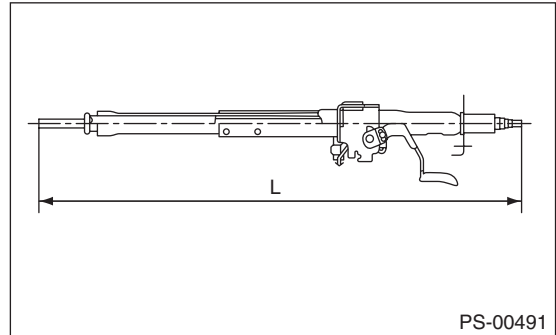
**Standard: Overall length L**

**Tilt column**

**$833.6^{+1.3}_{-0.3}$  mm ( $32.82^{+0.051}_{-0.012}$  in)**

**Tilt & telescopic column (measure while minimized)**

**$818.6^{+1.5}_{-1.5}$  mm ( $32.23^{+0.059}_{-0.059}$  in)**



### 2. INSPECTION OF AIRBAG SYSTEM

Refer to "Airbag System" for airbag inspection procedure. <Ref. to AB-15, INSPECTION, Driver's Airbag Module.>

# Steering Gearbox

POWER ASSISTED SYSTEM (POWER STEERING)

## 5. Steering Gearbox

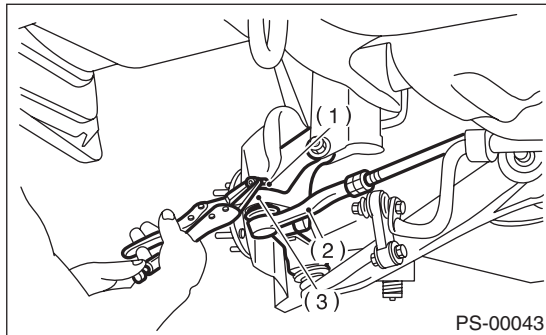
### A: REMOVAL

- 1) Set the vehicle on a lift.
- 2) Disconnect the ground cable from battery.
- 3) Loosen the front wheel nuts.
- 4) Lift up the vehicle, and remove the front wheels.
- 5) Remove the under cover. <Ref. to EI-26, REMOVAL, Front Under Cover.>
- 6) Remove the front exhaust pipe assembly. (Non-turbo model) <Ref. to EX(H4SO)-6, REMOVAL, Front Exhaust Pipe.>

#### WARNING:

**Be careful not to burn yourself because the exhaust pipe is hot.**

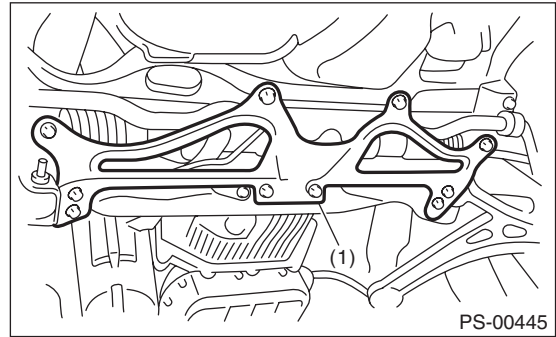
- 7) After pulling off the cotter pin and removing the castle nut, use a puller to remove the tie-rod end from the knuckle arm.



- (1) Castle nut
- (2) Tie-rod end
- (3) Knuckle arm

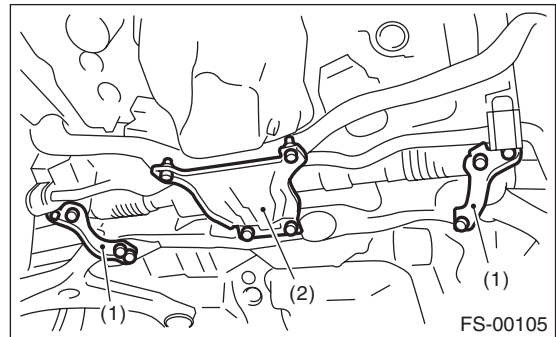
- 8) Remove the front crossmember support plate, jack-up plate and front stabilizer. <Ref. to FS-16, REMOVAL, Front Stabilizer.>

- Large type



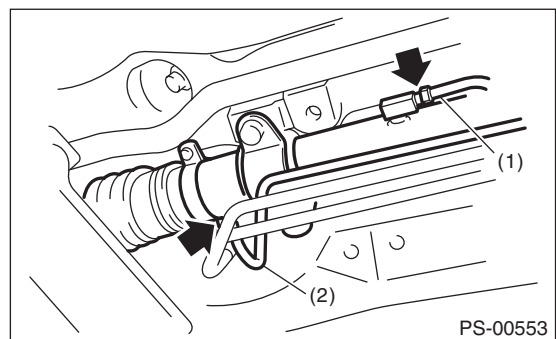
- (1) Front crossmember support plate

- Small type



- (1) Crossmember support plate
- (2) Jack-up plate

- 9) Remove the one pipe joint at the center of the gearbox, and connect the vinyl hose to the pipe and the joint. Discharge the fluid by turning the steering wheel fully clockwise and counterclockwise. Discharge the fluid similarly from other pipes.



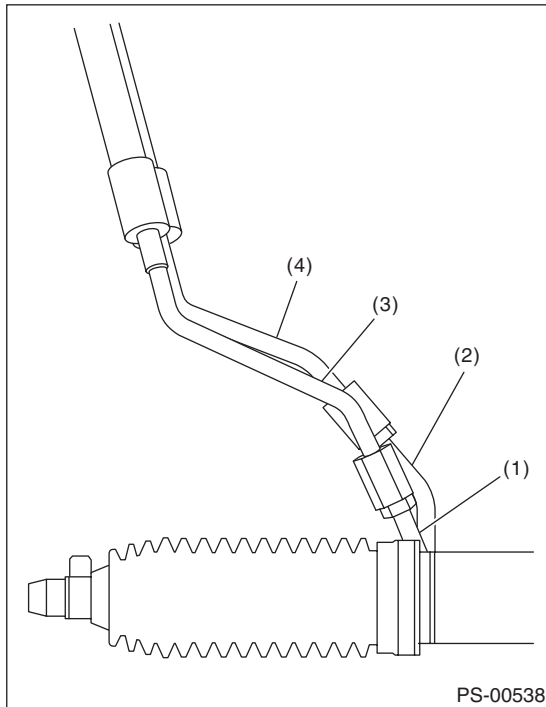
- (1) Pipe A
- (2) Pipe B

- 10) Remove the universal joint. <Ref. to PS-13, REMOVAL, Universal Joint.>

# Steering Gearbox

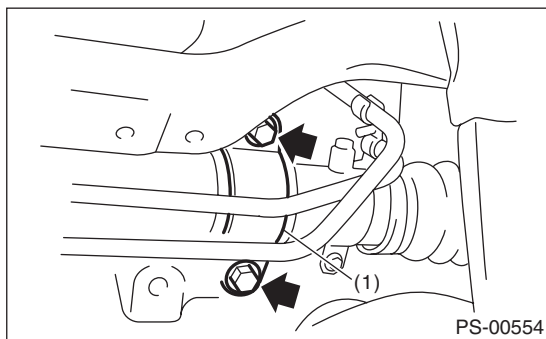
## POWER ASSISTED SYSTEM (POWER STEERING)

11) Disconnect the pipe C from pressure hose first, then disconnect pipe D from the return hose.



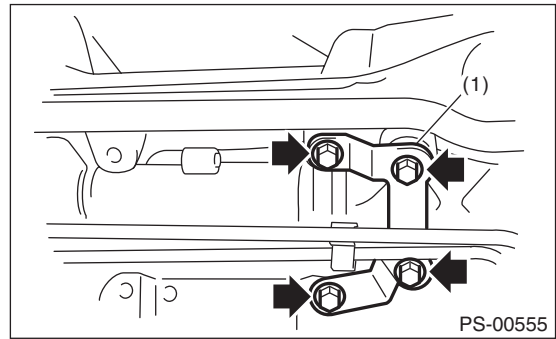
- (1) Pipe C
- (2) Pipe D
- (3) Pressure hose
- (4) Return hose

12) Remove the clamp bolts securing the gearbox to the crossmember, and remove the clamp.



- (1) Clamp

13) Remove the bolts which secure the gearbox bracket, and remove the bracket and gearbox.

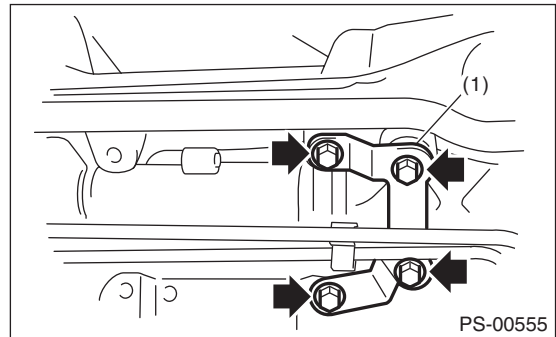


- (1) Bracket

## B: INSTALLATION

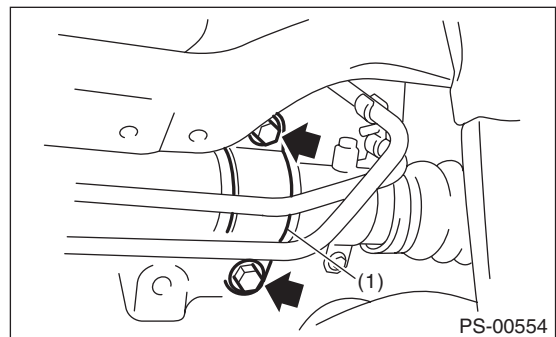
1) Insert the gearbox into crossmember, being careful not to damage gearbox boot.

2) Install the gearbox and bracket. Temporarily tighten the bolts.



- (1) Bracket

3) Insert bolts through the clamp to temporarily tighten the gearbox to the crossmember bracket.



- (1) Clamp

4) Tighten the bolts temporarily holding the gearbox clamp and bracket together to the specified torque.

**Tightening torque:**

**60 N-m (6.1 kgf-m, 44.3 ft-lb)**



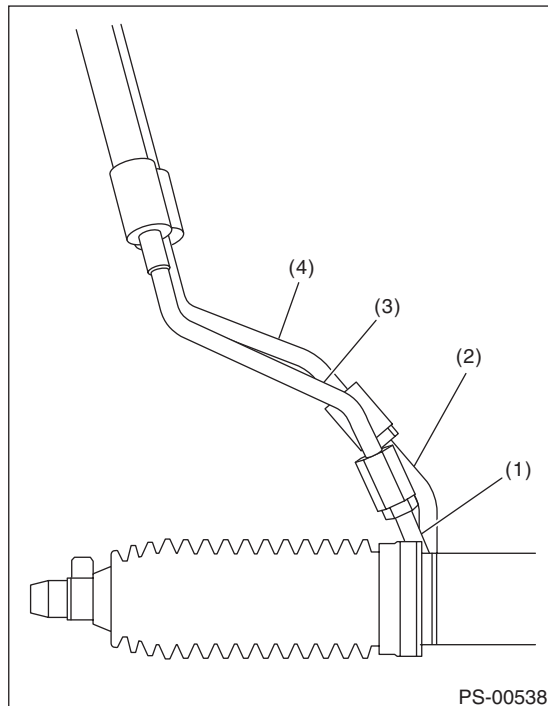
# Steering Gearbox

## POWER ASSISTED SYSTEM (POWER STEERING)

5) Connect pipe D to the return hose, then connect pipe C to the pressure hose.

### **Tightening torque:**

**15 N·m (1.5 kgf-m, 11.1 ft-lb)**



- (1) Pipe C
- (2) Pipe D
- (3) Pressure hose
- (4) Return hose

6) Install the universal joint. <Ref. to PS-13, INSTALLATION, Universal Joint.>

7) Connect the tie-rod end and knuckle arm, and tighten with castle nut.

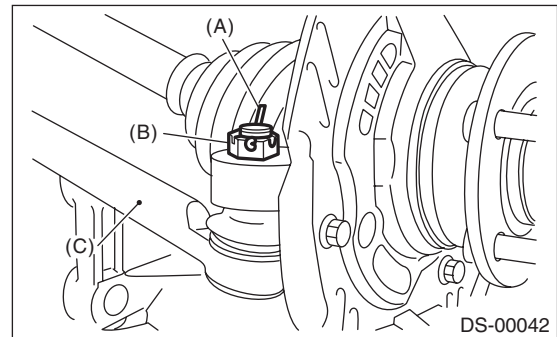
### **Castle nut tightening torque:**

**27 N·m (2.8 kgf-m, 19.9 ft-lb)**

### **CAUTION:**

**When connecting, do not hit the cap at the bottom of tie-rod end with hammer.**

8) After tightening the castle nut to the specified tightening torque, tighten it further within 60° until the cotter pin hole is aligned with slot in the nut. Fit the cotter pin into the nut, and then bend the pin to lock.



- (A) Cotter pin
- (B) Castle nut
- (C) Tie-rod end

9) Install the front stabilizer. <Ref. to FS-16, INSTALLATION, Front Stabilizer.>

10) Install the front crossmember support plate and jack-up plate.

11) Install the front exhaust pipe assembly. (Non-turbo model) <Ref. to EX(H4SO)-7, INSTALLATION, Front Exhaust Pipe.>

12) Install the under cover. <Ref. to EI-26, INSTALLATION, Front Under Cover.>

13) Install the front wheels.

14) Tighten the wheel nuts to the specified torque.

### **Tightening torque:**

**100 N·m (10.2 kgf-m, 73.8 ft-lb)**

15) Lower the vehicle.

16) Remove the steering wheel. <Ref. to PS-12, REMOVAL, Steering Wheel.>

17) Align the center position of the roll connector. <Ref. to AB-26, ADJUSTMENT, Roll Connector.>

18) Install the steering wheel. <Ref. to PS-12, INSTALLATION, Steering Wheel.>

19) Connect the ground cable to battery.

20) Pour fluid into the oil tank, and bleed air. <Ref. to PS-50, Power Steering Fluid.>

21) Check for fluid leaks.

22) Check the fluid level in oil tank.



# Steering Gearbox

## POWER ASSISTED SYSTEM (POWER STEERING)

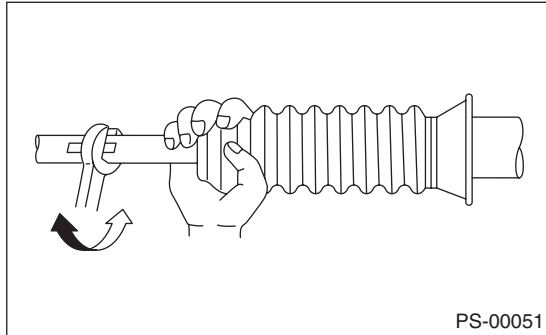
23) After adjusting toe-in and steering angle, tighten the lock nut on tie-rod end.

### Tightening torque:

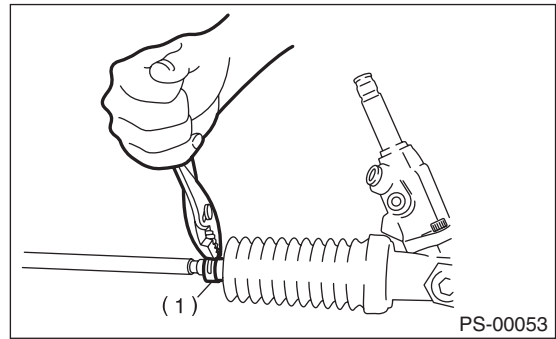
**85 N-m (8.7 kgf-m, 62.7 ft-lb)**

### NOTE:

When adjusting toe-in, hold the boot as shown to prevent it from being rotated or twisted. If it becomes twisted, straighten it.



4) Remove the small clip from the boot using pliers, and then move the boot to tie-rod end side.

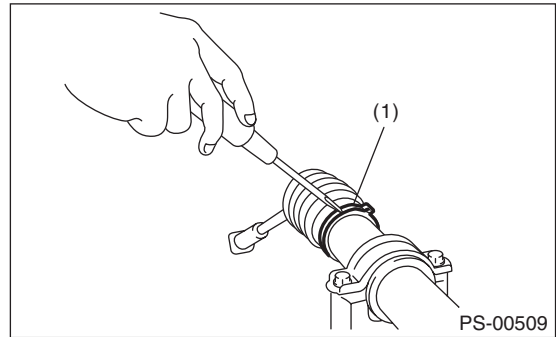


(1) Clip

5) Using a flat tip screwdriver, remove the band from boot.

### NOTE:

Replace the boot if there is damage, cracks or deterioration.



(1) Band

## C: DISASSEMBLY

### 1. RACK HOUSING ASSEMBLY

1) Disconnect the four pipes from gearbox.

### NOTE:

Remove the pipes C and D, which are fixed to clamp plate, as a unit.

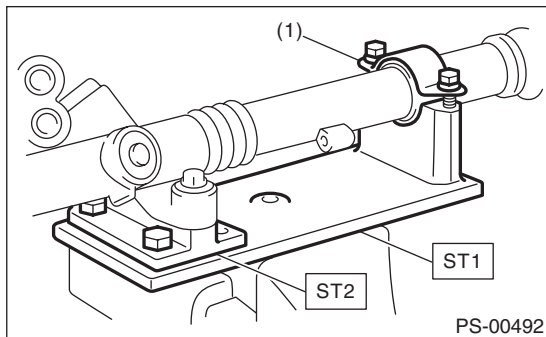
2) Secure the gearbox removed from vehicle in a vise using ST.

ST1 926200000 STAND

ST2 34199AG000 BOSS D

### CAUTION:

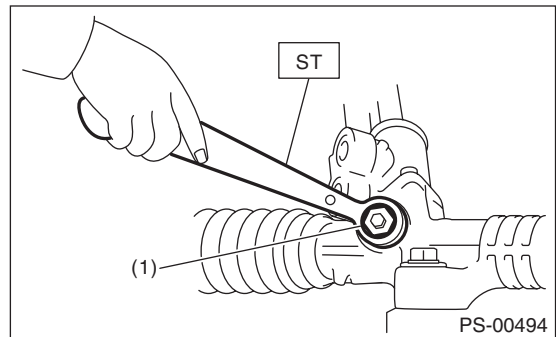
**Secure the gearbox in a vise using ST as shown in the figure. Do not secure the gearbox without this ST.**



(1) Clamp

6) Using the ST, loosen the lock nut.

ST 926230000 SPANNER



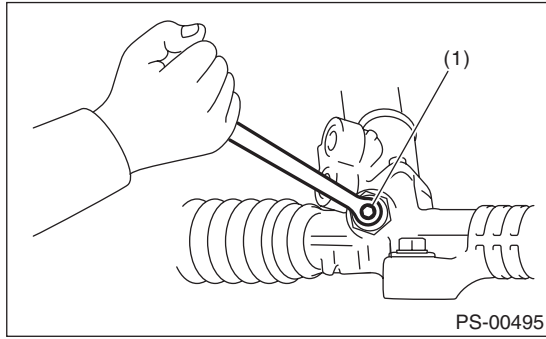
(1) Lock nut

3) Remove the tie-rod end and lock nut from gearbox.

# Steering Gearbox

POWER ASSISTED SYSTEM (POWER STEERING)

7) Tighten the adjusting screw until it can no longer be tightened.

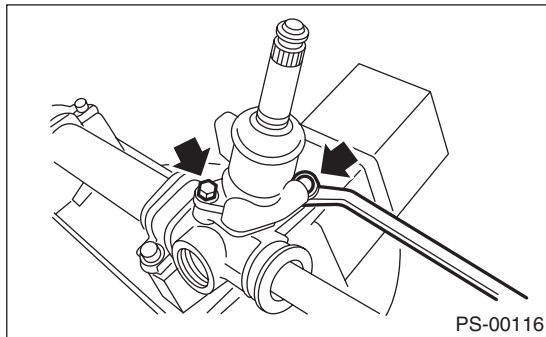


(1) Adjusting screw

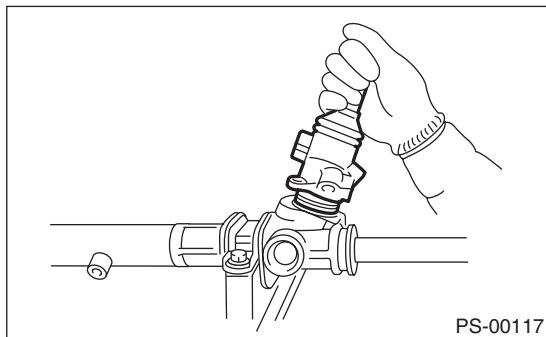
8) Remove the tie-rod.

9) Loosen the adjusting screw, and remove the spring and sleeve.

10) Remove the two bolts securing valve assembly.



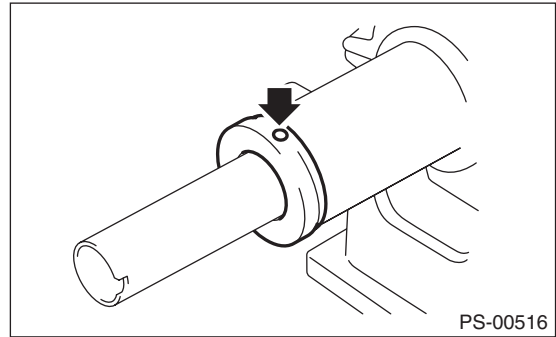
11) Carefully draw out the input shaft and remove the valve assembly.



12) Using a drill, release the crimping of holder.

### CAUTION:

Make a hole of 2 mm (0.08 in) depth using a drill with 3 mm (0.12 in) diameter.



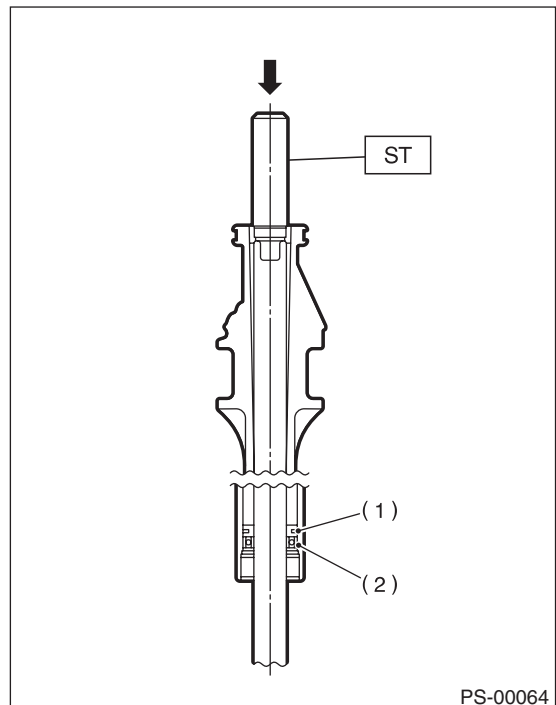
13) Remove the holder.

14) Attach the ST to the pinion housing side of the rack, and push out the rack together with the outer side oil seal.

ST 34199FE00 INSTALLER & REMOVER

### NOTE:

Block the pipe connection of steering body to prevent fluid from flowing out.



(1) Rack piston

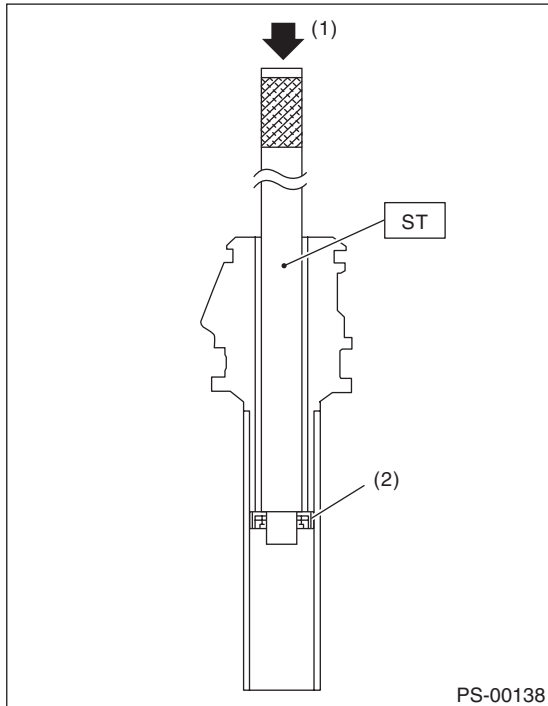
(2) Outer side oil seal

# Steering Gearbox

## POWER ASSISTED SYSTEM (POWER STEERING)

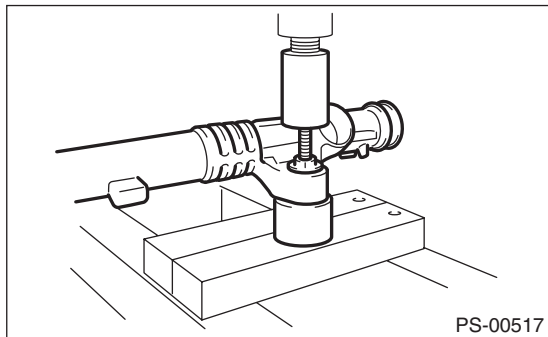
15) Insert the ST from pinion housing side and remove the oil seal using a press.

ST 34099PA010 OIL SEAL REMOVER



- (1) Press
- (2) Oil seal

16) Using a press, remove the bushing of gearbox installation portion.



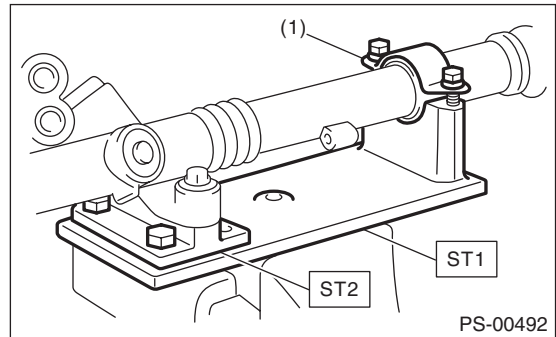
## 2. CONTROL VALVE

- 1) Disconnect the pipes A and B from gearbox.
- 2) Secure the gearbox removed from vehicle in a vise using ST.

ST1 926200000 STAND  
ST2 34199AG000 BOSS D

### CAUTION:

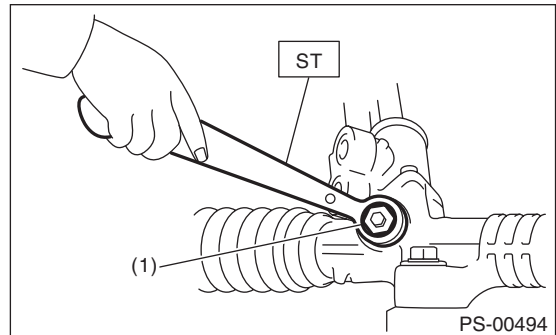
Secure the gearbox in a vise using ST as shown in the figure. Do not secure the gearbox without this ST.



- (1) Clamp

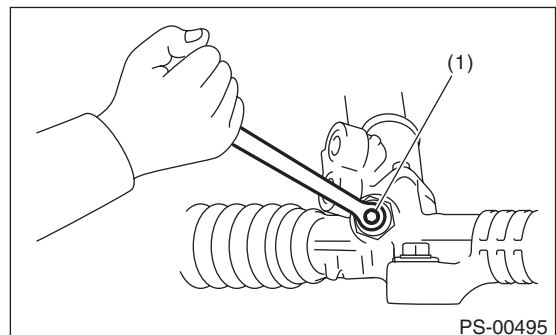
3) Using the ST, loosen the lock nut.

ST 926230000 SPANNER



- (1) Lock nut

4) Tighten the adjusting screw until it can no longer be tightened.



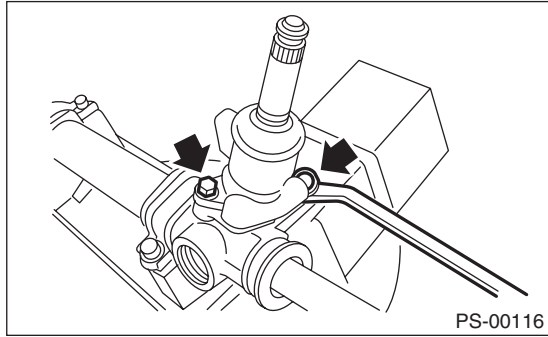
- (1) Adjusting screw

5) Loosen the adjusting screw, and remove the spring and sleeve.

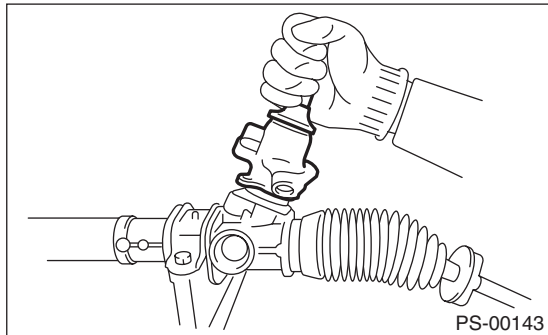
# Steering Gearbox

POWER ASSISTED SYSTEM (POWER STEERING)

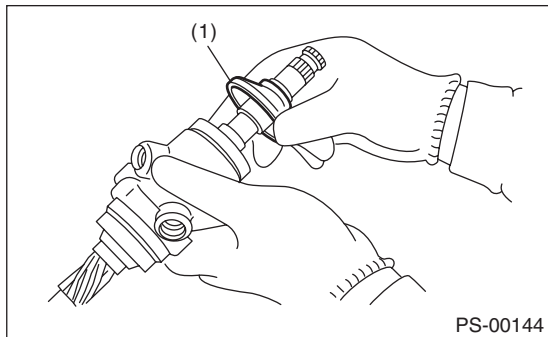
6) Remove the two bolts securing valve assembly.



7) Carefully draw out the input shaft and remove the valve assembly.

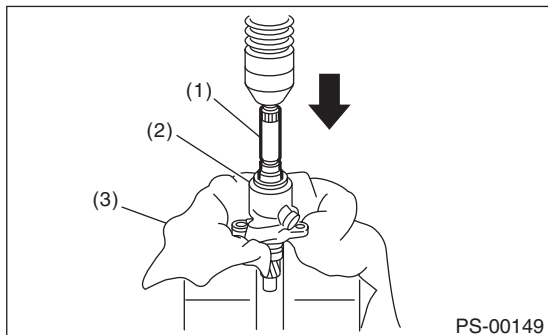


8) Put a vinyl tape around the spline portion, and slide the dust cover to remove.



(1) Dust cover

9) Using a press, remove the pinion & valve assembly from valve housing.



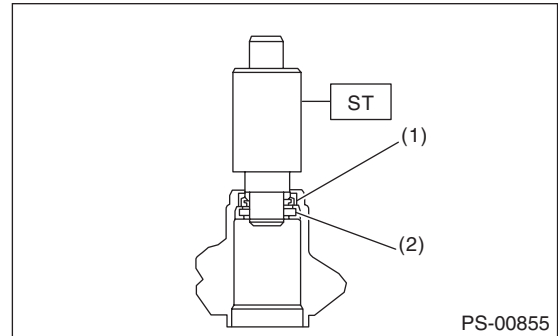
(1) Pinion & valve ASSY  
(2) Valve housing  
(3) Cloth

10) Using the ST and a press, remove the bushing and oil seal from the valve housing.

ST 34199AG090 INSTALLER & REMOVER

**CAUTION:**

- Do not apply a force to the end surface of valve housing.
- Do not reuse the oil seal after removal.

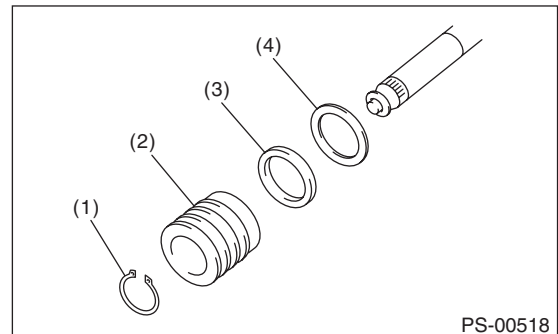


(1) Oil seal  
(2) Bushing

11) Using a snap ring pliers, remove the snap ring, valve, oil seal and back-up washer.

**CAUTION:**

**Be careful not to scratch the pinion and valve assembly.**



(1) Snap ring  
(2) Valve  
(3) Oil seal  
(4) Back-up ring

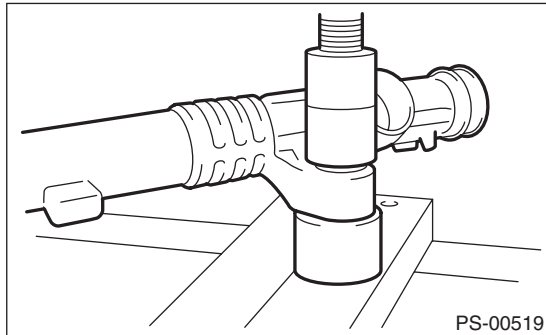
# Steering Gearbox

## POWER ASSISTED SYSTEM (POWER STEERING)

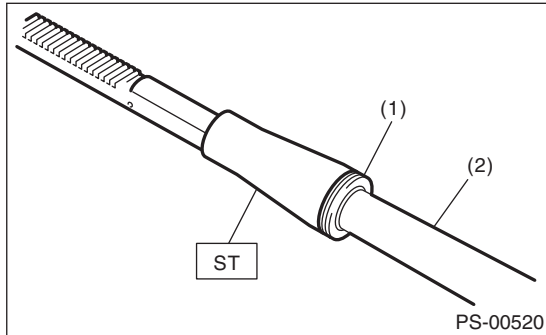
### D: ASSEMBLY

#### 1. RACK HOUSING ASSEMBLY

1) Using a press, install the bushing to gearbox installation portion.



2) Insert the ST to rack.  
ST 34199AG040 GUIDE



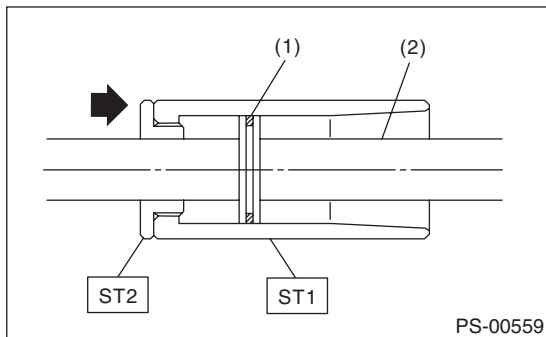
- (1) Seal ring
- (2) Rack

3) Install the seal ring to piston portion of rack.

4) Using the ST, form the seal ring properly.

ST1 34199AG080 FORMER PISTON

ST2 34199AG060 GUIDE G (26)



- (1) Seal ring
- (2) Rack

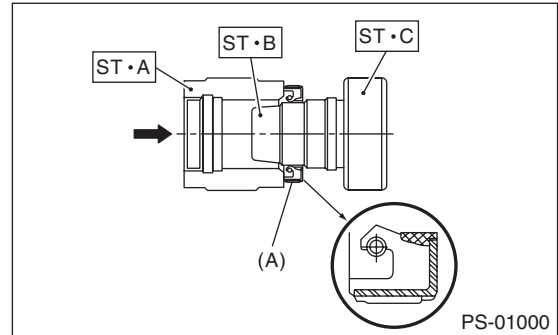
5) Using the ST A and ST B, attach the oil seal to ST C.

ST 34199FE040 INSTALLER A, B, C

- INSTALLER A: 34199FE070
- INSTALLER B: 34199FE080
- INSTALLER C: 34199FE090

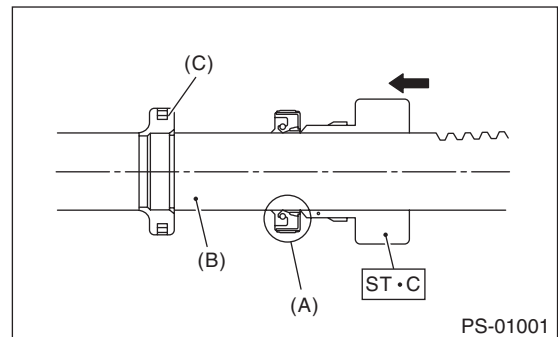
NOTE:

Face the oil seal in the direction as shown in the figure.



- (A) Oil seal

6) Insert the ST C with oil seal assembled from the gear side of rack. Remove the oil seal from ST C near piston, and then remove the ST C from rack.

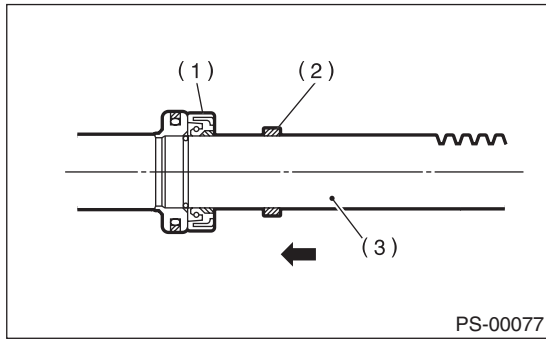


- (A) Oil seal
- (B) Rack
- (C) Piston

# Steering Gearbox

POWER ASSISTED SYSTEM (POWER STEERING)

7) Install the back-up washer from the gear side of rack.



- (1) Oil seal
- (2) Back-up washer
- (3) Rack

8) Check the threaded end of holder and gearbox cylinder end for burrs, damage, etc. Correct if faulty.

9) Apply a coat of grease to the grooves in rack, sliding surface of sleeve and sealing surface of piston. Then insert the rack into steering body from cylinder side.

10) Temporarily tighten a new holder to the gearbox cylinder.

11) Put a mark at the specified position measured from the end surface of ST, as shown in the figure.

**Specified position:**

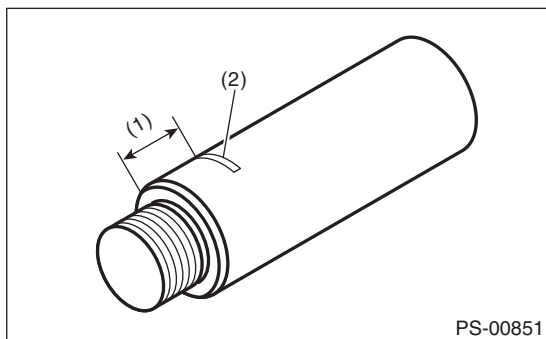
**Except for WRX-SS:**

**12.7 mm (0.5 in)**

**WRX-SS:**

**13.5 mm (0.53 in)**

ST 34199FE000 INSTALLER & REMOVER

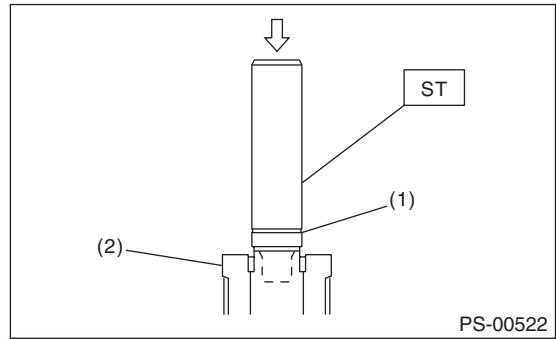


- (1) 12.7 mm (0.5 in) or 13.5 mm (0.53 in)
- (2) Put a mark.

12) Set the ST to the end of rack.

ST 34199FE000 INSTALLER & REMOVER

13) Using a press, press-fit until the mark on the ST is aligned with the end surface of the holder.



- (1) Mark
- (2) Holder

14) Remove the ST and holder.

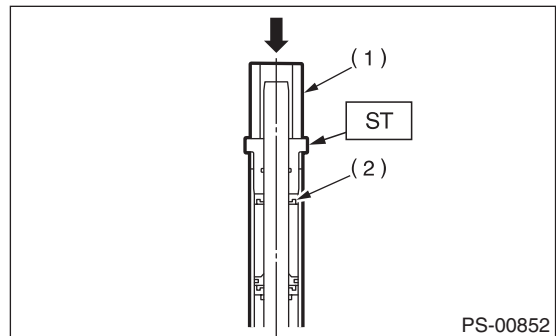
15) Insert the outer side oil seal into the rack using the same procedure as steps 5) and 6).

ST 34199FE040 INSTALLER A, B, C

- INSTALLER A: 34199FE070
- INSTALLER B: 34199FE080
- INSTALLER C: 34199FE090

16) Put the ST and pipe through the rack, and press-fit the outer side oil seal using a press.

ST 34199AG010 INSTALLER

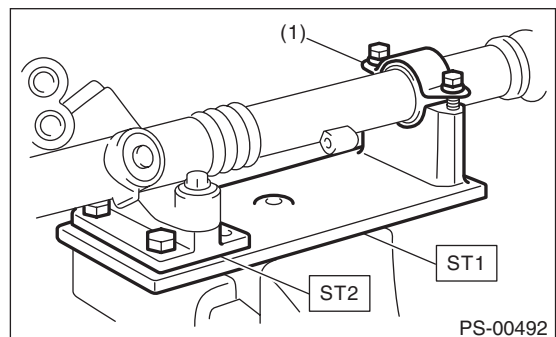


- (1) Pipe
- (2) Outer side oil seal

17) Secure the gearbox in a vise using ST.

ST1 926200000 STAND

ST2 34199AG000 BOSS D



- (1) Clamp

# Steering Gearbox

## POWER ASSISTED SYSTEM (POWER STEERING)

18) Tighten the holder.

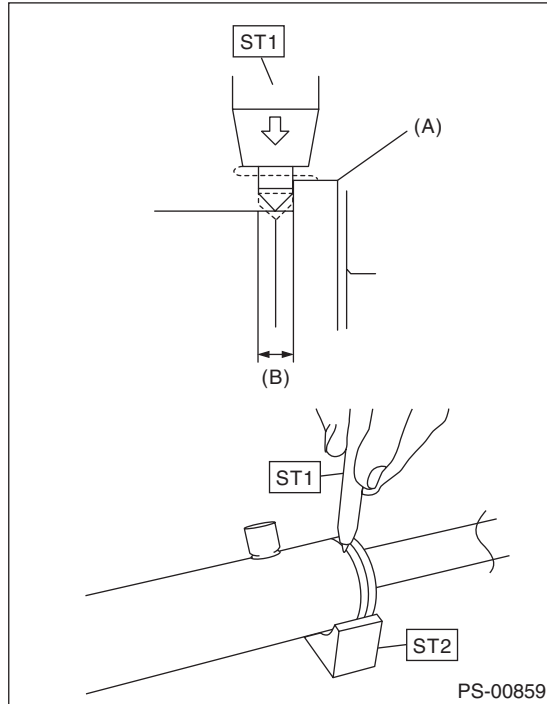
### Tightening torque:

**70 N·m (7.1 kgf·m, 51.6 ft·lb)**

19) Using the ST, crimp so that the diameter of punch hole is 2 — 2.5 mm (0.08 — 0.10 in) and is aligned to the position of 2 mm (0.08 in) from gearbox cylinder end surface.

ST1 34099FA060 PUNCH HOLDER

ST2 34199FE020 BASE



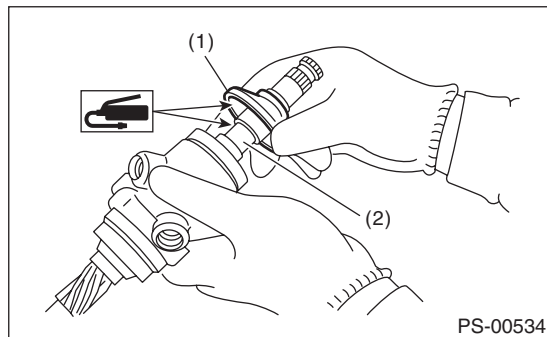
(A) Holder

(B) 2 mm (0.08 in)

20) Put a vinyl tape around the spline portion and apply genuine grease to the dust cover and install to valve assembly.

### CAUTION:

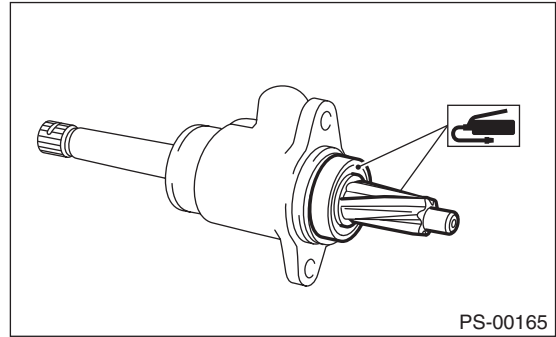
**Be sure to install the dust cover to groove of shaft.**



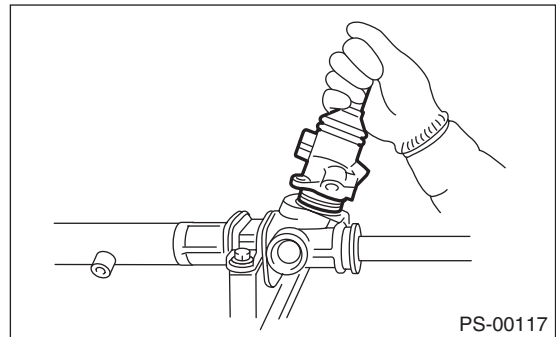
(1) Dust cover

(2) Groove

21) Apply the genuine grease to the pinion gear and bearing of valve assembly.



22) Install a new gasket on valve assembly. Insert the valve assembly into place while facing the rack teeth toward pinion.



23) Tighten the bolts alternately to secure the valve assembly.

### Tightening torque:

**20 N·m (2.0 kgf·m, 14.8 ft·lb)**

### CAUTION:

**Be sure to alternately tighten the bolts.**

24) Temporarily install the tie-rod to rack end, and then operate the rack from lock to lock for two or three times to make it fit in.

### CAUTION:

**Operating the rack from lock to lock without installing tie-rods may damage the oil seal. Always install the left and right tie-rods.**

25) Apply liquid gasket to 1/3 or more of entire perimeter of adjusting screw thread.

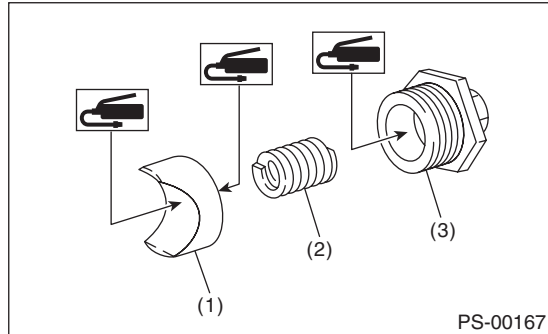
### Liquid gasket:

**THREE BOND 1141**

# Steering Gearbox

POWER ASSISTED SYSTEM (POWER STEERING)

26) Apply a coat of grease to the sliding surface of sleeve and seating surface of spring, and then insert the sleeve into steering body.  
Charge the adjusting screw with grease, and then insert the spring into adjusting screw. Then install on the steering body.



- (1) Sleeve
- (2) Spring
- (3) Adjusting screw

27) Tighten the adjusting screw to the specified torque, then loosen it.

**Tightening torque:**

**25 N·m (2.5 kgf·m, 18.4 ft·lb)**

28) Tighten the adjusting screw to the specified torque, then loosen it within 20°.

**Tightening torque:**

**3.9 N·m (0.4 kgf·m, 2.9 ft·lb)**

29) Remove the tie-rod.

30) Adjust the turning resistance of gearbox so that it is within specification using adjusting screw.  
<Ref. to PS-34, TURNING RESISTANCE OF GEARBOX, INSPECTION, Steering Gearbox.>

31) Apply liquid gasket to lock nut and install it into adjusting screw. While holding the adjusting screw with wrench, tighten the lock nut using ST.

**Liquid gasket:**

**THREE BOND 1141**

ST 926230000 SPANNER

**Tightening torque (lock nut):**

**25 N·m (2.5 kgf·m, 18.4 ft·lb)**

**NOTE:**

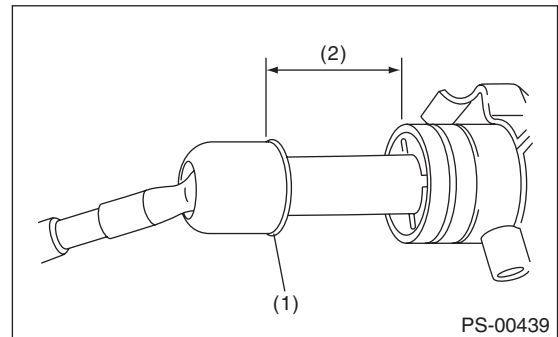
Hold the adjusting screw with a wrench to prevent it from turning while tightening lock nut.

32) Extend the rack approx. 40 mm (1.57 in) from steering body.

33) Install the tie-rod and new lock washer into rack.

**Tightening torque:**

**90 N·m (9.2 kgf·m, 66.4 ft·lb)**

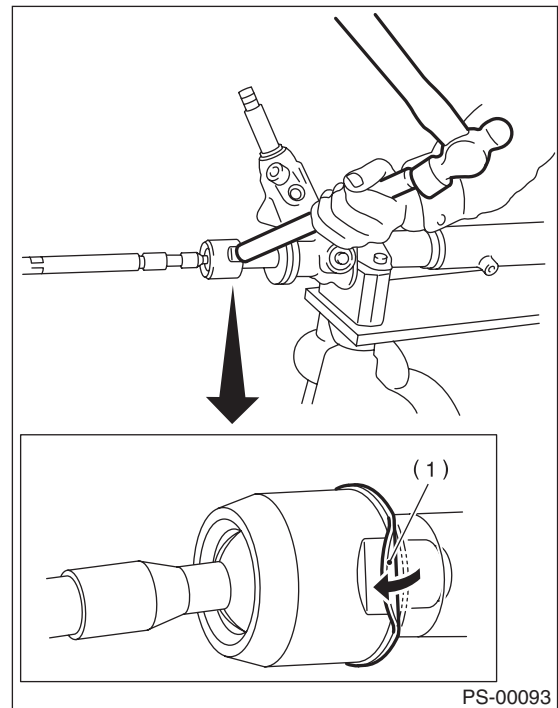


- (1) Lock washer
- (2) Approx. 40 mm (1.57 in)

34) Bend the lock washer and crimp it.

**CAUTION:**

**Be careful not to scratch the rack when crimping lock washer.**



- (1) Lock washer



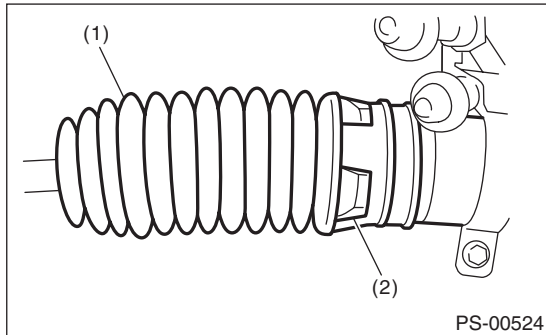
# Steering Gearbox

## POWER ASSISTED SYSTEM (POWER STEERING)

35) Apply a coat of grease to the tie-rod groove, and then install the boot to the housing.

### CAUTION:

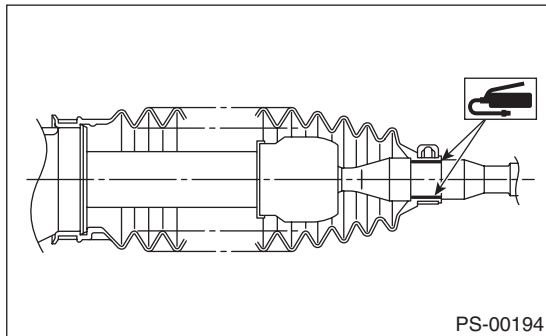
Right side boot has groove for identification, be sure to install the right and left of boot.



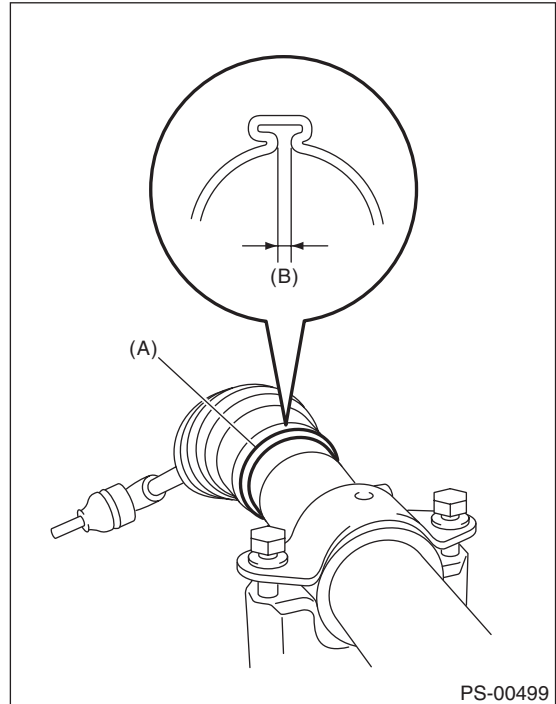
- (1) Right side boot
- (2) Groove for identification

### NOTE:

Make sure that the boot is installed without unusual inflation or deflation.

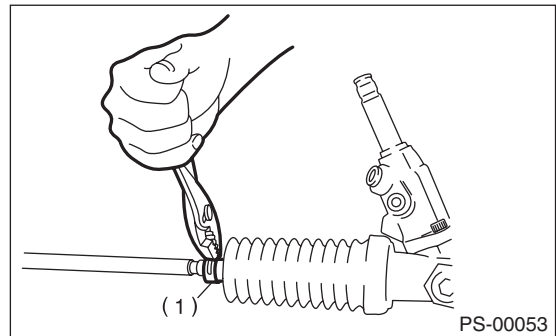


36) Install a new boot band. Using band clamp pliers, crimp it so that the clearance of crimping portion becomes 2 mm (0.079 in) or less.



- (A) Boot band
- (B) 2 mm (0.079 in) or less

37) Fix the boot end with small clip.



- (1) Clip

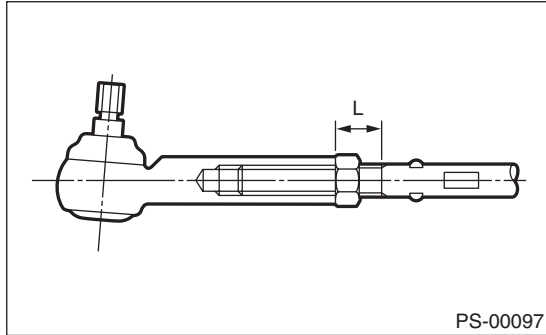
38) After installing, check that the boot end is installed to the groove of the tie-rod.

# Steering Gearbox

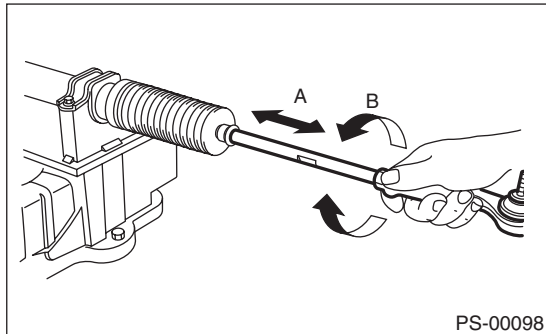
## POWER ASSISTED SYSTEM (POWER STEERING)

39) If the tie-rod end has been removed, screw in lock nut and tie-rod end to the screwed portion of tie-rod, and tighten the lock nut temporarily in a position as shown in the figure.

**Installed tie-rod length L:**  
**29 mm (1.14 in)**



40) Inspect the gearbox as follows:  
“A” Holding the tie-rod end, repeat lock to lock several times as quickly as possible.  
“B” Holding the tie-rod end, turn it slowly at a radius several times as large as possible.  
Finally, make sure that the boot is installed in the specified position without inflating.



41) Remove the gearbox from ST.  
ST1 926200000 STAND  
ST2 34199AG000 BOSS D

42) Install the four pipes on gearbox.  
(1) Connect the pipes A and B to the four pipe joints of gearbox.

**Tightening torque:**

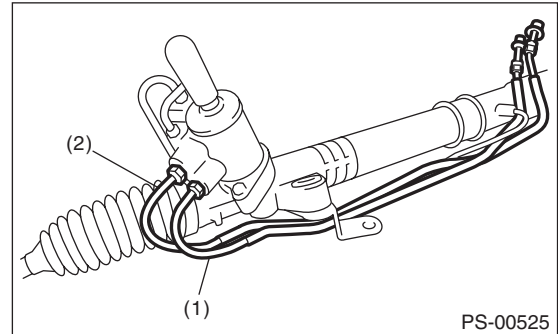
**Refer to the component parts. <Ref. to PS-4, POWER ASSISTED SYSTEM, COMPONENT, General Description.>**

(2) Connect the pipes C and D to gearbox.

**Tightening torque:**

**Pipe C: 37 N·m (3.8 kgf-m, 27.3 ft-lb)**

**Pipe D: 29 N·m (3.0 kgf-m, 21.4 ft-lb)**



(1) Pipe D

(2) Pipe C

# Steering Gearbox

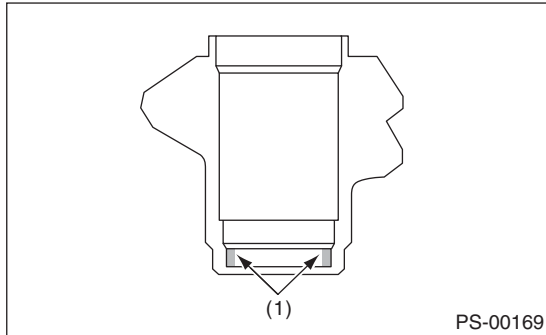
## POWER ASSISTED SYSTEM (POWER STEERING)

### 2. CONTROL VALVE ASSEMBLY

#### Specified steering grease:

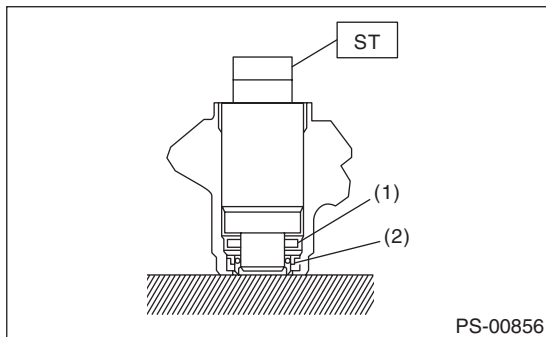
**VALIANT GREASE M2 (Part No. 003608001)**

- 1) Clean all parts and tools before reassembling.
- 2) Apply a coat of specified power steering fluid to the inner wall of valve housing.



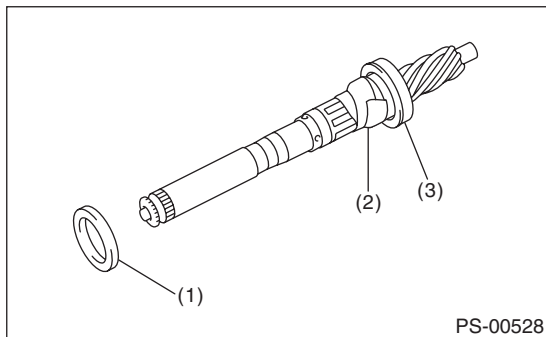
- (1) Apply fluid.

- 3) Apply grease to the oil seal.
- 4) Verify the direction of oil seal.
- 5) Using the ST and a press, install the oil seal and the bushing in valve housing.  
ST 34199AG090 INSTALLER & REMOVER



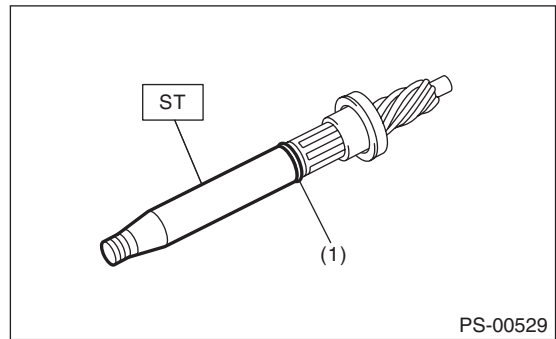
- (1) Bushing
- (2) Oil seal

- 6) Apply vinyl tape to the groove of pinion.
- 7) Install the back-up ring and oil seal to pinion, and then remove the vinyl tape.



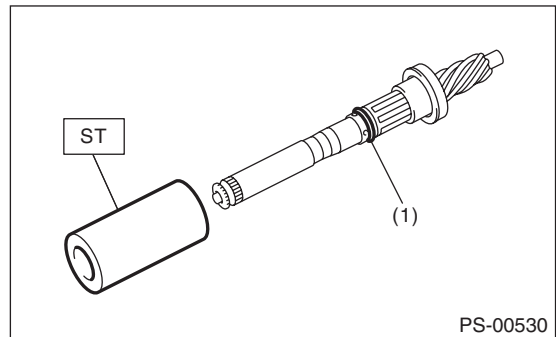
- (1) Oil seal
- (2) Vinyl tape
- (3) Back-up ring

- 8) Attach the ST to pinion, and install the seal ring.  
ST 34199AG020 GUIDE



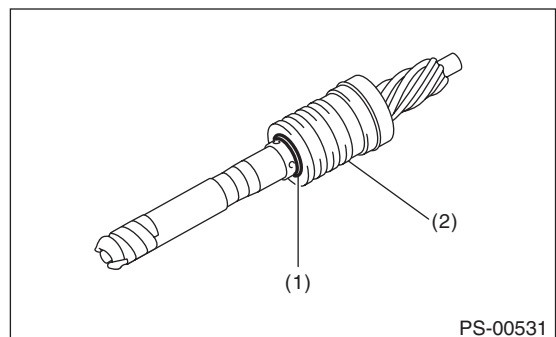
- (1) Seal ring

- 9) Remove the ST GUIDE, and form the seal ring properly using ST FORMER.  
ST 34199AG070 FORMER



- (1) Seal ring

- 10) Put vinyl tape around pinion shaft spline to protect oil seal from damage.
- 11) Install the valve to pinion, and install the snap ring.

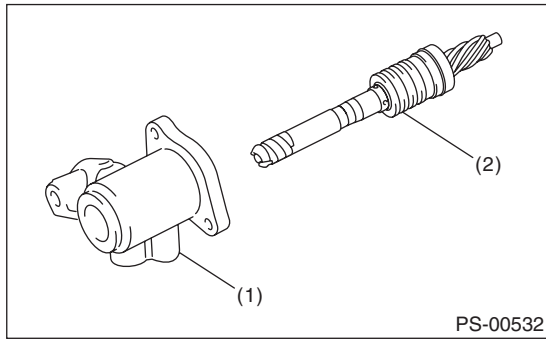


- (1) Snap ring
- (2) Valve

# Steering Gearbox

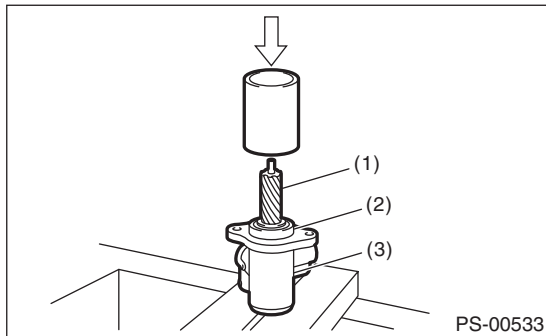
POWER ASSISTED SYSTEM (POWER STEERING)

12) Attach the pinion & valve assembly into the valve housing.



- (1) Valve housing
- (2) Pinion & valve ASSY

13) Using a press, push the outer race of bearing and press-fit the pinion & valve assembly into housing.

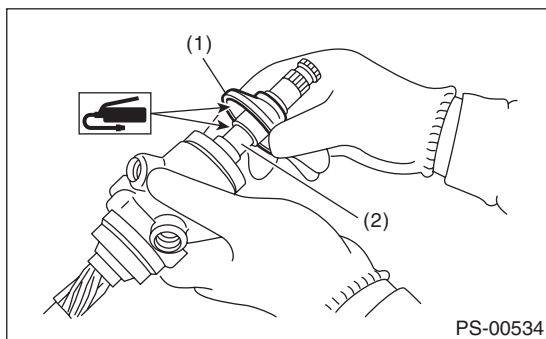


- (1) Pinion & valve ASSY
- (2) Bearing
- (3) Housing

14) Apply the specified grease to dust cover.  
15) Install the dust cover on valve assembly.

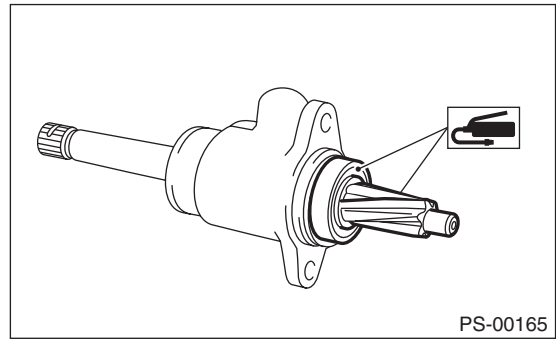
### CAUTION:

Be sure to install the dust cover to groove of shaft.

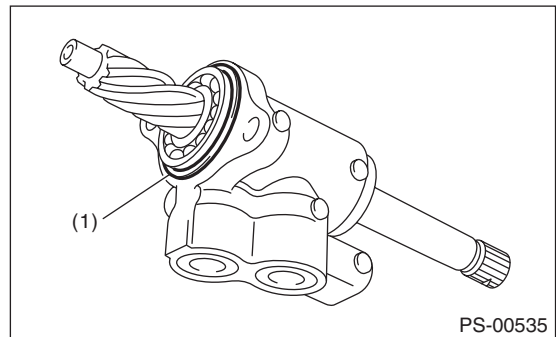


- (1) Dust cover
- (2) Groove

16) Apply the genuine grease to the pinion gear and bearing of valve assembly.

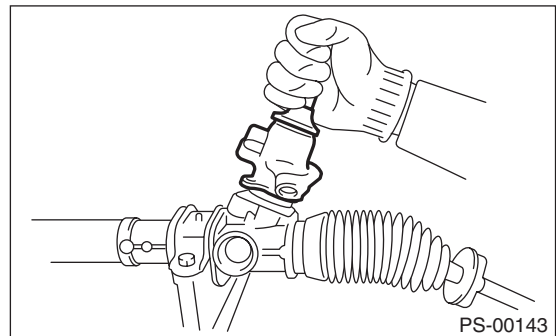


17) Install new O-ring to valve assembly.



- (1) O-ring

18) Insert the valve assembly into place while facing the rack teeth toward pinion.



19) Tighten the bolts alternately to secure the valve assembly.

### Tightening torque:

**20 N·m (2.0 kgf·m, 14.8 ft·lb)**

### CAUTION:

Be sure to alternately tighten the bolts.

20) Apply liquid gasket to 1/3 or more of entire perimeter of adjusting screw thread.

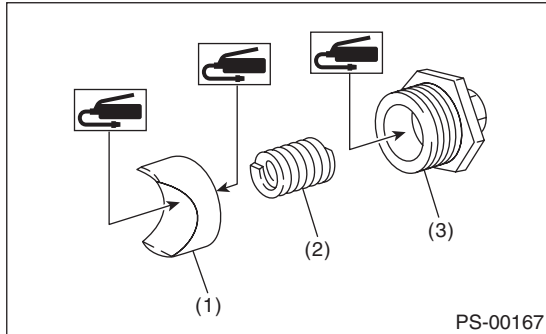
### Liquid gasket:

**THREE BOND 1141 (Part No. 004403006)**

# Steering Gearbox

## POWER ASSISTED SYSTEM (POWER STEERING)

21) Apply a coat of grease to the sliding surface of sleeve and seating surface of spring, and then insert the sleeve into steering body.  
Charge the adjusting screw with grease, and then insert the spring into adjusting screw. Then install on the steering body.



- (1) Sleeve
- (2) Spring
- (3) Adjusting screw

22) Tighten the adjusting screw to the specified torque, then loosen it.

### **Tightening torque:**

**25 N·m (2.5 kgf-m, 18.4 ft-lb)**

23) Tighten the adjusting screw to the specified torque, then loosen it within 20°.

### **Tightening torque:**

**3.9 N·m (0.4 kgf-m, 2.9 ft-lb)**

24) Adjust the turning resistance of gearbox so that it is within specification using adjusting screw.  
<Ref. to PS-34, TURNING RESISTANCE OF GEARBOX, INSPECTION, Steering Gearbox.>

25) Apply liquid gasket to lock nut and install it into adjusting screw. While holding the adjusting screw with wrench, tighten the lock nut using ST.

### **Liquid gasket:**

**THREE BOND 1141**

ST 926230000 SPANNER

### **Tightening torque (lock nut):**

**25 N·m (2.5 kgf-m, 18.4 ft-lb)**

### **NOTE:**

Hold the adjusting screw with a wrench to prevent it from turning while tightening lock nut.

26) Remove the gearbox from ST.

ST1 926200000 STAND

ST2 34199AG000 BOSS D

27) Install the four pipes on gearbox.

- (1) Connect the pipes A and B to gearbox.

### **Tightening torque:**

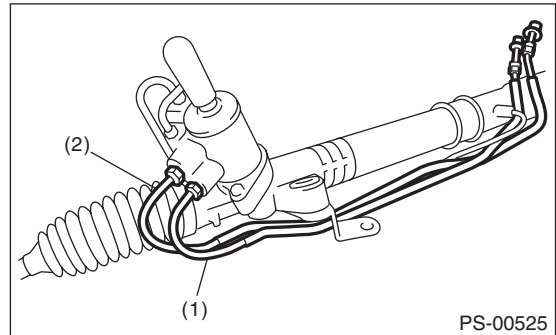
**Refer to the component parts. <Ref. to PS-4, POWER ASSISTED SYSTEM, COMPONENT, General Description.>**

- (2) Connect the pipes C and D to gearbox.

### **Tightening torque:**

**Pipe C: 37 N·m (3.8 kgf-m, 27.3 ft-lb)**

**Pipe D: 29 N·m (3.0 kgf-m, 21.4 ft-lb)**



- (1) Pipe D
- (2) Pipe C

# Steering Gearbox

POWER ASSISTED SYSTEM (POWER STEERING)

## E: INSPECTION

### 1. BASIC INSPECTION

1) Clean all the disassembled parts, and check for wear, damage or any other faults, then repair or replace as necessary.

2) When disassembling, check the inside of gearbox for water. If any water is found, carefully check the boot for damage, input shaft dust seal, adjusting screw and boot clips for poor sealing. If faulty, replace with new parts.

No.	Parts	Inspection	Corrective action
1	Input shaft	(1) Bent input shaft (2) Damage on serration	If the bend or damage is excessive, replace the entire gearbox.
2	Dust seal	(1) Crack or damage (2) Wear	If the outer wall slips, the lip is worn out or damage is found, replace it with a new part.
3	Rack & pinion	Poor mating of rack with pinion	(1) Adjust the backlash properly. By measuring the turning torque of the gearbox and sliding resistance of rack, check if the rack & pinion engage uniformly and smoothly with each other. (Refer to "Service limit".) (2) Pull out the entire rack to allow viewing of the teeth, and check for damage. Even if abnormality is found in either (1) or (2), replace the entire gearbox.
4	Gearbox unit	(1) Bending of the rack shaft (2) Bending of the cylinder portion (3) Crack or damage on the cast iron portion	Replace the gearbox with a new part.
		(4) Wear or damage on rack bushing	If the free play of rack shaft in radial direction is out of the specified range, replace the gearbox with new part. (Refer to "Service limit".)
		(5) Wear on input shaft bearing	If the free play of input shaft in radial and axial direction is out of the specified range, replace the gearbox with a new part. (Refer to "Service limit".)
5	Boot	Crack, damage or deterioration	Replace.
6	Tie-rod	(1) Looseness of ball joint (2) Bend of tie-rod	Replace.
7	Tie-rod end	Damage or deterioration of dust seal	Replace.
8	Adjusting screw spring	Deterioration	Replace.
9	Boot clip	Deterioration	Replace.
10	Sleeve	Damage	Replace.
11	Pipe	(1) Damage to flared surface (2) Damage to flare nut (3) Damage to pipe	Replace.

# Steering Gearbox

## POWER ASSISTED SYSTEM (POWER STEERING)

### 2. SERVICE LIMIT

Make a measurements as follows. If it exceeds the specified service limits, adjust or replace.

#### NOTE:

When making a measurement, vise the gearbox using ST. Never vise the gearbox by inserting aluminum plates etc. between vise and gearbox.

ST1 926200000 STAND  
ST2 34199AG000 BOSS D

### 3. RACK SHAFT PLAY IN THE RADIAL DIRECTION

*Right-turn steering:*

**Service limit**

**0.12 mm (0.005 in) or less**

**Condition**

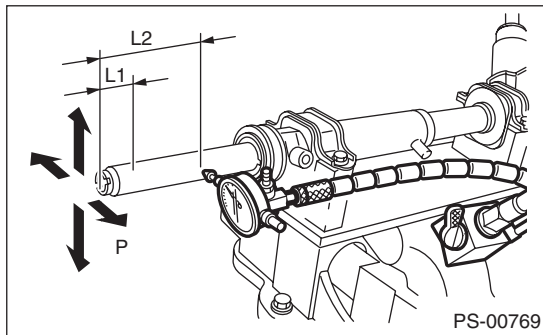
**Weighting point**

**L1: 10 mm (0.39 in)**

**P: 98 N (10 kgf, 22 lb)**

**Measuring point**

**L2: 25 mm (0.98 in)**



### 4. INPUT SHAFT PLAY

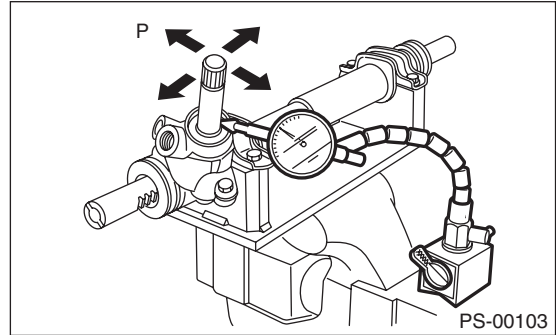
*In radial direction:*

**Service limit**

**0.26 mm (0.01 in) or less**

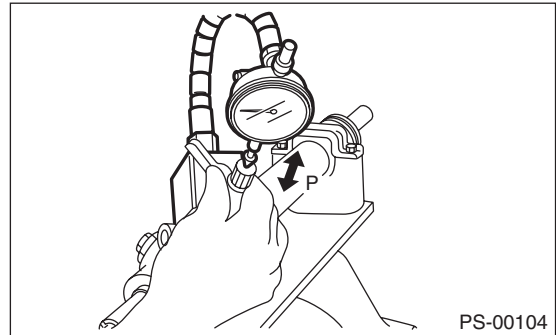
**Condition**

**P: 98 N (10 kgf, 22 lb)**



*In axial direction:*

**Without play**



### 5. TURNING RESISTANCE OF GEARBOX

Using the ST, measure the gearbox turning resistance.

ST 34099PA100 SPANNER

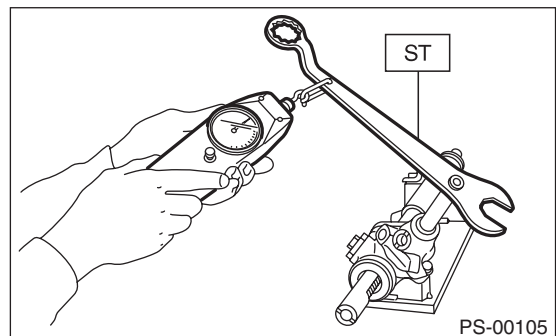
**Service limit:**

**Maximum allowable resistance:**

**11.3 N (1.15 kgf, 2.54 lb) or less**

**Difference between right and left turning resistance:**

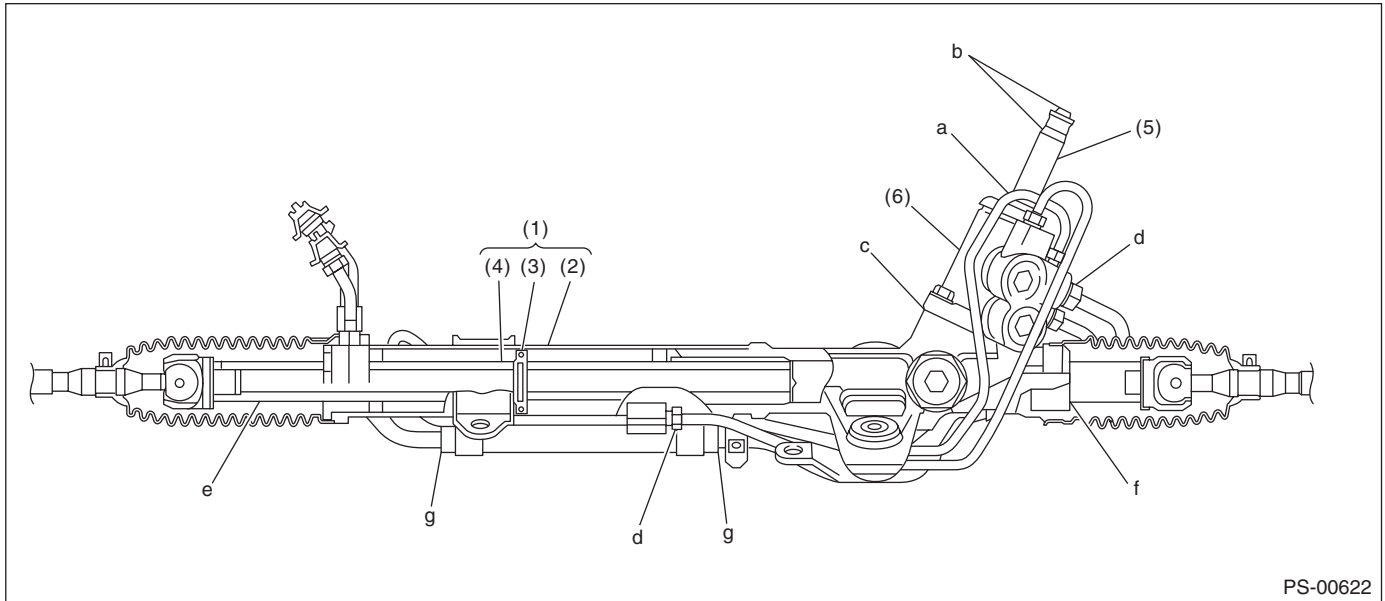
**24% or less**



# Steering Gearbox

POWER ASSISTED SYSTEM (POWER STEERING)

## 6. OIL LEAKAGE



(1) Power cylinder  
(2) Cylinder

(3) Rack piston  
(4) Rack axle

(5) Input shaft  
(6) Valve housing

1) Lift up the vehicle.

2) If a fluid leak is found, clean the fluid completely from the suspect area, and turn the steering wheel 30 to 40 times to the left and right from lock to lock, with the engine running, and check again for leaks immediately, and also after a few hours have passed.

3) Cause and solution for oil leakage from "a"  
The oil seal is damaged. Replace the valve assembly with a new part.

4) Cause and solution for oil leakage from "b"  
The torsion bar O-ring is damaged. Replace the valve assembly with a new part.

5) Cause and solution for oil leakage from "c"  
The oil seal is damaged. Replace the valve assembly or oil seal with a new part.

6) Cause and solution for oil leakage from "d"  
The pipe is damaged. Replace the faulty pipe or O-ring.

7) Cause and solution for oil leakage from "g".  
The hose is damaged. Replace the hose with a new part.

8) If leak is other than a, b, c, d or g, or if oil is leaking from gearbox, move the right and left boots toward tie-rod end side, respectively, with the gearbox mounted to the vehicle, and remove fluid from surrounding portions. Then, turn the steering wheel from lock to lock about 30 to 40 times with the engine running, then re-inspect the leaking area immediately after and several hours after this operation.

(1) Leakage from "e"

The cylinder seal is damaged. Replace the rack bushing with a new part.

(2) Leakage from "f"

There are two possible causes. Perform the following step first. Remove the pipe assembly B from the valve housing, and close the circuit using ST.

ST 926420000 PLUG

Turn the steering wheel from lock to lock approx. 30 to 40 times with the engine running, then inspect the leaked portion immediately after and several hours after this operation.

• If leakage from "f" is noted again:

The oil seal of pinion and valve assembly is damaged. Replace the pinion & valve assembly with a new part. Or replace the oil seal and the parts that are damaged during disassembly with new parts.

• If oil stops leaking from "f":

The oil seal of rack housing is damaged. Replace the oil seal and parts that are damaged during disassembly with new parts.



# Steering Gearbox

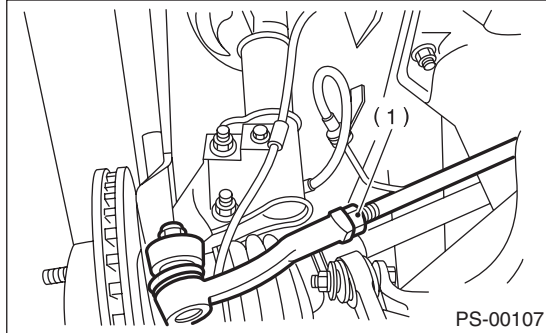
## POWER ASSISTED SYSTEM (POWER STEERING)

### F: ADJUSTMENT

1) Adjust the front toe.  
<Ref. to FS-11, FRONT WHEEL TOE-IN, INSPECTION, Wheel Alignment.>

#### **Standard of front toe:**

**IN 3 — OUT 3 mm (IN 0.12 — OUT 0.12 in)**



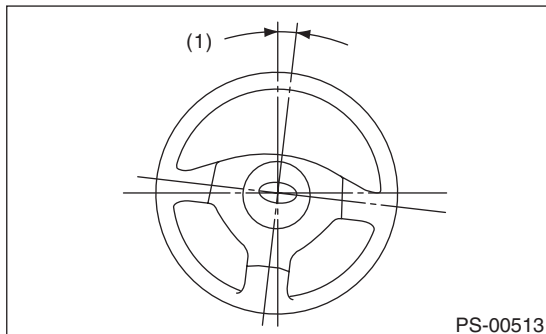
(1) Lock nut

2) Adjust the steering angle of the wheels.

#### **Standard of steering angle:**

Model	Inner wheel	Outer wheel
OUTBACK	$37.9^{\circ} \pm 1.5^{\circ}$	$33.5^{\circ} \pm 1.5^{\circ}$
WRX-SS	$37.2^{\circ} \pm 1.5^{\circ}$	$32.9^{\circ} \pm 1.5^{\circ}$
Other than above	$37.8^{\circ} \pm 1.5^{\circ}$	$33.4^{\circ} \pm 1.5^{\circ}$

3) If the steering wheel spokes are not horizontal when wheels are set in the straight ahead position, or error is more than  $5^{\circ}$  on the periphery of the steering wheel, correctly re-install the steering wheel.



(1)  $5^{\circ}$  or less

4) If the steering wheel spokes are not horizontal with vehicle set in the straight ahead position after this adjustment, correct it by turning the right and left tie-rods in the opposite direction from each other by the same angle.

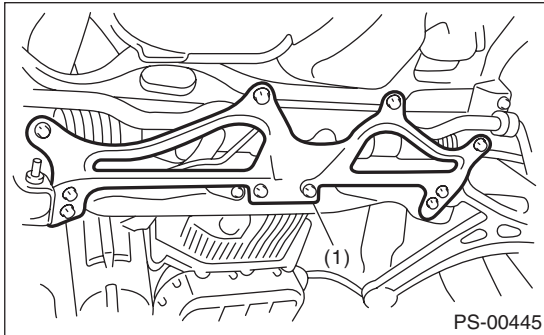
# Pipe Assembly

POWER ASSISTED SYSTEM (POWER STEERING)

## 6. Pipe Assembly

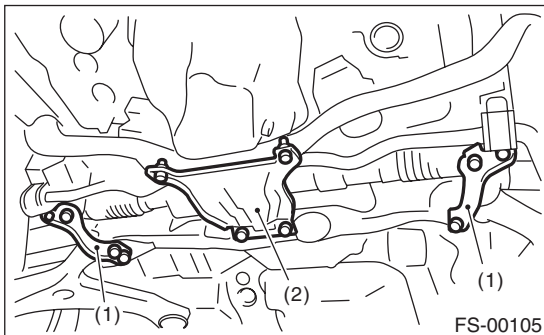
### A: REMOVAL

- 1) Disconnect the ground cable from battery.
  - 2) Lift up the vehicle, and then remove the front crossmember support plate and jack-up plate.
- Large type



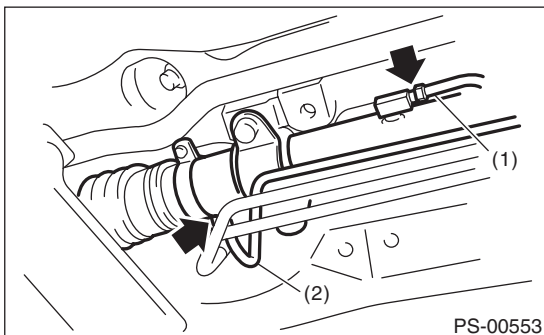
(1) Front crossmember support plate

- Small type



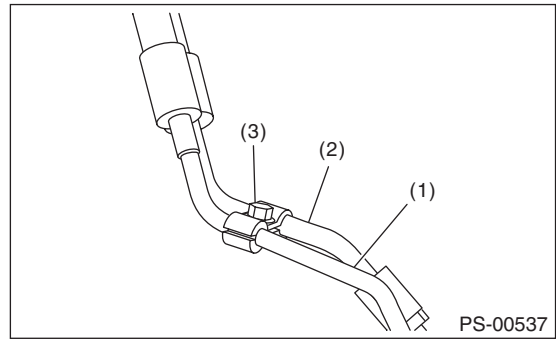
(1) Front crossmember support plate  
(2) Jack-up plate

- 3) Remove the one pipe joint at the center of the gearbox, and connect the vinyl hose to the pipe and the joint. Discharge the fluid by turning the steering wheel fully clockwise and counterclockwise. Discharge the fluid similarly from other pipes.



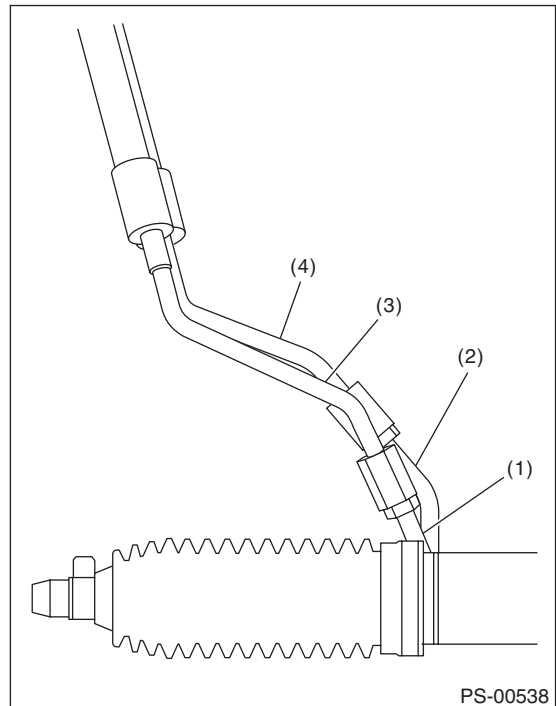
(1) Pipe A  
(2) Pipe B

- 4) Remove the clamp E from return hose and pressure hose.



(1) Return hose  
(2) Pressure hose  
(3) Clamp E

- 5) Disconnect the pipe D from return hose and pipe C from pressure hose.



(1) Pipe C  
(2) Pipe D  
(3) Pressure hose  
(4) Return hose

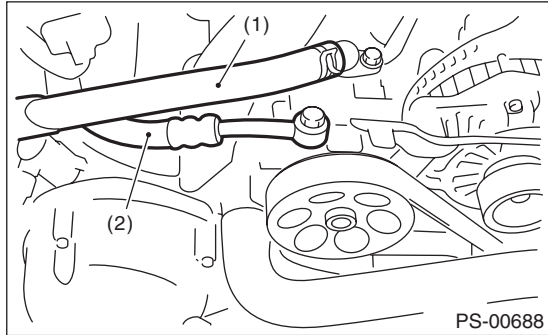
- 6) Remove the air intake duct.

# Pipe Assembly

## POWER ASSISTED SYSTEM (POWER STEERING)

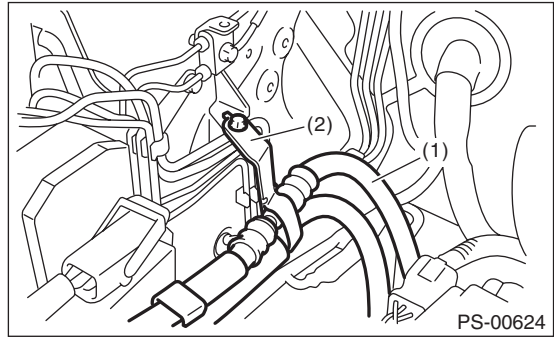
7) Disconnect the suction hose and pressure hose from oil pump.

- Non-turbo model



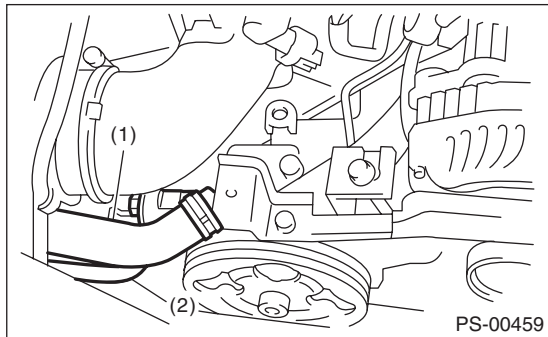
- (1) Suction hose
- (2) Pressure hose

9) Remove the hose bracket and take out the hose assembly from vehicle.



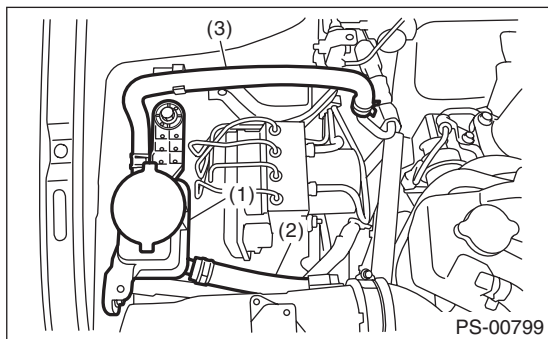
- (1) Hose ASSY
- (2) Hose bracket

- Turbo model



- (1) Suction hose
- (2) Pressure hose

8) Disconnect the suction hose and return hose from the reservoir tank.



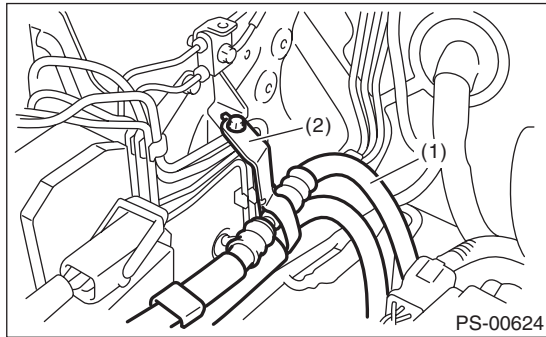
- (1) Reservoir tank
- (2) Suction hose
- (3) Return hose

# Pipe Assembly

POWER ASSISTED SYSTEM (POWER STEERING)

## B: INSTALLATION

1) Temporarily tighten the hose bracket bolt.



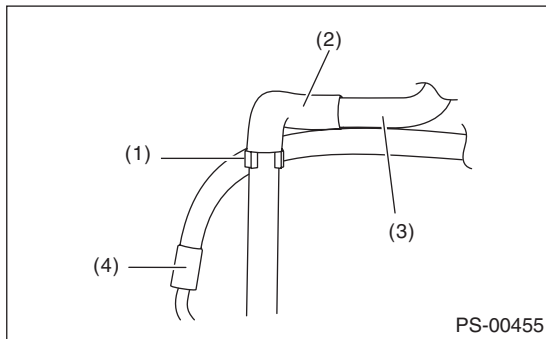
- (1) Hose ASSY
- (2) Hose bracket

2) Install the plastic clip to the pressure hose and suction hose.

### CAUTION:

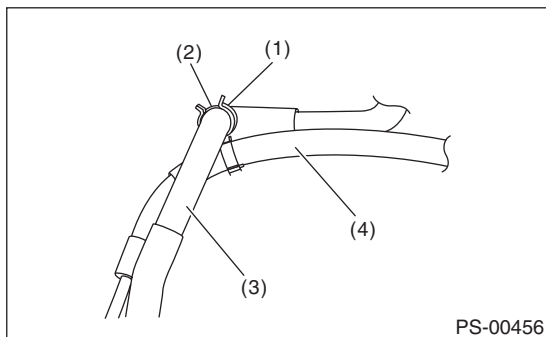
**Align the installation position of the plastic clip with the protector edge of the suction hose.**

- Non-turbo model



- (1) Plastic clip
- (2) Protector
- (3) Suction hose
- (4) Pressure hose

- Turbo model

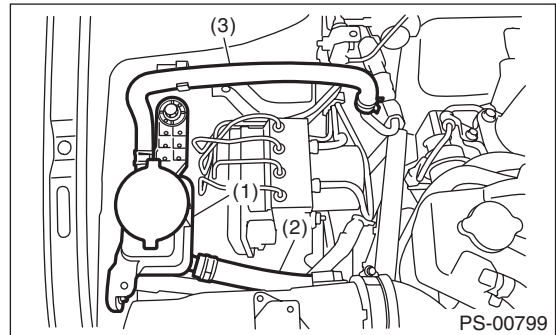


- (1) Plastic clip
- (2) Protector
- (3) Suction hose
- (4) Pressure hose

3) Connect the suction hose and return hose to the reservoir tank.

### CAUTION:

**Firmly insert the plastic clip of return hose to the bracket.**



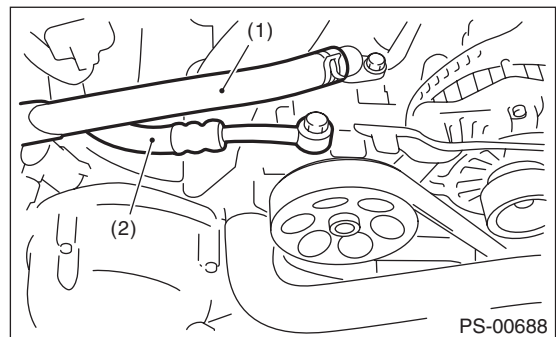
- (1) Reservoir tank
- (2) Suction hose
- (3) Return hose

4) Connect the suction hose and pressure hose to the oil pump. Tighten the eye bolt of pressure hose.

### Tightening torque:

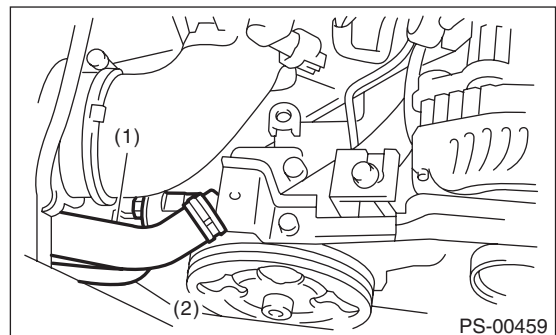
**40 N·m (4.1 kgf·m, 29.5 ft·lb)**

- Non-turbo model



- (1) Suction hose
- (2) Pressure hose

- Turbo model

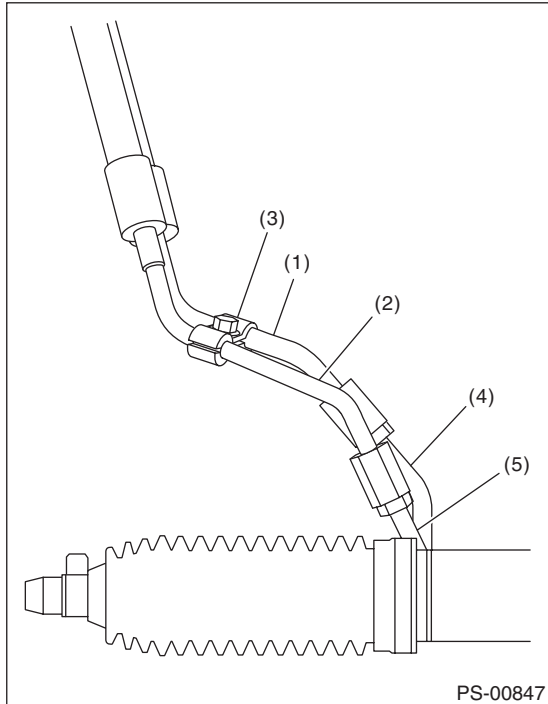


- (1) Suction hose
- (2) Pressure hose

# Pipe Assembly

## POWER ASSISTED SYSTEM (POWER STEERING)

5) Temporarily connect pressure hose and pipe C, and the return hose and pipe D. Temporarily tighten the bolt of clamp E.



- (1) Return hose
- (2) Pressure hose
- (3) Clamp E
- (4) Pipe C
- (5) Pipe D

6) Tighten clamp E.

### **Tightening torque:**

**7.5 N·m (0.76 kgf-m, 5.5 ft-lb)**

7) Tighten the pressure hose and pipe C, and the return hose and pipe D.

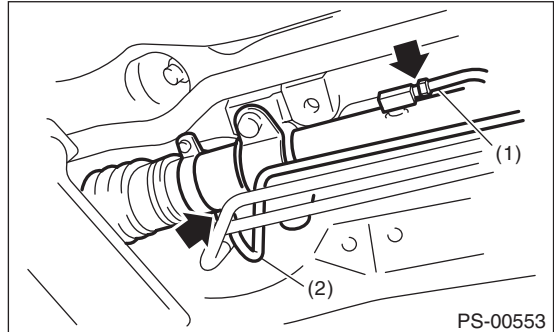
### **Tightening torque:**

**15 N·m (1.5 kgf-m, 11.1 ft-lb)**

8) Connect pipes A and B to the four pipe joints of the gearbox.

### **Tightening torque:**

**Refer to "COMPONENT" of "General Description". <Ref. to PS-4, POWER ASSISTED SYSTEM, COMPONENT, General Description.>**



- (1) Pipe A
- (2) Pipe B

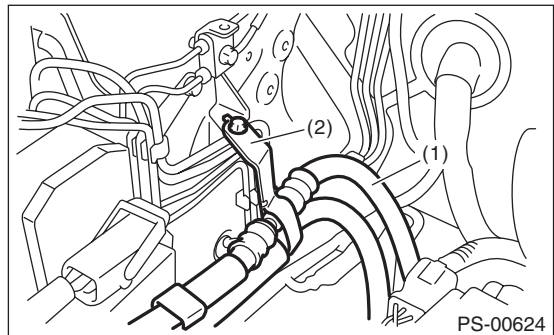
9) Install the front crossmember support plate and jack-up plate.

10) Lower the vehicle.

11) Tighten the bolts which hold the hose bracket.

### **Tightening torque:**

**10 N·m (1.0 kgf-m, 7.4 ft-lb)**



- (1) Hose ASSY
- (2) Hose bracket

12) Install the air intake duct.

13) Connect the ground cable to battery.

14) Fill with the specified fluid.

### **CAUTION:**

**Never start the engine before filling with fluid; otherwise the vane pump may become seized.**

15) Finally, check the clearance between pipes or hoses as shown in the figure indicated in "General Diagnostic Table". <Ref. to PS-56, INSPECTION OF CLEARANCE, INSPECTION, General Diagnostic Table.>

# Pipe Assembly

POWER ASSISTED SYSTEM (POWER STEERING)

## C: INSPECTION

Check all disassembled parts for wear, damage or other problems. Repair or replace the defective parts as necessary.

Part	Maintenance parts	Corrective action
Pipe	<ul style="list-style-type: none"> <li>• O-ring fitting surface damage</li> <li>• Nut damage</li> <li>• Pipe damage</li> </ul>	Replace with a new part.
Clamp	<ul style="list-style-type: none"> <li>• Loose clamps</li> </ul>	Replace with a new part.
Hose	<ul style="list-style-type: none"> <li>• Flare surface damage</li> <li>• Flare nut damage</li> <li>• Outer surface cracks</li> <li>• Outer surface wear</li> <li>• Clip damage</li> <li>• End coupling or adapter deformation</li> </ul>	Replace with a new part.

### CAUTION:

**Although the surface layer materials of rubber hoses have excellent weathering resistance, heat resistance and resistance for low temperature brittleness, they are likely to be damaged chemically by brake fluid, battery electrolyte, engine oil and automatic transmission fluid and their service lives are to be very shortened. Wipe off hoses immediately if any of these come into contact with the hoses. Since resistances for heat or low temperature brittleness are gradually declining according to time accumulation of hot or cold conditions for the hoses and their service lives are shortening accordingly, it is necessary to perform careful inspection frequently when the vehicle is used in hot weather areas, cold weather areas and a driving condition in which many steering operations are required in short time.**

**Continuous discharge of the relief valve for 5 seconds or more will reduce the service lives of hoses, oil pump, fluid, etc., due to over heating.**

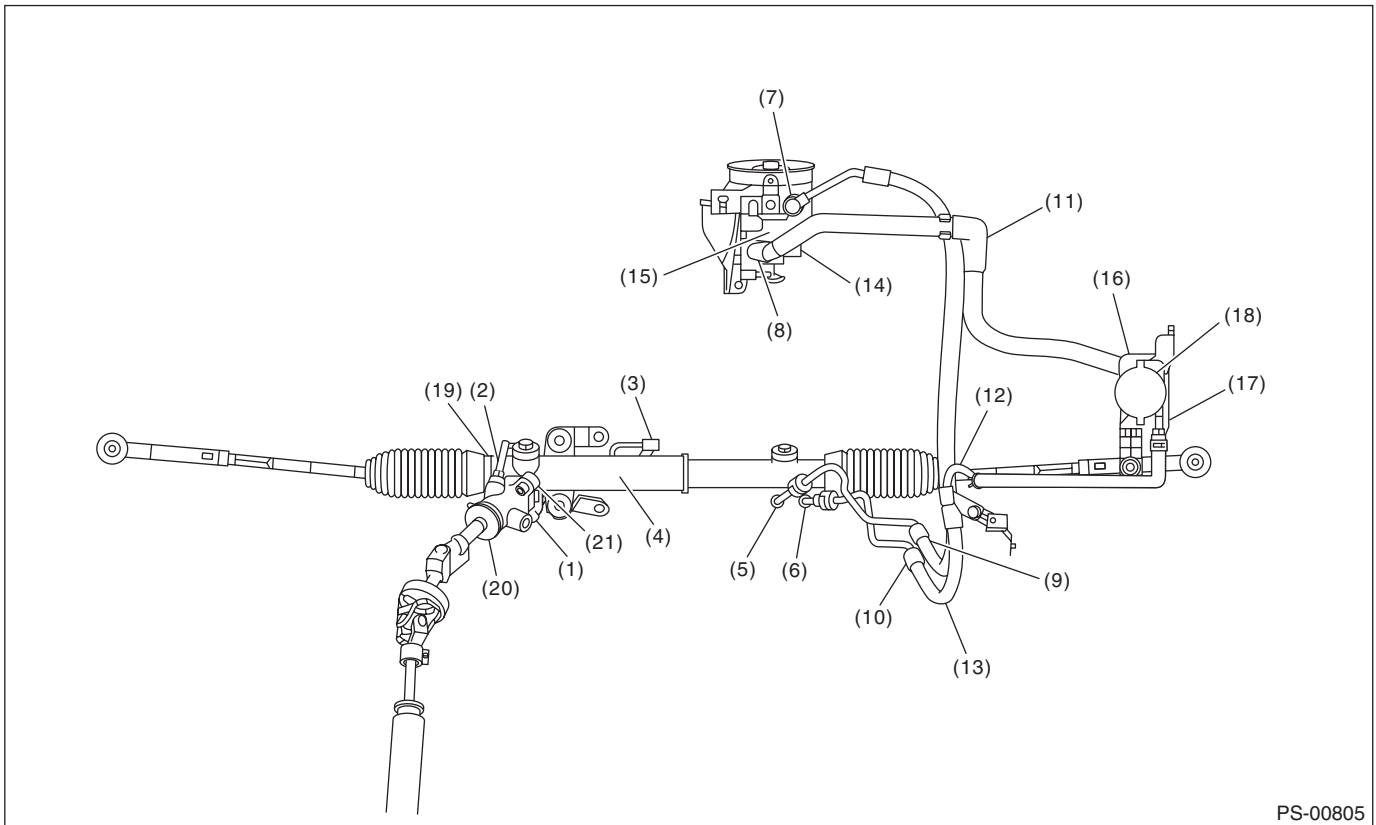
Trouble	Possible cause	Corrective action
Pressure hose burst	Excessive holding time of relief status	Instruct customers.
	Malfunction of the relief valve	Replace the oil pump.
	Poor cold characteristic of fluid	Replace fluid.
Disconnection of the return hose	Improper connection	Repair.
	Loosening of the clip	Retighten.
	Poor cold characteristic of fluid	Replace fluid.
Fluid slightly leaking out of hose	Wrong layout, tensioned	Replace the hose.
	Excessive play of engine due to deterioration of engine mounting rubber	Replace the parts if defective.
	Improper stop position of pitching stopper	Replace the parts if defective.
Crack on hose	Excessive holding time of relief status	Replace. Instruct customers.
	Excessive tightening torque for return hose clip	Replace.
	Power steering fluid, engine oil, electrolyte adhere on the hose surface	Replace. Be careful during service work.
	Too many uses in extremely cold weather	Replace. Instruct customers.

### NOTE:

There are conditions in which a fluid leak is diagnosed, but is not actually leaking. This is because the fluid spilt during the last maintenance was not completely wiped off. Be sure to wipe off spilt fluid thoroughly after maintenance.

# Pipe Assembly

## POWER ASSISTED SYSTEM (POWER STEERING)



PS-00805

Fluid leaking area	Possible cause	Corrective action
Leakage from the connections of pipes and hoses, numbered (1) through (8) in the figure	Insufficient tightening of flare nut, adhesion of dirt, damage to flare or flare nut or eye bolt	Loosen and retighten. Replace if ineffective.
	Improper installation of hose or clamp	Retighten or replace the clamp.
	Damaged O-ring or gasket	Replace the O-ring, gasket pipe or hose with new part, if still no improvement, replace the gearbox as well.
Leakage from hose (9) through (13) in the figure	Crack or damage in hose	Replace with a new part.
	Crack or damage in hose hardware	Replace with a new part.
Leakage from surrounding of cast iron portion of oil pump, (14) and (15) in the figure	Damaged O-ring	Replace the oil pump.
	Damaged gasket	Replace the oil pump.
Leakage from oil tank, (16) and (17) in the figure	Crack in oil tank	Replace the oil tank.
Leakage from filler neck of (18)	Damaged cap gasket	Replace the cap.
	Crack in root of filler neck	Replace the oil tank.
	Fluid level too high	Adjust the fluid level.
Leakage from power cylinder of gearbox area (19) in the figure	Damaged oil seal	Replace the oil seal.
Leakage from (20), (21) in the figure and control valve of gearbox	Damaged gasket or oil seal	Replace the problem parts.
	Damage in control valve	Replace the control valve.



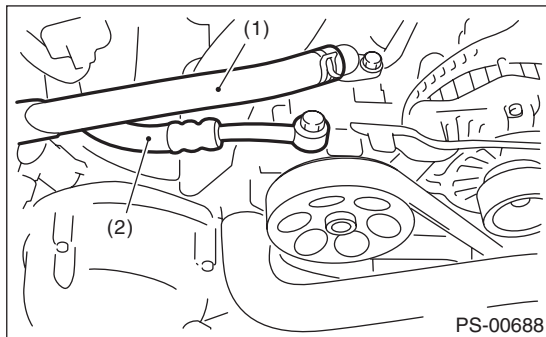
### 7. Oil Pump

#### A: REMOVAL

- 1) Disconnect the ground cable from battery.
- 2) Remove the V-belts (front side belt). <Ref. to ME(H4SO)-39, FRONT SIDE BELT, REMOVAL, V-belt.> <Ref. to ME(H4DOTC)-40, FRONT SIDE BELT, REMOVAL, V-belt.>
- 3) Disconnect the connector from power steering pump switch.
- 4) Disconnect the pressure hose and suction hose from the oil pump.

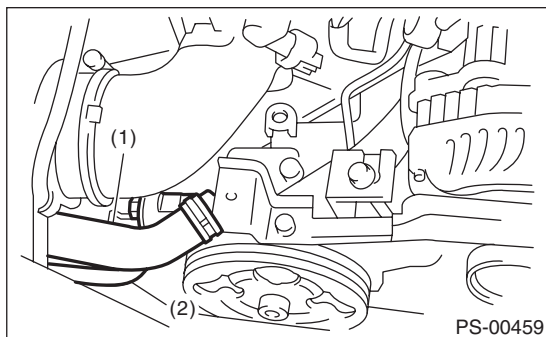
#### CAUTION:

- Do not allow fluid to come into contact with the pulley belt.
- To prevent foreign matter from entering the hose and pipe, cover the open ends with clean cloth.
- Non-turbo model



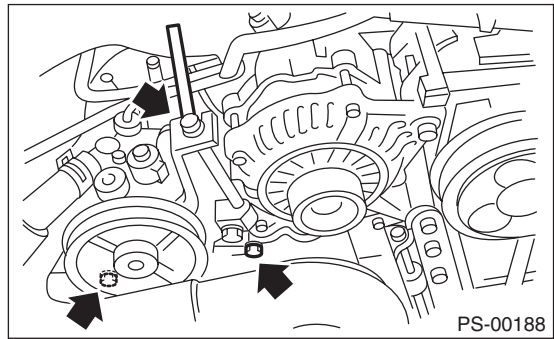
- (1) Suction hose
- (2) Pressure hose

- Turbo model



- (1) Suction hose
- (2) Pressure hose

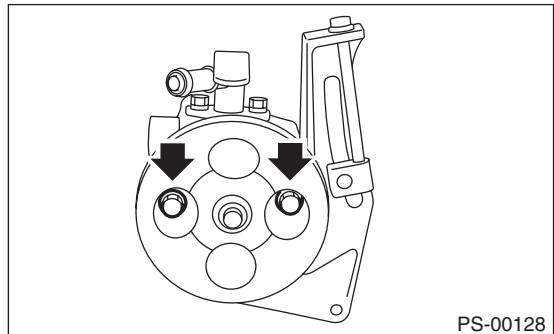
- 5) Remove the installation bolt of the power steering pump bracket.



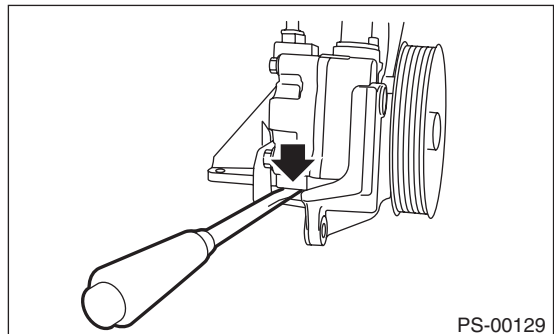
- 6) Place the oil pump bracket in a vise, and remove the two bolts from the front side of the oil pump.

#### CAUTION:

- When securing the oil pump bracket in a vise, hold the oil pump bracket with the least possible force between two pieces of wood.



- 7) Remove the bolt from the rear side of oil pump.
- 8) Disassemble the oil pump and bracket by inserting a flat tip screwdriver as shown in the figure.





# Oil Pump

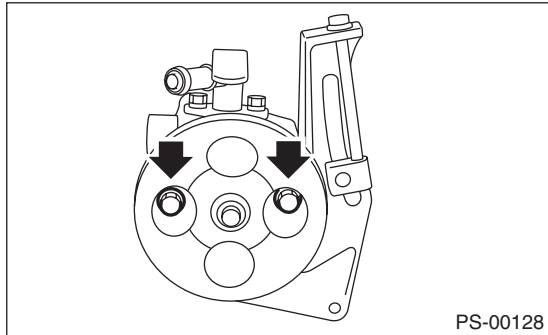
## POWER ASSISTED SYSTEM (POWER STEERING)

### B: INSTALLATION

1) Install the oil pump to bracket.

#### Tightening torque:

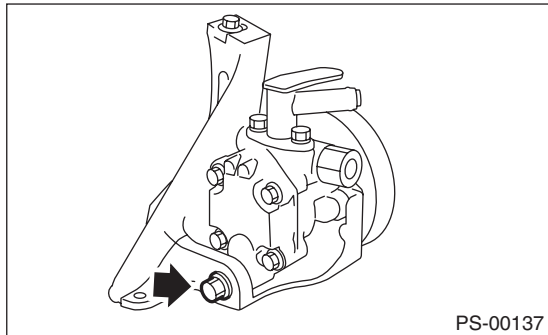
**16 N·m (1.6 kgf·m, 11.8 ft·lb)**



#### Tightening torque:

**36 N·m (3.7 kgf·m, 26.6 ft·lb) (non-turbo model)**

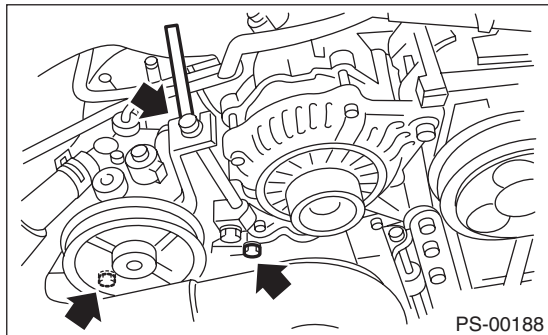
**48 N·m (4.9 kgf·m, 35.4 ft·lb) (turbo model)**



2) Attach the installation bolts of the power steering pump bracket.

#### Tightening torque:

**<Ref. to PS-6, OIL PUMP, COMPONENT, General Description.>**



3) After installing the oil pump, fill the oil pump with fluid while rotating the pulley by hand and bleed the air from the oil pump.

#### CAUTION:

**Always fill the oil pump with the fluid to prevent abnormal noise and seizure of the oil pump.**

4) Connect the pressure hose and suction hose.

#### Tightening torque:

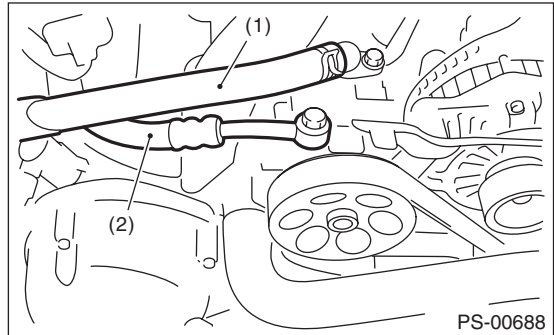
##### Eye bolt

**40 N·m (4.1 kgf·m, 29.5 ft·lb)**

#### CAUTION:

**Be careful when installing; If the hose is twisted it may come into contact with other parts.**

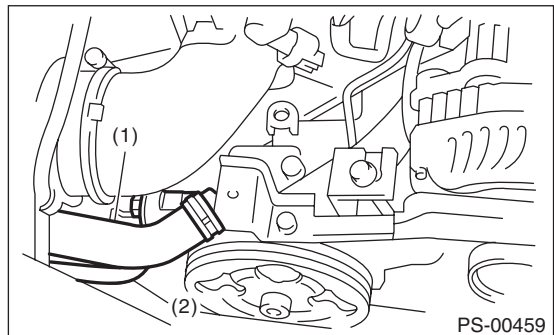
- Non-turbo model



(1) Suction hose

(2) Pressure hose

- Turbo model



(1) Suction hose

(2) Pressure hose

5) Connect the power steering pump switch to the connector.

6) Install the V-belts (front side belt). <Ref. to ME(H4SO)-39, FRONT SIDE BELT, INSTALLATION, V-belt.> <Ref. to ME(H4DOTC)-40, FRONT SIDE BELT, INSTALLATION, V-belt.>

7) Connect the ground cable to battery.

8) Fill with the specified power steering fluid. <Ref. to PS-50, Power Steering Fluid.>

#### CAUTION:

**Never start the engine before filling with fluid; otherwise the vane pump may become seized.**

# Oil Pump

POWER ASSISTED SYSTEM (POWER STEERING)

## C: INSPECTION

### 1. BASIC INSPECTION

Perform the following inspection procedures and replace faulty parts.

No.	Parts	Inspection	Corrective action
1	Oil pump (Exterior)	(1) Crack, damage or oil leakage	Replace the oil pump with a new part.
		(2) Play of pulley shaft	Measure the radial play and axial play. If any of these exceeds the service limit, replace the oil pump with a new part.
2	Pulley	(1) Damage	Replace with a new part.
		(2) Bend	Measure the V groove deflection. If it exceeds the service limit, replace the pulley with a new part.
3	Oil pump (Interior)	(1) Faulty or seized of vane pump	Check the rotating resistance of pulley. If it exceeds the service limit, replace the oil pump with a new part.
		(2) Bend in the shaft or damage to bearing	If the a string is wrapped on the pulley and rotated, and the oil pump emits a noise that is markedly different in tone and loudness from a sound of a new oil pump, replace the oil pump with a new part.
4	O-ring	Cracking or deterioration	Replace with a new part.
5	Bracket	Crack	Replace with a new part.

# Oil Pump

## POWER ASSISTED SYSTEM (POWER STEERING)

### 2. SERVICE LIMIT

Make a measurements as follows. If it exceeds the service limit, replace with a new part.

#### CAUTION:

- When securing the oil pump on a vise, hold the oil pump with the least possible force between two pieces of wood.
- Do not set the outside of flow control valve or pulley on a vise; otherwise outside or pulley might be deformed. Select properly sized wood pieces.

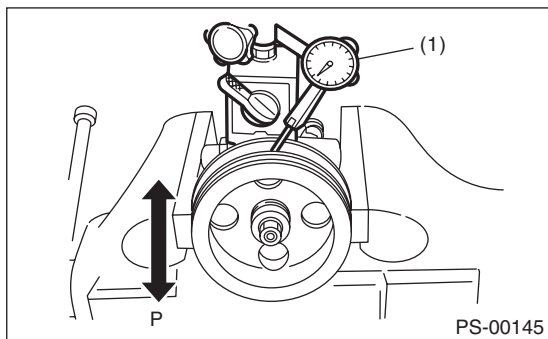
1) Play of the pulley shaft

#### Condition:

**P:** When applying the force of 9.8 N (1.0 kgf, 2.2 lbf)

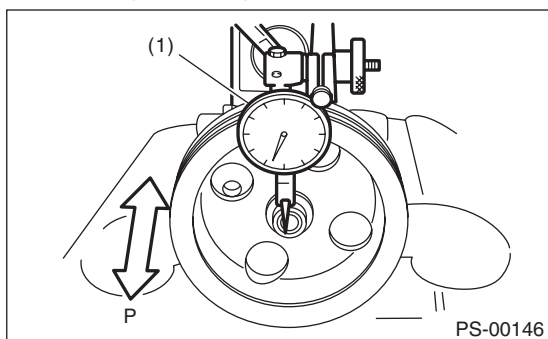
#### Service limit:

Play in the radial direction (Direction ← →)  
0.4 mm (0.016 in) or less



(1) Dial gauge

Axial play (Direction ⇄)  
0.9 mm (0.035 in) or less



(1) Dial gauge

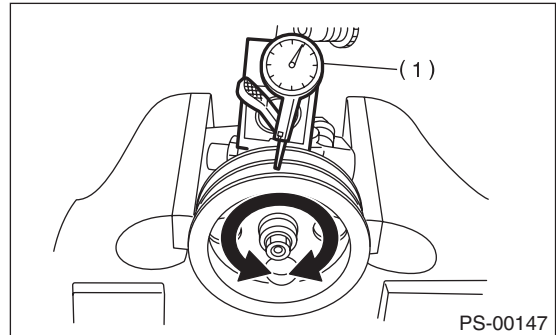
2) Deflection of the pulley groove

#### Service limit:

1.0 mm (0.039 in) or less

#### NOTE:

Read the value for one surface of V ditch, and then the value for another off the dial gauge.



(1) Dial gauge

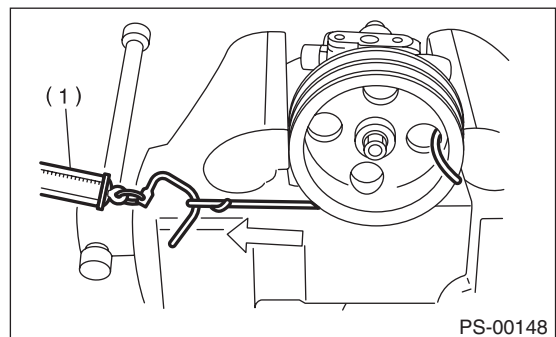
3) Rotating resistance of pulley

#### Service limit:

Maximum load: 9.22 N (0.94 kgf, 2.07 lbf) or less

#### NOTE:

- A rather higher value may be indicated when pulley starts turning.
- Measure the load during rotation to make a judgement.



(1) Spring scale

# Oil Pump

POWER ASSISTED SYSTEM (POWER STEERING)

## 3. HYDRAULIC PRESSURE

### NOTE:

- To measure hydraulic pressure correctly, be sure to complete all the items in "INSPECTION", prior to performing the measurement. <Ref. to PS-51, INSPECTION, General Diagnostic Table.>
- Do not leave the valve of pressure gauge closed or hold the steering wheel at lock for 5 seconds or more in any case, this can damage the oil pump.
- Before attaching a pressure gauge, place cloth at locations where fluid is expected to spill. Wipe off any spilt fluid completely after the measurement.

### 1) Regular pressure measurement

(1) Connect the ST1, ST2 and ST3.

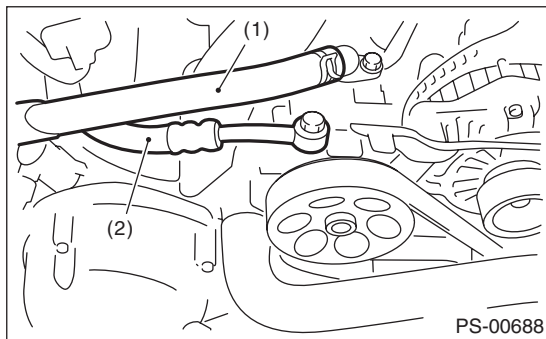
ST1	925711000	PRESSURE GAUGE
ST2	34099AC020	ADAPTER HOSE B
ST3	34099AC010	ADAPTER HOSE A

(2) Remove the air intake duct.

(3) Disconnect the pipe C from pump.

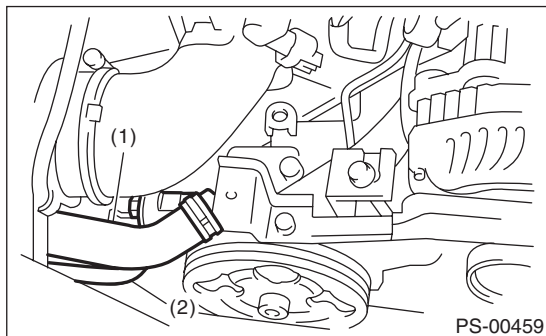
(4) Using the gasket (Part No. 34621AC021) and bolt (Part No. 34620AC010), install the ST2 to pump instead of pressure hose.

- Non-turbo model



- (1) Suction hose  
(2) Pressure hose

- Turbo model



- (1) Suction hose  
(2) Pressure hose

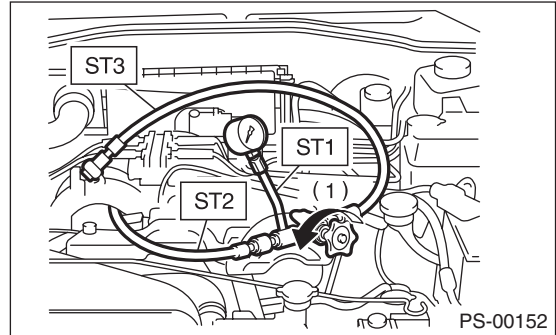
(5) Attach the ST3 to the end of pressure hose which is removed from pump.

(6) Replenish power steering fluid up to the specified level.

(7) Open the valve, and start the engine.

(8) Measure the regular pressure.

ST1	925711000	PRESSURE GAUGE
ST2	34099AC020	ADAPTER HOSE B
ST3	34099AC010	ADAPTER HOSE A



- (1) Valve

### Service limit:

**981 kPa (10 kgf/cm<sup>2</sup>, 142 psi) or less**

(9) If it is not within the specification, replace the problem part for the following problems. (Pipe or hose clogged, leaks from fluid line, and mixture of foreign matter in fluid line)

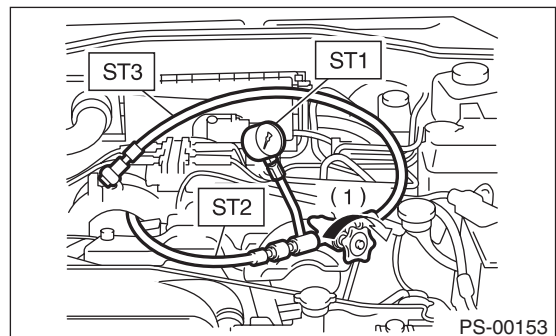
### 2) Measure the relief pressure.

(1) Using the STs, measure the relief pressure.

(2) Close the valve.

(3) Measure the relief pressure.

ST1	925711000	PRESSURE GAUGE
ST2	34099AC020	ADAPTER HOSE B
ST3	34099AC010	ADAPTER HOSE A



- (1) Valve

### Service limit:

**Non-turbo model:**

**7,350 — 8,050 kPa**

**(75 — 82 kgf/cm<sup>2</sup>, 1,066 — 1,167 psi)**

**Turbo model:**

**8,100 — 8,800 kPa**

**(83 — 90 kgf/cm<sup>2</sup>, 1,174 — 1,276 psi)**

(4) If it is not within the specification, replace the oil pump.

# Oil Pump

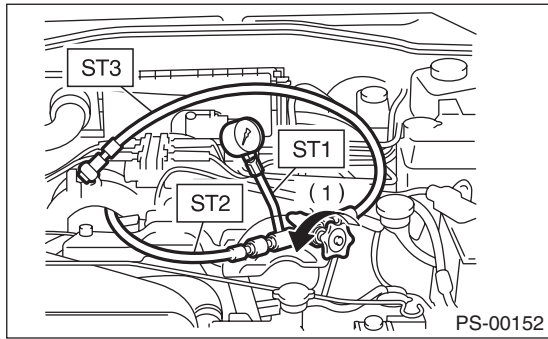
## POWER ASSISTED SYSTEM (POWER STEERING)

---

3) Measure the working pressure.

- (1) Using the ST, measure the working pressure.
- (2) Open the valve.
- (3) Measure the working pressure of control valve by turning steering wheel from stop to stop.

ST1	925711000	PRESSURE GAUGE
ST2	34099AC020	ADAPTER HOSE B
ST3	34099AC010	ADAPTER HOSE A



(1) Valve

### **Service limit:**

#### **Non-turbo model:**

**7,350 — 8,050 kPa**

**(75 — 82 kgf/cm<sup>2</sup>, 1,066 — 1,167 psi)**

#### **Turbo model:**

**8,100 — 8,800 kPa**

**(83 — 90 kgf/cm<sup>2</sup>, 1,174 — 1,276 psi)**

(4) If it is out of specification, measure the steering effort. <Ref. to PS-54, MEASUREMENT OF STEERING EFFORT, INSPECTION, General Diagnostic Table.> If it is not within specification, replace the control valve itself or control valve and pinion as a single unit, using new parts.

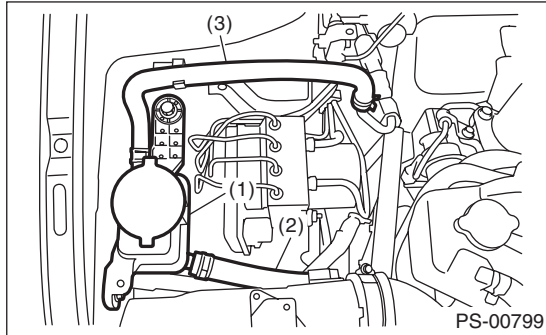
## 8. Reservoir Tank

### A: REMOVAL

- 1) Drain fluid from the reservoir tank.
- 2) Disconnect the hose from reservoir tank.

#### CAUTION:

To prevent foreign matter from entering the hose and pipe, cover the open ends of them with clean cloth.



- (1) Reservoir tank
- (2) Suction hose
- (3) Return hose

- 3) Remove the reservoir tank from the body.

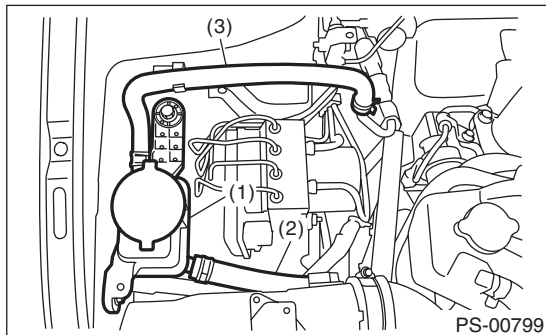
### B: INSTALLATION

- 1) Install the reservoir tank to the body.

#### Tightening torque:

**13 N·m (1.3 kgf·m, 9.6 ft·lb)**

- 2) Connect the hose to the reservoir tank.



- (1) Reservoir tank
- (2) Suction hose
- (3) Return hose

- 3) Replenish power steering fluid up to the specified level. <Ref. to PS-50, INSPECTION, Power Steering Fluid.>

### C: INSPECTION

Check the reservoir tank for cracks, breakage or damage. If a failure is found, replace the reservoir tank.

# Power Steering Fluid

POWER ASSISTED SYSTEM (POWER STEERING)

## 9. Power Steering Fluid

### A: SPECIFICATION

Recommended power steering fluid
SUBARU ATF or DEXRON III

### B: INSPECTION

1) Check the power steering fluid for deterioration or contamination. If the fluid is highly deteriorated or contaminated, drain it and refill with new fluid.

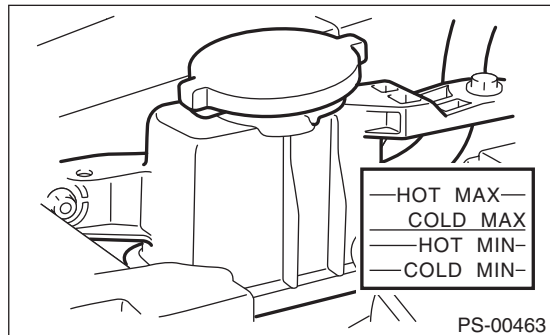
2) Check the joints and units for oil leakage. If any oil leaks are found, repair or replace the applicable part.

3) Inspect the fluid level of reservoir tank with vehicle on level surface and engine stopped.

If the level is at "MIN." point or below, add fluid to keep the level in the specified range of the indicator. If at "MAX". point or above, drain fluid by using a syringe or the like.

(1) Check at power steering fluid temperature 20°C (68°F); read the fluid level on the "COLD" side.

(2) Check at power steering fluid temperature 80°C (176°F); read the fluid level on the "HOT" side.



### C: REPLACEMENT

1) Lift up the vehicle.  
2) Remove the crossmember support.  
3) Remove the pipe joint in the center of gearbox, and connect the vinyl hose to the pipe and joint. Wipe fluid off while turning the steering wheel.

4) Add the specified fluid to reservoir tank at "MAX" level.

5) Continue to turn the steering wheel slowly from lock to lock until the bubbles stop appearing on oil surface while keeping the fluid at the level in the Step 4).

6) If the steering wheel is turned in a low fluid level condition, air will be sucked into the pipe. If air has entered, leave it for about half an hour and then repeat step 5) again.

7) Start the engine and let it idle.

8) Continue to turn the steering wheel slowly from lock to lock again until the bubbles stop appearing on oil surface, while keeping the fluid at the level in Step 4).

Normally bubbles will stop appearing after turning the steering wheel from lock to lock three times.

9) In case bubbles do not stop appearing in the tank, leave it for about half an hour and then repeat from step 4) again.

10) Lower the vehicle, and then idle the engine.

11) Continue to turn the steering wheel from lock to lock until the bubbles stop appearing and change of the fluid level is within 3 mm (0.12 in).

12) In case the following happens, leave it about half an hour and then perform step 8) to 11) again.

(1) The fluid level changes by 3 mm (0.12 in) or more.

(2) Bubbles remain on the upper surface of the fluid.

(3) Grinding noise is generated from oil pump.

13) Check the fluid leakage after turning steering wheel from lock to lock with engine running.



# General Diagnostic Table

POWER ASSISTED SYSTEM (POWER STEERING)

## 10. General Diagnostic Table

### A: INSPECTION

Trouble	Possible cause	Corrective action
<ul style="list-style-type: none"> <li>Steering effort is heavy in all ranges.</li> <li>Steering effort is heavy at stand still.</li> <li>Steering wheel vibrates when turning.</li> </ul>	1. Pulley belt <ul style="list-style-type: none"> <li>Unequal length of pulley belts</li> <li>Contact with oil or grease</li> <li>Looseness or damage of the pulley belt</li> <li>Poor uniformity of the pulley belt cross section</li> <li>Pulley belt touches to pulley bottom</li> <li>Poor revolution of pulleys (except oil pump pulley)</li> <li>Poor revolution of oil pump pulley</li> </ul>	Adjust or replace.
	2. Tire and wheel <ul style="list-style-type: none"> <li>Improper tire out of specifications*1</li> <li>Improper wheel out of specifications*1</li> <li>Tires not properly inflated</li> </ul>	Replace or reinflate.
	3. Fluid <ul style="list-style-type: none"> <li>Low fluid level</li> <li>Air entry in fluid</li> <li>Dust entry in fluid</li> <li>Fluid deterioration</li> <li>Inadequate warm up of fluid*2</li> </ul>	Refill, bleed air, replace or instruct customer.
	4. Idle speed <ul style="list-style-type: none"> <li>Lower idle speed</li> <li>Excessive drop of idle speed at start or when turning the steering wheel*3</li> </ul>	Adjust or instruct customer.
	5. Measure the hydraulic pressure. <Ref. to PS-45, INSPECTION, Oil Pump.>	Replace the problem parts.
	6. Measure the steering wheel effort. <Ref. to PS-54, MEASUREMENT OF STEERING EFFORT, INSPECTION, General Diagnostic Table.>	Adjust or replace.
<ul style="list-style-type: none"> <li>Vehicle leads to one side or the other.</li> <li>Returning force of steering wheel to center is poor.</li> <li>Steering wheel vibrates when turning.</li> </ul>	1. Fluid line <ul style="list-style-type: none"> <li>Folded hose</li> <li>Flattened pipe</li> </ul>	Repair or replace.
	2. Tire and wheel <ul style="list-style-type: none"> <li>Flat tire</li> <li>Mixed use of different tires</li> <li>Mixed use of different wheels</li> <li>Abnormal wear of tire</li> <li>Unequal tread remaining</li> <li>Unequal pressure of tire</li> </ul>	Adjust, fix or replace.
	3. Front alignment <ul style="list-style-type: none"> <li>Improper or unequal caster</li> <li>Improper or unequal toe-in</li> <li>Loose suspension connections</li> </ul>	Adjust or retighten.
	4. Others <ul style="list-style-type: none"> <li>Damaged joint assembly</li> <li>Unbalanced height</li> <li>Unbalanced weight</li> </ul>	Replace, adjust or instruct customer.
	5. Measure the steering wheel effort. <Ref. to PS-54, MEASUREMENT OF STEERING EFFORT, INSPECTION, General Diagnostic Table.>	Adjust or replace.

\*1 If the tires or wheels are wider than standard, the load to power steering system is increased. Accordingly, in a condition, for example before fluid warms-up, relief valve may work before reaching maximum turning angle. In this case, steering effort may be heavy. When the measured hydraulic pressure is normal, there is no abnormal thing.

\*2 In cold weather, steering effort may be heavy due to increased flow resistance of cold fluid. After warming-up engine, turn the steering wheel from stop to stop several times to warm up fluid. If steering effort reduces normally, function is normal.

\*3 In cold weather or with insufficient warm up of the engine, steering effort may be heavy due to excessive drop of idling when turning the steering wheel. In this case, start the vehicle with increasing engine speed than usual. If steering effort reduces normally, function is normal.



# General Diagnostic Table

## POWER ASSISTED SYSTEM (POWER STEERING)

### 1. NOISE AND VIBRATION

#### CAUTION:

**Do not keep the relief valve operated for five seconds or more at any time or inner parts of the oil pump may be damaged due to rapid increase of fluid temperature.**

#### NOTE:

- A screeching noise may be heard immediately after the engine start in extremely cold conditions. In this case, if the noise goes off during warm-up there is no abnormal function in the system. This is due to the fluid characteristics in extremely cold condition.
- The oil pump normally makes a small whining noise due to its mechanism. Even if a noise is heard when steering wheel is turned at stand still, there is no abnormal function in the system provided that the noise eliminates when the vehicle is driving.
- When turning the steering wheel with the brake applied when the vehicle is parked, a screeching noise may be generated by the brake disc and pads. This is not a fault in the steering system.
- There may be a small vibration around the steering devices when turning the steering wheel at standstill, even though the component parts are operating properly.

Hydraulic systems are likely to generate this kind of vibration as well as working noise and fluid noise because of combined conditions, i.e., road surface and tire surface, engine speed and turning speed of steering wheel, fluid temperature and braking condition.

These conditions do not indicate a problem in the system.

Confirm vibration for an AT model, by applying the parking brake on a concrete surface, shifting into the "D" range, and turning the steering wheel repeatedly from slow to rapid, step by step.

Trouble	Possible cause	Corrective action
Hiss noise (continuous) While engine is running.	Relief valve emits operating sound when steering wheel is completely turned in either direction. (Do not keep this condition for 5 seconds or more.)	Normal operation
	Relief valve emits operating sound when steering wheel is not turned. This means that the relief valve is defective.	Replace the oil pump.
Rattling noise (intermittent) While engine is running.	Interference with adjacent parts	Check the clearance. Correct if necessary. <Ref. to PS-56, INSPECTION OF CLEARANCE, INSPECTION, General Diagnostic Table.>
	Loosened installation of oil pump, oil tank, pump bracket, gearbox or crossmember	Retighten.
	Loose oil pump pulley or other pulley(s)	Retighten.
	Looseness of linkage, play of steering, improper tightening (looseness) of suspension joint or steering column	Retighten or replace.
	Sound generates from the inside of gearbox or oil pump.	Replace faulty parts in the gearbox or oil pump.
Knocking When turning steering wheel in both directions with small angle repeatedly at engine ON or OFF.	Excessive backlash Loosened lock nut for adjusting backlash	Adjust and retighten.
	Insufficient tightening or play in the tie-rod or tie-rod end	Retighten or replace.
Grinding noise (continuous) While engine is running.	Air in vane pump	Inspect and retighten the fluid line connection. Refill the fluid and vent air.
	Vane pump seizing	Replace the oil pump.
	Oil pump pulley bearing seized	Replace the oil pump.
	Folded hose, flattened pipe	Replace.
Squeal, squeak (intermittent or continuous) While engine is running.	Improper adjustment of pulley belt Damaged or over tensioned pulley belt Unequal length of pulley belts	Adjust or replace. (Replace two belts as a set.)
	Runout or dirty V-groove surface of oil pump pulley	Clean or replace.

# General Diagnostic Table

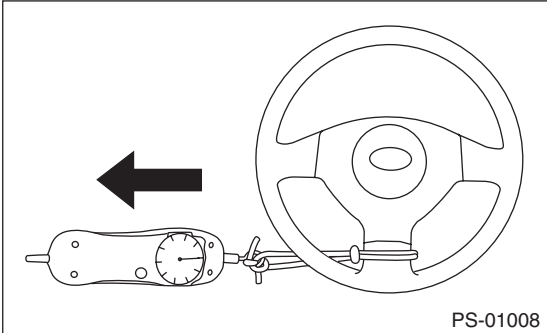
## POWER ASSISTED SYSTEM (POWER STEERING)

Trouble	Possible cause	Corrective action
Sizzling noise (continuous) While engine is running.	Fluid aeration	Fix the faulty part causing aeration. Replace the fluid and vent air.
	Damaged pipe of gearbox	Replace the pipe.
	Faulty inside of hose or pipe Flattened hose or pipe	Correct or replace.
	Abnormal inside of oil tank	Replace.
	Removed oil tank cap	Install cap.
Whistle (continuous) While engine is running.	Faulty pipe of gearbox or faulty hose	Replace the faulty parts of the gearbox or the hose.
Whine or growl (intermittent or continuous) While engine is running with/ without steering turned.	Looseness of oil pump, oil pump bracket attachment	Retighten.
	Fault inside of oil pump or hose	Replace the oil pump or hose, if the noise can be heard when vehicle is running as well as being stopped.
	Torque converter growl, air conditioner compression growl	Remove the power steering pulley belt and check.
Grinding noise (continuous) While engine is running with the steering turned.	Fault inside of gearbox	Replace the faulty parts of gearbox.
	Faulty steering shaft bearing	Apply grease or replace.
	Occurs when turning the steering wheel with brakes (service or parking) applied.	If the noise goes off when brake is released, it is normal.
Vibration While engine is running with/ without steering turned.	Engine speed is too low.	Adjust, and notify customer.
	Air in vane pump	Repair faulty part Vent air.
	Damaged valve in oil pump or gearbox	Replace the faulty parts in gearbox and oil pump.
	Excessive play in steering, looseness of suspension parts	Retighten.

# General Diagnostic Table

## POWER ASSISTED SYSTEM (POWER STEERING)

### 2. MEASUREMENT OF STEERING EFFORT

Step	Check	Yes	No
<p><b>1 CHECK STEERING EFFORT.</b>            1) Stop the vehicle on paved road.            2) Start the engine.            3) Run the engine at idle.            4) Install a spring scale on the steering wheel.            5) Pull the spring scale at a right angle to the steering wheel, and measure both right and left steering wheel efforts.</p>  <p style="text-align: right;">PS-01008</p> <p><b>NOTE:</b>            When turning the steering more quickly than necessary from a direction to the other direction at an engine speed of 2,000 rpm or higher, steering effort may be heavy. This is caused by flow characteristic of the fluid in the oil pump and is not a defect.</p>	<p>Is the steering effort less than 29.4 N (3.0 kgf, 6.6 lbf)?</p>	<p>Go to step 2.</p>	<p>Adjust the backlash.</p>
<p><b>2 CHECK STEERING EFFORT.</b>            1) Stop the engine.            2) Pull the spring scale at a right angle to the steering wheel, and measure both right and left steering wheel efforts.</p>	<p>Is the steering effort less than 294.2 N (30 kgf, 66.2 lbf)?</p>	<p>Go to step 3.</p>	<p>Perform the adjustment.</p>
<p><b>3 CHECK STEERING WHEEL EFFORT.</b>            1) Remove the universal joint.            2) Measure the steering wheel effort.</p>	<p>Is the steering effort less than 2.26 N (0.23 kgf, 0.51 lbf)?</p>	<p>Go to step 4.</p>	<p>Check, adjust and replace if necessary.</p>
<p><b>4 CHECK STEERING WHEEL EFFORT.</b>            Measure the steering wheel effort.</p>	<p>Is the difference of steering effort between right and left less than 20%?</p>	<p>Go to step 5.</p>	<p>Check, adjust and replace if necessary.</p>
<p><b>5 CHECK UNIVERSAL JOINT.</b>            Measure the swing torque of the joint (yoke of steering column side). &lt;Ref. to PS-14, INSPECTION, Universal Joint.&gt;</p>	<p>Is the swing torque of the universal joint less than 7.3 N (0.74 kgf, 1.64 lbf)?</p>	<p>Go to step 6.</p>	<p>Replace with a new part.</p>
<p><b>6 CHECK UNIVERSAL JOINT.</b>            Measure the swing torque of the joint (yoke of gearbox side). &lt;Ref. to PS-14, INSPECTION, Universal Joint.&gt;</p>	<p>Is the swing torque of the universal joint less than 3.8 N (0.39 kgf, 0.86 lbf)?</p>	<p>Go to step 7.</p>	<p>Replace with a new part.</p>
<p><b>7 CHECK FRONT WHEEL.</b>            Check the front wheels.</p>	<p>Does the front wheels have unsteady revolution or rattling, or does the brake drag?</p>	<p>Inspect, readjust and replace if necessary.</p>	<p>Go to step 8.</p>
<p><b>8 CHECK TIE-ROD ENDS.</b>            Remove the tie-rod ends.</p>	<p>If the tie-rod ends of suspension have unsteady revolution or rattling?</p>	<p>Inspect and replace if necessary.</p>	<p>Go to step 9.</p>
<p><b>9 CHECK BALL JOINT.</b>            Remove the ball joint.</p>	<p>If the ball joints of suspension have unsteady revolution or rattling?</p>	<p>Inspect and replace if necessary.</p>	<p>Go to step 10.</p>

# General Diagnostic Table

POWER ASSISTED SYSTEM (POWER STEERING)

	Step	Check	Yes	No
10	<b>CHECK GEARBOX.</b> Measure the rotating of gearbox. <Ref. to PS-34, TURNING RESISTANCE OF GEARBOX, INSPECTION, Steering Gearbox.>	Is the rotating resistance of steering gearbox less than 11.3N (1.15 kgf, 2.54 lbf)? Is the difference between right and left sides less than 24%?	Steering effort is normal.	Readjust the backlash, and if ineffective, replace the faulty parts.

## General Diagnostic Table

### POWER ASSISTED SYSTEM (POWER STEERING)

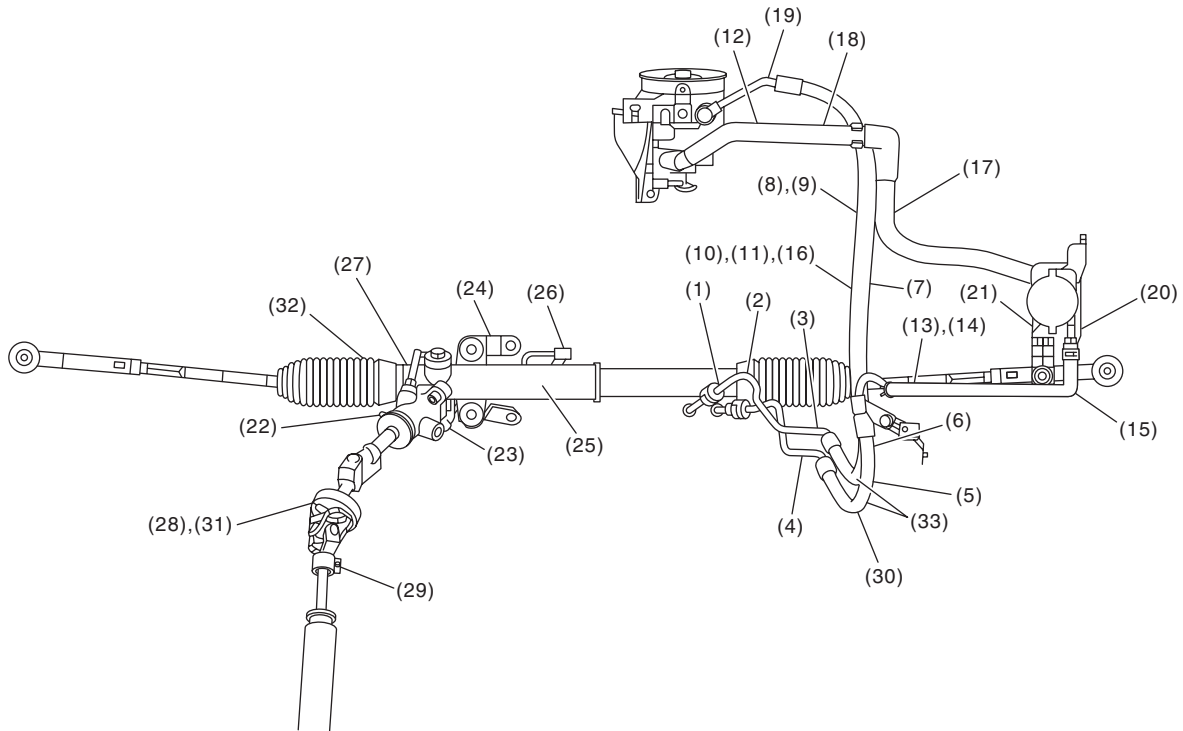
#### 3. INSPECTION OF CLEARANCE

This table lists various clearances that must be correctly adjusted to ensure the normal vehicle driving without interfering noise, or any other faults.

Location	Minimum allowance mm (in)
(1) Crossmember to-Hose ASSY	3 (0.12)
(2) Front exhaust pipe to Hose ASSY (Turbo model)	15 (0.59)
(3) Front frame side to Hose ASSY	10 (0.39)
(4) Turbo cover to Hose ASSY (Turbo model)	10 (0.39)
(5) Master cylinder to Return hose (Turbo model)	10 (0.39)
(6) Master cylinder to Hose clip (Model with vehicle dynamics control (VDC))	10 (0.39)
(7) VDC H/U to Hose ASSY (Model with vehicle dynamics control (VDC))	5 (0.20)
(8) Air cleaner to Hose ASSY (Turbo model)	5 (0.20)
(9) Air boot to Hose ASSY	10 (0.39)
(10) Protector to Hose ASSY	10 (0.39)
(11) Blow-by hose to Hose ASSY (Turbo model)	8 (0.31)
(12) Over flow hose to Hose ASSY (Turbo model)	8 (0.31)
(13) Brake pipe to Return hose (Model with ABS)	10 (0.39)
(14) Front suspension bracket to Return hose	5 (0.20)
(15) Front wheel apron to Return hose	5 (0.20)
(16) VDC H/U bracket to Suction hose (Model with vehicle dynamics control (VDC))	5 (0.20)
(17) Air cleaner case to Suction hose	5 (0.20)
(18) Air intake duct to Suction hose (Turbo model)	10 (0.39)
(19) Air duct to Suction hose (Turbo model)	10 (0.39)
(20) Front wheel apron to Reservoir tank	5 (0.20)
(21) VDC H/U to Reservoir tank (Model with vehicle dynamics control (VDC))	5 (0.20)
(22) Valve housing to DOJ (MT model)	12 (0.47)
(23) Valve housing to Crossmember (Hole)	1 (0.04)
(24) Bracket to Crossmember	1 (0.04)
(25) Cylinder to Crossmember	5 (0.20)
(26) Elbow to Crossmember	1 (0.04)
(27) Cylinder to Exhaust pipe	18 (0.71)
(28) Universal joint coupling to Turbo cover (Turbo model)	15 (0.59)
(29) Universal joint column side yoke to Master cylinder (Closest point of approach when the universal joint turns by 360°)	5 (0.20)
(30) Cruise control to Hose ASSY (Model with cruise control)	10 (0.39)
(31) Universal joint coupling to ATF level gauge (LHD model)	10 (0.39)
(32) Boot to Exhaust pipe (LHD model)	18 (0.71)
(33) Return hose to Pressure hose	No contact between hoses

# General Diagnostic Table

## POWER ASSISTED SYSTEM (POWER STEERING)



PS-00772

# General Diagnostic Table

POWER ASSISTED SYSTEM (POWER STEERING)

---

# General Description

HVAC SYSTEM (HEATER, VENTILATOR AND A/C)

## 1. General Description

### A: SPECIFICATION

#### 1. HEATER SYSTEM

Item		Specification	Condition
Heating capacity		5.0 kW (4,299 kcal/h, 17,059 BTU/h) or more	<ul style="list-style-type: none"> <li>• Mode selector switch: HEAT</li> <li>• Temperature control switch: FULL HOT</li> <li>• Temperature difference between hot water and inlet air: 65°C (149°F)</li> <li>• How water flow rate: 360 ℓ (95.1 US gal, 79.2 Imp gal)/h</li> </ul>
Air flow rate		290 m <sup>3</sup> (10,243 cu ft)/h	Heat mode (FRESH), FULL HOT at 12.5 V
Max air flow rate		480 m <sup>3</sup> (16,954 cu ft)/h	<ul style="list-style-type: none"> <li>• Temperature control switch: FULL COLD</li> <li>• Blower fan speed: Auto A/C: 7th position Manual A/C: 4th position</li> <li>• Mode selector lever: RECIRC</li> </ul>
Heater core size (height × length × width)		257.5 × 118.5 × 27 mm (10.1 × 4.67 × 1.06 in)	—
Blower motor	Type	Magnet motor 250 W or less	12 V
	Fan type and size (diameter × width)	Sirocco fan type 150 × 75 mm (5.91 × 2.95 in)	—

#### 2. A/C SYSTEM

- Auto A/C model

Item		Specifications
Type of air conditioner		Reheat air-mix type
Cooling capacity		5.0 kW (4,299 kcal/h, 17,059 BTU/h)
Refrigerant		HFC-134a (CH <sub>2</sub> FCF <sub>3</sub> ) [0.5±0.03 kg (1.1±0.07 lb)]
Compressor	Type	Rotary fixed capacity (DVK-10R)
	Discharge	105 cc (6.41 cu in)/rev
	Max. permissible speed	7,700 rpm
Magnet clutch	Type	Dry, single-disc type
	Power consumption	38.8 W
	Type of belt	V-belt 4 PK
	Pulley dia. (effective dia.)	100 mm (3.9 in)
	Pulley ratio	1.32
Condenser	Type	Sub cool type
	Core face area	0.188 m <sup>2</sup> (2.002 sq ft)
	Core thickness	16 mm (0.63 in)
	Radiation area	4.5 m <sup>2</sup> (48.44 sq ft)
Receiver drier	Effective inner capacity	177 cm <sup>3</sup> (10.8 cu in)
Expansion valve	Type	Block
Evaporator	Type	Dual-tank
	Dimensions (W × H × T)	290.1 × 172 × 39 mm (11.42 × 6.77 × 1.54 in)
Blower fan	Fan type	Sirocco fan
	Outer diameter × width	150 × 75 mm (5.91 × 2.95 in)
	Power consumption	250 W



# General Description

## HVAC SYSTEM (HEATER, VENTILATOR AND A/C)

Item		Specifications	
Condenser fan (Sub fan)	Motor type	Magnet	
	Power consumption	Non-turbo model: 90 W Turbo model: 120 W	
	Fan outer diameter	Non-turbo model: 300 mm (11.8 in) Turbo model: 318.5 mm (12.5 in)	
Radiator fan (Main fan)	Motor type	Magnet	
	Power consumption	Non-turbo model: 90 W Turbo model: 120 W	
	Fan outer diameter	Non-turbo model: 300 mm (11.8 in) Turbo model: 318.5 mm (12.5 in)	
Idle speed	MPFI model	Turbo AT model (no load): 750±100 rpm Turbo AT model (A/C ON): 825±100 rpm Turbo MT model (no load): 750±100 rpm Turbo MT model (A/C ON): 800±100 rpm	
Triple switch (Pressure switch)	Low-pressure switch operating pressure	ON → OFF	177±25 kPa (1.80±0.25 kgf/cm <sup>2</sup> , 25.7±3.6 psi)
		OFF → ON	206±30 kPa (2.10±0.31 kgf/cm <sup>2</sup> , 29.9±4.3 psi)
	High-pressure switch operating pressure	ON → OFF	2,940±200 kPa (29.98±2.04 kgf/cm <sup>2</sup> , 426.3±29 psi)
		OFF → ON	2,350±200 kPa (24.00±2.04 kgf/cm <sup>2</sup> , 340.7±29.0 psi)
	Middle-pressure switch operating pressure	ON → OFF	1,470±120 kPa (14.99±1.22 kgf/cm <sup>2</sup> , 213.15±17.4 psi)
		OFF → ON	1,770±100 kPa (18.05±1.02 kgf/cm <sup>2</sup> , 256.65±14.5 psi)
Thermo-control amplifier working temperature	<p style="text-align: right;">AC-00601</p> <p>(1) ON (2) OFF (3) 1.5±0.3°C (34.7±0.5°F) (4) 1.0±0.5°C (33.8±0.9°F)</p>		

## General Description

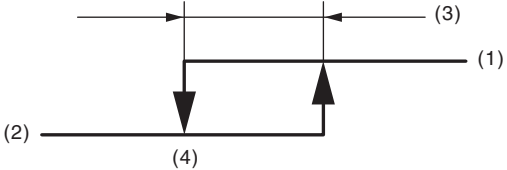
### HVAC SYSTEM (HEATER, VENTILATOR AND A/C)

- Manual A/C model

Item		Specifications	
Type of air conditioner		Reheat air-mix type	
Cooling capacity		5.0 kW (4,299 kcal/h, 17,059 BTU/h)	
Refrigerant		HFC-134a (CH <sub>2</sub> FCF <sub>3</sub> ) [0.5±0.03 kg (1.1±0.07 lb)]	
Compressor	Type	Rotary fixed capacity (DVK-10R)	
	Discharge	105 cc (6.41 cu in)/rev	
	Max. permissible speed	7,700 rpm	
Magnet clutch	Type	Dry, single-disc type	
	Power consumption	38.8 W	
	Type of belt	V-belt 4 PK	
	Pulley dia. (effective dia.)	100 mm (3.9 in)	
	Pulley ratio	1.32	
Condenser	Type	Sub cool type	
	Core face area	0.188 m <sup>2</sup> (2.002 sq ft)	
	Core thickness	16 mm (48.44 in)	
	Radiation area	4.5 m <sup>2</sup> (48.44 sq ft)	
Receiver drier	Effective inner capacity	177 cm <sup>3</sup> (10.8 cu in)	
Expansion valve	Type	Block	
Evaporator	Type	Dual-tank	
	Dimensions (W × H × T)	290.1 × 172 × 39 mm (11.42 × 6.77 × 1.54 in)	
Blower fan	Fan type	Sirocco fan	
	Outer diameter × width	150 × 75 mm (5.91 × 2.95 in)	
	Power consumption	250 W	
Condenser fan (Sub fan)	Motor type	Magnet	
	Power consumption	90 W	
	Fan outer diameter	300 mm (11.8 in)	
Radiator fan (Main fan)	Motor type	Magnet	
	Power consumption	90 W	
	Fan outer diameter	300 mm (11.8 in)	
Idle speed	MPFI model	Non-turbo MT model (no load): 650±100 rpm Non-turbo MT model (A/C ON): 850±100 rpm Non-turbo AT model (no load): 700±100 rpm Non-turbo AT model (A/C ON): 850±100 rpm	
Triple switch (Pressure switch)	Low-pressure switch operating pressure	ON → OFF	177±25 kPa (1.80±0.25 kgf/cm <sup>2</sup> , 25.7±3.6 psi)
		OFF → ON	206±30 kPa (2.10±0.31 kgf/cm <sup>2</sup> , 29.9±4.3 psi)
	High-pressure switch operating pressure	ON → OFF	2,940±200 kPa (29.98±2.04 kgf/cm <sup>2</sup> , 426.3±29 psi)
		OFF → ON	2,350±200 kPa (24.00±2.04 kgf/cm <sup>2</sup> , 340.7±29.0 psi)
	Middle-pressure switch operating pressure	ON → OFF	1,470±120 kPa (14.99±1.22 kgf/cm <sup>2</sup> , 213.15±17.4 psi)
		OFF → ON	1,770±100 kPa (18.05±1.02 kgf/cm <sup>2</sup> , 256.65±14.5 psi)

# General Description

HVAC SYSTEM (HEATER, VENTILATOR AND A/C)

Item	Specifications
Thermo-control amplifier operating temperature	 <p data-bbox="1230 514 1323 535">AC-00601</p> <p data-bbox="922 550 1205 663">(1) ON (2) OFF (3) <math>1.5 \pm 0.3^{\circ}\text{C}</math> (<math>34.7 \pm 0.5^{\circ}\text{F}</math>) (4) <math>1.0 \pm 0.5^{\circ}\text{C}</math> (<math>33.8 \pm 0.9^{\circ}\text{F}</math>)</p>

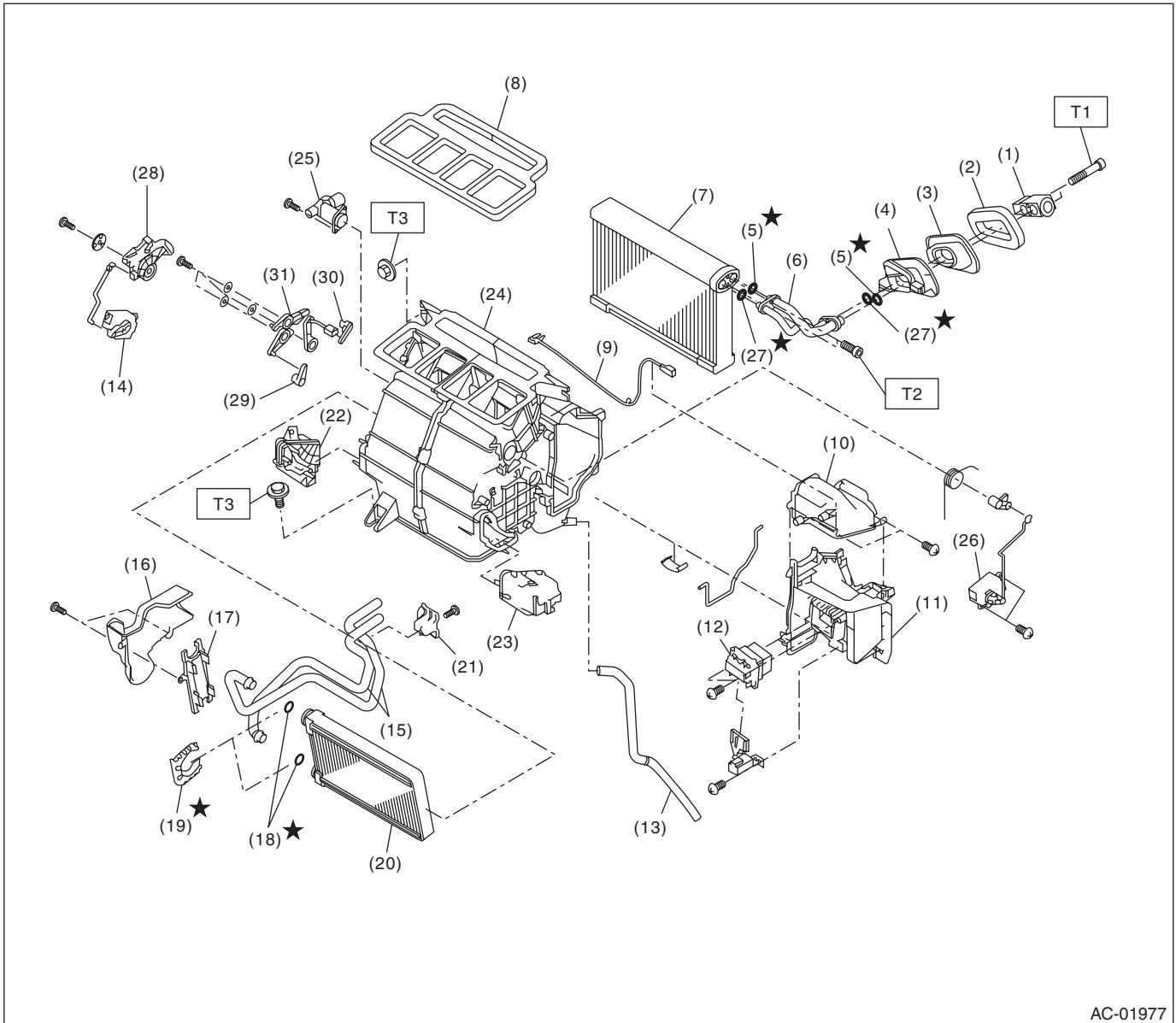
# General Description

HVAC SYSTEM (HEATER, VENTILATOR AND A/C)

## B: COMPONENT

### 1. HEATER COOLING UNIT

- Auto A/C model



- |                            |                        |                          |
|----------------------------|------------------------|--------------------------|
| (1) Expansion valve        | (13) Drain hose        | (25) Aspirator           |
| (2) Gasket                 | (14) Mode actuator     | (26) Air mix actuator    |
| (3) Grommet                | (15) Heater core pipe  | (27) O-ring              |
| (4) Case                   | (16) Heater pipe cover | (28) Mode main lever     |
| (5) O-ring                 | (17) Heater core cover | (29) Vent door link      |
| (6) Evaporator pipe        | (18) O-ring            | (30) Defroster door link |
| (7) Evaporator             | (19) Clamp             | (31) Mode link           |
| (8) Lining                 | (20) Heater core       |                          |
| (9) Evaporator sensor      | (21) Pipe clamp        |                          |
| (10) Evaporator pipe cover | (22) Foot duct (LH)    |                          |
| (11) Evaporator cover      | (23) Foot duct (RH)    |                          |
| (12) Power transistor      | (24) Heater case       |                          |

**Tightening torque: N·m (kgf·m, ft·lb)**

**T1: 5.0 (0.5, 3.7)**

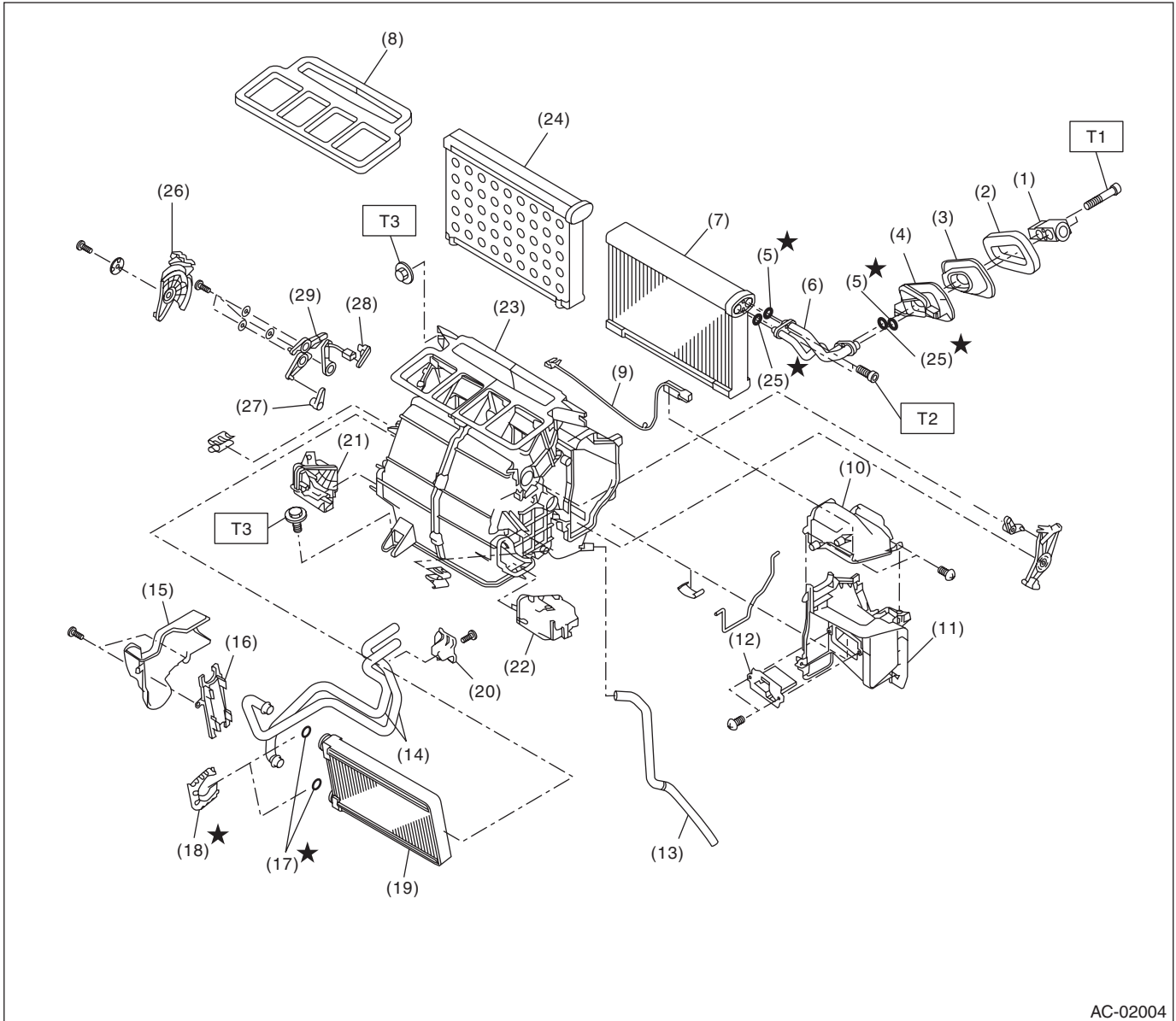
**T2: 6.68 (0.7, 4.9)**

**T3: 7.5 (0.76, 5.5)**

# General Description

HVAC SYSTEM (HEATER, VENTILATOR AND A/C)

• Manual A/C model



AC-02004

- |                            |                                |                          |
|----------------------------|--------------------------------|--------------------------|
| (1) Expansion valve        | (13) Drain hose                | (25) O-ring              |
| (2) Gasket                 | (14) Heater core pipe          | (26) Mode main lever     |
| (3) Grommet                | (15) Heater pipe cover         | (27) Vent door link      |
| (4) Case                   | (16) Heater core cover         | (28) Defroster door link |
| (5) O-ring                 | (17) O-ring                    | (29) Mode link           |
| (6) Evaporator pipe        | (18) Clamp                     |                          |
| (7) Evaporator             | (19) Heater core               |                          |
| (8) Lining                 | (20) Pipe clamp                |                          |
| (9) Thermostat             | (21) Foot duct (LH)            |                          |
| (10) Evaporator pipe cover | (22) Foot duct (RH)            |                          |
| (11) Evaporator cover      | (23) Heater case               |                          |
| (12) Resistor              | (24) Plate (Model without A/C) |                          |

**Tightening torque: N·m (kgf·m, ft·lb)**

**T1: 5.0 (0.5, 3.7)**

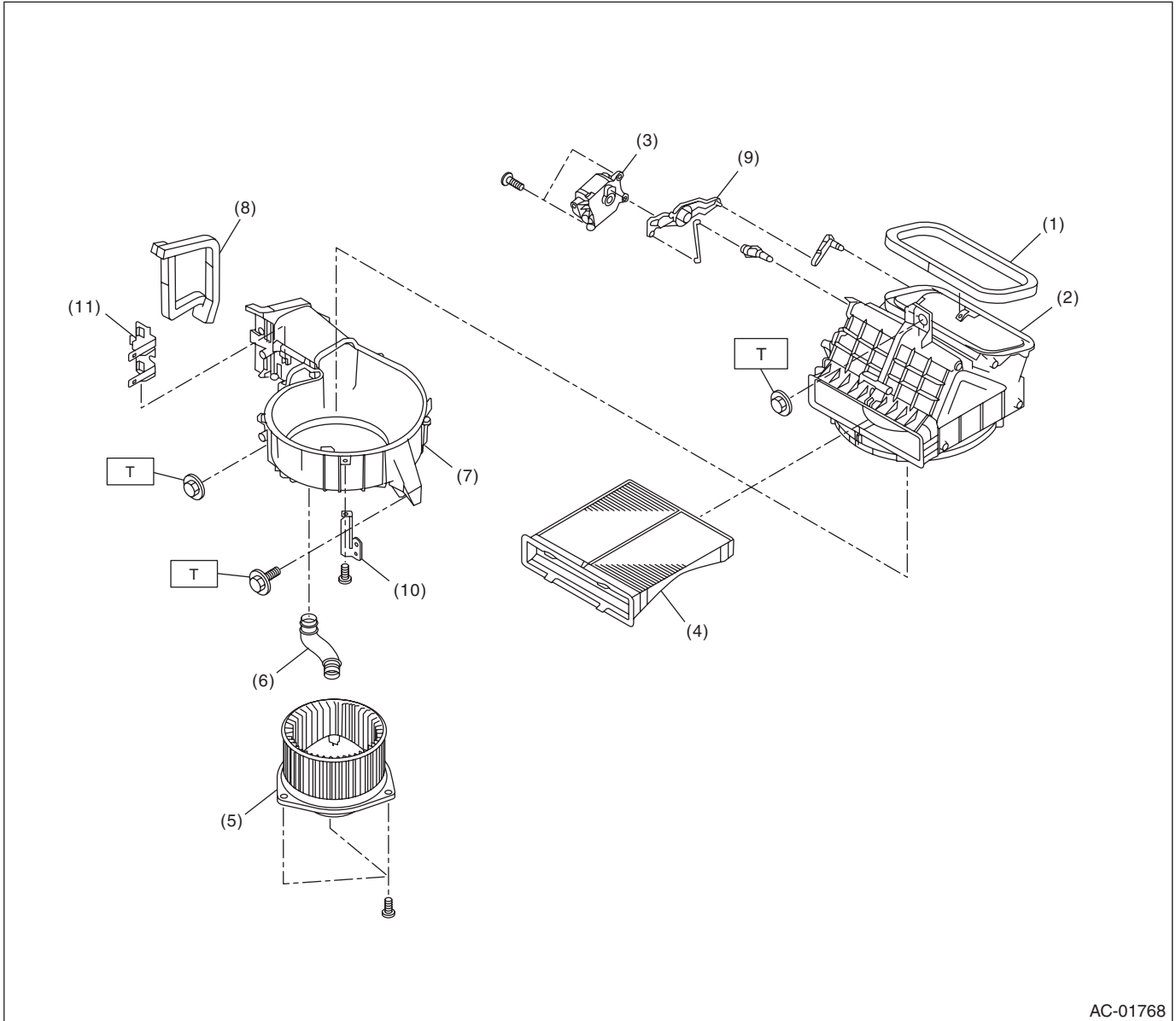
**T2: 6.68 (0.7, 4.9)**

**T3: 7.5 (0.76, 5.5)**

# General Description

HVAC SYSTEM (HEATER, VENTILATOR AND A/C)

## 2. BLOWER MOTOR UNIT



AC-01768

- |                          |                      |                           |
|--------------------------|----------------------|---------------------------|
| (1) Lining               | (6) Hose             | (11) Relay holder bracket |
| (2) Upper case           | (7) Lower case       |                           |
| (3) Intake door actuator | (8) Lining           |                           |
| (4) Filter               | (9) Intake door link |                           |
| (5) Blower motor ASSY    | (10) Relay bracket   |                           |

**Tightening torque: N·m (kgf·m, ft·lb)**

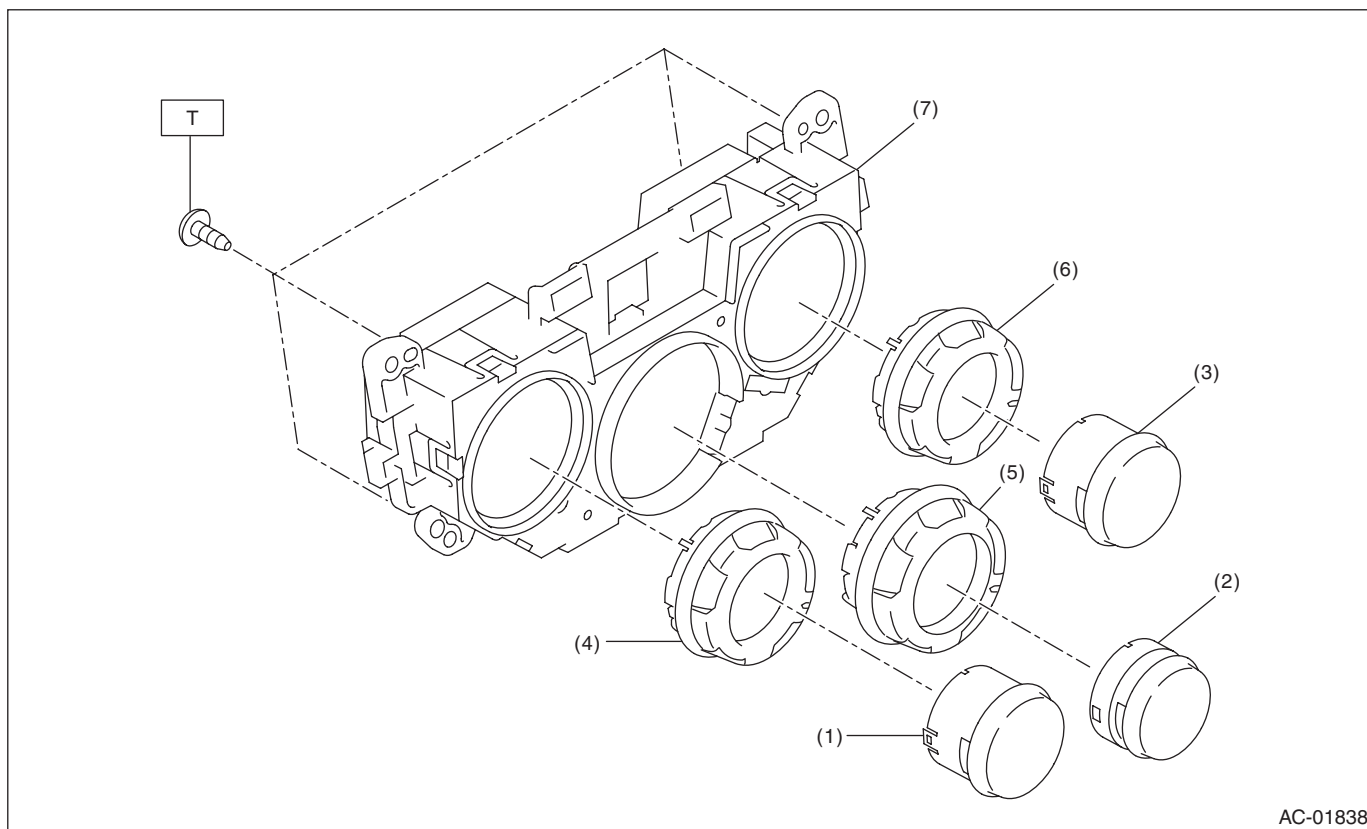
**T: 7.5 (0.76, 5.5)**

# General Description

HVAC SYSTEM (HEATER, VENTILATOR AND A/C)

## 3. CONTROL MODULE

Auto A/C model



AC-01838

- |                                 |                              |
|---------------------------------|------------------------------|
| (1) FRESH/RECIRC switch         | (5) Air flow control dial    |
| (2) Rear window defogger switch | (6) Temperature control dial |
| (3) A/C switch                  | (7) Control case             |
| (4) Fan speed control dial      |                              |

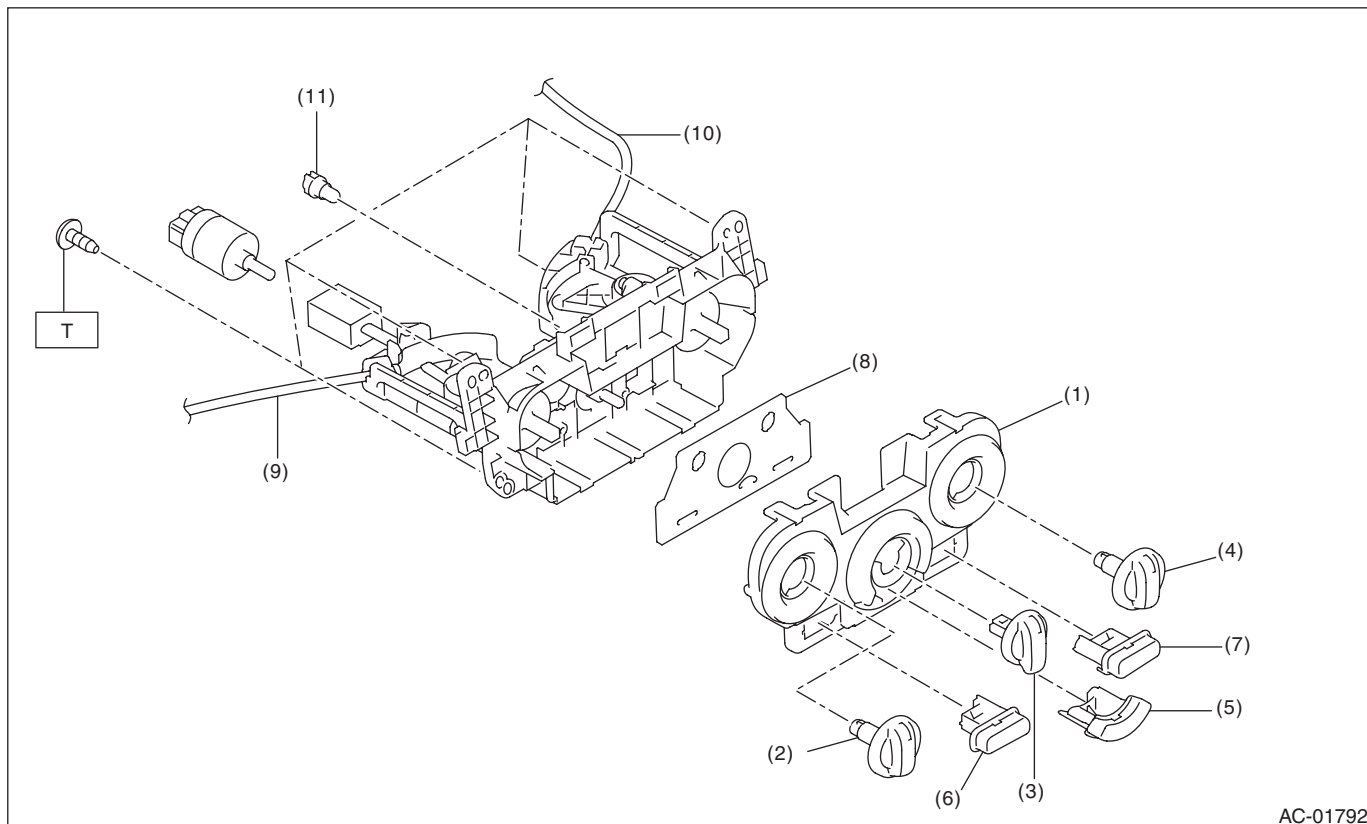
**Tightening torque: N·m (kgf·m, ft·lb)**

**T: 2 (0.2, 1.48)**

# General Description

HVAC SYSTEM (HEATER, VENTILATOR AND A/C)

## Manual A/C model



- |                              |                                 |            |
|------------------------------|---------------------------------|------------|
| (1) Panel                    | (6) Rear window defogger switch | (11) Valve |
| (2) Air flow control dial    | (7) FRESH/RECIRC switch         |            |
| (3) Fan speed control dial   | (8) Switch board                |            |
| (4) Temperature control dial | (9) Air flow control cable      |            |
| (5) A/C switch               | (10) Temperature control cable  |            |

---

**Tightening torque: N·m (kgf·m, ft·lb)**

**T: 2 (0.2, 1.48)**

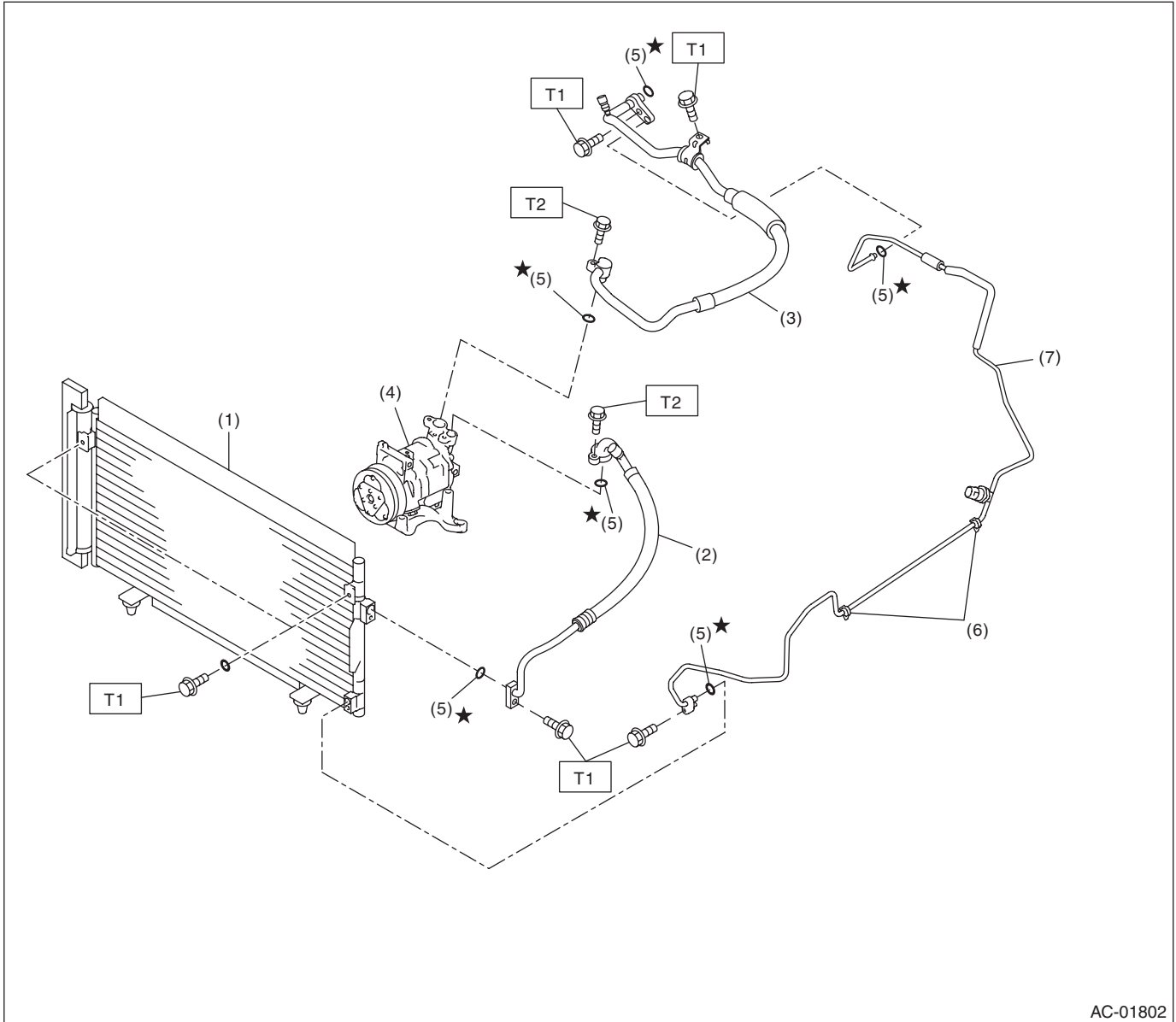
---



# General Description

HVAC SYSTEM (HEATER, VENTILATOR AND A/C)

## 4. AIR CONDITIONING UNIT



AC-01802

- |                          |            |
|--------------------------|------------|
| (1) Condenser            | (5) O-ring |
| (2) Hose (High-pressure) | (6) Clamp  |
| (3) Hose (Low-pressure)  | (7) Pipe   |
| (4) Compressor           |            |

**Tightening torque: N·m (kgf·m, ft·lb)**

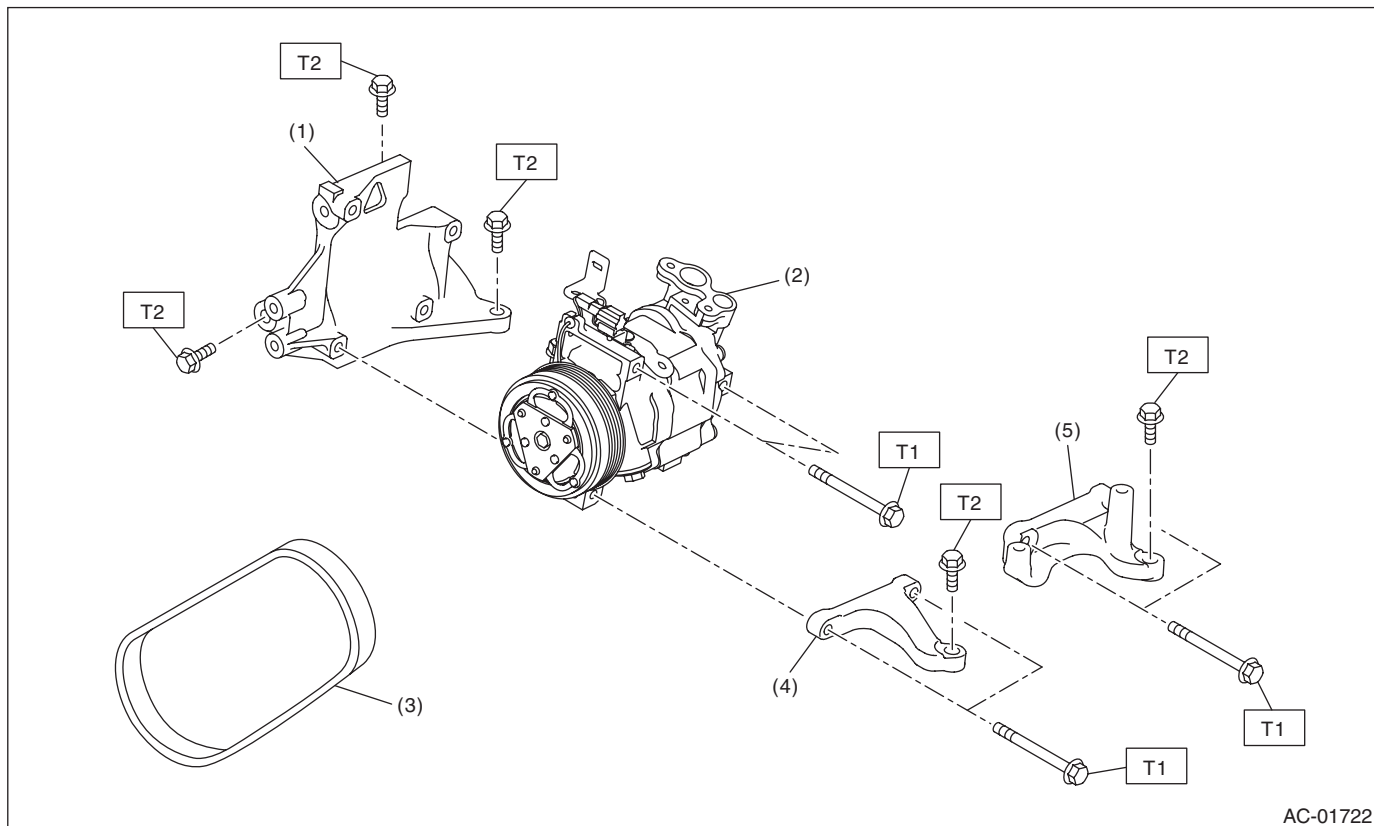
**T1: 7.5 (0.76, 5.5)**

**T2: 10 (1.0, 7.4)**

# General Description

HVAC SYSTEM (HEATER, VENTILATOR AND A/C)

## 5. COMPRESSOR



- (1) Compressor bracket
- (2) Compressor
- (3) V-belt

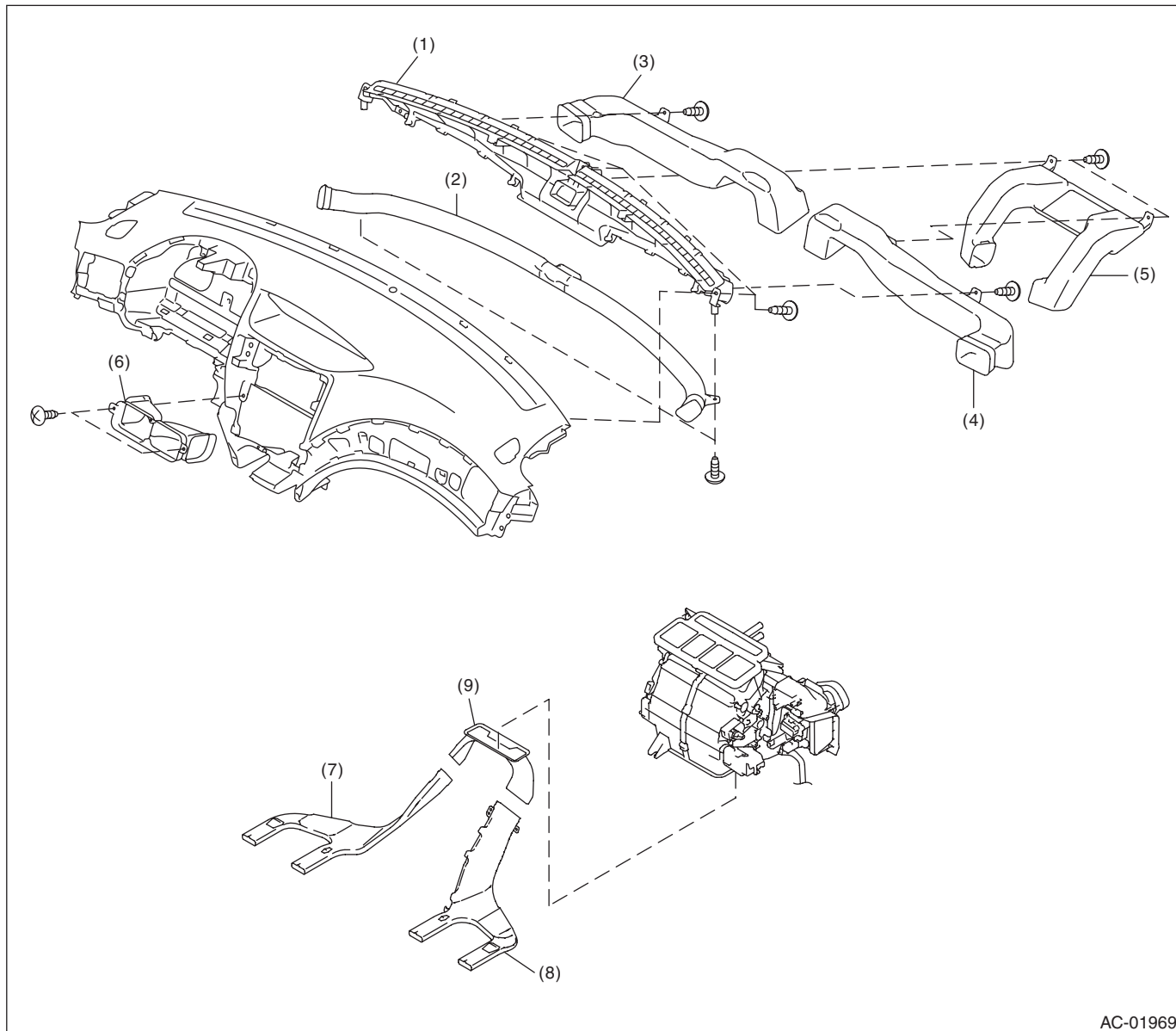
- (4) Compressor bracket (non-turbo model)
- (5) Compressor bracket (turbo model)

**Tightening torque: N-m (kgf-m, ft-lb)**  
**T1: 26.5 (2.7, 19.5)**  
**T2: 36 (3.7, 26.6)**

# General Description

HVAC SYSTEM (HEATER, VENTILATOR AND A/C)

## 6. HEATER DUCT



AC-01969

- (1) Front defroster nozzle
- (2) Side defroster duct
- (3) Side vent duct (LH)

- (4) Side vent duct (RH)
- (5) Center vent duct
- (6) Center vent duct front

- (7) Rear heater duct (LH)
- (8) Rear heater duct (RH)
- (9) Rear heater duct center

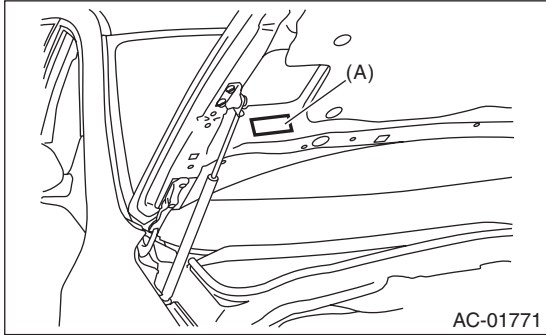
# General Description

## HVAC SYSTEM (HEATER, VENTILATOR AND A/C)

### C: CAUTION

#### 1. HFC-134A A/C SYSTEM

- The cooling system components for the HFC-134a system such as the refrigerant and compressor oil are different from the conventional CFC-12 system components and they are incompatible with each other.
- Vehicles with the HFC-134a system can be identified by the label (A) attached to the vehicle. Before maintenance, check which A/C system is installed to the vehicle.



#### 2. COMPRESSOR OIL

- HFC-134a compressor oil has no compatibility with that of CFC-12 system.
  - Use only the manufacturer-authorized compressor oil for the HFC-134a system; only use DH-PR (ZXL200PG).
  - Do not mix multiple compressor oils.
- If CFC-12 compressor oil is used in the HFC-134a A/C system, the compressor may become stuck due to poor lubrication, or the refrigerant may leak due to swelling of rubber parts.
- On the other hand, if HFC-134a compressor oil is used in a CFC-12 A/C system, the durability of the A/C system will be lowered.
- HFC-134a compressor oil is very hygroscopic. When replacing or installing/removing A/C parts, immediately isolate the oil from atmosphere using a plug or tape. In order to avoid moisture, store the oil in a container with its cap tightly closed.

#### 3. REFRIGERANT

- CFC-12 refrigerant cannot be used in a HFC-134a A/C system. HFC-134a refrigerant, also cannot be used in a CFC-12 A/C system.
- If an incorrect or no refrigerant is used, it will result in poor lubrication and the compressor itself may be damaged.

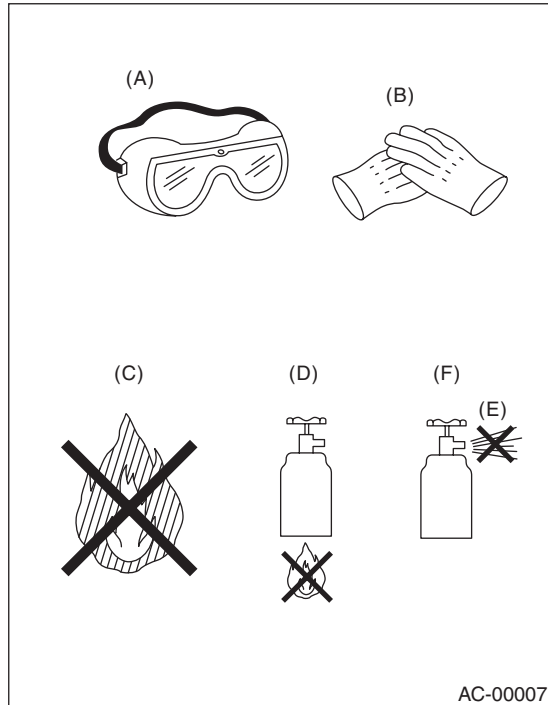
#### 4. HANDLING OF REFRIGERANT

- The refrigerant boils at approx.  $-30^{\circ}\text{C}$  ( $-22^{\circ}\text{F}$ ). When handling it, be sure to wear protective goggles and protective gloves. Direct contact of the refrigerant with skin may cause frostbite. If the refrigerant gets into your eye, avoid rubbing your eyes with your hands. Wash your eye with plenty of water, and receive medical treatment from an eye doctor.
- Do not heat a service can. If a service can is directly heated, or put into boiling water, the inside pressure will become extremely high. This may cause the can to explode. If a service can must be warmed up, use warm water of  $40^{\circ}\text{C}$  ( $104^{\circ}\text{F}$ ) or less.
- Do not drop or impact a service can. (Observe the precautions and operation procedure described on the refrigerant can.)
- When the engine is running, do not open the high-pressure valve of manifold gauge. The high-pressure gas will back-flow resulting in an explosion of the can.
- Provide good ventilation and do not work in a closed area.

## General Description

HVAC SYSTEM (HEATER, VENTILATOR AND A/C)

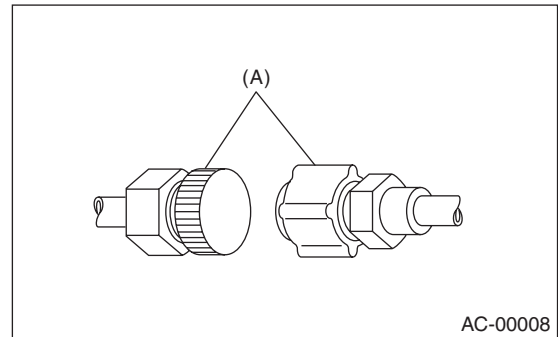
- In order to prevent global warming, avoid releasing HFC-134a into the atmosphere. Using a refrigerant recovery system, discharge and recycle the gas.



- (A) Goggles
- (B) Gloves
- (C) Avoid open flame
- (D) No direct heat on container
- (E) Do not discharge
- (F) Loosen

## 5. O-RING CONNECTIONS

- Always use a new O-ring.
- In order to keep the O-rings free of lint which will cause a refrigerant gas leak, perform work without using gloves or waste cloths.
- Apply compressor oil to O-rings to avoid sticking, before installation.
- Use a torque wrench to tighten the O-ring fittings. Over-tightening will result in damage of the O-ring and deformation of the pipe end.
- If the work is interrupted before completing pipe connections, recap the pipes, components and fittings with a plug or tape to prevent foreign matter from entering.



(A) Seal

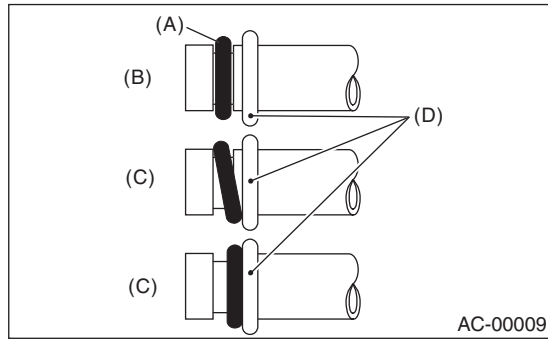
- Visually check the surfaces and mating surfaces of O-rings, threads and connecting points. If a failure is found, replace the applicable parts.

## General Description

### HVAC SYSTEM (HEATER, VENTILATOR AND A/C)

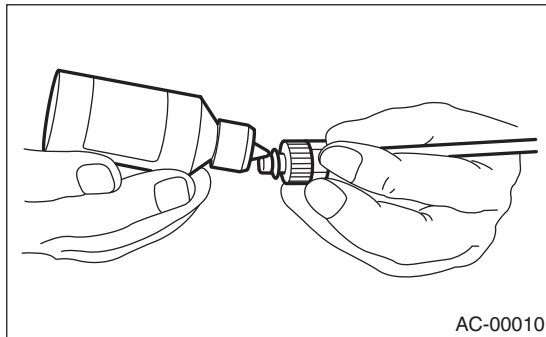
---

- Install the O-rings straight against the pipe groove.



- (A) O-ring
- (B) OK
- (C) NG
- (D) Groove

- Use compressor oil specified in the service manual to lubricate the O-rings. Apply oil to the top and sides of O-rings before installation.
- Apply compressor oil to the pipe grooves.



- After tightening, use a clean cloth to remove excess compressor oil from the connections and any oil which may have run on the vehicle body or other parts.
- If any leakage is suspected after tightening, do not tighten the connections further, but disconnect the connections, remove the O-rings, and check the O-rings, threads, and connections.

# General Description

HVAC SYSTEM (HEATER, VENTILATOR AND A/C)

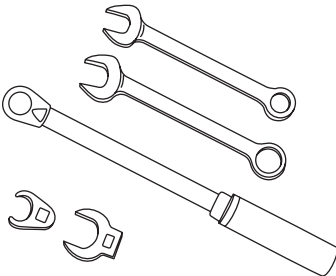
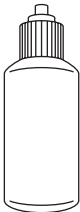
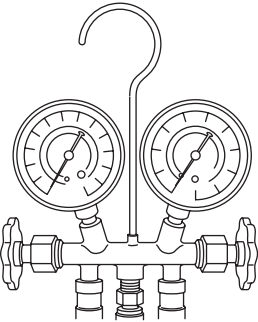
## D: PREPARATION TOOL

### CAUTION:

When working on vehicles with a HFC-134a system, only use HFC-134a specified tools and parts. Do not mix CFC-12 tools and parts. If HFC-134a and CFC-12 refrigerant or compressor oil is mixed, it will result in poor lubrication and the compressor itself may be damaged.

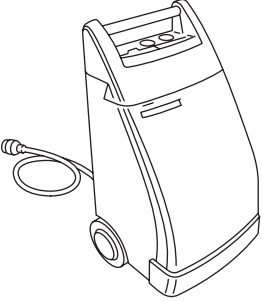
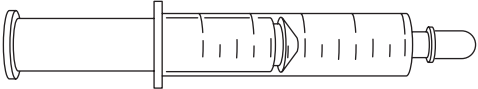
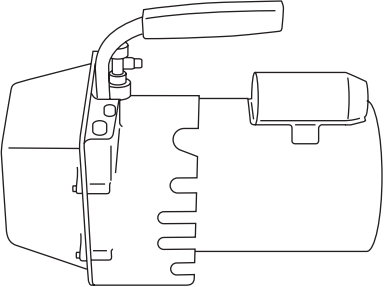
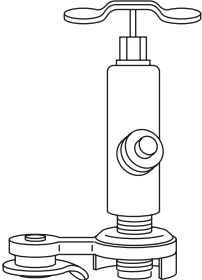
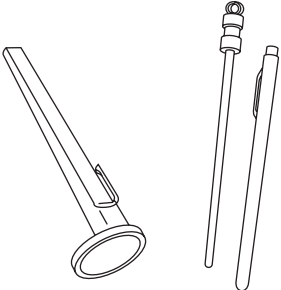
In order to prevent the mixture of HFC-134a and CFC-12 parts and liquid, the tool and screw type and the type of service valves used are different. The gas leak detectors for the HFC-134a and CFC-12 systems must also not be interchanged.

	HFC-134a	CFC-12
Tool & screw type	Millimeter size	Inch size
Valve type	Quick joint type	Screw-in type

ILLUSTRATION	Tools and Equipment
 <p>AC-00213</p>	<p><b>Wrench</b></p> <p>Various <b>WRENCHES</b> will be required to service any A/C system. 7 — 40 N·m (0.7 to 4.1 kgf-m, 5 to 30 ft-lb) torque wrench and various crowfoot wrenches will be needed. Open end or flare nut wrenches will be needed to hold the tube and hose fittings.</p>
 <p>AC-00012</p>	<p><b>Applicator bottle</b></p> <p>A small <b>APPLICATOR BOTTLE</b> is recommended to apply compressor oil to the various parts. It can be available at a hardware or drug store.</p>
 <p>AC-00013</p>	<p><b>Manifold gauge set</b></p> <p>A <b>MANIFOLD GAUGE SET</b> (with hoses) is available at either a refrigerant supplier or an automotive equipment supplier.</p>

# General Description

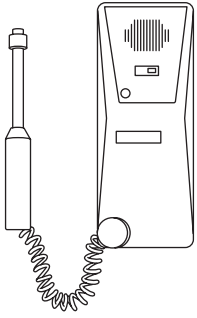

## HVAC SYSTEM (HEATER, VENTILATOR AND A/C)

ILLUSTRATION	Tools and Equipment
 <p data-bbox="597 514 695 535">AC-00014</p>	<p data-bbox="743 205 1044 226">Refrigerant recovery system</p> <p data-bbox="743 237 1485 321">A <b>REFRIGERANT RECOVERY SYSTEM</b> is used for the recovery and recycling of A/C system refrigerant after contaminants and moisture have been removed from the refrigerant.</p>
 <p data-bbox="597 865 695 886">AC-00015</p>	<p data-bbox="743 556 829 577">Syringe</p> <p data-bbox="743 588 1485 640">A graduated plastic <b>SYRINGE</b> will be needed to add oil into the system again. A syringe can be available at a pharmacy or drug store.</p>
 <p data-bbox="597 1215 695 1236">AC-00016</p>	<p data-bbox="743 907 899 928">Vacuum pump</p> <p data-bbox="743 938 1463 1022">A <b>VACUUM PUMP</b> is necessary (for a good working condition), and may be available at either a refrigerant supplier or an automotive equipment supplier.</p>
 <p data-bbox="597 1566 695 1587">AC-00017</p>	<p data-bbox="743 1257 829 1278">Can tap</p> <p data-bbox="743 1289 1455 1344">A <b>CAN TAP</b> for the 397 g (14 oz.) can is available at an automotive equipment supplier.</p>
 <p data-bbox="597 1917 695 1938">AC-00018</p>	<p data-bbox="743 1608 891 1629">Thermometer</p> <p data-bbox="743 1640 1479 1694">A Pocket <b>THERMOMETER</b> is available at either a industrial hardware store or a refrigerant supplier.</p>



# General Description

## HVAC SYSTEM (HEATER, VENTILATOR AND A/C)

ILLUSTRATION	Tools and Equipment
 <p data-bbox="597 514 690 535">AC-00019</p>	<p data-bbox="743 199 998 220">Electronic leak detector</p> <p data-bbox="743 231 1485 294">An <b>ELECTRONIC LEAK DETECTOR</b> can be available at either a specialty tool supplier or an A/C equipment supplier.</p>
 <p data-bbox="597 861 690 882">AC-00020</p>	<p data-bbox="743 556 885 577">Weight scale</p> <p data-bbox="743 588 1485 672">A <b>WEIGHT SCALE</b> such as an electronic charging scale or a bathroom scale with digital display will be needed, if a 13.6 kg (30 lb) refrigerant container is used.</p>

# Refrigerant Pressure with Manifold Gauge Set

HVAC SYSTEM (HEATER, VENTILATOR AND A/C)

---

## 2. Refrigerant Pressure with Manifold Gauge Set

### A: PROCEDURE

- 1) Place the vehicle in the shade and windless condition.
- 2) Open the front hood.
- 3) Connect the manifold gauge set.
- 4) Open the front windows and close all doors.
- 5) Increase the engine to 1,500 rpm.
- 6) Turn the A/C switch to ON.
- 7) Turn the temperature control switch to MAX COOL.
- 8) Put in RECIRC position.
- 9) Turn the blower control switch to HI.
- 10) Read the gauge.

#### **Standard:**

**Low pressure: 127 — 196 kPa (1.3 — 2.0 kg/cm<sup>2</sup>, 18 — 28 psi)**

**High pressure: 1,471 — 1,667 kPa (15 — 17 kg/cm<sup>2</sup>, 213 — 242 psi)**

**Ambient temperature: 30 — 35°C (86 — 95°F)**

### B: INSPECTION

Symptom	Probable cause	Repair order
High-pressure side is unusually high.	<ul style="list-style-type: none"><li>• Defective condenser fan motor</li><li>• Clogged condenser fin</li><li>• Too much refrigerant</li><li>• Air inside the system</li><li>• Defective receiver dryer</li></ul>	<ul style="list-style-type: none"><li>• Replace the fan motor.</li><li>• Clean the condenser fin.</li><li>• Discharge refrigerant.</li><li>• Replace the receiver dryer.</li><li>• After evacuating again, charge an appropriate amount of refrigerant.</li></ul>
High-pressure side is unusually low.	<ul style="list-style-type: none"><li>• Defective compressor</li><li>• Not enough refrigerant</li><li>• Clogged expansion valve</li><li>• Expansion valve frozen temporarily by moisture.</li></ul>	<ul style="list-style-type: none"><li>• Replace the compressor.</li><li>• Check for leaks.</li><li>• Replace the expansion valve.</li><li>• Fully evacuate the expansion valve.</li></ul>
Low-pressure side is unusually high.	<ul style="list-style-type: none"><li>• Defective compressor</li><li>• Defective expansion valve</li><li>• Too much refrigerant</li></ul>	<ul style="list-style-type: none"><li>• Replace the compressor.</li><li>• Replace the expansion valve.</li><li>• Discharge refrigerant.</li></ul>
Low-pressure side is unusually low.	<ul style="list-style-type: none"><li>• Not enough refrigerant</li><li>• Clogged expansion valve</li><li>• Expansion valve frozen temporarily by moisture.</li><li>• Saturated receiver dryer</li></ul>	<ul style="list-style-type: none"><li>• Check for leaks.</li><li>• Replace the expansion valve.</li><li>• Replace the receiver dryer.</li></ul>

# Refrigerant Recovery Procedure

HVAC SYSTEM (HEATER, VENTILATOR AND A/C)

## 3. Refrigerant Recovery Procedure

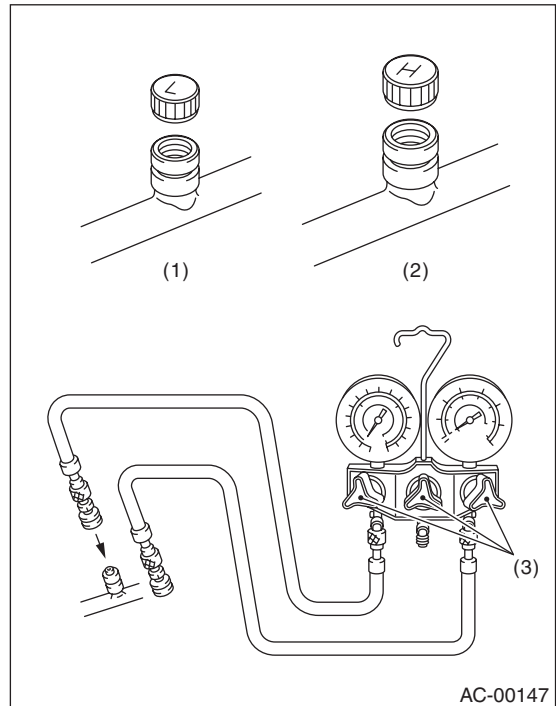
### A: PROCEDURE

#### CAUTION:

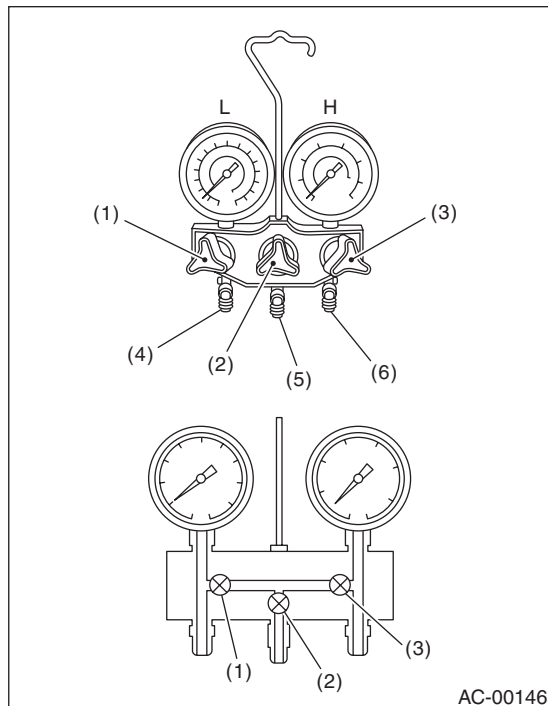
- During operation, be sure to wear protective goggles and protective gloves.
- Connect the refrigerant recovery system with the manifold gauge set to discharge the refrigerant from the A/C system and recycle the gas.
- When recycling the discharged refrigerant, keep service cans on hand. Because the recovery rate with the recovery system is approx. 90%, service cans are necessary to charge the refrigerant.
- Follow the detailed operation procedure described in the operation manual attached to the refrigerant recovery system.

- 1) Perform compressor oil return operation. <Ref. to AC-26, PROCEDURE, Compressor Oil.>
- 2) Stop the engine.
- 3) Make sure the valves on low/high pressure sides of manifold gauge set are fully closed.

- 4) Install the low/high pressure hoses to the service ports on the low/high pressure sides of the vehicle respectively.



- (1) Low-pressure side service port
- (2) High-pressure side service port
- (3) Close



- L: Low pressure gauge
- H: High pressure gauge
- (1) Low pressure valve
- (2) Vacuum pump valve
- (3) High pressure valve
- (4) For low pressure
- (5) For vacuum pump
- (6) For high pressure

- 5) Connect the center hose to the refrigerant recovery system.
- 6) Follow the operation manual to activate the refrigerant recovery system.

# Refrigerant Charging Procedure

HVAC SYSTEM (HEATER, VENTILATOR AND A/C)

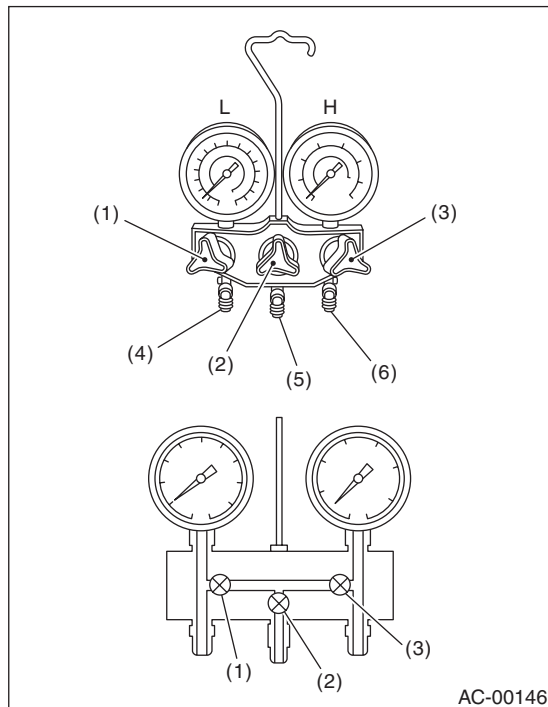
## 4. Refrigerant Charging Procedure

### A: PROCEDURE

#### CAUTION:

- While working, be sure to wear protective goggles and protective gloves.
- Air in the cycle can cause insufficient air conditioning, and water in the cycle can cause clogging in the cycle (icing) and rust. To remove this air and water content, use a vacuum pump to perform evacuation of the system before filling with refrigerant. By making the inside of the cycle a vacuum, the water content will evaporate even at atmospheric temperatures, and can be removed.

1) Close all valves of the manifold gauge.

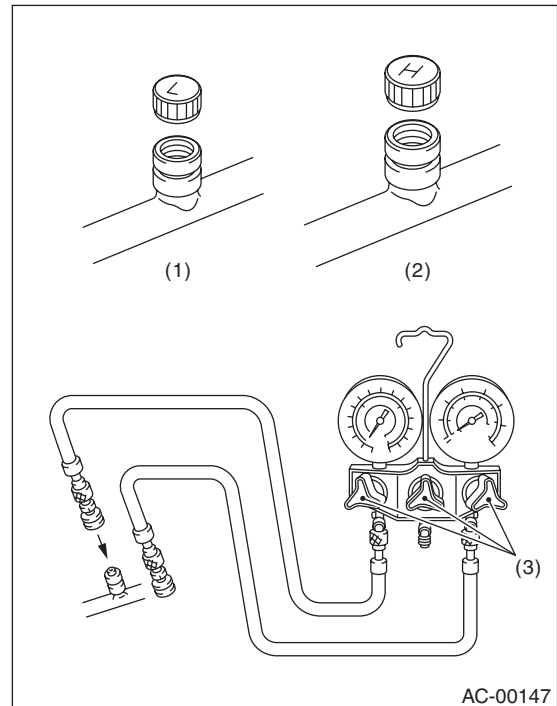


- L: Low pressure gauge
- H: High pressure gauge
- (1) Low pressure valve
- (2) Vacuum pump valve
- (3) High pressure valve
- (4) For low pressure
- (5) For vacuum pump
- (6) For high pressure

2) Attach the low pressure side and high pressure side hoses to the vehicle service port.

#### CAUTION:

Confirm that the connections are secure.



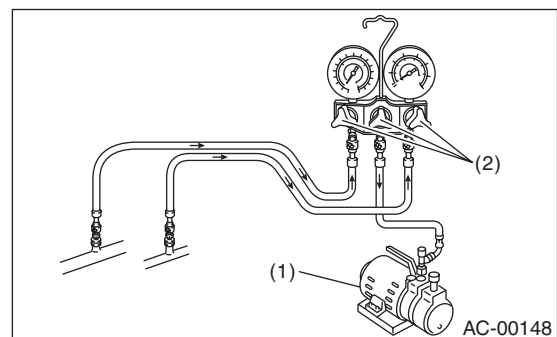
- (1) Low-pressure side service port
- (2) High-pressure side service port
- (3) Close

3) Connect the center manifold hose of the manifold gauge to the vacuum pump.

4) Operate the vacuum pump and open the low pressure and high pressure side valves. Next, open the center manifold hose valve, and begin evacuation.

#### CAUTION:

Make sure to perform evacuation using a vacuum pump.



- (1) Vacuum pump
- (2) Open

# Refrigerant Charging Procedure

HVAC SYSTEM (HEATER, VENTILATOR AND A/C)

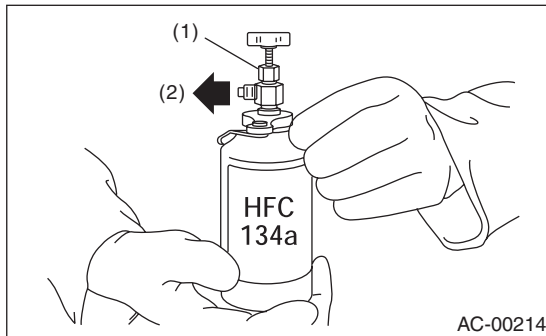
5) Perform evacuation for 5 minutes or more, and when the low pressure gauge needle reaches  $-100.0$  kPa ( $-750$  mmHg,  $-29.5$  inHg) or higher, close the center manifold hose valve, and stop the vacuum pump.

6) Leave alone for 5 to 10 minutes after closing the low pressure side and high pressure side valves, and check whether there is any change in the low pressure gauge needle indication. If the needle position changes, this indicates a leak. Check the pipe and hose connections, and repair the location with the problem. In this case, repeat again from step 1).

7) If there is no leakage, continue evacuation for additional 20 to 30 minutes.

8) Close all valves and stop the vacuum pump.

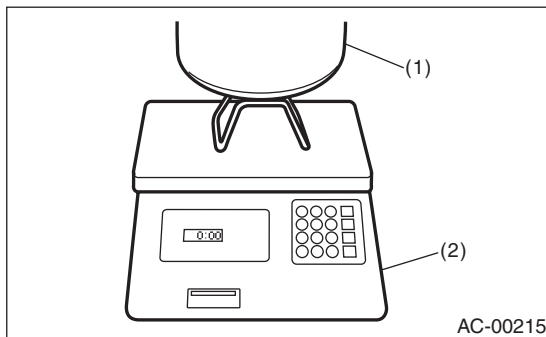
9) Follow the can tap operation manual, install to the refrigerant can.



- (1) Tap valve
- (2) To the center manifold hose

10) Disconnect the center manifold hose from the vacuum pump, and connect the hose to the tap valve.

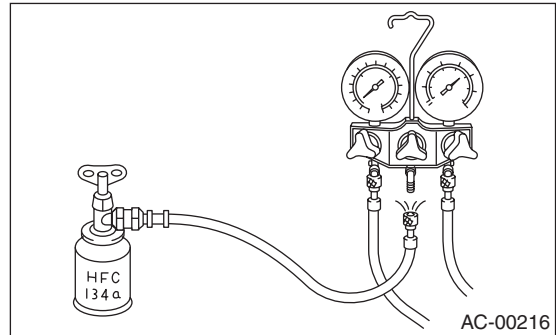
11) When a 13.6 kg (30 lb) refrigerant container is used, measure the amount of refrigerant with a refrigerant charging scale, and connect with the center manifold hose.



- (1) Refrigerant container (HFC-134a)
- (2) Weight scale

12) Open the valve on the HFC-134a source.

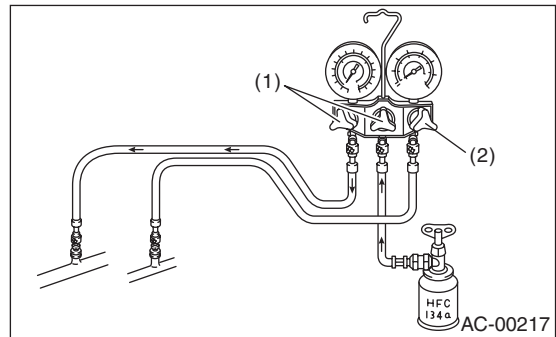
13) Loosen the center manifold hose connection on the manifold gauge for a few seconds (if there is a purge valve on the manifold gauge, push this instead) to allow the air in the center manifold hose to escape using the refrigerant pressure.



14) Open the high pressure side and low pressure side valves of the manifold gauge to fill with refrigerant.

### CAUTION:

**When filling with the engine running, do not open the high pressure side valve. Always fill from the low pressure side.**



- (1) Open
- (2) Open

15) When the gauge needle reaches approximately 200 kPa (1,500 mmHg, 59.1 inHg), close all valves.

16) Using a leak tester, check for refrigerant leaks in the system.

17) After checking that there are no refrigerant leaks, fill with refrigerant up to the specified amount.

18) If the HFC-134a supply container becomes empty, close all valves, and close the can tap valve to replace the empty container. After replacing with a new HFC-134a supply container, perform air purge, and resume the filling operation.

19) If the refrigerant filling efficiency drops, close all valves.

20) Check that both the low pressure and high pressure valves are closed. Start the engine with the A/C switch OFF.

## Refrigerant Charging Procedure

HVAC SYSTEM (HEATER, VENTILATOR AND A/C)

---

21) To prevent damage to the compressor, push the A/C switch ON-OFF quickly a few times.

22) Set up the vehicle to the following status:

**CAUTION:**

**When filling with the engine running, do not open the high pressure side valve.**

**Always fill from the low pressure side valve.**

- A/C switch ON
- Engine running at 1,500 rpm
- Blower speed setting to "HI"
- Temperature setting to "MAX COOL"
- Air inlet setting to "RECIRC"
- Window open

23) Open the low pressure side valve and fill with refrigerant up to the specified amount.

24) After filling with refrigerant, close all valves and disconnect the hose from the service port.

25) Attach the cap to the service port.

# Refrigerant Leak Check

HVAC SYSTEM (HEATER, VENTILATOR AND A/C)

## 5. Refrigerant Leak Check

### A: INSPECTION

1) Operate the A/C system for approx. 10 minutes, and check that the high-pressure side shows at least 690 kPa (7.03 kgf/cm<sup>2</sup>, 100 psi). Then stop the engine to start the leak test.

2) Starting from the connection between high-pressure pipe and evaporator, check the system for leaks along the high-pressure side through the compressor. The following items must be checked thoroughly.

- Check the joint and seam between pressure switch (triple pressure switch) and high-pressure pipe.
- Check the connections between condenser and pipes, and welded joints on the condenser.

#### NOTE:

The leak tester may detect the oil on the condenser fins as a leak.

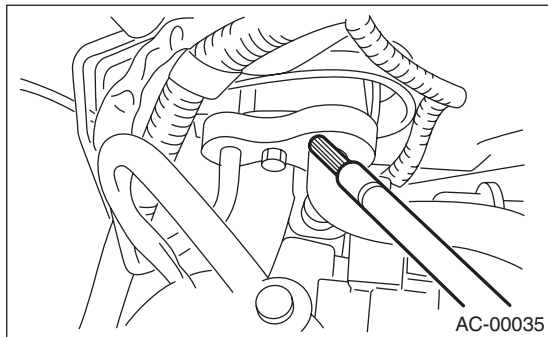
- Check the joint between compressor and hoses.
- Check the machined area of the compressor and other joints on the compressor.
- Check the compressor shaft seal at the area near the center of compressor clutch pulley.

#### NOTE:

Some shaft seals will show a slight amount of leakage, about 3 g (0.1 oz) per year. This is not a problem.

3) Starting from the connection between low-pressure pipe and evaporator, check the system for leakage along the low-pressure side through the compressor. The following items must be checked thoroughly.

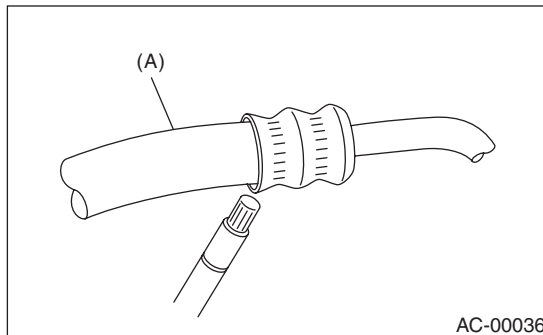
- Connection between 2 parts
- Connection between pipe and plate



4) Visually check the rubber area of the flexible hose for cracks. Check the entire length of the flexible hose, especially the connection with the metal hose end.

#### CAUTION:

**Carefully check the external surface of hoses and pipes at approx. 25 mm (0.98 in) per second.**

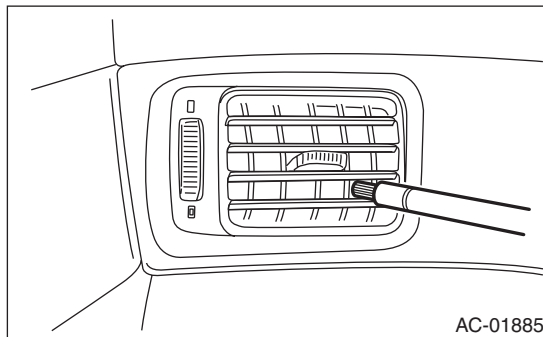


(A) Flexible hose

5) Disconnect the drain hose from the heater case, and check the hose end for at least 10 seconds.

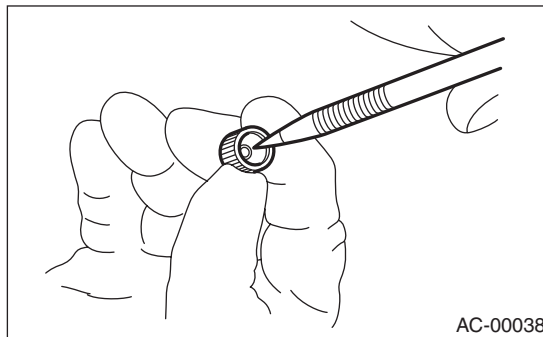
After the test is finished, reconnect the drain hose.

6) Turn the ignition switch to the ON, and run the blower at high speed for approx. 1 minute. Stop the blower to check the ventilation grille on the instrument panel. While moving the tester closer to the grille, run the blower for 1 or 2 seconds, then stop it. Check the grille at that position for at least 10 seconds.



7) Check the valve in the service port.

8) Visually check the rubber seal in the service port cap.



# Compressor Oil

HVAC SYSTEM (HEATER, VENTILATOR AND A/C)

---

## 6. Compressor Oil

### A: PROCEDURE

NOTE:

Before making repairs, perform the oil return operation to return the compressor oil in circulation with the refrigerant to the compressor.

- 1) Increase the engine to 1,500 rpm.
- 2) Turn on the A/C switch.
- 3) Turn the temperature control switch to MAX COOL.
- 4) Put in RECIRC position.
- 5) Turn the blower control switch to HI.
- 6) Leave in this condition for 10 minutes.

### B: REPLACEMENT

NOTE:

- If a component has been replaced, add an appropriate amount of compressor oil (same as the amount of remaining oil in removed component).
- When replacing the compressor, the new compressor will already have the specified amount of oil in it. Adjust the oil amount (so that the amount remains the same as that of the removed compressor) and install the new compressor.
- Since the hygroscopicity of compressor oil is high, perform this series of works quickly.



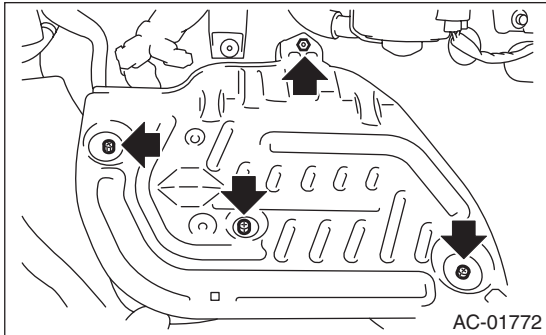
# Blower Motor Unit Assembly

HVAC SYSTEM (HEATER, VENTILATOR AND A/C)

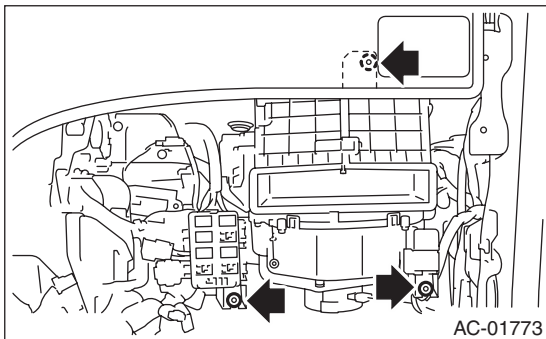
## 7. Blower Motor Unit Assembly

### A: REMOVAL

- 1) Disconnect the ground cable from battery.
- 2) Remove the instrument panel lower. <Ref. to EI-51, INSTRUMENT PANEL, LOWER, REMOVAL, Center Console.>
- 3) Remove the engine ECM protect cover.



- 4) Disconnect the intake door actuator and blower motor harness connectors.
- 5) Remove the relay holder.
- 6) Remove the bolts and nuts to remove blower motor unit assembly.



### B: INSTALLATION

Install in the reverse order of removal.

#### **Tightening torque:**

**Refer to "COMPONENT" of "General Description". <Ref. to AC-6, HEATER COOLING UNIT, COMPONENT, General Description.>**  
**<Ref. to AC-8, BLOWER MOTOR UNIT, COMPONENT, General Description.>**

# Blower Motor

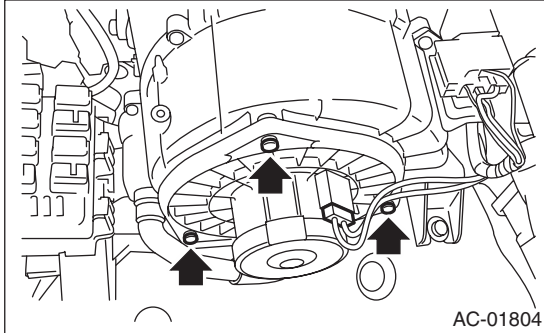
HVAC SYSTEM (HEATER, VENTILATOR AND A/C)

---

## 8. Blower Motor

### A: REMOVAL

- 1) Disconnect the ground cable from battery.
- 2) Disconnect the blower motor connector.
- 3) Turn up the floor mat near the blower motor.
- 4) Remove the screws and detach the blower motor.

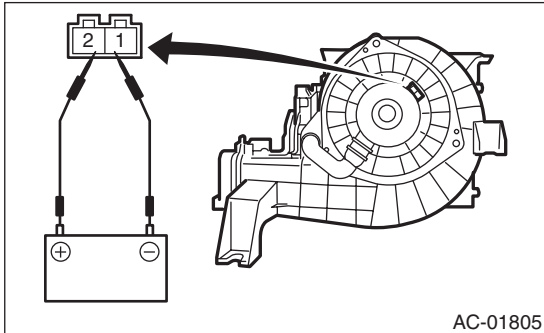


### B: INSTALLATION

Install in the reverse order of removal.

### C: INSPECTION

Connect the battery positive (+) terminal to terminal No. 2 of blower motor connector, and negative (-) terminal to terminal No. 1. Check the blower motor for smooth rotation.



Replace the blower motor if defective.

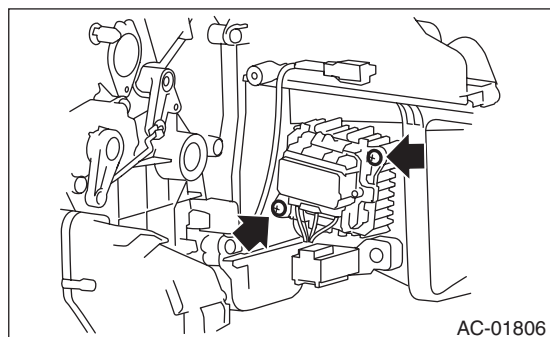
## Power Transistor (Auto A/C Model)

HVAC SYSTEM (HEATER, VENTILATOR AND A/C)

### 9. Power Transistor (Auto A/C Model)

#### A: REMOVAL

- 1) Remove the instrument panel lower. <Ref. to EI-51, INSTRUMENT PANEL, LOWER, REMOVAL, Center Console.>
- 2) Disconnect the power transistor connector.
- 3) Remove the two screws and remove the power transistor.



#### B: INSTALLATION

Install in the reverse order of removal.

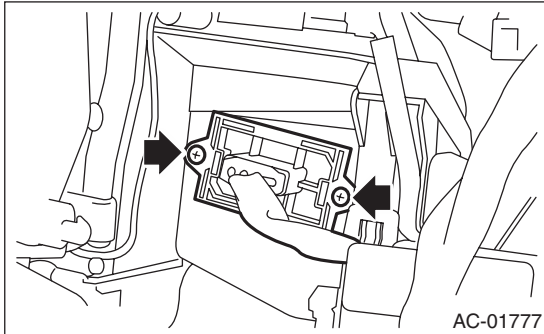
# Blower Resistor (Manual A/C Model)

HVAC SYSTEM (HEATER, VENTILATOR AND A/C)

## 10. Blower Resistor (Manual A/C Model)

### A: REMOVAL

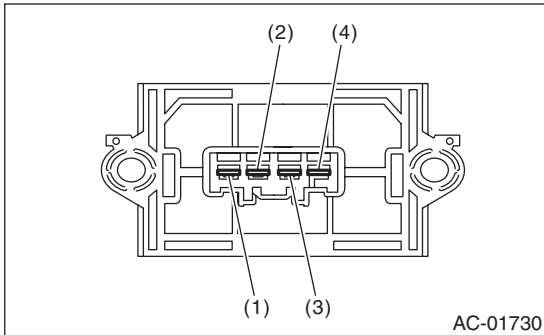
- 1) Remove the instrument panel lower. <Ref. to EI-51, INSTRUMENT PANEL, LOWER, REMOVAL, Center Console.>
- 2) Disconnect the blower resistor connector.
- 3) Remove the two screws and remove the blower resistor.



### B: INSTALLATION

Install in the reverse order of removal.

### C: INSPECTION



Measure the blower resistor resistance.

Terminal No.	Standard
4 and 3	Approx. 0.43 $\Omega$
4 and 2	Approx. 1.03 $\Omega$
4 and 1	Approx. 3.0 $\Omega$

If NG, replace the blower resistor.

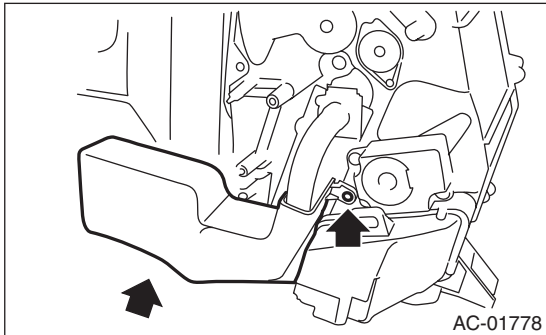
# Heater Core

HVAC SYSTEM (HEATER, VENTILATOR AND A/C)

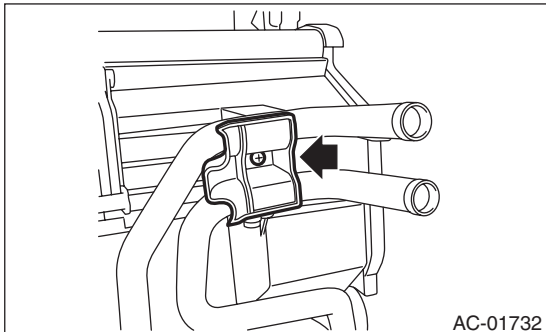
## 11.Heater Core

### A: REMOVAL

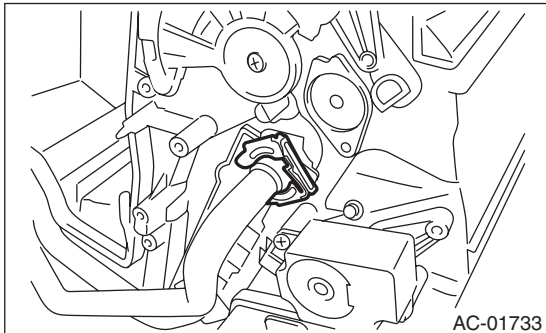
- 1) Remove the heater and cooling unit. <Ref. to AC-36, REMOVAL, Heater and Cooling Unit.>
- 2) Remove the screws and detach the heater pipe cover.



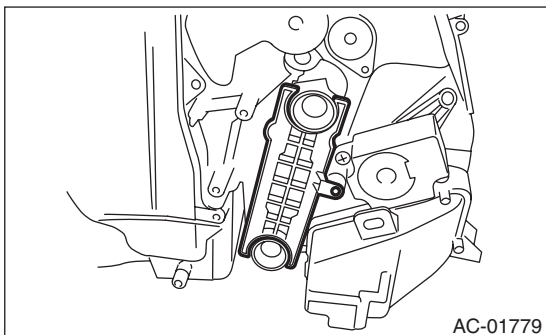
- 3) Remove the screws and detach the clamp.



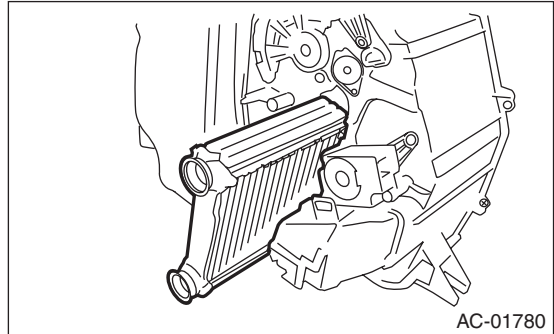
- 4) Remove the pipe clamp and detach the pipe.



- 5) Remove the heater core cover.



- 6) Remove the heater core.



### B: INSTALLATION

#### CAUTION:

Replace O-rings and pipe clamps with new parts and install securely.

- 1) Install in the reverse order of removal.
- 2) Fill engine coolant. <Ref. to CO(H4DOTC)-14, FILLING OF ENGINE COOLANT, REPLACEMENT, Engine Coolant.> <Ref. to CO(H4SO)-13, FILLING OF ENGINE COOLANT, REPLACEMENT, Engine Coolant.>
- 3) Charge refrigerant. <Ref. to AC-22, PROCEDURE, Refrigerant Charging Procedure.>

## Control Unit (Manual A/C Model)

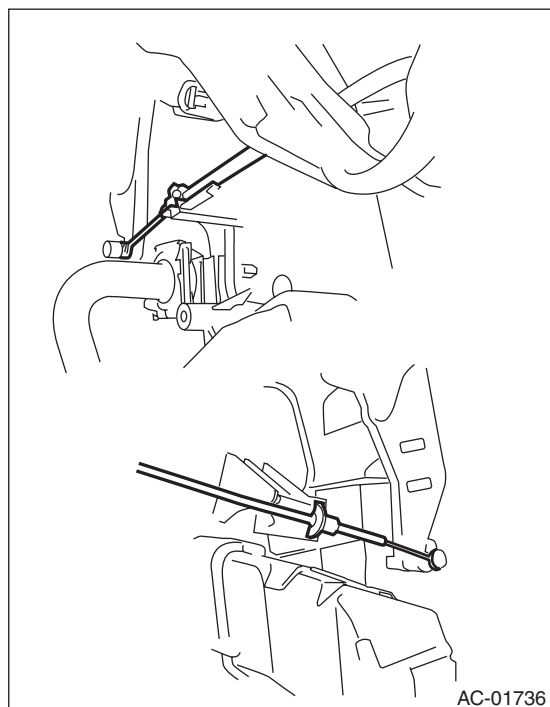
HVAC SYSTEM (HEATER, VENTILATOR AND A/C)

---

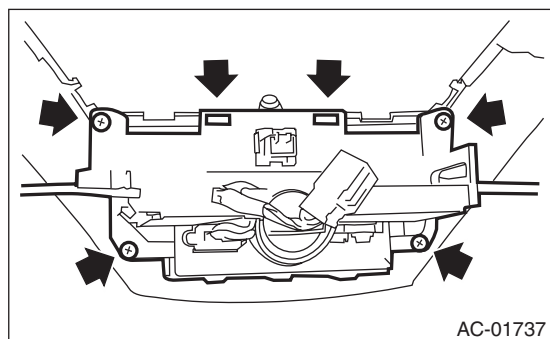
### 12. Control Unit (Manual A/C Model)

#### A: REMOVAL

- 1) Disconnect the ground cable from battery.
- 2) Remove the ornament panel. <Ref. to EI-49, ORNAMENT PANEL, REMOVAL, Center Console.>
- 3) Remove the control wires from both sides of the heater and cooling unit.



- 4) Remove the screws and claws, and remove the control module from the ornament panel.



#### B: INSTALLATION

##### CAUTION:

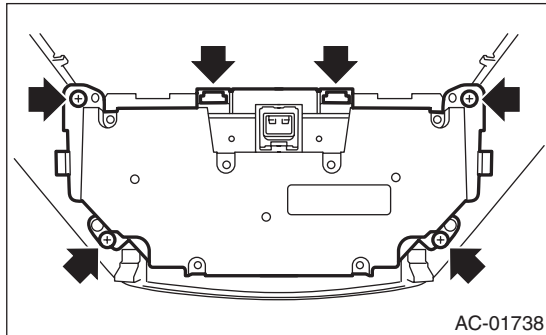
**Securely assemble the plate at the end of the control wire to the heater case.**

Install in the reverse order of removal.

### 13. Control Unit (Auto A/C Model)

#### A: REMOVAL

- 1) Disconnect the ground cable from battery.
- 2) Remove the ornament panel. <Ref. to EI-49, ORNAMENT PANEL, REMOVAL, Center Console.>
- 3) Remove the screws and claws, and remove the control module from the ornament panel.



#### B: INSTALLATION

Install in the reverse order of removal.

##### *Tightening torque:*

*Refer to "COMPONENT" of "General Description". <Ref. to AC-9, CONTROL MODULE, COMPONENT, General Description.>*

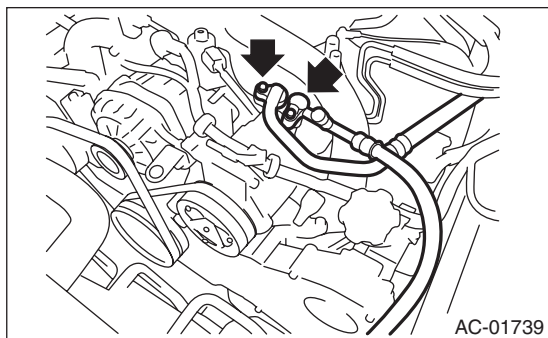
# Compressor

HVAC SYSTEM (HEATER, VENTILATOR AND A/C)

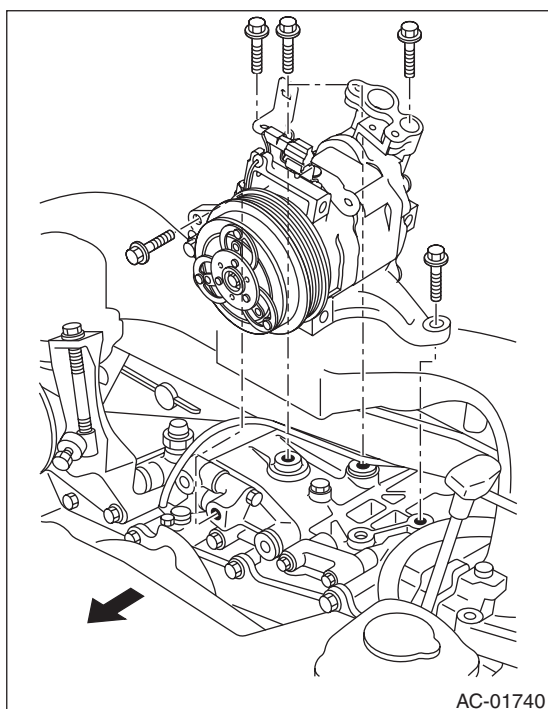
## 14. Compressor

### A: REMOVAL

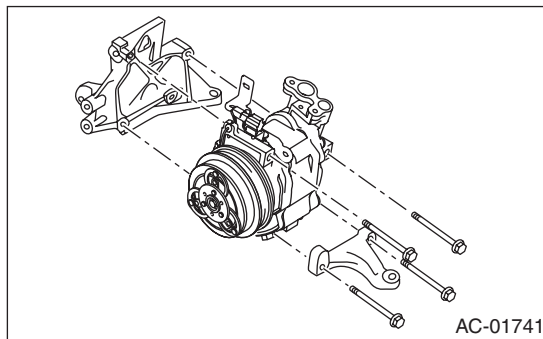
- 1) Perform compressor oil return operation. <Ref. to AC-26, PROCEDURE, Compressor Oil.>
- 2) Turn the A/C switch to OFF and stop the engine.
- 3) Using the refrigerant recovery system, discharge refrigerant. <Ref. to AC-21, PROCEDURE, Refrigerant Recovery Procedure.>
- 4) Disconnect the ground cable from battery.
- 5) Remove the V-belts. <Ref. to ME(H4DOTC)-40, REMOVAL, V-belt.> <Ref. to ME(H4SO)-39, REMOVAL, V-belt.>
- 6) Remove the generator. <Ref. to SC(H4SO)-16, REMOVAL, Generator.>
- 7) Remove the bolt and remove the low-pressure hose and high-pressure hose.



- 8) Disconnect the compressor harness from body harness.
- 9) Remove the bolts and remove the compressor bracket.



- 10) Remove the bolts, then remove the bracket from the compressor.



### B: INSTALLATION

- 1) Install in the reverse order of removal.
- 2) Replace the O-rings on low-/high-pressure hoses with new parts, then apply compressor oil.
- 3) After replacing the compressor, adjust the amount of compressor oil. <Ref. to AC-26, PROCEDURE, Compressor Oil.>
- 4) Charge refrigerant. <Ref. to AC-22, PROCEDURE, Refrigerant Charging Procedure.>

#### Tightening torque:

Refer to “COMPONENT” of “General Description”. <Ref. to AC-11, AIR CONDITIONING UNIT, COMPONENT, General Description.> <Ref. to AC-12, COMPRESSOR, COMPONENT, General Description.>

### C: INSPECTION

#### 1. MAGNETIC CLUTCH CLEARANCE

- 1) Check the clearance of the entire circumference around the drive plate and pulley.

#### Specification:

**0.3 — 0.6 mm (0.0118 — 0.0236 in)**

- 2) If it is not at the standard value, replace the compressor.

#### 2. MAGNETIC CLUTCH OPERATION

- 1) Disconnect the compressor connector.
- 2) Connect the battery positive (+) terminal to the terminal of the compressor connector.
- 3) Check the magnet clutch engagement.
- 4) If there is a malfunction, replace the compressor.



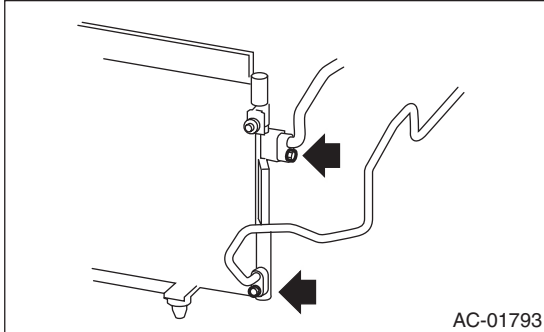
# Condenser

HVAC SYSTEM (HEATER, VENTILATOR AND A/C)

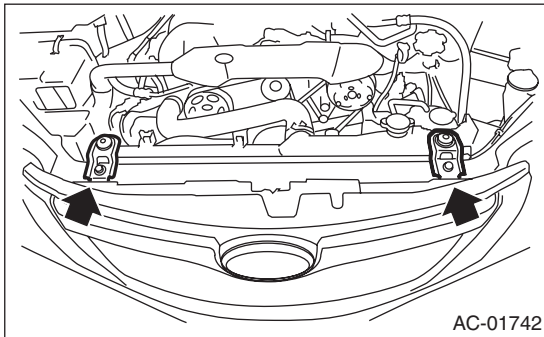
## 15. Condenser

### A: REMOVAL

- 1) Using the refrigerant recovery system, discharge refrigerant. <Ref. to AC-21, PROCEDURE, Refrigerant Recovery Procedure.>
- 2) Disconnect the ground cable from battery.
- 3) Disconnect the pressure hose and pipe from the condenser.



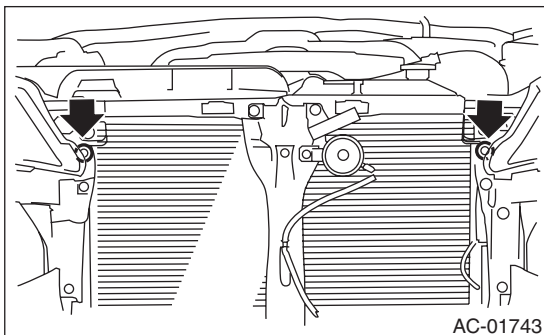
- 4) Remove the radiator bracket.



- 5) Remove the front bumper face. <Ref. to EI-29, FRONT BUMPER FACE, REMOVAL, Front Bumper.>
- 6) Remove two bolts. While lifting the condenser, pull out through space between the radiator and the radiator panel.

### CAUTION:

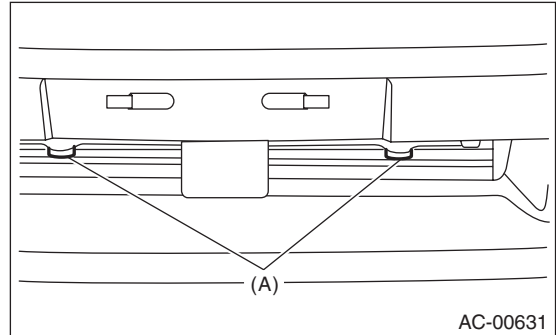
- Be careful not to damage the condenser fins. If a damaged fin is found, repair it using a thin screwdriver.
- If the condenser is replaced, add an appropriate amount of compressor oil to the compressor. <Ref. to AC-26, REPLACEMENT, Compressor Oil.>



### B: INSTALLATION

#### CAUTION:

- Replace the O-rings on hoses or pipes with new parts, and then apply compressor oil.
- Confirm that lower guide (A) of condenser fits into holes on radiator panel.



- 1) Install in the reverse order of removal.
- 2) Charge refrigerant. <Ref. to AC-22, PROCEDURE, Refrigerant Charging Procedure.>

#### Tightening torque:

Refer to "COMPONENT" of "General Description". <Ref. to AC-11, AIR CONDITIONING UNIT, COMPONENT, General Description.> <Ref. to CO(H4DOTC)-4, RADIATOR AND RADIATOR FAN, COMPONENT, General Description.> <Ref. to CO(H4SO)-4, RADIATOR & RADIATOR FAN, COMPONENT, General Description.>

### C: INSPECTION

- 1) Check to see that the condenser fins are not clogged with debris or insects. Blow with compressed air or flush fins with water as needed.
- 2) Inspect for oil leakage from the condenser. If a failure is found, replace the condenser with a new part.

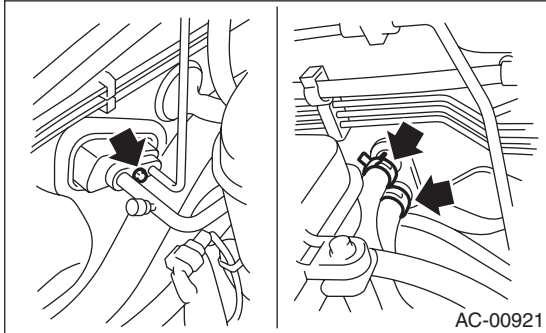
# Heater and Cooling Unit

HVAC SYSTEM (HEATER, VENTILATOR AND A/C)

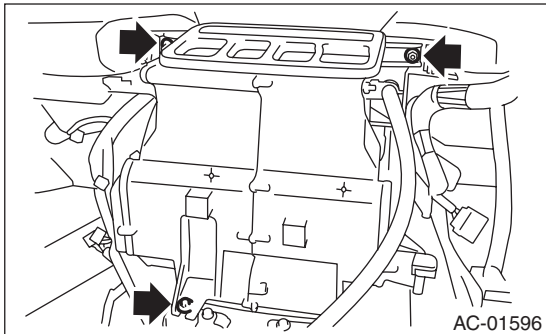
## 16.Heater and Cooling Unit

### A: REMOVAL

- 1) Disconnect the ground cable from battery.
- 2) Using the refrigerant recovery system, discharge refrigerant. <Ref. to AC-21, PROCEDURE, Refrigerant Recovery Procedure.>
- 3) Drain the coolant from the radiator.
- 4) Remove the bolts securing expansion valve and pipe in engine compartment. Release the heater hose clamps in engine compartment to remove the hoses.



- 5) Remove the instrument panel. <Ref. to EI-52, REMOVAL, Instrument Panel Assembly.>
- 6) Remove the blower motor unit assembly. <Ref. to AC-27, REMOVAL, Blower Motor Unit Assembly.>
- 7) Disconnect the harness connectors of the actuator, thermo sensor, power transistor and blower resistor.
- 8) Remove the bolt and nuts and remove the heater and cooling unit.



### B: INSTALLATION

- 1) Install in the reverse order of removal.
- 2) Fill engine coolant. <Ref. to CO(H4DOTC)-14, FILLING OF ENGINE COOLANT, REPLACEMENT, Engine Coolant.> <Ref. to CO(H4SO)-13, FILLING OF ENGINE COOLANT, REPLACEMENT, Engine Coolant.>
- 3) Charge refrigerant. <Ref. to AC-22, PROCEDURE, Refrigerant Charging Procedure.>

#### **Tightening torque:**

**Refer to “COMPONENT” of “General Description”. <Ref. to AC-6, HEATER COOLING UNIT, COMPONENT, General Description.>**

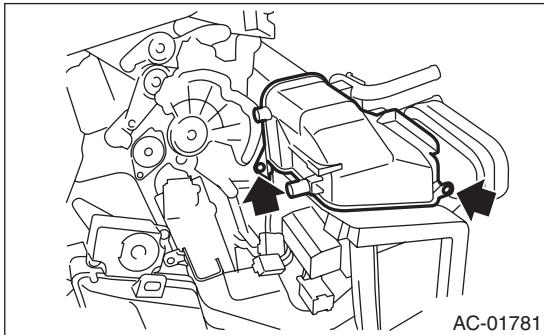
# Evaporator

HVAC SYSTEM (HEATER, VENTILATOR AND A/C)

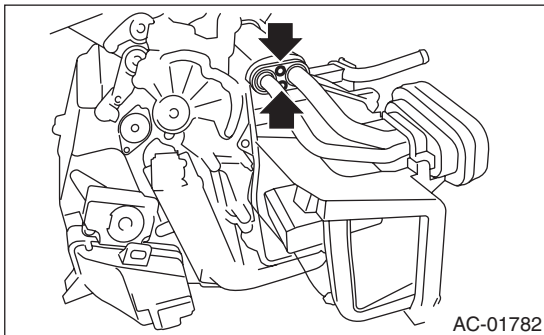
## 17. Evaporator

### A: REMOVAL

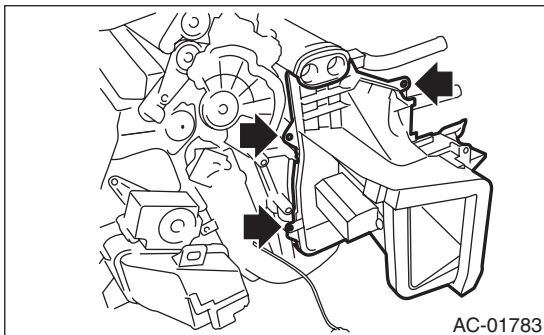
- 1) Using the refrigerant recovery system, discharge refrigerant. <Ref. to AC-21, PROCEDURE, Refrigerant Recovery Procedure.>
- 2) Remove the heater and cooling unit from the vehicle body. <Ref. to AC-36, REMOVAL, Heater and Cooling Unit.>
- 3) Remove the screws and detach the cover.



- 4) Remove the bolt and detach the pipe.



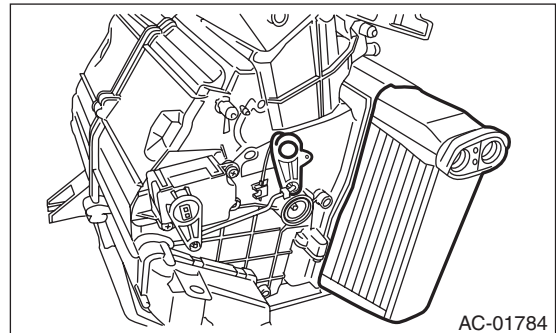
- 5) Remove the screws and detach the cover.



- 6) Remove the evaporator.

### CAUTION:

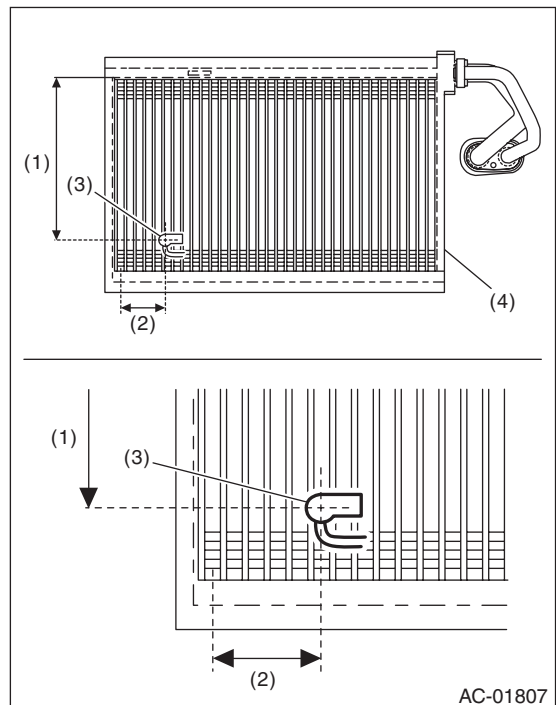
If the evaporator is replaced, add an appropriate amount of compressor oil to evaporator. <Ref. to AC-26, REPLACEMENT, Compressor Oil.>



### B: INSTALLATION

### CAUTION:

Install the sensor in the location shown in the figures below.



- (1) 148 mm (5.83 in) from the top edge of the fins
- (2) Sixth row fin from the left end
- (3) Sensor
- (4) Evaporator

- 1) Install in the reverse order of removal.
- 2) Fill engine coolant. <Ref. to CO(H4DOTC)-14, FILLING OF ENGINE COOLANT, REPLACEMENT, Engine Coolant.> <Ref. to CO(H4SO)-13, FILLING OF ENGINE COOLANT, REPLACEMENT, Engine Coolant.>
- 3) Charge refrigerant. <Ref. to AC-22, PROCEDURE, Refrigerant Charging Procedure.>

## 18.Hose and Pipe

### A: REMOVAL

**CAUTION:**

- When disconnecting hoses, do not apply an excessive force to them. After installing, check that no torsion or excessive tension applied to the hoses.
  - Seal the disconnected hose with a plug or vinyl tape to prevent foreign matter from entering.
- 1) Disconnect the ground cable from battery.
  - 2) Using the refrigerant recovery system, discharge refrigerant. <Ref. to AC-21, PROCEDURE, Refrigerant Recovery Procedure.>
  - 3) Remove the bolt and detach the hoses and pipes.

### B: INSTALLATION

**CAUTION:**

- Replace the O-rings with new parts.
  - When connecting hoses, do not apply an excessive force to them. After installing, check that no torsion or excessive tension applied to the hoses.
- 1) Install in the reverse order of removal.
  - 2) Charge refrigerant. <Ref. to AC-22, PROCEDURE, Refrigerant Charging Procedure.>

**Tightening torque:**

*Refer to “COMPONENT” of “General Description”. <Ref. to AC-11, AIR CONDITIONING UNIT, COMPONENT, General Description.>*

### C: INSPECTION

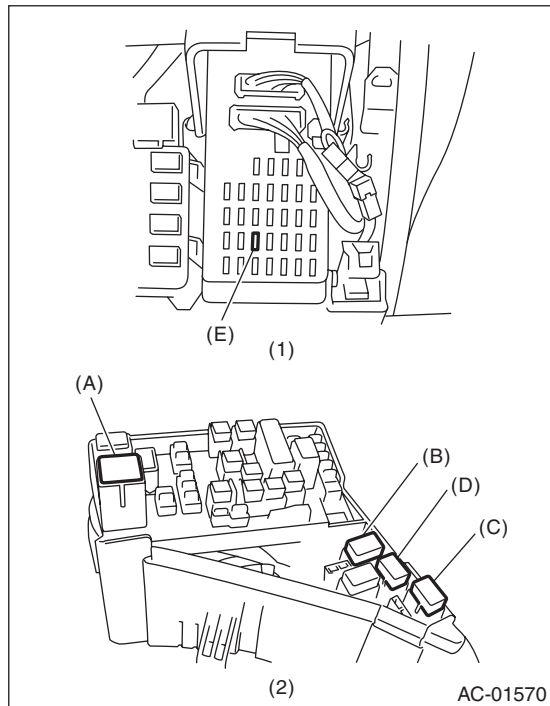
Check the hoses for cracks, damage and expansion. If any fault is found, replace with new parts.

# Relay and Fuse

HVAC SYSTEM (HEATER, VENTILATOR AND A/C)

## 19. Relay and Fuse

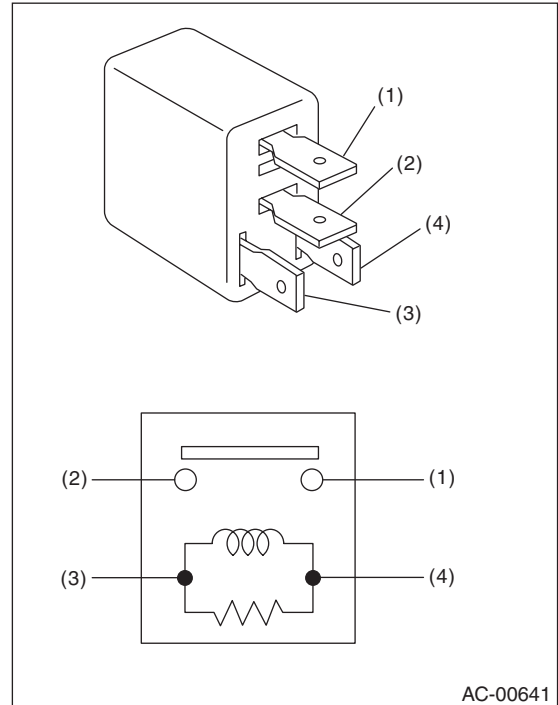
### A: LOCATION



- (1) Joint box
- (2) Main fuse box

Main fan relay 1	(A)
Main fan relay 2	(B)
Sub fan relay	(C)
A/C relay	(D)
A/C Fuse	(E)

### B: INSPECTION



- (3) — (4): Continuity exists
- (1) — (2): Continuity does not exist

- 1) While applying battery voltage to the terminal between (3) and (4), check for continuity between (1) and (2).
- 2) Replace the relay if faulty.

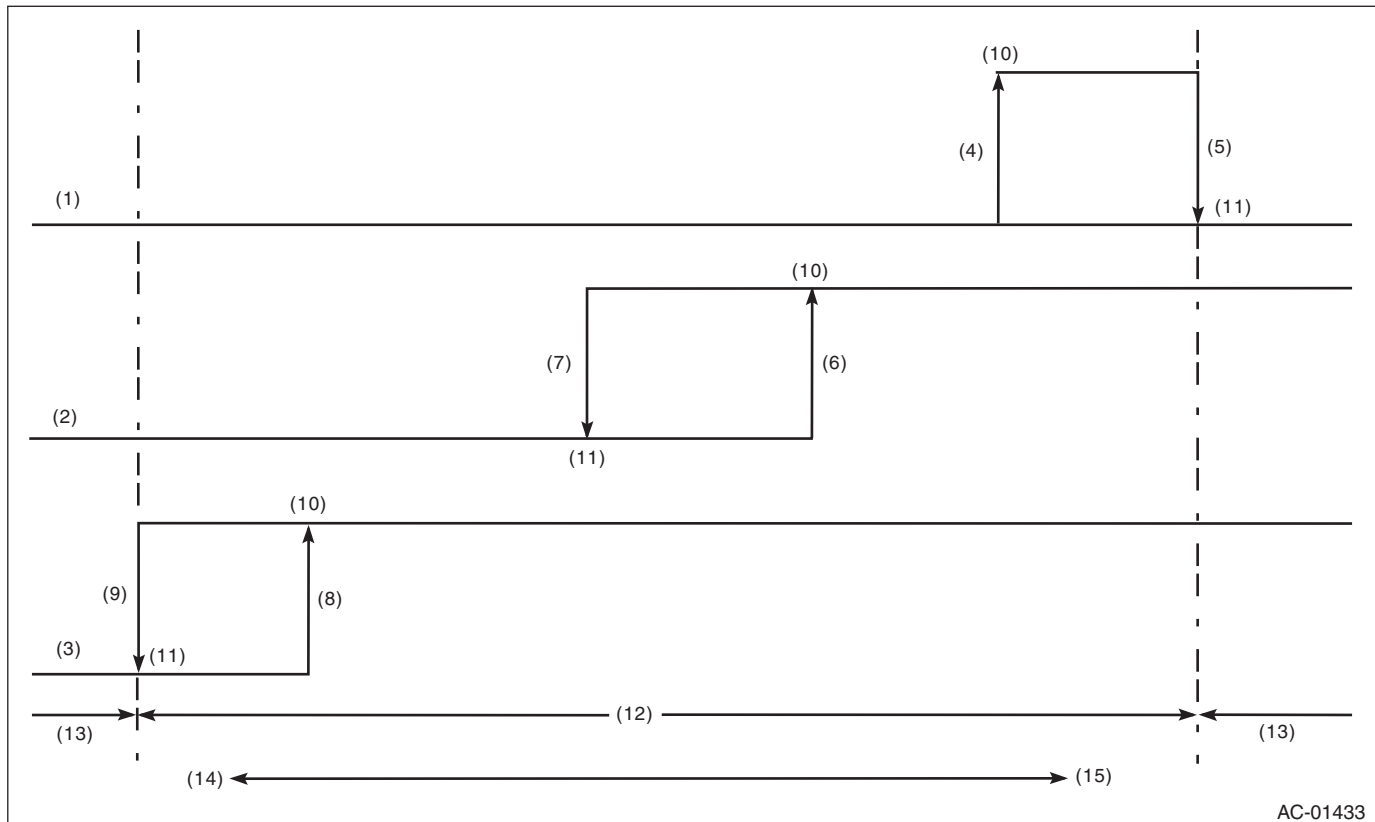
## Pressure Switch (Triple Pressure Switch)

HVAC SYSTEM (HEATER, VENTILATOR AND A/C)

### 20. Pressure Switch (Triple Pressure Switch)

#### A: INSPECTION

- 1) Connect the manifold gauge to the service valve on the high-pressure side.
- 2) Disconnect the pressure switch harness connector.
- 3) Start the air conditioner, and check the operating pressure of switch by turning the compressor (magnet clutch) to ON/OFF. Operation of each switch is as follows.



AC-01433

(1) High pressure switch	(6) 1,770±100 kPa (18.05±1.02 kg/cm <sup>2</sup> , 256.65±14.5 psi)	(9) 177±25 kPa (1.80±0.25 kg/cm <sup>2</sup> , 25.7±3.6 psi)
(2) Middle pressure switch	(7) 1,470±120 kPa (14.99±1.22 kg/cm <sup>2</sup> , 213.15±17.4 psi)	(10) ON
(3) Low pressure switch	(8) 206±30 kPa (2.10±0.31 kg/cm <sup>2</sup> , 29.9±4.3 psi)	(11) OFF
(4) 2,350±200 kPa (24.00±2.04 kg/cm <sup>2</sup> , 340.7±29.0 psi)	(12) Operative range of compressor	(13) Inoperative range of compressor
(5) 2,940±200 kPa (29.98±2.04 kg/cm <sup>2</sup> , 426.3±29.0 psi)	(14) Low pressure	(15) High pressure

#### NOTE:

- High pressure switch turns the compressor (magnet clutch) to OFF when the refrigerant pressure becomes extremely high to prevent the evaporator, air conditioner piping and expansion valve from getting damaged or frozen, etc.
- Middle pressure switch effectively controls the radiator fan output by judging high load/low load in normal range.
- If the refrigerant pressure is abnormally low, the low pressure switch determines that there is insufficient refrigerant, and turns the compressor (magnetic clutch) OFF since there is a possibility that the compressor will seize if it is continued to run.

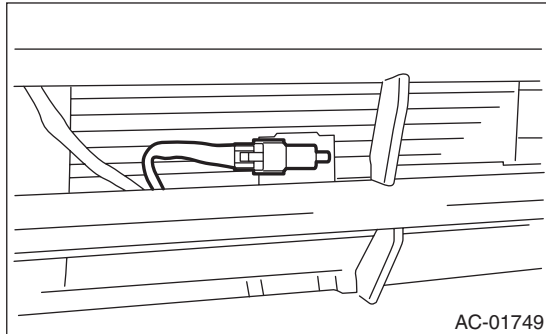
## Ambient Sensor (Auto A/C Model)

HVAC SYSTEM (HEATER, VENTILATOR AND A/C)

### 21. Ambient Sensor (Auto A/C Model)

#### A: REMOVAL

- 1) Disconnect the ground cable from the battery.
- 2) Disconnect the ambient sensor connector.
- 3) Remove the ambient sensor from the radiator lower panel.



#### B: INSTALLATION

Install in the reverse order of removal.

#### C: INSPECTION

Refer to "Ambient Sensor" of HVAC SYSTEM (AUTO A/C) (DIAGNOSTICS). <Ref. to AC(diag)-28, AMBIENT SENSOR, Diagnostic Procedure for Sensors.>

## Sunload Sensor (Auto A/C Model)

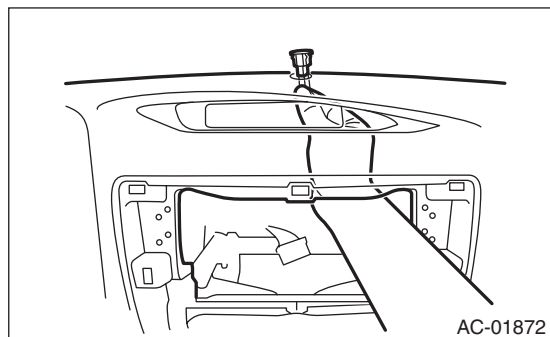
HVAC SYSTEM (HEATER, VENTILATOR AND A/C)

---

### 22.Sunload Sensor (Auto A/C Model)

#### A: REMOVAL

- 1) Disconnect the ground cable from battery.
- 2) Remove the audio. <Ref. to ET-6, REMOVAL, Audio.>
- 3) Push out the sunload sensor from the back side of the instrument panel.



- 4) Disconnect the harness connector and remove the sunload sensor.

#### CAUTION:

**Be careful not to damage the interior trims when removing the sensor.**

#### B: INSTALLATION

Install in the reverse order of removal.

#### C: INSPECTION

Refer to "Sunload Sensor" of HVAC SYSTEM (AUTO A/C) (DIAGNOSTICS). <Ref. to AC(diag)-34, SUNLOAD SENSOR, Diagnostic Procedure for Sensors.>



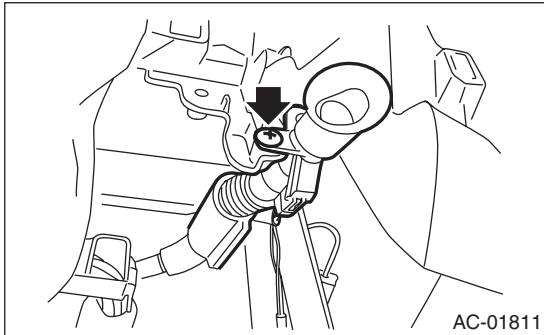
### 23. In-Vehicle Sensor (Auto A/C Model)

#### A: REMOVAL

##### CAUTION:

Be careful not to damage the sensors and interior trims when removing.

- 1) Disconnect the ground cable from battery.
- 2) Remove the instrument panel lower cover. <Ref. to EI-46, REMOVAL, Instrument Panel Lower Cover.>
- 3) Disconnect the connector and aspirator hose, remove the screw and remove the in-vehicle sensor from the instrument panel.



#### B: INSTALLATION

Install in the reverse order of removal.

#### C: INSPECTION

Refer to "In-Vehicle Sensor" of HVAC SYSTEM (AUTO A/C) (DIAGNOSTICS). <Ref. to AC(diag)-30, IN-VEHICLE SENSOR, Diagnostic Procedure for Sensors.>

# Air Vent Grille

HVAC SYSTEM (HEATER, VENTILATOR AND A/C)

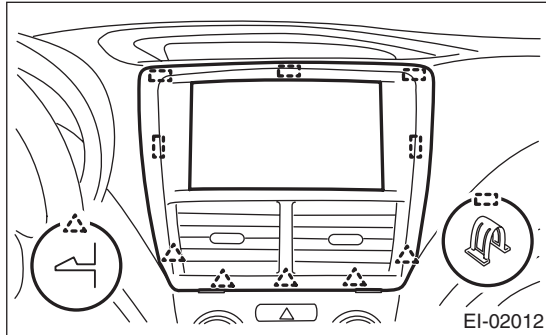
---

## 24. Air Vent Grille

### A: REMOVAL

#### 1. CENTER GRILLE

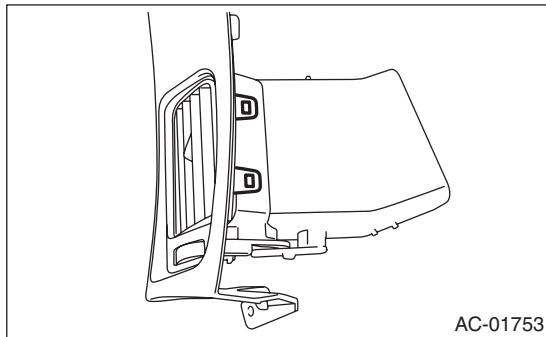
- 1) Insert a plastic remover into the slit at the bottom of the center panel, to lift the panel.
- 2) Remove the claws and resin hook and then remove the center panel.



- 3) Remove the claws, and remove the air vent center grille from the center panel.

#### 2. SIDE GRILLE

- 1) Remove the ornament panel. <Ref. to EI-49, ORNAMENT PANEL, REMOVAL, Center Console.>
- 2) Remove the claws, and remove the air vent side grille.



### B: INSTALLATION

Install in the reverse order of removal.

### C: INSPECTION

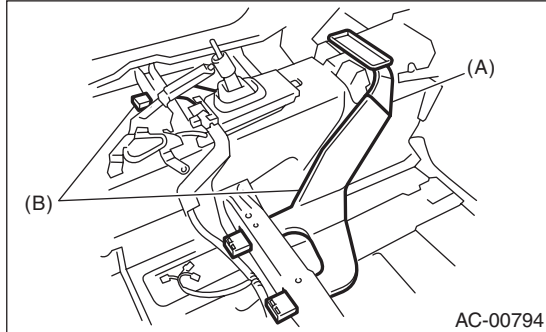
- 1) Check that the direction and amount of air can be adjusted smoothly.
- 2) Check that the adjustment can be maintained in each position.

## 25.Heater Duct

### A: REMOVAL

#### 1. REAR HEATER DUCT

- 1) Remove the heater cooling unit. <Ref. to AC-36, REMOVAL, Heater and Cooling Unit.>
- 2) Remove the front seats. <Ref. to SE-6, REMOVAL, Front Seat.>
- 3) Remove the front side sill cover.
- 4) Pull off the floor mat to remove the rear heater duct center (A) and rear heater duct LH, RH (B).



### B: INSTALLATION

Install in the reverse order of removal.

## Heater Vent Duct

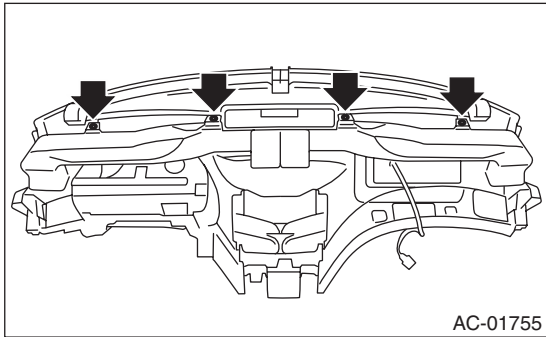
HVAC SYSTEM (HEATER, VENTILATOR AND A/C)

---

### 26.Heater Vent Duct

#### A: REMOVAL

- 1) Remove the instrument panel. <Ref. to EI-52, REMOVAL, Instrument Panel Assembly.>
- 2) Remove the screws, and then remove the heater vent duct.



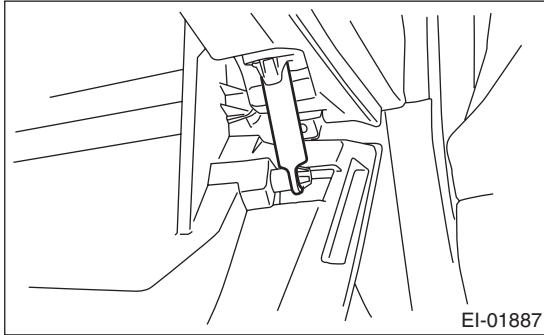
#### B: INSTALLATION

Install in the reverse order of removal.

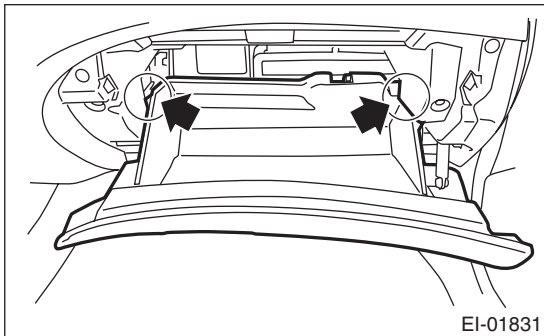
### 27.A/C Filter

#### A: REPLACEMENT

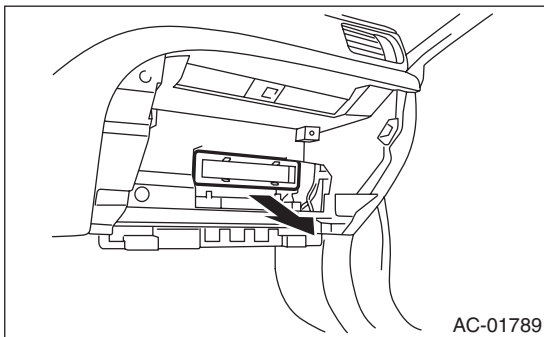
1) Remove the glove box damper.



2) Remove the stoppers and pull the glove box lid assembly forward to remove.



3) Pinch the tabs to release the lock and remove the A/C filter.



4) Install in the reverse order of removal.

# General Diagnostic Table

HVAC SYSTEM (HEATER, VENTILATOR AND A/C)

## 28. General Diagnostic Table

### A: INSPECTION

Symptom		Repair order	
Blower motor	Does not operate.	Fuse	
		Blower motor relay	
		Blower motor	
		Blower motor resistor (Manual A/C)	
		Blower switch	
		Wiring harness	
	Noise	Blower motor	
Compressor	Does not operate.	Refrigerant	
		Fuse	
		Air conditioning relay	
		Magnet clutch	
		Compressor	
		Pressure switch	
		A/C switch	
		Blower switch	
		Wiring harness	
	Noise	V-belt	
		Magnet clutch	
		Compressor	
Cold air not emitted.		Refrigerant	
		V-belt	
		Magnet clutch	
		Compressor	
		Pressure switch	
		Aspirator hose	
		Blower fan relay	
		Blower motor	
		A/C switch	
		Blower switch	
		Control module	
		Expansion valve	
		Evaporator	
		Air mix actuator (Auto A/C)	
		Temperature control cable (Manual A/C)	
		Wiring harness	
		Heater duct	
		Heater vent duct	
	Warm air not emitted.		Engine coolant
			Aspirator hose
		Air mix actuator (Auto A/C)	
		Temperature control cable (Manual A/C)	
		Blower switch	
	Heater core		

# General Diagnostic Table

HVAC SYSTEM (HEATER, VENTILATOR AND A/C)

Symptom	Repair order
Temperature of air from vents does not change.	Engine coolant
	Air mix actuator (Auto A/C)
	Temperature control cable (Manual A/C)
	Temperature control switch
	Wiring harness (Auto A/C)
Unable to switch blow vents.	Mode actuator (Auto A/C)
	Mode switch cable (Manual A/C)
	Mode switch (Auto A/C)
	Wiring harness (Auto A/C)
Unable to switch suction vents.	FRESH/RECIRC switch (Auto A/C)
	Intake door actuator (Auto A/C)
	Wiring harness (Auto A/C)

# General Diagnostic Table

HVAC SYSTEM (HEATER, VENTILATOR AND A/C)

---



# Basic Diagnostic Procedure

HVAC SYSTEM (AUTO A/C) (DIAGNOSTICS)

## 1. Basic Diagnostic Procedure

### A: PROCEDURE

	Step	Check	Yes	No
1	<b>START INSPECTIONS.</b> 1) Perform the pre-inspection. <Ref. to AC(diag)-3, INSPECTION, General Description.> 2) Perform the self-diagnosis. <Ref. to AC(diag)-9, OPERATION, Diagnostic Chart for Self-Diagnosis.>	Does the self-diagnosis operate?	Go to step 2.	<Ref. to AC(diag)-13, A/C OR SELF-DIAGNOSIS SYSTEMS DO NOT OPERATE, Diagnostics for A/C System Malfunction.>
2	<b>IDENTIFY MALFUNCTION PART.</b> Identify the malfunction part with self-diagnosis.	Can the malfunction part be confirmed?	Repair the malfunctioning part in accordance with each diagnostic chart.	Go to step 3.
3	<b>CHECK COMPARTMENT TEMPERATURE.</b> 1) Turn on the A/C switch. 2) Turn the temperature control dial at maximum cool position. 3) Check the compartment temperature change.	Does the compartment temperature change?	Go to step 4.	<Ref. to AC(diag)-19, COMPARTMENT TEMPERATURE DOES NOT CHANGE, OR A/C SYSTEM DOES NOT RESPOND PROMPTLY, Diagnostics for A/C System Malfunction.>
4	<b>CHECK A/C SYSTEM RESPONSE.</b> Change the temperature setting, and check the response of A/C system.	Does the A/C system respond quickly?	A/C system is normal.	<Ref. to AC(diag)-19, COMPARTMENT TEMPERATURE DOES NOT CHANGE, OR A/C SYSTEM DOES NOT RESPOND PROMPTLY, Diagnostics for A/C System Malfunction.>

# General Description

HVAC SYSTEM (AUTO A/C) (DIAGNOSTICS)

## 2. General Description

### A: CAUTION

- 1) Never connect the battery in reverse polarity.
  - Doing so may immediately damage the auto A/C control module.
- 2) Do not disconnect the battery terminals while the engine is running.
  - A large counter electromotive force will be generated in the generator, and this voltage may damage electronic parts such as auto A/C control module etc.
- 3) Before disconnecting the connectors of sensors and the auto A/C control module, be sure to turn off the ignition switch.
  - Auto A/C control module may be damaged.
- 4) Every A/C-related part is a precision part. Do not drop them.
- 5) Airbag system wiring harness is routed near the A/C control panel and junction box.

### CAUTION:

- Do not use electrical test equipment on the airbag system wiring harness and connector.
- Be careful not to damage the airbag system wiring harness when servicing the A/C control panel and junction box.

### B: INSPECTION

Before performing the diagnosis, check the following items which may cause problems in the A/C system.

#### 1. BATTERY

- 1) Measure the battery voltage and specific gravity of the electrolyte.

**Standard voltage:**

**12 V**

**Specific gravity:**

**1.260 or more**

- 2) Check the condition of the fuses for A/C system power supply and other fuses.
- 3) Check the condition of harness and harness connector connections.

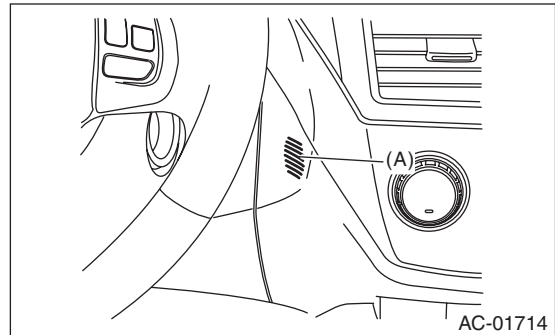
#### 2. ASPIRATOR HOSE

- 1) Turn the ignition switch to ON, and press the A/C switch.
- 2) Turn the temperature control dial to maximum hot position.
- 3) Set the blow vents to the DEF position.
- 4) Turn the fan switch to "MAX" position.

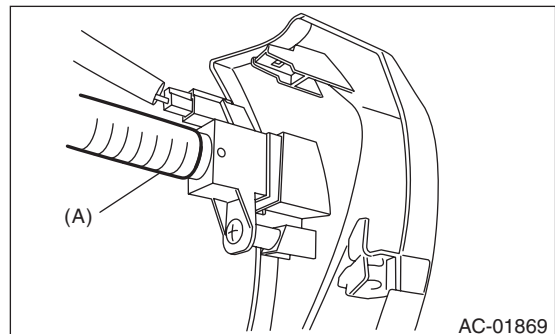
- 5) Put a strip of paper close to the front side of in-vehicle sensor suction port (A) located in the instrument panel lower cover, and check that air is being sucked into the port by seeing the paper moving towards the port.

### NOTE:

Be careful not to let the paper get sucked into the port.

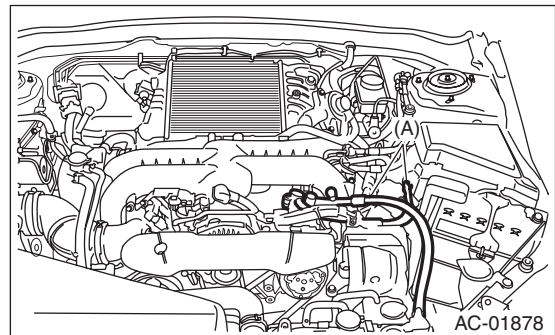


- 6) If the paper does not move at all, remove the instrument panel lower cover <Ref. to EI-46, REMOVAL, Instrument Panel Lower Cover.> and check for poor connection of the aspirator hose (A), in-vehicle sensor and heater unit, and repair them if necessary.



#### 3. A/C LINE

Check the connection for A/C line (A) and lower side high-pressure pipe.



#### 4. CONTROL LINKAGE

- 1) Check the state of mode door linkage.
- 2) Check the state of air mix door linkage.
- 3) Check the state of FRESH/RECIRC door linkage.

## General Description

### HVAC SYSTEM (AUTO A/C) (DIAGNOSTICS)

#### 5. CONTROL SWITCHES

Start the engine and warm up completely.

##### 1) Inspection using switches

No.	Point to check	Switch operation	Judgement standard
1	Air flow control dial	Turn the dial to the right.	Outlet opening (mode) switches AUTO → VENT → BI-LEVEL → HEAT → DEF/HEAT → DEF each time turning the dial.
2	Fan speed control dial	Turn the dial to the right.	Each time the dial is turned, the fan speed switches OFF → AUTO → 1st → 2nd → 3rd → 4th → 5th → 6th → 7th.
3	FRESH/RECIRC switch	Press the FRESH/RECIRC switch.	Inlet opening switches RECIRC → FRESH → RECIRC each time pressing the switch. (LED illuminates at RECIRC)
		Set the air flow control dial and fan speed control dial to the AUTO position.	The system switches to AUTO.
4	A/C switch	Turn the A/C switch to ON with the fan speed control dial set to other than OFF position.	The LED lights and the compressor operates.
		Set the air flow control dial and fan speed control dial to the AUTO position.	The system switches to AUTO.
5	Auto function Operate in order from 1).	1) Set the following dial and switch to AUTO. <ul style="list-style-type: none"> <li>• Air flow control dial</li> <li>• Fan speed control dial</li> <li>• FRESH/RECIRC switch</li> <li>• A/C switch</li> </ul> 2) Turn the temperature control dial completely to the left, and set to the maximum cool position.	<ul style="list-style-type: none"> <li>• Outlet air temperature: COOL</li> <li>• Fan speed: Max.</li> <li>• Outlet opening: VENT</li> <li>• Inlet opening: RECIRC</li> <li>• Compressor: AUTO</li> </ul>
		3) Turn the temperature control dial to the right slowly up to the maximum hot position.	<ul style="list-style-type: none"> <li>• Outlet air temperature: COOL → HOT</li> <li>• Fan speed: AUTO</li> <li>• Outlet opening: AUTO</li> <li>• Inlet opening: AUTO</li> <li>• Compressor: AUTO</li> </ul>
		4) Turn the temperature control dial fully to the right, to the maximum hot position.	<ul style="list-style-type: none"> <li>• Outlet air temperature: HOT</li> <li>• Fan speed: Max.</li> <li>• Outlet opening: HEAT</li> <li>• Inlet opening: FRESH</li> <li>• Compressor: AUTO</li> </ul>
6	Defroster Interlock Function	Set the air flow control dial to the DEF or the DEF/HEAT position.	<ul style="list-style-type: none"> <li>• Outlet air temperature: AUTO</li> <li>• Fan speed: AUTO</li> <li>• Outlet opening: DEF or DEF/HEAT</li> <li>• Inlet opening: FRESH</li> <li>• Compressor: ON</li> </ul>
7	Rear defogger switch	Press the rear defogger switch.	LED illuminates.

##### 2) Inspection of compressor operation

No.	Point to check	Switch operation	Judgement standard
1	Compressor	1) Turn the A/C switch to ON. 2) Set the FAN switch between LO and HI.	Compressor: ON

##### 3) Inspection of illumination control

No.	Point to check	Switch operation	Judgement standard
1	Illumination	Turn the lighting switch to ON.	Illumination comes on. If the LED lights, the LED will dim.

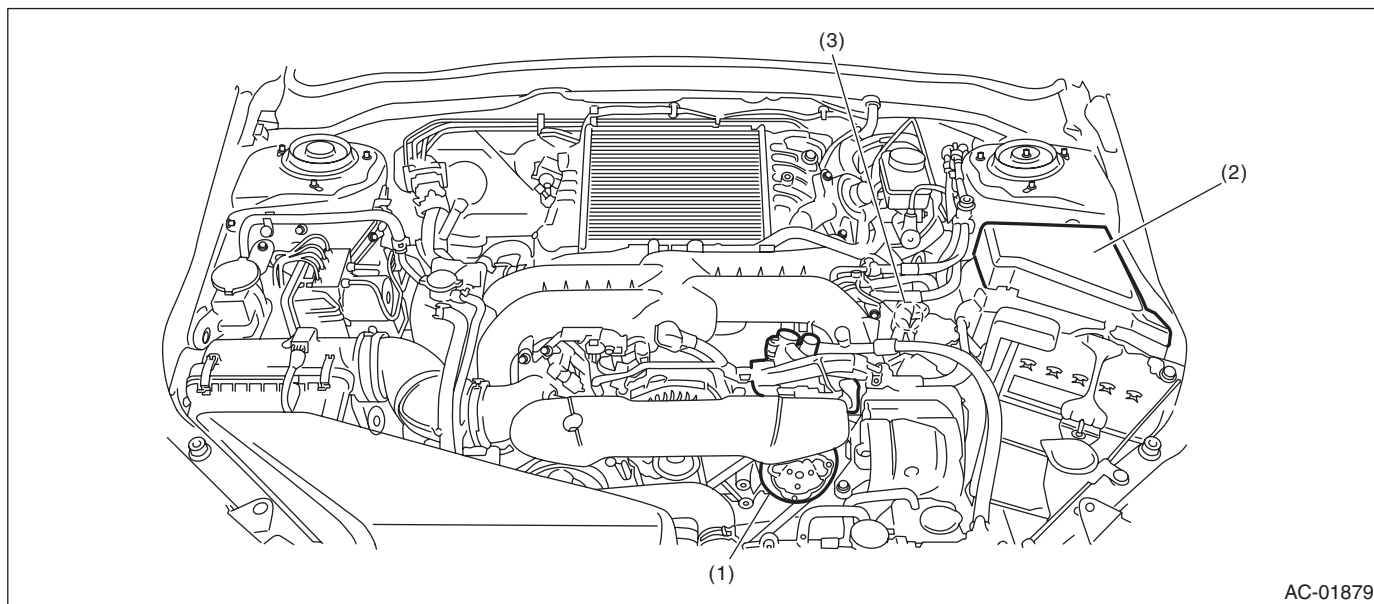
# Electrical Component Location

HVAC SYSTEM (AUTO A/C) (DIAGNOSTICS)

## 3. Electrical Component Location

### A: LOCATION

#### 1. ENGINE COMPARTMENT

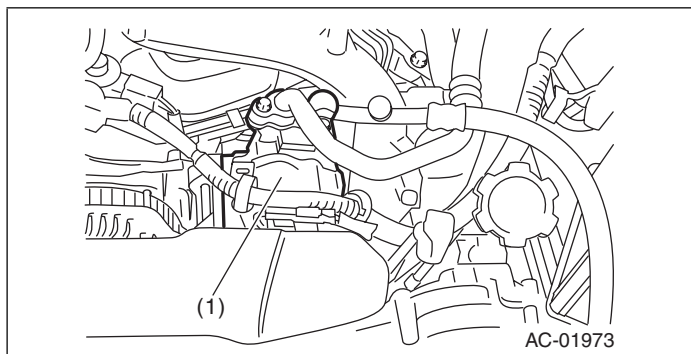


AC-01879

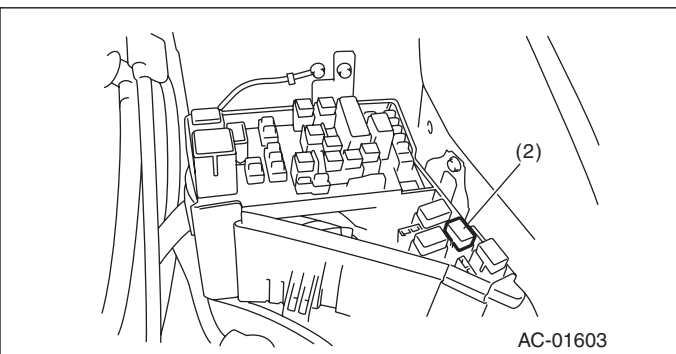
- (1) A/C compressor
- (2) A/C relay

- (3) Pressure switch

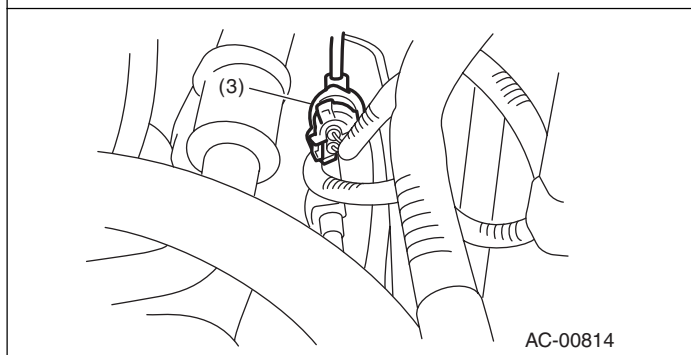
- (4) Ambient sensor



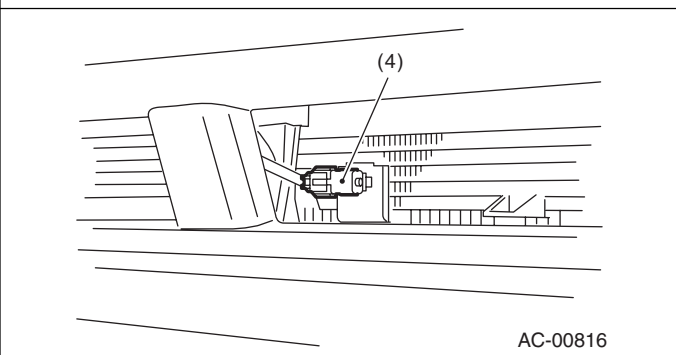
AC-01973



AC-01603



AC-00814

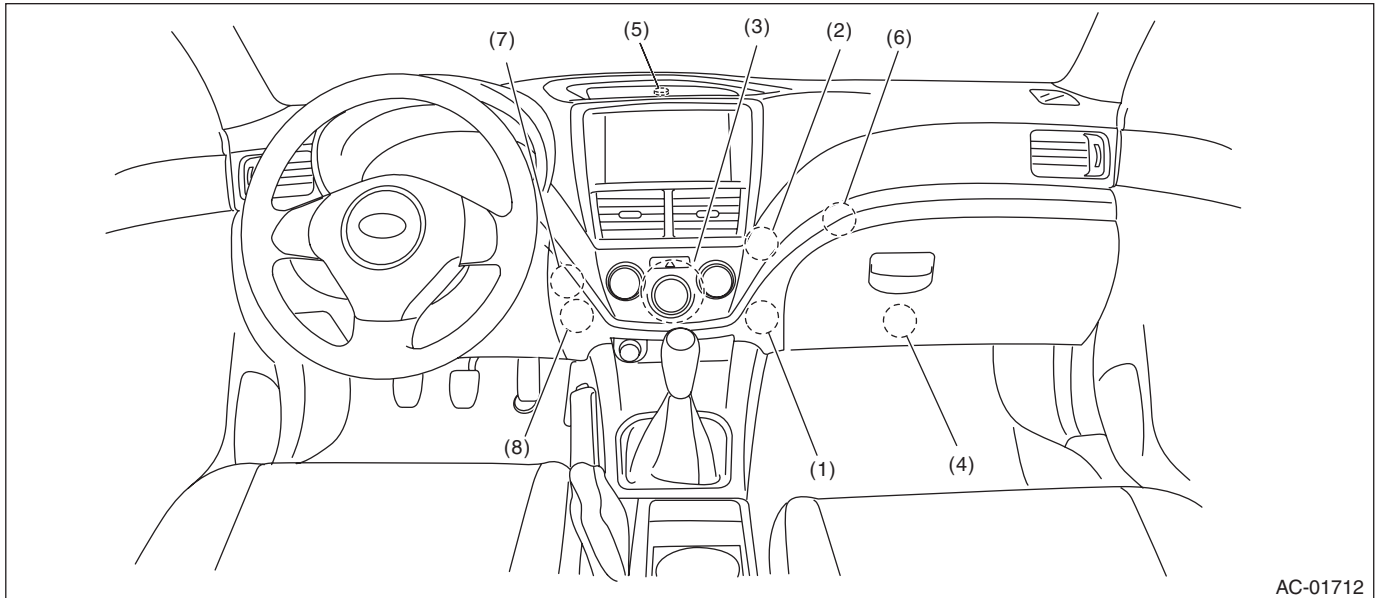


AC-00816

# Electrical Component Location

## HVAC SYSTEM (AUTO A/C) (DIAGNOSTICS)

### 2. COMPARTMENT



AC-01712

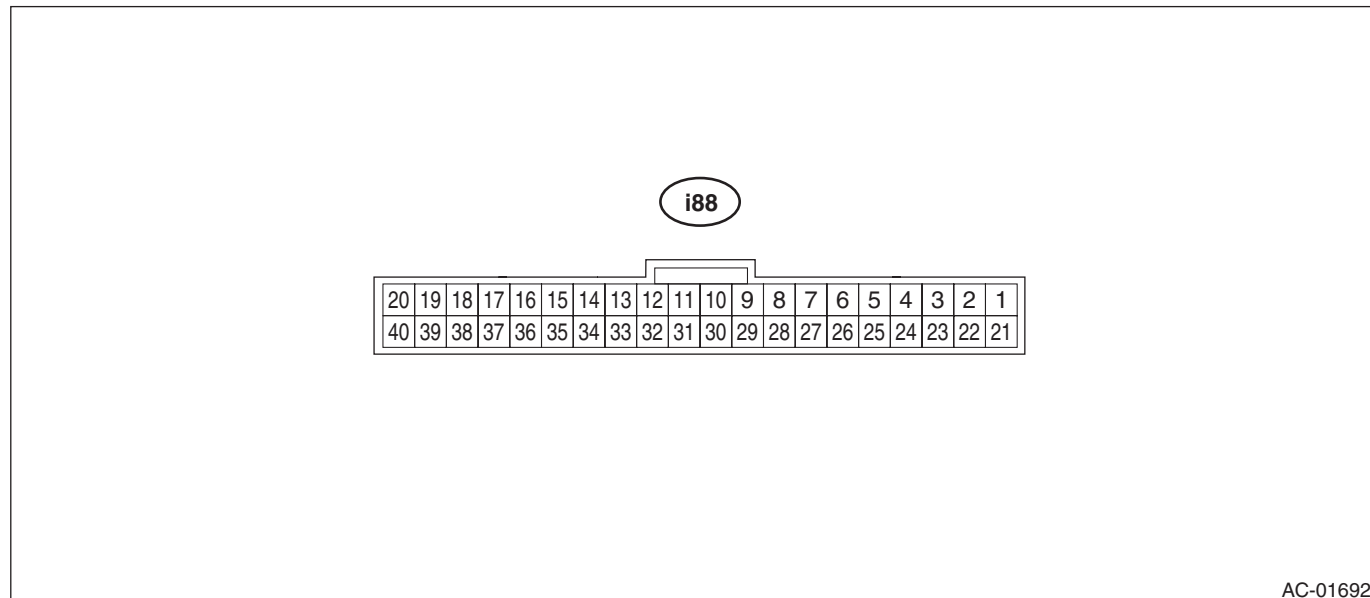
- |                             |                          |                        |
|-----------------------------|--------------------------|------------------------|
| (1) Evaporator sensor       | (4) Blower motor         | (7) Mode door actuator |
| (2) Air mix door actuator   | (5) Sunload sensor       | (8) In-vehicle sensor  |
| (3) Auto A/C control module | (6) Intake door actuator |                        |

# Auto A/C Control Module I/O Signal

HVAC SYSTEM (AUTO A/C) (DIAGNOSTICS)

## 4. Auto A/C Control Module I/O Signal

### A: ELECTRICAL SPECIFICATION



AC-01692

Terminal No.	Content	Measuring condition	Specification
1	Mode actuator # 4	Actuator operating	8 V or more
2	Mode actuator # 3	Actuator operating	8 V or more
3	Mode actuator # 2	Actuator operating	8 V or more
4	Mode actuator # 1	Actuator operating	8 V or more
6	Intake door actuator (FRESH)	FRESH mode	1 V or less
7	Intake door actuator (MIX)	MIX mode	1 V or less
8	Intake door actuator (RECIRC)	RECIRC mode	1 V or less
9	Blower fan ON signal	Blower fan is ON	1 V or less
11	A/C cut-off signal	A/C is cut off	1 V or less
14	GND for sensors	Always	1 V or less
15	ACC power supply	ACC ON	Battery voltage
16	Sunload sensor	Sunlight is contacting sensor	1 — 4 V
17	RECIRC sensor	Ignition switch ON	25°C: 2.5 V
18	Post evaporator sensor	Depends on temperature after the evaporator.	1 — 4.5 V
19	CAN Lo	Unable to measure the voltage for digital signal.	—
20	CAN Hi	Unable to measure the voltage for digital signal.	—
25	Air mix actuator #4	Air mix actuator is operating	8 V or more
26	Air mix actuator #3	Air mix actuator is operating	8 V or more
27	Air mix actuator #2	Air mix actuator is operating	8 V or more
28	Air mix actuator #1	Air mix actuator is operating	8 V or more
31	BATT	Always	Battery voltage
32	IGN	Ignition ON	Battery voltage
34	Ground	Always	1 V or less
36	A/C ON signal	A/C is operating	8 V or more
35	ILL-	Illumination ON (Measure between 37 — 35)	Battery voltage
37	ILL+		
39	Rr defogger switch output	When the rear defogger switch is ON	1 V or less
40	Fan control signal	Ignition switch : ON, Blower switch : ON	8 V or more

# Auto A/C Control Module I/O Signal

HVAC SYSTEM (AUTO A/C) (DIAGNOSTICS)

---

## **B: WIRING DIAGRAM**

### **1. AIR CONDITIONER AUTO A/C MODEL**

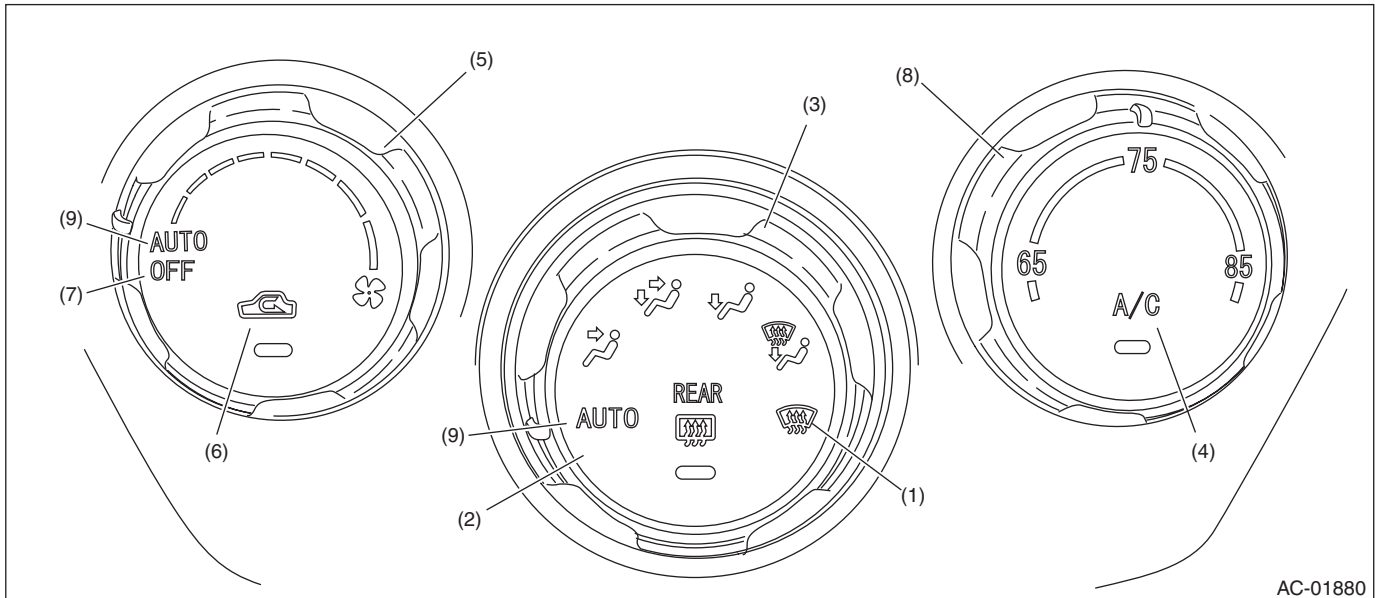
<Ref. to WI-85, WIRING DIAGRAM, Air Conditioning System.>

# Diagnostic Chart for Self-Diagnosis

HVAC SYSTEM (AUTO A/C) (DIAGNOSTICS)

## 5. Diagnostic Chart for Self-Diagnosis

### A: OPERATION



AC-01880

- |                                 |                            |                                 |
|---------------------------------|----------------------------|---------------------------------|
| (1) Defroster switch            | (4) A/C switch             | (7) OFF switch                  |
| (2) Rear window defogger switch | (5) Fan speed control dial | (8) Temperature adjustment dial |
| (3) Air flow control dial       | (6) FRESH/RECIRC switch    | (9) AUTO switch                 |

### 1. A/C CONTROL PANEL SELF-DIAGNOSIS

Step	Check	Yes	No
<b>1 SELECT SELF-DIAGNOSIS MODE IN THE CONTROL PANEL.</b> 1) Set the air flow control dial and the fan speed control dial to AUTO. 2) Start the engine with the A/C switch and the FRESH/RECIRC switch pressed.	Does the self-diagnosis mode operate?	Go to step 2.	<Ref. to AC(diag)-13, A/C OR SELF-DIAGNOSIS SYSTEMS DO NOT OPERATE, Diagnostics for A/C System Malfunction.>
<b>2 CHECK THE LIGHTING OF THE LED.</b> Make sure that all switch LEDs on the control panel illuminate.	Do all LEDs blink eight times?	Go to step 3.	Replace the control panel.
<b>3 CHECK SENSOR MALFUNCTION.</b> 1) Set the air flow control dial and the fan speed control dial to AUTO. 2) If the system has trouble for each sensor, the FRESH/RECIRC switch LED blinks or is turned off. 3) If the system has no malfunctions, the FRESH/RECIRC switch LED is illuminated.	Does the FRESH/RECIRC switch LED illuminate?	Go to step 5.	Go to step 4.
<b>4 CONFIRM MALFUNCTIONING SENSOR.</b> 1) Set the air flow control dial to AUTO. 2) Turn the fan speed control dial to each mode position, and check each switch LED illumination according to sensor check table. <Ref. to AC(diag)-11, SENSOR CHECK TABLE, OPERATION, Diagnostic Chart for Self-Diagnosis.>	When turning the fan speed control dial to each mode position, does the FRESH/RECIRC switch LED go off?	Go to step 5.	Repair the defective sensor. <Ref. to AC(diag)-28, Diagnostic Procedure for Sensors.>



## Diagnostic Chart for Self-Diagnosis

### HVAC SYSTEM (AUTO A/C) (DIAGNOSTICS)

Step	Check	Yes	No
<b>5 CHECK AIR MIX DOOR AND MODE DOOR POSITION SIGNALS.</b> 1) Set the air flow control dial to FACE. 2) Turn the fan speed control dial to AUTO. 3) If there is a system malfunction in the air mix door signal or the mode door position signal, the FRESH/RECIRC switch LED goes off or blinks. 4) If the system has no malfunctions, the FRESH/RECIRC switch LED is illuminated.	Does the FRESH/RECIRC switch LED illuminate?	Go to step 8.	Go to step 6.
<b>6 CHECK AIR MIX DOOR DRIVE SIGNAL.</b> 1) Set the air flow control dial to FACE. 2) Place the fan speed control dial in each position and then check each LED illumination conditions. <Ref. to AC(diag)-12, DRIVE SIGNAL CHECK TABLE, OPERATION, Diagnostic Chart for Self-Diagnosis.>	Do the LEDs illuminate in accordance with operation signal table?	Go to step 7.	Check the air mix door actuator circuit. <Ref. to AC(diag)-26, AIR MIX DOOR ACTUATOR, Diagnostic Procedure for Actuators.>
<b>7 CHECK MODE DOOR POSITION DRIVE SIGNAL.</b> 1) Press the A/C switch. 2) Place the fan speed control dial in each position and then check each LED illumination conditions. <Ref. to AC(diag)-12, DRIVE SIGNAL CHECK TABLE, OPERATION, Diagnostic Chart for Self-Diagnosis.>	Do the LEDs illuminate in accordance with operation signal table?	Go to step 8.	Check the mode door actuator circuit. <Ref. to AC(diag)-24, MODE DOOR ACTUATOR, Diagnostic Procedure for Actuators.>
<b>8 CHECK OPERATION OF EACH ACTUATOR, BLOWER FAN AND COMPRESSOR CLUTCH.</b> 1) Set the air flow control dial to B/L. 2) Turn the fan speed control dial from AUTO to 7th, and select operating modes. 3) Check the operation of each mode according to operating mode table. <Ref. to AC(diag)-11, OPERATING MODE TABLE, OPERATION, Diagnostic Chart for Self-Diagnosis.> <ul style="list-style-type: none"> <li>• FRESH/RECIRC door</li> <li>• Air flow control door</li> <li>• Air mix door</li> <li>• Blower fan</li> <li>• A/C compressor</li> </ul>	Does the operation of each mode match to operating mode table?	Turn the fan speed control dial to OFF or the ignition switch to OFF in order to complete self-diagnosis.	Repair the malfunctioning part in accordance with each diagnostic chart.

# Diagnostic Chart for Self-Diagnosis

HVAC SYSTEM (AUTO A/C) (DIAGNOSTICS)

## 2. SENSOR CHECK TABLE

NOTE:

When the sunload sensor check is performed indoors or in the shade, it could be diagnosed as having an open circuit. Always check the sunload sensor at a location exposed to direct sunlight.

Air flow control dial position	Fan dial position	Sensor	No trouble	Short circuit	Open circuit	When currently malfunctioning	When having malfunctioned in the past
AUTO	AUTO	In-vehicle sensor	FRESH/RECIRC switch LED is turned off	FRESH/RECIRC switch LED blinks (Illuminates for 0.2 sec. ⇔ turns off for 0.2 sec.)	FRESH/RECIRC switch LED blinks (Illuminates for 1 sec. ⇔ turns off for 1 sec.)	Rear window defogger switch LED is turned off	Rear window defogger switch LED illuminates
	1st	Ambient sensor		FRESH/RECIRC switch LED blinks (Illuminates for 0.2 sec. ⇔ turns off for 0.2 sec.)			
	2nd	Evaporator sensor		FRESH/RECIRC switch LED blinks (Illuminates for 0.2 sec. ⇔ turns off for 0.2 sec.)			
	3rd	Engine coolant temperature sensor		—			
	4th	Sunload sensor		FRESH/RECIRC switch LED blinks (Illuminates for 0.2 sec. ⇔ turns off for 0.2 sec.)			
	5th – 7th	CAN communication		—			

## 3. OPERATING MODE TABLE

Operation	Fan speed control dial position							
	AUTO	1st	2nd	3rd	4th	5th	6th	7th
Blower fan	4 V	4 V	4.9 V	5.9 V	7.0 V	8.3 V	9.8 V	14 V
FRESH/RECIRC door	RECIRC	RECIRC	MIX	FRESH	FRESH	FRESH	FRESH	FRESH
Air flow control door	FACE	FACE	FACE	B/L	HEAT	HEAT	D/H	D/H
Air mix door	0%	0%	0%	50%	50%	100%	100%	100%
A/C compressor	OFF	ON	ON	ON	ON	ON	ON	ON

# Diagnostic Chart for Self-Diagnosis

HVAC SYSTEM (AUTO A/C) (DIAGNOSTICS)

## 4. DRIVE SIGNAL CHECK TABLE

Air flow control dial position	Fan speed control dial position	Drive signal to check	A/C switch LED	No trouble	Short circuit	Open circuit	When currently malfunctioning	When having malfunctioned in the past
FACE	AUTO	MIX #1	Blinking (Illuminates for 0.2 sec. ⇔ turns off for 0.2 sec.)	FRESH/RECIRC switch LED is turned off	FRESH/RECIRC switch LED blinks (Illuminates for 0.2 sec. ⇔ turns off for 0.2 sec.)	FRESH/RECIRC switch LED blinks (Illuminates for 1 sec. ⇔ turns off for 1 sec.)	Rear window defogger switch LED is turned off	Rear window defogger switch LED illuminates
	1st	MIX #2						
	2nd	MIX #3						
	3rd — 7th	MIX #4						
	AUTO	MODE #1	Blinking (Illuminates for 1 sec. ⇔ turns off for 1 sec.)					
	1st	MODE #2						
	2nd	MODE #3						
	3rd — 7th	MODE #4						

# Diagnostics for A/C System Malfunction

HVAC SYSTEM (AUTO A/C) (DIAGNOSTICS)

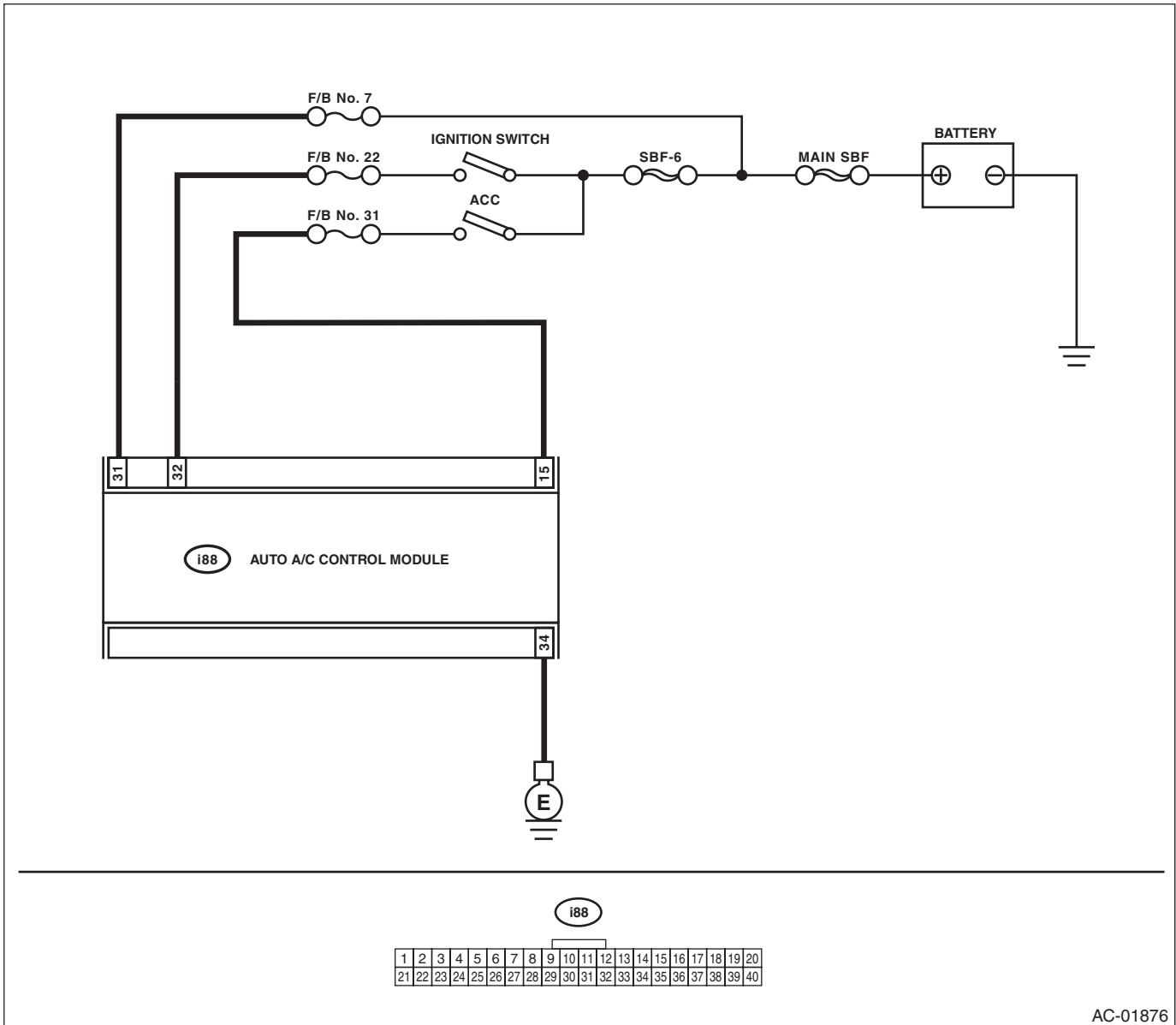
## 6. Diagnostics for A/C System Malfunction

### A: A/C OR SELF-DIAGNOSIS SYSTEMS DO NOT OPERATE

#### TROUBLE SYMPTOM:

- Set temperature is not indicated on the display, switch LEDs are faulty and switches do not operate.
- Self-diagnosis system does not operate.

#### WIRING DIAGRAM:



AC-01876

## Diagnostics for A/C System Malfunction

### HVAC SYSTEM (AUTO A/C) (DIAGNOSTICS)

Step	Check	Yes	No
<b>1</b> <b>CHECK FUSE.</b> 1) Turn the ignition switch to OFF. 2) Remove the fuse No. 7, No. 22 and No. 31 from fuse & relay box. 3) Check the condition of fuse.	Is the fuse blown out?	Replace the fuse.	Go to step 2.
<b>2</b> <b>CHECK A/C CONTROL MODULE POWER CIRCUIT.</b> 1) Remove the A/C control panel. 2) Disconnect the A/C control panel harness connector. 3) Turn the ignition switch to ACC, and measure the voltage between A/C control panel harness connector terminal and chassis ground. <b>Connector &amp; terminal</b> <b>(i88) No. 15 (+) — Chassis ground (-):</b>	Is the voltage 10 V or more?	Go to step 3.	Check for open or short circuit in the harness between A/C control panel and fuse.
<b>3</b> <b>CHECK A/C CONTROL MODULE POWER CIRCUIT.</b> Measure the voltage between A/C control panel harness connector terminal and chassis ground after turning the ignition switch to ON. <b>Connector &amp; terminal</b> <b>(i88) No. 32 (+) — Chassis ground (-):</b>	Is the voltage 10 V or more?	Go to step 4.	Check for open or short circuit in the harness between A/C control panel and fuse.
<b>4</b> <b>CHECK A/C CONTROL PANEL GROUND POWER CIRCUIT.</b> Measure the resistance of harness between A/C control panel and chassis ground after turning the ignition switch to OFF. <b>Connector &amp; terminal</b> <b>(i88) No. 34 — Chassis ground:</b>	Is the resistance less than 10 $\Omega$ ?	Go to step 5.	Repair the harness for ground line.
<b>5</b> <b>CHECK POOR CONTACT.</b> Check poor contact of auto A/C control module connector.	Is there poor contact of connector?	Repair the connector.	Replace the auto A/C control module. <Ref. to AC-33, REMOVAL, Control Unit (Auto A/C Model).>

# Diagnostics for A/C System Malfunction

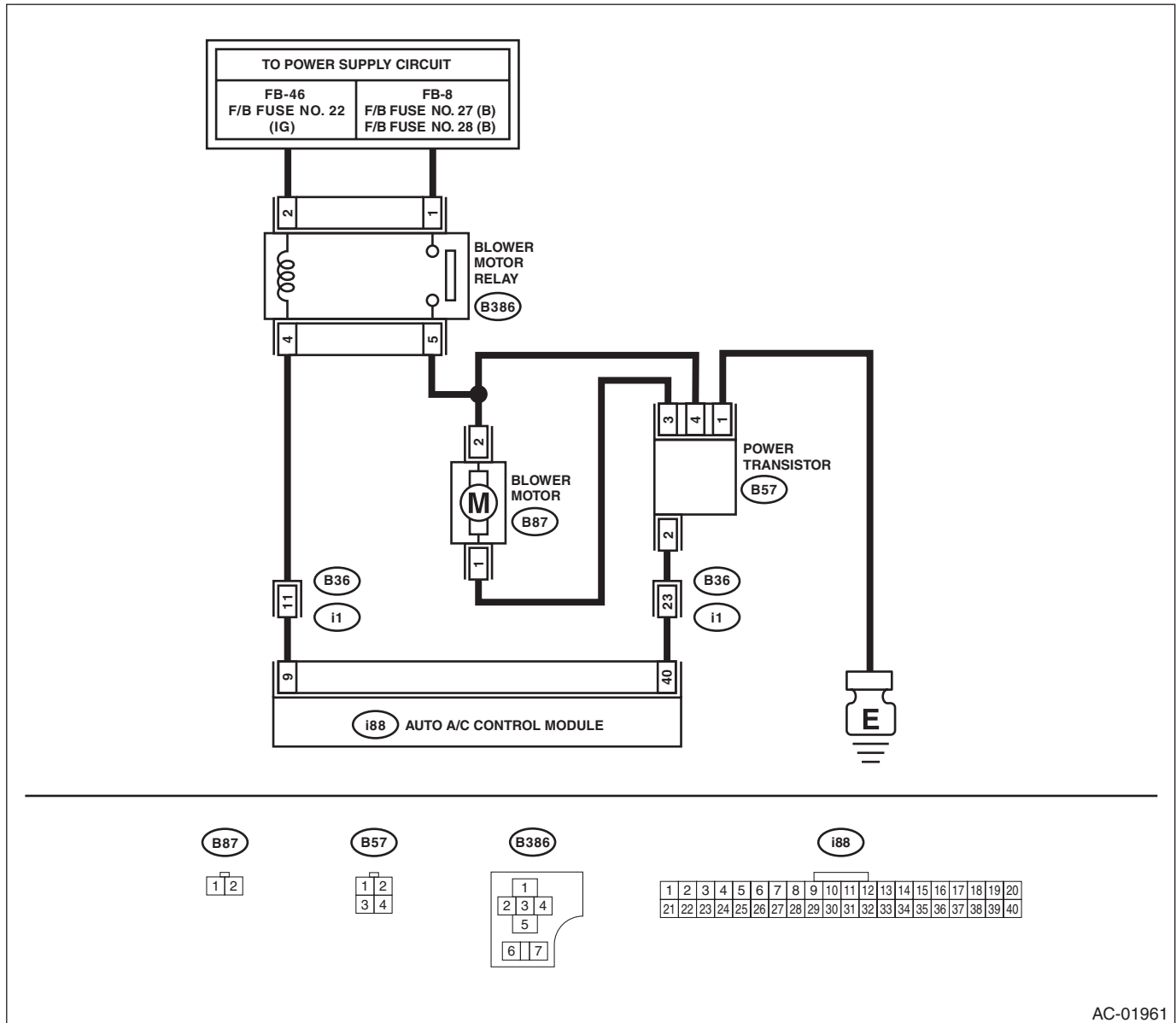
HVAC SYSTEM (AUTO A/C) (DIAGNOSTICS)

## B: BLOWER MOTOR DOES NOT ROTATE

### TROUBLE SYMPTOM:

- Blower motor does not rotate.
- Blower motor does not change speeds.

### WIRING DIAGRAM:



Step	Check	Yes	No
<b>1 CHECK FUSE.</b> 1) Remove fuse No. 22, 27 and 28 from fuse & relay box. 2) Check the condition of fuse.	Is any fuse blown out?	Replace the fuse.	Go to step 2.
<b>2 CHECK POWER SUPPLY OF BLOWER MOTOR RELAY.</b> 1) Turn the ignition switch to OFF. 2) Remove the blower motor relay. 3) Turn the ignition switch to ON. 4) Use a tester to measure the voltage between the terminals. <b>Connector &amp; terminal</b> <b>(B386) No. 2 (+) — Chassis ground (-):</b>	Is the voltage 10 V or more?	Go to step 3.	Repair the open circuit of blower motor power supply line harness.

## Diagnostics for A/C System Malfunction

### HVAC SYSTEM (AUTO A/C) (DIAGNOSTICS)

Step	Check	Yes	No
<b>3 CHECK BLOWER MOTOR RELAY.</b> 1) Turn the ignition switch to OFF. 2) Connect the battery positive terminal to the blower motor relay terminal No. 2, and the negative terminal to No. 4. 3) Using the tester, measure the resistance between terminals. <b>Connector &amp; terminal</b> <b>(Relay) No. 1 — No. 5:</b>	Is the resistance less than 1 $\Omega$ ?	Go to step 4.	Replace the blower motor relay.
<b>4 CHECK HARNESS.</b> 1) Remove the auto A/C control module. 2) Measure the resistance between auto A/C control module and relay using a tester. <b>Connector &amp; terminal</b> <b>(B386) No. 4 — (i88) No. 9:</b>	Is the resistance less than 1 $\Omega$ ?	Go to step 5.	Repair or replace the harness.
<b>5 CHECK BLOWER MOTOR POWER SUPPLY.</b> 1) Install the blower motor relay and auto A/C control module. 2) Turn the ignition switch to ON. 3) Turn the blower fan switch to ON. 4) Use a tester to measure the voltage between the blower motor and chassis ground. <b>Connector &amp; terminal</b> <b>(B87) No. 2 (+) — Chassis ground (-):</b>	Is the voltage 10 V or more?	Go to step 6.	Repair or replace the harness between relay and the blower motor.
<b>6 CHECK BLOWER MOTOR.</b> 1) Turn the ignition switch to OFF. 2) Disconnect the connector from blower motor. 3) Connect the battery positive terminal to the blower motor connector terminal No. 2, and the negative terminal to No. 1. 4) Make sure the blower motor runs.	Does the blower motor run?	Go to step 7.	Replace the blower motor. <Ref. to AC-28, REMOVAL, Blower Motor.>
<b>7 CHECK HARNESS.</b> 1) Disconnect the power transistor connector. 2) Disconnect the auto A/C control module connector. 3) Using the tester, measure the resistance between terminals of harness. <b>Connector &amp; terminal</b> <b>(B57) No. 1 — Chassis ground:</b> <b>(B57) No. 2 — (i88) No. 40:</b> <b>(B57) No. 3 — (B87) No. 1:</b> <b>(B57) No. 4 — (B87) No. 2:</b> <b>(B57) No. 4 — (B386) No. 5:</b>	Is the resistance less than 1 $\Omega$ ?	Go to step 8.	Repair or replace the harness.
<b>8 CHECK FAN CONTROL SIGNAL.</b> 1) Connect the disconnected connectors. 2) Turn the ignition switch to ON. 3) Change the fan speed control dial from 1st to 7th. 4) Measure the voltage between the power transistor and chassis ground using a tester. <b>Connector &amp; terminal</b> <b>(B57) No. 2 (+) — Chassis ground (-):</b>	Is the voltage approx. 10 V at 1st and approx. 1 V at 7th?	Replace the power transistor. <Ref. to AC-29, REMOVAL, Power Transistor (Auto A/C Model).>	Go to step 9.
<b>9 CHECK POOR CONTACT.</b> Check poor contact of auto A/C control module connector.	Is there poor contact of connector?	Repair the connector.	Replace the auto A/C control module. <Ref. to AC-33, REMOVAL, Control Unit (Auto A/C Model).>

# Diagnostics for A/C System Malfunction

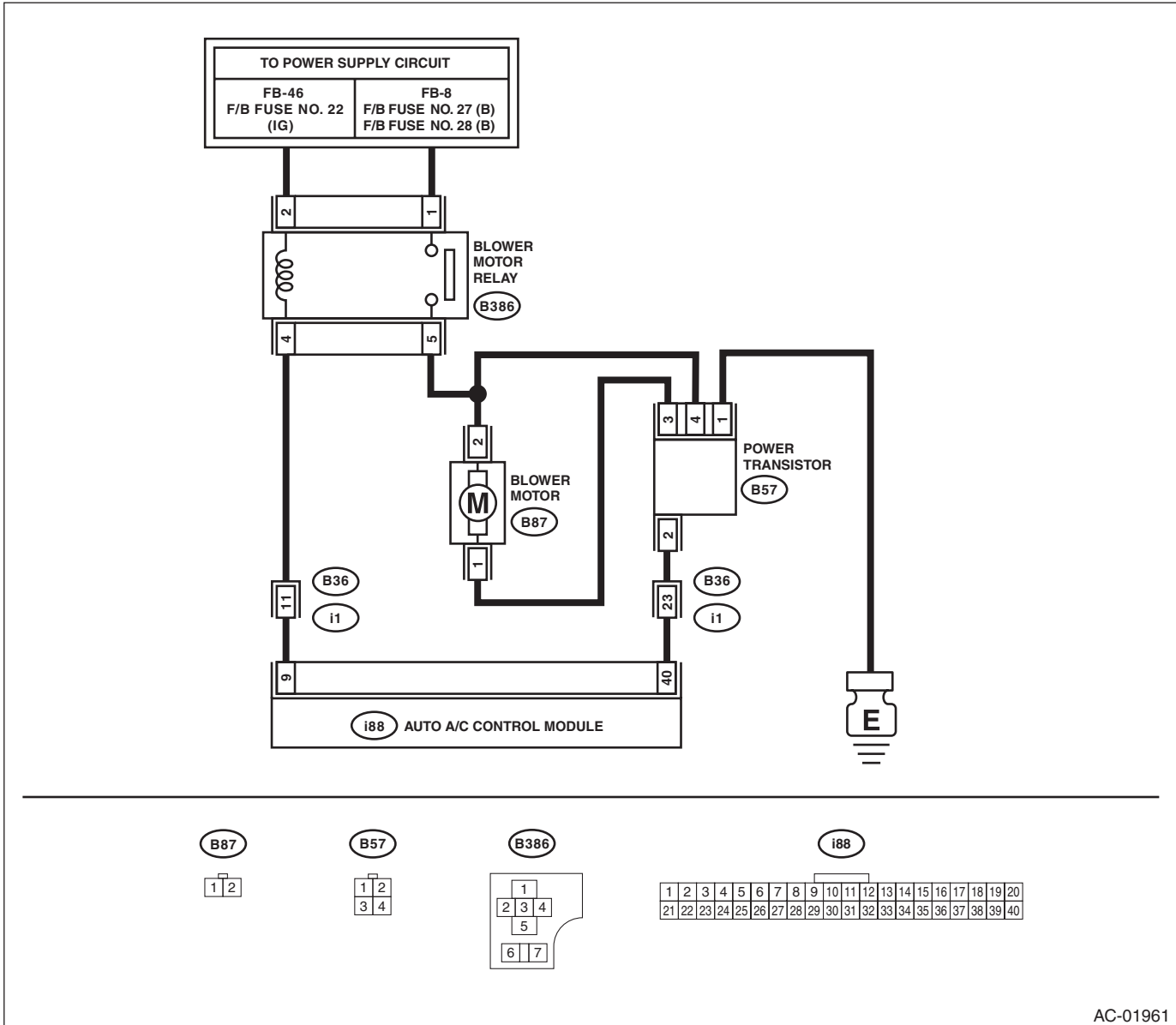
HVAC SYSTEM (AUTO A/C) (DIAGNOSTICS)

## C: BLOWER MOTOR TURNS AROUND EARLY

### TROUBLE SYMPTOM:

- The blower rotates even though the blower switch is not turned on.
- The blower motor continues to rotate at high speed. (Not adjustable.)

### WIRING DIAGRAM:



AC-01961



## Diagnostics for A/C System Malfunction

### HVAC SYSTEM (AUTO A/C) (DIAGNOSTICS)

Step	Check	Yes	No
<b>1</b> <b>CHECK BLOWER MOTOR CIRCUIT.</b> 1) Turn the ignition switch to OFF. 2) Disconnect the power transistor connector. 3) Use a tester to measure the resistance between the connector and chassis ground. <b>Connector &amp; terminal</b> <b>(B57) No. 3 — Chassis ground:</b>	Is the resistance 10 $\Omega$ or more?	Go to step 2.	Repair or replace the harness.
<b>2</b> <b>CHECK POWER TRANSISTOR.</b> Measure the resistance between power transistor terminals using a tester. <b>Connector &amp; terminal</b> <b>(B57) No. 3 — No. 1:</b>	Is the resistance less than 10 $\Omega$ ?	Replace the power transistor. <Ref. to AC-29, REMOVAL, Power Transistor (Auto A/C Model).>	Go to step 3.
<b>3</b> <b>CHECK HARNESS.</b> 1) Remove the auto A/C control module. 2) Measure the resistance between the power transistor connector and chassis ground using a tester. <b>Connector &amp; terminal</b> <b>(B57) No. 2 — Chassis ground:</b>	Is the resistance less than 10 $\Omega$ ?	Repair or replace the short circuit of the harness.	Replace the auto A/C control module. <Ref. to AC-33, REMOVAL, Control Unit (Auto A/C Model).>

# Diagnostics for A/C System Malfunction

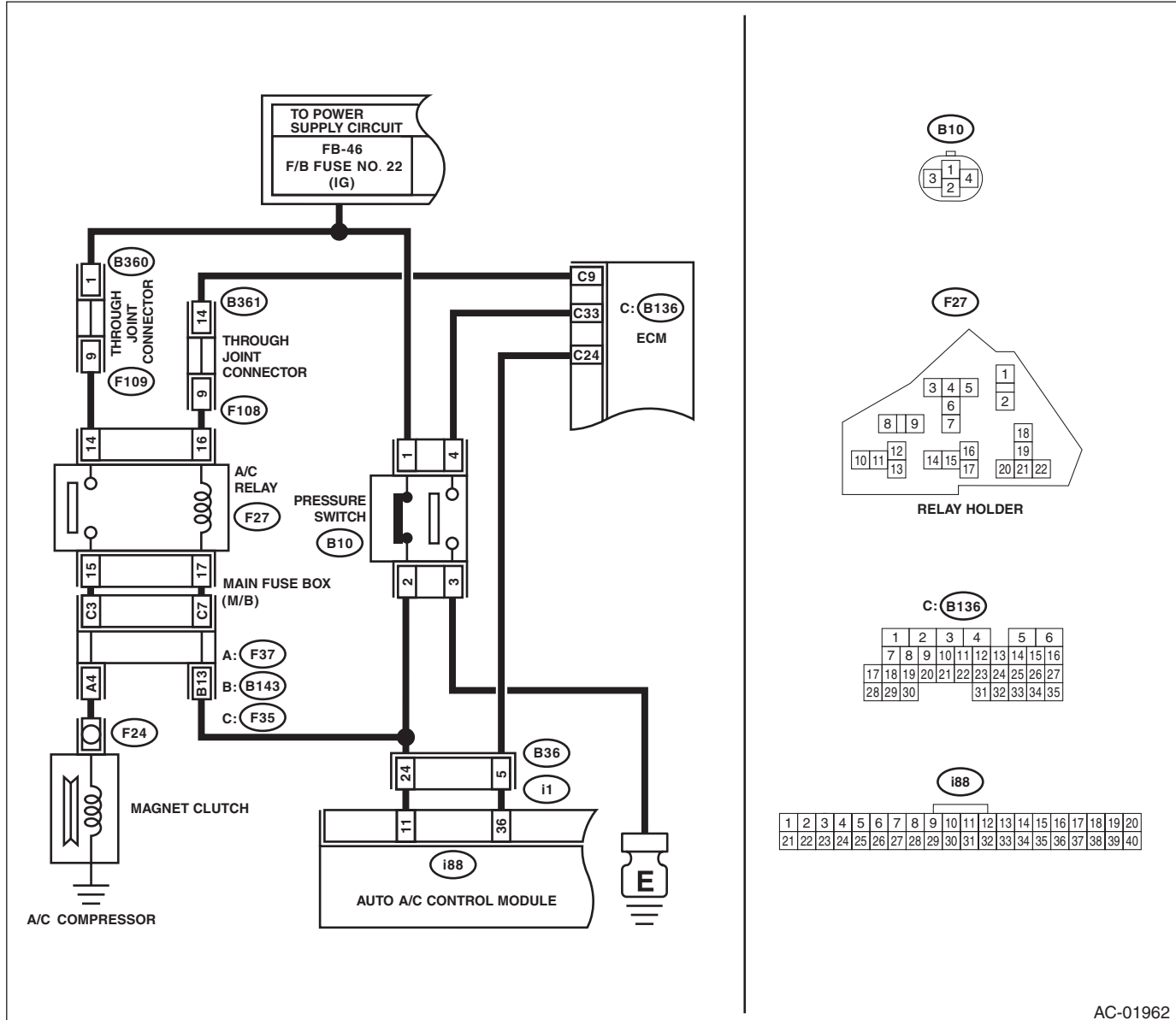
HVAC SYSTEM (AUTO A/C) (DIAGNOSTICS)

## D: COMPARTMENT TEMPERATURE DOES NOT CHANGE, OR A/C SYSTEM DOES NOT RESPOND PROMPTLY

### TROUBLE SYMPTOM:

- Compartment temperature does not change. (Cold air does not come out.)
- A/C system does not respond. (Response is extremely slow)

### WIRING DIAGRAM:



AC-01962

## Diagnostics for A/C System Malfunction

### HVAC SYSTEM (AUTO A/C) (DIAGNOSTICS)

Step	Check	Yes	No
<b>1 CHECK FUSE.</b> 1) Turn the ignition switch to OFF. 2) Remove the fuse No. 22 from fuse & relay box. 3) Check the condition of fuse.	Is the fuse blown out?	Replace the fuse.	Go to step 2.
<b>2 CHECK SIGNAL TO A/C RELAY AND AUTO A/C CONTROL MODULE.</b> 1) Disconnect the A/C relay and auto A/C control module harness connector. 2) Turn the ignition switch to ON. 3) Measure the voltage between A/C relay connector terminal and chassis ground. 4) Measure the voltage between auto A/C control module harness connector terminal and chassis ground. <b>Connector &amp; terminal</b> <b>(F27) No. 17 (+) — Chassis ground (-):</b> <b>(i88) No. 11 (+) — Chassis ground (-):</b>	Is the voltage 10 V or more?	Go to step 5.	Go to step 3.
<b>3 CHECK POWER SUPPLY FOR PRESSURE SWITCH.</b> 1) Turn the ignition switch to OFF. 2) Disconnect the pressure switch harness connector. 3) Turn the ignition switch to ON. 4) Measure the voltage between pressure switch harness connector terminal and chassis ground. <b>Connector &amp; terminal</b> <b>(B10) No. 2 (+) — Chassis ground (-):</b>	Is the voltage 10 V or more?	Go to step 4.	Check for open or short circuit in the harness between fuse and pressure switch.
<b>4 CHECK HARNESS BETWEEN PRESSURE SWITCH AND A/C RELAY, AUTO A/C CONTROL MODULE.</b> 1) Turn the ignition switch to OFF. 2) Measure the resistance of harness between pressure switch connector and A/C relay connector. 3) Measure the resistance of harness between pressure switch connector and auto A/C control module connector. <b>Connector &amp; terminal</b> <b>(B10) No. 2 — (F27) No. 17:</b> <b>(B10) No. 2 — (i88) No. 11:</b>	Is the resistance less than 1 Ω?	Check the pressure switch. <Ref. to AC-40, INSPECTION, Pressure Switch (Triple Pressure Switch).>	Repair the harness.
<b>5 CHECK POWER SUPPLY FOR A/C RELAY.</b> Measure the voltage between A/C relay connector terminal and chassis ground. <b>Connector &amp; terminal</b> <b>(F27) No. 14 (+) — Chassis ground (-):</b>	Is the voltage 10 V or more?	Go to step 6.	Check open or short circuit of harness between fuse and A/C relay.
<b>6 CHECK A/C RELAY.</b> Check the A/C relay. <Ref. to AC-39, INSPECTION, Relay and Fuse.>	Is the A/C relay OK?	Go to step 7.	Replace the A/C relay.

# Diagnostics for A/C System Malfunction

HVAC SYSTEM (AUTO A/C) (DIAGNOSTICS)

Step	Check	Yes	No
<b>7 CHECK A/C ON SIGNAL.</b> 1) Turn the ignition switch to OFF. 2) Connect the A/C relay and all disconnected connectors. 3) Start the engine and turn the A/C switch to ON. 4) Turn the temperature control dial at maximum cool position. 5) Measure the voltage between auto A/C control module harness connector terminal and chassis ground. <b>Connector &amp; terminal</b> <b>(i88) No. 36 (+) — Chassis ground (-):</b>	Is the voltage 5.5 V or more?	Go to step 8.	Replace the auto A/C control module. <Ref. to AC-33, REMOVAL, Control Unit (Auto A/C Model).>
<b>8 CHECK HARNESS BETWEEN AUTO A/C CONTROL MODULE AND ECM.</b> 1) Turn the ignition switch to OFF. 2) Disconnect the harness connector of auto A/C control module and ECM. 3) Measure the resistance of harness between auto A/C control module connector and ECM connector. <b>Connector &amp; terminal</b> <b>(i88) No. 36 — (B136) No. 24:</b>	Is the resistance less than 1 Ω?	Go to step 9.	Repair the harness.
<b>9 CHECK MAGNET CLUTCH ON SIGNAL.</b> 1) Stop the engine and turn the A/C switch to OFF. 2) Turn the ignition switch to ON. 3) Measure the voltage between ECM connector terminal and chassis ground. <b>Connector &amp; terminal</b> <b>(B136) No. 9 (+) — Chassis ground (-):</b>	Is the voltage 10 V or more?	Go to step 10.	Check for open or short circuit in the harness between A/C relay and ECM.
<b>10 CHECK MAGNET CLUTCH ON SIGNAL.</b> 1) Start the engine and turn the A/C switch to ON. 2) Turn the temperature control dial at maximum cool position. 3) Measure the voltage between ECM connector terminal and chassis ground. <b>Connector &amp; terminal</b> <b>(B136) No. 9 (+) — Chassis ground (-):</b>	Is the voltage 0 V?	Go to step 11.	Replace the ECM. <Ref. to FU(H4SO)-44, REMOVAL, Engine Control Module (ECM).> <Ref. to FU(H4DOTC)-52, REMOVAL, Engine Control Module (ECM).>
<b>11 CHECK POWER SUPPLY FOR MAGNET CLUTCH.</b> 1) Stop the engine and turn the A/C switch to OFF. 2) Disconnect the harness connector of magnet clutch. 3) Start the engine and turn the A/C switch to ON. 4) Turn the temperature control dial at maximum cool position. 5) Measure the voltage between magnet clutch harness connector terminal and chassis ground. <b>Connector &amp; terminal</b> <b>(F24) No. 1 (+) — Chassis ground (-):</b>	Is the voltage 10 V or more?	Inspect the compressor. <Ref. to AC-34, INSPECTION, Compressor.>	Check for open or short circuit in the harness between A/C relay and magnet clutch.

# Diagnostic Procedure for Actuators

HVAC SYSTEM (AUTO A/C) (DIAGNOSTICS)

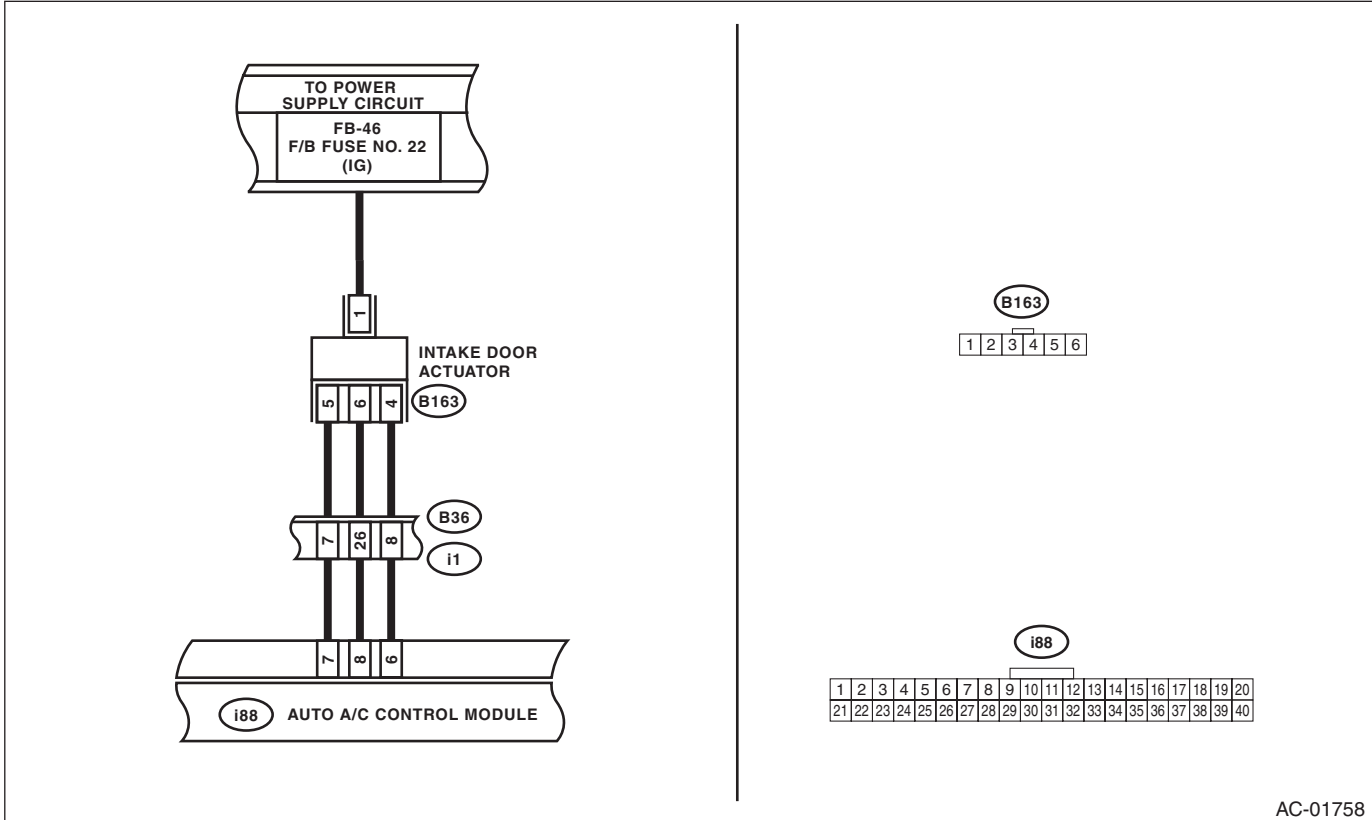
## 7. Diagnostic Procedure for Actuators

### A: INTAKE DOOR ACTUATOR

#### TROUBLE SYMPTOM:

FRESH/RECIRC mode is not changed.

#### WIRING DIAGRAM:



AC-01758

# Diagnostic Procedure for Actuators

HVAC SYSTEM (AUTO A/C) (DIAGNOSTICS)

Step	Check	Yes	No
<b>1 CHECK POWER SUPPLY FOR INTAKE DOOR ACTUATOR.</b> 1) Turn the ignition switch to OFF. 2) Disconnect the intake door actuator connector. 3) Turn the ignition switch to ON. 4) Measure the voltage between intake door actuator connector and chassis ground. <b>Connector &amp; terminal</b> <b>(B163) No. 1 (+) — Chassis ground (-):</b>	Is the voltage approx. 10 V or more?	Go to step 2.	Check for open or short circuit in the harness between intake door actuator and fuse.
<b>2 CHECK HARNESS BETWEEN AUTO A/C CONTROL MODULE AND INTAKE DOOR ACTUATOR.</b> 1) Turn the ignition switch to OFF. 2) Disconnect the auto A/C control module connector. 3) Measure the resistance between intake door actuator connector and auto A/C control module connector. <b>Connector &amp; terminal</b> <b>(i88) No. 8 — (B163) No. 6:</b> <b>(i88) No. 7 — (B163) No. 5:</b> <b>(i88) No. 6 — (B163) No. 4:</b>	Is the resistance less than 1 $\Omega$ ?	Go to step 3.	Repair the harness between auto A/C control module and intake door actuator.
<b>3 CHECK OPERATION OF INTAKE DOOR ACTUATOR.</b> 1) Connect the intake door actuator connector. 2) Ground the auto A/C control module connector with a suitable wire. 3) Turn the ignition switch to ON, and check the operation of intake door actuator. <b>Connector &amp; terminal</b> <b>(i88) No. 6 — Chassis ground:</b>	Does the actuator move to the FRESH side?	Go to step 4.	Replace the intake door actuator.
<b>4 CHECK OPERATION OF INTAKE DOOR ACTUATOR.</b> 1) Turn the ignition switch to OFF. 2) Ground the auto A/C control module connector with a suitable wire. 3) Turn the ignition switch to ON, and check the operation of intake door actuator. <b>Connector &amp; terminal:</b> <b>(i88) No. 8 — Chassis ground:</b>	Does the actuator move to the RECIRC side?	Replace the auto A/C control module. <Ref. to AC-33, REMOVAL, Control Unit (Auto A/C Model).>	Replace the intake door actuator.

# Diagnostic Procedure for Actuators

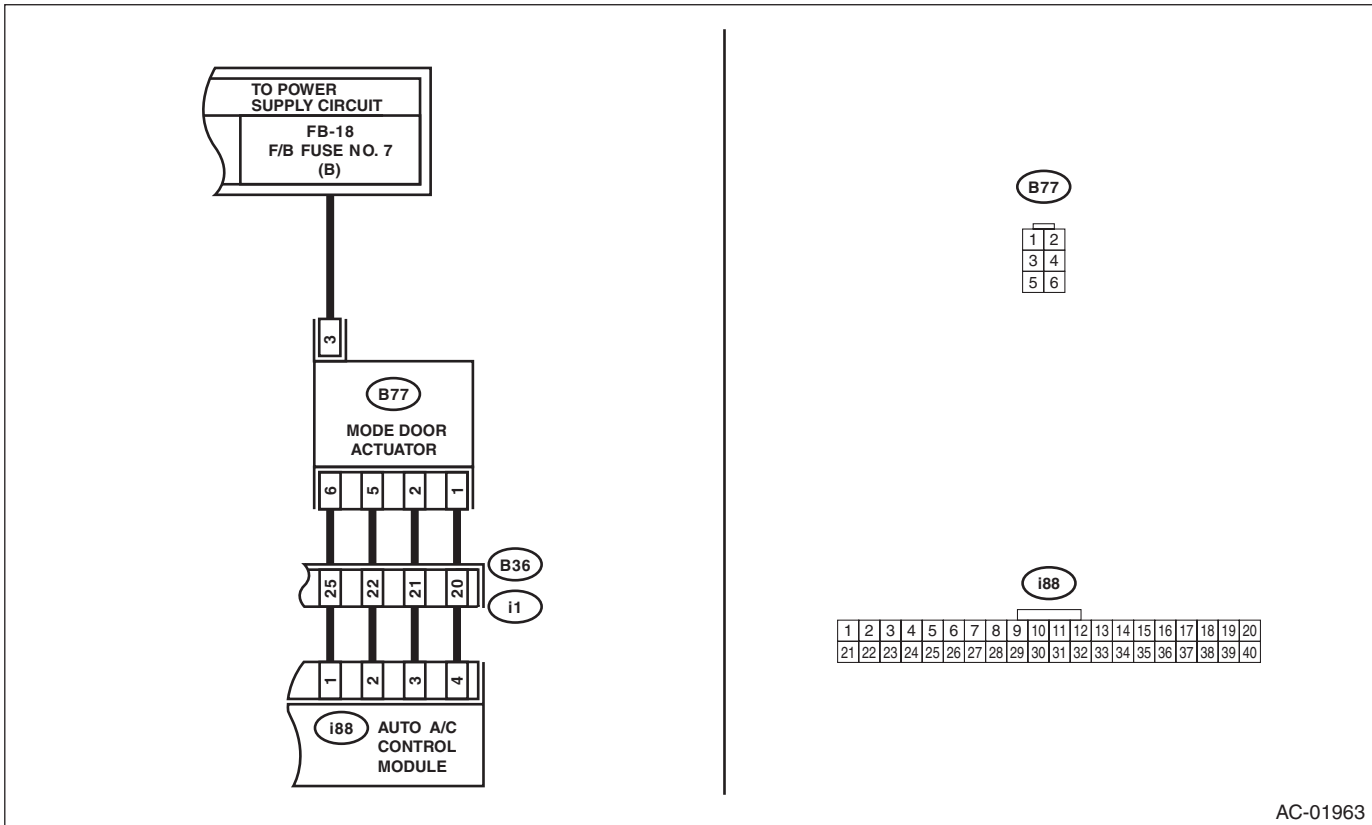
HVAC SYSTEM (AUTO A/C) (DIAGNOSTICS)

## B: MODE DOOR ACTUATOR

### TROUBLE SYMPTOM:

Air flow outlet is not changed.

### WIRING DIAGRAM:



AC-01963

# Diagnostic Procedure for Actuators

HVAC SYSTEM (AUTO A/C) (DIAGNOSTICS)

Step	Check	Yes	No
<b>1 CHECK POWER SUPPLY FOR MODE DOOR ACTUATOR.</b> 1) Turn the ignition switch to OFF. 2) Disconnect the mode door actuator connector. 3) Turn the ignition switch to ON. 4) Measure the voltage between the mode door actuator connector terminal and chassis ground. <b>Connector &amp; terminal</b> <b>(B77) No. 3 (+) — Chassis ground (-):</b>	Is the voltage approx. 10 V or more?	Go to step 2.	Check the DC power supply circuit.
<b>2 CHECK MODE DOOR ACTUATOR.</b> 1) Turn the ignition switch to OFF. 2) Disconnect the mode door actuator connector. 3) Measure the resistance between mode door actuator terminals using a tester. <b>Connector &amp; terminal</b> <b>(B77) No. 3 — No. 1:</b> <b>(B77) No. 3 — No. 2:</b> <b>(B77) No. 3 — No. 5:</b> <b>(B77) No. 3 — No. 6:</b>	Is the resistance between 80 — 100 $\Omega$ ?	Go to step 3.	Replace the mode door actuator.
<b>3 CHECK HARNESS BETWEEN AUTO A/C CONTROL MODULE AND MODE DOOR ACTUATOR.</b> 1) Disconnect the auto A/C control module connector. 2) Measure the resistance between auto A/C control module and mode door actuator connector. <b>Connector &amp; terminal</b> <b>(B77) No. 1 — (i88) No. 4:</b> <b>(B77) No. 2 — (i88) No. 3:</b> <b>(B77) No. 5 — (i88) No. 2:</b> <b>(B77) No. 6 — (i88) No. 1:</b>	Is the resistance less than 1 $\Omega$ ?	Go to step 4.	Repair the harness between auto A/C control module and mode door actuator.
<b>4 CHECK POOR CONTACT.</b> Check poor contact of auto A/C control module and connector.	Is there poor contact of connector?	Repair the connector.	Replace the auto A/C control module. <Ref. to AC-33, REMOVAL, Control Unit (Auto A/C Model).>



# Diagnostic Procedure for Actuators

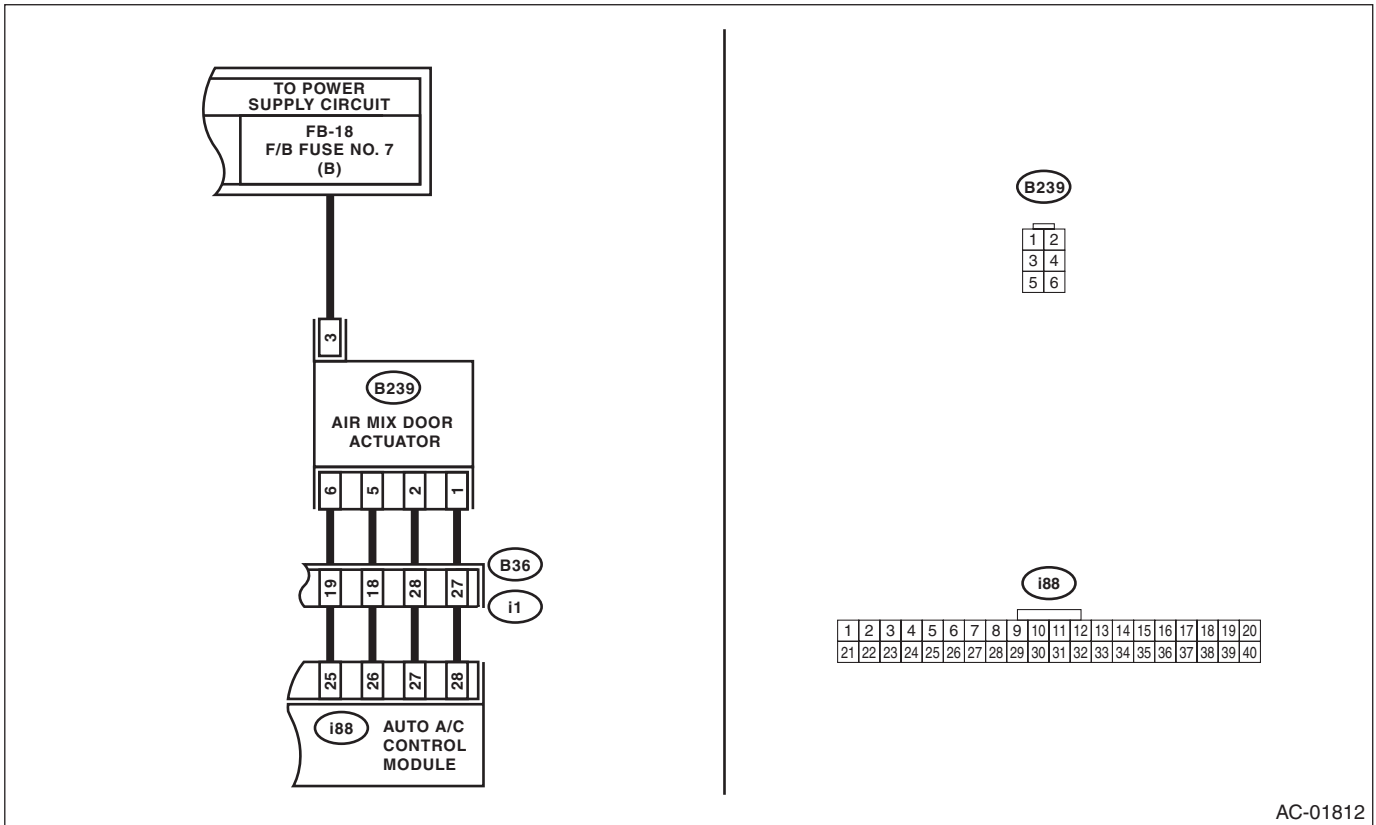
HVAC SYSTEM (AUTO A/C) (DIAGNOSTICS)

## C: AIR MIX DOOR ACTUATOR

### TROUBLE SYMPTOM:

Outlet air temperature does not change.

### WIRING DIAGRAM:



# Diagnostic Procedure for Actuators

HVAC SYSTEM (AUTO A/C) (DIAGNOSTICS)

Step	Check	Yes	No
<b>1 CHECK POWER SUPPLY OF AIR MIX DOOR ACTUATOR.</b> 1) Turn the ignition switch to OFF. 2) Disconnect the air mix door actuator connector. 3) Turn the ignition switch to ON. 4) Measure the voltage between the air mix door actuator connector terminal and chassis ground. <i><b>Connector &amp; terminal</b></i> <i><b>(B239) No. 3 (+) — Chassis ground (-):</b></i>	Is the voltage approx. 10 V or more?	Go to step 2.	Check the DC power supply circuit.
<b>2 CHECK AIR MIX DOOR ACTUATOR.</b> 1) Turn the ignition switch to OFF. 2) Measure the resistance between air mix actuator terminals using a tester. <i><b>Connector &amp; terminal</b></i> <i><b>(B239) No. 3 — No. 1:</b></i> <i><b>(B239) No. 3 — No. 2:</b></i> <i><b>(B239) No. 3 — No. 5:</b></i> <i><b>(B239) No. 3 — No. 6:</b></i>	Is the resistance between 80 — 100 $\Omega$ ?	Go to step 3.	Replace the air mix door actuator.
<b>3 CHECK HARNESS BETWEEN AUTO A/C CONTROL MODULE AND AIR MIX DOOR ACTUATOR.</b> 1) Disconnect the auto A/C control module connector. 2) Measure the resistance between auto A/C control module and air mix door actuator connector. <i><b>Connector &amp; terminal</b></i> <i><b>(B239) No. 1 — (i88) No. 28:</b></i> <i><b>(B239) No. 2 — (i88) No. 27:</b></i> <i><b>(B239) No. 5 — (i88) No. 26:</b></i> <i><b>(B239) No. 6 — (i88) No. 25:</b></i>	Is the resistance less than 1 $\Omega$ ?	Go to step 4.	Repair the harness between auto A/C control module and air mix door actuator.
<b>4 CHECK POOR CONTACT.</b> Check poor contact of auto A/C control module and connector.	Is there poor contact of connector?	Repair the connector.	Replace the auto A/C control module. <Ref. to AC-33, REMOVAL, Control Unit (Auto A/C Model).>

# Diagnostic Procedure for Sensors

HVAC SYSTEM (AUTO A/C) (DIAGNOSTICS)

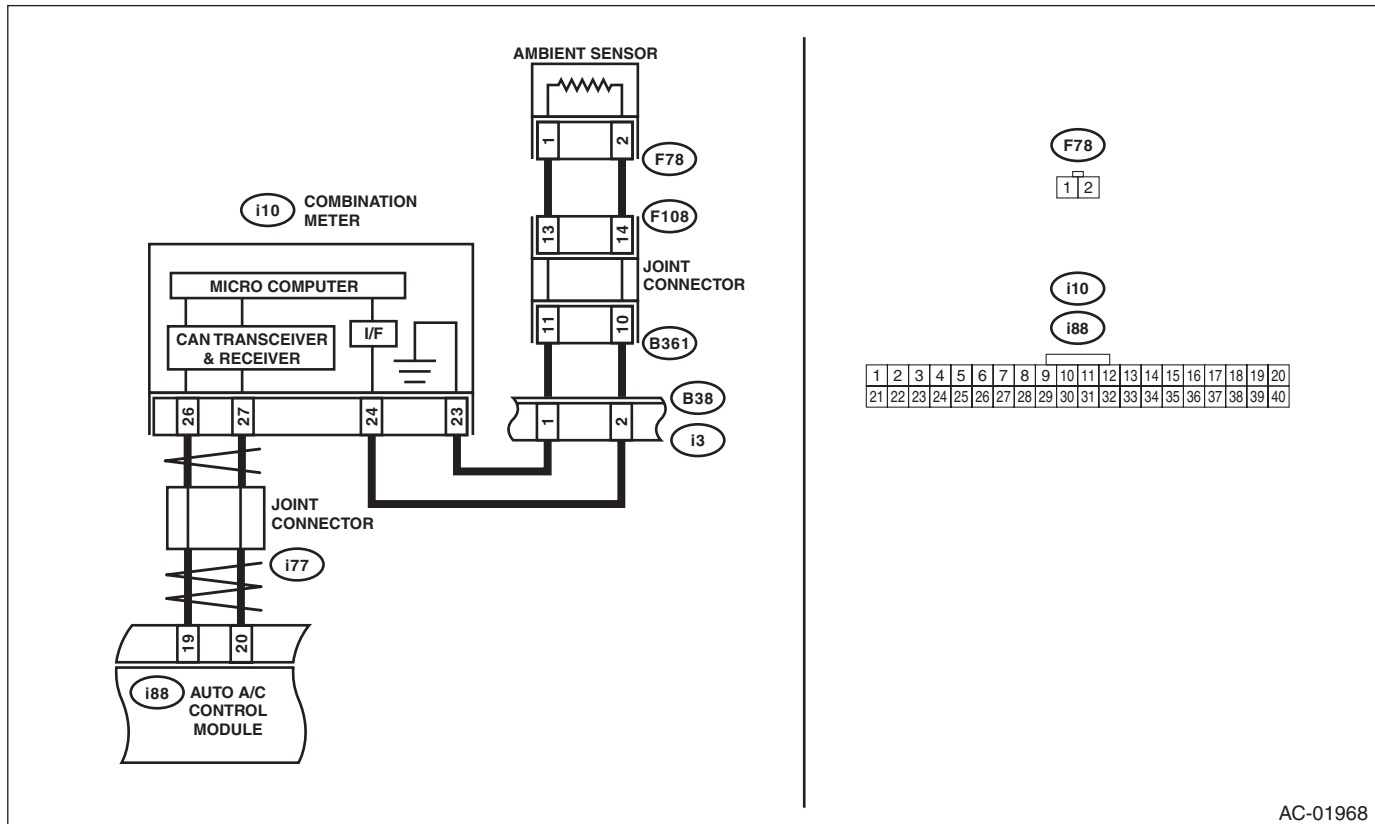
## 8. Diagnostic Procedure for Sensors

### A: AMBIENT SENSOR

#### TROUBLE SYMPTOM:

- Fan speed is not switched when the fan speed control dial is in AUTO position.
- Failure related to the ambient sensor is indicated in self-diagnosis.

#### WIRING DIAGRAM:



AC-01968

Step	Check	Yes	No
<b>1 CHECK AMBIENT SENSOR.</b> 1) Turn the ignition switch to OFF. 2) Disconnect the connector from ambient sensor. 3) Measure the resistance between terminals of ambient sensor. <b>Terminals</b> <b>No. 2 — No. 1:</b>	Is the resistance approximately 3 kΩ at 25°C (77°F)?	Go to step 2.	Replace the ambient sensor. <Ref. to AC-41, REMOVAL, Ambient Sensor (Auto A/C Model).>
<b>2 CHECK INPUT SIGNAL FOR AMBIENT SENSOR.</b> 1) Turn the ignition to ON. 2) Measure the voltage between connector (F78) terminals. <b>Connector &amp; terminal</b> <b>(F78) No. 2 (+) — No. 1 (-):</b>	Is the voltage approx. 5 V?	Go to step 6.	Go to step 3.

# Diagnostic Procedure for Sensors

HVAC SYSTEM (AUTO A/C) (DIAGNOSTICS)

Step	Check	Yes	No
<p><b>3</b></p> <p><b>CHECK COMBINATION METER OUTPUT SIGNAL.</b>                      1) Turn the ignition switch to OFF.                      2) Draw out the combination meter.                      3) Disconnect the connector from ambient sensor.                      4) Turn the ignition switch to ON.                      5) Measure the voltage between the combination meter connector terminals.</p> <p><b>Connector &amp; terminal</b>  <i>(i10) No. 24 (+) — No. 23 (-):</i></p>	Is the voltage approx. 5 V?	Go to step 4.	Replace the combination meter. <Ref. to IDI-16, REMOVAL, Combination Meter.>
<p><b>4</b></p> <p><b>CHECK HARNESS CONNECTOR BETWEEN COMBINATION METER AND AMBIENT SENSOR.</b>                      1) Turn the ignition switch to OFF.                      2) Disconnect the connector from the combination meter.                      3) Measure the resistance of harness between combination meter and ambient sensor.</p> <p><b>Connector &amp; terminal</b>  <i>(F78) No. 2 — (i10) No. 24:</i></p>	Is the resistance less than 1 $\Omega$ ?	Go to step 5.	Repair the open circuit of the harness between the combination meter and ambient sensor.
<p><b>5</b></p> <p><b>CHECK HARNESS CONNECTOR BETWEEN COMBINATION METER AND AMBIENT SENSOR.</b>                      Measure the resistance of harness between combination meter and ambient sensor.</p> <p><b>Connector &amp; terminal</b>  <i>(F78) No. 1 — (i10) No. 23:</i></p>	Is the resistance less than 1 $\Omega$ ?	Replace the combination meter. <Ref. to IDI-16, REMOVAL, Combination Meter.>	Repair the open circuit of the harness between the combination meter and ambient sensor.
<p><b>6</b></p> <p><b>CHECK HARNESS CONNECTOR BETWEEN COMBINATION METER AND AUTO A/C CONTROL MODULE.</b>                      1) Turn the ignition switch to OFF.                      2) Disconnect the connector from the combination meter.                      3) Disconnect the auto A/C control module connector.                      4) Measure the resistance of harness between the combination meter and auto A/C control module.</p> <p><b>Connector &amp; terminal</b>  <i>(i88) No. 19 — (i10) No. 26:</i></p>	Is the resistance less than 1 $\Omega$ ?	Go to step 7.	Repair the open circuit in the harness between the combination meter and auto A/C control module. <Ref. to LAN(diag)-6, LAN SYSTEM, CAUTION, General Description.>
<p><b>7</b></p> <p><b>CHECK HARNESS CONNECTOR BETWEEN COMBINATION METER AND AUTO A/C CONTROL MODULE.</b>                      Measure the resistance of harness between the combination meter and auto A/C control module.</p> <p><b>Connector &amp; terminal</b>  <i>(i88) No. 20 — (i10) No. 27:</i></p>	Is the resistance less than 1 $\Omega$ ?	Go to step 8.	Repair the open circuit in the harness between the combination meter and auto A/C control module. <Ref. to LAN(diag)-6, LAN SYSTEM, CAUTION, General Description.>
<p><b>8</b></p> <p><b>CHECK POOR CONTACT.</b>                      Check poor contact of auto A/C control module connector.</p>	Is there poor contact of connector?	Repair the connector.	Replace the auto A/C control module. <Ref. to AC-33, REMOVAL, Control Unit (Auto A/C Model).>

# Diagnostic Procedure for Sensors

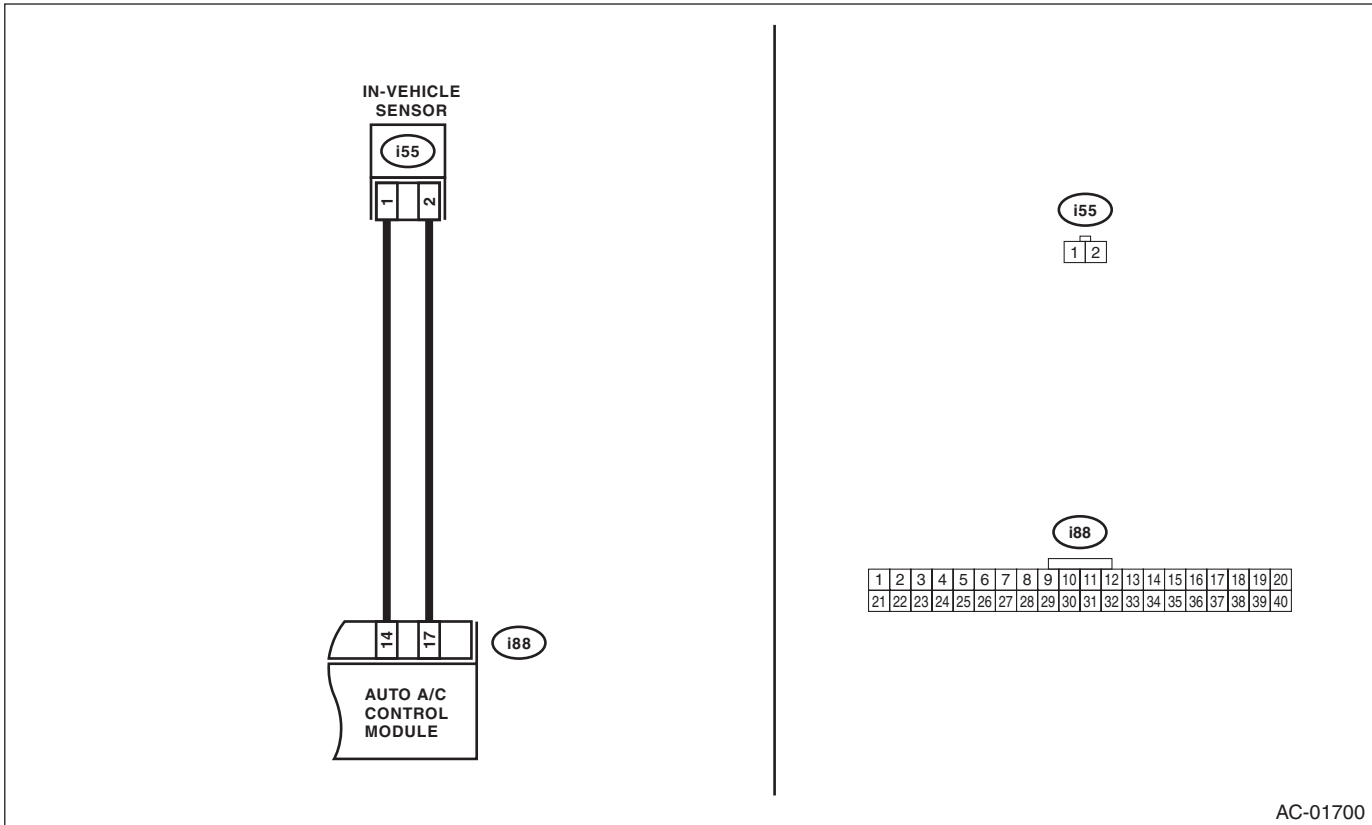
HVAC SYSTEM (AUTO A/C) (DIAGNOSTICS)

## B: IN-VEHICLE SENSOR

### TROUBLE SYMPTOM:

- Blower fan speed, air flow outlet and FRESH/RECIRC do not change after turning the AUTO switch to ON.
- Failure related to the in-vehicle sensor is indicated in self-diagnosis.

### WIRING DIAGRAM:



AC-01700

# Diagnostic Procedure for Sensors

HVAC SYSTEM (AUTO A/C) (DIAGNOSTICS)

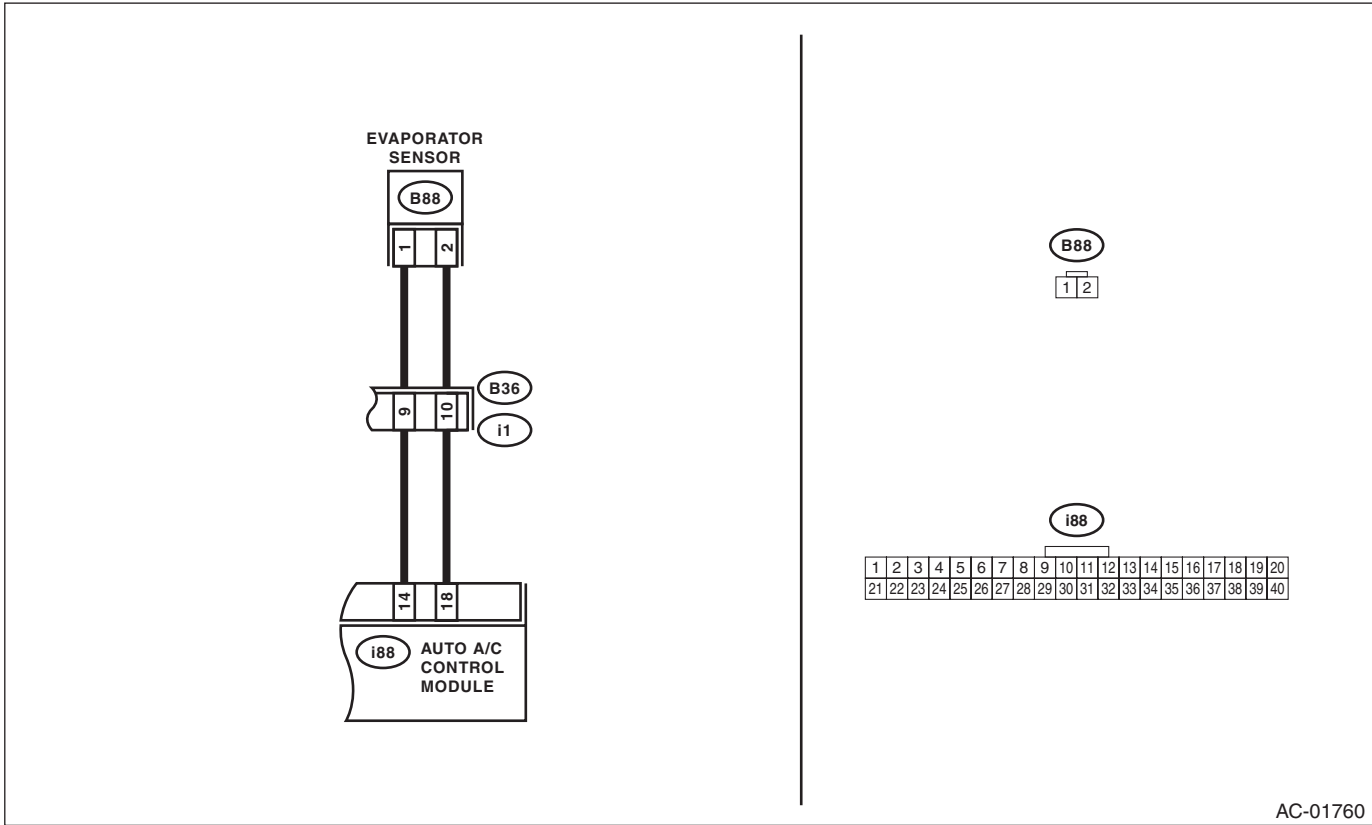
Step	Check	Yes	No
<b>1 CHECK IN-VEHICLE SENSOR.</b> 1) Turn the ignition switch to OFF. 2) Remove the driver's side lower cover. 3) Disconnect the connector from in-vehicle sensor. 4) Measure the resistance between terminals of in-vehicle sensor. <i>Terminals</i> <i>No. 1 — No. 2:</i>	Is the resistance approximately 2.2 k $\Omega$ at 25°C (77°F)?	Go to step 2.	Replace the in-vehicle sensor. <Ref. to AC-43, REMOVAL, In-Vehicle Sensor (Auto A/C Model).>
<b>2 CHECK INPUT SIGNAL FOR IN-VEHICLE SENSOR.</b> 1) Turn the ignition switch to ON. 2) Measure the voltage between in-vehicle sensor harness connector terminals. <i>Connector &amp; terminal</i> <i>(i55) No. 2 (+) — No. 1 (-):</i>	Is the voltage approx. 5 V?	Go to step 6.	Go to step 3.
<b>3 CHECK AUTO A/C CONTROL MODULE OUTPUT SIGNAL.</b> 1) Turn the ignition switch to OFF. 2) Remove the auto A/C control module. 3) Turn the ignition switch to ON. 4) Measure the voltage between connector terminals of auto A/C control module. <i>Connector &amp; terminal</i> <i>(i88) No. 17 (+) — (i88) No. 14 (-):</i>	Is the voltage approx. 5 V?	Go to step 4.	Go to step 6.
<b>4 CHECK HARNESS BETWEEN AUTO A/C CONTROL MODULE AND IN-VEHICLE SENSOR.</b> 1) Turn the ignition switch to OFF. 2) Disconnect the connector from the auto A/C control module. 3) Measure the resistance of harness between auto A/C control module and in-vehicle sensor. <i>Connector &amp; terminal</i> <i>(i55) No. 2 — (i88) No. 17:</i>	Is the resistance less than 1 $\Omega$ ?	Go to step 5.	Repair the harness between auto A/C control module and in-vehicle sensor.
<b>5 CHECK HARNESS BETWEEN AUTO A/C CONTROL MODULE AND IN-VEHICLE SENSOR.</b> Measure the resistance of harness between auto A/C control module and in-vehicle sensor. <i>Connector &amp; terminal</i> <i>(i55) No. 1 — (i88) No. 14:</i>	Is the resistance less than 1 $\Omega$ ?	Go to step 6.	Repair the harness between auto A/C control module and in-vehicle sensor.
<b>6 CHECK POOR CONTACT.</b> Check poor contact of auto A/C control module connector.	Is there poor contact of connector?	Repair the connector.	Replace the auto A/C control module. <Ref. to AC-33, REMOVAL, Control Unit (Auto A/C Model).>

# Diagnostic Procedure for Sensors

HVAC SYSTEM (AUTO A/C) (DIAGNOSTICS)

## C: EVAPORATOR SENSOR

WIRING DIAGRAM:



AC-01760

# Diagnostic Procedure for Sensors

HVAC SYSTEM (AUTO A/C) (DIAGNOSTICS)

Step	Check	Yes	No
<b>1 CHECK EVAPORATOR SENSOR.</b> 1) Turn the ignition switch to OFF. 2) Remove the glove box. 3) Disconnect the connector from evaporator sensor. 4) Measure the resistance between terminals of the evaporator sensor. <i>Terminals</i> <i>No. 1 — No. 2:</i>	Is the resistance approx. 6.2 k $\Omega$ at 0°C (32°F) and approx. 3.3 k $\Omega$ at 15°C (59°F)?	Go to step 2.	Replace the evaporator sensor. <Ref. to AC-37, REMOVAL, Evaporator.>
<b>2 CHECK INPUT SIGNAL FOR EVAPORATOR SENSOR.</b> 1) Turn the ignition switch to ON. 2) Measure the voltage between connector (B88) terminals. <i>Connector &amp; terminal</i> <i>(B88) No. 2 (+) — No. 1 (-):</i>	Is the voltage approx. 5 V?	Go to step 6.	Go to step 3.
<b>3 CHECK AUTO A/C CONTROL MODULE OUTPUT SIGNAL.</b> 1) Turn the ignition switch to OFF. 2) Remove the auto A/C control module. 3) Turn the ignition switch to ON. 4) Measure the voltage between connector terminals of auto A/C control module. <i>Connector &amp; terminal</i> <i>(i88) No. 18 (+) — (i88) No. 14 (-):</i>	Is the voltage approx. 5 V?	Go to step 4.	Go to step 6.
<b>4 CHECK HARNESS CONNECTOR BETWEEN AUTO A/C CONTROL MODULE AND EVAPORATOR SENSOR.</b> 1) Turn the ignition switch to OFF. 2) Disconnect the connector from the auto A/C control module. 3) Measure the resistance of harness between auto A/C control module and evaporator sensor. <i>Connector &amp; terminal</i> <i>(B88) No. 2 — (i88) No. 18:</i>	Is the resistance less than 1 $\Omega$ ?	Go to step 5.	Repair the open circuit of harness between auto A/C control module and evaporator sensor.
<b>5 CHECK HARNESS CONNECTOR BETWEEN AUTO A/C CONTROL MODULE AND EVAPORATOR SENSOR.</b> Measure the resistance of harness between auto A/C control module and evaporator sensor. <i>Connector &amp; terminal</i> <i>(B88) No. 1 — (i88) No. 14:</i>	Is the resistance less than 1 $\Omega$ ?	Go to step 6.	Repair the open circuit of harness between auto A/C control module and evaporator sensor.
<b>6 CHECK POOR CONTACT.</b> Check poor contact of auto A/C control module connector.	Is there poor contact of connector?	Repair the connector.	Replace the auto A/C control module. <Ref. to AC-33, REMOVAL, Control Unit (Auto A/C Model).>



# Diagnostic Procedure for Sensors

HVAC SYSTEM (AUTO A/C) (DIAGNOSTICS)

## D: SUNLOAD SENSOR

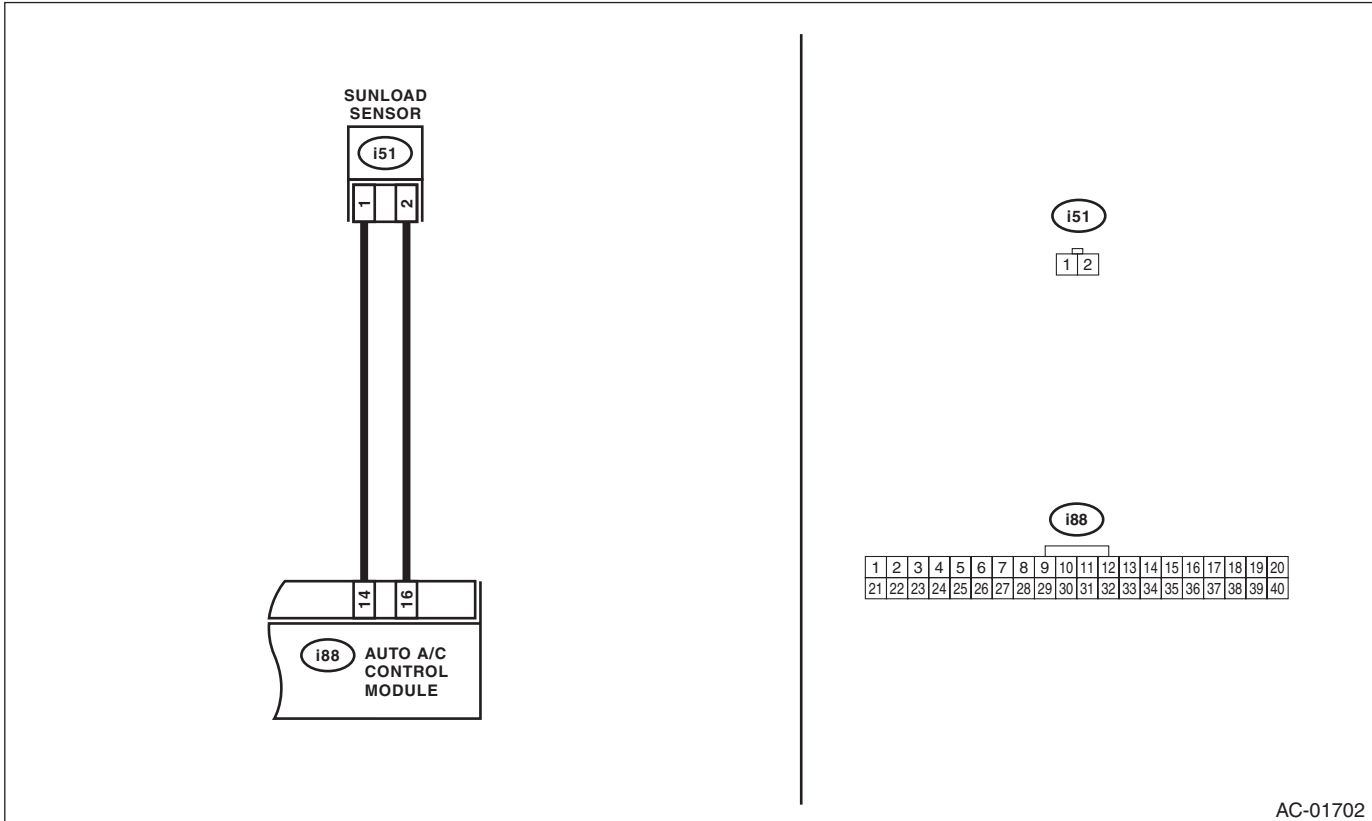
### TROUBLE SYMPTOM:

- Sensor identifies that sunlight is at maximum. Then, A/C system is controlled to COOL side.
- Sensor identifies that sunlight is at minimum. Then, A/C system is controlled to HOT side.

### NOTE:

When the sunload sensor check is performed indoors or in the shade, it could be diagnosed as having an open circuit. Always check the sunload sensor with the sun shining on it.

### WIRING DIAGRAM:



AC-01702

# Diagnostic Procedure for Sensors

HVAC SYSTEM (AUTO A/C) (DIAGNOSTICS)

Step	Check	Yes	No
<b>1 CHECK POWER SUPPLY VOLTAGE FOR SUNLOAD SENSOR.</b> 1) Turn the ignition switch to OFF. 2) Disconnect the connector from sunload sensor. 3) Turn the ignition switch to ON. 4) Measure the power supply voltage for sunload sensor. <b>Connector &amp; terminal</b> <b>(i51) No. 2 (+) — No. 1 (-):</b>	Is the voltage approx. 5 V?	Go to step 4.	Go to step 2.
<b>2 CHECK HARNESS CONNECTOR BETWEEN AUTO A/C CONTROL MODULE AND SUNLOAD SENSOR.</b> 1) Turn the ignition switch to OFF. 2) Disconnect the connector from the auto A/C control module. 3) Measure the resistance of the harness between the auto A/C control module and sunload sensor. <b>Connector &amp; terminal</b> <b>(i51) No. 2 — (i88) No. 16:</b>	Is the resistance less than 1 $\Omega$ ?	Go to step 3.	Repair the harness between auto A/C control module and sunload sensor.
<b>3 CHECK HARNESS CONNECTOR BETWEEN AUTO A/C CONTROL MODULE AND SUNLOAD SENSOR.</b> Measure the resistance of the harness between the auto A/C control module and sunload sensor. <b>Connector &amp; terminal</b> <b>(i51) No. 1 — (i88) No. 14:</b>	Is the resistance less than 1 $\Omega$ ?	Go to step 4.	Repair the harness between auto A/C control module and sunload sensor.
<b>4 CHECK INPUT VOLTAGE FOR AUTO A/C CONTROL MODULE.</b> 1) Connect the connectors of sunload sensor and auto A/C control module. 2) Turn the ignition switch to ON. 3) Measure the voltage between connector terminals of auto A/C control module. <b>Connector &amp; terminal</b> <b>(i88) No. 16 (+) — (i88) No. 14 (-):</b>	Is the voltage between approx. 1.0 — 4.0 V?	Go to step 5.	Replace the sunload sensor. <Ref. to AC-42, REMOVAL, Sunload Sensor (Auto A/C Model).>
<b>5 CHECK POOR CONTACT.</b> Check poor contact of auto A/C control module connector.	Is there poor contact of connector?	Repair the connector.	Replace the auto A/C control module. <Ref. to AC-33, REMOVAL, Control Unit (Auto A/C Model).>

## Diagnostics with Phenomenon

HVAC SYSTEM (AUTO A/C) (DIAGNOSTICS)

### 9. Diagnostics with Phenomenon

#### A: INSPECTION

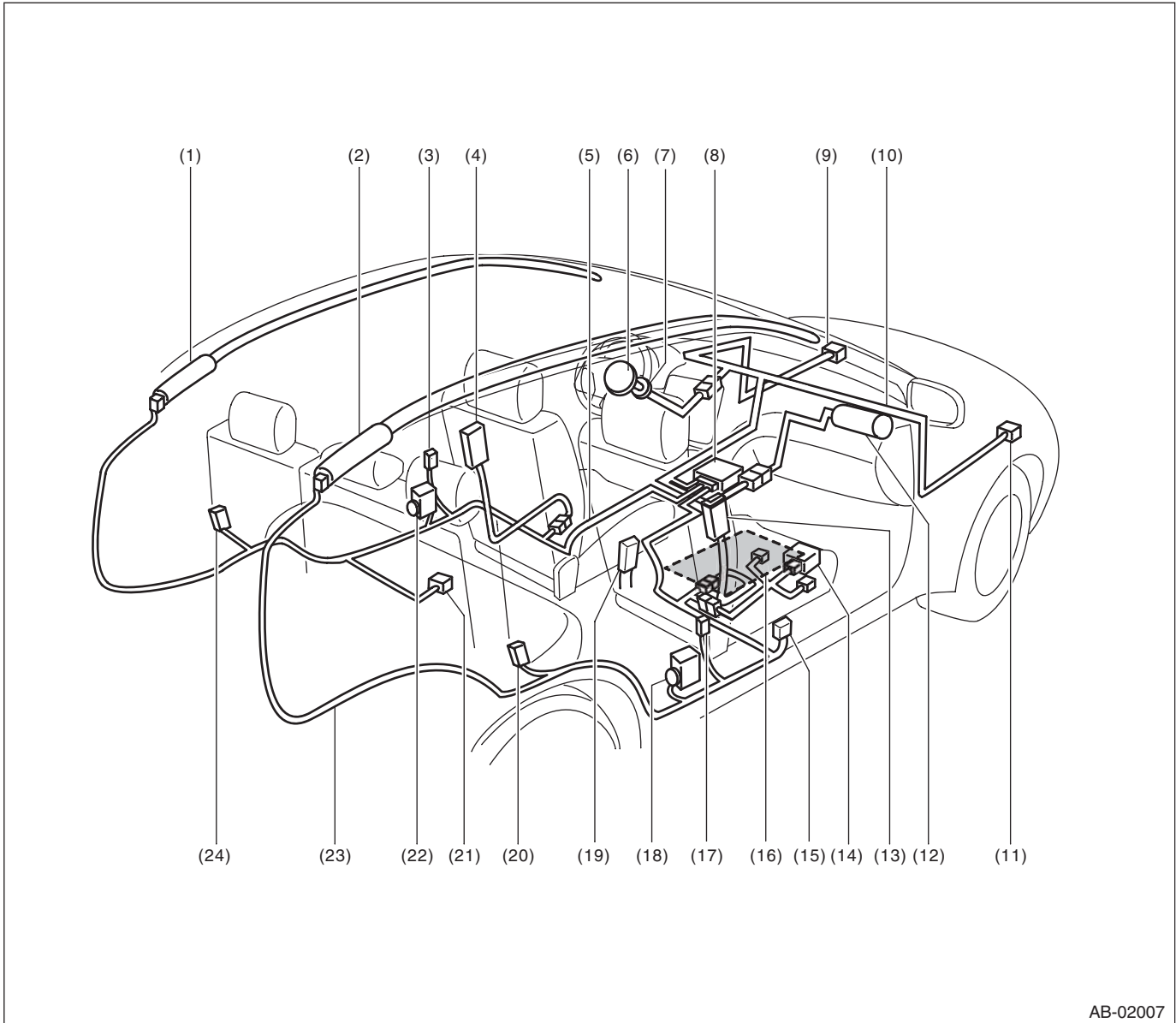
Symptom	Problem parts
A/C system fails to operate.	<ul style="list-style-type: none"> <li>• Fuse (F/B No. 7, 22, 31).</li> <li>• Connector (Poor contact)</li> <li>• Ground</li> <li>• Auto A/C control module</li> <li>• Blower fan motor</li> <li>• Blower fan relay</li> <li>• A/C relay</li> <li>• Compressor (Magnet clutch)</li> <li>• Evaporator sensor</li> </ul>
Fuse is blown out.	<ul style="list-style-type: none"> <li>• Fuse (F/B No. 7, 22, 31).</li> <li>• Connector (Poor contact)</li> </ul>
Illumination cannot dim.	<ul style="list-style-type: none"> <li>• Fuse (F/B No. 7, 22, 31).</li> <li>• Connector (Poor contact)</li> <li>• Auto A/C control module</li> </ul>
Blower fan does not rotate or fan speed cannot be controlled.	<ul style="list-style-type: none"> <li>• Fuse (F/B No. 7, 22, 31).</li> <li>• Connector (Poor contact)</li> <li>• Ground</li> <li>• Auto A/C control module</li> <li>• Blower fan motor</li> <li>• Blower fan relay</li> </ul>
Unable to switch suction vents.	<ul style="list-style-type: none"> <li>• Connector (Poor contact)</li> <li>• Auto A/C control module</li> <li>• Intake door actuator</li> </ul>
Unable to switch vents.	<ul style="list-style-type: none"> <li>• Connector (Poor contact)</li> <li>• Auto A/C control module</li> <li>• Mode door actuator</li> </ul>
Vehicle interior temperature does not increase (hot air does not come out).	<ul style="list-style-type: none"> <li>• Connector (Poor contact)</li> <li>• Auto A/C control module</li> <li>• Air mix door actuator</li> <li>• In-vehicle sensor, ambient sensor, evaporator sensor and sunload sensor</li> <li>• In-vehicle sensor aspirator hose</li> </ul>
Vehicle interior temperature does not decrease (cold air does not come out).	<ul style="list-style-type: none"> <li>• Connector (Poor contact)</li> <li>• Auto A/C control module</li> <li>• Air mix door actuator</li> <li>• A/C relay</li> <li>• Compressor (Magnet clutch)</li> <li>• Radiator fan motor</li> <li>• Radiator fan relay</li> <li>• In-vehicle sensor, ambient sensor, evaporator sensor and sunload sensor</li> <li>• In-vehicle sensor aspirator hose</li> </ul>
Compartment temperature is higher or lower than setting temperature.	<ul style="list-style-type: none"> <li>• Auto A/C control module</li> <li>• Air mix door actuator</li> <li>• In-vehicle sensor, ambient sensor, evaporator sensor and sunload sensor</li> <li>• In-vehicle sensor aspirator hose</li> </ul>
Compartment temperature does not quickly respond to setting temperature.	<ul style="list-style-type: none"> <li>• Air mix door actuator</li> <li>• In-vehicle sensor, ambient sensor, evaporator sensor and sunload sensor</li> <li>• In-vehicle sensor aspirator hose</li> </ul>
Radiator fan does not rotate during A/C operation.	<ul style="list-style-type: none"> <li>• Radiator fan motor</li> <li>• Radiator fan relay</li> </ul>

# General Description

AIRBAG SYSTEM

## 1. General Description

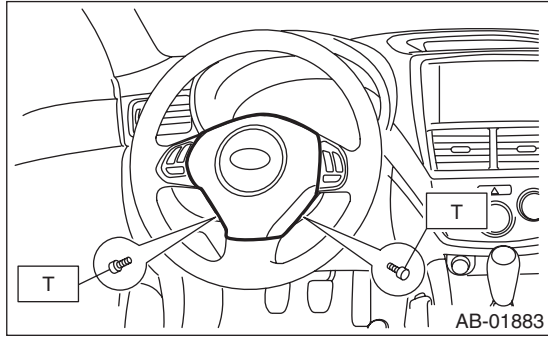
### A: COMPONENT



AB-02007

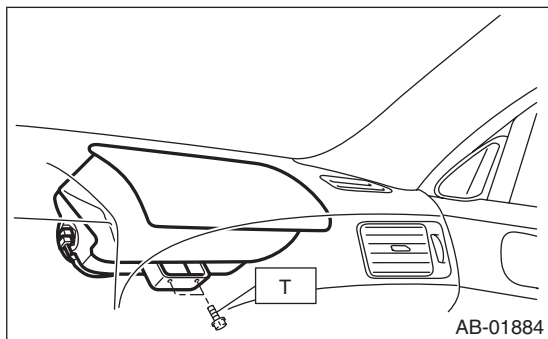
- |   |  |                                |
|---|--|--------------------------------|
| (1) Curtain airbag module LH                    | (9) Front sub sensor LH                | (17) Side airbag sensor RH     |
| (2) Curtain airbag module RH                    | (10) Front airbag harness              | (18) Seat belt pretensioner RH |
| (3) Side airbag sensor LH                       | (11) Front sub sensor RH               | (19) Buckle switch RH          |
| (4) Side airbag module LH                       | (12) Airbag module ASSY (Passenger)    | (20) Curtain airbag sensor RH  |
| (5) Airbag rear harness LH                      | (13) Side airbag module RH             | (21) Satellite safing sensor   |
| (6) Airbag module ASSY (Driver)                 | (14) Occupant detection control module | (22) Seat belt pretensioner LH |
| (7) Combination switch ASSY with roll connector | (15) Belt tension sensor               | (23) Airbag rear harness RH    |
| (8) Airbag control module                       | (16) Occupant detection sensor         | (24) Curtain airbag sensor LH  |

## 1. DRIVER'S AIRBAG MODULE



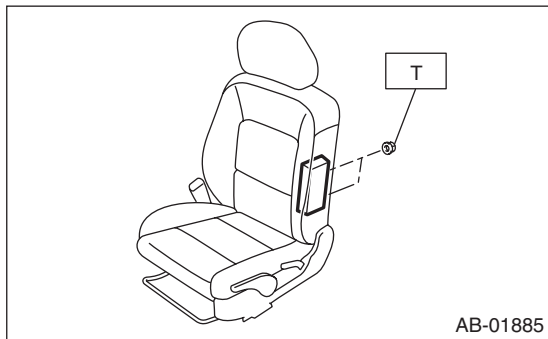
**Tightening torque:**  
**10 N·m (1.02 kgf-m, 7.4 ft-lb)**

## 2. PASSENGER'S AIRBAG MODULE



**Tightening torque:**  
**7.5 N·m (0.76 kgf-m, 5.5 ft-lb)**

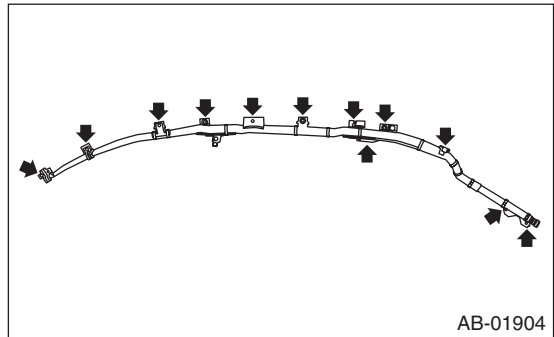
## 3. SIDE AIRBAG MODULE



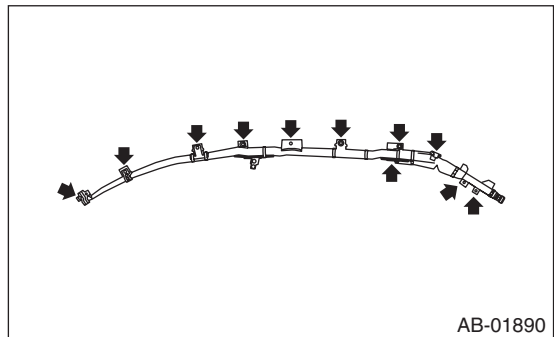
**Tightening torque:**  
**6 N·m (0.61 kgf-m, 4.4 ft-lb)**

## 4. CURTAIN AIRBAG MODULE

- 5 DOOR MODEL



- 4 DOOR MODEL

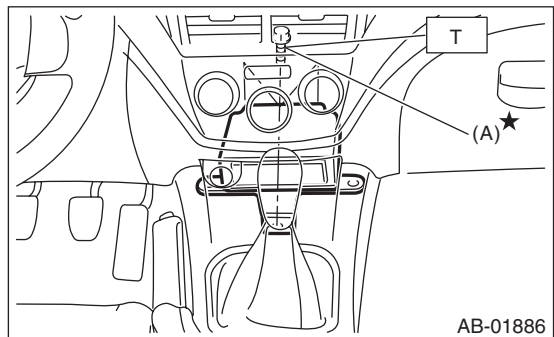


**Tightening torque:**  
**7.5 N·m (0.76 kgf-m, 5.5 ft-lb)**

## 5. AIRBAG CONTROL MODULE

**CAUTION:**

**Do not reuse mounting bolts and nuts.**



(A) Bolt

**Tightening torque:**  
**25 N·m (2.55 kgf-m, 18.4 ft-lb)**

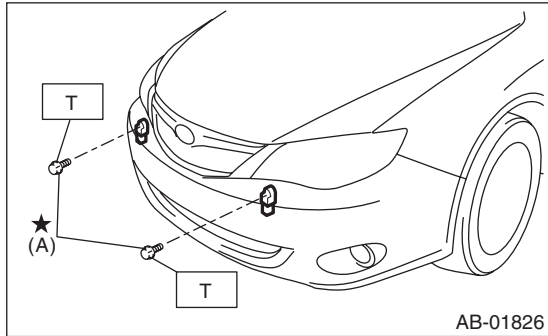
# General Description

## AIRBAG SYSTEM

### 6. FRONT SUB SENSOR

#### CAUTION:

Do not reuse mounting bolts and nuts.



(A) Bolt

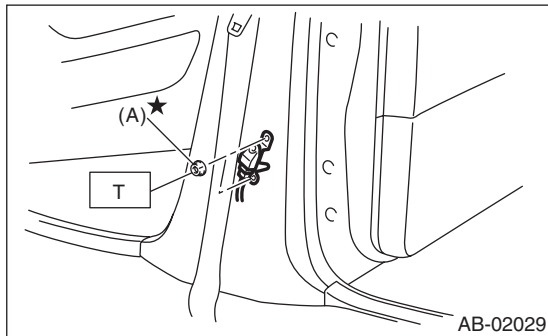
#### Tightening torque:

13 N·m (1.33 kgf·m, 9.6 ft·lb)

### 7. SIDE AIRBAG SENSOR

#### CAUTION:

Do not reuse mounting bolts and nuts.



(A) Nut

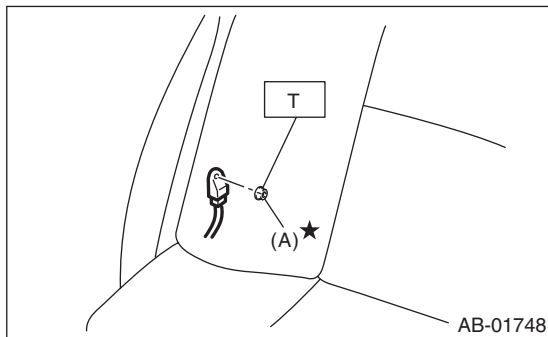
#### Tightening torque:

7.5 N·m (0.76 kgf·m, 5.5 ft·lb)

### 8. CURTAIN AIRBAG SENSOR

#### CAUTION:

Do not reuse mounting bolts and nuts.



(A) Nut

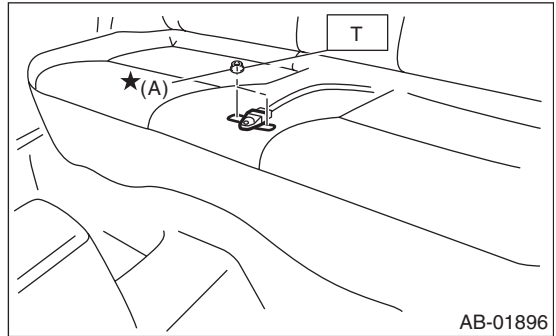
#### Tightening torque:

7.5 N·m (0.76 kgf·m, 5.5 ft·lb)

### 9. SATELLITE SAFING SENSOR

#### CAUTION:

Do not reuse mounting bolts and nuts.

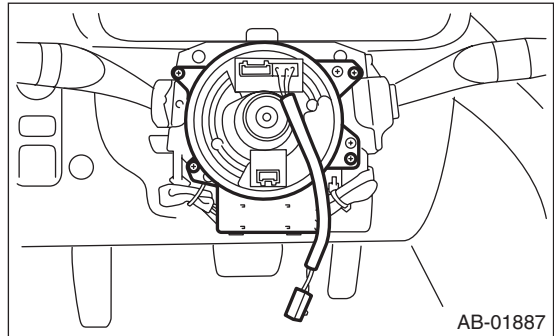


(A) Nut

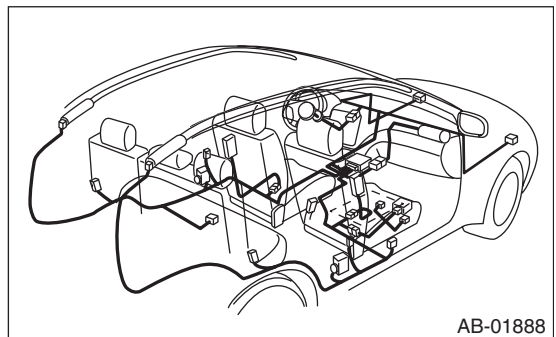
#### Tightening torque:

7.5 N·m (0.76 kgf·m, 5.5 ft·lb)

### 10. STEERING ROLL CONNECTOR

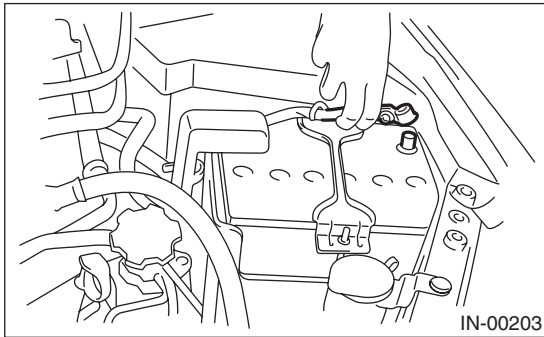


### 11. AIRBAG HARNESS

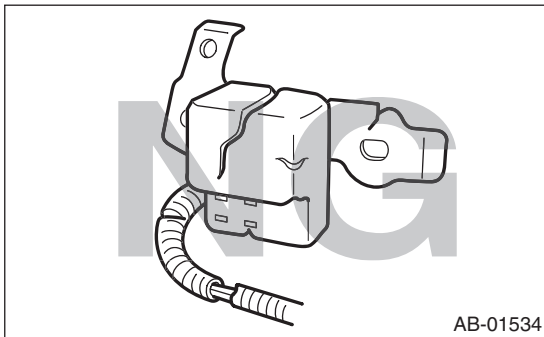


## B: CAUTION

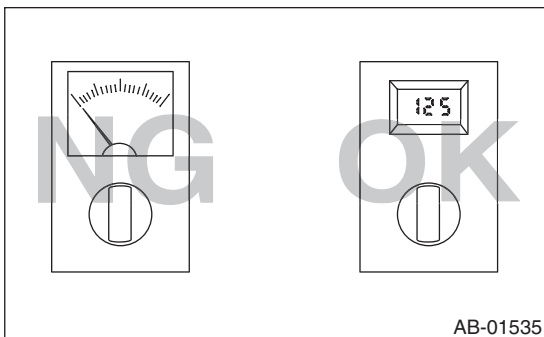
- When servicing a vehicle, be sure to turn the ignition switch to OFF, disconnect the ground cable from battery, and wait for 20 seconds or more before starting work.
- The airbag system is fitted with a backup power supply. After disconnecting the battery ground cable, the airbag may deploy if you do not wait for 20 seconds or more before starting airbag system servicing.



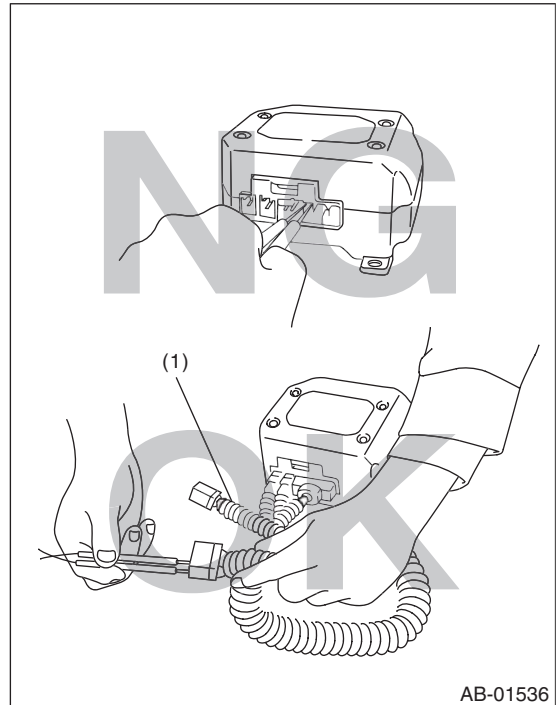
- If the airbag warning light illuminates, check or repair the vehicle immediately to prevent it from airbag system malfunction.
- If any of the airbag sensors, airbag module, airbag control module, pretensioner, harness or satellite safing sensor cover is deformed or damaged, replace with new parts.



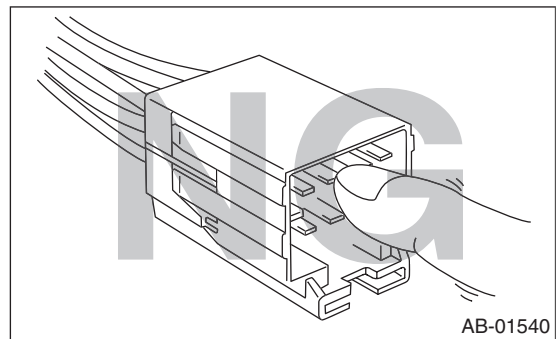
- When checking the airbag system, be sure to use a digital circuit tester. Use of an analog circuit tester may cause the airbag to activate erroneously due to a minimal current inside tester.



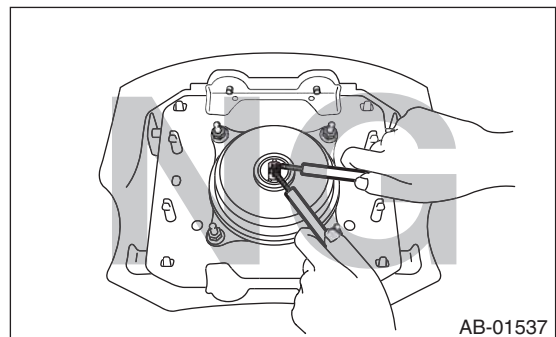
- When checking, use a test harness (1). Damage to connector terminal cause malfunction. Do not directly apply the tester probe to connector terminal of airbag.



- Do not allow water or oil to come in contact with the connector terminals. Also, do not touch the connector terminals.



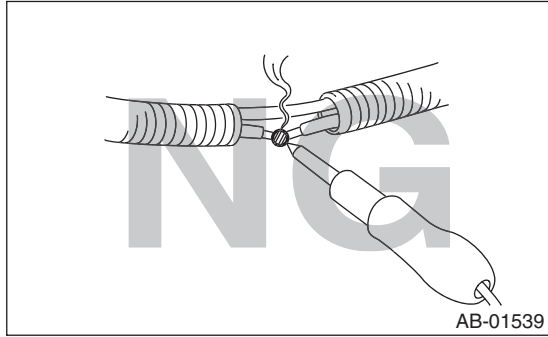
- Do not check continuity of the airbag modules for driver's side, passenger's side and curtain, or the pretensioner.



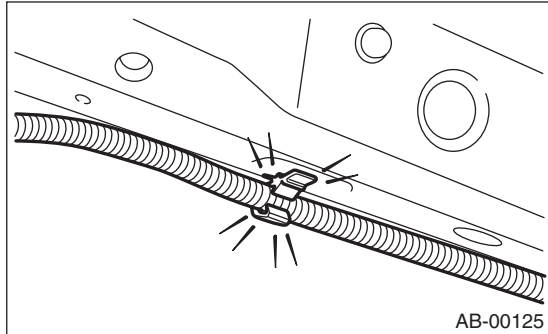
# General Description

## AIRBAG SYSTEM

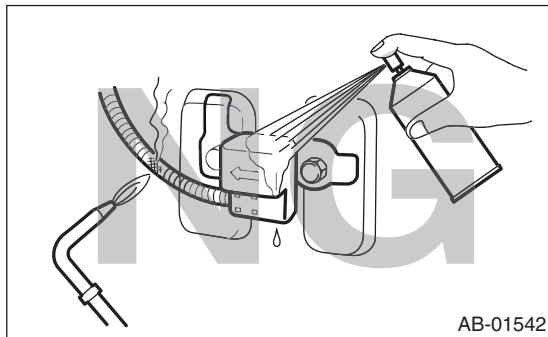
- If damage, open circuit or rust is found on airbag system wiring harness, do not use a soldering equipment to repair. Replace the faulty harness with a new genuine part.



- Install the wiring harness securely with the specified clips to avoid interference or tangled with other parts.

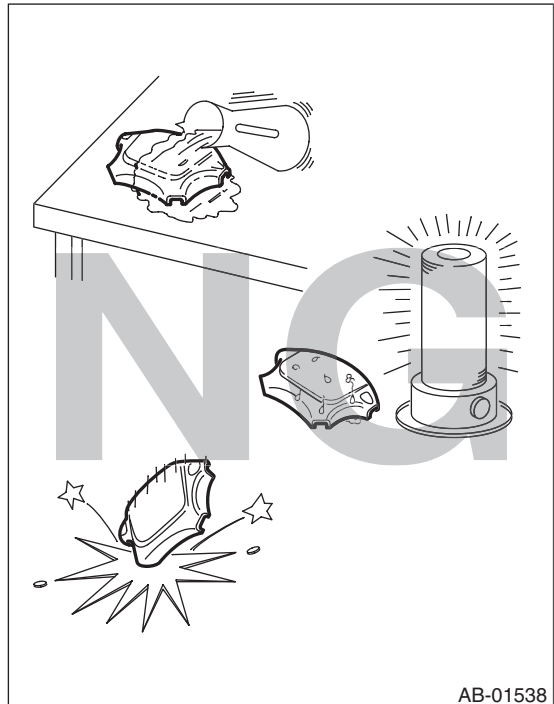


- When painting or performing sheet metal work on the front part of the vehicle, including the front wheel apron, front fender and front side frame, remove the front sub sensors and wiring harness of airbag system.
- When painting or performing sheet metal work on the side of the vehicle or rear floor pan, around rear crossmember, including the side sill, center pillar and front and rear doors, remove the side airbag sensors, curtain airbag sensor, satellite safing sensor and wiring harness of the airbag system.

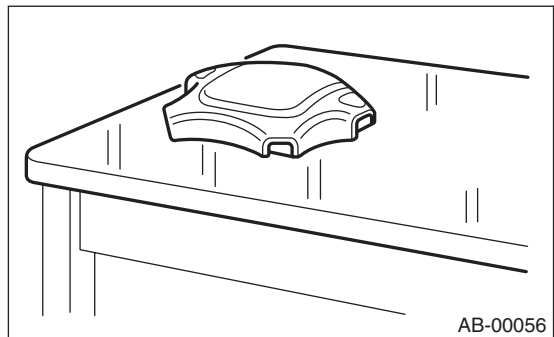


- Do not use the airbag or pretensioner parts from other vehicles. Always replace the defective parts with new parts.
- Never reuse a deployed airbag module and pretensioner.

- Do not discard the uninflated airbag or pretensioner.
- When airbag control module, front sub sensor, side airbag sensor, curtain airbag sensor and satellite safing sensor are removed, do not reuse the bolts and nuts of them. Always use new bolts and nuts for them.
- Do not drop each airbag module, airbag control module and each sensor, or store these parts under high temperature of 85°C (185°F) or more, or let water, oil or grease get on them; the internal parts may be damaged or the reliability may be greatly lowered.

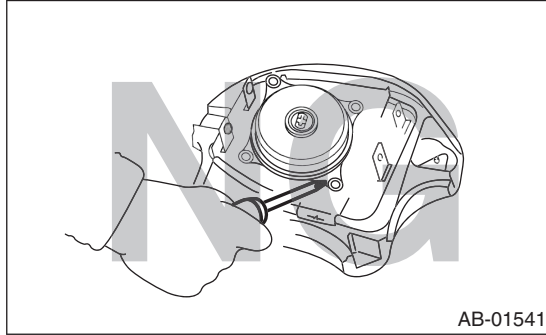


- After removal of each parts for airbag system, keep them with the pad facing upward on a dry, clean and flat surface without heat, light sources, moisture and dust.

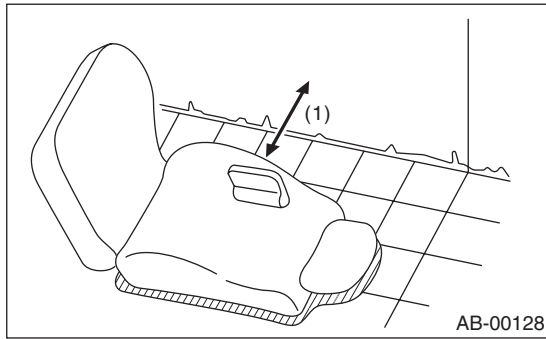




- Do not disassemble driver's airbag module, passenger's airbag module, side or curtain airbag modules, or pretensioner.



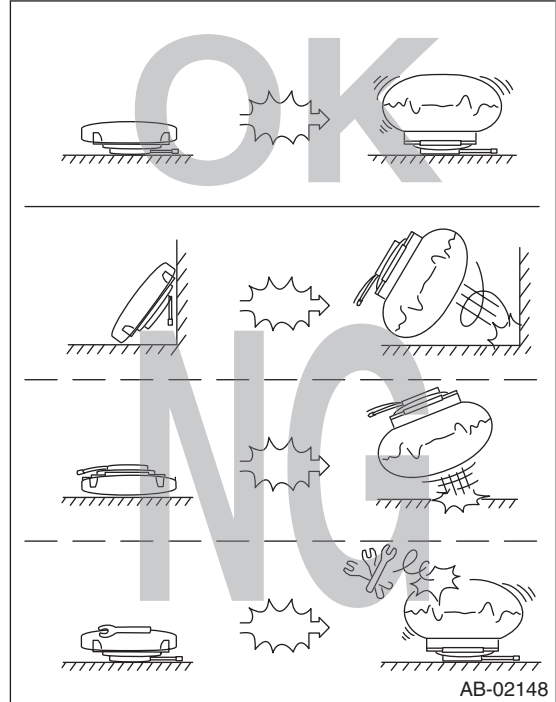
- When performing attachment of the steering wheel and steering roll connector, make sure to perform adjustment of the steering roll connector.
- The removed front seat with airbag module must be kept at least 200 mm (8 in) away from walls and other objects.



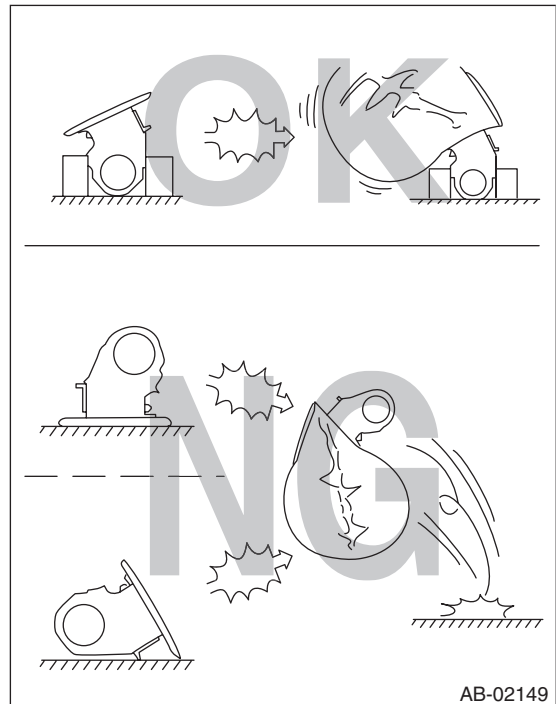
(1) 200 mm (8 in) or more

- When storing a removed airbag module, do not place with its pad side facing down. Do not place any objects on the airbag module. Do not pile up the airbag module. If the airbag inflates for some reason when an airbag module pad is touching other objects, it may cause serious accident.

- Driver's airbag module



- Passenger's airbag module and side airbag module



## C: PREPARATION TOOL

### 1. GENERAL TOOL

TOOL NAME	REMARKS
TORX® T30	Used for removal/installation of driver's airbag module

# Airbag Connector

AIRBAG SYSTEM

## 2. Airbag Connector

### A: PROCEDURE

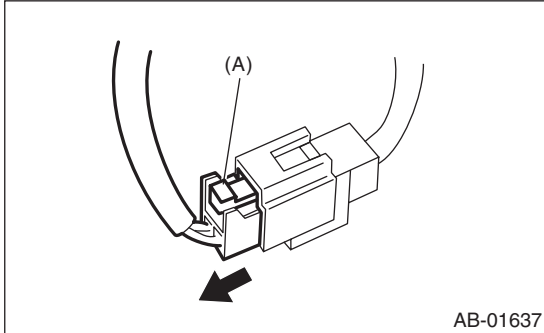
#### 1. POWER SUPPLY

1) How to disconnect:

**CAUTION:**

**When pulling the slide lock or disconnecting connector, be sure to hold the connector, not the harness.**

Press the lock (A), and then disconnect the connector.

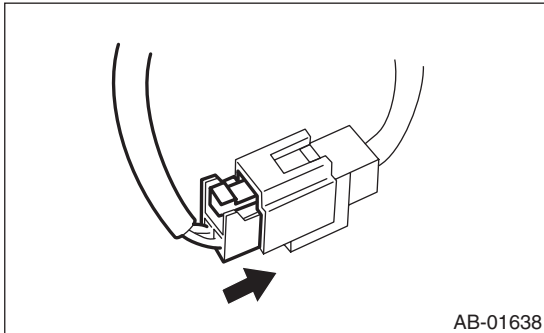


2) How to connect:

**CAUTION:**

**Be sure to insert the connector in until it is locked. Then pull it gently to make sure that it is locked.**

Holding the connector, push it in securely until a clicking sound is heard.



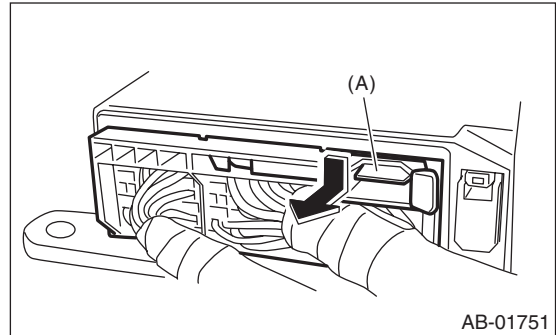
#### 2. AIRBAG CONTROL MODULE

1) How to disconnect:

**CAUTION:**

**When disconnecting connector, be sure to hold the connector, not the harness.**

Press the lock lever plate (A) and pull out the lock lever.



2) How to connect:

**CAUTION:**

**Be sure to insert the connector in until it is locked. Then pull it gently to make sure that it is locked.**

Insert the connector and push the lock lever in securely.

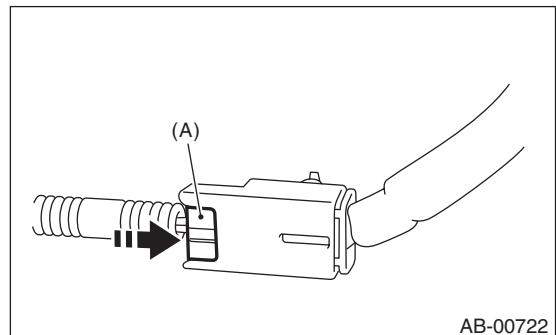
#### 3. DRIVER'S AIRBAG (BETWEEN AIRBAG MAIN HARNESS AND ROLL CONNECTOR) AND PASSENGER'S AIRBAG

**CAUTION:**

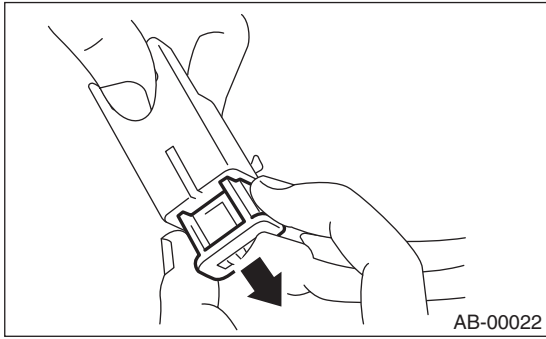
**When pulling the slide lock or disconnecting connector, be sure to hold the connector, not the harness.**

1) How to disconnect:

(1) Push the slide lock (A) in the direction of arrow.



(2) With the slide lock pushed, disconnect the connector.

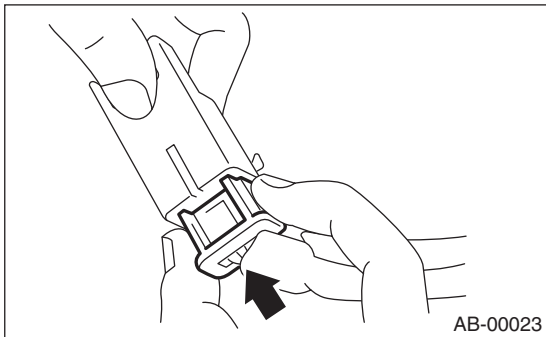


2) How to connect:

**CAUTION:**

Be sure to insert the connector in until it is locked. Then pull it gently to make sure that it is locked.

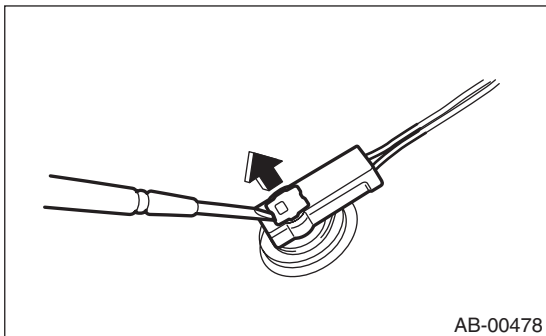
Holding the connector, push it in securely until a clicking sound is heard.



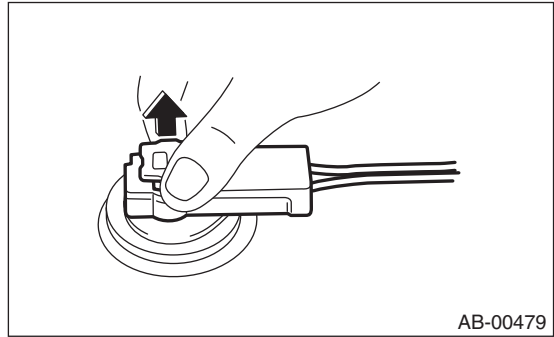
## 4. DRIVER'S AIRBAG MODULE, CURTAIN AIRBAG MODULE AND PRETENSIONER

1) How to disconnect:

(1) Using a flat tip screwdriver, pry the push lock upward to unlock.



(2) Pull the connector to disconnect from the driver's airbag module assembly or the retractor assembly.



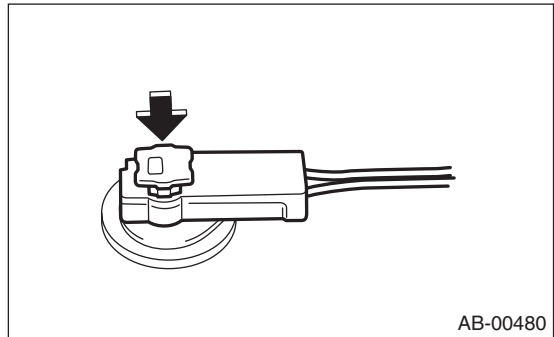
2) How to connect:

**CAUTION:**

- Be sure to insert the connector in until it is locked.

- Press in the push lock securely. Then pull it gently to make sure that it is locked.

Connect the connector in the reverse order of disconnecting. At this time, be sure to insert until a clicking sound is heard.



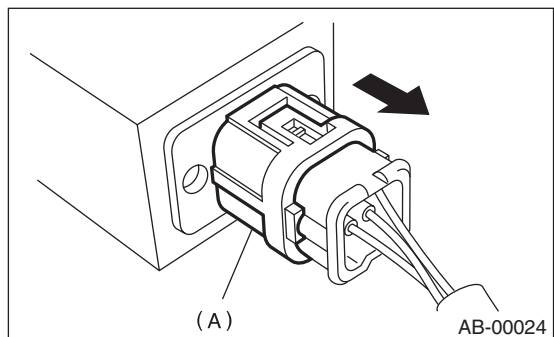
## 5. SIDE AIRBAG SENSOR, CURTAIN AIRBAG SENSOR AND SATELLITE SAFING SENSOR

1) How to disconnect:

**CAUTION:**

When pulling the slide lock or disconnecting connector, be sure to hold the connector, not the harness.

Holding outer part (A), pull it in the direction of arrow.



# Airbag Connector

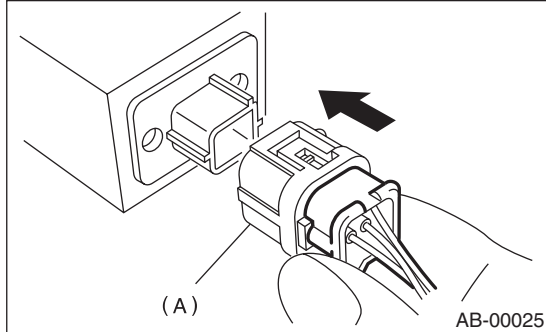
## AIRBAG SYSTEM

2) How to connect:

### CAUTION:

- Outer side (A) moves back, and so do not touch the outer part.
- Be sure to insert the connector in until it is locked. Then pull it gently to make sure that it is locked.

Holding the connector, push it in securely until a clicking sound is heard.



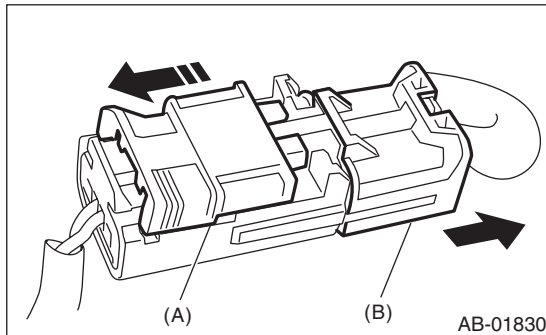
## 6. SIDE AIRBAG MODULE

1) How to disconnect:

### CAUTION:

**When pulling the slide lock or disconnecting connector, be sure to hold the connector, not the harness.**

- (1) Move the slide lock (A) in the direction of arrow and hold it.
- (2) While holding the slide lock (A), pull the connector (B) in the direction of arrow.

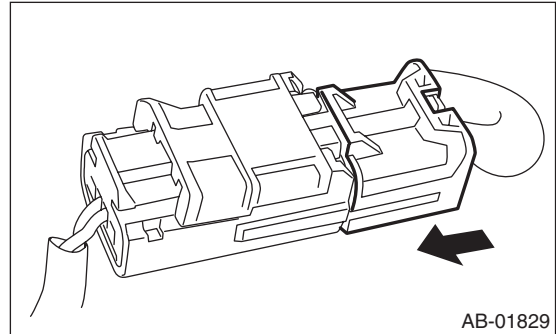


2) How to connect:

### CAUTION:

**Be sure to insert the connector in until it is locked. Then pull it gently to make sure that it is locked.**

Holding the connector, push it in securely until a clicking sound is heard.



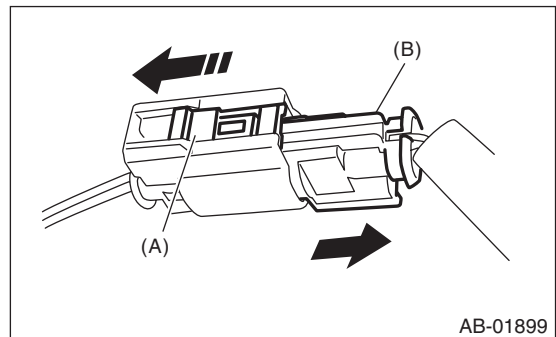
## 7. BUCKLE SWITCH RH

1) How to disconnect:

### CAUTION:

**When pulling the slide lock or disconnecting connector, be sure to hold the connector, not the harness.**

- (1) Move the slide lock (A) in the direction of arrow and hold it.
- (2) While holding the slide lock (A), pull the connector (B) in the direction of arrow.

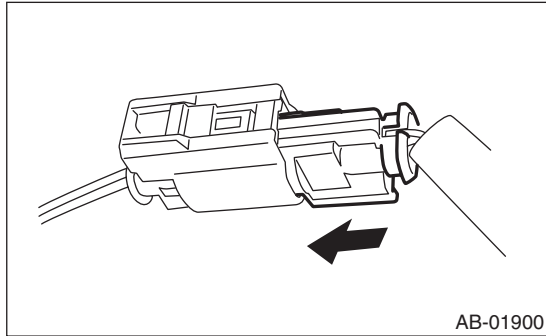


2) How to connect:

**CAUTION:**

**Be sure to insert the connector in until it is locked. Then pull it gently to make sure that it is locked.**

Holding the connector, push it in securely until a clicking sound is heard.



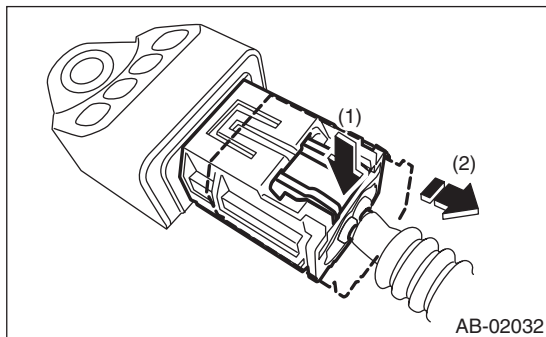
## 8. FRONT SUB SENSOR

1) How to disconnect:

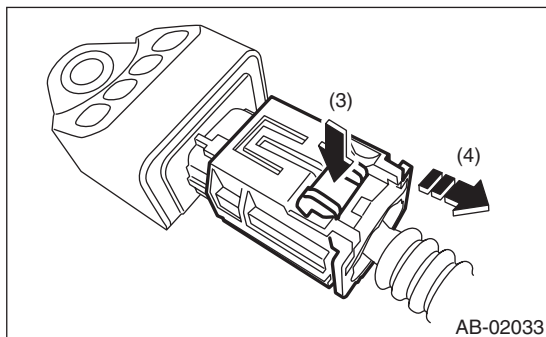
**CAUTION:**

**When pulling the slide lock or disconnecting connector, be sure to hold the connector, not the harness.**

- (1) Push the lock arm.
- (2) Holding outer part, pull it one step in the direction of arrow.



- (3) Push the lock arm again.
- (4) Holding outer part, pull it in the direction of arrow to disconnect the connector.

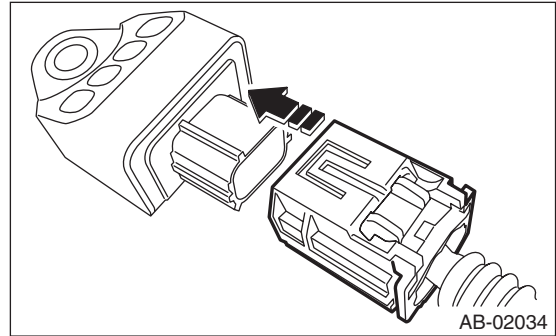


2) How to connect:

**CAUTION:**

**Be sure to insert the connector in until it is locked. Then pull it gently to make sure that it is locked.**

Holding the connector, push it in securely until a clicking sound is heard.



## 9. OCCUPANT DETECTION SYSTEM (BETWEEN AIRBAG REAR HARNESS AND SEAT HARNESS) AND BELT TENSION SENSOR

Refer to the occupant detection system section.  
<Ref. to OD(diag)-12, OCCUPANT DETECTION SYSTEM (BETWEEN AIRBAG REAR HARNESS AND SEAT HARNESS) AND BELT TENSION SENSOR, PROCEDURE, Airbag Connector.>

# Inspection Locations After a Collision

## AIRBAG SYSTEM

### 3. Inspection Locations After a Collision

#### A: REPLACEMENT

Replace the following parts when the airbag is deployed.

##### 1. FRONT COLLISION

- 1) Driver's airbag module
- 2) Passenger's airbag module
- 3) Driver's seat belt (Pretensioner)
- 4) Passenger's seat belt (Pretensioner)
- 5) Airbag control module
- 6) Front sub sensor
- 7) Roll connector
- 8) Passenger's side seat cushion pad and frame assembly
- 9) Instrument panel (for integrating with passenger's airbag module)

##### 2. SIDE COLLISION

- 1) Airbag control module
- 2) Satellite safing sensor
- 3) Satellite safing sensor cover
- 4) Side airbag module (operating side seat backrest)
- 5) Side airbag sensor (operating side)
- 6) Curtain airbag module (operating side)
- 7) Curtain airbag sensor (operating side)

##### 3. INSPECTION OF OTHER PARTS

Check for the following parts, and replace the damaged parts with new parts.

- 1) Steering wheel and steering shaft  
Check the steering shaft for mounting conditions and deflection of front and rear, upward and downward directions, and deflection of front and rear direction with tilt lever released. (After a collision, absorbing part of steering shaft may have been operated.)
- 2) Check the direct type connector of driver's airbag module, curtain airbag module, pretensioner, etc. for damage, and also check each harness for pinch and connector damage. Replace the main harness as a unit if damage is found.
- 3) Check the seat cushion, backrest, seat rail and headrest for installing condition and play.
- 4) For the passenger's seat, replace the seat cushion pad frame assembly with a new part if the seat cushion frame assembly is deformed or cracked.
- 5) If there are tears or loosening in the passenger side seat cushion cover, it may interfere with the proper operation of the occupant detection system. Replace with a new cushion cover.

6) Be sure to perform the system calibration for the occupant detection system after removing or replacing the passenger seat cushion cover. If system adjustment is not performed, the occupant detection system may not function properly. <Ref. to OD(diag)-15, SYSTEM CALIBRATION (REZEROING), OPERATION, Subaru Select Monitor.>

7) Use the Subaru Select Monitor to check whether the passenger's seat belt buckle switch is operating normally.

#### B: INSPECTION

If the vehicle is involved in a collision, even if it is a slight collision, be sure to check the following systems.

##### 1. DRIVER'S AIRBAG MODULE

1) Check for the following, and replace the damaged parts with new parts.

- Airbag module is cracked or deformed.
- Harness and/or connector is cracked, deformed or open.
- Harness wire is exposed.
- The module surface is fouled with grease, oil, water or cleaning solvent.

2) When installing a new driver's airbag module, check for the following, and replace the damaged parts with new parts.

- The steering wheel is in the way, making it difficult to install the airbag module.
- The clearance between the driver's airbag module and steering wheel is not constant.
- When steering wheel deformation in axial and vertical directions exceed limits.

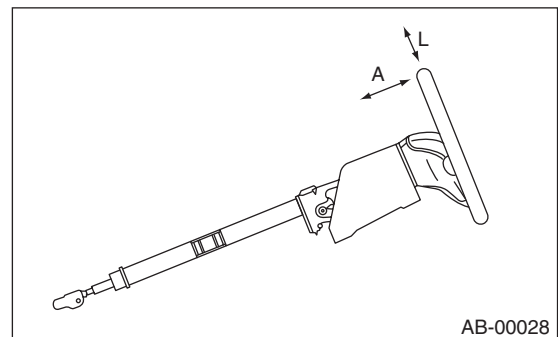
##### Standard:

##### **Axial deflection A**

**Less than 6 mm (0.24 in)**

##### **Vertical deflection L**

**Less than 17 mm (0.68 in)**



AB-00028



## 2. PASSENGER'S AIRBAG MODULE

Check for the following, and replace the damaged parts with new parts.

- Airbag module is cracked or deformed.
- Harness and/or connector is cracked, deformed or open.
- Harness wire is exposed.
- Mounting bracket is cracked or deformed.

## 3. SIDE AIRBAG MODULE

Check for the following, and replace the damaged parts with new parts.

- Front seat, airbag module and mounting bracket are damaged or deformed.
- Harness and/or connector is cracked, deformed or open.
- Harness wire is exposed.

## 4. CURTAIN AIRBAG MODULE

Check for the following, and replace the damaged parts with new parts.

- Airbag cover is scratched or torn.
- Harness and/or connector is cracked, deformed or open.
- Harness wire is exposed.
- Mounting bracket and securing clip are cracked or deformed.

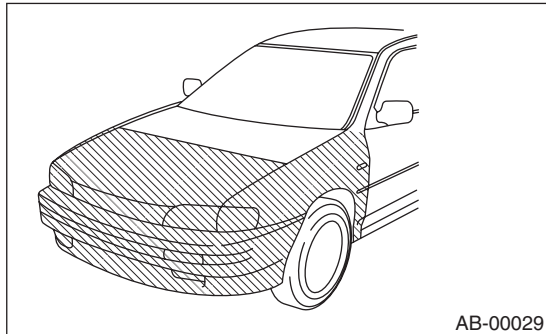
## 5. AIRBAG CONTROL MODULE

Check for the following, and replace the damaged parts with new parts.

- Control module is cracked or deformed.
- Mounting bracket is cracked or deformed.
- Connector is scratched, cracked or deformed.
- Airbag is deployed.
- Side airbag is deployed.
- Curtain airbag is deployed.

## 6. FRONT SUB SENSOR

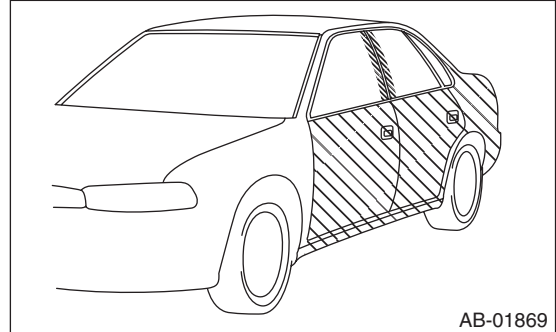
If the section of vehicle as shown in the figure is damaged, check the following items and replace the damaged parts with new parts.



- Front sub sensor is cracked or deformed.
- Connector is scratched, cracked or deformed.
- Airbag is deployed.

## 7. SATELLITE SAFING SENSOR, SIDE AIRBAG SENSOR AND CURTAIN AIRBAG SENSOR

If the section of vehicle as shown in the figure is damaged, check the following items and replace the damaged parts with new parts.



- Satellite safing sensor, side airbag sensor and curtain airbag sensor are cracked or deformed.
- Mounting bracket is cracked or deformed.
- Satellite safing sensor is cracked or deformed.
- Connector is scratched, cracked or deformed.
- Side airbag or curtain airbag is deployed. (operating side)

## 8. ROLL CONNECTOR

Check for the following, and replace the damaged parts such as cracks, deformation, etc. with new parts.

- Combination switch
- Steering roll connector

## 9. STEERING SHAFT

Measure the overall length of steering column. If the length is not within the specification, the steering column may be damaged. Replace it with a new part.

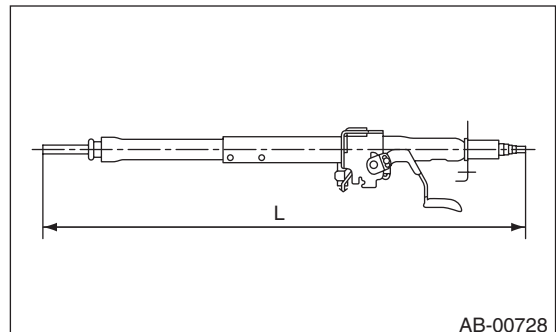
**Standard: Overall length L**

**Tilt column**

$$833.6^{+1.3}_{-0.3} \text{ mm } (32.82^{+0.051}_{-0.012} \text{ in})$$

**Tilt and telescopic column (measure while minimized)**

$$818.6^{+1.5}_{-1.5} \text{ mm } (32.23^{+0.059}_{-0.059} \text{ in})$$



# Inspection Locations After a Collision

## AIRBAG SYSTEM

---

### 10.PASSENGER'S SEAT

1) Check for the following, and replace the damaged parts with new parts.

- Seat belt buckle body or bracket is scratched, cracked or deformed.
- Backrest frame for crack or deformation
- Headrest for deformation or play
- If the seat cushion cover and seat backrest cover is scratched or coming loose, replace with a new cover and readjust the system. <Ref. to OD(diag)-15, SYSTEM CALIBRATION (REZEROING), OPERATION, Subaru Select Monitor.>

#### **CAUTION:**

**If any of the following applies, replace the seat cushion pad and frame assembly. Do not disassemble.**

- **Cracks or deformation found in the seat cushion frame or seat cushion pad.**
- **Scratches, cracks, or deformation found on the passenger detection system pressure sensor hoses or passenger detection control module, or attachment brackets of the control module.**
- **Harness and/or connector is cracked, deformed or open. Harness wire is exposed.**

2) After checking the installing condition of passenger's seat, perform the system calibration of occupant detection system. <Ref. to OD(diag)-15, SYSTEM CALIBRATION (REZEROING), OPERATION, Subaru Select Monitor.>

### 11.BELT TENSION SENSOR

Check for the following, and replace the damaged parts with new parts.

- Belt tension sensor is scratched, cracked, or deformed.
- Harness and/or connector is cracked, deformed or open. Harness wire is exposed.



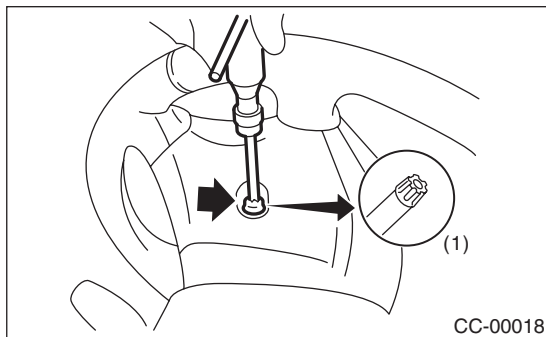
## 4. Driver's Airbag Module

### A: REMOVAL

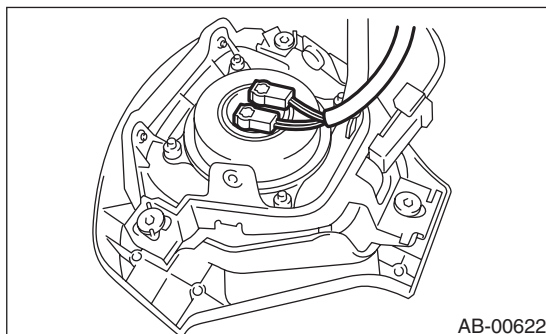
#### CAUTION:

Refer to "CAUTION" of "General Description" before handling the airbag module. <Ref. to AB-5, CAUTION, General Description.>

- 1) Position the front wheels straight ahead. (After moving a vehicle 5 m (16 ft) or more with front wheels positioned straight ahead, make sure that the vehicle moves straight ahead.)
- 2) Turn the ignition switch to OFF.
- 3) Disconnect the ground cable from battery and wait for at least 20 seconds before starting work.
- 4) Using TORX® bit T30 (1), remove the two TORX® bolts on the side of steering wheel.



- 5) Disconnect the horn harness.
- 6) Disconnect the airbag connector on the back of airbag module, and then remove the airbag module. <Ref. to AB-8, PROCEDURE, Airbag Connector.>



- 7) Refer to "CAUTION" for handling of a removed airbag module. <Ref. to AB-5, CAUTION, General Description.>

### B: INSTALLATION

#### CAUTION:

- Refer to "CAUTION" of "General Description" before handling the airbag module. <Ref. to AB-5, CAUTION, General Description.>
  - Do not allow harness and connectors to interfere or get tangled up with other parts.
- Install in the reverse order of removal.

#### Tightening torque:

10 N·m (1.02 kgf-m, 7.4 ft-lb)

### C: INSPECTION

#### CAUTION:

- Refer to "CAUTION" of "General Description" before handling the airbag module. <Ref. to AB-5, CAUTION, General Description.>
  - Do not allow harness and connectors to interfere or get tangled up with other parts.
- Check for the following, and replace the damaged parts with new parts. <Ref. to AB-12, DRIVER'S AIRBAG MODULE, INSPECTION, Inspection Locations After a Collision.>
- Airbag module
  - Harness
  - Connector
  - Mounting bracket

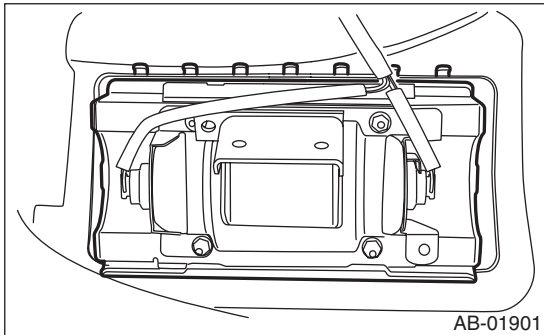
### 5. Passenger's Airbag Module

#### A: REMOVAL

**CAUTION:**

Refer to “CAUTION” of “General Description” before handling the airbag module. <Ref. to AB-5, CAUTION, General Description.>

- 1) Turn the ignition switch to OFF.
- 2) Disconnect the ground cable from battery and wait for at least 20 seconds before starting work.
- 3) Remove the instrument panel. <Ref. to EI-52, REMOVAL, Instrument Panel Assembly.>
- 4) Remove the claw, and remove the passenger's airbag module.



- 5) Refer to “CAUTION” for handling of a removed airbag module. <Ref. to AB-5, CAUTION, General Description.>

#### B: INSTALLATION

**CAUTION:**

Do not allow harness and connectors to interfere or get tangled up with other parts.

Install in the reverse order of removal.

**Tightening torque:**

*7.5 N·m (0.76 kgf-m, 5.5 ft-lb)*

#### C: INSPECTION

**CAUTION:**

Refer to “CAUTION” of “General Description” before handling the airbag module. <Ref. to AB-5, CAUTION, General Description.>

Check for the following, and replace the damaged parts with new parts. <Ref. to AB-13, PASSENGER'S AIRBAG MODULE, INSPECTION, Inspection Locations After a Collision.>

- Airbag module
- Harness
- Connector
- Mounting bracket

## 6. Side Airbag Module

### A: REMOVAL

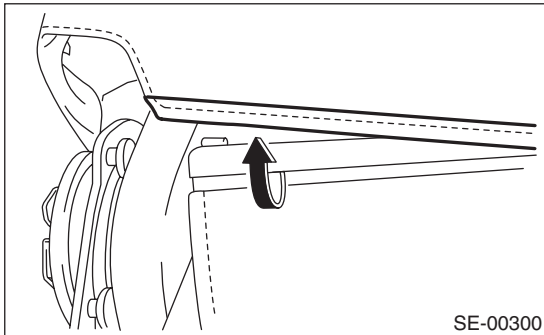
**CAUTION:**

Refer to “CAUTION” of “General Description” before handling the airbag module. <Ref. to AB-5, CAUTION, General Description.>

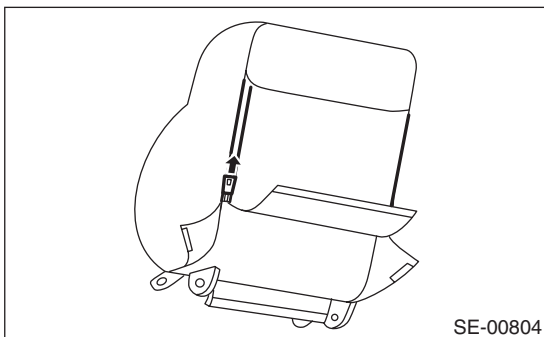
**NOTE:**

Remove the passenger’s side by referring to driver’s side.

- 1) Turn the ignition switch to OFF.
- 2) Disconnect the ground cable from battery and wait for at least 20 seconds before starting work.
- 3) Remove the front seat from vehicle. <Ref. to SE-6, REMOVAL, Front Seat.>
- 4) Remove the side airbag harness from the harness holder on the backside of seat cushion assembly.
- 5) Remove the side airbag harness from backrest frame assembly.
- 6) Remove the plastic fastener at the bottom-back side of backrest.



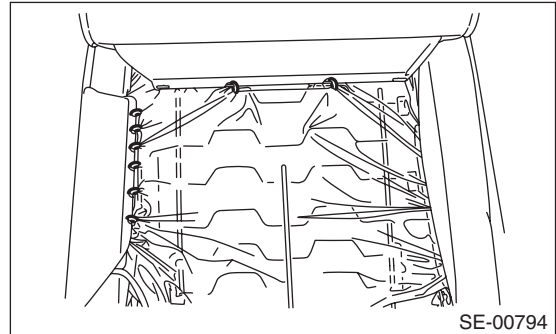
- 7) Open the fastener at the rear side of backrest.



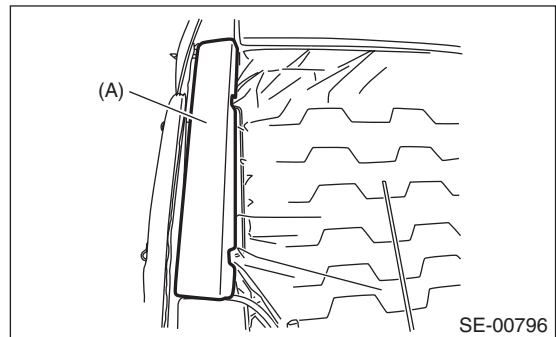
- 8) Remove the hog rings of backrest cover.

**CAUTION:**

When removing the hog rings, be careful not to tear the vinyl sheet within the seat. If the sheet has torn, replace it with a new sheet.



- 9) Remove the pad (A), and remove the mounting nut from the side airbag module.



- 10) Remove the side airbag harness from backrest frame assembly.

### B: INSTALLATION

**CAUTION:**

- Refer to “CAUTION” of “General Description” before handling the airbag module. <Ref. to AB-5, CAUTION, General Description.>
- Be sure to perform the system calibration for occupant detection system after passenger’s seat installation. <Ref. to OD(diag)-15, SYSTEM CALIBRATION (REZEROING), OPERATION, Subaru Select Monitor.>

- 1) Make sure that there is no foreign matter on side airbag module.

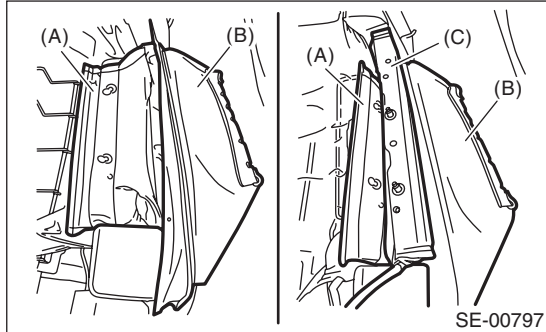
# Side Airbag Module

## AIRBAG SYSTEM

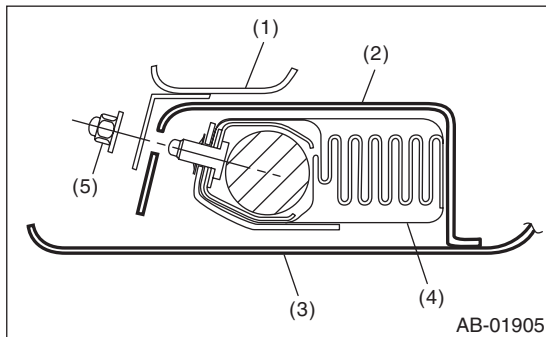
2) Install the side airbag module to backrest frame assembly.

### CAUTION:

**When installing the side airbag module assembly, be sure to put the side airbag module between backrest cover and airbag guide cloth.**



- (A) Airbag guide cloth
- (B) Backrest cover
- (C) Side airbag module ASSY



- (1) Backrest frame ASSY
- (2) Airbag guide cloth
- (3) Backrest cover
- (4) Side airbag module ASSY
- (5) Hexagon cap nut

**If the backrest cover is not installed securely, the side airbag module may not be deployed properly, therefore keep strictly to the following procedure.**

- Be careful not to stain or damage the backrest cover during assembly.
- Always use new hog rings.
- Secure the hog ring using hog ring pliers.
- Install the hog rings to the specified points securely and make sure that no wrinkle or twisting on backrest cover.

### Tightening torque:

**6.0 N·m (0.61 kgf-m, 4.4 ft-lb)**

3) Install the side airbag harness to backrest frame assembly.

4) Install the backrest cover.

5) Install the side airbag harness to the clip of the slide rail IN.

6) Recline the seat or slide it backward and forward, and check there is no contact between the seat backrest assembly, cushion cover assembly and side airbag harness.

## C: INSPECTION

### CAUTION:

**Refer to “CAUTION” of “General Description” before handling the airbag module. <Ref. to AB-5, CAUTION, General Description.>**

Check for the following, and replace damaged parts with new parts. <Ref. to AB-13, SIDE AIRBAG MODULE, INSPECTION, Inspection Locations After a Collision.>

1) With side collision (when side airbag is deployed)

- Side airbag module assembly
  - Satellite safing sensor
  - Side airbag sensor
  - Curtain airbag sensor
  - Backrest pad assembly
  - Backrest frame assembly
  - Backrest cover assembly
- 2) When damage is found by visual check
- Headrest assembly
  - Headrest lock bushing
  - Outer slide rail
  - Inner slide rail
  - Seat hinge cover
  - Seat lifter lever
  - Reclining lever
  - Side airbag harness and connector on body side
  - Satellite safing sensor cover

3) With side collision (when side airbag is not deployed)

Check the seat, airbag module, sensor visually, and then replace them with new parts if damaged or cracked.

Specially inspect the damage of airbag module body, mounting bracket and harness connector.

4) Without side collision (dirt and damage of cover) Replace the corresponding part with a new part.

## 7. Curtain Airbag Module

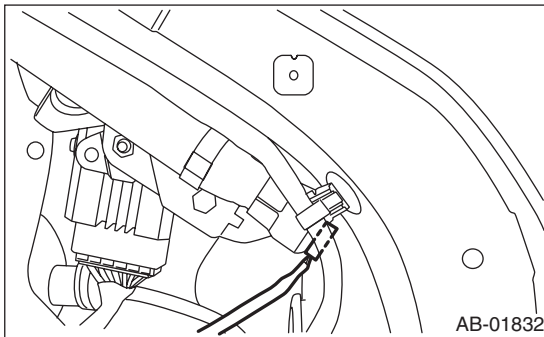
### A: REMOVAL

**CAUTION:**

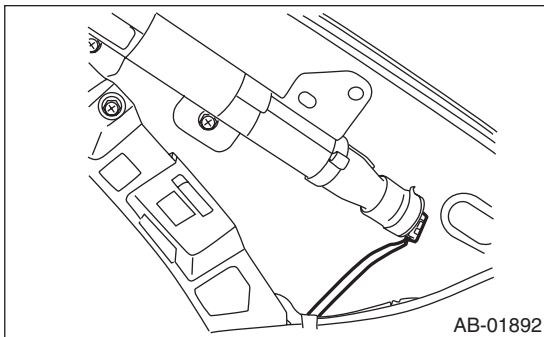
Refer to “CAUTION” of “General Description” before handling the airbag module. <Ref. to AB-5, CAUTION, General Description.>

- 1) Turn the ignition switch to OFF.
- 2) Disconnect the ground cable from battery and wait for at least 20 seconds before starting work.
- 3) Remove the rear quarter trim. <Ref. to EI-58, REMOVAL, Rear Quarter Trim.>
- 4) Disconnect the curtain airbag module connector.

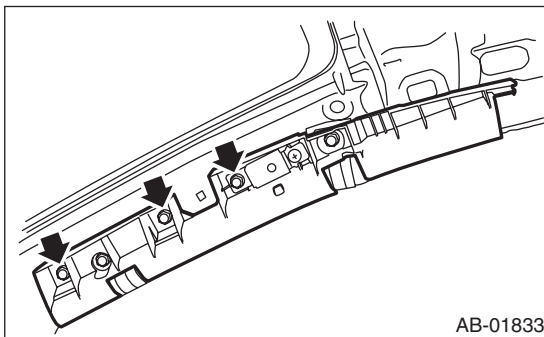
- 5 DOOR MODEL



- 4 DOOR MODEL



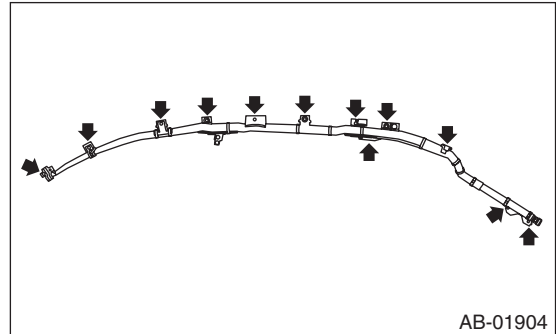
- 5) Remove the roof trim. <Ref. to EI-64, REMOVAL, Roof Trim.>
- 6) Remove the airbag guide from the front pillar.



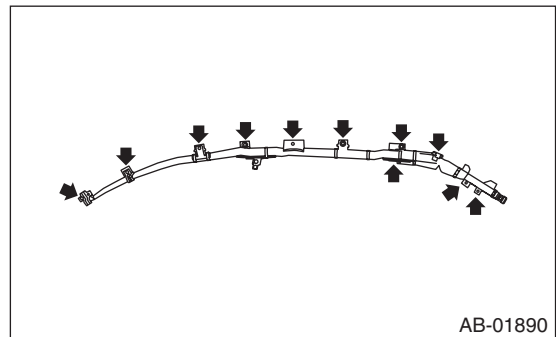
- 7) Remove the bolt, and remove the curtain airbag module.

**CAUTION:**

- Be careful not to damage the curtain airbag module during removal.
- Never open the curtain airbag module before deploying it. Never reuse the deployed curtain airbag module.
- 5 DOOR MODEL



- 4 DOOR MODEL



### B: INSTALLATION

**CAUTION:**

- Refer to “CAUTION” of “General Description” before handling the airbag module. <Ref. to AB-5, CAUTION, General Description.>
- When installing the curtain airbag module, install a specified part at specified place.
- Be careful not to damage the curtain airbag module during removal.
- Never open the curtain airbag module before deploying it. Never reuse the deployed curtain airbag module.
- Make sure that there are no foreign matter on airbag module.

Install in the reverse order of removal.

**Tightening torque:**

**7.5 N·m (0.76 kgf·m, 5.5 ft·lb)**

### C: INSPECTION

#### CAUTION:

Refer to “CAUTION” of “General Description” before handling the airbag module. <Ref. to AB-5, CAUTION, General Description.>

Check for the following, and replace the damaged parts with new parts. <Ref. to AB-13, CURTAIN AIRBAG MODULE, INSPECTION, Inspection Locations After a Collision.>

1) With side collision (when curtain airbag is deployed)

- Curtain airbag module assembly
- Satellite safing sensor
- Curtain airbag sensor
- Roof trim
- Front pillar upper trim
- Center pillar upper trim
- Rear quarter pillar trim
- Airbag guide

2) When damage is found by visual check

- Assist grip
- Assist grip bracket
- Curtain airbag harness and connector on body side.
- Satellite safing sensor bracket
- Satellite safing sensor cover

3) With side collision (when curtain airbag is not deployed)

Check the roof trim, pillar trim, airbag module and sensor visually, and then replace them with new parts if damaged or cracked.

Specially inspect the damage of airbag module body, mounting bracket and harness connector.

4) Without side collision (dirt and damage of cover)

Replace the corresponding part with a new part.

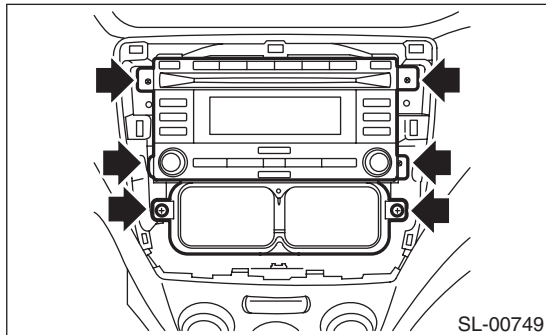
## 8. Airbag Control Module

### A: REMOVAL

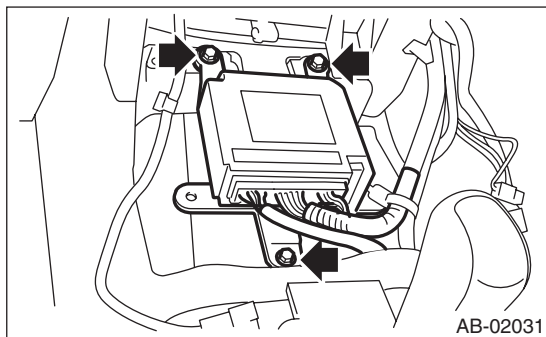
#### CAUTION:

- Do not disassemble the airbag control module.
- If the airbag control module is deformed or if the damage from water is suspected, replace the airbag control module with a new part.
- Do not drop the airbag control module.
- After removal, keep the airbag control module on a dry, clean surface away from moisture, heat and dust.

- 1) Turn the ignition switch to OFF.
- 2) Disconnect the ground cable from battery and wait for at least 20 seconds before starting work.
- 3) Remove the console box. <Ref. to EI-48, REMOVAL, Console Box.>
- 4) Remove the center panel. <Ref. to EI-49, CENTER PANEL, REMOVAL, Center Console.>
- 5) Remove the console front panel. <Ref. to EI-49, CONSOLE FRONT PANEL, REMOVAL, Center Console.>
- 6) Remove the audio.
- 7) Remove the heater duct.



- 8) Disconnect the connector from airbag control module.
- 9) Remove the three bolts and remove airbag control module.



### B: INSTALLATION

#### CAUTION:

- Do not reuse the bolt and nut. Always use new bolts and nuts for them.
  - Before installing the audio, make sure that the heater duct is securely connected.
- Install in the reverse order of removal.

#### Tightening torque:

25 N·m (2.55 kgf-m, 18.4 ft-lb)

### C: INSPECTION

Check for the following, and replace the damaged parts with new parts.

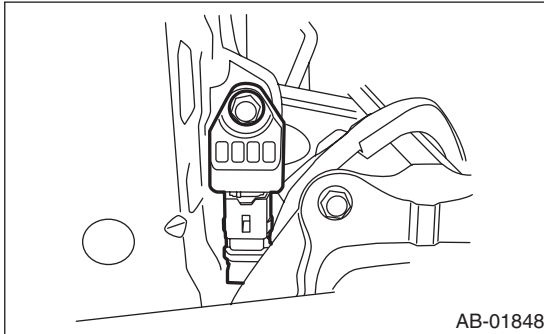
- Control module, connector, and mounting bracket are damaged.
- Airbag is deployed.
- Side airbag is deployed.
- Curtain airbag is deployed.



## 9. Front Sub Sensor

### A: REMOVAL

- 1) Turn the ignition switch to OFF.
- 2) Disconnect the ground cable from battery and wait for at least 20 seconds before starting work.
- 3) Remove the front bumper face. <Ref. to EI-29, FRONT BUMPER FACE, REMOVAL, Front Bumper.>
- 4) Remove the headlight assembly. <Ref. to LI-14, REMOVAL, Headlight Assembly.>
- 5) Remove the bolt, and then detach the front sub sensor.



- 6) Disconnect the connector from front sub sensor.

### B: INSTALLATION

#### CAUTION:

- Do not reuse the bolt and nut.  
Always use new bolts and nuts for them.
- When installing the sensor, insert the set pin on the backside of the sensor into the hole on the body side securely.
- After the installation of headlight assembly, be sure to perform headlight beam adjustment.  
Install in the reverse order of removal.

#### *Tightening torque:*

**13 N·m (1.33 kgf·m, 9.6 ft·lb)**

### C: INSPECTION

Check for the following, and replace the damaged parts with new parts.

- Front sub sensor or connector is damaged.
- Airbag is deployed.



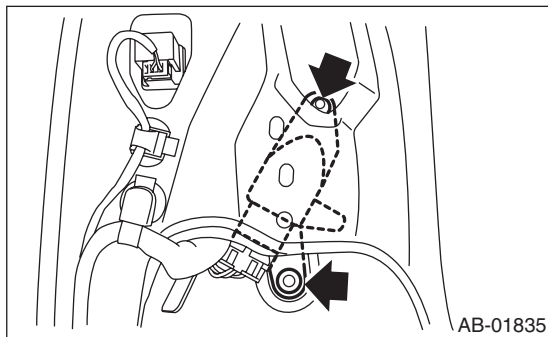
## 10.Side Airbag Sensor

### A: REMOVAL

- 1) Turn the ignition switch to OFF.
- 2) Disconnect the ground cable from battery and wait for at least 20 seconds before starting work.
- 3) Remove the front outer seat belt. <Ref. to SB-17, OUTER SEAT BELT ASSEMBLY, REMOVAL, Front Seat Belt.>
- 4) Remove the nuts and then remove the side airbag sensor.

#### CAUTION:

**Do not separate the side airbag sensor and bracket. Doing so will cause the airbag system malfunction. If the sensor is removed from the bracket, be sure to replace with a new part.**



- 5) Disconnect the airbag connector.

### B: INSTALLATION

#### CAUTION:

**Do not reuse the bolt and nut.**

**Always use new bolts and nuts for them.**

Install in the reverse order of removal.

#### *Tightening torque:*

**7.5 N·m (0.76 kgf-m, 5.5 ft-lb)**

### C: INSPECTION

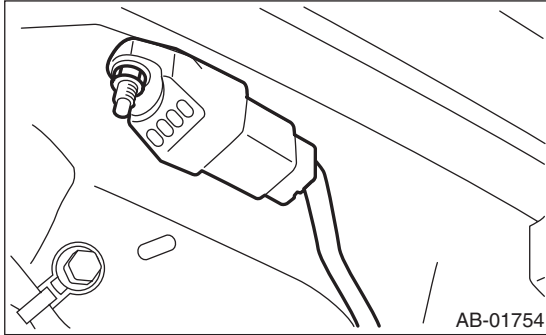
Check for the following, and replace the damaged parts with new parts.

- The bracket or connector of side airbag sensor is damaged.
- Side airbag is deployed.

## 11. Curtain Airbag Sensor

### A: REMOVAL

- 1) Turn the ignition switch to OFF.
- 2) Disconnect the ground cable from battery and wait for at least 20 seconds before starting work.
- 3) Remove the rear seat. <Ref. to SE-11, REMOVAL, Rear Seat.>
- 4) Remove the nuts and then remove the curtain airbag sensor.



- 5) Disconnect the airbag connector.

### B: INSTALLATION

#### CAUTION:

- Do not reuse the bolt and nut.  
Always use new bolts and nuts for them.
- When installing the sensor, securely insert the arrest pin on the back side of sensor into the body side hole.

Install in the reverse order of removal.

#### *Tightening torque:*

*7.5 N·m (0.76 kgf-m, 5.5 ft-lb)*

### C: INSPECTION

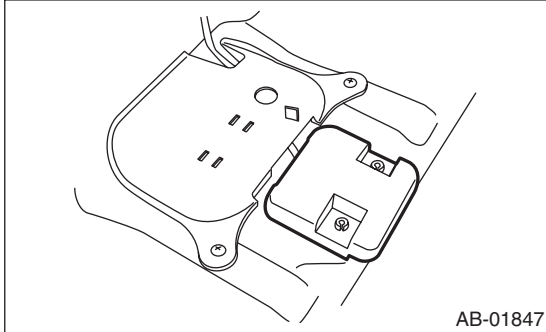
Check for the following, and replace the damaged parts with new parts.

- Curtain airbag sensor or connector is damaged.
- Curtain airbag is deployed.

## 12.Satellite Safing Sensor

### A: REMOVAL

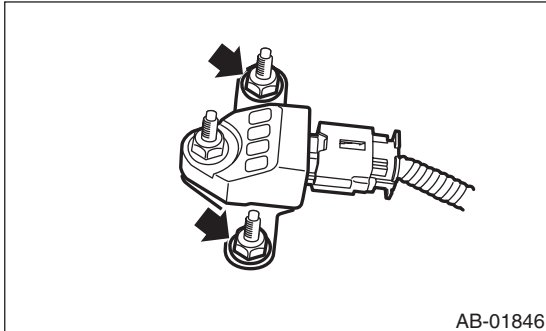
- 1) Turn the ignition switch to OFF.
- 2) Disconnect the ground cable from battery and wait for at least 20 seconds before starting work.
- 3) Remove the rear seat cushion. <Ref. to SE-11, REMOVAL, Rear Seat.>
- 4) Remove the cover.



- 5) Remove the nut, and remove the satellite safing sensor.

#### CAUTION:

**Do not separate the satellite safing sensor and bracket. Doing so will cause the airbag system malfunction. If the sensor is removed from the bracket, be sure to replace with a new part.**



- 6) Disconnect the airbag connector.

### B: INSTALLATION

#### CAUTION:

- Do not reuse the bolt and nut. Always use new bolts and nuts for them.
- When installing the satellite safing sensor cover, push the cover securely until it contacts the floor panel.
- If the satellite safing sensor cover is too loose at its mounting portion to remove easily, replace with a new satellite safing sensor cover.
- After installing the satellite safing sensor cover, make sure that the sensor harness does not get caught.

Install in the reverse order of removal.

#### Tightening torque:

**7.5 N·m (0.76 kgf·m, 5.5 ft·lb)**

### C: INSPECTION

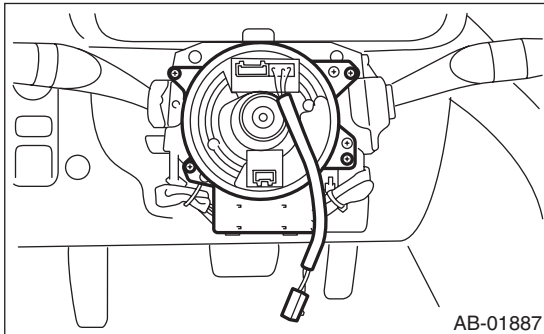
Check for the following, and replace the damaged parts with new parts.

- Mounting bracket or connector of satellite safing sensor is damaged.
- The satellite safing sensor cover is damaged
- Side airbag or curtain airbag is deployed.

## 13. Roll Connector

### A: REMOVAL

- 1) Turn the ignition switch to OFF.
- 2) Disconnect the ground cable from battery and wait for at least 20 seconds before starting work.
- 3) Remove the driver's airbag module. <Ref. to AB-15, Driver's Airbag Module.>
- 4) Remove the steering wheel. <Ref. to PS-12, REMOVAL, Steering Wheel.>
- 5) Remove the steering column cover.
- 6) Remove the screws, and then remove the roll connector.



### B: INSTALLATION

- 1) Install in the reverse order of removal.
- 2) Before installing steering wheel, be sure to adjust the direction of roll connector with steering. <Ref. to AB-26, ADJUSTMENT, Roll Connector.>

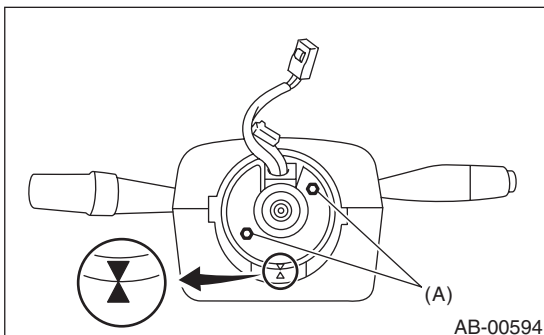
### C: INSPECTION

Check for the following, and replace the damaged parts with new parts.

- Combination switch and roll connector are cracked or deformed.

### D: ADJUSTMENT

- 1) Check that front wheels are positioned in straight ahead direction.
- 2) Turn the roll connector pin (A) clockwise until it stops.
- 3) Turn the roll connector pins (A) approx. 3.25 turns in the counterclockwise direction until “▲” marks are aligned.



# Basic Diagnostic Procedure

AIRBAG SYSTEM (DIAGNOSTICS)

## 1. Basic Diagnostic Procedure

### A: PROCEDURE

	Step	Check	Yes	No
1	<b>CHECK WARNING LIGHT.</b> Check whether the airbag warning light in the combination meter is lit.	Does the airbag warning light illuminate?	Go to step 2.	Perform the diagnosis according to phenomenon of the problem.
2	<b>READ DTC.</b> 1) Turn the ignition switch to OFF. 2) Connect the Subaru Select Monitor to data link connector. 3) Turn the ignition switch to ON and run the Subaru Select Monitor. 4) Read the DTC. <Ref. to AB(diag)-30, OPERATION, Read Diagnostic Trouble Code (DTC).> NOTE: If the communication function of the Subaru Select Monitor cannot be executed properly, check the communication circuit. <Ref. to AB(diag)-26, COMMUNICATION FOR INITIALIZING IMPOSSIBLE, INSPECTION, Subaru Select Monitor.> 5) Record all DTCs and freeze frame data.	Is DTC displayed?	Go to step 3.	Go to "Airbag Warning Light Failure" <Ref. to AB(diag)-34, Airbag Warning Light Failure.>.
3	<b>PERFORM DIAGNOSIS.</b> 1) Determine the possible cause "List of Diagnostic Trouble Code (DTC)" <Ref. to AB(diag)-38, List of Diagnostic Trouble Code (DTC).>. 2) Inspect the DTC using "List of Diagnostic Trouble Code (DTC)". 3) Repair the trouble cause. 4) Perform the Clear Memory Mode. <Ref. to AB(diag)-32, Clear Memory Mode.> 5) Perform the Inspection Mode. <Ref. to AB(diag)-31, Inspection Mode.> 6) Read any other DTCs displayed.	Is DTC displayed?	Perform the procedure 1) to 5) in step 3.	Finish the diagnosis.

## Check List for Interview

AIRBAG SYSTEM (DIAGNOSTICS)

### 2. Check List for Interview

#### A: CHECK

Customer's Name		Inspector's Name	
Date Vehicle Brought in	/ /	Registration No.	
Odometer Reading	km miles	V.I.N.	
Date Problem Occurred	/ /	Registration Year	/ /
Weather	<input type="checkbox"/> Fine <input type="checkbox"/> Cloudy <input type="checkbox"/> Rainy <input type="checkbox"/> Snowy <input type="checkbox"/> Others:		
Temperature	°C ( °F)		
Road Condition	<input type="checkbox"/> Flat road <input type="checkbox"/> Uphill <input type="checkbox"/> Downhill <input type="checkbox"/> Gravel road <input type="checkbox"/> Others:		
Vehicle Operation	<input type="checkbox"/> Starting <input type="checkbox"/> Idling <input type="checkbox"/> Driving <ul style="list-style-type: none"> <li><input type="checkbox"/> Constant speed</li> <li><input type="checkbox"/> Accelerating</li> <li><input type="checkbox"/> Decelerating</li> <li><input type="checkbox"/> Turning</li> <li><input type="checkbox"/> Others:</li> </ul>		
Details of Problem			
Airbag Warning Light Operation	<input type="checkbox"/> Normal (After turning the ignition switch to ON, lit for approximately 6 seconds and goes off.) <input type="checkbox"/> Remains ON <input type="checkbox"/> Remains OFF		
DTC output	<input type="checkbox"/> OK code <input type="checkbox"/> DTC: (Code:                    )		

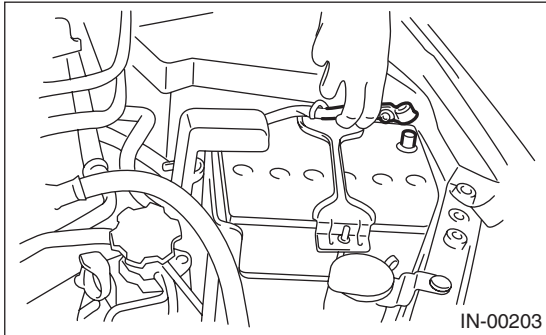
# General Description

## AIRBAG SYSTEM (DIAGNOSTICS)

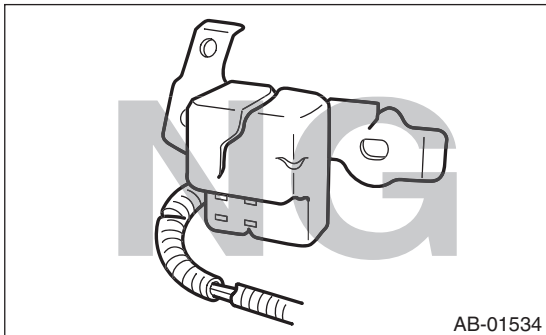
### 3. General Description

#### A: CAUTION

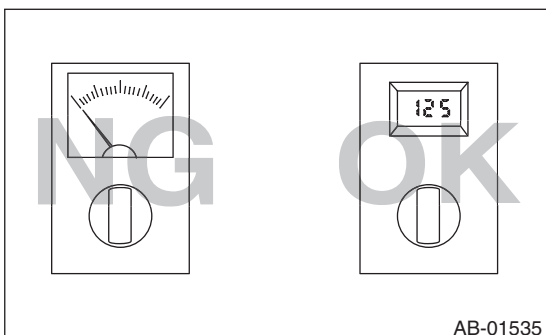
- When servicing a vehicle, be sure to turn the ignition switch to OFF, disconnect the ground cable from battery, and wait for 20 seconds or more before starting work.
- The airbag system is fitted with a backup power supply. After disconnecting the battery ground cable, the airbag may deploy if you do not wait for 20 seconds or more before starting airbag system servicing.



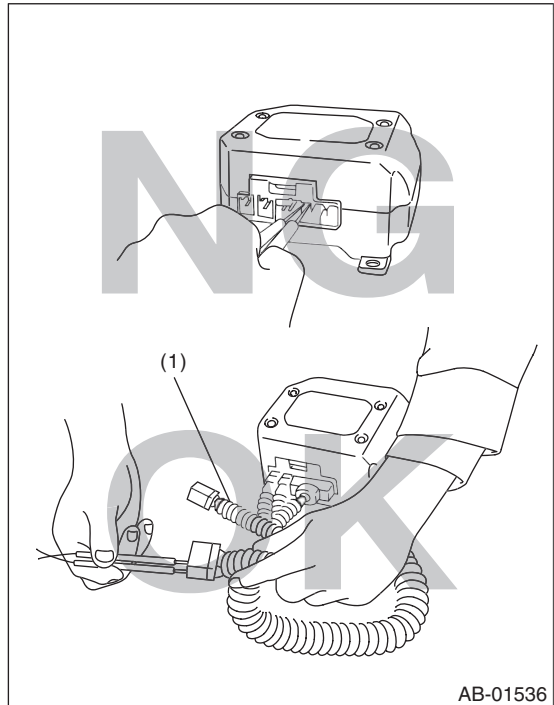
- If sensors, airbag module, airbag control module, pretensioner or harness is deformed or damaged, replace with new parts.



- Do not use the airbag system and pretensioners on other vehicles. When replacing parts, be sure to replace them with new parts.
- When checking the airbag system, be sure to use a digital circuit tester. Use of an analog circuit tester may cause the airbag to activate erroneously due to a minimal current inside tester.



- When checking, use a test harness (1). Damage to connector terminal causes malfunction. Do not directly put the tester probe on airbag connector terminal.



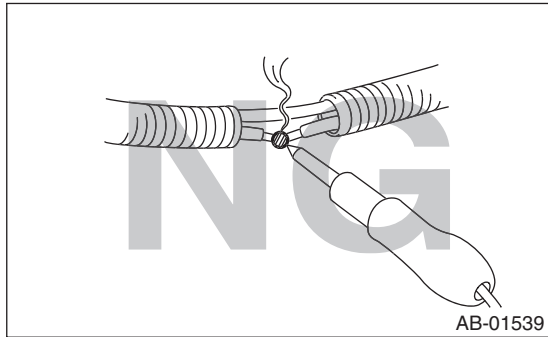
- Do not drop the airbag system parts, or keep them at high temperature of 85°C (185°F) or more, or let water, oil or grease get on them; the internal parts may be damaged and reliability greatly lowered.



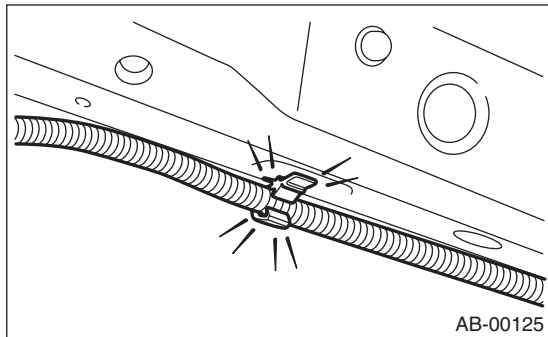
# General Description

## AIRBAG SYSTEM (DIAGNOSTICS)

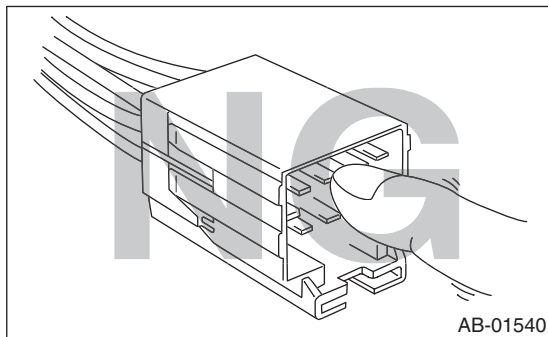
- If damage, open circuit or rust is found on airbag system wiring harness, do not use a soldering equipment to repair. Replace the faulty harness with a new genuine part.



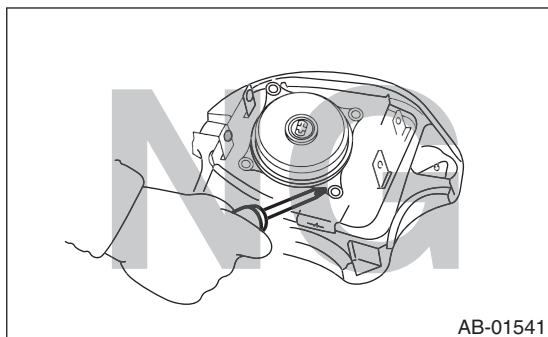
- Install the wiring harness securely with the specified clips to avoid interference or tangled with other parts.



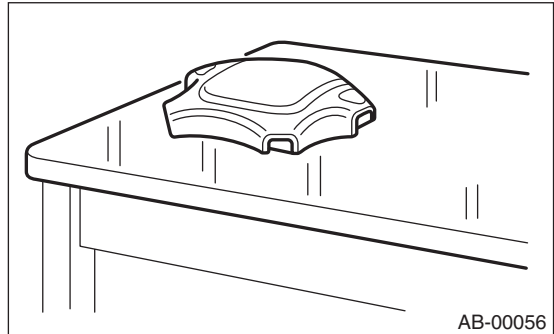
- Do not allow water or oil to come in contact with the connector terminals. Also, do not touch the connector terminals.



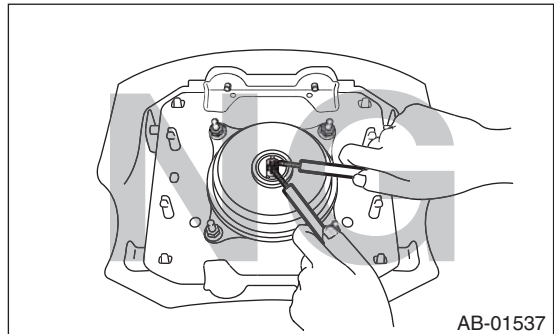
- Do not disassemble driver's airbag module, passenger's airbag module, side or curtain airbag modules, or pretensioner.



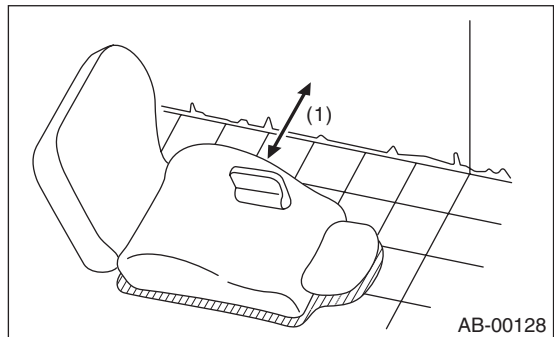
- The airbag module cannot be used again if deployed once.
- After removal, keep the airbag module with the pad side facing upward on a dry, clean and flat surface away from heat, light sources, moisture and dust.



- Do not check continuity of the airbag modules for driver's side, passenger's side and curtain, or the pretensioner.



- The removed front seat with airbag module must be kept at least 200 mm (8 in) away from walls and other objects.



(1) 200 mm (8 in) or more

- When painting or performing sheet metal work on the front part of the vehicle, including the front wheel apron, front fender and front side frame, remove the front sub sensors and wiring harness of airbag system.

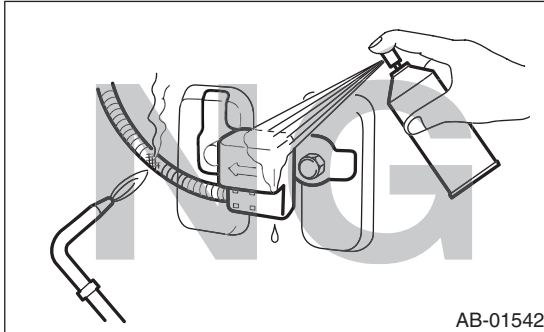


## General Description

### AIRBAG SYSTEM (DIAGNOSTICS)

---

- When painting or repairing sheet metal work on the side of the vehicle, including the side sill, center pillar, front and rear doors, rear crossmember and rear floorpan, remove the side airbag sensors, curtain airbag sensor, satellite safing sensor and wiring harness of the airbag system.

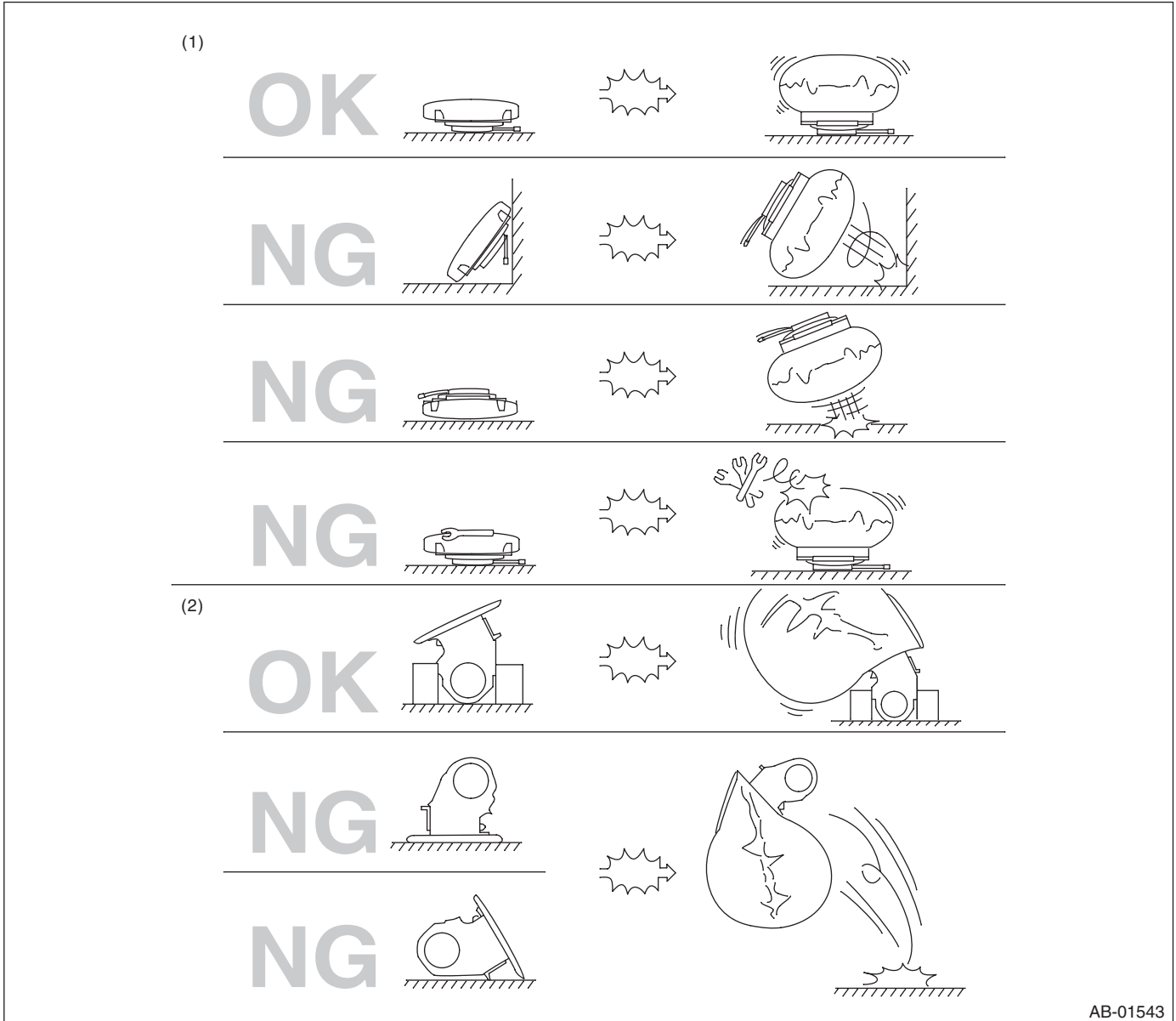


- Do not discard undeployed airbag module. They could easily cause a serious accident if accidentally deployed.

# General Description

## AIRBAG SYSTEM (DIAGNOSTICS)

- When storing a removed airbag module, do not place it with the pad side facing downward. Do not place any objects on the airbag module. Do not pile up the airbag module. If the airbag inflates for some reason when an airbag module pad is touching other objects, it may cause serious accident.



AB-01543

(1) Driver's airbag module

(2) Passenger's airbag module

### B: INSPECTION

Measure the battery voltage and check electrolyte.

**Standard voltage: 12 V**

**Specific gravity: 1.260 or more**

# General Description

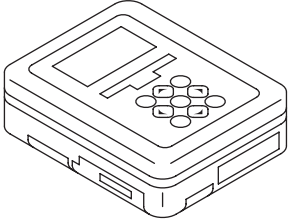
## AIRBAG SYSTEM (DIAGNOSTICS)

### C: PREPARATION TOOL

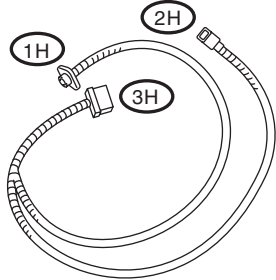
#### CAUTION:

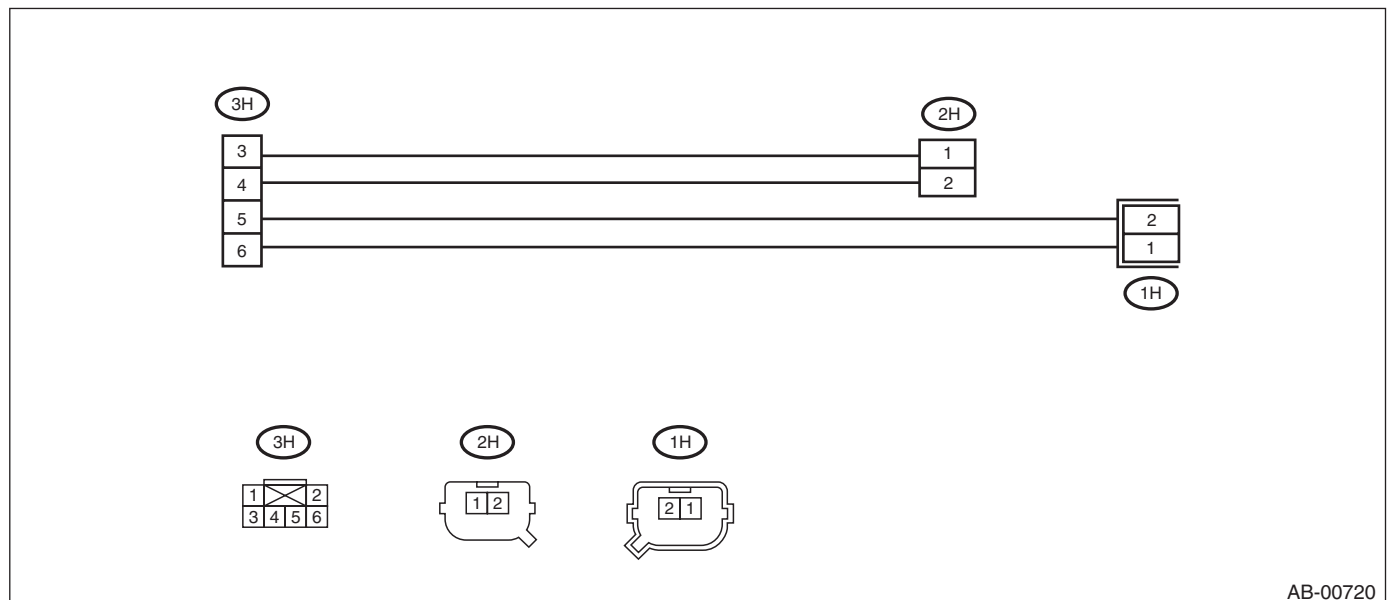
To measure the voltage and resistance of airbag system component, be sure to use the specified test harness.

#### 1. SPECIAL TOOL

ILLUSTRATION	TOOL NUMBER	DESCRIPTION	REMARKS
 <p>ST1B022XU0</p>	1B022XU0	SUBARU SELECT MONITOR III KIT	Used for troubleshooting the electrical system.

#### • TEST HARNESS H

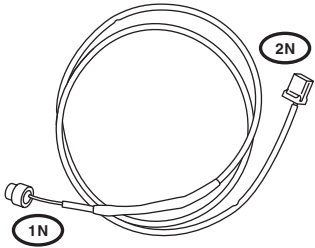
ILLUSTRATION	TOOL NUMBER	DESCRIPTION	REMARKS
 <p>ST98299FA030</p>	98299FA030	TEST HARNESS H	Used when measuring voltage and resistance of front sub sensor and satellite safing sensor.

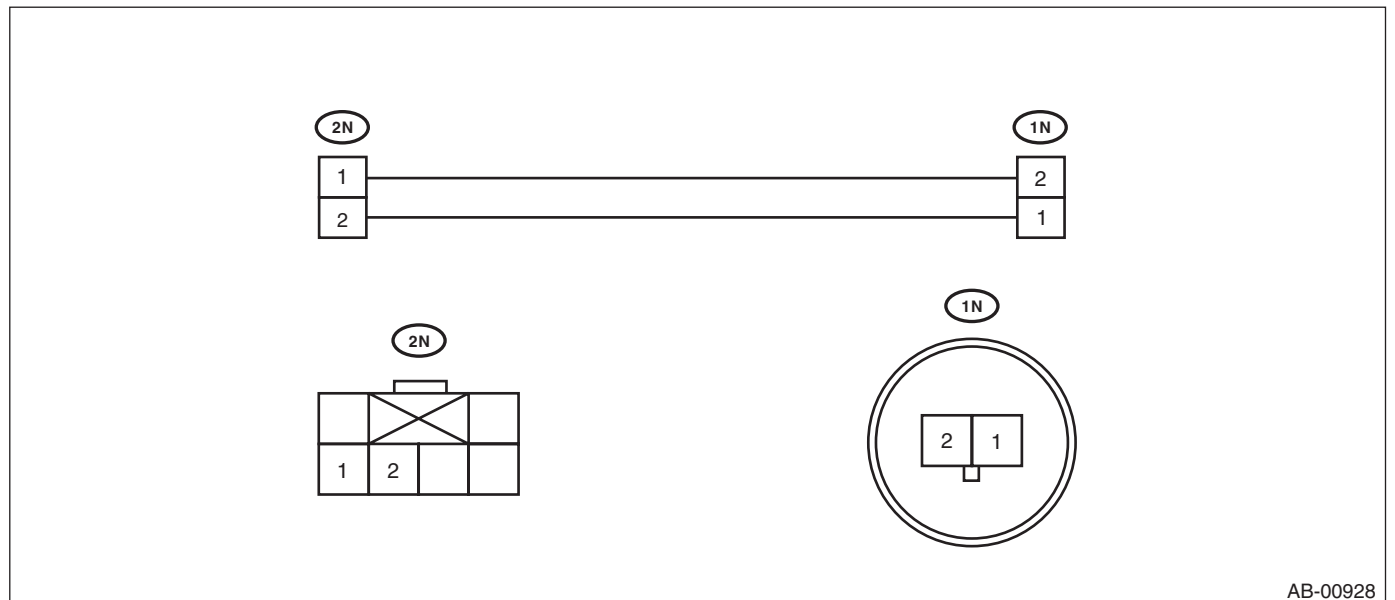


# General Description

AIRBAG SYSTEM (DIAGNOSTICS)

- TEST HARNESS N

ILLUSTRATION	TOOL NUMBER	DESCRIPTION	REMARKS
 <p>ST98299SA000</p>	98299SA000	TEST HARNESS N	Used when measuring voltage and resistance of driver's airbag module and seat belt pretensioner.

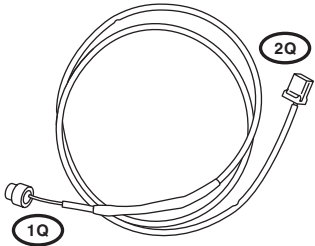


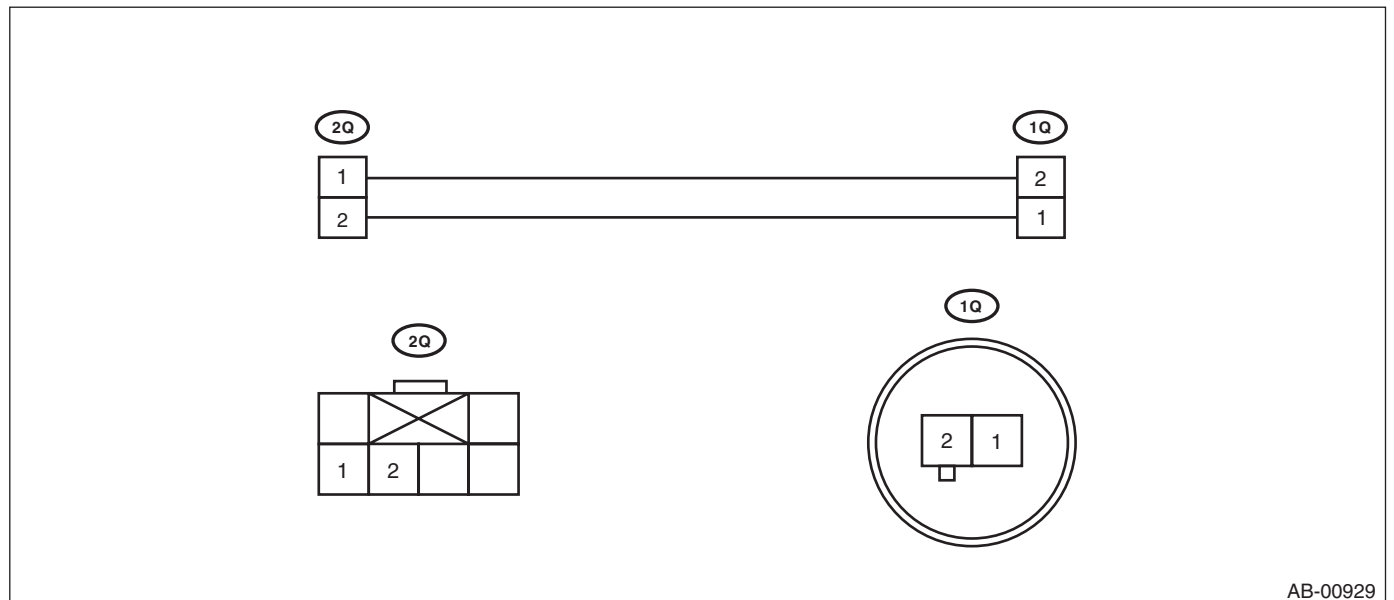


# General Description

AIRBAG SYSTEM (DIAGNOSTICS)

- TEST HARNESS Q

ILLUSTRATION	TOOL NUMBER	DESCRIPTION	REMARKS
 <p>ST98299SA040</p>	98299SA040	TEST HARNESS Q	Used when measuring voltage and resistance of driver's airbag module.

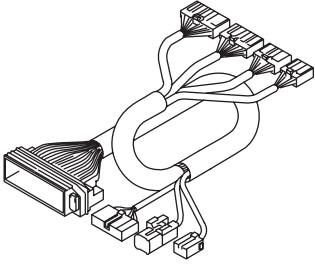


AB-00929

# General Description

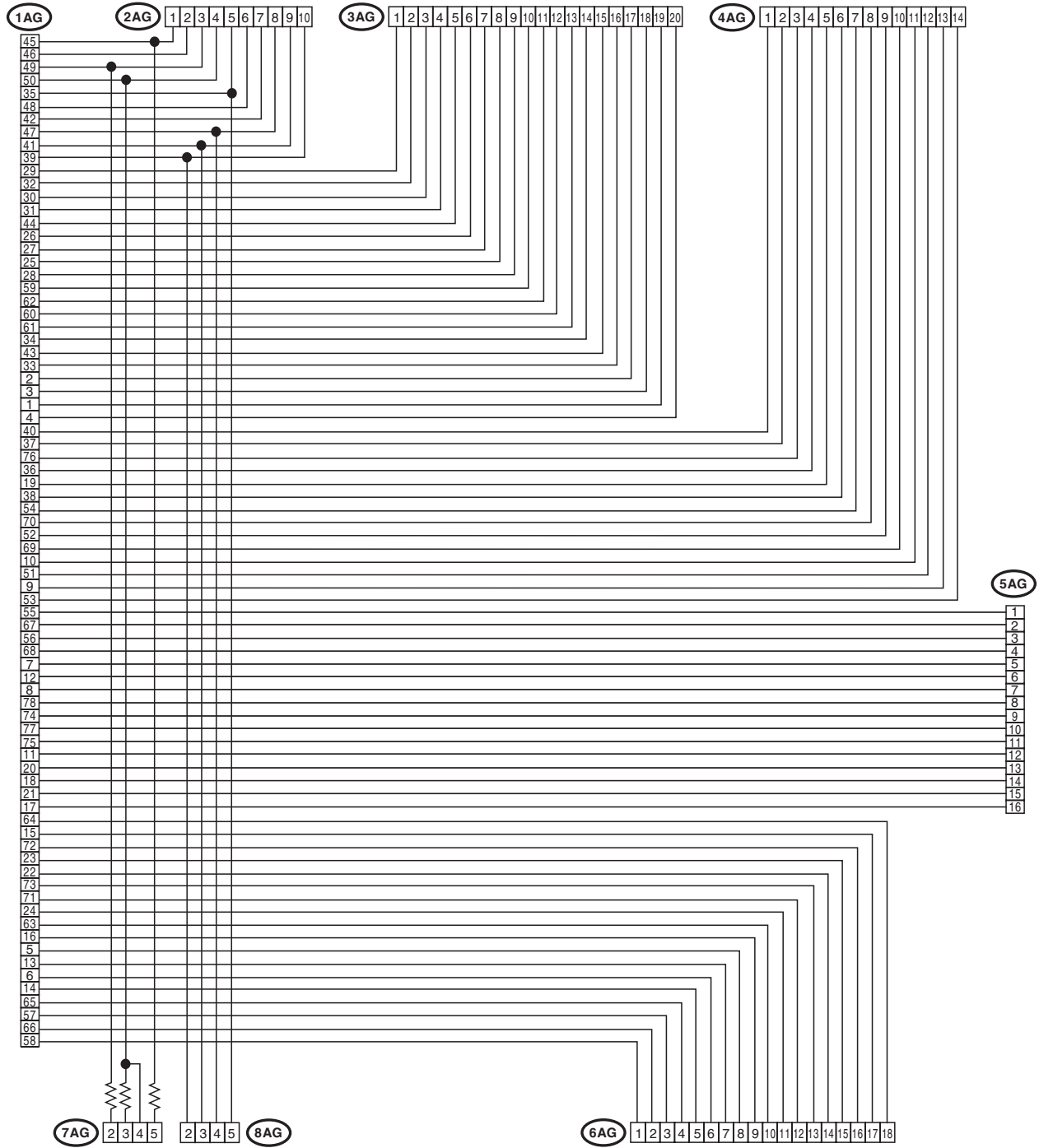
## AIRBAG SYSTEM (DIAGNOSTICS)

- TEST HARNESS AG

ILLUSTRATION	TOOL NUMBER	DESCRIPTION	REMARKS
 <p>ST98299AG070</p>	98299AG070	TEST HARNESS AG	Used when measuring voltage and resistance of airbag control module.

# General Description

## AIRBAG SYSTEM (DIAGNOSTICS)

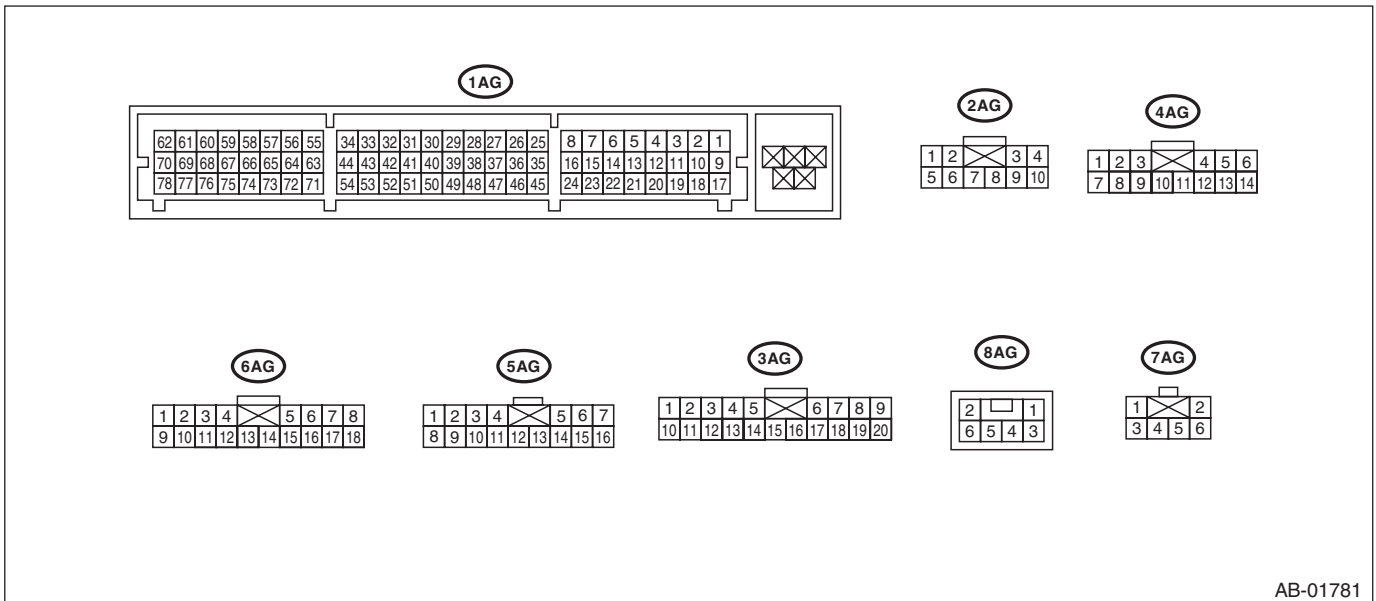


AB-01902



# General Description

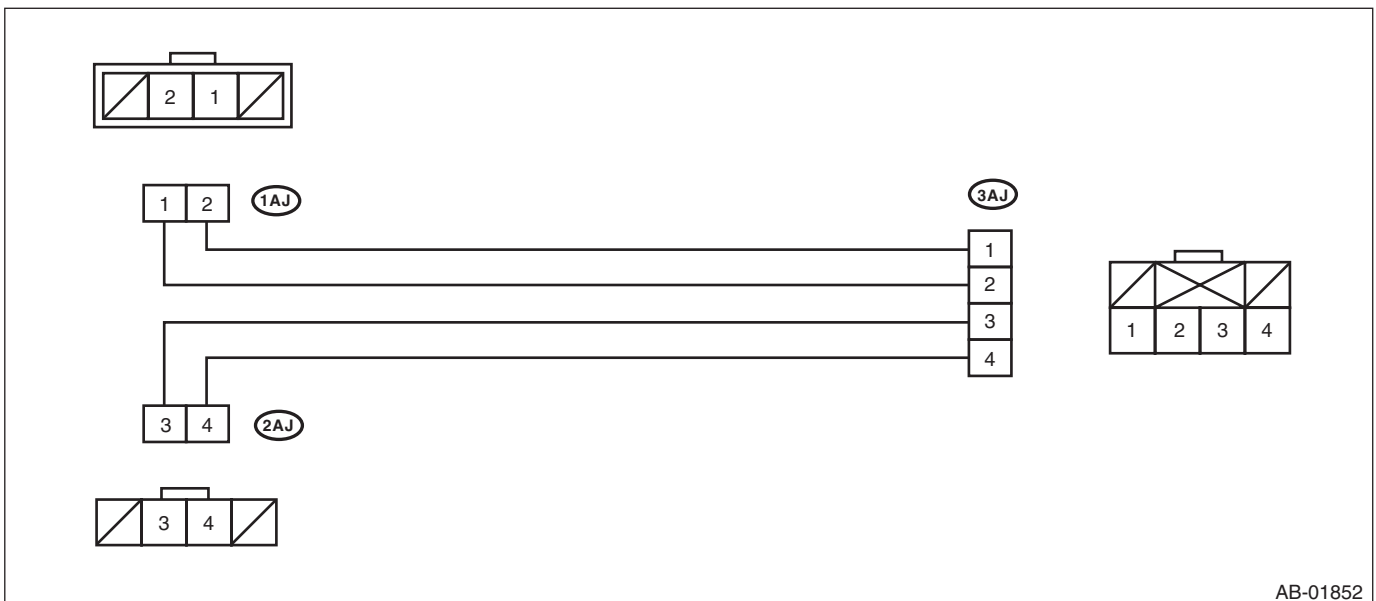
## AIRBAG SYSTEM (DIAGNOSTICS)



AB-01781

### • TEST HARNESS AJ

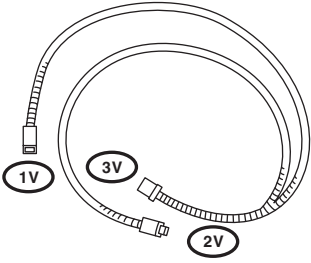
ILLUSTRATION	TOOL NUMBER	DESCRIPTION	REMARKS
<p>ST98299FG000</p>	98299FG000	TEST HARNESS AJ	Used when measuring power supply and resistance of side airbag harness.

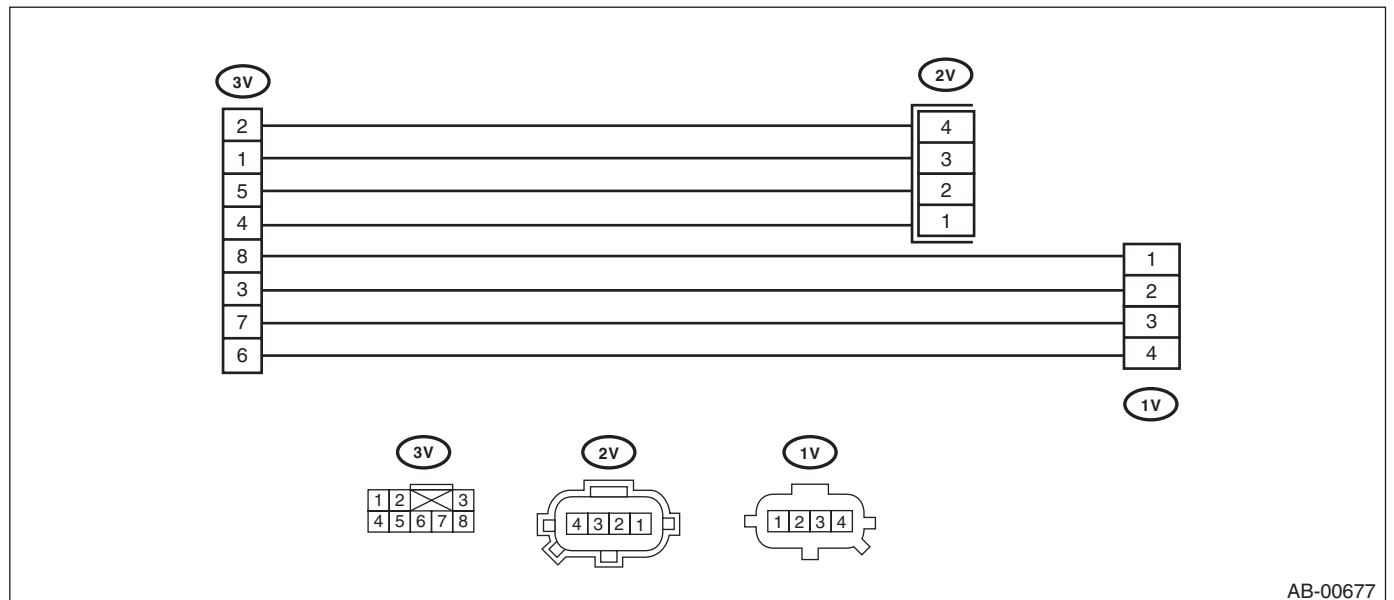


AB-01852

# General Description

• TEST HARNESS V

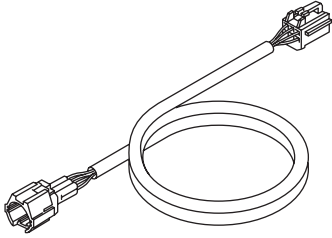
ILLUSTRATION	TOOL NUMBER	DESCRIPTION	REMARKS
 <p>ST98299AG010</p>	98299AG010	TEST HARNESS V	Used when measuring voltage and resistance of side airbag sensor and curtain airbag sensor.

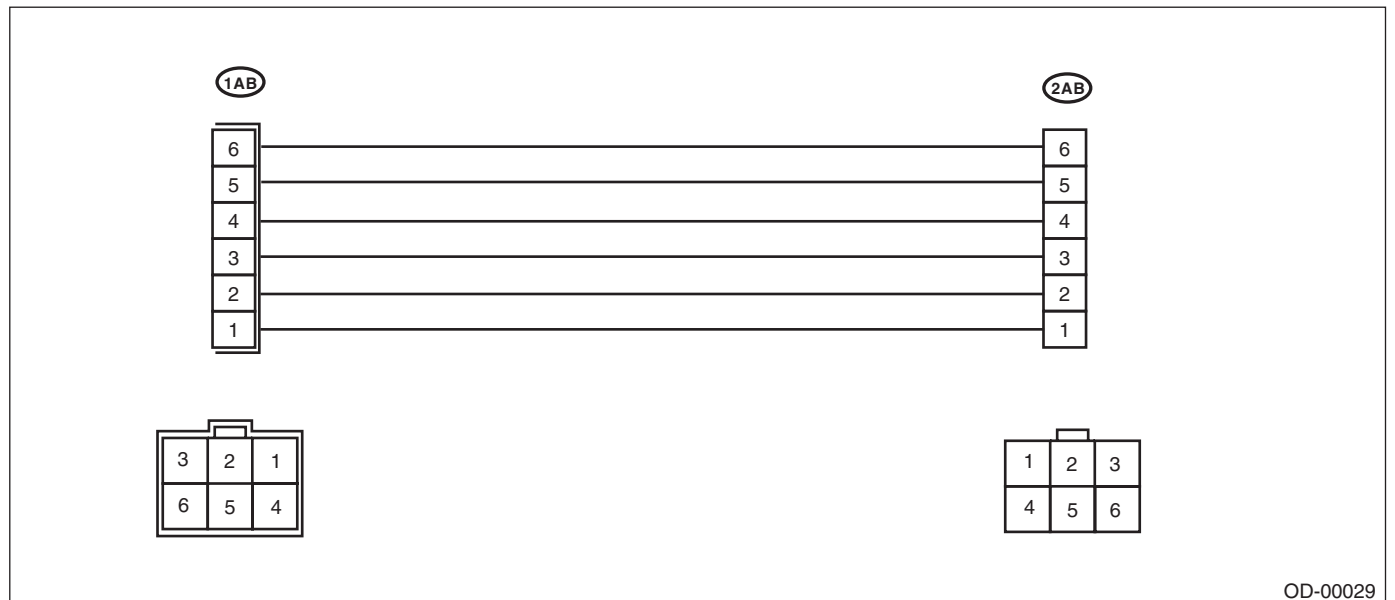


# General Description

## AIRBAG SYSTEM (DIAGNOSTICS)

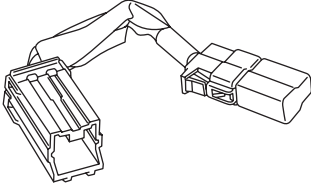
- TEST HARNESS AB

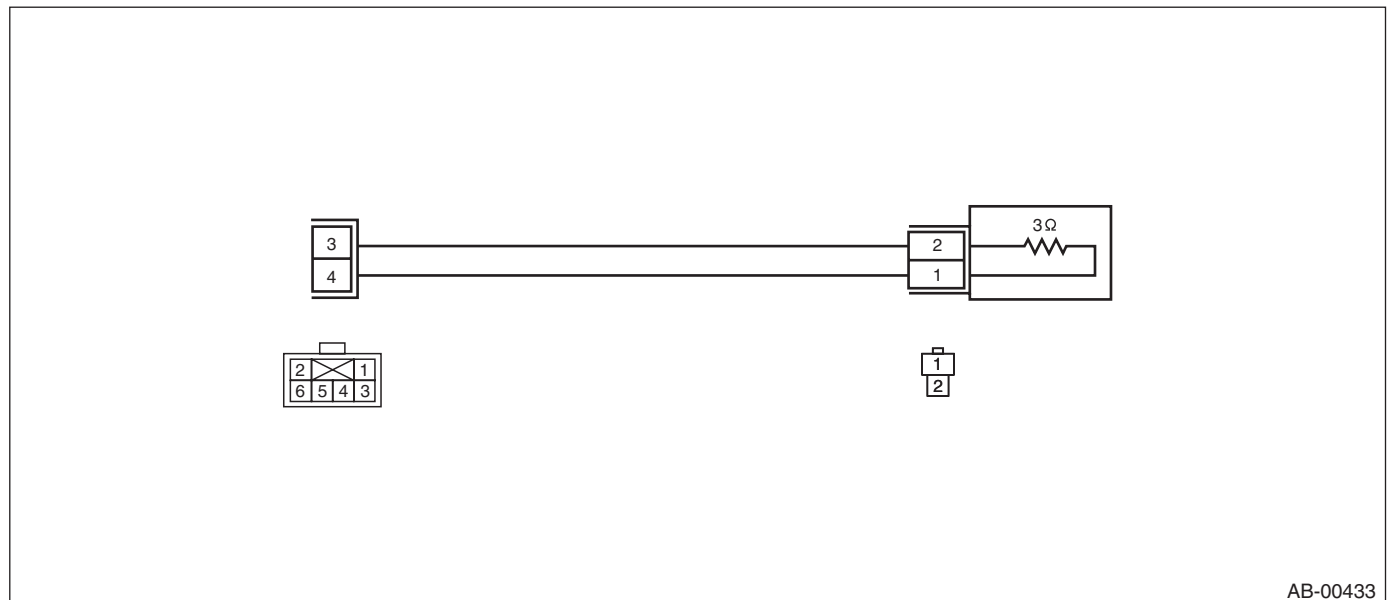
ILLUSTRATION	TOOL NUMBER	DESCRIPTION	REMARKS
 <p>ST98299XA000</p>	98299XA000	TEST HARNESS AB	Used when measuring voltage and resistance of occupant detection system.



# General Description

- AIRBAG RESISTOR

ILLUSTRATION	TOOL NUMBER	DESCRIPTION	REMARKS
 <p data-bbox="326 558 467 579">ST98299PA040</p>	98299PA040	AIRBAG RESISTOR	Used in replacement of airbag module for which resistance value is same as airbag module. Two ST are required for diagnosis of two-stage inflator type airbag module.

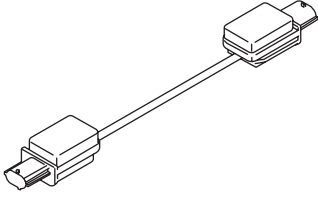


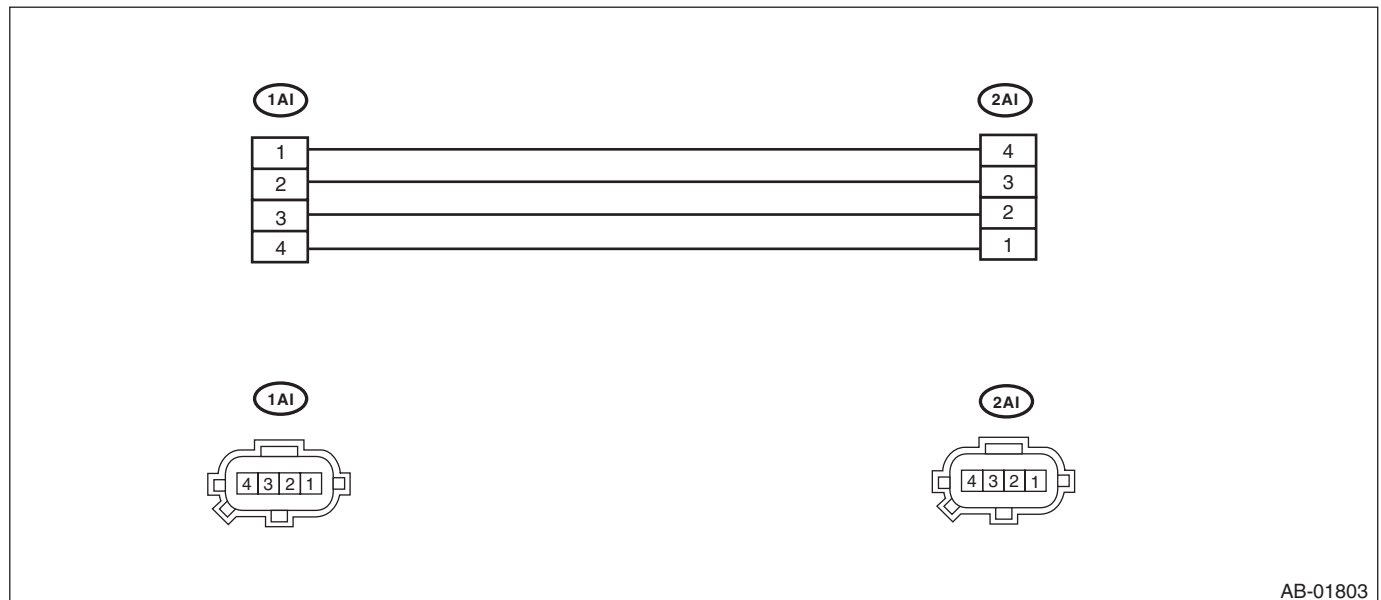
AB-00433

# General Description

## AIRBAG SYSTEM (DIAGNOSTICS)

### • TEST HARNESS AI

ILLUSTRATION	TOOL NUMBER	DESCRIPTION	REMARKS
 <p>ST98299AG090</p>	98299AG090	TEST HARNESS AI	<ul style="list-style-type: none"> <li>Used when diagnosing the side airbag sensor and curtain airbag sensor.</li> <li>Used together with test harness V.</li> </ul>



## 2. GENERAL TOOL

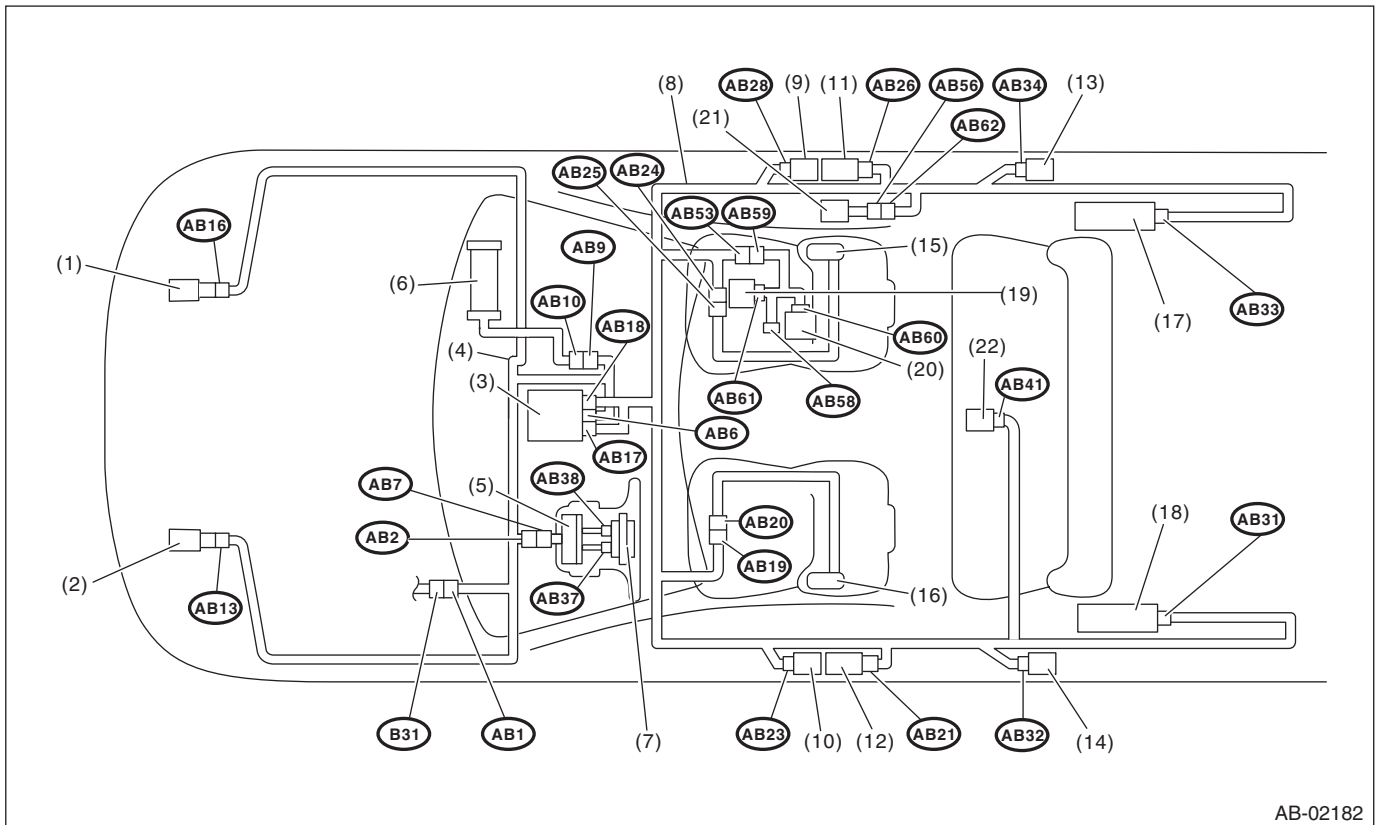
TOOL NAME	REMARKS
Circuit tester	Used for measuring resistance, voltage and current.
Oscilloscope	Used for measuring the sensor.

# Electrical Component Location

AIRBAG SYSTEM (DIAGNOSTICS)

## 4. Electrical Component Location

### A: LOCATION



- |                                 |                                  |  |
|---------------------------------|----------------------------------|--|
| (1) Front sub sensor (RH)       | (9) Side airbag sensor (RH)      | (17) Curtain airbag inflator (RH)      |
| (2) Front sub sensor (LH)       | (10) Side airbag sensor (LH)     | (18) Curtain airbag inflator (LH)      |
| (3) Airbag control module       | (11) Seat belt pretensioner (RH) | (19) Occupant detection control module |
| (4) Airbag main harness         | (12) Seat belt pretensioner (LH) | (20) Buckle switch (RH)                |
| (5) Roll connector              | (13) Curtain airbag sensor (RH)  | (21) Belt tension sensor               |
| (6) Passenger's airbag inflator | (14) Curtain airbag sensor (LH)  | (22) Satellite safing sensor           |
| (7) Driver's airbag inflator    | (15) Side airbag inflator (RH)   |  |
| (8) Airbag rear harness         | (16) Side airbag inflator (LH)   |  |

# Electrical Component Location

## AIRBAG SYSTEM (DIAGNOSTICS)

Connector No.	(AB1)	(AB2)	(AB6)	(AB7)	(AB9)	(AB10)	(AB13)	(AB16)	(AB17)	(AB18)	(AB19)	(AB20)
Pin	6	4	30	4	4	4	2	2	24	24	4	4
Color	Yellow	Yellow	Yellow	Yellow	Yellow	Yellow	Yellow	Yellow	Yellow	Yellow	Yellow	Yellow
Male/ Female	Female	Female	Female	Male	Female	Male	Female	Female	Female	Female	Female	Male
Connector No.	(AB21)	(AB23)	(AB24)	(AB25)	(AB26)	(AB28)	(AB31)	(AB32)	(AB33)	(AB34)	(AB37)	(AB38)
Pin	2	4	4	4	2	4	2	4	2	4	2	2
Color	Black	Yellow	Yellow	Yellow	Black	Yellow	Black	Yellow	Black	Yellow	Orange	Black
Male/ Female	Female	Female	Female	Male	Female	Female	Female	Female	Female	Female	Female	Female
Connector No.	(AB41)	(AB53)	(AB56)	(AB58)	(AB59)	(AB60)	(AB61)	(AB62)				
Pin	2	6	3	3	6	2	18	3				
Color	Yellow	Gray	Brown	Gray	Gray	Yellow	Black	Brown				
Male/ Female	Female	Female	Male	Female	Male	Male	Female	Female				

## 5. Airbag Connector

### A: PROCEDURE

For detailed operation procedure, refer to the “Airbag Connector” in airbag section. <Ref. to AB-8, PROCEDURE, Airbag Connector.>

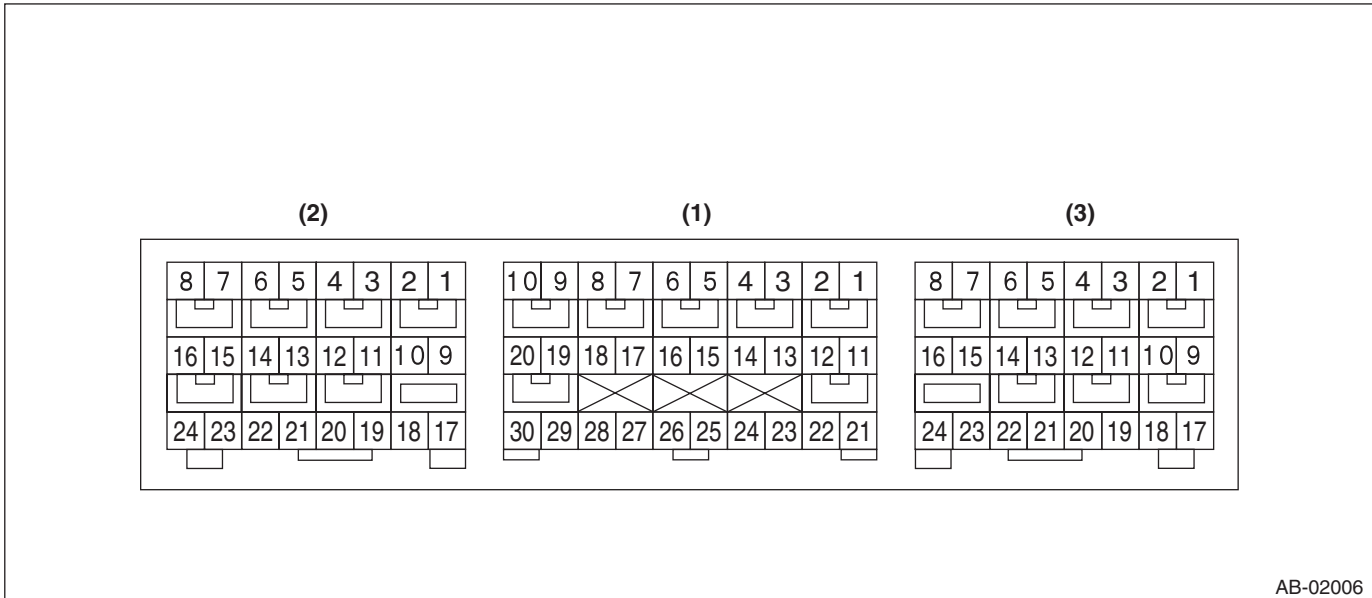


# Airbag Control Module I/O Signal

AIRBAG SYSTEM (DIAGNOSTICS)

## 6. Airbag Control Module I/O Signal

### A: ELECTRICAL SPECIFICATION



- Terminal numbers in airbag control module connector are shown in the figure.
- The airbag warning light illuminates when the connector is removed from the airbag control module.

# Airbag Control Module I/O Signal

AIRBAG SYSTEM (DIAGNOSTICS)

Item		Control module terminal No.
Data link connector		(1) — 16
Combination meter		(1) — 11
Battery power supply	Dedicated fuse	(1) — 21
Passenger's airbag module level one	+	(1) — 4
	-	(1) — 3
Passenger's airbag module level two	+	(1) — 1
	-	(1) — 2
Driver's airbag module level one	+	(1) — 5
	-	(1) — 6
Driver's airbag module level two	+	(1) — 8
	-	(1) — 7
Front sub sensor LH	+	(1) — 30
	-	(1) — 28
Front sub sensor RH	+	(1) — 29
	-	(1) — 27
Ground line (GND)		(1) — 25
		(1) — 26
Passenger's airbag OFF indicator		(1) — 17
Passenger's airbag ON indicator		(1) — 23
Passenger's seat belt warning light (integrated module)		(1) — 15
Seat belt pretensioner LH	+	(2) — 5
	-	(2) — 6
Side airbag sensor LH Curtain airbag sensor LH	+	(2) — 24
	-	(2) — 23
Side airbag module LH	+	(2) — 1
	-	(2) — 2
Curtain airbag module LH	+	(2) — 4
	-	(2) — 3
Seat belt pretensioner RH	+	(3) — 4
	-	(3) — 3
Side airbag sensor RH Curtain airbag sensor RH	+	(3) — 17
	-	(3) — 18
Side airbag module RH	+	(3) — 8
	-	(3) — 7
Curtain airbag module RH	+	(3) — 5
	-	(3) — 6
Satellite safing sensor	+	(2) — 20
	-	(2) — 21
Occupant detection control module	+	(3) — 16
	-	(3) — 24

## B: WIRING DIAGRAM

Refer to the WI section wiring diagram. <Ref. to WI-93, WIRING DIAGRAM, Airbag System.>

### 7. Subaru Select Monitor

#### A: OPERATION

##### 1. READ DIAGNOSTIC TROUBLE CODE (DTC)

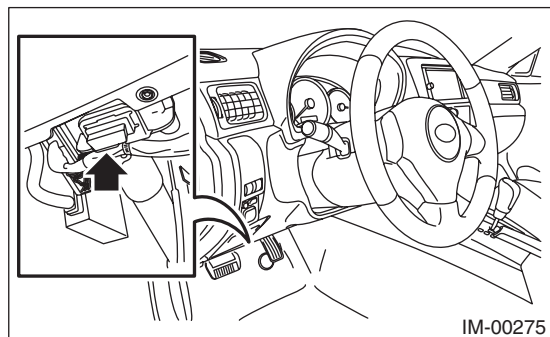
When malfunction of airbag system occurs, the DTC stored in airbag control module will be read out.

1) Prepare the Subaru Select Monitor kit. <Ref. to AB(diag)-8, SPECIAL TOOL, PREPARATION TOOL, General Description.>

2) Connect the diagnosis cable to Subaru Select Monitor.

3) Connect the Subaru Select Monitor to data link connector.

(1) Data link connector is located in the lower portion of instrument panel (on the driver's side).



(2) Connect the diagnosis cable to data link connector.

#### CAUTION:

**Do not connect the scan tools other than the Subaru Select Monitor.**

4) Turn the ignition switch to ON (engine OFF) and run the Subaru Select Monitor.

5) On «Main Menu» display, select {Each System Check}.

6) On «System Selection Menu» display, select {Airbag System}.

7) After {Airbag System} is displayed, select [OK].

8) Select the {Diagnostic Code(s) Display} in «Airbag System».

#### NOTE:

- For details concerning the operation procedure, refer to “PC application help for Subaru Select Monitor”.

- For details concerning DTCs, refer to List of Diagnostic Trouble Code (DTC). <Ref. to AB(diag)-38, List of Diagnostic Trouble Code (DTC).>

## 2. DISPLAY OF STATUS INFORMATION

Check the operating condition of each sensor in the event of malfunction in the seat belt buckle switch, or when the seat belt buckle switch has been replaced.

- 1) On «Main Menu» display, select {Each System Check}.
- 2) On «System Selection Menu» display, select {Airbag System}.
- 3) On «Airbag System» display, select {Status Data}.

The following table is for support data.

Item	Display
Seat position sensor LH	— <sup>*5</sup>
Seat position sensor RH	— <sup>*5</sup>
Seat belt buckle switch LH	— <sup>*9</sup>
Seat belt buckle switch RH	Belted <sup>*6</sup> / Unbelted <sup>*7</sup> / Other <sup>*8</sup> / Initial Setting <sup>*4</sup> / — <sup>*9</sup>
Passenger's airbag control status	ON <sup>*10</sup> / OFF <sup>*11</sup> / Initial Setting <sup>*4</sup>

\*1: The seat position is forward.

\*2: The seat position is rearward.

\*3: Displayed when data other than before and behind the seat, such as the breakdown etc, is input.

\*4: Displayed when it is initial.

\*5: Seat position sensor not supported

\*6: Seat belt fastened

\*7: Seat belt not fastened

\*8: Displayed when data other than belt fastened or not fastened, such as breakdowns is input.

\*9: Seat belt buckle switch not supported

\*10: Passenger's airbag operating state

\*11: Passenger's airbag non-operating state

### NOTE:

For details concerning the operation procedure, refer to “PC application help for Subaru Select Monitor”.

## 3. CLEAR MEMORY MODE

Clear the DTC stored in the airbag control module after repairing the airbag system. (After the breakdown is recovered, the breakdown code for completed recoveries are read out when the next breakdown occurs if the memory clear work is not performed.)

- 1) On «Main Menu» display, select {Each System Check}.
- 2) On «System Selection Menu» display, select {Airbag System}.
- 3) Select the {Clearing Memory} in «Airbag System».
- 4) When the “Clear Memory?” is shown on the screen, select [OK].
- 5) When “Done” is displayed, end the Subaru Select Monitor.

### NOTE:

For details concerning the operation procedure, refer to “PC application help for Subaru Select Monitor”.

# Subaru Select Monitor

## AIRBAG SYSTEM (DIAGNOSTICS)

### B: INSPECTION

#### 1. COMMUNICATION FOR INITIALIZING IMPOSSIBLE

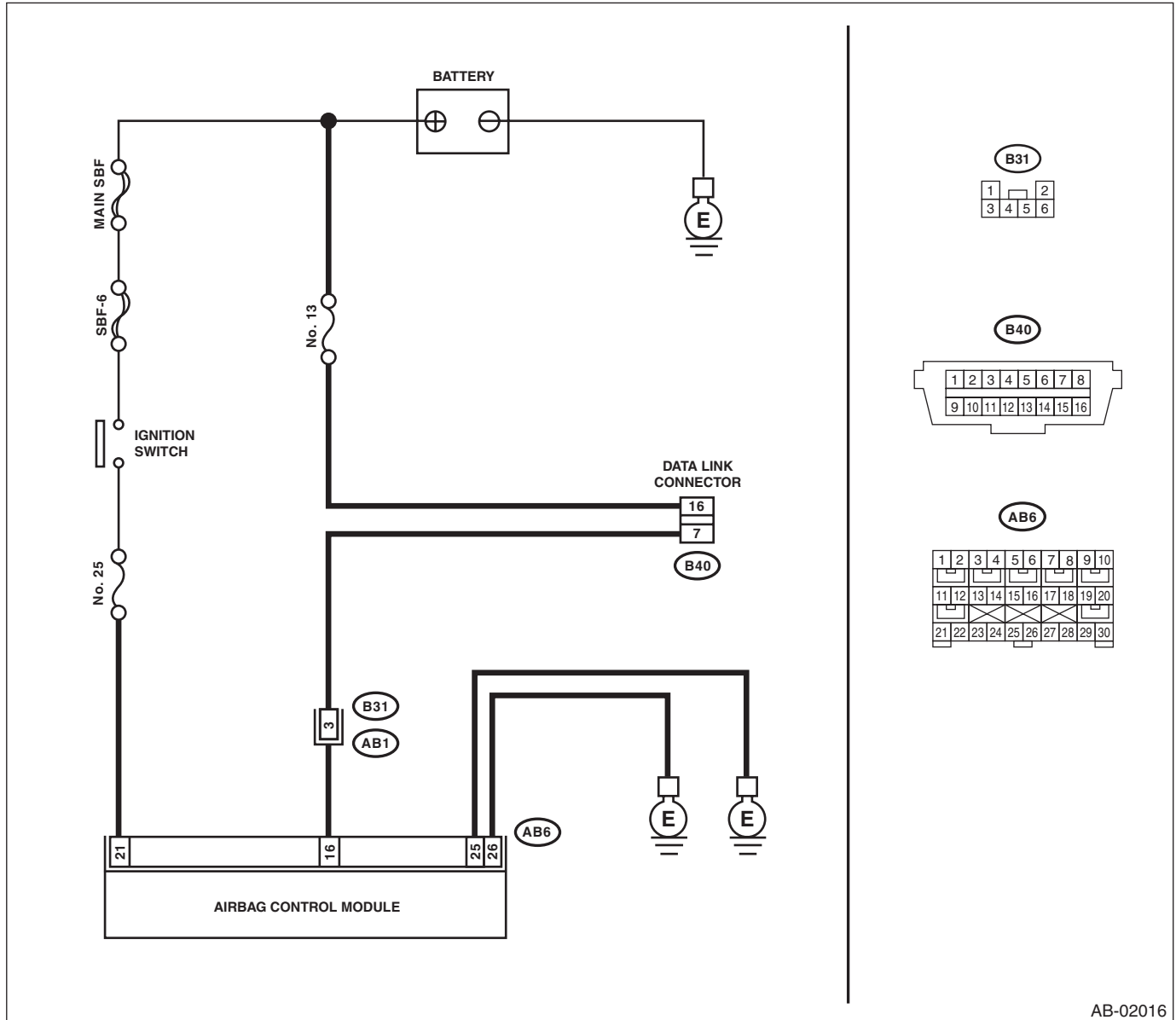
##### DETECTING CONDITION:

Faulty harness connectors

##### TROUBLE SYMPTOM:

Communication is impossible between the airbag control module and the Subaru Select Monitor.

##### WIRING DIAGRAM:



AB-02016

# Subaru Select Monitor

## AIRBAG SYSTEM (DIAGNOSTICS)

	Step	Check	Yes	No
1	<b>CHECK IGNITION SWITCH.</b>	Is the ignition switch ON?	Go to step 2.	Turn the ignition switch to ON, and select the airbag mode using the Subaru Select Monitor.
2	<b>CHECK BATTERY.</b> 1) Turn the ignition switch to OFF. 2) Measure the battery voltage.	Is the voltage 11 V or more?	Go to step 3.	Charge or replace the battery.
3	<b>CHECK BATTERY TERMINAL.</b>	Is there poor contact at battery terminal?	Tighten the battery terminal or replace it.	Go to step 4.
4	<b>CHECK SUBARU SELECT MONITOR COMMUNICATION.</b> 1) Turn the ignition switch to ON. 2) Using the Subaru Select Monitor, check whether communication to other systems can be executed normally.	Is the system name displayed on Subaru Select Monitor?	Go to step 10.	Go to step 5.
5	<b>CHECK FUSE NO. 25 (IN FUSE &amp; RELAY BOX).</b> Remove the fuse No. 25 and perform visual inspection.	Is the fuse No. 25 (in fuse & relay box) blown out?	Replace the fuse No. 25. If fuse No. 25 is blown out again, check the power supply circuit.	Go to step 6.
6	<b>CHECK AIRBAG CONTROL MODULE CONNECTOR.</b> 1) Turn the ignition switch to OFF, disconnect the ground cable from battery, and wait for 20 seconds or more. 2) Confirm that the connectors of the airbag control modules (AB6, AB17, AB18) are securely connected.	Is the connector of the airbag control module securely connected?	Go to step 7.	Connect the connector of the airbag control module.
7	<b>CHECK SUBARU SELECT MONITOR COMMUNICATION.</b> 1) Turn the ignition switch to OFF. 2) Disconnect the airbag control module connector. 3) Turn the ignition switch to ON. 4) Check whether communication to other systems can be executed normally.	Is the system name displayed on Subaru Select Monitor?	Replace the airbag control module. <Ref. to AB-21, Airbag Control Module.>	Go to step 8.
8	<b>CHECK HARNESS CONNECTOR BETWEEN EACH CONTROL MODULE AND DATA LINK CONNECTOR.</b> 1) Turn the ignition switch to OFF. 2) Disconnect the airbag control module, ABSCM&H/U, ECM and TCM. 3) Measure the resistance between data link connector and chassis ground. <b>Connector &amp; terminal</b> <b>(B40) No. 7 — Chassis ground:</b>	Is the resistance 1 MΩ or more?	Go to step 9.	Repair the harness and connector between each control module and data link connector. (Replace the entire harness if repair is necessary for airbag harness.)

# Subaru Select Monitor

## AIRBAG SYSTEM (DIAGNOSTICS)

Step	Check	Yes	No
<b>9 CHECK OUTPUT SIGNAL TO THE AIRBAG CONTROL MODULE.</b> 1) Turn the ignition switch to ON in the condition of step 8. 2) Measure the voltage between data link connector and chassis ground. <b>Connector &amp; terminal</b> <b>(B40) No. 7 (+) — Chassis ground (-):</b>	Is the voltage less than 1 V?	Go to step 10.	Repair the harness and connector between each control module and data link connector. (Replace the entire harness if repair is necessary for airbag harness.)
<b>10 CHECK THE HARNESS BETWEEN THE AIRBAG CONTROL MODULE AND DATA LINK CONNECTOR.</b> 1) Turn the ignition switch to OFF, disconnect the ground cable from battery, and wait for 20 seconds or more. 2) Disconnect the connectors (AB6, AB17, AB18) from airbag control module. 3) Connect the test harness AG connector (1AG) to the connectors (AB6, AB17, AB18). 4) Measure the resistance between connector (4AG) in the test harness AG and the data link connector. <b>Connector &amp; terminal</b> <b>(4AG) No. 1 — (B40) No. 7:</b>	Is the resistance less than 10 Ω?	Go to step 11.	Repair the harness between the airbag control module and the data link connector. Or replace the airbag main harness along with the bulkhead harness.
<b>11 CHECK POWER SUPPLY CIRCUIT.</b> 1) Turn the ignition switch to ON. 2) Measure the voltage between connector (2AG) in the test harness AG and chassis ground. <b>Connector &amp; terminal</b> <b>(2AG) No. 1 — Chassis ground:</b>	Is the voltage 10 V or more?	Go to step 12.	Repair the harness between the airbag control module and the battery. Or replace the airbag main harness along with the bulkhead harness.
<b>12 CHECK BETWEEN THE AIRBAG CONTROL MODULE AND CHASSIS GROUND.</b> 1) Turn the ignition switch to OFF. 2) Measure the resistance between connector (2AG) in the test harness AG and chassis ground. <b>Connector &amp; terminal</b> <b>(2AG) No. 4 — Chassis ground:</b> <b>(2AG) No. 3 — Chassis ground:</b>	Is the resistance less than 10 Ω?	Go to step 13.	Repair the harness between the airbag control module and the chassis ground. Or replace the airbag main harness along with the bulkhead harness.
<b>13 CHECK POOR CONTACT OF CONNECTOR.</b>	Is there poor contact of the control module power supply, ground circuit and data link connector?	Repair the connector. (For airbag system connectors, do not repair but replace the entire harness.)	Replace the airbag control module. <Ref. to AB-21, REMOVAL, Airbag Control Module.>

## 2. WITHOUT DTC

### DETECTING CONDITION:

- Defective combination meter
- Open circuit in harness

### TROUBLE SYMPTOM:

- Airbag warning light remains on.
- “NO TROUBLE CODE” will be displayed on the Subaru Select Monitor.

### NOTE:

- For detailed operation procedures, refer to “Airbag Warning Light Failure”. <Ref. to AB(diag)-34, Airbag Warning Light Failure.>
- When the airbag warning light is OFF and “NO TROUBLE CODE” is displayed on Subaru Select Monitor, the system is operating properly.



## Read Diagnostic Trouble Code (DTC)

AIRBAG SYSTEM (DIAGNOSTICS)

---

### **8. Read Diagnostic Trouble Code (DTC)**

#### **A: OPERATION**

For details about reading of DTCs, refer to “Subaru Select Monitor”. <Ref. to AB(diag)-24, Subaru Select Monitor.>

## 9. Inspection Mode

### A: PROCEDURE

Recreate the circumstance by referring to the conditions described in the checklist.

### 10. Clear Memory Mode

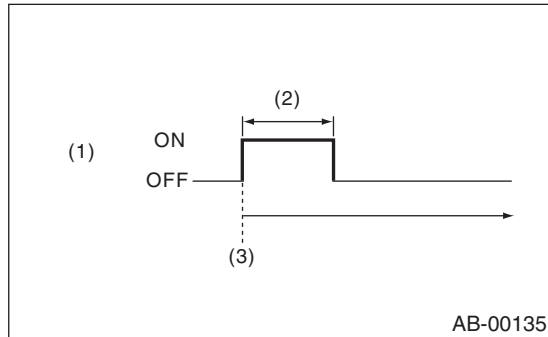
#### A: OPERATION

- Clear the memory in the following steps after the malfunction is repaired.
- For details concerning DTC clear operation, refer to “Subaru Select Monitor”. <Ref. to AB(diag)-24, Subaru Select Monitor.>

## 11. Airbag Warning Light Illumination Pattern

### A: INSPECTION

Turn the ignition switch to ON, and confirm that the airbag warning light remains on for approx. 6 seconds then turns off afterwards.



- (1) Airbag warning light
- (2) Approx. 6 sec.
- (3) Ignition switch ON



# Airbag Warning Light Failure

AIRBAG SYSTEM (DIAGNOSTICS)

Step	Check	Yes	No
<b>2 CHECK POOR CONTACT.</b> 1) Turn the ignition switch to OFF, disconnect the ground cable from battery, and wait for 20 seconds or more. 2) Confirm that the airbag control module and the connectors (AB6, AB17, AB18) are securely connected.	Is there faulty connector contact (AB6, AB17, AB18)?	If the faulty connector contact remains, replace the airbag main harness along with body harness or replace the airbag control module. <Ref. to AB-21, Airbag Control Module.>	Go to step 3.
<b>3 CHECK AIRBAG MAIN HARNESS.</b> 1) Remove the instrument panel lower cover and disconnect the connectors (AB7) and (AB2). 2) Remove the console front panel and disconnect the connectors (AB10) and (AB9). 3) Disconnect the connectors (AB6, AB17, AB18) from the airbag control module, and connect the test harness AG connector (1AG). 4) Connect the battery ground terminal and turn the ignition switch to ON. 5) Connect the connectors (7AG) and (8AG) in the test harness AG. NOTE: After the fault has been cleared, disconnect the connectors (7AG) and (8AG).	Does the airbag warning light go off?	Go to step 4.	Go to step 5.
<b>4 CHECK GROUND CIRCUIT.</b> Measure the resistance between connector (2AG) in the test harness AG and chassis ground. <i>Connector &amp; terminal</i> <i>(2AG) No. 4 — Chassis ground:</i> <i>(2AG) No. 3 — Chassis ground:</i>	Is the resistance less than 10 Ω?	Replace the airbag control module. <Ref. to AB-21, Airbag Control Module.>	Repair the chassis ground circuit.
<b>5 CHECK AIRBAG MAIN HARNESS AND BULKHEAD HARNESS.</b> 1) Turn the ignition switch to OFF, disconnect the battery ground terminal, and wait 20 seconds or more. 2) Disconnect the connectors (7AG) and (8AG). 3) Remove the combination meter. 4) Measure the resistance between the combination meter connector and test harness AG connector (2AG). <i>Connector &amp; terminal</i> <i>(2AG) No. 5 — (i10) No. 36:</i>	Is the resistance less than 10 Ω?	Check the combination meter.	Go to step 6.
<b>6 CHECK POOR CONTACT OF CONNECTORS (AB1) AND (B31).</b> Confirm that there is a firm contact between connectors (AB1) and (B31).	Is there poor contact of connectors (AB1) and (B31)?	Repair the bulkhead harness or replace the airbag main harness along with body harness.	Go to step 7.
<b>7 CHECK AIRBAG MAIN HARNESS.</b> Check the airbag main harness for defect.	Is there any defect in the airbag main harness?	Replace the airbag main harness along with bulkhead harness.	Repair the bulkhead harness.

# Airbag Warning Light Failure

AIRBAG SYSTEM (DIAGNOSTICS)

## B: AIRBAG WARNING LIGHT REMAINS OFF

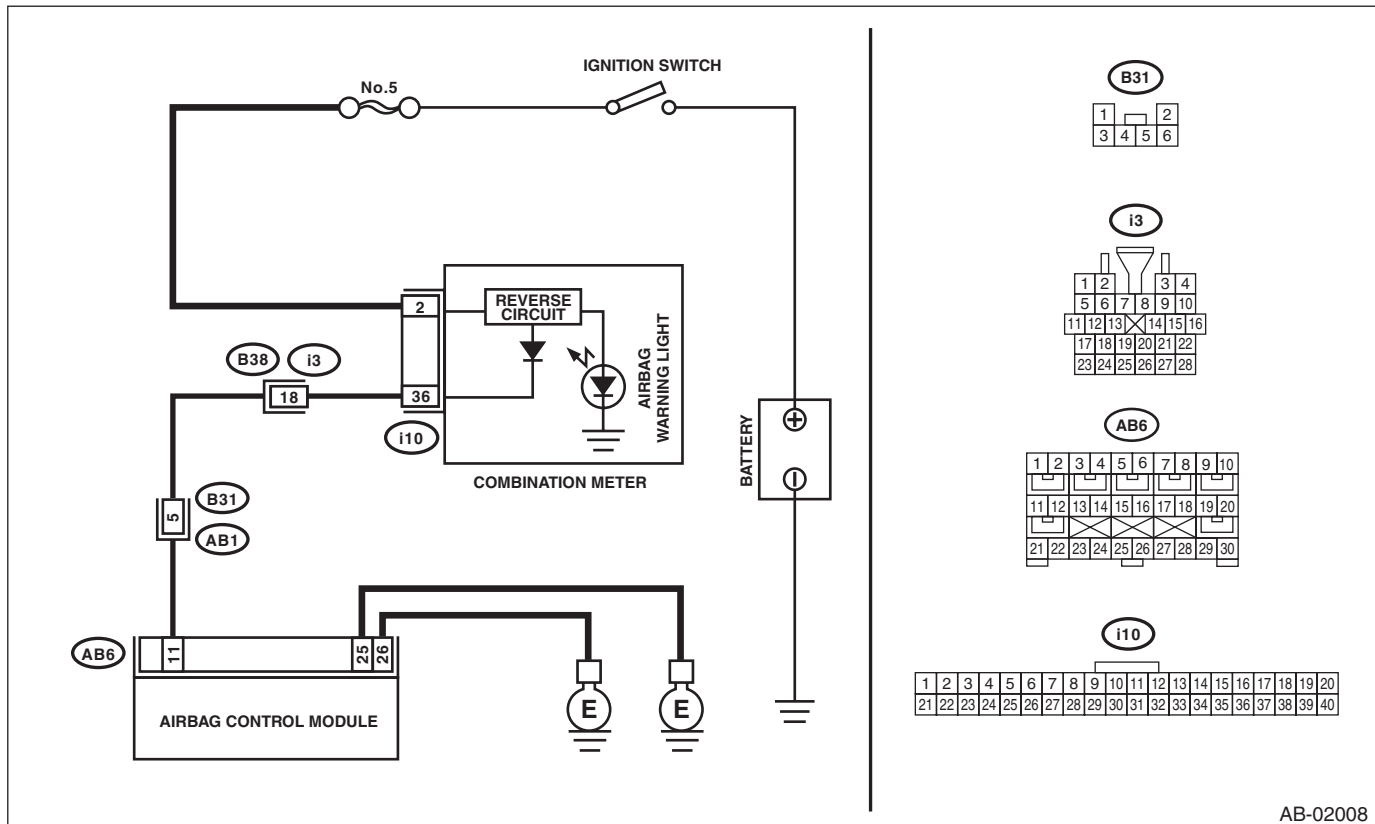
### DETECTING CONDITION:

- Fuse No. 5 (in fuse box) is blown out.
- Body harness circuit is open.
- Airbag warning light is faulty.
- Airbag main harness is faulty.
- Airbag control module is faulty.

### CAUTION:

- Before diagnosing the airbag system, be sure to turn the ignition switch to OFF, disconnect the ground terminal from battery, and wait 20 seconds or more before starting to work.
- When replacing the airbag module, seat belt pretensioner, roll connector, control module and sensor, reconnect each part and check that the warning light operates properly.
- When inspecting the airbag main harness, disconnect the airbag module connectors of the driver's and passenger's seats for safety.
- When inspecting the airbag rear harness, disconnect the side airbag module connector, curtain airbag module connector and seat belt pretensioner connector for safety reasons.

### WIRING DIAGRAM:



AB-02008

# Airbag Warning Light Failure

AIRBAG SYSTEM (DIAGNOSTICS)

Step	Check	Yes	No
<b>1</b> <b>CHECK COMBINATION METER.</b> Turn the ignition switch to ON, and confirm that warning lights of combination meter illuminate.	Do warning lights except for airbag illuminate?	Go to step 2.	Check the combination meter.
<b>2</b> <b>CHECK DTC.</b> Read the DTC. <Ref. to AB(diag)-24, READ DIAGNOSTIC TROUBLE CODE (DTC), OPERATION, Subaru Select Monitor.>	Is DTC displayed?	Perform the diagnosis according to DTC.	Go to step 3.
<b>3</b> <b>CHECK FUSE NO. 5 (IN MAIN FUSE BOX).</b> Remove the fuse No. 5 and perform visual inspection.	Is the fuse No. 5 (in main fuse box) blown out?	Replace the fuse No. 5. If the fuse No. 5 is blown out again, go to step 4.	Go to step 4.
<b>4</b> <b>CHECK AIRBAG WARNING LIGHT CIRCUIT (IN COMBINATION METER).</b> 1) Turn the ignition switch to OFF, disconnect the ground cable from battery, and wait for 20 seconds or more. 2) Disconnect the connectors (AB1) and (B31). 3) Connect the battery ground terminal and turn the ignition switch to ON.	Does airbag warning light illuminate?	Go to step 5.	Check the combination meter.
<b>5</b> <b>CHECK AIRBAG MAIN HARNESS.</b> 1) Turn the ignition switch to OFF, disconnect the ground cable from battery, and wait for 20 seconds or more. 2) Connect the connector (AB1) and (B31). 3) Disconnect the connectors (AB6, AB17, AB18) from airbag control module. 4) Connect the battery ground terminal and turn the ignition switch to ON.	Does airbag warning light illuminate?	Replace the airbag control module. <Ref. to AB-21, Airbag Control Module.>	Replace the airbag main harness along with bulkhead harness.



## List of Diagnostic Trouble Code (DTC)

AIRBAG SYSTEM (DIAGNOSTICS)

### 13. List of Diagnostic Trouble Code (DTC)

#### A: LIST

DTC	Display	Diagnosis content	Reference
11	Driver's Airbag failure	<ul style="list-style-type: none"> <li>• Airbag main harness circuit is open, shorted or shorted to ground.</li> <li>• Airbag module harness (Driver's side) circuit is open, shorted or shorted to ground.</li> <li>• Roll connector circuit is open, shorted or shorted to ground.</li> <li>• Airbag control module is faulty.</li> <li>• Driver's airbag module is faulty.</li> </ul>	<Ref. to AB(diag)-46, DTC 11 DRIVER'S AIRBAG FAILURE, Diagnostic Chart with Trouble Code.>
12	Passenger's Airbag failure	<ul style="list-style-type: none"> <li>• Airbag main harness circuit is open, shorted or shorted to ground.</li> <li>• Airbag module harness (Passenger's side) circuit is open, shorted or shorted to ground.</li> <li>• Airbag control module is faulty.</li> <li>• Passenger's airbag module is faulty.</li> </ul>	<Ref. to AB(diag)-49, DTC 12 PASSENGER'S AIRBAG FAILURE, Diagnostic Chart with Trouble Code.>
15	Driver's Airbag failure	<ul style="list-style-type: none"> <li>• Airbag main harness circuit (Driver's side) is shorted to power supply.</li> <li>• Airbag module harness circuit (Driver's side) is shorted to power supply.</li> <li>• Roll connector is shorted to power supply.</li> <li>• Airbag control module is faulty.</li> <li>• Driver's airbag module is faulty.</li> </ul>	<Ref. to AB(diag)-51, DTC 15 DRIVER'S AIRBAG FAILURE, Diagnostic Chart with Trouble Code.>
16	Passenger's Airbag failure	<ul style="list-style-type: none"> <li>• Airbag main harness circuit (Passenger's side) is shorted to power supply.</li> <li>• Airbag module harness circuit (Passenger's side) is shorted to power supply.</li> <li>• Airbag control module is faulty.</li> <li>• Passenger's airbag module is faulty.</li> </ul>	<Ref. to AB(diag)-54, DTC 16 PASSENGER'S AIRBAG FAILURE, Diagnostic Chart with Trouble Code.>
21	Airbag ECU failure	Airbag control module is faulty.	<Ref. to AB(diag)-56, DTC 21 AIRBAG ECM FAILURE, Diagnostic Chart with Trouble Code.>
22	Front Airbag: Firing output	Front airbag module and seat belt pretensioner (LH/RH) are inflated.	<Ref. to AB(diag)-57, DTC 22 FRONT AIRBAG FIRING OUTPUT, Diagnostic Chart with Trouble Code.>
26	Passenger's Airbag Indicator Failure	<ul style="list-style-type: none"> <li>• Passenger's airbag indicator is faulty.</li> <li>• Airbag control module is faulty.</li> <li>• Airbag main harness circuit is open, shorted or shorted to ground.</li> <li>• Body harness circuit is open.</li> </ul>	<Ref. to AB(diag)-58, DTC 26 PASSENGER'S AIRBAG INDICATOR FAILURE, Diagnostic Chart with Trouble Code.>
27	ODS Communication Error	<ul style="list-style-type: none"> <li>• Occupant detection control module communication is faulty.</li> <li>• Airbag rear harness circuit is open, shorted, shorted to ground or shorted to power supply.</li> <li>• Occupant detection harness is faulty.</li> <li>• Airbag control module is faulty.</li> <li>• Occupant detection system is faulty.</li> </ul>	<Ref. to AB(diag)-60, DTC 27 ODS COMMUNICATION ERROR, Diagnostic Chart with Trouble Code.>

# List of Diagnostic Trouble Code (DTC)

AIRBAG SYSTEM (DIAGNOSTICS)

DTC	Display	Diagnosis content	Reference
29	ODS Failure	<ul style="list-style-type: none"> <li>Occupant detection sensor is faulty.</li> <li>Occupant detection control module is faulty.</li> <li>Occupant detection harness is faulty.</li> <li>Fuse No. 25 (in joint box) is blown.</li> </ul>	Refer to "Occupant Detection System" for details on DTC 29. <Ref. to OD(diag)-26, DTC 29 ODS FAILURE, Diagnostic Procedure with Diagnostic Trouble Code (DTC).>
2A	ODS Calibration Error	System calibration (Rezeroing) of the occupant detection system was not ended normally.	Refer to "Occupant Detection System" for details on DTC 2A. <Ref. to OD(diag)-23, DTC 2A ODS CALIBRATION ERROR, Diagnostic Procedure with Diagnostic Trouble Code (DTC).>
2B	ODS System Wrong Parts	<ul style="list-style-type: none"> <li>Wrong airbag control module is installed.</li> <li>Wrong occupant detection system is installed.</li> <li>Occupant detection system is faulty.</li> </ul>	Refer to "Occupant Detection System" for details on DTC 2B. <Ref. to OD(diag)-23, DTC 2B ODS SYSTEM WRONG PARTS, Diagnostic Procedure with Diagnostic Trouble Code (DTC).>
2C	Belt Tension Sensor Failure	<ul style="list-style-type: none"> <li>Passenger's seat belt tension sensor is faulty.</li> <li>Occupant detection system is faulty.</li> <li>Airbag rear harness circuit is open, shorted, shorted to ground or shorted to power supply.</li> <li>Occupant detection harness is faulty.</li> </ul>	Refer to "Occupant Detection System" for details on DTC 2C. <Ref. to OD(diag)-24, DTC 2C BELT TENSION SENSOR FAILURE, Diagnostic Procedure with Diagnostic Trouble Code (DTC).>
33	Front Sub Sensor RH failure	Front sub sensor (RH) is faulty.	<Ref. to AB(diag)-61, DTC 33 FRONT SUB SENSOR RH FAILURE, Diagnostic Chart with Trouble Code.>
34	Front Sub Sensor LH failure	Front sub sensor (LH) is faulty.	<Ref. to AB(diag)-61, DTC 34 FRONT SUB SENSOR LH FAILURE, Diagnostic Chart with Trouble Code.>
37	Buckle Switch RH Failure	<ul style="list-style-type: none"> <li>Passenger's buckle switch circuit is open, shorted or shorted to ground.</li> <li>Occupant detection system is faulty.</li> <li>Occupant detection harness is faulty.</li> </ul>	Refer to "Occupant Detection System" for details on DTC 37. <Ref. to OD(diag)-27, DTC 37 BUCKLE SWITCH RH FAILURE, Diagnostic Procedure with Diagnostic Trouble Code (DTC).>
39	Seat Belt Warning Failure	<ul style="list-style-type: none"> <li>Airbag control module is faulty.</li> <li>Body integrated unit is faulty.</li> <li>Harness circuits between body integrated unit and airbag control module are open, shorted or shorted to ground.</li> </ul>	<Ref. to AB(diag)-62, DTC 39 SEAT BELT WARNING FAILURE, Diagnostic Chart with Trouble Code.>

## List of Diagnostic Trouble Code (DTC)

### AIRBAG SYSTEM (DIAGNOSTICS)

DTC	Display	Diagnosis content	Reference
41	Side Airbag RH failure	<ul style="list-style-type: none"> <li>Side airbag harness (RH) circuit is faulty.</li> <li>Side airbag module (RH) is faulty.</li> <li>Airbag control module is faulty.</li> </ul>	<Ref. to AB(diag)-64, DTC 41 SIDE AIRBAG RH FAILURE, Diagnostic Chart with Trouble Code.>
42	Side Airbag LH failure	<ul style="list-style-type: none"> <li>Side airbag harness (LH) circuit is faulty.</li> <li>Side airbag module (LH) is faulty.</li> <li>Airbag control module is faulty.</li> </ul>	<Ref. to AB(diag)-66, DTC 42 SIDE AIRBAG LH FAILURE, Diagnostic Chart with Trouble Code.>
45	Side Airbag RH failure	<ul style="list-style-type: none"> <li>Side airbag harness (RH) is shorted to power supply.</li> <li>Airbag control module is faulty.</li> </ul>	<Ref. to AB(diag)-68, DTC 45 SIDE AIRBAG RH FAILURE, Diagnostic Chart with Trouble Code.>
46	Side Airbag LH failure	<ul style="list-style-type: none"> <li>Side airbag harness (LH) is shorted to power supply.</li> <li>Airbag control module is faulty.</li> </ul>	<Ref. to AB(diag)-70, DTC 46 SIDE AIRBAG LH FAILURE, Diagnostic Chart with Trouble Code.>
53	Side Airbag Sensor RH failure	Side airbag sensor (RH) is faulty.	<Ref. to AB(diag)-72, DTC 53 SIDE AIRBAG SENSOR RH FAILURE, Diagnostic Chart with Trouble Code.>
54	Side Airbag Sensor LH failure	Side airbag sensor (LH) is faulty.	<Ref. to AB(diag)-72, DTC 54 SIDE AIRBAG SENSOR LH FAILURE, Diagnostic Chart with Trouble Code.>
55	Side/Curtain Airbag: Firing output	<ul style="list-style-type: none"> <li>Side airbag module and curtain airbag module are deployed.</li> <li>Curtain airbag module is deployed.</li> </ul>	<Ref. to AB(diag)-72, DTC 55 SIDE CURTAIN AIRBAG FIRING OUTPUT, Diagnostic Chart with Trouble Code.>
58	Curtain Airbag Sensor RH failure	Curtain airbag sensor (RH) is faulty.	<Ref. to AB(diag)-72, DTC 58 CURTAIN AIRBAG SENSOR RH FAILURE, Diagnostic Chart with Trouble Code.>
59	Curtain Airbag Sensor LH failure	Curtain airbag sensor (LH) is faulty.	<Ref. to AB(diag)-72, DTC 59 CURTAIN AIRBAG SENSOR LH FAILURE, Diagnostic Chart with Trouble Code.>
61	Belt Pretensioner RH failure	<ul style="list-style-type: none"> <li>Seat belt pretensioner (RH) circuit is open, shorted or shorted to ground.</li> <li>Airbag control module is faulty.</li> <li>Pretensioner is faulty.</li> <li>Pretensioner harness is faulty.</li> </ul>	<Ref. to AB(diag)-73, DTC 61 BELT PRETENSIONER RH FAILURE, Diagnostic Chart with Trouble Code.>
62	Belt Pretensioner LH failure	<ul style="list-style-type: none"> <li>Seat belt pretensioner (LH) circuit is open, shorted or shorted to ground.</li> <li>Airbag control module is faulty.</li> <li>Pretensioner is faulty.</li> <li>Pretensioner harness is faulty.</li> </ul>	<Ref. to AB(diag)-75, DTC 62 BELT PRETENSIONER LH FAILURE, Diagnostic Chart with Trouble Code.>

# List of Diagnostic Trouble Code (DTC)

## AIRBAG SYSTEM (DIAGNOSTICS)

DTC	Display	Diagnosis content	Reference
65	Belt Pretensioner RH failure	<ul style="list-style-type: none"> <li>• Seat belt pretensioner (RH) circuit is shorted to power supply.</li> <li>• Pretensioner is faulty.</li> <li>• Pretensioner harness is faulty.</li> <li>• Airbag control module is faulty.</li> </ul>	<Ref. to AB(diag)-77, DTC 65 BELT PRETENSIONER RH FAILURE, Diagnostic Chart with Trouble Code.>
66	Belt Pretensioner LH failure	<ul style="list-style-type: none"> <li>• Seat belt pretensioner (LH) circuit is shorted to power supply.</li> <li>• Pretensioner is faulty.</li> <li>• Pretensioner harness is faulty.</li> <li>• Airbag control module is faulty.</li> </ul>	<Ref. to AB(diag)-79, DTC 66 BELT PRETENSIONER LH FAILURE, Diagnostic Chart with Trouble Code.>
71	Driver's Airbag failure	<ul style="list-style-type: none"> <li>• Airbag main harness circuit is open, shorted or shorted to ground.</li> <li>• Airbag module harness (Driver's side) circuit is open, shorted or shorted to ground.</li> <li>• Roll connector circuit is open, shorted or shorted to ground.</li> <li>• Airbag control module is faulty.</li> <li>• Driver's airbag module is faulty.</li> </ul>	<Ref. to AB(diag)-81, DTC 71 DRIVER'S AIRBAG FAILURE, Diagnostic Chart with Trouble Code.>
72	Passenger's Airbag failure	<ul style="list-style-type: none"> <li>• Airbag main harness circuit is open, shorted or shorted to ground.</li> <li>• Airbag module harness (Passenger's side) circuit is open, shorted or shorted to ground.</li> <li>• Airbag control module is faulty.</li> <li>• Passenger's airbag module is faulty.</li> </ul>	<Ref. to AB(diag)-84, DTC 72 PASSENGER'S AIRBAG FAILURE, Diagnostic Chart with Trouble Code.>
75	Driver's Airbag failure	<ul style="list-style-type: none"> <li>• Airbag main harness circuit (Driver's side) is shorted to power supply.</li> <li>• Airbag module harness circuit (Driver's side) is shorted to power supply.</li> <li>• Roll connector is shorted to power supply.</li> <li>• Airbag control module is faulty.</li> <li>• Driver's airbag module is faulty.</li> </ul>	<Ref. to AB(diag)-86, DTC 75 DRIVER'S AIRBAG FAILURE, Diagnostic Chart with Trouble Code.>
76	Passenger's Airbag failure	<ul style="list-style-type: none"> <li>• Airbag main harness circuit (Passenger's side) is shorted to power supply.</li> <li>• Airbag module harness circuit (Passenger's side) is shorted to power supply.</li> <li>• Airbag control module is faulty.</li> <li>• Passenger's airbag module is faulty.</li> </ul>	<Ref. to AB(diag)-89, DTC 76 PASSENGER'S AIRBAG FAILURE, Diagnostic Chart with Trouble Code.>
91	Curtain Airbag Module RH Failure	<ul style="list-style-type: none"> <li>• Curtain airbag harness (RH) circuit is faulty.</li> <li>• Curtain airbag module (RH) is faulty.</li> <li>• Airbag control module is faulty.</li> </ul>	<Ref. to AB(diag)-91, DTC 91 CURTAIN AIRBAG MODULE RH FAILURE, Diagnostic Chart with Trouble Code.>
92	Curtain Airbag Module LH Failure	<ul style="list-style-type: none"> <li>• Curtain airbag harness (LH) circuit is faulty.</li> <li>• Curtain airbag module (LH) is faulty.</li> <li>• Airbag control module is faulty.</li> </ul>	<Ref. to AB(diag)-93, DTC 92 CURTAIN AIRBAG MODULE LH FAILURE, Diagnostic Chart with Trouble Code.>
95	Curtain Airbag Module RH Failure	<ul style="list-style-type: none"> <li>• Curtain airbag harness (RH) is shorted to power supply.</li> <li>• Curtain airbag module (RH) is faulty.</li> <li>• Airbag control module is faulty.</li> </ul>	<Ref. to AB(diag)-95, DTC 95 CURTAIN AIRBAG MODULE RH FAILURE, Diagnostic Chart with Trouble Code.>
96	Curtain Airbag Module LH Failure	<ul style="list-style-type: none"> <li>• Curtain airbag harness (LH) is shorted to power supply.</li> <li>• Curtain airbag module (LH) is faulty.</li> <li>• Airbag control module is faulty.</li> </ul>	<Ref. to AB(diag)-97, DTC 96 CURTAIN AIRBAG MODULE LH FAILURE, Diagnostic Chart with Trouble Code.>

## List of Diagnostic Trouble Code (DTC)

### AIRBAG SYSTEM (DIAGNOSTICS)

DTC	Display	Diagnosis content	Reference
E2 E3 E4	Front Sensor Bus RH Communication error	<ul style="list-style-type: none"> <li>• Open or short circuit in harness (RH) between airbag control module and front sub sensor.</li> <li>• Front sub sensor (RH) is faulty.</li> <li>• Airbag control module is faulty.</li> </ul>	<p>&lt;Ref. to AB(diag)-99, DTC E2 FRONT SENSOR BUS RH COMMUNICATION ERROR, Diagnostic Chart with Trouble Code.&gt; &lt;Ref. to AB(diag)-99, DTC E3 FRONT SENSOR BUS RH COMMUNICATION ERROR, Diagnostic Chart with Trouble Code.&gt; &lt;Ref. to AB(diag)-100, DTC E4 FRONT SENSOR BUS RH COMMUNICATION ERROR, Diagnostic Chart with Trouble Code.&gt;</p>
E6 E7 E8	Front Sensor Bus LH Communication error	<ul style="list-style-type: none"> <li>• Open or short circuit in harness (LH) between airbag control module and front sub sensor.</li> <li>• Front sub sensor (LH) is faulty.</li> <li>• Airbag control module is faulty.</li> </ul>	<p>&lt;Ref. to AB(diag)-102, DTC E6 FRONT SENSOR BUS LH COMMUNICATION ERROR, Diagnostic Chart with Trouble Code.&gt; &lt;Ref. to AB(diag)-102, DTC E7 FRONT SENSOR BUS LH COMMUNICATION ERROR, Diagnostic Chart with Trouble Code.&gt; &lt;Ref. to AB(diag)-103, DTC E8 FRONT SENSOR BUS LH COMMUNICATION ERROR, Diagnostic Chart with Trouble Code.&gt;</p>
E9 EA EB EC	Side Sensor Bus RH Communication error	<ul style="list-style-type: none"> <li>• Open or short circuit in harness (RH) between airbag control module and side sensor.</li> <li>• Side airbag sensor (RH) or curtain airbag sensor (RH) is faulty.</li> <li>• Airbag control module is faulty.</li> </ul>	<p>&lt;Ref. to AB(diag)-105, DTC E9 SIDE SENSOR BUS RH COMMUNICATION ERROR, Diagnostic Chart with Trouble Code.&gt; &lt;Ref. to AB(diag)-105, DTC EA SIDE SENSOR BUS RH COMMUNICATION ERROR, Diagnostic Chart with Trouble Code.&gt; &lt;Ref. to AB(diag)-105, DTC EB SIDE SENSOR BUS RH COMMUNICATION ERROR, Diagnostic Chart with Trouble Code.&gt; &lt;Ref. to AB(diag)-106, DTC EC SIDE SENSOR BUS RH COMMUNICATION ERROR, Diagnostic Chart with Trouble Code.&gt;</p>

# List of Diagnostic Trouble Code (DTC)

AIRBAG SYSTEM (DIAGNOSTICS)

DTC	Display	Diagnosis content	Reference
ED EE	Side Sensor Bus RH Communication error	<ul style="list-style-type: none"> <li>• Open or short circuit in harness (RH) between airbag control module and side sensor.</li> <li>• Side airbag sensor (RH) or curtain airbag sensor (RH) is faulty.</li> <li>• Airbag control module is faulty.</li> </ul>	<Ref. to AB(diag)-109, DTC ED SIDE SENSOR BUS RH COMMUNICATION ERROR, Diagnostic Chart with Trouble Code.> <Ref. to AB(diag)-110, DTC EE SIDE SENSOR BUS RH COMMUNICATION ERROR, Diagnostic Chart with Trouble Code.>
F1 F2 F3 F4	Side Sensor Bus LH Communication error	<ul style="list-style-type: none"> <li>• Open or short circuit in harness (LH) between airbag control module and side sensor.</li> <li>• Side airbag sensor (LH) or curtain airbag sensor (LH) is faulty.</li> <li>• Airbag control module is faulty.</li> </ul>	<Ref. to AB(diag)-113, DTC F1 SIDE SENSOR BUS LH COMMUNICATION ERROR, Diagnostic Chart with Trouble Code.> <Ref. to AB(diag)-113, DTC F2 SIDE SENSOR BUS LH COMMUNICATION ERROR, Diagnostic Chart with Trouble Code.> <Ref. to AB(diag)-113, DTC F3 SIDE SENSOR BUS LH COMMUNICATION ERROR, Diagnostic Chart with Trouble Code.> <Ref. to AB(diag)-114, DTC F4 SIDE SENSOR BUS LH COMMUNICATION ERROR, Diagnostic Chart with Trouble Code.>
F5 F6	Side Sensor Bus LH Communication error	<ul style="list-style-type: none"> <li>• Open or short circuit in harness (LH) between airbag control module and side sensor.</li> <li>• Side airbag sensor (LH) or curtain airbag sensor (LH) is faulty.</li> <li>• Airbag control module is faulty.</li> </ul>	<Ref. to AB(diag)-116, DTC F5 SIDE SENSOR BUS LH COMMUNICATION ERROR, Diagnostic Chart with Trouble Code.> <Ref. to AB(diag)-117, DTC F6 SIDE SENSOR BUS LH COMMUNICATION ERROR, Diagnostic Chart with Trouble Code.>

## List of Diagnostic Trouble Code (DTC)

### AIRBAG SYSTEM (DIAGNOSTICS)

DTC	Display	Diagnosis content	Reference
F8 F9 FA	Satellite Sensor Bus Communication error	<ul style="list-style-type: none"> <li>• Open or short circuit in harness between airbag control module and satellite safing sensor.</li> <li>• Satellite safing sensor is faulty.</li> <li>• Airbag control module is faulty.</li> </ul>	<Ref. to AB(diag)-120, DTC F8 SATELLITE SENSOR BUS COMMUNICATION ERROR, Diagnostic Chart with Trouble Code.> <Ref. to AB(diag)-120, DTC F9 SATELLITE SENSOR BUS COMMUNICATION ERROR, Diagnostic Chart with Trouble Code.> <Ref. to AB(diag)-121, DTC FA SATELLITE SENSOR BUS COMMUNICATION ERROR, Diagnostic Chart with Trouble Code.>
3A	Front Sub Sensor RH false installation	<ul style="list-style-type: none"> <li>• Front sensor (RH) is misinstalled.</li> <li>• Airbag control module is faulty.</li> </ul>	<Ref. to AB(diag)-123, DTC 3A FRONT SUB SENSOR RH FALSE INSTALLATION, Diagnostic Chart with Trouble Code.>
3B	Front Sub Sensor LH false installation	<ul style="list-style-type: none"> <li>• Front sensor (LH) is misinstalled.</li> <li>• Airbag control module is faulty.</li> </ul>	<Ref. to AB(diag)-123, DTC 3B FRONT SUB SENSOR LH FALSE INSTALLATION, Diagnostic Chart with Trouble Code.>
3C	Satellite Sensor Bus failure	Satellite safing sensor is faulty.	<Ref. to AB(diag)-123, DTC 3C SATELLITE SENSOR BUS FAILURE, Diagnostic Chart with Trouble Code.>
3D	Satellite Sensor false installation	<ul style="list-style-type: none"> <li>• Satellite safing sensor is misinstalled.</li> <li>• Airbag control module is faulty.</li> </ul>	<Ref. to AB(diag)-123, DTC 3D SATELLITE SENSOR FALSE INSTALLATION, Diagnostic Chart with Trouble Code.>
5A	Side Airbag Sensor RH false installation	<ul style="list-style-type: none"> <li>• Side A/B sensor is misinstalled.</li> <li>• Airbag control module is faulty.</li> </ul>	<Ref. to AB(diag)-124, DTC 5A SIDE AIRBAG SENSOR RH FALSE INSTALLATION, Diagnostic Chart with Trouble Code.>
5B	Side Airbag Sensor LH false installation	<ul style="list-style-type: none"> <li>• Side A/B sensor is misinstalled.</li> <li>• Airbag control module is faulty.</li> </ul>	<Ref. to AB(diag)-124, DTC 5B SIDE AIRBAG SENSOR LH FALSE INSTALLATION, Diagnostic Chart with Trouble Code.>
5C	Curtain Airbag Sensor RH false installation	<ul style="list-style-type: none"> <li>• Curtain A/B sensor is misinstalled.</li> <li>• Airbag control module is faulty.</li> </ul>	<Ref. to AB(diag)-124, DTC 5C CURTAIN AIRBAG SENSOR RH FALSE INSTALLATION, Diagnostic Chart with Trouble Code.>

# List of Diagnostic Trouble Code (DTC)

AIRBAG SYSTEM (DIAGNOSTICS)

DTC	Display	Diagnosis content	Reference
5D	Curtain Airbag Sensor LH false installation	<ul style="list-style-type: none"><li>• Curtain A/B sensor is misinstalled.</li><li>• Airbag control module is faulty.</li></ul>	<Ref. to AB(diag)-124, DTC 5D CURTAIN AIRBAG SENSOR LH FALSE INSTALLATION, Diagnostic Chart with Trouble Code.>



# Diagnostic Chart with Trouble Code

## AIRBAG SYSTEM (DIAGNOSTICS)

### 14. Diagnostic Chart with Trouble Code

#### A: DTC 11 DRIVER'S AIRBAG FAILURE

##### DTC DETECTING CONDITION:

- Airbag main harness circuit is open, shorted or shorted to ground.
- Airbag module harness (Driver's side) circuit is open, shorted or shorted to ground.
- Roll connector circuit is open, shorted or shorted to ground.
- Driver's airbag module is faulty.
- Airbag control module is faulty.

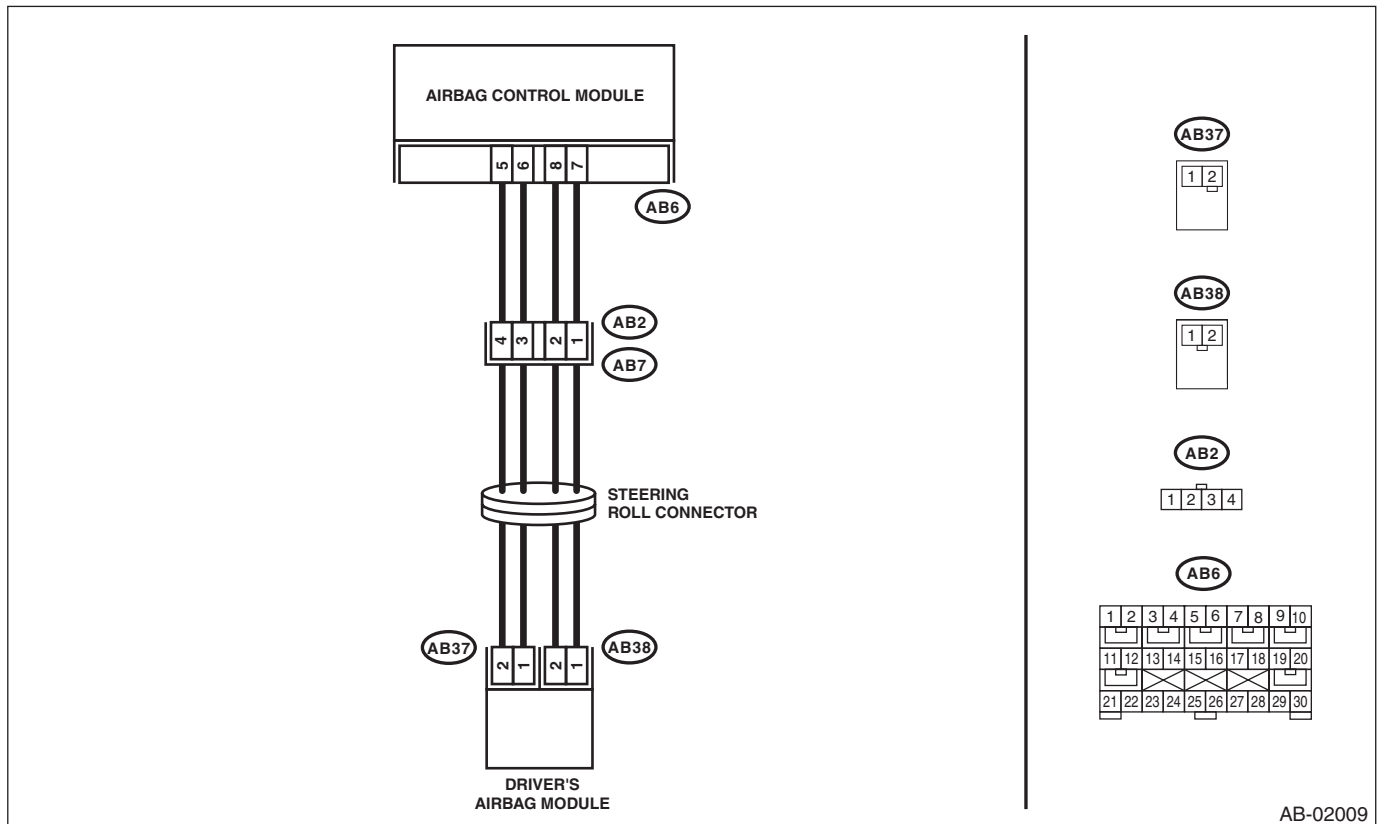
##### CAUTION:

- Before diagnosing the airbag system, be sure to turn the ignition switch to OFF, disconnect the ground terminal from battery, and wait 20 seconds or more before starting to work.
- When replacing the airbag module, seat belt pretensioner, roll connector, control module and sensor, reconnect each part and check that the warning light operates properly.
- When inspecting the airbag main harness, disconnect the airbag module connectors of the driver's and passenger's seats for safety.
- When inspecting the airbag rear harness, disconnect the side airbag module connector, curtain airbag module connector and seat belt pretensioner connector for safety reasons.

##### NOTE:

Prior to starting work, prepare two airbag resistors (98299PA040).

##### WIRING DIAGRAM:



AB-02009

# Diagnostic Chart with Trouble Code

AIRBAG SYSTEM (DIAGNOSTICS)

Step	Check	Yes	No
<p><b>1 CHECK POOR CONTACT OF CONNECTORS.</b> Check for poor contact of the connectors between the airbag control module and the driver's airbag module.</p>	Is there poor contact?	Replace the airbag harness.	Go to step 2.
<p><b>2 CHECK DRIVER'S AIRBAG MODULE.</b> 1) Turn the ignition switch to OFF, disconnect the ground cable from battery, and wait for 20 seconds or more. 2) Remove the driver's airbag module. 3) Connect the connector (1N) in the test harness N to the connector (AB38). 4) Connect the airbag resistor to the connector (2N) of test harness N. 5) Connect the connector (1Q) in the test harness Q to connector (AB37). 6) Connect the airbag resistor to the connector (2Q) in the test harness Q. 7) Connect the battery ground terminal and turn the ignition switch to ON.</p>	Does the airbag warning light illuminate for 6 seconds and go off?	Replace the driver's airbag module. <Ref. to AB-15, Driver's Airbag Module.>	Go to step 3.
<p><b>3 CHECK ROLL CONNECTOR.</b> 1) Turn the ignition switch to OFF, disconnect the ground cable from battery, and wait for 20 seconds or more. 2) Disconnect the test harness N from connector (AB38). 3) Disconnect the test harness Q from connector (AB37). 4) Remove the instrument panel lower cover and disconnect the connector (AB7) from (AB2). 5) Connect the connector (1P) in the test harness P to connector (AB2). 6) Connect the airbag resistor to the connectors (2P) and (3P) of test harness P. 7) Connect the battery ground terminal and turn the ignition switch to ON.</p>	Does the airbag warning light illuminate for 6 seconds and go off?	Replace the roll connector. <Ref. to AB-26, Roll Connector.>	Go to step 4.
<p><b>4 CHECK AIRBAG MAIN HARNESS (DRIVER'S AIRBAG HARNESS).</b> 1) Turn the ignition switch to OFF, disconnect the ground cable from battery, and wait for 20 seconds or more. 2) Disconnect the airbag resistor from the connectors (2P) and (3P) of test harness P. 3) Remove the console front panel and disconnect the connectors (AB10) and (AB9). 4) Disconnect the connectors (AB6, AB17, AB18) from the airbag control module, and connect the test harness AG connector (1AG). 5) Measure the resistance between connector (3AG) in the test harness AG and connectors (2P) and (3P) in the test harness P. <b>Connector &amp; terminal</b> <b>(3AG) No. 1 — (2P) No. 1:</b> <b>(3AG) No. 3 — (2P) No. 2:</b></p>	Is the resistance less than 10 Ω?	Go to step 5.	Replace the airbag main harness along with body harness.

# Diagnostic Chart with Trouble Code

## AIRBAG SYSTEM (DIAGNOSTICS)

Step	Check	Yes	No
<b>5 CHECK AIRBAG MAIN HARNESS (DRIVER'S AIRBAG HARNESS).</b> Measure the resistance between connector (3AG) terminals in the test harness AG. <b>Connector &amp; terminal</b> <i>(3AG) No. 1 — (3AG) No. 3:</i> <i>(3AG) No. 3 — Chassis ground:</i> <i>(3AG) No. 1 — Chassis ground:</i> <i>(3AG) No. 2 — (3AG) No. 4:</i> <i>(3AG) No. 2 — Chassis ground:</i> <i>(3AG) No. 4 — Chassis ground:</i> <i>(3AG) No. 1 — (3AG) No. 2:</i> <i>(3AG) No. 1 — (3AG) No. 4:</i> <i>(3AG) No. 2 — (3AG) No. 3:</i> <i>(3AG) No. 3 — (3AG) No. 4:</i>	Is the resistance 1 M $\Omega$ or more?	Go to step 6.	Replace the airbag main harness along with body harness.
<b>6 CHECK AIRBAG CONTROL MODULE.</b> 1) Connect all connectors. 2) Clear the memory. 3) Perform the Inspection Mode. 4) Read the DTC.	Is the same DTC displayed?	Replace the airbag control module. <Ref. to AB-21, Airbag Control Module.>	Go to step 7.
<b>7 CHECK FOR ANY OTHER DTC ON DISPLAY.</b>	Is any other DTC displayed?	Check DTC using "List of Diagnostic Trouble Code (DTC)". <Ref. to AB(diag)-38, List of Diagnostic Trouble Code (DTC).>	Finish the diagnosis.

# Diagnostic Chart with Trouble Code

AIRBAG SYSTEM (DIAGNOSTICS)

## B: DTC 12 PASSENGER'S AIRBAG FAILURE

### DTC DETECTING CONDITION:

- Airbag main harness circuit is open, shorted or shorted to ground.
- Airbag module harness (Passenger's side) circuit is open, shorted or shorted to ground.
- Passenger's airbag module is faulty.
- Airbag control module is faulty.

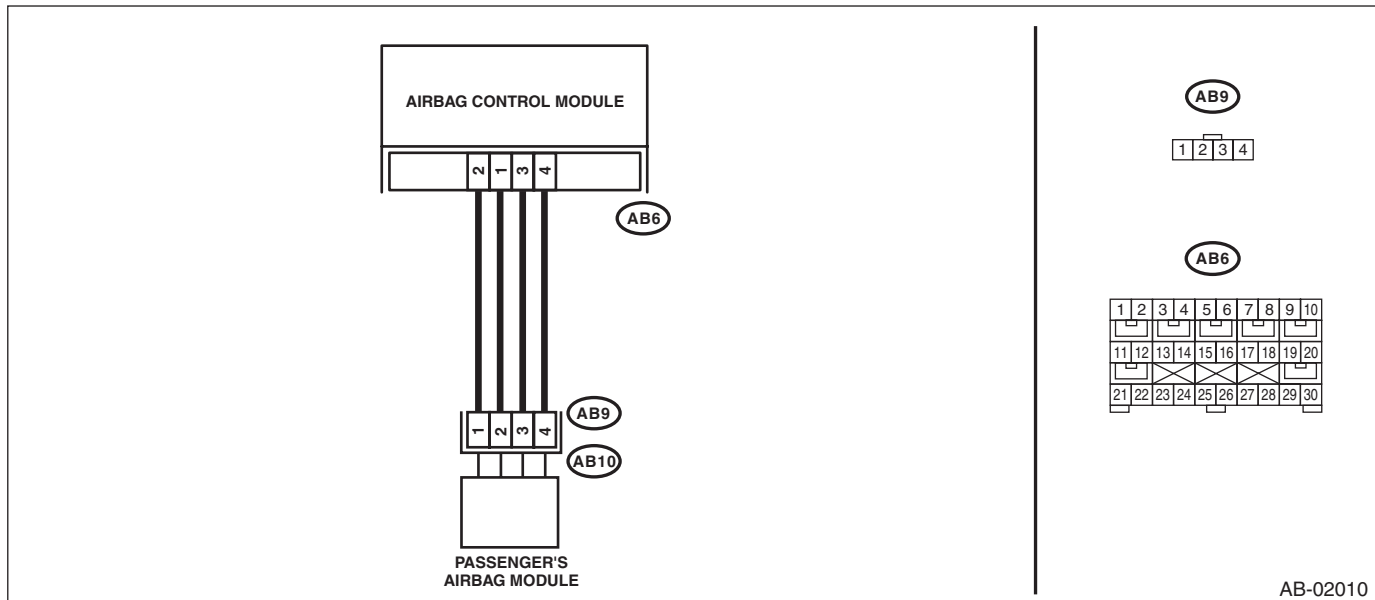
### CAUTION:

- Before diagnosing the airbag system, be sure to turn the ignition switch to OFF, disconnect the ground terminal from battery, and wait 20 seconds or more before starting to work.
- When replacing the airbag module, seat belt pretensioner, roll connector, control module and sensor, reconnect each part and check that the warning light operates properly.
- When inspecting the airbag main harness, disconnect the airbag module connectors of the driver's and passenger's seats for safety.
- When inspecting the airbag rear harness, disconnect the side airbag module connector, curtain airbag module connector and seat belt pretensioner connector for safety reasons.

### NOTE:

Prior to starting work, prepare two airbag resistors (98299PA040).

### WIRING DIAGRAM:



Step	Check	Yes	No
<b>1 CHECK POOR CONTACT OF CONNECTORS.</b> Check for poor contact of the connectors between the airbag control module and the passenger's airbag module.	Is there poor contact?	Replace the airbag harness.	Go to step 2.
<b>2 CHECK PASSENGER'S AIRBAG MODULE.</b> 1) Turn the ignition switch to OFF, disconnect the ground cable from battery, and wait for 20 seconds or more. 2) Remove the console front panel and disconnect the connectors (AB10) from (AB9). 3) Connect the connector (1P) in the test harness P to connector (AB9). 4) Connect the airbag resistor to the connectors (2P) and (3P) of test harness P. 5) Connect the battery ground terminal and turn the ignition switch to ON.	Does the airbag warning light illuminate for 6 seconds and go off?	Replace the passenger's airbag module. <Ref. to AB-16, Passenger's Airbag Module.>	Go to step 3.

## Diagnostic Chart with Trouble Code

### AIRBAG SYSTEM (DIAGNOSTICS)

Step	Check	Yes	No
<b>3 CHECK AIRBAG MAIN HARNESS (PASSENGER'S AIRBAG HARNESS).</b> 1) Turn the ignition switch to OFF, disconnect the ground cable from battery, and wait for 20 seconds or more. 2) Disconnect the airbag resistor from the connectors (2P) and (3P) of test harness P. 3) Remove the instrument panel lower cover and disconnect the connector (AB7) from (AB2). 4) Disconnect the connectors (AB6, AB17, AB18) from the airbag control module, and connect the test harness AG connector (1AG). 5) Measure the resistance between connector (3AG) in the test harness AG and connectors (2P) and (3P) in the test harness P. <b>Connector &amp; terminal</b> <i>(3AG) No. 9 — (2P) No. 1:</i> <i>(3AG) No. 7 — (2P) No. 2:</i>	Is the resistance less than 10 Ω?	Go to step 4.	Replace the airbag main harness along with body harness.
<b>4 CHECK AIRBAG MAIN HARNESS (PASSENGER'S AIRBAG HARNESS).</b> Measure the resistance between connectors (3AG) in the test harness AG, and between connector (3AG) and chassis ground. <b>Connector &amp; terminal</b> <i>(3AG) No. 9 — (3AG) No. 7:</i> <i>(3AG) No. 9 — Chassis ground:</i> <i>(3AG) No. 7 — Chassis ground:</i> <i>(3AG) No. 8 — (3AG) No. 6:</i> <i>(3AG) No. 8 — Chassis ground:</i> <i>(3AG) No. 6 — Chassis ground:</i> <i>(3AG) No. 7 — (3AG) No. 6:</i> <i>(3AG) No. 6 — (3AG) No. 9:</i> <i>(3AG) No. 7 — (3AG) No. 8:</i> <i>(3AG) No. 8 — (3AG) No. 9:</i>	Is the resistance 1 MΩ or more?	Go to step 5.	Replace the airbag main harness along with body harness.
<b>5 CHECK AIRBAG CONTROL MODULE.</b> 1) Connect all connectors. 2) Clear the memory. 3) Perform the Inspection Mode. 4) Read the DTC.	Is the same DTC displayed?	Replace the airbag control module. <Ref. to AB-21, Airbag Control Module.>	Go to step 6.
<b>6 CHECK FOR ANY OTHER DTC ON DISPLAY.</b>	Is any other DTC displayed?	Check DTC using "List of Diagnostic Trouble Code (DTC)". <Ref. to AB(diag)-38, List of Diagnostic Trouble Code (DTC).>	Finish the diagnosis.

# Diagnostic Chart with Trouble Code

## C: DTC 15 DRIVER'S AIRBAG FAILURE

### DTC DETECTING CONDITION:

- Airbag main harness circuit (Driver's side) is shorted to power supply.
- Airbag module harness circuit (Driver's side) is shorted to power supply.
- Roll connector is shorted to power supply.
- Driver's airbag module is faulty.
- Airbag control module is faulty.

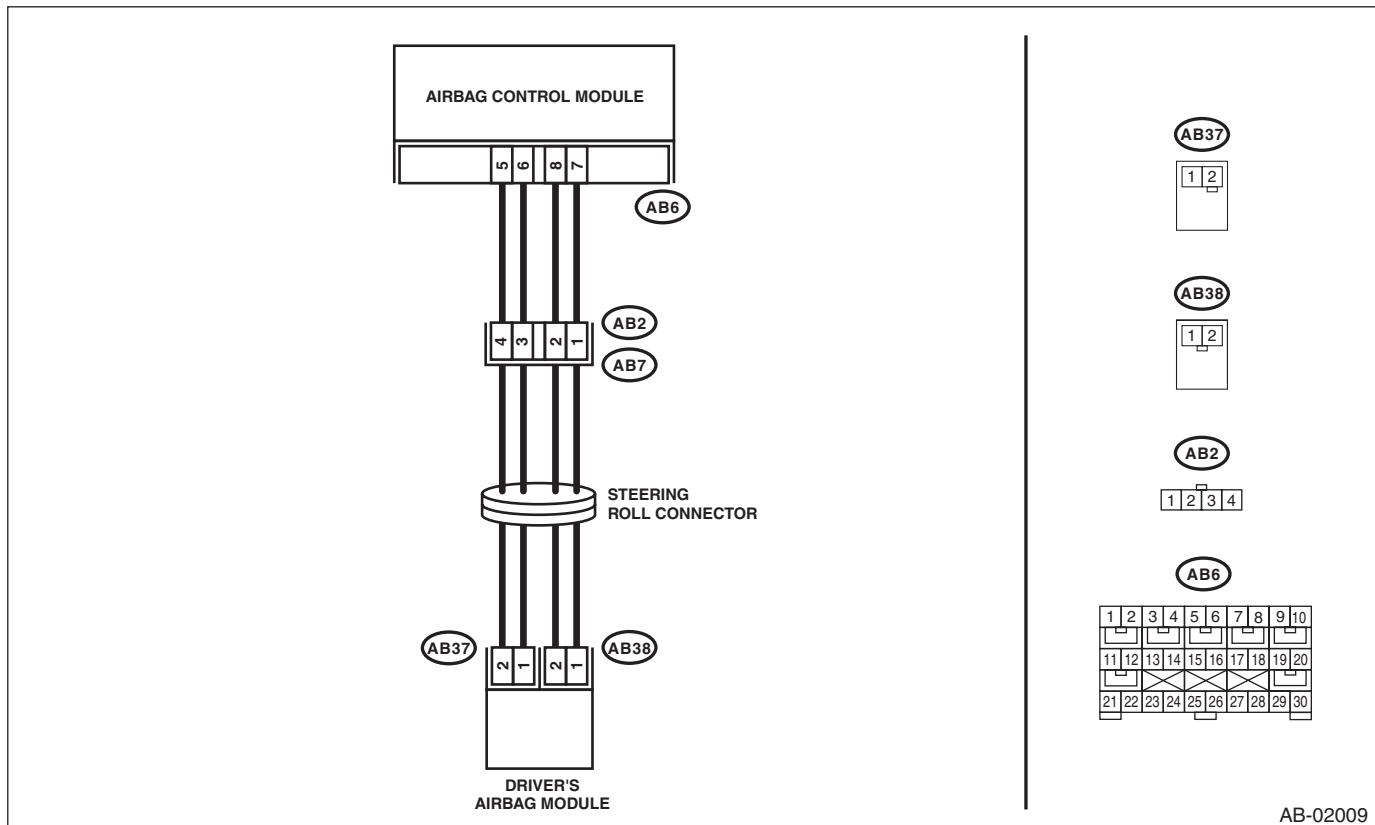
### CAUTION:

- Before diagnosing the airbag system, be sure to turn the ignition switch to OFF, disconnect the ground terminal from battery, and wait 20 seconds or more before starting to work.
- When replacing the airbag module, seat belt pretensioner, roll connector, control module and sensor, reconnect each part and check that the warning light operates properly.
- When inspecting the airbag main harness, disconnect the airbag module connectors of the driver's and passenger's seats for safety.
- When inspecting the airbag rear harness, disconnect the side airbag module connector, curtain airbag module connector and seat belt pretensioner connector for safety reasons.

### NOTE:

Prior to starting work, prepare two airbag resistors (98299PA040).

### WIRING DIAGRAM:



AB-02009

# Diagnostic Chart with Trouble Code

## AIRBAG SYSTEM (DIAGNOSTICS)

Step	Check	Yes	No
<b>1 CHECK POOR CONTACT OF CONNECTORS.</b> Check for poor contact of the connectors between the airbag control module and the driver's airbag module.	Is there poor contact?	Replace the airbag harness.	Go to step 2.
<b>2 CHECK DRIVER'S AIRBAG MODULE.</b> 1) Turn the ignition switch to OFF, disconnect the ground cable from battery, and wait for 20 seconds or more. 2) Remove the driver's airbag module. 3) Connect the connector (AB38) to the connector (1N) in the test harness N. 4) Connect the airbag resistor to the connector (2N) of test harness N. 5) Connect the connector (1Q) in the test harness Q to connector (AB37). 6) Connect the airbag resistor to the connector (2Q) in the test harness Q. 7) Connect the battery ground terminal and turn the ignition switch to ON.	Does the airbag warning light illuminate for 6 seconds and go off?	Replace the driver's airbag module. <Ref. to AB-15, Driver's Airbag Module.>	Go to step 3.
<b>3 CHECK ROLL CONNECTOR.</b> 1) Turn the ignition switch to OFF, disconnect the ground cable from battery, and wait for 20 seconds or more. 2) Disconnect the test harness N from connector (AB38). 3) Disconnect the test harness Q from connector (AB37). 4) Remove the instrument panel lower cover and disconnect the connector (AB7) from (AB2). 5) Connect the connector (1P) in the test harness P to connector (AB2). 6) Connect the airbag resistor to the connectors (2P) and (3P) of test harness P. 7) Connect the battery ground terminal and turn the ignition switch to ON.	Does the airbag warning light illuminate for 6 seconds and go off?	Replace the roll connector. <Ref. to AB-26, Roll Connector.>	Go to step 4.
<b>4 CHECK AIRBAG MAIN HARNESS (DRIVER'S AIRBAG HARNESS).</b> 1) Turn the ignition switch to OFF, disconnect the ground cable from battery, and wait for 20 seconds or more. 2) Disconnect the airbag resistor from the connectors (2P) and (3P) of test harness P. 3) Remove the console front panel and disconnect the connectors (AB10) and (AB9). 4) Disconnect the connectors (AB6, AB17, AB18) from the airbag control module, and connect the test harness AG connector (1AG). 5) Connect the battery ground terminal and turn the ignition switch to ON. (engine OFF) 6) Measure the voltage between connector (3AG) in the test harness AG and chassis ground.  <b>Connector &amp; terminal</b> <b>(3AG) No. 3 (+) — Chassis ground (-):</b> <b>(3AG) No. 1 (+) — Chassis ground (-):</b>	Is the voltage less than 1 V?	Go to step 5.	Replace the airbag main harness along with body harness.

# Diagnostic Chart with Trouble Code

AIRBAG SYSTEM (DIAGNOSTICS)

Step	Check	Yes	No
<b>5</b> <b>CHECK AIRBAG CONTROL MODULE.</b> 1) Connect all connectors. 2) Clear the memory. 3) Perform the Inspection Mode. 4) Read the DTC.	Is the same DTC displayed?	Replace the airbag control module. <Ref. to AB-21, Airbag Control Module.>	Go to step <b>6</b> .
<b>6</b> <b>CHECK FOR ANY OTHER DTC ON DISPLAY.</b>	Is any other DTC displayed?	Check DTC using "List of Diagnostic Trouble Code (DTC)". <Ref. to AB(diag)-38, List of Diagnostic Trouble Code (DTC).>	Finish the diagnosis.



# Diagnostic Chart with Trouble Code

## AIRBAG SYSTEM (DIAGNOSTICS)

### D: DTC 16 PASSENGER'S AIRBAG FAILURE

#### DTC DETECTING CONDITION:

- Airbag main harness circuit (Passenger's side) is shorted to power supply.
- Airbag module harness circuit (Passenger's side) is shorted to power supply.
- Passenger's airbag module is faulty.
- Airbag control module is faulty.

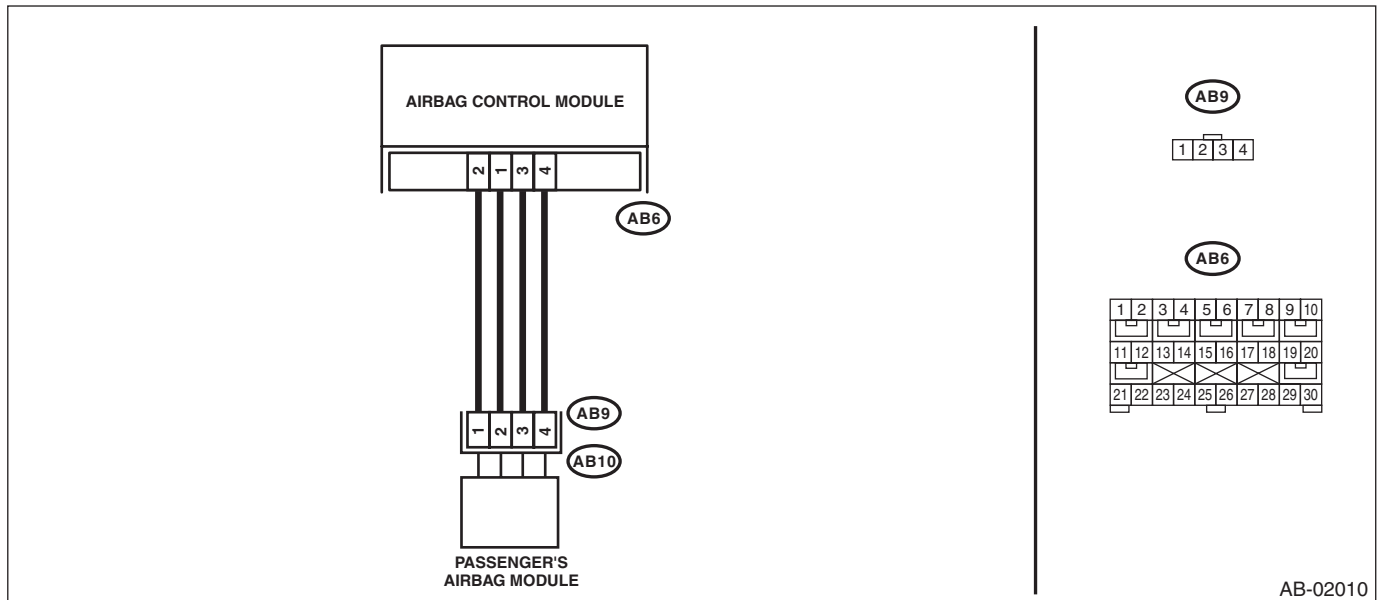
#### CAUTION:

- Before diagnosing the airbag system, be sure to turn the ignition switch to OFF, disconnect the ground terminal from battery, and wait 20 seconds or more before starting to work.
- When replacing the airbag module, seat belt pretensioner, roll connector, control module and sensor, reconnect each part and check that the warning light operates properly.
- When inspecting the airbag main harness, disconnect the airbag module connectors of the driver's and passenger's seats for safety.
- When inspecting the airbag rear harness, disconnect the side airbag module connector, curtain airbag module connector and seat belt pretensioner connector for safety reasons.

#### NOTE:

Prior to starting work, prepare two airbag resistors (98299PA040).

#### WIRING DIAGRAM:



# Diagnostic Chart with Trouble Code

AIRBAG SYSTEM (DIAGNOSTICS)

Step	Check	Yes	No
<b>1 CHECK POOR CONTACT OF CONNECTORS.</b> Check for poor contact of the connectors between the airbag control module and the passenger's airbag module.	Is there poor contact?	Replace the airbag harness along with chassis harness.	Go to step 2.
<b>2 CHECK PASSENGER'S AIRBAG MODULE.</b> 1) Turn the ignition switch to OFF, disconnect the ground cable from battery, and wait for 20 seconds or more. 2) Remove the console front panel and disconnect the connectors (AB10) from (AB9). 3) Connect the connector (1P) in the test harness P to connector (AB9). 4) Connect the airbag resistor to the connectors (2P) and (3P) of test harness P. 5) Connect the battery ground terminal and turn the ignition switch to ON.	Does the airbag warning light illuminate for 6 seconds and go off?	Replace the passenger's airbag module. <Ref. to AB-16, Passenger's Airbag Module.>	Go to step 3.
<b>3 CHECK AIRBAG MAIN HARNESS (PASSENGER'S AIRBAG HARNESS).</b> 1) Turn the ignition switch to OFF, disconnect the ground cable from battery, and wait for 20 seconds or more. 2) Disconnect the airbag resistor from the connectors (2P) and (3P) of test harness P. 3) Remove the instrument panel lower cover and disconnect the connector (AB7) from (AB2). 4) Disconnect the connectors (AB6, AB17, AB18) from the airbag control module, and connect the test harness AG connector (1AG). 5) Connect the battery ground terminal and turn the ignition switch to ON. (engine OFF) 6) Measure the voltage between connector (3AG) in the test harness AG and chassis ground.  <i>Connector &amp; terminal</i> <i>(3AG) No. 9 (+) — Chassis ground (-):</i> <i>(3AG) No. 7 (+) — Chassis ground (-):</i>	Is the voltage less than 1 V?	Go to step 4.	Replace the airbag main harness along with body harness.
<b>4 CHECK AIRBAG CONTROL MODULE.</b> 1) Connect all connectors. 2) Clear the memory. 3) Perform the Inspection Mode. 4) Read the DTC.	Is the same DTC displayed?	Replace the airbag control module. <Ref. to AB-21, Airbag Control Module.>	Go to step 5.
<b>5 CHECK FOR ANY OTHER DTC ON DISPLAY.</b>	Is any other DTC displayed?	Check DTC using "List of Diagnostic Trouble Code (DTC)". <Ref. to AB(diag)-38, List of Diagnostic Trouble Code (DTC).>	Finish the diagnosis.

# Diagnostic Chart with Trouble Code

AIRBAG SYSTEM (DIAGNOSTICS)

---

## E: DTC 21 AIRBAG ECM FAILURE

### DTC DETECTING CONDITION:

Airbag control module is faulty.

### CAUTION:

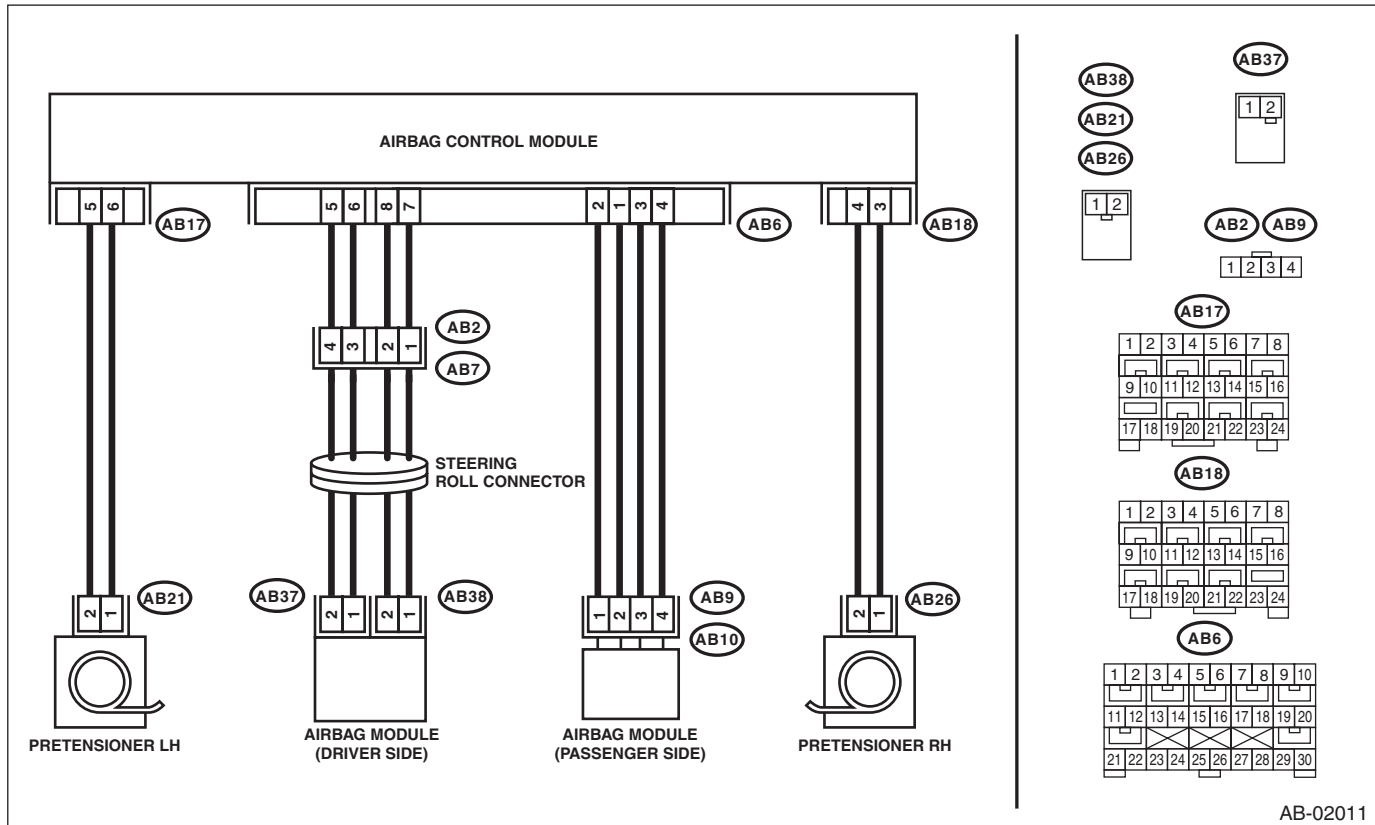
- Before diagnosing the airbag system, be sure to turn the ignition switch to OFF, disconnect the ground terminal from battery, and wait 20 seconds or more before starting to work.
- When replacing the airbag module, seat belt pretensioner, roll connector, control module and sensor, reconnect each part and check that the warning light operates properly.

	Step	Check	Yes	No
1	<b>CHECK IF DTC 21 IS INDICATED.</b> Read the DTC. <Ref. to AB(diag)-24, READ DIAGNOSTIC TROUBLE CODE (DTC), OPERATION, Subaru Select Monitor.>	Does the Subaru Select Monitor display DTC21?	Replace the airbag control module. <Ref. to AB-21, Airbag Control Module.>	Perform the Clear Memory Mode. <Ref. to AB(diag)-25, CLEAR MEMORY MODE, OPERATION, Subaru Select Monitor.>

# Diagnostic Chart with Trouble Code

## F: DTC 22 FRONT AIRBAG FIRING OUTPUT

### WIRING DIAGRAM:



This DTC is indicated when the front airbag module and the pretensioner are deployed.

Once this DTC is displayed, the memory cannot be cleared. Therefore replace the following parts.

- Airbag control module <Ref. to AB-21, Airbag Control Module.>
- Driver's airbag module <Ref. to AB-15, Driver's Airbag Module.>
- Passenger's airbag module <Ref. to AB-16, Passenger's Airbag Module.>
- Front sub sensor of both sides. <Ref. to AB-22, Front Sub Sensor.>
- Front outer seat belt with pretensioner of both sides. <Ref. to SB-17, Front Seat Belt.>
- Steering roll connector <Ref. to AB-26, Roll Connector.>
- Occupant detection system (passenger's seat cushion & frame assembly) <Ref. to SE-6, Front Seat.>

# Diagnostic Chart with Trouble Code

## AIRBAG SYSTEM (DIAGNOSTICS)

### G: DTC 26 PASSENGER'S AIRBAG INDICATOR FAILURE

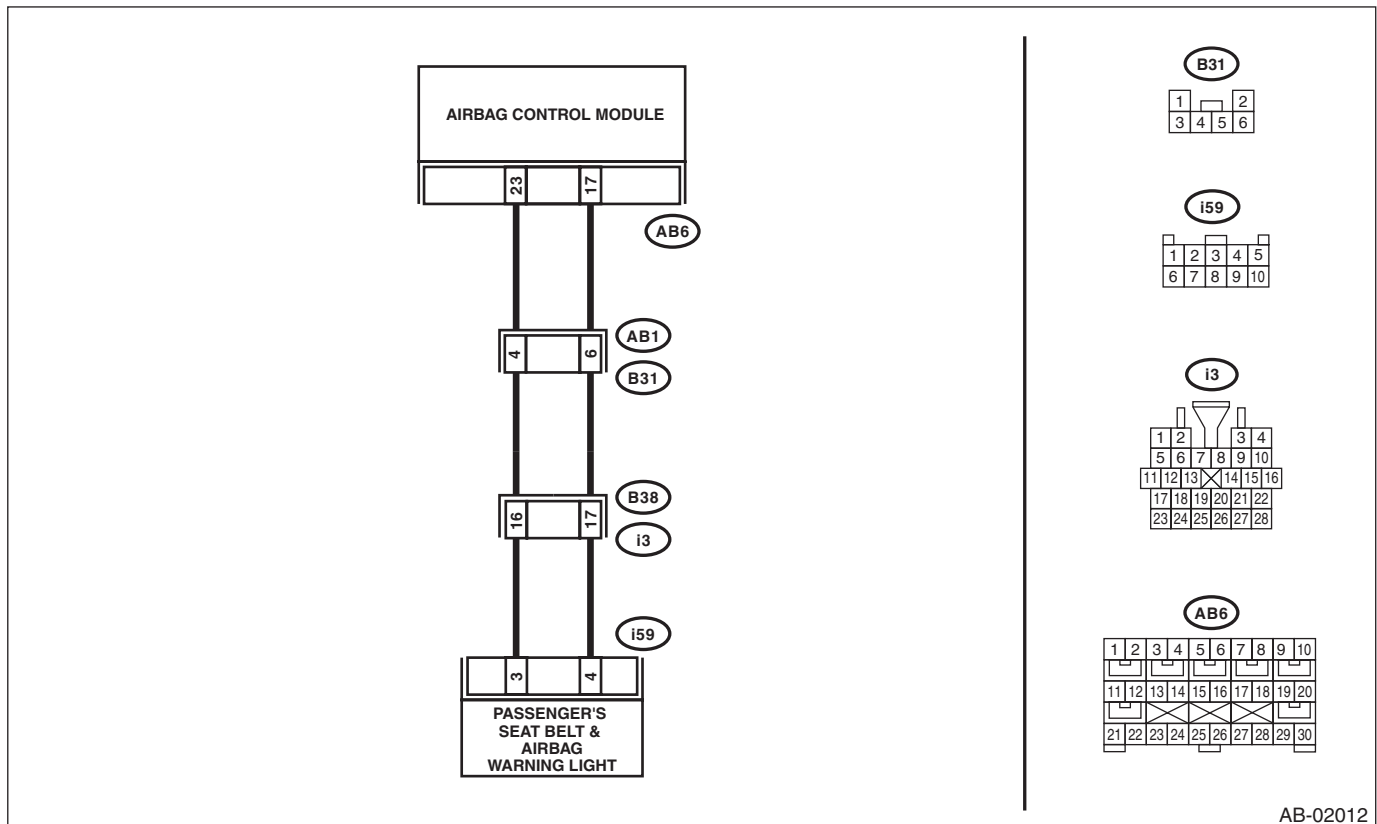
#### DTC DETECTING CONDITION:

- Passenger's airbag indicator is faulty.
- Airbag control module is faulty.
- Airbag main harness circuit is open.
- Body harness circuit is open.

#### CAUTION:

- Before diagnosing the airbag system, be sure to turn the ignition switch to OFF, disconnect the ground terminal from battery, and wait 20 seconds or more before starting to work.
- When replacing the airbag module, seat belt pretensioner, roll connector, control module and sensor, reconnect each part and check that the warning light operates properly.
- When inspecting the airbag main harness, disconnect the airbag module connectors of the driver's and passenger's seats for safety.
- When inspecting the airbag rear harness, disconnect the side airbag module connector, curtain airbag module connector and seat belt pretensioner connector for safety reasons.

#### WIRING DIAGRAM:



AB-02012

# Diagnostic Chart with Trouble Code

AIRBAG SYSTEM (DIAGNOSTICS)

Step	Check	Yes	No
<b>1</b> <b>CHECK POOR CONTACT.</b> 1) Turn the ignition switch to OFF, disconnect the ground cable from battery, and wait for 20 seconds or more. 2) Confirm that firm contact is secured for the connector between the airbag control module and the clock.	Is there poor contact of any connector?	Replace the airbag harness connector.	Go to step 2.
<b>2</b> <b>CHECK AIRBAG MAIN HARNESS.</b> 1) Disconnect the connectors (AB6, AB17, AB18) from airbag control module. 2) Connect the battery ground terminal and turn the ignition switch to ON. NOTE: Neither of ON/OFF illuminates when it is normal.	Does the passenger's airbag indicator illuminate?	Go to step 3.	Go to step 4.
<b>3</b> <b>CHECK AIRBAG MAIN HARNESS.</b> 1) Turn the ignition switch to OFF. 2) Remove the clock and disconnect the connector (i59). 3) Connect the test harness AG connector (1AG) to the connectors (AB6, AB17, AB18). 4) Measure the resistance between connector (2AG) in the test harness AG and chassis ground. <i>Connector &amp; terminal</i> <i>(2AG) No. 9 — (2AG) No. 8:</i> <i>(2AG) No. 9 — Chassis ground:</i> <i>(2AG) No. 8 — Chassis ground:</i>	Is the resistance 1 MΩ or more?	Replace the clock. <Ref. to IDI-21, REMOVAL, Clock.>	Repair the bulk-head harness. Or replace the airbag main harness along with body harness.
<b>4</b> <b>CHECK AIRBAG HARNESS.</b> 1) Connect the connectors (7AG) and (8AG) in the test harness AG. 2) Connect the battery ground terminal and turn the ignition switch to ON.	Does the passenger's airbag indicator illuminate?	Replace the airbag control module. <Ref. to AB-21, Airbag Control Module.>	Go to step 5.
<b>5</b> <b>CHECK AIRBAG HARNESS.</b> 1) Turn the ignition switch to OFF. 2) Connect the test harness AG connector (1AG) to the connectors (AB6, AB17, AB18). 3) Measure the resistance between connector (2AG) in the test harness AG and connector (i59). <i>Connector &amp; terminal</i> <i>(2AG) No. 9 — (i59) No. 4:</i> <i>(2AG) No. 8 — (i59) No. 3:</i>	Is the resistance less than 10 Ω?	Go to step 6.	Repair the bulk-head harness. Or replace the airbag main harness along with body harness.
<b>6</b> <b>CHECK BODY HARNESS.</b> 1) Turn the ignition switch to ON. 2) Measure the voltage between connector (i59) and chassis ground. <i>Connector &amp; terminal</i> <i>(i59) No. 8 (+) — Chassis ground (-):</i>	Is the voltage 10 V or more?	Replace the clock. <Ref. to IDI-21, REMOVAL, Clock.>	Repair the clock power supply line.

# Diagnostic Chart with Trouble Code

## AIRBAG SYSTEM (DIAGNOSTICS)

### H: DTC 27 ODS COMMUNICATION ERROR

#### DTC DETECTING CONDITION:

- Communication to the occupant detection control module is faulty.
- Airbag rear harness circuit is open, shorted, shorted to ground or shorted to power supply.
- Occupant detection harness (seat harness) is faulty.
- Occupant detection system is faulty.
- Airbag control module is faulty.

Step	Check	Yes	No
<b>1</b> <b>CHECK POOR CONTACT OF CONNECTORS.</b> Check for poor contact of the connectors between the airbag control module and the occupant detection control module.	Is there poor contact?	Reconnect the connector. If defective is not improved, replace the airbag rear harness along with the body harness or the occupant detection harness (seat harness).	Go to step 2.
<b>2</b> <b>CHECK AIRBAG HARNESS.</b> 1) Turn the ignition switch to OFF, disconnect the ground cable from battery, and wait for 20 seconds or more. 2) Disconnect the connectors (AB6, AB17, AB18) from airbag control module. 3) Disconnect the connectors (AB59) and (AB53) under the passenger's seat. 4) Connect the test harness AG connector (1AG) to the connectors (AB6, AB17, AB18). 5) Connect the connector (1AB) in the test harness AB to the connector (AB53). 6) Measure the resistance between connector (6AG) in the test harness AG and connector (2AB) in the test harness AB. <b>Connector &amp; terminal</b> <b>(6AG) No. 9 — (2AB) No. 1:</b> <b>(6AG) No. 11 — (2AB) No. 2:</b>	Is the resistance less than 10 Ω?	Go to step 3.	Replace the airbag rear harness along with body harness.
<b>3</b> <b>CHECK AIRBAG HARNESS.</b> Measure the resistance between connector (6AG) in the test harness AG and chassis ground. <b>Connector &amp; terminal</b> <b>(6AG) No. 9 — Chassis ground:</b> <b>(6AG) No. 9 — (6AG) No. 11:</b> <b>(6AG) No. 11 — Chassis ground:</b>	Is the resistance less than 1 Ω?	Go to step 4.	Replace the airbag rear harness along with body harness.
<b>4</b> <b>CHECK AIRBAG HARNESS.</b> 1) Turn the ignition switch to ON. 2) Measure the voltage between connector (2AB) in the test harness AB and chassis ground. <b>Connector &amp; terminal</b> <b>(2AB) No. 3 (+) — Chassis ground (-):</b>	Is the voltage 9 V or more?	Replace the occupant detection harness (seat harness). If defective is not improved, replace the occupant detection system (seat cushion & frame assembly), and then the airbag control module in this order.	Check the battery voltage and fuse. If there is no fault, replace the airbag rear harness along with body harness or replace the body harness.

# Diagnostic Chart with Trouble Code

AIRBAG SYSTEM (DIAGNOSTICS)

---

## **I: DTC 29 ODS FAILURE**

### **NOTE:**

Refer to “Occupant Detection System” for details on DTC 29. <Ref. to OD(diag)-26, DTC 29 ODS FAILURE, Diagnostic Procedure with Diagnostic Trouble Code (DTC).>

## **J: DTC 2A ODS CALIBRATION ERROR**

### **NOTE:**

Refer to “Occupant Detection System” for details on DTC 2A. <Ref. to OD(diag)-23, DTC 2A ODS CALIBRATION ERROR, Diagnostic Procedure with Diagnostic Trouble Code (DTC).>

## **K: DTC 2B ODS SYSTEM WRONG PARTS**

### **NOTE:**

Refer to “Occupant Detection System” for details on DTC 2B. <Ref. to OD(diag)-23, DTC 2B ODS SYSTEM WRONG PARTS, Diagnostic Procedure with Diagnostic Trouble Code (DTC).>

## **L: DTC 2C BELT TENSION SENSOR FAILURE**

### **NOTE:**

Refer to “Occupant Detection System” for details on DTC 2C. <Ref. to OD(diag)-24, DTC 2C BELT TENSION SENSOR FAILURE, Diagnostic Procedure with Diagnostic Trouble Code (DTC).>

## **M: DTC 33 FRONT SUB SENSOR RH FAILURE**

### **DTC DETECTING CONDITION:**

Front sub sensor (RH) is faulty.

If DTC 33 is displayed, the circuit within the front sub sensor (RH) is faulty.

Replace the front sub sensor (RH). <Ref. to AB-22, Front Sub Sensor.>

## **N: DTC 34 FRONT SUB SENSOR LH FAILURE**

### **DTC DETECTING CONDITION:**

Front sub sensor (LH) is faulty.

If DTC 34 is displayed, the circuit within the front sub sensor (LH) is faulty.

Replace the front sub sensor (LH). <Ref. to AB-22, Front Sub Sensor.>

## **O: DTC 37 BUCKLE SWITCH RH FAILURE**

### **NOTE:**

Refer to “Occupant Detection System” for details on DTC 37. <Ref. to OD(diag)-27, DTC 37 BUCKLE SWITCH RH FAILURE, Diagnostic Procedure with Diagnostic Trouble Code (DTC).>



# Diagnostic Chart with Trouble Code

## AIRBAG SYSTEM (DIAGNOSTICS)

### P: DTC 39 SEAT BELT WARNING FAILURE

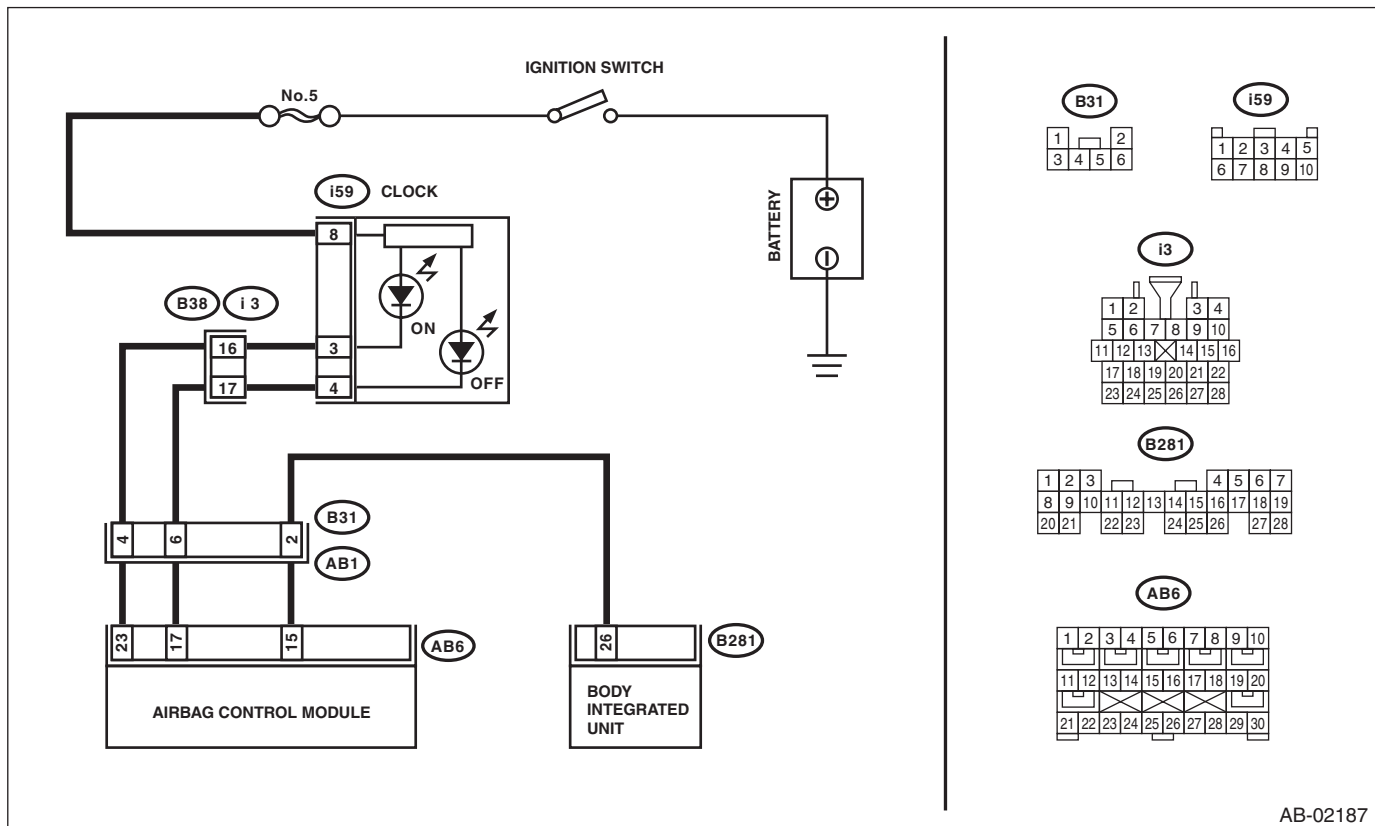
#### DTC DETECTING CONDITION:

- Airbag control module is faulty.
- Body integrated unit is faulty.
- Harness circuits between body integrated unit and airbag control module are open, shorted or shorted to ground.

#### CAUTION:

- Before diagnosing the airbag system, be sure to turn the ignition switch to OFF, disconnect the ground terminal from battery, and wait 20 seconds or more before starting to work.
- When replacing the airbag module, seat belt pretensioner, roll connector, control module and sensor, reconnect each part and check that the warning light operates properly.
- When inspecting the airbag main harness, disconnect the airbag module connectors of the driver's and passenger's seats for safety.
- When inspecting the airbag rear harness, disconnect the side airbag module connector, curtain airbag module connector and seat belt pretensioner connector for safety reasons.

#### WIRING DIAGRAM:



AB-02187

# Diagnostic Chart with Trouble Code

## AIRBAG SYSTEM (DIAGNOSTICS)

Step	Check	Yes	No
<b>1</b> <b>CHECK AIRBAG HARNESS.</b> 1) Turn the ignition switch to OFF, disconnect the ground cable from battery, and wait for 20 seconds or more. 2) Disconnect the connectors (AB6, AB17, AB18) from airbag control module. 3) Connect the battery ground terminal and turn the ignition switch to ON.	Does the passenger's seat belt warning light blink for 6 seconds and go off?	Go to step 3.	Go to step 2.
<b>2</b> <b>CHECK AIRBAG HARNESS.</b> 1) Turn the ignition switch to OFF. 2) Connect the test harness AG connector (1AG) to the connectors (AB6, AB17, AB18). 3) Measure the resistance between connector (2AG) in the test harness AG and chassis ground. <i>Connector &amp; terminal (2AG) No. 10 — Chassis ground:</i>	Is the resistance 1 M $\Omega$ or more?	Replace the body integrated unit.	Repair the bulk-head harness. Or replace the airbag main harness along with body harness.
<b>3</b> <b>CHECK AIRBAG HARNESS.</b> 1) Turn the ignition switch to OFF. 2) Connect the connectors (7AG) and (8AG) in the test harness AG in the condition of step 2. 3) Turn the ignition switch to ON.	Does the passenger's seat belt warning light blink for 6 seconds, then repeatedly light and go off?	Replace the airbag control module. <Ref. to AB-21, Airbag Control Module.>	Go to step 4.
<b>4</b> <b>CHECK AIRBAG HARNESS.</b> 1) Turn the ignition switch to OFF. 2) Disconnect the connectors (7AG) and (8AG) in the test harness AG in the condition of step 3. 3) Disconnect the connector (B281) from body integrated unit. 4) Measure the resistance between connector (2AG) in the test harness AG and connector (B281). <i>Connector &amp; terminal (2AG) No. 10 — (B281) No. 26:</i>	Is the resistance less than 10 $\Omega$ ?	Replace the body integrated unit.	Repair the bulk-head harness. Or replace the airbag main harness along with body harness.

# Diagnostic Chart with Trouble Code

## AIRBAG SYSTEM (DIAGNOSTICS)

### Q: DTC 41 SIDE AIRBAG RH FAILURE

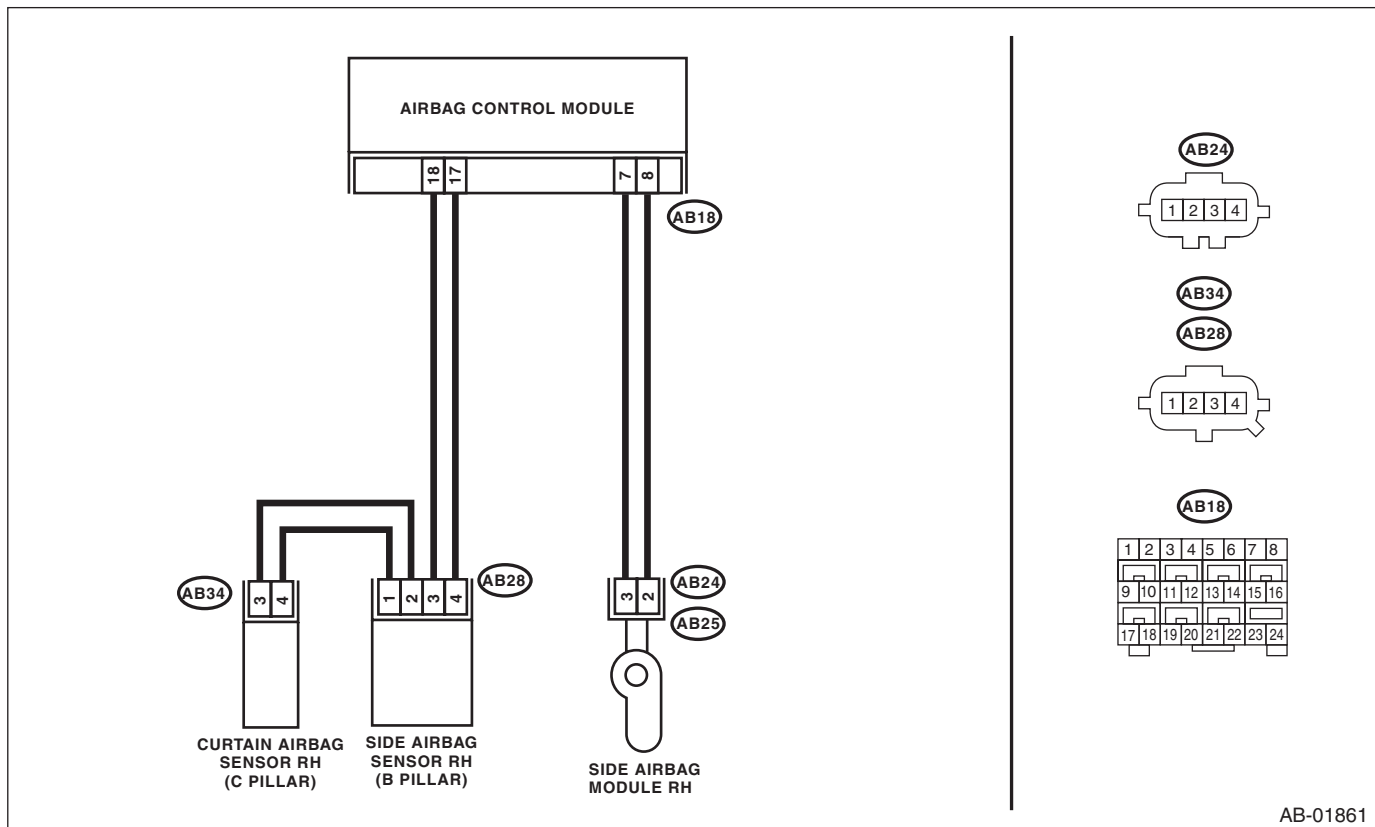
#### DTC DETECTING CONDITION:

- Side airbag harness (RH) is faulty.
- Side airbag module (RH) is faulty.
- Airbag control module is faulty.

#### CAUTION:

- Before diagnosing the airbag system, be sure to turn the ignition switch to OFF, disconnect the ground terminal from battery, and wait 20 seconds or more before starting to work.
- When replacing the airbag module, seat belt pretensioner, roll connector, control module and sensor, reconnect each part and check that the warning light operates properly.
- When inspecting the airbag main harness, disconnect the airbag module connectors of the driver's and passenger's seats for safety.
- When inspecting the airbag rear harness, disconnect the side airbag module connector, curtain airbag module connector and seat belt pretensioner connector for safety reasons.

#### WIRING DIAGRAM:



Step	Check	Yes	No
<b>1</b> <b>CHECK POOR CONTACT OF CONNECTORS.</b> Check for poor contact of the connectors between the airbag control module, side airbag module RH and the side airbag sensor RH.	Is there poor contact?	Replace the airbag rear harness along with body harness.	Go to step 2.

# Diagnostic Chart with Trouble Code

AIRBAG SYSTEM (DIAGNOSTICS)

Step	Check	Yes	No
<b>2 CHECK SIDE AIRBAG MODULE.</b> 1) Turn the ignition switch to OFF, disconnect the ground cable from battery, and wait for 20 seconds or more. 2) Disconnect the connectors (AB25) and (AB24), and connect the test harness AJ connector (1AJ) to connector (AB24). 3) Connect the airbag resistor to the test harness AJ connector (3AJ). 4) Connect the battery ground terminal and turn the ignition switch to ON.	Does the airbag warning light illuminate for 6 seconds and go off?	Replace the side airbag module (RH). <Ref. to AB-17, REMOVAL, Side Airbag Module.>	Go to step 3.
<b>3 CHECK AIRBAG REAR HARNESS (SIDE AIRBAG MODULE HARNESS RH).</b> 1) Turn the ignition switch to OFF, disconnect the ground cable from battery, and wait for 20 seconds or more. 2) Disconnect the connector (AB26) from seat belt pretensioner (RH). 3) Disconnect the connector (AB33) from curtain airbag module (RH). 4) Disconnect the airbag resistor from test harness AJ. 5) Disconnect the connectors (AB6, AB17, AB18) from airbag control module. 6) Connect the test harness AG connector (1AG) to the connectors (AB6, AB17, AB18). 7) Measure the resistance between the test harness AG connector (5AG) and the test harness AJ connector (3AJ). <i>Connector &amp; terminal</i> <i>(5AG) No. 5 — (3AJ) No. 1:</i> <i>(5AG) No. 7 — (3AJ) No. 2:</i>	Is the resistance less than 10 Ω?	Go to step 4.	Replace the airbag rear harness along with body harness.
<b>4 CHECK AIRBAG REAR HARNESS (SIDE AIRBAG MODULE HARNESS RH).</b> Measure the resistance between connector (5AG) terminals in the test harness AG. <i>Connector &amp; terminal</i> <i>(5AG) No. 5 — (5AG) No. 7:</i>	Is the resistance 1 MΩ or more?	Go to step 5.	Replace the airbag rear harness along with body harness.
<b>5 CHECK AIRBAG REAR HARNESS (SIDE AIRBAG MODULE HARNESS RH).</b> Measure the resistance between connector (5AG) in the test harness AG and chassis ground. <i>Connector &amp; terminal</i> <i>(5AG) No. 5 — Chassis ground:</i> <i>(5AG) No. 7 — Chassis ground:</i>	Is the resistance 1 MΩ or more?	Go to step 6.	Replace the airbag rear harness along with body harness.
<b>6 CHECK AIRBAG CONTROL MODULE.</b> 1) Connect all connectors. 2) Clear the memory. 3) Perform the Inspection Mode. 4) Read the DTC.	Is the same DTC displayed?	Replace the airbag control module. <Ref. to AB-21, Airbag Control Module.>	Go to step 7.
<b>7 CHECK FOR ANY OTHER DTC ON DISPLAY.</b>	Is any other DTC displayed?	Check DTC using "List of Diagnostic Trouble Code (DTC)". <Ref. to AB(diag)-38, List of Diagnostic Trouble Code (DTC).>	Finish the diagnosis.

# Diagnostic Chart with Trouble Code

## AIRBAG SYSTEM (DIAGNOSTICS)

### R: DTC 42 SIDE AIRBAG LH FAILURE

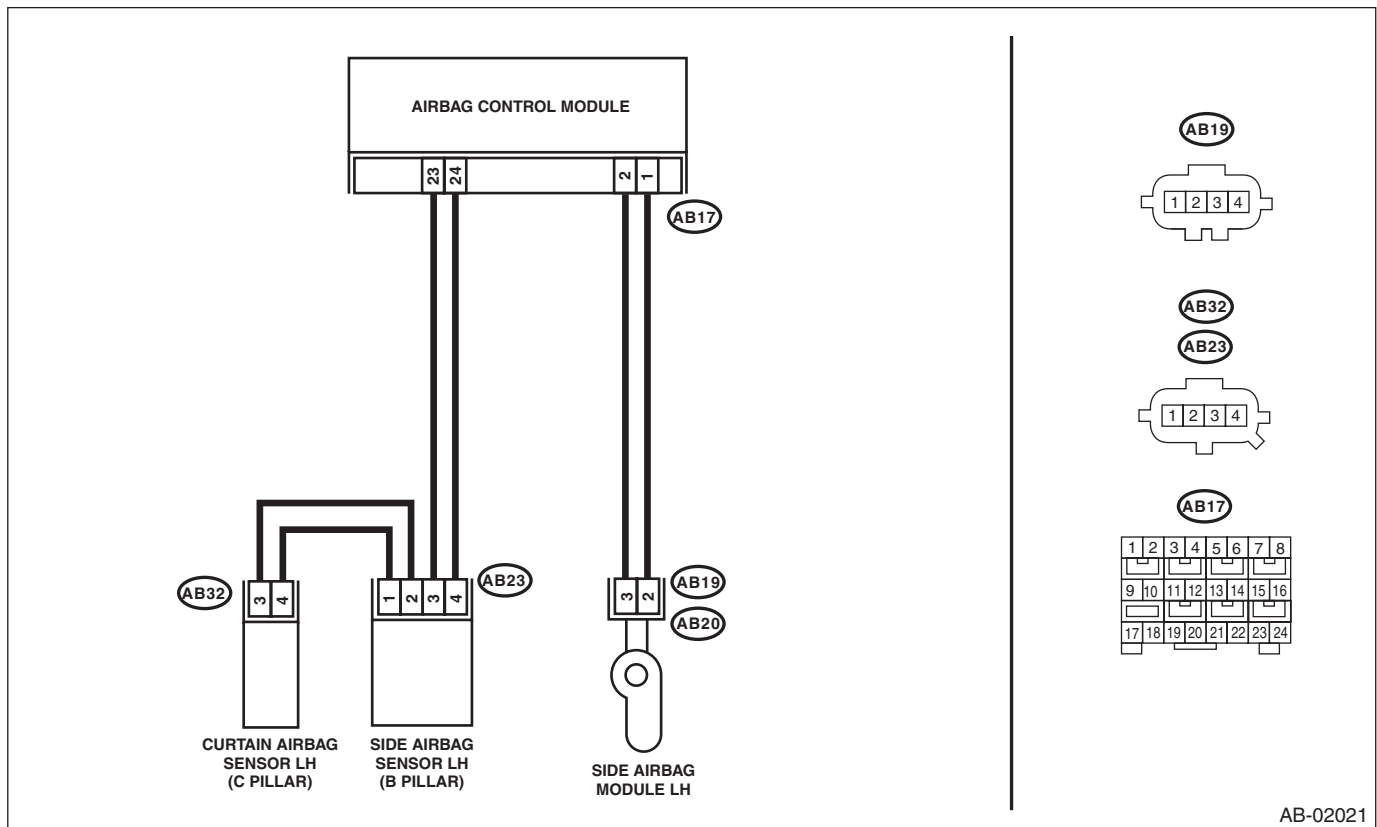
#### DTC DETECTING CONDITION:

- Side airbag harness (LH) is faulty.
- Side airbag module (LH) is faulty.
- Airbag control module is faulty.

#### CAUTION:

- Before diagnosing the airbag system, be sure to turn the ignition switch to OFF, disconnect the ground terminal from battery, and wait 20 seconds or more before starting to work.
- When replacing the airbag module, seat belt pretensioner, roll connector, control module and sensor, reconnect each part and check that the warning light operates properly.
- When inspecting the airbag main harness, disconnect the airbag module connectors of the driver's and passenger's seats for safety.
- When inspecting the airbag rear harness, disconnect the side airbag module connector, curtain airbag module connector and seat belt pretensioner connector for safety reasons.

#### WIRING DIAGRAM:



Step	Check	Yes	No
<b>1</b> <b>CHECK POOR CONTACT OF CONNECTORS.</b> Check for poor contact of the connectors between the airbag control module, side airbag module LH and the side airbag sensor LH.	Is there poor contact?	Replace the airbag rear harness along with body harness.	Go to step 2.

# Diagnostic Chart with Trouble Code

AIRBAG SYSTEM (DIAGNOSTICS)

Step	Check	Yes	No
<b>2 CHECK SIDE AIRBAG MODULE.</b> 1) Turn the ignition switch to OFF, disconnect the ground cable from battery, and wait for 20 seconds or more. 2) Disconnect the connectors (AB20) and (AB19), and connect the test harness AJ connector (1AJ) to the connector (AB19). 3) Connect the airbag resistor to the test harness AJ connector (3AJ). 4) Connect the battery ground terminal and turn the ignition switch to ON.	Does the airbag warning light illuminate for 6 seconds and go off?	Replace the side airbag module (LH). <Ref. to AB-17, REMOVAL, Side Airbag Module.>	Go to step 3.
<b>3 CHECK AIRBAG REAR HARNESS (SIDE AIRBAG MODULE HARNESS LH).</b> 1) Turn the ignition switch to OFF, disconnect the ground cable from battery, and wait for 20 seconds or more. 2) Disconnect the connector (AB21) from seat belt pretensioner (LH). 3) Disconnect the connector (AB31) from curtain airbag module (LH). 4) Disconnect the airbag resistor from test harness. 5) Disconnect the connectors (AB6, AB17, AB18) from airbag control module. 6) Connect the test harness AG connector (1AG) to the connectors (AB6, AB17, AB18). 7) Measure the resistance between the test harness AG connector (5AG) and the test harness AJ connector (3AJ). <i>Connector &amp; terminal</i> <i>(5AG) No. 1 — (3AJ) No. 2:</i> <i>(5AG) No. 3 — (3AJ) No. 1:</i>	Is the resistance less than 10 Ω?	Go to step 4.	Replace the airbag rear harness along with body harness.
<b>4 CHECK AIRBAG REAR HARNESS (SIDE AIRBAG MODULE HARNESS LH).</b> Measure the resistance between connector (5AG) terminals in the test harness AG. <i>Connector &amp; terminal</i> <i>(5AG) No. 1 — (5AG) No. 3:</i>	Is the resistance 1 MΩ or more?	Go to step 5.	Replace the airbag rear harness along with body harness.
<b>5 CHECK AIRBAG REAR HARNESS (SIDE AIRBAG MODULE HARNESS LH).</b> Measure the resistance between connector (5AG) in the test harness AG and chassis ground. <i>Connector &amp; terminal</i> <i>(5AG) No. 1 — Chassis ground:</i> <i>(5AG) No. 3 — Chassis ground:</i>	Is the resistance 1 MΩ or more?	Go to step 6.	Replace the airbag rear harness along with body harness.
<b>6 CHECK AIRBAG CONTROL MODULE.</b> 1) Connect all connectors. 2) Clear the memory. 3) Perform the Inspection Mode. 4) Read the DTC.	Is the same DTC displayed?	Replace the airbag control module. <Ref. to AB-21, Airbag Control Module.>	Go to step 7.
<b>7 CHECK FOR ANY OTHER DTC ON DISPLAY.</b>	Is any other DTC displayed?	Check DTC using "List of Diagnostic Trouble Code (DTC)". <Ref. to AB(diag)-38, List of Diagnostic Trouble Code (DTC).>	Finish the diagnosis.

# Diagnostic Chart with Trouble Code

## AIRBAG SYSTEM (DIAGNOSTICS)

### S: DTC 45 SIDE AIRBAG RH FAILURE

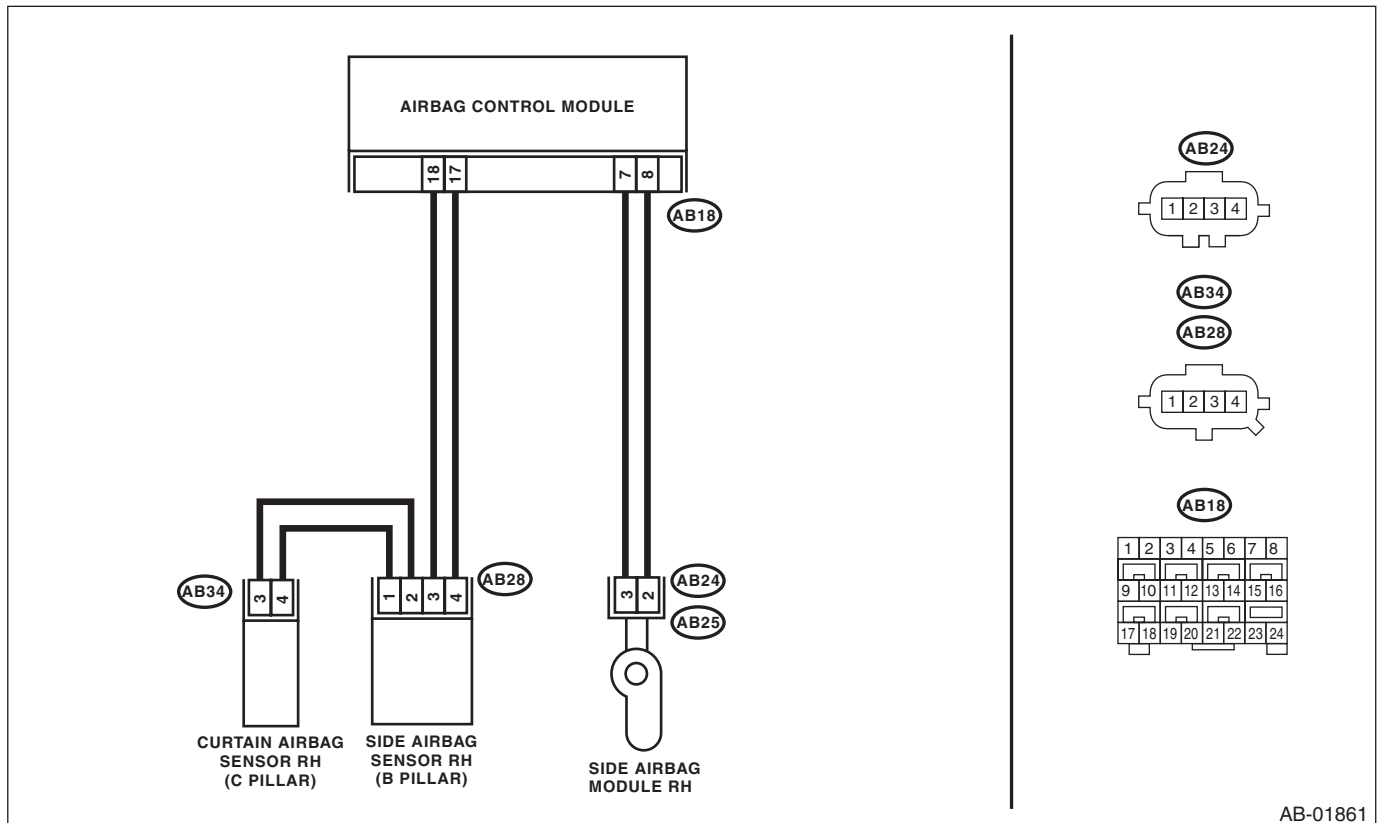
#### DTC DETECTING CONDITION:

- Side airbag harness (RH) is shorted to power supply.
- Airbag control module is faulty.

#### CAUTION:

- Before diagnosing the airbag system, be sure to turn the ignition switch to OFF, disconnect the ground terminal from battery, and wait 20 seconds or more before starting to work.
- When replacing the airbag module, seat belt pretensioner, roll connector, control module and sensor, reconnect each part and check that the warning light operates properly.
- When inspecting the airbag main harness, disconnect the airbag module connectors of the driver's and passenger's seats for safety.
- When inspecting the airbag rear harness, disconnect the side airbag module connector, curtain airbag module connector and seat belt pretensioner connector for safety reasons.

#### WIRING DIAGRAM:



AB-01861

# Diagnostic Chart with Trouble Code

AIRBAG SYSTEM (DIAGNOSTICS)

Step	Check	Yes	No
<b>1 CHECK POOR CONTACT OF CONNECTORS.</b> Check for poor contact of the connectors between the airbag control module, side airbag module RH and the side airbag sensor RH.	Is there poor contact?	Replace the airbag rear harness along with body harness.	Go to step 2.
<b>2 CHECK SIDE AIRBAG MODULE.</b> 1) Turn the ignition switch to OFF, disconnect the ground cable from battery, and wait for 20 seconds or more. 2) Disconnect the connectors (AB25) and (AB24), and connect the test harness AJ connector (1AJ) to connector (AB24). 3) Connect the airbag resistor to the test harness AJ connector (3AJ). 4) Connect the battery ground terminal and turn the ignition switch to ON.	Does the airbag warning light illuminate for 6 seconds and go off?	Replace the side airbag module (RH). <Ref. to AB-17, REMOVAL, Side Airbag Module.>	Go to step 3.
<b>3 CHECK AIRBAG REAR HARNESS (SIDE AIRBAG MODULE HARNESS RH).</b> 1) Turn the ignition switch to OFF, disconnect the ground cable from battery, and wait for 20 seconds or more. 2) Disconnect the connector (AB26) from seat belt pretensioner (RH). 3) Disconnect the connector (AB33) from curtain airbag module (RH). 4) Disconnect the airbag resistor from test harness. 5) Disconnect the connectors (AB6, AB17, AB18) from airbag control module. 6) Connect the test harness AG connector (1AG) to the connectors (AB6, AB17, AB18). 7) Connect the battery ground terminal and turn the ignition switch to ON. 8) Measure the voltage between connector (5AG) in the test harness AG and chassis ground. <i><b>Connector &amp; terminal</b></i> <i><b>(5AG) No. 5 (+) — Chassis ground (-):</b></i> <i><b>(5AG) No. 7 (+) — Chassis ground (-):</b></i>	Is the voltage less than 1 V?	Go to step 4.	Replace the airbag rear harness along with body harness.
<b>4 CHECK AIRBAG CONTROL MODULE.</b> 1) Connect all connectors. 2) Clear the memory. 3) Perform the Inspection Mode. 4) Read the DTC.	Is the same DTC displayed?	Replace the airbag control module. <Ref. to AB-21, Airbag Control Module.>	Go to step 5.
<b>5 CHECK FOR ANY OTHER DTC ON DISPLAY.</b>	Is any other DTC displayed?	Check DTC using "List of Diagnostic Trouble Code (DTC)". <Ref. to AB(diag)-38, List of Diagnostic Trouble Code (DTC).>	Finish the diagnosis.



# Diagnostic Chart with Trouble Code

## AIRBAG SYSTEM (DIAGNOSTICS)

### T: DTC 46 SIDE AIRBAG LH FAILURE

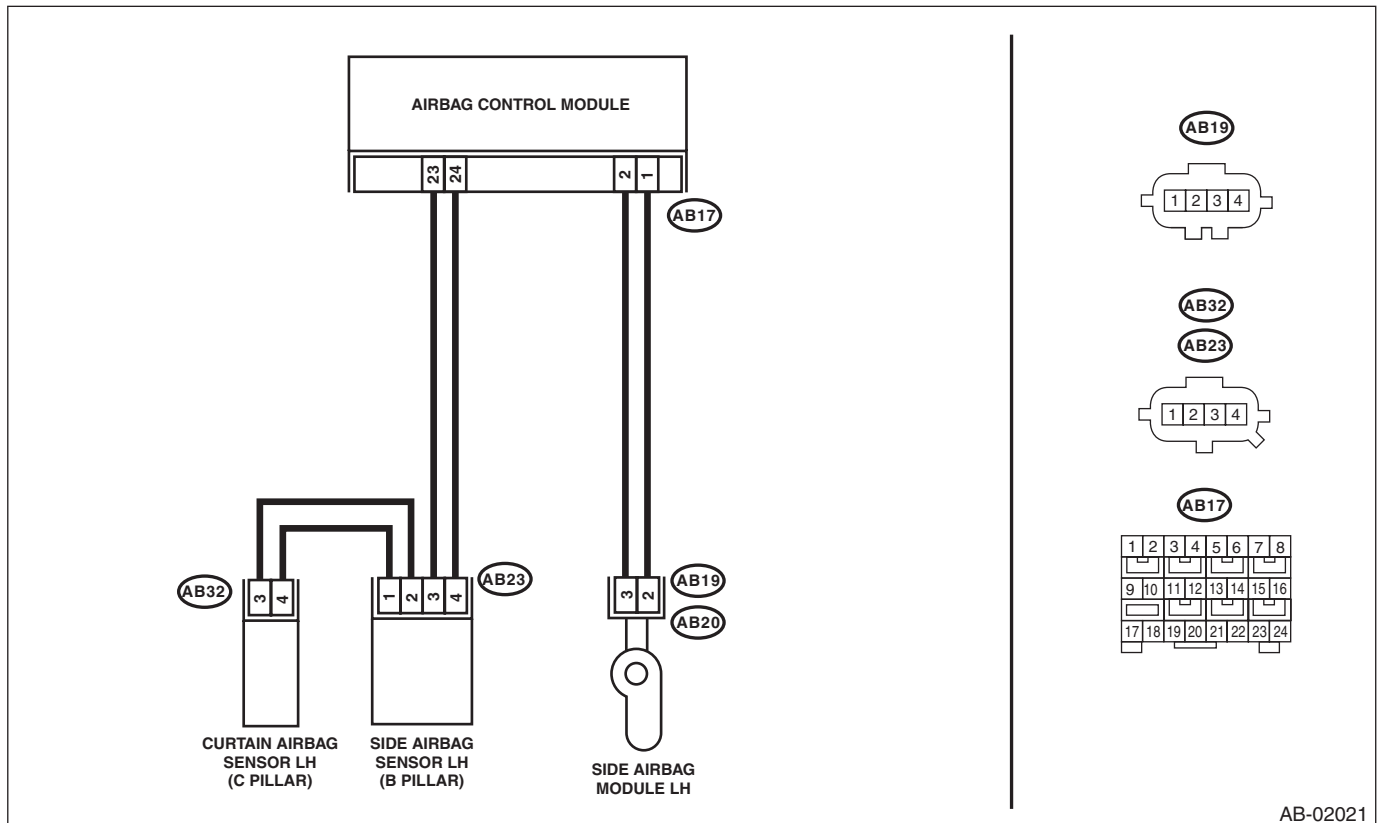
#### DTC DETECTING CONDITION:

- Side airbag harness (LH) is shorted to power supply.
- Airbag control module is faulty.

#### CAUTION:

- Before diagnosing the airbag system, be sure to turn the ignition switch to OFF, disconnect the ground terminal from battery, and wait 20 seconds or more before starting to work.
- When replacing the airbag module, seat belt pretensioner, roll connector, control module and sensor, reconnect each part and check that the warning light operates properly.
- When inspecting the airbag main harness, disconnect the airbag module connectors of the driver's and passenger's seats for safety.
- When inspecting the airbag rear harness, disconnect the side airbag module connector, curtain airbag module connector and seat belt pretensioner connector for safety reasons.

#### WIRING DIAGRAM:



AB-02021

# Diagnostic Chart with Trouble Code

AIRBAG SYSTEM (DIAGNOSTICS)

Step	Check	Yes	No
<b>1 CHECK POOR CONTACT OF CONNECTORS.</b> Check for poor contact of the connectors between the airbag control module, side airbag module LH and the side airbag sensor LH.	Is there poor contact?	Replace the airbag rear harness along with body harness.	Go to step 2.
<b>2 CHECK SIDE AIRBAG MODULE.</b> 1) Turn the ignition switch to OFF, disconnect the ground cable from battery, and wait for 20 seconds or more. 2) Disconnect the connectors (AB20) and (AB19), and connect the test harness AJ connector (1AJ) to the connector (AB19). 3) Connect the airbag resistor to the test harness AJ connector (3AJ). 4) Connect the battery ground terminal and turn the ignition switch to ON.	Does the airbag warning light illuminate for 6 seconds and go off?	Replace the side airbag module (LH). <Ref. to AB-17, REMOVAL, Side Airbag Module.>	Go to step 3.
<b>3 CHECK AIRBAG REAR HARNESS (SIDE AIRBAG MODULE HARNESS LH).</b> 1) Turn the ignition switch to OFF, disconnect the ground cable from battery, and wait for 20 seconds or more. 2) Disconnect the connector (AB21) from seat belt pretensioner (LH). 3) Disconnect the connector (AB31) from curtain airbag module (LH). 4) Disconnect the airbag resistor from test harness. 5) Disconnect the connectors (AB6, AB17, AB18) from airbag control module. 6) Connect the test harness AG connector (1AG) to the connectors (AB6, AB17, AB18). 7) Connect the battery ground terminal and turn the ignition switch to ON. 8) Measure the voltage between connector (5AG) in the test harness AG and chassis ground. <i><b>Connector &amp; terminal</b></i> <i><b>(5AG) No. 3 (+) — Chassis ground (-):</b></i> <i><b>(5AG) No. 1 (+) — Chassis ground (-):</b></i>	Is the voltage less than 1 V?	Go to step 4.	Replace the airbag rear harness along with body harness.
<b>4 CHECK AIRBAG CONTROL MODULE.</b> 1) Connect all connectors. 2) Clear the memory. 3) Perform the Inspection Mode. 4) Read the DTC.	Is the same DTC displayed?	Replace the airbag control module. <Ref. to AB-21, Airbag Control Module.>	Go to step 5.
<b>5 CHECK FOR ANY OTHER DTC ON DISPLAY.</b>	Is any other DTC displayed?	Check DTC using "List of Diagnostic Trouble Code (DTC)". <Ref. to AB(diag)-38, List of Diagnostic Trouble Code (DTC).>	Finish the diagnosis.

## Diagnostic Chart with Trouble Code

### AIRBAG SYSTEM (DIAGNOSTICS)

---

#### **U: DTC 53 SIDE AIRBAG SENSOR RH FAILURE**

##### **DTC DETECTING CONDITION:**

Side airbag sensor (RH) is faulty.

When DTC 53 is displayed, the circuit within the side airbag sensor (RH) is faulty.

Replace the side airbag sensor (RH). <Ref. to AB-23, Side Airbag Sensor.>

#### **V: DTC 54 SIDE AIRBAG SENSOR LH FAILURE**

##### **DTC DETECTING CONDITION:**

Side airbag sensor (LH) is faulty.

When DTC 54 is displayed, the circuit within the side airbag sensor (LH) is faulty.

Replace the side airbag sensor (LH). <Ref. to AB-23, Side Airbag Sensor.>

#### **W: DTC 55 SIDE CURTAIN AIRBAG FIRING OUTPUT**

This DTC is displayed when the side airbag module and curtain airbag module are deployed.

Once this DTC is displayed, the memory cannot be cleared. Replace the following parts.

- Airbag control module <Ref. to AB-21, Airbag Control Module.>
- Side airbag module (operating side) <Ref. to AB-17, Side Airbag Module.>
- Side airbag sensor (operating side) <Ref. to AB-23, Side Airbag Sensor.>
- Curtain airbag module (operating side) <Ref. to AB-19, Curtain Airbag Module.>
- Curtain airbag sensor (operating side) <Ref. to AB-24, Curtain Airbag Sensor.>
- Satellite safing sensor <Ref. to AB-25, Satellite Safing Sensor.>

#### **X: DTC 58 CURTAIN AIRBAG SENSOR RH FAILURE**

##### **DTC DETECTING CONDITION:**

Curtain airbag sensor (RH) is faulty.

If DTC 58 is displayed, the circuit within the curtain airbag sensor (RH) is faulty.

Replace the curtain airbag sensor (RH). <Ref. to AB-24, Curtain Airbag Sensor.>

#### **Y: DTC 59 CURTAIN AIRBAG SENSOR LH FAILURE**

##### **DTC DETECTING CONDITION:**

Curtain airbag sensor (LH) is faulty.

If DTC 59 is displayed, the circuit within the curtain airbag sensor (LH) is faulty.

Replace the curtain airbag sensor (LH). <Ref. to AB-24, Curtain Airbag Sensor.>

# Diagnostic Chart with Trouble Code

AIRBAG SYSTEM (DIAGNOSTICS)

## Z: DTC 61 BELT PRETENSIONER RH FAILURE

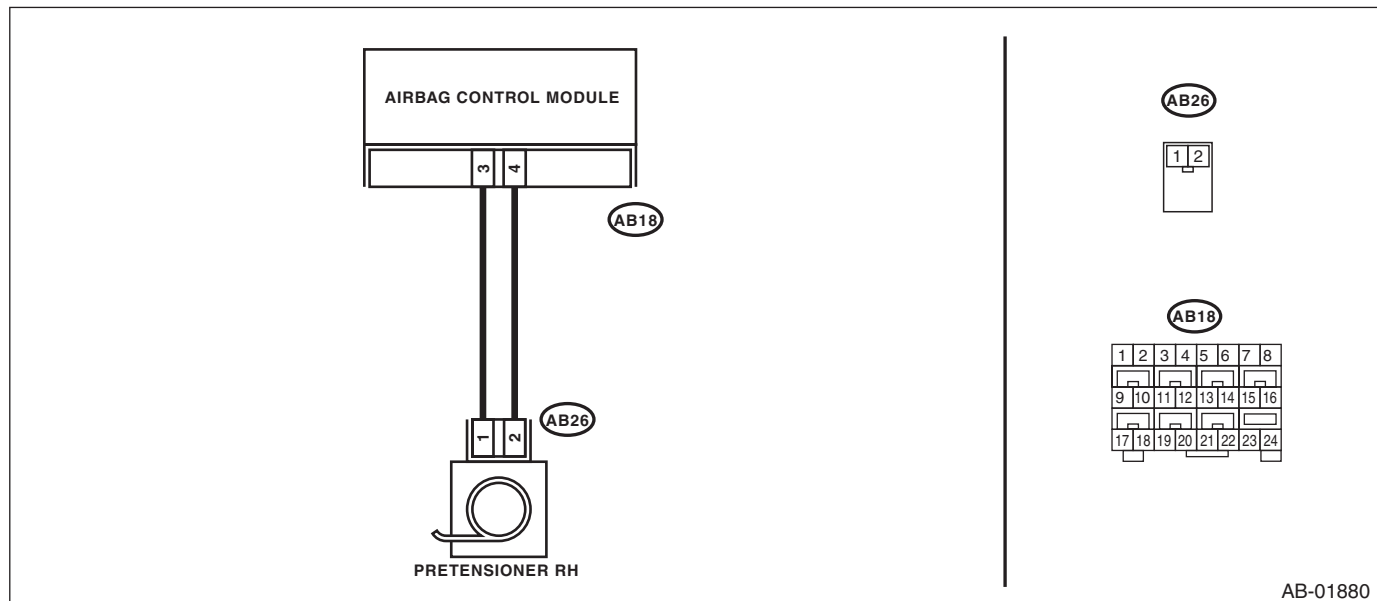
### DTC DETECTING CONDITION:

- Seat belt pretensioner (RH) circuit is open, shorted or shorted to ground.
- Airbag control module is faulty.
- Pretensioner is faulty.
- Pretensioner harness is faulty.

### CAUTION:

- Before diagnosing the airbag system, be sure to turn the ignition switch to OFF, disconnect the ground terminal from battery, and wait 20 seconds or more before starting to work.
- When replacing the airbag module, seat belt pretensioner, roll connector, control module and sensor, reconnect each part and check that the warning light operates properly.
- When inspecting the airbag main harness, disconnect the airbag module connectors of the driver's and passenger's seats for safety.
- When inspecting the airbag rear harness, disconnect the side airbag module connector, curtain airbag module connector and seat belt pretensioner connector for safety reasons.

### WIRING DIAGRAM:



AB-01880

Step	Check	Yes	No
<b>1</b>	<b>CHECK POOR CONTACT OF CONNECTORS.</b> Check for poor contact of the connectors between the airbag control module and the seat belt pretensioner RH.	Is there poor contact?	Replace the airbag rear harness along with body harness.  Go to step 2.
<b>2</b>	<b>CHECK SEAT BELT PRETENSIONER.</b> 1) Turn the ignition switch to OFF, disconnect the ground cable from battery, and wait for 20 seconds or more. 2) Disconnect the connector (AB26) from seat belt pretensioner (RH). 3) Connect the connector (1N) in the test harness N to the connector (AB26). 4) Connect the airbag resistor to the connector (2N) of test harness N. 5) Connect the battery ground terminal and turn the ignition switch to ON.	Does the airbag warning light illuminate for 6 seconds and go off?	Replace the seat belt pretensioner (RH). <Ref. to SB-17, Front Seat Belt.>  Go to step 3.

## Diagnostic Chart with Trouble Code

### AIRBAG SYSTEM (DIAGNOSTICS)

Step	Check	Yes	No
<b>3 CHECK AIRBAG REAR HARNESS (PRE-TENSIONER HARNESS RH).</b> 1) Turn the ignition switch to OFF, disconnect the ground cable from battery, and wait for 20 seconds or more. 2) Disconnect the airbag resistor from test harness. 3) Disconnect connector (AB24) from side airbag module (RH). 4) Disconnect the connector (AB33) from curtain airbag module (RH). 5) Disconnect the connectors (AB6, AB17, AB18) from airbag control module. 6) Connect the test harness AG connector (1AG) to the connectors (AB6, AB17, AB18). 7) Measure the resistance between connector (3AG) in the test harness AG and connector (2N) in the test harness N. <i><b>Connector &amp; terminal</b></i> <i><b>(3AG) No. 18 — (2N) No. 2:</b></i> <i><b>(3AG) No. 20 — (2N) No. 1:</b></i>	Is the resistance less than 10 Ω?	Go to step 4.	Replace the airbag rear harness along with body harness.
<b>4 CHECK AIRBAG REAR HARNESS (PRE-TENSIONER HARNESS RH).</b> Measure the resistance between connector (3AG) terminals in the test harness AG. <i><b>Connector &amp; terminal</b></i> <i><b>(3AG) No. 18 — (3AG) No. 20:</b></i>	Is the resistance 1 MΩ or more?	Go to step 5.	Replace the airbag rear harness along with body harness.
<b>5 CHECK AIRBAG REAR HARNESS (PRE-TENSIONER HARNESS RH).</b> Measure the resistance between connector (3AG) in the test harness AG and chassis ground. <i><b>Connector &amp; terminal</b></i> <i><b>(3AG) No. 18 — Chassis ground:</b></i> <i><b>(3AG) No. 20 — Chassis ground:</b></i>	Is the resistance 1 MΩ or more?	Go to step 6.	Replace the airbag rear harness along with body harness.
<b>6 CHECK AIRBAG CONTROL MODULE.</b> 1) Connect all connectors. 2) Clear the memory. 3) Perform the Inspection Mode. 4) Read the DTC.	Is the same DTC displayed?	Replace the airbag control module. <Ref. to AB-21, Airbag Control Module.>	Go to step 7.
<b>7 CHECK FOR ANY OTHER DTC ON DISPLAY.</b>	Is any other DTC displayed?	Check DTC using “List of Diagnostic Trouble Code (DTC)”. <Ref. to AB(diag)-38, List of Diagnostic Trouble Code (DTC).>	Finish the diagnosis.

# Diagnostic Chart with Trouble Code

AIRBAG SYSTEM (DIAGNOSTICS)

## AA:DTC 62 BELT PRETENSIONER LH FAILURE

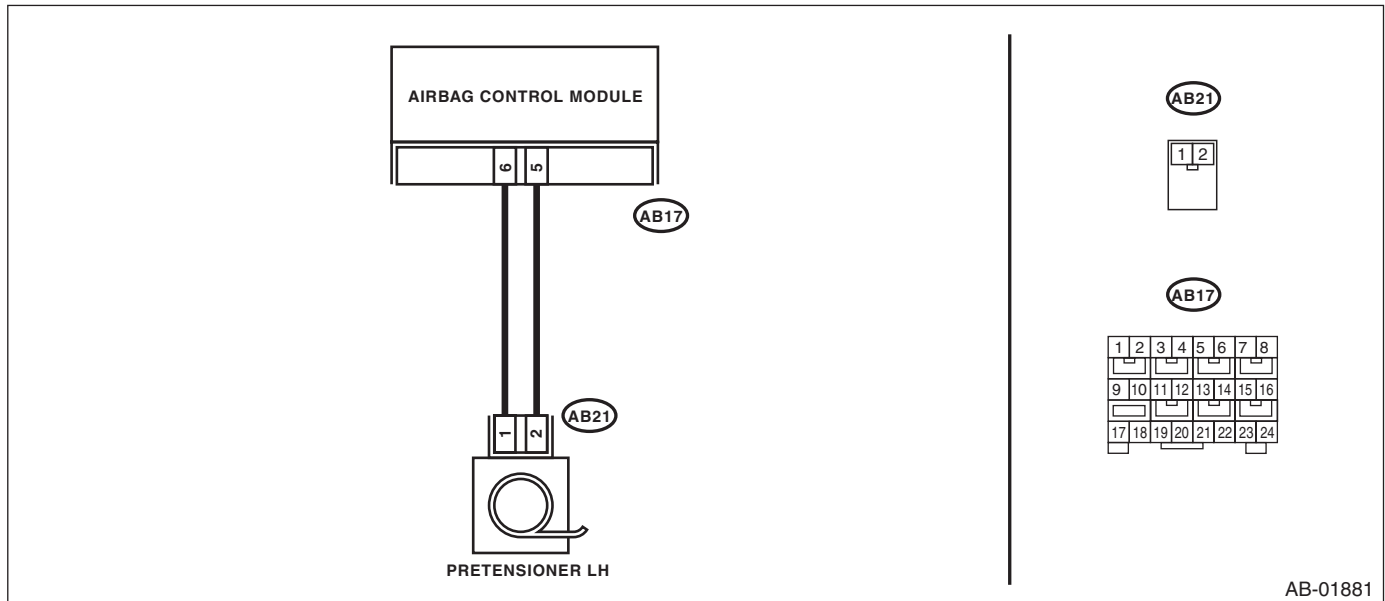
### DTC DETECTING CONDITION:

- Seat belt pretensioner (LH) circuit is open, shorted or shorted to ground.
- Airbag control module is faulty.
- Pretensioner is faulty.
- Pretensioner harness is faulty.

### CAUTION:

- Before diagnosing the airbag system, be sure to turn the ignition switch to OFF, disconnect the ground terminal from battery, and wait 20 seconds or more before starting to work.
- When replacing the airbag module, seat belt pretensioner, roll connector, control module and sensor, reconnect each part and check that the warning light operates properly.
- When inspecting the airbag main harness, disconnect the airbag module connectors of the driver's and passenger's seats for safety.
- When inspecting the airbag rear harness, disconnect the side airbag module connector, curtain airbag module connector and seat belt pretensioner connector for safety reasons.

### WIRING DIAGRAM:



Step	Check	Yes	No
<b>1 CHECK POOR CONTACT OF CONNECTORS.</b> Check for poor contact of the connectors between the airbag control module and the seat belt pretensioner LH.	Is there poor contact?	Replace the airbag rear harness along with body harness.	Go to step 2.
<b>2 CHECK SEAT BELT PRETENSIONER.</b> 1) Turn the ignition switch to OFF, disconnect the ground cable from battery, and wait for 20 seconds or more. 2) Disconnect the connector (AB21) from seat belt pretensioner (LH). 3) Connect the connector (1N) in the test harness N to the connector (AB21). 4) Connect the airbag resistor to the connector (2N) of test harness N. 5) Connect the battery ground terminal and turn the ignition switch to ON.	Does the airbag warning light illuminate for 6 seconds and go off?	Replace the seat belt pretensioner (LH). <Ref. to SB-17, Front Seat Belt.>	Go to step 3.

# Diagnostic Chart with Trouble Code

## AIRBAG SYSTEM (DIAGNOSTICS)

Step	Check	Yes	No
<b>3 CHECK AIRBAG REAR HARNESS (PRE-TENSIONER HARNESS LH).</b> 1) Turn the ignition switch to OFF, disconnect the ground cable from battery, and wait for 20 seconds or more. 2) Disconnect the airbag resistor from test harness. 3) Disconnect connector (AB19) from side airbag module (LH). 4) Disconnect the connector (AB31) from curtain airbag module (LH). 5) Disconnect the connectors (AB6, AB17, AB18) from airbag control module. 6) Connect the test harness AG connector (1AG) to the connectors (AB6, AB17, AB18). 7) Measure the resistance between connector (3AG) in the test harness AG and connector (2N) in the test harness N. <b>Connector &amp; terminal</b> <b>(3AG) No. 12 — (2N) No. 2:</b> <b>(3AG) No. 10 — (2N) No. 1:</b>	Is the resistance less than 10 Ω?	Go to step 4.	Replace the airbag rear harness along with body harness.
<b>4 CHECK AIRBAG REAR HARNESS (PRE-TENSIONER HARNESS LH).</b> Measure the resistance between connector (3AG) terminals in the test harness AG. <b>Connector &amp; terminal</b> <b>(3AG) No. 10 — (3AG) No. 12:</b>	Is the resistance 1 MΩ or more?	Go to step 5.	Replace the airbag rear harness along with body harness.
<b>5 CHECK AIRBAG REAR HARNESS (PRE-TENSIONER HARNESS LH).</b> Measure the resistance between connector (3AG) in the test harness AG and chassis ground. <b>Connector &amp; terminal</b> <b>(3AG) No. 10 — Chassis ground:</b> <b>(3AG) No. 12 — Chassis ground:</b>	Is the resistance 1 MΩ or more?	Go to step 6.	Replace the airbag rear harness along with body harness.
<b>6 CHECK AIRBAG CONTROL MODULE.</b> 1) Connect all connectors. 2) Clear the memory. 3) Perform the Inspection Mode. 4) Read the DTC.	Is the same DTC displayed?	Replace the airbag control module. <Ref. to AB-21, Airbag Control Module.>	Go to step 7.
<b>7 CHECK FOR ANY OTHER DTC ON DISPLAY.</b>	Is any other DTC displayed?	Check DTC using “List of Diagnostic Trouble Code (DTC)”. <Ref. to AB(diag)-38, List of Diagnostic Trouble Code (DTC).>	Finish the diagnosis.

# Diagnostic Chart with Trouble Code

AIRBAG SYSTEM (DIAGNOSTICS)

## AB:DTC 65 BELT PRETENSIONER RH FAILURE

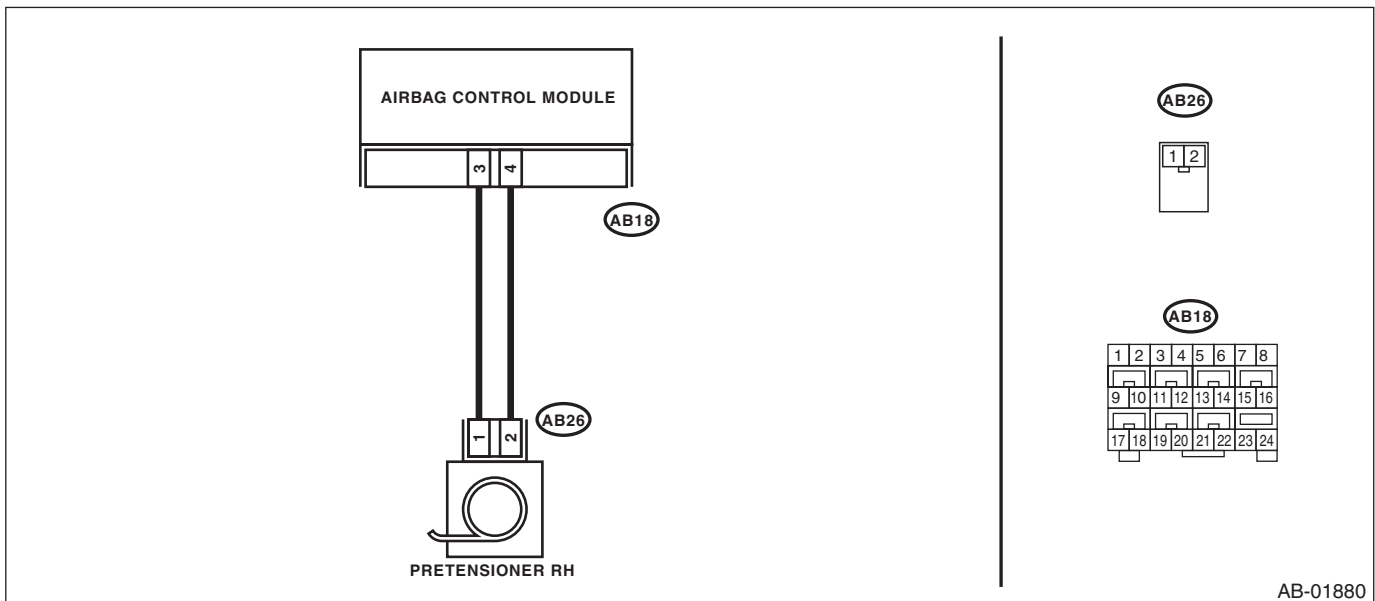
### DTC DETECTING CONDITION:

- Seat belt pretensioner (RH) circuit is shorted to power supply.
- Pretensioner is faulty.
- Pretensioner harness is faulty.
- Airbag control module is faulty.

### CAUTION:

- Before diagnosing the airbag system, be sure to turn the ignition switch to OFF, disconnect the ground terminal from battery, and wait 20 seconds or more before starting to work.
- When replacing the airbag module, seat belt pretensioner, roll connector, control module and sensor, reconnect each part and check that the warning light operates properly.
- When inspecting the airbag main harness, disconnect the airbag module connectors of the driver's and passenger's seats for safety.
- When inspecting the airbag rear harness, disconnect the side airbag module connector, curtain airbag module connector and seat belt pretensioner connector for safety reasons.

### WIRING DIAGRAM:





## Diagnostic Chart with Trouble Code

### AIRBAG SYSTEM (DIAGNOSTICS)

Step	Check	Yes	No
<b>1 CHECK POOR CONTACT OF CONNECTORS.</b> Check for poor contact of the connectors between the airbag control module and the seat belt pretensioner RH.	Is there poor contact?	Replace the airbag rear harness along with body harness.	Go to step 2.
<b>2 CHECK SEAT BELT PRETENSIONER.</b> 1) Turn the ignition switch to OFF, disconnect the ground cable from battery, and wait for 20 seconds or more. 2) Disconnect the connector (AB26) from seat belt pretensioner (RH). 3) Connect the connector (1N) in the test harness N to the connector (AB26). 4) Connect the airbag resistor to the connector (2N) of test harness N. 5) Connect the battery ground terminal and turn the ignition switch to ON.	Does the airbag warning light illuminate for 6 seconds and go off?	Replace the seat belt pretensioner (RH). <Ref. to SB-17, Front Seat Belt.>	Go to step 3.
<b>3 CHECK AIRBAG REAR HARNESS (PRETENSIONER HARNESS RH).</b> 1) Turn the ignition switch to OFF, disconnect the ground cable from battery, and wait for 20 seconds or more. 2) Disconnect the airbag resistor from test harness. 3) Disconnect connector (AB24) from side airbag module (RH). 4) Disconnect the connector (AB33) from curtain airbag module (RH). 5) Disconnect the connectors (AB6, AB17, AB18) from airbag control module. 6) Connect the test harness AG connector (1AG) to the connectors (AB6, AB17, AB18). 7) Connect the battery ground terminal and turn the ignition switch to ON. 8) Measure the voltage between connector (3AG) in the test harness AG and chassis ground.  <i>Connector &amp; terminal</i> <i>(3AG) No. 20 (+) — Chassis ground (-):</i> <i>(3AG) No. 18 (+) — Chassis ground (-):</i>	Is the voltage less than 1 V?	Go to step 4.	Replace the airbag rear harness along with body harness.
<b>4 CHECK AIRBAG CONTROL MODULE.</b> 1) Connect all connectors. 2) Clear the memory. 3) Perform the Inspection Mode. 4) Read the DTC.	Is the same DTC displayed?	Replace the airbag control module. <Ref. to AB-21, Airbag Control Module.>	Go to step 5.
<b>5 CHECK FOR ANY OTHER DTC ON DISPLAY.</b>	Is any other DTC displayed?	Check DTC using "List of Diagnostic Trouble Code (DTC)". <Ref. to AB(diag)-38, List of Diagnostic Trouble Code (DTC).>	Finish the diagnosis.

# Diagnostic Chart with Trouble Code

AIRBAG SYSTEM (DIAGNOSTICS)

## AC:DTC 66 BELT PRETENSIONER LH FAILURE

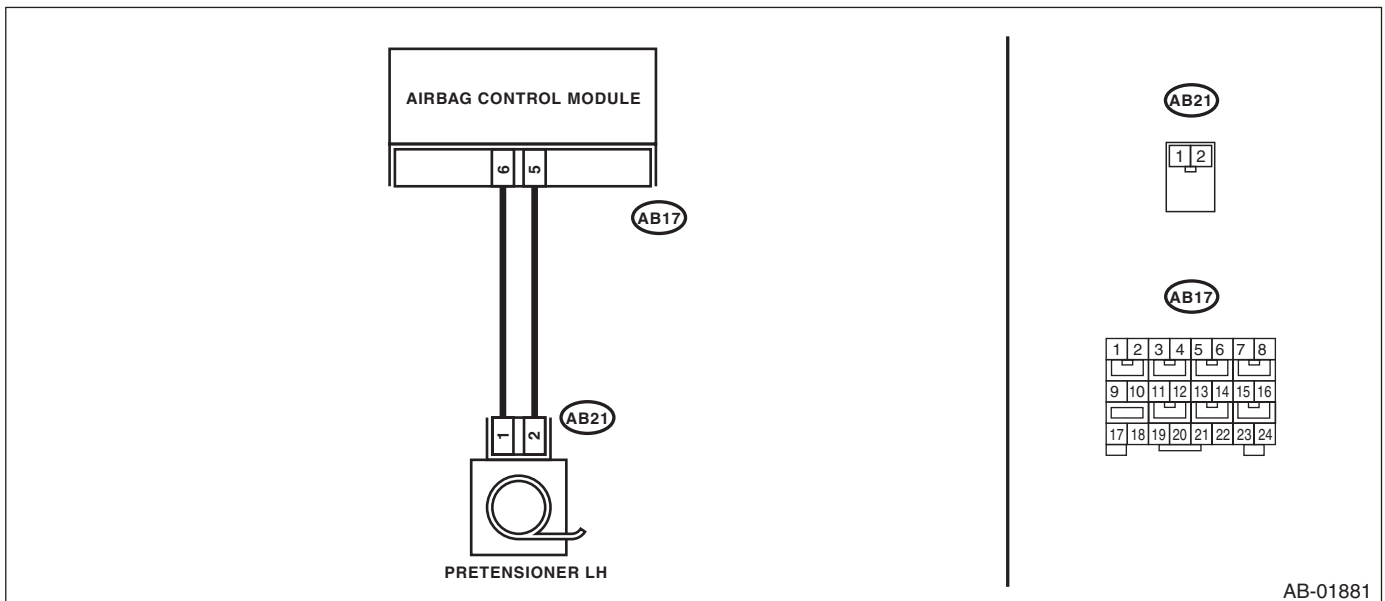
### DTC DETECTING CONDITION:

- Seat belt pretensioner (LH) circuit is shorted to power supply.
- Pretensioner is faulty.
- Pretensioner harness is faulty.
- Airbag control module is faulty.

### CAUTION:

- Before diagnosing the airbag system, be sure to turn the ignition switch to OFF, disconnect the ground terminal from battery, and wait 20 seconds or more before starting to work.
- When replacing the airbag module, seat belt pretensioner, roll connector, control module and sensor, reconnect each part and check that the warning light operates properly.
- When inspecting the airbag main harness, disconnect the airbag module connectors of the driver's and passenger's seats for safety.
- When inspecting the airbag rear harness, disconnect the side airbag module connector, curtain airbag module connector and seat belt pretensioner connector for safety reasons.

### WIRING DIAGRAM:



# Diagnostic Chart with Trouble Code

## AIRBAG SYSTEM (DIAGNOSTICS)

Step	Check	Yes	No
<b>1 CHECK POOR CONTACT OF CONNECTORS.</b> Check for poor contact of the connectors between the airbag control module and the seat belt pretensioner LH.	Is there poor contact?	Replace the airbag rear harness along with body harness.	Go to step 2.
<b>2 CHECK SEAT BELT PRETENSIONER.</b> 1) Turn the ignition switch to OFF, disconnect the ground cable from battery, and wait for 20 seconds or more. 2) Disconnect the connector (AB21) from seat belt pretensioner (LH). 3) Connect the connector (1N) in the test harness N to the connector (AB21). 4) Connect the airbag resistor to the connector (2N) of test harness N. 5) Connect the battery ground terminal and turn the ignition switch to ON.	Does the airbag warning light illuminate for 6 seconds and go off?	Replace the seat belt pretensioner (LH). <Ref. to SB-17, Front Seat Belt.>	Go to step 3.
<b>3 CHECK AIRBAG REAR HARNESS (PRETENSIONER HARNESS LH).</b> 1) Turn the ignition switch to OFF, disconnect the ground cable from battery, and wait for 20 seconds or more. 2) Disconnect the airbag resistor from test harness. 3) Disconnect connector (AB19) from side airbag module (LH). 4) Disconnect the connector (AB31) from curtain airbag module (LH). 5) Disconnect the connectors (AB6, AB17, AB18) from airbag control module. 6) Connect the test harness AG connector (1AG) to the connectors (AB6, AB17, AB18). 7) Connect the battery ground terminal and turn the ignition switch to ON. 8) Measure the voltage between connector (3AG) in the test harness AG and chassis ground.  <i>Connector &amp; terminal</i> <i>(3AG) No. 10 (+) — Chassis ground (-):</i> <i>(3AG) No. 12 (+) — Chassis ground (-):</i>	Is the voltage less than 1 V?	Go to step 4.	Replace the airbag rear harness along with body harness.
<b>4 CHECK AIRBAG CONTROL MODULE.</b> 1) Connect all connectors. 2) Clear the memory. 3) Perform the Inspection Mode. 4) Read the DTC.	Is the same DTC displayed?	Replace the airbag control module. <Ref. to AB-21, Airbag Control Module.>	Go to step 5.
<b>5 CHECK FOR ANY OTHER DTC ON DISPLAY.</b>	Is any other DTC displayed?	Check DTC using "List of Diagnostic Trouble Code (DTC)". <Ref. to AB(diag)-38, List of Diagnostic Trouble Code (DTC).>	Finish the diagnosis.

# Diagnostic Chart with Trouble Code

AIRBAG SYSTEM (DIAGNOSTICS)

## AD:DTC 71 DRIVER'S AIRBAG FAILURE

### DTC DETECTING CONDITION:

- Airbag main harness circuit is open, shorted or shorted to ground.
- Airbag module harness (Driver's side) circuit is open, shorted or shorted to ground.
- Roll connector circuit is open, shorted or shorted to ground.
- Driver's airbag module is faulty.
- Airbag control module is faulty.

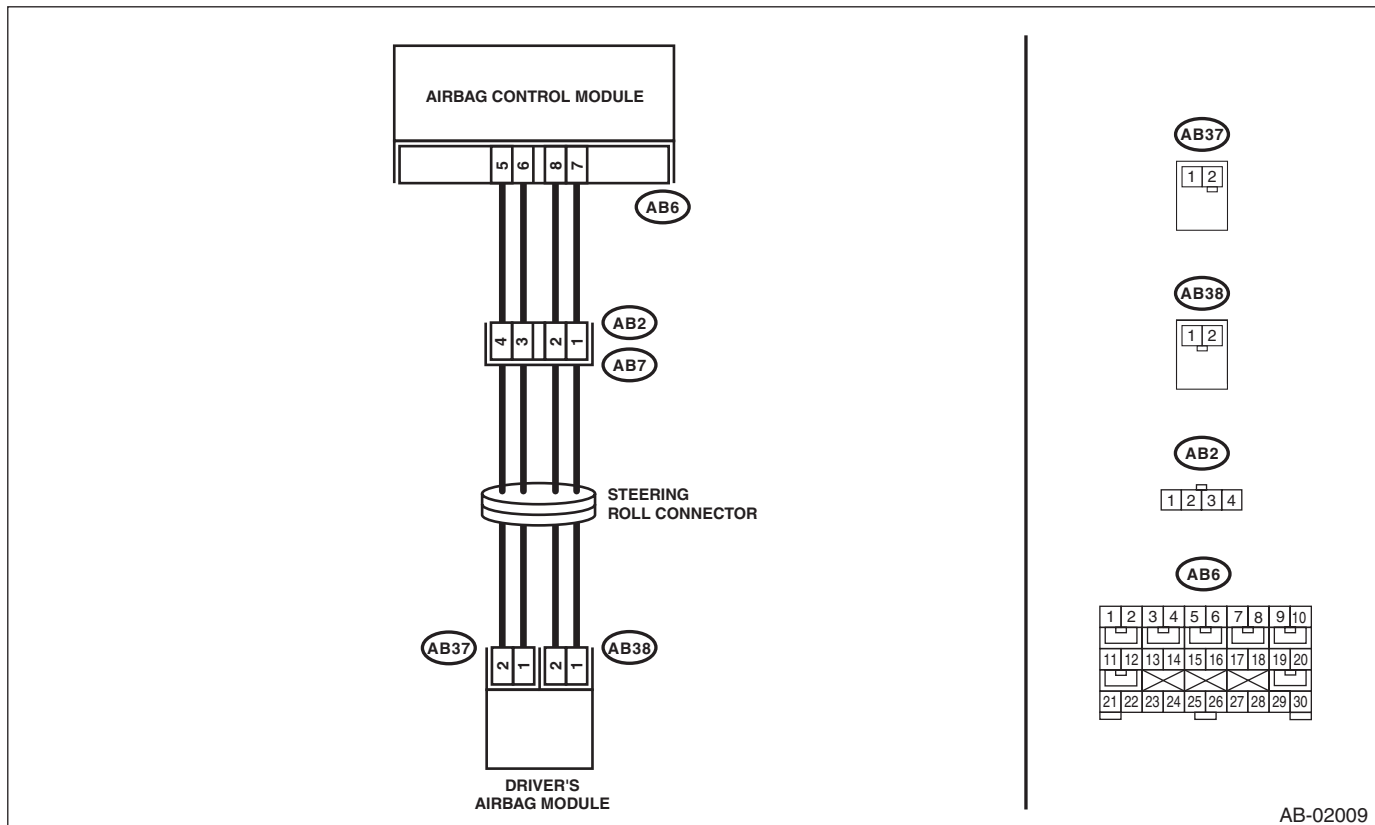
### CAUTION:

- Before diagnosing the airbag system, be sure to turn the ignition switch to OFF, disconnect the ground terminal from battery, and wait 20 seconds or more before starting to work.
- When replacing the airbag module, seat belt pretensioner, roll connector, control module and sensor, reconnect each part and check that the warning light operates properly.
- When inspecting the airbag main harness, disconnect the airbag module connectors of the driver's and passenger's seats for safety.
- When inspecting the airbag rear harness, disconnect the side airbag module connector, curtain airbag module connector and seat belt pretensioner connector for safety reasons.

### NOTE:

Prior to starting work, prepare two airbag resistors (98299PA040).

### WIRING DIAGRAM:



AB-02009

## Diagnostic Chart with Trouble Code

### AIRBAG SYSTEM (DIAGNOSTICS)

Step	Check	Yes	No
<b>1 CHECK POOR CONTACT OF CONNECTORS.</b> Check for poor contact of the connectors between the airbag control module and the driver's airbag module.	Is there poor contact?	Replace the airbag main harness along with body harness.	Go to step 2.
<b>2 CHECK DRIVER'S AIRBAG MODULE.</b> 1) Turn the ignition switch to OFF, disconnect the ground cable from battery, and wait for 20 seconds or more. 2) Remove the driver's airbag module. 3) Connect the connector (1N) in the test harness N to the connector (AB38). 4) Connect the airbag resistor to the connector (2N) of test harness N. 5) Connect the connector (1Q) in the test harness Q to connector (AB37). 6) Connect the airbag resistor to the connector (2Q) in the test harness Q. 7) Connect the battery ground terminal and turn the ignition switch to ON.	Does the airbag warning light illuminate for 6 seconds and go off?	Replace the driver's airbag module. <Ref. to AB-15, Driver's Airbag Module.>	Go to step 3.
<b>3 CHECK ROLL CONNECTOR.</b> 1) Turn the ignition switch to OFF, disconnect the ground cable from battery, and wait for 20 seconds or more. 2) Disconnect the test harness N from connector (AB38). 3) Disconnect the test harness Q from connector (AB37). 4) Remove the instrument panel lower cover and disconnect the connector (AB7) from (AB2). 5) Connect the connector (1P) in the test harness P to connector (AB2). 6) Connect the airbag resistor to the connectors (2P) and (3P) of test harness P. 7) Connect the battery ground terminal and turn the ignition switch to ON.	Does the airbag warning light illuminate for 6 seconds and go off?	Replace the roll connector. <Ref. to AB-26, Roll Connector.>	Go to step 4.
<b>4 CHECK AIRBAG MAIN HARNESS (DRIVER'S AIRBAG HARNESS).</b> 1) Turn the ignition switch to OFF, disconnect the ground cable from battery, and wait for 20 seconds or more. 2) Disconnect the airbag resistor from the connectors (2P) and (3P) of test harness P. 3) Remove the console front panel and disconnect the connectors (AB10) and (AB9). 4) Disconnect the connectors (AB6, AB17, AB18) from the airbag control module, and connect the test harness AG connector (1AG). 5) Measure the resistance between connector (3AG) in the test harness AG and connectors (2P) and (3P) in the test harness P. <b>Connector &amp; terminal</b> <b>(3AG) No. 2 — (3P) No. 3:</b> <b>(3AG) No. 4 — (3P) No. 4:</b>	Is the resistance less than 10 Ω?	Go to step 5.	Replace the airbag main harness along with body harness.

# Diagnostic Chart with Trouble Code

AIRBAG SYSTEM (DIAGNOSTICS)

Step	Check	Yes	No
<b>5 CHECK AIRBAG MAIN HARNESS (DRIVER'S AIRBAG HARNESS).</b> Measure the resistance between connectors (3AG) in the test harness AG, and between connector (3AG) and chassis ground. <b>Connector &amp; terminal</b> <i>(3AG) No. 1 — (3AG) No. 3:</i> <i>(3AG) No. 3 — Chassis ground:</i> <i>(3AG) No. 1 — Chassis ground:</i> <i>(3AG) No. 2 — (3AG) No. 4:</i> <i>(3AG) No. 2 — Chassis ground:</i> <i>(3AG) No. 4 — Chassis ground:</i> <i>(3AG) No. 1 — (3AG) No. 2:</i> <i>(3AG) No. 1 — (3AG) No. 4:</i> <i>(3AG) No. 2 — (3AG) No. 3:</i> <i>(3AG) No. 3 — (3AG) No. 4:</i>	Is the resistance 1 MΩ or more?	Go to step 6.	Replace the airbag main harness along with body harness.
<b>6 CHECK AIRBAG CONTROL MODULE.</b> 1) Connect all connectors. 2) Clear the memory. 3) Perform the Inspection Mode. 4) Read the DTC.	Is the same DTC displayed?	Replace the airbag control module. <Ref. to AB-21, Airbag Control Module.>	Go to step 7.
<b>7 CHECK FOR ANY OTHER DTC ON DISPLAY.</b>	Is any other DTC displayed?	Check DTC using "List of Diagnostic Trouble Code (DTC)". <Ref. to AB(diag)-38, List of Diagnostic Trouble Code (DTC).>	Finish the diagnosis.

# Diagnostic Chart with Trouble Code

## AIRBAG SYSTEM (DIAGNOSTICS)

### AE:DTC 72 PASSENGER'S AIRBAG FAILURE

#### DTC DETECTING CONDITION:

- Airbag main harness circuit is open, shorted or shorted to ground.
- Airbag module harness (Passenger's side) circuit is open, shorted or shorted to ground.
- Passenger's airbag module is faulty.
- Airbag control module is faulty.

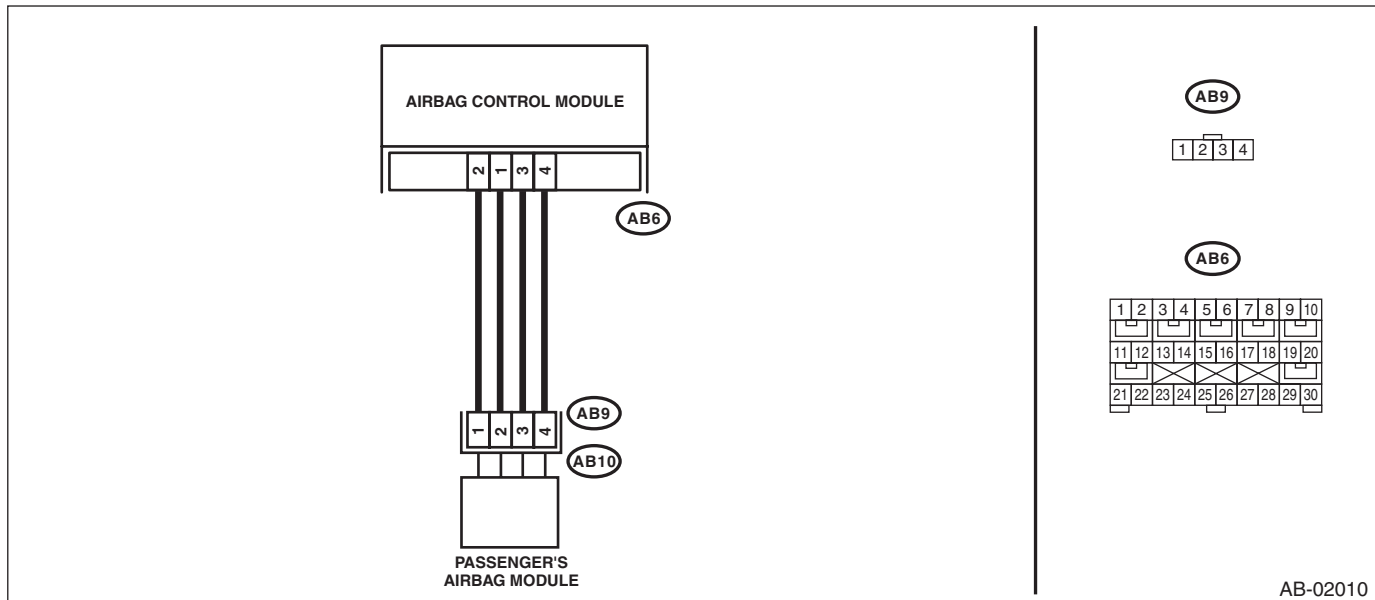
#### CAUTION:

- **Before diagnosing the airbag system, be sure to turn the ignition switch to OFF, disconnect the ground terminal from battery, and wait 20 seconds or more before starting to work.**
- **When replacing the airbag module, seat belt pretensioner, roll connector, control module and sensor, reconnect each part and check that the warning light operates properly.**
- **When inspecting the airbag main harness, disconnect the airbag module connectors of the driver's and passenger's seats for safety.**
- **When inspecting the airbag rear harness, disconnect the side airbag module connector, curtain airbag module connector and seat belt pretensioner connector for safety reasons.**

#### NOTE:

Prior to starting work, prepare two airbag resistors (98299PA040).

#### WIRING DIAGRAM:



Step	Check	Yes	No
<b>1 CHECK POOR CONTACT OF CONNECTORS.</b> Check for poor contact of the connectors between the airbag control module and the passenger's airbag module.	Is there poor contact?	Replace the airbag main harness along with body harness.	Go to step 2.
<b>2 CHECK PASSENGER'S AIRBAG MODULE.</b> 1) Turn the ignition switch to OFF, disconnect the ground cable from battery, and wait for 20 seconds or more. 2) Remove the console front panel and disconnect the connectors (AB10) from (AB9). 3) Connect the connector (1P) in the test harness P to connector (AB9). 4) Connect the airbag resistor to the connectors (2P) and (3P) of test harness P. 5) Connect the battery ground terminal and turn the ignition switch to ON.	Does the airbag warning light illuminate for 6 seconds and go off?	Replace the passenger's airbag module. <Ref. to AB-16, Passenger's Airbag Module.>	Go to step 3.

# Diagnostic Chart with Trouble Code

AIRBAG SYSTEM (DIAGNOSTICS)

Step	Check	Yes	No
<p><b>3 CHECK AIRBAG MAIN HARNESS (PASSENGER'S AIRBAG HARNESS).</b></p> <p>1) Turn the ignition switch to OFF, disconnect the ground cable from battery, and wait for 20 seconds or more.</p> <p>2) Disconnect the airbag resistor from the connectors (2P) and (3P) of test harness P.</p> <p>3) Remove the instrument panel lower cover and disconnect the connector (AB7) from (AB2).</p> <p>4) Disconnect the connectors (AB6, AB17, AB18) from the airbag control module, and connect the test harness AG connector (1AG).</p> <p>5) Measure the resistance between connector (3AG) in the test harness AG and connectors (2P) and (3P) in the test harness P.</p> <p><b>Connector &amp; terminal</b>  <b>(3AG) No. 8 — (3P) No. 3:</b>  <b>(3AG) No. 6 — (3P) No. 4:</b></p>	Is the resistance less than 10 Ω?	Go to step 4.	Replace the airbag main harness along with body harness.
<p><b>4 CHECK AIRBAG MAIN HARNESS (PASSENGER'S AIRBAG HARNESS).</b></p> <p>Measure the resistance between connectors (3AG) in the test harness AG, and between connector (3AG) and chassis ground.</p> <p><b>Connector &amp; terminal</b>  <b>(3AG) No. 9 — (3AG) No. 7:</b>  <b>(3AG) No. 9 — Chassis ground:</b>  <b>(3AG) No. 7 — Chassis ground:</b>  <b>(3AG) No. 8 — (3AG) No. 6:</b>  <b>(3AG) No. 8 — Chassis ground:</b>  <b>(3AG) No. 6 — Chassis ground:</b>  <b>(3AG) No. 6 — (3AG) No. 7:</b>  <b>(3AG) No. 6 — (3AG) No. 9:</b>  <b>(3AG) No. 7 — (3AG) No. 8:</b>  <b>(3AG) No. 8 — (3AG) No. 9:</b></p>	Is the resistance 1 MΩ or more?	Go to step 5.	Replace the airbag main harness along with body harness.
<p><b>5 CHECK AIRBAG CONTROL MODULE.</b></p> <p>1) Connect all connectors.</p> <p>2) Clear the memory.</p> <p>3) Perform the Inspection Mode.</p> <p>4) Read the DTC.</p>	Is the same DTC displayed?	Replace the airbag control module. <Ref. to AB-21, Airbag Control Module.>	Go to step 6.
<p><b>6 CHECK FOR ANY OTHER DTC ON DISPLAY.</b></p>	Is any other DTC displayed?	Check DTC using "List of Diagnostic Trouble Code (DTC)". <Ref. to AB(diag)-38, List of Diagnostic Trouble Code (DTC).>	Finish the diagnosis.



# Diagnostic Chart with Trouble Code

## AIRBAG SYSTEM (DIAGNOSTICS)

### AF:DTC 75 DRIVER'S AIRBAG FAILURE

#### DTC DETECTING CONDITION:

- Airbag main harness circuit (Driver's side) is shorted to power supply.
- Airbag module harness circuit (Driver's side) is shorted to power supply.
- Roll connector is shorted to power supply.
- Driver's airbag module is faulty.
- Airbag control module is faulty.

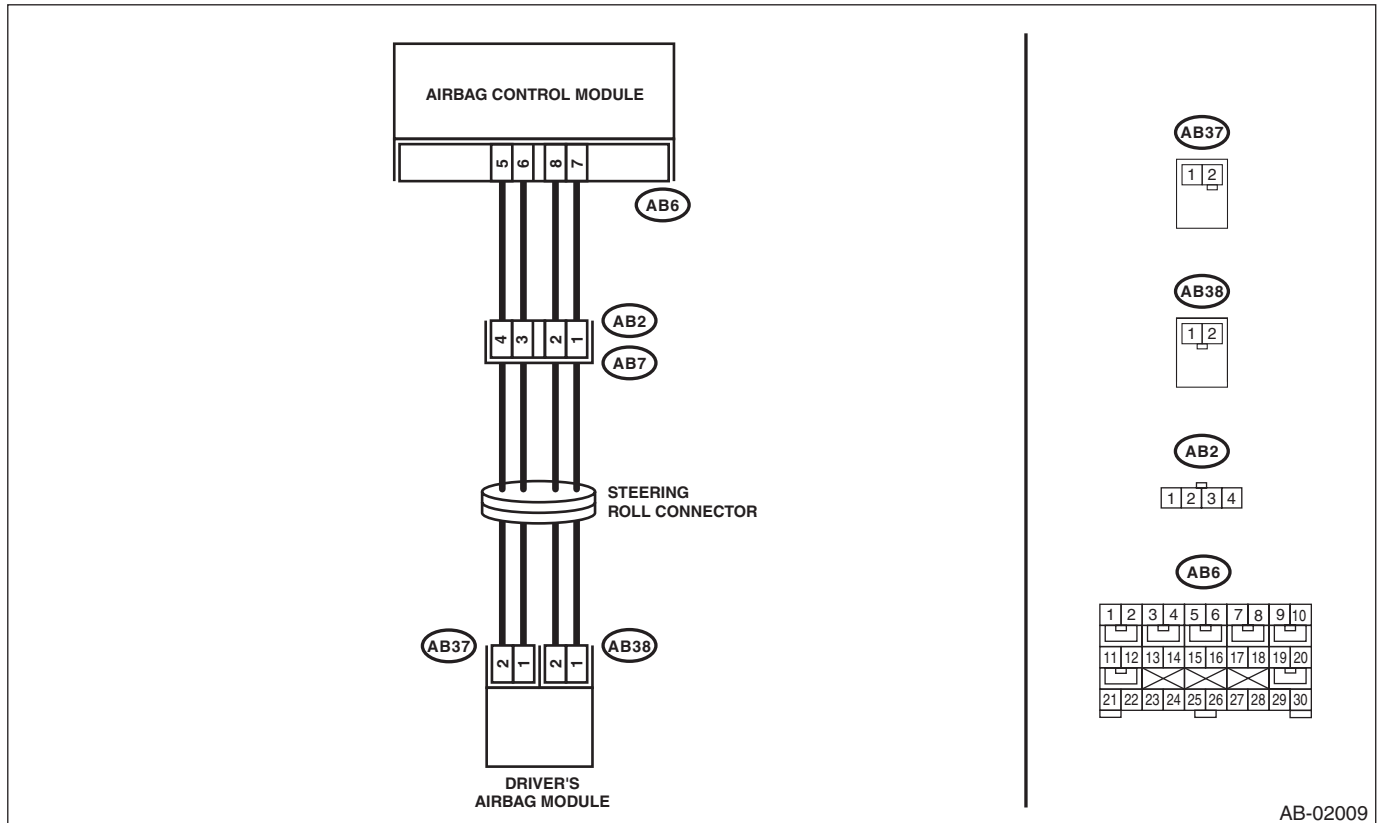
#### CAUTION:

- Before diagnosing the airbag system, be sure to turn the ignition switch to OFF, disconnect the ground terminal from battery, and wait 20 seconds or more before starting to work.
- When replacing the airbag module, seat belt pretensioner, roll connector, control module and sensor, reconnect each part and check that the warning light operates properly.
- When inspecting the airbag main harness, disconnect the airbag module connectors of the driver's and passenger's seats for safety.
- When inspecting the airbag rear harness, disconnect the side airbag module connector, curtain airbag module connector and seat belt pretensioner connector for safety reasons.

#### NOTE:

Prior to starting work, prepare two airbag resistors (98299PA040).

#### WIRING DIAGRAM:



# Diagnostic Chart with Trouble Code

AIRBAG SYSTEM (DIAGNOSTICS)

Step	Check	Yes	No
<p><b>1 CHECK POOR CONTACT OF CONNECTORS.</b> Check for poor contact of the connectors between the airbag control module and the driver's airbag module.</p>	Is there poor contact?	Replace the airbag main harness along with body harness.	Go to step 2.
<p><b>2 CHECK DRIVER'S AIRBAG MODULE.</b> 1) Turn the ignition switch to OFF, disconnect the ground cable from battery, and wait for 20 seconds or more. 2) Remove the driver's airbag module. 3) Connect the connector (AB38) to the connector (1N) in the test harness N. 4) Connect the airbag resistor to the connector (2N) of test harness N. 5) Connect the connector (1Q) in the test harness Q to connector (AB37). 6) Connect the airbag resistor to the connector (2Q) in the test harness Q. 7) Connect the battery ground terminal and turn the ignition switch to ON.</p>	Does the airbag warning light illuminate for 6 seconds and go off?	Replace the driver's airbag module. <Ref. to AB-15, Driver's Airbag Module.>	Go to step 3.
<p><b>3 CHECK ROLL CONNECTOR.</b> 1) Turn the ignition switch to OFF, disconnect the ground cable from battery, and wait for 20 seconds or more. 2) Disconnect the test harness N from connector (AB38). 3) Disconnect the test harness Q from connector (AB37). 4) Remove the instrument panel lower cover and disconnect the connector (AB7) from (AB2). 5) Connect the connector (1P) in the test harness P to connector (AB2). 6) Connect the airbag resistor to the connectors (2P) and (3P) of test harness P. 7) Connect the battery ground terminal and turn the ignition switch to ON.</p>	Does the airbag warning light illuminate for 6 seconds and go off?	Replace the roll connector. <Ref. to AB-26, Roll Connector.>	Go to step 4.
<p><b>4 CHECK AIRBAG MAIN HARNESS (DRIVER'S AIRBAG HARNESS).</b> 1) Turn the ignition switch to OFF, disconnect the ground cable from battery, and wait for 20 seconds or more. 2) Disconnect the airbag resistor from the connectors (2P) and (3P) of test harness P. 3) Remove the console front panel and disconnect the connectors (AB10) and (AB9). 4) Disconnect the connectors (AB6, AB17, AB18) from the airbag control module, and connect the test harness AG connector (1AG). 5) Connect the battery ground terminal and turn the ignition switch to ON. (engine OFF) 6) Measure the voltage between connector (3AG) in the test harness AG and chassis ground.  <b>Connector &amp; terminal</b> <b>(3AG) No. 2 (+) — Chassis ground (-):</b> <b>(3AG) No. 4 (+) — Chassis ground (-):</b></p>	Is the voltage less than 1 V?	Go to step 5.	Replace the airbag main harness along with body harness.

## Diagnostic Chart with Trouble Code

### AIRBAG SYSTEM (DIAGNOSTICS)

	Step	Check	Yes	No
5	<b>CHECK AIRBAG CONTROL MODULE.</b> 1) Connect all connectors. 2) Clear the memory. 3) Perform the Inspection Mode. 4) Read the DTC.	Is the same DTC displayed?	Replace the airbag control module. <Ref. to AB-21, Airbag Control Module.>	Go to step 6.
6	<b>CHECK FOR ANY OTHER DTC ON DISPLAY.</b>	Is any other DTC displayed?	Check DTC using "List of Diagnostic Trouble Code (DTC)". <Ref. to AB(diag)-38, List of Diagnostic Trouble Code (DTC).>	Finish the diagnosis.

# Diagnostic Chart with Trouble Code

AIRBAG SYSTEM (DIAGNOSTICS)

## AG:DTC 76 PASSENGER'S AIRBAG FAILURE

### DTC DETECTING CONDITION:

- Airbag main harness circuit (Passenger's side) is shorted to power supply.
- Airbag module harness circuit (Passenger's side) is shorted to power supply.
- Passenger's airbag module is faulty.
- Airbag control module is faulty.

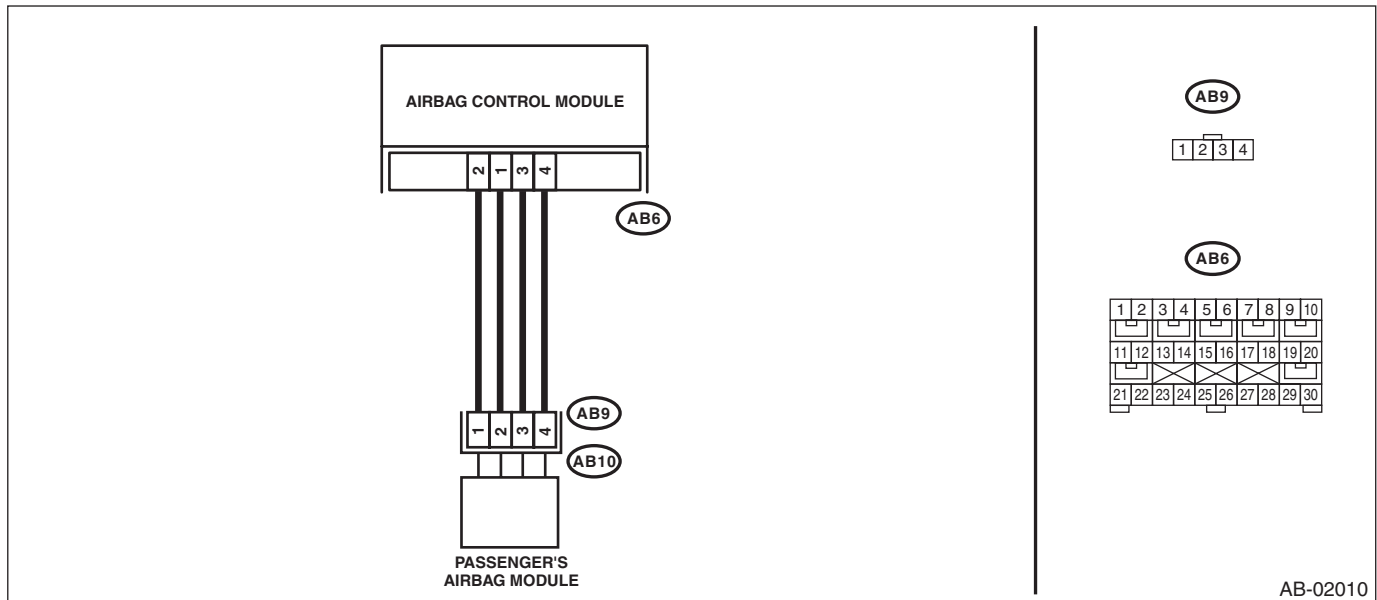
### CAUTION:

- Before diagnosing the airbag system, be sure to turn the ignition switch to OFF, disconnect the ground terminal from battery, and wait 20 seconds or more before starting to work.
- When replacing the airbag module, seat belt pretensioner, roll connector, control module and sensor, reconnect each part and check that the warning light operates properly.
- When inspecting the airbag main harness, disconnect the airbag module connectors of the driver's and passenger's seats for safety.
- When inspecting the airbag rear harness, disconnect the side airbag module connector, curtain airbag module connector and seat belt pretensioner connector for safety reasons.

### NOTE:

Prior to starting work, prepare two airbag resistors (98299PA040).

### WIRING DIAGRAM:



## Diagnostic Chart with Trouble Code

### AIRBAG SYSTEM (DIAGNOSTICS)

Step	Check	Yes	No
<b>1 CHECK POOR CONTACT OF CONNECTORS.</b> Check for poor contact of the connectors between the airbag control module and the passenger's airbag module.	Is there poor contact?	Replace the airbag main harness along with body harness.	Go to step 2.
<b>2 CHECK PASSENGER'S AIRBAG MODULE.</b> 1) Turn the ignition switch to OFF, disconnect the ground cable from battery, and wait for 20 seconds or more. 2) Remove the console front panel and disconnect the connectors (AB10) from (AB9). 3) Connect the connector (1P) in the test harness P to connector (AB9). 4) Connect the airbag resistor to the connectors (2P) and (3P) of test harness P. 5) Connect the battery ground terminal and turn the ignition switch to ON.	Does the airbag warning light illuminate for 6 seconds and go off?	Replace the passenger's airbag module. <Ref. to AB-16, Passenger's Airbag Module.>	Go to step 3.
<b>3 CHECK AIRBAG MAIN HARNESS (PASSENGER'S AIRBAG HARNESS).</b> 1) Turn the ignition switch to OFF, disconnect the ground cable from battery, and wait for 20 seconds or more. 2) Disconnect the airbag resistor from the connectors (2P) and (3P) of test harness P. 3) Remove the instrument panel lower cover and disconnect the connector (AB7) from (AB2). 4) Disconnect the connectors (AB6, AB17, AB18) from the airbag control module, and connect the test harness AG connector (1AG). 5) Measure the voltage between connector (3AG) in the test harness AG and chassis ground. <b>Connector &amp; terminal</b> <b>(3AG) No. 8 (+) — Chassis ground (-):</b> <b>(3AG) No. 6 (+) — Chassis ground (-):</b>	Is the voltage less than 1 V?	Go to step 4.	Replace the airbag main harness along with body harness.
<b>4 CHECK AIRBAG CONTROL MODULE.</b> 1) Connect all connectors. 2) Clear the memory. 3) Perform the Inspection Mode. 4) Read the DTC.	Is the same DTC displayed?	Replace the airbag control module. <Ref. to AB-21, Airbag Control Module.>	Go to step 5.
<b>5 CHECK FOR ANY OTHER DTC ON DISPLAY.</b>	Is any other DTC displayed?	Check DTC using "List of Diagnostic Trouble Code (DTC)". <Ref. to AB(diag)-38, List of Diagnostic Trouble Code (DTC).>	Finish the diagnosis.

# Diagnostic Chart with Trouble Code

AIRBAG SYSTEM (DIAGNOSTICS)

## AH:DTC 91 CURTAIN AIRBAG MODULE RH FAILURE

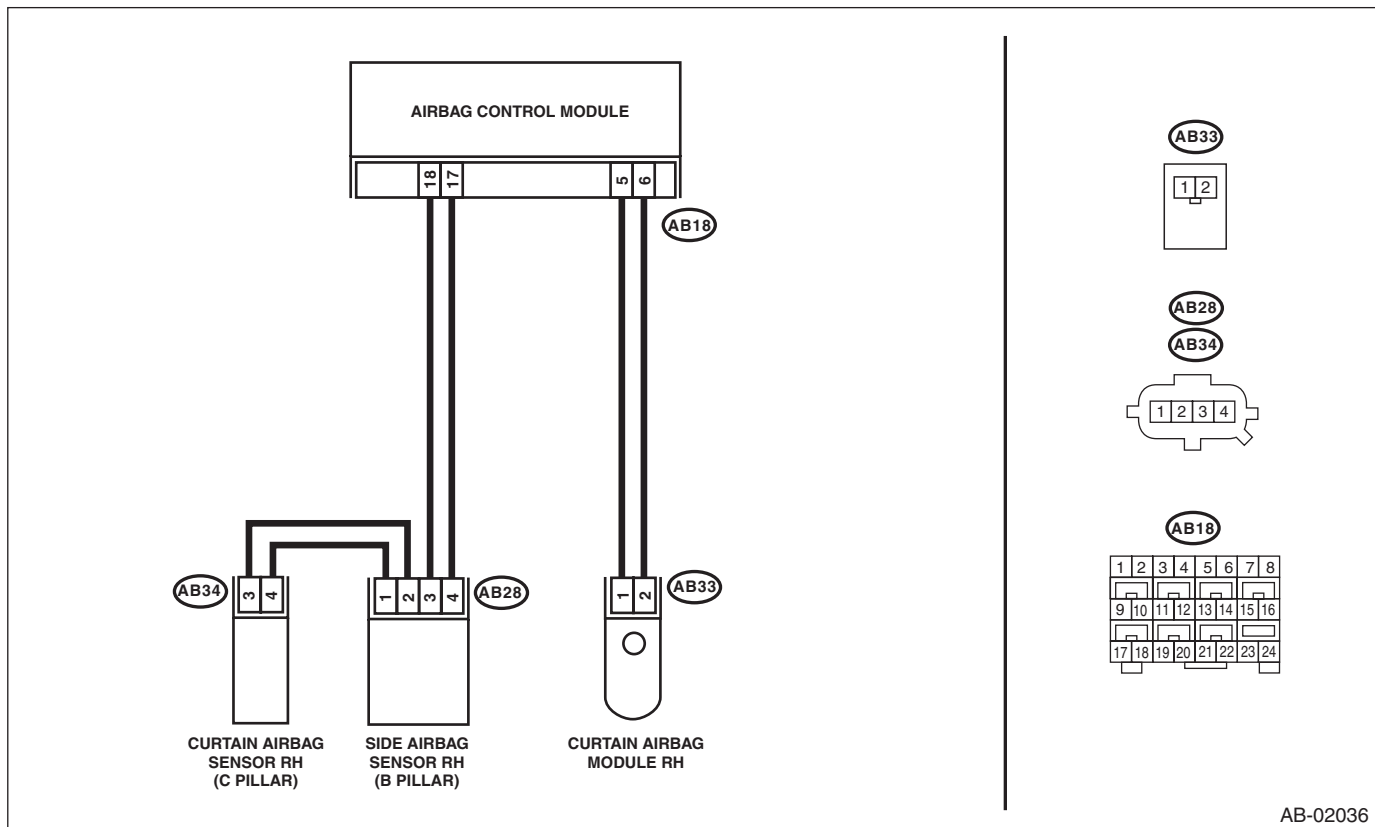
### DTC DETECTING CONDITION:

- Curtain airbag harness (RH) is faulty.
- Curtain airbag module (RH) is faulty.
- Airbag control module is faulty.

### CAUTION:

- Before diagnosing the airbag system, be sure to turn the ignition switch to OFF, disconnect the ground terminal from battery, and wait 20 seconds or more before starting to work.
- When replacing the airbag module, seat belt pretensioner, roll connector, control module and sensor, reconnect each part and check that the warning light operates properly.
- When inspecting the airbag main harness, disconnect the airbag module connectors of the driver's and passenger's seats for safety.
- When inspecting the airbag rear harness, disconnect the side airbag module connector, curtain airbag module connector and seat belt pretensioner connector for safety reasons.

### WIRING DIAGRAM:



AB-02036

Step	Check	Yes	No
<b>1</b> <b>CHECK POOR CONTACT OF CONNECTORS.</b> Check for poor contact of the connectors between the airbag control module, curtain airbag module RH and the curtain airbag sensor RH.	Is there poor contact?	Replace the airbag rear harness along with body harness.	Go to step 2.

## Diagnostic Chart with Trouble Code

### AIRBAG SYSTEM (DIAGNOSTICS)

Step	Check	Yes	No
<b>2 CHECK CURTAIN AIRBAG MODULE.</b> 1) Turn the ignition switch to OFF, disconnect the ground cable from battery, and wait for 20 seconds or more. 2) Disconnect the connector (AB33), and connect the connector (1N) in test harness N to connector (AB33). 3) Connect the airbag resistor to the connector (2N) of test harness N. 4) Connect the battery ground terminal and turn the ignition switch to ON.	Does the airbag warning light illuminate for 6 seconds and go off?	Replace the curtain airbag module (RH). <Ref. to AB-19, Curtain Airbag Module.>	Go to step 3.
<b>3 CHECK AIRBAG REAR HARNESS (CURTAIN AIRBAG MODULE HARNESS RH).</b> 1) Turn the ignition switch to OFF, disconnect the ground cable from battery, and wait for 20 seconds or more. 2) Disconnect the connector (AB26) from seat belt pretensioner (RH). 3) Disconnect connector (AB24) from side airbag module (RH). 4) Disconnect the airbag resistor from test harness N. 5) Disconnect the connectors (AB6, AB17, AB18) from airbag control module. 6) Connect the test harness AG connector (1AG) to the connectors (AB6, AB17, AB18). 7) Measure the resistance between connector (6AG) in the test harness AG and connector (2N) in the test harness N. <i>Connector &amp; terminal</i> <i>(6AG) No. 6 — (2N) No. 1:</i> <i>(6AG) No. 8 — (2N) No. 2:</i>	Is the resistance less than 10 Ω?	Go to step 4.	Replace the airbag rear harness along with body harness.
<b>4 CHECK AIRBAG REAR HARNESS (CURTAIN AIRBAG MODULE HARNESS RH).</b> Measure the resistance between connector (6AG) terminals in the test harness AG. <i>Connector &amp; terminal</i> <i>(6AG) No. 6 — (6AG) No. 8:</i>	Is the resistance 1 MΩ or more?	Go to step 5.	Replace the airbag rear harness along with body harness.
<b>5 CHECK AIRBAG REAR HARNESS (CURTAIN AIRBAG MODULE HARNESS RH).</b> Measure the resistance between connector (6AG) in the test harness AG and chassis ground. <i>Connector &amp; terminal</i> <i>(6AG) No. 6 — Chassis ground:</i> <i>(6AG) No. 8 — Chassis ground:</i>	Is the resistance 1 MΩ or more?	Go to step 6.	Replace the airbag rear harness along with body harness.
<b>6 CHECK AIRBAG CONTROL MODULE.</b> 1) Connect all connectors. 2) Clear the memory. 3) Perform the Inspection Mode. 4) Read the DTC.	Is the same DTC displayed?	Replace the airbag control module. <Ref. to AB-21, Airbag Control Module.>	Go to step 7.
<b>7 CHECK FOR ANY OTHER DTC ON DISPLAY.</b>	Is any other DTC displayed?	Check DTC using "List of Diagnostic Trouble Code (DTC)". <Ref. to AB(diag)-38, List of Diagnostic Trouble Code (DTC).>	Finish the diagnosis.

# Diagnostic Chart with Trouble Code

AIRBAG SYSTEM (DIAGNOSTICS)

## AI: DTC 92 CURTAIN AIRBAG MODULE LH FAILURE

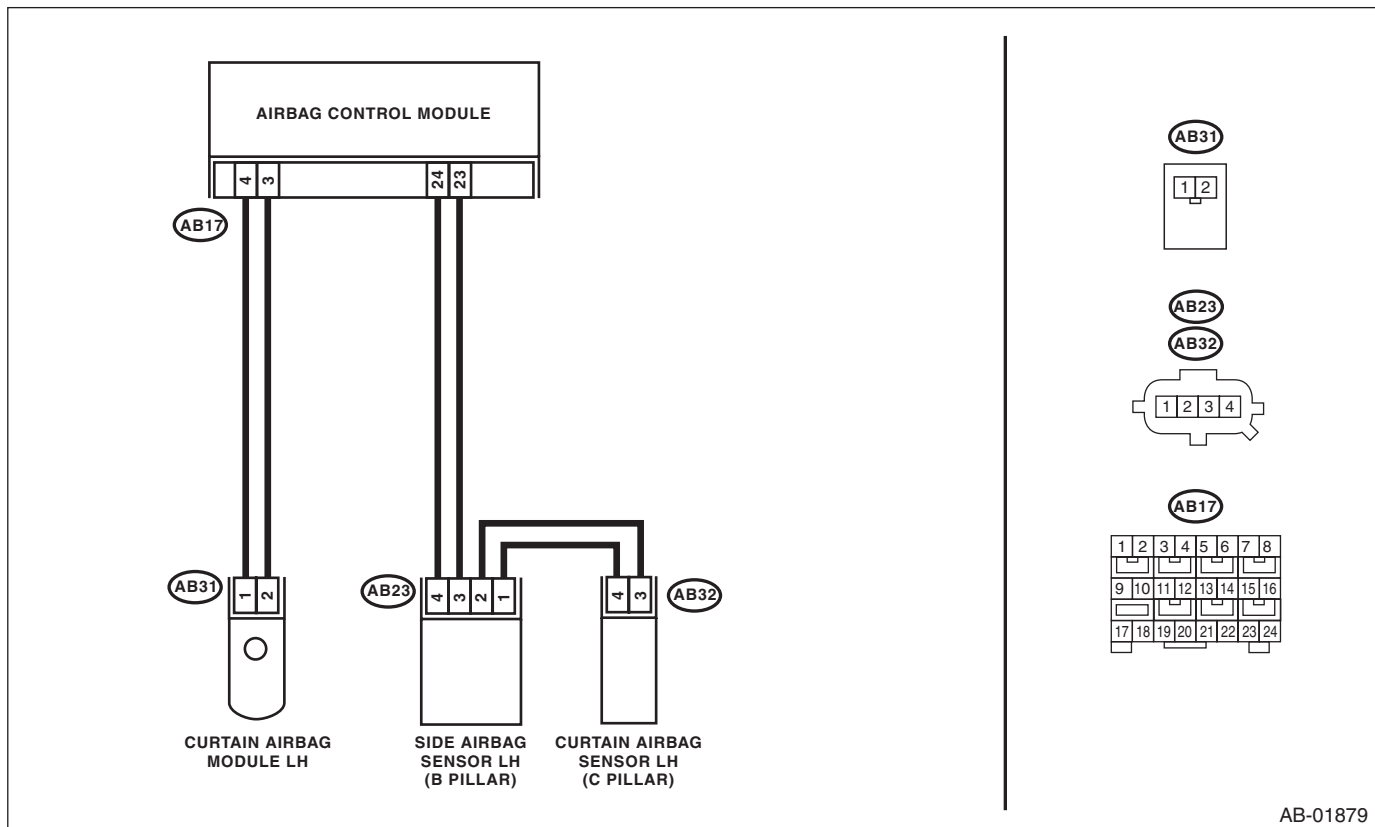
### DTC DETECTING CONDITION:

- Curtain airbag harness (LH) is faulty.
- Curtain airbag module (LH) is faulty.
- Airbag control module is faulty.

### CAUTION:

- Before diagnosing the airbag system, be sure to turn the ignition switch to OFF, disconnect the ground terminal from battery, and wait 20 seconds or more before starting to work.
- When replacing the airbag module, seat belt pretensioner, roll connector, control module and sensor, reconnect each part and check that the warning light operates properly.
- When inspecting the airbag main harness, disconnect the airbag module connectors of the driver's and passenger's seats for safety.
- When inspecting the airbag rear harness, disconnect the side airbag module connector, curtain airbag module connector and seat belt pretensioner connector for safety reasons.

### WIRING DIAGRAM:



AB-01879

Step	Check	Yes	No
<b>1</b> <b>CHECK POOR CONTACT OF CONNECTORS.</b> Check for poor contact of the connectors between the airbag control module, curtain airbag module LH and the curtain airbag sensor LH.	Is there poor contact?	Replace the airbag rear harness along with body harness.	Go to step 2.



## Diagnostic Chart with Trouble Code

### AIRBAG SYSTEM (DIAGNOSTICS)

Step	Check	Yes	No
<b>2 CHECK CURTAIN AIRBAG MODULE.</b> 1) Turn the ignition switch to OFF, disconnect the ground cable from battery, and wait for 20 seconds or more. 2) Disconnect the connector (AB31), and connect the connector (1N) in test harness N to connector (AB31). 3) Connect the airbag resistor to the connector (2N) of test harness N. 4) Connect the battery ground terminal and turn the ignition switch to ON.	Does the airbag warning light illuminate for 6 seconds and go off?	Replace the curtain airbag module (LH). <Ref. to AB-19, Curtain Airbag Module.>	Go to step 3.
<b>3 CHECK AIRBAG REAR HARNESS (CURTAIN AIRBAG MODULE HARNESS LH).</b> 1) Turn the ignition switch to OFF, disconnect the ground cable from battery, and wait for 20 seconds or more. 2) Disconnect the connector (AB21) from seat belt pretensioner (LH). 3) Disconnect connector (AB19) from side airbag module (LH). 4) Disconnect the airbag resistor from test harness N. 5) Disconnect the connectors (AB6, AB17, AB18) from airbag control module. 6) Connect the test harness AG connector (1AG) to the connectors (AB6, AB17, AB18). 7) Measure the resistance between connector (6AG) in the test harness AG and connector (2N) in the test harness N. <i>Connector &amp; terminal</i> <i>(6AG) No. 1 — (2N) No. 2:</i> <i>(6AG) No. 3 — (2N) No. 1:</i>	Is the resistance less than 10 Ω?	Go to step 4.	Replace the airbag rear harness along with body harness.
<b>4 CHECK AIRBAG REAR HARNESS (CURTAIN AIRBAG MODULE HARNESS LH).</b> Measure the resistance between connector (6AG) terminals in the test harness AG. <i>Connector &amp; terminal</i> <i>(6AG) No. 1 — (6AG) No. 3:</i>	Is the resistance 1 MΩ or more?	Go to step 5.	Replace the airbag rear harness along with body harness.
<b>5 CHECK AIRBAG REAR HARNESS (CURTAIN AIRBAG MODULE HARNESS LH).</b> Measure the resistance between connector (6AG) in the test harness AG and chassis ground. <i>Connector &amp; terminal</i> <i>(6AG) No. 1 — Chassis ground:</i> <i>(6AG) No. 3 — Chassis ground:</i>	Is the resistance 1 MΩ or more?	Go to step 6.	Replace the airbag rear harness along with body harness.
<b>6 CHECK AIRBAG CONTROL MODULE.</b> 1) Connect all connectors. 2) Clear the memory. 3) Perform the Inspection Mode. 4) Read the DTC.	Is the same DTC displayed?	Replace the airbag control module. <Ref. to AB-21, Airbag Control Module.>	Go to step 7.
<b>7 CHECK FOR ANY OTHER DTC ON DISPLAY.</b>	Is any other DTC displayed?	Check DTC using "List of Diagnostic Trouble Code (DTC)". <Ref. to AB(diag)-38, List of Diagnostic Trouble Code (DTC).>	Finish the diagnosis.

# Diagnostic Chart with Trouble Code

AIRBAG SYSTEM (DIAGNOSTICS)

## AJ:DTC 95 CURTAIN AIRBAG MODULE RH FAILURE

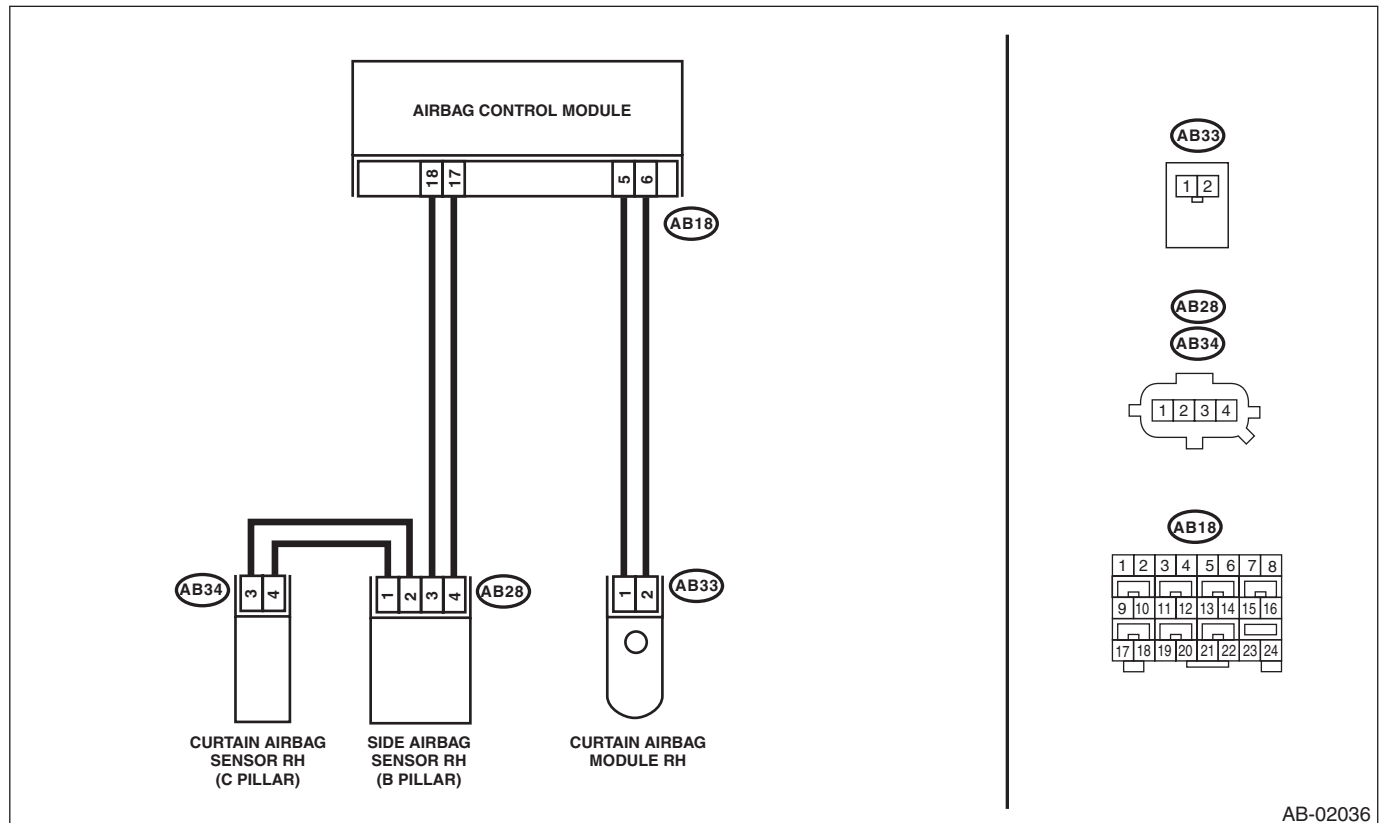
### DTC DETECTING CONDITION:

- Curtain airbag harness (RH) is shorted to power supply.
- Airbag control module is faulty.

### CAUTION:

- Before diagnosing the airbag system, be sure to turn the ignition switch to OFF, disconnect the ground terminal from battery, and wait 20 seconds or more before starting to work.
- When replacing the airbag module, seat belt pretensioner, roll connector, control module and sensor, reconnect each part and check that the warning light operates properly.
- When inspecting the airbag main harness, disconnect the airbag module connectors of the driver's and passenger's seats for safety.
- When inspecting the airbag rear harness, disconnect the side airbag module connector, curtain airbag module connector and seat belt pretensioner connector for safety reasons.

### WIRING DIAGRAM:



AB-02036

## Diagnostic Chart with Trouble Code

### AIRBAG SYSTEM (DIAGNOSTICS)

Step	Check	Yes	No
<b>1 CHECK POOR CONTACT OF CONNECTORS.</b> Check for poor contact of the connectors between the airbag control module, curtain airbag module RH and the curtain airbag sensor RH.	Is there poor contact?	Replace the airbag rear harness along with body harness.	Go to step 2.
<b>2 CHECK CURTAIN AIRBAG MODULE.</b> 1) Turn the ignition switch to OFF, disconnect the ground cable from battery, and wait for 20 seconds or more. 2) Disconnect the connector (AB33), and connect the connector (1N) in test harness N to connector (AB33). 3) Connect the airbag resistor to the connector (2N) of test harness N. 4) Connect the battery ground terminal and turn the ignition switch to ON.	Does the airbag warning light illuminate for 6 seconds and go off?	Replace the curtain airbag module (RH). <Ref. to AB-19, Curtain Airbag Module.>	Go to step 3.
<b>3 CHECK AIRBAG REAR HARNESS (CURTAIN AIRBAG MODULE HARNESS RH).</b> 1) Turn the ignition switch to OFF, disconnect the ground cable from battery, and wait for 20 seconds or more. 2) Disconnect the connector (AB26) from seat belt pretensioner (RH). 3) Disconnect connector (AB24) from side airbag module (RH). 4) Disconnect the airbag resistor from test harness N. 5) Disconnect the connectors (AB6, AB17, AB18) from airbag control module. 6) Connect the test harness AG connector (1AG) to the connectors (AB6, AB17, AB18). 7) Connect the battery ground terminal and turn the ignition switch to ON. 8) Measure the voltage between connector (6AG) in the test harness AG and chassis ground.  <i>Connector &amp; terminal</i> <i>(6AG) No. 6 (+) — Chassis ground (-):</i> <i>(6AG) No. 8 (+) — Chassis ground (-):</i>	Is the voltage less than 1 V?	Go to step 4.	Replace the airbag rear harness along with body harness.
<b>4 CHECK AIRBAG CONTROL MODULE.</b> 1) Connect all connectors. 2) Clear the memory. 3) Perform the Inspection Mode. 4) Read the DTC.	Is the same DTC displayed?	Replace the airbag control module. <Ref. to AB-21, Airbag Control Module.>	Go to step 5.
<b>5 CHECK FOR ANY OTHER DTC ON DISPLAY.</b>	Is any other DTC displayed?	Check DTC using "List of Diagnostic Trouble Code (DTC)". <Ref. to AB(diag)-38, List of Diagnostic Trouble Code (DTC).>	Finish the diagnosis.

# Diagnostic Chart with Trouble Code

AIRBAG SYSTEM (DIAGNOSTICS)

## AK:DTC 96 CURTAIN AIRBAG MODULE LH FAILURE

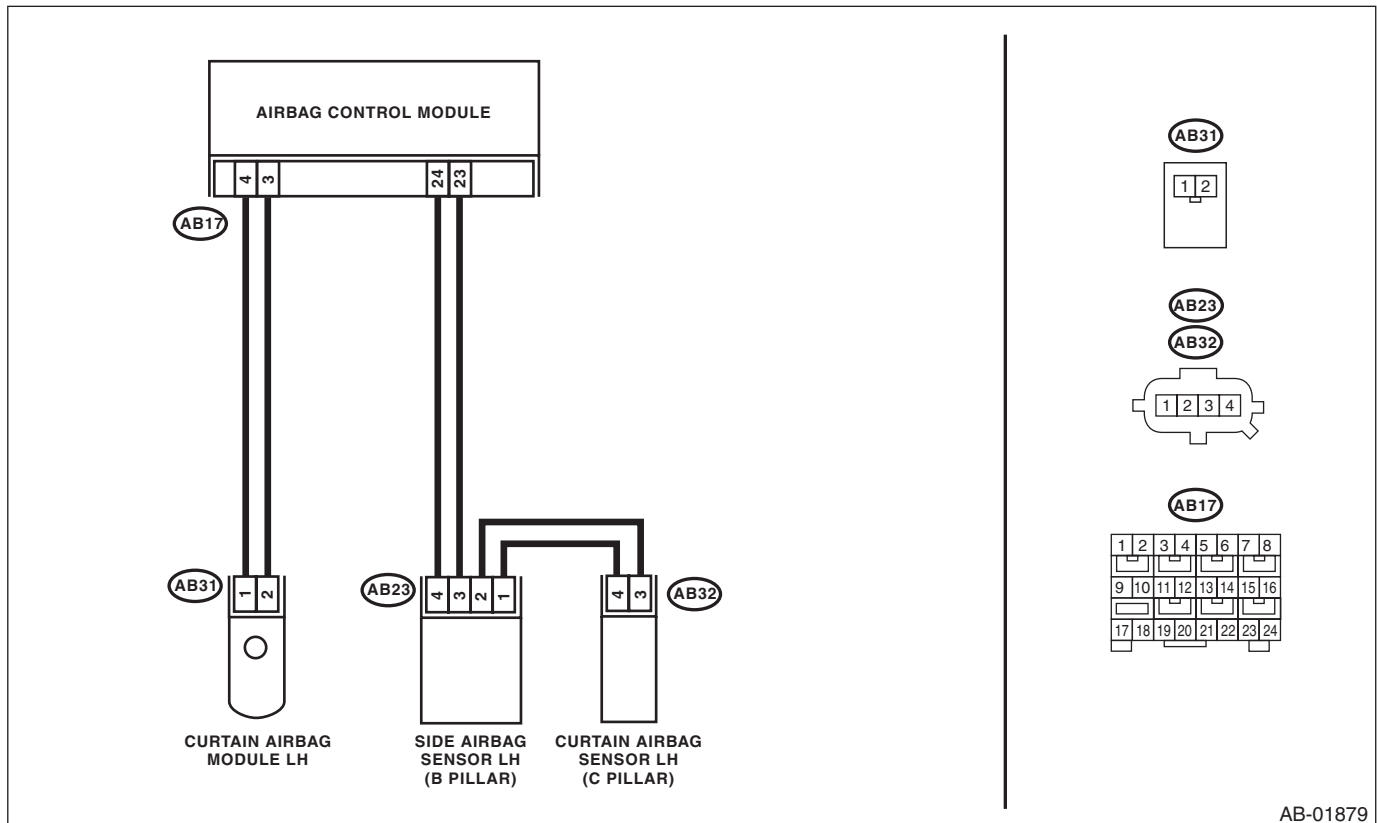
### DTC DETECTING CONDITION:

- Curtain airbag harness (LH) is shorted to power supply.
- Airbag control module is faulty.

### CAUTION:

- Before diagnosing the airbag system, be sure to turn the ignition switch to OFF, disconnect the ground terminal from battery, and wait 20 seconds or more before starting to work.
- When replacing the airbag module, seat belt pretensioner, roll connector, control module and sensor, reconnect each part and check that the warning light operates properly.
- When inspecting the airbag main harness, disconnect the airbag module connectors of the driver's and passenger's seats for safety.
- When inspecting the airbag rear harness, disconnect the side airbag module connector, curtain airbag module connector and seat belt pretensioner connector for safety reasons.

### WIRING DIAGRAM:



## Diagnostic Chart with Trouble Code

### AIRBAG SYSTEM (DIAGNOSTICS)

Step	Check	Yes	No
<b>1 CHECK POOR CONTACT OF CONNECTORS.</b> Check for poor contact of the connectors between the airbag control module, curtain airbag module LH and the curtain airbag sensor LH.	Is there poor contact?	Replace the airbag rear harness along with body harness.	Go to step 2.
<b>2 CHECK CURTAIN AIRBAG MODULE.</b> 1) Turn the ignition switch to OFF, disconnect the ground cable from battery, and wait for 20 seconds or more. 2) Disconnect the connector (AB31), and connect the connector (1N) in test harness N to connector (AB31). 3) Connect the airbag resistor to the connector (2N) of test harness N. 4) Connect the battery ground terminal and turn the ignition switch to ON.	Does the airbag warning light illuminate for 6 seconds and go off?	Replace the curtain airbag module (LH). <Ref. to AB-19, Curtain Airbag Module.>	Go to step 3.
<b>3 CHECK AIRBAG REAR HARNESS (CURTAIN AIRBAG MODULE HARNESS LH).</b> 1) Turn the ignition switch to OFF, disconnect the ground cable from battery, and wait for 20 seconds or more. 2) Disconnect the connector (AB21) from seat belt pretensioner (LH). 3) Disconnect connector (AB19) from side airbag module (LH). 4) Disconnect the airbag resistor from test harness N. 5) Disconnect the connectors (AB6, AB17, AB18) from airbag control module. 6) Connect the test harness AG connector (1AG) to the connectors (AB6, AB17, AB18). 7) Connect the battery ground terminal and turn the ignition switch to ON. 8) Measure the voltage between connector (6AG) in the test harness AG and chassis ground. <i>Connector &amp; terminal</i> <i>(6AG) No. 1 (+) — Chassis ground (-):</i> <i>(6AG) No. 3 (+) — Chassis ground (-):</i>	Is the voltage less than 1 V?	Go to step 4.	Replace the airbag rear harness along with body harness.
<b>4 CHECK AIRBAG CONTROL MODULE.</b> 1) Connect all connectors. 2) Clear the memory. 3) Perform the Inspection Mode. 4) Read the DTC.	Is the same DTC displayed?	Replace the airbag control module. <Ref. to AB-21, Airbag Control Module.>	Go to step 5.
<b>5 CHECK FOR ANY OTHER DTC ON DISPLAY.</b>	Is any other DTC displayed?	Check DTC using "List of Diagnostic Trouble Code (DTC)". <Ref. to AB(diag)-38, List of Diagnostic Trouble Code (DTC).>	Finish the diagnosis.

## Diagnostic Chart with Trouble Code

AIRBAG SYSTEM (DIAGNOSTICS)

---

### **AL:DTC E2 FRONT SENSOR BUS RH COMMUNICATION ERROR**

**NOTE:**

Refer to DTC E4 for details on DTC E2. <Ref. to AB(diag)-100, DTC E4 FRONT SENSOR BUS RH COMMUNICATION ERROR, Diagnostic Chart with Trouble Code.>

### **AM:DTC E3 FRONT SENSOR BUS RH COMMUNICATION ERROR**

**NOTE:**

Refer to DTC E4 for details on DTC E3. <Ref. to AB(diag)-100, DTC E4 FRONT SENSOR BUS RH COMMUNICATION ERROR, Diagnostic Chart with Trouble Code.>

# Diagnostic Chart with Trouble Code

AIRBAG SYSTEM (DIAGNOSTICS)

## AN:DTC E4 FRONT SENSOR BUS RH COMMUNICATION ERROR

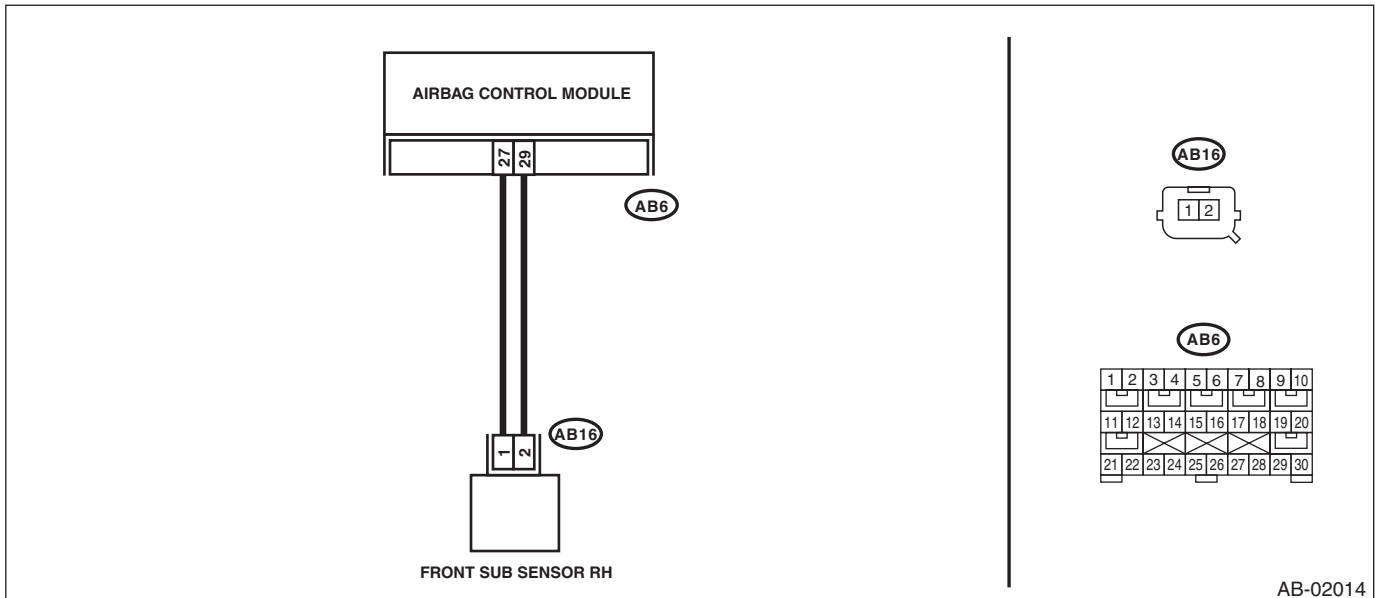
### DTC DETECTING CONDITION:

- Open or short circuit in harness of front sensor bus (RH).
- Front sub sensor (RH) is faulty.
- Airbag control module is faulty.

### CAUTION:

- Before diagnosing the airbag system, be sure to turn the ignition switch to OFF, disconnect the ground cable from battery, and wait 20 seconds or more before starting to work.
- When replacing the airbag module, seat belt pretensioner, roll connector, control module and sensor, reconnect each part and check that the warning light operates properly.
- When inspecting the airbag main harness, disconnect the airbag module connectors and seat belt pretensioners of the driver's and passenger's seats for safety reasons.

### WIRING DIAGRAM:



AB-02014

# Diagnostic Chart with Trouble Code

AIRBAG SYSTEM (DIAGNOSTICS)

Step	Check	Yes	No
<p><b>1 CHECK POOR CONTACT OF CONNECTORS.</b> Check for poor contact of the connectors (AB6, AB16) between the airbag control module and the front sub sensor (RH).</p>	Is there poor contact?	Replace the airbag main harness along with body harness.	Go to step 2.
<p><b>2 CHECK AIRBAG MAIN HARNESS (FRONT SENSOR BUS RH).</b> 1) Turn the ignition switch to OFF, disconnect the ground cable from battery, and wait for 20 seconds or more. 2) Remove the instrument panel lower cover and disconnect the connectors (AB7) and (AB2). 3) Remove the console front panel and disconnect the connectors (AB10) and (AB9). 4) Disconnect the connectors (AB17, AB6, AB18) from airbag control module. 5) Connect the connector (1AG) in the test harness AG to the connectors (AB17, AB6, AB18). 6) Disconnect the front sub sensor (RH), and then connect the connector (1H) in the test harness H to connector (AB16). 7) Measure the resistance between connector (4AG) in the test harness AG and connector (3H) in the test harness H. <b>Connector &amp; terminal</b> <b>(4AG) No. 14 — (3H) No. 5:</b> <b>(4AG) No. 12 — (3H) No. 6:</b></p>	Is the resistance less than 10 Ω?	Go to step 3.	Replace the airbag main harness along with body harness.
<p><b>3 CHECK AIRBAG MAIN HARNESS (FRONT SENSOR BUS RH).</b> Measure the resistance between connector (4AG) in the test harness AG and chassis ground, and the resistance between connector (4AG) in the test harness AG and connector (3H) in test harness H. <b>Connector &amp; terminal</b> <b>(4AG) No. 14 — Chassis ground:</b> <b>(4AG) No. 12 — Chassis ground:</b> <b>(4AG) No. 14 — (4AG) No. 12:</b></p>	Is the resistance 1 MΩ or more?	Go to step 4.	Replace the airbag main harness along with body harness.
<p><b>4 CHECK AIRBAG CONTROL MODULE.</b> 1) Connect all connectors. 2) Clear the memory. 3) Perform the Inspection Mode. 4) Read the DTC.</p>	Is the same DTC displayed?	Replace the front sub sensor (RH). <Ref. to AB-22, REMOVAL, Front Sub Sensor.> Replace the airbag control module if not operating normally even after replacing the sensor. <Ref. to AB-21, REMOVAL, Airbag Control Module.>	Go to step 5.
<p><b>5 CHECK FOR ANY OTHER DTC ON DISPLAY.</b></p>	Is any other DTC displayed?	Check DTC using "List of Diagnostic Trouble Code". <Ref. to AB(diag)-38, LIST, List of Diagnostic Trouble Code (DTC).>	Finish the diagnosis.



## Diagnostic Chart with Trouble Code

AIRBAG SYSTEM (DIAGNOSTICS)

---

### **AO:DTC E6 FRONT SENSOR BUS LH COMMUNICATION ERROR**

NOTE:

Refer to DTC E8 for details on DTC E6. <Ref. to AB(diag)-103, DTC E8 FRONT SENSOR BUS LH COMMUNICATION ERROR, Diagnostic Chart with Trouble Code.>

### **AP:DTC E7 FRONT SENSOR BUS LH COMMUNICATION ERROR**

NOTE:

Refer to DTC E8 for details on DTC E7. <Ref. to AB(diag)-103, DTC E8 FRONT SENSOR BUS LH COMMUNICATION ERROR, Diagnostic Chart with Trouble Code.>

# Diagnostic Chart with Trouble Code

AIRBAG SYSTEM (DIAGNOSTICS)

## AQ:DTC E8 FRONT SENSOR BUS LH COMMUNICATION ERROR

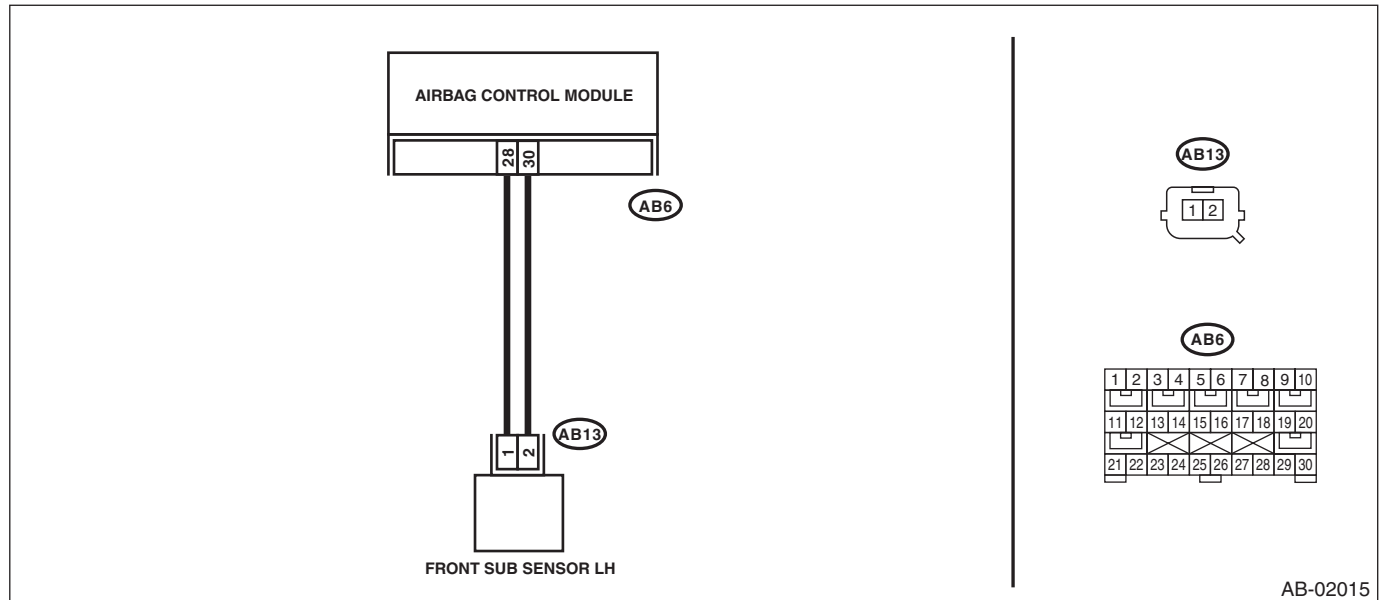
### DTC DETECTING CONDITION:

- Open or short circuit in harness of front sensor bus (LH).
- Front sub sensor (LH) is faulty.
- Airbag control module is faulty.

### CAUTION:

- Before diagnosing the airbag system, be sure to turn the ignition switch to OFF, disconnect the ground cable from battery, and wait 20 seconds or more before starting to work.
- When replacing the airbag module, seat belt pretensioner, roll connector, control module and sensor, reconnect each part and check that the warning light operates properly.
- When inspecting the airbag main harness, disconnect the airbag module connectors and seat belt pretensioners of the driver's and passenger's seats for safety reasons.

### WIRING DIAGRAM:



Step	Check	Yes	No
1	<p><b>CHECK POOR CONTACT OF CONNECTORS.</b></p> <p>Check for poor contact of the connectors (AB6, AB13) between the airbag control module and the front sub sensor (LH).</p>	Is there poor contact?	<p>Replace the airbag main harness along with body harness.</p> <p>Go to step 2.</p>

## Diagnostic Chart with Trouble Code

### AIRBAG SYSTEM (DIAGNOSTICS)

Step	Check	Yes	No
<p><b>2 CHECK AIRBAG MAIN HARNESS (FRONT SENSOR BUS LH).</b></p> <p>1) Turn the ignition switch to OFF, disconnect the ground cable from battery, and wait for 20 seconds or more.</p> <p>2) Remove the instrument panel lower cover and disconnect the connectors (AB7) and (AB2).</p> <p>3) Remove the console front panel and disconnect the connectors (AB9) and (AB10).</p> <p>4) Disconnect the connectors (AB17, AB6, AB18) from airbag control module.</p> <p>5) Connect the connector (1AG) in the test harness AG to the connectors (AB17, AB6, AB18).</p> <p>6) Disconnect the front sub sensor (LH), and then connect the connector (1H) in the test harness H to connector (AB13).</p> <p>7) Measure the resistance between connector (4AG) in the test harness AG and connector (3H) in the test harness H.</p> <p><b>Connector &amp; terminal</b>  <b>(4AG) No. 7 — (3H) No. 5:</b>  <b>(4AG) No. 9 — (3H) No. 6:</b></p>	Is the resistance less than 10 Ω?	Go to step 3.	Replace the airbag main harness along with body harness.
<p><b>3 CHECK AIRBAG MAIN HARNESS (FRONT SENSOR BUS LH).</b></p> <p>Measure the resistance between connector (4AG) in the test harness AG and chassis ground, and the resistance between connector (4AG) in the test harness AG and connector (3H) in test harness H.</p> <p><b>Connector &amp; terminal</b>  <b>(4AG) No. 7 — Chassis ground:</b>  <b>(4AG) No. 9 — Chassis ground:</b>  <b>(4AG) No. 7 — (4AG) No. 9:</b></p>	Is the resistance 1 MΩ or more?	Go to step 4.	Replace the airbag main harness along with body harness.
<p><b>4 CHECK AIRBAG CONTROL MODULE.</b></p> <p>1) Connect all connectors.</p> <p>2) Clear the memory.</p> <p>3) Perform the Inspection Mode.</p> <p>4) Read the DTC.</p>	Is the same DTC displayed?	Replace the front sub sensor (LH). <Ref. to AB-22, REMOVAL, Front Sub Sensor.> Replace the airbag control module if not operating normally even after replacing the sensor. <Ref. to AB-21, REMOVAL, Airbag Control Module.>	Go to step 5.
<p><b>5 CHECK FOR ANY OTHER DTC ON DISPLAY.</b></p>	Is any other DTC displayed?	Check DTC using “List of Diagnostic Trouble Code”. <Ref. to AB(diag)-38, LIST, List of Diagnostic Trouble Code (DTC).>	Finish the diagnosis.

# Diagnostic Chart with Trouble Code

AIRBAG SYSTEM (DIAGNOSTICS)

---

## **AR:DTC E9 SIDE SENSOR BUS RH COMMUNICATION ERROR**

**NOTE:**

Refer to DTC EC for details on DTC E9. <Ref. to AB(diag)-106, DTC EC SIDE SENSOR BUS RH COMMUNICATION ERROR, Diagnostic Chart with Trouble Code.>

## **AS:DTC EA SIDE SENSOR BUS RH COMMUNICATION ERROR**

**NOTE:**

Refer to DTC EC for details on DTC EA. <Ref. to AB(diag)-106, DTC EC SIDE SENSOR BUS RH COMMUNICATION ERROR, Diagnostic Chart with Trouble Code.>

## **AT:DTC EB SIDE SENSOR BUS RH COMMUNICATION ERROR**

**NOTE:**

Refer to DTC EC for details on DTC EB. <Ref. to AB(diag)-106, DTC EC SIDE SENSOR BUS RH COMMUNICATION ERROR, Diagnostic Chart with Trouble Code.>

# Diagnostic Chart with Trouble Code

## AIRBAG SYSTEM (DIAGNOSTICS)

### AU:DTC EC SIDE SENSOR BUS RH COMMUNICATION ERROR

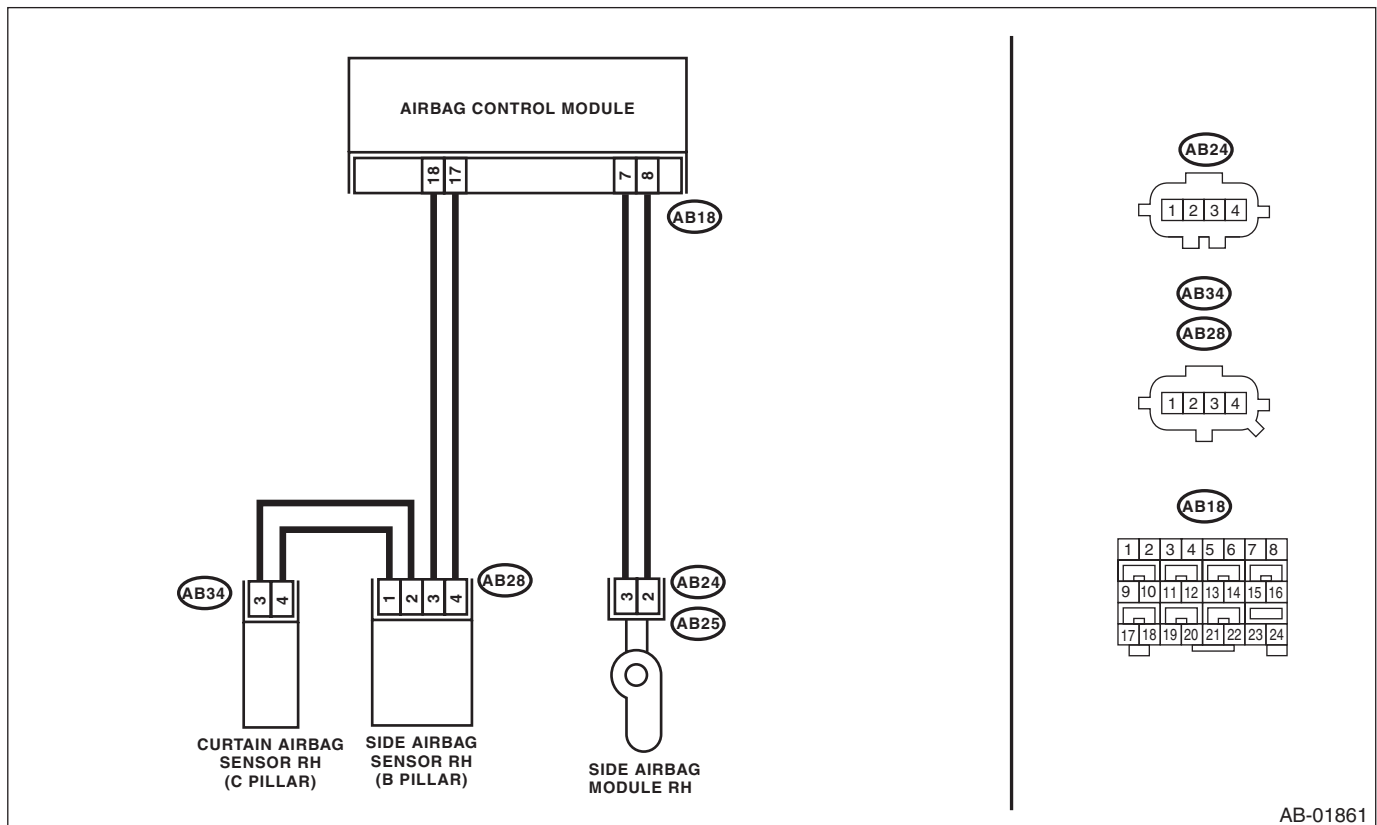
#### DTC DETECTING CONDITION:

- Open or short circuit in harness of side sensor bus (RH).
- Side airbag sensor (RH) and curtain airbag sensor (RH) are faulty.
- Airbag control module is faulty.

#### CAUTION:

- Before diagnosing the airbag system, be sure to turn the ignition switch to OFF, disconnect the ground cable from battery, and wait 20 seconds or more before starting to work.
- When replacing the airbag module, seat belt pretensioner, roll connector, control module and sensor, reconnect each part and check that the warning light operates properly.
- When inspecting the airbag main harness, disconnect the airbag module connectors and seat belt pretensioners of the driver's and passenger's seats for safety reasons.
- When inspecting the airbag rear harness, disconnect the side airbag module connector, curtain airbag module connector and seat belt pretensioner connector for safety reasons.

#### WIRING DIAGRAM:



AB-01861

# Diagnostic Chart with Trouble Code

AIRBAG SYSTEM (DIAGNOSTICS)

Step	Check	Yes	No
<p><b>1</b></p> <p><b>CHECK POOR CONTACT OF CONNECTORS.</b> Check for poor contact of the connectors (AB18, AB28, AB34) between the airbag control module and the curtain airbag sensor (RH).</p>	Is there poor contact?	Replace the airbag rear harness along with body harness.	Go to step 2.
<p><b>2</b></p> <p><b>CHECK AIRBAG REAR HARNESS (BETWEEN AIRBAG CONTROL MODULE AND SIDE AIRBAG SENSOR RH).</b> 1) Turn the ignition switch to OFF, disconnect the ground cable from battery, and wait for 20 seconds or more. 2) Disconnect the connector (AB26) from seat belt pretensioner (RH). 3) Disconnect the connector (AB33) from curtain airbag module (RH). 4) Disconnect connectors (AB25) and (AB24) from side airbag module (RH). 5) Disconnect the connectors (AB17, AB6, AB18) from airbag control module. 6) Connect the connector (1AG) in the test harness AG to the connectors (AB17, AB6, AB18). 7) Disconnect the connector (AB28) from side airbag sensor (RH), and connect the connector (2V) in test harness V to connector (AB28). 8) Measure the resistance between connector (5AG) in the test harness AG and connector (3V) in the test harness V. <b>Connector &amp; terminal</b> <b>(5AG) No. 16 — (3V) No. 2:</b> <b>(5AG) No. 14 — (3V) No. 1:</b></p>	Is the resistance less than 10 Ω?	Go to step 3.	Replace the airbag rear harness along with body harness.
<p><b>3</b></p> <p><b>CHECK AIRBAG REAR HARNESS (BETWEEN AIRBAG CONTROL MODULE AND SIDE AIRBAG SENSOR RH).</b> Measure the resistance between connector (5AG) in the test harness AG and chassis ground, and the resistance between connector (5AG) terminals in the test harness AG. <b>Connector &amp; terminal</b> <b>(5AG) No. 16 — Chassis ground:</b> <b>(5AG) No. 14 — Chassis ground:</b> <b>(5AG) No. 16 — (5AG) No. 14:</b></p>	Is the resistance 1 MΩ or more?	Go to step 4.	Replace the airbag rear harness along with body harness.

# Diagnostic Chart with Trouble Code

## AIRBAG SYSTEM (DIAGNOSTICS)

Step	Check	Yes	No
<p><b>4 CHECK AIRBAG REAR HARNESS (BETWEEN SIDE AIRBAG SENSOR AND CURTAIN AIRBAG SENSOR RH).</b></p> <p>1) Disconnect the connector (2V) in the test harness V from the connector (AB28) of side airbag sensor (RH).</p> <p>2) Connect the connector (AB28) of side airbag sensor (RH) and the connector (1AI) in the test harness AI.</p> <p>3) Connect the connector (2AI) in the test harness AI and the connector (1V) in the test harness V.</p> <p>4) Disconnect the connector (AB34) from curtain airbag sensor (RH), and connect the connector (2V) in test harness V to connector (AB34).</p> <p>5) Measure the resistance between connector (3V) terminals in the test harness V.</p> <p><b>Connector &amp; terminal</b>  <b>(3V) No. 2 — (3V) No. 6:</b>  <b>(3V) No. 1 — (3V) No. 7:</b></p>	Is the resistance less than 10 Ω?	Go to step 5.	Replace the airbag rear harness along with body harness.
<p><b>5 CHECK AIRBAG REAR HARNESS (BETWEEN SIDE AIRBAG SENSOR AND CURTAIN AIRBAG SENSOR RH).</b></p> <p>Measure the resistance between connector (3V) in test harness V and chassis ground, and the resistance between connector (3V) in test harness V.</p> <p><b>Connector &amp; terminal</b>  <b>(3V) No. 2 — Chassis ground:</b>  <b>(3V) No. 1 — Chassis ground:</b>  <b>(3V) No. 2 — (3V) No. 1:</b></p>	Is the resistance 1 MΩ or more?	Go to step 6.	Replace the airbag rear harness along with body harness.
<p><b>6 CHECK AIRBAG CONTROL MODULE.</b></p> <p>1) Connect all connectors.</p> <p>2) Clear the memory.</p> <p>3) Perform the Inspection Mode.</p> <p>4) Read the DTC.</p>	Is the same DTC displayed?	Go to step 7.	Go to step 8.
<p><b>7 REPLACE SIDE AIRBAG SENSOR (RH) AND CHECK AIRBAG CONTROL MODULE AFTER REPLACEMENT.</b></p> <p>1) Turn the ignition switch to OFF, disconnect the ground cable from battery, and wait for 20 seconds or more.</p> <p>2) Replace the side airbag sensor (RH). &lt;Ref. to AB-23, REMOVAL, Side Airbag Sensor.&gt;</p> <p>3) Connect all connectors.</p> <p>4) Clear the memory.</p> <p>5) Perform the Inspection Mode.</p> <p>6) Read the DTC.</p>	Is the system normal?	Go to step 8.	Replace the curtain airbag sensor (RH). <Ref. to AB-24, REMOVAL, Curtain Airbag Sensor.> Replace the airbag control module if not operating normally even after replacing the sensor. <Ref. to AB-21, REMOVAL, Airbag Control Module.>
<p><b>8 CHECK FOR ANY OTHER DTC ON DISPLAY.</b></p>	Is any other DTC displayed?	Check DTC using "List of Diagnostic Trouble Code (DTC)". <Ref. to AB(diag)-38, List of Diagnostic Trouble Code (DTC).>	Finish the diagnosis.

## Diagnostic Chart with Trouble Code

AIRBAG SYSTEM (DIAGNOSTICS)

---

### **AV:DTC ED SIDE SENSOR BUS RH COMMUNICATION ERROR**

**NOTE:**

Refer to DTC EE for details on DTC ED. <Ref. to AB(diag)-110, DTC EE SIDE SENSOR BUS RH COMMUNICATION ERROR, Diagnostic Chart with Trouble Code.>



# Diagnostic Chart with Trouble Code

AIRBAG SYSTEM (DIAGNOSTICS)

## AW:DTC EE SIDE SENSOR BUS RH COMMUNICATION ERROR

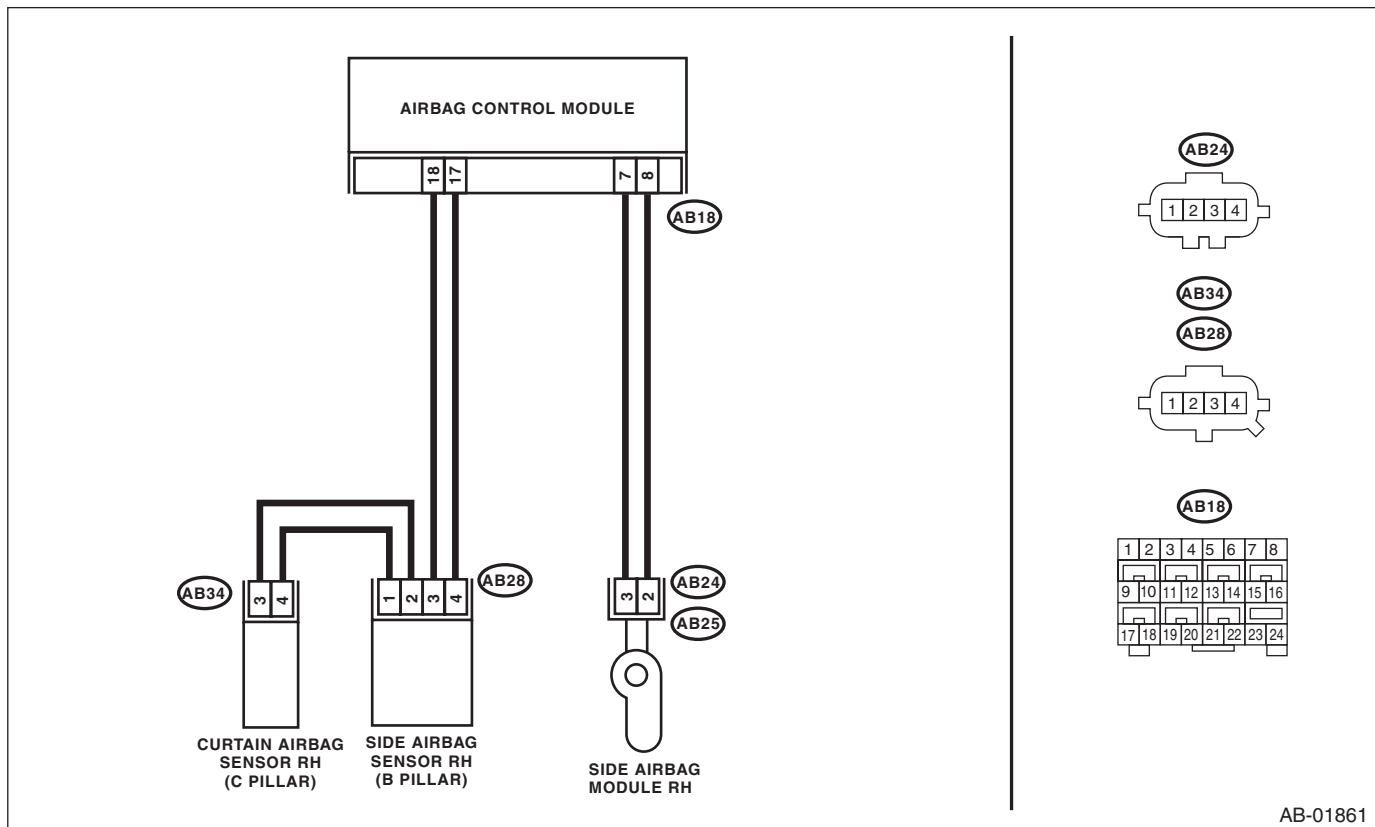
### DTC DETECTING CONDITION:

- Open or short circuit in harness of side sensor bus (RH).
- Side airbag sensor (RH) or curtain airbag sensor (RH) are faulty.
- Airbag control module is faulty.

### CAUTION:

- Before diagnosing the airbag system, be sure to turn the ignition switch to OFF, disconnect the ground cable from battery, and wait 20 seconds or more before starting to work.
- When replacing the airbag module, seat belt pretensioner, roll connector, control module and sensor, reconnect each part and check that the warning light operates properly.
- When inspecting the airbag main harness, disconnect the airbag module connectors and seat belt pretensioners of the driver's and passenger's seats for safety reasons.
- When inspecting the airbag rear harness, disconnect the side airbag module connector, curtain airbag module connector and seat belt pretensioner connector for safety reasons.

### WIRING DIAGRAM:



# Diagnostic Chart with Trouble Code

AIRBAG SYSTEM (DIAGNOSTICS)

Step	Check	Yes	No
<p><b>1</b></p> <p><b>CHECK POOR CONTACT OF CONNECTORS.</b> Check for poor contact of the connectors (AB18, AB28, AB34) between the airbag control module and the curtain airbag sensor (RH).</p>	Is there poor contact?	Replace the airbag rear harness along with body harness.	Go to step 2.
<p><b>2</b></p> <p><b>CHECK AIRBAG REAR HARNESS (BETWEEN SIDE AIRBAG SENSOR (RH) AND CURTAIN AIRBAG SENSOR (RH)).</b> 1) Turn the ignition switch to OFF, disconnect the ground cable from battery, and wait for 20 seconds or more. 2) Disconnect the connector (AB26) from seat belt pretensioner (RH). 3) Disconnect the connector (AB33) from curtain airbag module (RH). 4) Disconnect connectors (AB25) and (AB24) from side airbag module (RH). 5) Disconnect connector (AB28) from side airbag sensor (RH). 6) Connect the connector (AB28) of side airbag sensor (RH) and the connector (1AI) in the test harness AI. 7) Connect the connector (2AI) in the test harness AI and the connector (1V) in the test harness V. 8) Disconnect the connector (AB34) from curtain airbag sensor (RH), and connect the connector (2V) in test harness V to connector (AB34). 9) Measure the resistance between connector (3V) terminals in the test harness V. <b>Connector &amp; terminal</b> <b>(3V) No. 2 — (3V) No. 6:</b> <b>(3V) No. 1 — (3V) No. 7:</b></p>	Is the resistance less than 10 Ω?	Go to step 3.	Replace the airbag rear harness along with body harness.
<p><b>3</b></p> <p><b>CHECK AIRBAG REAR HARNESS (BETWEEN SIDE AIRBAG SENSOR AND CURTAIN AIRBAG SENSOR RH).</b> Measure the resistance between connector (3V) in test harness V and chassis ground, and the resistance between connector (3V) in test harness V. <b>Connector &amp; terminal</b> <b>(3V) No. 2 — Chassis ground:</b> <b>(3V) No. 1 — Chassis ground:</b> <b>(3V) No. 2 — (3V) No. 1:</b></p>	Is the resistance 1 MΩ or more?	Go to step 4.	Replace the airbag rear harness along with body harness.

## Diagnostic Chart with Trouble Code

### AIRBAG SYSTEM (DIAGNOSTICS)

Step	Check	Yes	No
<p><b>4 CHECK AIRBAG REAR HARNESS (BETWEEN AIRBAG CONTROL MODULE AND SIDE AIRBAG SENSOR (RH)).</b></p> <p>1) Disconnect the connectors (AB17, AB6, AB18) from airbag control module.</p> <p>2) Connect the connector (1AG) in the test harness AG to the connectors (AB17, AB6, AB18).</p> <p>3) Disconnect the connector (AB28) in the side airbag sensor (RH) from the connector (1AI) in the test harness AI.</p> <p>4) Disconnect the connector (2AI) in the test harness AI from the connector (1V) in the test harness V.</p> <p>5) Connect the connector (AB28) of side airbag sensor (RH) and the connector (2V) in the test harness V to the connector (AB28).</p> <p>6) Measure the resistance between connector (5AG) in the test harness AG and connector (3V) in the test harness V.</p> <p><b>Connector &amp; terminal</b>  <b>(5AG) No. 16 — (3V) No. 2:</b>  <b>(5AG) No. 14 — (3V) No. 1:</b></p>	Is the resistance less than 10 Ω?	Go to step 5.	Replace the airbag rear harness along with body harness.
<p><b>5 CHECK AIRBAG REAR HARNESS (BETWEEN AIRBAG CONTROL MODULE AND SIDE AIRBAG SENSOR RH).</b></p> <p>Measure the resistance between connector (5AG) in the test harness AG and chassis ground, and the resistance between connector (5AG) terminals in the test harness AG.</p> <p><b>Connector &amp; terminal</b>  <b>(5AG) No. 16 — Chassis ground:</b>  <b>(5AG) No. 14 — Chassis ground:</b>  <b>(5AG) No. 16 — (5AG) No. 14:</b></p>	Is the resistance 1 MΩ or more?	Go to step 6.	Replace the airbag rear harness along with body harness.
<p><b>6 CHECK AIRBAG CONTROL MODULE.</b></p> <p>1) Connect all connectors.</p> <p>2) Clear the memory.</p> <p>3) Perform the Inspection Mode.</p> <p>4) Read the DTC.</p>	Is the same DTC displayed?	Go to step 7.	Go to step 8.
<p><b>7 REPLACE SIDE AIRBAG SENSOR (RH) AND CHECK AIRBAG CONTROL MODULE AFTER REPLACEMENT.</b></p> <p>1) Turn the ignition switch to OFF, disconnect the ground cable from battery, and wait for 20 seconds or more.</p> <p>2) Replace the side airbag sensor (RH). &lt;Ref. to AB-23, REMOVAL, Side Airbag Sensor.&gt;</p> <p>3) Connect all connectors.</p> <p>4) Clear the memory.</p> <p>5) Perform the Inspection Mode.</p> <p>6) Read the DTC.</p>	Is the system normal?	Go to step 8.	Replace the curtain airbag sensor (RH). <Ref. to AB-24, REMOVAL, Curtain Airbag Sensor.> Replace the airbag control module if not operating normally even after replacing the sensor. <Ref. to AB-21, REMOVAL, Airbag Control Module.>
<p><b>8 CHECK FOR ANY OTHER DTC ON DISPLAY.</b></p>	Is any other DTC displayed?	Check DTC using "List of Diagnostic Trouble Code (DTC)". <Ref. to AB(diag)-38, List of Diagnostic Trouble Code (DTC).>	Finish the diagnosis.

# Diagnostic Chart with Trouble Code

AIRBAG SYSTEM (DIAGNOSTICS)

---

## **AX:DTC F1 SIDE SENSOR BUS LH COMMUNICATION ERROR**

**NOTE:**

Refer to DTC F4 for details on DTC F1. <Ref. to AB(diag)-114, DTC F4 SIDE SENSOR BUS LH COMMUNICATION ERROR, Diagnostic Chart with Trouble Code.>

## **AY:DTC F2 SIDE SENSOR BUS LH COMMUNICATION ERROR**

**NOTE:**

Refer to DTC F4 for details on DTC F2. <Ref. to AB(diag)-114, DTC F4 SIDE SENSOR BUS LH COMMUNICATION ERROR, Diagnostic Chart with Trouble Code.>

## **AZ:DTC F3 SIDE SENSOR BUS LH COMMUNICATION ERROR**

**NOTE:**

Refer to DTC F4 for details on DTC F3. <Ref. to AB(diag)-114, DTC F4 SIDE SENSOR BUS LH COMMUNICATION ERROR, Diagnostic Chart with Trouble Code.>

# Diagnostic Chart with Trouble Code

AIRBAG SYSTEM (DIAGNOSTICS)

## BA:DTC F4 SIDE SENSOR BUS LH COMMUNICATION ERROR

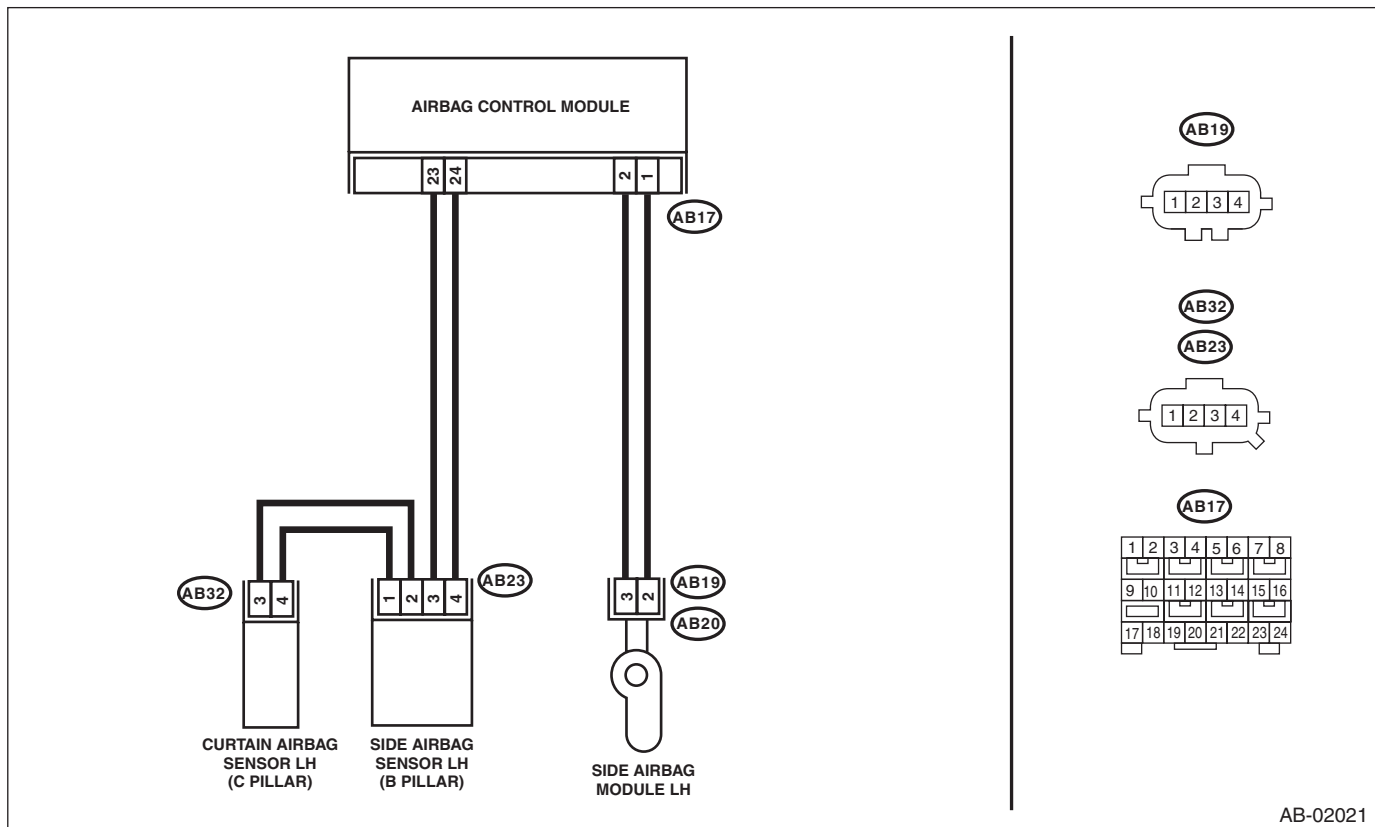
### DTC DETECTING CONDITION:

- Open or short circuit in harness of side sensor bus (LH).
- Side airbag sensor (LH) and curtain airbag sensor (LH) are faulty.
- Airbag control module is faulty.

### CAUTION:

- Before diagnosing the airbag system, be sure to turn the ignition switch to OFF, disconnect the ground cable from battery, and wait 20 seconds or more before starting to work.
- When replacing the airbag module, seat belt pretensioner, roll connector, control module and sensor, reconnect each part and check that the warning light operates properly.
- When inspecting the airbag main harness, disconnect the airbag module connectors and seat belt pretensioners of the driver's and passenger's seats for safety reasons.
- When inspecting the airbag rear harness, disconnect the side airbag module connector, curtain airbag module connector and seat belt pretensioner connector for safety reasons.

### WIRING DIAGRAM:



AB-02021

Step	Check	Yes	No	
1	<p><b>CHECK POOR CONTACT OF CONNECTORS.</b> Check for poor contact of the connectors (AB17, AB23, AB32) between the airbag control module and the curtain airbag sensor (LH).</p>	Is there poor contact?	Replace the airbag rear harness along with body harness.	Go to step 2.

# Diagnostic Chart with Trouble Code

AIRBAG SYSTEM (DIAGNOSTICS)

Step	Check	Yes	No
<p><b>2</b></p> <p><b>CHECK AIRBAG REAR HARNESS (BETWEEN AIRBAG CONTROL MODULE AND SIDE AIRBAG SENSOR LH).</b></p> <p>1) Turn the ignition switch to OFF, disconnect the ground cable from battery, and wait for 20 seconds or more.</p> <p>2) Disconnect the connector (AB21) from seat belt pretensioner (LH).</p> <p>3) Disconnect the connector (AB31) from curtain airbag module (LH).</p> <p>4) Disconnect connectors (AB19) and (AB20) from side airbag module (LH).</p> <p>5) Disconnect the connectors (AB17, AB6, AB18) from airbag control module.</p> <p>6) Connect the connector (1AG) in the test harness AG to the connectors (AB17, AB6, AB18).</p> <p>7) Disconnect the connector (AB23) from side airbag sensor (LH), and connect the connector (2V) in test harness V to connector (AB23).</p> <p>8) Measure the resistance between connector (5AG) in the test harness AG and connector (3V) in the test harness V.</p> <p><b>Connector &amp; terminal</b>  <b>(5AG) No. 10 — (3V) No. 1:</b>  <b>(5AG) No. 8 — (3V) No. 2:</b></p>	<p>Is the resistance less than 10 Ω?</p>	<p>Go to step 3.</p>	<p>Replace the airbag rear harness along with body harness.</p>
<p><b>3</b></p> <p><b>CHECK AIRBAG REAR HARNESS (BETWEEN AIRBAG CONTROL MODULE AND SIDE AIRBAG SENSOR LH).</b></p> <p>Measure the resistance between connector (5AG) in the test harness AG and chassis ground, and the resistance between connector (5AG) terminals in the test harness AG.</p> <p><b>Connector &amp; terminal</b>  <b>(5AG) No. 10 — Chassis ground:</b>  <b>(5AG) No. 8 — Chassis ground:</b>  <b>(5AG) No. 10 — (5AG) No. 8:</b></p>	<p>Is the resistance 1 MΩ or more?</p>	<p>Go to step 4.</p>	<p>Replace the airbag rear harness along with body harness.</p>
<p><b>4</b></p> <p><b>CHECK AIRBAG REAR HARNESS (BETWEEN SIDE AIRBAG SENSOR LH AND CURTAIN AIRBAG SENSOR LH).</b></p> <p>1) Disconnect the connector (2V) in the test harness V from the connector (AB23) of side airbag sensor (LH).</p> <p>2) Connect the connector (AB23) of side airbag sensor (LH) and the connector (1AI) in the test harness AI.</p> <p>3) Connect the connector (2AI) in the test harness AI and the connector (1V) in the test harness V.</p> <p>4) Disconnect the connector (AB32) from curtain airbag sensor (LH), and connect the connector (2V) in test harness V to connector (AB32).</p> <p>5) Measure the resistance between connector (3V) terminals in the test harness V.</p> <p><b>Connector &amp; terminal</b>  <b>(3V) No. 2 — (3V) No. 6:</b>  <b>(3V) No. 1 — (3V) No. 7:</b></p>	<p>Is the resistance less than 10 Ω?</p>	<p>Go to step 5.</p>	<p>Replace the airbag rear harness along with body harness.</p>

## Diagnostic Chart with Trouble Code

### AIRBAG SYSTEM (DIAGNOSTICS)

Step	Check	Yes	No
<b>5 CHECK AIRBAG REAR HARNESS (BETWEEN SIDE AIRBAG SENSOR LH AND CURTAIN AIRBAG SENSOR LH).</b> Measure the resistance between connector (3V) in test harness V and chassis ground, and the resistance between connector (3V) in test harness V. <i>Connector &amp; terminal</i> <i>(3V) No. 2 — Chassis ground:</i> <i>(3V) No. 1 — Chassis ground:</i> <i>(3V) No. 2 — (3V) No. 1:</i>	Is the resistance 1 MΩ or more?	Go to step 6.	Replace the airbag rear harness along with body harness.
<b>6 CHECK AIRBAG CONTROL MODULE.</b> 1) Connect all connectors. 2) Clear the memory. 3) Perform the Inspection Mode. 4) Read the DTC.	Is the same DTC displayed?	Go to step 7.	Go to step 8.
<b>7 REPLACE SIDE AIRBAG SENSOR (LH) AND CHECK AIRBAG CONTROL MODULE AFTER REPLACEMENT.</b> 1) Turn the ignition switch to OFF, disconnect the ground cable from battery, and wait for 20 seconds or more. 2) Replace the side airbag sensor (LH). <Ref. to AB-23, REMOVAL, Side Airbag Sensor.> 3) Connect all connectors. 4) Clear the memory. 5) Perform the Inspection Mode. 6) Read the DTC.	Is the system normal?	Go to step 8.	Replace the curtain airbag sensor (LH). <Ref. to AB-24, REMOVAL, Curtain Airbag Sensor.> Replace the airbag control module if not operating normally even after replacing the sensor. <Ref. to AB-21, REMOVAL, Airbag Control Module.>
<b>8 CHECK FOR ANY OTHER DTC ON DISPLAY.</b>	Is any other DTC displayed?	Check DTC using "List of Diagnostic Trouble Code (DTC)". <Ref. to AB(diag)-38, List of Diagnostic Trouble Code (DTC).>	Finish the diagnosis.

### BB:DTC F5 SIDE SENSOR BUS LH COMMUNICATION ERROR

**NOTE:**

Refer to DTC F6 for details on DTC F5. <Ref. to AB(diag)-117, DTC F6 SIDE SENSOR BUS LH COMMUNICATION ERROR, Diagnostic Chart with Trouble Code.>

# Diagnostic Chart with Trouble Code

AIRBAG SYSTEM (DIAGNOSTICS)

## BC:DTC F6 SIDE SENSOR BUS LH COMMUNICATION ERROR

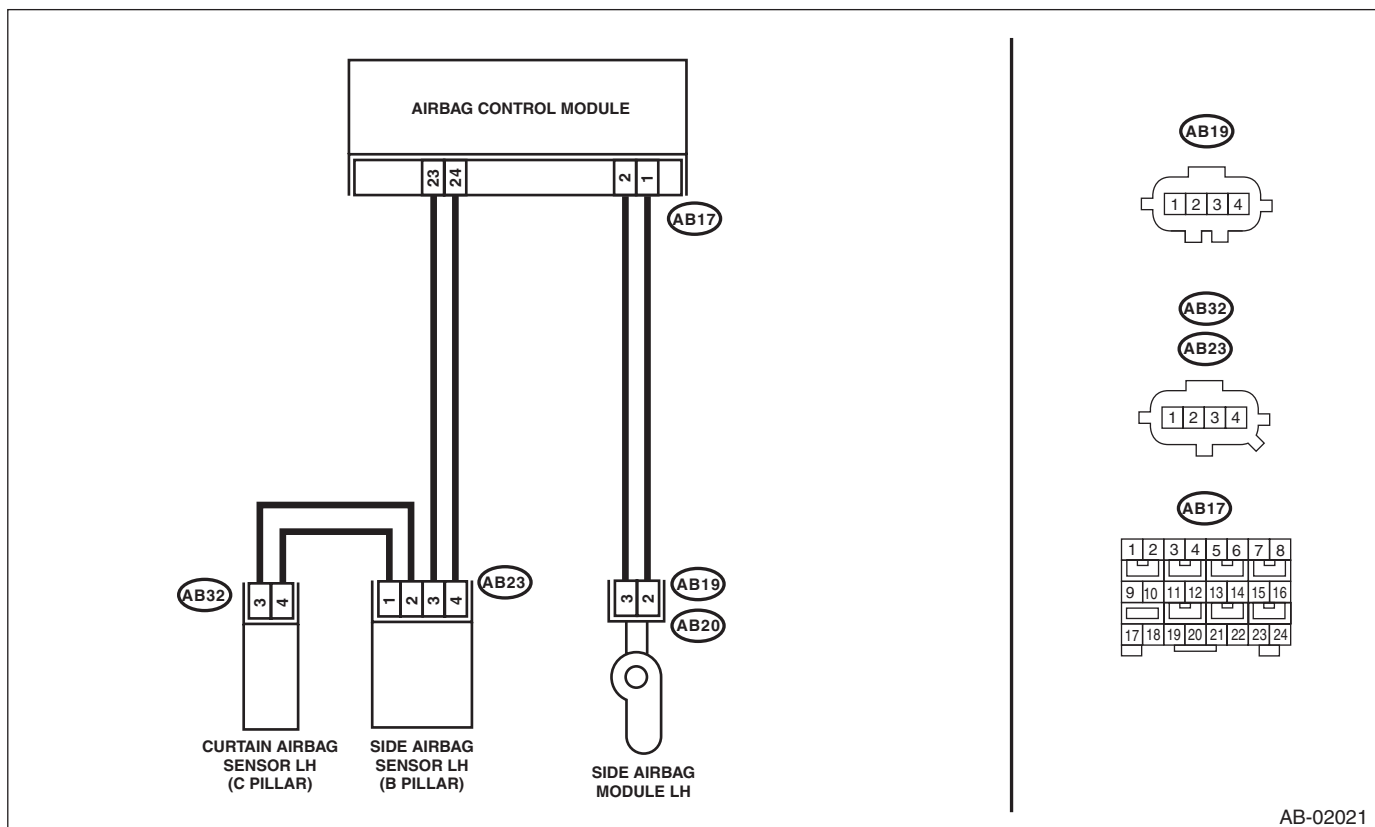
### DTC DETECTING CONDITION:

- Open or short circuit in harness of side sensor bus (LH).
- Side airbag sensor (LH) or curtain airbag sensor (LH) are faulty.
- Airbag control module is faulty.

### CAUTION:

- Before diagnosing the airbag system, be sure to turn the ignition switch to OFF, disconnect the ground cable from battery, and wait 20 seconds or more before starting to work.
- When replacing the airbag module, seat belt pretensioner, roll connector, control module and sensor, reconnect each part and check that the warning light operates properly.
- When inspecting the airbag main harness, disconnect the airbag module connectors and seat belt pretensioners of the driver's and passenger's seats for safety reasons.
- When inspecting the airbag rear harness, disconnect the side airbag module connector, curtain airbag module connector and seat belt pretensioner connector for safety reasons.

### WIRING DIAGRAM:



AB-02021



# Diagnostic Chart with Trouble Code

## AIRBAG SYSTEM (DIAGNOSTICS)

Step	Check	Yes	No
<b>1</b> <b>CHECK POOR CONTACT OF CONNECTORS.</b> Check for poor contact of the connectors (AB17, AB23, AB32) between the airbag control module and the curtain airbag sensor (LH).	Is there poor contact?	Replace the airbag rear harness along with body harness.	Go to step 2.
<b>2</b> <b>CHECK AIRBAG REAR HARNESS (BETWEEN SIDE AIRBAG SENSOR LH AND CURTAIN AIRBAG SENSOR LH).</b> 1) Turn the ignition switch to OFF, disconnect the ground cable from battery, and wait for 20 seconds or more. 2) Disconnect the connector (AB21) from seat belt pretensioner (LH). 3) Disconnect the connector (AB31) from curtain airbag module (LH). 4) Disconnect connectors (AB19) and (AB20) from side airbag module (LH). 5) Disconnect the connector (AB23) in the side airbag sensor (LH). 6) Connect the connector (AB23) of side airbag sensor (LH) and the connector (1A1) in the test harness A1. 7) Connect the connector (2A1) in the test harness A1 and the connector (1V) in the test harness V. 8) Disconnect the connector (AB32) from curtain airbag sensor (LH), and connect the connector (2V) in test harness V to connector (AB32). 9) Measure the resistance between connector (3V) terminals in the test harness V. <b>Connector &amp; terminal</b> <b>(3V) No. 2 — (3V) No. 6:</b> <b>(3V) No. 1 — (3V) No. 7:</b>	Is the resistance less than 10 Ω?	Go to step 3.	Replace the airbag rear harness along with body harness.
<b>3</b> <b>CHECK AIRBAG REAR HARNESS (BETWEEN SIDE AIRBAG SENSOR AND CURTAIN AIRBAG SENSOR LH).</b> Measure the resistance between connector (3V) in test harness V and chassis ground, and the resistance between connector (3V) in test harness V. <b>Connector &amp; terminal</b> <b>(3V) No. 6 — Chassis ground:</b> <b>(3V) No. 7 — Chassis ground:</b> <b>(3V) No. 2 — (3V) No. 1:</b>	Is the resistance 1 MΩ or more?	Go to step 4.	Replace the airbag rear harness along with body harness.

# Diagnostic Chart with Trouble Code

AIRBAG SYSTEM (DIAGNOSTICS)

Step	Check	Yes	No
<p><b>4 CHECK AIRBAG REAR HARNESS (BETWEEN AIRBAG CONTROL MODULE AND SIDE AIRBAG SENSOR LH).</b></p> <p>1) Disconnect the connectors (AB17, AB6, AB18) from airbag control module.</p> <p>2) Connect the connector (1AG) in the test harness AG to the connectors (AB17, AB6, AB18).</p> <p>3) Disconnect the connector (AB23) in the side airbag sensor (LH) from the connector (1AI) in the test harness AI.</p> <p>4) Disconnect the connector (2AI) in the test harness AI from the connector (1V) in the test harness V.</p> <p>5) Connect the connector (2V) in the test harness V to the connector (AB23).</p> <p>6) Measure the resistance between connector (5AG) in the test harness AG and connector (3V) in the test harness V.</p> <p><b>Connector &amp; terminal</b>  <b>(5AG) No. 10 — (3V) No. 1:</b>  <b>(5AG) No. 8 — (3V) No. 2:</b></p>	Is the resistance less than 10 Ω?	Go to step 5.	Replace the airbag rear harness along with body harness.
<p><b>5 CHECK AIRBAG REAR HARNESS (BETWEEN SIDE AIRBAG SENSOR LH AND CURTAIN AIRBAG SENSOR LH).</b></p> <p>Measure the resistance between connector (3V) in test harness V and chassis ground, and the resistance between connector (5AG) terminals in test harness AG.</p> <p><b>Connector &amp; terminal</b>  <b>(3V) No. 2 — Chassis ground:</b>  <b>(3V) No. 1 — Chassis ground:</b>  <b>(5AG) No. 10 — (5AG) No. 8:</b></p>	Is the resistance 1 MΩ or more?	Go to step 6.	Replace the airbag rear harness along with body harness.
<p><b>6 CHECK AIRBAG CONTROL MODULE.</b></p> <p>1) Connect all connectors.</p> <p>2) Clear the memory.</p> <p>3) Perform the Inspection Mode.</p> <p>4) Read the DTC.</p>	Is the same DTC displayed?	Go to step 7.	Go to step 8.
<p><b>7 REPLACE SIDE AIRBAG SENSOR (LH) AND CHECK AIRBAG CONTROL MODULE AFTER REPLACEMENT.</b></p> <p>1) Turn the ignition switch to OFF, disconnect the ground cable from battery, and wait for 20 seconds or more.</p> <p>2) Replace the side airbag sensor (LH). &lt;Ref. to AB-23, REMOVAL, Side Airbag Sensor.&gt;</p> <p>3) Connect all connectors.</p> <p>4) Clear the memory.</p> <p>5) Perform the Inspection Mode.</p> <p>6) Read the DTC.</p>	Is the system normal?	Go to step 8.	Replace the curtain airbag sensor (LH). <Ref. to AB-24, REMOVAL, Curtain Airbag Sensor.> Replace the airbag control module if not operating normally even after replacing the sensor. <Ref. to AB-21, REMOVAL, Airbag Control Module.>
<p><b>8 CHECK FOR ANY OTHER DTC ON DISPLAY.</b></p>	Is any other DTC displayed?	Check DTC using “List of Diagnostic Trouble Code (DTC)”. <Ref. to AB(diag)-38, List of Diagnostic Trouble Code (DTC).>	Finish the diagnosis.

## Diagnostic Chart with Trouble Code

AIRBAG SYSTEM (DIAGNOSTICS)

---

### **BD:DTC F8 SATELLITE SENSOR BUS COMMUNICATION ERROR**

NOTE:

Refer to DTC FA for details on DTC F8. <Ref. to AB(diag)-121, DTC FA SATELLITE SENSOR BUS COMMUNICATION ERROR, Diagnostic Chart with Trouble Code.>

### **BE:DTC F9 SATELLITE SENSOR BUS COMMUNICATION ERROR**

NOTE:

Refer to DTC FA for details on DTC F9. <Ref. to AB(diag)-121, DTC FA SATELLITE SENSOR BUS COMMUNICATION ERROR, Diagnostic Chart with Trouble Code.>

# Diagnostic Chart with Trouble Code

AIRBAG SYSTEM (DIAGNOSTICS)

## BF:DTC FA SATELLITE SENSOR BUS COMMUNICATION ERROR

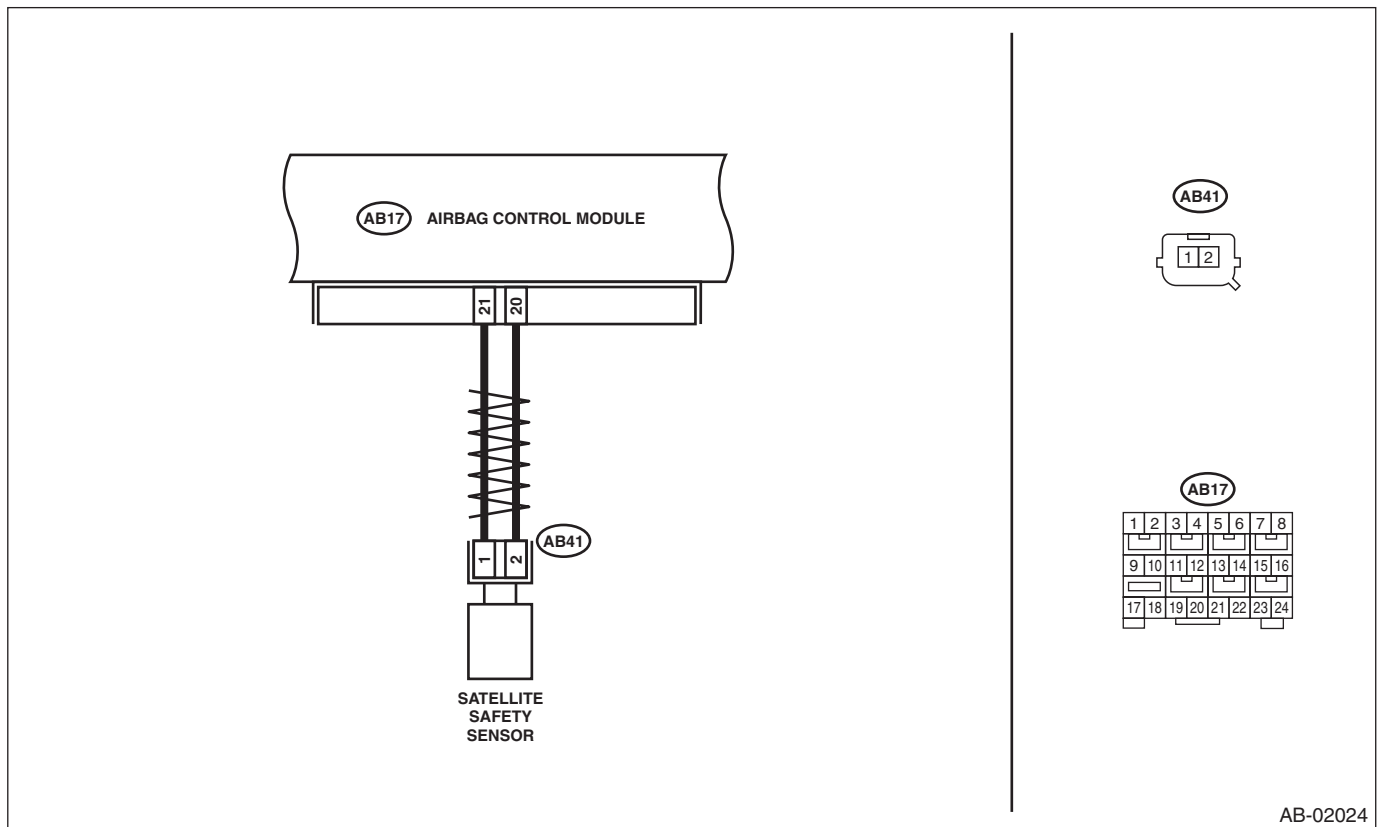
### DTC DETECTING CONDITION:

- Open or short circuit in harness of satellite safing sensor.
- Satellite safing sensor is faulty.
- Airbag control module is faulty.

### CAUTION:

- Before diagnosing the airbag system, be sure to turn the ignition switch to OFF, disconnect the ground cable from battery, and wait 20 seconds or more before starting to work.
- When replacing the airbag module, seat belt pretensioner, roll connector, control module and sensor, reconnect each part and check that the warning light operates properly.
- When inspecting the airbag main harness, disconnect the airbag module connectors and seat belt pretensioners of the driver's and passenger's seats for safety reasons.
- When inspecting the airbag rear harness, disconnect the side airbag module connector, curtain airbag module connector and seat belt pretensioner connector for safety reasons.

### WIRING DIAGRAM:



AB-02024

Step	Check	Yes	No
1	<p><b>CHECK POOR CONTACT OF CONNECTORS.</b> Check for poor contact of the connectors (AB17, AB41) between the airbag control module and the satellite safing sensor.</p>	Is there poor contact?	<p>Replace the airbag rear harness along with body harness.</p> <p>Go to step 2.</p>

## Diagnostic Chart with Trouble Code

### AIRBAG SYSTEM (DIAGNOSTICS)

Step	Check	Yes	No
<p><b>2 CHECK AIRBAG REAR HARNESS (BETWEEN AIRBAG CONTROL MODULE AND SATELLITE SAFING SENSOR).</b></p> <p>1) Turn the ignition switch to OFF, disconnect the ground cable from battery, and wait for 20 seconds or more.</p> <p>2) Disconnect the connectors (AB21, AB26) from seat belt pretensioner.</p> <p>3) Disconnect the connectors (AB31, AB33) from curtain airbag module.</p> <p>4) Disconnect the connectors (AB19), (AB20), (AB24) and (AB25) from the side airbag module.</p> <p>5) Disconnect the connectors (AB17, AB6, AB18) from airbag control module.</p> <p>6) Connect the connector (1AG) in the test harness AG to the connectors (AB17, AB6, AB18).</p> <p>7) Disconnect the connector (AB41) from satellite safing sensor, and then connect the connector (1H) in the test harness H to connector (AB41).</p> <p>8) Measure the resistance between connector (5AG) in the test harness AG and connector (3H) in the test harness H.</p> <p><b>Connector &amp; terminal</b>  <b>(5AG) No. 9 — (3H) No. 5:</b>  <b>(5AG) No. 11 — (3H) No. 6:</b></p>	Is the resistance less than 10 Ω?	Go to step 3.	Replace the airbag rear harness along with body harness.
<p><b>3 CHECK AIRBAG REAR HARNESS (BETWEEN AIRBAG CONTROL MODULE AND SATELLITE SAFING SENSOR).</b></p> <p>Measure the resistance between connector (5AG) in the test harness AG and chassis ground, and the resistance between connector (5AG) terminals in the test harness AG.</p> <p><b>Connector &amp; terminal</b>  <b>(5AG) No. 9 — Chassis ground:</b>  <b>(5AG) No. 11 — Chassis ground:</b>  <b>(5AG) No. 9 — (5AG) No. 11:</b></p>	Is the resistance 1 MΩ or more?	Go to step 4.	Replace the airbag rear harness along with body harness.
<p><b>4 CHECK AIRBAG CONTROL MODULE.</b></p> <p>1) Connect all connectors.</p> <p>2) Clear the memory.</p> <p>3) Perform the Inspection Mode.</p> <p>4) Read the DTC.</p>	Is the same DTC displayed?	Replace the satellite safing sensor. <Ref. to AB-25, REMOVAL, Satellite Safing Sensor.> Replace the airbag control module if not operating normally even after replacing the sensor. <Ref. to AB-21, REMOVAL, Airbag Control Module.>	Go to step 5.
<p><b>5 CHECK FOR ANY OTHER DTC ON DISPLAY.</b></p>	Is any other DTC displayed?	Check DTC using "List of Diagnostic Trouble Code (DTC)". <Ref. to AB(diag)-38, List of Diagnostic Trouble Code (DTC).>	Finish the diagnosis.

# Diagnostic Chart with Trouble Code

AIRBAG SYSTEM (DIAGNOSTICS)

## BG:DTC 3A FRONT SUB SENSOR RH FALSE INSTALLATION

### DTC DETECTING CONDITION:

Front sub sensor (RH) is misinstalled.

Step	Check	Yes	No
1 <b>REPLACE FRONT SUB SENSOR.</b> 1) Turn the ignition switch to OFF, disconnect the ground cable from battery, and wait for 20 seconds or more. 2) Replace the front sub sensor (RH) with a genuine sensor. <Ref. to AB-22, REMOVAL, Front Sub Sensor.>	Does the warning light go off?	Finish the diagnosis.	Replace the airbag control module. <Ref. to AB-21, REMOVAL, Airbag Control Module.>

## BH:DTC 3B FRONT SUB SENSOR LH FALSE INSTALLATION

### DTC DETECTING CONDITION:

Front sub sensor (LH) is misinstalled.

Step	Check	Yes	No
1 <b>REPLACE FRONT SUB SENSOR.</b> 1) Turn the ignition switch to OFF, disconnect the ground cable from battery, and wait for 20 seconds or more. 2) Replace the front sub sensor (LH) with a genuine sensor. <Ref. to AB-22, REMOVAL, Front Sub Sensor.>	Does the warning light go off?	Finish the diagnosis.	Replace the airbag control module. <Ref. to AB-21, REMOVAL, Airbag Control Module.>

## BI: DTC 3C SATELLITE SENSOR BUS FAILURE

### DTC DETECTING CONDITION:

Satellite safing sensor is faulty.

Step	Check	Yes	No
1 <b>REPLACE SATELLITE SAFING SENSOR.</b> 1) Turn the ignition switch to OFF, disconnect the ground cable from battery, and wait for 20 seconds or more. 2) Replace the satellite safing sensor with a genuine sensor. <Ref. to AB-25, REMOVAL, Satellite Safing Sensor.>	Does the warning light go off?	Finish the diagnosis.	Replace the airbag control module. <Ref. to AB-21, REMOVAL, Airbag Control Module.>

## BJ:DTC 3D SATELLITE SENSOR FALSE INSTALLATION

### DTC DETECTING CONDITION:

Satellite safing sensor is misinstalled.

Step	Check	Yes	No
1 <b>REPLACE SATELLITE SAFING SENSOR.</b> 1) Turn the ignition switch to OFF, disconnect the ground cable from battery, and wait for 20 seconds or more. 2) Replace the satellite safing sensor with a genuine sensor. <Ref. to AB-25, REMOVAL, Satellite Safing Sensor.>	Does the warning light go off?	Finish the diagnosis.	Replace the airbag control module. <Ref. to AB-21, REMOVAL, Airbag Control Module.>

## Diagnostic Chart with Trouble Code

AIRBAG SYSTEM (DIAGNOSTICS)

### BK:DTC 5A SIDE AIRBAG SENSOR RH FALSE INSTALLATION

DTC DETECTING CONDITION:

Side airbag sensor RH is missinstalled.

	Step	Check	Yes	No
1	<b>REPLACE SIDE AIRBAG SENSOR (RH).</b> 1) Turn the ignition switch to OFF, disconnect the ground cable from battery, and wait for 20 seconds or more. 2) Replace the side A/B sensor (RH) with a genuine sensor. <Ref. to AB-23, REMOVAL, Side Airbag Sensor.>	Does the warning light go off?	Finish the diagnosis.	Replace the airbag control module. <Ref. to AB-21, REMOVAL, Airbag Control Module.>

### BL:DTC 5B SIDE AIRBAG SENSOR LH FALSE INSTALLATION

DTC DETECTING CONDITION:

Side airbag sensor LH is missinstalled.

	Step	Check	Yes	No
1	<b>REPLACE SIDE AIRBAG SENSOR (LH).</b> 1) Turn the ignition switch to OFF, disconnect the ground cable from battery, and wait for 20 seconds or more. 2) Replace the side A/B sensor (LH) with a genuine sensor. <Ref. to AB-23, REMOVAL, Side Airbag Sensor.>	Does the warning light go off?	Finish the diagnosis.	Replace the airbag control module. <Ref. to AB-21, REMOVAL, Airbag Control Module.>

### BM:DTC 5C CURTAIN AIRBAG SENSOR RH FALSE INSTALLATION

DTC DETECTING CONDITION:

Curtain airbag sensor RH is missinstalled.

	Step	Check	Yes	No
1	<b>REPLACE CURTAIN AIRBAG SENSOR (RH).</b> 1) Turn the ignition switch to OFF, disconnect the ground cable from battery, and wait for 20 seconds or more. 2) Replace the curtain A/B sensor (RH) with a genuine sensor. <Ref. to AB-24, REMOVAL, Curtain Airbag Sensor.>	Does the warning light go off?	Finish the diagnosis.	Replace the airbag control module. <Ref. to AB-21, REMOVAL, Airbag Control Module.>

### BN:DTC 5D CURTAIN AIRBAG SENSOR LH FALSE INSTALLATION

DTC DETECTING CONDITION:

Curtain airbag sensor LH is missinstalled.

	Step	Check	Yes	No
1	<b>REPLACE CURTAIN AIRBAG SENSOR (LH).</b> 1) Turn the ignition switch to OFF, disconnect the ground cable from battery, and wait for 20 seconds or more. 2) Replace the curtain A/B sensor (LH) with a genuine sensor. <Ref. to AB-24, REMOVAL, Curtain Airbag Sensor.>	Does the warning light go off?	Finish the diagnosis.	Replace the airbag control module. <Ref. to AB-21, REMOVAL, Airbag Control Module.>

# Basic Diagnostic Procedure

## OCCUPANT DETECTION SYSTEM (DIAGNOSTICS)

### 1. Basic Diagnostic Procedure

#### A: PROCEDURE

	Step	Check	Yes	No
1	<b>CHECK WARNING LIGHT.</b> Check whether the airbag warning light in the combination meter is lit.	Does the airbag warning light illuminate?	Go to step 2.	Perform the diagnosis according to phenomenon of the problem.
2	<b>READ DTC.</b> 1) Turn the ignition switch to OFF. 2) Connect the Subaru Select Monitor to data link connector. 3) Turn the ignition switch to ON and run the Subaru Select Monitor. 4) Read the DTC. <Ref. to OD(diag)-17, OPERATION, Read Diagnostic Trouble Code (DTC).> NOTE: If the communication function of the Subaru Select Monitor cannot be executed properly, check the communication circuit. <Ref. to AB(diag)-26, COMMUNICATION FOR INITIALIZING IMPOSSIBLE, INSPECTION, Subaru Select Monitor.> 5) Record all DTCs and freeze frame data.	Is DTC displayed?	Go to step 3.	Go to "Airbag Warning Light Failure" <Ref. to AB(diag)-34, Airbag Warning Light Failure.>
3	<b>PERFORM DIAGNOSIS.</b> 1) Determine the possible cause "List of Diagnostic Trouble Code (DTC)". <Ref. to OD(diag)-22, List of Diagnostic Trouble Code (DTC).> 2) Inspect the DTC using "List of Diagnostic Trouble Code (DTC)". 3) Repair the trouble cause. 4) Perform the Clear Memory Mode. <Ref. to OD(diag)-19, Clear Memory Mode.> 5) Perform the Inspection Mode. <Ref. to OD(diag)-18, Inspection Mode.> 6) Read any other DTCs displayed.	Is DTC displayed?	Perform the procedure 1) to 5) in step 3.	Finish the diagnosis.



## Check List for Interview

OCCUPANT DETECTION SYSTEM (DIAGNOSTICS)

### 2. Check List for Interview

#### A: CHECK

Customer's name		Inspector's name	
Date vehicle brought in	/ /	Registration No.	
Odometer reading	km miles	V.I.N.	
Date problem occurred	/ /	Registration year	/ /
Weather	<input type="checkbox"/> Fine <input type="checkbox"/> Cloudy <input type="checkbox"/> Rainy <input type="checkbox"/> Snowy <input type="checkbox"/> Others:		
Temperature	°C ( °F)		
Road condition	<input type="checkbox"/> Flat road <input type="checkbox"/> Uphill <input type="checkbox"/> Downhill <input type="checkbox"/> Gravel road <input type="checkbox"/> Others:		
Vehicle operation	<input type="checkbox"/> Starting <input type="checkbox"/> Idling <input type="checkbox"/> Driving <input type="checkbox"/> Constant speed <input type="checkbox"/> Accelerating <input type="checkbox"/> Decelerating <input type="checkbox"/> Turning <input type="checkbox"/> Others:		
Details of problem			
Airbag warning light operation	<input type="checkbox"/> Normal (After turning the ignition switch to ON, illuminates for 6 seconds then goes off.) <input type="checkbox"/> Remains ON <input type="checkbox"/> Remains OFF		
Passenger's airbag ON/OFF indicator operation	<input type="checkbox"/> Normal (After turning the ignition switch to ON, illuminates for 6 seconds then goes off for 2 seconds; Lights ON (adult) or OFF (children/unoccupied).) <input type="checkbox"/> Both remain ON <input type="checkbox"/> Both remain OFF		
DTC output	<input type="checkbox"/> OK code <input type="checkbox"/> DTC: (Code:                    )		

## General Description

### OCCUPANT DETECTION SYSTEM (DIAGNOSTICS)

---

### 3. General Description

#### A: CAUTION

1) If the seat cushion cover is removed or replaced, make sure to perform passenger detection system adjustment after installing the seat to the vehicle. <Ref. to OD(diag)-15, SYSTEM CALIBRATION (REZEROING), OPERATION, Subaru Select Monitor.>

Failure to do so may cause improper operation of the passenger detection system.

2) The passenger detection system (passenger seat only) control unit and the passenger detection sensor are fixed to the seat cushion frame. Never remove the passenger detection control unit or the pressure sensor from the seat cushion frame.

3) Do not replace the seat cushion pad by itself. Always replace the seat cushion pad and frame assembly as a set. The seat cushion pad and cushion frame are adjusted as a set at the time of manufacture. If cushion pads and cushion frames are combined from those of other vehicles or other sets, the passenger detection system may not operate properly.

4) If the seat cushion cover is removed, make sure to replace the hang wire on the seat cushion side with a new wire.

5) Never connect the battery in reverse polarity. Occupant detection system may be destroyed instantly.

6) Do not disconnect the battery terminals while the engine is running.

A large counter electromotive force will be generated in the generator, and this voltage may damage electronic parts such as occupant detection control module.

7) Before disconnecting the connectors of each sensor and control module, be sure to turn the ignition switch to OFF and wait for 20 seconds or more. Occupant detection control module may be damaged.

8) All passenger detection system parts are precision components. Do not drop them.

#### CAUTION:

- **Do not use electrical test equipment on the airbag system wiring harness and connector circuit.**
- **Be careful not to damage the airbag system wiring harness when servicing the occupant detection system.**
- **Refer to Airbag System when repairing the occupant detection system. <Ref. to AB(diag)-4, CAUTION, General Description.>**

#### B: INSPECTION

Measure the battery voltage and check electrolyte.

##### **Standard voltage:**

**12 V**

##### **Specific gravity:**

**1.260 or more**

##### **Fluid level:**

**Between the upper level and lower level**

# General Description

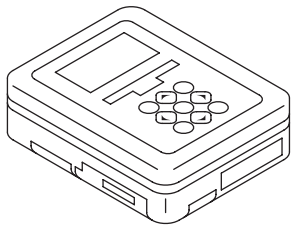
OCCUPANT DETECTION SYSTEM (DIAGNOSTICS)

## C: PREPARATION TOOL

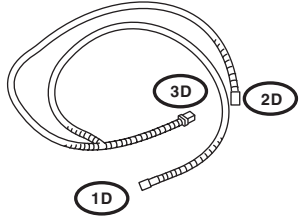
### CAUTION:

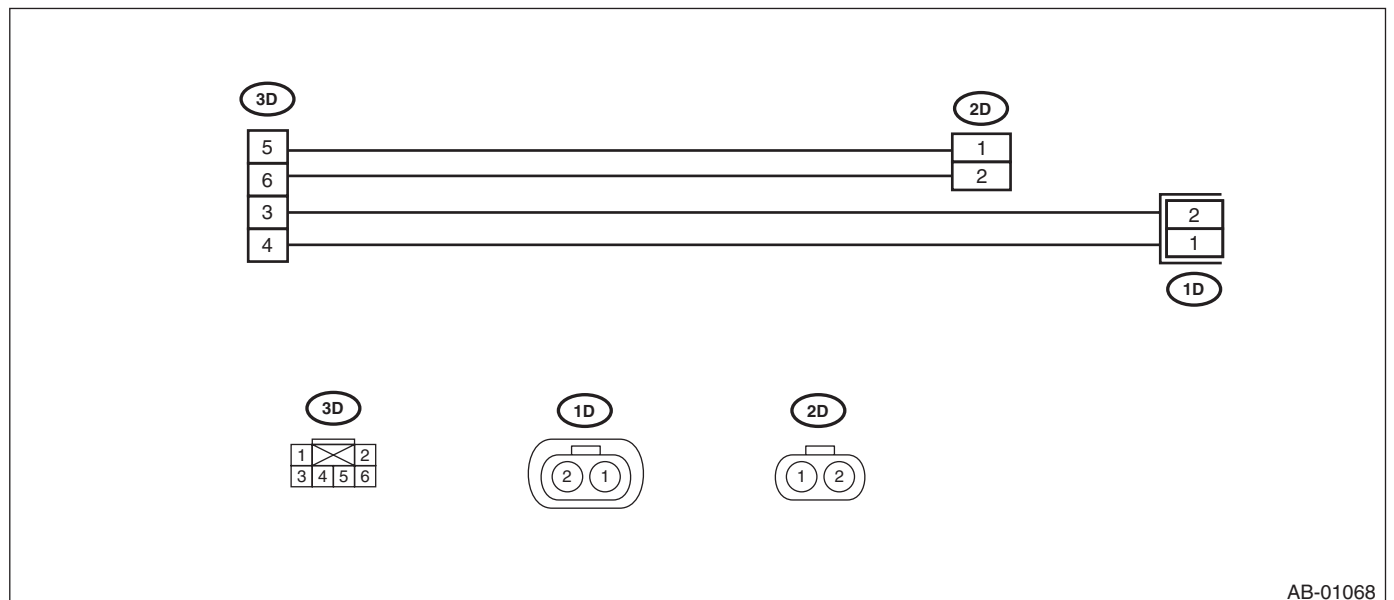
To measure the voltage and resistance of airbag system and occupant detection system components, be sure to use the specified test harness.

### 1. SPECIAL TOOL

ILLUSTRATION	TOOL NUMBER	DESCRIPTION	REMARKS
 <p>ST1B022XU0</p>	1B022XU0	SUBARU SELECT MONITOR III KIT	Used for troubleshooting the electrical system.

### • TEST HARNESS D

ILLUSTRATION	TOOL NUMBER	DESCRIPTION	REMARKS
 <p>ST98299AG060</p>	98299AG060	TEST HARNESS D	Used when measuring voltage and resistance of the front seat belt buckle switch.

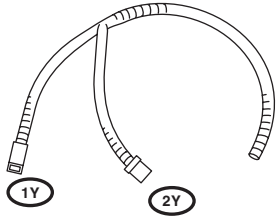


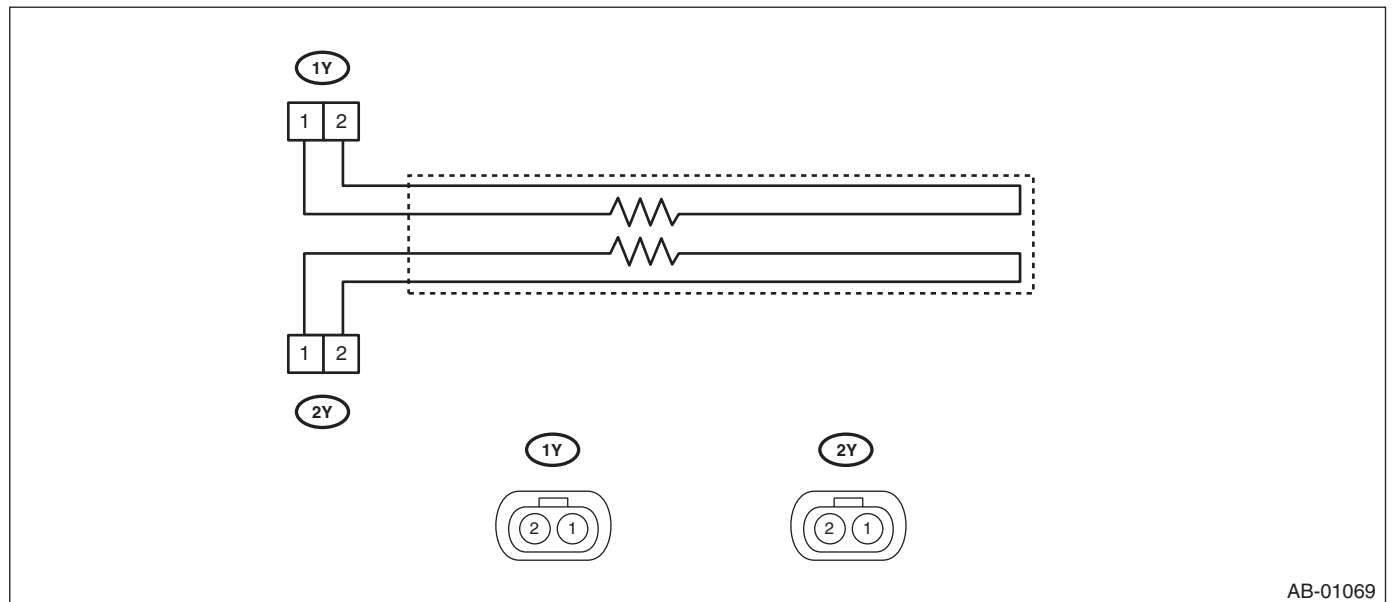
AB-01068

# General Description

## OCCUPANT DETECTION SYSTEM (DIAGNOSTICS)

- TEST HARNESS Y

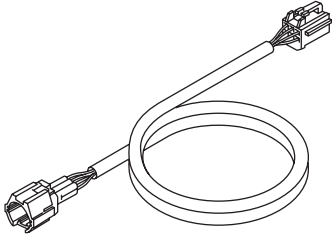
ILLUSTRATION	TOOL NUMBER	DESCRIPTION	REMARKS
 <p data-bbox="321 558 467 579">ST98299AG040</p>	98299AG040	TEST HARNESS Y	Used for troubleshooting seat belt buckle switch.

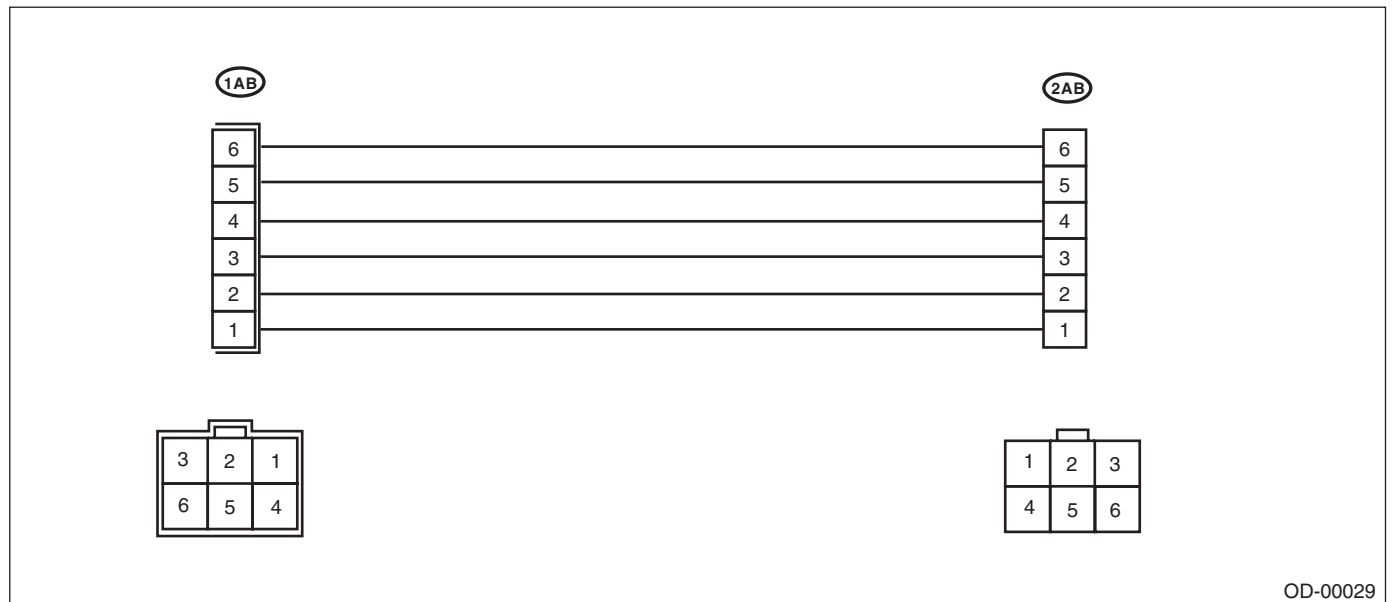


# General Description

## OCCUPANT DETECTION SYSTEM (DIAGNOSTICS)

- TEST HARNESS AB

ILLUSTRATION	TOOL NUMBER	DESCRIPTION	REMARKS
 <p>ST98299XA000</p>	98299XA000	TEST HARNESS AB	Used when measuring voltage and resistance of occupant detection system.

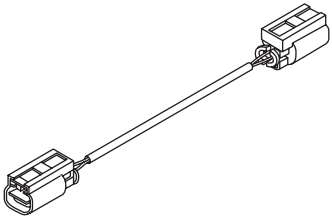


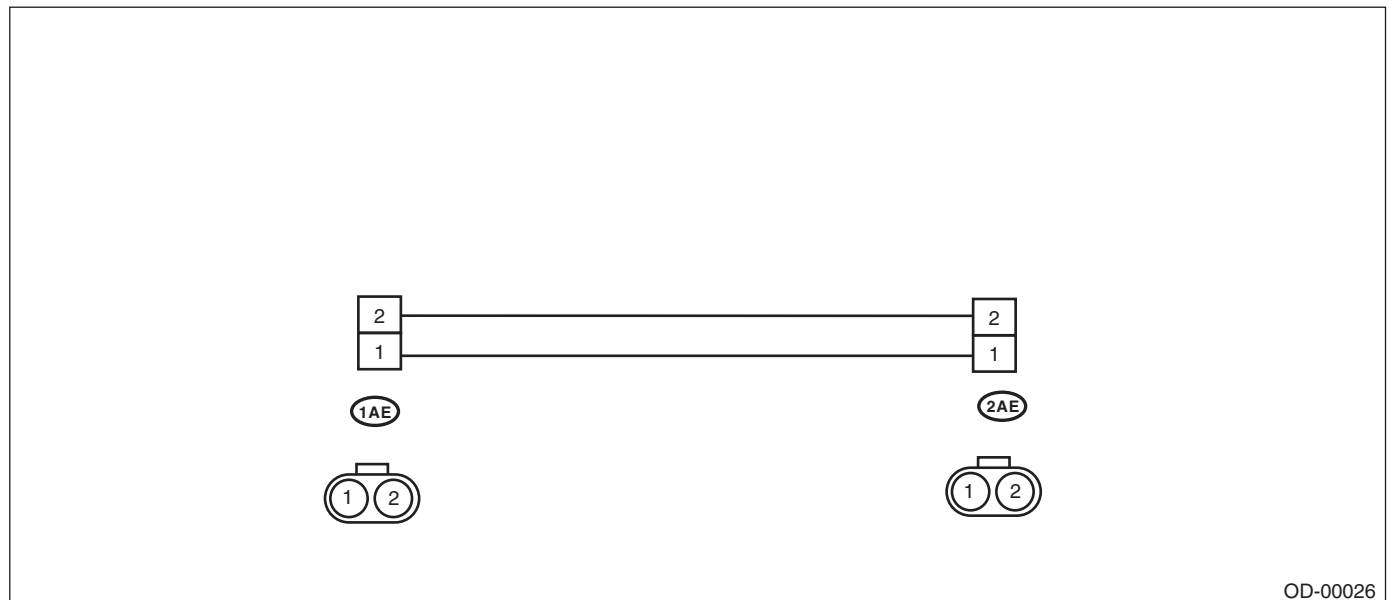
OD-00029

# General Description

## OCCUPANT DETECTION SYSTEM (DIAGNOSTICS)

- TEST HARNESS AE

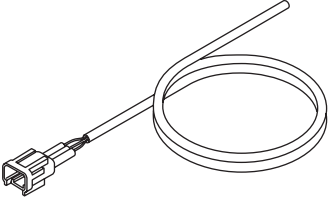
ILLUSTRATION	TOOL NUMBER	DESCRIPTION	REMARKS
 ST98299XA030	98299XA030	TEST HARNESS AE	TEST HARNESS Y adapter harness Used for troubleshooting seat belt buckle switch.

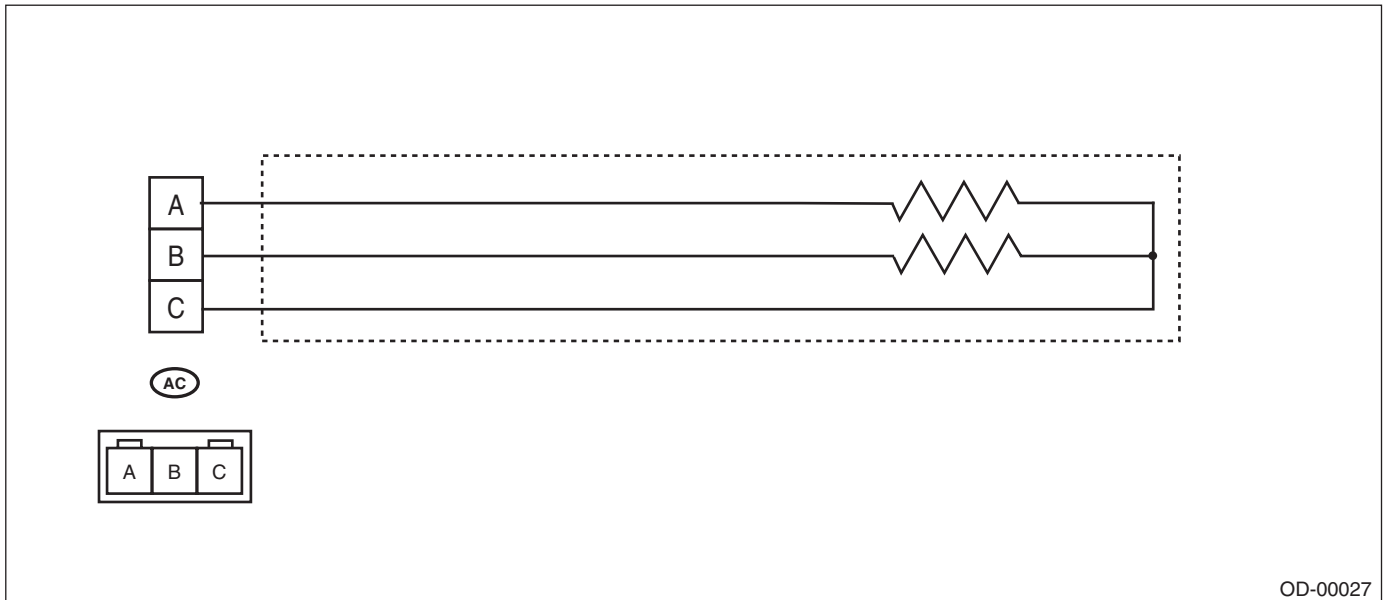


# General Description

## OCCUPANT DETECTION SYSTEM (DIAGNOSTICS)

- TEST HARNESS AC

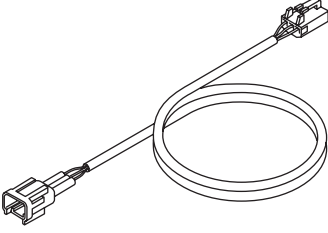
ILLUSTRATION	TOOL NUMBER	DESCRIPTION	REMARKS
 ST98299XA010	98299XA010	TEST HARNESS AC	Used for troubleshooting seat belt tension sensor.

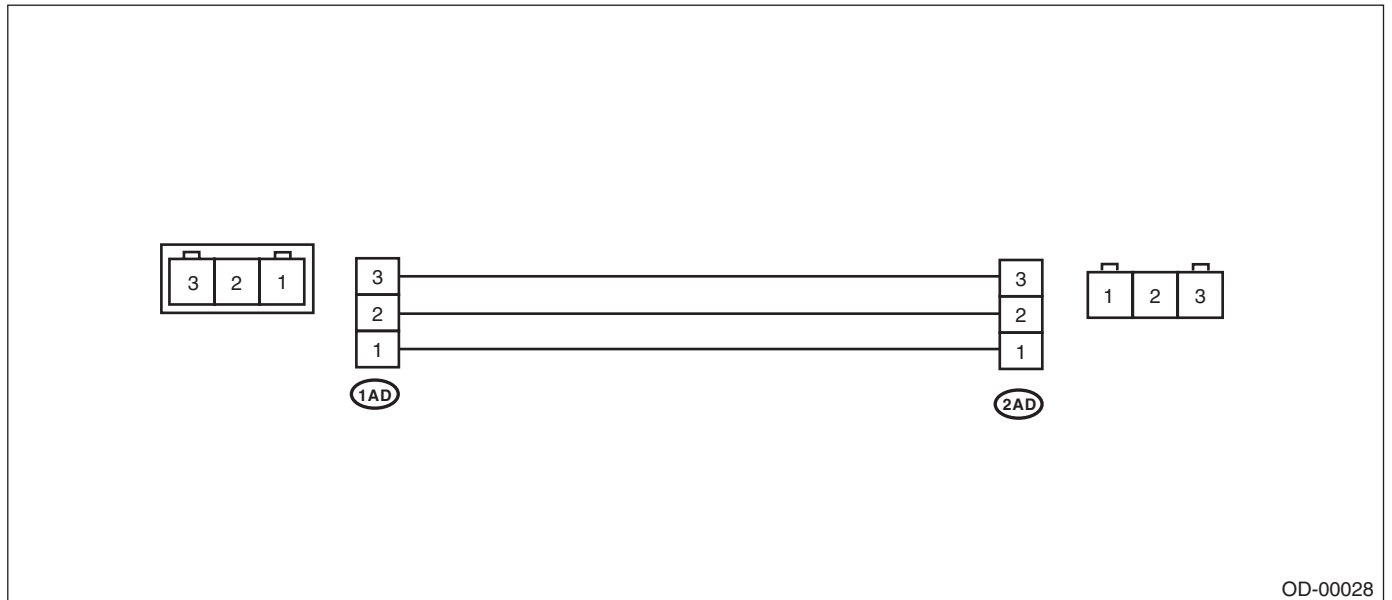


# General Description

## OCCUPANT DETECTION SYSTEM (DIAGNOSTICS)

- TEST HARNESS AD

ILLUSTRATION	TOOL NUMBER	DESCRIPTION	REMARKS
 <p>ST98299XA020</p>	98299XA020	TEST HARNESS AD	Used when measuring voltage and resistance of the seat belt tension sensor.



## 2. GENERAL TOOL

TOOL NAME	REMARKS
Circuit tester	Used for measuring resistance, voltage and current.

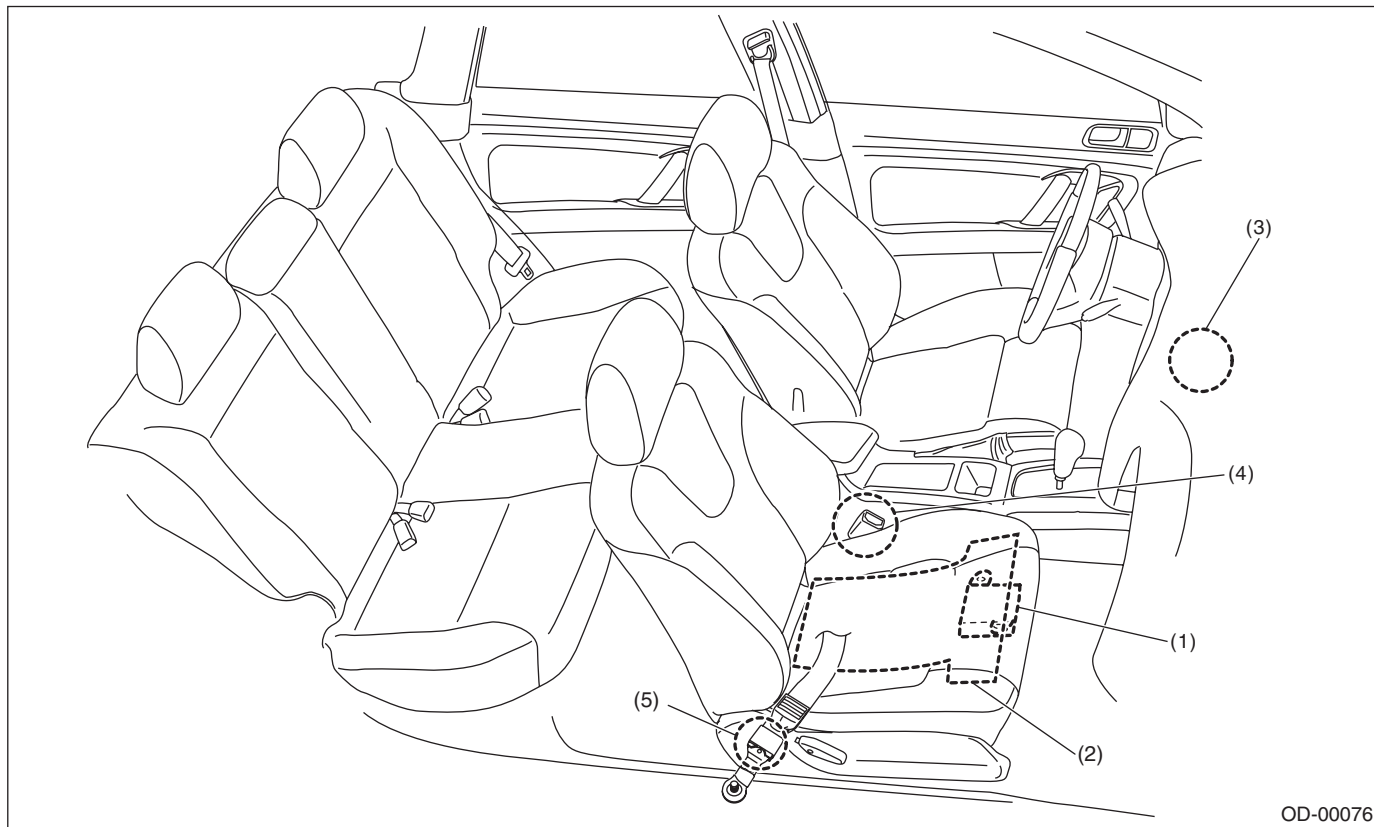


# Electrical Component Location

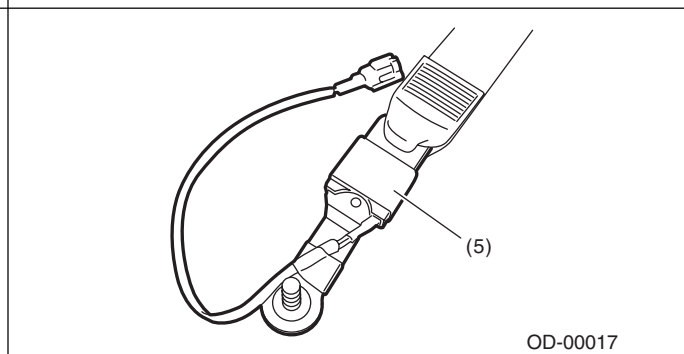
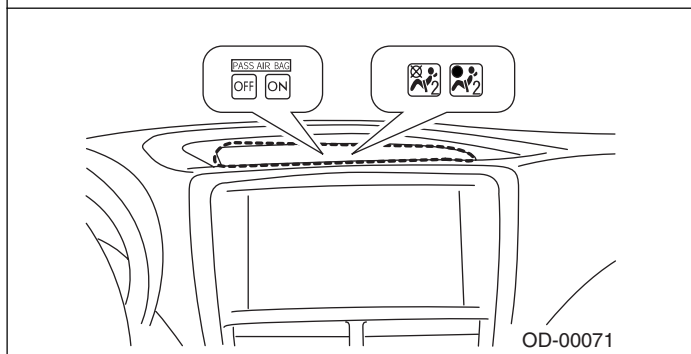
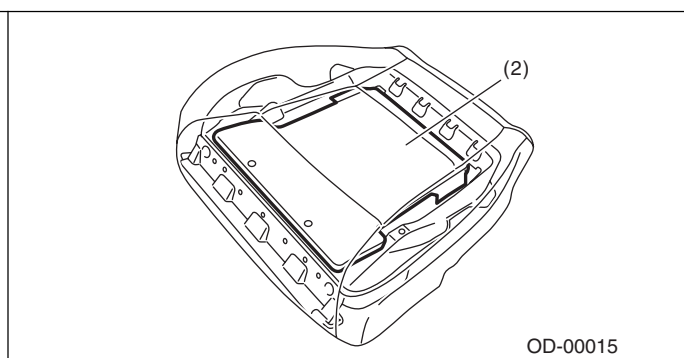
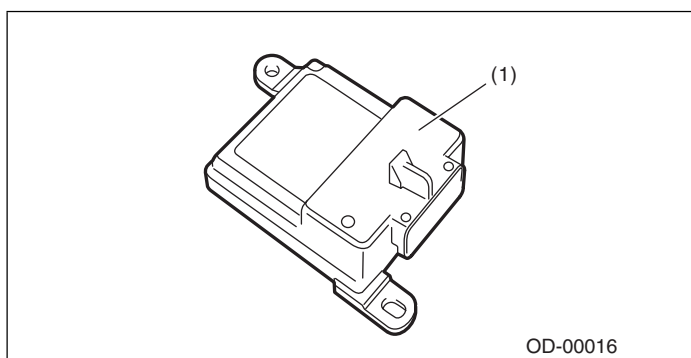
## OCCUPANT DETECTION SYSTEM (DIAGNOSTICS)

### 4. Electrical Component Location

#### A: LOCATION



- |                                       |                                      |                              |
|---------------------------------------|--------------------------------------|------------------------------|
| (1) Occupant detection control module | (3) Airbag ON/OFF indicator light    | (5) Seat belt tension sensor |
| (2) Occupant detection sensor         | (4) Buckle switch (Passenger's seat) |                              |



# Airbag Connector

OCCUPANT DETECTION SYSTEM (DIAGNOSTICS)

---

## 5. Airbag Connector

### A: PROCEDURE

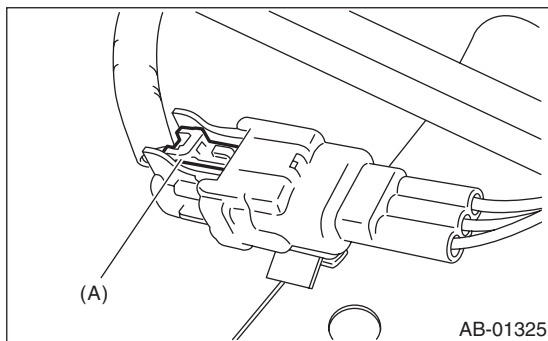
#### 1. OCCUPANT DETECTION SYSTEM (BETWEEN AIRBAG REAR HARNESS AND SEAT HARNESS) AND BELT TENSION SENSOR

1) How to disconnect:

Press the lock arm (A) and disconnect the connector.

#### CAUTION:

**When pulling the slide lock or disconnecting connector, be sure to hold the connector, not the harness.**



2) How to connect:

Holding the connector, push it in securely until a clicking sound is heard.

#### CAUTION:

**Be sure to insert the connector in until it is locked. Then pull it gently to make sure that it is locked.**

# Control Module I/O Signal

OCCUPANT DETECTION SYSTEM (DIAGNOSTICS)

## 6. Control Module I/O Signal

### A: ELECTRICAL SPECIFICATION

#### CAUTION:

Never remove the occupant detection control module, occupant detection sensor or seat frame because they are integrated into one unit.

Terminal name	Terminal No.	Input/Output value	Remarks	
IG – power supply	9	9 — 16 V	When ignition switch ON	
Airbag control module communication (COM)	10	Open collector terminal	Communication line	
Airbag control module communication (GND)	5	0 V	Ground	
Belt tension sensor	(Vcc)	4	0 — 5 V	Belt tension sensor power supply
	(Vout)	16	0.5 — 4.5 V	Sensor output voltage
	(GND)	14	0 V	Sensor ground
Occupant detection sensor	(Vcc)	6	0 — 5 V	Pressure sensor power supply
	(Vout)	7	0.5 — 4.5 V	Sensor output voltage
	(GND)	15	0 V	Sensor ground
Buckle switch	1	0 — IG voltage	Ignition voltage when switch ON	
Buckle switch (GND)	2	0 V	Switch ground	

### B: WIRING DIAGRAM

Refer to the electrical wiring diagram. <Ref. to WI-98, WIRING DIAGRAM, Occupant Detection System.>

# Subaru Select Monitor

## OCCUPANT DETECTION SYSTEM (DIAGNOSTICS)

### 7. Subaru Select Monitor

#### A: OPERATION

##### 1. READ DIAGNOSTIC TROUBLE CODE (DTC)

When malfunction of the airbag system and the occupant detection system occur, the DTC stored in airbag control module will be read out.

Refer to the READ DIAGNOSTIC TROUBLE CODE (DTC) of the Airbag system (diagnostics). <Ref. to AB(diag)-24, READ DIAGNOSTIC TROUBLE CODE (DTC), OPERATION, Subaru Select Monitor.>

NOTE:

- For details concerning the operation procedure, refer to “PC application help for Subaru Select Monitor”.
- For details concerning DTCs, refer to the List of Diagnostic Trouble Code (Airbag system, Occupant detection system). <Ref. to AB(diag)-38, List of Diagnostic Trouble Code (DTC).> <Ref. to OD(diag)-22, List of Diagnostic Trouble Code (DTC).>

##### 2. DISPLAY OF STATUS INFORMATION

Check the operating condition of each sensor in the event of malfunction in the seat belt buckle switch and seat position sensor, or when the seat belt buckle switch and seat position sensor has been replaced.

- 1) On «Main Menu» display, select {Each System Check}.
- 2) On «System Selection Menu» display, select {Airbag System}.
- 3) Select the {Status Data} in «Airbag System».

The following table is for support data.

Contents	Display Contents
Seat position sensor LH	—*5
Seat position sensor RH	—*5
Seat belt buckle switch LH	—*9
Seat belt buckle switch RH	Belted *6 / Unbelted*7 / Other*8 / Initial Setting*4 / —*9
Passenger's airbag control status	ON*10 / OFF*11 / Initial Setting*4

\*1: The seat position is forward.

\*2: The seat position is rearward.

\*3: Displayed when data other than before and behind the seat, such as the breakdown etc, is input.

\*4: Displayed when it is initial.

\*5: Seat position sensor not supported

\*6: Seat belt fastened

\*7: Seat belt not fastened

\*8: Displayed when data other than belt fastened or not fastened, such as breakdowns is input.

\*9: Seat belt buckle switch not supported

\*10: Passenger's airbag operating state

\*11: Passenger's airbag non-operating state

NOTE:

For details concerning the operation procedure, refer to “PC application help for Subaru Select Monitor”.

##### 3. CLEAR MEMORY MODE

Clear the DTC stored in the airbag control module after repairing the airbag system and occupant detection system. (After the breakdown is recovered, the breakdown code for completed recoveries are read out when the next breakdown occurs if the memory clear work is not performed.)

- 1) On «Main Menu» display, select {Each System Check}.
- 2) On «System Selection Menu» display, select {Airbag System}.
- 3) Select {Clearing Memory} in {Airbag System} menu screen.
- 4) When the “Clear Memory?” is shown on the screen, click the [YES] button.
- 5) When Done is displayed, terminate the Subaru Select Monitor and turn the ignition switch to OFF.

NOTE:

For details concerning the operation procedure, refer to “PC application help for Subaru Select Monitor”.

### 4. SYSTEM CALIBRATION (REZEROING)

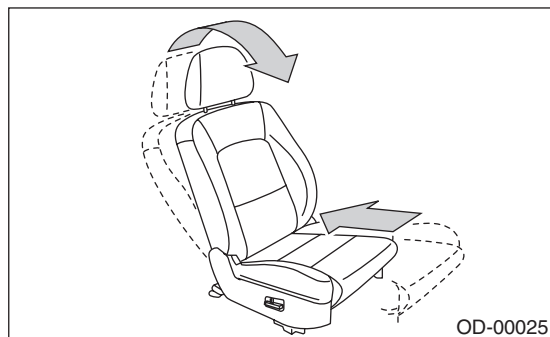
#### NOTE:

When replacing the occupant detection system, or removing and disassembling the passenger's seat, always perform the system calibration after installing a seat in the vehicle.

#### CAUTION:

**When the trouble occurs in the system during calibration process, "Occupant detection calibration failure" is detected in the DTC 2A of the airbag system and the airbag warning light lights. In this case, after turning the ignition switch to OFF once, redo the system calibration (Rezeroing), or after clearing the cause of the failure, perform the system calibration again.**

- 1) Park empty vehicle on a level surface.
- 2) On «Main Menu» display, select {Each System Check}.
- 3) On «System Selection Menu» display, select {Occupant Detection System}.
- 4) On the {Occupant Detection System} display, select {Rezeroing}.
- 5) «See service manual. And check vehicle condition for successfully completing the rezeroing» is displayed.
  - Adjust the seat backrest to be fully upright. (For models with power seats, press the power seat button until the backrest comes to a stop.)
  - Adjust the seat slide position all the way back. (For models with power seats, press the power seat button until the seat slide does not move any further.)
  - Do not place anything on the top of the seat cushion.
  - Sit on the seat cushion to smooth the seat surface.
  - Check that the passenger's seat belt is not inserted into the buckle, not tense or not stuck.
  - Check that ambient temperature is in a range from 0 to 40°C.
- 6) When the «Re-zeroing Adjust the passenger seat to the condition shown in service manual» is displayed, slide the passenger seat all the way to the back, check that the backrest is adjusted to all the way up, and select the [OK].



7) When the «Re-zeroing Unbelt the Passenger seatbelt Continue: OK, Quit: NO» is displayed, make sure the passenger's seatbelt is disconnected from the buckle and select the [OK].

8) When the Re-zeroing Empty the passenger seat Continue: OK, Quit: NO is displayed, make sure that the passenger's seat is empty, airbag OFF indicator illuminates and airbag ON indicator does not illuminate, and select the [OK].

#### NOTE:

- After selecting the [OK], «In process... Please wait for a while without touching vehicle» is displayed. Do not touch or rock the vehicle while the message is displayed.
  - During the system calibration process, if the «Re-zeroing is unsuccessful See service manual Press OK to END» is displayed, go to step 10).
- 9) When the re-zeroing is ended normally, the «Re-zeroing is successfully completed Press OK to END» is displayed. And then turn the ignition switch to OFF to finish the diagnosis.
- 10) During the system calibration process, if «Re-zeroing is unsuccessful See service manual Press OK to END» is displayed, turn the ignition switch to OFF once and turn it ON again, then read the DTC of the airbag system. <Ref. to AB(diag)-24, READ DIAGNOSTIC TROUBLE CODE (DTC), OPERATION, Subaru Select Monitor.>

When DTC is input, fix the fault and then perform the system calibration. When DTC is not input, check the seat and vehicle status and then perform the system calibration again. <Ref. to OD(diag)-15, SYSTEM CALIBRATION (REZEROING), OPERATION, Subaru Select Monitor.>

#### NOTE:

When the re-zeroing is unsuccessful, there could be occupant detection system failure or improper seat and vehicle status. When the airbag warning light illuminates, read the DTC of the airbag system, and perform the diagnosis while referring to List of Diagnostic Trouble Code (DTC). <Ref. to AB(diag)-24, READ DIAGNOSTIC TROUBLE CODE (DTC), OPERATION, Subaru Select Monitor.> <Ref. to AB(diag)-38, LIST, List of Diagnostic Trouble Code (DTC).>

### **B: INSPECTION**

#### **1. COMMUNICATION FOR INITIALIZING IMPOSSIBLE**

**DETECTING CONDITION:**

Defective harness connector

**TROUBLE SYMPTOM:**

Communication is impossible between the airbag control module and the Subaru Select Monitor.

Refer to “Initial Communication Impossible” in the DTC of the airbag system (diagnosis). <Ref. to AB(diag)-26, COMMUNICATION FOR INITIALIZING IMPOSSIBLE, INSPECTION, Subaru Select Monitor.>

#### **2. WITHOUT DTC**

**DETECTING CONDITION:**

- Defective combination meter
- Open circuit of harness

**TROUBLE SYMPTOM:**

- Airbag warning light remains on.
- “NO TROUBLE CODE” will be displayed on the Subaru Select Monitor.

**NOTE:**

- For detailed operation procedures, refer to “Airbag Warning Light Failure”. <Ref. to AB(diag)-34, Airbag Warning Light Failure.>
- When the airbag warning light is OFF and “NO TROUBLE CODE” is displayed on Subaru Select Monitor, the system is operating properly.

## Read Diagnostic Trouble Code (DTC)

OCCUPANT DETECTION SYSTEM (DIAGNOSTICS)

---

### 8. Read Diagnostic Trouble Code (DTC)

#### A: OPERATION

For details on reading DTCs, refer to “Airbag System (Diagnosis) Subaru Select Monitor”. <Ref. to AB(diag)-24, Subaru Select Monitor.>

## Inspection Mode

OCCUPANT DETECTION SYSTEM (DIAGNOSTICS)

---

### 9. Inspection Mode

#### A: PROCEDURE

Recreate the circumstance by referring to the conditions described in the checklist.



### 10. Clear Memory Mode

#### A: OPERATION

- Clear the memory in the following steps after the malfunction is repaired.
- For details to clear the DTC, refer to “Airbag System (Diagnosis) Subaru Select Monitor”. <Ref. to AB(diag)-24, Subaru Select Monitor.>

# Airbag Warning Light Illumination Pattern

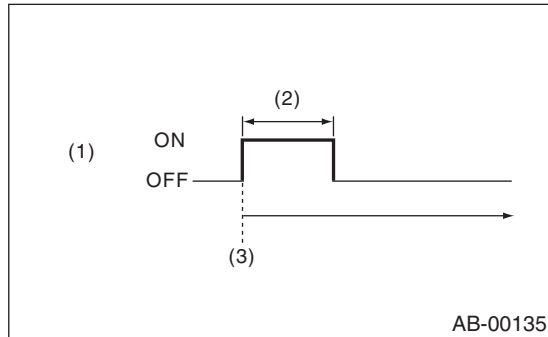
OCCUPANT DETECTION SYSTEM (DIAGNOSTICS)

---

## 11. Airbag Warning Light Illumination Pattern

### A: INSPECTION

Turn the ignition switch to ON, and confirm that the airbag warning light remains on for approx. 6 seconds and then goes off afterwards.



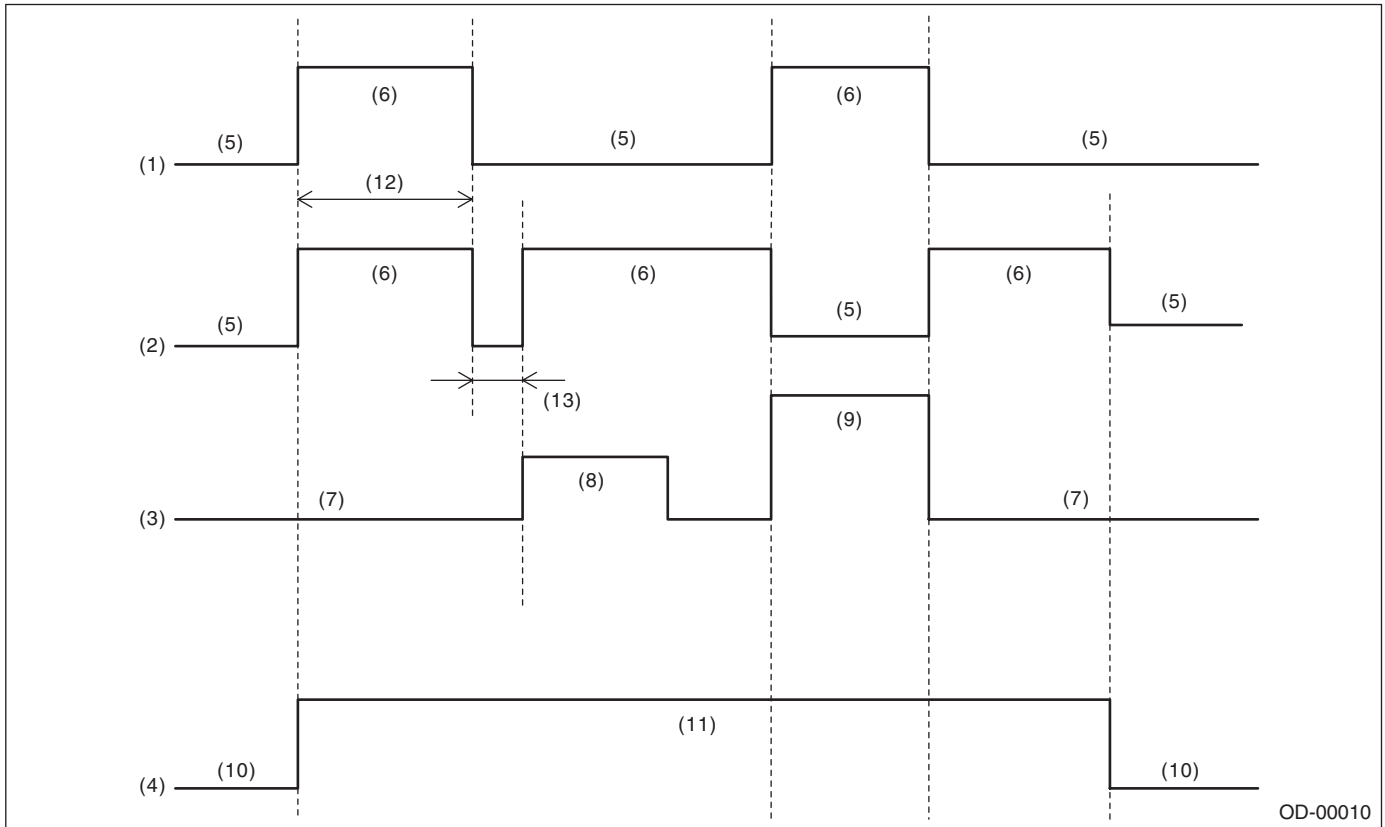
- (1) Airbag warning light
- (2) Approx. 6 sec.
- (3) Ignition switch ON

# Passenger's Airbag ON/OFF Indicator Light Illumination Pattern

OCCUPANT DETECTION SYSTEM (DIAGNOSTICS)

## 12. Passenger's Airbag ON/OFF Indicator Light Illumination Pattern

### A: INSPECTION



- |  |                     |                     |
|--|---------------------|---------------------|
| (1) Passenger's airbag ON indicator light  | (4) Ignition switch | (9) Adult           |
| (2) Passenger's airbag OFF indicator light | (5) Light OFF       | (10) OFF            |
| (3) Occupant seating                       | (6) Light ON        | (11) ON             |
|  | (7) Empty           | (12) Approx. 6 sec. |
|  | (8) Child           | (13) Approx. 2 sec. |

## List of Diagnostic Trouble Code (DTC)

### OCCUPANT DETECTION SYSTEM (DIAGNOSTICS)

## 13. List of Diagnostic Trouble Code (DTC)

### A: LIST

DTC	Display	Diagnosis content	Reference
2A	ODS Calibration Error	System calibration (Rezeroing) was not completed normally.	<Ref. to OD(diag)-23, DTC 2A ODS CALIBRATION ERROR, Diagnostic Procedure with Diagnostic Trouble Code (DTC).>
2B	ODS System Wrong Parts	<ul style="list-style-type: none"> <li>• Wrong airbag control module is installed.</li> <li>• Wrong occupant detection system is installed.</li> <li>• Occupant detection system is faulty.</li> </ul>	<Ref. to OD(diag)-23, DTC 2B ODS SYSTEM WRONG PARTS, Diagnostic Procedure with Diagnostic Trouble Code (DTC).>
2C	Belt Tension Sensor Failure	<ul style="list-style-type: none"> <li>• Passenger's seat belt tension sensor is faulty.</li> <li>• Airbag main harness circuit is open or shorted.</li> <li>• Occupant detection system is faulty.</li> <li>• Occupant detection harness is faulty.</li> </ul>	<Ref. to OD(diag)-24, DTC 2C BELT TENSION SENSOR FAILURE, Diagnostic Procedure with Diagnostic Trouble Code (DTC).>
27	ODS Failure	<ul style="list-style-type: none"> <li>• Occupant detection control module and airbag control module communication is faulty.</li> <li>• Airbag rear harness circuit is open, shorted, shorted to ground or shorted to power supply.</li> <li>• Occupant detection harness is faulty.</li> <li>• Occupant detection system is faulty.</li> <li>• Airbag control module is faulty.</li> </ul>	<Ref. to OD(diag)-25, DTC 27 ODS COMMUNICATION ERROR, Diagnostic Procedure with Diagnostic Trouble Code (DTC).>
29	ODS Communication Error	<ul style="list-style-type: none"> <li>• Occupant detection sensor is faulty.</li> <li>• Occupant detection control module is faulty.</li> <li>• Occupant detection harness is faulty.</li> <li>• Fuse No. 25 (in joint box) is blown.</li> </ul>	<Ref. to OD(diag)-26, DTC 29 ODS FAILURE, Diagnostic Procedure with Diagnostic Trouble Code (DTC).>
37	Buckle Switch RH Failure	<ul style="list-style-type: none"> <li>• Passenger's buckle switch circuit is open, shorted or shorted to ground.</li> <li>• Occupant detection system is faulty.</li> <li>• Occupant detection harness is faulty.</li> </ul>	<Ref. to OD(diag)-27, DTC 37 BUCKLE SWITCH RH FAILURE, Diagnostic Procedure with Diagnostic Trouble Code (DTC).>

# Diagnostic Procedure with Diagnostic Trouble Code (DTC)

OCCUPANT DETECTION SYSTEM (DIAGNOSTICS)

## 14. Diagnostic Procedure with Diagnostic Trouble Code (DTC)

### A: DTC 2A ODS CALIBRATION ERROR

#### DTC DETECTING CONDITION:

System calibration (Rezeroing) was not completed properly.

	Step	Check	Yes	No
1	<b>PERFORM RE-ZEROING.</b> Perform system calibration using the Subaru Select Monitor. <Ref. to OD(diag)-15, SYSTEM CALIBRATION (REZEROING), OPERATION, Subaru Select Monitor.>	Did the system calibration complete properly?	Finish the diagnosis.	Follow the system calibration procedures. <Ref. to OD(diag)-15, SYSTEM CALIBRATION (REZEROING), OPERATION, Subaru Select Monitor.>

### B: DTC 2B ODS SYSTEM WRONG PARTS

#### DTC DETECTING CONDITION:

- Wrong airbag control module is installed.
- Wrong occupant detection system is installed.

	Step	Check	Yes	No
1	<b>CHECK OCCUPANT DETECTION SYSTEM.</b> 1) Turn the ignition switch to OFF, disconnect the ground cable from battery, and wait for 20 seconds or more. 2) Replace the passenger's seat cushion pad frame assembly. <Ref. to SE-6, REMOVAL, Front Seat.> <Ref. to SE-8, PASSENGER'S SEAT, DISASSEMBLY, Front Seat.> 3) Connect the ground cable to battery. 4) Connect Subaru Select Monitor to the vehicle and perform the system calibration. <Ref. to OD(diag)-15, SYSTEM CALIBRATION (REZEROING), OPERATION, Subaru Select Monitor.>	Did the system calibration complete properly?	Finish the diagnosis.	Go to step 2.
2	<b>CHECK AIRBAG CONTROL SYSTEM.</b> 1) Turn the ignition switch to OFF, disconnect the ground cable from battery, and wait for 20 seconds or more. 2) Replace the airbag control module. <Ref. to AB-21, REMOVAL, Airbag Control Module.> 3) Connect the ground cable to battery. 4) Connect Subaru Select Monitor to the vehicle and perform the system calibration. <Ref. to OD(diag)-15, SYSTEM CALIBRATION (REZEROING), OPERATION, Subaru Select Monitor.>	Did the system calibration complete properly?	Finish the diagnosis.	Check between the occupant detection control module and airbag control module.

# Diagnostic Procedure with Diagnostic Trouble Code (DTC)

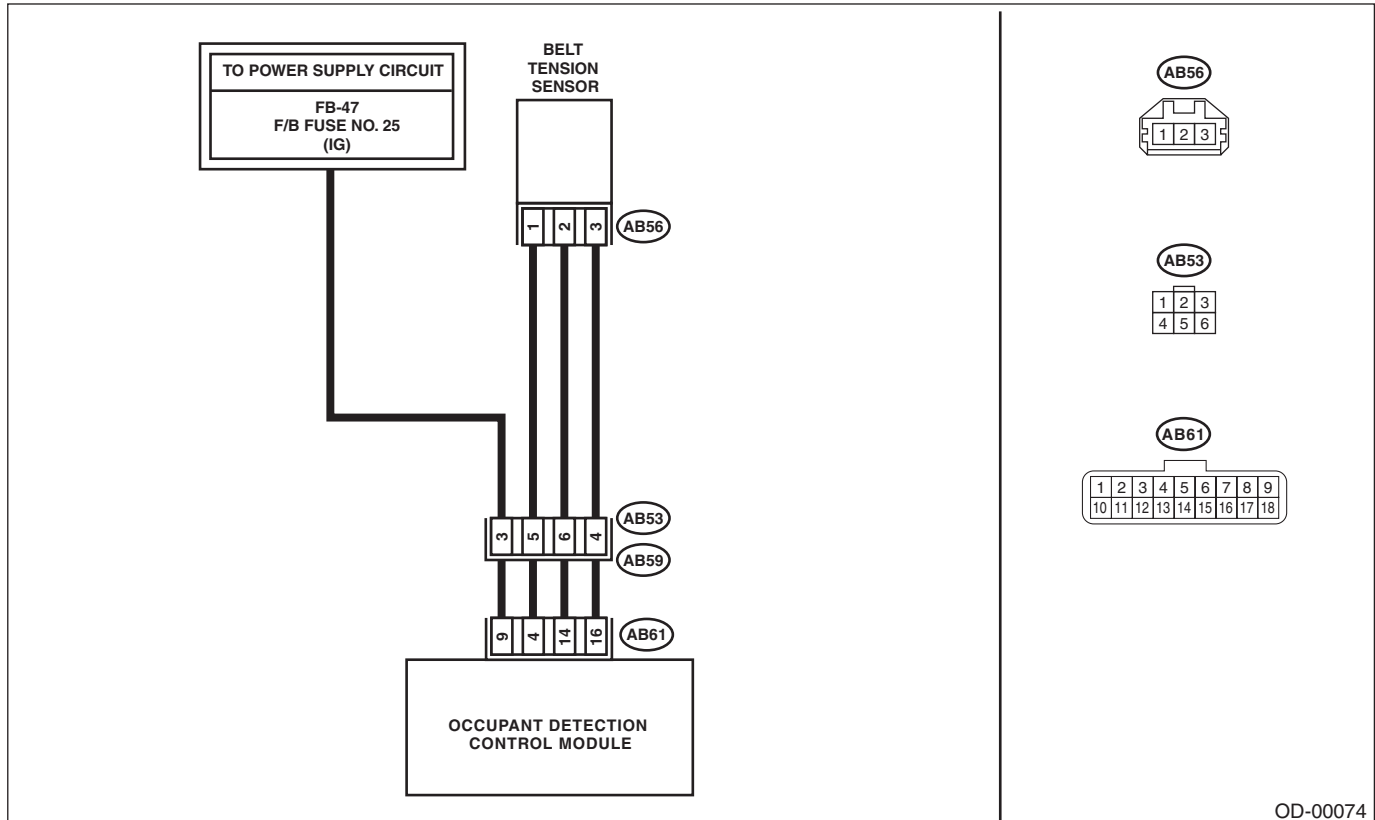
## OCCUPANT DETECTION SYSTEM (DIAGNOSTICS)

### C: DTC 2C BELT TENSION SENSOR FAILURE

#### DTC DETECTING CONDITION:

- Passenger's seat belt tension sensor is faulty.
- Airbag main harness circuit is open or shorted.
- Occupant detection control module is faulty.

#### WIRING DIAGRAM:



# Diagnostic Procedure with Diagnostic Trouble Code (DTC)

## OCCUPANT DETECTION SYSTEM (DIAGNOSTICS)

	Step	Check	Yes	No
1	<b>CHECK POOR CONTACT OF CONNECTORS.</b> Check for poor contact of the connectors between the occupant detection control module and belt tension sensor.	Is there poor contact?	Reconnect the connector. If the fault is not fixed, replace the airbag harness.	Go to step 2.
2	<b>CHECK BELT TENSION SENSOR.</b> 1) Turn the ignition switch to OFF, disconnect the ground cable from battery, and wait for 20 seconds or more. 2) Disconnect the belt tension sensor connector (AB56) from the airbag harness. 3) Connect the test harness AC to the connector (AB56). 4) Connect the battery ground terminal and turn the ignition switch to ON.	Does the airbag warning light illuminate for approximately 6 seconds and go off?	Replace the seat belt outer. <Ref. to SB-17, OUTER SEAT BELT ASSEMBLY, REMOVAL, Front Seat Belt.>	Go to step 3.
3	<b>CHECK AIRBAG HARNESS.</b> 1) Turn the ignition switch to OFF, disconnect the ground cable from battery, and wait for 20 seconds or more. 2) Disconnect the test harness AC from the belt tension sensor connector (AB56). 3) Connect the test harness AD (1AD) to the connector (AB56). 4) Disconnect the airbag harness connector (AB53), and connect connector (1AB) of test harness AB. 5) Measure the resistance between test harness terminals. <b>Connector &amp; terminal</b> <b>(2AB) No. 5 — (2AD) No. 1:</b> <b>(2AB) No. 4 — (2AD) No. 3:</b> <b>(2AB) No. 6 — (2AD) No. 2:</b>	Is the resistance less than 10 Ω?	Go to step 4.	Replace the airbag harness along with chassis harness.
4	<b>CHECK AIRBAG HARNESS.</b> Measure the resistance between test harness terminals, and between test harness terminal and chassis ground. <b>Connector &amp; terminal</b> <b>(2AB) No. 4 — (2AD) No. 1:</b> <b>(2AB) No. 4 — (2AD) No. 2:</b> <b>(2AB) No. 4 — chassis ground:</b> <b>(2AB) No. 5 — (2AD) No. 2:</b> <b>(2AB) No. 5 — chassis ground:</b>	Is the resistance 1 MΩ or more?	Go to step 5.	Replace the airbag harness along with chassis harness.
5	<b>CHECK AIRBAG HARNESS.</b> 1) Connect the battery ground terminal and turn the ignition switch to ON. 2) Measure the voltage between test harness and chassis ground. <b>Connector &amp; terminal</b> <b>(2AD) No. 1 (+) — Chassis ground (-):</b> <b>(2AD) No. 3 (+) — Chassis ground (-):</b>	Is the voltage 1 V or less?	Replace the airbag harness along with chassis harness.	Check the seat harness, and if any fault is found, replace the seat harness. If no fault is found in the seat harness, replace the seat cushion frame assembly. <Ref. to SE-8, PASSENGER'S SEAT, DISASSEMBLY, Front Seat.>

### D: DTC 27 ODS COMMUNICATION ERROR

Perform the diagnosis following diagnostic procedures for the airbag system. <Ref. to AB(diag)-60, DTC 27 ODS COMMUNICATION ERROR, Diagnostic Chart with Trouble Code.>

# Diagnostic Procedure with Diagnostic Trouble Code (DTC)

## OCCUPANT DETECTION SYSTEM (DIAGNOSTICS)

### E: DTC 29 ODS FAILURE

#### DTC DETECTING CONDITION:

- Occupant detection sensor is faulty.
- Occupant detection control module is faulty.
- Occupant detection harness is faulty.
- Rear airbag harness is faulty.
- Fuse No. 25 (in joint box) is blown.

	Step	Check	Yes	No
1	<b>CHECK POOR CONTACT OF CONNECTORS.</b> Check for poor contact of the connectors between the occupant detection control module and airbag control module.	Is there poor contact?	Reconnect the connector. If the fault is not fixed, replace the airbag harness.	Go to step 2.
2	<b>CHECK DTC.</b> Read diagnostic trouble code (DTC) for the airbag system.	Is "2C Belt Tension Sensor failure" or "37 Buckle Switch failure" displayed in the diagnostics code?	Perform the diagnosis according to each DTC.	Check the seat harness, and if any fault is found, replace the seat harness. If the fault is not fixed, replace the occupant detection system. <Ref. to SE-8, PASSENGER'S SEAT, DISASSEMBLY, Front Seat.>



# Diagnostic Procedure with Diagnostic Trouble Code (DTC)

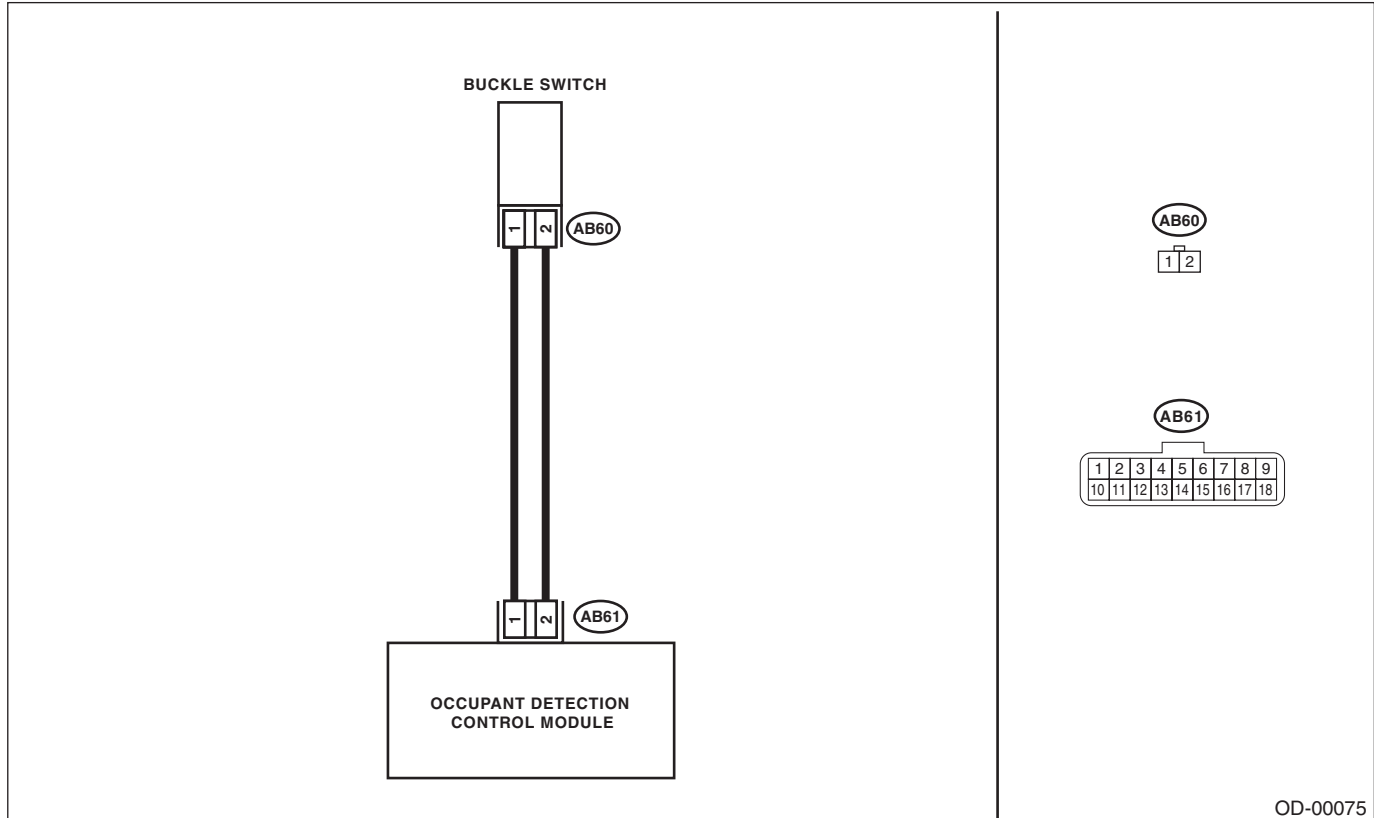
OCCUPANT DETECTION SYSTEM (DIAGNOSTICS)

## F: DTC 37 BUCKLE SWITCH RH FAILURE

### DTC DETECTING CONDITION:

- Passenger's buckle switch circuit is open, shorted or shorted to ground.
- Seat harness circuit is open, shorted or shorted to ground.
- Occupant detection control module is faulty.

### WIRING DIAGRAM:



OD-00075

Step	Check	Yes	No
<b>1 CHECK POOR CONTACT OF CONNECTORS.</b> Check for poor contact of the connectors between the occupant detection control module and buckle switch.	Is there poor contact?	Reconnect the connector. If the fault is not fixed, replace the airbag harness.	Go to step 2.
<b>2 CHECK BUCKLE SWITCH.</b> 1) Turn the ignition switch to OFF, disconnect the battery ground terminal, and wait for 20 seconds. 2) Disconnect the buckle switch connector (AB60). 3) Connect the test harness AE1 and test harness connector Y to the buckle switch connector (AB60). 4) Connect the battery ground terminal and turn the ignition switch to ON.	Does the airbag warning light illuminate for 6 seconds and go off?	Replace the buckle switch. <Ref. to SB-17, INNER SEAT BELT ASSEMBLY, REMOVAL, Front Seat Belt.>	Check the seat harness, and if any fault is found, replace the seat harness. If the fault is not fixed, replace the occupant detection system.

# Diagnostic Procedure with Diagnostic Trouble Code (DTC)

OCCUPANT DETECTION SYSTEM (DIAGNOSTICS)

---

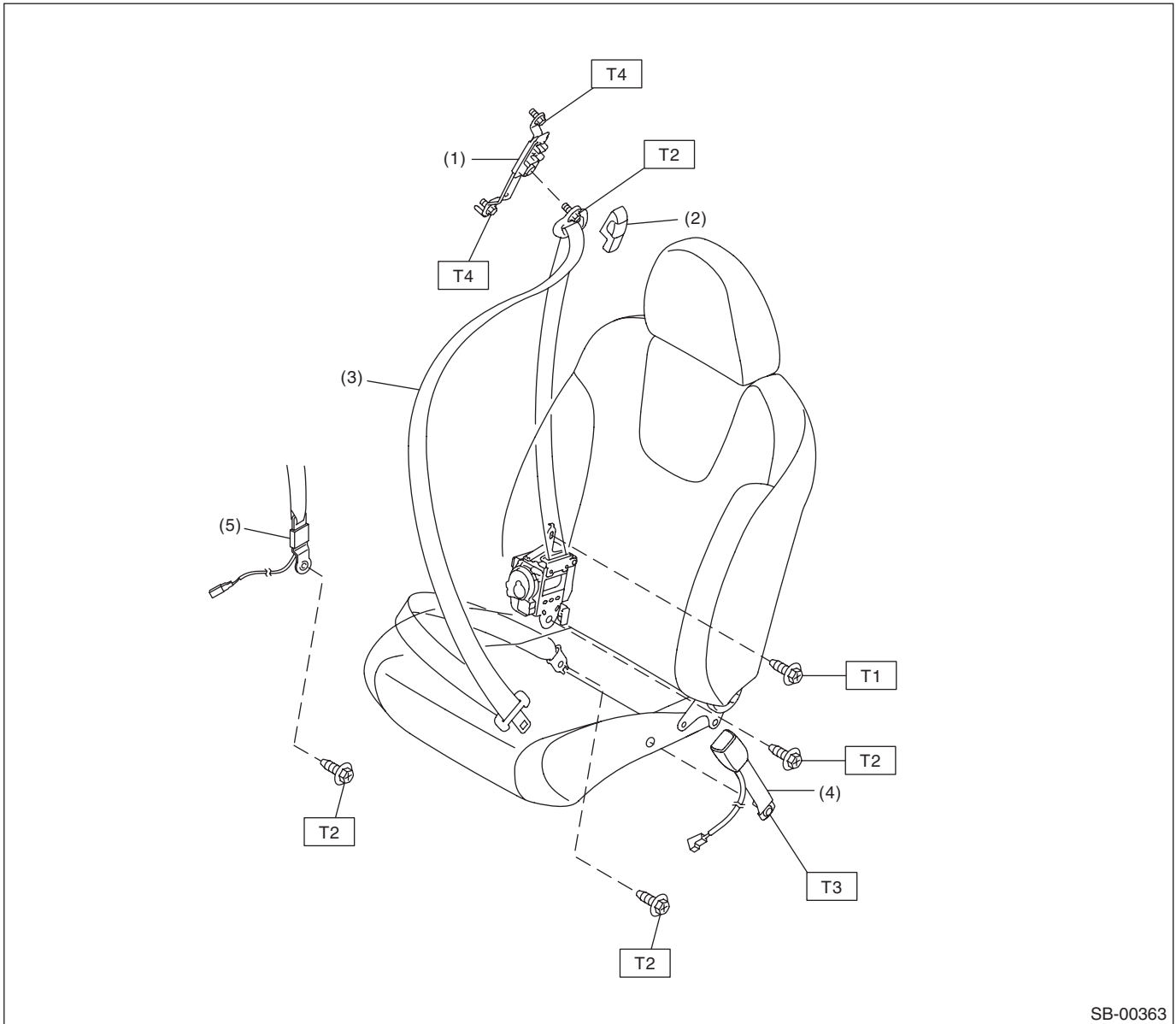
# General Description

## SEAT BELT SYSTEM

### 1. General Description

#### A: COMPONENT

#### 1. FRONT SEAT BELT



SB-00363

- |                            |                          |
|----------------------------|--------------------------|
| (1) Adjustable anchor ASSY | (4) Inner seat belt ASSY |
| (2) Anchor cover           | (5) Belt tension sensor  |
| (3) Outer seat belt ASSY   | (Passenger's side only)  |

**Tightening torque: N·m (kgf·m, ft·lb)**

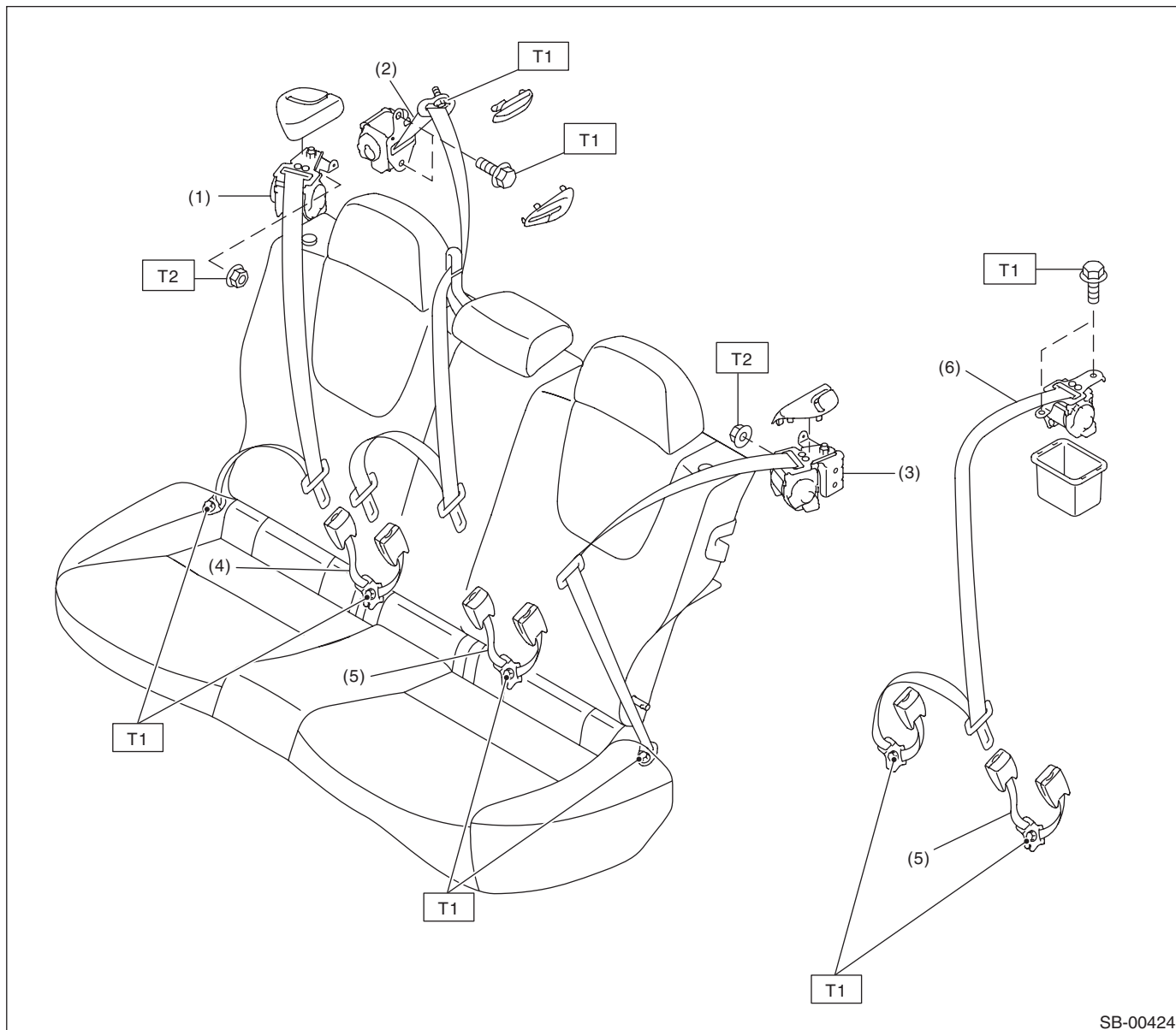
**T1: 7.5 (0.76, 5.5)**

**T2: 30 (3.1, 22.1)**

**T3: 38 (3.9, 28.0)**

**T4: 53 (5.4, 39.1)**

### 2. REAR SEAT BELT



- (1) Outer seat belt ASSY RH
- (2) Shoulder seat belt center ASSY (5 door model)
- (3) Outer seat belt ASSY LH
- (4) Center seat belt ASSY RH

- (5) Center seat belt ASSY LH (3-point type)
- (6) Shoulder seat belt center ASSY (4 door model)

**Tightening torque: N·m (kgf·m, ft·lb)**

**T1: 30 (3.1, 22.1)**

**T2: 53 (5.4, 39.1)**

## General Description

### SEAT BELT SYSTEM

---

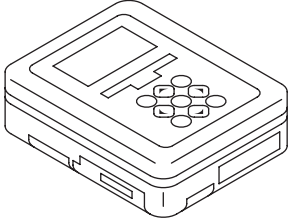
#### **B: CAUTION**

- Before starting the work, turn the ignition switch to OFF, disconnect the battery ground cable and wait for 20 seconds or more.
- The pretensioner system has a back-up power supply. Be aware that the pretensioner might deploy if you do not wait for 20 seconds or more before starting work.
- Do not drop or apply any impact to the pretensioner.
- If oil, grease or water gets on the pretensioner, wipe it off immediately with a dry cloth.
- Do not expose the pretensioner to high temperature or flame.
- Do not allow current to flow through or voltage to reach the pretensioner. Do not use a circuit tester to check resistance of the pretensioner.
- Do not disassemble or attempt to repair the pretensioner. If it is dented, cracked or deformed, replace it with a new part.
- Do not use the airbag or pretensioner parts from other vehicles. Always replace parts with new parts.
- When handling a seat belt with deployed pretensioner, wear gloves and goggles. Wash your hands afterwards.
- Do not reuse a seat belt with deployed pretensioner.

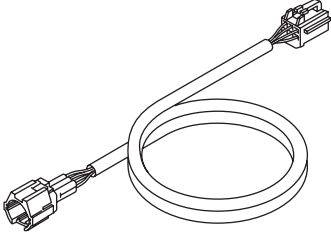
## C: PREPARATION TOOL

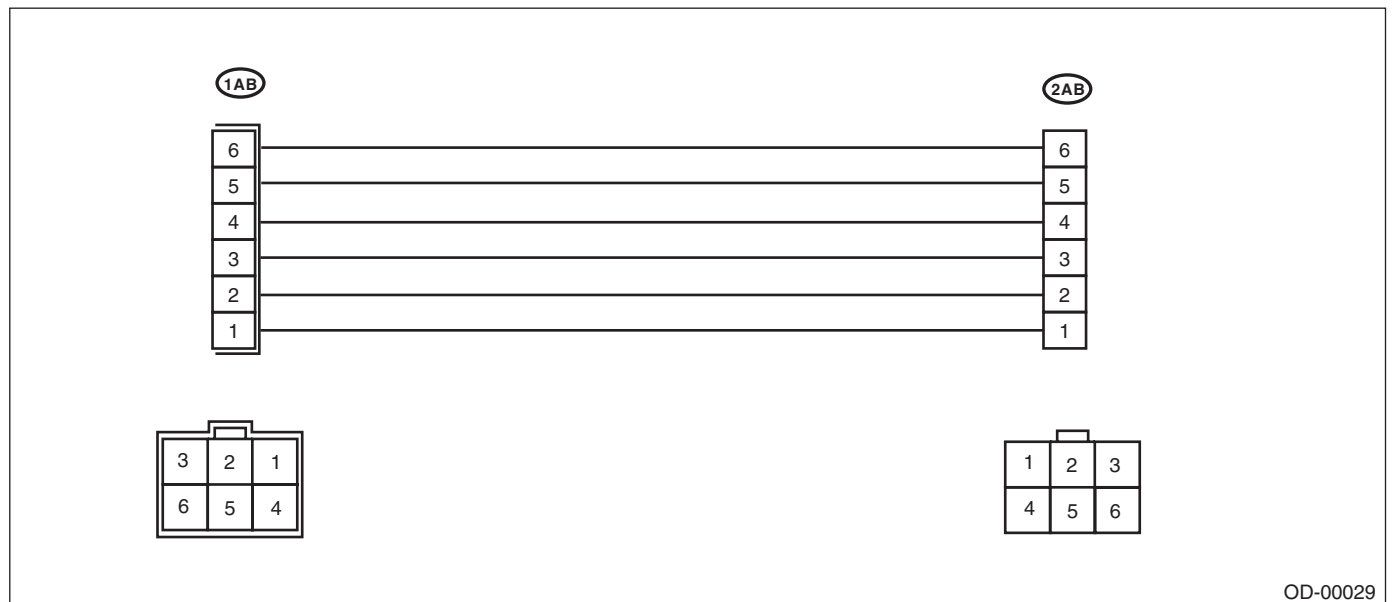
### 1. SPECIAL TOOL

- SUBARU SELECT MONITOR

ILLUSTRATION	TOOL NUMBER	DESCRIPTION	REMARKS
 ST1B022XU0	1B022XU0	SUBARU SELECT MONITOR III KIT	Used for setting of each function and trouble-shooting for electrical system.

- TEST HARNESS AB

ILLUSTRATION	TOOL NUMBER	DESCRIPTION	REMARKS
 ST98299XA000	98299XA000	TEST HARNESS AB	Used when measuring voltage and resistance of occupant detection system.

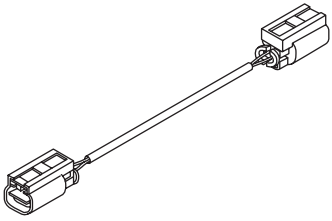


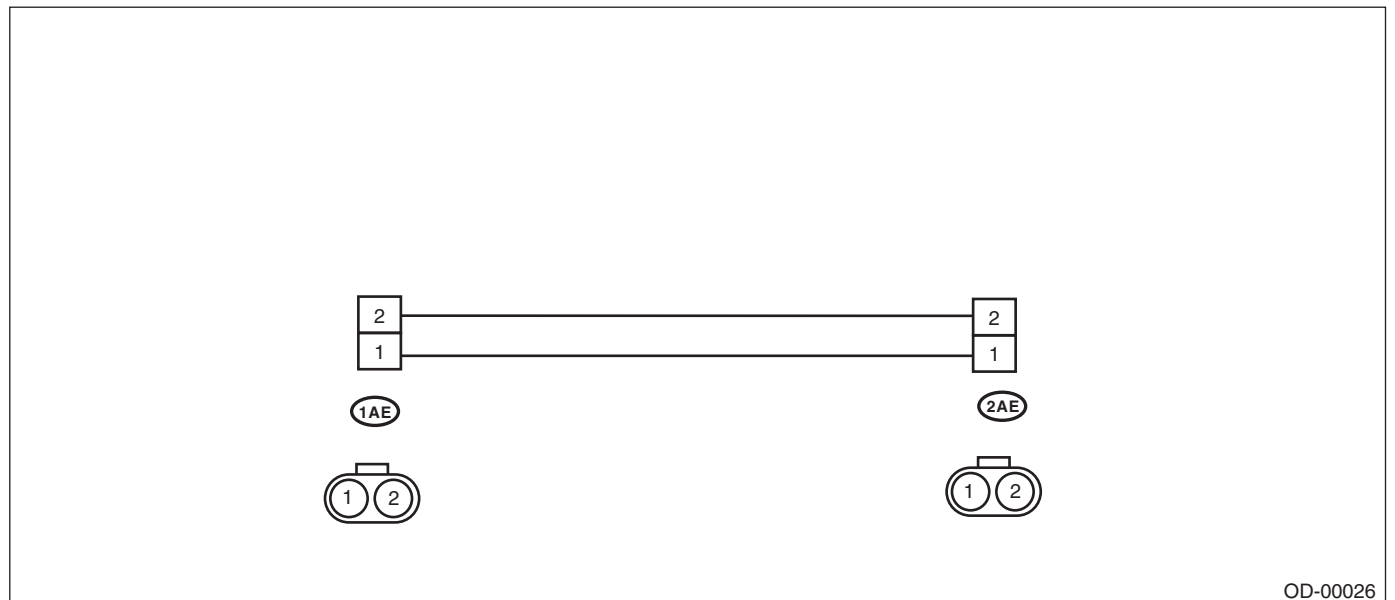
OD-00029

# General Description

## SEAT BELT SYSTEM

### • TEST HARNESS AE

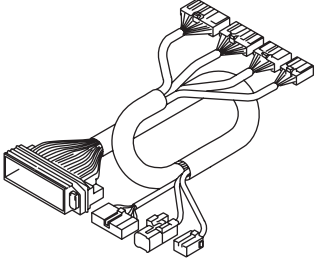
ILLUSTRATION	TOOL NUMBER	DESCRIPTION	REMARKS
 ST98299XA030	98299XA030	TEST HARNESS AE	<ul style="list-style-type: none"><li>• Used for diagnosing seat belt tension sensor.</li><li>• Used together with test harness Y.</li></ul>

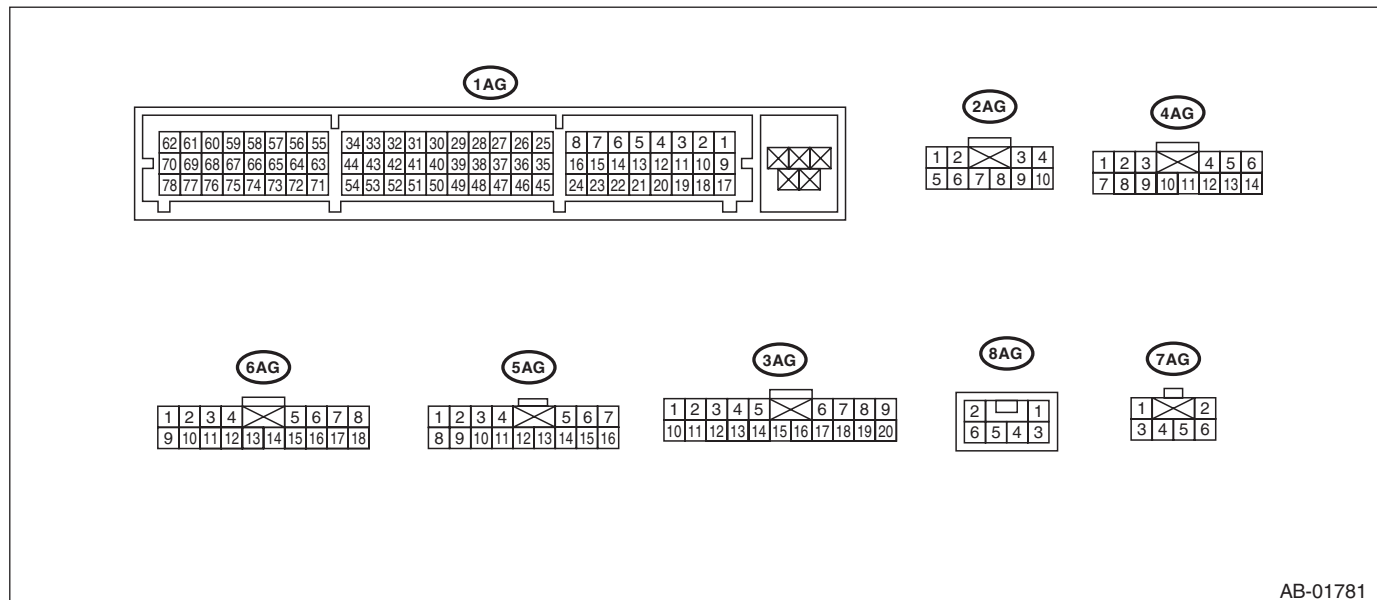


# General Description

SEAT BELT SYSTEM

## • TEST HARNESS AG

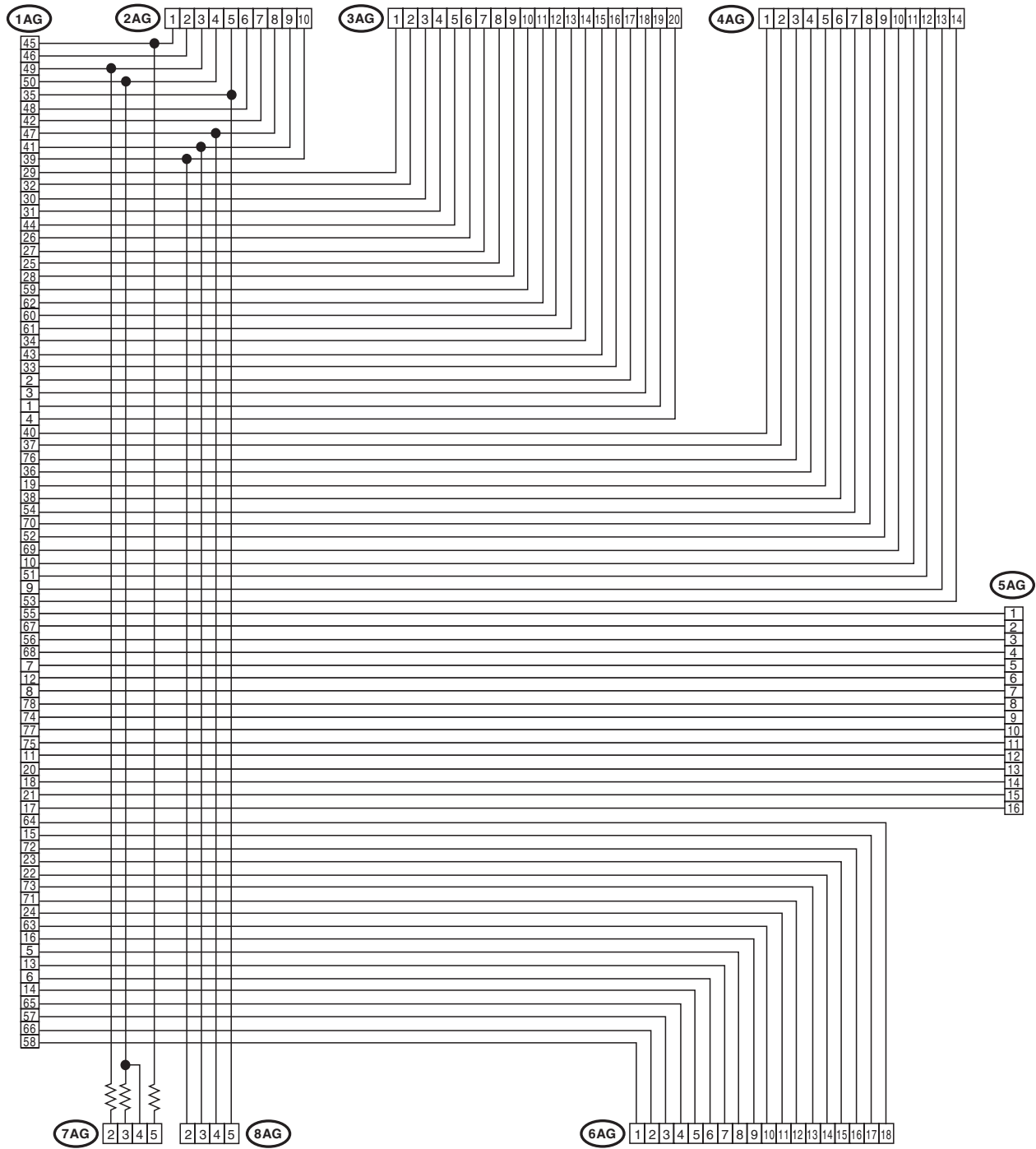
ILLUSTRATION	TOOL NUMBER	DESCRIPTION	REMARKS
 <p data-bbox="326 558 467 575">ST98299AG070</p>	98299AG070	TEST HARNESS AG	Used when measuring voltage and resistance of airbag control module.





# General Description

## SEAT BELT SYSTEM

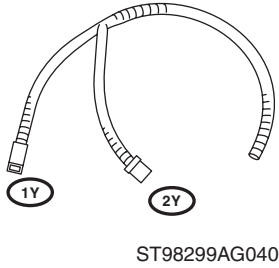


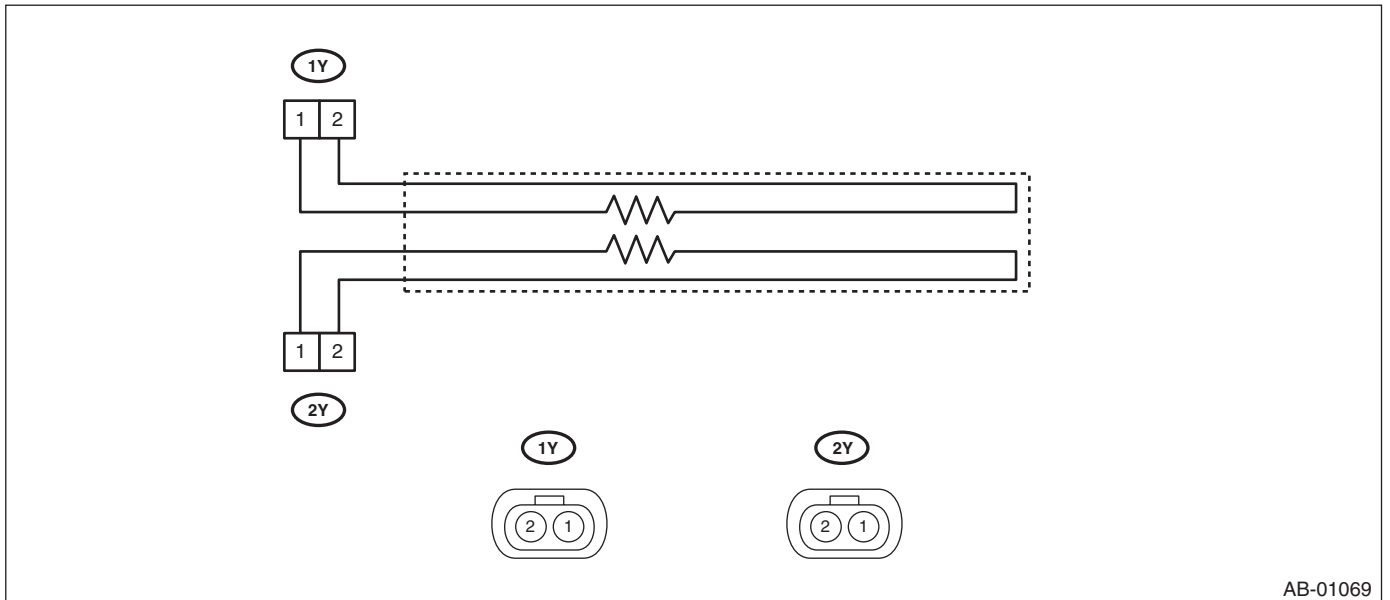
AB-01902

# General Description

SEAT BELT SYSTEM

- TEST HARNESS Y

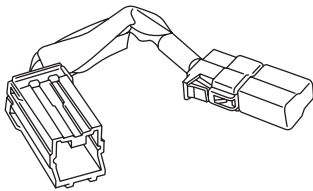
ILLUSTRATION	TOOL NUMBER	DESCRIPTION	REMARKS
 <p>ST98299AG040</p>	98299AG040	TEST HARNESS Y	Used for troubleshooting seat belt buckle switch.

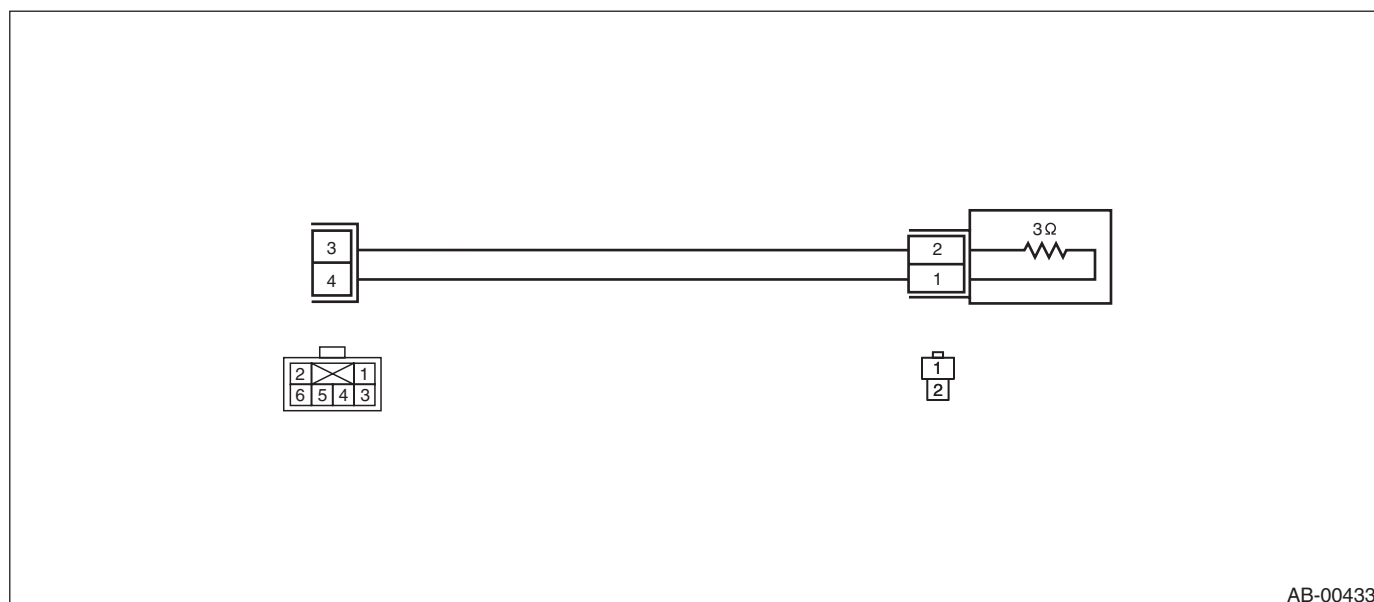


# General Description

## SEAT BELT SYSTEM

### • AIRBAG RESISTOR

ILLUSTRATION	TOOL NUMBER	DESCRIPTION	REMARKS
 <p>ST98299PA040</p>	98299PA040	AIRBAG RESISTOR	Used in replacement of airbag module for which resistance value is same as airbag module. Two ST are required for diagnosis of two-stage inflator type airbag module.



## 2. GENERAL TOOL

TOOL NAME	REMARKS
TORX® T50	Used for removing and installing the inner seat belt assembly.
Circuit tester	Used for measuring resistance and voltage.

## 2. Pretensioner Connector

### A: PROCEDURE

Refer to “Airbag Connector” of Airbag section for the connectors of the seat belt pretensioners and buckle switch RH. <Ref. to AB-8, PROCEDURE, Airbag Connector.>

## Inspection Locations After a Collision

SEAT BELT SYSTEM

---

### **3. Inspection Locations After a Collision**

#### **A: INSPECTION**

Refer to “Inspection Locations After a Collision” of Airbag section. <Ref. to AB-12, Inspection Locations After a Collision.>

## 4. Seat Belt Warning System

### A: WIRING DIAGRAM

<Ref. to WI-97, WIRING DIAGRAM, Seat Belt Warning System.>

### B: INSPECTION

#### CAUTION:

- Before diagnosing the airbag system, be sure to turn the ignition switch to OFF, disconnect the ground terminal from battery, and wait 20 seconds or more before starting to work.
- When replacing the airbag module, seat belt pretensioner, roll connector, control module and sensor, reconnect each part and check that the warning light operates properly.
- When inspecting the airbag main harness, disconnect the airbag module connectors of the driver's and passenger's seats for safety.
- When inspecting the airbag rear harness, disconnect the side airbag module connector, curtain airbag module connector and seat belt pretensioner connector for safety reasons.

#### TROUBLE SYMPTOM:

- Driver's side seat belt warning light does not illuminate or it remains illuminating.
- Warning buzzer does not beep.

Step	Check	Yes	No
<b>1 CHECK CURRENT SETTINGS.</b> 1) Prepare the Subaru Select Monitor. 2) Turn the ignition switch to ON (engine OFF), and run the "PC application for Subaru Select Monitor". 3) Select "Current Data Display" and read the data of "Belt Warning Switch".	Is the belt warning display ON?	Go to step 2.	Turn the belt warning ON with unit customizing.
<b>2 CHECK CURRENT DATA.</b> 1) Select "Current Data Display" and read the data of "IG power supply voltage". 2) Turn the ignition switch ON ↔ OFF.	Does the voltage change between 10 V or higher ↔ less than 1.5 V, matching the ignition switch ON ↔ OFF operation?	Go to step 3.	Check the ignition switch circuit.
<b>3 CHECK FUNCTION.</b> 1) Sit in the driver's seat and passenger's seat, and disconnect the seat belts of both seats. 2) Turn the ignition switch to ON (engine OFF). 3) Check the illumination of the driver's seat belt warning light in the combination meter and the passenger's seat belt warning light in the clock unit, and the sounding of the buzzer.	Do the driver's and passenger's warning lights flash, and does the buzzer sound while the warning lights are flashing?	Go to step 4.	<ul style="list-style-type: none"> <li>• Malfunction of the driver's seat belt warning light → Go to step 10.</li> <li>• Malfunction of the passenger's seat belt warning light → Go to step 16.</li> <li>• The buzzer does not sound. → Go to step 6.</li> </ul>
<b>4 CHECK FUNCTION.</b> 1) Wait until the buzzer sound stops in step 3. (Approximately 6 seconds from starting to sound) 2) Fasten and detach the driver's and passenger's seat belts. 3) Check the illumination of the driver's seat belt warning light in the combination meter, and the passenger's seat belt warning light in the clock unit, and the sounding of the buzzer.	Does each seat belt warning light illuminate ↔ turn off according to the action?	Go to step 5.	<ul style="list-style-type: none"> <li>• Malfunction of the driver's seat belt warning light → Go to step 6.</li> <li>• Malfunction of the passenger's seat belt warning light → Go to step 12.</li> </ul>

# Seat Belt Warning System

## SEAT BELT SYSTEM

Step	Check	Yes	No
<b>5 CHECK FUNCTION.</b> 1) Wait until the buzzer sound stops in step 3. (Approximately 6 seconds from starting to sound) 2) Start the engine, and set the vehicle speed to 15 km/h (9 MPH) or faster. 3) Check the driver's and passenger's seat belt warning lights, and sounding of the alarm buzzer.	Do the driver's and passenger's warning lights flash, and does the buzzer sound while the warning lights are flashing?	The seat belt warning system is normal.	Go to step 19.
<b>6 CHECK CURRENT DATA.</b> 1) Select "Current Data Display" and read the data of the driver's seat belt switch. 2) Fasten and detach the seat belt buckle.	Does the seat belt SW display turn ON $\longleftrightarrow$ OFF according to the operation?	Go to step 10.	Go to step 7.
<b>7 CHECK HARNESS.</b> 1) Disconnect the negative terminal from the battery, and wait for 20 seconds or more. 2) Disconnect the connectors of the body integrated unit and the seat belt buckle switch. 3) Check for a short circuit to battery, open circuit and short circuit to ground between the body integrated unit and the seat belt buckle switch LH. <i>Connector &amp; terminal (B281) No. 16 — (R107) No. 3:</i>	Is the harness normal?	Go to step 8.	Repair or replace the harness.
<b>8 CHECK HARNESS.</b> Measure the resistance between the seat belt buckle switch LH and chassis ground. <i>Connector &amp; terminal (R107) No. 1 — Chassis ground:</i>	Is the resistance less than 10 $\Omega$ ?	Go to step 9.	Repair or replace the harness.
<b>9 CHECK SEAT BELT BUCKLE SWITCH LH.</b> Measure the resistance between the connector terminals of the driver's seat belt switch when the driver's seat belt is fastened and detached. <i>Connector &amp; terminal (R107) No. 1 — (R107) No. 3:</i>	Is the resistance when the belt is fastened 1 M $\Omega$ or higher, and less than 10 $\Omega$ when the belt is detached?	Replace the body integrated unit. <Ref. to SL-50, REMOVAL, Body Integrated Unit.>	Replace the inner belt assembly LH. <Ref. to SB-17, INNER SEAT BELT ASSEMBLY, REMOVAL, Front Seat Belt.>
<b>10 CHECK DTC.</b> Read the DTC using the Subaru Select Monitor.	Are any body CAN related DTC detected?	Check the CAN according to DTC.	Go to step 11.
<b>11 CHECK COMBINATION METER.</b> Perform self-diagnosis of the combination meter. <Ref. to IDI-4, SELF-DIAGNOSIS, INSPECTION, Combination Meter System.>	At the start of combination meter self diagnosis, did the buzzer sound and the seat belt warning light illuminate?	Replace the body integrated unit or the combination meter. Or, replace both. There may be a communication malfunction of the body integrated unit, or a reception malfunction of the combination meter.	Replace the combination meter. <Ref. to IDI-16, REMOVAL, Combination Meter.>
<b>12 CHECK CURRENT DATA.</b> 1) Sit in the passenger's seat. 2) Select "Current Data Display" and display the data of "P seatbelt SW input". 3) Fasten and detach the passenger's side seat belt buckle, and read the data of the seat belt switch. <Ref. to LAN(diag)-33, OPERATION, Read Current Data.>	Does the seat belt switch display turn ON $\longleftrightarrow$ OFF according to the operation of the seat belt buckle?	Go to step 16.	Go to step 13.

# Seat Belt Warning System

SEAT BELT SYSTEM

Step	Check	Yes	No
<b>13 CHECK AIRBAG SYSTEM AND OCCUPANT DETECTION SYSTEM.</b> Perform the check in accordance with the diagnostic procedure DTC 27 of the airbag system. <Ref. to AB(diag)-60, DTC 27 ODS COMMUNICATION ERROR, Diagnostic Chart with Trouble Code.>	Is there any problem on the inspection result?	Go to step 14.	Replace with new parts according to DTC 27.
<b>14 CHECK BUCKLE SWITCH RH.</b> Perform the check in accordance with the diagnostic procedure DTC 37 of the occupant detection system. <Ref. to OD(diag)-27, DTC 37 BUCKLE SWITCH RH FAILURE, Diagnostic Procedure with Diagnostic Trouble Code (DTC).>	Is there any problem on the inspection result?	Go to step 15.	Replace with new parts according to DTC 37.
<b>15 CHECK AIRBAG CONTROL MODULE AND BODY INTEGRATED UNIT.</b> Check the airbag control module, occupant detection sensor and seat belt buckle switch RH. Perform the check in accordance with the diagnostic procedure DTC 39 of the airbag system. <Ref. to AB(diag)-62, DTC 39 SEAT BELT WARNING FAILURE, Diagnostic Chart with Trouble Code.>	Is there any problem on the inspection result?	Replace the body integrated unit. <Ref. to SL-50, REMOVAL, Body Integrated Unit.>	Replace with new parts according to DTC 39.
<b>16 CHECK HARNESS.</b> 1) Disconnect the clock connector. 2) Turn the ignition switch to ON. 3) Measure the voltage between the body integrated unit and the clock. <b>Connector &amp; terminal</b> <b>(i59) No. 8 (+) — Chassis ground (-):</b>	Is the voltage 10 V or higher?	Go to step 17.	Repair or replace the harness.
<b>17 CHECK HARNESS.</b> 1) Turn the ignition switch to ON. 2) Disconnect the connector of body integrated unit. 3) Check for a short circuit to battery, open circuit and short circuit to ground between the body integrated unit and the clock. <b>Connector &amp; terminal</b> <b>(i84) No. 25 — (i59) No. 2:</b>	Is the harness normal?	Go to step 18.	Repair or replace the harness.
<b>18 CHECK CLOCK.</b> 1) Connect the clock connector. 2) Turn the ignition switch to ON. 3) Use an appropriate wiring harness to create a short between the body integrated unit and the clock. <b>Connector &amp; terminal</b> <b>(i84) No. 25 — Chassis ground:</b> <b>(i59) No. 2 — Chassis ground:</b>	Does passenger's seat belt warning light in the clock illuminate?	Replace the body integrated unit. <Ref. to SL-50, REMOVAL, Body Integrated Unit.>	Replace the clock. <Ref. to IDI-21, REMOVAL, Clock.>
<b>19 CHECK DTC.</b> Read the DTCs for all systems using the Subaru Select Monitor.	Is a DTC detected?	Perform a check according to the DTC.	Go to step 20.



# Seat Belt Warning System

## SEAT BELT SYSTEM

Step	Check	Yes	No
<b>20</b> <b>CHECK CURRENT DATA.</b> Select "Current Data Display" and read the data of the "Front Wheel Speed" of the body integrated unit. <Ref. to LAN(diag)-33, OPERATION, Read Current Data.>	Does the data indicate the normal vehicle speed?	Go to step 11.	Check the following items. <ul style="list-style-type: none"> <li>• LAN system &lt;Ref. to LAN(diag)-69, DTC U1223 CANS VDC/ABS NO-RECEIVE DATA, Diagnostic Procedure with Diagnostic Trouble Code (DTC).&gt;</li> <li>• VDC &lt;Ref. to VDC(diag)-2, Basic Diagnostic Procedure.&gt;</li> <li>• ABS &lt;Ref. to ABS(diag)-2, Basic Diagnostic Procedure.&gt;</li> </ul>

## 5. Front Seat Belt

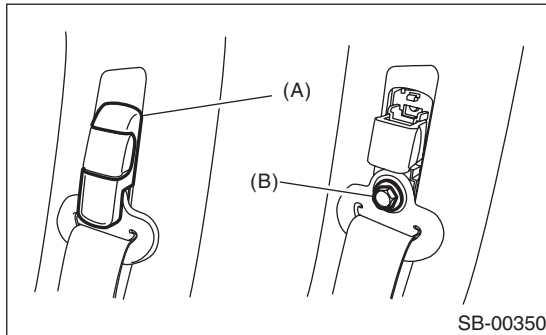
### A: REMOVAL

#### 1. OUTER SEAT BELT ASSEMBLY

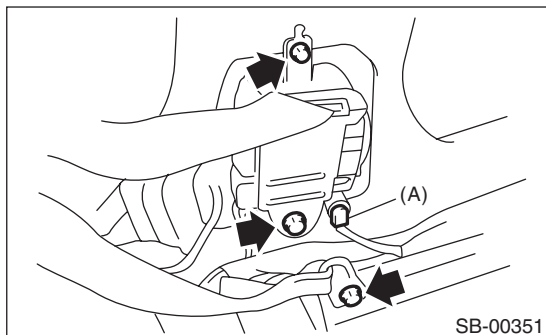
**CAUTION:**

- Do not drop or subject the pretensioner to any impact.
- Since the pretensioner and bracket are integrated as a unit, do not disassemble them.

- 1) Before starting the work, turn the ignition switch to OFF, disconnect the battery ground cable, and wait for 20 seconds or more.
- 2) Fold the backrest all the way forward, and then move the front seat all the way forward.
- 3) Remove the center pillar lower trim. <Ref. to EI-55, REMOVAL, Lower Inner Trim.>
- 4) Remove the anchor cover (A).
- 5) Loosen the shoulder anchor bolt (B), and then detach the shoulder anchor from center pillar.

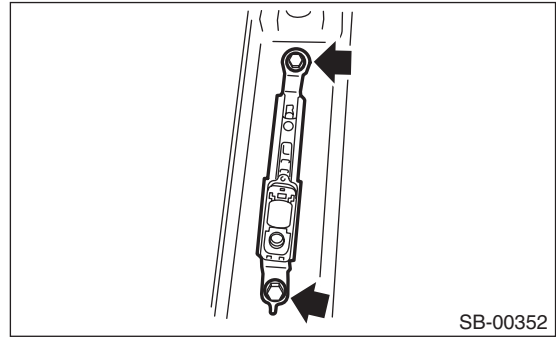


- 6) Turn over the floor mat and disconnect the pretensioner connector (A).
- 7) Remove the bolts, then remove the front outer seat belt.



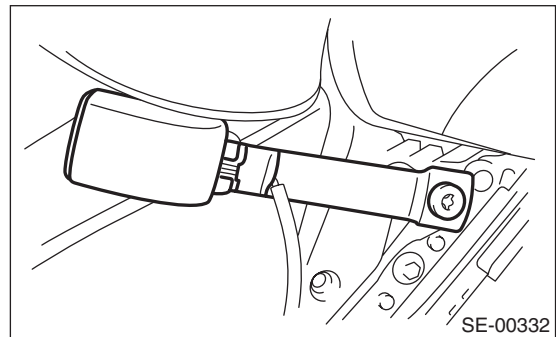
- 8) Remove the center pillar upper trim. <Ref. to EI-57, REMOVAL, Upper Inner Trim.>

- 9) Remove the bolts and then remove adjustable anchor assembly.



#### 2. INNER SEAT BELT ASSEMBLY

- 1) Turn the ignition switch to OFF, disconnect the battery ground cable, and wait for 20 seconds or more.
- 2) Remove the front seats. <Ref. to SE-6, REMOVAL, Front Seat.>
- 3) Disconnect the seat belt warning light connector under the seat.
- 4) Remove the seat belt harness from the harness holder on the backside of seat cushion assembly.
- 5) Remove the TORX® bolt, and then remove the inner seat belt assembly.



### B: INSTALLATION

**CAUTION:**

- The parts of the driver and passenger sides are not the same. Before installation, make sure that the correct part is used.
- Be careful not to twist the seat belts during installation.

Install in the reverse order of removal.

**Tightening torque:**

**Seat belt:** <Ref. to SB-2, FRONT SEAT BELT, COMPONENT, General Description.>

**Upper inner trim:** 7.5 N·m (0.76 kgf·m, 5.5 ft·lb)

# Front Seat Belt

## SEAT BELT SYSTEM

---

### **C: INSPECTION**

Check for the following, and replace with new parts if necessary.

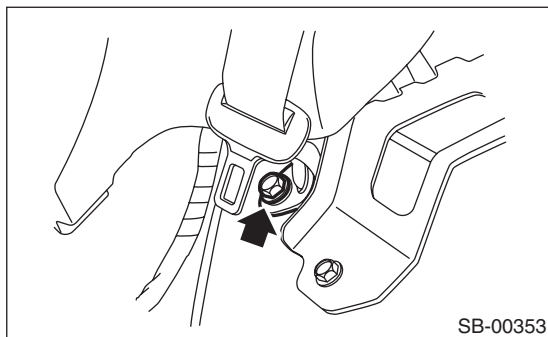
- Pretensioner is cracked or deformed.
- Seat belt is slackened, bent or worn.
- Seat belt is abnormally wound or extended.
- Inner seat belt assembly is deformed or damaged.
- Seat belt buckle cannot be engaged properly.

## 6. Rear Seat Belt

### A: REMOVAL

#### 1. OUTER SEAT BELT ASSEMBLY RH & LH

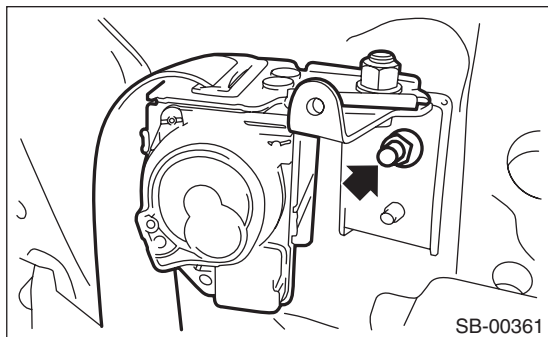
- 1) Remove the luggage floor mat.
- 2) Remove the rear seat cushion. <Ref. to SE-11, REMOVAL, Rear Seat.>
- 3) Remove the seat belt lower anchor bolt.



- 4) Remove the rear quarter trim. <Ref. to EI-58, REMOVAL, Rear Quarter Trim.>
- 5) Remove the outer seat belt assembly.

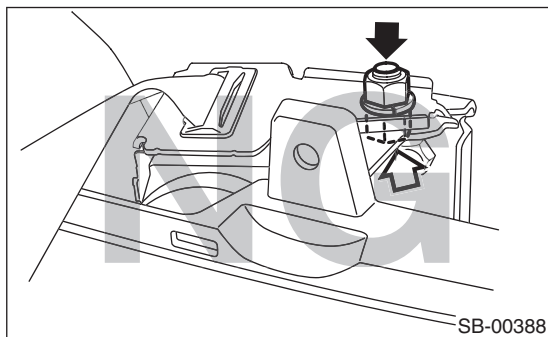
#### • 5 DOOR MODEL

Remove the nut.



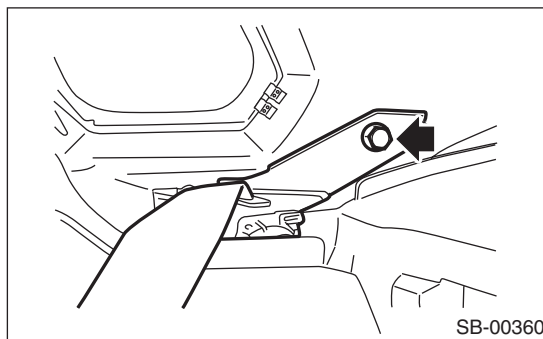
#### CAUTION:

Do not remove the bolt and nut securing the retractor and bracket.



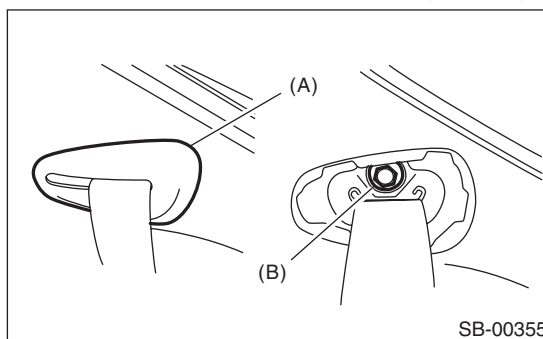
#### • 4 DOOR MODEL

Remove the bolt.



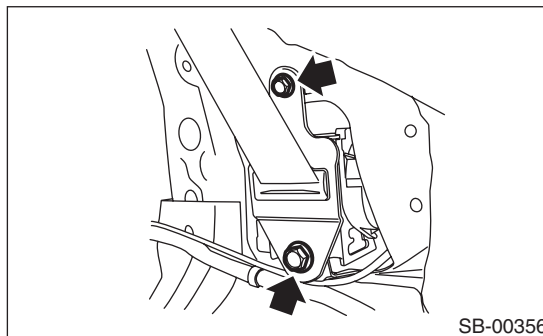
#### 2. SHOULDER SEAT BELT CENTER ASSEMBLY (5 DOOR MODEL)

- 1) Remove the shoulder anchor bolt cover (A).
- 2) Remove the shoulder anchor bolt (B) and remove the shoulder anchor from the quarter pillar.



- 3) Remove the rear quarter trim. <Ref. to EI-58, REMOVAL, Rear Quarter Trim.>

- 4) Remove the bolts, and then detach the outer seat belt center assembly.

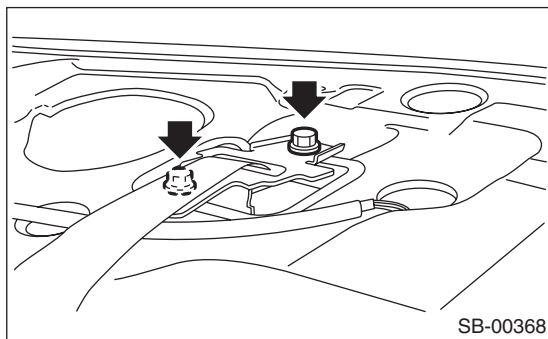


# Rear Seat Belt

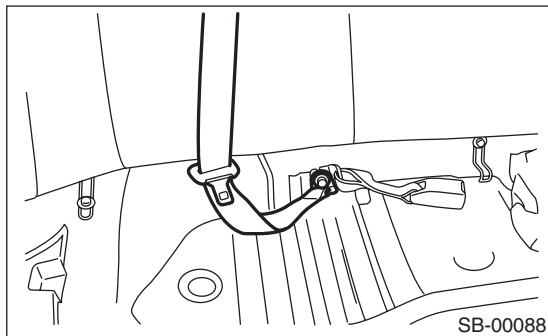
## SEAT BELT SYSTEM

### 3. SHOULDER SEAT BELT CENTER ASSEMBLY (4 DOOR MODEL)

- 1) Remove the rear seat. <Ref. to SE-11, REMOVAL, Rear Seat.>
- 2) Remove the rear quarter trim. <Ref. to EI-58, REMOVAL, Rear Quarter Trim.>
- 3) Remove the rear shelf trim. <Ref. to EI-60, REMOVAL, Rear Shelf Trim.>
- 4) Remove the bolts, then remove the shoulder seat belt assembly.

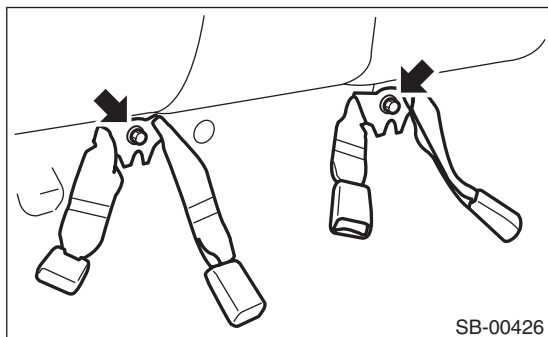


- 5) Remove the seat belt lower anchor bolt.



### 4. CENTER SEAT BELT ASSEMBLY

- 1) Remove the rear seat cushion.
- 2) Remove the bolts, then remove the center seat belt assembly.



### B: INSTALLATION

#### CAUTION:

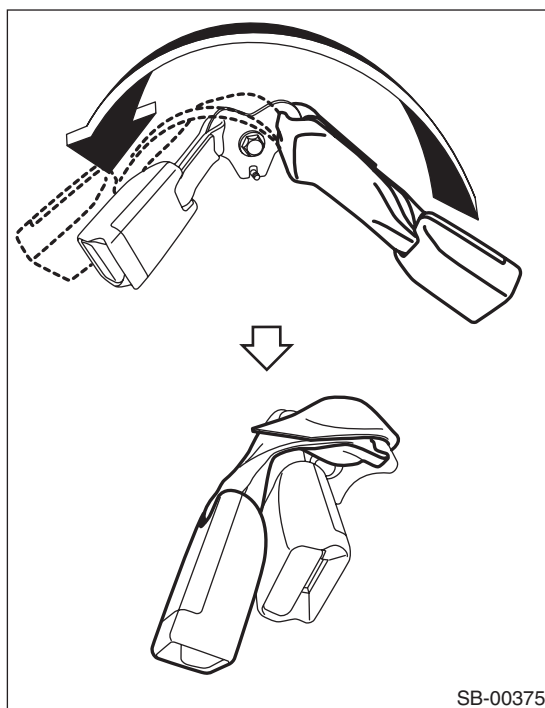
- During installation, make sure that the seat belts are not twisted.
- After installation, make sure that the seat belts are smoothly extended and wound.
- Make sure that the center seat belt is securely installed.

- 1) Install in the reverse order of removal.

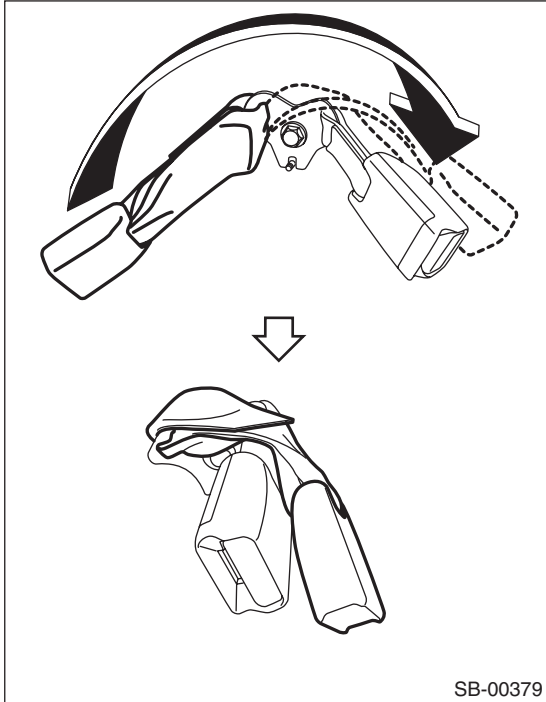
#### Tightening torque:

Refer to "COMPONENT" of "General Description". <Ref. to SB-3, REAR SEAT BELT, COMPONENT, General Description.>

- 2) Turn the seat belt as shown in the figure.
- LH SIDE

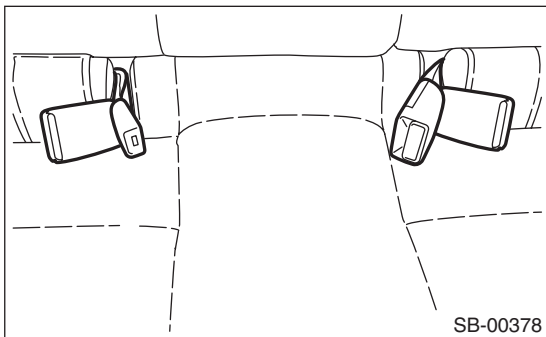


- RH SIDE (5 DOOR MODEL ONLY)

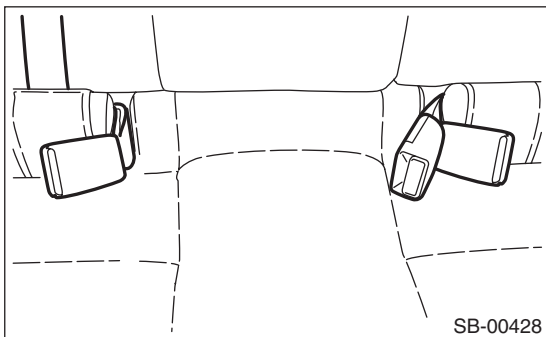


3) Install the seat cushion and pull out the center seat belt assembly.

- 5 DOOR MODEL



- 4 DOOR MODEL



### C: INSPECTION

Check for the following, and replace with new parts if necessary.

- Seat belt is slackened, bent or worn.
- Seat belt is abnormally wound or extended.
- Inner seat belt is deformed or damaged.
- Seat belt buckle cannot be engaged properly.

## Rear Seat Belt

SEAT BELT SYSTEM

---

# General Description

## LIGHTING SYSTEM

### 1. General Description

#### A: SPECIFICATION

Headlight	Halogen type low beam	12 V — 55 W
	HID type low beam	12 V — 35 W
	Halogen type high beam	12 V — 60 W
Front turn signal light		12 V — 21 W
Clearance/parking light		12 V — 5 W
Front fog light		12 V — 51 W
Rear combination light (4 door)	Tail/stop light	12 V — 21/5 W
	Turn signal light	12 V — 21 W
	Back-up light	12 V — 16 W
Rear combination light (5 door)	Tail/stop light	12 V — 0.3 W (LED) / 12 V — 4.8 W (LED)
	Turn signal light	12 V — 21 W
	Side marker light	12 V — 5 W
Back-up light (5 door)		12 V — 21 W
License plate light		12 V — 5 W
High-mounted stop light	4 door with built-in rear spoiler	12 V — 1.2 W (LED)
	4 door standard type	12 V — 21 W
	5 door small type with built-in roof spoiler	12 V — 2.7 W (LED)
	5 door large type with built-in roof spoiler	12 V — 1.2 W (LED)
Room light		12 V — 8 W
Spot map light		12 V — 8 W
Luggage room light		12 V — 5 W
Trunk room light		12 V — 5 W

#### B: CAUTION

- Before removing or installing parts, always disconnect the battery ground cable from battery. When replacing the audio, control module and other parts provided with memory functions, record the memory contents before disconnecting the battery ground cable. Otherwise, the memory is cleared.
- Reassemble the parts in the reverse order of disassembly procedure unless otherwise indicated.
- Adjust parts to the given specifications.
- Connect the connectors securely during reassembly.
- After reassembly, make sure functional parts operate smoothly.

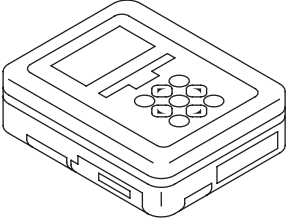
#### WARNING:

- **The airbag system wiring harness is routed near electrical parts and switches. Do not use electrical test devices on any airbag system wiring harnesses or connector circuits.**
- **Be careful not to damage the airbag system wiring harness when servicing electrical parts and switches.**



## C: PREPARATION TOOL

### 1. SPECIAL TOOL

ILLUSTRATION	TOOL NUMBER	DESCRIPTION	REMARKS
 <p style="text-align: center;">ST1B022XU0</p>	1B022XU0	SUBARU SELECT MONITOR III KIT	Used for troubleshooting the electrical system.

### 2. GENERAL TOOL

TOOL NAME	REMARKS
Circuit tester	Used for measuring resistance and voltage.

# Headlight and Tail Light System

## LIGHTING SYSTEM

### 2. Headlight and Tail Light System

#### A: WIRING DIAGRAM

##### 1. HALOGEN TYPE HEADLIGHT

Refer to “Headlight System” in WI section. <Ref. to WI-100, WIRING DIAGRAM, Headlight System.>

##### 2. HID TYPE HEADLIGHT

Refer to “Headlight System” in WI section. <Ref. to WI-100, WIRING DIAGRAM, Headlight System.>

##### 3. CLEARANCE LIGHT AND ILLUMINATION LIGHT

Refer to “Clearance Light and Illumination Light System” in WI section. <Ref. to WI-107, WIRING DIAGRAM, Clearance Light and Illumination Light System.>

#### B: INSPECTION

##### 1. LIGHTING SWITCH

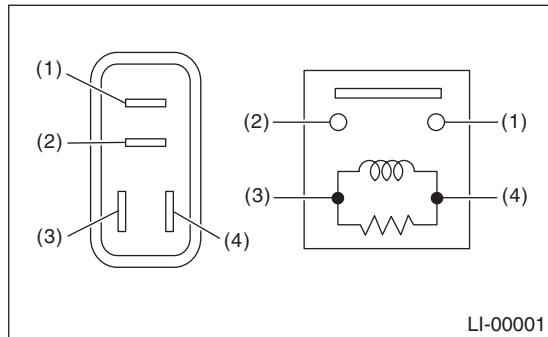
Measure the resistance between lighting switch terminals. <Ref. to LI-12, LIGHTING SWITCH, INSPECTION, Combination Switch (Light).>

##### 2. DIMMER & PASSING SWITCH

Measure the resistance between dimmer & passing switch terminals. <Ref. to LI-12, DIMMER & PASSING SWITCH, INSPECTION, Combination Switch (Light).>

##### 3. HEADLIGHT RELAY

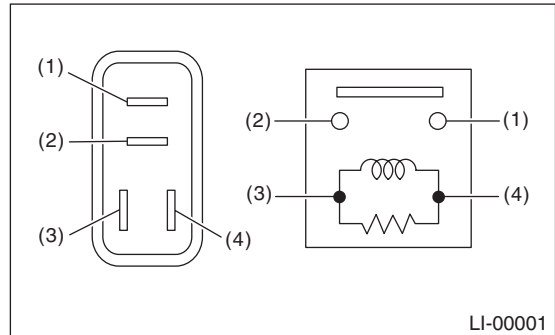
Measure the headlight relay resistance between terminals when connecting terminal No. 4 to the battery positive terminal and terminal No. 3 to the battery ground terminal.



Continuity	Terminal No.	Standard
Yes	1 and 2	Less than 1 $\Omega$
No		1 M $\Omega$ or more

##### 4. TAIL AND ILLUMINATION RELAY

Measure the resistance between the tail and illumination relay terminals when connecting terminal No. 4 to the battery positive terminal and terminal No. 3 to the battery ground terminal.



Continuity	Terminal No.	Standard
Yes	1 and 2	Less than 1 $\Omega$
No		1 M $\Omega$ or more

## 3. Day Time Running Light System

### A: WIRING DIAGRAM

Refer to “Headlight System” in WI section. <Ref. to WI-100, WIRING DIAGRAM, Headlight System.>

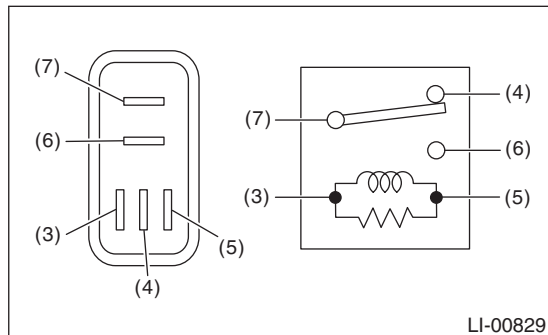
### B: INSPECTION

#### 1. DAYTIME RUNNING LIGHT MODULE CHECK

Step	Check	Yes	No
<b>1 CHECK DTC.</b> 1) Connect the Subaru Select Monitor. 2) Read the DTC of the integrated unit.	Is DTC displayed?	Perform the diagnosis according to DTC.	Go to step 2.
<b>2 CHECK INPUT SIGNAL.</b> 1) Display the current data of the integrated unit. 2) Check the following input signals. (1) Parking brake switch (2) Shift position (3) Light 2	Is the input signal normal?	Go to step 3.	Check the defective part.
<b>3 CHECK RELAY.</b> Check the daytime running light relay.	Is the relay OK?	Go to step 4.	Replace the relay.
<b>4 CHECK HARNESS.</b>	Is harness normal?	Replace the integrated unit.	Repair the harness.

#### 2. DAYTIME RUNNING LIGHT RELAY

Measure the resistance between the daytime running relay terminals when connecting terminal No. 3 to the battery positive terminal and terminal No. 5 to the battery ground terminal.



Continuity	Terminal No.	Standard
Yes	7 and 6	Less than 1 Ω
No		1 MΩ or more
Yes	7 and 4	1 MΩ or more
No		Less than 1 Ω

# Front Fog Light System

LIGHTING SYSTEM

## 4. Front Fog Light System

### A: WIRING DIAGRAM

Refer to “Front Fog Light System” in WI section.  
<Ref. to WI-103, WIRING DIAGRAM, Front Fog Light System.>

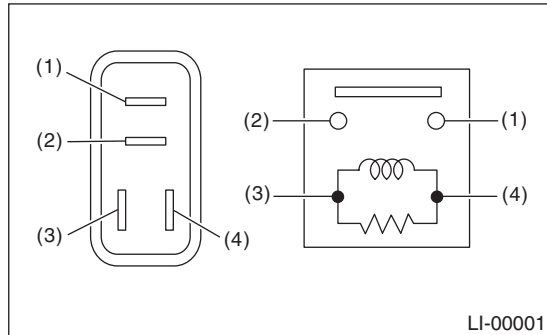
### B: INSPECTION

#### 1. FRONT FOG LIGHT SWITCH

Measure the resistance between front fog light switch terminals. <Ref. to LI-12, FRONT FOG LIGHT SWITCH, INSPECTION, Combination Switch (Light).>

#### 2. FRONT FOG LIGHT RELAY

Connect terminal No. 4 to battery positive terminal and terminal No. 3 to battery ground terminal, and measure the front fog light relay resistance between terminals.



Continuity	Terminal No.	Standard
Yes	1 and 2	Less than 1 $\Omega$
No		1 M $\Omega$ or more

## 5. Turn Signal Light and Hazard Light System

### A: WIRING DIAGRAM

Refer to “Turn Signal Light and Hazard Light System” in WI section. <Ref. to WI-112, WIRING DIAGRAM, Turn Signal Light and Hazard Light System.>

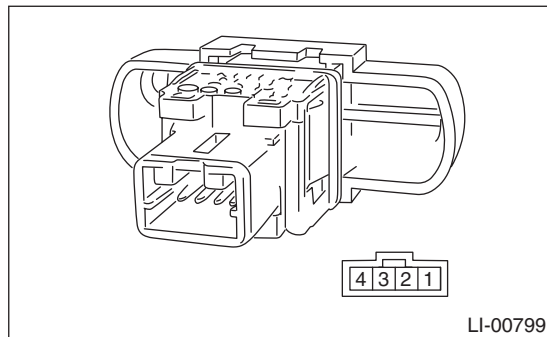
### B: INSPECTION

#### 1. TURN SIGNAL SWITCH

Measure the resistance between turn signal switch terminals. <Ref. to LI-12, TURN SIGNAL SWITCH, INSPECTION, Combination Switch (Light).>

#### 2. HAZARD SWITCH

Measure the resistance between hazard switch terminals.

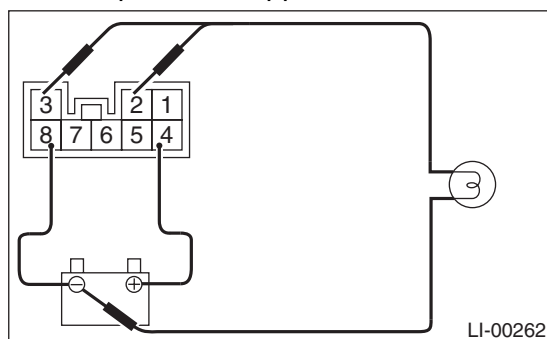


Switch position	Terminal No.	Standard
OFF	2 and 3	1 MΩ or more
ON		Less than 1 Ω

Replace the hazard switch if faulty.

#### 3. TURN SIGNAL AND HAZARD MODULE

Connect the battery and turn signal light bulb to the module. The module is properly functioning if it blinks when power is supplied to the circuit.



Replace the turn signal & hazard module if faulty.

## 6. Back-up Light System

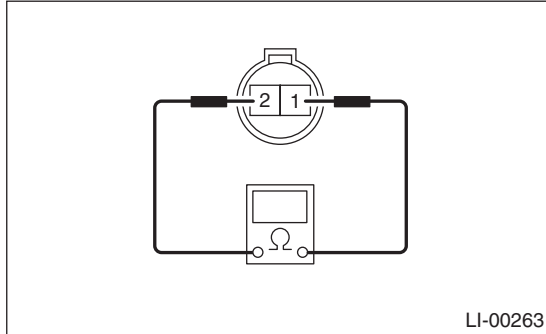
### A: WIRING DIAGRAM

Refer to “Back-up Light System” in WI section.  
 <Ref. to WI-104, WIRING DIAGRAM, Back-up Light System.>

### B: INSPECTION

#### 1. BACK-UP LIGHT SWITCH (MT MODEL)

Measure the resistance between the back-up light switch terminals.

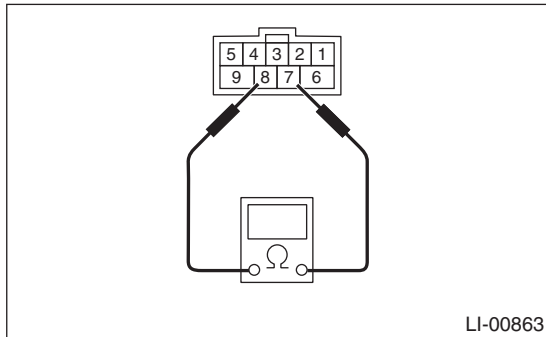


Switch position	Terminal No.	Standard
When shift lever is set in reverse position	1 and 2	Less than 1 $\Omega$
Other positions		1 M $\Omega$ or more

Replace the back-up light switch if faulty.

#### 2. INHIBITOR SWITCH (AT MODEL)

Measure the resistance between the inhibitor switch terminals.



Switch position	Terminal No.	Standard
When the selector lever is in the “R” range	7 and 8	Less than 1 $\Omega$
Other positions		1 M $\Omega$ or more

Replace the inhibitor switch if faulty.

## 7. Stop Light System

### A: WIRING DIAGRAM

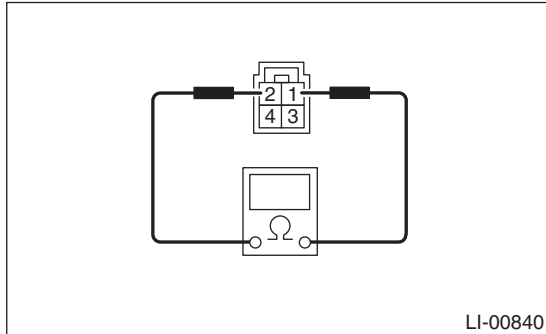
Refer to “Stop Light System” in WI section. <Ref. to WI-105, WIRING DIAGRAM, Stop Light System.>

### B: INSPECTION

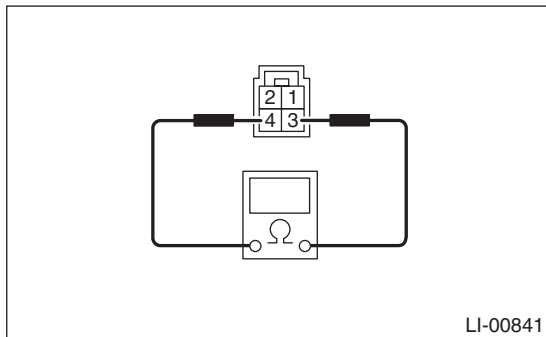
#### 1. STOP LIGHT SWITCH

Measure the resistance between stop light switch terminals.

- 5 door model



- 4 door model



Switch position	Terminal No.	Standard
When brake pedal is depressed	5 door model: 1 and 2	Less than 1 Ω
When brake pedal is released	4 door model: 3 and 4	

Replace the stop light switch if faulty.

# Room Light System

## LIGHTING SYSTEM

### 8. Room Light System

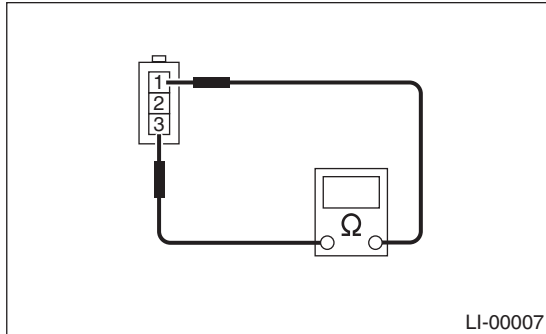
#### A: WIRING DIAGRAM

Refer to “Interior Light System” in WI section. <Ref. to WI-115, WIRING DIAGRAM, Interior Light System.>

#### B: INSPECTION

##### 1. DOOR SWITCH

Measure the resistance between door switch terminals.

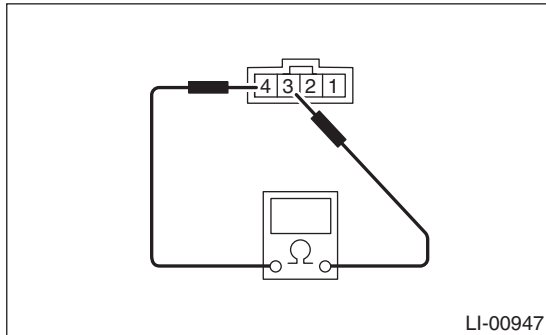


Switch position	Terminal No.	Standard
When door is opened	1 and 3	Less than 1 $\Omega$
When door is closed		1 M $\Omega$ or more

Replace the door switch if faulty.

##### 2. REAR GATE LATCH SWITCH

Measure the resistance between rear gate latch switch terminals.

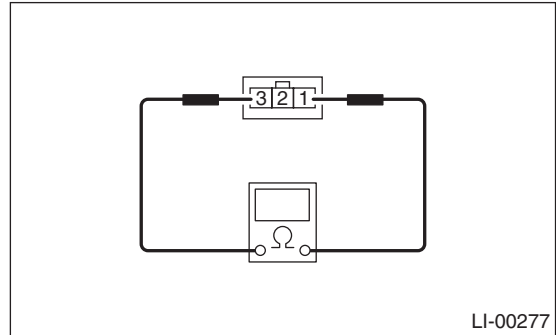


Switch position	Terminal No.	Standard
When rear gate is opened	3 and 4	Less than 1 $\Omega$
When rear gate is closed		1 M $\Omega$ or more

Replace the rear gate latch and actuator assembly if faulty.

##### 3. TRUNK LID SWITCH

Measure the resistance between trunk lid switch terminals.



Switch position	Terminal No.	Standard
When trunk lid is opened	1 and 3	Less than 1 $\Omega$
When trunk lid is closed		1 M $\Omega$ or more

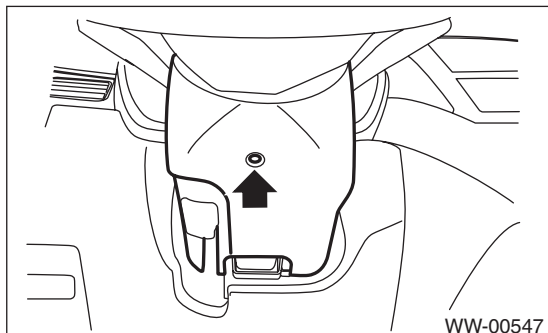
Replace the trunk lid latch and actuator assembly if faulty.



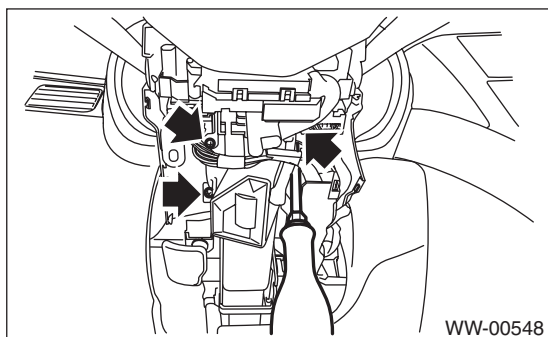
## 9. Combination Switch (Light)

### A: REMOVAL

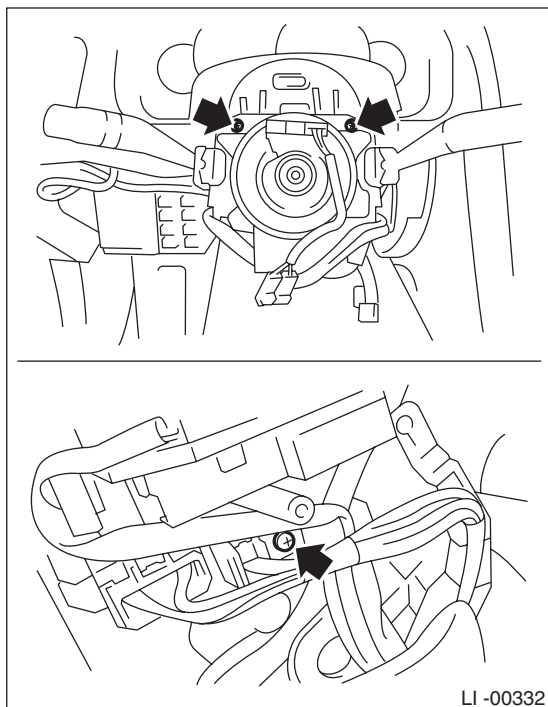
- 1) Disconnect the ground cable from battery.
- 2) Remove the screws and remove the steering column cover lower.



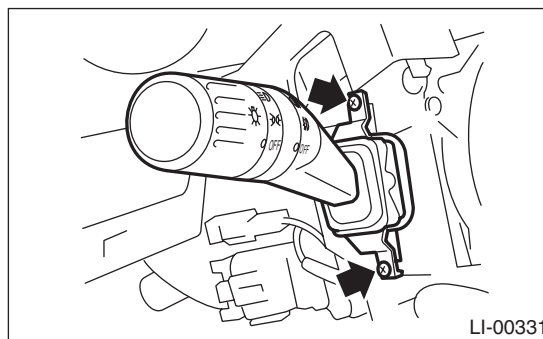
- 3) Remove the three mounting screws of steering column cover upper.



- 4) Disconnect the connector from combination switch.
- 5) Remove the three screws, and pull out the combination base switch assembly.



- 6) Remove the screws which secure the switch, then remove the combination switch.



### B: INSTALLATION

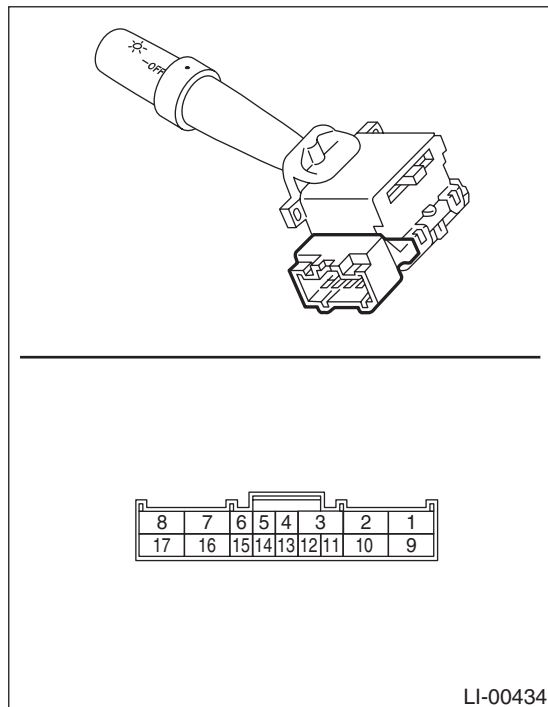
Install in the reverse order of removal.

# Combination Switch (Light)

## LIGHTING SYSTEM

### C: INSPECTION

Measure the resistance between combination switch terminals.



### 4. FRONT FOG LIGHT SWITCH

Switch position	Terminal No.	Standard
OFF	11 and 10	1 M $\Omega$ or more
ON		Less than 1 $\Omega$

Replace the combination switch (light) if faulty.

### 1. LIGHTING SWITCH

Switch position	Terminal No.	Standard
OFF	—	1 M $\Omega$ or more
Tail	14 and 16	Less than 1 $\Omega$
Head	13, 14 and 16	Less than 1 $\Omega$

Replace the combination switch (light) if faulty.

### 2. DIMMER & PASSING SWITCH

Switch position	Terminal No.	Standard
Passing	7, 8 and 16	Less than 1 $\Omega$
High beam	7 and 16	Less than 1 $\Omega$

Replace the combination switch (light) if faulty.

### 3. TURN SIGNAL SWITCH

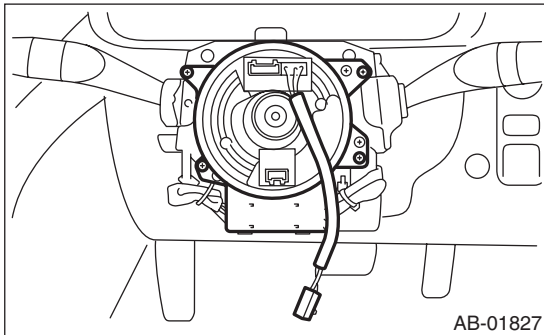
Switch position	Terminal No.	Standard
Left	1 and 2	Less than 1 $\Omega$
Neutral	—	1 M $\Omega$ or more
Right	3 and 2	Less than 1 $\Omega$

Replace the combination switch (light) if faulty.

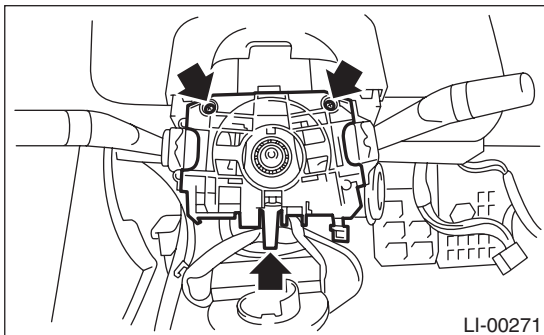
## 10. Combination Base Switch Assembly

### A: REMOVAL

- 1) Remove the driver's airbag module. <Ref. to AB-15, REMOVAL, Driver's Airbag Module.>
- 2) Remove the steering wheel. <Ref. to PS-12, REMOVAL, Steering Wheel.>
- 3) Remove the combination switch. <Ref. to LI-11, REMOVAL, Combination Switch (Light).> <Ref. to WW-7, REMOVAL, Combination Switch (Wiper).>
- 4) Remove the four screws and remove the roll connector.



- 5) Remove the three screws.



- 6) Disconnect the harness connector and remove the combination base switch assembly.

### B: INSTALLATION

- 1) Install in the reverse order of removal.
- 2) Before installing steering wheel, be sure to adjust the direction of roll connector with steering. <Ref. to AB-26, ADJUSTMENT, Roll Connector.>

### C: INSPECTION

#### 1. COMBINATION BASE SWITCH ASSEMBLY

Inspect the combination base switch assembly and roll connector for cracks or deformation. If any damage is found, replace with a new part.

# Headlight Assembly

LIGHTING SYSTEM

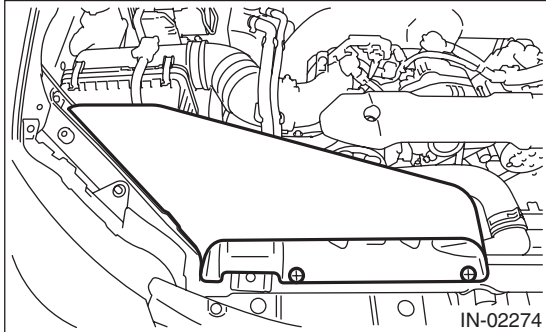
## 11. Headlight Assembly

### A: REMOVAL

#### CAUTION:

- Do not perform work with wet hands.
- The HID headlight uses very high voltages for the lighting circuit. Make sure that the power is turned OFF before working.

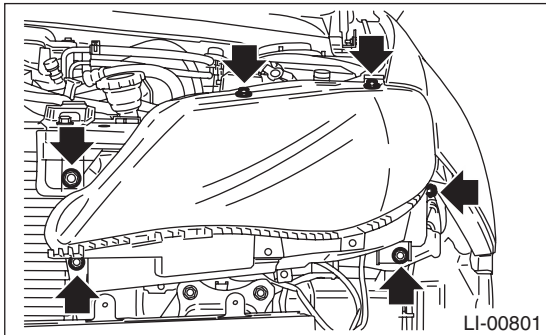
- 1) Disconnect the ground cable from battery.
- 2) Remove the air intake duct. (When removing the headlight RH).



- 3) Remove the front bumper face. <Ref. to EI-29, FRONT BUMPER FACE, REMOVAL, Front Bumper.>

- 4) Disconnect harness connectors.

- 5) Remove the five bolts and clip to remove the headlight assembly.



### B: INSTALLATION

Install in the reverse order of removal.

#### Tightening torque:

**7.5 N·m (0.76 kgf·m, 5.5 ft·lb)**

### C: DISASSEMBLY

#### 1. HID HEADLIGHT BALLAST

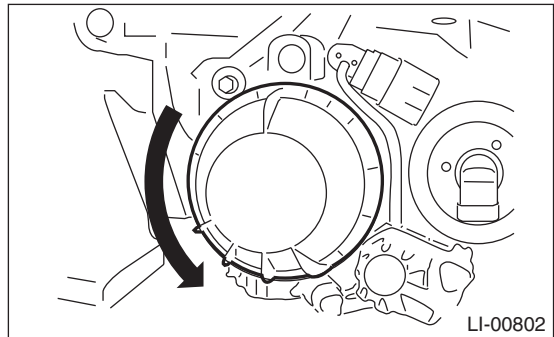
#### CAUTION:

- Do not perform work with wet hands.
- The HID headlight uses very high voltages for the lighting circuit. Make sure that the power is turned OFF before working.

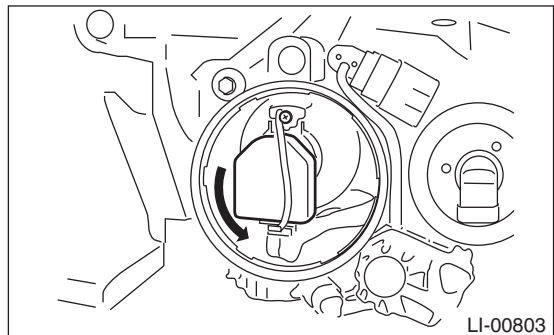
- Do not leave the headlight without the ballast for a long time. Dust, moisture, etc. entering the headlight may affect its performance.

- 1) Disconnect the ground cable from battery.
- 2) Remove the headlight assembly. <Ref. to LI-14, REMOVAL, Headlight Assembly.>

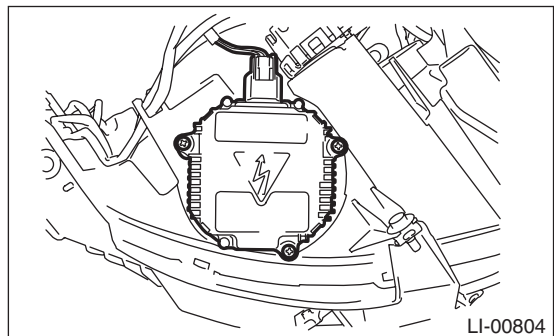
- 3) Remove the back cover.



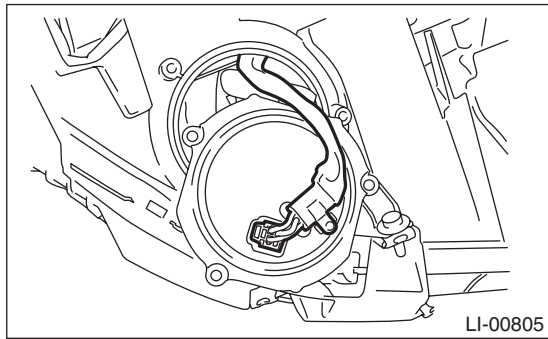
- 4) Disconnect the harness connector.



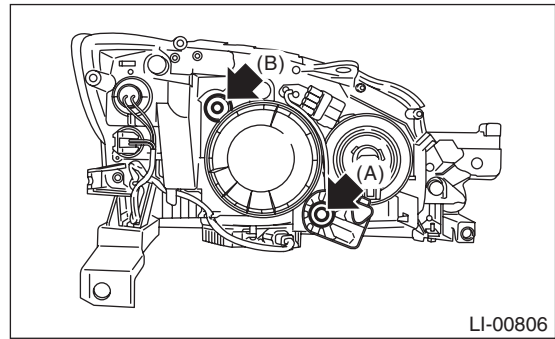
- 5) Remove the harness connector and screws to pull out the ballast.



6) Remove the harness connector and screws on the back to remove the headlight ballast.



6) Turn the headlights on and then adjust the low beam pattern.



## D: ASSEMBLY

### 1. HID HEADLIGHT BALLAST

#### CAUTION:

- When installing the ballast cover, be sure to install the gasket.
- After installing the ballast to the vehicle, be sure to perform beam adjustment. Install in the reverse order of removal.

#### Tightening torque:

**1.3 N·m (0.13 kgf·m, 0.96 ft·lb)**

#### NOTE:

Adjust the projector lens to near the center of the extension opening before installing the ballast. This makes the beam adjustment work easier.

## E: ADJUSTMENT

### 1. HEADLIGHT BEAM ADJUSTMENT

#### CAUTION:

Turn off the light before adjusting the headlight beam level. If it is necessary to inspect the beam level, do not keep the light on for two minutes or more.

1) Before checking the headlight beam level, be sure of the following:

- The area around the headlight has not sustained any accident, damage or other type of deformation.
- Vehicle is parked on a level surface.
- The inflation pressure of tires is correct.
- Vehicle's fuel tank is fully filled.

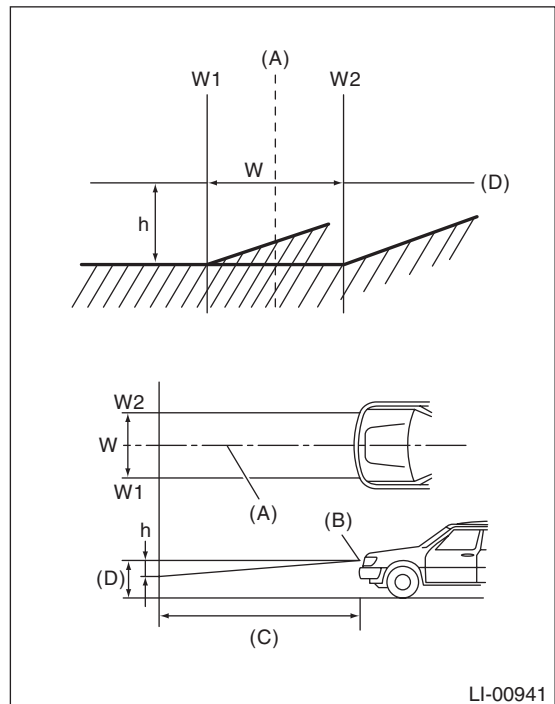
2) For vehicle with a manual leveler, set the headlight beam leveler switch to the "0" position.

3) Bounce the vehicle several times to normalize the suspension.

4) Make certain that someone is seated in the driver's seat.

5) Measure the distance between the low beam bulb centers and the height of the bulb center.

- (1) Adjust the vertical beam level (A).
- (2) Adjust the horizontal beam level (B).



- (A) Vehicle center
- (B) Bulb center marking
- (C) 3 m (10 ft)
- (D) Height of headlight center

W mm (in)	h mm (in) at 3 m (10 ft)
1,160 (45.67)	30 (1.18)

# Headlight Bulb

## LIGHTING SYSTEM

### 12. Headlight Bulb

#### A: REMOVAL

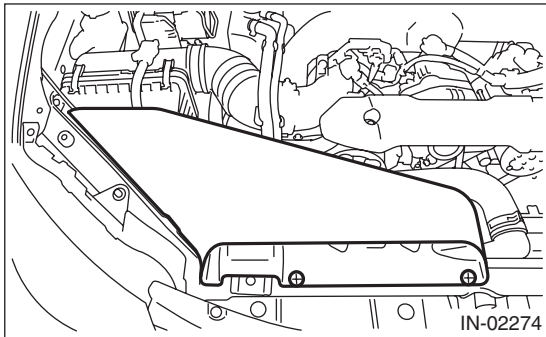
##### 1. HIGH BEAM & HALOGEN TYPE LOW BEAM

###### CAUTION:

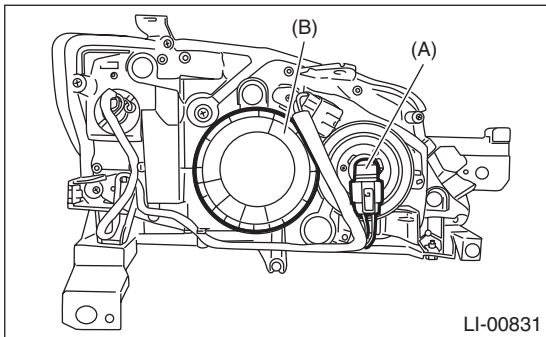
- Because the halogen bulb operates at a high temperature, dirt and oil on the bulb surface reduces the bulb's service life. Hold the flange portion when replacing the bulb. Never touch the glass portion.

- Do not leave the headlight without a bulb for a long time. Dust, moisture, etc. entering the headlight may affect its performance.

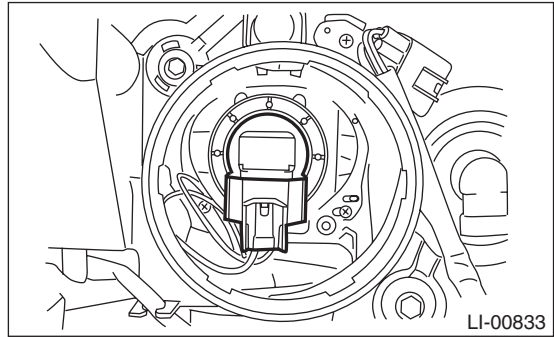
- 1) Disconnect the ground cable from battery.
- 2) Remove the air intake duct. (When removing the headlight bulb RH).



- 3) Remove the battery cover. (When removing the headlight bulb LH)
- 4) Tilt the washer tank filler neck. (When removing the headlight bulb LH)
- 5) Disconnect the harness connector.
- 6) Remove the bulb assembly (A) then remove the high beam. To remove the low beam, remove the back cover (B), and then go to step 7.



- 7) Disconnect the harness connector, and remove the bulb.



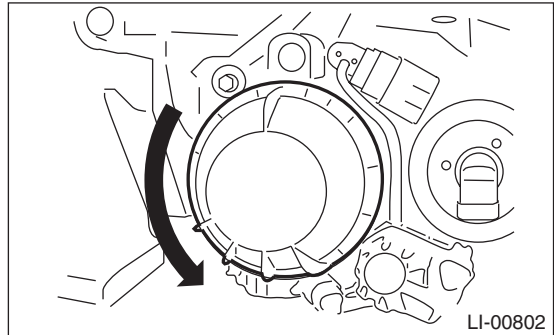
##### 2. HID TYPE LOW BEAM

###### CAUTION:

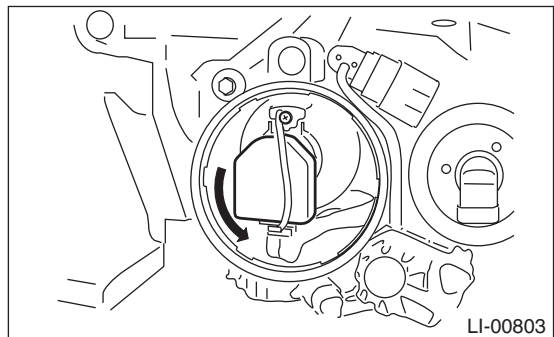
- Do not work with wet hands.
- Because the lighting circuit uses high voltage, be sure to confirm that the power supply is turned off before operation.

- When replacing the bulb, hold the flange portion, and never touch the glass.
- Do not leave the headlight without a bulb for a long time. Dust, moisture, etc. entering the headlight may affect its performance.

- 1) Disconnect the ground cable from the battery.
- 2) Remove the headlight assembly. <Ref. to LI-14, REMOVAL, Headlight Assembly.>
- 3) Remove the back cover.

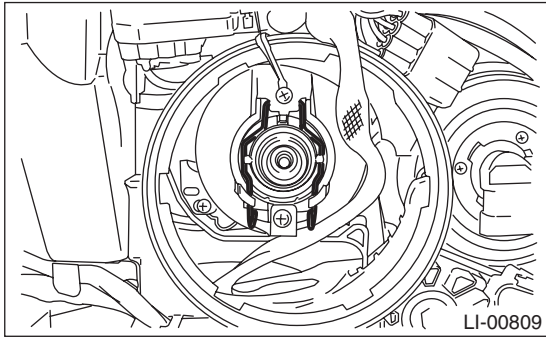


- 4) Disconnect the harness connector.





5) Remove the light bulb retaining spring, and remove the bulb.



(3) Install bulbs with the same number of operating hours on both headlights, and light for approximately 30 minutes. Check for whether there is a difference in brightness on the right and left sides.

5) If there is a malfunction, replace with a new ballast.

## B: INSTALLATION

Install in the reverse order of removal.

## C: INSPECTION

### 1. HALOGEN TYPE

- 1) Visually check the bulb for blow out.
- 2) Check the bulb specification. <Ref. to LI-2, SPECIFICATION, General Description.>
- 3) If NG, replace the bulb with a new part.

### 2. HID TYPE

#### CAUTION:

- Do not perform work with wet hands.
- When lit (lighting switch is ON), do not touch the harness, light internals, or metal parts of the light.
- When performing a lighting test, make sure that the headlight is mounted on the vehicle, and the power supply is connected to the connector on the vehicle's side.

- 1) Check the bulb specification. <Ref. to LI-2, SPECIFICATION, General Description.>
- 2) Install the factory HID bulb to check whether it lights properly.
- 3) If it does not light properly, replace with a new bulb.
- 4) Inspect the HID ballast.

Inspect the ballast in the following manner, and determine whether or not to reuse.

(1) Perform cold starts (light the headlight after turning off for 10 minutes or more), and hot starts (light the headlight for 15 minutes or more, then turn off for 1 minute and relight) several times, to make sure that the headlight lights properly.

(2) Monitor the lighting condition right after a cold start up to a stable state (approx. 5 min.), to see if there are any unstable conditions such as flickering.

# Front Turn Signal Light Bulb

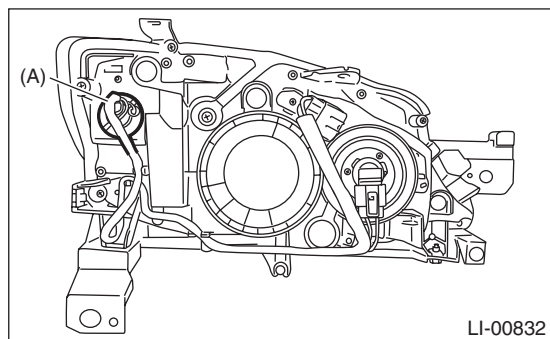
LIGHTING SYSTEM

---

## 13. Front Turn Signal Light Bulb

### A: REMOVAL

- 1) When removing the turn signal light bulb, fully turn the steering wheels to opposite direction from the turn signal light bulb to remove.
- 2) Disconnect the ground cable from battery.
- 3) Turn the mud guard inward.
- 4) Turn socket (A) from the wheel arch, and remove the front turn signal light bulb.



### B: INSTALLATION

Install in the reverse order of removal.

### C: INSPECTION

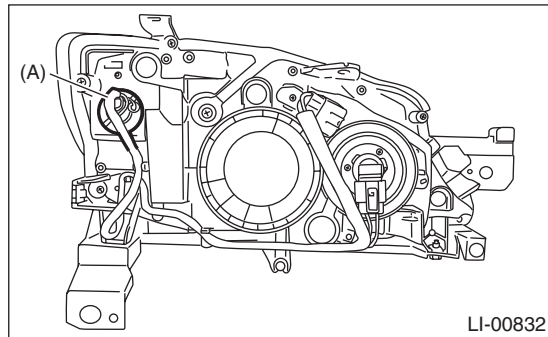
- 1) Visually check the bulb for blow out.
- 2) Check the bulb specification. <Ref. to LI-2, SPECIFICATION, General Description.>
- 3) If NG, replace the bulb with a new part.



## 14. Clearance/Parking Light Bulb

### A: REMOVAL

- 1) When removing the clearance/parking light bulb, fully turn the steering wheels to opposite direction from the turn signal light bulb to remove.
- 2) Disconnect the ground cable from battery.
- 3) Turn the mud guard inward.
- 4) Turn socket (A) from the wheel arch, and remove the clearance/parking light bulb.



### B: INSTALLATION

Install in the reverse order of removal.

### C: INSPECTION

- 1) Visually check the bulb for blow out.
- 2) Check the bulb specification. <Ref. to LI-2, SPECIFICATION, General Description.>
- 3) If NG, replace the bulb with a new part.

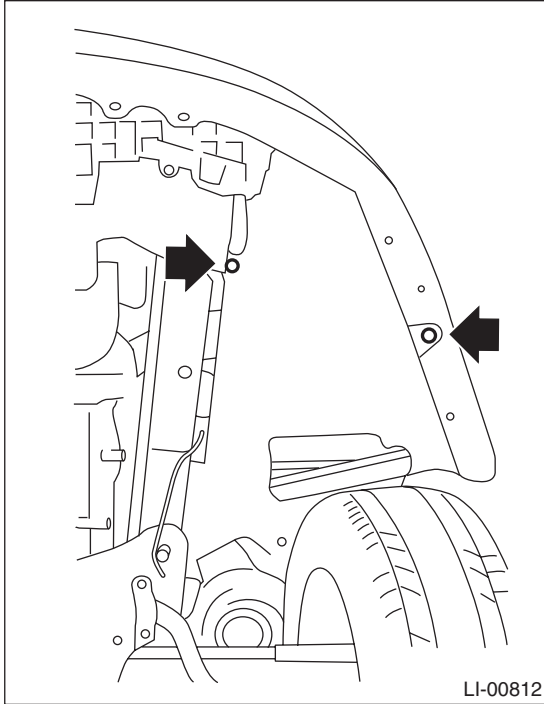
# Front Fog Light Assembly

LIGHTING SYSTEM

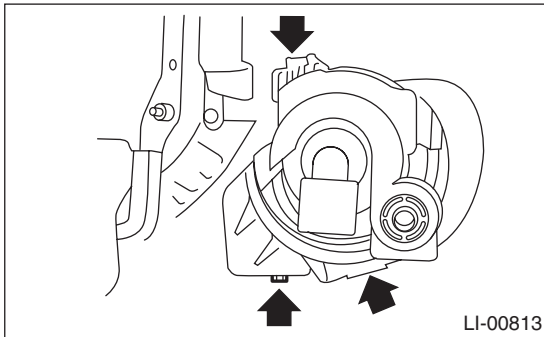
## 15. Front Fog Light Assembly

### A: REMOVAL

- 1) Disconnect the ground cable from battery.
- 2) Disengage the two clips, and then turn over the mud guard.



- 3) Disconnect the harness connector.
- 4) Remove the upper clip and the lower bolt and clip, and then remove the fog light assembly.



### B: INSTALLATION

Install in the reverse order of removal.

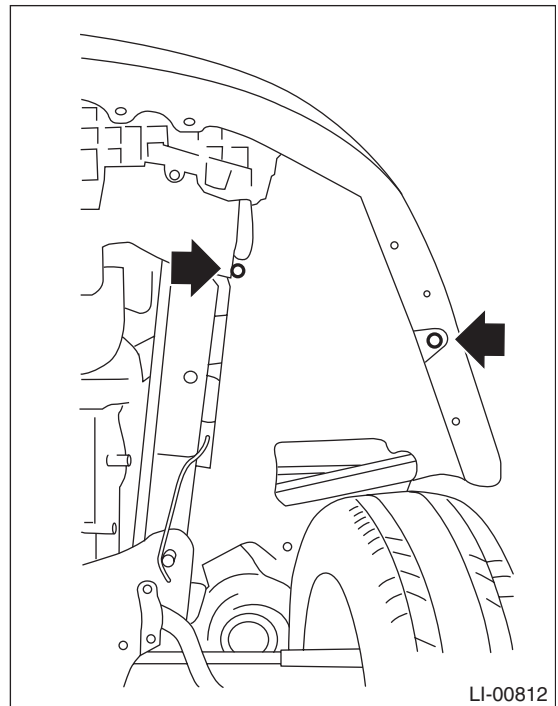
**Tightening torque:**

**7.5 N·m (0.76 kgf-m, 5.5 ft-lb)**

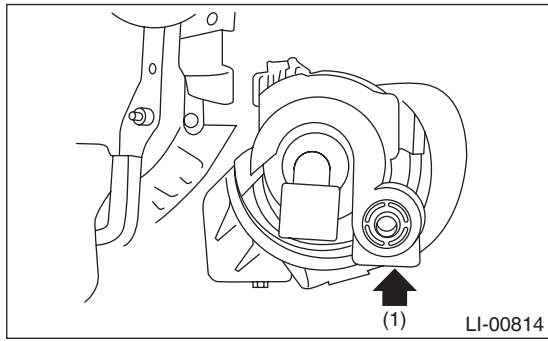
### C: ADJUSTMENT

#### 1. FOG LIGHT AIMING

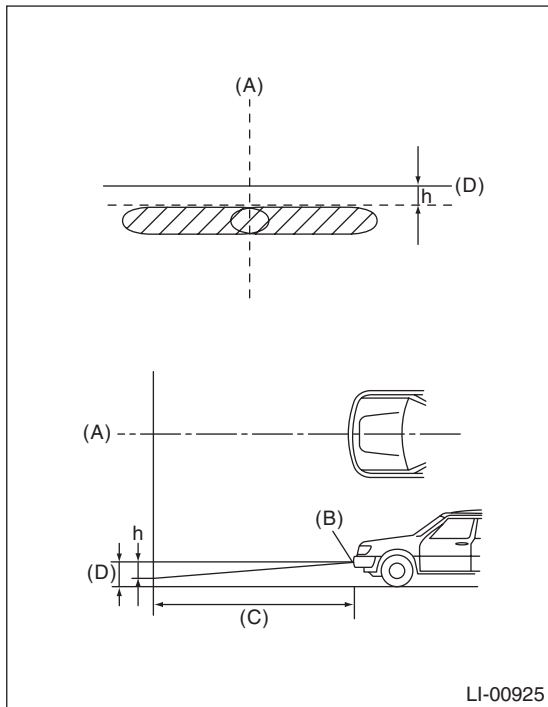
- 1) Before checking the fog light beam level, be sure of the following:
  - The area around the fog light has not sustained any accident, damage or other type of deformation.
  - Vehicle is parked on a level surface.
  - The inflation pressure of tires is correct.
  - Vehicle's fuel tank is fully filled.
- 2) Bounce the vehicle several times to normalize the suspension.
- 3) Make certain that someone is seated in the driver's seat.
- 4) Disengage the two clips, and then turn over the mud guard.



5) Adjust the front fog light pattern by inserting a Philips screwdriver to the adjusting hole.



(1) Adjusting hole



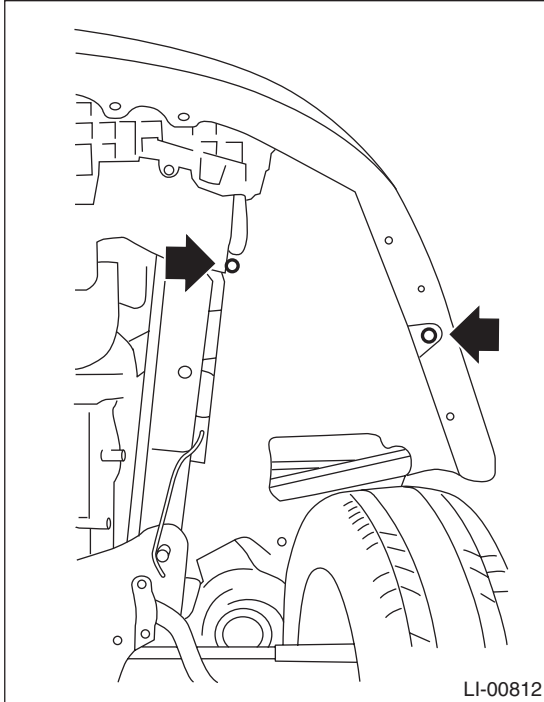
- (A) Vehicle center
- (B) Bulb center marking
- (C) 3 m (10 ft)
- (D) Height of fog light center

h mm (in) at 3 m (10 ft)
60 (2.38)

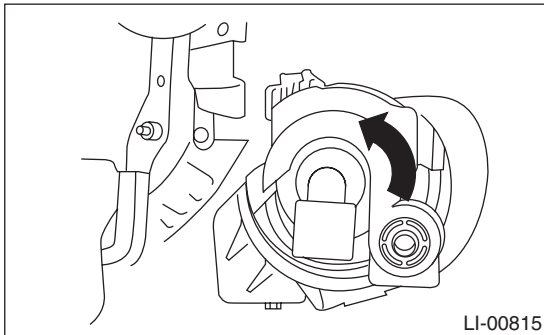
## 16. Front Fog Light Bulb

### A: REMOVAL

- 1) Disconnect the ground cable from battery.
- 2) Disengage the two clips, and then turn over the mud guard.



- 3) Disconnect the harness connector.
- 4) Rotate the bulb then detach the fog light bulb.



### B: INSTALLATION

Install in the reverse order of removal.

### C: INSPECTION

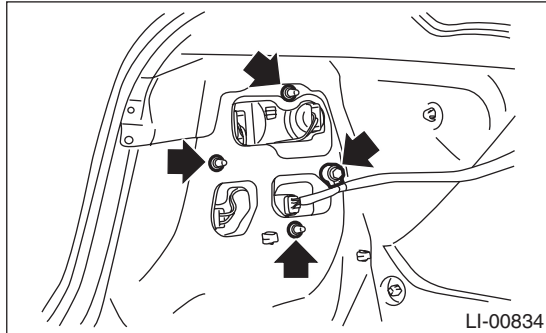
- 1) Visually check the bulb for blow out.
- 2) Check the bulb specification. <Ref. to LI-2, SPECIFICATION, General Description.>
- 3) If NG, replace the bulb with a new part.

## 17. Rear Combination Light Assembly

### A: REMOVAL

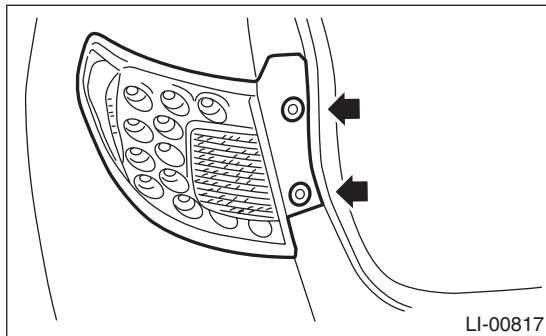
#### 1. 4 DOOR MODEL

- 1) Disconnect the ground cable from battery.
- 2) Remove the trunk room side trim. <Ref. to EI-61, REMOVAL, Trunk Room Trim.>
- 3) Remove the harness connector and four nuts, and remove the rear combination light.



#### 2. 5 DOOR MODEL

- 1) Disconnect the ground cable from the battery.
- 2) Remove the two bolts, and then detach the rear combination light by pulling it to the rear side of vehicle.



- 3) Disconnect the harness connector and rear combination light.

### B: INSTALLATION

Install in the reverse order of removal.

#### Tightening torque:

**7.5 N·m (0.76 kgf·m, 5.5 ft·lb)**

### C: INSPECTION

#### 1. 4 DOOR MODEL

- 1) Visually check the bulb for blow out.
- 2) Check the bulb specification. <Ref. to LI-2, SPECIFICATION, General Description.>
- 3) If NG, replace the bulb with a new part.

#### 2. 5 DOOR MODEL

- 1) Install the rear combination light assembly and check that it blinks normally.
- 2) If it does not blink normally, replace the rear combination light assembly with a new part.

#### NOTE:

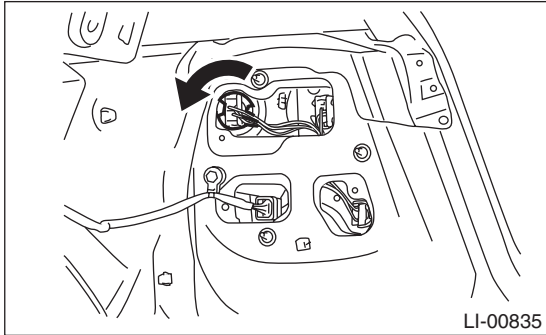
Since LED (Light Emitting Diode) is used for the tail light/stop light bulb, replace the rear combination light assembly if the LED burns out.

### 18. Tail/Stop Light Bulb

#### A: REMOVAL

##### 1. 4 DOOR MODEL

- 1) Disconnect the ground cable from battery.
- 2) Remove the trunk room side trim cover. <Ref. to EI-61, REMOVAL, Trunk Room Trim.>
- 3) Turn the socket and remove the bulb.



##### 2. 5 DOOR MODEL

Since LED (Light Emitting Diode) is used for the tail light / stop light bulb, they can not removed.

#### B: INSTALLATION

Install in the reverse order of removal.

#### C: INSPECTION

##### 1. 4 DOOR MODEL

- 1) Visually check the bulb for blow out.
- 2) Check the bulb specification. <Ref. to LI-2, SPECIFICATION, General Description.>
- 3) If NG, replace the bulb with a new part.

##### 2. 5 DOOR MODEL

- 1) Install the rear combination light assembly and check that it blinks normally.
- 2) If it does not blink normally, replace the rear combination light assembly with a new part.

#### NOTE:

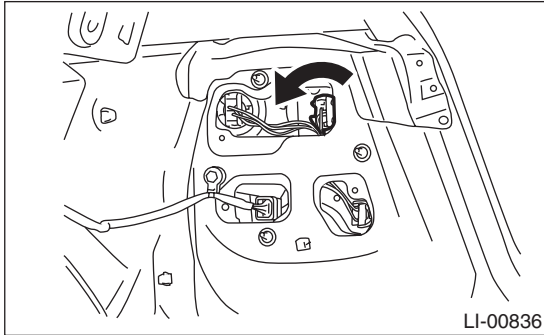
Since LED (Light Emitting Diode) is used for the tail light/stop light bulb, replace the rear combination light assembly if the LED burns out.

## 19.Rear Turn Signal Light Bulb

### A: REMOVAL

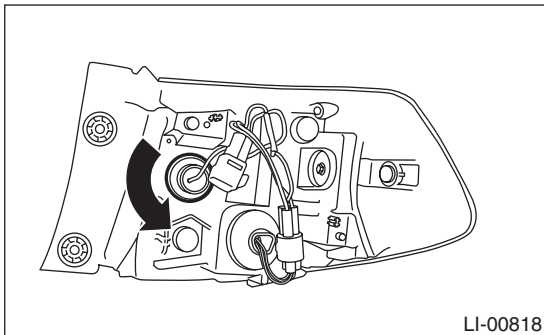
#### 1. 4 DOOR MODEL

- 1) Disconnect the ground cable from battery.
- 2) Remove the trunk room side trim cover. <Ref. to EI-61, REMOVAL, Trunk Room Trim.>
- 3) Turn the socket and remove the bulb.



#### 2. 5 DOOR MODEL

- 1) Remove the rear combination light assembly. <Ref. to LI-23, 5 DOOR MODEL, REMOVAL, Rear Combination Light Assembly.>
- 2) Turn the socket and remove the bulb.



### B: INSTALLATION

Install in the reverse order of removal.

### C: INSPECTION

- 1) Visually check the bulb for blow out.
- 2) Check the bulb specification. <Ref. to LI-2, SPECIFICATION, General Description.>
- 3) If NG, replace the bulb with a new part.

# Rear Finisher Light Assembly

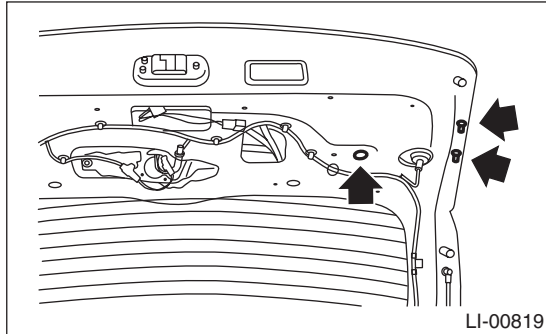
LIGHTING SYSTEM

---

## 20. Rear Finisher Light Assembly

### A: REMOVAL

- 1) Disconnect the ground cable from battery.
- 2) Remove the rear gate trim. <Ref. to EI-66, REMOVAL, Rear Gate Trim.>
- 3) Disconnect the harness connector.
- 4) Remove the attachment nuts and remove the rear finisher light assembly.



### B: INSTALLATION

Install in the reverse order of removal.

**Tightening torque:**

**4.5 N·m (0.46 kgf-m, 3.3 ft-lb)**

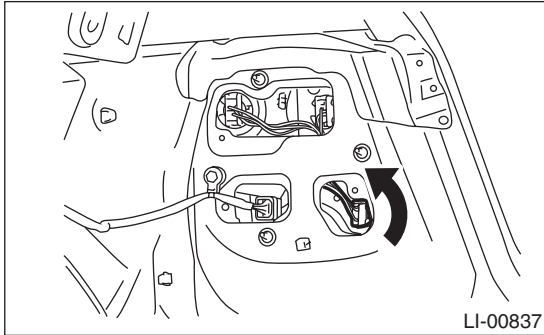


## 21. Back-up Light Bulb

### A: REMOVAL

#### 1. 4 DOOR MODEL

- 1) Disconnect the ground cable from battery.
- 2) Remove the trunk room side trim cover. <Ref. to EI-61, REMOVAL, Trunk Room Trim.>
- 3) Turn the socket and remove the bulb.

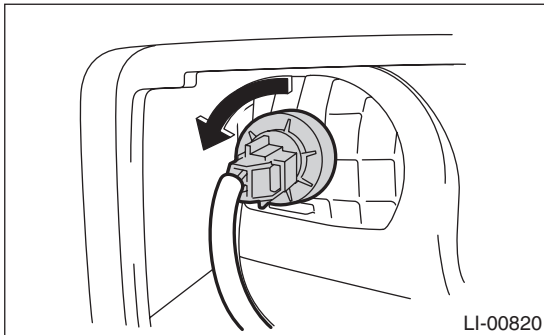


#### 2. 5 DOOR MODEL

##### NOTE:

For models with a rear fog light, the back-up light is installed on the passenger's side.

- 1) Disconnect the ground cable from battery.
- 2) Remove the bulb inspection cover of the rear gate trim.
- 3) Turn the socket and remove the bulb.



### B: INSTALLATION

Install in the reverse order of removal.

### C: INSPECTION

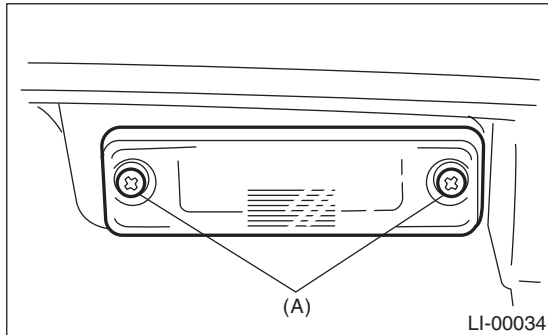
- 1) Visually check the bulb for blow out.
- 2) Check the bulb specification. <Ref. to LI-2, SPECIFICATION, General Description.>
- 3) If NG, replace the bulb with a new part.

## 22. License Plate Light

### A: REMOVAL

#### 1. 4 DOOR MODEL

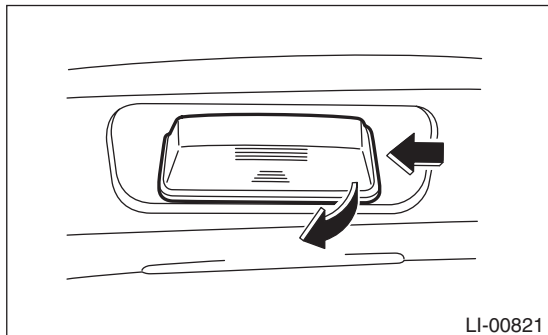
- 1) Disconnect the ground cable from battery.
- 2) Remove the license plate light mounting screw (A) and then remove the lens.



- 3) Remove the bulb.

#### 2. 5 DOOR MODEL

- 1) Disconnect the ground cable from battery.
- 2) Remove the license plate light while pushing it to the left and pulling it.



- 3) Remove the bulb.

### B: INSTALLATION

Install in the reverse order of removal.

### C: INSPECTION

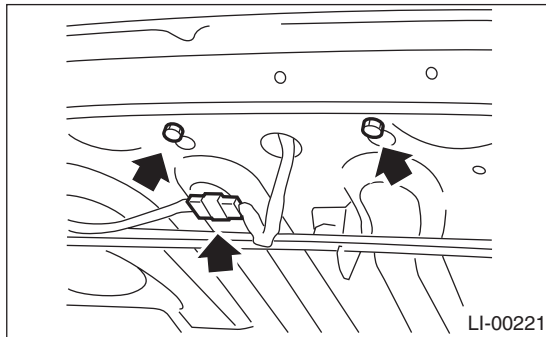
- 1) Visually check the bulb for blow out.
- 2) Check the bulb specification. <Ref. to LI-2, SPECIFICATION, General Description.>
- 3) If NG, replace the bulb with a new part.

## 23.High-mounted Stop Light

### A: REMOVAL

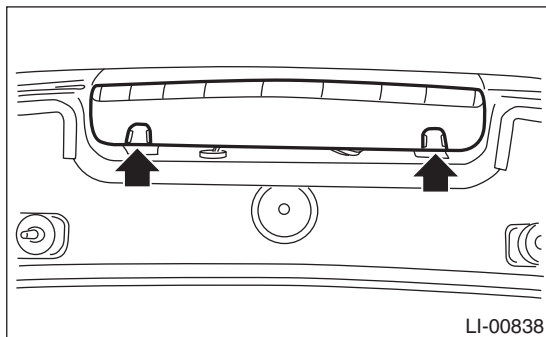
#### 1. 4 DOOR MODEL (STANDARD TYPE)

- 1) Disconnect the ground cable from the battery.
- 2) Disconnect the connector of the high-mounted stop light from the body harness.
- 3) Remove the bolt, then remove the high-mounted stop light assembly.



#### 2. 4 DOOR MODEL (WITH BUILT-IN REAR SPOILER)

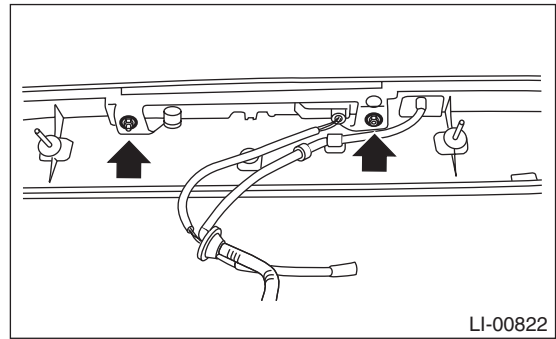
- 1) Disconnect the ground cable from the battery.
- 2) Remove the rear spoiler. <Ref. to EI-40, REMOVAL, Rear Spoiler.>
- 3) Remove the caps and screws, then detach the high-mounted stop light.



#### 3. 5 DOOR MODEL (WITH BUILT-IN SMALL TYPE ROOF SPOILER)

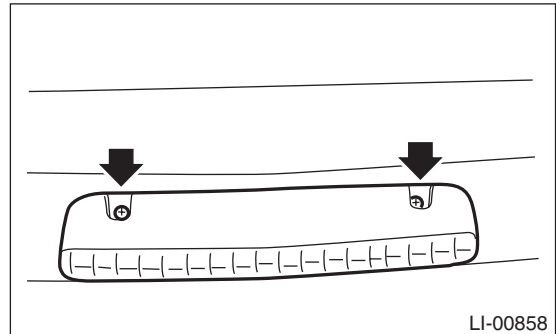
- 1) Disconnect the ground cable from the battery.
- 2) Remove the roof spoiler. <Ref. to EI-39, REMOVAL, Roof Spoiler.>

- 3) Remove the nuts, then detach the high-mounted stop light.



#### 4. 5 DOOR MODEL (WITH BUILT-IN LARGE TYPE ROOF SPOILER)

- 1) Disconnect the ground cable from battery.
- 2) Remove the roof spoiler. <Ref. to EI-39, REMOVAL, Roof Spoiler.>
- 3) Remove the caps and screws, then detach the high-mounted stop light.



### B: INSTALLATION

Install in the reverse order of removal.

### C: INSPECTION

#### 1. 4 DOOR MODEL (STANDARD TYPE)

- 1) Visually check the bulb for blow out.
- 2) Check the bulb specification. <Ref. to LI-2, SPECIFICATION, General Description.>
- 3) If NG, replace the bulb with a new part.

#### 2. EXCEPT FOR 4 DOOR MODEL (STANDARD TYPE)

- 1) Install the high-mounted stop light to test if it illuminates normally.
- 2) If the high-mounted stop light does not illuminate, replace it with a new part.

#### NOTE:

Since LED (Light Emitting Diode) is used for the high-mounted stop light, replace the high-mounted stop light assembly if the LED burns out.

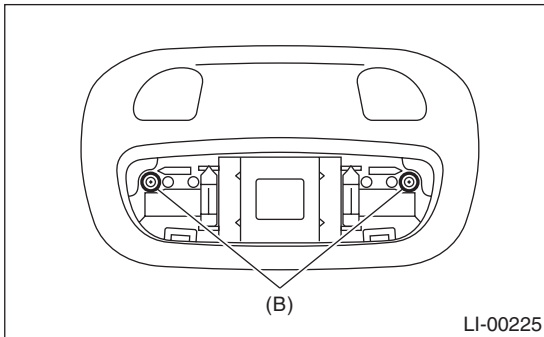
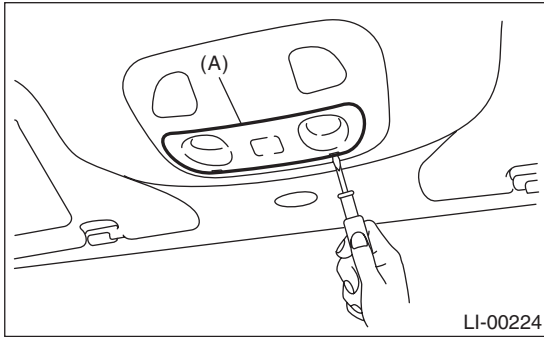
# Spot Map Light

## LIGHTING SYSTEM

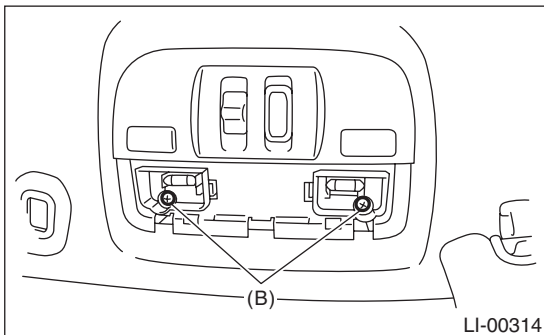
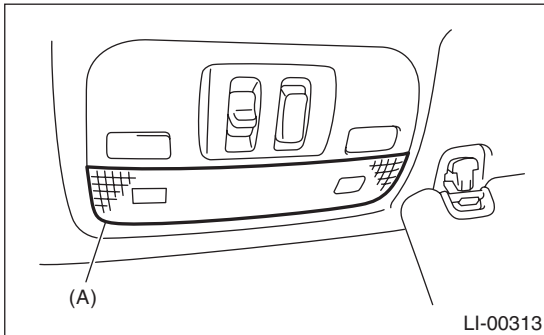
### 24. Spot Map Light

#### A: REMOVAL

- 1) Disconnect the ground cable from battery.
  - 2) Remove the lens (A) and spot map light mounting screws (B).
- Model without sunroof



- Model with sunroof



- 3) Disconnect the harness connectors and remove the spot map light.

#### B: INSTALLATION

Install in the reverse order of removal.

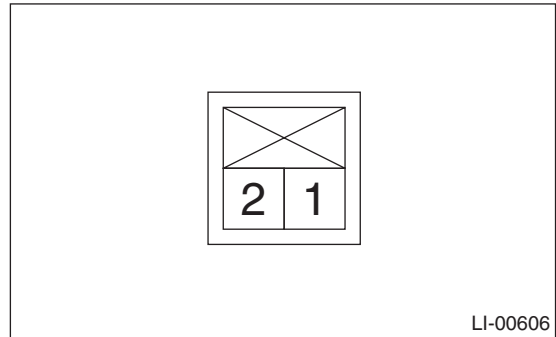
#### C: INSPECTION

##### 1. SPOT MAP LIGHT BULB

- 1) Visually check the bulb for blow out.
- 2) Check the bulb specification. <Ref. to LI-2, SPECIFICATION, General Description.>
- 3) If NG, replace the bulb with a new part.

##### 2. SPOT MAP LIGHT SWITCH

Measure the spot map light resistance.



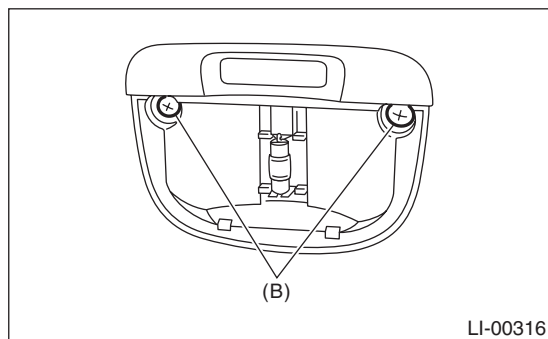
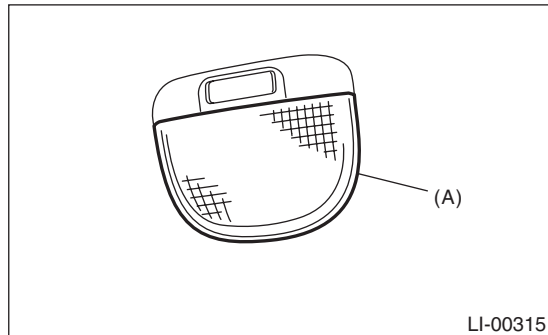
Switch position	Terminal No.	Standard
OFF	1 and 2	1 MΩ or more
ON	1 and 2	18±5.4 Ω

Replace the spot map light if faulty.

## 25. Room Light

### A: REMOVAL

- 1) Disconnect the ground cable from the battery.
- 2) Remove the lens (A) and mounting screws (B).



- 3) Disconnect the harness connector and remove the room light.

### B: INSTALLATION

Install in the reverse order of removal.

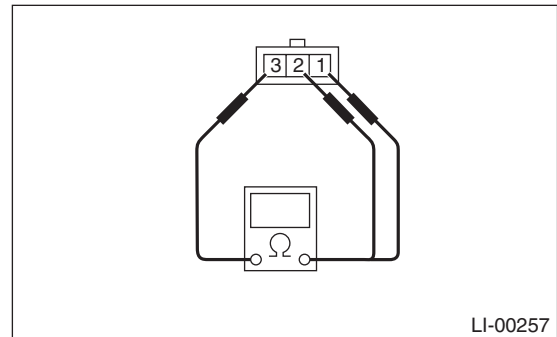
### C: INSPECTION

#### 1. ROOM LIGHT BULB

- 1) Visually check the bulb for blow out.
- 2) Check the bulb specification. <Ref. to LI-2, SPECIFICATION, General Description.>
- 3) If NG, replace the bulb with a new part.

#### 2. ROOM LIGHT SWITCH

- 1) Measure the resistance between room light switch terminals.



Switch position	Terminal No.	Standard
OFF	—	1 MΩ or more
ON	1 and 3	1.5±0.5 Ω
DOOR	2 and 3	1.5±0.5 Ω

- 2) Connect terminal No. 3 to the battery positive terminal and terminal No. 1 and No. 2 to the battery ground terminal, and check room light operation.

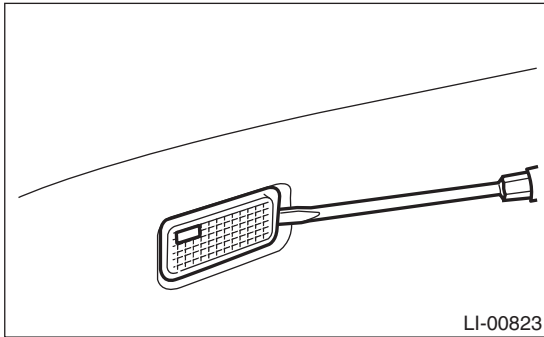
Switch position	Light status
OFF	Light OFF
ON	Light ON
DOOR	Light ON

- 3) Replace the room light if faulty.

## 26. Luggage Room Light

### A: REMOVAL

- 1) Disconnect the ground cable from battery.
- 2) Insert a flat tip screwdriver into the edge of the luggage room light body to remove the luggage room light.



- 3) Disconnect the harness connector and remove the lens.

### B: INSTALLATION

Install in the reverse order of removal.

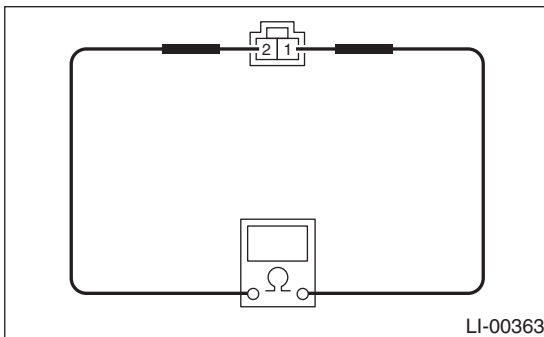
### C: INSPECTION

#### 1. LUGGAGE ROOM LIGHT BULB

- 1) Visually check the bulb for blow out.
- 2) Check the bulb specification. <Ref. to LI-2, SPECIFICATION, General Description.>
- 3) If NG, replace the bulb with a new part.

#### 2. LUGGAGE ROOM LIGHT SWITCH

Measure the resistance between luggage room light switch terminals.



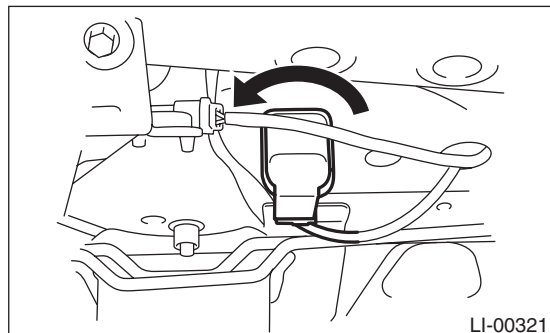
Switch position	Terminal No.	Standard
OFF	1 and 2	1 M $\Omega$ or more
ON		Less than 1 $\Omega$

Replace the luggage room light if faulty.

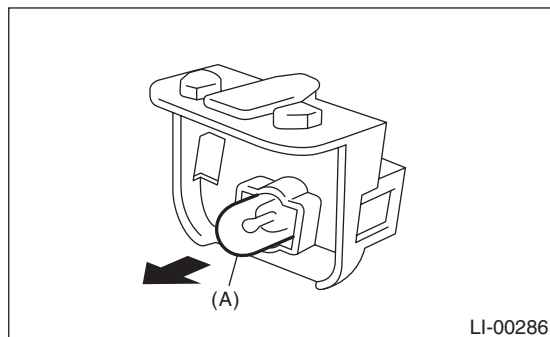
## 27. Trunk Room Light

### A: REMOVAL

- 1) Disconnect the ground cable from the battery.
- 2) Turn the trunk room light counterclockwise 60° to remove it and disconnect the harness connector.



- 3) Remove bulb (A).



### B: INSTALLATION

Install in the reverse order of removal.

### C: INSPECTION

#### 1. TRUNK ROOM LIGHT BULB

- 1) Visually check the bulb for blow out.
- 2) Check the bulb specification. <Ref. to LI-2, SPECIFICATION, General Description.>
- 3) If NG, replace the bulb with a new part.

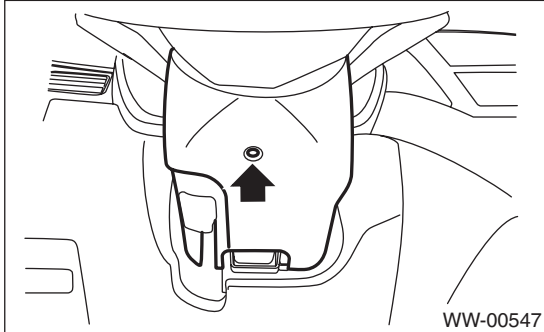
# Ignition Switch Illumination

## LIGHTING SYSTEM

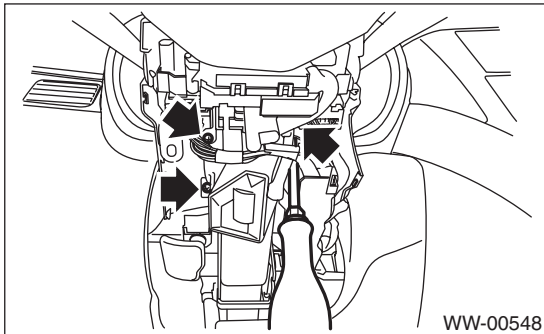
### 28. Ignition Switch Illumination

#### A: REMOVAL

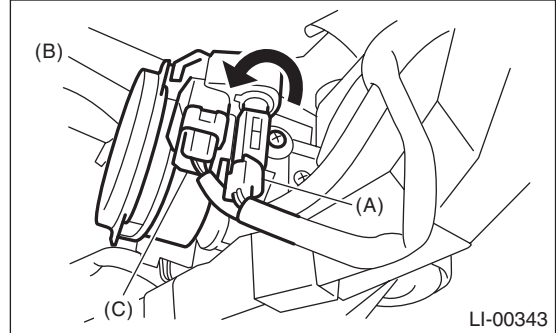
- 1) Disconnect the ground cable from battery.
- 2) Remove the screws and remove the steering column cover lower.



- 3) Remove the three mounting screws of steering column cover upper.



- 4) Remove the instrument panel lower cover. <Ref. to EI-46, REMOVAL, Instrument Panel Lower Cover.>
- 5) Disconnect the ignition switch illumination connector (A).
- 6) Turn the ignition switch illumination connector to the left and remove it.



- (A) Ignition switch illumination connector
- (B) Ignition switch illumination
- (C) Immobilizer antenna connector

#### B: INSTALLATION

Install in the reverse order of removal.

#### C: INSPECTION

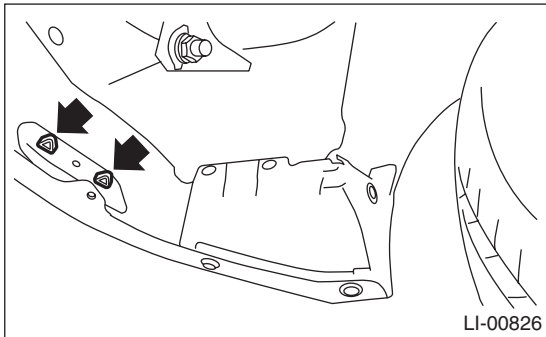
Step	Check	Yes	No
1 <b>CHECK THE IGNITION SWITCH ILLUMINATION.</b> Make sure the ignition switch illumination illuminates when driver's side door is open.	Does the ignition switch illumination illuminate?	Ignition switch illumination is normal.	Go to step 2.
2 <b>CHECK THE IGNITION SWITCH ILLUMINATION.</b> Make sure the ignition switch illumination blinks when the ignition switch is turned to ON.	Does the ignition switch illumination blink?	Check the function setting of body integrated unit. <Ref. to LAN(diag)-2, Basic Diagnostic Procedure.>	Check the ignition switch illumination circuit. <Ref. to SL-25, CHECK IGNITION SWITCH ILLUMINATION, INSPECTION, Keyless Entry System.>



## 29. Reflex Reflector

### A: REMOVAL

1) Remove the reflex reflector by pressing the claw of the reflex reflector from the backside of bumper.



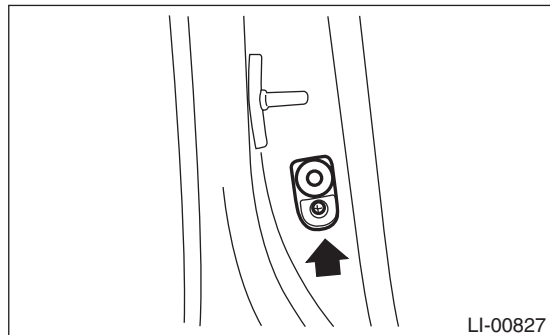
### B: INSTALLATION

Install in the reverse order of removal.

### 30. Door Switch

#### A: REMOVAL

- 1) Disconnect the ground cable from the battery.
- 2) Remove the screw, and pull out the door switch.



- 3) Disconnect the harness connector.

#### B: INSTALLATION

Install in the reverse order of removal.

#### C: INSPECTION

Refer to the door switch inspection of the room light system. <Ref. to LI-10, DOOR SWITCH, INSPECTION, Room Light System.>

# General Description

## WIPER AND WASHER SYSTEMS

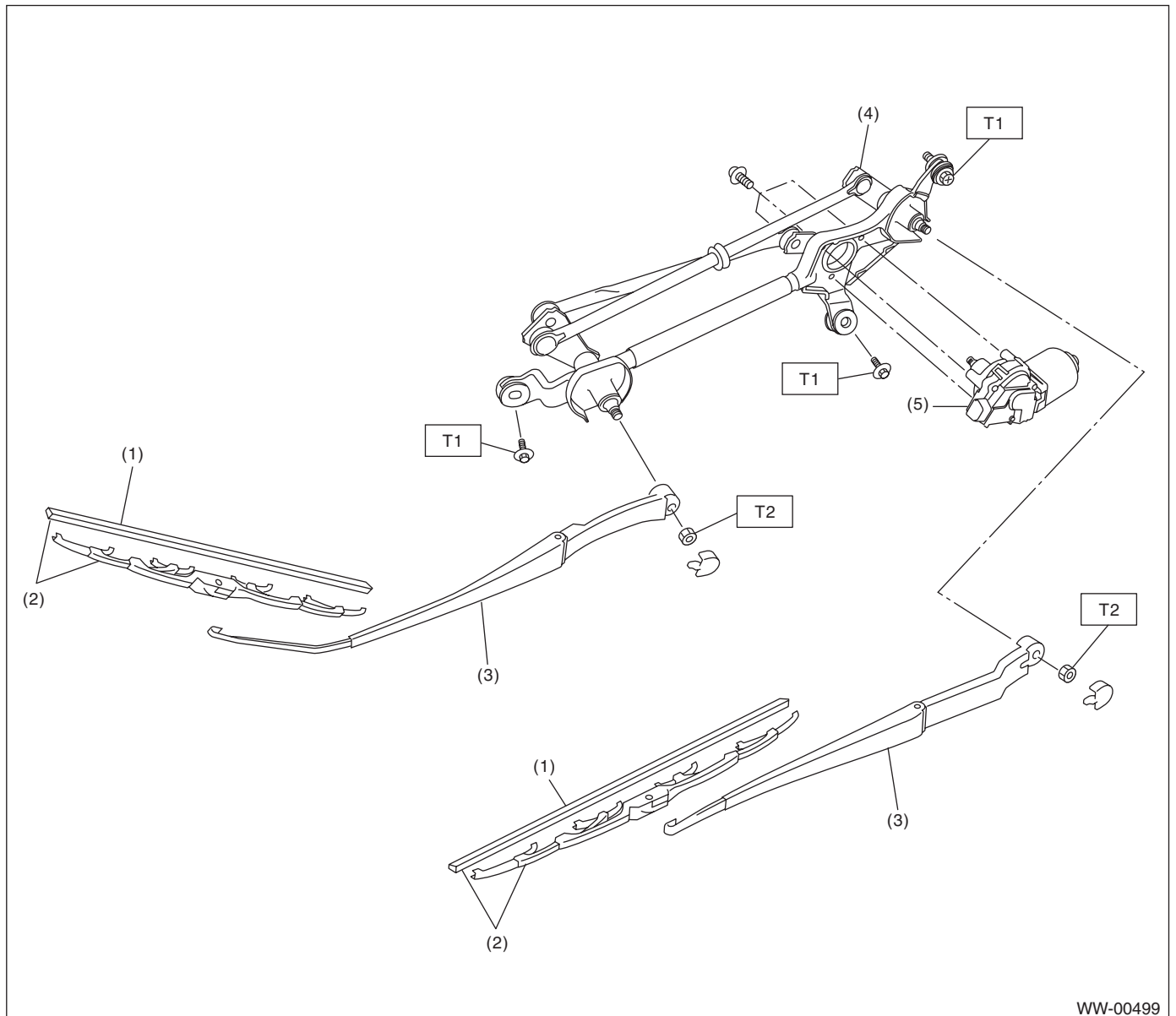
### 1. General Description

#### A: SPECIFICATION

Front wiper motor	Input	12 V — 72 W or less
Rear wiper motor	Input	12 V — 42 W or less
Front washer motor	Pump type	Centrifugal
	Input	12 V — 36 W or less
Rear washer motor	Pump type	Centrifugal
	Input	12 V — 36 W or less

#### B: COMPONENT

##### 1. FRONT WIPER



WW-00499

- (1) Wiper rubber
- (2) Wiper blade ASSY
- (3) Wiper arm

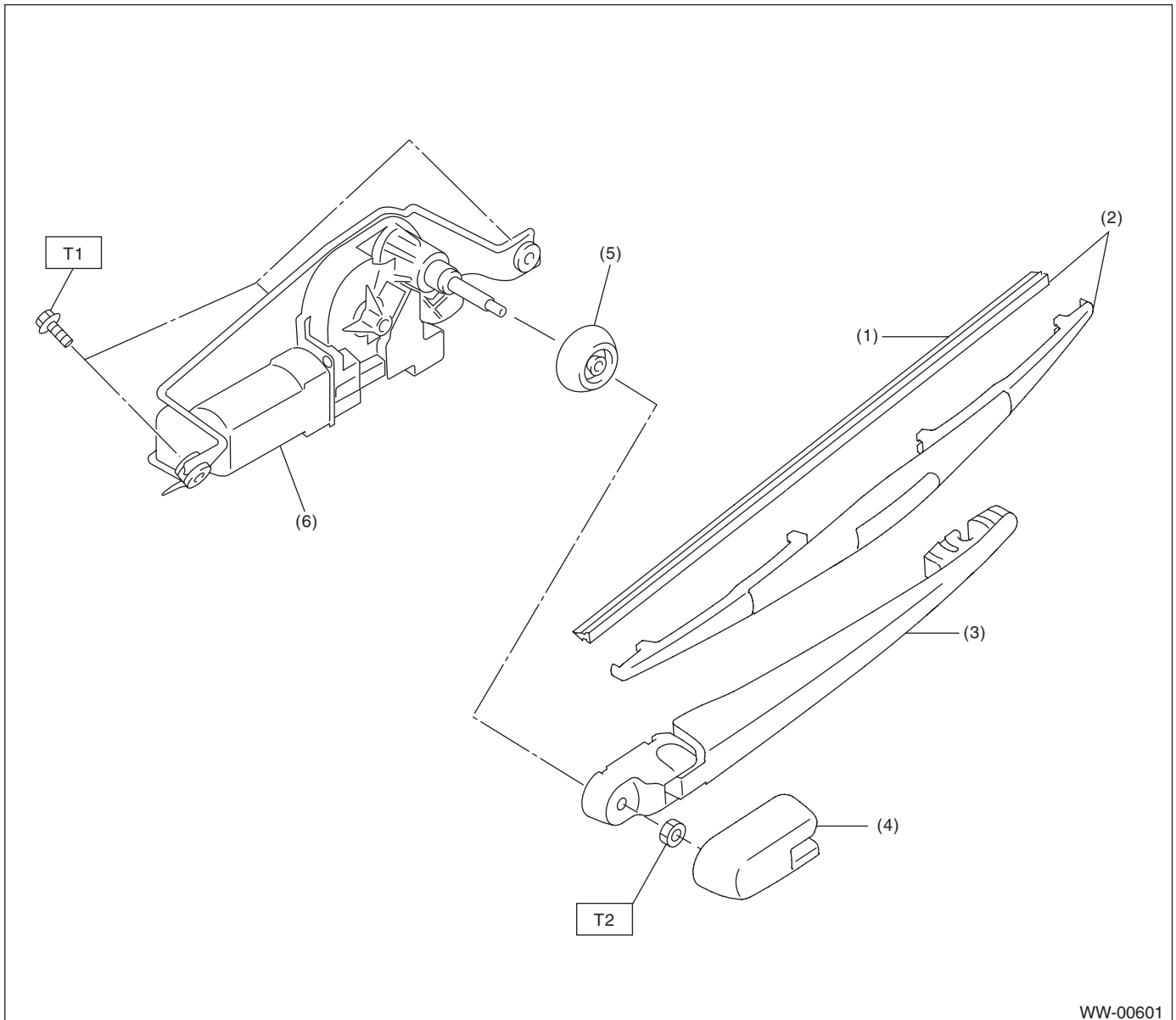
- (4) Wiper link
- (5) Wiper motor

**Tightening torque: N·m (kgf·m, ft·lb)**

**T1: 6.0 (0.61, 4.4)**

**T2: 20 (2.04, 14.8)**

### 2. REAR WIPER



WW-00601

- (1) Wiper rubber
- (2) Wiper blade ASSY
- (3) Wiper arm

- (4) Wiper arm cover
- (5) Pivot cap
- (6) Wiper motor

**Tightening torque: N·m (kgf·m, ft·lb)**

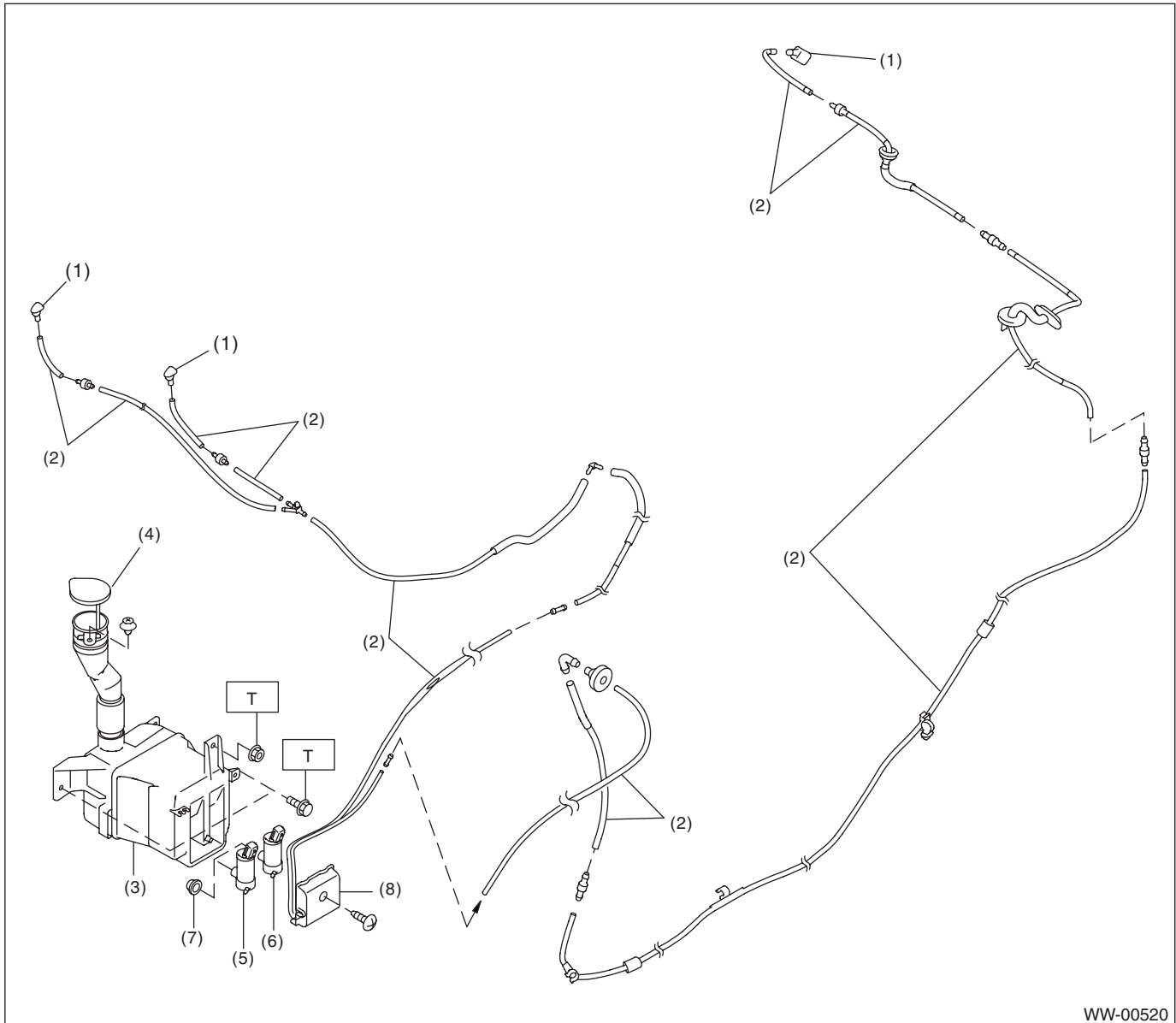
**T1: 6.0 (0.61, 4.4)**

**T2: 8.0 (0.82, 5.9)**

# General Description

## WIPER AND WASHER SYSTEMS

### 3. WASHER TANK



- |                                   |                        |
|-----------------------------------|------------------------|
| (1) Washer nozzle                 | (5) Front washer motor |
| (2) Washer hose                   | (6) Rear washer motor  |
| (3) Washer tank                   | (7) Grommet            |
| (4) Washer tank cap & level gauge | (8) Washer motor cover |

**Tightening torque: N·m (kgf·m, ft·lb)**

**T: 6.0 (0.61, 4.4)**

### C: CAUTION

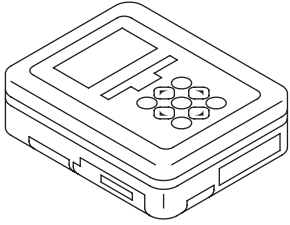
- Connect the connectors and hoses securely during reassembly.
- After reassembly, make sure functional parts operate smoothly.
- Be careful with the airbag system wiring harness which passes near electrical parts and switches.
- Airbag system wiring harness connectors are yellow. Do not use a tester equipment on these circuits.
- Care must be taken when connecting the hose to the pipe so that no bending, jamming, etc. are caused.
- If even a small amount of silicon oil or grease enters tank and washer fluid passages, an oil film will be formed on the glass and will cause the wiper to chatter and judder. Make sure that no oil comes into contact with the system.

# General Description

WIPER AND WASHER SYSTEMS

## D: PREPARATION TOOL

### 1. SPECIAL TOOL

ILLUSTRATION	TOOL NUMBER	DESCRIPTION	REMARKS
 ST1B022XU0	1B022XU0	SUBARU SELECT MONITOR III KIT	Used for setting of each function and troubleshooting for electrical system.

### 2. GENERAL TOOL

TOOL NAME	REMARKS
Circuit tester	Used for checking voltage and continuity.

# Wiper and Washer System

## WIPER AND WASHER SYSTEMS

---

## 2. Wiper and Washer System

### A: WIRING DIAGRAM

#### 1. WIPER AND WASHER (FRONT)

<Ref. to WI-118, WIRING DIAGRAM, Front Wiper and Washer System.>

#### 2. WIPER AND WASHER (REAR)

<Ref. to WI-119, WIRING DIAGRAM, Rear Wiper and Washer System.>

### B: INSPECTION

Symptom	Repair order
Wiper and washers do not operate.	1. Wiper fuse (F/B No. 14, 15) 2. Combination switch 3. Wiper motor assembly 4. Wiring harness
Wipers do not operate in LO or HI.	1. Combination switch 2. Wiper motor assembly 3. Wiring harness
Wipers do not operate in INT.	1. Combination switch 2. Wiper motor assembly 3. Wiring harness
Washer motor does not operate.	1. Washer switch 2. Washer motor 3. Wiring harness
Wipers do not operate when washer switch is ON.	1. Wiper motor assembly 2. Wiring harness
Washer fluid spray does not operate properly.	1. Washer motor 2. Washer hose and nozzle

### C: NOTE

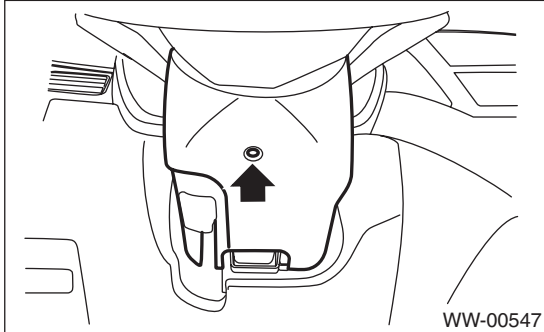
For procedure of each component of the wiper and washer system, refer to the respective sections.

- Combination switch (wiper) <Ref. to WW-7, Combination Switch (Wiper).>
- Wiper blade <Ref. to WW-11, Wiper Blade.>
- Front wiper arm <Ref. to WW-14, Front Wiper Arm.>
- Front wiper motor & link <Ref. to WW-15, Front Wiper Motor and Link.>
- Rear wiper arm <Ref. to WW-18, Rear Wiper Arm.>
- Rear wiper motor <Ref. to WW-19, Rear Wiper Motor.>
- Washer tank & motor <Ref. to WW-13, Washer Tank and Motor.>
- Front washer nozzle <Ref. to WW-17, Front Washer Nozzle.>
- Rear washer nozzle <Ref. to WW-20, Rear Washer.>

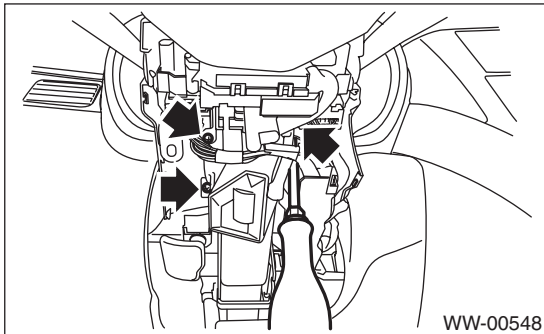
## 3. Combination Switch (Wiper)

### A: REMOVAL

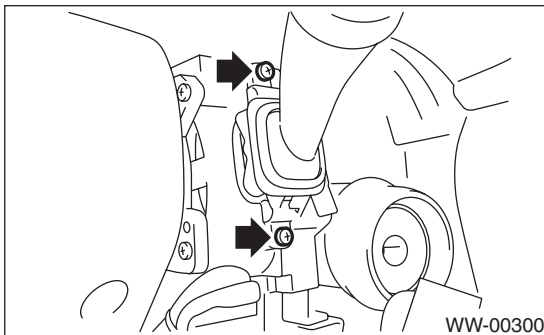
- 1) Disconnect the ground cable from battery.
- 2) Remove the screws and remove the steering column cover lower.



- 3) Remove the three mounting screws of steering column cover upper.



- 4) Disconnect the connector from wiper switch.
- 5) Remove the screws and then remove the wiper switch.

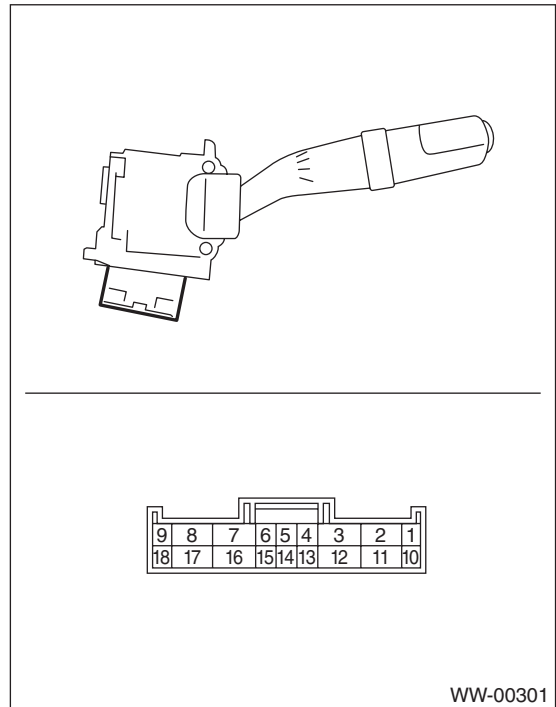


### B: INSTALLATION

Install in the reverse order of removal.

### C: INSPECTION

- Inspect the continuity between each connector terminal.



	Switch position	Terminal No.	Standard
Front	OFF	7 and 16	Less than 1 Ω
	INT	7 and 16	Less than 1 Ω
	LO	7 and 17	Less than 1 Ω
	HI	8 and 17	Less than 1 Ω
	Washer ON	2 and 11	Less than 1 Ω
Rear	OFF	2 and 10 10 and 12 2 and 12	1 MΩ or more
	INT	2 and 13	Less than 1 Ω
	ON	2 and 10	Less than 1 Ω
	Washer ON	2 and 12	Less than 1 Ω

If continuity is not at the standard value, replace the switch.



# Combination Switch (Wiper)

## WIPER AND WASHER SYSTEMS

### 1. FRONT WIPER

1) Check with Subaru Select Monitor

When the front wiper switch is operated, check the input signal using the Subaru Select Monitor.

- (1) Prepare the Subaru Select Monitor kit.
- (2) Turn the ignition switch to ON.
- (3) On «System Selection Menu» display, select {Integ. unit mode}.
- (4) Select the {Current Data Display & Save}.
- (5) Check the input signal when the front wiper switch is set to LO or HI.

Is the input signal normal?

- Yes → Finish the diagnosis.
- No →
  1. Check the harness.
  2. Check ACC input voltage of body integrated unit.

#### **Connector & terminal**

##### **(B281) No. 5 (+) — Chassis ground (-):**

3. Replace the body integrated unit. <Ref. to SL-50, Body Integrated Unit.>

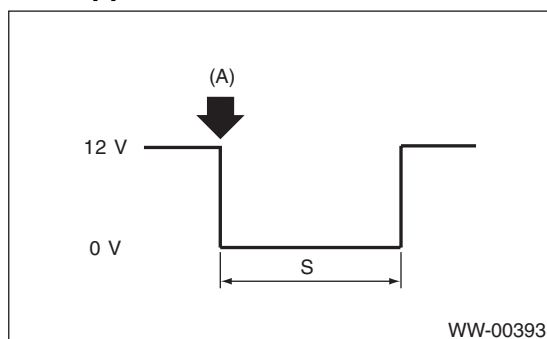
2) Check the intermittent operation (inspection of the wiper switch alone)

- (1) Set the voltage meter between terminal No. 7 (+) and No. 2 (-).
- (2) Connect the battery to connector. (Terminal No. 17 (+), terminal No. 2 & 16 (-))
- (3) Turn the front wiper switch to INT.
- (4) Connect the battery (+) to the terminal No. 16 for 5 seconds.
- (5) Connect the battery (-) to the terminal No. 16, and check the voltage between terminal No. 7 — No. 2 when performing the intermittent operation.
- (6) Perform step (1) to (5) above when intermittent control switch is in MIN or MAX, and replace the switch if the operation is not as specified.

#### **Intermittent stationary time**

**MIN: Approx. 4 seconds**

**MAX: Approx. 19 seconds**



(A): Connect the battery (-) to the terminal No. 16.

S: Intermittent downtime (sec.)

# Combination Switch (Wiper)

## 2. REAR WIPER

### 1) Check with Subaru Select Monitor

	Step	Check	Yes	No
1	<p><b>CHECK INPUT OF REAR WIPER SWITCH.</b> Check the input from body integrated unit using the Subaru Select Monitor.</p> <ol style="list-style-type: none"> <li>1) Prepare the Subaru Select Monitor kit.</li> <li>2) Turn the ignition switch to ON.</li> <li>3) On «System Selection Menu» display, select {Integ. unit mode}.</li> <li>4) Select the {Current Data Display &amp; Save}.</li> <li>5) Check the input of the rear wiper switch.</li> </ol>	Is the input normal?	Go to step 4.	Go to step 2.
2	<p><b>CHECK HARNESS.</b></p> <ol style="list-style-type: none"> <li>1) Turn the ignition switch to OFF, disconnect the ground cable from battery.</li> <li>2) Disconnect the connector of body integrated unit.</li> <li>3) Disconnect the connector from wiper switch.</li> <li>4) Measure the resistance between body integrated unit and wiper switch.</li> </ol> <p><b>Connector &amp; terminal</b> <b>(B281) No. 18 — (B70) No. 10:</b> <b>(B281) No. 27 — (B70) No. 13:</b> <b>(B281) No. 28 — (B70) No. 12:</b></p>	Is the resistance less than 10 Ω?	Go to step 3.	Repair the harness between the body integrated unit and wiper switch.
3	<p><b>CHECK INPUT VOLTAGE OF BODY INTEGRATED UNIT.</b></p> <ol style="list-style-type: none"> <li>1) Connect the ground cable to battery.</li> <li>2) Turn the ignition switch to ACC.</li> <li>3) Check the input voltage of body integrated unit.</li> </ol> <p><b>Connector &amp; terminal</b> <b>(B280) No. 7 (+) — Chassis ground (-):</b></p>	Is the voltage 10 V or more?	Go to step 4.	Check the harness and fuse.
4	<p><b>CHECK OUTPUT OF BODY INTEGRATED UNIT.</b> When the rear wiper switch is operated, check the output using the Subaru Select Monitor.</p> <ol style="list-style-type: none"> <li>1) Turn the ignition switch to ON.</li> <li>2) Operate the rear wiper switch and set to each position of ON and INT.</li> <li>3) At this time, check the body integrated unit output.</li> </ol>	When set to ON, is ON output continuous? When set to INT, is ON/OFF output repeated? (INT OFF time (when vehicle parked): 12 seconds)	Check the rear wiper motor circuit.	Replace the body integrated unit. <Ref. to SL-50, Body Integrated Unit.>

# Combination Switch (Wiper)

## WIPER AND WASHER SYSTEMS

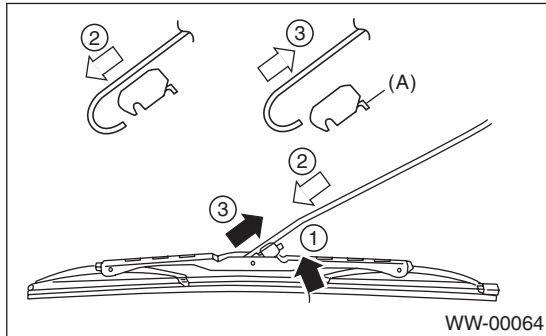
### 2) Check rear wiper motor circuit

Step	Check	Yes	No
<b>1 CHECK POWER SUPPLY CIRCUIT OF THE REAR WIPER MOTOR.</b> 1) Disconnect the harness connector of the rear wiper motor. 2) Turn the ignition switch to ACC. 3) Measure the voltage between the rear wiper motor harness connector terminal and chassis ground. <b>Connector &amp; terminal</b> <b>(D43) No. 3 (+) — Chassis ground (-):</b>	Is the voltage 10 V or more?	Go to step 2.	<ul style="list-style-type: none"> <li>• Check the fuse (No. 23 in fuse &amp; relay box).</li> <li>• Check the fusible link (No. 7 in main fuse box).</li> </ul>
<b>2 CHECK GROUND CIRCUIT OF REAR WIPER MOTOR.</b> 1) Turn the ignition switch to OFF. 2) Measure the resistance between the rear wiper motor harness connector terminal and chassis ground. <b>Connector &amp; terminal</b> <b>(D43) No. 4 — Chassis ground:</b>	Is the resistance less than 10 Ω?	Go to step 3.	Repair the open circuit of the rear wiper motor ground circuit.
<b>3 CHECK HARNESS BETWEEN BODY INTEGRATED UNIT AND REAR WIPER MOTOR.</b> 1) Turn the ignition switch to OFF. 2) Disconnect the harness connector of body integrated unit. 3) Disconnect the harness connector of the rear wiper motor. 4) Measure the resistance between the harness connector terminals of the body integrated unit and rear wiper motor. <b>Connector &amp; terminal</b> <b>(B279) No. 8 — (D43) No. 1:</b> <b>(B279) No. 9 — (D43) No. 2:</b>	Is the resistance less than 10 Ω?	Go to step 4.	Repair the open circuit of the harness between body integrated unit and rear wiper motor.
<b>4 CHECK INPUT VOLTAGE OF BODY INTEGRATED UNIT.</b> 1) Turn the ignition switch to ACC. 2) Check the input voltage of body integrated unit. <b>Connector &amp; terminal</b> <b>(B279) No. 21 (+) — Chassis ground (-):</b>	Is the voltage 10 V or more?	Go to step 5.	Check the harness and fuse.
<b>5 CHECK OUTPUT OF BODY INTEGRATED UNIT.</b> 1) Connect the harness connector of body integrated unit. 2) Disconnect the connector of the rear wiper motor. 3) Turn the ignition switch to ACC. 4) Measure the voltage between rear wiper motor connector and chassis ground. <b>Connector &amp; terminal</b> <b>(D43) No. 2 (+) — Chassis ground (-):</b>	Is the voltage less than 1.5 V when rear wiper switch is OFF, and is the voltage 10 V or more when rear wiper switch is ON?	Go to step 6.	Replace the body integrated unit. <Ref. to SL-50, Body Integrated Unit.>
<b>6 CHECK OPERATION OF REAR WIPER MOTOR.</b> 1) Remove the rear wiper motor. 2) Check the rear wiper motor. <Ref. to WW-19, INSPECTION, Rear Wiper Motor.>	Does the rear wiper motor rotate normally?	End.	Replace the rear wiper motor.

## 4. Wiper Blade

### A: REMOVAL

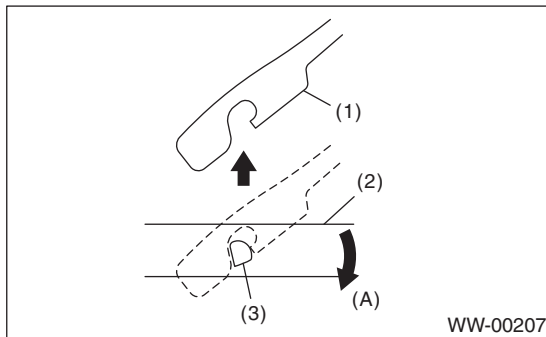
#### 1. FRONT



- 1) While pushing the locking clip (A), push in the arm to the blade assembly side. (arrow mark 2)
- 2) Float and pull out the arm (arrow mark 3), and remove the blade assembly from the arm.

#### 2. REAR

Turn the blade in the direction of arrow (A) and remove it from arm.



(A) Turn the wiper blade.

- (1) Wiper arm
- (2) Wiper blade
- (3) Wiper blade attachment section

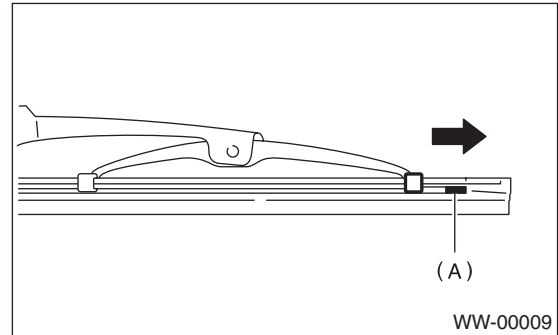
### B: INSTALLATION

- 1) Install in the reverse order of removal.
- 2) Confirm that the clip is locked securely.

### C: DISASSEMBLY

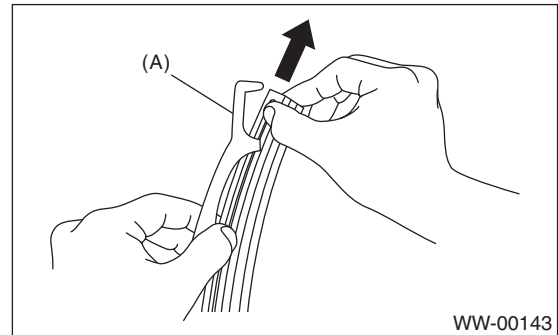
#### 1. FRONT

Pull side (A) of the wiper rubber stopper and remove the rubber from the blade assembly.



#### 2. REAR

Pull the wiper rubber top slightly from stopper (A) and pull out completely.



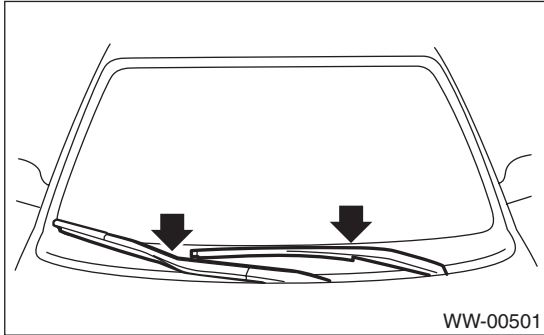
# Wiper Blade

## WIPER AND WASHER SYSTEMS

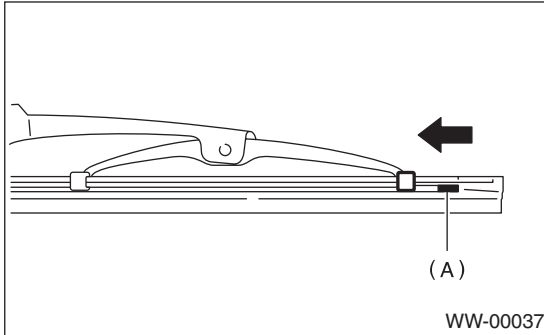
### D: ASSEMBLY

#### 1. FRONT

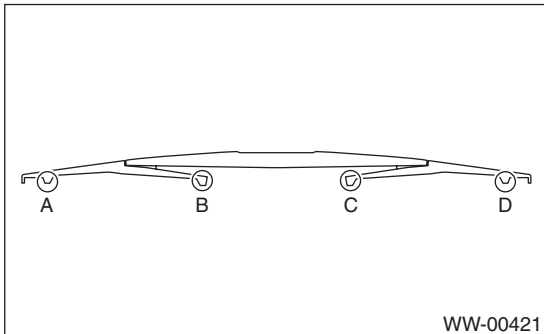
1) Insert the wiper rubber onto the blade so that the stopper is in the position shown in the figure.



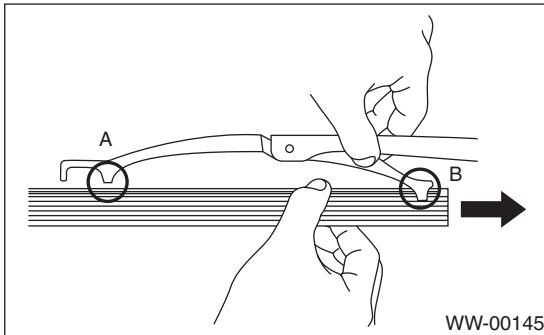
2) Make sure the wiper rubber is securely fastened to the pull stopper (A).



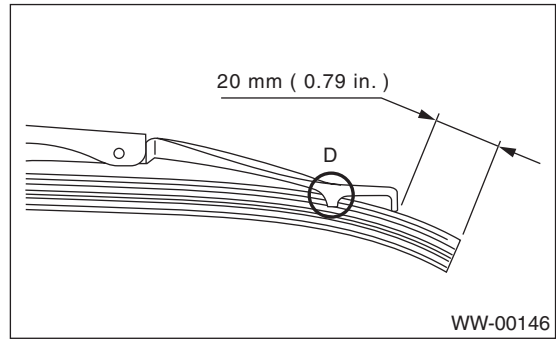
#### 2. REAR



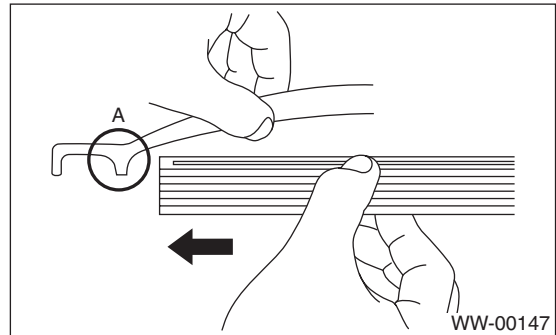
1) Insert the wiper rubber into claw (B).



2) Insert the wiper rubber until its top end protrudes approx. 20 mm (0.79 in) from stopper (D).



3) Insert the wiper rubber into claw (A).



### E: INSPECTION

1) When the wiper does not operate properly, inspect the following item.

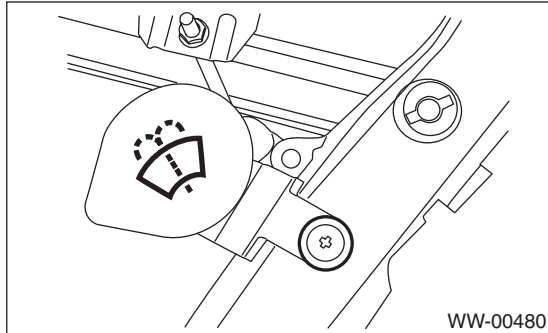
- Make sure the movable part of blade assembly moves smoothly.
- Make sure the wiper rubber is not deformed or damaged.

2) Replace with a new part if damage is found.

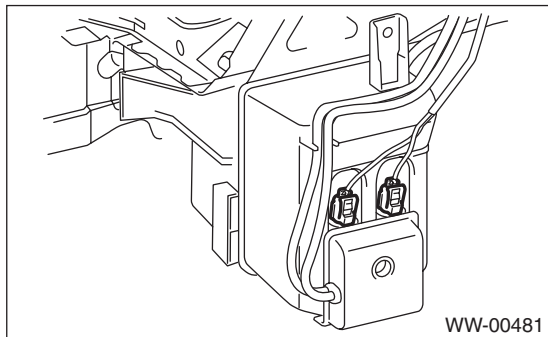
## 5. Washer Tank and Motor

### A: REMOVAL

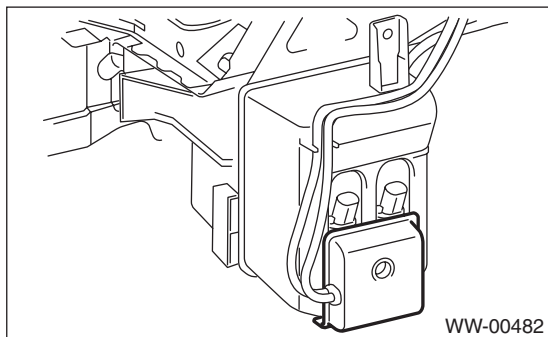
- 1) Open the front hood.
- 2) Disconnect the ground cable from battery.
- 3) Remove the front bumper face. <Ref. to EI-29, REMOVAL, Front Bumper.>
- 4) Remove the duct clip.



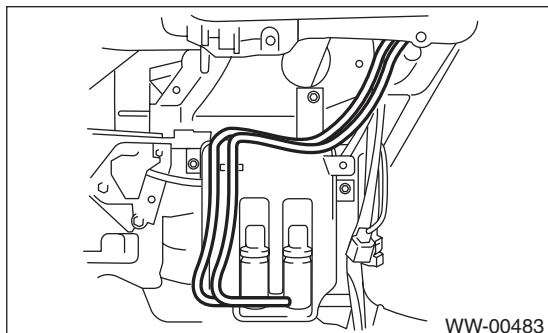
- 5) Disconnect the connector.



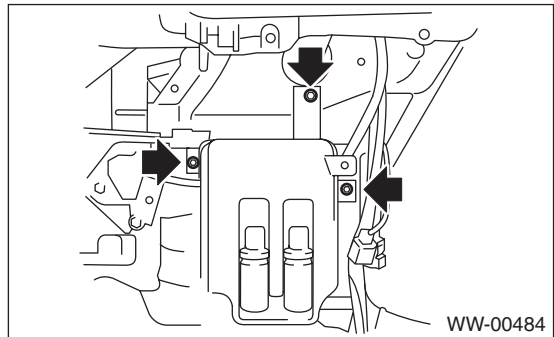
- 6) Remove the screws and detach the cover.



- 7) Disconnect the hoses.



- 8) Remove the bolts and nuts and remove the washer tank.



### B: INSTALLATION

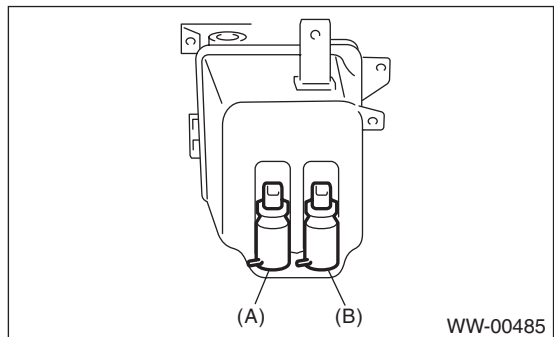
Install in the reverse order of removal.

#### **Tightening torque:**

**6.0 N·m (0.61 kgf·m, 4.4 ft·lb)**

### C: DISASSEMBLY

Pull out the washer motor from the tank.



(A) Front

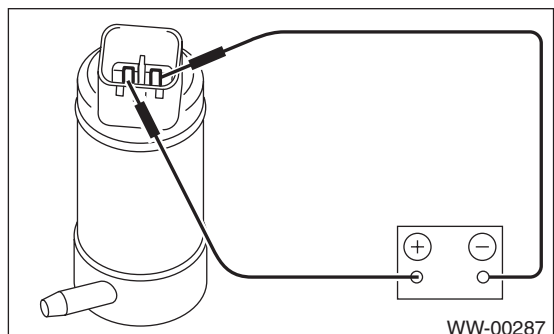
(B) Rear

### D: ASSEMBLY

- 1) Assemble in the reverse order of disassembly.
- 2) Confirm that water does not leak from installation area of motor.

### E: INSPECTION

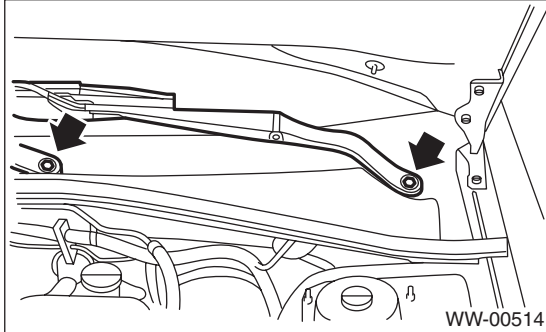
Apply battery voltage to the connector terminal of the washer motor and make sure the motor operates.



### 6. Front Wiper Arm

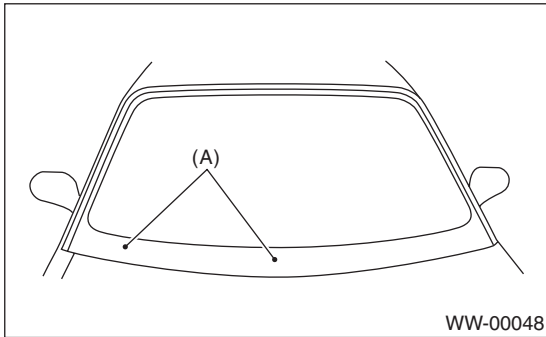
#### A: REMOVAL

- 1) Open the front hood.
- 2) Remove the cap.
- 3) Remove the nut and remove the arm.



#### B: INSTALLATION

- 1) Install in the reverse order of removal.
- 2) Operate the wiper once.
- 3) Align the wiper blade to ceramic print point mark (A) of front window panel.

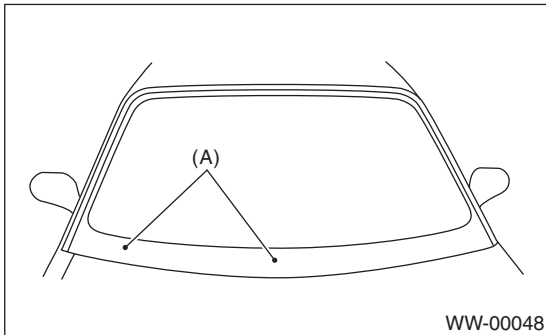


#### **Tightening torque:**

Refer to “COMPONENT” of “General Description”. <Ref. to WW-2, FRONT WIPER, COMPONENT, General Description.>

#### C: ADJUSTMENT

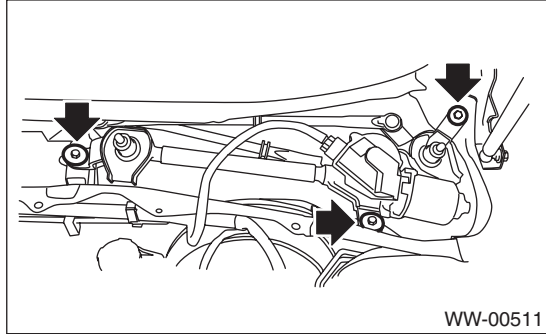
Operate the wiper once. Align the wiper blade to ceramic print point mark (A) of front window panel.



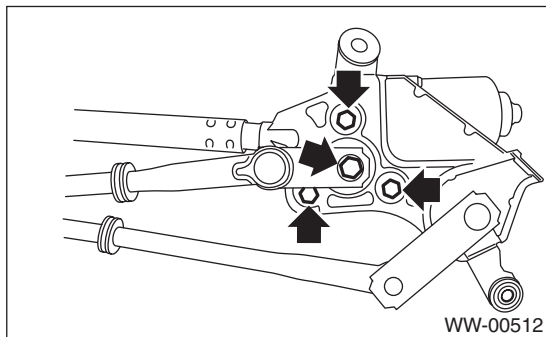
## 7. Front Wiper Motor and Link

### A: REMOVAL

- 1) Disconnect the ground cable from the battery.
- 2) Remove the cowl panel. <Ref. to EI-38, REMOVAL, Cowl Panel.>
- 3) Disconnect the connector of motor.
- 4) Remove the bolt, and then remove the wiper link.

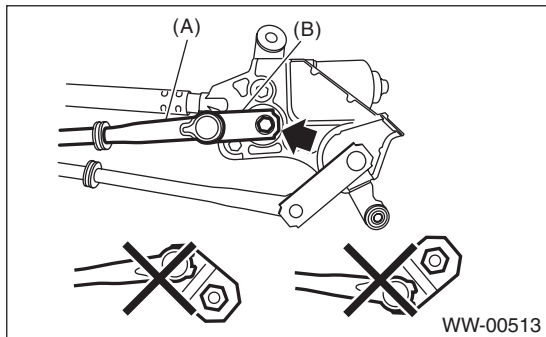


- 5) Remove the bolts and nuts and remove the motor.



### B: INSTALLATION

- 1) Connect the ground cable to battery.
- 2) To confirm that the motor is at the auto stop position, connect the harness to the motor and turn the wiper switch to ON/OFF once.
- 3) Disconnect the ground cable from battery.
- 4) Tighten the nut where rod (A) and link plate (B) is aligned in a straight line.



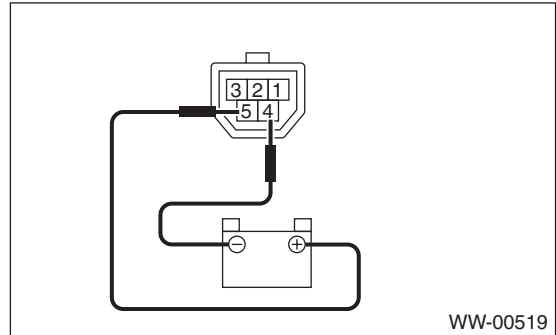
- 5) Install in the reverse order of removal.

### Tightening torque:

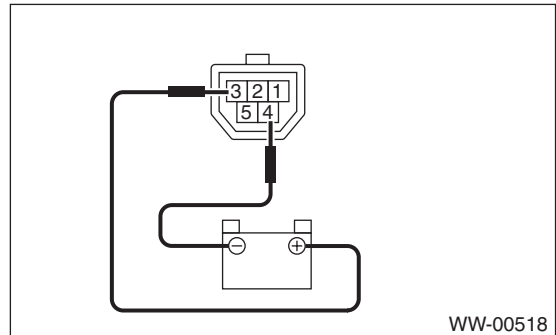
Refer to "COMPONENT" of "General Description". <Ref. to WW-2, FRONT WIPER, COMPONENT, General Description.>

### C: INSPECTION

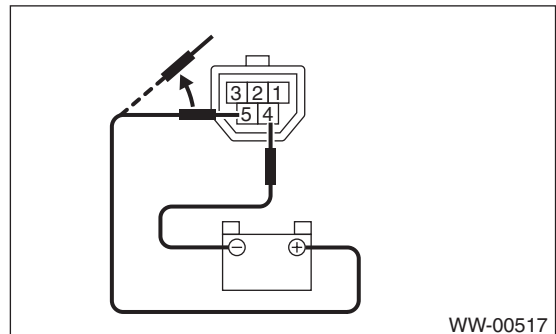
- 1) When the battery is connected to the terminal of connectors as shown in the figure, confirm that the motor operates at low speed.



- 2) When the battery is connected to the terminal of connectors as shown in the figure, confirm that the wiper motor operates at high speed.



- 3) Connect the battery to terminals of the connector, and remove the terminal connection with motor rotating at low speed, and stop the wiper motor in mid-operation.



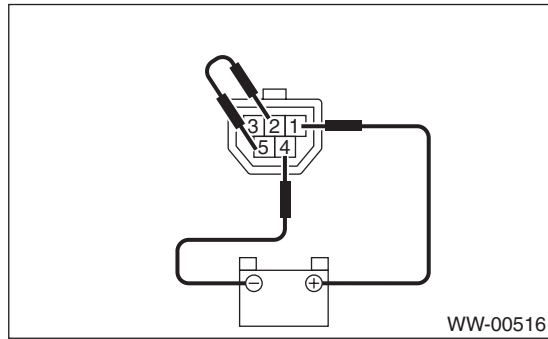


## Front Wiper Motor and Link

### WIPER AND WASHER SYSTEMS

---

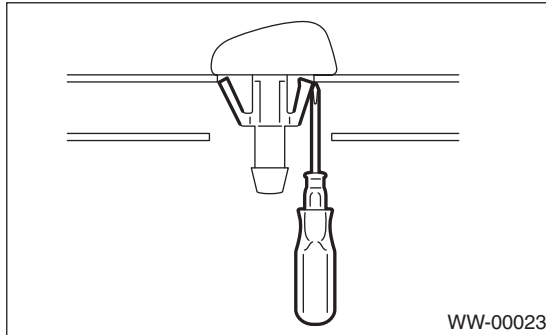
4) Connect the battery and confirm that the motor stops at the automatic stop position after the motor operates at low speed again.



## 8. Front Washer Nozzle

### A: REMOVAL

- 1) Remove the washer hose from the washer nozzle.
- 2) Open the clips on the underside of the front hood with a thin screwdriver or other tool, and remove the washer nozzle.



### B: INSTALLATION

Install in the reverse order of removal.

### C: INSPECTION

#### 1. VISUAL CHECK

Check the following items, if a failure is found replace the parts.

- Make sure the nozzle and hose are not clogged.
- Make sure the hose is not bent.

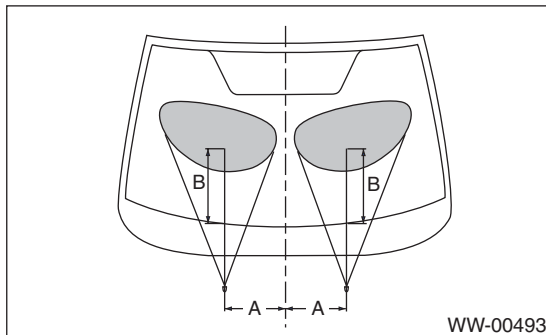
#### 2. SPRAY POSITION CHECK

- 1) Turn the wiper switch to OFF position.
- 2) While the vehicle is at a standstill, make sure that the washer injection position is as shown in the figure.
- 3) After check, if the spray position is largely different from the position, replace with a new washer nozzle.

**Spray position:**

**A: 250 mm (9.84 in)**

**B: 315 mm (12.4 in)**



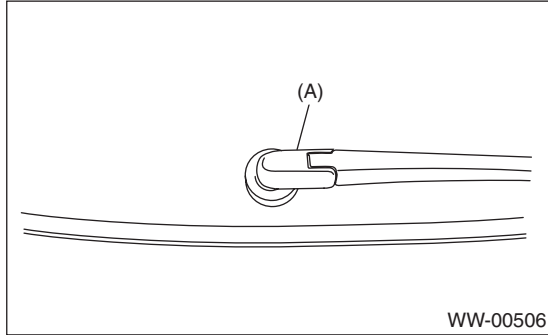
# Rear Wiper Arm

## WIPER AND WASHER SYSTEMS

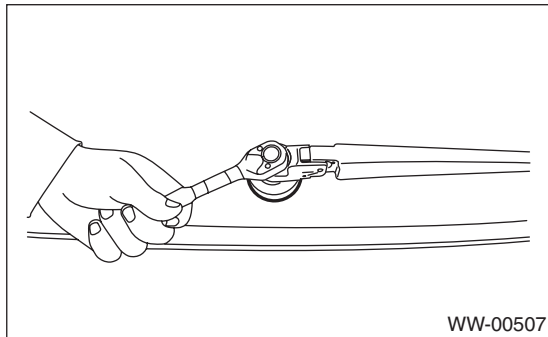
### 9. Rear Wiper Arm

#### A: REMOVAL

- 1) Detach the wiper arm cover (A).

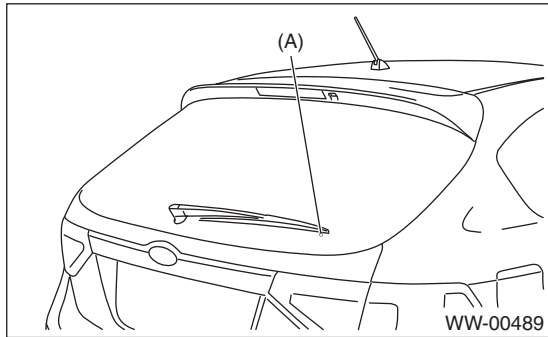


- 2) Remove the nut and remove the wiper arm.



#### B: INSTALLATION

- 1) Install in the reverse order of removal.
- 2) Operate the rear wiper once.
- 3) Align the blade with the marking (A) of the glass.

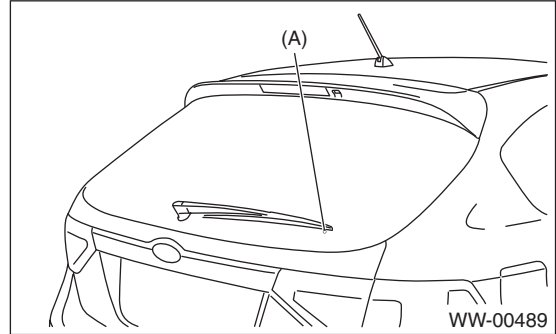


#### Tightening torque:

Refer to "COMPONENT" of "General Description". <Ref. to WW-3, REAR WIPER, COMPONENT, General Description.>

#### C: ADJUSTMENT

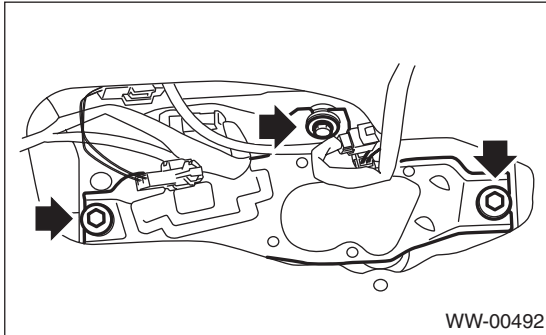
- 1) Operate the rear wiper once.
- 2) Align the blade with the marking (A) of the glass.



## 10. Rear Wiper Motor

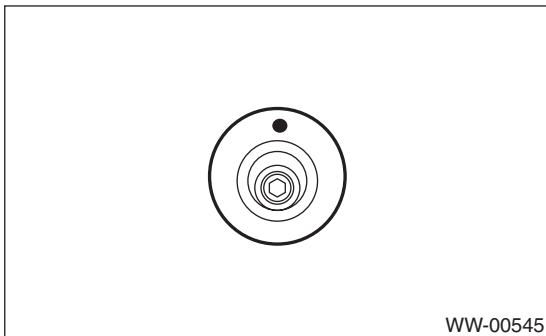
### A: REMOVAL

- 1) Disconnect the ground cable from the battery.
- 2) Remove the rear wiper arm. <Ref. to WW-18, REMOVAL, Rear Wiper Arm.>
- 3) Remove the rear gate lower trim. <Ref. to EI-66, REMOVAL, Rear Gate Trim.>
- 4) Disconnect the harness connector of wiper motor assembly.
- 5) Remove the bolt, and then remove the wiper motor assembly.



### B: INSTALLATION

- 1) Install in the reverse order of removal.
- 2) Make sure that the pivot cap with the round mark facing up, as shown in the figure.

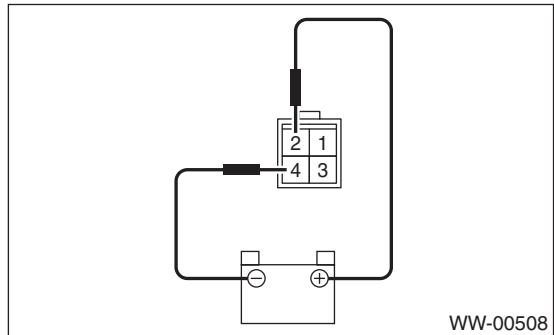


**Tightening torque:**

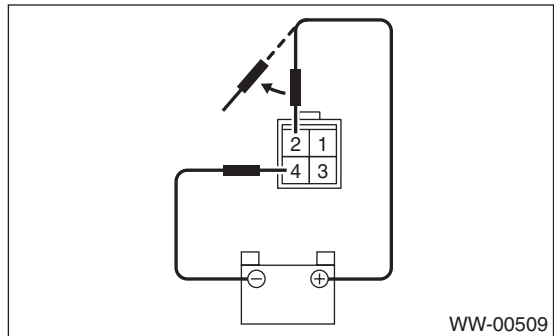
Refer to "COMPONENT" of "General Description". <Ref. to WW-3, REAR WIPER, COMPONENT, General Description.>

### C: INSPECTION

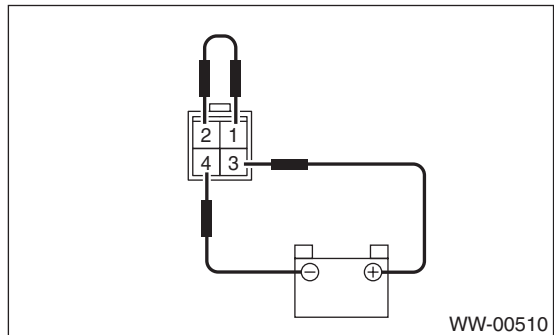
- 1) Connect the battery to the wiper motor connector and confirm that wiper motor operates.



- 2) Connect the battery to terminals of the connector, and remove the terminal connection with motor rotating, and stop the wiper motor in mid-operation.



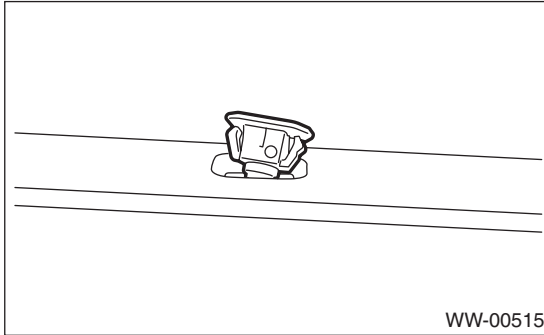
- 3) Connect the battery and confirm that the motor stops at the automatic stop position after the motor operates at low speed again.



### 11.Rear Washer

#### A: REMOVAL

- 1) Remove the high-mounted stop light. <Ref. to LI-29, REMOVAL, High-mounted Stop Light.>
- 2) Remove the washer hose from the washer nozzle.
- 3) Push the claw of the nozzle from the reverse side of roof spoiler with a flat tip screwdriver or equivalent, and remove the washer nozzle.



#### B: INSTALLATION

Install in the reverse order of removal.

#### C: INSPECTION

##### 1. VISUAL CHECK

Check the following items, if a failure is found replace the parts.

- Make sure the nozzle and hose are not clogged.
- Make sure the hose is not bent.

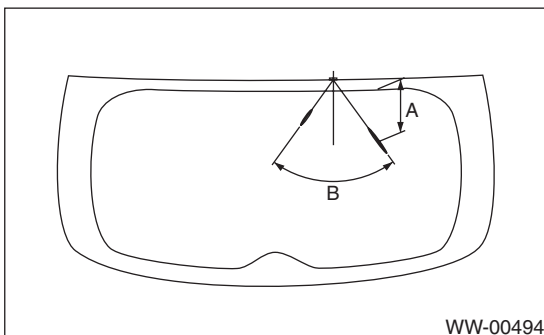
##### 2. SPRAY POSITION CHECK

- 1) Turn the wiper switch to OFF position.
- 2) While the vehicle is at a standstill, make sure that the washer injection position is as shown in the figure.
- 3) After check, if the spray position is largely different from the position, replace with a new washer nozzle.

**Spray position:**

**A: 140 mm (5.5 in)**

**B: 70°**



## 1. General Description

### A: CAUTION

- Before disassembling or reassembling parts, always disconnect the battery ground cable from battery. When replacing the audio, control module and other parts provided with memory functions, record the memory contents before disconnecting the battery ground cable. Otherwise, the memory is cleared.
- Reassemble the parts in the reverse order of disassembly procedure unless otherwise indicated.
- Adjust parts to the given specifications.
- Connect the connectors securely during reassembly.
- After reassembly, make sure functional parts operate smoothly.

### B: PREPARATION TOOL

#### 1. GENERAL TOOL

TOOL NAME	REMARKS
Circuit tester	Used for measuring resistance and voltage.

## 2. Audio System

### A: WIRING DIAGRAM

#### 1. AUDIO

<Ref. to WI-122, WIRING DIAGRAM, Audio System.>

### B: INSPECTION

Symptom	Repair order
No power coming in. (No display and no sound from speakers)	<ol style="list-style-type: none"> <li>1. Check the fuse and power supply for audio.</li> <li>2. Check the audio ground.</li> <li>3. Remove the audio for repair.</li> </ol>
A specific speaker does not operate.	<ol style="list-style-type: none"> <li>1. Check the speaker.</li> <li>2. Check the output circuit between audio and speaker.</li> </ol>
Audio generates noise with engine is running.	<ol style="list-style-type: none"> <li>1. Check the audio ground.</li> <li>2. Check the generator.</li> <li>3. Check the ignition coil.</li> <li>4. Remove the audio for repair.</li> </ol>
Volume is low in AM and FM modes or interference noise occurs.	<ol style="list-style-type: none"> <li>1. Check the antenna.</li> <li>2. Check the audio ground.</li> <li>3. Remove the audio for repair.</li> </ol>

### C: NOTE

For procedure of each component in the audio system, refer to the respective section.

- Audio unit <Ref. to ET-6, Audio.>
- Front speaker <Ref. to ET-7, Front Speaker.>
- Tweeter <Ref. to ET-8, Tweeter.>
- Rear speaker <Ref. to ET-9, Rear Speaker.>
- Antenna <Ref. to ET-10, Antenna.>

## 3. Navigation System

### A: WIRING DIAGRAM

<Ref. to WI-126, WIRING DIAGRAM, Navigation System.>

### B: INSPECTION

#### NOTE:

If there are no problems in the following “CHECK NAVIGATION OPERATION”, “CHECK DVD-ROM”, “CHECK CONNECTION” and “CHECK EACH VEHICLE SIGNAL”, check the navigation system circuit. <Ref. to WI-126, WIRING DIAGRAM, Navigation System.>

#### 1. CHECK THE OPERATION OF THE NAVIGATION

Start the engine, and then inspect that the opening screen is displayed.

Standard value: The opening screen should be displayed.

OK: Normal

NG: When not displayed, check the connecting lines for the power supply connector at the back side of the audio unit. If there are no problems in the connecting lines or the lines were repaired, check that the opening screen is displayed.

At this point, if the display is not viewable, the unit is defective.

#### 2. CHECK THE DVD-ROM

An opening screen is displayed, then it switches to the map screen by pressing the «Agree» key.

When a screen other than the opening screen is displayed, press the «MAP» key.

Standard value: The map screen should be displayed.

OK: Normal

NG: If the map screen is not displayed, the following causes are possible.

- The DVD-ROM is not set in the navigation system unit.
- The DVD-ROM is inserted with its wrong side.
- The type of DVD-ROM is wrong.
- The DVD-ROM has scratches etc.

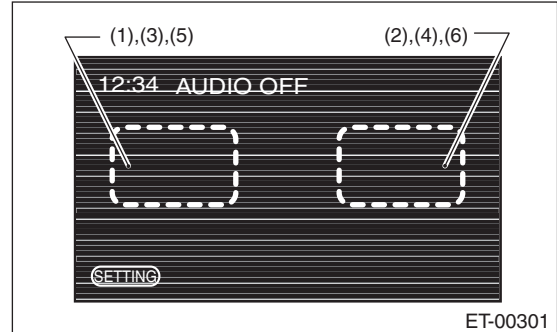
If there are no problems on the DVD-ROM, the main body is defective.

### 3. CHECK CONNECTION

#### CHECK AUX

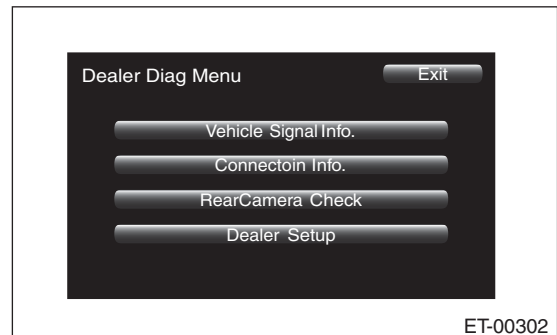
1) Press «Audio» key to display the Audio OFF screen.

2) Touch the screen in the order of (1) to (6) shown in the figure.



3) The display will switch to the Dealer Diag Menu screen.

4) Touch {Connection Info.} on the «Dealer Diag Menu» screen.



5) Check that “Connect” is displayed in the respective section of AUX.

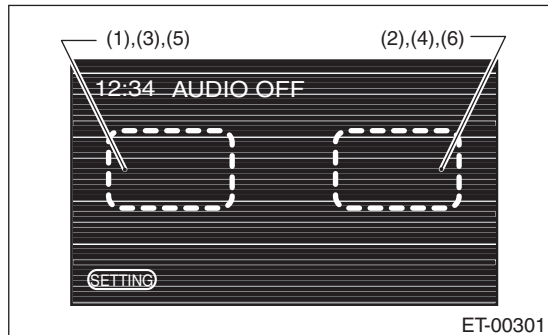
Connect: Normal.

NC: Abnormal. Check the signal line connection. If there are no problems, the unit could be faulty.

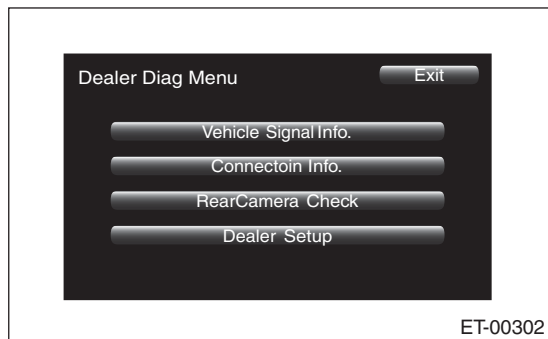


## 4. CHECK EACH VEHICLE SIGNAL

- 1) Press «Audio» key to display the Audio OFF screen.
- 2) Touch the screen in the order of (1) to (6) shown in the figure.



- 3) The display will switch to the Dealer Diag Menu screen.



### • CHECK GPS ANTENNA

#### NOTE:

When checking the GPS antenna, perform the check operation outdoors to improve the receiver sensitivity.

- 1) Touch {Vehicle Signal Info.} on the «Dealer Diag Menu» screen.
- 2) Check that “Connect” is displayed in the GPS Antenna item.

Connect: Normal.

NC: Abnormal. Check the GPS antenna connection.

### • CHECK BACK SENSOR

#### NOTE:

Before starting inspections, check the safety around the rear end of the vehicle and then turn the ignition switch to ON.

- 1) Touch {Vehicle Signal Info.} on the «Dealer Diag Menu» screen.
- 2) Pull the parking brake and depress the brake, then put the gear in reverse.
- 3) Make sure that “ON” is displayed in the Reverse item.

ON: Normal.

OFF: Abnormal. Check the signal line connection. If there are no problems, the unit could be faulty.

### • CHECK ILLUMINATION

#### NOTE:

Before starting inspections, turn the ignition switch to ON.

- 1) Touch {Vehicle Signal Info.} on the «Dealer Diag Menu» screen.

- 2) Turn the lighting switch to level 1.

Make sure that the bright switch is not turned ON at this time.

- 3) Make sure that “ON” lights in the Illumination item and then the screen fades out.

ON: Normal.

OFF: Abnormal. Check the signal line connection. If there are no problems, the unit could be faulty.

### • CHECK SPEED SENSOR

#### NOTE:

- Before starting inspections, check the safety around the vehicle.

- Lift up the vehicle as necessary.

- When the diagnostic trouble code is input in the VDCCM, perform the Clear Memory operation.

- 1) Touch {Vehicle Signal Info.} on the «Dealer Diag Menu» screen.

- 2) Move the vehicle 2 to 3 meters (6.6 to 9.8 ft).

- 3) Check that “ON” is displayed in the Speed item.

ON: Normal.

OFF: Abnormal. Check the signal line connection. If there are no problems, the unit could be faulty.

### • CHECK IGNITION SIGNAL

- 1) Touch {Vehicle Signal Info.} on the «Dealer Diag Menu» screen.

- 2) Turn the ignition switch to ON.

- 3) Check that “ON” is displayed in the IGN item.

ON: Normal.

OFF: Abnormal. Check the signal line connection. If there are no problems, the unit could be faulty.

### • CHECK PARKING BRAKE SIGNAL

- 1) Touch {Vehicle Signal Info.} on the «Dealer Diag Menu» screen.

- 2) Pull parking brake lever.

- 3) Check that “ON” is displayed in the Parking item.

ON: Normal.

OFF: Abnormal. Check the signal line connection. If there are no problems, the unit could be faulty.

## C: NOTE

For procedure of each component in the navigation system, refer to the respective section.

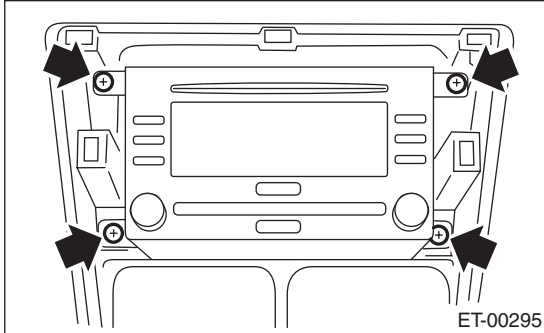
- Navigation unit <Ref. to ET-12, Navigation Body.>

- GPS antenna <Ref. to ET-13, GPS Antenna.>

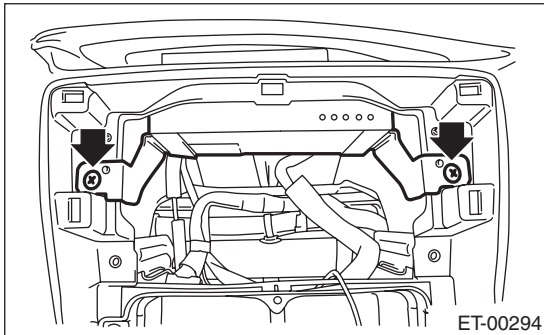
## 4. Audio

### A: REMOVAL

- 1) Disconnect the ground cable from battery.
- 2) Remove the center panel. <Ref. to EI-49, CENTER PANEL, REMOVAL, Center Console.>
- 3) Remove the screws, and partially pull the audio out from center console.



- 4) Disconnect the harness connectors and antenna feeder cord.
- 5) Remove the audio.
- 6) Remove the screws and detach the satellite radio unit.



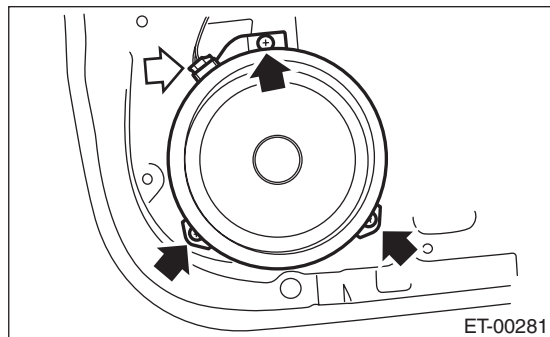
### B: INSTALLATION

Install in the reverse order of removal.

## 5. Front Speaker

### A: REMOVAL

- 1) Disconnect the ground cable from the battery.
- 2) Remove the front door trim. <Ref. to EI-43, REMOVAL, Door Trim.>
- 3) Remove the front speaker mounting screws.



- 4) Disconnect the harness connector and remove the front speaker.

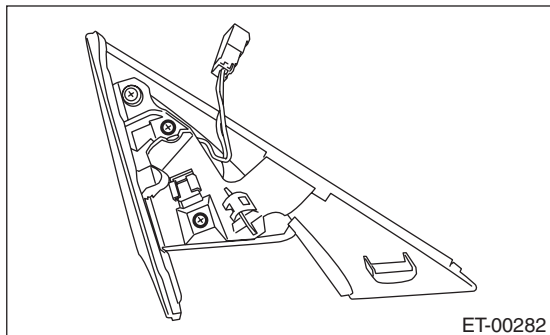
### B: INSTALLATION

Install in the reverse order of removal.

## 6. Tweeter

### A: REMOVAL

- 1) Disconnect the ground cable from battery.
- 2) Remove the front door gusset cover. <Ref. to EI-43, REMOVAL, Door Trim.>
- 3) Disconnect the harness connector.
- 4) Remove the screws and detach the tweeter.



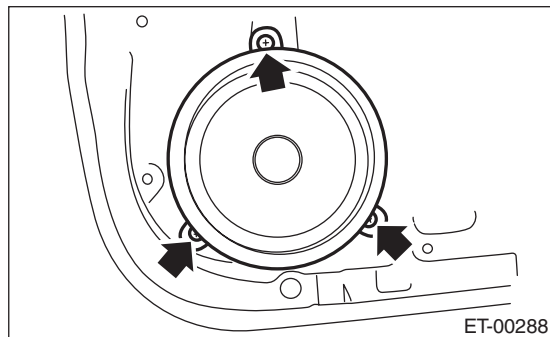
### B: INSTALLATION

Install in the reverse order of removal.

## 7. Rear Speaker

### A: REMOVAL

- 1) Disconnect the ground cable from the battery.
- 2) Remove the rear door trim. <Ref. to EI-43, REMOVAL, Door Trim.>
- 3) Remove the rear speaker mounting screws.



- 4) Disconnect the harness connector and remove the rear speaker.

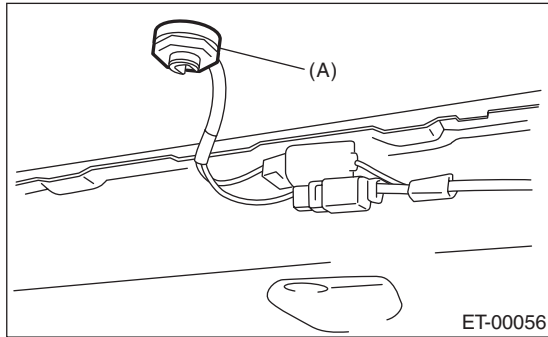
### B: INSTALLATION

Install in the reverse order of removal.

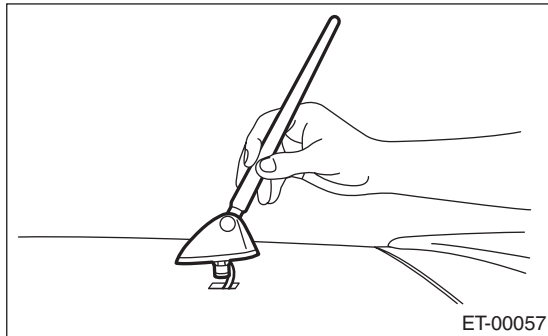
## 8. Antenna

### A: REMOVAL

- 1) Remove the roof trim. <Ref. to EI-64, REMOVAL, Roof Trim.>
- 2) Disconnect the harness connectors and terminals and remove the fitting nut (A).



- 3) Pull off the antenna from the roof.



### B: INSTALLATION

Install in the reverse order of removal.

### C: INSPECTION

Check for cracks or damages.  
If any cracks or damages, replace the antenna.

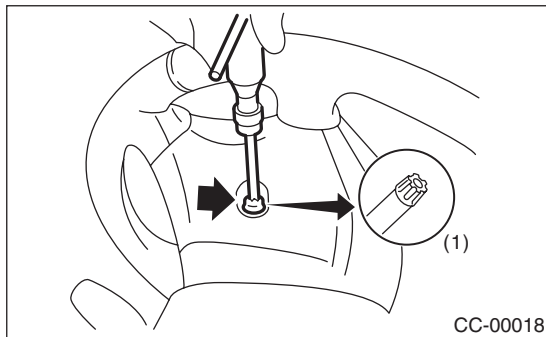
## 9. Steering Satellite Switch

### A: REMOVAL

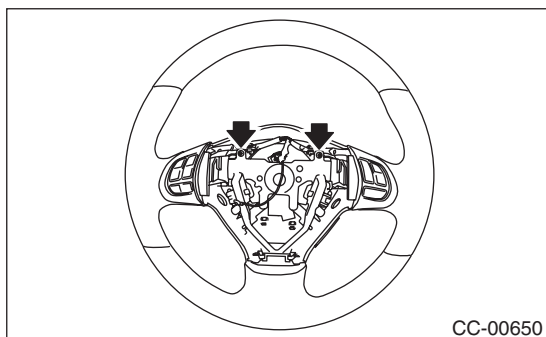
**WARNING:**

Before servicing, be sure to read the notes in the “AB” section for proper handling of the driver’s airbag module. <Ref. to AB-5, CAUTION, General Description.>

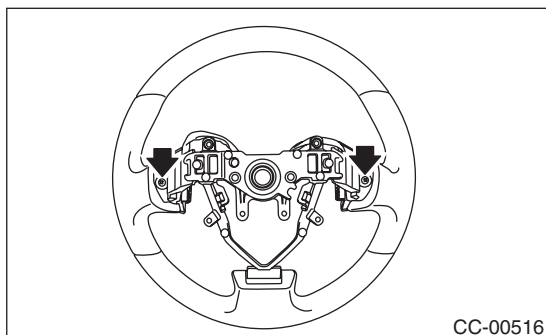
- 1) Set the front wheels in straight ahead position.
- 2) Turn the ignition switch to OFF.
- 3) Disconnect the ground cable from battery and wait for at least 20 seconds before starting work.
- 4) Using TORX® bit T30 (1), loosen two TORX® bolts which secure the driver’s airbag module.



- 5) Disconnect the airbag module connector on back of the airbag module. <Ref. to AB-8, PROCEDURE, Airbag Connector.>
- 6) Remove the steering wheel. <Ref. to PS-12, REMOVAL, Steering Wheel.>
- 7) Remove the screws to remove the lower cover from steering wheel.



- 8) Loosen the screws on the backside of the steering wheel and remove the satellite switch.

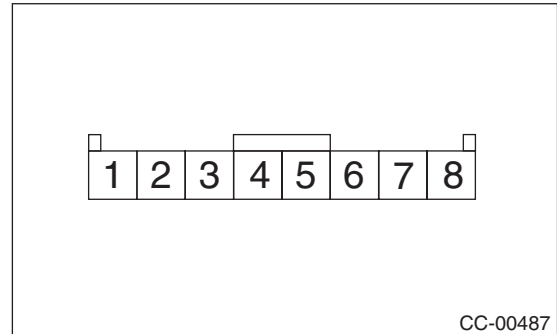


### B: INSTALLATION

Install in the reverse order of removal.

### C: INSPECTION

Measure the resistance between satellite switch connector terminals.



Switch	Position	Terminal No.	Standard
Mute Volume (+) Volume (-) Mode SEEK (∧) SEEK (∨)	All OFF	4 and 5	Approx. 4.7 kΩ
Mute	ON	4 and 5	Approx. 22 Ω
Volume (+)	ON	4 and 5	Approx. 90 Ω
Volume (-)	ON	4 and 5	Approx. 200 Ω
Mode	ON	4 and 5	Approx. 360 Ω
SEEK (∧)	ON	4 and 5	Approx. 690 Ω
SEEK (∨)	ON	4 and 5	Approx. 1.5 kΩ

If the result of the measurement is not at the standard value, replace the satellite switch.

### **10.Navigation Body**

#### **A: PROCEDURE**

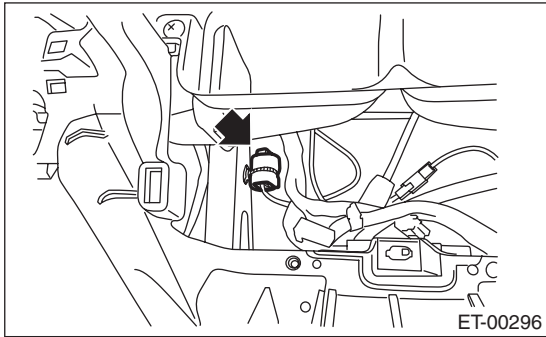
For the removal and installation operation procedures of navigation unit, refer to the removal and installation procedures of the audio unit. <Ref. to ET-6, Audio.>



## 11. GPS Antenna

### A: REMOVAL

- 1) Disconnect the ground cable from the battery.
- 2) Remove the center panel. <Ref. to EI-49, CENTER PANEL, REMOVAL, Center Console.>
- 3) Remove the audio. <Ref. to ET-6, REMOVAL, Audio.>
- 4) Disconnect the connector (green) of GPS antenna.

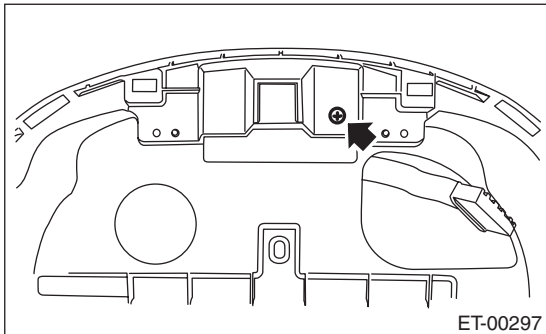


#### NOTE:

Attach a string of about 50 cm in length, etc. to the GPS antenna for easy installation work.

5) Remove the combination meter assembly. <Ref. to IDI-16, REMOVAL, Combination Meter.>

6) Remove the screw and harness clamp to remove the GPS antenna.



#### NOTE:

When the GPS antenna harness connector is pulled out, remove the string attached to the connector in step 4).

### B: INSTALLATION

Install in the reverse order of removal.

# Front Accessory Power Supply Socket

ENTERTAINMENT

---

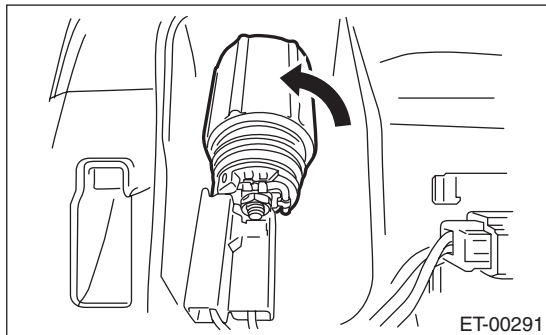
## 12. Front Accessory Power Supply Socket

### A: WIRING DIAGRAM

<Ref. to WI-124, WIRING DIAGRAM, Front Accessory Power Supply Socket System.>

### B: REMOVAL

- 1) Disconnect the ground cable from battery.
- 2) Remove the instrument panel lower. <Ref. to EI-51, INSTRUMENT PANEL, LOWER, REMOVAL, Center Console.>
- 3) Disconnect the harness connectors and remove the front accessory power supply socket.



### C: INSTALLATION

Install in the reverse order of removal.

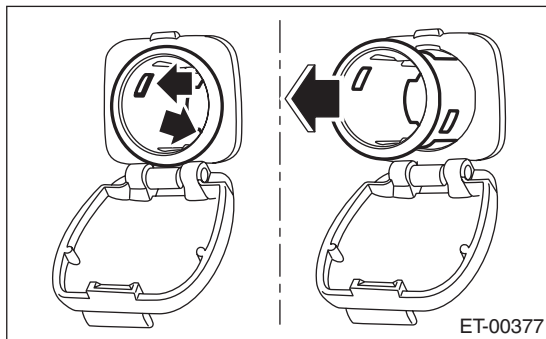
## 13. Rear Accessory Power Supply Socket

### A: WIRING DIAGRAM

<Ref. to WI-125, WIRING DIAGRAM, Rear Accessory Power Supply Socket System.>

### B: REMOVAL

- 1) Disconnect the ground cable from battery.
- 2) Remove the console box. <Ref. to EI-48, REMOVAL, Console Box.>
- 3) Disconnect the harness connector, and remove the claws (two) in accessory power supply socket.
- 4) Pull the accessory power supply socket out to remove.



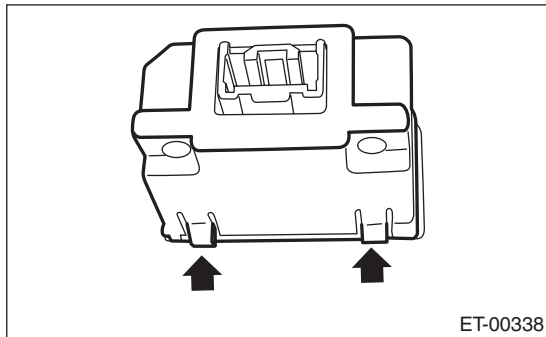
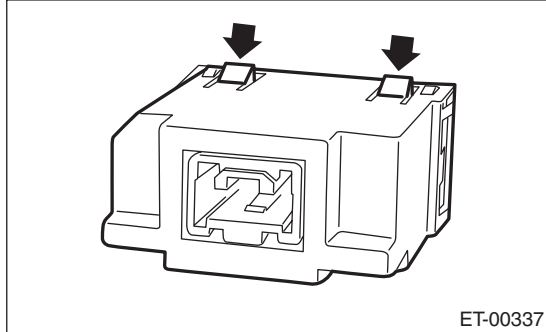
### C: INSTALLATION

Install in the reverse order of removal.

## 14.AUX Input Terminal

### A: REMOVAL

- 1) Disconnect the ground cable from battery.
- 2) Remove the console box. <Ref. to EI-48, REMOVAL, Console Box.>
- 3) Disconnect the harness connector.
- 4) Disengage four claws, and remove the AUX input terminal by pushing it into the console box.



### B: INSTALLATION

Install in the reverse order of removal.

### 1. General Description

#### A: CAUTION

- Before disassembling or reassembling parts, always disconnect the battery ground cable from battery. When replacing the radio, control unit, and other parts provided with memory functions, record the memory contents before disconnecting the battery ground cable. Otherwise, the memory is cleared.
- Reassemble the parts in the reverse order of disassembly procedure unless otherwise indicated.
- Adjust parts to the given specifications.
- Connect the connectors securely during reassembly.
- After reassembly, make sure functional parts operate smoothly.

#### B: PREPARATION TOOL

##### 1. GENERAL TOOL

TOOL NAME	REMARKS
Circuit tester	Used for measuring resistance and voltage.
TORX® T30	Used for removal/installation of driver's airbag module.

## 2. Horn System

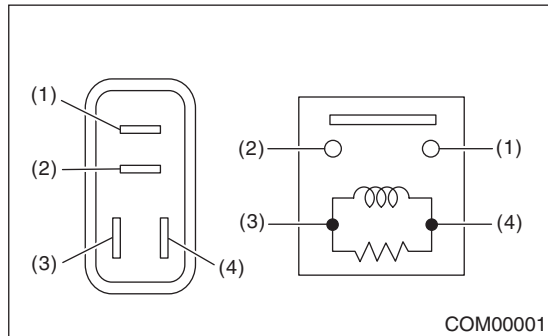
### A: WIRING DIAGRAM

Refer to “Horn System” in WI section. <Ref. to WI-129, WIRING DIAGRAM, Horn System.>

### B: INSPECTION

#### 1. HORN RELAY

Measure the horn relay resistance between terminals when connecting terminal No. 4 to the battery positive terminal and terminal No. 3 to the battery ground terminal.



Continuity	Terminal No.	Standard
Yes	1 and 2	Less than 1 $\Omega$
No		1 M $\Omega$ or more

### C: NOTE

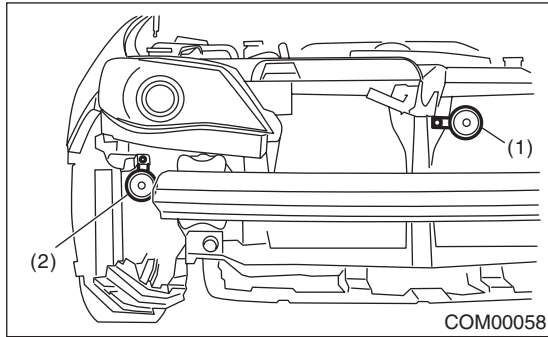
For procedure of each component in the horn system, refer to the respective section.

- Horn assembly <Ref. to COM-4, Horn.>
- Horn switch <Ref. to COM-5, Horn Switch.>

### 3. Horn

#### A: REMOVAL

- 1) Disconnect the ground cable from battery.
- 2) Remove the front bumper face. <Ref. to EI-29, FRONT BUMPER FACE, REMOVAL, Front Bumper.>
- 3) Disconnect the harness connector.
- 4) Remove the horn bracket mounting bolt, and remove the horn assembly.



- (1) Lo side horn
- (2) Hi side horn

#### B: INSTALLATION

Install in the reverse order of removal.

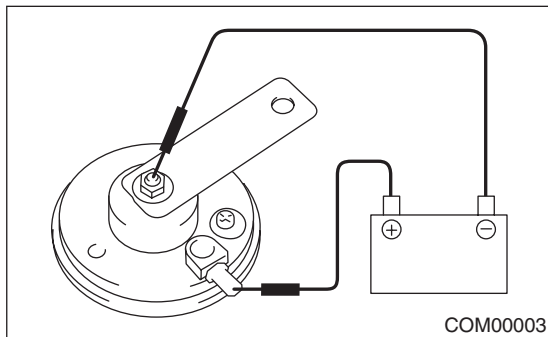
##### *Tightening torque:*

**Lo side: 18 N·m (1.8 kgf-m, 13.3 ft-lb)**

**Hi side: 13 N·m (1.3 kgf-m, 9.6 ft-lb)**

#### C: INSPECTION

With 12 V direct current supply between horn terminal and case ground, check that the horn sounds properly.



If defective, replace the horn.

## 4. Horn Switch

### A: REMOVAL

#### WARNING:

Before servicing, be sure to read the notes in the AB section for proper handling of the driver's airbag module. <Ref. to AB-5, CAUTION, General Description.>

#### NOTE:

Horn switch is a unit with the driver's airbag module.

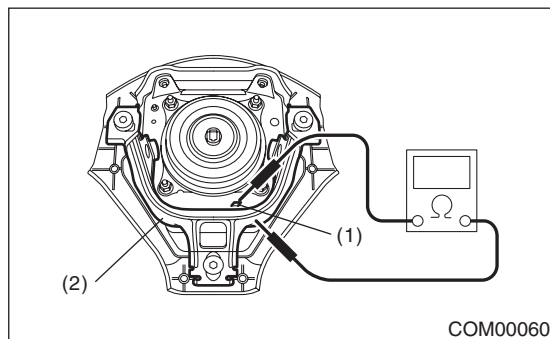
- 1) Disconnect the ground cable from battery.
- 2) Remove the driver's airbag module. <Ref. to AB-15, REMOVAL, Driver's Airbag Module.>

### B: INSTALLATION

Install in the reverse order of removal.

### C: INSPECTION

Measure the resistance between horn switch terminal and airbag module bracket.



- (1) Horn switch terminal
- (2) Airbag module bracket

Switch position	Terminal No.	Resistance
The airbag module bracket being pushed	Horn switch terminal and airbag module bracket	Less than 1 $\Omega$
The airbag module bracket being separated		1 M $\Omega$ or more

If defective, replace the driver's airbag module.



# Horn Switch

COMMUNICATION SYSTEM

---

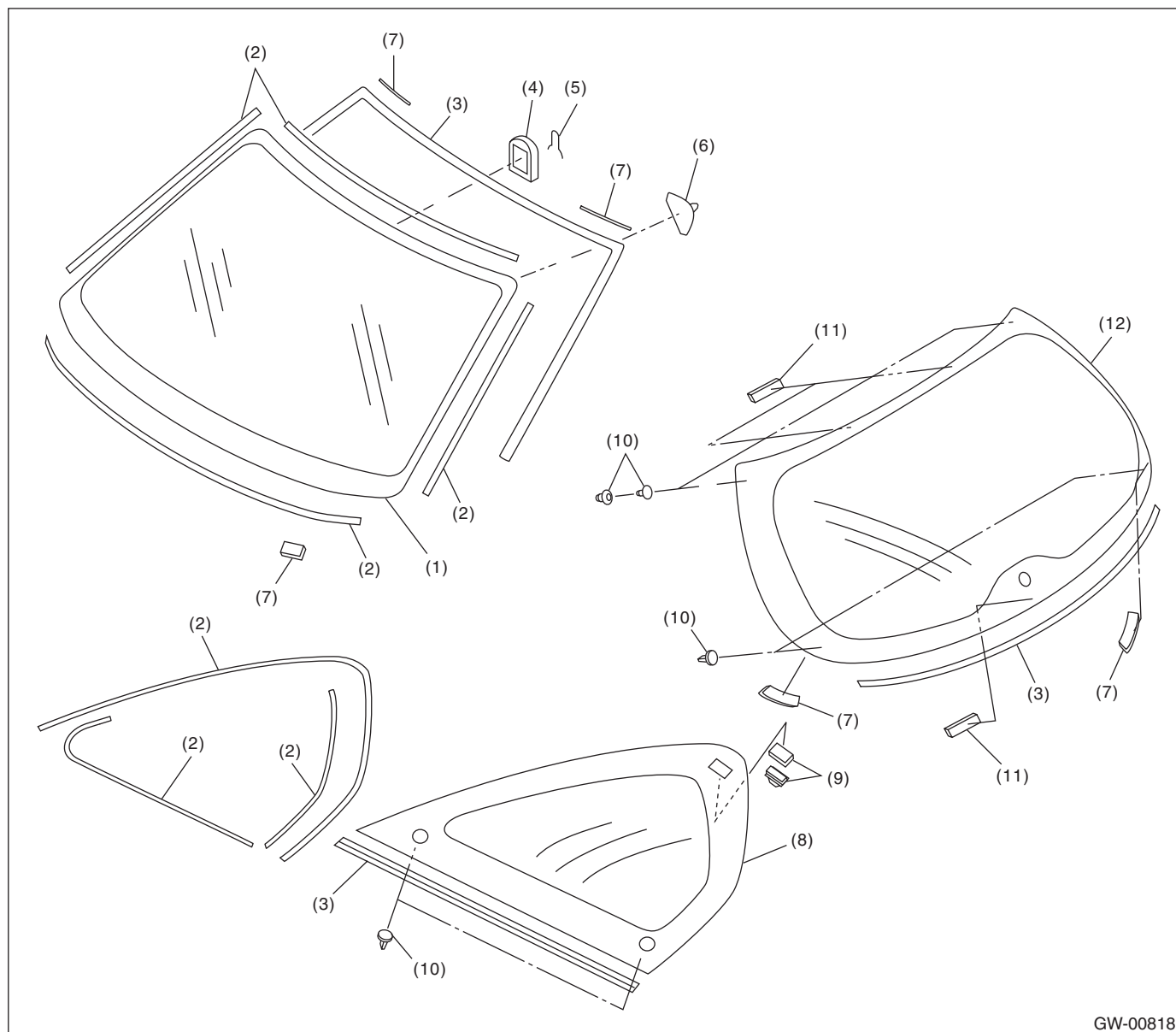
# General Description

GLASS/WINDOWS/MIRRORS

## 1. General Description

### A: COMPONENT

#### 1. FIXED GLASS (5 DOOR MODEL)



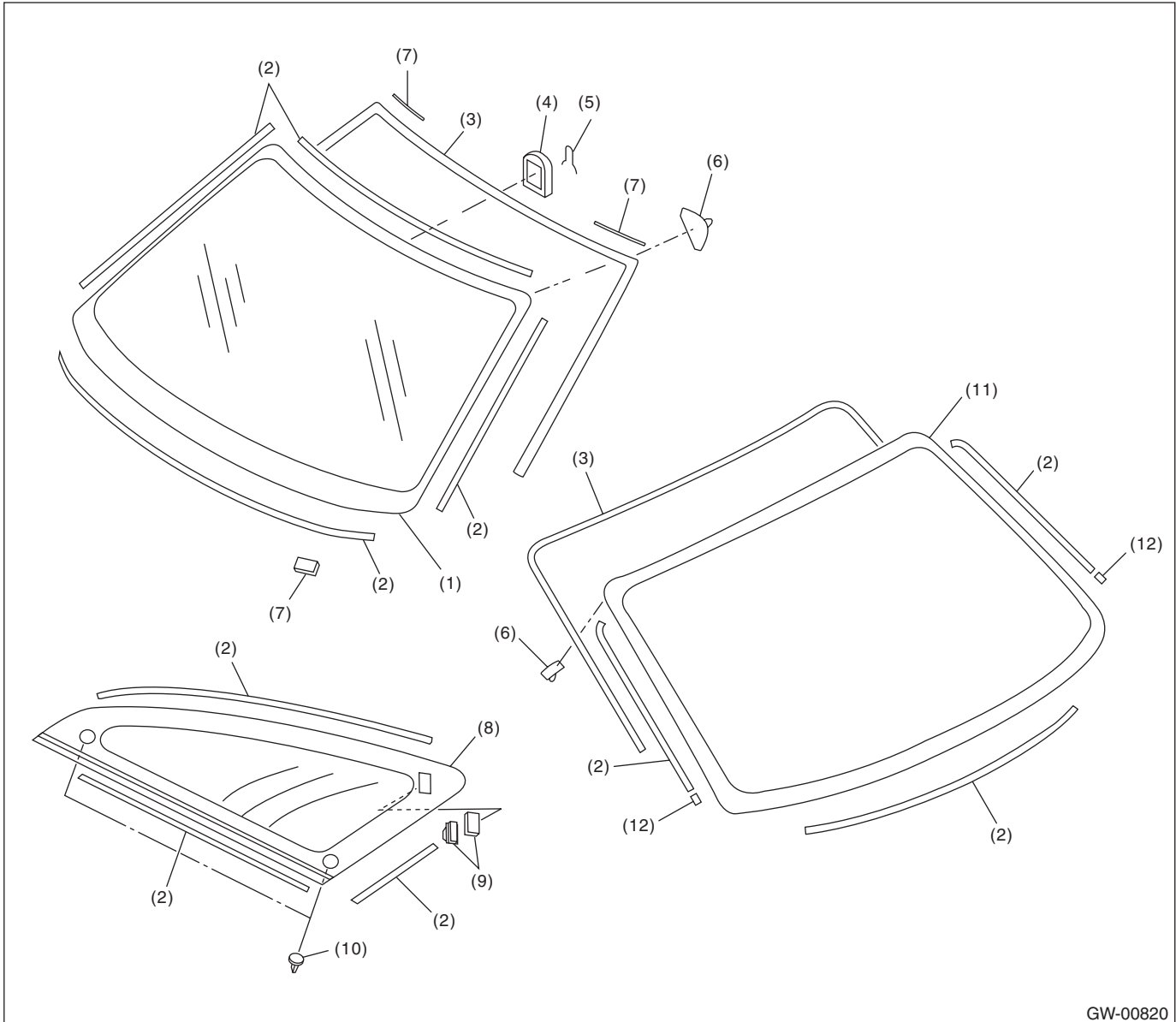
GW-00818

- (1) Windshield glass
- (2) Dam rubber
- (3) Molding
- (4) Rearview mirror mount

- (5) Spring
- (6) Locating pin
- (7) Seal
- (8) Rear quarter glass

- (9) Fastener
- (10) Locating pin
- (11) Spacer
- (12) Rear gate glass

## 2. FIXED GLASS (4 DOOR MODEL)



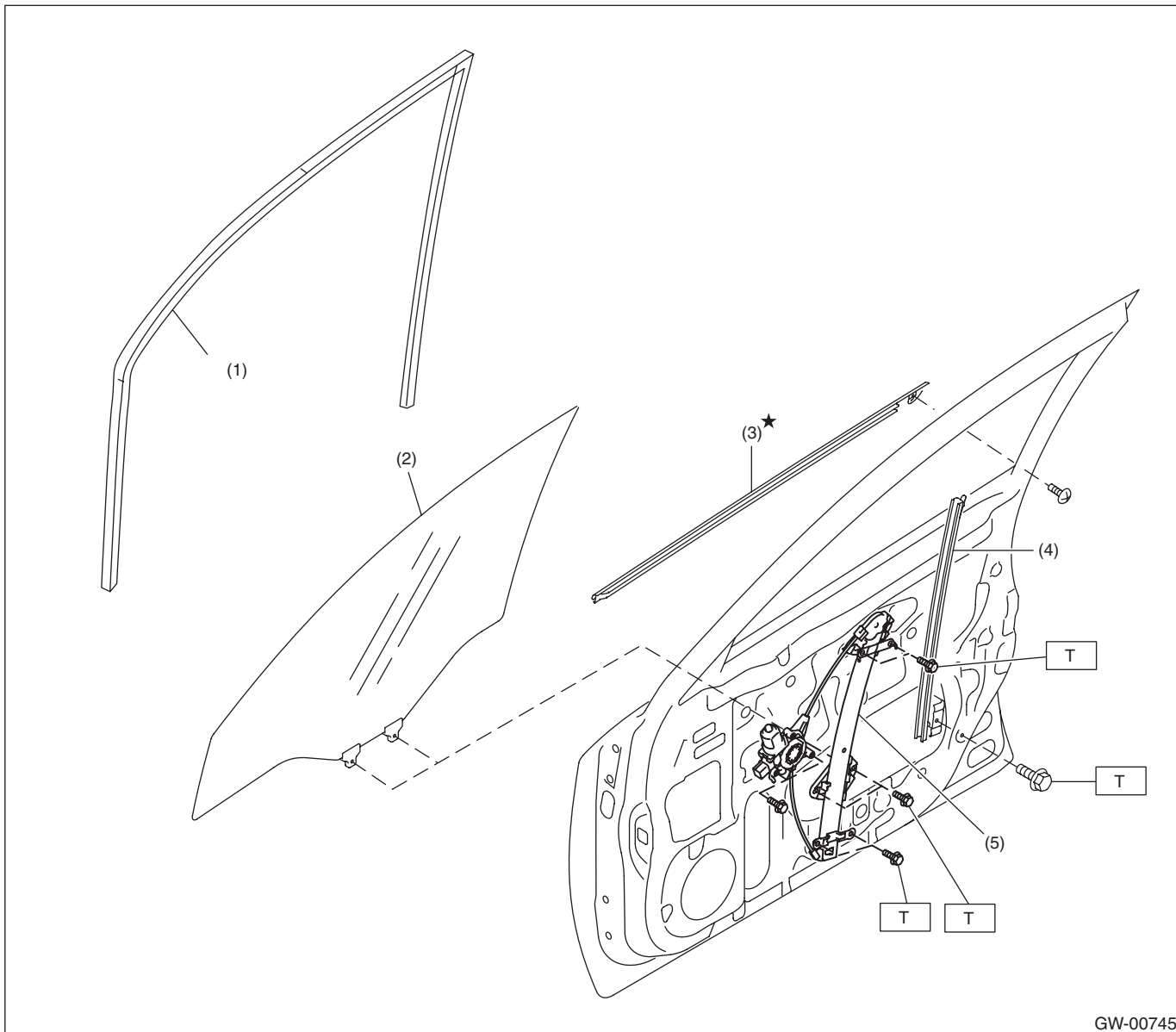
GW-00820

- |                           |                        |                        |
|---------------------------|------------------------|------------------------|
| (1) Windshield glass      | (5) Spring             | (9) Fastener           |
| (2) Dam rubber            | (6) Locating pin       | (10) Locating pin      |
| (3) Molding               | (7) Seal               | (11) Rear window glass |
| (4) Rearview mirror mount | (8) Rear quarter glass | (12) Spacer            |

# General Description

GLASS/WINDOWS/MIRRORS

## 3. FRONT DOOR GLASS



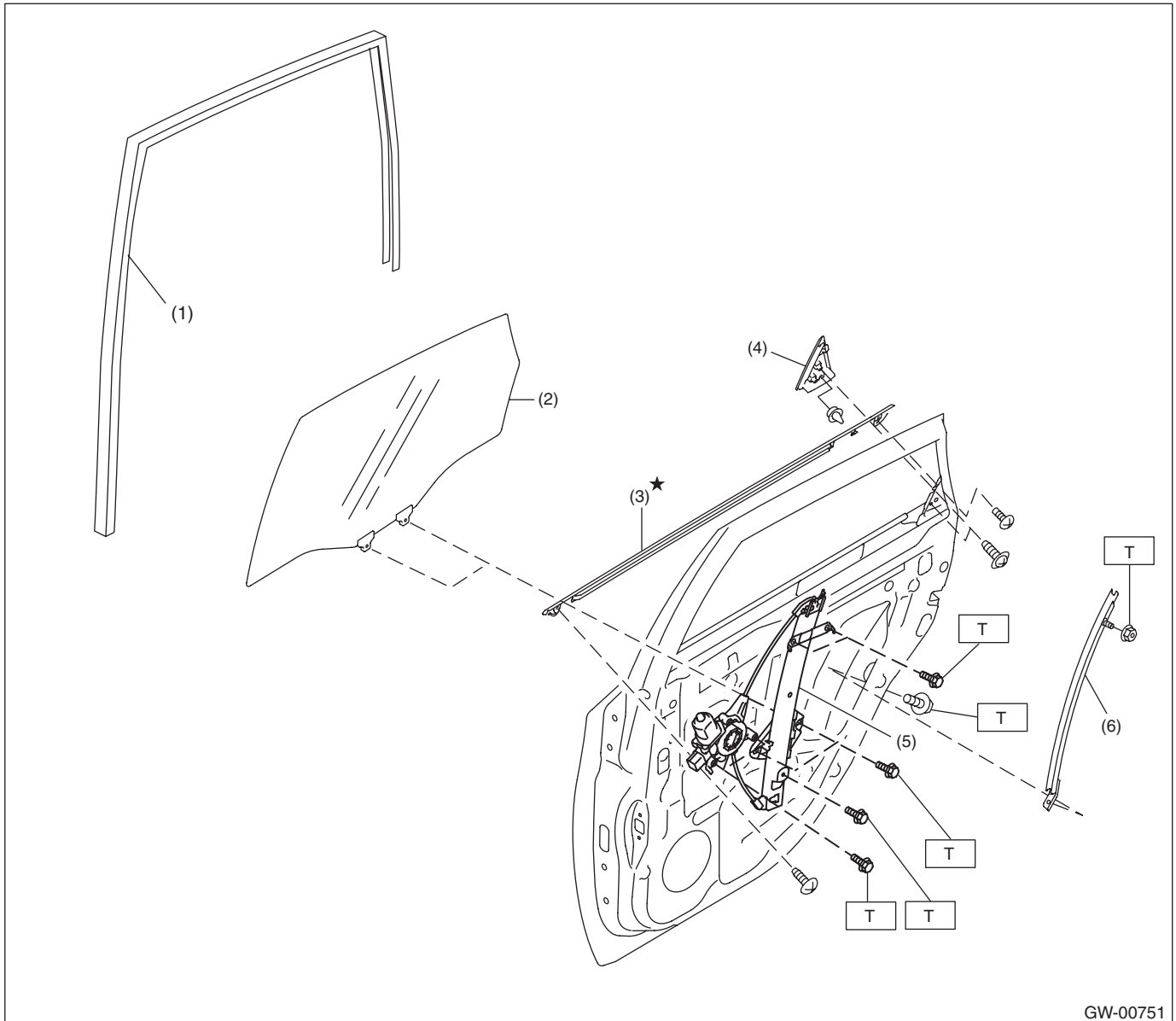
GW-00745

- |                         |                            |
|-------------------------|----------------------------|
| (1) Glass run rubber    | (4) Door sash              |
| (2) Glass               | (5) Regulator & motor ASSY |
| (3) Weather strip outer |                            |

**Tightening torque: N·m (kgf·m, ft·lb)**

**T: 7.5 (0.76, 5.5)**

## 4. REAR DOOR GLASS



GW-00751

- |                         |                             |
|-------------------------|-----------------------------|
| (1) Glass run rubber    | (4) Rear outer gusset cover |
| (2) Glass               | (5) Regulator & motor ASSY  |
| (3) Weather strip outer | (6) Door sash               |

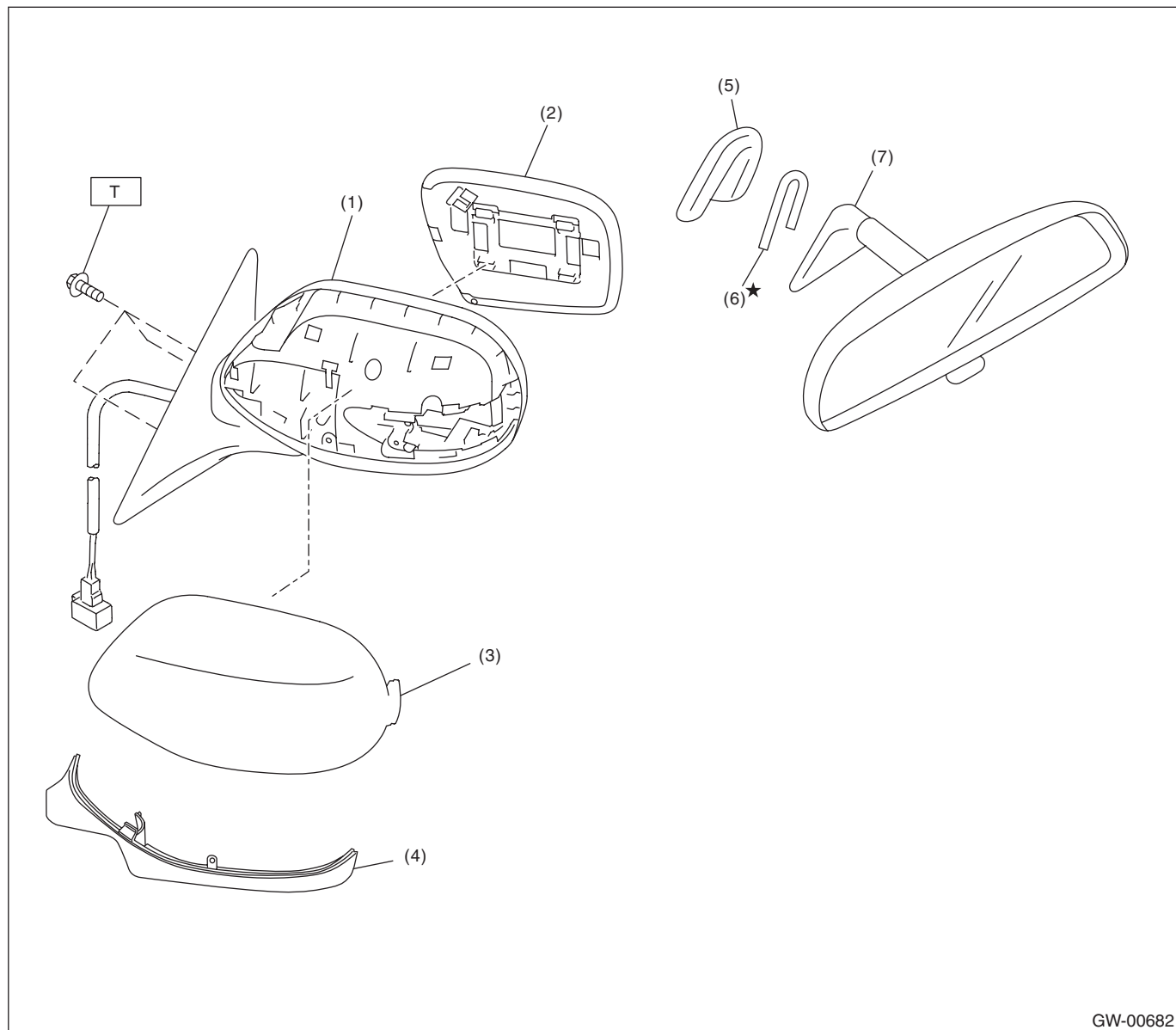
**Tightening torque: N·m (kgf·m, ft·lb)**

**T: 7.5 (0.76, 5.5)**

# General Description

GLASS/WINDOWS/MIRRORS

## 5. MIRROR



- |                            |                          |
|----------------------------|--------------------------|
| (1) Outer mirror case ASSY | (5) Mount                |
| (2) Mirror                 | (6) Spring               |
| (3) Scalp cap              | (7) Rearview mirror ASSY |
| (4) Lower cover            |                          |

**Tightening torque: N·m (kgf·m, ft·lb)**

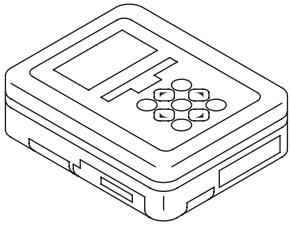
**T: 4.5 (0.46, 3.3)**

### B: CAUTION

- When electrical connectors are disconnected, always conduct an operational check after connecting them again.
- Avoid impact and damage to the glass.

## C: PREPARATION TOOL

### 1. SPECIAL TOOL

ILLUSTRATION	TOOL NUMBER	DESCRIPTION	REMARKS
 <p style="text-align: center;">ST1B022XU0</p>	1B022XU0	SUBARU SELECT MONITOR III KIT	Used for setting of each function and trouble-shooting for electrical system.

### 2. GENERAL TOOL

TOOL NAME	REMARKS
Circuit tester	Used for checking voltage and continuity.
Piano wire	Used for removing the window glass.
Cutter knife	Used for removing the window glass.
Windshield glass knife	Used for removing the window glass.

# Power Window System

GLASS/WINDOWS/MIRRORS

---

## 2. Power Window System

### A: WIRING DIAGRAM

Refer to "Power Window System" in WI section. <Ref. to WI-130, WIRING DIAGRAM, Power Window System.>

### B: INSPECTION

Symptom	Repair order
All power windows do not operate.	<ol style="list-style-type: none"><li>1. Fuse (SBF-4)</li><li>2. Power window circuit breaker</li><li>3. Power window relay</li><li>4. Wiring harness</li></ol>
Particular window does not operate.	<ol style="list-style-type: none"><li>1. Power window main switch</li><li>2. Power window sub-switch</li><li>3. Power window motor</li><li>4. Wiring harness</li></ol>
"Window Lock" does not operate.	Power window main switch

### C: NOTE

For procedure of each component in the power window system, refer to the respective section.

- Power window control switch <Ref. to GW-9, Power Window Control Switch.>
- Front door glass <Ref. to GW-11, Front Door Glass.>
- Front regulator & motor assembly <Ref. to GW-12, Front Regulator and Motor Assembly.>
- Rear door glass <Ref. to GW-18, Rear Door Glass.>
- Rear regulator & motor assembly <Ref. to GW-19, Rear Regulator and Motor Assembly.>

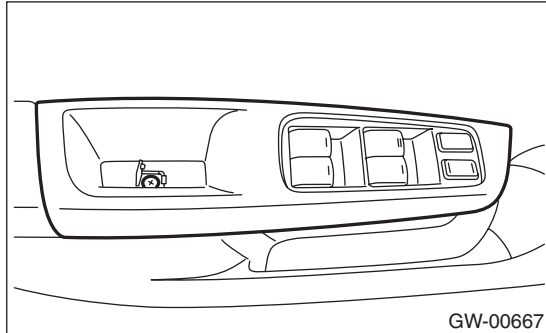


## 3. Power Window Control Switch

### A: REMOVAL

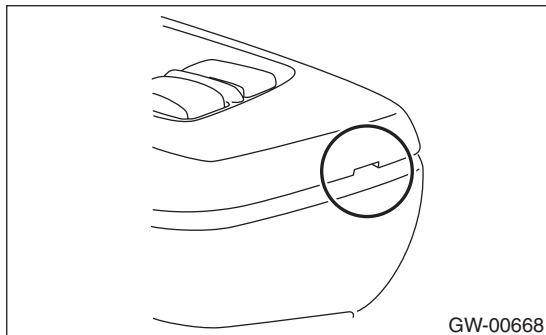
#### 1. MAIN SWITCH

- 1) Disconnect the ground cable from battery.
- 2) Open the screw cover by using a flat tip screwdriver.
- 3) Remove the screw to remove the power window main switch panel.



#### NOTE:

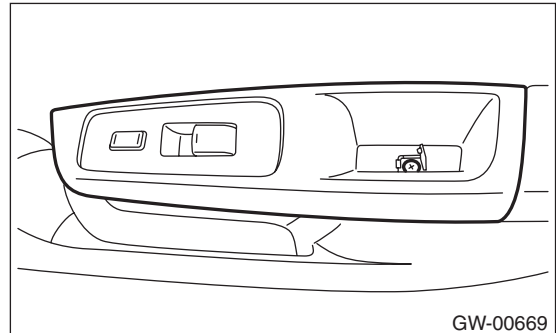
Remove it from the cutout portion at the tip of the switch panel.



- 4) Disconnect the harness connector.
- 5) Remove the screws to remove the power window main switch assembly.

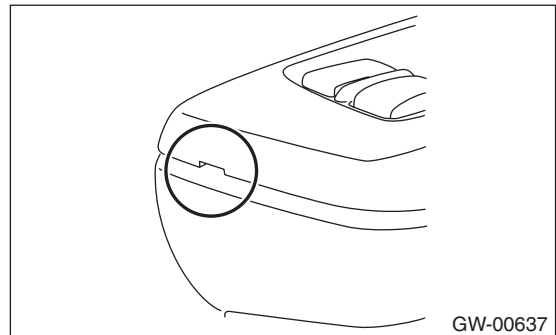
#### 2. SUB-SWITCH

- 1) Open the screw cover by using a flat tip screwdriver.
- 2) Remove the screw to remove the power window main switch panel.



#### NOTE:

Remove it from the cutout portion at the tip of the switch panel.



- 3) Disconnect the harness connector.
- 4) Remove the screws to remove the power window sub-switch assembly.

### B: INSTALLATION

Install in the reverse order of removal.

### C: INSPECTION

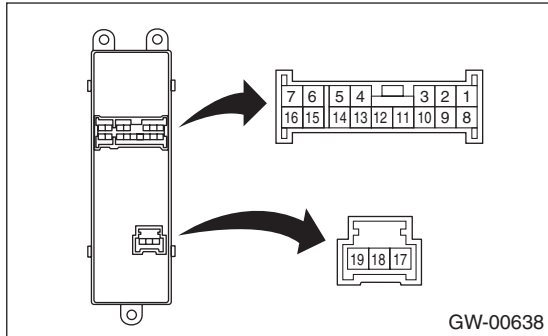
#### 1. MAIN SWITCH

- 1) Remove the main switch. <Ref. to GW-9, MAIN SWITCH, REMOVAL, Power Window Control Switch.>

# Power Window Control Switch

## GLASS/WINDOWS/MIRRORS

2) Measure the main switch resistance.



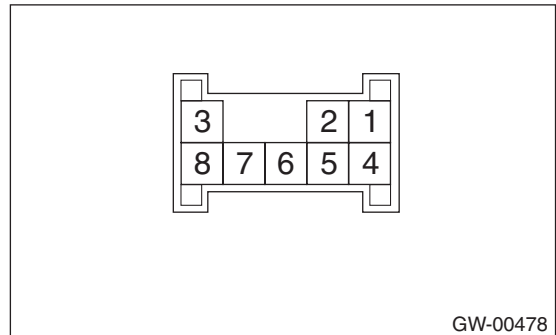
	Switch position	Terminal No.	Standard
Driver's side	UP	14 and 16 13 and 19	Less than 1 $\Omega$
	OFF	14 and 13 14 and 16	1 M $\Omega$ or more
		17 and 18	Less than 1 $\Omega$
	DOWN	14 and 13 16 and 19	Less than 1 $\Omega$
Passenger's side	AUTO DOWN	14 and 13 16 and 19	Less than 1 $\Omega$
	UP	14 and 8 12 and 19	Less than 1 $\Omega$
		14 and 12 14 and 8	1 M $\Omega$ or more
	OFF	8 and 12 8 and 19 12 and 19	Less than 1 $\Omega$
DOWN		14 and 12 8 and 19	Less than 1 $\Omega$
Rear LH	UP	14 and 7 5 and 19	Less than 1 $\Omega$
	OFF	14 and 7 14 and 5	1 M $\Omega$ or more
		19 and 7 19 and 5 7 and 5	Less than 1 $\Omega$
DOWN	14 and 5 7 and 19	Less than 1 $\Omega$	
Rear RH	UP	14 and 1 3 and 19	Less than 1 $\Omega$
	OFF	14 and 1 14 and 3	1 M $\Omega$ or more
		19 and 3 19 and 1 3 and 1	Less than 1 $\Omega$
	DOWN	14 and 3 1 and 19	Less than 1 $\Omega$

Replace the main switch if faulty.

## 2. SUB-SWITCH

1) Remove the sub-switch. <Ref. to GW-9, SUB-SWITCH, REMOVAL, Power Window Control Switch.>

2) Measure the sub-switch resistance.



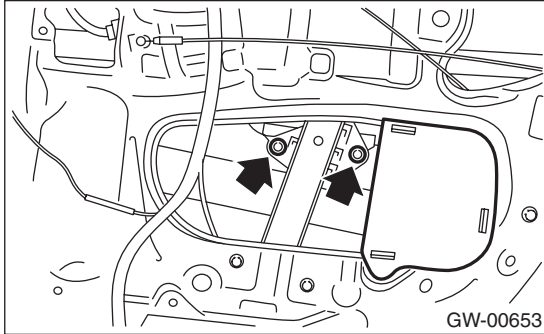
	Switch position	Terminal No.	Standard
Passenger seat, rear	UP	4 and 5 6 and 7	Less than 1 $\Omega$
	OFF	7 and 4 8 and 4	1 M $\Omega$ or more
		5 and 8 6 and 7	Less than 1 $\Omega$
	DOWN	4 and 6 5 and 8	Less than 1 $\Omega$

Replace the sub-switch if faulty.

## 4. Front Door Glass

### A: REMOVAL

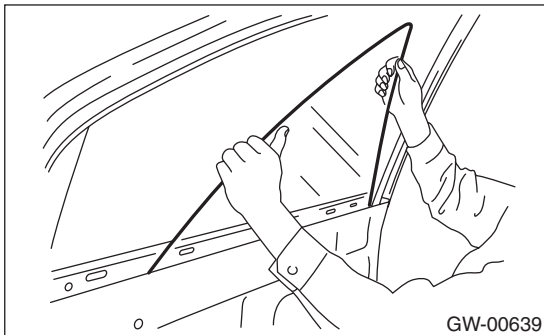
- 1) Remove the front door trim. <Ref. to EI-43, REMOVAL, Door Trim.>
- 2) Remove the sealing cover. <Ref. to EB-22, REMOVAL, Front Sealing Cover.>
- 3) Operate the power window switch to move the glass, and remove the two bolts.



- 4) Tilt the door glass forward and remove the door glass from the glass run rubber.
- 5) Remove the door glass while tilting.

### CAUTION:

**Avoid impact and damage to the glass.**



### B: INSTALLATION

#### CAUTION:

**Make sure that the glass run rubber is placed securely in door frame and sash.**

Install in the reverse order of removal.

#### *Tightening torque:*

**Refer to "COMPONENT" of "General Description". <Ref. to GW-4, FRONT DOOR GLASS, COMPONENT, General Description.>**

# Front Regulator and Motor Assembly

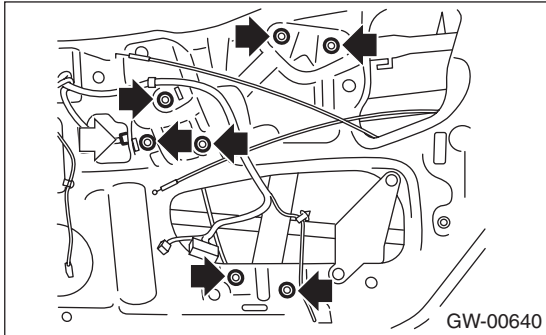
GLASS/WINDOWS/MIRRORS

---

## 5. Front Regulator and Motor Assembly

### A: REMOVAL

- 1) Remove the door glass. <Ref. to GW-11, REMOVAL, Front Door Glass.>
- 2) Disconnect the motor connector.
- 3) Remove seven bolts to remove the front regulator and motor assembly.



### B: INSTALLATION

Install in the reverse order of removal.

#### **Tightening torque:**

**Refer to "COMPONENT" of "General Description". <Ref. to GW-4, FRONT DOOR GLASS, COMPONENT, General Description.>**

### C: INSPECTION

- 1) Make sure that the power window motor rotates properly when the battery voltage is applied to the terminals of motor connector.
- 2) Change polarity of battery connection to terminals to ensure that the motor rotates in reverse direction.

## 6. Remote Control Mirror System

### A: WIRING DIAGRAM

Refer to “Remote Control Mirror System” in WI section. <Ref. to WI-134, WIRING DIAGRAM, Remote Control Mirror System.>

### B: INSPECTION

Symptom	Repair order
All function does not operate.	<ol style="list-style-type: none"> <li>1. Fuse (F/B No. 6)</li> <li>2. Mirror switch</li> <li>3. Wiring harness</li> </ol>
One side of the mirror motor does not operate.	<ol style="list-style-type: none"> <li>1. Mirror switch</li> <li>2. Mirror motor</li> <li>3. Wiring harness</li> </ol>
Mirror heater does not operate.	<ol style="list-style-type: none"> <li>1. Defogger switch</li> <li>2. Mirror heater</li> <li>3. Wiring harness</li> </ol>

### C: NOTE

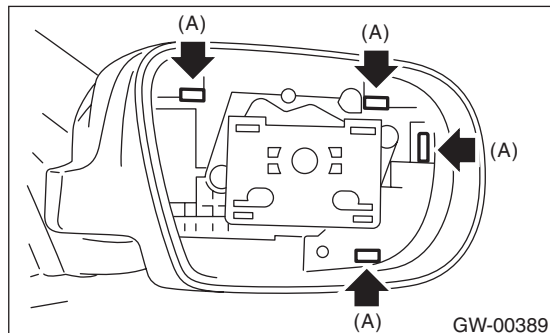
For procedure of each component in the remote control mirror system, refer to the respective section.

- Scalp cap <Ref. to GW-14, Scalp Cap.>
- Outer mirror assembly <Ref. to GW-15, Outer Mirror Assembly.>
- Outer mirror <Ref. to GW-16, Outer Mirror.>
- Remote control mirror switch <Ref. to GW-17, Remote Control Mirror Switch.>

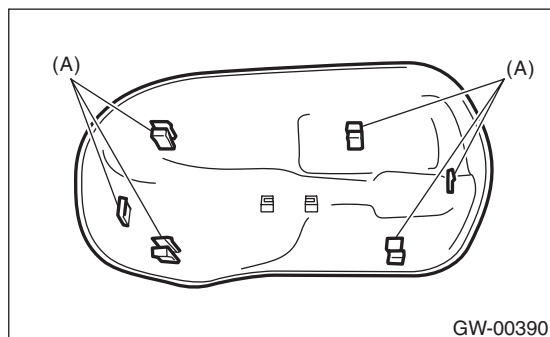
## 7. Scalp Cap

### A: REPLACEMENT

- 1) Remove the mirror. <Ref. to GW-16, REPLACEMENT, Outer Mirror.>
- 2) Press-in the clips (A) from inside of outer mirror.



- 3) Pull the scalp cap towards the front of the outer mirror, then remove the scalp cap.
- 4) Align clips (A) on the reverse side of the scalp cap and the clip attachment hole of the outer mirror, and push the scalp cap in.

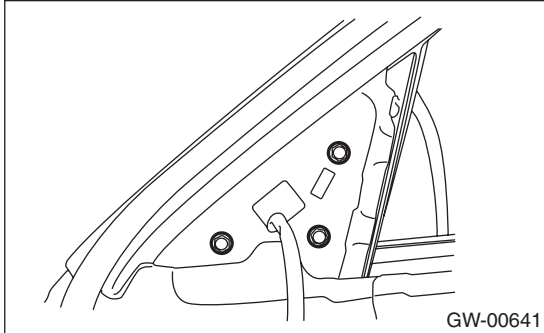


- 5) Install the scalp cap and lower cover securely.

## 8. Outer Mirror Assembly

### A: REMOVAL

- 1) Remove the front door trim. <Ref. to EI-43, REMOVAL, Door Trim.>
- 2) Disconnect the outer mirror connector.
- 3) Remove the bolt, and remove the outer mirror assembly.



### B: INSTALLATION

Install in the reverse order of removal.

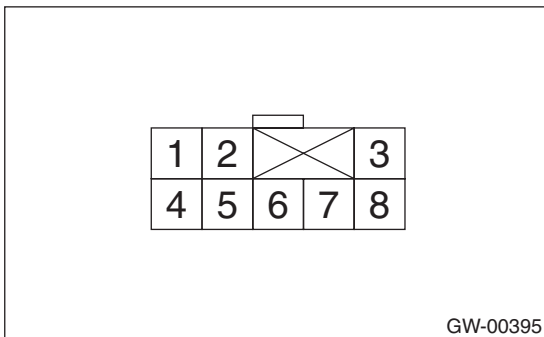
#### *Tightening torque:*

**4.5 N·m (0.46 kgf·m, 3.3 ft·lb)**

### C: INSPECTION

Check to ensure that the outer mirror moves properly when the battery voltage is applied to terminals.

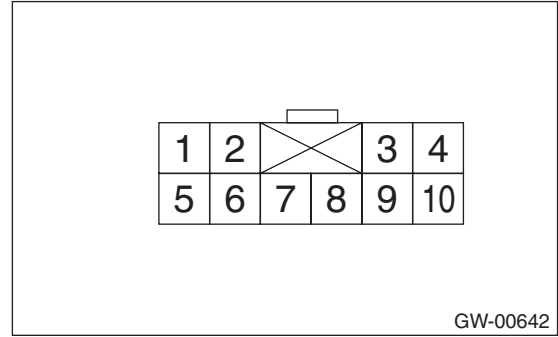
#### Model without mirror heater



Switch position	Terminal No.
OFF	—
UP	6 (+) and 3 (-)
DOWN	3 (+) and 6 (-)
LEFT	7 (+) and 3 (-)
RIGHT	3 (+) and 7 (-)

Replace the outer mirror if defective.

#### Model with mirror heater



Switch position	Terminal No.
OFF	—
UP	7 (+) and 3 (-)
DOWN	3 (+) and 7 (-)
LEFT	8 (+) and 3 (-)
RIGHT	3 (+) and 8 (-)

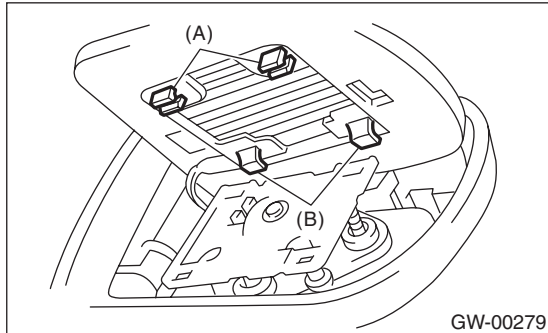
Replace the outer mirror if defective.

## 9. Outer Mirror

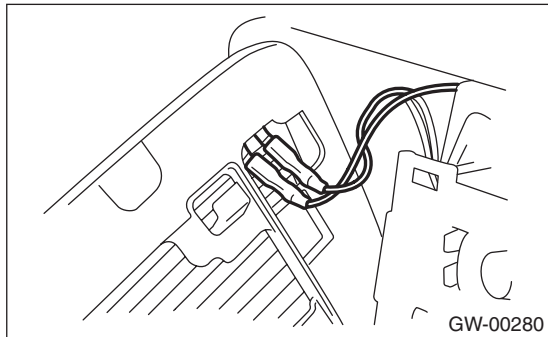
### A: REPLACEMENT

#### CAUTION:

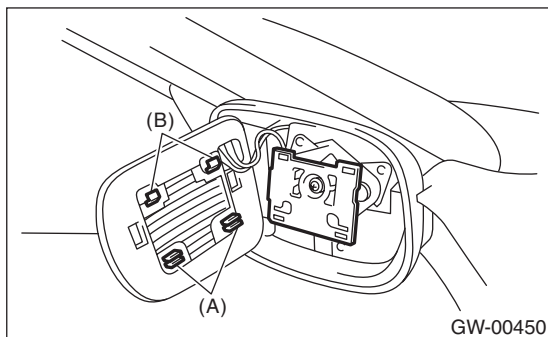
- When removing the mirror, be careful not to damage the back surface of mirror with a flat tip screwdriver.
  - When installing the mirror, insert the fitting area securely.
- 1) Face the mirror upward.
  - 2) Use a flat tip screwdriver to remove clips (A).
  - 3) Lift the lower mirror up to remove hooks (B).



- 4) Disconnect the mirror heater connector from side of the mirror. (Model with mirror heater)



- 5) Catch the hooks (B) and install clips (A).





## 10. Remote Control Mirror Switch

### A: REMOVAL

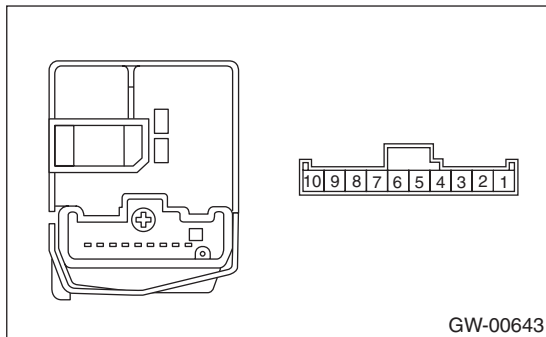
- 1) Remove the instrument panel lower cover. <Ref. to EI-46, REMOVAL, Instrument Panel Lower Cover.>
- 2) Remove the remote control mirror switch from instrument panel lower cover.

### B: INSTALLATION

Install in the reverse order of removal.

### C: INSPECTION

Move the remote control mirror switch to each position and check continuity between terminals.



- Switch the change over switch to the right side:

Switch position	Terminal No.	Standard
OFF	—	1 MΩ or more
UP	8 and 3, 6 and 7	Less than 1 Ω
DOWN	8 and 6, 3 and 7	Less than 1 Ω
LEFT	8 and 2, 6 and 7	Less than 1 Ω
RIGHT	8 and 6, 2 and 7	Less than 1 Ω

- Switch the change over switch to the left side:

Switch position	Terminal No.	Standard
OFF	—	1 MΩ or more
UP	8 and 4, 6 and 7	Less than 1 Ω
DOWN	8 and 6, 4 and 7	Less than 1 Ω
LEFT	8 and 5, 6 and 7	Less than 1 Ω
RIGHT	8 and 6, 5 and 7	Less than 1 Ω

If NG, replace the remote control mirror switch.

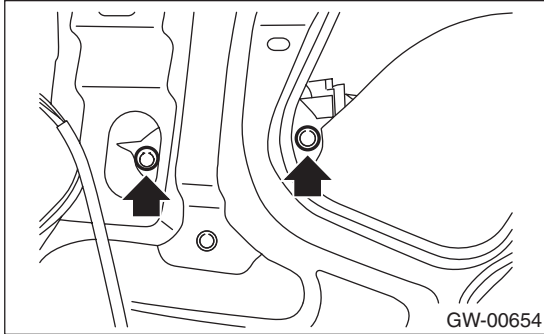
# Rear Door Glass

GLASS/WINDOWS/MIRRORS

## 11.Rear Door Glass

### A: REMOVAL

- 1) Remove the rear door trim. <Ref. to EI-43, REMOVAL, Door Trim.>
- 2) Remove the sealing cover. <Ref. to EB-25, REMOVAL, Rear Sealing Cover.>
- 3) Operate the power window switch to move the glass, and remove the two bolts.

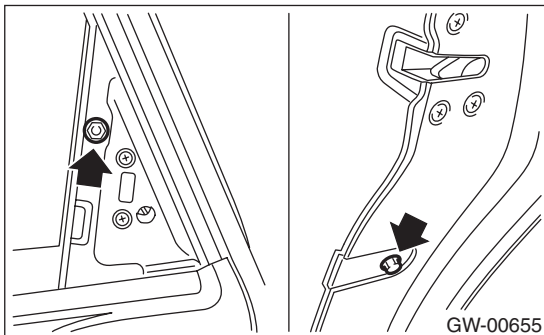


- 4) Remove the glass from the carrier plate, and while holding the glass, lower the carrier plate alone to the lowest position.

### CAUTION:

**Without the carrier plate lowered to the bottom most position, do not lower the glass by itself to the lowest position within the door panel. The glass may come off of the sash, and become damaged.**

- 5) Lower the glass slowly to the bottom most position in the door panel.
- 6) Remove the bolts and nuts, and then remove the sash. (Detach starting from the upper holding points.)



- 7) Remove the glass run rubber.
- 8) Remove the door glass while tilting.

### CAUTION:

**Avoid impact and damage to the glass.**

### B: INSTALLATION

#### CAUTION:

**Make sure that the glass run rubber is placed securely in door frame and sash.**

Install in the reverse order of removal.

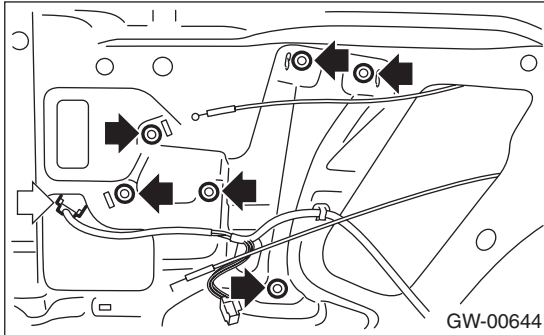
#### Tightening torque:

**Refer to "COMPONENT" of "General Description". <Ref. to GW-5, REAR DOOR GLASS, COMPONENT, General Description.>**

## 12. Rear Regulator and Motor Assembly

### A: REMOVAL

- 1) Remove the rear door glass. <Ref. to GW-18, REMOVAL, Rear Door Glass.>
- 2) Disconnect the motor connector.
- 3) Remove six bolts to remove the rear regulator and motor assembly.



### B: INSTALLATION

Install in the reverse order of removal.

#### **Tightening torque:**

**Refer to "COMPONENT" of "General Description". <Ref. to GW-5, REAR DOOR GLASS, COMPONENT, General Description.>**

### C: INSPECTION

- 1) Make sure that the power window motor rotates properly when the battery voltage is applied to the terminals of motor connector.
- 2) Change polarity of battery connection to terminals to ensure that the motor rotates in reverse direction.

# Windshield Glass

GLASS/WINDOWS/MIRRORS

## 13. Windshield Glass

### A: REMOVAL

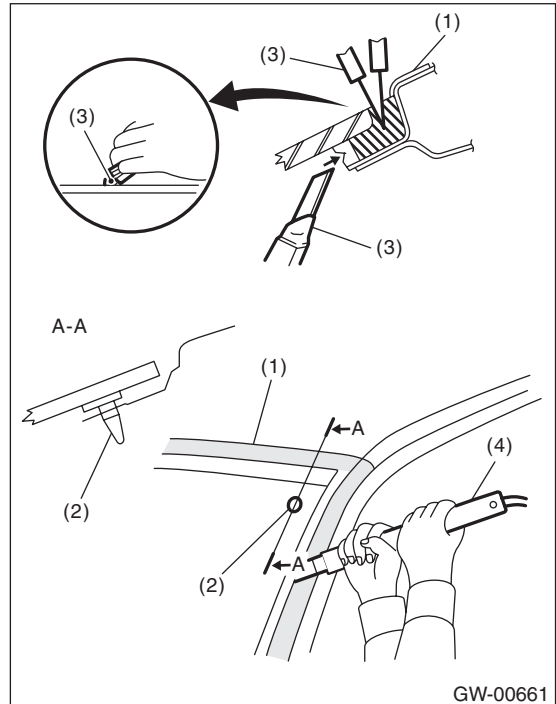
#### 1. WHEN USING WINDSHIELD GLASS KNIFE

##### CAUTION:

Apply protective tape, etc, and be careful that the inner and outer components of the vehicle are not damaged.

- 1) Disconnect the ground cable from battery. (Model with wiper deicer)
- 2) Remove the front pillar upper trim. <Ref. to EI-57, REMOVAL, Upper Inner Trim.>
- 3) Disconnect the wiper deicer connector. (Model with wiper deicer)
- 4) Remove the cowl panel. <Ref. to EI-38, REMOVAL, Cowl Panel.>
- 5) Remove the glass molding.
- 6) Tape the body side of the circumference of windshield glass for protection.
- 7) Apply sufficient amount of soapy water to the adhesive part.
- 8) Make a slit using a cutter knife to make it easier to insert the windshield glass knife.
- 9) Insert the windshield glass knife into the adhesive.

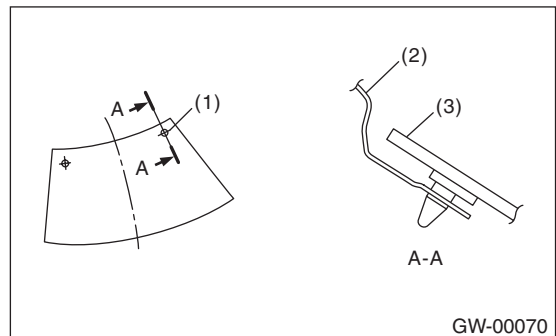
10) While holding the knife edge and windshield glass edge at a right angle, move the windshield glass knife in parallel to the windshield glass edge along the surface and edge of windshield glass to cut the adhesive part.



- (1) Tape for protection
- (2) Locating pin
- (3) Cutter knife
- (4) Windshield glass knife

##### NOTE:

- Do not twist the windshield glass knife.
- Cutting of adhesive part shall be started with wider gap between windshield glass and body.
- The locating pins are bonded to the corners of glass. Use piano wire to disconnect the pins.



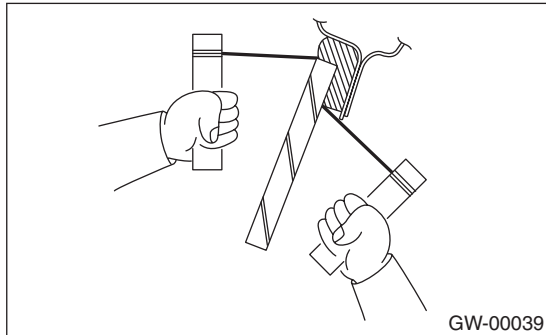
- (1) Locating pin
- (2) Body panel
- (3) Windshield glass

## 2. WHEN USING PIANO WIRE

### CAUTION:

- Do not tightly pull the piano wire against the windshield glass edge.
- Apply protective tape, etc, and be careful that the inner and outer components are not damaged.
- Do not cross piano wires. Otherwise they may be cut.

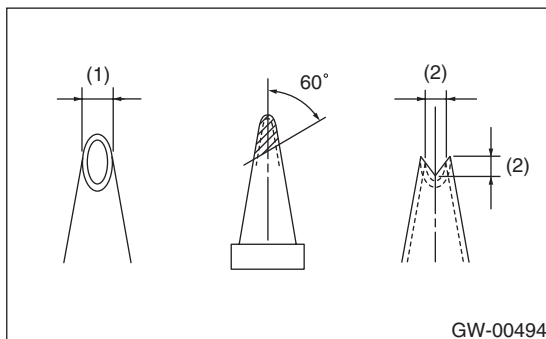
- 1) Disconnect the ground cable from battery. (Model with wiper deicer)
- 2) Remove the front pillar upper trim. <Ref. to EI-57, REMOVAL, Upper Inner Trim.>
- 3) Disconnect the wiper deicer connector. (Model with wiper deicer)
- 4) Remove the cowl panel. <Ref. to EI-38, REMOVAL, Cowl Panel.>
- 5) Remove the glass molding.
- 6) Tape the body side of the circumference of windshield glass for protection.
- 7) Make a hole in the adhesive part using drill or cutter knife.
- 8) Pass the piano wire through the hole, and attach both the wire ends securely to pieces of wood.



- 9) Pull the wire ends alternately to cut off the adhesive part.

## B: INSTALLATION

- 1) Fabricate the cartridge nozzle tip as shown and set the sealant gun with the adhesive.

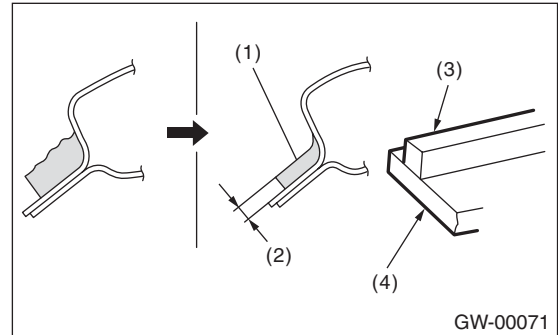


- (1) 10 mm (0.39 in)
- (2) 8 mm (0.31 in)

- 2) Clean the external circumference of windshield glass with alcohol or white gasoline.
- 3) Remove the adhesive layer on the body using cutter knife to obtain smooth face of 2 mm (0.08 in) thick.

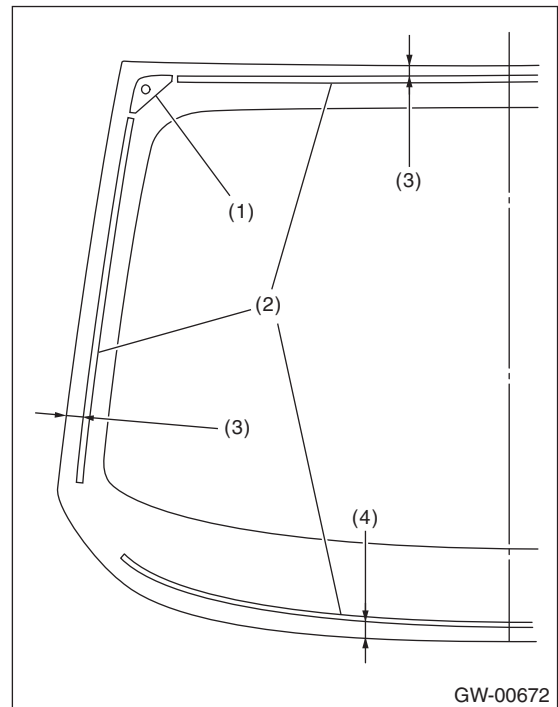
### CAUTION:

Be careful not to damage the body and paint surface.



- (1) Adhesive
- (2) 2 mm (0.08 in)
- (3) Dam rubber
- (4) Glass

- 4) Clean the body with alcohol or white gasoline to eliminate cutting powder, dust and dirt completely from body.
- 5) Install the dam rubber.

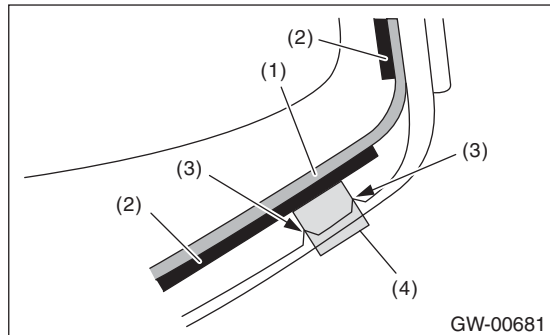


- (1) Locating pin
- (2) Dam rubber
- (3) 11 mm (0.43 in)
- (4) 14.5 mm (0.57 in)

# Windshield Glass

## GLASS/WINDOWS/MIRRORS

6) Attach the seal to the glass. (driver's side only)



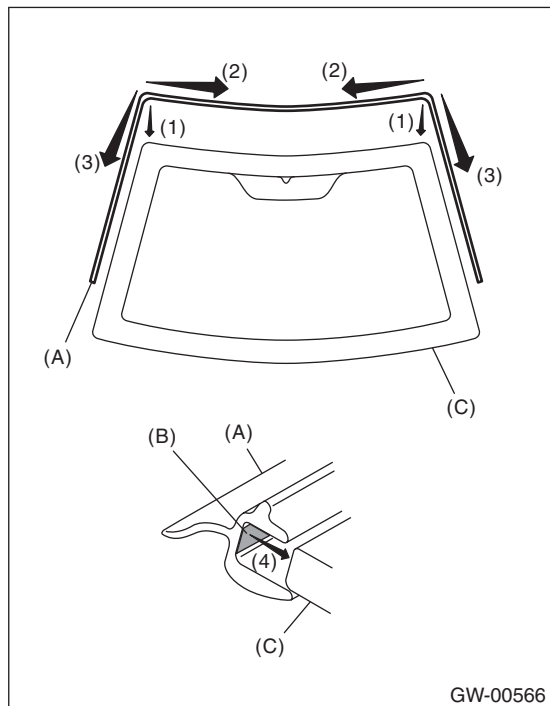
- (1) Adhesive
- (2) Dam rubber
- (3) Ceramic print cutout portion
- (4) Seal

**NOTE:**

Attach the seal between the ceramic print cutout portions (3) located at the lower edge of the glass (driver's seat side).

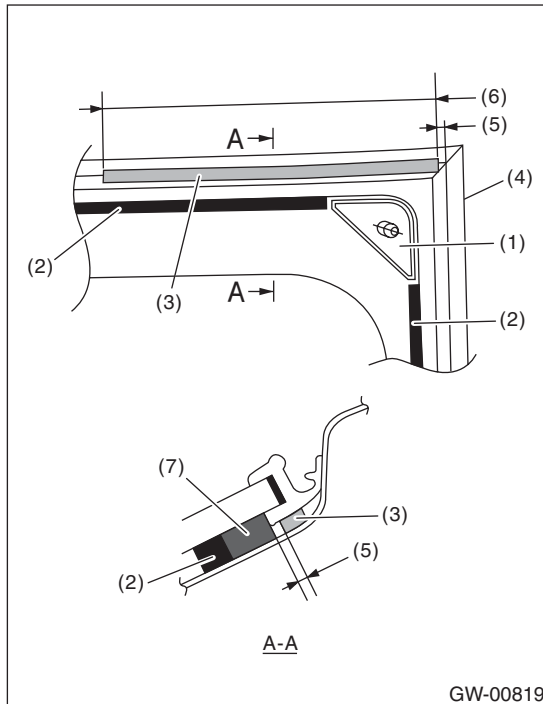
Attach the seal and dam rubber so that there are no gap by pressing on them.

7) Install the molding to the glass.



- (1) Align the molding (A) with both ends of the upper edge of the windshield glass (C).
- (2) Install the molding from both corners of the upper edge toward the center.
- (3) Install the molding from both corners of the upper edge toward the lower side.
- (4) Apply the double-sided tapes (B) of the molding uniformly on both sides of the glass.

8) Apply the seal to the molding.



- (1) Locating pin
- (2) Dam rubber
- (3) Seal
- (4) Molding
- (5) 3 mm (0.12 in)
- (6) 165 mm (6.50 in)
- (7) Adhesive

**NOTE:**

Apply so that the seal does not overlap out to the adhesive side (5).

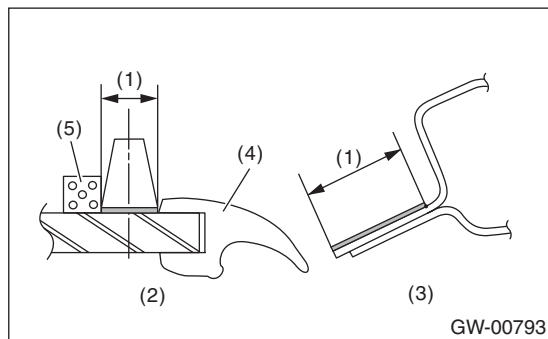
9) Apply the primer to the adhesive surface of glass side and body side using sponge.

**Primer for glass:**  
**Dow Automotive's**  
**ESSEX U-401, U-402**

**Painted surface primer:**  
**Dow Automotive's**  
**ESSEX U-413**

**NOTE:**

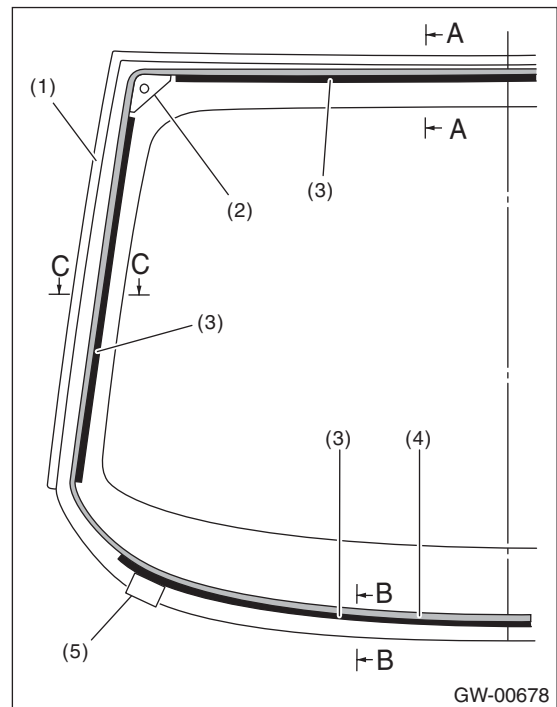
- Primer once attached to the painted surface of the body and internal trim is hard to wipe off. Mask the circumference of such area.
- Let primer dry for about ten minutes before installing the glass.
- Do not touch the surface coated with primer.



- (1) Application of primer
- (2) Glass side
- (3) Body side
- (4) Molding
- (5) Dam rubber

10) Apply adhesive to the glass end surface as shown.

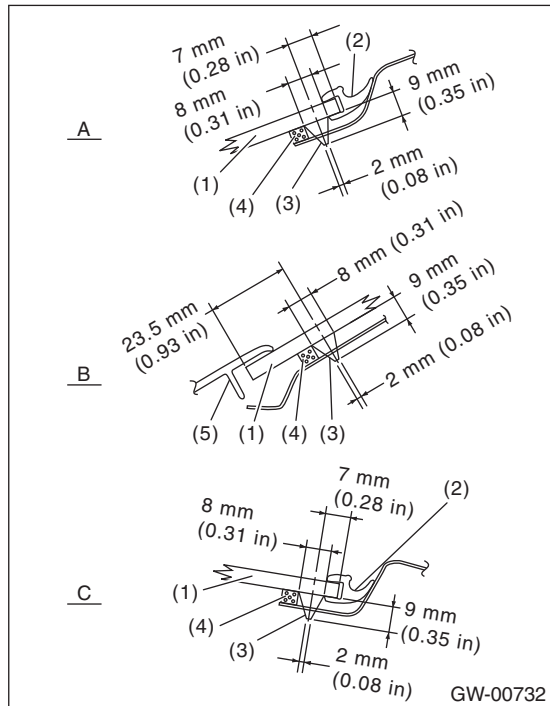
**Adhesive:**  
**Dow Automotive's**  
**ESSEX U-400HV or equivalent**



- (1) Molding
- (2) Locating pin
- (3) Dam rubber
- (4) Adhesive
- (5) Seal (driver's side only)

# Windshield Glass

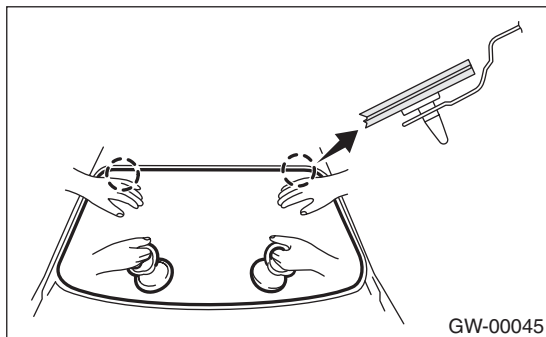
## GLASS/WINDOWS/MIRRORS



- A Upper end
- B Lower end
- C Side end

- (1) Glass
- (2) Molding
- (3) Adhesive
- (4) Dam rubber
- (5) Cowl panel

11) Fit the locating pins to vehicle body using suction rubber cup to install the windshield glass.



12) Lightly press the windshield glass for tight fit.  
13) Make flush the adhesive surface jugged out using spatula.

14) After completion of all work, allow the vehicle to stand for about 24 hours.

### NOTE:

- When door is opened/closed after glass is bonded, always lower the door glass first, and then open/close it carefully.
- Move the vehicle slowly.
- For minimum drying time and vehicle standing time before driving after bonding, follow instructions or instruction manual from the adhesive manufacturer.

15) After curing of adhesive, pour the water on external surface of vehicle to check that there are no water leaks.

### NOTE:

When a vehicle is returned to the user, tell him or her that the vehicle should not be subjected to heavy impact for at least three days.

16) Install the cowl panel. <Ref. to EI-38, INSTALLATION, Cowl Panel.>

17) Connect the wiper deicer connector. (Model with wiper deicer)

18) Install the front pillar upper trim. <Ref. to EI-57, INSTALLATION, Upper Inner Trim.>



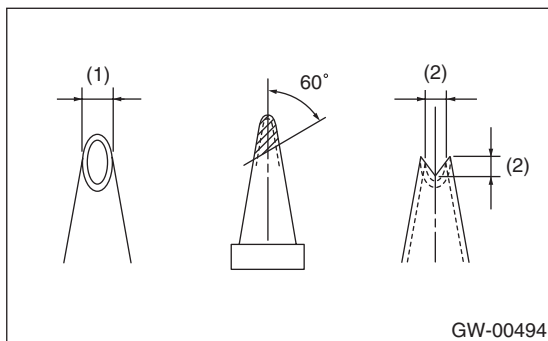
## 14.Rear Gate Glass

### A: REMOVAL

- 1) Remove the rear spoiler. <Ref. to EI-39, REMOVAL, Roof Spoiler.>
- 2) Remove the rear wiper motor. <Ref. to WW-19, REMOVAL, Rear Wiper Motor.>
- 3) Disconnect the electrical connectors from rear defogger terminal.
- 4) Remove the glass in the same procedure as for windshield glass. <Ref. to GW-20, REMOVAL, Windshield Glass.>

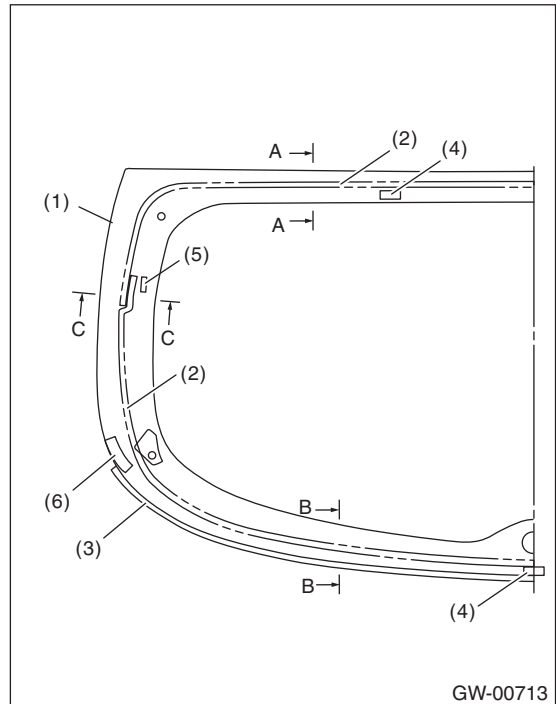
### B: INSTALLATION

- 1) Apply the primer to the glass and body sides in the same procedure as for windshield glass. <Ref. to GW-21, INSTALLATION, Windshield Glass.>
- 2) Fabricate the cartridge nozzle tip as shown and set the sealant gun with the adhesive.



- (1) 10 mm (0.39 in)
- (2) 8 mm (0.31 in)

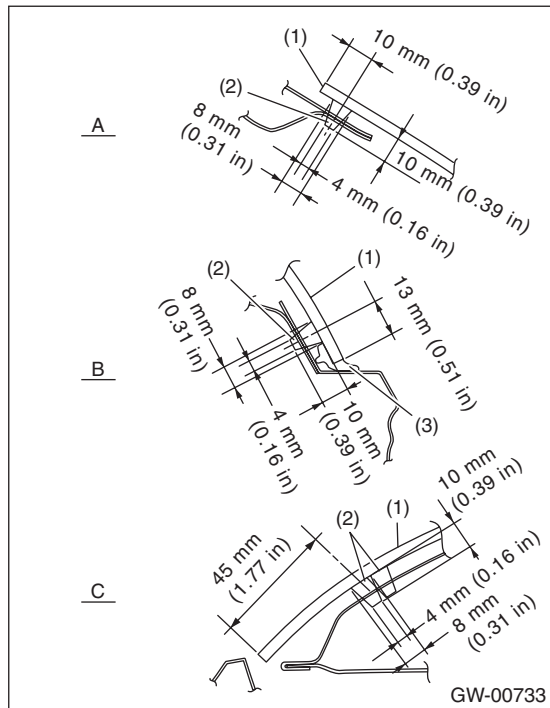
- 3) Apply adhesive in the same procedure as for windshield glass. <Ref. to GW-21, INSTALLATION, Windshield Glass.>



- (1) Glass
- (2) Adhesive
- (3) Molding
- (4) Spacer
- (5) Heat wire terminal
- (6) Seal

# Rear Gate Glass

## GLASS/WINDOWS/MIRRORS



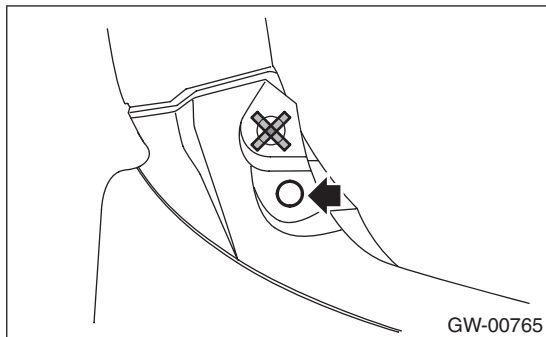
- A Upper end
- B Lower end
- C Side end

- (1) Glass
- (2) Adhesive
- (3) Molding

4) Insert the glass locating pin into the hole on rear gate panel and push on the area around the locating pin to secure it.

### NOTE:

Insert the locating pin into the lower hole of the rear gate panel.



5) Push lightly all around the locating pin to seal it.

6) After completion of all work, allow the vehicle to stand for about 24 hours.

### NOTE:

- When door is opened/closed after glass is bonded, always lower the door glass first, and then open/close it carefully.
- Move the vehicle slowly.
- For minimum drying time and vehicle standing time before driving after bonding, follow instructions or instruction manual from the adhesive manufacturer.

7) After curing of adhesive, pour the water on external surface of vehicle to check that there are no water leaks.

### NOTE:

When a vehicle is returned to the user, tell him or her that the vehicle should not be subjected to heavy impact for at least three days.

8) Connect the rear defogger terminals.

9) Install the rear wiper. <Ref. to WW-19, INSTALLATION, Rear Wiper Motor.>

10) Install the rear spoiler. <Ref. to EI-39, INSTALLATION, Roof Spoiler.>

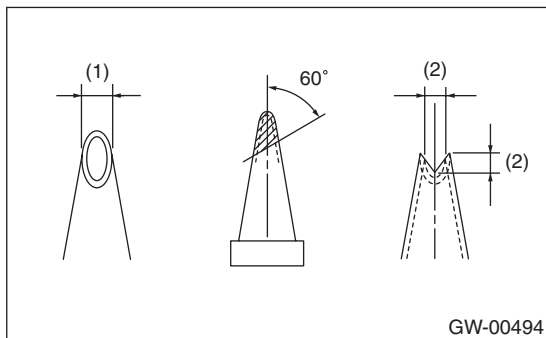
## 15.Rear Window Glass

### A: REMOVAL

- 1) Remove the rear wiper motor. <Ref. to WW-19, REMOVAL, Rear Wiper Motor.>
- 2) Disconnect the connectors from rear defogger terminal.
- 3) Remove the glass in the same procedure as for windshield glass. <Ref. to GW-20, REMOVAL, Windshield Glass.>

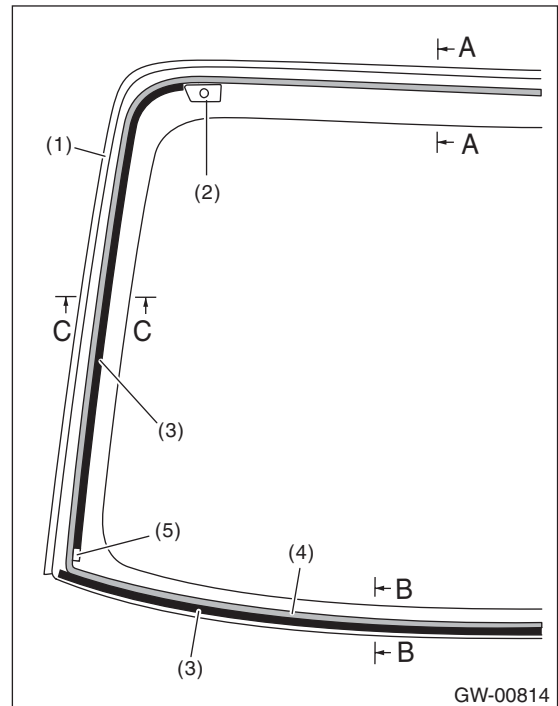
### B: INSTALLATION

- 1) Apply the primer to the glass and body sides in the same procedure as for windshield glass. <Ref. to GW-21, INSTALLATION, Windshield Glass.>
- 2) Fabricate the cartridge nozzle tip as shown and set the sealant gun with the adhesive.



- (1) 10 mm (0.39 in)
- (2) 8 mm (0.31 in)

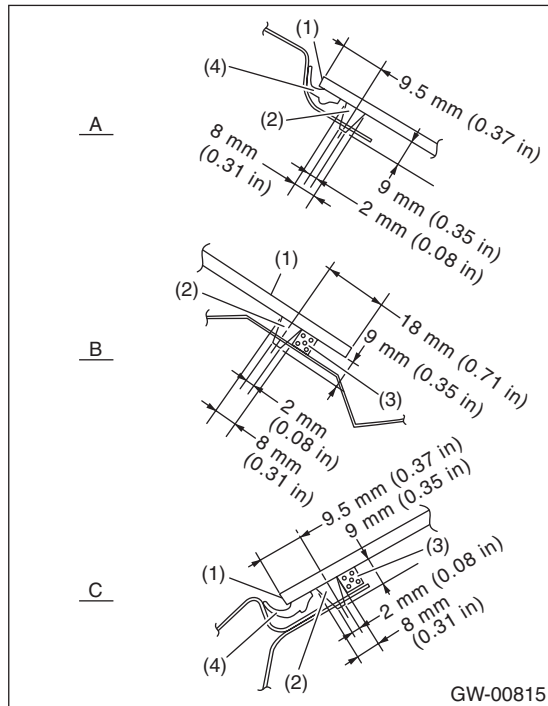
- 3) Apply adhesive with the dam rubber installed in the same procedure as for windshield glass. <Ref. to GW-21, INSTALLATION, Windshield Glass.>



- (1) Molding
- (2) Locating pin (adhered)
- (3) Dam rubber
- (4) Adhesive
- (5) Spacer

# Rear Window Glass

## GLASS/WINDOWS/MIRRORS



- A Upper end
- B Lower end
- C Side end

- (1) Glass
- (2) Adhesive
- (3) Dam rubber
- (4) Molding

4) Install the glass in the same procedure as for windshield glass. <Ref. to GW-21, INSTALLATION, Windshield Glass.>

5) After completion of all work, allow the vehicle to stand for about 24 hours.

### NOTE:

- When door is opened/closed after glass is bonded, always lower the door glass first, and then open/close it carefully.
- Move the vehicle slowly.
- For minimum drying time and vehicle standing time before driving after bonding, follow instructions or instruction manual from the adhesive manufacturer.

6) After curing of adhesive, pour the water on external surface of vehicle to check that there are no water leaks.

### NOTE:

When a vehicle is returned to the user, tell him or her that the vehicle should not be subjected to heavy impact for at least three days.

7) Connect the rear defogger terminals.

8) Install the rear wiper motor. <Ref. to WW-19, INSTALLATION, Rear Wiper Motor.>

## 16. Rear Window Defogger System

### A: WIRING DIAGRAM

Refer to “Rear Defogger System” in WI section. <Ref. to WI-135, WIRING DIAGRAM, Rear Defogger System.>

### B: INSPECTION

#### 1. SYSTEM INSPECTION

Symptom	Repair order
Rear window defogger does not operate.	<ol style="list-style-type: none"> <li>1. Fuse (M/B No. 10)</li> <li>2. Rear defogger relay</li> <li>3. Defogger switch</li> <li>4. Heat wire</li> <li>5. Wiring harness</li> <li>6. Body integrated unit</li> </ol>

**NOTE:**

Rear window defogger system can be customized on the Subaru Select Monitor.

System name	Initial setting	Customize setting
Rear window defogger timer	OFF after 15 min.	Repeat 15 min. operation and 2 min. stop.

#### 2. CHECK WITH SUBARU SELECT MONITOR

**CAUTION:**

**Check that the rear window defogger timer is in initial setting or customize setting before performing inspection.**

1) Check the input signal when the rear window defogger switch is operated using Subaru Select Monitor.

(1) Prepare the Subaru Select Monitor. <Ref. to GW-7, PREPARATION TOOL, General Description.>

(2) Turn the ignition switch to ON (engine OFF) and run the “PC application for Subaru Select Monitor”.

(3) On «System Selection Menu» display, select {Integ. unit mode}.

(4) Select the {Current Data Display & Save}.

(5) Display the data of rear window defogger switch.

2) After rear window defogger switch is set to ON, check whether it turns to OFF in 15 minutes or repeats 15 minutes operation and 2 minutes stop.

3) When it becomes OFF on above 2), it is normal. When it repeats 15 minutes operation and 2 minutes stop, replace body integrated unit.

#### 3. HEAT WIRE INSPECTION

**CAUTION:**

**When wiping off the stain on glass with cloth, use a dry and soft cloth and move it in the direction of the heat wire extension to avoid damage to the heat wire.**

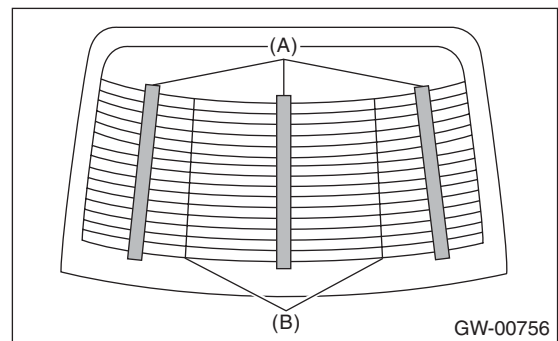
1) Prepare the following checking items.

- Liquid crystal thermograph sheet (Approximate Size: 300 × 300 mm (11.8 × 11.8 in) and thermal temperature: 35 — 40°C (95 — 104°F))
- Aluminum foil

2) Turn the ignition switch to ON.

3) Turn the defogger switch to ON.

4) Push the liquid crystal thermograph sheet from the outside of the rear glass.



(A) Liquid crystal thermograph sheet

(B) Separate line

**NOTE:**

Use the liquid crystal thermograph sheet every range it is separated with the separate line.

5) Determine the faulty heat wire by checking the color of the liquid crystal thermograph sheet.

Liquid crystal thermograph sheet	Criteria
Change occurred (red → blue)	Normal
No change (black)	Open

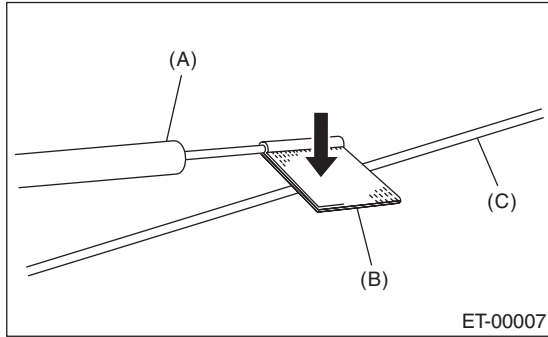
**NOTE:**

- Check from the inside of the glass if the liquid crystal thermograph sheet does not change.
- The time for the color change may differ depends on the surface temperature of the glass.

# Rear Window Defogger System

## GLASS/WINDOWS/MIRRORS

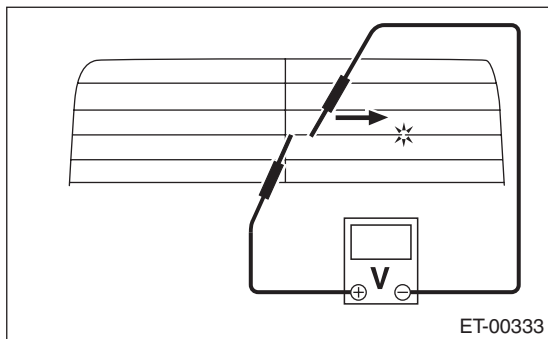
6) Wrap a piece of aluminum foil around the tip of tester probe and press it against the heat wire with your finger.



- (A) Tester probe
- (B) Aluminum foil
- (C) Heat wire

7) Fasten the tester probe on the positive (+) side and negative (-) side to end of positive side of open harness of step 5).

8) Move the tester probe on the negative (-) side slowly along the heat wire. If voltage changes from zero to several volts during movement of tester probe, heat wire is open at the voltage change point.

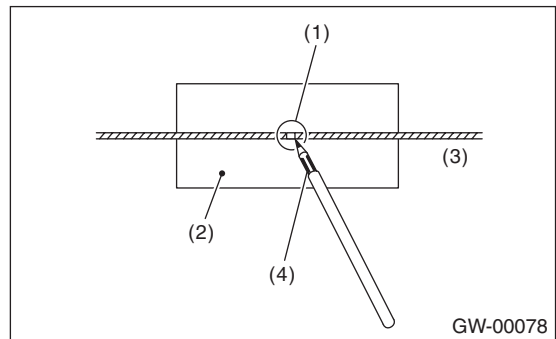


9) Repair the heat wire that determines the place of the open circuit. <Ref. to GW-30, REPAIR, Rear Window Defogger System.>

## C: REPAIR

- 1) Clean the broken portion with alcohol or white gasoline.
- 2) Mask both side of wire with masking tape.
- 3) Apply the conductive silver composition to the broken portion.

**Conductive silver composition:**  
**by Permatex**  
**QUICK GRID**



- (1) Broken portion
- (2) Masking tape
- (3) Broken wire
- (4) Conductive silver composition

- 4) Dry using a dryer after applying the composition.
- 5) After repair, check the wire.

## 17.Rear Quarter Glass

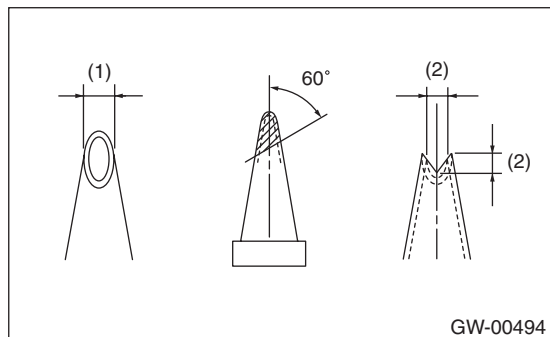
### A: REMOVAL

- 1) Disconnect the ground cable from battery.
- 2) Remove the rear quarter trim. <Ref. to EI-58, REMOVAL, Rear Quarter Trim.>
- 3) Remove the glass in the same procedure as for windshield glass. <Ref. to GW-20, REMOVAL, Windshield Glass.>

### B: INSTALLATION

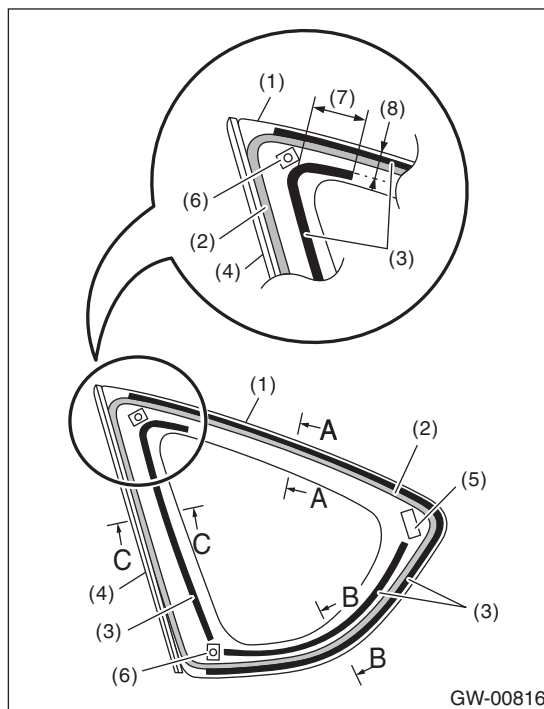
#### 1. 5 DOOR MODEL

- 1) Mount the fastener on the vehicle body.
- 2) Apply the primer to the glass and body sides in the same procedure as for windshield glass. <Ref. to GW-21, INSTALLATION, Windshield Glass.>
- 3) Fabricate the cartridge nozzle tip as shown and set the sealant gun with the adhesive.



- (1) 10 mm (0.39 in)
- (2) 8 mm (0.31 in)

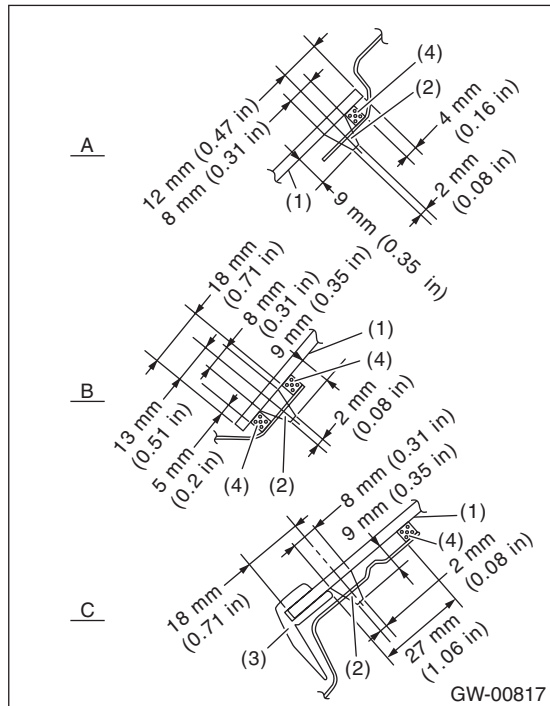
- 4) Apply adhesive with the dam rubber installed in the same procedure as for windshield glass. <Ref. to GW-21, INSTALLATION, Windshield Glass.>



- (1) Glass
- (2) Adhesive
- (3) Dam rubber
- (4) Molding
- (5) Fastener
- (6) Clip
- (7) 66 mm (2.60 in)
- (8) 17 mm (0.61 in)

# Rear Quarter Glass

## GLASS/WINDOWS/MIRRORS

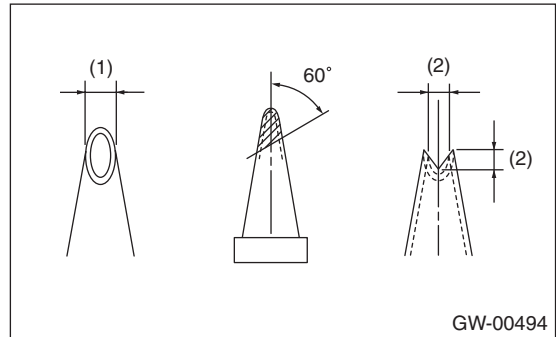


- A Upper end
- B Lower end
- C Front end

- (1) Glass
- (2) Adhesive
- (3) Molding
- (4) Dam rubber

## 2. 4 DOOR MODEL

- 1) Mount the fastener on the vehicle body.
- 2) Apply the primer to the glass and body sides in the same procedure as for windshield glass. <Ref. to GW-21, INSTALLATION, Windshield Glass.>
- 3) Fabricate the cartridge nozzle tip as shown and set the sealant gun with the adhesive.



- (1) 10 mm (0.39 in)
- (2) 8 mm (0.31 in)

5) Insert the glass locating pin into the hole on side panel and push on the area around the locating pin to secure it.

Then push lightly all around the locating pin to seal it.

6) After completion of all work, allow the vehicle to stand for about 24 hours.

### NOTE:

- When door is opened/closed after glass is bonded, always lower the door glass first, and then open/close it carefully.
- Move the vehicle slowly.
- For minimum drying time and vehicle standing time before driving after bonding, follow instructions or instruction manual from the adhesive manufacturer.

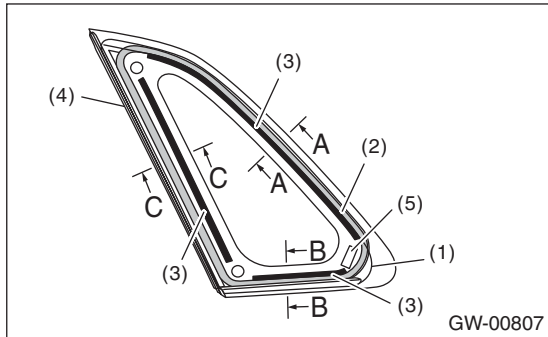
7) After curing of adhesive, pour the water on external surface of vehicle to check that there are no water leaks.

### NOTE:

When a vehicle is returned to the user, tell him or her that the vehicle should not be subjected to heavy impact for at least three days.



4) Apply adhesive with the dam rubber installed in the same procedure as for windshield glass. <Ref. to GW-21, INSTALLATION, Windshield Glass.>



- (1) Glass
- (2) Adhesive
- (3) Dam rubber
- (4) Molding
- (5) Fastener

5) Insert the glass locating pin into the hole on side panel and push on the area around the locating pin to secure it. Then push lightly all around the locating pin to seal it.

6) After completion of all work, allow the vehicle to stand for about 24 hours.

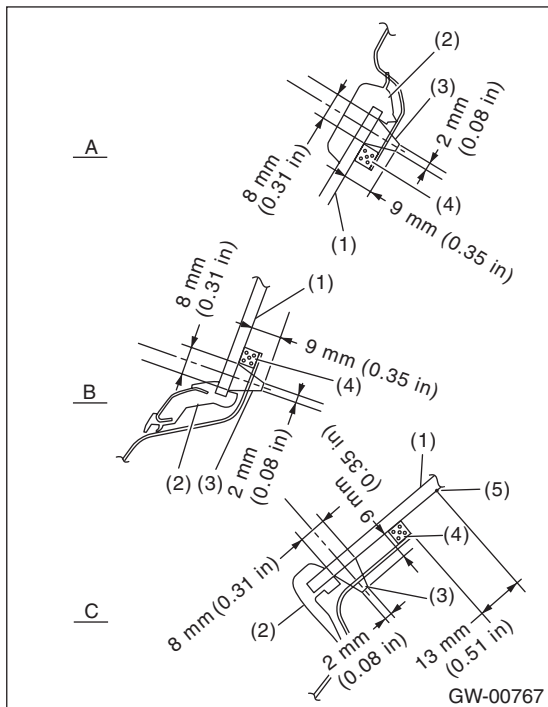
**NOTE:**

- When door is opened/closed after glass is bonded, always lower the door glass first, and then open/close it carefully.
- Move the vehicle slowly.
- For minimum drying time and vehicle standing time before driving after bonding, follow instructions or instruction manual from the adhesive manufacturer.

7) After curing of adhesive, pour the water on external surface of vehicle to check that there are no water leaks.

**NOTE:**

When a vehicle is returned to the user, tell him or her that the vehicle should not be subjected to heavy impact for at least three days.



- A Upper end
- B Lower end
- C Front end

- (1) Glass
- (2) Molding
- (3) Adhesive
- (4) Dam rubber
- (5) Ceramic line edge

## 18. Rearview Mirror

### A: REMOVAL

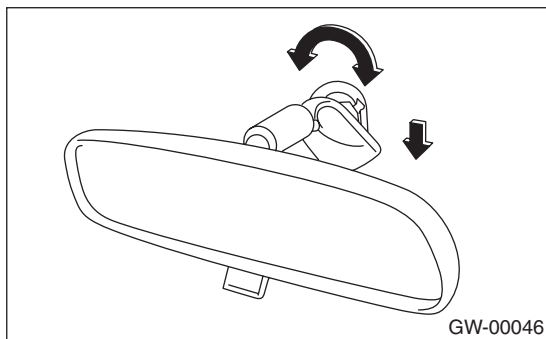
#### CAUTION:

- Never reuse the spring. When the rearview mirror assembly is removed from the mirror base, fixed force will decline and the rearview mirror assembly may come off.
- Be careful not to damage the mirror surface and windshield glass.

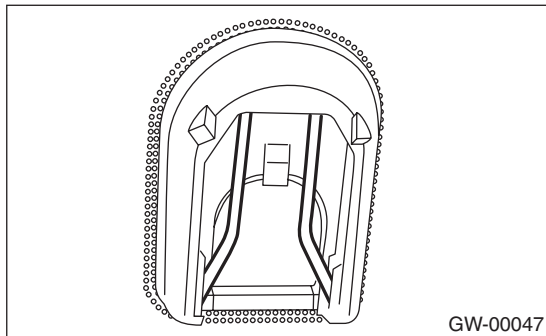
#### NOTE:

Never reuse the spring. Prepare a new spring before removal.

- 1) Turn the mirror base 90° clockwise or counterclockwise to remove it.



- 2) Remove the spring from the mirror base.



- 3) When the mirror base is damaged, use a piano wire, spatula, etc. to remove.

### B: INSTALLATION

Install in the reverse order of removal.

#### NOTE:

If the mirror base is removed, install it in the following procedure.

1. Clean the old adhesive completely.
2. Align the mirror base with the mark on the windshield glass to install it.
3. Make sure the mirror base is securely attached and then install the spring to it.

#### Adhesive:

**REPAIR KIT IN MR (Part No. 65029FC000) or equivalent**

### C: INSPECTION

- Make sure the mirror is not damaged.
- Make sure the spring is not damaged.
- Make sure the mirror base is not damaged.

## 19. Wiper Deicer System

### A: WIRING DIAGRAM

Refer to “Wiper Deicer System” in WI section. <Ref. to WI-121, WIRING DIAGRAM, Wiper Deicer System.>

### B: INSPECTION

NOTE:

Wiper deicer system does not operate under ambient temperature of 5° or more.

#### 1. SYSTEM INSPECTION

Symptom	Repair order
Wiper deicer does not operate.	<ol style="list-style-type: none"> <li>1. Fuse (F/B No. 9)</li> <li>2. Fuse (F/B No. 4)</li> <li>3. Wiper deicer relay</li> <li>4. Defogger switch</li> <li>5. Wiper deicer wire</li> <li>6. Wiring harness</li> </ol>

#### 2. HEAT WIRE INSPECTION

Refer to “HEAT WIRE INSPECTION” of “Rear Window Defogger System”. <Ref. to GW-29, HEAT WIRE INSPECTION, INSPECTION, Rear Window Defogger System.>

NOTE:

Heat wire inspection needs removing/installing procedure of instrument panel assembly.

### C: REPAIR

Refer to “REPAIR” of “Rear Window Defogger System”. <Ref. to GW-30, REPAIR, Rear Window Defogger System.>

NOTE:

Heat wire repair needs removing/installing procedure of instrument panel assembly.

# Wiper Deicer System

GLASS/WINDOWS/MIRRORS

---

## 1. General Description

### A: SPECIFICATION

Refer to "Body Repair Manual" for general description of body structure, reference points and reference dimensions.

# General Description

INSTRUMENTATION/DRIVER INFO

## 1. General Description

### A: SPECIFICATION

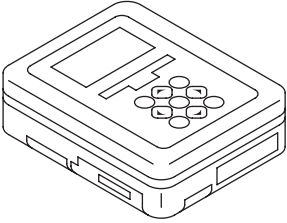
Combination meter	Speedometer	Stepping motor type
	Tachometer	
	Engine coolant temperature gauge (turbo model)	
	Fuel gauge	
	Malfunction indicator light	LED
	Oil pressure warning light	
	ATF temperature warning light	
	ABS warning light	
	Engine coolant temperature indicator light (non-turbo model)	
	Engine coolant temperature warning light (non-turbo model)	
	Airbag warning light	
	Seat belt warning light	
	Door open warning light	
	Brake fluid and parking brake warning light	
	Fuel level warning light	
	Charge warning light	
	AWD warning light (AT model)	
	Hill start assist warning light (MT model with VDC)	
	Tire pressure warning light	
	Vehicle dynamics control (VDC) warning light	
	Vehicle dynamics control (VDC) indicator light	
	Turn signal indicator light	
	HI-beam indicator light	
	Security and immobilizer indicator light	
	Cruise indicator light	
	Cruise set indicator light	
	Front fog light indicator light	
	SPORT indicator light (AT model)	
	Light illumination indicator light (turbo model)	
	Meter illumination back light	
LCD back light		
Odo/trip meter	LCD	
SPORT shift indicator (AT model)		
AT select lever position indicator		
Clock	Average fuel economy, Ambient air temperature, Current time, Malfunction warning display	VFD
	Passenger's airbag ON indicator	LED
	Passenger's airbag OFF indicator	
	Passenger' seat belt warning light	

## B: CAUTION

- Be careful not to damage the meters and instrument panel.
- Be careful not to damage the meter glass.
- Make sure the electrical connector is connected securely.
- After installation, make sure that each meter operates normally.
- Use gloves to avoid damage and getting fingerprints on the glass surface and meter surfaces.
- Do not apply an excessive force on the printed circuit.
- Do not drop or otherwise apply impact.
- When the combination meter of model with immobilizer has been replaced, be sure to perform the registration of immobilizer.

## C: PREPARATION TOOL

### 1. SPECIAL TOOL

ILLUSTRATION	TOOL NUMBER	DESCRIPTION	REMARKS
 ST1B022XU0	1B022XU0	SUBARU SELECT MONITOR III KIT	Used for troubleshooting the electrical system.

### 2. GENERAL TOOL

TOOL NAME	REMARKS
Circuit tester	Used for measuring resistance and voltage.

# Combination Meter System

INSTRUMENTATION/DRIVER INFO

## 2. Combination Meter System

### A: WIRING DIAGRAM

Refer to “Combination Meter System” in WI section. <Ref. to WI-136, WIRING DIAGRAM, Combination Meter System.>

### B: INSPECTION

#### 1. SELF-DIAGNOSIS

The self-diagnosis (checking of each meter, warning light, indicator light, illumination, LCD) of combination meter can be performed in the following procedure.

#### CAUTION:

**Perform the steps described in 2) through 4) within 10 seconds.**

- 1) Within 3 seconds after turning the ignition switch to ON, set the lighting switch to tail light or headlight position.
- 2) Press the odo/trip meter knob three times.
- 3) Turn the lighting switch to OFF, and press the odo/trip meter knob three times.
- 4) Set the lighting switch to tail light or headlight position again, and press the odo/trip meter knob three times.

#### NOTE:

- When pressing the odo/trip meter knob four times, the display changes to DTC display mode. <Ref. to IDI-11, DTC DISPLAY MODE, INSPECTION, Combination Meter System.>
  - Warning light, indicator, and LCD display checks are performed when self-diagnosis is performed. After this, every time the odo/trip meter knob is pressed, the buzzer will sound for 0.5 seconds, and operation checks for meter operation, meter readings, and the LCD are performed in this order. Turn the ignition switch to OFF to cancel the self-diagnosis function.
  - The self-diagnosis function is not cancelled if the engine is started during diagnosis. However, the self-diagnosis function is cancelled automatically for safety when you start to drive the vehicle.
- 5) Go to “Check meter indicator operation”.

Check meter operation, warning light, indicator light, and LCD.

Meter indicator	LCD display, illumination	Warning light, indicator light
MIN indication ↓ MAX indication	ILL1 (Min. brightness) ↓(Displayed for one second for each level) ILL6 (Max. brightness)	Light ON Engine coolant temperature warning light color is red. (Non-turbo model)
MAX indication ↓ MIN indication	ILL6 (Max. brightness) ↓(Displayed for one second for each level) ILL1 (Min. brightness)	

- 6) Press the odo/trip meter knob once.



# Combination Meter System

7) Go to “Check meter indication”.

Check meter operation, warning light, indicator light, and LCD.

NOTE:

- The meter indicator needle will switch every 1.5 seconds.
- ILL indication illuminates at the same brightness as when entering “Meter Indicator Needle Indication Check”.

Speedometer (km/h)	Tachometer (rpm)	Fuel gauge	Engine coolant temperature gauge	Fuel level warning light	Warning light, indicator light
0	0	Lowest point	Lowest point	Light ON	Light OFF Engine coolant temperature indicator light color is blue. (Non-turbo model)
0	0	E	C	Light ON	
40	1000	1/2	1/2	Light OFF	
100	4000	F	H	Light OFF	
40	1000	1/2	1/2	Light OFF	
0	0	E	C	Light ON	

8) Press the odo/trip meter knob once.

9) Go to “Check LCD display”.

Check the LCD.

NOTE:

- All warning and indicator lights go off.
- The meter indication remains at the same level as “Meter Indicator Needle Indication Check”.
- ILL indication illuminates at ILL6 level (max. brightness).

Illuminating order	1	2	3	4	5	6	7	8	9	10	11	12	13	Go back to 1 and repeat.
ODO, TRIP A/B	All lights ON	All lights OFF	ODO	All lights OFF	TRIP A	All lights OFF	TRIP B	All lights OFF	All lights OFF	All lights OFF	TRIP A	All lights OFF	TRIP B	
Odo/ trip meter	88888.8	111111	22222.2	333333	44444.4	555555	66666.6	777777	88888.8	999999	00000.0	888888	88888.8	
AT shift indicator	All lights ON	1	2	3	4	5	6	7	P	R	N	D	E	
▲ ▼	▲ ▼	All lights OFF	▲	All lights OFF	▼	All lights OFF	▲	All lights OFF	▼	All lights OFF	▲	All lights OFF	▼	

# Combination Meter System

INSTRUMENTATION/DRIVER INFO

## 2. SYMPTOM CHART

### CAUTION:

When measuring the voltage and resistance of each control module or sensor, use a tapered pin with a diameter of less than 0.64 mm (0.025 in) in order to avoid poor contact. Do not insert the pin more than 2 mm (0.08 in).

Symptom	Repair order	Index
Combination meter assembly does not operate.	1. Power supply 2. Ground circuit 3. Combination meter	<Ref. to IDI-6, CHECK POWER SUPPLY AND GROUND CIRCUIT, INSPECTION, Combination Meter System.>
Speedometer does not operate.	1. ABS C/M or VDC C/M 2. Harness 3. Combination meter	<Ref. to IDI-7, CHECK ABS CONTROL MODULE OR VDC CONTROL MODULE., INSPECTION, Combination Meter System.>
Tachometer does not operate.	1. ECM 2. Harness 3. Combination meter	<Ref. to IDI-7, CHECK ENGINE CONTROL MODULE (ECM), INSPECTION, Combination Meter System.>
Fuel gauge does not operate.	1. Communication circuit 2. Fuel level sensor 3. Harness 4. Combination meter	<Ref. to IDI-8, CHECK FUEL LEVEL SENSOR., INSPECTION, Combination Meter System.>
Engine coolant temperature gauge does not operate. (Turbo model)	1. Communication circuit 2. Engine coolant temperature sensor 3. Harness 4. Combination meter	<Ref. to IDI-9, CHECK ENGINE COOLANT TEMPERATURE SENSOR, INSPECTION, Combination Meter System.>

## 3. CHECK POWER SUPPLY AND GROUND CIRCUIT

Step	Check	Yes	No
<b>1 CHECK POWER SUPPLY FOR COMBINATION METER.</b> 1) Remove the combination meter. <Ref. to IDI-16, REMOVAL, Combination Meter.> 2) Disconnect the combination meter connector. 3) Turn the ignition switch to ON. 4) Measure the voltage between combination meter connector and chassis ground. <b>Connector &amp; terminal</b> <b>(i10) No. 2 (+) — Chassis ground (-):</b>	Is the voltage 10 V or more?	Go to step 2.	Check the harness for open or short between the ignition switch and combination meter.
<b>2 CHECK POWER SUPPLY FOR COMBINATION METER.</b> Measure the voltage between combination meter connector and chassis ground. <b>Connector &amp; terminal</b> <b>(i10) No. 1 (+) — Chassis ground (-):</b>	Is the voltage 10 V or more?	Go to step 3.	Check the harness for open or short between the fuse and combination meter.
<b>3 CHECK GROUND CIRCUIT OF COMBINATION METER.</b> 1) Turn the ignition switch to OFF. 2) Measure the resistance between combination meter connector and chassis ground. <b>Connector &amp; terminal</b> <b>(i10) No. 21 — Chassis ground:</b> <b>(i10) No. 22 — Chassis ground:</b>	Is the resistance less than 10 Ω?	Replace the meter case assembly.	Repair the wiring harness.

# Combination Meter System

INSTRUMENTATION/DRIVER INFO

## 4. CHECK ABS CONTROL MODULE OR VDC CONTROL MODULE

Step	Check	Yes	No
<p><b>1</b></p> <p><b>CHECK VEHICLE SPEED SIGNAL.</b></p> <p>1) Lift up the vehicle and support it with rigid racks.</p> <p>2) Drive the vehicle faster than 10 km/h (6 MPH).</p> <p><b>WARNING:</b> <b>Be careful not to get caught in the running wheels.</b></p> <p>3) Measure the voltage between combination meter connector and chassis ground.</p> <p><b>Connector &amp; terminal</b> <b>(i10) No. 31 (+) — Chassis ground (-):</b></p>	<p>Is the voltage less than 1 V ←→ 5 V or more?</p>	<p>Replace the meter case assembly.</p>	<p>Go to step 2.</p>
<p><b>2</b></p> <p><b>CHECK HARNESS BETWEEN ABSCM OR VDCCM AND COMBINATION METER.</b></p> <p>1) Turn the ignition switch to OFF.</p> <p>2) Disconnect the ABSCM or VDCCM connector and combination meter connector.</p> <p>3) Measure the resistance between ABSCM or VDCCM and combination meter.</p> <p><b>Connector &amp; terminal</b> <b>Model without VDC</b> <b>(B301) No. 23 — (i10) No. 31:</b> <b>Model with VDC</b> <b>(B310) No. 33 — (i10) No. 31:</b></p>	<p>Is the resistance less than 10 Ω?</p>	<p>Model without VDC: Check the ABS control module. &lt;Ref. to ABS(diag)-2, Basic Diagnostic Procedure.&gt; Model with VDC: Check the VDC control module. &lt;Ref. to VDC(diag)-2, Basic Diagnostic Procedure.&gt;</p>	<p>Repair the wiring harness.</p>

## 5. CHECK ENGINE CONTROL MODULE (ECM)

Step	Check	Yes	No
<p><b>1</b></p> <p><b>CHECK ECM SIGNAL.</b></p> <p>1) Start the engine.</p> <p>2) Measure the voltage between ECM connector and chassis ground.</p> <p><b>Connector &amp; terminal</b> <b>(B136) No. 22 (+) — Chassis ground (-):</b></p>	<p>Is the voltage 0 ←→ 14 V or more?</p>	<p>Go to step 2.</p>	<p>Inspect the ECM. &lt;Ref. to EN(H4SO)(diag)-2, Basic Diagnostic Procedure.&gt; &lt;Ref. to EN(H4DOTC)(diag)-2, Basic Diagnostic Procedure.&gt;</p>
<p><b>2</b></p> <p><b>CHECK HARNESS BETWEEN COMBINATION METER AND ECM.</b></p> <p>1) Turn the ignition switch to OFF.</p> <p>2) Disconnect the ECM connector and combination meter connector.</p> <p>3) Measure the resistance between the ECM connector and combination meter connector.</p> <p><b>Connector &amp; terminal</b> <b>(B136) No. 22 — (i10) No. 32:</b></p>	<p>Is the resistance less than 10 Ω?</p>	<p>Replace the meter case assembly.</p>	<p>Repair the wiring harness.</p>

# Combination Meter System

INSTRUMENTATION/DRIVER INFO

## 6. CHECK FUEL LEVEL SENSOR

	Step	Check	Yes	No
1	<b>CHECK COMBINATION METER.</b> 1) Drain fuel. 2) Check the indication status of the fuel gauge in the combination meter.	Does the fuel gauge needle indicate EMPTY and is the low fuel warning light blinking?	Go to step 4.	Go to step 2.
2	<b>CHECK COMBINATION METER.</b> Perform the self-diagnosis of combination meter. <Ref. to IDI-4, SELF-DIAGNOSIS, INSPECTION, Combination Meter System.>	Is it operating normally?	Go to step 3.	Replace the meter case assembly.
3	<b>CHECK COMMUNICATION STATUS.</b> 1) Prepare the Subaru Select Monitor kit. 2) Turn the ignition switch to ON (engine OFF) and run the "PC application for Subaru Select Monitor". 3) On «System Selection Menu» display, select {Integ. unit mode}. 4) Select the {Diagnostic Code(s) Display}.	Is DTC being displayed?	Perform the diagnosis according to DTC. <Ref. to LAN(diag)-35, LIST, List of Diagnostic Trouble Code (DTC).>	Go to step 4.
4	<b>CHECK HARNESS.</b> 1) Disconnect the body integrated unit connector. 2) Measure the resistance between the body integrated unit and chassis ground. <i><b>Connector &amp; terminal</b></i> <i><b>(B281) No. 7 — Chassis ground:</b></i>	Is the resistance 2 — 96 Ω?	Go to step 5. If the step 1 is "Yes", Go to step 9.	Repair the wiring harness.
5	<b>CHECK COMMUNICATION BETWEEN BODY INTEGRATED UNIT AND METERS.</b> 1) Remove the fuel sub level sensor. <Ref. to FU(H4SO)-67, REMOVAL, Fuel Sub Level Sensor.> <Ref. to FU(H4DOTC)-76, REMOVAL, Fuel Sub Level Sensor.> 2) Short the fuel sub level sensor connector terminal to the chassis ground with approx. 100 Ω resistance. 3) Turn the ignition switch to ON. <i><b>Connector &amp; terminal</b></i> <i><b>(R59) No. 1 — Chassis ground:</b></i>	Does the meter needle indicate EMPTY?	Go to step 7.	Go to step 6.
6	<b>CHECK BODY INTEGRATED UNIT.</b> 1) Retain the condition in step 5. 2) On {Integ. unit mode}, select {Fuel level resistance} using the Subaru Select Monitor.	Is approx. 100 Ω displayed in the data?	Go to step 11.	Replace the body integrated unit. <Ref. to SL-50, REMOVAL, Body Integrated Unit.>
7	<b>CHECK COMMUNICATION BETWEEN BODY INTEGRATED UNIT AND METERS.</b> 1) Remove the fuel sub level sensor. <Ref. to FU(H4SO)-67, REMOVAL, Fuel Sub Level Sensor.> <Ref. to FU(H4DOTC)-76, REMOVAL, Fuel Sub Level Sensor.> 2) Short the fuel sub level sensor connector terminal to the chassis ground with approx. 2 Ω to 6 Ω resistance. 3) Turn the ignition switch to ON. <i><b>Connector &amp; terminal</b></i> <i><b>(R59) No. 1 — Chassis ground:</b></i>	Does the meter needle indicate FULL?	Go to step 9.	Go to step 8.
8	<b>CHECK BODY INTEGRATED UNIT.</b> 1) Retain the condition in step 7. 2) On {Integ. unit mode}, select {Fuel level resistance} using the Subaru Select Monitor.	Is the resistance approximately 2 to 6 Ω?	Go to step 11.	Replace the body integrated unit. <Ref. to SL-50, REMOVAL, Body Integrated Unit.>

# Combination Meter System

INSTRUMENTATION/DRIVER INFO

Step	Check	Yes	No
<b>9 CHECK FUEL SUB LEVEL SENSOR.</b> 1) Remove the fuel sub level sensor. <Ref. to FU(H4SO)-67, REMOVAL, Fuel Sub Level Sensor.> <Ref. to FU(H4DOTC)-76, REMOVAL, Fuel Sub Level Sensor.> 2) Measure the resistance between the fuel sub level sensor connector terminals when the float is in FULL and EMPTY position. <b>Connector &amp; terminal (R59) No. 1 — No. 2:</b>	Is the resistance 1.0 to 3.0 Ω (FULL) and 61 to 63 Ω (EMPTY)?	Go to step 10.	Replace the fuel sub level sensor.
<b>10 CHECK FUEL LEVEL SENSOR.</b> 1) Remove the fuel level sensor. <Ref. to FU(H4SO)-66, REMOVAL, Fuel Level Sensor.> <Ref. to FU(H4DOTC)-75, REMOVAL, Fuel Level Sensor.> 2) Measure the resistance between the fuel level sensor connectors when the float is in FULL and EMPTY position. <b>Connector &amp; terminal (R58) No. 1 — No. 4:</b>	Is the resistance 1.0 to 3.0 Ω (FULL) and 31 to 33 Ω (EMPTY)?	Check the connection status of the harness and connector that may have a temporary poor contact.	Replace the fuel level sensor.
<b>11 CHECK COMBINATION METER OPERATION.</b> 1) Remove the combination meter. 2) Attach the combination meter to another vehicle on which the fuel gauge operates normally to check its operation.	Is the fuel gauge normal?	Replace the body integrated unit. <Ref. to SL-50, REMOVAL, Body Integrated Unit.>	Replace the meter case assembly.

## 7. CHECK ENGINE COOLANT TEMPERATURE SENSOR

Step	Check	Yes	No
<b>1 CHECK COMMUNICATION STATUS.</b> 1) Prepare the Subaru Select Monitor kit. 2) Turn the ignition switch to ON (engine OFF) and run the "PC application for Subaru Select Monitor". 3) On «System Selection Menu» display, select {Integ. unit mode}. 4) Select the {Diagnostic Code(s) Display}.	Is DTC being displayed?	Perform the diagnosis according to DTC. <Ref. to LAN(diag)-35, LIST, List of Diagnostic Trouble Code (DTC).>	Go to step 2.
<b>2 CHECK ENGINE COOLANT TEMPERATURE SENSOR.</b> Check the engine coolant temperature sensor. <Ref. to EN(H4SO)(diag)-2, Basic Diagnostic Procedure.> <Ref. to EN(H4DOTC)(diag)-2, Basic Diagnostic Procedure.>	Is the engine coolant temperature sensor OK?	Replace the meter case assembly.	Replace the engine coolant temperature sensor.

# Combination Meter System

INSTRUMENTATION/DRIVER INFO

## 8. CHECK KEY WARNING SWITCH ALARM

	Step	Check	Yes	No
1	<b>CHECK KEY WARNING SWITCH ALARM.</b> 1) Insert the key to the ignition key lock. 2) Open the driver's side door.	Does the buzzer sound from the meter?	Normal	Go to step 2.
2	<b>CHECK COMMUNICATION STATUS.</b> 1) Prepare the Subaru Select Monitor. 2) On «System Selection Menu» display, select {Integ. unit mode}. 3) On {Current Data Display & Save}, select {Key-lock warning SW}. 4) Remove and insert the key.	Does the display change between ON ⇔ OFF?	Go to step 3.	Check the ignition switch circuit. <Ref. to SL-44, INSPECTION, Ignition Key Lock.>
3	<b>CHECK COMMUNICATION STATUS.</b> 1) On {Current Data Display & Save}, select {Driver's door SW input}. 2) Open and close the door.	Does the display change between ON ⇔ OFF?	Go to step 4.	Check the door switch circuit. <Ref. to SL-10, CHECK DOOR LOCK SWITCH, INSPECTION, Door Lock Control System.>
4	<b>CHECK COMMUNICATION STATUS.</b> 1) Turn the ignition switch to ON (engine OFF) and run the "PC application for Subaru Select Monitor". 2) On «System Selection Menu» display, select {Integ. unit mode}. 3) Select the {Diagnostic Code(s) Display}.	Is DTC being displayed?	Perform the diagnosis according to DTC. <Ref. to LAN(diag)-35, LIST, List of Diagnostic Trouble Code (DTC).>	Go to step 5.
5	<b>CHECK COMBINATION METER.</b> Perform the self-diagnosis of combination meter. <Ref. to IDI-4, SELF-DIAGNOSIS, INSPECTION, Combination Meter System.>	Did the buzzer sound?	Go to step 6.	Replace the meter case assembly.
6	<b>CHECK COMBINATION METER.</b> 1) Remove the combination meter. 2) Attach the buzzer to another vehicle on which the buzzer operates normally to check its operation.	Did the buzzer sound?	Replace the body integrated unit. <Ref. to SL-50, REMOVAL, Body Integrated Unit.>	Replace the meter case assembly.

## 9. DTC DISPLAY MODE

The combination meter DTC can be displayed according to the following procedure.

### CAUTION:

**Perform the steps described in 2) through 4) within 10 seconds.**

- 1) Within 3 seconds after turning the ignition switch to ON, set the lighting switch to tail light or headlight position.
- 2) Press the odo/trip meter knob four times.
- 3) Turn the lighting switch to OFF, and press the odo/trip meter knob four times.
- 4) Set the lighting switch to tail light or headlight position again, and press the odo/trip meter knob four times.
- 5) Go to "DTC display mode".

When the DTC display mode operates, the display is changed every 3 seconds or {ECM}, {TCM}, {ABS/VDC} is displayed cyclically in this order for every press of the trip knob. DTC is displayed in the following table according to type of control module, receiving DTC, DTC detected or No DTC.

Control module	Condition	Display
ECM	Receiving DTC	Trip "A" + "P (Blink)"
	DTC detected	Trip "A" + "P xxxx"
	No DTC	Trip "A" + "P ----"
TCM	Receiving DTC	Trip "B" + "P (Blink)"
	DTC detected	Trip "B" + "P xxxx"
	No DTC	Trip "B" + "P ----"
ABS/VDCCM	Receiving DTC	Trip "A" + "C (Blink)"
	DTC detected	Trip "A" + "C xxxx"
	No DTC	Trip "A" + "C ----"
When CAN communication error is occurred	—	" ---- "

### NOTE:

- When the engine starts during diagnosis, the self-diagnosis function is not cancelled, however, once ignition switch is turned OFF or the vehicle is driven, the DTC display mode is cancelled automatically for safety.
- When the DTC of individual control modules changes in status from current trouble to past trouble, and the trouble is fixed, the DTC will no longer appear in the combination meter if the engine is started three times or more. In this case, read the DTC using the Subaru Select Monitor.
- Because the MT model is not equipped with a TCM, only "Receiving DTC" is displayed.

### C: NOTE

For procedure of each component in the combination meter system, refer to the respective section.

- Combination meter <Ref. to IDI-16, Combination Meter.>
- Speedometer <Ref. to IDI-17, Speedometer.>
- Tachometer <Ref. to IDI-18, Tachometer.>
- Fuel gauge <Ref. to IDI-19, Fuel Gauge.>
- Engine coolant temperature gauge (turbo model) <Ref. to IDI-20, Engine Coolant Temperature Gauge.>

# Clock System

INSTRUMENTATION/DRIVER INFO

## 3. Clock System

### A: WIRING DIAGRAM

Refer to "Clock System" in WI section. <Ref. to WI-147, WIRING DIAGRAM, Clock System.>

### B: INSPECTION

#### 1. SYMPTOM CHART

Symptom	Repair order	Index
No display is shown.	1. Power supply 2. Ground circuit 3. Communication circuit harness 4. Clock body	<Ref. to IDI-12, CHECK POWER SUPPLY AND GROUND CIRCUIT AND COMMUNICATION CIRCUIT, INSPECTION, Clock System.>
Ambient air temperature/fuel economy displays do not appear.	1. Power supply 2. Ground circuit 3. Communication circuit harness 4. Clock body	<Ref. to IDI-13, CHECK CLOCK SYSTEM COMMUNICATION CIRCUIT., INSPECTION, Clock System.>
Only ambient air temperature display is not displayed.	1. Power supply 2. Harness 3. Ambient sensor 4. Communication circuit 5. Clock body	<Ref. to IDI-14, CHECK AMBIENT TEMPERATURE METER SYSTEM COMMUNICATION CIRCUIT., INSPECTION, Clock System.>
Only fuel economy display is not displayed.	1. Setting 2. Communication circuit 3. Clock body	<Ref. to IDI-15, CHECK COMMUNICATION CIRCUIT OF FUEL ECONOMY SYSTEM, INSPECTION, Clock System.>

#### 2. CHECK POWER SUPPLY AND GROUND CIRCUIT AND COMMUNICATION CIRCUIT

Step	Check	Yes	No
<b>1 CHECK POWER SUPPLY.</b> 1) Disconnect the clock connector. 2) Measure the voltage between clock connector and chassis ground. <b>Connector &amp; terminal</b> <b>(i59) No. 10 (+) — Chassis ground (-):</b>	Is the voltage 10 V or more?	Go to step 2.	Check the harness for a open or short between the fuse and clock.
<b>2 CHECK GROUND CIRCUIT.</b> Measure the resistance between the clock connector and chassis ground. <b>Connector &amp; terminal</b> <b>(i59) No. 6 — Chassis ground:</b>	Is the resistance less than 10 Ω?	Go to step 3.	Repair or replace the harness.
<b>3 CHECK HARNESS BETWEEN CLOCK AND COMBINATION METER.</b> 1) Disconnect the combination meter connector. 2) Measure the resistance between the clock connector and combination meter connector. <b>Connector &amp; terminal</b> <b>(i59) No. 5 — (i10) No. 29:</b>	Is the resistance less than 10 Ω?	Go to step 4.	Repair or replace the harness.
<b>4 CHECK CLOCK.</b> 1) Remove the clock. 2) Attach the clock to another vehicle on which the clock operates normally to check its operation.	Is clock normal?	Replace the meter case assembly.	Replace the clock body.



## 3. CHECK CLOCK SYSTEM COMMUNICATION CIRCUIT

Step	Check	Yes	No
<b>1 CHECK POWER SUPPLY.</b> 1) Disconnect the clock connector. 2) Measure the voltage between clock connector and chassis ground. <i><b>Connector &amp; terminal</b></i> <i><b>(i59) No. 8 (+) — Chassis ground (-):</b></i>	Is the voltage 10 V or more?	Go to step 2.	Repair or replace the harness.
<b>2 CHECK GROUND CIRCUIT.</b> Measure the resistance between the clock connector and chassis ground. <i><b>Connector &amp; terminal</b></i> <i><b>(i59) No. 6 — Chassis ground:</b></i>	Is the resistance less than 10 $\Omega$ ?	Go to step 3.	Repair or replace the harness.
<b>3 CHECK HARNESS BETWEEN CLOCK AND COMBINATION METER.</b> 1) Disconnect the combination meter connector. 2) Measure the resistance between the clock connector and combination meter connector. <i><b>Connector &amp; terminal</b></i> <i><b>(i59) No. 5 — (i10) No. 29:</b></i>	Is the resistance less than 10 $\Omega$ ?	Go to step 4.	Repair or replace the harness.
<b>4 CHECK CLOCK.</b> 1) Remove the clock. 2) Attach the clock to another vehicle on which the clock operates normally to check its operation.	Is clock normal?	Replace the meter case assembly.	Replace the clock body.

# Clock System

INSTRUMENTATION/DRIVER INFO

## 4. CHECK AMBIENT TEMPERATURE METER SYSTEM COMMUNICATION CIRCUIT

Step	Check	Yes	No
<b>1 CHECK AMBIENT SENSOR POWER SUPPLY.</b> 1) Disconnect the ambient sensor connector. 2) Turn the ignition switch to ON. 3) Measure the voltage between the ambient sensor connector and chassis ground. <i>Connector &amp; terminal</i> <i>(F78) No. 2 (+) — Chassis ground (-):</i>	Is the voltage 4 V or more?	Go to step 2.	Check the harness for a open or short between the fuse and clock.
<b>2 CHECK HARNESS BETWEEN AMBIENT SENSOR AND COMBINATION METER.</b> 1) Disconnect the combination meter connector. 2) Measure the resistance between the ambient sensor connector and combination meter connector. <i>Connector &amp; terminal</i> <i>(F78) No. 1(+)</i> — <i>(i10) No. 23:</i> <i>(F78) No. 2(+)</i> — <i>(i10) No. 24:</i>	Is the resistance less than 10 Ω?	Go to step 3.	Repair or replace the harness.
<b>3 CHECK AMBIENT SENSOR.</b> 1) Remove the ambient sensor. <Ref. to AC-41, REMOVAL, Ambient Sensor (Auto A/C Model).> 2) Check the ambient sensor. <Ref. to AC(diag)-28, AMBIENT SENSOR, Diagnostic Procedure for Sensors.>	Is the ambient sensor operating properly?	Go to step 4.	Replace the ambient sensor.
<b>4 CHECK AMBIENT TEMPERATURE DISPLAY.</b> 1) Connect the combination meter connector. 2) Install the 3 Ω resistance to ambient sensor connector. 3) Turn the ignition switch to ON. <i>Connector &amp; terminal</i> <i>(F78) No. 1 — (F78) No. 2:</i>	Is the ambient temperature display 25°C (77°F)?	Repair the poor contact between the ambient sensor and harness connector.	Go to step 5.
<b>5 CHECK AMBIENT TEMPERATURE OUTPUT DATA.</b> 1) Prepare the Subaru Select Monitor kit. 2) Turn the ignition switch to ON (engine OFF) and run the “PC application for Subaru Select Monitor”. 3) On «System Selection Menu» display, select {Integ. unit mode}. 4) Select {Ambient Temperature}.	Is the ambient temperature display 25°C (77°F)?	Go to step 6.	Replace the meter case assembly. <Ref. to IDI-16, Combination Meter.>
<b>6 CHECK CLOCK.</b> 1) Remove the clock. 2) Attach the ambient temperature display to another vehicle on which the ambient temperature display operates normally to check its operation.	Is the ambient temperature display 25°C (77°F)?	Replace the clock body.	Replace the meter case assembly. <Ref. to IDI-16, Combination Meter.>

## 5. CHECK COMMUNICATION CIRCUIT OF FUEL ECONOMY SYSTEM

Step	Check	Yes	No
<b>1</b> <b>CHECK FUEL ECONOMY DISPLAY OFF MODE.</b> Hold down the button “+” on the clock for 5 seconds or more.	Does the fuel economy display part blink?	Go to step 2.	Go to step 3.
<b>2</b> <b>CHECK FUEL ECONOMY DISPLAY OFF MODE.</b> Turn the ignition switch to ON.	Is fuel economy displayed?	Clock is normal.	Go to step 3.
<b>3</b> <b>CHECK DIAGNOSTIC TROUBLE CODE (DTC).</b> 1) Prepare the Subaru Select Monitor kit. 2) Turn the ignition switch to ON (engine OFF) and run the “PC application for Subaru Select Monitor”. 3) On «System Selection Menu» display, select {Integ. unit mode}. 4) Select the {Diagnostic Code(s) Display}.	Is DTC detected?	Go to step 4.	Replace the meter case assembly. <Ref. to IDI-16, Combination Meter.>
<b>4</b> <b>CHECK CLOCK.</b> 1) Remove the clock. 2) Attach the fuel economy display to another vehicle on which the fuel economy display operates normally to check its operation.	Is the fuel economy display correct?	Replace the clock body.	Replace the meter case assembly. <Ref. to IDI-16, Combination Meter.>

### C: NOTE

For procedure of each component in the clock system, refer to the respective section.

- CLOCK<Ref. to IDI-21, Clock.>

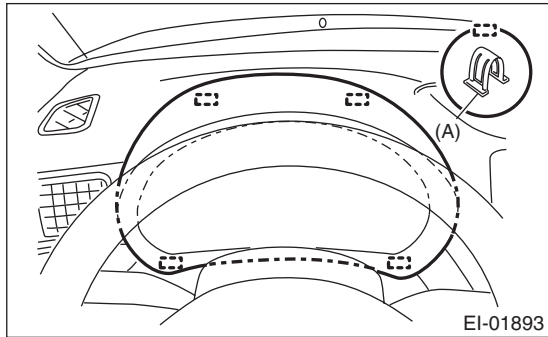
# Combination Meter

INSTRUMENTATION/DRIVER INFO

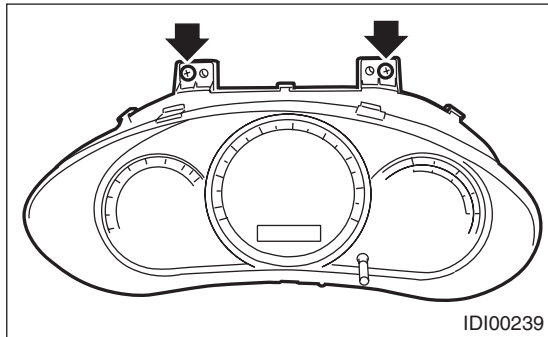
## 4. Combination Meter

### A: REMOVAL

- 1) Disconnect the ground cable from battery.
- 2) Set the tilt steering at the lowest position. For steering wheel with telescopic system, pull the steering.
- 3) Remove the plastic hook (A), and detach the meter visor.



- 4) Remove the screws of the combination meter, and pull on the meter while tipping it towards yourself.



- 5) Disconnect the connector in the rear side of combination meter to remove meter.

### CAUTION:

- Be careful not to damage the meter or instrument panel.
- Pay particular attention to avoid damaging the meter glass.

### B: INSTALLATION

#### CAUTION:

- Make sure the electrical connector is connected securely.
  - Make sure that each meter operates normally.
  - When the combination meter of model with immobilizer has been replaced, be sure to perform the registration of immobilizer.
- Install in the reverse order of removal.

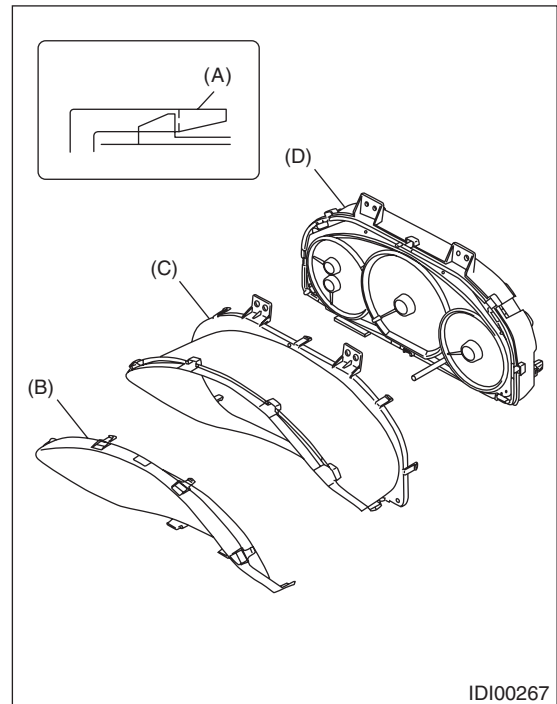
## C: DISASSEMBLY

### 1. DISASSEMBLY OF COMBINATION METER

#### CAUTION:

- Use gloves to avoid damage and getting fingerprints on the glass surface and meter surfaces.
- Be careful not to apply excessive force to the trip knob.
- Be sure not to touch the meter indicator needle.

Disengage the tabs (A), and remove the meter glass assembly (B) and meter visor (C) from the meter case assembly (D).



### 2. BULB REPLACEMENT

LEDs are used for all of warning lights and indicator lights of combination meters, replace the meter case assembly if faulty.

### D: ASSEMBLY

Assemble in the reverse order of disassembly.

## 5. Speedometer

### A: SPECIFICATION

Since the meter case assembly cannot be disassembled, do not remove or inspect the speedometer alone. (Do not remove the cover on the back surface.)

## **6. Tachometer**

### **A: SPECIFICATION**

Since the meter case assembly cannot be disassembled, do not remove or inspect the tachometer alone. (Do not remove the cover on the back surface.)

## 7. Fuel Gauge

### A: SPECIFICATION

Since the meter case assembly cannot be disassembled, do not remove or inspect the fuel gauge alone. (Do not remove the cover on the back surface.)

# Engine Coolant Temperature Gauge

INSTRUMENTATION/DRIVER INFO

---

## 8. Engine Coolant Temperature Gauge

### A: SPECIFICATION

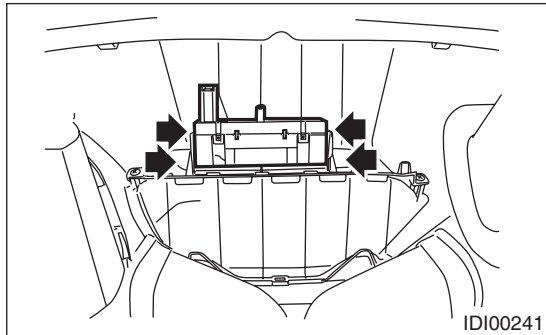
Since the meter case assembly cannot be disassembled, do not remove or inspect the engine coolant temperature gauge alone. (Do not remove the cover on the back surface.)



## 9. Clock

### A: REMOVAL

- 1) Disconnect the ground cable from battery.
- 2) Remove the audio. <Ref. to ET-6, REMOVAL, Audio.>
- 3) Reach through the audio space to release the four tabs from the bracket behind the instrument panel.



- 4) Disconnect the harness connector and remove the clock.

### B: INSTALLATION

Install in the reverse order of removal.



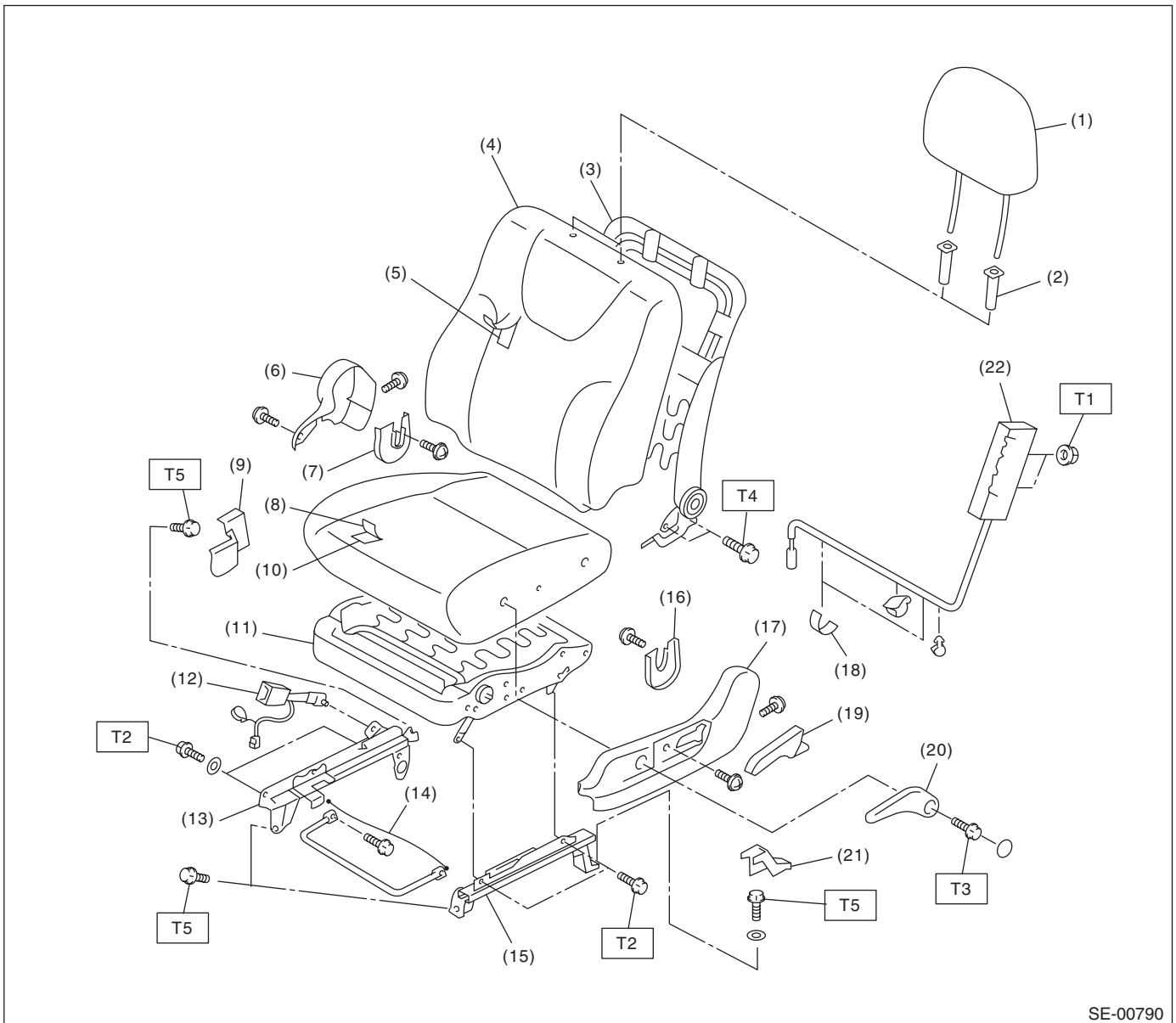
# General Description

SEATS

## 1. General Description

### A: COMPONENT

#### 1. FRONT SEAT LH



- |                               |                                |                              |
|-------------------------------|--------------------------------|------------------------------|
| (1) Headrest ASSY             | (11) Seat cushion frame ASSY   | (21) Rear bolt cover outside |
| (2) Headrest lock bushing     | (12) Inner seat belt ASSY      | (22) Side airbag module      |
| (3) Backrest frame ASSY       | (13) Inner slide rail          |                              |
| (4) Backrest cover            | (14) Connecting cable          |                              |
| (5) Backrest pad              | (15) Outer slide rail          |                              |
| (6) Seat side cover inside    | (16) Seat hinge inner cover LH |                              |
| (7) Seat hinge inner cover RH | (17) Seat side cover outside   |                              |
| (8) Seat cushion cover        | (18) Tape                      |                              |
| (9) Rear bolt cover inside    | (19) Reclining lever           |                              |
| (10) Seat cushion pad         | (20) Lifter lever              |                              |
|                               |                                | (21) Rear bolt cover outside |

---

#### **Tightening torque:N-m (kgf-m, ft-lb)**

**T1: 6 (0.61, 4.4)**

**T2: 9.8 (1.0, 7.2)**

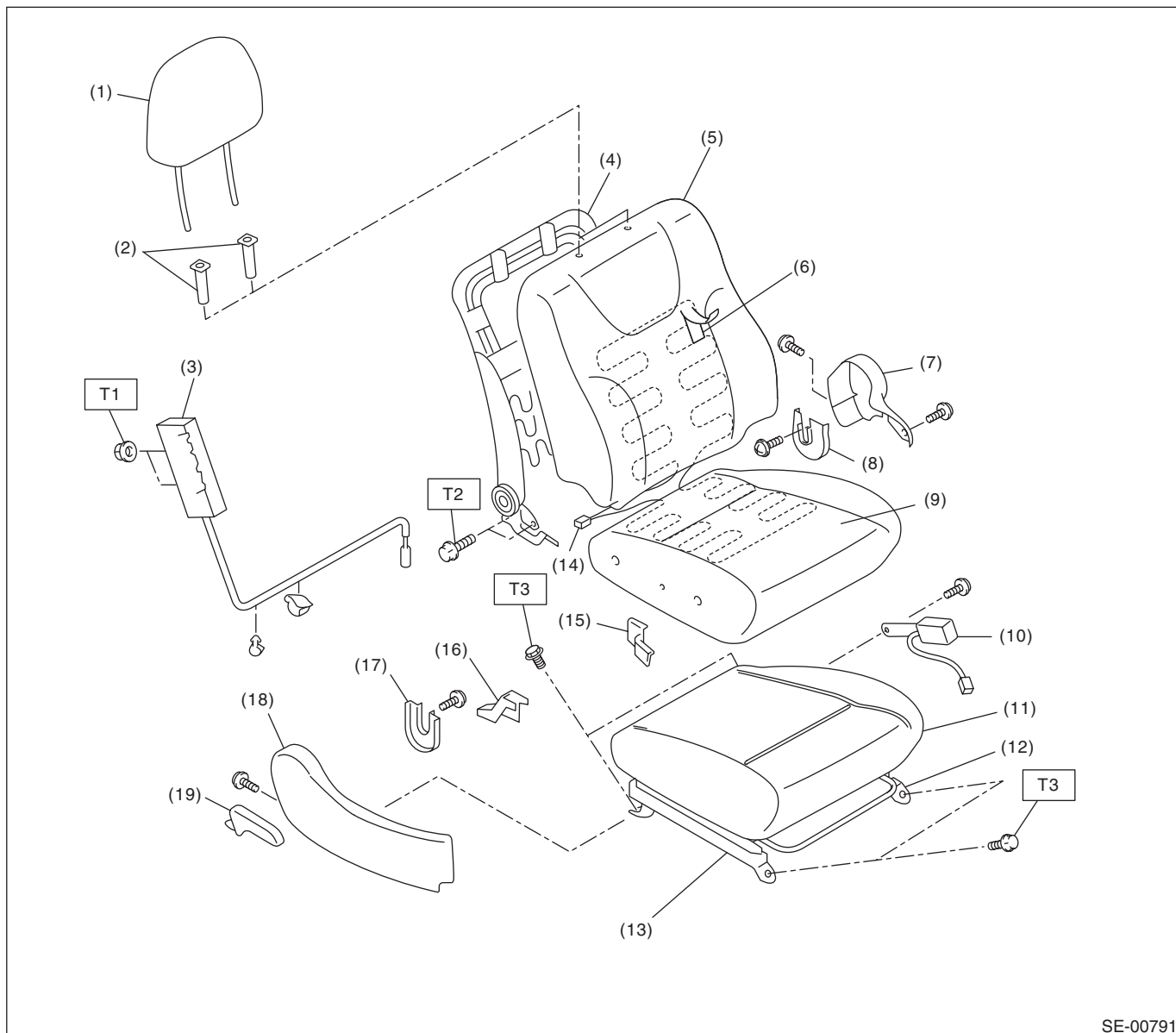
**T3: 17.6 (1.79, 13.0)**

**T4: 52 (5.3, 38.4)**

**T5: 53 (5.4, 39.1)**

---

## 2. FRONT SEAT RH



SE-00791

- |                            |                                      |                              |
|----------------------------|--------------------------------------|------------------------------|
| (1) Headrest ASSY          | (10) Inner seat belt ASSY            | (18) Seat side cover outside |
| (2) Headrest lock bushing  | (11) Seat cushion pad and frame ASSY | (19) Reclining lever         |
| (3) Side airbag module     | (12) Inner slide rail                |                              |
| (4) Backrest frame ASSY    | (13) Outer slide rail                |                              |
| (5) Backrest cover         | (14) Seat heater unit                |                              |
| (6) Backrest pad           | (15) Rear bolt cover inside          |                              |
| (7) Seat side cover inside | (16) Rear bolt cover outside         |                              |
| (8) Hinge inner cover LH   | (17) Hinge inner cover RH            |                              |
| (9) Seat cushion cover     |                                      |                              |

**Tightening torque: N·m (kgf·m, ft·lb)**

**T1: 6 (0.61, 4.4)**

**T2: 52 (5.3, 38.4)**

**T3: 53 (5.4, 39.1)**



## B: CAUTION

- If the seat cushion cover is removed or replaced, make sure to perform passenger detection system adjustment after installing the seat to the vehicle. <Ref. to OD(diag)-15, SYSTEM CALIBRATION (REZEROING), OPERATION, Subaru Select Monitor.>

If system adjustment is not performed, the occupant detection system may not function properly.

- The passenger detection system (passenger seat only) control unit and the passenger detection sensor are fixed to the seat cushion frame. Never remove the passenger detection control unit or the pressure sensor from the seat cushion frame.
- Do not replace the seat cushion pad by itself. Always replace the seat cushion pad and frame assembly as a set. The seat cushion pad and cushion frame are adjusted as a set at the time of manufacture. If cushion pads and cushion frames are combined from those of other vehicles or other sets, the passenger detection system may not operate properly.
- If the seat cushion cover is removed, make sure to replace the hang wire on the seat cushion side with a new wire.
- When removing the front seat from a side airbag loaded vehicle, follow cautions given in the airbag section. <Ref. to AB-5, CAUTION, General Description.>

## C: PREPARATION TOOL

### 1. GENERAL TOOL

TOOL NAME	REMARKS
Long nose plier	Used for removing the hog ring.
Hog ring pliers	Used for installing the hog ring.
TORX® T50	Used for removing and installing the inner seat belt assembly.
Circuit tester	Used for checking voltage and continuity.

## 2. Front Seat

### A: REMOVAL

**CAUTION:**

The airbag system is fitted with a backup power source. After disconnecting the battery ground cable, the airbag may deploy if you do not wait for 20 seconds before starting the service of airbag system.

#### 1. DRIVER'S SEAT

- 1) Disconnect the ground cable from battery, and wait for 20 seconds or more before starting work.
- 2) Remove the headrest.
- 3) Remove the slide rail installing bolt.
  - (1) Tilt the backrest forward, and move the seat to the full forward position.
  - (2) Remove the rear bolt cover at the rear end of the slide rail, and remove the two bolts.
  - (3) Move the seat to the rearmost position, and remove the two bolts at the front side of the slide rail.
- 4) Tilt the backrest forward, and move the seat forward.
- 5) Remove the rear bolt cover, and remove the two bolts at the rear side of the slide rail.
- 6) Move the seat towards the rear, and remove the two bolts at the front side of the slide rail.
- 7) Disconnect the connector under the seat.
  - Seat belt buckle switch connector
  - Side airbag connector
  - Seat heater connector (model with seat heater)
- 8) Remove the seat from vehicle.

#### 2. PASSENGER'S SEAT

**CAUTION:**

Refer to "CAUTION" of "General Description" before starting the work. <Ref. to SE-5, CAUTION, General Description.>

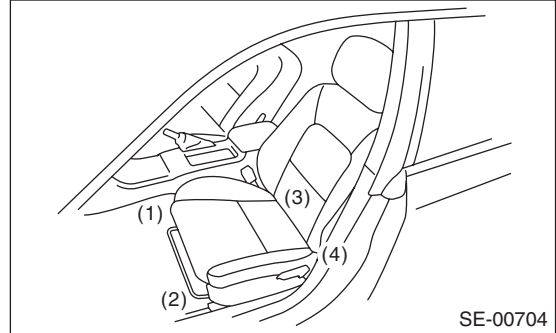
- 1) Disconnect the ground cable from battery, and wait for 20 seconds or more before starting work.
- 2) Remove the headrest.
- 3) Tilt the backrest forward, and move the seat forward.
- 4) Remove the rear bolt cover, and then remove the rear side of slide rail.
- 5) Move the seat backward, remove the front bolt cover, and then remove the bolt at the front side of slide rail.
- 6) Disconnect all the connectors of connector holder in the backside of seat cushion.
  - Harness connector of occupant detection control module
  - Side airbag connector
  - Seat heater connector (model with seat heater)
- 7) Remove the seat from vehicle.

### B: INSTALLATION

Install in the reverse order of removal.

**NOTE:**

Tighten the slide rail installing bolt gradually in several steps to the specified torque in the order as shown in the figure.



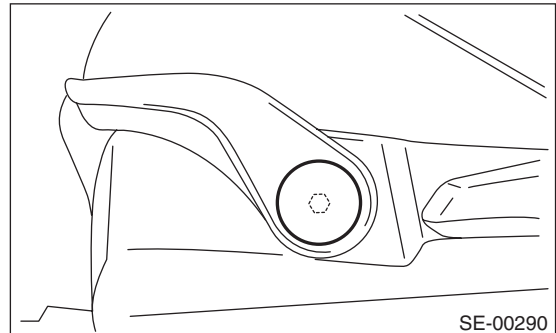
**Tightening torque:**

Refer to "COMPONENT" of "General Description". <Ref. to SE-2, FRONT SEAT LH, COMPONENT, General Description.>

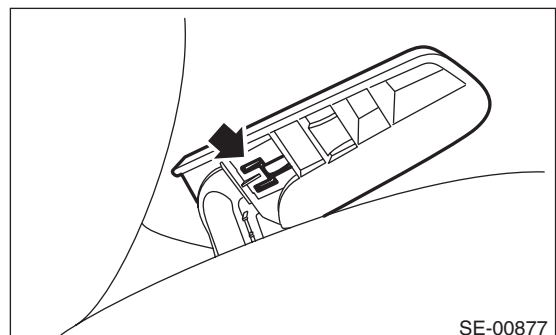
### C: DISASSEMBLY

#### 1. STANDARD SEAT

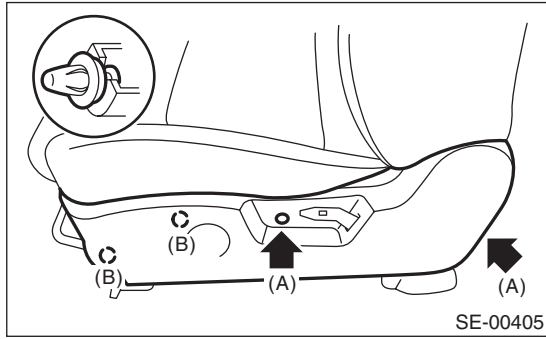
- 1) Remove the seat from vehicle. <Ref. to SE-6, REMOVAL, Front Seat.>
- 2) Remove the seat lifter cover using a flat tip screwdriver and loosen the inner bolt to remove the seat lifter lever.



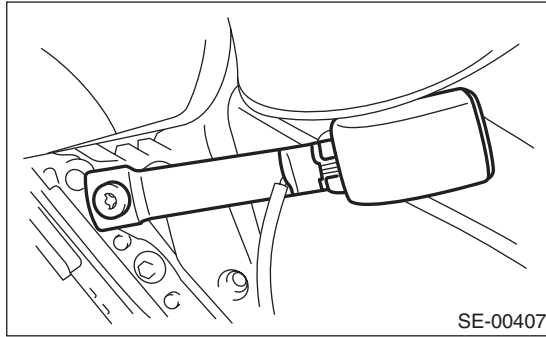
- 3) Disengage the tab while pulling the reclining lever, and remove the reclining lever cover.



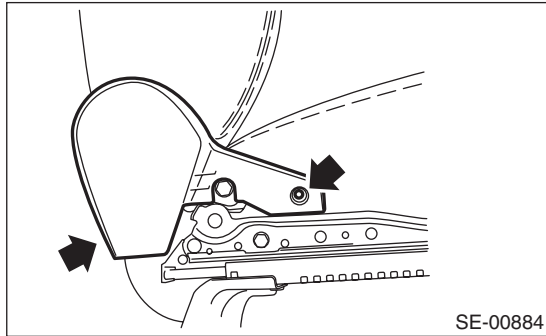
4) Remove screws (A) and clips (B), and then detach the seat side cover outside.



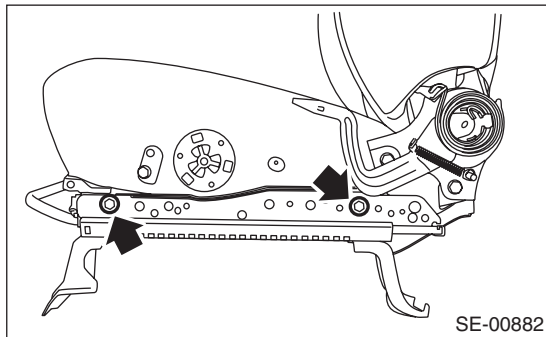
5) Remove the TORX® bolt, and then remove the inner seat belt assembly.



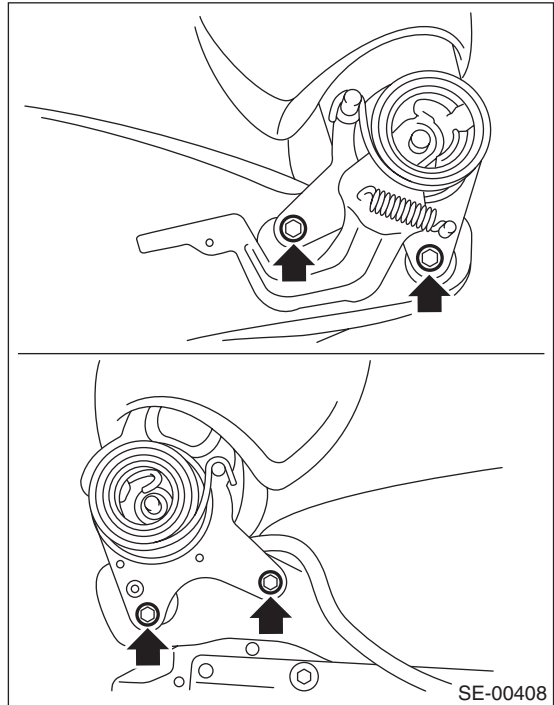
6) Loosen the screws to detach the seat side cover inside.



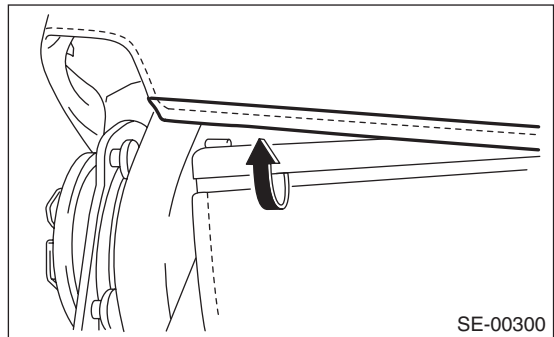
7) Remove the bolts on the side of seat cushion assembly, and then remove the slide rail.



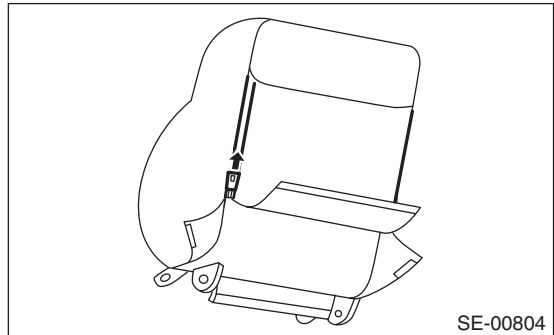
8) Remove the bolts from reclining hinge of both sides.



9) Remove the plastic fastener at the bottom-back side of backrest.



10) Open the fastener at the rear side of backrest.





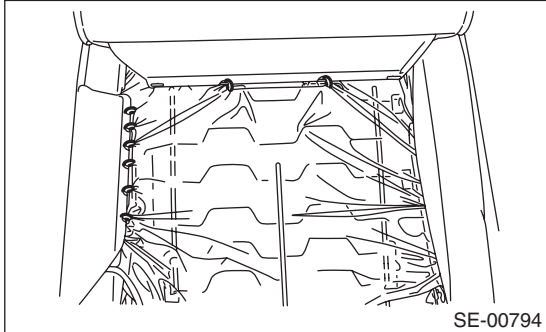
# Front Seat

## SEATS

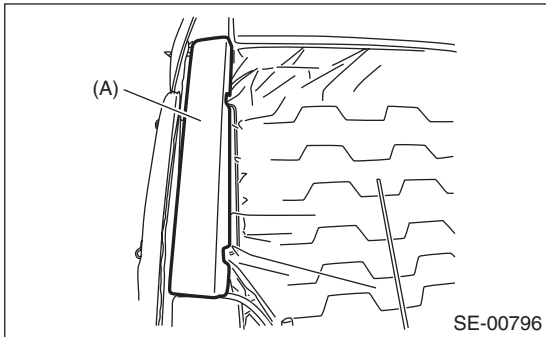
11) Remove the hog rings of backrest cover.

### CAUTION:

**When removing the hog rings, be careful not to tear the vinyl sheet within the seat. If torn, replace with a new part.**



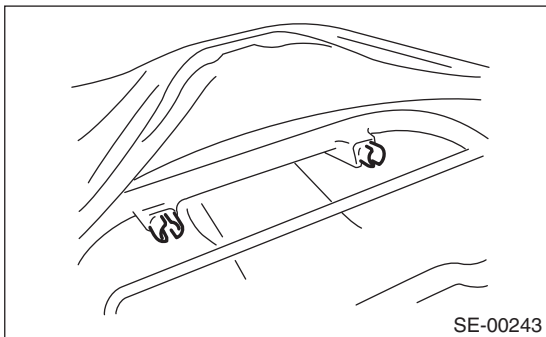
12) Remove the pad (A), and remove the mounting nut from the side airbag module.



13) Remove the headrest bushing.

### NOTE:

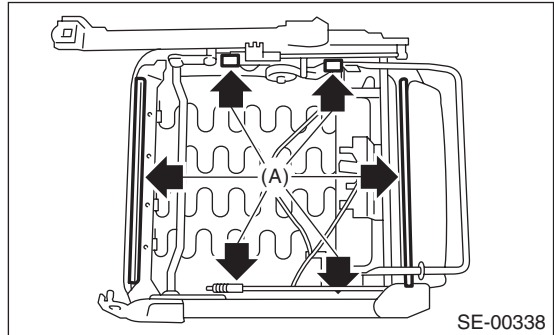
Push outside to remove it from the inside of seat.



14) Pull out the backrest frame.

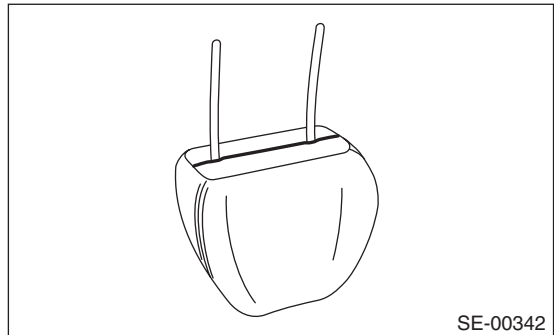
15) Remove all the hog rings at front of seat back, and then remove the seat back cover from seat backrest.

16) Remove the plastic hooks (A) of the seat cushion cover, and then remove the seat cushion frame assembly.



17) Remove all the hog rings, and then remove the seat cushion cover from seat cushion pad.

18) Open the plastic fastener on the bottom of the headrest, and then remove the headrest cover from the headrest.



## 2. PASSENGER'S SEAT

### CAUTION:

- If the seat cushion cover is removed or replaced, make sure to perform passenger detection system adjustment after installing the seat to the vehicle. <Ref. to OD(diag)-15, SYSTEM CALIBRATION (REZEROING), OPERATION, Subaru Select Monitor.>

Failure to do so may cause improper activation of passenger's airbag.

- The passenger detection system (passenger seat only) control unit, passenger detection sensor, seat cushion pad and seat cushion frame are considered as a single seat cushion pad and frame assembly. Never remove the passenger detection control unit or the pressure sensor from the seat cushion frame.

- If the seat cushion cover is removed, make sure to replace the hang wire on the seat cushion side with a new wire.

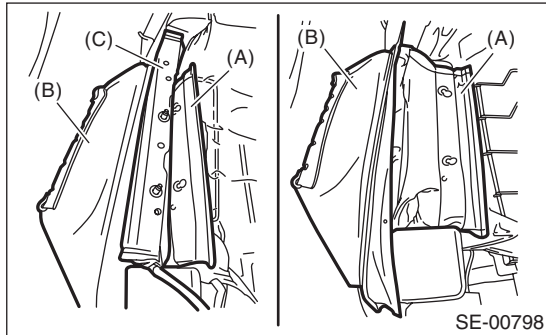
1) Remove the seat from vehicle. <Ref. to SE-6, PASSENGER'S SEAT, REMOVAL, Front Seat.>

2) Refer to the disassembly procedures for the driver's seat.

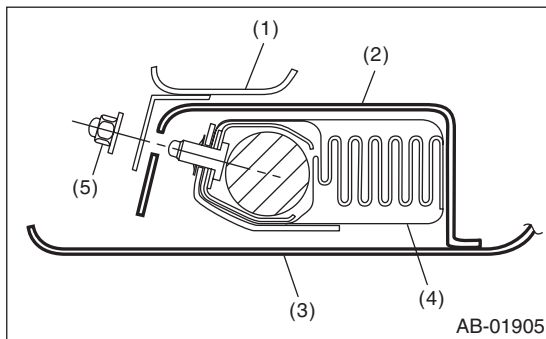
## D: ASSEMBLY

### CAUTION:

When installing the side airbag module assembly, be sure to put the side airbag module between backrest cover and airbag guide cloth.



- (A) Airbag guide cloth
- (B) Backrest cover
- (C) Side airbag module ASSY



- (1) Backrest frame ASSY
- (2) Airbag guide cloth
- (3) Backrest cover
- (4) Side airbag module ASSY
- (5) Hexagon cap nut

Besides, when the backrest cover is not installed securely, the side airbag module may not be deployed properly, therefore keep strictly to the following procedure.

- Be careful not to stain or damage the backrest cover during assembly.
- Always use new hog rings.
- Secure the hog ring using hog ring pliers.
- Install the hog rings to the specified points securely and make sure that no wrinkle or twisting on backrest cover.

Assemble in the reverse order of disassembly.

### Tightening torque:

Refer to "COMPONENT" of "General Description". <Ref. to SE-2, FRONT SEAT LH, COMPONENT, General Description.>

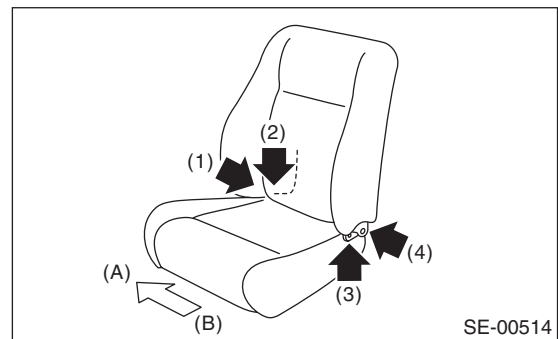
## 1. DRIVER'S SEAT

### NOTE:

• When installing the inner seat belt assembly, follow the procedure described in the seat belt section. <Ref. to SB-17, INSTALLATION, Front Seat Belt.>

• Install the backrest assembly and seat cushion assembly in the following procedure.

- 1) Temporarily tighten the four reclining hinge bolts.
- 2) Place the backrest in the most upright position.
- 3) Tighten the reclining hinge bolts in the order of (1) through (4), in two or three steps by gradually increasing the torque until they reach the specified torque.



- (A) Vehicle inside
- (B) Vehicle outside

- 4) Assemble in the reverse order of disassembly.

# Front Seat

## SEATS

### 2. PASSENGER'S SEAT

#### CAUTION:

Make sure to adhere to the following rules when assembling the passenger seat. Improper work procedures can cause the passenger detection system to not operate properly.

- If the seat cushion cover is removed or replaced, make sure to perform occupant detection system adjustment after installing the seat. <Ref. to OD(diag)-15, SYSTEM CALIBRATION (REZEROING), OPERATION, Subaru Select Monitor.>

Failure to do so may prevent the passenger's airbag from operating properly.

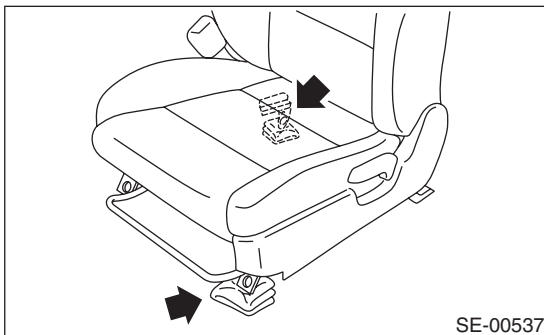
- The passenger detection system (passenger seat only) control unit, passenger detection sensor, seat cushion pad and seat cushion frame are considered as a single seat cushion pad and frame assembly. Never remove the passenger detection control unit or the pressure sensor from the seat cushion frame.
- If the seat cushion cover is removed, make sure to replace the hang wire on the seat cushion side with a new wire.

- Make sure to install the hog rings/clips to the specified locations. Do not reuse hog rings.

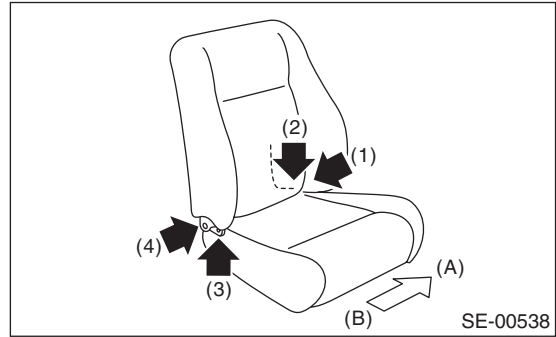
1) Assemble the seat cushion in the reverse order of disassembly.

2) Assemble the backrest in the reverse order of disassembly.

3) When installing the backrest assembly to the seat cushion assembly, fill the gap in the front side of slide rail LH and in the rear side of slide rail RH with cloth etc. in order to stabilize the seat cushion assembly.



4) Temporarily tighten the reclining hinge bolts in the order of (1) through (4) to an extent that the seat backrest assembly is not held securely.



(A) Vehicle inside

(B) Vehicle outside

5) Use the reclining lever to place the backrest in the most upright position, and check the first lock position of recliner.

6) Hold the seat cushion assembly securely, and tighten the reclining hinge bolts in the order described above until they reach the specified torque.

#### CAUTION:

Do not touch the backrest assembly when tightening the reclining hinge bolts.

7) Assemble each harness, inner belt assembly and each cover in the reverse order of removal.

#### Tightening torque:

Refer to "COMPONENT" of "General Description". <Ref. to SE-2, FRONT SEAT LH, COMPONENT, General Description.>

### E: INSPECTION

Check that no tear or fray on the backrest cover and seat cushion cover.

#### NOTE:

If the door side of the backrest cover is torn or frayed, the side airbag may not be deployed properly. In this case, replace the backrest cover.

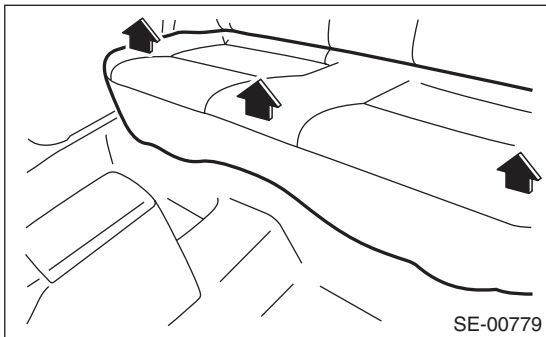
### 3. Rear Seat

#### A: REMOVAL

##### CAUTION:

- Airbag system satellite safing sensor is located in the lower of the rear seat cushion center. Read the cautions and warnings indicated in the AB section before removing the rear seat. <Ref. to AB-5, CAUTION, General Description.>
- The airbag system is fitted with a backup power supply. After disconnecting the battery ground cable, the airbag may deploy if you do not wait for 20 seconds before starting the service of airbag system.

- 1) Disconnect the ground cable from battery, and wait for 20 seconds or more before starting work.
- 2) Remove the hooks (three locations) while lifting up the rear seat cushion.

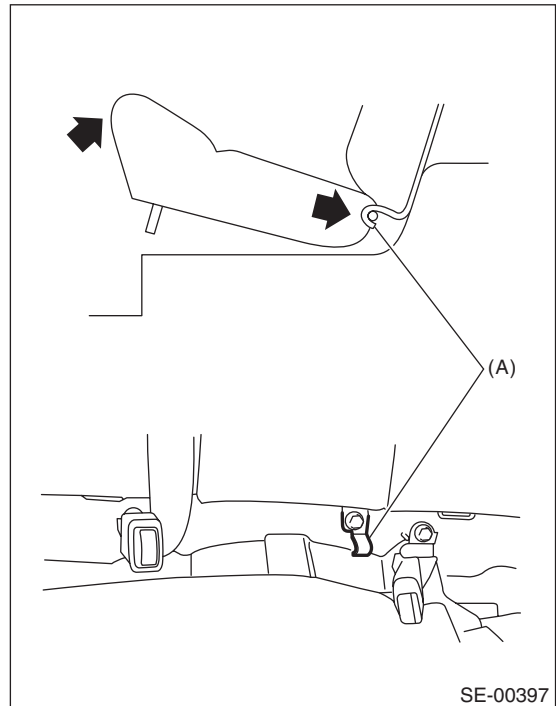


##### CAUTION:

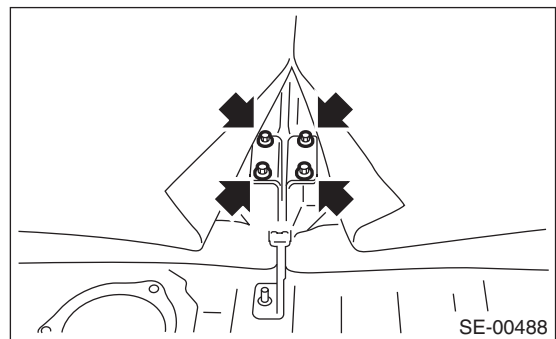
If the hooks on the vehicle body side disengage (remained on the seat cushion side), when the rear seat cushion is removed, always replace with new hooks.



- 3) Remove the hook (A) by pushing it back while lifting the front side of the seat cushion, and remove the seat cushion.



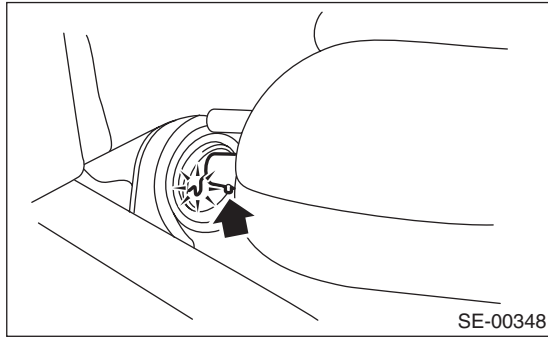
- 4) Remove the headrest, and then tilt the backrest forward.
- 5) Remove the luggage floor mat.
- 6) Turn over the mat to remove the bolt.



# Rear Seat

## SEATS

7) Remove the backrest from the hinge assembly LH (hinge assembly RH).



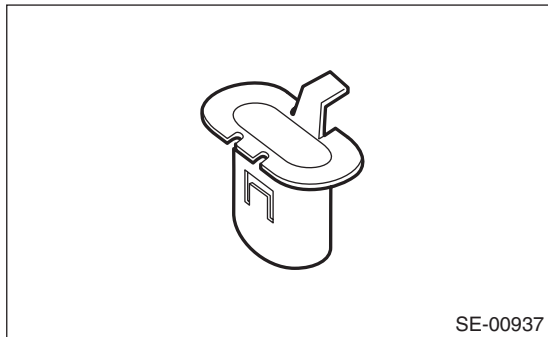
### NOTE:

The armrests cannot be detached while pin positions of the hinge assembly and armrest are not aligned.

## B: INSTALLATION

### CAUTION:

If the hooks on the vehicle body side disengage (remained on the seat cushion side), when the rear seat cushion is removed, always replace with new hooks.



Install in the reverse order of removal.

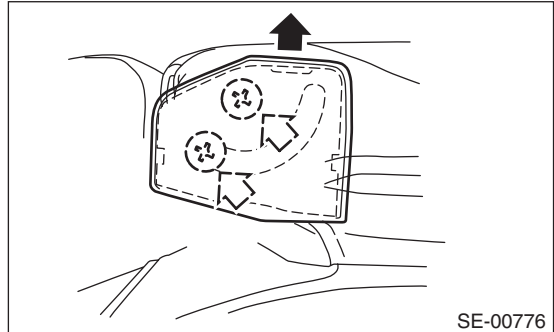
### Tightening torque:

Refer to "COMPONENT" of "General Description". <Ref. to SE-4, REAR SEAT, COMPONENT, General Description.>

## C: DISASSEMBLY

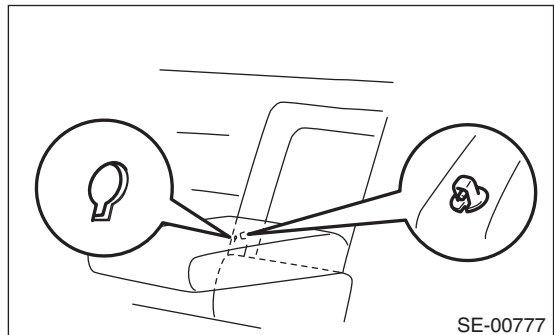
1) Remove the rear seat. <Ref. to SE-11, REMOVAL, Rear Seat.>

2) Remove the armrest hinge cover in the direction of arrow (black), and loosen the screws to remove the armrest.

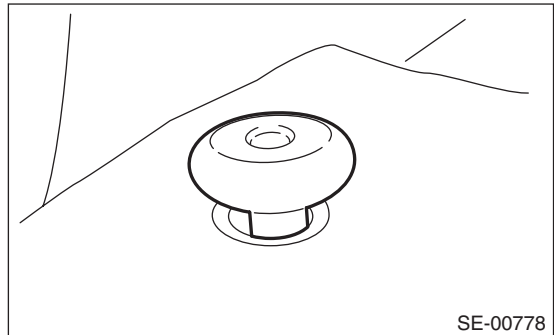


### NOTE:

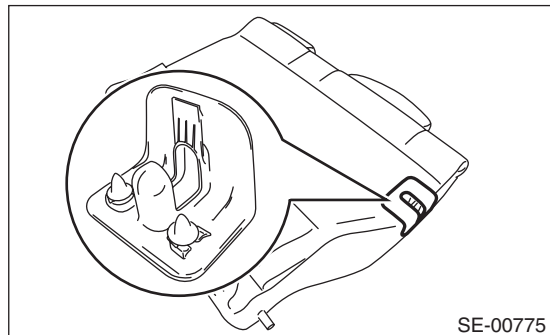
The armrests cannot be detached while the backrest assembly RH and armrest side pin positions are not aligned.



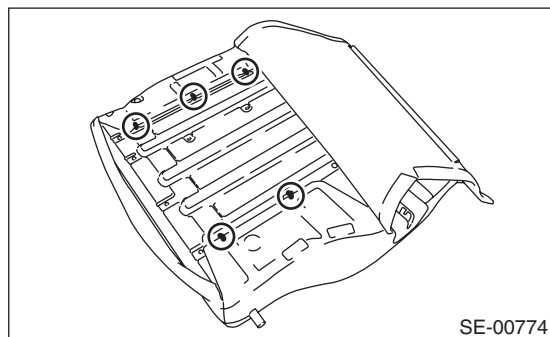
3) Remove the backrest knob. (Screw-in type) (5 door model)



4) Remove the seat back latch cover.



5) Peel the backrest cover, and remove the hog rings.



6) Remove all the hog rings which fix the backrest frame and backrest pad.

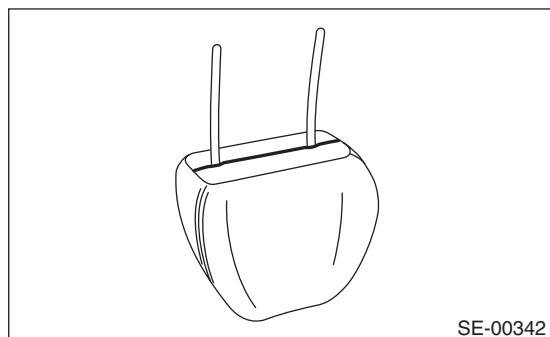
7) Remove the headrest bushing.

8) Remove the backrest pad and backrest cover from the backrest frame.

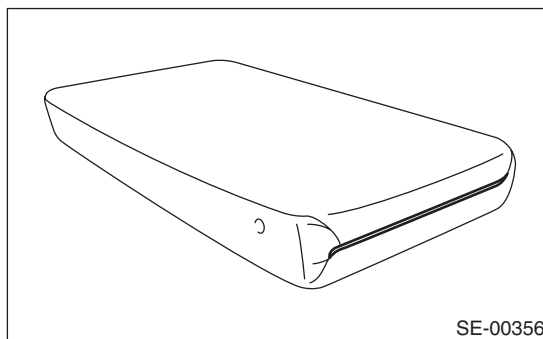
9) Disassemble the backrest assembly LH following the procedures described above.

10) Remove all the hog rings of the seat cushion, and separate the seat cushion cover and seat cushion pad.

11) Open the plastic fastener, and then remove the headrest cover from the headrest.



12) Remove the plastic fastener and hog rings, and then remove the armrest cover.



## D: ASSEMBLY

### CAUTION:

- Always use new hog rings.
- Secure the hog ring using hog ring pliers.
- Install the hog rings to the specified points securely and make sure that no wrinkle or twisting on backrest cover.

Assemble in the reverse order of disassembly.

### NOTE:

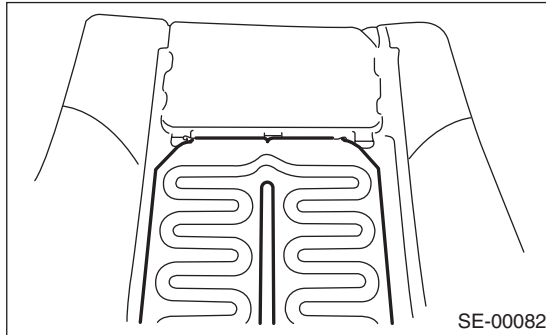
- Do not contaminate or damage the cover.
- While installing the hog rings, prevent the seat from getting wrinkled.

## 4. Seat Heater System

### A: REMOVAL

#### 1. SEAT HEATER UNIT

- 1) Remove the front seats. <Ref. to SE-6, REMOVAL, Front Seat.>
- 2) Remove the backrest cover of front seat and seat cushion cover. <Ref. to SE-6, DISASSEMBLY, Front Seat.>
- 3) Remove the seat heater unit.



#### 2. SEAT HEATER SWITCH

- 1) Remove the console box. <Ref. to EI-48, REMOVAL, Console Box.>
- 2) Remove the seat heater switch from the console box.

### B: INSTALLATION

Install in the reverse order of removal.

### C: INSPECTION

#### 1. WIRING DIAGRAM

<Ref. to WI-99, WIRING DIAGRAM, Seat Heater System.>

#### 2. SEAT HEATER UNIT

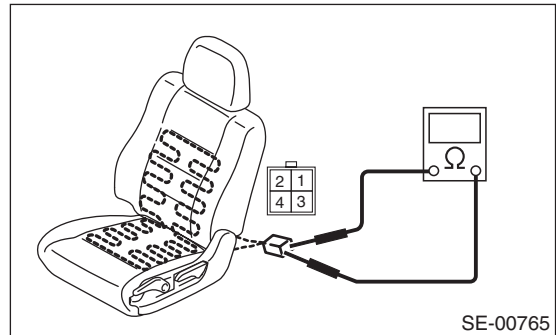
Disconnect the seat heater unit connector, and check the continuity between terminals of connector.

##### Connector & terminal

**No. 1 — No. 3:**

**No. 1 — No. 4:**

**No. 3 — No. 4:**



If no continuity exists, replace the seat heater unit with a new part.

#### 3. SEAT HEATER SWITCH

##### • CHECK THERMISTOR OUTPUT VOLTAGE

- 1) Connect the battery to the connector.  
**Connector terminals No. 2 (+):**
- 2) Measure the voltage between connector and chassis ground.

##### Connector & terminal:

**LHD side seat**

**(R43) No. 4 (+) — Chassis ground (-):**

**RHD side seat**

**(R42) No. 4 (+) — Chassis ground (-):**

If voltage is not 1.5 V or more, replace the seat heater switch.

##### • CHECK SWITCH OUTPUT VOLTAGE

- 1) Connect the battery to the connector.  
**Connector terminals No. 2 (+):**
- 2) Measure the voltage between connector and chassis ground while turning the switch to ON.

##### Connector & terminal:

**LHD side seat**

**(R43) No. 3 (+) — Chassis ground (-):**

**RHD side seat**

**(R42) No. 3 (+) — Chassis ground (-):**

If voltage does not change from 10 V or more to zero, replace the seat heater switch.



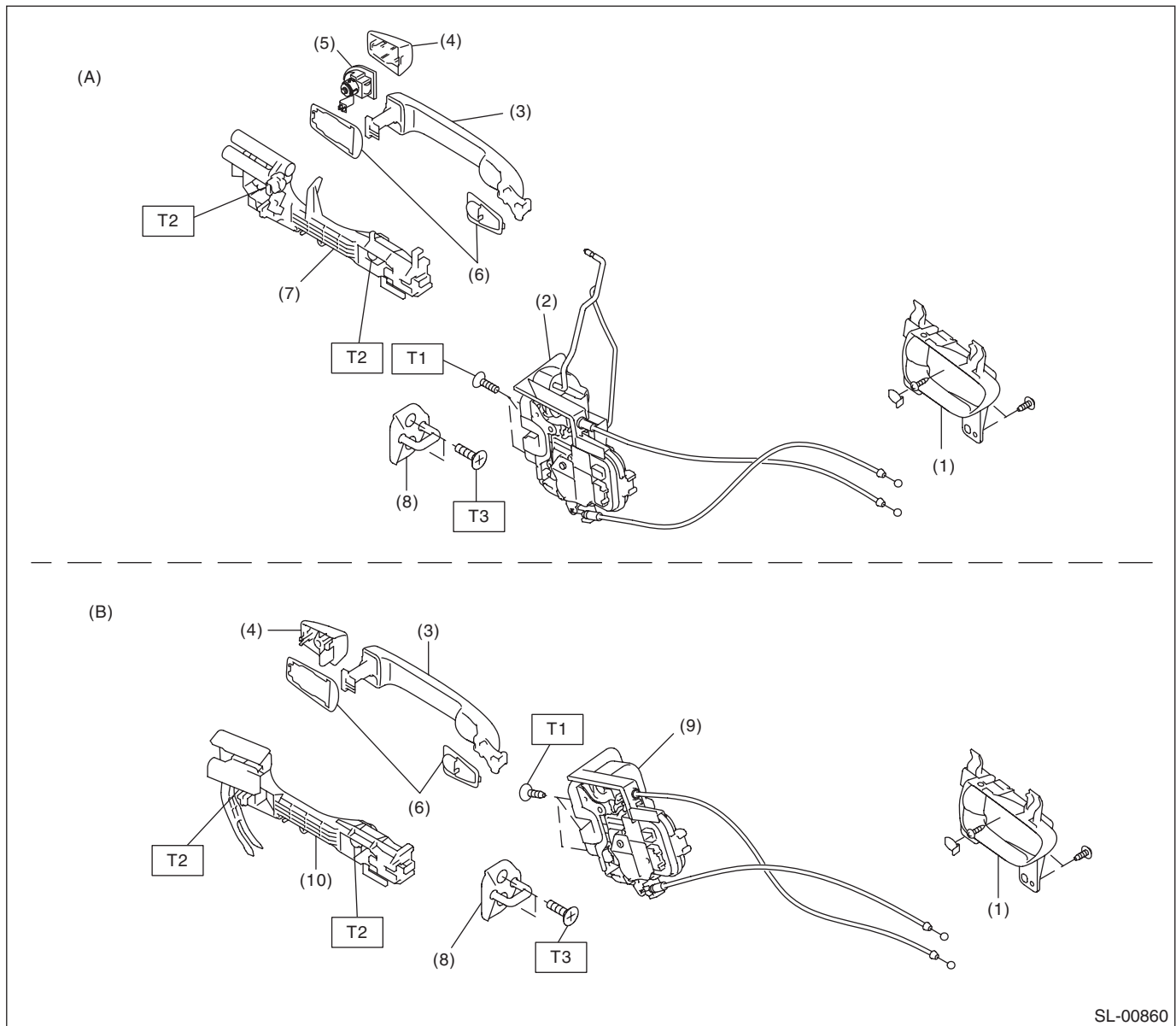
# General Description

## SECURITY AND LOCKS

### 1. General Description

#### A: COMPONENT

#### 1. DOOR LOCK ASSEMBLY



SL-00860

(A) Front

(B) Rear

- |  |   |
|--|---|
| (1) Inner remote ASSY                            | (7) Front door outer handle frame ASSY          |
| (2) Front door latch and door lock actuator ASSY | (8) Striker                                     |
| (3) Door outer handle                            | (9) Rear door latch and door lock actuator ASSY |
| (4) Door outer handle cover                      | (10) Rear door outer handle frame ASSY          |
| (5) Key cylinder (driver's side only)            |   |
| (6) Door outer handle spacer                     |   |

**Tightening torque: N·m (kgf·m, ft·lb)**

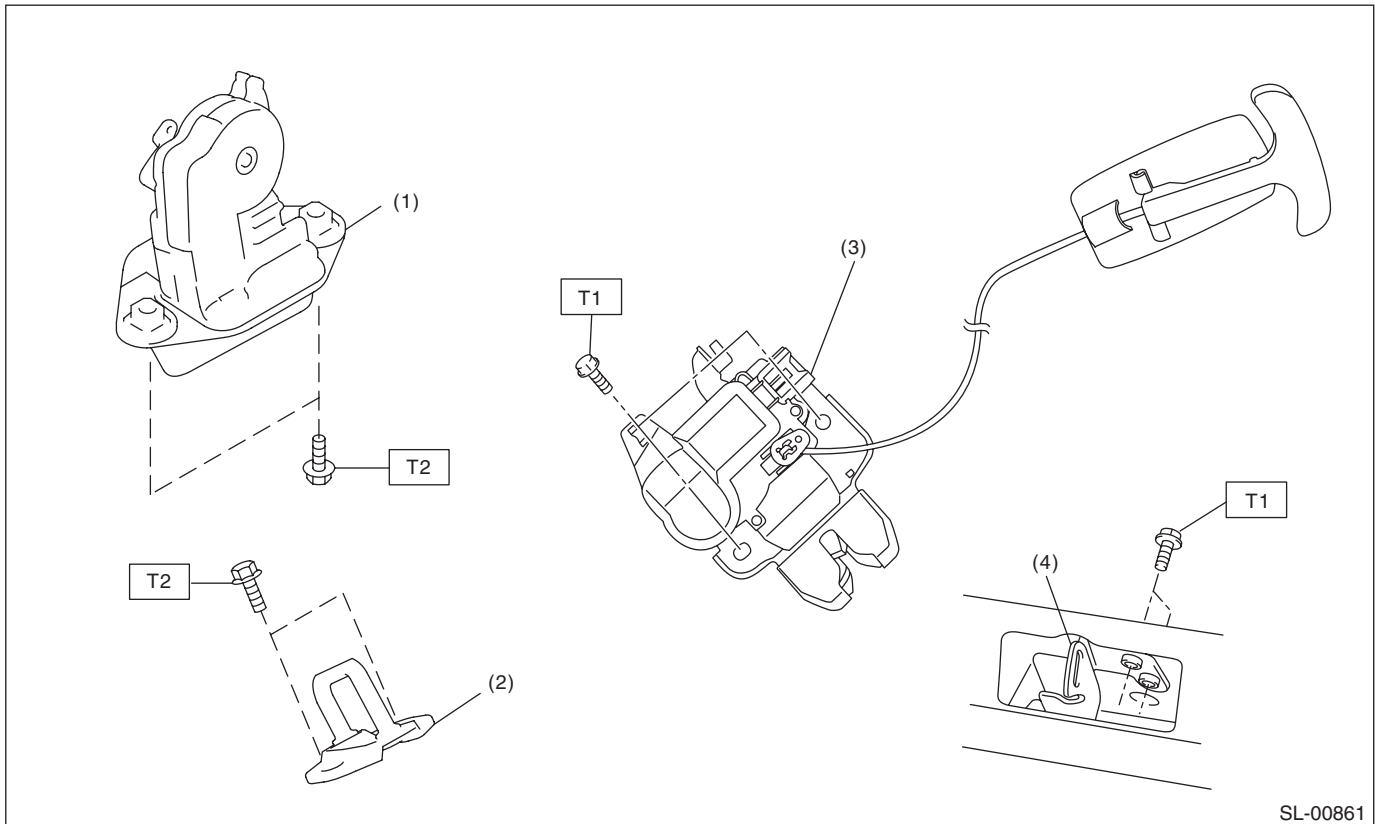
**T1: 6.5 (0.66, 4.8)**

**T2: 7.5 (0.76, 5.5)**

**T3: 18 (1.8, 13.3)**



## 2. REAR GATE LOCK AND TRUNK LID



SL-00861

- (1) Rear gate latch and actuator ASSY
- (2) Rear gate striker

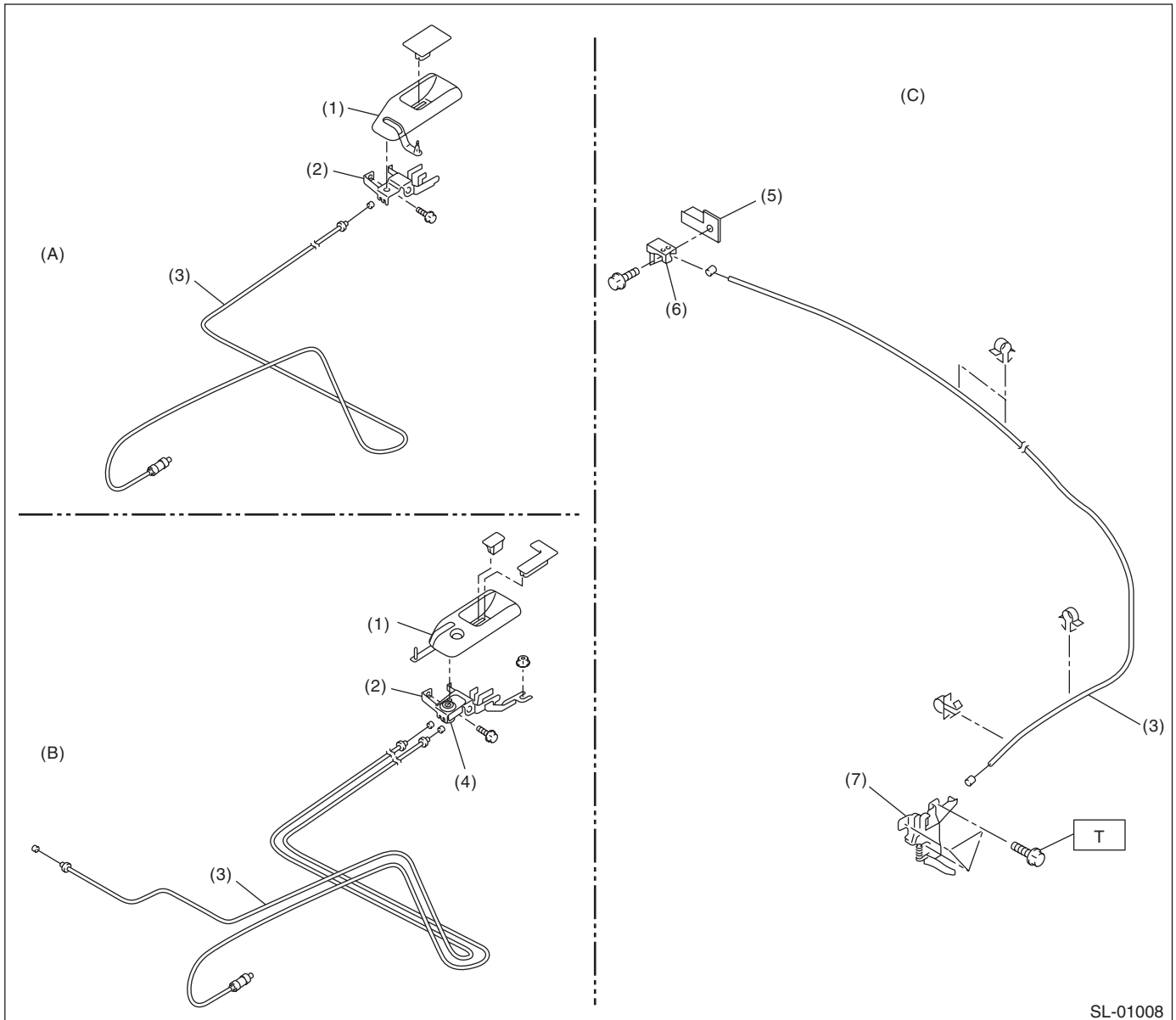
- (3) Trunk lid latch and actuator ASSY
- (4) Trunk lid striker

**Tightening torque: N-m (kgf-m, ft-lb)**  
**T1: 7.5 (0.76, 5.5)**  
**T2: 25 (2.5, 18.4)**

# General Description

## SECURITY AND LOCKS

### 3. FRONT HOOD LOCK AND REMOTE OPENERS



SL-01008

(A) Fuel lock release

(B) Fuel and trunk lock release

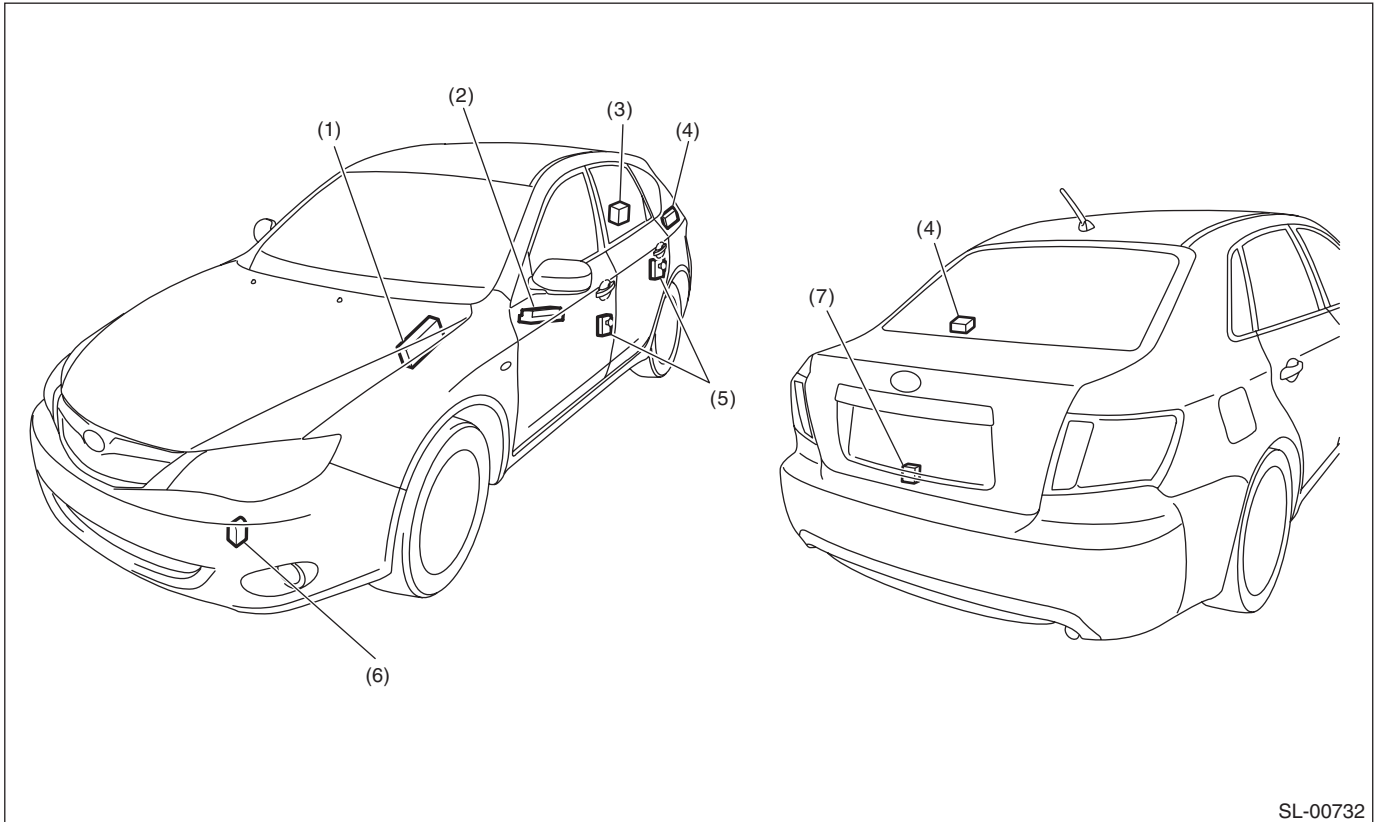
(C) Hood lock release

- (1) Cover
- (2) Pull handle ASSY
- (3) Cable
- (4) Key cylinder

- (5) Lever ASSY bracket
- (6) Lever ASSY
- (7) Front hood lock ASSY

**Tightening torque: N·m (kgf·m, ft·lb)**  
**T: 33 (3.36, 24.2)**

### 4. KEYLESS ENTRY SYSTEM



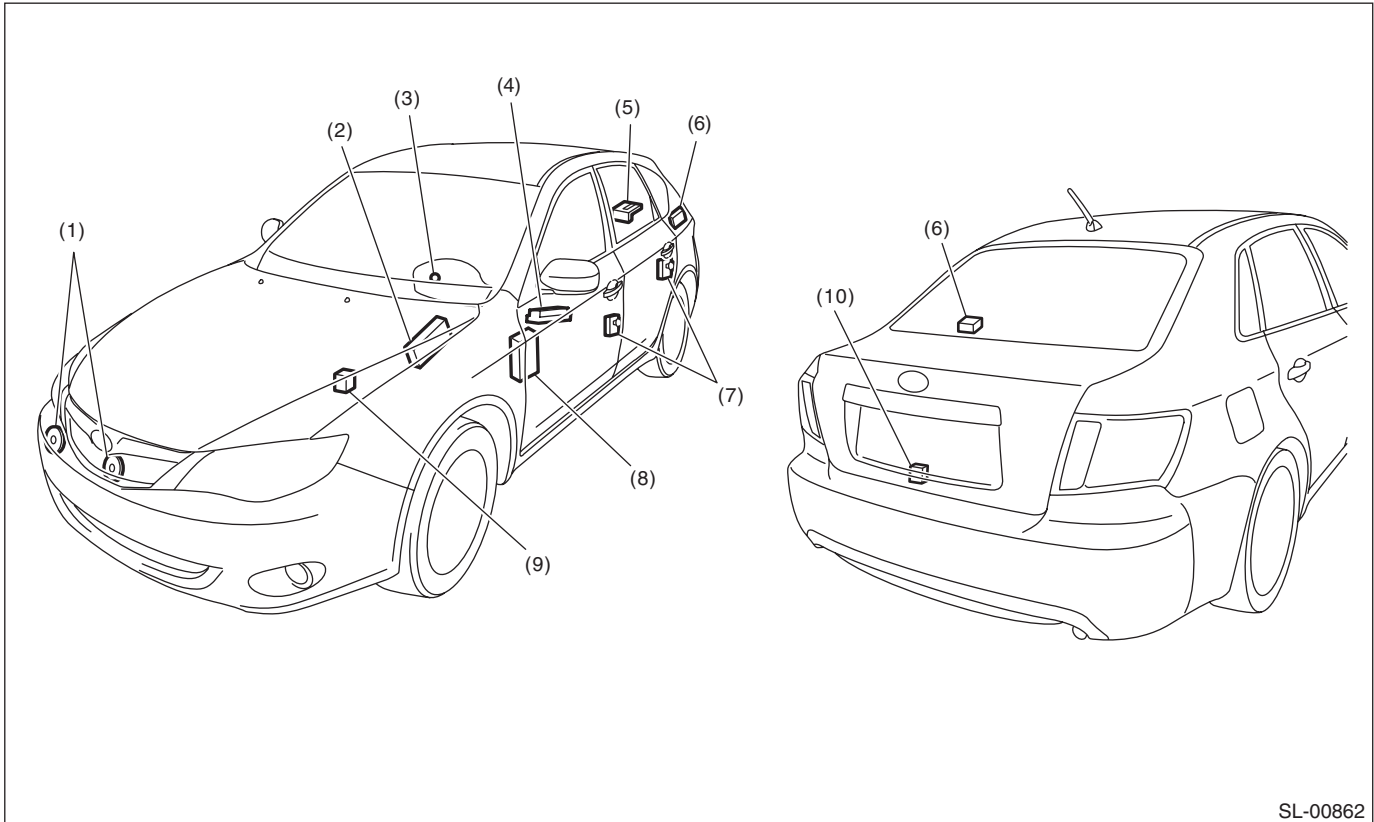
SL-00732

- |  |                                  |  |
|--|----------------------------------|--|
| (1) Body integrated unit                     | (4) Keyless entry control module | (7) Trunk lid latch switch<br>(4 door model) |
| (2) Power window main switch                 | (5) Door switch                  |  |
| (3) Rear gate latch switch<br>(5 door model) | (6) Keyless buzzer               |  |

# General Description

## SECURITY AND LOCKS

### 5. SECURITY SYSTEM



SL-00862

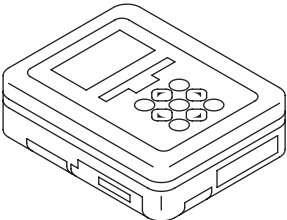
- |  |   |   |
|--|---|---|
| (1) Horn   | (6) Keyless entry control module  | (9) Horn relay (in main fuse box)             |
| (2) Body integrated unit                               | (7) Door switch   | (10) Trunk lid latch switch<br>(4 door model) |
| (3) Security indicator light<br>(in combination meter) | (8) Impact sensor<br>(driver's seat instrument panel side)<br>(dealer option) |   |
| (4) Power window main switch                           |   |   |
| (5) Rear gate latch switch<br>(5 door model)           |   |   |

### **B: CAUTION**

- Before disassembling or reassembling parts, always disconnect the battery ground cable from battery. When repairing the audio, control module, etc. which are provided with memory functions, record the memory contents before disconnecting the ground cable from battery. Otherwise, these contents are erased upon disconnection.
- When performing a check after disconnecting the battery or restoring from a dead battery condition, perform the check after turning the ignition to ON and OFF, then opening and closing the driver's side door a few times.
- Reassemble the parts in the reverse order of disassembly unless otherwise indicated.
- Adjust the parts to the specifications described in this manual if so designated.
- Connect the connectors securely during reassembly.
- After reassembly, make sure all the functional parts operate smoothly.
- The airbag system wiring harness is routed near electrical parts and switches.
- Do not use electrical test devices on any airbag system wiring harnesses or connector circuits.
- Be careful not to damage the airbag system wiring harness when servicing the ignition key cylinder.

## C: PREPARATION TOOL

### 1. SPECIAL TOOL

ILLUSTRATION	TOOL NUMBER	DESCRIPTION	REMARKS
 <p style="text-align: center;">ST1B022XU0</p>	1B022XU0	SUBARU SELECT MONITOR III KIT	Used for troubleshooting the electrical system.

### 2. GENERAL TOOL

TOOL NAME	REMARKS
Circuit tester	Used for measuring resistance and voltage.
Drill	Used for replacing ignition key lock.
TORX® T30	Used for removing and installing the door outer handle.
Clip remover	Used for removing trim clip

# Door Lock Control System

## SECURITY AND LOCKS

## 2. Door Lock Control System

### A: WIRING DIAGRAM

Refer to “Keyless Entry System” in WI section. <Ref. to WI-158, WIRING DIAGRAM, Keyless Entry System.>

### B: ELECTRICAL SPECIFICATION

#### 1. BODY INTEGRATED UNIT

Refer to the Control Module I/O Signal of the LAN SYSTEM (DIAGNOSTICS). <Ref. to LAN(diag)-10, ELECTRICAL SPECIFICATION, Control Module I/O Signal.>

### C: INSPECTION

#### 1. SYMPTOM CHART

Symptom	Repair order	Index
The door lock control system does not operate.	1. Remove and visually inspect the following fuses. <ul style="list-style-type: none"><li>• No. 3 (in fuse &amp; relay box)</li><li>• No. 7 (in fuse &amp; relay box)</li><li>• No. 8 (in main fuse box)</li></ul>	If the fuse is blown out, replace the fuse with a new part. When there is no defective with the fuse, check the power supply and ground circuit. <Ref. to SL-9, CHECK POWER SUPPLY AND GROUND CIRCUIT, INSPECTION, Door Lock Control System.>
	2. Check the power supply and ground circuit for body integrated unit.	<Ref. to SL-9, CHECK POWER SUPPLY AND GROUND CIRCUIT, INSPECTION, Door Lock Control System.>
	3. Check the door lock switch and the circuit.	<Ref. to SL-10, CHECK DOOR LOCK SWITCH, INSPECTION, Door Lock Control System.>
	4. Check the rear gate opener button and the circuit.	<Ref. to SL-11, CHECK REAR GATE OPENER BUTTON CIRCUIT, INSPECTION, Door Lock Control System.>
	5. Check the door lock actuator and the circuit.	<Ref. to SL-12, CHECK DOOR LOCK ACTUATOR AND CIRCUIT, INSPECTION, Door Lock Control System.>
A specific door lock actuator does not operate.	Check the door lock actuator and circuit.	<Ref. to SL-12, CHECK DOOR LOCK ACTUATOR AND CIRCUIT, INSPECTION, Door Lock Control System.>

## 2. CHECK POWER SUPPLY AND GROUND CIRCUIT

Step	Check	Yes	No
<b>1</b> <b>CHECK POWER SUPPLY.</b> 1) Disconnect the harness connector of body integrated unit. 2) Measure the voltage between harness connector terminal and chassis ground. <b>Connector &amp; terminal</b> <i>(i84) No. 34 (+) — Chassis ground (-):</i> <i>(B280) No. 6 (+) — Chassis ground (-):</i> <i>(B281) No. 2 (+) — Chassis ground (-):</i>	Is the voltage 10 V or more?	Go to step 2.	Check the harness for open or short circuit between body integrated unit and fuse.
<b>2</b> <b>CHECK GROUND CIRCUIT.</b> Measure the resistance between harness connector terminal and chassis ground. <b>Connector &amp; terminal</b> <i>(i84) No. 28 — Chassis ground:</i> <i>(B280) No. 17 — Chassis ground:</i> <i>(B281) No. 20 — Chassis ground:</i> <i>(B279) No. 27 — Chassis ground:</i>	Is the resistance less than 10 Ω?	The power supply and ground circuit are OK.	Repair or replace the harness.

# Door Lock Control System

## SECURITY AND LOCKS

### 3. CHECK DOOR LOCK SWITCH

Step	Check	Yes	No
<b>1 CHECK DOOR LOCK SWITCH.</b> 1) Prepare the Subaru Select Monitor kit. 2) Turn the ignition switch to ON (engine OFF) and run the "PC application for Subaru Select Monitor". 3) On «System Selection Menu» display, select {Integ. unit mode}. 4) Select the {Current Data Display & Save}. 5) Select the {Manual lock SW input}.	Does the display switch between OFF ⇔ ON when each door lock switch is moved to LOCK?	Go to step 2.	Go to step 3.
<b>2 CHECK DOOR LOCK SWITCH.</b> From the condition in step 1), operate each door lock switch (driver's and passenger's) in the UNLOCK direction.	Does the display switch between OFF ⇔ ON?	The door lock switch is OK.	Go to step 4.
<b>3 CHECK DOOR LOCK SWITCH.</b> 1) Disconnect the door lock switch harness connector. 2) Check the continuity when the door lock switch is operated to the LOCK side. <b>Connector &amp; terminal</b> <b>Driver's side:</b> (D102) No. 2 — (D102) No. 3: <b>Passenger's side:</b> (D125) No. 4 — (D125) No. 5:	Did the indicator change from "No continuity" (1 MΩ or more) to "Continuity exists" (less than 10 Ω)?	Go to step 4.	Replace the power window main switch or door lock switch.
<b>4 CHECK DOOR LOCK SWITCH.</b> Check the continuity when the door lock switch is operated to the UNLOCK side. <b>Connector &amp; terminal</b> <b>Driver's side:</b> (D102) No. 1 — (D102) No. 3: <b>Passenger's side:</b> (D125) No. 2 — (D125) No. 5:	Did the indicator change from "No continuity" (1 MΩ or more) to "Continuity exists" (less than 10 Ω)?	Go to step 5.	Replace the power window main switch or door lock switch.
<b>5 CHECK HARNESS.</b> measure the resistance between the door lock switch harness connector and chassis ground. <b>Connector &amp; terminal</b> <b>Driver's side:</b> (D102) No. 3 — Chassis ground: <b>Passenger's side:</b> (D125) No. 5 — Chassis ground:	Is the resistance less than 10 Ω?	Go to step 6.	Repair or replace the harness.
<b>6 CHECK HARNESS.</b> 1) Disconnect the harness connector of body integrated unit. 2) Measure the resistance between the body integrated unit and door lock switch. <b>Connector &amp; terminal</b> <b>Driver's side:</b> (D102) No. 2 — (i84) No. 15: (D102) No. 1 — (i84) No. 29: <b>Passenger's side:</b> (D125) No. 4 — (i84) No. 15: (D125) No. 2 — (i84) No. 29:	Is the resistance less than 10 Ω?	Replace the body integrated unit. <Ref. to SL-50, Body Integrated Unit.>	Repair or replace the harness.



## 4. CHECK REAR GATE OPENER BUTTON CIRCUIT

Step	Check	Yes	No
<b>1</b> <b>CHECK REAR GATE OPENER BUTTON.</b> 1) Prepare the Subaru Select Monitor kit. 2) Turn the ignition switch to ON (engine OFF) and run the "PC application for Subaru Select Monitor". 3) On «System Selection Menu» display, select {Integ. unit mode}. 4) Select the {Current Data Display & Save}. 5) Select the {R Gate Release SW input}.	Is the display change to OFF ⇔ ON, when the rear gate opener button is operated?	Rear gate opener button is normal.	Go to step 2.
<b>2</b> <b>CHECK HARNESS.</b> Measure the resistance between the body integrated unit and rear gate opener button. <i><b>Connector &amp; terminal</b></i> <i><b>(B281) No. 24 — (D47) No. 2:</b></i>	Is the resistance less than 10 Ω?	Go to step 3.	Repair or replace the harness.
<b>3</b> <b>CHECK HARNESS.</b> Measure the resistance between the rear gate opener button and chassis ground. <i><b>Connector &amp; terminal</b></i> <i><b>(D47) No. 1 — Chassis ground:</b></i>	Is the resistance less than 10 Ω?	Go to step 4.	Repair or replace the harness.
<b>4</b> <b>CHECK REAR GATE OPENER BUTTON.</b> Measure the resistance between connector terminals when the rear gate opener button is pressed, and when it is released. <i><b>Connector &amp; terminal</b></i> <i><b>(D47) No. 2 — (D47) No. 1:</b></i>	Is the resistance when the switch is pressed less than 10 Ω, and 1 MΩ or more when released?	Replace the body integrated unit. <Ref. to SL-50, Body Integrated Unit.>	Replace the rear gate opener button. <Ref. to SL-38, Rear Gate Opener Button.>

# Door Lock Control System

## SECURITY AND LOCKS

### 5. CHECK DOOR LOCK ACTUATOR AND CIRCUIT

Step	Check	Yes	No
<b>1 CHECK HARNESS (DOOR LOCK).</b> 1) Disconnect the body integrated unit connector and each door lock actuator. 2) Measure the resistance between body integrated unit and each door lock actuator. <b>Connector &amp; terminal</b> <i>(i84) No. 7 — (D72) No. 1: (front door LH)</i> <i>(i84) No. 7 — (D18) No. 1: (front door RH)</i> <i>(i84) No. 7 — (D26) No. 1: (rear door LH)</i> <i>(i84) No. 7 — (D32) No. 1: (rear door RH)</i>	Is the resistance less than 10 Ω?	Go to step 2.	Repair or replace the harness.
<b>2 CHECK HARNESS (DOOR UNLOCK).</b> Measure the resistance between body integrated unit and each door lock actuator. <b>Connector &amp; terminal</b> <i>(i84) No. 23 — (D72) No. 2: (front door LH)</i> <i>(i84) No. 8 — (D18) No. 2: (front door RH)</i> <i>(i84) No. 8 — (D26) No. 2: (rear door LH)</i> <i>(i84) No. 8 — (D32) No. 2: (rear door RH)</i>	Is the resistance less than 10 Ω?	Go to step 3.	Repair or replace the harness.
<b>3 CHECK HARNESS (TRUNK OR REAR GATE UNLOCK).</b> Measure the resistance between body integrated unit and trunk lid lock actuator or rear gate lock actuator. <b>Connector &amp; terminal</b> <i>(i84) No. 22 — (R186) No. 2: (4 door model)</i> <i>(i84) No. 22 — (D46) No. 1: (5 door model)</i>	Is the resistance less than 10 Ω?	Go to step 4.	Repair or replace the harness.
<b>4 CHECK HARNESS (TRUNK OR REAR GATE UNLOCK).</b> Measure the resistance between the trunk lid lock actuator or rear gate lock actuator and chassis ground. <b>Connector &amp; terminal</b> <i>(R186) No. 1 — Chassis ground: (4 door model)</i> <i>(D46) No. 2 — Chassis ground: (5 door model)</i>	Is the resistance less than 10 Ω?	Go to step 5.	Repair or replace the harness.
<b>5 CHECK BODY INTEGRATED UNIT OUTPUT SIGNAL.</b> Measure the voltage between the connector terminals of the body integrated unit when moving the door lock switch to LOCK. <b>Connector &amp; terminal</b> <b>Except for front door LH</b> <i>(i84) No. 7 (+) — (i84) No. 8 (-):</i> <b>Front door LH</b> <i>(i84) No. 7 (+) — (i84) No. 23 (-):</i>	Does the voltage change from less than 1.5 V → 10 V or more? (During lock output)	Go to step 6.	Replace the body integrated unit. <Ref. to SL-50, Body Integrated Unit.>
<b>6 CHECK BODY INTEGRATED UNIT OUTPUT SIGNAL.</b> Measure the voltage between the connector terminals of the body integrated unit when moving the door lock switch to UNLOCK. <b>Connector &amp; terminal</b> <b>Except for front door LH</b> <i>(i84) No. 8 (+) — (i84) No. 7 (-):</i> <b>Front door LH</b> <i>(i84) No. 23 (+) — (i84) No. 7 (-):</i>	Does the voltage change from less than 1.5 V → 10 V or more? (During unlock output)	Go to step 7.	Replace the body integrated unit. <Ref. to SL-50, Body Integrated Unit.>

# Door Lock Control System

Step	Check	Yes	No
<p><b>7</b></p> <p><b>CHECK BODY INTEGRATED UNIT OUTPUT SIGNAL.</b>                      Measure the voltage between body integrated unit and chassis ground when moving the rear gate opener button.  <i>Connector &amp; terminal (i84) No. 22 (+) — Chassis ground (-):</i></p>	Does the voltage change from less than 1.5 V → 10 V or more? (During unlock output)	Go to step <b>8</b> .	Replace the body integrated unit. <Ref. to SL-50, Body Integrated Unit.>
<p><b>8</b></p> <p><b>CHECK DOOR LOCK ACTUATOR.</b>                      Check the door lock actuator.</p> <ul style="list-style-type: none"> <li>• Front door lock actuator &lt;Ref. to SL-34, INSPECTION, Front Door Latch and Door Lock Actuator Assembly.&gt;</li> <li>• Rear door lock actuator &lt;Ref. to SL-37, INSPECTION, Rear Door Latch and Door Lock Actuator Assembly.&gt;</li> </ul>	Is the door lock actuator OK?	Go to step <b>9</b> .	Replace the door latch and door lock actuator assembly.
<p><b>9</b></p> <p><b>CHECK TRUNK LID LOCK ACTUATOR OR REAR GATE LOCK ACTUATOR.</b></p> <ul style="list-style-type: none"> <li>• Trunk lid lock actuator &lt;Ref. to SL-40, INSPECTION, Trunk Lid Latch and Actuator Assembly.&gt;</li> <li>• Rear gate lock actuator &lt;Ref. to SL-39, INSPECTION, Rear Gate Latch and Actuator Assembly.&gt;</li> </ul>	Is trunk lid lock actuator or rear gate lock actuator normal?	Check the connection status of the harness and connector that may have a temporary poor contact.	Replace the trunk lid latch and actuator assembly or rear gate latch and actuator assembly.

# Keyless Entry System

## SECURITY AND LOCKS

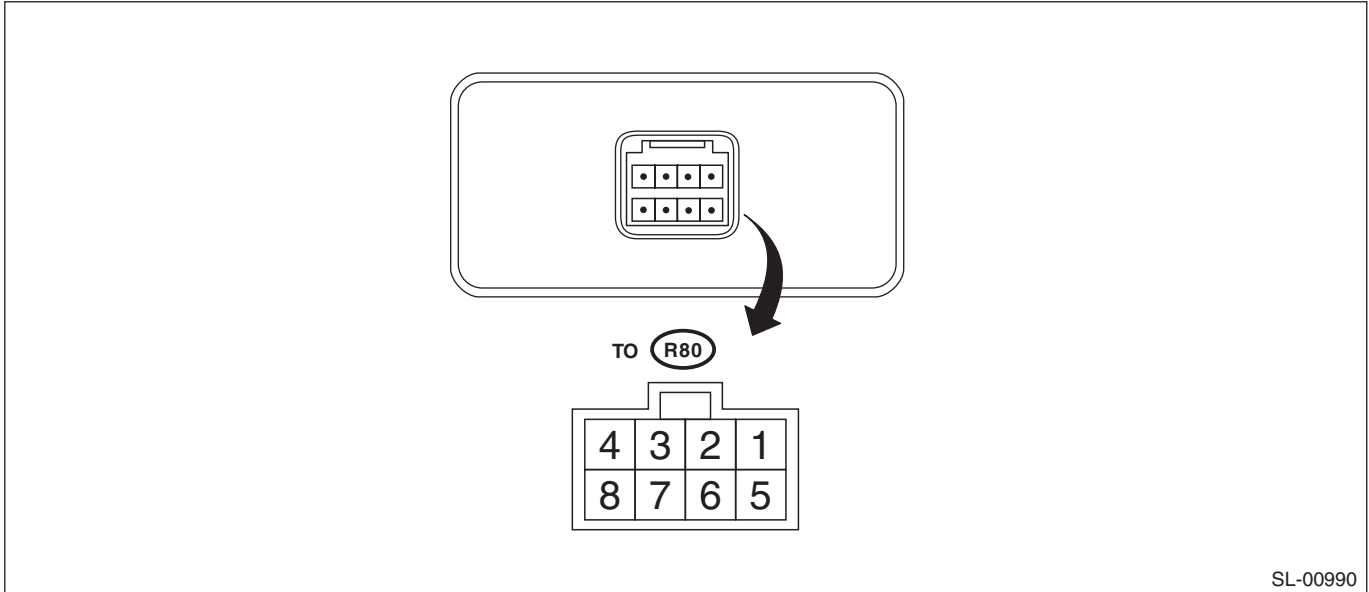
### 3. Keyless Entry System

#### A: WIRING DIAGRAM

Refer to “Keyless Entry System” in WI section. <Ref. to WI-158, WIRING DIAGRAM, Keyless Entry System.>

#### B: ELECTRICAL SPECIFICATION

##### 1. KEYLESS ENTRY CONTROL MODULE



Content	Terminal No.	Measuring condition
—	1	—
—	2	—
Body integrated unit	3 (OUTPUT)	Battery voltage cannot be measured because of digital signal.
Power supply (Backup)	4	Battery voltage is constantly present.
—	5	—
—	6	—
Ground	7	0 V is constantly present.

##### 2. BODY INTEGRATED UNIT

Refer to the Control Module I/O Signal of the LAN SYSTEM (DIAGNOSTICS). <Ref. to LAN(diag)-10, ELECTRICAL SPECIFICATION, Control Module I/O Signal.>

## C: INSPECTION

### 1. SYMPTOM CHART

Symptom	Repair order	Reference
None of the functions of the keyless entry system operate.	1. Check the keyless transmitter battery.	<Ref. to SL-17, CHECK KEYLESS TRANSMITTER BATTERY AND FUNCTION, INSPECTION, Keyless Entry System.>
	2. Remove and visually check fuse No. 31 (in the fuse & relay box) and No. 7 (in the fuse & relay box).	If the fuse is blown out, replace the fuse with a new part. When there is no defective with the fuse, check the power supply and ground circuit. <Ref. to SL-9, CHECK POWER SUPPLY AND GROUND CIRCUIT, INSPECTION, Door Lock Control System.>
	3. Check the keyless entry control module.	<Ref. to SL-18, CHECK KEYLESS ENTRY CONTROL MODULE, INSPECTION, Keyless Entry System.>
	4. Check the power supply and ground circuit for body integrated unit.	<Ref. to SL-18, CHECK BODY INTEGRATED UNIT POWER SUPPLY AND GROUND CIRCUIT, INSPECTION, Keyless Entry System.>
	5. Check the key warning switch.	<Ref. to SL-21, CHECK KEY WARNING SWITCH, INSPECTION, Keyless Entry System.>
	6. Check the door switch.	<Ref. to SL-19, CHECK DOOR SWITCH, INSPECTION, Keyless Entry System.>
	7. Check the body integrated unit.	<Ref. to LAN(diag)-2, Basic Diagnostic Procedure.>
The keyless transmitter cannot be registered.	1. Check the keyless transmitter battery.	<Ref. to SL-17, CHECK KEYLESS TRANSMITTER BATTERY AND FUNCTION, INSPECTION, Keyless Entry System.>
	2. Check the key warning switch.	<Ref. to SL-21, CHECK KEY WARNING SWITCH, INSPECTION, Keyless Entry System.>
	3. Check the door lock switch signal.	<Ref. to SL-24, CHECK DOOR LOCK SWITCH, INSPECTION, Keyless Entry System.>
	4. Check the body integrated unit.	<Ref. to LAN(diag)-2, Basic Diagnostic Procedure.>

# Keyless Entry System

## SECURITY AND LOCKS

Symptom	Repair order	Reference
Door lock or unlock does not operate. <b>NOTE:</b> If the door lock control system does not operate when using the door lock switch, check the door lock control system. <Ref. to SL-8, INSPECTION, Door Lock Control System.>	1. Check the keyless transmitter battery.	<Ref. to SL-17, CHECK KEYLESS TRANSMITTER BATTERY AND FUNCTION, INSPECTION, Keyless Entry System.>
	2. Check the keyless entry control module.	<Ref. to SL-18, CHECK KEYLESS ENTRY CONTROL MODULE, INSPECTION, Keyless Entry System.>
	3. Check the key warning switch.	<Ref. to SL-21, CHECK KEY WARNING SWITCH, INSPECTION, Keyless Entry System.>
	4. Check the door switch.	<Ref. to SL-19, CHECK DOOR SWITCH, INSPECTION, Keyless Entry System.>
	5. Check the body integrated unit.	<Ref. to LAN(diag)-2, Basic Diagnostic Procedure.>
Trunk lid unlock does not operate. (4 door model)	1. Check the keyless transmitter battery.	<Ref. to SL-17, CHECK KEYLESS TRANSMITTER BATTERY AND FUNCTION, INSPECTION, Keyless Entry System.>
	2. Check the keyless entry control module.	<Ref. to SL-18, CHECK KEYLESS ENTRY CONTROL MODULE, INSPECTION, Keyless Entry System.>
	3. Check the key warning switch.	<Ref. to SL-21, CHECK KEY WARNING SWITCH, INSPECTION, Keyless Entry System.>
	4. Check the trunk lid lock actuator.	<Ref. to SL-24, CHECK TRUNK LID LOCK ACTUATOR, INSPECTION, Keyless Entry System.>
	5. Check the body integrated unit.	<Ref. to LAN(diag)-2, Basic Diagnostic Procedure.>
Buzzer and hazard light do not operate.	1. Check the buzzer operation.	<Ref. to SL-23, CHECK KEYLESS BUZZER, INSPECTION, Keyless Entry System.>
	2. Check the hazard light operation.	<Ref. to SL-22, CHECK HAZARD LIGHT OPERATION., INSPECTION, Keyless Entry System.>
	3. Check the body integrated unit.	<Ref. to LAN(diag)-2, Basic Diagnostic Procedure.>
Room light does not operate.	1. Check the room light operation.	<Ref. to SL-22, CHECK ROOM LIGHT OPERATION, INSPECTION, Keyless Entry System.>
	2. Check the body integrated unit.	<Ref. to LAN(diag)-2, Basic Diagnostic Procedure.>
Ignition switch illumination does not operate.	1. Check the ignition switch illumination.	<Ref. to SL-25, CHECK IGNITION SWITCH ILLUMINATION, INSPECTION, Keyless Entry System.>
	2. Check the body integrated unit.	<Ref. to LAN(diag)-2, Basic Diagnostic Procedure.>

## 2. CHECK KEYLESS TRANSMITTER BATTERY AND FUNCTION

**CAUTION:**

**Be sure to reset keyless transmitter of other vehicles registered to the inspection target vehicle, and vehicles to which keyless transmitters were registered for inspection, to the condition before performing the inspection. (Re-register the keyless transmitters.)**

Step	Check	Yes	No
<b>1</b> <b>CHECK KEYLESS TRANSMITTER BATTERY.</b> 1) Remove the battery from the keyless transmitter. <Ref. to SL-51, REMOVAL, Transmitter.> 2) Check the battery voltage. <Ref. to SL-51, INSPECTION, Transmitter.>	Is the voltage 2.5 V or more?	Go to step 2.	Replace the keyless transmitter battery. <Ref. to SL-51, Transmitter.>
<b>2</b> <b>CHECK KEYLESS TRANSMITTER.</b> Register the keyless transmitter which operates normally on other vehicles to the inspection target vehicle. <Ref. to SL-51, REGISTRATION OF KEYLESS TRANSMITTER WITH SUBARU SELECT MONITOR, REPLACEMENT, Transmitter.> 1) Close all the doors and rear gate (5 door model) or trunk lid (4 door model) of the inspection target vehicle. 2) Using the keyless transmitter, lock and unlock the doors and rear gate of vehicle. For the 4 door model, unlock the trunk lid.	Can lock, unlock of doors and unlock of the trunk lid be performed properly on the inspection target vehicle?	Go to step 3.	Due to vehicle malfunction, continue the keyless entry system diagnosis.
<b>3</b> <b>CHECK KEYLESS TRANSMITTER.</b> Register the keyless transmitter of the inspected vehicle to another vehicle whose keyless system operates normally. <Ref. to SL-51, REGISTRATION OF KEYLESS TRANSMITTER WITH SUBARU SELECT MONITOR, REPLACEMENT, Transmitter.>	Is the keyless transmitter registered correctly?	Go to step 4.	Replace the keyless transmitter. <Ref. to SL-51, REGISTRATION OF KEYLESS TRANSMITTER WITH SUBARU SELECT MONITOR, REPLACEMENT, Transmitter.>
<b>4</b> <b>CHECK KEYLESS TRANSMITTER.</b> Check the registered keyless transmitter. 1) Close all the doors and rear gate of the vehicle which keyless system operates normally. 2) Using the keyless transmitter, lock and unlock the doors and rear gate of vehicle. For the 4 door model, unlock the trunk lid.	Can lock, unlock of doors and unlock of the trunk lid be performed properly on the vehicle?	Keyless transmitter is OK.	Replace the keyless transmitter. <Ref. to SL-51, REGISTRATION OF KEYLESS TRANSMITTER WITH SUBARU SELECT MONITOR, REPLACEMENT, Transmitter.>

# Keyless Entry System

## SECURITY AND LOCKS

### 3. CHECK KEYLESS ENTRY CONTROL MODULE

	Step	Check	Yes	No
1	<b>CHECK DIAGNOSTIC TROUBLE CODE (DTC).</b> 1) Prepare the Subaru Select Monitor kit. 2) Turn the ignition switch to ON (engine OFF) and run the "PC application for Subaru Select Monitor". 3) On «System Selection Menu» display, select {Integ. unit mode}. 4) Select the {Diagnostic Code(s) Display}. 5) Check that the DTC is displayed.	Is DTC B1500 "Keyless UART com. Malfunction" displayed?	Go to step 2.	Keyless entry control module is normal.
2	<b>CHECK POWER SUPPLY.</b> 1) Disconnect the keyless entry control module harness connector. 2) Measure the voltage between harness connector terminal and chassis ground. <b>Connector &amp; terminal</b> <b>(R80) No. 4 (+) — Chassis ground (-):</b>	Is the voltage 10 V or more?	Go to step 3.	Check the harness for open circuits and shorts between the keyless entry control module and fuse.
3	<b>CHECK GROUND CIRCUIT.</b> Measure the resistance between harness connector terminal and chassis ground. <b>Connector &amp; terminal</b> <b>(R80) No. 7 — Chassis ground:</b>	Is the resistance less than 10 Ω?	Go to step 4.	Repair or replace the harness.
4	<b>CHECK KEYLESS ENTRY CONTROL MODULE CIRCUIT.</b> 1) Disconnect the harness connector of body integrated unit. 2) Measure the resistance between harness connector terminals. <b>Connector &amp; terminal</b> <b>(i84) No. 24 — (R80) No. 3:</b>	Is the resistance less than 10 Ω?	Replace the keyless entry control module. <Ref. to SL-48, Keyless Entry Control Module.>	Repair or replace the harness.

### 4. CHECK BODY INTEGRATED UNIT POWER SUPPLY AND GROUND CIRCUIT

Refer to the INSPECTION of POWER SUPPLY AND GROUND CIRCUIT of the Door Lock Control System for detailed procedures. <Ref. to SL-9, CHECK POWER SUPPLY AND GROUND CIRCUIT, INSPECTION, Door Lock Control System.>



## 5. CHECK DOOR SWITCH

Step	Check	Yes	No
<p><b>1</b></p> <p><b>CHECK INPUT CIRCUIT.</b></p> <p>1) Prepare the Subaru Select Monitor kit.</p> <p>2) Turn the ignition switch to ON (engine OFF) and run the “PC application for Subaru Select Monitor”.</p> <p>3) On «System Selection Menu» display, select {Integ. unit mode}.</p> <p>4) Select the {Current Data Display}.</p> <p>5) Select the {Driver’s door SW input}, {P-door SW input}, {Rear right door SW input}, {Rear left door SW input}, and {R Gate SW input}.</p>	<p>Does the display switch between OFF ⇔ ON when each door or rear gate, trunk lid is opened/closed?</p>	<p>The door switch circuit is OK.</p>	<p>Go to step 2.</p>
<p><b>2</b></p> <p><b>CHECK HARNESS.</b></p> <p>1) Disconnect the harness connector of body integrated unit.</p> <p>2) Disconnect the door switch harness connector that the display does not change.</p> <p>3) Check the harness for open or short circuits between the body integrated unit terminal and the faulty door switch terminal.</p> <p><b>Connector &amp; terminal</b></p> <p><b>Front door RH</b> (i84) No. 32 — (R12) No. 1:</p> <p><b>Front door LH</b> (i84) No. 19 — (R9) No. 1:</p> <p><b>Rear door RH</b> (i84) No. 6 — (R16) No. 1:</p> <p><b>Rear door LH</b> (i84) No. 20 — (R22) No. 1:</p> <p><b>Trunk lid switch</b> (i84) No. 33 — (R186) No. 3:</p> <p><b>Rear gate latch switch</b> (i84) No. 33 — (D46) No. 3:</p>	<p>Is harness normal?</p>	<p>Go to step 3.</p>	<p>Repair or replace the harness.</p>
<p><b>3</b></p> <p><b>CHECK HARNESS.</b></p> <p>Measure the resistance between faulty door switch harness connector terminal and chassis ground.</p> <p><b>Connector &amp; terminal</b></p> <p><b>Front door RH</b> (R12) No. 3 — Chassis ground:</p> <p><b>Front door LH</b> (R9) No. 3 — Chassis ground:</p> <p><b>Rear door RH</b> (R16) No. 3 — Chassis ground:</p> <p><b>Rear door LH</b> (R22) No. 3 — Chassis ground:</p> <p><b>Trunk lid switch</b> (R186) No. 1 — Chassis ground:</p> <p><b>Rear gate latch switch</b> (D46) No. 4 — Chassis ground:</p>	<p>Is the resistance less than 10 Ω?</p>	<p>Go to step 4.</p>	<p>Repair or replace the harness.</p>

# Keyless Entry System

## SECURITY AND LOCKS

	Step	Check	Yes	No
4	<p><b>CHECK DOOR SWITCH.</b> Measure the resistance between faulty door switch terminals.</p> <p><b>Connector &amp; terminal</b>  <b>Front RH door switch</b>  <i>(R12) No. 1 — No. 3:</i>  <b>Front LH door switch</b>  <i>(R9) No. 1 — No. 3:</i>  <b>Rear RH door switch</b>  <i>(R16) No. 1 — No. 3:</i>  <b>Rear LH door switch</b>  <i>(R22) No. 1 — No. 3:</i>  <b>Trunk lid switch</b>  <i>(R186) No. 1 — No. 3:</i>  <b>Rear gate latch switch</b>  <i>(D46) No. 3 — No. 4:</i></p>	Is the resistance 1 M $\Omega$ or more when switch is pushed?	Go to step 5.	<p>Replace the faulty parts.</p> <ul style="list-style-type: none"> <li>• Door switch</li> <li>• Trunk lid latch and actuator ASSY</li> <li>• Rear gate latch and actuator ASSY</li> </ul>
5	<p><b>CHECK DOOR SWITCH.</b> Measure the resistance between faulty door switch terminals.</p> <p><b>Connector &amp; terminal</b>  <b>Front RH door switch</b>  <i>(R12) No. 1 — No. 3:</i>  <b>Front LH door switch</b>  <i>(R9) No. 1 — No. 3:</i>  <b>Rear RH door switch</b>  <i>(R16) No. 1 — No. 3:</i>  <b>Rear LH door switch</b>  <i>(R22) No. 1 — No. 3:</i>  <b>Trunk lid switch</b>  <i>(R186) No. 1 — No. 3:</i>  <b>Rear gate latch switch</b>  <i>(D46) No. 3 — No. 4:</i></p>	Is the resistance less than 10 $\Omega$ when switch is released?	Replace the body integrated unit. <Ref. to SL-50, Body Integrated Unit.>	<p>Replace the faulty parts.</p> <ul style="list-style-type: none"> <li>• Door switch</li> <li>• Trunk lid latch and actuator ASSY</li> <li>• Rear gate latch and actuator ASSY</li> </ul>

## 6. CHECK KEY WARNING SWITCH

Step	Check	Yes	No
<b>1 CHECK KEY WARNING SWITCH.</b> 1) Prepare the Subaru Select Monitor kit. 2) On «System Selection Menu» display, select {Integ. unit mode}. 3) Select the {Current Data Display & Save}. 4) Select the {key-lock warning SW}.	Is the proper input signal displayed when the key is inserted and removed from the ignition switch?	The key warning switch is OK.	Go to step 2.
<b>2 CHECK FUSE.</b> Remove and visually check fuse No. 14 (in the main fuse box).	Is the fuse blown out?	Replace the fuse with a new part.	Go to step 3.
<b>3 CHECK KEY WARNING SWITCH CIRCUIT.</b> 1) Disconnect the harness connector of body integrated unit. 2) Insert the key into ignition switch. (LOCK position) 3) Measure the voltage between harness connector terminal and chassis ground. <b>Connector &amp; terminal</b> <b>(B279) No. 2 (+) — Chassis ground (-):</b>	Is the voltage 10 V or more?	Go to step 4.	Go to step 5.
<b>4 CHECK KEY WARNING SWITCH CIRCUIT.</b> 1) Remove the key from ignition switch. 2) Measure the voltage between harness connector terminal and chassis ground. <b>Connector &amp; terminal</b> <b>(B279) No. 2 (+) — Chassis ground (-):</b>	Is the voltage 0 V?	Replace the body integrated unit. <Ref. to SL-50, Body Integrated Unit.>	Go to step 5.
<b>5 CHECK KEY WARNING SWITCH.</b> 1) Disconnect the key warning switch harness connector. 2) Insert the key into ignition switch. (LOCK position) 3) Measure the resistance between key warning switch terminals. <b>Connector &amp; terminal</b> <b>(B350) No. 3 — No. 4:</b>	Is the resistance less than 1 Ω?	Go to step 6.	Replace the key warning switch.
<b>6 CHECK KEY WARNING SWITCH.</b> 1) Remove the key from ignition switch. 2) Measure the resistance between key warning switch terminals. <b>Connector &amp; terminal</b> <b>(B350) No. 3 — No. 4:</b>	Is the resistance 1 MΩ or more?	Check the following: • Harness for open circuits and shorts between the key warning switch and fuse. • Harness for open or short between the body integrated unit and key warning switch	Replace the key warning switch.

# Keyless Entry System

## SECURITY AND LOCKS

### 7. CHECK ROOM LIGHT OPERATION

	Step	Check	Yes	No
1	<b>CHECK ROOM LIGHT OPERATION.</b> Make sure the room light illuminates when the room light switch is ON, and goes off when the switch is OFF.	Does the room light illuminate or go off?	Go to step 2.	Check the harness between the fuse and main fuse box and room light.
2	<b>CHECK ROOM LIGHT OPERATION.</b> 1) Turn the room light switch to the "DOOR" position. 2) Open/close any door (other than trunk).	Does the room light illuminate ⇔ go off (including off delay) when the door is opened and closed?	Go to step 3.	Go to step 4.
3	<b>CHECK KEYLESS ENTRY OPERATION.</b> Press the LOCK/UNLOCK button of the keyless transmitter.	Does it operate properly?	Replace the body integrated unit. <Ref. to SL-50, Body Integrated Unit.>	Check the bulb or room light assembly, and replace if necessary.
4	<b>CHECK HARNESS.</b> 1) Disconnect the body integrated unit harness connector and room light harness connector. 2) Measure the resistance between harness connector terminals. <b>Connector &amp; terminal</b> <b>(B279) No. 5 — (R52) No. 2:</b>	Is the resistance less than 10 Ω?	Go to step 5.	Repair or replace the harness.
5	<b>CHECK HARNESS.</b> Measure the voltage between room light harness connector terminal and chassis ground. <b>Connector &amp; terminal</b> <b>(R52) No. 3 (+) — Chassis ground (-):</b>	Is the voltage 10 V or more?	Replace the body integrated unit. <Ref. to SL-50, Body Integrated Unit.>	Repair or replace the harness.

### 8. CHECK HAZARD LIGHT OPERATION

	Step	Check	Yes	No
1	<b>CHECK HAZARD LIGHT OPERATION.</b> Make sure the hazard light blinks when hazard switch is turned to ON.	Does the hazard light blink?	Go to step 2.	Check the hazard light circuit.
2	<b>CHECK OUTPUT TO HAZARD LIGHT.</b> 1) Turn the ignition switch to OFF. 2) Disconnect the key warning switch harness connector. 3) Prepare the Subaru Select Monitor kit. 4) Turn the ignition switch to ON (engine OFF) and run the "PC application for Subaru Select Monitor". 5) On «System Selection Menu» display, select {Integ. unit mode}. 6) Select {ECM customizing}. 7) Check {Hazard answer-back setup}, and then switch to ON setting if necessary. 8) Select the {Current Data Display & Save}. 9) Remove the key from ignition switch. 10) Select the {Hazard Output}.	Is output signal present when operating the transmitter LOCK/UNLOCK button?	Go to step 3.	Check body integrated unit. <Ref. to LAN(diag)-2, Basic Diagnostic Procedure.>
3	<b>CHECK CIRCUIT OF HAZARD LIGHT.</b> 1) Disconnect the harness connector of body integrated unit. 2) Disconnect the turn signal and hazard unit harness connector. 3) Measure the resistance between harness connector terminals. <b>Connector &amp; terminal</b> <b>(B281) No. 22 — (B32) No. 8:</b>	Is the resistance less than 10 Ω?	Check body integrated unit. <Ref. to LAN(diag)-2, Basic Diagnostic Procedure.>	Repair or replace the harness.

## 9. CHECK KEYLESS BUZZER

Step	Check	Yes	No
<b>1 CHECK FUNCTION.</b> Using the Subaru Select Monitor, check {Answer-back buzzer setup}. <Ref. to LAN(diag)-22, CONFIRMATION OF CURRENT SETTING, OPERATION, Subaru Select Monitor.>	Is it ON?	Go to step 2.	Change the setting to ON. <Ref. to LAN(diag)-26, USER CUSTOMIZING, OPERATION, Subaru Select Monitor.>
<b>2 CHECK OUTPUT TO KEYLESS BUZZER.</b> 1) Remove the key from ignition switch. 2) Display the {Keyless Buzzer Output} of the body integrated unit using the Subaru Select Monitor. <Ref. to LAN(diag)-15, READ DIAGNOSTIC TROUBLE CODE (DTC), OPERATION, Subaru Select Monitor.> 3) Press the LOCK/UNLOCK button of the keyless transmitter.  NOTE: Due to the screen refresh timing of the Subaru Select Monitor, repeat the operation a few times to confirm, as there may be no change of OFF → ON at first.	Does display change from OFF → ON?	Go to step 3.	Replace the body integrated unit. <Ref. to SL-50, Body Integrated Unit.>
<b>3 CHECK KEYLESS BUZZER.</b> 1) Remove the keyless buzzer. 2) Install the keyless buzzer to another vehicle which operates keyless buzzer normally, check the buzzer sounds.	Does the keyless buzzer sound?	Go to step 4.	Replace the keyless buzzer.
<b>4 CHECK HARNESS.</b> 1) Disconnect the harness connector of body integrated unit. 2) Disconnect the keyless buzzer harness connector. 3) Measure the resistance between harness connector terminals.  <b>Connector &amp; terminal</b> <b>(B279) No. 24 — (B164) No. 1:</b>	Is the resistance less than 10 Ω?	Go to step 5.	Repair or replace the harness.
<b>5 CHECK HARNESS.</b> Measure the resistance between the keyless buzzer harness connector and chassis ground.  <b>Connector &amp; terminal</b> <b>(B164) No. 2 — Chassis ground:</b>	Is the resistance less than 10 Ω?	Replace the body integrated unit. <Ref. to SL-50, Body Integrated Unit.>	Repair or replace the harness.

# Keyless Entry System

## SECURITY AND LOCKS

### 10.CHECK TRUNK LID LOCK ACTUATOR

	Step	Check	Yes	No
1	<b>CHECK UNLOCK OPERATION OF TRUNK ALONE.</b> By using the keyless transmitter, perform the UNLOCK operation of trunk alone.	Does answer-back occur?	Go to step 3.	Go to step 2.
2	<b>CHECK KEYLESS ENTRY SYSTEM CIRCUIT.</b> 1) Remove the keyless entry control module from the vehicle with faults. 2) Install the keyless control module that was removed to the other vehicle which is working normally. 3) Perform the UNLOCK operation by using the keyless transmitter of vehicle with faults.	Does UNLOCK occur?	Check body integrated unit. <Ref. to SL-50, Body Integrated Unit.>	Check the following: • Keyless entry control module • Transmitter
3	<b>CHECK HARNESS.</b> 1) Disconnect the harness connector of body integrated unit. 2) Disconnect the trunk lid lock actuator harness connector. 3) Measure the resistance between harness connectors. <b>Connector &amp; terminal</b> <b>(i84) No. 22 — (R186) No. 2:</b>	Is the resistance less than 10 Ω?	Go to step 4.	Repair or replace the harness.
4	<b>CHECK HARNESS.</b> Measure the resistance between harness connector terminal and chassis ground. <b>Connector &amp; terminal</b> <b>(R186) No. 1 — Chassis ground:</b>	Is the resistance less than 10 Ω?	Go to step 5.	Repair or replace the harness.
5	<b>CHECK TRUNK LID LOCK ACTUATOR.</b> Check the trunk lid lock actuator. <Ref. to SL-40, Trunk Lid Latch and Actuator Assembly.>	Is trunk lid lock actuator normal?	Replace the body integrated unit. <Ref. to SL-50, Body Integrated Unit.>	Replace the trunk lid lock actuator. <Ref. to SL-40, Trunk Lid Latch and Actuator Assembly.>

### 11.CHECK DOOR LOCK SWITCH

For operation procedure, refer to the door lock switch inspection of the door lock control system. <Ref. to SL-10, CHECK DOOR LOCK SWITCH, INSPECTION, Door Lock Control System.>

## 12.CHECK IGNITION SWITCH ILLUMINATION

Step	Check	Yes	No
<b>1</b> <b>CHECK IGNITION CIRCUIT.</b> Check the ignition circuit.	Is the circuit normal?	Go to step 2.	Repair or replace.
<b>2</b> <b>CHECK DOOR SWITCH CIRCUIT.</b> Inspect door switch circuit.	Is the circuit normal?	Go to step 3.	Repair or replace.
<b>3</b> <b>CHECK FUSE.</b> Remove and visually check fuse No. 14 (in the main fuse box).	Is the fuse blown out?	Replace the fuse with a new part.	Go to step 4.
<b>4</b> <b>CHECK HARNESS.</b> 1) Disconnect the ignition switch illumination harness connector. 2) Measure the voltage between harness connector terminal and chassis ground. <i><b>Connector &amp; terminal</b></i> <i><b>(B224) No. 2 (+) — Chassis ground (-):</b></i>	Is the voltage 10 V or more?	Go to step 5.	Check the harness for open or short circuits between the ignition switch illumination and fuse.
<b>5</b> <b>CHECK IGNITION SWITCH ILLUMINATION CIRCUIT.</b> 1) Disconnect the harness connector of body integrated unit and ignition switch illumination harness connector. 2) Check the harness for open circuits and shorts between the body integrated unit harness connector terminal and the ignition switch illumination harness connector terminal. <i><b>Connector &amp; terminal</b></i> <i><b>(B281) No. 23 — (B224) No. 1:</b></i>	Is harness normal?	Go to step 6.	Check the harness for open circuits and shorts between the body integrated unit and ignition switch illumination.
<b>6</b> <b>CHECK IGNITION SWITCH ILLUMINATION BULB.</b> Apply battery voltage to the bulb.	Does the bulb illuminate?	Replace the body integrated unit. <Ref. to SL-50, Body Integrated Unit.>	Replace the ignition switch illumination bulb. <Ref. to LI-34, REMOVAL, Ignition Switch Illumination.>

# Security System

## SECURITY AND LOCKS

### 4. Security System

#### A: WIRING DIAGRAM

Refer to "Security System" in WI section. <Ref. to WI-154, WIRING DIAGRAM, Security System.>

#### B: ELECTRICAL SPECIFICATION

##### 1. BODY INTEGRATED UNIT

Refer to the Control Module I/O Signal of the LAN SYSTEM (DIAGNOSTICS). <Ref. to LAN(diag)-10, ELECTRICAL SPECIFICATION, Control Module I/O Signal.>

#### C: INSPECTION

##### 1. BASIC DIAGNOSTIC PROCEDURE

	Step	Check	Yes	No
1	<b>INITIAL CHECK.</b> Check keyless entry system.	Does the keyless entry system operate normally?	Go to step 2.	Check keyless entry system. <Ref. to SL-15, INSPECTION, Keyless Entry System.>
2	<b>CHECK SECURITY ON/OFF SETTING.</b> 1) Remove the key from ignition switch or turn the ignition to OFF, and close all doors. 2) Press the UNLOCK button of the keyless transmitter. 3) Check the security indicator light blinking patterns.	Does the security indicator light blink at 3 second intervals?	Go to step 3.	Check the security indicator light circuit. <Ref. to SL-30, CHECK SECURITY INDICATOR LIGHT CIRCUIT, INSPECTION, Security System.>
3	<b>CHECK SECURITY ON/OFF SETTING.</b> 1) Press the LOCK button of the keyless transmitter. 2) Check the security indicator light blinking patterns.	Is the security indicator light blinking patterns as follows? / When monitoring lag is set to 0 seconds: flashes twice within 0.5 seconds, in 2 second intervals / When monitoring lag is set to 30 seconds: flashes 3 times per second, in 0.4 second intervals.	Go to step 6.	Go to step 4.
4	<b>CHANGE SETTING OF SECURITY SYSTEM.</b> Change the setting of security system to ON. <Ref. to SL-28, SECURITY SYSTEM ON/OFF SETTING, INSPECTION, Security System.>	Is setting change completed correctly?	Go to step 5.	<ul style="list-style-type: none"> <li>• Check the ignition switch circuit. &lt;Ref. to SL-31, CHECK IGNITION SWITCH CIRCUIT, INSPECTION, Security System.&gt;</li> <li>• Check the door lock switch circuit. &lt;Ref. to SL-24, CHECK DOOR LOCK SWITCH, INSPECTION, Keyless Entry System.&gt;</li> </ul>



# Security System

## SECURITY AND LOCKS

Step	Check	Yes	No
<b>5 CHECK SETTING CHANGE OF SECURITY SYSTEM.</b> 1) Remove the key from ignition switch, and then close all doors. 2) Press the LOCK button of the keyless transmitter. 3) Check the security indicator light blinking patterns.	Is the security indicator light blinking patterns as follows? / When monitoring lag is set to 0 seconds: flashes twice within 0.5 seconds, in 2 second intervals / When monitoring lag is set to 30 seconds: flashes 3 times per second, in 0.4 second intervals.	Go to step 6.	Replace the body integrated unit. <Ref. to SL-50, Body Integrated Unit.>
<b>6 CHECK SECURITY SYSTEM OPERATION.</b> Press the LOCK button of keyless transmitter, and wait for 30 seconds.	Is the blinking pattern of security indicator light blink twice within 0.5 seconds in 2 second cycles?	Go to step 7.	Replace the body integrated unit. <Ref. to SL-50, Body Integrated Unit.>
<b>7 CHECK SECURITY ALARM OPERATION.</b> 1) Unlock all doors using the door lock switch on driver's door. 2) Open any door, trunk or rear gate.	Does the security alarm operate when opening any door, trunk or rear gate?	Go to step 8.	Check the door switch, trunk lid switch or rear gate latch switch. <Ref. to SL-19, CHECK DOOR SWITCH, INSPECTION, Keyless Entry System.>
<b>8 CHECK SECURITY ALARM OPERATION.</b> Check the security alarm operation.	Do all security alarms operate? / Horn sound / Hazard lights flash / Security indicator light illuminates	Go to step 9.	<ul style="list-style-type: none"> <li>• Check the horn. &lt;Ref. to SL-30, CHECK HORN, INSPECTION, Security System.&gt;</li> <li>• Check the hazard light. &lt;Ref. to SL-30, CHECK HAZARD LIGHT OPERATION, INSPECTION, Security System.&gt;</li> </ul>
<b>9 CHECK SECURITY ALARM CANCEL OPERATION.</b> Press any button of transmitter while the security alarm is operating. Or turn the ignition switch to ON.	Do all security alarms stop? / Horn / Hazard lights	Go to step 10.	Check the ignition switch circuit. <Ref. to SL-31, CHECK IGNITION SWITCH CIRCUIT, INSPECTION, Security System.>
<b>10 CHECK SECURITY SYSTEM CONDITION MEMORY.</b> Check that the system functions properly even when the battery is not connected temporarily. <Ref. to SL-28, CHECK SECURITY SYSTEM CONDITION MEMORY, INSPECTION, Security System.>	Does the system function properly when the battery is not connected temporarily?	Go to step 11.	Replace the body integrated unit. <Ref. to SL-50, Body Integrated Unit.>
<b>11 CHECK IMPACT SENSOR (DEALER OPTION).</b> Check the sensibility of impact sensor. <Ref. to SL-47, CHECK IMPACT SENSOR, ADJUSTMENT, Impact Sensor.>	Is the sensibility set properly?	Press the UNLOCK button of keyless transmitter, and finish the diagnosis.	Adjust the sensitivity. <Ref. to SL-47, IMPACT SENSITIVITY ADJUSTMENT, ADJUSTMENT, Impact Sensor.>

# Security System

## SECURITY AND LOCKS

---

### NOTE:

Check the function settings of the body integrated unit if any of the following symptoms appear. <Ref. to LAN(diag)-2, Basic Diagnostic Procedure.>

- The horn does not sound even when the security alarm is triggered and operating. As a cause, it is possible that the siren ON/OFF setting is set to ON in the customization function.
- The horn sounds when setting the security to ON (Monitoring condition) using the keyless transmitter. As a cause, it is possible that the impact sensor present (ON) / not present (OFF) setting is set to ON in the customization function though there is no impact sensor.

### **2. CHECK SECURITY SYSTEM CONDITION MEMORY**

- 1) Pull out the key from the ignition switch, or turn the ignition to OFF.
- 2) Close all the doors, trunk lid and rear gate.
- 3) Open the front hood.
- 4) Press the LOCK button of the keyless transmitter.

### NOTE:

Wait until the security indicator light blinks twice within 0.5 seconds at 2 second intervals.

If the 30 second monitoring lag has been set, wait 30 seconds.

- 5) Disconnect the ground cable from the battery.
- 6) Connect the ground cable to the battery.
- 7) Check that the security indicator light blinks twice within 0.5 seconds at 2 second intervals. When it does not blink, replace the body integrated unit.

### **3. SECURITY SYSTEM ON/OFF SETTING**

- 1) Close all doors, trunk lid and rear gate, and sit down on the driver seat. Press the UNLOCK button of the keyless transmitter.
- 2) Turn the ignition switch to ON.
- 3) Push the centralized door lock switch down and open the driver's side door at the same time, and hold in this condition for 10 seconds.
- 4) If the security system is ON, it will turn OFF. If OFF, it will turn ON.

### **4. CHECK DOOR SWITCH**

For operation procedure, refer to the door switch inspection of the keyless entry system. <Ref. to SL-19, CHECK DOOR SWITCH, INSPECTION, Keyless Entry System.>

## 5. CHECK TRUNK LID SWITCH (4 DOOR MODEL) OR REAR GATE LATCH SWITCH (5 DOOR MODEL)

Step	Check	Yes	No
<b>1</b> <b>CHECK INPUT FROM TRUNK LID SWITCH OR REAR GATE LATCH SWITCH.</b> 1) Prepare the Subaru Select Monitor kit. 2) Turn the ignition switch to ON (engine OFF) and run the "PC application for Subaru Select Monitor". 3) On «System Selection Menu» display, select {Integ. unit mode}. 4) Select the {Current Data Display & Save}. 5) Select the {R Gate SW input}.	Is the input signal present when opening the trunk lid or rear gate?	The trunk lid switch or rear gate latch switch circuit is OK.	Go to step 2.
<b>2</b> <b>CHECK CIRCUIT FOR TRUNK LID SWITCH OR REAR GATE LATCH SWITCH.</b> 1) Turn the ignition switch to OFF. 2) Disconnect the harness connector of body integrated unit. 3) Disconnect the harness connector of the trunk lid switch or the rear gate latch switch. 4) Measure the resistance between harness connector terminals. <i><b>Connector &amp; terminal</b></i> <i>(i84) No. 33 — (D46) No. 3: (5 door model)</i> <i>(i84) No. 33 — (R186) No. 3: (4 door model)</i>	Is the resistance less than 10 Ω?	Go to step 3.	Repair or replace the harness.
<b>3</b> <b>CHECK GROUND CIRCUIT OF TRUNK LID SWITCH OR REAR GATE LATCH SWITCH.</b> 1) Disconnect the harness connector of the trunk lid switch or the rear gate latch switch. 2) Measure the resistance between harness connector terminal and chassis ground. <i><b>Connector &amp; terminal</b></i> <i>(D46) No. 4 — Chassis ground: (5 door model)</i> <i>(R186) No. 1 — Chassis ground: (4 door model)</i>	Is the resistance less than 10 Ω?	Go to step 4.	Repair or replace the harness.
<b>4</b> <b>CHECK TRUNK LID SWITCH OR REAR GATE LATCH SWITCH.</b> 1) Disconnect the harness connector of the trunk lid switch or the rear gate latch switch. 2) Measure the resistance between switch terminals. <i><b>Terminals</b></i> <i>No. 4 — No. 3: (5 door model)</i> <i>No. 1 — No. 3: (4 door model)</i>	Is the resistance 1 MΩ or more when switch is pushed?	Go to step 5.	Replace the trunk lid latch and actuator assembly or rear gate latch and actuator assembly.
<b>5</b> <b>CHECK TRUNK LID SWITCH OR REAR GATE LATCH SWITCH.</b> Measure the resistance between switch terminals. <i><b>Terminals</b></i> <i>No. 4 — No. 3: (5 door model)</i> <i>No. 1 — No. 3: (4 door model)</i>	Is the resistance less than 1 Ω when switch is released?	Check body integrated unit. <Ref. to LAN(diag)-2, Basic Diagnostic Procedure.>	Replace the trunk lid latch and actuator assembly or rear gate latch and actuator assembly.

# Security System

## SECURITY AND LOCKS

### 6. CHECK SECURITY INDICATOR LIGHT CIRCUIT

Step	Check	Yes	No
<b>1 CHECK SECURITY INDICATOR LIGHT.</b> 1) Disconnect the harness connector of body integrated unit. 2) Place a 100 $\Omega$ resistance on the harness connector terminal using a suitable lead wire, and connect to ground through the resistance. <i>Connector &amp; terminal (i84) No. 10 — Chassis ground:</i>	Does the security indicator light illuminate?	Check body integrated unit. <Ref. to LAN(diag)-2, Basic Diagnostic Procedure.>	Go to step 2.
<b>2 CHECK POWER SUPPLY FOR SECURITY INDICATOR LIGHT.</b> 1) Disconnect the connector from the combination meter. 2) Measure the voltage between the combination meter harness connector terminal and chassis ground. <i>Connector &amp; terminal (i10) No. 1 (+) — Chassis ground (-):</i>	Is the voltage 10 V or more?	Go to step 3.	Check the harness for open or short circuits between combination meter and fuse.
<b>3 CHECK SECURITY INDICATOR LIGHT CIRCUIT.</b> Measure the resistance between the combination meter harness connector terminal and the security control unit harness connector terminal. <i>Connector &amp; terminal (i10) No. 39 — (i84) No. 10:</i>	Is the resistance less than 10 $\Omega$ ?	Replace the combination meter. <Ref. to IDI-16, Combination Meter.>	Check the harness for open or short circuits between the combination meter and body integrated unit.

### 7. CHECK HORN

Step	Check	Yes	No
<b>1 CHECK HORN OPERATION.</b> Check the horn sounds when the horn switch is pushed.	Does the horn sound?	Go to step 2.	Check the horn circuit.
<b>2 CHECK OUTPUT TO HORN RELAY.</b> 1) Connect the Subaru Select Monitor Kit. 2) Turn the ignition switch to ON (engine OFF) and run the "PC application for Subaru Select Monitor". 3) On «System Selection Menu» display, select {Integ. unit mode}. 4) Select {Function check}. 5) Select {Horn Output} and execute.	Does the horn sound?	Horn circuit is OK.	Go to step 3.
<b>3 CHECK HORN RELAY CIRCUIT.</b> 1) Turn the ignition switch to OFF. 2) Disconnect the harness connector of body integrated unit. 3) Disconnect the main fuse box harness connector (B186). 4) Measure the resistance between harness connector terminals. <i>Connector &amp; terminal (B279) No. 29 — (B186) No. 1:</i>	Is the resistance less than 10 $\Omega$ ?	Check body integrated unit. <Ref. to LAN(diag)-2, Basic Diagnostic Procedure.>	Repair or replace the harness.

### 8. CHECK HAZARD LIGHT OPERATION

For operation procedure, refer to the hazard light inspection of the keyless entry system. <Ref. to SL-23, CHECK KEYLESS BUZZER, INSPECTION, Keyless Entry System.>

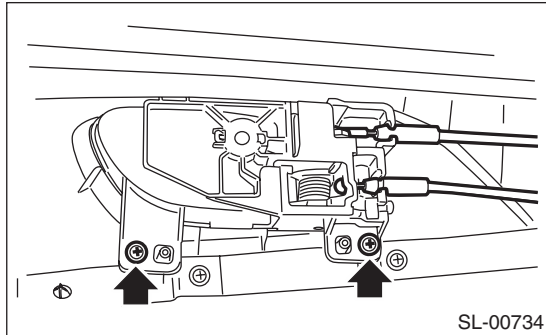
## 9. CHECK IGNITION SWITCH CIRCUIT

Step	Check	Yes	No
<b>1</b> <b>CHECK IGNITION SWITCH VOLTAGE.</b> 1) Prepare the Subaru Select Monitor kit. 2) Turn the ignition switch to ON (engine OFF) and run the "PC application for Subaru Select Monitor". 3) On «System Selection Menu» display, select {Integ. unit mode}. 4) Select the {Current Data Display & Save}. 5) Select the {BATT voltage} and {IG power supply}.	Is the {IG power supply voltage} within $\pm 1$ V against {BATT voltage}?	The ignition switch input circuit is OK.	Go to step 2.
<b>2</b> <b>CHECK IGNITION SWITCH CIRCUIT.</b> 1) Turn the ignition switch to OFF. 2) Disconnect the harness connector of body integrated unit. 3) Turn the ignition switch to ON. 4) Measure the voltage between harness connector terminal and chassis ground. <b>Connector &amp; terminal</b> <b>(B280) No. 1 (+) — Chassis ground (-):</b>	Is the voltage 10 V or more?	Check body integrated unit. <Ref. to LAN(diag)-2, Basic Diagnostic Procedure.>	Check the harness for open or short circuit between the body integrated unit and fuse.

### 5. Front Inner Remote

#### A: REMOVAL

- 1) Remove the door trim. <Ref. to EI-43, REMOVAL, Door Trim.>
- 2) Remove the cable from the cable holder.
- 3) Remove the screws, and remove the inner remote handle.



#### B: INSTALLATION

Install in the reverse order of removal.

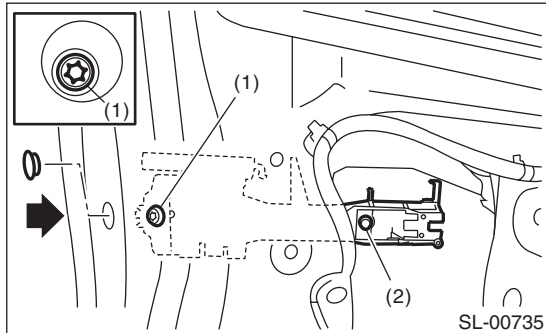
#### C: INSPECTION

- 1) Check the cable of the door opener and door lock for deformation. When it is deformed, straighten it because failure operations may occur. When it is unrepairable, replace the front door latch and door lock actuator assembly.
- 2) Check the lever, rod and wire for smooth operation.

## 6. Front Outer Handle

### A: REMOVAL

- 1) Raise the front door glass to the top position.
- 2) Remove the door trim. <Ref. to EI-43, REMOVAL, Door Trim.>
- 3) Remove the sealing cover. <Ref. to EB-22, REMOVAL, Front Sealing Cover.>
- 4) Remove the rod clamp.
- 5) Remove the plug at the rear of the door panel, and loosen the TORX<sup>®</sup> bolt (1).



- 6) Remove the door outer handle cover.
- 7) Move the front outer handle towards the rear, and remove the front outer handle.

#### CAUTION:

**Do not apply excessive force to remove the handle from the door panel. The door panel may become deformed.**

- 8) Remove the outer side spacer.
- 9) Loosen TORX<sup>®</sup> bolt (2).
- 10) Remove the frame assembly from inside the door panel.

### B: INSTALLATION

Install in the reverse order of removal.

#### Tightening torque:

**Refer to "COMPONENT" of "General Description". <Ref. to SL-2, DOOR LOCK ASSEMBLY, COMPONENT, General Description.>**

### C: INSPECTION

- 1) Check the rod for deformation.
- 2) Check the lever and rod for smooth operation.

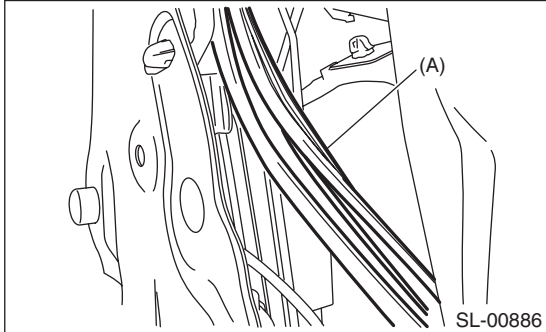
# Front Door Latch and Door Lock Actuator Assembly

## SECURITY AND LOCKS

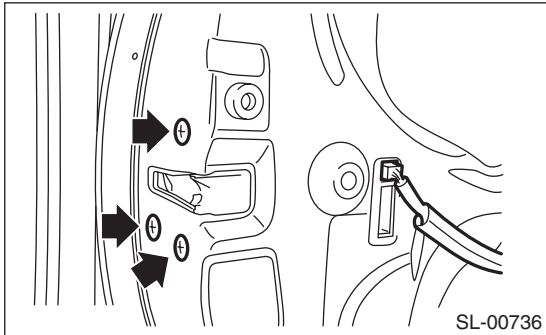
### 7. Front Door Latch and Door Lock Actuator Assembly

#### A: REMOVAL

- 1) Raise the front door glass to the top position.
- 2) Disconnect the ground cable from battery.
- 3) Remove the front door trim. <Ref. to EI-43, REMOVAL, Door Trim.>
- 4) Remove the sealing cover. <Ref. to EB-22, REMOVAL, Front Sealing Cover.>
- 5) Remove the glass run rubber (A) partially.



- 6) Remove the rear sash.
- 7) Remove the rod from the outer handle rod clamp.
- 8) Disconnect the harness connector.
- 9) Remove the three screws, and then remove the front door latch and door lock actuator assembly.



#### B: INSTALLATION

Install in the reverse order of removal.

#### Tightening torque:

Refer to "COMPONENT" of "General Description". <Ref. to SL-2, DOOR LOCK ASSEMBLY, COMPONENT, General Description.>

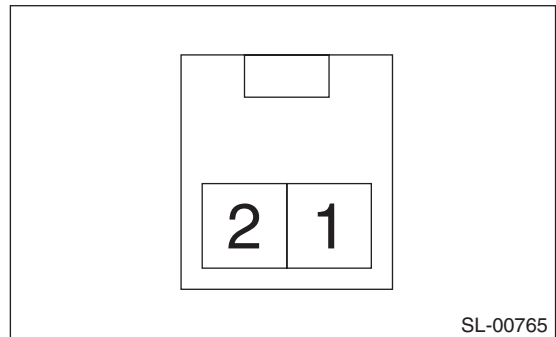
#### C: INSPECTION

##### 1. DOOR LATCH

- 1) Check the rod, door opener and door lock cable for deformation. When it is deformed, straighten it because failure operations may occur. When it is unrepairable, replace the front door latch and door lock actuator assembly.
- 2) Check the lever, rod and wire for smooth operation.

##### 2. LOCK ACTUATOR

- 1) Disconnect the door lock actuator harness connector.
- 2) Connect the battery to door lock actuator terminals.



Actuator operation	Terminals	
	No. 1	No. 2
Lock → Unlock	-	+
Unlock → Lock	+	-

If defective, replace the front door latch and door lock actuator assembly.



## 8. Rear Inner Remote

### A: REMOVAL

Refer to “Front Inner Remote” for the removal procedure. <Ref. to SL-32, REMOVAL, Front Inner Remote.>

### B: INSTALLATION

Install in the reverse order of removal.

### C: INSPECTION

- 1) Check the cable of the door opener and door lock for deformation. When it is deformed, straighten it because failure operations may occur. When it is unrepairable, replace the rear door latch and door lock actuator assembly.
- 2) Check the lever, rod and wire for smooth operation.
- 3) Check the child safety lock for correct operations.

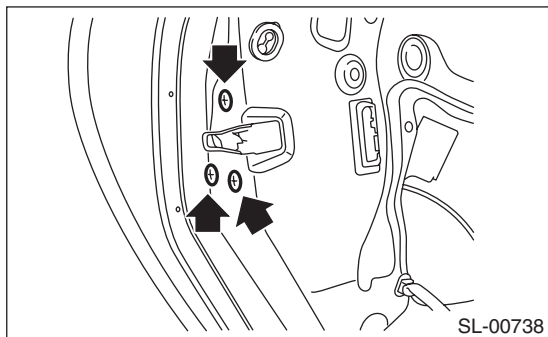
# Rear Outer Handle

## SECURITY AND LOCKS

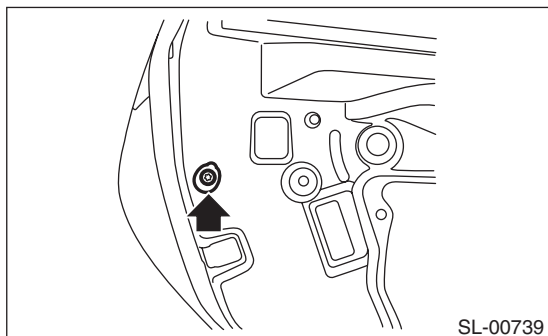
### 9. Rear Outer Handle

#### A: REMOVAL

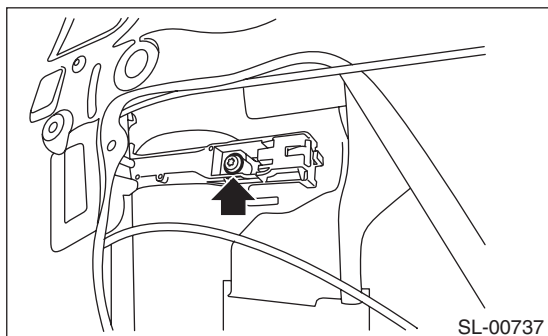
- 1) Raise the rear door glass to the top position.
- 2) Remove the rear door trim. <Ref. to EI-43, REMOVAL, Door Trim.>
- 3) Remove the sealing cover. <Ref. to EB-25, REMOVAL, Rear Sealing Cover.>
- 4) Remove the three screws, and move aside the rear door latch and door lock actuator assembly.



- 5) Remove the child protector cover, and loosen the TORX® bolt.



- 6) Remove the outer handle cover.
- 7) Move the rear outer handle towards the rear, and remove the rear outer handle.
- 8) Remove the outer spacer, and remove the frame assembly from the inner side.
- 9) Remove the TORX® bolt.



- 10) Remove the frame assembly from inside the door panel.

#### CAUTION:

Do not apply excessive force to remove the handle from the door panel. The door panel may become deformed.

#### B: INSTALLATION

Install in the reverse order of removal.

#### Tightening torque:

Refer to "COMPONENT" of "General Description". <Ref. to SL-2, DOOR LOCK ASSEMBLY, COMPONENT, General Description.>

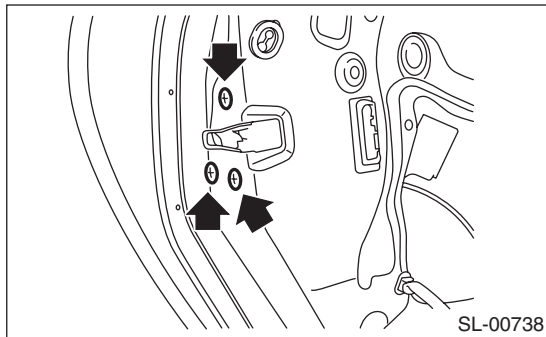
#### C: INSPECTION

- 1) Check that the latch joins securely.
- 2) Check the handle and wire for smooth operation.

## 10. Rear Door Latch and Door Lock Actuator Assembly

### A: REMOVAL

- 1) Disconnect the ground cable from battery.
- 2) Remove the rear door trim. <Ref. to EI-43, REMOVAL, Door Trim.>
- 3) Remove the wire from the rear inner remote. <Ref. to SL-35, REMOVAL, Rear Inner Remote.>
- 4) Remove the sealing cover. <Ref. to EB-25, REMOVAL, Rear Sealing Cover.>
- 5) Remove the rear door glass. <Ref. to GW-18, REMOVAL, Rear Door Glass.>
- 6) Disconnect the harness connector.
- 7) Remove the three screws, and remove the rear door latch and door lock actuator assembly.



### B: INSTALLATION

Install in the reverse order of removal.

#### Tightening torque:

Refer to "COMPONENT" of "General Description". <Ref. to SL-2, DOOR LOCK ASSEMBLY, COMPONENT, General Description.>

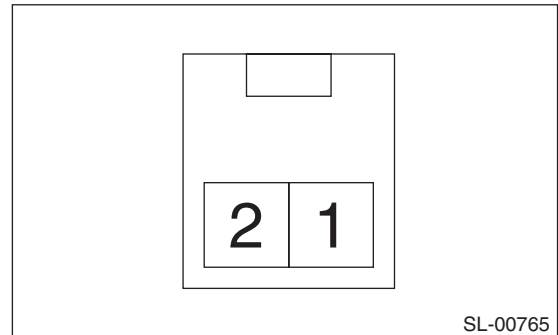
### C: INSPECTION

#### 1. DOOR LATCH

- 1) Check the cable for deformation. When it is deformed, straighten it because failure operations may occur. When it is unrepairable, replace the rear door latch and door lock actuator assembly.
- 2) Check the lever and wire for smooth operation.

#### 2. LOCK ACTUATOR

- 1) Disconnect the door lock actuator harness connector.
- 2) Connect the battery to door lock actuator terminals.



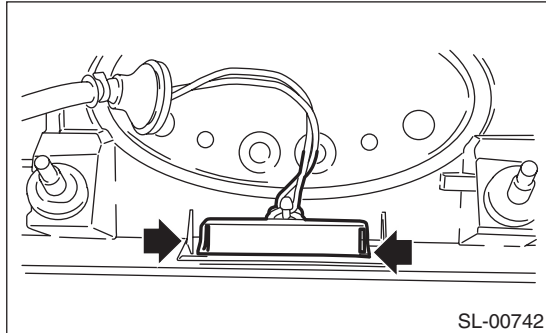
Actuator operation	Terminals	
	No. 1	No. 2
Lock → Unlock	-	+
Unlock → Lock	+	-

If defective, replace the rear door latch and door lock actuator assembly.

### 11.Rear Gate Opener Button

#### A: REMOVAL

- 1) Remove the rear gate trim. <Ref. to EI-66, REMOVAL, Rear Gate Trim.>
- 2) Remove the rear gate garnish. <Ref. to EI-69, REMOVAL, Rear Gate Garnish.>
- 3) Disconnect the rear gate opener button harness connector.
- 4) Hold down the rear gate opener button hook, and remove the rear gate opener button.



#### B: INSTALLATION

##### CAUTION:

**Make sure that the harness grommet is securely installed.**

**If not properly installed, this may cause water immersion.**

Install in the reverse order of removal.

#### C: INSPECTION

- 1) Disconnect the rear gate opener button harness connector.
- 2) Inspect the continuity between the rear gate opener button connector terminals.

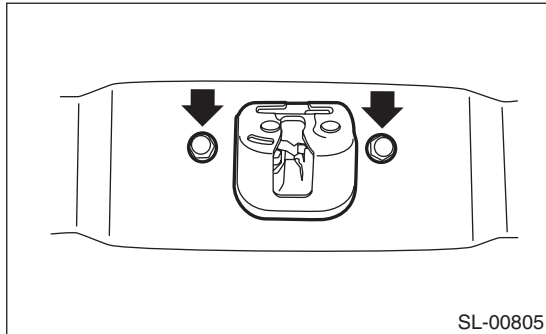
Switch	Terminals	Standard
Open	No. 1 and No. 2	Less than 1 $\Omega$
Close		1 M $\Omega$ or more

If defective, replace the rear gate opener button.

## 12. Rear Gate Latch and Actuator Assembly

### A: REMOVAL

- 1) Disconnect the ground cable from battery.
- 2) Remove the rear gate trim. <Ref. to EI-66, REMOVAL, Rear Gate Trim.>
- 3) Disconnect the harness connector.
- 4) Remove the two bolts to remove the rear gate latch and actuator assembly.



### B: INSTALLATION

Install in the reverse order of removal.

#### **Tightening torque:**

**Refer to “COMPONENT” of “General Description”. <Ref. to SL-3, REAR GATE LOCK AND TRUNK LID, COMPONENT, General Description.>**

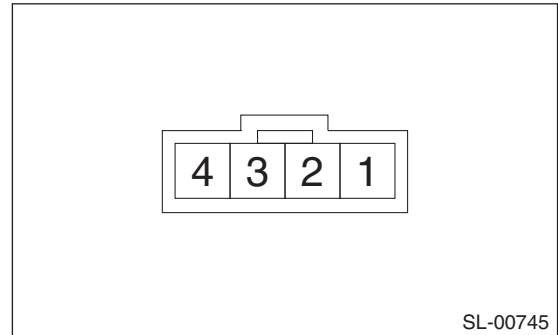
### C: INSPECTION

#### 1. REAR GATE LATCH

- 1) Check the latch for deformation or abnormal wear.
- 2) Check other levers and springs for rust formation or unsmooth movement.

#### 2. LOCK ACTUATOR

- 1) Disconnect the harness connector of rear gate latch and actuator assembly.
- 2) Connect the battery to the rear gate latch and actuator assembly terminals.



Actuator operation	Terminals	
	No. 1	No. 2
Lock → Unlock	+	-

Replace the rear gate latch and actuator assembly if faulty.

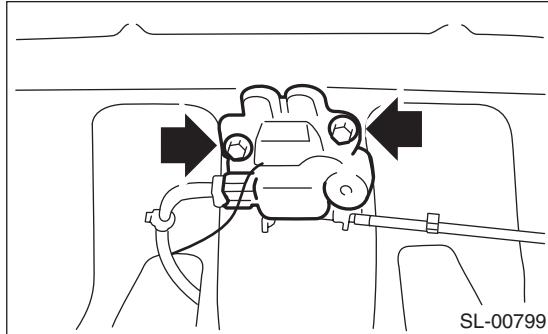
# Trunk Lid Latch and Actuator Assembly

## SECURITY AND LOCKS

### 13. Trunk Lid Latch and Actuator Assembly

#### A: REMOVAL

- 1) Disconnect the connector to remove the trunk opener cable.
- 2) Remove the two bolts to remove the trunk lid latch and actuator assembly.



#### B: INSTALLATION

##### CAUTION:

Route the safety lever wire so that it runs inside the trunk panel.

Install in the reverse order of removal.

##### Tightening torque:

Refer to "COMPONENT" of "General Description". <Ref. to SL-3, REAR GATE LOCK AND TRUNK LID, COMPONENT, General Description.>

##### NOTE:

Apply grease to the movable part.

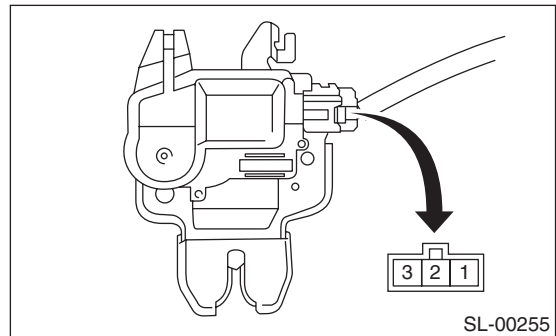
#### C: INSPECTION

##### 1. TRUNK LID LATCH

- 1) Check the latch for deformation or abnormal wear.
- 2) Check the safety lever for improper movement.
- 3) Check other levers and springs for rust formation or unsmooth movement.
- 4) Check the trunk opener cable for smooth operation.

##### 2. LOCK ACTUATOR

- 1) Disconnect the harness connector of trunk lid latch and actuator assembly.
- 2) Connect the battery to the trunk lid latch and actuator assembly terminals.



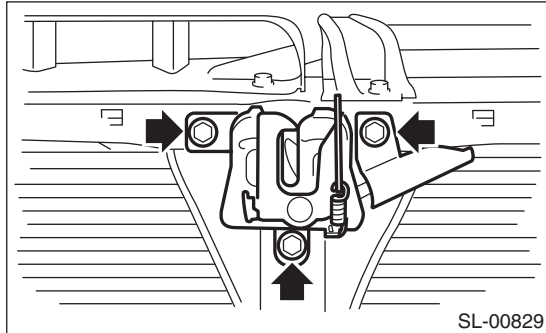
Actuator operation	Terminals	
	No. 1	No. 2
Lock → Unlock	-	+

Replace the trunk lid latch and actuator assembly if faulty.

## 14. Front Hood Lock Assembly

### A: REMOVAL

- 1) Open the front hood.
- 2) Remove the front bumper face. <Ref. to EI-29, FRONT BUMPER FACE, REMOVAL, Front Bumper.>
- 3) Remove the bolts, and then detach the front hood lock assembly.
- 4) Remove the release cable from the lock assembly.



### B: INSTALLATION

Install in the reverse order of removal.

#### *Tightening torque:*

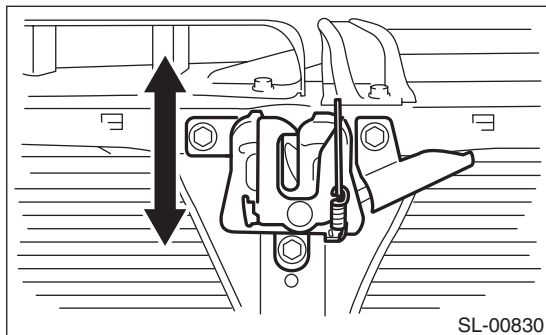
*Refer to “COMPONENT” of “General Description”. <Ref. to SL-4, FRONT HOOD LOCK AND REMOTE OPENERS, COMPONENT, General Description.>*

#### NOTE:

Apply grease to the movable part.

### C: ADJUSTMENT

Loosen the bolt, and adjust the lock assembly while moving it up and down.



### D: INSPECTION

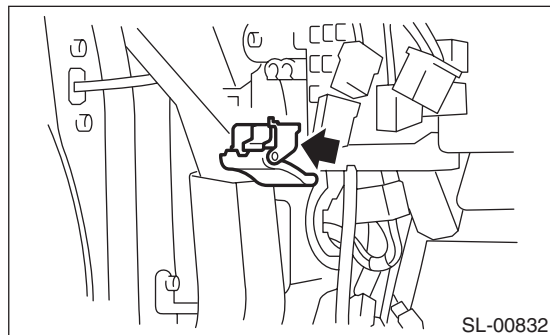
- 1) Check the striker for deformation or abnormal wear.
- 2) Check the safety lever for improper movement.
- 3) Check other levers and springs for rust formation or unsmooth movement.

## 15. Remote Openers

### A: REMOVAL

#### 1. FRONT HOOD OPENER

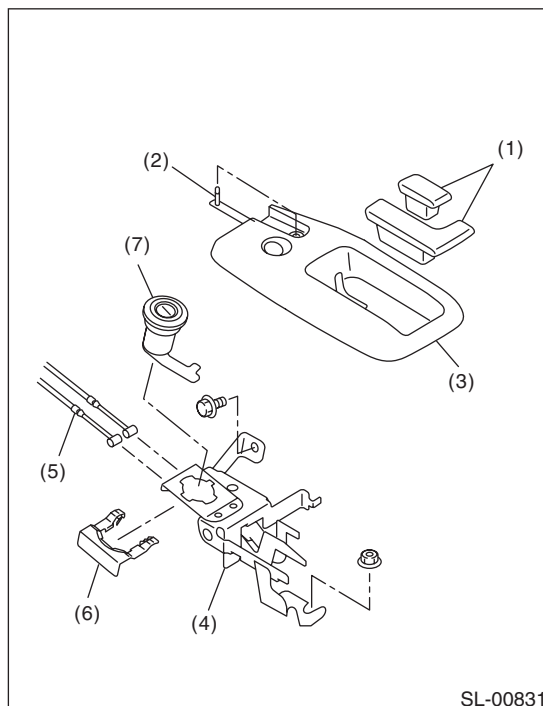
- 1) Remove the cable from the front hood lock.
- 2) Remove the bolt, and then detach the opener lever.



#### 2. TRUNK LID OPENER

- 1) Remove the rear seat. <Ref. to SE-11, REMOVAL, Rear Seat.>
- 2) Remove the lower inner trim, rear quarter trim and floor mat on the driver's side. Remove the clip holding the cable.
- 3) Remove the opener lever (1).
- 4) Remove the pin (2) and remove front cover (3).

- 5) Remove the bolt and nut, and remove the pull handle assembly (4).



- (1) Opener lever
- (2) Pin
- (3) Front cover
- (4) Pull handle ASSY
- (5) Cable
- (6) Clamp
- (7) Key cylinder

- 6) Remove the cable (5) from the pull handle assembly (4).
- 7) Remove clamp (6) to remove the key cylinder (7).

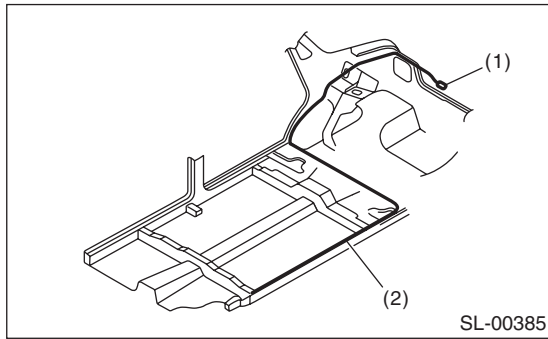
**CAUTION:**

**Remove the key cylinder in the UNLOCK position.**

- 8) Remove the trunk lid lock assembly from the trunk lid.



9) Remove the cable from the trunk lid lock assembly.



- (1) Trunk lid lock ASSY
- (2) Cable

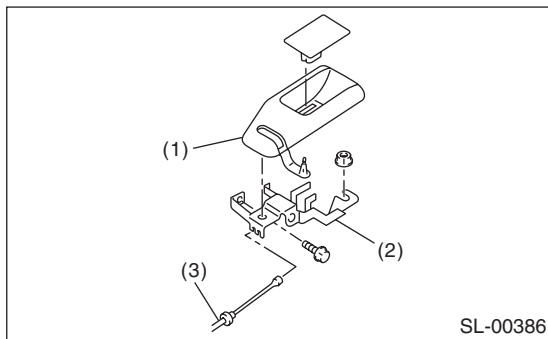
### 3. FUEL FILLER LID OPENER

#### 4 DOOR MODEL

Refer to the trunk lid opener. <Ref. to SL-42, TRUNK LID OPENER, REMOVAL, Remote Openers.>

#### 5 DOOR MODEL

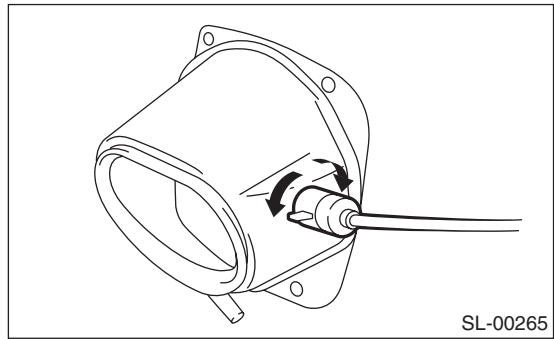
- 1) Remove the rear seat. <Ref. to SE-11, REMOVAL, Rear Seat.>
- 2) Remove the lower inner trim, rear quarter trim and floor mat on the driver's side. Remove the clip holding the cable.
- 3) Remove the opener lever and detach the cover (1).
- 4) Remove the bolt and nut, and remove the pull handle assembly (2).



- (1) Cover
- (2) Pull handle ASSY
- (3) Cable

5) Remove the cable (3) from the pull handle assembly (2).

6) Rotate the fuel lock inside the quarter panel to 90° and remove. (Either right or left turn)



### B: INSTALLATION

Install in the reverse order of removal.

### C: INSPECTION

Make sure the front hood, trunk lid and fuel flap open and close smoothly.

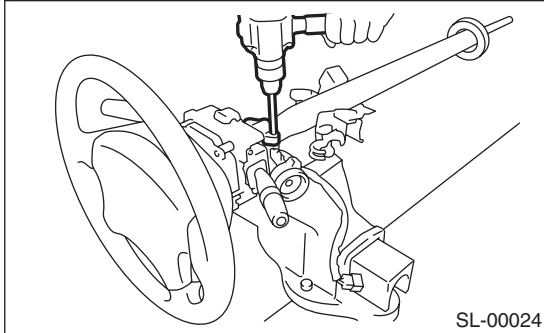
# Ignition Key Lock

## SECURITY AND LOCKS

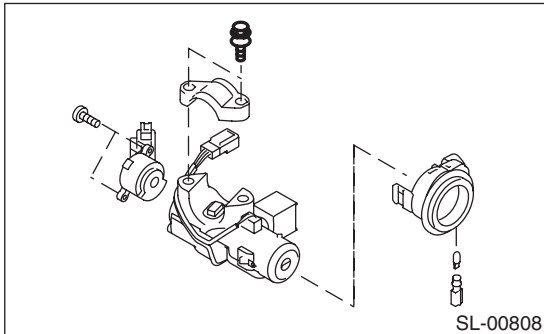
### 16. Ignition Key Lock

#### A: REPLACEMENT

- 1) Disconnect the ground cable from battery.
- 2) Remove the steering column. <Ref. to PS-15, REMOVAL, Tilt Steering Column.>
- 3) Secure the steering column in a vise. Remove the bolt with a drill.

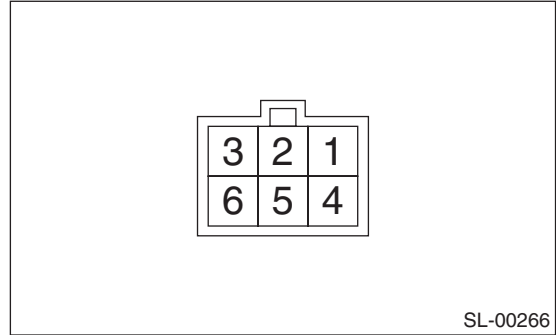


- 4) Remove the ignition key lock.
- 5) Use new bolts. Tighten the bolt until the bolt head is broken (bolt head wrenched off).



#### B: INSPECTION

- 1) Remove the instrument panel lower cover.
- 2) Remove the lower column cover.
- 3) Unfasten the fixing clip which secures harness, and then disconnect the connector of the ignition switch from body harness.
- 4) Turn the ignition key plate to each position and check the continuity between terminals of ignition connector.



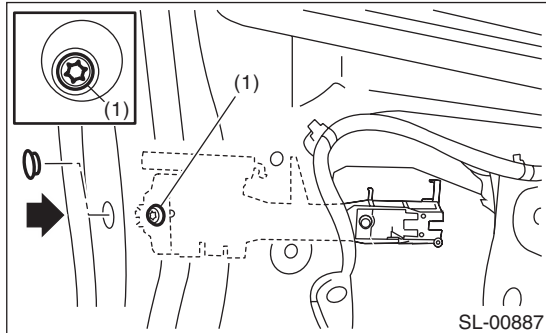
Switch position	Terminal No.	Standard
LOCK	—	—
ACC	No. 3 and No. 5	Less than 1 $\Omega$
ON	No. 3, No. 1 and No. 4 No. 3 and No. 5	Less than 1 $\Omega$
ST	No. 3 and No. 2 No. 3, No. 1 and No. 6	Less than 1 $\Omega$

If NG, replace the ignition switch.

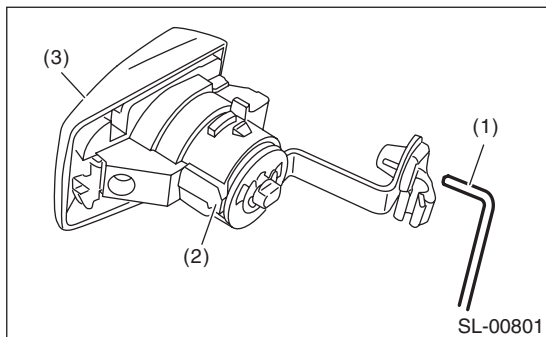
## 17. Key Lock Cylinders

### A: REPLACEMENT

- 1) Raise the front door glass to the top position.
- 2) Remove the door trim. <Ref. to EI-43, REMOVAL, Door Trim.>
- 3) Remove the sealing cover. <Ref. to EB-22, REMOVAL, Front Sealing Cover.>
- 4) Remove the rod clamp.
- 5) Remove the plug to the rear of the door panel.
- 6) Remove the TORX® bolt (1).



- 7) Remove the key cylinder along with the handle cover.
- 8) Remove the key cylinder from the cover, and replace the key cylinder.



- (1) Latch connection rod
- (2) Key cylinder
- (3) Door outer handle cover

### 18. Security Control Module

#### A: NOTE

The control of security system is carried out in body integrated unit. Refer to the section on the body integrated unit for the work procedures.

- Removal <Ref. to SL-50, REMOVAL, Body Integrated Unit.>
- Installation <Ref. to SL-50, INSTALLATION, Body Integrated Unit.>

## 19. Impact Sensor

### A: REMOVAL

- 1) Remove the key from ignition switch.
- 2) Close all the doors, trunk lid and rear gate.
- 3) Press the UNLOCK button of the keyless transmitter.
- 4) Disconnect the ground cable from the battery.
- 5) Remove the impact sensor.
- 6) Change the setting of impact sensor using Subaru Select Monitor.

### B: INSTALLATION

- 1) Remove the key from ignition switch.
- 2) Close all the doors, trunk lid and rear gate.
- 3) Press the UNLOCK button of the keyless transmitter.
- 4) Disconnect the ground cable from the battery.
- 5) Install the impact sensor.
- 6) Change the setting of impact sensor using Subaru Select Monitor.

### C: OPERATION

#### 1. IMPACT SENSOR SETTING USING SUBARU SELECT MONITOR

- 1) Connect the Subaru Select Monitor to the data link connector.
- 2) Turn the ignition switch to ON.
- 3) On the "System Selection Menu", select {Integ. unit mode}.
- 4) Select {ECM customizing}.
- 5) Make a impact monitor setting.
  - When installing: ON
  - When removing: OFF
- 6) Make a impact monitor ON/OFF setting.
  - When installing: ON
  - When removing: OFF
- 7) Turn the ignition switch to OFF, and then remove the Subaru Select Monitor.

### D: ADJUSTMENT

#### 1. CHECK IMPACT SENSOR

- 1) Remove the key from ignition switch.
- 2) Close all the windows.
- 3) Close all the doors, trunk lid and rear gate. Leave open the front hood.
- 4) Press the LOCK button of the keyless transmitter from outside of vehicle.
- 5) Check that the security indicator light blinks twice within 0.5 seconds in 2 second cycles after 30 seconds.

- 6) Hit all windows with the palm with force repeatedly, to check for whether the security alarm operates. Lift up the front hood approx. 12 cm (4.7 in) or more, and then drop it off to check the operation of security alarm.
- 7) If NG, adjust the impact sensitivity.

#### 2. IMPACT SENSITIVITY ADJUSTMENT

- 1) Connect the Subaru Select Monitor to the data link connector.
- 2) Turn the ignition switch to ON.
- 3) On the "System Selection Menu", select {Impact Sensor}.
- 4) Make a {Sensitivity Adjustment Mode}.
  - Sensitivity can be adjusted in 11 levels (0 to 10).
  - Initial setting is 5.
  - Smaller number means more sensitive.
  - Larger number means less sensitive.
- 5) Turn the ignition switch to OFF, and then remove the Subaru Select Monitor.

#### NOTE:

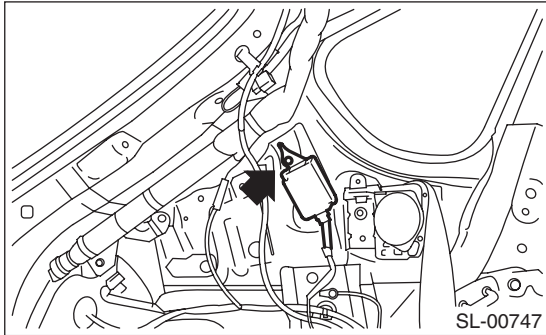
- Set the sensor so as not to let the alarm on normal vibration (reclining to the door, hit the ball and etc.).
- Set the sensor to operate the alarm with hitting the door or window glass, etc. continuously like a mayhem by robbery.
- Even if there is no burglary attempt, if there is vibration (road construction, elevated parking lots, passage of trains or boarding of ferries), the alarm can be triggered. Because of this, ask the customer about their parking conditions, and set an appropriate sensitivity level after discussion.
- The impact sensitivity can also be adjusted on the manufacturer's optional display, and it can be set in 11 levels from 0 to 10. The sensitivity is set to 5 by default. (Unlike the specification of the Subaru Select Monitor, the setting becomes duller as the setting value becomes smaller, and more sensitive as the number becomes larger.)
- If the sensitivity setting was not performed properly, a buzzer will sound four times. In this case, check the following:
  - Is there an error in CAN communication?
  - Is there an open circuit in the harness between the body integrated unit and the impact sensor?
  - Is there a malfunction in the display, body integrated unit or impact sensor?

## 20. Keyless Entry Control Module

### A: REMOVAL

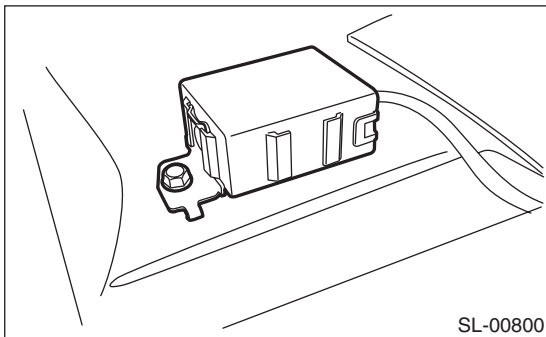
#### 1. 5 DOOR MODEL

- 1) Disconnect the ground cable from battery.
- 2) Remove the left rear quarter trim. <Ref. to EI-58, REMOVAL, Rear Quarter Trim.>
- 3) Disconnect the harness connector.
- 4) Remove the bolt and then remove the keyless entry control module.



#### 2. 4 DOOR MODEL

- 1) Disconnect the ground cable from battery.
- 2) Remove the rear shelf trim. <Ref. to EI-60, REMOVAL, Rear Shelf Trim.>
- 3) Disconnect the harness connector.
- 4) Remove the bolt and then remove the keyless entry control module.



### B: INSTALLATION

Install in the reverse order of removal.

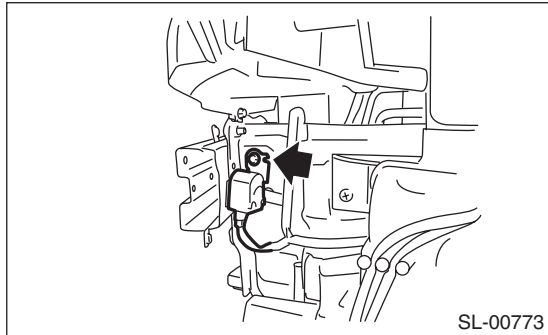
#### *Tightening torque:*

**13 N·m (1.33 kgf·m, 9.6 ft·lb)**

## 21. Keyless Buzzer

### A: REMOVAL

- 1) Disconnect the ground cable from the battery.
- 2) Turn over the left front mud guard.
- 3) Remove the bolt, and then remove the keyless buzzer.



### B: INSTALLATION

Install in the reverse order of removal.

#### *Tightening torque:*

**13 N·m (1.33 kgf-m, 9.6 ft-lb)**

### C: INSPECTION

Using the Subaru Select Monitor, perform forced operation of the keyless buzzer. <Ref. to LAN(di-ag)-15, READ DIAGNOSTIC TROUBLE CODE (DTC), OPERATION, Subaru Select Monitor.>

#### NOTE:

If it does not sound, replace the buzzer.

## 22. Body Integrated Unit

### A: REMOVAL

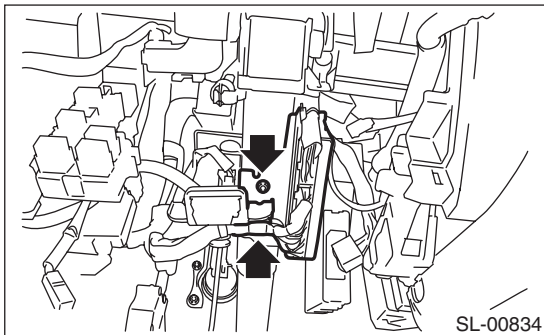
#### NOTE:

1. When replacing the body integrated unit
    - Prepare the security ID plate.
    - For models with immobilizers, prepare the required number of new (unregistered) immobilizer keys.
    - When replacing the body integrated unit, check the current settings and record it. <Ref. to LAN(diag)-22, CONFIRMATION OF CURRENT SETTING, OPERATION, Subaru Select Monitor.>
  2. After replacing the body integrated unit with immobilizer
    - Register the immobilizer. For detailed operation procedure, refer to the “REGISTRATION MANUAL FOR IMMOBILIZER”.
    - Set the current settings as recorded.
- 1) Disconnect the ground cable from battery.
  - 2) Remove the driver’s side instrument panel lower cover. <Ref. to EI-46, REMOVAL, Instrument Panel Lower Cover.>
  - 3) Remove the knee guard panel.
  - 4) Disconnect the harness connector of body integrated unit.

#### CAUTION:

**Be careful to keep water and other foreign materials away from body integrated unit.**

- 5) Remove two mounting nuts for body integrated unit bracket, and remove the body integrated unit.



### B: INSTALLATION

Install in the reverse order of removal.

#### **Tightening torque:**

**7.5 N·m (0.76 kgf-m, 5.5 ft-lb)**

#### NOTE:

Make sure that there are no differences from the contents of the current settings after installation. <Ref. to LAN(diag)-22, CONFIRMATION OF CURRENT SETTING, OPERATION, Subaru Select Monitor.>



## 23. Transmitter

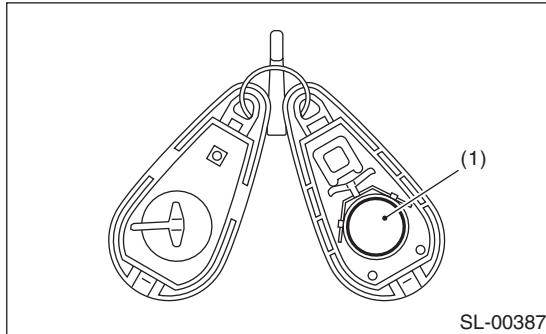
### A: REMOVAL

#### 1. TRANSMITTER BATTERY

**CAUTION:**

To prevent static electricity damage to the keyless transmitter printed circuit board, touch the steel area of building with hand to discharge static electricity carried on body or clothes before disassembling the keyless transmitter.

Remove the battery (1) from the transmitter.



### B: INSTALLATION

Install in the reverse order of removal.

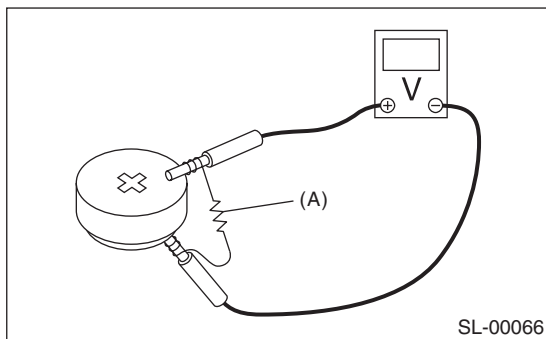
### C: INSPECTION

#### 1. TRANSMITTER BATTERY

Measure the voltage between the keyless transmitter battery (+) terminal and (-) terminal.

**NOTE:**

Battery discharge occurs during the measurement. Complete the measurement within 5 seconds.



(A) Resistance (47 Ω)

Tester connection		Standard
(+)	(-)	
Battery Positive terminal	Battery Ground terminal	2.5 — 3.0 V

If NG, replace the battery. (Use CR2025 or equivalent.)

### D: REPLACEMENT

#### 1. REGISTRATION OF KEYLESS TRANSMITTER WITH SUBARU SELECT MONITOR

**NOTE:**

- A maximum of four keyless transmitter can be registered for each individual vehicle.
- When replacing or adding the keyless transmitter, new registration of transmitter is necessary.

1) Connect the Subaru Select Monitor to the vehicle.

2) Turn the ignition switch to ON.

3) From the «System Selection Menu» of the Subaru Select Monitor, select the {2. Each System Check} → {7. Integ. unit mode} → {8. Keyless ID registration}.

4) Input the 8-digit ID number attached to the plastic bag of the keyless transmitter or inside the transmitter, from left to right, then press the [Enter] key.

**NOTE:**

Press the [▲] key on the Subaru Select Monitor to increase the number, and the [▼] key to decrease. Press the [<] key to move to the digit in the left, and [>] to the right.

5) The ID number you have entered will be shown. Make sure that the ID number shown is the same as that of plastic bag or inside of transmitter.

6) Press the [OK] key if the ID number is correct. If the ID number is incorrect, select [NO] to return to the step 3) and reenter the ID number.

7) «ID is being registered...» is displayed and registration starts.

8) «ID registration completed» will be displayed when the registration process is done.

9) To exit, select «Quit: NO» to return to {8. Keyless ID registration}. If there are additional keyless transmitters to be registered, select «The following are registered: OK» to return to the step 4).

**NOTE:**

• If the registration fails, «ID cannot register. Please try again.» will be displayed. Select the [OK] key to return to the {8. Keyless ID registration}. And retry from the step 3).

• «Quit: NO» is shown on the Subaru Select Monitor when fourth keyless transmitter has been registered. Select the [NO] key to return to {8. Keyless ID registration}.

### 24. Immobilizer Control Module

#### A: NOTE

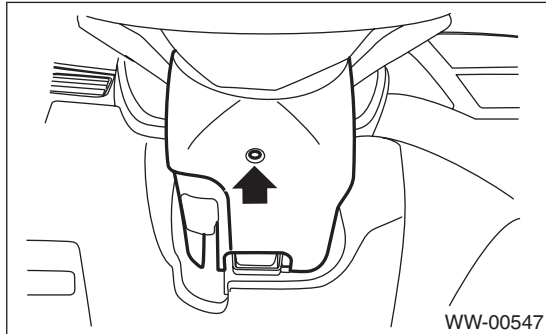
The control of immobilizer system is carried out in body integrated unit. Refer to the section on the body integrated unit for the work procedures.

- Removal <Ref. to SL-50, REMOVAL, Body Integrated Unit.>
- Installation <Ref. to SL-50, INSTALLATION, Body Integrated Unit.>

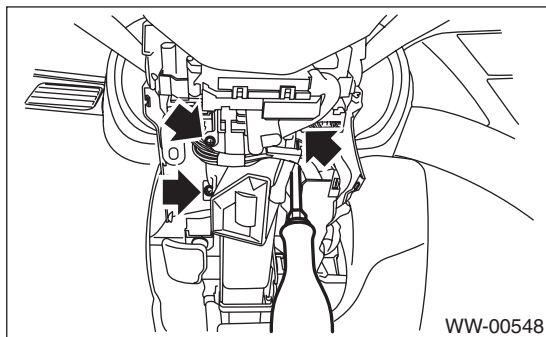
## 25. Immobilizer Antenna

### A: REMOVAL

- 1) Disconnect the ground cable from battery.
- 2) Remove the screws and remove the steering column cover lower.



- 3) Remove the three mounting screws of steering column cover upper.

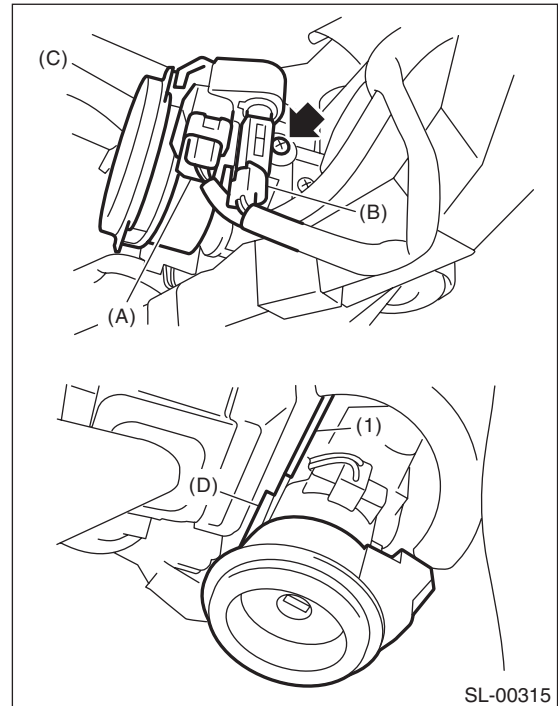


- 4) Remove the instrument panel lower cover. <Ref. to EI-46, REMOVAL, Instrument Panel Lower Cover.>
- 5) Disconnect the immobilizer antenna connector (A) and ignition switch lighting connector (B).

- 6) Loosen the screw and release the lock (D) at opposite side using flat tip screwdriver (1), and then detach the immobilizer antenna (C).

### CAUTION:

**Do not apply excessive force to remove the immobilizer antenna and lock. Otherwise they may be broken because those parts are the products made of a plastic.**



### B: INSTALLATION

Install in the reverse order of removal.

# Immobilizer Antenna

SECURITY AND LOCKS

---



# General Description

SUNROOF/T-TOP/CONVERTIBLE TOP (SUNROOF)

---

## B: CAUTION

- Before disassembling or reassembling parts, always disconnect the battery ground cable from battery. When replacing the audio, control unit, and other parts provided with memory functions, record the memory contents before disconnecting the battery ground cable in order to prevent memory deletion.
- Reassemble the parts in the reverse order of disassembly unless otherwise indicated.
- Adjust parts to the given specifications.
- Connect the connectors securely for reassembly.
- After reassembly, make sure functional parts operate smoothly.

## C: PREPARATION TOOL

### 1. GENERAL TOOL

TOOL NAME	REMARKS
Circuit tester	Used for measuring resistance and voltage.
TORX <sup>®</sup> T25	Used for removing and installing the glass lid.
Hexagon wrench	Used for forcedly driving the sunroof motor.

# Sunroof Control System

SUNROOF/T-TOP/CONVERTIBLE TOP (SUNROOF)

## 2. Sunroof Control System

### A: WIRING DIAGRAM

Refer to “Sunroof Control System” in WI section. <Ref. to WI-153, WIRING DIAGRAM, Sunroof Control System.>

### B: INSPECTION

Symptom	Inspection order
Water leakage	1. Check roof panel and glass lid for improper or poor sealing. 2. Check drain tube for clogging. 3. Check sunroof frame seal and body for improper fit.
Booming noise, wind noise and other noise	1. Check glass lid and roof panel for improper clearance. 2. Check sunshade and roof trim for improper clearance.
Abnormal motor noise	1. Check installing part of motor for looseness. 2. Check gears and bearings for wear. 3. Check cable for wear. 4. Check cable pipe for deformities.
Failure of sunroof (Motor operates properly.)	1. Check guide rail for foreign particles. 2. Check guide rail for improper installation. 3. Check parts for mutual interference. 4. Check cable slider for improper clinching. 5. Check cable for improper installation.
Motor does not rotate or rotate improperly.	1. Check fuse for blown out. 2. Check switch for improper function. 3. Check motor for incorrect terminal voltage. 4. Check the relay for improper operation. 5. Check poor grounding system. 6. Check harness for open or short and terminals for poor connections.
Failure turn of glass lid	Check guide rail for foreign particles.

- Failure turn of glass lid while driving rough road.

Glass lid has auto-reverse function. When specified or more force is applied to the glass lid, the lid turns back and stops. When operating the glass lid (open or close) while driving the rough road, the lid judges vibration as a force and may causes failure turns. When the failure turn is occurred, need to perform the initialize operation with following procedure.

### 1. INITIALIZE OPERATION

- 1) Tilt up the glass lid.
- 2) Release the switch once, and press the tilt up switch again for 15 seconds.
- 3) When the glass lid is raised a little and returned to tilt up position, release the switch for the moment. (Initialization of position detecting function)
- 4) Keep pressing the tilt up switch within 5 seconds from releasing the switch. The glass lid will tilt down → slides open → slides close automatically. (When more than 5 seconds pass, the position detecting function is cancelled.)
- 5) Initialize operation is completed.

### C: NOTE

For procedure of each component in the sunroof control system, refer to the respective section.

- Glass lid <Ref. to SR-5, Glass Lid.>
- Sunroof assembly <Ref. to SR-6, Sunroof Assembly.>
- Sunroof motor <Ref. to SR-7, Sunroof Motor.>
- Sunroof switch <Ref. to SR-8, Sunroof Switch.>
- Sunshade <Ref. to SR-9, Sunshade.>

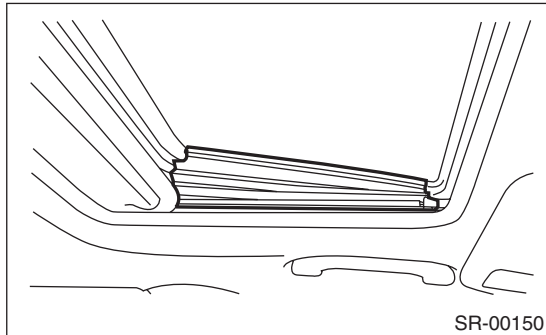
# Glass Lid

SUNROOF/T-TOP/CONVERTIBLE TOP (SUNROOF)

## 3. Glass Lid

### A: REMOVAL

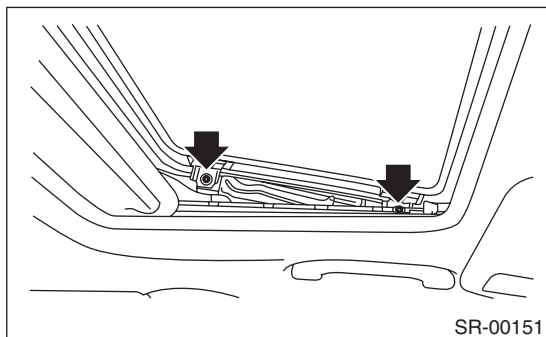
- 1) Open the sunshade, tilt up the glass lid.
- 2) Remove the guide rail cover.



- 3) Remove the TORX® bolt, and then remove the glass lid carefully.

#### CAUTION:

The thread locker is applied to the TORX® bolts, so use the new parts once they are removed.

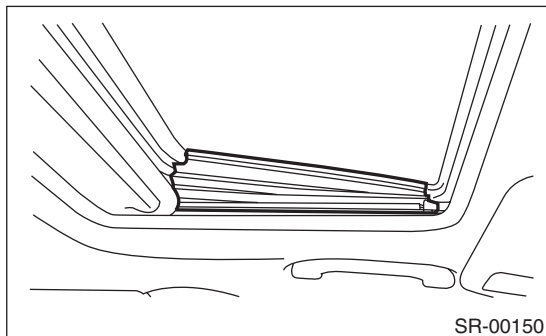


### B: INSTALLATION

Install in the reverse order of removal.

### C: ADJUSTMENT

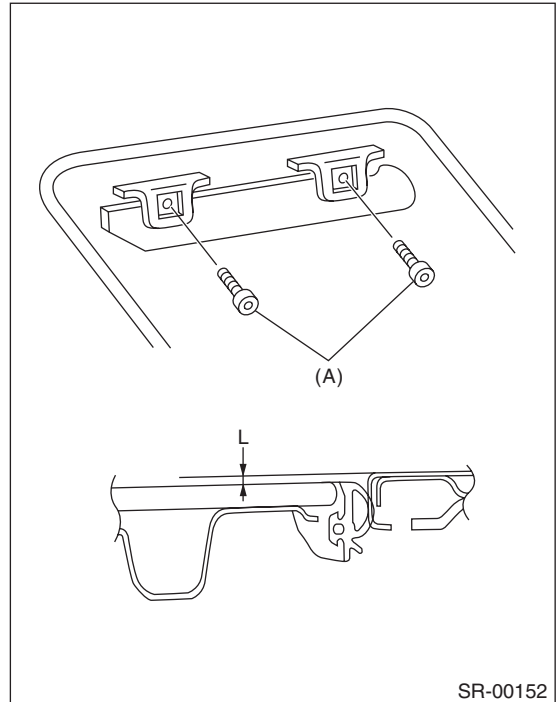
- 1) Open the sunshade, tilt up the glass lid.
- 2) Remove the guide rail cover.



- 3) Loosen the glass lid mounting TORX® bolts (A), and then adjust the height with moving the lid side.

**Difference in height between glass lid and roof panel L:**

**0.75 mm (0.03 in)**



### D: FORCED DRIVE

#### CAUTION:

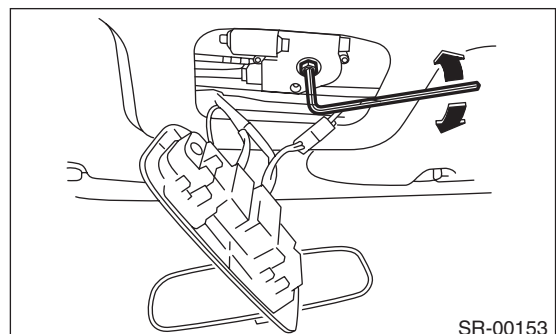
After a forced operation, make sure to perform an initialize operation. <Ref. to SR-4, INSPECTION, Sunroof Control System.>

#### NOTE:

If the glass lid does not operate or is not supplied with power, move the glass lid using the hexagon wrench.

- 1) Remove the spot map light. <Ref. to LI-30, REMOVAL, Spot Map Light.>
- 2) Insert the hexagon wrench securely until it touches the motor shaft end.
- 3) Turn the hexagon wrench, and move the glass lid.

- Turning right, the glass lid open.
- Turning left, the glass lid close.





# Sunroof Assembly

SUNROOF/T-TOP/CONVERTIBLE TOP (SUNROOF)

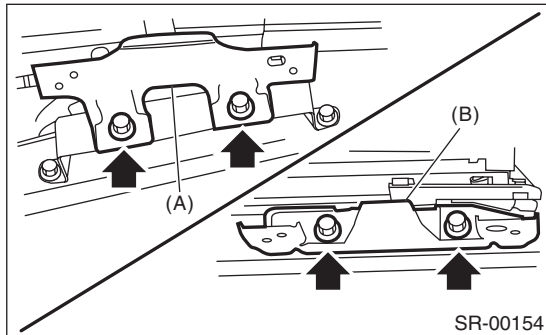
## 4. Sunroof Assembly

### A: REMOVAL

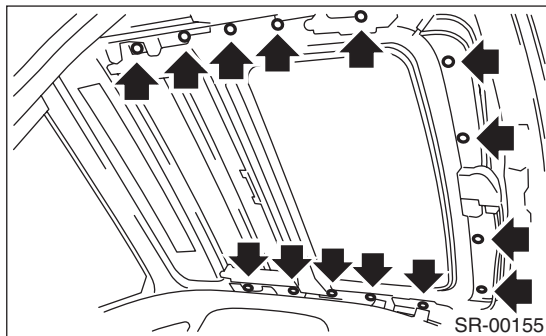
#### CAUTION:

When removing the clip, use great care not to damage the roof trim.

- 1) Disconnect the ground cable from battery.
- 2) Remove the roof trim. <Ref. to EI-64, REMOVAL, Roof Trim.>
- 3) Disconnect the harness connector of sunroof motor.
- 4) Remove the glass lid. <Ref. to SR-5, REMOVAL, Glass Lid.>
- 5) Remove the four drain tubes from frame assembly.
- 6) Remove the assist rail bracket (front) (A) and assist rail bracket (rear) (B).



- 7) Remove the curtain airbag module. (model with curtain airbag module) <Ref. to AB-19, REMOVAL, Curtain Airbag Module.>
- 8) Remove the bolts and nuts and remove the frame assembly.



### B: INSTALLATION

#### CAUTION:

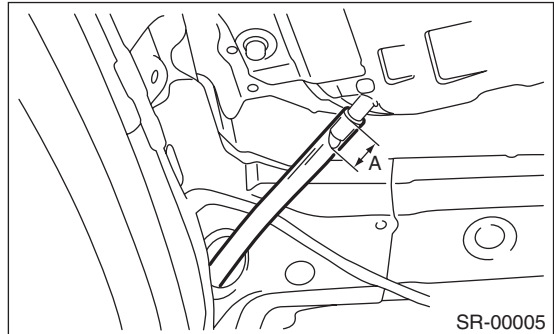
Be careful not to snag the harness. Install in the reverse order of removal.

#### NOTE:

- Be sure to connect the harness connector.
- When installing the drain tube, insert it securely into drain pipe.

#### Length A:

15 mm (0.59 in) or more



### C: DISASSEMBLY

- 1) Remove the sunroof motor. <Ref. to SR-7, REMOVAL, Sunroof Motor.>
- 2) Remove the sunshade. <Ref. to SR-9, REMOVAL, Sunshade.>

### D: ASSEMBLY

Assemble in the reverse order of disassembly.

## 5. Sunroof Motor

### A: REMOVAL

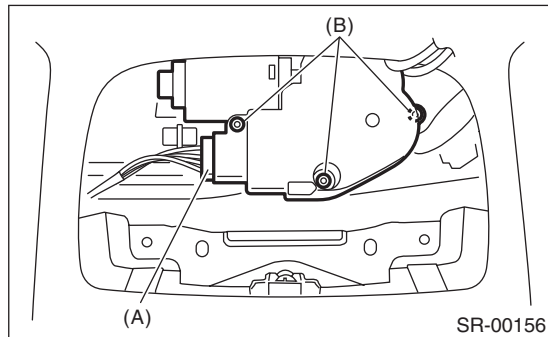
**CAUTION:**

Never rotate the motor assembly after removing it.

- 1) Completely close the glass lid.
- 2) Disconnect the ground cable from battery.
- 3) Remove the spot map light. <Ref. to LI-30, REMOVAL, Spot Map Light.>
- 4) Remove the motor assembly.

**CAUTION:**

When removing the motor assembly, secure the cable wires to prevent moves.



- (1) Disconnect the harness connector (A).
- (2) Remove the attachment screw (B).

### B: INSTALLATION

**CAUTION:**

When installing the motor assembly, be careful not to move the sunroof cable.

- 1) Install in the reverse order of removal.
- 2) Perform the initialize operation of motor.
  - (1) Tilt up the glass lid.
  - (2) Release the switch once, and press the tilt up switch again for 15 seconds.
  - (3) When the glass lid is raised a little and on tilt up position, release the switch for the moment.
  - (4) Keep pressing the tilt up switch within 5 seconds from releasing the switch, glass lid automatically performs the tilts down → slides open → slides close operation, then the initialize operation is completed.
- 3) Check the operation of sunroof with following table.

Operation	Switch position
(1) Glass lid closes completely.	Close
(2) Glass lid tilt up to the top position.	Tilt up
(3) Glass lid closes completely.	Tilt down
(4) Glass lid opens completely.	Open
(5) Glass lid closes completely.	Close

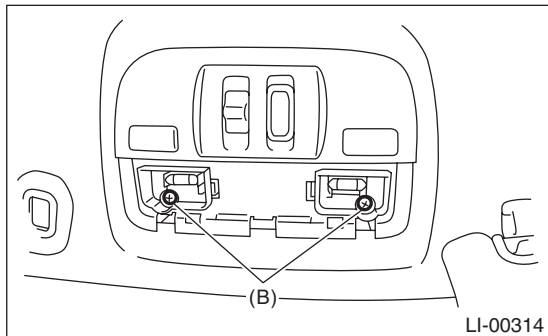
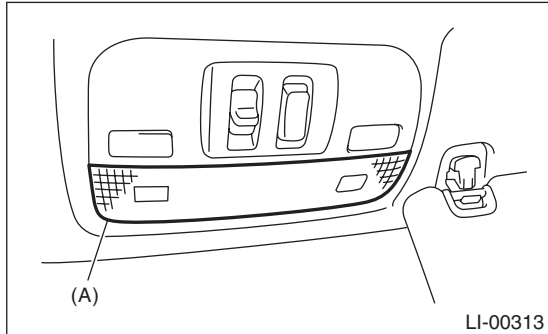
# Sunroof Switch

SUNROOF/T-TOP/CONVERTIBLE TOP (SUNROOF)

## 6. Sunroof Switch

### A: REMOVAL

- 1) Disconnect the ground cable from battery.
- 2) Remove the spot map light lens (A) and sunroof switch mounting screws (B).



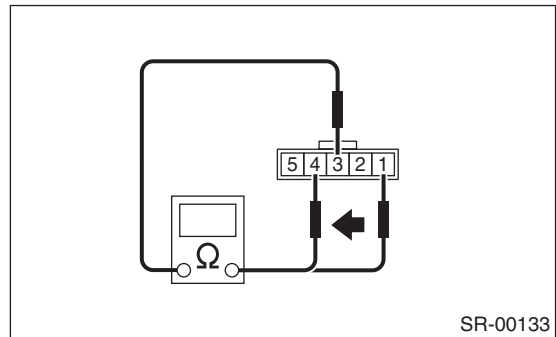
- 3) Disconnect the harness connector, and then remove the sunroof switch.

### B: INSTALLATION

Install in the reverse order of removal.

### C: INSPECTION

Measure the sunroof switch resistance.



Switch position	Terminal No.	Standard	Connector No.
Open	1 and 3	Less than 1 $\Omega$	R128
Close	3 and 4	Less than 1 $\Omega$	
Tilt up	1 and 3	Less than 1 $\Omega$	R187
Tilt down	3 and 4	Less than 1 $\Omega$	

Replace the sunroof switch if defective.

#### NOTE:

If the glass lid does not operate or is not supplied with power, move the glass lid using the hexagon wrench. <Ref. to SR-5, FORCED DRIVE, Glass Lid.>

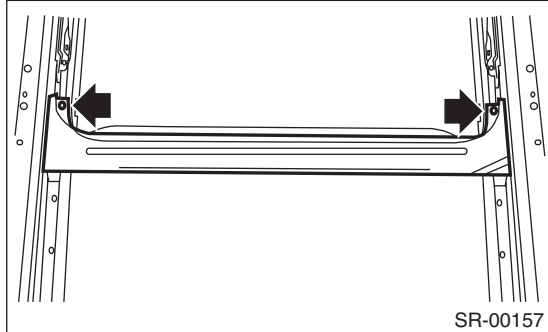
# Sunshade

SUNROOF/T-TOP/CONVERTIBLE TOP (SUNROOF)

## 7. Sunshade

### A: REMOVAL

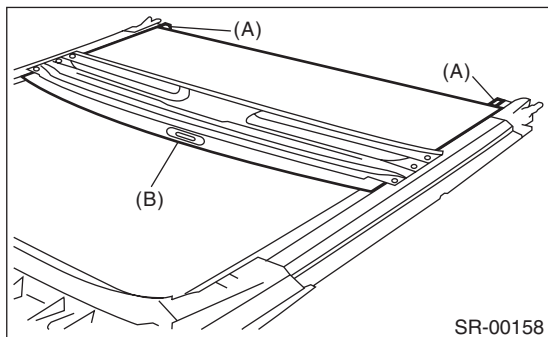
- 1) Remove the sunroof assembly. <Ref. to SR-6, REMOVAL, Sunroof Assembly.>
- 2) Remove the two screws to remove the drip rail.



- 3) Remove the sunshade.

### CAUTION:

Being careful not to damage the shade knob, pull out it while bending the sunshade.



- (1) Remove the shade stopper (A).
- (2) Pull out the sunshade (B) from the frame assembly.

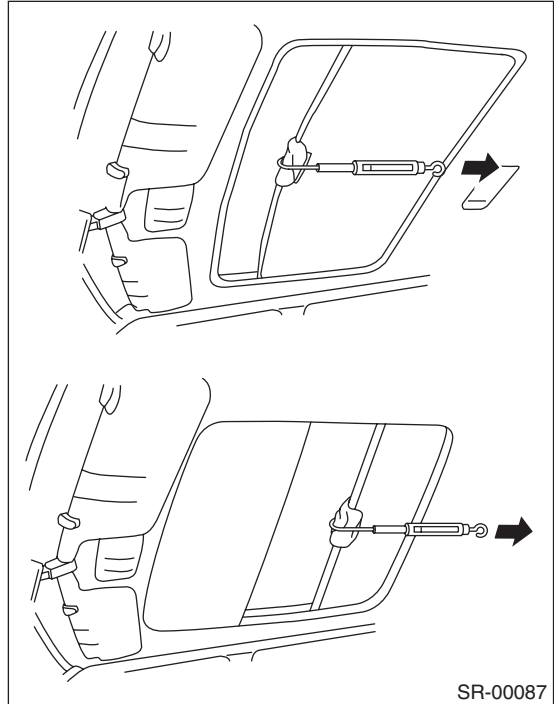
### B: INSTALLATION

Install in the reverse order of removal.

### C: INSPECTION

#### 1. CHECK FOR MOVING LOAD OF SUNSHADE

- 1) Attach a spring scale to sunshade edge using a cloth.



- 2) Pull the spring scale to measure moving load of the sunshade.

#### Moving load of sunshade:

##### Specification

$18.0 \pm 5.0 \text{ N}$  ( $1.8 \pm 0.5 \text{ kgf}$ ,  $13 \pm 3.7 \text{ lbf}$ )

#### NOTE:

Moving load is larger at the beginning of pulling a spring scale, so take a spring scale reading while sunshade sliding smoothly.

- 3) If moving load exceeds specifications, check the glass lid, sunshade and frame assembly for improper installation.

# Sunshade

SUNROOF/T-TOP/CONVERTIBLE TOP (SUNROOF)

---

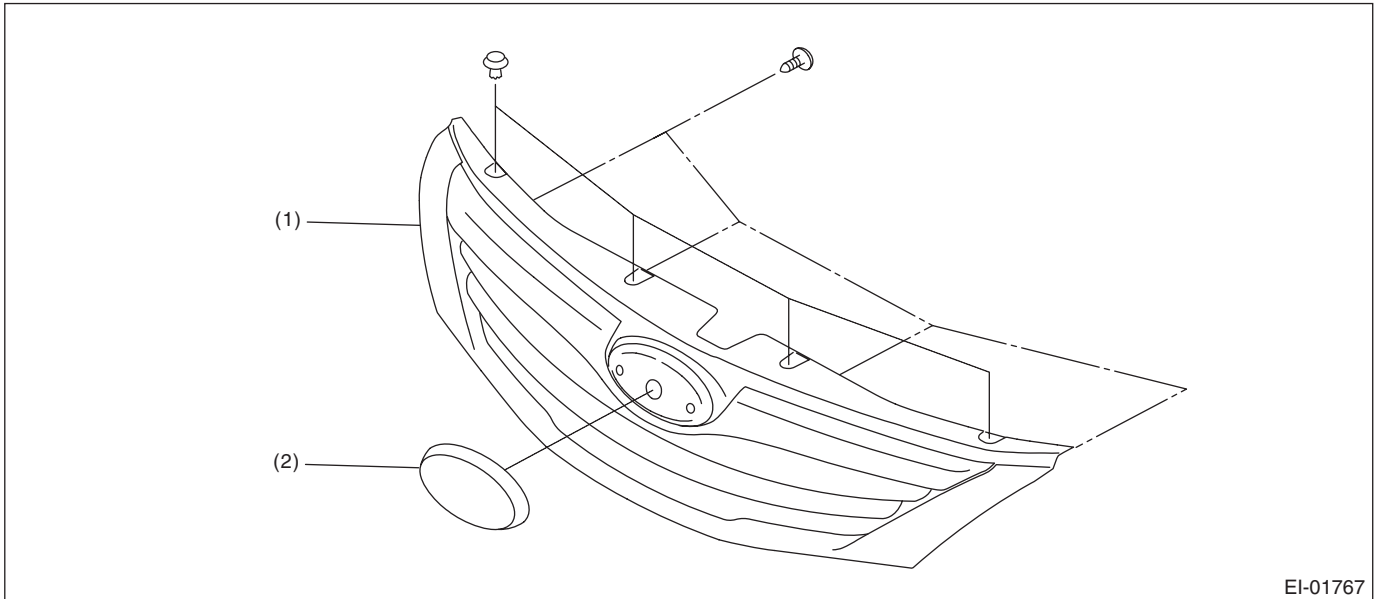
# General Description

EXTERIOR/INTERIOR TRIM

## 1. General Description

### A: COMPONENT

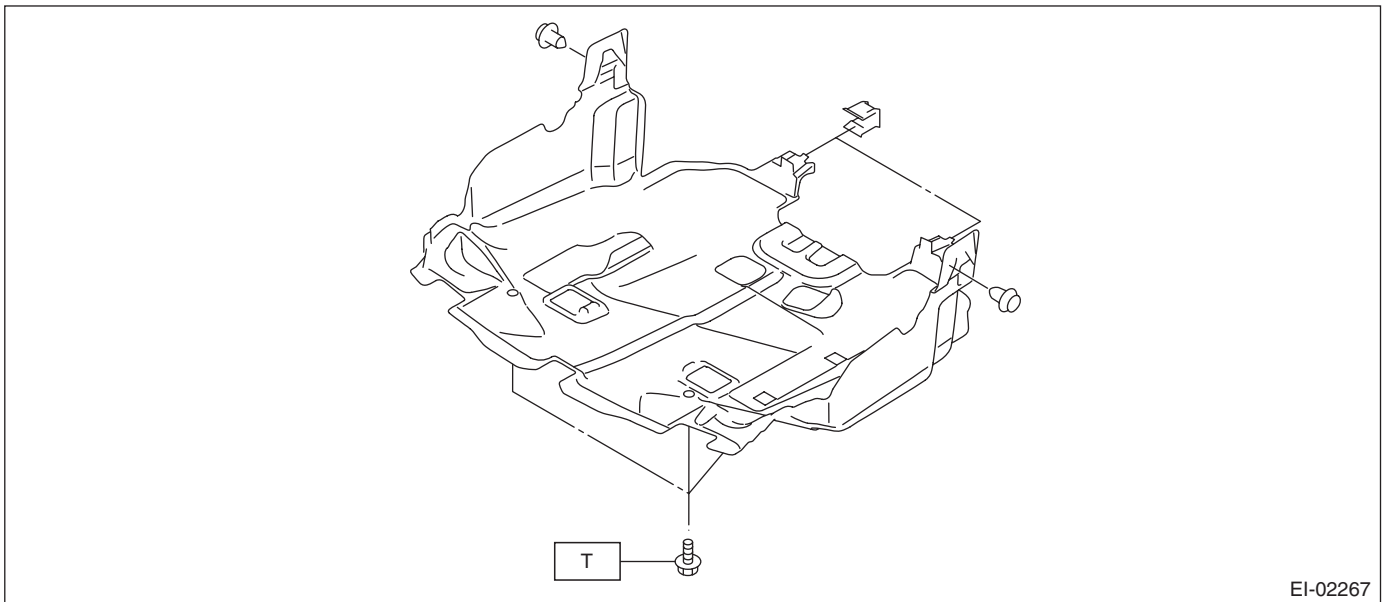
#### 1. FRONT GRILLE



(1) Front grille ASSY

(2) Front grille emblem

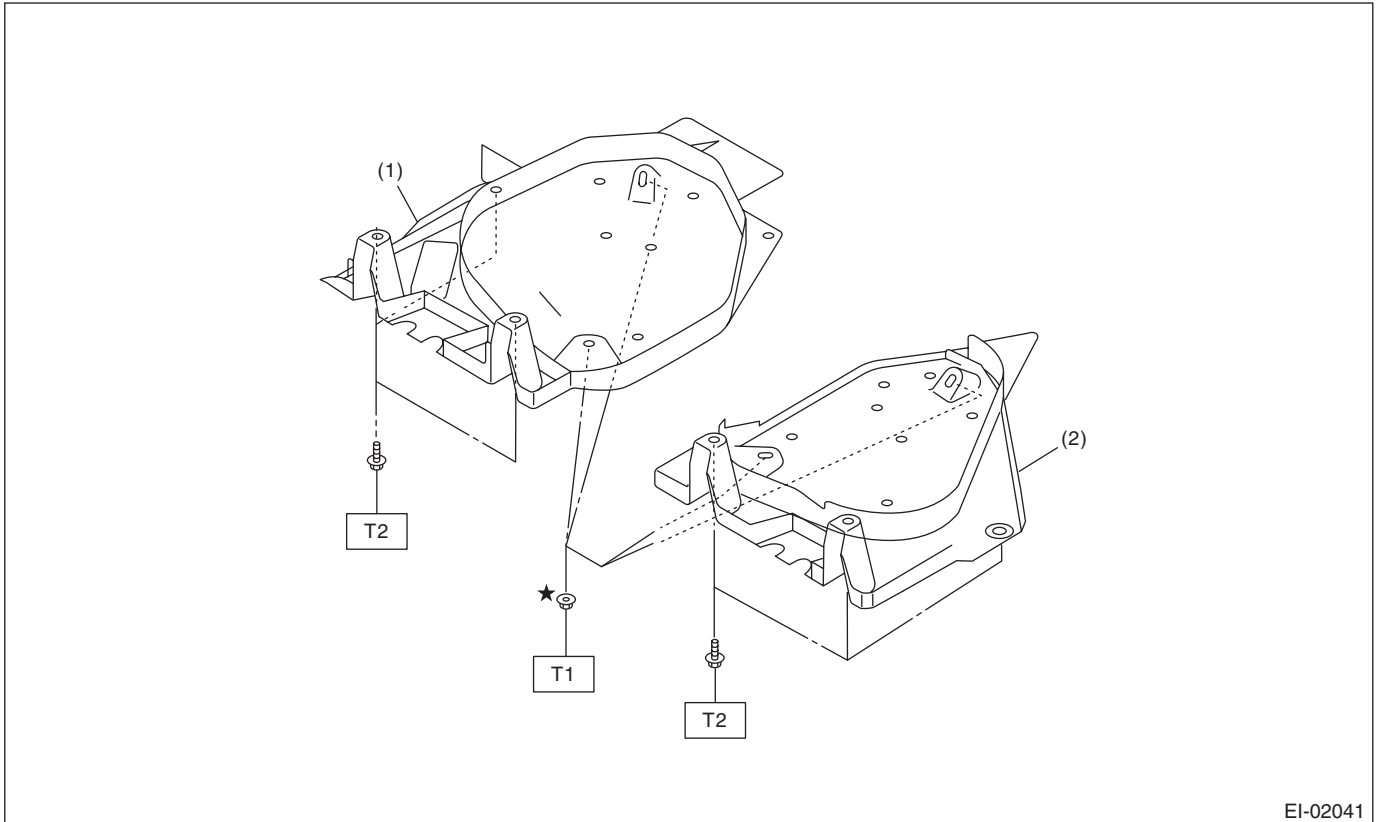
#### 2. UNDER COVER



**Tightening torque:N-m (kgf-m, ft-lb)**

**T: 14 (1.43, 10.3)**

## 3. UNDER PROTECTOR



(1) Fuel tank protector RH

(2) Fuel tank protector LH

**Tightening torque: N-m (kgf-m, ft-lb)**

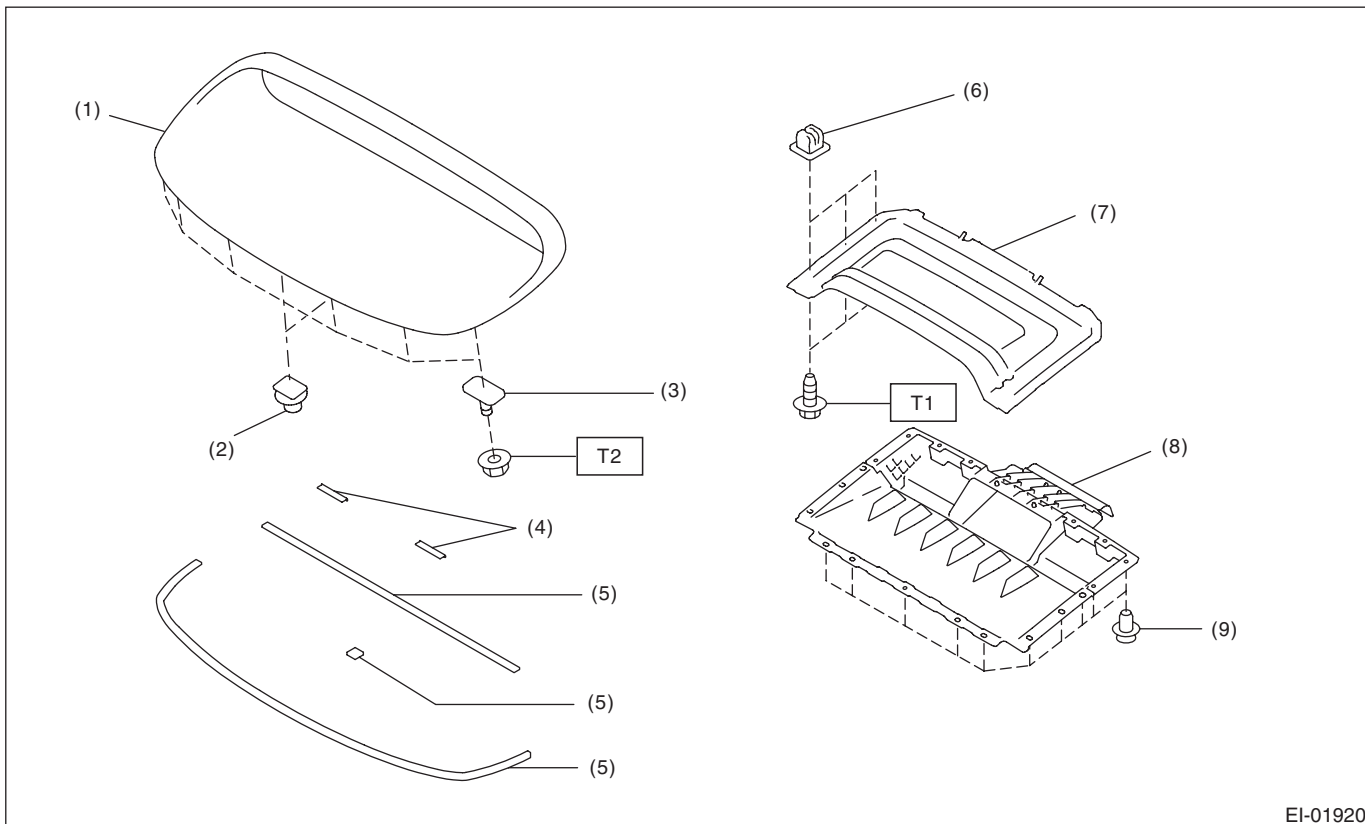
**T1: 9 (0.92, 6.6)**

**T2: 18 (1.84, 13.3)**

# General Description

EXTERIOR/INTERIOR TRIM

## 4. FRONT HOOD GRILLE



- |                       |                     |
|-----------------------|---------------------|
| (1) Front hood grille | (6) Grommet         |
| (2) Clip anchor       | (7) Hood duct       |
| (3) Bolt              | (8) Hood duct inner |
| (4) Protector         | (9) Clip            |
| (5) Gasket            |                     |

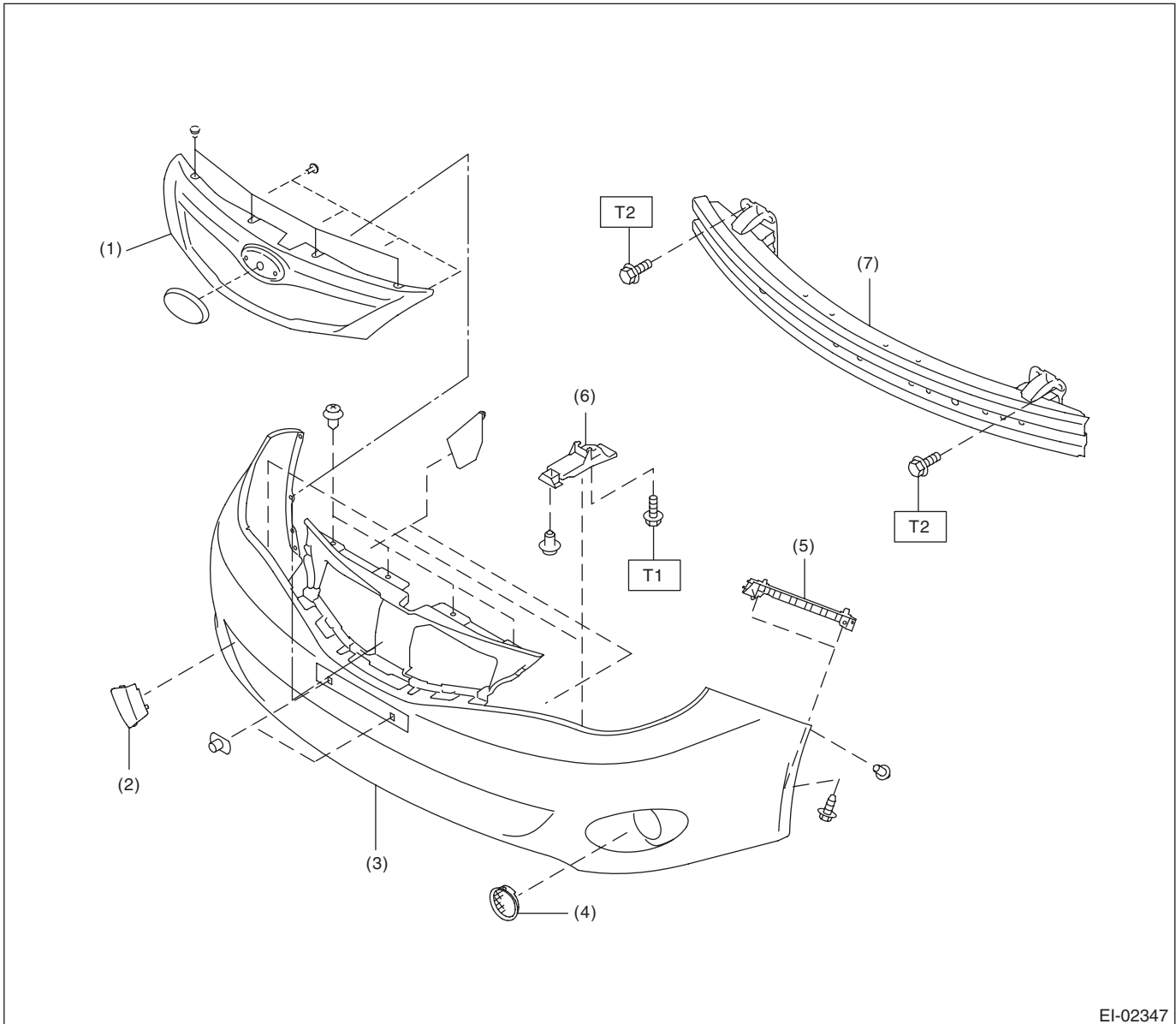
**Tightening torque: N-m (kgf-m, ft-lb)**

**T1: 1.0 (0.1, 0.7)**

**T2: 4.5 (0.46, 3.3)**



## 5. FRONT BUMPER



EI-02347

- |                       |                                |
|-----------------------|--------------------------------|
| (1) Front grille ASSY | (5) Front side bracket         |
| (2) Front hook cover  | (6) Front bracket center lower |
| (3) Bumper face       | (7) Bumper beam reinforcement  |
| (4) Fog light cover   |                                |

**Tightening torque: N·m (kgf·m, ft·lb)**

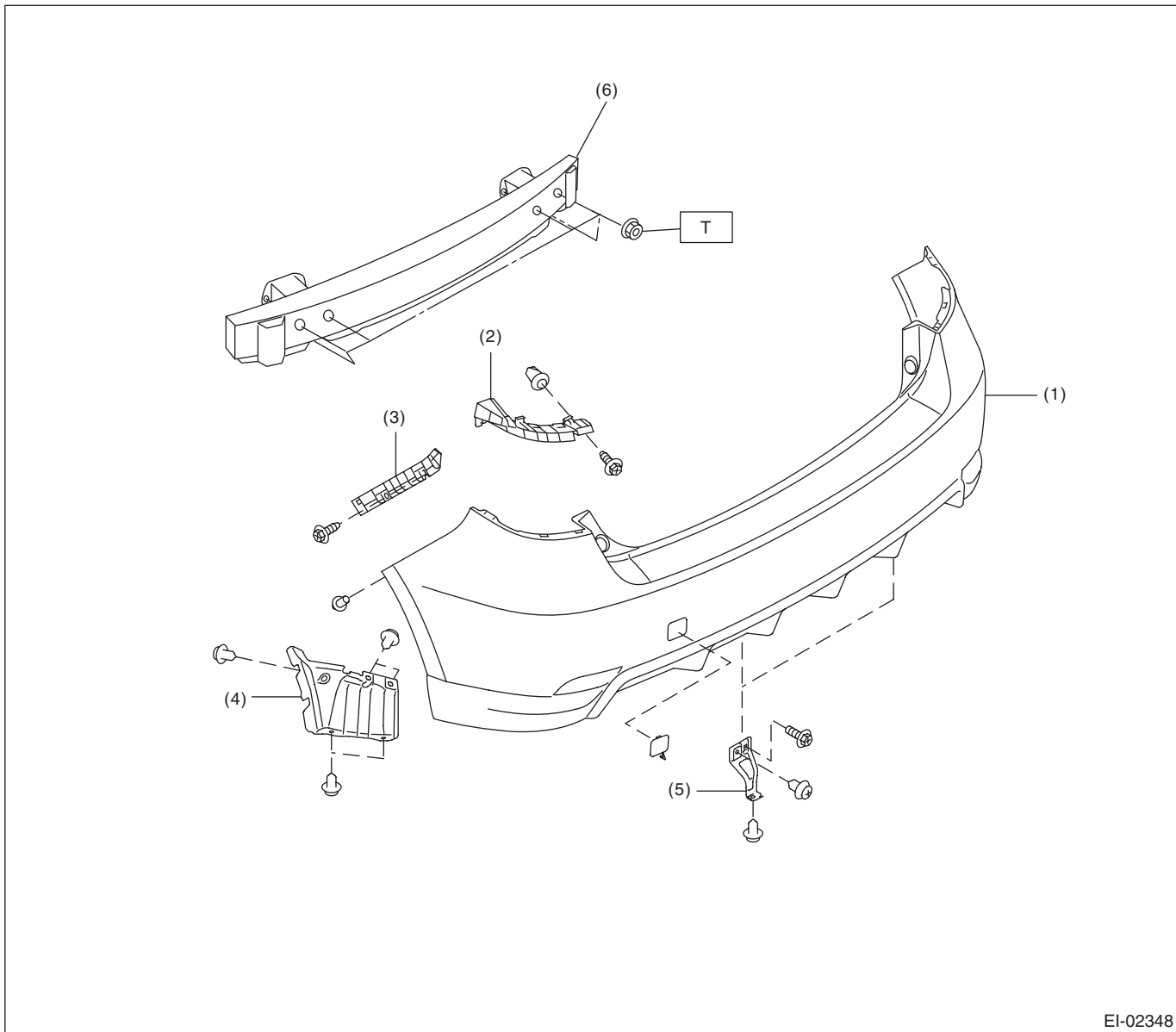
**T1: 14 (1.43, 10.3)**

**T2: 32 (3.26, 23.6)**

# General Description

EXTERIOR/INTERIOR TRIM

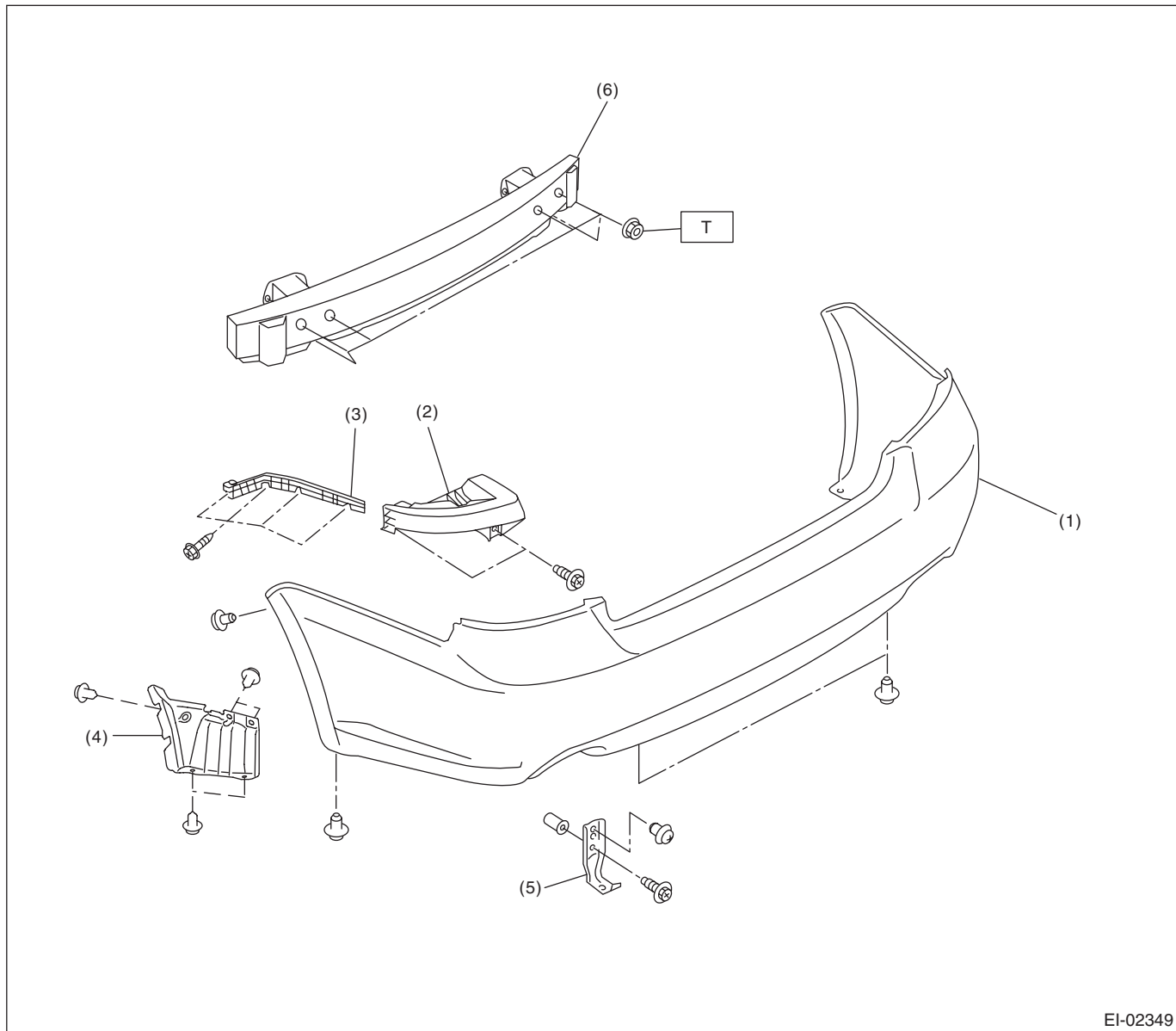
## 6. REAR BUMPER (5 DOOR MODEL)



- |                         |                               |
|-------------------------|-------------------------------|
| (1) Bumper face         | (4) Rear side cover lower     |
| (2) Rear bracket corner | (5) Lower bracket             |
| (3) Rear side bracket   | (6) Bumper beam reinforcement |

**Tightening torque: N·m (kgf·m, ft·lb)**  
**T: 45 (4.59, 33.2)**

## 7. REAR BUMPER (4 DOOR MODEL)



EI-02349

- |                         |                               |
|-------------------------|-------------------------------|
| (1) Bumper face         | (4) Rear side cover lower     |
| (2) Rear bracket corner | (5) Lower bracket             |
| (3) Rear side bracket   | (6) Bumper beam reinforcement |

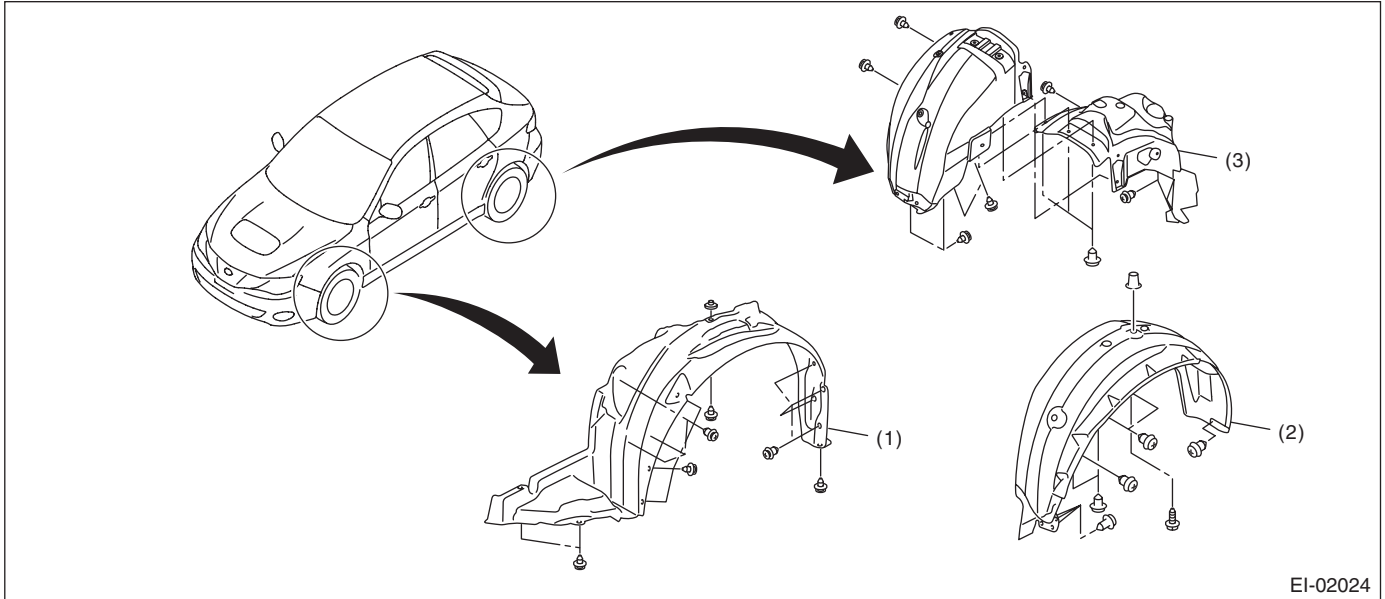
**Tightening torque: N·m (kgf·m, ft·lb)**

**T: 45 (4.59, 33.2)**

# General Description

EXTERIOR/INTERIOR TRIM

## 8. MUD GUARD



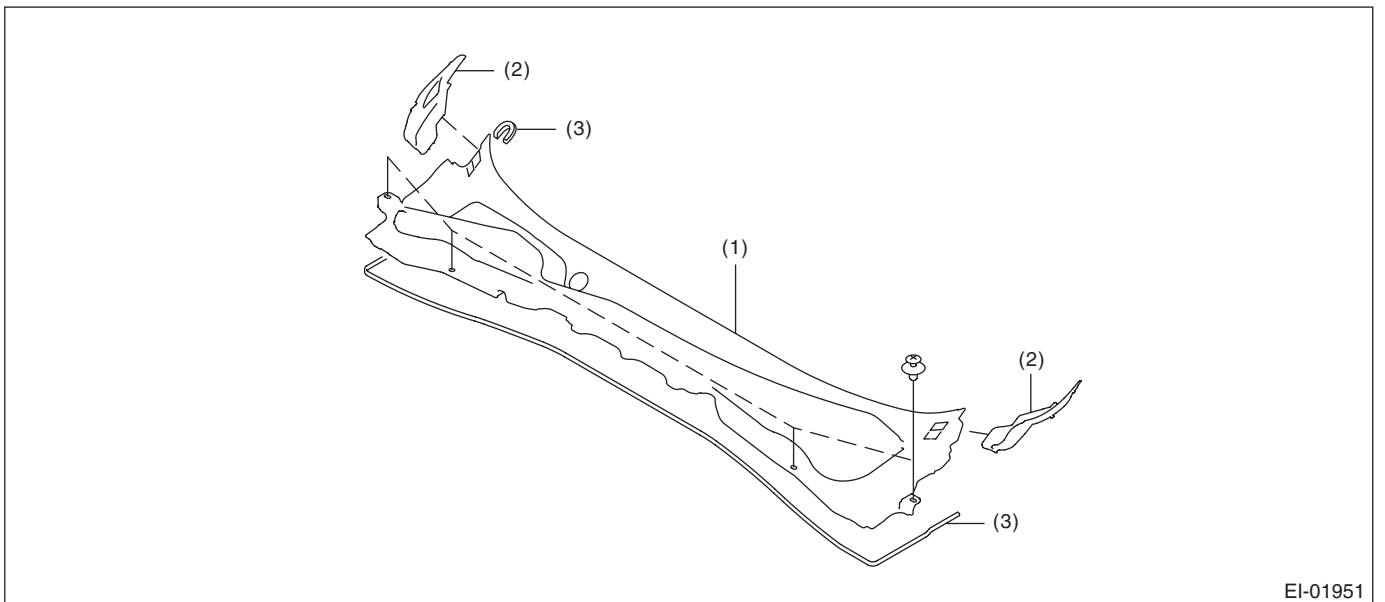
EI-02024

(1) Front mud guard

(2) Rear mud guard LH

(3) Rear mud guard RH

## 9. COWL PANEL



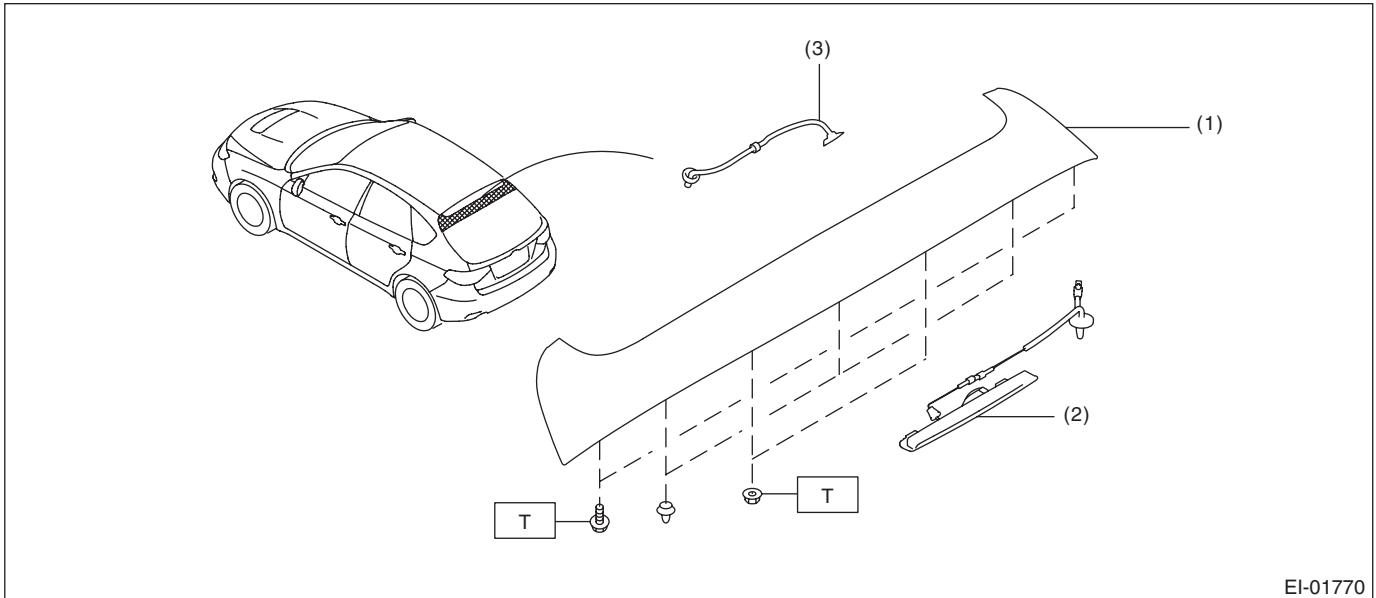
EI-01951

(1) Cowl panel

(2) Cowl panel side

(3) Gasket

## 10. ROOF SPOILER



EI-01770

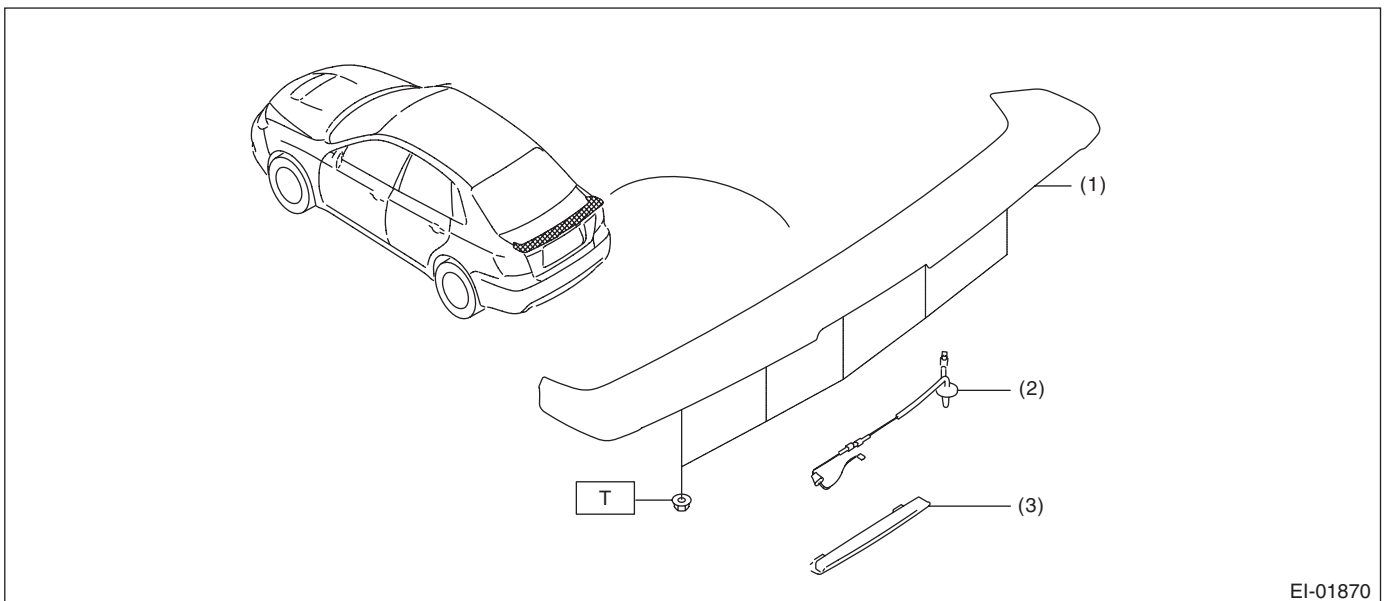
- (1) Roof spoiler
- (2) High-mounted stop light

- (3) Washer nozzle

**Tightening torque: N-m (kgf-m, ft-lb)**

**T: 7.5 (0.76, 5.5)**

## 11. REAR SPOILER



EI-01870

- (1) Rear spoiler
- (2) High mounted stop light harness

- (3) High mounted stop light

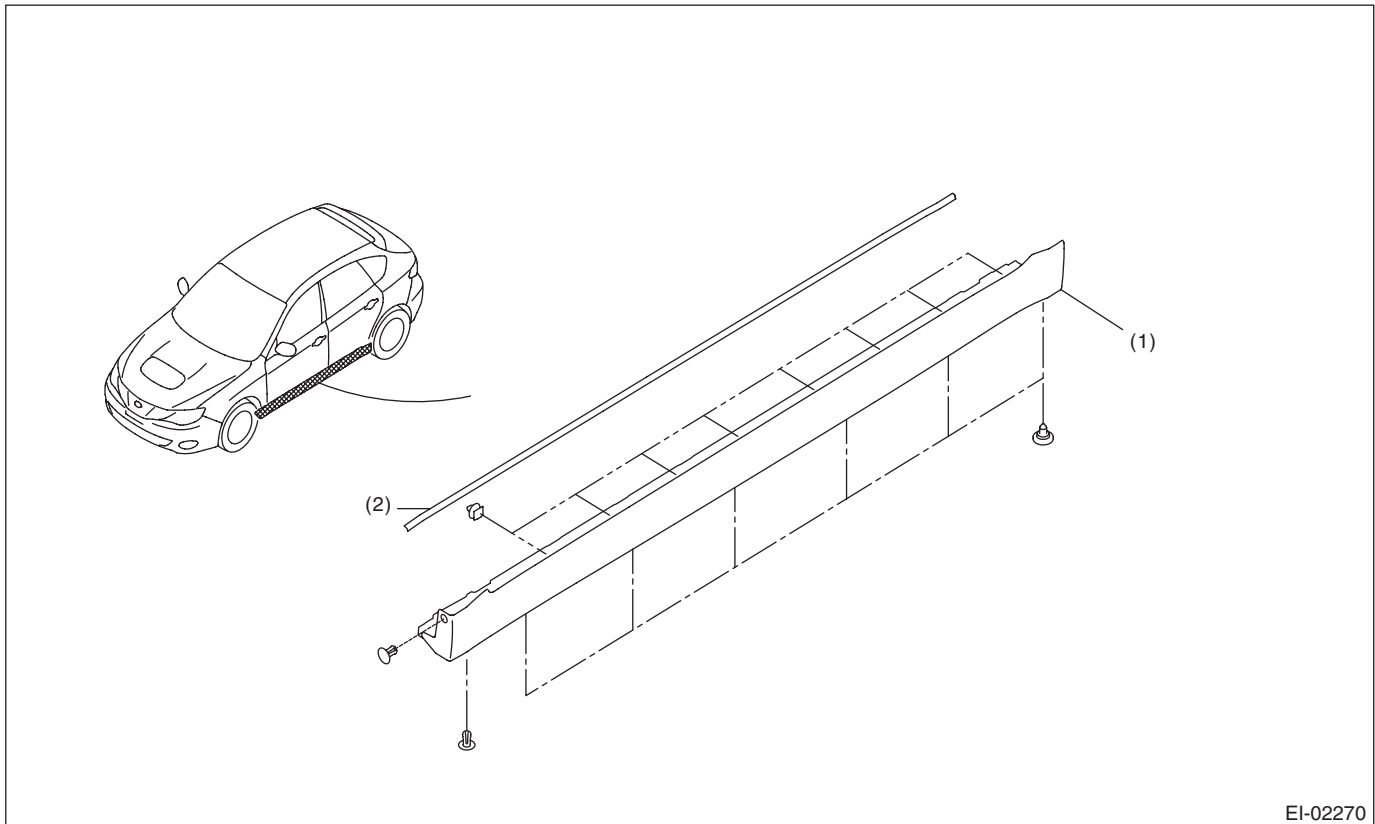
**Tightening torque: N-m (kgf-m, ft-lb)**

**T: 7.5 (0.76, 5.5)**

# General Description

EXTERIOR/INTERIOR TRIM

## 12.SIDE SILL SPOILER

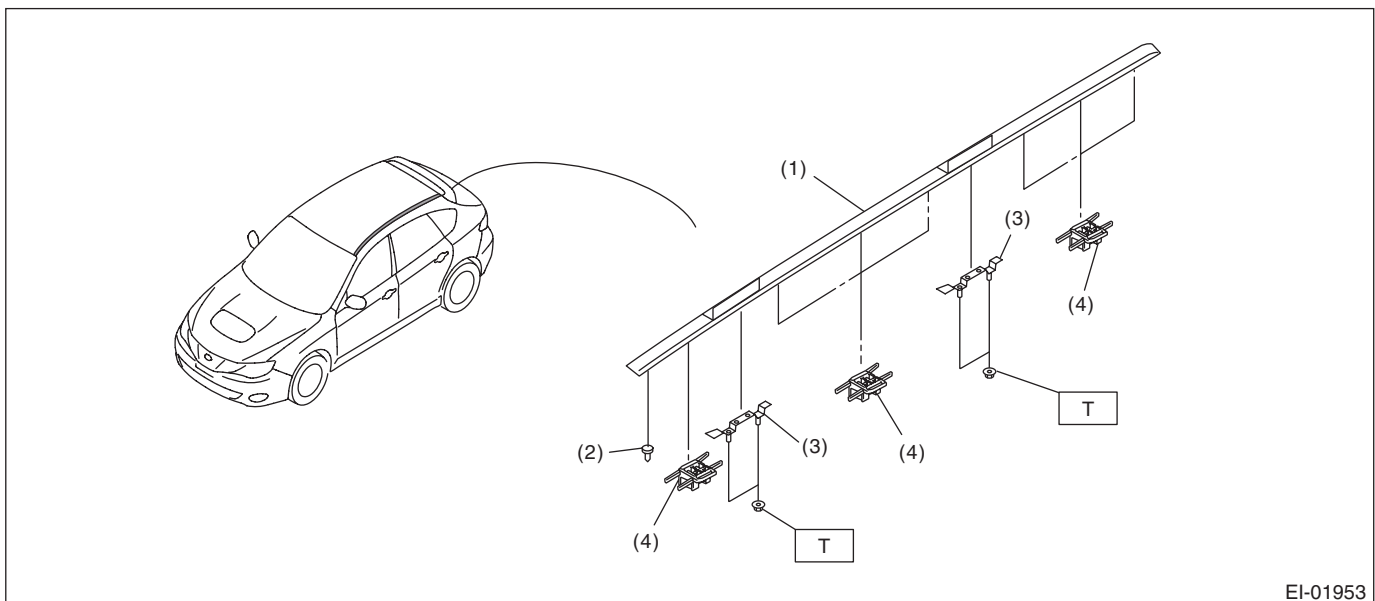


EI-02270

(1) Side sill spoiler

(2) Gasket

## 13.ROOF MOLDING



EI-01953

(1) Roof molding

(2) Rivet

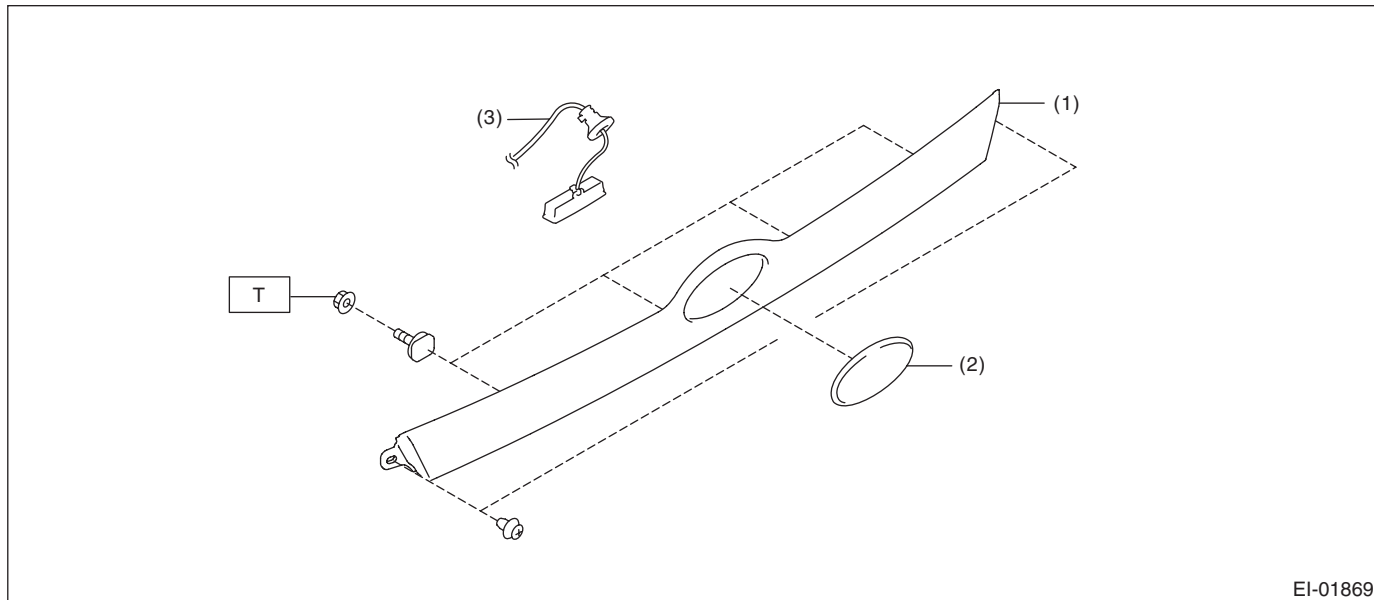
(3) Roof carrier attachment bracket

(4) Clip

**Tightening torque:N-m (kgf-m, ft-lb)**

**T: 7.5 (0.76, 5.5)**

## 14. REAR GATE GARNISH



EI-01869

(1) Rear gate garnish

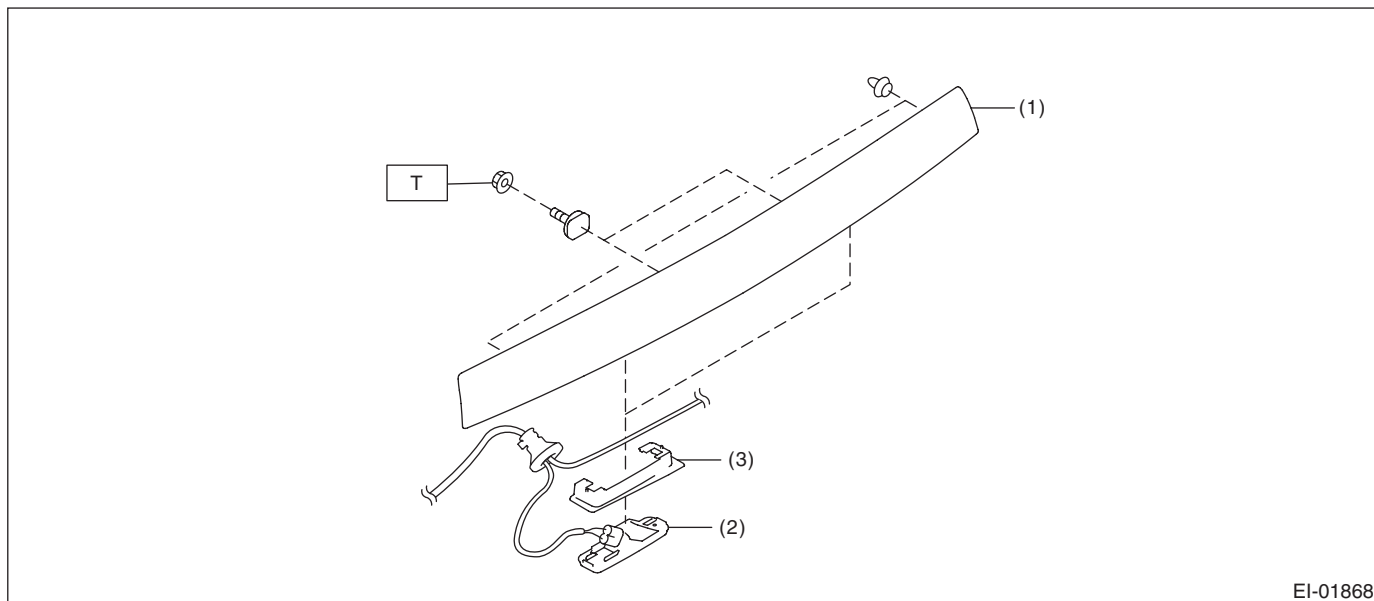
(3) Rear gate opener button harness

**Tightening torque: N-m (kgf-m, ft-lb)**

(2) Ornament

**T: 4.5 (0.46, 3.3)**

## 15. TRUNK LID GARNISH



EI-01868

(1) Rear gate garnish

(3) License light bracket

**Tightening torque: N-m (kgf-m, ft-lb)**

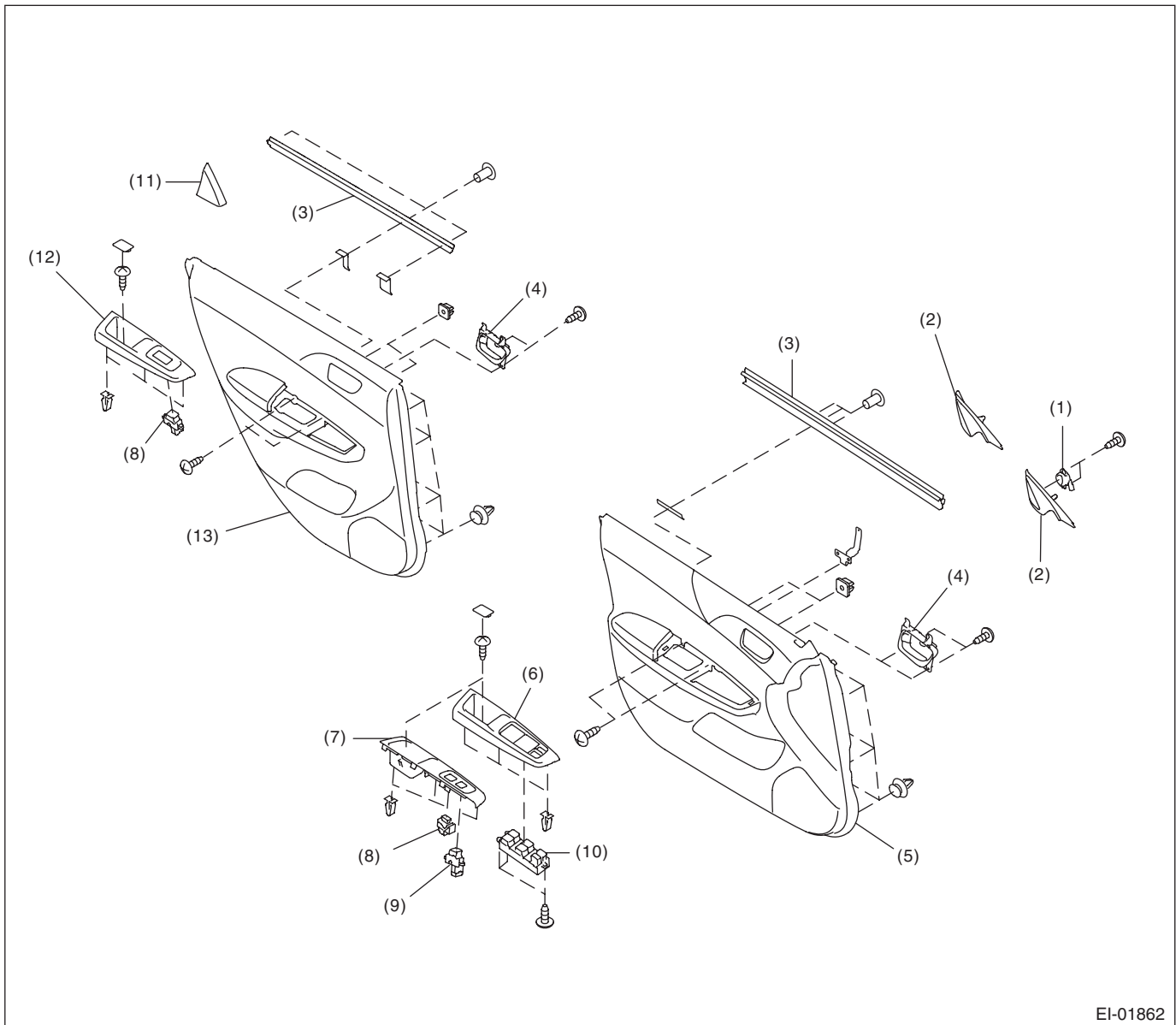
(2) License light ASSY

**T: 4.5 (0.46, 3.3)**

# General Description

## EXTERIOR/INTERIOR TRIM

### 16.DOOR TRIM

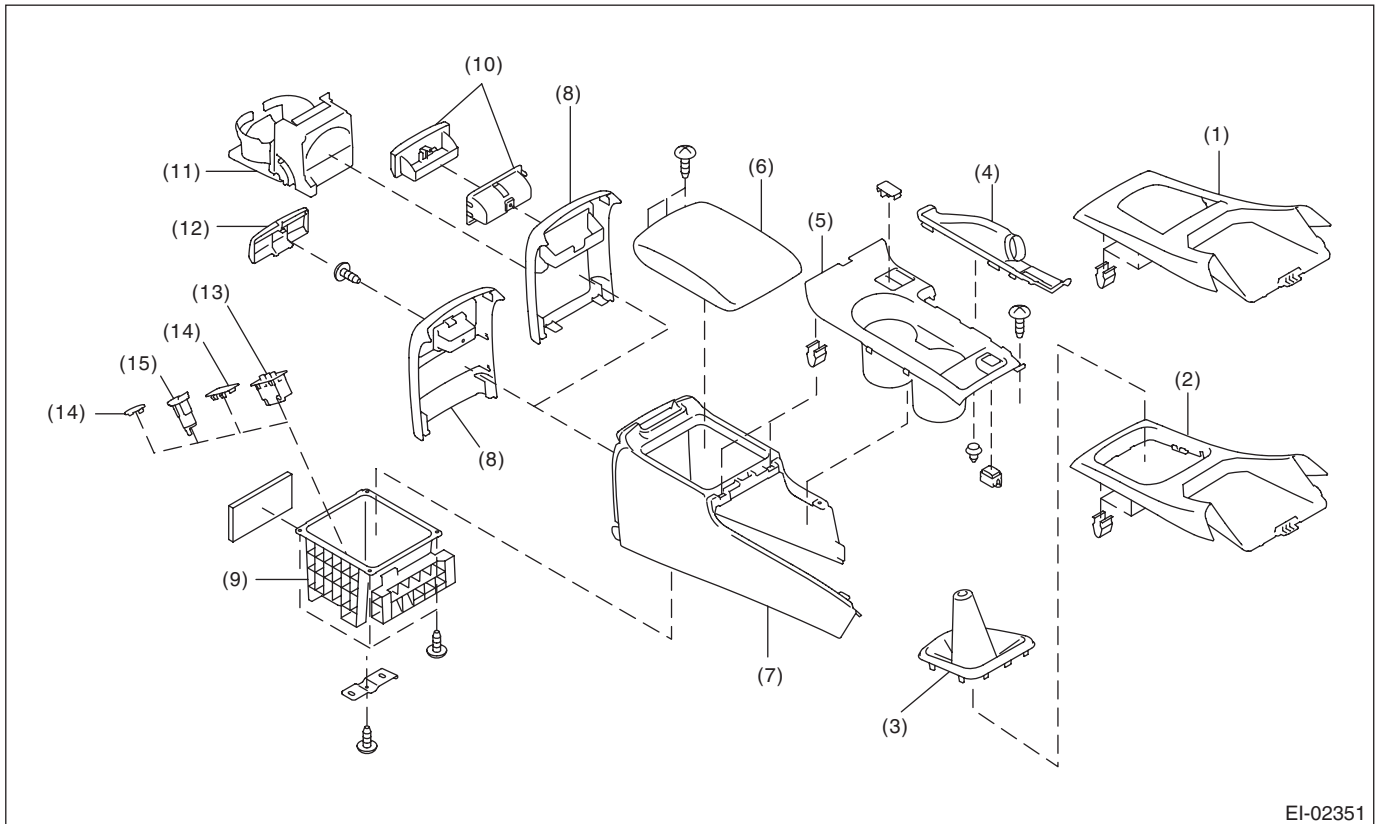


EI-01862

- |                         |  |                                     |
|-------------------------|--|-------------------------------------|
| (1) Tweeter             | (6) Power window switch panel front LH | (9) Door lock switch                |
| (2) Gusset cover front  | (7) Power window switch panel front RH | (10) Power window main switch ASSY  |
| (3) Upper weather strip | (8) Power window sub-switch            | (11) Gusset cover rear              |
| (4) Inner remote        |  | (12) Power window switch panel rear |
| (5) Front door trim     |  | (13) Rear door trim                 |



## 17. CONSOLE BOX



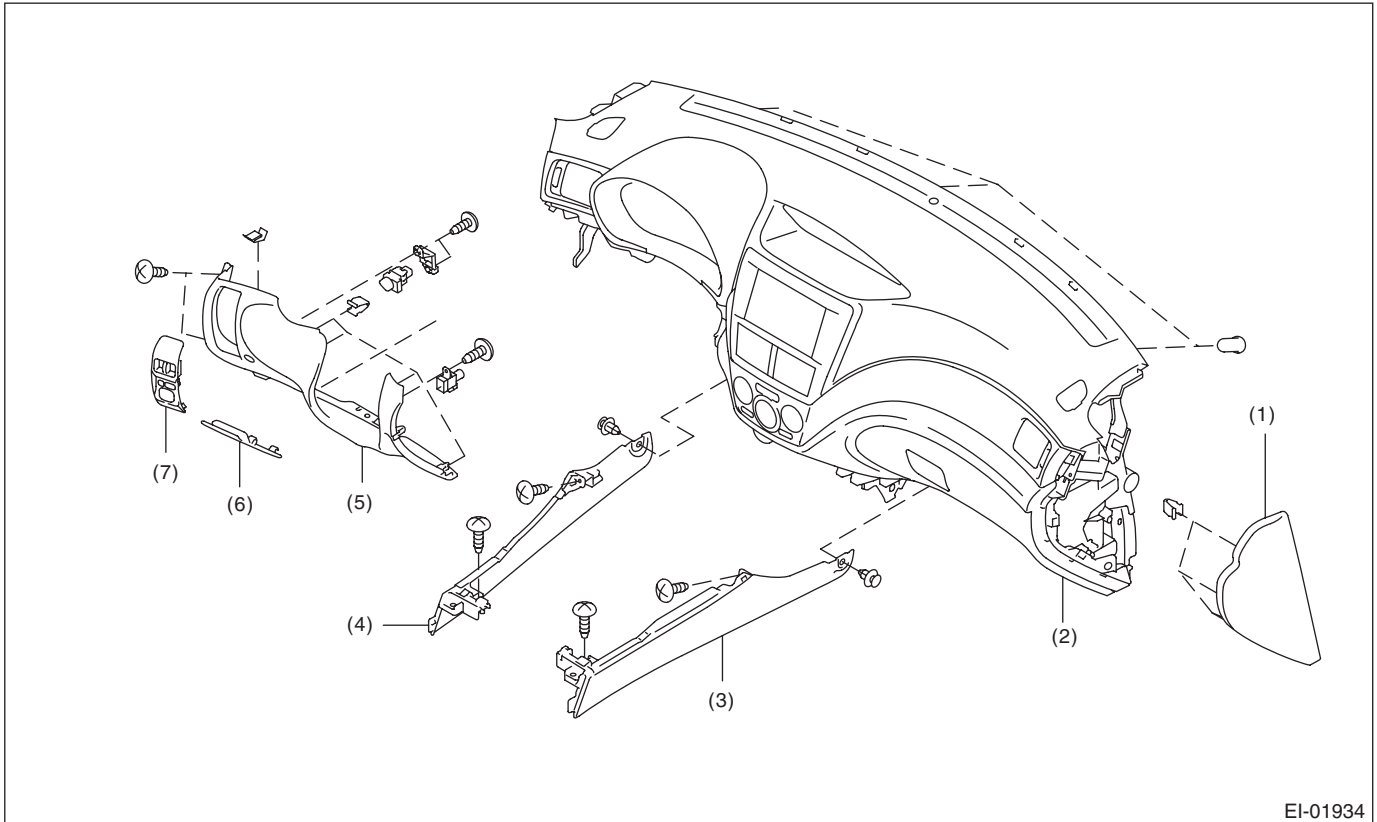
EI-02351

- |                                    |                           |                                    |
|------------------------------------|---------------------------|------------------------------------|
| (1) Console front panel (AT model) | (6) Upper lid             | (11) Rear cup holder               |
| (2) Console front panel (MT model) | (7) Console box outer     | (12) Console box end cap           |
| (3) Shift boot                     | (8) Console box end cover | (13) AUX input terminal            |
| (4) Parking brake lever boot       | (9) Console pocket        | (14) Cap                           |
| (5) Console cover                  | (10) Ash tray             | (15) Accessory power supply socket |

# General Description

EXTERIOR/INTERIOR TRIM

## 18. INSTRUMENT PANEL

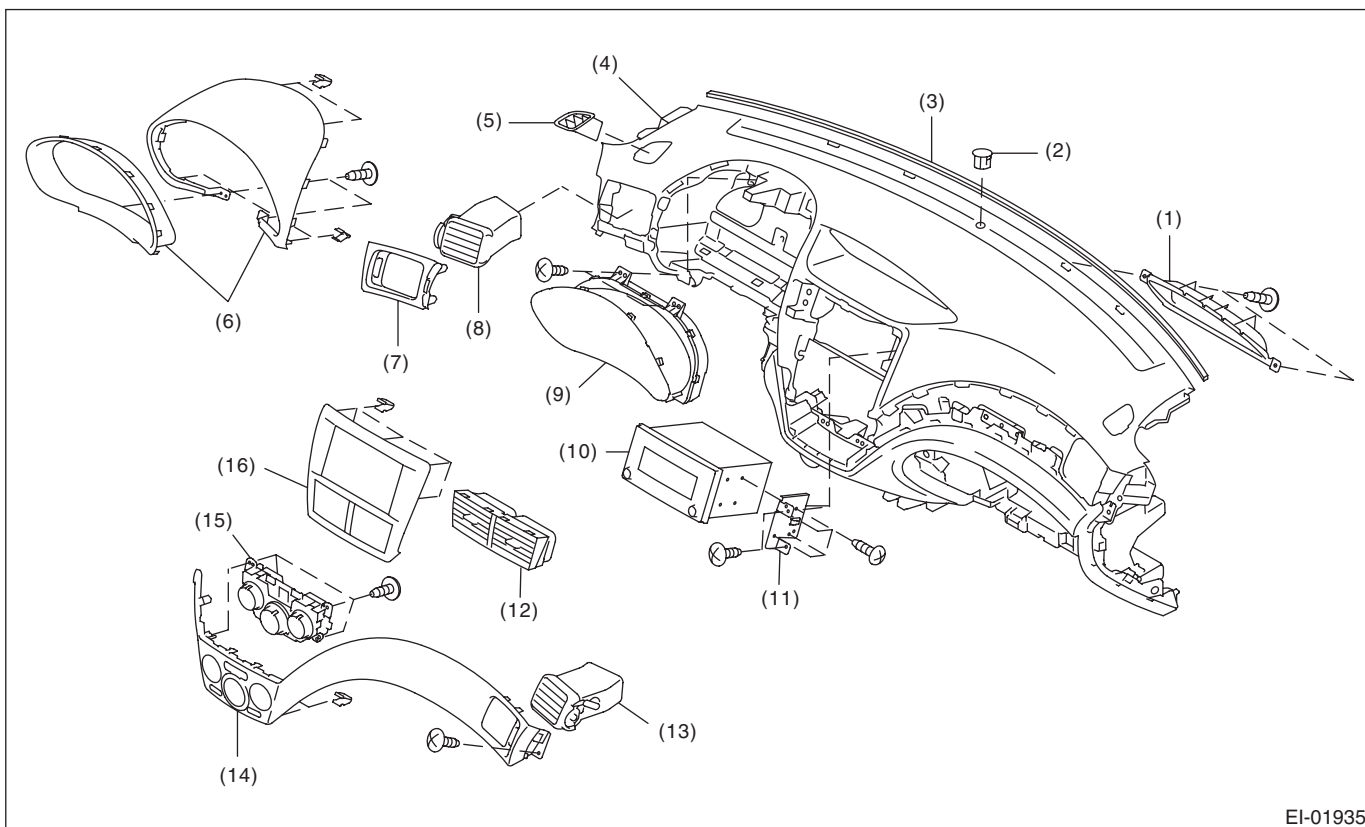


EI-01934

- |                                 |                                  |                       |
|---------------------------------|----------------------------------|-----------------------|
| (1) Instrument panel side cover | (4) Console side panel LH        | (7) Switch panel ASSY |
| (2) Instrument panel ASSY       | (5) Instrument panel lower cover |                       |
| (3) Console side panel RH       | (6) Fuse box lid                 |                       |

# General Description

EXTERIOR/INTERIOR TRIM

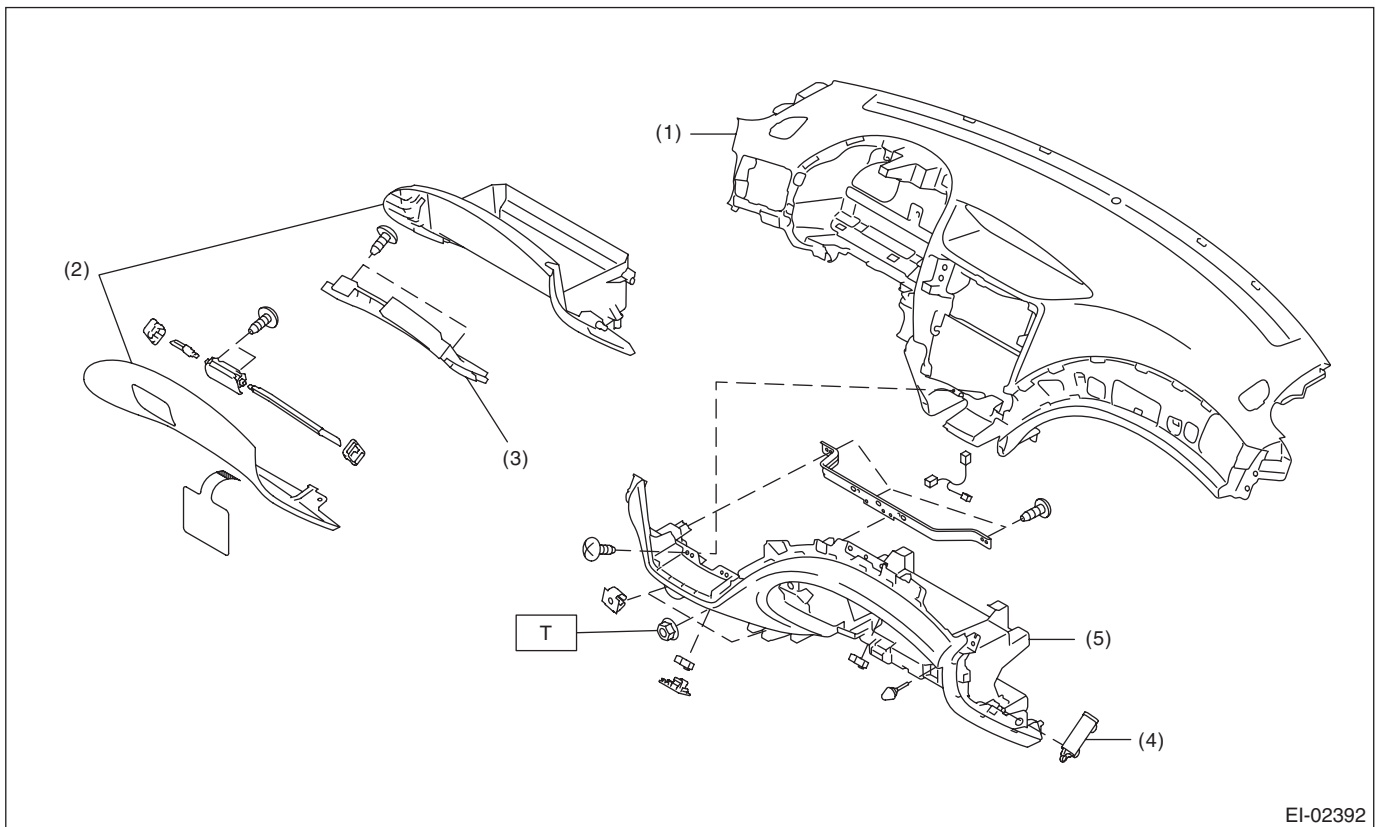


EI-01935

- |                           |                             |                              |
|---------------------------|-----------------------------|------------------------------|
| (1) Clock panel           | (7) Ornament panel LH       | (13) Air vent side grille RH |
| (2) Sunload sensor        | (8) Air vent side grille LH | (14) Ornament panel RH       |
| (3) Cushion               | (9) Combination meter ASSY  | (15) Control module          |
| (4) Instrument panel ASSY | (10) Audio                  | (16) Center panel            |
| (5) Defroster side grille | (11) Audio bracket          |                              |
| (6) Meter visor ASSY      | (12) Air vent grille CTR    |                              |

# General Description

## EXTERIOR/INTERIOR TRIM



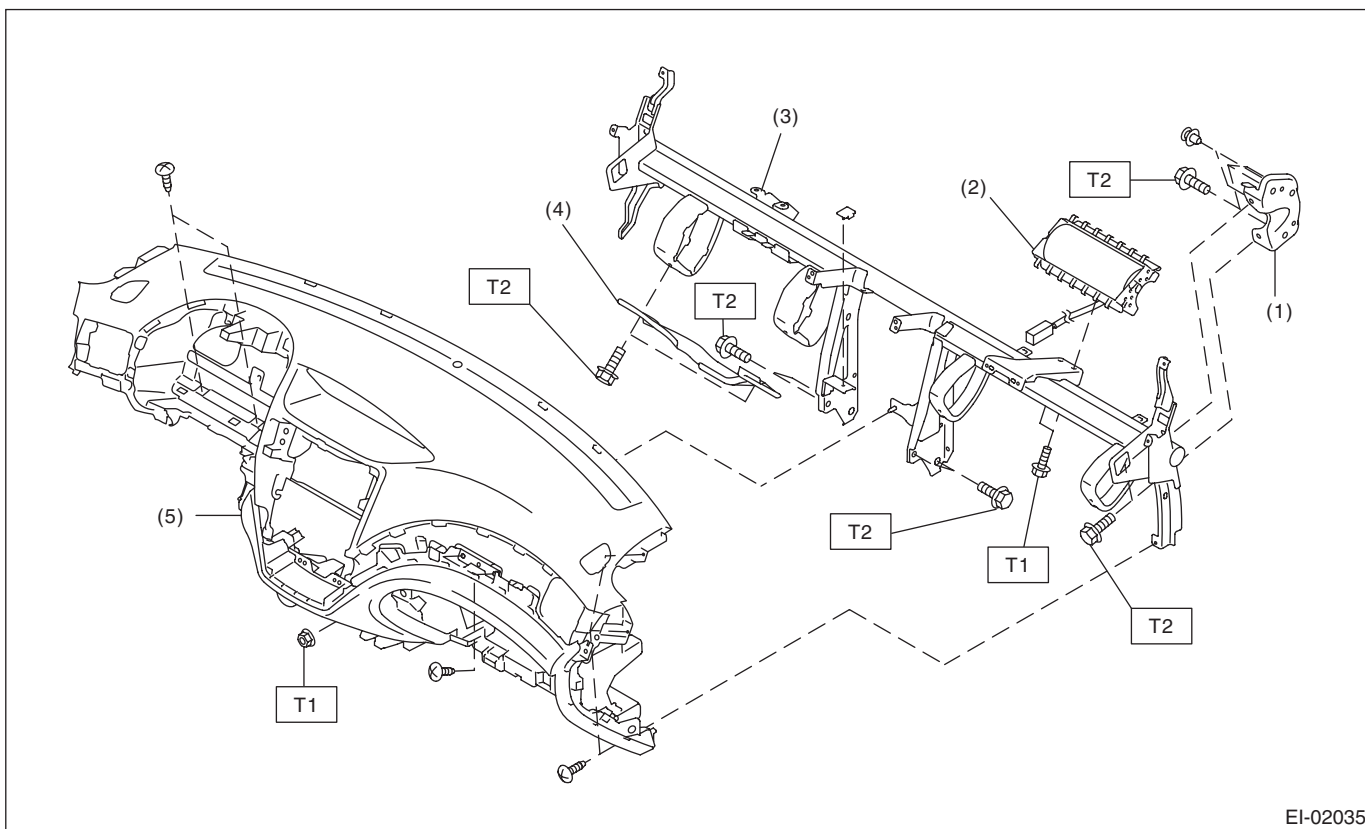
- (1) Instrument panel pad and frame ASSY
- (2) Glove box lid ASSY

- (3) Glove box pad
- (4) Glove box damper
- (5) Instrument panel lower

**Tightening torque: N·m (kgf·m, ft·lb)**  
**T: 7.5 (0.76, 5.5)**

# General Description

EXTERIOR/INTERIOR TRIM



- (1) Steering support beam bracket
- (2) Passenger's airbag module ASSY
- (3) Steering support beam ASSY
- (4) Knee guard panel
- (5) Instrument panel ASSY

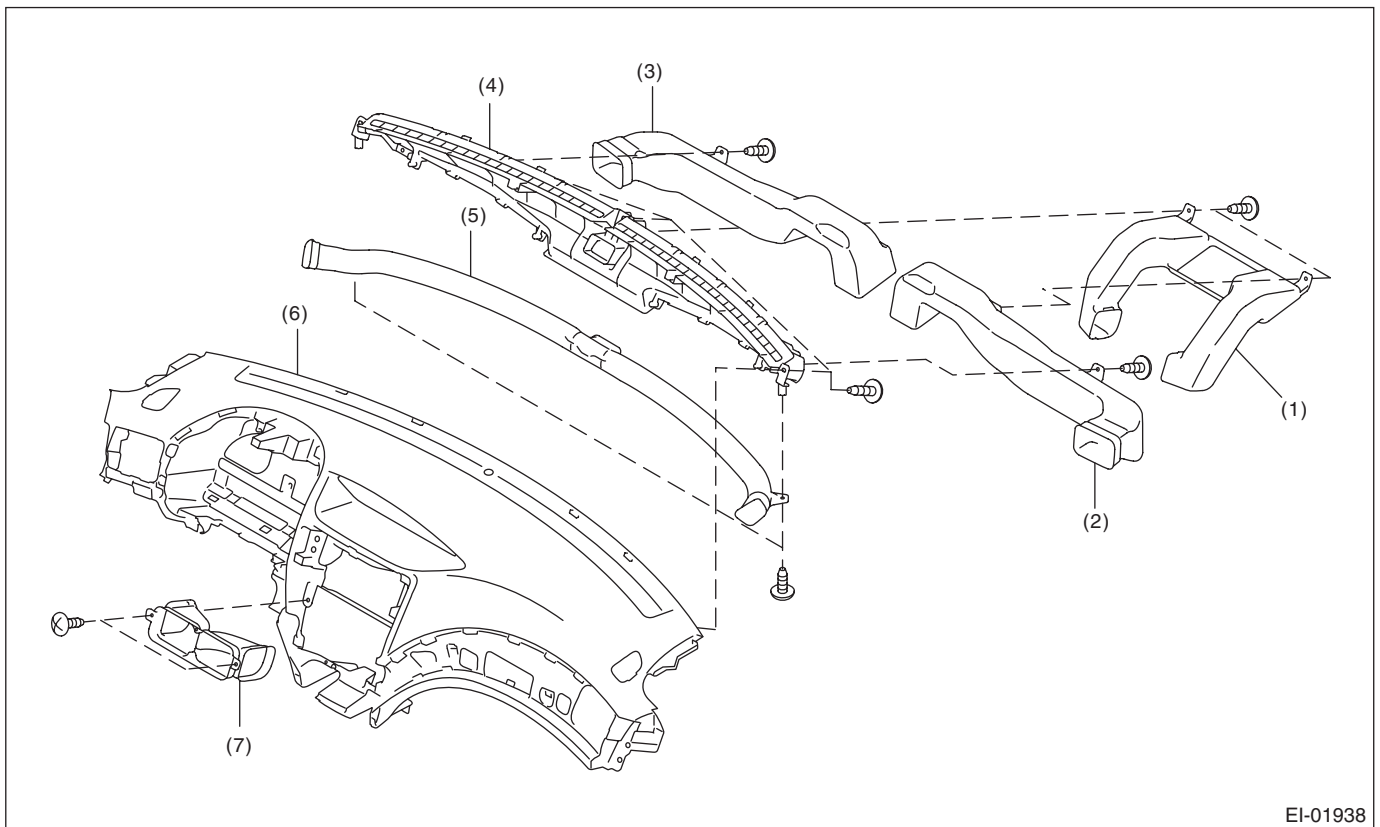
**Tightening torque: N·m (kgf·m, ft·lb)**

**T1: 7.5 (0.76, 5.5)**

**T2: 25 (2.55, 18.4)**

# General Description

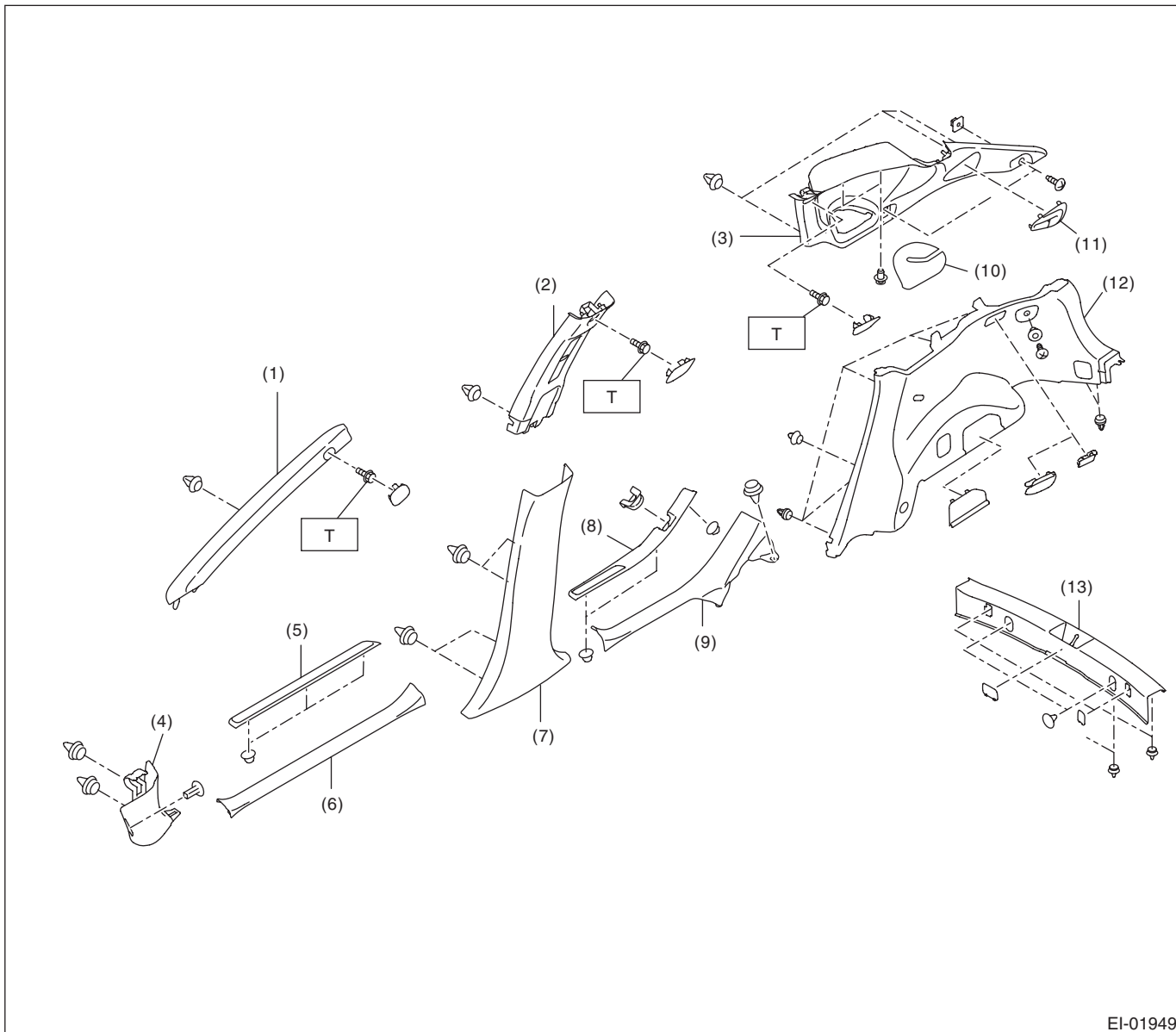
## EXTERIOR/INTERIOR TRIM



EI-01938

- |                       |                           |   |
|-----------------------|---------------------------|---|
| (1) Center vent duct  | (4) Defroster nozzle ASSY | (6) Instrument panel pad and frame ASSY |
| (2) Side vent duct LH | (5) Side defroster        | (7) Center vent duct front              |
| (3) Side vent duct RH |                           |   |

## 19.INNER TRIM (5 DOOR MODEL)



EI-01949

- |                               |                              |                              |
|-------------------------------|------------------------------|------------------------------|
| (1) Front pillar upper trim   | (7) Center pillar lower trim | (12) Rear quarter lower trim |
| (2) Center pillar upper trim  | (8) Rear outside scuff plate | (13) Luggage room end cover  |
| (3) Rear quarter upper trim   | (9) Rear inside scuff plate  |                              |
| (4) Front pillar lower trim   | (10) Side seat belt cover    |                              |
| (5) Front outside scuff plate | (11) Center seat belt cover  |                              |
| (6) Front inside scuff plate  |                              |                              |

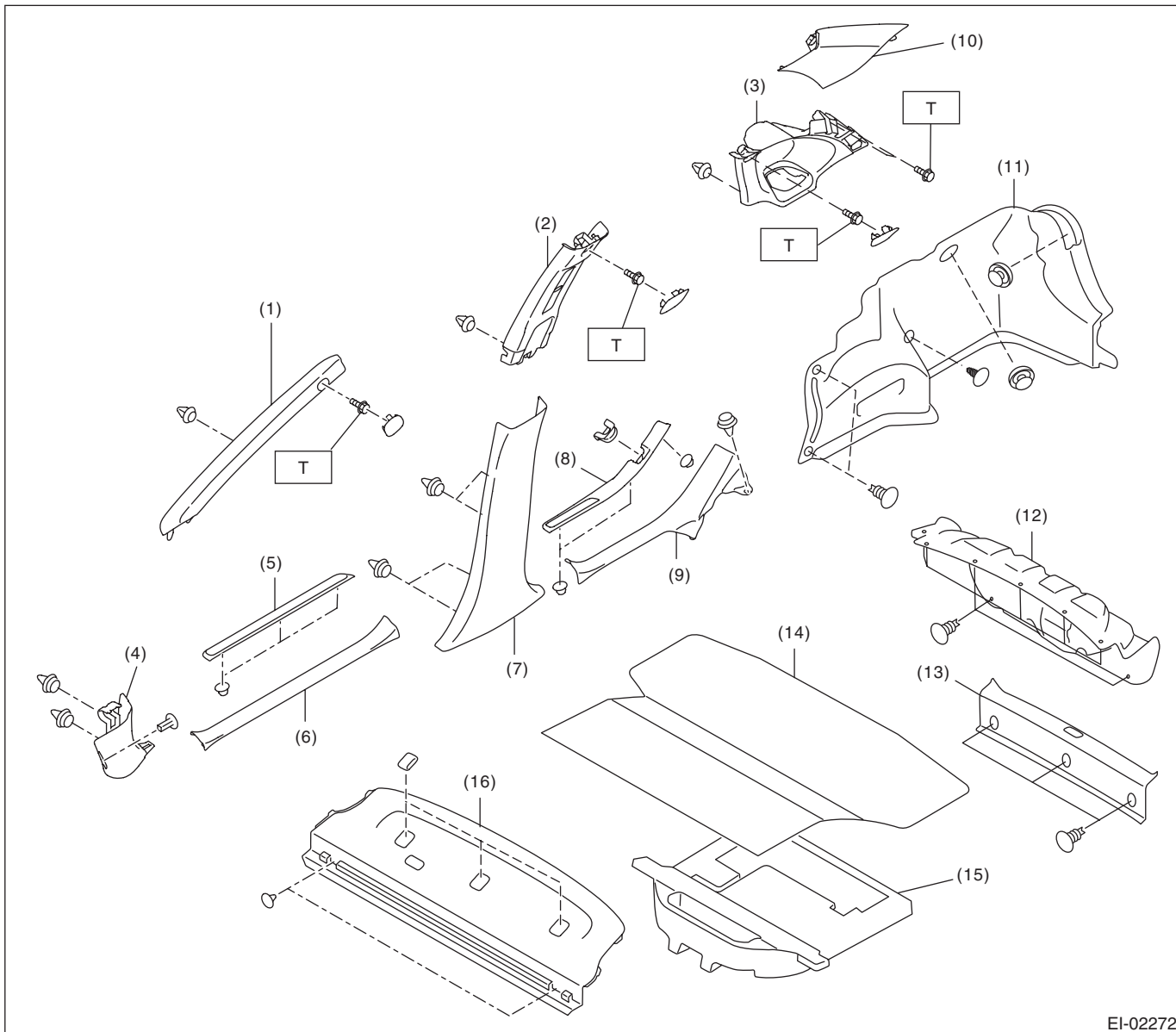
**Tightening torque:N·m (kgf·m, ft·lb)**

**T: 7.5 (0.76, 5.5)**

# General Description

EXTERIOR/INTERIOR TRIM

## 20.INNER TRIM (4 DOOR MODEL)



EI-02272

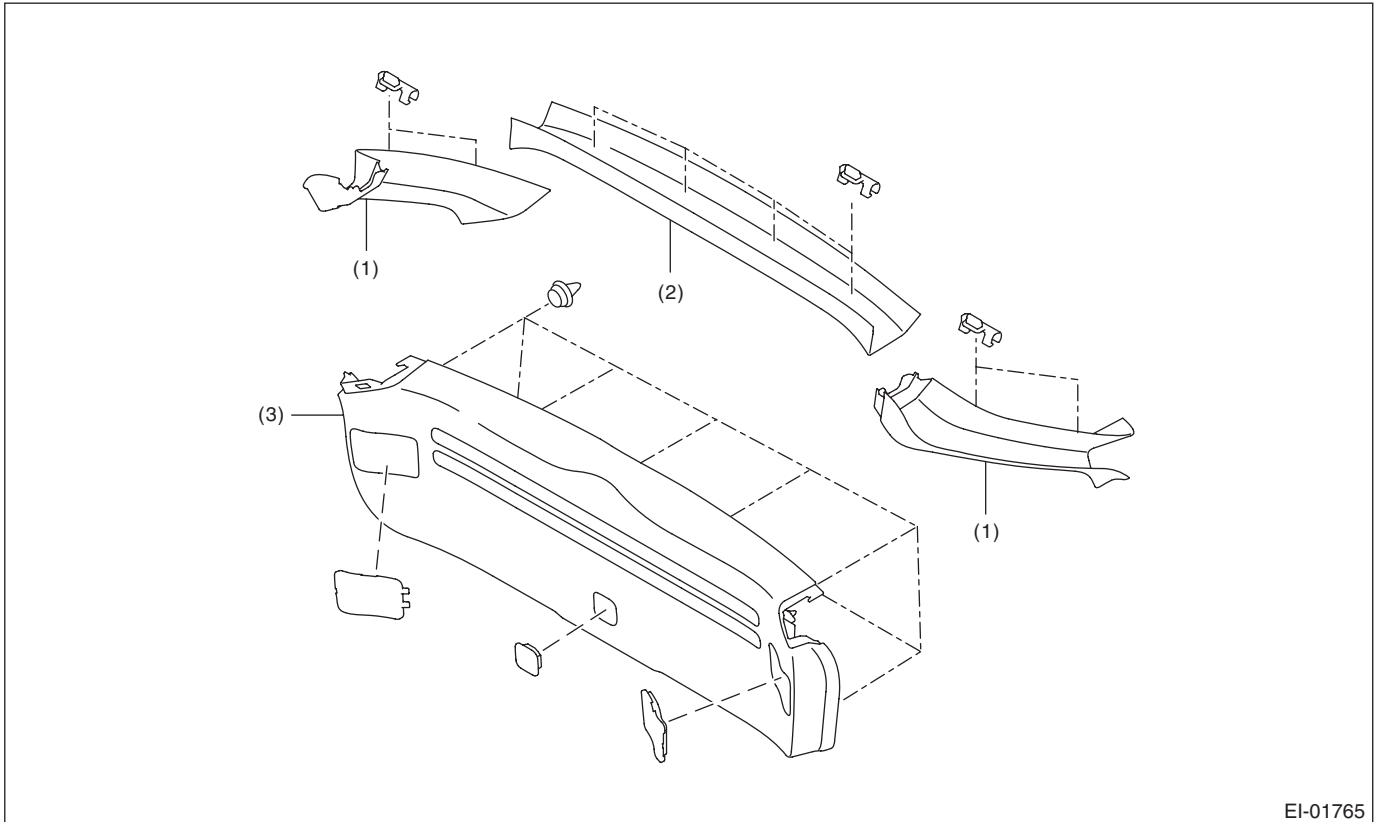
- |                               |                               |                      |
|-------------------------------|-------------------------------|----------------------|
| (1) Front pillar upper trim   | (8) Rear outside scuff plate  | (14) Trunk room mat  |
| (2) Center pillar upper trim  | (9) Rear inside scuff plate   | (15) Sub trunk box   |
| (3) Quarter upper trim, front | (10) Quarter upper trim, rear | (16) Rear shelf trim |
| (4) Front pillar lower trim   | (11) Quarter lower trim       |                      |
| (5) Front outside scuff plate | (12) Trunk lid trim           |                      |
| (6) Front inside scuff plate  | (13) Trunk room end cover     |                      |
| (7) Center pillar lower trim  |                               |                      |

**Tightening torque: N·m (kgf·m, ft·lb)**

**T: 7.5 (0.76, 5.5)**



## 21. REAR GATE TRIM



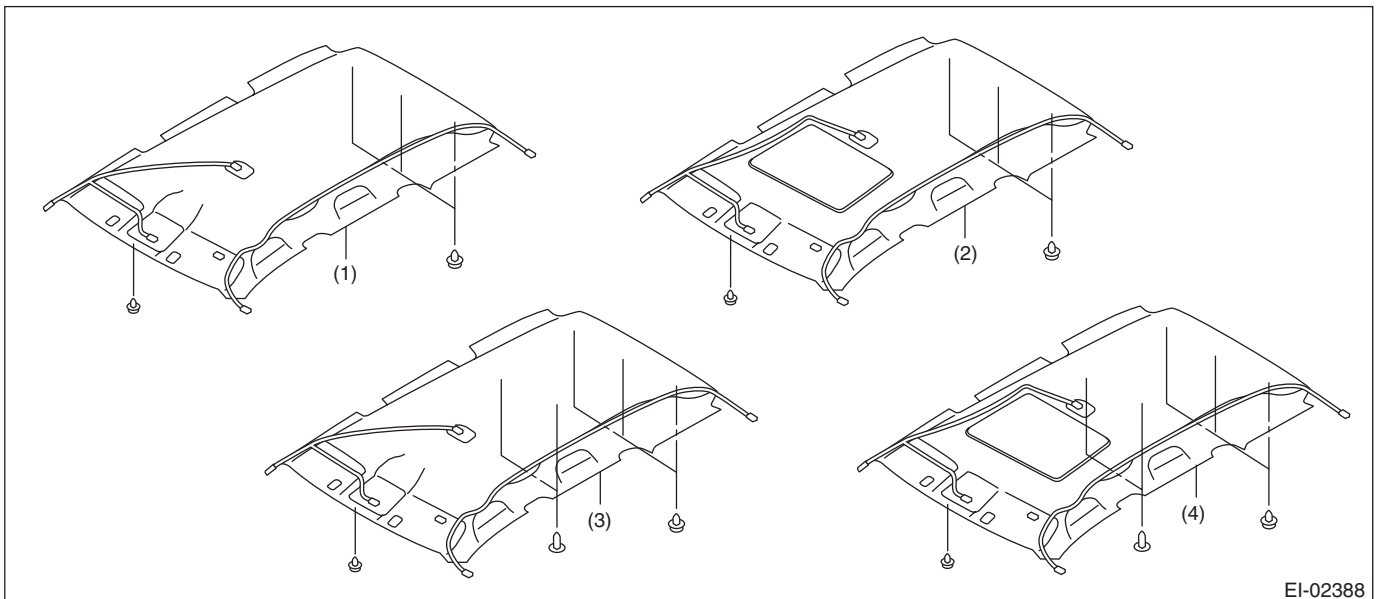
EI-01765

(1) Rear gate pillar trim

(2) Rear gate upper trim

(3) Rear gate lower trim

## 22. ROOF TRIM



EI-02388

(1) Model without sunroof  
(5 door model)

(3) Model without sunroof  
(4 door model)

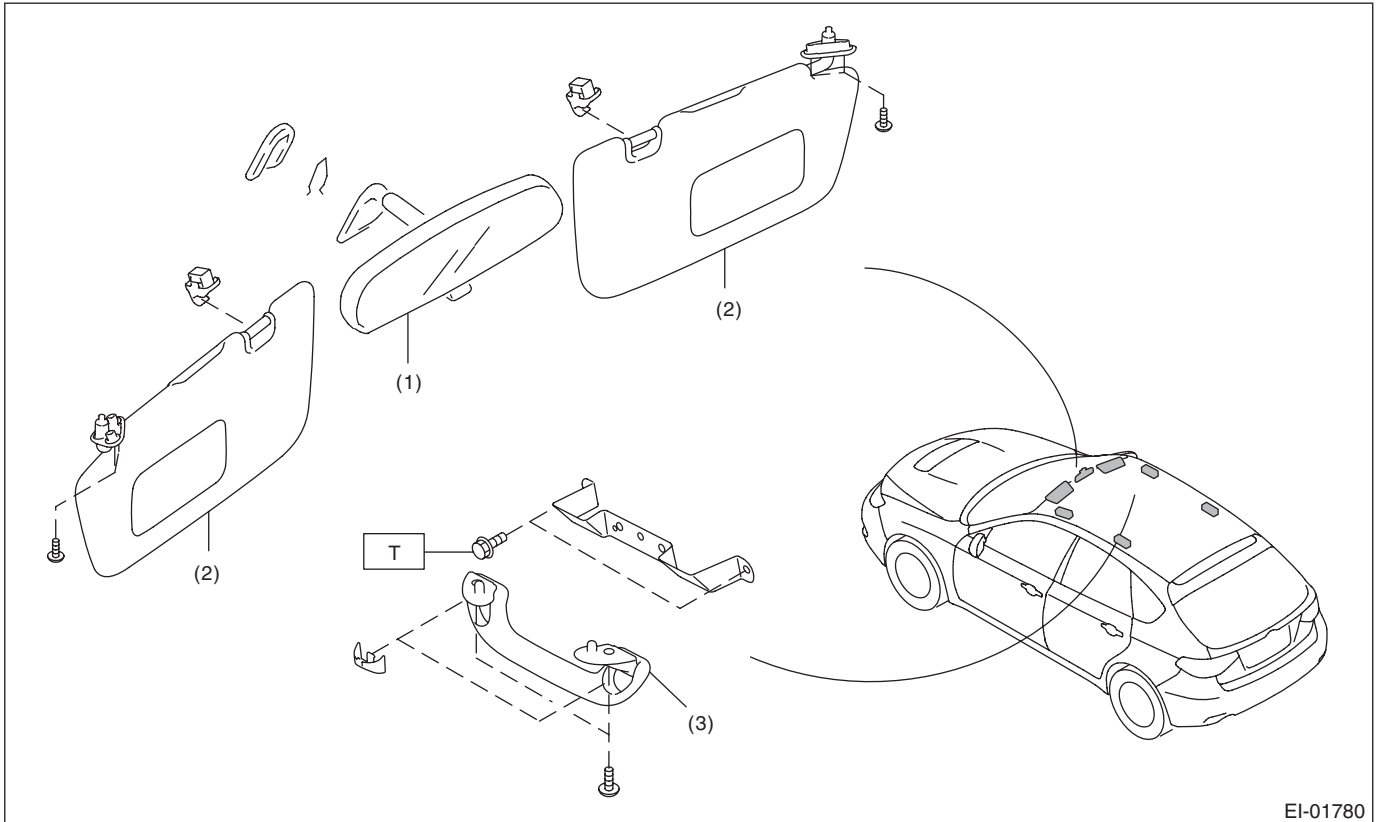
(4) Model with sunroof (4 door model)

(2) Model with sunroof (5 door model)

# General Description

EXTERIOR/INTERIOR TRIM

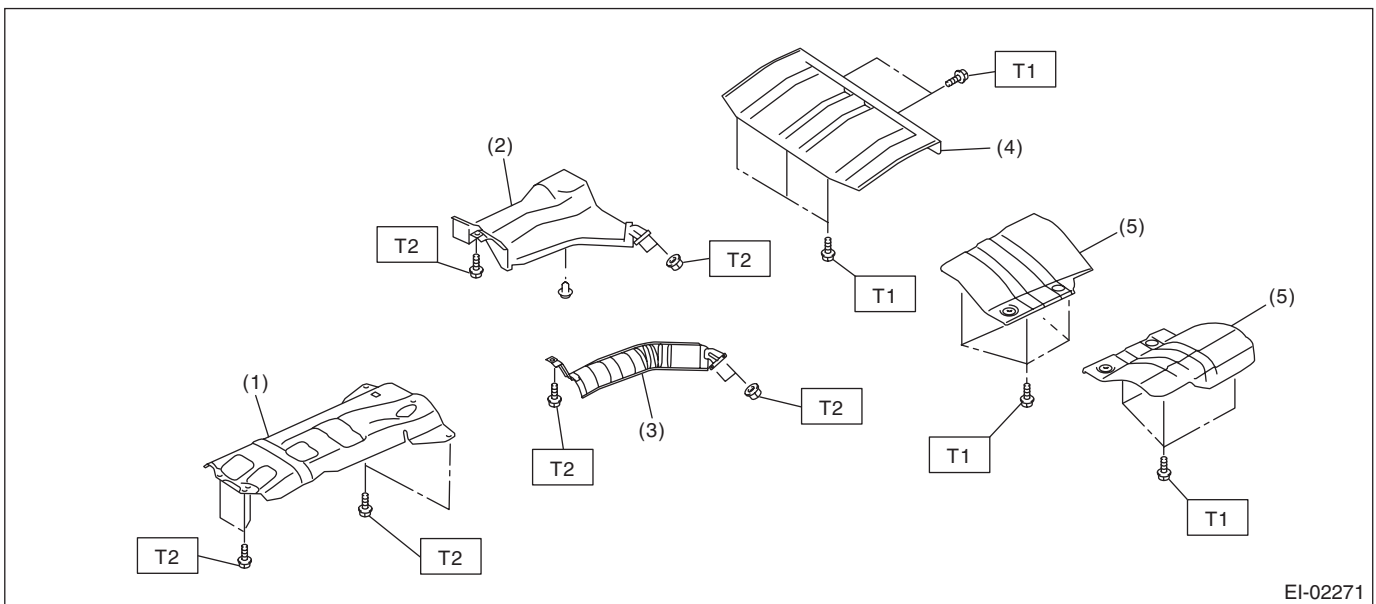
## 23.ROOM INNER PARTS



- (1) Room mirror
- (2) Sun visor
- (3) Assist grip

**Tightening torque:N-m (kgf-m, ft-lb)**  
**T: 7.5 (0.76, 5.5)**

## 24.HEAT SHIELD COVER



- (1) Front heat shield cover
- (2) Center heat shield cover (turbo model)
- (3) Center heat shield cover (non-turbo model)
- (4) Rear heat shield cover (5 door model)
- (5) Rear heat shield cover (4 door model)

**Tightening torque:N-m (kgf-m, ft-lb)**  
**T1: 7.5 (0.76, 5.5)**  
**T2: 18 (1.84, 13.3)**

# General Description

EXTERIOR/INTERIOR TRIM

## B: PREPARATION TOOL

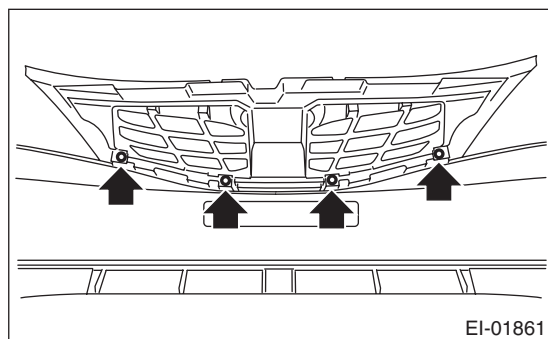
TOOL NAME	REMARKS
Clip remover	Used for removing trim. <ul style="list-style-type: none"><li>• KTC AP201-10A</li><li>• KTC AP201-N</li><li>• KTC AP203-10A</li><li>• KTC AP20L-10B</li></ul> Or equivalent.
Clip clamp pliers	Used for removal of various clips and clamps. <ul style="list-style-type: none"><li>• KTC CCP-190</li></ul> Or equivalent.

## 2. Front Grille

### A: REMOVAL

1) Remove the front bumper face. <Ref. to EI-29, FRONT BUMPER FACE, REMOVAL, Front Bumper.>

2) Remove the screws from the reverse side of the bumper face, and remove the front grille assembly.



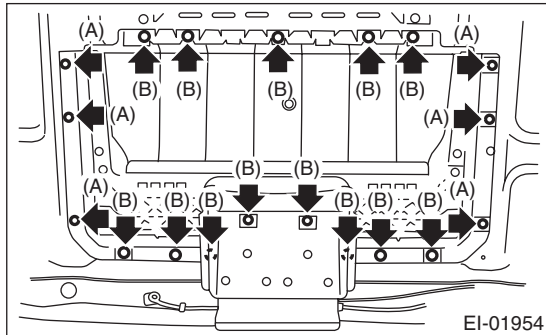
### B: INSTALLATION

Install in the reverse order of removal.

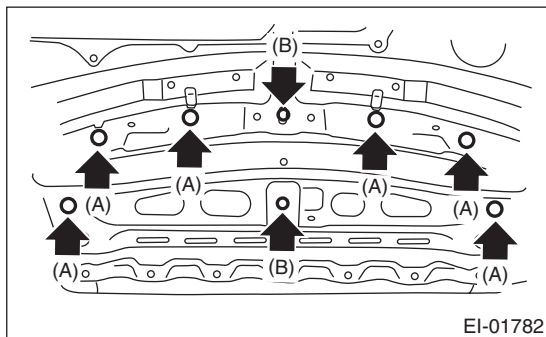
## 3. Front Hood Grille

### A: REMOVAL

- 1) Open the front hood.
- 2) Remove the front hood insulator. <Ref. to EB-15, FRONT HOOD INSULATOR, REMOVAL, Front Hood.>
- 3) Remove screws (A) and clip (B), and remove the hood duct assembly.



- 4) Remove the nuts (A) and clips (B), and remove the front hood grille.

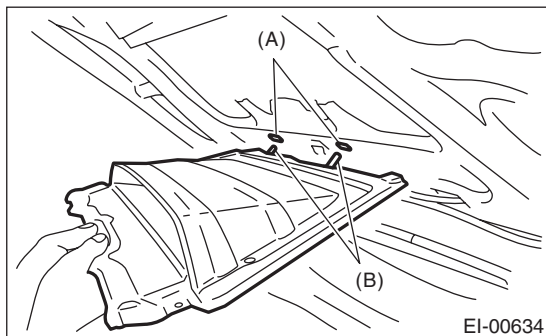


### B: INSTALLATION

Install in the reverse order of removal.

#### NOTE:

Insert the hooks (B) of the front hood duct into holes (A) of the front hood.



#### Tightening torque:

Refer to “COMPONENT” of “General Description”. <Ref. to EI-4, FRONT HOOD GRILLE, COMPONENT, General Description.>

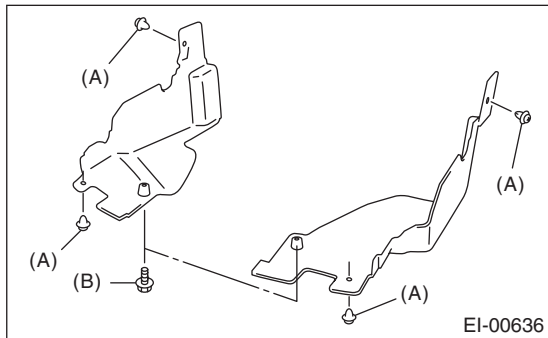
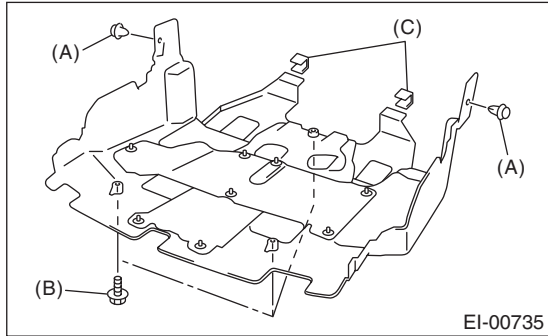
# Front Under Cover

EXTERIOR/INTERIOR TRIM

## 4. Front Under Cover

### A: REMOVAL

- 1) Lift up the vehicle.
- 2) Remove clips (A) and (C), and bolts (B) in the front fender, then remove the front under cover.



### B: INSTALLATION

Install in the reverse order of removal.

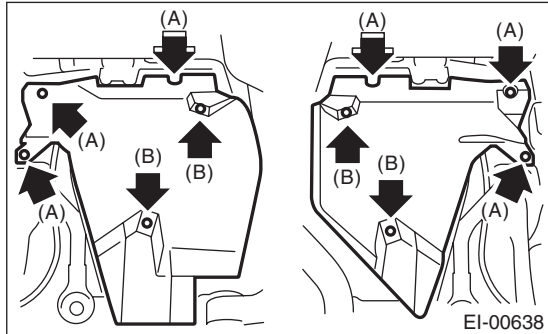
**Tightening torque:**

**14 N·m (1.43 kgf·m, 10.3 ft·lb)**

## 5. Fuel Tank Protector

### A: REMOVAL

- 1) Lift up the vehicle.
- 2) Remove the bolts (A) and nuts (B), and then remove the fuel tank protector.



### B: INSTALLATION

#### CAUTION:

**Do not reuse the nut (self locking nut). Always replace with a new part.**

Install in the reverse order of removal.

#### *Tightening torque:*

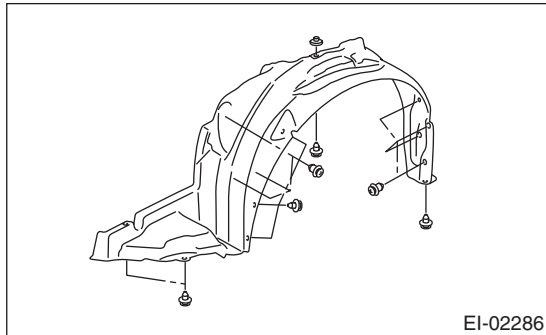
**Refer to "COMPONENT" of "General Description". <Ref. to EI-3, UNDER PROTECTOR, COMPONENT, General Description.>**

## 6. Mud Guard

### A: REMOVAL

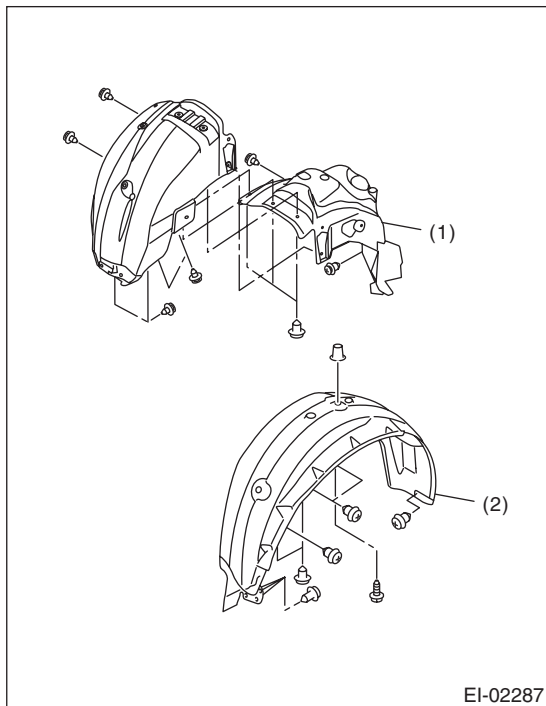
#### 1. FRONT MUD GUARD

- 1) Jack-up the vehicle.
- 2) Remove the front wheels.
- 3) Remove the screws and clips to remove the mud guard.



#### 2. REAR MUD GUARD

- 1) Jack-up the vehicle.
- 2) Remove the rear wheels.
- 3) Remove the screws and clips to remove the mud guard.



- (1) Rear mud guard RH
- (2) Rear mud guard LH

### B: INSTALLATION

Install in the reverse order of removal.

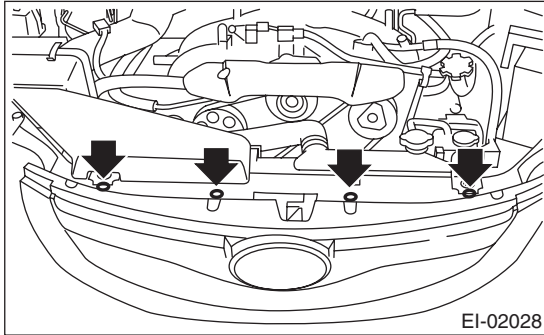


## 7. Front Bumper

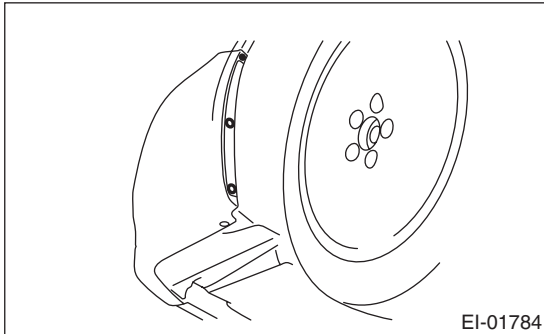
### A: REMOVAL

#### 1. FRONT BUMPER FACE

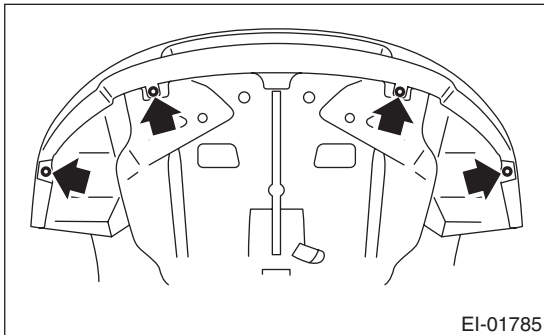
- 1) Disconnect the ground cable from battery.
- 2) Remove the clip of the front grille.



- 3) Turn over the front mud guard, and remove the clips connecting the fender and bumper.



- 4) Remove the clips at the lower side of bumper.



- 5) Disconnect the fog light connector. (Model with fog light)

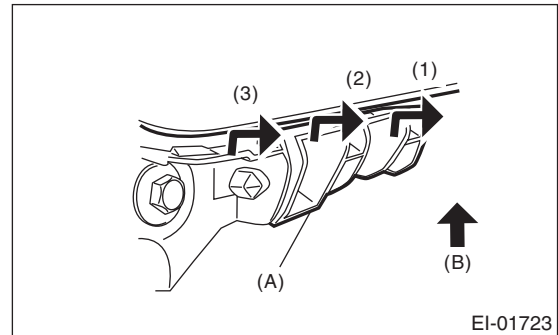
- 6) Detach the flange sections on the bumper face side from guide bracket (A).

#### CAUTION:

**Do not pull forcibly. It may damage the flange sections of the bumper face.**

#### NOTE:

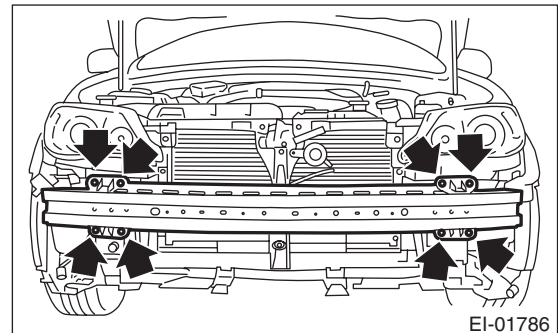
It is easier to detach them from the fender side in the order from (1) to (3), while pulling up the bumper face to the direction of arrow (B) (upward).



- 7) Remove the bumper from the vehicle body.
- 8) Remove the front grille from bumper face. <Ref. to EI-24, REMOVAL, Front Grille.>
- 9) Remove the fog light from bumper face. <Ref. to LI-20, REMOVAL, Front Fog Light Assembly.>

#### 2. FRONT BUMPER BEAM ASSEMBLY

- 1) Disconnect the ground cable from battery.
- 2) Remove the front bumper face. <Ref. to EI-29, FRONT BUMPER FACE, REMOVAL, Front Bumper.>
- 3) Remove the bolts, and remove the bumper beam assembly from vehicle body.



#### NOTE:

After all bolts are removed, raise the whole bumper beam a little to remove it from vehicle body.

# Front Bumper

EXTERIOR/INTERIOR TRIM

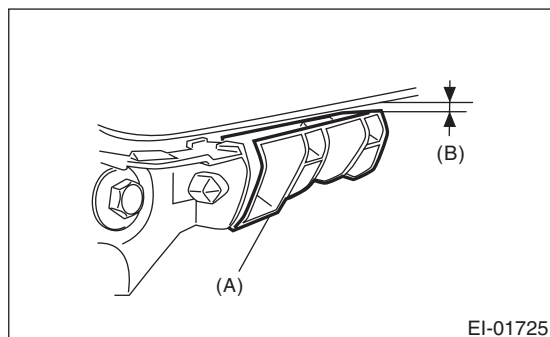
---

## B: INSTALLATION

Install in the reverse order of removal.

NOTE:

Fit the bumper face to the gap (B) between the guide bracket (A) and fender securely.

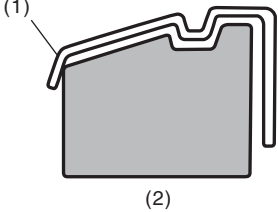


**Tightening torque:**

**Refer to “COMPONENT” of “General Description”. <Ref. to EI-5, FRONT BUMPER, COMPONENT, General Description.>**

## C: REPAIR

### 1. COATING METHOD FOR PP BUMPER

Process No.	Process name	Job contents	
1	Bumper installation	Place the bumper on a paint worktable as required. Use the paint worktable conforming to inner shape of bumper if possible.	 <p style="text-align: right;">EI-00234</p>
2	Masking	Mask specified part (black base) with masking tape. Use masking tape for PP (example, Nichiban No. 533, etc.).	
3	Degreasing/cleaning	Clean all parts to be painted with white gasoline, normal alcohol, etc. to remove dirt, oil, fat, etc.	
4	Primer paint	Apply primer to all parts to be painted, using spray gun. Use primer (clear).	
5	Drying	Dry at normal temperature [10 to 15 min. at 20°C (68°F)]. In half-dried condition, PP primer paint is dissolved by solvent, e.g. thinner, etc. Therefore, if dust or dirt must be removed, use ordinary alcohol etc.	
6	Top coat paint (I)	Non-colored	Metallic paint
		Use section (block) paint for top coat. • Paint to be used (for each color): Solid paint Hardener PB Thinner T-301 • Mixture ratio: Main agent : Hardener = 4 : 1 • Viscosity: 10 — 13 sec./20°C (68°F) • Film thickness: 35 — 45 μ • Spraying pressure: 245 — 343 kPa (2.5 — 3.5 kgf/cm <sup>2</sup> , 36 — 50 psi)	Use section (block) paint for top coat. • Paint to be used (for each color): Metallic paint Hardener PB Thinner T-306 • Mixture ratio: Main agent : Hardener = 10 : 1 • Viscosity: 10 — 13 sec./20°C (68°F) • Film thickness: 15 — 20 μ • Spraying pressure: 245 — 343 kPa (2.5 — 3.5 kgf/cm <sup>2</sup> , 36 — 50 psi)
7	Drying	Not required.	Dry at normal temperature [at least 10 min. at 20°C (68°F)]. In half-dried condition, avoid dust, dirt.
8	Top coat paint (II)	Not required.	Apply a clear coat to parts with top coat paint (I), three times at 5 — 7 minutes intervals. • Paint to be used: Metallic paint Hardener PB Thinner T-301 • Mixture ratio: Clear coat : Hardener = 6 : 1 • Viscosity: 14 — 16 sec./20°C (68°F) • Film thickness: 25 — 30 μ • Spraying pressure: 245 — 343 kPa (2.5 — 3.5 kgf/cm <sup>2</sup> , 36 — 50 psi)
9	Drying	60°C (140°F), 60 min. or 80°C (176°F), 30 min. If higher than 80°C (176°F), PP may become be deformed. Keep maximum temperature 80°C (176°F) or less.	
10	Inspection	Check paint.	
11	Removal of masking	Remove the masking tape applied in procedure 2.	

# Front Bumper

EXTERIOR/INTERIOR TRIM

## 2. REPAIR INSTRUCTIONS FOR COLORED PP BUMPER

**NOTE:**

All PP bumpers are provided with a grained surface, and if the surface is damaged, it cannot normally be restored to its former condition. Damages limited to the shallow scratches that cause only a change in the luster of the base material or coating, can be almost fully restored. Before repairing a damaged area, explain this point to the customer and obtain an understanding about the matter. Repair methods are outlined below, based on a classification of the extent of damage.

1) Minor damage causing only a change in the luster of the bumper due to a light touch  
Almost restorable.

Process No.	Process name	Job contents	
1	Cleaning	Clean the area to be repaired using water.	
2	Sanding	Grind the repairing area with #500 sand paper in a "feathering" motion.	
3	Finish	Resin section	Coated section
		Repeatedly apply wax to the affected area using soft cloth (such as flannel). Recommended wax: NITTO KASEI Soft 99 TIRE WAX BLACK, or equivalent.	Perform either the same process as for the resin section or process No. 18 and subsequent in the 3) section, depending on the degree and nature of damage.
		Polish the waxed area with clean cloth after 5 — 10 minutes.	

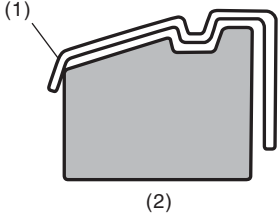
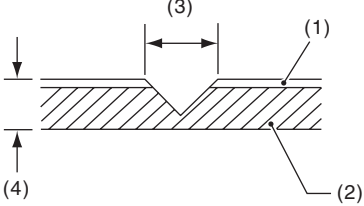
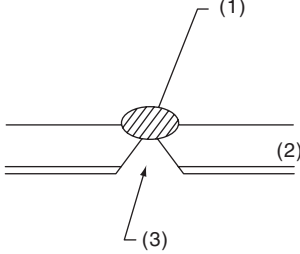
2) Deep damage caused by scratching with fences etc.  
A dent cannot be repaired but a whitened or swelled part can be removed.

Process No.	Process name	Job contents	
1	Cleaning	Clean the damaged area with water.	
2	Removal of damaged area	Cut off protruding area, if any, due to collision, using a putty knife.	
3	Sanding	Grind the affected area with #100 — #500 sand paper.	
4	Finish	Resin section	Coated section
		Same as process No. 3 in the "1)" section.	Perform process No. 12 and subsequent operations in the "3)" section.

# Front Bumper

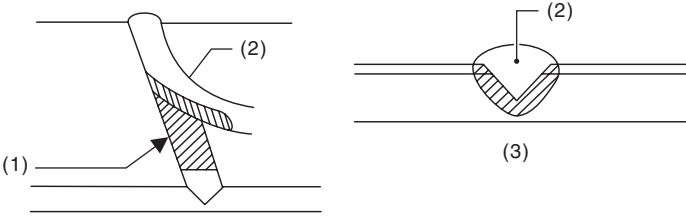

EXTERIOR/INTERIOR TRIM

3) Deep damage such as a break or hole that requires filling  
 Much of the peripheral grained surface must be sacrificed for repair. The degree of restoration is not really worth the expense. (The surface, however, will become almost flush with adjacent areas.)  
 Recommended repair kit: PP Part Repair Kit (NRM)

Process No.	Process name	Job contents	
1	Bumper removal	Remove the bumper as required.	
2	Removal of parts	Remove the parts built into bumper as required.	
3	Bumper placement	Place the bumper on a paint worktable as required. It is recommended to use the paint worktable conforming to internal shape of bumper.	 <p style="text-align: right;">EI-00234</p> <p>(1) Bumper (2) Set bumper section</p>
4	Surface preparation	Remove dust, oil, etc. from areas to be repaired and surrounding areas, using a suitable solvent (NRM No. 900 Precleno, white gasoline, or alcohol, etc.).	
5	Cutting	If the damage is a crack or a hole, cut a guide slit of 20 to 30 mm (0.79 to 1.18 in) in length along the crack or hole up to the bumper base surface. Next, use a knife or grinder to carve a V-shaped groove in the area for repair.	 <p style="text-align: right;">EI-00235</p> <p>(1) Paint surface (2) PP base surface (3) 20 — 30 mm (0.79 — 1.18 in) (4) 3 mm (0.12 in)</p>
6	Sanding (I)	Grind the beveled surface with sand paper (#40 — #60) to smooth finish.	
7	Cleaning	Clean the sanded surface with the same solvent as used in process No. 4.	
8	Temporary welding	Grind the side just opposite the beveled area with sand paper (#40 — #60) and clean using a solvent. Temporarily spot-weld the side, using PP welding rod and heater gun.	 <p style="text-align: right;">EI-00236</p> <p>(1) Welded point (Use heater gun and PP welding rod) (2) PP base surface (3) Beveled section</p> <p>NOTE:</p> <ul style="list-style-type: none"> <li>• Do not melt welding rod until it flows out. This results in reduced strength.</li> <li>• Leave the welded spot unattended until it cools completely.</li> </ul>

# Front Bumper

## EXTERIOR/INTERIOR TRIM

Process No.	Process name	Job contents
9	Welding	<p>Using a heater gun and PP welding rod, weld the beveled spot while melting both the rod and damaged area.</p>  <p>(1) Welding rod (2) Melt hatched area (3) Section</p> <p><b>NOTE:</b></p> <ul style="list-style-type: none"> <li>• Melt the sections indicated by hatched area.</li> <li>• Do not melt the welding rod until it flows out, in order to provide strength.</li> <li>• Always keep the heater gun 1 to 2 cm (0.4 to 0.8 in) away from the welding spot.</li> <li>• Leave the welded spot unattended until it cools completely.</li> </ul> <p style="text-align: right;">EI-00237</p>
10	Sanding (II)	<p>Remove excess part of weld with a putty knife. If a drill or disc wheel is used instead of the knife, operate it at a rate lower than 1,500 rpm and grind the excess part little by little. A higher rpm will cause the PP substrate to melt from the heat.</p>  <p style="text-align: right;">EI-00042</p> <p>Sand the welded spot smooth with #240 sand paper.</p>
11	Masking	Mask the black substrate section using masking tape. Recommended masking tape: Nichiban No. 533 or equivalent
12	Cleaning/ degreasing	Completely clean the entire coated area, using solvent similar to that used in process No. 4.
13	Primer coating	<p>Apply a coat of primer to the repaired surface and its surrounding areas. Mask these areas, if necessary. Recommended primer: Mp/ 364 PP Primer</p> <p><b>NOTE:</b> Be sure to apply a coat of primer using a spray gun at a pressure of 245 — 343 kPa (2.5 — 3.5 kgf/cm<sup>2</sup>, 36 — 50 psi).</p>
14	Leave unattended	<p>Leave the repaired area unattended at 20°C (68°F) for 10 to 15 minutes until primer is half-dry.</p> <p><b>NOTE:</b> If dirt or dust comes in contact with the coated area, wipe it off with a cloth dampened with alcohol. (Do not use thinner since the coated area tends to melt.)</p>
15	Primer surfacer coating	<p>Apply primer surfacer to the repaired area two or three times at an interval of 3 — 5 minutes. Recommended surfacer:</p> <ul style="list-style-type: none"> <li>• UPS 300 Flex Primer</li> <li>• No. 303 UPS 300 Exclusive hardener</li> <li>• NPS 725 Exclusive Reducer (thinner)</li> <li>• Mixture ratio: 2 : 1 (UPS 300 : No. 303)</li> <li>• Viscosity: 12 — 14 sec./20°C (68°F)</li> <li>• Coating film thickness: 40 — 50 μ</li> </ul>
16	Drying	Allow the coated surface to dry for 20 minutes at 20°C (68°F) [or 30 minutes at 60°C (140°F)].

# Front Bumper

EXTERIOR/INTERIOR TRIM

Process No.	Process name	Job contents	
17	Sanding (III)	Sand the coated surface and its surrounding areas using #400 sand paper and water.	
18	Cleaning/ degreasing	Same as process No. 12.	
19	Top coat (I)	Non-colored	Metallic paint
		Use a "block" coating method. <ul style="list-style-type: none"> <li>Recommended paint: Suncryl (SC) No. 307 Flex Hardener SC Reducer (thinner)</li> <li>Mixture ratio: Suncryl (SC): No. 307 Flex Hardener = 3 : 1</li> <li>Viscosity: 11 — 13 sec./20°C (68°F)</li> <li>Coating film thickness: 40 — 50 μ</li> <li>Spraying pressure: 245 — 343 kPa (2.5 — 3.5 kgf/cm<sup>2</sup>, 36 — 50 psi)</li> </ul>	Use a "block" coating method. <ul style="list-style-type: none"> <li>Recommended paint: Suncryl (SC) No. 307 Flex Hardener SC Reducer (thinner)</li> <li>Mixture ratio: Suncryl (SC): No. 307 Flex Hardener = 3 : 1</li> <li>Viscosity: 11 — 13 sec./20°C (68°F)</li> <li>Coating film thickness: 20 — 30 μ</li> <li>Spraying pressure: 245 — 343 kPa (2.5 — 3.5 kgf/cm<sup>2</sup>, 36 — 50 psi)</li> </ul>
20	Leave unattended	Not required.	Leave unattended at 20°C (68°F) for at least 10 minutes until the topcoated area is half-dry. <b>NOTE:</b> Be careful to keep dust or dirt from coming in contact with the affected area.
21	Top coat (II)	Not required.	Apply a clear coat three times at an interval of 3 to 5 minutes. <ul style="list-style-type: none"> <li>Recommended paint: SC710 Overlay Clear No. 307 Flex Hardener SC Reducer (thinner)</li> <li>Mixture ratio: Suncryl (SC): No. 307 Flex Hardener = 3 : 1</li> <li>Viscosity: 10 — 13 sec./20°C (68°F)</li> <li>Coating film thickness: 20 — 30 μ</li> <li>Spraying pressure: 245 — 343 kPa (2.5 — 3.5 kgf/cm<sup>2</sup>, 36 — 50 psi)</li> </ul>
22	Drying	Allow the coated surface to dry for two hours at 20°C (68°F) or 30 minutes at 60°C (140°F)]. <b>NOTE:</b> Do not allow the temperature to exceed 80°C (176°F) since this will deform the PP substrate.	
23	Inspection	Carefully check the condition of the repaired area.	
24	Removal of masking	Remove the masking tape applied in process No. 11 and 13.	
25	Parts installation	Install parts on the bumper in reverse order of removal.	
26	Bumper installation	Install the bumper.	

# Rear Bumper

EXTERIOR/INTERIOR TRIM

## 8. Rear Bumper

### A: REMOVAL

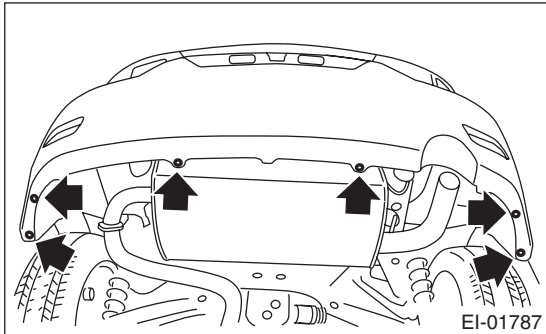
#### 1. REAR BUMPER FACE

1) Remove the clips inside the wheel housing.

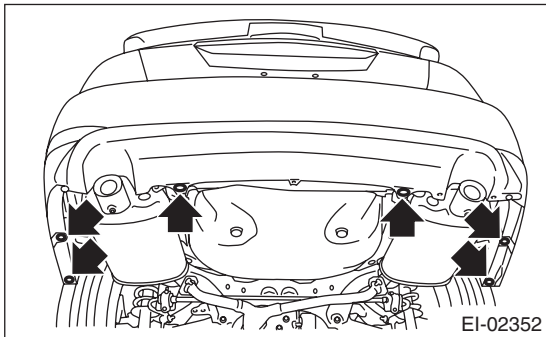


2) Remove the clips on the lower side of rear bumper.

• 5 DOOR MODEL



• 4 DOOR MODEL

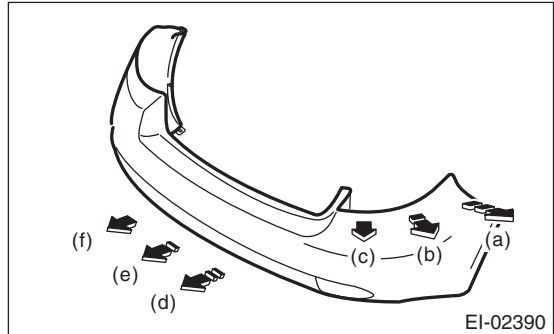


3) Remove the rear bumper from vehicle body.

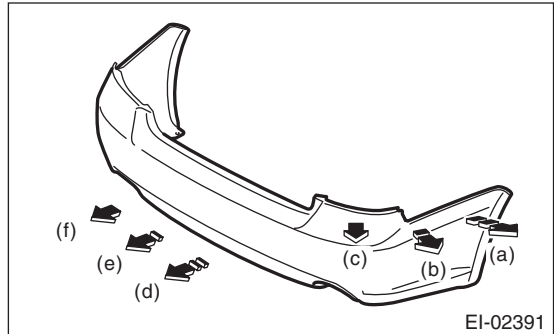
#### CAUTION:

Do not pull with an excessive force. Otherwise the bracket installation area may be damaged.

• 5 DOOR MODEL



• 4 DOOR MODEL



(1) Lifting the whole bumper face upward and twist it forward, then detach them from the fender side in the order from (a) to (c). (both side)

(2) Lifting the center of bumper face upward, detach in the order from (d) to (f).

4) Remove the reflector.

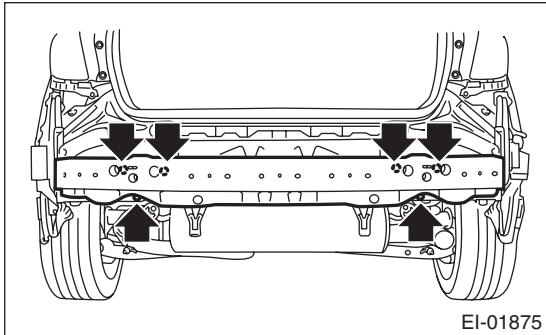


## 2. REAR BUMPER BEAM ASSEMBLY

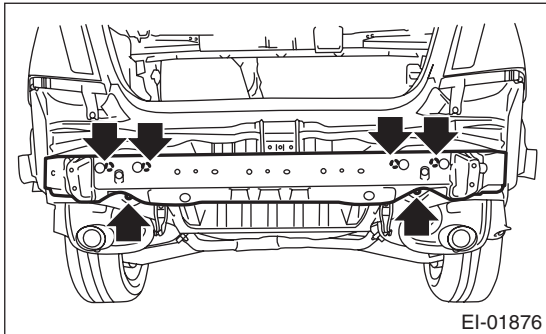
1) Remove the rear bumper face. <Ref. to EI-36, REAR BUMPER FACE, REMOVAL, Rear Bumper.>

2) Remove the nuts, and remove the bumper beam assembly from the vehicle body.

- 5 DOOR MODEL



- 4 DOOR MODEL



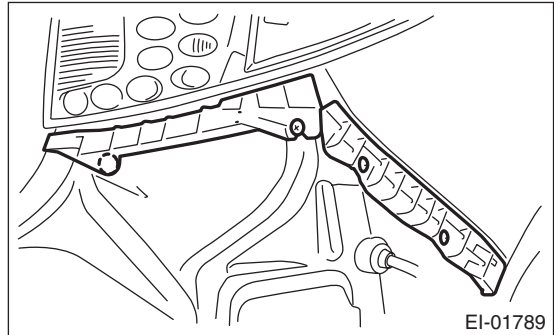
**NOTE:**

After all nuts have been removed, lift the whole bumper beam slightly while detaching it from the vehicle body.

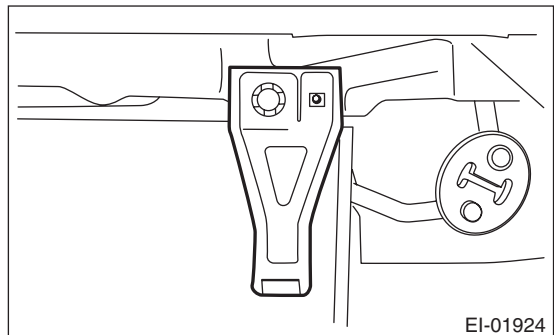
## 3. REAR BUMPER BRACKET

Remove the rear bumper face from vehicle body, and remove each bumper bracket.

- Corner bracket



- Lower bracket



## B: INSTALLATION

Install in the reverse order of removal.

**NOTE:**

If the bumper face comes off easily from the beam upper rear, adjust the hook of the bracket side.

**Tightening torque:**

*Refer to "COMPONENT" of "General Description".*

*5 door model: <Ref. to EI-6, REAR BUMPER (5 DOOR MODEL), COMPONENT, General Description.>*

*4 door model: <Ref. to EI-7, REAR BUMPER (4 DOOR MODEL), COMPONENT, General Description.>*

## C: REPAIR

Refer to the description for front bumper repair. <Ref. to EI-31, REPAIR, Front Bumper.>

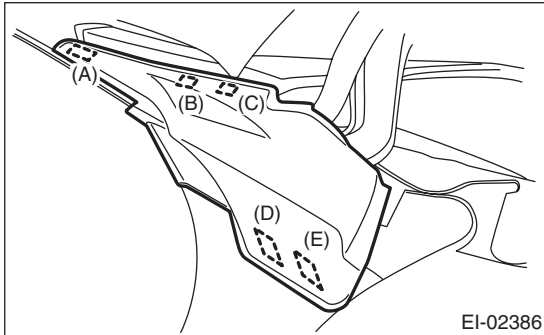
# Cowl Panel

EXTERIOR/INTERIOR TRIM

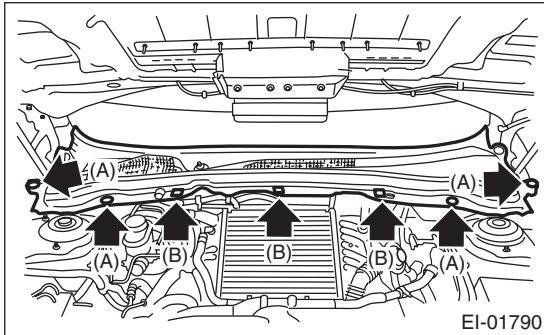
## 9. Cowl Panel

### A: REMOVAL

- 1) Open the front hood.
- 2) Remove the wiper arm. <Ref. to WW-14, REMOVAL, Front Wiper Arm.>
- 3) Detach the tabs and remove the cowl panel side.

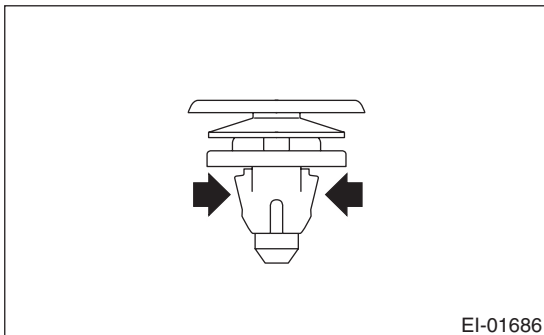


- (1) Detach tabs (A), (B), and (C) from the vehicle exterior.
  - (2) Detach tabs (D) and (E).
- 4) Remove the clips (A) and (B), and remove the cowl panel.



### CAUTION:

When removing clip (B), push the claws of the clips from both the left and right to remove. If pulled with excessive force, the clip will become damaged.

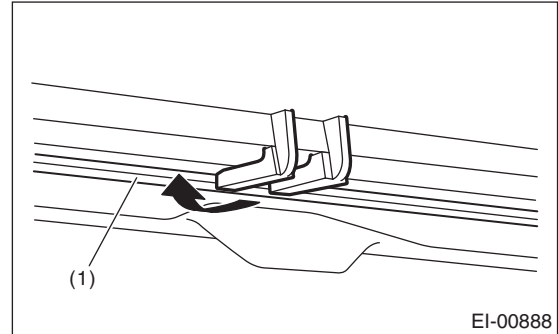


### B: INSTALLATION

Install in the reverse order of removal.

#### NOTE:

Hook the claw of the cowl panel on the lower end of the wind shield.

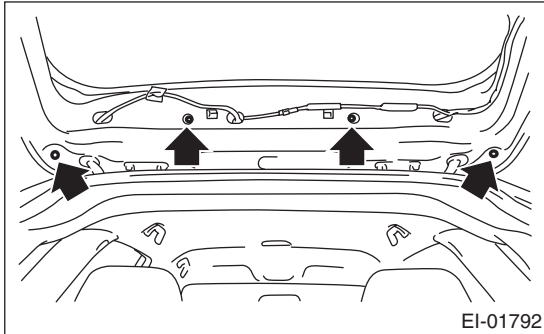


- (1) Wind shield cross section

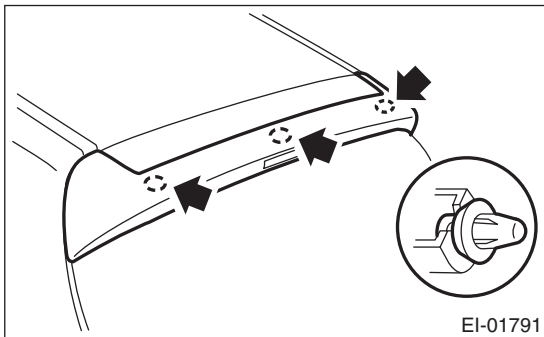
## 10. Roof Spoiler

### A: REMOVAL

- 1) Disconnect the ground cable from battery.
- 2) Remove the rear gate trim. <Ref. to EI-66, REMOVAL, Rear Gate Trim.>
- 3) Disconnect the connector of high-mounted stop light and the washer hose of rear washer.
- 4) Remove the bolts and nuts.



- 5) Remove the clips, and remove the roof spoiler.



### B: INSTALLATION

#### CAUTION:

- Improper installing may cause the water leakage, make sure the harness grommet is installed securely.
- Check that there is no foreign matter in roof spoiler between the high-mounted stop light harness or washer hose, it may cause washer defective and improper installation of spoiler.

Install in the reverse order of removal.

#### Tightening torque:

**7.5 N·m (0.76 kgf-m, 5.5 ft-lb)**

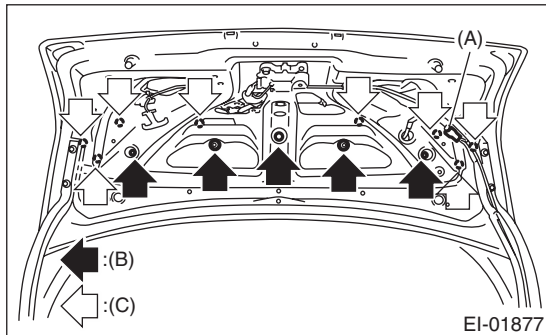
## 11.Rear Spoiler

### A: REMOVAL

- 1) Disconnect the ground cable from battery.
- 2) Open the trunk lid.
- 3) Remove the high mount stop light connector (A).
- 4) Remove the rear spoiler attachment nut (B) and clip (C), and remove the rear spoiler.

#### CAUTION:

- When removing the nut, be careful not to drop the nut inside the trunk lid panel.
- Be careful not to cause damage during removal and installation.



### B: INSTALLATION

#### CAUTION:

Improper installing may cause the water leakage, make sure the harness grommet is installed securely.

- 1) Install in the reverse order of removal.
- 2) Clean the trunk lid and spoiler attachment surface before installation.

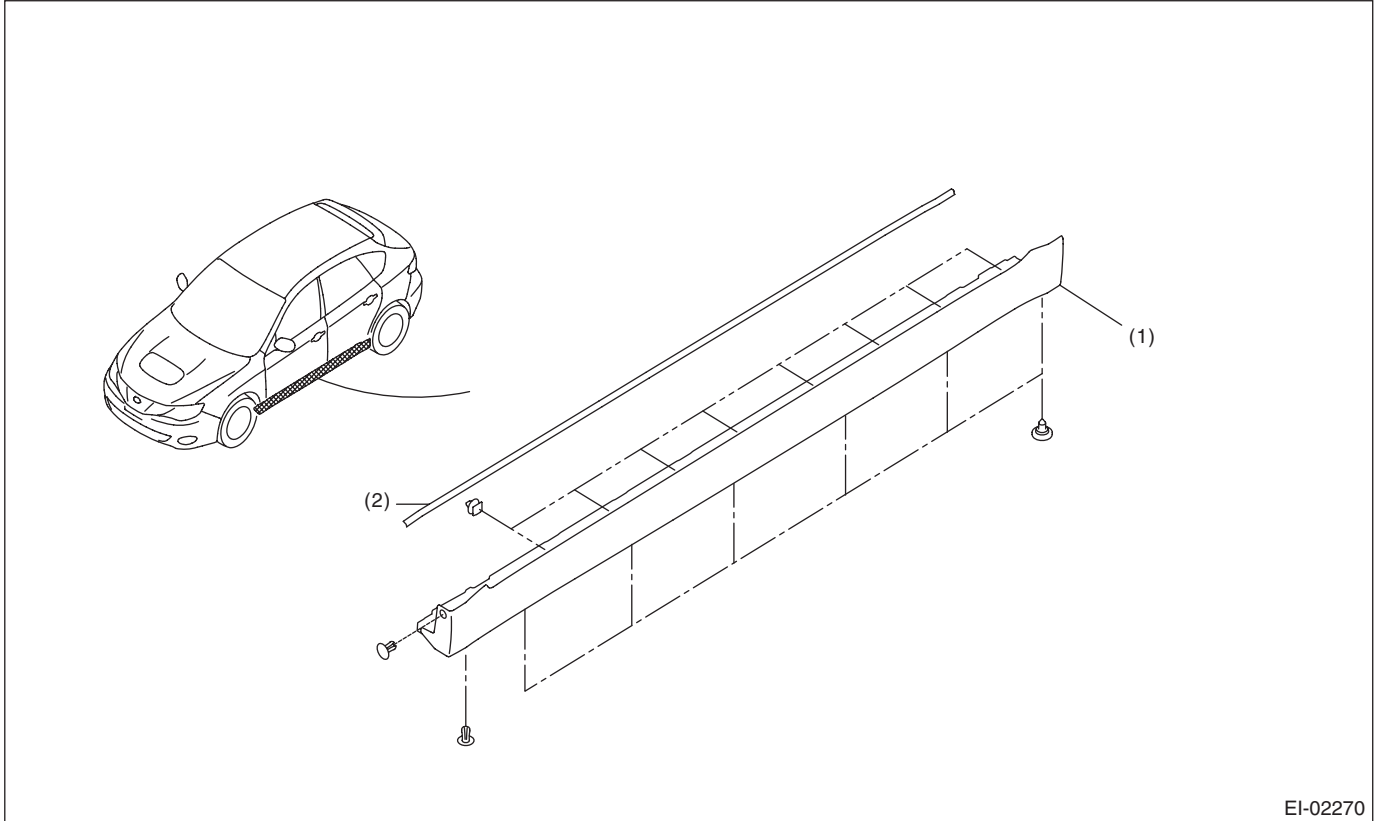
#### *Tightening torque:*

*7.5 N·m (0.76 kgf·m, 5.5 ft·lb)*

## 12.Side Sill Spoiler

### A: REMOVAL

Remove the clips and detach the side spoiler.



EI-02270

(1) Side sill spoiler

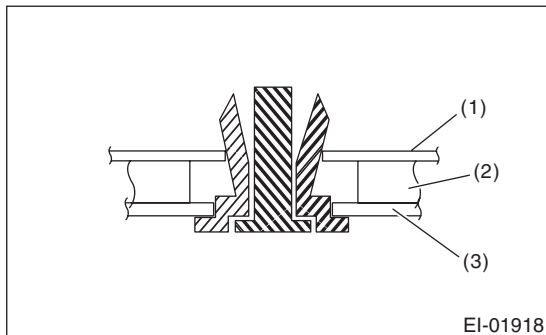
(2) Gasket

### B: INSTALLATION

Install in the reverse order of removal.

#### NOTE:

For the rearmost clip securing the side sill spoiler, install through the air flap.



EI-01918

(1) Vehicle body

(2) Air flap

(3) Side sill spoiler

# Roof Molding

EXTERIOR/INTERIOR TRIM

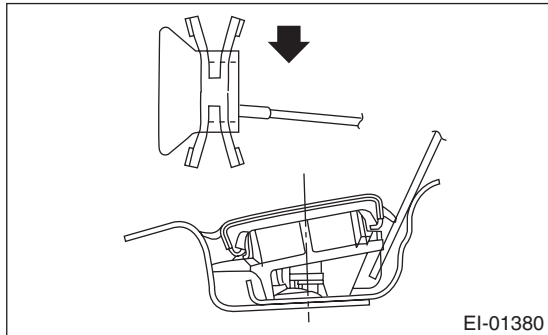
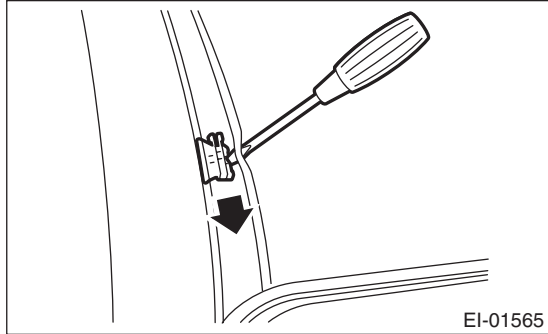
## 13. Roof Molding

### A: REMOVAL

1) Peel the end of the roof molding, and slide the inner clip in the direction of the arrow using a flat tip screwdriver, to remove the clip from the stud on the vehicle side.

Right side: Slide towards the front of the vehicle.

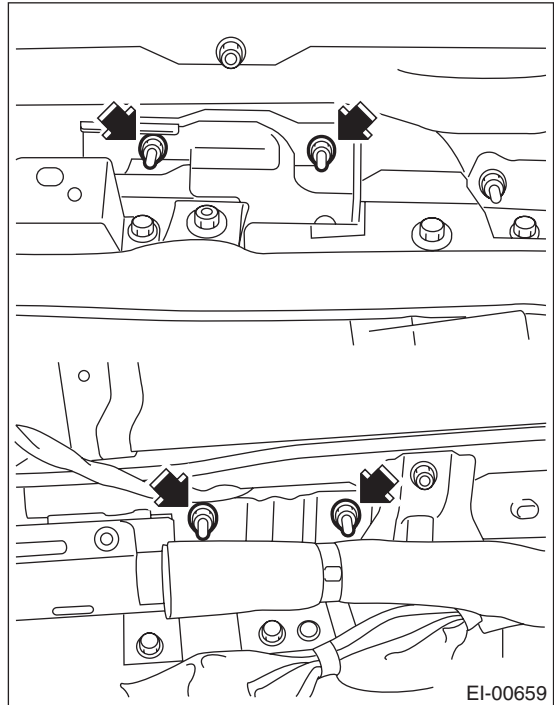
Left side: Slide towards the rear of the vehicle.



2) Pull up the roof molding upward, and remove from the vehicle.

3) Remove the roof trim. <Ref. to EI-64, REMOVAL, Roof Trim.>

4) Remove the nut, and remove the roof carrier bracket.



### B: INSTALLATION

#### CAUTION:

**Always replace clips that were damaged during removal of the roof molding.**

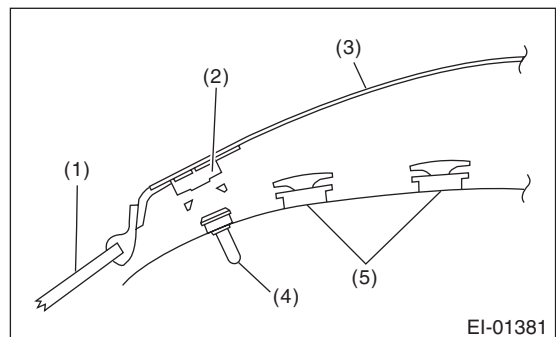
1) Install the roof carrier bracket.

#### Tightening torque:

**7.5 N·m (0.76 kgf·m, 5.5 ft·lb)**

2) Remove the clips from the roof molding, and attach to the studs on the vehicle.

3) Push the front end of the roof molding against the front window, and attach the forward positioning clip onto the rivet on the body.



- (1) Windshield
- (2) Positioning clip
- (3) Roof molding
- (4) Rivet
- (5) Clip

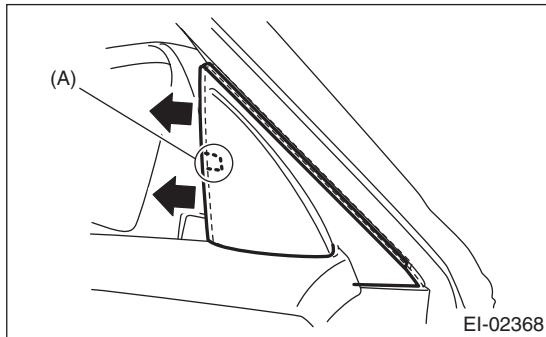
4) While pushing down the roof molding from above, connect the roof molding and the clip.

## 14. Door Trim

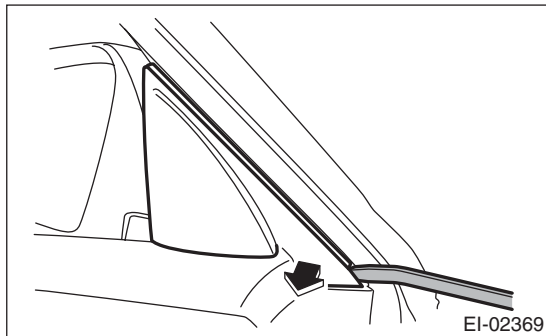
### A: REMOVAL

#### 1. FRONT DOOR

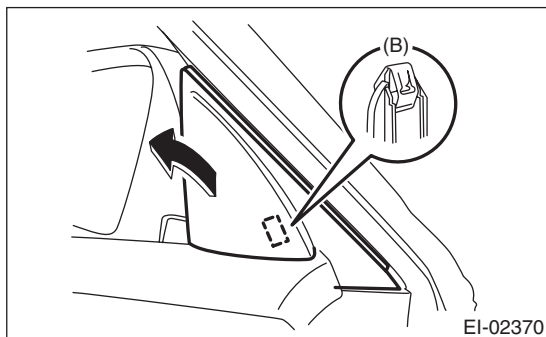
- 1) Disconnect the ground cable from battery.
- 2) Remove the gusset cover.
  - (1) Pull the gusset cover backward to detach the claws (A) on the backside of the gusset cover.



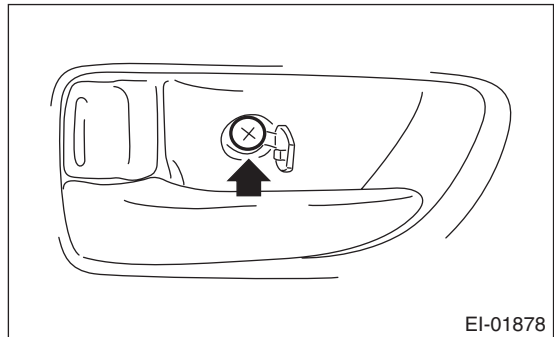
- (2) Insert a plastic remover into the position shown in the figure while retaining the condition in step (1), and lift up the gusset cover.



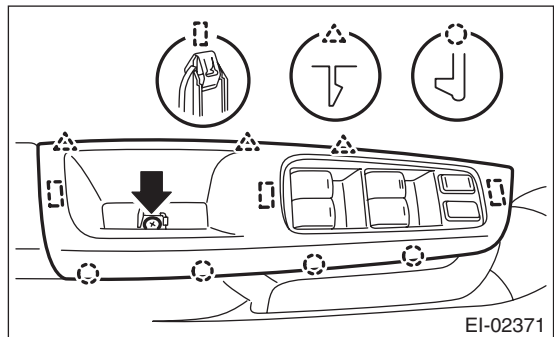
- (3) Remove the gusset cover in the direction of the arrow to detach the clip section (B), and disconnect the connector.



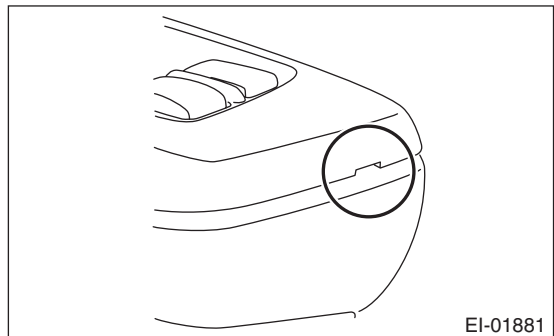
- 3) Open the cover of the inner remote section, and remove the screws.



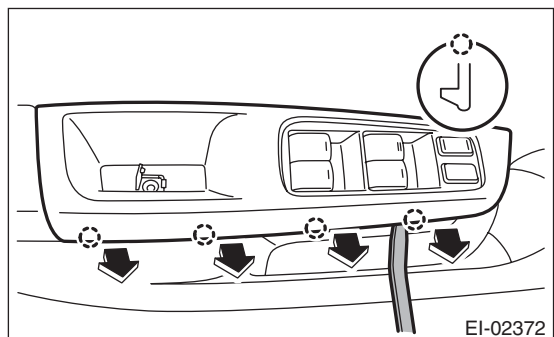
- 4) Remove the power window switch panel.



- (1) Open the cover and remove the screws.
- (2) Lift up the tip of switch panel by using a plastic remover.



- (3) Remove the side claws by using a plastic remover.

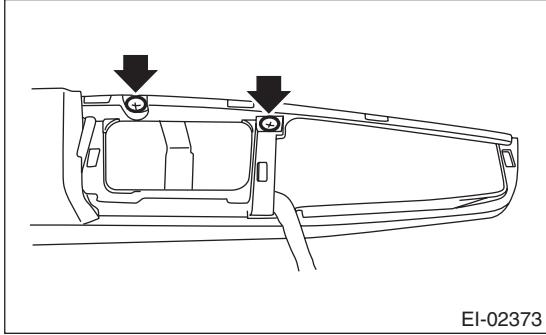


- (4) Remove the power window switch panel.

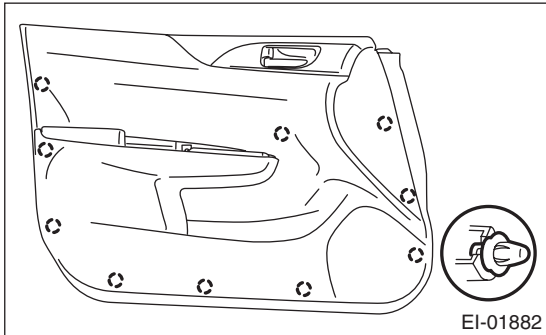
# Door Trim

## EXTERIOR/INTERIOR TRIM

5) Remove the door trim screws.



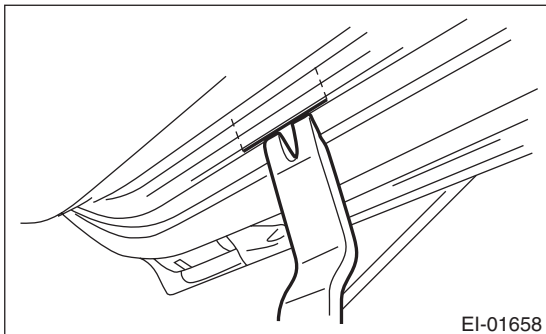
6) Remove the door trim.



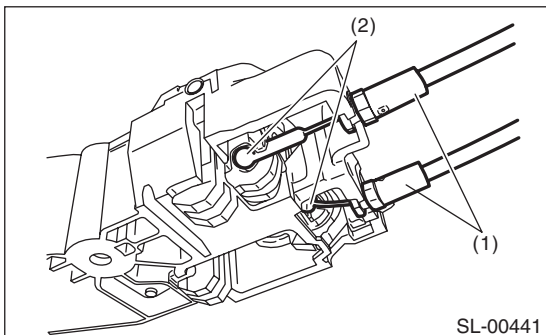
(1) Remove the clips, then lift the door trim.

### NOTE:

Insert a plastic clip remover into the slit at the bottom of the door trim, to lift the door trim.



(2) Remove the cable (1) and (2) from the cable holder of inner remote.



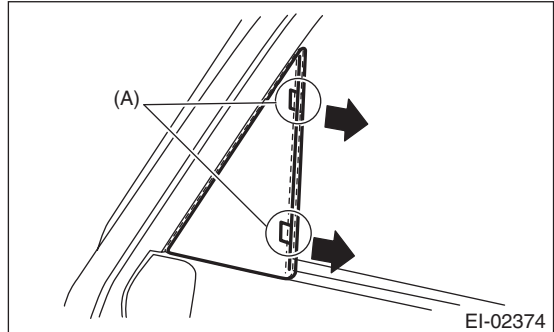
(3) Disconnect the harness connector and remove the door trim.

## 2. REAR DOOR

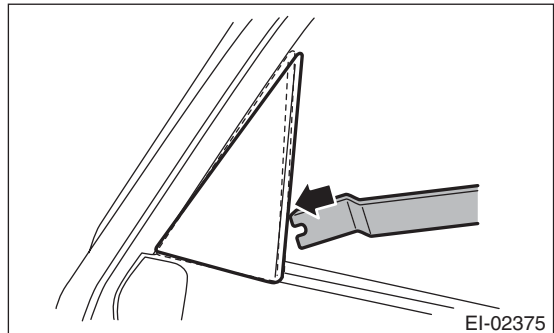
1) Disconnect the ground cable from battery.

2) Remove the gusset cover.

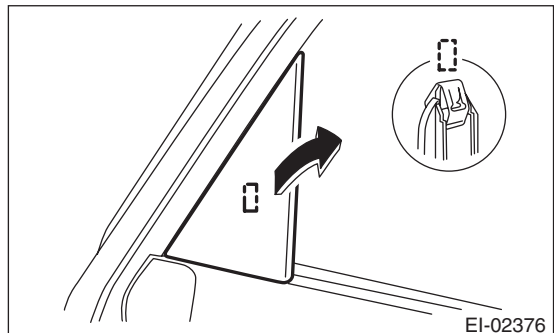
(1) Push gusset cover in direction of vehicle front to detach the claws (A) on the backside of the gusset cover.



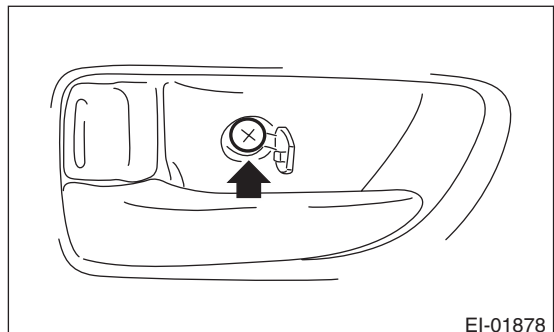
(2) Insert a plastic remover into to the position shown in the figure while retaining the condition in step (1), and lift up the gusset cover.



(3) Remove the gusset cover in the direction of the arrow to detach the clip section.

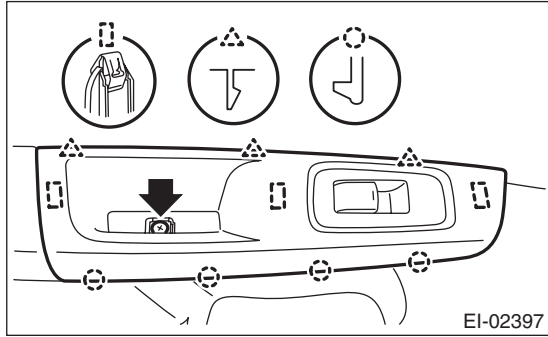


3) Open the cover of the inner remote section, and remove the screws.

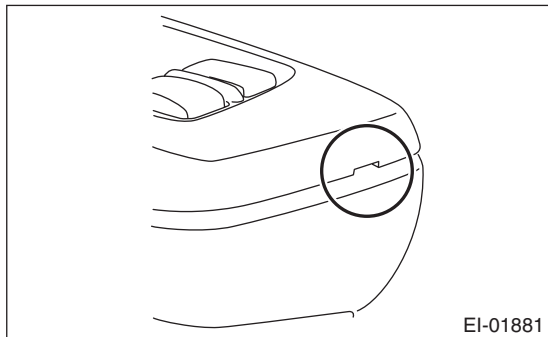




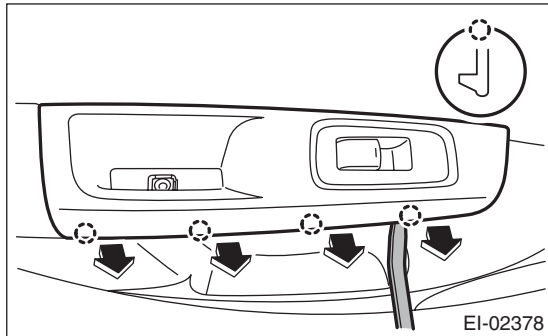
4) Remove the power window switch panel.



(1) Open the cover and remove the screws.  
 (2) Lift up the tip of switch panel by using a plastic remover.

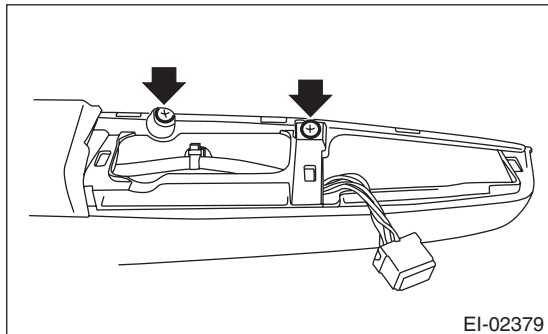


(3) Remove the side claws by using a plastic remover.

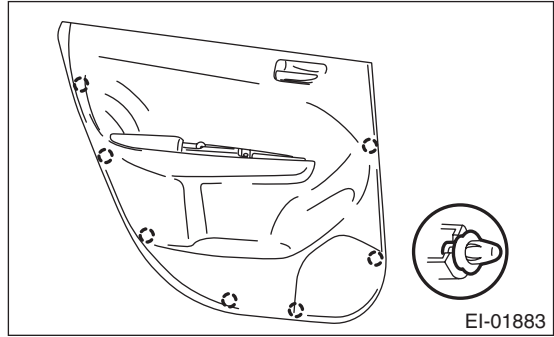


(4) Remove the power window switch panel.

5) Remove the door trim screws.



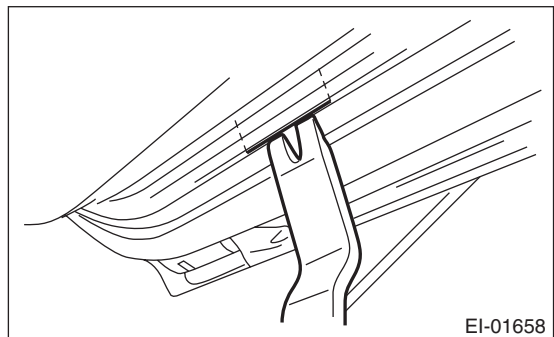
6) Remove the door trim.



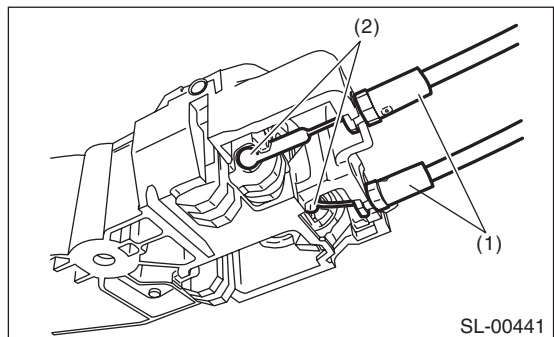
(1) Remove the clips, then lift the door trim.

**NOTE:**

Insert a plastic clip remover into the slit at the bottom of the door trim, to lift the door trim.



(2) Remove the cable (1) and (2) from the cable holder of inner remote.



(3) Disconnect the harness connector and remove the door trim.

**B: INSTALLATION**

Install in the reverse order of removal.

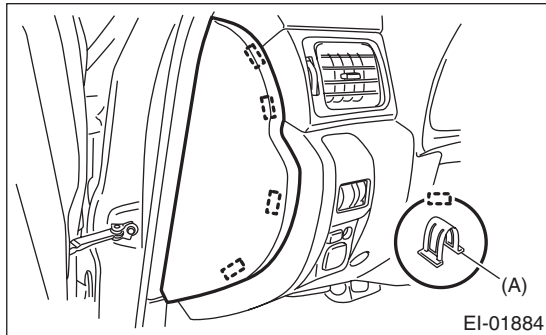
# Instrument Panel Lower Cover

EXTERIOR/INTERIOR TRIM

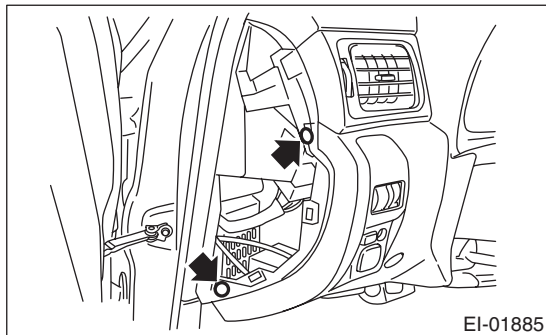
## 15. Instrument Panel Lower Cover

### A: REMOVAL

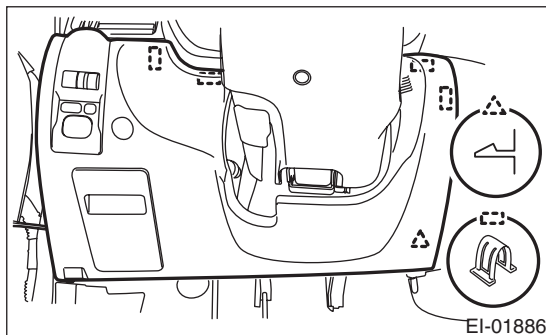
- 1) Disconnect the ground cable from battery.
- 2) Remove the plastic hook (A), and remove the instrument panel side cover LH.



- 3) Remove the screws.



- 4) Remove plastic hook (A), disconnect connectors and remove the instrument panel lower cover.



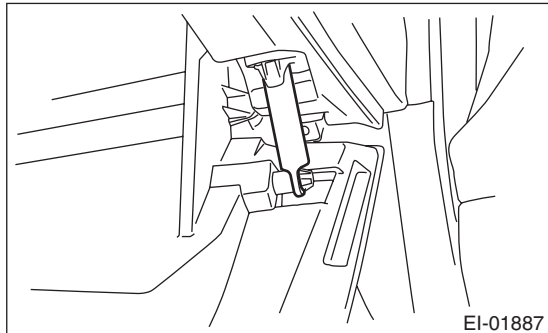
### B: INSTALLATION

Install in the reverse order of removal.

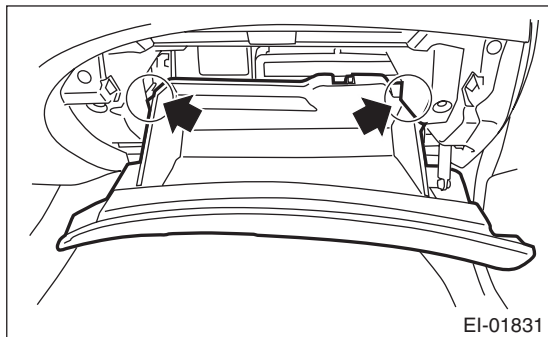
## 16. Glove Box

### A: REMOVAL

- 1) Disconnect the ground cable from the battery.
- 2) Remove the glove box damper.



- 3) Remove the stopper section, and pull out the glove box lid assembly towards yourself.



- 4) Remove the instrument panel lower cover. <Ref. to EI-51, INSTRUMENT PANEL, LOWER, REMOVAL, Center Console.>

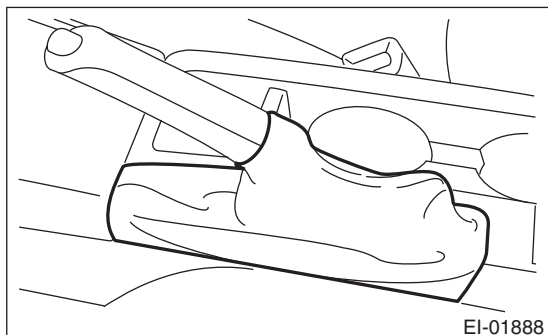
### B: INSTALLATION

Install in the reverse order of removal.

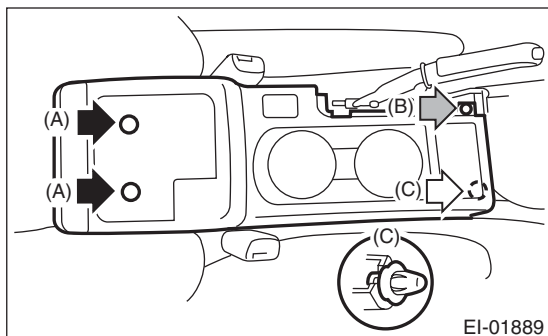
## 17. Console Box

### A: REMOVAL

- 1) Disconnect the ground cable from the battery.
- 2) Remove the parking brake lever boot.



- 3) Remove bolt (A) screw (B) and clip (C).



- 4) Disconnect connectors, and remove the console box.

### B: INSTALLATION

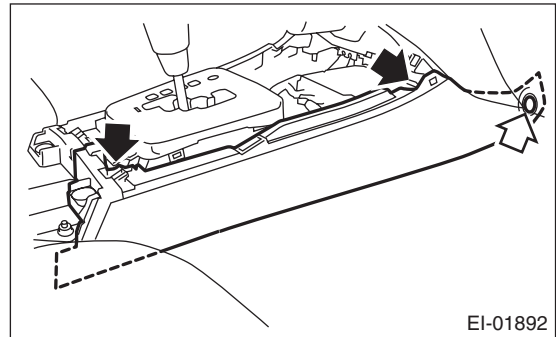
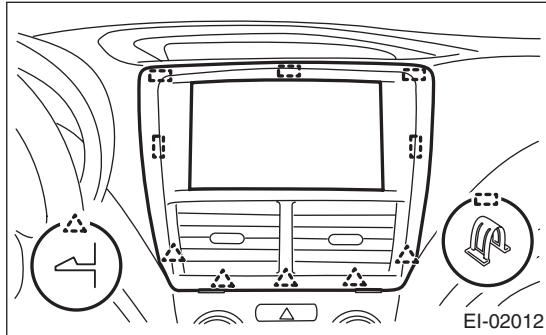
Install in the reverse order of removal.

## 18.Center Console

### A: REMOVAL

#### 1. CENTER PANEL

- 1) Insert the plastic clip remover into the slit on the bottom of the center panel, to lift the panel.
- 2) Remove the claws and resin hook and then remove the center panel.



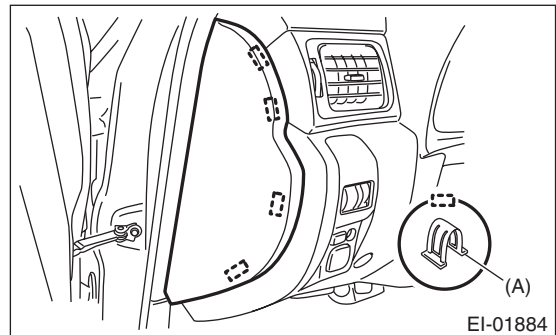
#### NOTE:

Pull towards the rear of the vehicle to remove.

#### 3. ORNAMENT PANEL

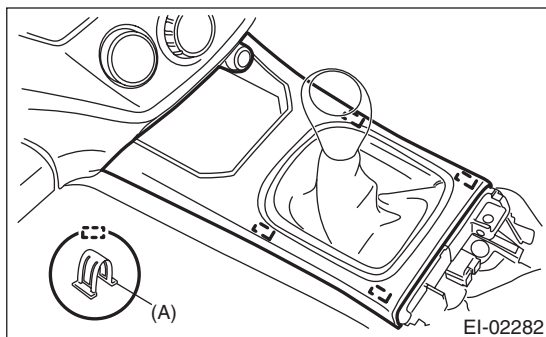
##### • Driver's side

- 1) Remove the plastic hook (A), and remove the instrument panel side cover LH.

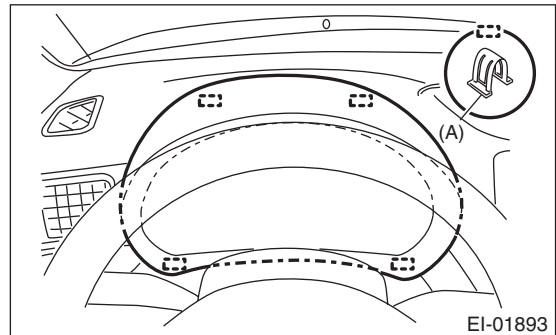


#### 2. CONSOLE FRONT PANEL

- 1) Remove the console box. <Ref. to EI-48, REMOVAL, Console Box.>
- 2) Remove the shift knob. (MT model)
- 3) Detach plastic hook (A), and remove the console front panel.



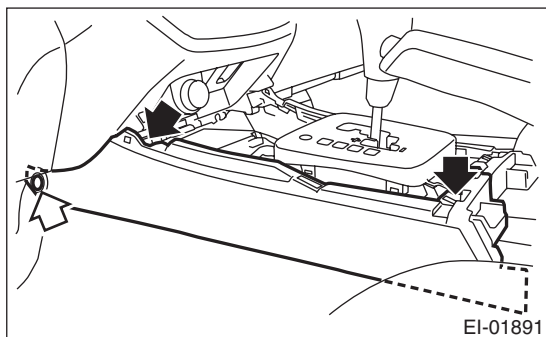
- 2) Remove the plastic hook (A), and detach the meter visor.



#### NOTE:

When removing the console front panel, pull it in the direction of the rear vehicle.

- 4) Remove the clips and screws, and remove the console side cover.



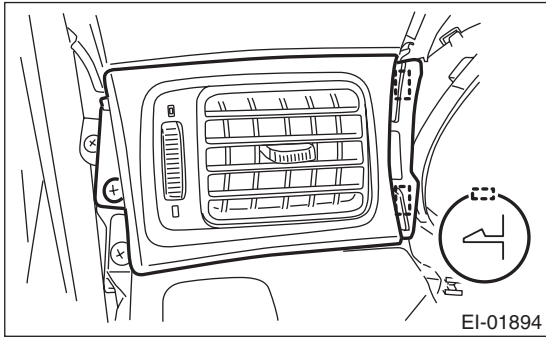
#### NOTE:

Remove the plastic hook on the bottom side of the meter visor by pulling it.

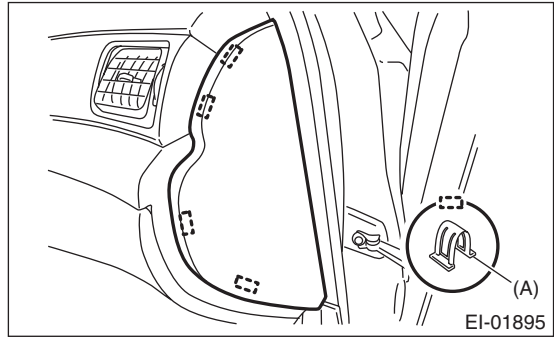
# Center Console

## EXTERIOR/INTERIOR TRIM

3) Detach the screw and the claw to take out ornament panel LH.



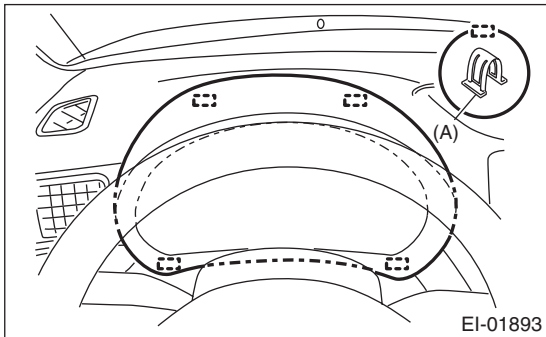
5) Detach the plastic hook (A), and remove the instrument panel side cover RH.



### • Passenger's side

1) Remove the instrument panel lower cover. <Ref. to EI-46, REMOVAL, Instrument Panel Lower Cover.>

2) Remove the plastic hook (A), and detach the meter visor.

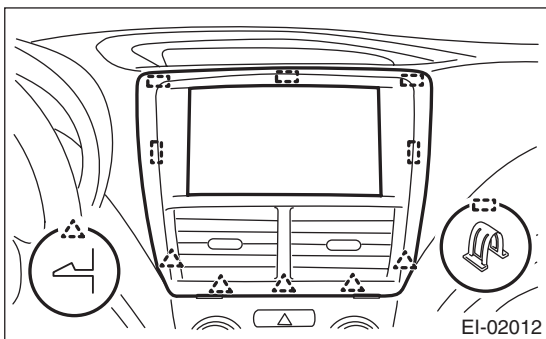


### NOTE:

Remove the plastic hook on the bottom side of the meter visor by pulling it.

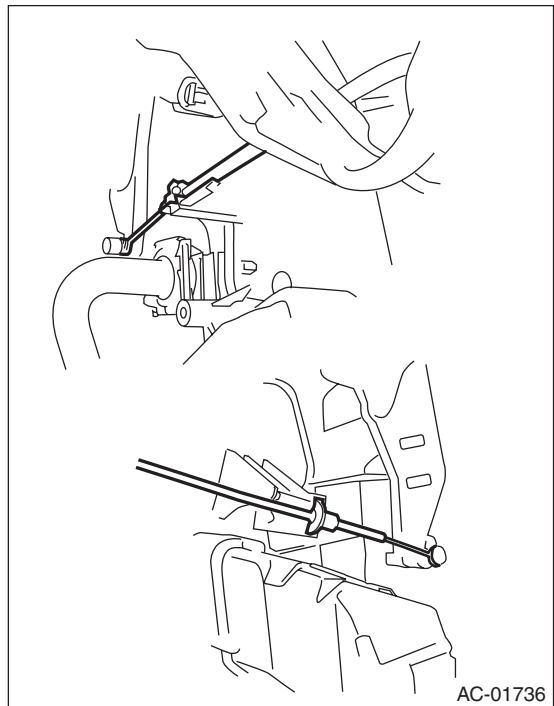
3) Insert the plastic clip remover into the slit on the bottom of the center panel, to lift the panel.

4) Remove the claws and resin hook and then remove the center panel.

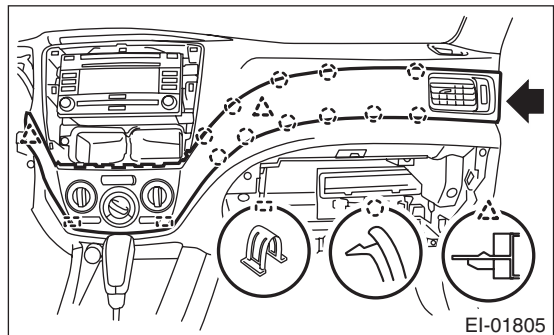


6) Remove the glove box lid. (Manual A/C model) <Ref. to EI-47, REMOVAL, Glove Box.>

7) On manual A/C models, detach the control cable.



8) Detach the screws and the plastic hooks to remove ornament panel RH.



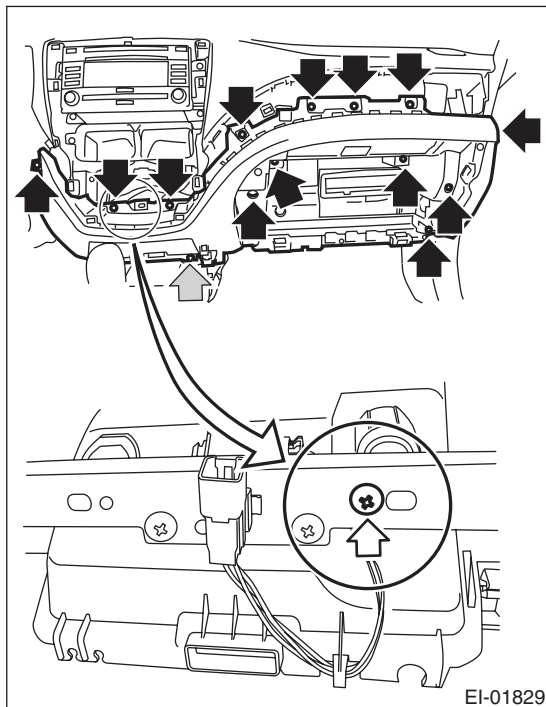
9) Disconnect connectors.

#### 4. INSTRUMENT PANEL, LOWER

- 1) Remove the console box. <Ref. to EI-48, REMOVAL, Console Box.>
- 2) Remove the center panel. <Ref. to EI-49, CENTER PANEL, REMOVAL, Center Console.>
- 3) Remove the console front panel. <Ref. to EI-49, CONSOLE FRONT PANEL, REMOVAL, Center Console.>
- 4) Remove ornament panel RH. <Ref. to EI-49, ORNAMENT PANEL, REMOVAL, Center Console.>
- 5) Remove the instrument panel lower cover. <Ref. to EI-46, REMOVAL, Instrument Panel Lower Cover.>
- 6) Remove the glove box lid. <Ref. to EI-46, REMOVAL, Instrument Panel Lower Cover.>
- 7) Remove the screws and nuts, and remove the instrument panel lower.

#### NOTE:

The screws indicated with the white arrows are tightened from the opposing side.



#### B: INSTALLATION

Install in the reverse order of removal.

#### *Tightening torque:*

**7.5 N·m (0.76 kgf-m, 5.5 ft-lb)**

# Instrument Panel Assembly

EXTERIOR/INTERIOR TRIM

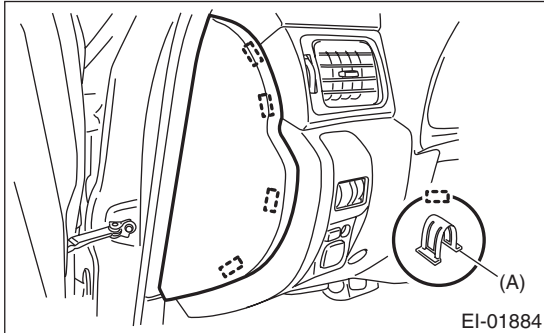
## 19. Instrument Panel Assembly

### A: REMOVAL

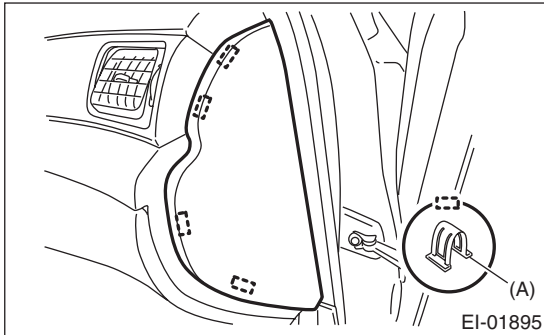
#### CAUTION:

Be careful not to damage the airbag system harness when servicing the instrument panel. Damage may cause the system to malfunction.

- 1) Disconnect the ground cable from battery.
- 2) Remove the front pillar upper trim. <Ref. to EI-57, REMOVAL, Upper Inner Trim.>
- 3) Remove the plastic hook (A), and remove the instrument panel side cover LH.



- 4) Detach the plastic hook (A), and remove the instrument panel side cover RH.



Remove the console box. <Ref. to EI-48, REMOVAL, Console Box.>

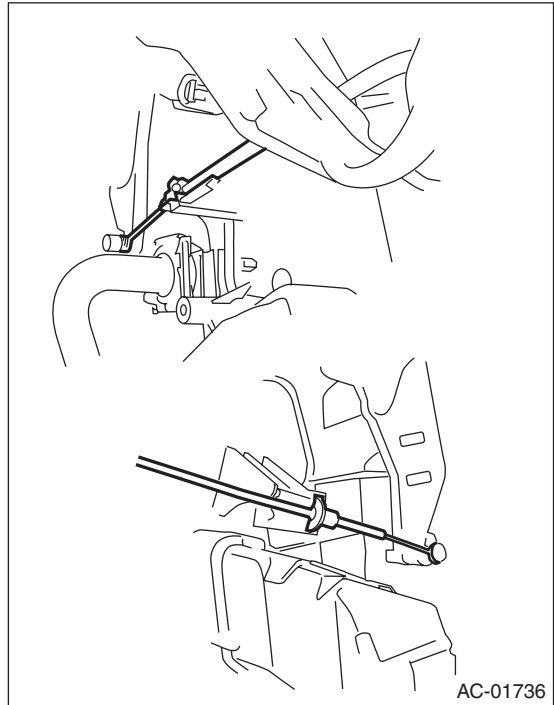
- 5) Remove the console box. <Ref. to EI-48, REMOVAL, Console Box.>

- 6) Remove the console front panel. <Ref. to EI-49, CONSOLE FRONT PANEL, REMOVAL, Center Console.>

- 7) Remove the instrument panel lower cover. <Ref. to EI-46, REMOVAL, Instrument Panel Lower Cover.>

- 8) Remove the glove box lid. (Manual A/C model) <Ref. to EI-46, REMOVAL, Instrument Panel Lower Cover.>

- 9) On manual A/C models, detach the control cable.

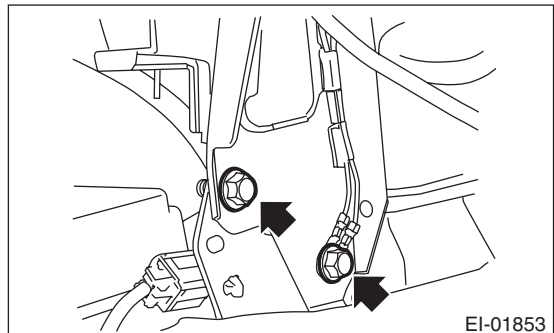
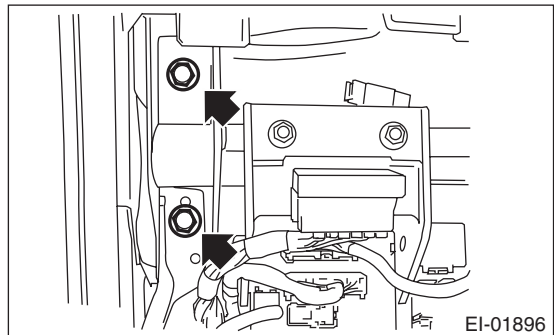


- 10) Remove the steering shaft assembly. <Ref. to PS-15, REMOVAL, Tilt Steering Column.>
- 11) Disconnect connectors.

#### NOTE:

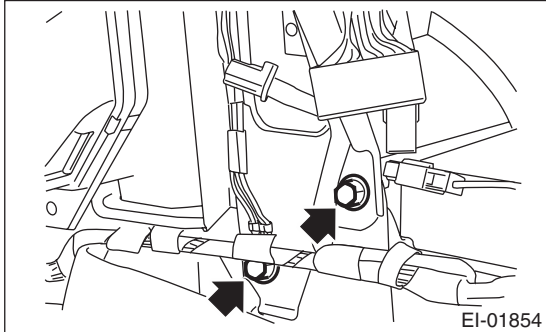
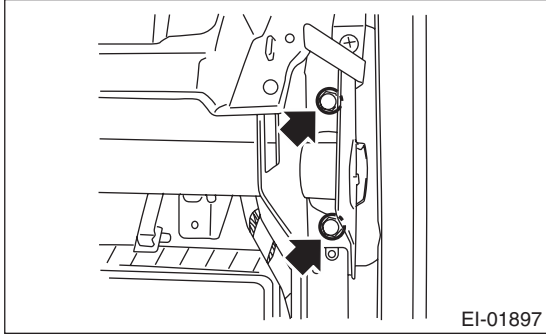
To make reassembly easier, place matching markings on connectors as necessary.

- 12) Remove the bolts and fuse box on the driver's side.





13) Remove the bolts on the passenger's side.

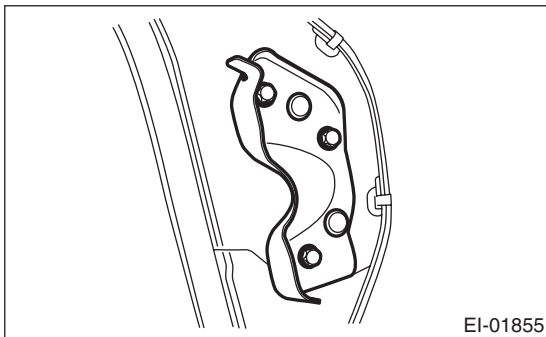


14) Make sure that the connectors are disconnected, and remove the instrument panel from the vehicle.

**CAUTION:**

**When taking the instrument panel out of the vehicle, be careful not to damage the vehicle. Perform this work by a group of two persons or more.**

15) Remove the steering support beam bracket.



## B: INSTALLATION

- 1) Insert the vehicle side matching pins (3 locations) into the instrument panel assembly.
- 2) Check that the matching pins are inserted securely, and then route the harness.
- 3) Install in the reverse order of removal.

**Tightening torque:**

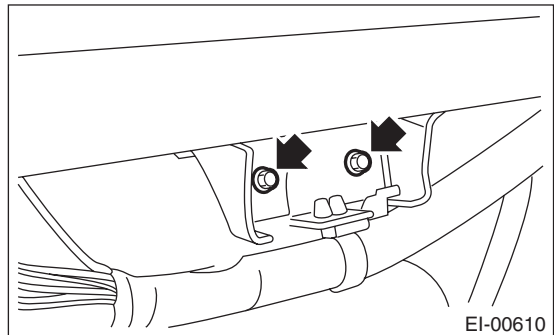
**Steering support beam & steering support beam bracket: 25 N·m (2.55 kgf-m, 18.4 ft-lb)**

**Steering shaft: <Ref. to PS-3, STEERING WHEEL AND COLUMN, COMPONENT, General Description.>**

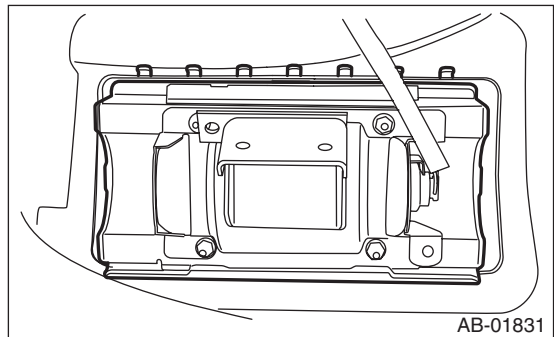
**Instrument panel lower: 7.5 N·m (0.76 kgf-m, 5.5 ft-lb)**

## C: DISASSEMBLY

- 1) Remove the combination meter assembly. <Ref. to IDI-16, REMOVAL, Combination Meter.>
- 2) Remove the audio. <Ref. to ET-6, REMOVAL, Audio.>
- 3) Remove the GPS antenna. <Ref. to ET-13, REMOVAL, GPS Antenna.>
- 4) Remove the heater vent duct. <Ref. to AC-46, REMOVAL, Heater Vent Duct.>
- 5) Remove the bolts securing the passenger's side airbag module to the steering support beam.



6) Remove the claw, and remove the passenger's airbag module.



# Instrument Panel Assembly

EXTERIOR/INTERIOR TRIM

---

## D: ASSEMBLY

### CAUTION:

**Be careful with the wiring harness routing during installation. When installing to the vehicle body, pinching the wiring harness may cause open circuits and shorts.**

Attach each part in the reverse order of disassembly, until the instrument panel assembly is formed.

### NOTE:

Method of installing insulator

- Adhesive

Use polyurethane adhesive. When assembling the instrument panel assembly, wait until the adhesive has evaporated to prevent filling of the smell in the compartment.

- Double-sided tape

Use commercial double-sided tape. (Use strong double-sided adhesive tape.)

### ***Tightening torque:***

***Instrument panel lower:***

***7.5 N·m (0.76 kgf-m, 5.5 ft-lb)***

***Passenger's airbag module:***

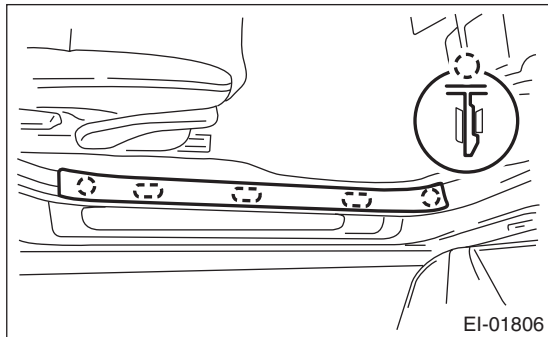
***7.5 N·m (0.76 kgf-m, 5.5 ft-lb)***

## 20. Lower Inner Trim

### A: REMOVAL

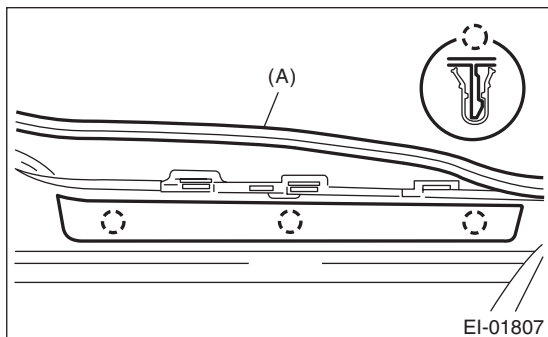
1) Remove the hook, and remove the inside scuff plate.

**CAUTION:**  
Do not pull with excessive force. Doing so may damage the scuff plate.

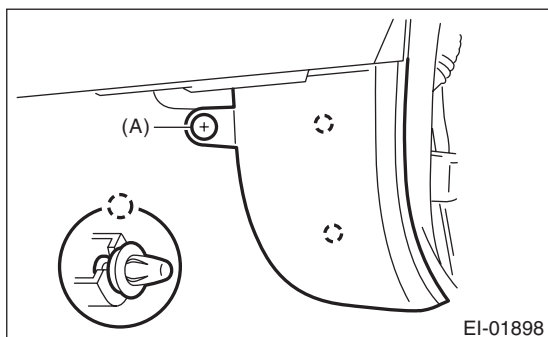


**NOTE:**  
It is easier to remove the weather strip and pull off the floor mat to detach the claw of scuff plate from the backside.

2) Remove the weather strip (A), and remove the outside scuff plate.



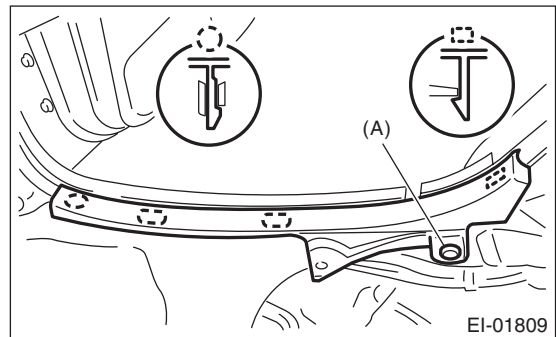
3) Remove clip (A), and remove the front pillar lower trim.



4) Remove the rear seat cushion. <Ref. to SE-11, REMOVAL, Rear Seat.>

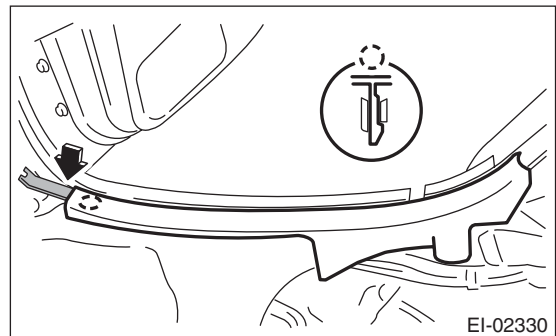
5) Remove clip (A), and remove the inside scuff plate.

**CAUTION:**  
Do not pull with excessive force. Doing so may damage the scuff plate.

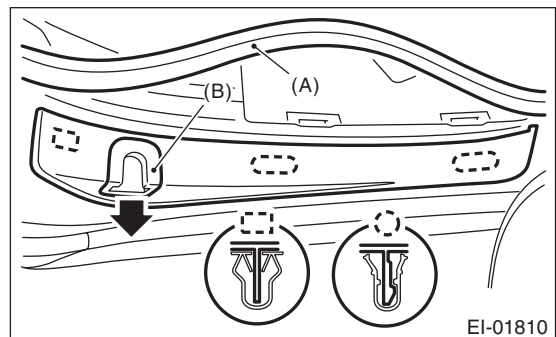


**NOTE:**

- It is easier to remove the weather strip to detach the claw of scuff plate from the backside of floor mat.
- It is easier to detach the tip claw of scuff plate using a clip remover.



6) Remove weather strip (A) and door catcher cover (B), then remove the outside scuff plate.

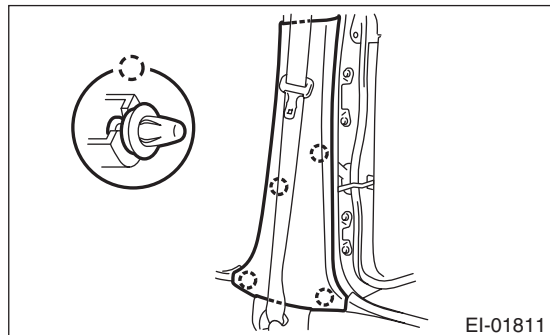


## Lower Inner Trim

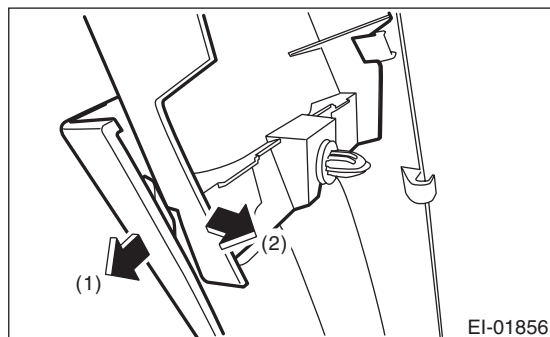
### EXTERIOR/INTERIOR TRIM

---

7) Remove the clips of the center pillar lower trim.



8) Spread the lower trim outwards to remove the claw, and pull on the upper trim to remove.



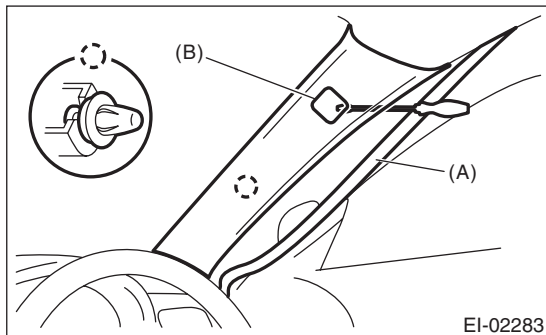
### **B: INSTALLATION**

Install in the reverse order of removal.

## 21. Upper Inner Trim

### A: REMOVAL

1) Remove the cap (B) on the upper side of the pillar trim, and remove the bolt.



#### NOTE:

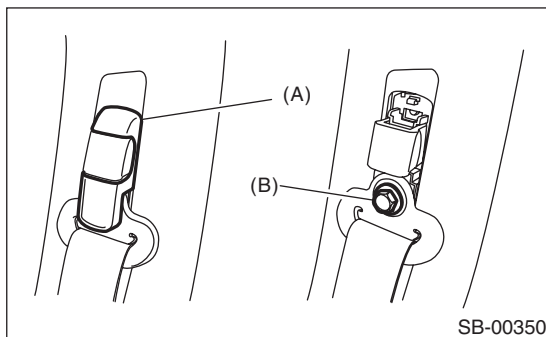
Remove the molding (A), and remove the cap from the backside of pillar trim not to damage the trim.

2) Remove the front pillar upper trim.

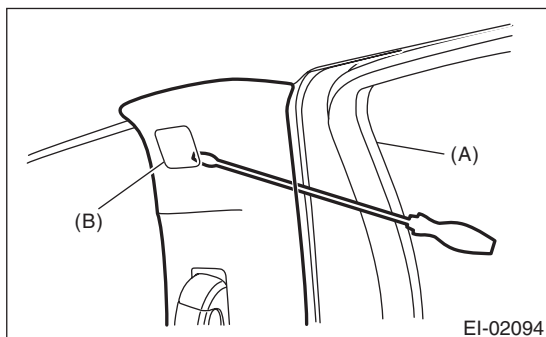
3) Remove the front inside scuff plate, rear inside scuff plate and center pillar lower trim. <Ref. to EI-55, REMOVAL, Lower Inner Trim.>

4) Remove anchor bolt cover (A).

5) Loosen the shoulder anchor bolt (B), and then detach the shoulder anchor from center pillar.



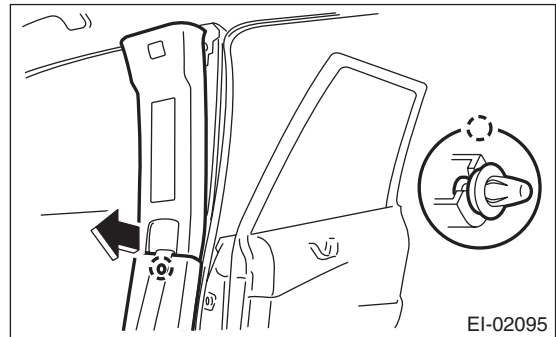
6) Remove the cap (B) on the upper side of the pillar trim, and remove the bolt.



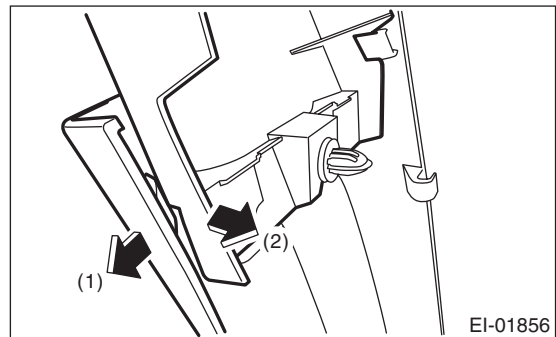
#### NOTE:

Remove the molding (A), and remove the cap from the backside of pillar trim not to damage the trim.

7) Pull and remove the upper trim clip section of the center pillar along with the lower trim.



8) Spread the lower trim outwards to remove the claw, and pull on the upper trim to remove.



### B: INSTALLATION

Install in the reverse order of removal.

#### Tightening torque

Refer to "COMPONENT" of "General Description".

Upper inner trim (5 door model): <Ref. to EI-19, INNER TRIM (5 DOOR MODEL), COMPONENT, General Description.>

Upper inner trim (4 door model): <Ref. to EI-20, INNER TRIM (4 DOOR MODEL), COMPONENT, General Description.>

Seat belt anchor: <Ref. to SB-2, FRONT SEAT BELT, COMPONENT, General Description.>

# Rear Quarter Trim

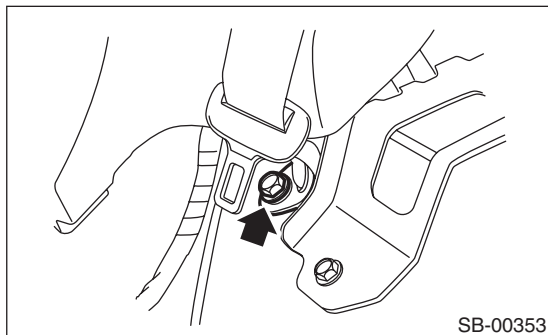
EXTERIOR/INTERIOR TRIM

## 22.Rear Quarter Trim

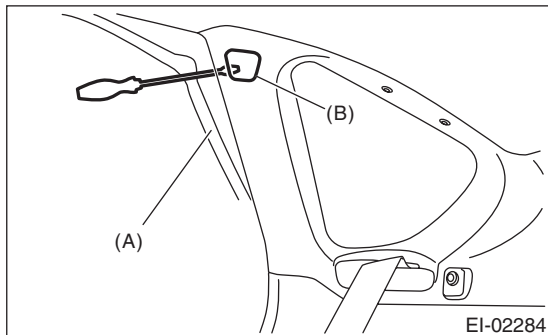
### A: REMOVAL

#### 1. 5 DOOR MODEL

- 1) Remove the rear seat. <Ref. to SE-11, REMOVAL, Rear Seat.>
- 2) Remove the seat belt lower anchor bolt.



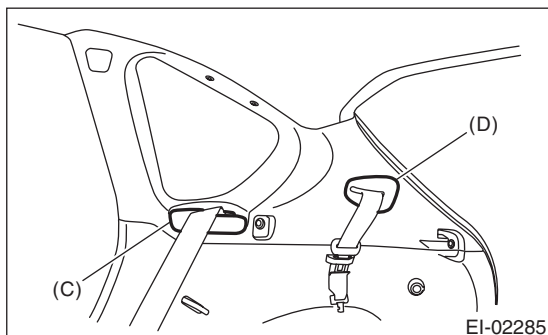
- 3) Remove the cap (B) on the upper side of the rear quarter pillar front trim, and remove the bolt inside.



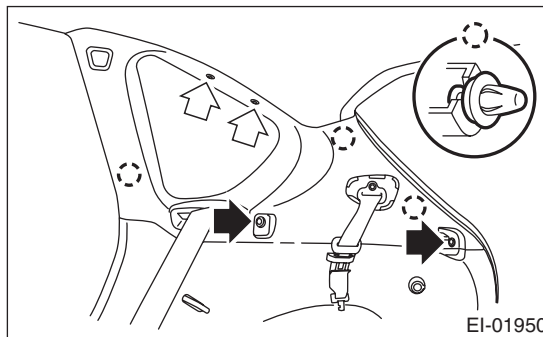
#### NOTE:

Remove the molding (A), and remove the cap from the backside of pillar trim not to damage the trim.

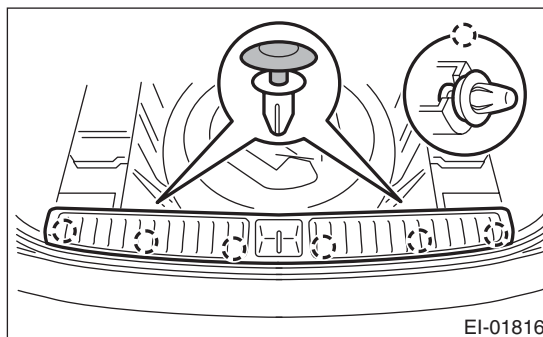
- 4) Remove the side belt cover (C).
- 5) Remove center belt cover (D), and remove the anchor bolt inside.



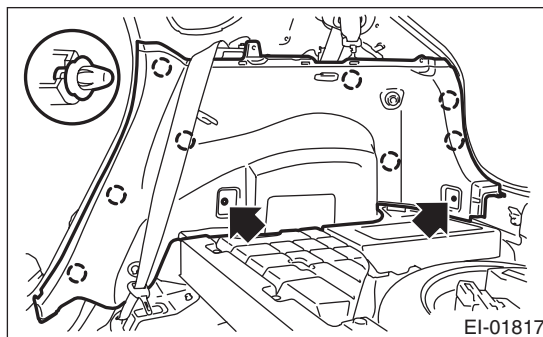
- 6) Remove the clips and screws, and remove the rear quarter upper trim.



- 7) Remove the luggage floor end cover.

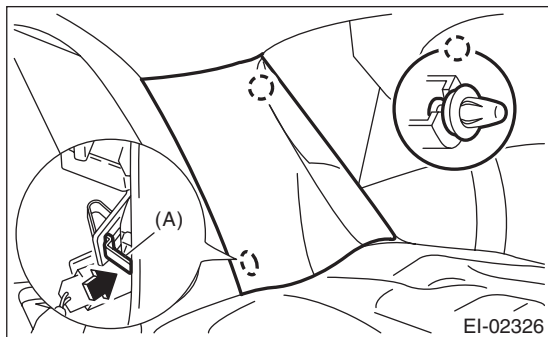


- 8) Remove the bolts, and remove the rear quarter lower trim.



## 2. 4 DOOR MODEL

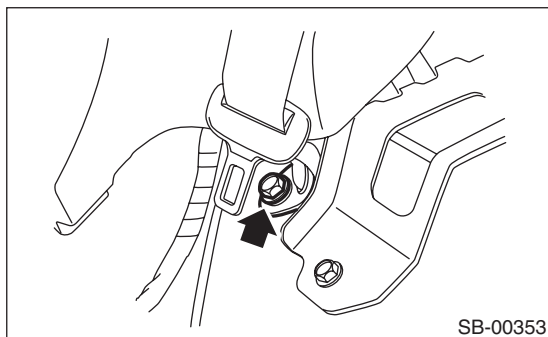
- 1) Remove the rear seat. <Ref. to SE-11, REMOVAL, Rear Seat.>
- 2) Remove the inside scuff plate. <Ref. to EI-55, REMOVAL, Lower Inner Trim.>
- 3) Peel the trim, and use a screwdriver, etc. to press claw (A) of the metal clip, to remove the quarter upper trim.



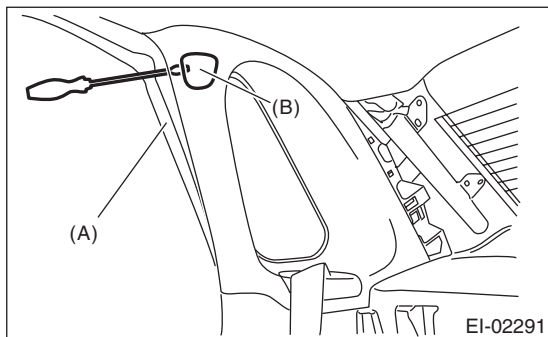
### CAUTION:

If the metal clip comes off or becomes damaged, replace both the quarter upper trim rear and metal clips.

- 4) Remove the seat belt lower anchor bolt.



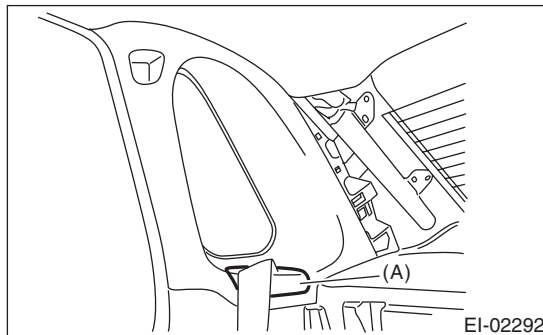
- 5) Remove the cap (B) on the upper side of the rear quarter trim, and remove the bolt inside.



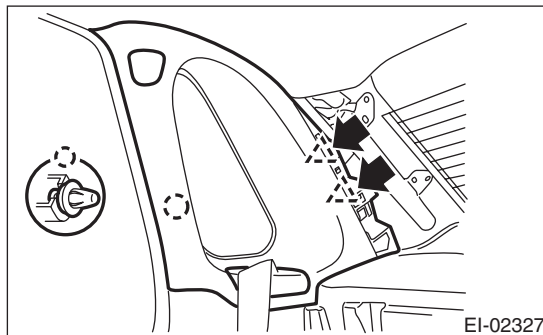
### NOTE:

Remove the molding (A), and remove the cap from the backside of pillar trim not to damage the trim.

- 6) Remove side belt cover (A).



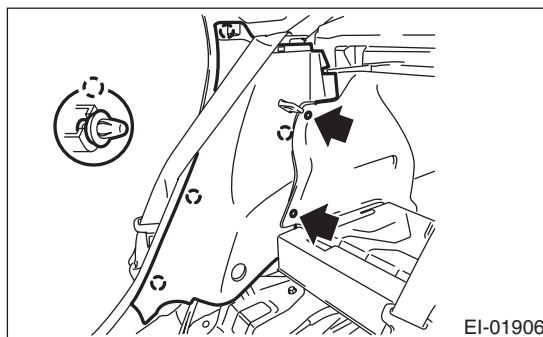
- 7) Remove the bolts and clips, and remove the quarter upper trim front.



- 8) Remove the rear seat. <Ref. to SE-11, REMOVAL, Rear Seat.>

- 9) Remove the clip of the trunk room side trim.

- 10) Remove the clips, then remove the quarter lower trim.



## B: INSTALLATION

Install in the reverse order of removal.

### Tightening torque

Refer to "COMPONENT" of "General Description".

Rear quarter upper trim (5 door model): <Ref. to EI-19, INNER TRIM (5 DOOR MODEL), COMPONENT, General Description.>

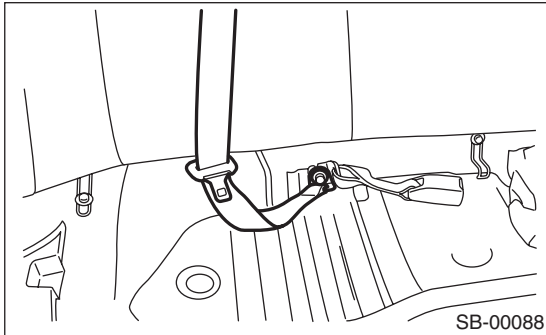
Rear quarter upper trim (4 door model): <Ref. to EI-20, INNER TRIM (4 DOOR MODEL), COMPONENT, General Description.>

Seat belt anchor: <Ref. to SB-3, REAR SEAT BELT, COMPONENT, General Description.>

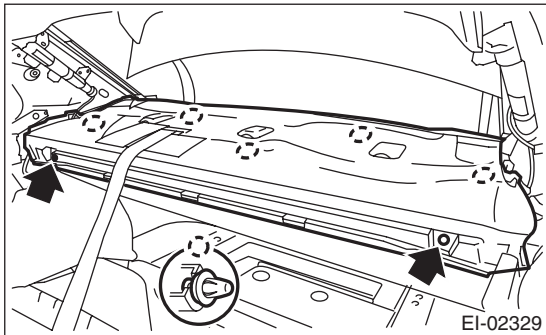
## 23. Rear Shelf Trim

### A: REMOVAL

- 1) Disconnect the ground cable from battery.
- 2) Remove the rear quarter trim. <Ref. to EI-59, 4 DOOR MODEL, REMOVAL, Rear Quarter Trim.>
- 3) Remove the seat belt center anchor lower bolt.



- 4) Remove the clips, and remove the rear shelf trim.



### B: INSTALLATION

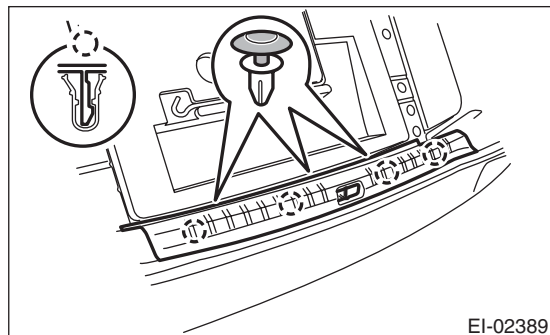
Install in the reverse order of removal.



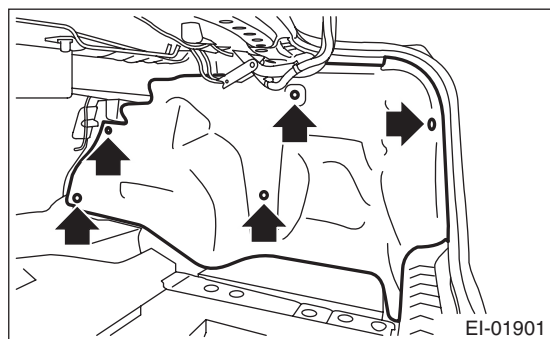
## 24. Trunk Room Trim

### A: REMOVAL

- 1) Remove the rear seat backrest. <Ref. to SE-11, REMOVAL, Rear Seat.>
- 2) Remove the trunk room mat.
- 3) Remove the clips, and then remove the trunk room rear trim.



- 4) Remove the clips, and remove the trunk side trim.



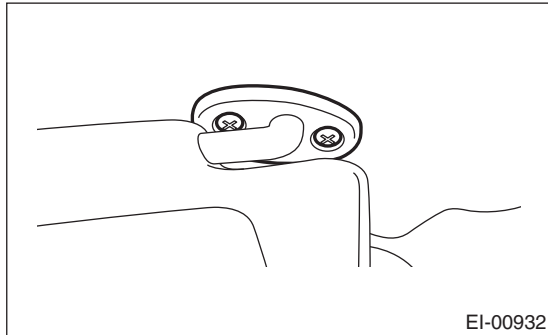
### B: INSTALLATION

Install in the reverse order of removal.

## 25.Sun Visor

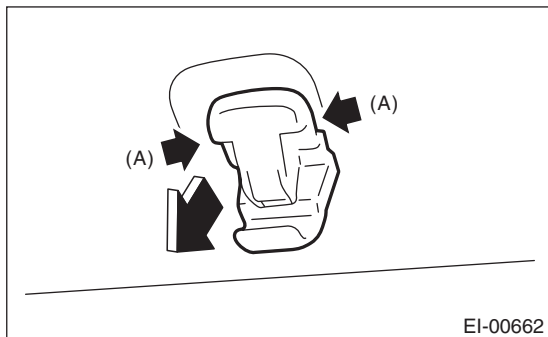
### A: REMOVAL

1) Remove the screws and detach the sun visor.



2) Disconnect the connector. (Model with vanity mirror light)

3) While pressing the (A) on the both side using flat tip screwdriver, pull the sun visor hook to remove it.



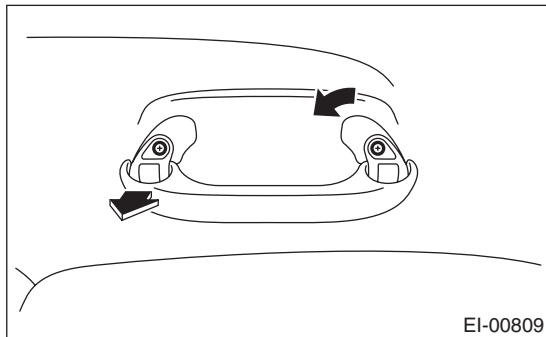
### B: INSTALLATION

Install in the reverse order of removal.

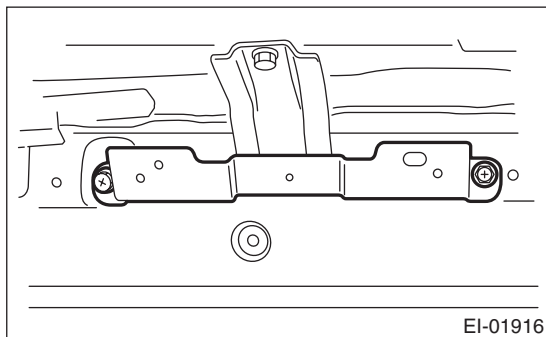
## 26. Assist Grip

### A: REMOVAL

- 1) Remove the screw cover, and remove the screw inside.
- 2) Pull the left side of assist grip, and rotate the right side of it counterclockwise to remove.



- 3) Remove the roof trim. <Ref. to EI-64, REMOVAL, Roof Trim.>
- 4) Remove the bolts, and remove the assist grip bracket.



### B: INSTALLATION

Install in the reverse order of removal.

#### ***Tightening torque***

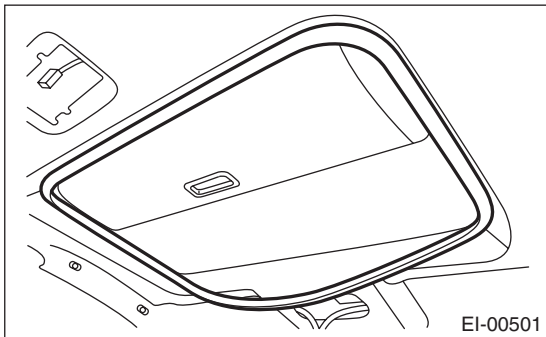
***7.5 N·m (0.76 kgf·m, 5.5 ft·lb)***

## 27. Roof Trim

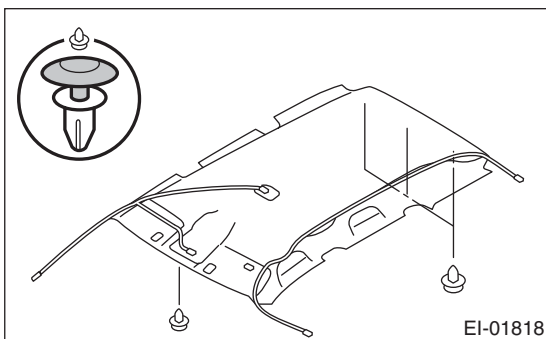
### A: REMOVAL

#### 1. 5 DOOR MODEL

- 1) Disconnect the ground cable from battery.
- 2) Remove the spot map light. <Ref. to LI-30, REMOVAL, Spot Map Light.>
- 3) Remove the room light. <Ref. to LI-31, REMOVAL, Room Light.>
- 4) Remove the sun visor. <Ref. to EI-62, REMOVAL, Sun Visor.>
- 5) Remove the assist grip. <Ref. to EI-63, REMOVAL, Assist Grip.>
- 6) Remove the upper inner trim. <Ref. to EI-57, REMOVAL, Upper Inner Trim.>
- 7) Remove the rear quarter trim. <Ref. to EI-58, REMOVAL, Rear Quarter Trim.>
- 8) Disconnect the harness connectors of the right and left front pillars, and the rear quarter (LH).
- 9) Remove the sunroof opening trim. (Model with sunroof)



- 10) Remove the clips, and then remove the roof trim.



**CAUTION:**

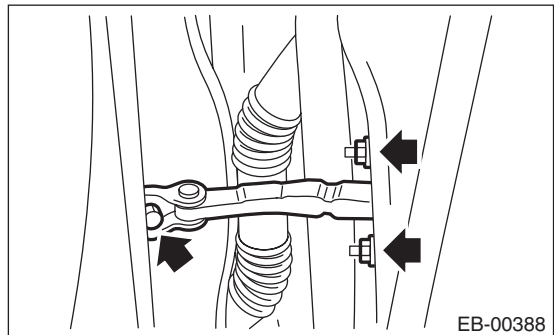
Do not remove the roof end trim with excessive force. Otherwise the roof trim may become damaged. Roof trim and roof end trim are fastened by rivets.

#### 2. 4 DOOR MODEL

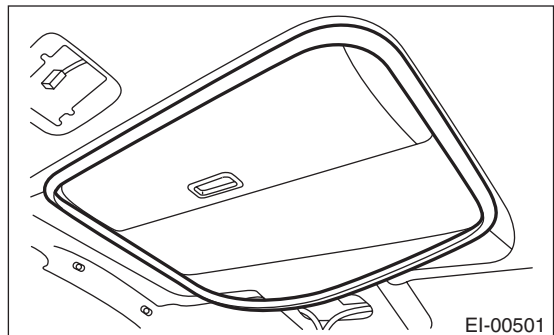
**CAUTION:**

When taking the roof trim out of the vehicle, be careful not to damage the room inner trim. Perform this work with 3 persons.

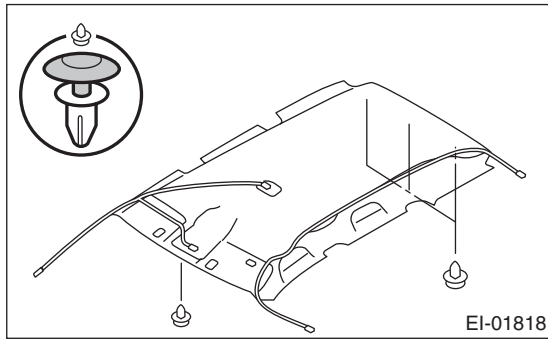
- 1) Disconnect the ground cable from battery.
- 2) Apply protective tape, etc. to prevent damage to the face of the instrument panel.
- 3) Remove the spot map light. <Ref. to LI-30, REMOVAL, Spot Map Light.>
- 4) Remove the room light. <Ref. to LI-31, REMOVAL, Room Light.>
- 5) Remove the sun visor. <Ref. to EI-62, REMOVAL, Sun Visor.>
- 6) Remove the assist grip. <Ref. to EI-63, REMOVAL, Assist Grip.>
- 7) Remove the upper inner trim. <Ref. to EI-57, REMOVAL, Upper Inner Trim.>
- 8) Remove the rear quarter trim. <Ref. to EI-58, REMOVAL, Rear Quarter Trim.>
- 9) Disconnect the harness connectors of the right and left front pillars, and the rear quarter (LH).
- 10) Remove the console front panel. <Ref. to EI-49, CONSOLE FRONT PANEL, REMOVAL, Center Console.>
- 11) Remove the steering wheel. <Ref. to PS-12, REMOVAL, Steering Wheel.>
- 12) Remove the passenger's side door trim. <Ref. to EI-43, REMOVAL, Door Trim.>
- 13) Remove the passenger's side door checker.



- 14) Fully recline the front seat.
- 15) Remove the sunroof opening trim. (Model with sunroof)



16) Remove the clips, and then remove the roof trim.



17) Open the passenger's side door all the way, and maintain at that position.

18) Take out the roof trim from the passenger's side opening.

**NOTE:**

Rotate the roof trim to go through the gap between the front accessory socket and airbag control unit.

**B: INSTALLATION**

Install in the reverse order of removal.

# Rear Gate Trim

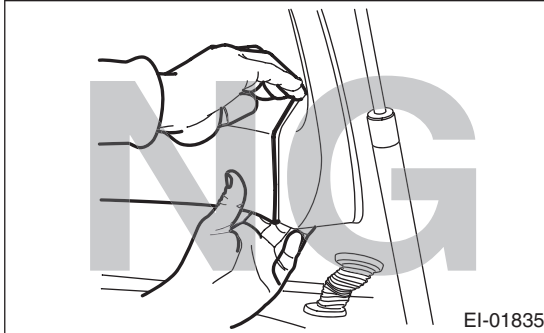
EXTERIOR/INTERIOR TRIM

## 28.Rear Gate Trim

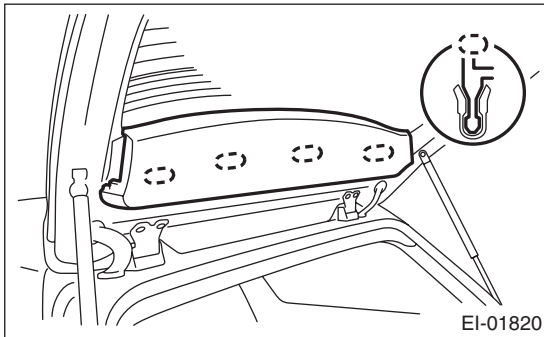
### A: REMOVAL

#### CAUTION:

When detaching the rear gate upper trim and pillar trim, do not pull these parts with excessive force. Pulling with excessive force may damage the trim.

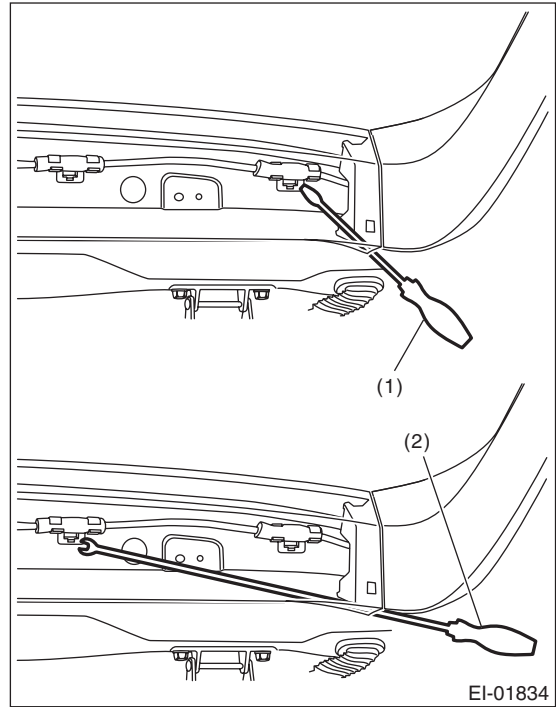


1) Remove the clips, and remove the rear gate upper trim.



#### CAUTION:

When removing trim, make sure to follow the procedures below. Applying excessive force when removing can damage the trim. Use flat tip screwdrivers (1) or clip removers (2) to detach the claws of the trim.



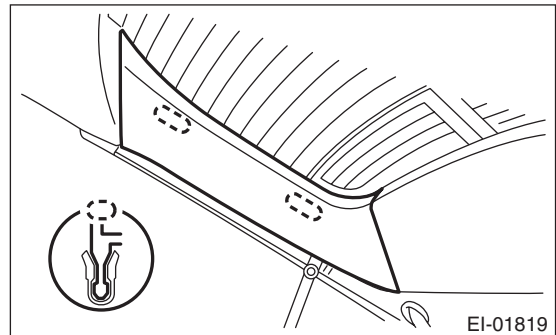
1. Use a flat tip screwdriver (1) to detach the claws of the trim.
2. Use a clip remover (2) to detach the claws of the trim.

#### Tools used

**Flat tip screwdriver:** Those with a shaft length of around 100 mm.

**Clip remover:** KTC AP20L-10B

- 2) Use a flat tip screwdriver to detach the claws of the trim, and remove the rear gate pillar trim.



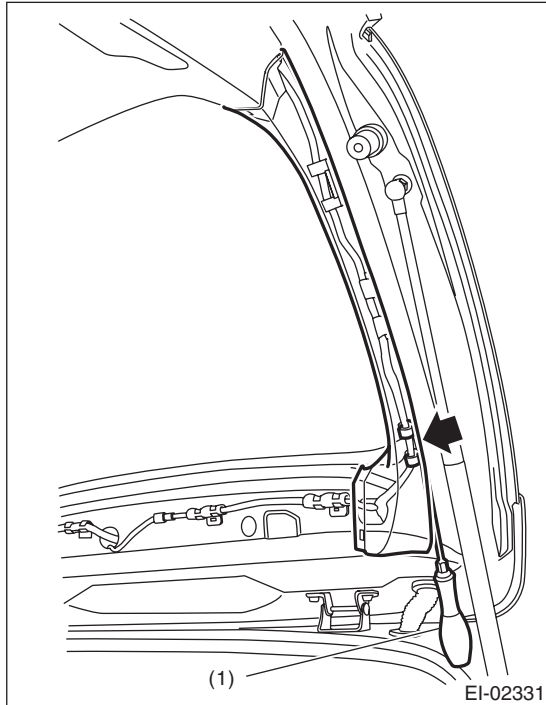
# Rear Gate Trim

EXTERIOR/INTERIOR TRIM

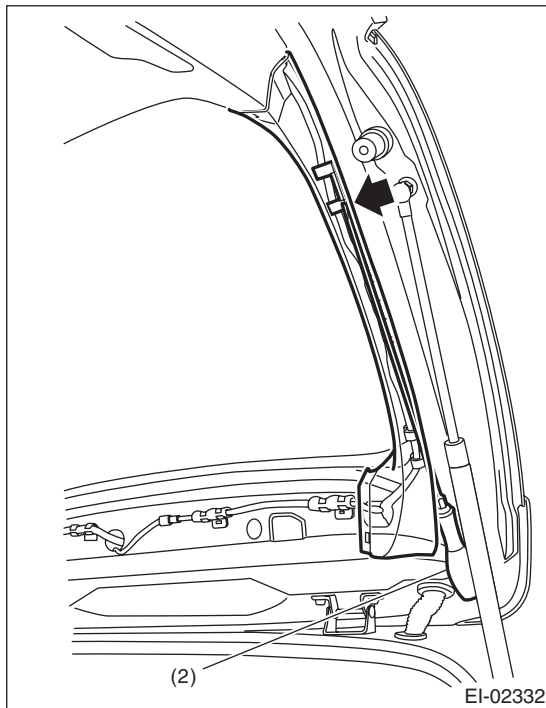
## CAUTION:

When removing trim, make sure to follow the procedures below. Applying excessive force when removing can damage the trim.

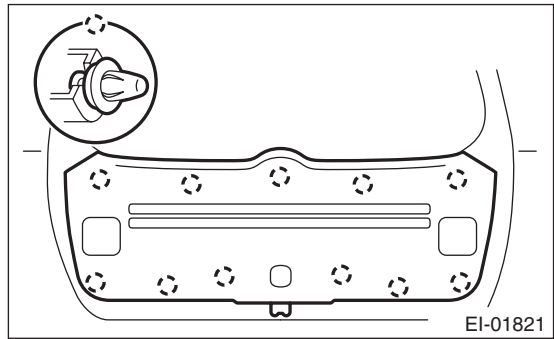
1. Insert a flat tip screwdriver (1) as shown in the figure, to detach the claws of the trim.



2. Insert a flat tip screwdriver (2) as shown in the figure, to detach the claws of the trim.



3) Remove the clips, and then remove the rear gate lower trim.



## B: INSTALLATION

Install in the reverse order of removal.

### Tools used

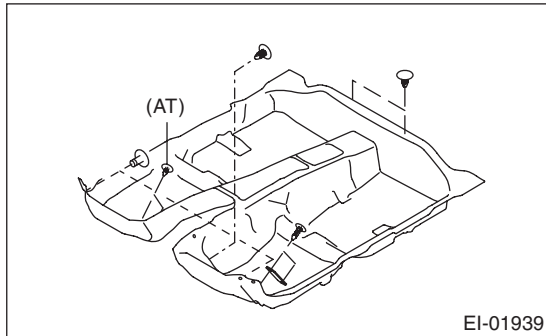
Flat tip screwdriver (1): Axle length 100 mm

Flat tip screwdriver (2): Axle length 290 mm

### 29. Floor Mat

#### A: REMOVAL

- 1) Remove the front seats. <Ref. to SE-6, REMOVAL, Front Seat.>
- 2) Remove the rear seat cushion. <Ref. to SE-11, REMOVAL, Rear Seat.>
- 3) Remove the console box. <Ref. to EI-48, Console Box.>
- 4) Remove the console side panel. <Ref. to EI-49, REMOVAL, Center Console.>
- 5) Remove the lower inner trim. <Ref. to EI-55, REMOVAL, Lower Inner Trim.>
- 6) Remove the footrest. (MT model)
- 7) Remove the clips from the floor mat.
- 8) Remove the mat hook on both sides.
- 9) Remove the mat from toe board area.
- 10) Remove the mat from rear heater duct.
- 11) Roll the mat, and then take it out of opened rear door.



(AT) Automatic transmission model

#### B: INSTALLATION

Install in the reverse order of removal.

##### NOTE:

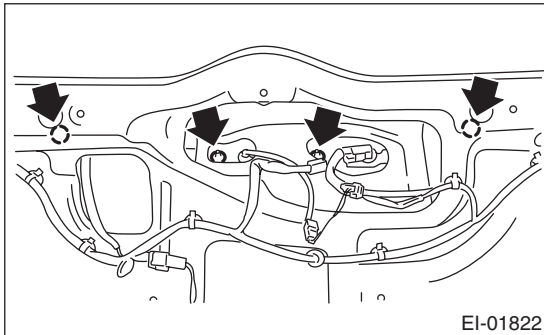
- Secure the mat firmly with hook and clip.
- Insert the mat edge firmly into the groove of side sill cover.



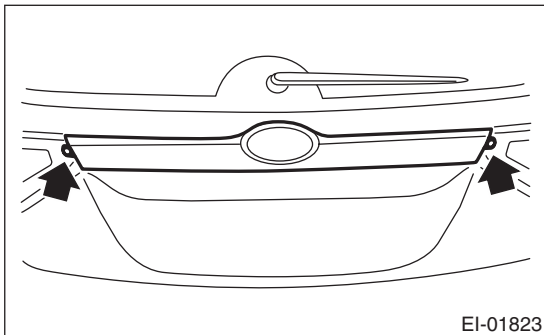
## 30.Rear Gate Garnish

### A: REMOVAL

- 1) Remove the rear gate trim. <Ref. to EI-66, REMOVAL, Rear Gate Trim.>
- 2) Remove the rear wiper motor. <Ref. to WW-19, Rear Wiper Motor.>
- 3) Remove the rear finisher light. <Ref. to LI-26, REMOVAL, Rear Finisher Light Assembly.>
- 4) Disconnect the connector.
  - Rear gate opener button harness connector
  - Rear request switch harness connector (Smart keyless models)
- 5) Remove the nuts.



- 6) Remove the clips, and remove the rear gate garnish.



### B: INSTALLATION

#### CAUTION:

Make sure that the harness grommet is securely installed.

If not properly installed, this may cause leaks.

Install in the reverse order of removal.

#### Tightening torque:

**4.5 N·m (0.46 kgf·m, 3.3 ft·lb)**

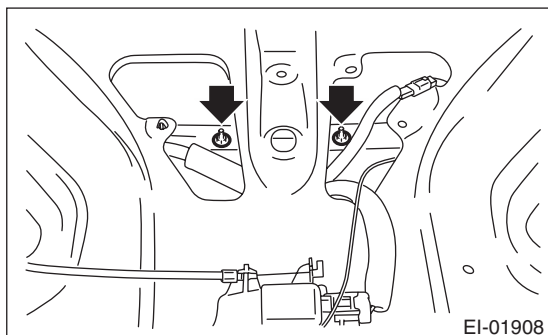
# Trunk Lid Garnish

EXTERIOR/INTERIOR TRIM

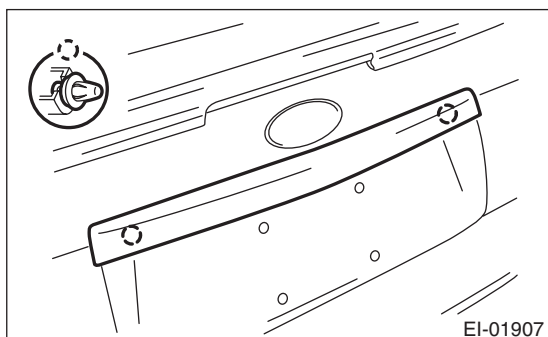
## 31.Trunk Lid Garnish

### A: REMOVAL

1) Remove the clip in the upper corner of the trunk lid garnish.



2) Place your hands between the trunk lid garnish and the trunk lid panel, and remove the trunk lid garnish starting from the edge, in order.



### B: INSTALLATION

Install in the reverse order of removal.

**Tightening torque:**

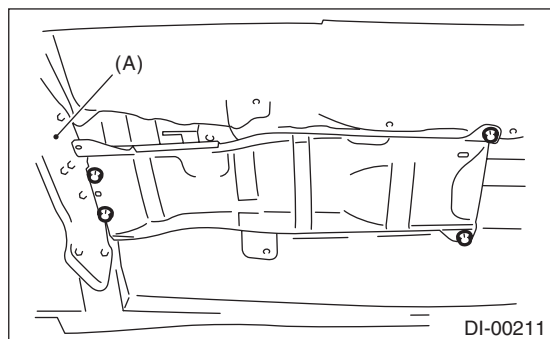
**4.5 N·m (0.46 kgf·m, 3.3 ft·lb)**

## 32. Heat Shield Cover

### A: REMOVAL

#### 1. FRONT HEAT SHIELD COVER

- 1) Disconnect the ground cable from battery.
- 2) Disconnect the connector from oxygen (A/F) sensor.
  - Turbo model:<Ref. to EX(H4DOTC)-8, REMOVAL, Center Exhaust Pipe.>
  - Non-turbo model:<Ref. to EX(H4SO)-6, REMOVAL, Front Exhaust Pipe.>
- 3) Remove the exhaust pipe.
  - Turbo model:<Ref. to EX(H4DOTC)-13, REMOVAL, Rear Exhaust Pipe.>
  - Non-turbo model:<Ref. to EX(H4SO)-10, REMOVAL, Rear Exhaust Pipe.>
- 4) Remove the four bolts to remove the front heat shield cover.

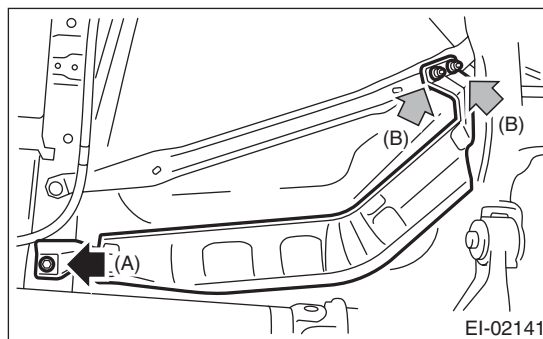
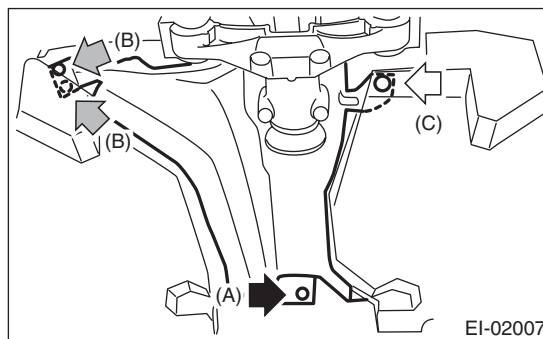


(A) Transmission mount

#### 2. CENTER HEAT SHIELD COVER

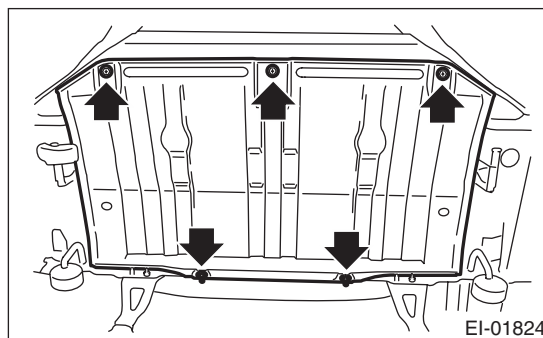
- 1) Remove the rear exhaust pipe.
  - Turbo model:<Ref. to EX(H4DOTC)-13, REMOVAL, Rear Exhaust Pipe.>
  - Non-turbo model:<Ref. to EX(H4SO)-10, REMOVAL, Rear Exhaust Pipe.>
- 2) Remove the propeller shaft. (Turbo model only) <Ref. to DS-10, REMOVAL, Propeller Shaft.>

- 3) Remove the bolt (A), nut (B) and clip (C) to remove center heat shield cover.

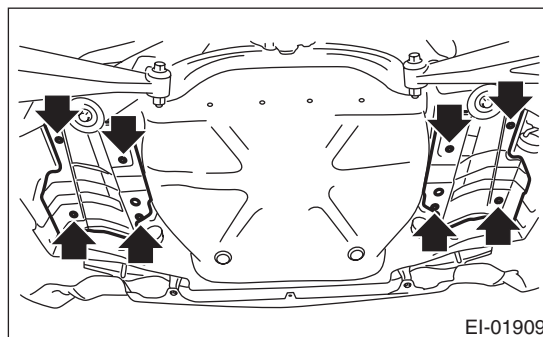


#### 3. REAR HEAT SHIELD COVER

- 1) Remove the muffler.
    - Turbo model:<Ref. to EX(H4DOTC)-15, REMOVAL, Muffler.>
    - Non-turbo model:<Ref. to EX(H4SO)-12, REMOVAL, Muffler.>
  - 2) Remove the bolts, and remove the rear heat shield cover.
- 5 DOOR MODEL



- 4 DOOR MODEL



# Heat Shield Cover

EXTERIOR/INTERIOR TRIM

---

## **B: INSTALLATION**

Install in the reverse order of removal.

### ***Tightening torque:***

***Refer to “COMPONENT” of “General Description”. <Ref. to EI-22, HEAT SHIELD COVER, COMPONENT, General Description.>***

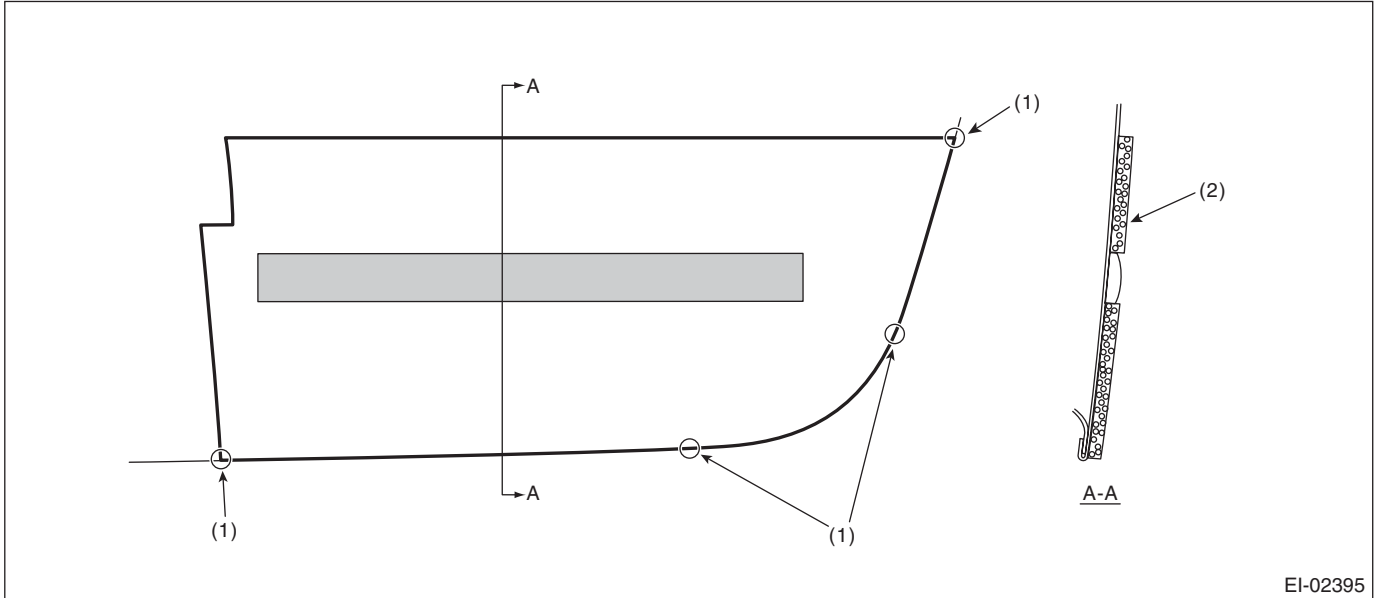
## 33.Ornament

### A: INSTALLATION

#### 1. LETTER MARK

Adhere the letter mark according to the following position.

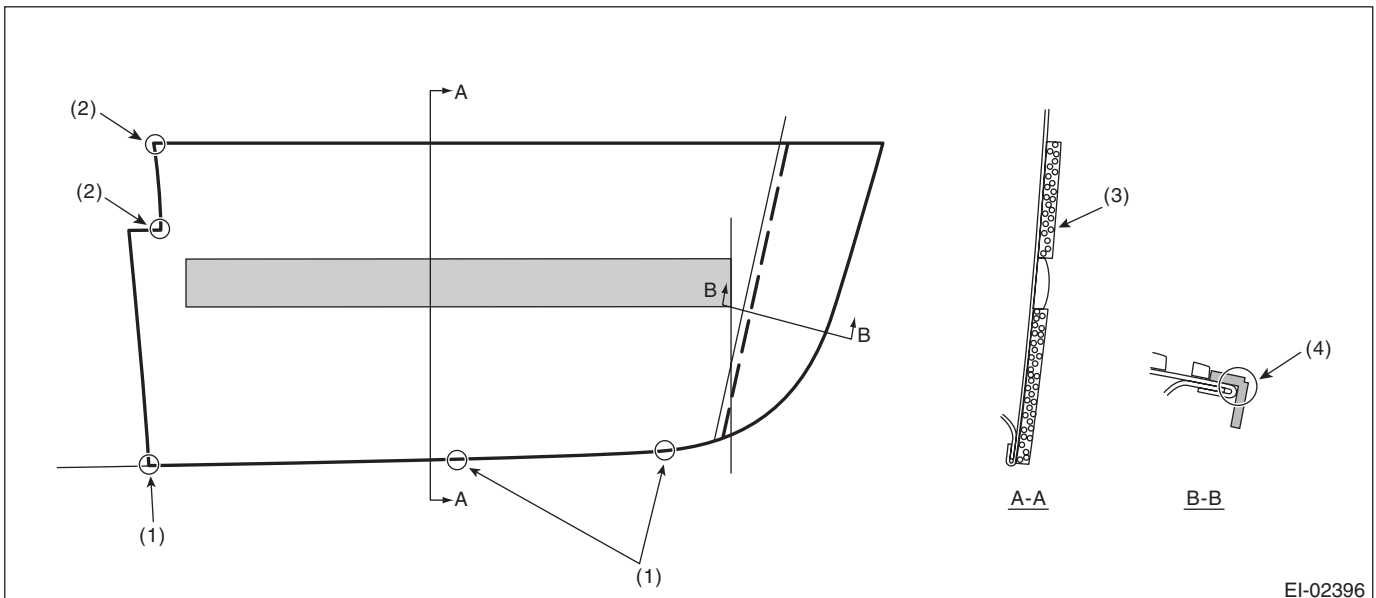
- 5 DOOR MODEL



EI-02395

- (1) Match the end of the application tape to the end of the rear gate panel. (2) Application tape

- 4 DOOR MODEL



EI-02396

- (1) Match the end of the application tape to the end of the rear gate panel. (2) Match the end of the application tape to the end of the trunk lid garnish. (4 door model)
- (3) Application tape (4) Fold the slit of the application tape to match the end of the trunk panel.

# Ornament

EXTERIOR/INTERIOR TRIM

---

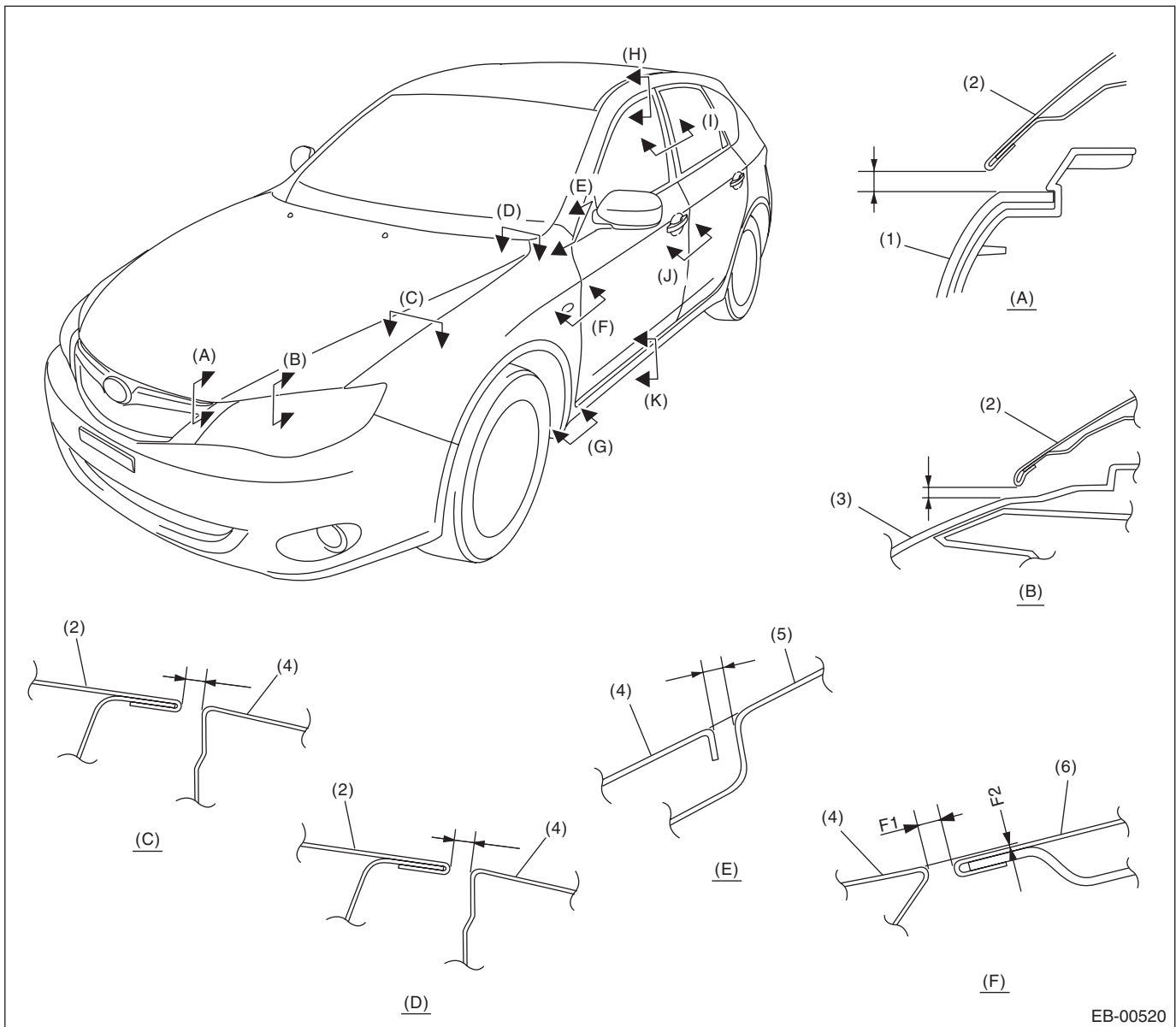
# General Description

## EXTERIOR BODY PANELS

### 1. General Description

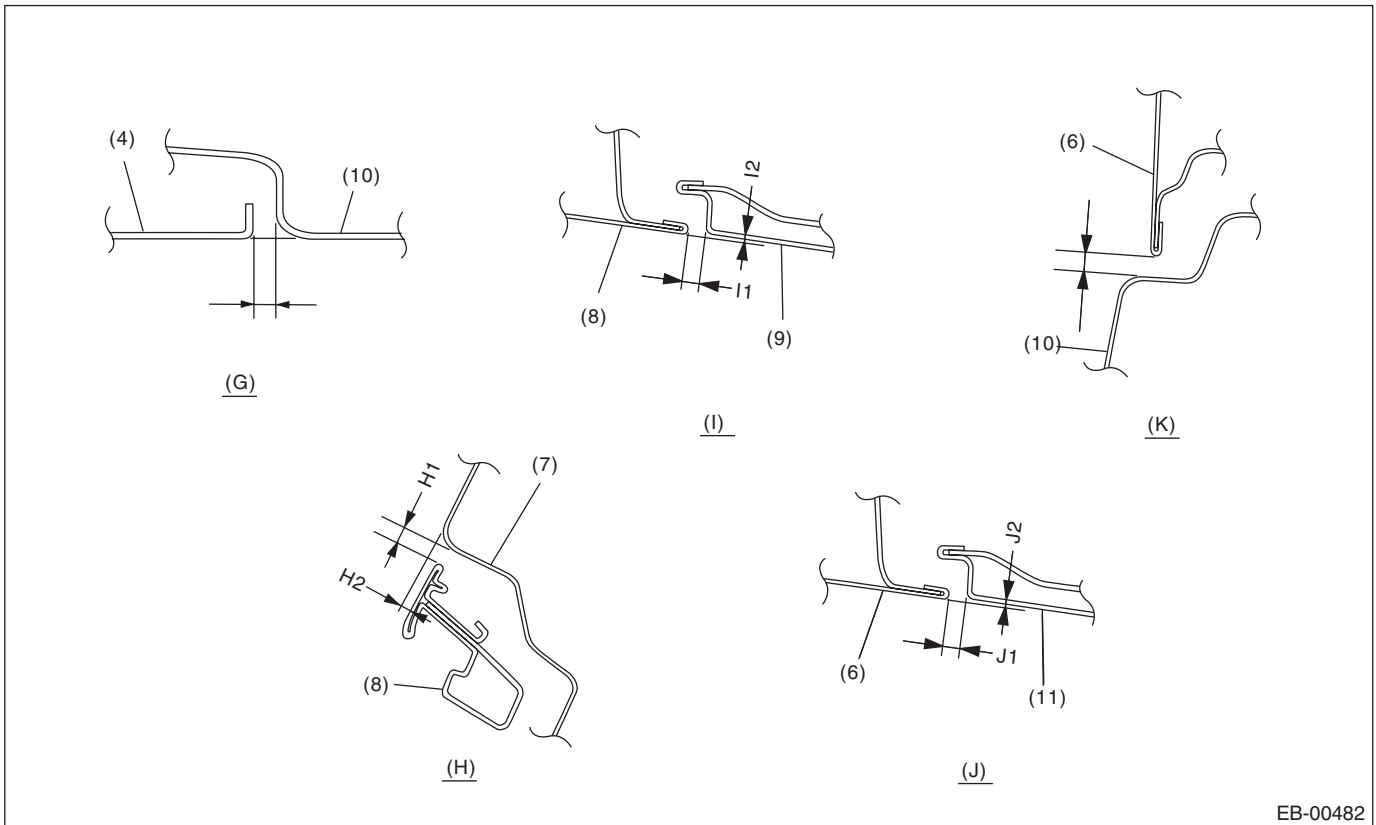
#### A: SPECIFICATION

#### 1. FRONT



# General Description

## EXTERIOR BODY PANELS



EB-00482

- |                        |                        |                      |
|------------------------|------------------------|----------------------|
| (1) Front grille       | (5) Front pillar panel | (9) Rear door sash   |
| (2) Front hood panel   | (6) Front door panel   | (10) Side sill panel |
| (3) Headlight          | (7) Roof panel         | (11) Rear door panel |
| (4) Front fender panel | (8) Front door sash    |                      |

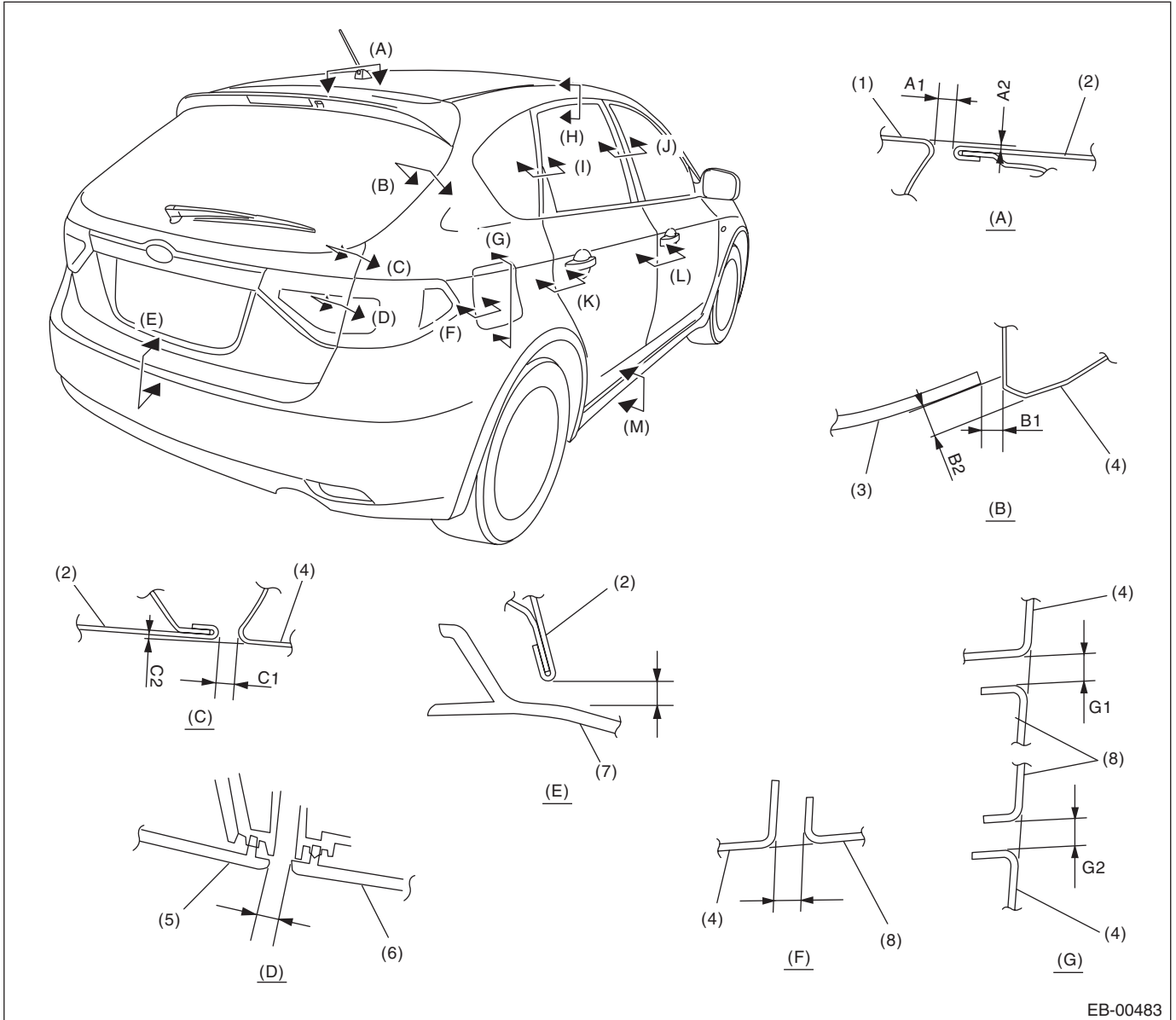
Section	Part	Specification
(A)	Front hood panel to Front grille	6.0±1.0 mm (0.23±0.04 in)
(B)	Front hood panel to Headlight	6.0±1.0 mm (0.24±0.04 in)
(C)	Front hood panel to Front fender panel	3.5±1.0 mm (0.14±0.04 in)
(D)	Front hood panel to Front fender panel (Rear end only)	4.8+0.7, -1.0 mm (0.14+0.03, -0.04 in)
(E)	Front fender panel to Front pillar panel	3.0±1.0 mm (0.12±0.04 in)
(F)	Front fender panel to Front door panel	F1: 4.0±1.0 mm (0.16±0.04 in) F2: 0+1.0, -0.5 mm (0+0.04, -0.02 in)
(G)	Front fender panel to Side sill panel	3.0±1.0 mm (0.12±0.04 in)
(H)	Roof panel to Front door sash	H1: 5.0±1.0 mm (0.20±0.04 in) H2: 3.8±1.0 mm (0.15±0.04 in)
(I)	Front door sash to Rear door sash	I1: 5.5±1.0 mm (0.22±0.04 in) I2: 0+1.0, -0.5 mm (0+0.04, -0.02 in)
(J)	Front door panel to Rear door panel	J1: 4.5±1.0 mm (0.18±0.04 in) J2: 0+1.0, -0.5 mm (0+0.04, -0.02 in)
(K)	Front door panel to Side sill panel	6.0±1.0 mm (0.23±0.04 in)



# General Description

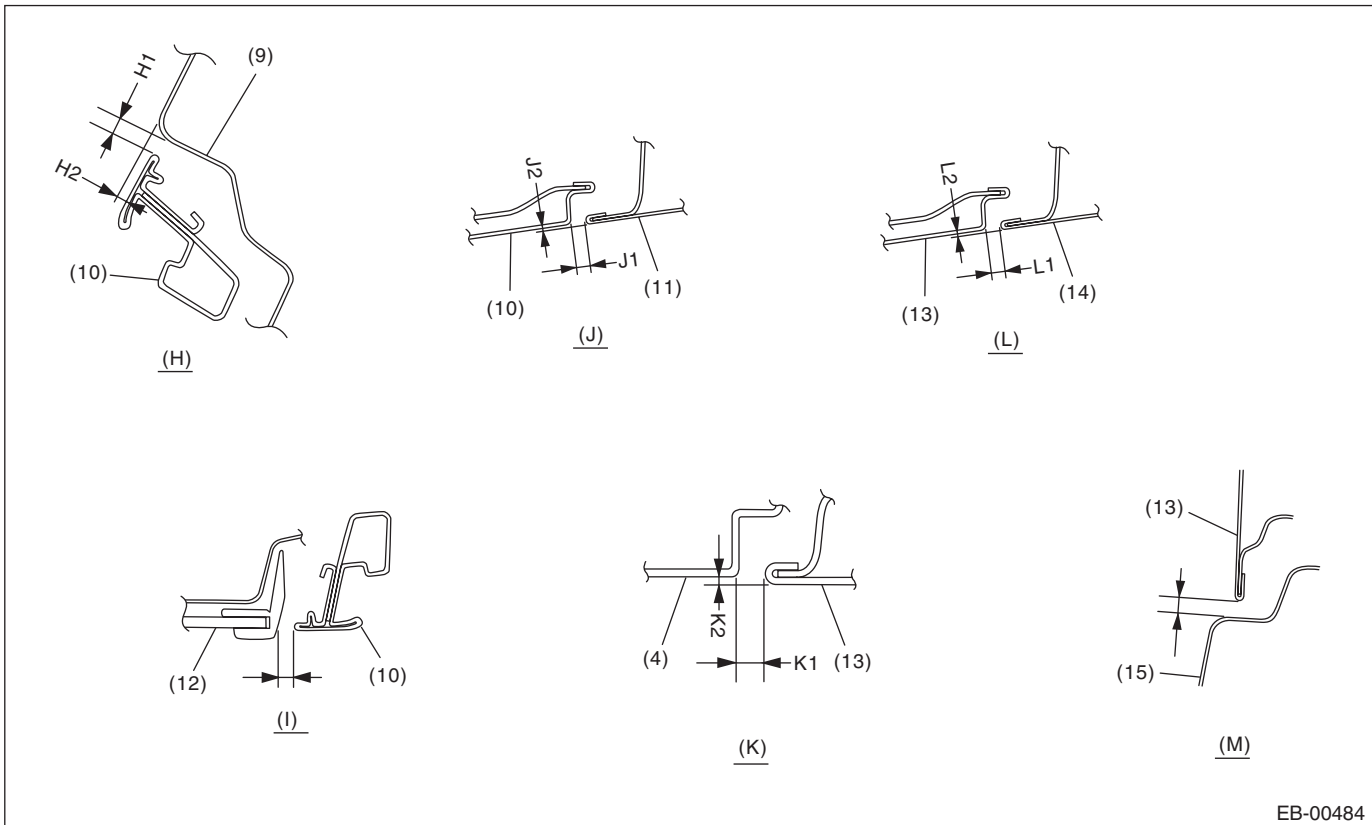
## EXTERIOR BODY PANELS

### 2. REAR (5 DOOR MODEL)



EB-00483

# General Description



EB-00484

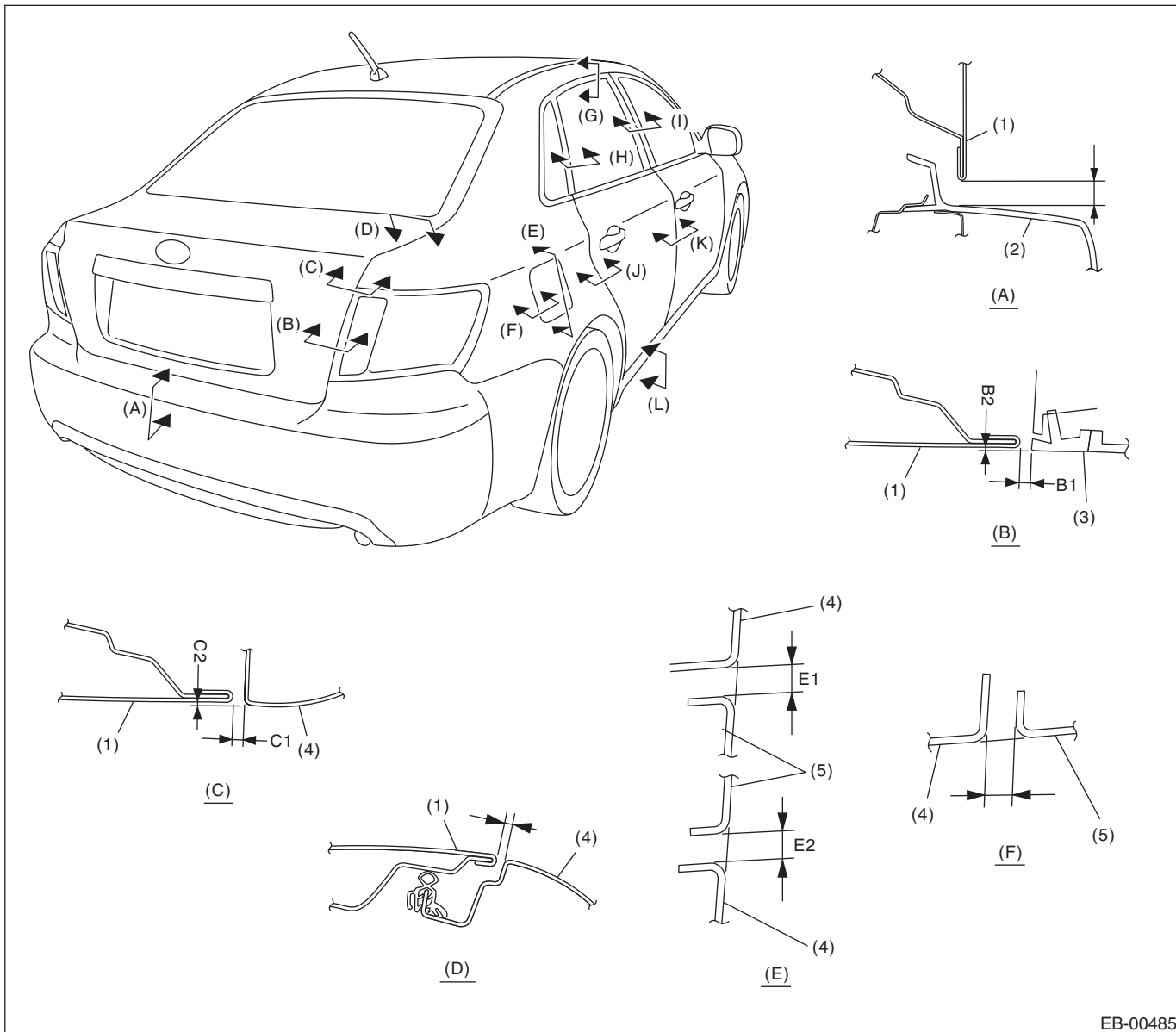
- |                         |                            |                         |
|-------------------------|----------------------------|-------------------------|
| (1) Roof panel          | (6) Rear combination light | (11) Front door sash    |
| (2) Rear gate panel     | (7) Rear bumper            | (12) Rear quarter glass |
| (3) Rear gate glass     | (8) Fuel filler lid        | (13) Rear door panel    |
| (4) Rear quarter panel  | (9) Roof panel             | (14) Front door panel   |
| (5) Rear finisher light | (10) Rear door sash        | (15) Side sill panel    |

Section	Part	Specification
(A)	Roof panel to Rear gate panel	A1: 6.0+1.0, -0.5 mm (0.23+0.04-0.02 in) A2: 1.0±1.0 mm (0.02±0.02 in)
(B)	Rear gate glass to Rear quarter panel	B1: 5.0±1.5 mm (0.20±0.06 in) B2: 6.7±1.5 mm (0.26±0.06 in)
(C)	Rear gate panel to Rear quarter panel	C1: 4.6±1.0 mm (0.18±0.04 in) C2: 0.5±1.0 mm (0.02±0.04 in)
(D)	Rear combination light to Rear finisher light	5.0±1.0 mm (0.20±0.04 in)
(E)	Rear gate panel to Rear bumper	8.0±1.0 mm (0.31±0.04 in)
(F)	Rear quarter panel to Fuel filler lid	3.5±0.5 mm (0.14±0.02 in)
(G)	Rear quarter panel to Fuel filler lid	G1: 3.5±0.5 mm (0.14±0.06 in) G2: 4.0±0.5 mm (0.18±0.06 in)
(H)	Roof panel to Rear door sash	H1: 5.0±1.0 mm (0.20±0.04 in) H2: 3.8±1.0 mm (0.15±0.04 in)
(I)	Rear door sash to Rear quarter glass molding	7.0±1.0 mm (0.28±0.04 in)
(J)	Rear door sash to Front door sash	J1: 5.5±1.0 mm (0.22±0.04 in) J2: 0+1.0, -0.5 mm (0+0.04, -0.02 in) (Rear door sash standard)
(K)	Rear door panel to Rear quarter panel	K1: 4.0±1.0 mm (0.16±0.04 in) K2: 0+1.0, -0.5 mm (0+0.04, -0.02 in) (Rear quarter panel standard)
(L)	Front door panel to Rear door panel	L1: 4.5±1.0 mm (0.18±0.04 in) L2: 0+1.0, -0.5 mm (0+0.04, -0.02 in) (Rear door panel standard)
(M)	Rear door panel to Side sill panel	6.0±1.0 mm (0.24±0.04 in)

# General Description

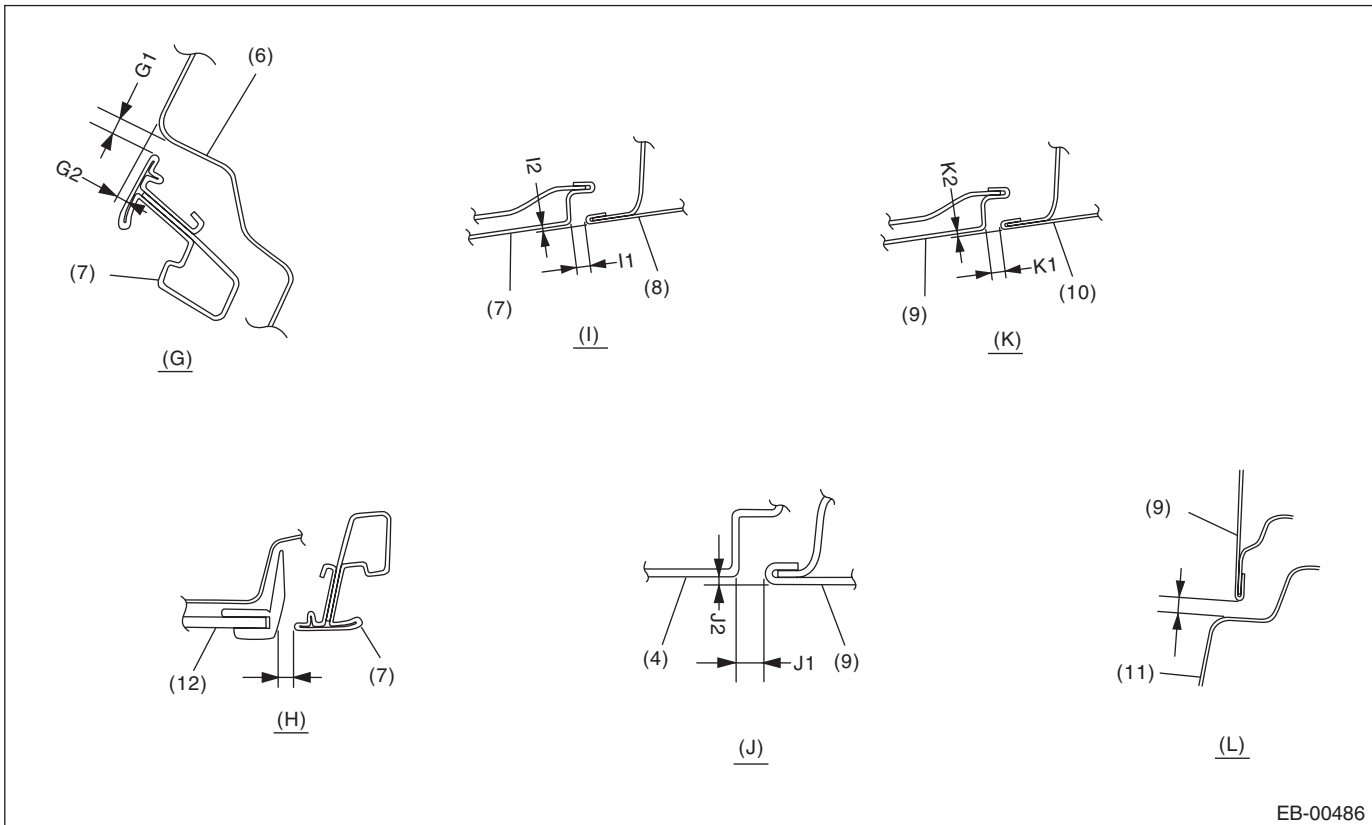
## EXTERIOR BODY PANELS

### 3. REAR (4 DOOR MODEL)



EB-00485

# General Description



EB-00486

- |                            |                     |                       |
|----------------------------|---------------------|-----------------------|
| (1) Trunk panel            | (5) Fuel filler lid | (9) Rear door panel   |
| (2) Rear bumper            | (6) Roof panel      | (10) Front door panel |
| (3) Rear combination light | (7) Rear door sash  | (11) Side sill panel  |
| (4) Rear quarter panel     | (8) Front door sash |                       |

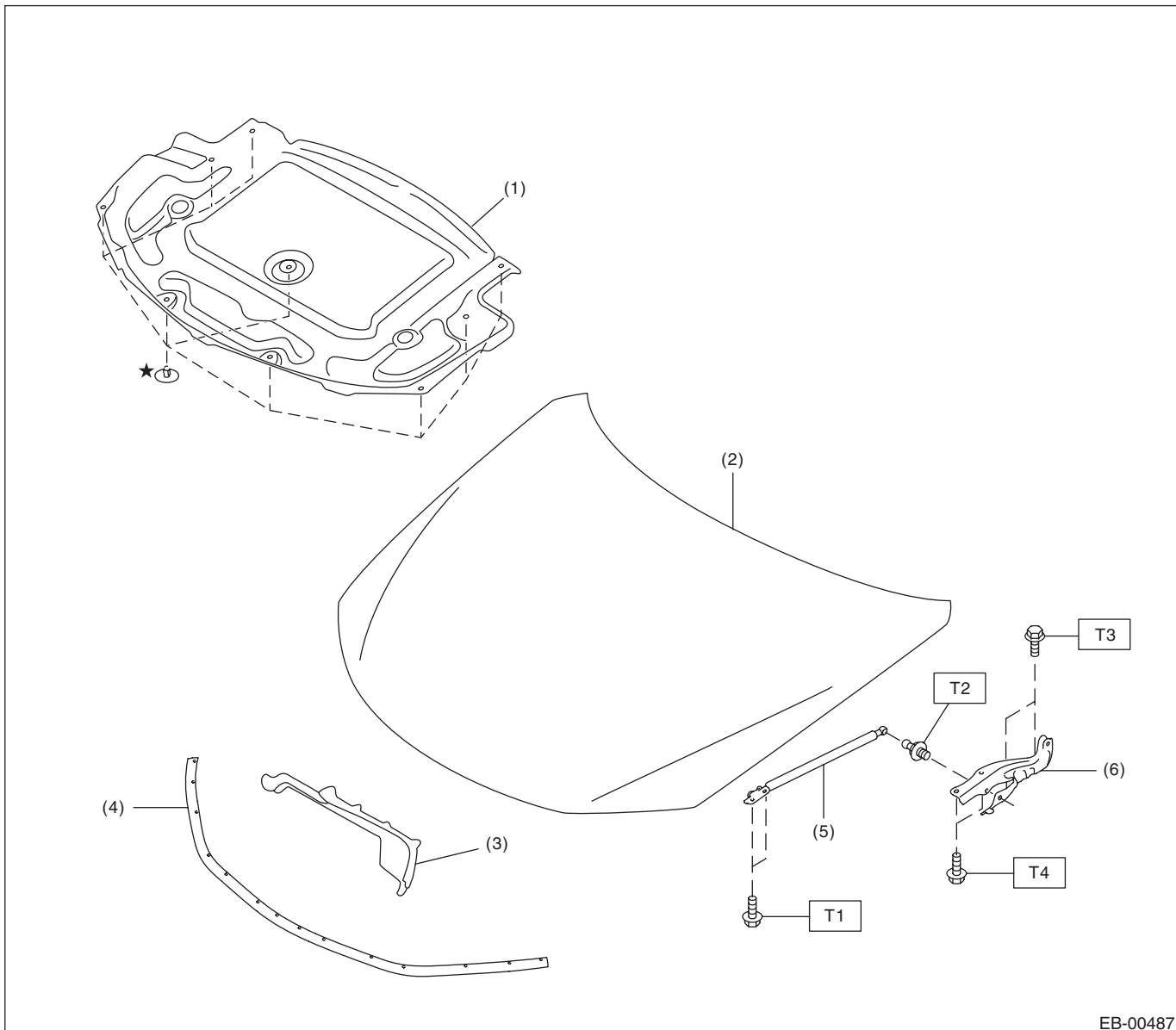
Section	Part	Specification
(A)	Trunk panel to Rear bumper face	9.0±1.0 mm (0.35±0.04 in)
(B)	Trunk panel to Rear combination light	B1: 3.5±1.0 mm (0.14±0.04 in) B2: 0.5±1.0 mm (0.02±0.04 in)
(C)	Trunk panel to Rear quarter panel	C1: 3.5±1.0 mm (0.14±0.04 in) C2: 0.5±1.0 mm (0.02±0.04 in)
(D)	Trunk panel to Rear quarter panel	3.5±1.0 mm (0.14±0.04 in)
(E)	Rear quarter panel to Fuel filler lid	E1: 3.5±0.5 mm (0.14±0.06 in) E2: 4.0±0.5 mm (0.18±0.06 in)
(F)	Rear quarter panel to Fuel filler lid	3.5±0.5 mm (0.14±0.02 in)
(G)	Roof panel to Rear door sash	G1: 5.0±1.0 mm (0.20±0.04 in) G2: 3.8±1.0 mm (0.15±0.04 in)
(H)	Rear door sash to Rear quarter glass	7.0±1.0 mm (0.28±0.04 in)
(I)	Rear door sash to Front door sash	I1: 5.5±1.0 mm (0.22±0.04 in) I2: 0+1.0, -0.5 mm (0+0.04, -0.02 in) (Rear door sash standard)
(J)	Rear door panel to Rear quarter panel	J1: 4.0±1.0 mm (0.16±0.04 in) J2: 0+1.0, -0.5 mm (0+0.04, -0.02 in) (Rear quarter panel standard)
(K)	Front door panel to Rear door panel	K1: 4.5±1.0 mm (0.18±0.04 in) K2: 0+1.0, -0.5 mm (0+0.04, -0.02 in) (Rear door panel standard)
(L)	Rear door panel to Side sill panel	6.0±1.0 mm (0.24±0.04 in)

# General Description

## EXTERIOR BODY PANELS

### B: COMPONENT

#### 1. FRONT HOOD



- |                        |                        |
|------------------------|------------------------|
| (1) Insulator          | (4) Seal (front panel) |
| (2) Front hood panel   | (5) Damper stay        |
| (3) Seal (intake duct) | (6) Hinge              |

**Tightening torque: N·m (kgf·m, ft·lb)**

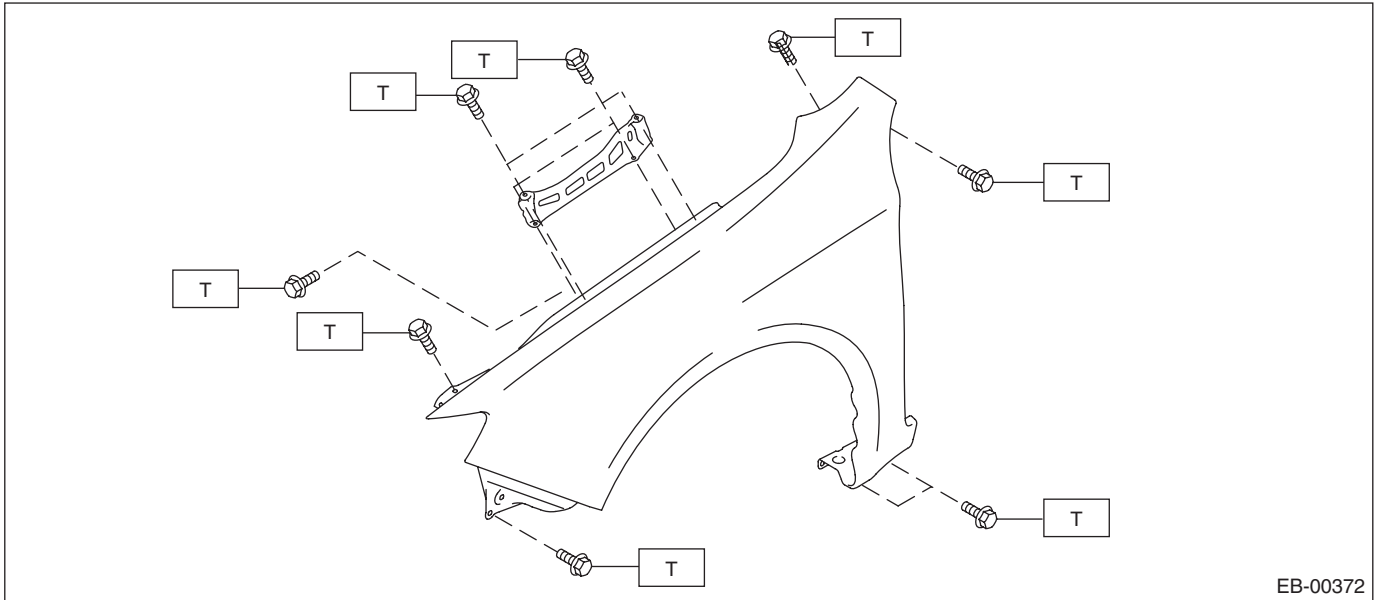
**T1: 7.5 (0.76, 5.5)**

**T2: 20 (2.04, 14.5)**

**T3: 25 (2.55, 18.4)**

**T4: 37 (3.78, 27.3)**

## 2. FRONT FENDER



EB-00372

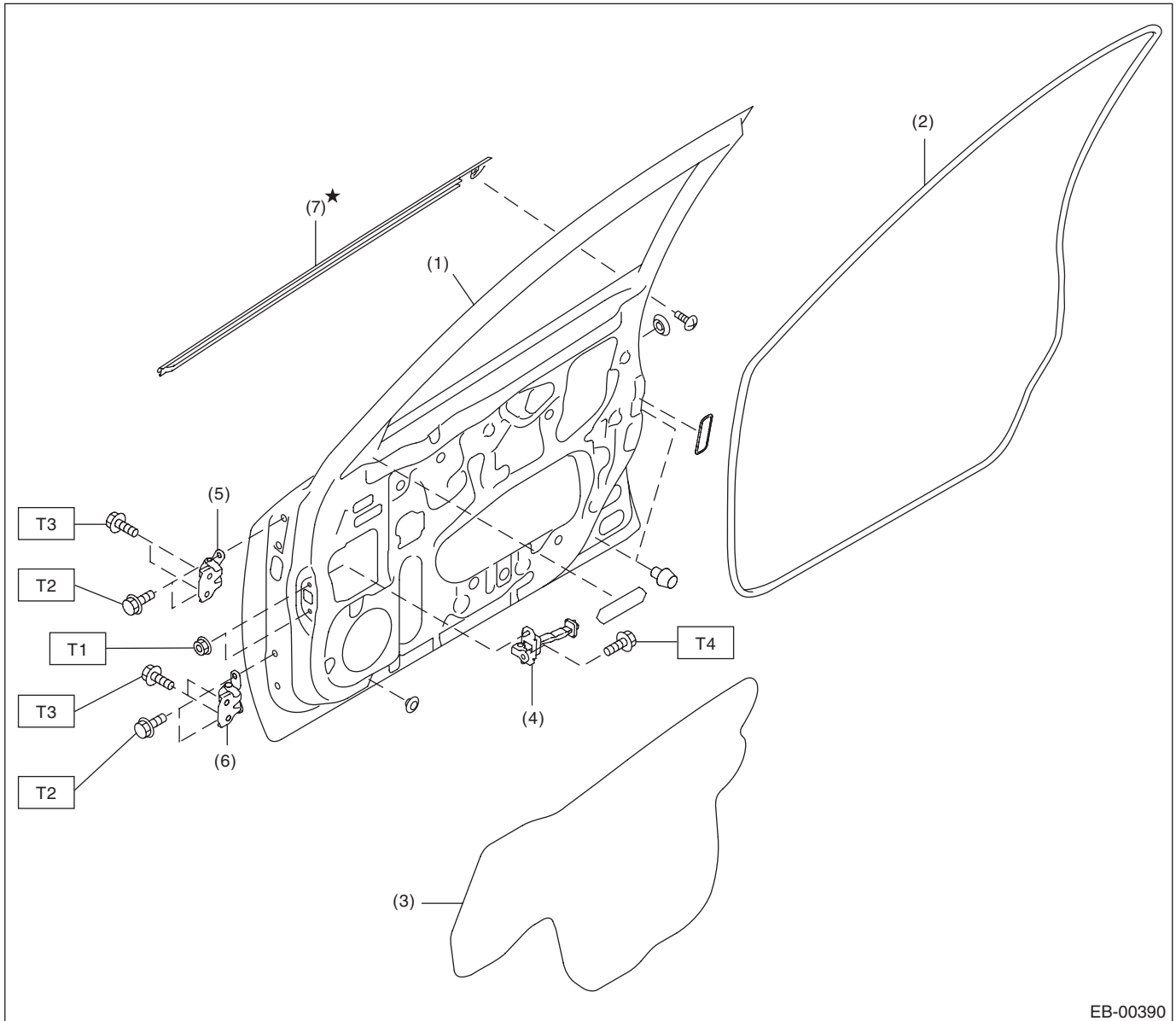
**Tightening torque: N·m (kgf·m, ft·lb)**

**T: 7.4 (0.75, 5.5)**

# General Description

## EXTERIOR BODY PANELS

### 3. FRONT DOOR



EB-00390

- |                              |                                    |
|------------------------------|------------------------------------|
| (1) Front door panel         | (5) Upper hinge                    |
| (2) Front door weather strip | (6) Lower hinge                    |
| (3) Sealing cover            | (7) Front door weather strip outer |
| (4) Checker                  |                                    |

#### **Tightening torque: N·m (kgf-m, ft-lb)**

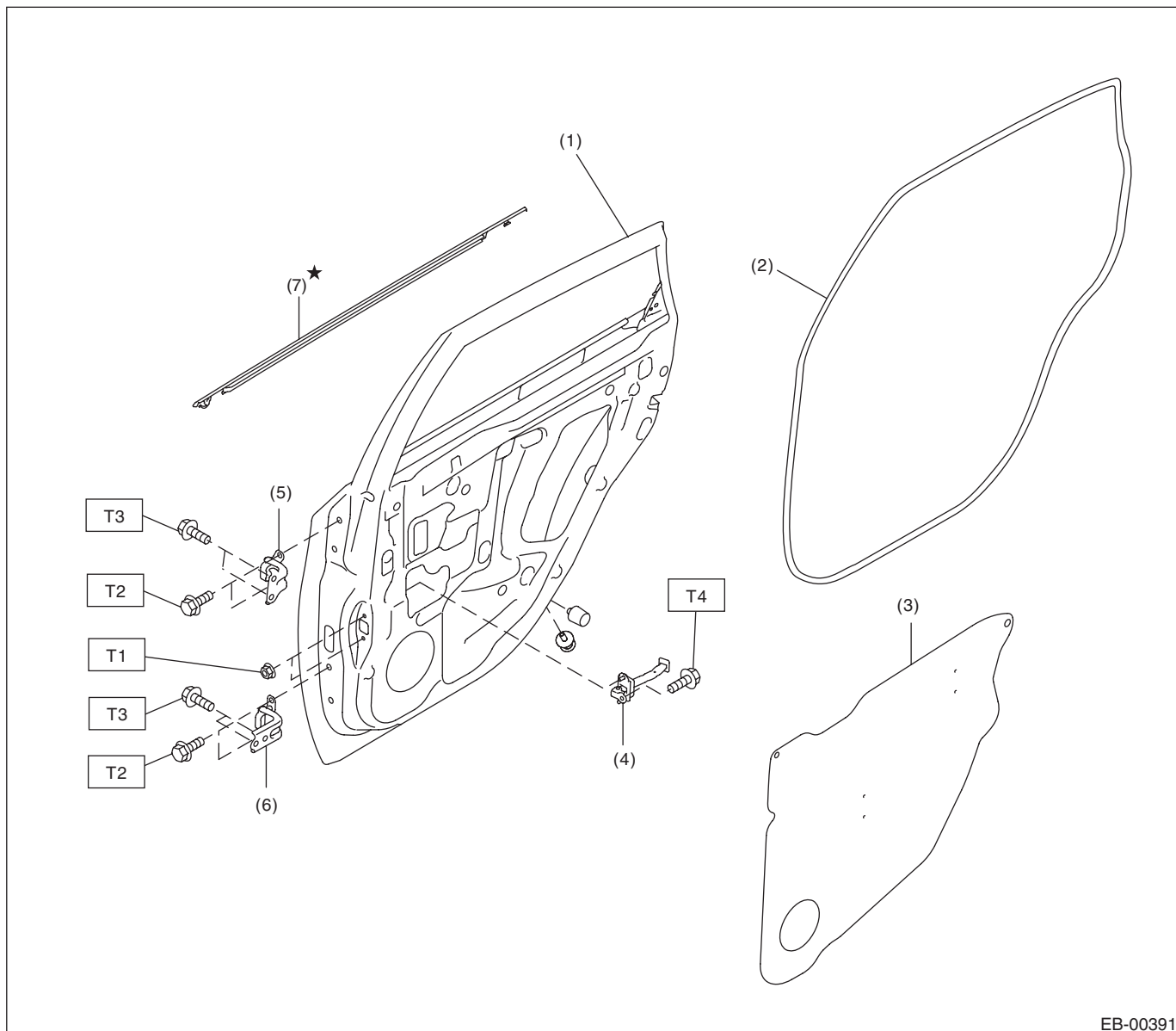
**T1: 7.5 (0.76, 5.5)**

**T2: 25 (2.55, 18.4)**

**T3: 30 (3.06, 22.1)**

**T4: 33 (3.36, 24.3)**

## 4. REAR DOOR



EB-00391

- |                             |                                   |
|-----------------------------|-----------------------------------|
| (1) Rear door panel         | (5) Upper hinge                   |
| (2) Rear door weather strip | (6) Lower hinge                   |
| (3) Sealing cover           | (7) Rear door weather strip outer |
| (4) Checker                 |                                   |

**Tightening torque: N·m (kgf-m, ft-lb)**

**T1: 7.5 (0.76, 5.5)**

**T2: 25 (2.55, 18.4)**

**T3: 30 (3.06, 22.1)**

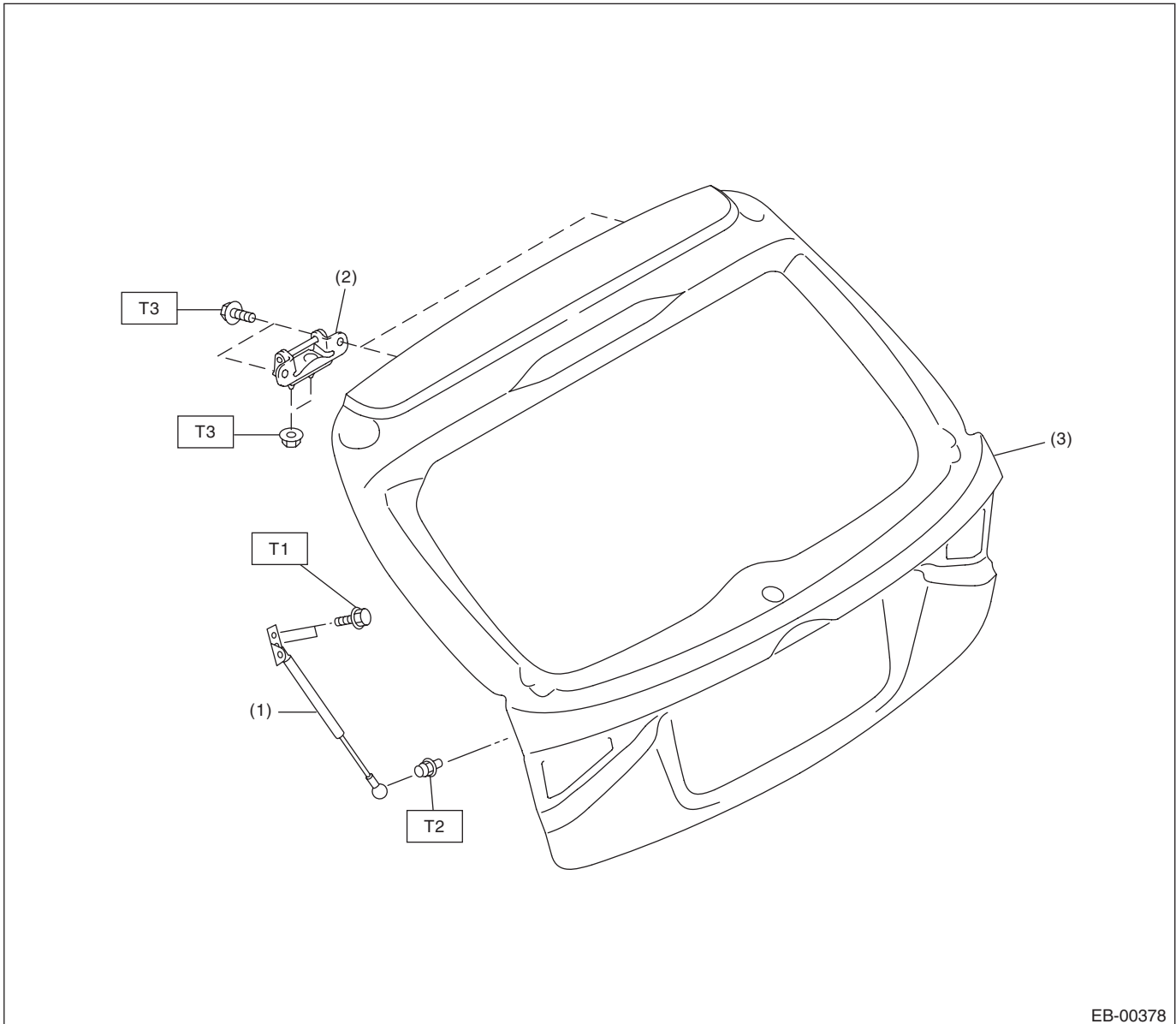
**T4: 33 (3.36, 24.3)**



# General Description

## EXTERIOR BODY PANELS

### 5. REAR GATE



EB-00378

(1) Rear gate damper stay

(3) Rear gate panel

(2) Hinge

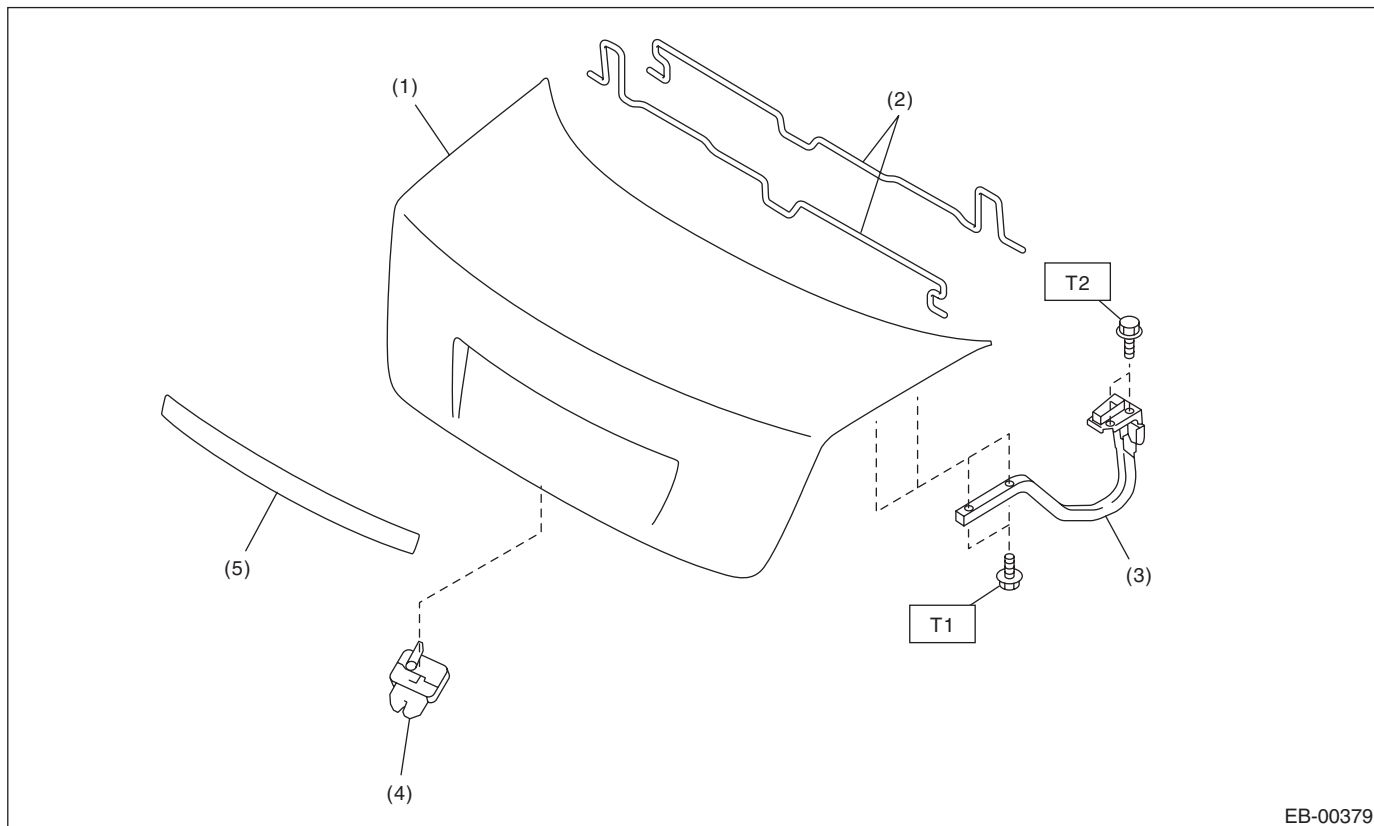
**Tightening torque: N·m (kgf·m, ft·lb)**

**T1: 10 (1.02, 7.4)**

**T2: 20 (2.04, 14.8)**

**T3: 25 (2.55, 18.4)**

## 6. TRUNK LID PANEL



- (1) Trunk lid panel
- (2) Torsion bar
- (3) Trunk lid arm ASSY

- (4) Trunk lid lock ASSY
- (5) Trunk lid garnish

**Tightening torque: N·m (kgf·m, ft·lb)**

**T1: 14 (1.43, 10.3)**

**T2: 18 (1.84, 13.3)**

### C: CAUTION

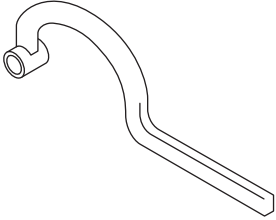
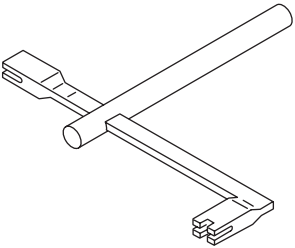
Exterior body panels are heavy. When removing or installing, do not drop and damage the panels. Do not damage the panel painting surface.

# General Description

## EXTERIOR BODY PANELS

### D: PREPARATION TOOL

#### 1. SPECIAL TOOL

ILLUSTRATION	TOOL NUMBER	DESCRIPTION	REMARKS
 ST-925610000	925610000	WRENCH	Used for removing and installing door hinge.
 ST-927780000	927780000	REMOVER	Used for removing and installing the trunk torsion bar.

#### 2. GENERAL TOOL

TOOL NAME	REMARKS
Support jack	Used for supporting door panel.
Clip remover	Used for removing various types of clips

## 2. Front Hood

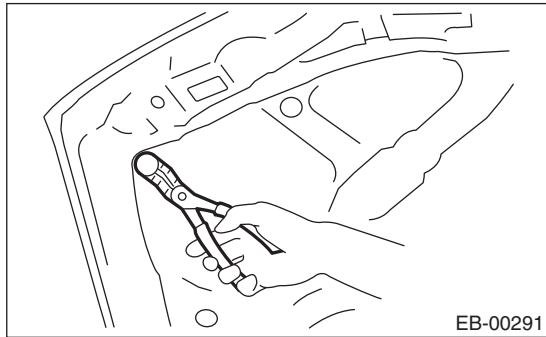
### A: REMOVAL

#### 1. FRONT HOOD INSULATOR

Release the clips to remove the front hood insulator.

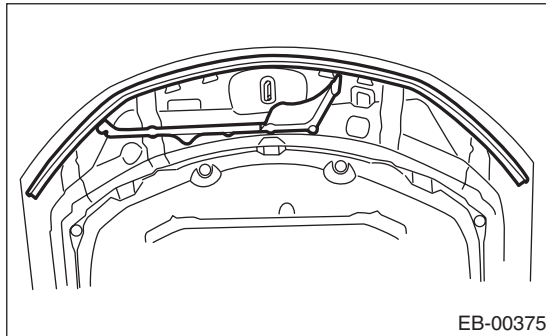
**CAUTION:**

Do not reuse any clips damaged during removal. Always replace with new clips.



#### 2. FRONT HOOD SEAL

Remove the seal.

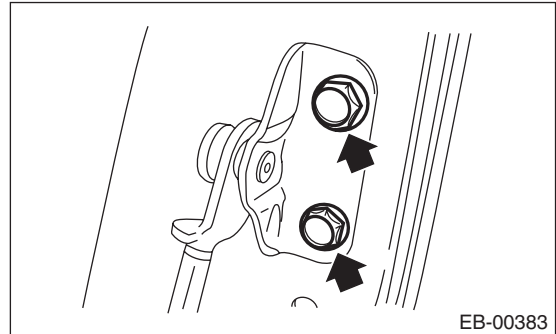


#### 3. FRONT HOOD DAMPER

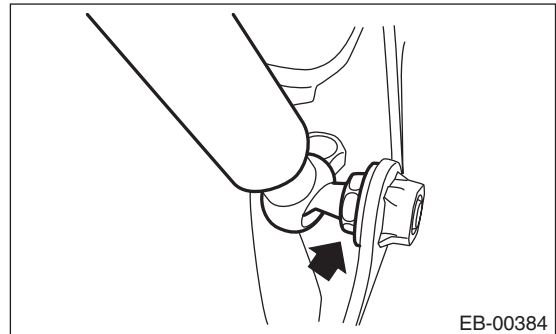
**CAUTION:**

- Do not damage piston rods and oil seals.
- Never disassemble cylinders: They contain gas.
- The front hood panel is heavy. When removing or installing the damper stay and hood hinge, be sure to work in a group of two or more.

1) Remove mounting bolt, and remove the damper stay.



2) Remove the mounting bolt of front hood damper stay.



# Front Hood

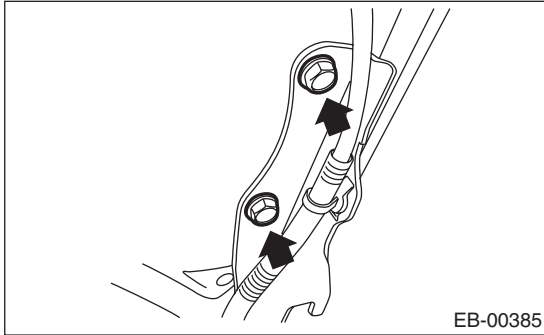
## EXTERIOR BODY PANELS

### 4. FRONT HOOD HINGE

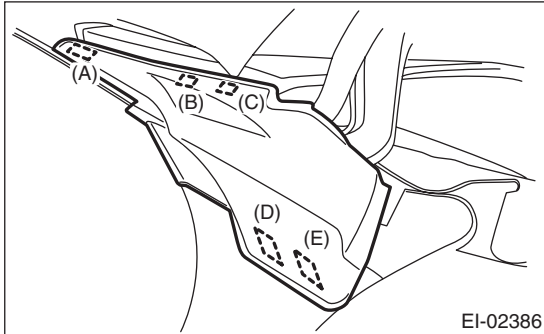
#### CAUTION:

The front hood panel is heavy. When removing or installing the damper stay and hood hinge, be sure to work in a group of two or more.

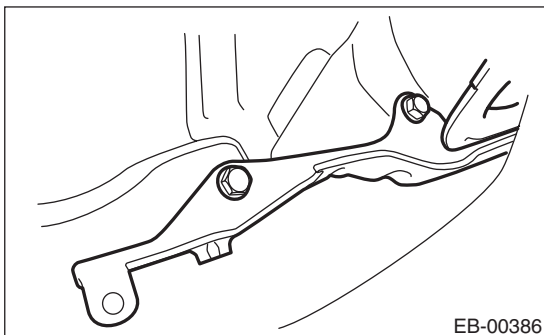
- 1) Remove the front hood damper.
- 2) Remove the bolt, and remove the front hood panel.



- 3) Detach the tabs and remove the cowl panel side.



- (1) Detach tabs (A), (B), and (C) from the vehicle exterior.
  - (2) Detach tabs (D) and (E).
- 4) Remove the bolts of front hood hinge.

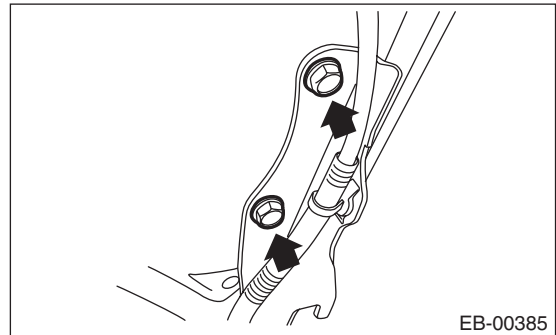


### 5. FRONT HOOD PANEL

#### CAUTION:

The front hood panel is heavy. When removing or installing the damper stay and hood hinge, be sure to work in a group of two or more.

- 1) Remove the front hood insulator.
- 2) Remove the front hood seal.
- 3) Remove the window washer hose and nozzle. <Ref. to WW-17, REMOVAL, Front Washer Nozzle.>
- 4) Remove the front hood damper.
- 5) Remove the bolt, and remove the front hood panel from the front hood hinge.



### B: INSTALLATION

Install in the reverse order of removal.

#### NOTE:

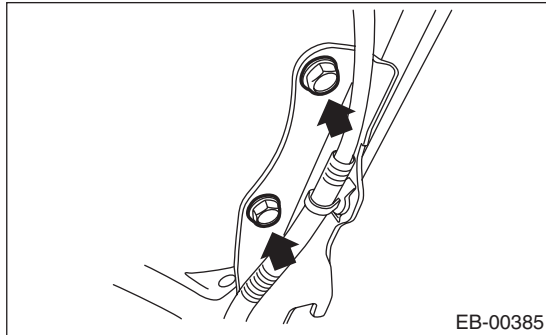
- Be careful not to catch the window washer hose between insulators etc.
- Install while paying attention to make a uniform clearance around the front hood panel. For the dimension of clearance, refer to "SPECIFICATION" in "General Description". <Ref. to EB-2, SPECIFICATION, General Description.>

#### Tightening torque:

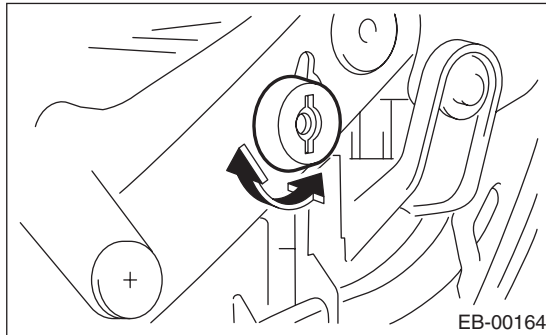
Refer to "COMPONENT" of "General Description". <Ref. to EB-8, FRONT HOOD, COMPONENT, General Description.>

## C: ADJUSTMENT

- 1) Adjust the clearance between front hood panel and front fender panel. Clearance must be equal at both sides. For the dimension of clearance, refer to "SPECIFICATION" in "General Description". <Ref. to EB-2, SPECIFICATION, General Description.>
- 2) Use the hinge mounting bolts to align the front hood longitudinal and lateral position.



- 3) Adjust the height at the front end of hood. <Ref. to SL-41, ADJUSTMENT, Front Hood Lock Assembly.>
- 4) Rotate the hood buffer to adjust lateral height.



## D: DISPOSAL

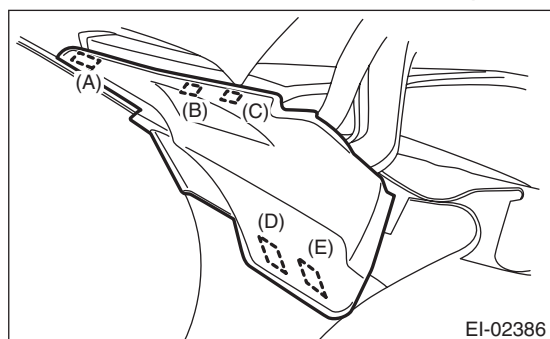
For the disposal procedures of front hood damper stay, refer to the disposal procedures of rear gate damper stay. <Ref. to EB-33, REAR GATE DAMPER STAY, DISPOSAL, Rear Gate.>

## 3. Front Fender

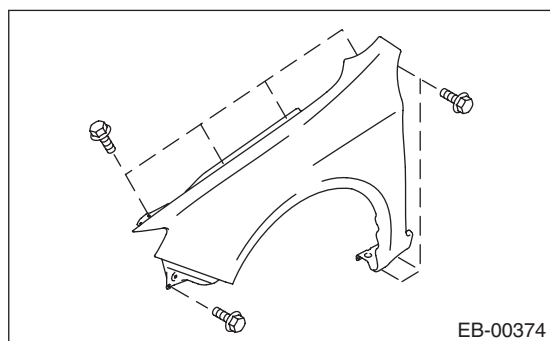
### A: REMOVAL

#### 1. FRONT FENDER PANEL

- 1) Disconnect the ground cable from battery.
- 2) Remove the side sill spoilers. <Ref. to EI-41, REMOVAL, Side Sill Spoiler.>
- 3) Remove the front bumper face. <Ref. to EI-29, FRONT BUMPER FACE, REMOVAL, Front Bumper.>
- 4) Remove the headlight assembly. <Ref. to LI-14, REMOVAL, Headlight Assembly.>
- 5) Remove the mud guard. <Ref. to EI-28, REMOVAL, Mud Guard.>
- 6) Detach the tabs and remove the cowl panel side.



- (1) Detach tabs (A), (B), and (C) from the vehicle exterior.
  - (2) Detach tabs (D) and (E).
- 7) Remove the bolt, and remove the front fender panel.



#### 2. COWL SIDE STAY

For operation procedures, refer to performance stay items. <Ref. to EB-19, REMOVAL, Front Performance Stay.>

### B: INSTALLATION

#### CAUTION:

After the installation of front fender panel, be sure to perform headlight beam adjustment. Install in the reverse order of removal.

#### Tightening torque:

**7.5 N·m (0.76 kgf-m, 5.5 ft-lb)**

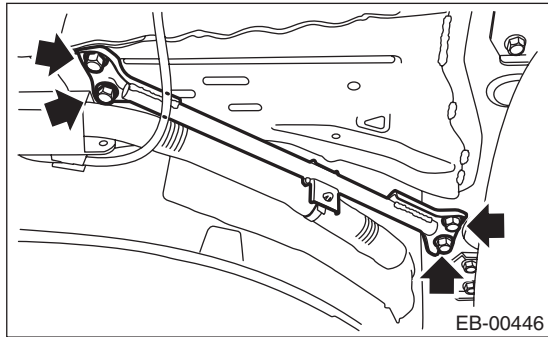
#### NOTE:

Install while paying attention to make a uniform clearance around the front fender panel. For the dimension of clearance, refer to "SPECIFICATION" in "General Description". <Ref. to EB-2, SPECIFICATION, General Description.>

## 4. Front Performance Stay

### A: REMOVAL

- 1) Remove the front fender. <Ref. to EB-18, REMOVAL, Front Fender.>
- 2) Remove the bolts and harness clip, and remove the front performance stay.



### B: INSTALLATION

Install in the reverse order of removal.

#### ***Tightening torque:***

***70 N·m (7.14 kgf-m, 51.6 ft-lb)***



# Front Door

## EXTERIOR BODY PANELS

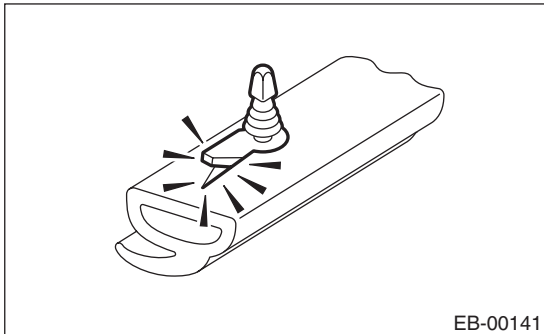
### 5. Front Door

#### A: REMOVAL

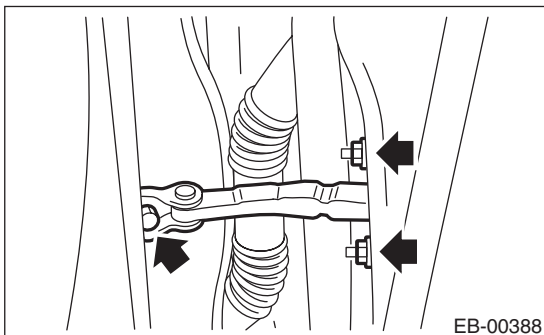
- 1) Disconnect the ground cable from battery.
- 2) Remove the front door trim. <Ref. to EI-43, REMOVAL, Door Trim.>
- 3) Remove the outer mirror assembly. <Ref. to GW-15, REMOVAL, Outer Mirror Assembly.>
- 4) Remove the front door speaker. <Ref. to ET-7, REMOVAL, Front Speaker.>
- 5) Remove the sealing cover. <Ref. to EB-22, REMOVAL, Front Sealing Cover.>
- 6) Remove the front door glass. <Ref. to GW-11, REMOVAL, Front Door Glass.>
- 7) Remove the front door regulator and motor. <Ref. to GW-12, REMOVAL, Front Regulator and Motor Assembly.>
- 8) Remove the front door latch assembly. <Ref. to SL-34, REMOVAL, Front Door Latch and Door Lock Actuator Assembly.>
- 9) Remove the front outer handle. <Ref. to SL-33, REMOVAL, Front Outer Handle.>
- 10) Remove the front door weather strip.

#### NOTE:

If the weather strip clip is removed with excessive force, the weather strip may be damaged. Be sure to use clip remover to remove.

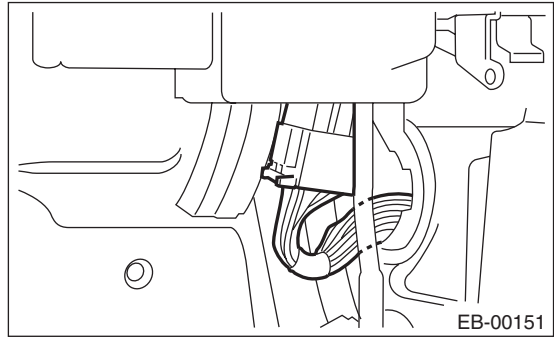


- 11) Remove the bolts and nuts to remove the door checker.

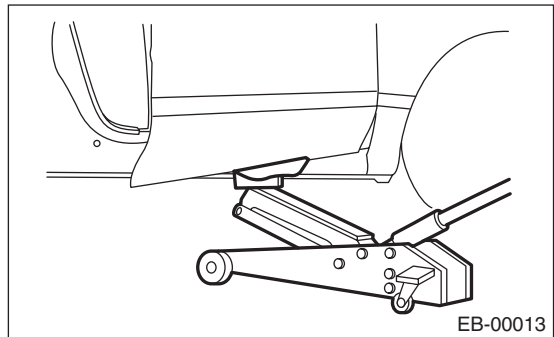


- 12) Remove the front pillar lower trim. <Ref. to EI-55, REMOVAL, Lower Inner Trim.>

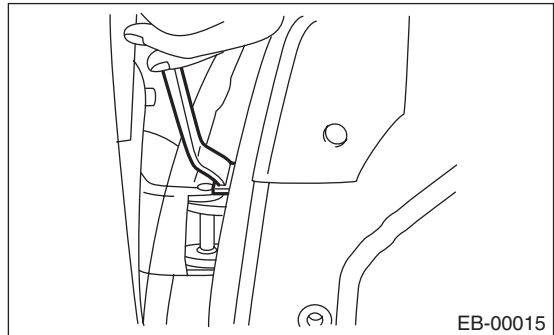
- 13) Disconnect the connector of door harness from body harness.



- 14) Put a wooden block on jack and place jack under the front door. Support the door with a jack to protect it from damage.



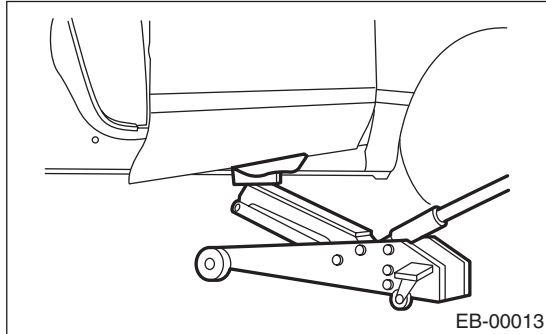
- 15) Remove the door-side bolts for upper and lower hinges to remove front door panel.



- 16) Remove the door hinge from vehicle.

## B: INSTALLATION

1) Put a wooden block on jack and place the front door on that.



- 2) Apply grease to the sliding area of door hinges, and install the door hinge to vehicle.
- 3) Install the front door to upper hinge and lower hinge adjusting by jack.
- 4) Tighten bolt of door checker.
- 5) Connect door harness connector, and install the instrument panel lower cover.
- 6) Install the front pillar lower trim.

### **Tightening torque:**

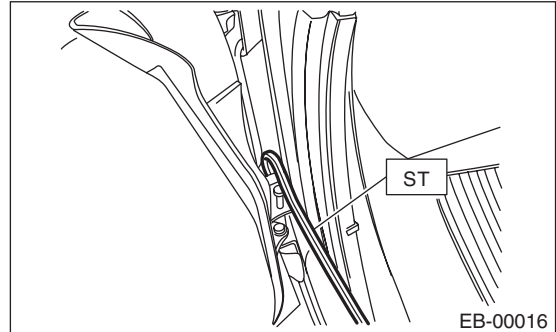
**Refer to "COMPONENT" of "General Description". <Ref. to EB-11, REAR DOOR, COMPONENT, General Description.>**

7) Install while paying attention to make a uniform clearance around the front door panel. For the dimension of clearance, refer to "SPECIFICATION" in "General Description". <Ref. to EB-2, SPECIFICATION, General Description.>

## C: ADJUSTMENT

1) Using the ST, loosen the body-side bolts of upper and lower hinges to align the vertical and horizontal positions of the front door panel.

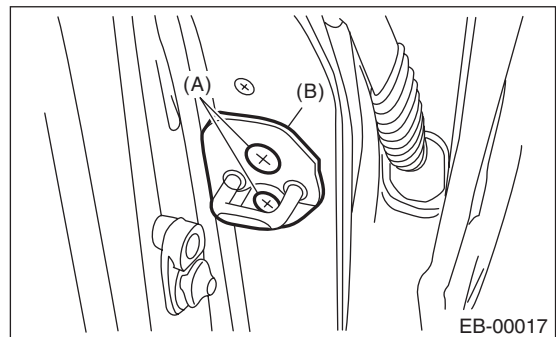
ST 925610000 WRENCH



2) Loosen the screw (A) and tap striker (B) using plastic hammer to adjust the gap between rear end surface of front door panel and front end surface of rear door.

### **CAUTION:**

**Do not use an impact wrench. Welding area on the striker nut plate is easily broken.**



# Front Sealing Cover

EXTERIOR BODY PANELS

---

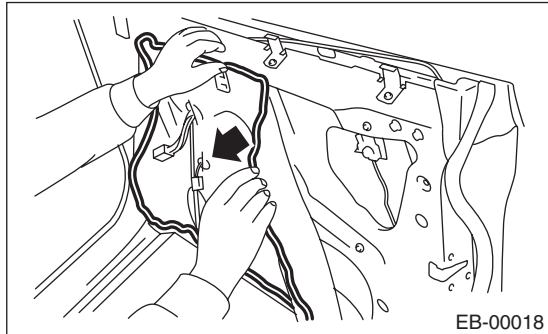
## 6. Front Sealing Cover

### A: REMOVAL

- 1) Disconnect the ground cable from the battery.
- 2) Remove the front door trim. <Ref. to EI-43, REMOVAL, Door Trim.>
- 3) Remove the sealing cover.

#### NOTE:

- Carefully remove the butyl tape. Excessive force will easily break the cover.
- If cover gets broken, replace it with a new part.



### B: INSTALLATION

- 1) Install in the reverse order of removal.
- 2) When replacing the sealing cover, use the butyl tape.
- 3) Press the butyl tape-applied area firmly to prevent any floating on surface.

#### **Butyl tape:**

**3M8626 or the equivalent**

#### NOTE:

- Apply a uniform bead of butyl tape.
- Attach the sealing cover, keeping it from becoming wrinkled.
- Breaks in the bead will allow water leakage and contamination.

### C: INSPECTION

If the sealing cover gets damaged, replace it with a new part.

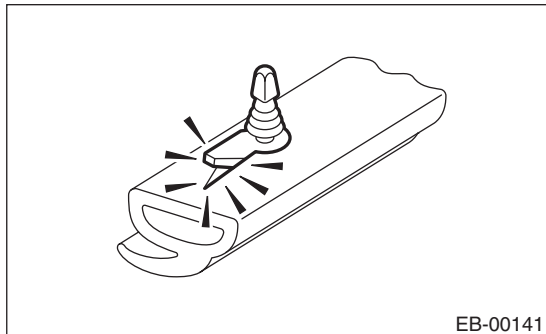
## 7. Rear Door

### A: REMOVAL

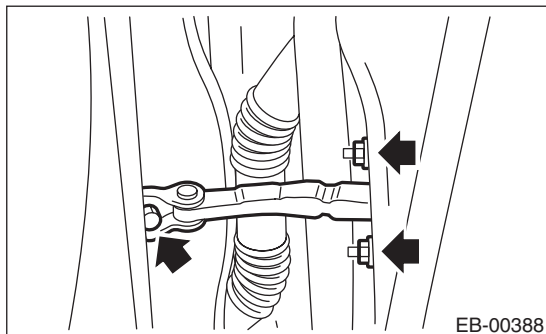
- 1) Disconnect the ground cable from battery.
- 2) Remove the rear door trim. <Ref. to EI-43, REMOVAL, Door Trim.>
- 3) Remove the rear speaker. <Ref. to ET-9, REMOVAL, Rear Speaker.>
- 4) Remove the sealing cover. <Ref. to EB-25, REMOVAL, Rear Sealing Cover.>
- 5) Remove the door sash and rear door glass. <Ref. to GW-18, REMOVAL, Rear Door Glass.>
- 6) Remove the rear door regulator and motor assembly. <Ref. to GW-19, REMOVAL, Rear Regulator and Motor Assembly.>
- 7) Remove the rear door latch. <Ref. to SL-37, REMOVAL, Rear Door Latch and Door Lock Actuator Assembly.>
- 8) Remove the rear outer handle. <Ref. to SL-36, REMOVAL, Rear Outer Handle.>
- 9) Remove the rear door weather strip.

**NOTE:**

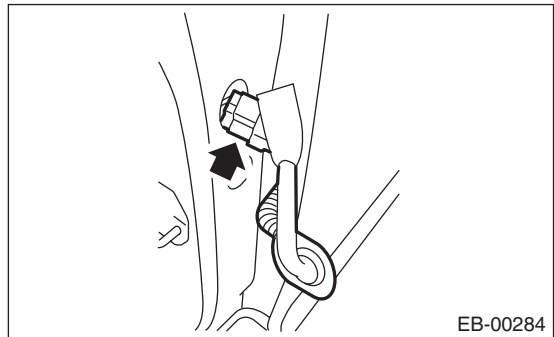
If the weather strip clip is removed with excessive force, the weather strip may be damaged. Be sure to use clip remover to remove.



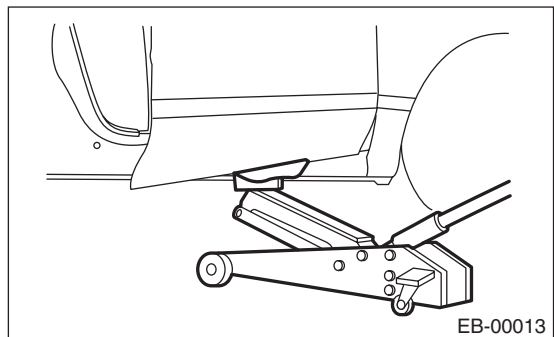
- 10) Remove the bolts and nuts to remove the door checker.



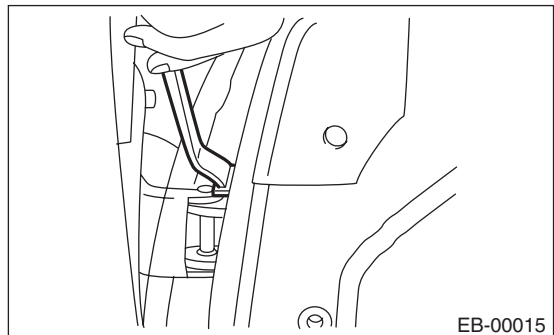
- 11) Pull the door harness connector inside the center pillar, then disconnect the connector.



- 12) Put a wooden block on jack and place jack under the rear door. Support the rear door with a jack to protect it from damage.



- 13) Remove the door-side bolts for upper and lower hinges to remove the rear door panel.



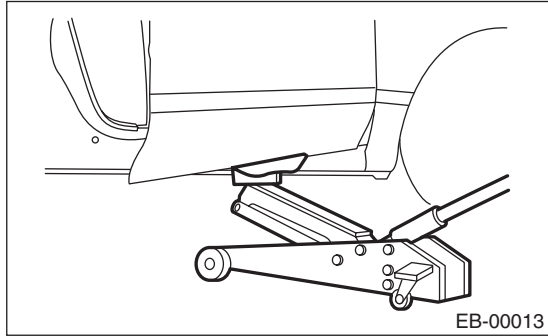
- 14) Remove the door hinge from vehicle.

# Rear Door

## EXTERIOR BODY PANELS

### B: INSTALLATION

- 1) Put a wooden block on jack and place the rear door on that.



- 2) Apply grease to the moving part of door hinges.
- 3) Install the rear door to upper hinge and lower hinge adjusting by jack.
- 4) Tighten bolt of door checker.
- 5) Connect door harness connector.

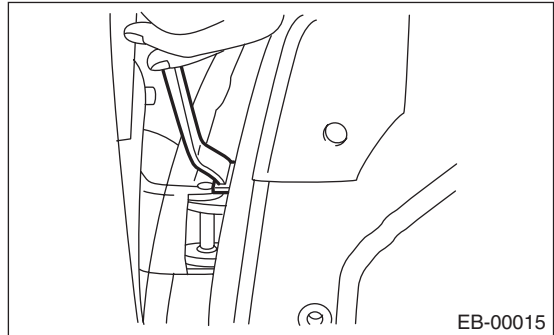
#### **Tightening torque:**

**Refer to “COMPONENT” of “General Description”. <Ref. to EB-11, REAR DOOR, COMPONENT, General Description.>**

- 6) Install while paying attention to make a uniform clearance around the rear door panel. For the dimension of clearance, refer to “SPECIFICATION” in “General Description”. <Ref. to EB-2, SPECIFICATION, General Description.>

### C: ADJUSTMENT

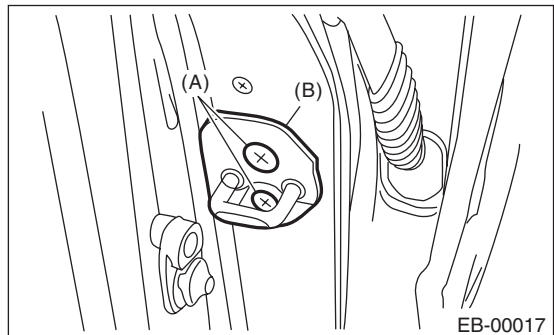
- 1) Open the rear door, loosen the door-side bolts of upper and lower hinges to align the position for vertical and horizontal direction of rear door panel.



- 2) Loosen the screw (A) and tap striker (B) using plastic hammer to adjust the gap between rear end surface of rear door panel and body surface.

#### **CAUTION:**

**Do not use an impact wrench. Welding area on the striker nut plate is easily broken.**



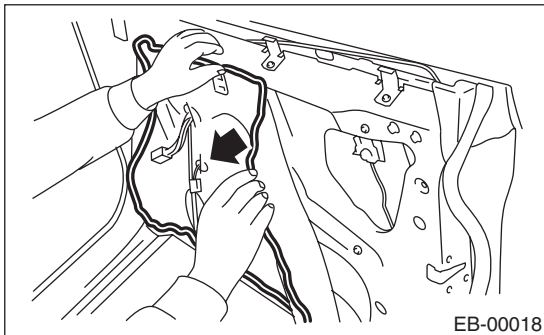
## 8. Rear Sealing Cover

### A: REMOVAL

- 1) Disconnect the ground cable from the battery.
- 2) Remove the rear door trim. <Ref. to EI-43, REMOVAL, Door Trim.>
- 3) Remove the rear speaker. <Ref. to ET-9, REMOVAL, Rear Speaker.>
- 4) Remove the sealing cover.

#### NOTE:

- Carefully remove the butyl tape. Excessive force will easily break the cover.
- If cover gets broken, replace it with a new part.



### B: INSTALLATION

- 1) Install in the reverse order of removal.
- 2) When replacing the sealing cover, use the butyl tape.
- 3) Press the butyl tape-applied area firmly to prevent any floating on surface.

#### **Butyl tape:**

**3M8626 or the equivalent**

#### NOTE:

- Apply a uniform bead of butyl tape.
- Attach the sealing cover, keeping it from becoming wrinkled.
- If the butyl tape is applied unevenly, it will cause water leakage and soiling.

### C: INSPECTION

If the sealing cover gets damaged, replace it with a new part.

# Door Sash Tape

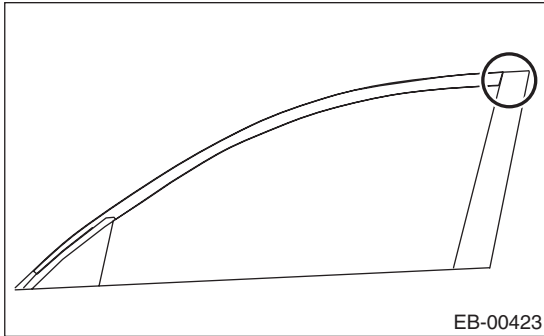
## EXTERIOR BODY PANELS

### 9. Door Sash Tape

#### A: REMOVAL

##### 1. FRONT DOOR

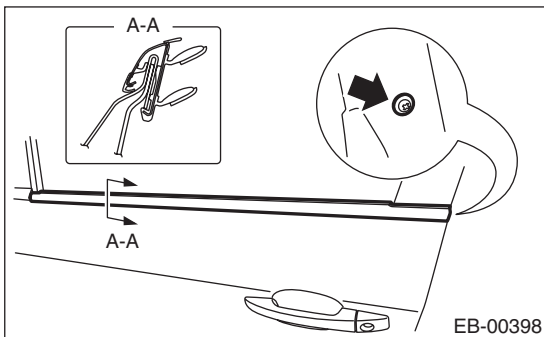
- 1) Disconnect the ground cable from battery.
- 2) Remove the front door trim. <Ref. to EI-43, REMOVAL, Door Trim.>
- 3) Remove the outer mirror assembly. <Ref. to GW-15, REMOVAL, Outer Mirror Assembly.>
- 4) Remove the sealing cover. <Ref. to EB-22, REMOVAL, Front Sealing Cover.>
- 5) Remove the front door glass. <Ref. to GW-11, REMOVAL, Front Door Glass.>
- 6) Remove the glass run rubber.
- 7) Remove the B pillar upper clip, and remove the front door weather strip.



- 8) Remove the screws, and remove the front door weather strip outer.

#### CAUTION:

- When removing the weather strip outer, be careful not to damage the vehicle.
- If the weather strip outer is deformed, always replace with a new part.



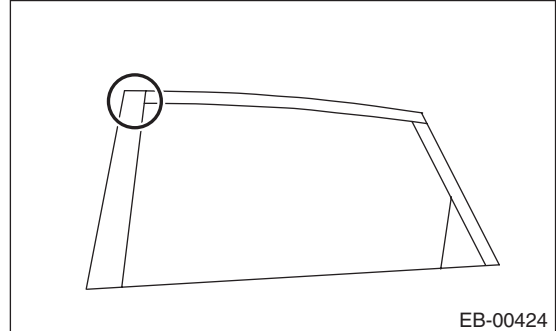
- 9) Peel the door sash tape from the door sash.

#### NOTE:

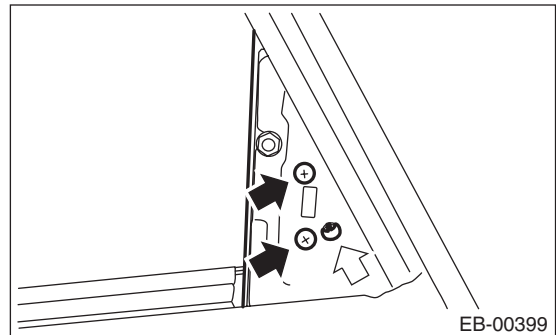
- If the tape is difficult to remove, warm the tape with a hairdryer, etc. to make the removal easier. Use a household hairdryer. Do not use industrial dryers.
- If tape residue is remaining on the door sash, wipe clean.

##### 2. REAR DOOR

- 1) Disconnect the ground cable from battery.
- 2) Remove the rear door trim. <Ref. to EI-43, REMOVAL, Door Trim.>
- 3) Remove the sealing cover. <Ref. to EB-25, REMOVAL, Rear Sealing Cover.>
- 4) Remove the rear door glass. <Ref. to GW-18, REMOVAL, Rear Door Glass.>
- 5) Remove the glass run rubber.
- 6) Remove the B pillar upper clip, and remove the rear door weather strip.



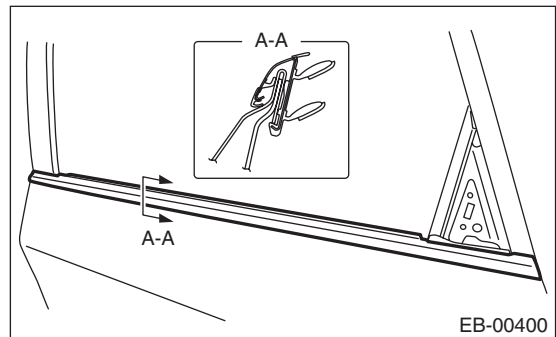
- 7) Loosen the screws and clips to remove the gusset cover outer.



- 8) Remove the rear door weather strip outer.

#### CAUTION:

- When removing the weather strip outer, be careful not to damage the vehicle.
- If the weather strip outer is deformed, always replace with a new part.



9) Peel the door sash tape from the door sash.

**NOTE:**

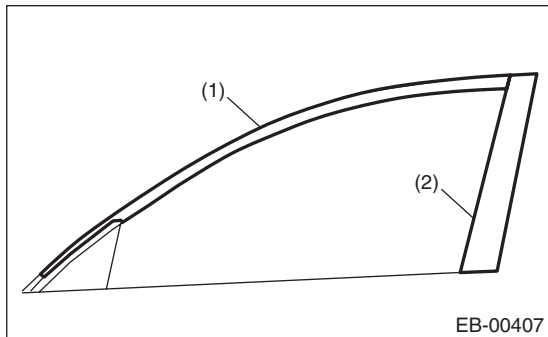
- If the tape is difficult to remove, warm the tape with a hairdryer, etc. to make the removal easier. Use a household hairdryer. Do not use industrial dryers.
- If tape residue is remaining on the door sash, wipe clean.

**B: INSTALLATION**

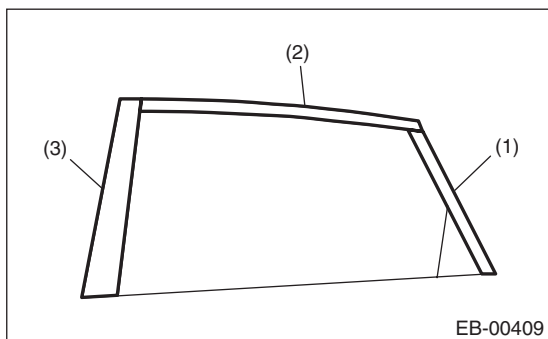
**CAUTION:**

- When applying tape, use a spatula, etc. to apply evenly, pushing it against the sash to make sure that no air bubbles are formed. If air bubbles are formed, reapply the tape.
- If the tape is wrinkled, etc. during application, replace the tape.
- Turning points and ends of the tape will be a cause for peeling if the pressure is insufficient during application, so make sure to push down on the tape firmly when applying.
- There are locations where the tape ends will overlap each other. When applying the tape, be careful of the order of their application.

• Front

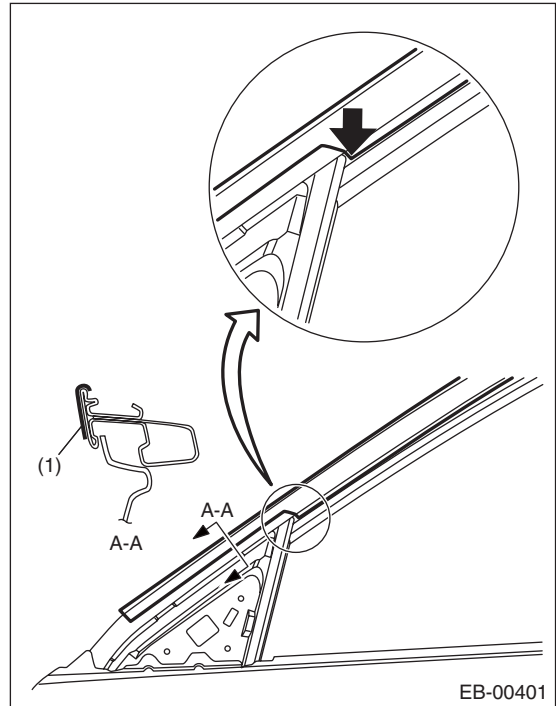


• Rear



**1. FRONT DOOR**

1) Match the upper area of the gusset and the cut area of the tape as shown in the figure. (Position of the arrow)



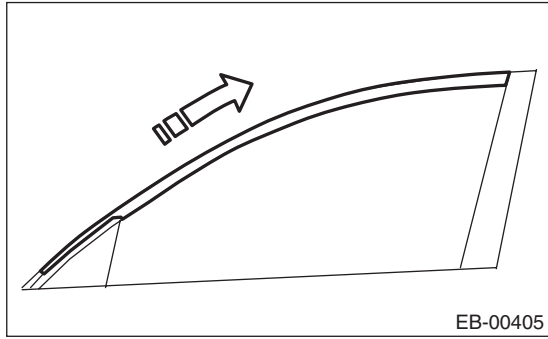
(1) Front door sash tape - front



# Door Sash Tape

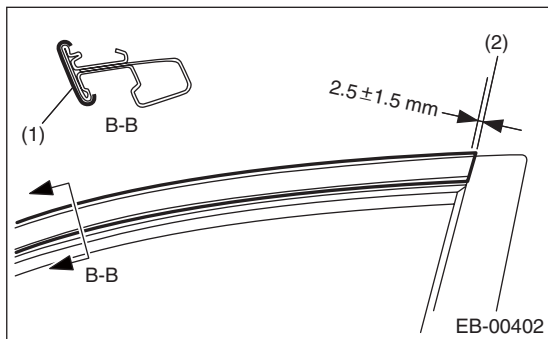
## EXTERIOR BODY PANELS

2) Apply tape from the front of the vehicle towards the rear.



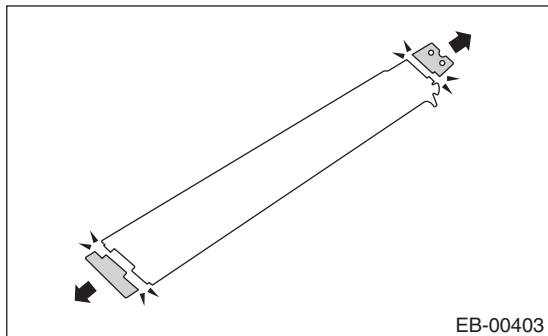
### NOTE:

Apply the tape end at a position within  $2.5 \pm 1.5$  mm ( $0.1 \pm 0.06$  in) from the front door rear sash line.



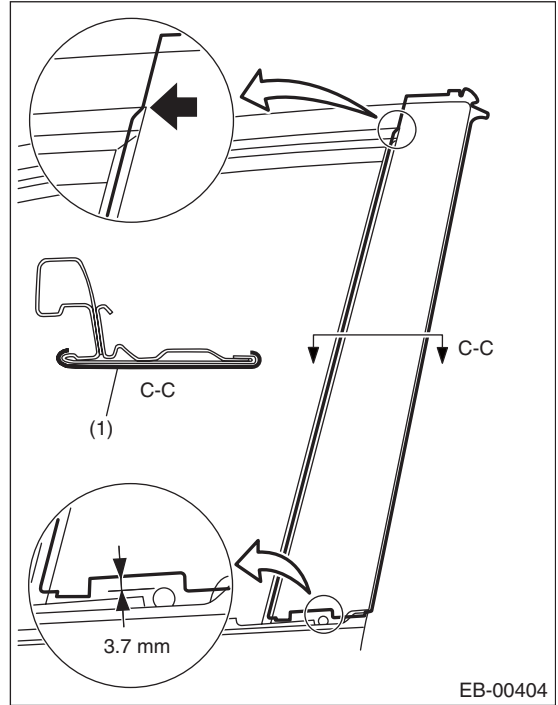
- (1) Front door sash tape - front
- (2) Front door rear sash line

3) Cut off both ends of the front door sash tape — rear.



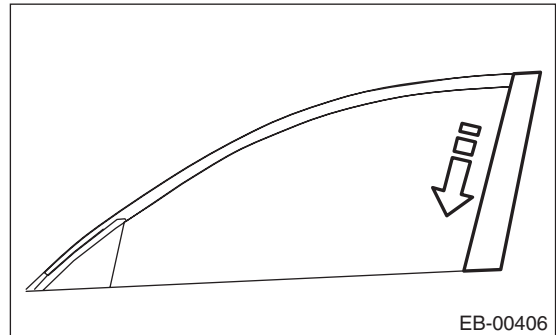
4) Match the sash corner and the cut area of the tape as shown in the figure. (Position of the arrow)

5) The lower end of the tape is to be aligned so that a space of approximately 3.7 mm (0.15 in) remains, so that the attachment holes of the weather strip outer are not blocked. (Position of the arrow)

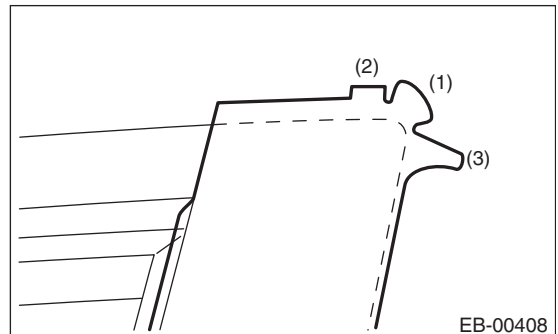


- (1) Front door sash tape — rear

6) Apply tape from the top of the vehicle towards the bottom.



7) Fold the corners at the door upper end area in the order of (1) - (3).

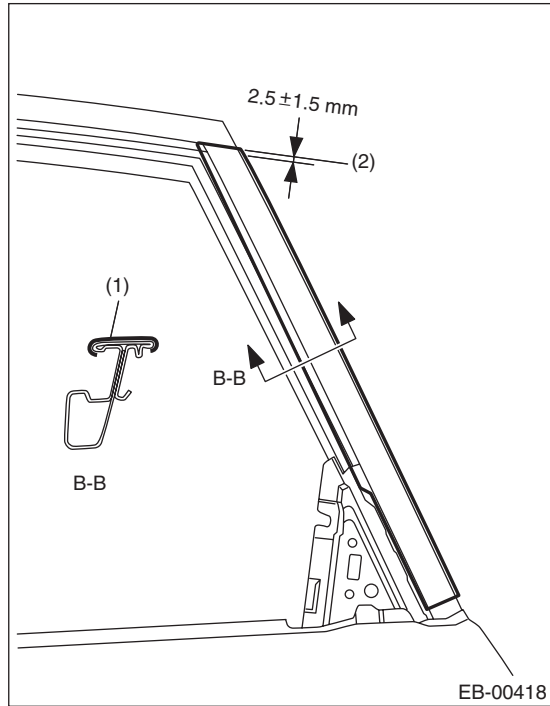


8) Thereafter, install door parts in the reverse order of disassembly.

9) Install while paying attention to make a uniform clearance around the front door panel. For the dimension of clearance, refer to "SPECIFICATION" in "General Description". <Ref. to EB-2, SPECIFICATION, General Description.>

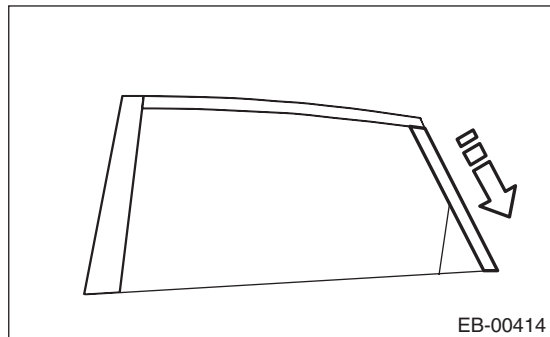
## 2. REAR DOOR

1) Apply the tape end at a position within  $2.5 \pm 1.5$  mm ( $0.1 \pm 0.06$  in) from the rear door front sash line.



- (1) Rear door sash tape — rear
- (2) Rear door upper sash line

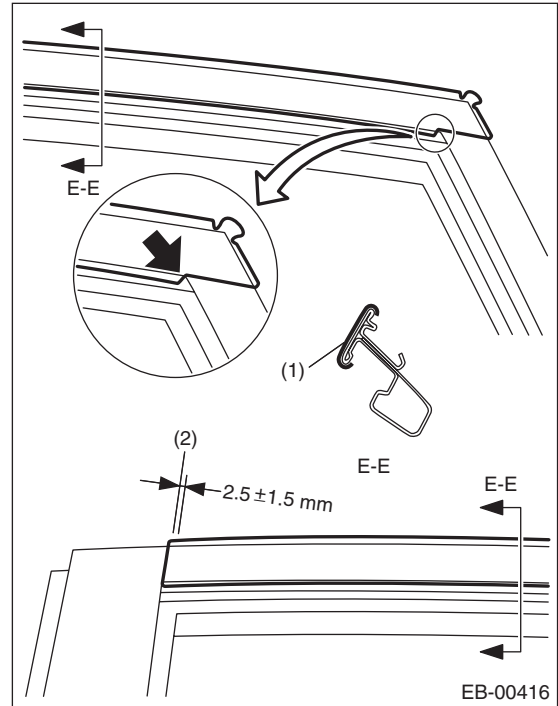
2) Apply tape from the top of the vehicle towards the bottom.



3) Match the rear door upper sash corner and the cut area of the tape as shown in the figure. (Position of the arrow)

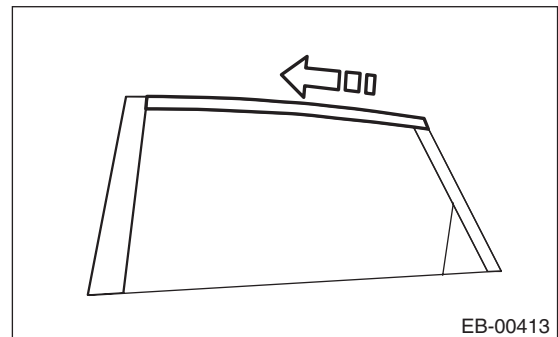
### NOTE:

Apply the tape end at a position within  $2.5 \pm 1.5$  mm ( $0.1 \pm 0.06$  in) from the rear door front sash line.



- (1) Rear door sash tape — medium
- (2) Rear door front sash line

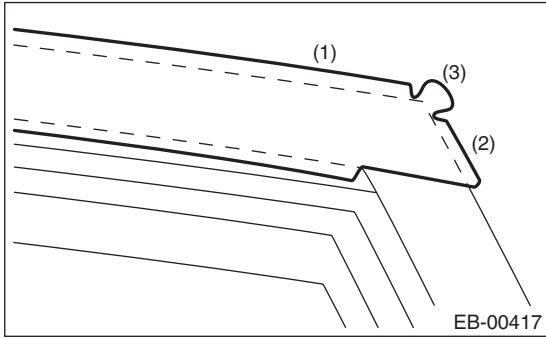
4) Apply tape from the rear of the vehicle towards the front.



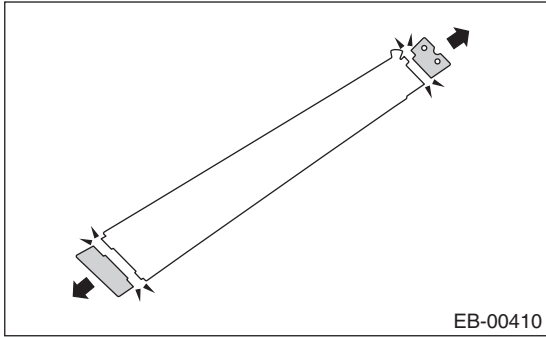
# Door Sash Tape

## EXTERIOR BODY PANELS

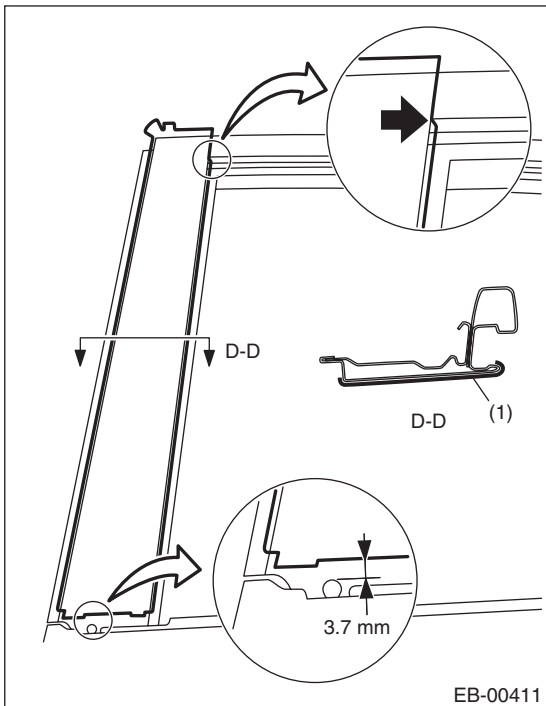
5) Fold the corners at the door upper end area in the order of (1) - (3).



6) Cut off both ends of the rear door sash tape — front.

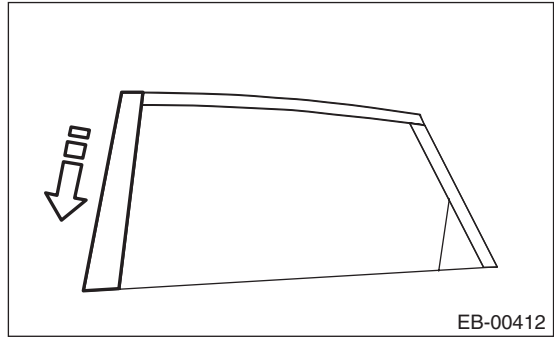


7) Match the sash corner and the cut area of the tape as shown in the figure. (Position of the arrow)  
 8) The lower end of the tape is to be aligned so that a space of approximately 3.7 mm (0.15 in) remains, so that the attachment holes of the weather strip outer are not blocked. (Position of the arrow)

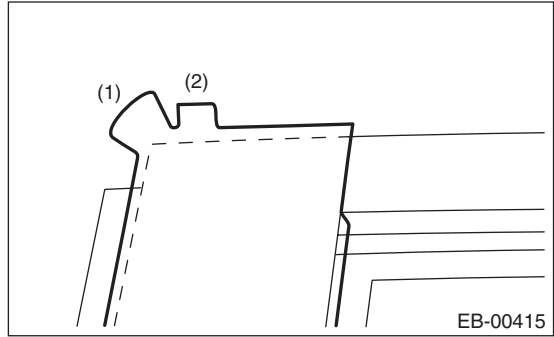


(1) Rear door sash tape — front

9) Apply tape from the top of the vehicle towards the bottom.



10) Fold the corners at the door upper end area in the order of (1) - (2).



11) Thereafter, install door parts in the reverse order of disassembly.

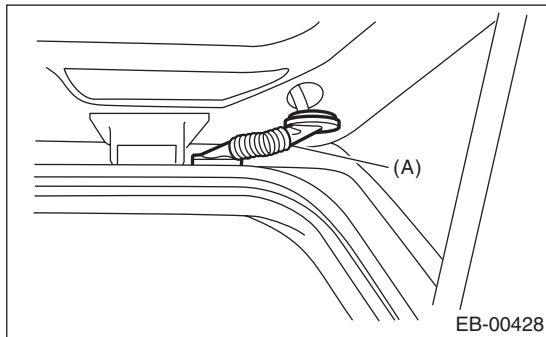
12) Install while paying attention to make a uniform clearance around the rear door panel. For the dimension of clearance, refer to "SPECIFICATION" in "General Description". <Ref. to EB-2, SPECIFICATION, General Description.>

## 10. Rear Gate

### A: REMOVAL

#### 1. REAR GATE PANEL

- 1) Disconnect the ground cable from battery.
- 2) Remove the rear gate trim. <Ref. to EI-66, REMOVAL, Rear Gate Trim.>
- 3) Remove the rear finisher light assembly. <Ref. to LI-26, REMOVAL, Rear Finisher Light Assembly.>
- 4) Remove the rear gate garnish. <Ref. to EI-69, REMOVAL, Rear Gate Garnish.>
- 5) Remove the rear wiper arm. <Ref. to WW-18, REMOVAL, Rear Wiper Arm.>
- 6) Remove the rear wiper motor. <Ref. to WW-19, REMOVAL, Rear Wiper Motor.>
- 7) Remove the rear gate latch and actuator assembly. <Ref. to SL-39, REMOVAL, Rear Gate Latch and Actuator Assembly.>
- 8) Remove the roof spoiler. <Ref. to EI-39, REMOVAL, Roof Spoiler.>
- 9) Remove the rubber duct (A) connection.

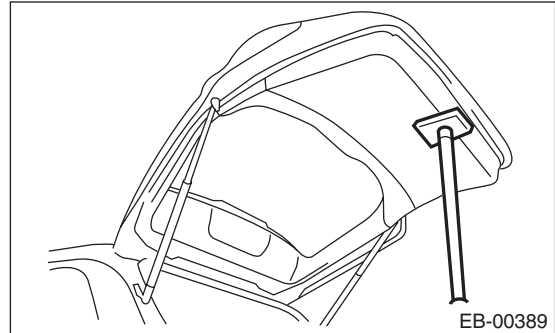


- 10) Remove harness clip of each connector from the rear gate panel.
- 11) Pull out the harness and washer hose from the rear gate.

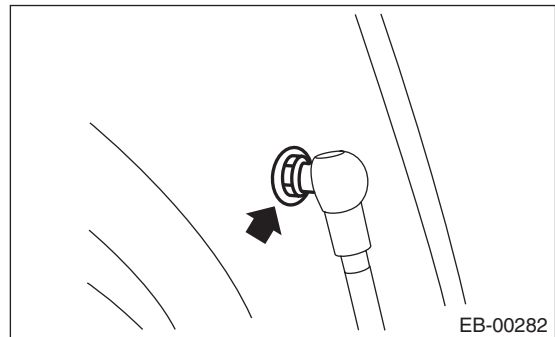
- 12) Before removing the rear gate damper stay, prevent the rear gate from closing using prop or the like.

#### CAUTION:

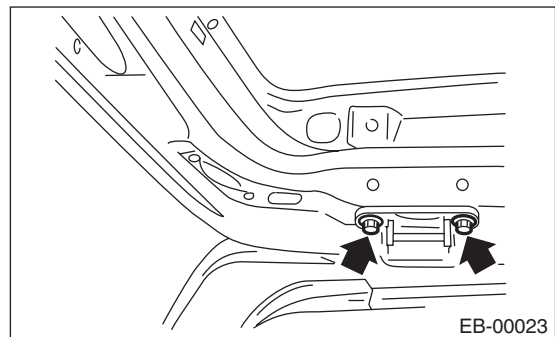
**If the prop comes off, operators may get injured and vehicle may get damaged. Make sure to support the rear gate with secure material to prevent injury or damage.**



- 13) Remove the mounting bolt of rear gate damper stay.



- 14) Remove the rear gate hinge bolt, and remove the rear gate panel.



- 15) Remove the rear gate hinge from the vehicle.

# Rear Gate

## EXTERIOR BODY PANELS

### 2. REAR GATE DAMPER STAY

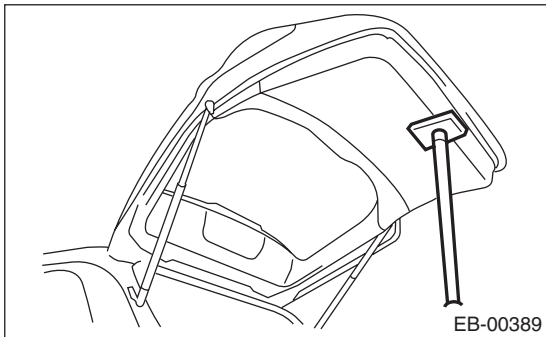
#### CAUTION:

- Do not damage piston rods and oil seals.
- Never disassemble cylinders: They contain gas.

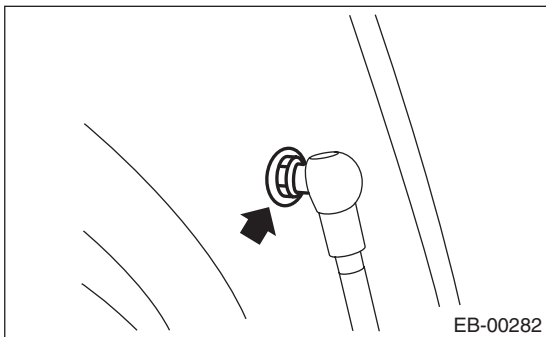
1) Before removing the rear gate damper stay, prevent the rear gate from closing using prop or the like.

#### CAUTION:

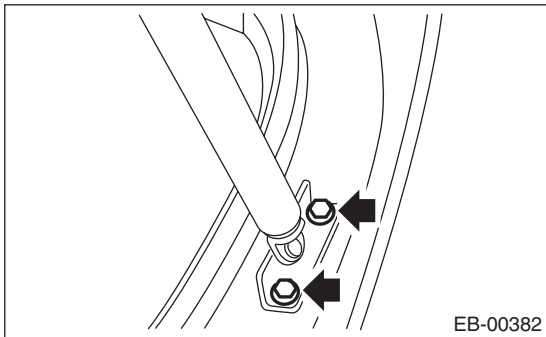
If the prop comes off, operators may get injured and vehicle may get damaged. Make sure to support the rear gate with secure material to prevent injury or damage.



2) Remove the mounting bolt of rear gate damper stay.



3) Remove mounting bolt, and remove the damper stay.



### B: INSTALLATION

#### 1. REAR GATE PANEL

1) Install in the reverse order of removal.

#### Tightening torque:

**25 N·m (2.55 kgf-m, 18.4 ft-lb)**

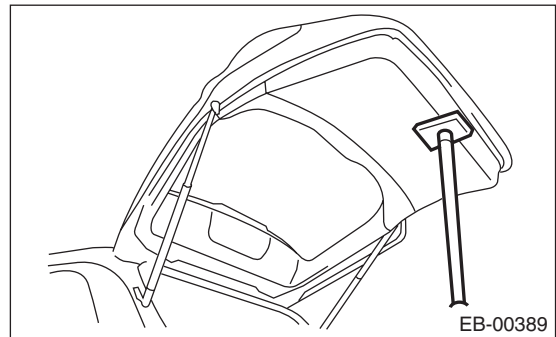
2) Install while paying attention to make a uniform clearance around the rear gate panel. For the dimension of clearance, refer to "SPECIFICATION" in "General Description". <Ref. to EB-2, SPECIFICATION, General Description.>

#### 2. REAR GATE DAMPER STAY

1) Prevent the rear gate from closing using prop or the like.

#### CAUTION:

If the prop comes off, operators may get injured and vehicle may get damaged. Make sure to support the rear gate with secure material to prevent injury or damage.



2) Install in the reverse order of removal.

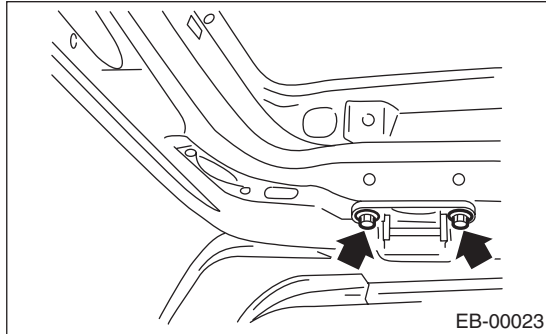
#### Tightening torque:

Refer to "COMPONENT" of "General Description". <Ref. to EB-12, REAR GATE, COMPONENT, General Description.>

## C: ADJUSTMENT

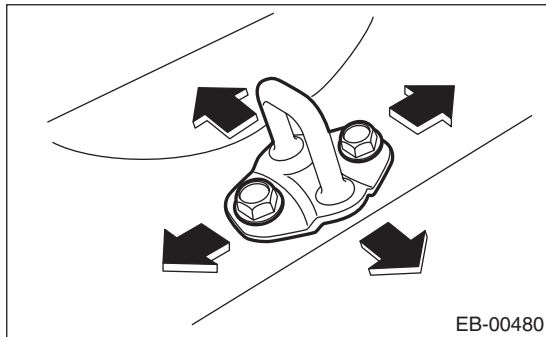
For the dimension of panel around the rear gate panel, refer to "SPECIFICATION" in "General Description". <Ref. to EB-2, SPECIFICATION, General Description.>

- 1) Align the rear gate panel longitudinal and lateral position.



- (1) Loosen the hinge attaching bolts.
- (2) Align the rear gate panel longitudinal and lateral panel dimension.

- 2) Adjust the gap between rear gate panel and body surface.



- (1) Loosen the bolt.
- (2) Tap striker using plastic hammer to adjust the gap between rear gate panel and body surface.

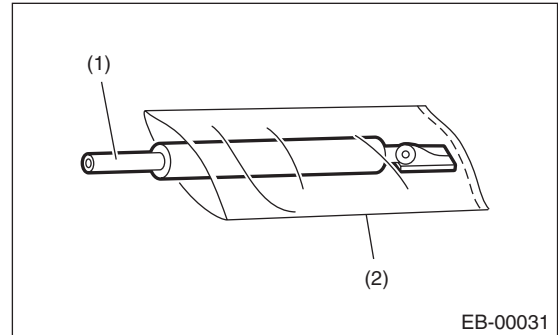
## D: DISPOSAL

### 1. REAR GATE DAMPER STAY

#### CAUTION:

**Gas is colorless, odorless, and harmless. However, gas pressure may spray cutting powder or oil. Be sure to wear dust-resistant goggles.**

- 1) Cover with a vinyl sack as shown in the figure.



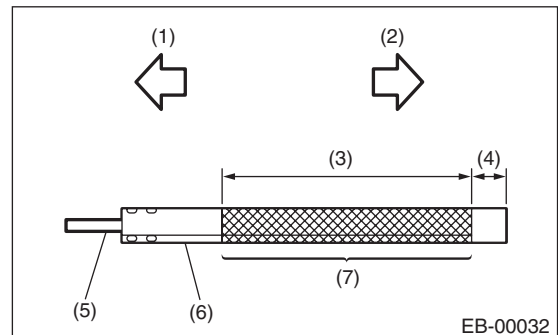
- (1) Rear gate damper stay
- (2) Vinyl sack

#### NOTE:

Prevent the vinyl sack from being caught by drill cutting edge

- 2) Lift the body side slightly with piston rods fully extended, and secure the body side with vise.

Drill a hole in 2 to 3 mm (0.08 to 0.12 in) diameter at a point 10 to 200 mm (0.39 to 7.87 in) from door side, and bleed rear gate damper stay gas completely.



- (1) Door side
- (2) Body side
- (3) 190 mm (7.48 in)
- (4) 10 mm (0.39 in)
- (5) Piston rod
- (6) Cylinder
- (7) Portion to be drilled

## 11. Trunk Lid

### A: REMOVAL

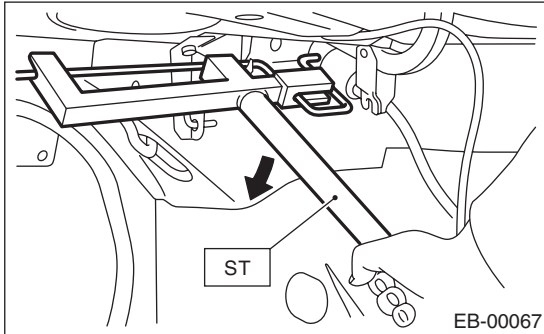
#### 1. TORSION BAR

- 1) Open the trunk lid.
- 2) Using the ST, remove the torsion bar from the hinge link.

ST 927780000 REMOVER

#### CAUTION:

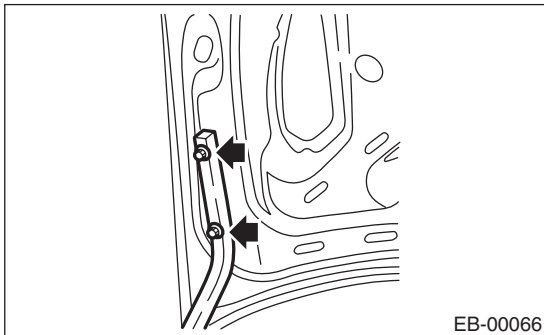
During removal and installation, handle the torsion bar carefully, because it will generate reactive force.



- 3) Remove the torsion bars RH/LH.

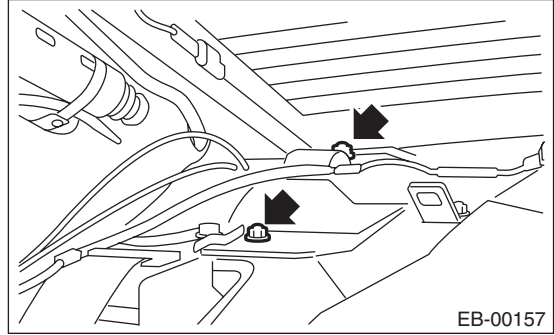
#### 2. TRUNK LID ARM

- 1) Disconnect the ground cable from battery.
- 2) Open the trunk lid to remove the trunk room trim. <Ref. to EI-61, REMOVAL, Trunk Room Trim.>
- 3) Disconnect the trunk lid release cable. <Ref. to SL-40, REMOVAL, Trunk Lid Latch and Actuator Assembly.>
- 4) Disconnect the connectors, and remove the harness clip, etc.
- 5) Remove the trunk lid mounting bolts, to remove the trunk lid panel from the trunk lid arm.



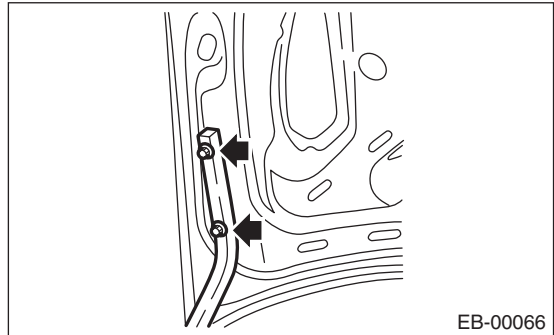
- 6) Remove the torsion bar from the trunk lid hinge link. <Ref. to EB-34, TORSION BAR, REMOVAL, Trunk Lid.>
- 7) Remove the rear shelf trim. <Ref. to EI-60, REMOVAL, Rear Shelf Trim.>

- 8) Remove the bolts, then remove the trunk lid arm.



#### 3. TRUNK LID PANEL

- 1) Disconnect the ground cable from battery.
- 2) Disconnect the connector to remove the trunk lid harness.
- 3) Remove the trunk lid latch and actuator assembly. <Ref. to SL-40, REMOVAL, Trunk Lid Latch and Actuator Assembly.>
- 4) Remove the trunk lid garnish. <Ref. to EI-70, REMOVAL, Trunk Lid Garnish.>
- 5) Remove the bolts, then remove the trunk lid panel from the trunk lid arm.



### B: INSTALLATION

- 1) Install in the reverse order of removal.
- 2) Apply grease to the rotating area of hinges and the torsion bar.
- 3) Install while paying attention to make a uniform clearance around the trunk lid panel. For the dimension of clearance, refer to "SPECIFICATION" in "General Description". <Ref. to EB-2, SPECIFICATION, General Description.>

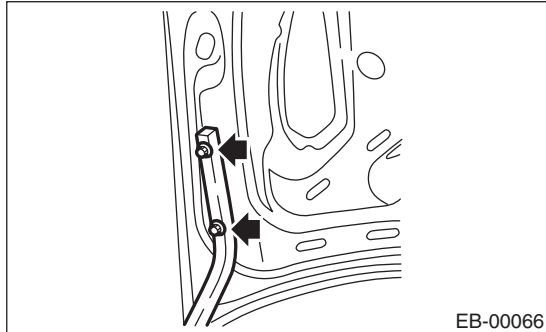
#### Tightening torque:

Refer to "COMPONENT" of "General Description". <Ref. to EB-9, FRONT FENDER, COMPONENT, General Description.>

## C: ADJUSTMENT

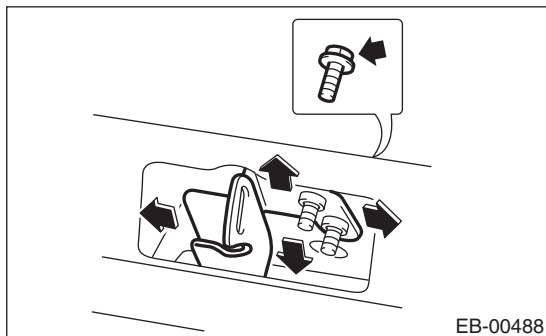
For the dimension of panel around the trunk lid panel, refer to "SPECIFICATION" in "General Description". <Ref. to EB-2, SPECIFICATION, General Description.>

1) Adjust the trunk lid panel lateral position.



- (1) Loosen the mounting bolt.
- (2) Align the trunk lid panel lateral panel dimension.

2) Adjust the gap between trunk lid panel and body surface.



- (1) Loosen the bolt.
- (2) Tap striker using plastic hammer to adjust the gap between trunk lid panel and body surface.



# Protector Tape

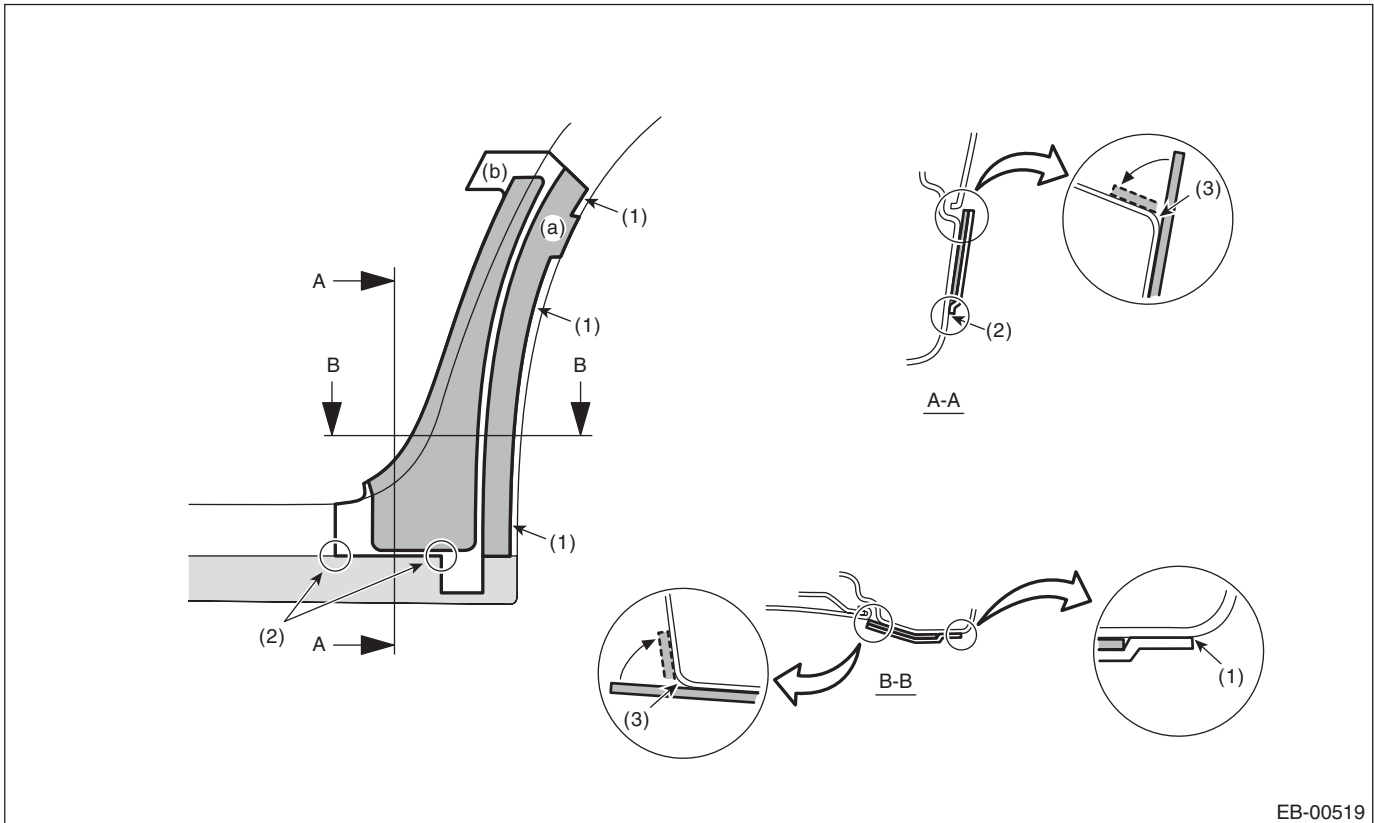
EXTERIOR BODY PANELS

## 12.Protector Tape

### A: INSTALLATION

Adhere the protector tape to position, follow the procedures below.

- 1) Open the rear door and moisten around the adhering position.
- 2) Peel away the backing paper of (a).
- 3) Align the application tape to the position shown in the following figure.
- 4) Peel away the film of (a).
- 5) Peel away the backing paper of (b) and adhere the protector tape to the vehicle body.
- 6) Get rid of water and air bubbles in the protector tape and remove the application tape and the film.



(1) Align the R terminal of side sill panel to application paper.

(2) Align the PCV coat terminal to application paper.

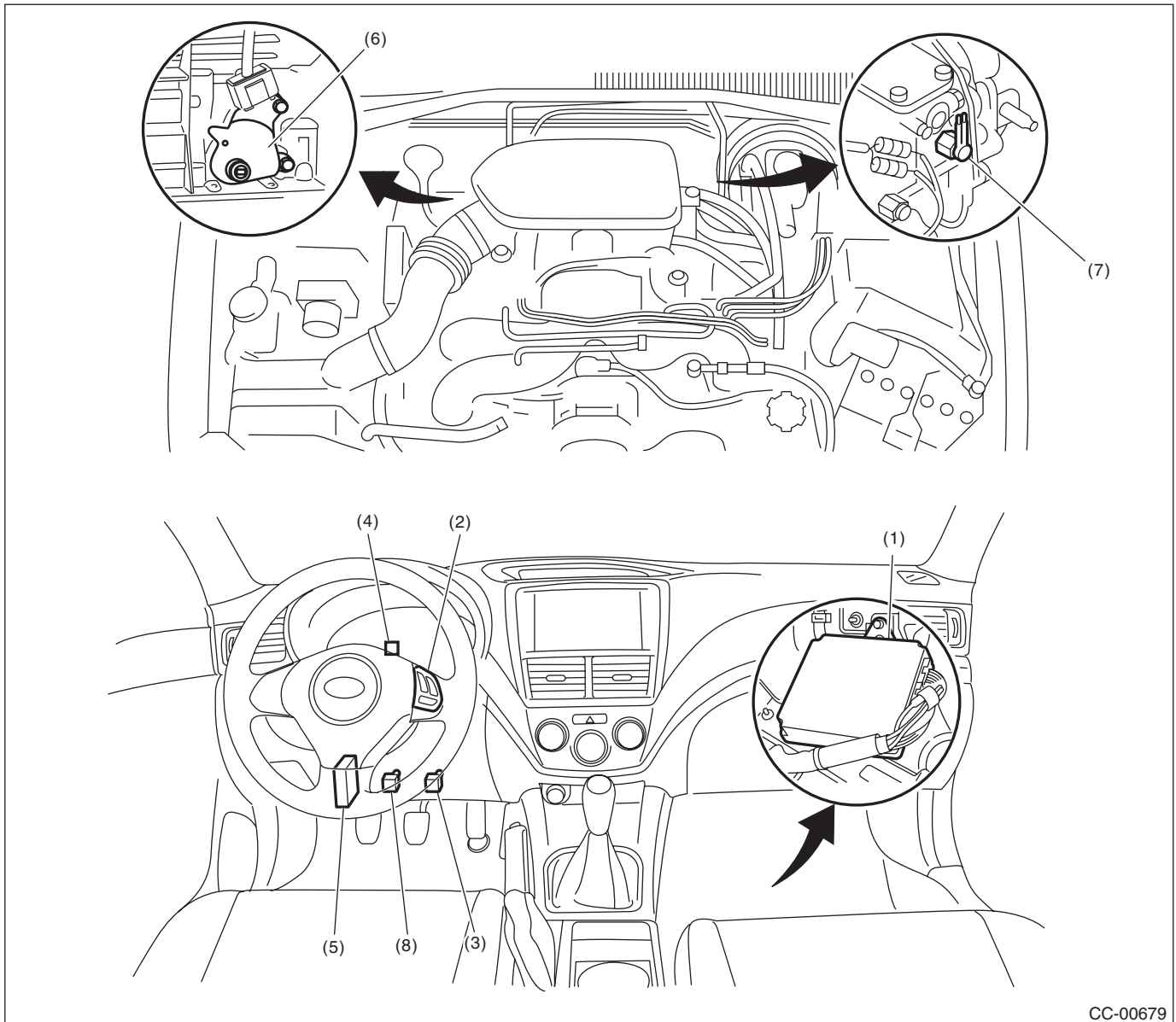
(3) Apply the protector tape to align the R.

# General Description

## CRUISE CONTROL SYSTEM

### 1. General Description

#### A: COMPONENT



- (1) Engine control module (ECM)
- (2) Cruise control command switch
- (3) Stop light and brake switch
- (4) Cruise indicator light and cruise set indicator light

- (5) Transmission control module (TCM) (AT model)
- (6) Inhibitor switch (AT model)

- (7) Neutral position switch (MT model)
- (8) Clutch switch (MT model)

## B: CAUTION

- Before disassembling or reassembling parts, always disconnect the battery ground cable from battery. When repairing the audio, control module, etc. which are provided with memory functions, record the memory contents before disconnecting the ground cable from battery. Otherwise, the memory will be cleared.
- Reassemble the parts in the reverse order of disassembly unless otherwise indicated.
- Adjust the parts to specifications specified in this manual.
- Connect the connectors securely during reassembly.
- After reassembly, ensure functional parts operate properly.

## C: PREPARATION TOOL

TOOL NAME	REMARKS
Circuit tester	Used for measuring resistance and voltage.
TORX® bit T30	Used for removing/installing driver's airbag module.

## 2. Cruise Control Module

### A: NOTE

The control of cruise control system is carried out in engine control module (ECM).

For removal/installation procedures of the control module, refer to Engine section.

### B: REMOVAL

- 2.5 L turbo model <Ref. to FU(H4DOTC)-52, REMOVAL, Engine Control Module (ECM).>
- 2.5 L non-turbo model <Ref. to FU(H4SO)-2, SPECIFICATION, General Description.>

### C: INSTALLATION

- 2.5 L turbo model <Ref. to FU(H4DOTC)-52, INSTALLATION, Engine Control Module (ECM).>
- 2.5 L non-turbo model <Ref. to FU(H4SO)-2, SPECIFICATION, General Description.>

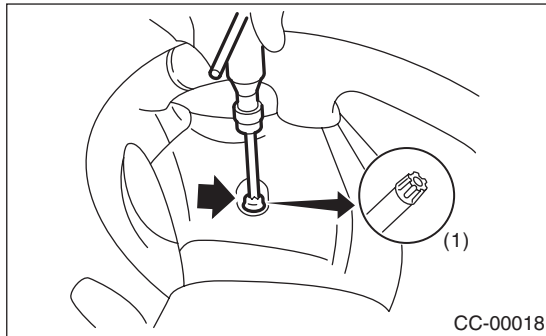
## 3. Cruise Control Command Switch

### A: REMOVAL

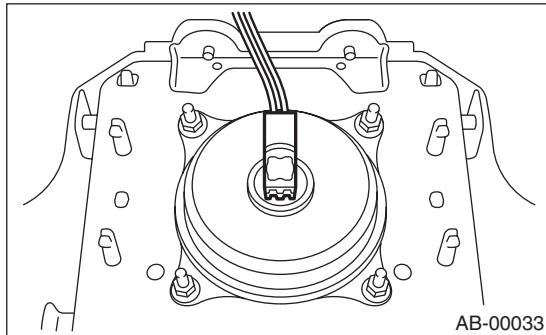
**WARNING:**

Before servicing, be sure to read the notes in the “AB” section for proper handling of the driver’s airbag module. <Ref. to AB-5, CAUTION, General Description.>

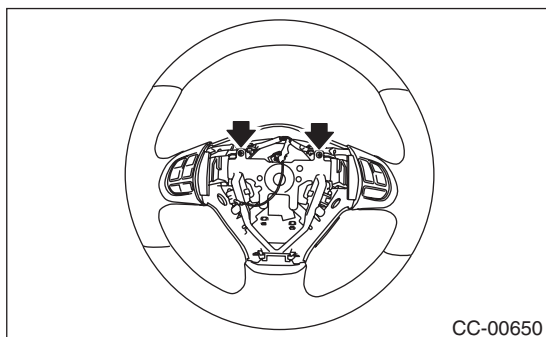
- 1) Set the front wheels in straight ahead position.
- 2) Turn the ignition switch to OFF.
- 3) Disconnect the ground cable from battery and wait for at least 20 seconds before starting work.
- 4) Using TORX® bit T30 (1), loosen two TORX® bolts which secure the driver’s airbag module.



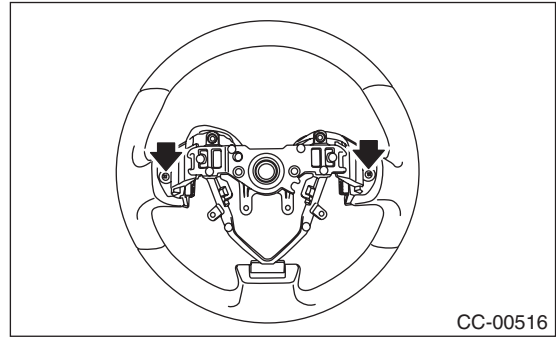
- 5) Disconnect the horn harness.
- 6) Disconnect the airbag module connector on back of the airbag module. <Ref. to AB-8, PROCEDURE, Airbag Connector.>



- 7) Remove the steering wheel. <Ref. to PS-12, REMOVAL, Steering Wheel.>
- 8) Remove the screws to remove the lower cover from steering wheel.



- 9) Remove the screws on the backside of the steering wheel to remove the cruise control command switch.

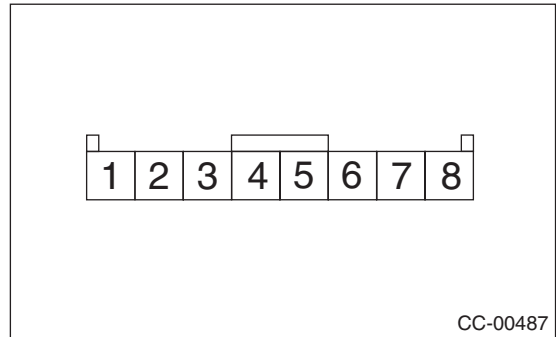


### B: INSTALLATION

Install in the reverse order of removal.

### C: INSPECTION

Measure the cruise control command switch resistance.



Switch	Position	Terminal No.	Standard
CANCEL SET/COAST RESUME/ ACCEL	All OFF	7 and 6	Approx. 4 kΩ
CANCEL	ON	7 and 6	Less than 1 Ω
SET/COAST	ON	7 and 6	Approx. 250 Ω
RESUME/ ACCEL	ON	7 and 6	Approx. 1500 Ω
MAIN (CRUISE)	OFF	8 and 6	1 MΩ or more
	ON	8 and 6	Less than 1 Ω

If NG, replace the cruise control command switch.

## 4. Combination Meter

### A: NOTE

For the combination meter, refer to the "IDI" section. <Ref. to IDI-16, Combination Meter.>

## 5. Stop Light & Brake Switch

### A: NOTE

For stop light & brake switch, refer to "BR". <Ref. to BR-45, Stop Light Switch.>

### **6. Clutch Switch**

#### **A: NOTE**

For clutch switch, refer to "CL". <Ref. to CL-27, Clutch Switch.>



## 7. Transmission Control Module (TCM)

### A: NOTE

For transmission control module (TCM), refer to Automatic Transmission section. <Ref. to 4AT-63, Transmission Control Module (TCM).>

## 8. Inhibitor Switch

### A: NOTE

For inhibitor switch, refer to Automatic Transmission section. <Ref. to 4AT-48, INSPECTION, Inhibitor Switch.>

## 9. Neutral Position Switch

### A: NOTE

For neutral position switch, refer to Manual Transmission & Differential section. <Ref. to 5MT-33, Switches and Harness.>

# Neutral Position Switch

CRUISE CONTROL SYSTEM

---

# Basic Diagnostic Procedure

## CRUISE CONTROL SYSTEM (DIAGNOSTICS)

### 1. Basic Diagnostic Procedure

#### A: PROCEDURE

	Step	Check	Yes	No
1	<b>CHECK MALFUNCTION INDICATOR LIGHT.</b> Make sure the malfunction indicator light illuminates.	Does the malfunction indicator light illuminate?	Go to step 5.	Go to step 2.
2	<b>CHECK CRUISE INDICATOR LIGHT.</b> Make sure the cruise indicator light blinks.	Does the cruise indicator light blink?	Go to step 6.	Go to step 3.
3	<b>CHECK CRUISE CONTROL MAIN SWITCH OPERATION.</b> Check cruise control main switch operation. (Ensure the cruise indicator light illuminates.)	Is the cruise control main switch turned on? (Does the cruise indicator light illuminate?)	Go to step 4.	Go to phenomenon 1. <Ref. to CC(diag)-9, DIAGNOSTIC PROCEDURE WITH PHENOMENON, Diagnostics with Phenomenon.>
4	<b>CHECK CRUISE CONTROL SET OPERATION.</b> Check the cruise control setting operation.	Can the cruise control be set while driving at 40 km/h (25 MPH) or more?	Go to step 7.	Go to step 6.
5	<b>CHECK DTC.</b> Read all DTCs using the Subaru Select Monitor.	Is an engine or ABS/VDC related DTC displayed?	Perform the diagnosis according to the engine or ABS/VDC related DTC.	Go to phenomenon 2. <Ref. to CC(diag)-9, DIAGNOSTIC PROCEDURE WITH PHENOMENON, Diagnostics with Phenomenon.>
6	<b>CHECK CANCEL CODE.</b> Using the Subaru Select Monitor, read the cancel codes. NOTE: • Do not turn the ignition switch to OFF after the cruise control is deactivated. • Do not operate the cruise control command switch after the cruise control is deactivated. If the above is performed, the cancel code will be cleared.	Is it possible to read the cancel codes?	Perform the diagnosis according to the cancel code. <Ref. to CC(diag)-11, LIST, List of Cancel Code.>	Go to step 7.
7	<b>CHECK CRUISE SET INDICATOR LIGHT.</b> Make sure the cruise set indicator light illuminates.	Does the cruise set indicator light illuminate?	Go to step 8.	Go to phenomenon 3. <Ref. to CC(diag)-9, DIAGNOSTIC PROCEDURE WITH PHENOMENON, Diagnostics with Phenomenon.>
8	<b>CHECK VEHICLE SPEED IS HELD WITHIN SET SPEED.</b> Make sure the vehicle speed is held within set speed.	Is the vehicle speed kept within setting speed $\pm 3$ km/h ( $\pm 2$ MPH)? (Make sure that on a level road.)	Go to step 9.	Go to phenomenon 4. <Ref. to CC(diag)-9, DIAGNOSTIC PROCEDURE WITH PHENOMENON, Diagnostics with Phenomenon.>

# Basic Diagnostic Procedure

## CRUISE CONTROL SYSTEM (DIAGNOSTICS)

Step	Check	Yes	No
<b>9 CHECK RESUME/ACCEL OPERATION.</b> Check the RESUME/ACCEL switch operation.	Does the vehicle speed increase or return to set speed after RESUME/ACCEL switch has been pressed?	Go to step 10.	Go to phenomenon 5. <Ref. to CC(diag)-9, DIAGNOSTIC PROCEDURE WITH PHENOMENON, Diagnostics with Phenomenon.>
<b>10 CHECK SET/COAST OPERATION.</b> Check the SET/COAST switch operation.	Does the vehicle speed decrease after SET/COAST switch has been pressed?	Go to step 11.	Go to phenomenon 6. <Ref. to CC(diag)-9, DIAGNOSTIC PROCEDURE WITH PHENOMENON, Diagnostics with Phenomenon.>
<b>11 CANCEL OPERATION CHECK.</b> Check the CANCEL switch operation.	Is the cruise control released after CANCEL switch has been pressed?	Go to step 12.	Go to phenomenon 7. <Ref. to CC(diag)-9, DIAGNOSTIC PROCEDURE WITH PHENOMENON, Diagnostics with Phenomenon.>
<b>12 CHECK CRUISE CONTROL RELEASE OPERATION.</b> Check the cruise control release operation.	Is the cruise control released after brake pedal has been depressed?	Go to step 13.	Go to phenomenon 8. <Ref. to CC(diag)-9, DIAGNOSTIC PROCEDURE WITH PHENOMENON, Diagnostics with Phenomenon.>
<b>13 CHECK CRUISE CONTROL RELEASE OPERATION.</b> Check the cruise control release operation.	Is the cruise control released after shifting to the neutral position?	Go to step 14.	Go to phenomenon 9. <Ref. to CC(diag)-9, DIAGNOSTIC PROCEDURE WITH PHENOMENON, Diagnostics with Phenomenon.>
<b>14 CHECK CRUISE CONTROL RELEASE OPERATION.</b> Check the cruise control release operation.	Is the cruise control released after depressing the clutch pedal?	Finish the diagnosis.	Go to phenomenon 10. <Ref. to CC(diag)-9, DIAGNOSTIC PROCEDURE WITH PHENOMENON, Diagnostics with Phenomenon.>

# General Description

## CRUISE CONTROL SYSTEM (DIAGNOSTICS)

### 2. General Description

#### A: CAUTION

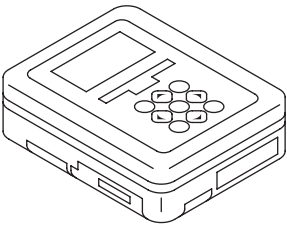
Airbag system wiring harness is routed near the cruise control command switch.

#### CAUTION:

- Airbag system wiring harnesses and connectors are yellow. Do not use electrical test equipment on these circuits.
- Be careful not to damage the airbag system wiring harness when servicing the cruise control command switch. Airbag system wiring harness is routed near the cruise control command switch.

#### B: PREPARATION TOOL

##### 1. SPECIAL TOOL

ILLUSTRATION	TOOL NUMBER	DESCRIPTION	REMARKS
 ST1B022XU0	1B022XU0	SUBARU SELECT MONITOR III KIT	Used for troubleshooting the electrical system.

##### 2. GENERAL TOOL

TOOL NAME	REMARKS
Circuit tester	Used for measuring resistance, voltage and current.

#### C: INSPECTION

Measure the battery voltage and specific gravity of electrolyte.

#### **Standard voltage:**

**12 V or more**

#### **Specific gravity:**

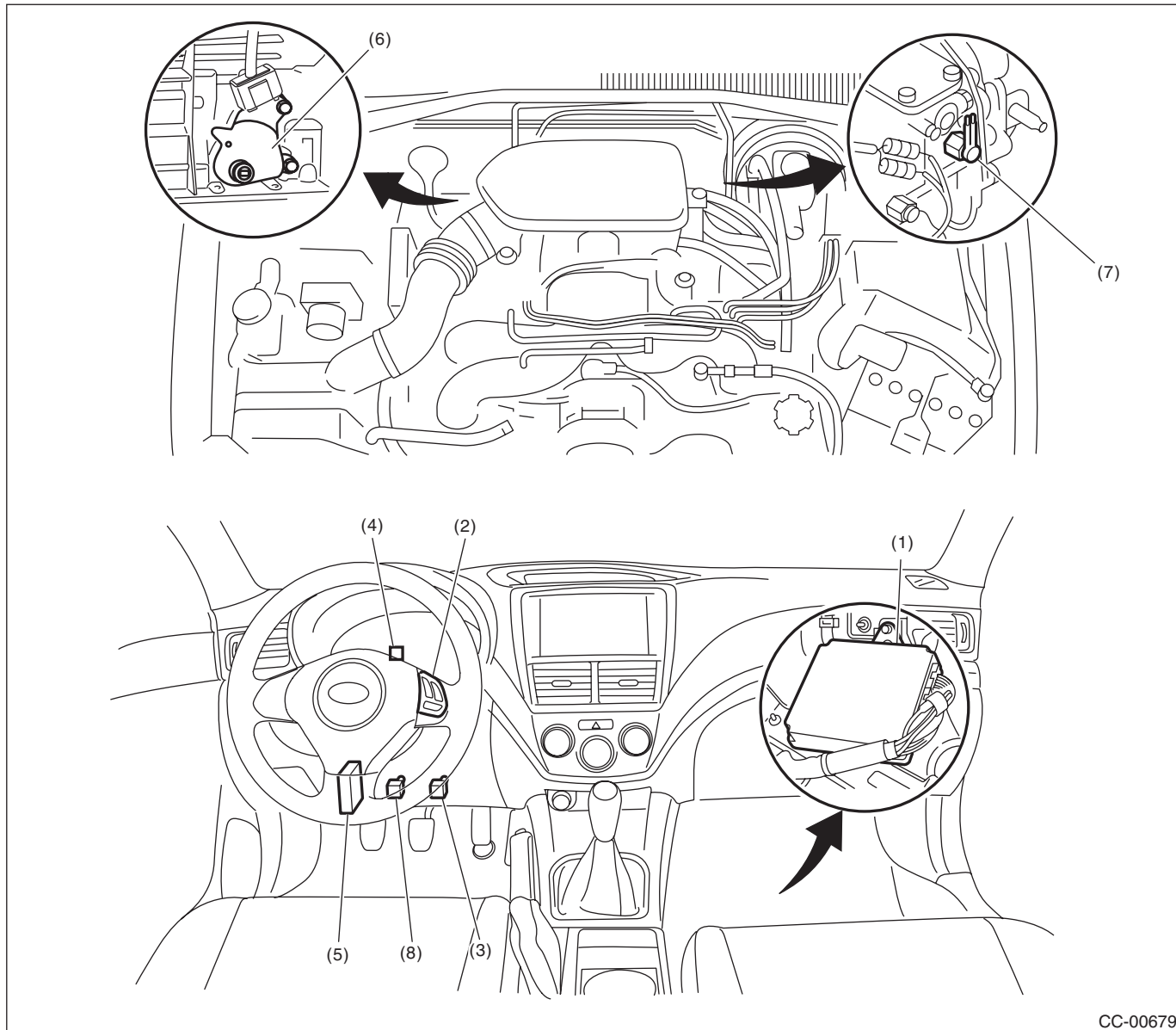
**1.260 or more**

# Electrical Component Location

CRUISE CONTROL SYSTEM (DIAGNOSTICS)

## 3. Electrical Component Location

### A: LOCATION



- |   |  |  |
|---|--|--|
| (1) Engine control module (ECM)                           | (5) Transmission control module (TCM) (AT model) | (7) Neutral position switch (MT model) |
| (2) Cruise control command switch                         | (6) Inhibitor switch (AT model)                  | (8) Clutch switch (MT model)           |
| (3) Stop light and brake switch                           |  |  |
| (4) Cruise indicator light and cruise set indicator light |  |  |

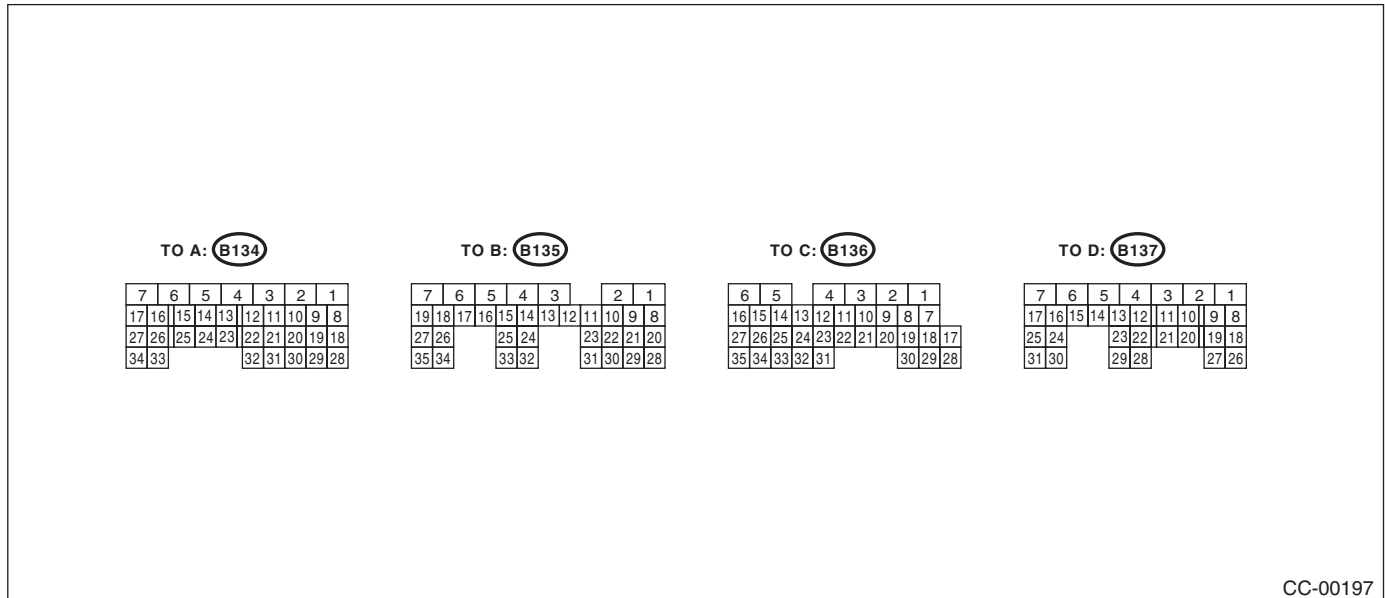


# Engine Control Module (ECM) I/O Signal

## CRUISE CONTROL SYSTEM (DIAGNOSTICS)

### 4. Engine Control Module (ECM) I/O Signal

#### A: ELECTRICAL SPECIFICATION



CC-00197

Content		Terminal No.	Measurement condition and I/O signal (Idling with ignition ON: except for cruise set light)
Main power supply	VB (CONTROL 1) VB (CONTROL 2)	A7, B2	<ul style="list-style-type: none"> <li>Battery voltage is detected when the main power is turned ON.</li> <li>"0 V" is detected when the main power is turned OFF.</li> </ul>
Command switch		B24	<ul style="list-style-type: none"> <li>"0 V" is detected when the command switch is in CANCEL position.</li> <li>"Approx. 1 V" is detected when the command switch is in SET/COAST position.</li> <li>"Approx. 3 V" is detected when the command switch is in RESUME/ACCEL position.</li> <li>"Approx. 4 V" is detected when the command switch is released.</li> </ul>
Brake switch 1 (Brake switch)		B20	<ul style="list-style-type: none"> <li>Battery voltage is detected when the brake pedal is released.</li> <li>"0 V" is detected when brake pedal is depressed.</li> </ul>
Brake switch 2 (Stop light switch)		B28	<ul style="list-style-type: none"> <li>Battery voltage is detected when brake pedal is depressed.</li> <li>"0 V" is detected when the brake pedal is released.</li> </ul>
Main switch		B12	<ul style="list-style-type: none"> <li>"0 V" is detected while the main switch is pressed or turned on.</li> <li>Approx. "5 V" is detected when the main switch is OFF.</li> </ul>
Ground	GND (CONTROL 1) GND (CONTROL 2)	A5	—
Ignition switch		B19	<ul style="list-style-type: none"> <li>Battery voltage is detected when the ignition switch is turned ON.</li> <li>"0 V" is detected when the ignition switch is turned OFF.</li> </ul>
Clutch switch (MT model)		C25	<ul style="list-style-type: none"> <li>"0 V" is detected when clutch pedal is depressed.</li> <li>Battery voltage is detected when the clutch pedal is released.</li> </ul>
Neutral position switch (MT model)		C31	<ul style="list-style-type: none"> <li>Battery voltage is detected when the shift lever is in any position except for neutral.</li> <li>"Approx. 0 V" is detected when the shift lever is in neutral position.</li> </ul>
Neutral signal (AT model)		C31	<ul style="list-style-type: none"> <li>Battery voltage is detected when the shift lever is in any position except for "P" or "N".</li> <li>"0 V" is detected when the shift lever is in "P" or "N" position.</li> </ul>

#### B: WIRING DIAGRAM

<Ref. to WI-162, WIRING DIAGRAM, Cruise Control System.>

### 5. Subaru Select Monitor

#### A: OPERATION

##### 1. GENERAL DESCRIPTION

The on-board diagnosis function of the cruise control system uses Subaru Select Monitor.

The on-board diagnosis function operates in two categories, which are used depending on the type of problems;

##### 1) Cruise Control Cancel Conditions Diagnosis:

(1) This category of diagnosis requires actual vehicle driving in order to determine the cause, as when cruise speed is cancelled during driving although cruise cancel condition is not entered.

(2) Cruise control memory in ECM stores the cancel code which occurred during driving. When there are multiple cancel code, they are shown on the Subaru Select Monitor.

#### CAUTION:

- **The cruise control memory stores not only the cruise “cancel” which occurred (although “cancel” operation is not entered by the driver), but also the “cancel” condition input by the driver.**
- **The latest memory content (latest code) is cleared when ignition switch is turned to OFF. However, memory contents set by the diagnosis of faulty switches related to the system and cruise control will remain as trouble history (memory code) after the ignition switch is turned to OFF.**

##### 2) Real-time Diagnosis:

Real-time diagnosis function is used to determine whether or not the input signal system is in good order, according to signal emitted from switches, sensors, etc.

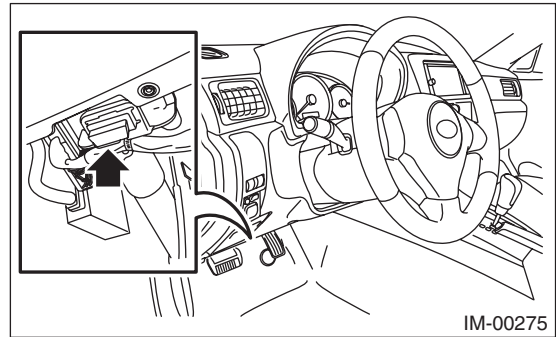
(1) Vehicle cannot be driven at cruise speed when the problem occurs in the cruise control system or relevant circuits.

(2) Monitor the signal conditions from switches and sensors.

##### 2. CRUISE CONTROL CANCEL CONDITIONS DIAGNOSIS

- 1) Prepare the Subaru Select Monitor kit.
- 2) Connect the diagnosis cable to Subaru Select Monitor.
- 3) Connect the Subaru Select Monitor to data link connector.

(1) Data link connector is located in the lower portion of the instrument panel (on the driver's side).



(2) Connect the diagnosis cable to data link connector.

- 4) Start the engine and turn the cruise control main switch to ON.
- 5) Run the Subaru Select Monitor.
- 6) On «Main Menu» display, select {Each System Check}.
- On «System Selection Menu» display, select {Engine Control System} and select the [OK]. Select [OK] after the engine type information is displayed.
- 7) Drive vehicle at 40 km/h (25 MPH) or more and set the cruise control.

#### CAUTION:

- **When performing diagnosis, observe the legal speed limit on the road.**
- **The cancel code will be also appear when cruise control is cancelled by the driver's operation. Do not confuse them.**
- **Be sure to get an assistant to support the diagnosis while driving, and have him/her operate the select monitor.**

# Subaru Select Monitor

## CRUISE CONTROL SYSTEM (DIAGNOSTICS)

---

8) When the set speed is cancelled by itself (without any cancel operations such as applying brake) or when the cruise control could not be set by performing the setting operation, selecting the {Cancel Code(s) Display} on the engine malfunction diagnosis screen will display the cancel code on the select monitor display.

### NOTE:

The {Latest Diagnostic Code(s)} and {Memorized diagnostic code(s)} are contained in the cancel code. The latest code recognized during current test drive is displayed in {Latest Diagnostic Code(s)}. Cancel codes resulting from fault diagnosis of switches relating to the system and cruise control are also displayed in {Memorized Diagnostic Code(s)}.

9) Perform Engine DTC Clear Memory operation. <Ref. to EN(H4DOTC)(diag)-54, OPERATION, Clear Memory Mode.>

Cancel codes for switches relating to the system and cruise control are deleted by clearing memory on the engine side.

### NOTE:

The latest code will be cleared by turning ignition switch to OFF.

## 3. REAL-TIME DIAGNOSIS

- 1) Connect the Subaru Select Monitor.
- 2) Turn the ignition switch and cruise control main switch to ON.
- 3) Run the Subaru Select Monitor.
- 4) On «Main Menu» display, select {Each System Check}.
- 5) On «System Selection Menu» display, select {Engine Control System}.
- 6) Select [OK] after engine type information is displayed.
- 7) On «Cruise Control Diagnosis» display, select {Current Data Display & Save}.
- 8) Make sure that normal display is shown when operated as follows:
  - Depress and release the brake pedal. (Stop light switch and brake switch are turned ON.)
  - Turn the main switch to ON.
  - Turn the “CANCEL” switch to ON.
  - Turn the “SET/COAST” switch to ON.
  - Turn the “RESUME/ACCEL” switch to ON.
  - Depress or release the clutch pedal.
  - Place the shift lever in any position other than neutral.

### NOTE:

- For details concerning the operation procedure, refer to “PC application help for Subaru Select Monitor”.
- For detailed concerning cancel codes, refer to the “List of Cancel Codes”. <Ref. to CC(diag)-11, List of Cancel Code.>

# Diagnostics with Phenomenon

CRUISE CONTROL SYSTEM (DIAGNOSTICS)

## 6. Diagnostics with Phenomenon

### A: DIAGNOSTIC PROCEDURE WITH PHENOMENON

Phenomenon		Check item	Index
1	Cruise control main switch is not turned to ON. (Cruise indicator light does not illuminate.) Or cruise control is cancelled without operating the cruise control command switch.	(1) Perform cruise cancel conditions diagnosis.	Perform the diagnosis according to displayed cancel code.
		(2) Perform the real-time diagnosis.	Check the input signal of cruise control system.
		(3) Check the cruise control command switch.	<Ref. to CC(diag)-14, 11, Diagnostic Procedure with Cancel Code.>
		(4) Check the cruise indicator light.	<Ref. to CC(diag)-10, CHECK CRUISE INDICATOR LIGHT AND CRUISE SET INDICATOR LIGHT, Diagnostics with Phenomenon.>
2	Cruise control cannot be set. Or cruise control is cancelled without releasing operation.	(1) Perform cruise cancel conditions diagnosis.	Perform the diagnosis according to displayed cancel code.
		(2) Perform the real-time diagnosis.	Check the input signal of cruise control system.
		(3) Check the cruise control command switch.	<Ref. to CC(diag)-14, 11, Diagnostic Procedure with Cancel Code.>
		(4) Check stop light switch and brake switch.	<Ref. to BR-42, Brake Pedal.> <Ref. to CC(diag)-16, 12, Diagnostic Procedure with Cancel Code.>
		(5) Check the neutral position switch.	<Ref. to CC(diag)-20, 14, Diagnostic Procedure with Cancel Code.> <Ref. to CC(diag)-25, 62, Diagnostic Procedure with Cancel Code.>
		(6) Check vehicle speed sensor.	<Ref. to CC(diag)-23, 22, Diagnostic Procedure with Cancel Code.>
3	Cruise set indicator light does not illuminate.	Check the cruise set indicator light.	<Ref. to CC(diag)-10, CHECK CRUISE INDICATOR LIGHT AND CRUISE SET INDICATOR LIGHT, Diagnostics with Phenomenon.>
4	Vehicle speed is not held within set speed $\pm 3$ km/h ( $\pm 2$ MPH).	Check the vehicle speed sensor.	<Ref. to CC(diag)-23, 22, Diagnostic Procedure with Cancel Code.>
5	Vehicle speed does not increase or does not return to set speed after RESUME/ACCEL switch has been pressed.	(1) Perform the real-time diagnosis.	Check the input signal of cruise control system.
		(2) Check the RESUME/ACCEL switch.	<Ref. to CC(diag)-14, 11, Diagnostic Procedure with Cancel Code.>
6	Vehicle speed does not decrease after SET/COAST switch has been pressed.	(1) Perform the real-time diagnosis.	Check the input signal of cruise control system.
		(2) Check the SET/COAST switch.	<Ref. to CC(diag)-14, 11, Diagnostic Procedure with Cancel Code.>
7	Cruise control is not released after CANCEL switch has been pressed.	(1) Perform the real-time diagnosis.	Check the input signal of cruise control system.
		(2) Check the CANCEL switch.	<Ref. to CC(diag)-14, 11, Diagnostic Procedure with Cancel Code.>
8	Cruise control is not released after brake pedal has been depressed.	(1) Perform the real-time diagnosis.	Check the input signal of cruise control system.
		(2) Check stop light switch and brake switch.	<Ref. to CC(diag)-16, 12, Diagnostic Procedure with Cancel Code.> <Ref. to BR-45, INSTALLATION, Stop Light Switch.>
9	Cruise control is not released after shifting to the neutral position.	(1) Perform the real-time diagnosis.	Check the input signal of cruise control system.
		(2) Check the neutral position switch.	<Ref. to CC(diag)-20, 14, Diagnostic Procedure with Cancel Code.>
10	Cruise control is not released after clutch pedal has been depressed.	(1) Perform the real-time diagnosis.	Check the input signal of cruise control system.
		(2) Check clutch switch.	<Ref. to CC(diag)-18, 13, Diagnostic Procedure with Cancel Code.>

## Diagnostics with Phenomenon

### CRUISE CONTROL SYSTEM (DIAGNOSTICS)

#### **B: CHECK CRUISE INDICATOR LIGHT AND CRUISE SET INDICATOR LIGHT**

**TROUBLE SYMPTOM:**

Cruise control can be set, but the cruise indicator light and cruise set indicator light do not illuminate.

Step	Check	Yes	No
<b>1</b> <b>CHECK CRUISE INDICATOR LIGHT AND CRUISE SET INDICATOR LIGHT.</b> 1) Perform the self-diagnosis of combination meter. <Ref. to IDI-4, SELF-DIAGNOSIS, INSPECTION, Combination Meter System.> 2) Check the cruise indicator light and cruise set indicator light if they illuminate.	Do the cruise indicator light and cruise set indicator light illuminate?	Go to step 2.	Replace the meter case assembly. <Ref. to IDI-16, Combination Meter.>
<b>2</b> <b>CHECK DTC OF LAN COMMUNICATION CIRCUIT.</b> 1) Complete self-diagnosis, and turn the ignition switch to ON again. 2) Using the Subaru Select Monitor to read the DTC of body integrated unit.	Is DTC of low-speed CAN displayed?	Check the LAN communication circuit. <Ref. to LAN(diag)-2, Basic Diagnostic Procedure.>	Replace the ECM. <Ref. to FU(H4SO)-44, Engine Control Module (ECM).> <Ref. to FU(H4DOTC)-52, Engine Control Module (ECM).>

# List of Cancel Code

CRUISE CONTROL SYSTEM (DIAGNOSTICS)

## 7. List of Cancel Code

### A: LIST

**NOTE:**

- The cancel code is registered even when cancel is performed intentionally by the driver.
- Cancel codes are cleared if the ignition switch is turned to OFF.
- If a different cancel code is input after a cancel code (latest code) has been input, the latest code is overwritten.
- If the cruise indicator light is flashing, a malfunction is occurring in the system or cruise control related switch. The cancel code at this time is saved even after ignition switch is OFF as a memory code of a past malfunction.
- To display a cancel code, use the Subaru Select Monitor to read the code after the cruise control is deactivated during a driving test.

Cancel code	Item	Contents of diagnosis	Reference
11	Main Switch	Main switch of cruise control command switch is turned to OFF, and then the cruise control is released.	This code is displayed without operating the main switch. <Ref. to CC(diag)-14, 11, Diagnostic Procedure with Cancel Code.>
12	Stop Light & Brake Switch	Stop light switch or brake switch is turned to ON, and then the cruise control is released.	This code is displayed without depressing the brake pedal. <Ref. to CC(diag)-16, 12, Diagnostic Procedure with Cancel Code.>
13	Clutch Switch	Clutch switch is turned to ON, and then the cruise control is released.	This code is displayed without depressing the clutch pedal. <Ref. to CC(diag)-18, 13, Diagnostic Procedure with Cancel Code.>
14	Neutral Position Switch	Neutral position switch is turned to ON, and then the cruise control is released.	This code is displayed without shifting to neutral position. <Ref. to CC(diag)-20, 14, Diagnostic Procedure with Cancel Code.>
15	Cancel Switch	Cancel switch is turned to ON, and then the cruise control is released.	This code is displayed without operating the cancel switch. <Ref. to CC(diag)-21, 15, Diagnostic Procedure with Cancel Code.>
16	Ignition switch	Ignition switch is turned to OFF, and then the cruise control is released.	This code is displayed without operating the ignition switch. <Ref. to CC(diag)-22, 16, Diagnostic Procedure with Cancel Code.>
21	Cruise control switch malfunction when ignition switch is turned to ON	When the ignition switch is turned to ON, each switch of cruise control command switch is already turned to ON.	This code is displayed when the ignition switch is turned to ON without operating the cruise control command switch. <Ref. to CC(diag)-22, 21, Diagnostic Procedure with Cancel Code.>

## List of Cancel Code

### CRUISE CONTROL SYSTEM (DIAGNOSTICS)

Cancel code	Item	Contents of diagnosis	Reference
22	Abnormality of change in vehicle speed	Malfunction of vehicle speed signal variation is detected.	<Ref. to CC(diag)-23, 22, Diagnostic Procedure with Cancel Code.>
24	Abnormality of switches related to cruise control	Open circuit of the cruise control switch is detected during cruise driving. (The system is judged as model without cruise control.)	This code is displayed with normal operation. <Ref. to CC(diag)-24, 24, Diagnostic Procedure with Cancel Code.>
25	Abnormality of Input Circuit for Brake Switch	Malfunction of brake switch input circuit in ECM is detected.	<Ref. to CC(diag)-24, 25, Diagnostic Procedure with Cancel Code.>
31	Abnormal engine speed Signal	<ul style="list-style-type: none"> <li>• Abnormal increase of engine speed is detected.</li> <li>• Gear is placed in Neutral, 1st or Reverse position.</li> </ul>	Cruise in 2nd shift position or more. <Ref. to CC(diag)-24, 31, Diagnostic Procedure with Cancel Code.>
32	Cruse Control out of Range	<ul style="list-style-type: none"> <li>• Controlled vehicle speed decreased under the limit during cruising.</li> <li>• Set operation was performed at vehicle speed unavailable for setting.</li> <li>• RESUME operation was performed without memorized vehicle speed.</li> </ul>	This code is displayed, though the vehicle speed is increased to the speed available for cruise set and set operation was performed again. <Ref. to CC(diag)-24, 32, Diagnostic Procedure with Cancel Code.>
34	Prohibition of cruise control at continuing big Accel. angle	The vehicle has been driven at higher speed than set vehicle speed for an abnormally long time (approximately 10 minutes) during cruise driving.	This code is displayed when driving for a long period of time at higher speed than appropriate cruise set vehicle speed by operating accelerator pedal. In this case, the cruise setting is deactivated. <Ref. to CC(diag)-24, 34, Diagnostic Procedure with Cancel Code.>
35	Prohibition of cruise control at vehicle speed F/B malfunction	Set vehicle speed cannot be kept because of some reasons (steep uphill, parking brake, abnormal decrease of engine output, etc.) during cruise driving.	This code is displayed when driving condition is not suitable for cruise control. Perform cruise set operation again after clearing the possible cause. <Ref. to CC(diag)-24, 35, Diagnostic Procedure with Cancel Code.>
41	VDC/TCS Operating	Vehicle dynamics control (VDC) or TCS is operated during cruise driving or cruise setting.	This code is displayed when driving condition is not suitable for cruise control. Perform cruise set operation again after clearing the possible cause. <Ref. to CC(diag)-24, 41, Diagnostic Procedure with Cancel Code.>
43	ABS/VDC Failure	ABS or Vehicle dynamics control (VDC) system malfunction is detected during cruise driving or cruise setting.	<Ref. to CC(diag)-24, 43, Diagnostic Procedure with Cancel Code.>

# List of Cancel Code

## CRUISE CONTROL SYSTEM (DIAGNOSTICS)

Cancel code	Item	Contents of diagnosis	Reference
44	Body Integrated unit Failure	Body integrated unit system malfunction is detected during cruise driving or cruise setting.	<Ref. to CC(diag)-24, 44, Diagnostic Procedure with Cancel Code.>
45	Meter Failure	Combination meter malfunction is detected during cruise driving or cruise setting.	<Ref. to CC(diag)-25, 45, Diagnostic Procedure with Cancel Code.>
61	Brake switch abnormal	Malfunction in the stop light & brake switch is detected.	<Ref. to CC(diag)-25, 61, Diagnostic Procedure with Cancel Code.>
62	Neutral Switch Failure	Neutral position switch malfunction is detected.	<Ref. to CC(diag)-25, 62, Diagnostic Procedure with Cancel Code.>
63	Abnormality of change in vehicle speed	Malfunction of vehicle speed signal variation is detected.	<Ref. to CC(diag)-25, 63, Diagnostic Procedure with Cancel Code.>
64	Engine Sensor Failure 1	Malfunction related to engine is detected.	<Ref. to CC(diag)-25, 64, Diagnostic Procedure with Cancel Code.>
65	Abnormality 1 of switches related to cruise control 1	Cruise control command switch malfunction is detected. (When the switch is pressed ON for a long time (approximately two minutes), stuck ON condition is detected.)	<Ref. to CC(diag)-25, 65, Diagnostic Procedure with Cancel Code.>
66	Cruise Control Calculation Error	Cruise control calculation (microcomputer) malfunction is detected.	<Ref. to CC(diag)-25, 66, Diagnostic Procedure with Cancel Code.>



# Diagnostic Procedure with Cancel Code

## CRUISE CONTROL SYSTEM (DIAGNOSTICS)

### 8. Diagnostic Procedure with Cancel Code

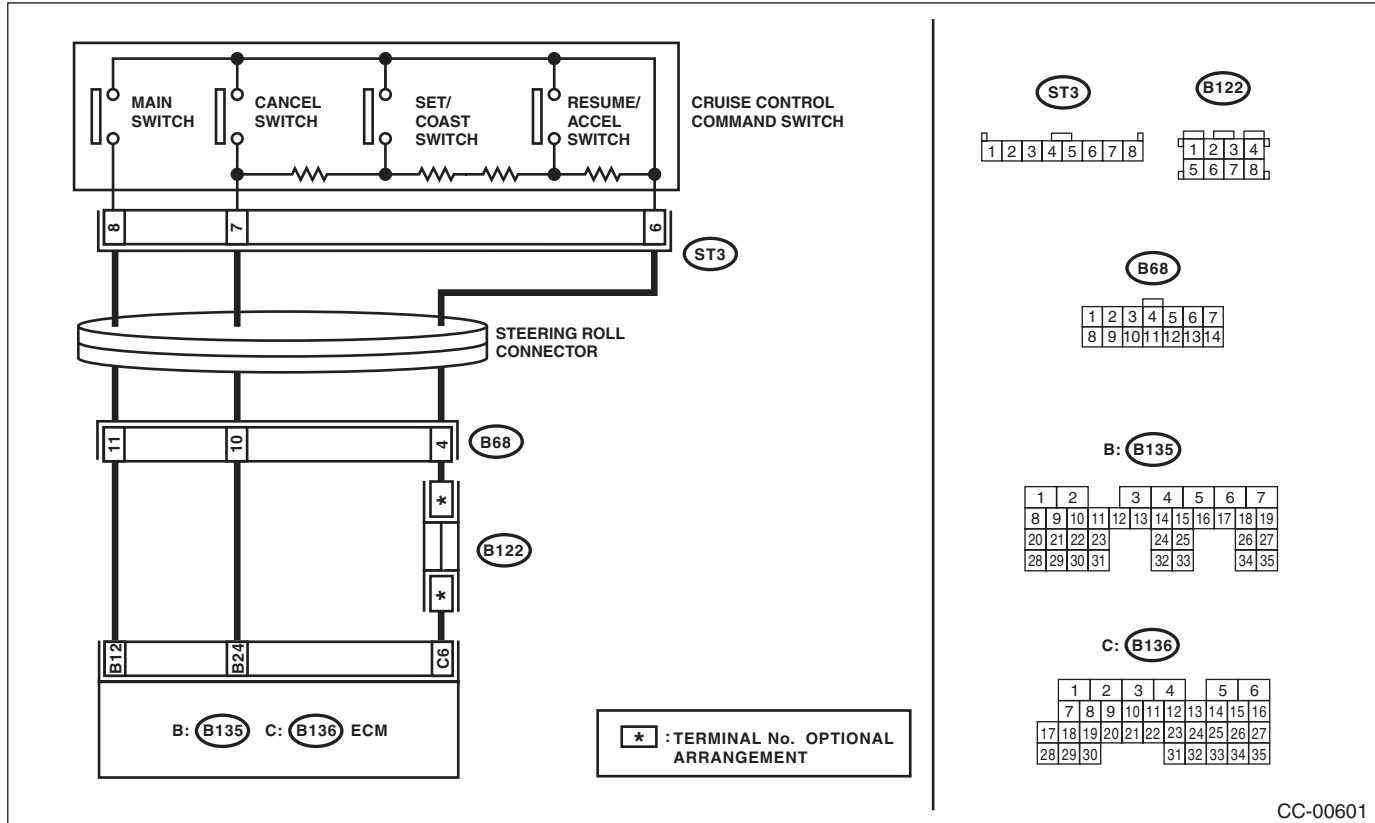
#### A: 11

Detected when main switch is pressed or when main switch related malfunction occurs.

#### TROUBLE SYMPTOM:

- Cruise control cannot be set. (Cancelled immediately.)
- Cruise control cannot be released.

#### WIRING DIAGRAM:



CC-00601

# Diagnostic Procedure with Cancel Code

## CRUISE CONTROL SYSTEM (DIAGNOSTICS)

Step	Check	Yes	No
<p><b>1 CHECK CRUISE CONTROL COMMAND SWITCH CIRCUIT.</b></p> <p>1) Remove the driver's airbag module. &lt;Ref. to AB-15, REMOVAL, Driver's Airbag Module.&gt;</p> <p>2) Disconnect the harness connector of cruise control command switch.</p> <p>3) Turn the ignition switch to ON.</p> <p>4) Measure the voltage between harness connector terminal and chassis ground.</p> <p><b>Connector &amp; terminal</b>  <b>(ST3) No. 8 (+) — Chassis ground (-):</b>  <b>(ST3) No. 7 (+) — Chassis ground (-):</b></p>	Is the voltage 5 V or more?	Go to step 2.	Check the harness between cruise control command switch and ECM, and the steering roll connector for open or short circuit, or for poor contact.
<p><b>2 CHECK CRUISE CONTROL COMMAND SWITCH CIRCUIT.</b></p> <p>1) Turn the ignition switch to OFF.</p> <p>2) Remove the cruise control command switch. &lt;Ref. to CC-5, REMOVAL, Cruise Control Command Switch.&gt;</p> <p>3) Measure the resistance between harness connector terminal and chassis ground.</p> <p><b>Connector &amp; terminal</b>  <b>(ST3) No. 6 — Chassis ground:</b></p>	Is the resistance less than 10 $\Omega$ ?	Go to step 3.	Check for open circuit between cruise control command switch, ECM, and chassis ground and check the ECM.
<p><b>3 CHECK CRUISE CONTROL COMMAND SWITCH.</b></p> <p>Measure the resistance between switch terminals when the cruise control command switch is not depressed.</p> <p><b>Terminals</b>  <b>No. 6 — No. 7:</b></p>	Is the resistance approx. 4 k $\Omega$ ?	Go to step 4.	Replace the cruise control command switch. <Ref. to CC-5, Cruise Control Command Switch.>
<p><b>4 CHECK CANCEL SWITCH.</b></p> <p>1) Turn the ignition switch to OFF.</p> <p>2) Remove the cruise control command switch. &lt;Ref. to CC-5, REMOVAL, Cruise Control Command Switch.&gt;</p> <p>3) Measure the resistance between switch terminals with the CANCEL switch pressed.</p> <p><b>Terminals</b>  <b>No. 6 — No. 7:</b></p>	Is the resistance approx. less than 1 $\Omega$ when the CANCEL switch is pressed?	Go to step 5.	Replace the cruise control command switch. <Ref. to CC-5, Cruise Control Command Switch.>
<p><b>5 CHECK SET/COAST SWITCH.</b></p> <p>Measure the resistance between switch terminals with the SET/COAST switch pressed.</p> <p><b>Terminals</b>  <b>No. 6 — No. 7:</b></p>	Is the resistance approx. 250 $\Omega$ when SET/COAST switch is pressed?	Go to step 6.	Replace the cruise control command switch. <Ref. to CC-5, Cruise Control Command Switch.>
<p><b>6 CHECK RESUME/ACCEL SWITCH CIRCUIT.</b></p> <p>Measure the resistance between switch terminals with the RESUME/ACCEL switch pressed.</p> <p><b>Terminals</b>  <b>No. 6 — No. 7:</b></p>	Is the resistance approx. 1,500 $\Omega$ when RESUME/ACCEL switch is pressed?	Replace the ECM. <Ref. to FU(H4SO)-44, Engine Control Module (ECM).> <Ref. to FU(H4DOTC)-52, Engine Control Module (ECM).>	Replace the cruise control command switch. <Ref. to CC-5, Cruise Control Command Switch.>

# Diagnostic Procedure with Cancel Code

## CRUISE CONTROL SYSTEM (DIAGNOSTICS)

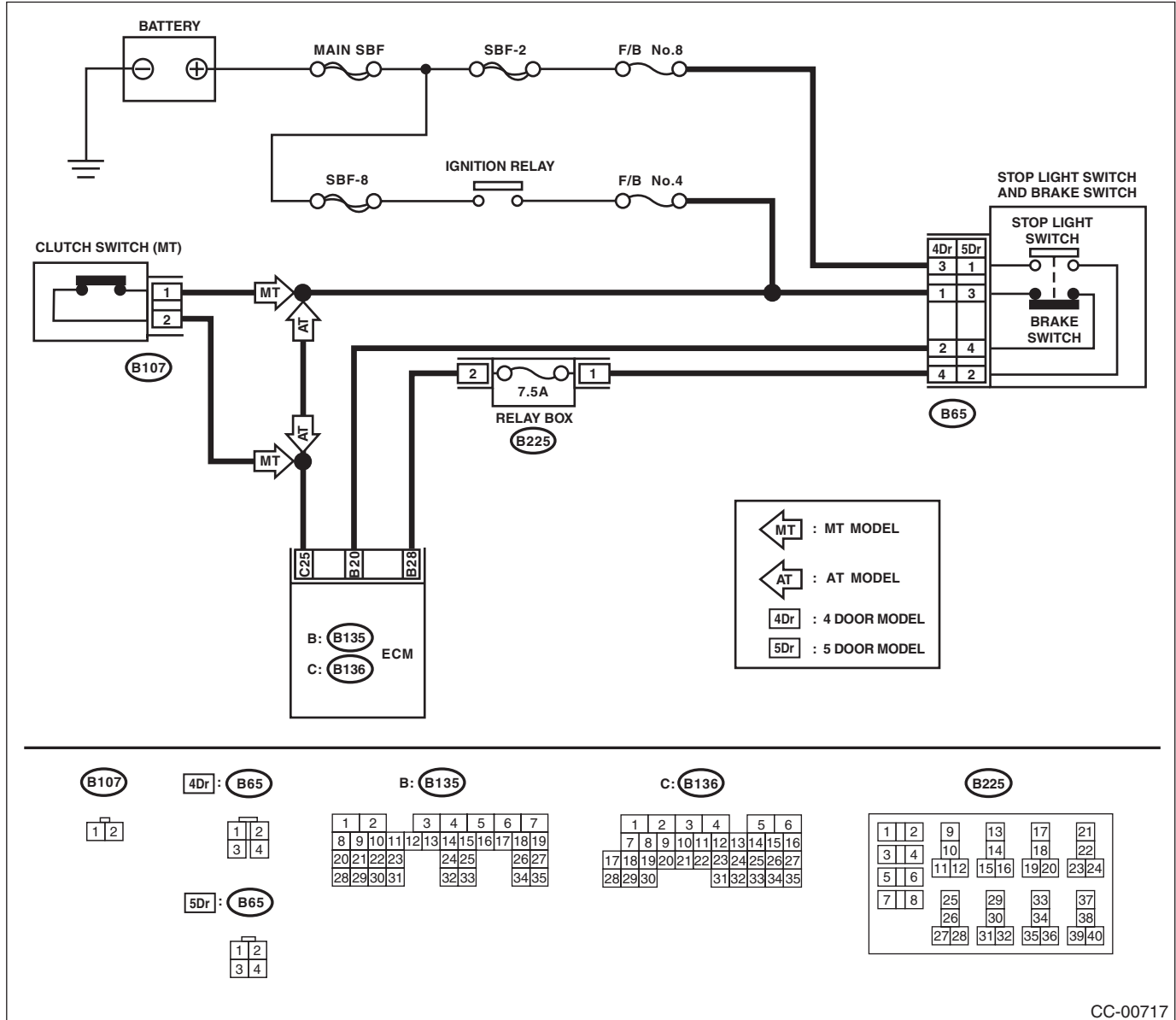
### B: 12

Detected when brake pedal is depressed or malfunction related to stop light & brake switch occurs.

#### TROUBLE SYMPTOM:

- Cruise control cannot be set.
- Cruise control cannot be released.

#### WIRING DIAGRAM:



CC-00717

# Diagnostic Procedure with Cancel Code

## CRUISE CONTROL SYSTEM (DIAGNOSTICS)

Step	Check	Yes	No
<p><b>1</b>     <b>CHECK STOP LIGHT &amp; BRAKE SWITCH CIRCUIT.</b>            1) Turn the ignition switch to OFF.            2) Disconnect the stop light &amp; brake switch harness connector.            3) Turn the ignition switch to ON.            4) Measure the voltage between harness connector terminal and chassis ground.  <b>Connector &amp; terminal</b>  <b>5 door model:</b>                <b>(B65) No. 1 (+) — Chassis ground (-):</b>  <b>4 door model:</b>                <b>(B65) No. 3 (+) — Chassis ground (-):</b></p>	Is the voltage 10 V or more?	Go to step 2.	<ul style="list-style-type: none"> <li>• Check fuse No. 8 (in fuse &amp; relay box).</li> <li>• Check for open or short in the harness between stop light &amp; brake switch and fuse &amp; relay box.</li> </ul>
<p><b>2</b>     <b>CHECK STOP LIGHT &amp; BRAKE SWITCH CIRCUIT.</b>            Measure the voltage between harness connector terminal and chassis ground.  <b>Connector &amp; terminal</b>  <b>5 door model:</b>                <b>(B65) No. 3 (+) — Chassis ground (-):</b>  <b>4 door model:</b>                <b>(B65) No. 1 (+) — Chassis ground (-):</b></p>	Is the voltage 10 V or more?	Go to step 3.	<ul style="list-style-type: none"> <li>• Check fuse No. 4 (in fuse &amp; relay box).</li> <li>• Check for open or short in the harness between stop light &amp; brake switch and fuse &amp; relay box.</li> </ul>
<p><b>3</b>     <b>CHECK STOP LIGHT &amp; BRAKE SWITCH CIRCUIT.</b>            1) Turn the ignition switch to OFF.            2) Disconnect the harness connector of ECM.            3) Measure the resistance between ECM harness connector terminal and stop light &amp; brake switch harness connector terminal.  <b>Connector &amp; terminal</b>  <b>5 door model:</b>                <b>(B135) No. 20 — (B65) No. 4:</b>                <b>(B135) No. 28 — (B65) No. 2:</b>  <b>4 door model:</b>                <b>(B135) No. 20 — (B65) No. 2:</b>                <b>(B135) No. 28 — (B65) No. 4:</b></p>	Is the resistance less than 10 Ω?	Go to step 4.	Repair the harness.
<p><b>4</b>     <b>CHECK STOP LIGHT &amp; BRAKE SWITCH.</b>            Check the stop light &amp; brake switch. &lt;Ref. to CC-7, Stop Light &amp; Brake Switch.&gt;</p>	Is the stop light & brake switch OK?	Replace the ECM. <Ref. to FU(H4SO)-44, Engine Control Module (ECM).> <Ref. to FU(H4DOTC)-52, Engine Control Module (ECM).>	Replace the stop light & brake switch.

# Diagnostic Procedure with Cancel Code

## CRUISE CONTROL SYSTEM (DIAGNOSTICS)

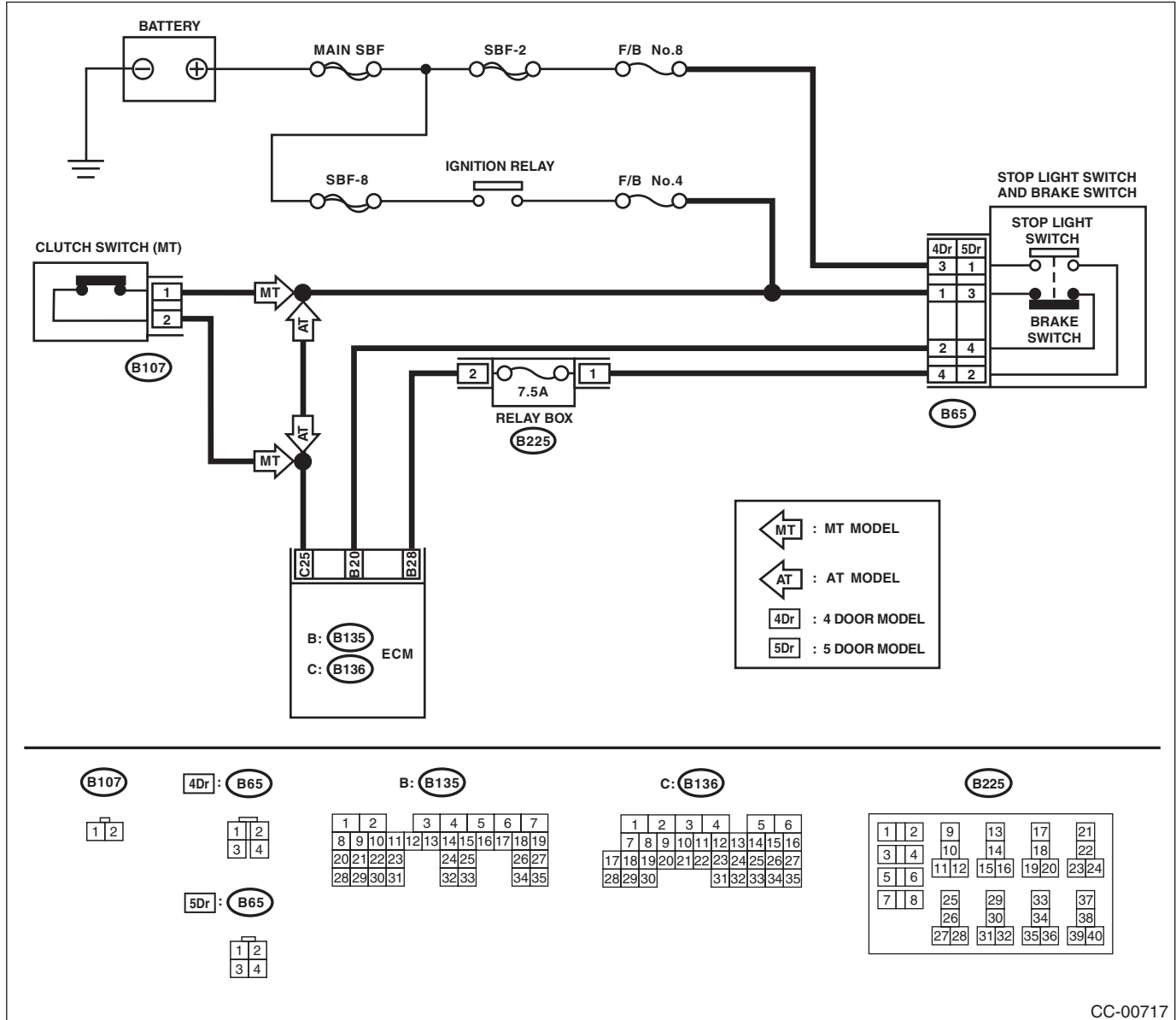
### C: 13

Detected when clutch pedal is depressed or malfunction related to clutch switch occurs.

#### TROUBLE SYMPTOM:

- Cruise control cannot be set.
- Cruise control cannot be released.

#### WIRING DIAGRAM:



CC-00717

# Diagnostic Procedure with Cancel Code

## CRUISE CONTROL SYSTEM (DIAGNOSTICS)

Step	Check	Yes	No
<b>1</b> <b>CHECK CLUTCH SWITCH CIRCUIT.</b> 1) Turn the ignition switch to OFF. 2) Disconnect the clutch switch harness connector. 3) Turn the ignition switch to ON. 4) Measure the voltage between harness connector terminal and chassis ground. <b>Connector &amp; terminal</b> <b>(B107) No. 1 (+) — Chassis ground (-):</b>	Is the voltage 10 V or more?	Go to step 2.	<ul style="list-style-type: none"> <li>• Check fuse No. 4 (in fuse &amp; relay box).</li> <li>• Check open or shorted circuit of harness between clutch switch and fuse &amp; relay box.</li> </ul>
<b>2</b> <b>CHECK CLUTCH SWITCH CIRCUIT.</b> 1) Turn the ignition switch to OFF. 2) Disconnect the harness connector of ECM. 3) Measure the resistance between clutch switch harness connector terminal and ECM harness connector terminal. <b>Connector &amp; terminal</b> <b>(B107) No. 2 — (B136) No. 25:</b>	Is the resistance less than 10 Ω?	Go to step 3.	Repair the harness.
<b>3</b> <b>CHECK CLUTCH SWITCH.</b> Check the clutch switch. <Ref. to CL-27, INSPECTION, Clutch Switch.>	Is the clutch switch working normal?	Replace the ECM. <Ref. to FU(H4SO)-44, Engine Control Module (ECM).> <Ref. to FU(H4DOTC)-52, Engine Control Module (ECM).>	Replace the clutch switch.

# Diagnostic Procedure with Cancel Code

## CRUISE CONTROL SYSTEM (DIAGNOSTICS)

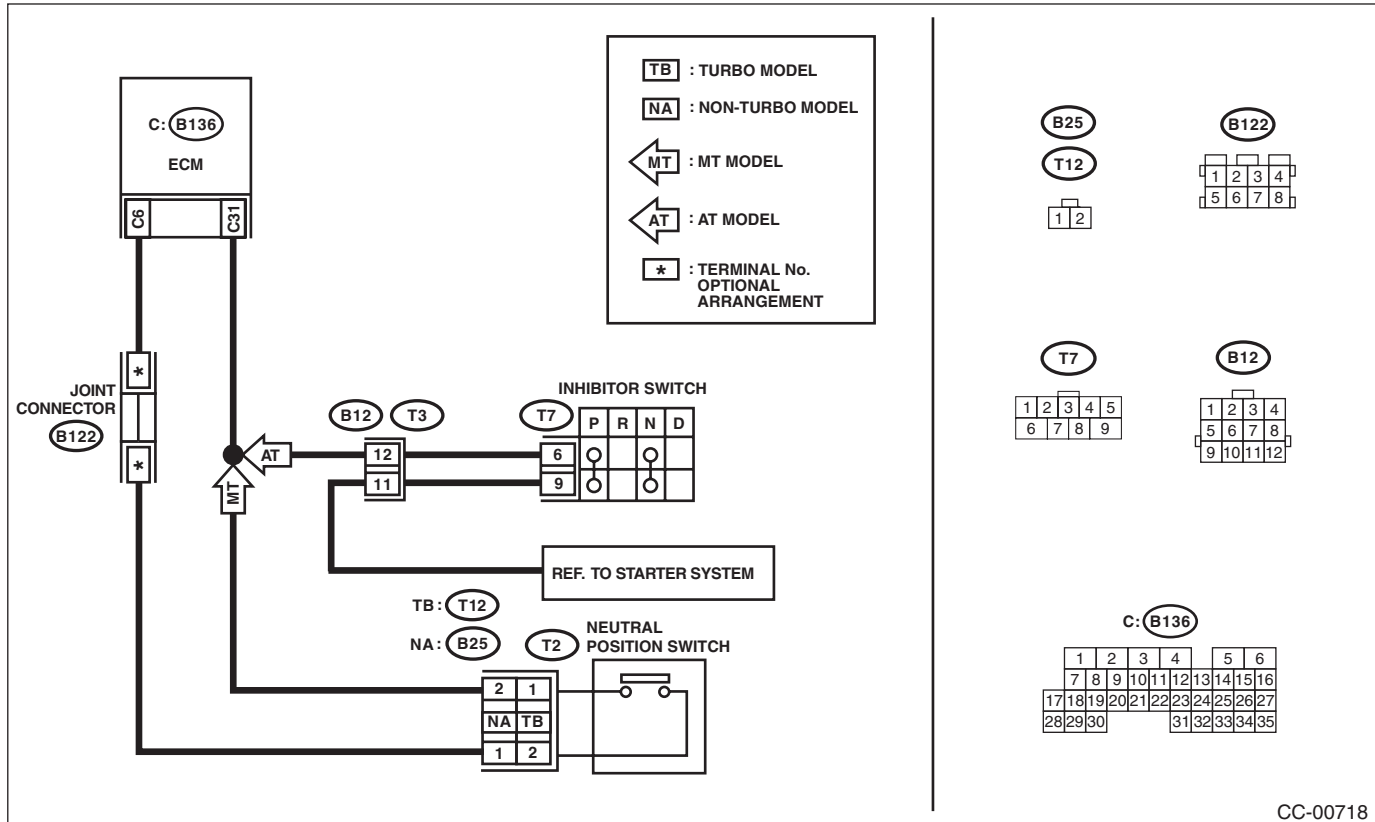
### D: 14

Detected when select lever is set in the neutral position, or when malfunction related to neutral position switch occurs.

#### TROUBLE SYMPTOM:

Cruise control cannot be set.

#### WIRING DIAGRAM:



CC-00718

Step	Check	Yes	No
1	<b>CHECK TRANSMISSION TYPE.</b>	Is the transmission type 4AT?	Go to step 2. MT model, Go to step 5.
2	<b>CHECK INHIBITOR SWITCH CIRCUIT.</b> 1) Turn the ignition switch to OFF. 2) Disconnect the inhibitor switch harness connector. 3) Turn the ignition switch to ON. 4) Measure the voltage between harness connector terminal and chassis ground. <b>Connector &amp; terminal</b> <b>(T7) No. 6 (+) — Chassis ground (-):</b>	Is the voltage 10 V or more?	Go to step 3. Check for open or short in the harness between inhibitor switch and ECM.
3	<b>CHECK INHIBITOR SWITCH CIRCUIT.</b> 1) Turn the ignition switch to OFF. 2) Disconnect the starter motor harness connector. 3) Measure the resistance between inhibitor switch harness connector terminal and starter motor. <b>Connector &amp; terminal</b> <b>(T7) No. 9 — Starter motor:</b>	Is the resistance less than 10 Ω?	Go to step 4. Repair the harness.

# Diagnostic Procedure with Cancel Code

## CRUISE CONTROL SYSTEM (DIAGNOSTICS)

Step	Check	Yes	No
<b>4 CHECK INHIBITOR SWITCH.</b> Remove and check the inhibitor switch. <Ref. to CC-10, Inhibitor Switch.>	Is the inhibitor switch working normal?	Replace the ECM. <Ref. to FU(H4SO)-44, Engine Control Module (ECM).>	Replace the inhibitor switch.
<b>5 CHECK NEUTRAL POSITION SWITCH CIRCUIT.</b> 1) Turn the ignition switch to OFF. 2) Disconnect the neutral position switch harness connector. 3) Turn the ignition switch to ON. 4) Measure the voltage between harness connector terminal and chassis ground. <b>Connector &amp; terminal</b> <b>Non-turbo model</b> (B25) No. 2 (+) — Chassis ground (-): <b>Turbo model</b> (T12) No. 1 (+) — Chassis ground (-):	Is the voltage 10 V or more?	Go to step 6.	Check for open or short in the harness between neutral position switch and ECM.
<b>6 CHECK NEUTRAL POSITION SWITCH CIRCUIT.</b> 1) Turn the ignition switch to OFF. 2) Measure resistance between harness connector terminal of neutral position switch and chassis ground. <b>Connector &amp; terminal</b> <b>Non-turbo model</b> (B25) No. 1 — Chassis ground: <b>Turbo model</b> (T12) No. 2 — Chassis ground:	Is the resistance less than 10 Ω?	Go to step 7.	Repair the harness.
<b>7 CHECK NEUTRAL POSITION SWITCH.</b> Remove and check the neutral position switch. <Ref. to 4AT-48, INSPECTION, Inhibitor Switch.>	Is the neutral position switch OK?	Replace the ECM. <Ref. to FU(H4SO)-44, Engine Control Module (ECM).> <Ref. to FU(H4DOTC)-52, Engine Control Module (ECM).>	Replace the neutral position switch.

### E: 15

Detected when CANCEL switch is pressed or malfunction related to main switch occurs.

#### TROUBLE SYMPTOM:

- Cruise control cannot be set. (Cancelled immediately.)
- Cruise control cannot be released.

Refer to DTC 11 for diagnostic procedure.

<Ref. to CC(diag)-14, 11, Diagnostic Procedure with Cancel Code.>



# Diagnostic Procedure with Cancel Code

## CRUISE CONTROL SYSTEM (DIAGNOSTICS)

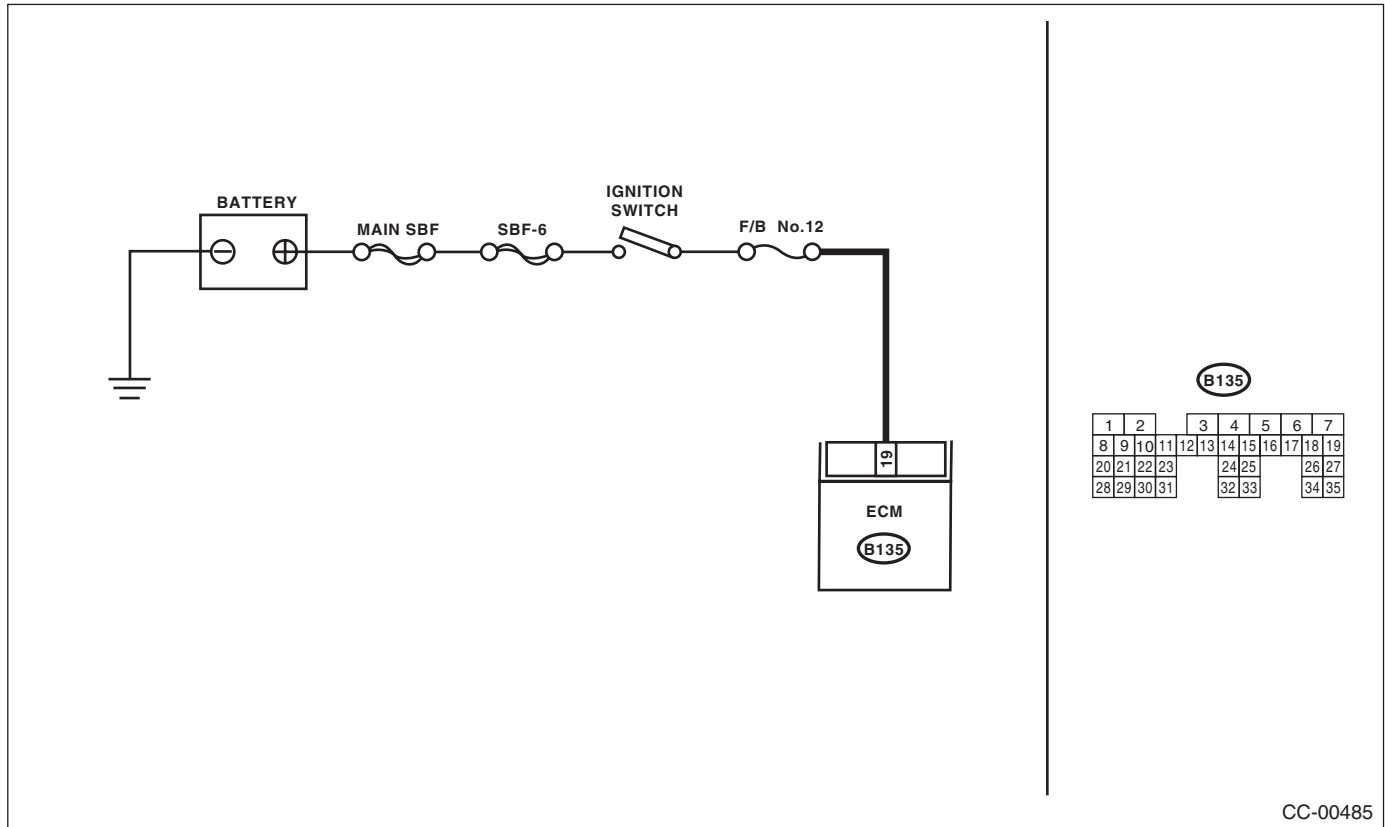
### F: 16

Detected when ignition switch is turned to OFF or malfunction related to the ignition switch occurs.

#### TROUBLE SYMPTOM:

Cruise control cannot be set.

#### WIRING DIAGRAM:



CC-00485

Step	Check	Yes	No
<b>1</b> <b>CHECK IGNITION SWITCH CIRCUIT.</b> 1) Turn the ignition switch to OFF. 2) Disconnect the ECM harness connector. 3) Turn the ignition switch to ON. 4) Measure the voltage between harness connector terminal and chassis ground. <b>Connector &amp; terminal</b> <b>(B135) No. 19 (+) — Chassis ground (-):</b>	Is the voltage 10 V or more?	Check for poor contact of ECM connector.	<ul style="list-style-type: none"> <li>• Check fuse No. 12 (in fuse &amp; relay box).</li> <li>• Check the harness for open or short circuit between ignition switch and ECM.</li> </ul>

### G: 21

Cruise control command switch malfunction is detected.

#### TROUBLE SYMPTOM:

- Cruise control cannot be set. (Cancelled immediately.)
- Cruise control cannot be released.

Refer to DTC 11 for diagnostic procedure.

<Ref. to CC(diag)-14, 11, Diagnostic Procedure with Cancel Code.>

# Diagnostic Procedure with Cancel Code

CRUISE CONTROL SYSTEM (DIAGNOSTICS)

## H: 22

Malfunction related to vehicle speed sensor is detected.

### DIAGNOSIS:

Open or shorted circuit in vehicle speed sensor system.

### TROUBLE SYMPTOM:

Cruise control cannot be set. (Cancelled immediately.)

	Step	Check	Yes	No
1	<b>CHECK ABS OR VDC WARNING LIGHT.</b> 1) Turn the ignition switch to ON. 2) After the initial operation of combination meter is completed, check if ABS or VDC warning light continues to illuminate.	Does the warning light continue to illuminate?	Check ABSCM or VDCCM. <Ref. to ABS(diag)-2, Basic Diagnostic Procedure.> <Ref. to VDC(diag)-2, Basic Diagnostic Procedure.>	Go to step 2.
2	<b>CHECK DTC OF LAN COMMUNICATION CIRCUIT.</b> Using the Subaru Select Monitor to read the DTC of body integrated unit.	Is DTC of low-speed CAN displayed?	Check the LAN communication circuit.	Replace the ECM. <Ref. to FU(H4SO)-44, Engine Control Module (ECM).> <Ref. to FU(H4DOTC)-52, Engine Control Module (ECM).>

# Diagnostic Procedure with Cancel Code

## CRUISE CONTROL SYSTEM (DIAGNOSTICS)

---

### **I: 24**

Malfunction in cruise control-related switch is detected.

#### **TROUBLE SYMPTOM:**

- Cruise control cannot be set. (Cancelled immediately.)
- Cruise control cannot be released.

Refer to DTC 11 for diagnostic procedure.

<Ref. to CC(diag)-14, 11, Diagnostic Procedure with Cancel Code.>

### **J: 25**

Malfunction of brake input circuit in ECM is detected.

Refer to the Engine Diagnostic Procedure for diagnostic procedure.

<Ref. to EN(H4SO)(diag)-2, PROCEDURE, Basic Diagnostic Procedure.>

<Ref. to EN(H4DOTC)(diag)-2, PROCEDURE, Basic Diagnostic Procedure.>

### **K: 31**

Engine speed signal malfunction is detected.

Abnormal increase of engine speed is detected.

Gear is placed in 1st or Reverse position.

After driving at the 2nd gear position or higher, perform the cruise setting again. If a cancel code is not detected, it is normal.

### **L: 32**

Detected when the vehicle speed is out of the system controllable range.

Increase vehicle speed high enough to allow the cruise control to function, and then perform setting operation again.

If cancel code is still detected after setting cruise again, perform the diagnosis for DTC 22.

Refer to DTC 22 for diagnostic procedure.

<Ref. to CC(diag)-23, 22, Diagnostic Procedure with Cancel Code.>

### **M: 34**

The vehicle has been driven at a speed higher than set speed for a long time (approximately 10 minutes) during cruise driving.

This cancel code is detected when driving for a long period of time at a speed higher than appropriate for cruise control setting by operating the accelerator pedal.

Perform the cruise control setting operation again. If the cancel code is not detected, it is normal.

### **N: 35**

Detected when it is impossible to perform the vehicle speed feedback.

Set vehicle speed cannot be kept for some reasons (steep uphill, unreleased parking brake, etc.) during cruise driving.

Cancel code is detected when driving condition is not suitable for cruise control.

Perform cruise set operation again after clearing the possible cause.

### **O: 41**

VDC/TCS has operated.

Vehicle dynamics control (VDC) or TCS is operated during cruise driving or cruise setting.

<Ref. to VDC(diag)-2, PROCEDURE, Basic Diagnostic Procedure.>

### **P: 43**

ABS/VDC malfunction is detected.

VDC malfunction is detected during cruise driving or cruise setting.

<Ref. to VDC(diag)-2, PROCEDURE, Basic Diagnostic Procedure.>

### **Q: 44**

Body integrated unit malfunction is detected.

Body integrated unit system malfunction is detected during cruise driving or cruise setting.

# Diagnostic Procedure with Cancel Code

CRUISE CONTROL SYSTEM (DIAGNOSTICS)

---

## **R: 45**

Combination meter malfunction is detected.

Combination meter malfunction is detected during cruise driving or cruise setting.

## **S: 61**

Malfunction in the stop light & brake switch is detected.

### **TROUBLE SYMPTOM:**

- Cruise control cannot be set.
- Cruise control cannot be released.

Refer to DTC 12 for diagnostic procedure.

<Ref. to CC(diag)-16, 12, Diagnostic Procedure with Cancel Code.>

## **T: 62**

Neutral position switch malfunction is detected.

### **TROUBLE SYMPTOM:**

Cruise control cannot be set.

Refer to DTC 14 for diagnostic procedure.

<Ref. to CC(diag)-20, 14, Diagnostic Procedure with Cancel Code.>

## **U: 63**

Malfunction of vehicle speed signal variation is detected.

### **TROUBLE SYMPTOM:**

Cruise control cannot be set. (Cancelled immediately.)

Refer to DTC 22 for diagnostic procedure.

<Ref. to CC(diag)-23, 22, Diagnostic Procedure with Cancel Code.>

## **V: 64**

Malfunction related to engine is detected.

Refer to the Engine Diagnostic Procedure for diagnostic procedure.

<Ref. to EN(H4SO)(diag)-2, PROCEDURE, Basic Diagnostic Procedure.> <Ref. to EN(H4DOTC)(diag)-2, PROCEDURE, Basic Diagnostic Procedure.>

## **W: 65**

Cruise control command switch malfunction is detected.

While the command switch is pressed ON for a long time (approximately two minutes), stuck ON condition is detected.

### **TROUBLE SYMPTOM:**

- Cruise control cannot be set. (Cancelled immediately.)
- Cruise control cannot be released.

Refer to DTC 11 for diagnostic procedure.

<Ref. to CC(diag)-14, 11, Diagnostic Procedure with Cancel Code.>

## **X: 66**

Cruise control calculation malfunction is detected.

Refer to the Engine Diagnostic Procedure for diagnostic procedure.

<Ref. to EN(H4SO)(diag)-2, PROCEDURE, Basic Diagnostic Procedure.>

<Ref. to EN(H4DOTC)(diag)-2, PROCEDURE, Basic Diagnostic Procedure.>

# Diagnostic Procedure with Cancel Code

CRUISE CONTROL SYSTEM (DIAGNOSTICS)

---

# Basic Diagnostic Procedure

IMMOBILIZER (DIAGNOSTICS)

## 1. Basic Diagnostic Procedure

### A: PROCEDURE

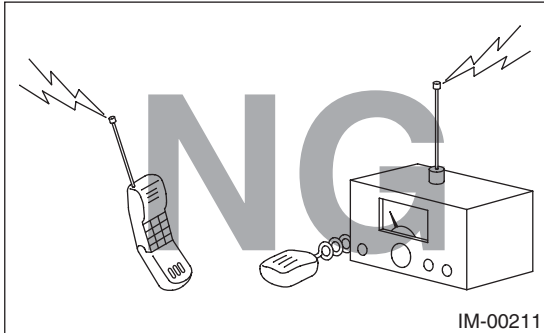
	Step	Check	Yes	No
1	<b>CHECK SECURITY INDICATOR LIGHT.</b> 1) Turn the ignition switch to "OFF" or "ACC". 2) Wait at least 60 seconds.	Does the security indicator light blink?	Go to step 2.	Check the security indicator light circuit. <Ref. to IM(diag)-10, CHECK SECURITY INDICATOR LIGHT CIRCUIT, INSPECTION, Diagnostics Chart for Security Indicator Light.>
2	<b>CHECK KEY SWITCH.</b> Remove the key from ignition switch.	Does the security indicator light begin to blink within 1 second after the key is removed?	Go to step 3.	Check the key switch circuit. <Ref. to IM(diag)-12, CHECK KEY SWITCH CIRCUIT, INSPECTION, Diagnostics Chart for Security Indicator Light.>
3	<b>CHECK SECURITY INDICATOR LIGHT.</b> Turn the ignition switch to ON.	Does the security indicator light go off?	Go to step 5.	Go to step 4.
4	<b>CHECK ENGINE START.</b> Turn the ignition switch to START.	Does the starter operate?	Check the LAN communication system. <Ref. to LAN(diag)-2, Basic Diagnostic Procedure.>	Inspect the DTC display (body integrated unit). Go to step 7.
5	<b>CHECK ENGINE START.</b> Turn the ignition switch to START.	Does the starter operate?	Go to step 6.	Check the LAN communication system. <Ref. to LAN(diag)-2, Basic Diagnostic Procedure.>
6	<b>CHECK ENGINE START.</b> Turn the ignition switch to START.	Does the engine start?	Immobilizer system is normal.	Check the DTC display (ECM). Go to step 7.
7	<b>CHECK FOR ANY OTHER DTC ON DISPLAY.</b> 1) Turn the ignition switch to OFF. 2) Connect the Subaru Select Monitor to data link connector. <Ref. to IM(diag)-7, Subaru Select Monitor.> 3) Turn the ignition switch and Subaru Select Monitor switch to ON. 4) Read DTC's on the display.	Is the DTC displayed on screen?	Go to step 8.	Repair the related parts.
8	<b>PERFORM DIAGNOSIS.</b> 1) Inspect using the "Diagnostic Procedure with Diagnostic Trouble Code (DTC)". <Ref. to IM(diag)-15, Diagnostic Procedure with Diagnostic Trouble Code (DTC).> 2) Repair the trouble cause. 3) Perform the Clear Memory Mode. 4) Read DTC's again.	Is the DTC displayed on screen?	Inspect using the "Diagnostic Procedure with Diagnostic Trouble Code (DTC)". <Ref. to IM(diag)-15, Diagnostic Procedure with Diagnostic Trouble Code (DTC).>	Finish the diagnosis.

## 2. General Description

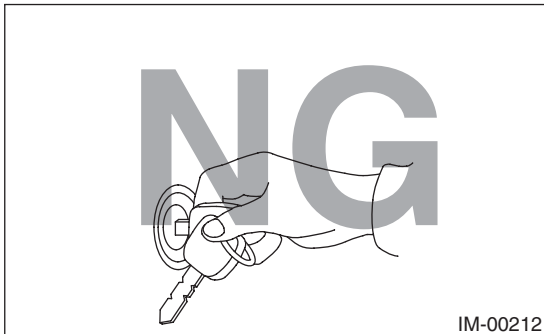
### A: CAUTION

**CAUTION:**

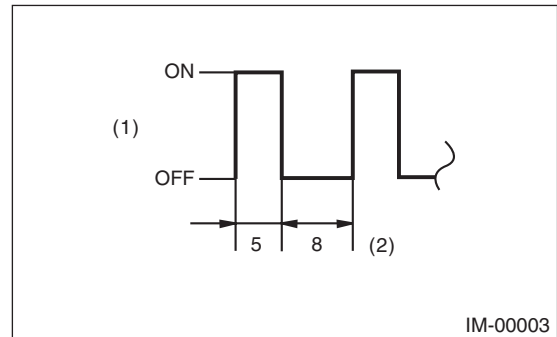
- Do not use the electrical test equipment on the airbag system wiring harnesses and connector circuits.
- Be careful not to damage the airbag system wiring harness.
- While diagnostic items are being checked, do not operate radios, portable telephones, etc. which emit electromagnetic waves near or inside the vehicle.



- When turning the ignition switch to ON or OFF while diagnostic items are being checked, do not allow keys with different ID codes close to the ignition switch. If the ignition key is on a key holder, remove it from the key holder before performing diagnoses.



- When repeatedly turning the ignition switch to ON or OFF while diagnostic items are being checked, it should be switched in cycles of "ON" for at least 5 seconds → "OFF" for at least 8 seconds.



- (1) Ignition switch position
- (2) Sec.

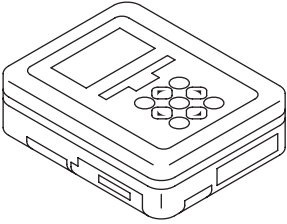
- If the engine fails to start with a registered ignition key, detach the ignition key from ignition switch and wait for approx. 1 second until security indicator light begins to flash. And then start the engine again.
- Before performing the diagnostics, obtain all keys for the vehicle from the owner.
- Do not install or register a body integrated unit already registered to another vehicle to diagnose failures or inspect functions.

# General Description

IMMOBILIZER (DIAGNOSTICS)

## B: PREPARATION TOOL

### 1. SPECIAL TOOL

ILLUSTRATION	TOOL NUMBER	DESCRIPTION	REMARKS
 ST1B022XU0	1B022XU0	SUBARU SELECT MONITOR III KIT	Used for troubleshooting the electrical system.

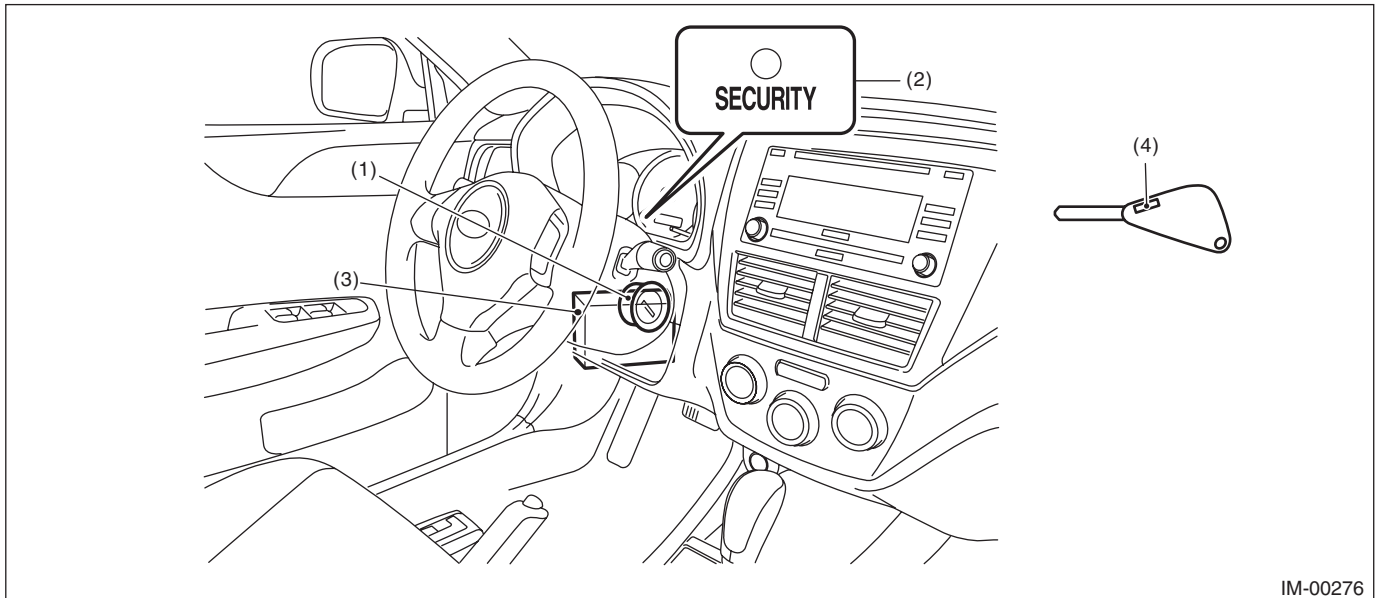
### 2. GENERAL TOOL

TOOL NAME	REMARKS
Circuit tester	Used for measuring resistance, voltage and current.



## 3. Electrical Component Location

### A: LOCATION



IM-00276

- (1) Antenna
- (2) Security indicator light (LED bulb)
- (3) Body integrated unit
- (4) Transponder

# Immobilizer Control Module I/O Signal

IMMOBILIZER (DIAGNOSTICS)

---

## 4. Immobilizer Control Module I/O Signal

### A: WIRING DIAGRAM

#### 1. IMMOBILIZER

<Ref. to WI-157, WIRING DIAGRAM, Immobilizer  
System.>

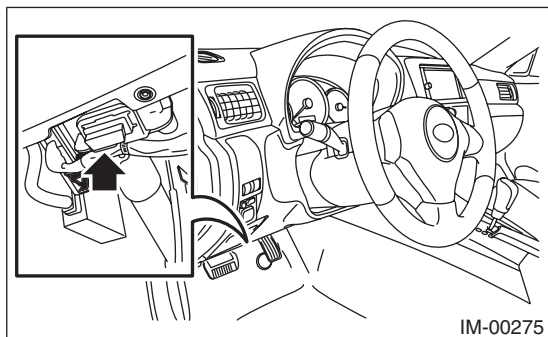
## 5. Subaru Select Monitor

### A: OPERATION

#### 1. HOW TO USE THE SUBARU SELECT MONITOR

- 1) Prepare the Subaru Select Monitor kit.
- 2) Connect the diagnosis cable to the Subaru Select Monitor.
- 3) Connect the Subaru Select Monitor to the data link connector.

(1) Data link connector is located in the lower portion of the instrument panel (on the driver's side).



(2) Connect the diagnosis cable to the data link connector.

#### CAUTION:

**Do not connect scan tools other than the Subaru Select Monitor.**

- 4) Turn the ignition switch to ON (engine OFF) and run the Subaru Select Monitor.
- 5) Using the Subaru Select Monitor, call up DTCs and various data, then record them.

#### 2. READ DIAGNOSTIC TROUBLE CODE (DTC) FOR ENGINE AND BODY INTEGRATED UNIT

Refer to "Read Diagnostic Trouble Code" for information about how to display a DTC. <Ref. to IM(diag)-8, Read Diagnostic Trouble Code (DTC).>

#### 3. COMMUNICATION LINE CHECK

##### NOTE:

The communication line between ECM and body integrated unit can be checked in "System Operation Check Mode". This is referred to as "Communication line check".

- 1) Connect the Subaru Select Monitor.
- 2) On «Main Menu» display, select {Each System Check}.
- 3) On «System Selection Menu» display, select {Engine Control System}.
- 4) Select [OK] after the information of engine type is displayed.
- 5) On «Engine Diagnosis» display, select {System Operation Check Mode}.
- 6) On «System Operation Check Mode» display, select {Immobilizer System}.
- 7) Start the communication line check.
- 8) Is «OK» displayed on screen?  
If displayed, go to step 9).  
If not, go to step 10).

9) After diagnostic results, it is determined that the circuit is not shorted. Finish the communication line check.

10) If a problem is detected, repair the trouble cause. <Ref. to IM(diag)-19, DTC P1572 IMM CIRCUIT FAILURE (EXCEPT ANTENNA CIRCUIT), Diagnostic Procedure with Diagnostic Trouble Code (DTC).>

# Read Diagnostic Trouble Code (DTC)

IMMOBILIZER (DIAGNOSTICS)

---

## 6. Read Diagnostic Trouble Code (DTC)

### A: OPERATION

#### 1. ECM

- 1) On «Main Menu» display, select {Each System Check}.
- 2) On «System Selection Menu» display, select {Engine Control System}.
- 3) Select [OK] after the information of engine type is displayed.
- 4) On «Engine Diagnosis» display, select {Diagnostic Code(s) Display}.
- 5) On «Diagnostic Code(s) Display» display, select {Current DTC} or {Past DTC}.

#### NOTE:

- For detailed operation procedures, refer to “PC application help for Subaru Select Monitor”.
- For detailed concerning DTC, refer to the List of Diagnostic Trouble Codes (DTC). <Ref. to IM(diag)-14, LIST, List of Diagnostic Trouble Code (DTC).>

#### 2. BODY INTEGRATED UNIT

- 1) On «Main Menu» display, select {Each System Check}.
- 2) On «System Selection Menu» display, select {Integ. Unit}.
- 3) After {Integ. unit} is displayed, select [OK].
- 4) On «Integ. unit mode failure diag» display, select {Diagnostic Code(s) Display}.

#### NOTE:

- For detailed operation procedures, refer to “PC application help for Subaru Select Monitor”.
- For detailed concerning DTC, refer to the List of Diagnostic Trouble Codes (DTC). <Ref. to IM(diag)-14, LIST, List of Diagnostic Trouble Code (DTC).>

## 7. Clear Memory Mode

### A: OPERATION

#### 1. ECM

- 1) On «Main Menu» display, select {Each System Check}.
- 2) On «System Selection Menu» display, select {Engine Control System}.
- 3) Select [OK] after the information of engine type is displayed.
- 4) On «Engine Diagnosis» display, select {Clearing Memory}.
- 5) When “Done” is displayed on the display, end the Subaru Select Monitor and turn the ignition switch to OFF.

#### NOTE:

- After the memory is cleared, initial diagnosis of the electronic throttle control is performed. Wait for 10 seconds or more after turning the ignition switch to ON, and then start the engine.
- For detailed operation procedures, refer to “PC application help for Subaru Select Monitor”.

#### 2. BODY INTEGRATED UNIT

- 1) On «Main Menu» display, select {Each System Check}.
- 2) On «System Selection Menu» display, select {Integ. Unit}.
- 3) After {Integ. unit} is displayed, select [OK].
- 4) On «Integ. unit mode» display, select {Clearing Memory}.
- 5) When “Done” is displayed on the display, end the Subaru Select Monitor and turn the ignition switch to OFF.

#### NOTE:

For detailed operation procedures, refer to “PC application help for Subaru Select Monitor”.

# Diagnostics Chart for Security Indicator Light

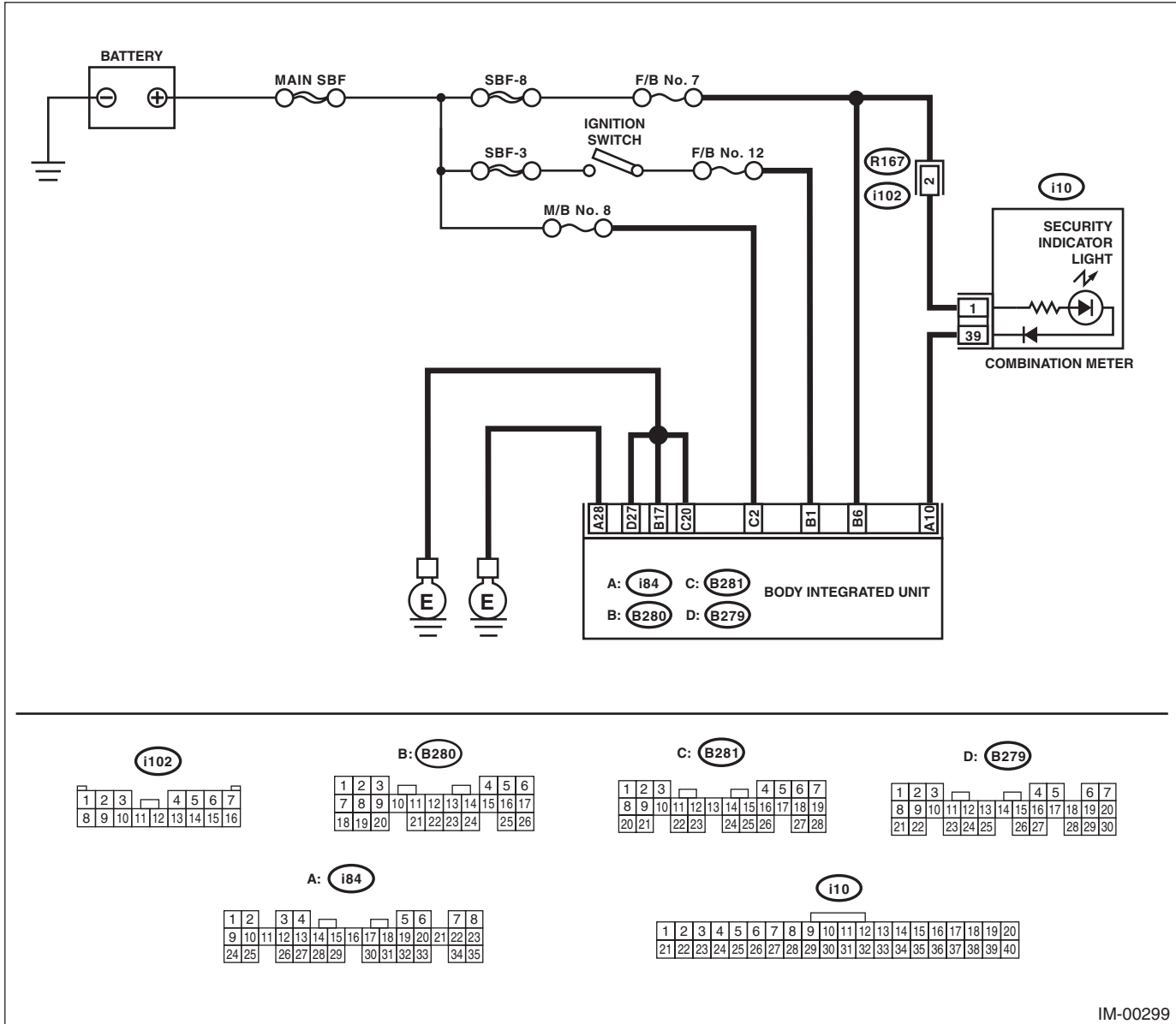
IMMOBILIZER (DIAGNOSTICS)

## 8. Diagnostics Chart for Security Indicator Light

### A: INSPECTION

#### 1. CHECK SECURITY INDICATOR LIGHT CIRCUIT

WIRING DIAGRAM:



Step	Check	Yes	No
<b>1</b> <b>CHECK FUSE.</b> 1) Turn the ignition switch to OFF. 2) Check the fuse (M/B No. 8).	Is the fuse blown out?	Replace the fuse. If the replaced fuse blows out easily, repair the short circuit in the harness between the fuse and body integrated unit.	Go to step 2.

# Diagnostics Chart for Security Indicator Light

IMMOBILIZER (DIAGNOSTICS)

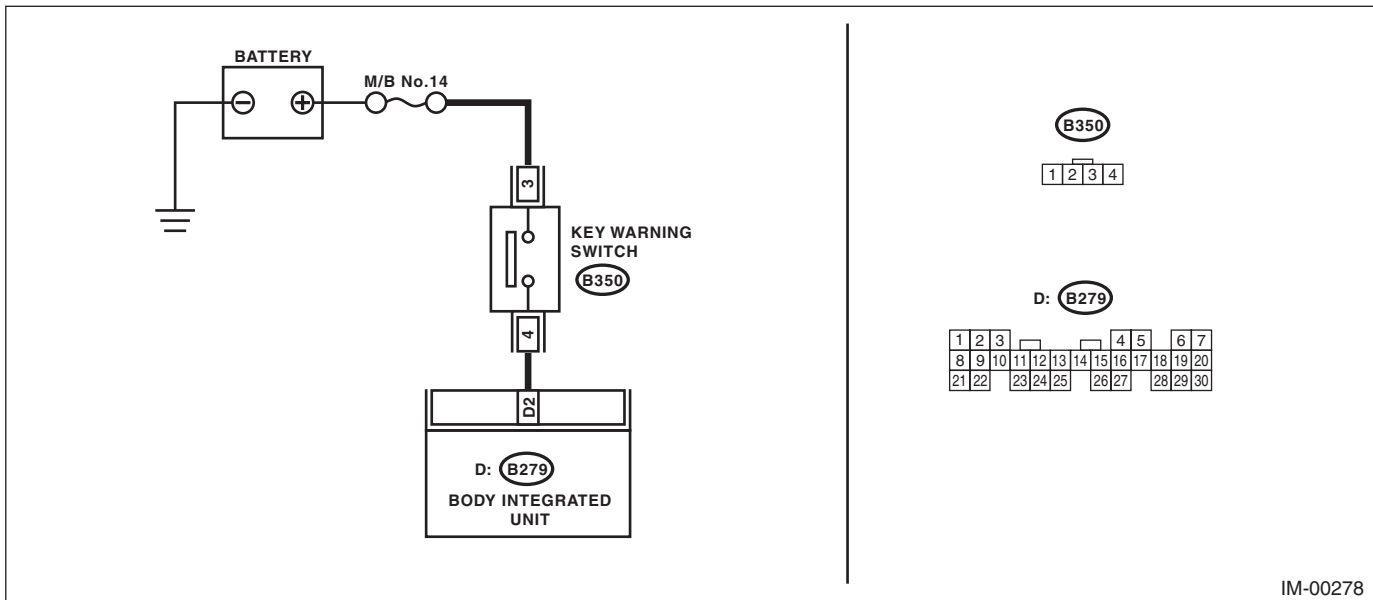
Step	Check	Yes	No
<b>2 CHECK SECURITY INDICATOR LIGHT.</b> 1) Turn the ignition switch to OFF. 2) Disconnect the harness connector from body integrated unit. 3) Connect a resistor (100 Ω) between the body integrated unit harness connector terminal (i84) No. 10 and chassis ground.	Does the security indicator light illuminate?	Go to step 3.	Go to step 6.
<b>3 CHECK BODY INTEGRATED UNIT GROUND CIRCUIT.</b> Measure the resistance between body integrated unit harness connector terminal and chassis ground. <i>Connector &amp; terminal</i> <i>(i84) No. 28 — Chassis ground:</i> <i>(B280) No. 17 — Chassis ground:</i> <i>(B281) No. 20 — Chassis ground:</i> <i>(B279) No. 27 — Chassis ground:</i>	Is the resistance less than 10 Ω?	Go to step 4.	Repair the open circuit of the body integrated unit ground circuit.
<b>4 CHECK BODY INTEGRATED UNIT IGNITION CIRCUIT.</b> 1) Turn the ignition switch to ON. (engine OFF) 2) Measure the voltage between the body integrated unit harness connector terminal and chassis ground. <i>Connector &amp; terminal</i> <i>(B280) No. 1 (+) — Chassis ground (-):</i>	Is the voltage 10 V or more?	Go to step 5.	Check the harness for open or short circuit between the body integrated unit and ignition switch.
<b>5 CHECK BODY INTEGRATED UNIT POWER SUPPLY CIRCUIT.</b> 1) Turn the ignition switch to OFF. 2) Measure the voltage between the body integrated unit harness connector terminal and chassis ground. <i>Connector &amp; terminal</i> <i>(B280) No. 6 (+) — Chassis ground (-):</i> <i>(B281) No. 2 (+) — Chassis ground (-):</i>	Is the voltage 10 V or more?	Replace the body integrated unit <Ref. to SL-50, Body Integrated Unit.> Replace all ignition keys (including the transponder). Execute the registration procedure next. Refer to the “PC application help for Subaru Select Monitor”.	Check the harness for open or short circuit between the body integrated unit and fuse.
<b>6 CHECK COMBINATION METER CIRCUIT.</b> 1) Remove the combination meter. <Ref. to IDI-16, Combination Meter.> 2) Measure the voltage between combination meter harness connector terminal and chassis ground. <i>Connector &amp; terminal</i> <i>(i10) No. 1 (+) — Chassis ground (-):</i>	Is the voltage 10 V or more?	Go to step 7.	Check for an open or short circuit in the harness between the combination meter and fuse.
<b>7 CHECK COMBINATION METER CIRCUIT.</b> Measure the resistance between the body integrated unit harness connector terminal and combination meter harness connector terminal. <i>Connector &amp; terminal</i> <i>(i84) No. 10 — (i10) No. 39:</i>	Is the resistance less than 10 Ω?	LED bulb is defective. Replace the combination meter case assembly. <Ref. to IDI-16, DISASSEMBLY, Combination Meter.>	Repair the harness or connector.

# Diagnostics Chart for Security Indicator Light

IMMOBILIZER (DIAGNOSTICS)

## 2. CHECK KEY SWITCH CIRCUIT

WIRING DIAGRAM:



IM-00278



# Diagnostics Chart for Security Indicator Light

IMMOBILIZER (DIAGNOSTICS)

Step	Check	Yes	No
<p><b>1</b></p> <p><b>CHECK POWER SUPPLY CIRCUIT.</b>                      1) Disconnect the harness connector from key warning switch.                      2) Turn the ignition switch to ACC or LOCK. (with key inserted)                      3) Measure the voltage between key warning switch harness connector terminal and chassis ground.  <b>Connector &amp; terminal</b>  <b>(B350) No. 3 (+) — Chassis ground (-):</b></p>	Is the voltage 10 V or more?	Go to step 2.	Check the harness for an open or short between the key warning switch and fuse.
<p><b>2</b></p> <p><b>CHECK KEY WARNING SWITCH.</b>                      1) Insert the ignition key in the ignition switch. (OFF or ACC)                      2) Measure the resistance between key warning switch connector terminals.  <b>Connector &amp; terminal</b>  <b>No. 3 — No. 4:</b></p>	Is the resistance less than 1 $\Omega$ ?	Go to step 3.	Replace the key warning switch.
<p><b>3</b></p> <p><b>CHECK KEY WARNING SWITCH.</b>                      1) Remove the ignition key from ignition switch.                      2) Measure the resistance between key warning switch connector terminals.  <b>Connector &amp; terminal</b>  <b>No. 3 — No. 4:</b></p>	Is the resistance 1 M $\Omega$ or more?	Go to step 4.	Replace the key warning switch.
<p><b>4</b></p> <p><b>CHECK HARNESS BETWEEN KEY WARNING SWITCH AND BODY INTEGRATED UNIT.</b>                      1) Disconnect the harness connector from key warning switch.                      2) Disconnect the harness connector from body integrated unit.                      3) Measure the resistance between key warning switch harness connector terminal and body integrated unit harness connector terminal.  <b>Connector &amp; terminal</b>  <b>(B350) No. 4 — (B279) No. 2:</b></p>	Is the resistance less than 10 $\Omega$ ?	Replace the body integrated unit <Ref. to SL-50, Body Integrated Unit.> Replace all ignition keys (including the transponder). Execute the registration procedure next. Refer to the "PC application help for Subaru Select Monitor".	Repair the harness between key warning switch and body integrated unit.

## List of Diagnostic Trouble Code (DTC)

### IMMOBILIZER (DIAGNOSTICS)

## 9. List of Diagnostic Trouble Code (DTC)

### A: LIST

#### 1. ECM

DTC	Item	Contents of diagnosis	Index No.
P0513	Incorrect Immobilizer Key	Incorrect immobilizer key (Use of unregistered key in body integrated unit)	<Ref. to IM(diag)-15, DTC P0513 INCORRECT IMMOBILIZER KEY, Diagnostic Procedure with Diagnostic Trouble Code (DTC).>
P1570	Antenna	Faulty antenna	<Ref. to IM(diag)-16, DTC P1570 ANTENNA, Diagnostic Procedure with Diagnostic Trouble Code (DTC).>
P1571	Reference Code Incompatibility	Reference code incompatibility between body integrated unit and ECM	<Ref. to IM(diag)-18, DTC P1571 REFERENCE CODE INCOMPATIBILITY, Diagnostic Procedure with Diagnostic Trouble Code (DTC).>
P1572	IMM Circuit Failure (Except Antenna Circuit)	<ul style="list-style-type: none"> <li>Communication failure between body integrated unit and ECM</li> <li>Combination meter and body integrated unit registration failed</li> </ul>	<Ref. to IM(diag)-19, DTC P1572 IMM CIRCUIT FAILURE (EXCEPT ANTENNA CIRCUIT), Diagnostic Procedure with Diagnostic Trouble Code (DTC).>
P1574	Key Communication Failure	Communication failure between key and body integrated unit	<Ref. to IM(diag)-22, DTC P1574 KEY COMMUNICATION FAILURE, Diagnostic Procedure with Diagnostic Trouble Code (DTC).>
P1576	EGI Control Module EEPROM	ECM malfunctioning	<Ref. to IM(diag)-22, DTC P1576 EGI CONTROL MODULE EEPROM, Diagnostic Procedure with Diagnostic Trouble Code (DTC).>
P1577	IMM Control Module EEPROM	Body integrated unit malfunctioning	<Ref. to IM(diag)-23, DTC P1577 IMM CONTROL MODULE EEPROM, Diagnostic Procedure with Diagnostic Trouble Code (DTC).>
P1578	Meter Failure	<ul style="list-style-type: none"> <li>Reference code incompatibility between combination meter and body integrated unit</li> <li>Communication failure between body integrated unit and ECM</li> </ul>	<Ref. to IM(diag)-23, DTC P1578 METER FAILURE, Diagnostic Procedure with Diagnostic Trouble Code (DTC).>

#### NOTE:

Perform diagnosis of engine DTC when a DTC other than an immobilizer DTC is detected. <Ref. to EN(H4DOTC)(diag)-83, List of Diagnostic Trouble Code (DTC).>

#### 2. BODY INTEGRATED UNIT

DTC	Item	Contents of diagnosis	Index No.	Relation between ECM and DTC
B1401	M Collation NG	Reference code incompatibility between combination meter and body integrated unit	<Ref. to IM(diag)-24, DTC B1401 M COLLATION NG, Diagnostic Procedure with Diagnostic Trouble Code (DTC).>	P1578
B1402	Immobilizer Key Collation NG	<ul style="list-style-type: none"> <li>Incorrect immobilizer key (Use of unregistered key in body integrated unit)</li> <li>Faulty antenna</li> </ul>	<Ref. to IM(diag)-24, DTC B1402 IMMOBILIZER KEY COLLATION NG, Diagnostic Procedure with Diagnostic Trouble Code (DTC).>	<ul style="list-style-type: none"> <li>P0513</li> <li>P1570</li> <li>P1574</li> </ul>
B1403	E/G Request NG	Communication failure between body integrated unit and ECM	<Ref. to IM(diag)-24, DTC B1403 E/G REQUEST NG, Diagnostic Procedure with Diagnostic Trouble Code (DTC).>	P1572

#### NOTE:

The starter relay control is performed in immobilizer system. When the body integrated unit detects a non-conformity of reference code, it immediately outputs a starter relay cut signal to ECM, and then ECM stops the starter relay operation. In this case, engine does not start, and DTC is not recorded in ECM. Check that the engine does not start on the DTC of body integrated unit.

# Diagnostic Procedure with Diagnostic Trouble Code (DTC)

IMMOBILIZER (DIAGNOSTICS)

## 10. Diagnostic Procedure with Diagnostic Trouble Code (DTC)

### A: DTC P0513 INCORRECT IMMOBILIZER KEY

#### DTC DETECTING CONDITION:

Incorrect immobilizer key (Use of unregistered key in body integrated unit)

	Step	Check	Yes	No
1	<b>PERFORM REGISTRATION ON IGNITION KEY.</b> Perform registration on all keys of the vehicle. Refer to the "PC application help for Subaru Select Monitor".	Is registration for all keys complete?	End.	Replace ignition keys (including transponder) which cannot be registered. Go to step 2.
2	<b>PERFORM REGISTRATION ON IGNITION KEY.</b> Perform registration on all keys of the vehicle. Refer to the "PC application help for Subaru Select Monitor".	Is registration for all keys complete?	End.	Replace the body integrated unit <Ref. to SL-50, Body Integrated Unit.> Replace all ignition keys (including the transponder). Execute the registration procedure next. Refer to the "PC application help for Subaru Select Monitor".

# Diagnostic Procedure with Diagnostic Trouble Code (DTC)

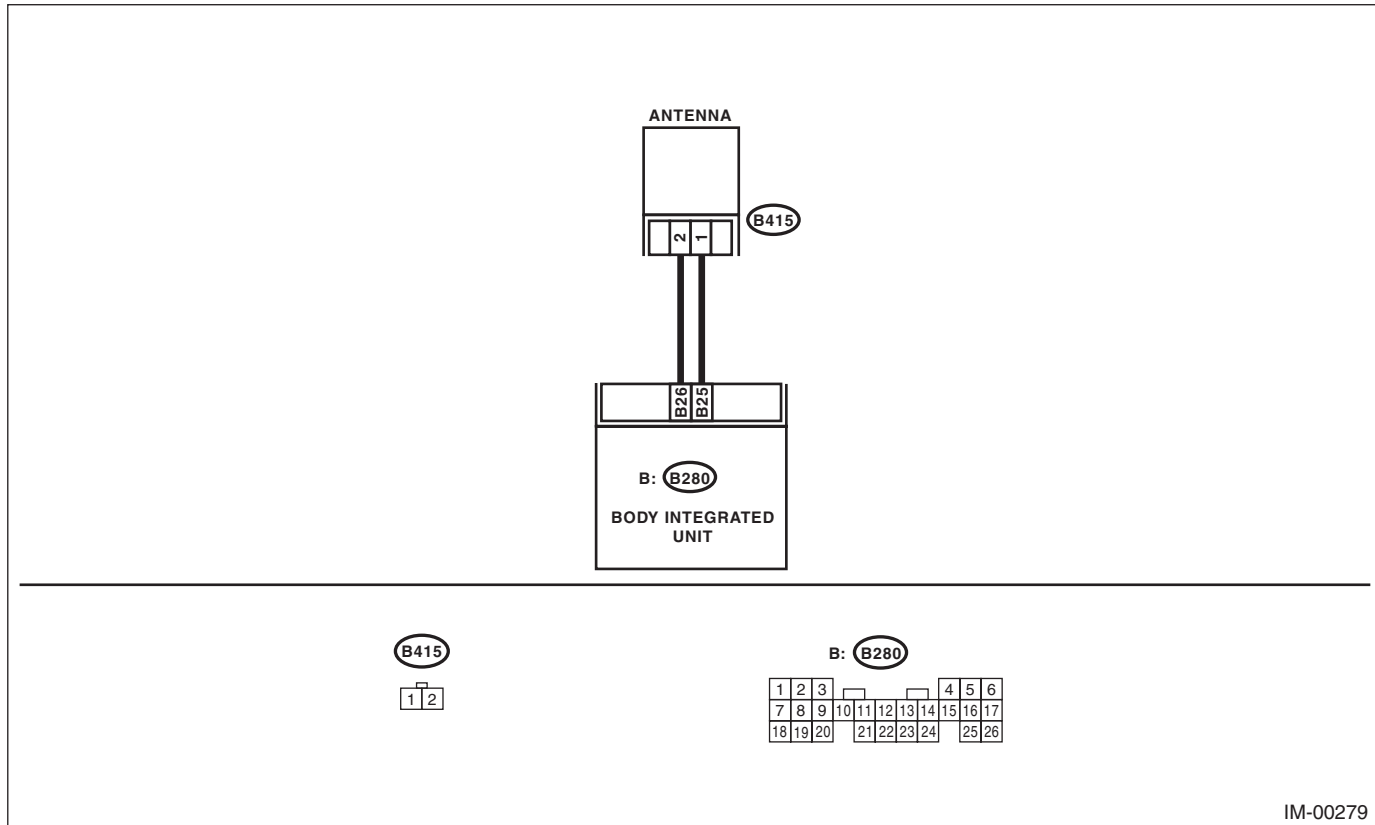
IMMOBILIZER (DIAGNOSTICS)

## B: DTC P1570 ANTENNA

### DTC DETECTING CONDITION:

Faulty antenna

### WIRING DIAGRAM:



Step	Check	Yes	No
<b>1</b> <b>CHECK ANTENNA CIRCUIT.</b> 1) Turn the ignition switch to OFF. 2) Disconnect the harness connector from the antenna. <Ref. to SL-53, Immobilizer Antenna.> 3) Measure the resistance of antenna circuit. <b>Connector &amp; terminal</b> <b>(B415) No. 1 — No. 2:</b>	Is the resistance less than 10 Ω?	Go to step 2.	Replace the antenna. <Ref. to SL-53, Immobilizer Antenna.>
<b>2</b> <b>CHECK ANTENNA CIRCUIT.</b> 1) Disconnect the harness connector from body integrated unit. 2) Measure the resistance between harness connector and chassis ground. <b>Connector &amp; terminal</b> <b>(B280) No. 26 — Chassis ground:</b>	Is the resistance less than 10 Ω?	Repair the harness.	Go to step 3.
<b>3</b> <b>CHECK ANTENNA CIRCUIT.</b> Measure the resistance of harness connector and chassis ground. <b>Connector &amp; terminal</b> <b>(B280) No. 25 — Chassis ground:</b>	Is the resistance less than 10 Ω?	Repair the harness.	Go to step 4.
<b>4</b> <b>CHECK ANTENNA CIRCUIT.</b> 1) Turn the ignition switch to ON. (engine OFF) 2) Measure the voltage between harness connector and chassis ground. <b>Connector &amp; terminal</b> <b>(B280) No. 26 (+) — Chassis ground (-):</b>	Is the voltage 0 V?	Go to step 5.	Repair the harness.

# Diagnostic Procedure with Diagnostic Trouble Code (DTC)

IMMOBILIZER (DIAGNOSTICS)

Step	Check	Yes	No
<b>5</b> <b>CHECK ANTENNA CIRCUIT.</b> Measure the voltage between harness connector and chassis ground. <i><b>Connector &amp; terminal</b></i> <i><b>(B280) No. 25 (+) — Chassis ground (-):</b></i>	Is the voltage 0 V?	Go to step 6.	Because the battery voltage or ignition switch "ON" circuit is shorted, repair the harness between the body integrated unit and antenna.
<b>6</b> <b>CHECK BODY INTEGRATED UNIT FUNCTION.</b> 1) Turn the ignition switch to OFF. 2) Connect the harness connector to body integrated unit. 3) Insert the key into the ignition switch, then measure changes in voltage between the antenna harness connectors. <i><b>Connector &amp; terminal</b></i> <i><b>(B280) No. 25 (+) — No. 26 (-):</b></i>	Is the voltage -30 — 30 V? (Approx. 0.1 second after inserting the key) Is the voltage 0 V? (Approx. 1 second after inserting the key)	Go to step 7.	Replace the body integrated unit <Ref. to SL-50, Body Integrated Unit.> Replace all ignition keys (including the transponder). Execute the registration procedure next. Refer to the "PC application help for Subaru Select Monitor".
<b>7</b> <b>CHECK IGNITION KEY (TRANSPONDER).</b> 1) Remove the key from ignition switch. 2) Start the engine using other key which is already registered.	Does the engine start?	Replace the ignition key (including the transponder). Execute the registration procedure next. Refer to the "PC application help for Subaru Select Monitor".	Replace the body integrated unit <Ref. to SL-50, Body Integrated Unit.> Replace all ignition keys (including the transponder). Execute the registration procedure next. Refer to the "PC application help for Subaru Select Monitor".

# Diagnostic Procedure with Diagnostic Trouble Code (DTC)

IMMOBILIZER (DIAGNOSTICS)

## C: DTC P1571 REFERENCE CODE INCOMPATIBILITY

### DTC DETECTING CONDITION:

Reference code incompatibility between body integrated unit and ECM

Step	Check	Yes	No
<b>1</b> <b>PERFORM REGISTRATION ON IGNITION KEY.</b> Perform registration on all keys of the vehicle. Refer to the "PC application help for Subaru Select Monitor".	Is registration for all keys complete?	End.	Go to step 2.
<b>2</b> <b>CHECK FOR ANY OTHER DTC ON DISPLAY.</b>	Is any other immobilizer DTC displayed?	Check the appropriate DTC using the "List of Diagnostic Trouble Code (DTC)". <Ref. to IM(diag)-14, List of Diagnostic Trouble Code (DTC).> Execute the registration procedure next. Refer to the "PC application help for Subaru Select Monitor".	Replace the ECM. <Ref. to FU(H4DOTC)-52, Engine Control Module (ECM).> Body integrated unit <Ref. to SL-50, Body Integrated Unit.>, and replace all the ignition keys (including transponder). Execute the registration procedure next. Refer to the "PC application help for Subaru Select Monitor".

# Diagnostic Procedure with Diagnostic Trouble Code (DTC)

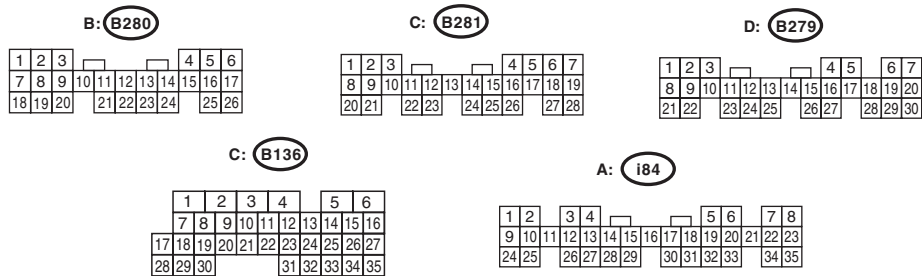
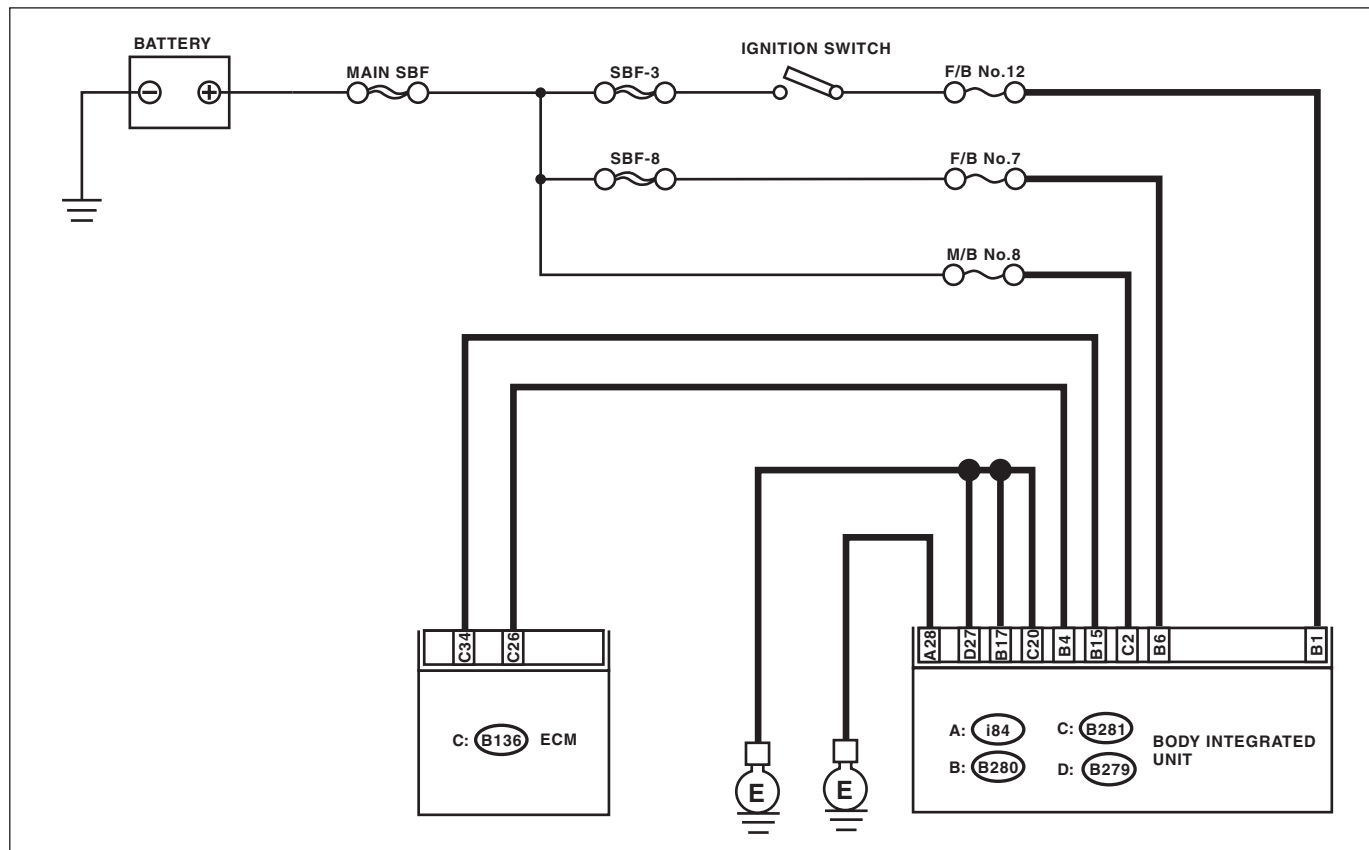
IMMOBILIZER (DIAGNOSTICS)

## D: DTC P1572 IMM CIRCUIT FAILURE (EXCEPT ANTENNA CIRCUIT)

### DTC DETECTING CONDITION:

Communication failure between body integrated unit and ECM

### WIRING DIAGRAM:



IM-00322

# Diagnostic Procedure with Diagnostic Trouble Code (DTC)

## IMMOBILIZER (DIAGNOSTICS)

Step	Check	Yes	No
<b>1 CHECK BODY INTEGRATED UNIT POWER SUPPLY CIRCUIT.</b> 1) Turn the ignition switch to OFF. 2) Disconnect the harness connector from body integrated unit. 3) Measure the voltage between the body integrated unit harness connector terminal and chassis ground. <i>Connector &amp; terminal</i> <i>(B281) No. 2 (+) — Chassis ground (-):</i> <i>(B280) No. 6 (+) — Chassis ground (-):</i>	Is the voltage 10 V or more?	Go to step 2.	Check the harness for open or short circuit between the body integrated unit and fuse.
<b>2 CHECK BODY INTEGRATED UNIT POWER SUPPLY CIRCUIT.</b> 1) Turn the ignition switch to ON. (engine OFF) 2) Measure the voltage between the body integrated unit harness connector terminal and chassis ground. <i>Connector &amp; terminal</i> <i>(B280) No. 1 (+) — Chassis ground (-):</i>	Is the voltage 10 V or more?	Go to step 3.	Check the harness for open or short circuit between the body integrated unit and ignition switch.
<b>3 CHECK BODY INTEGRATED UNIT GROUND CIRCUIT.</b> 1) Turn the ignition switch to OFF. 2) Measure the resistance between body integrated unit harness connector terminal and chassis ground. <i>Connector &amp; terminal</i> <i>(i84) No. 28 — Chassis ground:</i> <i>(B280) No. 17 — Chassis ground:</i> <i>(B281) No. 20 — Chassis ground:</i> <i>(B279) No. 27 — Chassis ground:</i>	Is the resistance less than 10 $\Omega$ ?	Go to step 4.	Repair the open circuit of the body integrated unit ground circuit.
<b>4 CHECK GROUND CIRCUIT FOR ECM.</b> Measure the resistance between the ECM ground terminal and engine ground.	Is the resistance less than 10 $\Omega$ ?	Go to step 5.	Repair the ECM ground circuit.
<b>5 CHECK HARNESS BETWEEN BODY INTEGRATED UNIT AND ECM.</b> 1) Disconnect the harness connector from the ECM and body integrated unit. 2) Measure the resistance between body integrated unit harness connector terminal and ECM harness connector terminal. <i>Connector &amp; terminal</i> <i>(B280) No. 4 — (B136) No. 26:</i>	Is the resistance less than 10 $\Omega$ ?	Go to step 6.	Repair the open circuit of the harness between the body integrated unit and ECM.
<b>6 CHECK HARNESS BETWEEN BODY INTEGRATED UNIT AND ECM.</b> Measure the resistance between body integrated unit harness connector terminal and ECM harness connector terminal. <i>Connector &amp; terminal</i> <i>(B280) No. 15 — (B136) No. 34:</i>	Is the resistance less than 10 $\Omega$ ?	Go to step 7.	Repair the open circuit of the harness between the body integrated unit and ECM.
<b>7 CHECK COMMUNICATION CIRCUIT HARNESS.</b> 1) Turn the ignition switch to ON. (engine OFF) 2) Measure the voltage between the body integrated unit harness connector terminal and chassis ground. <i>Connector &amp; terminal</i> <i>(B280) No. 4 (+) — Chassis ground (-):</i> <i>(B280) No. 15 (+) — Chassis ground (-):</i>	Is the voltage 0 V?	Go to step 8.	Because the battery voltage or ignition switch "ON" circuit is shorted, repair the harness between the body integrated unit and ECM.



# Diagnostic Procedure with Diagnostic Trouble Code (DTC)

IMMOBILIZER (DIAGNOSTICS)

	Step	Check	Yes	No
8	<p><b>CHECK COMMUNICATION CIRCUIT HARNESS.</b>                      Measure the voltage between ECM harness connector terminal and engine ground.  <b>Connector &amp; terminal</b>  <i>(B136) No. 26 (+) — Engine ground (-):</i>  <i>(B136) No. 34 (+) — Engine ground (-):</i></p>	Is the voltage 0 V?	Go to step 9.	Because the battery voltage or ignition switch "ON" circuit is shorted, repair the harness between the body integrated unit and ECM.
9	<p><b>CHECK ECM BY COMMUNICATION LINE CHECK.</b>                      1) Connect the harness connector to ECM.                      2) Disconnect the harness connector from body integrated unit.                      3) Start the communication line short check.                      &lt;Ref. to IM(diag)-7, COMMUNICATION LINE CHECK, OPERATION, Subaru Select Monitor.&gt;</p>	Is the communication line check OK?	Replace the body integrated unit <Ref. to SL-50, Body Integrated Unit.> Replace all ignition keys (including the transponder). Execute the registration procedure next. Refer to the "PC application help for Subaru Select Monitor".	Replace the ECM. <Ref. to FU(H4DOTC)-52, Engine Control Module (ECM).> Perform the registration procedure next. Refer to the "PC application help for Subaru Select Monitor".

**NOTE:**

Refer to the following inspection when DTC is detected after inspection above. <Ref. to IM(diag)-23, DTC P1578 METER FAILURE, Diagnostic Procedure with Diagnostic Trouble Code (DTC).>

## Diagnostic Procedure with Diagnostic Trouble Code (DTC)

IMMOBILIZER (DIAGNOSTICS)

### E: DTC P1574 KEY COMMUNICATION FAILURE

#### DTC DETECTING CONDITION:

Communication failure between key and body integrated unit

Step	Check	Yes	No
<b>1</b> <b>CHECK BODY INTEGRATED UNIT FUNCTION.</b> Insert the key into the ignition switch (LOCK position), then measure changes in voltage between the antenna connectors. <b>Connector &amp; terminal</b> <b>(B415) No. 1 (+) — No. 2 (-):</b>	Is the voltage -30 — 30 V? (Approx. 0.1 second after inserting the key) Is the voltage 0 V? (Approx. 1 second after inserting the key)	Go to step 2.	Replace the body integrated unit <Ref. to SL-50, Body Integrated Unit.> Replace all ignition keys (including the transponder). Execute the registration procedure next. Refer to the “PC application help for Subaru Select Monitor”.
<b>2</b> <b>CHECK IGNITION KEY (TRANSPONDER).</b> 1) Remove the key from ignition switch. 2) Start the engine using other key which is already registered.	Does the engine start?	Replace the ignition key (including the transponder). Execute the registration procedure next. Refer to the “PC application help for Subaru Select Monitor”.	Replace the body integrated unit <Ref. to SL-50, Body Integrated Unit.> Replace all ignition keys (including the transponder). Execute the registration procedure next. Refer to the “PC application help for Subaru Select Monitor”.

### F: DTC P1576 EGI CONTROL MODULE EEPROM

#### DTC DETECTING CONDITION:

- ECM malfunctioning
- Inaccessible ROM in ECM during key registration.

Step	Check	Yes	No
<b>1</b> <b>PERFORM REGISTRATION ON IGNITION KEY.</b> Perform registration on all keys of the vehicle. Refer to the “PC application help for Subaru Select Monitor”.	Is registration for all keys complete?	Make sure it is possible to start the engine with all keys that have been taught. This completes the work.	Go to step 2.
<b>2</b> <b>PERFORM REGISTRATION ON IGNITION KEY.</b> Perform registration on all keys of the vehicle. Refer to the “PC application help for Subaru Select Monitor”.	Is registration for all keys complete?	Make sure it is possible to start the engine with all keys that have been taught. This completes the work.	Go to step 3.
<b>3</b> <b>PERFORM REGISTRATION ON IGNITION KEY.</b> Perform registration on all keys of the vehicle. Refer to the “PC application help for Subaru Select Monitor”.	Is registration for all keys complete?	Make sure it is possible to start the engine with all keys that have been taught. This completes the work.	Replace the ECM. <Ref. to FU(H4DOTC)-52, Engine Control Module (ECM).>

# Diagnostic Procedure with Diagnostic Trouble Code (DTC)

IMMOBILIZER (DIAGNOSTICS)

## G: DTC P1577 IMM CONTROL MODULE EEPROM

### DTC DETECTING CONDITION:

- Body integrated unit malfunctioning
- Failed to access the ROM inside the body integrated unit.

Step	Check	Yes	No
<b>1</b> <b>PERFORM REGISTRATION ON IGNITION KEY.</b> Perform registration on all keys of the vehicle. Refer to the "PC application help for Subaru Select Monitor".	Is registration for all keys complete?	Make sure it is possible to start the engine with all keys that have been taught. This completes the work.	Go to step 2.
<b>2</b> <b>PERFORM REGISTRATION ON IGNITION KEY.</b> Perform registration on all keys of the vehicle. Refer to the "PC application help for Subaru Select Monitor".	Is registration for all keys complete?	Make sure it is possible to start the engine with all keys that have been taught. This completes the work.	Go to step 3.
<b>3</b> <b>PERFORM REGISTRATION ON IGNITION KEY.</b> Perform registration on all keys of the vehicle. Refer to the "PC application help for Subaru Select Monitor".	Is registration for all keys complete?	Make sure it is possible to start the engine with all keys that have been taught. This completes the work.	Replace the body integrated unit. <Ref. to SL-50, Body Integrated Unit.>

## H: DTC P1578 METER FAILURE

### DTC DETECTING CONDITION:

Reference code incompatibility between combination meter and body integrated unit

Step	Check	Yes	No
<b>1</b> <b>CHECK DTC.</b> Read the DTC of body integrated unit using Subaru Select Monitor.	Is DTC B1401 detected?	Go to step 2.	<Ref. to IM(diag)-19, DTC P1572 IMM CIRCUIT FAILURE (EXCEPT ANTENNA CIRCUIT), Diagnostic Procedure with Diagnostic Trouble Code (DTC).>
<b>2</b> <b>CHECK LAN COMMUNICATION SYSTEM.</b> Inspect LAN communication system. <Ref. to LAN(diag)-2, Basic Diagnostic Procedure.>	Is DTC U1300, U1301, U1302, B1100 or B1101 of the body integrated unit displayed?	Perform the diagnosis according to the DTC. <Ref. to LAN(diag)-35, List of Diagnostic Trouble Code (DTC).>	Go to step 3.
<b>3</b> <b>CHECK COMBINATION METER.</b> 1) Perform the registration of immobilizer. Refer to the "PC application help for Subaru Select Monitor". 2) Start the engine.	Does the engine start?	System is normal.	Replace the combination meter. <Ref. to IDI-16, REMOVAL, Combination Meter.>

## Diagnostic Procedure with Diagnostic Trouble Code (DTC)

IMMOBILIZER (DIAGNOSTICS)

---

### **I: DTC B1401 M COLLATION NG**

NOTE:

Refer to DTC P1578 "METER FAILURE" for diagnostic procedure. <Ref. to IM(diag)-23, DTC P1578 METER FAILURE, Diagnostic Procedure with Diagnostic Trouble Code (DTC).>

### **J: DTC B1402 IMMOBILIZER KEY COLLATION NG**

NOTE:

For diagnostic procedures, refer to the following items.

- DTC P0513 "INCORRECT IMMOBILIZER KEY" <Ref. to IM(diag)-15, DTC P0513 INCORRECT IMMOBILIZER KEY, Diagnostic Procedure with Diagnostic Trouble Code (DTC).>
- DTC P1570 "ANTENNA" <Ref. to IM(diag)-16, DTC P1570 ANTENNA, Diagnostic Procedure with Diagnostic Trouble Code (DTC).>
- DTC P1574 "KEY COMMUNICATION FAILURE" <Ref. to IM(diag)-22, DTC P1574 KEY COMMUNICATION FAILURE, Diagnostic Procedure with Diagnostic Trouble Code (DTC).>

### **K: DTC B1403 E/G REQUEST NG**

NOTE:

For diagnostic procedures, refer to DTC P1572 "IMM CIRCUIT FAILURE (EXCEPT ANTENNA CIRCUIT)". <Ref. to IM(diag)-19, DTC P1572 IMM CIRCUIT FAILURE (EXCEPT ANTENNA CIRCUIT), Diagnostic Procedure with Diagnostic Trouble Code (DTC).>

# Basic Diagnostic Procedure

LAN SYSTEM (DIAGNOSTICS)

## 1. Basic Diagnostic Procedure

### A: PROCEDURE

#### CAUTION:

- **Subaru Select Monitor is required for reading DTC, performing diagnosis and reading current data.**
- **Remove foreign matter (dust, water, oil, etc.) from the body integrated unit connector during removal and installation.**
- **For model with immobilizer, registration of immobilizer may be needed after the replacement of controller etc. For details, refer to the “PC application help for Subaru Select Monitor”.**

#### NOTE:

- To check harness for open or short circuits, shake the suspected trouble spot or connector.
- Check List for Interview <Ref. to LAN(diag)-3, Check List for Interview.>

	Step	Check	Yes	No
1	<b>CHECK PRE-INSPECTION.</b> Ask the customer when and how the trouble occurred using the interview check list. <Ref. to LAN(diag)-3, Check List for Interview.>	Did you interview the customer?	Go to step 2.	Interview the customer.
2	<b>BASIC INSPECTION.</b> Check the components which might affect body control. <Ref. to LAN(diag)-6, INSPECTION, General Description.>	Is the component that might influence the body control problem normal?	Go to step 3.	Repair or replace each component.
3	<b>CHECK DTC.</b> 1) Read the DTC. <Ref. to LAN(diag)-15, READ DIAGNOSTIC TROUBLE CODE (DTC), OPERATION, Subaru Select Monitor.> NOTE: If the communication function of the Subaru Select Monitor cannot be executed properly, check the communication circuit. <Ref. to LAN(diag)-28, COMMUNICATION FOR INITIALIZING IMPOSSIBLE, INSPECTION, Subaru Select Monitor.> 2) Record all DTCs and freeze frame data.	Is DTC displayed on the Subaru Select Monitor?	Go to step 5.	Go to step 4.
4	<b>PERFORM GENERAL DIAGNOSTICS.</b> Inspect using the “General Diagnostics Table”. <Ref. to LAN(diag)-85, General Diagnostic Table.>	Is result of inspection OK?	LAN system is normal.	Go to step 5.
5	<b>PERFORM DIAGNOSIS.</b> 1) Correct the cause of trouble. 2) Perform the Clear Memory Mode. <Ref. to LAN(diag)-25, CLEAR MEMORY MODE, OPERATION, Subaru Select Monitor.> 3) Read the DTC. <Ref. to LAN(diag)-15, READ DIAGNOSTIC TROUBLE CODE (DTC), OPERATION, Subaru Select Monitor.>	Is DTC displayed on the Subaru Select Monitor?	Repeat step 5 until DTC is not shown.	Finish the diagnosis.

# Check List for Interview

LAN SYSTEM (DIAGNOSTICS)

## 2. Check List for Interview

### A: CHECK

Inspect the following item about the vehicle's state.

#### 1. DISPLAY STATUS IN THE COMBINATION METER

Display status in the combination meter	Engine coolant temperature gauge display	<input type="checkbox"/> OK / <input type="checkbox"/> NG
	Fuel gauge display	<input type="checkbox"/> OK / <input type="checkbox"/> NG
Display of other indicators	Malfunction indicator light	<input type="checkbox"/> ON / <input type="checkbox"/> OFF
	SPORT indicator light (AT warning light)	<input type="checkbox"/> ON / <input type="checkbox"/> Blink / <input type="checkbox"/> OFF
	Engine coolant temperature warning light	<input type="checkbox"/> ON / <input type="checkbox"/> Blink / <input type="checkbox"/> OFF
	Fuel level warning light	<input type="checkbox"/> ON / <input type="checkbox"/> Blink / <input type="checkbox"/> OFF
	ATF temperature warning light	<input type="checkbox"/> ON / <input type="checkbox"/> Blink / <input type="checkbox"/> OFF
	EBD warning light	<input type="checkbox"/> ON / <input type="checkbox"/> Blink / <input type="checkbox"/> OFF
	ABS warning light	<input type="checkbox"/> ON / <input type="checkbox"/> Blink / <input type="checkbox"/> OFF
	VDC warning light	<input type="checkbox"/> ON / <input type="checkbox"/> Blink / <input type="checkbox"/> OFF
	Hill start assist warning light	<input type="checkbox"/> ON / <input type="checkbox"/> Blink / <input type="checkbox"/> OFF
	Immobilizer indicator	<input type="checkbox"/> ON / <input type="checkbox"/> Blink / <input type="checkbox"/> OFF

## Check List for Interview

LAN SYSTEM (DIAGNOSTICS)

### 2. SYMPTOM

Vehicle condition	Clearance light does not illuminate.	<input type="checkbox"/> Yes / <input type="checkbox"/> No
	Clearance light indicator does not illuminate.	<input type="checkbox"/> Yes / <input type="checkbox"/> No
	Low beam does not illuminate.	<input type="checkbox"/> Yes / <input type="checkbox"/> No
	High beam does not illuminate.	<input type="checkbox"/> Yes / <input type="checkbox"/> No
	High beam indicator does not illuminate.	<input type="checkbox"/> Yes / <input type="checkbox"/> No
	Front fog light does not illuminate.	<input type="checkbox"/> Yes / <input type="checkbox"/> No
	Front fog light indicator does not illuminate.	<input type="checkbox"/> Yes / <input type="checkbox"/> No
	DRL does not illuminate.	<input type="checkbox"/> Yes / <input type="checkbox"/> No
	Key cannot be removed from key cylinder.	<input type="checkbox"/> Yes / <input type="checkbox"/> No
	Key can be removed from any other than parking range.	<input type="checkbox"/> Yes / <input type="checkbox"/> No
	Shift lever can not be operated.	<input type="checkbox"/> Yes / <input type="checkbox"/> No
	Shift lock does not operate.	<input type="checkbox"/> Yes / <input type="checkbox"/> No
	Key warning switch alarm does not sound.	<input type="checkbox"/> Yes / <input type="checkbox"/> No
	Driver's seat belt warning light does not illuminate.	<input type="checkbox"/> Yes / <input type="checkbox"/> No
	Passenger's seat belt warning light does not illuminate.	<input type="checkbox"/> Yes / <input type="checkbox"/> No
	Seat belt warning alarm does not sound.	<input type="checkbox"/> Yes / <input type="checkbox"/> No
	Wiper deicer does not operate.	<input type="checkbox"/> Yes / <input type="checkbox"/> No
	Rear defogger does not operate.	<input type="checkbox"/> Yes / <input type="checkbox"/> No
	Illumination volume control is not available.	<input type="checkbox"/> Yes / <input type="checkbox"/> No
	Combination meter does not dim when headlights are ON.	<input type="checkbox"/> Yes / <input type="checkbox"/> No
	Rear wiper does not operate.	<input type="checkbox"/> Yes / <input type="checkbox"/> No
	Doors can not be locked/unlocked with central door lock switch.	<input type="checkbox"/> Yes / <input type="checkbox"/> No
	Doors can not be locked/unlocked with keyless entry system.	<input type="checkbox"/> Yes / <input type="checkbox"/> No
	Rear gate can not be opened when rear gate opener button is pressed.	<input type="checkbox"/> Yes / <input type="checkbox"/> No
	Rear gate/trunk can not be opened with keyless entry system.	<input type="checkbox"/> Yes / <input type="checkbox"/> No
	Hazard answer-back does not operate.	<input type="checkbox"/> Yes / <input type="checkbox"/> No
	Answer-back buzzer does not sound.	<input type="checkbox"/> Yes / <input type="checkbox"/> No
	Ignition key illumination does not light.	<input type="checkbox"/> Yes / <input type="checkbox"/> No
	Ignition key illumination blinks.	<input type="checkbox"/> Yes / <input type="checkbox"/> No
	Room light does not operate in accordance with door open/close operations.	<input type="checkbox"/> Yes / <input type="checkbox"/> No
	Room light blinks.	<input type="checkbox"/> Yes / <input type="checkbox"/> No
	Map light does not operate in accordance with door open/close operations. (model with sunroof)	<input type="checkbox"/> Yes / <input type="checkbox"/> No
	Map light blinks. (model with sunroof)	<input type="checkbox"/> Yes / <input type="checkbox"/> No
	Indicator does not illuminate when parking brake is operated.	<input type="checkbox"/> Yes / <input type="checkbox"/> No
	Security monitor condition does not occur.	<input type="checkbox"/> Yes / <input type="checkbox"/> No
	Security condition can not be cancelled.	<input type="checkbox"/> Yes / <input type="checkbox"/> No
	Hazard light does not blink during security operation.	<input type="checkbox"/> Yes / <input type="checkbox"/> No
	Horn does not sound during security operation.	<input type="checkbox"/> Yes / <input type="checkbox"/> No
	Alarm operates as soon as security monitor condition occurs.	<input type="checkbox"/> Yes / <input type="checkbox"/> No
	Security alarm does not operate even when impact is applied (model with impact sensor).	<input type="checkbox"/> Yes / <input type="checkbox"/> No
Engine does not start.	<input type="checkbox"/> Yes / <input type="checkbox"/> No	

# Check List for Interview

LAN SYSTEM (DIAGNOSTICS)

## 3. CONDITIONS UNDER WHICH TROUBLE OCCURS

Driving condition	<input type="checkbox"/> At standstill (While idling) <input type="checkbox"/> When the vehicle is running      Vehicle speed km/h (MPH) <input type="checkbox"/> While accelerating      Acceleration    km/h (MPH) to    km/h (MPH) <input type="checkbox"/> Decelerating (With braking)      Deceleration    km/h (MPH) to    km/h (MPH) <input type="checkbox"/> Decelerating (Without braking)      Deceleration    km/h (MPH) to    km/h (MPH)
	<input type="checkbox"/> Flat road <input type="checkbox"/> Uphill <input type="checkbox"/> Downhill <input type="checkbox"/> Gravel road <input type="checkbox"/> Bumpy road <input type="checkbox"/> Snowy road
	Does it occur when operating any part? Operated part: <b>Trouble symptom:</b>
	Are there any other troubles occurred? From where: <b>Trouble symptom:</b>



# General Description

## LAN SYSTEM (DIAGNOSTICS)

### 3. General Description

#### A: CAUTION

##### 1. SUPPLEMENTAL RESTRAINT SYSTEM “AIRBAG”

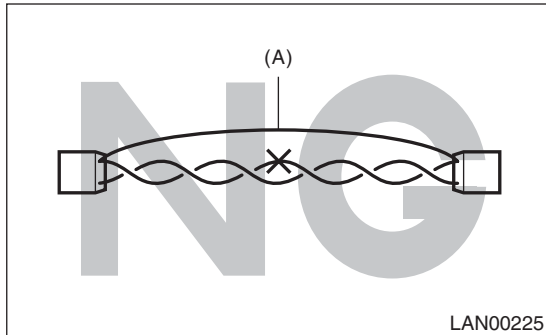
Airbag system wiring harness is routed near the body integrated unit and twisted pair line.

##### CAUTION:

- Do not use electric test equipment on any wiring harnesses and connectors in the airbag system.
- Be careful not to damage the airbag system wiring harness when servicing the body integrated unit and LAN system.

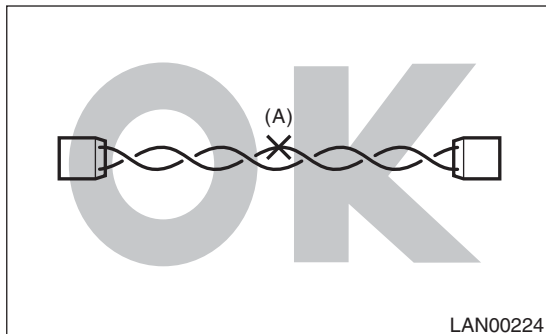
##### 2. LAN SYSTEM

- Bus line of LAN system is twisted pair line. Be careful not to by-pass or partly unbind the twisted pair line.
- Do not make clearance between bus lines (CAN High, CAN Low).
- Difference of bus line length should be within 10 cm (3.94 in).
- Fray near the connector should be within 8 cm (3.14 in).



(A) Bypass wire connection

- If the characteristics of the twisted pair line are changed, it may extremely weaken against noise.
- When repairing the harness, connect the wires using soldering and protect it with insulating tape etc.



(A) Soldering and protection with insulating tape

#### B: INSPECTION

Before performing diagnostics, check the following item which might affect body integrated unit malfunctions.

- 1) Measure the battery voltage and check electrolyte.

**Standard voltage: 12 V or more**

**Specific gravity: 1.260 or more**

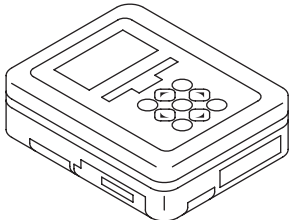
- 2) Check the fuse condition.  
Make sure that ampere of the fuse is setting value, and it is not blown out.  
(Be sure to check the back-up fuse also.)
- 3) Check the connecting condition of harness and harness connector.
- 4) Confirm settings of body integrated unit are corresponded to vehicle equipment. <Ref. to LAN(diag)-23, REGISTRATION BODY INTEGRATED UNIT (FUNCTION SETTING), OPERATION, Subaru Select Monitor.>
- 5) Make sure that the User Customizing of the body integrated unit matches the vehicle equipment. <Ref. to LAN(diag)-26, USER CUSTOMIZING, OPERATION, Subaru Select Monitor.>
- 6) Confirm “Factory or Market setting” of body integrated unit registrations is “Market”.
- 7) Confirm key illumination does not blink with ignition switch turned to ON.

# General Description

LAN SYSTEM (DIAGNOSTICS)

## C: PREPARATION TOOL

### 1. SPECIAL TOOL

ILLUSTRATION	TOOL NUMBER	DESCRIPTION	REMARKS
 ST1B022XU0	1B022XU0	SUBARU SELECT MONITOR III KIT	Used for troubleshooting the electrical system.

### 2. GENERAL TOOL

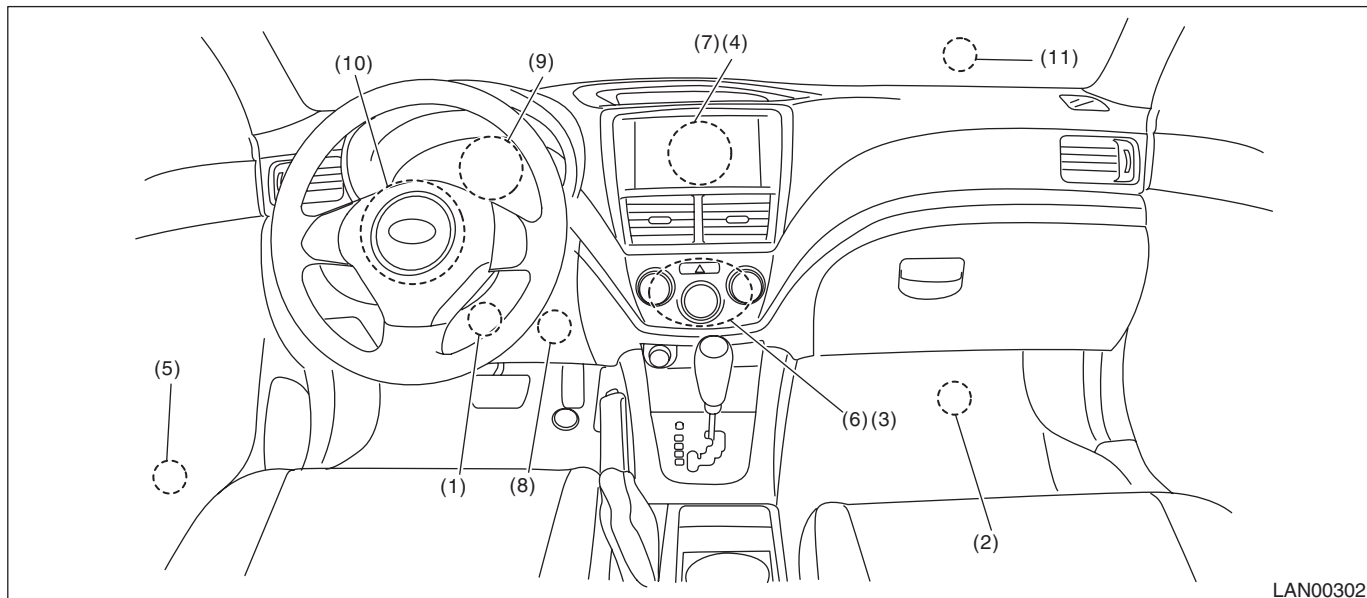
TOOL NAME	REMARKS
Circuit tester	Used for measuring resistance, voltage and current.

# Electrical Component Location

LAN SYSTEM (DIAGNOSTICS)

## 4. Electrical Component Location

### A: LOCATION

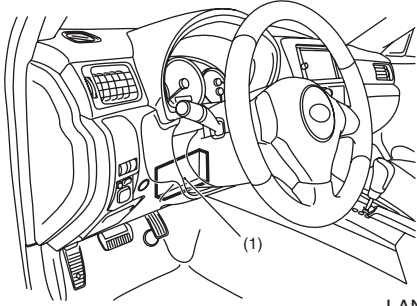
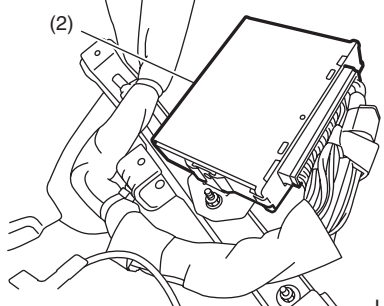
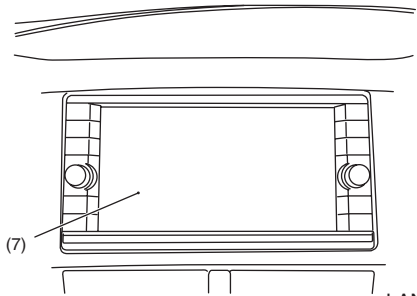
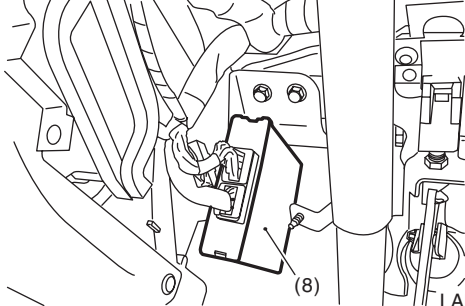
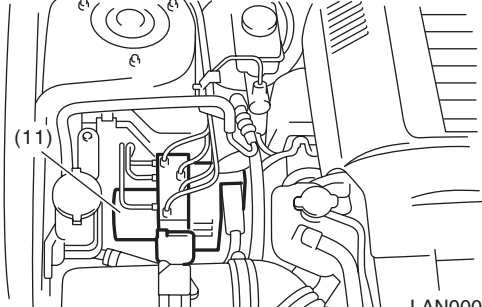


LAN00302

- |   |                                       |   |
|---|---------------------------------------|---|
| (1) Body integrated unit                                    | (6) A/C control panel                 | (9) Combination meter                             |
| (2) Engine control module (ECM)                             | (7) Center display                    | (10) Steering angle sensor                        |
| (3) Auto A/C control module                                 | (8) Transmission control module (TCM) | (11) ABS CM&H/U or VDCCM&H/U (inside engine room) |
| (4) Navigation module                                       |                                       |   |
| (5) Keyless entry control module (inside rear quarter trim) |                                       |   |

# Electrical Component Location

## LAN SYSTEM (DIAGNOSTICS)

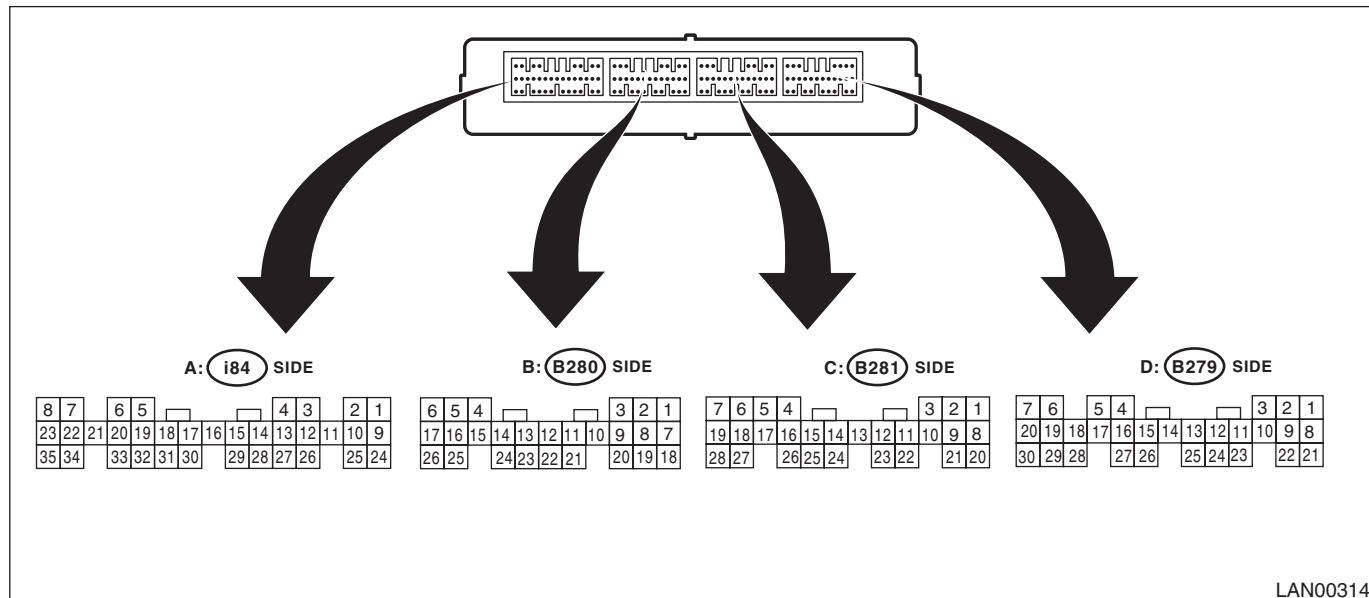
 <p>LAN00303</p>	 <p>LAN00425</p>
 <p>LAN00299</p>	 <p>LAN00297</p>
 <p>LAN00008</p>	<p><b>SUBARU.</b></p>

# Control Module I/O Signal

LAN SYSTEM (DIAGNOSTICS)

## 5. Control Module I/O Signal

### A: ELECTRICAL SPECIFICATION



LAN00314

Description	Terminal No.	Standard value	Measuring conditions
BAT (control)	B6 ↔ chassis ground	10 — 14 V	Always
BAT (backup)	C2 ↔ chassis ground	10 — 14 V	Always
BAT (door lock)	A34 ↔ chassis ground	10 — 14 V	Always
BAT (shift lock/key lock)	D22 ↔ chassis ground	10 — 14 V	Always
ACC (rear wiper)	D21 ↔ chassis ground	10 — 15 V	When ACC is ON
Ground	A28 ↔ chassis ground	Less than 1.5 V	Always
Ground	B17 ↔ chassis ground	Less than 1.5 V	Always
Ground	C20 ↔ chassis ground	Less than 1.5 V	Always
Ground	D27 ↔ chassis ground	Less than 1.5 V	Always
Key warning switch	D2 ↔ chassis ground	Less than 1.5 V → 10 — 15 V	With key removed → inserted
ACC	B7 ↔ chassis ground	Less than 1.5 V → 10 — 15 V	ACC OFF → ACC ON

# Control Module I/O Signal

LAN SYSTEM (DIAGNOSTICS)

Description	Terminal No.	Standard value	Measuring conditions
IGN	B1 ↔ chassis ground	Less than 1.5 V → 10 — 15 V	IGN OFF → IGN ON
P range switch	C4 ↔ chassis ground	Less than 1.5 V → 8 V or more	P range → other than P range
Stop light switch	B2 ↔ chassis ground	Less than 1.5 V → 8 V or more	With brake pedal released → depressed
Door switch, driver's seat	A19 ↔ chassis ground	8 V or more → less than 1.5 V	With driver's door closed → opened
Door switch, passenger's seat	A32 ↔ chassis ground	8 V or more → less than 1.5 V	With passenger's door closed → opened
Door switch, rear RH seat	A6 ↔ chassis ground	8 V or more → less than 1.5 V	With rear RH seat door closed → opened
Door switch, rear LH seat	A20 ↔ chassis ground	8 V or more → less than 1.5 V	With rear LH seat door closed → opened
Door switch, trunk/rear gate	A33 ↔ chassis ground	8 V or more → less than 1.5 V	With trunk/rear gate closed → opened
Rear gate opener button	C24 ↔ chassis ground	8 V or more → less than 1.5 V	Switch OFF → ON
Manual switch (LOCK)	A15 ↔ chassis ground	8 V or more → less than 1.5 V	Switch OFF → ON
Manual switch (UNLOCK)	A29 ↔ chassis ground	8 V or more → less than 1.5 V	Switch OFF → ON
Delivery (test) mode connector	A17 ↔ chassis ground	8 V or more → less than 1.5 V	When delivery (test) mode connector is connected
Front wiper input RTN	C5 ↔ chassis ground	8 V or more → less than 1.5 V	When front wiper is reversed
Rear wiper switch ON	C18 ↔ chassis ground	8 V or more → less than 1.5 V	Switch OFF → ON
Rear wiper switch (INT)	C27 ↔ chassis ground	8 V or more → less than 1.5 V	Switch OFF → ON
Rear wiper switch, washer	C28 ↔ chassis ground	8 V or more → less than 1.5 V	Switch OFF → ON
Lighting I switch	B11 ↔ chassis ground	8 V or more → less than 1.5 V	Switch OFF → ON
Lighting II switch	C8 ↔ chassis ground	8 V or more → less than 1.5 V	Switch OFF → ON
	D6 ↔ chassis ground	8 V or more → less than 1.5 V	Key warning switch ON and lighting switch OFF → ON

## Control Module I/O Signal

### LAN SYSTEM (DIAGNOSTICS)

Description	Terminal No.	Standard value	Measuring conditions
Dimmer switch, Hi beam	B12 ↔ chassis ground	8 V or more → less than 1.5 V	Switch OFF → ON
Dimmer switch, passing	B22 ↔ chassis ground	8 V or more → less than 1.5 V	Switch OFF → ON
Front fog light switch	B24 ↔ chassis ground	8 V or more → less than 1.5 V	Switch OFF → ON
TPMS answer-back request input	B13 ↔ chassis ground	8 V or more → less than 1.5 V	When TPMS transmitter registration answer-back is output
MT reverse switch	B18 ↔ chassis ground	8 V or more → less than 1.5 V	Other than reverse → reverse
Parking brake switch	C15 ↔ chassis ground	8 V or more → less than 1.5 V	With parking brake not operated → operated
Bright switch	A14 ↔ chassis ground	8 V or more → less than 1.5 V	Switch OFF → ON
Illumination (Vi1)	A12 ↔ chassis ground	Approx. 5 V	While clearance light illuminates
Illumination (Vi2)	A3 ↔ chassis ground	0.5 V — 4.5 V	While clearance light illuminates
Illumination (Vi3)	A26 ↔ chassis ground	Less than 1.5 V	Always
Fuel level sensor	C7 ↔ chassis ground	Approx. 2 — 96 Ω	Ignition ON
Wiper deicer & rear defogger switch	A16 ↔ chassis ground	8 V or more → less than 1.5 V	Switch OFF → ON
Seat belt switch (driver's seat)	C16 ↔ chassis ground	Less than 1.5 V → 8 V or more	With seat belt unbuckled → buckled
Seat belt switch (passenger's seat)	C26 ↔ chassis ground	Less than 1.5 V → 8 V or more	With seat belt unbuckled → buckled
Impact sensor	B8 ↔ chassis ground	Less than 1.5 V → 8 V or more	When impact is applied
Key lock solenoid output	D11 ↔ chassis ground	Less than 1.5 V → 6 V or more	While key is inserted in other than P range
Shift lock solenoid output	D12 ↔ chassis ground	Less than 1.5 V → 10 V or more	When vehicle stopped, IGN ON, other than P range, brake pedal depressed
Rear wiper output ON	D9 ↔ chassis ground	Less than 1.5 V → 10 V or more	When rear wiper operates
Rear wiper output RTN	D8 ↔ chassis ground	Less than 1.5 V → 10 V or more	When rear wiper reversed

# Control Module I/O Signal

LAN SYSTEM (DIAGNOSTICS)

Description	Terminal No.	Standard value	Measuring conditions
Door lock output	A7 ↔ A8	Less than 1.5 V → 10 V or more	While lock output
Door unlock output	A8 ↔ A7	Less than 1.5 V → 10 V or more	While unlock output
Driver's door unlock output	A23 ↔ A7	Less than 1.5 V → 10 V or more	While unlock output
Trunk/rear gate UNLOCK output	A22 ↔ chassis ground	Less than 1.5 V → 10 V or more	4 door: While trunk UNLOCK output 5 door: While rear gate UNLOCK output
Lighting power supply	C1 ↔ chassis ground	Less than 1.5 V → 10 V or more	With back-up fuse inserted, ACC ON or IGN ON
	D1 ↔ chassis ground	Less than 1.5 V → 10 V or more	When key warning switch is ON
Clearance light relay output	D19 ↔ chassis ground	8 V or more → less than 1.5 V	Small light ON
Lo beam relay output	C3 ↔ chassis ground	8 V or more → less than 1.5 V	Headlight switch ON
	D7 ↔ chassis ground	8 V or more → less than 1.5 V	Headlight switch ON
Hi beam relay output	D20 ↔ chassis ground	8 V or more → less than 1.5 V	Headlight switch ON and Hi beam ON Passing switch ON
Front fog light relay output	D17 ↔ chassis ground	8 V or more → less than 1.5 V	Lo beam ON, Hi beam OFF, front fog light switch ON
DRL cancel output	D18 ↔ chassis ground	8 V or more → less than 1.5 V	When Hi beam 100 % illuminates
Room light output	D5	Pulse control	Illumination is adjusted through PWM control
Key ring illumination output	C23	Pulse control	Illumination is adjusted through PWM control
Illumination output	A2	Pulse control	Illumination is adjusted through PWM control
Map light output (model with sunroof)	D4	Pulse control	Illumination is adjusted through PWM control
Rear defogger relay output	D16 ↔ chassis ground	8 V or more → less than 1.5 V	While rear defogger output
Wiper deicer relay output	D15 ↔ chassis ground	8 V or more → less than 1.5 V	While wiper deicer output
Seat belt warning light passenger's seat	A25 ↔ chassis ground	8 V or more → less than 1.5 V	Indicator go off → illuminate
Answer-back buzzer output	D24 ↔ chassis ground	Can not be measured because of high speed ON/OFF	Door lock → unlock with keyless entry system
Turn & hazard output	C22 ↔ chassis ground	8 V or more → less than 1.5 V	Door lock or unlock with keyless entry system
Horn relay output	D29 ↔ chassis ground	8 V or more → less than 1.5 V	While security alarm operates



## Control Module I/O Signal

### LAN SYSTEM (DIAGNOSTICS)

Description	Terminal No.	Standard value	Measuring conditions
Security indicator output	A10 ↔ chassis ground	8 V or more → less than 1.5 V	While indicator in combination meter blinks
Immobilizer antenna 1	B26 ↔ B25	-30 — +30 V	While key secret code is verified
Immobilizer antenna 2	B25 ↔ B26		
Immobilizer communication_1	B4	Can not be measured because of digital communication	Serial communication line
Immobilizer communication_2	B15	Can not be measured because of digital communication	Serial communication line
Keyless entry control module communication	A24	Can not be measured because of digital communication	Serial communication line
SSM communication (K line)	B20	Can not be measured because of digital communication	Serial communication line
Body system CAN_Hi	A1 ↔ chassis ground	Can not be measured because of digital communication	Serial communication line
Body system CAN_Lo	A9 ↔ chassis ground	Can not be measured because of digital communication	Serial communication line
Driving system CAN_Hi	B3 ↔ chassis ground	Can not be measured because of digital communication	Serial communication line
Driving system CAN_Lo	B9 ↔ chassis ground	Can not be measured because of digital communication	Serial communication line

### **B: WIRING DIAGRAM**

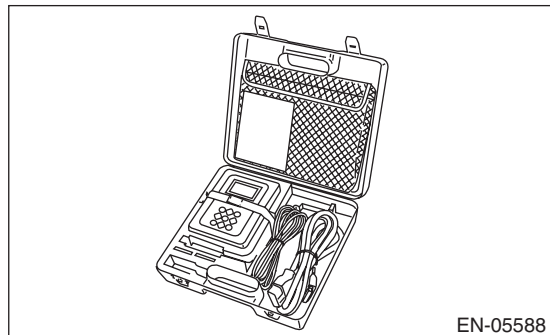
<Ref. to WI-170, WIRING DIAGRAM, CAN Communication System.>

## 6. Subaru Select Monitor

### A: OPERATION

#### 1. READ DIAGNOSTIC TROUBLE CODE (DTC)

1) Prepare the Subaru Select Monitor kit. <Ref. to LAN(diag)-7, PREPARATION TOOL, General Description.>



2) Prepare the personal computer which has been installed the Subaru Select Monitor.

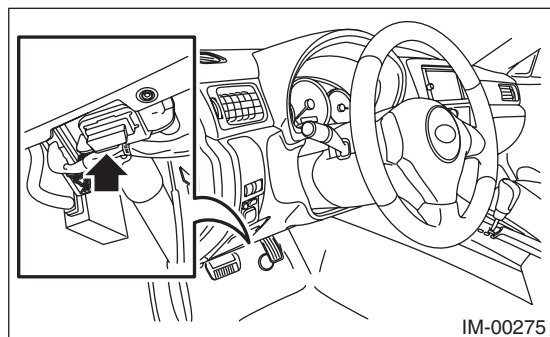
3) Connect the USB cable between SDI (Subaru Diagnosis Interface) and USB port on the personal computer (dedicated port for the Subaru Select Monitor).

#### NOTE:

The dedicated port for the Subaru Select Monitor means the USB port which was used to install the Subaru Select Monitor.

4) Connect the diagnosis cable to SDI.

5) Connect the SDI to data link connector located in the lower portion of the instrument panel (on the driver's side).



6) Start a PC.

7) Turn the ignition switch to ON (engine OFF), and run the "PC application for Subaru Select Monitor".

8) Call up DTC and data, then record them.

#### NOTE:

For detailed operation procedure, refer to the «help on PC application for Subaru Select Monitor».

#### 2. READ CURRENT DATA

1) On the «Main Menu», select {Each System Check}.

2) On the «System Selection Menu» display screen, select the {Integ. Unit mode}.

3) Select «Current Data Display & Save» screen.

4) Using the scroll key, scroll the display screen up or down until the desired data is shown.

# Subaru Select Monitor

## LAN SYSTEM (DIAGNOSTICS)

### 3. DISPLAY OF ANALOG DATA

Items to be displayed	Unit of measure	Remarks	Note
BATT voltage (control)	10 — 15 V	Body integrated unit input value	Always
BATT voltage (BACKUP)	10 — 15 V	Body integrated unit input value	Always
IG power supply voltage	10 — 15 V	Body integrated unit input value	Ignition switch ON
ACC voltage	10 — 15 V	Body integrated unit input value	Ignition switch ACC
Illumination VR Voltage	0 — 5 V	Body integrated unit input value	Input value from illumination volume
Illumi. output d-ratio	0 — 100%	Body integrated unit output value	Small light ON Illumination volume is other than bright.
Ambient Temperature	-40 — 87.5°C	CAN data input value	Ignition switch ON
Fuel level voltage	0 — 10 V	Body integrated unit input value	Ignition switch ON
Fuel level resistance	0 — 102.3 Ω	Body integrated unit input value	Ignition switch ON
key-lock solenoid V	6 — 15 V	Body integrated unit output value	Key warning switch ON, other than parking range Ignition switch ON
number of regist.	0 — 4	Number of keyless key registered	Number of transmitter registered is displayed
Front Wheel Speed	km/h	CAN data input value	Reception from VDC module
VDC/ABS latest f-code	DTC display (Temporarily)	CAN data input value	It is normal when DTC is not been input even if this code is displayed. Received from VDC (displayed by hexadecimal number system)
Blower Fan Steps	0 — 2 levels	CAN data input value	0: OFF, 1: Low, 2: 2 levels or more Reception from air conditioner ECM
Fuel level resistance 2	0 — 102.3 Ω	CAN data output value	Reception from body integrated unit
Fuel consumption	cc/s	CAN data input value	Reception from ECM and transmission to center monitor
Coolant Temp.	-40 — 130°C	CAN data input value	Reception from ECM
Vehicle longitudinal G	m/s <sup>2</sup>	CAN data input value	Reception from VDC module
SPORT Shift Stages	0 — 7 levels	CAN data input value	(0: Light OFF; 1 — 5: Gear display; 6: Fail; 7: ATF temperature High/Low) Reception from TCM
Shift Position	0 — 7 levels	CAN data input value	0: 1, 1: 2, 2: 3, 3: 4, 4: D, 5: N, 6: R, 7: P shift position (8 indicates no input) 8 is displayed in manual mode Reception from TCM
VDC/ABS condition	0 — 4	CAN data input value	Reception from VDC module
Destination Code	0 — 16	CAN data input value	Reception from combination meter
Touch SW	0 — 64	CAN data input value	Reception from navigation unit

## 4. DISPLAY OF ON/OFF DATA

Items to be displayed	Unit of measure	Remarks	Note
key-lock warning SW	ON/OFF	Body integrated unit input value	ON when ignition key inserted
Stop Light Switch	ON/OFF	Body integrated unit input value	ON when brake pedal is depressed
Front fog lamp SW input	ON/OFF	Body integrated unit input value	When front fog light switch is ON
TPMS input	ON/OFF	Body integrated unit input value	Registration done signal
Driver's door SW input	ON/OFF	Body integrated unit input value	ON when driver's door is open
P-door SW input	ON/OFF	Body integrated unit input value	ON when passenger's door is open
Rear right door SW input	ON/OFF	Body integrated unit input value	ON when rear right door is open
Rear left door SW input	ON/OFF	Body integrated unit input value	ON when rear left door is open
R Gate SW input	ON/OFF	Body integrated unit input value	ON when rear gate/trunk open
Manual lock SW input	ON/OFF	Body integrated unit input value	Manual lock switch ON
Manual unlock SW input	ON/OFF	Body integrated unit input value	Manual unlock switch ON
Bright SW input	ON/OFF	Body integrated unit input value	ON when bright switch is ON
P SW	ON/OFF	Body integrated unit input value	ON when shift range is in parking Shift lever P switch signal
MT Reverse Switch	ON/OFF	Body integrated unit input value	Shift lever is at reverse position
R wiper ON SW input	ON/OFF	Body integrated unit input value	Rear wiper switch ON
R wiper INT SW input	ON/OFF	Body integrated unit input value	Rear wiper switch (INT ON)
R washer SW input	ON/OFF	Body integrated unit input value	Rear washer switch ON
wiper deicer SW input	ON/OFF	Body integrated unit input value	Rear defogger switch ON
Rear Defogger SW	ON/OFF	Body integrated unit input value	
Driver's Seat SW input	ON/OFF	Body integrated unit input value	Driver's seat buckle switch ON
P seatbelt SW input	ON/OFF	Body integrated unit input value	Passenger's seat occupied and buckle switch ON
Fr wiper input	ON/OFF	Body integrated unit input value	ON when front wiper is operating
Parking Brake Switch Input	ON/OFF	Body integrated unit input value	When parking brake locked
R gate lock status SW input	ON/OFF	Body integrated unit inner memory value	Displays door lock/unlock state, ON when locked
R Gate Release SW input	ON/OFF	Body integrated unit input value	When rear gate opener button is ON
Rr defogger output	ON/OFF	Body integrated unit output value	ON when rear defogger relay is operating

# Subaru Select Monitor

## LAN SYSTEM (DIAGNOSTICS)

Items to be displayed	Unit of measure	Remarks	Note
lock actuat. LOCK output	ON/OFF	Body integrated unit output value	ON when LOCK signal is output
All seat UNLOCK output	ON/OFF	Body integrated unit output value	ON when unlock signal is output
D-seat UNLOCK output	ON/OFF	Body integrated unit output value	ON when unlock signal is output
R gate/trunk UNLK output	ON/OFF	Body integrated unit output value	ON when rear gate/trunk unlock signal is output
R wiper output	ON/OFF	Body integrated unit output value	ON when rear wiper motor is operating
Shift Lock Solenoid	ON/OFF	Body integrated unit output value	ON when shift lock solenoid is operating (only AT)
Key locking output	ON/OFF	Body integrated unit output value	With ignition switch ON and in other than the shift P range, with key in switch ON
wiper deicer output	ON/OFF	Body integrated unit output value	ON when wiper deicer relay is operating
Hazard Output	ON/OFF	Body integrated unit output value	ON when answer-back signal is received or when hazard is operating
Keyless Buzzer Output	ON/OFF	Body integrated unit output value	ON when lock/unlock signal is received
Horn Output	ON/OFF	Body integrated unit output value	ON when security warning is operating
D-belt warning light O/P	ON/OFF	CAN data output value	ON when ignition switch is turned to ON, and buckle switch is turned off
P-belt warning light O/P	ON/OFF	Body integrated unit output value	ON when ignition switch is turned to ON, occupant is seated, and buckle switch is turned OFF
Illumination lamp O/P	ON/OFF	Body integrated unit output value	ON when illumination is illuminated
Room lamp output	ON/OFF	Body integrated unit output value	ON when keyless lock/unlock signal is received (when keyless switch connector is removed)
key illumi. lamp o/p	ON/OFF	Body integrated unit output value	ON when key illumination light is illuminated
Immobilizer lamp output	ON/OFF	Body integrated unit output value	ON when immobilizer pilot light blinks
Keyless operation 1	Regist./Normal	Body integrated unit input value	When keyless is registered
Keyless operation 2	Deletion/Normal	Body integrated unit input value	When keyless registration is deleted
CC Main Lamp	ON/OFF	CAN data input value	Cruise control switch ON Reception from ECM and transmission to combination meter
CC Set Lamp	ON/OFF	CAN data input value	ON when cruise control vehicle speed is set Reception from ECM and transmission to combination meter
SPORT Lamp	ON/OFF	CAN data input value	SPORT mode switch ON Reception from TCM and transmission to combination meter (only AT)
SPORT Blink	Blink/OFF	CAN data input value	Blinks when there is an AT failure Reception from TCM and transmission to combination meter (only AT)

# Subaru Select Monitor

## LAN SYSTEM (DIAGNOSTICS)

Items to be displayed	Unit of measure	Remarks	Note
ATF Temperature Lamp	ON/OFF	CAN data input value	When ATF temperature rise (only AT)
ATF Blink	Blink/OFF	CAN data input value	Blinks when there is an AT failure Reception from TCM and transmission to combination meter (only AT)
ECO Lamp (AT)	ON/OFF	CAN data input value	Not applicable
ECO Lamp (MT)	ON/OFF	CAN data input value	Not applicable
Tire diameter abnormal 1	ON/OFF	CAN data input value	Lit when FWD fuse is connected (4AT only)
Tire diameter abnormal 2	Blink/OFF	CAN data input value	Blinks when the difference in rotation between front and rear wheels is 4% or more Reception from TCM and transmission to combination meter (only AT)
Shift Up Indication	UP/OFF	CAN data input value	ON when shift lever up-operation is possible (only AT)
Shift Down Indication	DOWN/OFF	CAN data input value	ON when shift lever down-operation is possible (only AT)
SPORT Shift (buzzer 1)	ON/OFF	CAN data input value	ON while the shift change prohibited warning buzzer is operating Reception from TCM and transmission to combination meter (only AT)
SPORT Shift (buzzer 2)	ON/OFF	CAN data input value	ON when the ATF high temperature warning buzzer is operating Reception from TCM and transmission to combination meter (only AT)
ABS/VDC Judging	ABS/VDC	CAN data input value	Transmission from vehicle dynamic control (VDC) to high speed control module
Small Light SW	ON/OFF	CAN data output value	ON when small light is illuminated
Headlamp	ON/OFF	CAN data output value	When headlight LO is ON
High Beam	ON/OFF	CAN data output value	When headlight HI is ON
large Diameter Tire	large tire/Others	CAN data output value	large tire when the standard tire is 18 in Reception from combination meter
Number of cylinders	4 Cylinder/6 Cylinder	CAN data input value	Display engine equipped
Cam shaft specification	SOHC/DOHC	CAN data input value	Display engine equipped
Turbo	Turbo/Non-turbo	CAN data input value	Display engine equipped
E/G displacement (2.5L)	2.5 L/ OFF	CAN data input value	Display engine equipped
E/G displacement (3.0L)	3.0 L/ OFF	CAN data input value	Display engine equipped
AT Vehicle ID Signal	ON/OFF	CAN data input value	Display transmission equipped
Blower fan information	ON/OFF	CAN data input value	ON when blower fan is operating (always OFF for auto A/C equipped models)
Center display failure	OK/NG	CAN data input value	NG when there is a center display failure Reception from center display (NAVI monitor)
NAVI Failure	OK/NG	CAN data input value	NG when there is a navigation system failure Reception from Center Display
IE Bus failure	Can not use	CAN data input value	Reception from Center Display
Auto A/C failure	OK/NG	CAN data input value	NG when there is a failure in auto air conditioning system Reception from auto A/C module

# Subaru Select Monitor

## LAN SYSTEM (DIAGNOSTICS)

Items to be displayed	Unit of measure	Remarks	Note
EBD Warning Light	ON/OFF	CAN data input value	OK when EBD warning light is illuminated Reception from VDC/ABS and transmission to combination meter
ABS Warning Light	ON/OFF	CAN data input value	OK when ABS warning light is illuminated Reception from VDC/ABS and transmission to combination meter
VDC OFF flag	ON/OFF	CAN data input value	Vehicle dynamics control OFF SW is ON Reception from VDC/ABS and transmission to combination meter
VDC/ABS OK B	OK/NG	CAN data input value	NG when there is an error in VDC/ABS system Reception from VDC/ABS
Lighting I Switch Input	ON/OFF	Body integrated unit input value	ON when lighting switch, illumination is ON
Lighting II Switch Input	ON/OFF	Body integrated unit input value	ON when lighting switch, headlight is ON
Dimmer Hi Switch Input	ON/OFF	Body integrated unit input value	ON when dimmer switch is Hi beam position
Dimmer Pass Switch Input	ON/OFF	Body integrated unit input value	ON when dimmer switch is passing position
Lighting I Lamp Output	ON/OFF	Body integrated unit output value	ON when small light is illuminated
Lighting II Lamp Output	ON/OFF	Body integrated unit output value	ON when headlight is illuminated
Lighting Hi Lamp Output	ON/OFF	Body integrated unit output value	ON when Hi beam is illuminated
Front Fog Lamp Output	ON/OFF	Body integrated unit output value	ON when Front fog light is ON.
DRL Cancel Output	ON/OFF	Body integrated unit output value	When lighting switch is "Head" or dimmer & passing switch is "passing", parking switch is ON, ignition switch is "ACC", engine speed is 500 rpm or less
Power Supply Tr	ON/OFF	Body integrated unit output value	ON when lighting switch is "Head" position without inserting key in key cylinder
Spot map lamp output	ON/OFF	Body integrated unit output value	ON when spot map light is illuminated
Echo switch information	ON/OFF	Body integrated unit input value	Not applicable
Off delay time	OFF, Short, Normal, Long	Body integrated unit setting items	Customize setting
Rr defogger op. mode	Continuous/Normal	Body integrated unit setting items	Customize setting
Security Alarm Setup	ON/OFF	Body integrated unit setting items	Customize setting
Impact Sensor Setup	ON/OFF	Body integrated unit setting items	Customize setting
Alarm delay setup	ON/OFF	Body integrated unit setting items	Customize setting
Lockout prevention	ON/OFF	Body integrated unit setting items	Customize setting
Impact sensor	ON/OFF	Body integrated unit setting items	Customize setting
Answer-back buzzer setup	ON/OFF	Body integrated unit setting items	Customize setting

# Subaru Select Monitor

LAN SYSTEM (DIAGNOSTICS)

Items to be displayed	Unit of measure	Remarks	Note
Hazard answer-back setup	ON/OFF	Body integrated unit setting items	Customize setting
Ans.-back Buzzer	ON/OFF	Body integrated unit setting items	Customize setting
Auto locking	ON/OFF	Body integrated unit setting items	Customize setting
Passive Alarm	ON/OFF	Body integrated unit setting items	Customize setting
Door open warning	ON/OFF	Body integrated unit setting items	Customize setting
Dome Light Alarm Setting	ON/OFF	Body integrated unit setting items	Customize setting
Map Light Setting	ON/OFF	Body integrated unit setting items	Customize setting
Belt Warning Switch	ON/OFF	Body integrated unit setting items	Customize setting
A/C ECM setting	ON/OFF	Body integrated unit setting items	Customize setting
wiperdeicer	ON/OFF	Body integrated unit setting items	Customize setting
Sedan/Wagon Setting	Sedan/wagon	Body integrated unit setting items	Customize setting
MT/AT Setting	MT/AT	Body integrated unit setting items	Customize setting
6MT Setting	6MT/Other than 6MT	Body integrated unit setting items	Customize setting
Destination Setting	0 — 16	Body integrated unit setting items	—
Factory or Market setting	Factory/Market	Body integrated unit setting items	Customize setting

**NOTE:**

For details concerning the operation procedure, refer to “PC application help for Subaru Select Monitor”.



# Subaru Select Monitor

## LAN SYSTEM (DIAGNOSTICS)

### 5. CONFIRMATION OF CURRENT SETTING

- 1) On «Main Menu» display, select {Each System Check}.
- 2) On «System Selection Menu» display, select {Integ. unit mode}.
- 3) On «Integ. unit mode failure diag» display, select {Current Data Display & Save}.
- 4) Using the scroll key, scroll the display screen up or down until the desired data is shown.
- 5) Display the following item and record the settings.

Required items for new registration (Except for system not equipped)

Contents	Item to confirm				Remarks
	1	2	3	4	
Registration number					Registered ID type
Off delay time	OFF	Long	Normal	Short	Setting for lighting off time
Rr defogger op. mode	Normal		Continuous		
Security Alarm Setup	ON		OFF		
Impact Sensor Setup	ON		OFF		Option setting
Alarm delay setup	ON		OFF		
Lockout prevention	ON		OFF		
Impact sensor	support		no support		Option setting
Answer-back buzzer setup	ON		OFF		
Hazard answer-back setup	ON		OFF		
Ans.-back Buzzer	support		no support		
Passive Alarm	ON		OFF		
Door open warning	support		no support		
Dome Light Alarm Setting	ON		OFF		
Map Light Setting	ON		OFF		
Belt Warning Switch	ON		OFF		Switch the belt warning lighting and the buzzer sound.
A/C ECM setting	support		no support		Model with auto A/C
wiperdeicer	support		no support		Option setting
Sedan/Wagon Setting	Sedan		Wagon		
MT/AT Setting	AT		MT		
6MT Setting	6MT		Other than 6MT		
Destination Setting					
Factory or Market setting	Factory		Market		Do not change to factory mode.

## 6. REGISTRATION BODY INTEGRATED UNIT (FUNCTION SETTING)

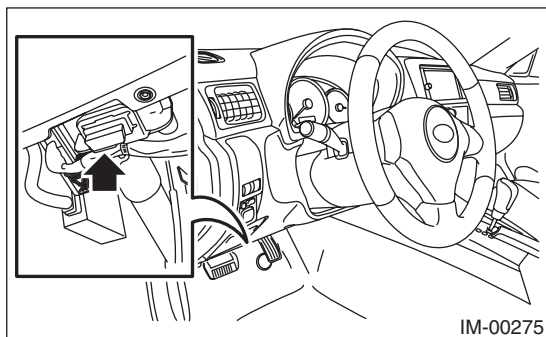
### CAUTION:

Body integrated unit is core of LAN system, and also can select the function of all vehicle system control. It is possible to control the original functions of vehicle when registrations of body integrated unit and function setting are corresponded to vehicle equipment.

If registrations and function setting are different from vehicle equipment, vehicle system does not operate normally and diagnosis cannot be performed correctly. Pay attention to following item.

- Be sure to correspond registrations and function settings to vehicle equipment.
- Do not change the settings of vehicle improperly.
- Confirm key illumination does not blink or “Factory or Market setting” of body integrated unit registrations is “Market”. If “Factory or Market setting” is set to “Factory,” key illumination blinks when ignition key is turned ON, to notify that the settings are unconfirmed.
- Key illumination does not blink with ignition switch turned to ON and go off with door closed.
- Be sure to register immobilizer if body integrated unit is replaced with a new part. (models with immobilizer)
- Make a registration of immobilizer when the parts related to immobilizer have been replaced. Refer to the “PC application help for Subaru Select Monitor”.

1) Connect SDI to data link connector located in the lower portion of the instrument panel (on the driver's side).



### CAUTION:

Do not connect the scan tools other than the Subaru Select Monitor.

- 2) Start the PC.
- 3) Turn the ignition switch to ON (engine OFF) and run the “PC application for Subaru Select Monitor”.
- 4) On «Main Menu» display, select {Each System Check}.

5) On «System Selection Menu» display, select {Integ. unit mode}.

6) Click the [OK] button after the control module name {Integrated unit} is displayed.

7) On «Integ. unit mode failure diag» display, select {Unit customizing}.

8) Change the setting with UP/DOWN key.

## Subaru Select Monitor

### LAN SYSTEM (DIAGNOSTICS)

- List of body integrated unit registration item

**NOTE:**

Setting is different depending on the grade of vehicle.

Data	Initial setting	Registration	Remarks
A/C ECM setting	OFF	ON	Set to "ON" in case of model with auto A/C. Set to "OFF" in case of model without auto A/C.
		OFF	
wiperdeicer (Manufacturer option)	OFF	ON	Be sure to set exactly according to vehicle equipment. ON signal does not output even when the switch is operated, if "OFF" is set.
		OFF	
Sedan/Wagon Setting	Wagon	Sedan	Be sure to set exactly according to vehicle model. This relates to door lock control.
		Wagon	
MT/AT Setting	AT	MT	Be sure to set exactly according to vehicle model. This relates to key interlock control, shift lock control.
		AT	
6MT Setting	Other than 6MT	6MT	Set "6MT" for 6MT model, and set "Other than 6MT" for AT/5AT model.
		Other than 6MT	
Factory or Market setting	Factory	Factory	Be sure to set to "Market". After setting change, turn the ignition switch to OFF and settle the changed settings.
		Market	

**CAUTION:**

- **To perform normal operation of vehicle and diagnosis, above settings must match the actual vehicle equipment.**
- **When body integrated unit is a new part or "Factory" mode, key illumination blinks to show equipment settings have not been completed. Check the detailed procedures of function setting.**
- **Be sure not to change Factory or Market setting except when installing a new body integrated unit.**

**NOTE:**

"Factory" mode:

- Body integrated unit has not been set yet. It can be recognized by key illumination blinking with ignition switch turned to ON.
- All replacement body integrated units are set to "Factory" mode. When replacing a body integrated unit, be sure to perform the registration operation.

"Market" mode:

- Each settings have been set. It can be recognized by key ring illumination coming on in concocting with room light and going off with ignition switch turned to ON.

- 9) Perform the Factory or Market setting. On the «ECM customizing» display screen of Subaru Select Monitor, select the {Factory or Market setting}.
- 10) Change the mode from Factory to Market and then turn the ignition switch to OFF.
- 11) Change the Subaru Select Monitor system selection to «Immobilizer» to register the immobilizer key. (models with immobilizer)
- 12) Perform the operation according to the “PC application help for Subaru Select Monitor”.
- 13) When key registration is completed, “Do you want to register remote engine start?” is displayed. Perform registration only for equipped models.
- 14) Perform the User Customizing.  
<Ref. to LAN(diag)-26, USER CUSTOMIZING, OPERATION, Subaru Select Monitor.>

**NOTE:**

For details concerning the operation procedure, refer to “PC application help for Subaru Select Monitor”.

**7. CLEAR MEMORY MODE**

- 1) On «Main Menu» display, select {Each System Check}.
- 2) On «System Selection Menu» display, select {Integ. unit mode}.
- 3) Press the [OK] key after the information of body integrated unit type is displayed.
- 4) On «Integ. unit mode failure diag» display, select {Clearing Memory} and press the [OK] key.

Display	Contents to be monitored
Clear Memory ?	Clear function of DTC and freeze frame data

- 5) When “Done” is shown on the display screen, turn the ignition switch to OFF.

**NOTE:**

For details concerning the operation procedure, refer to “PC application help for Subaru Select Monitor”.

**8. FREEZE FRAME DATA****NOTE:**

- Data stored at the time of trouble occurrence is shown on the display.
- Freeze frame data will be memorized maximum to 20.
- If freeze frame data is not stored in memory correctly (caused by low power supply of body integrated unit), DTC will be displayed with “?” on the head of it in the Subaru Select Monitor display. This shows it may be an unreliable reading.

# Subaru Select Monitor

## LAN SYSTEM (DIAGNOSTICS)

### 9. USER CUSTOMIZING

- 1) On «Main Menu» display, select {Each System Check}.
- 2) On «System Selection Menu» display, select {Integ. unit mode}.
- 3) On «Integ. unit mode failure diag» display, select {Unit Customizing}.
- 4) Change the setting with UP/DOWN key and set with the [OK] key.

- List of User Customizing item

Data	Initial setting value	Customize setting	Remarks
Off delay time	Long		Delay time below can be selected by setting.
		OFF	0 seconds
		Short	10 seconds
		Normal	20 seconds
		Long	30 seconds
Rr defogger op. mode	15 minutes	15 minutes	Automatically stops in 15 minutes after switch is turned to ON.
		Continuous	Repeats active condition for 15 minutes and inactive condition for 2 minutes until switch is turned to OFF.
Security Alarm Setup	ON	ON	Security alarm (hazard, horn or siren) in active condition
		OFF	Security alarm in inactive condition
Impact Sensor Setup	OFF	ON	Workable when Impact Sensor Setup is set to "ON". Impact sensor function becomes activated.
		OFF	Impact sensor in inactive condition. (Set to "OFF" in models without sensors.)
Alarm delay setup	ON		After the keyless lock operation, the alarm monitor starts after the following delay time has passed.
		ON	Delay time is 30 seconds.
		OFF	Delay time is 0 second.
Lockout prevention	ON	ON	Lockout prevention in active condition. (The function does not operate if safety knob is locked by hand.)
		OFF	Lockout prevention in inactive condition
Impact sensor (OP)	OFF	ON	Vehicle is controlled in impact sensor equipped mode. (Make sure to set to "OFF" for models without the impact sensor. When set to "ON" hazard, horn or siren will operate after doors are locked by the keyless entry system operation (Alarm monitor start).)
		OFF	Vehicle is controlled in no impact sensor mode.
Answer-back buzzer setup	ON	ON	Workable when answer-back buzzer setup is set to "ON". When lock/unlock is selected by keyless entry system operation, hazard answer-back buzzer operates.
		OFF	When lock/unlock is selected by keyless entry system operation, answer-back buzzer does not sound.
Hazard answer-back setup	ON	ON	Workable when hazard answer-back setup is set to "ON". When lock/unlock is selected by keyless entry system operation, hazard answer-back buzzer operates.
		OFF	When lock/unlock is selected by keyless entry system operating, answer-back buzzer does not sound.
Ans.-back Buzzer	ON	ON	Vehicle is controlled in answer-back buzzer equipped mode.
		OFF	Vehicle is controlled in answer-back buzzer non-equipped mode. (Make sure to set to "OFF" in models without answer back buzzers.)
Initial keyless setting	—	—	—
		Execution	Settings of keyless entry system are initialized. (No. 2: 30 sec., No. 11: ON, No. 12: ON, No. 13: ON, No. 14: ON)

Data	Initial setting value	Customize setting	Remarks
Initial button setting	—	—	—
		Execution	Settings of each function are initialized. (No. 1: Normal, No. 3: 15 min., No. 4: 15 min., No. 8: ON)
Passive Alarm	OFF	ON	Setting only for North American models
		OFF	
Door open warning	ON	ON	If detecting door open for 30 minutes, room light, and key ring illumination that are related to doors are turned off to prevent battery run-out.
		OFF	Room light, key illumination and door warning light is not turned off.
Dome Light Alarm Setting	OFF	ON	The room light lights by being interlocked with the activation of the alarm.
		OFF	
Map Light Setting	ON	ON	Illuminates in accordance with the door interlocked room light. (model with sunroof)
		OFF	
Belt Warning Switch	ON	ON	When using normally
		OFF	Stop the belt warning buzzer beep and warning light illumination.

5) After setting, make sure that the setting changed in the {Current Data Display & Save} is same as vehicle equipment.

**CAUTION:**

- The above settings must match the actual vehicle equipment.
- Do not change settings except for setting above while setting the functions.
- Be sure not to change Factory or Market setting except when installing a new body integrated unit.

**NOTE:**

For details concerning the operation procedure, refer to “PC application help for Subaru Select Monitor”.

**10.FUNCTION CHECK**

In order to check the body integrated unit function, inspect the body integrated unit and actuator using Subaru Select Monitor without operating switches.

- 1) On «Main Menu» display, select {Each System Check}.
- 2) On «System Selection Menu» display, select {Integ. unit mode}.
- 3) On «Integ. unit mode failure diag» display, select {Function check}.
- 4) Select the item to be operated on the «Function check» display screen with “UP/Down key” and press the [Next] button.

5) Pressing [Next] starts, [End] cancels the operation and [OK] returns to the System Operation Check Mode display screen.

**NOTE:**

If not equipped (based on area or condition), process will not go on.

**FUNCTION CHECK**

**HEATER COCK VALVE OUTPUT**

**DOOR LOCK ACTUATOR LOCK OUTPUT**

**ALL SEAT UNLOCK OUTPUT**

**HORN OUTPUT**

**R GATE/TRUNK UNLK OUTPUT**

**DOUBLE LOCK OUTPUT**

**SHIFT LOCK SOLENOID**

**KEY LOCK OUTPUT**

LAN00018

# Subaru Select Monitor

LAN SYSTEM (DIAGNOSTICS)

## B: INSPECTION

### 1. COMMUNICATION FOR INITIALIZING IMPOSSIBLE

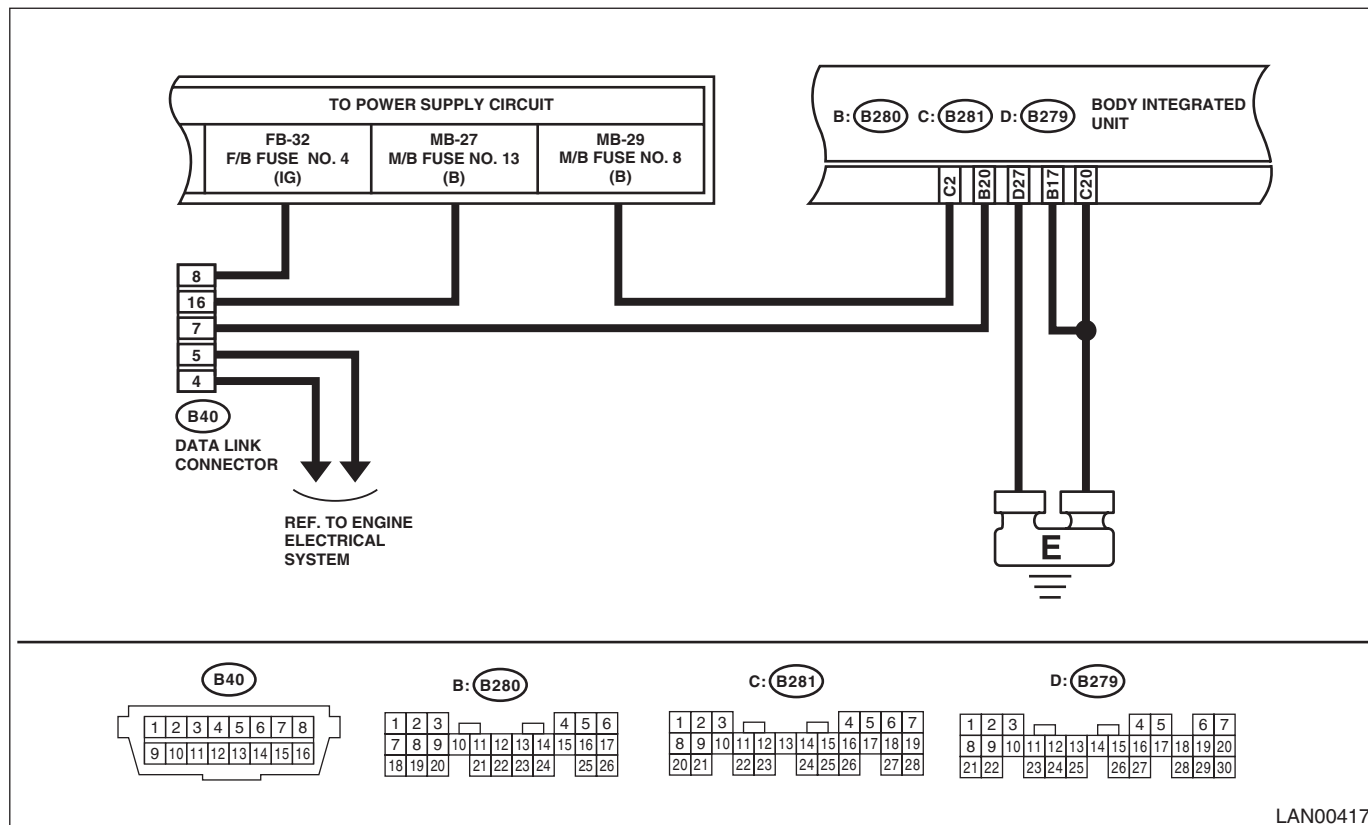
#### DETECTING CONDITION:

Faulty harness connectors

#### TROUBLE SYMPTOM:

Not communicable with Subaru Select Monitor.

#### WIRING DIAGRAM:



# Subaru Select Monitor

## LAN SYSTEM (DIAGNOSTICS)

	Step	Check	Yes	No
1	<b>CHECK IGNITION SWITCH.</b>	Is the ignition switch ON?	Go to step 2.	Turn the ignition switch to ON, and select Integ. unit mode using Subaru Select Monitor.
2	<b>CHECK BATTERY.</b> 1) Turn the ignition switch to OFF. 2) Measure the battery voltage.	Is the voltage 11 V or more?	Go to step 3.	Charge or replace the battery.
3	<b>CHECK BATTERY TERMINAL.</b>	Is there poor contact at battery terminal?	Repair or tighten the battery terminal.	Go to step 4.
4	<b>CHECK COMMUNICATION OF SUBARU SELECT MONITOR.</b> 1) Turn the ignition switch to ON. 2) Using the Subaru Select Monitor, check whether communication to other systems can be executed normally.	Is the system name displayed?	Go to step 7.	Go to step 5.
5	<b>CHECK COMMUNICATION OF SUBARU SELECT MONITOR.</b> 1) Turn the ignition switch to OFF. 2) Disconnect the body integrated unit connector. 3) Turn the ignition switch to ON. 4) Check whether communication to other systems can be executed normally.	Is the system name displayed?	Go to step 7.	Go to step 6.
6	<b>CHECK HARNESS CONNECTOR BETWEEN EACH CONTROL MODULE AND SUBARU SELECT MONITOR.</b> 1) Turn the ignition switch to OFF. 2) Disconnect the body integrated unit connector. 3) Measure the resistance between data link connector and chassis ground. <b>Connector &amp; terminal</b> <b>(B40) No. 7 — Chassis ground:</b>	Is the resistance 1 M $\Omega$ or more?	Go to step 7.	Repair the harness and connector between each control module and Subaru Select Monitor.
7	<b>CHECK OUTPUT SIGNAL TO BODY INTEGRATED UNIT.</b> 1) Turn the ignition switch to ON. 2) Measure the voltage between body integrated unit and chassis ground. <b>Connector &amp; terminal</b> <b>(B40) No. 7 (+) — Chassis ground (-):</b>	Is the voltage less than 1 V?	Go to step 8.	Repair the harness and connector between each control module and Subaru Select Monitor.
8	<b>CHECK HARNESS CONNECTOR BETWEEN BODY INTEGRATED UNIT AND DATA LINK CONNECTOR.</b> Measure the resistance between body integrated unit and data link connector. <b>Connector &amp; terminal</b> <b>(B40) No. 7 — (B280) No. 20:</b>	Is the resistance less than 1 $\Omega$ ?	Go to step 9.	Repair the harness and connector between body integrated unit and Subaru Select Monitor.
9	<b>CHECK BACK-UP FUSE.</b> Check that back-up fuse is not blown out, or check that it is inserted.	Is back-up fuse OK?	Go to step 10.	Replace the back-up fuse, or insert it into the fuse holder.
10	<b>CHECK POWER SUPPLY CIRCUIT.</b> Measure the voltage between body integrated unit connector and chassis ground. <b>Connector &amp; terminal</b> <b>(B281) No. 2 (+) — Chassis ground (-):</b>	Is the voltage 10 V or more?	Go to step 11.	Repair the open circuit of harness between body integrated unit and battery.



# Subaru Select Monitor

## LAN SYSTEM (DIAGNOSTICS)

Step	Check	Yes	No
<b>11 CHECK HARNESS CONNECTOR BETWEEN BODY INTEGRATED UNIT AND CHASSIS GROUND.</b> 1) Turn the ignition switch to OFF. 2) Disconnect the connector from body integrated unit. 3) Measure the resistance of harness between the body integrated unit and chassis ground. <b>Connector &amp; terminal</b> <b>(B280) No. 20 — Chassis ground:</b>	Is the resistance 1 MΩ or more?	Go to step 12.	Repair the poor contact of harness between body integrated unit and ground.
<b>12 CHECK POOR CONTACT OF CONNECTOR.</b>	Is there poor contact of the control unit ground and the Subaru Select Monitor?	Replace the body integrated unit. <Ref. to SL-50, REMOVAL, Body Integrated Unit.>	Repair the poor contact of connector.

### CAUTION:

For model with immobilizer, immobilizer registration work is necessary when the body integrated unit replaced. For details, refer to the “PC application help for Subaru Select Monitor”.

### 7. Read Diagnostic Trouble Code (DTC)

#### A: OPERATION

For details concerning DTC reading procedure, refer to "Subaru Select Monitor". <Ref. to LAN(diag)-15, READ DIAGNOSTIC TROUBLE CODE (DTC), OPERATION, Subaru Select Monitor.>

### **8. Clear Memory Mode**

#### **A: OPERATION**

For details concerning DTC clear operation, refer to "Subaru Select Monitor". <Ref. to LAN(diag)-25, CLEAR MEMORY MODE, OPERATION, Subaru Select Monitor.>

## 9. Read Current Data

### A: OPERATION

1) On the «Main Menu» display screen, select the {Each System Check}.

2) On the «System Selection Menu» display screen, select the {Integ. Unit mode}.

3) On the «Integ. Unit mode failure diag» display screen, select the {Current Data Display & Save}.

4) Using the scroll key, scroll the display screen up or down until the desired data is shown.

<Ref. to LAN(diag)-16, DISPLAY OF ANALOG DATA, OPERATION, Subaru Select Monitor.> <Ref. to LAN(diag)-17, DISPLAY OF ON/OFF DATA, OPERATION, Subaru Select Monitor.> <Ref. to LAN(diag)-22, CONFIRMATION OF CURRENT SETTING, OPERATION, Subaru Select Monitor.>

### **10. User Customizing**

#### **A: OPERATION**

For detailed procedures of User Customizing, refer to "SUBARU SELECT MONITOR". <Ref. to LAN(diag)-26, USER CUSTOMIZING, OPERATION, Subaru Select Monitor.>

# List of Diagnostic Trouble Code (DTC)

LAN SYSTEM (DIAGNOSTICS)

## 11. List of Diagnostic Trouble Code (DTC)

### A: LIST

DTC	Item	Diagnosis content	Reference
B1100	Integ. Unit System Error	Memory read out error in body integrated unit	<Ref. to LAN(diag)-38, DTC B1100 INTEG. UNIT SYSTEM ERROR, Diagnostic Procedure with Diagnostic Trouble Code (DTC).>
B1101	BATT p/supply malfunction cont.	<ul style="list-style-type: none"> <li>• Open or short in battery power supply control circuit</li> <li>• Voltage malfunction caused by poor contact</li> </ul>	<Ref. to LAN(diag)-39, DTC B1101 BATT P/ SUPPLY MALFUNCTION CONT, Diagnostic Procedure with Diagnostic Trouble Code (DTC).>
B1102	BATT p/supply malfunction backup	Voltage malfunction caused by poor contact of battery power supply backup circuits	<Ref. to LAN(diag)-41, DTC B1102 BATT P/ SUPPLY MALFUNCTION BACKUP, Diagnostic Procedure with Diagnostic Trouble Code (DTC).>
B1103	Ignition power failure	Voltage malfunction caused by poor contact of IGN power supply circuits	<Ref. to LAN(diag)-43, DTC B1103 IGNITION POWER FAILURE, Diagnostic Procedure with Diagnostic Trouble Code (DTC).>
B1104	ACC power failure	Voltage malfunction caused by poor contact of ACC power supply circuits	<Ref. to LAN(diag)-45, DTC B1104 ACC POWER FAILURE, Diagnostic Procedure with Diagnostic Trouble Code (DTC).>
B1105	Key interlock circuit abnormal	GND-output short of key interlock circuit	<Ref. to LAN(diag)-47, DTC B1105 KEY INTERLOCK CIRCUIT ABNORMAL, Diagnostic Procedure with Diagnostic Trouble Code (DTC).>
B1106	Shift Lock Circuit Failure	Open or power supply-output short, GND-output short in shift lock circuit	<Ref. to LAN(diag)-49, DTC B1106 SHIFT LOCK CIRCUIT FAILURE, Diagnostic Procedure with Diagnostic Trouble Code (DTC).>
U1201	CAN-HS counter abnormal	Communication is unstable because of high speed CAN communication error.	<Ref. to LAN(diag)-51, DTC U1201 CAN-HS COUNTER ABNORMAL, Diagnostic Procedure with Diagnostic Trouble Code (DTC).>
U1202	CAN-HS bus off	<ul style="list-style-type: none"> <li>• Open or power supply-output short, GND-output short occurs in CAN line.</li> <li>• End resistance malfunction</li> <li>• Internal error in each control module</li> </ul>	<Ref. to LAN(diag)-55, DTC U1202 CAN-HS BUS OFF, Diagnostic Procedure with Diagnostic Trouble Code (DTC).>
U1211	CAN-HS ECM data abnormal	Received error data from ECM.	<Ref. to LAN(diag)-58, DTC U1211 CAN-HS ECM DATA ABNORMAL, Diagnostic Procedure with Diagnostic Trouble Code (DTC).>
U1212	CAN-HS TCM data abnormal	Received error data from TCM.	<Ref. to LAN(diag)-60, DTC U1212 CAN-HS TCM DATA ABNORMAL, Diagnostic Procedure with Diagnostic Trouble Code (DTC).>
U1213	CAN-HS VDC/ABS data abnormal	Received error data from VDC/ABS module.	<Ref. to LAN(diag)-62, DTC U1213 CAN-HS VDC/ABS DATA ABNORMAL, Diagnostic Procedure with Diagnostic Trouble Code (DTC).>
U1221	CAN-HS ECM no-receive data	Not received data from ECM.	<Ref. to LAN(diag)-64, DTC U1221 CAN-HS ECM NO-RECEIVE DATA, Diagnostic Procedure with Diagnostic Trouble Code (DTC).>
U1222	CAN-HS TCM no-receive data	Not received data from TCM.	<Ref. to LAN(diag)-67, DTC U1222 CAN-HS TCM NO-RECEIVE DATA, Diagnostic Procedure with Diagnostic Trouble Code (DTC).>
U1223	CAN-HS VDC/ABS no-receive data	Not received data from VDC/ABS CM.	<Ref. to LAN(diag)-69, DTC U1223 CAN-HS VDC/ABS NO-RECEIVE DATA, Diagnostic Procedure with Diagnostic Trouble Code (DTC).>

## List of Diagnostic Trouble Code (DTC)

### LAN SYSTEM (DIAGNOSTICS)

DTC	Item	Diagnosis content	Reference
U1300	CAN-LS malfunction	Open or short in CAN-LS circuit, on ether side	<Ref. to LAN(diag)-71, DTC U1300 CAN-LS MALFUNCTION, Diagnostic Procedure with Diagnostic Trouble Code (DTC).>
U1301	CAN-LS counter abnormal	Communication is unstable because of low speed CAN communication error.	<Ref. to LAN(diag)-74, DTC U1301 CAN-LS COUNTER ABNORMAL, Diagnostic Procedure with Diagnostic Trouble Code (DTC).>
U1302	CAN-LS bus off	<ul style="list-style-type: none"> <li>• Open or power supply-output short, GND-output short occurs in both CAN line.</li> <li>• Internal error in each control module</li> </ul>	<Ref. to LAN(diag)-77, DTC U1302 CAN-LS BUS OFF, Diagnostic Procedure with Diagnostic Trouble Code (DTC).>
U1311	CAN-LS meter unit data abnormal	Received error data from meter.	<Ref. to LAN(diag)-80, DTC U1311 CAN-LS METER UNIT DATA ABNORMAL, Diagnostic Procedure with Diagnostic Trouble Code (DTC).>
U1321	CAN-LS meter no-receive data	Not received data from meter.	<Ref. to LAN(diag)-81, DTC U1321 CAN-LS METER NO-RECEIVE DATA, Diagnostic Procedure with Diagnostic Trouble Code (DTC).>
B1401	M collation NG	Malfunction related immobilizer	<Ref. to IM(diag)-14, List of Diagnostic Trouble Code (DTC).>
B1402	Immobilizer Key collation NG	Malfunction related immobilizer	<Ref. to IM(diag)-14, List of Diagnostic Trouble Code (DTC).>
B1403	E/G request NG	Malfunction related immobilizer	<Ref. to IM(diag)-14, List of Diagnostic Trouble Code (DTC).>
B1500	Keyless UART com. Malfunction	Open or short circuit in keyless UART circuit	<Ref. to LAN(diag)-83, DTC B1500 KEYLESS UART COM. MALFUNCTION, Diagnostic Procedure with Diagnostic Trouble Code (DTC).>

# List of Diagnostic Trouble Code (DTC)

LAN SYSTEM (DIAGNOSTICS)

## 1. DTC TABLE

### NOTE:

When more than two DTC codes are recorded, referring to their combination will make it easy to identify the possible cause. Refer to the list for typical examples.

DTC to Check	Diagnostic Code that was displayed.				Probable cause
	Body integrated unit	ECM	TCM	VDC/ABS CM	
B1100 <Ref. to LAN(diag)-38, DTC B1100 INTEG. UNIT SYSTEM ERROR, Diagnostic Procedure with Diagnostic Trouble Code (DTC).>	B1100	—	—	—	There could be a problem in the body integrated unit.
U1221 <Ref. to LAN(diag)-64, DTC U1221 CAN-HS ECM NO-RECEIVE DATA, Diagnostic Procedure with Diagnostic Trouble Code (DTC).>	U1221	—	P1718	C0057	It is possible that the ECM is faulty.
U1222 <Ref. to LAN(diag)-67, DTC U1222 CAN-HS TCM NO-RECEIVE DATA, Diagnostic Procedure with Diagnostic Trouble Code (DTC).>	U1222	P0600	—	C0057	It is possible that the TCM is faulty.
U1223 <Ref. to LAN(diag)-69, DTC U1223 CAN-HS VDC/ABS NO-RECEIVE DATA, Diagnostic Procedure with Diagnostic Trouble Code (DTC).>	U1223	P0600	P1718	—	It is possible that the VDC/ABS CM is faulty.
U1321 <Ref. to LAN(diag)-81, DTC U1321 CAN-LS METER NO-RECEIVE DATA, Diagnostic Procedure with Diagnostic Trouble Code (DTC).>	U1321	—	—	—	It is possible that the combination meter is faulty.
B1500 <Ref. to LAN(diag)-83, DTC B1500 KEYLESS UART COM. MALFUNCTION, Diagnostic Procedure with Diagnostic Trouble Code (DTC).>	B1500	—	—	—	It's possible that there is an internal problem in the keyless entry control module, or a open circuit in the communication line.



## Diagnostic Procedure with Diagnostic Trouble Code (DTC)

LAN SYSTEM (DIAGNOSTICS)

### 12. Diagnostic Procedure with Diagnostic Trouble Code (DTC)

#### A: DTC B1100 INTEG. UNIT SYSTEM ERROR

##### DTC DETECTING CONDITION:

Memory read out error in body integrated unit

##### TROUBLE SYMPTOM:

- Check light comes on in the combination meter.
- LAN communication immobilizer function may not be executed normally.

	Step	Check	Yes	No
1	<b>CHECK DTC.</b> Check DTC indicated by body integrated unit. <Ref. to LAN(diag)-15, READ DIAGNOSTIC TROUBLE CODE (DTC), OPERATION, Subaru Select Monitor.>	Is the DTC B1100 displayed current malfunction?	Go to step 2.	Temporary EEPROM access error occurred.
2	<b>CHECK CONNECTOR.</b> 1) Turn the ignition switch to OFF. 2) Disconnect the body integrated unit connector. 3) Connect the disconnected connectors. 4) Turn the ignition switch to ON. 5) Read the DTC of body integrated unit using Subaru Select Monitor.	Is the DTC B1100 displayed current malfunction?	Replace the body integrated unit. <Ref. to SL-50, REMOVAL, Body Integrated Unit.>	Temporary EEPROM access error occurred.

## B: DTC B1101 BATT P/SUPPLY MALFUNCTION CONT

### DTC DETECTING CONDITION:

- Open or short in battery power supply control circuit
- Voltage malfunction caused by poor contact

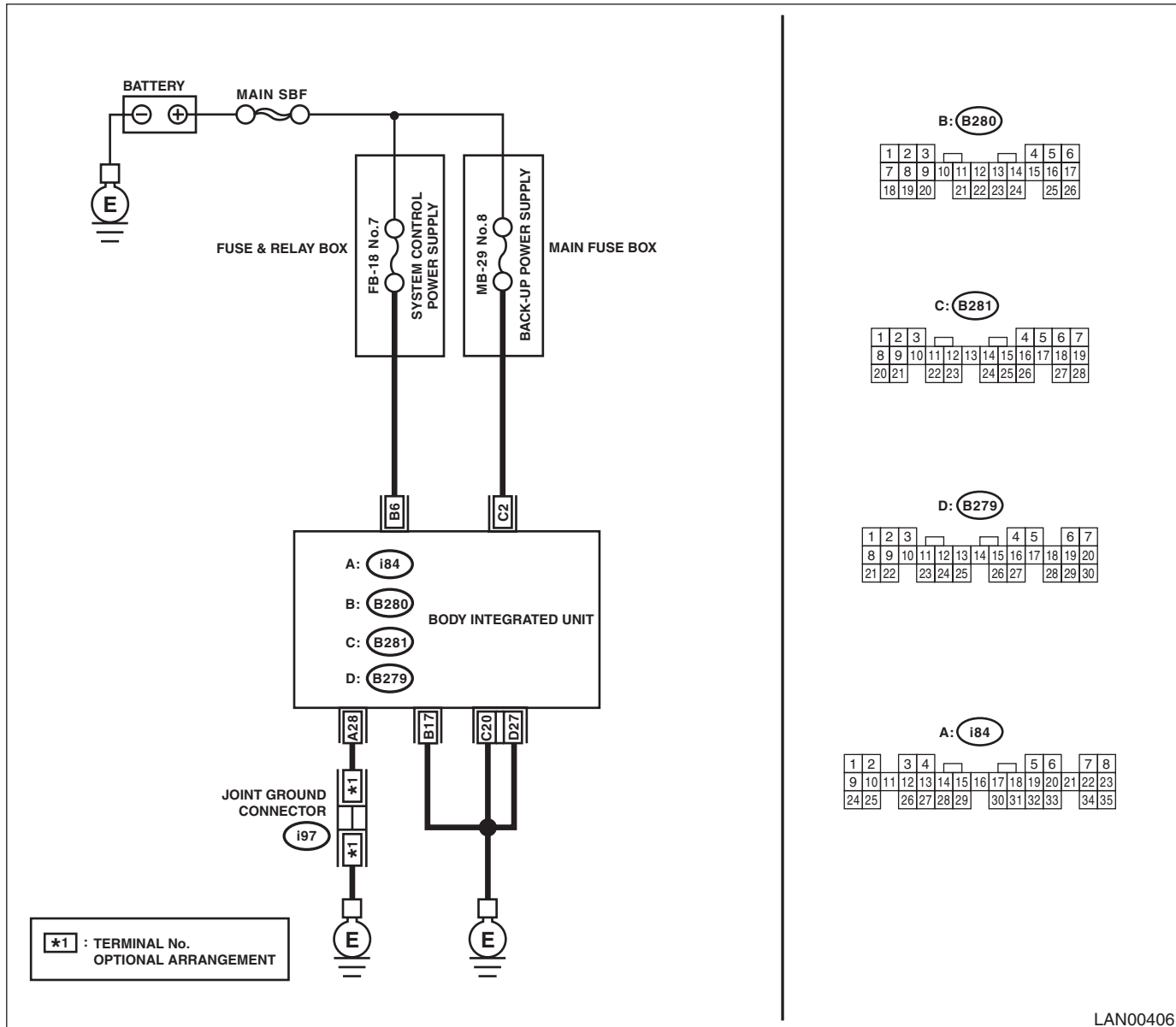
### TROUBLE SYMPTOM:

Each function stops operation.

### NOTE:

- When B1102 BATT p/supply (backup) malfunction is output at the same time, all the function of body integrated unit may not operate.
- B1101 may input when the battery run-out occurs.

### WIRING DIAGRAM:



## Diagnostic Procedure with Diagnostic Trouble Code (DTC)

### LAN SYSTEM (DIAGNOSTICS)

Step	Check	Yes	No
<b>1 CHECK DTC.</b> Read the DTC of body integrated unit using Subaru Select Monitor. <Ref. to LAN(diag)-15, READ DIAGNOSTIC TROUBLE CODE (DTC), OPERATION, Subaru Select Monitor.>	Is B1101 current malfunction?	Go to step 2.	Go to step 5.
<b>2 CHECK DTC.</b> 1) Turn the ignition switch to OFF. 2) Disconnect the connector from body integrated unit and reconnect. 3) Wait approx. 2 minutes. 4) Turn the ignition switch to ON. 5) Read the DTC of body integrated unit using Subaru Select Monitor.	Is B1101 current malfunction?	Go to step 3.	Go to step 5.
<b>3 CHECK FUSE.</b> 1) Turn the ignition switch to OFF. 2) Inspect the fuse.	Is the fuse OK?	Go to step 4.	Replace the defective fuse.
<b>4 CHECK HARNESS.</b> 1) Disconnect the body integrated unit connector (B280). 2) Measure the voltage between body integrated unit connector and chassis ground using tester. <i>Connector &amp; terminal (B280) No. 6 (+) — Chassis ground (-):</i>	Is the voltage 8.5 — 16.5 V?	Replace the body integrated unit. <Ref. to SL-50, REMOVAL, Body Integrated Unit.>	Repair or replace the open or shorted circuit between body integrated unit and fuse.
<b>5 CHECK CONNECTOR.</b> 1) Turn the ignition switch to OFF. 2) Disconnect the body integrated unit connector (B280).	Is there poor contact of connector?	Repair or replace the poor contact of connector.	A temporary change of voltage occurred.

# Diagnostic Procedure with Diagnostic Trouble Code (DTC)

LAN SYSTEM (DIAGNOSTICS)

## C: DTC B1102 BATT P/SUPPLY MALFUNCTION BACKUP

### DTC DETECTING CONDITION:

Voltage malfunction caused by poor contact of battery power supply backup circuits

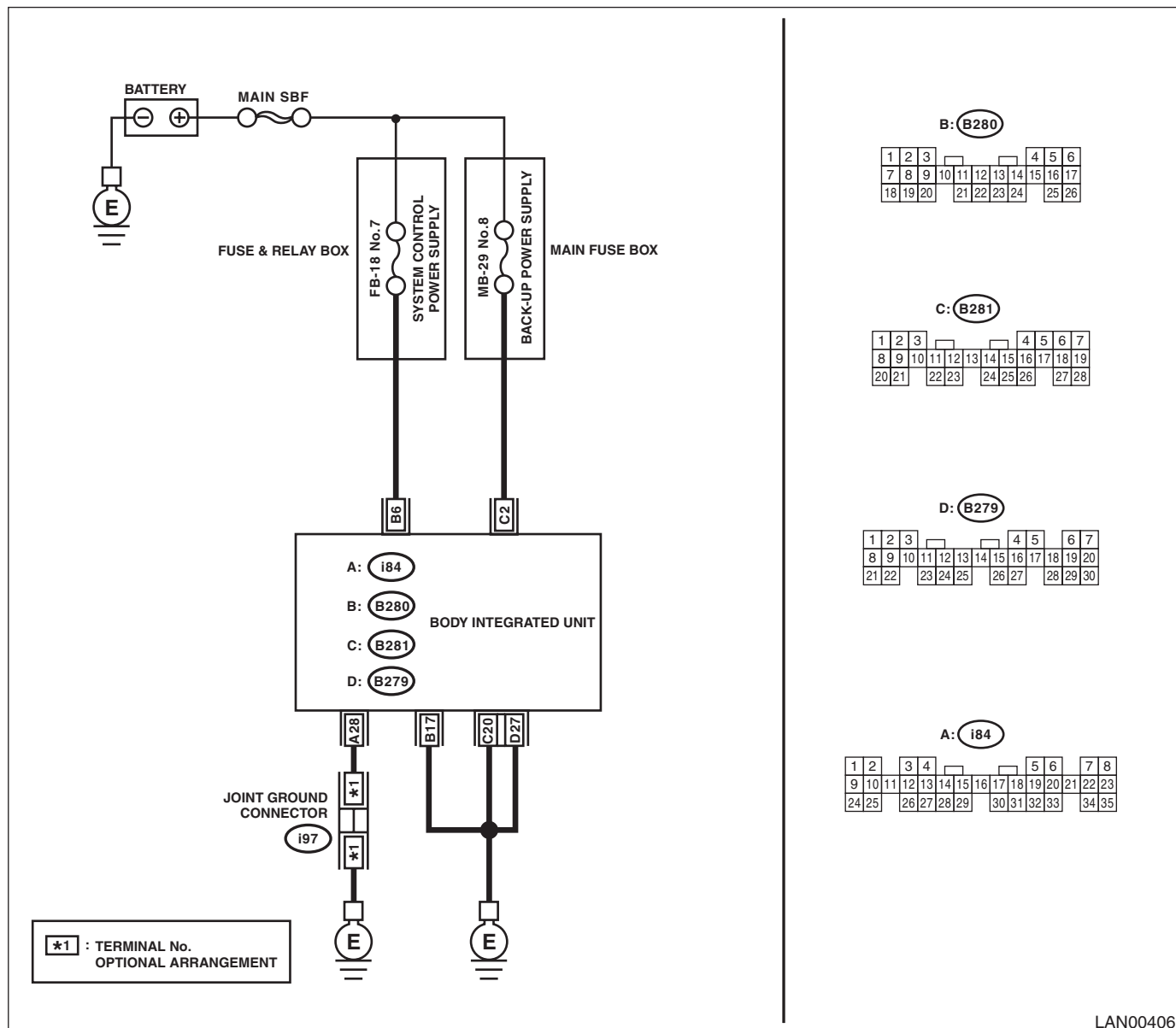
### TROUBLE SYMPTOM:

No influence.

### NOTE:

- When B1101 BATT p/supply (cont.) malfunction are output at the same time, all function of body integrated unit may not operate.
- B1101 may input when the battery run-out occurs.

### WIRING DIAGRAM:



LAN00406

## Diagnostic Procedure with Diagnostic Trouble Code (DTC)

### LAN SYSTEM (DIAGNOSTICS)

Step	Check	Yes	No
<b>1</b> <b>CHECK DTC.</b> Read the DTC of body integrated unit using Subaru Select Monitor. <Ref. to LAN(diag)-15, READ DIAGNOSTIC TROUBLE CODE (DTC), OPERATION, Subaru Select Monitor.>	Is B1102 current malfunction?	Go to step 2.	Go to step 5.
<b>2</b> <b>CHECK DTC.</b> 1) Turn the ignition switch to OFF. 2) Disconnect the connector from body integrated unit and reconnect. 3) Wait approx. 2 minutes. 4) Turn the ignition switch to ON. 5) Read the DTC of body integrated unit using Subaru Select Monitor.	Is B1102 current malfunction?	Go to step 3.	Go to step 5.
<b>3</b> <b>CHECK FUSE.</b> 1) Turn the ignition switch to OFF. 2) Inspect the fuse.	Is the fuse OK?	Go to step 4.	Replace the defective fuse.
<b>4</b> <b>CHECK HARNESS.</b> 1) Disconnect the body integrated unit connector (B281). 2) Measure the voltage between body integrated unit connector and chassis ground using tester. <i>Connector &amp; terminal (B281) No. 2 (+) — Chassis ground (-):</i>	Is the voltage 8.5 — 16.5 V?	Replace the body integrated unit. <Ref. to SL-50, REMOVAL, Body Integrated Unit.>	Repair or replace the open or shorted circuit between body integrated unit and fuse.
<b>5</b> <b>CHECK CONNECTOR.</b> 1) Turn the ignition switch to OFF. 2) Disconnect the body integrated unit connector (B280).	Is there poor contact of connector?	Repair or replace the poor contact of connector.	A temporary change of voltage occurred.

# Diagnostic Procedure with Diagnostic Trouble Code (DTC)

LAN SYSTEM (DIAGNOSTICS)

## D: DTC B1103 IGNITION POWER FAILURE

### DTC DETECTING CONDITION:

Voltage malfunction caused by poor contact of IGN power supply circuits

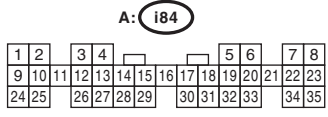
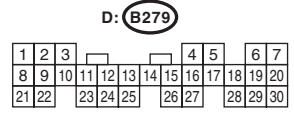
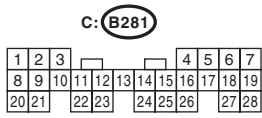
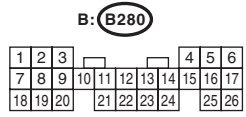
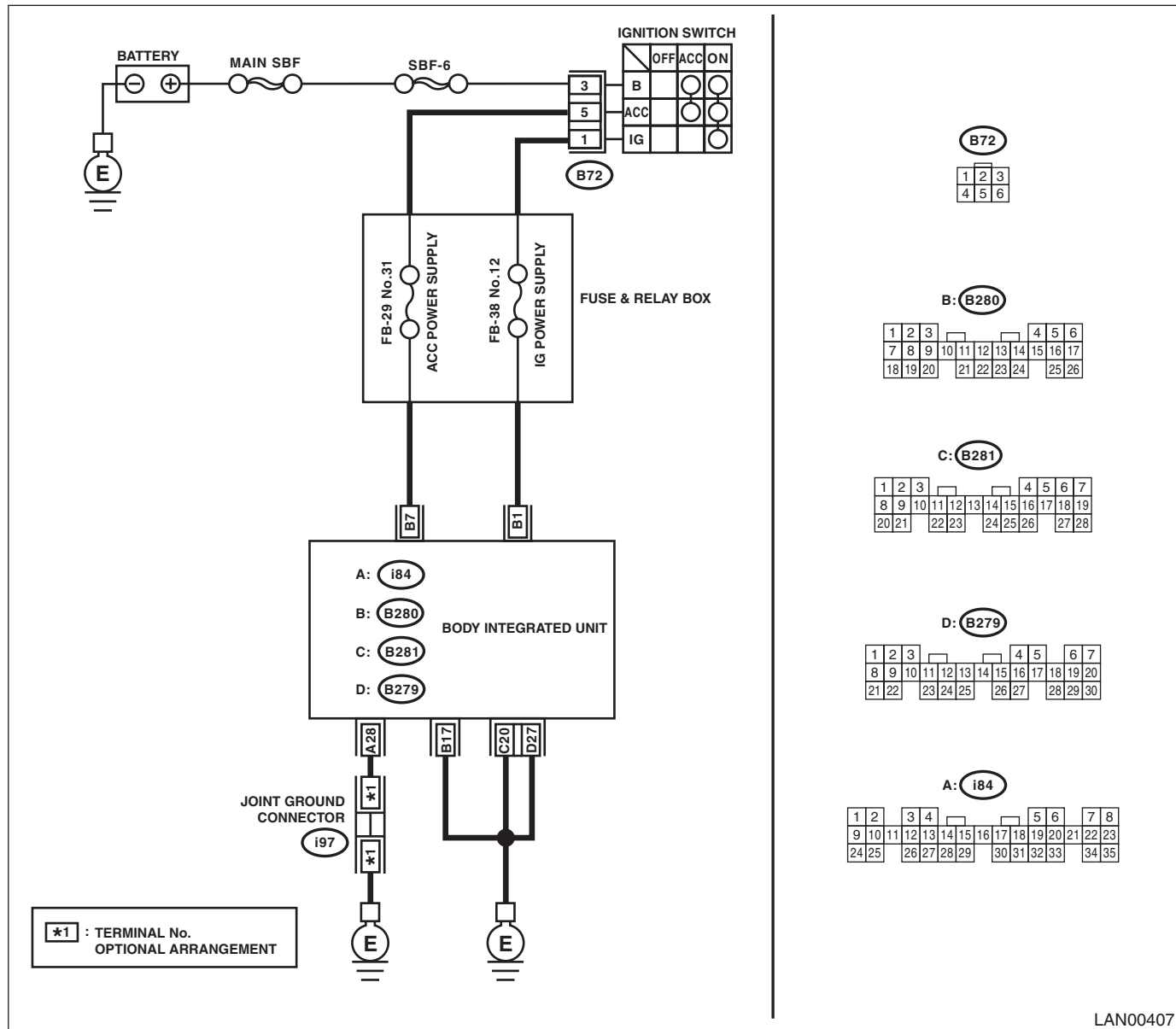
### TROUBLE SYMPTOM:

Error related to LAN system will not be detected.

### NOTE:

B1103 may output when the ignition switch turns to ON with the weak battery condition.

### WIRING DIAGRAM:



LAN00407

## Diagnostic Procedure with Diagnostic Trouble Code (DTC)

### LAN SYSTEM (DIAGNOSTICS)

Step	Check	Yes	No
<b>1 CHECK DTC.</b> Read the DTC of body integrated unit using Subaru Select Monitor. <Ref. to LAN(diag)-15, READ DIAGNOSTIC TROUBLE CODE (DTC), OPERATION, Subaru Select Monitor.>	Is B1103 current malfunction?	Go to step 2.	Go to step 5.
<b>2 CHECK DTC.</b> 1) Turn the ignition switch to OFF. 2) Disconnect the connector from body integrated unit and reconnect. 3) Turn the ignition switch to ON. 4) Wait approx. 2 minutes. 5) Read the DTC of body integrated unit using Subaru Select Monitor.	Is B1103 current malfunction?	Go to step 3.	Go to step 5.
<b>3 CHECK FUSE.</b> 1) Turn the ignition switch to OFF. 2) Inspect the fuse.	Is the fuse OK?	Go to step 4.	Replace the defective fuse.
<b>4 CHECK HARNESS.</b> 1) Disconnect the body integrated unit connector (B280). 2) Turn the ignition switch to ON. 3) Measure the voltage between body integrated unit connector and chassis ground using tester.  <i>Connector &amp; terminal (B280) No. 1 (+) — Chassis ground (-):</i>	Is the voltage 8.5 — 16.5 V?	Replace the body integrated unit. <Ref. to SL-50, REMOVAL, Body Integrated Unit.>	Repair or replace the open or shorted circuit between body integrated unit and fuse.
<b>5 CHECK CONNECTOR.</b> 1) Turn the ignition switch to OFF. 2) Disconnect the body integrated unit connector (B280).	Is there poor contact of connector?	Repair or replace the poor contact of connector.	A temporary change of voltage occurred.

# Diagnostic Procedure with Diagnostic Trouble Code (DTC)

LAN SYSTEM (DIAGNOSTICS)

## E: DTC B1104 ACC POWER FAILURE

### DTC DETECTING CONDITION:

Voltage malfunction caused by poor contact of ACC power supply circuits

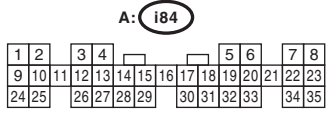
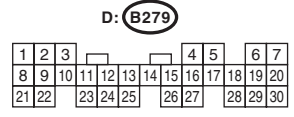
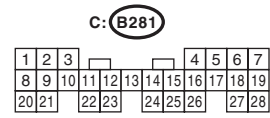
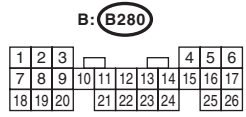
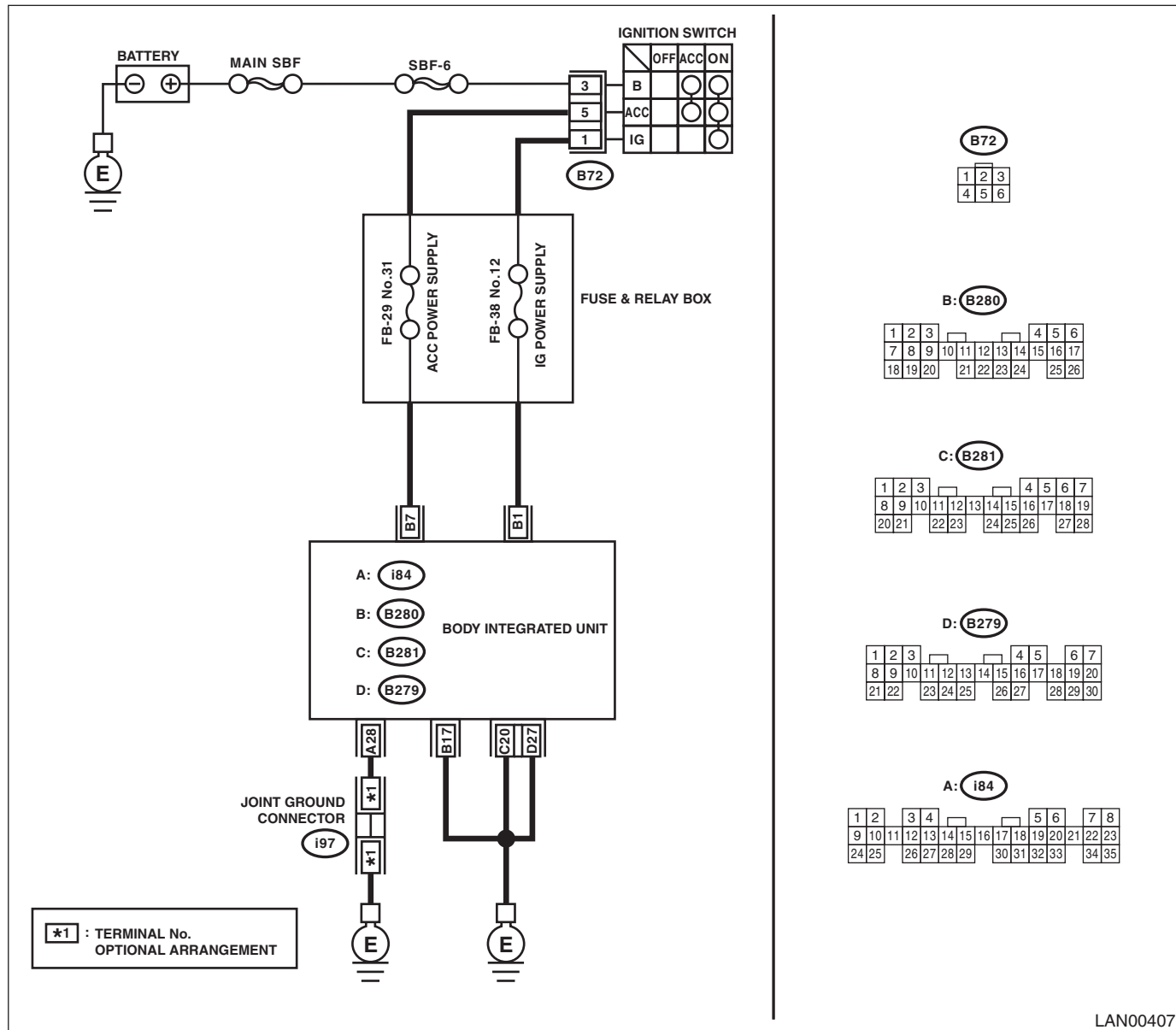
### TROUBLE SYMPTOM:

Does not exist.

### NOTE:

B1104 may output when the ignition switch turns to ACC with the weak battery condition.

### WIRING DIAGRAM:



LAN00407



# Diagnostic Procedure with Diagnostic Trouble Code (DTC)

## LAN SYSTEM (DIAGNOSTICS)

	Step	Check	Yes	No
1	<b>CHECK DTC.</b> Read the DTC of body integrated unit using Subaru Select Monitor. <Ref. to LAN(diag)-15, READ DIAGNOSTIC TROUBLE CODE (DTC), OPERATION, Subaru Select Monitor.>	Is B1104 current malfunction?	Go to step 2.	Go to step 5.
2	<b>CHECK DTC.</b> 1) Turn the ignition switch to OFF. 2) Disconnect the connector from body integrated unit and reconnect. 3) Turn the ignition switch to ACC. 4) Wait approx. 2 minutes. 5) Turn the ignition switch to ON. 6) Read the DTC of body integrated unit using Subaru Select Monitor.	Is B1104 current malfunction?	Go to step 3.	Go to step 5.
3	<b>CHECK FUSE.</b> 1) Turn the ignition switch to OFF. 2) Inspect the fuse.	Is the fuse OK?	Go to step 4.	Replace the defective fuse.
4	<b>CHECK HARNESS.</b> 1) Disconnect the body integrated unit connector (B279). 2) Turn the ignition switch to ACC. 3) Measure the voltage between body integrated unit connector and chassis ground using tester. <b>Connector &amp; terminal (B280) No. 7 (+) — Chassis ground (-):</b>	Is the voltage 8.5 — 16.5 V?	Replace the body integrated unit. <Ref. to SL-50, REMOVAL, Body Integrated Unit.>	Repair or replace the open or shorted circuit between body integrated unit and fuse.
5	<b>CHECK CONNECTOR.</b> 1) Turn the ignition switch to OFF. 2) Disconnect the body integrated unit connector (B280).	Is there poor contact of connector?	Repair or replace the poor contact of connector.	A temporary change of voltage occurred.

# Diagnostic Procedure with Diagnostic Trouble Code (DTC)

LAN SYSTEM (DIAGNOSTICS)

## F: DTC B1105 KEY INTERLOCK CIRCUIT ABNORMAL

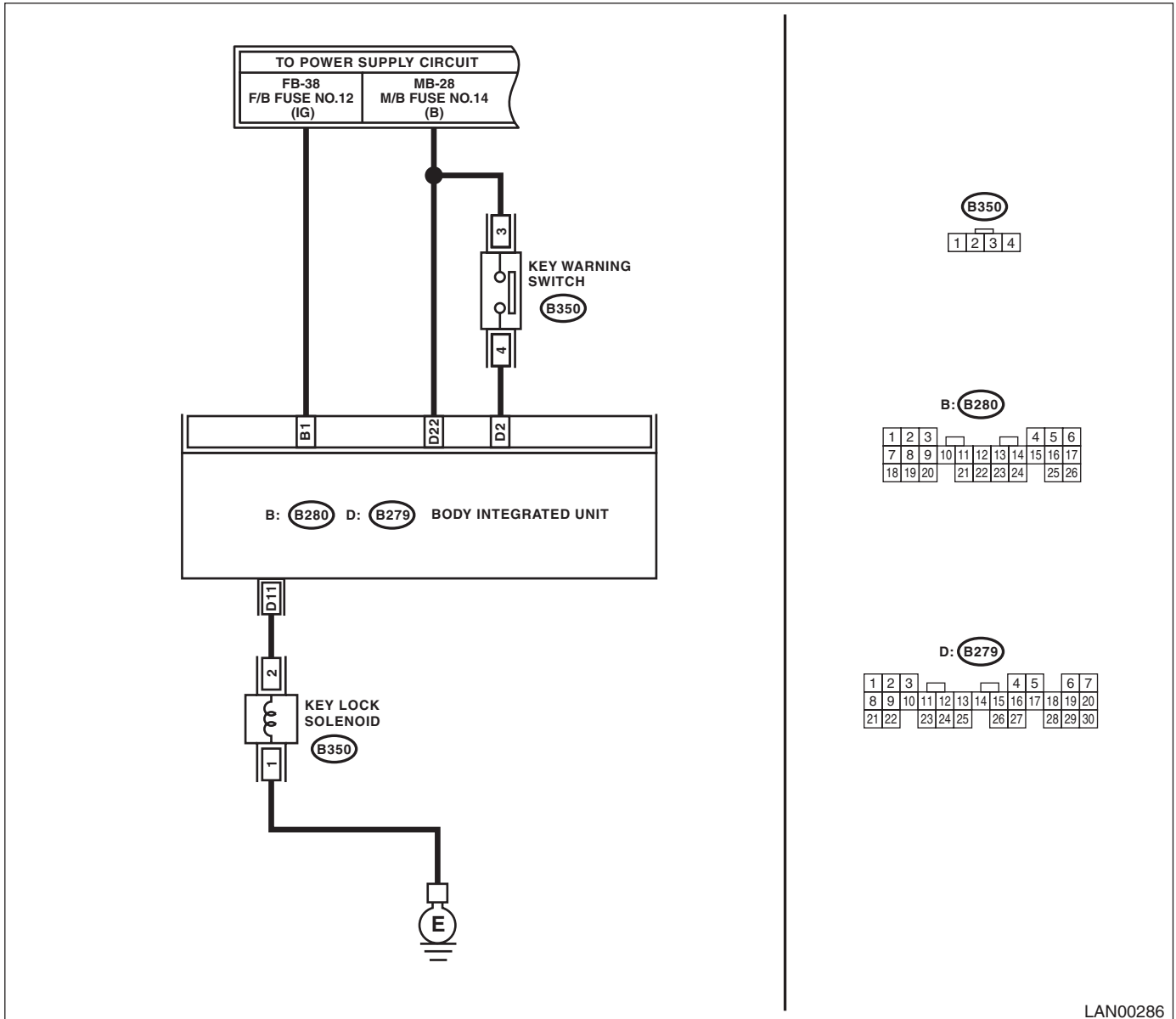
### DTC DETECTING CONDITION:

Ground short of key interlock circuit

### TROUBLE SYMPTOM:

Key interlock does not keep lock condition.

### WIRING DIAGRAM:



LAN00286

# Diagnostic Procedure with Diagnostic Trouble Code (DTC)

## LAN SYSTEM (DIAGNOSTICS)

	Step	Check	Yes	No
1	<b>CHECK DTC.</b> 1) Insert the ignition key. 2) Shift to the Neutral range. 3) Turn the ignition switch to ON. 4) Read the DTC of body integrated unit using Subaru Select Monitor.	Is B1105 current malfunction?	Go to step 2.	Go to step 8.
2	<b>CHECK DTC.</b> 1) Remove the ignition key. 2) Disconnect the key lock solenoid connector (B350) and body integrated unit connector (B279). 3) Connect the disconnected connectors. 4) Insert the key and shift into Neutral. 5) Turn the ignition switch to ON. 6) Read the DTC of body integrated unit using Subaru Select Monitor.	Is B1105 current malfunction?	Go to step 3.	Go to step 8.
3	<b>CHECK KEY LOCK SOLENOID.</b> 1) Turn the ignition switch to OFF. 2) Disconnect the key lock solenoid connector (B350). 3) Measure the resistance between the key lock solenoid connector. <b>Connector &amp; terminal</b> <b>(B350) No. 1 — No. 2:</b>	Is the resistance 12 — 14.5 $\Omega$ ?	Go to step 4.	Replace the key lock solenoid.
4	<b>CHECK KEY LOCK SOLENOID.</b> Connect the battery terminal to key lock solenoid. <b>Terminals</b> <b>(B350) No. 2 — positive terminal:</b> <b>(B350) No. 1 — ground terminal:</b>	Is the solenoid activated and then key locked?	Go to step 5.	Replace the key lock solenoid.
5	<b>CHECK HARNESS.</b> 1) Disconnect the body integrated unit connector (B279). 2) Measure the resistance between body integrated unit and key lock solenoid using tester. <b>Connector &amp; terminal</b> <b>(B350) No. 2 — (B279) No. 11:</b>	Is the resistance less than 10 $\Omega$ ?	Go to step 6.	Repair or replace the open circuit of harness.
6	<b>CHECK HARNESS.</b> Measure the resistance between body integrated unit and chassis ground using tester. <b>Connector &amp; terminal</b> <b>(B279) No. 11 — Chassis ground:</b>	Is the resistance 1 M $\Omega$ or more?	Go to step 7.	Repair or replace the short circuit of the harness.
7	<b>CHECK HARNESS.</b> 1) Turn the ignition switch to ON. 2) Measure the voltage between body integrated unit and chassis ground using tester. <b>Connector &amp; terminal</b> <b>(B279) No. 11 (+) — Chassis ground (-):</b>	Is the voltage 1.5 V or more?	Repair or replace the short circuit of the harness.	Replace the body integrated unit. <Ref. to SL-50, REMOVAL, Body Integrated Unit.>
8	<b>CHECK CONNECTOR.</b> 1) Turn the ignition switch to OFF. 2) Disconnect the body integrated unit connector (B279) and key lock solenoid connector (B350).	Is there poor contact at disconnected connector terminal?	Repair the terminal where poor contact exists, or replace harness.	It is possible that temporary poor contact occurs.

# Diagnostic Procedure with Diagnostic Trouble Code (DTC)

LAN SYSTEM (DIAGNOSTICS)

## G: DTC B1106 SHIFT LOCK CIRCUIT FAILURE

### DTC DETECTING CONDITION:

Shift lock circuit is open or shorted.

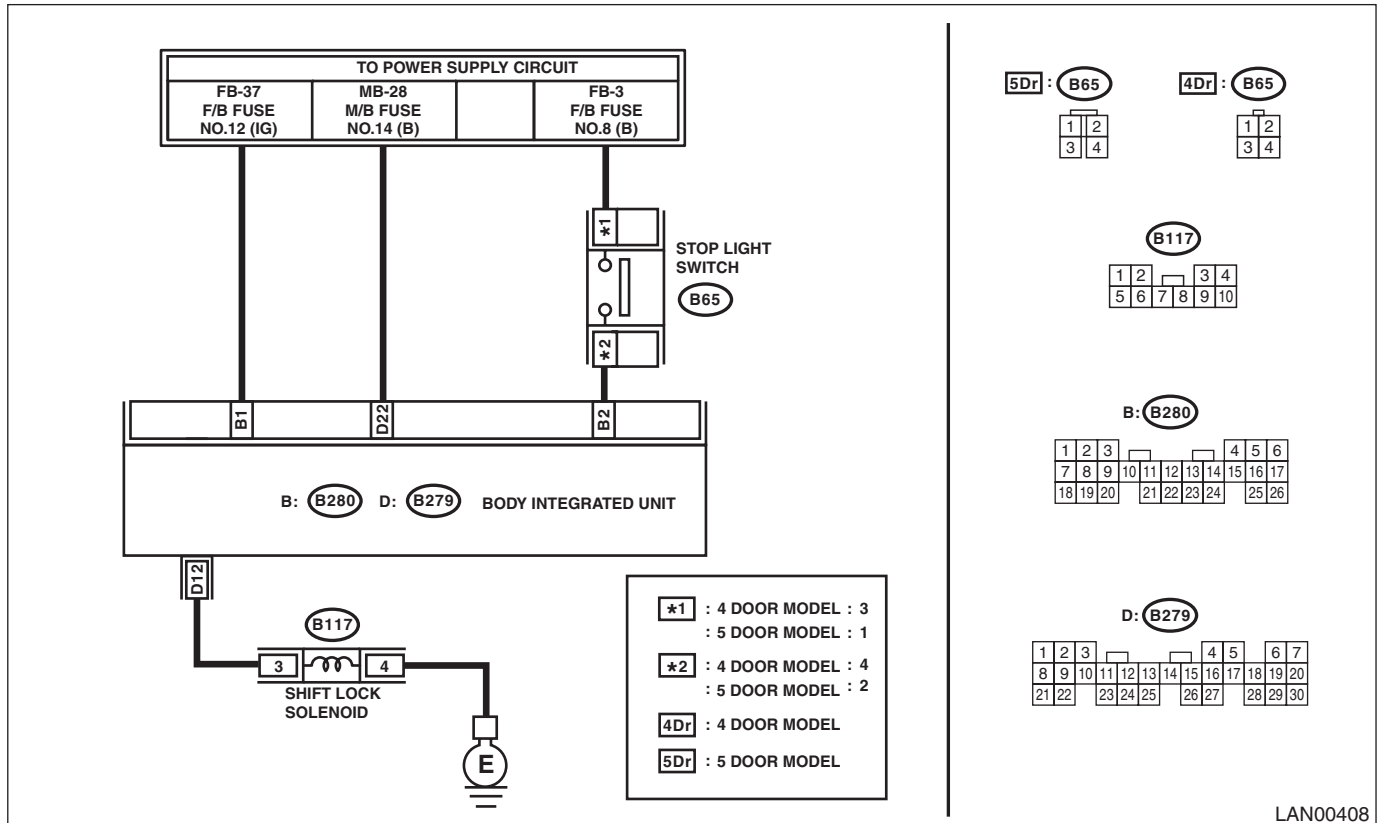
### TROUBLE SYMPTOM:

Shift lock does not be released or remain locked.

### NOTE:

P0801 may input simultaneously.

### WIRING DIAGRAM:



LAN00408

Step	Check	Yes	No
<b>1</b> <b>CHECK DTC.</b> 1) Turn the ignition switch to ON. 2) Keep the Parking range for approx. 5 seconds. 3) Read the DTC of body integrated unit using Subaru Select Monitor.	Is B1106 current malfunction?	Go to step 2.	Go to step 7.
<b>2</b> <b>CHECK DTC.</b> 1) Turn the ignition switch to OFF. 2) Disconnect the body integrated unit connector (B279) and shift lock solenoid connector (B117). 3) Connect the disconnected connectors. 4) Turn the ignition switch to ON, then keep the Parking range for approx. 5 seconds. 5) Read the DTC of body integrated unit using Subaru Select Monitor.	Is B1106 current malfunction?	Go to step 3.	Go to step 7.

# Diagnostic Procedure with Diagnostic Trouble Code (DTC)

## LAN SYSTEM (DIAGNOSTICS)

Step	Check	Yes	No
<b>3 CHECK HARNESS.</b> 1) Turn the ignition switch to OFF. 2) Disconnect the shift lock solenoid connector (B117). 3) Measure the resistance between shift lock solenoid unit and chassis ground using tester. <b>Connector &amp; terminal</b> <b>(B117) No. 4 — Chassis ground:</b>	Is the resistance less than 10 Ω?	Go to step 4.	Repair the open circuit of harness or replace harness.
<b>4 CHECK SHIFT LOCK SOLENOID.</b> Measure the resistance between the shift lock solenoid connector. <b>Connector &amp; terminal</b> <b>(B117) No. 4 — No. 3:</b>	Is the resistance 19 — 25 Ω?	Go to step 5.	Replace the shift lock solenoid.
<b>5 CHECK SHIFT LOCK SOLENOID.</b> Connect the battery terminal to shift lock solenoid. <b>Terminals</b> <b>(B117) No. 3 — positive terminal:</b> <b>(B117) No. 4 — ground terminal:</b>	Is the solenoid activated, and then the shift lock released?	Go to step 6.	Replace the shift lock solenoid.
<b>6 CHECK HARNESS.</b> 1) Disconnect the body integrated unit connector (B279). 2) Measure the resistance between body integrated unit connector (B279) and chassis ground. <b>Connector &amp; terminal</b> <b>(B279) No. 12 — Chassis ground:</b>	Is the resistance 1 MΩ or more?	Replace the body integrated unit. <Ref. to SL-50, REMOVAL, Body Integrated Unit.>	Repair the short circuit of harness or replace harness.
<b>7 CHECK DTC.</b> 1) Connect the disconnected connectors. 2) Turn the ignition switch to ON. 3) With Parking range, depress the brake pedal and keep it at depressed condition. 4) Read the DTC of body integrated unit using Subaru Select Monitor.	Is B1106 current malfunction?	Go to step 8.	Go to step 9.
<b>8 CHECK DTC.</b> 1) Turn the ignition switch to OFF. 2) Disconnect the body integrated unit connector (B279) and shift lock solenoid connector (B117). 3) Connect the disconnected connectors. 4) Turn the ignition switch to ON. 5) Shift into Parking range, then depress the brake pedal. 6) Read the DTC of body integrated unit using Subaru Select Monitor.	Is B1106 current malfunction?	Go to step 4.	Go to step 9.
<b>9 CHECK CONNECTOR.</b> 1) Turn the ignition switch to OFF. 2) Disconnect the body integrated unit connector (B279) and shift lock solenoid connector (B117).	Is there poor contact of connector terminal?	Repair the poor contact of the terminal or replace the harness.	It is possible that temporary poor contact occurs.

## H: DTC U1201 CAN-HS COUNTER ABNORMAL

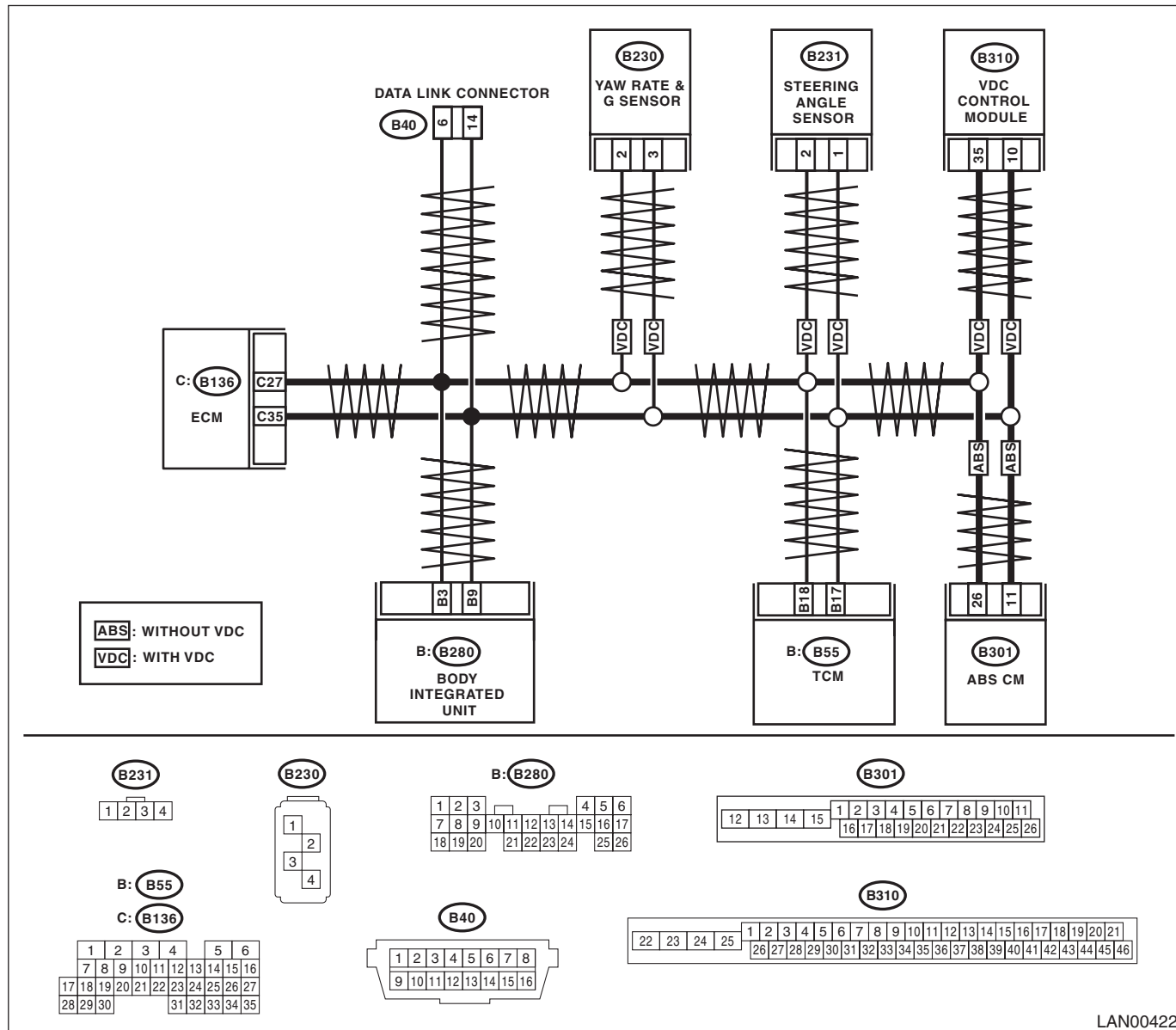
### DTC DETECTING CONDITION:

Communication is unstable because of high speed CAN communication error.

### TROUBLE SYMPTOM:

Malfunction indicator light illuminates.

### WIRING DIAGRAM:



LAN00422

# Diagnostic Procedure with Diagnostic Trouble Code (DTC)

## LAN SYSTEM (DIAGNOSTICS)

Step	Check	Yes	No
<b>1</b> <b>CHECK DTC.</b> Read all DTCs using the Subaru Select Monitor. <Ref. to LAN(diag)-15, READ DIAGNOSTIC TROUBLE CODE (DTC), OPERATION, Subaru Select Monitor.>	Are there any DTC other than U1201 or DTC not related to body integrated unit?	Perform the diagnosis according to DTC.	Go to step 2.
<b>2</b> <b>CHECK DTC.</b> Check DTC indicated by body integrated unit.	Is U1201 a current malfunction?	Go to step 3.	Go to step 14.
<b>3</b> <b>CHECK DTC.</b> 1) Turn the ignition switch to OFF. 2) Disconnect all connectors (B280, B310 or B301, B55, B136, B230, B231) that are connected to high speed CAN communication line. 3) Connect all the disconnected connectors. 4) Turn the ignition switch to ON. 5) Read the DTC of body integrated unit using Subaru Select Monitor.	Is U1201 a current malfunction?	Go to step 4.	Go to step 14.
<b>4</b> <b>CHECK TCM.</b> 1) Turn the ignition switch to OFF. 2) Disconnect the TCM connector (B55). 3) Turn the ignition switch to ON. 4) Read the DTC of body integrated unit using Subaru Select Monitor.	Is U1201 a current malfunction?	Go to step 5.	Go to step 16.
<b>5</b> <b>CHECK STEERING ANGLE SENSOR.</b> NOTE: For model without VDC, Go to step 7. 1) Turn the ignition switch to OFF. 2) Connect the TCM connector. 3) Disconnect the steering angle sensor connector (B231). 4) Turn the ignition switch to ON. 5) Read the DTC of body integrated unit using Subaru Select Monitor.	Is U1201 a current malfunction?	Go to step 6.	Go to step 17.
<b>6</b> <b>CHECK YAW RATE SENSOR.</b> 1) Turn the ignition switch to OFF. 2) Connect the steering angle sensor connector. 3) Disconnect the yaw rate sensor connector (B230). 4) Turn the ignition switch to ON. 5) Read the DTC of body integrated unit using Subaru Select Monitor.	Is U1201 a current malfunction?	Go to step 7.	Go to step 18.
<b>7</b> <b>CHECK VDC/ABS CM HARNESS.</b> 1) Turn the ignition switch to OFF. 2) Connect the yaw rate sensor connector. 3) Disconnect the VDC/ABS CM (B301 or B310) connector. 4) Install the 120 $\Omega$ resistance to VDC/ABS CM connector terminals. <b>Terminals</b> <b>Models with VDC</b> (B310) No. 10 — No. 35: <b>Models without VDC</b> (B301) No. 11 — No. 26: 5) Using the tester, measure the resistance between terminals of data link connector. <b>Terminals</b> (B40) No. 6 — No. 14:	Is the resistance 60 $\Omega$ ?	Go to step 8.	Go to step 10.

# Diagnostic Procedure with Diagnostic Trouble Code (DTC)

LAN SYSTEM (DIAGNOSTICS)

Step	Check	Yes	No
<b>8</b> <b>CHECK DTC.</b> 1) Turn the ignition switch to ON. 2) Read the DTC of body integrated unit using Subaru Select Monitor.	Is U1201 a current malfunction?	Go to step 16.	Go to step 9.
<b>9</b> <b>CHECK DTC.</b> Read the DTC of body integrated unit using Subaru Select Monitor.	Is U1202 a current malfunction?	Replace the VDC/ABS CM. <Ref. to ABS-6, REMOVAL, ABS Control Module and Hydraulic Control Unit (ABSCM&H/U).> <Ref. to VDC-7, REMOVAL, VDC Control Module and Hydraulic Control Unit (VDCCM&H/U).>	Go to step 10.
<b>10</b> <b>CHECK ECM.</b> 1) Turn the ignition switch to OFF. 2) Connect the VDC/ABS CM. 3) Disconnect the ECM connector (B136). 4) Install the 120 Ω resistance to ECM connector.  <i>Terminals</i> <i>(B136) No. 27 — No. 35:</i> 5) Using the tester, measure the resistance between terminals of data link connector.  <i>Connector &amp; terminal</i> <i>(B40) No. 6 — No. 14:</i>	Is the resistance 60 Ω?	Go to step 11.	Repair or replace the open circuit of harness.
<b>11</b> <b>CHECK DTC.</b> 1) Turn the ignition switch to ON. 2) Read the DTC of body integrated unit using Subaru Select Monitor.	Is U1201 a current malfunction?	Go to step 12.	Repair or replace the open circuit of measured related harness.
<b>12</b> <b>CHECK DTC.</b> Read the DTC of body integrated unit using Subaru Select Monitor.	Is U1202 a current malfunction?	Replace the ECM. <Ref. to FU(H4SO)-45, REMOVAL, Engine Control Module (ECM).> <Ref. to FU(H4DOTC)-52, REMOVAL, Engine Control Module (ECM).>	Go to step 13.
<b>13</b> <b>CHECK DTC.</b> 1) Reconnect all the disconnected connectors. 2) Turn the ignition switch to ON. 3) Read the DTC of body integrated unit using Subaru Select Monitor.	Is U1201 a current malfunction?	Replace the body integrated unit. <Ref. to SL-50, REMOVAL, Body Integrated Unit.>	Go to step 14.
<b>14</b> <b>CHECK HARNESS.</b> 1) Shake the instrument harness and bulk-head harness, rear harness. 2) Read the DTC of body integrated unit using Subaru Select Monitor.	Is U1201 a current malfunction?	Repair or replace the harness.	Go to step 15.



## Diagnostic Procedure with Diagnostic Trouble Code (DTC)

### LAN SYSTEM (DIAGNOSTICS)

Step	Check	Yes	No
<b>15 CHECK CONNECTOR.</b> 1) Disconnect the connector used for CAN circuit. 2) Check the connector terminal.	Is there poor contact of connector terminal?	Repair the connector terminal where poor contact exists, or replace harness.	Replace the ECM. <Ref. to FU(H4SO)-45, REMOVAL, Engine Control Module (ECM).> <Ref. to FU(H4DOTC)-52, Engine Control Module (ECM).>
<b>16 CHECK HARNESS.</b> Using the tester, inspect the open circuit of harness and short (power supply-output short, GND-output short) between terminals of data link connector and TCM. <i><b>Connector &amp; terminal</b></i> <i><b>(B40) No. 14 — (B55) No. 17:</b></i> <i><b>(B40) No. 6 — (B55) No. 18:</b></i>	Is harness normal?	Go to step 17.	Repair or replace the harness.
<b>17 CHECK HARNESS.</b> Using the tester, inspect the open circuit of harness and short (power supply-output short, GND-output short) between terminals of data link connector and steering angle sensor. <i><b>Connector &amp; terminal</b></i> <i><b>(B40) No. 14 — (B231) No. 1:</b></i> <i><b>(B40) No. 6 — (B231) No. 2:</b></i>	Is harness normal?	Go to step 18.	Repair or replace the harness.
<b>18 CHECK HARNESS.</b> Using the tester, inspect the open circuit of harness and short (power supply-output short, GND-output short) between terminals of data link connector and yaw rate sensor. <i><b>Connector &amp; terminal</b></i> <i><b>(B40) No. 14 — (B230) No. 3:</b></i> <i><b>(B40) No. 6 — (B230) No. 2:</b></i>	Is harness normal?	Replace the yaw rate sensor. <Ref. to VDC-16, REMOVAL, Yaw Rate and G Sensor.>	Repair or replace the harness.

## I: DTC U1202 CAN-HS BUS OFF

### DTC DETECTING CONDITION:

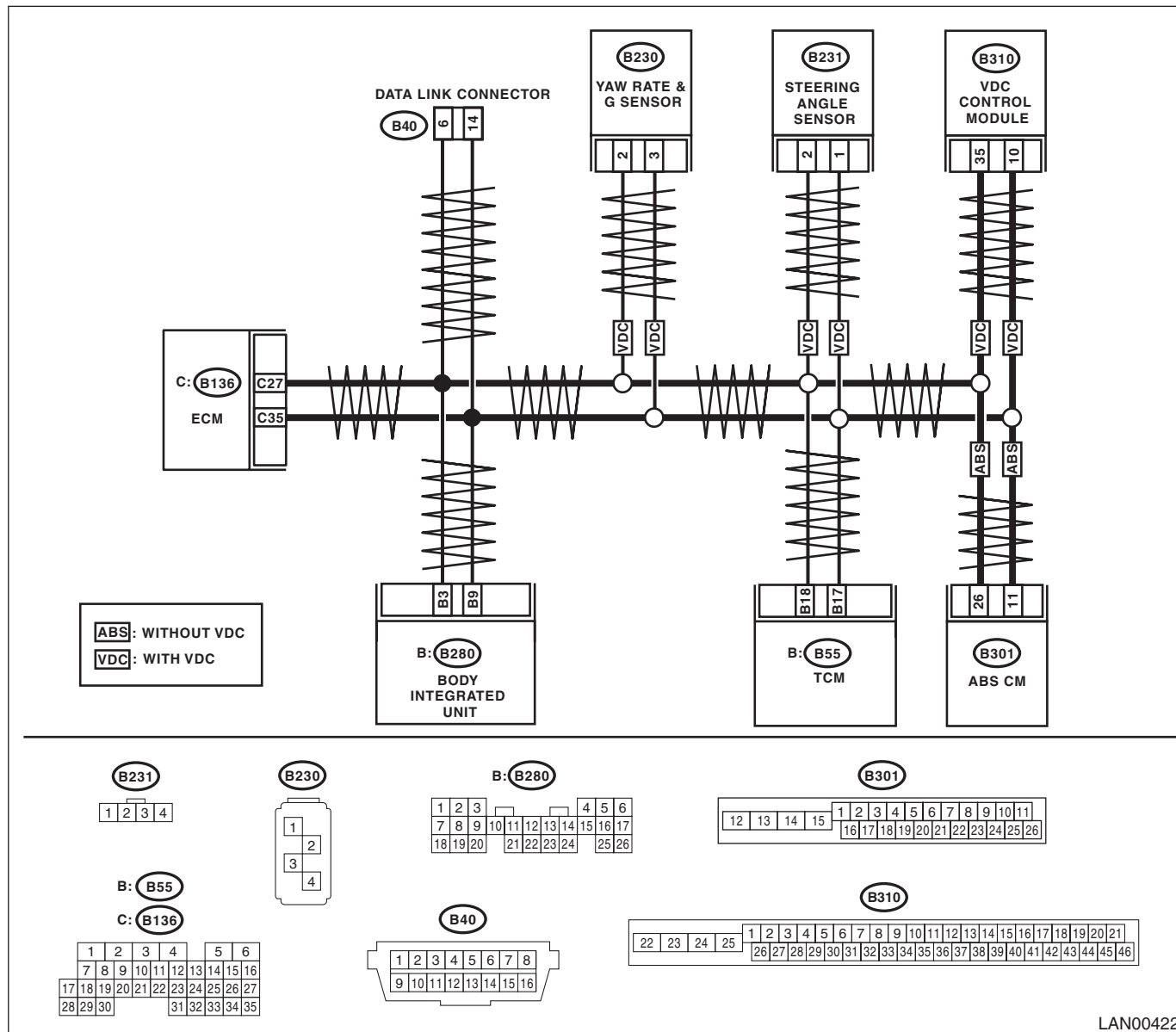
Communication with body integrated unit is not possible because of the following reasons.

- Open or power supply-output short, GND-output short occurs in CAN line.
- End resistance malfunction
- Internal error in each control module

### TROUBLE SYMPTOM:

Each warning light illuminates because the CAN communication (sending and receiving) is not normal.

### WIRING DIAGRAM:



LAN00422

# Diagnostic Procedure with Diagnostic Trouble Code (DTC)

## LAN SYSTEM (DIAGNOSTICS)

	Step	Check	Yes	No
1	<b>CHECK DTC.</b> Using the Subaru Select Monitor, confirm all DTCs. <Ref. to LAN(diag)-15, READ DIAGNOSTIC TROUBLE CODE (DTC), OPERATION, Subaru Select Monitor.>	Is any DTC other than for the body integrated unit displayed?	Perform the diagnosis according to displayed DTC.	Go to step 2.
2	<b>CHECK DTC.</b> 1) Turn the ignition switch to OFF → ON. 2) Read the DTC of body integrated unit using Subaru Select Monitor.	Is U1202 a current malfunction?	Go to step 3.	Go to step 10.
3	<b>CHECK DTC.</b> 1) Turn the ignition switch to OFF. 2) Disconnect all connectors (B280, B310 or B301, B55, B136, B230, B231) that are connected to high speed CAN communication line. 3) Connect the disconnected connectors. 4) Turn the ignition switch to ON. 5) Read the DTC of body integrated unit using Subaru Select Monitor.	Is U1202 a current malfunction?	Go to step 4.	Go to step 10.
4	<b>CHECK HARNESS.</b> 1) Turn the ignition switch to OFF. 2) Disconnect all connectors (B280, B310 or B301, B55, B136, B230, B231) that are connected to high speed CAN communication line. 3) Using the tester, inspect the open circuit of harness and short (power supply-output short, GND-output short). <b>Connector &amp; terminal</b> <b>Models with VDC</b> (B40) No. 6 — (B136) No. 27: (B40) No. 6 — (B310) No. 35: (B40) No. 6 — (B230) No. 2: (B40) No. 6 — (B231) No. 2: (B40) No. 6 — (B55) No. 18: (B40) No. 6 — (B280) No. 3: <b>Models without VDC</b> (B40) No. 6 — (B136) No. 27: (B40) No. 6 — (B301) No. 26: (B40) No. 6 — (B55) No. 18: (B40) No. 6 — (B280) No. 3:	Is harness normal?	Go to step 5.	Repair or replace the harness.
5	<b>CHECK HARNESS.</b> Using the tester, inspect the open circuit of harness and short (power supply-output short, GND-output short). <b>Connector &amp; terminal</b> <b>Models with VDC</b> (B40) No. 14 — (B136) No. 35: (B40) No. 14 — (B310) No. 10: (B40) No. 14 — (B230) No. 3: (B40) No. 14 — (B231) No. 1: (B40) No. 14 — (B55) No. 17: (B40) No. 14 — (B280) No. 9: <b>Models without VDC</b> (B40) No. 14 — (B136) No. 35: (B40) No. 14 — (B301) No. 11: (B40) No. 14 — (B55) No. 17: (B40) No. 14 — (B280) No. 9:	Is harness normal?	Go to step 6.	Repair or replace the harness.

# Diagnostic Procedure with Diagnostic Trouble Code (DTC)

LAN SYSTEM (DIAGNOSTICS)

	Step	Check	Yes	No
6	<b>CHECK ECM.</b> 1) Connect the ECM. 2) Using the tester, measure the resistance between terminals of data link connector. <b>Connector &amp; terminal</b> <b>(B40) No. 6 — No. 14:</b>	Is the resistance 120±5 Ω?	Go to step 7.	Replace the ECM. <Ref. to FU(H4SO)-45, REMOVAL, Engine Control Module (ECM).> <Ref. to FU(H4DOTC)-52, REMOVAL, Engine Control Module (ECM).>
7	<b>CHECK VDC/ABS CM.</b> 1) Disconnect the ECM connector (B136). 2) Connect the VDC/ABS CM. 3) Using the tester, measure the resistance between terminals of data link connector. <b>Connector &amp; terminal</b> <b>(B40) No. 6 — No. 14:</b>	Is the resistance 120±5 Ω?	Go to step 8.	Replace the VDC/ABS CM. <Ref. to VDC-7, REMOVAL, VDC Control Module and Hydraulic Control Unit (VDCCM&H/U).>
8	<b>CHECK HARNESS.</b> 1) Connect the disconnected connectors. 2) Using the tester, measure the resistance between terminals of data link connector and chassis ground. <b>Connector &amp; terminal</b> <b>(B40) No. 6 — Chassis ground:</b> <b>(B40) No. 14 — Chassis ground:</b>	Is the resistance 1 MΩ or more?	Go to step 9.	Go to step 12.
9	<b>CHECK HARNESS.</b> 1) Turn the ignition switch to ON. 2) Using the tester, measure the voltage between terminals of data link connector and chassis ground. <b>Connector &amp; terminal</b> <b>(B40) No. 6 — Chassis ground:</b> <b>(B40) No. 14 — Chassis ground:</b>	Is the voltage 6 V or more?	Go to step 13.	Replace the body integrated unit. <Ref. to SL-50, REMOVAL, Body Integrated Unit.>
10	<b>CHECK HARNESS.</b> 1) Shake the harness. 2) Read the DTC of body integrated unit using Subaru Select Monitor.	Is U1202 a current malfunction?	Repair or replace the harness.	Go to step 11.
11	<b>CHECK CONNECTOR.</b> Disconnect the connector used for high speed CAN circuit.	Is there poor contact of connector terminal?	Repair the connector terminal, or replace harness.	It is possible that temporary poor contact occurs.
12	<b>CHECK CONTROL MODULE.</b> With the tester connected, disconnect each control module connector.	Is there any control module whose resistance has changed?	Replace the control module whose resistance has changed.	Repair or replace the open or short circuit of the harness.
13	<b>CHECK ECM.</b> With the tester connected, disconnect each control module connector.	Is there any control module whose voltage has changed?	Replace the control module whose voltage has changed.	Repair or replace the short circuit of the harness.

# Diagnostic Procedure with Diagnostic Trouble Code (DTC)

LAN SYSTEM (DIAGNOSTICS)

## J: DTC U1211 CAN-HS ECM DATA ABNORMAL

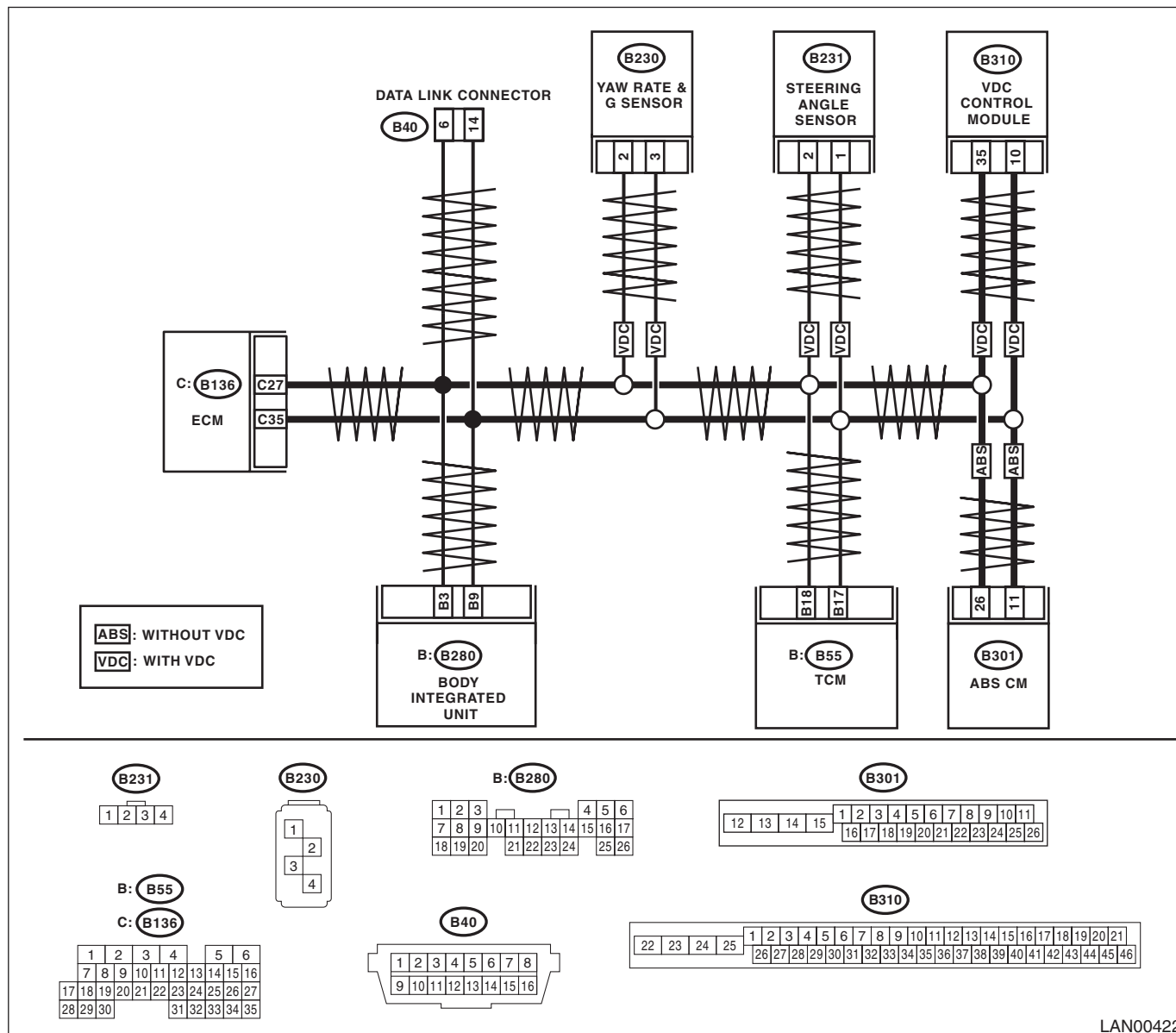
### DTC DETECTING CONDITION:

Received error data from ECM.

### TROUBLE SYMPTOM:

It is possible that engine control error may occur.

### WIRING DIAGRAM:



LAN00422

# Diagnostic Procedure with Diagnostic Trouble Code (DTC)

LAN SYSTEM (DIAGNOSTICS)

	Step	Check	Yes	No
1	<b>CHECK DTC.</b> Read all DTCs using the Subaru Select Monitor. <Ref. to LAN(diag)-15, READ DIAGNOSTIC TROUBLE CODE (DTC), OPERATION, Subaru Select Monitor.>	Is there DTC U1202?	Perform the diagnosis according to DTC.	Go to step 2.
2	<b>CHECK DTC.</b> Read the DTC of body integrated unit using Subaru Select Monitor.	Is U1211 a current malfunction?	Go to step 3.	Go to step 4.
3	<b>CHECK ECM.</b> 1) Turn the ignition switch to OFF. 2) Disconnect the connector from ECM. 3) Connect the disconnected connectors. 4) Turn the ignition switch to ON. 5) Read the DTC of body integrated unit using Subaru Select Monitor.	Is U1211 a current malfunction?	Replace the ECM. <Ref. to FU(H4SO)-45, REMOVAL, Engine Control Module (ECM).> <Ref. to FU(H4DOTC)-52, REMOVAL, Engine Control Module (ECM).>	Go to step 4.
4	<b>CHECK HARNESS.</b> 1) Shake the harness used for CAN communication circuit. 2) Read the DTC of body integrated unit using Subaru Select Monitor.	Is U1211 a current malfunction?	Repair the poor contact or temporary open circuit of harness.	Go to step 5.
5	<b>CHECK CONNECTOR.</b> 1) Turn the ignition switch to OFF. 2) Disconnect the connector that is connected to high speed CAN circuit.	Is there poor contact of connector?	Repair the connector terminal where poor contact exists, or replace harness.	It is possible that temporary poor contact occurs.

# Diagnostic Procedure with Diagnostic Trouble Code (DTC)

LAN SYSTEM (DIAGNOSTICS)

## K: DTC U1212 CAN-HS TCM DATA ABNORMAL

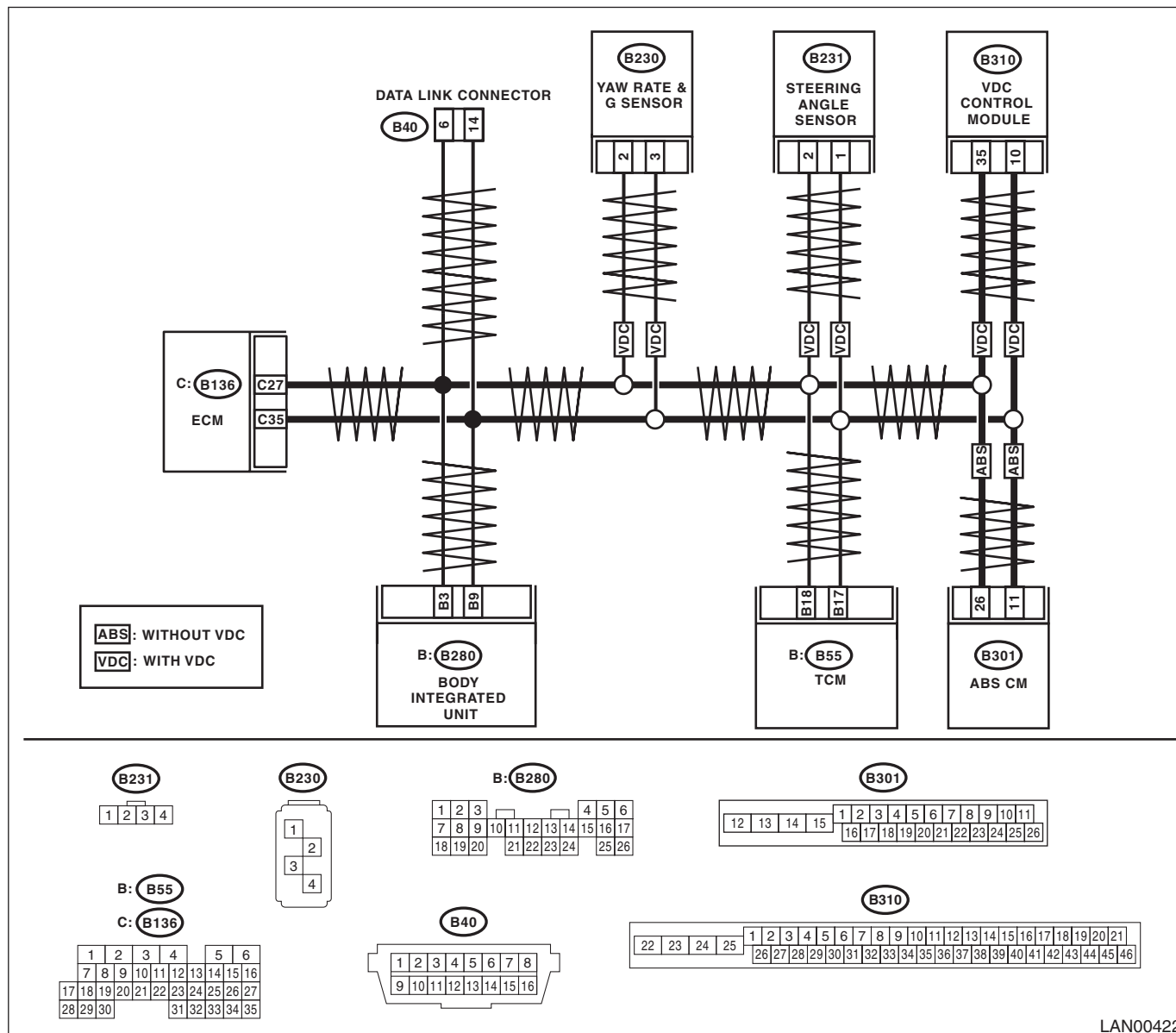
### DTC DETECTING CONDITION:

Received error data from TCM.

### TROUBLE SYMPTOM:

It is possible that transmission control error may occur.

### WIRING DIAGRAM:



LAN00422

# Diagnostic Procedure with Diagnostic Trouble Code (DTC)

LAN SYSTEM (DIAGNOSTICS)

	Step	Check	Yes	No
1	<b>CHECK DTC.</b> Read all DTCs using the Subaru Select Monitor. <Ref. to LAN(diag)-15, READ DIAGNOSTIC TROUBLE CODE (DTC), OPERATION, Subaru Select Monitor.>	Is there DTC U1202?	Perform the diagnosis according to DTC.	Go to step 2.
2	<b>CHECK DTC.</b> Read the DTC of body integrated unit using Subaru Select Monitor.	Is U1212 a current malfunction?	Go to step 3.	Go to step 4.
3	<b>CHECK DTC.</b> 1) Turn the ignition switch to OFF. 2) Disconnect the connector from TCM. 3) Connect the disconnected connectors. 4) Turn the ignition switch to ON. 5) Read the DTC of body integrated unit using Subaru Select Monitor.	Is U1212 a current malfunction?	Replace the TCM. <Ref. to 4AT-63, Transmission Control Module (TCM).>	Go to step 4.
4	<b>CHECK HARNESS.</b> 1) Turn the ignition switch to OFF. 2) Shake the harness used for CAN communication circuit. 3) Turn the ignition switch to ON. 4) Read the DTC of body integrated unit using Subaru Select Monitor.	Is U1212 a current malfunction?	Repair or replace the harness.	Go to step 5.
5	<b>CHECK CONNECTOR.</b> 1) Turn the ignition switch to OFF. 2) Disconnect the connector that is connected to high speed CAN circuit.	Is there poor contact of connector terminal?	Repair the connector terminal, or replace harness.	Temporary poor contact occurs.



# Diagnostic Procedure with Diagnostic Trouble Code (DTC)

LAN SYSTEM (DIAGNOSTICS)

## L: DTC U1213 CAN-HS VDC/ABS DATA ABNORMAL

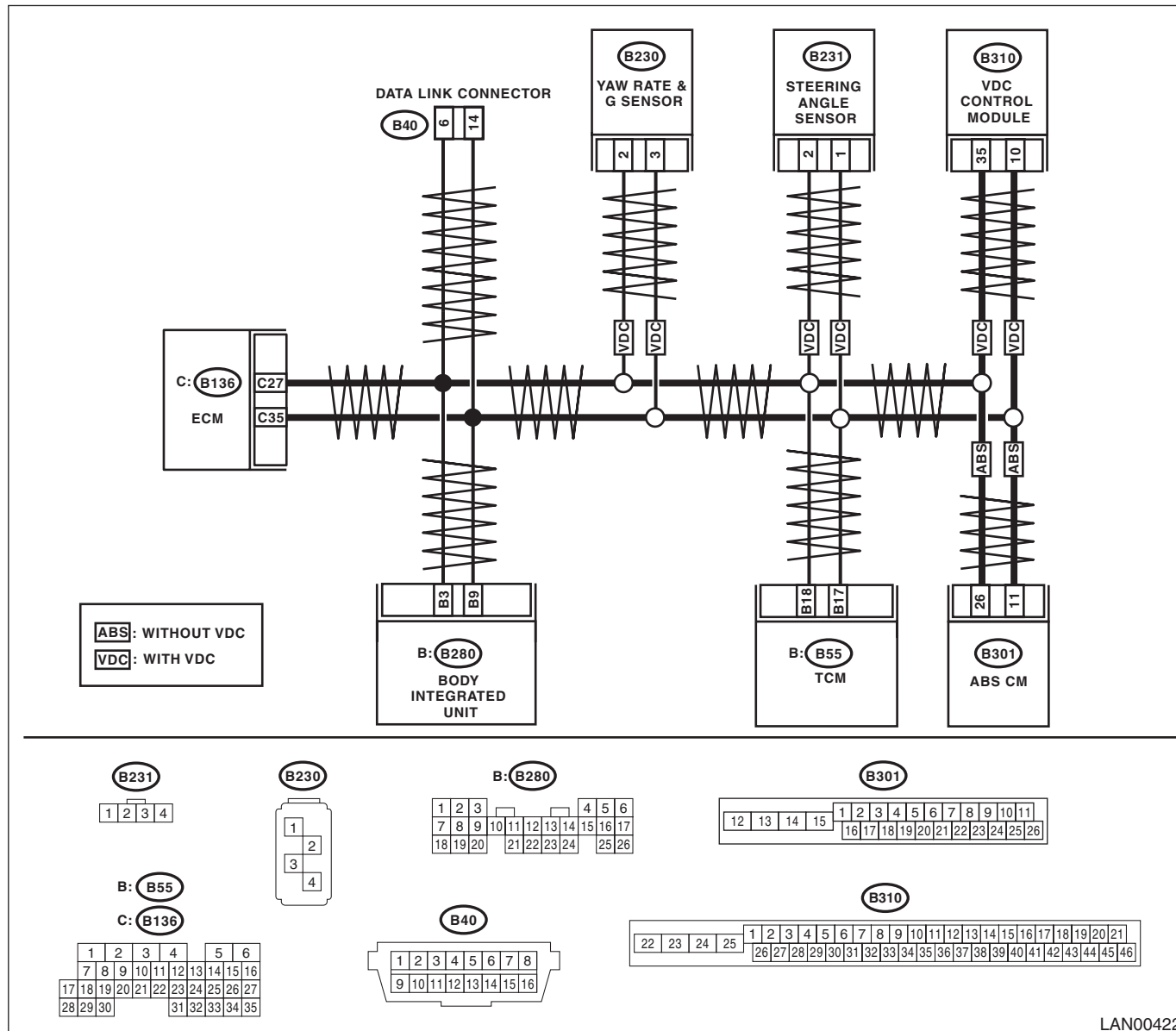
### DTC DETECTING CONDITION:

Received error data from VDC/ABS CM.

### TROUBLE SYMPTOM:

It is possible that brake control error may occur.

### WIRING DIAGRAM:



LAN00422

# Diagnostic Procedure with Diagnostic Trouble Code (DTC)

LAN SYSTEM (DIAGNOSTICS)

	Step	Check	Yes	No
1	<b>CHECK DTC.</b> Read all DTCs using the Subaru Select Monitor. <Ref. to LAN(diag)-15, READ DIAGNOSTIC TROUBLE CODE (DTC), OPERATION, Subaru Select Monitor.>	Is there DTC U1202?	Perform the diagnosis according to DTC.	Go to step 2.
2	<b>CHECK DTC.</b> Read the DTC of body integrated unit using Subaru Select Monitor.	Is U1213 a current malfunction?	Go to step 3.	Go to step 4.
3	<b>CHECK DTC.</b> 1) Turn the ignition switch to OFF. 2) Disconnect the VDC/ABS CM connector. 3) Connect the disconnected connectors. 4) Turn the ignition switch to ON. 5) Read the DTC of body integrated unit using Subaru Select Monitor.	Is U1213 a current malfunction?	Replace the VDC/ABS CM. <Ref. to VDC-7, VDC Control Module and Hydraulic Control Unit (VDCCM&H/U).>	Go to step 4.
4	<b>CHECK HARNESS.</b> 1) Turn the ignition switch to OFF. 2) Shake the harness used for CAN communication circuit. 3) Turn the ignition switch to ON. 4) Read the DTC of body integrated unit using Subaru Select Monitor.	Is U1213 a current malfunction?	Repair or replace the harness.	Go to step 5.
5	<b>CHECK CONNECTOR.</b> 1) Turn the ignition switch to OFF. 2) Disconnect the connector that is connected to high speed CAN circuit.	Is there poor contact of connector terminal?	Repair the connector terminal, or replace harness.	It is possible that temporary poor communication occurs.

# Diagnostic Procedure with Diagnostic Trouble Code (DTC)

LAN SYSTEM (DIAGNOSTICS)

## M: DTC U1221 CAN-HS ECM NO-RECEIVE DATA

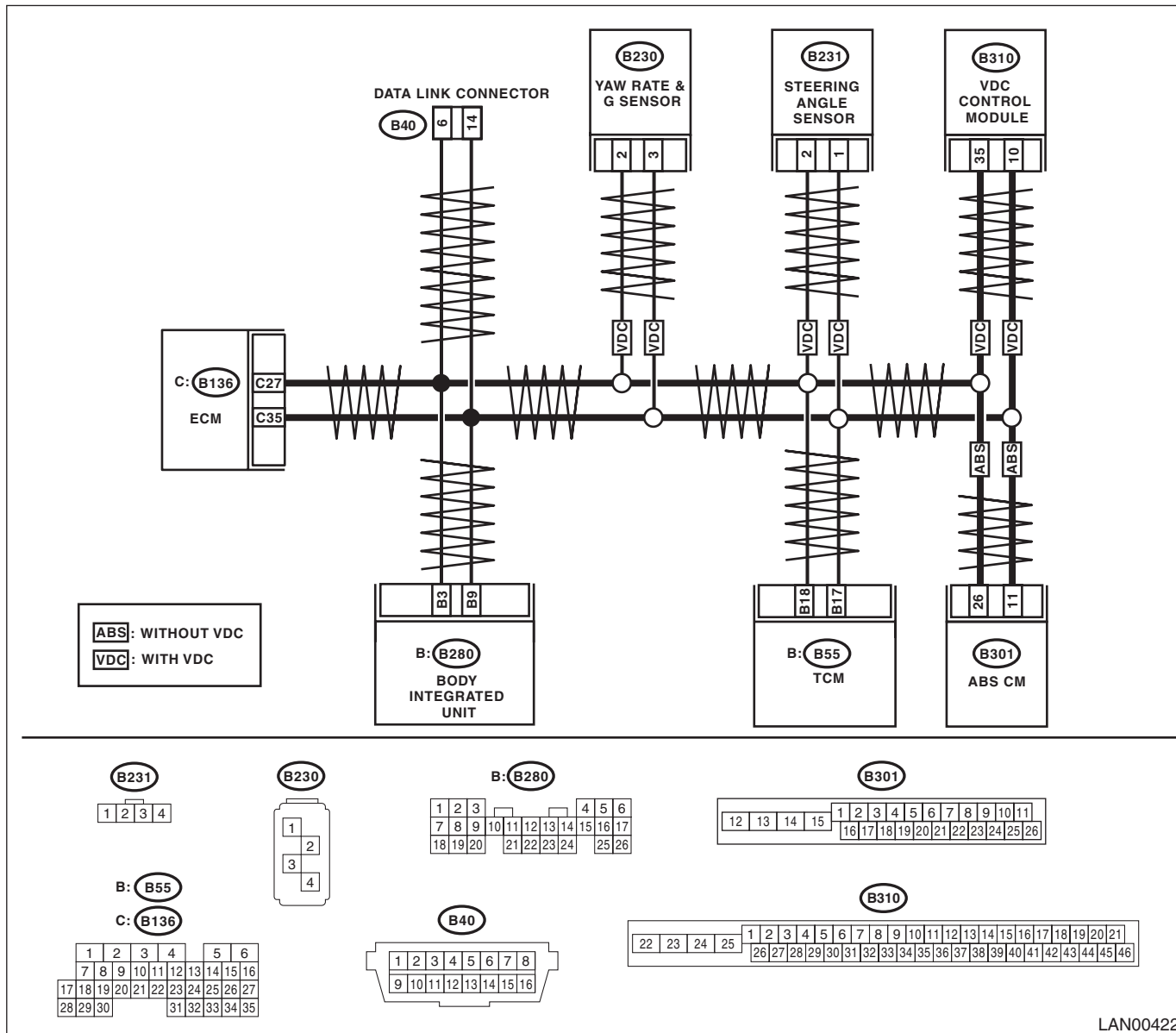
### DTC DETECTING CONDITION:

Not received data from ECM. (If error is in the main harness, DTC P0600 CAN communication link is input simultaneously.)

### TROUBLE SYMPTOM:

Malfunction indicator light illuminates.

### WIRING DIAGRAM:



LAN00422

# Diagnostic Procedure with Diagnostic Trouble Code (DTC)

LAN SYSTEM (DIAGNOSTICS)

Step	Check	Yes	No
<b>1</b> <b>CHECK DTC.</b> Read all DTCs using the Subaru Select Monitor. <Ref. to LAN(diag)-15, READ DIAGNOSTIC TROUBLE CODE (DTC), OPERATION, Subaru Select Monitor.>	Is there DTC U1202?	Perform the diagnosis according to DTC.	Go to step 2.
<b>2</b> <b>CHECK DTC.</b> Read the DTC of body integrated unit using Subaru Select Monitor.	Is U1221 a current malfunction?	Go to step 3.	Go to step 8.
<b>3</b> <b>CHECK DTC.</b> 1) Turn the ignition switch to OFF. 2) Disconnect all connectors (B280, B310 or B301, B55, B136, B230, B231) that are connected to high speed CAN communication line. 3) Connect the disconnected connectors. 4) Turn the ignition switch to ON. 5) Read the DTC of body integrated unit using Subaru Select Monitor.	Is U1221 a current malfunction?	Go to step 4.	Go to step 8.
<b>4</b> <b>CHECK HARNESS.</b> 1) Turn the ignition switch to OFF. 2) Disconnect all connectors (B280, B310 or B301, B55, B136, B230, B231) that are connected to high speed CAN communication line. 3) Using the tester, inspect the open circuit of harness and short (power supply-output short, GND-output short). <b>Connector &amp; terminal</b> <b>Models with VDC</b> (B40) No. 6 — (B136) No. 27: (B40) No. 6 — (B310) No. 35: (B40) No. 6 — (B230) No. 2: (B40) No. 6 — (B231) No. 2: (B40) No. 6 — (B55) No. 18: (B40) No. 6 — (B280) No. 3: <b>Models without VDC</b> (B40) No. 6 — (B136) No. 27: (B40) No. 6 — (B301) No. 26: (B40) No. 6 — (B55) No. 18: (B40) No. 6 — (B280) No. 3:	Is harness normal?	Go to step 5.	Repair or replace the harness.
<b>5</b> <b>CHECK HARNESS.</b> Using the tester, inspect the open circuit of harness and short (power supply-output short, GND-output short). <b>Connector &amp; terminal</b> <b>Models with VDC</b> (B40) No. 14 — (B136) No. 35: (B40) No. 14 — (B310) No. 10: (B40) No. 14 — (B230) No. 3: (B40) No. 14 — (B231) No. 1: (B40) No. 14 — (B55) No. 17: (B40) No. 14 — (B280) No. 9: <b>Models without VDC</b> (B40) No. 14 — (B136) No. 35: (B40) No. 14 — (B301) No. 11: (B40) No. 14 — (B55) No. 17: (B40) No. 14 — (B280) No. 9:	Is harness normal?	Go to step 6.	Repair or replace the harness.

## Diagnostic Procedure with Diagnostic Trouble Code (DTC)

### LAN SYSTEM (DIAGNOSTICS)

Step	Check	Yes	No
<b>6</b> <b>CHECK DTC.</b> 1) Turn the ignition switch to OFF. 2) Connect the disconnected connectors. 3) Start the engine. 4) Read the DTC of body integrated unit using Subaru Select Monitor.	Is U1221 a current malfunction?	Go to step 7.	Go to step 8.
<b>7</b> <b>CHECK DTC.</b> Read all DTCs using the Subaru Select Monitor.	Are DTCs P1718 or P0044, P0045, P0140 detected?	Replace the ECM. <Ref. to FU(H4SO)-45, REMOVAL, Engine Control Module (ECM).> <Ref. to FU(H4DOTC)-52, REMOVAL, Engine Control Module (ECM).>	Replace the body integrated unit. <Ref. to SL-50, REMOVAL, Body Integrated Unit.>
<b>8</b> <b>CHECK HARNESS.</b> 1) Turn the ignition switch to OFF. 2) Shake the harness used for CAN communication circuit. 3) Turn the ignition switch to ON. 4) Read the DTC of body integrated unit using Subaru Select Monitor.	Is U1221 a current malfunction?	Repair or replace the harness.	Go to step 9.
<b>9</b> <b>CHECK CONNECTOR.</b> 1) Turn the ignition switch to OFF. 2) Disconnect all the connector that is connected to high speed CAN circuit.	Is there poor contact of connector terminal?	Repair the connector terminal where poor contact exists, or replace harness.	Temporary poor contact occurs.

# Diagnostic Procedure with Diagnostic Trouble Code (DTC)

LAN SYSTEM (DIAGNOSTICS)

## N: DTC U1222 CAN-HS TCM NO-RECEIVE DATA

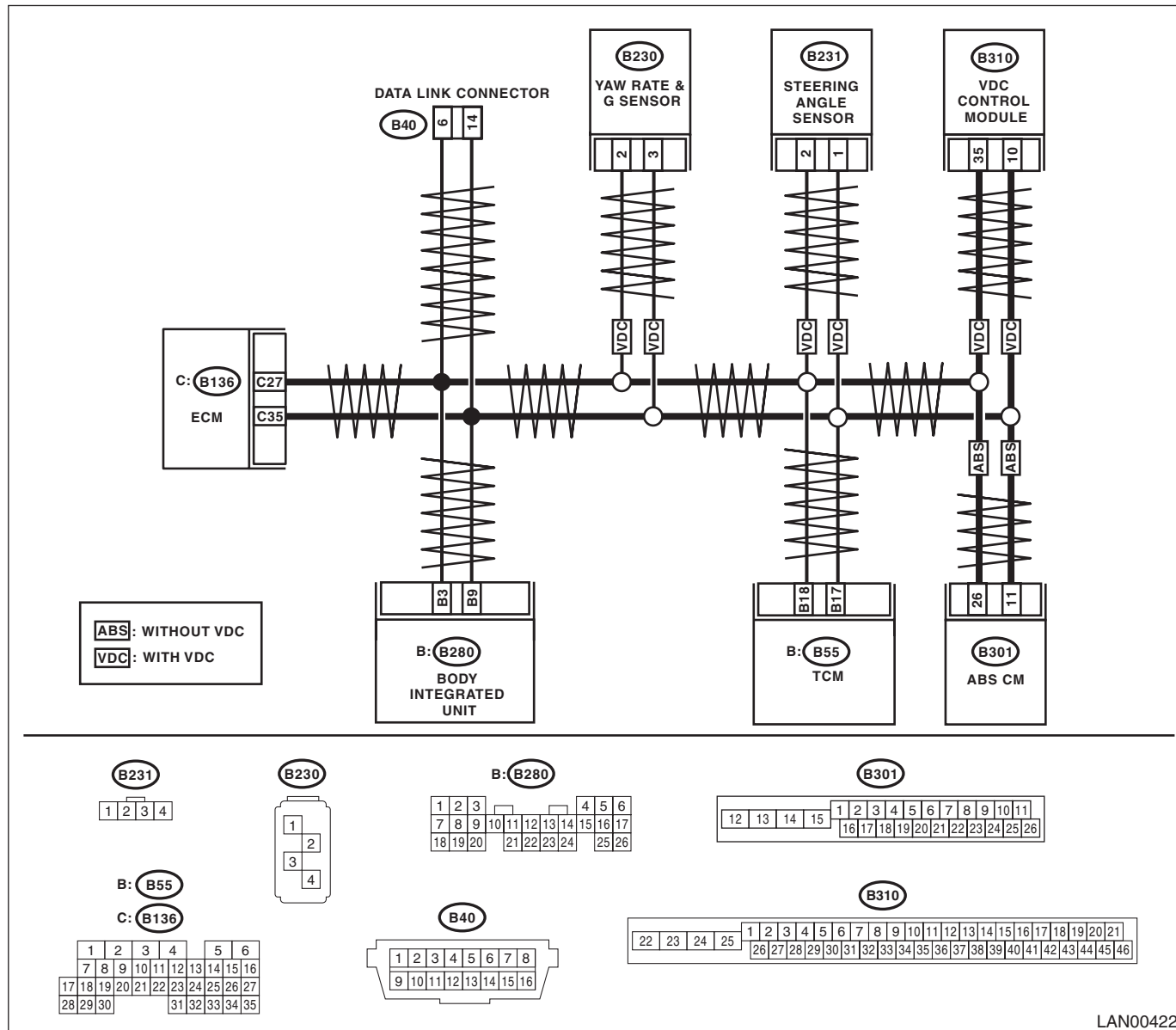
### DTC DETECTING CONDITION:

Not received data from TCM.

### TROUBLE SYMPTOM:

Malfunction indicator light illuminates.

### WIRING DIAGRAM:



LAN00422

# Diagnostic Procedure with Diagnostic Trouble Code (DTC)

## LAN SYSTEM (DIAGNOSTICS)

Step	Check	Yes	No
<b>1 CHECK DTC.</b> Read all DTCs using the Subaru Select Monitor. <Ref. to LAN(diag)-15, READ DIAGNOSTIC TROUBLE CODE (DTC), OPERATION, Subaru Select Monitor.>	Is there U1202, or any DTC other than for the body integrated unit?	Perform the diagnosis according to DTC.	Go to step 2.
<b>2 CHECK DTC.</b> Read the DTC of body integrated unit using Subaru Select Monitor.	Is U1222 a current malfunction?	Go to step 3.	Go to step 7.
<b>3 CHECK DTC.</b> 1) Turn the ignition switch to OFF. 2) Disconnect all connectors (B280, B310 or B301, B55, B136, B230, B231) that are connected to high speed CAN communication line. 3) Connect the disconnected connectors. 4) Turn the ignition switch to ON. 5) Read the DTC of body integrated unit using Subaru Select Monitor.	Is U1222 a current malfunction?	Go to step 4.	Go to step 7.
<b>4 CHECK HARNESS.</b> 1) Turn the ignition switch to OFF. 2) Disconnect all connectors (B280, B310 or B301, B55, B136, B230, B231) that are connected to high speed CAN communication line. 3) Using the tester, inspect the open circuit of harness and short (power supply-output short, GND-output short). <b>Connector &amp; terminal</b> <b>(B55) No. 17 — (B40) No. 14:</b> <b>(B55) No. 18 — (B40) No. 6:</b>	Is harness normal?	Go to step 5.	Repair or replace the harness.
<b>5 CHECK DTC.</b> 1) Connect the disconnected connectors. 2) Start the engine. 3) Read the DTC of body integrated unit using Subaru Select Monitor.	Is U1222 a current malfunction?	Go to step 6.	Go to step 7.
<b>6 CHECK DTC.</b> Using the Subaru Select Monitor, read all DTCs.	Are DTCs P0600 or P0044, P0045, C0140 displayed?	Replace the TCM. <Ref. to 4AT-63, Transmission Control Module (TCM).>	Replace the body integrated unit. <Ref. to SL-50, REMOVAL, Body Integrated Unit.>
<b>7 CHECK HARNESS.</b> 1) Shake the harness used for CAN communication circuit. 2) Read the DTC of body integrated unit using Subaru Select Monitor.	Is U1222 a current malfunction?	Repair or replace the harness.	Go to step 8.
<b>8 CHECK CONNECTOR.</b> 1) Turn the ignition switch to OFF. 2) Disconnect all the connector that is connected to high speed CAN circuit.	Is there poor contact of connector terminal?	Repair the connector terminal where poor contact exists, or replace harness.	Temporary poor contact occurs.

# Diagnostic Procedure with Diagnostic Trouble Code (DTC)

LAN SYSTEM (DIAGNOSTICS)

## O: DTC U1223 CAN-HS VDC/ABS NO-RECEIVE DATA

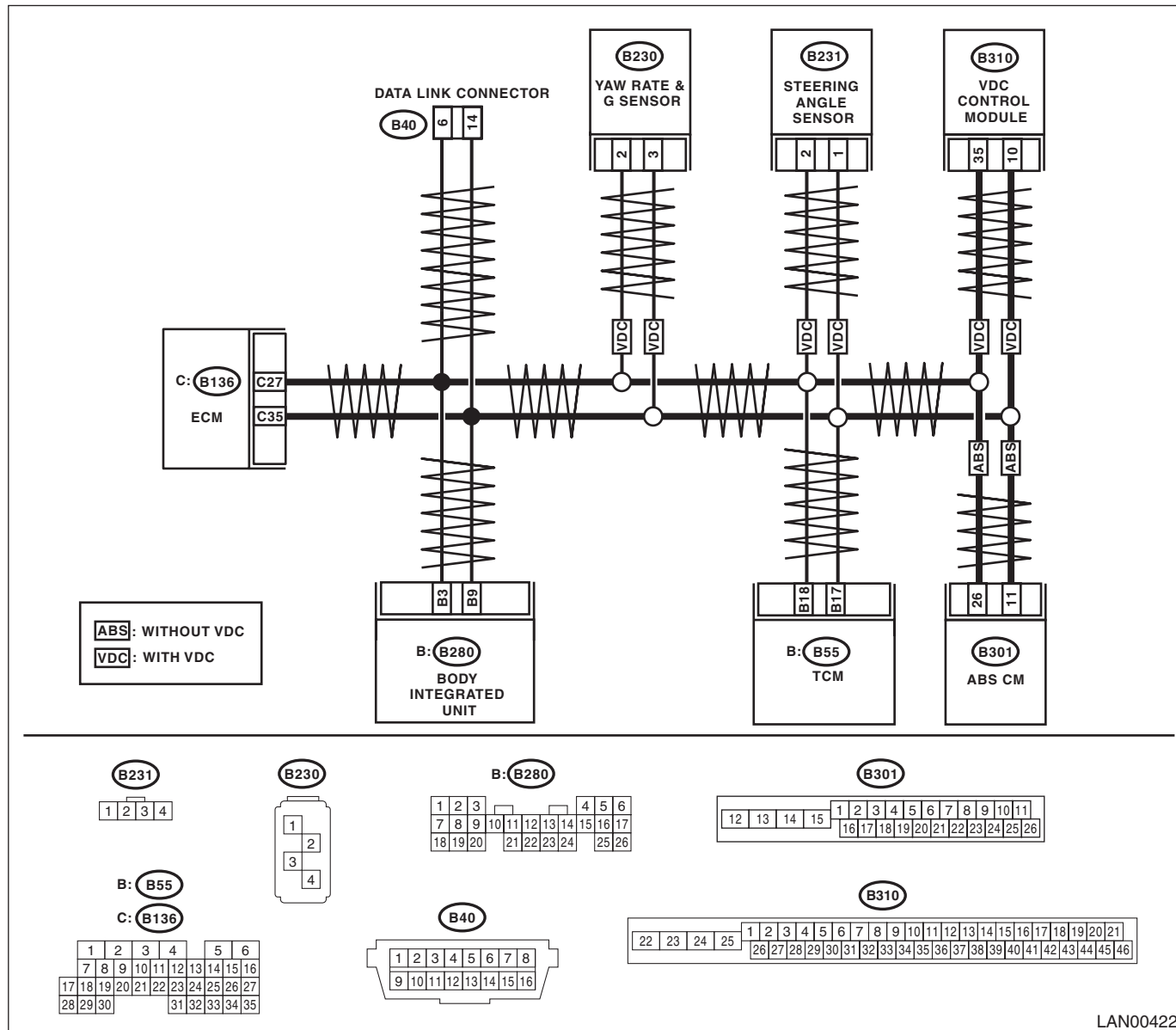
### DTC DETECTING CONDITION:

Not received data from VDC/ABS CM.

### TROUBLE SYMPTOM:

ABS warning light and VDC warning light illuminate.

### WIRING DIAGRAM:



LAN00422



# Diagnostic Procedure with Diagnostic Trouble Code (DTC)

## LAN SYSTEM (DIAGNOSTICS)

Step	Check	Yes	No
<b>1</b> <b>CHECK DTC.</b> Read all DTCs using the Subaru Select Monitor. <Ref. to LAN(diag)-15, READ DIAGNOSTIC TROUBLE CODE (DTC), OPERATION, Subaru Select Monitor.>	Is there DTC U1202?	Perform the diagnosis according to DTC.	Go to step 2.
<b>2</b> <b>CHECK DTC.</b> Read the DTC of body integrated unit using Subaru Select Monitor.	Is U1223 a current malfunction?	Go to step 3.	Go to step 7.
<b>3</b> <b>CHECK DTC.</b> 1) Turn the ignition switch to OFF. 2) Disconnect all connectors (B280, B310 or B301, B55, B136, B230, B231) that are connected to high speed CAN communication line. 3) Connect the disconnected connectors. 4) Turn the ignition switch to ON. 5) Read the DTC of body integrated unit using Subaru Select Monitor.	Is U1223 a current malfunction?	Go to step 4.	Go to step 7.
<b>4</b> <b>CHECK HARNESS.</b> 1) Turn the ignition switch to OFF. 2) Disconnect all connectors (B280, B310 or B301, B55, B136, B230, B231) that are connected to high speed CAN communication line. 3) Using the tester, inspect the open circuit of harness and short (power supply-output short, GND-output short). <b>Connector &amp; terminal</b> <b>Models with VDC</b> (B40) No. 6 — (B310) No. 35: (B40) No. 14 — (B310) No. 10: <b>Models without VDC</b> (B40) No. 6 — (B301) No. 26: (B40) No. 14 — (B301) No. 11:	Is harness normal?	Go to step 5.	Repair or replace the harness.
<b>5</b> <b>CHECK DTC.</b> 1) Connect the disconnected connectors. 2) Start the engine. 3) Read the DTC of body integrated unit using Subaru Select Monitor.	Is U1223 a current malfunction?	Go to step 6.	Go to step 7.
<b>6</b> <b>CHECK DTC.</b> Read all DTCs using the Subaru Select Monitor.	Is P1718 or P0600 displayed?	Replace the VDC/ABS CM. <Ref. to VDC-7, REMOVAL, VDC Control Module and Hydraulic Control Unit (VDCCM&H/U).>	Replace the body integrated unit. <Ref. to SL-50, REMOVAL, Body Integrated Unit.>
<b>7</b> <b>CHECK HARNESS.</b> 1) Shake the harness used for CAN communication circuit. 2) Read the DTC of body integrated unit using Subaru Select Monitor.	Is U1223 a current malfunction?	Repair or replace the harness.	Go to step 8.
<b>8</b> <b>CHECK CONNECTOR.</b> 1) Turn the ignition switch to OFF. 2) Disconnect all connectors (B280, B310 or B301, B55, B136, B230, B231) that are connected to high speed CAN communication line.	Is there connector terminal where poor contact exists?	Repair the connector terminal where poor contact exists, or replace harness.	Temporary poor contact occurs.

## P: DTC U1300 CAN-LS MALFUNCTION

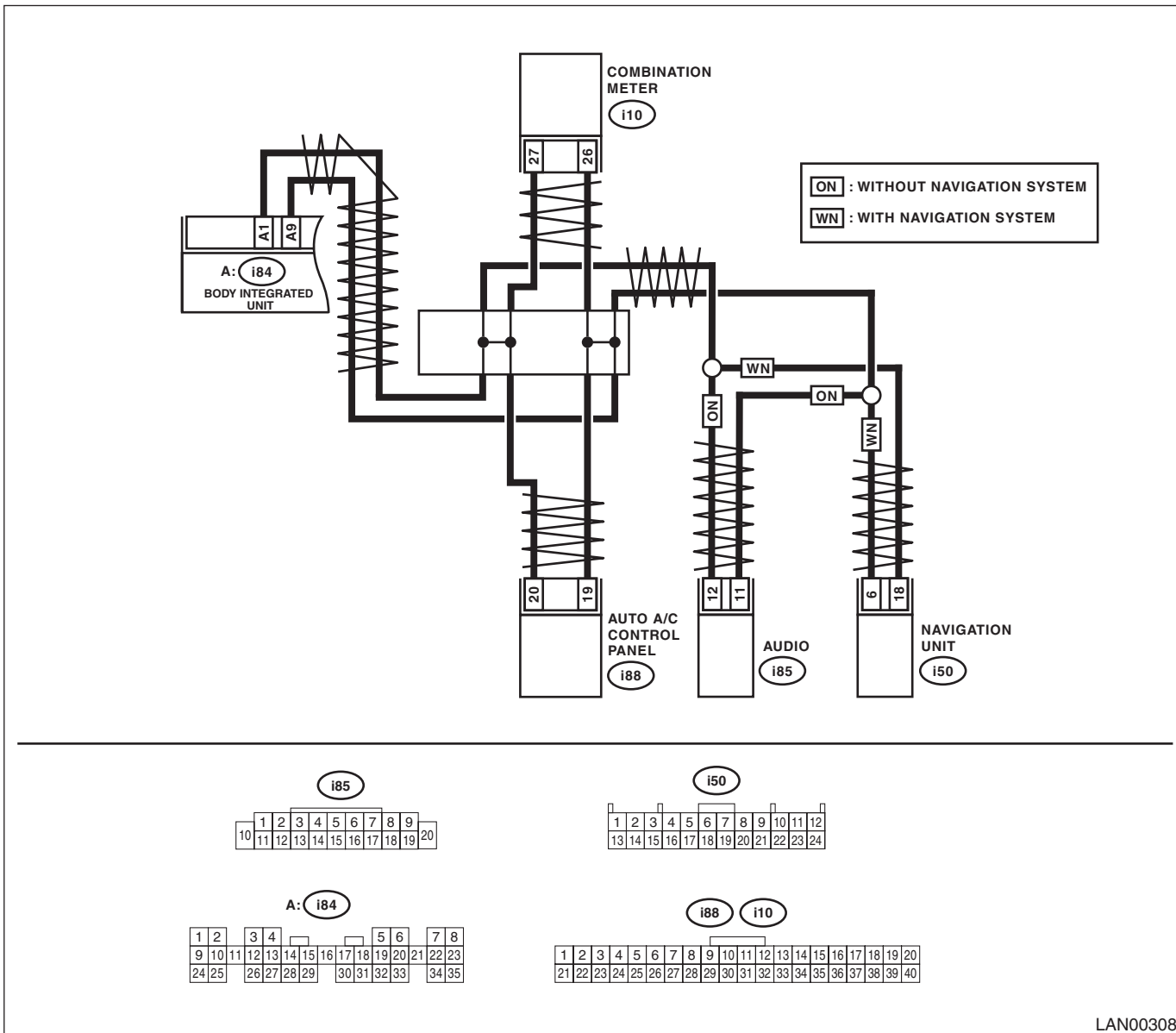
### DTC DETECTING CONDITION:

Open or short in CAN-LS circuit, on ether side

### TROUBLE SYMPTOM:

No influence.

### WIRING DIAGRAM:



LAN00308

# Diagnostic Procedure with Diagnostic Trouble Code (DTC)

## LAN SYSTEM (DIAGNOSTICS)

Step	Check	Yes	No
<b>1 CHECK DTC.</b> Read the DTC of body integrated unit using Subaru Select Monitor. <Ref. to LAN(diag)-15, READ DIAGNOSTIC TROUBLE CODE (DTC), OPERATION, Subaru Select Monitor.>	Is U1300 a current malfunction?	Go to step 2.	Go to step 7.
<b>2 CHECK DTC.</b> 1) Disconnect all connectors (i84, i10, i88, i85 or i50) that are connected to low speed CAN communication line. 2) Connect the disconnected connectors. 3) Turn the ignition switch to ON. 4) Read the DTC of body integrated unit using Subaru Select Monitor.	Is U1300 a current malfunction?	Go to step 3.	Go to step 7.
<b>3 CHECK HARNESS.</b> 1) Turn the ignition switch to OFF. 2) Disconnect all connectors (i84, i10, i88, i85 or i50) that are connected to low speed CAN communication line. 3) Using the tester, inspect the open circuit of harness and short (power supply-output short, GND-output short). <b>Connector &amp; terminal</b> <i>(i84) No. 1 — (i10) No. 27 (combination meter):</i> <i>(i84) No. 9 — (i10) No. 26 (combination meter):</i> <i>(i84) No. 1 — (i88) No. 20 (auto A/C):</i> <i>(i84) No. 9 — (i88) No. 19 (auto A/C):</i> <i>(i84) No. 1 — (i85) No. 12 (audio):</i> <i>(i84) No. 9 — (i85) No. 11 (audio):</i> <i>(i84) No. 1 — (i50) No. 18 (navigation):</i> <i>(i84) No. 9 — (i50) No. 6 (navigation):</i>	Is harness normal?	Go to step 4.	Repair or replace the harness.
<b>4 CHECK AUDIO OR NAVIGATION.</b> 1) Connect the disconnected connectors. 2) Disconnect the connector of navigation (i85) or audio (i50). 3) Turn the ignition switch to ON. 4) Read the DTC of body integrated unit using Subaru Select Monitor.	Is U1300 a current malfunction?	Go to step 5.	Repair the navigation or audio. <Ref. to ET-6, REMOVAL, Audio.>
<b>5 CHECK AUTO A/C CONTROL MODULE.</b> 1) Turn the ignition switch to OFF. 2) Connect the audio or navigation connectors. 3) Disconnect the auto A/C control module connector (i88). 4) Turn the ignition switch to ON. 5) Read the DTC of body integrated unit using Subaru Select Monitor.	Is U1300 a current malfunction?	Go to step 6.	Replace the auto A/C control module. <Ref. to AC-33, REMOVAL, Control Unit (Auto A/C Model).>
<b>6 CHECK BODY INTEGRATED UNIT.</b> 1) Turn the ignition switch to OFF. 2) Connect the auto A/C control module. 3) Replace the body integrated unit of your vehicle with the body integrated unit from other vehicle, which is working normally. 4) Turn the ignition switch to ON. 5) Read the DTC of body integrated unit using Subaru Select Monitor.	Is U1300 a current malfunction?	Replace the combination meter. <Ref. to IDI-16, REMOVAL, Combination Meter.>	Replace the body integrated unit. <Ref. to SL-50, REMOVAL, Body Integrated Unit.>

# Diagnostic Procedure with Diagnostic Trouble Code (DTC)

LAN SYSTEM (DIAGNOSTICS)

	<b>Step</b>	<b>Check</b>	<b>Yes</b>	<b>No</b>
<b>7</b>	<b>CHECK HARNESS.</b> 1) Turn the ignition switch to OFF. 2) Shake the harness used for CAN communication circuit. 3) Turn the ignition switch to ON. 4) Read the DTC of body integrated unit using Subaru Select Monitor.	Is U1300 a current malfunction?	Repair or replace the harness.	Go to step <b>8</b> .
<b>8</b>	<b>CHECK CONNECTOR.</b> 1) Turn the ignition switch to OFF. 2) Disconnect the connector that is connected to low speed CAN circuit.	Is there poor contact at disconnected connector?	Repair the connector terminal, or replace harness.	Temporary poor contact occurs.

# Diagnostic Procedure with Diagnostic Trouble Code (DTC)

LAN SYSTEM (DIAGNOSTICS)

## Q: DTC U1301 CAN-LS COUNTER ABNORMAL

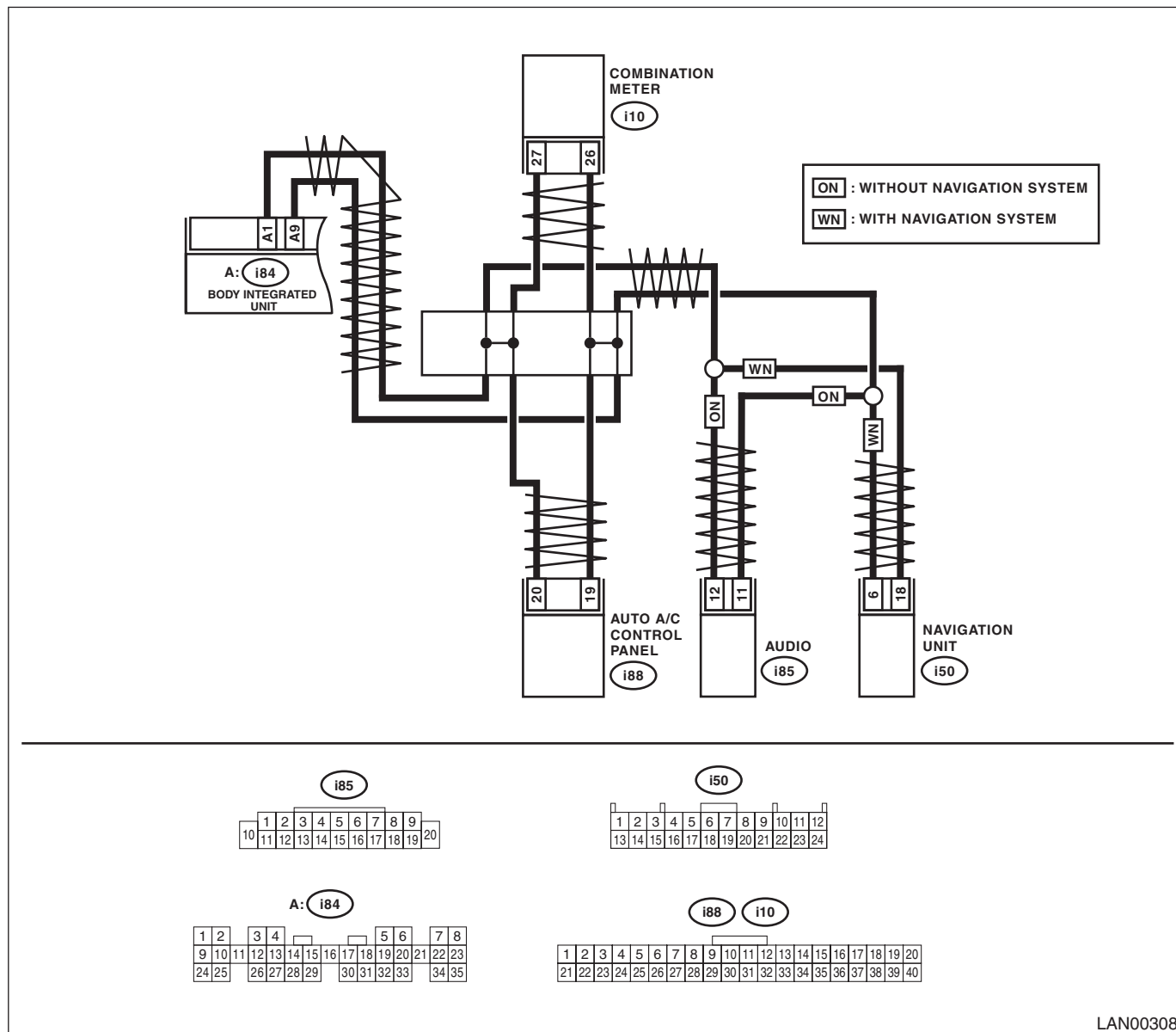
### DTC DETECTING CONDITION:

Communication is unstable because of low speed CAN communication error.

### TROUBLE SYMPTOM:

Display error may occur in fuel gauge because the CAN communication is not transmitted (sending/receiving) normally.

### WIRING DIAGRAM:



LAN00308

# Diagnostic Procedure with Diagnostic Trouble Code (DTC)

LAN SYSTEM (DIAGNOSTICS)

Step	Check	Yes	No
<b>1 CHECK DTC.</b> Read the DTC of body integrated unit using Subaru Select Monitor. <Ref. to LAN(diag)-15, READ DIAGNOSTIC TROUBLE CODE (DTC), OPERATION, Subaru Select Monitor.>	Are there DTC U1300 or U1302?	Perform the diagnosis according to DTC.	Go to step 2.
<b>2 CHECK DTC.</b> Read the DTC of body integrated unit using Subaru Select Monitor.	Is U1301 current malfunction?	Go to step 3.	Go to step 9.
<b>3 CHECK DTC.</b> 1) Turn the ignition switch to OFF. 2) Disconnect all connectors (i84, i10, i88, i85 or i50) that are connected to low speed CAN communication line. 3) Connect the disconnected connectors. 4) Turn the ignition switch to ON. 5) Read the DTC of body integrated unit using Subaru Select Monitor.	Is U1301 current malfunction?	Go to step 4.	Go to step 9.
<b>4 CHECK HARNESS.</b> 1) Turn the ignition switch to OFF. 2) Disconnect all connectors (i84, i10, i88, i85 or i50) that are connected to low speed CAN communication line. 3) Using the tester, inspect the open circuit of harness and short (power supply-output short, GND-output short). <b>Connector &amp; terminal</b> <i>(i84) No. 1 — (i10) No. 27 (combination meter):</i> <i>(i84) No. 9 — (i10) No. 26 (combination meter):</i> <i>(i84) No. 1 — (i88) No. 20 (auto A/C):</i> <i>(i84) No. 9 — (i88) No. 19 (auto A/C):</i> <i>(i84) No. 1 — (i85) No. 12 (audio):</i> <i>(i84) No. 9 — (i85) No. 11 (audio):</i> <i>(i84) No. 1 — (i50) No. 18 (navigation):</i> <i>(i84) No. 9 — (i50) No. 6 (navigation):</i>	Is harness normal?	Go to step 5.	Repair or replace the harness.
<b>5 CHECK AUDIO OR NAVIGATION.</b> 1) Connect the disconnected connectors. 2) Disconnect the connector of navigation (i85) or audio (i50). 3) Turn the ignition switch to ON. 4) Read the DTC of body integrated unit using Subaru Select Monitor.	Is U1301 current malfunction?	Go to step 6.	Go to step 9.
<b>6 CHECK AUTO A/C CONTROL MODULE.</b> 1) Turn the ignition switch to OFF. 2) Connect the audio or navigation module. 3) Disconnect the auto A/C control module connector (i88). 4) Turn the ignition switch to ON. 5) Read the DTC of body integrated unit using Subaru Select Monitor.	Is U1301 current malfunction?	Go to step 7.	Replace the auto A/C control module. <Ref. to AC-33, REMOVAL, Control Unit (Auto A/C Model).>
<b>7 CHECK COMBINATION METER.</b> 1) Turn the ignition switch to OFF. 2) Connect the disconnected connectors. 3) Perform the self-diagnosis of combination meter. <Ref. to IDI-4, SELF-DIAGNOSIS, INSPECTION, Combination Meter System.>	Is the self-diagnosis of combination meter OK?	Go to step 8.	Replace the combination meter. <Ref. to IDI-16, REMOVAL, Combination Meter.>

## Diagnostic Procedure with Diagnostic Trouble Code (DTC)

### LAN SYSTEM (DIAGNOSTICS)

Step	Check	Yes	No
<b>8 CHECK BODY INTEGRATED UNIT.</b> 1) Turn the ignition switch to OFF. 2) Disconnect all connectors (i84, i10, i88, i85 or i50) that are connected to low speed CAN communication line. 3) Connect the disconnected connectors. 4) Turn the ignition switch to ON. 5) Read the DTC of body integrated unit using Subaru Select Monitor.	Is DTC U1301 a current malfunction?	Replace the body integrated unit. <Ref. to SL-50, REMOVAL, Body Integrated Unit.>	Go to step 9.
<b>9 CHECK HARNESS.</b> 1) Turn the ignition switch to OFF. 2) Shake the harness used for low speed CAN communication circuit. 3) Turn the ignition switch to ON. 4) Read the DTC of body integrated unit using Subaru Select Monitor.	Is U1301 current malfunction?	Repair or replace the harness.	Go to step 10.
<b>10 CHECK CONNECTOR.</b> 1) Turn the ignition switch to OFF. 2) Disconnect all connectors (i84, i10, i88, i85 or i50) that are connected to low speed CAN communication line.	Is there poor contact of connector terminal?	Repair the connector terminal, or replace harness.	Temporary poor contact occurs.

# Diagnostic Procedure with Diagnostic Trouble Code (DTC)

LAN SYSTEM (DIAGNOSTICS)

## R: DTC U1302 CAN-LS BUS OFF

### DTC DETECTING CONDITION:

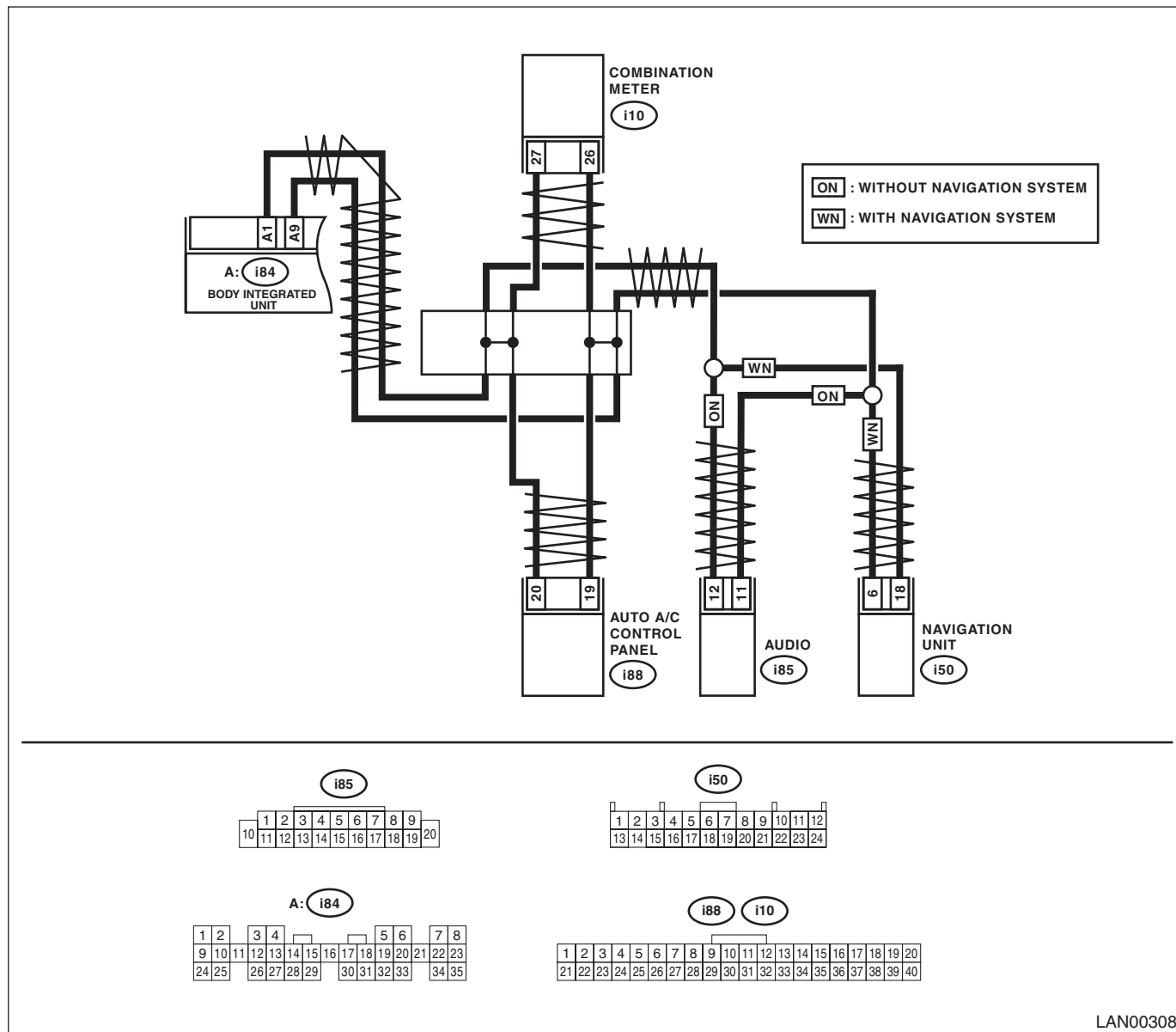
Communication with body integrated unit is not possible because of the following reasons.

- Open or power supply-output short, GND-output short occurs in both CAN line.
- Internal error in each control module

### TROUBLE SYMPTOM:

Display error may occur in fuel gauge because the CAN communication is not transmitted (sending/receiving) normally.

### WIRING DIAGRAM:



LAN00308



# Diagnostic Procedure with Diagnostic Trouble Code (DTC)

## LAN SYSTEM (DIAGNOSTICS)

Step	Check	Yes	No
<b>1</b> <b>CHECK DTC.</b> Read the DTC of body integrated unit using Subaru Select Monitor. <Ref. to LAN(diag)-15, READ DIAGNOSTIC TROUBLE CODE (DTC), OPERATION, Subaru Select Monitor.>	Is U1302 a current malfunction?	Go to step 2.	Go to step 8.
<b>2</b> <b>CHECK DTC.</b> 1) Turn the ignition switch to OFF. 2) Disconnect all connectors (i84, i10, i88, i85 or i50) that are connected to low speed CAN communication line. 3) Connect the disconnected connectors. 4) Turn the ignition switch to ON. 5) Read the DTC of body integrated unit using Subaru Select Monitor.	Is U1302 a current malfunction?	Go to step 3.	Go to step 8.
<b>3</b> <b>CHECK HARNESS.</b> 1) Turn the ignition switch to OFF. 2) Disconnect all connectors (i84, i10, i88, i85 or i50) that are connected to low speed CAN communication line. 3) Using the tester, inspect the open circuit of harness and short (power supply-output short, GND-output short). <b>Connector &amp; terminal</b> <i>(i84) No. 1 — (i10) No. 27 (combination meter):</i> <i>(i84) No. 9 — (i10) No. 26 (combination meter):</i> <i>(i84) No. 1 — (i88) No. 20 (auto A/C):</i> <i>(i84) No. 9 — (i88) No. 19 (auto A/C):</i> <i>(i84) No. 1 — (i85) No. 12 (audio):</i> <i>(i84) No. 9 — (i85) No. 11 (audio):</i> <i>(i84) No. 1 — (i50) No. 18 (navigation):</i> <i>(i84) No. 9 — (i50) No. 6 (navigation):</i>	Is harness normal?	Go to step 4.	Repair or replace the harness.
<b>4</b> <b>CHECK HARNESS.</b> 1) Connect the disconnected connectors. 2) Using the tester, measure the resistance between harness connector and chassis ground. <b>Connector &amp; terminal</b> <i>(i84) No. 1 — Chassis ground:</i> <i>(i84) No. 9 — Chassis ground:</i>	Is the resistance 1 MΩ or more?	Go to step 5.	Go to step 7.
<b>5</b> <b>CHECK HARNESS.</b> 1) Turn the ignition switch to ON. 2) Using the tester, measure the voltage between harness connector and chassis ground. <b>Connector &amp; terminal</b> <i>(i84) No. 1 — Chassis ground:</i> <i>(i84) No. 9 — Chassis ground:</i>	Is the voltage less than 6 V?	Replace the body integrated unit. <Ref. to SL-50, REMOVAL, Body Integrated Unit.>	Go to step 6.
<b>6</b> <b>CHECK HARNESS.</b> With the tester connected, disconnect control module.	Is there any control module that the voltage becomes 6 V or less.	Replace the control module whose voltage has changed.	Repair or replace the short circuit of the harness.
<b>7</b> <b>CHECK HARNESS.</b> With the tester connected, disconnect control module.	Is there any control module whose resistance has changed?	Replace the control module whose resistance has changed.	Repair or replace the short circuit of the harness.

# Diagnostic Procedure with Diagnostic Trouble Code (DTC)

LAN SYSTEM (DIAGNOSTICS)

	Step	Check	Yes	No
8	<b>CHECK HARNESS.</b> 1) Shake the harness used for low speed CAN communication circuit. 2) Read the DTC of body integrated unit using Subaru Select Monitor.	Is U1302 a current malfunction?	Repair or replace the open, short circuit of the harness.	Go to step 9.
9	<b>CHECK CONNECTOR.</b> 1) Turn the ignition switch to OFF. 2) Disconnect all connectors (i84, i10, i88, i85 or i50) that are connected to low speed CAN communication line.	Is there poor contact of connector terminal?	Repair the connector terminal, or replace harness.	Temporary poor contact occurs.

# Diagnostic Procedure with Diagnostic Trouble Code (DTC)

LAN SYSTEM (DIAGNOSTICS)

## S: DTC U1311 CAN-LS METER UNIT DATA ABNORMAL

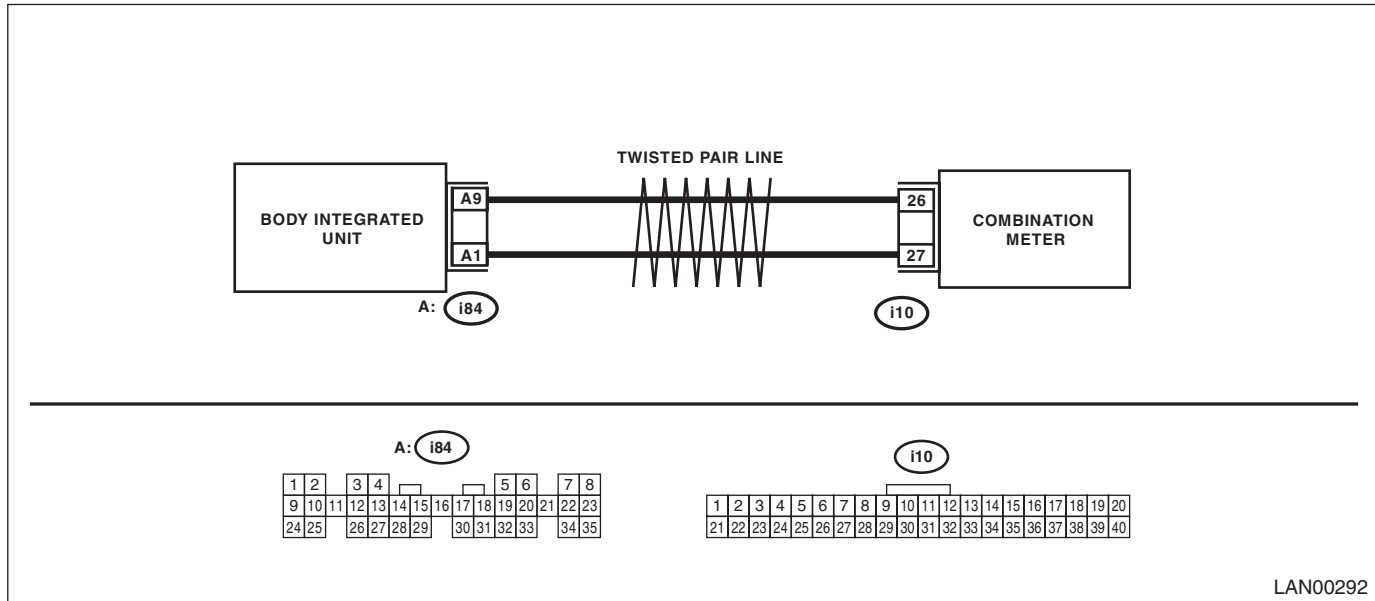
### DTC DETECTING CONDITION:

Received error data from meter.

### TROUBLE SYMPTOM:

Defective data from combination meter occurs.

### WIRING DIAGRAM:



Step	Check	Yes	No	
1	<b>CHECK DTC.</b> Read the DTC of body integrated unit using Subaru Select Monitor. <Ref. to LAN(diag)-15, READ DIAGNOSTIC TROUBLE CODE (DTC), OPERATION, Subaru Select Monitor.>	Is DTC U1300 or U1302 displayed?	Perform the diagnosis according to DTC.	Go to step 2.
2	<b>CHECK DTC.</b> Read the DTC of body integrated unit using Subaru Select Monitor.	Is U1311 a current malfunction?	Go to step 3.	Go to step 4.
3	<b>CHECK DTC.</b> 1) Turn the ignition switch to OFF. 2) Disconnect the combination meter connector (i10). 3) Turn the ignition switch to ON. 4) Read the DTC of body integrated unit using Subaru Select Monitor.	Is U1311 a current malfunction?	Replace the combination meter. <Ref. to IDI-16, REMOVAL, Combination Meter.>	Go to step 4.
4	<b>CHECK HARNESS.</b> 1) Shake the harness used for low speed CAN communication circuit. 2) Read the DTC of body integrated unit using Subaru Select Monitor.	Is U1311 a current malfunction?	Repair or replace the harness.	Go to step 5.
5	<b>CHECK CONNECTOR.</b> 1) Turn the ignition switch to OFF. 2) Disconnect all connectors (i84, i10, i88, i85 or i50) that are connected to low speed CAN communication line.	Is there poor contact of connector terminal?	Repair the connector terminal, or replace harness.	Temporary poor contact occurs.

# Diagnostic Procedure with Diagnostic Trouble Code (DTC)

LAN SYSTEM (DIAGNOSTICS)

## T: DTC U1321 CAN-LS METER NO-RECEIVE DATA

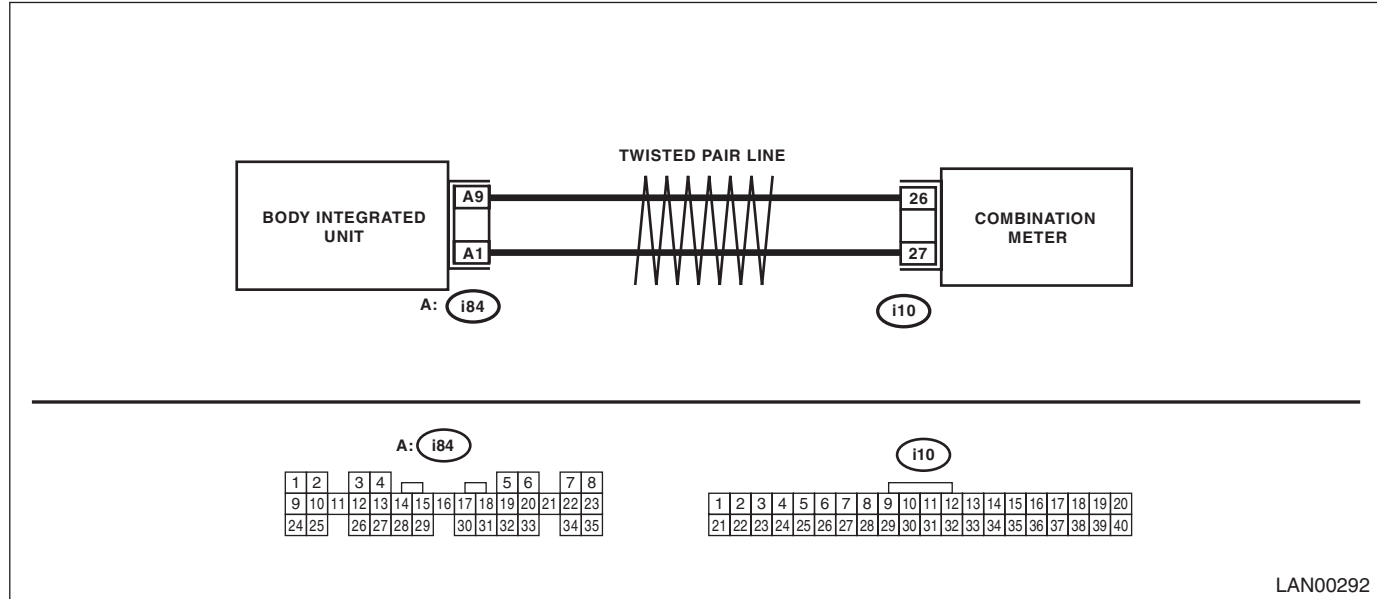
### DTC DETECTING CONDITION:

Not received data from meter.

### TROUBLE SYMPTOM:

Engine may not be started.

### WIRING DIAGRAM:



Step	Check	Yes	No	
1	<b>CHECK ALL DTCS.</b> Read all DTCs using the Subaru Select Monitor. <Ref. to LAN(diag)-15, READ DIAGNOSTIC TROUBLE CODE (DTC), OPERATION, Subaru Select Monitor.>	Is DTC U1300 or U1302 displayed?	Perform the diagnosis according to DTC.	Go to step 2.
2	<b>CHECK DTC.</b> Read the DTC of body integrated unit using Subaru Select Monitor.	Is U1321 a current malfunction?	Go to step 3.	Go to step 7.
3	<b>CHECK DTC.</b> 1) Turn the ignition switch to OFF. 2) Disconnect all connectors (i84, i10, i88, i85 or i50) that are connected to low speed CAN communication line. 3) Connect the disconnected connectors. 4) Turn the ignition switch to ON. 5) Read the DTC of body integrated unit using Subaru Select Monitor.	Is U1321 a current malfunction?	Go to step 4.	Replace the combination meter. <Ref. to IDI-16, REMOVAL, Combination Meter.>

## Diagnostic Procedure with Diagnostic Trouble Code (DTC)

### LAN SYSTEM (DIAGNOSTICS)

Step	Check	Yes	No
<b>4 CHECK HARNESS.</b> 1) Turn the ignition switch to OFF. 2) Disconnect all connectors (i84, i10, i88, i85 or i50) that are connected to low speed CAN communication line. 3) Using the tester, inspect the open circuit of harness and short (power supply-output short, GND-output short). <b>Connector &amp; terminal</b> <i>(i84) No. 1 — (i10) No. 27 (combination meter):</i> <i>(i84) No. 9 — (i10) No. 26 (combination meter):</i> <i>(i84) No. 1 — (i88) No. 20 (auto A/C):</i> <i>(i84) No. 9 — (i88) No. 19 (auto A/C):</i> <i>(i84) No. 1 — (i85) No. 12 (audio):</i> <i>(i84) No. 9 — (i85) No. 11 (audio):</i> <i>(i84) No. 1 — (i50) No. 18 (navigation):</i> <i>(i84) No. 9 — (i50) No. 6 (navigation):</i>	Is harness normal?	Go to step 5.	Repair or replace the harness.
<b>5 CHECK COMBINATION METER.</b> 1) Connect the disconnected connectors. 2) Perform the self-diagnosis of combination meter. <Ref. to IDI-4, SELF-DIAGNOSIS, INSPECTION, Combination Meter System.>	Is the self-diagnosis OK?	Go to step 6.	Replace the combination meter. <Ref. to IDI-16, REMOVAL, Combination Meter.>
<b>6 CHECK DTC.</b> 1) Turn the ignition switch to OFF. 2) Disconnect all connectors (i84, i10, i88, i85 or i50) that are connected to low speed CAN communication line. 3) Connect the disconnected connectors. 4) Turn the ignition switch to ON. 5) Read the DTC of body integrated unit using Subaru Select Monitor.	Is U1321 a current malfunction?	Replace the body integrated unit. <Ref. to SL-50, REMOVAL, Body Integrated Unit.>	Go to step 7.
<b>7 CHECK DTC.</b> 1) Shake the harness used for low speed CAN communication circuit. 2) Read the DTC of body integrated unit using Subaru Select Monitor.	Is U1321 a current malfunction?	Repair the poor contact, open circuit of harness or replace harness.	Go to step 8.
<b>8 CHECK CONNECTOR.</b> 1) Turn the ignition switch to OFF. 2) Disconnect all connectors (i84, i10, i88, i85 or i50) that are connected to low speed CAN communication line.	Is there poor contact of connector terminal?	Repair the connector terminal, or replace harness.	It is possible that temporary poor communication occurs.

# Diagnostic Procedure with Diagnostic Trouble Code (DTC)

## U: DTC B1500 KEYLESS UART COM. MALFUNCTION

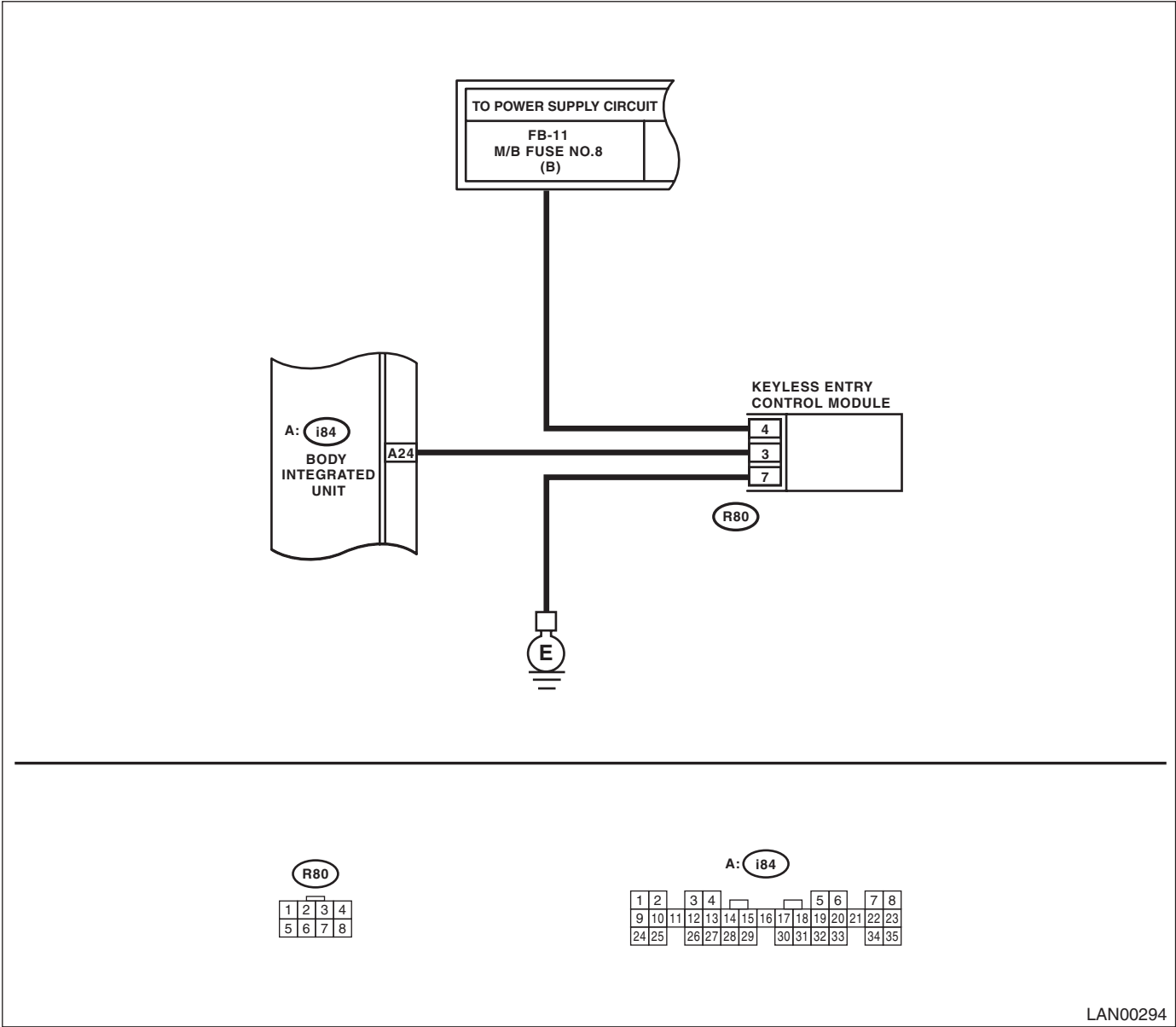
### DTC DETECTING CONDITION:

Open or short circuit in keyless UART circuit

### TROUBLE SYMPTOM:

Door lock does not operate with keyless.

### WIRING DIAGRAM:



# Diagnostic Procedure with Diagnostic Trouble Code (DTC)

## LAN SYSTEM (DIAGNOSTICS)

Step	Check	Yes	No
<b>1 CHECK DTC.</b> Read the DTC of body integrated unit using Subaru Select Monitor. <Ref. to LAN(diag)-15, READ DIAGNOSTIC TROUBLE CODE (DTC), OPERATION, Subaru Select Monitor.>	Is B1500 current malfunction?	Go to step 2.	Go to step 6.
<b>2 CHECK DTC.</b> 1) Turn the ignition switch to OFF. 2) Disconnect the connectors from body integrated unit and keyless entry control module. 3) Connect the disconnected connectors. 4) Turn the ignition switch to ON. 5) Read the DTC of body integrated unit using Subaru Select Monitor.	Is B1500 current malfunction?	Go to step 3.	Go to step 6.
<b>3 CHECK HARNESS.</b> 1) Turn the ignition switch to OFF. 2) Disconnect the connectors from body integrated unit and keyless entry control module. 3) Using the tester, inspect the open circuit of harness and short (power supply-output short, GND-output short). <b>Connector &amp; terminal</b> <b>(i84) No. 24 — (R80) No. 3:</b>	Is harness normal?	Go to step 4.	Repair or replace the harness.
<b>4 CHECK HARNESS.</b> Using the tester, measure the voltage between keyless entry control module and chassis ground. <b>Connector &amp; terminal</b> <b>(R80) No. 4 (+) — Chassis ground (-):</b>	Is the voltage battery voltage?	Go to step 5.	Check the power supply circuit for keyless entry control module.
<b>5 CHECK OPERATION.</b> 1) Install the keyless entry control module from other vehicle, which is working normally. 2) Register the keyless key which is working normally. 3) Operate the keyless key.	Is the door locking operate?	Replace the keyless entry control module. <Ref. to SL-48, REMOVAL, Keyless Entry Control Module.>	Replace the body integrated unit. <Ref. to SL-50, REMOVAL, Body Integrated Unit.>
<b>6 CHECK CONNECTOR.</b> Disconnect the connectors from body integrated unit and keyless entry control module.	Is there poor contact of connector?	Repair the connector, or replace harness.	Temporary poor contact occurs.

## 13. General Diagnostic Table

### A: INSPECTION

Item	Operation	Specifications		Index
		YES	NO	
Diagnostic code	DTC is not displayed when inspecting all DTCs.	System is normal.	Perform the diagnosis according to DTC.	—
Engine coolant temperature	Engine coolant temperature gauge displays correctly without engine coolant temperature warning light illuminating/blinking.	System is normal.	Refer to the following to check. <ul style="list-style-type: none"> <li>• Engine cooling system</li> <li>• LAN system</li> </ul>	If three data values are different when display the current data of ECM, TCM and body integrated unit, it is possible that driving system CAN is malfunction.
Remaining fuel level	Fuel gauge displays correctly without low fuel warning light remaining illuminated.	System is normal.	Refer to the following to check. <ul style="list-style-type: none"> <li>• Combination meter system</li> <li>• LAN system</li> </ul>	If the values of “Fuel level resistance” and “Fuel level resistance 2” are different when display the current data of body integrated unit, it is possible that body integrated unit is malfunction.
ATF temperature warning light	ATF temperature warning is free from illuminating/blinking.	System is normal.	Refer to the following to check. <ul style="list-style-type: none"> <li>• Automatic transmission</li> <li>• Shift lock control system</li> <li>• LAN system</li> </ul>	Warning light also blinks when DTC: B1106 occurs.
EBD warning light ABS warning light VDC warning light Hill start assist warning light	EBD warning Light/ABS warning light/VDC warning light/Hill start assist warning light are free from ON/OFF all the time.	System is normal.	Refer to the following to check. <ul style="list-style-type: none"> <li>• ABS (diagnostics)</li> <li>• VDC (diagnostics)</li> <li>• Parking brake</li> <li>• Combination meter system</li> <li>• LAN system</li> </ul>	—
Shift position	Meter display of shift position is correct. Shift position changes when switch the shift (up/down) on manual mode.	System is normal.	Refer to the following to check. <ul style="list-style-type: none"> <li>• Automatic transmission</li> <li>• Combination meter system</li> </ul>	—
Clearance light Low beam High beam	Clearance light/low beam/high beam illuminate correctly by switch operation. Indicator in the meter illuminates when clearance light/high beam are illuminating.	System is normal.	Refer to the following to check. <ul style="list-style-type: none"> <li>• Lighting system</li> <li>• Combination meter system</li> <li>• LAN system</li> </ul>	—
Fog light	Fog light illuminate correctly by operating the switch. Indicator in the meter illuminates when each fog light is illuminating.	System is normal.	Refer to the following to check. <ul style="list-style-type: none"> <li>• Lighting system</li> <li>• Combination meter system</li> <li>• LAN system</li> </ul>	—



## General Diagnostic Table

### LAN SYSTEM (DIAGNOSTICS)

Item	Operation	Specifications		Index
		YES	NO	
DRL	DRL operates correctly.	System is normal.	Refer to the following to check. • Lighting system • LAN system	—
Key interlock	Key cannot be removed in other than P range. Key can be removed in P range.	System is normal.	Refer to the following to check. • Shift lock control system • LAN system	—
Shift Lock	Shift operation is normal.	System is normal.	Refer to the following to check. • Shift lock control system • Combination meter system • LAN system	—
Key warning switch alarm	Alarm sounds when driver's door is open with the key removed.	System is normal.	Refer to the following to check. • Combination meter system • LAN system	—
Seat belt warning alarm	Indicator in the meter illuminate and alarm sounds when driver's seat belt is not worn. Indicator in the clock illuminates. When passenger's seat is occupied without passenger's seat belt worn. Alarm sounds when vehicle speed is approx. 15 km/h without seat belt fastened.	System is normal.	Refer to the following to check. • Seat belt warning system • Combination meter system • LAN system	—
Rear window defogger	Rear window defogger operates by operating the switch. Indicator in the switch illuminates when rear window defogger is operating.	System is normal.	Refer to the following to check. • Rear window defogger • A/C control module	—
Wiper deicer	Wiper deicer operates by operating the switch.	System is normal.	Refer to the following to check. • Wiper deicer system • A/C control module	—
Rear wiper	Rear wiper operates by operating the switch.	System is normal.	Refer to the following to check. • Wiper and washer system	Vehicle speed response time varies depending on the condition of customization of the body integrated unit "Sedan/Wagon Setting".
Door lock	Lock/unlock operates by operating the central door lock switch. Rear gate opens by operating the rear gate release switch.	System is normal.	Refer to the following to check. • Security and locks • LAN system	Rear gate cannot open by operating the rear gate release switch when customization of the body integrated unit "Sedan/Wagon Setting" is set to "Sedan".

# General Diagnostic Table

## LAN SYSTEM (DIAGNOSTICS)

Item	Operation	Specifications		Index
		YES	NO	
Keyless Entry	Lock/unlock operates by operating the keyless transmitter. Trunk/rear gate unlock by operating the trunk/rear gate unlock button.	System is normal.	Refer to the following to check. • Security and locks • LAN system	Rear gate opens up by operating the trunk/rear gate unlock button when customization of the body integrated unit "Sedan/Wagon Setting" is set to "Sedan".
Answer back	Answer back operates by operating lock/unlock with the keyless entry.	System is normal.	Refer to the following to check. • Security and locks • LAN system	—
Room light	ON/OFF according to the operation of the door open/close, lock/unlock with the keyless entry, and ignition.	System is normal.	Refer to the following to check. • Room light system • Security and locks • LAN system	—
Map light	ON/OFF according to the operation of the door open/close other than rear gate, lock/unlock with the keyless entry, and ignition.	System is normal.	Refer to the following to check. • Spot map light • Security and locks • LAN system	—
Key illumination	ON/OFF according to the operation of the driver's side door open/close and ignition.	System is normal.	Refer to the following to check. • Ignition switch illumination • Security and locks • LAN system	Key illumination blinks when customization of the body integrated unit "Factory or Market setting" is set to "Factory" for models with keyless entry.
Illumination control	Illumination volume control is available.	System is normal.	Refer to the following to check. • Combination meter system • LAN system	Lighting adjustment is not possible when customization of the body integrated unit "Illumination Control On/Off" is set to "Off".
Engine start	Engine starts normally.	System is normal.	Refer to the following to check. • Engine (diagnostics) • Immobilizer • LAN system	—
Vehicle security	When locked by the keyless entry, security monitor condition starts. When unlocked by the keyless entry, security is released.	System is normal.	Refer to the following to check. • Security and locks • LAN system	—

# General Diagnostic Table

LAN SYSTEM (DIAGNOSTICS)

---

## 1. Basic Diagnostic Procedure

### A: BASIC PROCEDURES

#### 1. GENERAL DESCRIPTION

The most important purpose of diagnostics is to quickly determine which part is malfunctioning, to save time and labor.

#### 2. IDENTIFICATION OF TROUBLE SYMPTOM

Determine what the problem is based on the symptom.

#### 3. PROBABLE CAUSE OF TROUBLE

Look at the wiring diagram and check the system's circuit. Then check the switch, relay, fuse, ground, etc.

#### 4. LOCATION AND REPAIR OF TROUBLE

- 1) Using the diagnostics, narrow down the causes.
- 2) If necessary, use a voltmeter, ohmmeter, etc.
- 3) Before replacing certain component parts (switch, relay, etc.), check the power supply, ground, for open wiring harness, poor connectors, etc. If no problem is encountered, check the component parts.

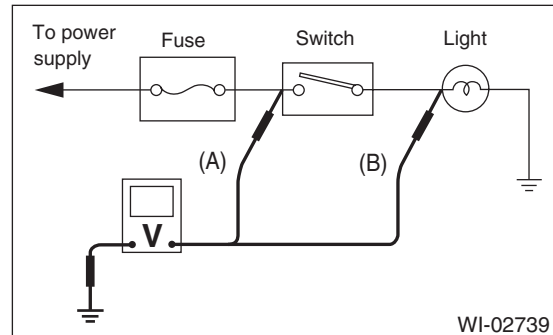
#### 5. SYSTEM OPERATION CHECK

After repairing, ensure that the system operates properly.

## B: BASIC INSPECTION

### 1. VOLTAGE MEASUREMENT

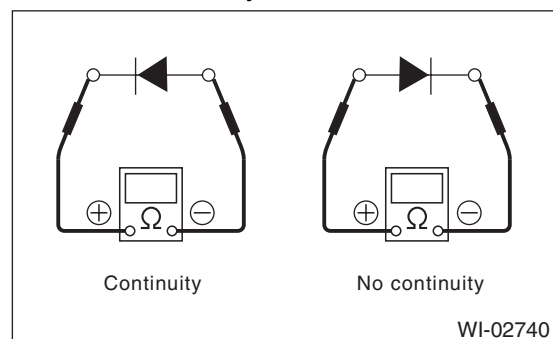
- 1) Using a voltmeter, connect the negative lead to a good ground point or negative battery terminal and the positive lead to the connector or component terminal.
- 2) Touch connector (A) with the positive probe of the volt meter. The voltmeter will indicate a voltage.
- 3) Touch connector (B) with the positive probe. The voltmeter will indicate no voltage.



- 4) With the test set-up held as it is, turn the switch to ON. The voltmeter will indicate a voltage and, at the same time, the light will illuminate.
- 5) The circuit is in good order. If a problem such as a light failing to illuminate occurs, use the procedures outlined above to track down the malfunction.

### 2. CIRCUIT CONTINUITY CHECKS

- 1) Disconnect the battery terminal or connector so there is no voltage between the check points. Contact the two leads of an ohmmeter to each of the check points. If the circuit has diodes, reverse the two leads and check again.
- 2) Use an ohmmeter to check for diode continuity. When contacting the negative lead to the diode positive side and the positive lead to the negative side, there should be continuity. When contacting the two leads in reverse, there should be no continuity.



# Basic Diagnostic Procedure

## WIRING SYSTEM

3) The symbol “○ — ○” indicates that continuity exists between two points or terminals. For example, when a switch position is at “3”, continuity exists among terminals 1, 3 and 6, as shown in the table below.

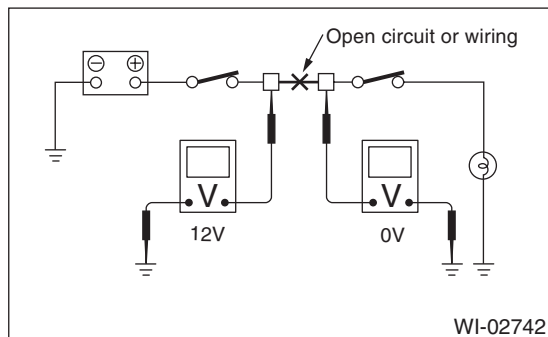
Terminal	1	2	3	4	5	6
Switch Position						
OFF						
1	○ — ○				○ — ○	
2	○ — ○			○ — ○		○ — ○
3	○ — ○		○ — ○			○ — ○
4	○ — ○	○ — ○				○ — ○

WI-02741

### 3. HOW TO DETERMINE AN OPEN CIRCUIT

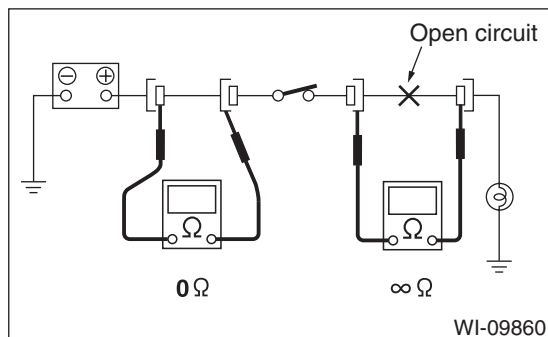
#### 1) WITH VOLTMETER:

An open circuit is determined by measuring the voltage between respective connectors and ground using a voltmeter, starting with the connector closest to the power supply. The power supply must be turned ON so that current flows in the circuit. If voltage is not present between a particular connector and ground, the circuit between that connector and the previous connector is open.



#### 2) WITH OHMMETER:

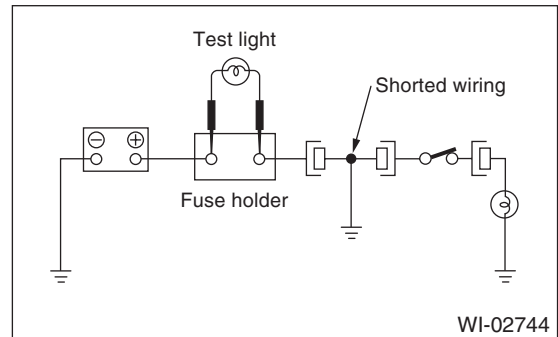
Disconnect all connectors affected, and check continuity in the wiring between adjacent connectors. When the ohmmeter indicates “infinite”, the wiring is open.



### 4. HOW TO DETERMINE A SHORT CIRCUIT

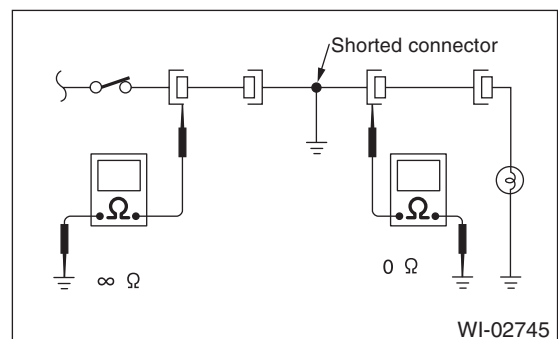
#### 1) WITH TEST LIGHT:

Connect a test light (rated at approx. 3 watts) in place of the blown fuse and allow current to flow through the circuit. Disconnect one connector at a time from the circuit. Starting with the one located farthest from the power supply. If the test light goes out when a connector is disconnected, the wiring between that connector and the next connector (farther from the power supply) is shorted.



#### 2) WITH OHMMETER:

Disconnect all affected connectors, and check continuity between each connector and ground. When the ohmmeter indicates continuity between a particular connector and a ground, that connector is shorted.



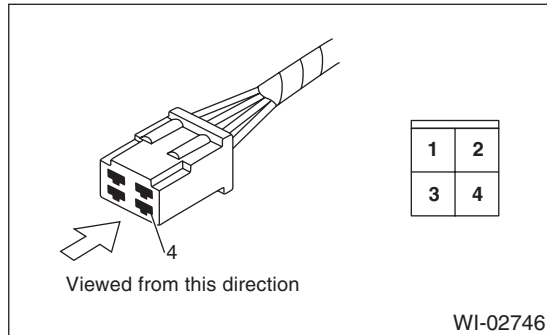
## C: HOW TO READ WIRING DIAGRAMS

### 1. WIRING DIAGRAM:

The wiring diagram of each system is illustrated so that you can understand the path through which the electric current flows from the battery.

Sketches and codes are used in the diagrams. They should read as follows:

- Each connector and its terminal position are indicated by a sketch of the connector in a disconnected state which is viewed from the front.



- The number of poles or pins, presence of a lock are indicated in the sketch of each connector. In the sketch, the highest pole number refers to the number of poles which the connector has. For example, the sketch of the connector shown in figure indicates the connector has 9 poles.

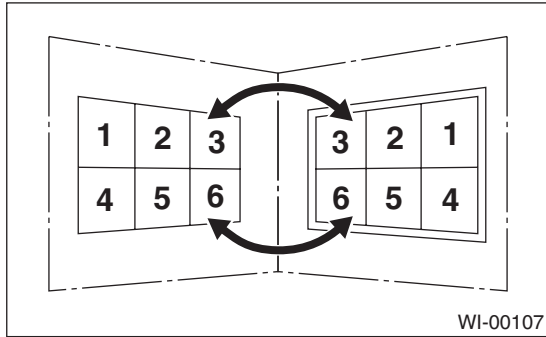
Connector used in vehicle	Connector shown in wiring diagram		
	Sketch	Symbol	Number of poles
	<p>Double frames</p> <p>Indicates a lock is included.</p> <p>Indicates the number of poles.</p>		Numbered in order from upper right to lower left.
	<p>Indicates a lock is included.</p> <p>Single frame</p>		Numbered in order from upper left to lower right.

WI-02747

# Basic Diagnostic Procedure

## WIRING SYSTEM

- When one set of connectors is viewed from the front side, the pole numbers of one connector are symmetrical to those of the other. When these two connectors are connected as a unit, the poles which have the same number are joined.



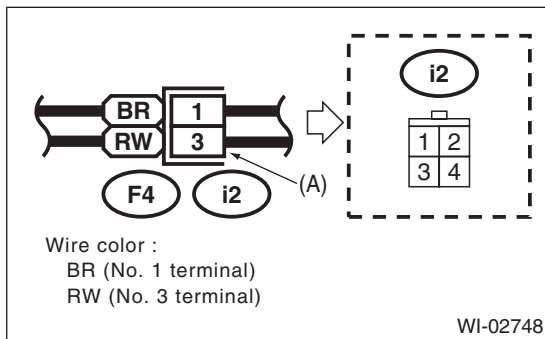
### • WIRING DIAGRAM:

The connectors are numbered along with the number of poles, external colors, and mating connections in the accompanying list.

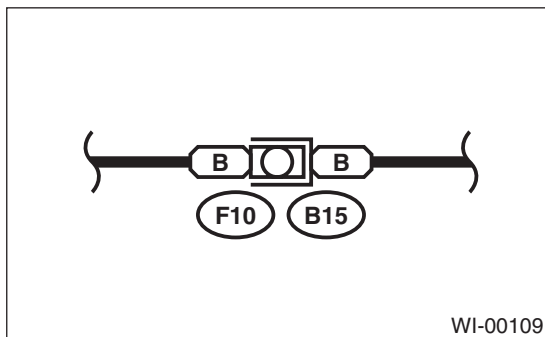
- The sketch of each connector in the wiring diagram usually shows the (A) side of the connector. The relationship between the wire color, terminal number and connector is described in the figure.

### NOTE:

A wire which runs in one direction from a connector terminal sometimes may have a different color from that which runs in the other direction from that terminal.

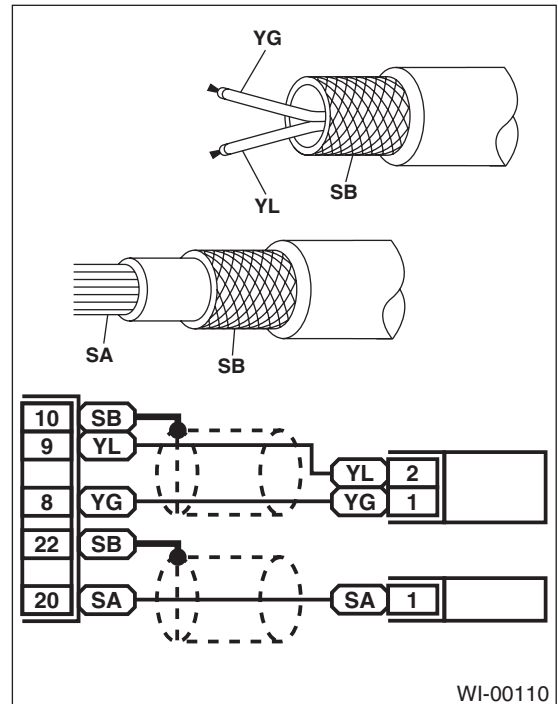


- In the wiring diagram, connectors which have no terminal number refer to one-pole types. Sketches of these connectors are omitted intentionally.

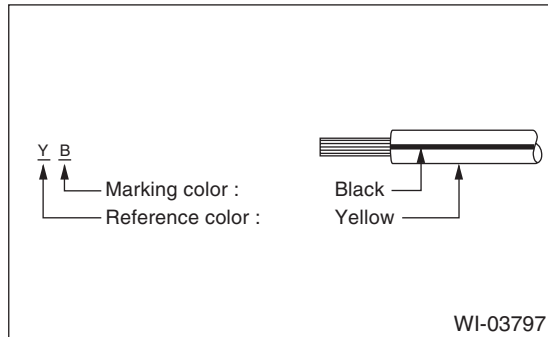


- The following color codes are used to indicate the colors of the wires.

Color code	Color
L	Blue
B	Black
Y	Yellow
G	Green
R	Red
W	White
Br	Brown
Lg	Light green
Gr	Gray
P	Pink
Or	Orange
Sb	Light blue
V	Violet
SA	Sealed (Inner)
SB	Sealed (Outer)



- The wire color code, which consists of two letters (or three letters including Br or Lg), indicates the standard color (base color of the wire covering) by its first letter and the stripe marking by its second letter.



- The table lists the nominal sectional areas and allowable currents of the wires.

### CAUTION:

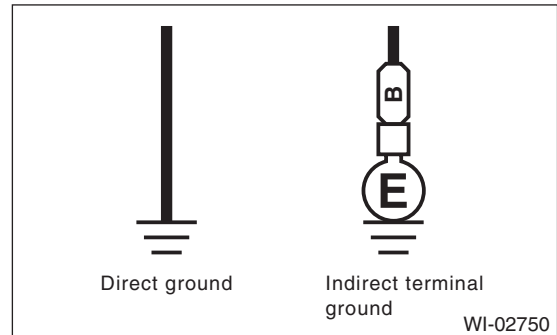
**When replacing or repairing a wire, be sure to use the same size and type of the wire which was originally used.**

### NOTE:

- The allowable current in the table indicates the tolerable amperage of each wire at an ambient temperature of 40°C (104°F).
- The allowable current changes with ambient temperature. Also, it changes if a bundle of more than two wires is used.

Nominal sectional area mm <sup>2</sup>	No. of strands/ strand diameter	Outside diameter of wiring mm	Allowable current Amps/ 40°C (104°F)
0.3	7/0.26	1.8	7
0.5	7/0.32	2.2 (or 2.0)	12
0.75	30/0.18	2.6 (or 2.4)	16
0.85	11/0.32	2.4 (or 2.2)	16
1.25	16/0.32	2.7 (or 2.5)	21
2	26/0.32	3.1 (or 2.9)	28
3	41/0.32	3.8 (or 3.6)	38
5	65/0.32	4.6 (or 4.4)	51
8	50/0.45	5.5	67

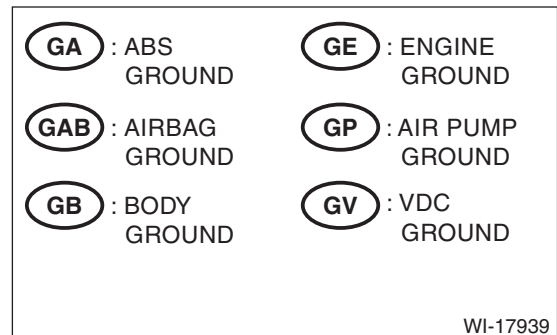
- Each unit is either directly grounded to the body or indirectly grounds through a harness ground terminal. Different symbols are used in the wiring diagram to identify the two grounding systems.



- The ground points shown in the wiring diagram refer to the following:

### NOTE:

All wiring harnesses are provided with a ground point which must be securely connected.

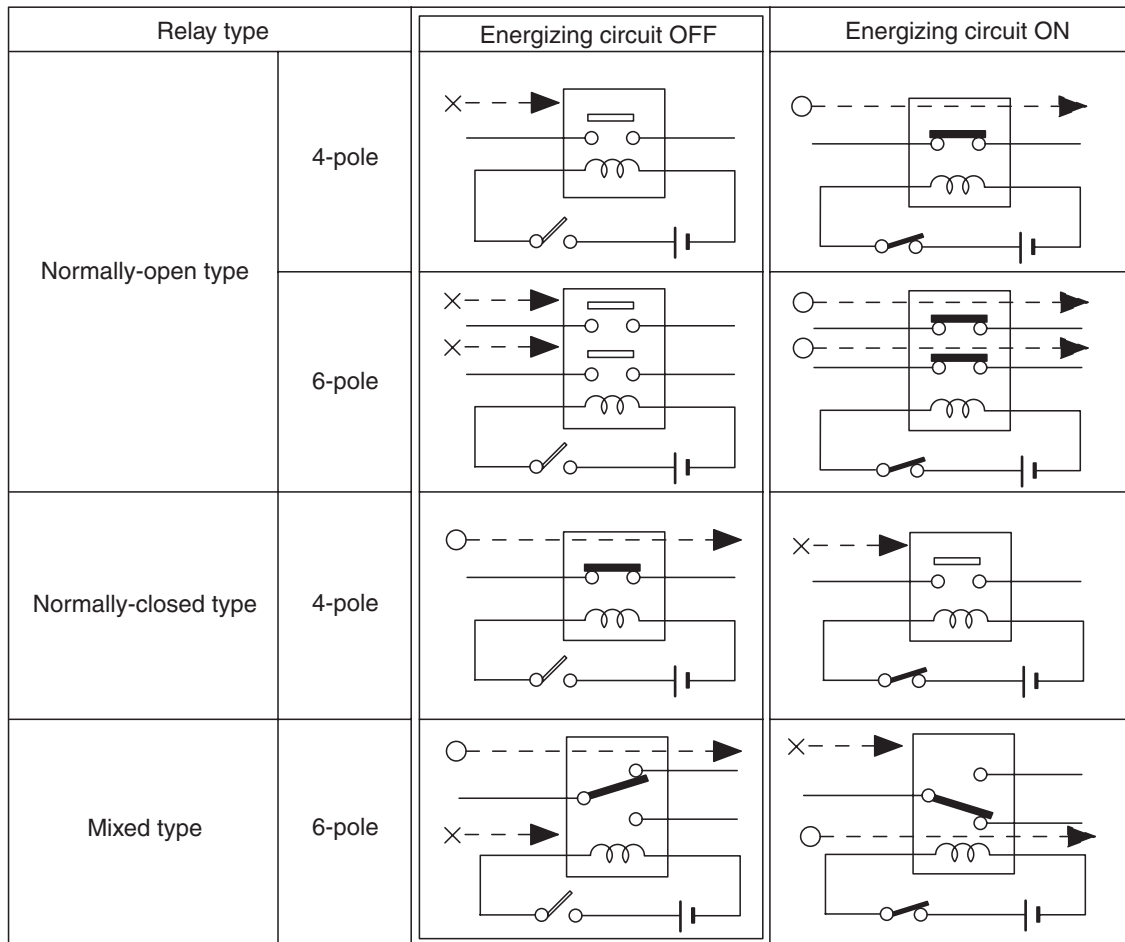




# Basic Diagnostic Procedure

## WIRING SYSTEM

- Relays are classified as normally-open or normally-closed.
- The normally-closed relay has one or more contacts. The wiring diagram shows the relay mode when the energizing circuit is OFF.



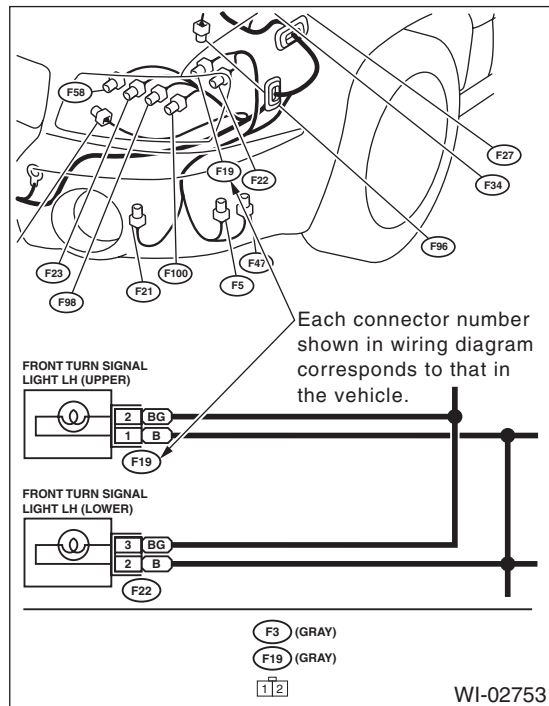
Key to symbols:

- : Current flows.
- : Current does not flow.

WI-16724

- Each connector number shown in the wiring diagram corresponds to that in the wiring harness. The location of each connector in the actual vehicle is determined by reading the first character of the connector (for example, a "F" for F8, "i" for i16, etc.) and the type of wiring harness. The first character of each connector number corresponds to the area or system of the vehicle.

Symbol	Wiring harness and cord
F	Front wiring harness
B	Bulkhead wiring harness
E	Engine wiring harness
T	Transmission cord
D	Door cord LH & RH, Rear gate cord Rear door cord LH & RH, Rear defogger cord
i	Instrument panel wiring harness
R	Rear wiring harness, Fuel tank cord, Roof cord, Rear gate cord
AB	Airbag wiring harness

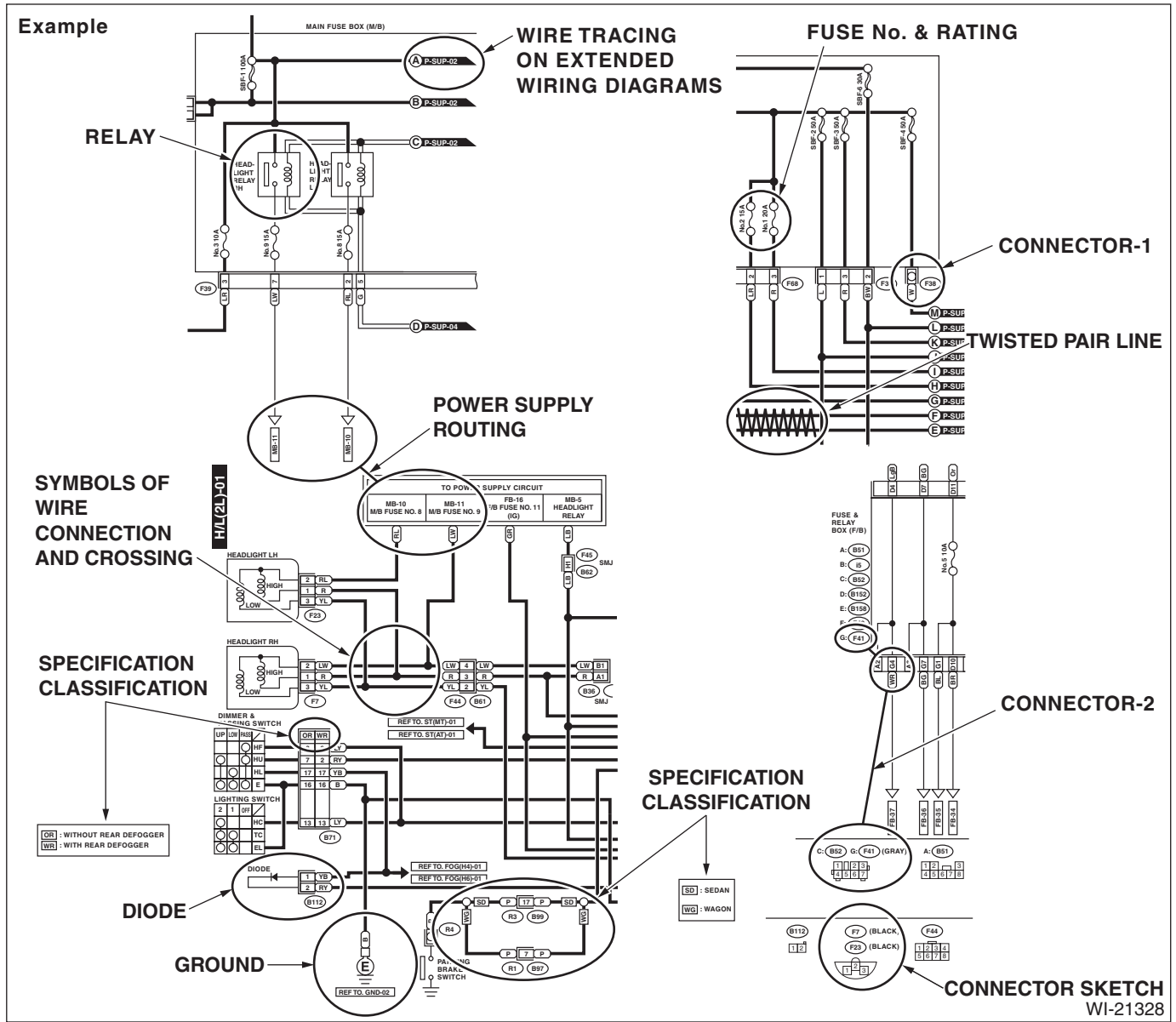


# Basic Diagnostic Procedure

## WIRING SYSTEM

### D: SYMBOLS IN WIRING DIAGRAMS

A number of symbols are used in each wiring diagram to easily identify parts or circuits.



## 1. RELAY

A symbol used to indicate a relay.

## 2. CONNECTOR 1

The sketch of the connector indicates the one-pole types.

## 3. WIRING CONNECTION

Some wiring diagrams are indicated in foldouts for convenience. Wiring destinations are indicated where necessary by corresponding symbols. (When two pages are needed for clear indication)

## 4. FUSE NO. & RATING

The "FUSE No. & RATING" corresponds with that used in the fuse box (main fuse box, fuse and joint box).

## 5. CONNECTOR 2

- Each connector is indicated by a symbol.
- Each terminal number is indicated in the corresponding wiring diagram in an abbreviated form.
- For example, terminal number "G4" refers to No. 4 terminal of connector (G: F41) shown in the connector sketch.

## 6. CONNECTOR SKETCH

- Each connector sketch clearly identifies the shape and color of a connector as well as terminal locations. Non-colored connectors are indicated in natural color.
- When more than two types of connector number are indicated in a connector sketch, it means that the same type connectors are used.

## 7. GROUND

Each grounding point can be located easily by referring to the corresponding wiring harness.

## 8. DIODE

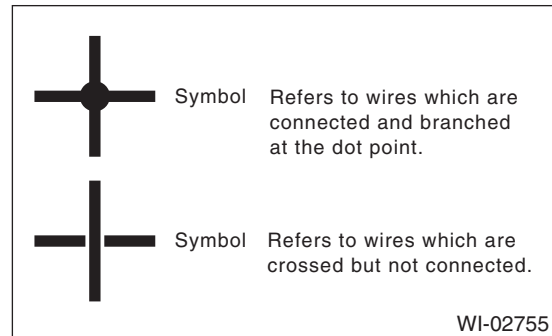
A symbol is used to indicate a diode.

## 9. WIRE TRACING ON EXTENDED WIRING DIAGRAMS

For a wiring diagram extending over at least two pages, a symbol (consisting of the same characters with arrows), facilitates wire tracing from one page to the next.

A ↔ A, B ↔ B

## 10. SYMBOLS OF WIRE CONNECTION AND CROSSING



## 11. POWER SUPPLY CIRCUIT

A symbol is used to indicate the power supply in each wiring diagram.

"MB – 5", "MB – 6", etc., which are used as power-supply symbols throughout the text, correspond with those shown in the "DC POWER SUPPLY CIRCUIT" in the wiring diagram.

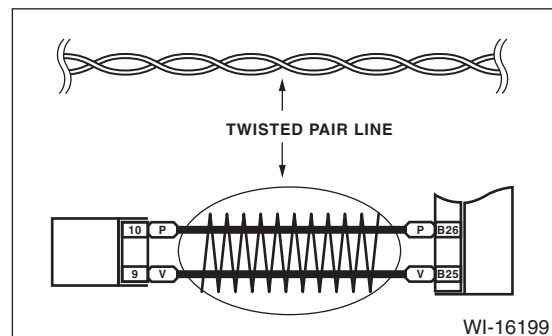
Accordingly, using the "DC POWER SUPPLY CIRCUIT" and wiring diagrams permits service personnel to understand the entire electrical arrangement of a system.

## 12. CLASSIFICATION BY SPECIFICATION

When the wiring diagram differ according to vehicle specifications, the specification difference is described by using abbreviations.

## 13. TWISTED PAIR LINE

The twisted pair line is indicated by a symbol in the wiring diagrams.


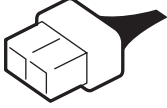
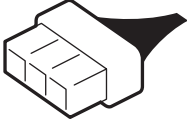


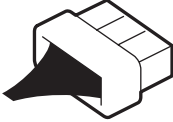
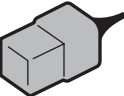
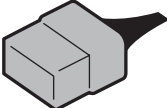
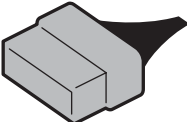
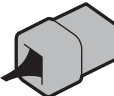












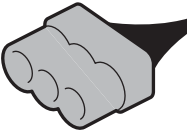



# Basic Diagnostic Procedure

## WIRING SYSTEM

### E: CONNECTOR SYMBOL IN WIRING HARNESS

A number of connector symbols are used in each wiring diagram to easily identify the wiring harness connectors.

Standard type: Female		
Pole: From 1 to 8	Pole: From 9 to 20	Pole: More than 21
		
		
Standard type: Male		
		
		

Water proof type: Female		
Pole: From 1 to 8	Pole: From 9 to 20	Pole: More than 21
		
		
Water proof type: Male		
		
		

WI-02756

## F: ABBREVIATION IN WIRING DIAGRAMS

Abbr.	Full name
ABS	Anti-lock Brake System
ACC	Accessory
A/C	Air Conditioner
ASSY	Assembly
AT	Automatic Transmission
A/F	Air/Fuel (Air fuel ratio sensor)
ATF	Automatic Transmission Fluid
AUX	Auxiliary Audio Input Terminal
AWD	All Wheel Drive
B	Battery
CAN	Controller Area Network
D	Drive range or Down
DN	Down
E	Ground
ECM	Engine Control Module
EEPROM	Electrically Erasable Programmable Read-Only Memory
EGR	Exhaust Gas Recirculation
F/B	Fuse & Relay Box
FL	Front Left
FR	Front Right
FWD	Front Wheel Drive
G	Gravity (G sensor)
H/L	Headlight
HI	High
I/F	Interface
IG	Ignition
Illumi	Illumination
INT	Intermittent
LCD	Liquid Crystal Display
LH	Left Hand
LO	Low
M	Motor
M/B	Main Fuse Box
MT	Manual Transmission
N	Neutral Range
NA	Natural Aspiration
NAVI	Navigation
OP	Open or Optional Parts
P	Parking Range
PASS	Passing
PCV	Positive Crankcase Ventilation Valve
R	Reverse Range
RH	Right Hand
RL	Rear Left
RR	Rear Right
SBF	Slow Blow Fuse
ST	Starter

Abbr.	Full name
SW	Switch
TCM	Transmission Control Module
TPM	Tire Pressure Monitor
VDC	Vehicle Dynamics Control
VFD	Vacuum Fluorescent Display
WASH	Washer

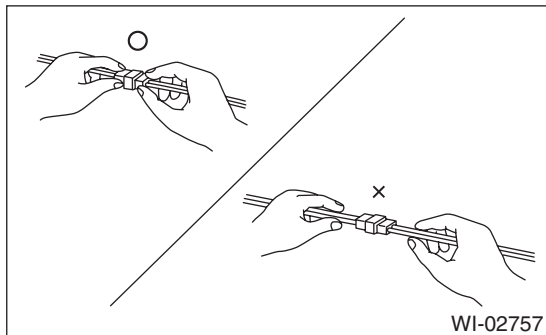
### 2. Working Precautions

#### A: PRECAUTIONS WHEN WORKING WITH THE PARTS MOUNTED ON THE VEHICLE

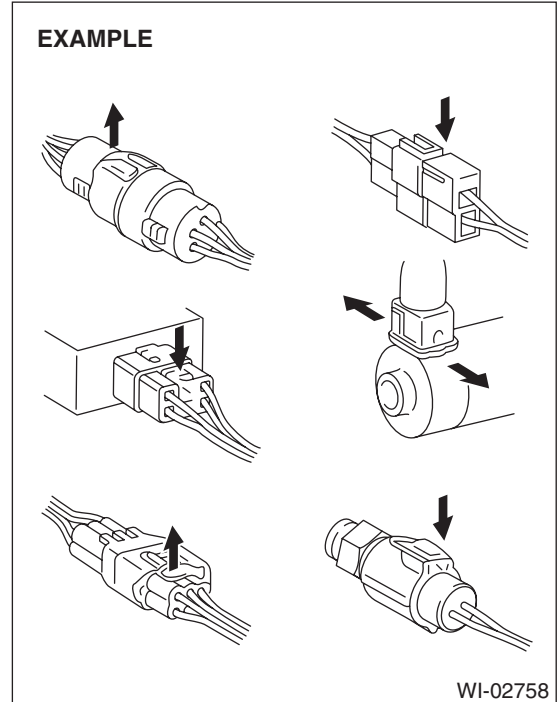
- 1) When working under a vehicle which is jacked-up, always be sure to use rigid rack.
- 2) The parking brake must always be applied during working. Also, in automatic transmission vehicles, keep the select lever set to the P (Parking) range.
- 3) Be sure the workshop is properly ventilated when running the engine. Further, be careful not to touch the belt or fan while the engine is operating.
- 4) Be careful not to touch hot metal parts, especially the radiator and exhaust system immediately after the engine has been turned off.

#### B: PRECAUTIONS IN TROUBLE DIAGNOSIS AND REPAIR OF ELECTRIC PARTS

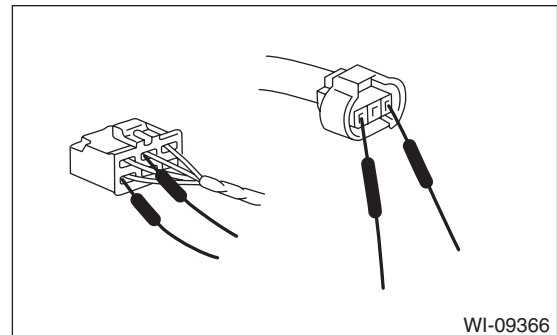
- 1) The battery cable must be disconnected from the battery's (-) terminal, and the ignition switch must be set to the OFF position, unless otherwise required by the diagnostics.
- 2) Securely fasten the wiring harness with clamps and clips so that the harness does not interfere with the body end parts, edges, bolts or screws.
- 3) When installing parts, be careful not to catch them on the wiring harness.
- 4) When disconnecting a connector, do not pull the wires, but pull while holding the connector body.



- 5) Some connectors are provided with a lock. One type of such a connector is disconnected by pushing the lock, and the other, by moving the lock up. In either type the lock shape must be identified before attempting to disconnect the connector. To connect, insert the connector until it snaps and confirm that it is connected securely.



- 6) When checking continuity between connector terminals, or measuring voltage across the terminal and ground, always touch tester probe(s) to terminals from the wiring connection side. If the probe is too thick to gain access to the terminal, use "mini" test leads. To check water-proof connectors (which are not measurable from the wiring side), touch test probes on the terminal side and be careful not to bend or damage the terminals.



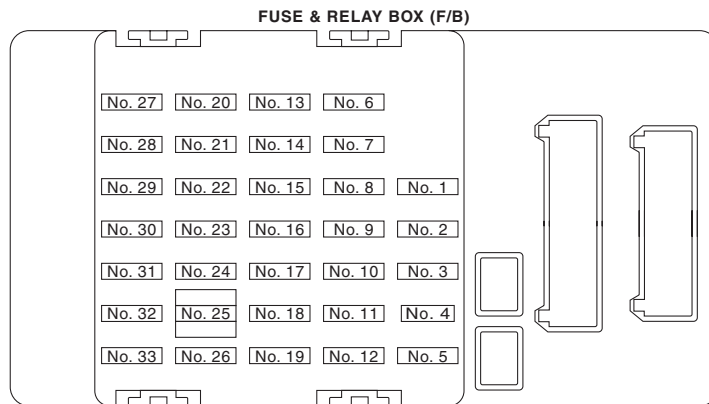
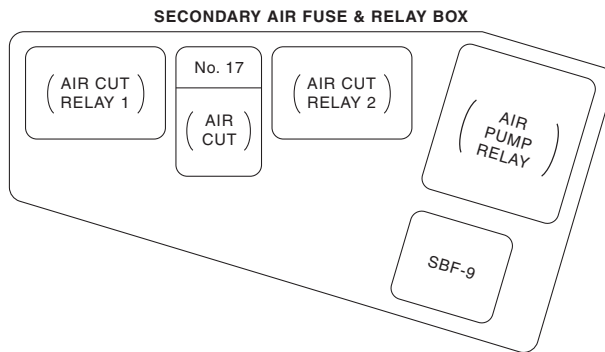
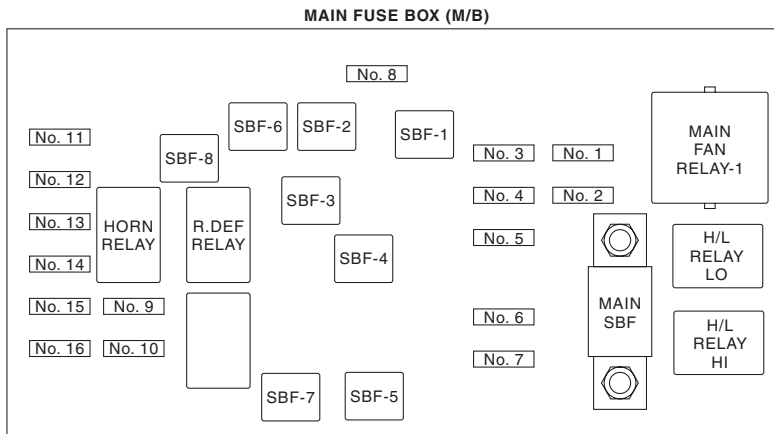
- 7) Sensors, relays, electrical unit, etc., are sensitive to strong impacts. Handle them with care so that they are not dropped or mishandled.

## 3. Power Supply Circuit

### A: WIRING DIAGRAM

P-SUP-01

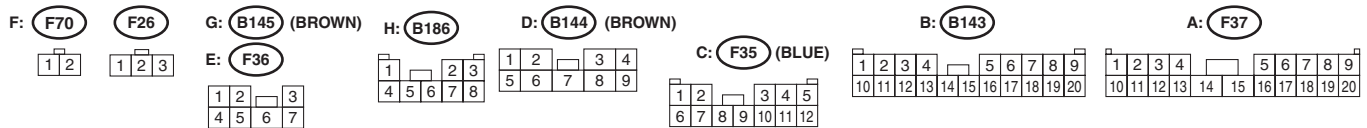
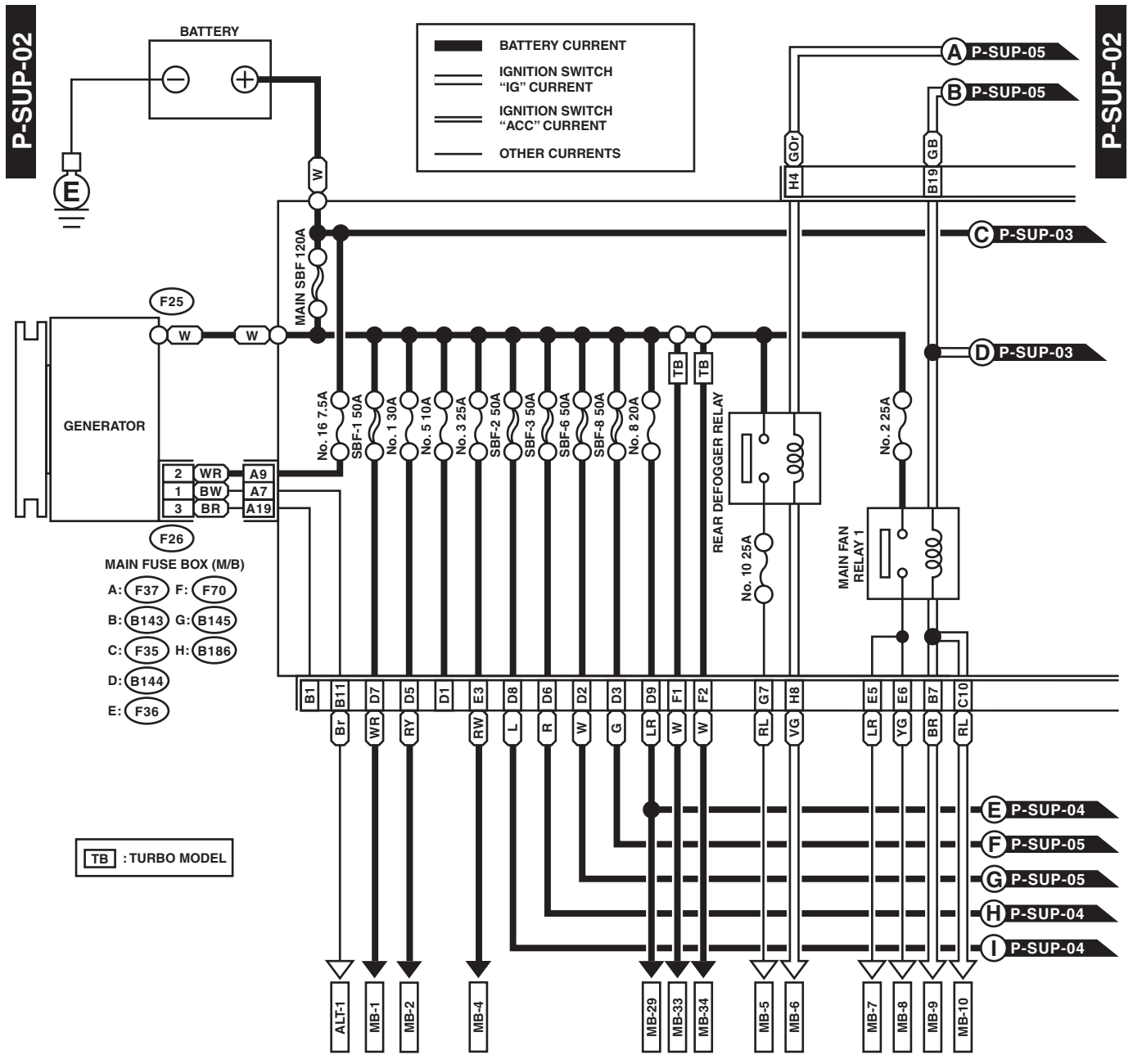
P-SUP-01





# Power Supply Circuit

WIRING SYSTEM



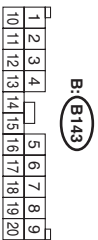
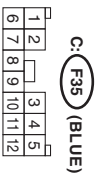
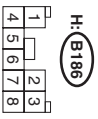
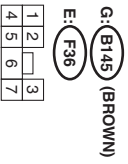
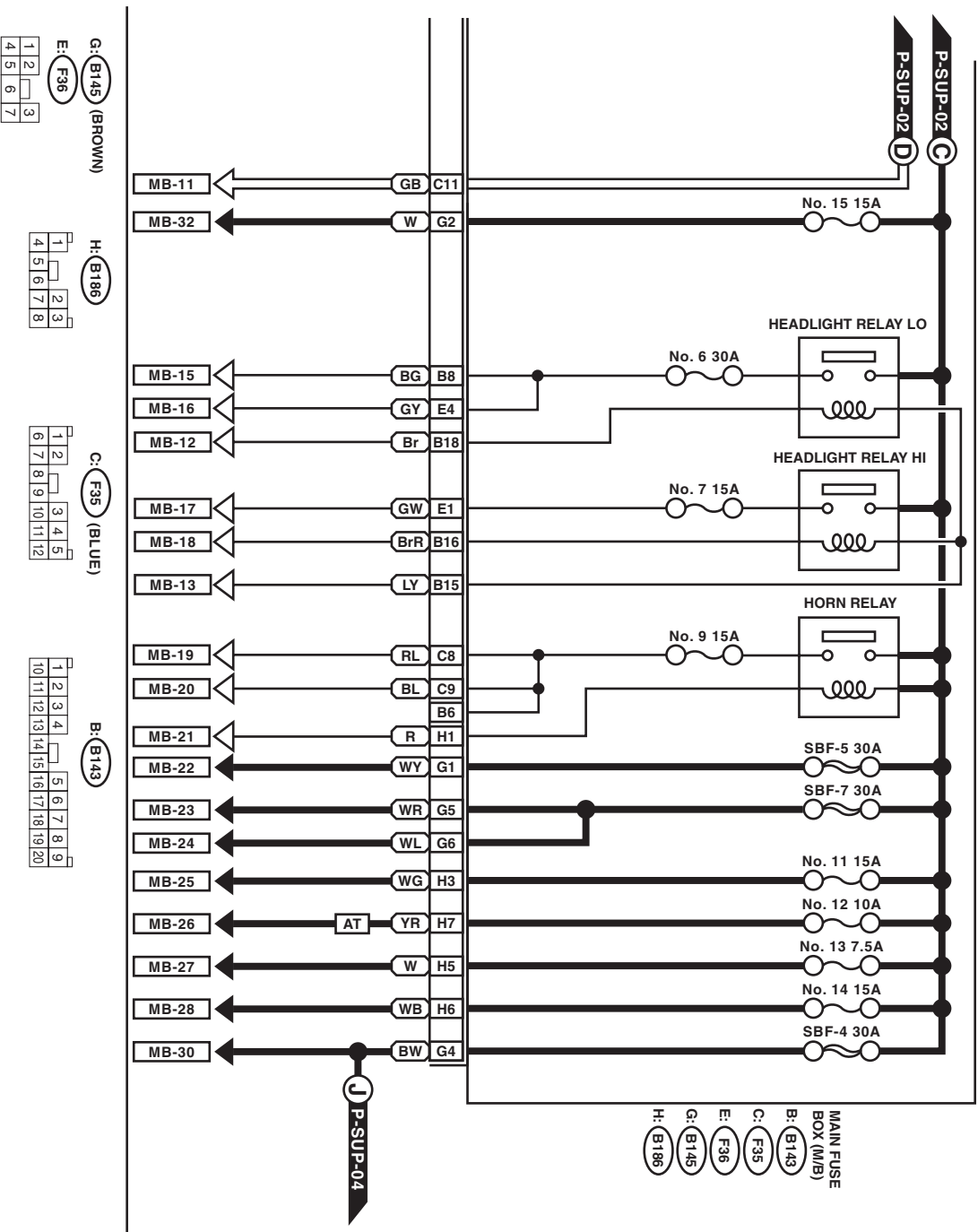
WI-21382

# Power Supply Circuit

WIRING SYSTEM

P-SUP-03

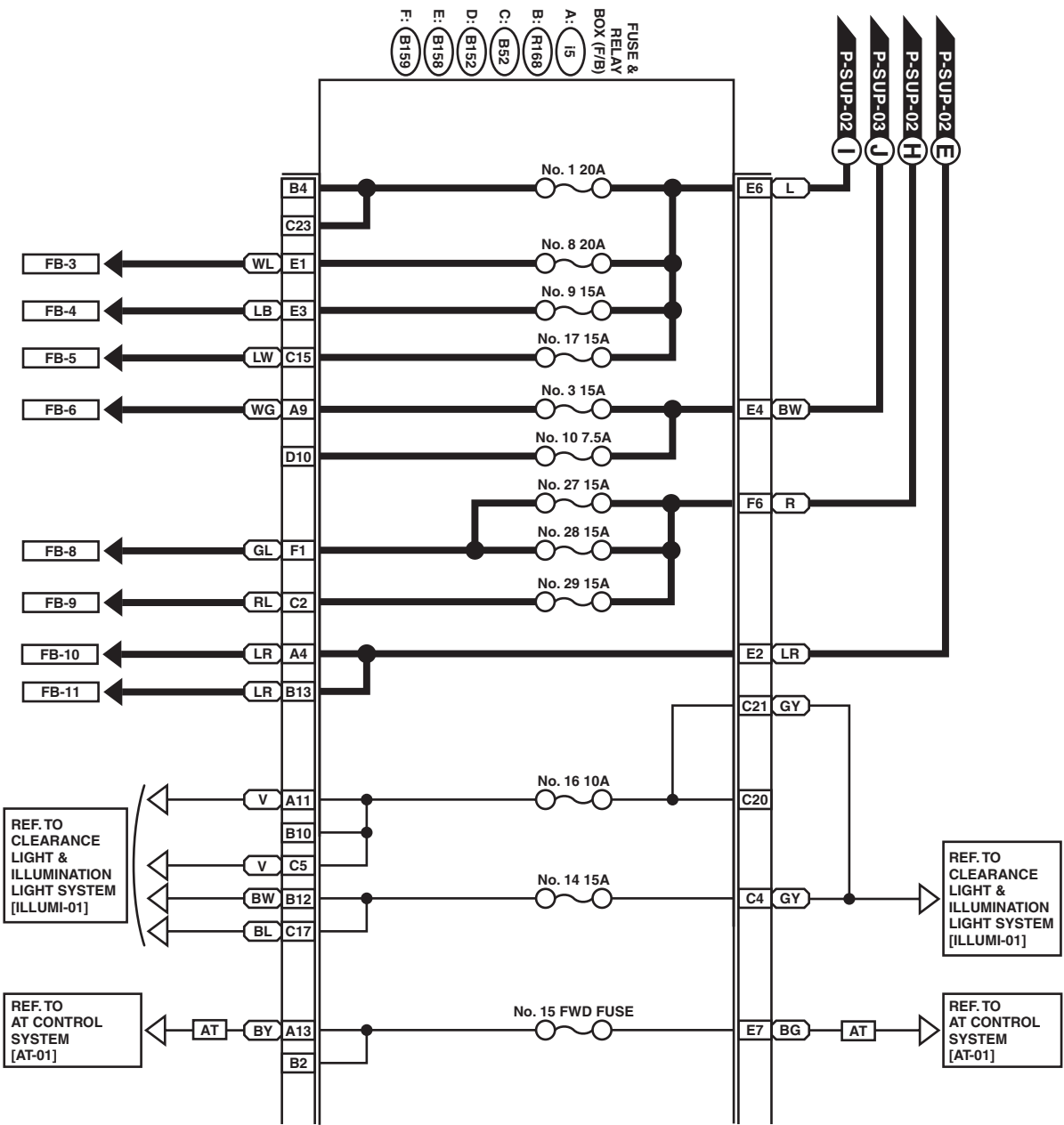
P-SUP-03



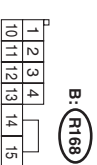
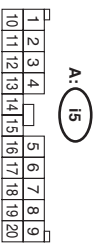
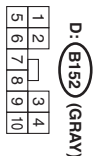
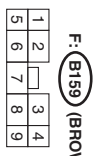
WI-22159

WI-17

P-SUP-04

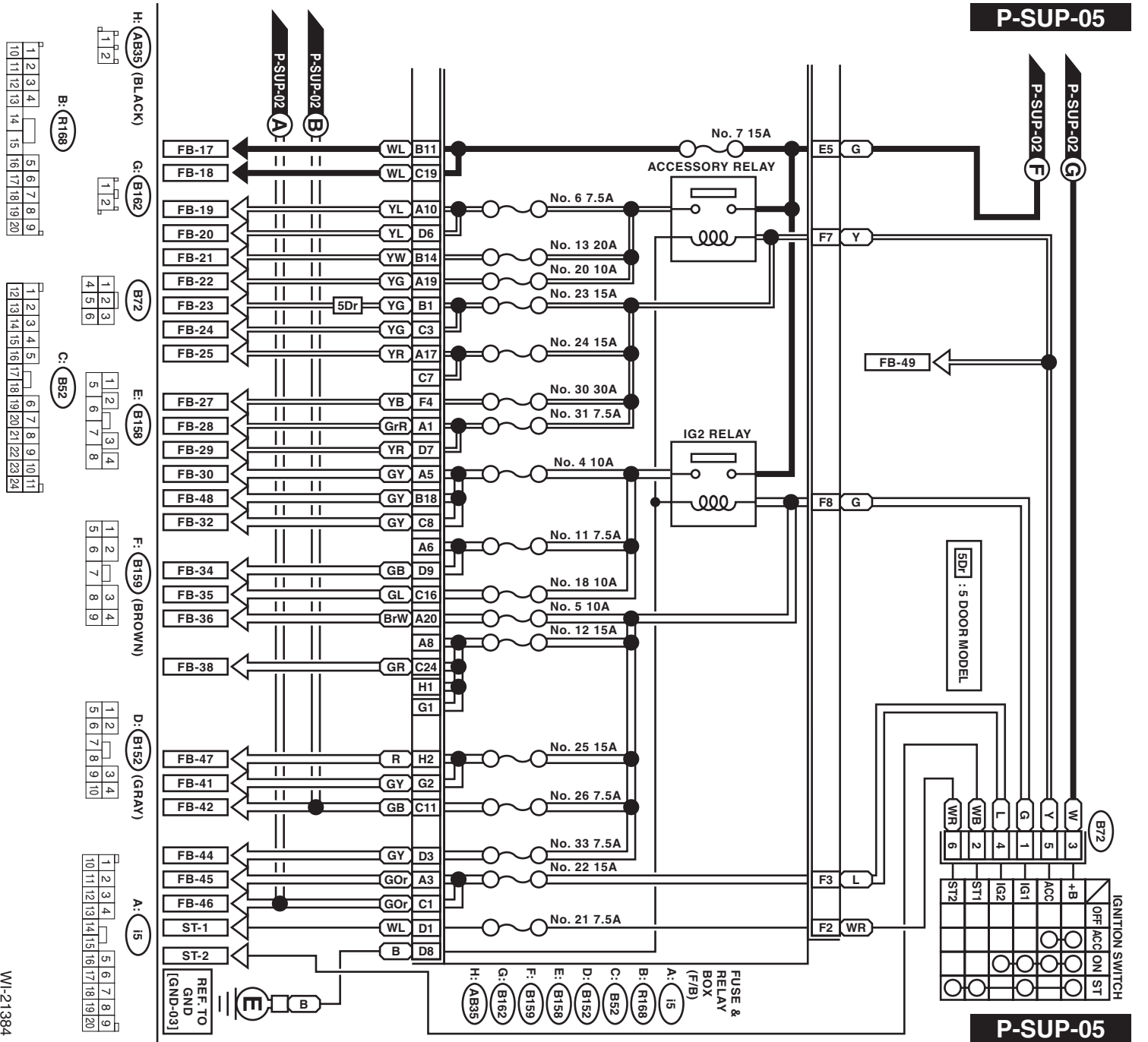


P-SUP-04



# Power Supply Circuit

WIRING SYSTEM



WI-21384

WI-19

# Power Supply Circuit

## WIRING SYSTEM

No.	Load
MB-1	ABS control module
	VDC control module
MB-2	ABS control module
	VDC control module
MB-4	Sub fan relay
MB-5	Mirror heater LH
	Mirror heater RH
	Rear defogger
	A/C control panel
MB-6	Body integrated unit
MB-7	Main Fan Relay 2
MB-8	Main fan motor
MB-9	ECM
MB-10	Main fan relay 2
MB-11	Main fan relay 2
MB-12	Body integrated unit
MB-13	Body integrated unit
MB-15	Front fog light relay
MB-16	Headlight LH (LO)
	Headlight RH (LO)
MB-17	Daytime running light relay
MB-18	Body integrated unit
MB-19	Horn
MB-20	Horn
MB-21	Horn switch
	Body integrated unit
	Remote engine start control module
MB-22	A/F, oxygen sensor relay
MB-23	Main relay
	IG relay
	A/F, oxygen sensor relay
MB-24	Electronic throttle control relay
MB-25	Fuel pump relay
MB-26	TCM
MB-27	ECM
	Data link connector
MB-28	Key illumination
	Key warning switch
	Turn signal and hazard unit
	Body integrated unit
MB-29	Spot map light
	Room light
	Body integrated unit
MB-30	Power window circuit breaker
MB-32	Tail & Illumination relay
	Daytime running light relay
MB-33	Secondary air pump relay
MB-34	Secondary air combination valve relay 1
	Secondary air combination valve relay 2
ALT-1	Combination meter

No.	Load
ST-1	Starter relay
ST-2	Starter relay
	ECM
	Clutch switch
FB-3	Stop light and brake switch
FB-4	Wiper deicer relay
FB-5	Seat heater relay
FB-6	Body integrated unit
FB-8	Blower motor relay
FB-9	Front fog light relay
FB-10	Audio
	Clock
	Navigation module
FB-11	Keyless entry control module
	Trunk room light (4 door model)
	Luggage room light (5 door model)
FB-17	A/C control panel
	Combination meter
	TPM control module
FB-18	Body integrated unit
	Impact sensor
	Mode door actuator
	Air mix door actuator
FB-19	Remote control mirror switch
FB-20	Seat heater relay
	Compass mirror
FB-21	Rear accessory power supply socket
FB-22	Front accessory power supply socket
FB-23	Rear wiper motor
FB-24	Body integrated unit
	Rear washer motor
FB-25	Audio
	Navigation module
FB-27	Combination switch
	Front wiper motor
FB-28	A/C control panel
FB-29	Body integrated unit
FB-30	Navigation module
FB-32	ECM
	Clutch switch
	Impact sensor
	Data link connector
	Stop light and brake switch
	Wiper deicer relay
FB-34	Sunroof motor assembly
	Sunroof switch
	Sunroof switch (tilt)
	Turn signal and hazard unit
FB-35	Inhibitor switch
	Back-up light switch

# Power Supply Circuit

WIRING SYSTEM

No.	Load
FB-36	Combination meter
	Clock
FB-38	ECM
	TCM
	Body integrated unit
	Fuel pump relay
	Ignition coil No. 1
	Ignition coil No. 2
	Ignition coil No. 3
	Ignition coil No. 4
	Rear vehicle speed sensor
FB-41	Airbag control module
FB-42	Power window relay
FB-44	ABS control module
	VDC control module
	Steering angle sensor
	Yaw rate & G sensor
FB-45	A/C control panel
FB-46	A/C relay
	Intake door actuator
	Sub fan relay
	Pressure switch
	Blower motor relay
FB-47	Occupant detection control module
FB-48	TPM control module
FB-49	Front washer motor

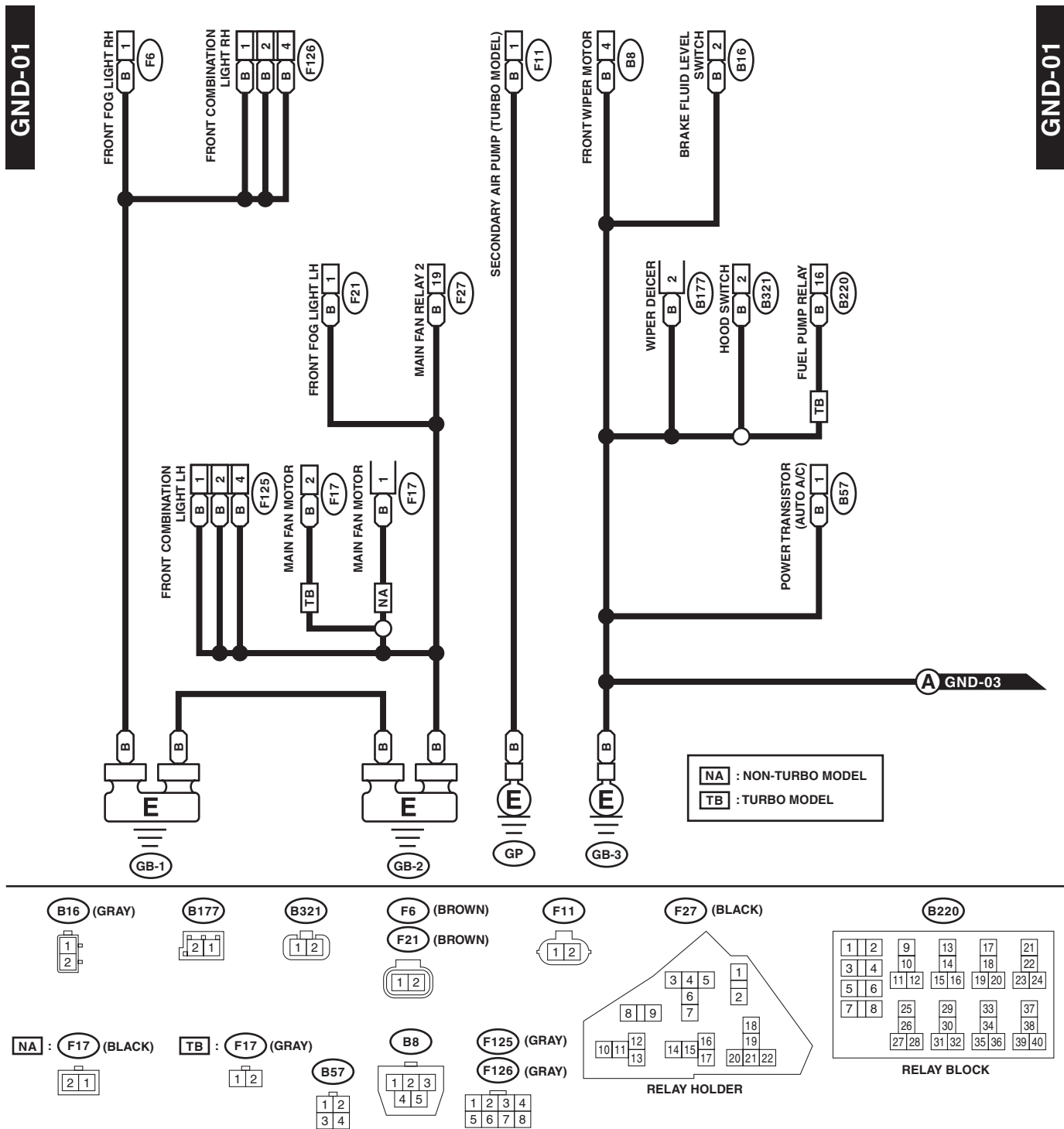
# Ground Circuit

WIRING SYSTEM

## 4. Ground Circuit

### A: WIRING DIAGRAM

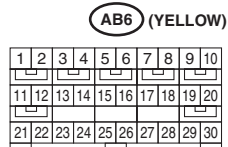
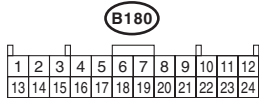
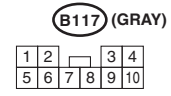
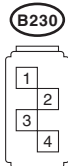
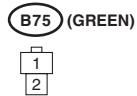
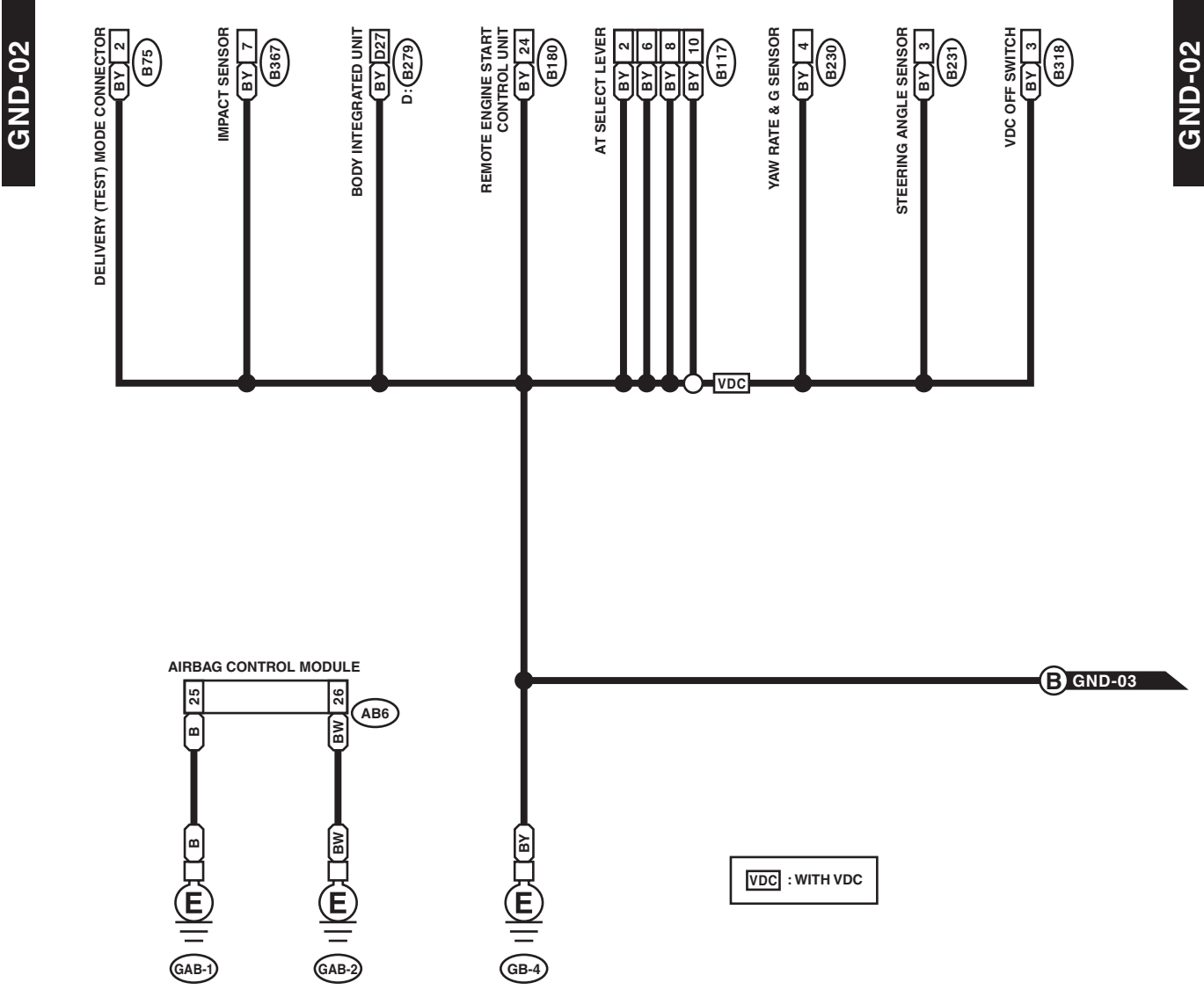
#### 1. BODY GROUND



WI-21385

# Ground Circuit

WIRING SYSTEM

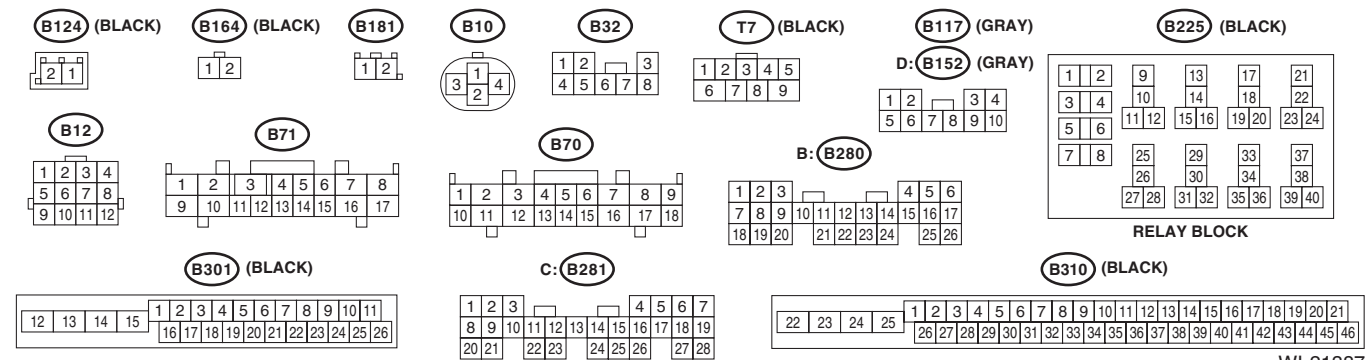
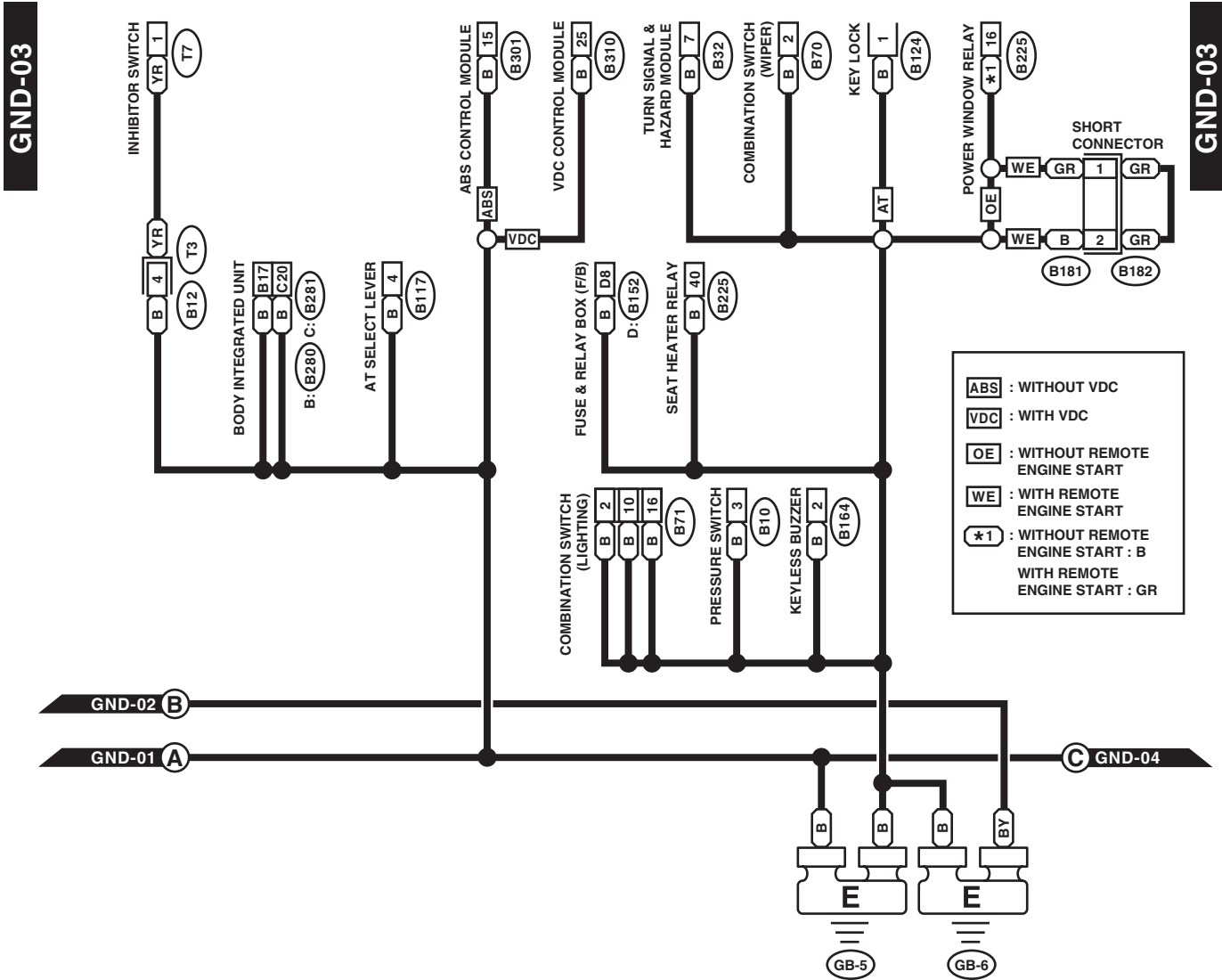


WI-21386

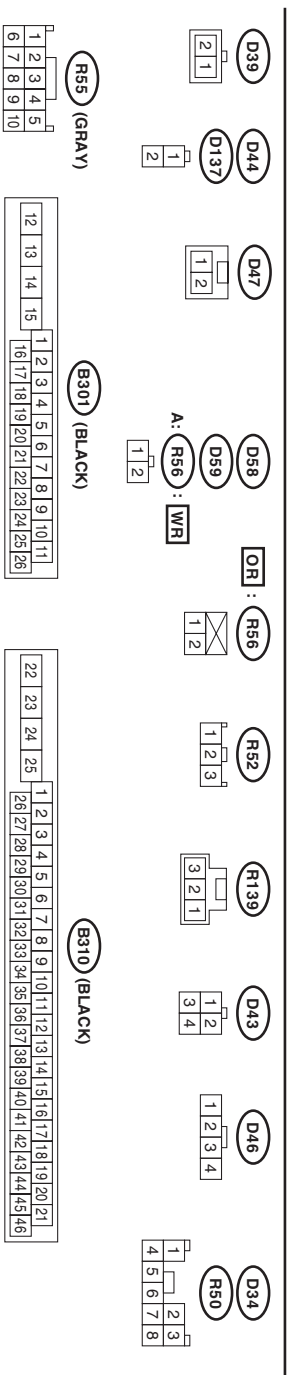
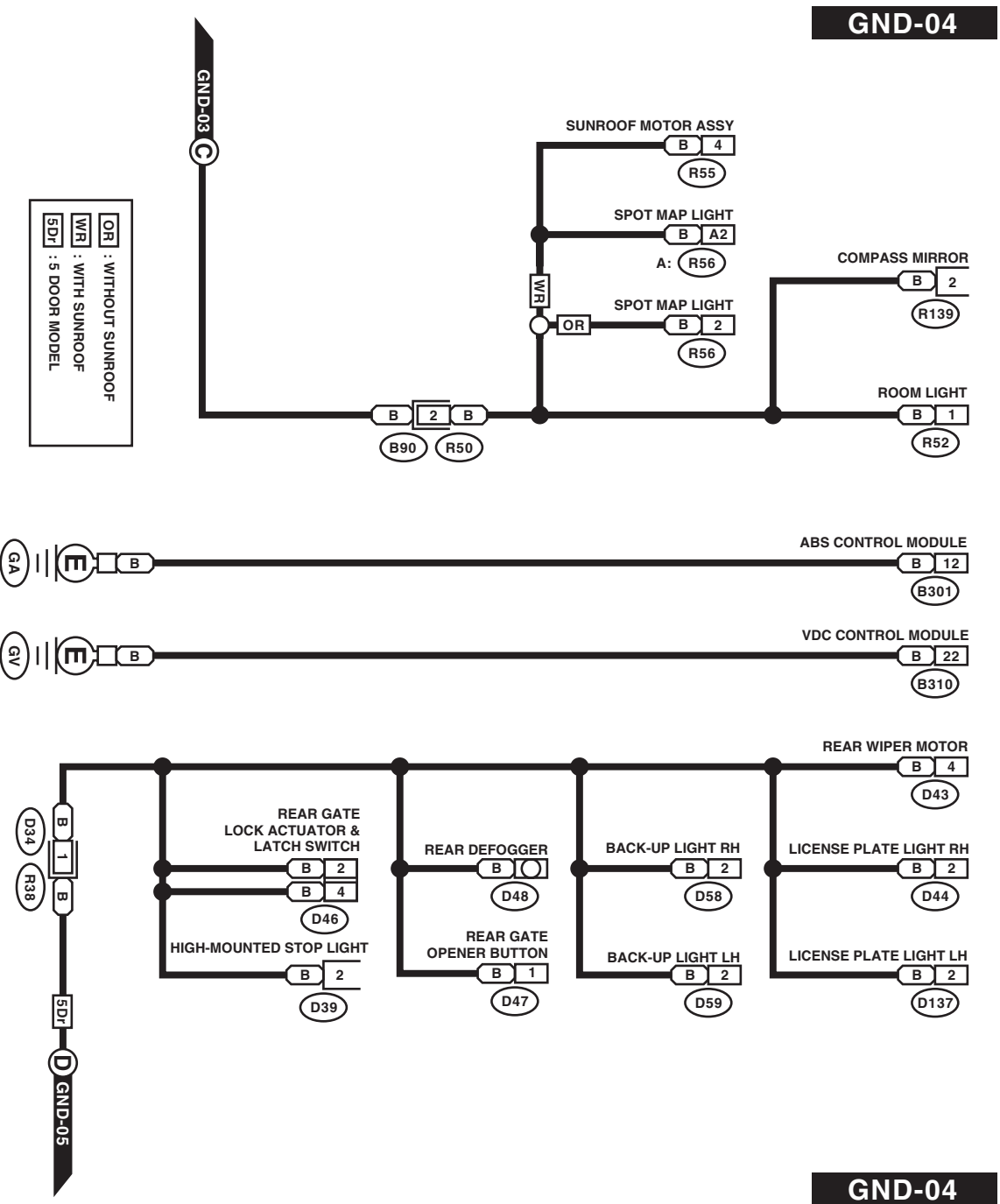


# Ground Circuit

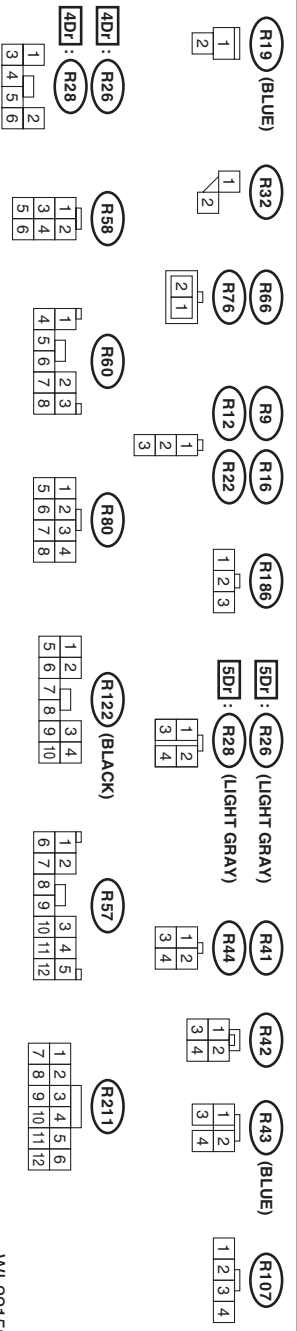
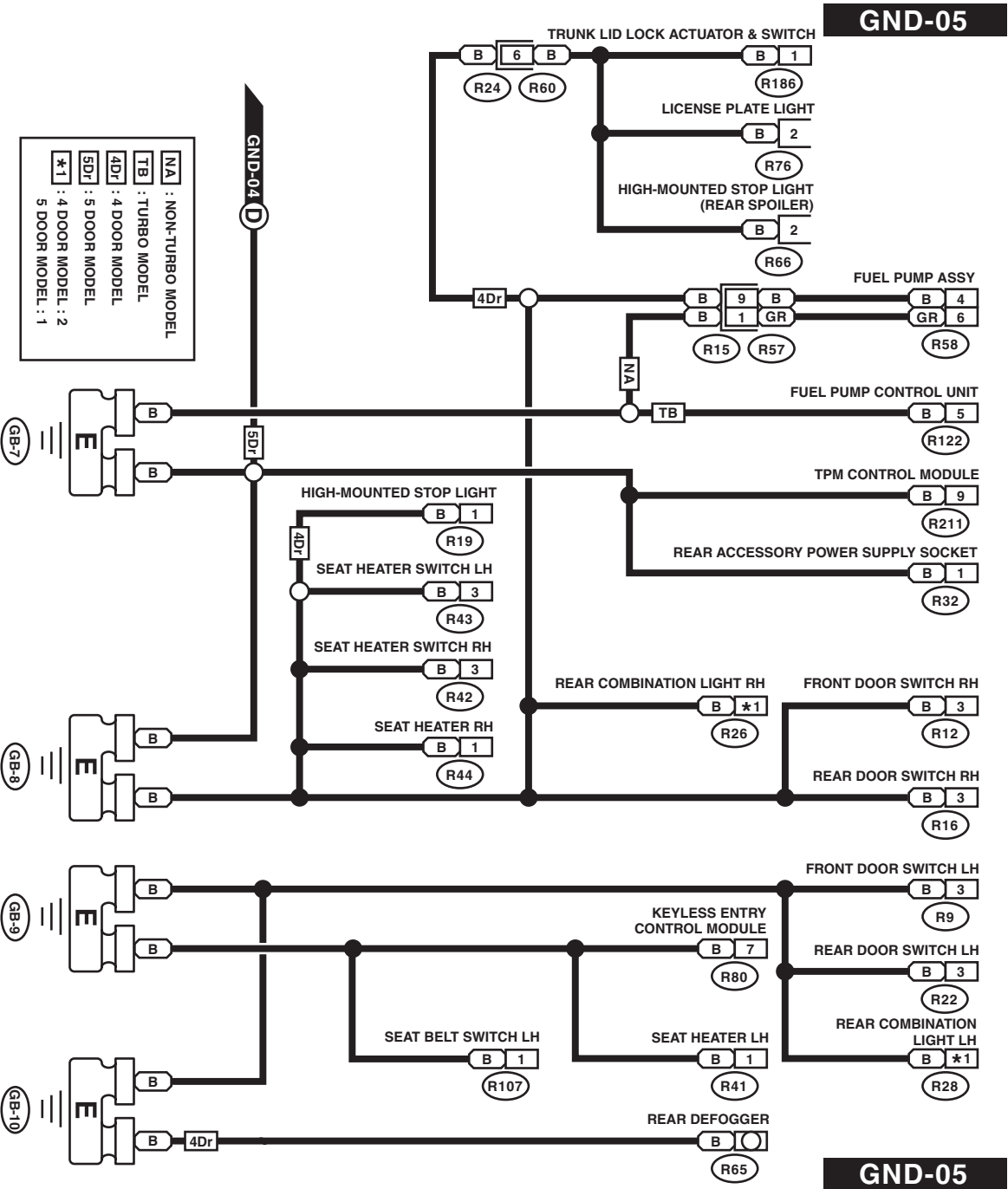
WIRING SYSTEM



WI-21387



WI-21388



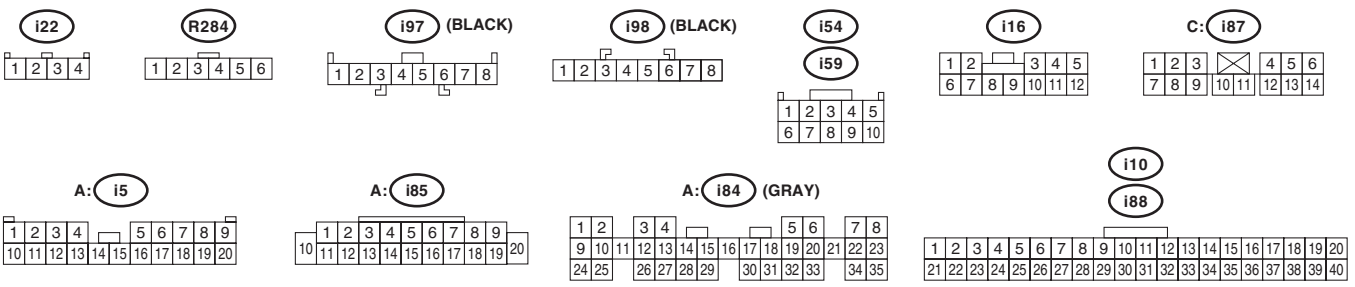
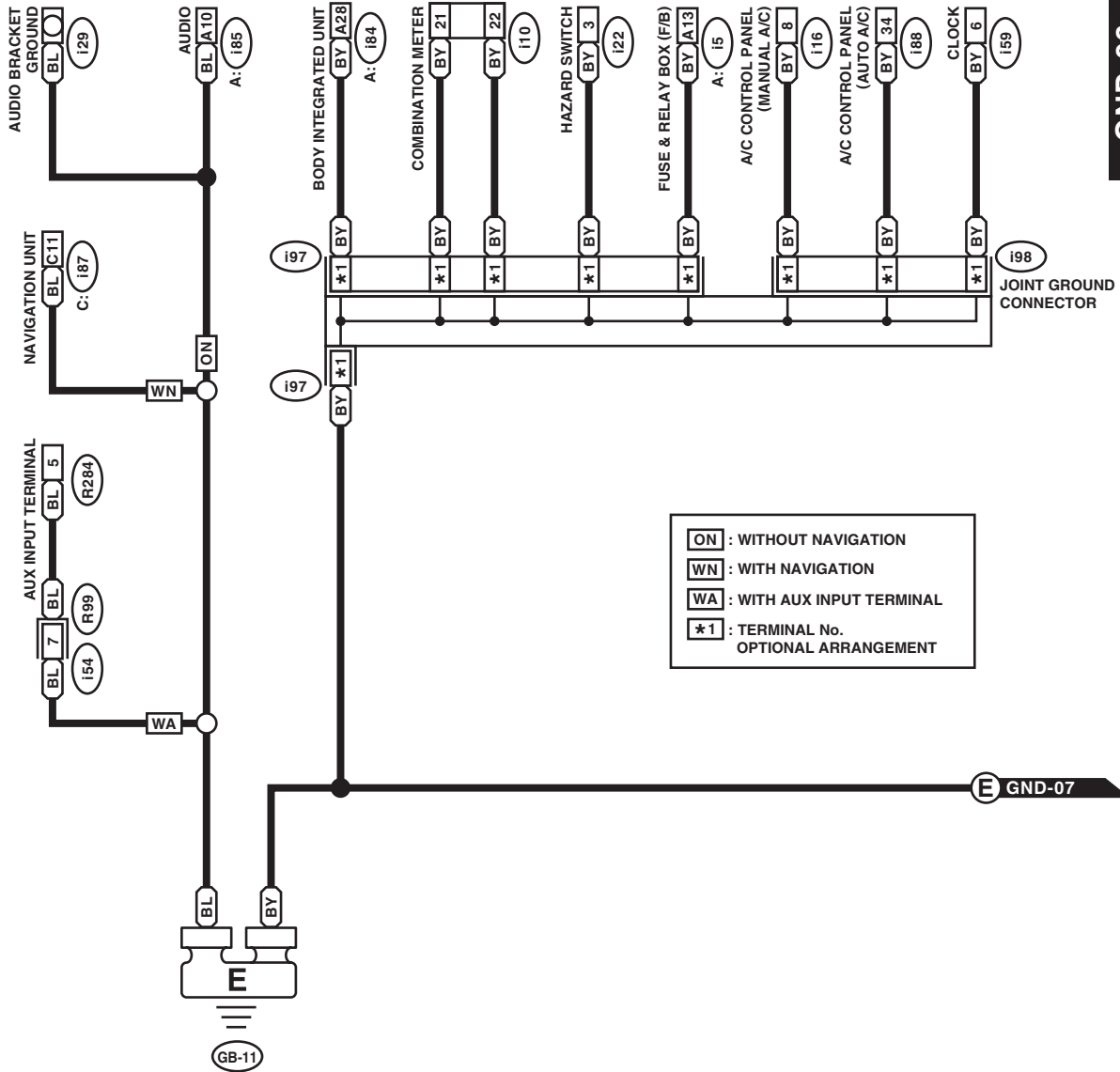
WI-22158

# Ground Circuit

WIRING SYSTEM

GND-06

GND-06



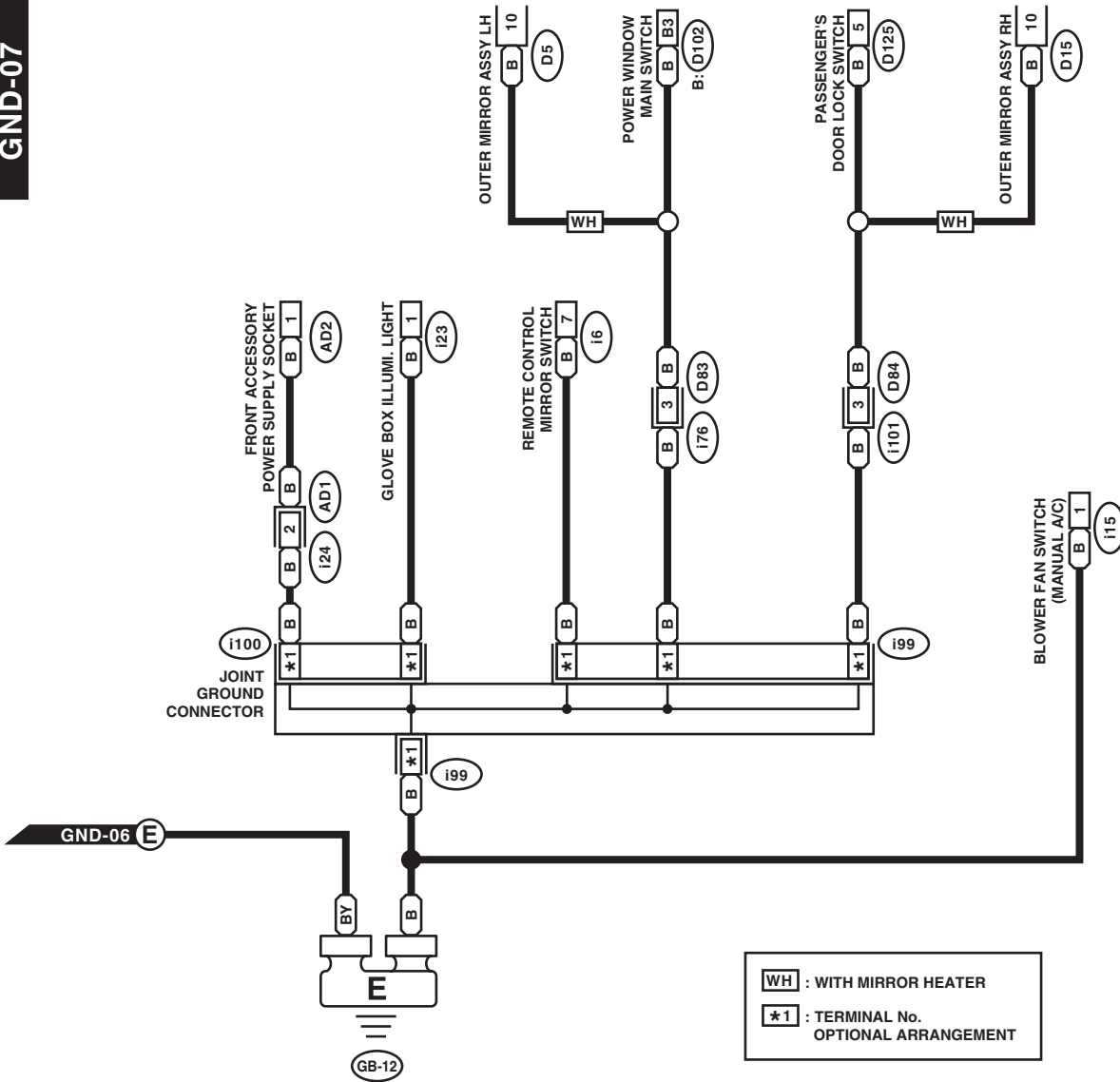
WI-21389

# Ground Circuit

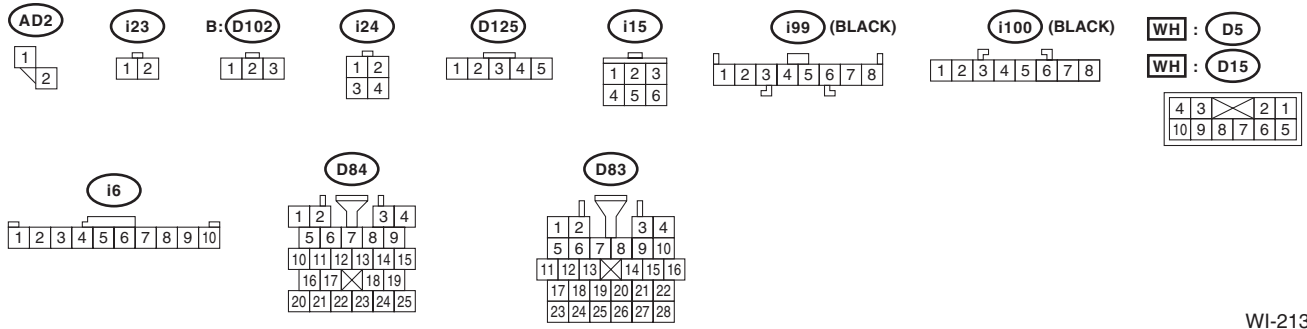
WIRING SYSTEM

GND-07

GND-07



WH : WITH MIRROR HEATER  
 \*1 : TERMINAL No. OPTIONAL ARRANGEMENT

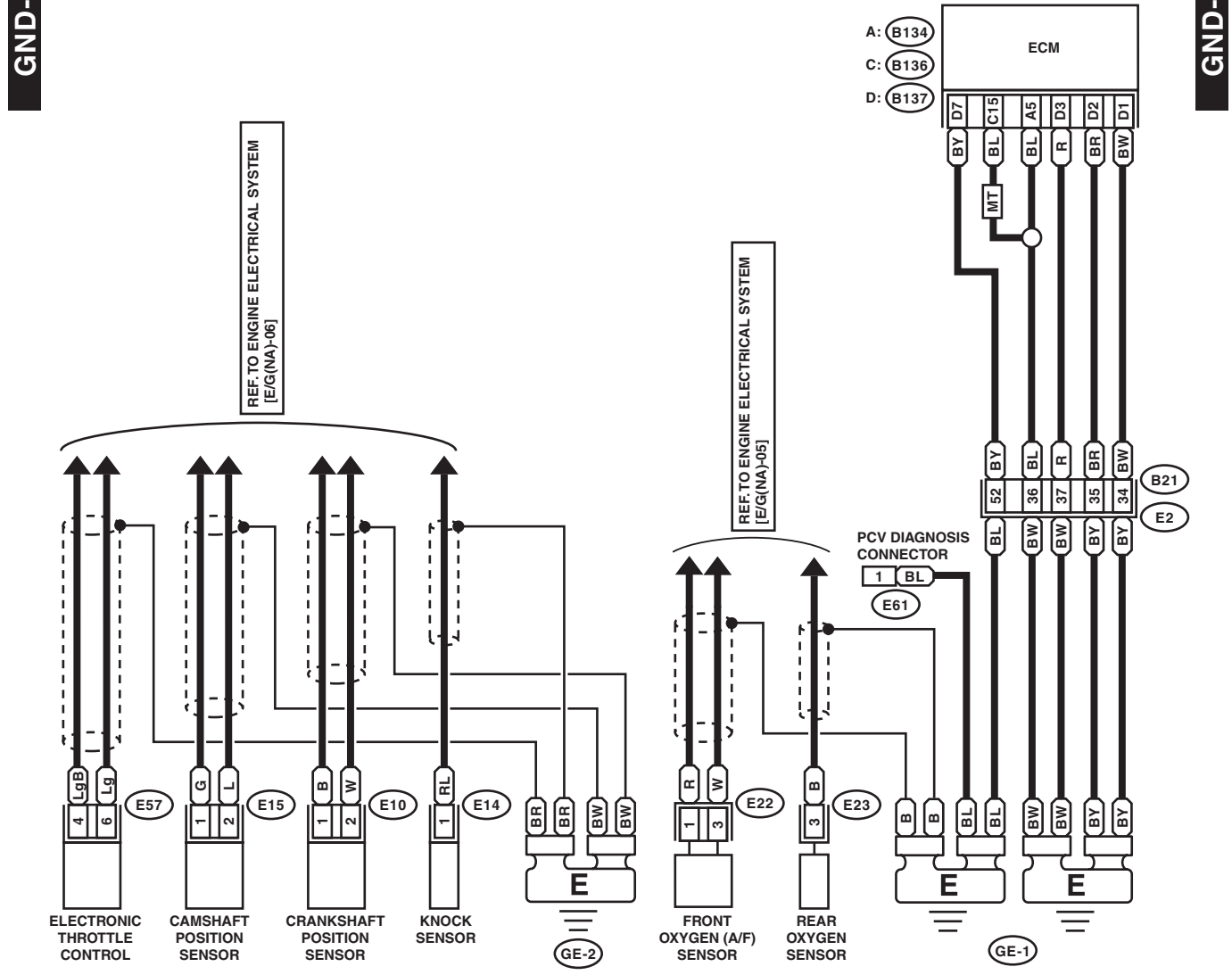


WI-21390

## 2. ENGINE GROUND (NON-TURBO MODEL)

GND-08

GND-08



- E10 (LIGHT GRAY)
- E14 (GRAY)
- E23 (DARK GRAY)
- E22 (BLACK)
- E57 (BLACK)
- B21 (BLACK)
- E15 (BLACK)
- E61 (DARK GRAY)

1	2
3	4

D: B137

1	2	3	4	5	6	7
8	9	10	11	12	13	14
15	16	17	18	19	20	21
22	23	24	25	26	27	28
29	30	31	32	33	34	35

A: B134

1	2	3	4	5	6
7	8	9	10	11	12
13	14	15	16	17	18
19	20	21	22	23	24
25	26	27	28	29	30
31	32	33	34	35	

C: B136

1	2	3	4	5	6	7	8	9	10	11
12	13	14	15	16	17	18	19	20	21	22
23	24	25	26	27	28	29	30	31	32	33
34	35	36	37	38	39	40	41	42	43	44
45	46	47	48	49	50	51	52	53	54	

WI-21489

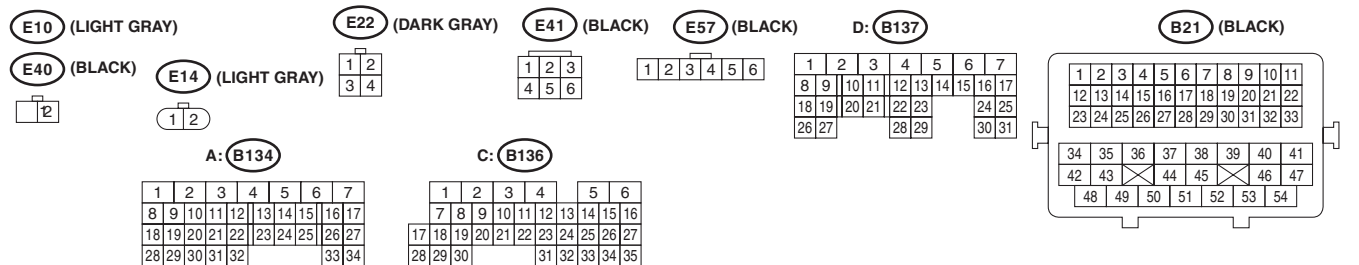
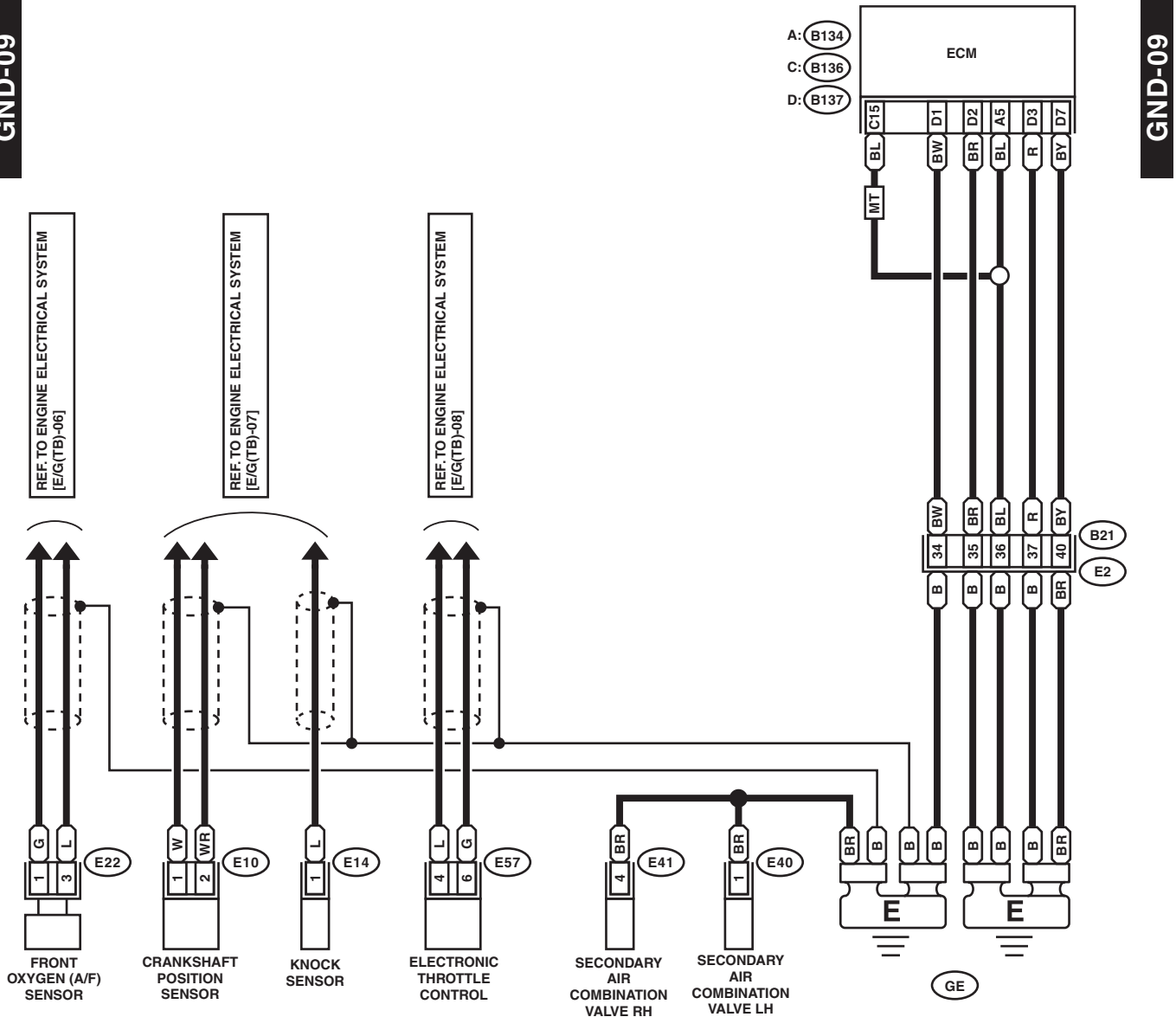
# Ground Circuit

## WIRING SYSTEM

### 3. ENGINE GROUND (TURBO MODEL)

GND-09

GND-09

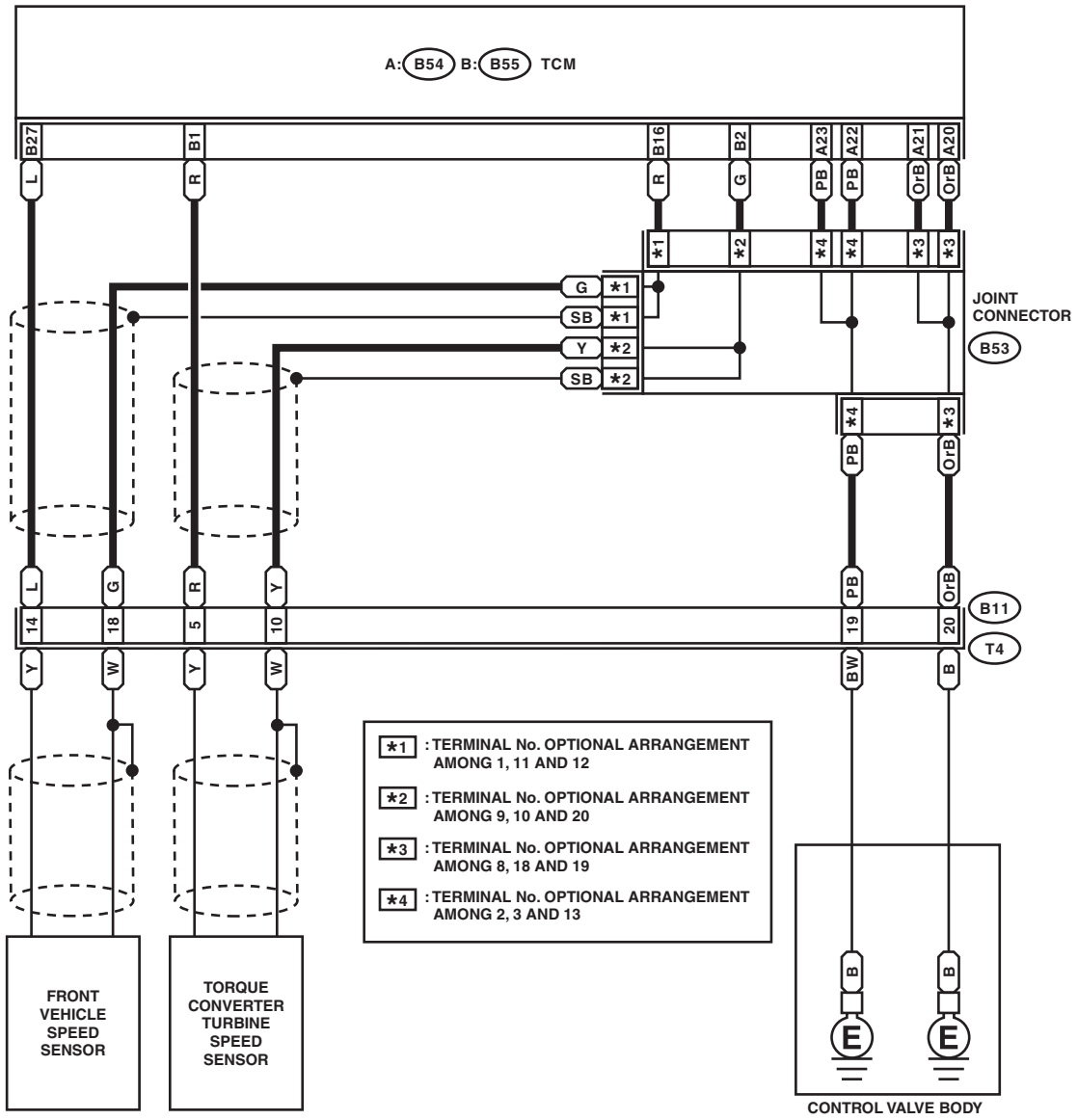


WI-21490

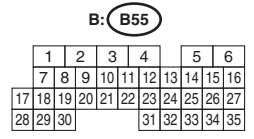
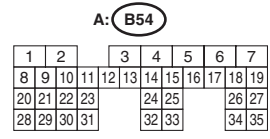
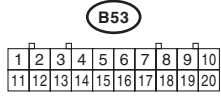
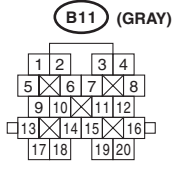
## 4. AT TRANSMISSION GROUND

GND-10

GND-10



- \*1 : TERMINAL No. OPTIONAL ARRANGEMENT AMONG 1, 11 AND 12
- \*2 : TERMINAL No. OPTIONAL ARRANGEMENT AMONG 9, 10 AND 20
- \*3 : TERMINAL No. OPTIONAL ARRANGEMENT AMONG 8, 18 AND 19
- \*4 : TERMINAL No. OPTIONAL ARRANGEMENT AMONG 2, 3 AND 13





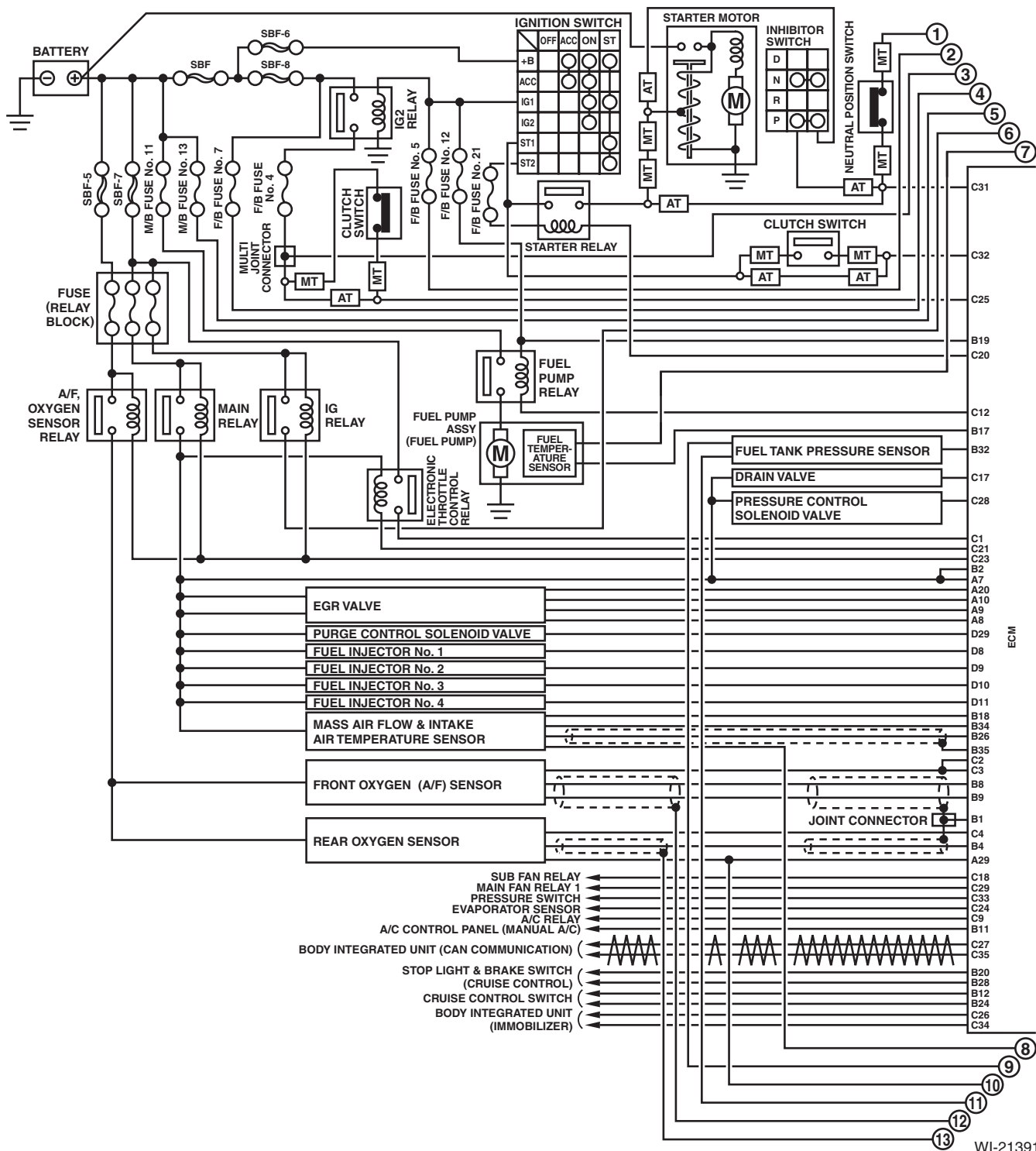
# Engine Electrical System

WIRING SYSTEM

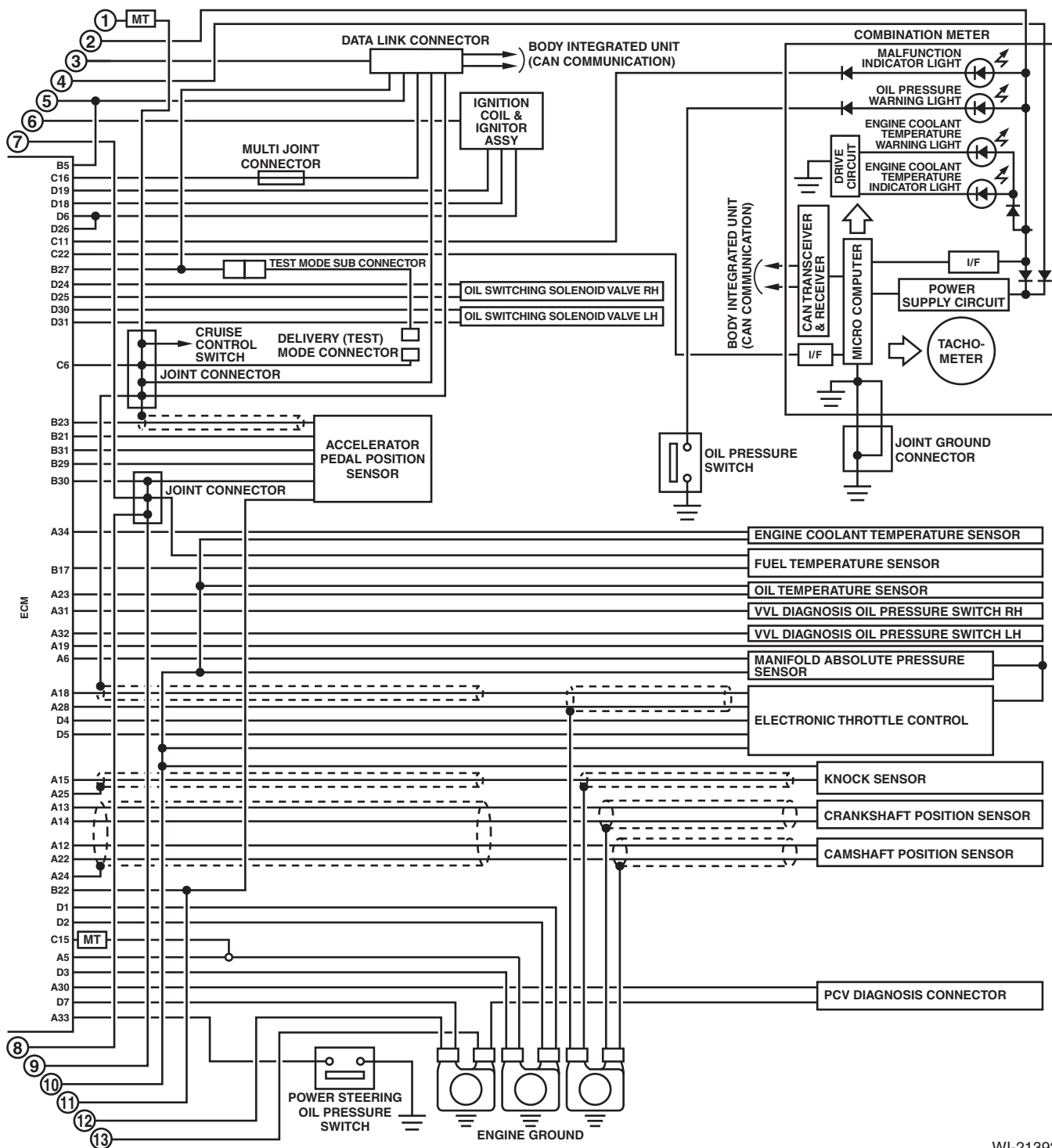
## 5. Engine Electrical System

### A: WIRING DIAGRAM

#### 1. NON-TURBO MODEL



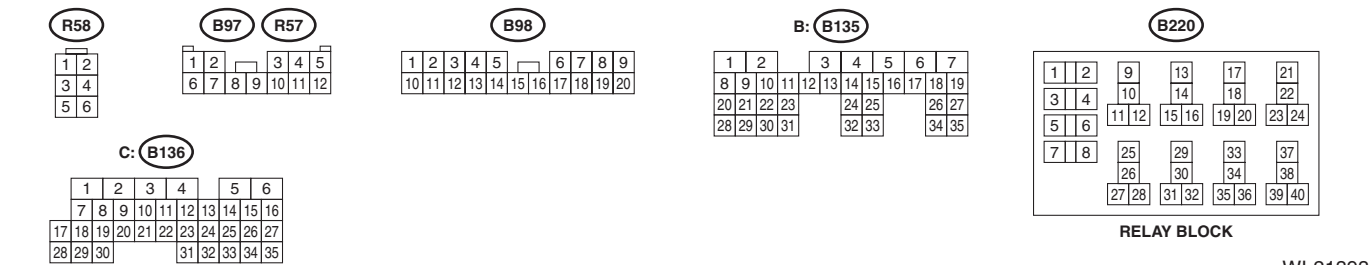
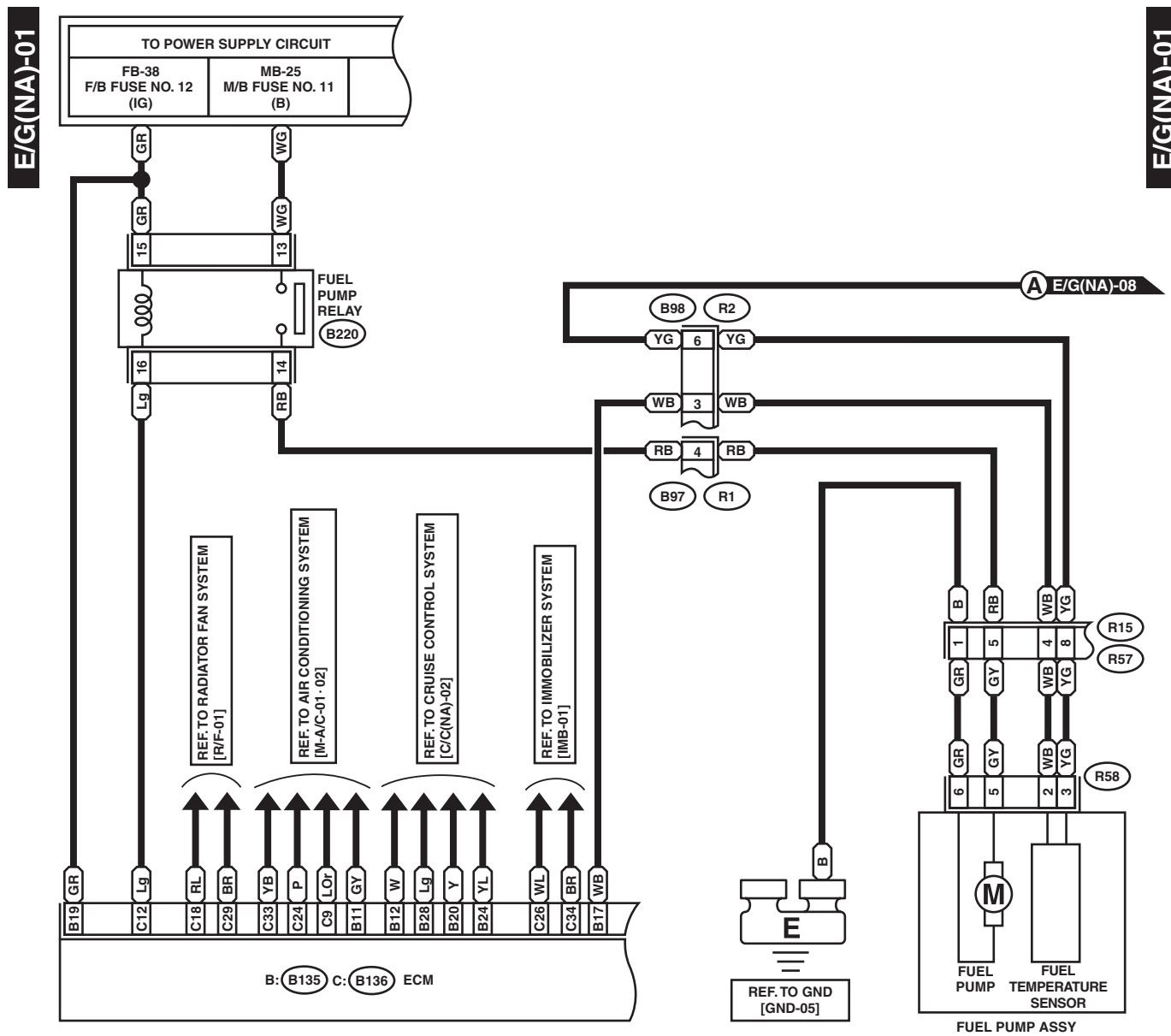
WI-21391



WI-21392

# Engine Electrical System

## WIRING SYSTEM



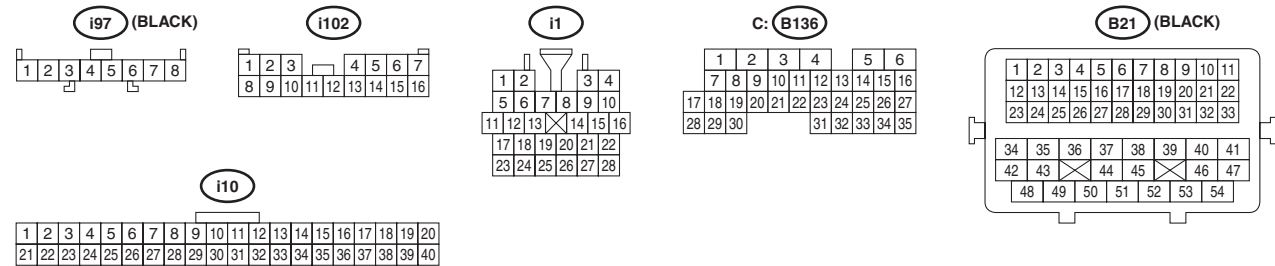
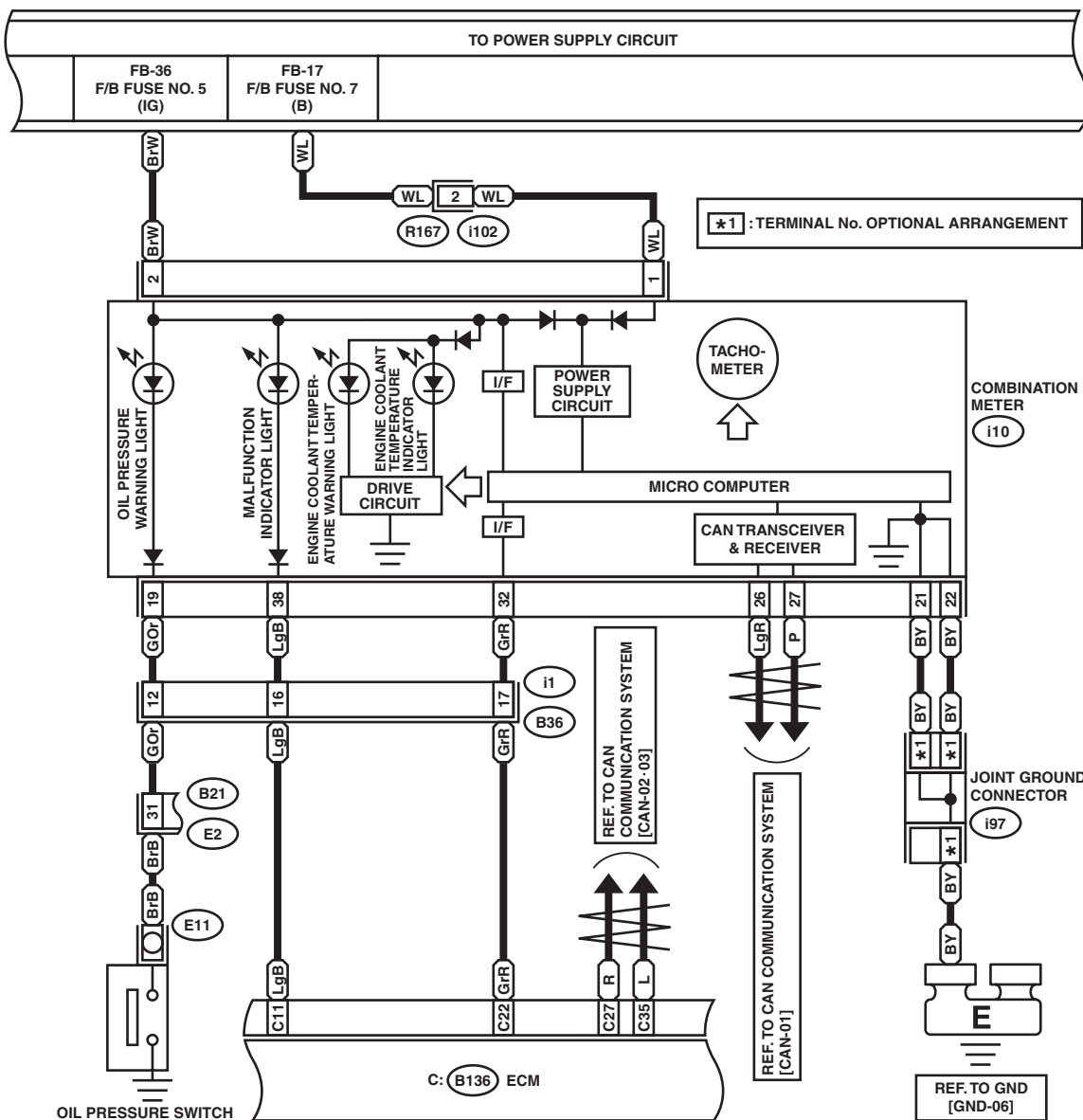
WI-21393

# Engine Electrical System

WIRING SYSTEM

E/G(NA)-02

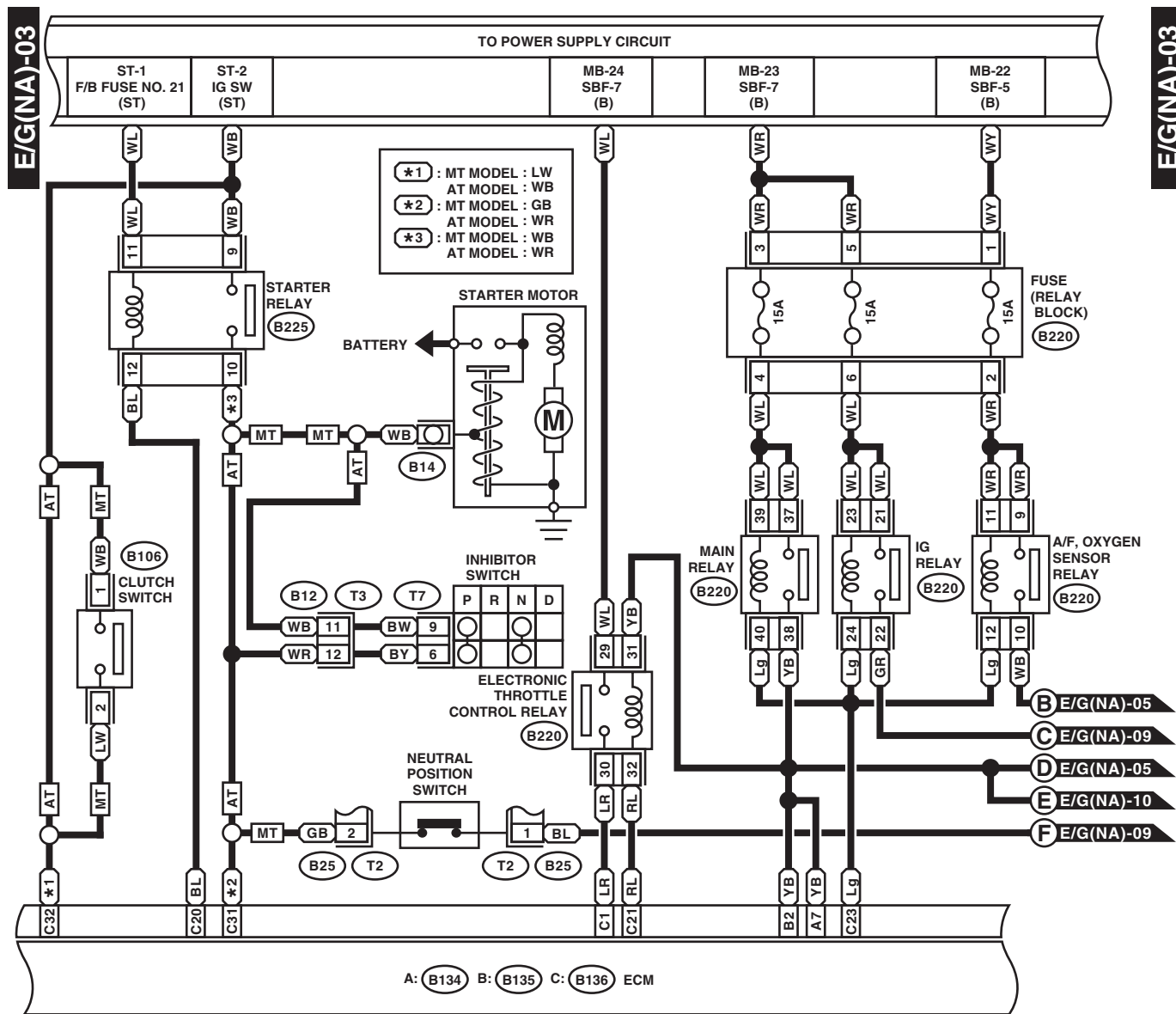
E/G(NA)-02



WI-21394

# Engine Electrical System

## WIRING SYSTEM



(B25) (BROWN)

(B106)

(T7) (BLACK)

(B12)

A: (B134)

B: (B135)

(B220) (B225) (BLACK)

1	2
---	---

1
2

1	2	3	4	5
6	7	8	9	

1	2	3	4
5	6	7	8
9	10	11	12

1	2	3	4	5	6	7
8	9	10	11	12	13	14
15	16	17	18	19	20	21
22	23	24	25	26	27	28
29	30	31	32	33	34	

1	2	3	4	5	6	7
8	9	10	11	12	13	14
15	16	17	18	19	20	21
22	23	24	25	26	27	28
29	30	31	32	33	34	35

1	2	9	13	17	21
3	4	10	14	18	22
5	6	11	15	19	23
7	8	12	16	20	24
25	29	33	37		
26	30	34	38		
27	28	31	32	35	36
39	40				

C: (B136)

1	2	3	4	5	6
7	8	9	10	11	12
13	14	15	16	17	18
19	20	21	22	23	24
25	26	27	28	29	30
31	32	33	34	35	

RELAY BLOCK

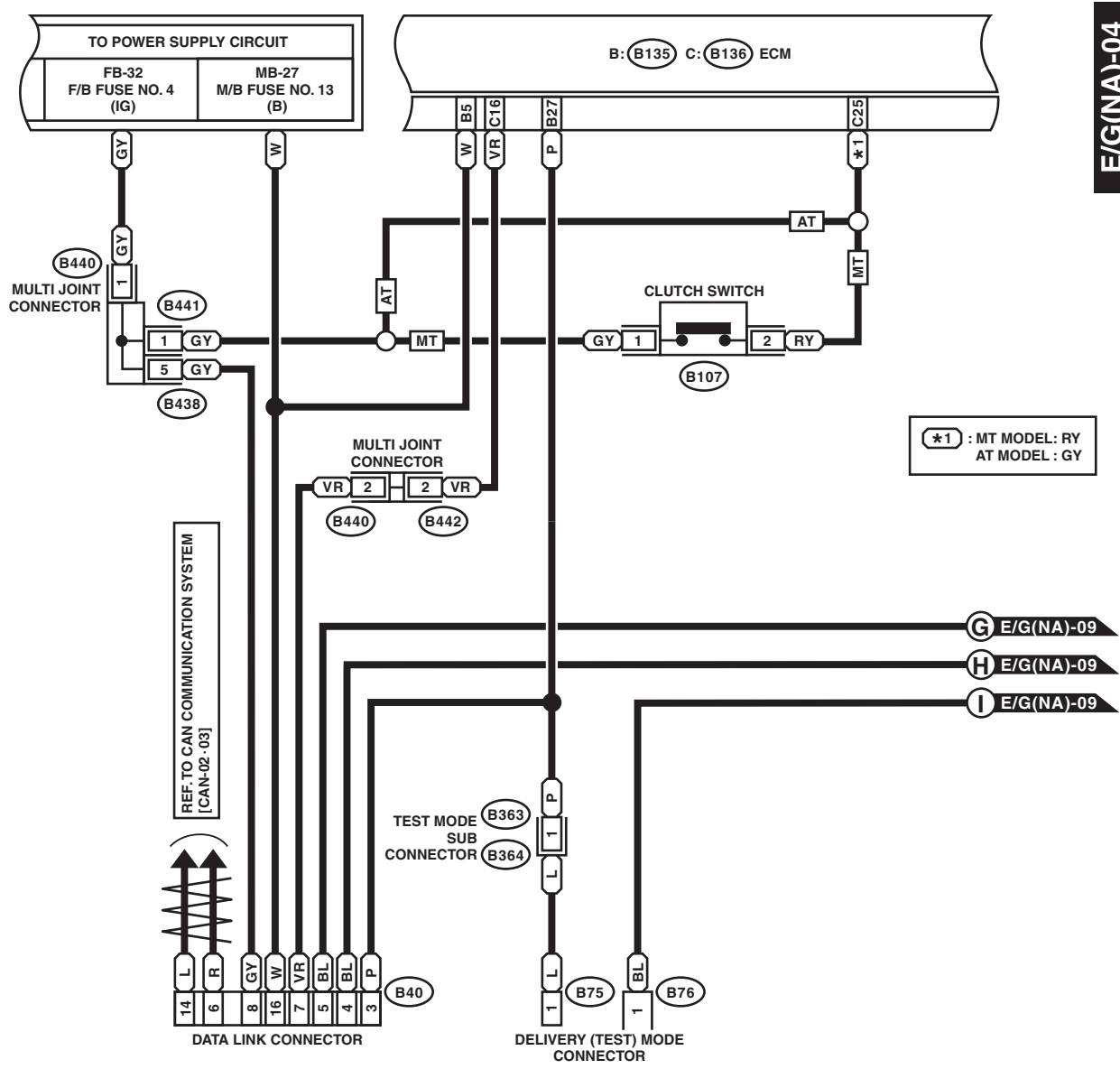
WI-21395

# Engine Electrical System

WIRING SYSTEM

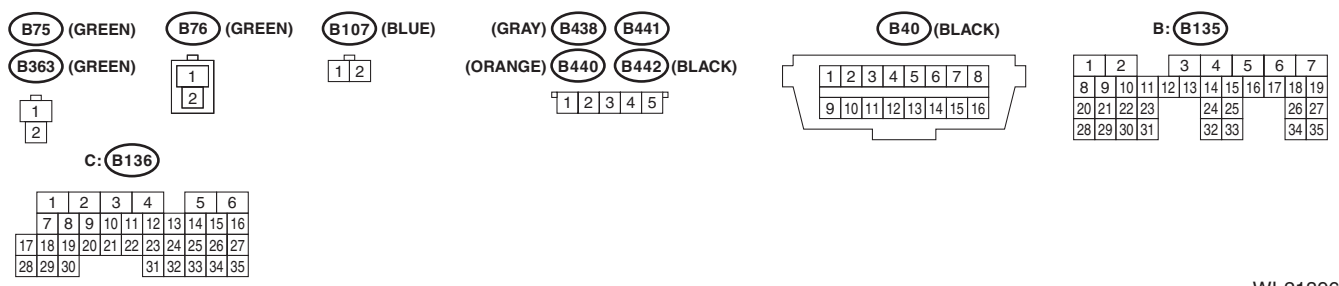
E/G(NA)-04

E/G(NA)-04



\*1 : MT MODEL : RY  
AT MODEL : GY

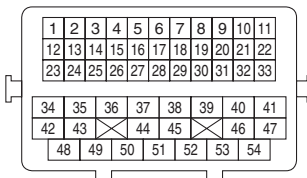
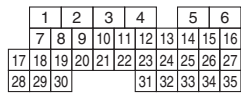
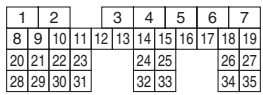
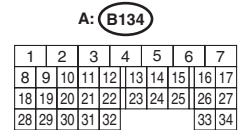
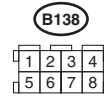
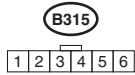
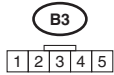
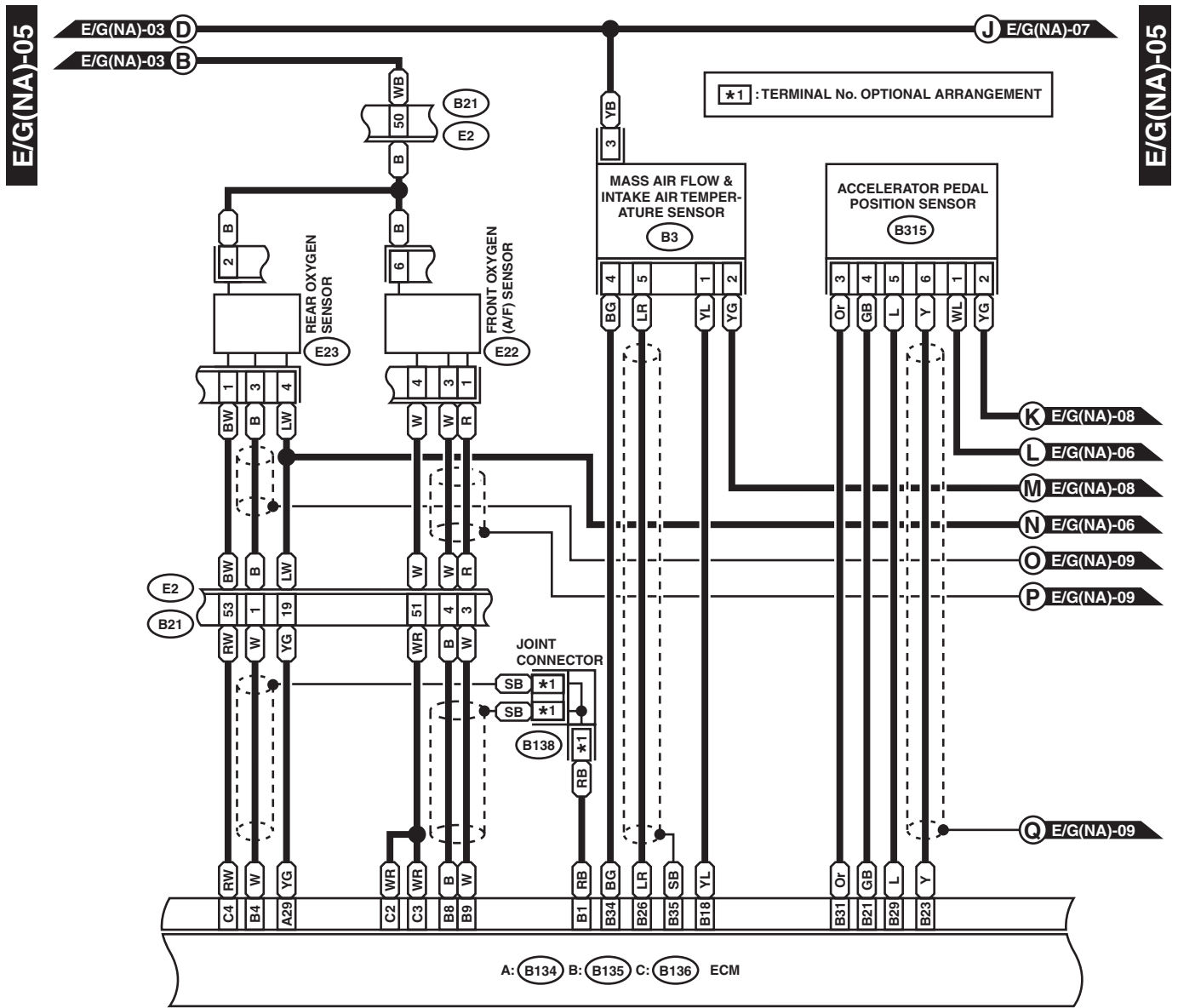
REF. TO CAN COMMUNICATION SYSTEM  
[CAN-02-03]



WI-21396

# Engine Electrical System

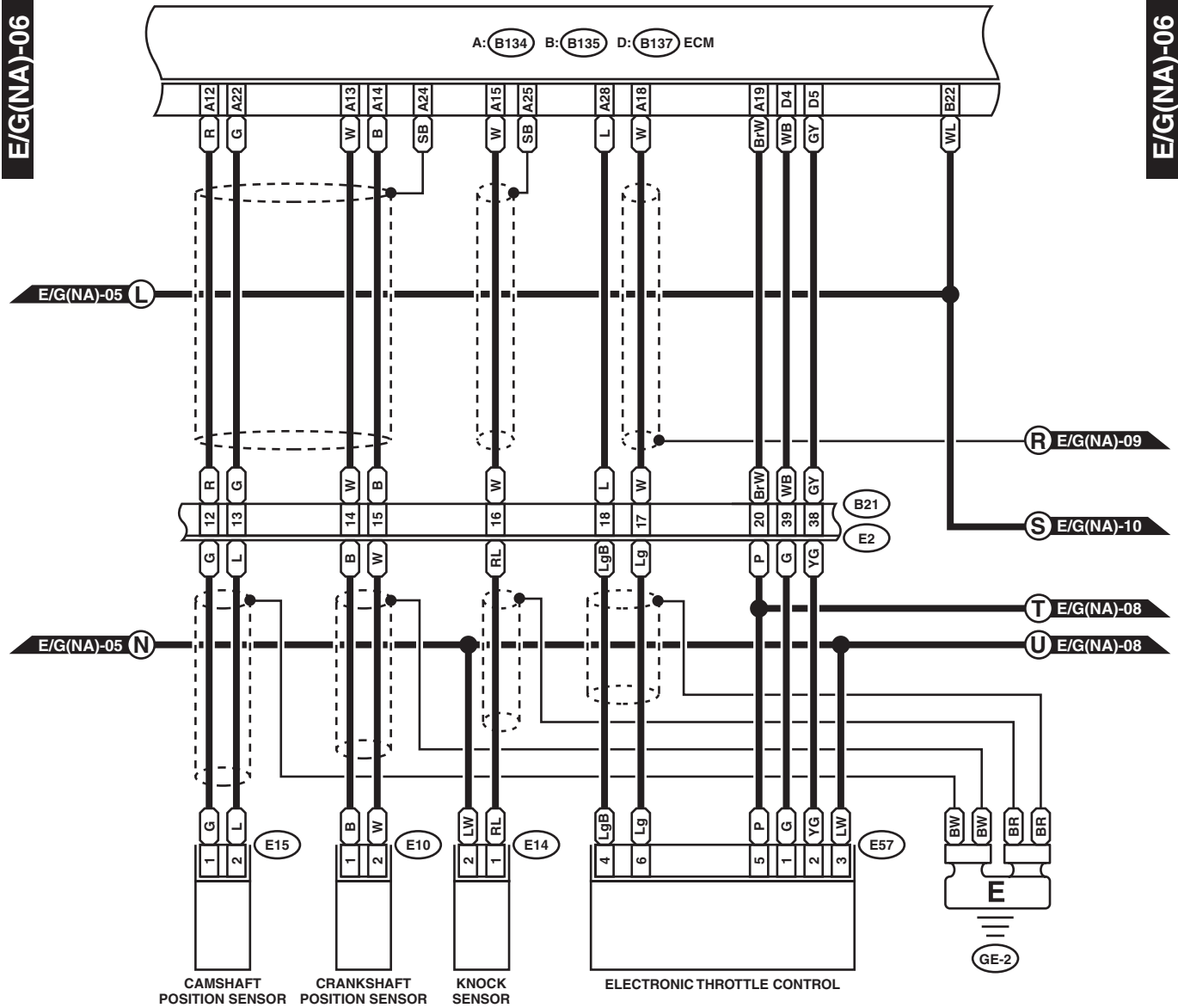
## WIRING SYSTEM



WI-22934

# Engine Electrical System

WIRING SYSTEM



E10 (LIGHT GRAY)

E14 (GRAY)

E57 (BLACK)

D: B137

B21 (BLACK)

E15 (BLACK)

1 2

1 2 3 4 5 6

1	2	3	4	5	6	7
8	9	10	11	12	13	14
15	16	17	18	19	20	21
22	23	24	25	26	27	28
29	30	31	28	29	30	31

1	2	3	4	5	6	7	8	9	10	11
12	13	14	15	16	17	18	19	20	21	22
23	24	25	26	27	28	29	30	31	32	33
34	35	36	37	38	39	40	41	42	43	44
45	46	47	48	49	50	51	52	53	54	

A: B134

1	2	3	4	5	6	7
8	9	10	11	12	13	14
15	16	17	18	19	20	21
22	23	24	25	26	27	28
29	30	31	32	33	34	

B: B135

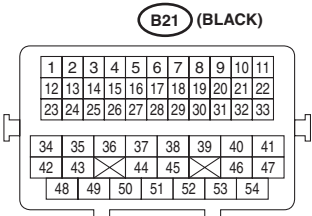
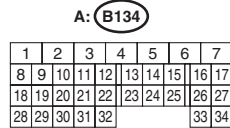
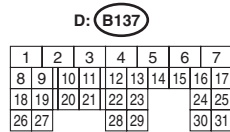
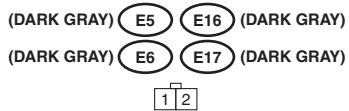
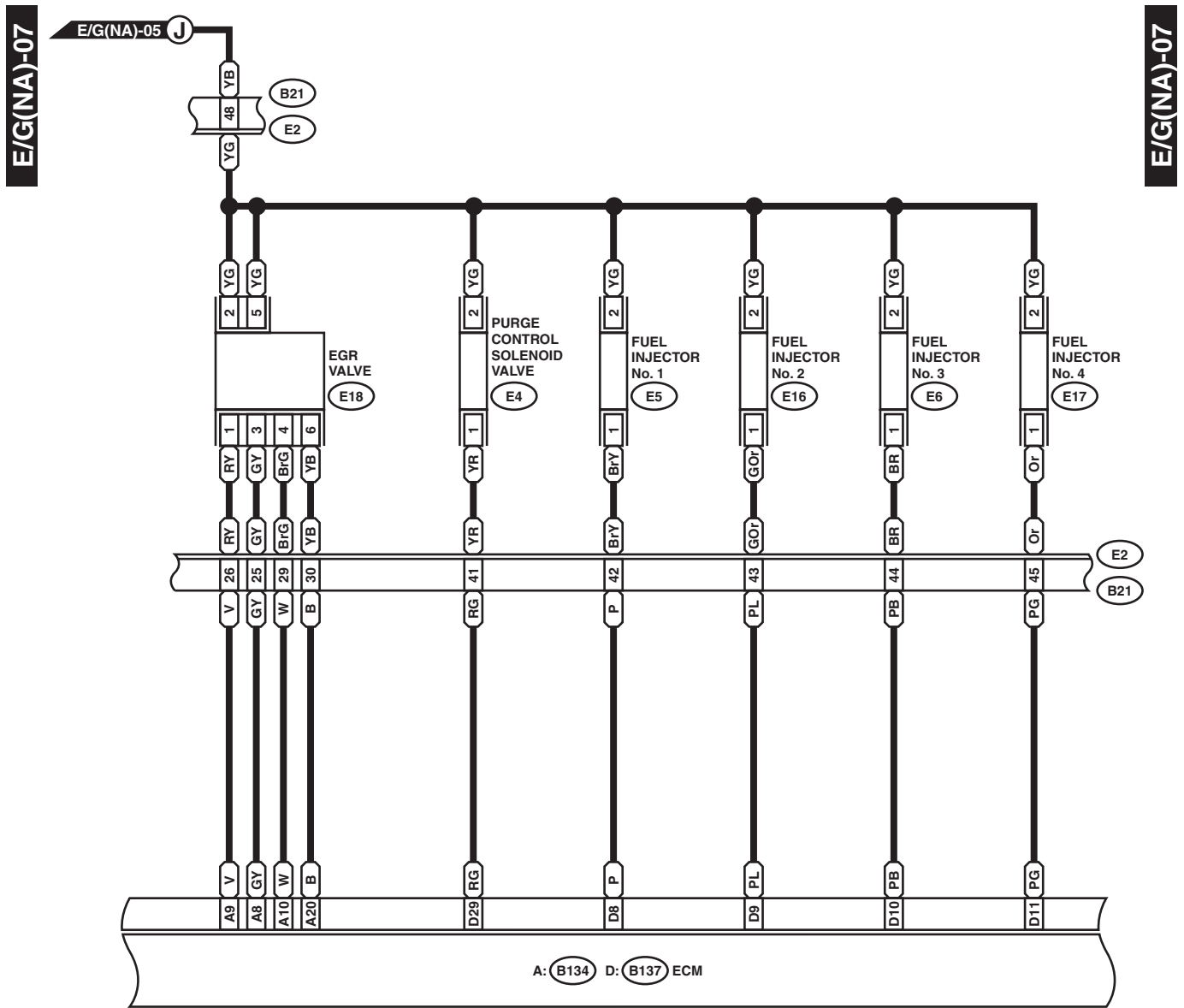
1	2	3	4	5	6	7
8	9	10	11	12	13	14
15	16	17	18	19	20	21
22	23	24	25	26	27	28
29	30	31	32	33	34	35

WI-21397



# Engine Electrical System

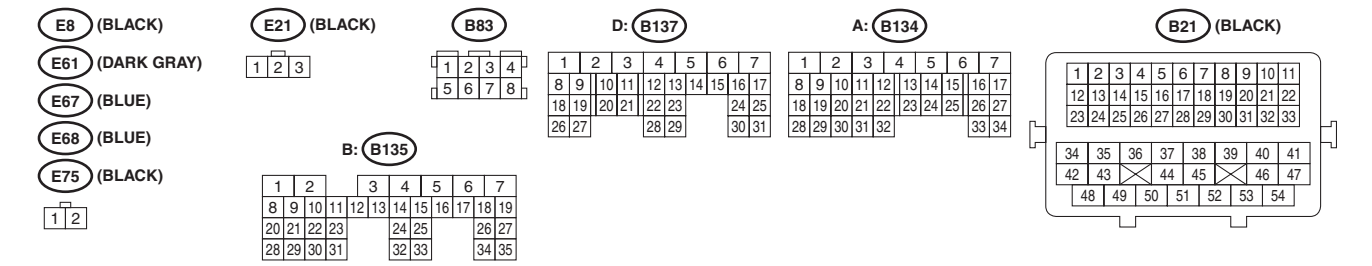
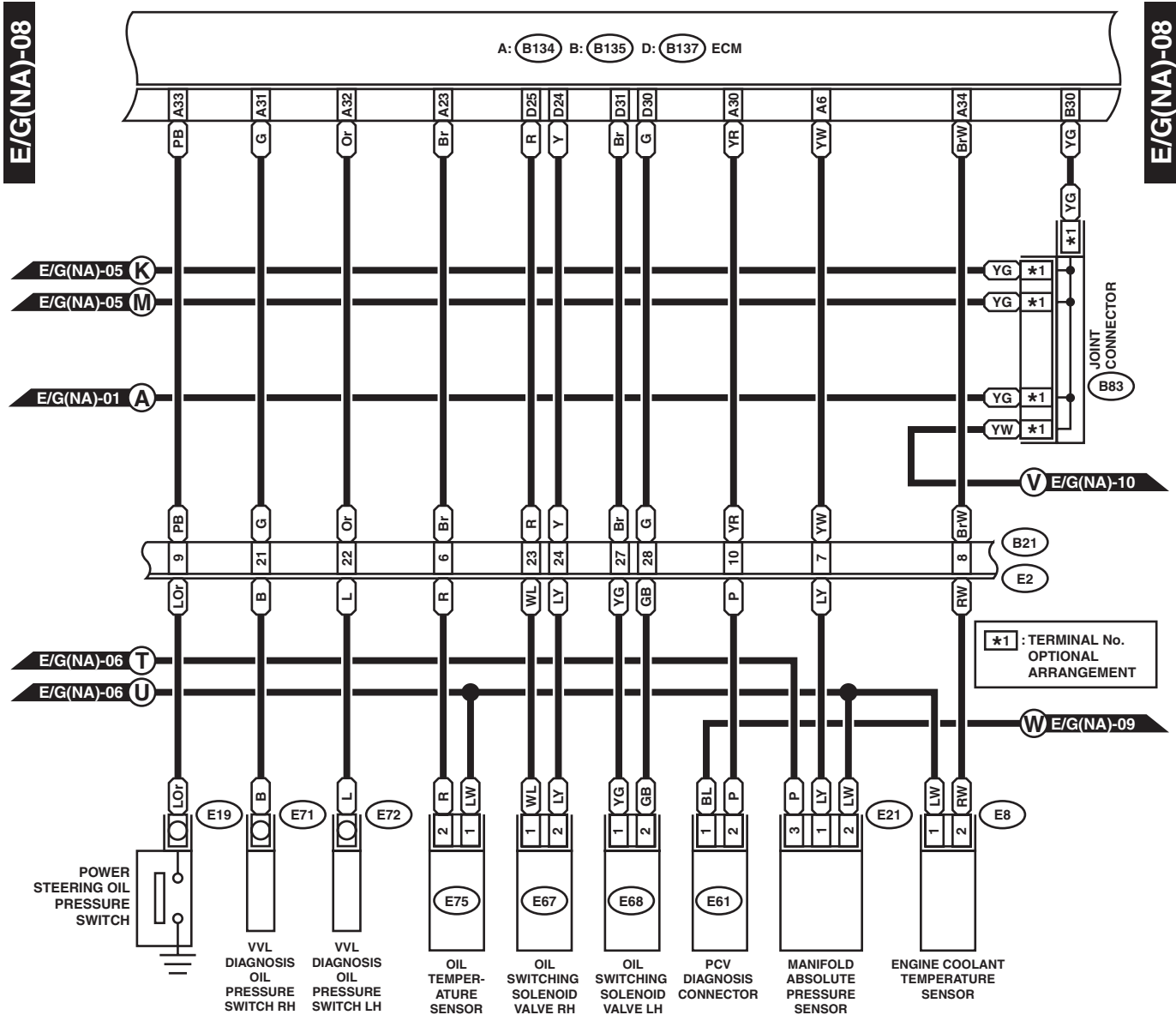
WIRING SYSTEM



WI-22935

# Engine Electrical System

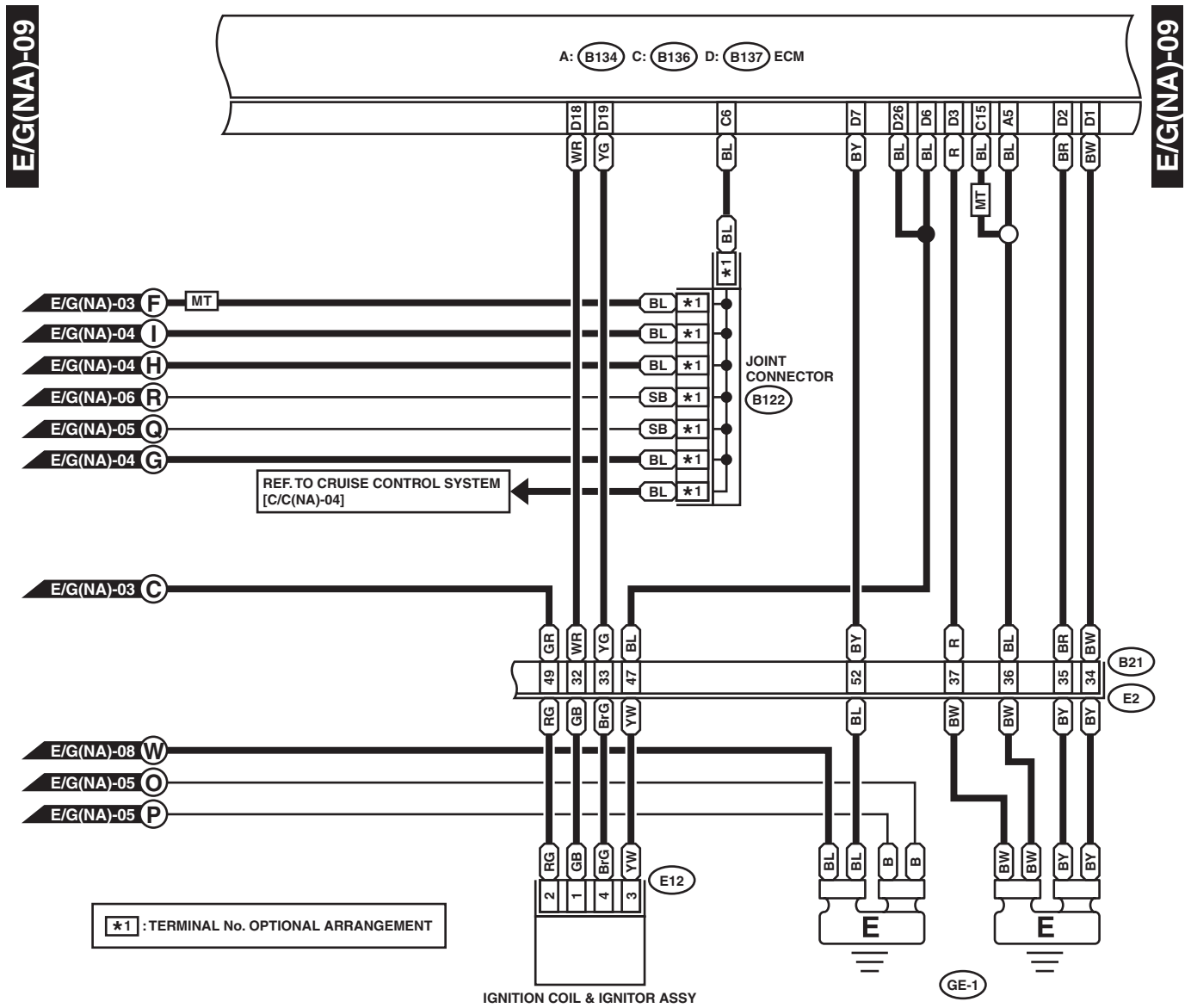
WIRING SYSTEM



WI-22936

# Engine Electrical System

## WIRING SYSTEM



REF. TO CRUISE CONTROL SYSTEM [C/C(NA)-04]

\*1 : TERMINAL No. OPTIONAL ARRANGEMENT

IGNITION COIL & IGNITOR ASSY

E12 (DARK GRAY)

1	2	3	4
---	---	---	---

B21 (BLACK)

1	2	3	4	5	6	7	8	9	10	11
12	13	14	15	16	17	18	19	20	21	22
23	24	25	26	27	28	29	30	31	32	33
34	35	36	37	38	39	40	41			
42	43	44	45	46	47					
48	49	50	51	52	53	54				

B122

1	2	3	4
5	6	7	8

D: B137

1	2	3	4	5	6	7
8	9	10	11	12	13	14
15	16	17	18	19	20	21
22	23	24	25	26	27	28
29	30	31				

A: B134

1	2	3	4	5	6	7
8	9	10	11	12	13	14
15	16	17	18	19	20	21
22	23	24	25	26	27	28
29	30	31	32	33	34	

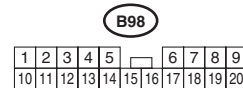
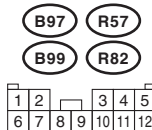
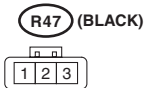
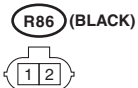
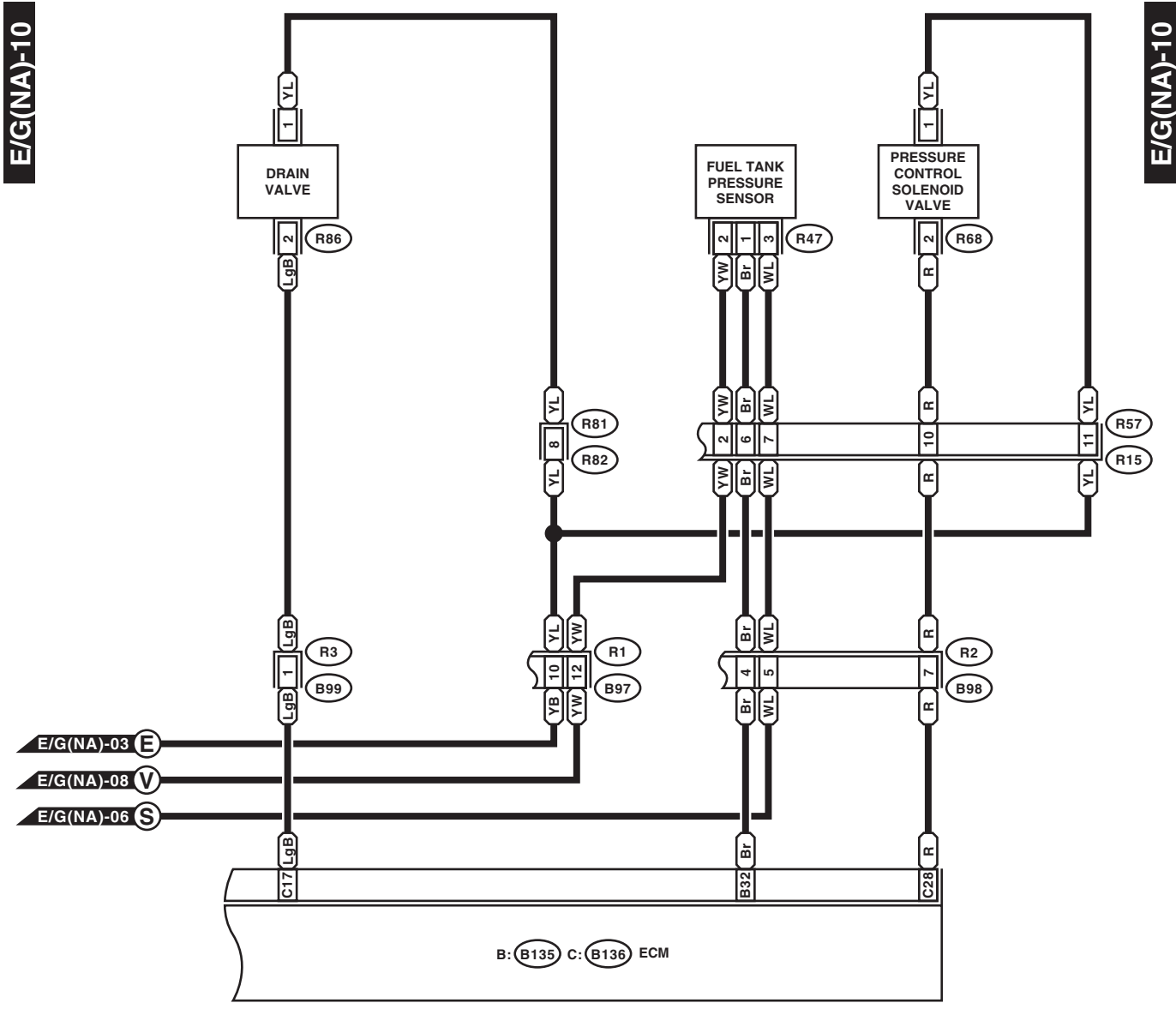
C: B136

1	2	3	4	5	6
7	8	9	10	11	12
13	14	15	16	17	18
19	20	21	22	23	24
25	26	27	28	29	30
31	32	33	34	35	

WI-22937

# Engine Electrical System

WIRING SYSTEM



B: B135

1	2	3	4	5	6	7					
8	9	10	11	12	13	14	15	16	17	18	19
20	21	22	23	24	25	26	27				
28	29	30	31	32	33	34	35				

C: B136

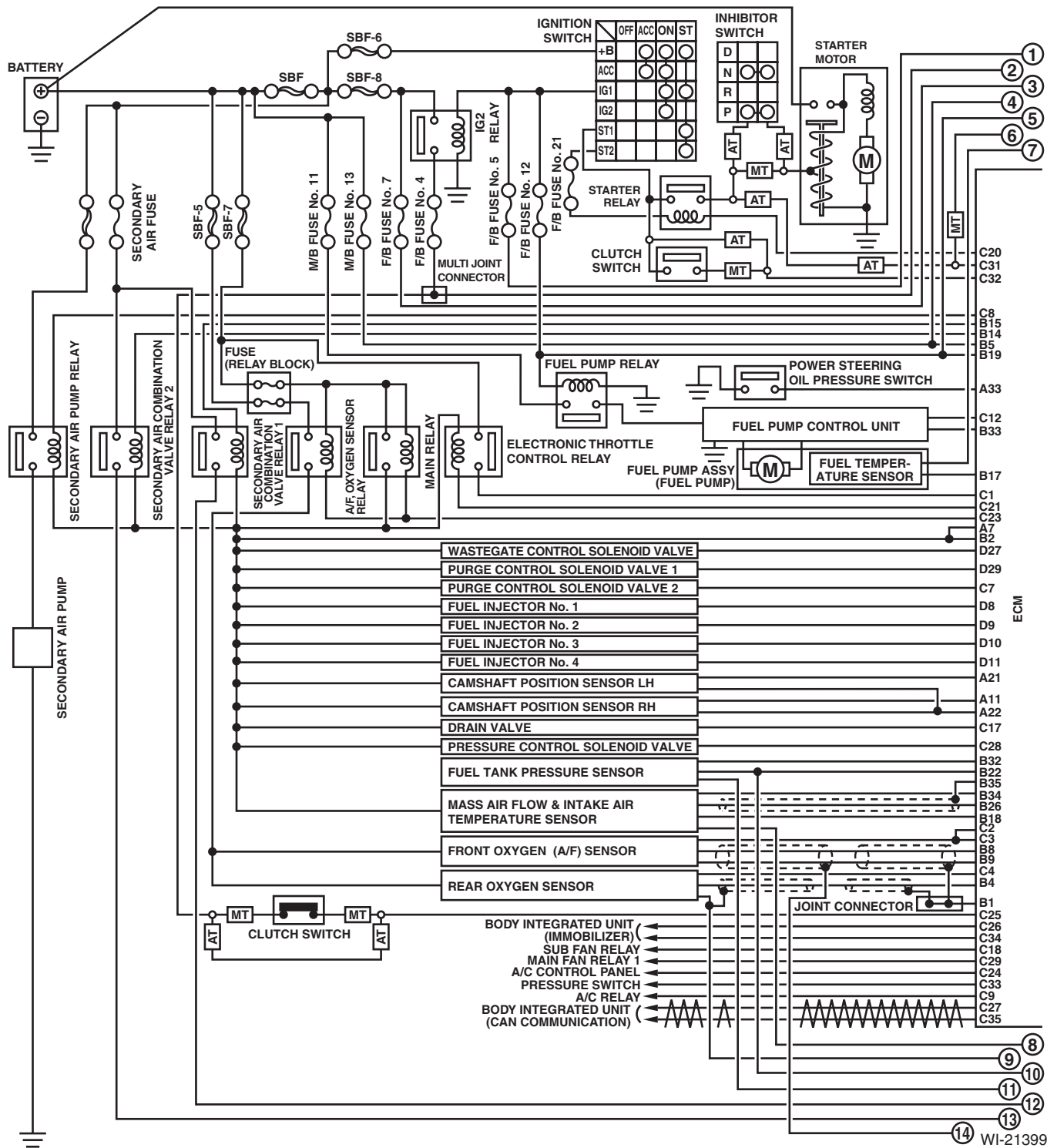
1	2	3	4	5	6					
7	8	9	10	11	12	13	14	15	16	
17	18	19	20	21	22	23	24	25	26	27
28	29	30	31	32	33	34	35			

WI-21398

# Engine Electrical System

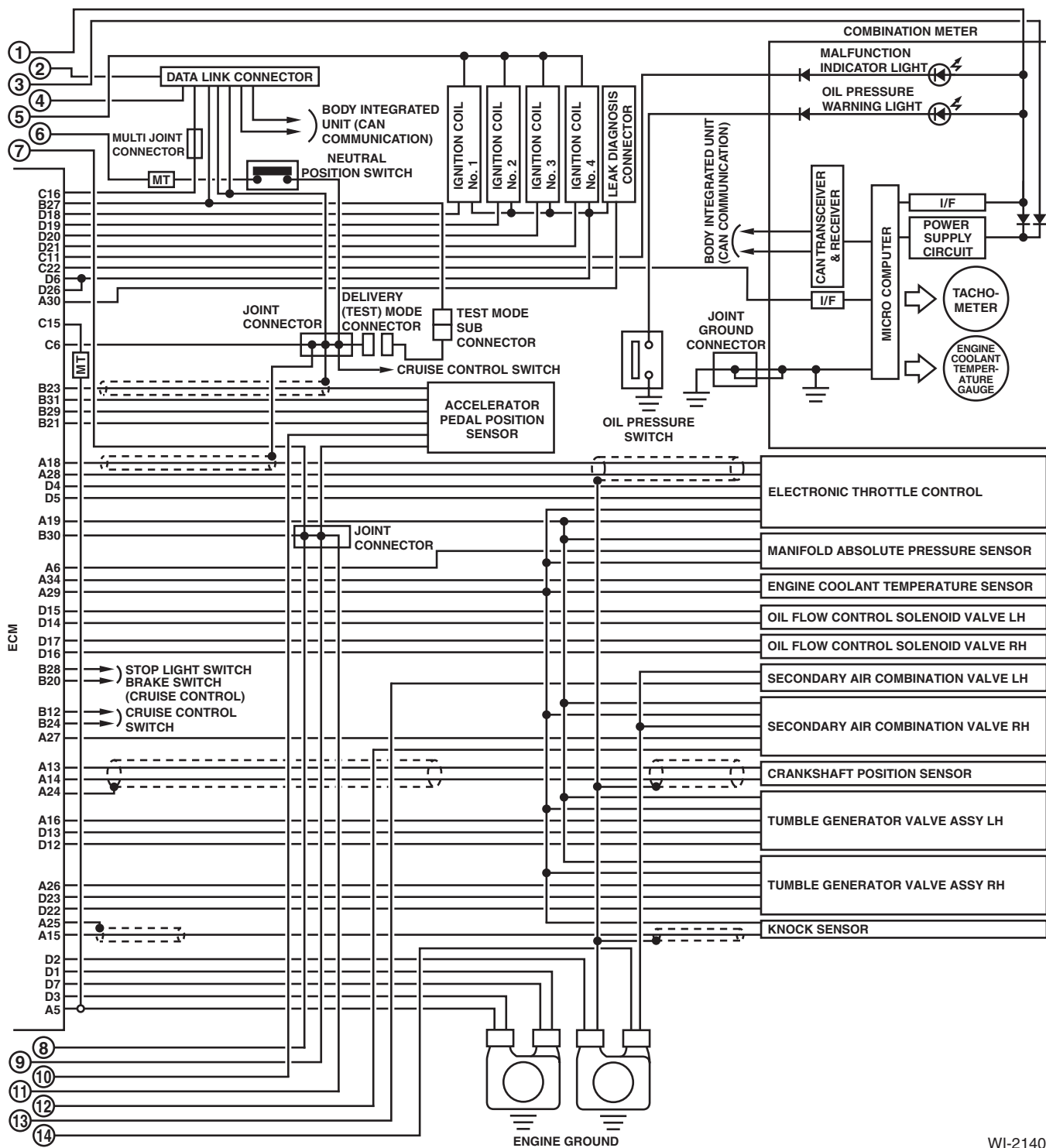
WIRING SYSTEM

## 2. TURBO MODEL



# Engine Electrical System

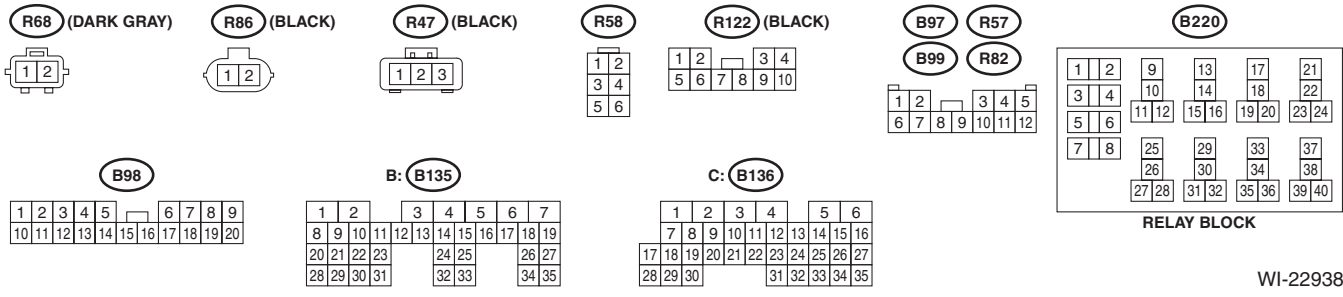
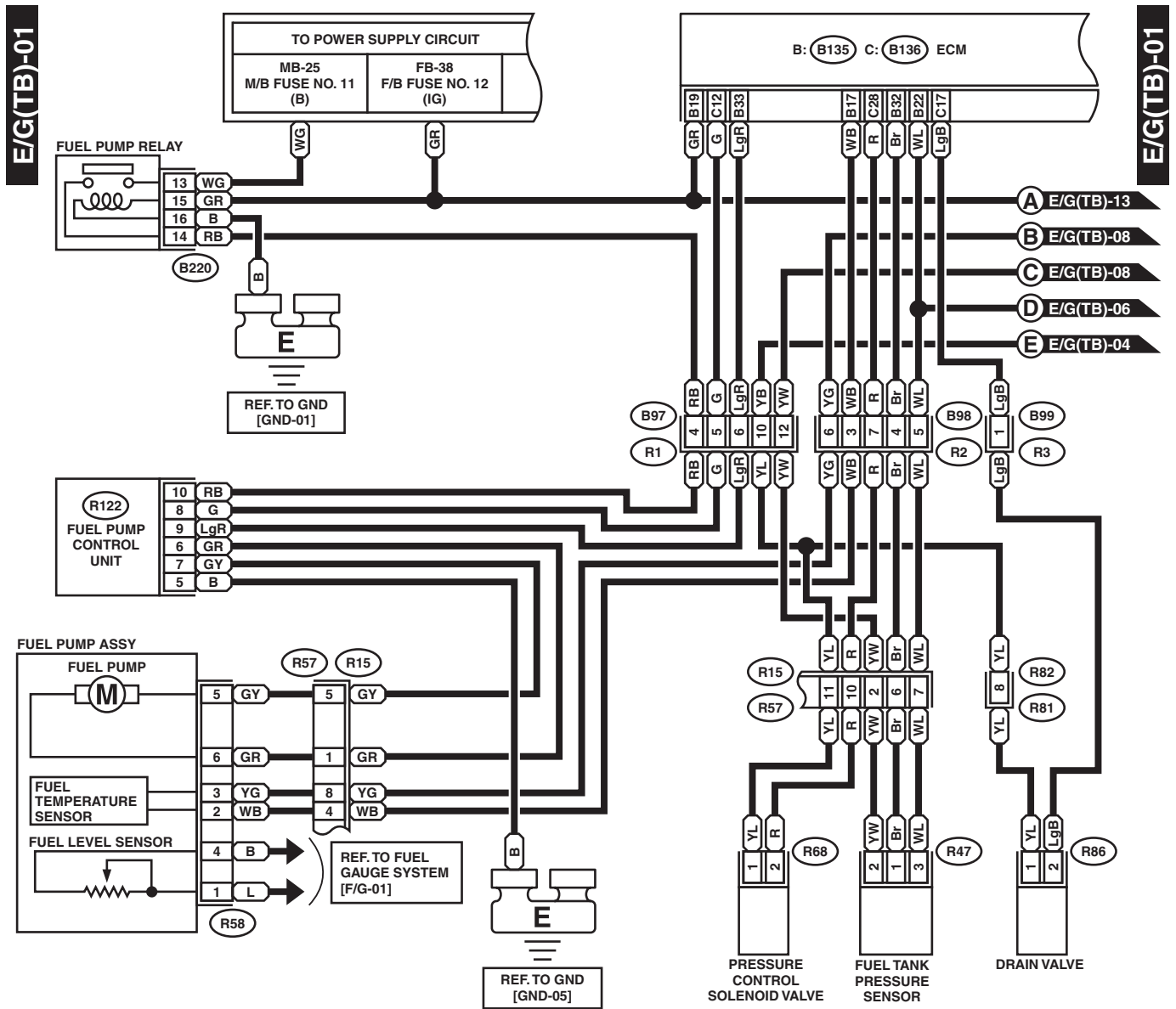
WIRING SYSTEM



WI-21400

# Engine Electrical System

## WIRING SYSTEM



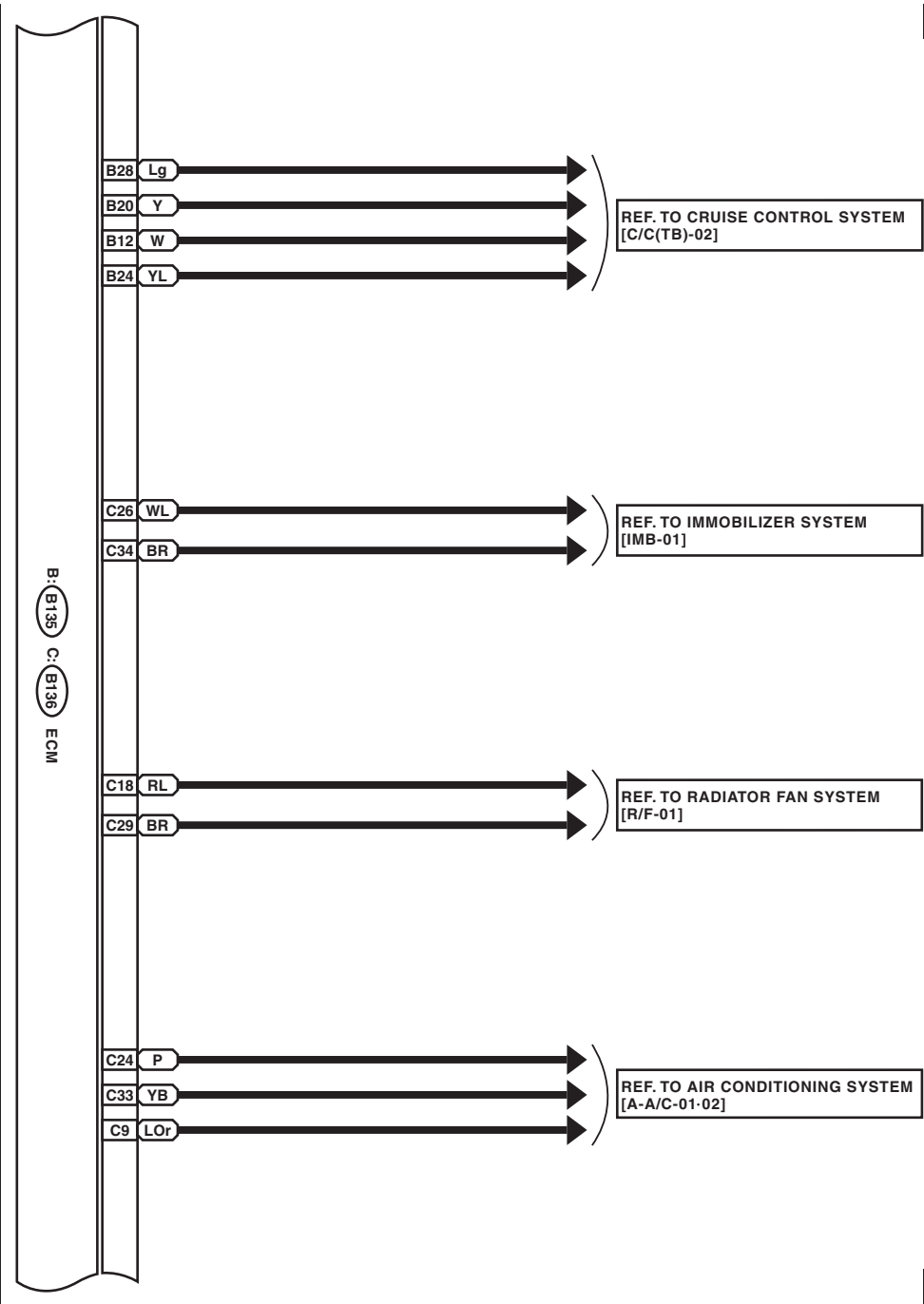
WI-22938

# Engine Electrical System

WIRING SYSTEM

E/G(TB)-02

E/G(TB)-02



B: B135

1	2	3	4	5	6	7
8	9	10	11	12	13	14
15	16	17	18	19	20	21
22	23	24	25	26	27	28
29	30	31	32	33	34	35

C: B136

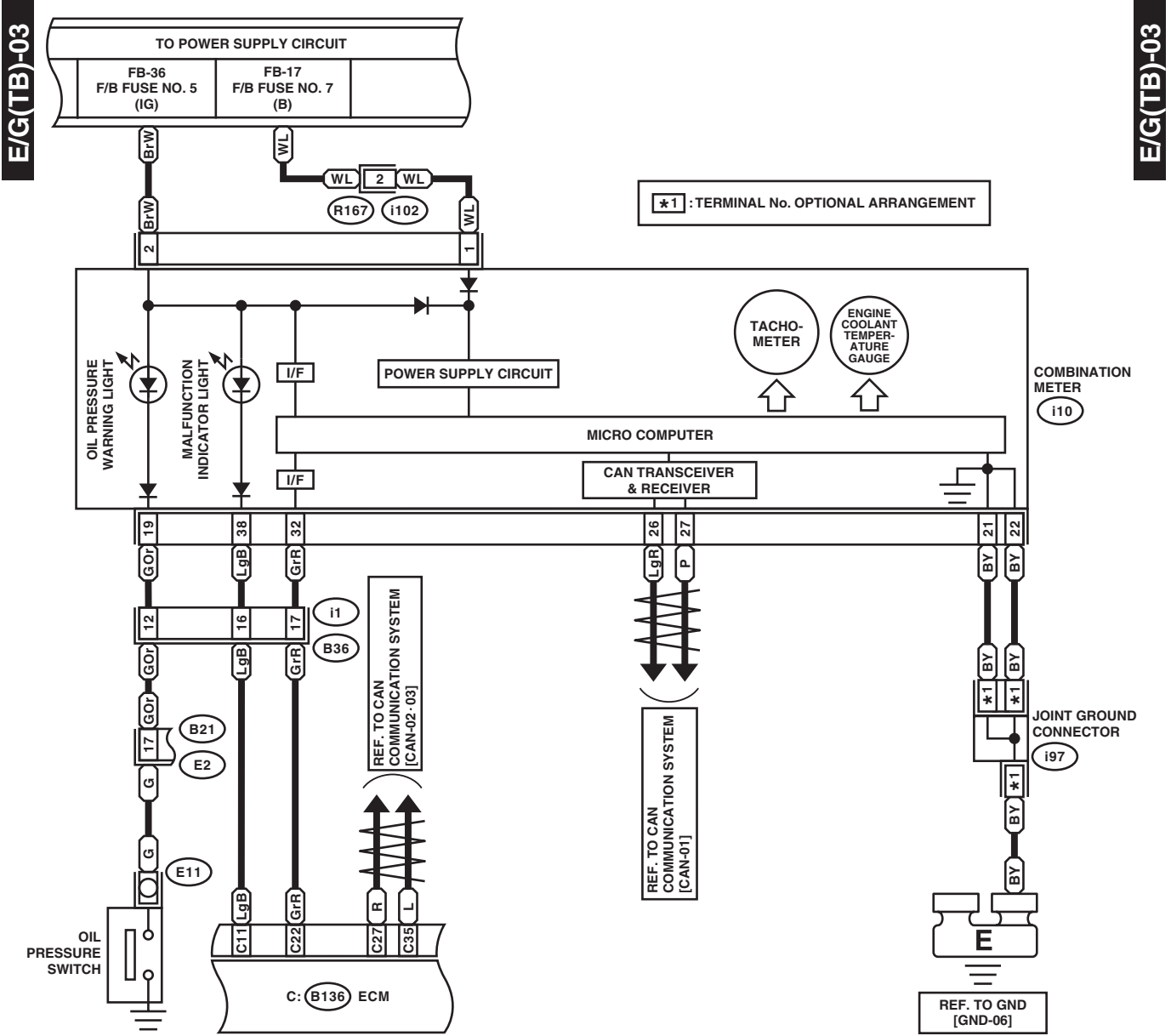
1	2	3	4	5	6
7	8	9	10	11	12
13	14	15	16	17	18
19	20	21	22	23	24
25	26	27	28	29	30
31	32	33	34	35	

WI-16883

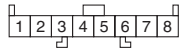


# Engine Electrical System

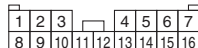
## WIRING SYSTEM



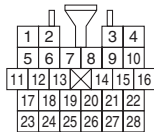
i97 (BLACK)



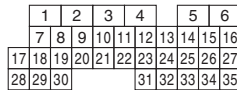
i102



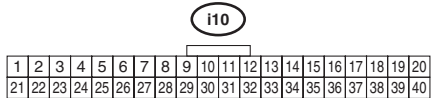
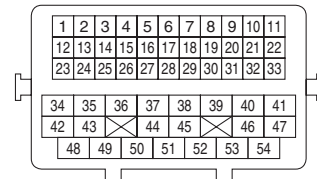
i1



C: B136



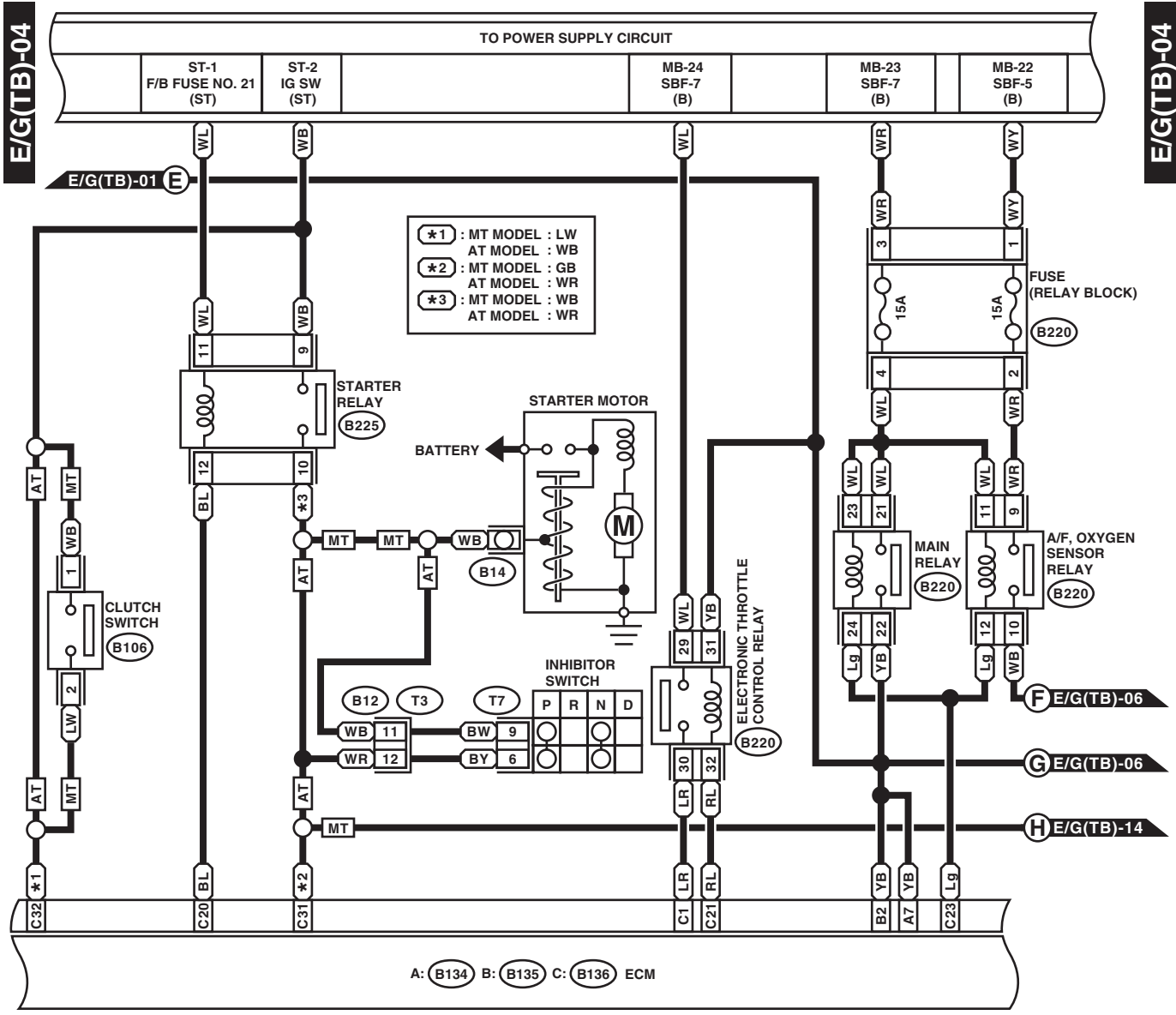
B21 (BLACK)



WI-22939

# Engine Electrical System

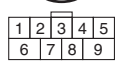
WIRING SYSTEM



B106



T7 (BLACK)



B12



A: B134

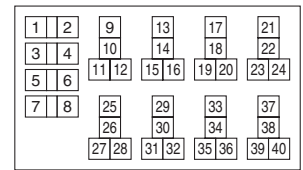


B: B135

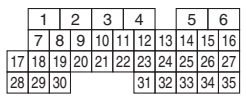


B220

B225 (BLACK)



C: B136



RELAY BLOCK

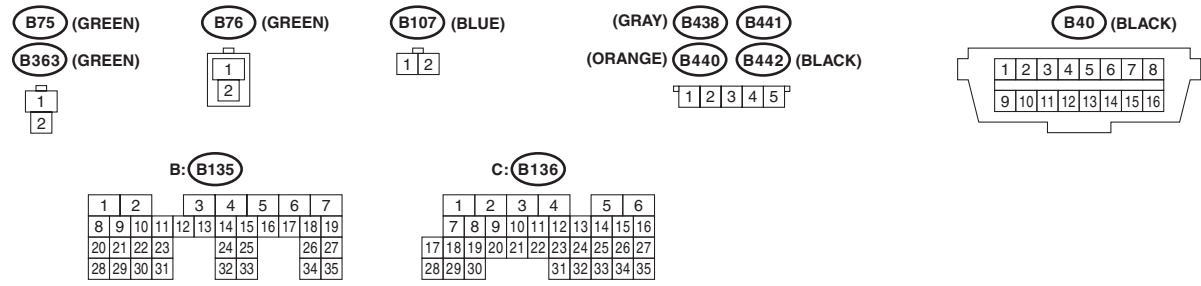
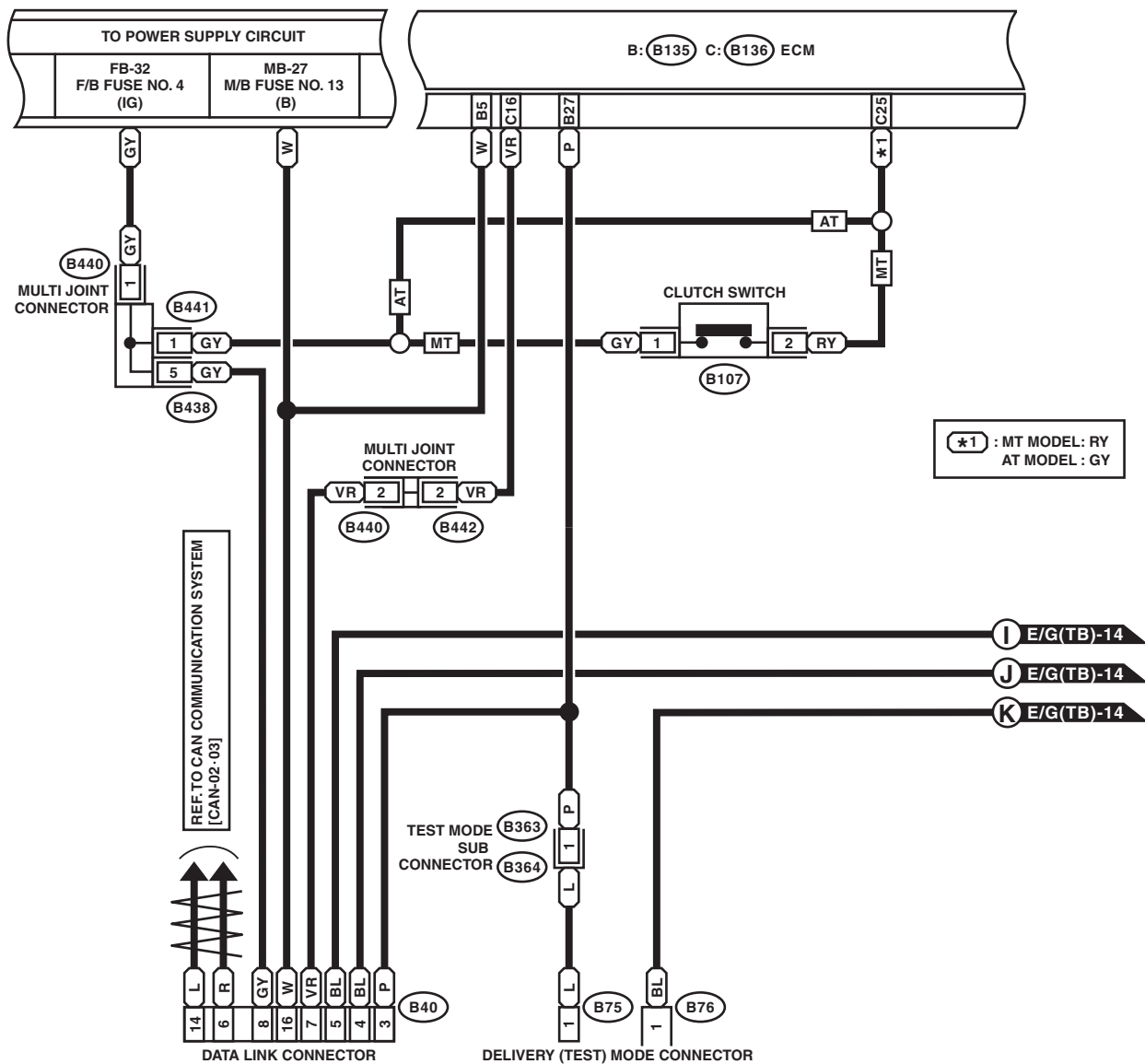
WI-21402

# Engine Electrical System

## WIRING SYSTEM

E/G(TB)-05

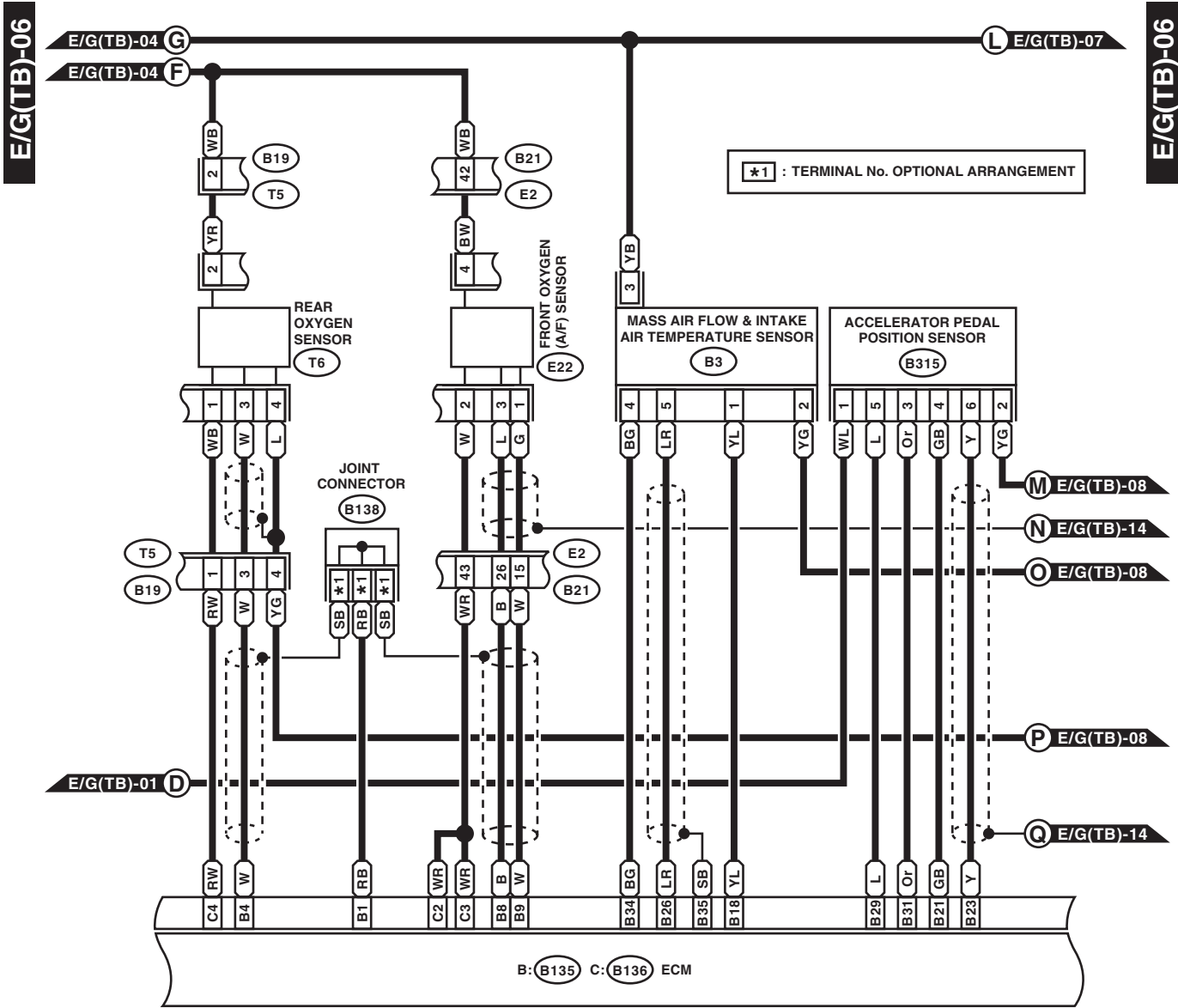
E/G(TB)-05



WI-21403

# Engine Electrical System

WIRING SYSTEM



B19

E22 (DARK GRAY)

T6 (DARK GRAY)

1	2
3	4

B3

1	2	3	4	5
---	---	---	---	---

B315

1	2	3	4	5	6
---	---	---	---	---	---

B138

1	2	3	4
5	6	7	8

B21 (BLACK)

1	2	3	4	5	6	7	8	9	10	11
12	13	14	15	16	17	18	19	20	21	22
23	24	25	26	27	28	29	30	31	32	33
34	35	36	37	38	39	40	41			
42	43	44	45	46	47					
48	49	50	51	52	53	54				

B: B135

1	2	3	4	5	6	7
8	9	10	11	12	13	14
15	16	17	18	19	20	21
22	23	24	25	26	27	28
29	30	31	32	33	34	35

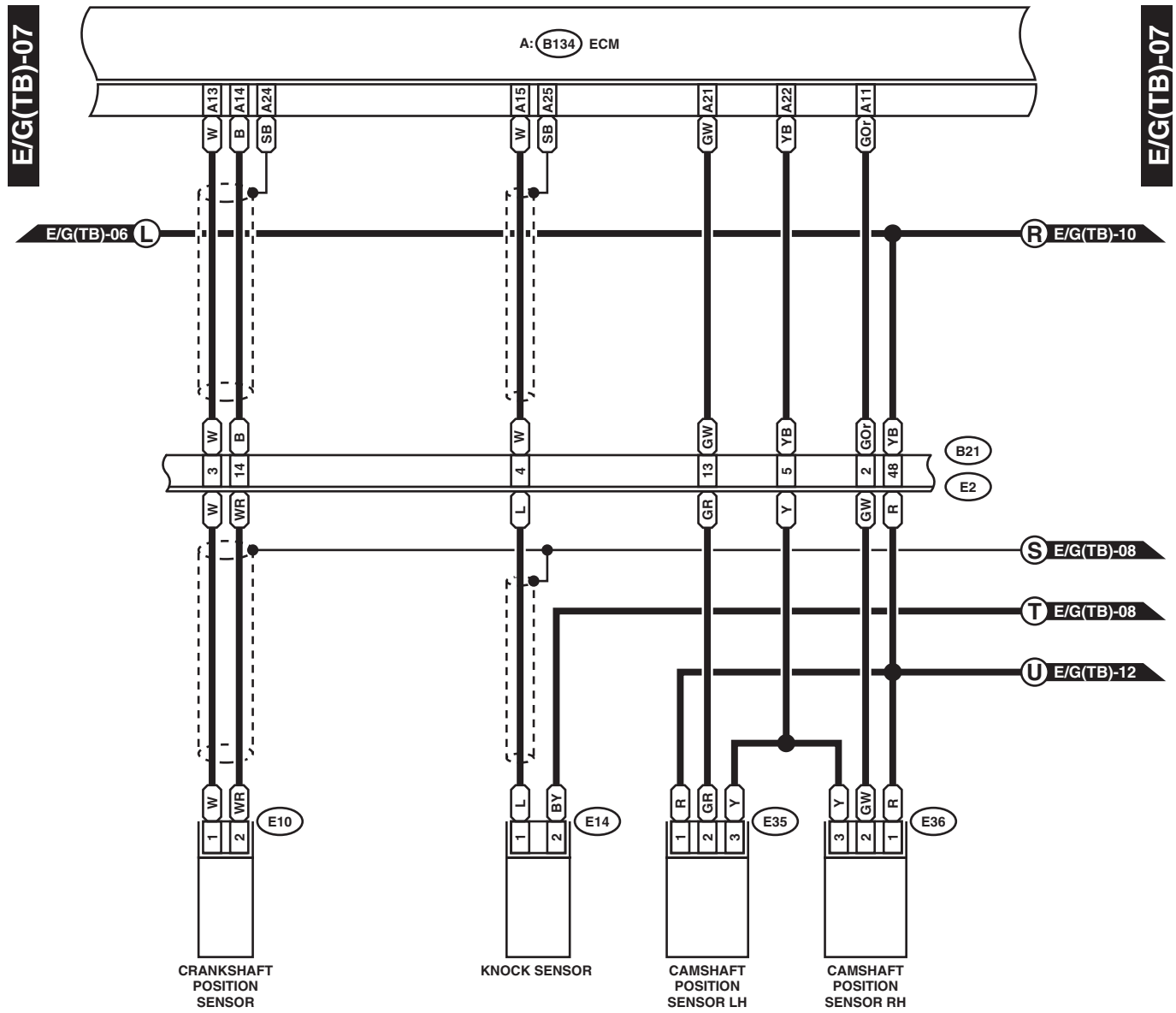
C: B136

1	2	3	4	5	6
7	8	9	10	11	12
13	14	15	16	17	18
19	20	21	22	23	24
25	26	27	28	29	30
31	32	33	34	35	

WI-21404

# Engine Electrical System

## WIRING SYSTEM



E10 (LIGHT GRAY)



E14 (LIGHT GRAY)



E35 (LIGHT GRAY)



E36 (LIGHT GRAY)



A: B134

1	2	3	4	5	6	7
8	9	10	11	12	13	14
15	16	17	18	19	20	21
22	23	24	25	26	27	
28	29	30	31	32	33	34

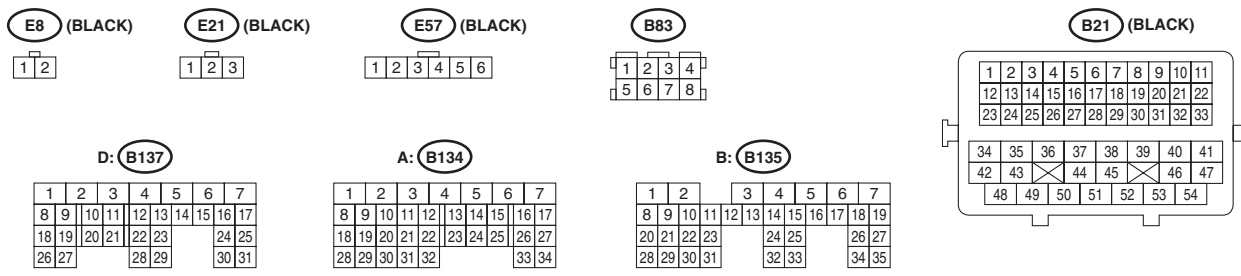
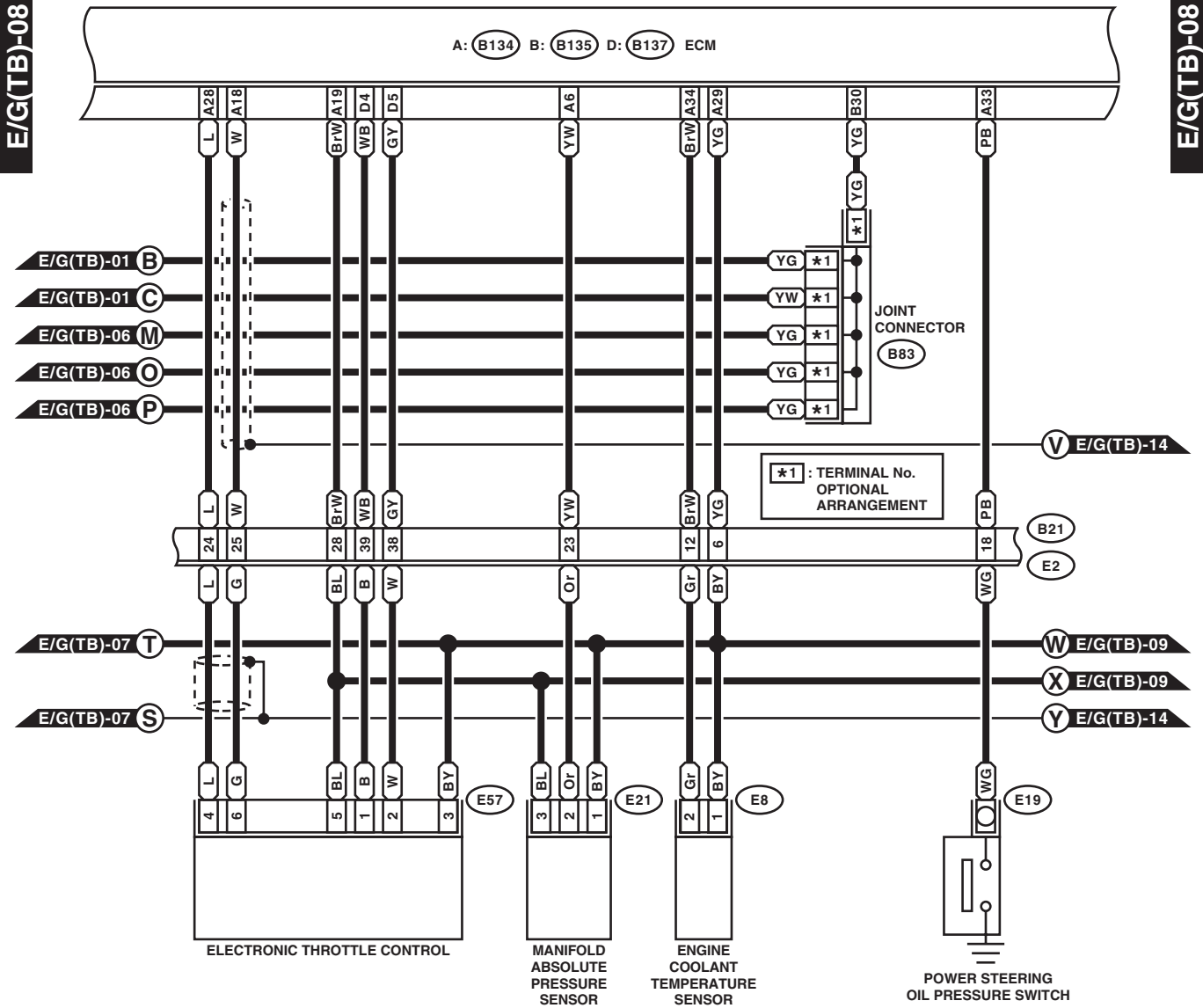
B21 (BLACK)

1	2	3	4	5	6	7	8	9	10	11
12	13	14	15	16	17	18	19	20	21	22
23	24	25	26	27	28	29	30	31	32	33
34	35	36	37	38	39	40	41			
42	43	44	45	46	47					
48	49	50	51	52	53	54				

WI-22940

# Engine Electrical System

WIRING SYSTEM



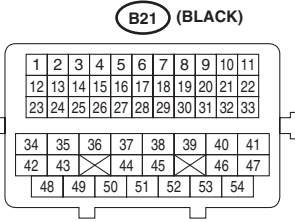
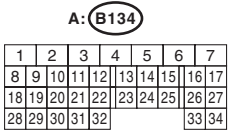
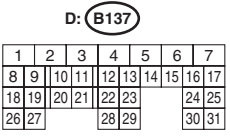
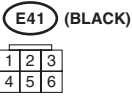
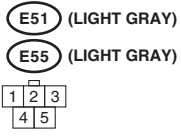
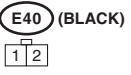
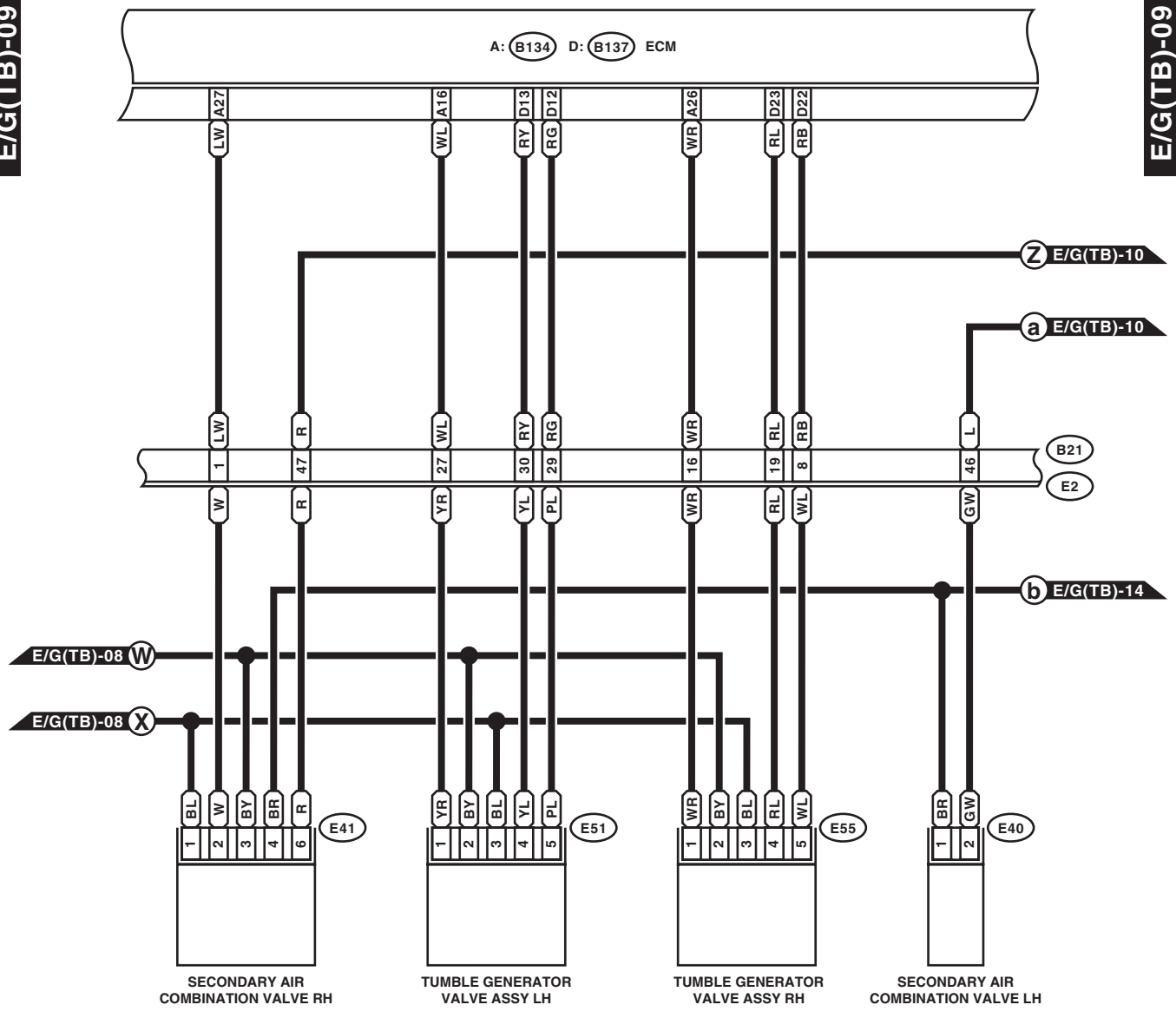
WI-21405

# Engine Electrical System

WIRING SYSTEM

E/G(TB)-09

E/G(TB)-09



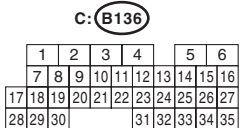
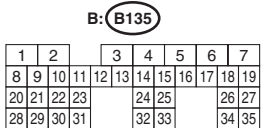
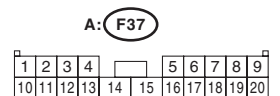
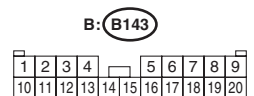
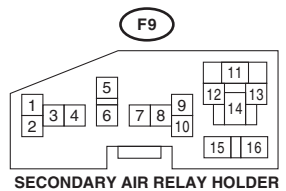
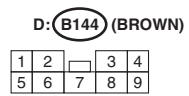
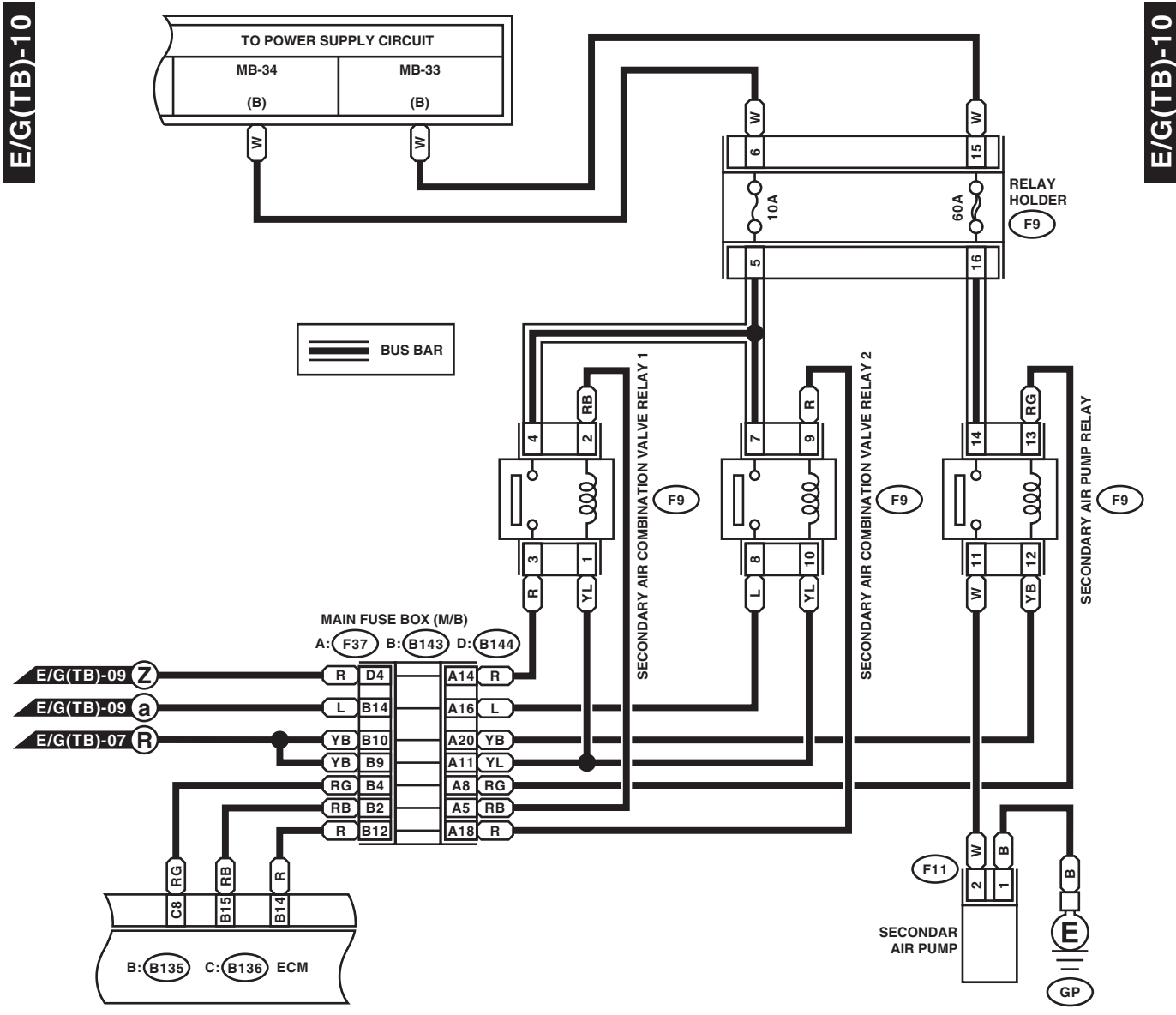
WI-22941

# Engine Electrical System

WIRING SYSTEM

E/G(TB)-10

E/G(TB)-10



WI-22942

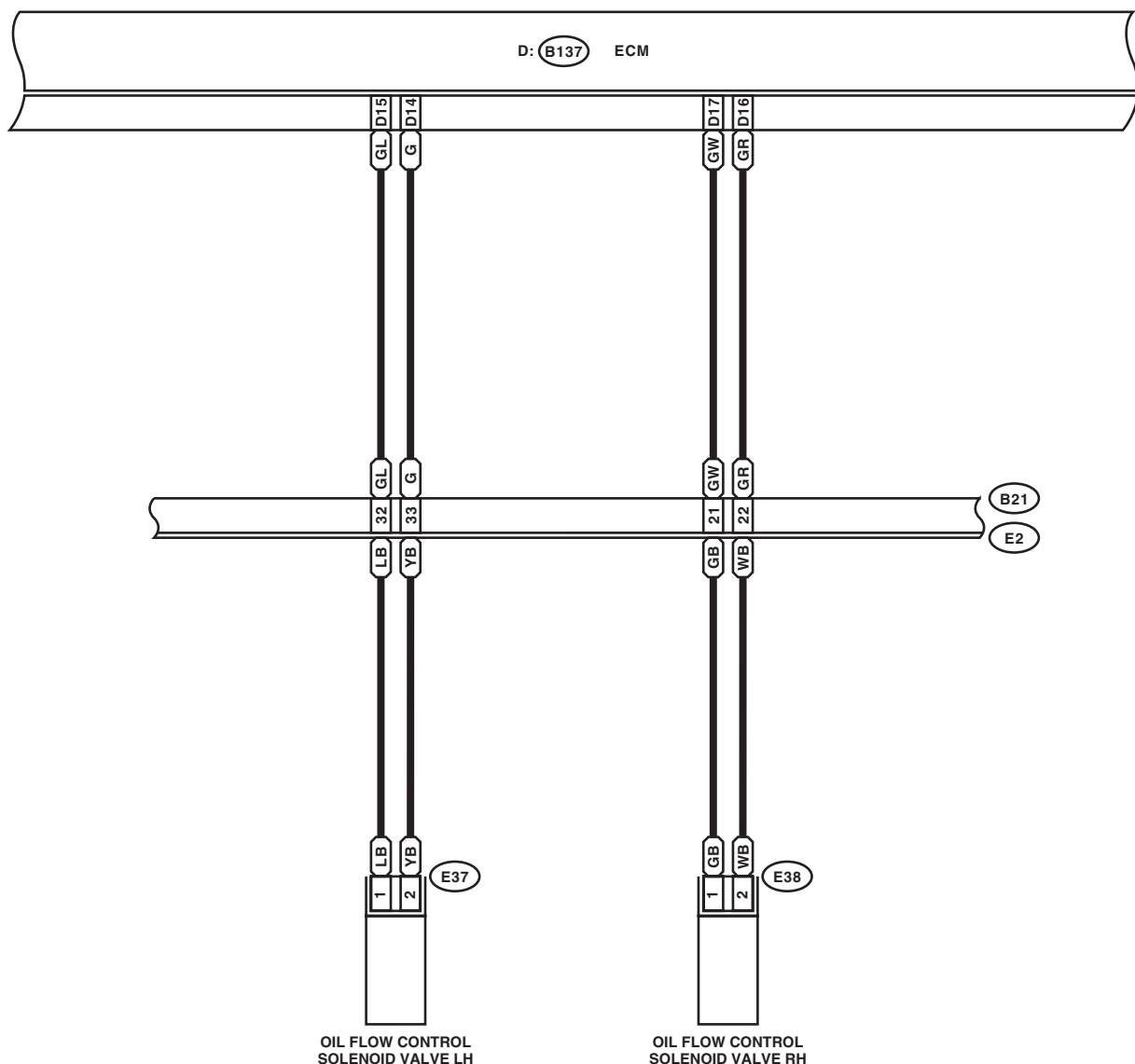


# Engine Electrical System

## WIRING SYSTEM

E/G(TB)-11

E/G(TB)-11



- E37 (BLUE)**
- E38 (BLUE)**

**D: B137**

1	2	3	4	5	6	7
8	9	10	11	12	13	14
15	16	17	18	19	20	21
22	23	24	25	26	27	28
29	30	31	32	33	34	35

**B21 (BLACK)**

1	2	3	4	5	6	7	8	9	10	11
12	13	14	15	16	17	18	19	20	21	22
23	24	25	26	27	28	29	30	31	32	33
34	35	36	37	38	39	40	41	42	43	44
45	46	47	48	49	50	51	52	53	54	55

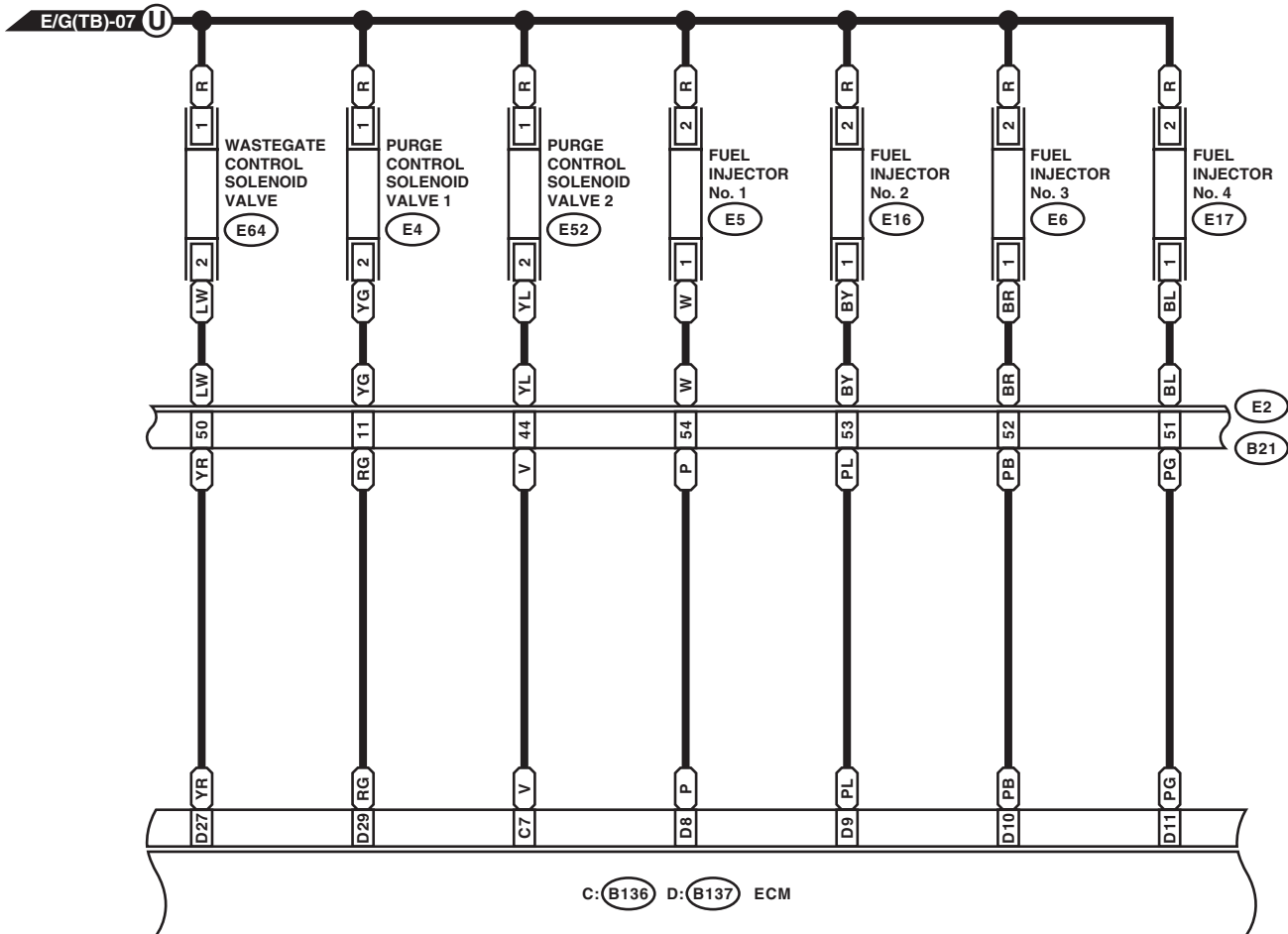
WI-22943

# Engine Electrical System

WIRING SYSTEM

E/G(TB)-12

E/G(TB)-12



- E4 (BLACK)
- E52 (BLACK)
- E64 (BLUE)

- E5 (DARK GRAY)
- E6 (DARK GRAY)
- E16 (DARK GRAY)
- E17 (DARK GRAY)



D: (B137)

1	2	3	4	5	6	7
8	9	10	11	12	13	14
15	16	17	18	19	20	21
22	23	24	25	26	27	28
29	30	31				

C: (B136)

1	2	3	4	5	6
7	8	9	10	11	12
13	14	15	16	17	18
19	20	21	22	23	24
25	26	27	28	29	30
31	32	33	34	35	

B21 (BLACK)

1	2	3	4	5	6	7	8	9	10	11
12	13	14	15	16	17	18	19	20	21	22
23	24	25	26	27	28	29	30	31	32	33
34	35	36	37	38	39	40	41			
42	43	44	45	46	47					
48	49	50	51	52	53	54				

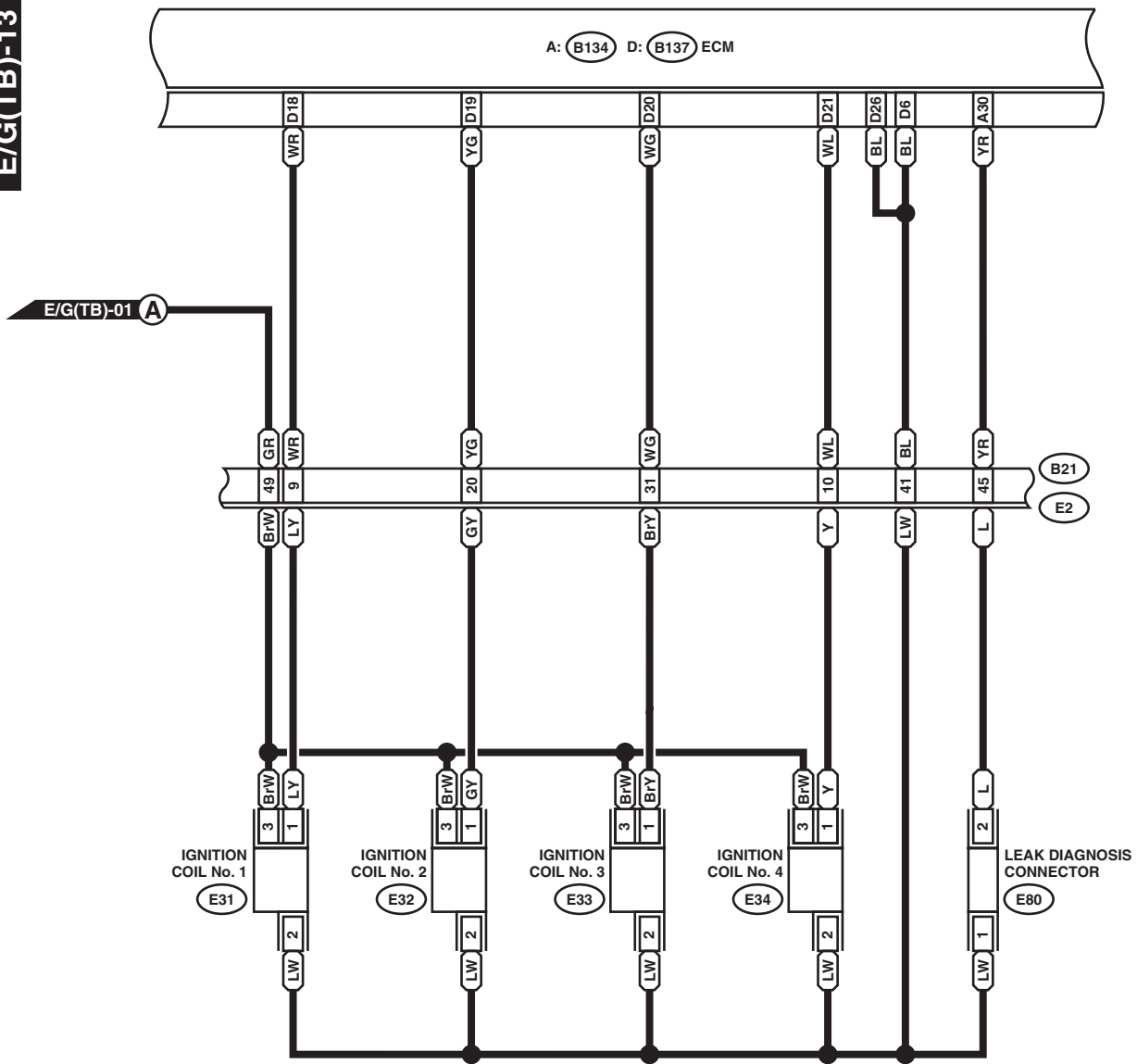
WI-22944

# Engine Electrical System

WIRING SYSTEM

E/G(TB)-13

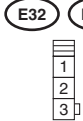
E/G(TB)-13



E80 (DARK GRAY)



E31 E33 (BLACK)



E32 E34 (BLACK)

D: B137

1	2	3	4	5	6	7
8	9	10	11	12	13	14
15	16	17	18	19	20	21
22	23	24	25	26	27	28
29	30	31	32	33	34	

A: B134

1	2	3	4	5	6	7
8	9	10	11	12	13	14
15	16	17	18	19	20	21
22	23	24	25	26	27	28
29	30	31	32	33	34	

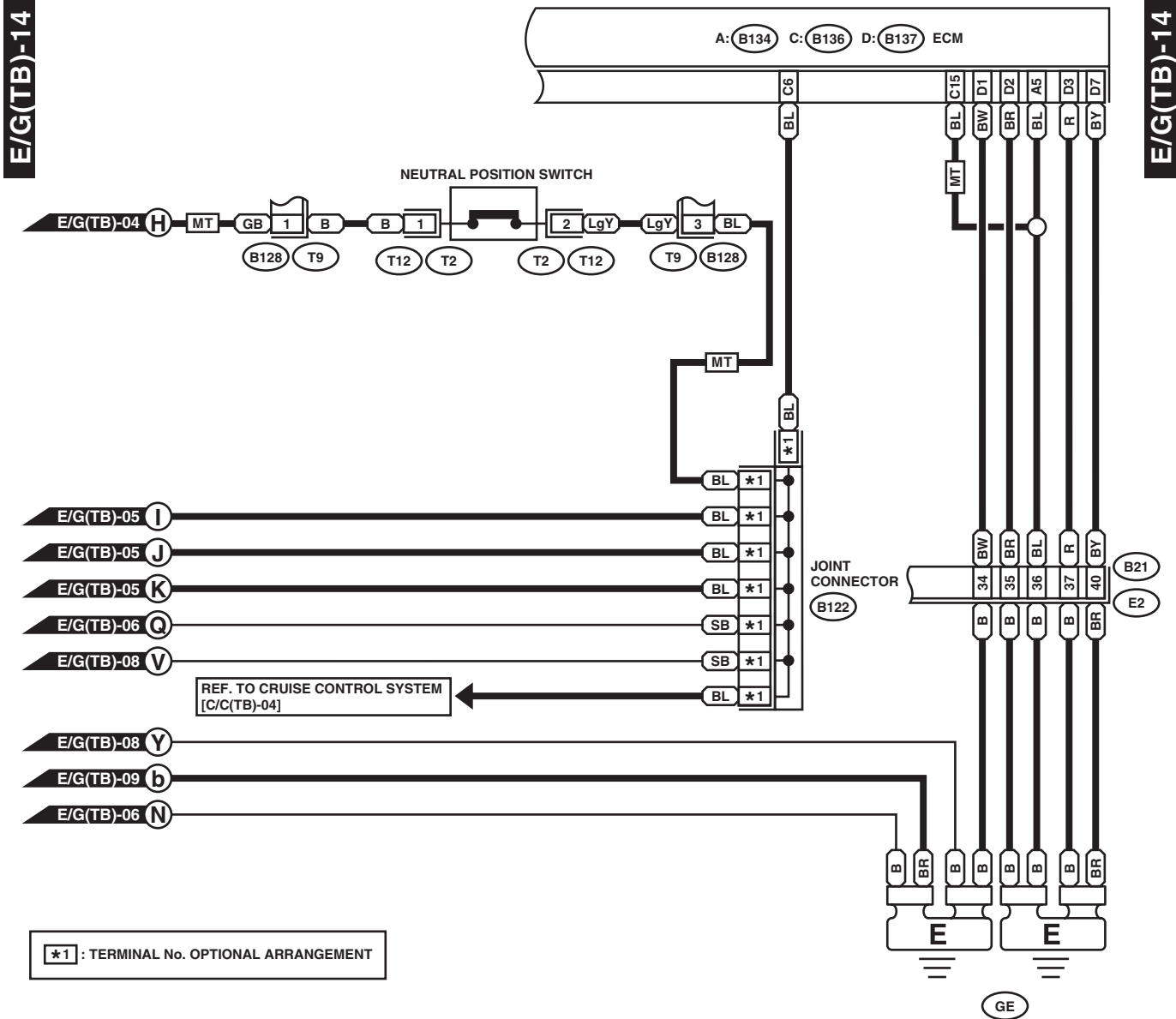
B21 (BLACK)

1	2	3	4	5	6	7	8	9	10	11
12	13	14	15	16	17	18	19	20	21	22
23	24	25	26	27	28	29	30	31	32	33
34	35	36	37	38	39	40	41			
42	43	44	45	46	47					
48	49	50	51	52	53	54				

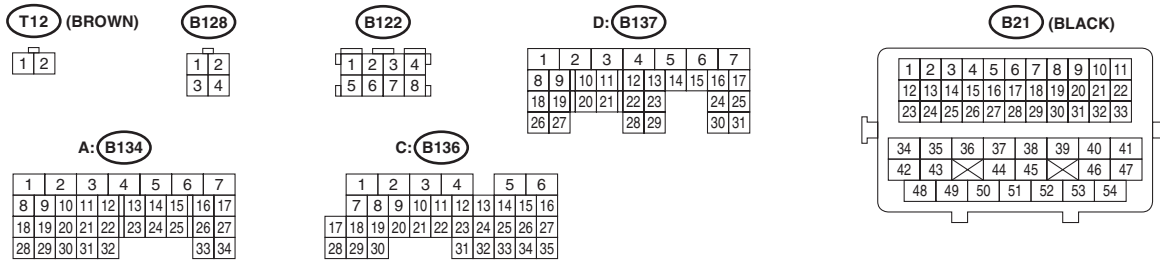
WI-22945

# Engine Electrical System

WIRING SYSTEM



\*1 : TERMINAL No. OPTIONAL ARRANGEMENT



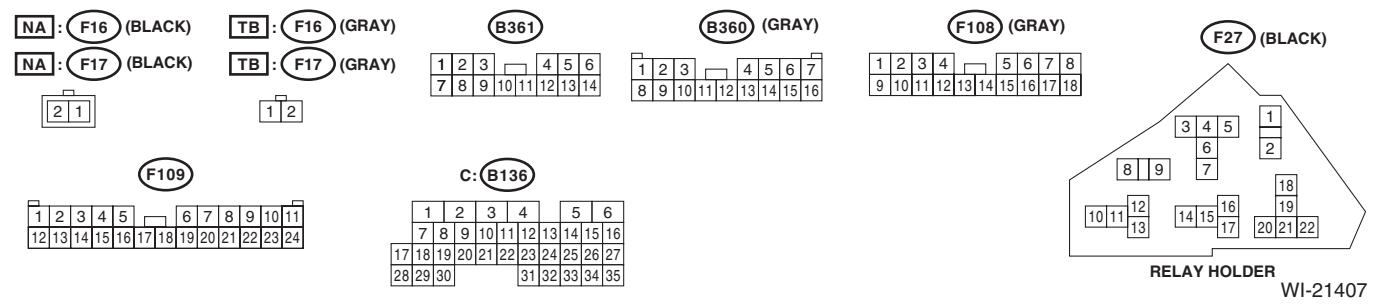
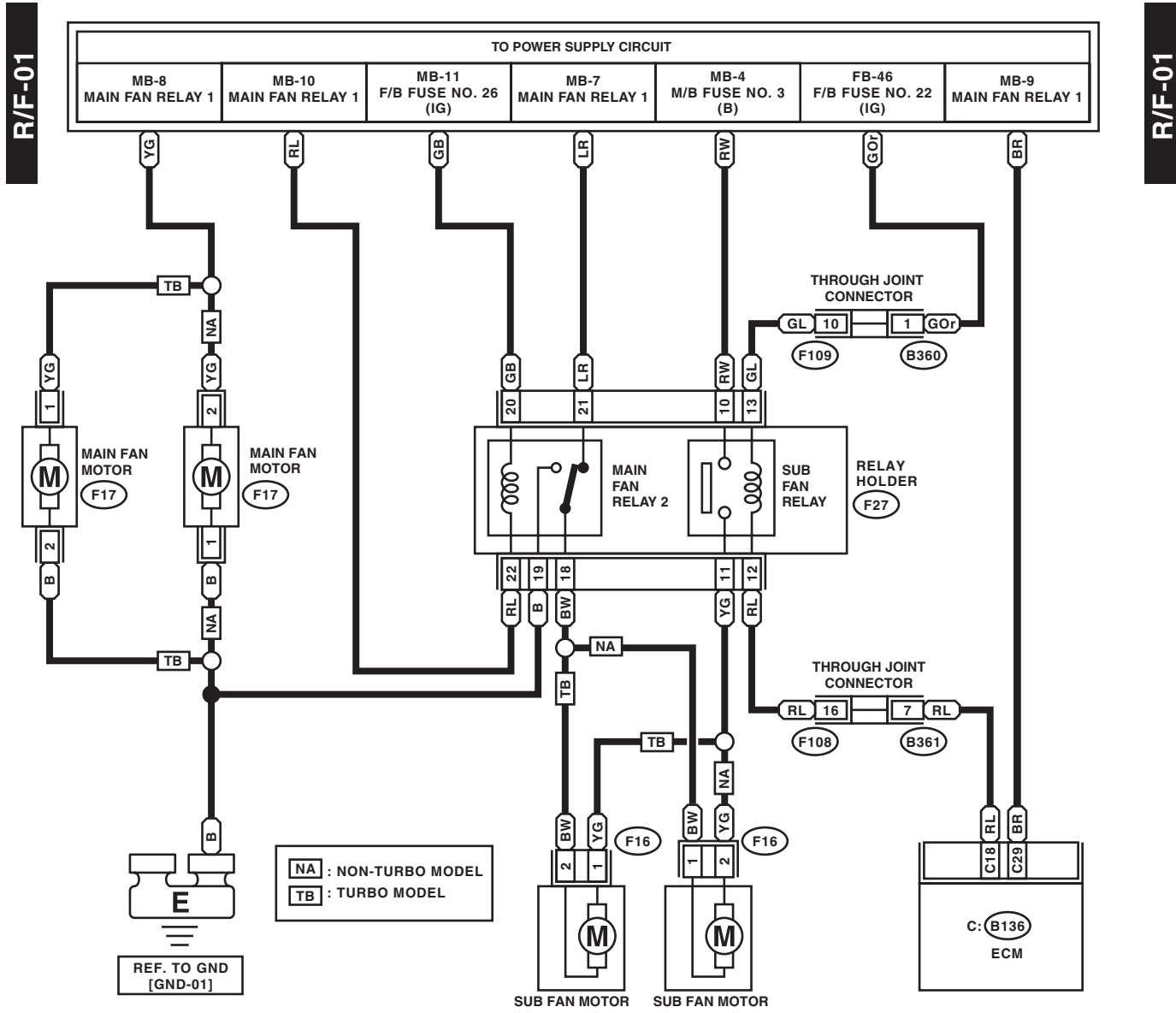
WI-21406

# Radiator Fan System

WIRING SYSTEM

## 6. Radiator Fan System

### A: WIRING DIAGRAM

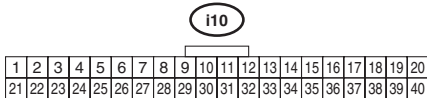
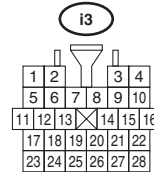
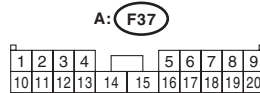
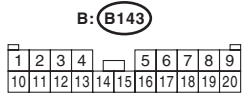
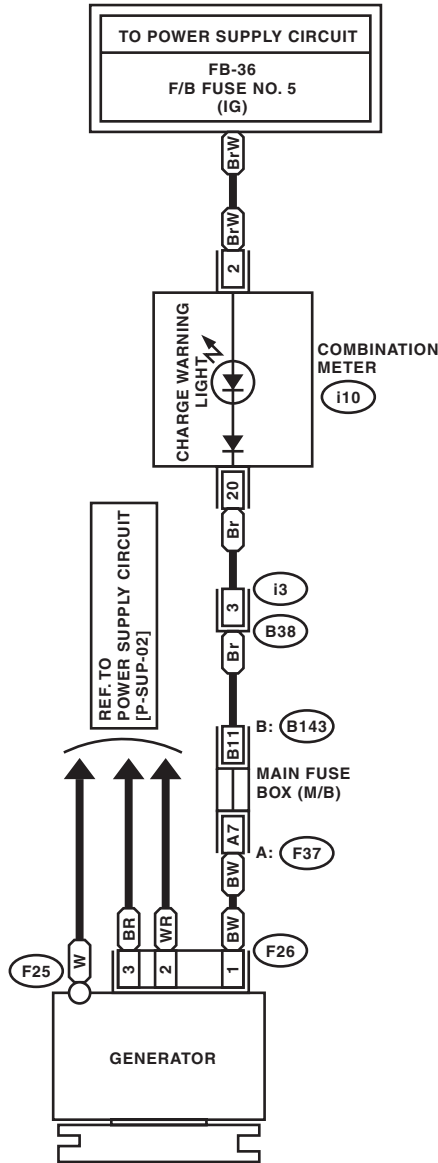


## 7. Charging System

### A: WIRING DIAGRAM

CHG-01

CHG-01

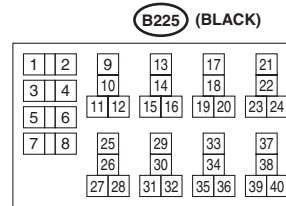
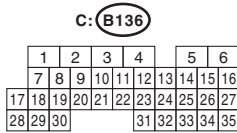
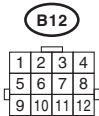
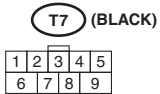
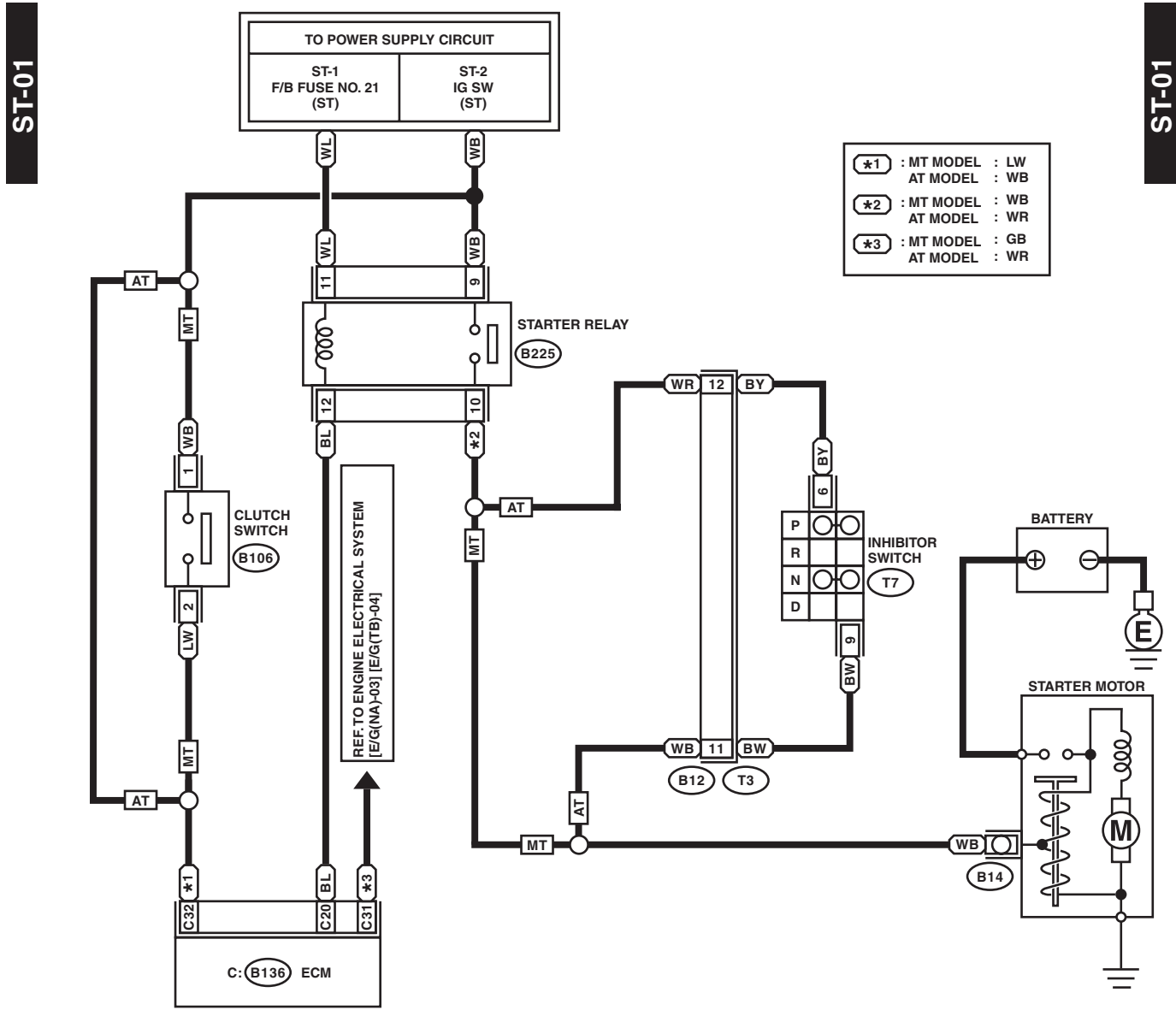


# Starter System

WIRING SYSTEM

## 8. Starter System

### A: WIRING DIAGRAM

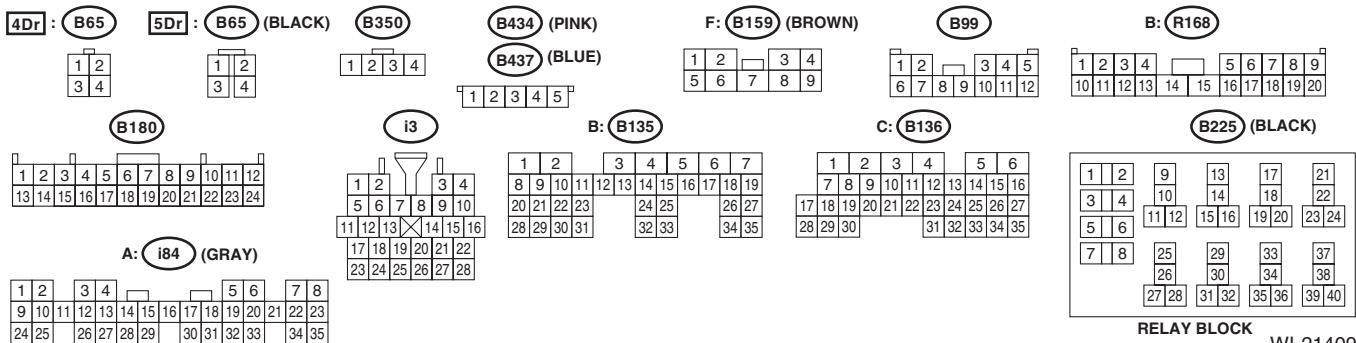
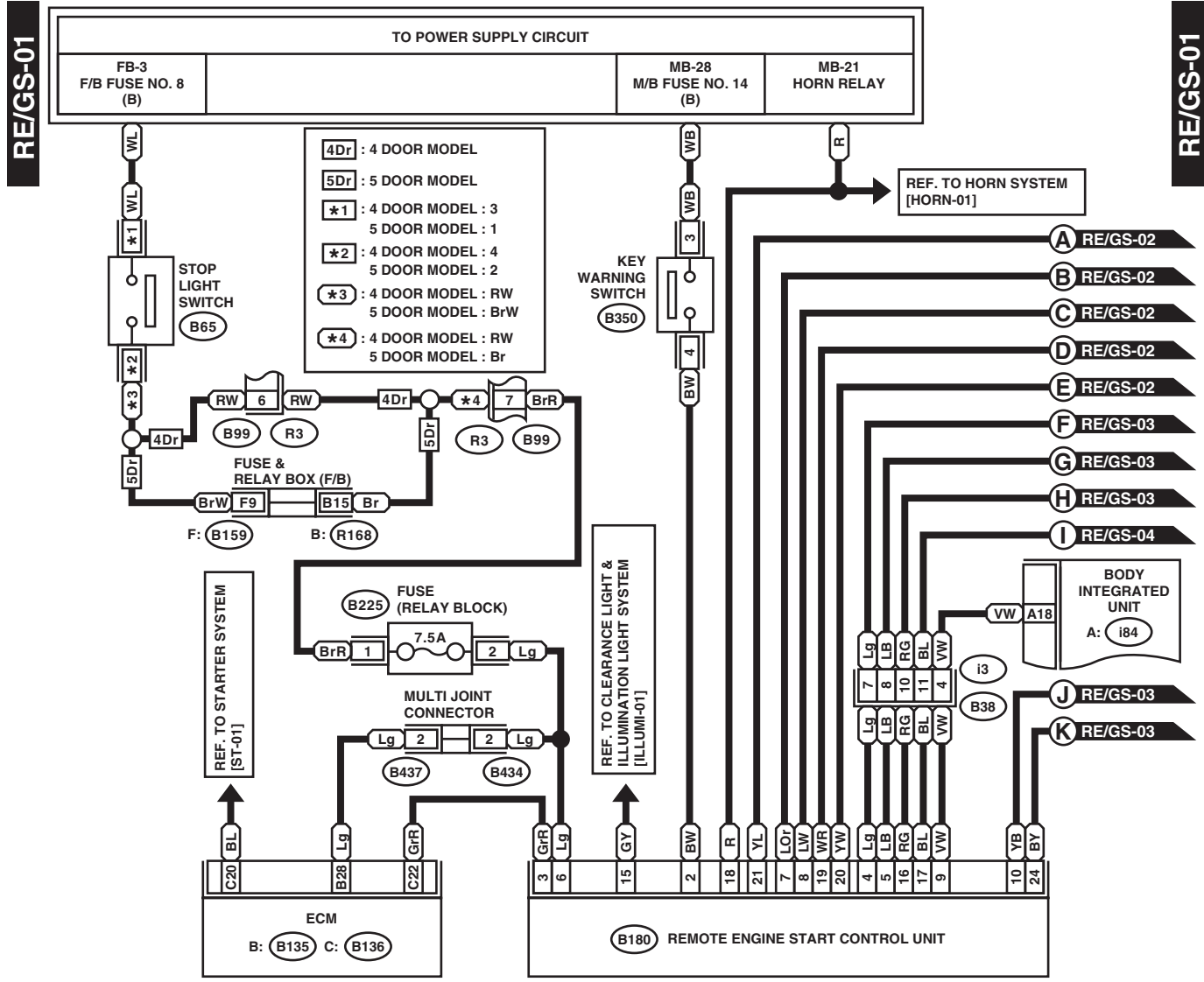


RELAY BLOCK

WI-21408

## 9. Remote Engine Start System

### A: WIRING DIAGRAM

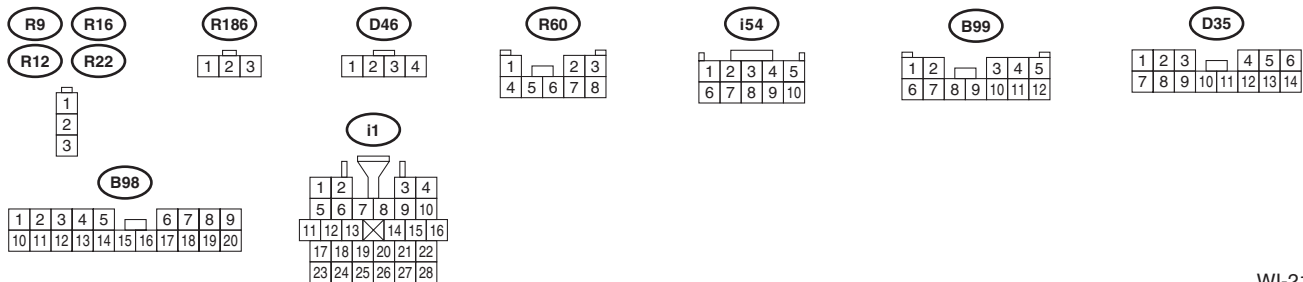
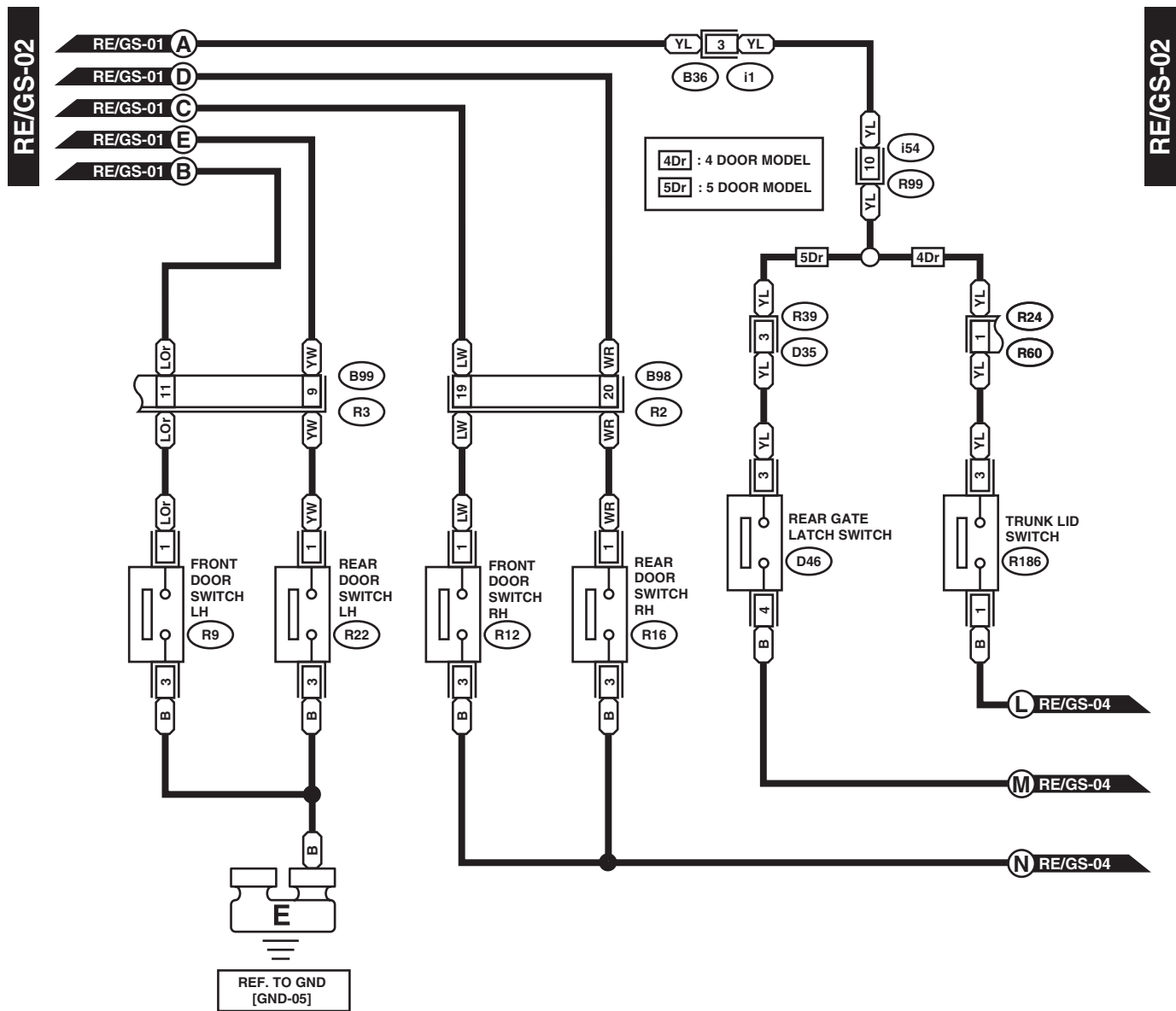


WI-21409



# Remote Engine Start System

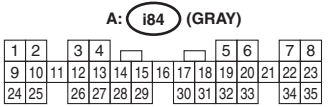
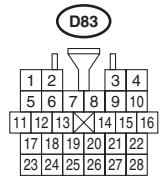
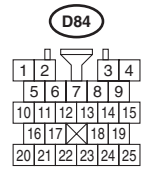
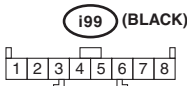
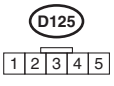
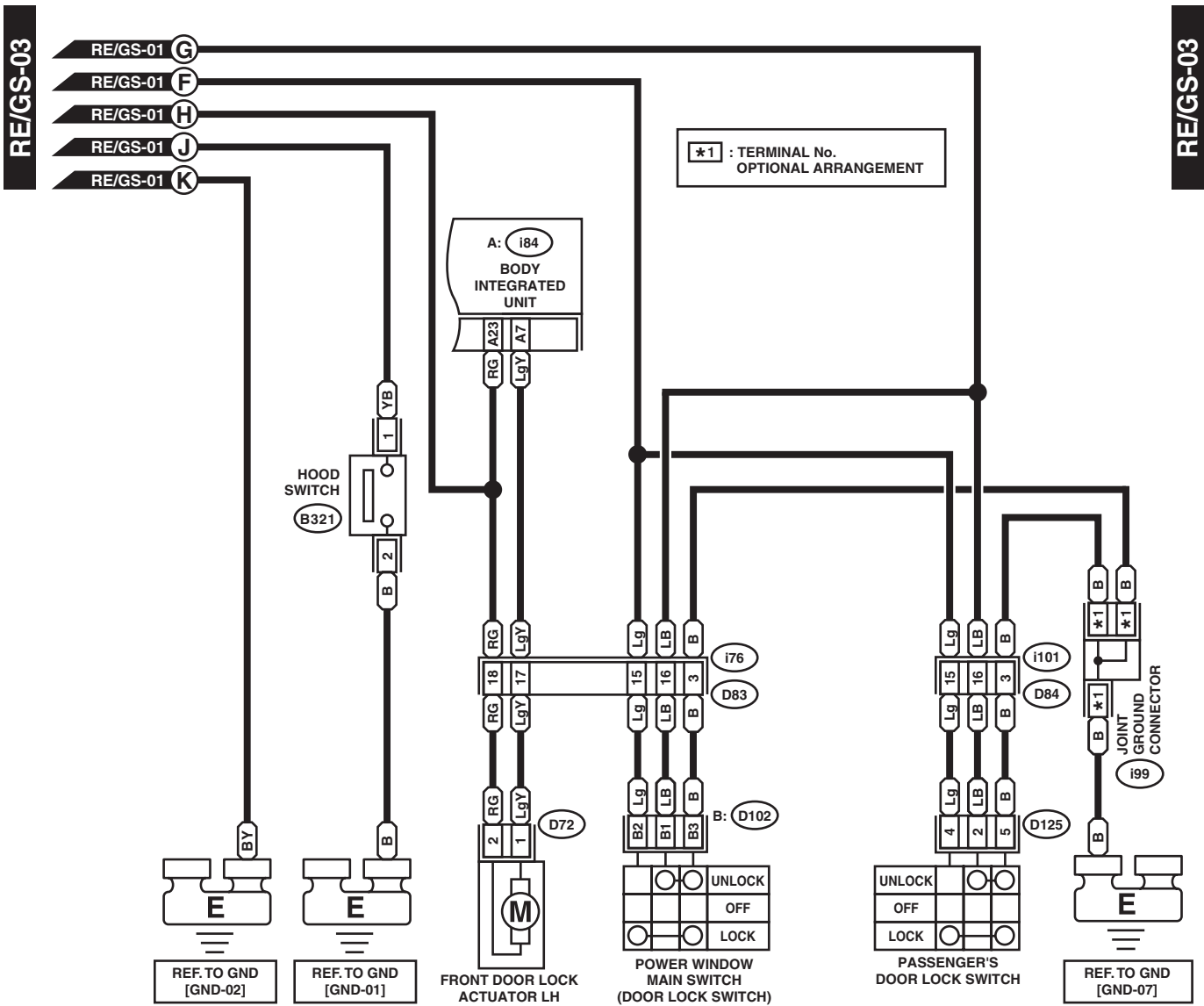
## WIRING SYSTEM



WI-21410

# Remote Engine Start System

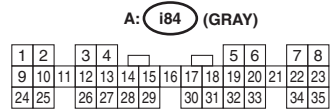
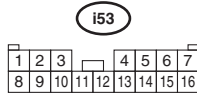
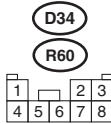
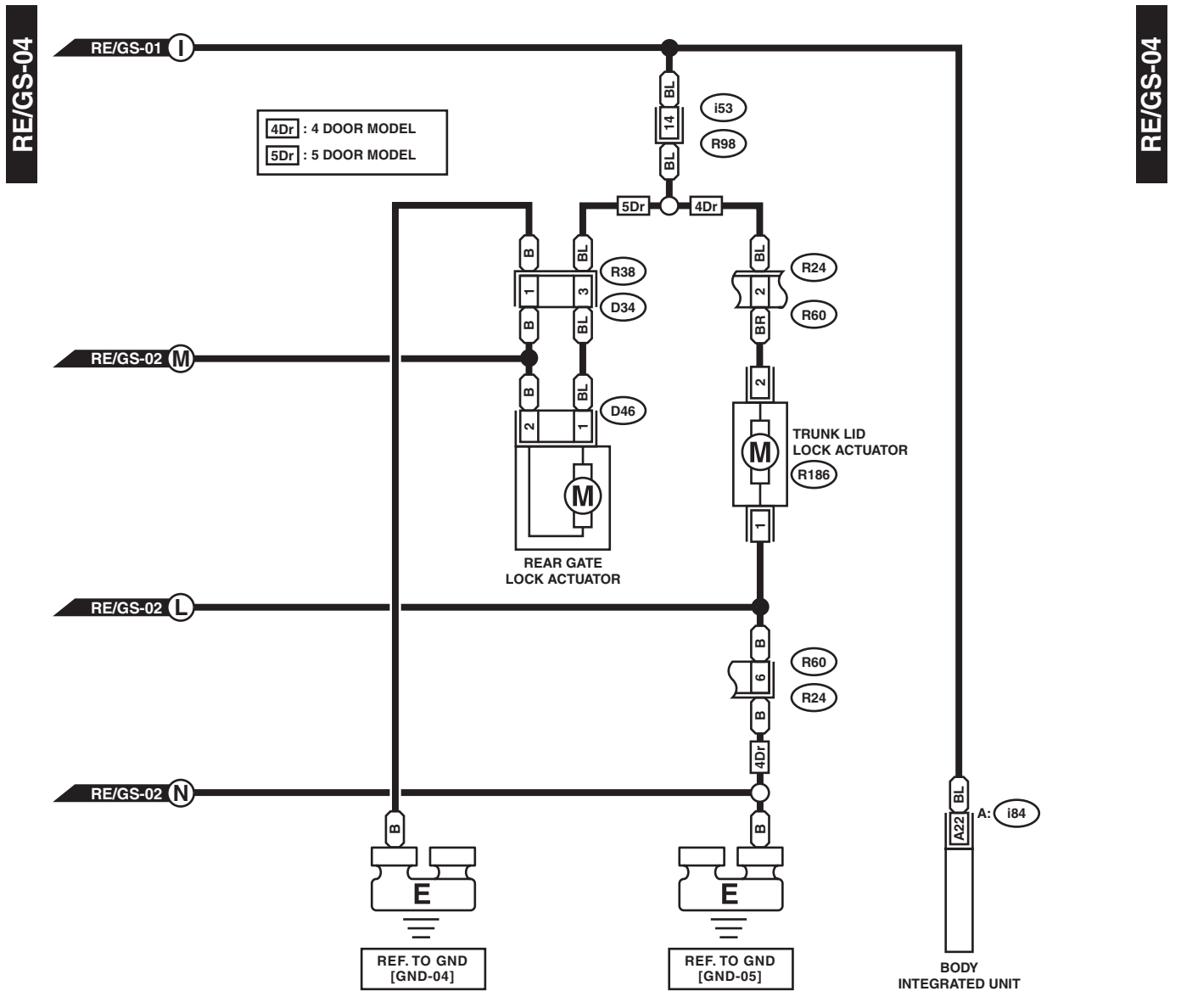
WIRING SYSTEM



WI-21411

# Remote Engine Start System

## WIRING SYSTEM



WI-21412

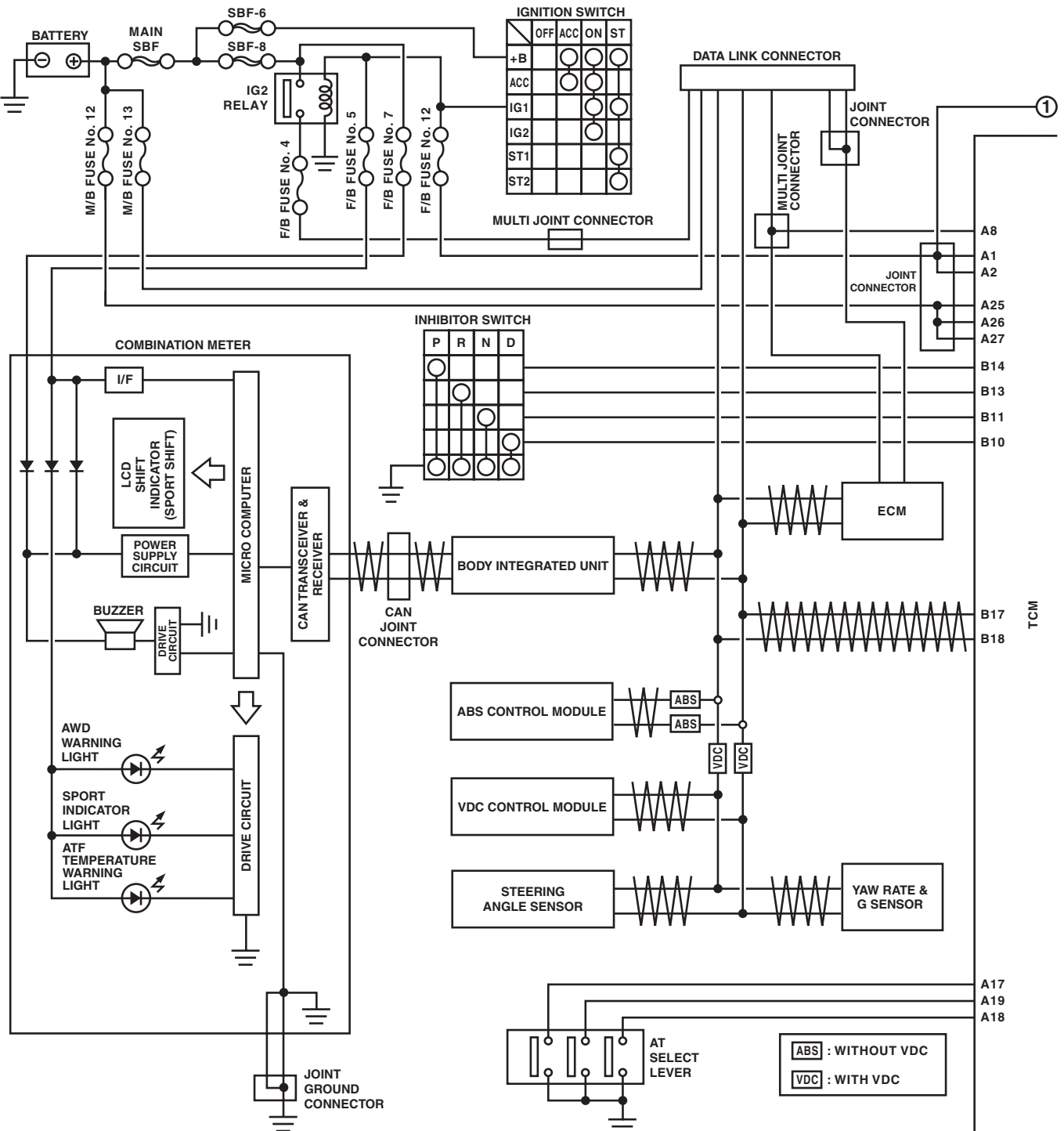


# AT Control System

## WIRING SYSTEM

### 10. AT Control System

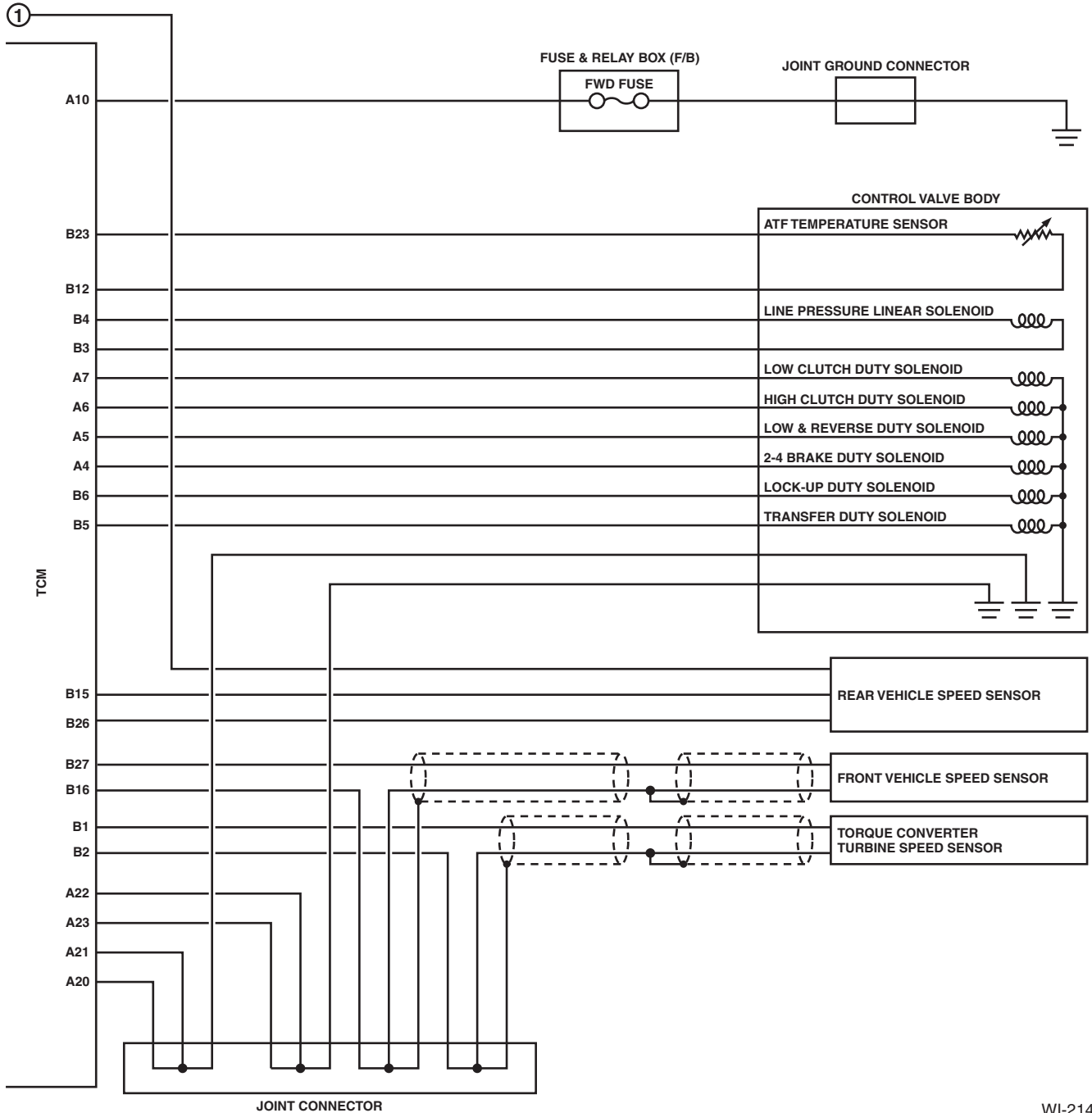
#### A: WIRING DIAGRAM



WI-21413

# AT Control System

## WIRING SYSTEM



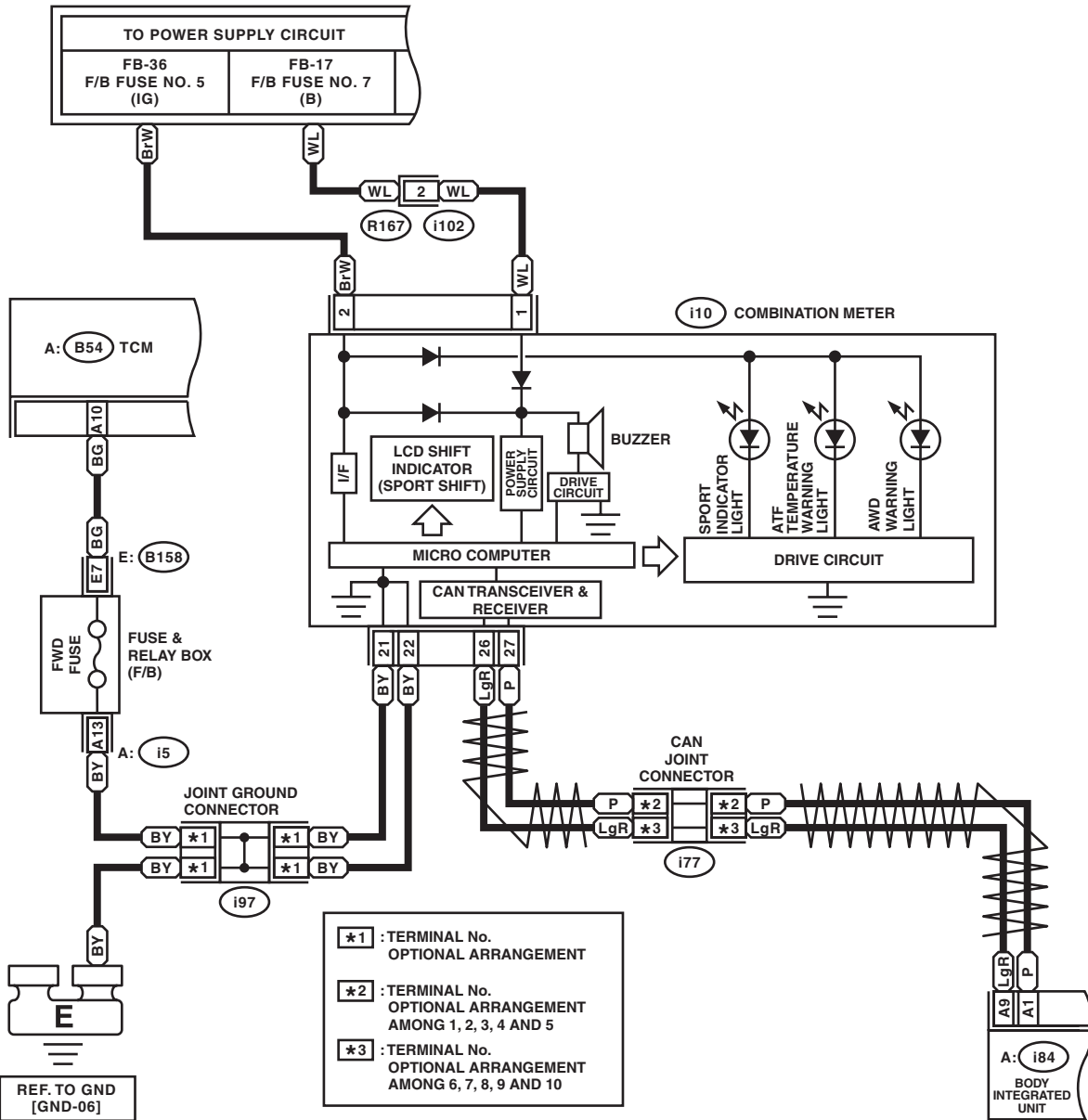
WI-21414

# AT Control System

## WIRING SYSTEM

AT-01

AT-01



E: B158

1	2	3	4
5	6	7	8

i97 (BLACK)

1	2	3	4	5	6	7	8
---	---	---	---	---	---	---	---

i77 (GREEN)

1	2	3	4	5	6	7	8	9	10
---	---	---	---	---	---	---	---	---	----

i102

1	2	3	4	5	6	7		
8	9	10	11	12	13	14	15	16

A: i5

1	2	3	4	5	6	7	8	9		
10	11	12	13	14	15	16	17	18	19	20

A: B54

1	2	3	4	5	6	7					
8	9	10	11	12	13	14	15	16	17	18	19
20	21	22	23	24	25	26	27				
28	29	30	31	32	33	34	35				

A: i84 (GRAY)

1	2	3	4	5	6	7	8							
9	10	11	12	13	14	15	16	17	18	19	20	21	22	23
24	25	26	27	28	29	30	31	32	33	34	35			

i10

1	2	3	4	5	6	7	8	9	10	11	12	13	14	15	16	17	18	19	20
21	22	23	24	25	26	27	28	29	30	31	32	33	34	35	36	37	38	39	40

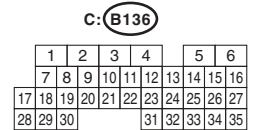
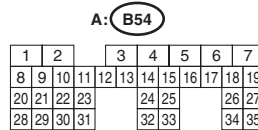
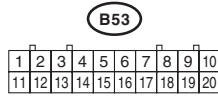
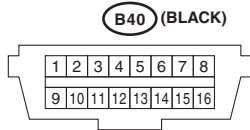
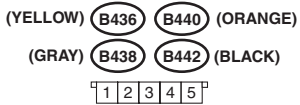
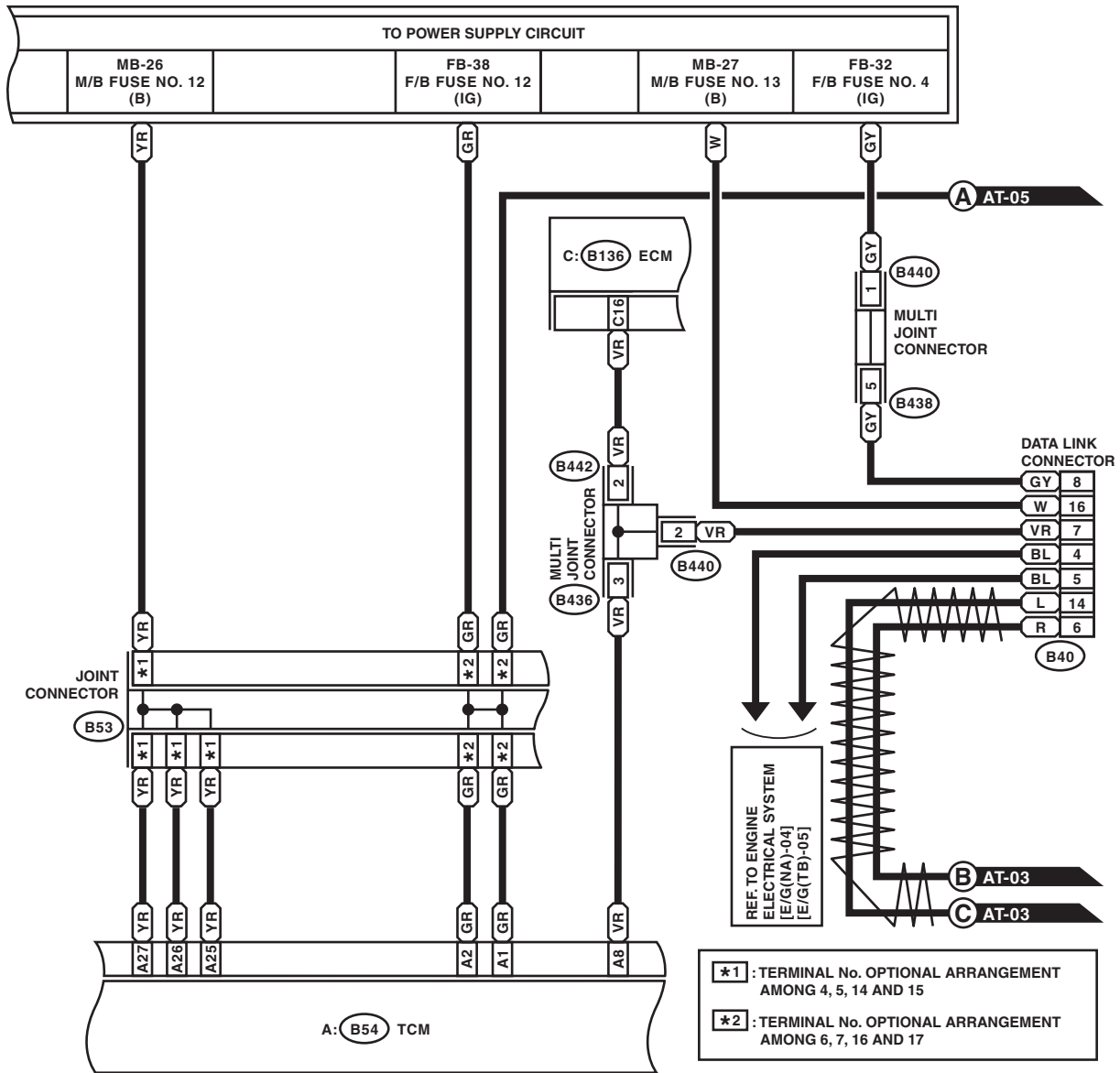
WI-22947

# AT Control System

## WIRING SYSTEM

AT-02

AT-02



WI-21415



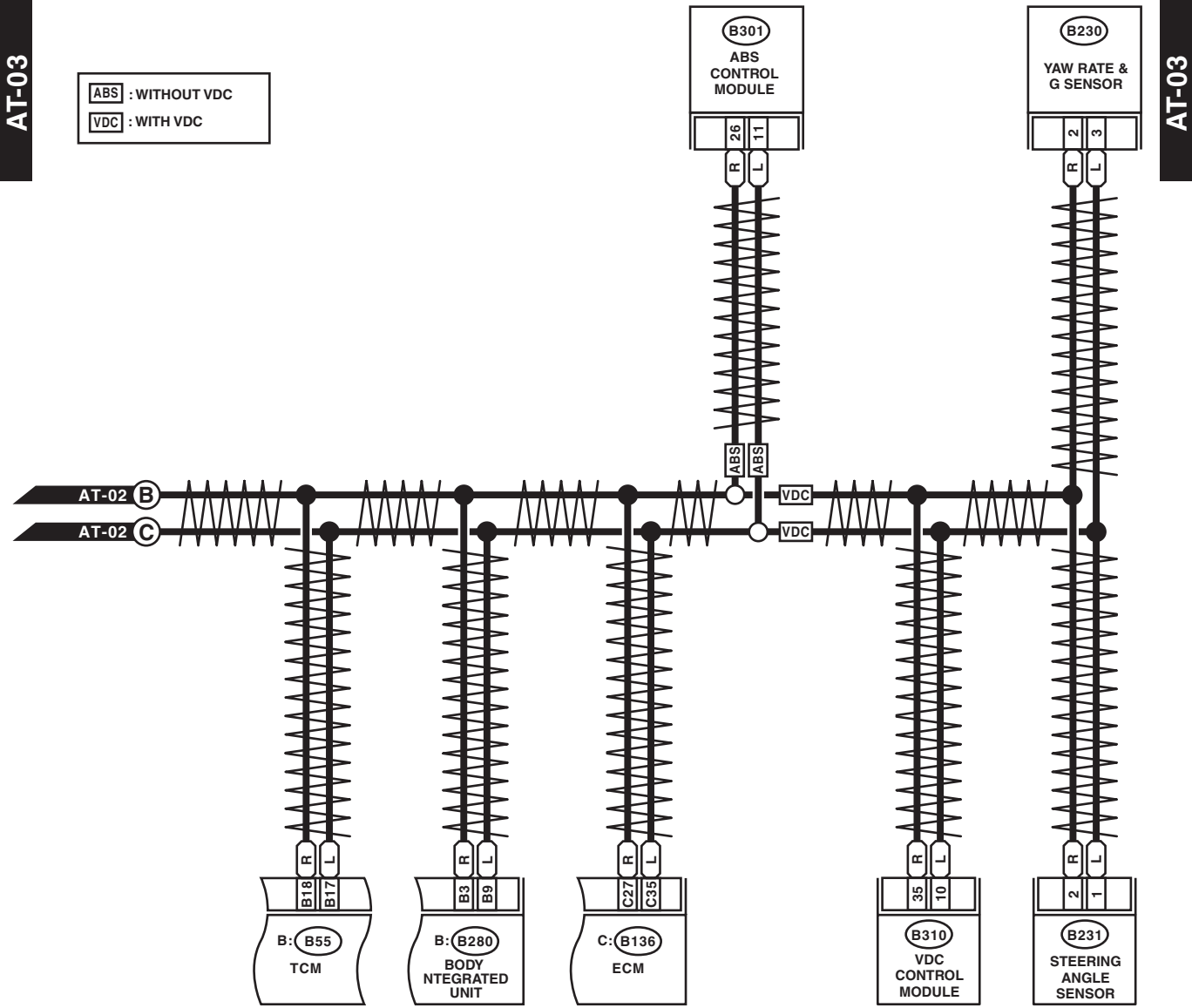
# AT Control System

## WIRING SYSTEM

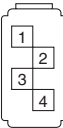
AT-03

ABS : WITHOUT VDC  
VDC : WITH VDC

AT-03



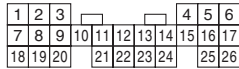
B230



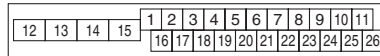
B231 (BLACK)



B: B280

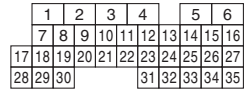


B301 (BLACK)

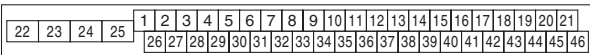


B: B55

C: B136



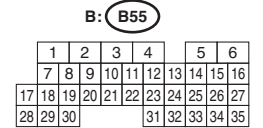
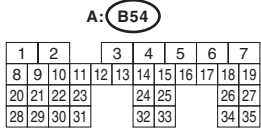
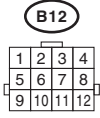
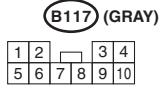
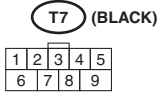
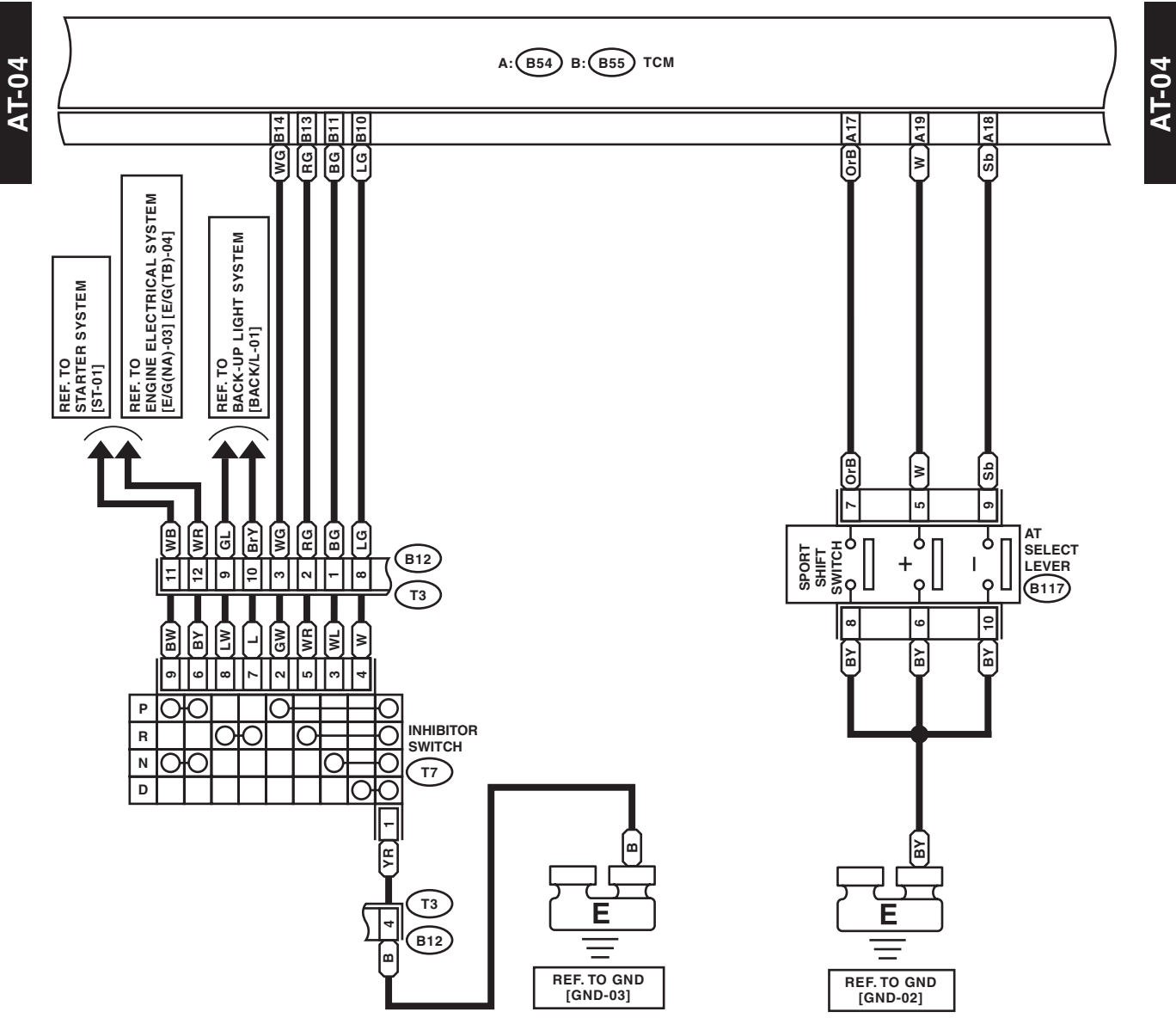
B310 (BLACK)



WI-21416

# AT Control System

WIRING SYSTEM

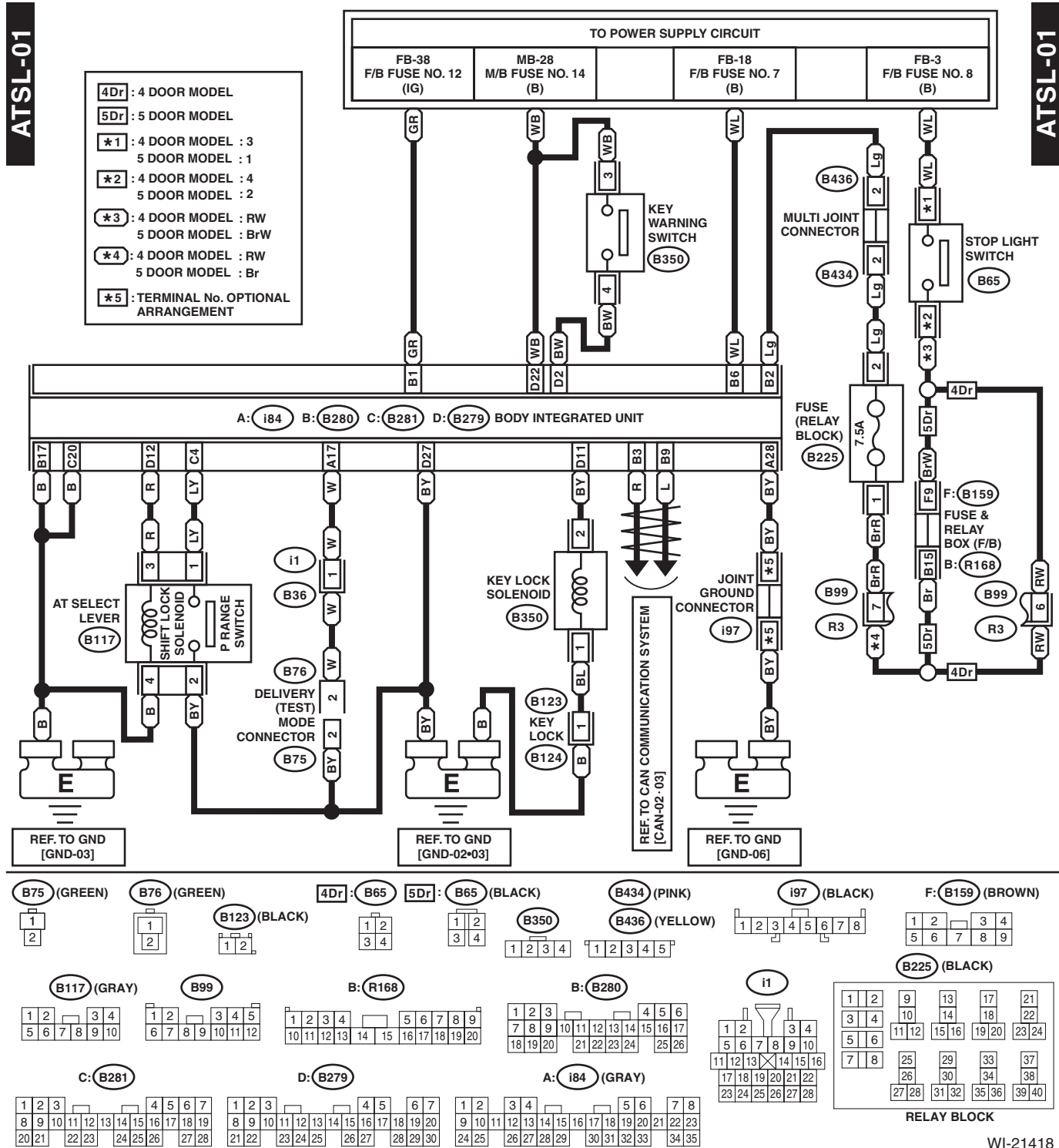


WI-21417



## 11. AT Shift Lock Control System

### A: WIRING DIAGRAM



# Anti-lock Brake System

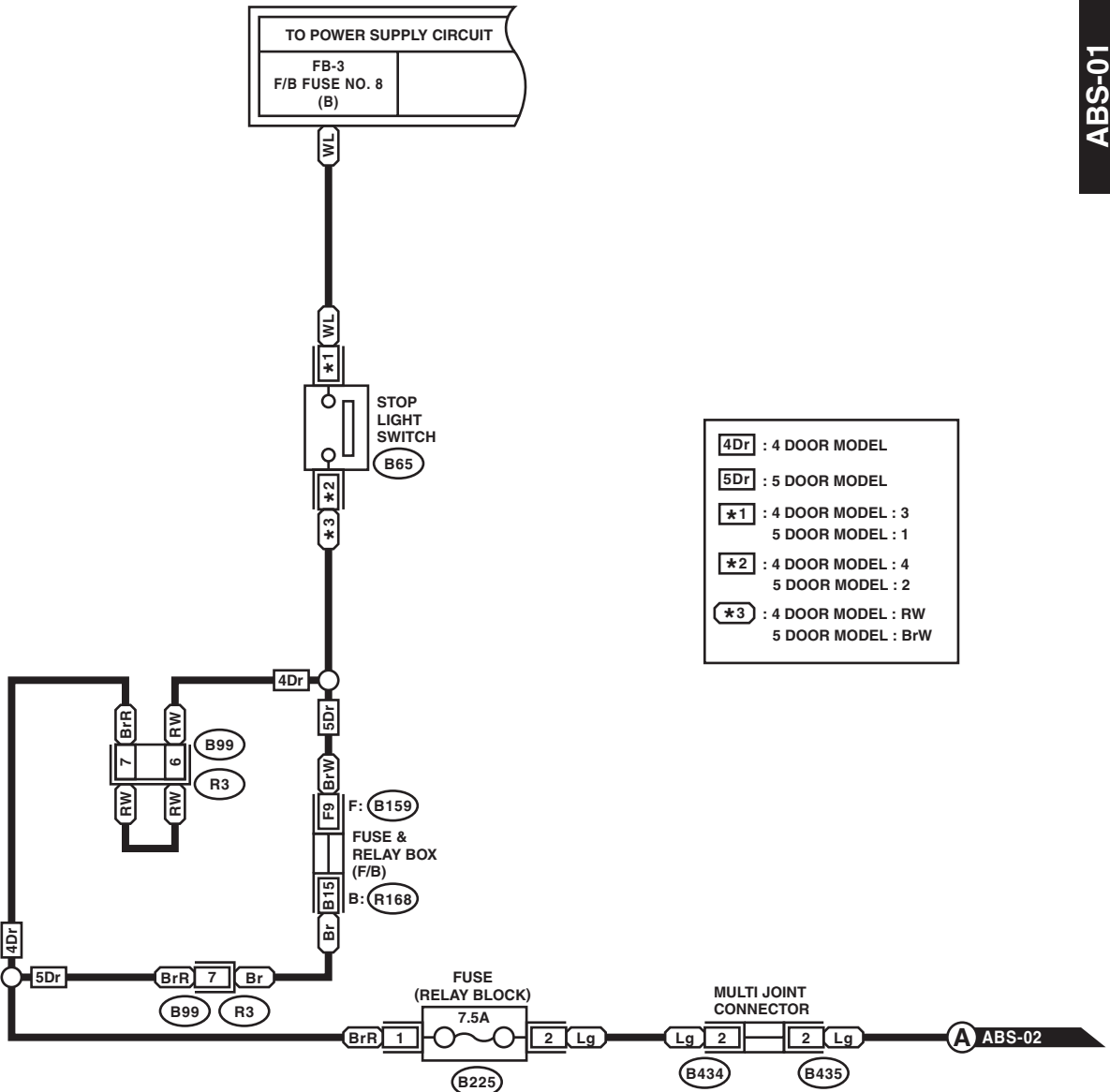
WIRING SYSTEM

## 12. Anti-lock Brake System

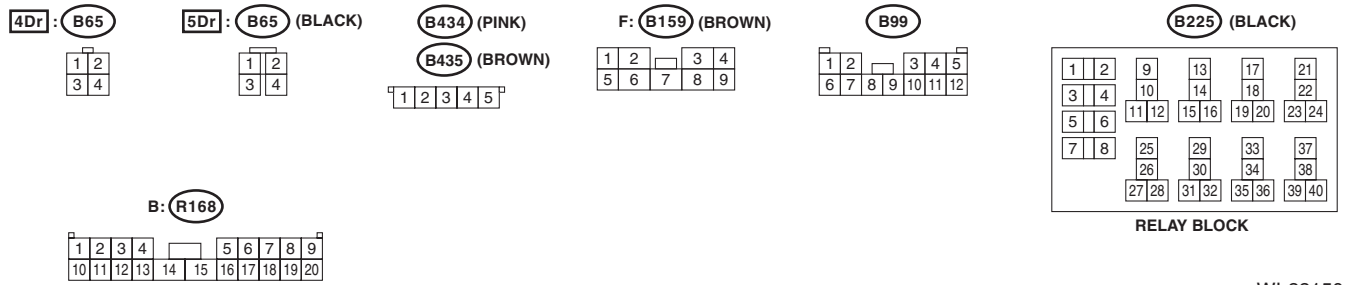
### A: WIRING DIAGRAM

ABS-01

ABS-01



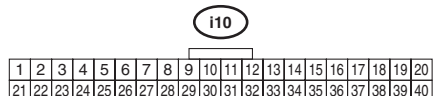
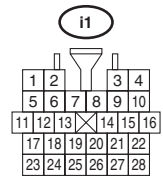
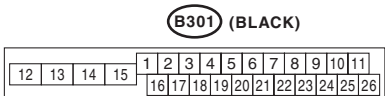
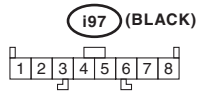
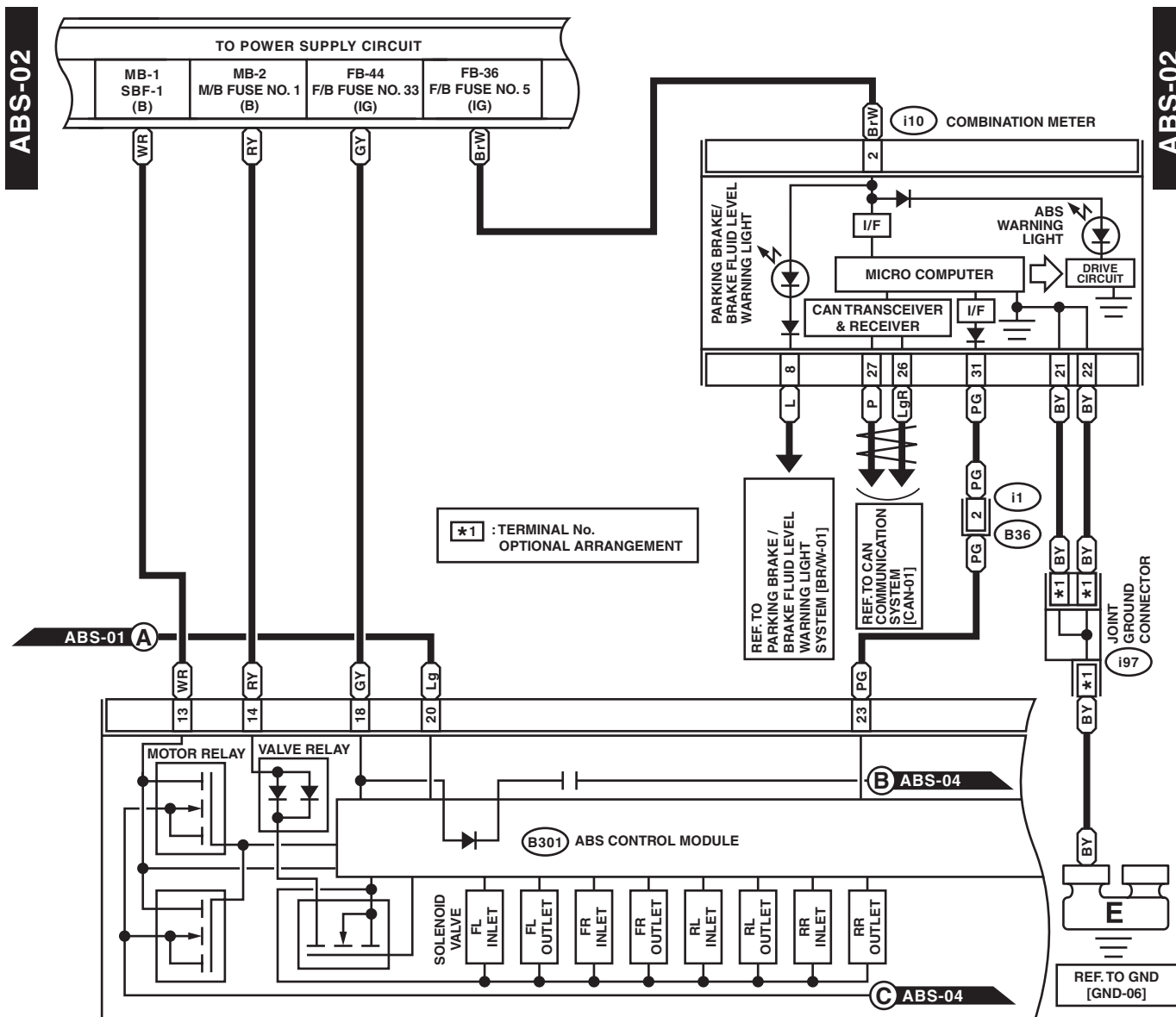
- 4Dr** : 4 DOOR MODEL
- 5Dr** : 5 DOOR MODEL
- \*1** : 4 DOOR MODEL : 3  
5 DOOR MODEL : 1
- \*2** : 4 DOOR MODEL : 4  
5 DOOR MODEL : 2
- \*3** : 4 DOOR MODEL : RW  
5 DOOR MODEL : BrW



WI-22150

# Anti-lock Brake System

## WIRING SYSTEM



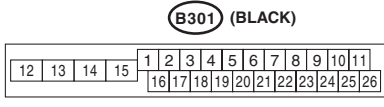
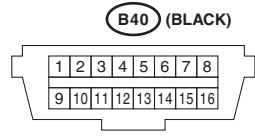
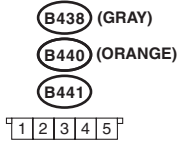
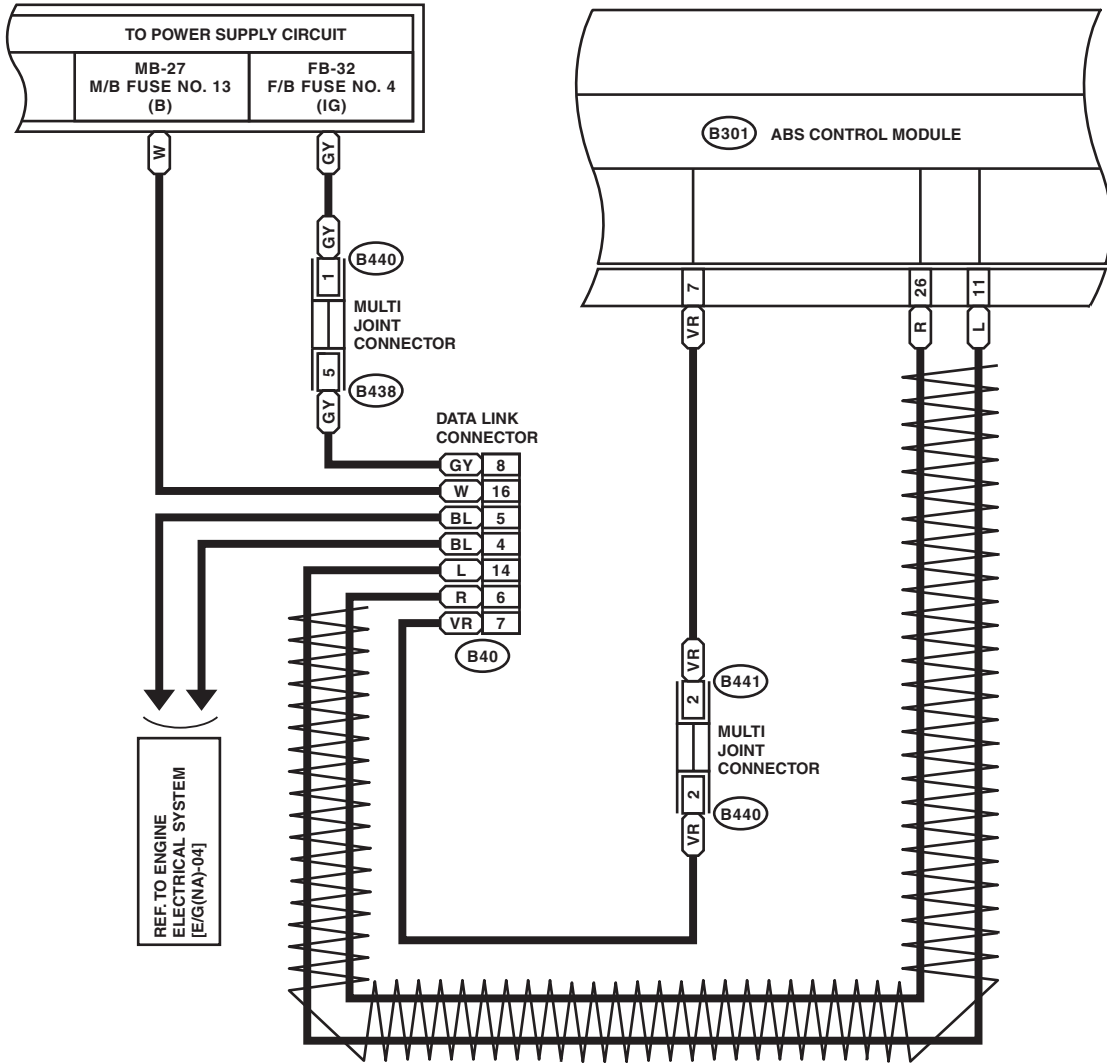
WI-22948

# Anti-lock Brake System

## WIRING SYSTEM

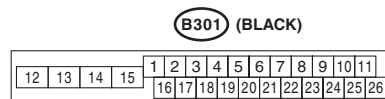
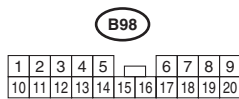
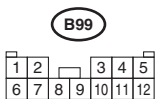
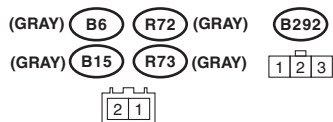
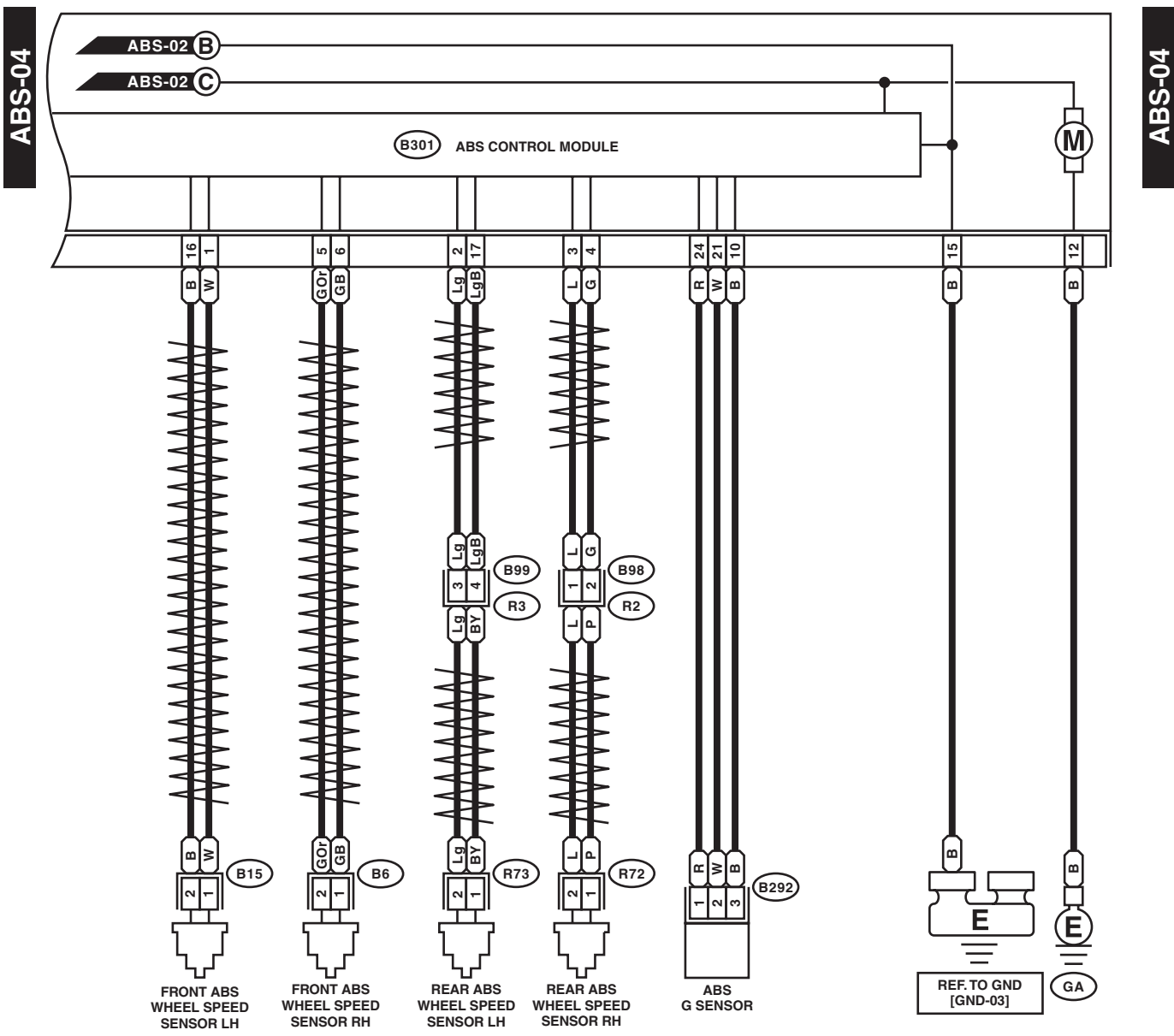
ABS-03

ABS-03



# Anti-lock Brake System

WIRING SYSTEM



WI-22949

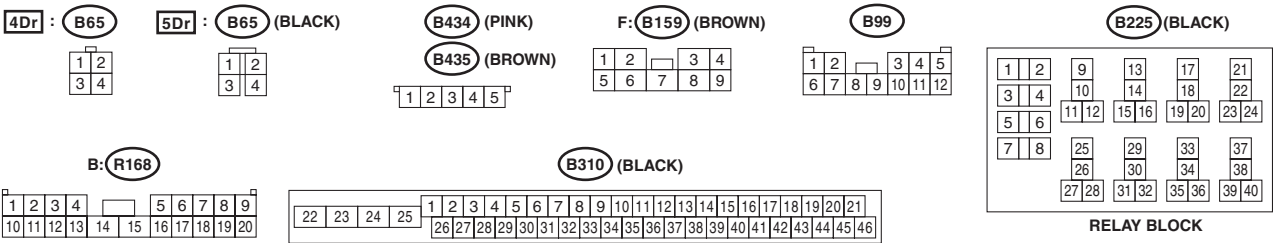
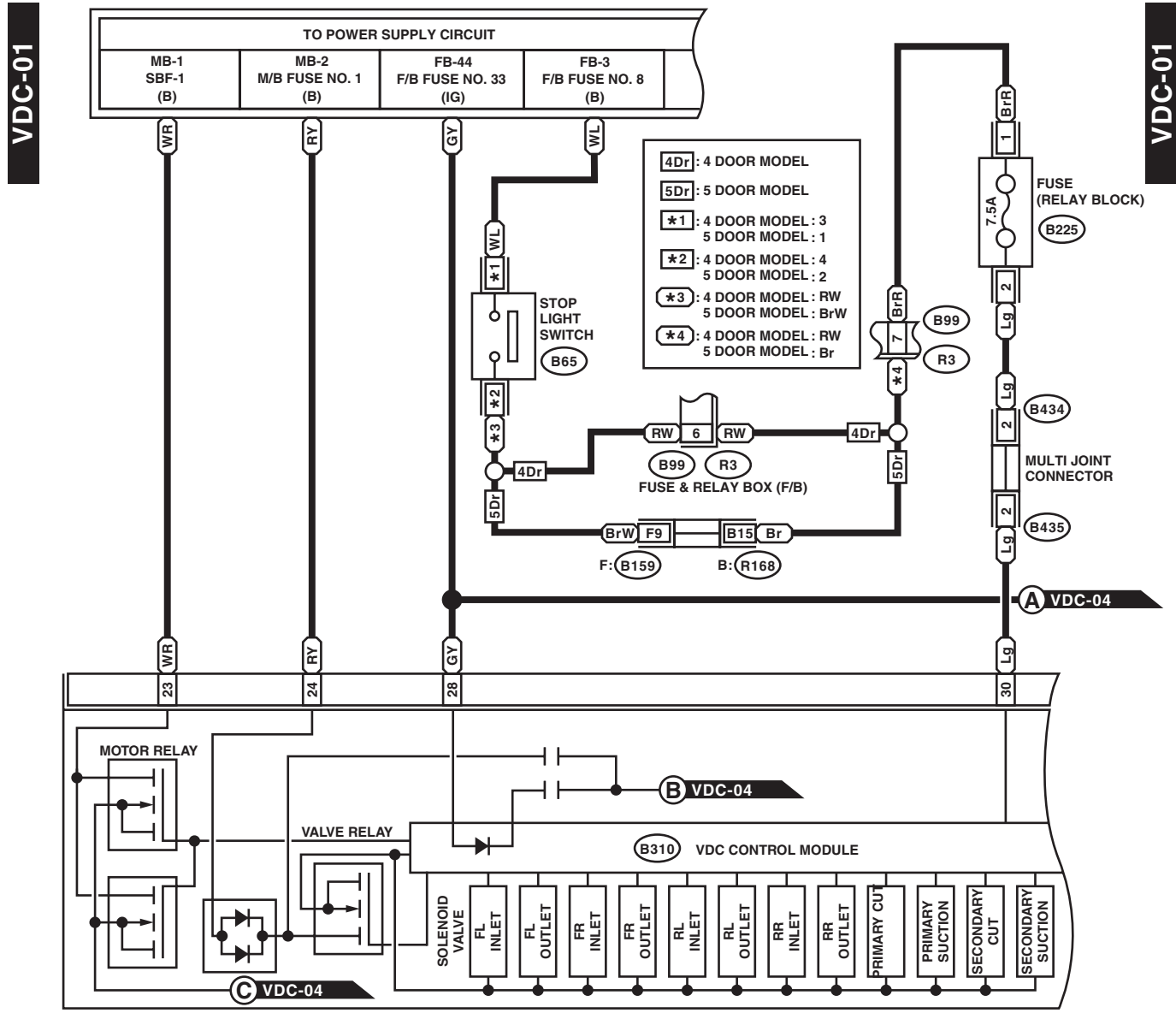


# Vehicle Dynamics Control System

WIRING SYSTEM

## 13. Vehicle Dynamics Control System

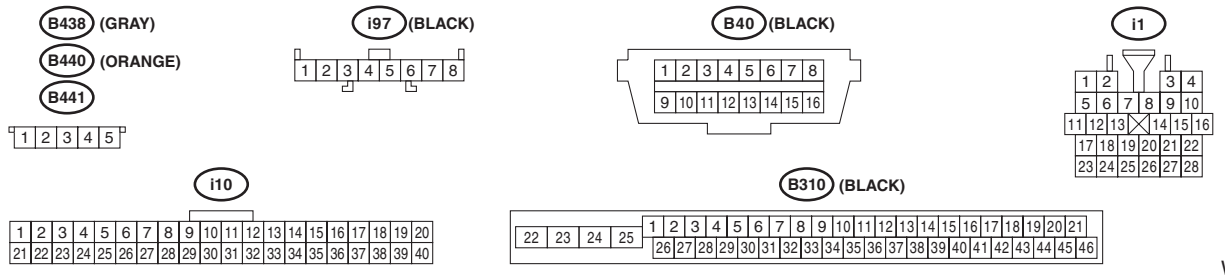
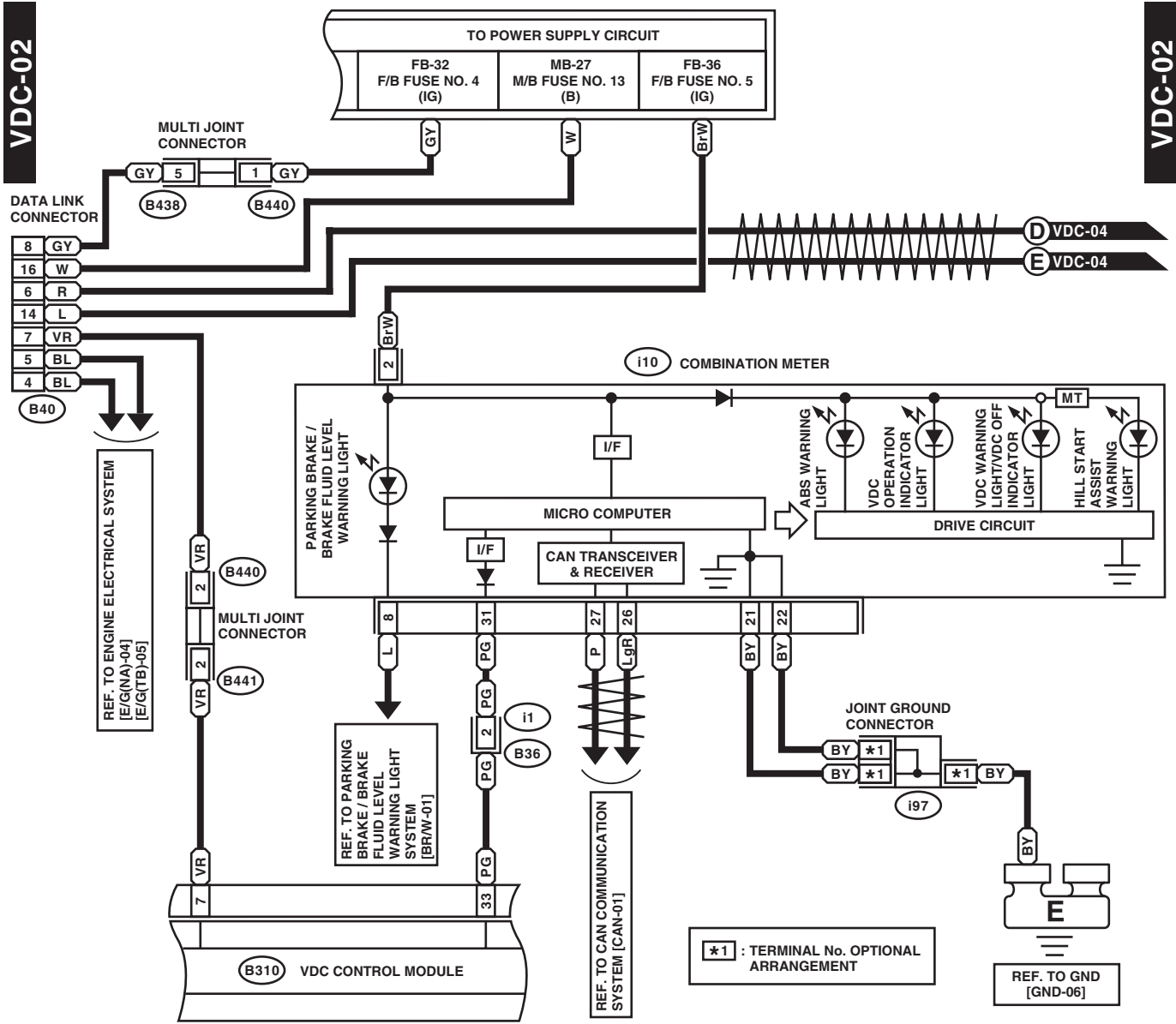
### A: WIRING DIAGRAM



WI-21420

# Vehicle Dynamics Control System

WIRING SYSTEM



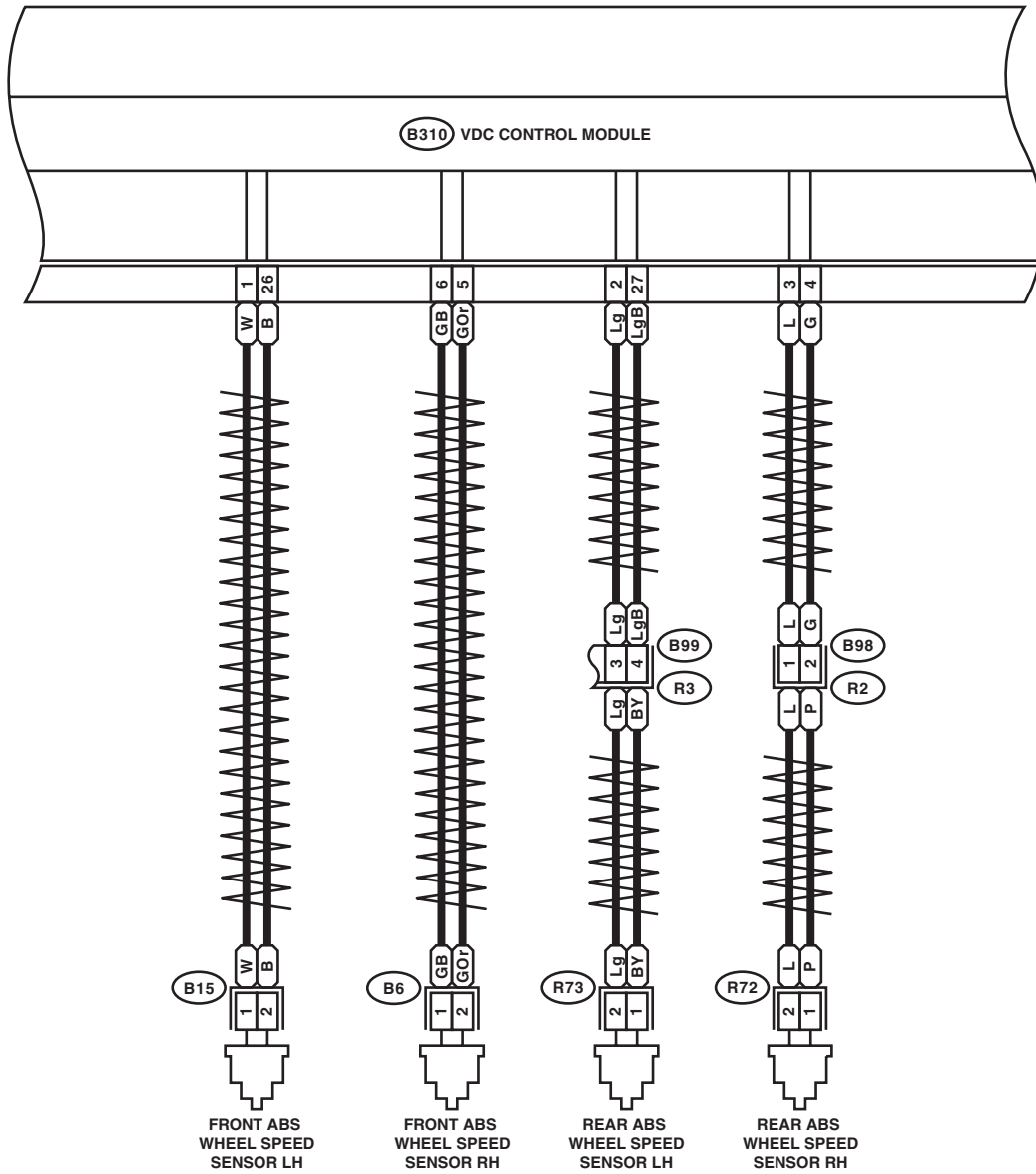
WI-21421

# Vehicle Dynamics Control System

WIRING SYSTEM

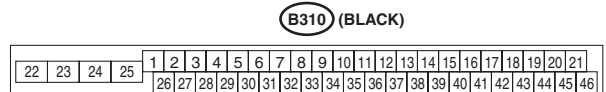
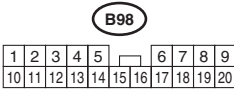
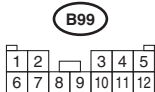
VDC-03

VDC-03



(GRAY) (B6) (R72) (GRAY)

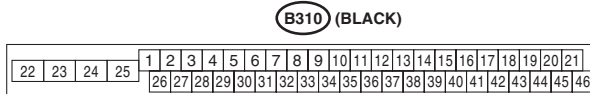
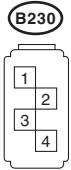
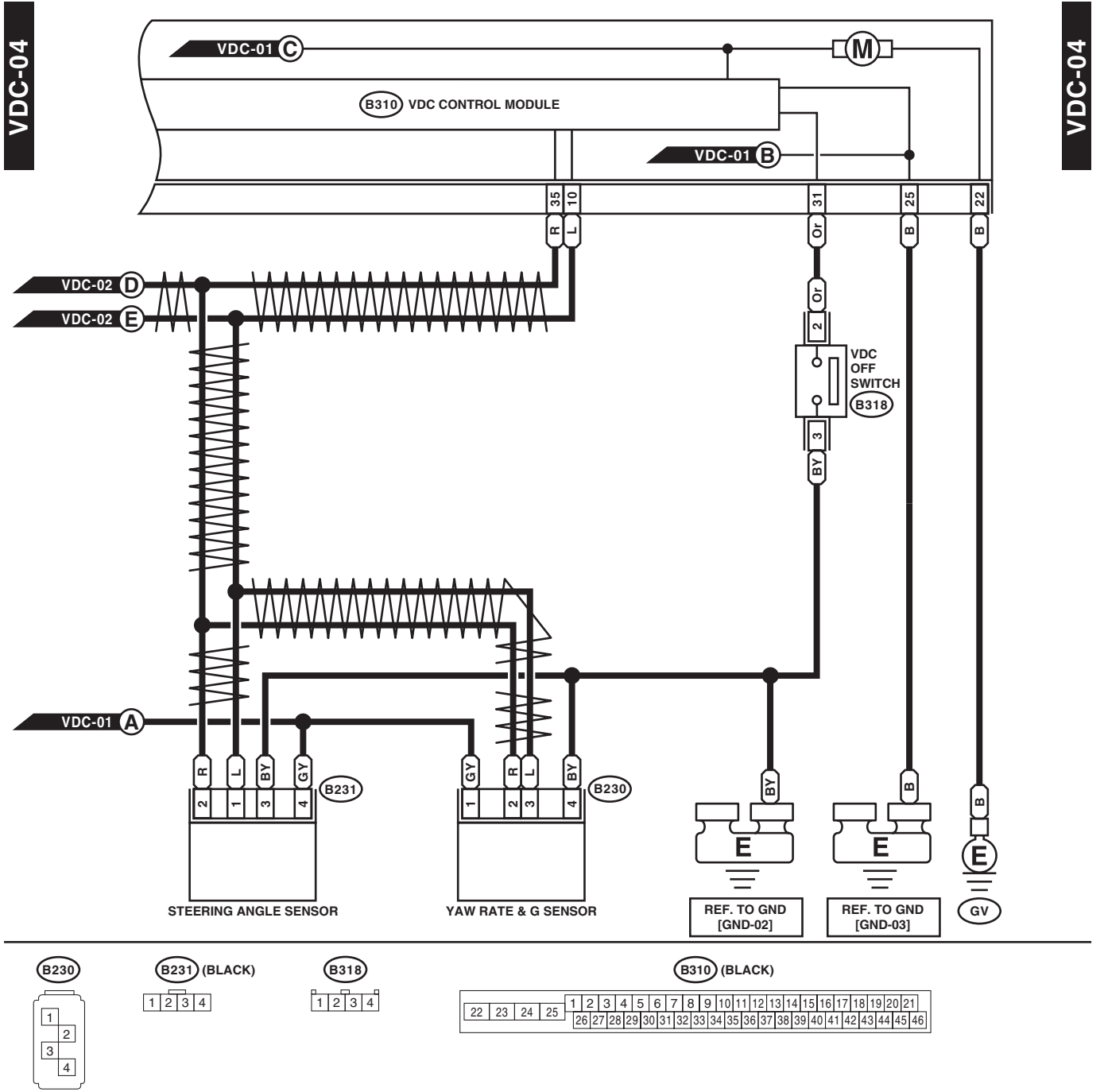
(GRAY) (B15) (R73) (GRAY)



WI-21422

# Vehicle Dynamics Control System

WIRING SYSTEM



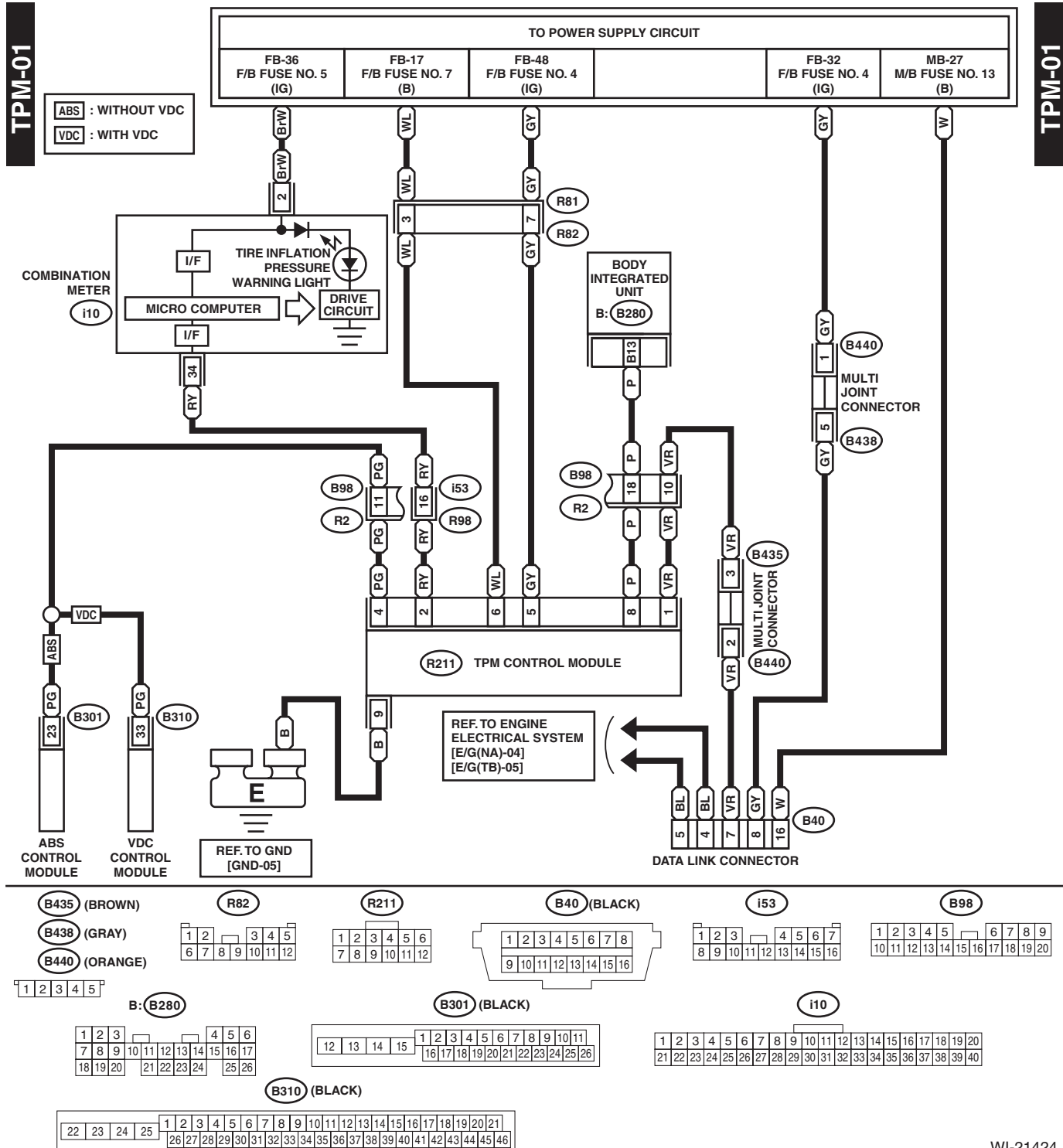
WI-21423

# Tire Pressure Monitoring System

WIRING SYSTEM

## 14. Tire Pressure Monitoring System

### A: WIRING DIAGRAM

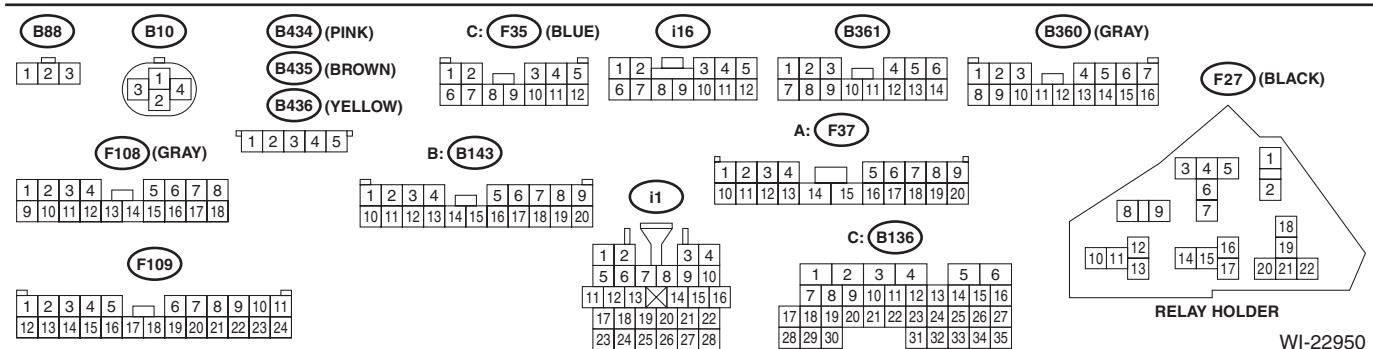
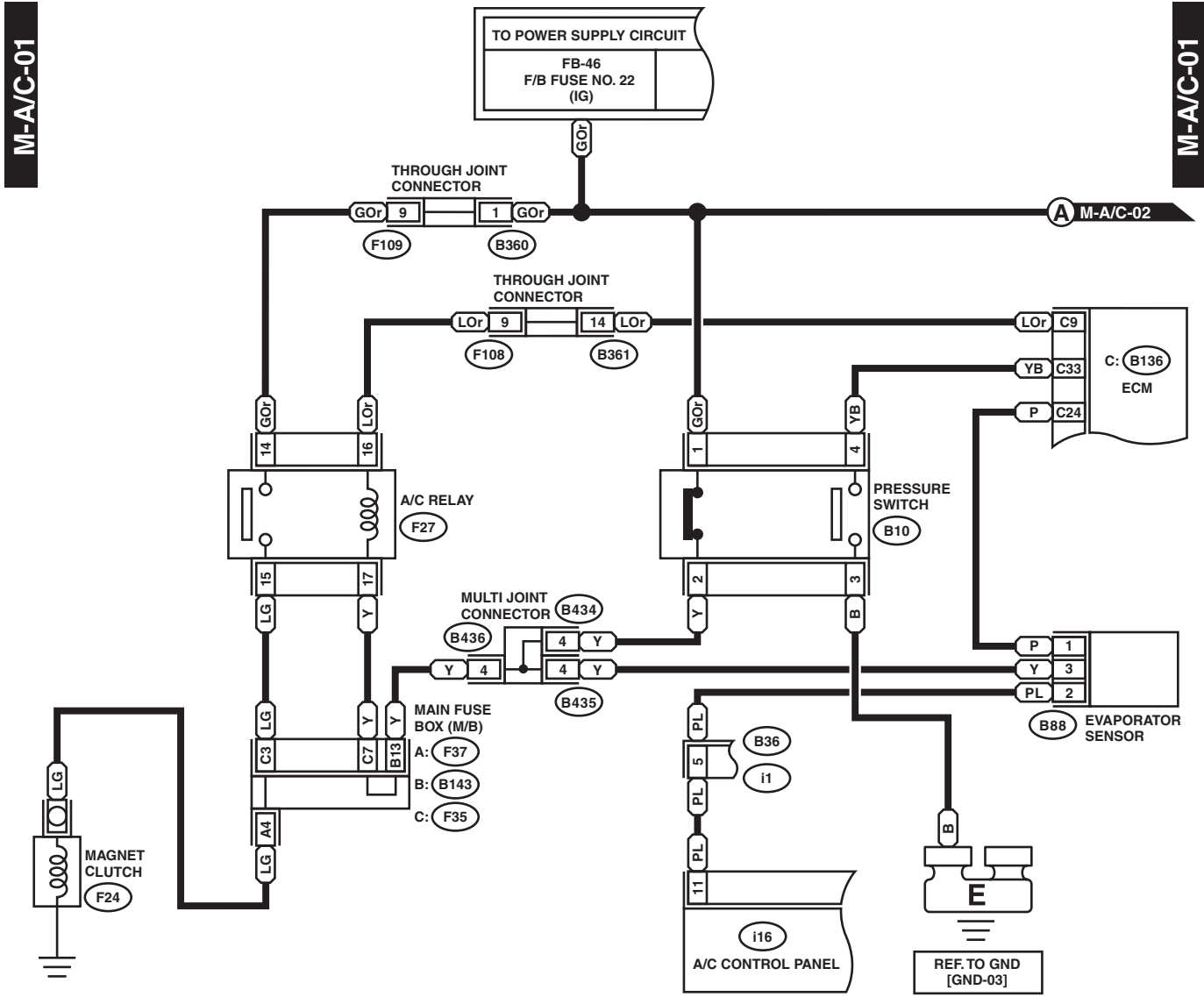


WI-21424

## 15. Air Conditioning System

### A: WIRING DIAGRAM

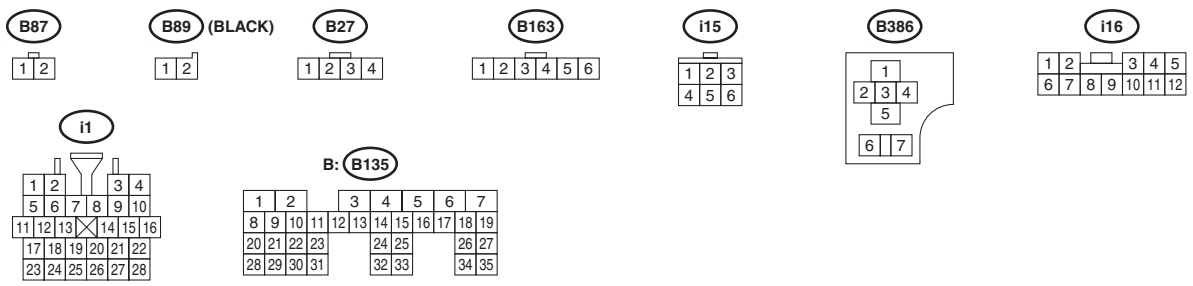
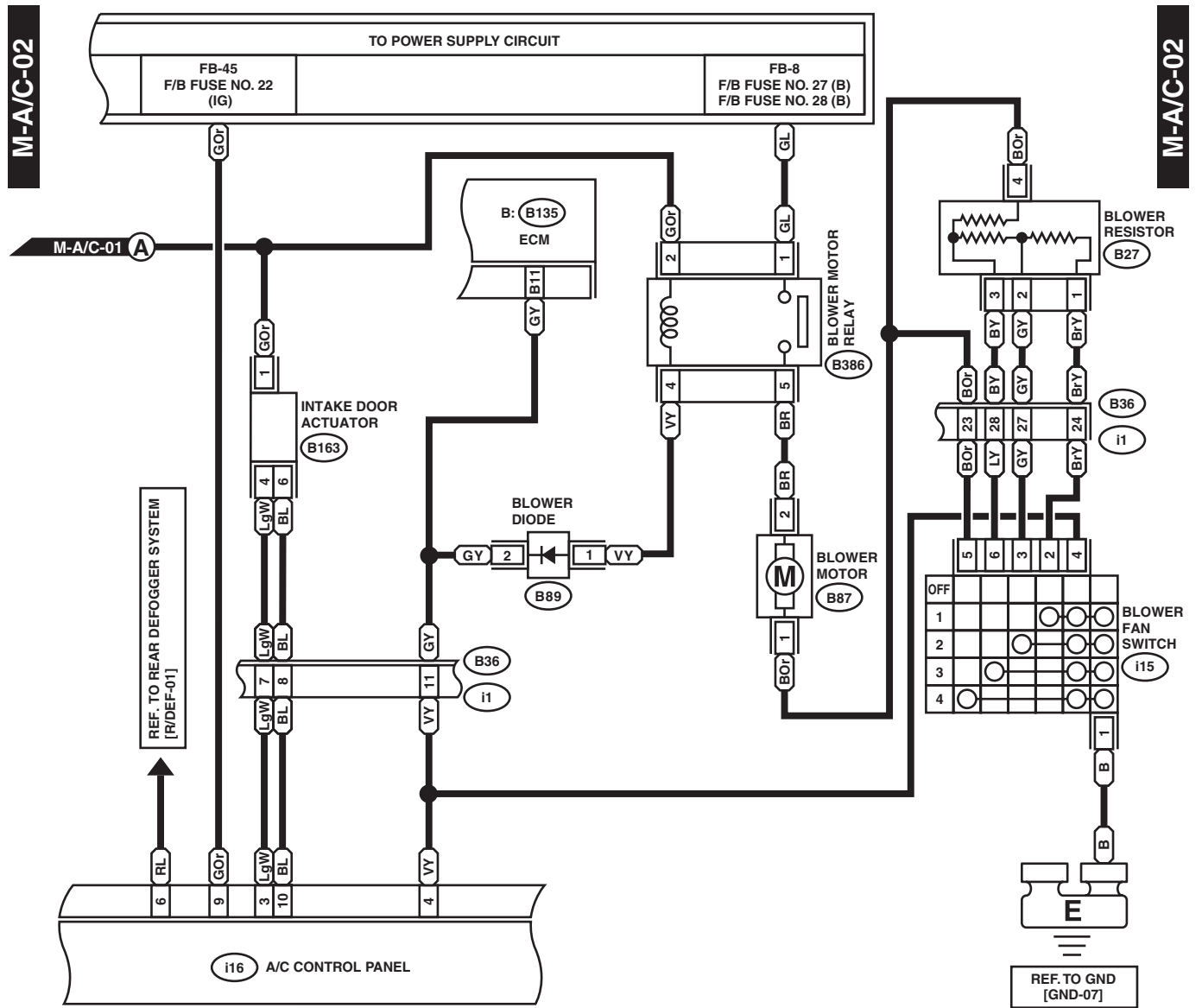
#### 1. MANUAL A/C MODEL



WI-22950

# Air Conditioning System

## WIRING SYSTEM



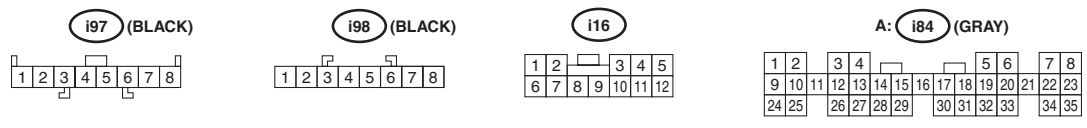
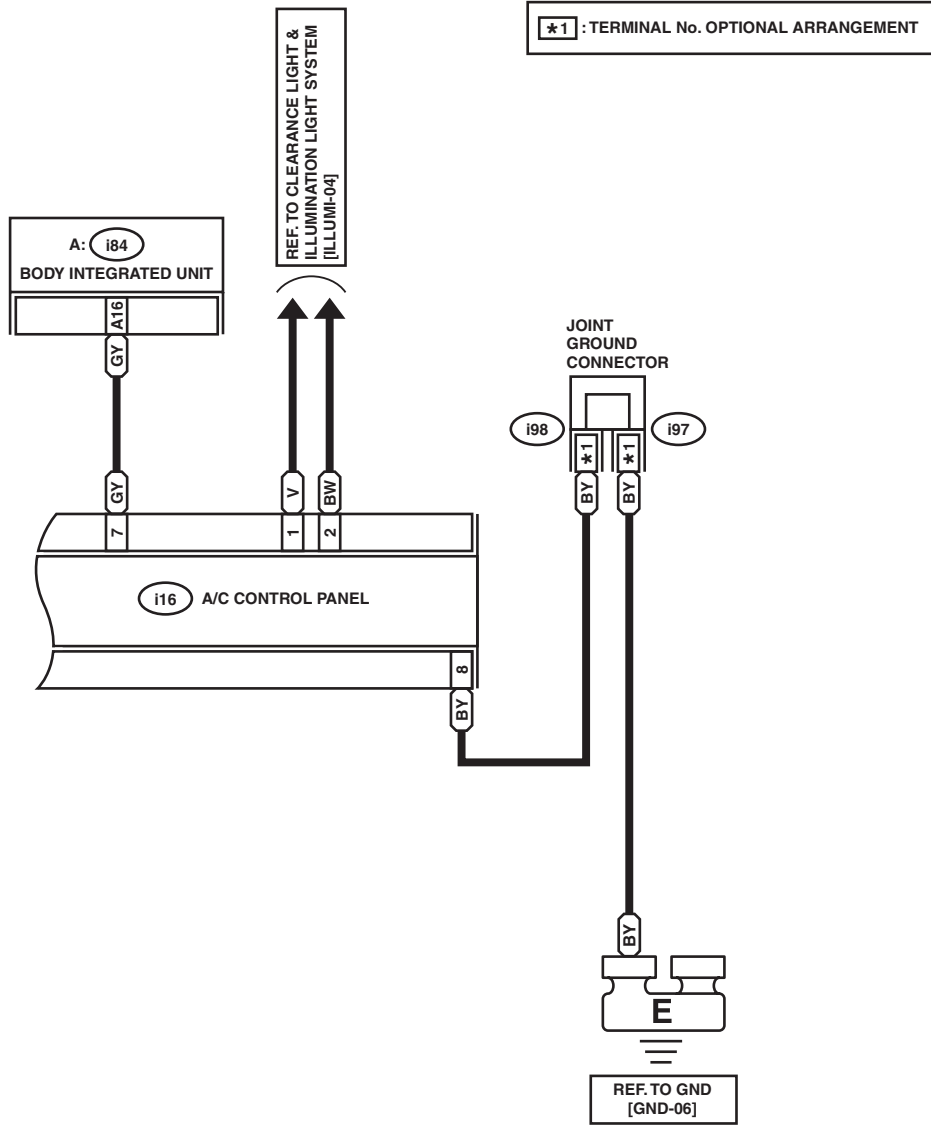
WI-21425

# Air Conditioning System

WIRING SYSTEM

M-A/C-03

M-A/C-03



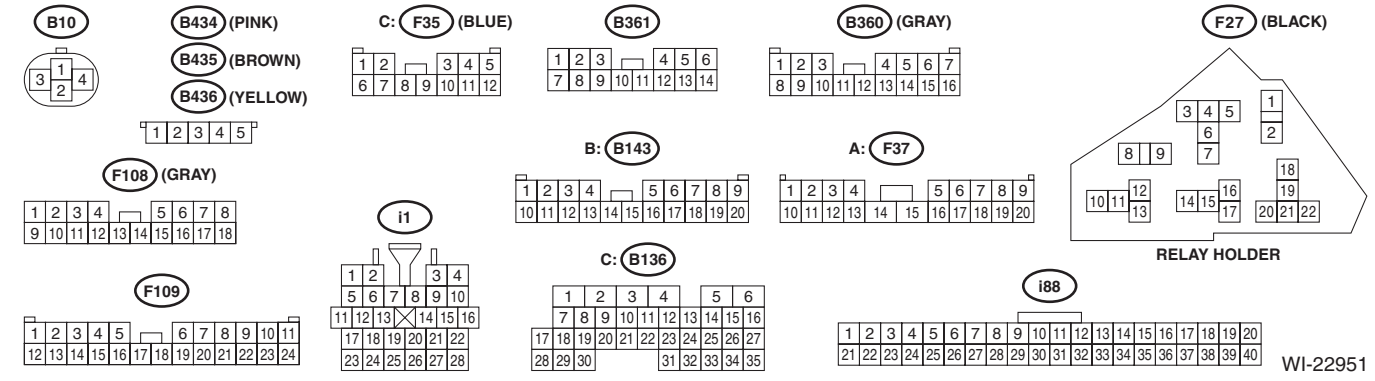
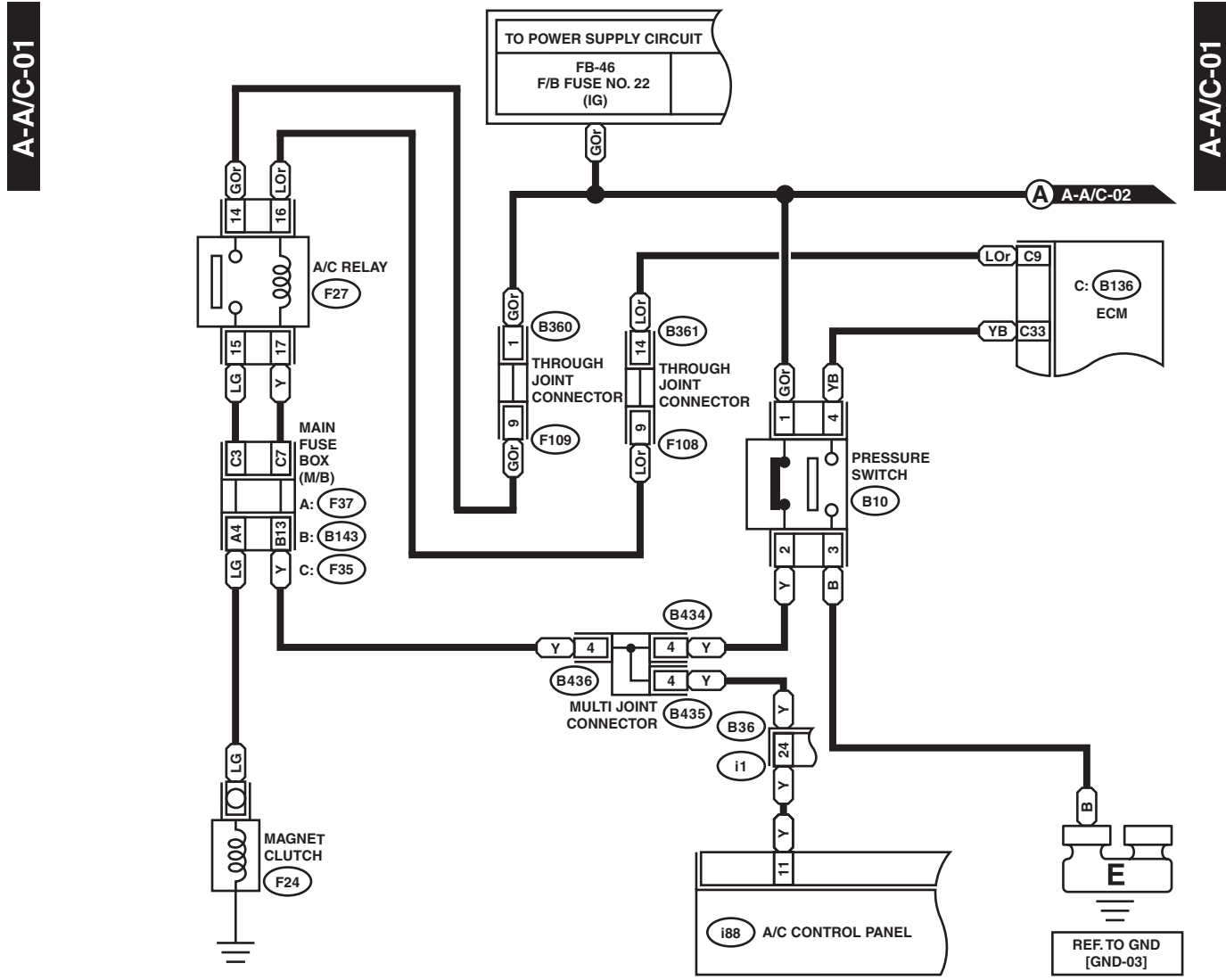
WI-21426



# Air Conditioning System

WIRING SYSTEM

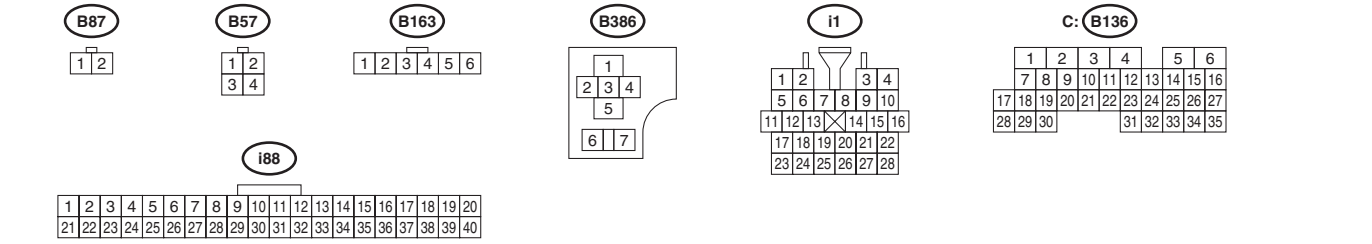
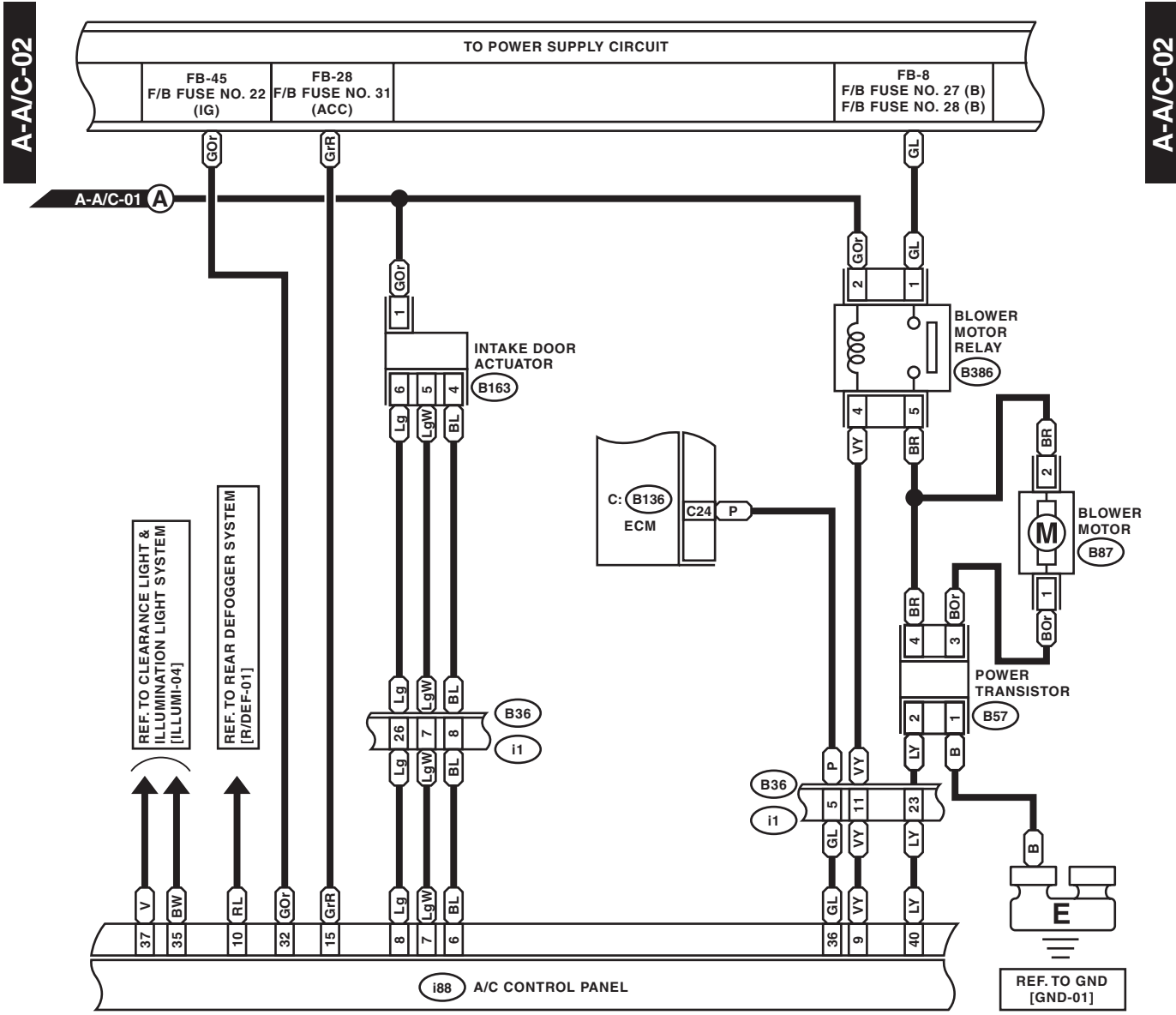
## 2. AUTO A/C MODEL



WI-22951

# Air Conditioning System

WIRING SYSTEM



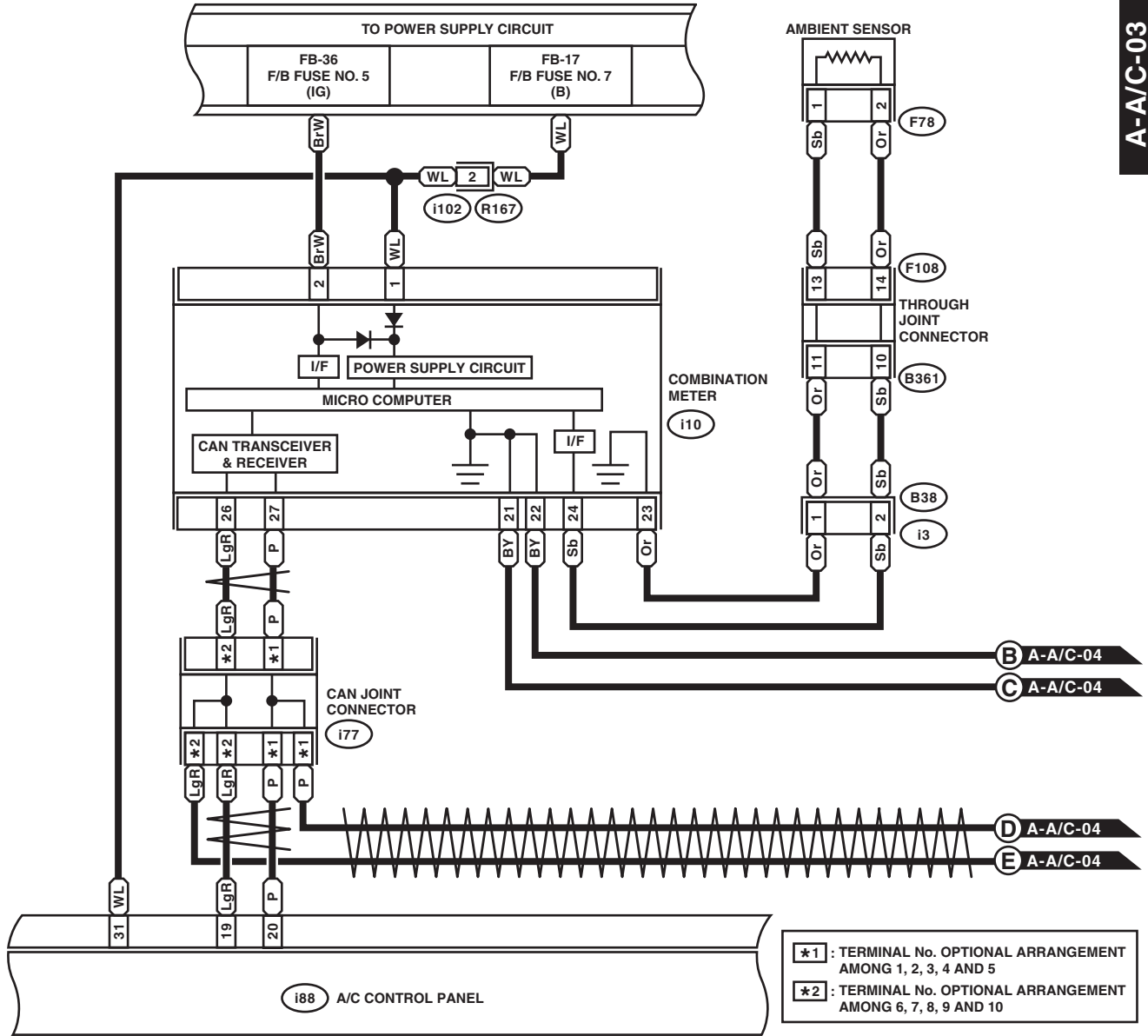
WI-16925

# Air Conditioning System

## WIRING SYSTEM

A-A/C-03

A-A/C-03

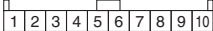


\*1 : TERMINAL No. OPTIONAL ARRANGEMENT AMONG 1, 2, 3, 4 AND 5  
 \*2 : TERMINAL No. OPTIONAL ARRANGEMENT AMONG 6, 7, 8, 9 AND 10

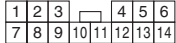
F78 (BLACK)



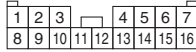
i77 (GREEN)



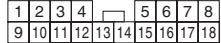
B361



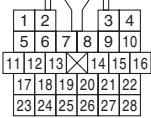
i102



F108 (GRAY)

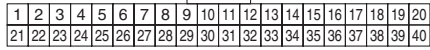


i3



i10

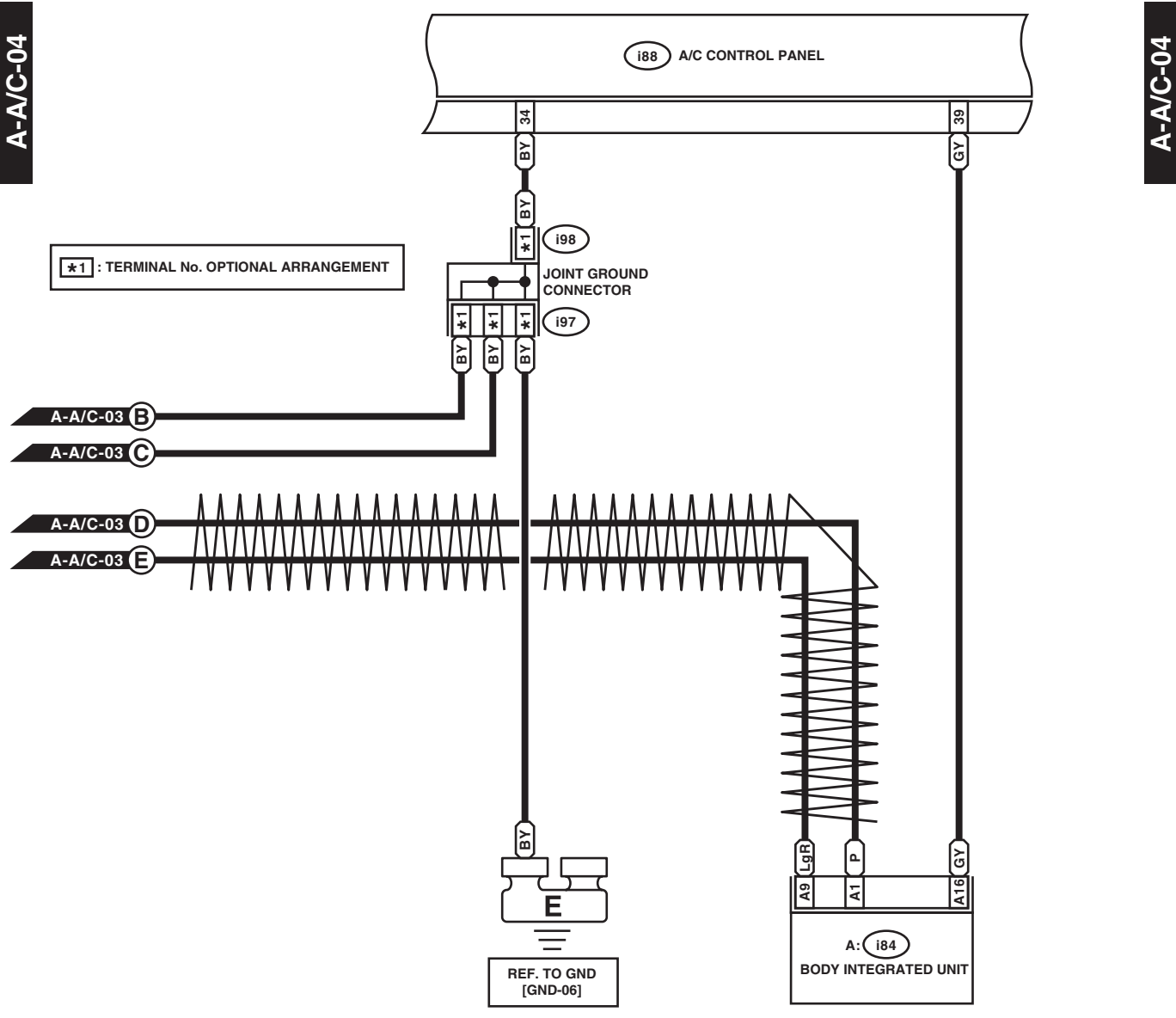
i88



WI-22952

# Air Conditioning System

WIRING SYSTEM



i97 (BLACK) 1 2 3 4 5 6 7 8								i98 (BLACK) 1 2 3 4 5 6 7 8								A: i84 (GRAY) 1 2 3 4 5 6 7 8 9 10 11 12 13 14 15 16 17 18 19 20 21 22 23 24 25 26 27 28 29 30 31 32 33 34 35																i88 1 2 3 4 5 6 7 8 9 10 11 12 13 14 15 16 17 18 19 20 21 22 23 24 25 26 27 28 29 30 31 32 33 34 35 36 37 38 39 40																			
--------------------------------	--	--	--	--	--	--	--	--------------------------------	--	--	--	--	--	--	--	--	--	--	--	--	--	--	--	--	--	--	--	--	--	--	--	--	--	--	--	--	--	--	--	--	--	--	--	--	--	--	--	--	--	--	--

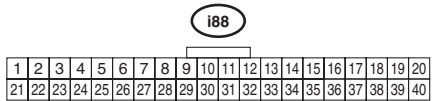
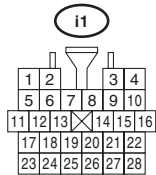
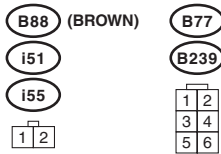
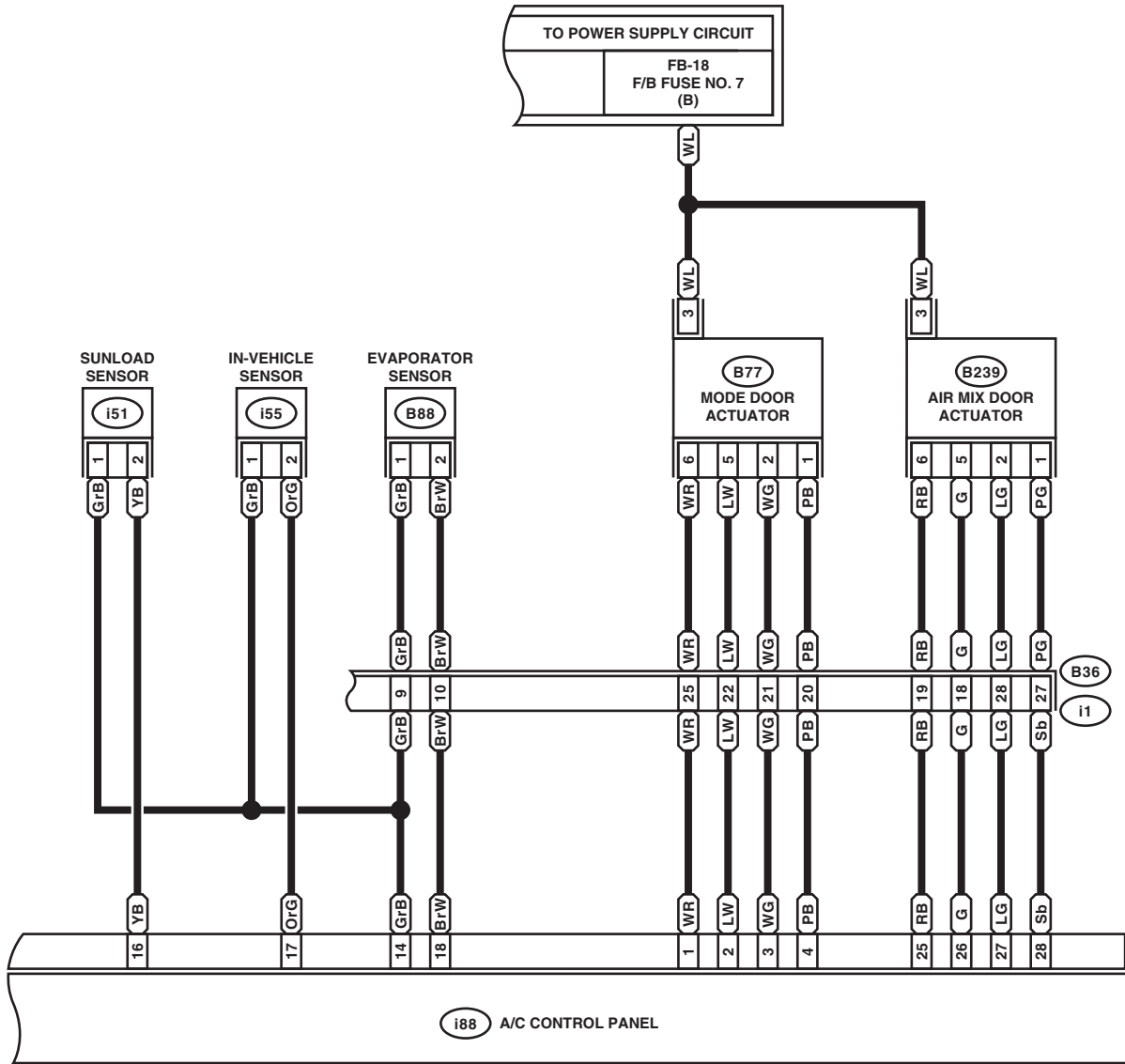
WI-21427

# Air Conditioning System

WIRING SYSTEM

A-A/C-05

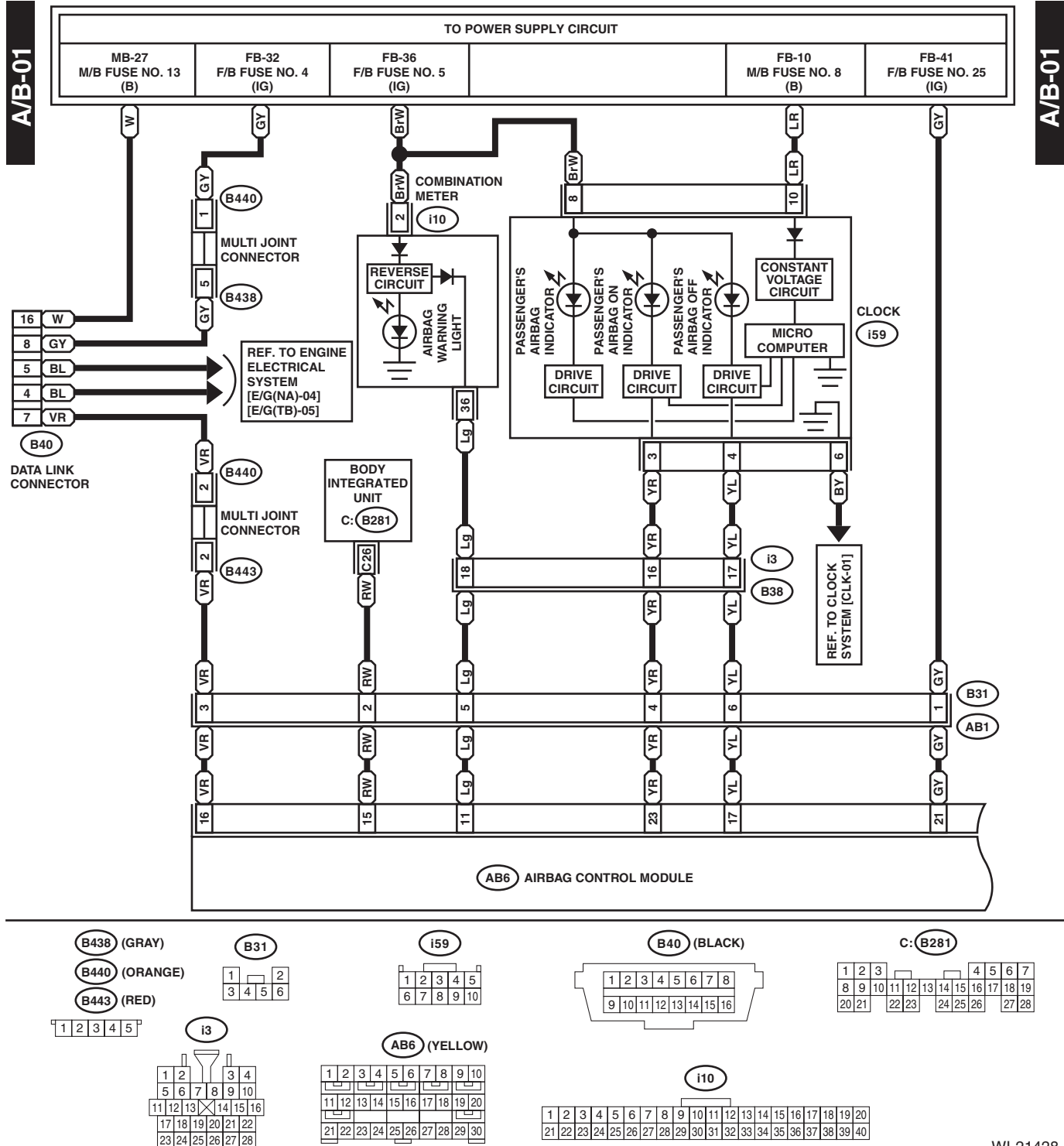
A-A/C-05



WI-17954

## 16. Airbag System

### A: WIRING DIAGRAM



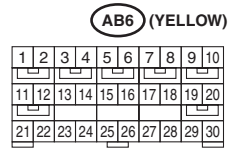
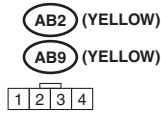
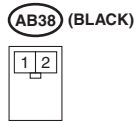
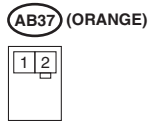
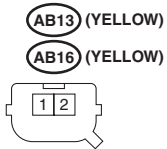
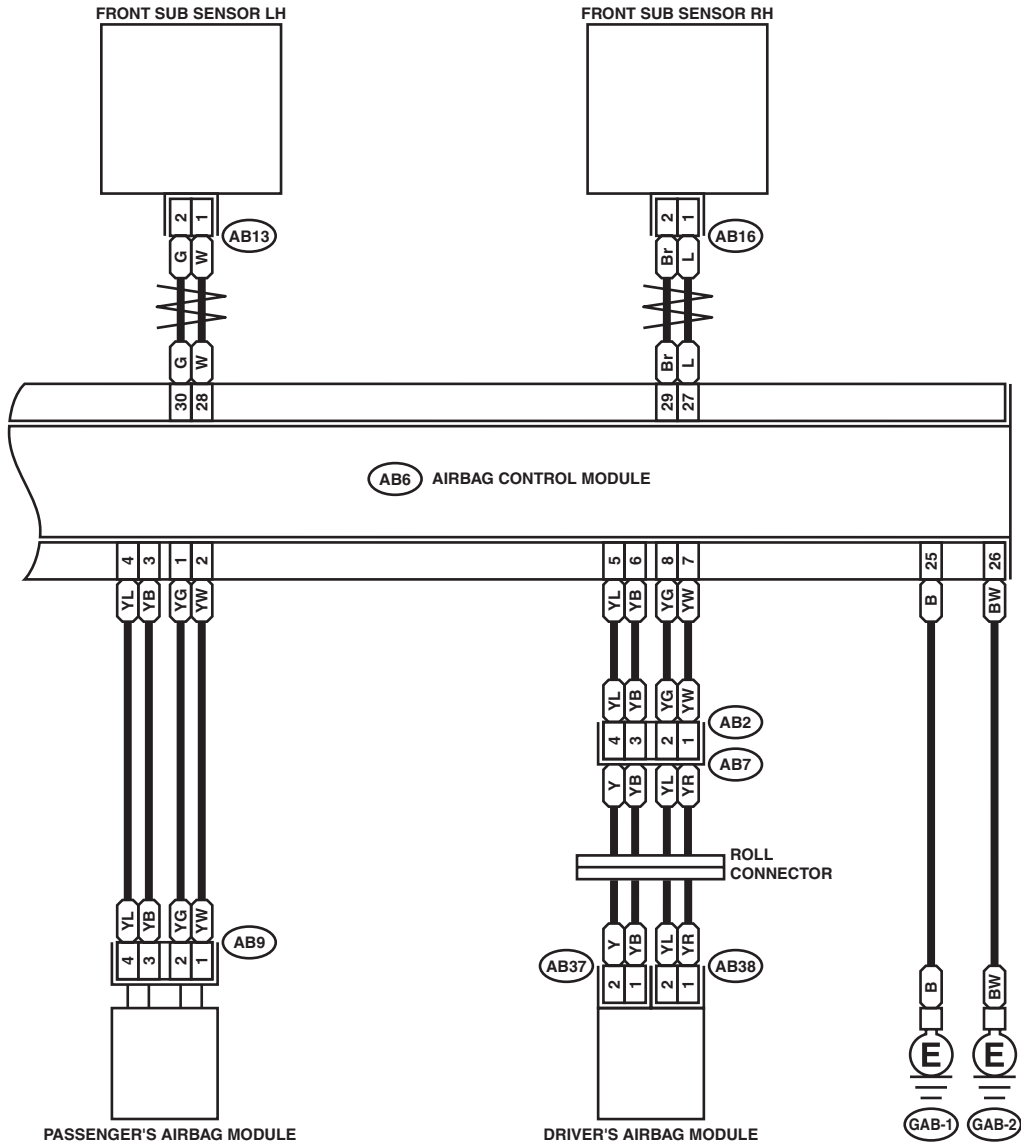
WI-21428

# Airbag System

## WIRING SYSTEM

A/B-02

A/B-02



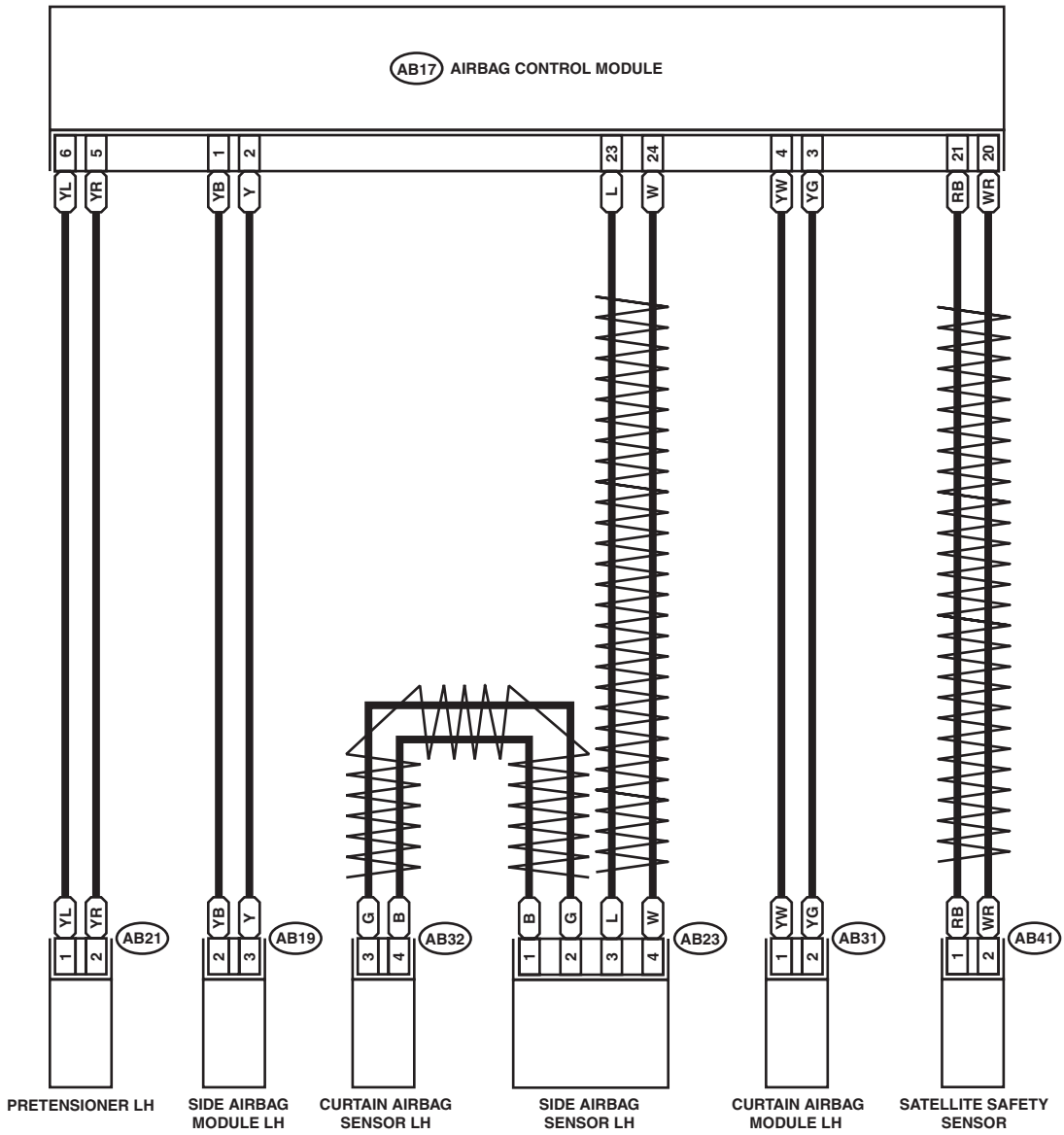
WI-21401

# Airbag System

WIRING SYSTEM

A/B-03

A/B-03

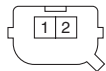


AB21 (BLACK)

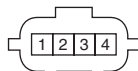
AB31 (BLACK)



AB41 (YELLOW)

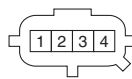


AB19 (YELLOW)

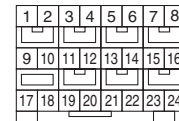


AB23 (YELLOW)

AB32 (YELLOW)



AB17 (YELLOW)



WI-22953

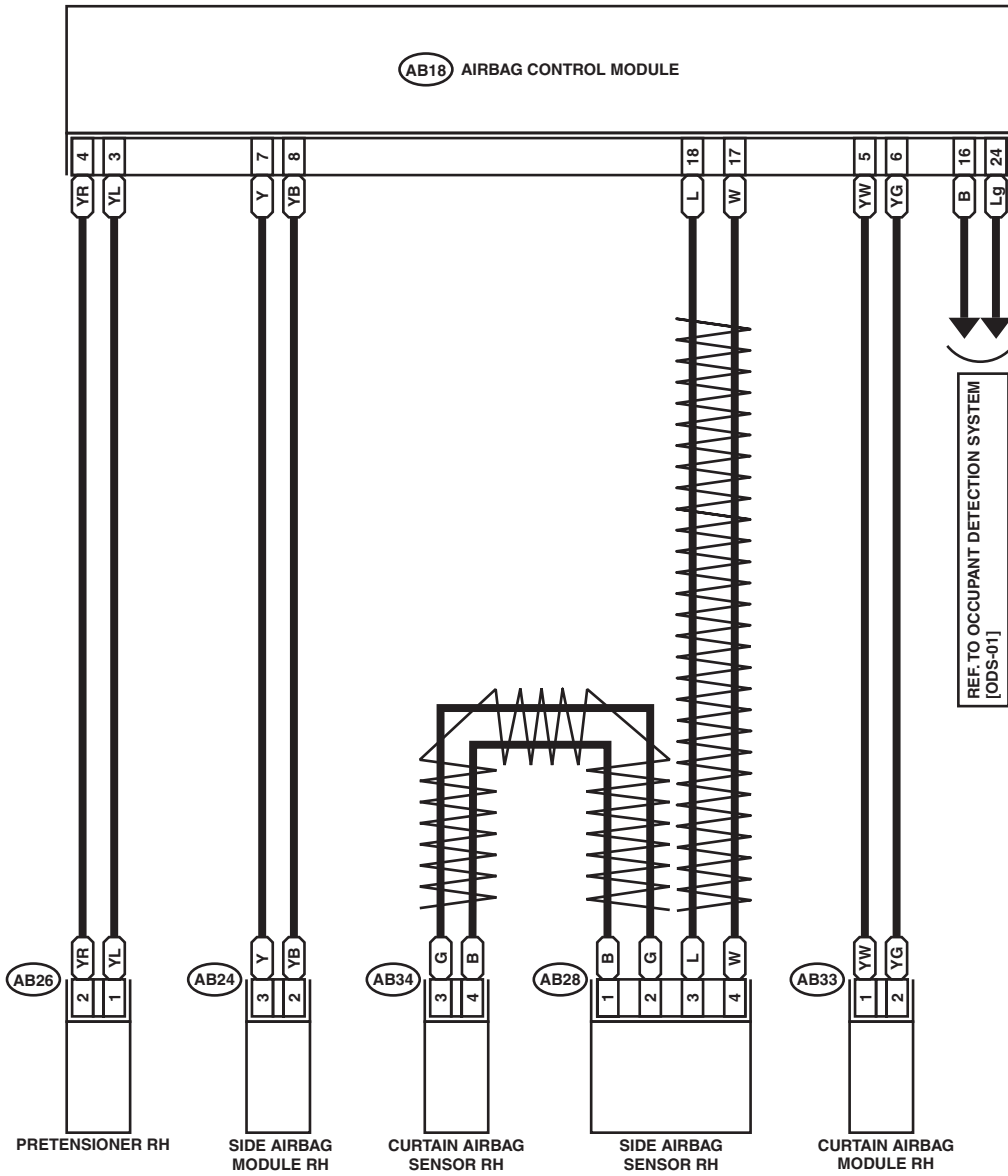


# Airbag System

## WIRING SYSTEM

A/B-04

A/B-04



AB26 (BLACK)

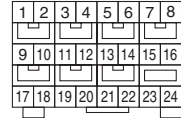
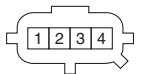
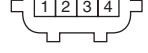
AB24 (YELLOW)

AB28 (YELLOW)

AB18 (YELLOW)

AB33 (BLACK)

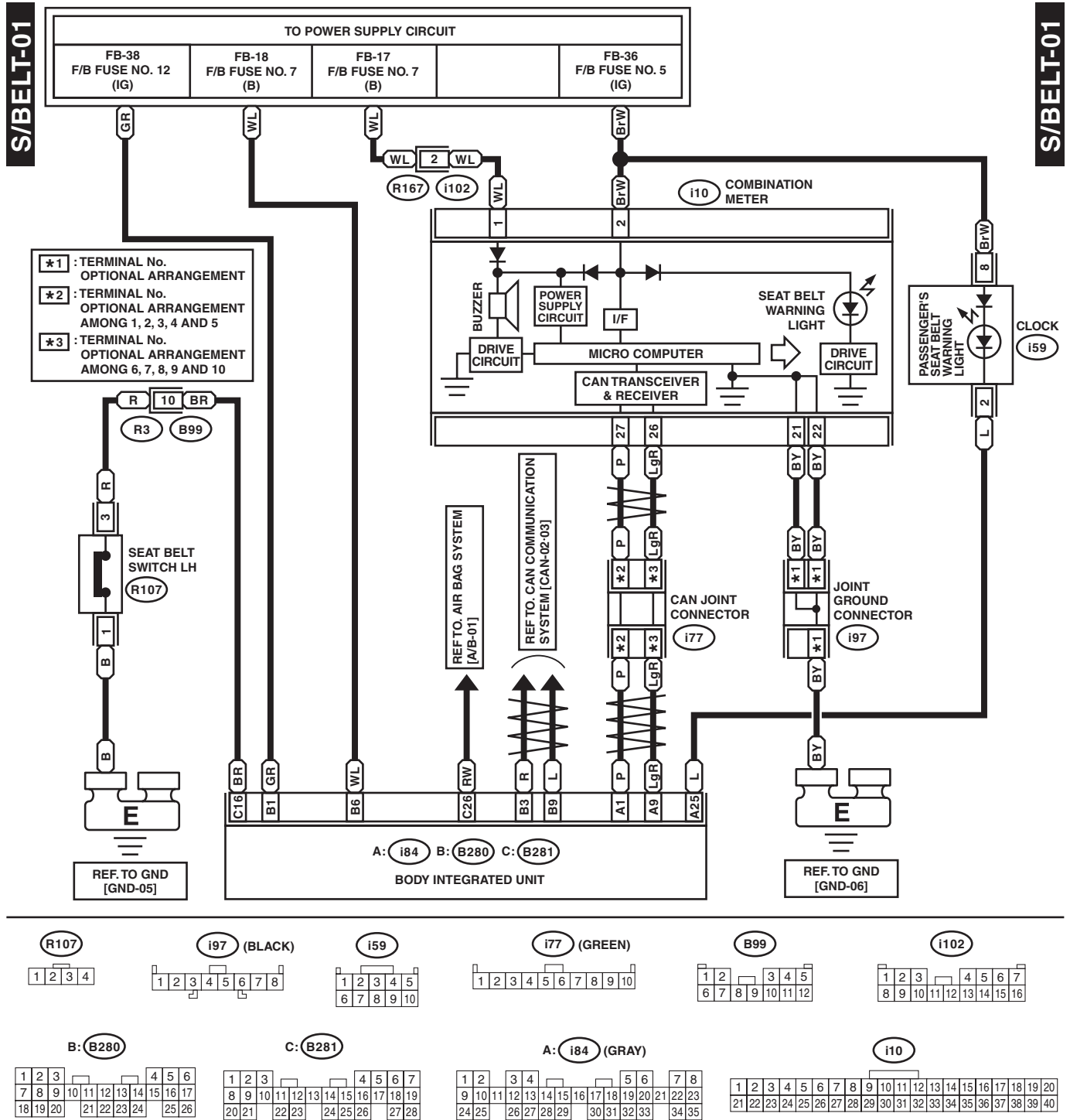
AB34 (YELLOW)



WI-22954

## 17. Seat Belt Warning System

### A: WIRING DIAGRAM



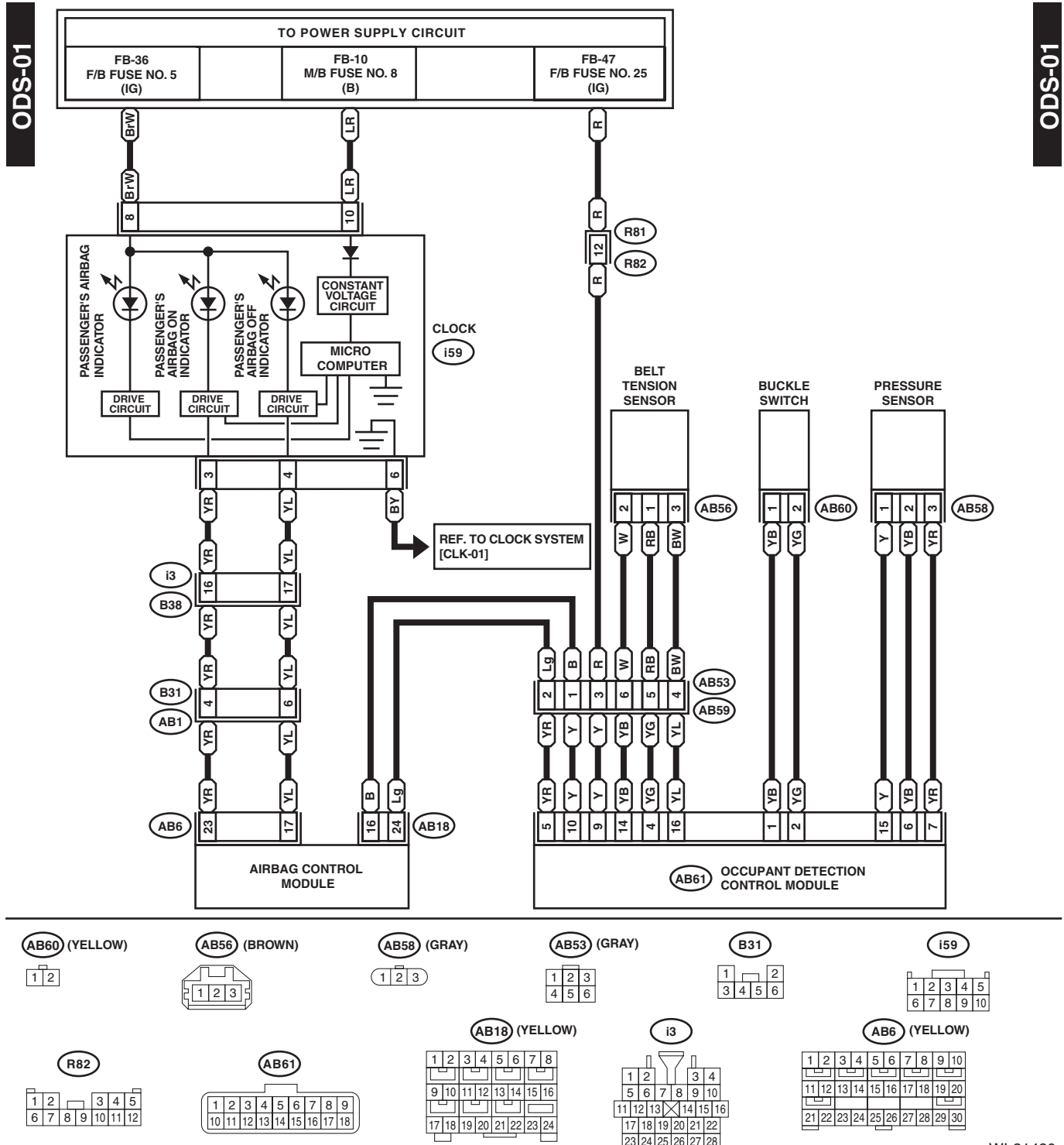
WI-21429

# Occupant Detection System

WIRING SYSTEM

## 18. Occupant Detection System

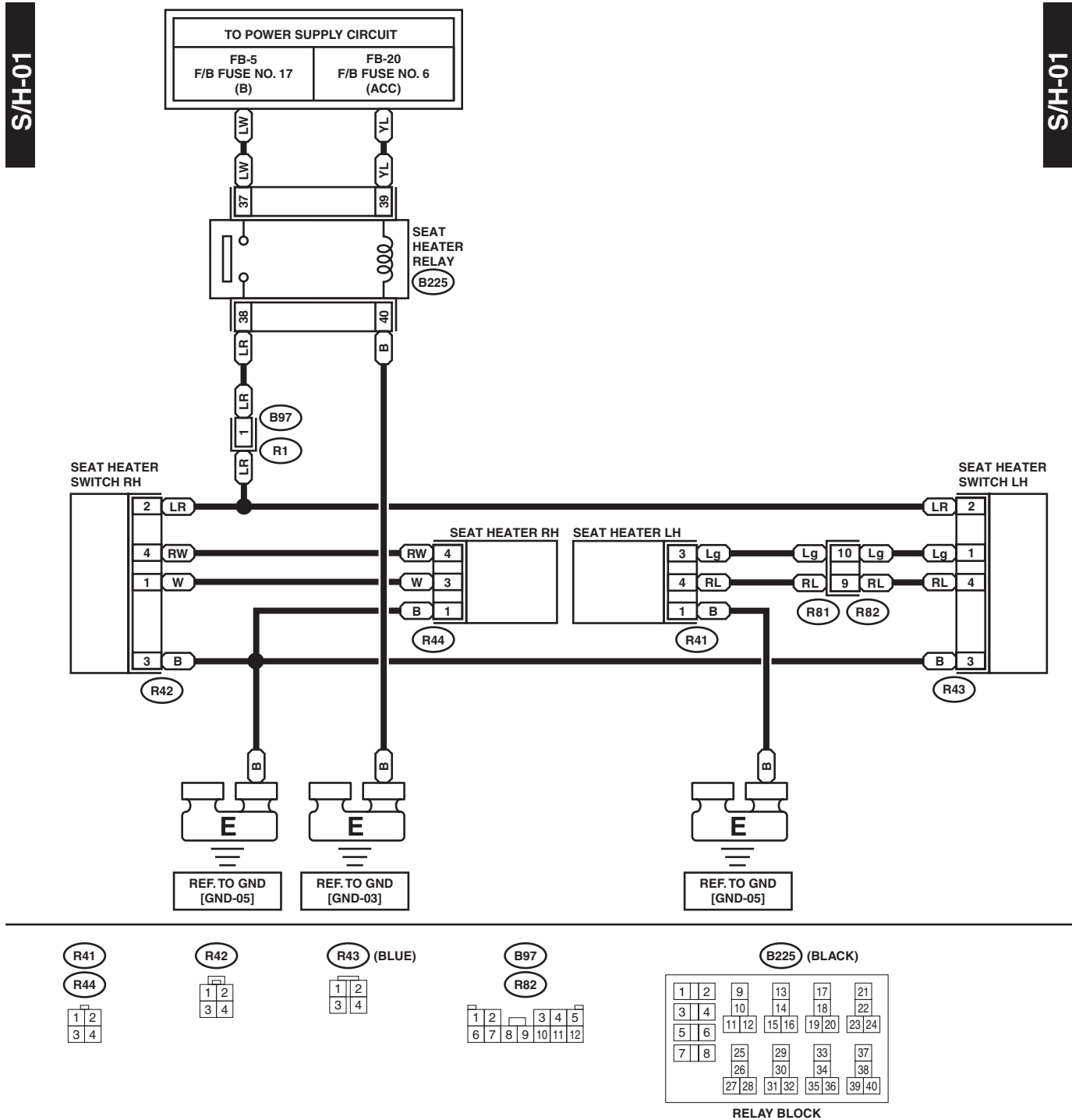
### A: WIRING DIAGRAM



WI-21430

## 19. Seat Heater System

### A: WIRING DIAGRAM



# Headlight System

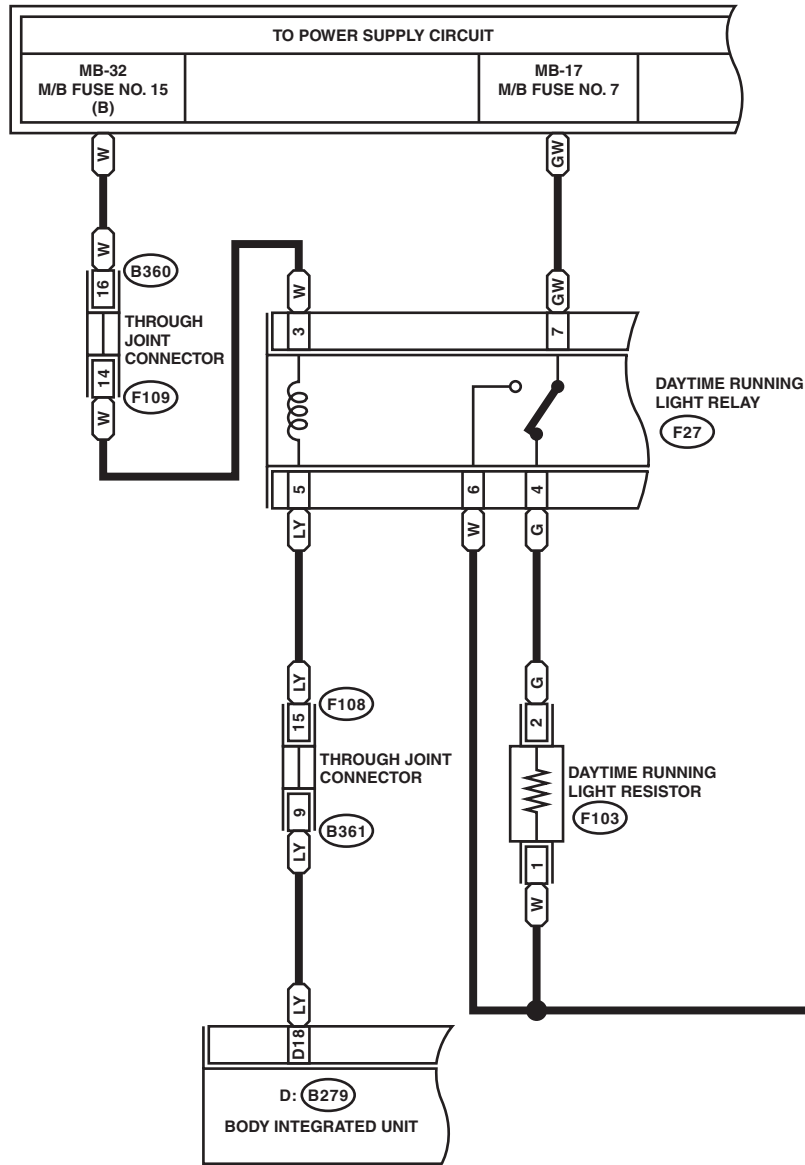
WIRING SYSTEM

## 20.Headlight System

### A: WIRING DIAGRAM

H/L-01

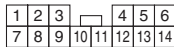
H/L-01



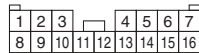
F103 (GRAY)



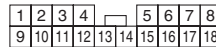
B361



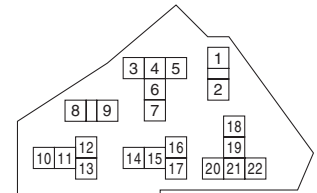
B360 (GRAY)



F108 (GRAY)



F27 (BLACK)



F109



D: B279

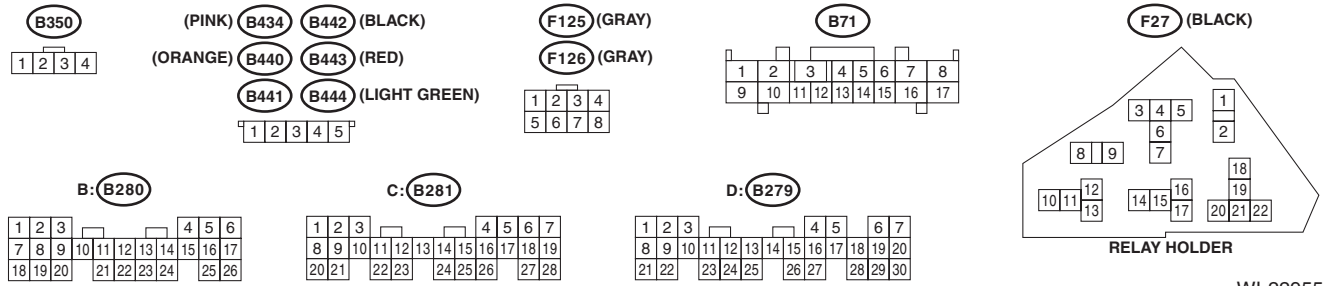
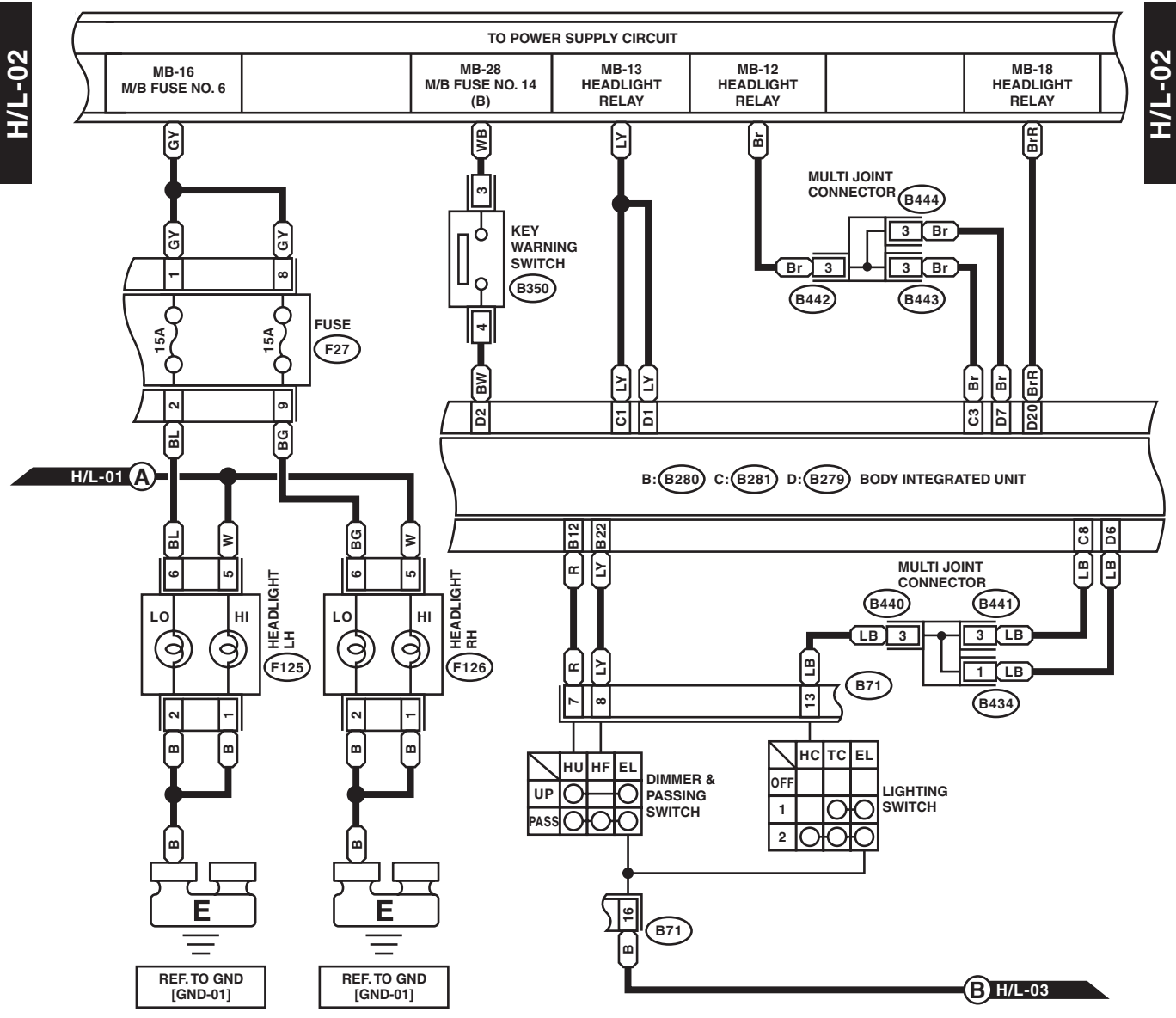


RELAY HOLDER

WI-21431

# Headlight System

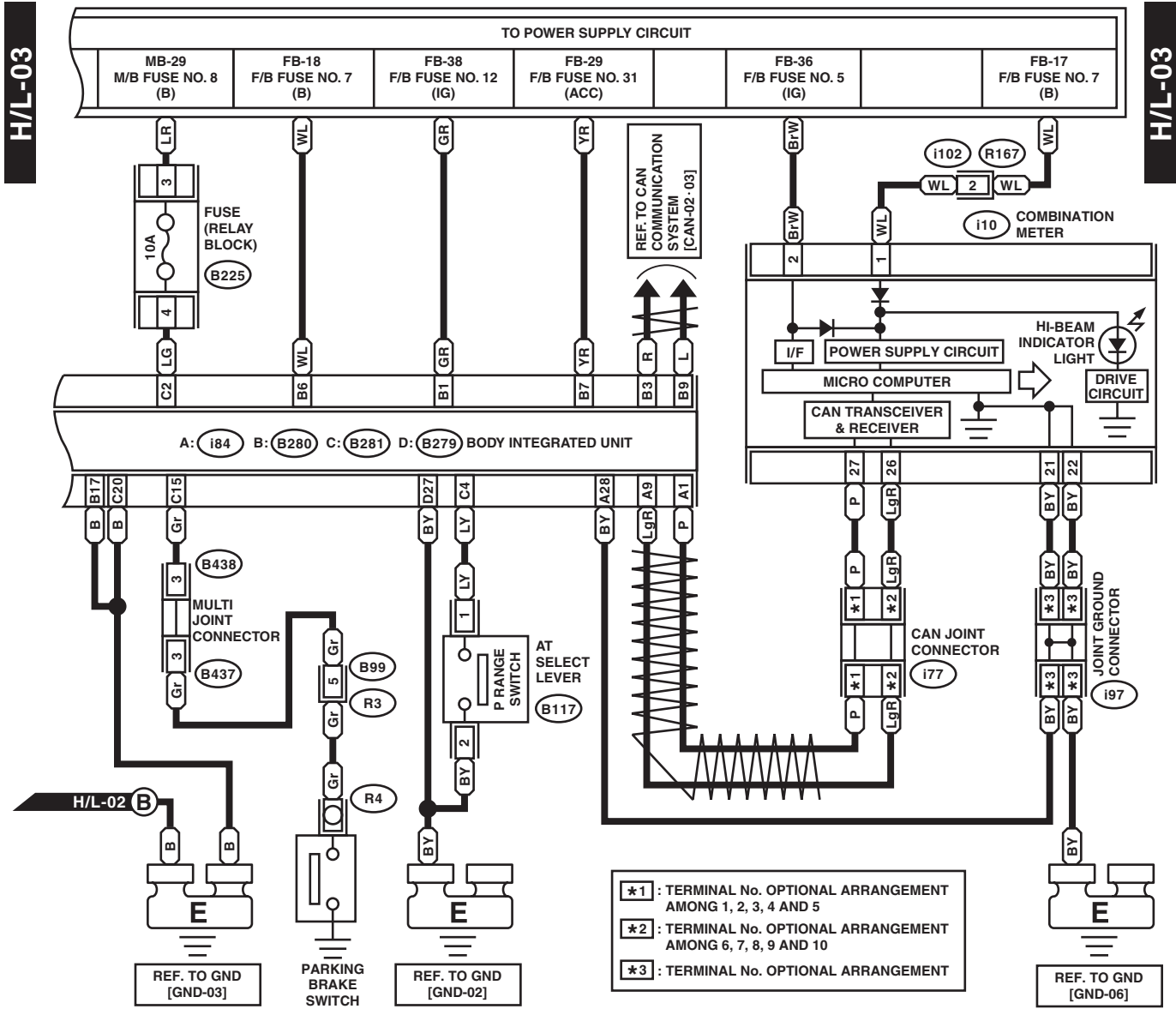
WIRING SYSTEM



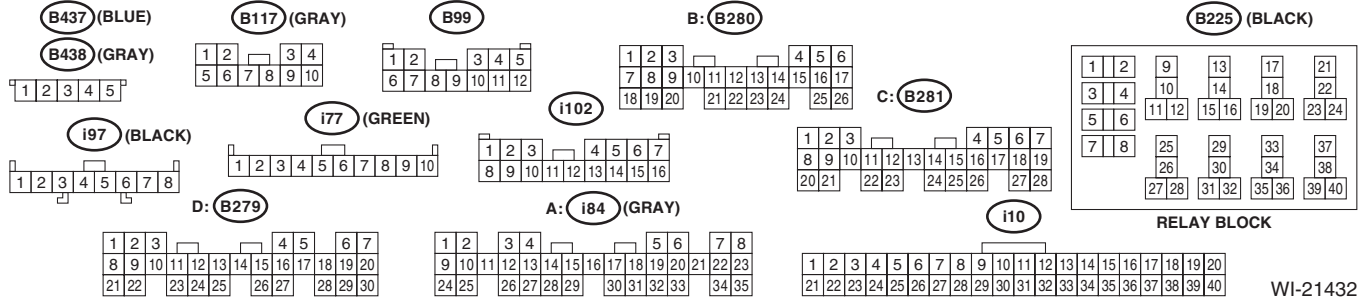
WI-22955

# Headlight System

## WIRING SYSTEM



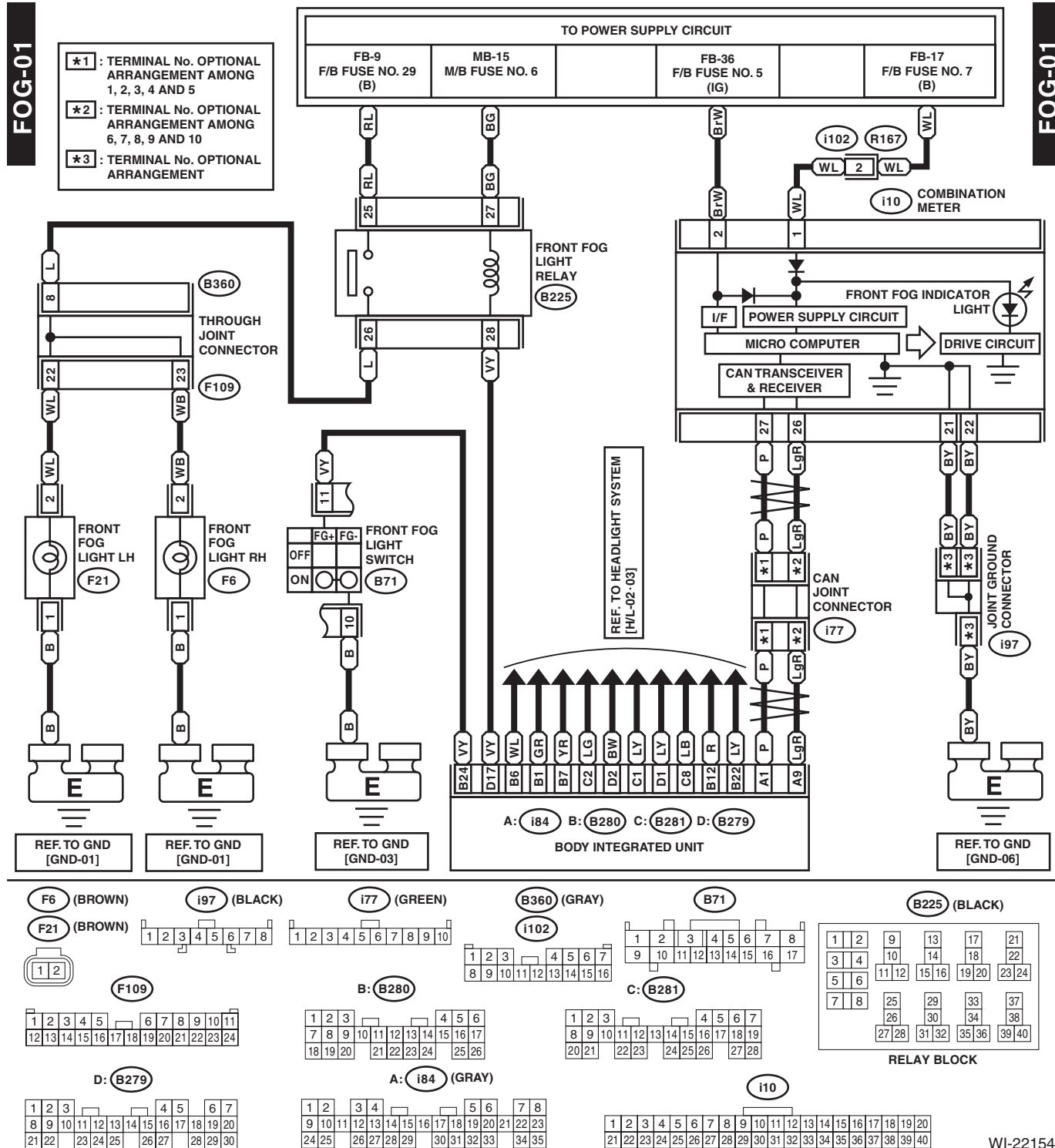
- \*1 : TERMINAL No. OPTIONAL ARRANGEMENT AMONG 1, 2, 3, 4 AND 5
- \*2 : TERMINAL No. OPTIONAL ARRANGEMENT AMONG 6, 7, 8, 9 AND 10
- \*3 : TERMINAL No. OPTIONAL ARRANGEMENT



WI-21432

## 21. Front Fog Light System

### A: WIRING DIAGRAM



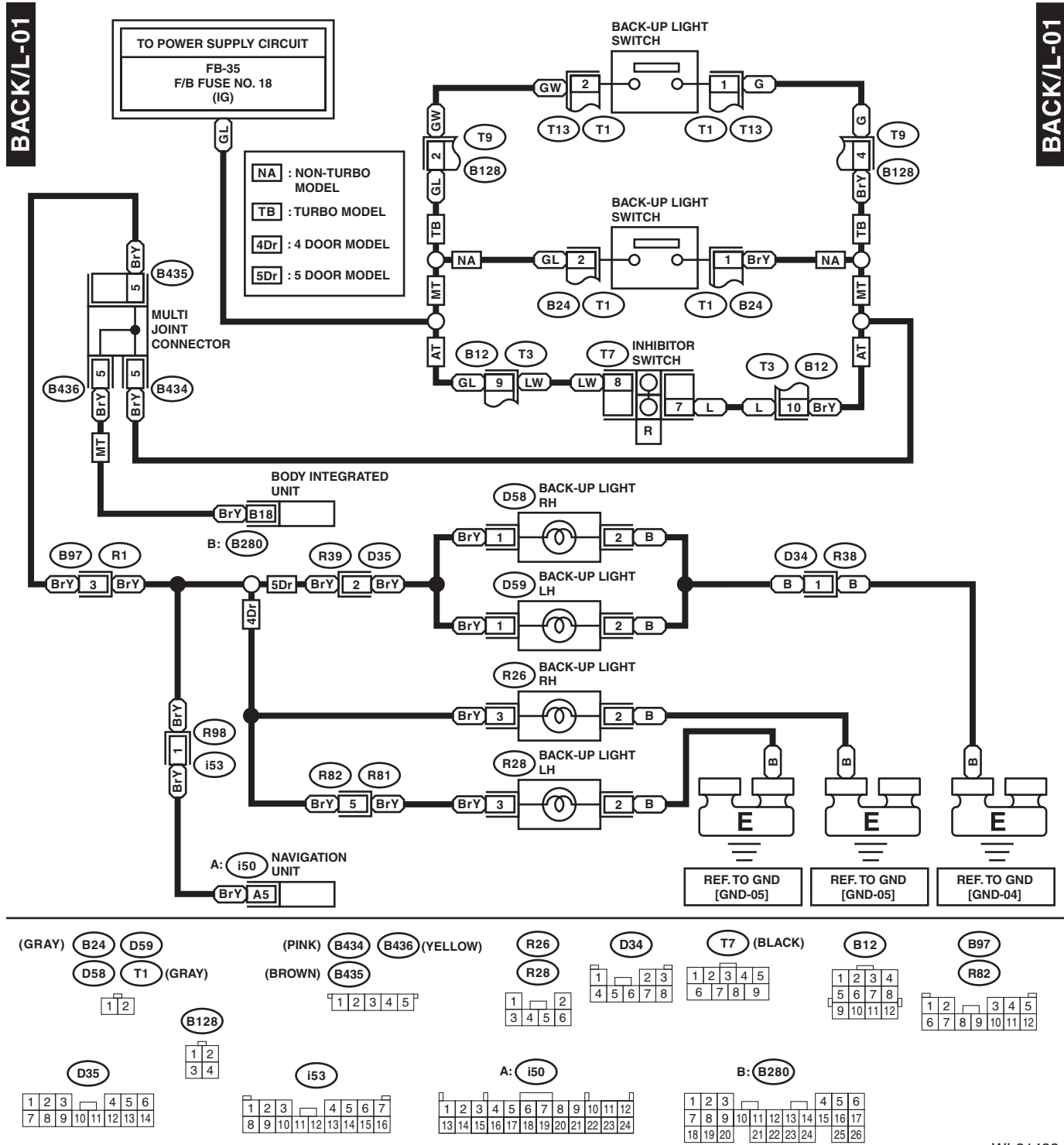


# Back-up Light System

WIRING SYSTEM

## 22.Back-up Light System

### A: WIRING DIAGRAM

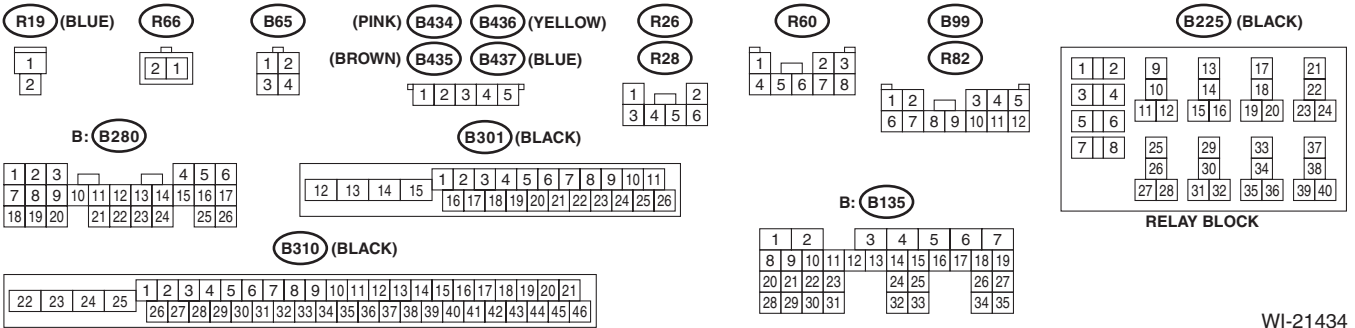
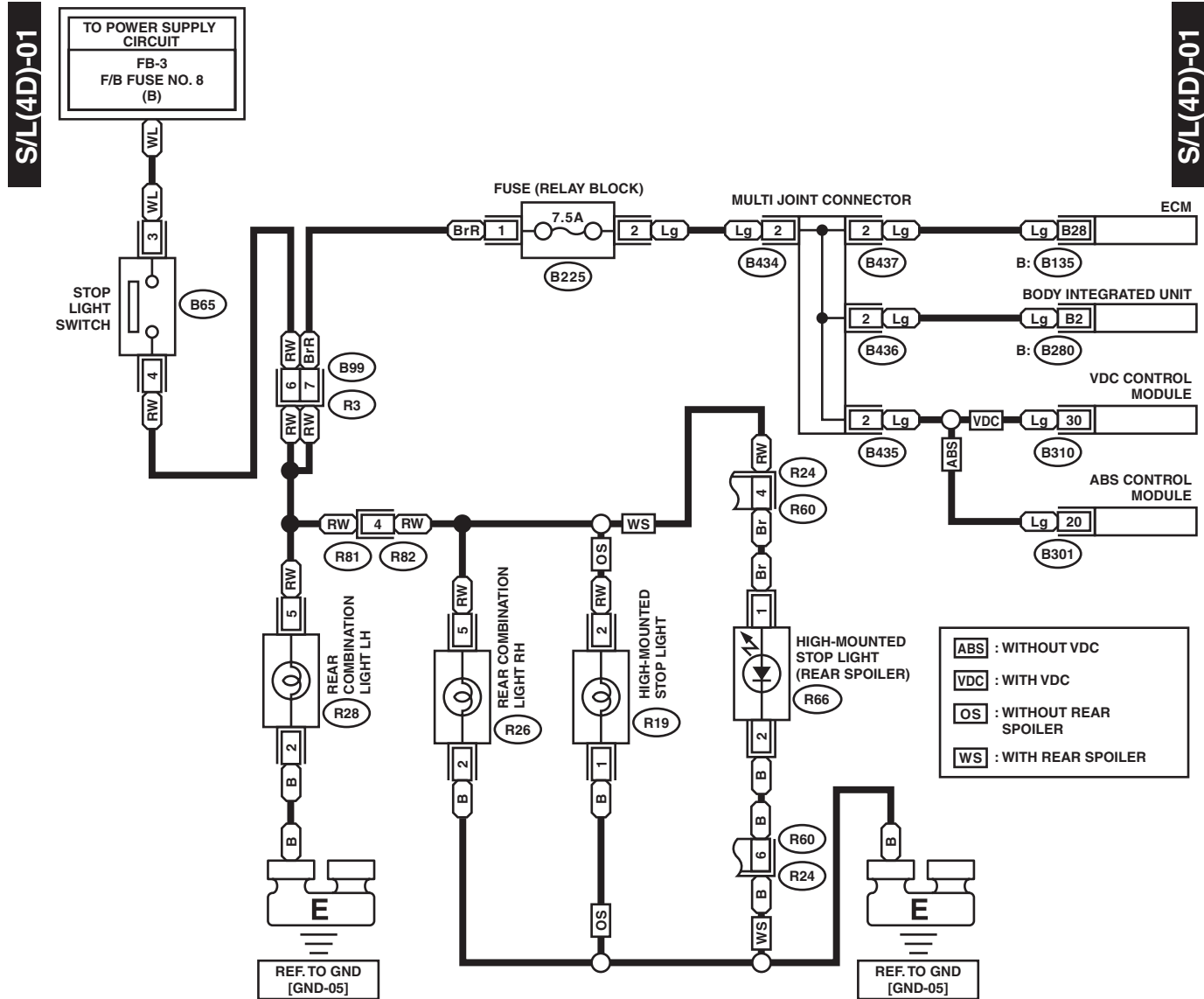


WI-21433

## 23. Stop Light System

### A: WIRING DIAGRAM

#### 1. 4 DOOR MODEL

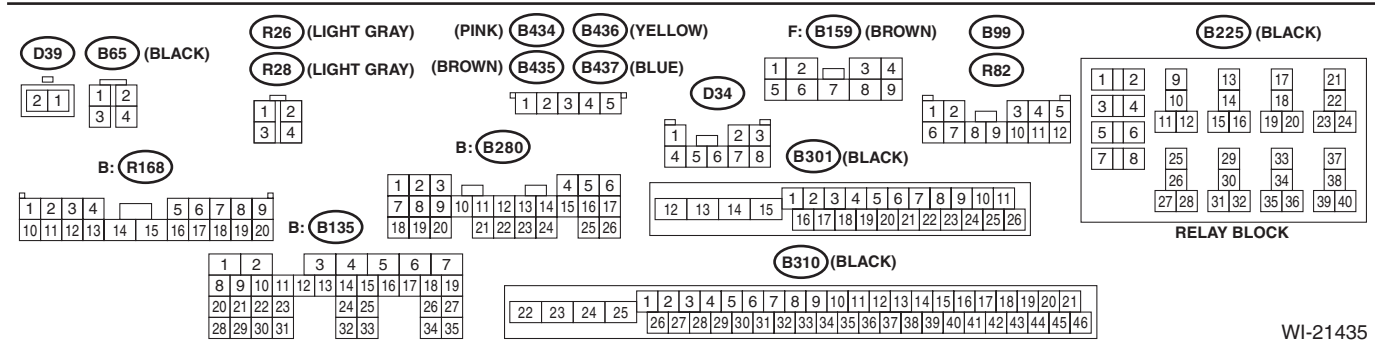
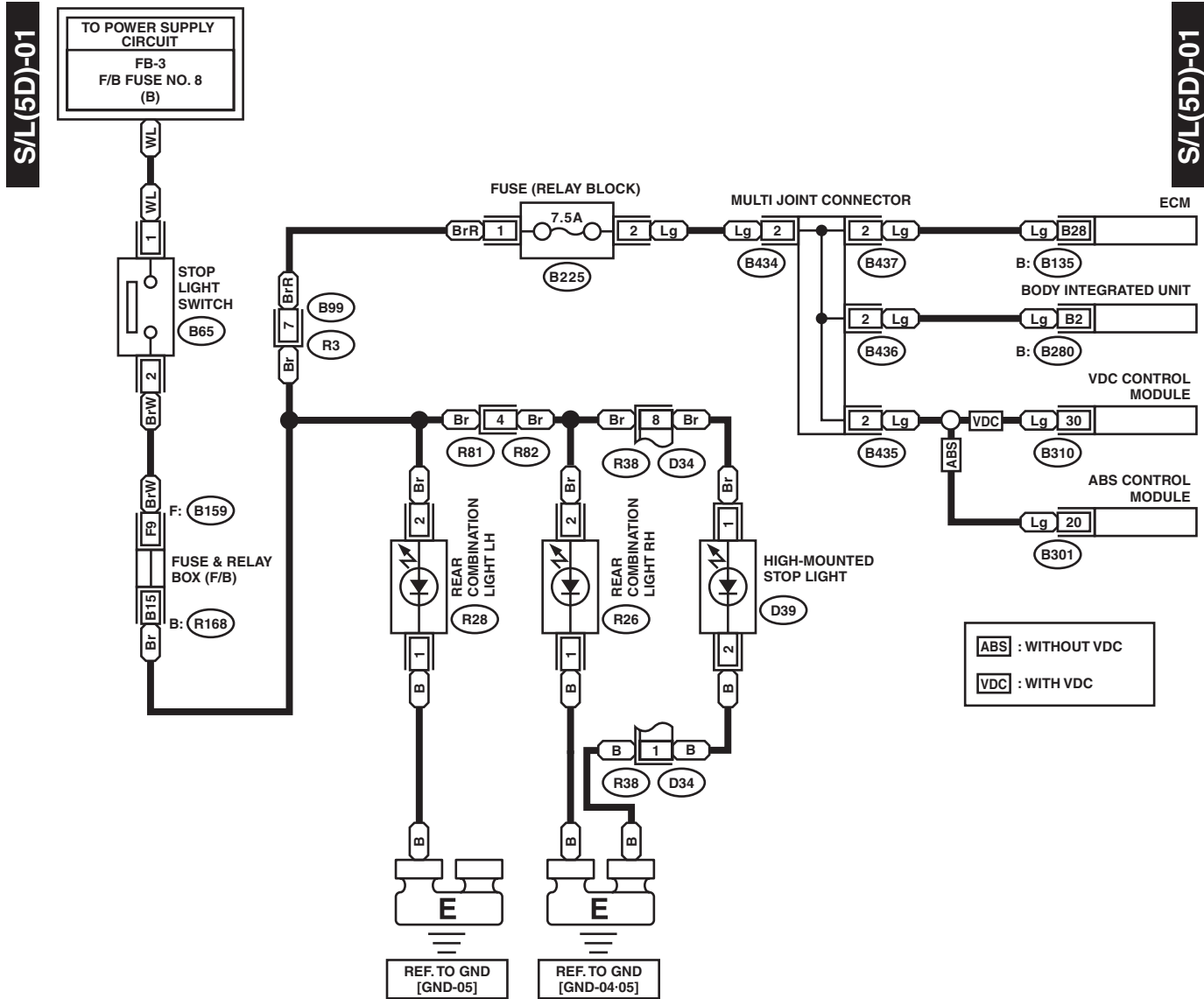


WI-21434

# Stop Light System

## WIRING SYSTEM

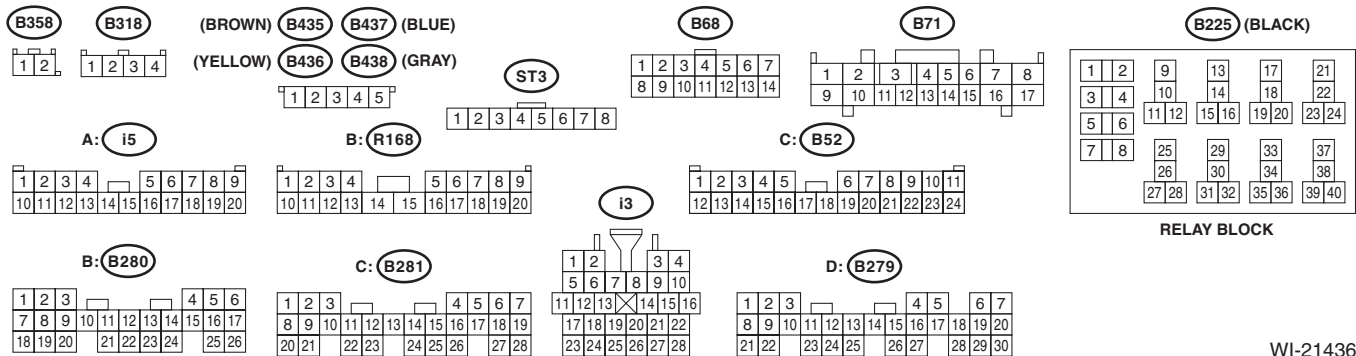
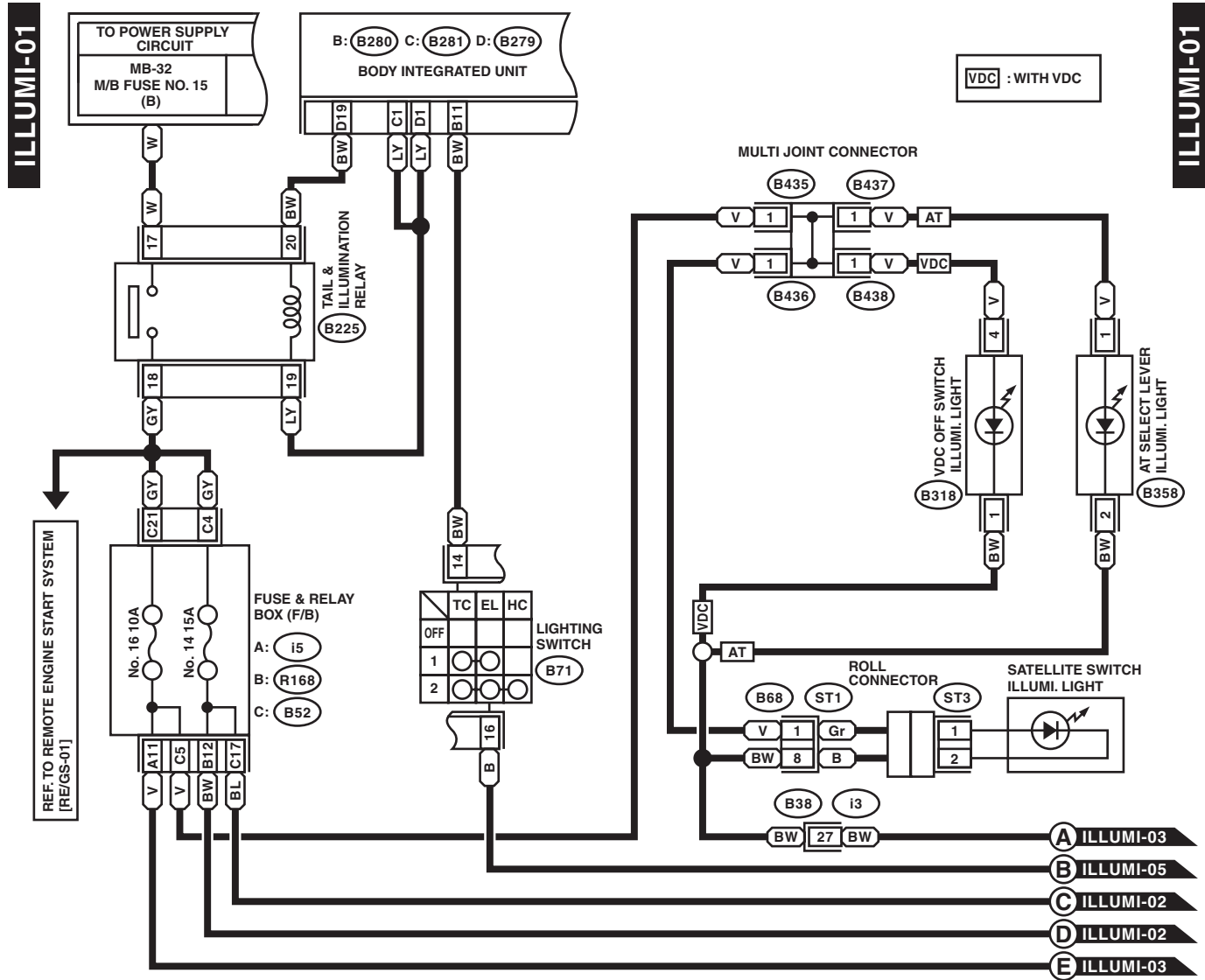
### 2. 5 DOOR MODEL



WI-21435

## 24. Clearance Light and Illumination Light System

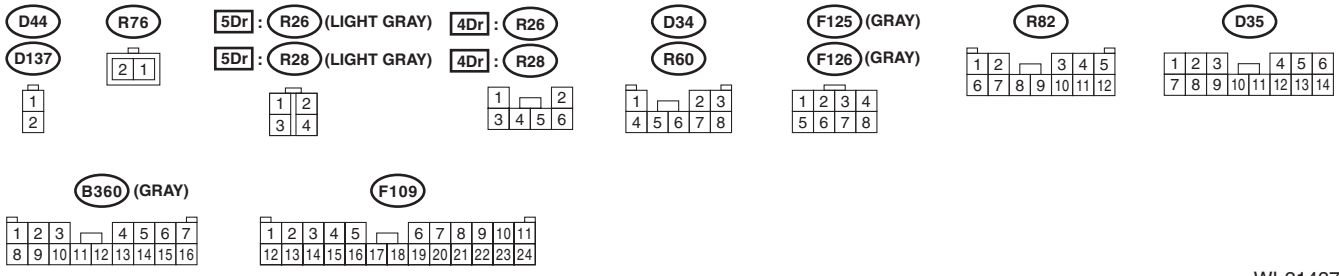
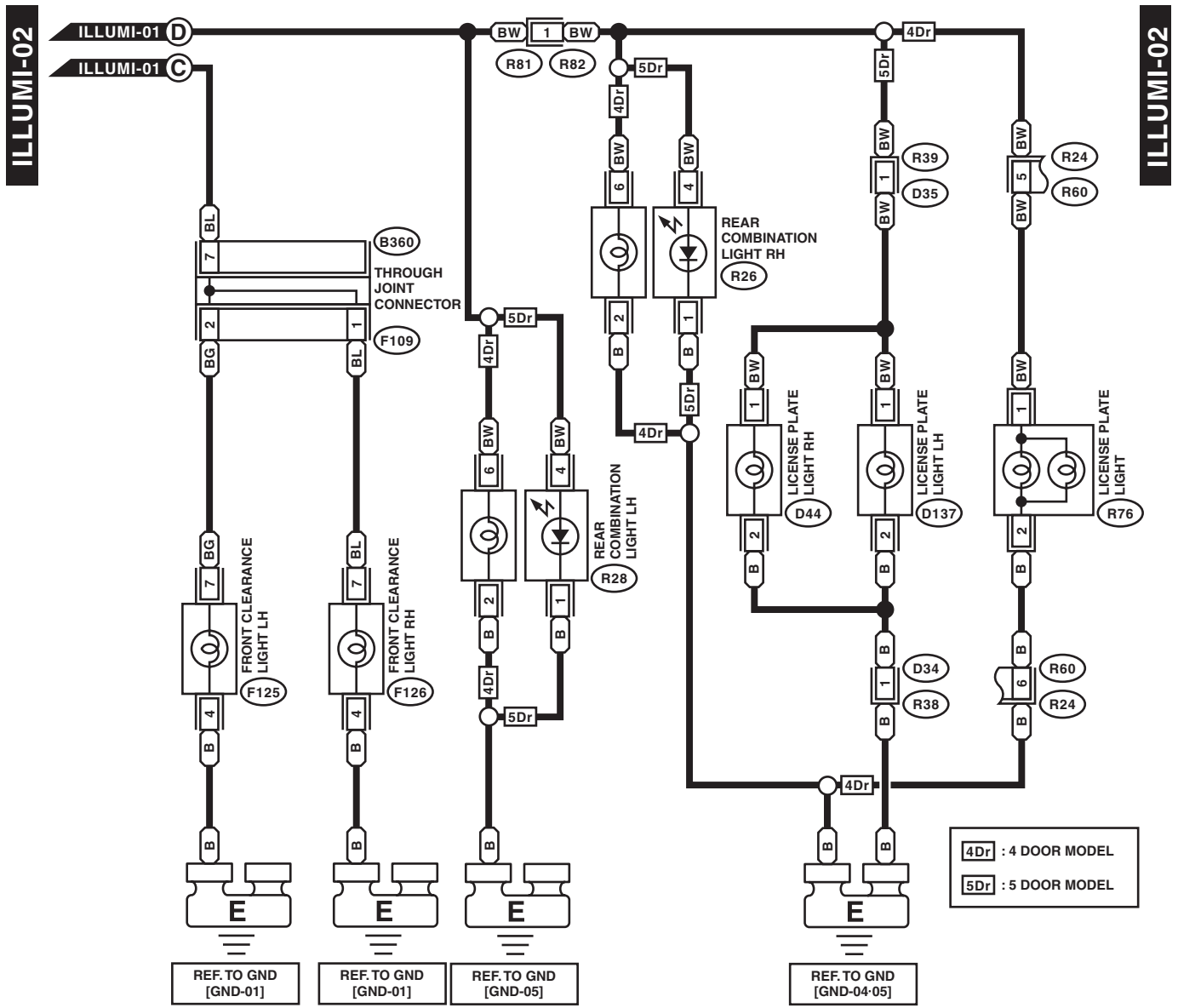
### A: WIRING DIAGRAM



WI-21436

# Clearance Light and Illumination Light System

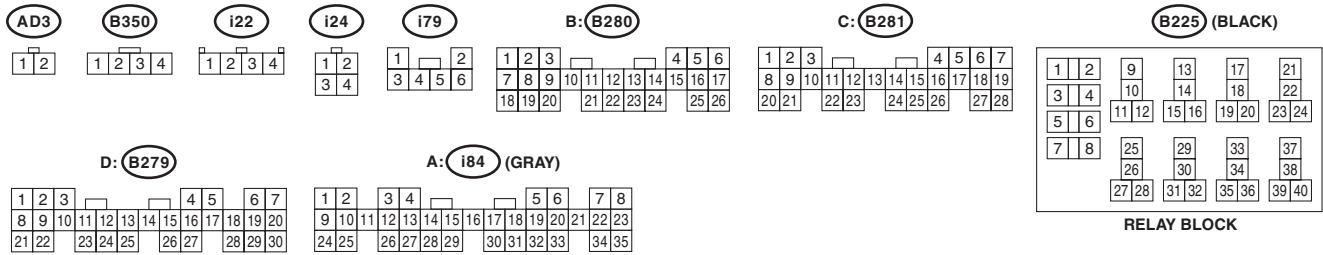
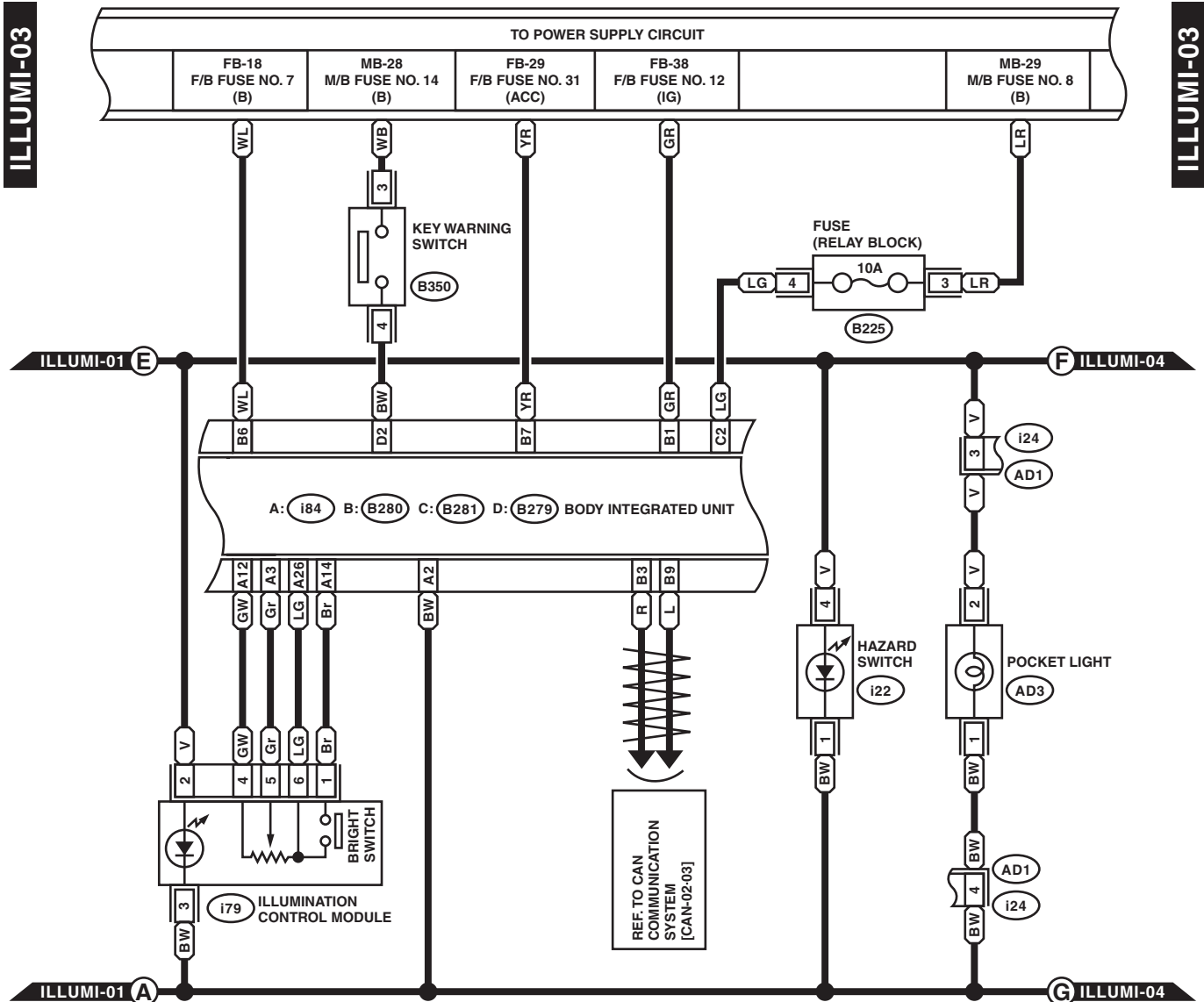
WIRING SYSTEM



WI-21437

# Clearance Light and Illumination Light System

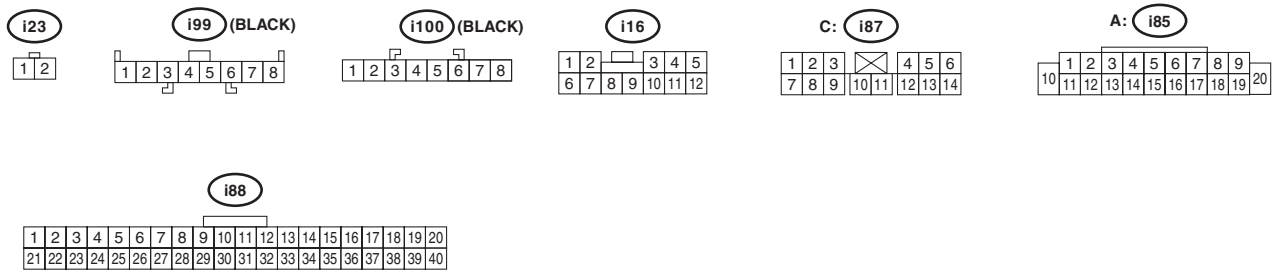
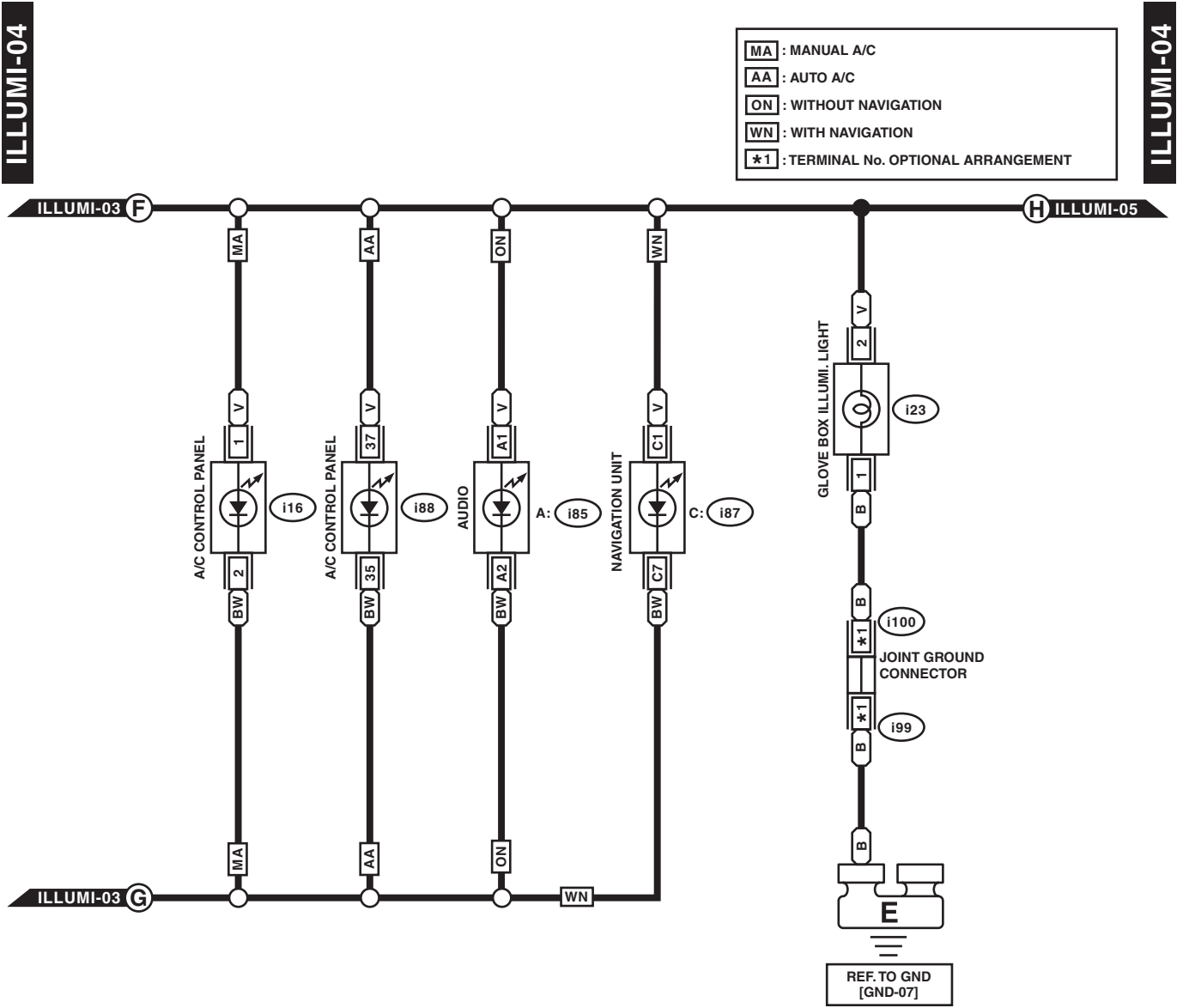
WIRING SYSTEM



WI-21438

# Clearance Light and Illumination Light System

WIRING SYSTEM



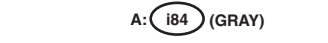
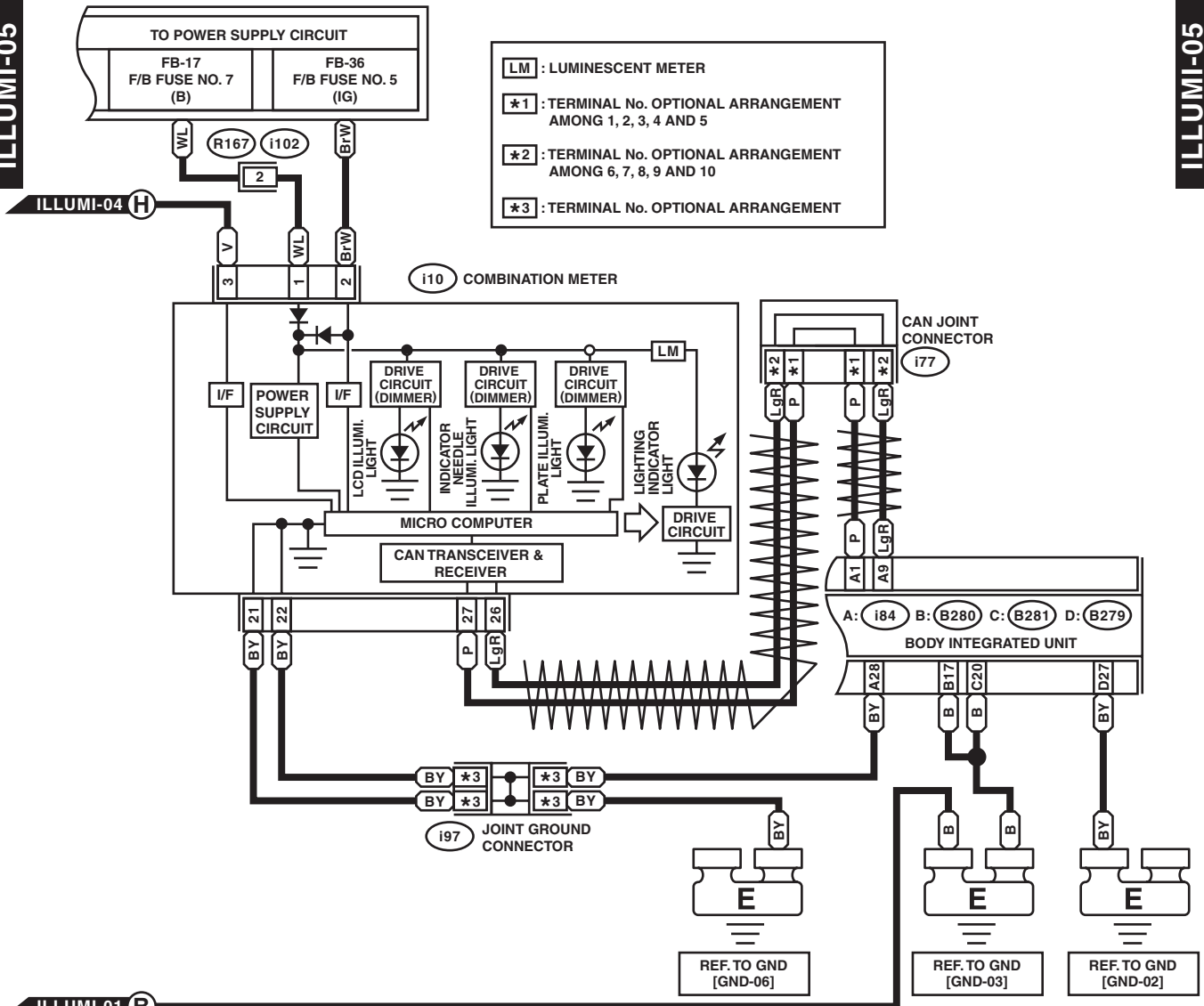
WI-21439

# Clearance Light and Illumination Light System

WIRING SYSTEM

ILLUMI-05

ILLUMI-05



WI-21440

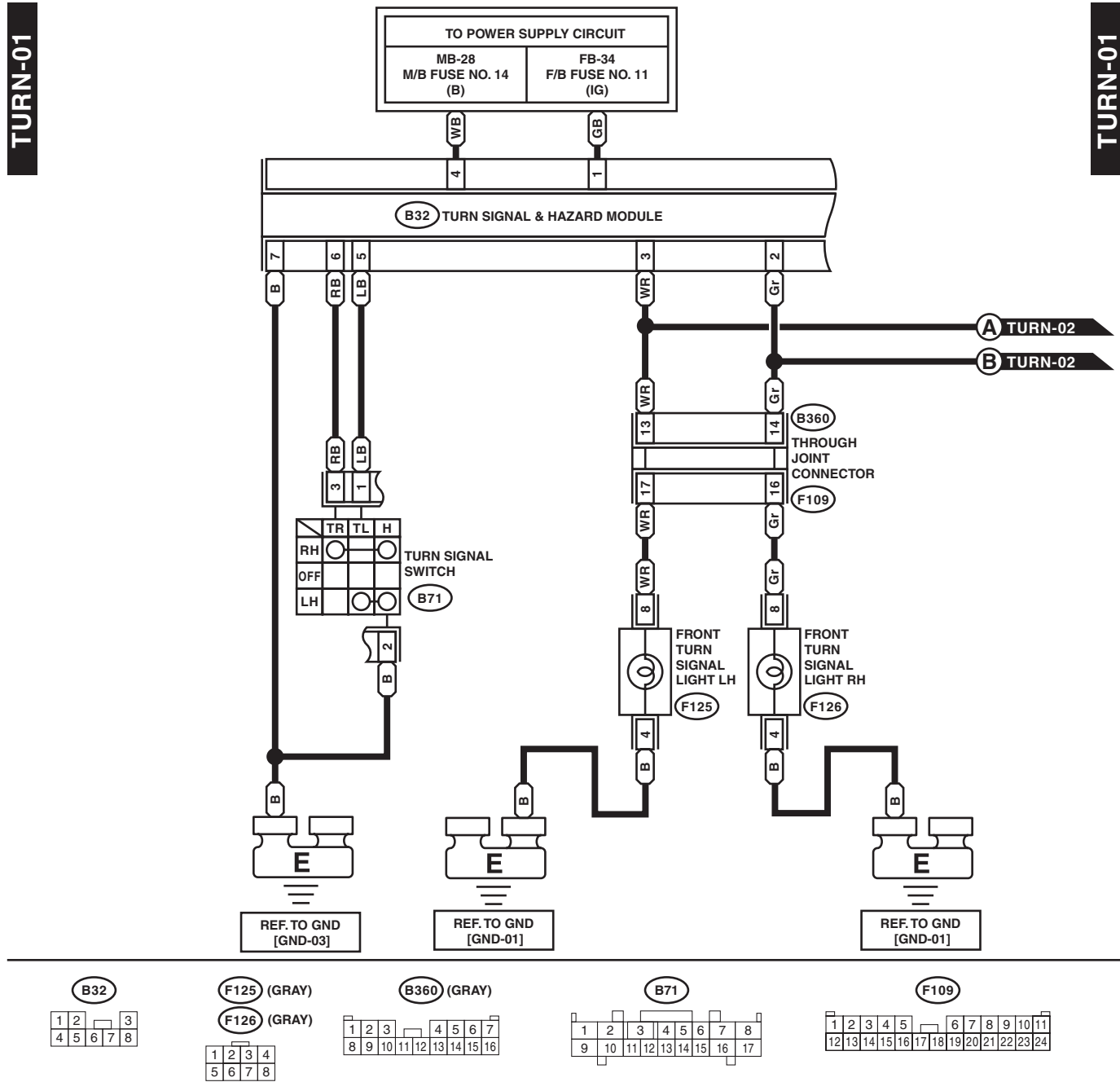


# Turn Signal Light and Hazard Light System

WIRING SYSTEM

## 25. Turn Signal Light and Hazard Light System

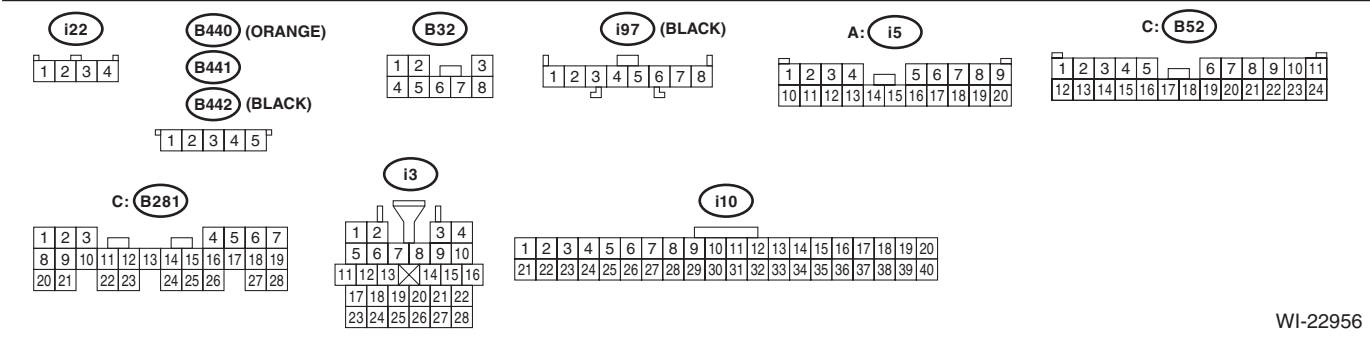
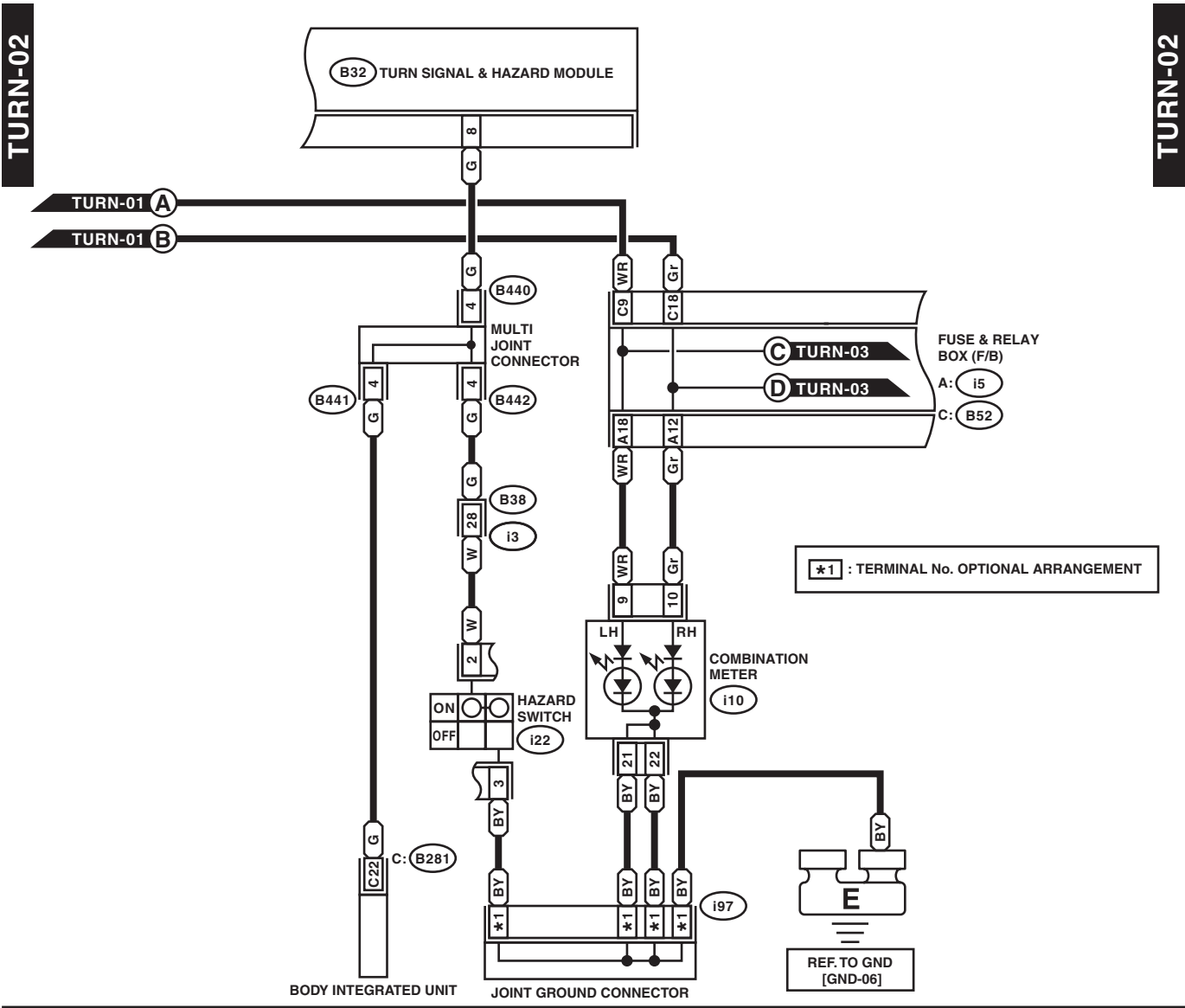
### A: WIRING DIAGRAM



WI-21441

# Turn Signal Light and Hazard Light System

WIRING SYSTEM



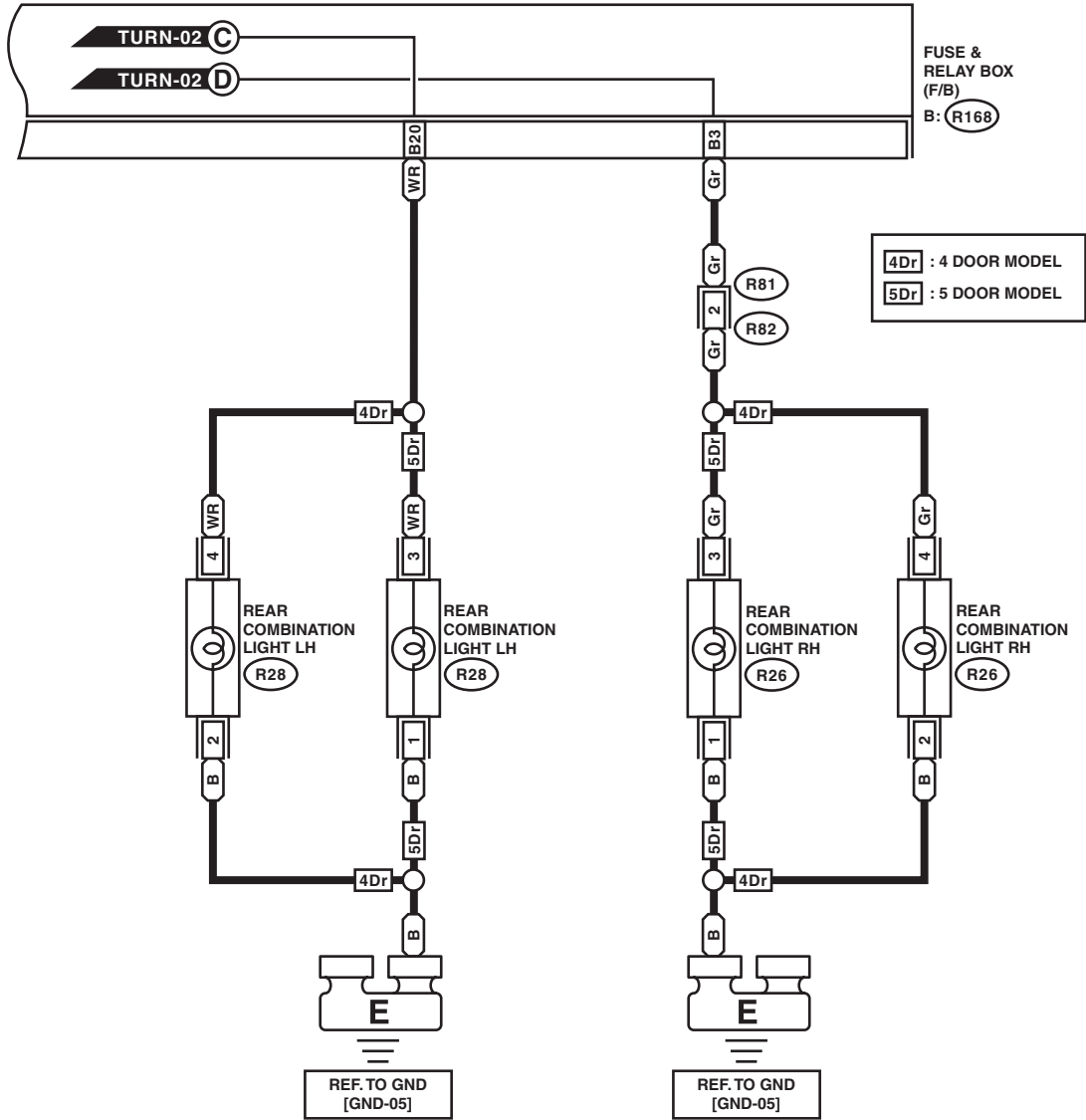
WI-22956

# Turn Signal Light and Hazard Light System

WIRING SYSTEM

TURN-03

TURN-03



5Dr : (R26) (LIGHT GRAY)

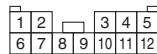
4Dr : (R26)

(R82)

B: (R168)

5Dr : (R28) (LIGHT GRAY)

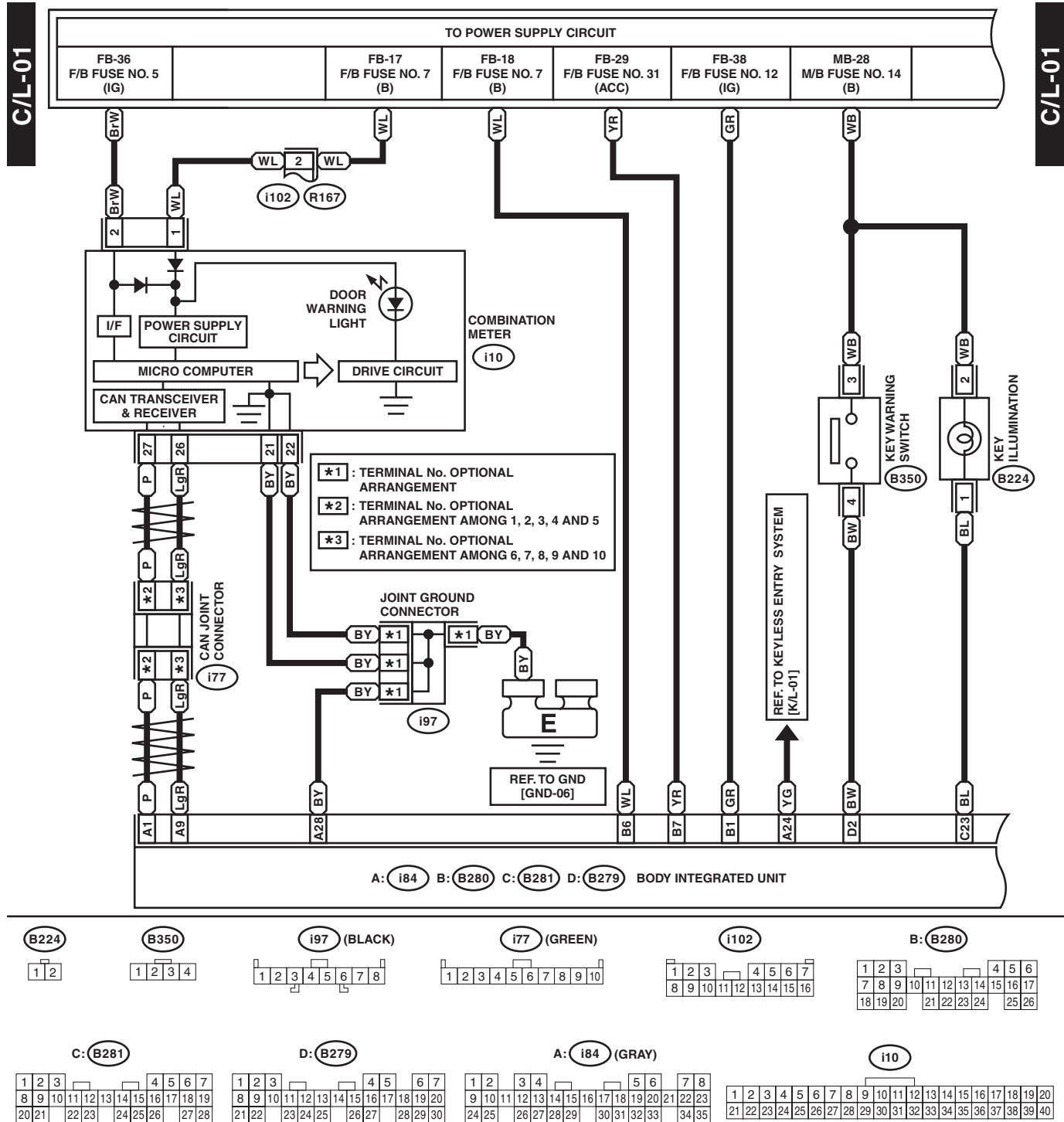
4Dr : (R28)



WI-22957

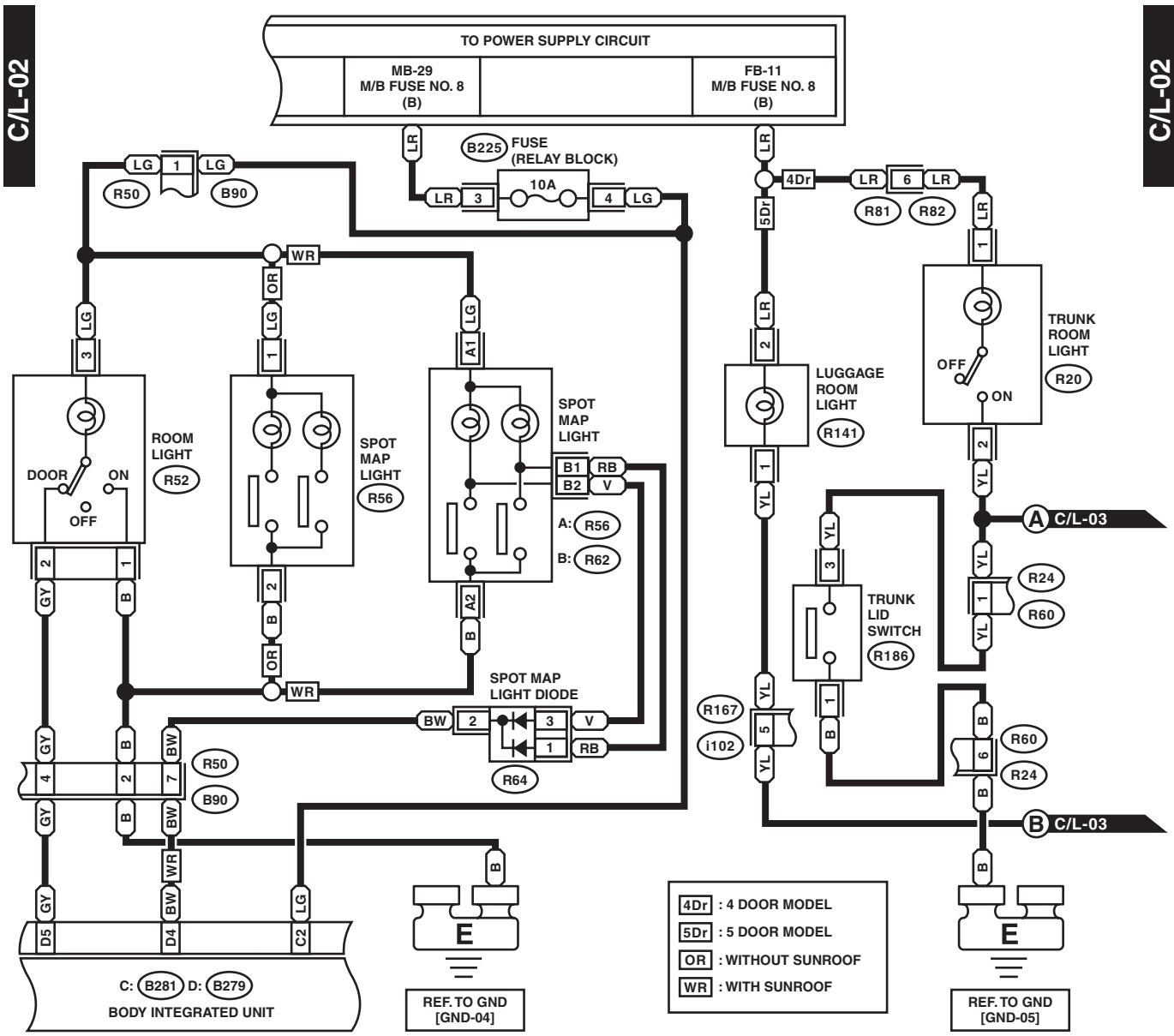
## 26. Interior Light System

### A: WIRING DIAGRAM



# Interior Light System

WIRING SYSTEM



**Legend:**

- 4Dr : 4 DOOR MODEL
- 5Dr : 5 DOOR MODEL
- OR : WITHOUT SUNROOF
- WR : WITH SUNROOF

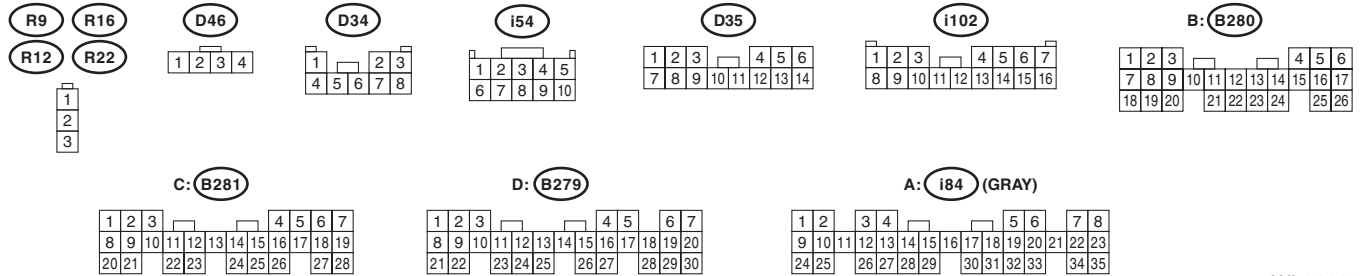
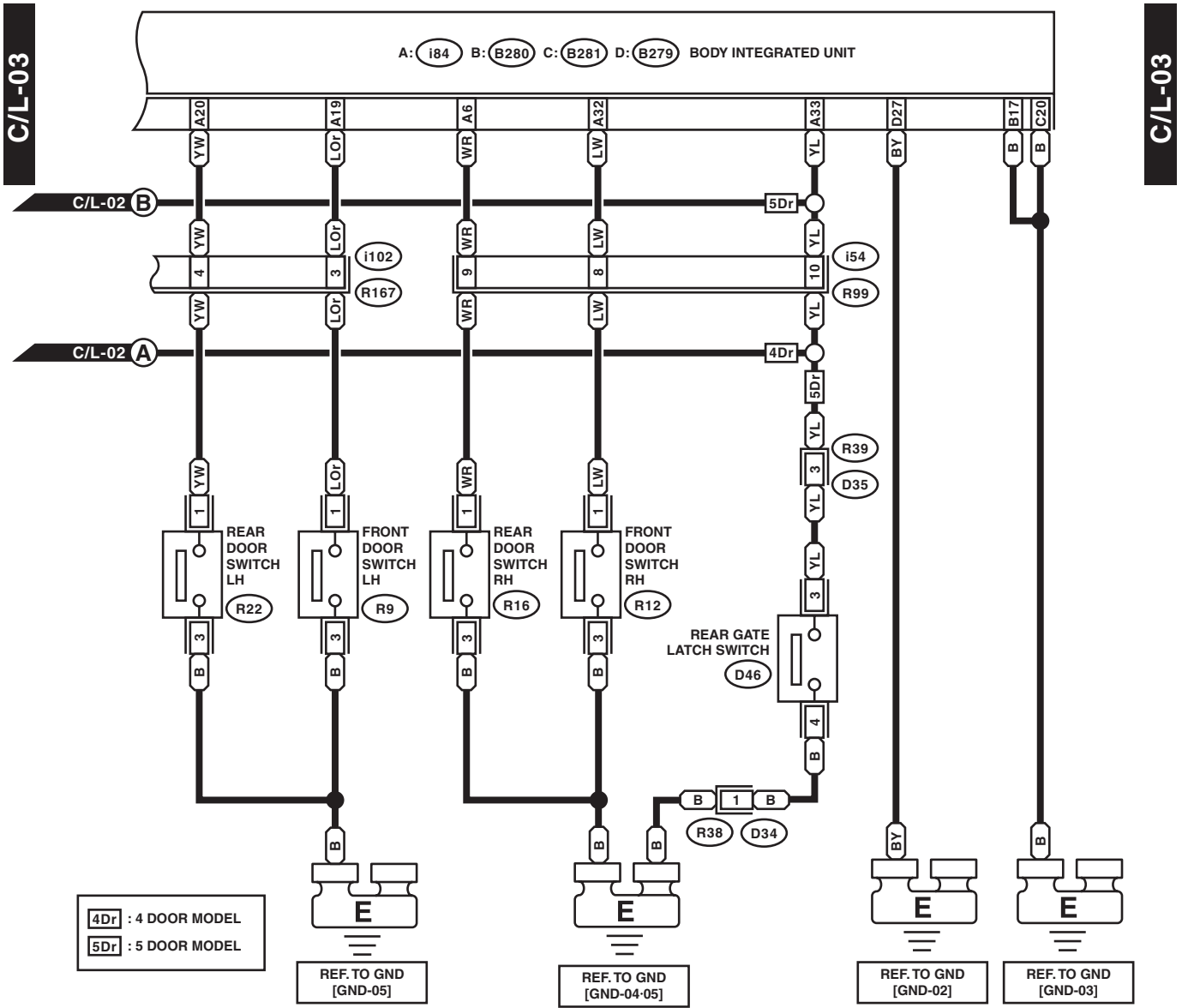
**Relay Block Configurations:**

- R20 (BLACK):** [1] [2]
- R56:** [1] [2]
- A: R56: WR:** [1] [2]
- R141 (GRAY):** [1] [2]
- R62:** [1] [2]
- R52:** [1] [2] [3]
- R64:** [3] [2] [1]
- R186:** [1] [2] [3]
- R50:** [1] [2] [3] [4] [5] [6] [7] [8]
- R60:** [1] [2] [3] [4] [5] [6] [7] [8]
- B225 (BLACK):** [1] [2] [3] [4] [5] [6] [7] [8] [9] [10] [11] [12] [13] [14] [15] [16] [17] [18] [19] [20] [21] [22] [23] [24] [25] [26] [27] [28] [29] [30] [31] [32] [33] [34] [35] [36] [37] [38] [39] [40]
- R82:** [1] [2] [3] [4] [5] [6] [7] [8] [9] [10] [11] [12]
- i102:** [1] [2] [3] [4] [5] [6] [7]
- C: B281:** [1] [2] [3] [4] [5] [6] [7] [8] [9] [10] [11] [12] [13] [14] [15] [16] [17] [18] [19] [20] [21] [22] [23] [24] [25] [26] [27] [28]
- D: B279:** [1] [2] [3] [4] [5] [6] [7] [8] [9] [10] [11] [12] [13] [14] [15] [16] [17] [18] [19] [20] [21] [22] [23] [24] [25] [26] [27] [28] [29] [30]

WI-21442

# Interior Light System

WIRING SYSTEM



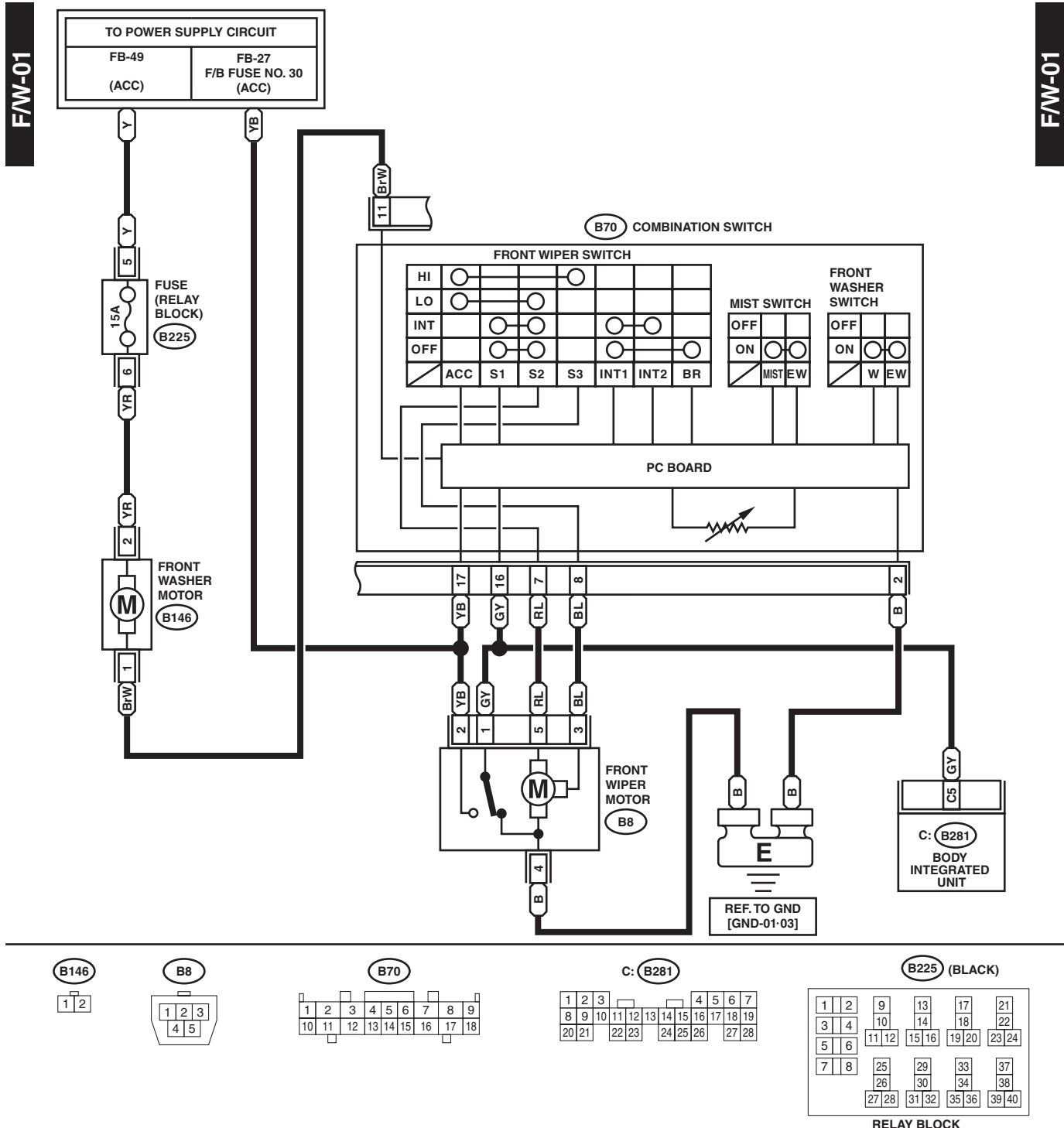
WI-21443

# Front Wiper and Washer System

WIRING SYSTEM

## 27. Front Wiper and Washer System

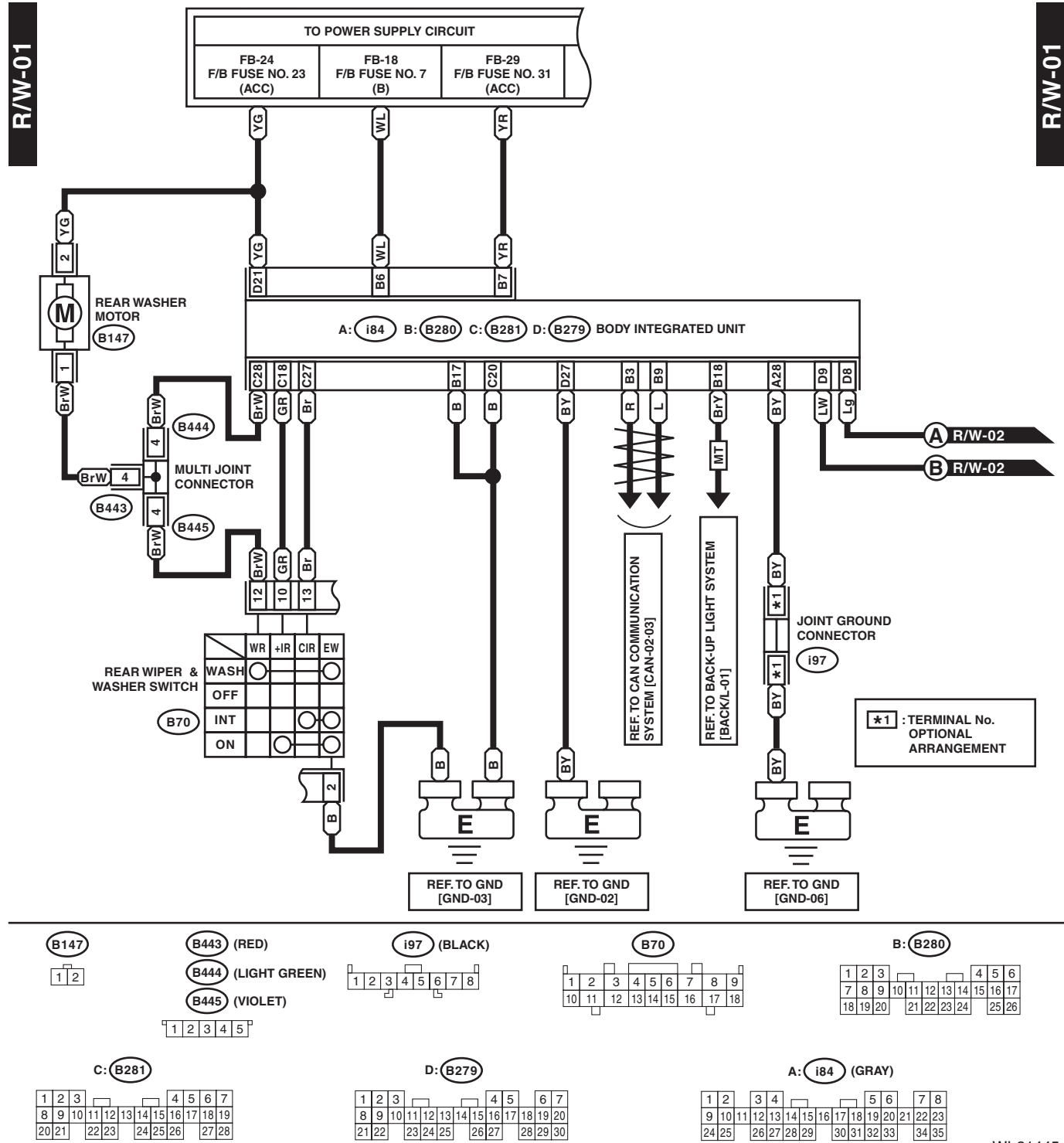
### A: WIRING DIAGRAM



WI-21444

## 28.Rear Wiper and Washer System

### A: WIRING DIAGRAM

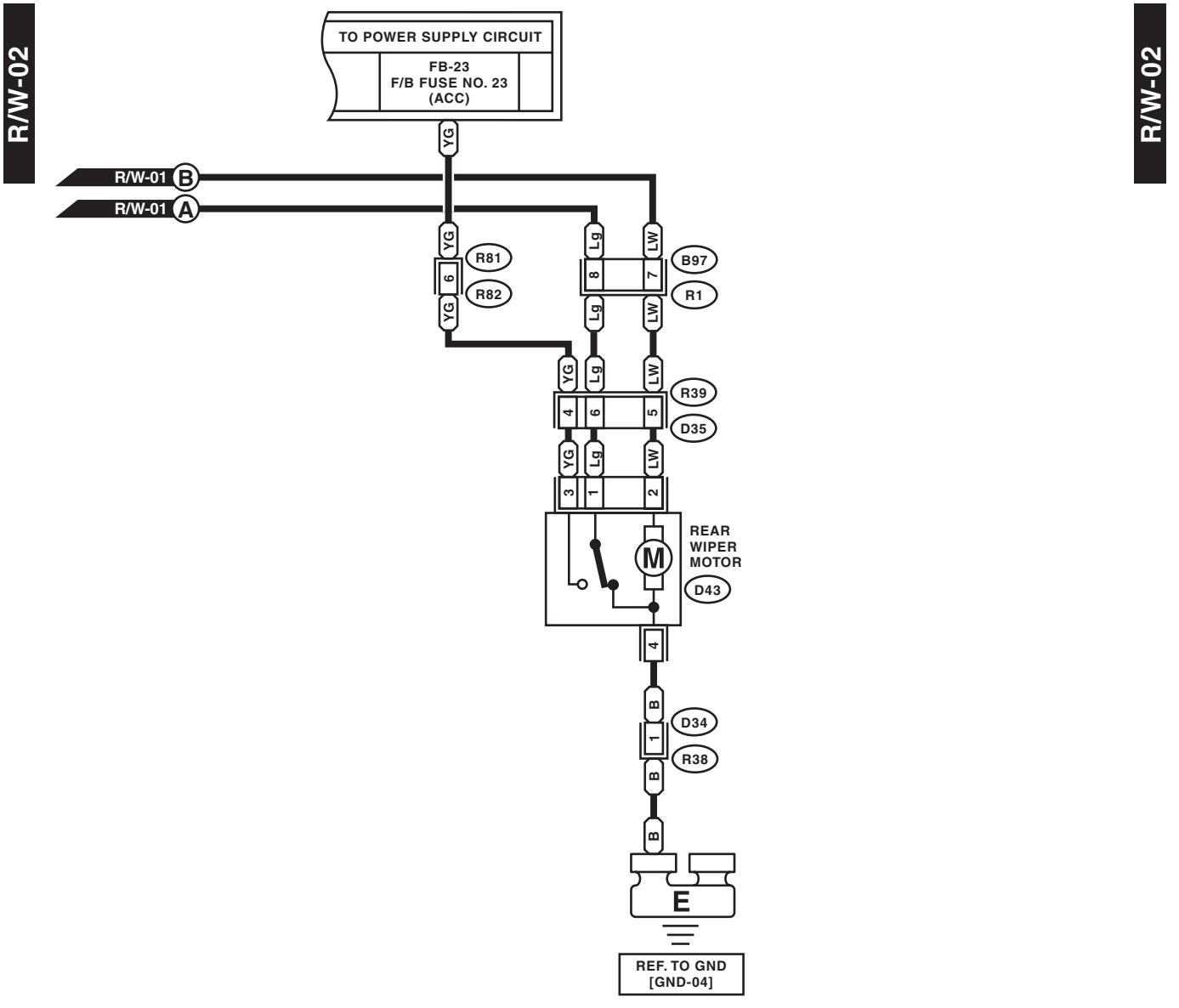


WI-21445



# Rear Wiper and Washer System

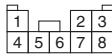
WIRING SYSTEM



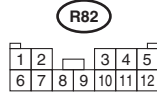
D43



D34

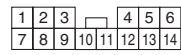


B97



R82

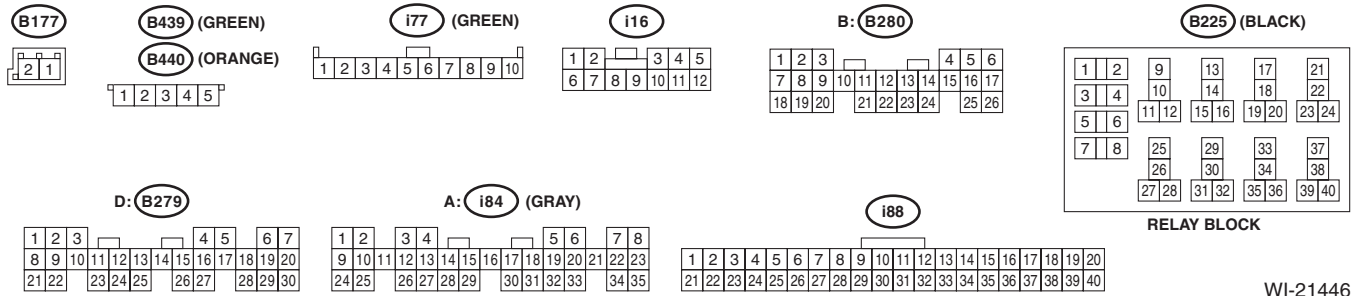
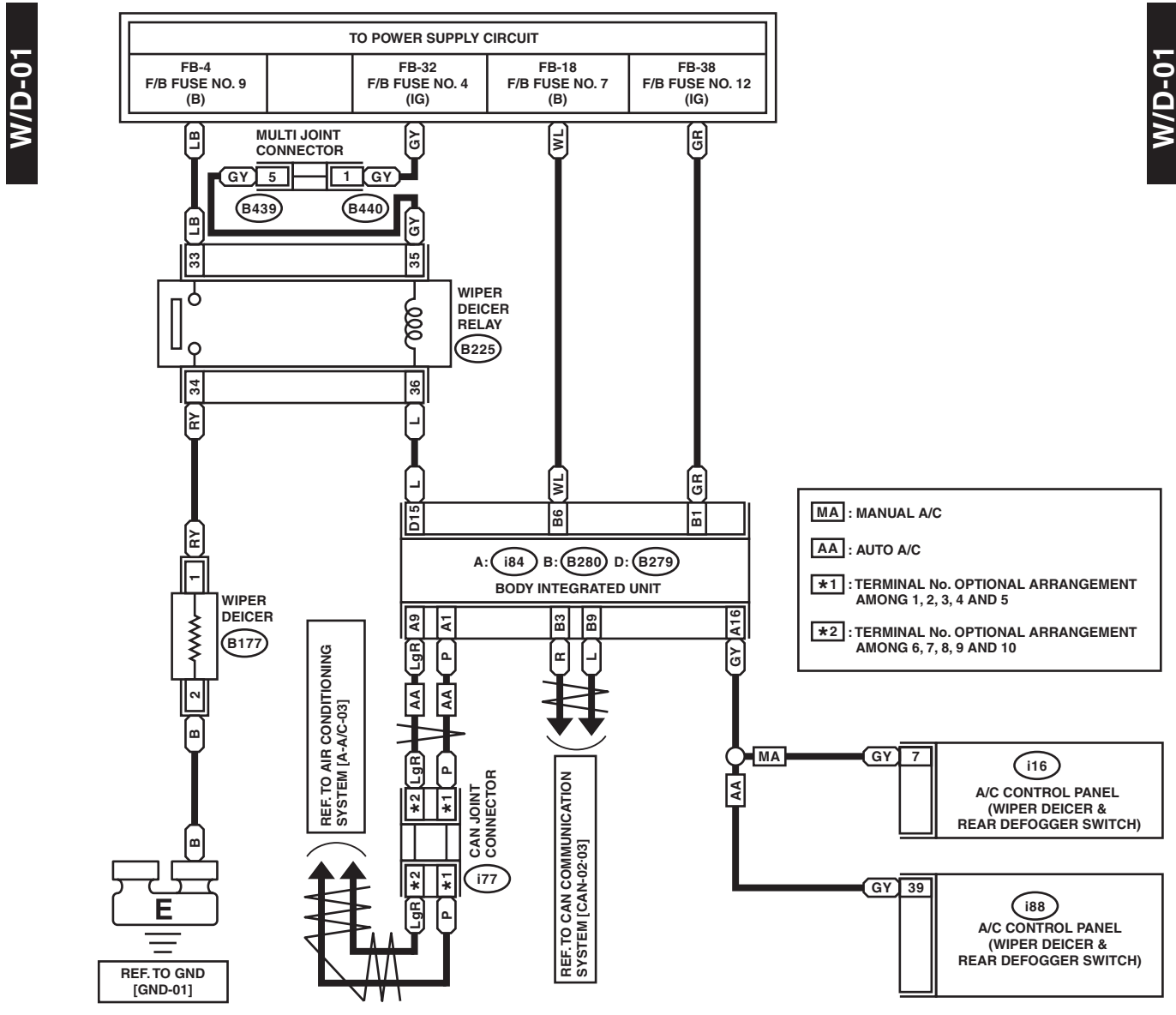
D35



WI-16953

## 29. Wiper Deicer System

### A: WIRING DIAGRAM



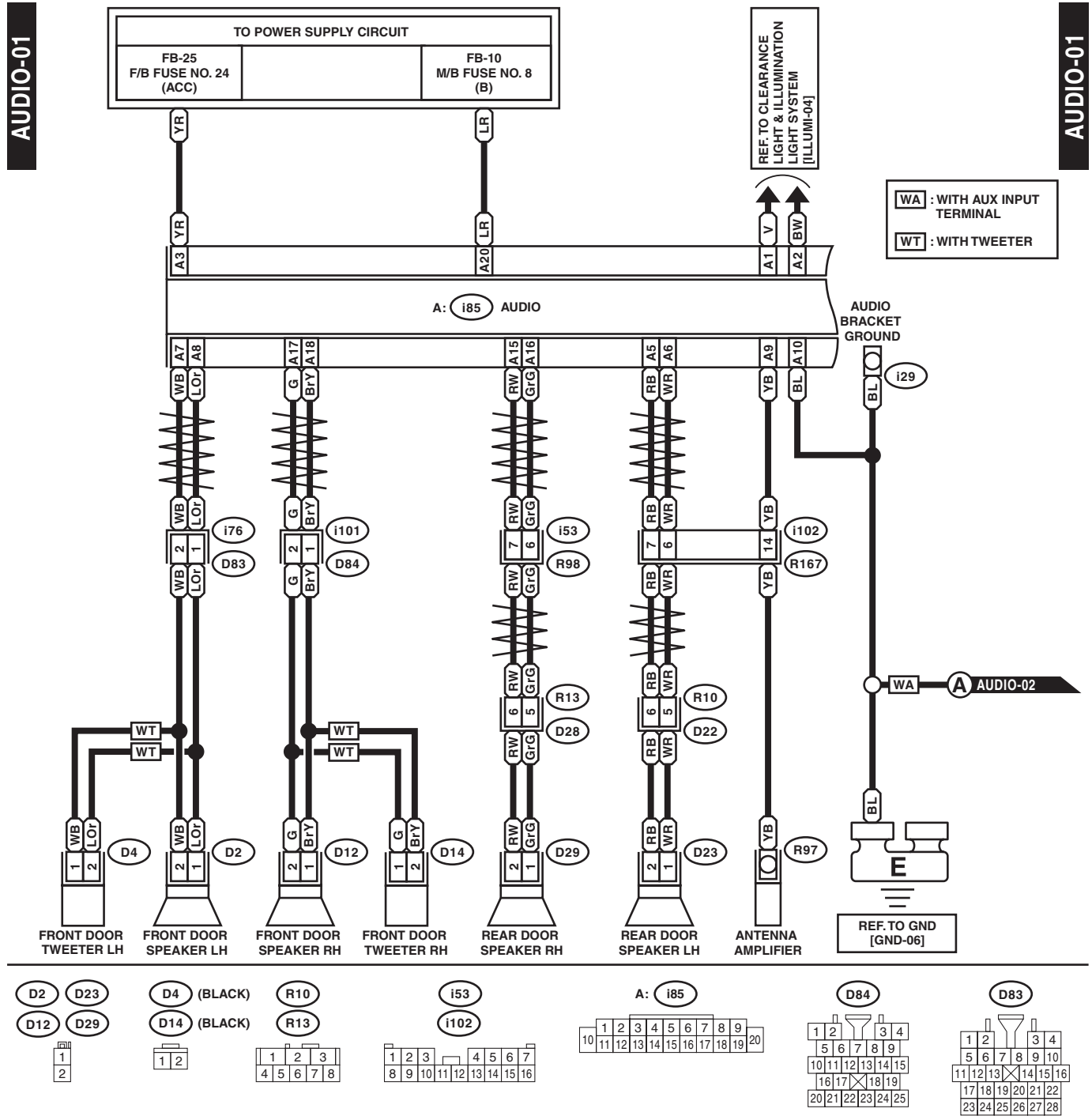
WI-21446

# Audio System

WIRING SYSTEM

## 30. Audio System

### A: WIRING DIAGRAM



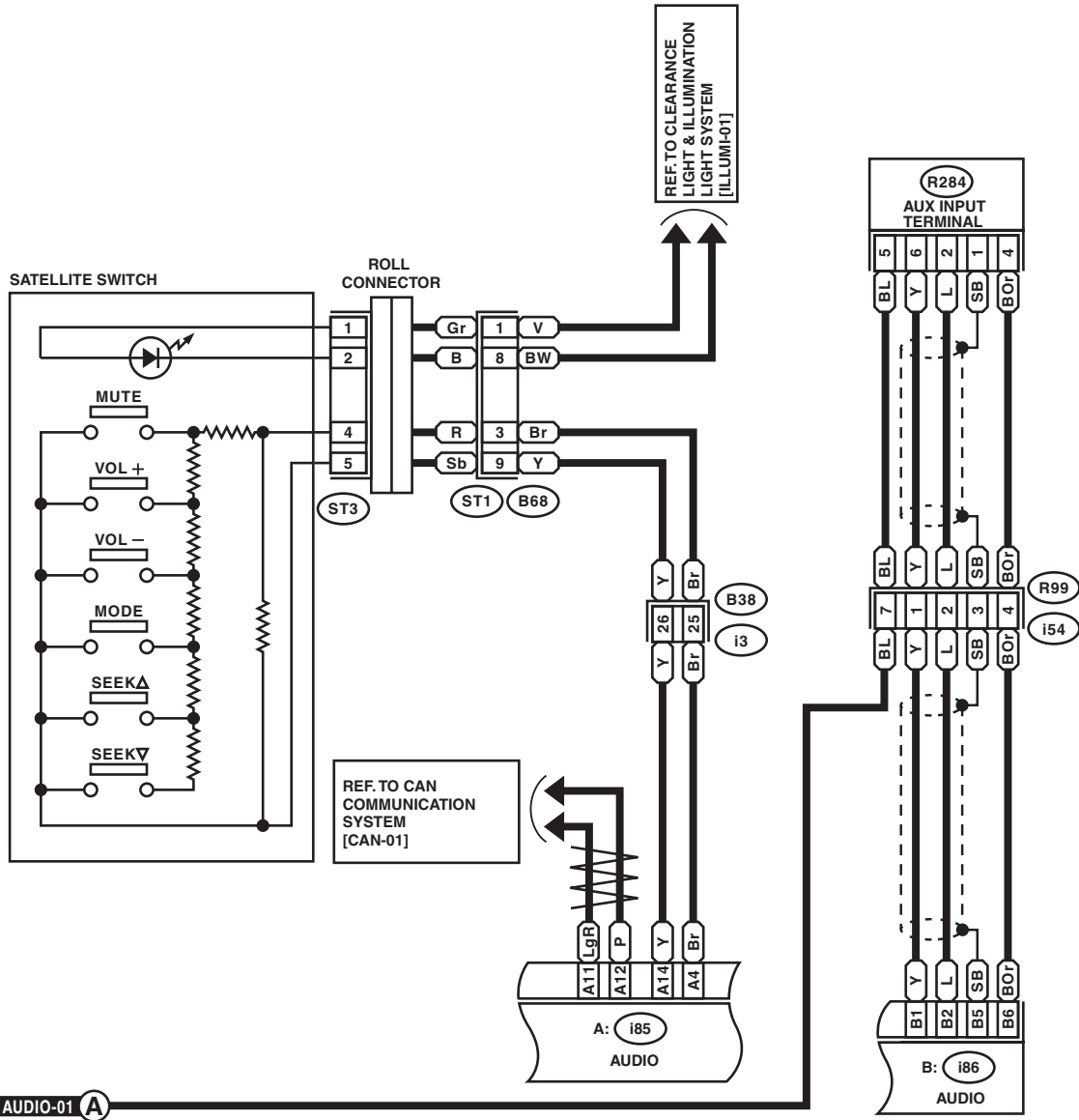
WI-21447

# Audio System

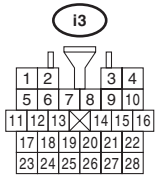
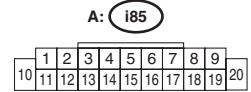
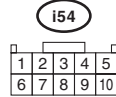
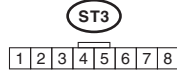
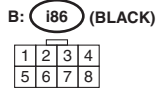
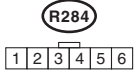
WIRING SYSTEM

AUDIO-02

AUDIO-02



AUDIO-01 A



WI-21448

# Front Accessory Power Supply Socket System

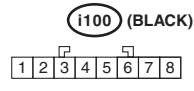
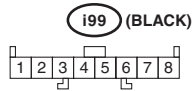
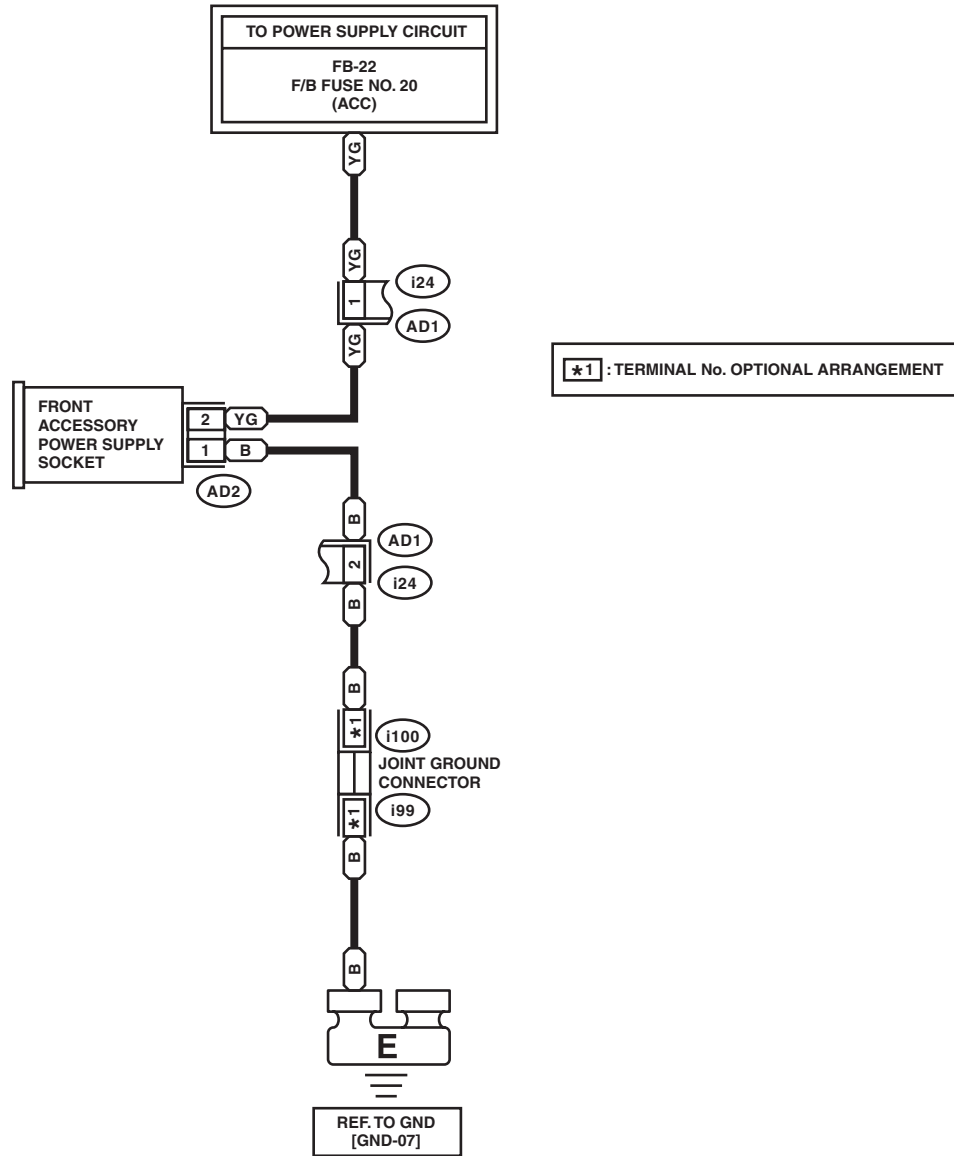
WIRING SYSTEM

## 31. Front Accessory Power Supply Socket System

### A: WIRING DIAGRAM

FAPS-01

FAPS-01



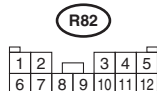
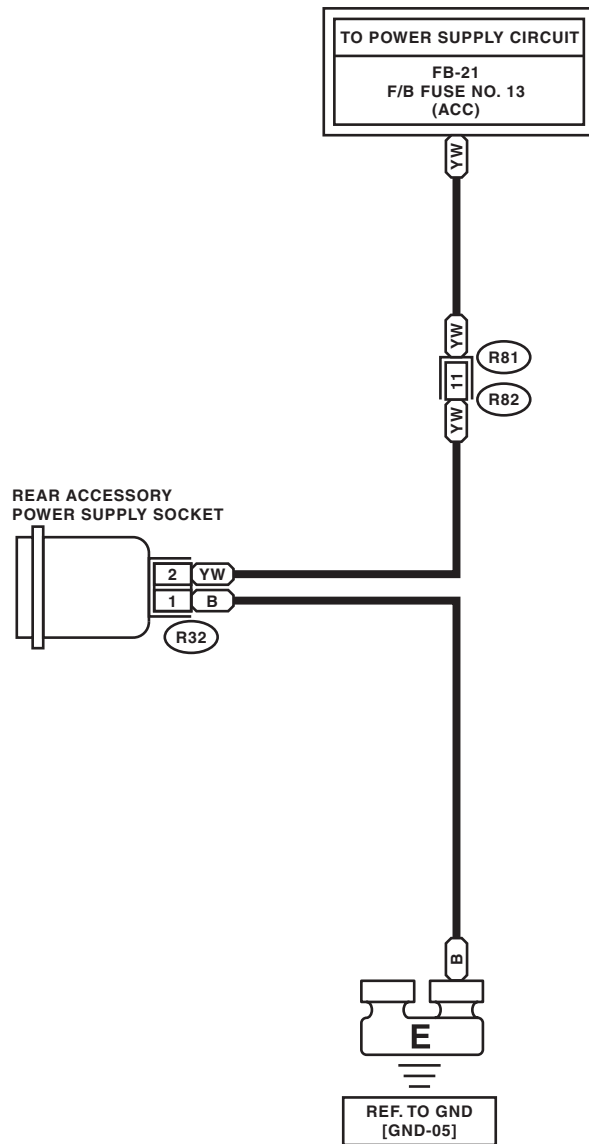
WI-22959

## 32.Rear Accessory Power Supply Socket System

### A: WIRING DIAGRAM

RAPS-01

RAPS-01



# Navigation System

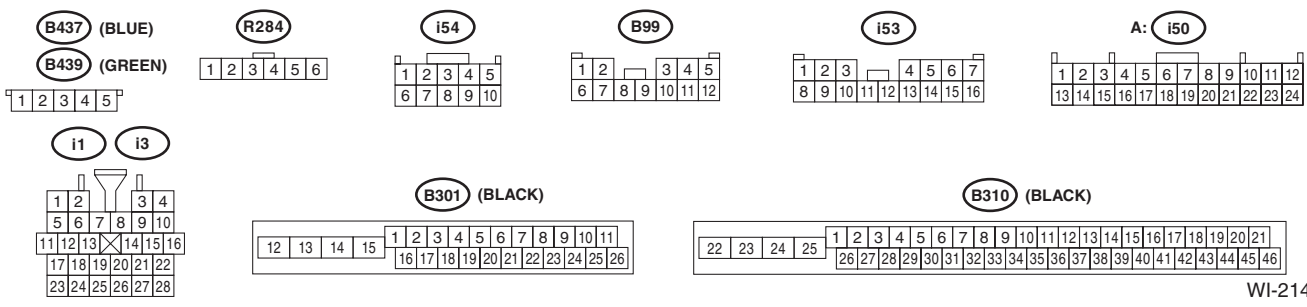
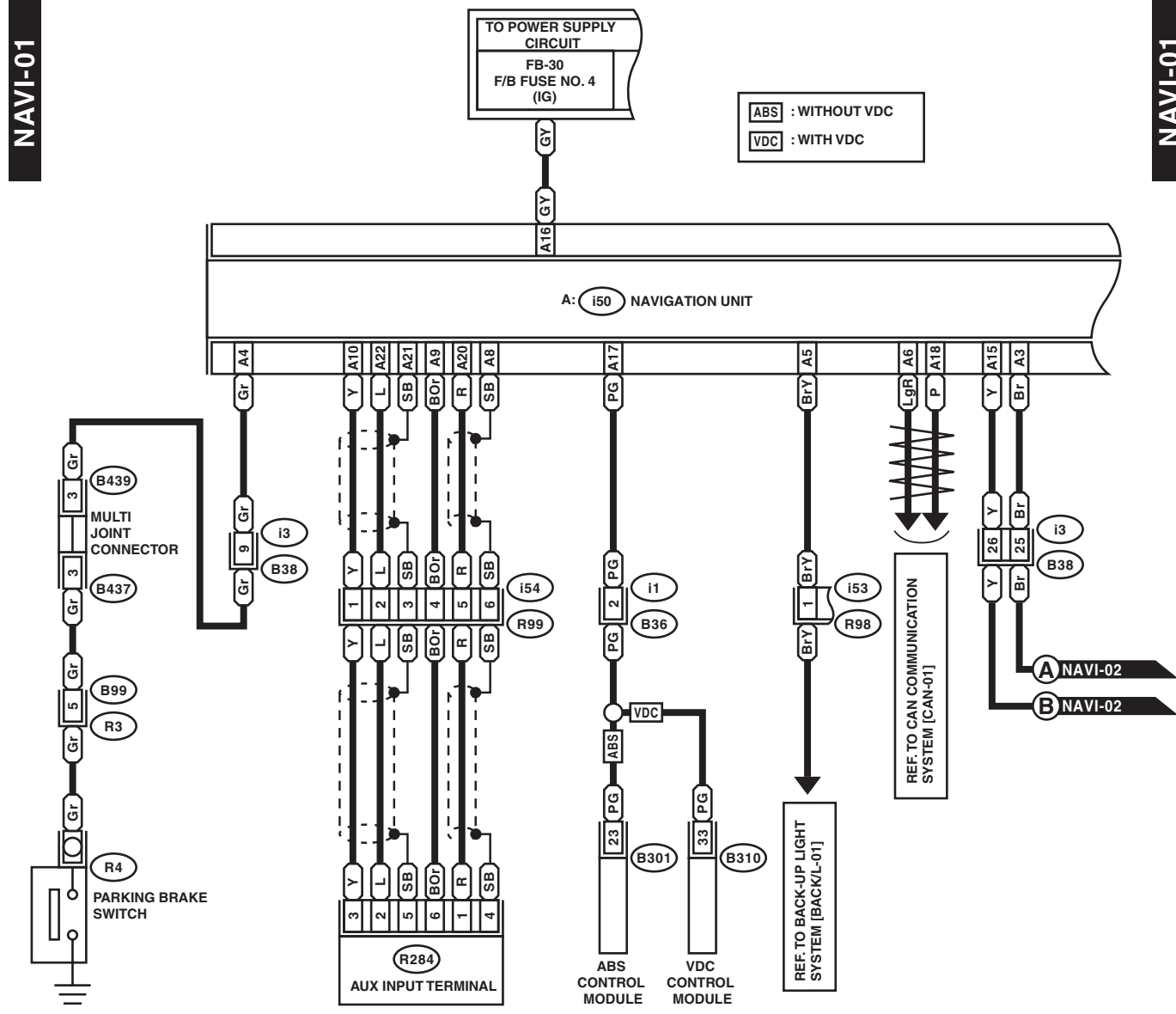
WIRING SYSTEM

## 33. Navigation System

### A: WIRING DIAGRAM

NAVI-01

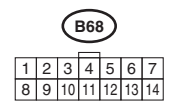
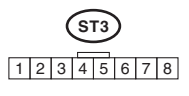
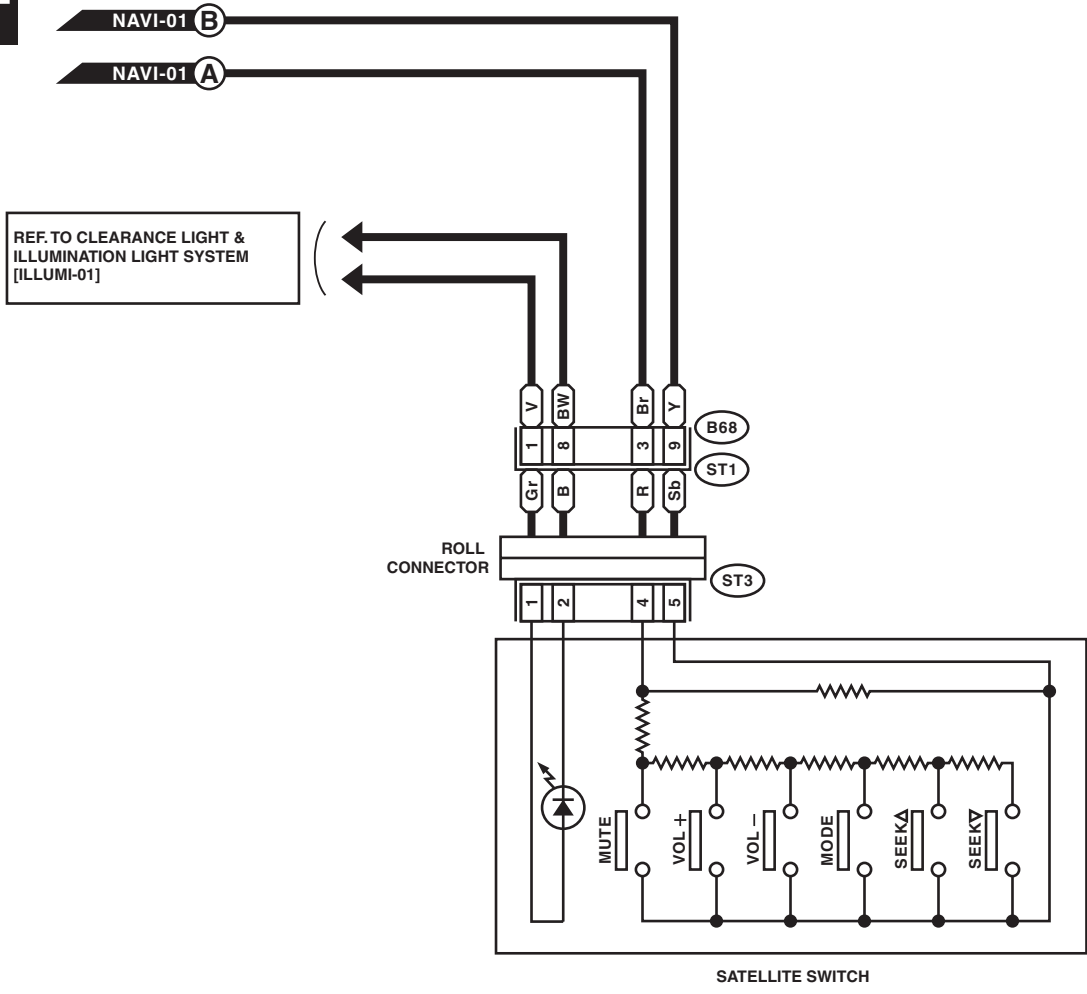
NAVI-01



WI-21451

NAVI-02

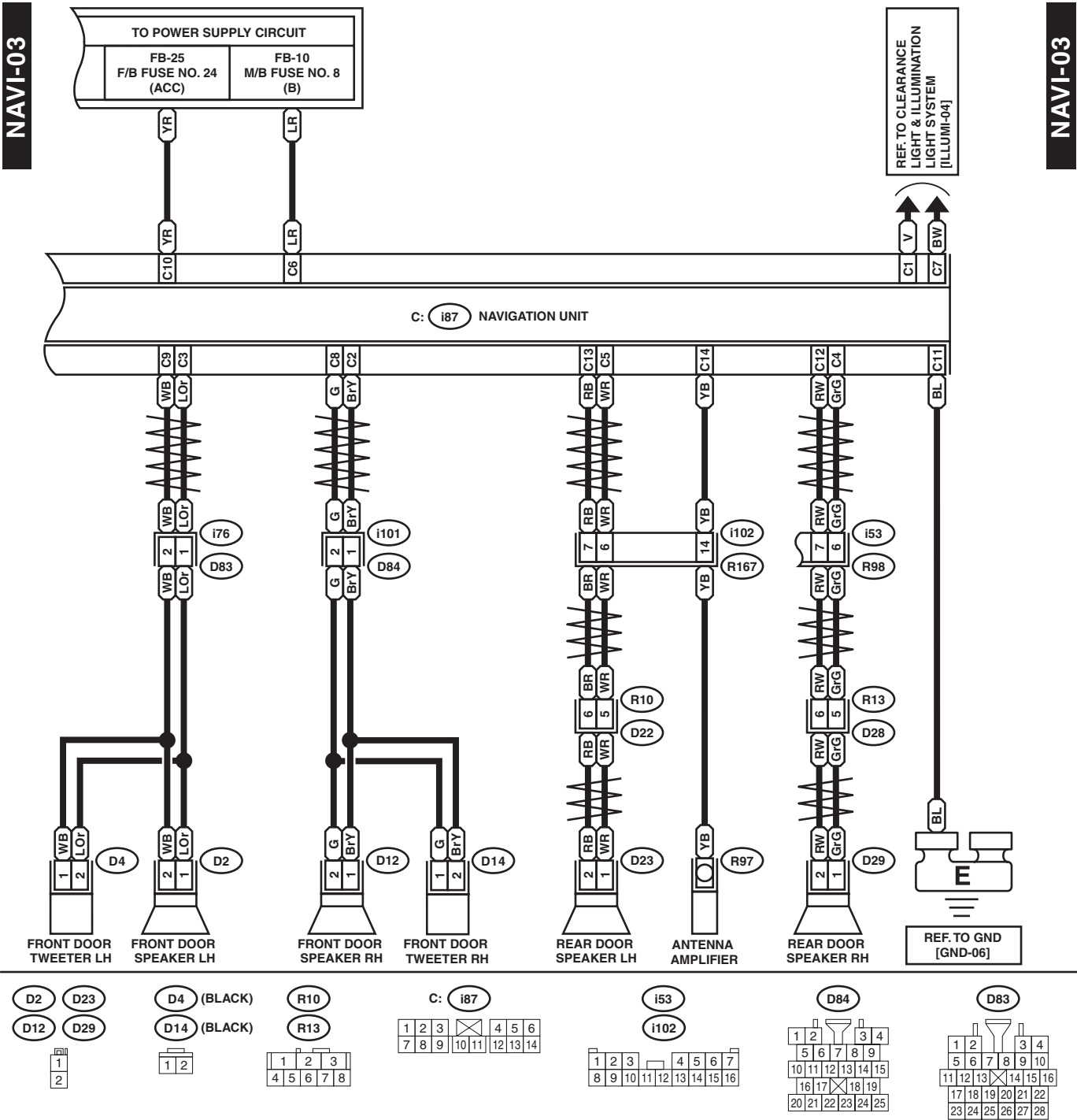
NAVI-02





# Navigation System

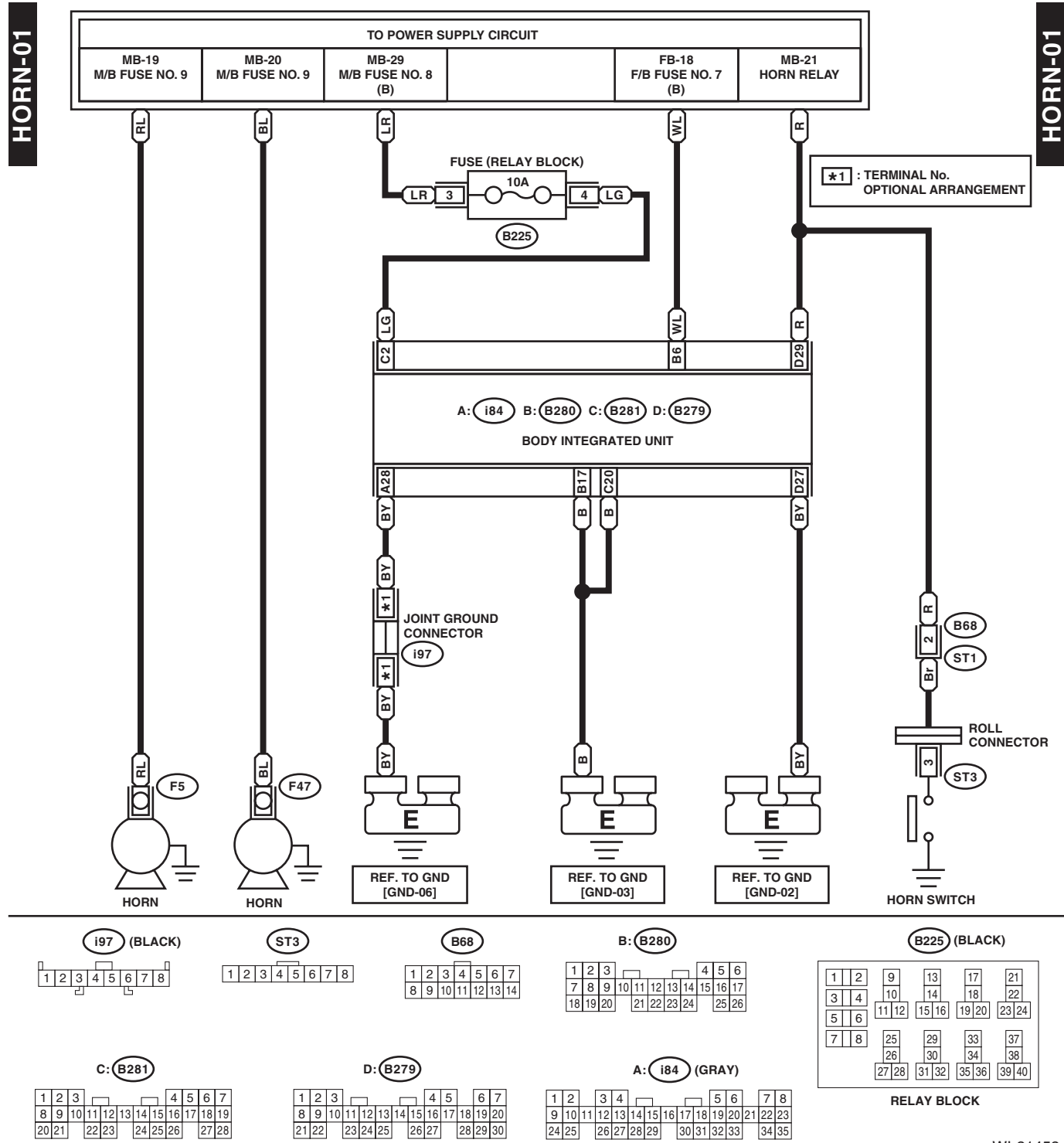
## WIRING SYSTEM



WI-21449

## 34.Horn System

### A: WIRING DIAGRAM



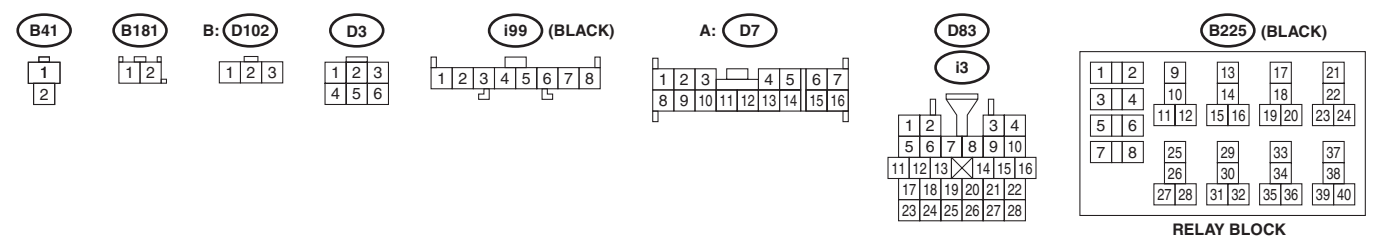
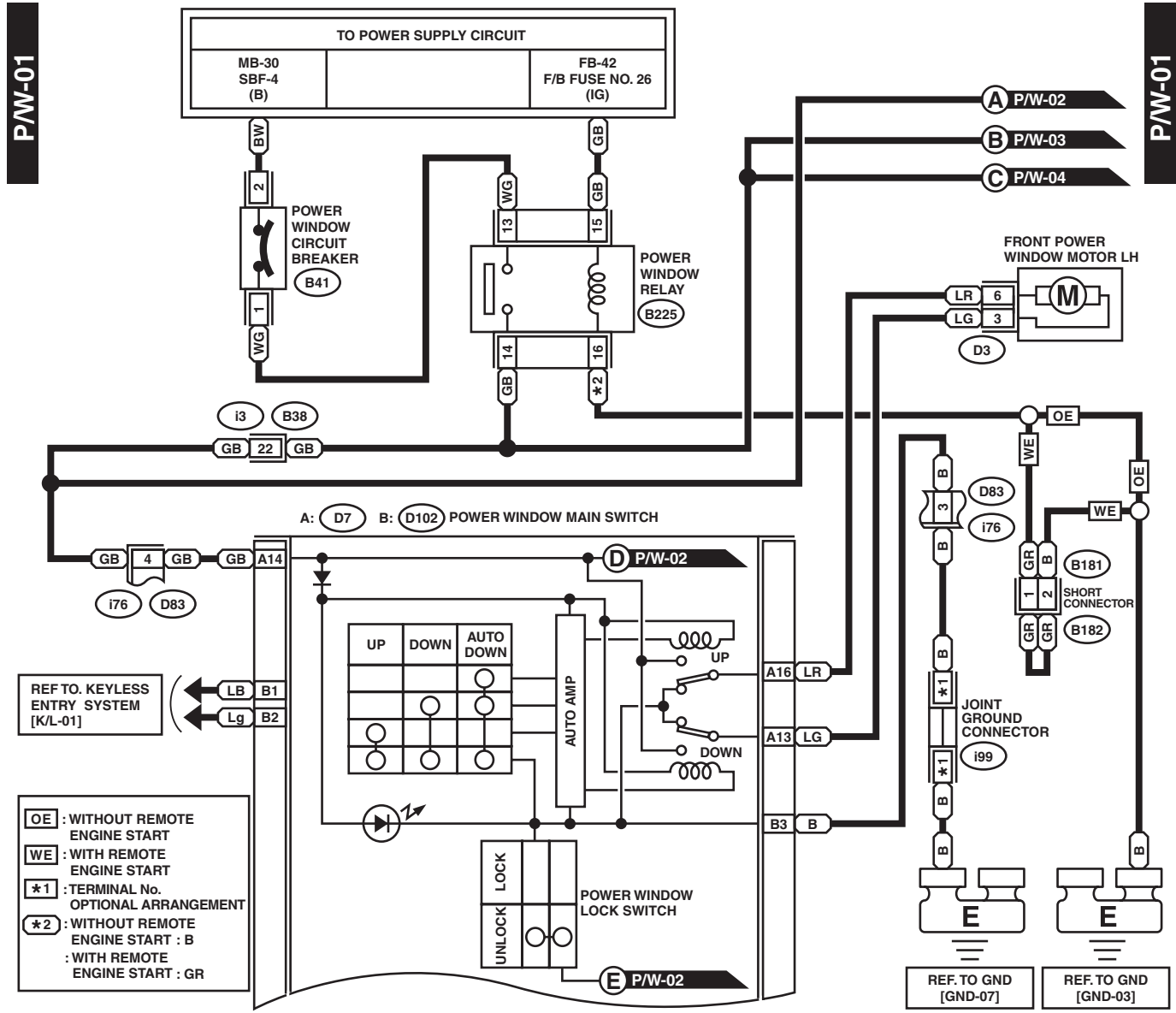
WI-21452

# Power Window System

WIRING SYSTEM

## 35. Power Window System

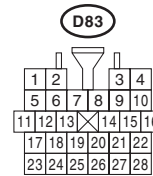
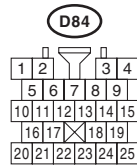
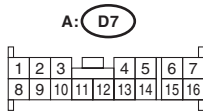
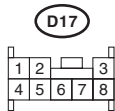
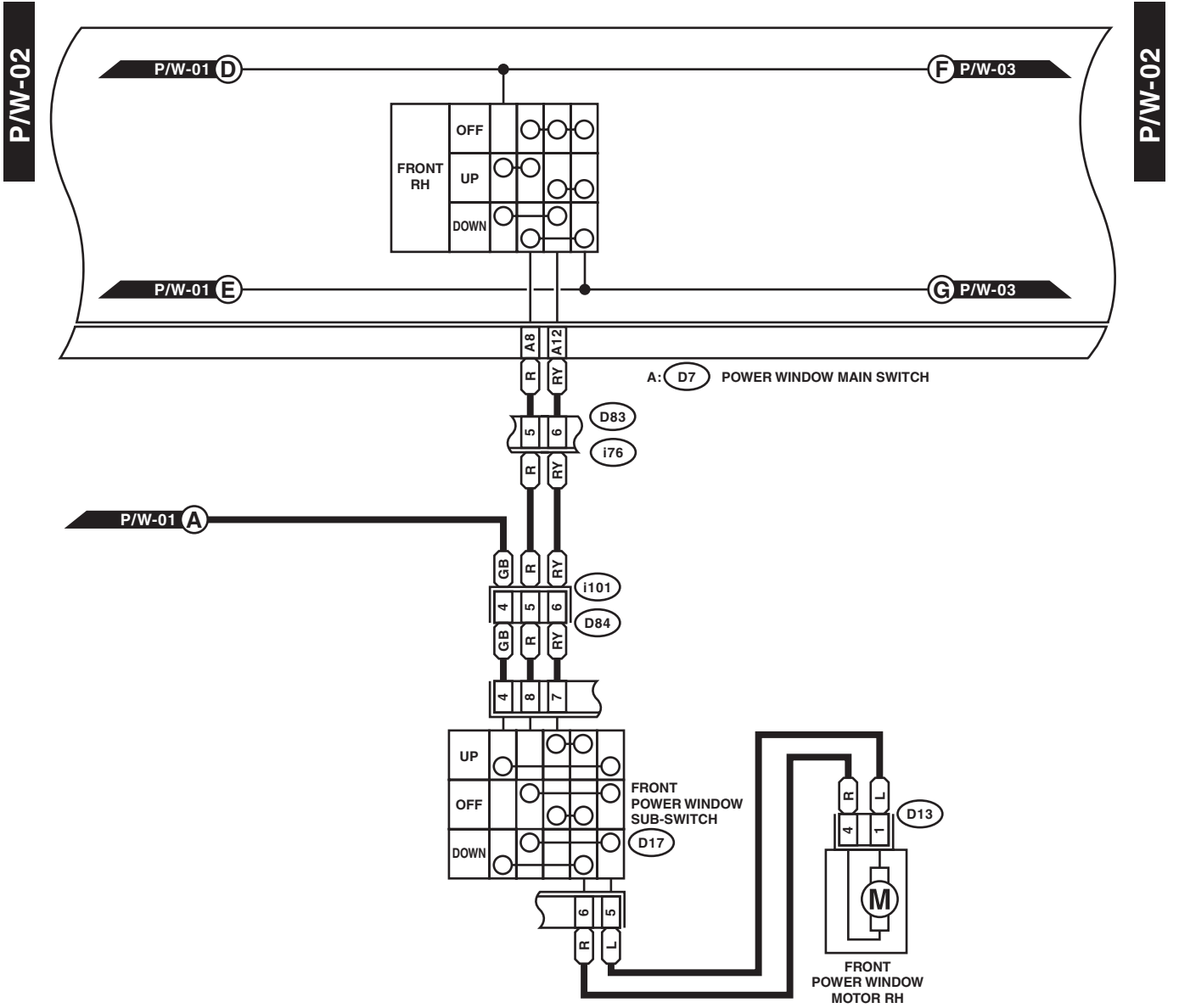
### A: WIRING DIAGRAM



WI-21453

# Power Window System

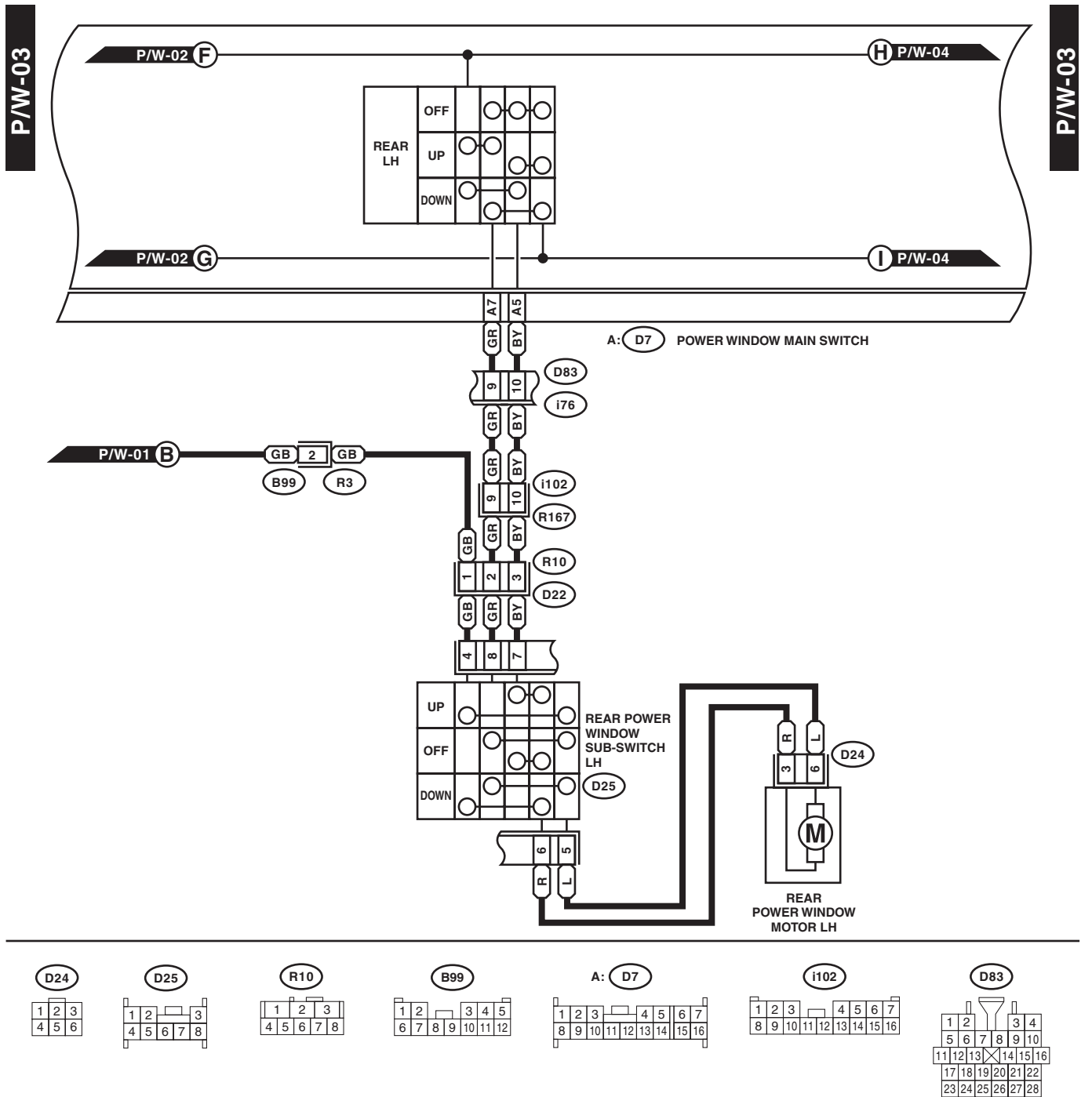
WIRING SYSTEM



WI-22155

# Power Window System

## WIRING SYSTEM



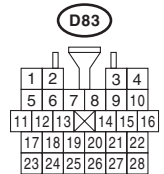
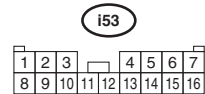
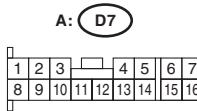
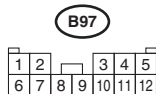
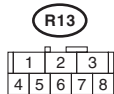
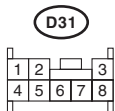
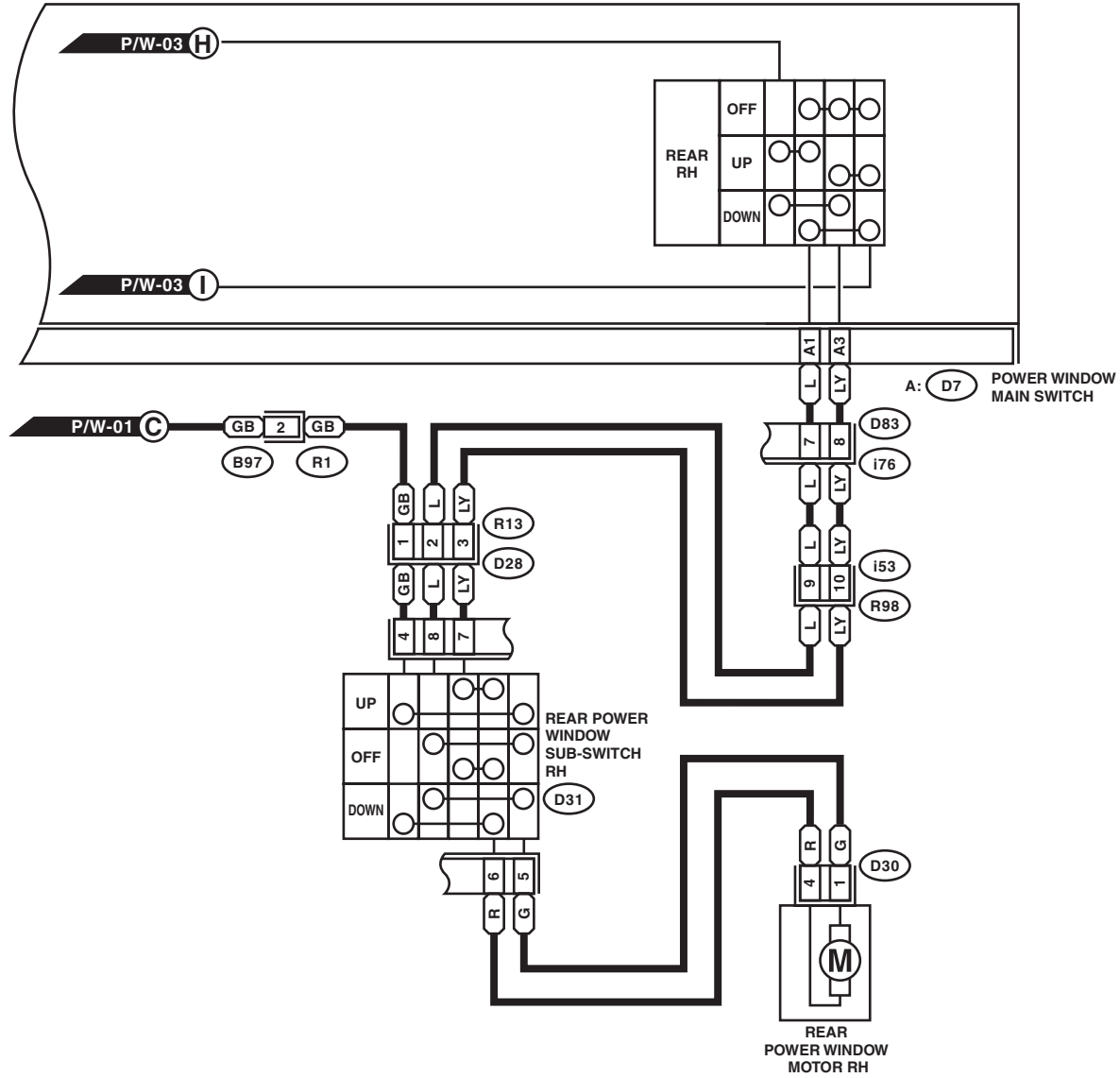
WI-22156

# Power Window System

WIRING SYSTEM

P/W-04

P/W-04



WI-22157

# Remote Control Mirror System

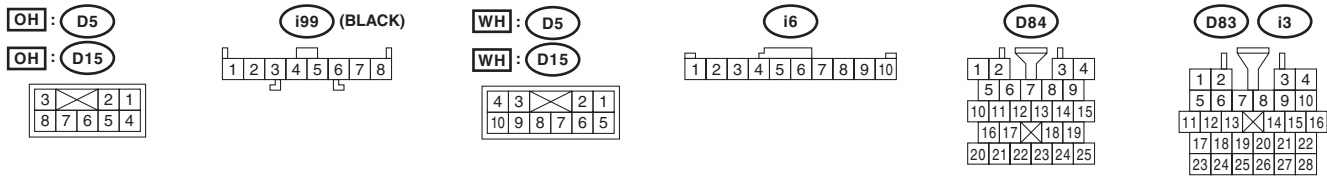
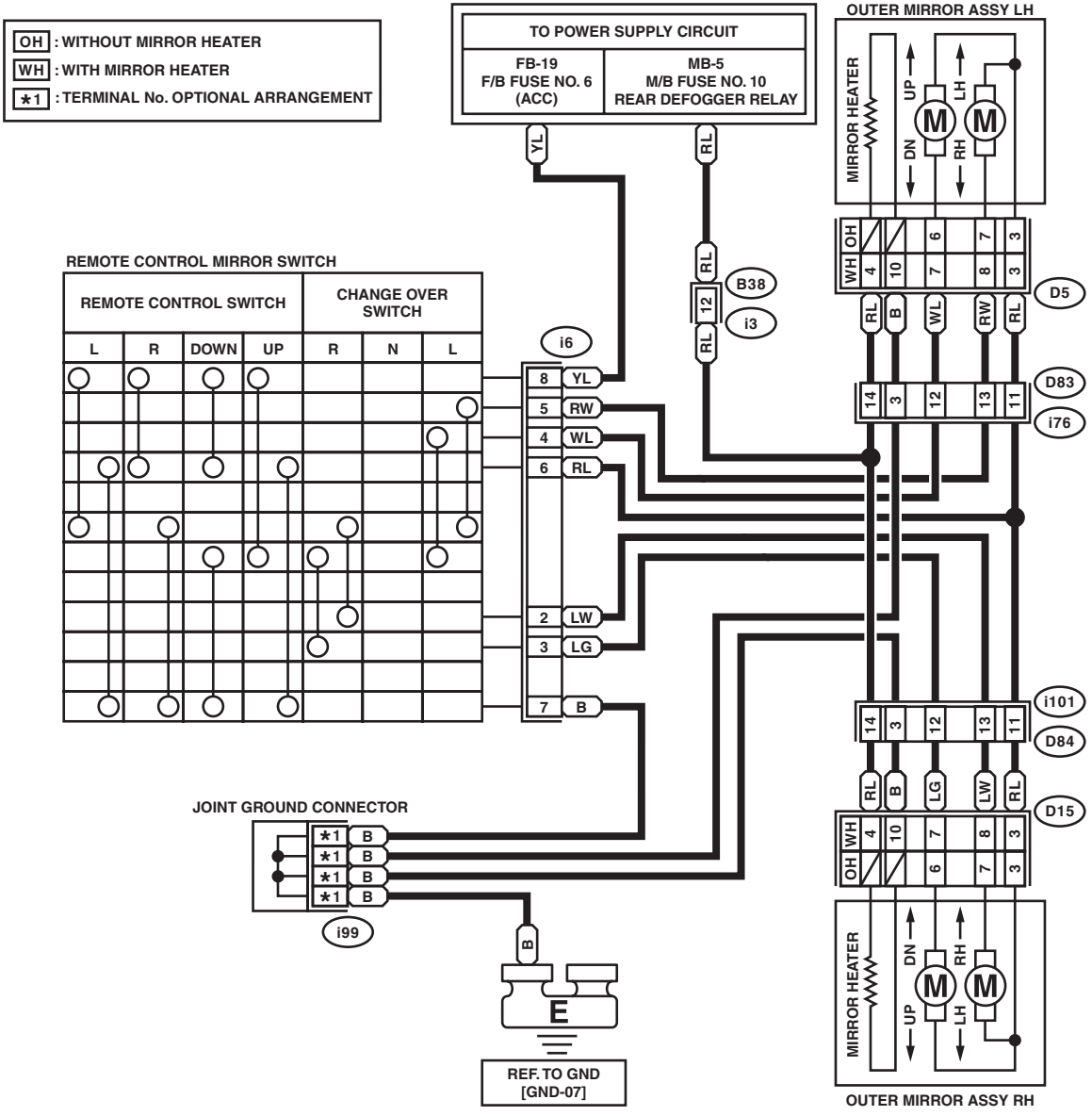
WIRING SYSTEM

## 36.Remote Control Mirror System

### A: WIRING DIAGRAM

R/M-01

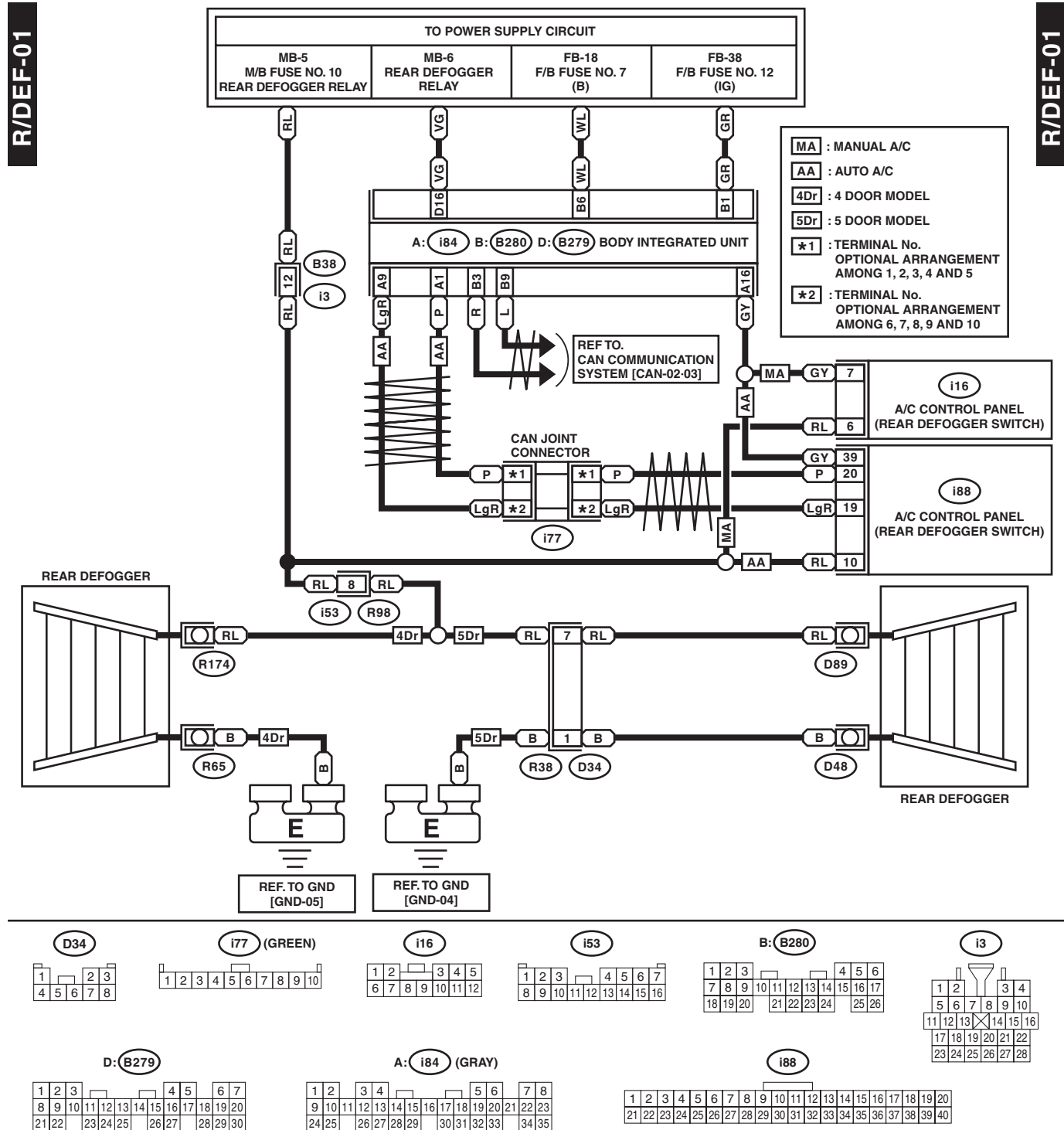
R/M-01



WI-22960

## 37.Rear Defogger System

### A: WIRING DIAGRAM





# Combination Meter System

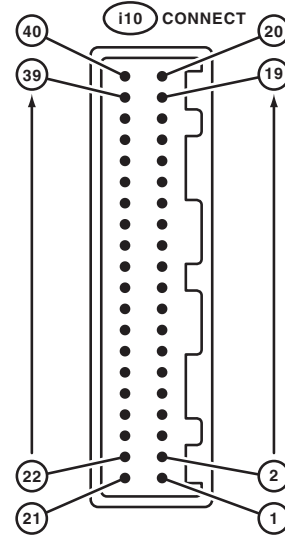
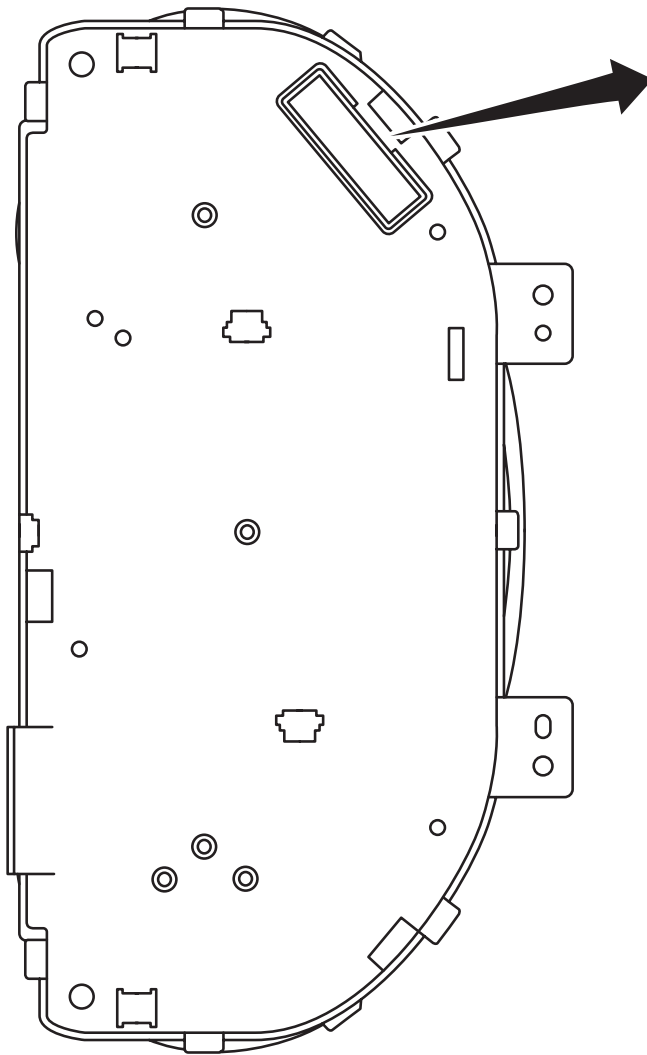
WIRING SYSTEM

## 38. Combination Meter System

### A: WIRING DIAGRAM

#### 1. NORMAL METER

C/M(NM)-01

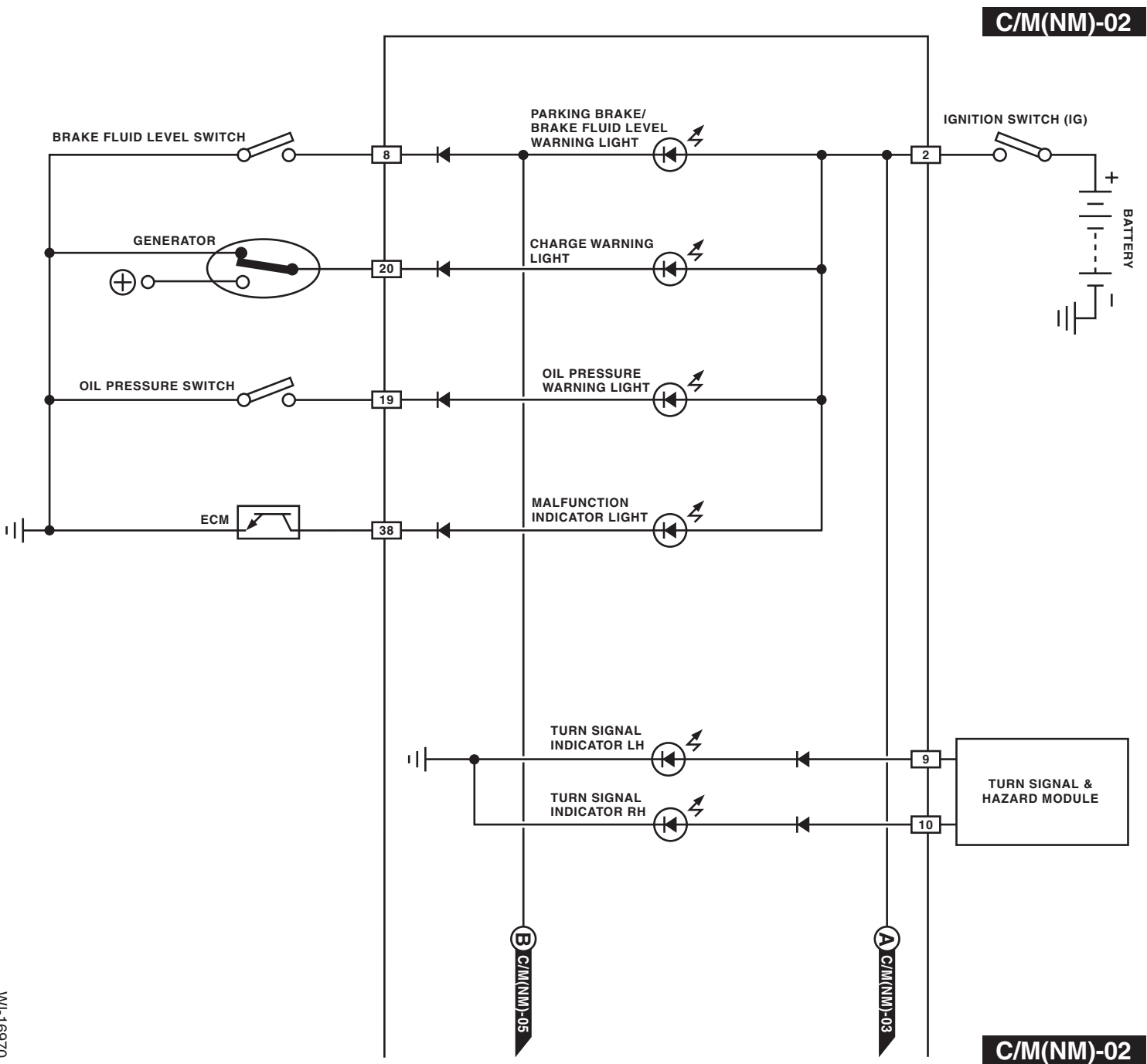


C/M(NM)-01

WI-16969

# Combination Meter System

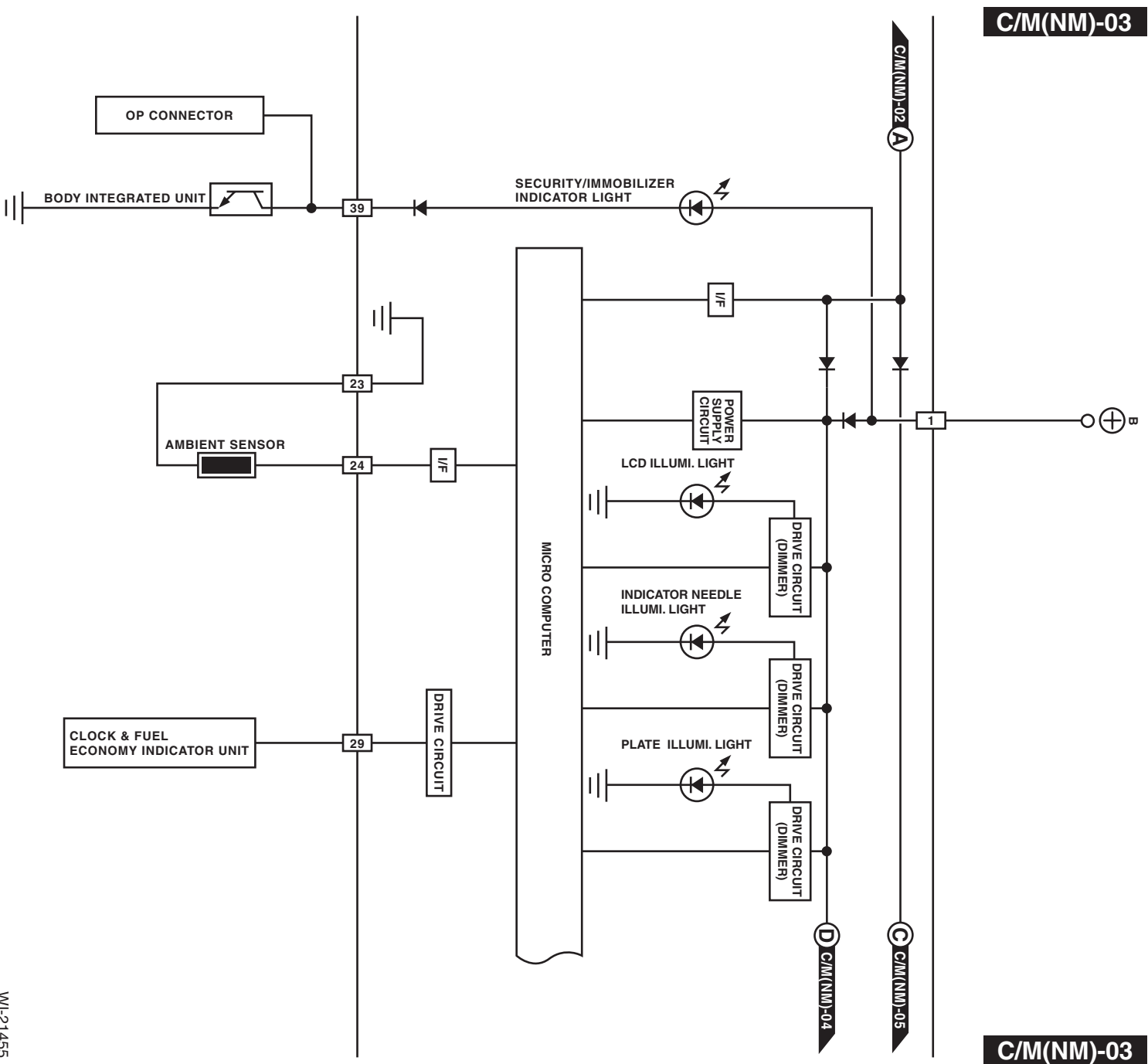
WIRING SYSTEM



WI-16970

WI-137

# Combination Meter System



C/M(NM)-03

C/M(NM)-03

WI-21455

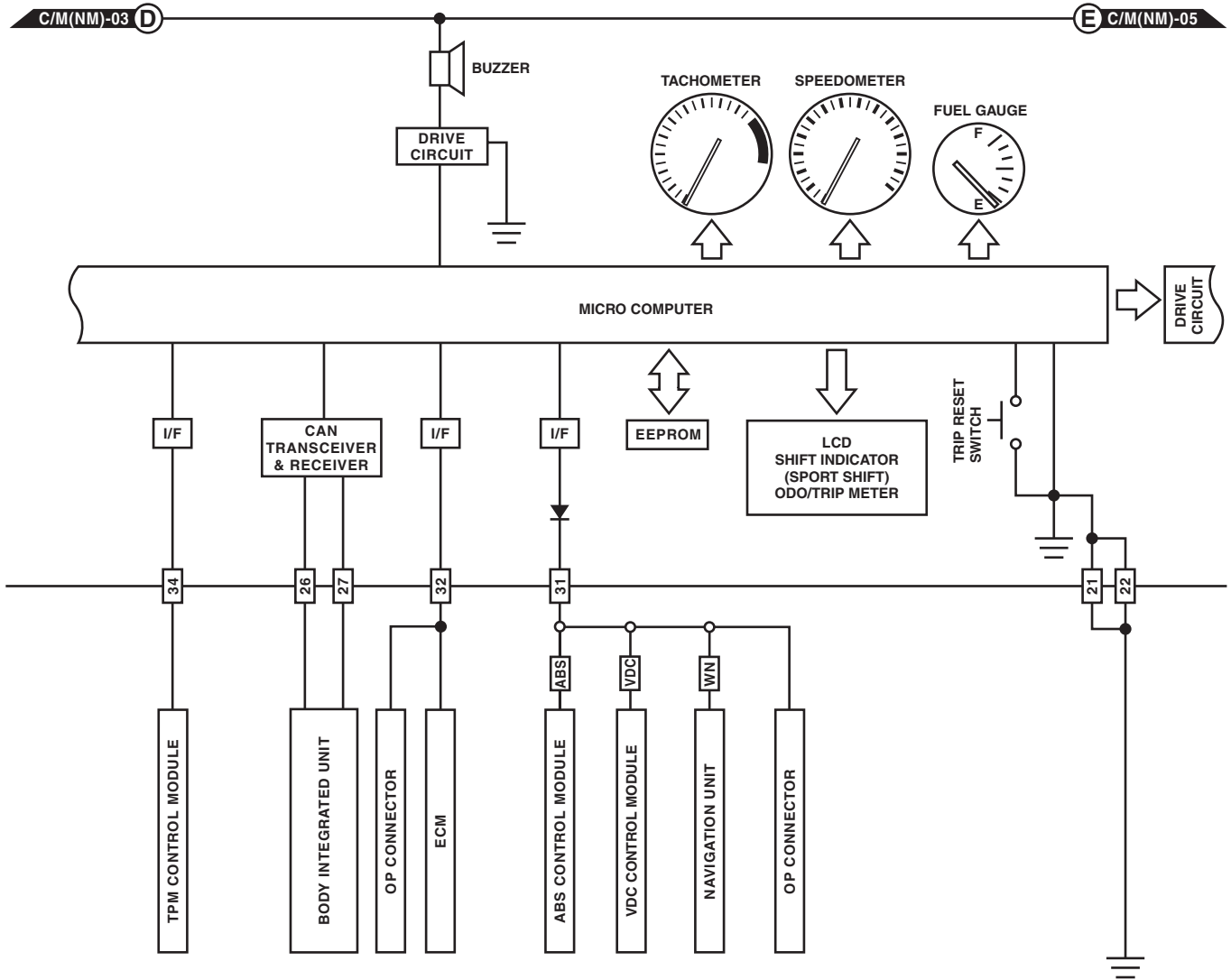
# Combination Meter System

WIRING SYSTEM

C/M(NM)-04

C/M(NM)-04

ABS	: WITHOUT VDC
VDC	: WITH VDC
WN	: WITH NAVIGATION

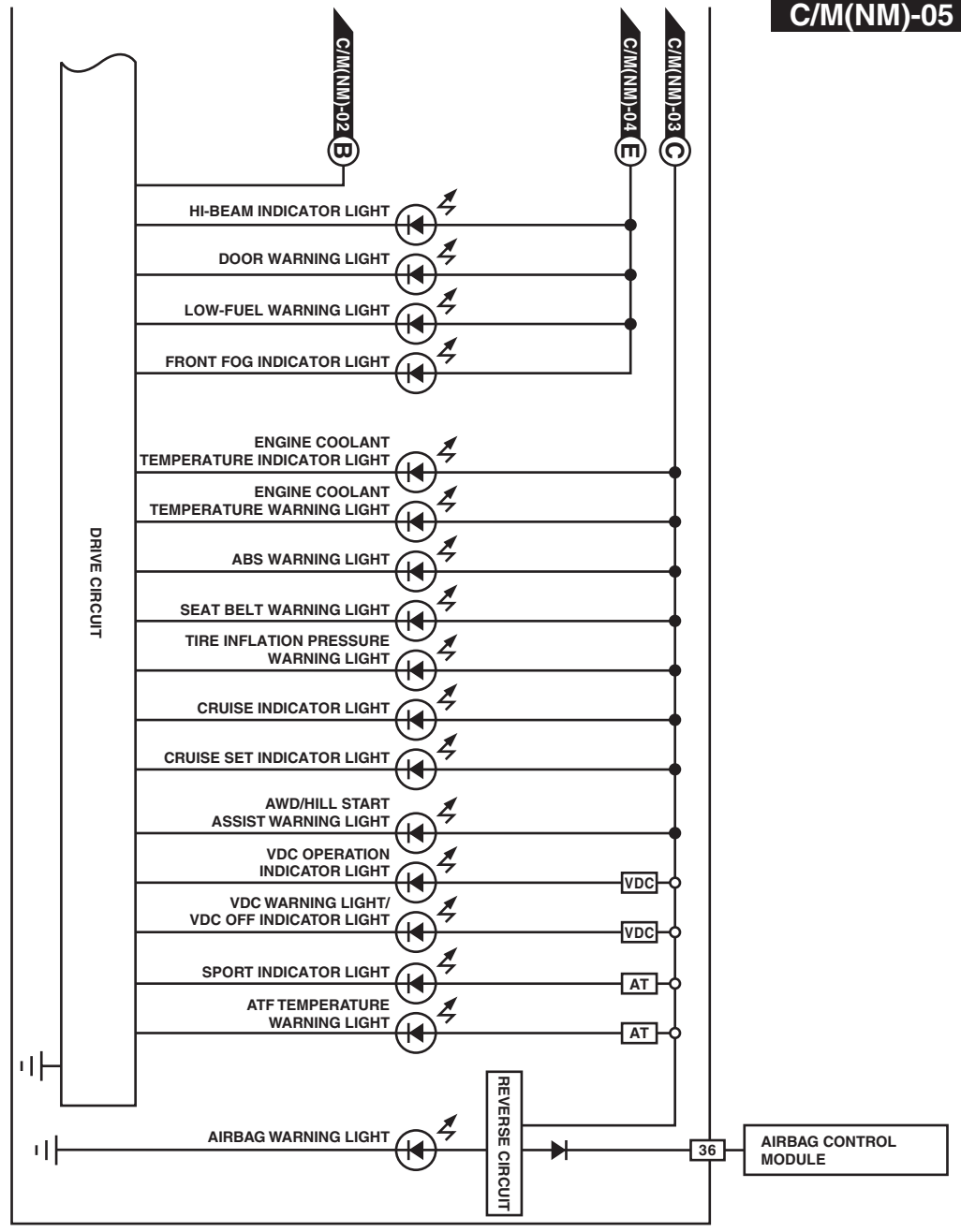


WI-21456

# Combination Meter System

C/M(NM)-05

C/M(NM)-05

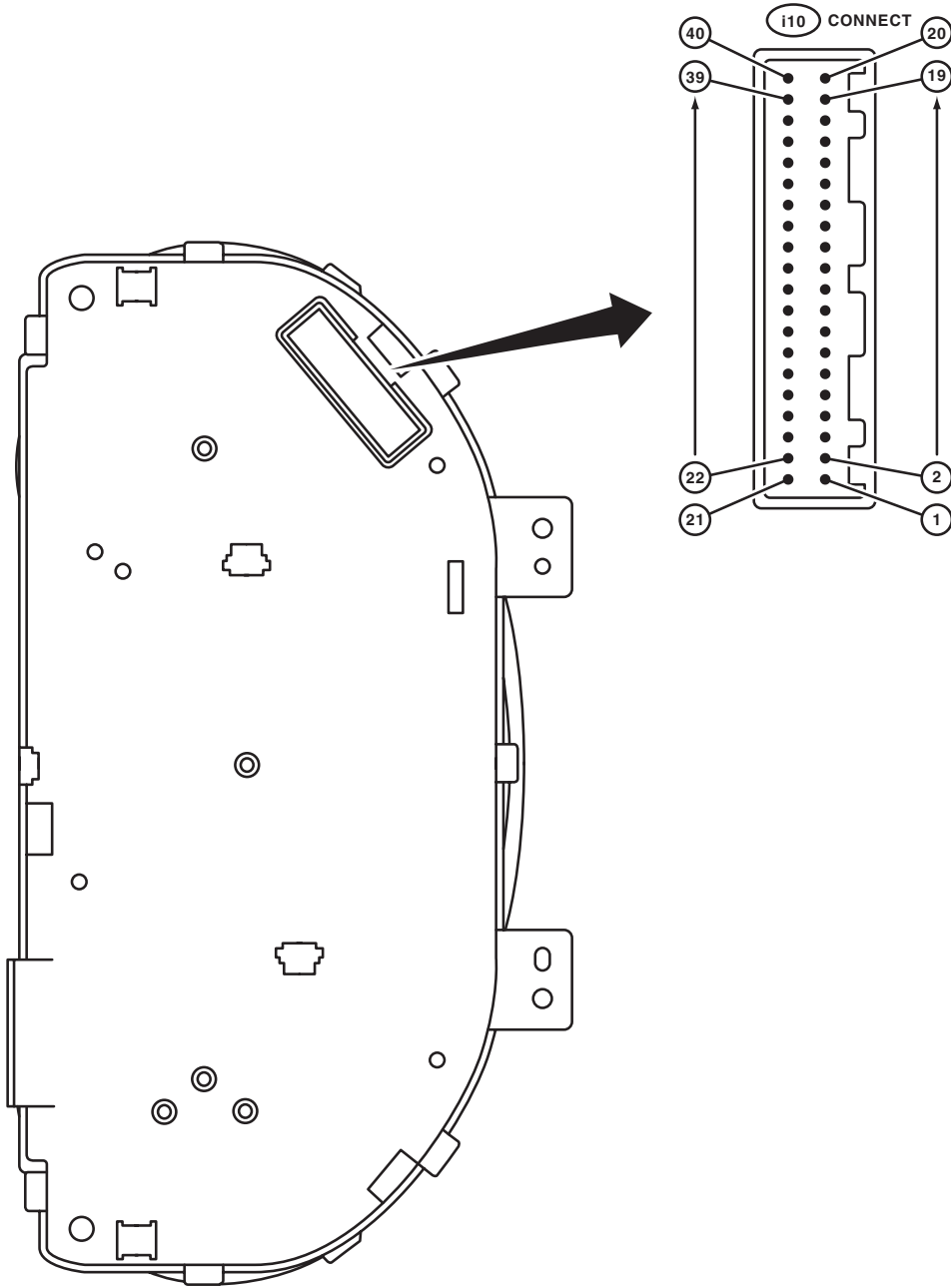


VDC : WITH VDC

## 2. LUMINESCENT METER

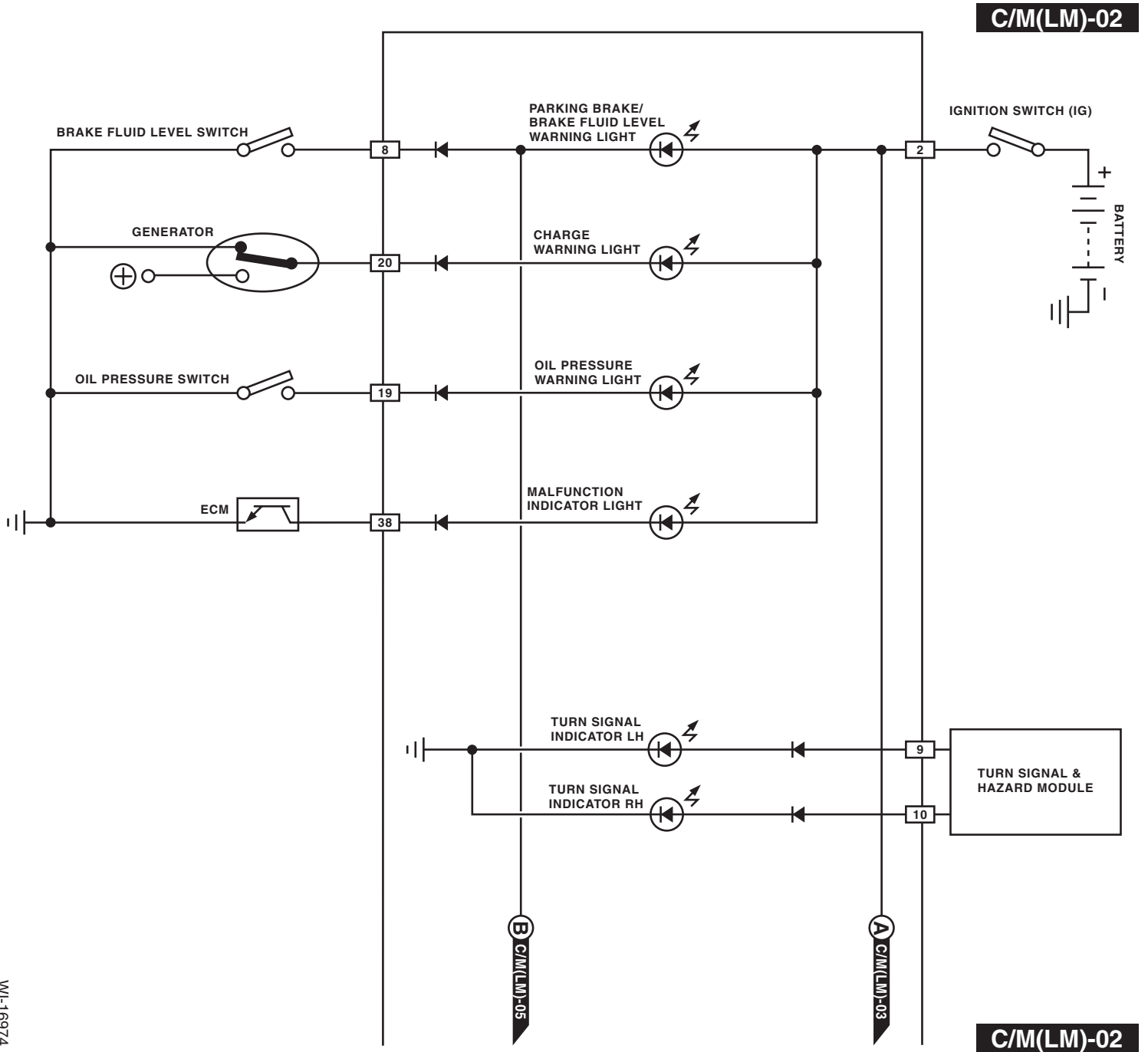
C/M(LM)-01

C/M(LM)-01



WI-16973

Combination Meter System



C/M(LM)-02

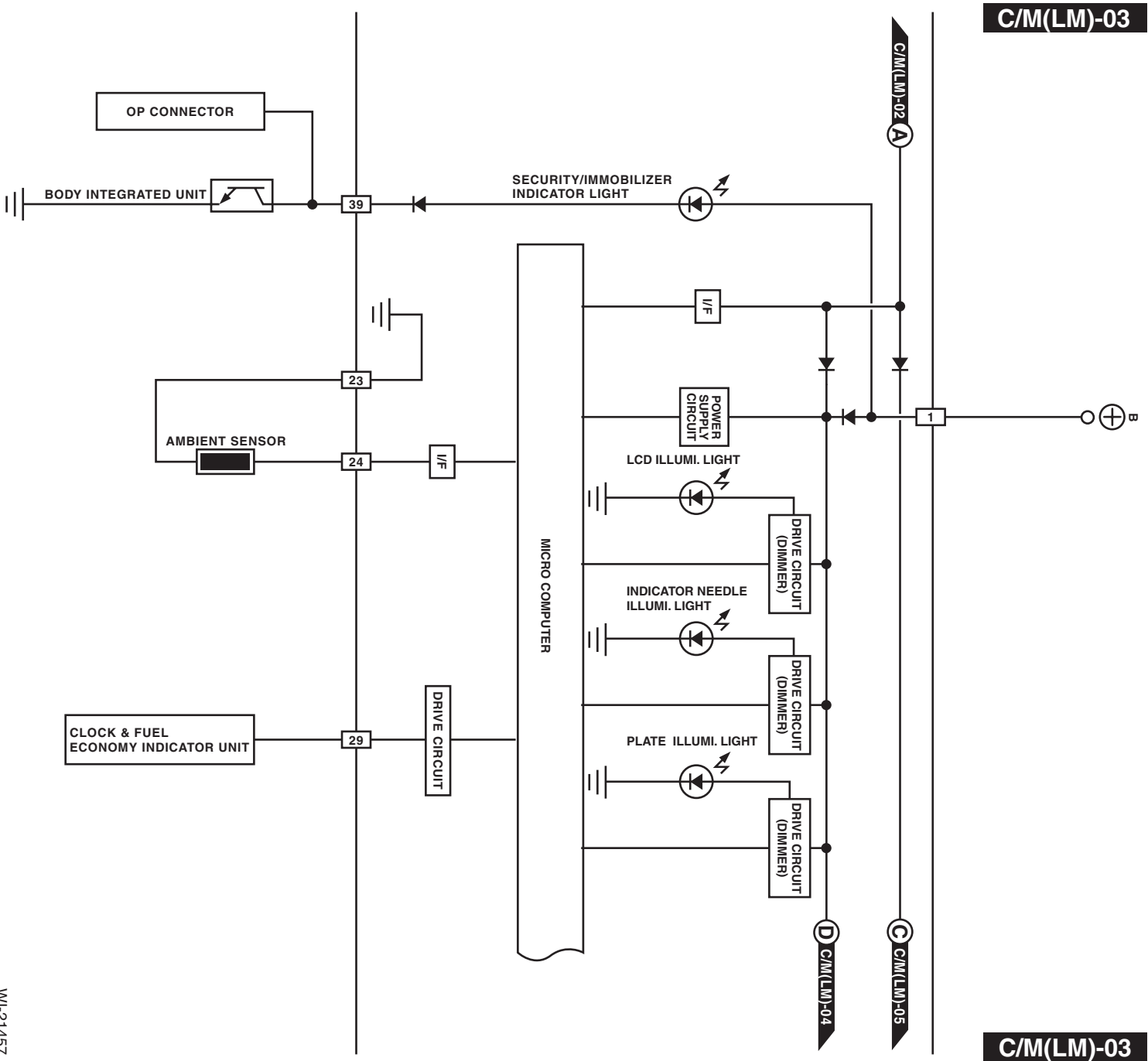
C/M(LM)-02

WI-16974

WI-142

# Combination Meter System

WIRING SYSTEM



WI-21457

WI-143



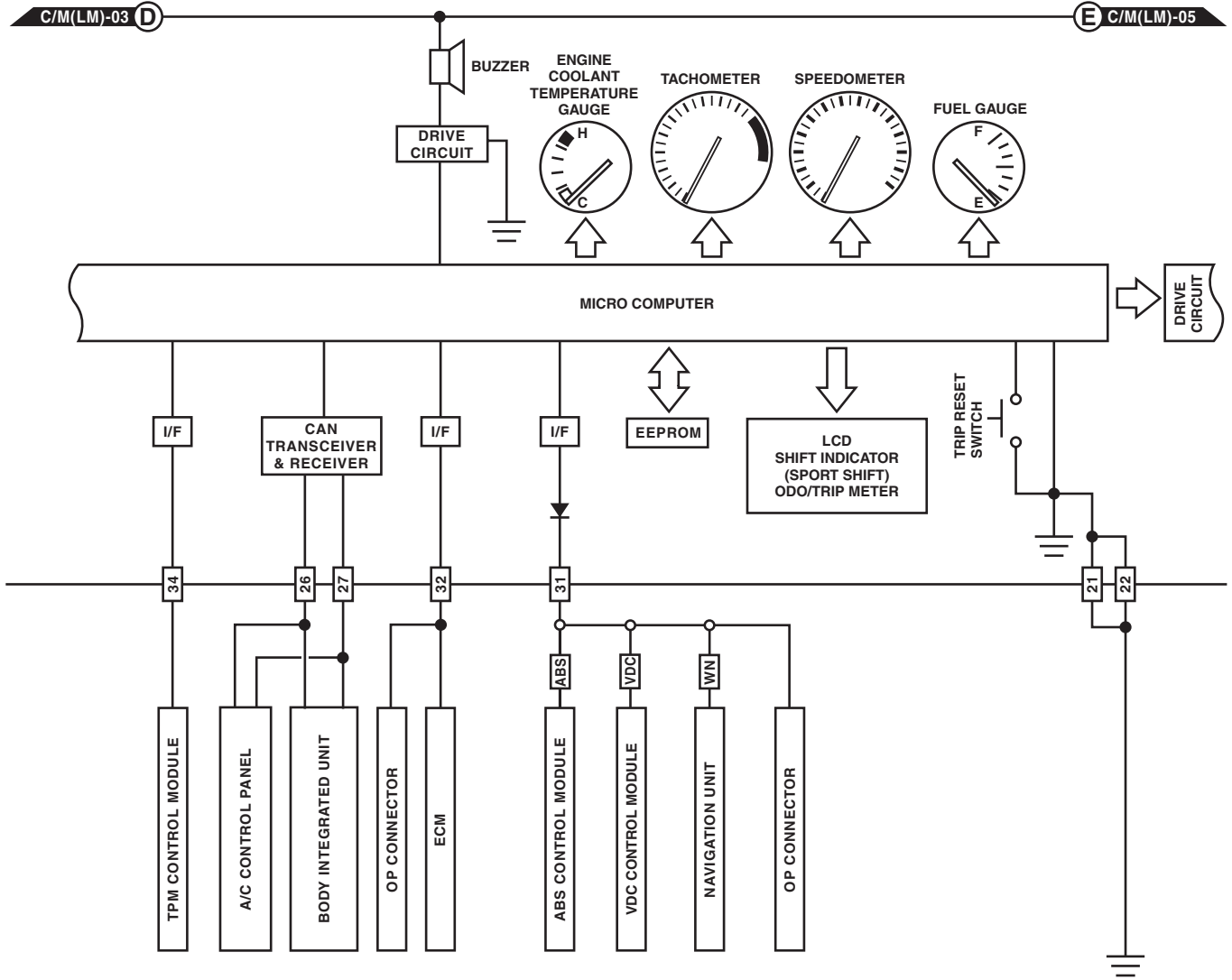
# Combination Meter System

WIRING SYSTEM

C/M(LM)-04

C/M(LM)-04

ABS	: WITHOUT VDC
VDC	: WITH VDC
WN	: WITH NAVIGATION

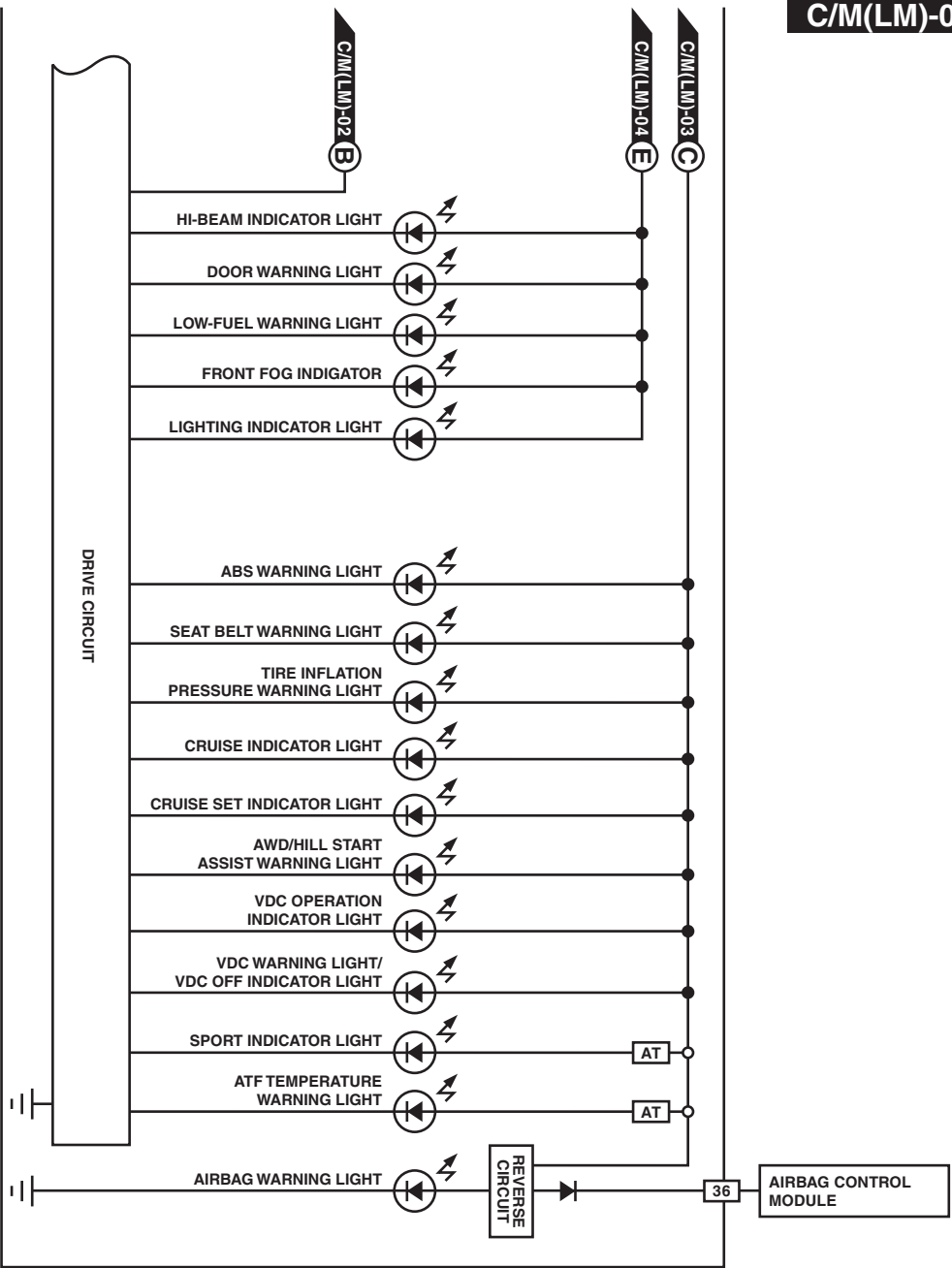


WI-21458

# Combination Meter System

WIRING SYSTEM

C/M(LM)-05



C/M(LM)-05

WI-21459

WI-145

# Speedometer System

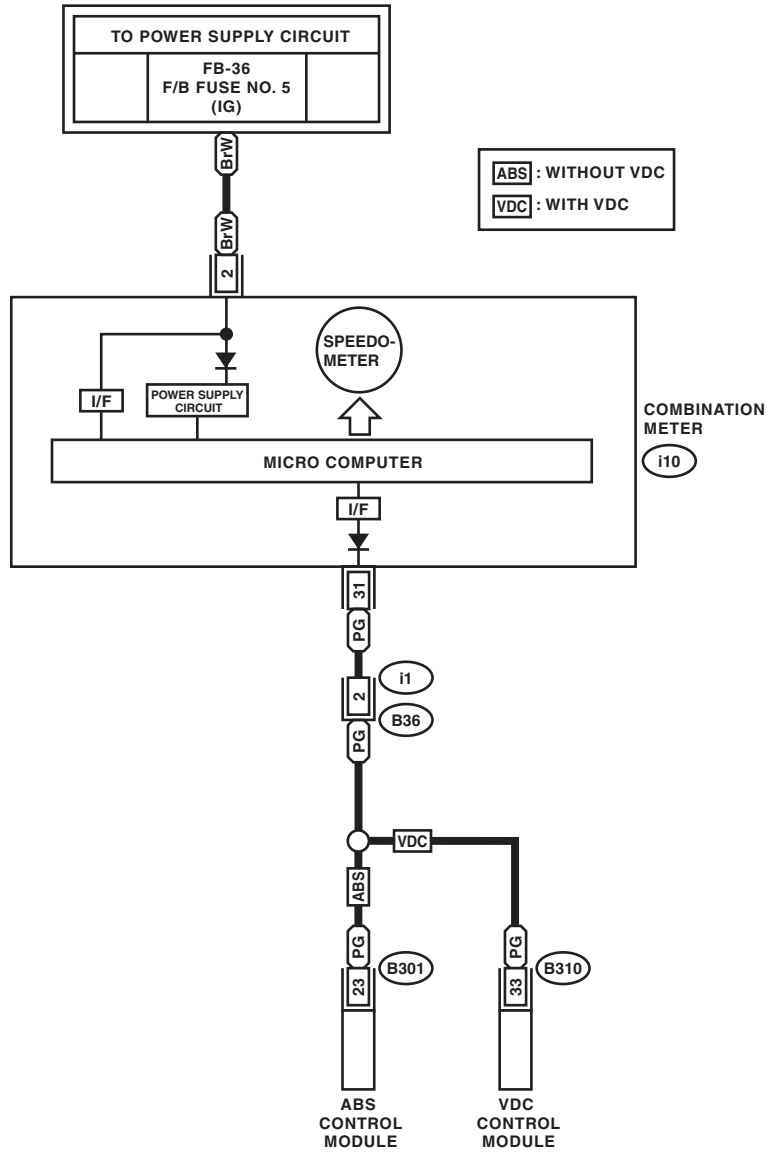
WIRING SYSTEM

## 39.Speedometer System

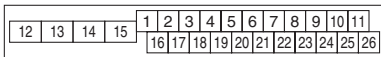
### A: WIRING DIAGRAM

SP-01

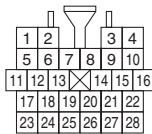
SP-01



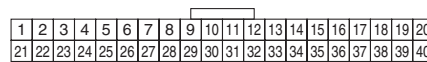
**B301 (BLACK)**



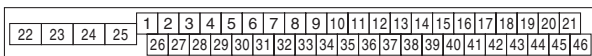
**i1**



**i10**



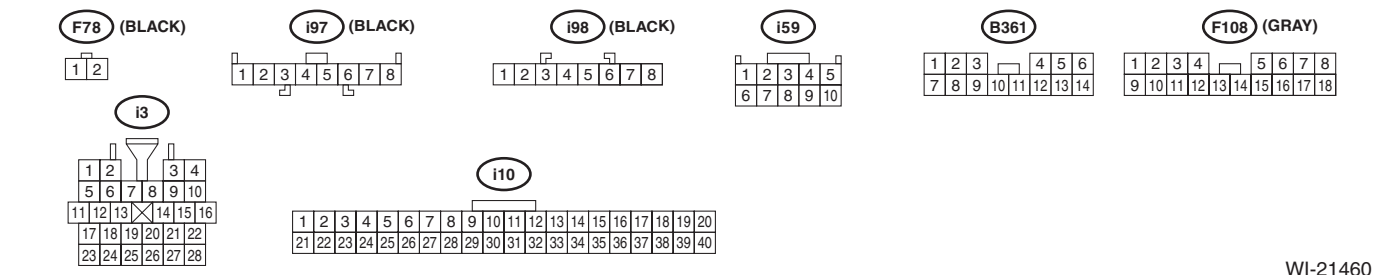
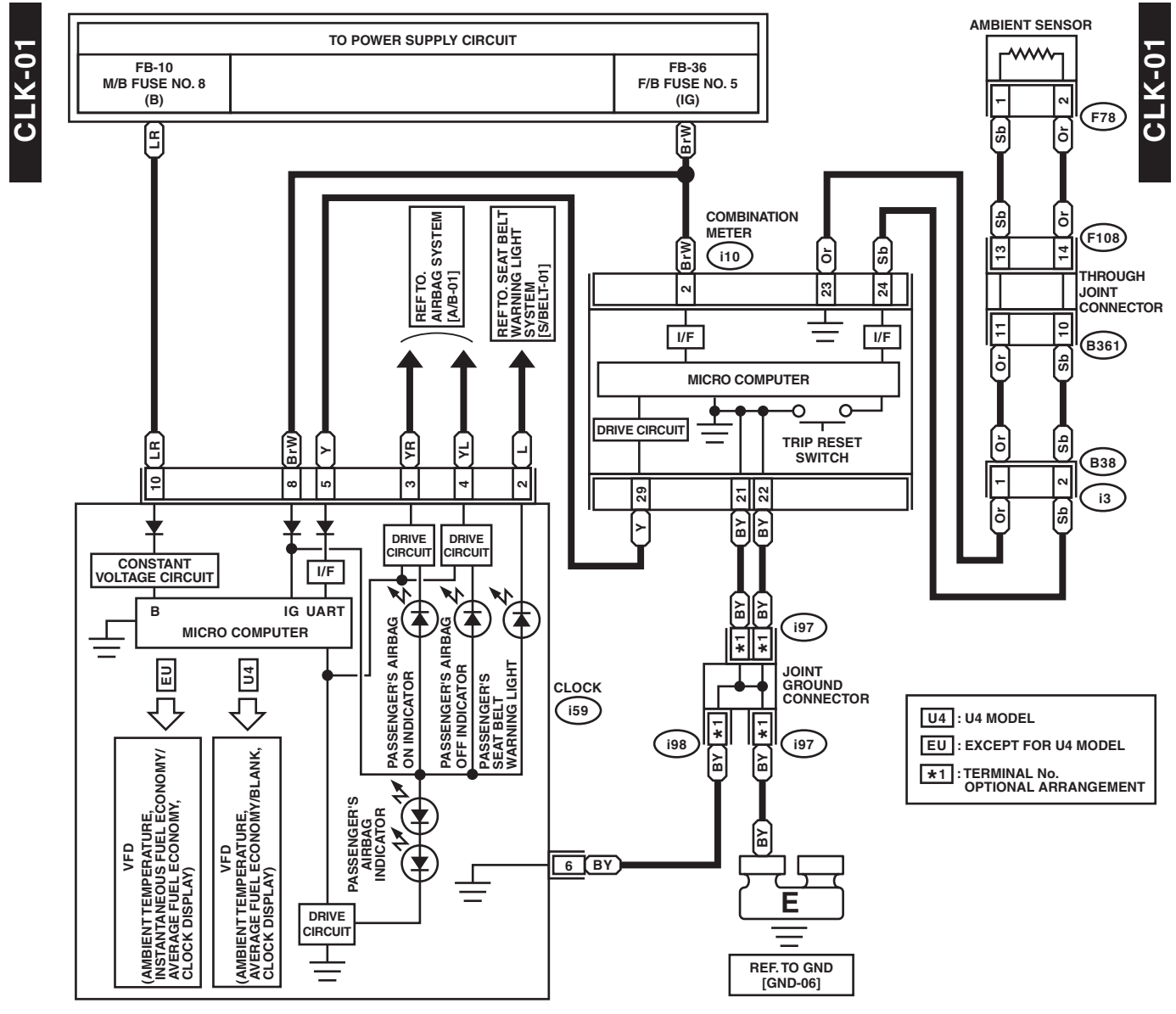
**B310 (BLACK)**



WI-16977

## 40.Clock System

### A: WIRING DIAGRAM



CLK-01

CLK-01

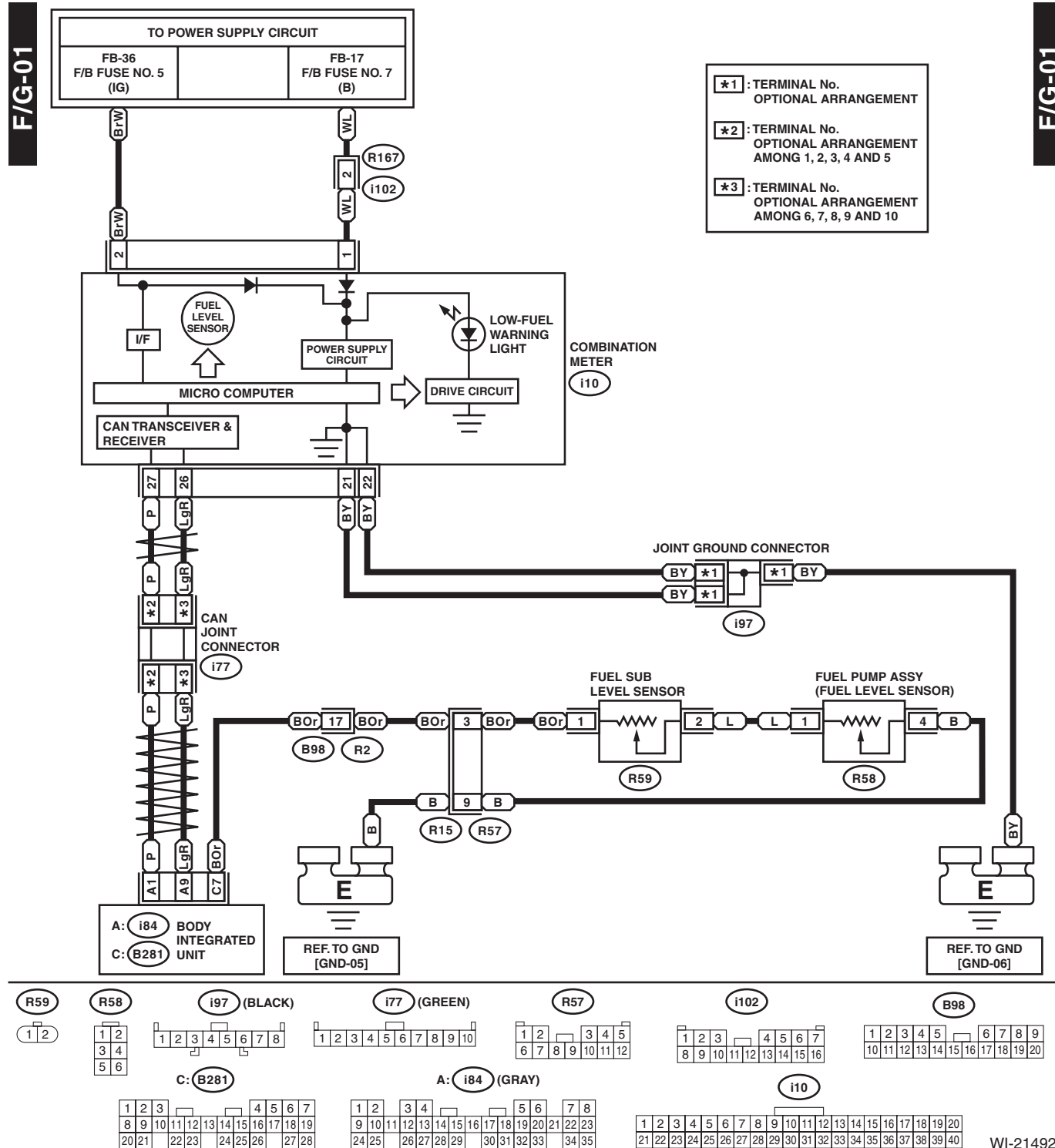
WI-21460

# Fuel Gauge System

WIRING SYSTEM

## 41. Fuel Gauge System

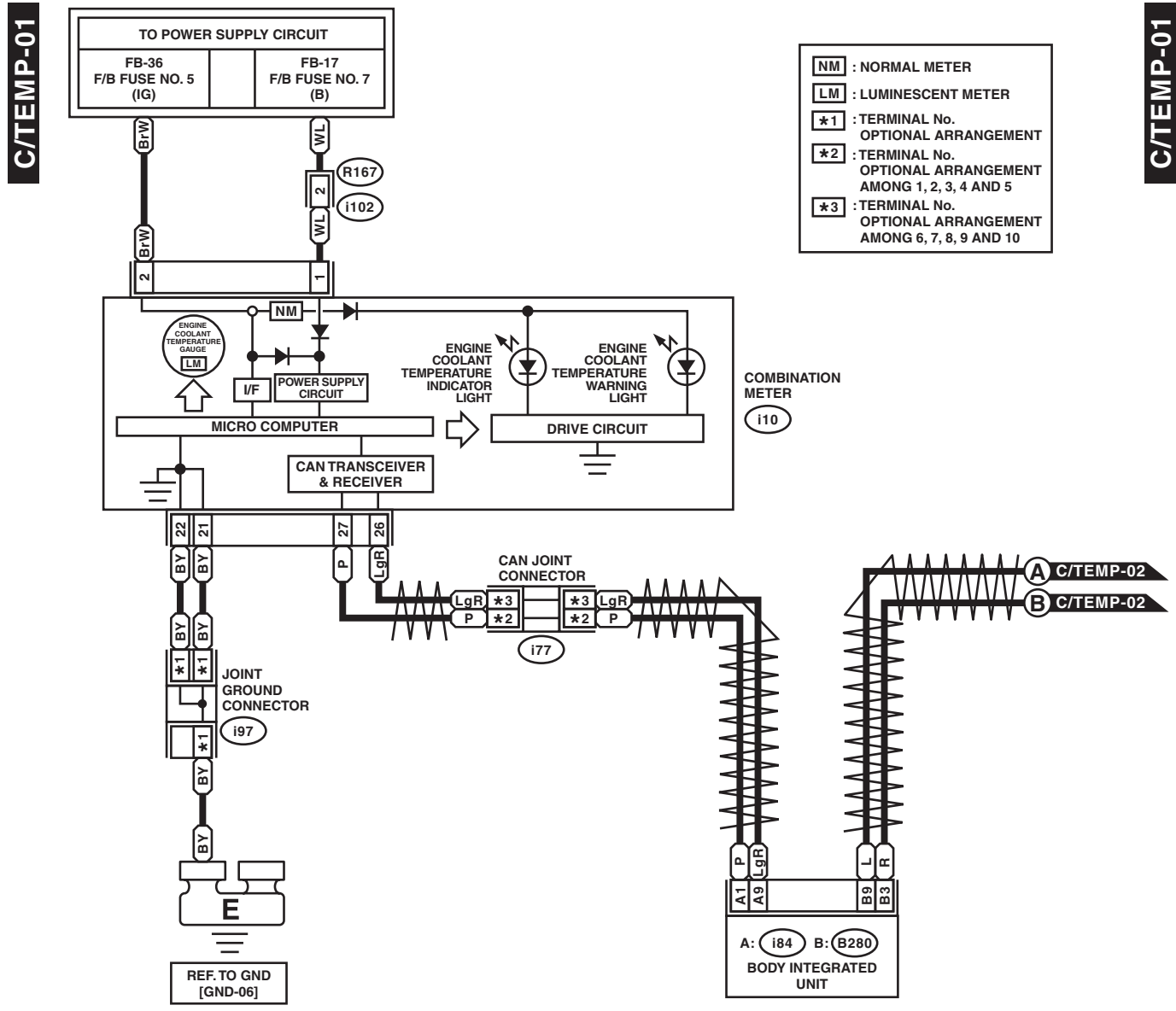
### A: WIRING DIAGRAM



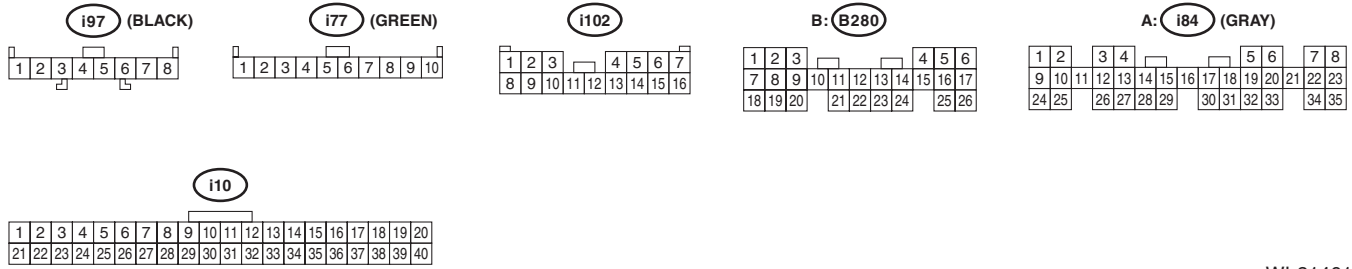
WI-21492

## 42. Coolant Temperature System

### A: WIRING DIAGRAM



- NM** : NORMAL METER
- LM** : LUMINESCENT METER
- \*1** : TERMINAL No. OPTIONAL ARRANGEMENT AMONG 1, 2, 3, 4 AND 5
- \*2** : TERMINAL No. OPTIONAL ARRANGEMENT AMONG 1, 2, 3, 4 AND 5
- \*3** : TERMINAL No. OPTIONAL ARRANGEMENT AMONG 6, 7, 8, 9 AND 10



WI-21461

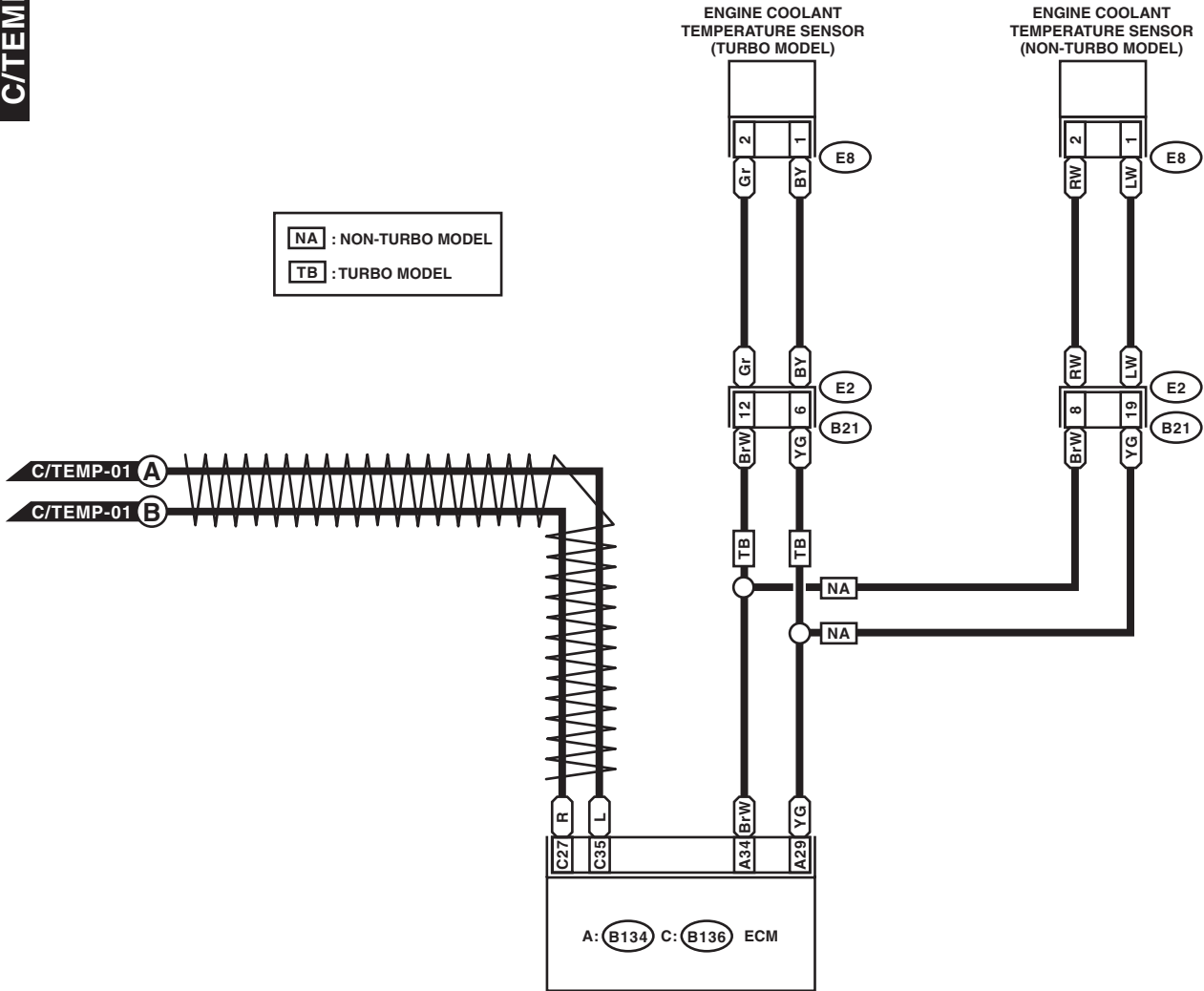
# Coolant Temperature System

WIRING SYSTEM

C/TEMP-02

C/TEMP-02

NA : NON-TURBO MODEL  
TB : TURBO MODEL



E8 (BLACK)

1	2
---	---

A: B134

1	2	3	4	5	6	7			
8	9	10	11	12	13	14	15	16	17
18	19	20	21	22	23	24	25	26	27
28	29	30	31	32	33	34			

C: B136

1	2	3	4	5	6					
7	8	9	10	11	12	13	14	15	16	
17	18	19	20	21	22	23	24	25	26	27
28	29	30	31	32	33	34	35			

B21 (BLACK)

1	2	3	4	5	6	7	8	9	10	11
12	13	14	15	16	17	18	19	20	21	22
23	24	25	26	27	28	29	30	31	32	33
34	35	36	37	38	39	40	41			
42	43	44	45	46	47					
48	49	50	51	52	53	54				

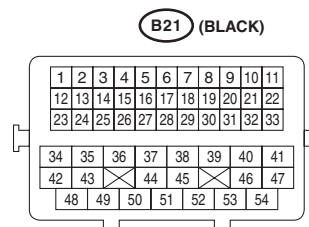
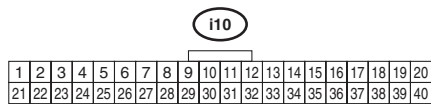
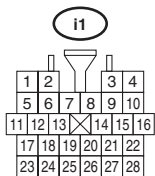
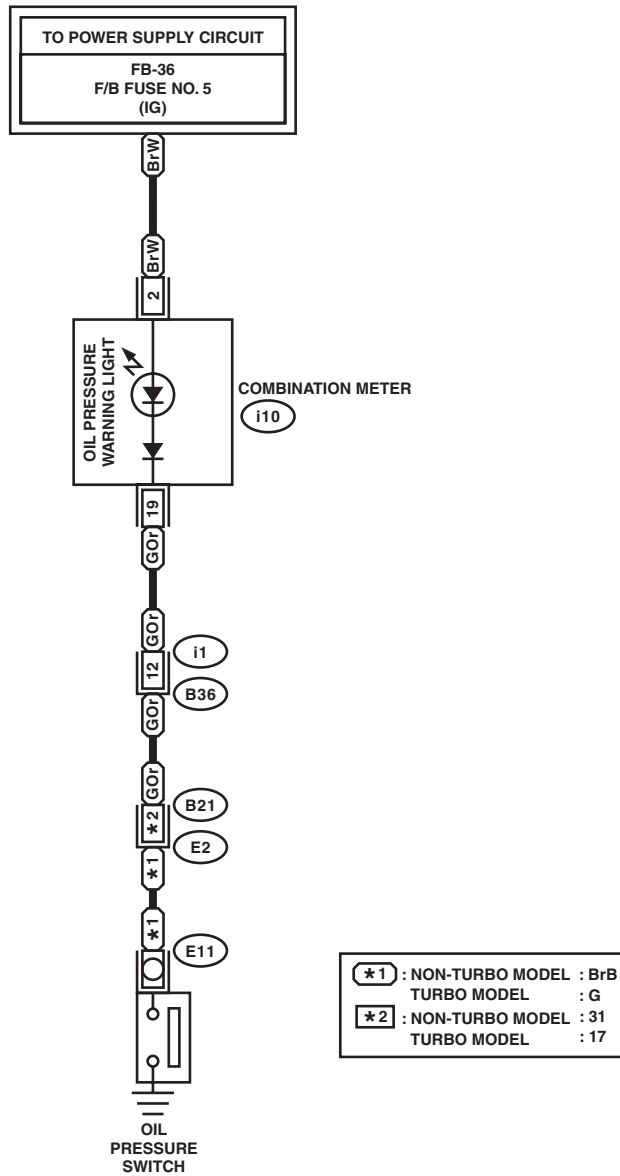
WI-22961

## 43. Oil Pressure Warning Light System

### A: WIRING DIAGRAM

OIL/P-01

OIL/P-01



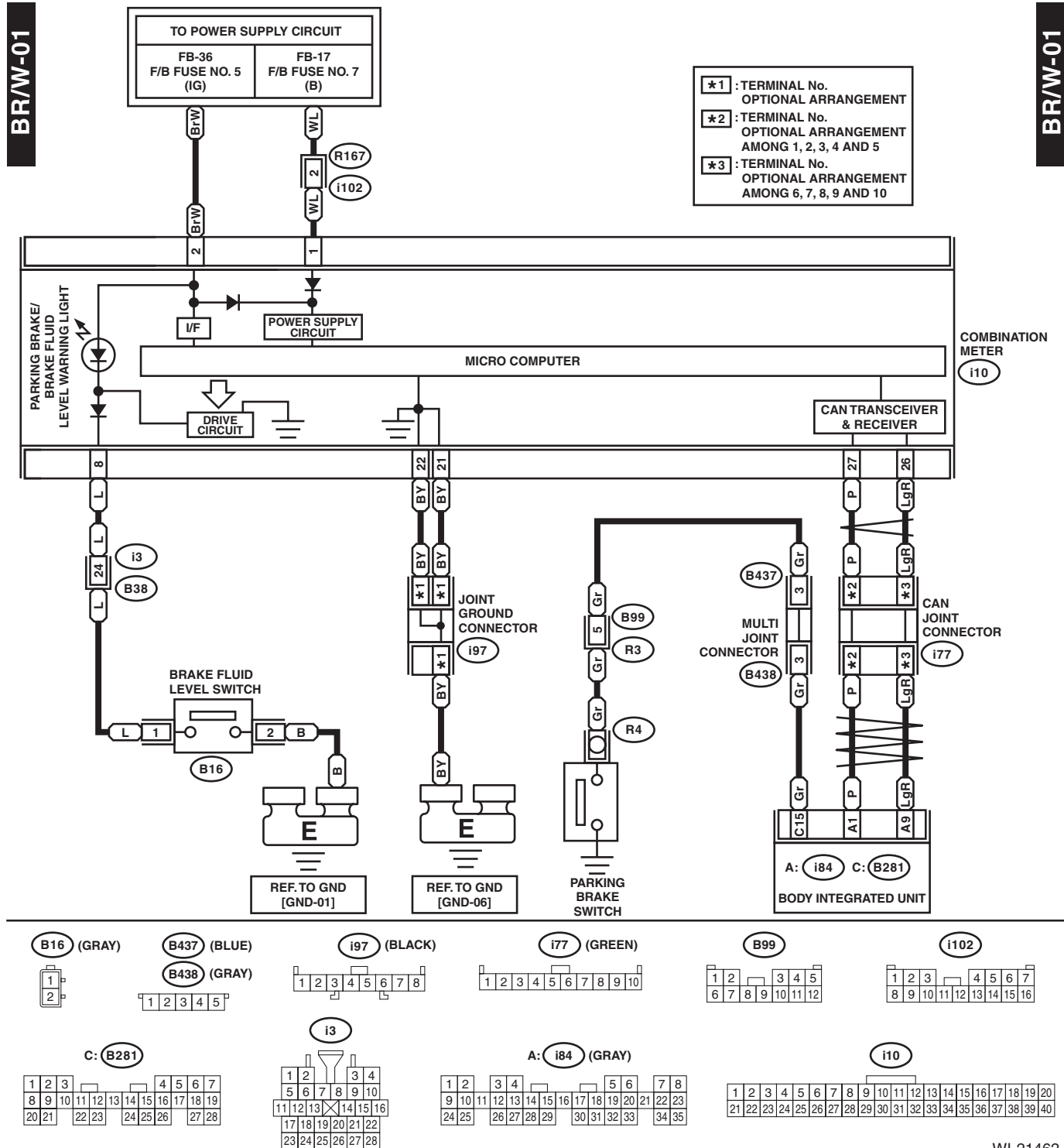


# Parking Brake / Brake Fluid Level Warning Light System

WIRING SYSTEM

## 44. Parking Brake / Brake Fluid Level Warning Light System

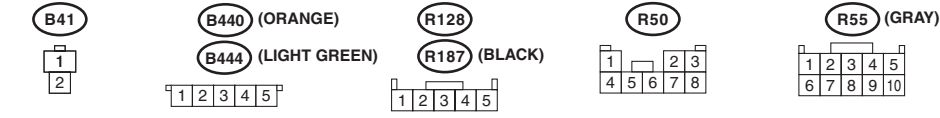
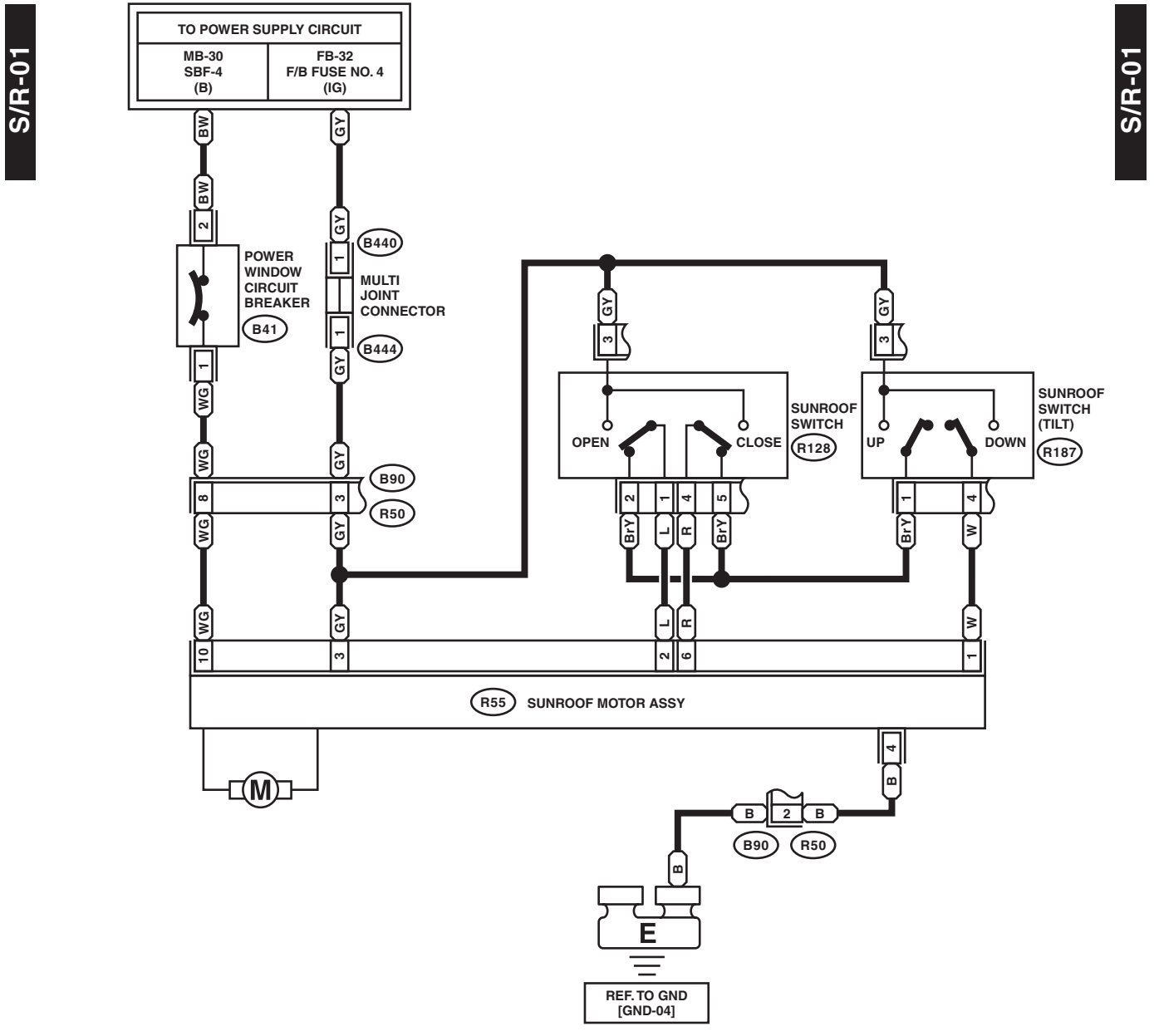
### A: WIRING DIAGRAM



WI-21462

## 45.Sunroof Control System

### A: WIRING DIAGRAM

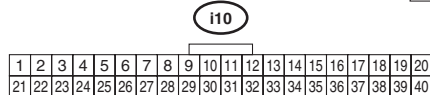
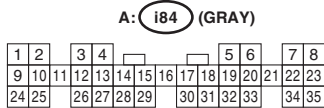
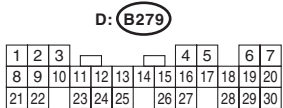
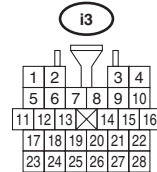
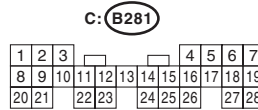
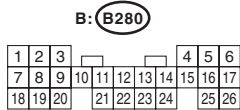
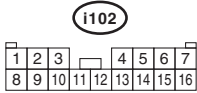
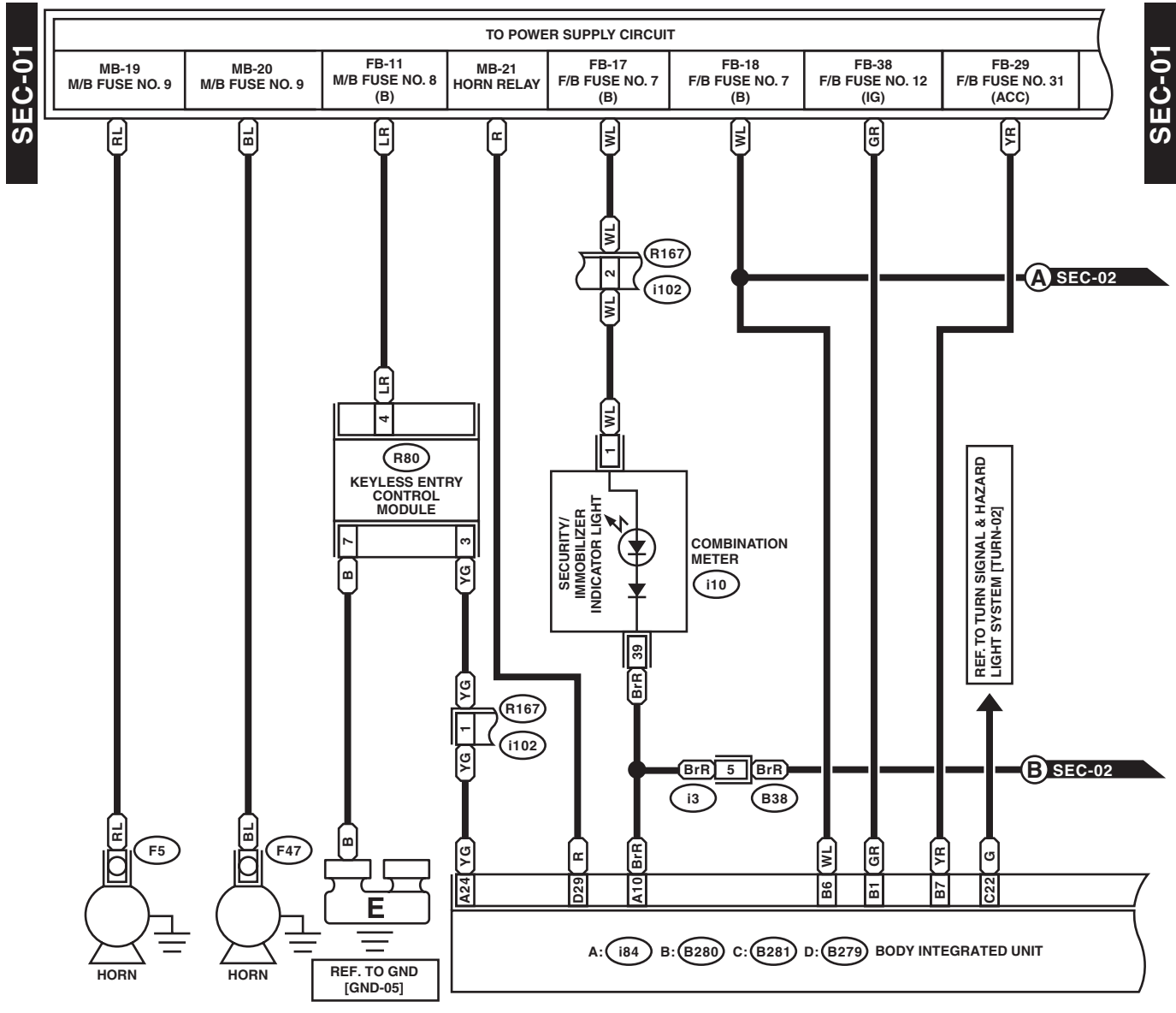


# Security System

WIRING SYSTEM

## 46. Security System

### A: WIRING DIAGRAM



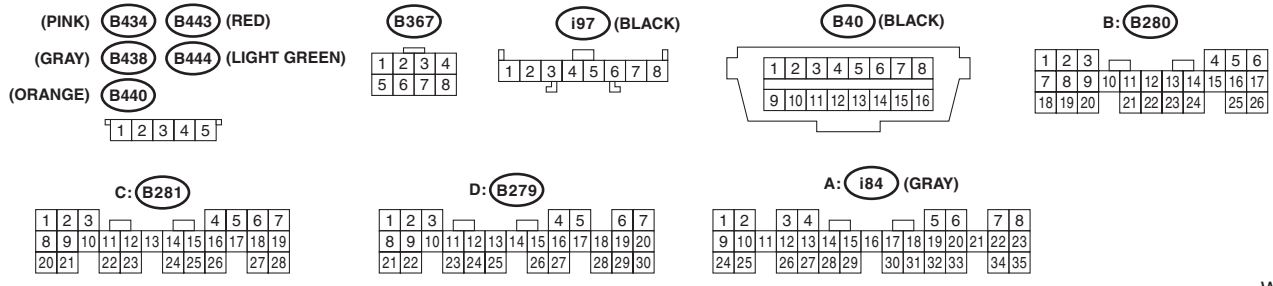
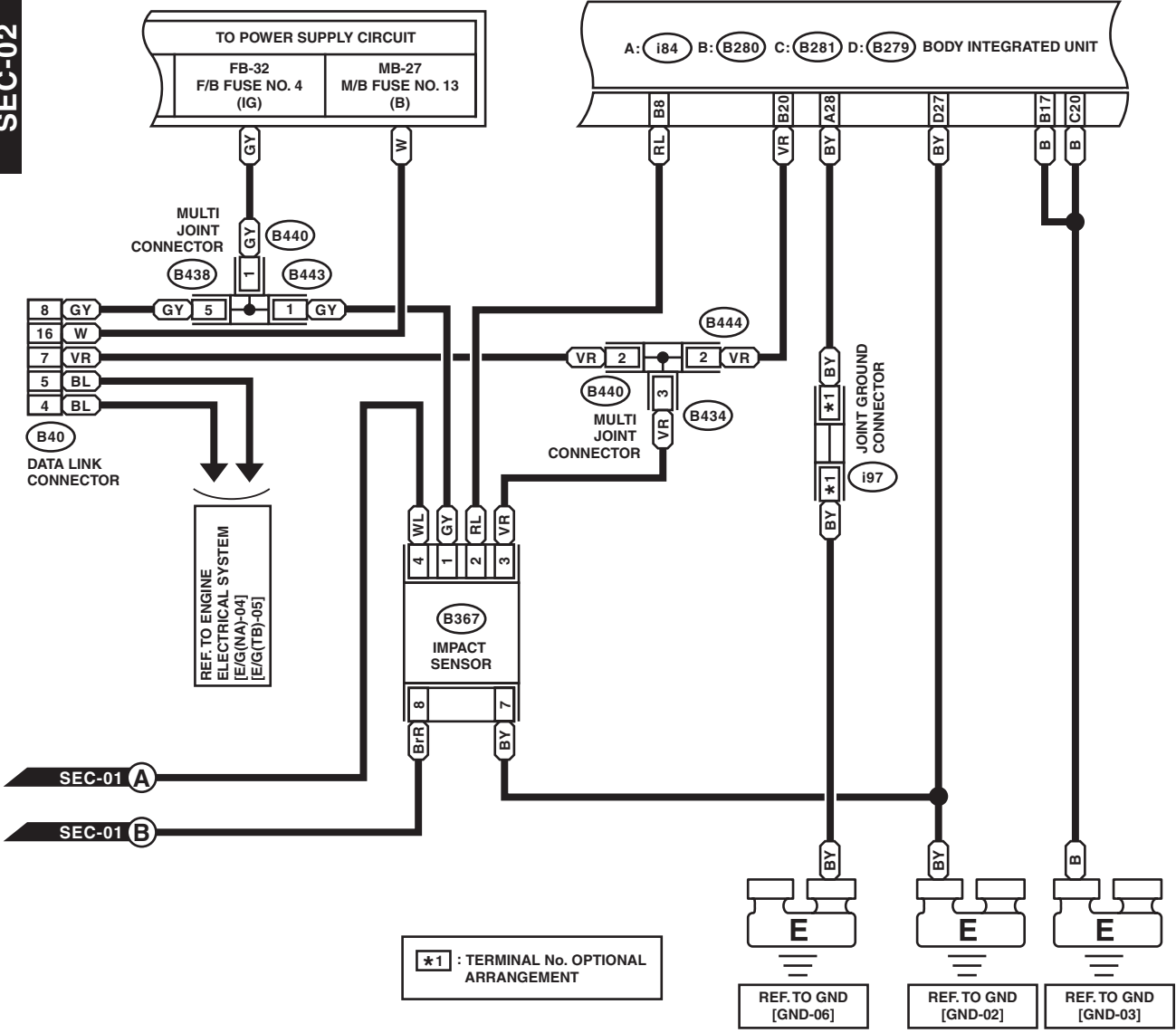
WI-22963

# Security System

WIRING SYSTEM

**SEC-02**

**SEC-02**



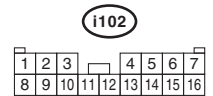
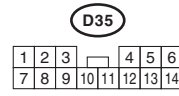
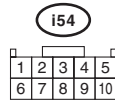
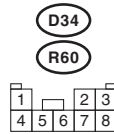
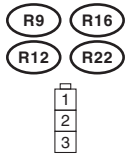
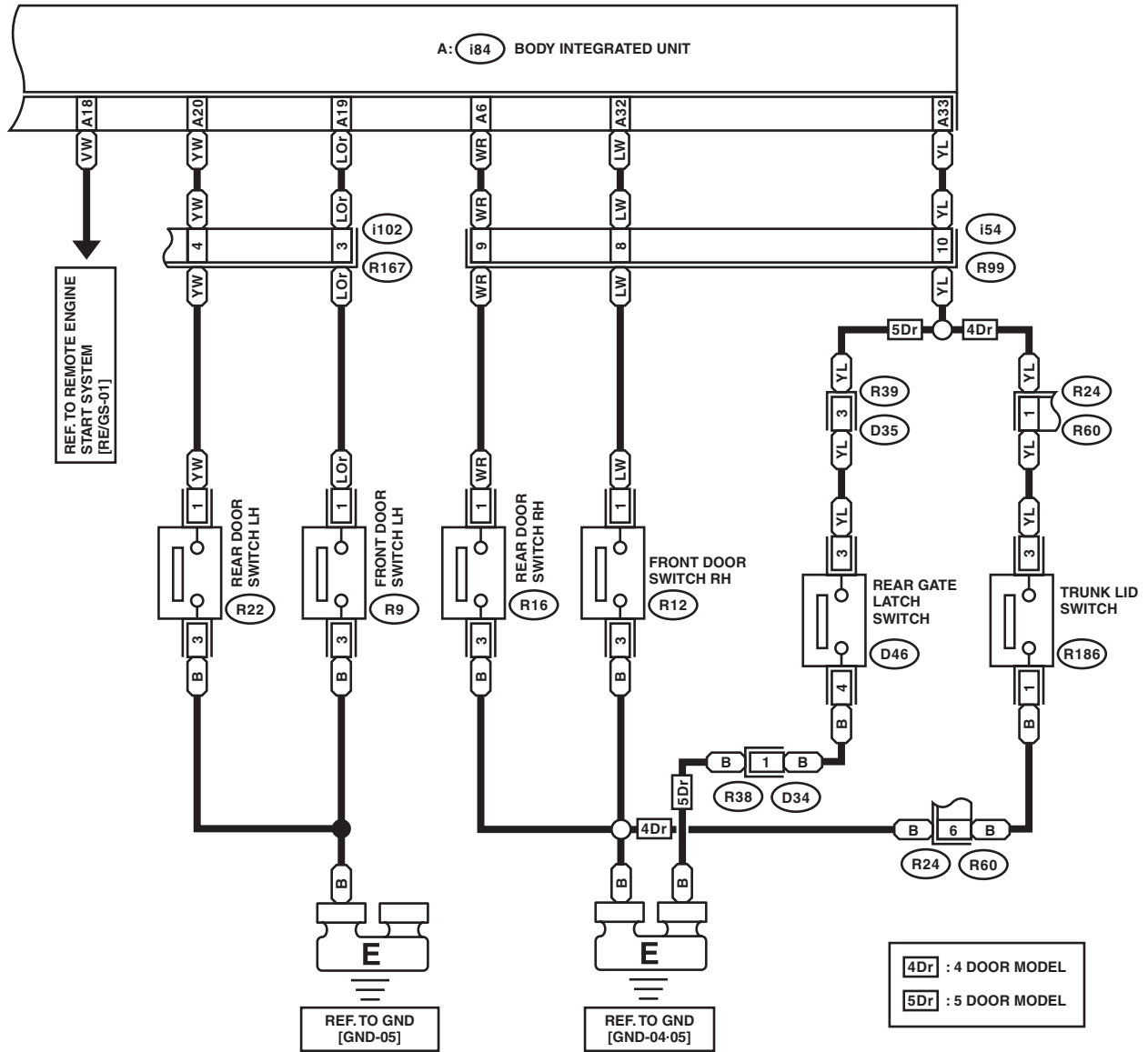
WI-21464

# Security System

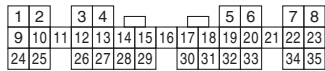
## WIRING SYSTEM

SEC-03

SEC-03



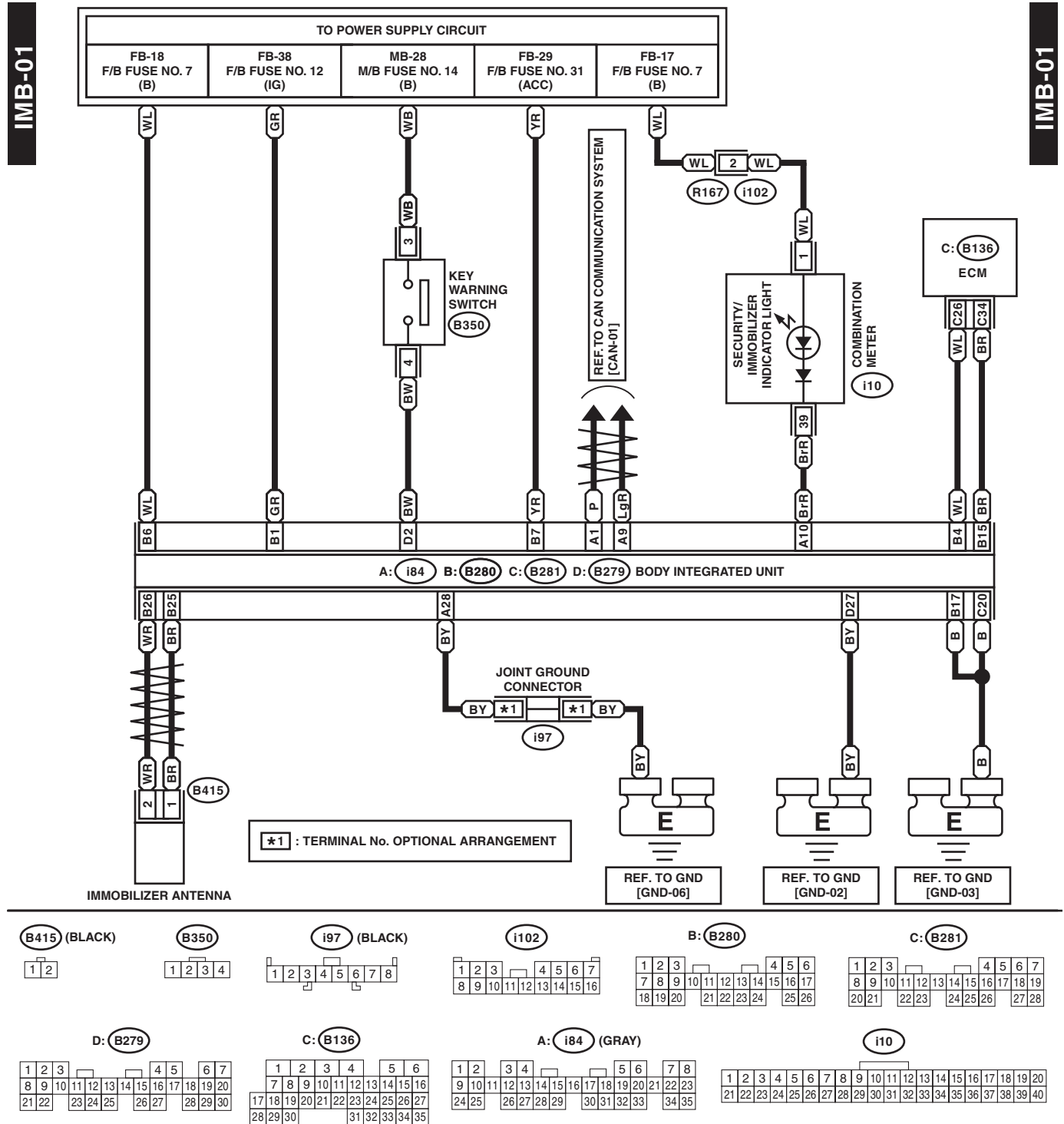
A: i84 (GRAY)



WI-21465

## 47. Immobilizer System

### A: WIRING DIAGRAM



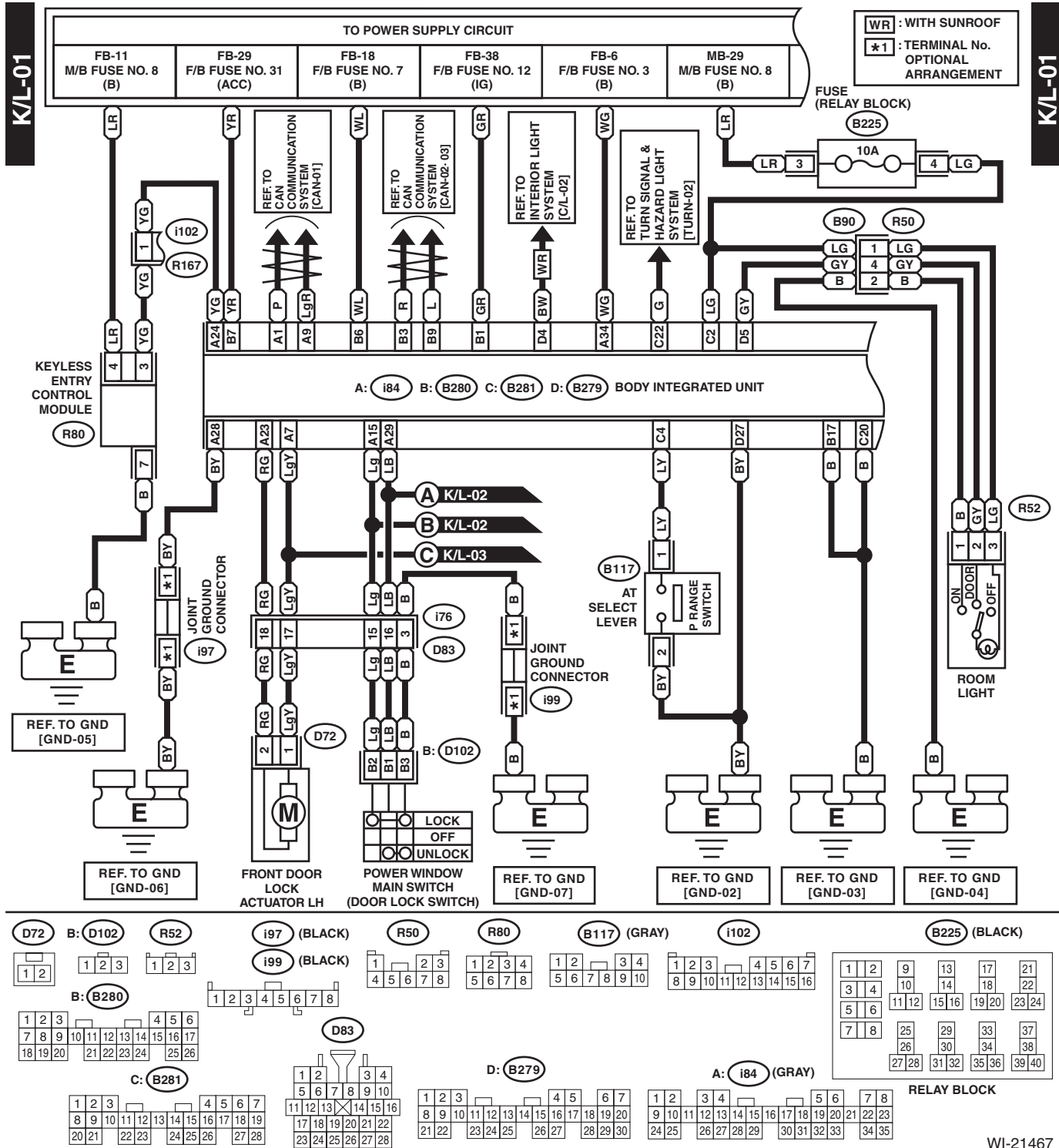
WI-21466

# Keyless Entry System

WIRING SYSTEM

## 48. Keyless Entry System

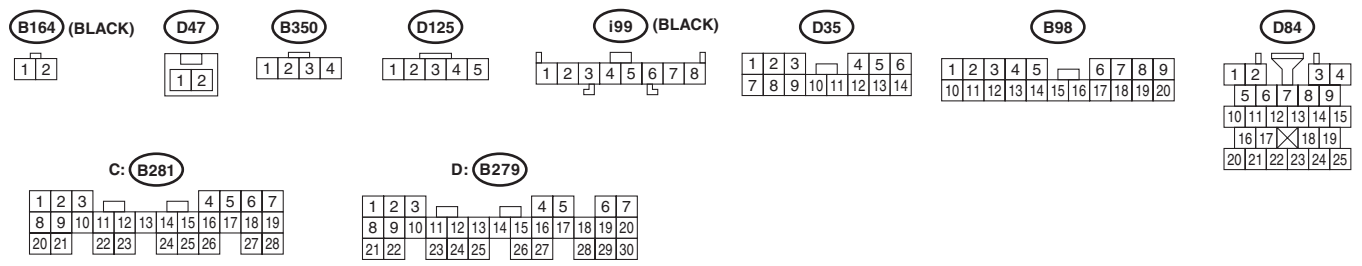
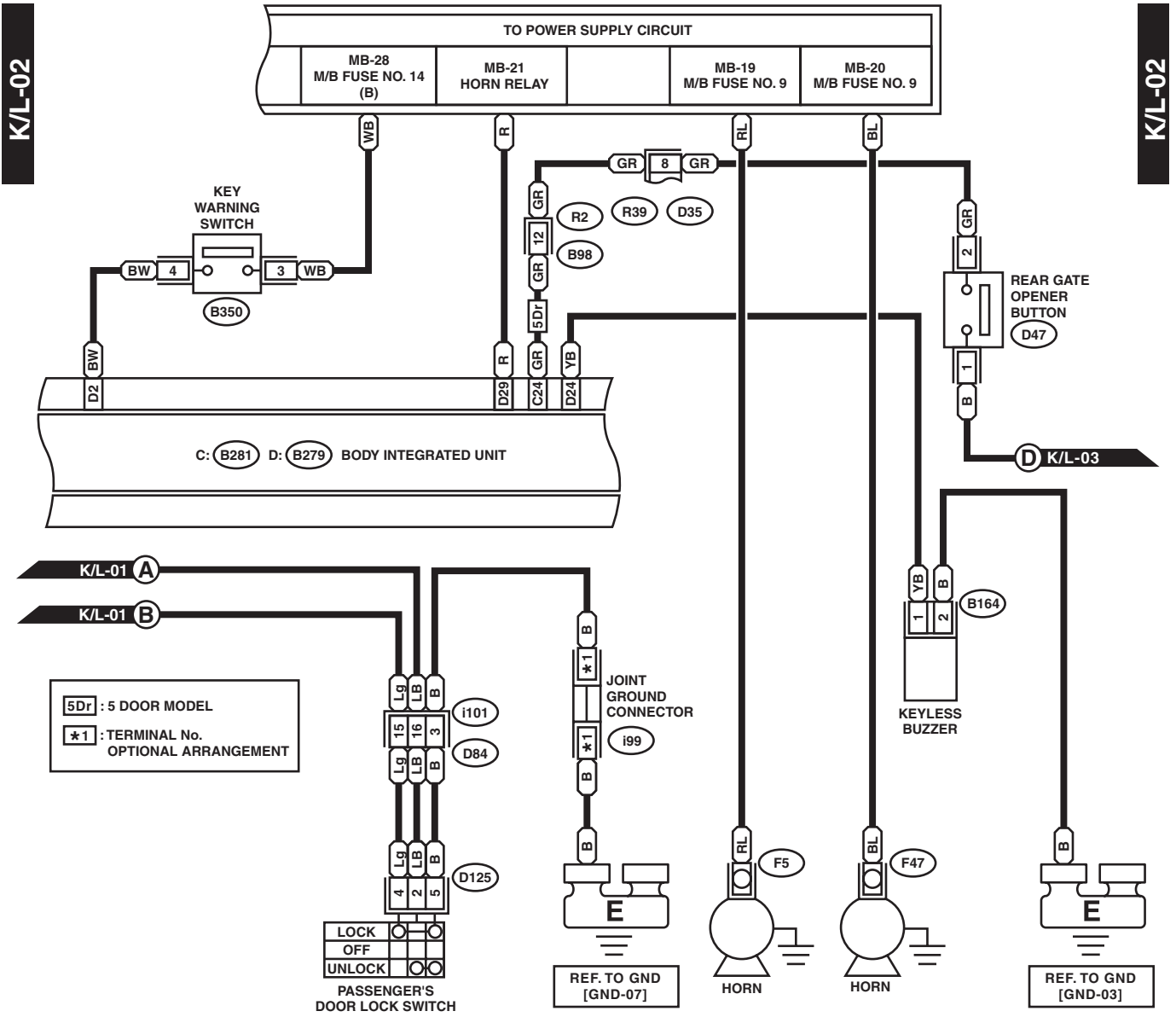
### A: WIRING DIAGRAM



WI-21467

# Keyless Entry System

WIRING SYSTEM

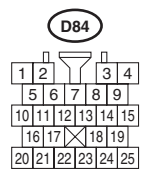
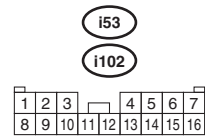
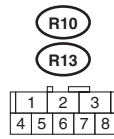
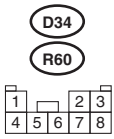
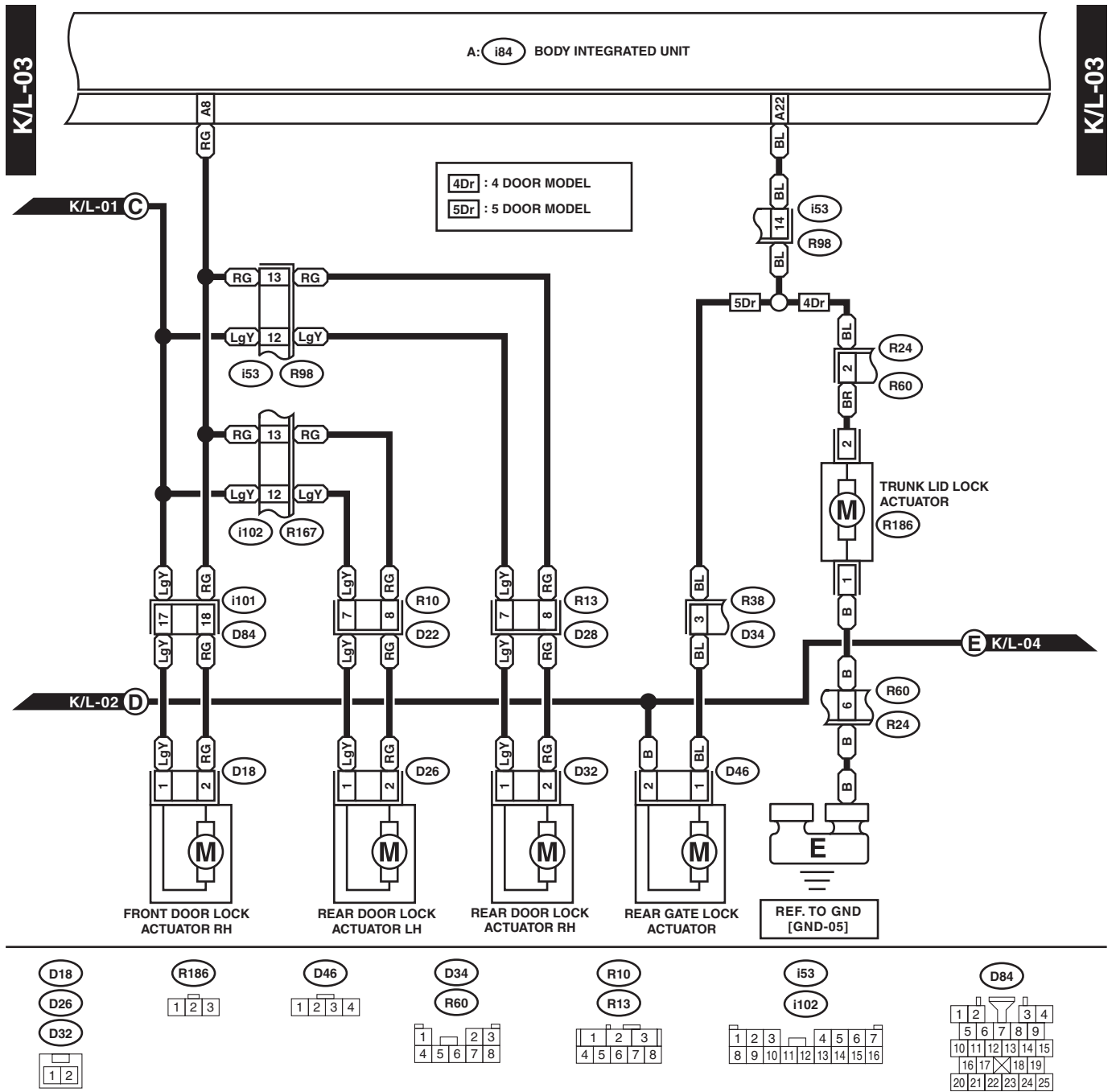


WI-22964

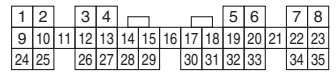


# Keyless Entry System

## WIRING SYSTEM



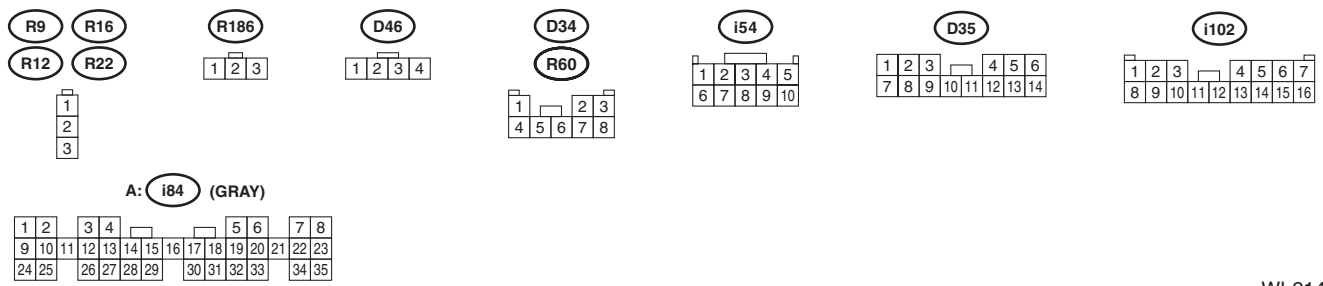
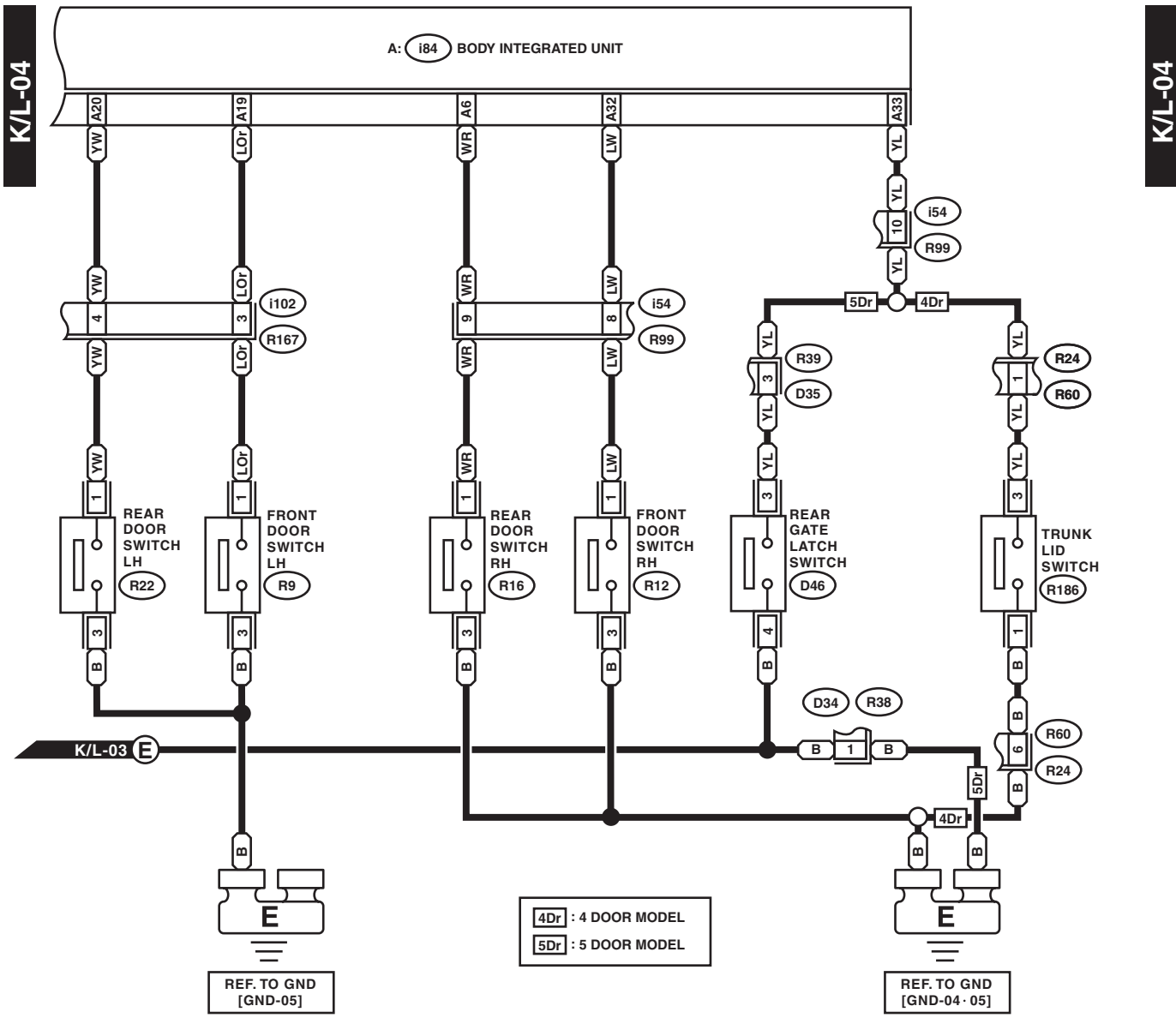
**A: i84 (GRAY)**



WI-21468

# Keyless Entry System

WIRING SYSTEM



WI-21469

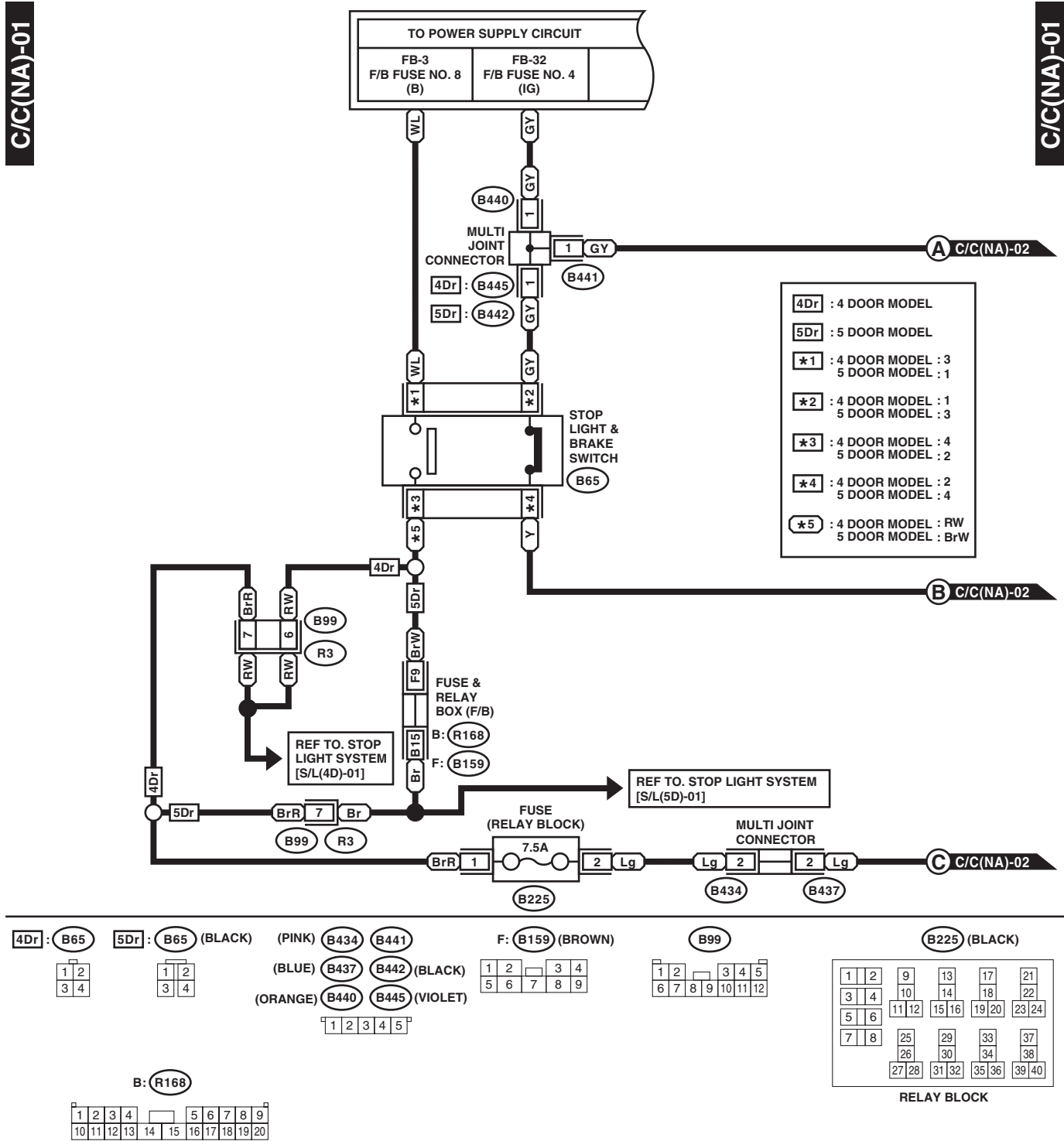
# Cruise Control System

WIRING SYSTEM

## 49. Cruise Control System

### A: WIRING DIAGRAM

#### 1. NON-TURBO MODEL



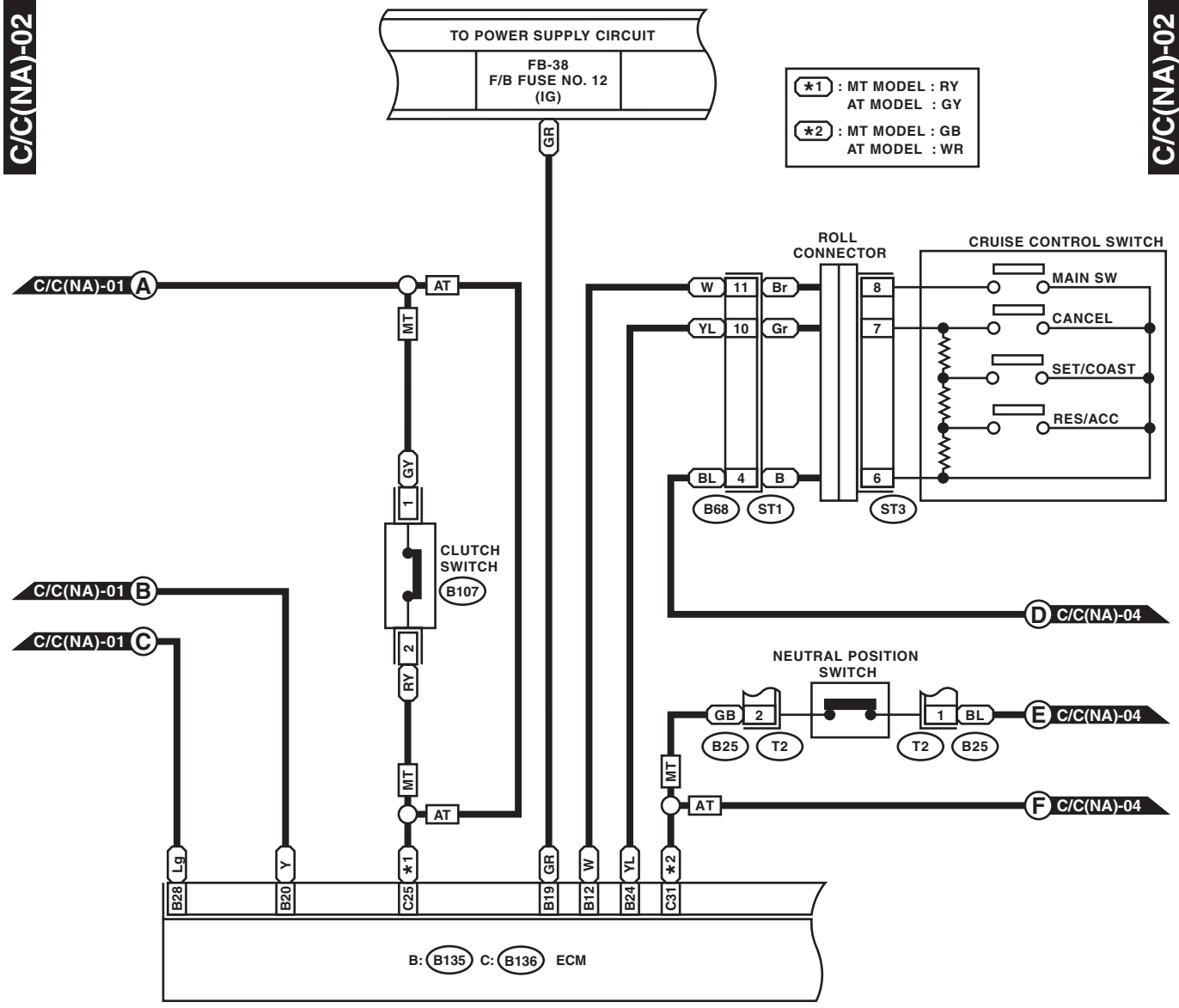
WI-22151

# Cruise Control System

WIRING SYSTEM

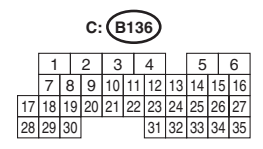
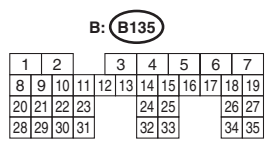
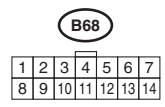
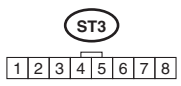
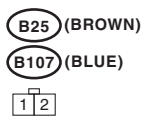
C/C(NA)-02

C/C(NA)-02



\*1 : MT MODEL : RY  
AT MODEL : GY

\*2 : MT MODEL : GB  
AT MODEL : WR



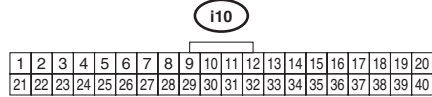
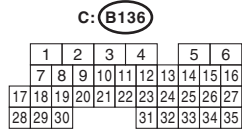
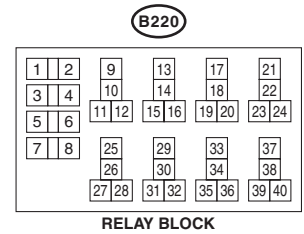
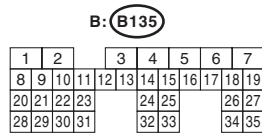
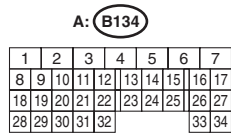
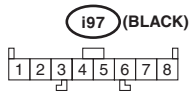
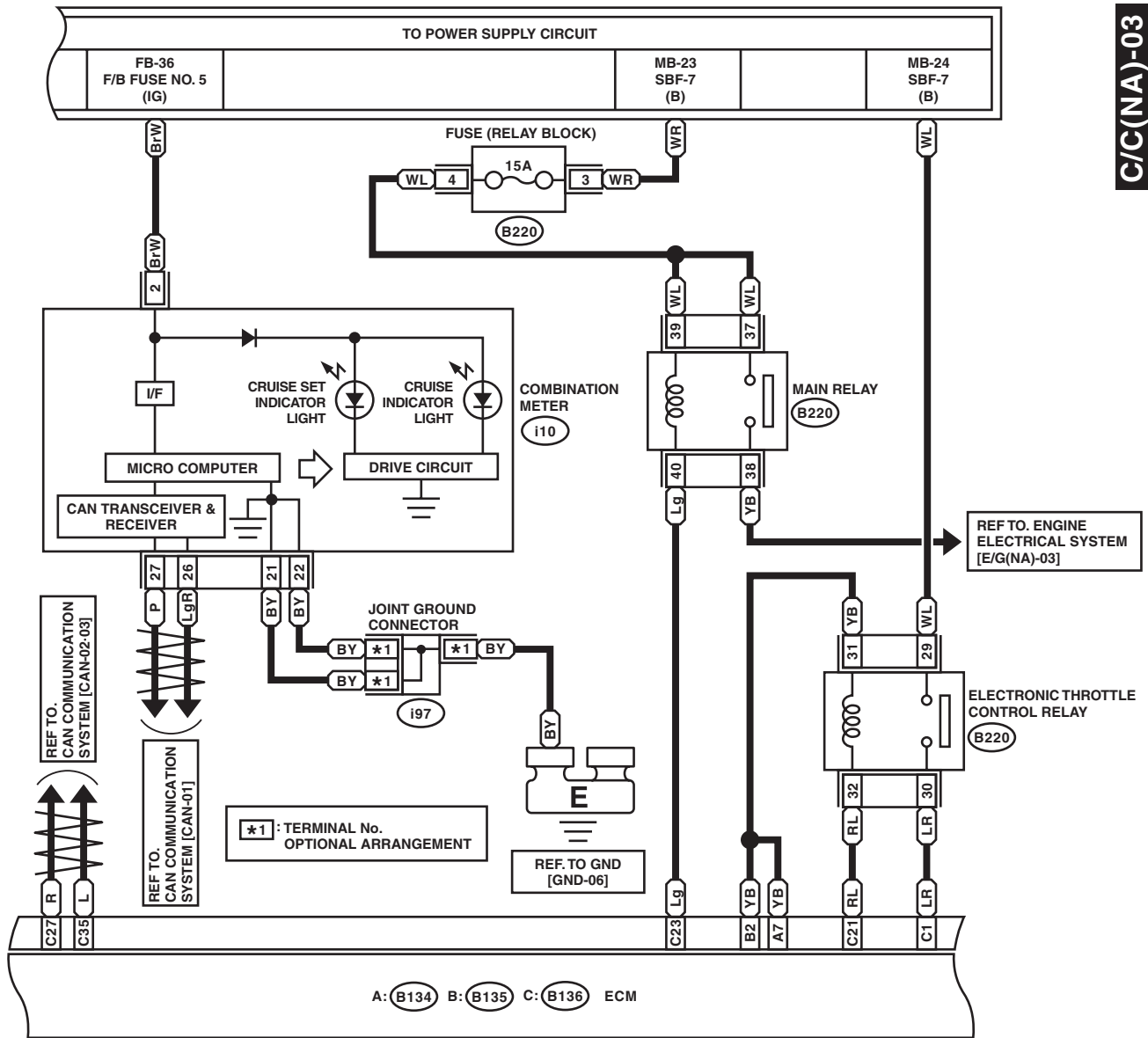
WI-16994

# Cruise Control System

WIRING SYSTEM

C/C(NA)-03

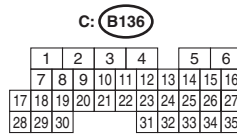
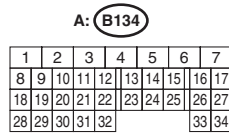
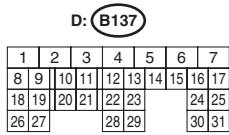
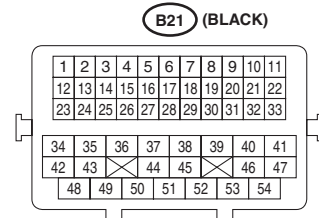
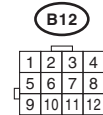
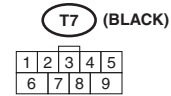
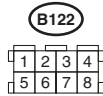
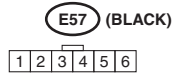
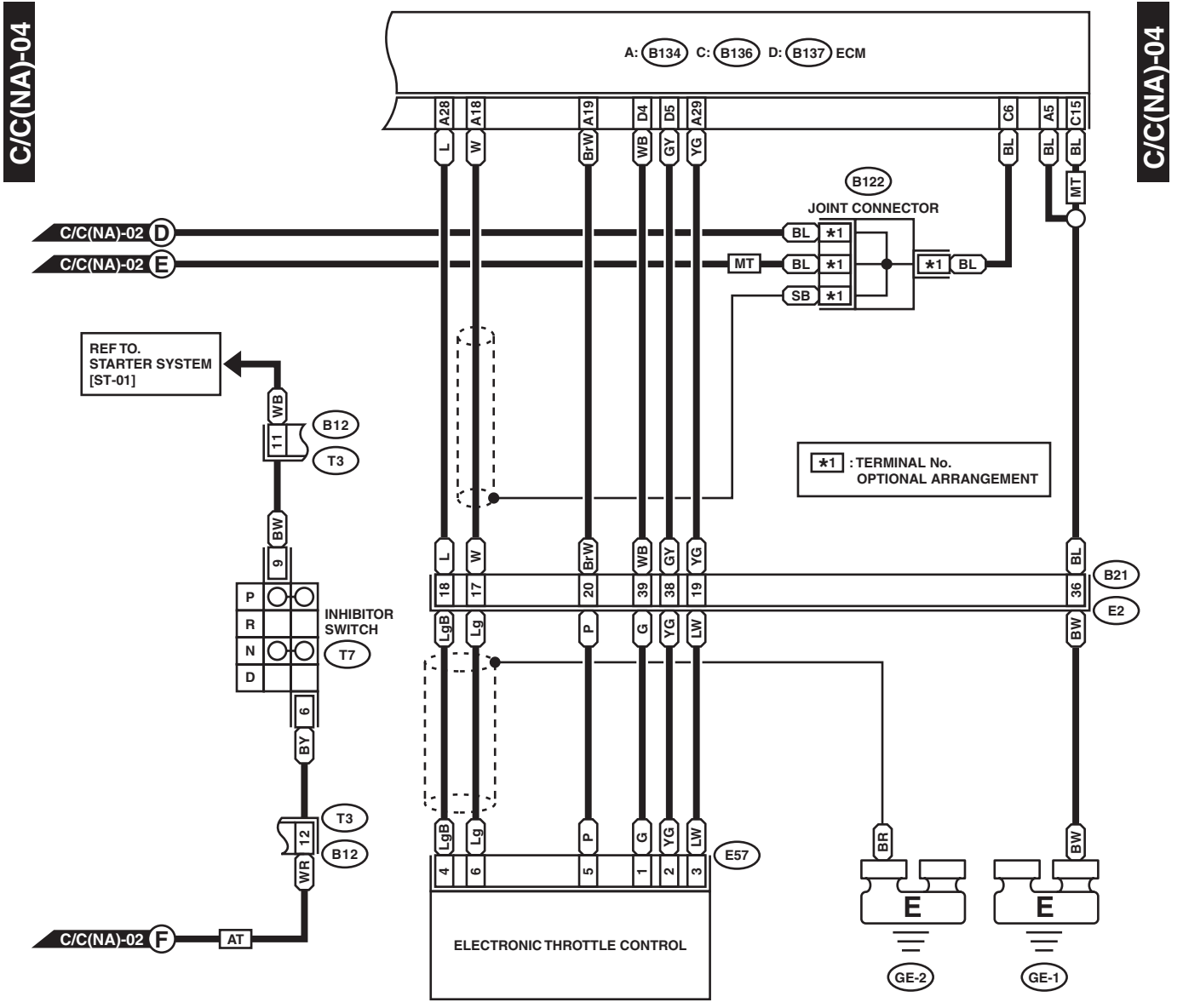
C/C(NA)-03



WI-22965

# Cruise Control System

WIRING SYSTEM



WI-21470

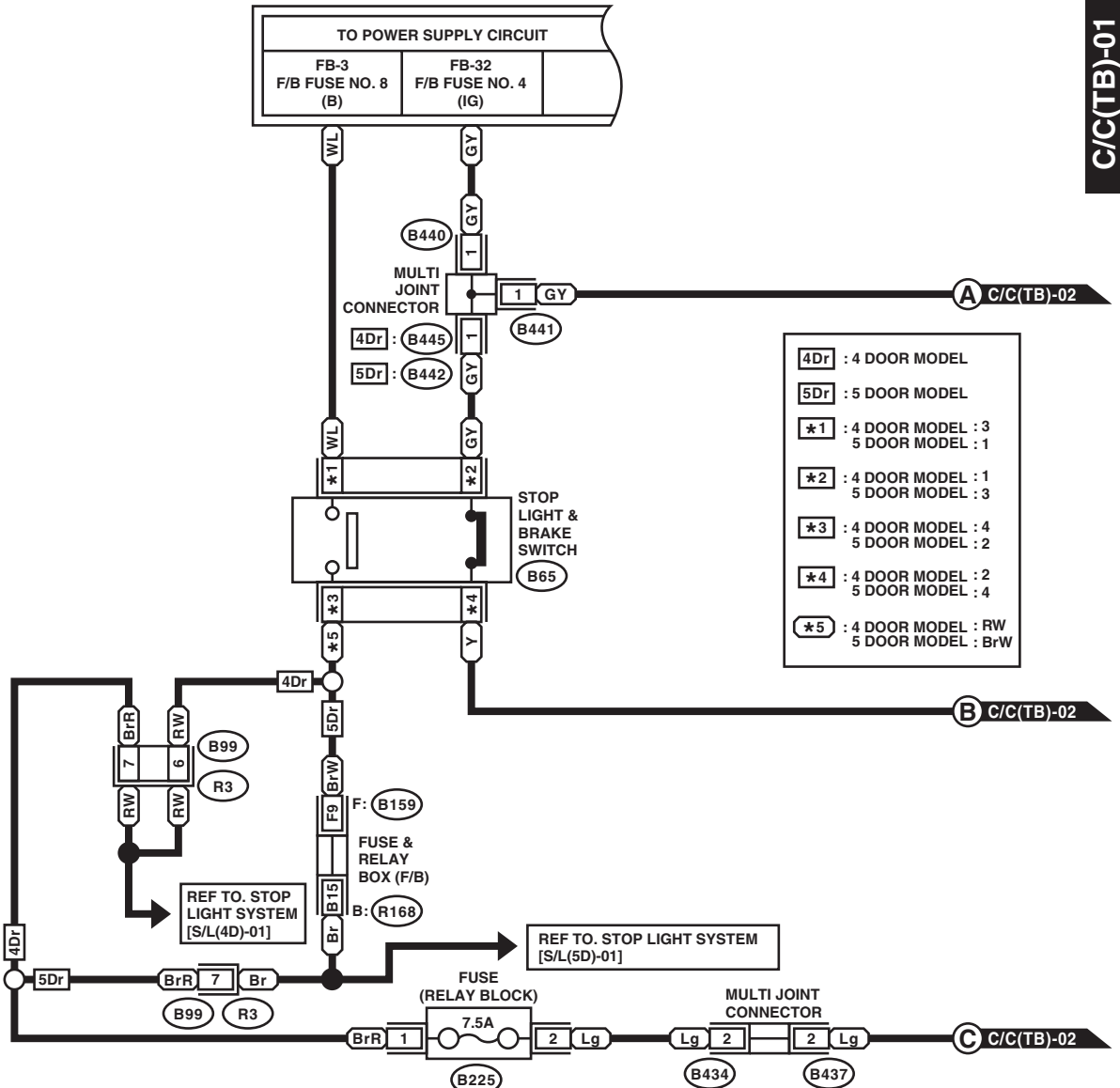
# Cruise Control System

## WIRING SYSTEM

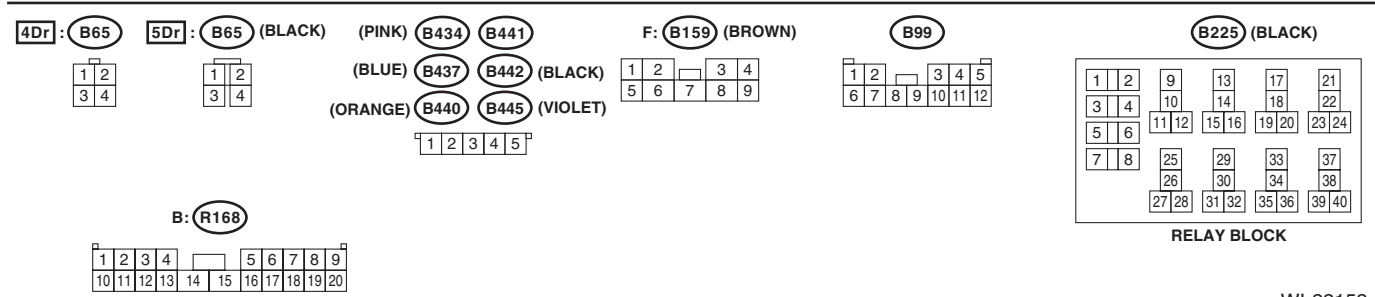
### 2. TURBO MODEL

C/C(TB)-01

C/C(TB)-01



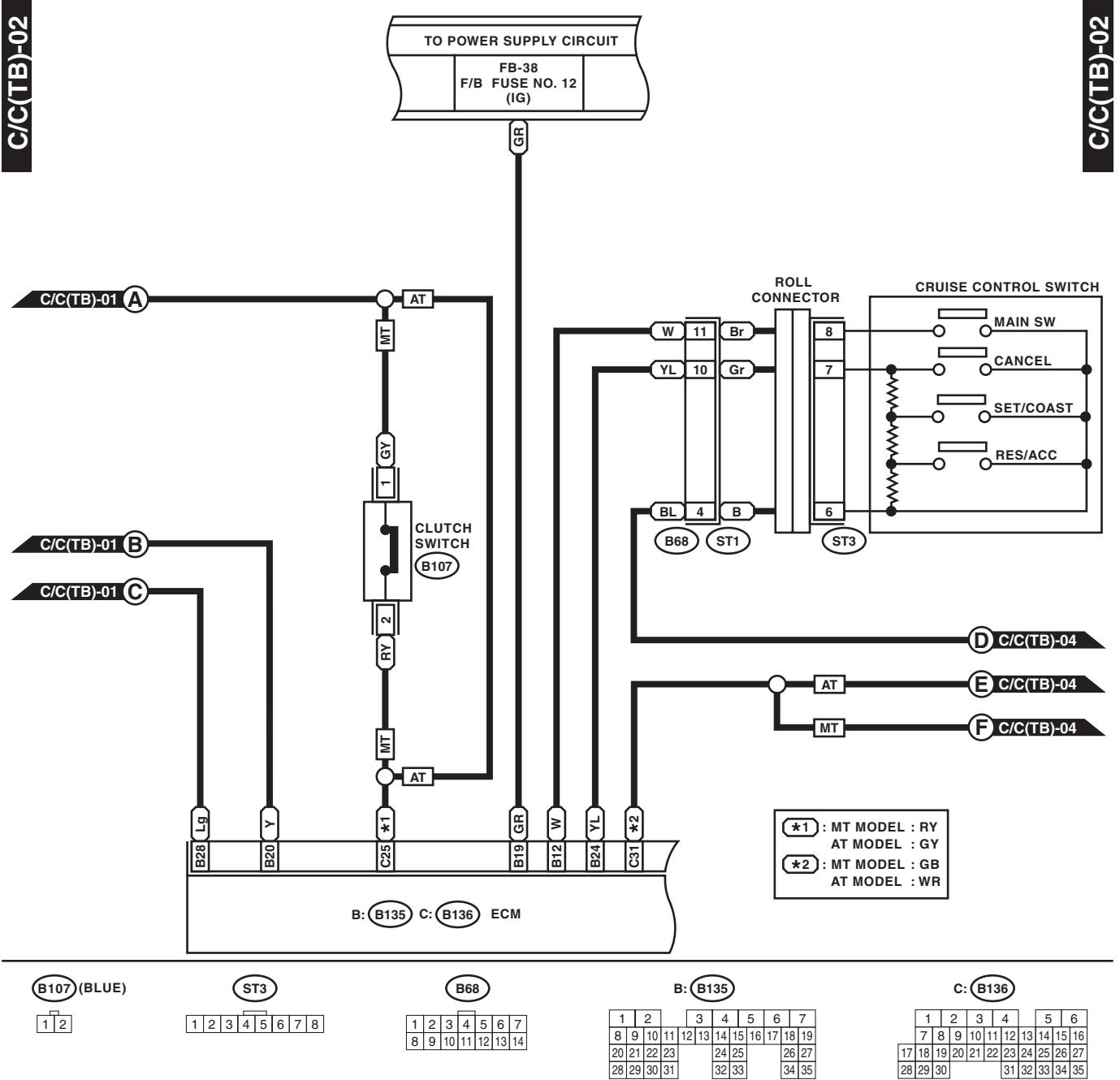
- 4Dr : 4 DOOR MODEL
- 5Dr : 5 DOOR MODEL
- \*1 : 4 DOOR MODEL : 3  
5 DOOR MODEL : 1
- \*2 : 4 DOOR MODEL : 1  
5 DOOR MODEL : 3
- \*3 : 4 DOOR MODEL : 4  
5 DOOR MODEL : 2
- \*4 : 4 DOOR MODEL : 2  
5 DOOR MODEL : 4
- \*5 : 4 DOOR MODEL : RW  
5 DOOR MODEL : BrW



WI-22152

# Cruise Control System

WIRING SYSTEM



WI-16998

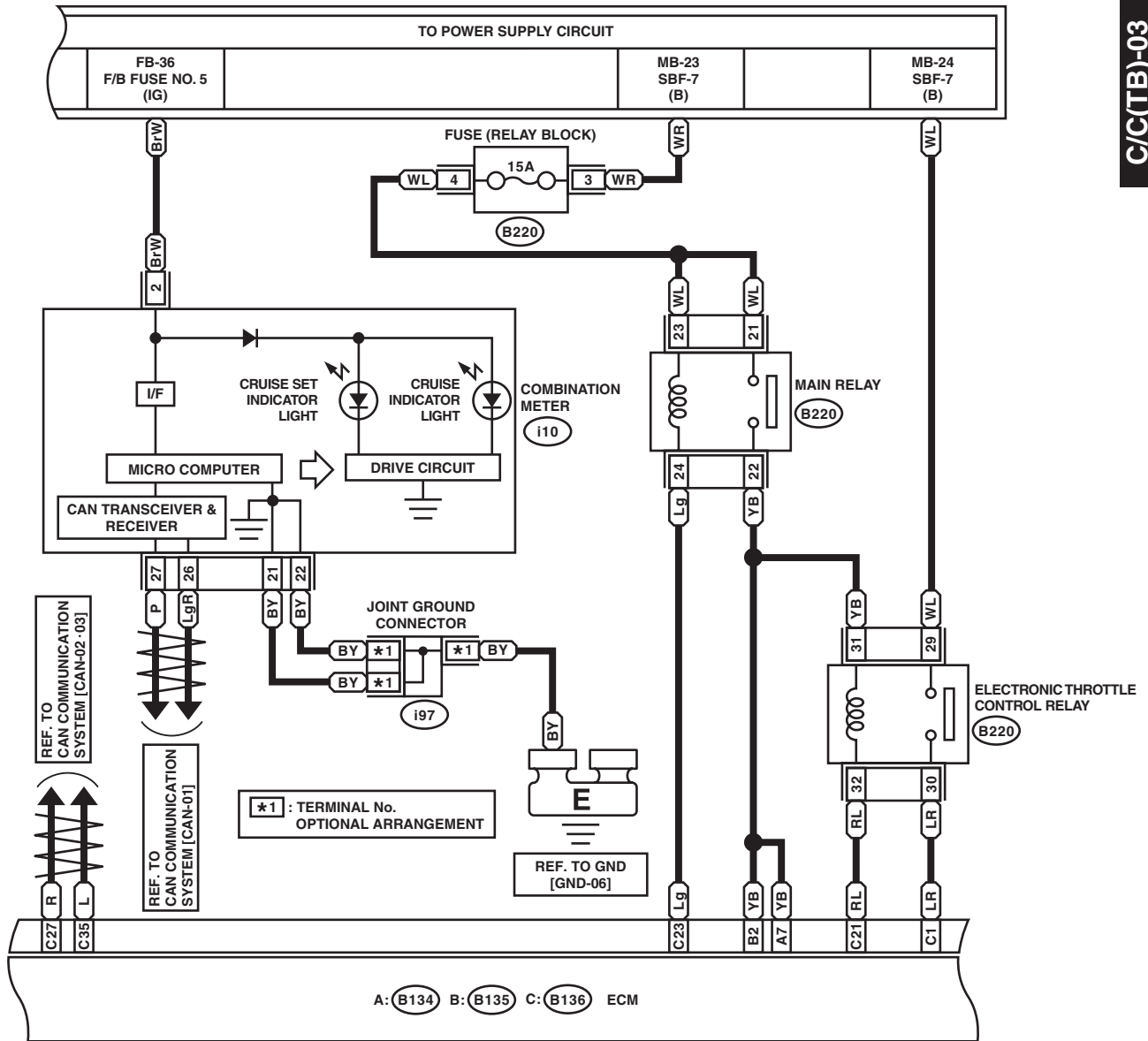


# Cruise Control System

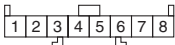
## WIRING SYSTEM

C/C(TB)-03

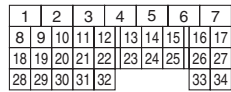
C/C(TB)-03



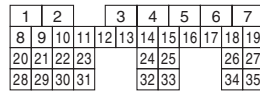
(i97) (BLACK)



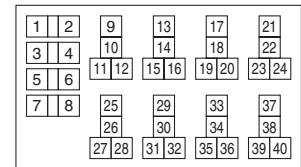
A: (B134)



B: (B135)

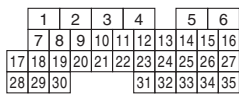


(B220)

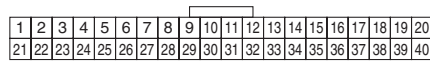


RELAY BLOCK

C: (B136)



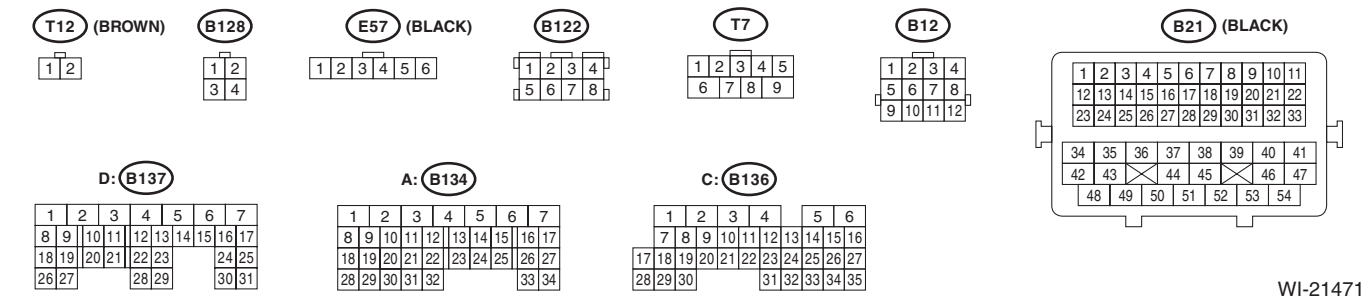
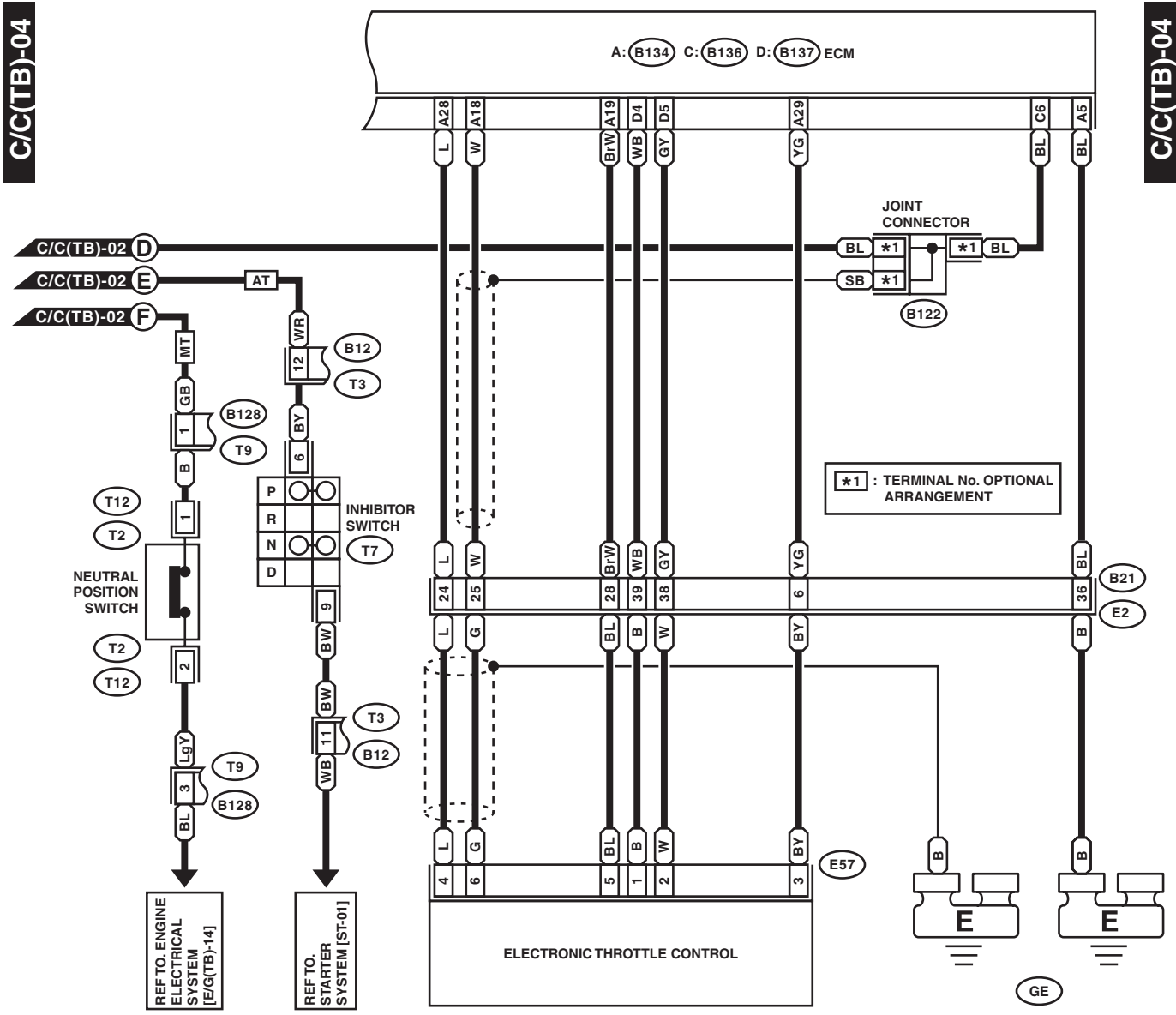
(i10)



WI-22966

# Cruise Control System

WIRING SYSTEM



WI-21471

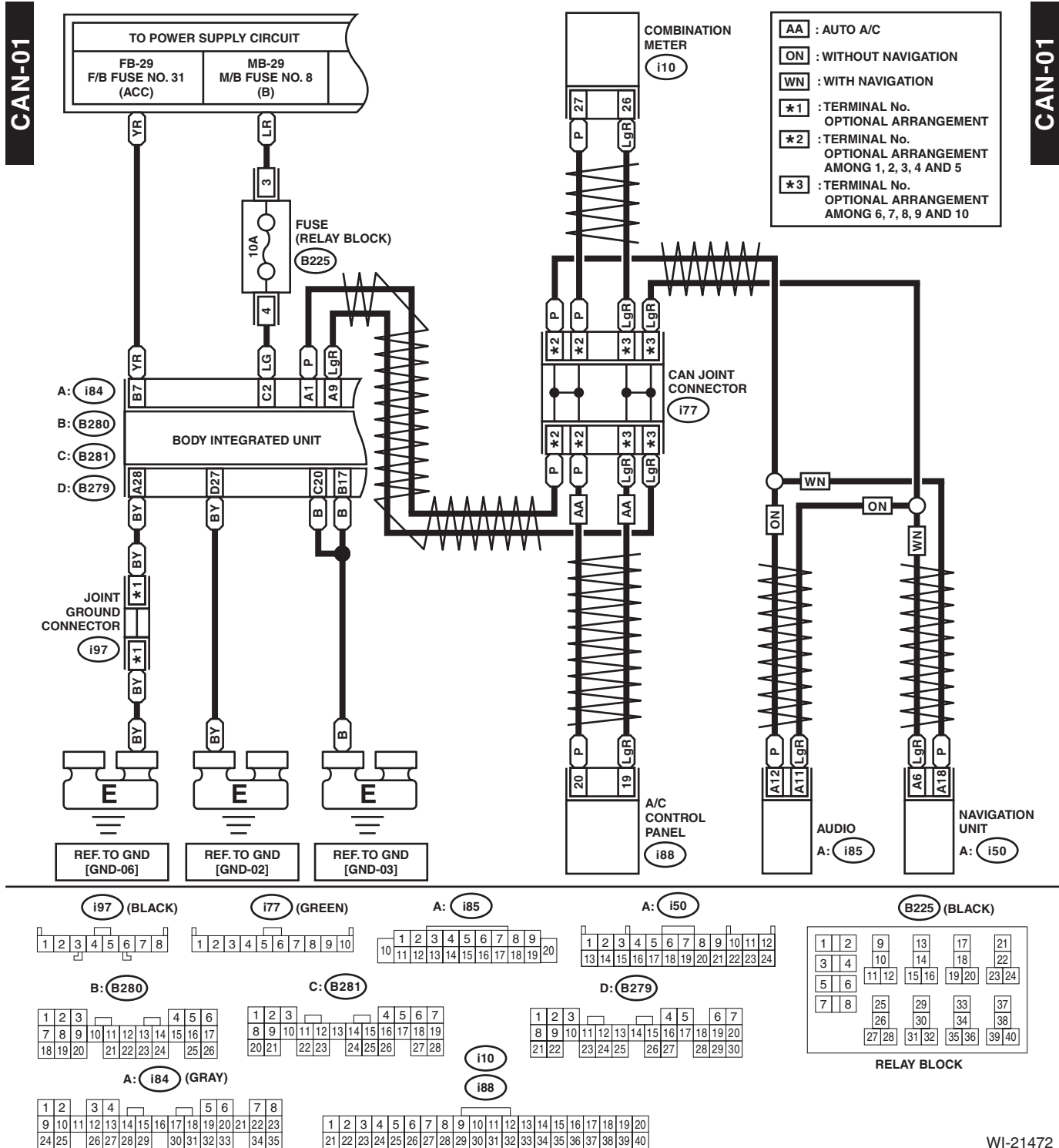
# CAN Communication System

WIRING SYSTEM

## 50. CAN Communication System

### A: WIRING DIAGRAM

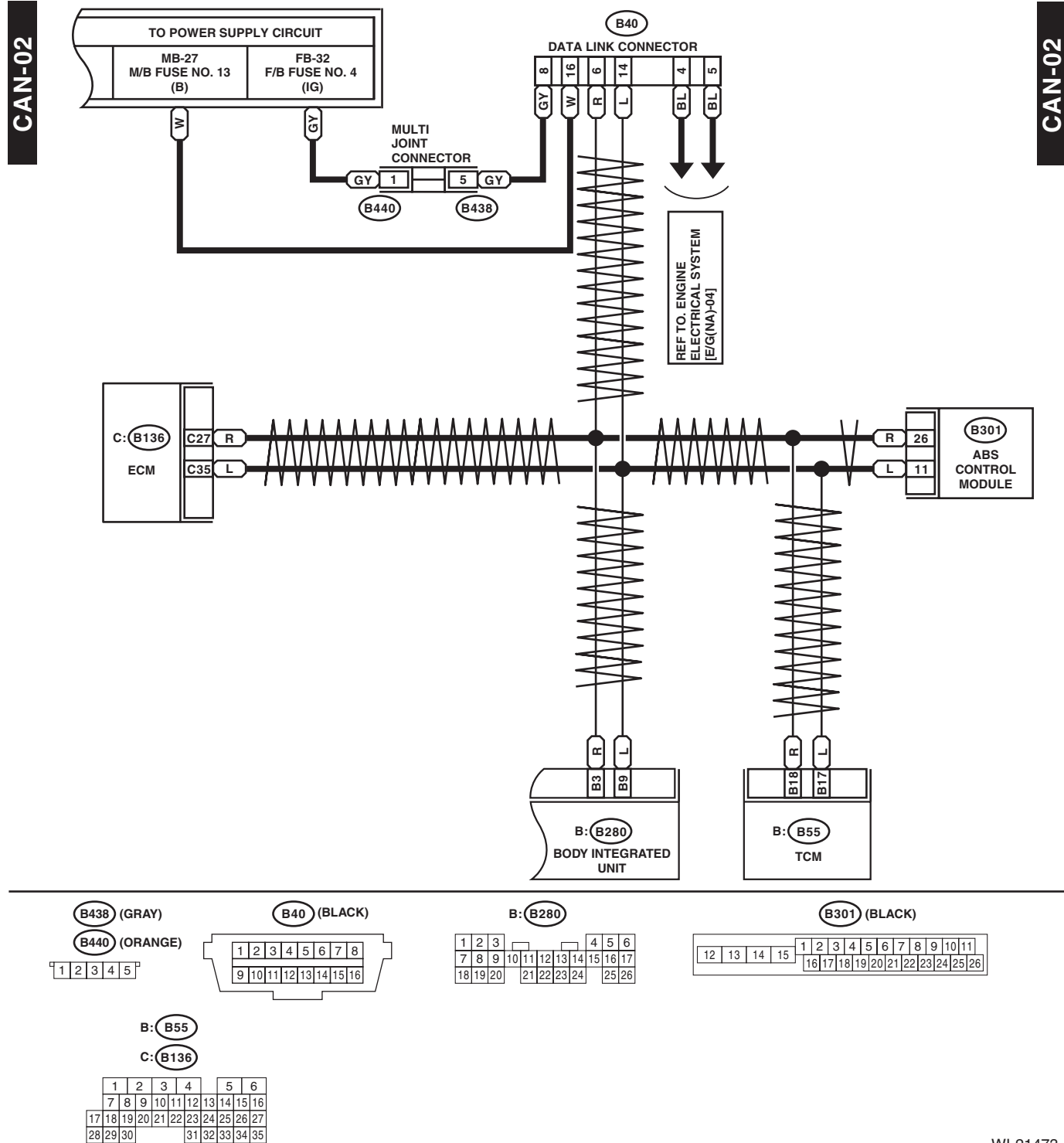
#### 1. LOW SPEED CAN



WI-21472

## 2. HIGH SPEED CAN

- Models without VDC

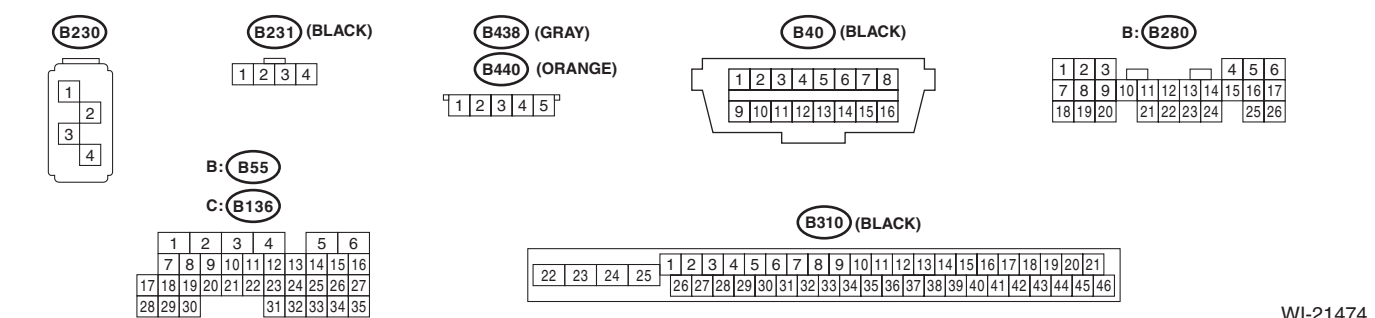
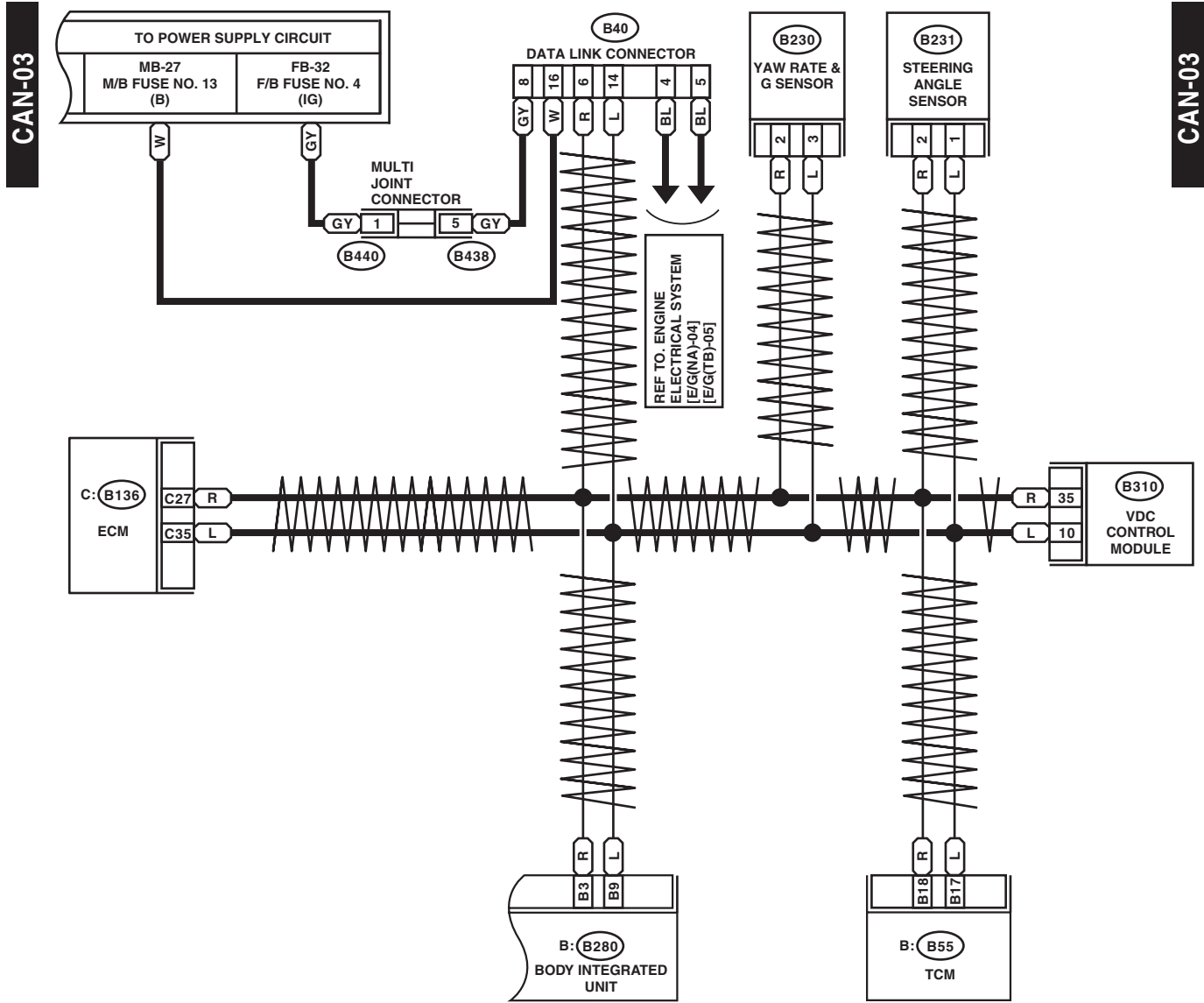


WI-21473

# CAN Communication System

## WIRING SYSTEM

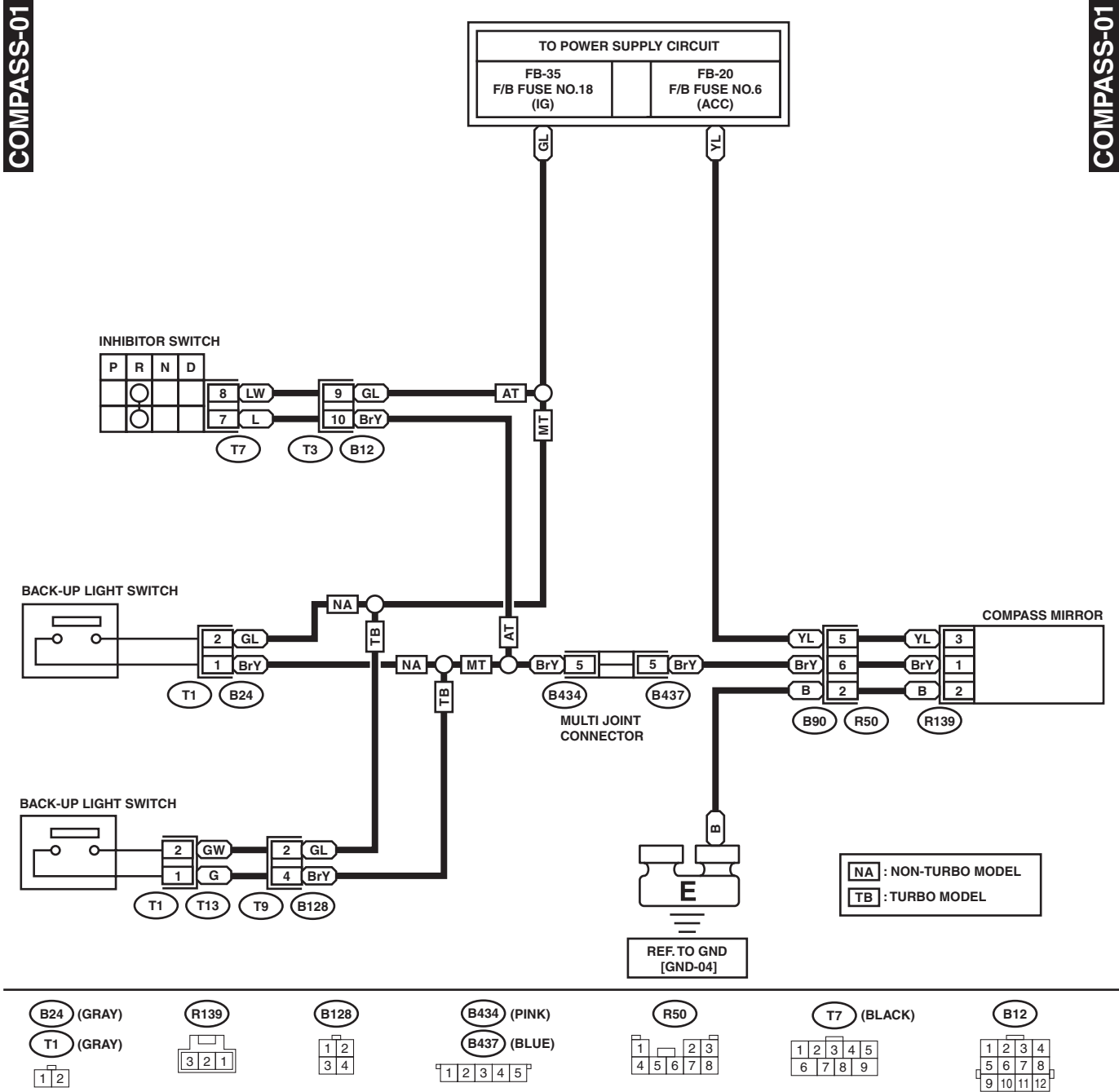
### • Models with VDC



WI-21474

## 51. Compass Mirror System

### A: WIRING DIAGRAM



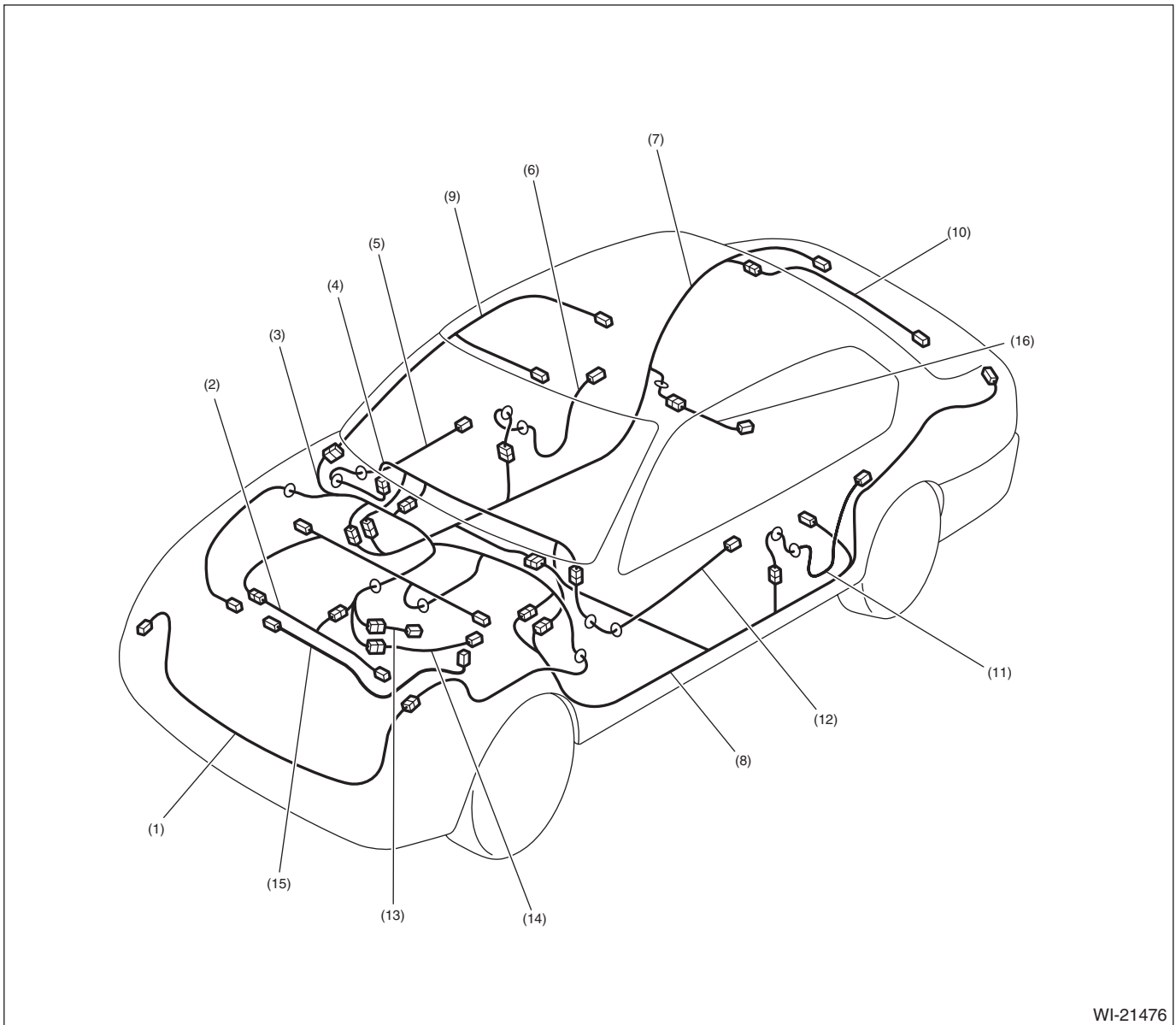
# Harness Components Location

WIRING SYSTEM

## 52.Harness Components Location

### A: LOCATION

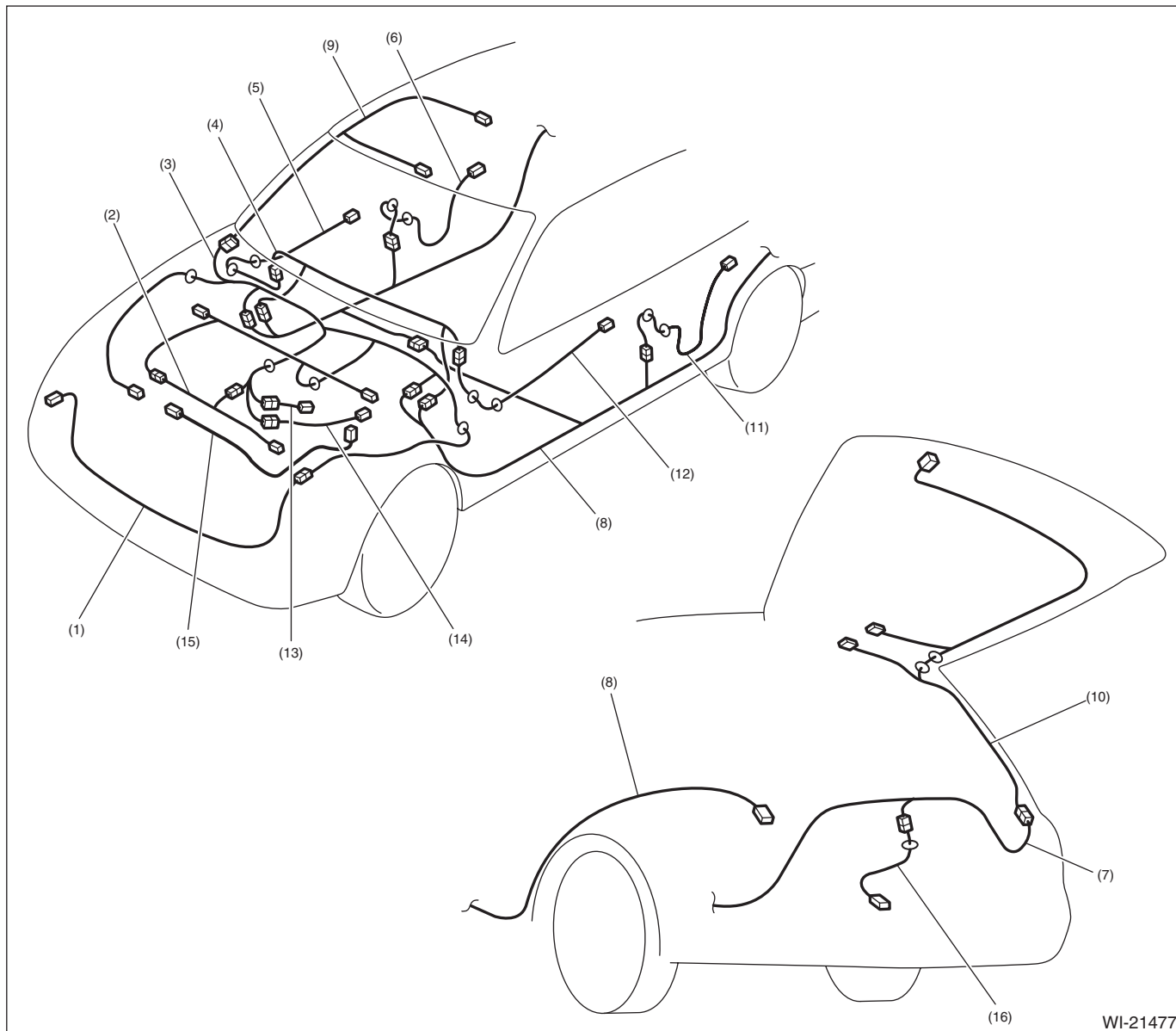
#### 1. 4 DOOR MODEL



WI-21476

- |                                     |                            |                              |
|-------------------------------------|----------------------------|------------------------------|
| (1) Front wiring harness            | (7) Rear wiring harness RH | (12) Front door cord LH      |
| (2) Engine wiring harness           | (8) Rear wiring harness LH | (13) Transmission cord       |
| (3) Bulkhead wiring harness         | (9) Roof cord              | (14) Rear oxygen sensor cord |
| (4) Instrument panel wiring harness | (10) Trunk lid cord        | (15) Generator cord          |
| (5) Front door cord RH              | (11) Rear door cord LH     | (16) Fuel cord               |
| (6) Rear door cord RH               |                            |                              |

## 2. 5 DOOR MODEL



WI-21477

- |                                     |                            |                              |
|-------------------------------------|----------------------------|------------------------------|
| (1) Front wiring harness            | (7) Rear wiring harness RH | (12) Front door cord LH      |
| (2) Engine wiring harness           | (8) Rear wiring harness LH | (13) Transmission cord       |
| (3) Bulkhead wiring harness         | (9) Roof cord              | (14) Rear oxygen sensor cord |
| (4) Instrument panel wiring harness | (10) Rear gate cord        | (15) Generator cord          |
| (5) Front door cord RH              | (11) Rear door cord LH     | (16) Fuel cord               |
| (6) Rear door cord RH               |                            |                              |



# Front Wiring Harness

WIRING SYSTEM

## 53. Front Wiring Harness

### A: LOCATION

Connector				Connecting to	
No.	Pole	Color	Area	No.	Description
F5	1	Black	C-2		Horn
F6	2	Brown	C-1		Front fog light RH
F9	16	★	B-5		Secondary air relay holder
F11	2	★	C-3		Secondary air pump
F16	2	Gray	C-1		Sub fan motor (turbo model)
		Black	C-1		Sub fan motor (non-turbo model)
F17	2	Gray	C-2		Main fan motor (turbo model)
		Black	C-2		Main fan motor (non-turbo model)
F21	2	Brown	D-3		Front fog light LH
F24	1	★	C-2		Magnet clutch
F25	1	★	C-2		Generator terminal B
F26	3	★	C-2		Generator
F27	22	Black	B-4		Relay holder
F35	12	Blue	B-4		Main fuse box (M/B)
F36	7	★	B-4		
F37	20	★	C-4		
F47	1	Black	C-2		Horn
F70	2	★	B-4		Main fuse box (M/B)
F78	2	Black	C-2		Ambient sensor
F103	2	Gray	B-1		Daytime running light resistor
F108	18	Gray	B-4	B361	Through joint connector
F109	24	★	B-3	B360	
F125	8	Gray	C-3		Front combination light LH
F126	8	Gray	C-1		Front combination light RH

★ : White or natural color

# Front Wiring Harness

WIRING SYSTEM



WI-21478

# Bulkhead Wiring Harness (In Engine Compartment)

WIRING SYSTEM

## 54. Bulkhead Wiring Harness (In Engine Compartment)

### A: LOCATION

#### 1. NON-TURBO MODEL

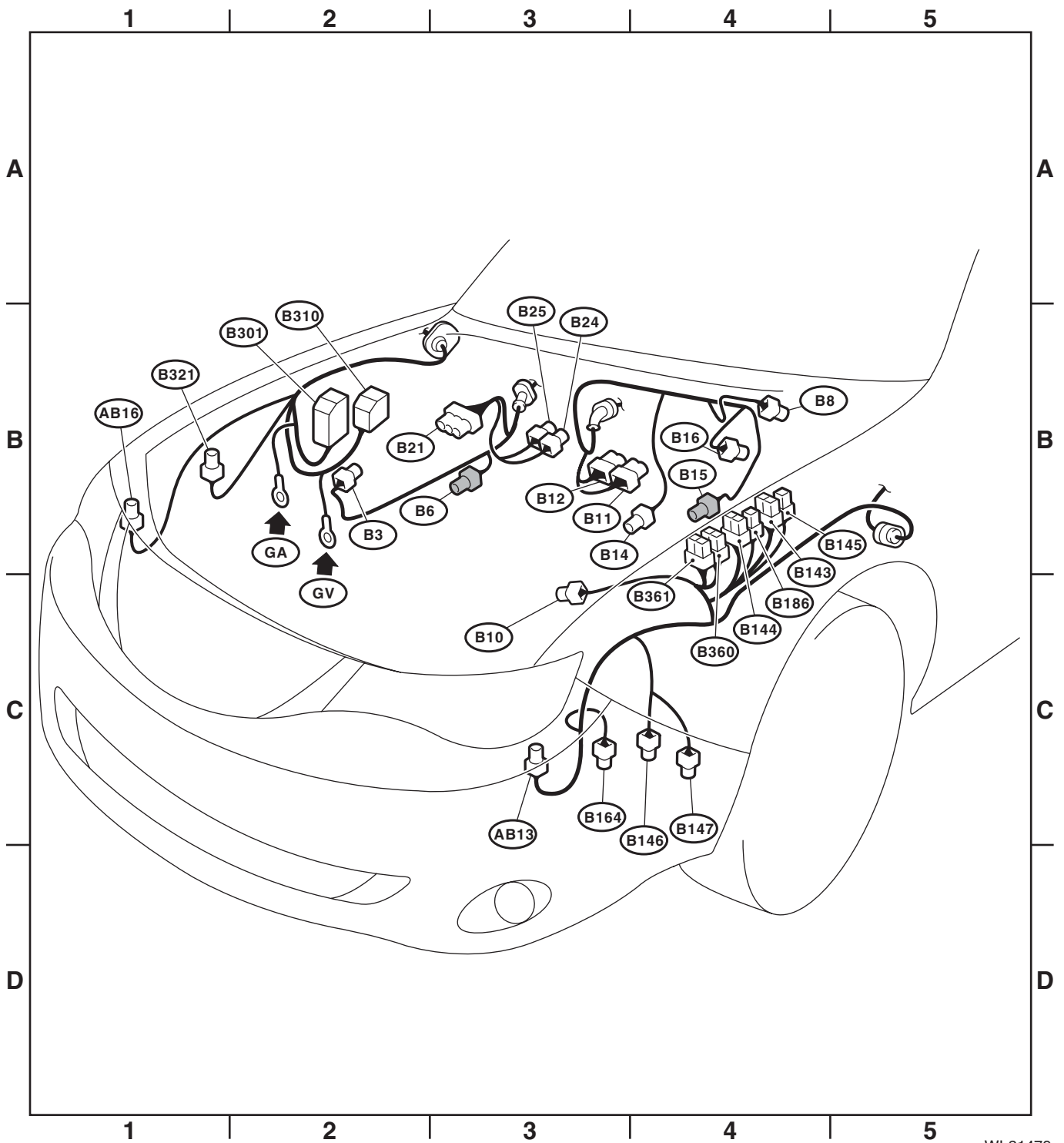
Connector				Connecting to	
No.	Pole	Color	Area	No.	Description
B3	5	★	B-2		Mass air flow and intake air temperature sensor
B6	2	Gray	B-3		Front ABS wheel speed sensor RH
B8	5	★	B-4		Front wiper motor
B10	4	★	C-3		Pressure switch
B11	20	Gray	B-3	T4	Transmission cord (AT model)
B12	12	★	B-3	T3	
B14	1	Black	B-4		Starter motor
B15	2	Gray	B-4		Front ABS wheel speed sensor LH
B16	2	Gray	B-4		Brake fluid level switch
B21	54	Black	B-3	E2	Engine wiring harness
B24	2	Gray	B-3	T1	Back-up light switch (MT model)
B25	2	Brown	B-3	T2	Neutral position switch
B143	20	★	B-4		Main fuse box (M/B)
B144	9	Brown	B-4		
B145	7	Brown	B-4		
B146	2	★	C-4		Front washer motor
B147	2	★	C-4		Rear washer motor
B164	2	Black	C-3		Keyless buzzer
B186	8	★	B-4		Main fuse box (M/B)
B301	26	Black	B-2		ABS control module
B310	46	Black	B-2		VDC control module
B321	2	★	B-1		Hood switch
B360	16	Gray	B-4	F109	Through joint connector
B361	14	★	B-4	F108	

★ : White or natural color

Connector				Connecting to	
No.	Pole	Color	Area	No.	Description
AB13	2	Yellow	C-3		Front sub sensor LH
AB16	2	Yellow	B-1		Front sub sensor RH

# Bulkhead Wiring Harness (In Engine Compartment)

WIRING SYSTEM



WI-21479

# Bulkhead Wiring Harness (In Engine Compartment)

## WIRING SYSTEM

### 2. TURBO MODEL

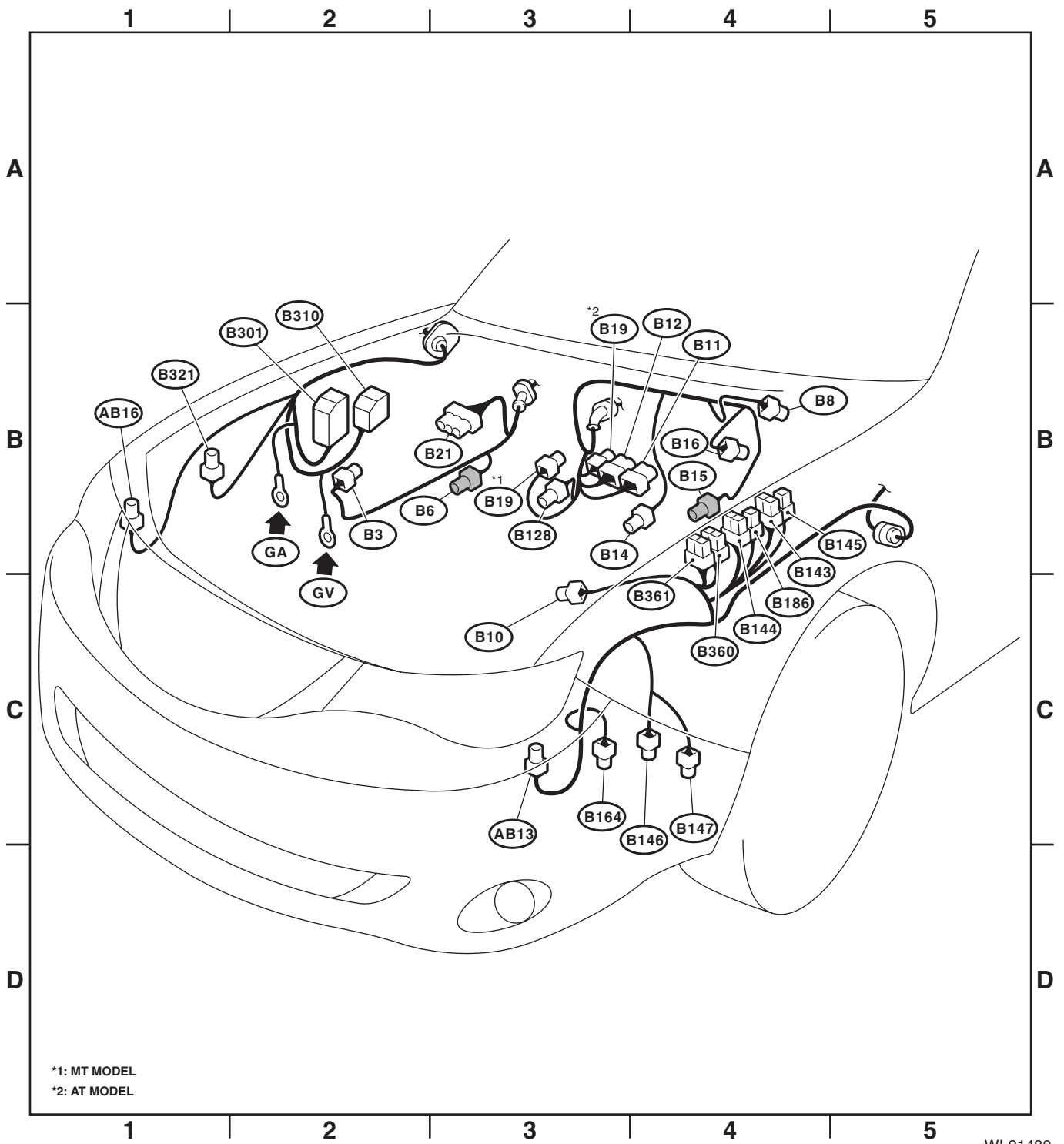
Connector				Connecting to	
No.	Pole	Color	Area	No.	Description
B3	5	★	B-2		Mass air flow and intake air temperature sensor
B6	2	Gray	B-3		Front ABS wheel speed sensor RH
B8	5	★	B-4		Front wiper motor
B10	4	★	C-3		Pressure switch
B11	20	Gray	B-3	T4	Transmission cord (AT model)
B12	12	★	B-3	T3	
B14	1	Black	B-4		Starter motor
B15	2	Gray	B-4		Front ABS wheel speed sensor LH
B16	2	Gray	B-4		Brake fluid level switch
B19	4	★	B-3	T5	Rear oxygen sensor cord
B21	54	Black	B-3	E2	Engine wiring harness
B128	4	★	B-3	T9	Transmission cord (MT model)
B143	20	★	B-4		Main fuse box (M/B)
B144	9	Brown	B-4		
B145	7	Brown	B-4		
B146	2	★	C-4		Front washer motor
B147	2	★	C-4		Rear washer motor
B164	2	Black	C-3		Keyless buzzer
B186	8	★	B-4		Main fuse box (M/B)
B301	26	Black	B-2		ABS control module
B310	46	Black	B-2		VDC control module
B321	2	★	B-1		Hood switch
B360	16	Gray	B-4	F109	Through joint connector
B361	14	★	B-4	F108	

★ : White or natural color

Connector				Connecting to	
No.	Pole	Color	Area	No.	Description
AB13	2	Yellow	C-3		Front sub sensor LH
AB16	2	Yellow	B-1		Front sub sensor RH

# Bulkhead Wiring Harness (In Engine Compartment)

WIRING SYSTEM



WI-21480

## Bulkhead Wiring Harness (In Compartment)

WIRING SYSTEM

### 55. Bulkhead Wiring Harness (In Compartment)

#### A: LOCATION

Connector				Connecting to	
No.	Pole	Color	Area	No.	Description
B27	4	★	B-3		Blower Resistor (Manual A/C)
B31	6	★	C-1	AB1	Airbag wiring harness
B32	8	★	C-2		Turn signal and hazard unit
B36	28	★	B-4	i1	Instrument panel wiring harness
B38	28	★	B-2	i3	
B40	16	Black	C-2		Data link connector
B41	2	★	B-2		Power window circuit breaker
B52	24	★	B-2		Fuse & relay box (F/B)
B53	20	★	C-3		Joint connector
B54	35	★	C-3		TCM
B55	35	★	C-3		
B57	4	★	B-3		
B65	4	★	C-2		Stop light & brake switch (4 door model)
		Black	C-2		Stop light & brake switch (5 door model)
B68	14	★	C-2		Roll connector
B70	18	★	C-2		Combination switch
B71	17	★	C-2		
B72	6	★	C-2		
B75	2	Green	B-4	B76	Delivery (test) mode connector
B76	2	Green	B-4	B75	
B77	6	★	B-3		Mode door actuator (Auto A/C)
B83	8	★	C-4		Joint connector
B87	2	★	B-4		Blower motor
B88	2	Brown	B-3		Evaporator sensor (Auto A/C)
	3	★	B-3		Evaporator sensor (Manual A/C)
B89	2	Black	B-5		Blower diode
B90	8	★	B-5	R50	Roof cord
B97	12	★	C-5	R1	Rear wiring harness RH
B98	20	★	C-5	R2	
B99	12	★	C-1	R3	Rear wiring harness LH
B106	2	★	C-2		Clutch switch
B107	2	Blue	C-2		Clutch switch (cruise control)
B117	10	Gray	C-4		AT select lever
B122	8	★	C-4		Joint connector
B123	2	Black	C-1	B124	Key lock
B124	2	Black	C-1	B123	
B134	34	★	C-4		ECM
B135	35	★	C-4		
B136	35	★	C-4		
B137	31	★	C-4		
B138	8	★	C-4		Joint connector
B152	10	Gray	B-2		Fuse & relay box (F/B)
B158	8	★	B-2		
B159	9	Brown	B-2		
B162	2	★	B-2		
B163	6	★	C-4		Intake door actuator

# Bulkhead Wiring Harness (In Compartment)

WIRING SYSTEM

Connector				Connecting to	
No.	Pole	Color	Area	No.	Description
B177	2	★	B-5		Wiper deicer
B180	24	★	B-2		Remote engine start control module
B181	2	★	B-2	B182	Short connector
B182	2	★	C-2	B181	
B220	40	★	B-4		Fuse (Relay block)
					A/F, oxygen sensor relay
					Fuel pump relay
					IG relay
					Main relay
					Electronic throttle control relay
B224	2	★	C-2		Key illumination
B225	40	Black	C-2		Fuse (Relay block)
					Starter relay
					Front fog light relay
					Power window relay
					Wiper deicer relay
					Tail & Illumination relay
					Seat heater relay
B230	4	★	D-4		Yaw rate & G sensor (with VDC)
B231	4	Black	C-2		Steering angle sensor (with VDC)
B239	6	★	B-3		Air mix door actuator (Auto A/C)
B279	30	★	C-3		Body integrated unit
B280	26	★	C-3		
B281	28	★	C-3		
B292	3	★	D-4		
B315	6	★	C-3		ABS G sensor (without VDC)
B318	4	★	B-1		Accelerator pedal position sensor
B350	4	★	C-2		VDC OFF switch (with VDC)
B358	4	★	C-2		Key warning switch & key lock solenoid
B358	2	★	C-4		AT select lever illumination
B363	2	Green	C-1	B364	Test mode sub connector
B364	2	Green	C-1	B363	
B367	8	★	C-2		Impact sensor
B386	7	★	B-4		Blower motor relay
B415	2	Black	B-2		Immobilizer antenna
B434	5	Pink	D-1		Multi joint connector
B435	5	Brown	D-1		
B436	5	Yellow	D-1		
B437	5	Blue	D-1		
B438	5	Gray	D-1		
B439	5	Green	D-1		
B440	5	Orange	D-1		
B441	5	★	D-1		
B442	5	Black	D-2		
B443	5	Red	D-2		
B444	5	Yellow green	D-2		
B445	5	Violet	D-2		

★ : White or natural color

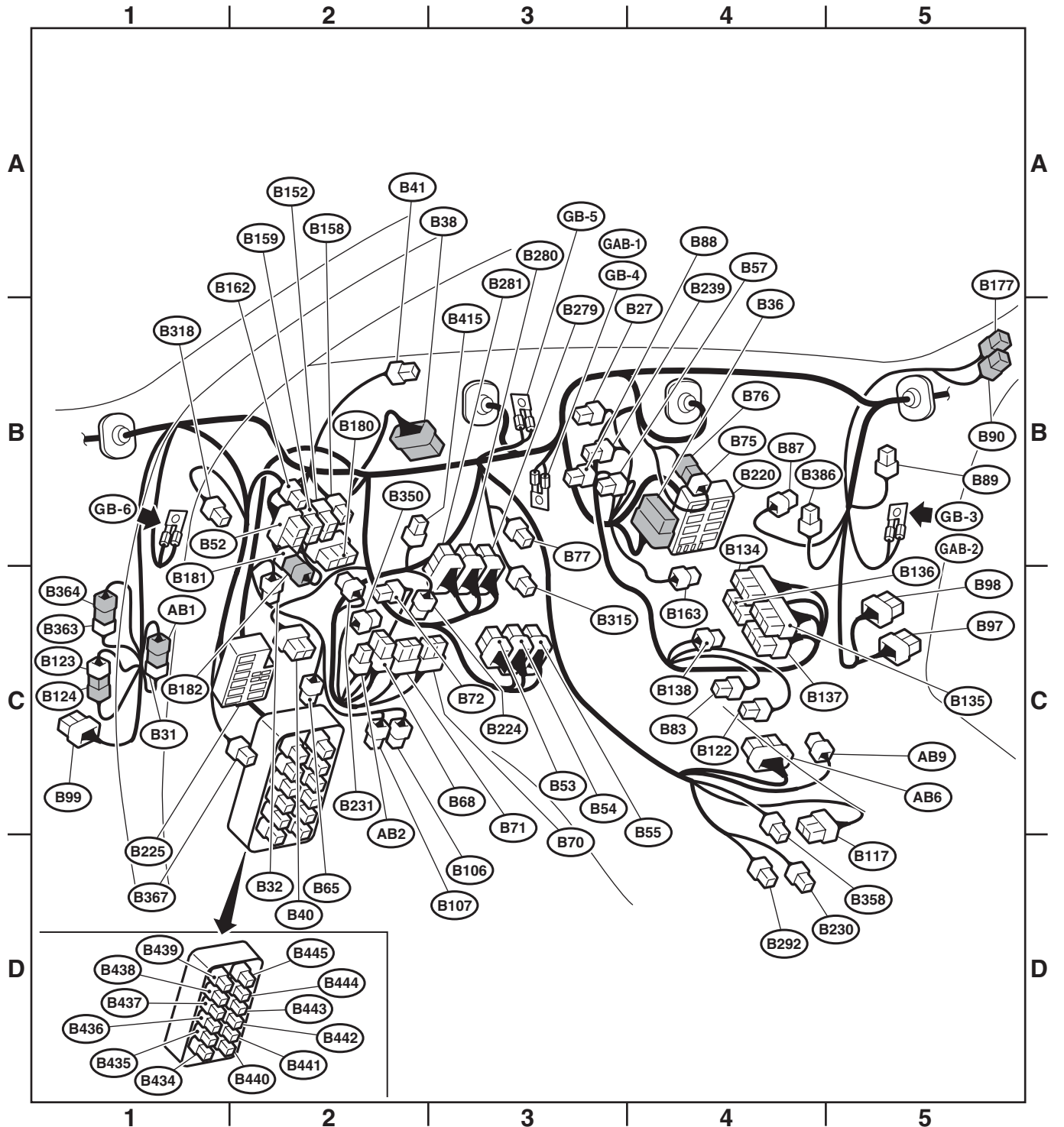


# Bulkhead Wiring Harness (In Compartment)

## WIRING SYSTEM

Connector				Connecting to	
No.	Pole	Color	Area	No.	Description
AB1	6	★	C-1	B31	Bulkhead wiring harness
AB2	4	Yellow	C-2	AB7	Driver's airbag module
AB6	30	Yellow	C-4		Airbag control module
AB9	4	Yellow	C-4		Passenger's airbag module

★ : White or natural color



WI-21481

## 56.Engine Wiring Harness and Transmission Cord

### A: LOCATION

#### 1. NON-TURBO MODEL

Connector				Connecting to	
No.	Pole	Color	Area	No.	Description
E2	54	Black	A-3	B21	Bulkhead wiring harness
E4	2	Black	B-3		Purge control solenoid valve
E5	2	Dark gray	B-1		Fuel injector No. 1
E6	2	Dark gray	A-2		Fuel injector No. 3
E8	2	Black	B-2		Engine coolant temperature sensor
E10	2	Light gray	B-3		Crankshaft position sensor
E11	1	—	B-2		Oil pressure switch
E12	4	Dark gray	A-2		Ignition coil & ignitor assembly
E14	2	Gray	B-4		Knock sensor
E15	2	Black	B-4		Camshaft position sensor
E16	2	Dark gray	B-4		Fuel injector No. 2
E17	2	Dark gray	B-4		Fuel injector No. 4
E18	6	Dark gray	A-4		EGR valve
E19	1	★	B-2		Power steering oil pressure switch
E21	3	Black	A-4		Manifold absolute pressure sensor
E22	6	Black	A-1		Front oxygen (A/F) sensor
E23	4	Dark gray	A-1		Rear oxygen sensor
E57	6	Black	A-3		Electronic throttle control
E61	2	Dark gray	A-3		PCV diagnosis connector
E67	2	Blue	A-2		Oil switching solenoid valve RH
E68	2	Blue	B-4		Oil switching solenoid valve LH
E71	1	★	A-2		Variable valve lift diagnosis oil pressure switch RH
E72	1	★	B-4		Variable valve lift diagnosis oil pressure switch LH
E75	2	Black	B-2		Oil temperature sensor

★ : White or natural color

#### • MT MODEL

Connector				Connecting to	
No.	Pole	Color	Area	No.	Description
T1	2	Gray	D-2	B24	Bulkhead wiring harness
T2	2	Brown	D-2	B25	

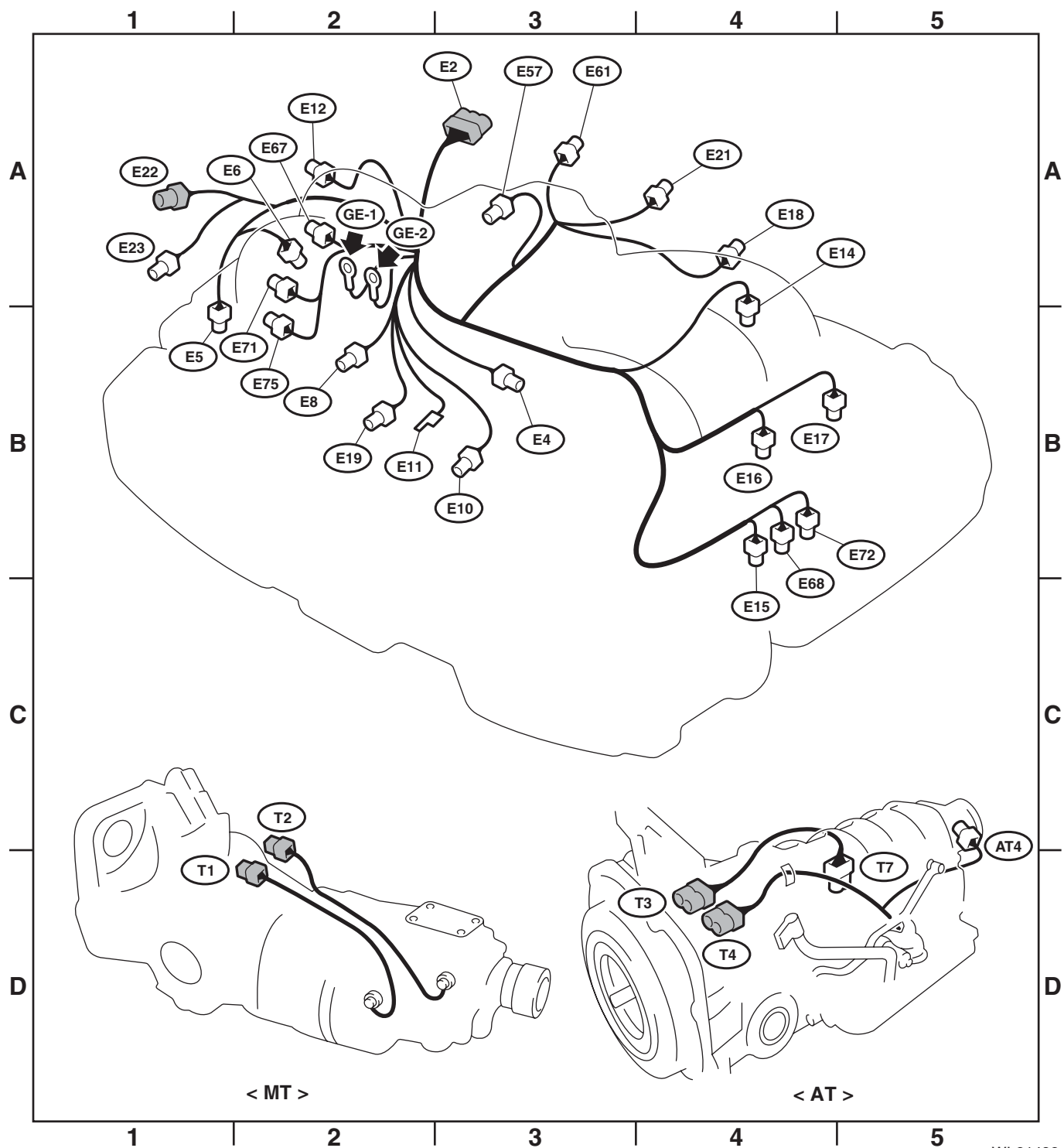
#### • AT MODEL

Connector				Connecting to	
No.	Pole	Color	Area	No.	Description
T3	12	Black	D-4	B12	Bulkhead wiring harness
T4	20	Gray	D-4	B11	
T7	9	Black	D-5		Inhibitor switch
AT4	3	★	C-5		Rear vehicle speed sensor

★ : White or natural color

# Engine Wiring Harness and Transmission Cord

WIRING SYSTEM



WI-21482

# Engine Wiring Harness and Transmission Cord

WIRING SYSTEM

## 2. TURBO MODEL

Connector				Connecting to	
No.	Pole	Color	Area	No.	Description
E2	54	Black	A-2	B21	Bulkhead wiring harness
E4	2	Black	B-2		Purge control solenoid valve 1
E5	2	Dark gray	A-1		Fuel injector No. 1
E6	2	Dark gray	A-2		Fuel injector No. 3
E8	2	Black	B-2		Engine coolant temperature sensor
E10	2	Light gray	B-3		Crankshaft position sensor
E11	1	—	B-2		Oil pressure switch
E14	2	Light gray	A-3		Knock sensor
E16	2	Dark gray	B-4		Fuel injector No. 2
E17	2	Dark gray	B-4		Fuel injector No. 4
E19	1	★	B-2		Power steering oil pressure switch
E21	3	Black	A-3		Manifold absolute pressure sensor
E22	4	Dark gray	B-2		Front oxygen (A/F) sensor
E31	3	★	B-2		Ignition coil No. 1
E32	3	★	B-4		Ignition coil No. 2
E33	3	Black	A-2		Ignition coil No. 3
E34	3	Black	B-4		Ignition coil No. 4
E35	3	Light gray	A-4		Camshaft position sensor LH
E36	3	Light gray	A-2		Camshaft position sensor RH
E37	2	Blue	B-4		Oil flow control solenoid valve LH
E38	2	Blue	B-1		Oil flow control solenoid valve RH
E40	2	Black	B-4		Secondary air combination valve LH
E41	6	Black	B-2		Secondary air combination valve RH
E51	5	Light gray	B-4		Tumble generator valve assembly LH
E52	2	Black	A-3		Purge control solenoid valve 2
E55	5	Light gray	A-1		Tumble generator valve assembly RH
E57	6	Black	A-3		Electronic throttle control
E64	2	Blue	A-3		Wastegate control solenoid valve
E80	2	Dark gray	B-2		Leak diagnosis connector

★ : White or natural color

### • MT MODEL

Connector				Connecting to	
No.	Pole	Color	Area	No.	Description
T1	2	Gray	D-2	T13	Transmission cord
T2	2	Brown	D-2	T12	
T5	4	Dark gray	C-1	B19	Bulkhead wiring harness
T6	4	Dark gray	D-2		Rear oxygen sensor
T9	4	Gray	C-1	B128	Bulkhead wiring harness
T12	2	Brown	D-2	T2	Neutral position switch
T13	2	Gray	D-2	T1	Back-up light switch

# Engine Wiring Harness and Transmission Cord

## WIRING SYSTEM

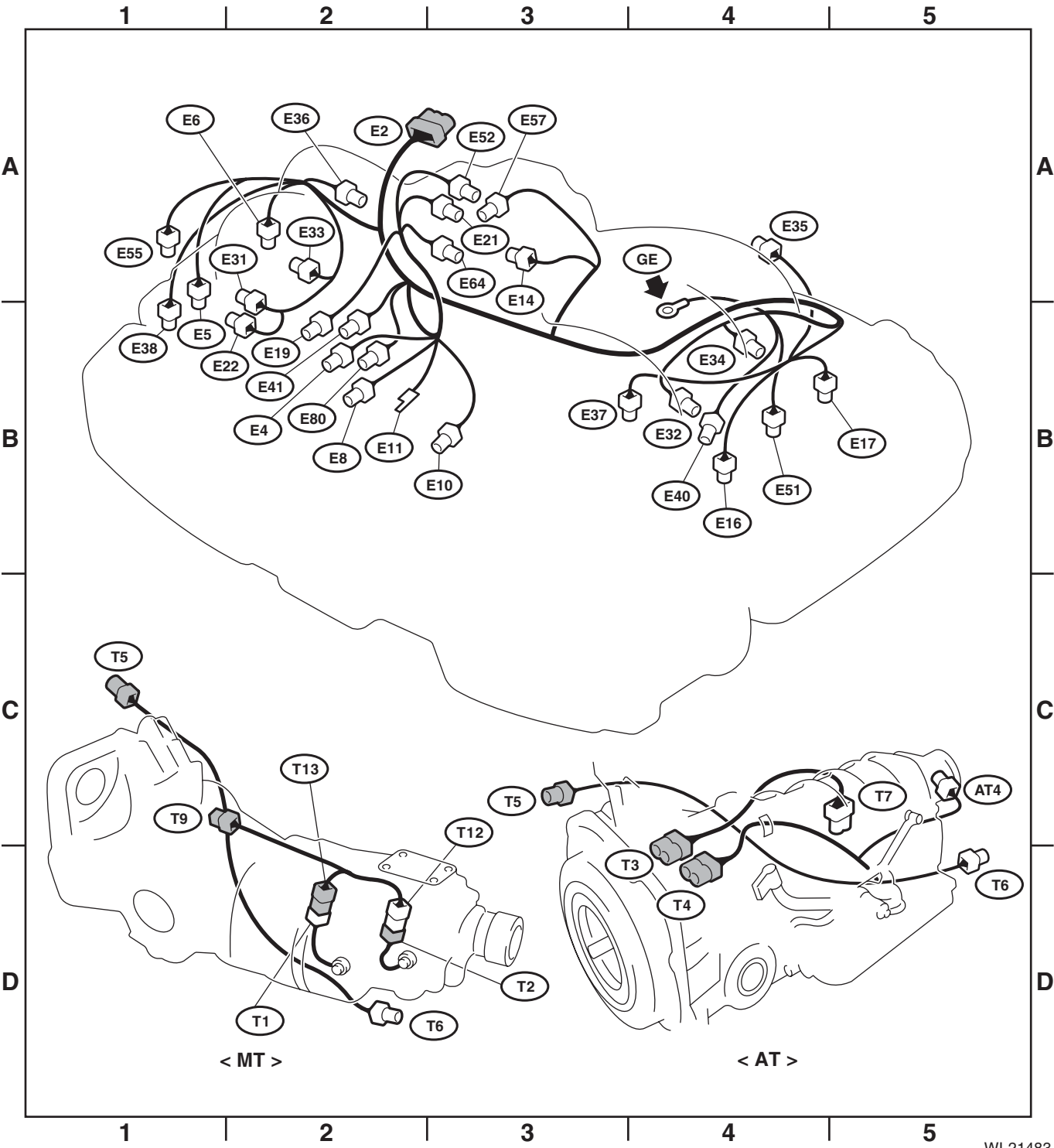
### • AT MODEL

Connector				Connecting to	
No.	Pole	Color	Area	No.	Description
T3	12	Black	D-4	B12	Bulkhead wiring harness
T4	20	Gray	D-4	B11	
T5	4	Dark gray	C-3	B19	
T6	4	Dark gray	D-5		Rear oxygen sensor
T7	9	Black	C-5		Inhibitor switch
AT4	3	★	C-5		Rear vehicle speed sensor

★ : White or natural color

# Engine Wiring Harness and Transmission Cord

WIRING SYSTEM



WI-21483

# Instrument Panel Wiring Harness

WIRING SYSTEM

## 57. Instrument Panel Wiring Harness

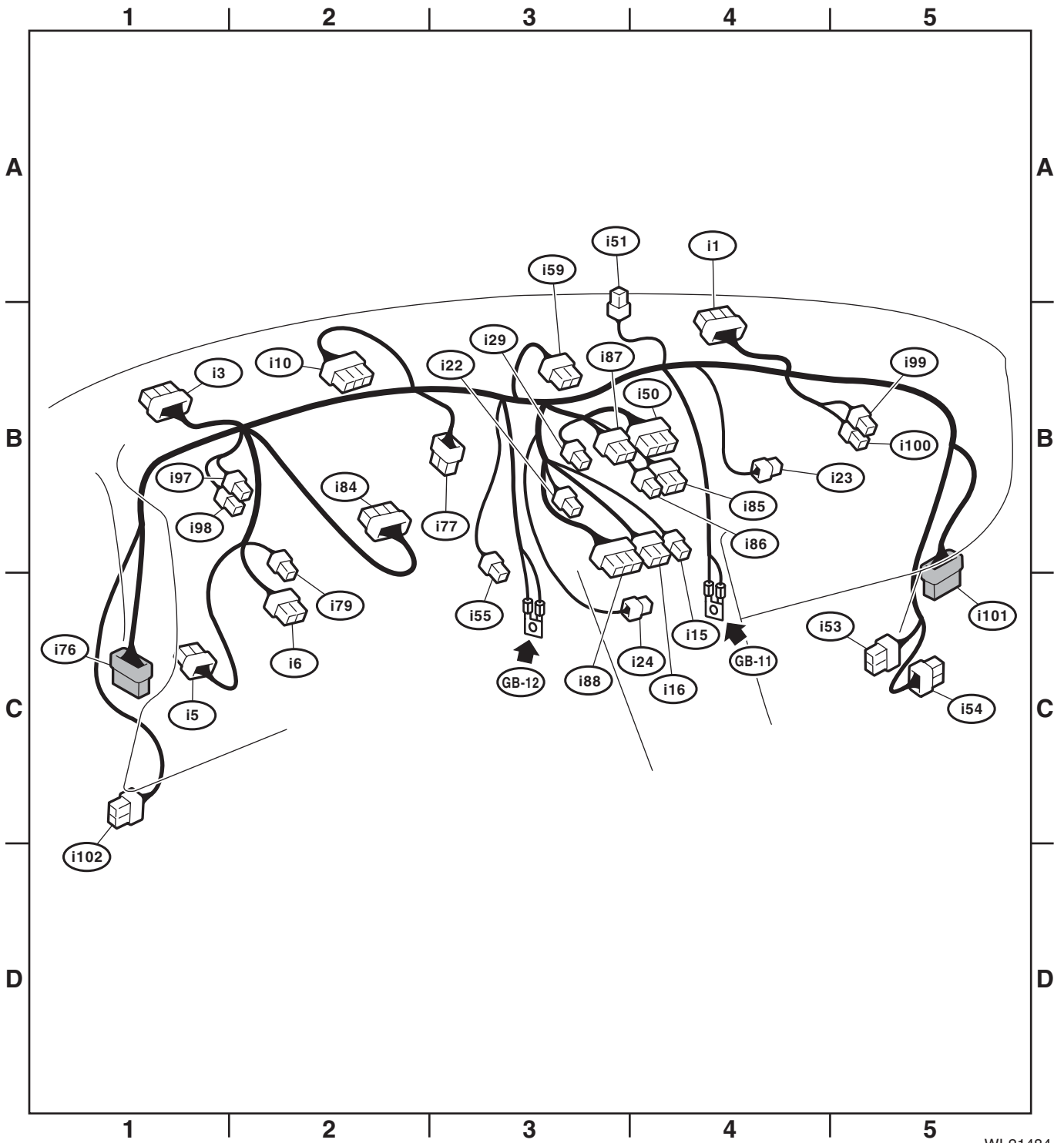
### A: LOCATION

Connector				Connecting to	
No.	Pole	Color	Area	No.	Description
i1	28	★	B-4	B36	Bulkhead wiring harness
i3	28	★	B-1	B38	
i5	20	★	C-1		Fuse & relay box (F/B)
i6	10	★	C-2		Remote control mirror switch
i10	40	★	B-2		Combination meter
i15	6	★	B-4		Blower fan switch (Manual A/C)
i16	12	★	B-4		A/C control panel (Manual A/C)
i22	4	★	B-3		Hazard switch
i23	2	★	B-4		Glove box light
i24	4	★	C-4	AD1	Adapter cord (front accessory power supply socket, pocket light)
i29	1	Black	B-3		Audio bracket ground
i50	24	★	B-4		Navigation module
i51	2	★	B-3		Sunload sensor
i53	16	★	C-5	R98	Rear wiring harness RH
i54	10	★	C-5	R99	Rear wiring harness RH
i55	2	★	B-3		In-vehicle sensor
i59	10	★	B-3		Clock
i76	28	★	C-1	D83	Front door cord LH
i77	10	Green	B-3		CAN joint connector
i79	6	★	B-2		Illumination control unit
i84	35	Gray	B-2		Body integrated unit
i85	20	★	B-4		Audio
i86	8	Black	B-4		Audio (with AUX input terminal)
i87	14	★	B-3		Navigation module
i88	40	★	B-3		A/C control panel (Auto A/C)
i97	8	Black	B-2		Joint ground connector
i98	8	Black	B-1		
i99	8	Black	B-5		
i100	8	Black	B-5		
i101	25	★	C-5	D84	Front door cord RH
i102	16	★	C-1	R167	Rear wiring harness LH

★ White or natural color

# Instrument Panel Wiring Harness

WIRING SYSTEM



WI-21484



## Rear Wiring Harness

### WIRING SYSTEM

## 58.Rear Wiring Harness

### A: LOCATION

Connector				Connecting to	
No.	Pole	Color	Area	No.	Description
R1	12	★	B-1	B97	Bulkhead wiring harness
R2	20	★	B-1	B98	
R3	12	★	C-3	B99	
R4	1	Black	C-3		Parking brake switch
R9	3	★	C-4		Front door switch LH
R10	8	★	C-4	D22	Rear door cord LH
R12	3	★	B-2		Front door switch RH
R13	8	★	B-2	D28	Rear door cord RH
R15	12	★	B-4	R57	Fuel cord
R16	3	★	A-3		Rear door switch RH
R32	2	★	B-3		Rear accessory power supply socket
R41	4	★	C-3		Seat heater LH
R42	4	★	B-3		Seat heater switch RH
R43	4	Blue	B-3		Seat heater switch LH
R44	4	★	B-3		Seat heater RH
R47	3	Black	B-4		Fuel tank pressure sensor
R50	8	★	B-1	B90	Bulkhead wiring harness
R52	3	★	A-3		Room light
R55	10	Gray	B-3		Sunroof motor assembly
R56	2	★	B-2		Spot map light
R57	12	★	B-4	R15	Rear wiring harness RH
R58	6	★	B-4		Fuel pump assembly
R59	2	★	B-5		Fuel sub level sensor
R62	2	★	B-3		Spot map light (with sunroof)
R64	3	★	B-2		Spot map light diode (with sunroof)
R68	2	Dark gray	B-4		Pressure control solenoid valve
R72	2	Gray	B-4		Rear ABS wheel speed sensor RH
R73	2	Gray	B-4		Rear ABS wheel speed sensor LH
R81	12	★	C-3	R82	Rear wiring harness RH
R82	12	★	B-3	R81	Rear wiring harness LH
R98	16	★	B-1	i53	Instrument panel wiring harness
R99	10	★	B-1	i54	
R107	4	★	C-3		Seat belt switch LH
R128	5	★	B-3		Sunroof switch
R139	3	★	B-3		Compass mirror
R167	16	★	C-3	i102	Instrument panel wiring harness
R168	20	★	C-3		Fuse & relay box (F/B)
R187	5	Black	B-3		Sunroof switch (tilt)
R211	12	★	B-4		TPM control module
R284	6	★	B-3		AUX input terminal

★ : White or natural color

# Rear Wiring Harness

WIRING SYSTEM

Connector				Connecting to	
No.	Pole	Color	Area	No.	Description
AB17	24	Yellow	C-2		Airbag control module
AB18	24	Yellow	C-2		
AB19	4	Yellow	C-3		Side airbag module LH
AB21	2	Black	C-4		Pretensioner LH
AB23	4	Yellow	C-4		Side airbag sensor LH
AB24	4	Yellow	B-2		Side airbag module RH
AB26	2	Black	B-2		Pretensioner RH
AB28	4	Yellow	B-2		Side airbag sensor RH
AB34	4	Yellow	B-3		Curtain airbag sensor RH
AB35	2	Black	C-3		Fuse & relay box (F/B)
AB41	2	Yellow	B-4		Satellite safing sensor
AB53	6	Gray	B-2		Occupant detection control module
AB56	3	Brown	B-3		Belt tension sensor



## 59. Door Cord

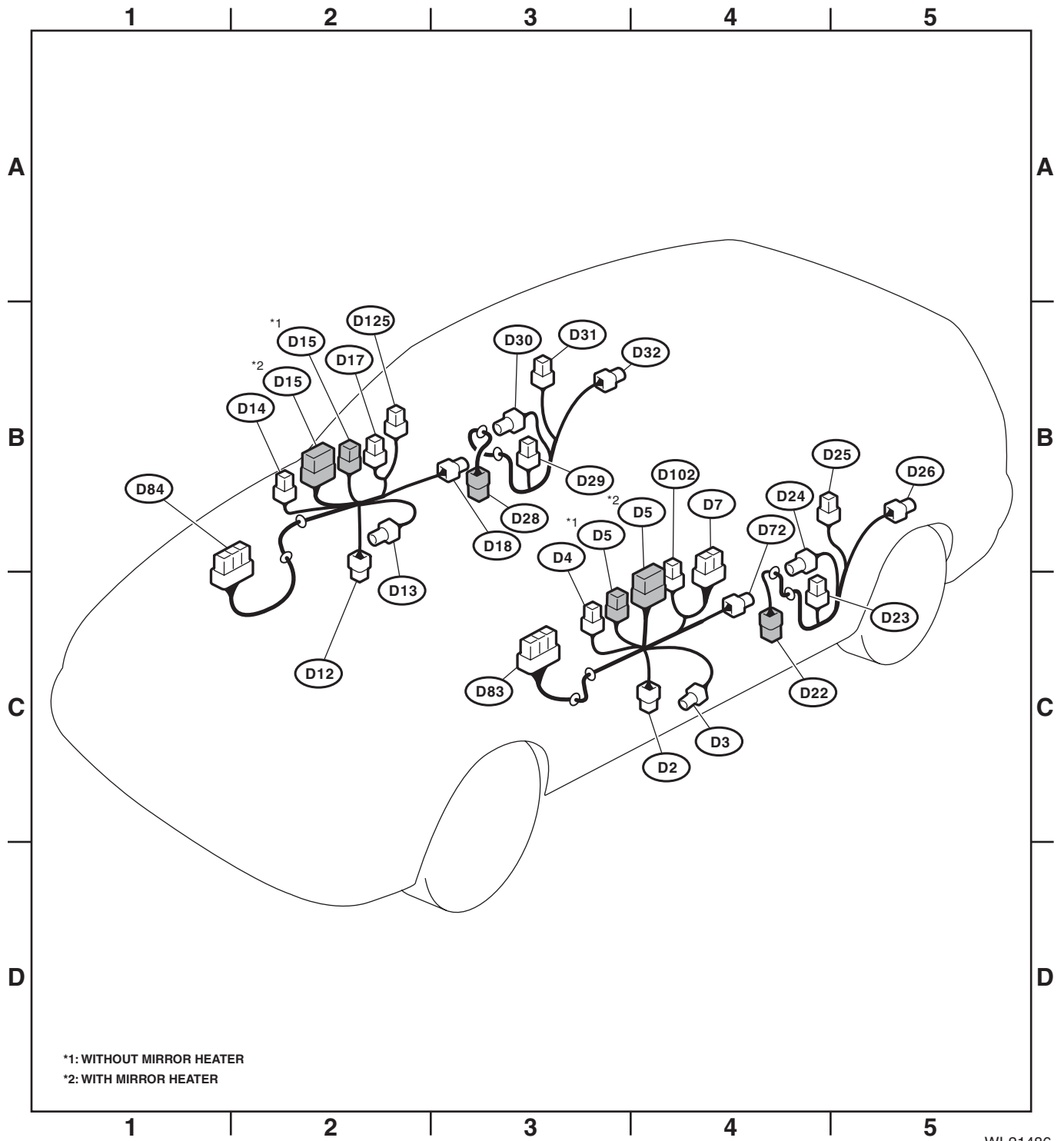
### A: LOCATION

Connector				Connecting to	
No.	Pole	Color	Area	No.	Description
D2	2	★	C-4		Front door speaker LH
D3	6	★	C-4		Front power window motor LH
D4	2	Black	C-3		Front door tweeter LH
D5	8	★	C-3		Outer mirror assembly LH (without mirror heater)
	10	★	C-4		Outer mirror assembly LH (with mirror heater)
D7	16	★	B-4		Power window main switch
D12	2	★	B-2		Front door speaker RH
D13	6	★	B-2		Front power window motor RH
D14	2	Black	B-2		Front door tweeter RH
D15	8	★	B-2		Outer mirror assembly RH (without mirror heater)
	10	★	B-2		Outer mirror assembly RH (with mirror heater)
D17	8	★	B-2		Front power window sub-switch
D18	2	★	B-3		Front door lock actuator RH
D22	8	★	C-4	R10	Rear wiring harness LH
D23	2	★	C-4		Rear door speaker LH
D24	6	★	B-4		Rear power window motor LH
D25	8	★	B-4		Rear power window sub switch LH
D26	2	★	B-5		Rear door lock actuator LH
D28	8	★	B-3	R13	Rear wiring harness RH
D29	2	★	B-3		Rear door speaker RH
D30	6	★	B-3		Rear power window motor RH
D31	8	★	B-3		Rear power window sub switch RH
D32	2	★	B-3		Rear door lock actuator RH
D72	2	★	C-4		Front door lock actuator LH
D83	28	★	C-3	i76	Instrument panel wiring harness
D84	25	★	B-2	i101	
D102	3	★	C-4		Power window main switch
D125	5	★	B-2		Passenger's seat door lock switch

★ : White or natural color

# Door Cord

## WIRING SYSTEM



WI-21486

## 60.Rear Wiring Harness and Trunk Lid Cord

## A: LOCATION

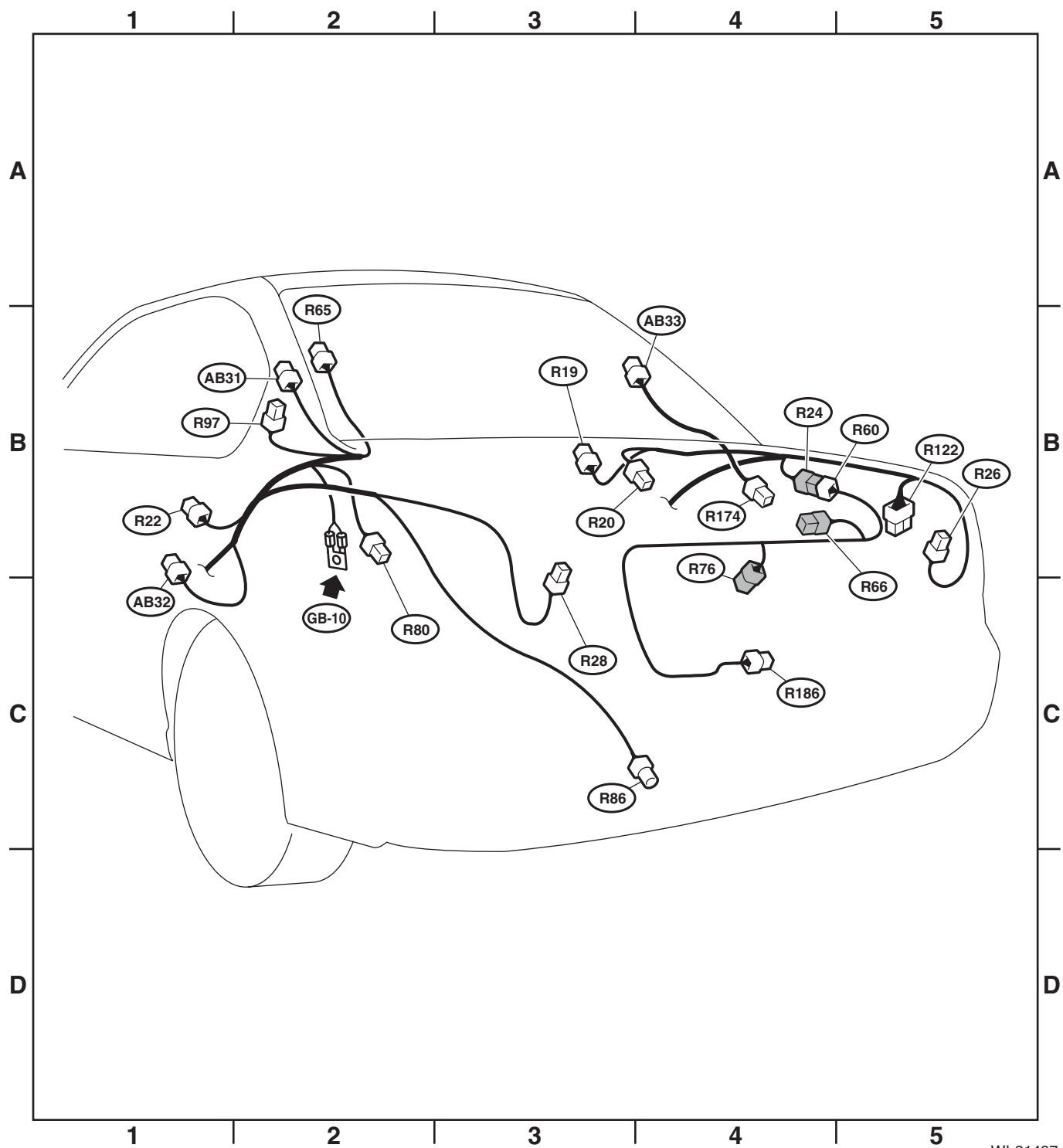
Connector				Connecting to	
No.	Pole	Color	Area	No.	Description
R19	2	Blue	B-3		High-mounted stop light
R20	2	Black	B-4		Trunk room light
R22	3	★	B-1		Rear door switch LH
R24	8	★	B-4	R60	Trunk lid cord
R26	6	★	B-5		Rear combination light RH
R28	6	★	C-3		Rear combination light LH
R60	8	★	B-4	R24	Rear wiring harness RH
R65	1	★	B-2		Rear defogger (-)
R66	2	★	B-4		High-mounted stop light (Rear spoiler)
R76	2	★	B-4		License plate light
R80	8	★	B-2		Keyless entry control module
R86	2	Black	C-4		Drain valve
R97	1	★	B-2		Antenna amplifier
R122	10	Black	B-5		Fuel pump control unit
R174	1	★	B-4		Rear defogger (+)
R186	3	★	C-4		Trunk lid lock actuator & switch

★ : White or natural color

Connector				Connecting to	
No.	Pole	Color	Area	No.	Description
AB31	2	Black	B-2		Curtain airbag module LH
AB32	4	Yellow	B-1		Curtain airbag sensor LH
AB33	2	Black	B-4		Curtain airbag module RH

# Rear Wiring Harness and Trunk Lid Cord

WIRING SYSTEM



WI-21487

## 61.Rear Wiring Harness and Rear Gate Cord

## A: LOCATION

Connector				Connecting to	
No.	Pole	Color	Area	No.	Description
R22	3	★	C-1		Rear door switch LH
R26	4	Light gray	C-5		Rear combination light RH
R28	4	Light gray	C-2		Rear combination light LH
R38	8	★	C-4	D34	Rear gate cord
R39	14	★	B-4	D35	
R80	8	★	C-1		Keyless entry control module
R86	2	Black	C-3		Drain valve
R97	1	★	C-2		Antenna amplifier
R122	10	Black	C-4		Fuel pump control unit
R141	2	Gray	C-2		Luggage room light

★ : White or natural color

Connector				Connecting to	
No.	Pole	Color	Area	No.	Description
D34	8	★	B-4	R38	Rear wiring harness RH
D35	14	★	B-4	R39	
D39	2	★	B-3		High-mounted stop light
D43	4	★	B-4		Rear wiper motor
D44	2	★	B-4		License plate light RH
D46	4	★	A-4		Rear gate lock actuator & latch switch
D47	2	★	A-4		Rear gate opener button
D48	1	★	B-3		Rear defogger (-)
D58	2	★	B-5		Back-up light RH
D59	2	★	A-3		Back-up light LH
D89	1	★	B-4		Rear defogger (+)
D137	2	★	B-4		License plate light LH

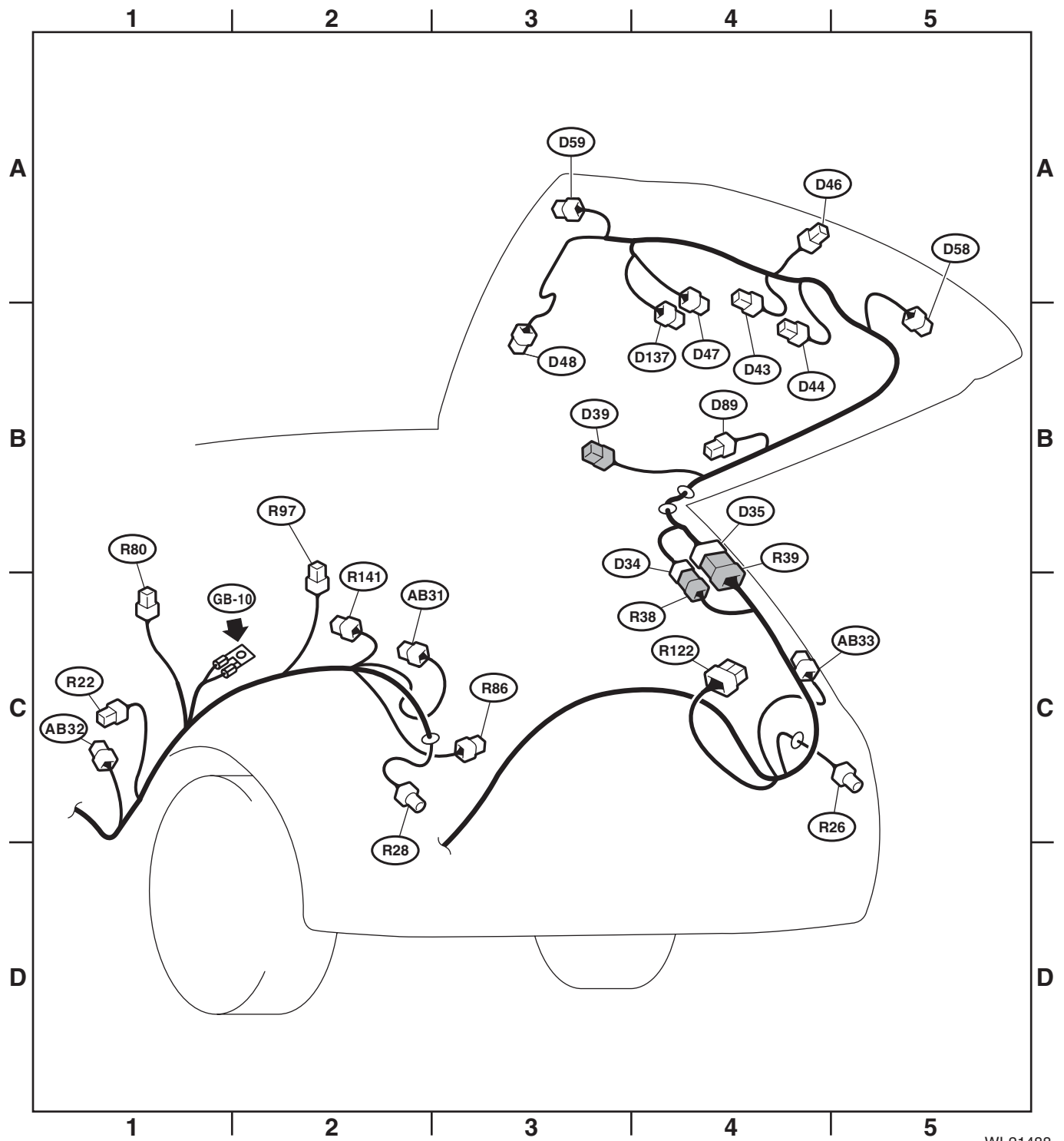
★ : White or natural color

Connector				Connecting to	
No.	Pole	Color	Area	No.	Description
AB31	2	Black	C-2		Curtain airbag module LH
AB32	4	Yellow	C-1		Curtain airbag sensor LH
AB33	2	Black	C-4		Curtain airbag module RH



# Rear Wiring Harness and Rear Gate Cord

WIRING SYSTEM



WI-21488