

## 12.Protector Tape

### A: INSTALLATION

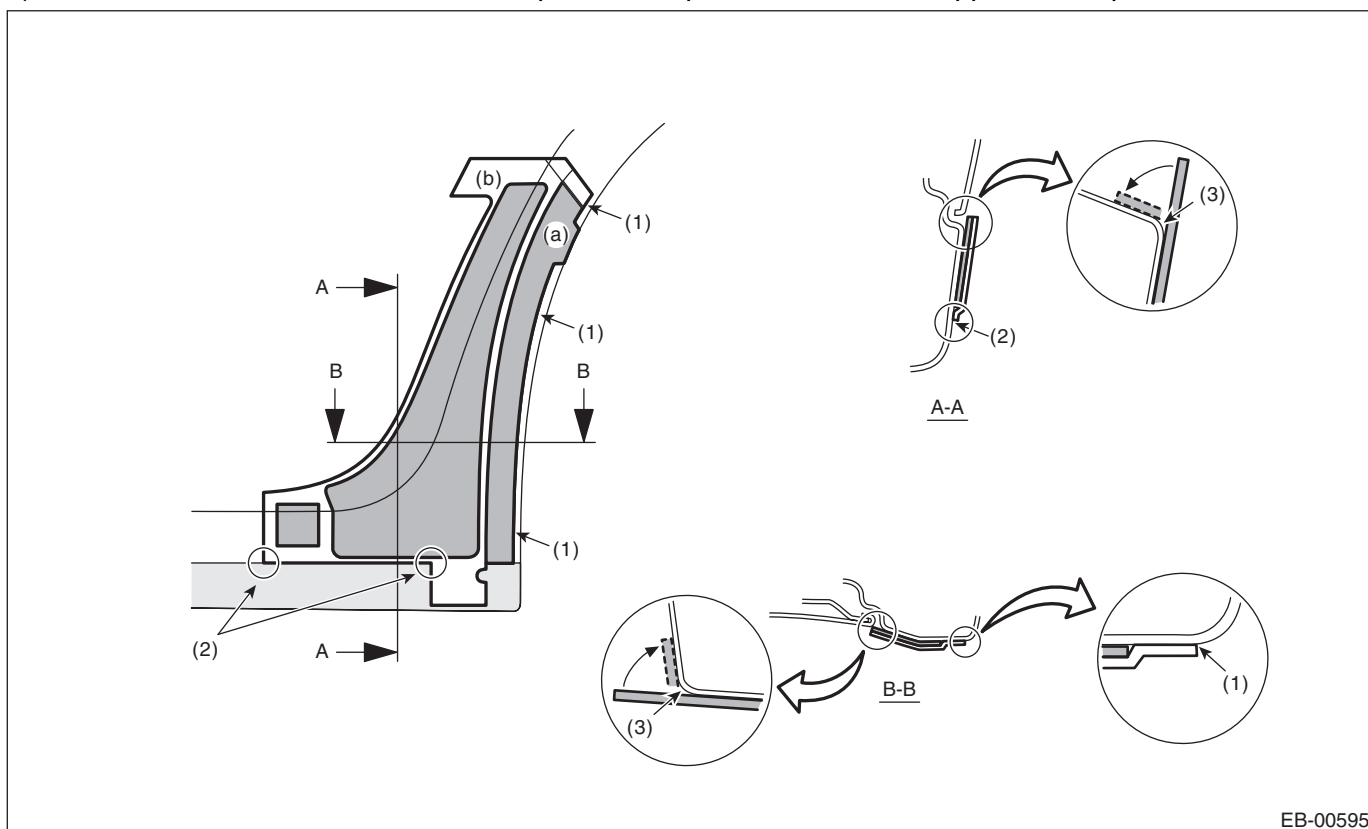
Adhere the protector tape to position, follow the procedures below.

- 1) Open the rear door and moisten around the adhering position by using liquid such as mild detergent solution.
- 2) Peel away the backing paper of (a).
- 3) Align the application tape to the position shown in the following figure.
- 4) Peel away the film of (a).
- 5) Peel away the backing paper of (b) and adhere the protector tape to the vehicle body.

#### CAUTION:

**Remove the water or air bubbles out of the protector tape by using the plastic or rubber spatula.**

- 6) Get rid of water and air bubbles in the protector tape and remove the application tape and the film.



EB-00595

(1) Align the R terminal of side sill panel to application paper.

(2) Align the PCV coat terminal to application paper.

(3) Apply the protector tape to align the R.

# Protector Tape

EXTERIOR BODY PANELS

---

# CRUISE CONTROL SYSTEM

# CC

---

	<b>Page</b>
1. General Description .....	2
2. Cruise Control Module .....	4
3. Cruise Control Command Switch .....	5
4. Combination Meter .....	6
5. Stop Light & Brake Switch .....	7
6. Clutch Switch .....	8
7. Transmission Control Module (TCM) .....	9
8. Inhibitor Switch .....	10
9. Neutral Position Switch .....	11