

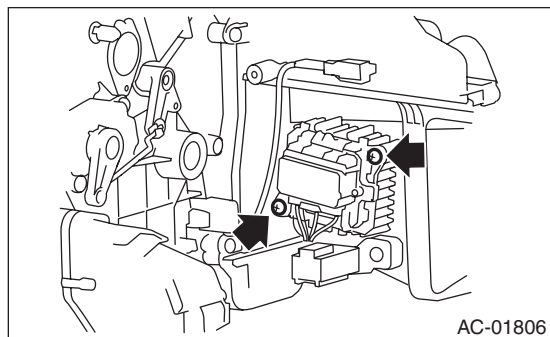
Power Transistor (Auto A/C Model)

HVAC SYSTEM (HEATER, VENTILATOR AND A/C)

9. Power Transistor (Auto A/C Model)

A: REMOVAL

- 1) Remove the instrument panel lower. <Ref. to EI-51, INSTRUMENT PANEL, LOWER, REMOVAL, Center Console.>
- 2) Disconnect the power transistor connector.
- 3) Remove the two screws and remove the power transistor.



B: INSTALLATION

Install in the reverse order of removal.