

General Description

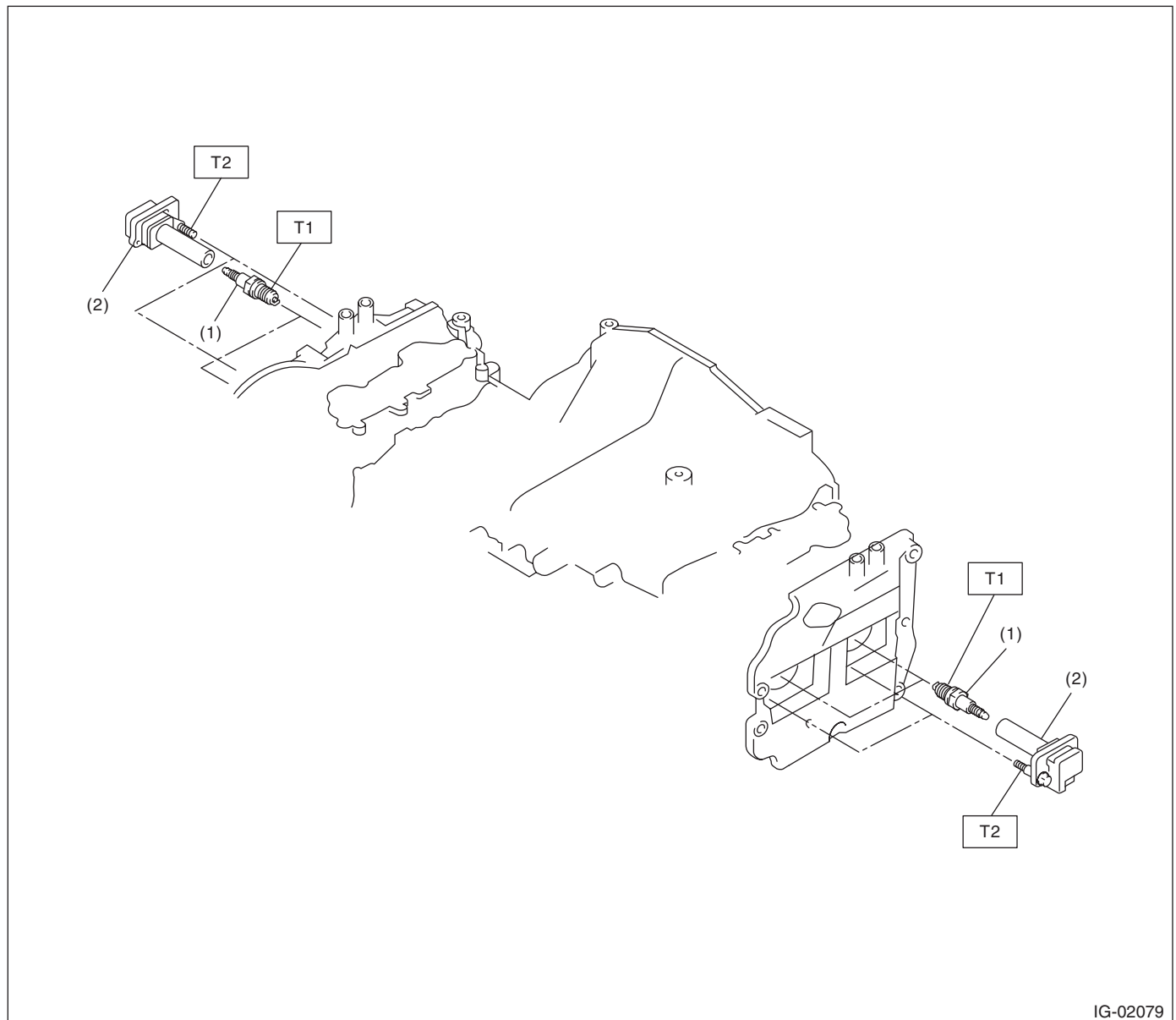
IGNITION

1. General Description

A: SPECIFICATION

Item		Specifications
Ignition coil	Type	FK0334
	Ignition system	Independent ignition coil
	Manufacturer	Diamond Electric
Spark plug	Manufacturer and type	NGK: SILFR6A
	Thread size (diameter, pitch, length)	mm 14,1.25,26.5
	Spark plug gap	mm (in) 0.7 — 0.8 (0.028 — 0.031)
	Electrode	Iridium

B: COMPONENT



(1) Spark plug

(2) Ignition coil

Tightening torque: N·m (kgf·m, ft·lb)

T1: 21 (2.1, 15.5)

T2: 16 (1.6, 11.8)

C: CAUTION

- Wear appropriate work clothing, including a cap, protective goggles and protective shoes when performing any work.
- Remove contamination including dirt and corrosion before removal, installation or disassembly.
- Keep the disassembled parts in order and protect them from dust and dirt.
- Before removal, installation or disassembly, be sure to clarify the failure. Avoid unnecessary removal, installation, disassembly and replacement.
- Vehicle components are extremely hot after driving. Be wary of receiving burns from heated parts.
- Be sure to tighten fasteners including bolts and nuts to the specified torque.
- Place shop jacks or rigid racks at the specified points.
- Before disconnecting connectors of sensors or units, be sure to disconnect the ground cable from the battery.