

Front Door

EXTERIOR BODY PANELS

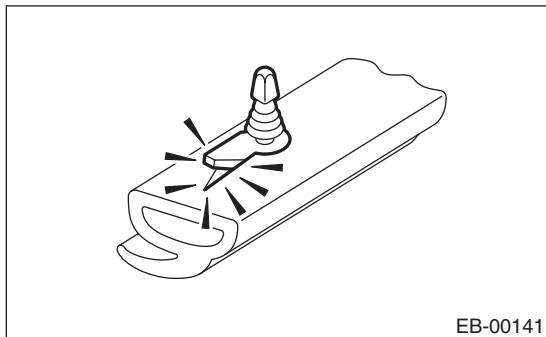
5. Front Door

A: REMOVAL

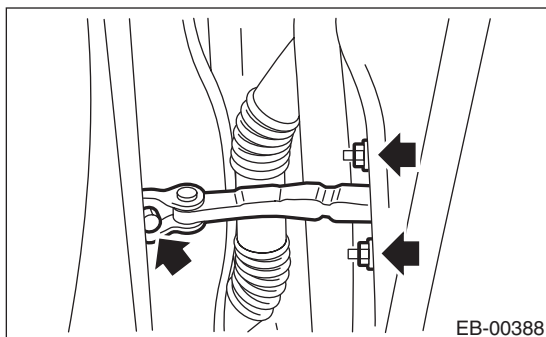
- 1) Disconnect the ground cable from battery.
- 2) Remove the front door trim. <Ref. to EI-41, REMOVAL, Door Trim.>
- 3) Remove the outer mirror assembly. <Ref. to GW-15, REMOVAL, Outer Mirror Assembly.>
- 4) Remove the front door speaker. <Ref. to ET-7, REMOVAL, Front Speaker.>
- 5) Remove the sealing cover. <Ref. to EB-22, REMOVAL, Front Sealing Cover.>
- 6) Remove the front door glass. <Ref. to GW-11, REMOVAL, Front Door Glass.>
- 7) Remove the front door regulator and motor. <Ref. to GW-12, REMOVAL, Front Regulator and Motor Assembly.>
- 8) Remove the front door latch assembly. <Ref. to SL-31, REMOVAL, Front Door Latch and Door Lock Actuator Assembly.>
- 9) Remove the front outer handle. <Ref. to SL-30, REMOVAL, Front Outer Handle.>
- 10) Remove the front door weather strip.

NOTE:

If the weather strip clip is removed with excessive force, the weather strip may be damaged. Be sure to use clip remover to remove.

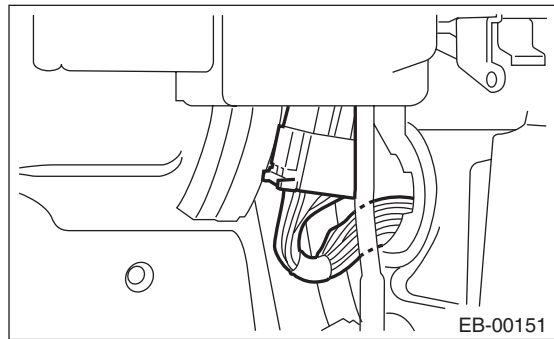


- 11) Remove the bolts and nuts to remove the door checker.

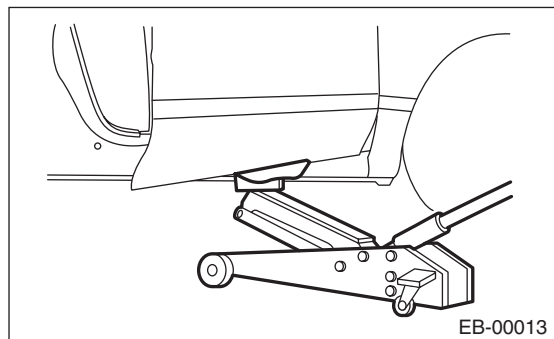


- 12) Remove the front pillar lower trim. <Ref. to EI-53, REMOVAL, Lower Inner Trim.>

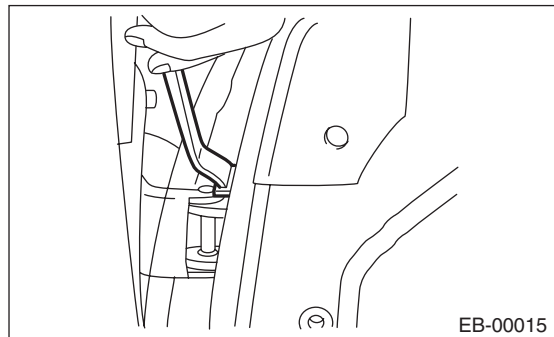
- 13) Disconnect the connector of door harness from body harness.



- 14) Put a wooden block on jack and place jack under the front door. Support the door with a jack to protect it from damage.



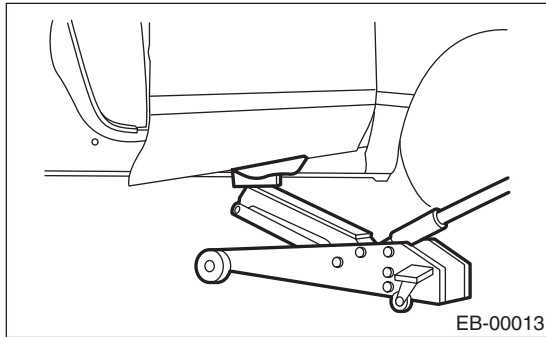
- 15) Remove the door-side bolts for upper and lower hinges to remove front door panel.



- 16) Remove the door hinge from vehicle.

B: INSTALLATION

1) Put a wooden block on jack and place the front door on that.



- 2) Apply grease to the sliding area of door hinges, and install the door hinge to vehicle.
- 3) Install the front door to upper hinge and lower hinge adjusting by jack.
- 4) Tighten bolt of door checker.
- 5) Connect door harness connector, and install the instrument panel lower cover.
- 6) Install the front pillar lower trim.

Tightening torque:

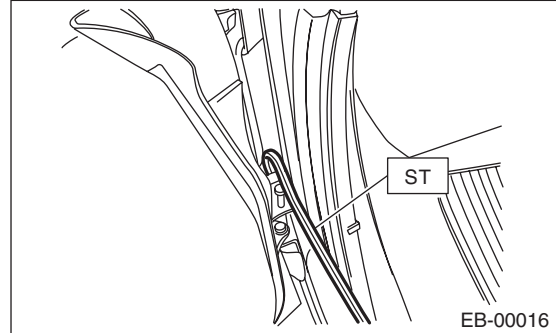
Refer to "COMPONENT" of "General Description". <Ref. to EB-12, REAR DOOR, COMPONENT, General Description.>

7) Install while paying attention to make a uniform clearance around the front door panel. For the dimension of clearance, refer to "SPECIFICATION" in "General Description". <Ref. to EB-2, SPECIFICATION, General Description.>

C: ADJUSTMENT

1) Using the ST, loosen the body-side bolts of the upper and lower hinges to align the position for vertical and horizontal direction of the front door panel.

Preparation tool: WRENCH (925610000)



2) Loosen the screw (A), and tap the striker (B) using a plastic hammer to adjust the gap between rear end surface of front door panel and front end surface of rear door.

CAUTION:

Do not use an impact wrench. Welding area on the striker nut plate is easily broken.

