

Identification

IDENTIFICATION

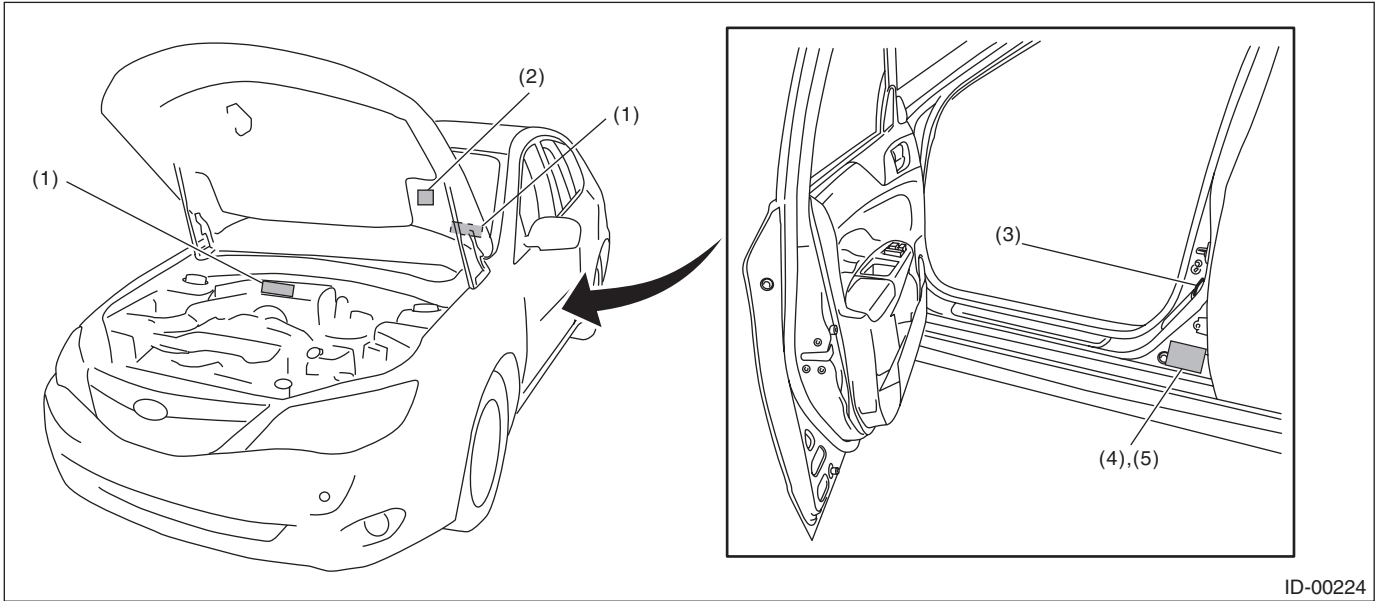
1. Identification

A: IDENTIFICATION

1. IDENTIFICATION NUMBER & LABEL LOCATIONS

The V.I.N. (Vehicle Identification Numbers) is used to classify the vehicle.

• POSITIONING OF THE LABEL FOR IDENTIFICATION



(1) Vehicle identification number (V.I.N.)

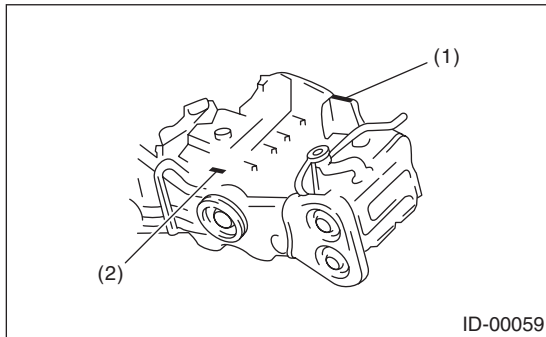
(3) Tire inflation pressure label

(5) Model number label (Right side)

(2) Emission control label

(4) MVSS label (Left side)

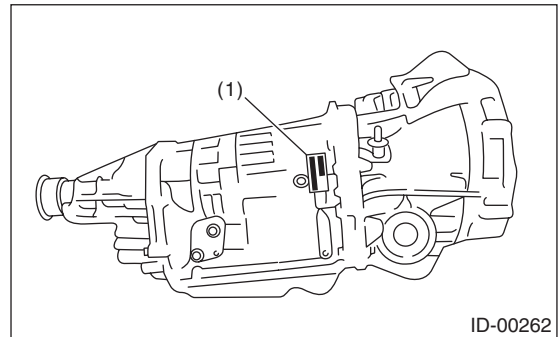
• Engine



(1) Engine serial number

(2) Engine type (casting) crankcase upper side

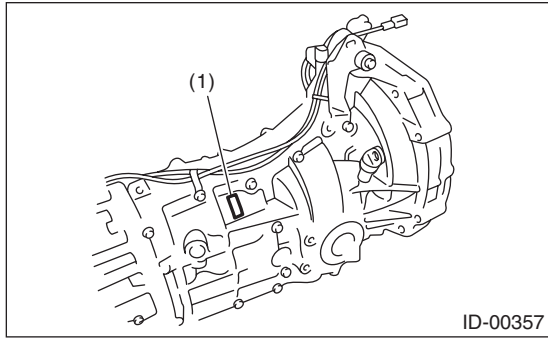
• AUTOMATIC TRANSMISSION



(1) AT type and transmission serial number label

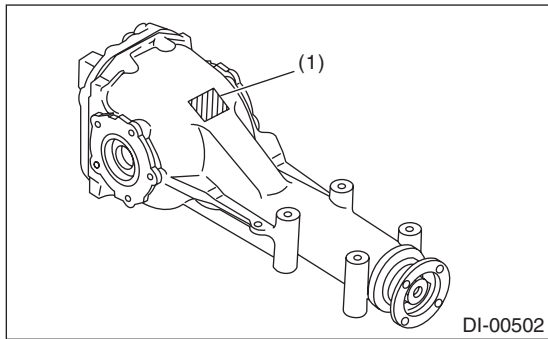
- **MANUAL TRANSMISSION**

5MT



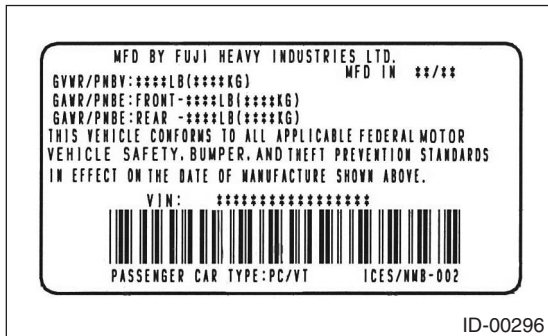
(1) MT type and transmission serial number

- **REAR DIFFERENTIAL**



(1) Identification (white paint)

- **MVSS LABEL**



ID-00296

Identification

IDENTIFICATION

2. MEANING OF V.I.N.

The meaning of the V.I.N. is as follows:

JF1GE6A6XBG500001

The starting and ending brackets ([]) are stop marks.

Digits	Code	Meaning	Details
1 — 3	JF1	Manufacturer body area	JF1: Passenger car, FHI made
4	G	Car line	G: IMPREZA
5	E	Body type	E: 4 door H: 5 door
6	6	Displacement	6: 2.5 L AWD
7	A	Grade	A: 2.5 i B: 2.5 i Limited C: 2.5 i-S D: OUTBACK SPORTS
8	6	Restraint	6: Manual belts, dual airbag, side airbag, curtain airbag
9	X	Check digit	0 — 9&X
10	B	Model year	B: 2011MY
11	G	Transmission type	G: Full-time AWD single range 5MT H: Full-time AWD 4AT
12 — 17	500001	Serial number	From 500001: 4 door From 800001: 5 door

3. MODEL NUMBER LABEL

The model number label indicates: the applied model, the option code, the trim code, the engine type, the transmission type, and the exterior color code. This information is helpful when placing orders for parts.

GHCDY7J

Digits	Code	Meaning	Details
1	G	Series	G: IMPREZA
2	H	Body type	E: 4 door H: 5 door
3	C	Total engine displacement Drive system Suspension system	C: 2.5 L AWD
4	D	Model year	D: 2011MY
5	Y	Destination	Y: U.S., Canada
6	7	Grade	7: 2.5 i 8: 2.5 i-S 9: OUTBACK SPORTS
7	J	Transmission, fuel feed system	J: MFI 5MT AWD L: MFI 4AT SPORT shift AWD

The engine and transmission type are as follows.

Identification

IDENTIFICATION

Engine

EJ253BS3FB

Digits	Code	Meaning	Details
1 and 2	EJ	Engine type	EJ: 4 cylinder
3 and 4	25	Displacement	25: 2.5 L
5	3	Fuel feed system	3: MFI non-turbo (SOHC)
6	B	Exhaust regulations	B: U.S. (FED, CAL)
7	S	Transmission	P: AT S: 5MT
8 — 10	3FB	Detailed specifications	Used when ordering parts. For details, refer to the parts catalog.

Transmission (MT)

TY758VC1AA

Digits	Code	Meaning	Details
1	T	Transmission	T: Transmission
2	Y	Transmission system	Y: Full-time AWD MT center differential
3 and 4	75	Distance between gear center	75: Between main shaft and drive pinion
5	8	Series	8: 5MT
6	V	Transmission specifications	V: Full-time AWD 5 speed MT single range with viscous coupling center differential
7	C	Mounted engine	C: 925 SOHC
8 — 10	1AA	Detailed specifications	Used when ordering parts. For details, refer to the parts catalog.

Transmission (AT)

TZ1B8LC2AA

Digits	Code	Meaning	Details
1	T	Transmission	T: Transmission
2	Z	Transmission type	Z: Full-time AWD AT MP-T
3 and 4	1B	Identification	1B: AT (direct control method)
5	8	Series	8: AT
6	L	Transmission specifications	L: Full-time AWD with MP-T 4AT (direct control method)
7	C	Engine type	C: 925 SOHC
8 — 10	2AA	Detailed specifications	Used when ordering parts. For details, refer to the parts catalog.

Rear differential

Code	Reduction gear ratio	LSD
T1	3.900	None
T2	4.111	None

Identification

IDENTIFICATION

Option code

FW

- 1-digit number

	F	G	I	K	U
Aluminum wheel	—	○	—	○	○
Cruise control	○	○	○	○	○
Auto A/C	—	○	—	—	—
Manual A/C	—	—	○	—	—
Leather package	—	○	○	○	○
Genuine leather seat	—	○	—	—	—
High grade audio	—	○	○	○	—
Navigation system	—	—	—	—	○
Satellite tuner	—	—	—	—	○

- 2-digit number

	E	F	G	J
Side airbag	○	○	○	○
Curtain airbag	○	○	○	○
VDC	○	○	○	○
Front fog light	○	—	○	○
Cold weather package	—	—	○	○
Sunroof	○	—	○	—

RECOMMENDED MATERIALS

RM

	Page
1. Recommended Materials	2

