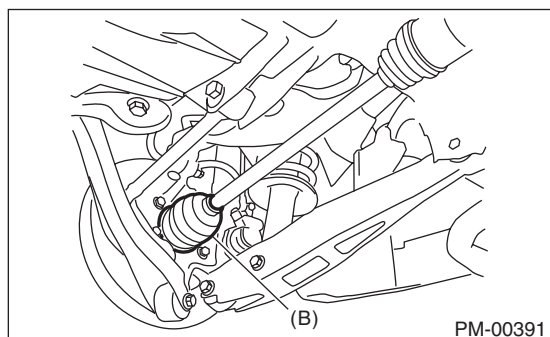
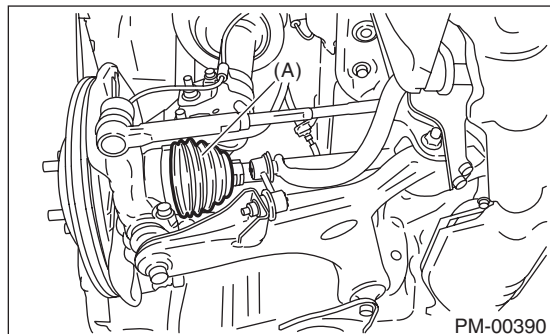


### 23. Axle Boots & Joints

#### A: INSPECTION

##### 1. FRONT AND REAR AXLE BOOTS

Inspect the front axle boots (A) and rear axle boots (B) for deformation, damage or failure. If faulty, replace with new part. <Ref. to DS-26, Front Drive Shaft.> <Ref. to DS-30, Rear Drive Shaft.>



##### 2. PROPELLER SHAFT

Inspect the propeller shaft for damage or failure. If faulty, replace with new part. <Ref. to DS-10, Propeller Shaft.>