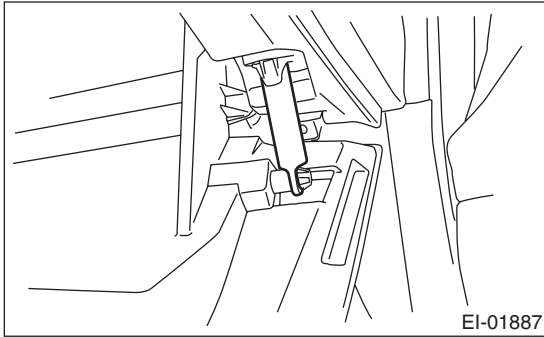


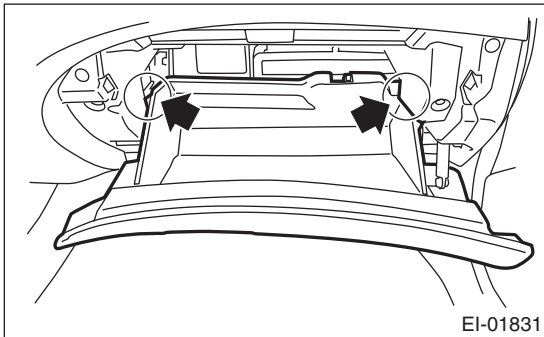
26. A/C Filter

A: REPLACEMENT

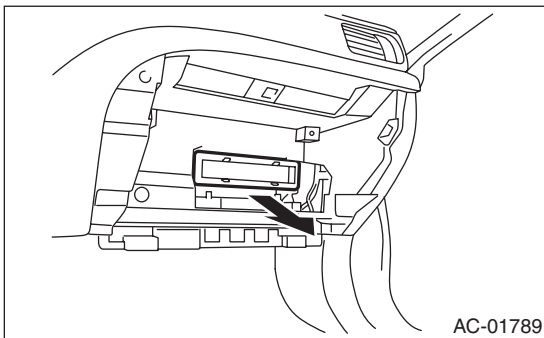
1) Remove the glove box damper.



2) Disengage the stopper section and pull the glove box lid to remove it.



3) Pinch the claw to unlock and remove the A/C filter.



4) Install in the reverse order of removal.

A/C Filter

PERIODIC MAINTENANCE SERVICES

ENGINE SECTION

This service manual has been prepared to provide SUBARU service personnel with the necessary information and data for the correct maintenance and repair of SUBARU vehicles.

This manual includes the procedures for maintenance, disassembling, reassembling, inspection and adjustment of components and diagnostics for guidance of experienced mechanics.

Please peruse and utilize this manual fully to ensure complete repair work for satisfying our customers by keeping their vehicle in optimum condition. When replacement of parts during repair work is needed, be sure to use SUBARU genuine parts.

All information, illustration and specifications contained in this manual are based on the latest product information available at the time of publication approval.

FUEL INJECTION (FUEL SYSTEMS) FU(H4SO)

EMISSION CONTROL (AUX. EMISSION CONTROL DEVICES) EC(H4SO)

INTAKE (INDUCTION) IN(H4SO)

MECHANICAL ME(H4SO)

EXHAUST EX(H4SO)

COOLING CO(H4SO)

LUBRICATION LU(H4SO)

SPEED CONTROL SYSTEMS SP(H4SO)

IGNITION IG(H4SO)

STARTING/CHARGING SYSTEMS SC(H4SO)

ENGINE (DIAGNOSTICS) EN(H4SO)(diag)

GENERAL DESCRIPTION GD(H4SO)

FUEL INJECTION (FUEL SYSTEMS)

FU(H4SO)

	Page
1. General Description	2
2. Throttle Body	14
3. Intake Manifold	16
4. Engine Coolant Temperature Sensor	25
5. Crankshaft Position Sensor	26
6. Camshaft Position Sensor	28
7. Knock Sensor	30
8. Throttle Position Sensor	32
9. Manifold Absolute Pressure Sensor	33
10. Mass Air Flow and Intake Air Temperature Sensor	35
11. EGR Valve	36
12. Fuel Injector	37
13. Variable Valve Lift Diagnosis Oil Pressure Switch	40
14. Oil Temperature Sensor	41
15. Front Oxygen (A/F) Sensor	42
16. Rear Oxygen Sensor	44
17. Engine Control Module (ECM)	46
18. Main Relay	47
19. Fuel Pump Relay	49
20. Electronic Throttle Control Relay	51
21. Fuel	53
22. Fuel Tank	55
23. Fuel Filler Pipe	62
24. Fuel Pump	66
25. Fuel Level Sensor	68
26. Fuel Sub Level Sensor	69
27. Fuel Filter	71
28. Fuel Damper	75
29. Purge Damper	76
30. Fuel Delivery and Evaporation Lines	77
31. Fuel System Trouble in General	82