

Pre-delivery Inspection

PRE-DELIVERY INSPECTION

1. Pre-delivery Inspection

A: GENERAL DESCRIPTION

The purposes of the pre-delivery inspection (PDI) are as follows.

- Remove the additional parts used for ensuring the vehicle quality during transportation and restore the vehicle to its normal condition.
- Check the vehicle before delivery is in normal condition.
- Check the vehicle or parts for any damage occurred during transportation or storage.
- Check the vehicle after repair is in normal condition.
- Make sure to provide a complete vehicle to customer.

For above reasons, all SOAs (dealerships) must carry out the PDIs before delivery of vehicle.

Refer to this manual unless otherwise specified.

B: PRE-DELIVERY INSPECTION (PDI) PROCEDURE

Perform the procedures indicated in the table below.

Static Checks Just after Vehicle Receipt

Step	Check point
1. Appearance	<ol style="list-style-type: none">1. If the vehicle is covered with protective coating, visually check the vehicle body for damage and dents. If the protective coating has been removed, visually check the painted body surfaces in detail for damage or rust.2. Visually check the glass and light lenses for any damage, cracks or excessive gaps between body sheet metal.3. Visually check the plated parts for any damage.4. Check the instrument panel, console and trim for stains or dirt.
2. Tire	<ol style="list-style-type: none">1. Check the tires for damage, defective, and dents on wheels.2. Check the tire air pressure.
3. Fuse installation	If the vehicle is about to be delivered to customer, attach a back-up fuse.
4. Door lock/unlock and open/close operations	<ol style="list-style-type: none">1. Using the key, check the door can be locked or unlocked normally.2. Open and close all doors to check that there are no problems.3. Operate the power door lock switch to check that all doors and the rear gate lock and unlock normally.
5. Child safety lock	Check the child safety lock system operates normally.
6. Trunk lid open/close operations	<ol style="list-style-type: none">1. Using the key, check that the trunk lid can be locked or unlocked normally.2. Operate the trunk lock release lever to check that the trunk lid opens normally.3. Use the valet key to check that the lock cannot be released.4. Open and close the trunk lid to check that there are no problems.
7. Rear gate lock/unlock and open/close operation	<ol style="list-style-type: none">1. Check if the rear gate can be unlocked normally through the emergency hole.2. Open and close the rear gate to check that there are no problems.
8. Operation check of trunk lid release lever	Operate the trunk lid release lever to check that the trunk lock is unlocked normally.
9. Fuel lid opener lock release lever	Operate the fuel lid opener to check that the fuel filler lid can be unlocked normally.
10. Towing hook (eyebolt)	At factory shipment, the towing hook (eyebolt) is installed to the rear bumper. Remove the towing hook (eyebolt), store it in the holder.
11. Accessory	Check that the following accessories are equipped. <ul style="list-style-type: none">• Owner's manual• Warranty booklet• Maintenance note• Spare key• Key No. plate• Jack• Tool set• Spare tire• Towing hook
12. Front hood lock release	Operate the front hood lock release lever to check that the front hood opens normally.
13. Battery	Check the battery for any abnormal conditions such as rust or traces of battery fluid leaks.

Pre-delivery Inspection

PRE-DELIVERY INSPECTION

Step	Check point
14. Brake fluid	Check the brake fluid amount.
15. Engine oil	Check the engine oil amount.
16. Transmission gear oil	Check that the transmission gear oil level is normal.
17. CVT front differential oil	Check for leakage of CVT front differential oil.
18. Rear differential gear oil	Check for leakage of gear oil from the rear differential.
19. Engine coolant	Check the engine coolant level.
20. Clutch fluid	Check the clutch fluid amount.
21. Window washer fluid	Check the window washer fluid amount.
22. Front hood latch	Check that the front hood is closed normally and locked securely.
23. Keyless entry system	Check that the keyless entry system operates normally.
24. Security system	Check that the security system operates normally.
25. Seat	1. Check the seat surfaces for stains or dirt. 2. Check the seat installation conditions and functionality.
26. Seat belt	Check the seat belt installation conditions and functionality.
27. TPMS (U.S. model)	1. Turn the TPMS transmitter power supply to ON. 2. If the display of TPMS warning light does not operate normally, perform the diagnosis by referring to TPMS (Diagnosis).

Checks with the Engine Running

Step	Check point
28. Grommet installation	Install the grommet provided on the rear seat to the tie-down hole. (When equipped)
29. Delivery (test) mode	Turn the ignition switch to ON and check that the malfunction indicator light starts blinking.
30. Immobilizer system	1. Check that the engine starts with all keys that are equipped on vehicle. 2. 60 seconds after turning ignition switch from ON to ACC or OFF, or immediately after removing the key, check that the security indicator light is blinking.
31. Starting condition	Start the engine and check that the engine starts smoothly.
32. Exhaust system	Check that the exhaust noise is normal and no leaks are found.
33. Indicator and warning lights	Check that all indicator lights and warning lights are operating correctly.
34. Heater & ventilation	Check that the heater & ventilation system operates normally.
35. Air conditioner	Check that the air conditioner operates normally.
36. Multi-function display (MFD)	Check that the Multi-Function Display (MFD) function operates normally.
37. Audio	Check the radio and AUX operate normally.
38. Navigation	Check the navigation and AUX operate normally.
39. Front accessory power supply socket	Check that the front accessory power supply socket operates normally.
40. Lighting system	Check that the lighting system operates normally.
41. Illumination control	Check that the illumination control operates normally.
42. Window washer	Check that the window washer system operates normally.
43. Wiper	Check that the wiper system operates normally.
44. Wiper deicer	Check that the wiper deicer operates normally.
45. Power window	Check that the power window operates normally.
46. Sunroof	Check that the sunroof operates normally.
47. Rear defogger	Check that the rear defogger operates normally.
48. Door mirror	Check that the remote control mirror and heated mirror operate normally.
49. Diagnostic trouble code (DTC) check	Check that the diagnostic trouble code (DTC) is not detected.

Pre-delivery Inspection

PRE-DELIVERY INSPECTION

Dynamic Test with the Vehicle Running

Step	Check point
50. Brake test	Check the foot brake for normal operations.
51. Parking brake	Check the parking brake for normal operations.
52. Shift control	Check that the shift patterns are correct.
53. Cruise control	Check that the cruise control system operates normally.

Checks after Dynamic Test

Step	Check point
54. Fluid leakage	Check for fluid/oil leaks.
55. Water leak test	Spray the vehicle with water and check for water leaks.
56. Appearance 2	<ol style="list-style-type: none">1. Remove the protective coating (if equipped).2. Check the body paints for damage and stain.3. Check the plated parts for damage and rust.

1. APPEARANCE

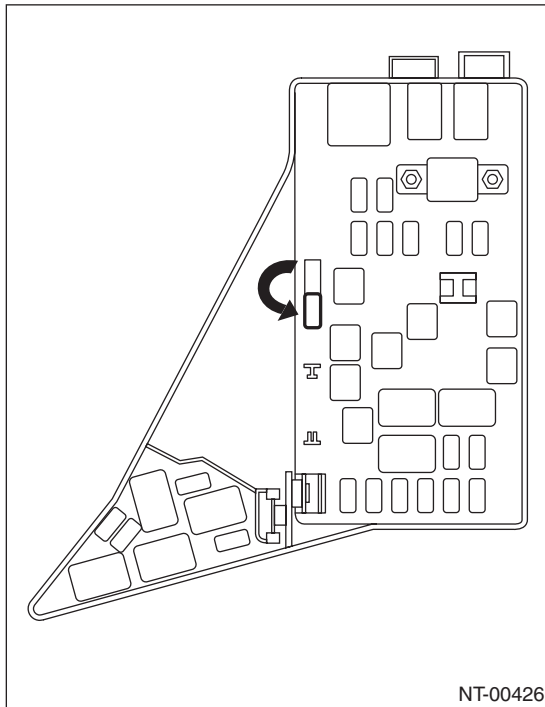
- If the vehicle is covered with protective coating, visually check the vehicle body for damage and dents.
- When there is no protective coating, check the body paints for damage or stains in detail and repair as necessary.
- Check the window glass, door glass, and lights for any cracks or damage, and replace as necessary.
- Visually check the plated parts, such as the grilles and door knobs, for damage or loss of gloss and replace the parts as necessary.
- Check the instrument panel, console and trim for stains or dirt.

2. TIRE

- Check the tires for damage, defective, and dents on wheels.
- Check the tire size, spare tire and tire air pressure described on the tire air pressure label (driver's side).

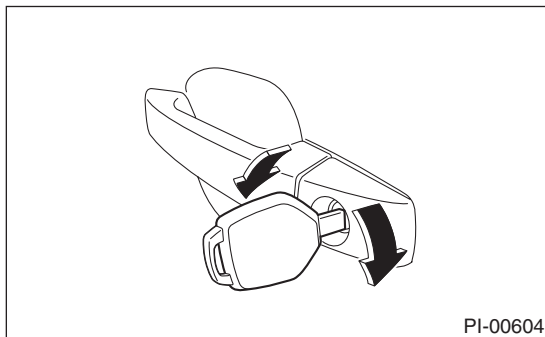
3. FUSE INSTALLATION

Fuses for the back-up circuit on initially delivered vehicles are removed to prevent battery discharge. Attach the 20 A fuse as shown in the figure.

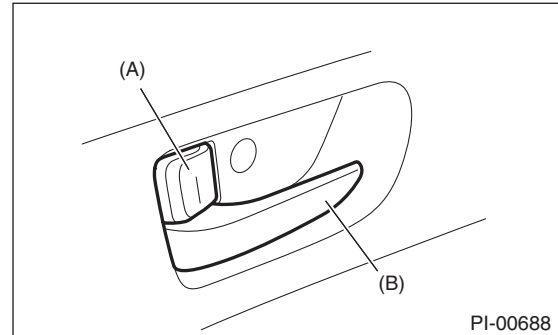


4. LOCK/UNLOCK AND OPEN/CLOSE OPERATION CHECKS OF DOORS

1) Using the key, lock and unlock the door several times to check for normal operation. Open and close the door several times for smooth movement.



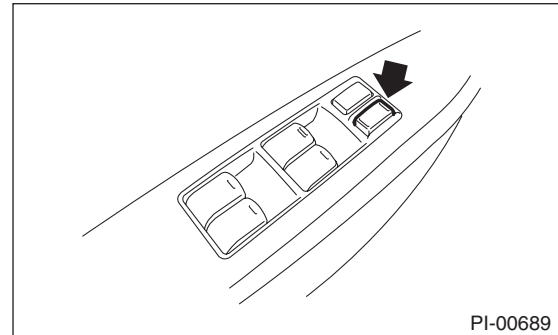
2) Completely close the driver's door, and then check the smooth movement with operating door lock knob from lock to unlock several times. Set the door lock knob (A) to lock position. Then pull the inner remote (B) to ensure that doors will not open. For other doors, place the door lock knob (A) to lock position and then pull the inner remote (B) to ensure that doors will not open.



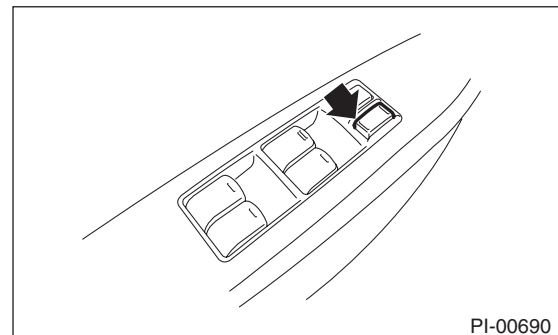
(A) Door lock knob

(B) Inner remote

3) Close all the doors, and then press the lock on power door lock switch at driver's side. Check that all doors (including the rear gate) lock.



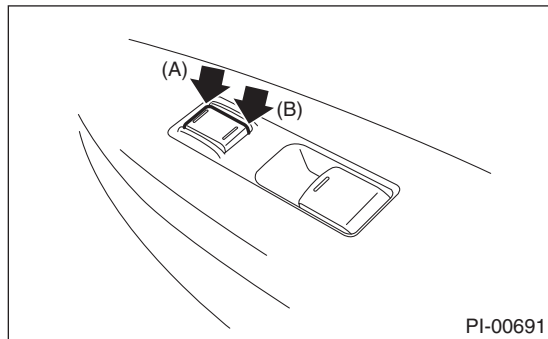
4) Press the driver's side power door lock switch to unlock side. Check that all doors including rear gate are unlocked.



Pre-delivery Inspection

PRE-DELIVERY INSPECTION

5) Check that the passenger's power door lock switch locks and unlocks normally in the same manner.

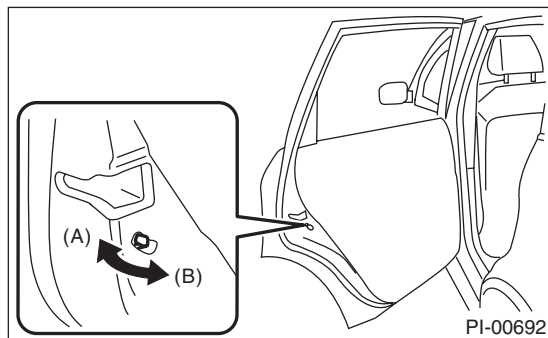


- (A) Lock
- (B) Unlock

6) Insert the key to ignition switch, and open the driver's side door. Press lock on power door lock. Check that the door is not locked.

5. CHILD SAFETY LOCK

- 1) Set the child safety lock lever on both rear doors to the lock position.
- 2) Close the rear doors completely.
- 3) Check that the lock levers of the rear doors are in the unlock position. Then, pull inner remote of rear doors to ensure that doors will not open.
- 4) Pull the outer handles to ensure that doors will open.



- (A) Unlock
- (B) Lock

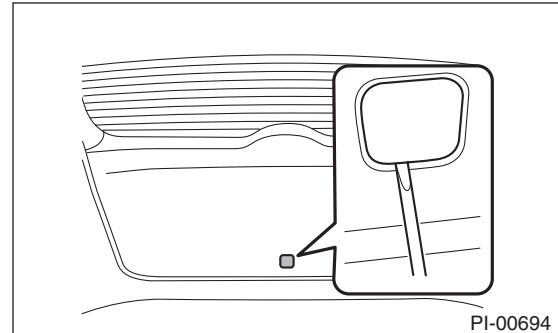
6. TRUNK LID OPEN/CLOSE OPERATIONS

- 1) Operate the trunk lock release lever to check that the trunk lid opens.
- 2) Open and close the trunk lid several times for smooth movement.

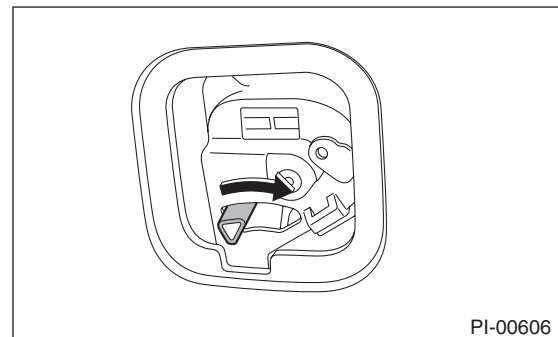
7. REAR GATE LOCK/UNLOCK AND OPEN/CLOSE OPERATIONS

- 1) Open and close the rear gate several times for smooth movement.
- 2) Operate the rear gate emergency release lever to check that the rear gate can be locked and unlocked properly.

(1) Remove the cover inside the rear gate.



(2) Operate the lever using a tool such as a screwdriver to check that the rear gate is unlocked normally.

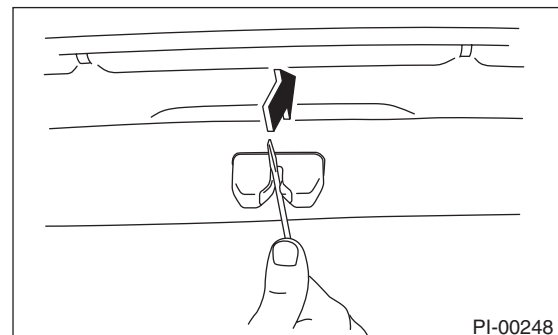


8. OPERATION CHECK OF TRUNK LID RELEASE HANDLE

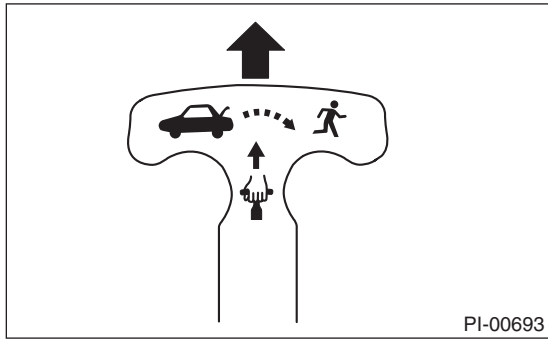
CAUTION:

Do not check the trunk lid release handle when in the trunk. If the trunk lid release handle is defective, you may be trapped in.

- 1) Use a flat tip screwdriver. Slide the screwdriver blade from the slit aperture of the lock assembly fully to the end until you hear a click. This places the latch in the locked position.



2) Make sure the latch is released by pulling the yellow trunk lid release handle in the direction of arrow.



PI-00693

9. FUEL LID OPENER LOCK RELEASE LEVER

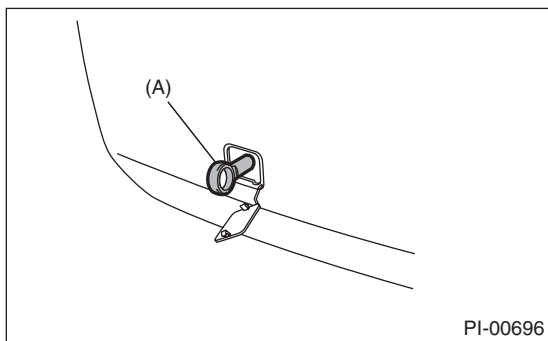
Operate the fuel lid lock release lever to check that the fuel lid is unlocked normally. Check that the filler cap is securely closed.

10. TOWING HOOK (EYEBOLT)

NOTE:

At factory shipment, the towing hook (eyebolt) is installed to the rear bumper for securing the vehicle during transportation. Follow the procedure below to store the towing hook (eyebolt) to the holder in the spare tire.

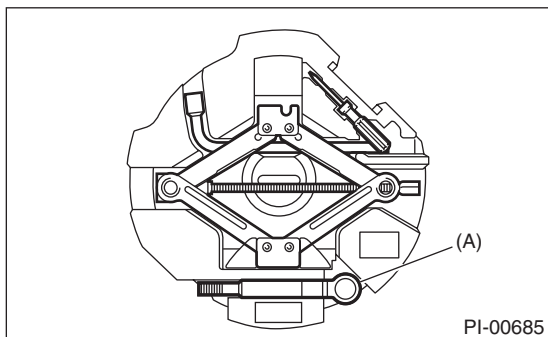
1) Remove the towing hook (eyebolt) from the rear bumper.



PI-00696

(A) Towing hook (eyebolt)

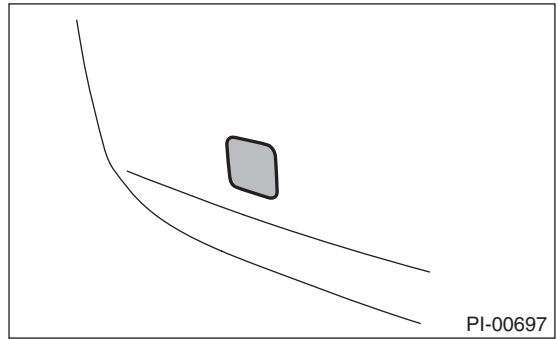
2) Store the towing hook (eyebolt) to the holder in the spare tire.



PI-00685

(A) Towing hook (eyebolt)

3) Install the supplied rear hook cover to rear bumper.



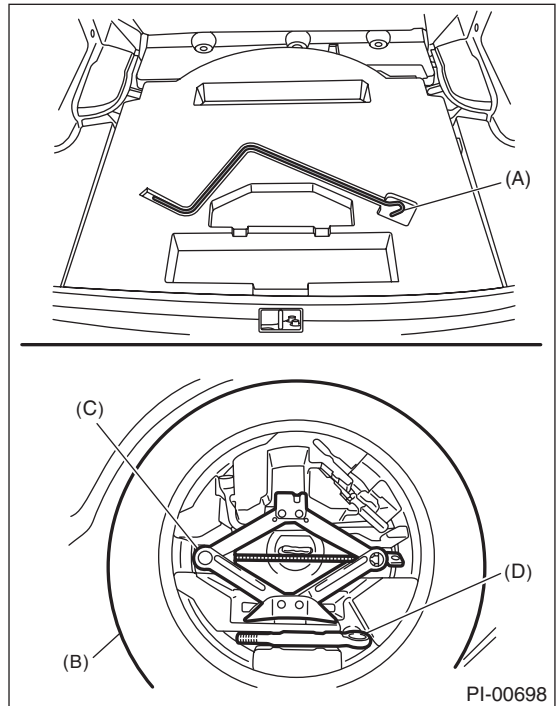
PI-00697

11. ACCESSORY

Check that the following accessories are provided.

- Owner's manual
- Warranty booklet
- Maintenance note
- Spare key
- Key No. plate
- Jack
- Tool set
- Spare tire
- Towing hook (eyebolt)

4 door



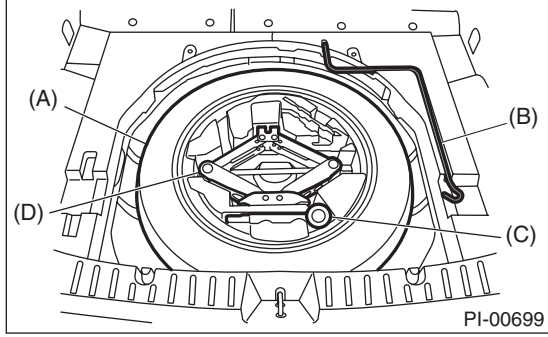
PI-00698

- (A) Jack handle
- (B) Spare tire
- (C) Jack
- (D) Towing hook (eyebolt)

Pre-delivery Inspection

PRE-DELIVERY INSPECTION

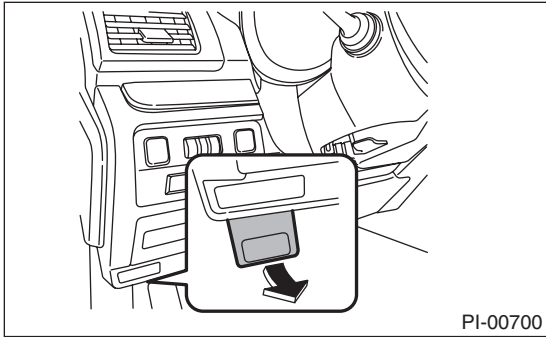
5 door



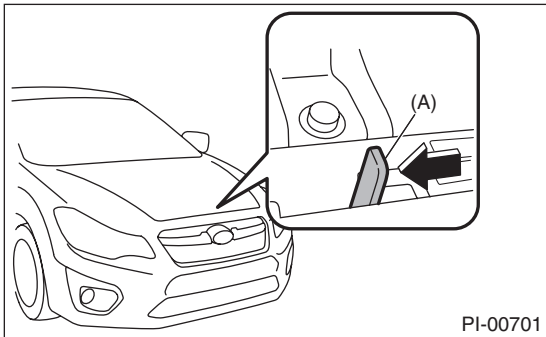
- (A) Spare tire
- (B) Jack handle
- (C) Towing hook (eyebolt)
- (D) Jack

12.FRONT HOOD LOCK RELEASE

Operate the front hood release lever to check that the front hood is unlocked normally.

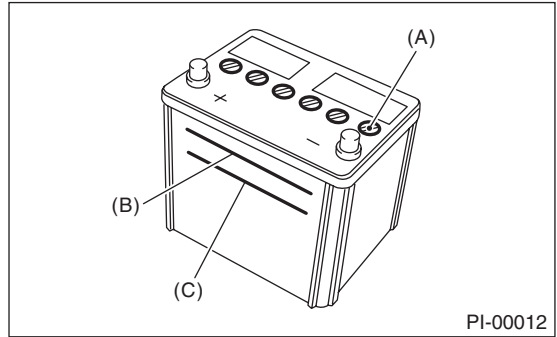


Operate the lever (A) and check that the front hood is opened normally.



13.BATTERY

Check the battery terminals to make sure that there are no rust or corrosions due to fluid leaks. Check that the battery caps are securely tightened.



- (A) Cap
- (B) Upper level
- (C) Lower level

14.BRAKE FLUID

Check the brake fluid amount. If the amount is insufficient, carry out a brake line test to identify brake fluid leaks and check the brake operation. After that, refill the brake fluid tank with the specified type of fluid.

CAUTION:

If the brake fluid is spilt over exhaust pipe, wipe it off with cloth to avoid emitting smoke or causing a fire.

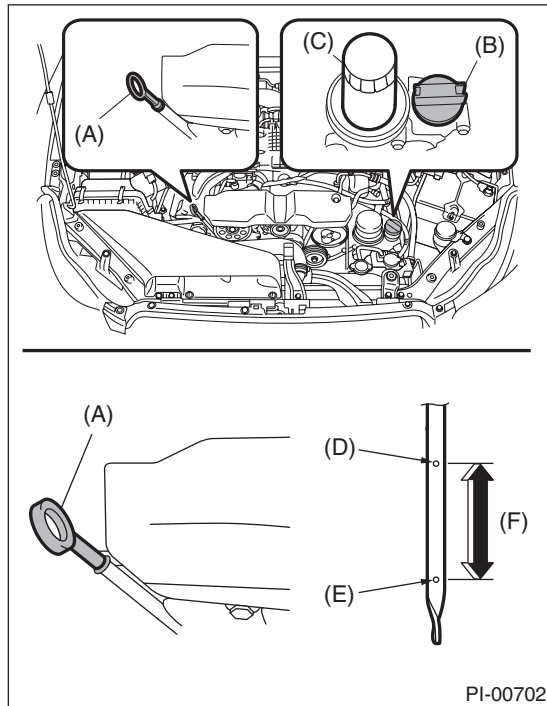
15.ENGINE OIL

- 1) Park the vehicle on a level surface.
- 2) Remove the oil level gauge and wipe away the oil.
- 3) Reinsert the oil level gauge all the way. Be sure that the oil level gauge is correctly inserted and properly orientated.
- 4) Pull out the oil level gauge again, and check both sides of the oil level gauge. Use a lower side to determine the engine oil level. If the engine oil level is below "L" line, add oil to bring the level up to "F" line.
- 5) Start the engine, and spread the oil in engine room.

6) After turning off the engine, wait a few minutes for the oil to return to the oil pan before checking the oil level.

NOTE:

To prevent overfilling of engine oil, do not add oil above “F” line when the engine is cold.



- (A) Engine oil level gauge
- (B) Engine oil filler cap
- (C) Engine oil filter
- (D) “F” line
- (E) “L” line
- (F) Approx. 1 L (1.1 US qt, 0.9 Imp qt)

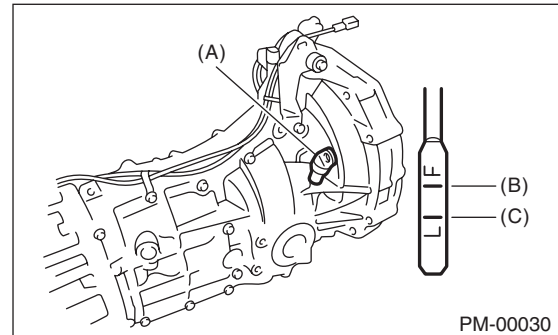
PI-00702

16. TRANSMISSION GEAR OIL

Check the transmission gear oil amount. If the amount of gear oil is insufficient, check for leaks. Then, add the necessary amount of the specified gear oil.

CAUTION:

If gear oil is spilt over the exhaust pipe, wipe it off with a cloth to avoid emitting smoke or causing a fire.



- (A) Oil level gauge
- (B) Upper level
- (C) Lower level

17. CVT FRONT DIFFERENTIAL OIL

Check for leakage of CVT front differential gear oil.

CAUTION:

If gear oil is spilt over the exhaust pipe, wipe it off with a cloth to avoid emitting smoke or causing a fire.

18. REAR DIFFERENTIAL GEAR OIL

Check for leakage of gear oil from the rear differential.

CAUTION:

If the rear differential gear oil is spilt over exhaust pipe, wipe it off with cloth to avoid emitting smoke or causing a fire.

19. ENGINE COOLANT

Check the coolant amount on the reservoir. If the amount of engine coolant is insufficient, check that no leaks are found. Then, add the necessary amount of coolant with the specified concentration.

CAUTION:

If the coolant is spilt over exhaust pipe, wipe it off with cloth to avoid emitting smoke or causing a fire.

Pre-delivery Inspection

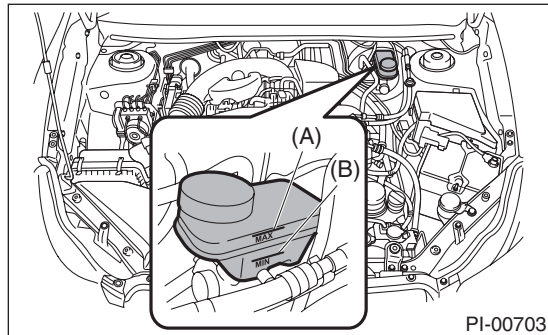
PRE-DELIVERY INSPECTION

20. CLUTCH FLUID

Check the clutch fluid amount. If the amount of fluid is insufficient, check that no leaks are found. Then, add the necessary amount of specified fluid.

CAUTION:

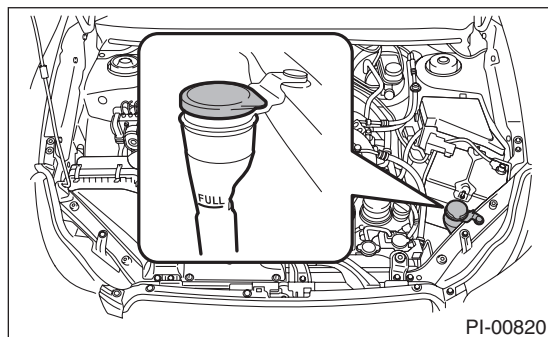
If any clutch fluid is spilled on the exhaust pipe, wipe it off with a cloth to avoid emitting smoke or causing a fire.



- (A) MAX. level
- (B) MIN. level

21. WINDOW WASHER FLUID

Check the window washer fluid amount. If the amount of washer fluid is insufficient, check that no leaks are found. Then, add the necessary amount of washer fluid.



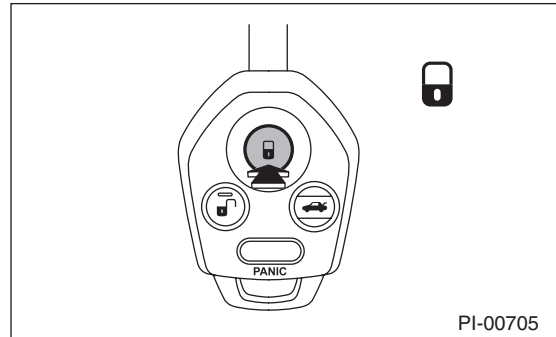
22. FRONT HOOD LATCH

Close the front hood. Check that the front hood is completely latched.

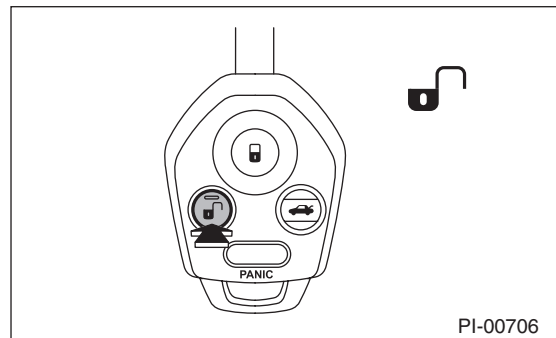
23. KEYLESS ENTRY SYSTEM

Check the keyless entry system operations as follows:

- Fully open all the door windows.
- Remove the key from the ignition switch and close all the doors including rear gate.
- Press the "LOCK/ARM" button momentarily on the keyless transmitter. Check that all the doors become locked, the buzzer sounds once, and the hazard lights flash once.

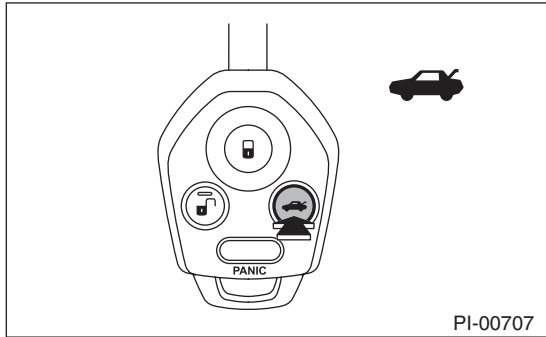


- Press the "UNLOCK/DISARM" button momentarily on the keyless transmitter. Check that the driver's door is unlocked, the buzzer sounds twice, and the hazard lights flash twice.

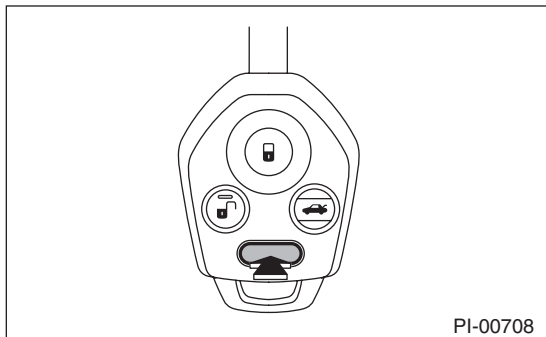


- Within 5 seconds, press the "UNLOCK/DISARM" button momentarily on the keyless transmitter. Check that all doors (including rear gate) are unlocked, the buzzer sounds twice, and the hazard lights flash twice.
- Lock all the doors including rear gate. Check that the buzzer sounds twice, and the hazard lights flash twice, when the rear gate unlock button is pressed to unlock the rear gate. Press the release button and check that the rear gate opens. (Wagon model)

- Check that the buzzer sounds twice, and the hazard lights flash twice, when the trunk lid unlock button is held down to unlock the trunk lid. (Sedan model)

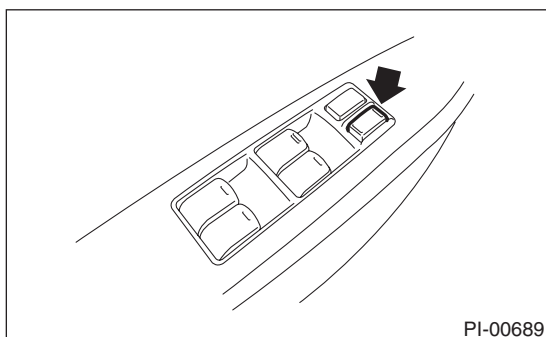


- Press the “PANIC” button of the keyless transmitter. Check that the panic mode (the horn keeps sounding) is initiated. Also, check that this condition continues for 30 seconds or until when any of the buttons on the keyless transmitter are pressed.

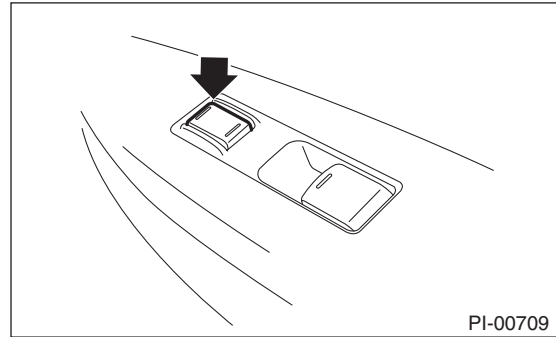


- Press the “LOCK/ARM” button momentarily on the keyless transmitter with one of the doors (including the rear gate) opened. Check that the buzzer sounds 5 times, and the hazard light flashes 5 times to notify the door not being fully closed. Next, close all the doors including rear gate. Check if all doors are locked, the buzzer sounds once and the hazard light flashes once.
- With one of the doors open (including the rear gate), press the “LOCK” side of the power door lock switch. Next, close all the doors including rear gate. Check if all doors are locked, the buzzer sounds once and the hazard light flashes once.

- Driver’s side



- Passenger’s side



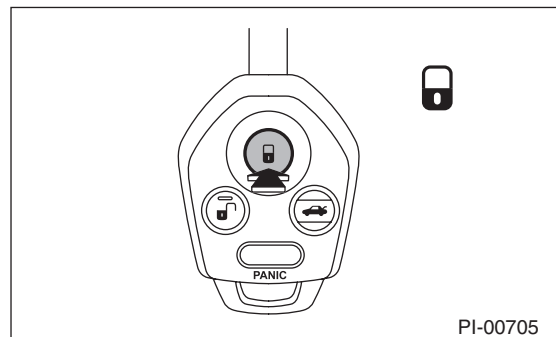
Alarm sound operational check

- The system uses the buzzer and sounds the alarm when the door is locked or unlocked. The alarm sound can be turned OFF. To turn the alarm sound from ON to OFF, close all doors, (with the key not inserted in the key cylinder), hold down the “UNLOCK” side of the power door lock switch and insert the key in the key cylinder. Within 10 seconds, insert and take out the key for 5 times or more, and within 10 seconds after that, open and close the driver’s door. With the door closed, the hazard light will flash 3 times, indicating that the alarm sound has been turned OFF. To turn the alarm sound from OFF to ON, perform this procedure again. The hazard light will flash 3 times, indicating that the alarm has been turned ON.

24.SECURITY SYSTEM

Check that the security system operates as indicated below.

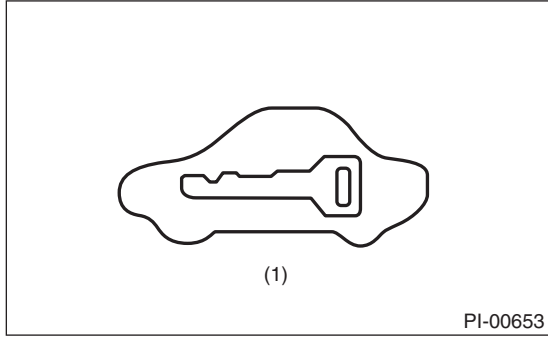
- 1) Fully open all the door windows.
- 2) Remove the key from the ignition switch and close all the doors including rear gate.
- 3) Press the “LOCK/ARM” button on the keyless transmitter once.



Pre-delivery Inspection

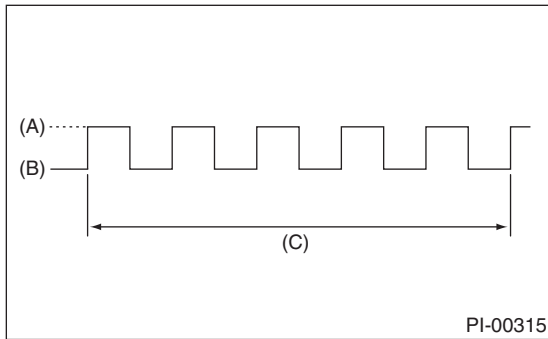
PRE-DELIVERY INSPECTION

4) If all doors are locked, the buzzer sounds once, the hazard light flashes once, and the security indicator light flashes as indicated below, the alarm system is in the monitoring condition.



(1) Security indicator light

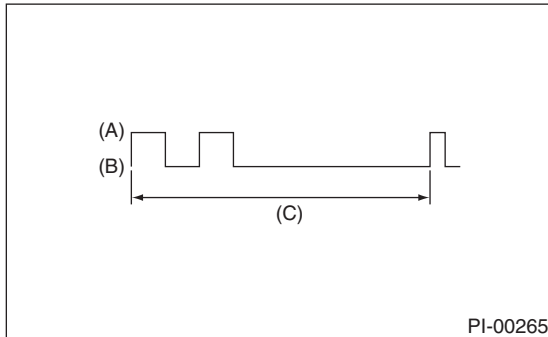
- Alarm system monitoring prepared condition



- (A) Light ON
- (B) Light OFF
- (C) 2 seconds

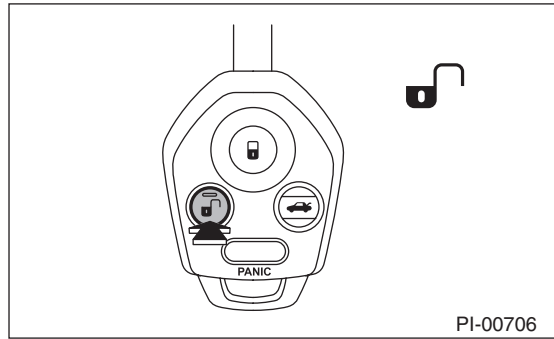
5) Check that the system enters monitoring condition 30 seconds after the condition in 4).

- Alarm system monitoring condition

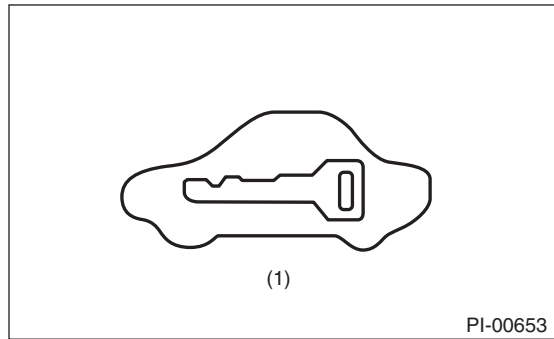


- (A) Light ON
- (B) Light OFF
- (C) 2 seconds

6) Press the “UNLOCK/DISARM” button on the keyless transmitter once.

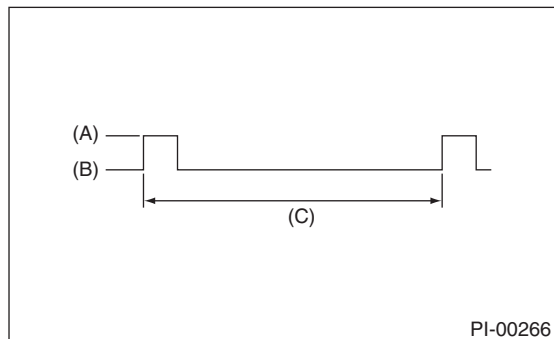


7) The alarm system is in the non-monitoring condition if the driver’s side door is unlocked, the buzzer sounds twice, the hazard lights flash twice, the room light turns on, and the security indicator light flashes.



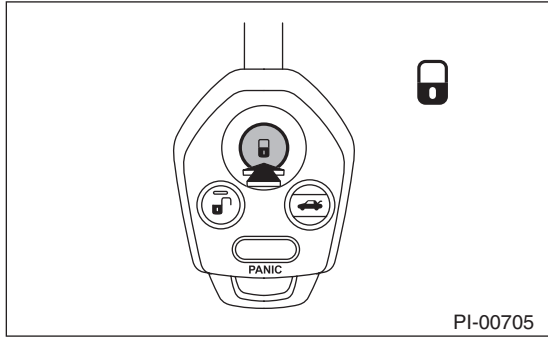
(1) Security indicator light

- Alarm system non-monitoring condition

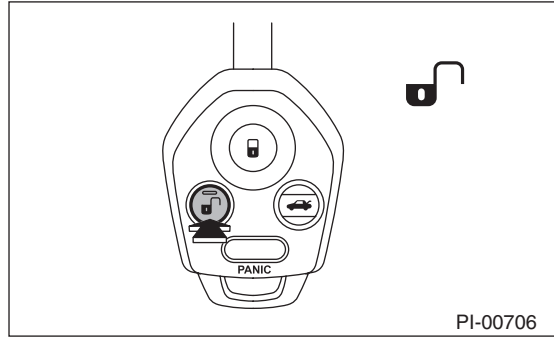


- (A) Light ON
- (B) Light OFF
- (C) 3 seconds

8) Press the “LOCK/ARM” button once on the keyless transmitter with one of the doors (including the rear gate) opened.



13) Press the “UNLOCK/DISARM” button on the keyless transmitter once and turn into non-monitoring condition.

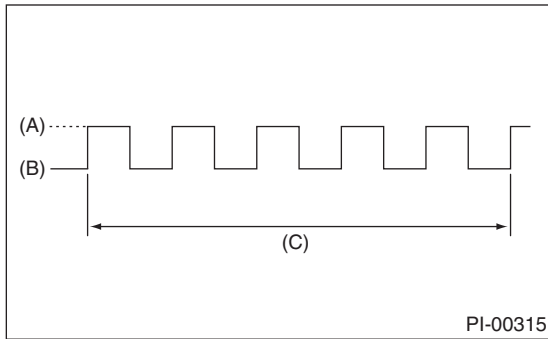


9) Check that the buzzer sounds 5 times to give the door not fully closed warning.

10) Close all the doors including rear gate.

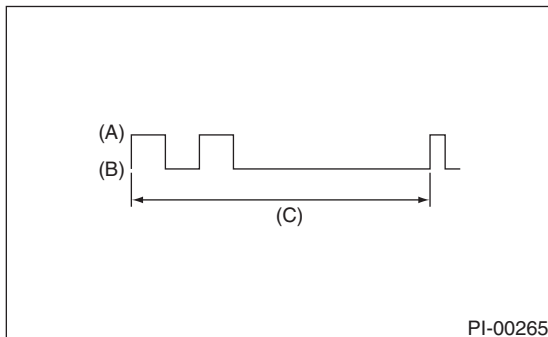
11) Check that the system is in the monitoring condition (all the doors become locked and the buzzer sounds once, and the hazard light flashes once).

- Alarm system monitoring prepared condition



- (A) Light ON
- (B) Light OFF
- (C) 2 seconds

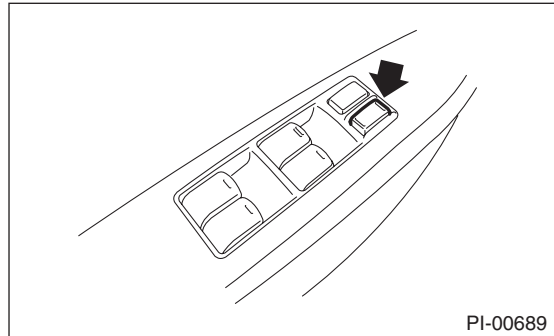
12) Check that the system enters monitoring condition 30 seconds after the condition in 11).



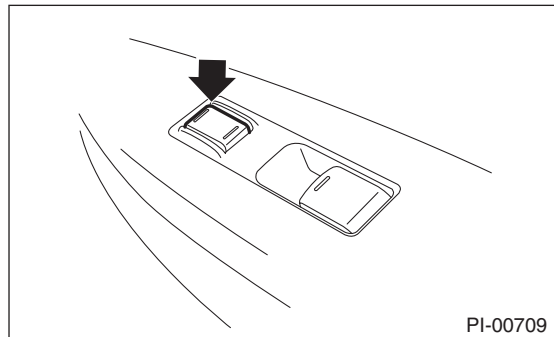
- (A) Light ON
- (B) Light OFF
- (C) 2 seconds

14) With one of all the doors open (including the rear gate), press the “LOCK” side of the power door lock switch.

- Driver’s side



- Passenger’s side



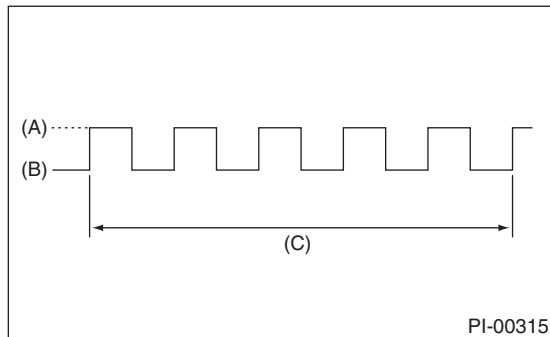
15) Close all the doors including rear gate.

Pre-delivery Inspection

PRE-DELIVERY INSPECTION

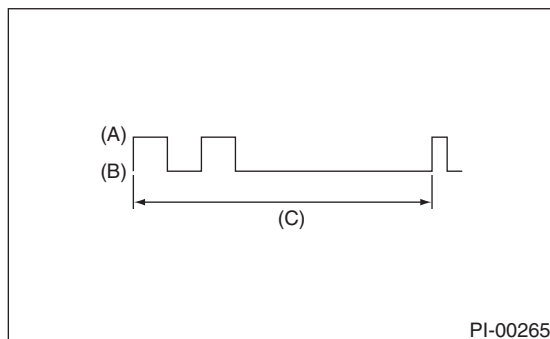
16) If all doors become locked, the buzzer sounds once, and the hazard light flashes once, the alarm system is in the monitoring prepared condition.

- Alarm system monitoring prepared condition



- (A) Light ON
- (B) Light OFF
- (C) 2 seconds

17) Check that the system enters monitoring condition 30 seconds after the condition in 16).



- (A) Light ON
- (B) Light OFF
- (C) 2 seconds

18) When the alarm system is in the monitoring condition, use the inner lock knob or the key to unlock the door, and open the door.

19) Check that the alarm condition occurs (horn sounds continuously, hazard light flashes, security indicator illuminates).

20) Check that the condition in 19) continues for 30 seconds or more, or until the "UNLOCK/DISARM" button of the keyless transmitter is pressed, or until the switch is turned ON with the correct ignition key.

21) On models equipped with an impact sensor, hit the windshield glass with your hand with the alarm system in the monitoring condition, to check that the alarm condition occurs.

22) When none of above is applicable, perform troubleshooting for the security system. <Ref. to SL-27, INSPECTION, Security System.>

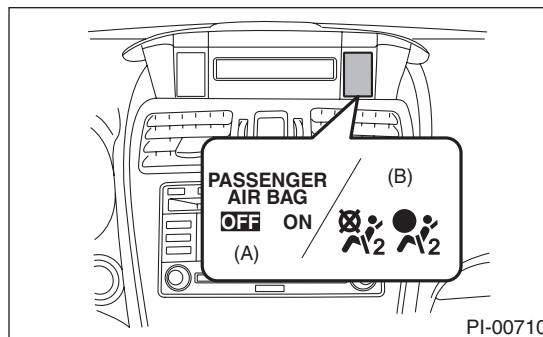
25. SEAT

1) Check that each seat provides full functionality in sliding, lifting and reclining. Check all available functions of the rear seat such as armrest and backrest tilt knob. Check that the tag of the rear center headrest can be viewed.

2) Check the passenger's seat occupant detection system.

(1) Empty the passenger's seat and turn the ignition switch to ON.

(2) Check that the passenger airbag ON/OFF indicator lights both turn on simultaneously for approximately six seconds, and after turning off for two seconds, only the OFF light illuminates.



- (A) Airbag ON/OFF indicator light (U.S.(U5 and U6 models)
- (B) Airbag ON/OFF indicator light (Canada, Mexico (CO) models)

3) With a person weighing approximately 70 kg (155 lb) or more sitting in the passenger's seat, check whether the ON light of the passenger's airbag ON/OFF indicator illuminates or not.

4) Have the passenger get out of the passenger's seat, and check whether the OFF light of the passenger side airbag ON/OFF indicator illuminates.

26. SEAT BELT

1) Pull out the seat belt and then release it. Check that the belt retracts smoothly.

2) Check seat warning system

(1) Turn the ignition switch to ON without driver's and passenger's seat belts on.

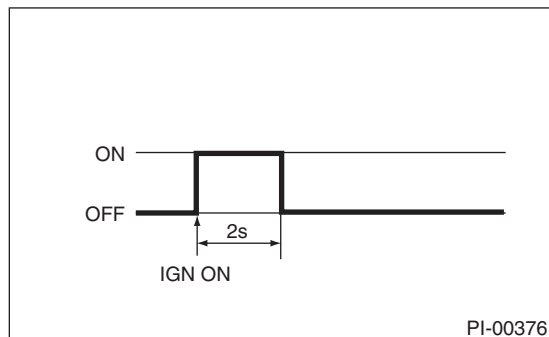
(2) Check the seat belt warning lights of the driver's and the passenger's blink for approximately six seconds and the buzzer sounds intermittently.

(3) Then check that the seat belt warning lights illuminate and blink in a cycle of approximately 15 seconds. (If no one is seated on the passenger's seat, the seat belt warning light of the passenger's will not operate.)

27.TPMS (U.S. MODEL)

1) Turn the ignition switch to ON, and check that the TPMS warning light is in a normal operation condition.

- Normal operation (IG ON (Light check))



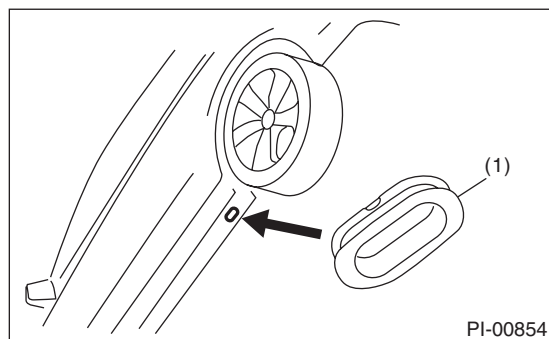
2) If the TPMS warning light display does not operate normally, check and repair the system. <Ref. to TPM(diag)-2, Basic Diagnostic Procedure.>

28.GROMMET INSTALLATION

Install the grommet provided on the rear seat to the tie-down hole. (When equipped)

CAUTION:

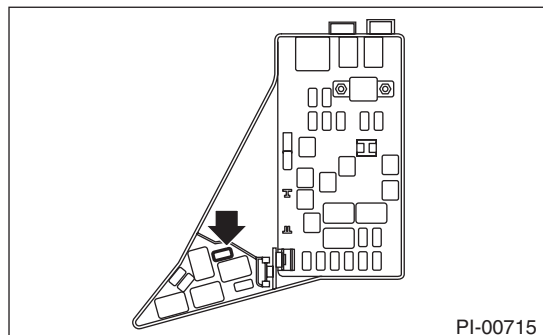
Make sure that the tie-down hole is firmly plugged with the grommet. Otherwise, dust, smell, etc. may come into the passenger compartment indirectly from the rear quarter, via the side sill from the tie-down hole.



(1) Grommet

29.DELIVERY (TEST) MODE

- 1) Turn the ignition switch to ON and check that the malfunction indicator light starts blinking.
- 2) If the light blinks, return the ignition key to LOCK.
- 3) Remove the D check fuse.



- 4) Then, turn the ignition key to ON again.
- 5) Make sure that the malfunction indicator light is off. If the malfunction indicator light blinks, carry out an engine diagnosis.

30.IMMOBILIZER SYSTEM

- 1) Check that the engine starts with all keys that are equipped on vehicle. Also, when starting the engine, check that the security indicator light goes off.
- 2) 60 seconds after turning ignition switch from ON to ACC or OFF, or immediately after removing the key, check that the security indicator light is blinking.

NOTE:

If malfunctions occur, refer to "IMMOBILIZER (DIAGNOSIS)". <Ref. to IM(diag)-2, Basic Diagnostic Procedure.>

31.STARTING CONDITION

Start the engine and check that the engine starts smoothly. If the battery voltage is low, recharge or replace the battery. If any noises are observed, immediately stop the engine and check and repair the abnormal components.

32.EXHAUST

Listen to the exhaust noise to see if no noises are observed. Check that no leaks are found.

33.INDICATOR AND WARNING LIGHTS

Check that all indicator lights and warning lights are operating correctly.

34.HEATER & VENTILATION

Operate the heater & ventilation system to check for normal airflow outlet control, air inlet control, airflow capacity and heating performance.

Pre-delivery Inspection

PRE-DELIVERY INSPECTION

35.AIR CONDITIONER

Operate the air conditioner. Check that the A/C compressor operates normally and enough cooling is provided.

NOTE:

To prevent the insufficient lubrication of the air conditioner, operate the air conditioner for five minutes at idling.

36.MULTI-FUNCTION DISPLAY (MFD)

- 1) Check that the Multi-Function Display (MFD) function operates normally.
- 2) Check that the rearview camera operates normally.

37.AUDIO

- 1) Check if the AM/FM radio broadcasting can be heard.
- 2) Check that all the radio functions work properly and the noise level is normal.
- 3) Check the CD and AUX for normal operation.
- 4) Check that the AUX is installed into the console without looseness.
- 5) Check that the rearview camera operates normally.

38.NAVIGATION SYSTEM

- 1) Check all display functions for normal operation. (Refer to the operation manual.)
- 2) Check that the navigation system operates normally.
- 3) Check the radio, CD (DVD) player and AUX for normal operation.
- 4) Check that the AUX is installed into the console without looseness.
- 5) Check that the rearview camera operates normally.

39.FRONT ACCESSORY POWER SUPPLY SOCKET

Check the operation of the front accessory power supply socket.

40.LIGHTING

- 1) Check the headlight operations. When pulling out the key, check if the headlight illuminates by turning the headlight switch from OFF to ON.
- 2) Check the stop light operation.
- 3) Check other lights for normal operations.

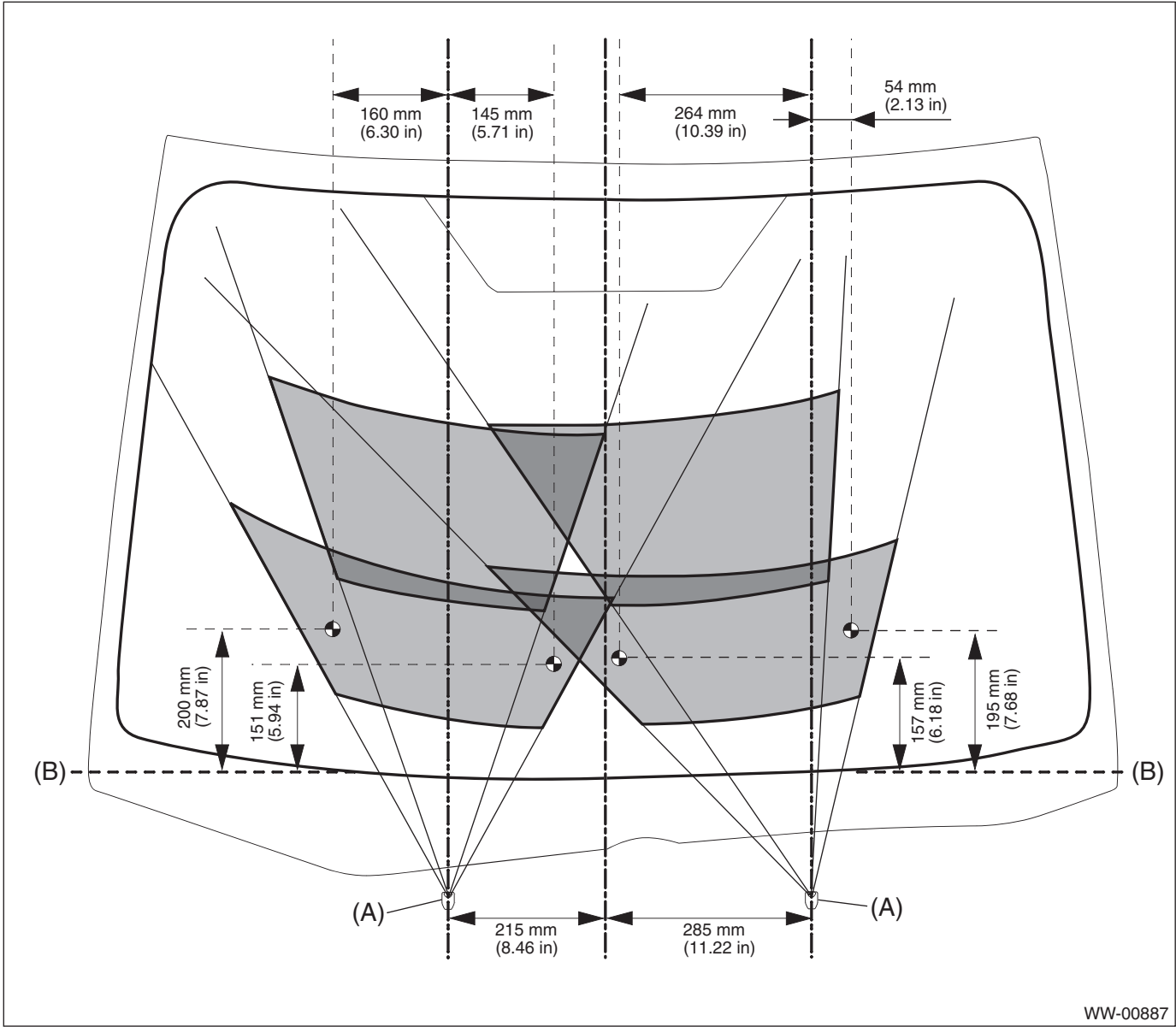
41.ILLUMINATION CONTROL

Check that the illumination control operates normally.

42.WINDOW WASHER

Check that the window washer system injects washer fluid to the specified area of the windshield shown in the figure.

Front spray position:



WW-00887

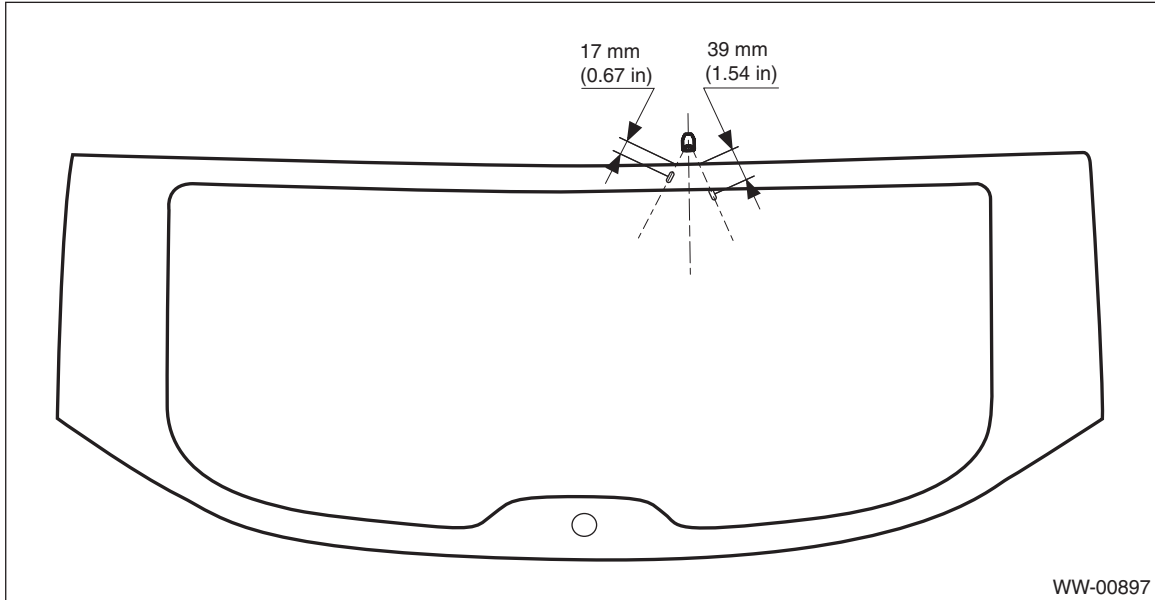
(A) Washer nozzle

(B) Ceramic line position

Pre-delivery Inspection

PRE-DELIVERY INSPECTION

Rear spray position:



43.WIPER

Check the front and rear wipers for normal operations.

44.WIPER DEICER

Check that the wiper deicer operates normally.

NOTE:

When an ambient temperature is 5°C or more, wiper deicer operation is cancelled. Press the switch for 3 seconds or more to perform the compulsory operation.

45.POWER WINDOW

Operate the power window switches one by one to check that each of the power windows goes up and down without noises.

46.SUNROOF

Check that the sunroof operates normally.

47.REAR DEFOGGER

Press the rear defogger switch and check that the light inside the switch is activated for approx. 15 minutes and the rear defogger automatically turns to OFF.

48.DOOR MIRROR

- Check that the remote control mirror operates normally.
- Check that the heated mirror operates normally.

49.DIAGNOSTIC TROUBLE CODE (DTC) CHECK

Read the diagnostic trouble code and check that the diagnostic trouble code is not detected.

If any diagnostic trouble code is detected, clear all.

1) Read Diagnostic Trouble Code

NOTE:

For detailed operation procedures, refer to “PC application help for Subaru Select Monitor”.

2) Clear Memory Mode

NOTE:

For detailed operation procedures, refer to “PC application help for Subaru Select Monitor”.

50.BRAKE TEST

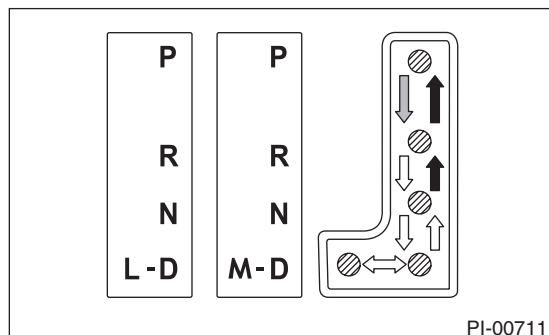
Check the foot brake for normal operations.

51.PARKING BRAKE

Check the parking brake for normal operations. When pulling the parking brake lever with a force of 200 N (20 kgf, 45 lb), check that the lever stroke of parking brake lever is 7 to 8 notches.

52.SHIFT CONTROL**• CVT**

- 1) Turn the ignition switch to ON.
- 2) While brake pedal is not depressed, check if the select lever does not move from “P” range.
- 3) While brake pedal is depressed, check if the select lever moves from “P” range.
- 4) Set the select lever to other than “P” range.
- 5) When the ignition switch is turned to OFF, check if the ignition key switch cannot be removed.
- 6) Set the selector lever to each gear position and check the shifting while driving the vehicle. Operate the paddle shift at manual mode and check the shifting while driving the vehicle.



PI-00711

• MT

Check for smooth operation to each position.

53.CRUISE CONTROL

Operate the cruise control system. Check that the system is activated and deactivated correctly.

54.FLUID LEAKAGE

Check entire areas of the vehicle for any trace of engine coolant/engine oil/transmission fluid leaks.

55.WATER LEAK TEST

Spray the vehicle with water using a hose and check that no water enters the passenger compartment.

- Before performing the water leakage test, remove anything that may obstruct the operation or which must be kept dry.
- Close all the windows and doors securely. Close the front hood, trunk lid and rear gate before starting the test.
- Connect a hose to a tap, and spray water on the vehicle. The rate of water spray must be approx. 20 to 25 L (5.3 — 6.6 US gal, 4.4 — 5.5 Imp gal) per minute.

When spraying water on areas adjacent to the floor and wheel house, increase the pressure. When spraying water on areas other than the floor and wheel house, decrease the pressure. But the force of water must be made strong occasionally by pressing the end of the hose.

NOTE:

Be sure to keep the hose at least 10 cm (3.9 in) away from vehicle.

Check the following areas.

- Front window and body framework mating portion
- Door mating portions
- Glass mating portions
- Rear quarter window mating portions
- Rear window and body framework mating portion
- Around roof drips

If any dampness in the compartments is discovered after the water has been applied, carefully check all the areas that may have possibly contributed to the leak.

Pre-delivery Inspection

PRE-DELIVERY INSPECTION

56. APPEARANCE 2

1) If protective coating (lap guard) is applied, remove it.

NOTE:

- When removing the lap guard, using steam will make it easier to remove.
- Vehicle left for an extended period or at low temperatures, spray the vehicle with water heated 50 — 60°C (122 — 140°F) to raise the surface temperature before peeling off the wrap guard. Do not use the water heated to over 60°C (140°F).
- If the adhesive remains on the coated surface, soak a flannel rag, etc. with a small amount of coating wax or solvent such as oil benzene and IPA, put the soaked cloth on the remains lightly, and then wipe them off with a flannel rag etc.
- Keep solvent from touching the resin or rubber parts. Do not use coating wax or solvents while the component surface temperature is hot due to hot weather etc.
- If the coated surface is swollen out due to seams or moisture, expose the vehicle to the sunlight for a few hours or heat the seam and swollen portions using a dryer etc.
- Dispose of the peeled wrap guard as burnable industrial garbage.

2) Check the whole vehicle body for flaking paint, damage by transportation, corrosion, dirt, cracks or blisters.

NOTE:

- It is better to determine an inspection pattern in order to avoid missing an area, since the total inspection area is wide.
- Do not repair the body paint unless absolutely necessary. Also, if the vehicle is in need of repair to remove scratches or corroded paint, the repair area must be limited to the minimum. Re-painting and spray painting must be avoided as much as possible.

3) Check each window glass for scratches carefully. Slight damage may be removed by polishing with cerium oxide. (Fill a cup half with cerium oxide, and add warm water to it. Then agitate the content until it turns to wax. Apply this wax to a soft cloth, and polish the glass with it.)

4) Check each portion of the vehicle body and underside components for the formation of rust. If rust is discovered, remove it with sandpaper of #80 to #180 and treat the surface with rust preventive. After this treatment is completed, flush the portion thoroughly, and prepare the surface for repair painting.

5) Check each portion of body and all of the exterior parts for deformation or distortion. Also, check each light lens for cracks.

PERIODIC MAINTENANCE SERVICES

PM

	Page
1. General Description	2
2. Schedule	3
3. Engine Oil	5
4. Engine Oil Filter	6
5. Spark Plug	7
6. V-belt	8
7. Fuel Line	9
8. Fuel Filter	10
9. Air Cleaner Element	11
10. Cooling System	12
11. Engine Coolant	13
12. Clutch System	14
13. Transmission Gear Oil	15
14. CVTF	16
15. Front & Rear Differential Gear Oil	17
16. Brake Line	18
17. Brake Fluid	19
18. Disc Brake Pad and Disc	20
19. Parking Brake	21
20. Suspension	22
21. Wheel Bearing	25
22. Axle Boots & Joints	26
23. Tire Inspection and Rotation	27
24. Steering System (Power Steering)	28
25. A/C Filter	30