

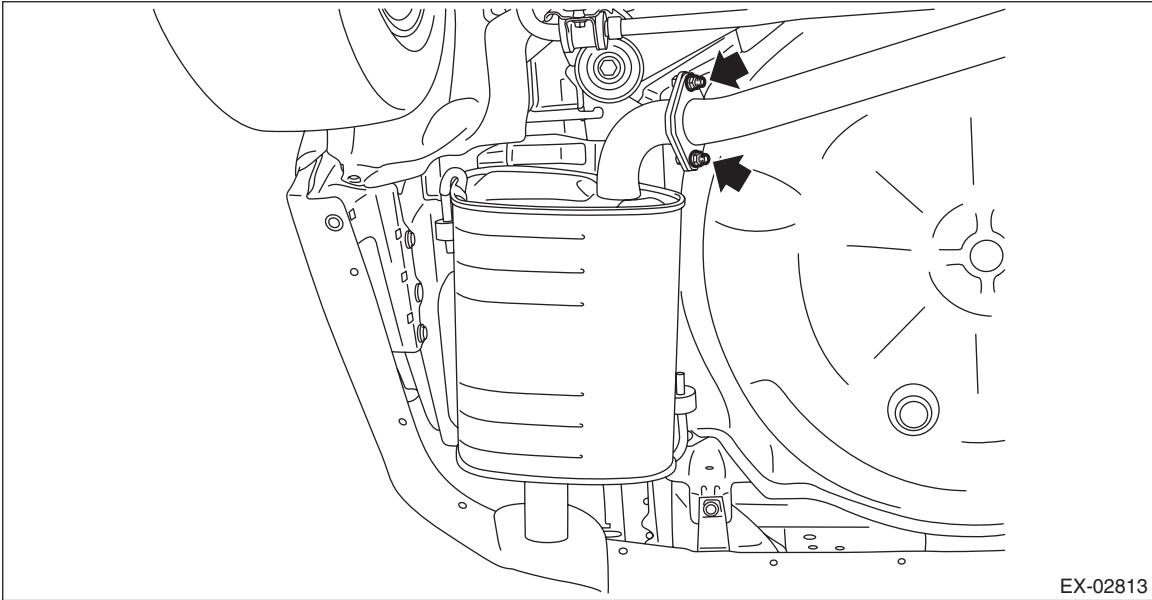
## 5. Muffler

### A: REMOVAL

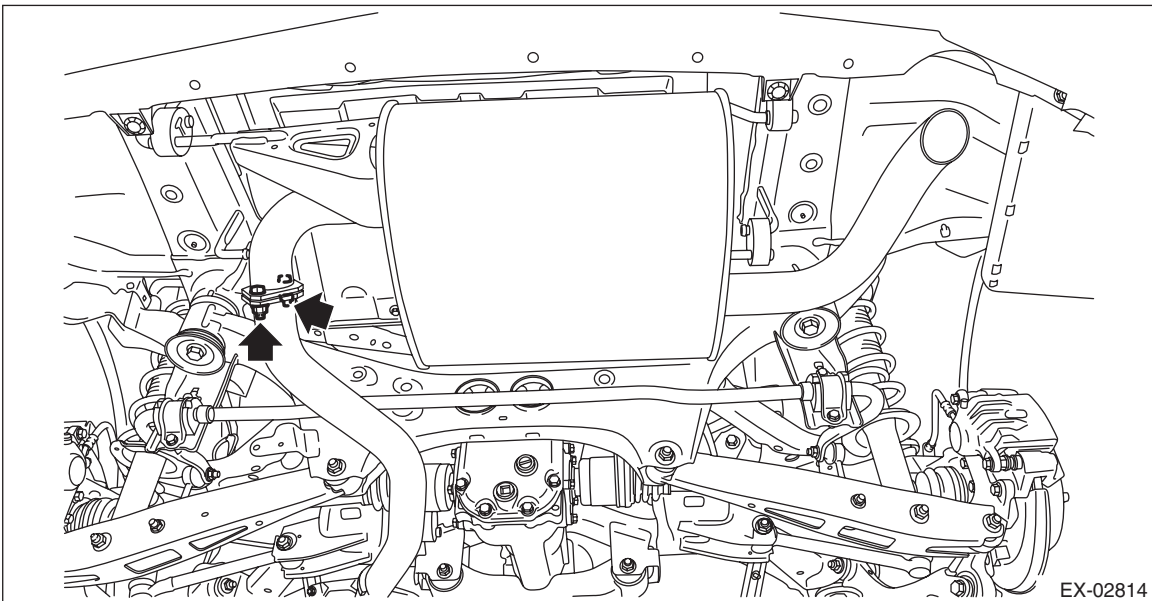
#### CAUTION:

Vehicle components are extremely hot after driving. Be wary of receiving burns from heated parts.

- 1) Lift up the vehicle.
  - 2) Remove the rear exhaust pipe from the muffler.
- 4 door model



- 5 door model/XV model



- 3) Apply a coat of spray type lubricant to the mating area of cushion rubber.

# Muffler

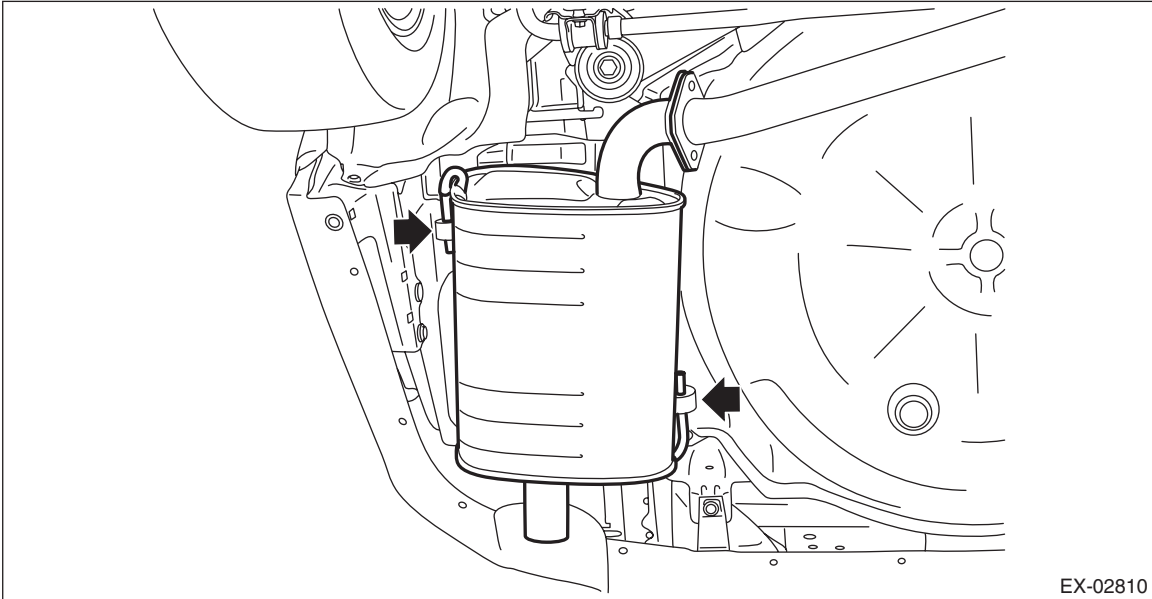
## EXHAUST

4) Remove the muffler from the cushion rubber.

### CAUTION:

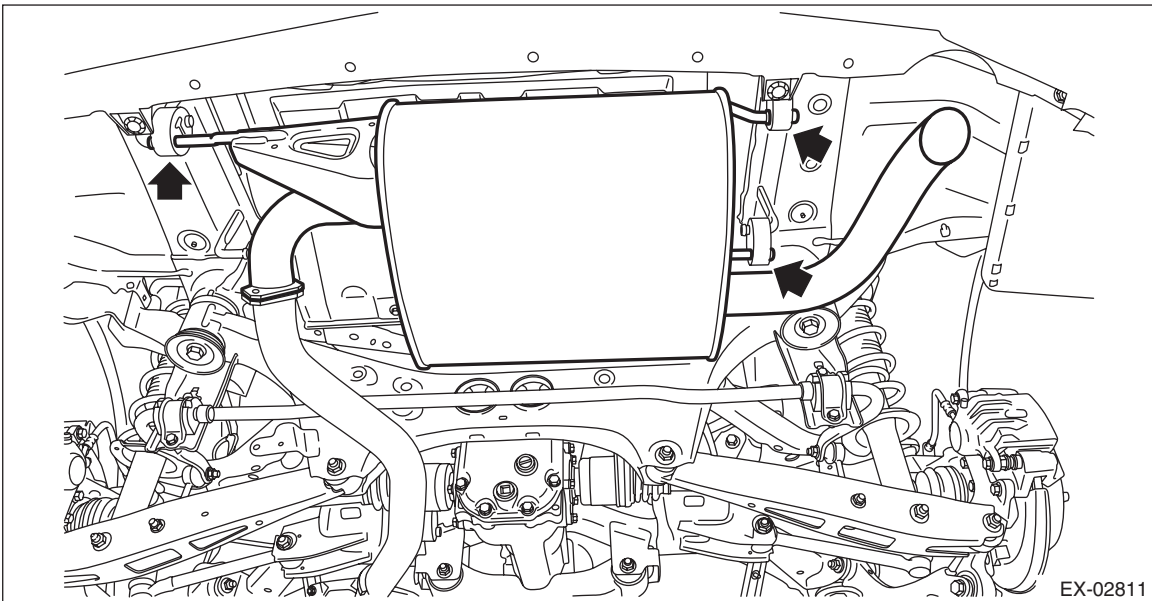
**Be careful not to drop the muffler during removal.**

- 4 door model



EX-02810

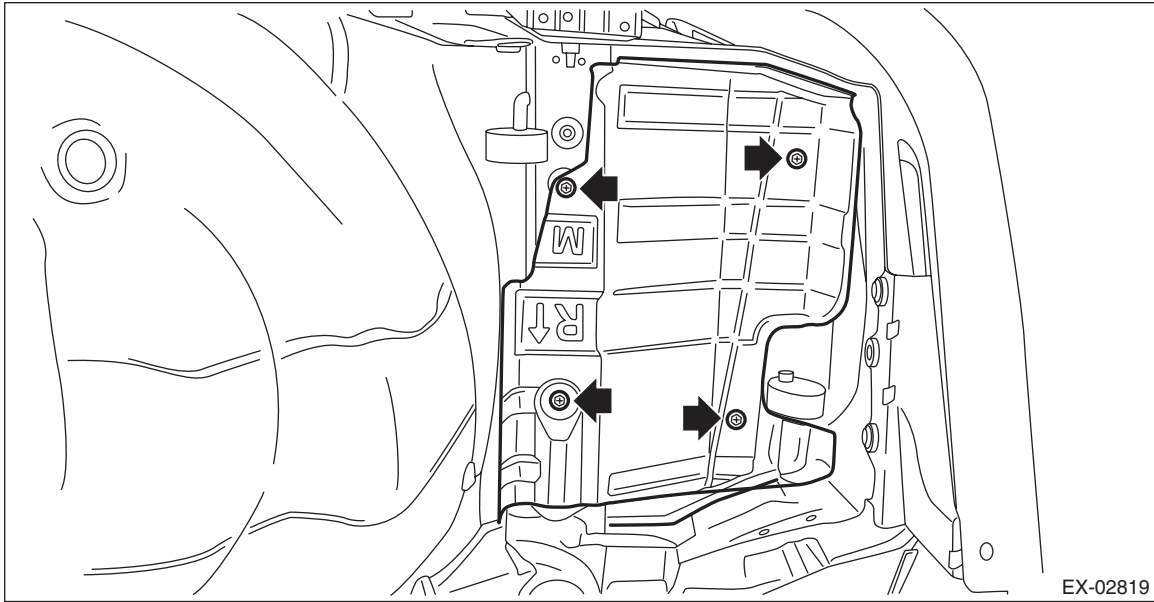
- 5 door model/XV model



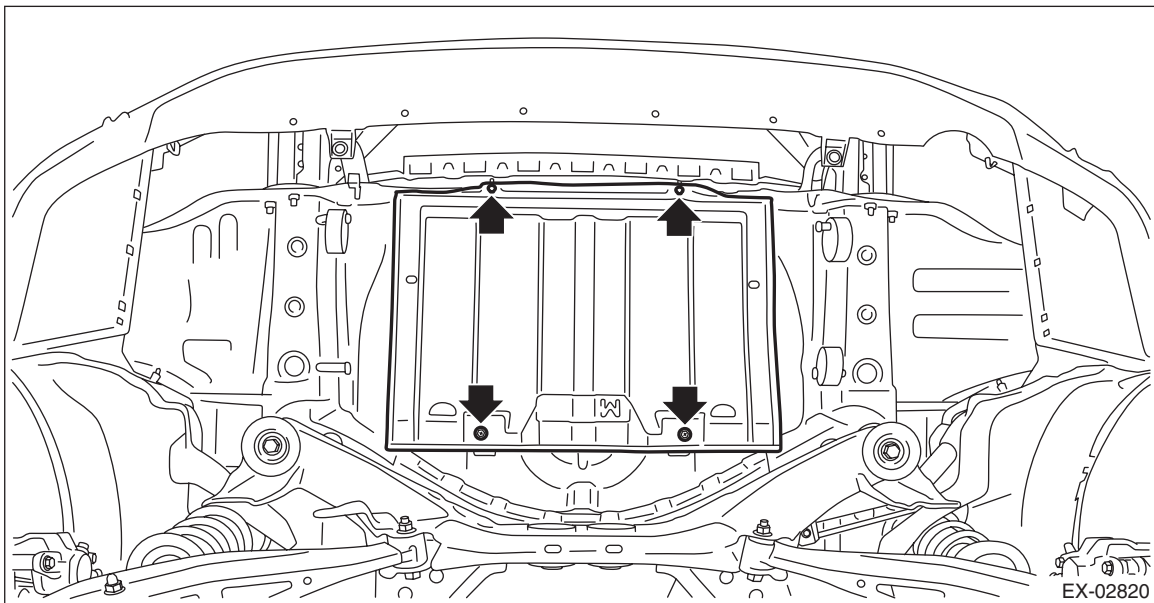
EX-02811

5) Remove the heat shield cover from the vehicle.

- 4 door model



- 5 door model/XV model



# Muffler

## EXHAUST

### B: INSTALLATION

Install in the reverse order of removal.

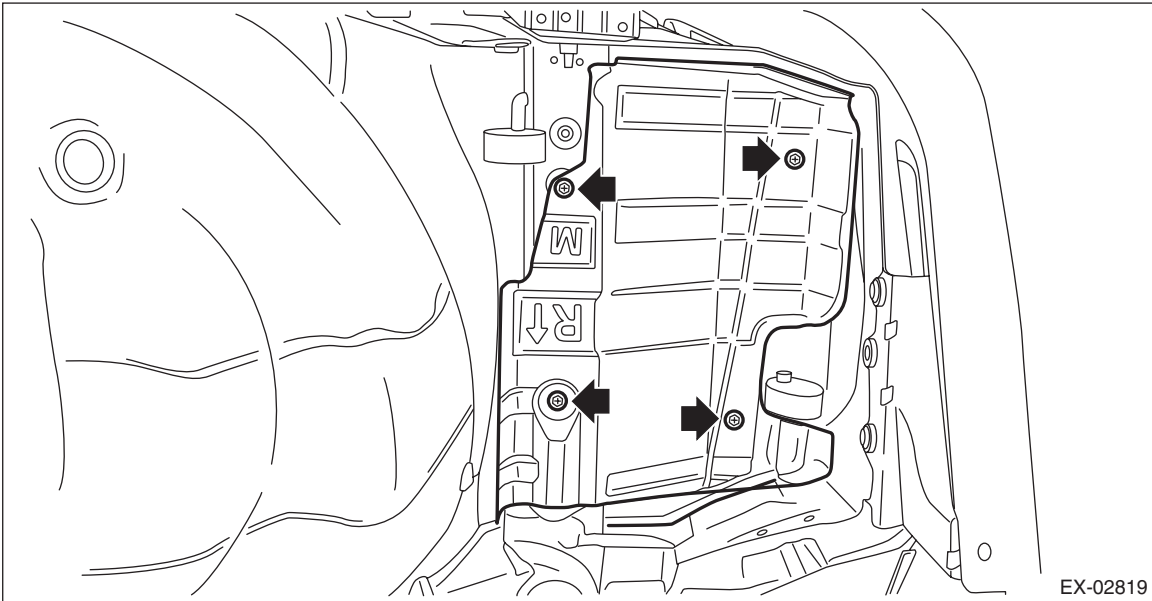
#### NOTE:

- Use a new gasket and self-locking nut.
- After assembling, degrease the lubricant which was applied to the cushion rubber while removing/installing.

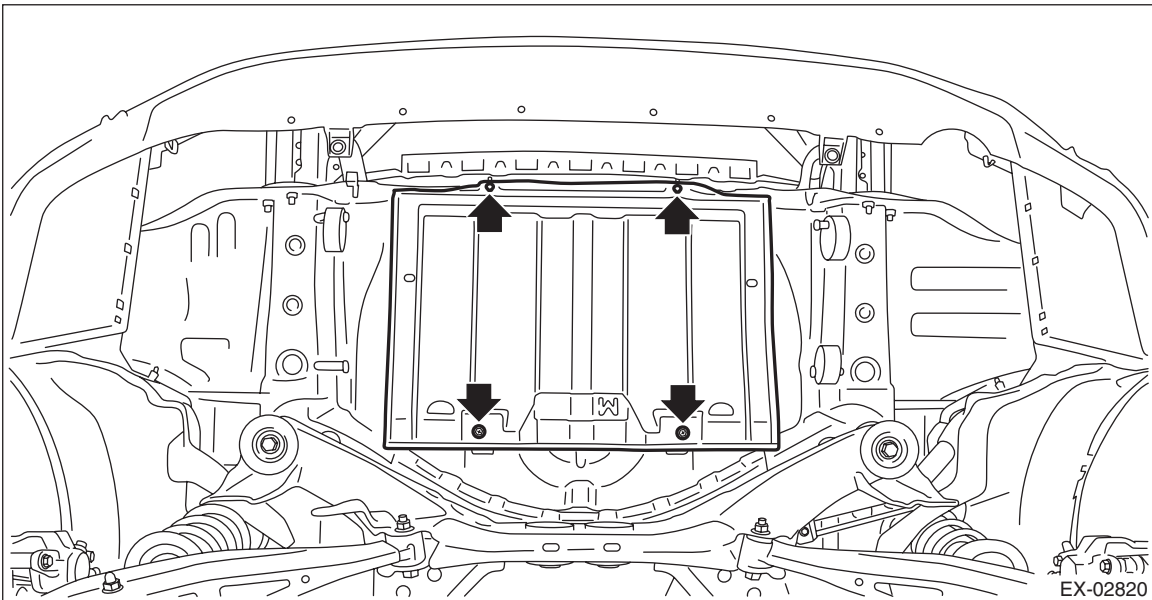
#### **Tightening torque:**

**10 N·m (1.0 kgf·m, 7.4 ft·lb)**

- 4 door model



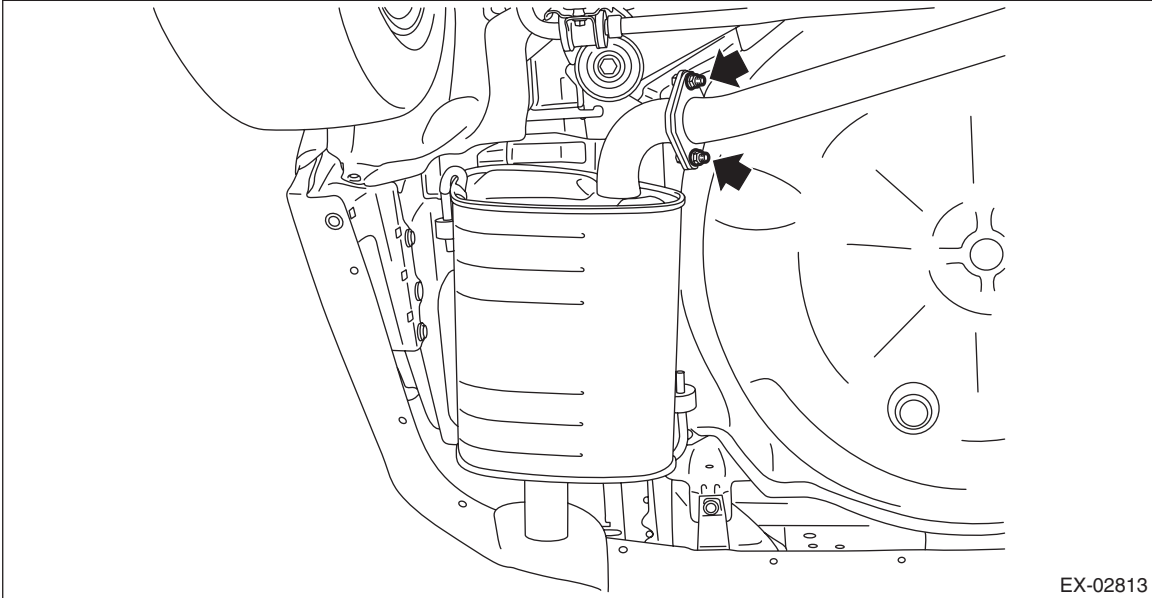
- 5 door model/XV model



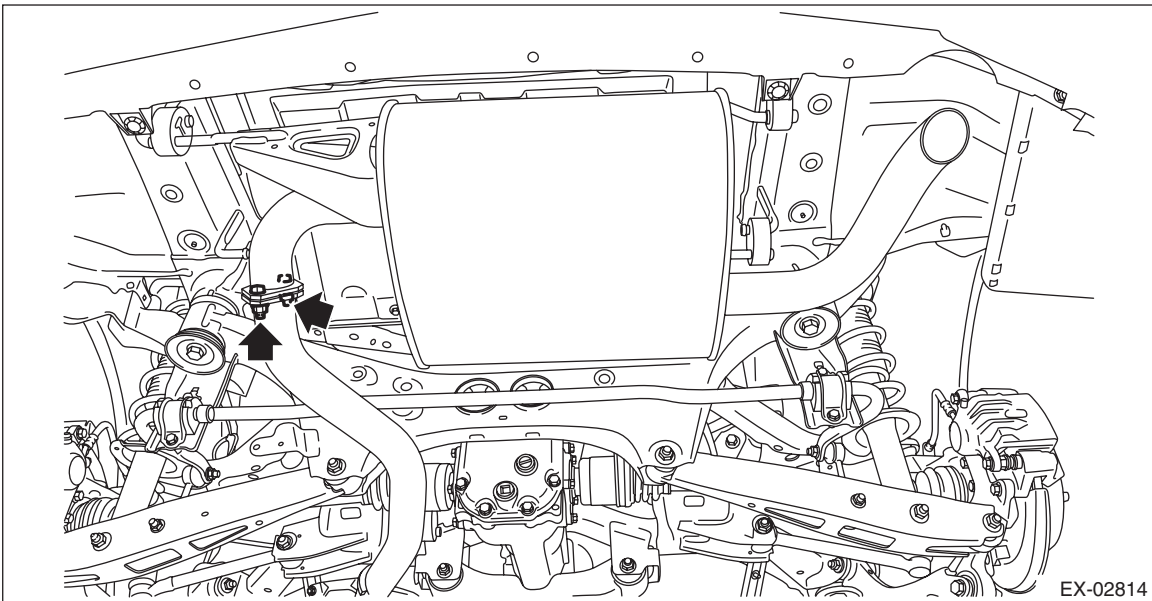
#### **Tightening torque:**

**48 N·m (4.9 kgf·m, 35.4 ft·lb)**

- 4 door model



- 5 door model/XV model



### C: INSPECTION

- 1) Check the connections and welded parts for exhaust leaks.
- 2) Make sure there are no holes or rusting.
- 3) Check the cushion rubber for wear or crack.

# Muffler

EXHAUST

---

# COOLING

# *CO(H4DO)*

---

	<b>Page</b>
1. General Description .....	2
2. Radiator Fan System .....	7
3. Engine Coolant .....	13
4. Water Pump .....	16
5. Thermostat .....	20
6. Radiator .....	32
7. Radiator Cap .....	42
8. Radiator Main Fan and Fan Motor .....	43
9. Radiator Sub Fan and Fan Motor .....	47
10. Reservoir Tank .....	51
11. Engine Cooling System Trouble in General .....	52